

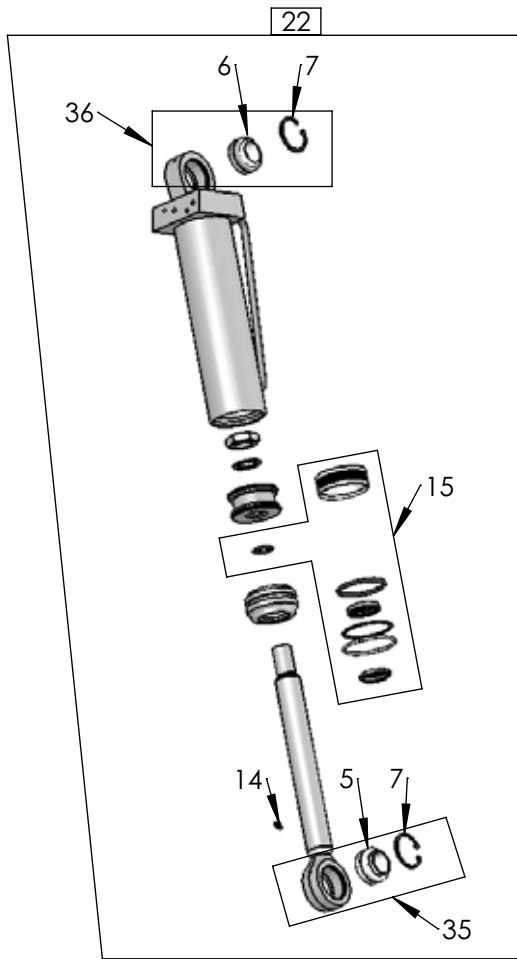
FX



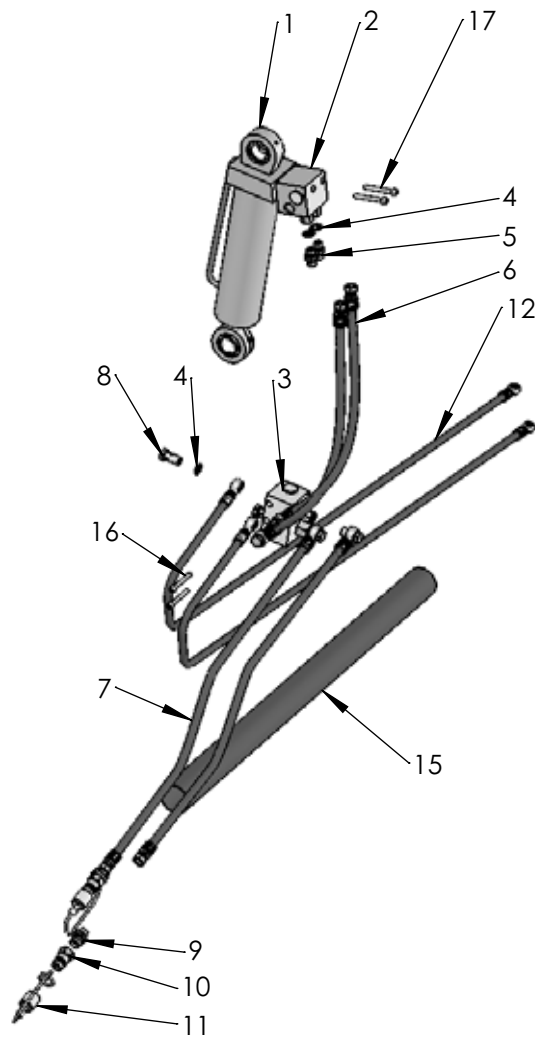
Reservdelista
Spare parts list
Ersatzteilliste
Onderdelenlijst
Liste de pièce de rechange
Listino di prezzi de ricambio

Edition:
180215

| Sida Seite Page Page | Bild Bild Fig.No. Fig.N°. | Typ | Innehållsförteknig | Inhaltsverzeichnis | Index of contents | Table des matieres |
|-------------------------------|------------------------------------|-------------|-----------------------------|--|---------------------------------------|--|
| 3 | 529, 542 | | VÄNDCYLINDER | WENDEZYLINDER | REVERSING | VÉRIN CPL. |
| 5 | 1069 | FX | HYDRAULISK SIDOREGLERING | HYDRAULISCHE SCHNITTBREITEN- VERSTELLUNG | HYDRAULIC FRONT-FURROW ADJUSTER | DEPORTATEURE HYDRAULIQUE |
| 7 | 1057 | FX | TOPP | KOPSTÜCK | HEADSTOCK | TETE |
| 9 | 1070 | FX | DJUPINDIKERING | TIEFE INDIKATOR | DEPTH INDICATOR | INDICATION DE LA PROFONDEUR |
| 11 | 445 | H | ÅSHUS | GRINDELGEHÄUSE | BEAM HOUSING | SUPPORT D'AGE |
| 13 | 516 | FX | STENSÄKRINGS- HYDRAULIK | HYDRAULISCHER STEINSICHERUNG | HYDRAULIC STONE TRIP | DISPOSITIF DE SECURITE HYDRAULIQUE |
| 15 | 715 | | FRONTHJUL | FRONT RAD | FRONT WHEEL | ROUE F FRONTALE |
| 17 | 519 | | SKIVRIST | SCHEIBENSECH | DISC COULTER | COUTRE CIRCULAIRE |
| 19 | 700,701,702 | XL,XU,XS,UC | SKUMVINGE | EINLEGER- STREICHBLECH | COVERBOARD | DEFLECTEUR |
| 21 | 1010 | | SKUMRIST | VORSCHÄLER | SKIMMER | RASETTE |
| 23 | 103d | XL,XLP | PLOGKROPP | PFLUGKÖRPER | PLOUGH BOTTOMS | CORPS DE CHARRUE |
| 25 | 1322 | XLD | PLOGKROPP | PFLUGKÖRPER | PLOUGH BOTTOMS | CORPS DE CHARRUE |
| 27 | 660 | XU | PLOGKROPP | PFLUGKÖRPER | PLOUGH BOTTOMS | CORPS DE CHARRUE |
| 29 | 665 | XS | PLOGKROPP | PFLUGKÖRPER | PLOUGH BOTTOMS | CORPS DE CHARRUE |
| 31 | 1520 | XSD | PLOGKROPP | PFLUGKÖRPER | PLOUGH BOTTOMS | CORPS DE CHARRUE |
| 33 | 527 | | SPEGEL | SPIEGEL | MIRROR | MIROIR |
| 35 | 1374 | | DEKALER | AUFKLEBER | STICKERS | DECALCOMANIE |



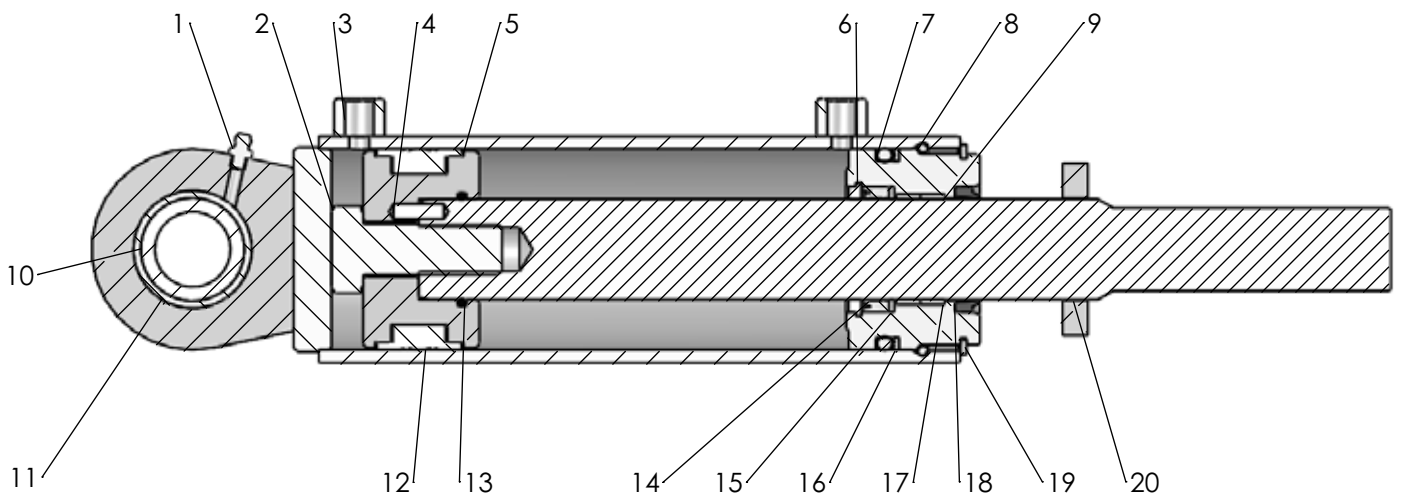
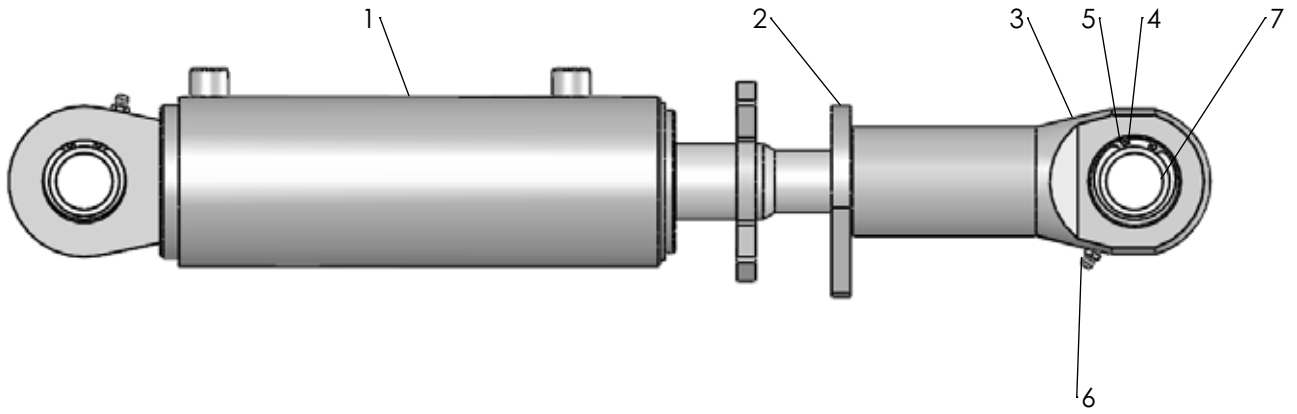
529



542

| Pos nr Pos.Nr Ref.No Fig.Nº. | Detalj nr Best.Nr Part No Code Nº. | | Benämning | Bezeichnung | Description | Description |
|---------------------------------------|---|-------------------------|--|---------------------------------|-------------------------------|----------------------------|
| 529 | | | VÄNDCYLINDER | WENDEZYLINDER | REVERSING | VÉRIN CPL. |
| 5 | 1659 13 08 01 | | Lager | Lager | Bearing | Palier |
| 6 | 1658 64 05 03 | | Lager | Lager | Bearing | Palier |
| 7 | 735 31 44 11 | | Låsring | Kopfring | Lock ring | Bague d'arrêt |
| 14 | 738 88 20 02 | | Smörjnippel | Schmiernippel | Grease nipple | Graisneur |
| 15 | 1659 46 68 00 | | Packningssats | Packungsgarnitur | Set of seals | Jeu de joints |
| 21 | 1652 55 26 00 | | Kolvstång monterad | Kolbenstange kompl. | Piston rod compl. | Tige de piston cpl. |
| 22 | 1652 55 14 50 | | Vändcyl. utan ventil | Wendezylinder | Reversing | Vérin cpl. |
| 35 | 1652 05 85 00 | | Kolvstångsöra kompl | Kolbenstange ohr kompl | Rod piston ear compl. | Tige de piston oreielle |
| 36 | 1659 69 45 00 | | Cylinderöra | Zylinder ohr | Cylinder ear | Vérin oreielle |
| 542 | | | UTRÄTNINGSCYLINDER ÖVERVÄNDNING | ZENTRIRUNG- ZYLINDER | ALIGNMENT CYLINDER | VÉRIN D'ALIGNEM |
| 1 | 1652 55 14 50 | | Vändcylinder utan ventil | Wendezylinder | Reversing cylinder | Vérin de retournement |
| 2 | 1652 70 04 50 | | Ventilblock | Ventilplatte | Valve manifold | Soupape |
| 3 | 1652 70 09 50 | | Ventilblock | Ventilplatte | Valve manifold | Soupape |
| 4 | 1659 44 17 00 | 3/8 | Tätningbricka | Dichtungsscheibe | Sealing washer | Rondelle d'étanchéité |
| 5 | 1659 24 34 00 | 3/8-3/8 | Rak adapt | Verbindungsstück | Union | Raccord |
| 6 | 1652 14 29 00 | L=600 3/8-3/8 Banjo | Slang | Schlauch | Hose | Tuyau flexible |
| 7 | 1652 17 05 00 | L=1500 3/8-3/8 Banjo | Slang | Schlauch | Hose | Tuyau flexible |
| 8 | 1659 57 74 00 | 3/8 | Banjoskruv | Schwenkschraube | Banjo bolt | Vis |
| 9 | 1659 24 38 00 | 1/2-3/8 | Rak adapt | Verbindungsstück | Union | Raccord |
| 10 | 1657 48 14 00 | ISO-G1/2 | Handel | Schnellkupplung M | Quick coupling M | Raccord rapide M |
| 11 | 1657 83 83 00 | | Handelsskydd | Schutz | Guard | Protection |
| 12 | 1652 90 66 00 | L=2200 1/4-3/8 | Slang | Schlauch | Hose | Tuyau flexible |
| 15 | 1652 10 43 00 | | Skyddslang | Schlauch | Hose | Tuyau flexible |
| 16 | 725 54 65 01 | MC6S 8x70 | Skruv | Schraube | Bolt | Vis |
| 17 | 725 54 63 91 | MC6S 8x60 | Skruv | Schraube | Bolt | Vis |

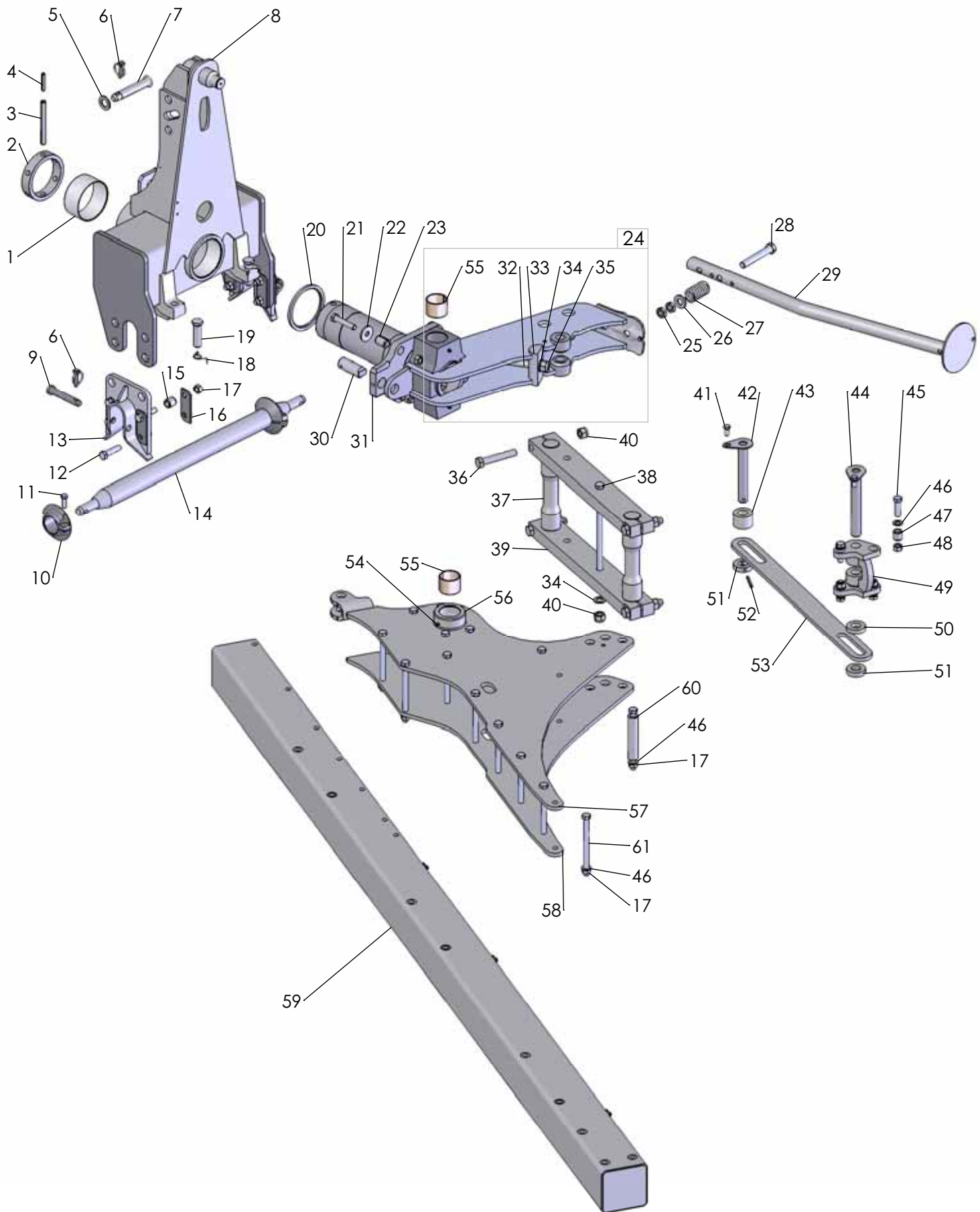
Hydraulisk uträtning
Hydraulic alignment



1069

| Pos nr/ Ref No | Detalj nr/ Part No | Benämning | Description |
|-------------------|-----------------------|--------------------------------|-----------------------------------|
| 1 | 41 65 30487 50 | Hydraulcylinder DV, Ø80/40x145 | Hydraulic cylinder DA, Ø80/40x145 |
| 2 | 41 65 30475 00 | Låsarm | Locking nut |
| 3 | 41 65 30474 50 | Öra | Ear |
| 4 | 41 65 86405 02 | Ledlager, Ø30 | Spherical plain bearing, Ø30 |
| 5 | 735 31 40 11 | Spårring SgH 47 FZB | Circlip DIN 472 - 47 x 1.75 |
| 6 | 738 88 10 01 | Smörjnippel, AH M6 FZB | Grease nipple, AH M6 FZB |
| 7 | 41 65 22125 00 | Bricka, Ø30/37x6 | Washer, Ø30/37x6 |

| Pos nr/ Ref No | Detalj nr/ Part No | Benämning | Description |
|-------------------|-----------------------|------------------------------|-------------------------------|
| 1 | 738 88 10 01 | Smörjnippel, AH M6 FZB | Grease nipple, AH M6 FZB |
| 2 | 725 26 75 51 | Skruv M6S 20x 55- 8.8 FZB | Bolt ISO 4014 - M20 x 55 |
| 3 | 41 65 30486 50 | Cylinderrör Ø80/90, komplett | Cylinder jacket |
| 4 | 41 65 26363 00 | Cylindrisk pinne 6m6 | Pin |
| 5 | 41 65 89199 00 | Kolv, Ø80/40 | Piston, Ø80/40 |
| 6 | 41 65 93809 00 | Låsring, RI 40/50x2,15 | Retaining ring, RI 40/50x2,15 |
| 7 | 740 45 13 00 | O-ring OR 69.2x5.7 | O-ring OR 69.2x5.7 |
| 8 | 41 65 89206 00 | Låsringshalvor för cyl Ø80 | Locking ring |
| 9 | 41 65 93807 00 | Styrning, Ø40/44x10 | Guide ring, Ø40/44x10 |
| 10 | 41 65 86405 02 | Ledlager, Ø30 | Spherical plain bearing, Ø30 |
| 11 | 735 31 40 11 | Spårring SgH 47 FZB | Circlip DIN 472 - 47 x 1.75 |
| 12 | 41 65 89198 00 | Kolv tätning Ø80 | Seal |
| 13 | 740 44 12 00 | O-ring, OR 39,2x3.0 | O-ring, OR 39,2x3.0 |
| 14 | 41 65 89203 00 | Stångtätning, Ø40/50x11 | Rod seal, Ø40/50x11 |
| 15 | 41 65 93808 00 | Stödbricka, Ø40/50x2 | Support washer, Ø40/50x2 |
| 16 | 4 165 84423 00 | Stödring, 70/80 | Back-up ring, 70/80 |
| 17 | 41 65 93806 00 | Styrning, Ø80/40 | Guide, Ø80/40 |
| 18 | 41 65 89209 00 | Avstrykare, Ø40/50x7x10 | Wiper, Ø40/50x7x10 |
| 19 | 735 31 54 61 | Spårring AV 75 FZB | Retaining ring AV 75 FZB |
| 20 | 41 65 30488 50 | Kolvstång kompl | Piston |
| - | 41 659 38 10 00 | Packningssats | Set of seas |

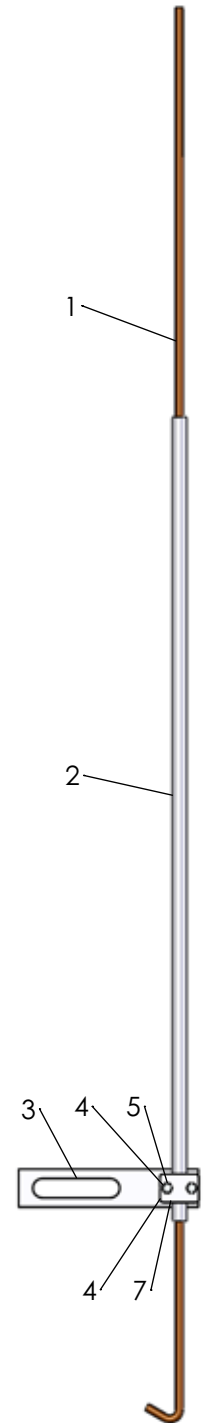
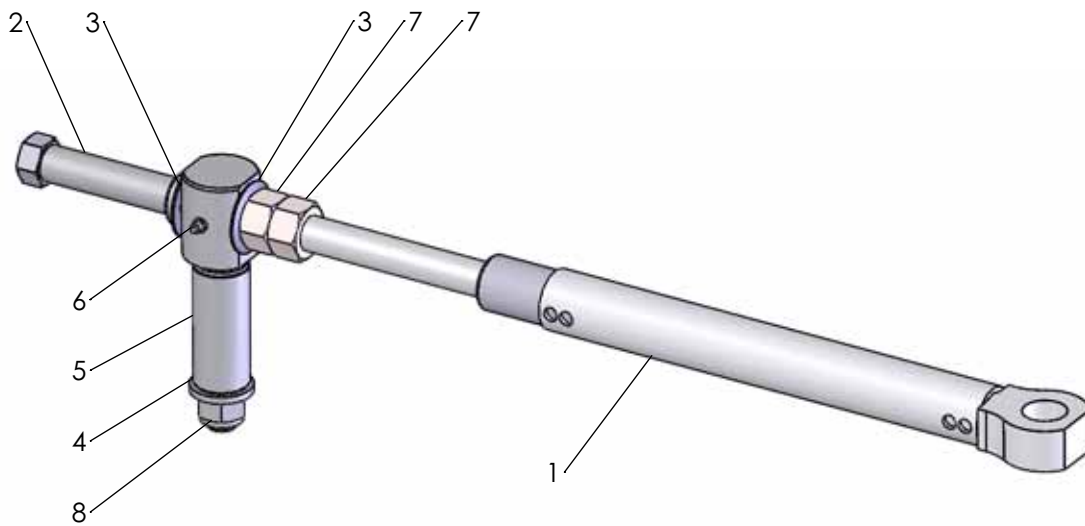


1057

| Pos nr/ Ref No | Detalj nr/ Part No | Benämning | Description |
|-------------------|-----------------------|-----------------------------------|--|
| 1 | 4165 85300 00 | Glidlager, Ø125/130x60 | Slide bearing, Ø125/130x60 |
| 2 | 4165 86165 00 | Låsring | Lock ring |
| 3 | 721 45 80 10 | Fjädrande rörpinne FRP 16x150 FZB | Spring Pin ISO 8752 - 16 x 150 |
| 4 | 721 44 23 01 | Fjädrande rörpinne FRP 10x 60 FZB | Spring Pin ISO 8752 - 10 x 60 |
| 5 | 734 12 00 01 | Bricka BRB 26x 45 FZB | Washer 26x45-200 HV |
| 6 | 4165 85005 00 | Ringsprint, Ø11x34 | Linch pin, Ø11x34 |
| 7 | 4165 96463 00 | Toppstångstapp, Ø25,3x146 | Top link pin, Ø25,3x146 |
| 8 | 4165 26640 90 | Topp, CX HD | Headstock, CX HD |
| 9 | 4165 93005 00 | Tapp | Pivot pin |
| 10 | 4165 93020 40 | Infångarkon | Guidecone |
| 11 | 725 25 38 51 | Skruv M6S 12x 35- 8.8 FZB | Bolt ISO 4014 - M12 x 35 |
| 12 | 725 26 33 81 | Skruv M6S 16x 65-10.9 FZB | Bolt ISO 4014 M16x65 -10.9 |
| 13 | 4165 94550 90 | Bärxellagring | Cross shaft bracket |
| 14 | 4165 86085 40 | Bärxaxel kat. 2 | Cross shaft 2 |
| 15 | 165 86240 01 | Fjädrande rörpinne FRP 20x 28 | Spring pin DIN 1481 S Ø20x28 |
| 16 | 4165 94552 00 | Bricka | Washer |
| 17 | 4165 03604 05 | Mutter M6M 16-10 FZB | Nut DIN 934 M16-10 FZB |
| 18 | 4165 85779 00 | Friktionsfjäder | Friction ring |
| 19 | 4165 85693 00 | Skruv M24x80 N30, Kullrigt huvud | Bolt M24x80 N30, Special head 10.9 FZB |
| 20 | 4165 86166 00 | Bricka, Ø125,5/150x8 | Washer, Ø125,5/150x8 |
| 21 | 725 26 36 81 | Skruv M6S 16x 80-10.9 FZB | Bolt ISO 4014 M16x80 -10.9 FZB |
| 22 | 4165 86433 00 | Bricka, Ø17/50x5 | Washer, Ø17/50x5 |
| 23 | 4165 86240 08 | Fjädrande rörpinne FRP 28x40 | DIN 1481 Ø28x40 |
| 24 | 4165 29553 90 | Medbringare FX | Turn-over arm |
| 25 | 731 43 26 01 | Mutter ML6M 20- 5 FZB | Nut M6M 20-8 FZB |
| 26 | 4165 94828 00 | Bricka, Ø21/43x5 | Washer, Ø21/43x5 |
| 27 | 4165 85882 00 | Tryckfjäder, Ø6, Dy 43, L=70 | Compression spring, Ø6, Dy 43, L=70 |
| 28 | 725 26 90 51 | Skruv M6S 20x130- 8.8 FZB | Bolt ISO 4014 - M20 x 130 |
| 29 | 4165 95527 40 | Stödben | Stand |
| 30 | 4165 90034 00 | Cylindertapp | Pin |
| 31 | 4165 98387 90 | Vridplatta | Plate |
| 32 | 725 27 05 81 | Skruv M6S 20x320-10.9 FZB | Bolt ISO-4014 M20x320 10.9 FZB |
| 33 | 4165 29551 50 | Förspänningsaxel | Axle |
| 34 | 734 11 92 01 | Bricka BRB 21x 37 FZB | Washer ISO 7089-M20-200 HV |
| 35 | 732 21 26 51 | Mutter M6M 20- 8 NF FZB | Nut ISO 7040-M20 |
| 36 | 725 26 88 81 | Skruv M6S 20x120-10.9 FZB | Bolt ISO 20x120-10.9 |
| 37 | 4165 94320 50 | Ledaxel | Link arm |
| 38 | 725 26 63 81 | Skruv M6S 16x360-10.9 FZB | Bolt ISO 16x360-10.9 FZB |
| 39 | 4165 93401 90 | Länk | Link |
| 40 | 4165 03650 07 | Mutter M6M 20 NF-10 FZB | Nut ISO-7040-M20-10 |
| 41 | 725 25 34 51 | Skruv M6S 12x 25- 8.8 FZB | Bolt ISO 4014 - M12 x 25 |
| 42 | 4165 30230 00 | Låstapp, Ø30X195 | Blocking axle |
| 43 | 4165 30229 00 | Distans | Sleeve |
| 44 | 4165 30227 00 | Låstapp, Ø30x222 | Blocking axle |
| 45 | 725 26 31 51 | Skruv M6S 16x 55- 8.8 FZB | Bolt ISO 4014 - M16 x 55-8.8 FZB |
| 46 | 734 11 86 01 | Bricka BRB 17x30 FZB | Washer ISO 7089 - 16 |
| 47 | 4165 86240 01 | Fjädrande rörpinne FRP 28x28 | Spring pin DIN 1481 28x28 |
| 48 | 731 23 24 01 | Mutter M6M 16- 8 FZB | Nut ISO - 4032 - M8-8 FZB |
| 49 | 4165 26360 90 | Cylinderhållare | Bracket |
| 50 | 4165 30226 00 | Bricka, Ø30,5/Ø59x13 | Washer, Ø30,5/Ø59x13 |
| 51 | 4165 27050 00 | Låsring Ø30,5 | Lock ring |
| 52 | 721 43 84 01 | Fjädrande rörpinne FRP 8x 60 FZB | Spring pin ISO 8752 8x60 FZB |
| 53 | 4165 30502 50 | Säkerhetsjärm | Safety plate |
| 54 | 738 88 20 03 | Smörjnippel, AM 8x1,25 FZB | Grease nipple, AM 8x1,25 FZB |
| 55 | 4165 94321 00 | Glidlager, Ø60/65x50 | Slide bearing, Ø60/65x50 |
| 56 | 4165 98389 90 | Länkhylsa, Ø100 | Sleeve, Ø100 |
| 57 | 4165 30218 90 | Länklåt Övre | Cross base upper |
| 58 | 4165 30221 90 | Länklåt Undre | Cross base under |
| 59 | 4165 25991 91/92 | Ramrör Frontplog 2100/3100 | Mainfram 2100/3100 |
| 60 | 4165 97975 00 | Hylsa, Ø16/32x149 | Sleeve, Ø16/32x149 |
| 61 | 725 26 53 81 | Skruv M6S 16x200-10.9 FZB | |

Djupindikeringsats Kit for depthindicator

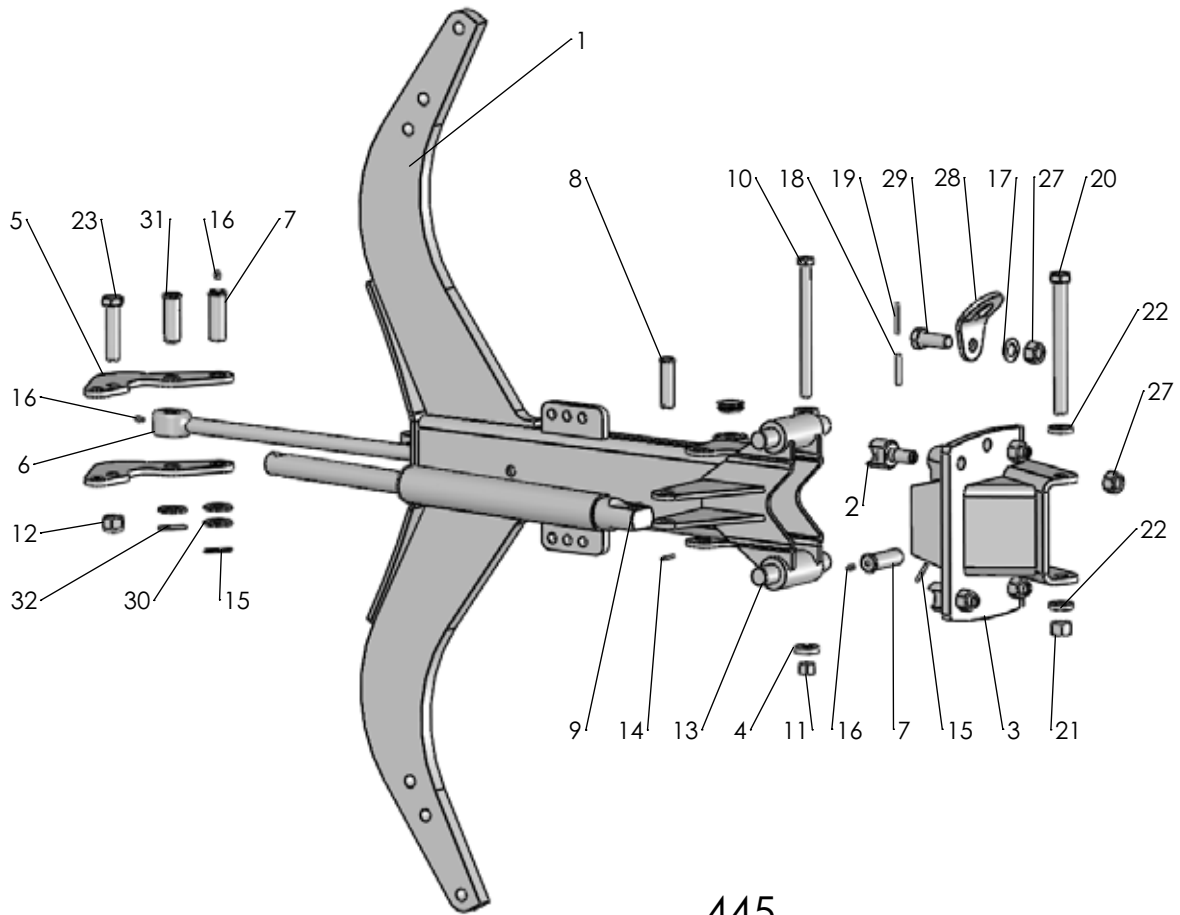
Mekanisk justering av 1:a tiltan Mechanical front furrow width adjustment



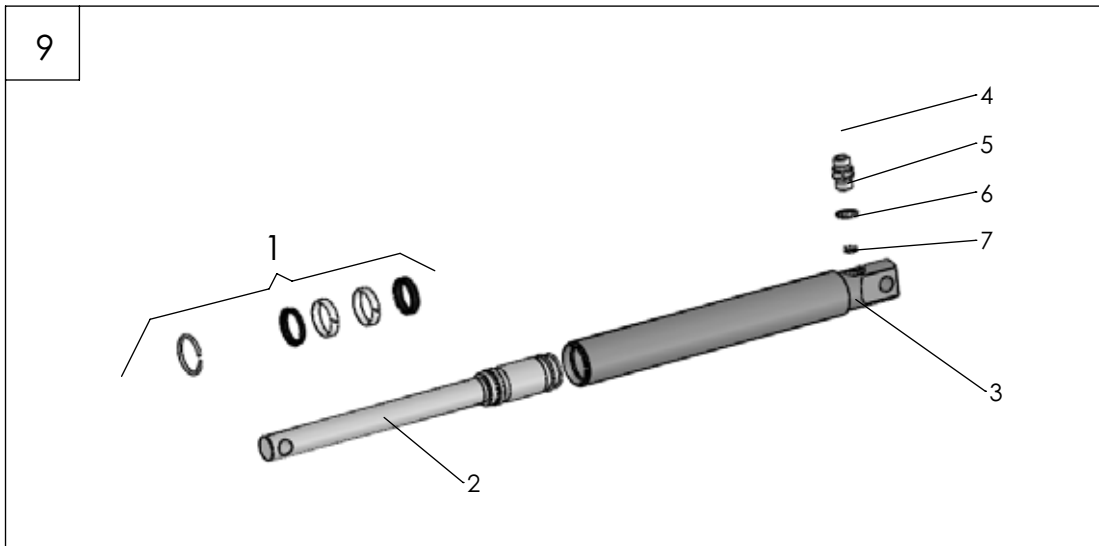
1070

| Pos nr/ Ref No | Detalj nr/ Part No: 41652556200 | Benämning: Mekanisk justering av 1:a tiltan | Description: Mechanical front furrow width adjustment |
|-------------------|---------------------------------------|---|---|
| 1 | 4165 26278 00 | Justerhylsa | Adjusting sleeve |
| 2 | 4165 93251 00 | Spindel | Spindle |
| 3 | 4165 98496 00 | Tallriksfjäder TF 50x25.4x1.5 | Belleville spring |
| 4 | 4165 94828 00 | Bricka, Ø21/43x5 | Washer, Ø21/43x5 |
| 5 | 4165 25561 00 | Ledtapp för frontplog | Pivot pin |
| 6 | 738 88 20 03 | Smörjnippel, AM 8x1,25 FZB | Grease nipple, AM 8x1,25 FZB |
| 7 | 731 23 28 01 | Mutter M6M 24- 8 FZB | Nut ISO 4032 - M24 |
| 8 | 732 21 26 51 | Mutter M6M 20- 8 NF FZB | Nut ISO 7040-M20 |

| Pos nr/ Ref No | Detalj nr/ Part No: 41652609500 | Benämning: Djupindikeringsatts | Description kit for depthindicator |
|-------------------|---------------------------------------|--------------------------------|------------------------------------|
| 1 | 4165 26093 00 | Mätsticka | Indicator |
| 2 | 4165 26096 00 | Rör | Pipe |
| 3 | 4165 26097 00 | Plåt | Plate |
| 4 | 725 23 80 51 | Skruv M6S 6x 50- 8.8 FZB | Bolt ISO 4014 - M6 x 50 |
| 5 | 731 23 16 01 | Mutter M6M 6- 8 FZB | Nut ISO - 4032 - M6-8 FZB |
| 6 | 4165 91204 00 | Klammerpar, Ø15 | Tube clamps, Ø15 |
| 7 | 4165 91205 00 | Täckplatta 26 | Covering plate 26 |

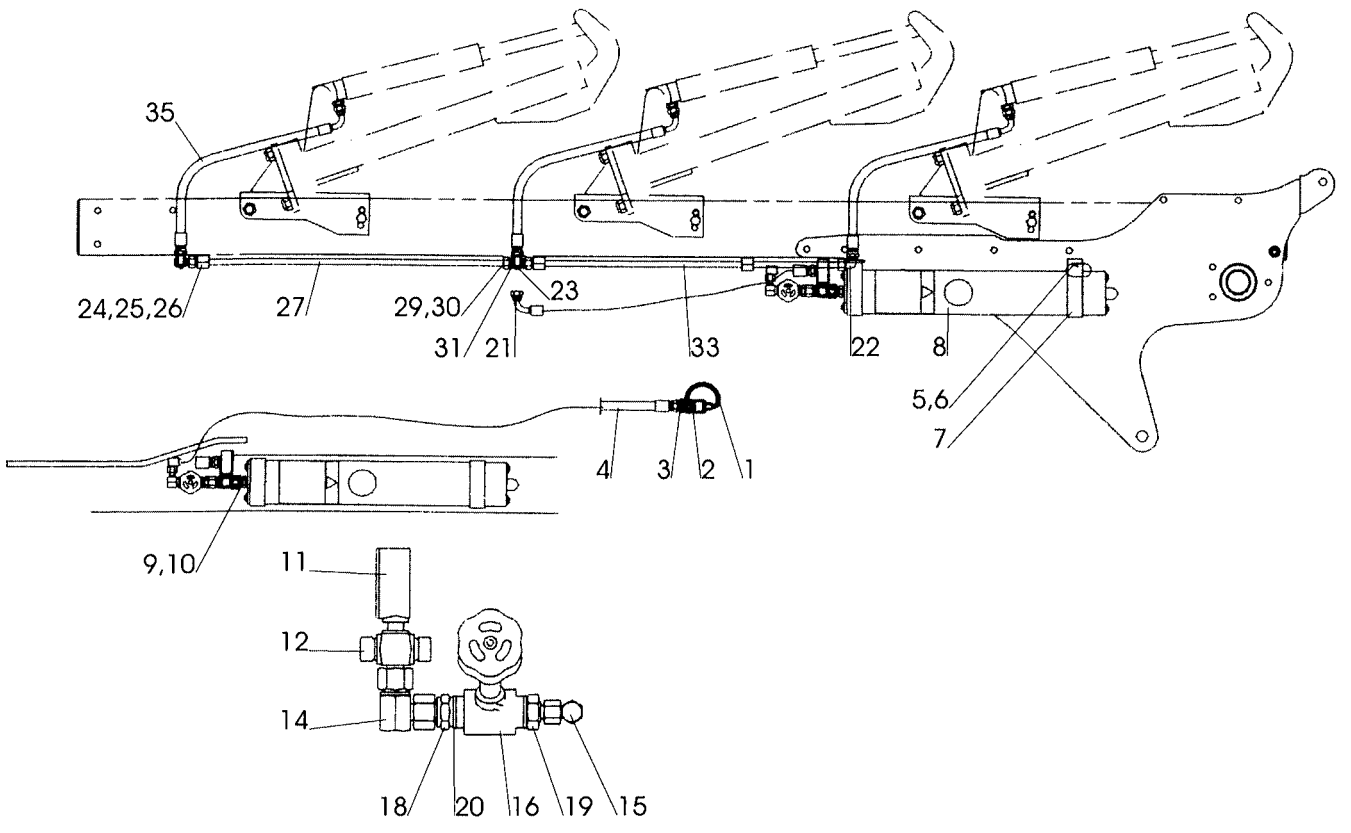


445



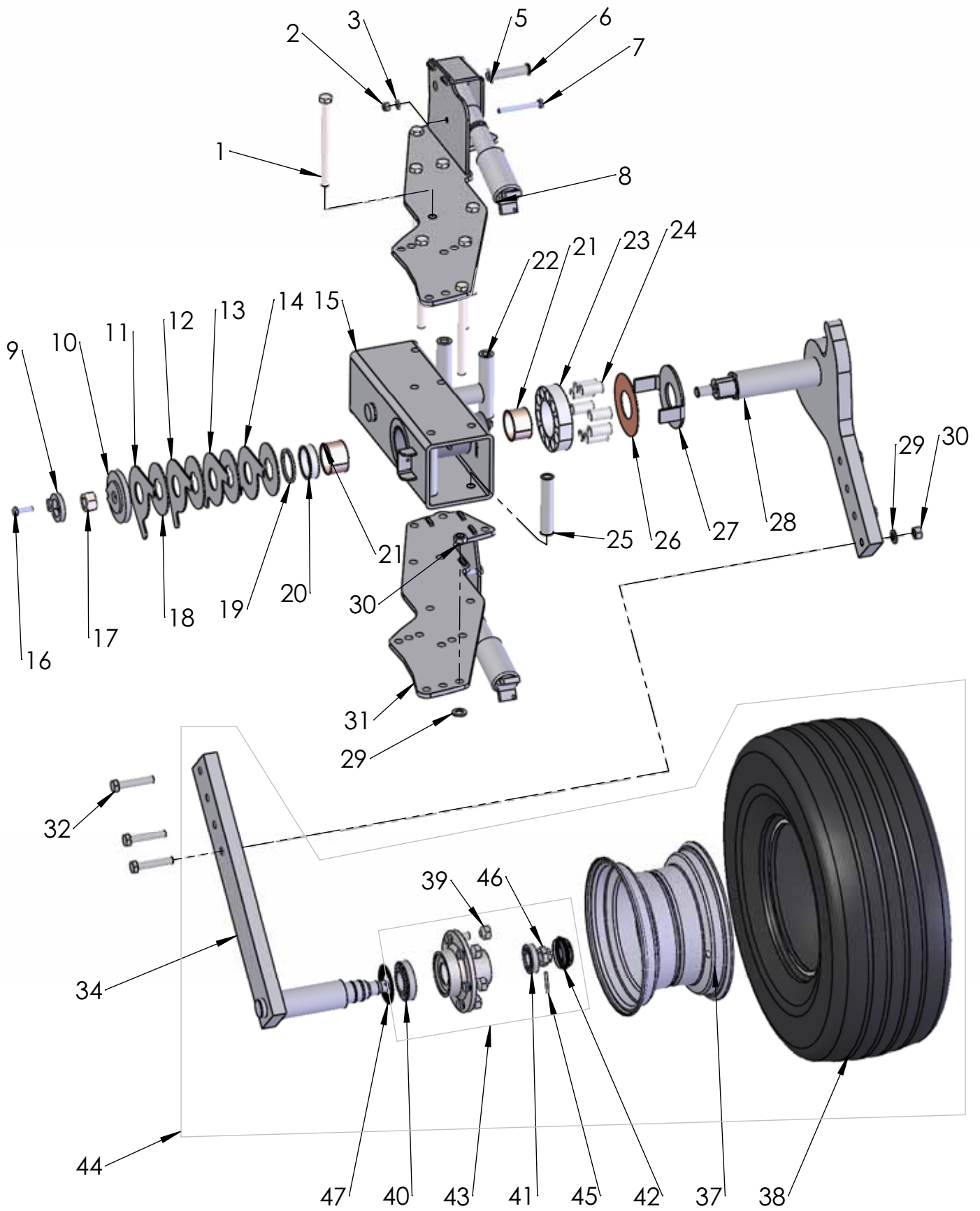
6

| Pos nr Pos.Nr Ref.No Fig.N°. | Detalj nr Best.Nr Part No Code N°. | Benämning | Bezeichnung | Description | Description |
|---------------------------------------|---|--|--|--|---|
| 445 | H | ÅSHUS | GRINDELGEHÄUSE | BEAM HOUSING | SUPPORT D'AGE |
| 1 | 1658 60 43 90 730 | Ås | Grindel | Beam | Age |
| | 1659 61 12 90 800 | Ås | Grindel | Beam | Age |
| 2 | 1658 60 80 00 | Säte | Sitz | Seat | Siège |
| 3 | 1659 95 00 90 | Åsfäste | Grindelgehäuse | Beam housing | Support d'age |
| 4 | 1658 58 84 00 | Bricka | Scheibe | Washer | Rondelle |
| 5 | 1652 15 55 50 | Hävarm | Hebelarm | Walking beam | Bras de levier |
| 6 | 1652 59 02 50 | Dragstång | Zugstange | Draw rod | Barre f d'attelage |
| 7 | 1658 60 79 00 | Tapp | Zylinderbolzen | Pivot pin | Axe |
| 8 | 1657 23 99 01 ø20 | Cylindrisk bult | Bolzen | Pivot pin | Cheville |
| 9 | 1652 15 50 50 | Hydr cylinder kompl | Hydr. Zylinder kompl. | Hydr. Cylinder compl. | Vérin hydraulique cpl. |
| 10 | 1659 08 56 00 M6S 16x215 | Skruv | Schraube | Bolt | Vis |
| 11 | 1650 36 07 05 M6M 16 12 | Mutter | Mutter | Nut | Ecrou |
| 12 | 1650 36 50 07 Locking 20 | Mutter | Mutter | Nut | Ecrou |
| 13 | 1658 60 44 00 | Tapp | Zylinderbolzen | Pivot pin | Axe |
| 14 | 721 42 62 01 FRP 4x32 | Rörpinne | Hohlstift | Tension pin | Goupille cannelée |
| 15 | 721 43 15 01 FRP 5x36 | Rörpinne | Hohlstift | Tension pin | Goupille cannelée |
| 16 | 738 88 20 03 AM 8x1,25 | Smörjnippel | Schmiernippel | Grease nipple | Graisneur |
| 17 | 734 11 92 01 BRB 21x37 | Bricka | Scheibe | Washer | Rondelle |
| 18 | 721 43 85 01 FRP 8x50 | Rörpinne | Hohlstift | Tension pin | Goupille cannelée |
| 19 | 721 43 18 01 FRP 5x50 | Rörpinne | Hohlstift | Tension pin | Goupille cannelée |
| 20 | 1659 05 31 00 M6S 20x215 | Skruv | Schraube | Bolt | Vis |
| 21 | 1650 36 07 07 M6M 20 12 | Mutter | Mutter | Nut | Ecrou |
| 22 | 1658 35 87 00 | Bricka | Scheibe | Washer | Rondelle |
| 23 | 1659 19 45 00 | Skruv | Schraube | Bolt | Vis |
| 24 | 1659 80 96 00 800 | Cylindrisk pinne | Zapfen | Pin | Axe |
| 27 | 731 23 26 51 M6M 20 | Mutter | Mutter | Nut | Ecrou |
| 28 | 1652 22 43 60 | Lyftfäste | Transporthebeösen | Lifting device | Crochet de manurention |
| 29 | 725 26 74 81 M6S 20x50 | Skruv | Schraube | Bolt | Vis |
| 30 | 734 12 00 01 BRB 26x45 | Bricka | Scheibe | Washer | Rondelle |
| 31 | 1652 59 14 00 ø25 | Cylindrisk bult | Bolzen | Pivot pin | Cheville |
| 32 | 721 43 47 01 FRP 6x40 | Rörpinne | Hohlstift | Tension pin | Goupille cannelée |
| 6 | | HYDRAULISK UTLÖSNINGS- CYLINDER | HYDRAULISCHER STEINSICHERUNG ZYLINDER | HYDRAULIC STONE TRIP CYLINDER | DISPOSITIF DE SECURITE HYDRAULIQUE |
| | 1652 15 50 50 ø50 | Hydr cylinder kompl utan Pos. nr 4 | Hydr.Zylinder kompl.ohne Pos.Nr 4 | Hydr.cylinder compl.without Ref.No.4 | Vérin cpl.sons Fig.No. 4 |
| 1 | 1658 62 56 00 | Packningssats | Packungsgarnitur | Set of seals | Jeu de joints |
| 2 | 1652 38 02 50 Inkl A,B,C | Kolvstång | Kolbenstange | Piston rod | Tige de piston |
| 3 | 1652 15 51 50 | Cylinderrör | Zylindermantel | Cylinder jacket | Corps de cylindre |
| 4 | 1657 78 26 00 | L-adapt | Winkel-Stück | Elbow union | Raccord angle |
| 5 | 1658 03 17 00 | Adapt | Verbindungsstück | Union | Raccord |
| 6 | 1658 03 16 00 | Tättningsbricka | Dishtungsscheibe | Sealing washer | Rondelle d'étanchéité |
| 7 | 1657 78 52 00 | Ventilkägla | Ventilkegel | Valve conical | Soupape a cone |



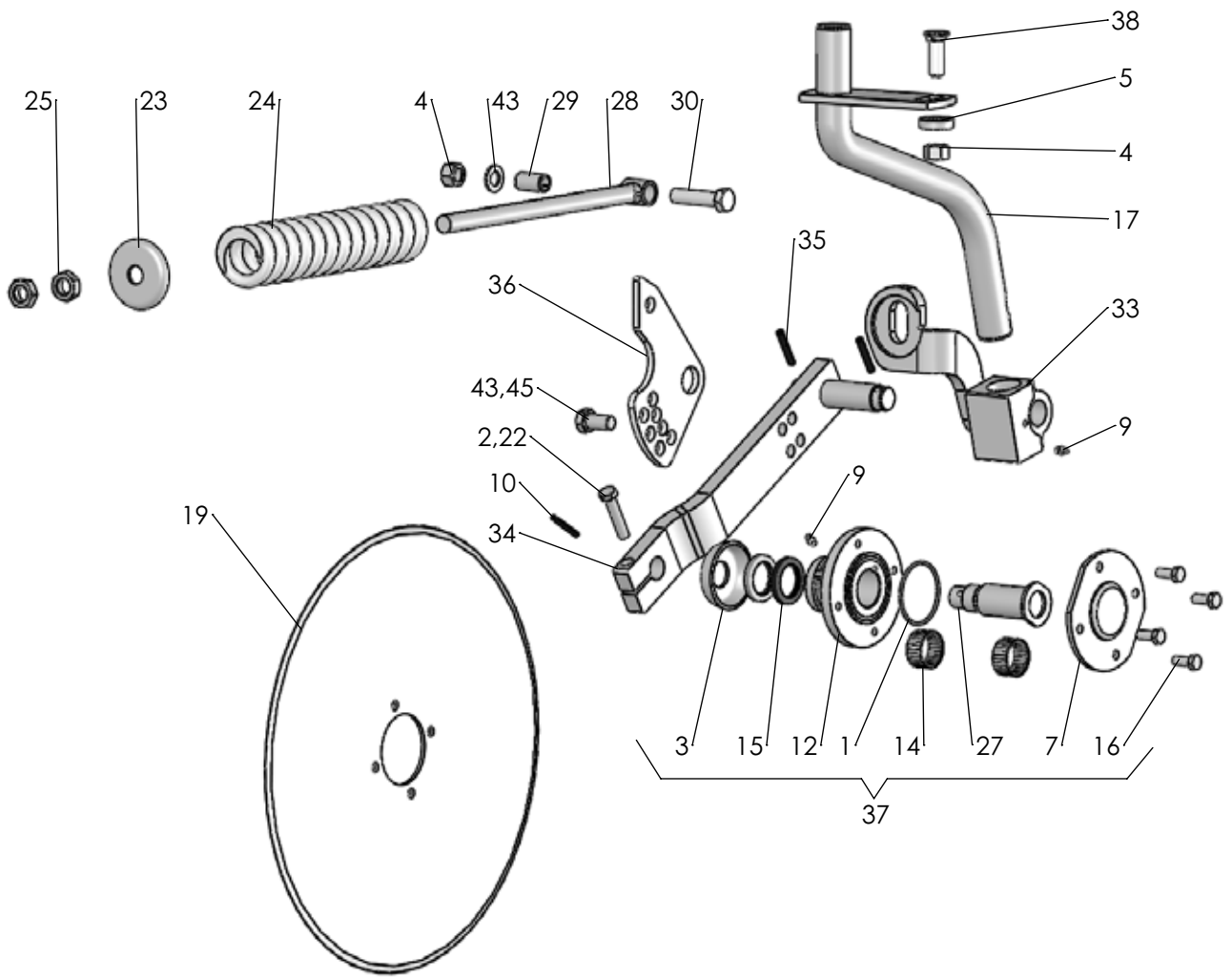
516

| Pos nr Pos.Nr Ref.No Fig.Nº. | Detalj nr Best.Nr Part No Code N°. | | Benämning | Bezeichnung | Description | Description |
|---------------------------------------|---|--------------|----------------------------|--------------------------------|-------------------------|--|
| 516 | | FX | STENSÄKRINGS- HYDRAULIK | HYDRAUISCHER STEINSICHERUNG | HYDRAULIC STONE TRIP | DISPOSITIF DE SECURITE HYDRAULIQUE |
| 1 | 1657 83 83 00 | | Handelsskydd | Schutz | Guard | Protection |
| 2 | 1657 48 14 00 | | Handel | Schnellkupplung M | Quick coupling M | Raccord rapide M |
| 3 | 1657 72 31 00 | | Adapt | Verbindungsstück | Union | Raccord |
| 4 | 1651 42 91 00 | L=3100 | Slang | Schlauch | Hose | Tuyau flexible |
| 5 | 725 25 50 51 | M6S 12x90 | Skruv | Schraube | Bolt | Vis |
| 6 | 731 23 22 01 | M6M 12 | Mutter | Mutter | Nut | Ecrou |
| 7 | 1659 17 79 50 | | Band | Halter | Cord | Support |
| 8 | 1659 19 38 50 | | Akkumulator | Akkumulator | Accumulator | Accumulateur |
| 9 | 1659 21 38 00 | | Adapt | Verbindungsstück | Union | Raccord |
| 10 | 1658 03 16 00 | | Tätningbricka | Dichtungsscheibe | Sealing washer | Rondelle d'étanchéité |
| 11 | 1658 07 50 00 | | Manometer | Druckmesser | Pressure gauge | Manométré |
| 12 | 1657 78 38 00 | | T-adapt | T-Stück | T-union | Raccord en T |
| 14 | 1657 78 26 00 | | L-adapt | Winkel-Stück | Elbow union | Raccord angle |
| 15 | 1658 56 36 00 | | L-adapt | Winkel-Stück | Elbow union | Raccord angle |
| 16 | 1657 30 57 00 | | Ventil | Ventil | Valve | Soupape |
| 18 | 1656 54 78 00 | | Adapt | Verbindungsstück | Union | Raccord |
| 19 | 1657 72 31 00 | | Adapt | Verbindungsstück | Union | Raccord |
| 20 | 1658 03 16 00 | | Tätningbricka | Dichtungsscheibe | Sealing washer | Rondelle d'étanchéité |
| 21 | 1652 60 76 00 | L=920 | Slang | Schlauch | Hose | Tuyau flexible |
| 22 | 1657 57 47 00 | | L-adapt | Winkel-Stück | Elbow union | Raccord angle |
| 23 | 1658 30 50 00 | | L-adapt | Winkel-Stück | Elbow union | Raccord angle |
| 24 | 1659 12 04 00 | | Klammerhalvor | Klammer | Clamps | Colliers |
| 25 | 1659 12 05 00 | | Täckplatta | Deckblech | Covering plate | Plaque de recouvrement |
| 26 | 725 23 76 51 | M6S 6x35 | Skruv | Schraube | Bolt | Vis |
| 27 | 1659 19 36 00 | L=860 FX 2 | Rör | Rohr | Tube | Tuyau |
| | 1658 62 76 00 | L=960 FX 3 | Rör | Rohr | Tube | Tuyau |
| 29 | 1657 59 34 00 | | Mutter | Mutter | Nut | Ecrou |
| 30 | 1657 59 35 00 | | Skärring | Schneidring | Olive | Olive |
| 31 | 1657 57 46 00 | FX 2 | T-adapt | T-Stück | T-union | Raccord en T |
| | 1657 59 28 00 | FX 3 | X-adapt | X-Stück | X-union | Raccord en X |
| 33 | 1659 61 38 00 | FX 290,390 | Rör | Rohr | Tube | Tuyau |
| | 1652 30 48 00 | FX 2100,3100 | Rör | Rohr | Tube | Tuyau |
| 35 | 1659 88 51 00 | L=690 | Slang | Schlauch | Hose | Tuyau flexible |



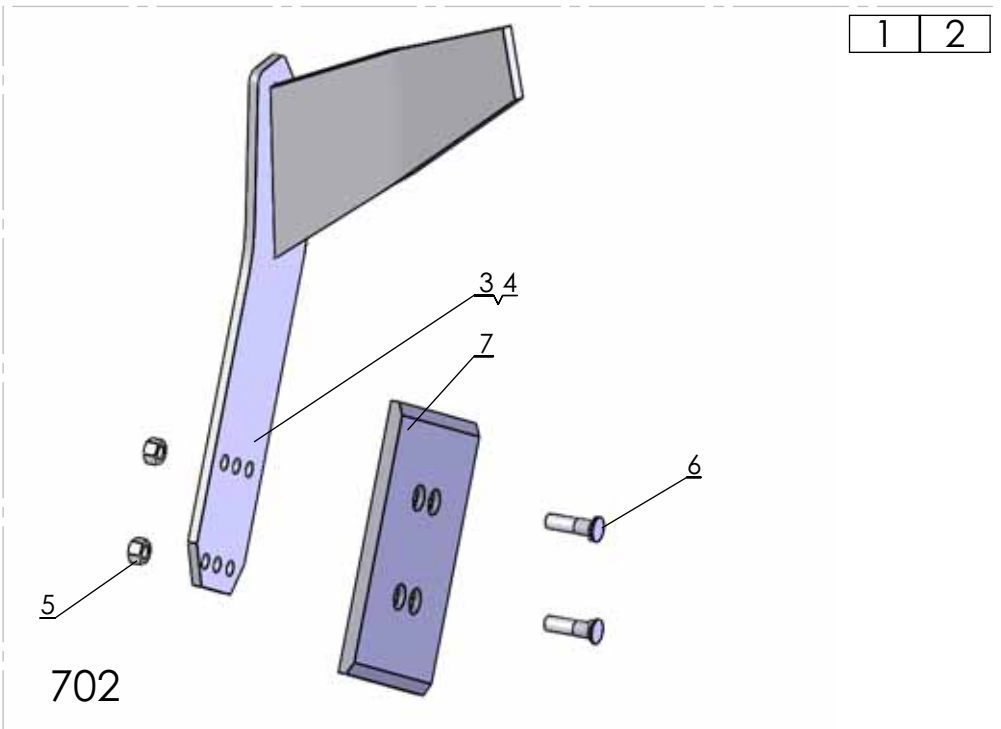
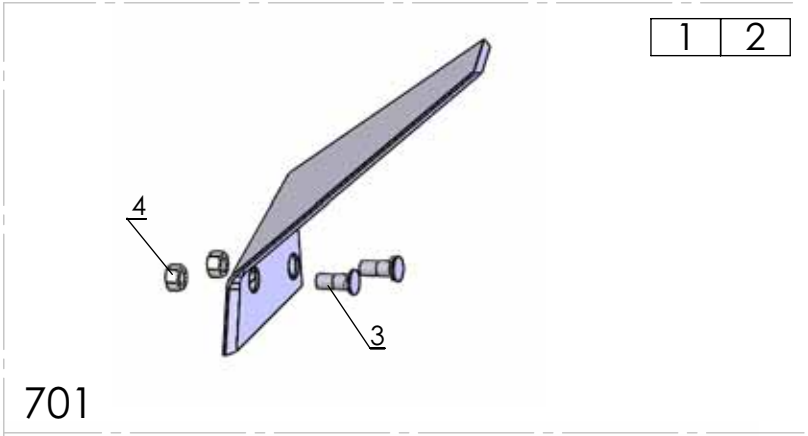
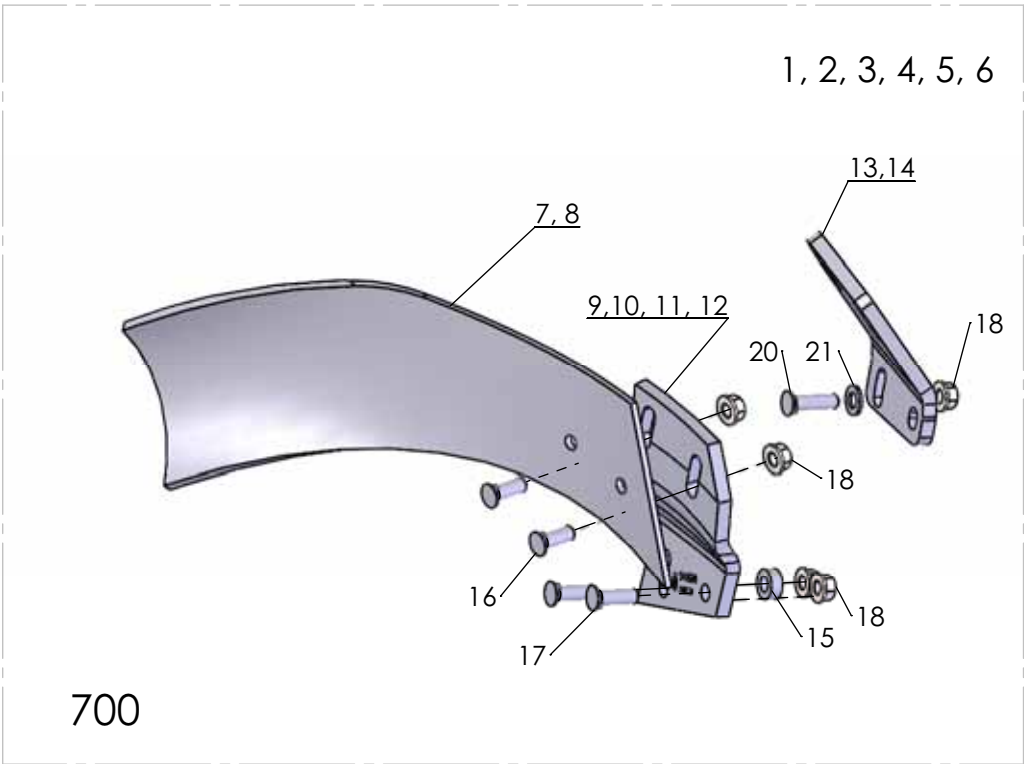
715

| Pos nr/ Ref No | Detalj nr/ Part No | Benämning | Description |
|-------------------|-----------------------|----------------------------------|-----------------------------|
| 1 | 725 26 53 81 | Skruv M6S 16x200-10.9 FZB | Bolt M6S 16x200-10.9 FZB |
| 2 | 732 21 20 51 | Mutter M6M 10- 8 NF FZB | Nut M6M 10- 8 NF FZB |
| 3 | 734 11 73 01 | Bricka BRB 10,5x 20 FZB | Washer ISO 7089 - 10 FZB |
| 4 | 4165 28730 90 | Hjulkonsol övre | Upper wheel bracket |
| 5 | 721 42 62 01 | Fjädrande rörpinne FRP 4x 32 FZB | Spring Pin FRP 4x 32 FZB |
| 6 | 4165 73224 01 | Cylindrisk bult, Ø20x88.5 | Pivot pin, Ø20x88.5 |
| 7 | 725 25 09 51 | Skruv M6S 10x 90- 8.8 FZB | Bolt M6S 10x 90-8.8 FZB |
| 8 | 4165 24010 00 | Kläpp komplett | Catch |
| 9 | 4165 22637 00 | Låsbricka | Washer |
| 10 | 4165 22638 00 | Platta smst | Plate |
| 11 | 4165 20622 00 | Stoppbricka steg nr 2 | Washer 1 |
| 12 | 4165 20623 00 | Stoppbricka steg nr 3 | Washer 2 |
| 13 | 4165 21250 00 | Stoppbricka steg nr 4 | Washer 3 |
| 14 | 4165 21251 00 | Stoppbricka steg nr 5 | Washer 4 |
| 15 | 165 28747 90 | Hjulkonsol för fronthjul | Bracket |
| 16 | 725 24 97 51 | Skruv M6S 10x 35- 8.8 FZB | Bolt M6S 10x 35- 8.8 FZB |
| 17 | 731 23 28 01 | Mutter M6M 24- 8 FZB | Nut M6M 24 8 FZB |
| 18 | 4165 20620 00 | Bromsskiva i stål | Washer |
| 19 | 4165 23872 00 | QUAD-Ring | QUAD-Ring |
| 20 | 4165 23871 00 | Hylsa, Ø60,25/70x20 | Sleeve, Ø60,25/70x20 |
| 21 | 165 85625 00 | Glidlager 60/65x40 | Bearing 60/65x40 |
| 22 | 4165 97975 00 | Hylsa, Ø16/32x149 | Sleeve Ø16/32 |
| 23 | 4165 22651 00 | Fjäderhållare | Bracket |
| 24 | 4165 21267 00 | Tryckfjäder | Spring |
| 25 | 4165 26150 00 | Hylsa, Ø27/17x132 | Sleeve Ø27/17x132 |
| 26 | 4165 22653 00 | Slitbricka, Ø61/135x1,5 | Wearing washer, Ø61/135x1,5 |
| 27 | 165 22652 00 | Bricka för kombihjul | Washer |
| 28 | 4165 26373 90 | Hjularm för fronthjul, övre | Arm |
| 29 | 734 11 86 01 | Bricka BRB 17x30 FZB | Washer BRB 17x 30 FZB |
| 30 | 4165 03604 05 | Mutter M6M 16-10 FZB | Nut M6M 16-10 FZB |
| 31 | 4165 28733 90 | Hjulkonsol nedre | Lower wheel bracket |
| 32 | 725 26 36 81 | Skruv M6S 16x 80-10.9 FZB | Bolt M6S 16x 80- 10.9 FZB |
| 34 | 4165 32598 50 | Hjularm nedre | Wheelarm |
| 37 | 4165 32588 50 | Fälg | Rim |
| 38 | 4165 32596 00 | Däck 10,0/75-12/10 | Tyre 10,0/75-12/10 |
| 39 | 4165 32140 00 | Navmutter, M16x1,5 FZB | Hub nut, M16x1,5 FZB |
| 40 | 4165 22422 00 | Koniskt rulllager 30209 | Bearing 30209 |
| 41 | 4165 22421 00 | Koniskt rulllager 30206 | Bearing 30206 |
| 42 | 4165 32608 00 | Navkapsel FAD, Ø62 | Hub FAD, Ø62 |
| 43 | 4165 32606 50 | Nav komplett med lager | Hub cmpl with bearings |
| 44 | 4165 33324 00 | Hjul med axel och nav | Wheel with axle and hub |
| 45 | 721 62 15 01 | Saxpinne SP 5x 36 FZB | Split pin ISO 1234-5x36 FZB |
| 46 | 4165 33332 00 | Kronmutter, M24x1.5 | Castel nut, M24x1.5 |
| 47 | 4165 33331 00 | Tätningbricka FAD, Ø85/45 | Sealing washer FAD, Ø85/45 |



519

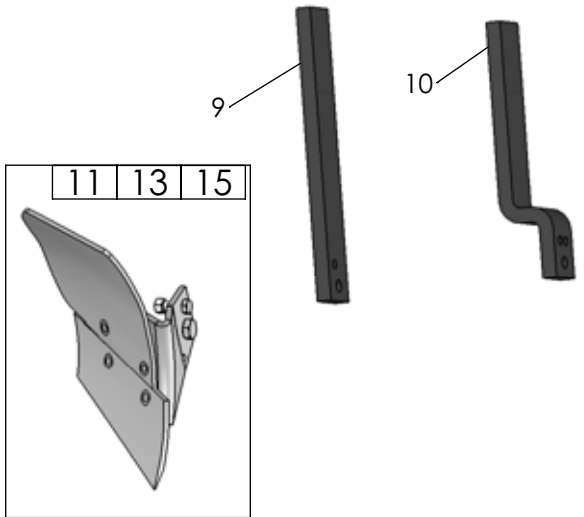
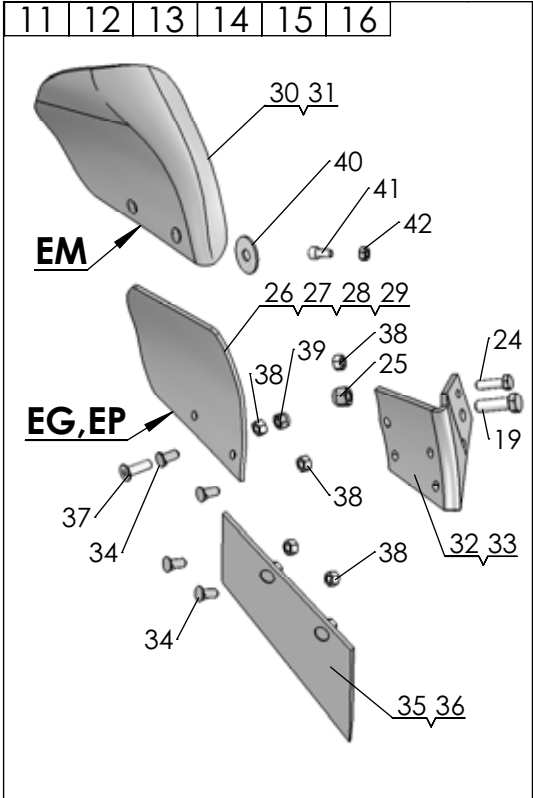
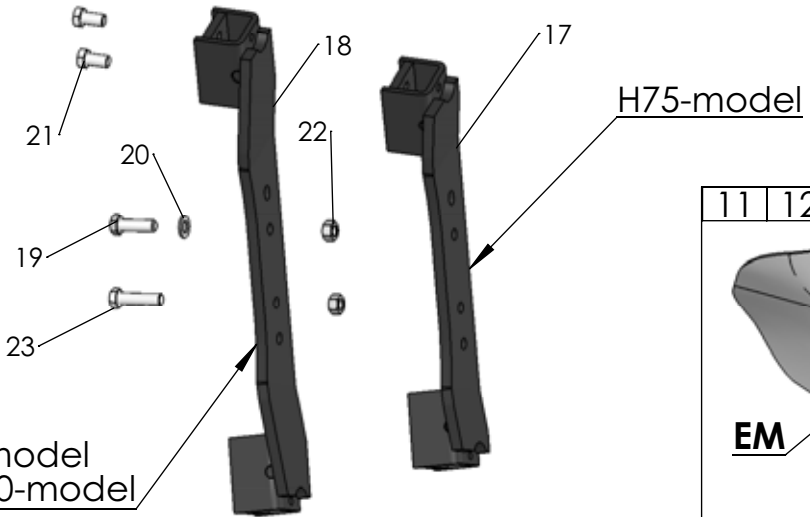
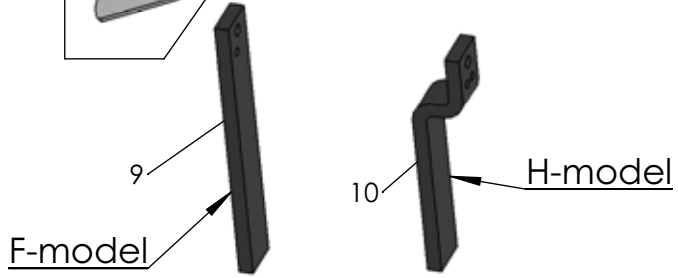
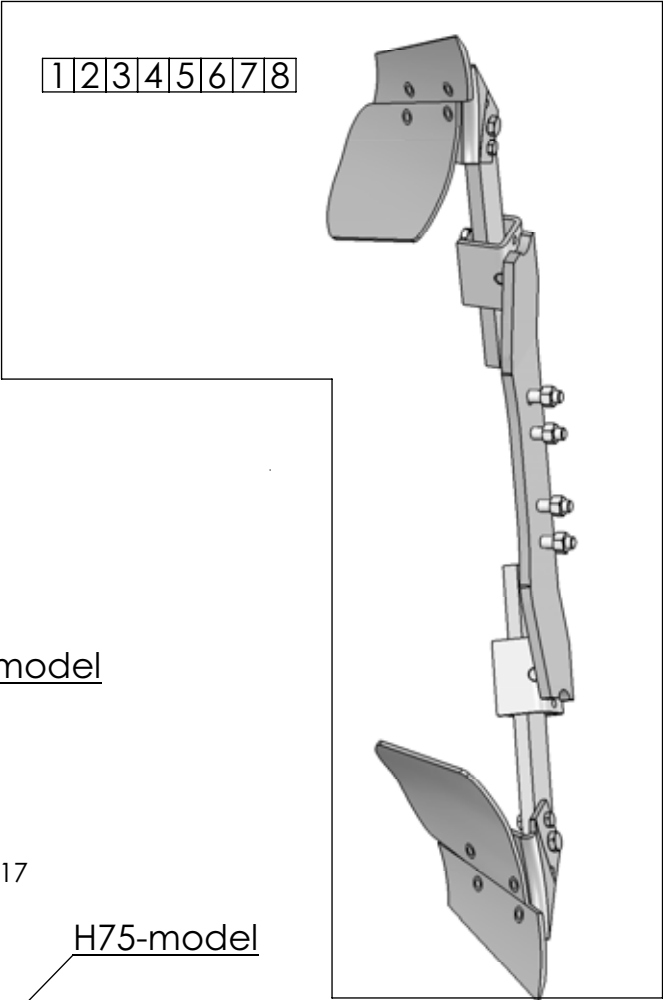
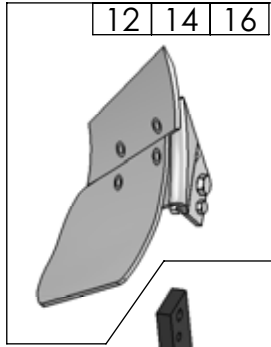
| Pos nr Pos.Nr Ref.No Fig.N°. | Detalj nr Best.Nr Part No Code N°. | Benämning | Bezeichnung | Description | Description | |
|---------------------------------------|---|------------------|--|--|---|---|
| 519 | | | SKIVRIST | SCHEIBENSECH | DISC COULTER | COUTRE CIRCULAIRE |
| | R= L= | Höger Vänster | Rechts Links | Right Left | Droite Gauche | |
| | 41652 55 00 91 | ø450 R | Fjädrande skivrist med arm kompl | Gef. Scheibensech mit Arm kompl. kompl. | Spring-loaded disc coultter with arm kompl. | Coutre circulaire a ressort avec bras cpl. |
| | 41652 55 00 92 | ø450 L | Fjädrande skivrist med arm kompl | Gef. Scheibensech mit Arm kompl. kompl. | Spring-loaded disc coultter with arm kompl. | Coutre circulaire a ressort avec bras cpl. |
| | 41652 55 00 93 | ø500 R | Fjädrande skivrist med arm kompl | Gef. Scheibensech mit Arm kompl. kompl. | Spring-loaded disc coultter with arm kompl. | Coutre circulaire a ressort avec bras cpl. |
| | 41652 55 00 94 | ø500 L | Fjädrande skivrist med arm kompl | Gef. Scheibensech mit Arm kompl. kompl. | Spring-loaded disc coultter with arm kompl. | Coutre circulaire a ressort avec bras cpl. |
| | 41652 55 00 95 | ø500 R | Fjädrande skivrist ripplad med arm kompl | Gef. Scheibensech mit Arm kompl. Gewelltes | Spring-loaded disc coultter with arm compl. wavy edge | Coutre circulaire a ressort avec bras cpl. ondule |
| | 41652 55 00 96 | ø500 L | Fjädrande skivrist ripplad med arm kompl | Gef. Scheibensech mit Arm kompl. Gewelltes | Spring-loaded disc coultter with arm compl. wavy edge | Coutre circulaire a ressort avec bras cpl. ondule |
| 1 | 740 48 48 04 | Or 65,09x3,53 | O-ring | O-ring | O-ring | Joint thorique |
| 2 | 725 25 43 51 | M6S 12x55 | Skruv | Schraube | Bolt | Vis |
| 3 | 41658 09 59 00 | | Tätningbricka | Dishtungsscheibe | Sealing washer | Rondelle |
| 4 | 731 23 24 01 | M6M 16 | Mutter | Mutter | Nut | Ecrou |
| 5 | 41658 58 84 00 | | Bricka | Scheibe | Washer | Rondelle |
| 7 | 41658 09 66 40 | | Lock | Deckel | Cover | Chapeau de |
| 9 | 738 88 20 03 | AM 8x1,25 | Smörjnippel | Schmiernippel | Grease nipple | Graisseur |
| 10 | 721 43 49 01 | FRP 6x50 | Rörpinne | Hohlstift | Tension pin | Goupille cannelée |
| 12 | 41658 09 67 40 | | Nav | Nabe | Hub | Moyeu |
| 14 | 41657 55 45 00 | 2 | Nällager | Nadellager | Needle bearing | Coussinet |
| 15 | 740 51 77 00 | A 35x52x7 | Tätningring | Dichtungsring | Sealing ring | Bague d'usure |
| 16 | 725 24 93 51 | M6S 10x25 | Skruv | Schraube | Bolt | Vis |
| 17 | 41652 77 51 90 41652 77 52 90 | R L | Skaft fjädrande Skaft fjädrande | Schaft Schaft | Shank Shank | Etançon de rasette Etançon de rasette |
| 19 | 41657 25 47 40 | ø450 | Skivristklinga slät | Sechsscheibe flach | Coulter disc plain | Disque de coutre plain |
| | 41658 06 62 40 | ø500 | Skivristklinga slät | Sechsscheibe flach | Coulter disc plain | Disque de coutre plain |
| | 41658 06 63 40 | ø500 | Skivristklinga ripplad | Sechsscheibe Gewellt | Coulter disc disc | Disque de coutre ondule |
| 22 | 734 11 78 01 | BRB 13x24 | Bricka | Scheibe | Washer | Plaqueette |
| 23 | 41658 09 61 00 | | Bricka | Scheibe | Washer | Rondelle |
| 24 | 41658 15 29 00 | | Tryckfjäder | Feder | Spring | Ressort |
| 25 | 731 43 26 01 | M6LM 20 | Mutter | Mutter | Nut | Ecrou |
| 27 | 41658 10 76 00 41658 56 71 00 | R L | Axeltapp Axeltapp | Welle Welle | Stube axle Stube axle | Axe Axe |
| 28 | 41658 54 38 00 | | Dragstång | Zugstange | Draw rod | Barre d'attelage |
| 29 | 41658 62 40 09 | FRP 20x36 | Rörpinne | Hohlstift | Tension pin | Goupille cannelée |
| 30 | 725 26 33 81 | M6S 16x65 | Skruv | Schraube | Bolt | Vis |
| 33 | 41652 86 71 90 41652 86 68 90 | R L | Fjäderhållare Fjäderhållare | Haltearm Haltearm | Bracket Bracket | Support fixation Support fixation |
| 34 | 41658 66 39 90 41658 66 42 90 | R L | Arm Arm | Arm Arm | Arm Arm | Bras Bras |
| 35 | 721 43 84 01 | FRP 8x45 | Rörpinne | Hohlstift | Tension pin | Goupille cannelée |
| 36 | 41652 52 49 90 | | Hävarm | Hebelarm | Lever arm | Bras de levier |
| 37 | 41657 59 75 00 41659 22 37 00 | R L | Skivristnav kompl Skivristnav kompl | Nabe kompl. Nabe kompl. | Hub compl. Hub compl. | Moyeu cpl. Moyeu cpl. |
| 38 | 41650 36 02 33 | MFBK 16x40 | Skruv | Schraube | Bolt | Vis |
| 43 | 734 11 86 01 | BRB 17x30 | Bricka | Scheibe | Washer | Plaqueette |
| 45 | 725 26 24 51 | M6S 16x30 | Skruv | Schraube | Bolt | Vis |



| Pos nr/ Ref No | Detalj nr/ Part No | Benämning | Description |
|-------------------|-----------------------|--------------------------------|--------------------------------|
| 700 | | SKUMVINGE | COVERBOARD |
| 1 | 4165 96268 40 | Skärvinge höger kompl, XL/UC | Coverboard cpl RH, XL/UC |
| 2 | 4165 96269 40 | Skärvinge vänster kompl, XL/UC | Coverboard cpl LH, XL/UC |
| 3 | 4165 21337 40 | Skärvinge höger kompl, XU/XS | Coverboard cpl RH, XU/XS |
| 4 | 4165 21338 40 | Skärvinge vänster kompl, XU/XS | Coverboard LH cpl, XU/XS |
| 5 | 4165 35114 00 | XLD Skärvinge Kompl. Höger | XLD Coverboard Compl. Right |
| 6 | 4165 35115 00 | XLD Skärvinge Kompl. Vänster | XLD Coverboard Compl. left |
| 7 | 4165 96064 09 | Skärvinge höger, kompl | Coverboard right, cpl |
| 8 | 4165 96065 09 | Skärvinge vänster, kompl | Coverboard left, cpl |
| 9 | 4165 94624 40 | Skärvingefäste XL/UC, höger | Bracket coverboard XL/UC, RH |
| 10 | 4165 94625 40 | Skärvingefäste XL/UC, vänster | Bracket coverboard XL/UC, LH |
| 11 | 4165 99627 40 | Skärvingefäste XU, XS, höger | Coverboard bracket XU, XS, RH |
| 12 | 4165 99628 40 | Skärvingefäste XU/XS, vänster, | Coverboard bracket XU/XS, LH |
| 13 | 4165 35116 40 | XLD Fäste skärvinge, Höger | XLD Bracket Cover board, Right |
| 14 | 4165 35117 40 | XLD Fäste skärvinge, Vänster | XLD Bracket Cover board, Left |
| 15 | 4165 89489 00 | Bricka, Ø13/25x10 | Washer, Ø13/25x10 |
| 16 | 4165 03602 22 | Skruv MFBK 12x 35-10.9 MW | Nib bolt MFBK 12x 35-10.9 MW |
| 17 | 4165 03602 23 | Skruv MFBK 12x 40-10.9 MW | Nib bolt MFBK 12x 40-10.9 MW |
| 18 | 4165 03615 05 | Mutter M6MF 12- 8 FZB | Nut ISO - 4161 - M12 FZB |
| 20 | 4165 03602 24 | Skruv MFBK 12x 45-10.9 MW | Nib bolt MFBK 12x 45-10.9 MW |
| 21 | 734 11 78 01 | Bricka BRB 13x 24 FZB | Washer ISO 7089 - 12 FZB |

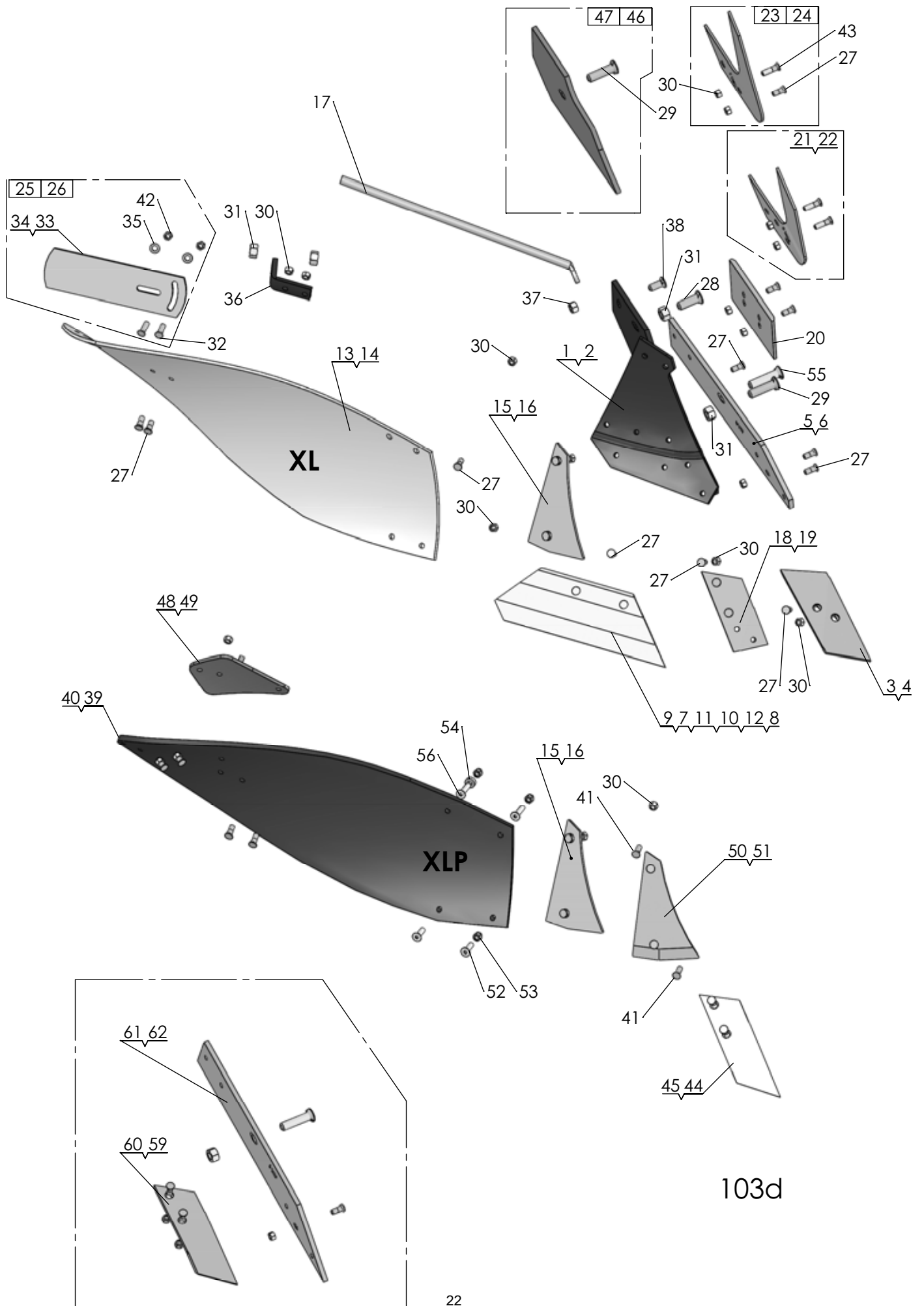
| Pos nr/ Ref No | Detalj nr/ Part No | Benämning | Description |
|-------------------|-----------------------|----------------------------|----------------------------------|
| 701 | | FÅRBREDDARE | FURROW WIDENING KNIFE |
| 1 | 4165 95678 09 | Fårbreddare höger, kompl | Furrow knife RH, cpl |
| 2 | 4165 95679 09 | Fårbreddare vänster, kompl | Furrow knife LH, cpl |
| 3 | 4165 03612 21 | Skruv MFBKF 12x32-12.9 MW | Nib bolt MFBKF 12x32-12.9 MW |
| 4 | 4165 03613 03 | Mutter M6M 12-12 MW | Nut ISO - 8673 - M12 x 1.5-12 MW |

| Pos nr/ Ref No | Detalj nr/ Part No | Benämning | Description |
|-------------------|-----------------------|------------------------------------|----------------------------------|
| 702 | | FÅRBREDDARE | FURROW WIDENING KNIFE |
| 1 | 4165 24789 00 | Fårbreddare komplett sats, höger | Furrow knife compl, RH |
| 2 | 4165 24790 00 | Fårbreddare komplett sats, vänster | Furrow knife compl, LH |
| 3 | 4165 23868 40 | Fårbreddare, höger | Furrow knife, RH |
| 4 | 4165 23867 40 | Fårbreddare, vänster | Furrow knife, LH |
| 5 | 4165 03613 03 | Mutter M6M 12-12 MW | Nut ISO - 8673 - M12 x 1.5-12 MW |
| 6 | 4165 03612 24 | Skruv MFBKF 12x45-12.9 MW | Bolt MFBKF 12x45-12.9 MW |
| 7 | 4165 94289 09 | Slitplatta, låg | Wearing plate, low |



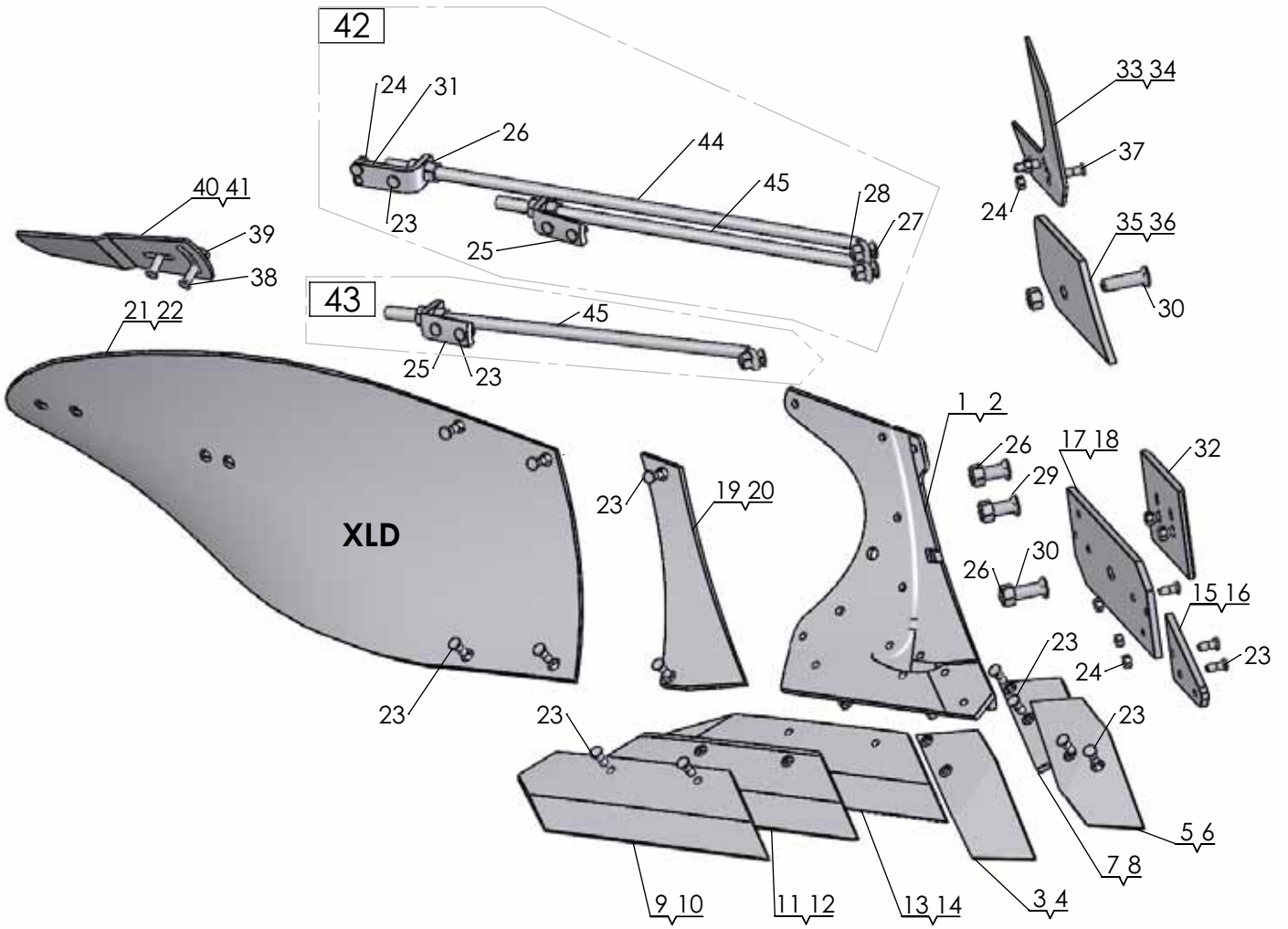
1010

| Pos nr/ Ref No | Detalj nr/ Part No | Benämning | Description |
|-------------------|-----------------------|-----------------------------|-----------------------------------|
| 1010 | | SKUMRIST | SKIMMER |
| 1 | 4165 30316 90 | EP-rist F, kompl | EP-skimmer F, cpl |
| 2 | 4165 30111 90 | EG-rist F, kompl | EG-skimmer F, cpl |
| 3 | 4165 32902 90 | EP-rist H kort, kompl | EP-skimmer H short, cpl |
| 4 | 4165 32901 90 | EG-rist H kort, kompl | EG-skimmer H short, cpl |
| 5 | 4165 32903 90 | EM-rist H kort, kompl | EM-skimmer H short, cpl |
| 6 | 4165 32980 90 | EP-rist H lång, kompl | EP-skimmer H long, cpl |
| 7 | 4165 32977 90 | EG-rist H lång, kompl | EG-skimmer H long, cpl |
| 8 | 4165 32981 90 | EM-rist H lång, kompl | EM-skimmer H long, cpl |
| 9 | 4165 29166 90 | Skumristskaft F, rakt | Skimmer shaft F, stright |
| 10 | 4165 32636 90 | Skumristskaft H | Skimmer shaft H |
| 11 | 4165 99049 40 | Rist EP, höger | Skimmer EP, RH |
| 12 | 4165 99050 40 | Rist EP, vänster | Skimmer EP, LH |
| 13 | 4165 98260 40 | Rist EG, höger | Skimmer EG, RH |
| 14 | 4165 98261 40 | Rist EG, vänster | Skimmer EG, LH |
| 15 | 4165 24423 40 | Rist EM, höger | Skimmer EM, RH |
| 16 | 4165 24424 40 | Rist EM, vänster | Skimmer EM, LH |
| 17 | 4165 32571 90 | Skumrsthållare, kort | Skimmer bracket, short |
| 18 | 4165 29174 90 | Skumrsthållare, lång | Skimmer bracket, long |
| 19 | 4165 20377 00 | Skruv, M6S 16x50-10.9 MW | Bolt, M6S 16x50-10.9 MW |
| 20 | 734 11 86 01 | Bricka BRB 17x30 FZB | Washer ISO 7089 - 16 |
| 21 | 725 26 24 81 | Skruv M6S 16x30-MW | Bolt ISO 4014 - M16 x 30-10.9 MW |
| 22 | 4165 03604 05 | Mutter M6M 16-10 FZB | Nut DIN 934 M16-10 FZB |
| 23 | 725 26 32 81 | Skruv M6S 16x 60-10.9 MW | Bolt ISO 4014 M16x60-10.9 MW |
| 24 | 4165 20376 00 | Brytbult, M12x40-10.9 MW | Shear bolt, M12x40-10.9 MW |
| 25 | 732 21 24 51 | Mutter M6M 16- 8 NF FZB | Nut ISO 7040-M16 |
| 26 | 4165 91803 09 | Vändskiva EG höger, kompl | Mouldboard EG RH, cpl |
| 27 | 4165 91804 09 | Vändskiva EG vänster, kompl | Mouldboard EG LH, cpl |
| 28 | 4165 92085 09 | Vändskiva EP höger, kompl | Mouldboard EP RH, cpl |
| 29 | 4165 92086 09 | Vändskiva EP vänster, kompl | Mouldboard EP LH, cpl |
| 30 | 4165 24421 09 | Vändskiva EM höger, kompl | Mouldboard EM RH, cpl |
| 31 | 4165 24422 09 | Vändskiva EM vänster, kompl | Mouldboard EM LH, cpl |
| 32 | 4165 98258 40 | Ställ EG-EP-EM, höger | Frog EG-EP-EM, RH |
| 33 | 4165 98259 40 | Ställ EG-EP-EM, vänster | Frog EG-EP-EM, LH |
| 34 | 4165 03602 21 | Skruv MFBK 12x 28-10.9 MW | Nib bolt MFBK 12x 28-10.9 MW |
| 35 | 4165 91801 09 | Skär E höger, kompl | Share E RH, cpl |
| 36 | 4165 91802 09 | Skär E vänster, kompl | Share E LH, cpl |
| 37 | 725 65 40 01 | Skruv MF6S 12x 40- 8.8 FZB | Bolt ISO 10642 - M12 x 40-8.8 FZB |
| 38 | 731 23 22 01 | Mutter M6M 12- 8 FZB | Nut ISO - 4032 - M12-8 FZB |
| 39 | 732 21 22 51 | Mutter M6M 12- 8 NF FZB | Nut ISO 7040-M12 |
| 40 | 4165 25921 00 | Självhäftande packning | Rubber washer |
| 41 | 725 54 91 01 | Skruv MC6S 10x 20- 8.8 FZB | Bolt ISO 4762- M10x20- 8.8 FZB |
| 42 | 731 23 20 01 | Mutter M6M 10- 8 FZB | Nut Hexagon Nut ISO - 4032 - M10 |



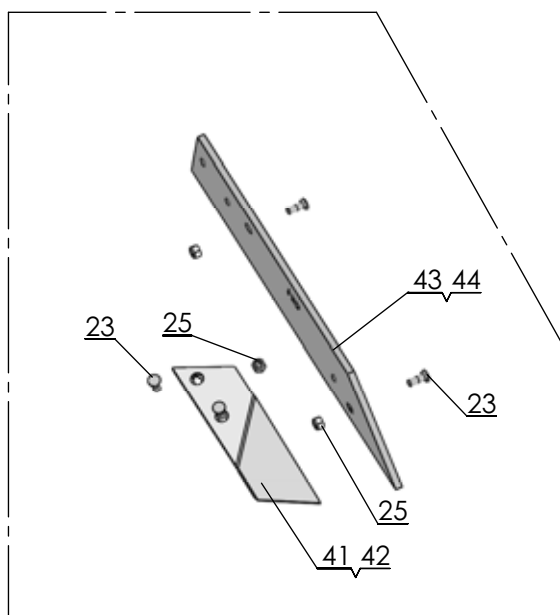
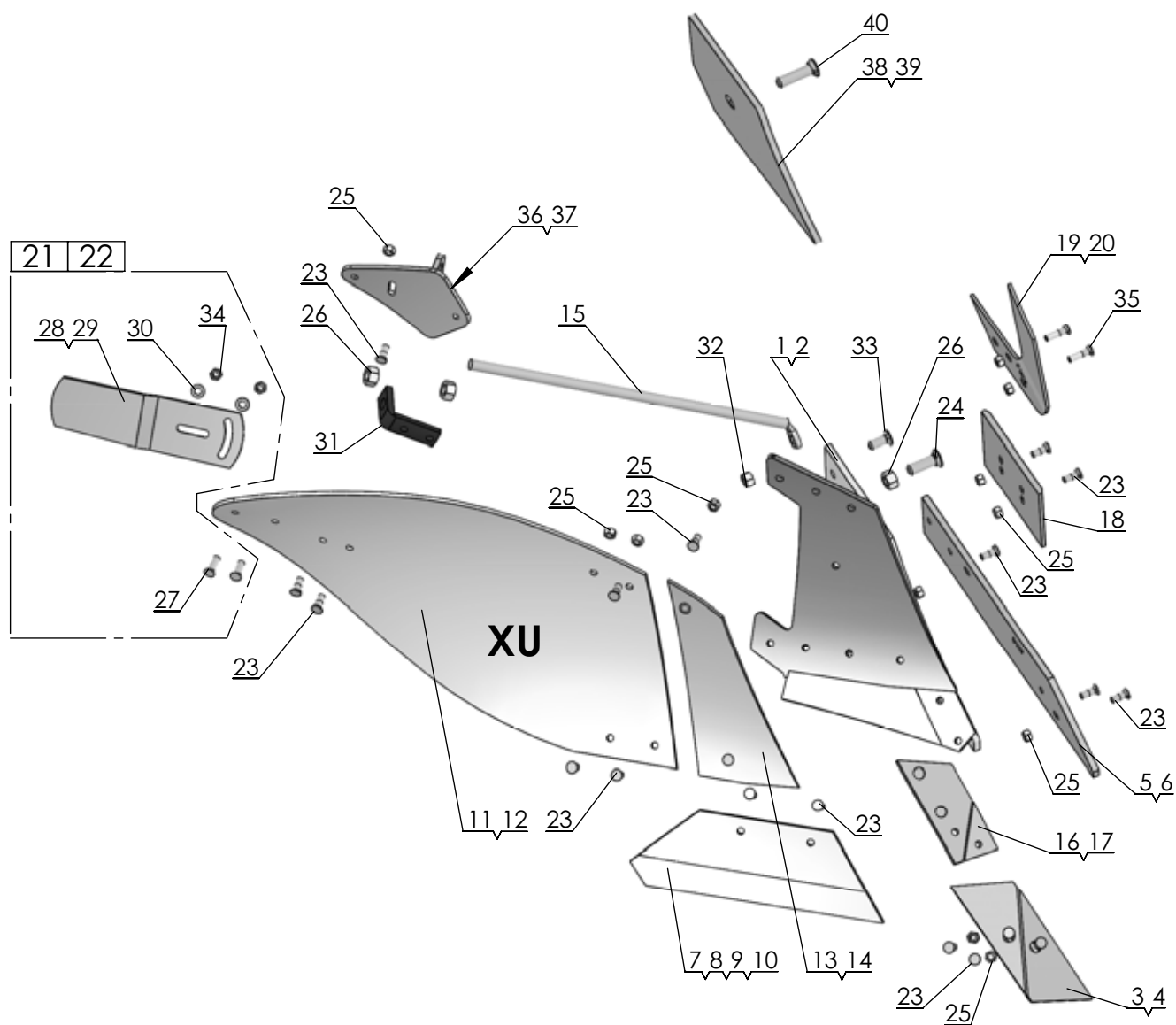
103d

| Pos nr/ Ref No | Detalj nr/ Part No | Benämning | Description |
|-------------------|-----------------------|---------------------------------------|--------------------------------------|
| 103D | | Plogkropp XL, XLP | Plough Body XL, XLP |
| 1 | 4165 94616 90 | Ställ XL, Höger | Frog XL, Right |
| 2 | 4165 94617 90 | Ställ XL, Vänster | Frog XL, Left |
| 3 | 4165 94608 09 | Spets höger XL, XU, kompl | Point right XL, XU, cpl |
| 4 | 4165 94609 09 | Spets vänster XL, XU, kompl | Point left XL, XU, cpl |
| 5 | 4165 94604 09 | Landsida XL höger, kompl | Landside XL RH, cpl |
| 6 | 4165 94605 09 | Landsida XL vänster, kompl | Landside XL LH, cpl |
| 7 | 4165 94598 09 | Skär höger 350 (14") XL, kompl | Share RH 350 (14") XL, cpl |
| 8 | 4165 94599 09 | Skär vänster 350 (14") XL, kompl | Share LH 350 (14") XL, cpl |
| 9 | 4165 94600 09 | Skär höger 400 (16") XL, kompl | Share RH 400 (16") XL, cpl |
| 10 | 4165 94601 09 | Skär vänster 400 (16") XL, kompl | Share LH 400 (16") XL, cpl |
| 11 | 4165 94602 09 | Skär höger 450 (18") XL, kompl | Share RH 450 (18") XL, cpl |
| 12 | 4165 94603 09 | Skär vänster 450 (18") XL, kompl | Share LH 450 (18") XL, cpl |
| 13 | 4165 94594 09 | Vändskiva XL/AX kompl, höger | Mouldboard XL/AX cpl, RH |
| 14 | 4165 94595 09 | Vändskiva XL/AX kompl, vänster | Mouldboard XL/AX cpl, LH |
| 15 | 4165 94596 09 | Vändskivebröst XL höger, kompl | Mouldboard shin XL right, cpl |
| 16 | 4165 94597 09 | Vändskivebröst XL vänster, kompl | Mouldboard shin XL left, kompl |
| 17 | 4165 94614 00 | Vändskivestötta XL, AX | Support Stay XL, AX |
| 18 | 4165 94612 09 | Spetsplatta XL höger, kompl | Point plate XL RH, cpl |
| 19 | 4165 94613 09 | Spetsplatta XL vänster, kompl | Point plate LH, cpl |
| 20 | 4165 94289 09 | Slitplatta låg, kompl | Wearing plate low, cpl |
| 21 | 4165 94622 09 | Knivrist kompl, höger | Knife coulter cpl, RH |
| 22 | 4165 94623 09 | Knivrist kompl, vänster | Knife coulter cpl, LH |
| 23 | 4165 29438 09 | Knivrist QR höger, kompl | Knife coulter QR RH, cpl |
| 24 | 4165 29439 09 | Knivrist QR vänster, kompl | Knife coulter QR LH, cpl |
| 25 | 4165 85461 09 | Tiltvinge höger, kompl | Mouldboard extension RH, cpl |
| 26 | 4165 85462 09 | Tiltvinge vänster, kompl | Mouldboard extension LH, cpl |
| 27 | 4165 03612 21 | Skruv MFBKF 12x32-12.9 MW | Nib bolt MFBKF 12x32-12.9 MW |
| 28 | 4165 03602 57 | Skruv MFBK 20x 60-10.9 MW | Nib bolt MFBK 20x 60-10.9 MW |
| 29 | 4165 03602 58 | Skruv MFBK 20x 75-10.9 MW | Nib bolt MFBK 20x 75-10.9 MW |
| 30 | 4165 03613 03 | Mutter M6M 12-12 MW | Nut ISO - 8673 - M12 x 1.5-12 MW |
| 31 | 731 23 26 51 | Mutter M6M 20-10 MW | Nut ISO - 4032 - M20-10 MW |
| 32 | 4165 03602 23 | Skruv MFBK 12x 40-10.9 MW | Nib bolt MFBK 12x 40-10.9 MW |
| 33 | 4165 74922 40 | Tiltvinge, höger | Mouldboard extension, RH |
| 34 | 4165 80559 40 | Tiltvinge, vänster | Mouldboard extension, LH |
| 35 | 734 11 78 01 | Bricka BRB 13x 24 FZB | Washer ISO 7089 - 12 FZB |
| 36 | 4165 94615 40 | Stagvinkel | Bracket |
| 37 | 731 23 24 01 | Mutter M6M 16- 8 FZB | Nut ISO - 4032 - M16-8 FZB |
| 38 | 4165 03602 33 | Skruv MFBK 16x 40-10.9 MW | Nib bolt MFBK 16x 40-10.9 MW |
| 39 | 4165 24803 09 | Vändskiva XLP, Höger | Mouldboard XLP, Right |
| 40 | 4165 24804 09 | Vändskiva XLP vänster, kompl | Mouldboard XLP LH, cpl |
| 41 | 4165 03602 22 | Skruv MFBK 12x 35-10.9 MW | Nib bolt MFBK 12x 35-10.9 MW |
| 42 | 731 23 22 51 | Mutter M6M 12-10 MW | Nut ISO 4032-M12-10 MW |
| 43 | 4165 03612 24 | Skruv MFBKF 12x45-12.9 MW | Bolt MFBKF 12x45-12.9 MW |
| 44 | 4165 96272 09 | Spets nedsänkt XL, XS höger, kompl | Point short XL, XS RH, cpl |
| 45 | 4165 96273 09 | Spets nedsänkt XL, XS vänster, kompl | Point short XL, XS LH, cpl |
| 46 | 4165 23924 09 | Täckplåt XL/AX kompl, höger | Covering plate XL/AX cpl, RH |
| 47 | 4165 23925 09 | Täckplåt XL/AX kompl, vänster | Covering plate XL/AX cpl, LH |
| 48 | 4165 24367 40 | Vinkelstötta, höger | Angle support, RH |
| 49 | 4165 24797 40 | Vinkelstötta, vänster | Angle support, LH |
| 50 | 4165 24801 09 | Vändskivebröst med fas höger, kompl | Mouldboard shin with chamfer RH, cpl |
| 51 | 4165 24802 09 | Vändskivebröst med fas vänster, kompl | Mouldboard shin with chamfer LH, cpl |
| 52 | 725 65 40 01 | Skruv MF6S 12x 40- 8.8 FZB | Bolt ISO 10642 - M12 x 40-8.8 FZB |
| 53 | 732 21 22 51 | Mutter M6M 12- 8 NF FZB | Nut ISO 7040-M12 |
| 54 | 4165 89489 00 | Bricka, Ø13/25x10 | Washer, Ø13/25x10 |
| 55 | 4165 03602 60 | Skruv MFBK 20x 85-10.9 MW | Nib bolt MFBK 20x 85-10.9 MW |
| 56 | 725 65 42 01 | Skruv MF6S 12x 50- 8.8 FZB | Bolt ISO 10642 - M12 x 50-8.8 FZB |
| 59 | 4165 94611 09 | Billspets AX, AH vänster, kompl | Point AX, AH left, cpl |
| 60 | 4165 94610 09 | Billspets AX, AH höger, kompl | Point AX, AH right, cpl |
| 61 | 4165 94606 09 | Landsida AX, AXP höger, kompl | Landside AX, AXP RH, cpl |
| 62 | 4165 94607 09 | Landsida AX, AXP, vänster, komp | Landside AX, AXP, LH, cpl |



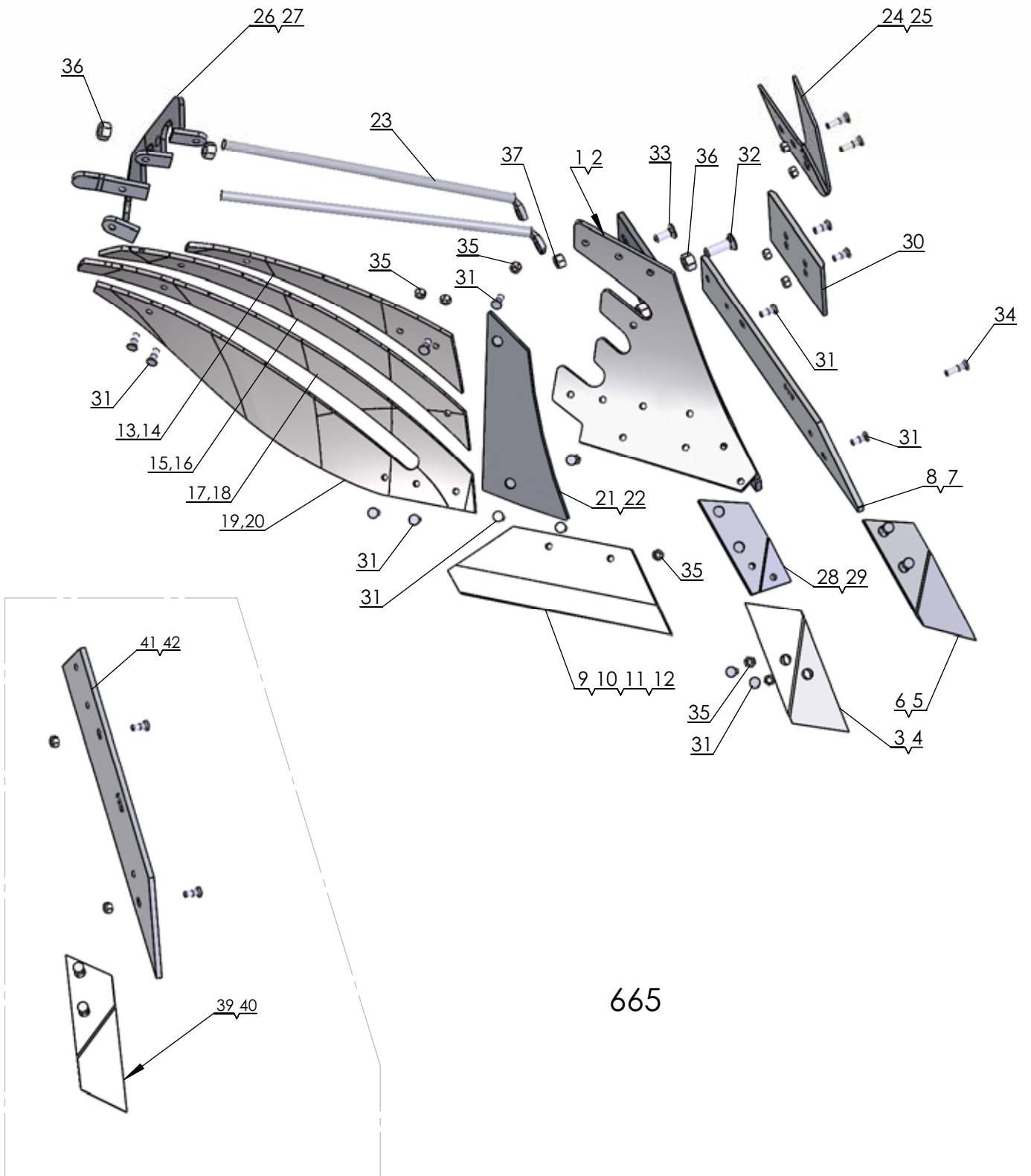
1322

| Pos nr/ Ref No | Detalj nr/ Part No | Benämning | Description |
|-------------------|-----------------------|--------------------------------------|---------------------------------------|
| 1322 Ö | | PLOGKROPP XLD | PLOUGH BODY XLD |
| 1 | 41 65 35010 90 | XLD Ställ, Höger | XLD Frog, Right |
| 2 | 41 65 35011 90 | XLD Ställ, Vänster | XLD Frog, Left |
| 3 | 41 65 35070 09 | XLD Spets, Höger, kompl. | XLD Point, Right, Compl. |
| 4 | 41 65 35071 09 | XLD Spets, Vänster, Kompl. | XLD Point, Left, Compl. |
| 5 | 41 65 35074 09 | XLD Vändbar Spets, Höger, Kompl. | XLD Reversible Point, Right, Compl. |
| 6 | 41 65 35075 09 | XLD Vändbar Spets, Vänster, Kompl. | XLD Reversible Point, Left, Compl. |
| 7 | 41 65 35076 09 | XLD Spetsplatta, Höger, Kompl. | XLD Point Bracket, Right, Compl. |
| 8 | 41 65 35077 09 | XLD Spetsplatta, Vänster, Kompl. | XLD Point bracket, Left, Compl. |
| 9 | 41 65 35040 09 | XLD Skär 16", Höger, Kompl. | XLD Share 16", Right, Compl. |
| 10 | 41 65 35041 09 | XLD Skär 16", Vänster, Kompl. | XLD Share 16", Left, Compl. |
| 11 | 41 65 35042 09 | XLD Skär 18", Höger, Kompl. | XLD Share 18", Right, Compl. |
| 12 | 41 65 35043 09 | XLD Skär 18", Vänster, Kompl. | XLD Share 18", Left, Compl. |
| 13 | 41 65 35044 09 | XLD Skär 20", Höger, Kompl. | XLD Share 20", Right, Compl. |
| 14 | 41 65 35045 09 | XLD Skär 20", Vänster, Kompl. | XLD Share 20", Left, Compl. |
| 15 | 41 65 35060 09 | XLD Landsida främre, Höger, Kompl. | XLD Landside Forward, Right, Compl. |
| 16 | 41 65 35061 09 | XLD Landsida Främre, Vänster, Kompl. | XLD Landside Forward, Left, Compl. |
| 17 | 41 65 35062 09 | XLD Landsida Bakre, Höger, Kompl. | XLD Landside Rear, Right, Compl. |
| 18 | 41 65 35063 09 | XLD Landsida Bakre, Vänster, Kompl. | XLD Landside Rear, Left, Compl. |
| 19 | 41 65 35080 09 | XLD Bröst, Höger, Kompl. | XLD Chest, Right, Compl. |
| 20 | 41 65 35081 09 | XLD Bröst, Vänster, Kompl. | XLD Chest, Left, Compl. |
| 21 | 41 65 35020 09 | XLD Vändskiva, Höger, Kompl. | XLD Mouldboard, Right, Compl. |
| 22 | 41 65 35021 09 | XLD Vändskiva, Vänster, Kompl. | XLD Mouldboard, Left, Compl. |
| 23 | 41 65 03612 21 | Skruv MFBKF 12x32-12.9 MW | Nib bolt MFBKF 12x32-12.9 MW |
| 24 | 41 65 03613 03 | Mutter M6M 12x1,25-12 MW | Nut ISO - 8673 - M12 x 1,25-12 MW |
| 25 | 41 65 94615 40 | Stagvinkel | Bracket |
| 26 | 4731 23 26 51 | Mutter M6M 20-10 MW | Nut ISO - 4032 - M20-10 MW |
| 27 | 41 65 03602 33 | Skruv MFBK 16x 40-10.9 MW | Nib bolt MFBK 16x 40-10.9 MW |
| 28 | 4731 23 24 01 | Mutter M6M 16- 8 FZB | Nut ISO - 4032 - M16-8 FZB |
| 29 | 41 65 03602 57 | Skruv MFBK 20x 60-10.9 MW | Nib bolt MFBK 20x 60-10.9 MW |
| 30 | 41 65 03602 58 | Skruv MFBK 20x 75-10.9 MW | Nib bolt MFBK 20x 75-10.9 MW |
| 31 | 41 65 35096 40 | Stagfäste | Stay Bracket |
| 32 | 41 65 94289 09 | Slitplatta låg, kompl | Wearing plate low, cpl |
| 33 | 41 65 94622 09 | Knivrist kompl, höger | Knife coulter cpl, RH |
| 34 | 41 65 94623 09 | Knivrist kompl, vänster | Knife coulter cpl, LH |
| 35 | 41 65 35112 09 | XLD Täckplåt ställ Kompl., Höger | XLD Cover plate Frog Compl., Right |
| 36 | 41 65 35113 09 | XLD Täckplåt ställ Kompl. Vänster | XLD Frog protection plate Compl, Left |
| 37 | 41 65 03612 24 | Skruv MFBKF 12x45-12.9 MW | Bolt MFBKF 12x45-12.9 MW |
| 38 | 41 65 03602 23 | Skruv MFBK 12x 40-10.9 MW | Nib bolt MFBK 12x 40-10.9 MW |
| 39 | 41 65 03615 05 | Mutter M6MF 12- 8 FZB | Nut ISO - 4161 - M12 FZB |
| 40 | 41 65 85461 09 | Tiltvinge höger, kompl | Mouldboard extension RH, cpl |
| 41 | 41 65 85462 09 | Tiltvinge vänster, kompl | Mouldboard extension LH, cpl |
| 42 | 41 65 36339 01 | XLD dubbel stötta, kompl | XLD double stay, cpl |
| 43 | 41 65 36337 01 | XLD stötta, kompl | XLD stay, cpl |
| 44 | 41 65 35095 00 | Vändskivestötta XLD | Mouldboard stay XLD |
| 45 | 41 65 35094 00 | Vändskivestötta XLD | Mouldboard stay XLD |

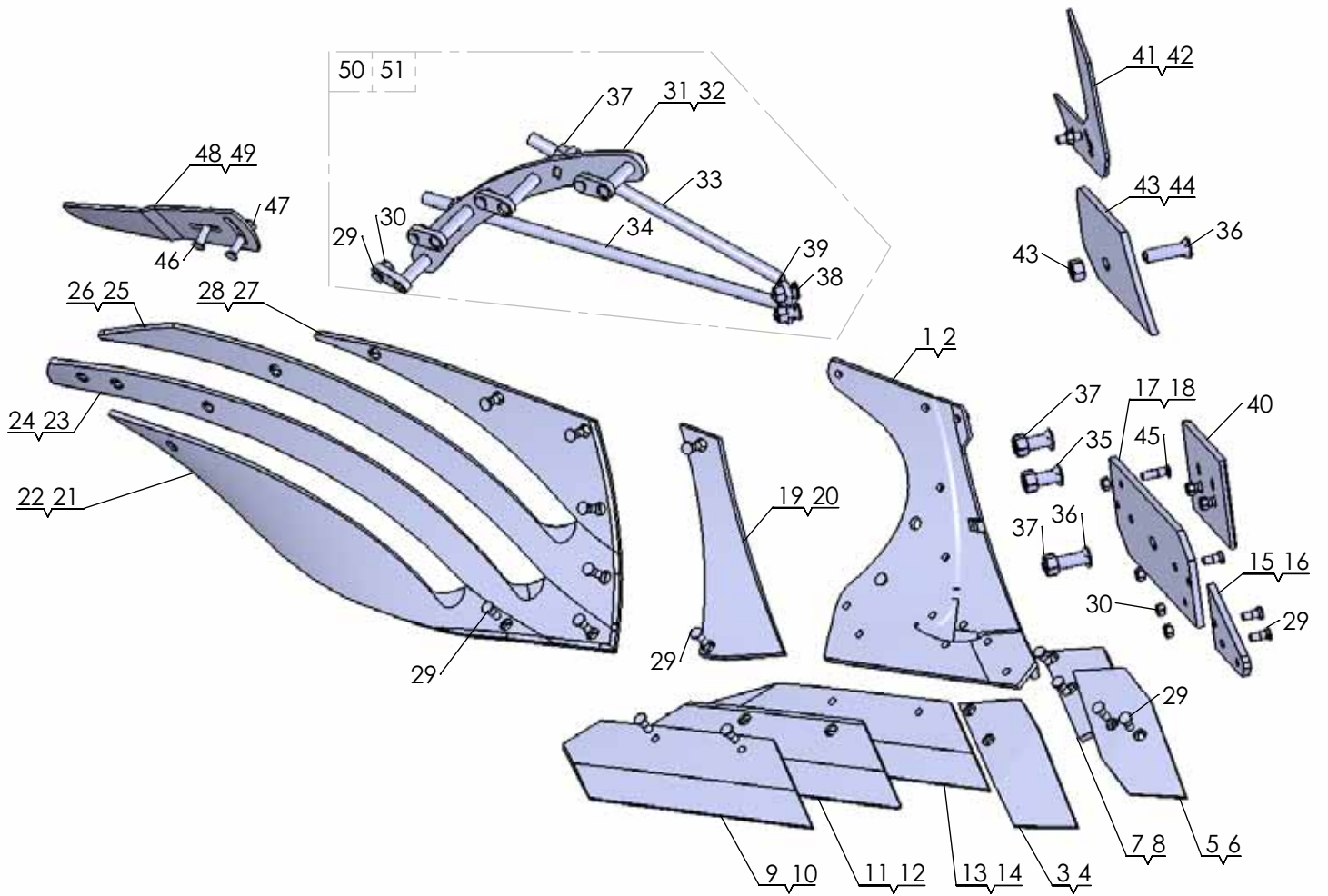


660

| Pos nr/ Ref No | Detalj nr/ Part No | Benämning | Description |
|-------------------|-----------------------|-------------------------------------|----------------------------------|
| 660 | | PLOGKROPP XU | PLOUGH BODY |
| 1 | 4165 20539 90 | Ställ XU Höger | Frog XU Right |
| 2 | 4165 20540 90 | Ställ XU Vänster | Frog XU Left |
| 3 | 4165 94608 09 | Spets höger XL, XU, kompl | Point right XL, XU, cpl |
| 4 | 4165 94609 09 | Spets vänster XL, XU, kompl | Point left XL, XU, cpl |
| 5 | 4165 96094 09 | Landsida XU höger, kompl | Landside XU RH, cpl |
| 6 | 4165 96095 09 | Landsida XU vänster, kompl | Landside XU LH, cpl |
| 7 | 4165 96090 09 | Skär XU 400 (16") höger, kompl | Share XU 400 (16") RH, cpl |
| 8 | 4165 96091 09 | Skär XU 400 (16") vänster, kompl | Share XU 400 (16") LH, cpl |
| 9 | 4165 96092 09 | Skär XU 450 (18") höger, kompl | Share XU 450 (18") RH, cpl |
| 10 | 4165 96093 09 | Skär XU 450 (18") vänster, kompl | Share XU 450 (18") LH, cpl |
| 11 | 4165 96084 09 | Vändskiva XU höger, kompl | Mouldboard XU RH, cpl |
| 12 | 4165 96085 09 | Vändskiva XU vänster, kompl | Mouldboard XU LH, cpl |
| 13 | 4165 96086 09 | Vändskivebröst XU/AH höger, kompl | Mouldboard shin XU/AH RH, cpl |
| 14 | 4165 96087 09 | Vändskivebröst XU/AH vänster, kompl | Mouldboard shin XU/AH LH, cpl |
| 15 | 4165 96104 00 | Vändskivestötta XU, AH, XS, AS | Mouldboard stay XU, AH, XS, AS |
| 16 | 4165 94612 09 | Spetsplatta XL höger, kompl | Point plate XL RH, cpl |
| 17 | 4165 94613 09 | Spetsplatta XL vänster, kompl | Point plate LH, cpl |
| 18 | 4165 94289 09 | Slitplatta låg, kompl | Wearing plate low, cpl |
| 19 | 4165 94622 09 | Knivrist kompl, höger | Knife coulter cpl, RH |
| 20 | 4165 94623 09 | Knivrist kompl, vänster | Knife coulter cpl, LH |
| 21 | 4165 85461 09 | Tiltvinge höger, kompl | Mouldboard extension RH, cpl |
| 22 | 4165 85462 09 | Tiltvinge vänster, kompl | Mouldboard extension LH, cpl |
| 23 | 4165 03612 21 | Skruv MFBKF 12x32-12.9 MW | Nib bolt MFBKF 12x32-12.9 MW |
| 24 | 4165 03602 57 | Skruv MFBK 20x 60-10.9 MW | Nib bolt MFBK 20x 60-10.9 MW |
| 25 | 4165 03613 03 | Mutter M6M 12-12 MW | Nut ISO - 8673 - M12 x 1.5-12 MW |
| 26 | 731 23 26 51 | Mutter M6M 20-10 MW | Nut ISO - 4032 - M20-10 MW |
| 27 | 4165 03602 23 | Skruv MFBK 12x 40-10.9 MW | Nib bolt MFBK 12x 40-10.9 MW |
| 28 | 4165 74922 40 | Tiltvinge, höger | Mouldboard extension, RH |
| 29 | 4165 80559 40 | Tiltvinge, vänster | Mouldboard extension, LH |
| 30 | 734 11 78 01 | Bricka BRB 13x 24 FZB | Washer ISO 7089 - 12 FZB |
| 31 | 4165 94615 40 | Stagvinkel | Bracket |
| 32 | 731 23 24 01 | Mutter M6M 16- 8 FZB | Nut ISO - 4032 - M16-8 FZB |
| 33 | 4165 03602 33 | Skruv MFBK 16x 40-10.9 MW | Nib bolt MFBK 16x 40-10.9 MW |
| 34 | 731 23 22 51 | Mutter M6M 12-10 MW | Nut ISO 4032-M12-10 MW |
| 35 | 4165 03612 24 | Skruv MFBKF 12x45-12.9 MW | Bolt MFBKF 12x45-12.9 MW |
| 36 | 4165 24260 40 | Vinkelstötta, höger | Angle bracket, RH |
| 37 | 4165 24262 40 | Vinkelstötta, vänster | Angle bracket, LH |
| 38 | 4165 29282 09 | Täckplåt XU/AH kompl, höger | Covering plate XU/AH cpl, RH |
| 39 | 4165 29283 09 | Täckplåt XU/AH kompl, vänster | Covering plate XU/AX cpl, LH |
| 40 | 4165 03602 58 | Skruv MFBK 20x 75-10.9 MW | Nib bolt MFBK 20x 75-10.9 MW |
| 41 | 4165 94610 09 | Billspets AX, AH höger, kompl | Point AX, AH right, cpl |
| 42 | 4165 94611 09 | Billspets AX, AH vänster, kompl | Point AX, AH left, cpl |
| 43 | 4165 96096 09 | Landsida AH, AS, höger, kompl | Landside AH, AS, right, cpl |
| 44 | 4165 96097 09 | Landsida AH, AS, vänster, kompl | Landside AH, AS, left, cpl |

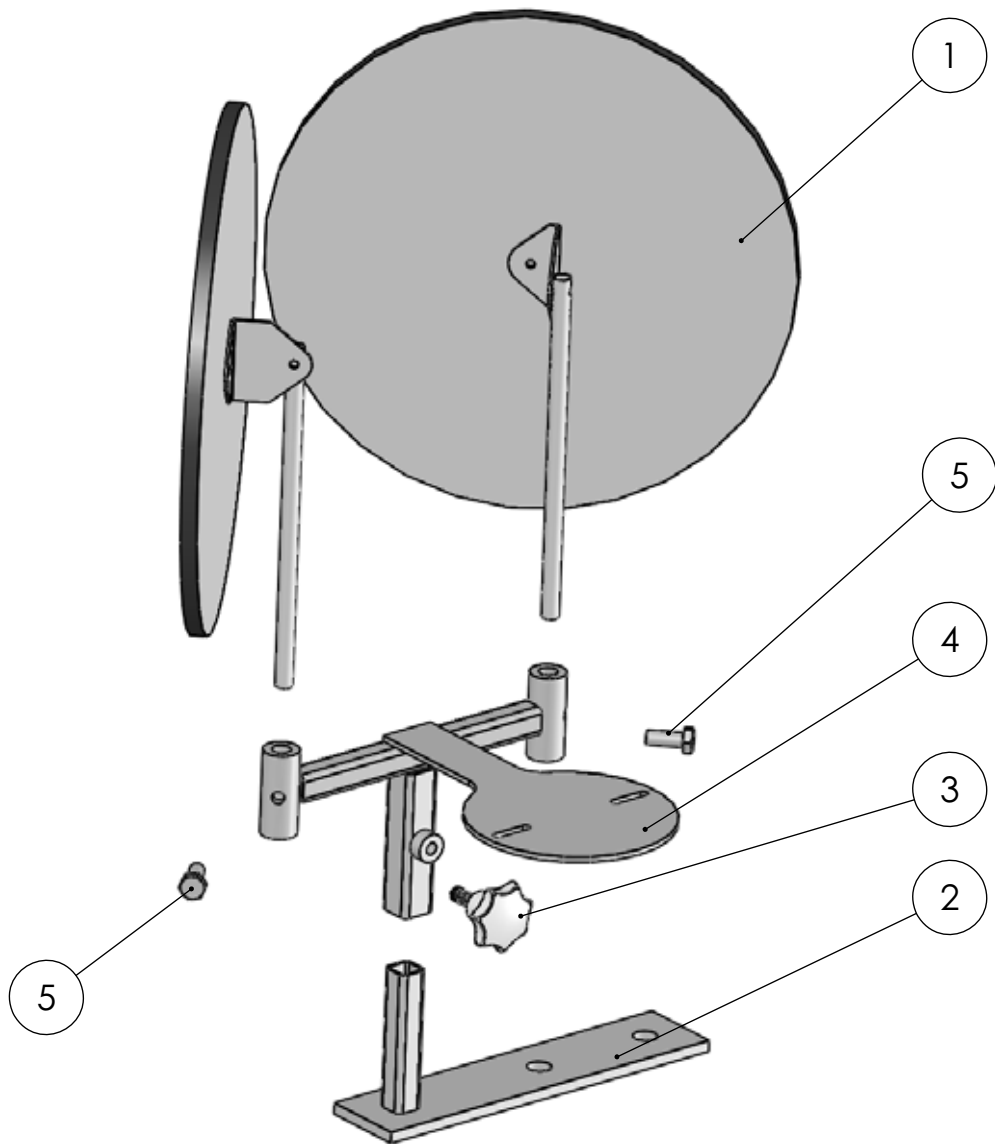


| Pos nr/ Ref No | Detalj nr/ Part No | Benämning | Description |
|-------------------|-----------------------|--------------------------------------|----------------------------------|
| 665 | | PLOGKROPP XS | PLOUGH BODY XS |
| 1 | 4165 21619 90 | Plogställ XS, höger | Frog XS, RH |
| 2 | 4165 21620 90 | Plogställ XS, vänster | Frog XS, Left |
| 3 | 4165 94608 09 | Spets höger XL, XU, kompl | Point right XL, XU, cpl |
| 4 | 4165 94609 09 | Spets vänster XL, XU, kompl | Point left XL, XU, cpl |
| 5 | 4165 96272 09 | Spets nedsänkt XL, XS höger, kompl | Point short XL, XS RH, cpl |
| 6 | 4165 96273 09 | Spets nedsänkt XL, XS vänster, kompl | Point short XL, XS LH, cpl |
| 7 | 4165 96095 09 | Landsida XU vänster, kompl | Landside XU LH, cpl |
| 8 | 4165 96094 09 | Landsida XU höger, kompl | Landside XU RH, cpl |
| 9 | 4165 96090 09 | Skär XU 400 (16") höger, kompl | Share XU 400 (16") RH, cpl |
| 10 | 4165 96091 09 | Skär XU 400 (16") vänster, kompl | Share XU 400 (16") LH, cpl |
| 11 | 4165 96092 09 | Skär XU 450 (18") höger, kompl | Share XU 450 (18") RH, cpl |
| 12 | 4165 96093 09 | Skär XU 450 (18") vänster, kompl | Share XU 450 (18") LH, cpl |
| 13 | 4165 20249 09 | Strimla nr 1 höger, kompl | Stripe no 1 right, cpl |
| 14 | 4165 20894 09 | Strimla nr 1 övre vänster, kompl | Stripe no 1 upper left, cpl |
| 15 | 4165 20250 09 | Strimla nr 2 höger, kompl | Stripe no 2 right, cpl |
| 16 | 4165 20895 09 | Strimla nr 2 vänster, kompl | Stripe no 2 left, cpl |
| 17 | 4165 20251 09 | Strimla nr 3 höger, kompl | Stripe no 3 right, cpl |
| 18 | 4165 20896 09 | Strimla nr 3 vänster, kompl | Stripe no 3 left, cpl |
| 19 | 4165 20252 09 | Strimla nr 4 höger, kompl | Stripe no 4 right, cpl |
| 20 | 4165 20897 09 | Strimla nr 4 vänster, kompl | Stripe no 4 left, cpl |
| 21 | 4165 21470 09 | Vändskivebröst XS/AS höger, kompl | Mouldboard shin XS/AS right, cpl |
| 22 | 4165 21599 09 | Vändskivebröst XS/AS vänster, kompl | Mouldboard shin XS/AS left, cpl |
| 23 | 4165 96104 00 | Vändskivestötta XU, AH, XS, AS | Mouldboard stay XU, AH, XS, AS |
| 24 | 4165 94622 09 | Knivrist kompl, höger | Knife coulter cpl, RH |
| 25 | 4165 94623 09 | Knivrist kompl, vänster | Knife coulter cpl, LH |
| 26 | 4165 20268 40 | Brygga, höger | Bridge, right |
| 27 | 4165 20278 40 | Brygga, vänster | Bridge, left |
| 28 | 4165 94612 09 | Spetsplatta XL höger, kompl | Point plate XL RH, cpl |
| 29 | 4165 94613 09 | Spetsplatta XL vänster, kompl | Point plate LH, cpl |
| 30 | 4165 94289 09 | Slitplatta låg, kompl | Wearing plate low, cpl |
| 31 | 4165 03612 21 | Skruv MFBKF 12x32-12.9 MW | Nib bolt MFBKF 12x32-12.9 MW |
| 32 | 4165 03602 57 | Skruv MFBK 20x 60-10.9 MW | Nib bolt MFBK 20x 60-10.9 MW |
| 33 | 4165 03602 33 | Skruv MFBK 16x 40-10.9 MW | Nib bolt MFBK 16x 40-10.9 MW |
| 34 | 4165 03612 24 | Skruv MFBKF 12x45-12.9 MW | Bolt MFBKF 12x45-12.9 MW |
| 35 | 4165 03613 03 | Mutter M6M 12-12 MW | Nut ISO - 8673 - M12 x 1.5-12 MW |
| 36 | 731 23 26 51 | Mutter M6M 20-10 MW | Nut ISO - 4032 - M20-10 MW |
| 37 | 731 23 24 01 | Mutter M6M 16- 8 FZB | Nut ISO - 4032 - M16-8 FZB |
| 39 | 4165 94610 09 | Billspets AX, AH höger, kompl | Point AX, AH right, cpl |
| 40 | 4165 94611 09 | Billspets AX, AH vänster, kompl | Point AX, AH left, cpl |
| 41 | 4165 96096 09 | Landsida AH, AS, höger, kompl | Landside AH, AS, right, cpl |
| 42 | 4165 96097 09 | Landsida AH, AS, vänster, kompl | Landside AH, AS, left, cpl |



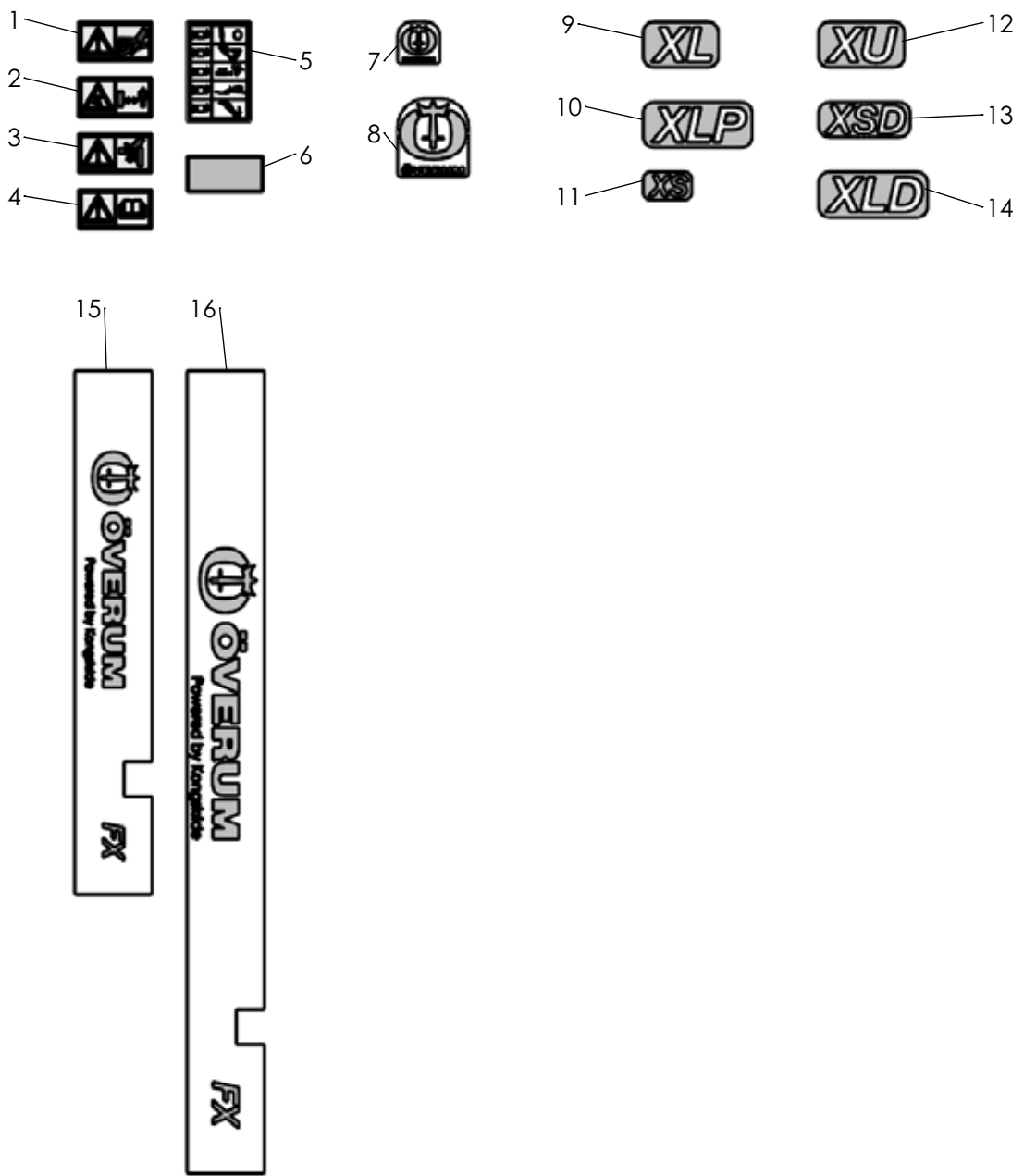
1520

| Pos nr/ Ref No | Detalj nr/ Part No | Benämning | Description |
|-------------------|-----------------------|--------------------------------------|---------------------------------------|
| 1520 Ö | | PLOGKROPP XSD | PLOUGH BODY XSD |
| 1 | 41 65 35010 90 | XLD Ställ, Höger | XLD Frog, Right |
| 2 | 41 65 35011 90 | XLD Ställ, Vänster | XLD Frog, Left |
| 3 | 41 65 35070 09 | XLD Spets, Höger, kompl. | XLD Point, Right, Compl. |
| 4 | 41 65 35071 09 | XLD Spets, Vänster, Kompl. | XLD Point, Left, Compl. |
| 5 | 41 65 35074 09 | XLD Vändbar Spets, Höger, Kompl. | XLD Reversible Point, Right, Compl. |
| 6 | 41 65 35075 09 | XLD Vändbar Spets, Vänster, Kompl. | XLD Reversible Point, Left, Compl. |
| 7 | 41 65 35076 09 | XLD Spetsplatta, Höger, Kompl. | XLD Point Bracket, Right, Compl. |
| 8 | 41 65 35077 09 | XLD Spetsplatta, Vänster, Kompl. | XLD Point bracket, Left, Compl. |
| 9 | 41 65 35040 09 | XLD Skär 16", Höger, Kompl. | XLD Share 16", Right, Compl. |
| 10 | 41 65 35041 09 | XLD Skär 16", Vänster, Kompl. | XLD Share 16", Left, Compl. |
| 11 | 41 65 35042 09 | XLD Skär 18", Höger, Kompl. | XLD Share 18", Right, Compl. |
| 12 | 41 65 35043 09 | XLD Skär 18", Vänster, Kompl. | XLD Share 18", Left, Compl. |
| 13 | 41 65 35044 09 | XLD Skär 20", Höger, Kompl. | XLD Share 20", Right, Compl. |
| 14 | 41 65 35045 09 | XLD Skär 20", Vänster, Kompl. | XLD Share 20", Left, Compl. |
| 15 | 41 65 35060 09 | XLD Landsida främre, Höger, Kompl. | XLD Landside Forward, Right, Compl. |
| 16 | 41 65 35061 09 | XLD Landsida Främre, Vänster, Kompl. | XLD Landside Forward, Left, Compl. |
| 17 | 41 65 35062 09 | XLD Landsida Bakre, Höger, Kompl. | XLD Landside Rear, Right, Compl. |
| 18 | 41 65 35063 09 | XLD Landsida Bakre, Vänster, Kompl. | XLD Landside Rear, Left, Compl. |
| 19 | 41 65 35080 09 | XLD Bröst, Höger, Kompl. | XLD Chest, Right, Compl. |
| 20 | 41 65 35081 09 | XLD Bröst, Vänster, Kompl. | XLD Chest, Left, Compl. |
| 21 | 41 65 35024 09 | XSD Strimla nr 1, Höger | XSD Stripe no 1, Right |
| 22 | 41 65 35025 09 | XSD Strimla nr 1, Vänster | XSD Stripe no 1, Left |
| 23 | 41 65 35026 09 | XSD Strimla nr 2, Höger | XSD Stripe no 2, Right |
| 24 | 41 65 35027 09 | XSD Strimla nr 2, Vänster | XSD Stripe no 2, Left |
| 25 | 41 65 35028 09 | XSD Strimla nr 3, Höger | XSD Stripe no 3, Right |
| 26 | 41 65 35029 09 | XSD Strimla nr 3, Vänster | XSD Stripe no 3, Left |
| 27 | 41 65 35030 09 | XSD Strimla nr 4, Höger | XSD Stripe no 4, Right |
| 28 | 41 65 35031 09 | XSD Strimla nr 4, Vänster | XSD Stripe no 4, Left |
| 29 | 41 65 03612 21 | Skruv MFBKF 12x32-12.9 MW | Nib bolt MFBKF 12x32-12.9 MW |
| 30 | 41 65 03613 03 | Mutter M6M 12x1,25-12 MW | Nut ISO - 8673 - M12 x 1,25-12 MW |
| 31 | 41 65 35102 40 | XSD Stöd, Höger | XSD Support, Right |
| 32 | 41 65 35103 40 | XSD Stöd, Vänster | XSD Support, Left |
| 33 | 41 65 35093 00 | XSD Vändskivestötta Övre | XSD Mouldboard stay Upper |
| 34 | 41 65 35091 00 | XSD Vändskivestötta Undre | XSD Mouldboard Stay Lower |
| 35 | 41 65 03602 57 | Skruv MFBK 20x 60-10.9 MW | Nib bolt MFBK 20x 60-10.9 MW |
| 36 | 41 65 03602 58 | Skruv MFBK 20x 75-10.9 MW | Nib bolt MFBK 20x 75-10.9 MW |
| 37 | 4731 23 26 51 | Mutter M6M 20-10 MW | Nut ISO - 4032 - M20-10 MW |
| 38 | 41 65 03602 33 | Skruv MFBK 16x 40-10.9 MW | Nib bolt MFBK 16x 40-10.9 MW |
| 39 | 4731 23 24 01 | Mutter M6M 16- 8 FZB | Nut ISO - 4032 - M16-8 FZB |
| 40 | 41 65 94289 09 | Slitplatta låg, kompl | Wearing plate low, cpl |
| 41 | 41 65 94622 09 | Knivrist kompl, höger | Knife coulter cpl, RH |
| 42 | 41 65 94623 09 | Knivrist kompl, vänster | Knife coulter cpl, LH |
| 43 | 41 65 35112 09 | XLD Täckplåt ställ Kompl., Höger | XLD Cover plate Frog Compl., Right |
| 44 | 41 65 35113 09 | XLD Täckplåt ställ Kompl. Vänster | XLD Frog protection plate Compl, Left |
| 45 | 41 65 03612 24 | Skruv MFBKF 12x45-12.9 MW | Bolt MFBKF 12x45-12.9 MW |
| 46 | 41 65 03602 23 | Skruv MFBK 12x 40-10.9 MW | Nib bolt MFBK 12x 40-10.9 MW |
| 47 | 41 65 03615 05 | Mutter M6MF 12- 8 FZB | Nut ISO - 4161 - M12 FZB |
| 48 | 41 65 85461 09 | Tiltvinge höger, kompl | Mouldboard extension RH, cpl |
| 49 | 41 65 85462 09 | Tiltvinge vänster, kompl | Mouldboard extension LH, cpl |
| 50 | 41 65 35118 01 | XSD Stag och fäste Kompl. Höger | XSD Stay and Bracket Compl. Right |
| 51 | 41 65 35119 01 | XSD Stag och fäste Kompl. Vänster | XSD Stay and Bracket Compl. Left |



527

| Pos nr/ Ref No | Detalj nr/ Part No | Benämning | Description |
|-------------------|-----------------------|---------------------------|--------------------------------|
| 527 | | SPEGEL | MIRROR |
| 1 | 41 65 26332 00 | Spegel kompl | Mirror, cpl |
| 2 | 41 65 26335 00 | Ramfäste | Frame bracket |
| 3 | 41 65 26331 00 | Stjärnvred, M10x25 | Knob, M10x25 |
| 4 | 41 65 26339 00 | Fäste kompl | Bracket cmp |
| 5 | 725 24 93 51 | Skruv M6S 10x 25- 8.8 FZB | Bolt ISO 4014 M10x 25- 8.8 FZB |



1374

| Pos nr/ Ref No | Detalj nr/ Part No | Benämning | Description |
|-------------------|-----------------------|---------------------------------|--|
| 1374 | | DEKAL | DECAL |
| 1 | 41 65 98300 00 | Dekal: Högt oljetryck | Decal: High pressure fluid-injection into body |
| 2 | 41 65 98301 00 | Dekal: Arbetsområde | Decal: Stay a safe distance from the machine |
| 3 | 41 65 25073 00 | Dekal: Varning klämrisk | Decal: Warning risk of crushing |
| 4 | 41 65 99101 00 | Dekal: Läs instruktionsboken | Decal: Read instruction manual |
| 5 | 41 65 34617 00 | Dekal: Färgmärkning, buren plog | Decal: Colour marking, mounted plough |
| 6 | 41 65 97077 00 | Reflex | Reflex |
| 7 | 41 65 34754 00 | Dekal: ÖVERUM logo, h=43 | Decal: ÖVERUM logo, h=43 |
| 8 | 41 65 34752 00 | Dekal: ÖVERUM logo, h=84 | Decal: ÖVERUM logo, h=84 |
| 9 | 41 65 35141 00 | Dekal: Plogkropp XL | Decal: Plough body XL |
| 10 | 41 65 35142 00 | Dekal: Plogkropp XLP | Decal: Plough body XLP |
| 11 | 41 65 35144 00 | Dekal: Plogkropp XS | Decal: Plough body XS |
| 12 | 41 65 35143 00 | Dekal: Plogkropp XU | Decal: Plough body XU |
| 13 | 41 65 36350 00 | Dekal: Plogkropp XSD | Decal: Plough body XSD |
| 14 | 41 65 35145 00 | Dekal: Plogkropp XLD | Decal: Plough body XLD |
| 15 | 41 65 34836 00 | Dekal: ÖVERUM FX | Decal: ÖVERUM FX |
| 16 | 41 65 34913 00 | Dekal: ÖVERUM FX | Decal: ÖVERUM FX |

