

# CXL



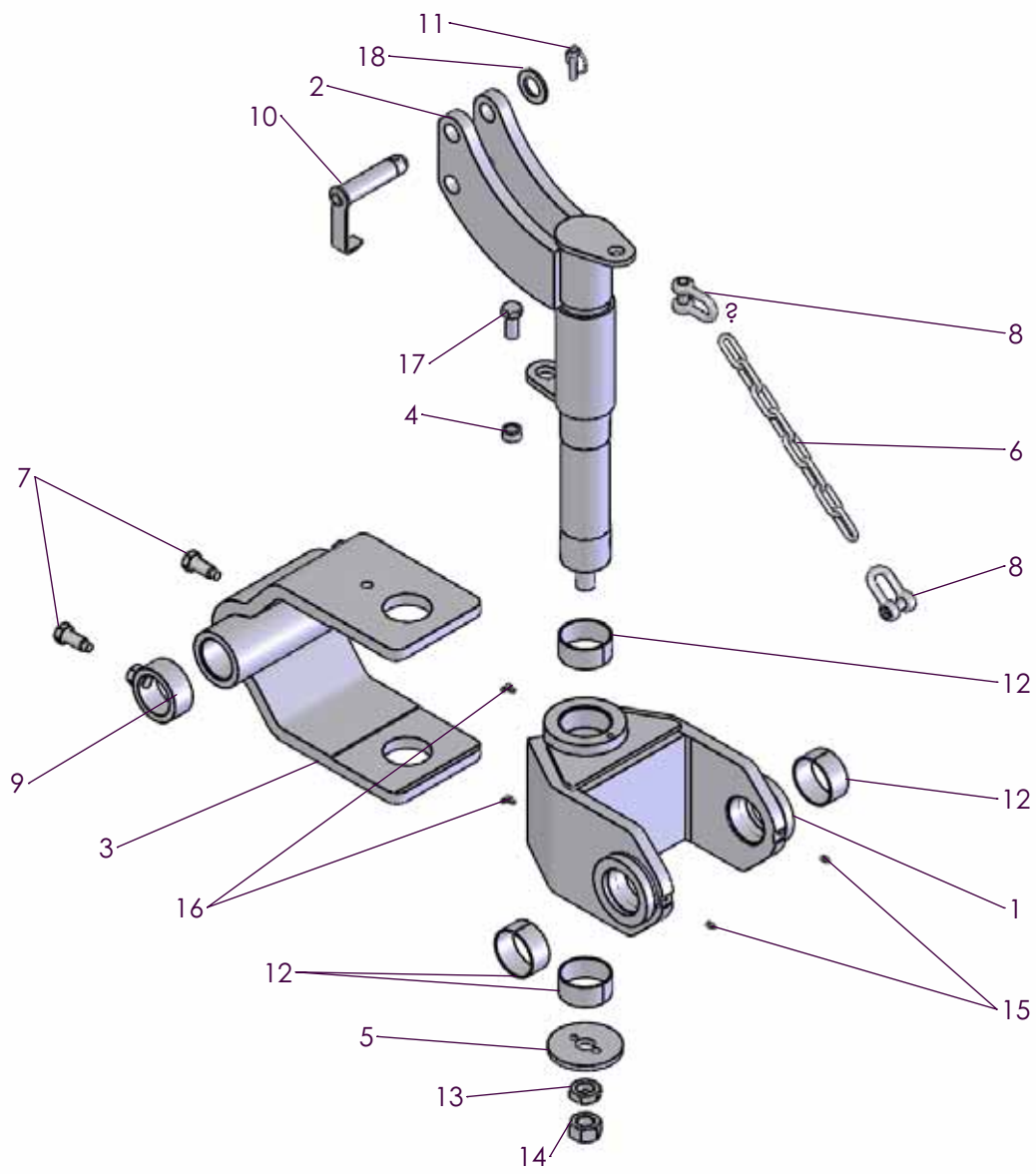
Reservdelista  
Spare parts list  
Ersatzteilliste  
Onderdelenlijst  
Liste de pièce de rechange  
Listino di prezzi de ricambio

Edition:  
**180213**

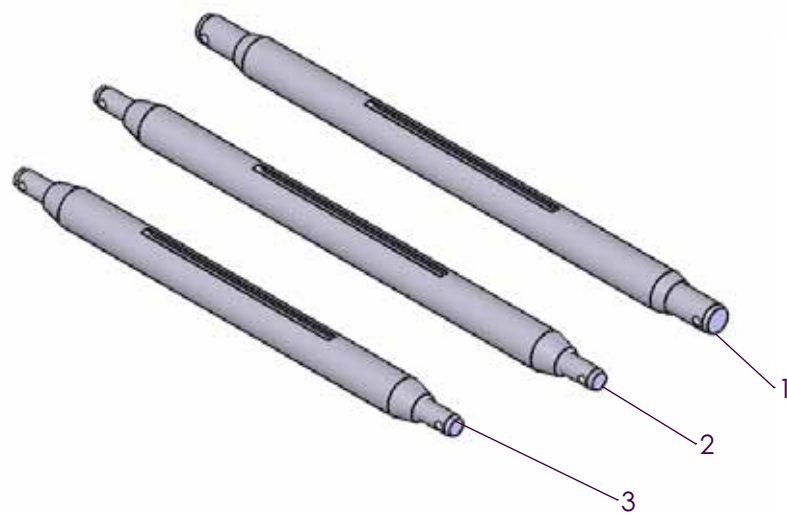
 **ÖVERUM**



Sida	Bild					
Seite	Bild					
Page	Fig.No.					
Page	Fig.N°	Typ	Innehållsförteckning	Inhaltsverzeichnis	Index of contents	Table des matieres
3	1312		TOPP	KOPFSTÜCK	HEADSTOCK	TETE
	1313		BÄRAXEL	TRAGASCHSE	CROSS SHAFT	BARRE D'ATTELAGE
5	1321		SLANGHÅLLARE	STÄNDER	HOSE BRACKET	MONTANT
7	1273		PLOGNYCKLAR	SCHLÜSSEL	SPANNERS	CLÈ
9	1311		FRÄMRE RAM	RAHMEN	FRONT FRAME	CHÂSSIS
11	1314		RAM	RAHMEN	FRAME	CHÂSSIS
13	1315		MELLANRAM	RAHMEN	MIDDLE FRAME	CHÂSSIS
15	1316		VAGNRAM	RAHMEN	WAGON FRAME	CHÂSSIS-POUTRE
17	1310		BAKRE RAM	HINTEN RAHMEN	REAR MAIN FRAME	ARRIÈRE CHÂSSIS
19	1317		VÄNDCYLINDER	WENDE- ZYLINDER	REVERSING CYLINDER	VÉRIN DE RETOURNEMENT
19	1318		LÄNKHJULS- CYLINDER	HINTERRAD ZYLINDER	REAR WHEEL CYLINDER	VERIN DE ROUE HYDRAULIQUE
21	1151		JUSTER- CYLINDER	HYDR. ZYLINDER FÜR EIN- STELLUNG DER FRONT- FURCHEN-BREITE	HYRD. CYLINDER FOR ADJUSTMENT OF FRONT WIDHT	VERIN HYDRAULIQUE POUR CONTROLE DE LARGEUR DE LARGEUR
23	691	H	ÅS	GRINDEL	BEAM	AGE
		H	ÅSFÄSTE	GRINDEL-GEHAUSE	BEAM HOUSING	SUPPORT
25	1280		HYDRAULISK	HYDRAULISCHER	HYDRAULIC	DISPOSITIF
	1281		UTLÖSNINGS- CYLINDER	STEINSICHERUNG	TRIP	DE SECURITE HYDRAULIQUE
27	259		HYDRAULISKT SYSTEM UTAN VENTIL	HYDRAULSYSTEM OHNE VENTIL	HYDRAULIC SYSTEM WITHOUT VALVE	SYSTEM HYDRAULIQUE SANS SOUPAPE
29	262		HYDRAULISKT SYSTEM MED VENTIL	HYDRAUL SYSTEM MITT VENTIL	HYDRAULIC SYSTEM WITH VALVE	SYSTEM HYDRAULIQUE AVEC SOUPAPE
31	263		HYDRAULISKT SYSTEM MED ELSTYRD VENTIL	HYDRAULSYSTEM SYSTEM ELEKTR.GESTEUER RICHTUNGSVENTIL	HYDRAULIC SYSTEM ELEC.CONTROLLED DIRECTION VALVE	SYSTEM HYDRAULIQUE VANNE REGLÉE ÉLECTRIQUEMENT
35	264		STENSÅKRINGS- HYDRAULIK	HYDRAULISCHER STEINSICHERUNG	HYDRAULIC STONE TRIP	DISPOSITIF DE SECURITE HYDRAULIQ.
37	387		PENDELHJUL	PENDELRAD	PENDULUM WHELL	ROUE PENDULAIRE
39	698		SKIVRIST	SCHEIBENSECH	DISC COULTER	COUTRE CIRCULAIRE
41	700		SKUMVINGE	EINLEGER-	COVERBOARD	DEFLECTEUR
41	701		FÄRBREDDARE	FURCHENMESSER	FURROW WIDENING	KNICOUTEAU POUR PNEUS L.
43	1010		SKUMRIST	VORSCHÄLER	SKIMMER	RASETTE
45	103d	XL,XLP	PLOGKROPP	PFLUGKÖRPER	PLOUGH BOTTOMS	CORPS DE CHARRUE
47	1320	XLD	PLOGKROPP	PFLUGKÖRPER	PLOUGH BOTTOMS	CORPS DE CHARRUE
49	660	XU	PLOGKROPP	PFLUGKÖRPER	PLOUGH BOTTOMS	CORPS DE CHARRUE
51	665	XS	PLOGKROPP	PFLUGKÖRPER	PLOUGH BOTTOMS	CORPS DE CHARRUE
53	1520	XSD	PLOGKROPP	PFLUGKÖRPER	PLOUGH BOTTOMS	CORPS DE CHARRUE
55	1319		DEKALPLACERING	AUFKLEBER	STICKERS	DECALCOMANIE



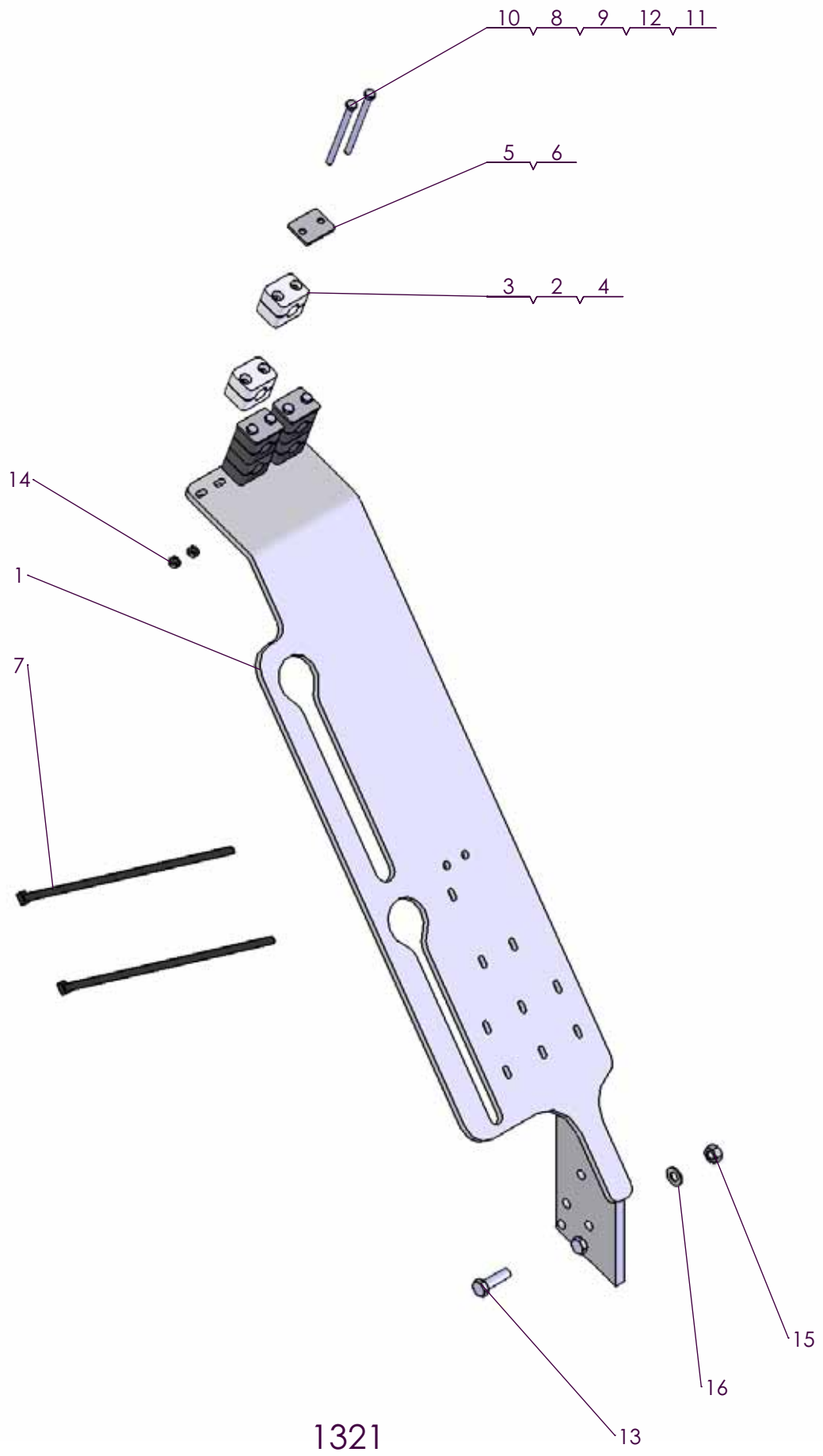
1312



1313

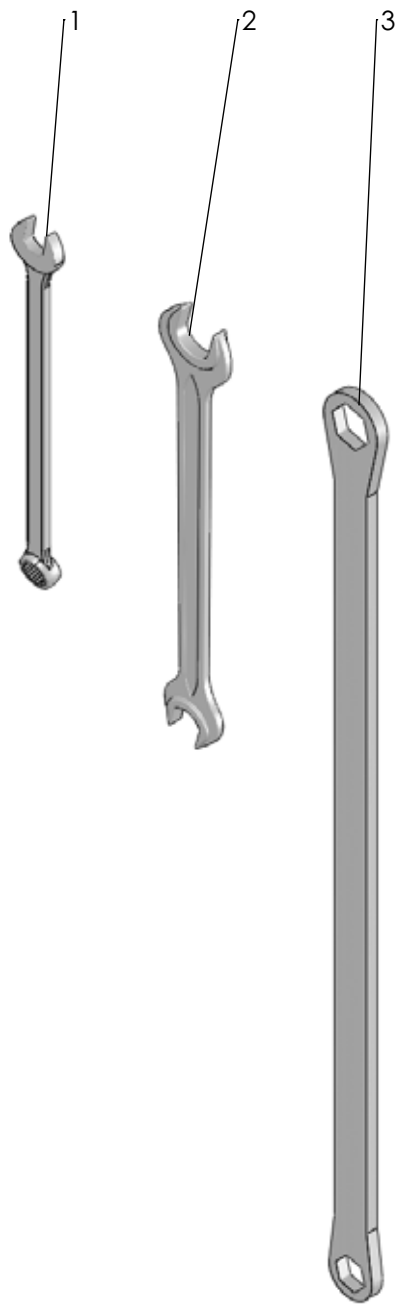
Pos nr/ Ref No	Detalj nr/ Part No	Benämning	Description
<b>1312</b>		<b>TOPP</b>	<b>HEADSTOCK</b>
1	4165 98557 90	Kors	Bracket
2	4165 25702 90	Vertikalaxel	Vertical axle
3	4165 96434 90	Ledbygel	Joint bracket
4	4165 20593 00	Hylsa, Ø20/30x17	Sleeve, Ø20/30x17
5	4165 96949 00	Bricka, Ø31/120x10	Washer, Ø31/120x10
6	4165 27802 00	Kätting Ø8x47, 8 länk, L=376	Chain Ø8x47, 8 links, L=376
7	4165 85602 00	Skruv M6S 20x50-10.9 MW spec	Bolt M6S 20x50-10.9 MW spec
8	4165 89686 00	Schackel M16, FZB	Schackle M16, FZB
9	4165 86584 00	Stoppring	Lock ring
10	4165 34616 00	Toppstångstapp, Ø32, fast	Top link axle, Ø32, fixed
11	4165 85005 00	Ringsprint, Ø11x34	Linch pin, Ø11x34
12	4165 85965 00	Glidlager, Ø80/85x40	Slide bearing, Ø80/85x40
13	731 43 30 01	Mutter ML6M 30- 5 FZB	Hexagon Thin Nut ISO - 4035 - M30
14	731 23 30 01	Mutter M6M 30- 8 FZB	Nut ISO 4032 - M30
15	738 88 20 03	Smörjnippel, AM 8x1,25 FZB	Grease nipple, AM 8x1,25 FZB
16	738 88 80 03	Smörjnippel, CM 8x1,25 FZB	Grease nipple, CM 8x1,25 FZB
17	725 26 73 81	Skruv M6S 20x45-10.9 FZB	Bolt ISO 4017 M20x45 10.9 FZB
18	734 12 06 01	Bricka BRB 34x 60 FZB	Washer ISO 7089 - 33

Pos nr/ Ref No	Detalj nr/ Part No	Benämning	Description
<b>1313</b>		<b>BÄRAXEL</b>	<b>CROSS SHAFT</b>
1	4165 27660 40	Bäraxel kat 4 kort, L=965	Cross shaft cat 4 short, L=965
2	4165 95731 40	Bäraxel kat 3, L=965	Cross shaft cat 3, L=965
3	4165 99597 40	Bäraxel kat 3 kort, L=825	Cross shaft cat 3 short, L=825



1321

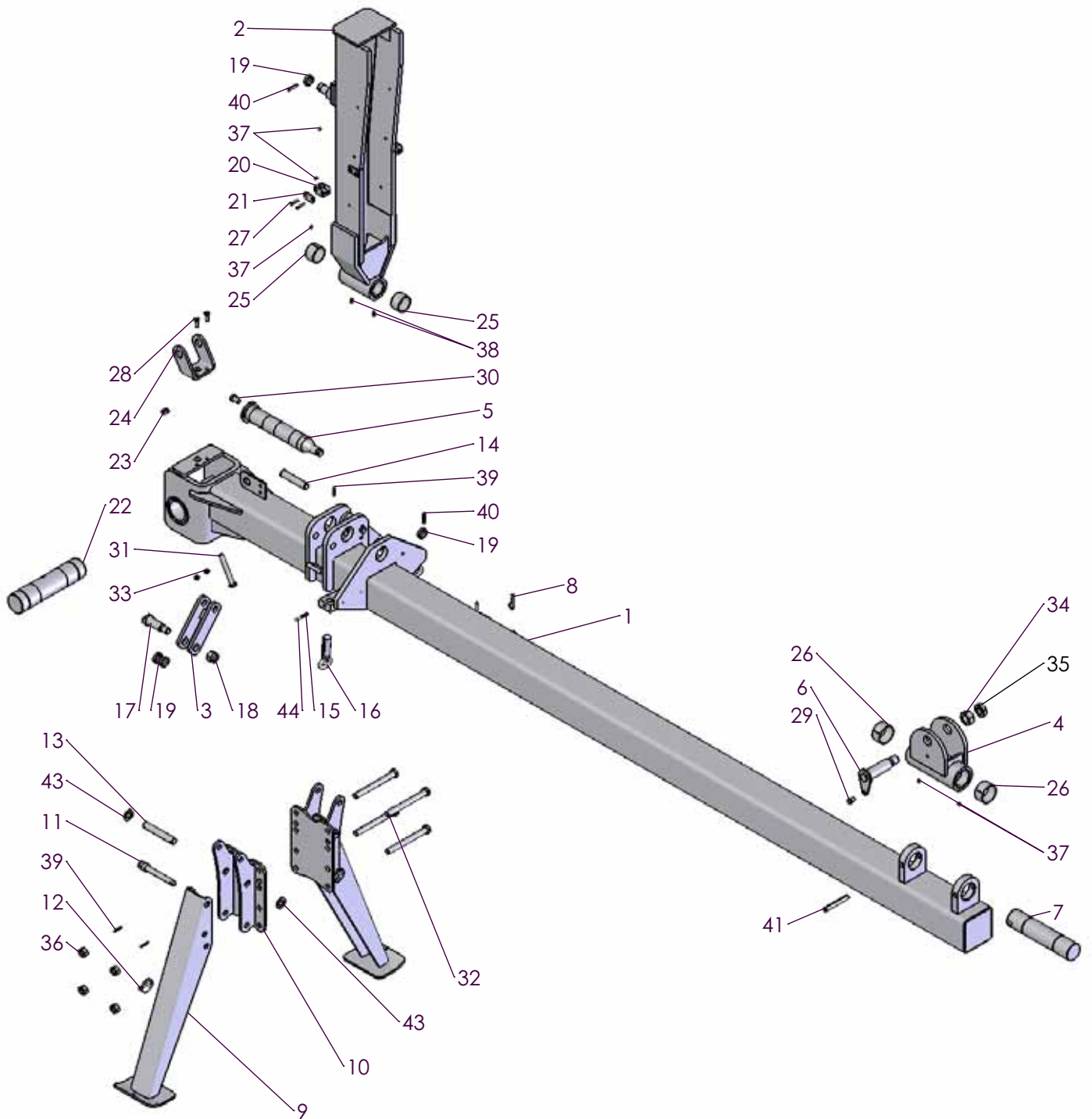
Pos nr/ Ref No	Detalj nr/ Part No	Benämning	Description
<b>1321</b>		<b>SLANGHÅLLARE</b>	<b>HOSE BRACKET</b>
1	4165 96545 40	Slanghållare	Hose bracket
2	4165 94290 00	Klammerpar, Ø12,7	Tube clamps, Ø12,7
3	4165 23812 00	Klammerpar, Ø16	Tube clamps, Ø16
4	4165 94291 00	Klammerpar, Ø20	Tube clamps, Ø20
5	4165 91205 00	Täckplatta 26	Covering plate 26
6	4165 91853 00	Täckplatta 33	Cover plate 33
7	4165 12002 78	Buntband svart, L=368	Self-locking ties, L=368
8	725 23 81 51	Skruv M6S 6x 55- 8.8 FZB	Bolt ISO 4014 - M6 x 55-8.8
9	725 23 82 51	Skruv M6S 6x 60- 8.8 FZB	Bolt ISO 4014 - M6 x 60-8.8
10	725 23 88 51	Skruv M6S 6x 90- 8.8 FZB	Bolt ISO 4014 - M6 x 90
11	725 23 94 51	Skruv M6S 6x120- 8.8 FZB	Bolt ISO 4014 - M6 x120
12	725 23 97 51	Skruv M6S 6x140- 8.8 FZB	Bolt ISO 4014 - M6 x 140
13	725 24 97 51	Skruv M6S 10x 35- 8.8 FZB	Bolt ISO 4014 - M10 x 35
14	731 23 16 01	Mutter M6M 6- 8 FZB	Nut ISO - 4032 - M6-8 FZB
15	731 23 20 01	Mutter M6M 10- 8 FZB	Nut Hexagon Nut ISO - 4032 - M10
16	734 11 73 01	Bricka BRB 10,5x 20 FZB	Washer ISO 7089 - 10 FZB



1273

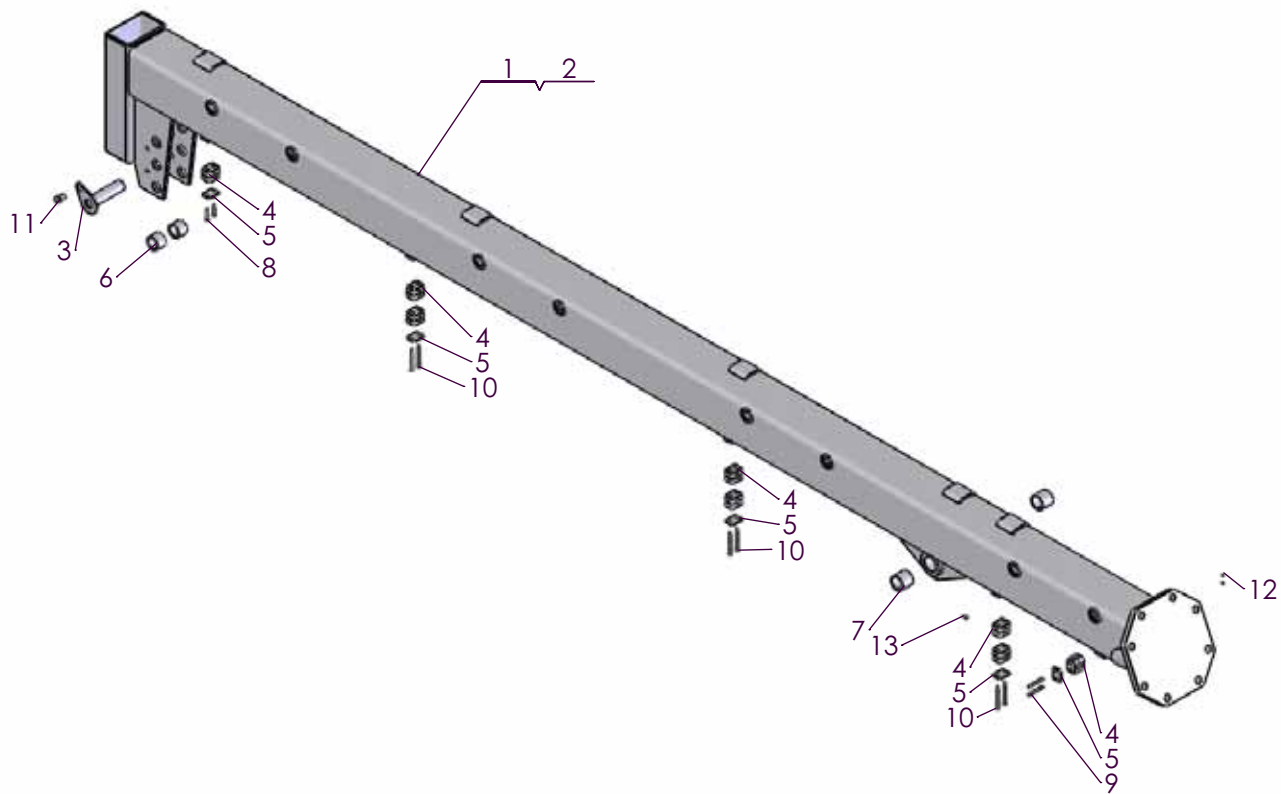


Pos nr/ Ref No	Detalj nr/ Part No	Benämning	Description
<b>1273</b>		<b>PLOGNYCKLAR</b>	<b>PLOUGH KEYS</b>
1	4165 94063 00	U-ringnyckel, NV18	U-cap key, KW18
2	4165 82041 00	Dubbelskruvnyckel, NV 24/30	Dubble U-key, KW 24/30
3	4165 86711 00	Plognyckel Håk 24/30	Spanner 24/30



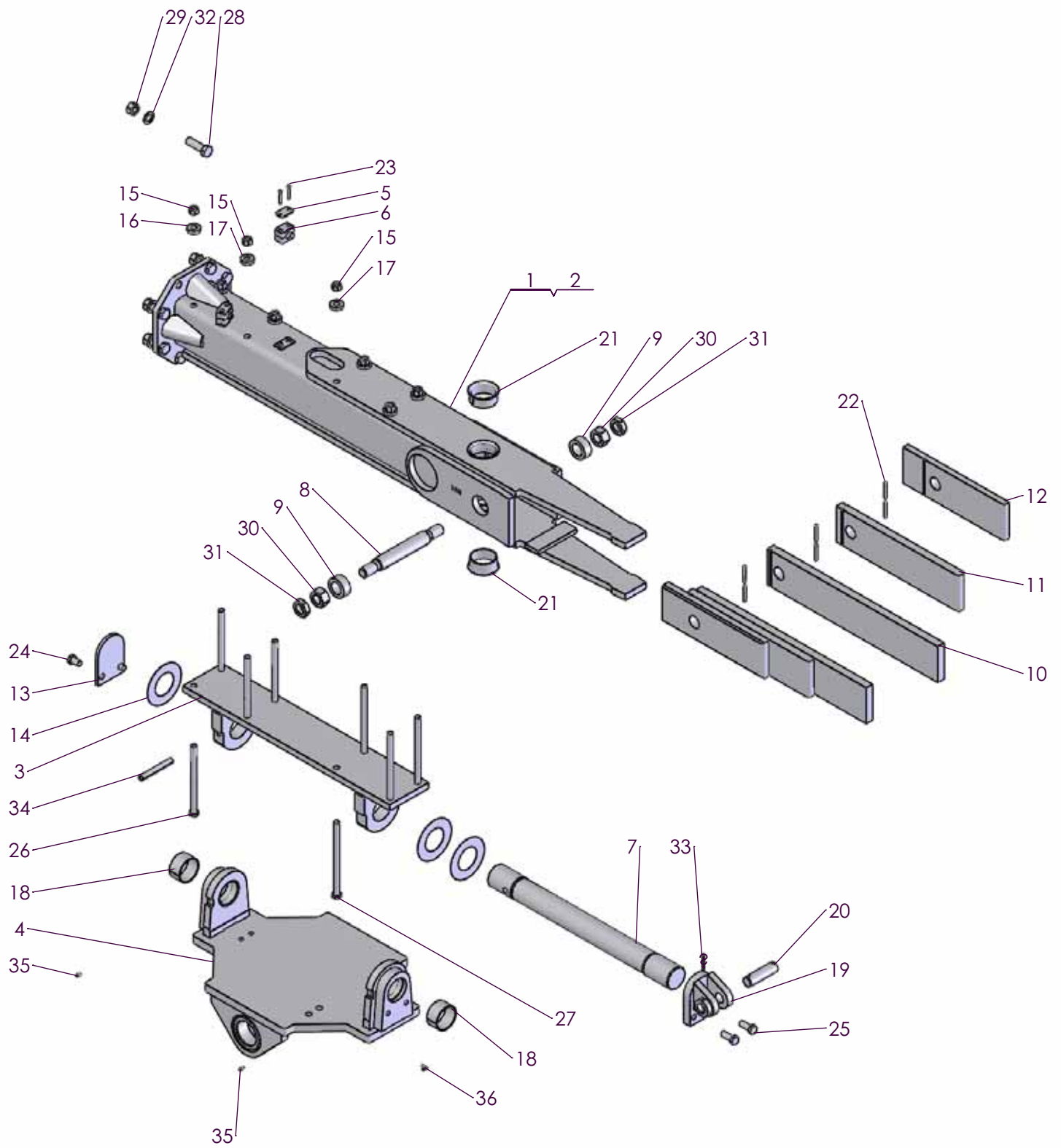
1311

Pos nr/ Ref No	Detalj nr/ Part No	Benämning	Description
<b>1311</b>		<b>FRÄMRE RAM</b>	<b>FRONT FRAME</b>
1	41 65 34324 90	Dragbom CXL	Draw frame CXL
2	41 65 99603 90	Medbringare	Turn over arm
3	41 65 85526 90	Länk	Link
4	41 65 94775 90	Lagring CXL	Journal
5	41 65 95778 50	Vridaxel komplett	Turn-over axle
6	41 65 20708 00	Låstapp Ø40, CXL	Locking pin Ø40, CXL
7	41 65 94806 50	Axel, Ø70x318	Axle, Ø70x318
8	41 65 85763 00	Hårnålssprint, Ø4	Cotter pin, Ø4
9	41 65 23310 40	Ben CXL, kompl	Leg CXL, cpl
10	41 65 22385 90	Benfäste, kompl	Leg mount, cpl
11	41 65 22389 00	Tapp, Ø20x143	Pin, Ø20x143
12	41 65 17040 00	Ringsprint, Ø8x47	Linch pin, Ø8x47
13	41 65 95793 00	Cylindrisk pinne, Ø25x154	Parallel pin, Ø25x154
14	41 65 97747 00	Cylindrisk bult, Ø25x122	Headed clevis pin, Ø25x122
15	41 65 83046 00	Tryckfjäder	Push Spring
16	41 65 91458 00	Inställningskruv, M30	Adjustment screw, M30
17	41 65 92012 00	Kolvstångstapp	Piston rod pin
18	41 65 03650 09	Mutter M6M 24-10 NF MW	Nut ISO-7040-M24-10 MW
19	41 65 85528 00	Bricka, Ø30,5/40x10,5	Washer, Ø30,5/40x10,5
20	41 65 93394 00	Klammerpar, Ø20	Tube clamp, Ø20
21	41 65 91853 00	Täckplatta 33	Cover plate 33
22	41 65 98560 50	Korsaxel	Axle
23	41 65 03604 05	Mutter M6M 16-10 FZB	Nut DIN 934 M16-10 FZB
24	41 65 22970 00	Hållare	Bracket
25	41 65 23062 00	Glidlager, Ø60/65x40	Slidbearing, Ø60/65x40
26	41 65 97545 00	Glidlager, Ø70/75x40	Slide bearing, Ø70/75x40
27	725 23 76 51	Skruv M6S 6x 35- 8.8 FZB	Bolt ISO 4014 - M6 x 35
28	725 24 95 51	Skruv M6S 10x 30- 8.8 FZB	Bolt ISO 4014 - M10 x 30
29	725 25 32 51	Skruv M6S 12x 20- 8.8 FZB	Bolt ISO 4014 - M12 x 20-8.8 FZB
30	725 26 22 51	Skruv M6S 16x 25- 8.8 FZB	Bolt ISO 4014 - M16 x 25
31	725 26 44 81	Skruv M6S 16x120-10.9 MW	Bolt ISO 4014 - M16 x120-10.9 MW
32	725 26 97 51	Skruv M6S 20x200- 8.8 FZB	Bolt ISO 4014 - M20 x 200
33	731 23 20 01	Mutter M6M 10- 8 FZB	Nut Hexagon Nut ISO - 4032 - M10
34	731 23 30 01	Mutter M6M 30- 8 FZB	Nut ISO 4032 - M30
35	731 43 30 01	Mutter ML6M 30- 5 FZB	Hexagon Thin Nut ISO - 4035 - M30
36	731 23 26 51	Mutter M6M 20-10 MW	Nut ISO - 4032 - M20-10 MW
37	738 88 20 03	Smörjnippel, AM 8x1,25 FZB	Grease nipple, AM 8x1,25 FZB
38	738 88 80 03	Smörjnippel, CM 8x1,25 FZB	Grease nipple, CM 8x1,25 FZB
39	721 43 47 01	Fjädrande rörpinne FRP 6x 40 FZB	Spring Pin ISO 8752 - 6 x 40
40	721 43 84 01	Fjädrande rörpinne FRP 8x 45 FZB	Spring Pin ISO 8752 - 8 x 45
41	721 45 77 10	Fjädrande rörpinne FRP 16x120 MW	Spring Pin ISO 8752 - 16 x 120 MW
42	734 11 92 01	Bricka BRB 21x 37 FZB	Washer ISO 7089-M20-200 HV
43	734 11 98 01	Bricka BRB 25x 44 FZB	Washer ISO 7089 - 24
44	738 61 32 02	Kula	Ball



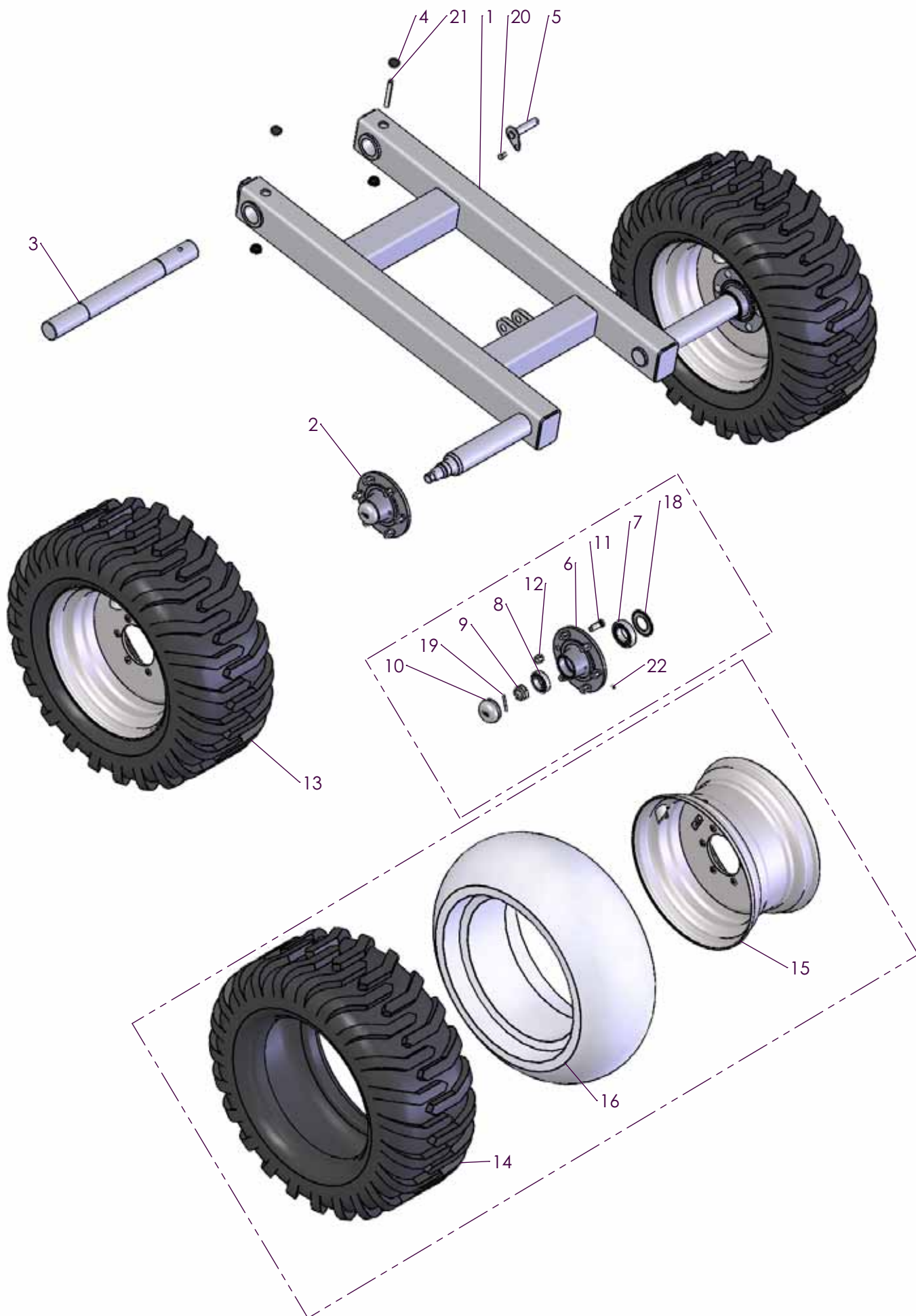
1314

Pos nr/ Ref No	Detalj nr/ Part No	Benämning	Description
<b>1314</b>		<b>RAM</b>	<b>FRAME</b>
1	4165 96941 90	Ram CXL 4100	Frame CXL 4100
2	4165 96942 90	Ram CXL 5100	Frame CXL 5100
3	4165 96912 00	Låstapp, Ø30x119	Locking pin, Ø30x119
4	4165 91204 00	Klammerpar, Ø15	Tube clamps, Ø15
5	4165 91205 00	Täckplatta 26	Covering plate 26
6	4165 90048 00	Hylsa, Ø31/41,3x30	Sleeve, Ø31/41,3x30
7	4165 20701 00	Glidlager, Ø40/44x40	Plain bearing
8	725 23 76 51	Skruv M6S 6x 35- 8.8 FZB	Bolt ISO 4014 - M6 x 35
9	725 23 80 51	Skruv M6S 6x 50- 8.8 FZB	Bolt ISO 4014 - M6 x 50
10	725 23 84 51	Skruv M6S 6x 70- 8.8 FZB	Bolt ISO 4014 - M6 x 70 FZB
11	725 25 32 51	Skruv M6S 12x 20- 8.8 FZB	Bolt ISO 4014 - M12 x 20-8.8 FZB
12	731 23 16 01	Mutter M6M 6- 8 FZB	Nut ISO - 4032 - M6-8 FZB
13	738 88 20 03	Smörjnippel, AM 8x1,25 FZB	Grease nipple, AM 8x1,25 FZB



1315

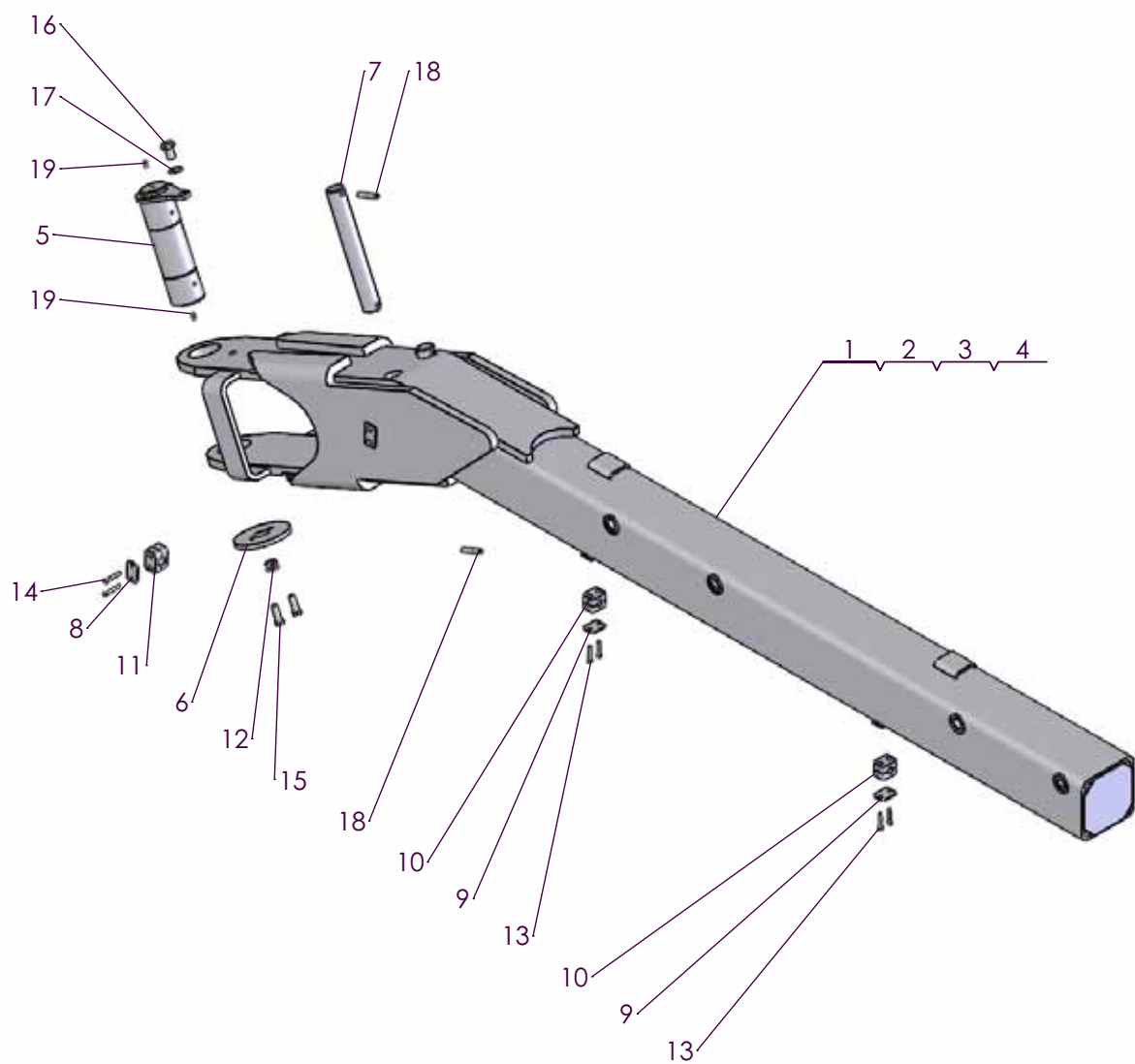
Pos nr/ Ref No	Detalj nr/ Part No	Benämning	Description
<b>1315</b>		<b>MELLANRAM</b>	<b>MIDDLE FRAME</b>
1	4165 96956 90	Vagnledsram 16", H-plog	Wagon frame 16", H
2	4165 99956 90	Vagnledsram 18", H-plog	Wagon frame 18", H
3	4165 96867 90	Ledplatta	Joint plate
4	4165 32857 40	Vagnled CXL	Wagon bracket CXL
5	4165 91853 00	Täckplatta 33	Cover plate 33
6	4165 94291 00	Klammerpar, Ø20	Tube clamps, Ø20
7	4165 96869 50	Vagnledsaxel	Joint axle
8	4165 99516 00	Skruv	Screw
9	4165 99517 00	Hylsa, Ø38/60x25	Sleeve, Ø38/60x25
10	4165 99504 00	Bladfjäder lång	Plate spring long
11	4165 99505 00	Bladfjäder mellan	Plate spring middle
12	4165 99511 00	Bladfjäder kort	Plate spring short
13	4165 20704 40	Anligningsplåt	Plate
14	4165 20705 00	Bricka, Ø71/130x1,5	Washer, Ø71/130x1,5
15	4165 03 607 05	Mutter M6M 16-12 MW	Nut ISO 4032-16-12 MW
16	4165 28872 00	Bricka, Ø17/38x10 med fas	Washer, Ø17/38x10 with chamfer
17	4165 85884 00	Bricka, Ø17/38x10	Washer, Ø17/38x10
18	4165 97545 00	Glidlager, Ø70/75x40	Slide bearing, Ø70/75x40
19	4165 97385 40	Cylindrefäste	Cylinder bracket
20	4165 89274 00	Cylindrisk pinne, Ø30x106	Parallel pin, Ø30x106
21	165 99128 00	Glidlager, Ø70/75/85x35, krage	Plain bearing, Ø70/75/85x35
22	735 92 42 00	Plattkil 6x 6- 56	flat key, 6x 6- 56
23	725 23 78 51	Skruv M6S 6x 40- 8.8 FZB	Bolt ISO 4014 - M6 x 40
24	725 26 22 51	Skruv M6S 16x 25- 8.8 FZB	Bolt ISO 4014 - M16 x 25
25	725 26 28 81	Skruv M6S 16x 40-10.9 FZB	Bolt ISO 4014 - M16 x 40-10.9 FZB
26	725 26 54 81	Skruv M6S 16x220-10.9 MW	Bolt ISO 4014 - M16 x220-10.9 MW
27	725 26 55 81	Skruv M6S 16x240-10.9 MW	Bolt ISO 4014 - M16 x240-10.9 MW
28	725 26 77 81	Skruv M6S 20x 65-10.9 FZB	Bolt ISO 4014 - M20 x 65
29	731 23 26 51	Mutter M6M 20-10 MW	Nut ISO - 4032 - M20-10 MW
30	731 23 30 01	Mutter M6M 30- 8 FZB	Nut ISO 4032 - M30
31	731 43 30 01	Mutter ML6M 30- 5 FZB	Hexagon Thin Nut ISO - 4035 - M30
32	734 11 92 01	Bricka BRB 21x 37 FZB	Washer ISO 7089-M20-200 HV
33	721 43 50 01	Fjädrande rörpinne FRP 6x 55 FZB	Spring Pin ISO 8752 - 6 x 55
34	721 45 77 10	Fjädrande rörpinne FRP 16x120 MW	Spring Pin ISO 8752 - 16 x 120 MW
35	738 88 20 03	Smörjnippel, AM 8x1,25 FZB	Grease nipple, AM 8x1,25 FZB
36	738 88 80 03	Smörjnippel, CM 8x1,25 FZB	Grease nipple, CM 8x1,25 FZB



1316

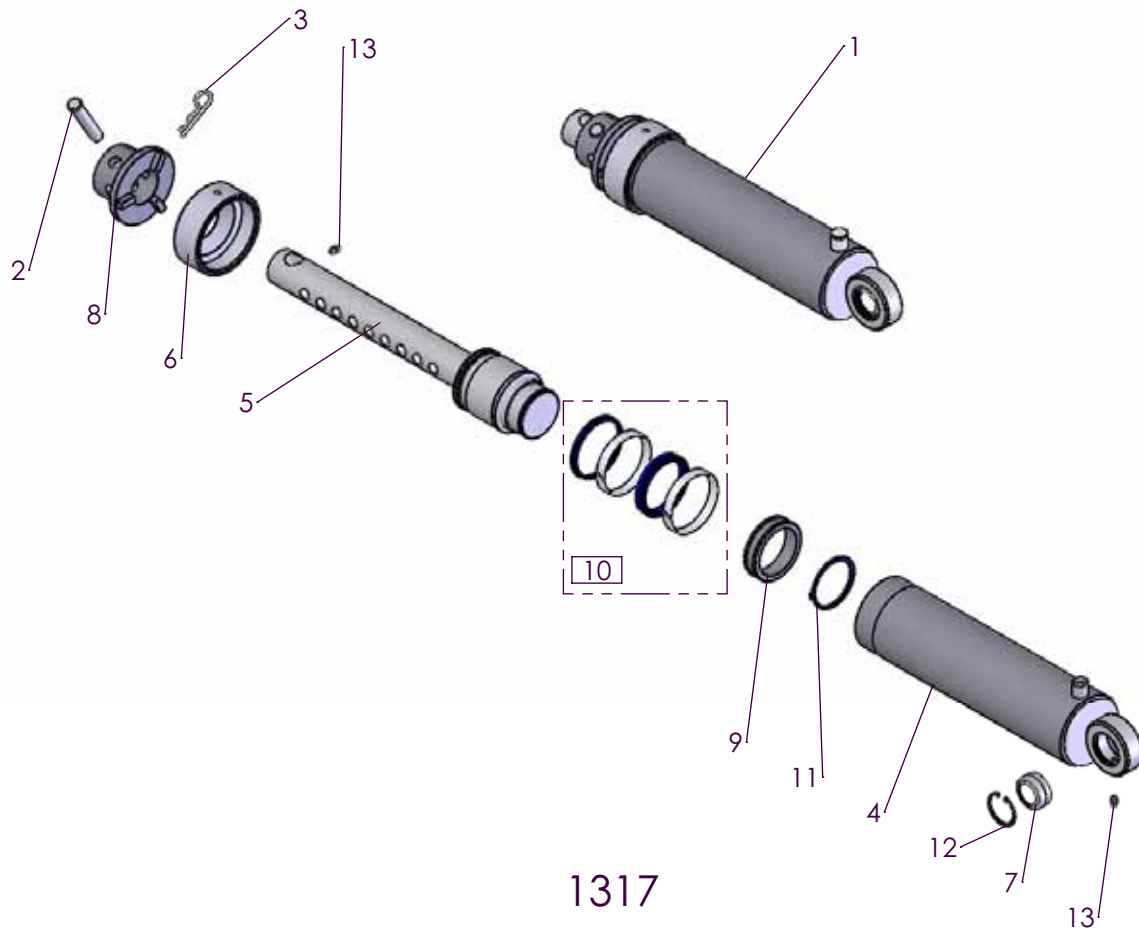


Pos nr/ Ref No	Detalj nr/ Part No	Benämning	Description
<b>1316</b>		<b>VAGNRAM</b>	<b>WAGON FRAME</b>
1	41 65 97374 40	Vagnram	Wagon frame
2	41 65 23700 50	Nav FAD 3A572	Hub FAD 3A572
3	41 65 96868 50	Korsaxel	Cross axle
4	41 65 97372 00	Skyddsplugg, Ø34-38	Protective cap, Ø34-38
5	41 65 96531 00	Låstapp, Ø25x116	Blocking axle, Ø25x116
6	41 65 23695 50	Nav FAD	Hub FAD
7	41 65 19324 30	Koniskt rullager 30211	Taper roller bearing 30211
8	41 65 98467 00	Koniskt rullager 30208	Taper roller bearing 30208
9	41 65 23697 00	Kronmutter, M33x2	Castel nut, M33x2
10	41 65 23696 00	Navkapsel FAD, Ø80	Hub cap FAD, Ø80
11	41 65 98744 00	Navskruv, M18x1,5x50	Hub screw, M18x1,5x50
12	41 65 91417 00	Navmutter, M18x1,5 sfär R16	Hub nut, M18x1,5 sphere R16
13	41 65 90943 00	Hjul kompl 400/55-22.5	Wheel compl 400/55-22.5
14	41 65 90945 00	Däck, 400/55-22,5	Tire, 400/55-22.5
15	41 65 90944 50	Fälg för däck 400/55-22.5	Rim for tyre 400/55-22.5
16	41 65 90946 00	Slang för däck 400/55-22.5	Inner tube
17	41 65 17122 00	Dekal: Däcktryck 150kPa	Decal: Tyre pressure 150 kPa
18	41 65 23693 00	Tätningbricka FAD, Ø101/55	Sealing washer
19	721 62 33 01	Saxpinne SP 6.3x 50 FZB	Split pin ISO 1234-6.3x50 FZB
20	725 25 32 51	Skruv M6S 12x 20- 8.8 FZB	Bolt ISO 4014 - M12 x 20-8.8 FZB
21	721 45 77 10	Fjädrande rörpinne FRP 16x120 MW	Spring Pin ISO 8752 - 16 x 120 MW
22	738 88 20 03	Smörjnippel, AM 8x1,25 FZB	Grease nipple, AM 8x1,25 FZB

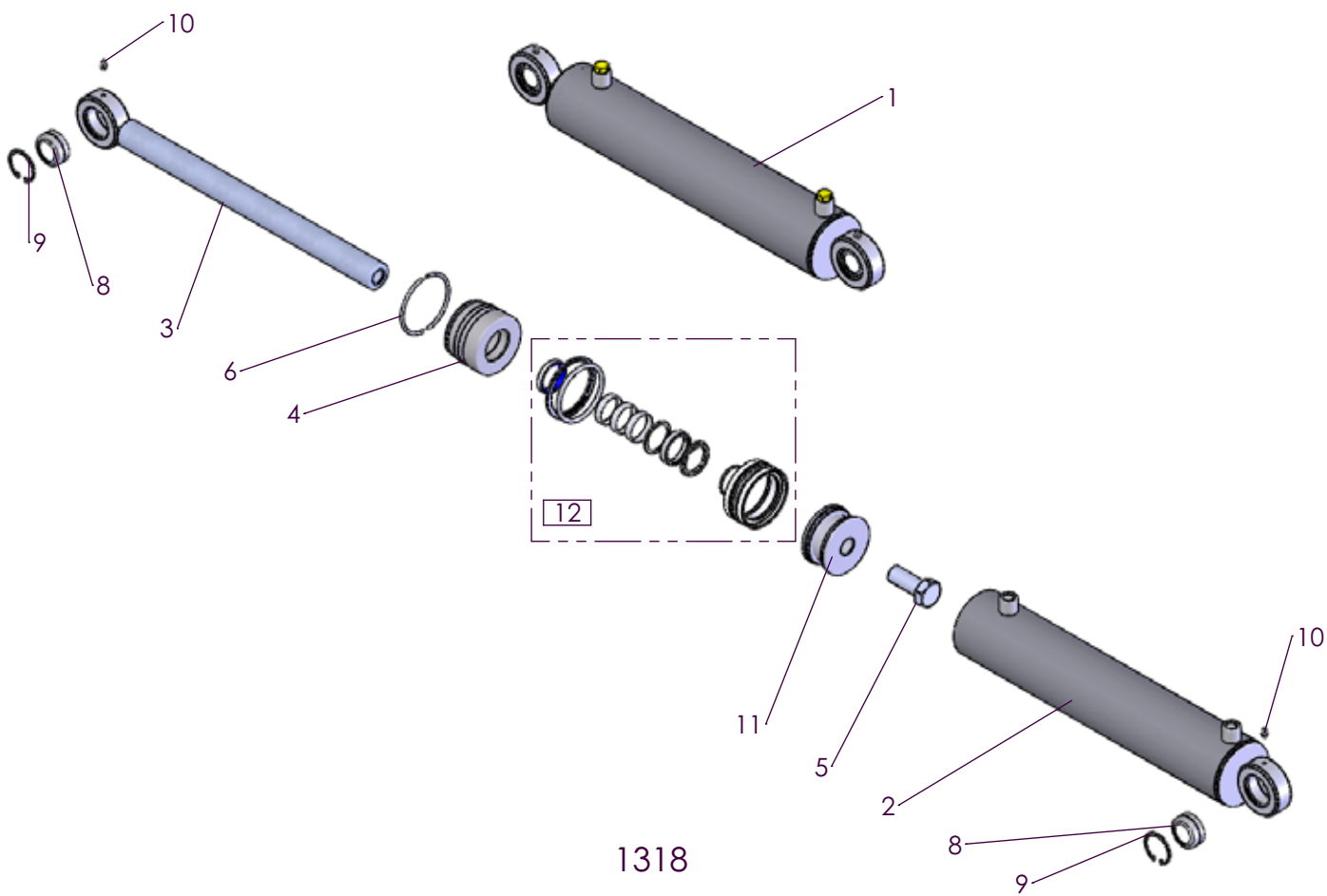


1310

Pos nr/ Ref No	Detalj nr/ Part No	Benämning	Description
<b>1310</b>		<b>BAKRE RAM</b>	<b>REAR FRAME</b>
1	4165 98664 90	Bakre ram 16", 2-skär	Rear frame 16", 2-furrows
2	4165 98665 90	Bakre ram 18", 2-skär	Rear frame 18", 2-furrows
3	4165 96959 90	Bakre ram 16", 3-skär	Rear frame 16", 3-furrows
4	4165 98662 90	Bakre ram 18", 3-skär	Rear frame 18", 3-furrows
5	4165 99226 50	Ledaxel, CXL	Link axle
6	4165 96949 00	Bricka, Ø31/120x10	Washer, Ø31/120x10
7	4165 99514 00	Cylindrisk pinne, Ø38x274	Parallel pin, Ø38x274
8	4165 91853 00	Täckplatta 33	Cover plate 33
9	4165 91205 00	Täckplatta 26	Covering plate 26
10	4165 91204 00	Klammerpar, Ø15	Tube clamps, Ø15
11	4165 94291 00	Klammerpar, Ø20	Tube clamps, Ø20
12	4165 98782 00	Skyddsplugg, Ø28/25	Protective cap, Ø28/25
13	725 23 76 51	Skruv M6S 6x 35- 8.8 FZB	Bolt ISO 4014 - M6 x 35
14	725 23 78 51	Skruv M6S 6x 40- 8.8 FZB	Bolt ISO 4014 - M6 x 40
15	725 25 38 51	Skruv M6S 12x 35- 8.8 FZB	Bolt ISO 4014 - M12 x 35-8.8 FZB
16	725 26 22 51	Skruv M6S 16x 25- 8.8 FZB	Bolt ISO 4014 - M16 x 25
17	734 11 86 01	Bricka BRB 17x30 FZB	Washer ISO 7089 - 16
18	721 44 23 01	Fjädrande rörpinne FRP 10x 60 FZB	Spring Pin ISO 8752 - 10 x 60
19	738 88 20 03	Smörjnippel, AM 8x1,25 FZB	Grease nipple, AM 8x1,25 FZB



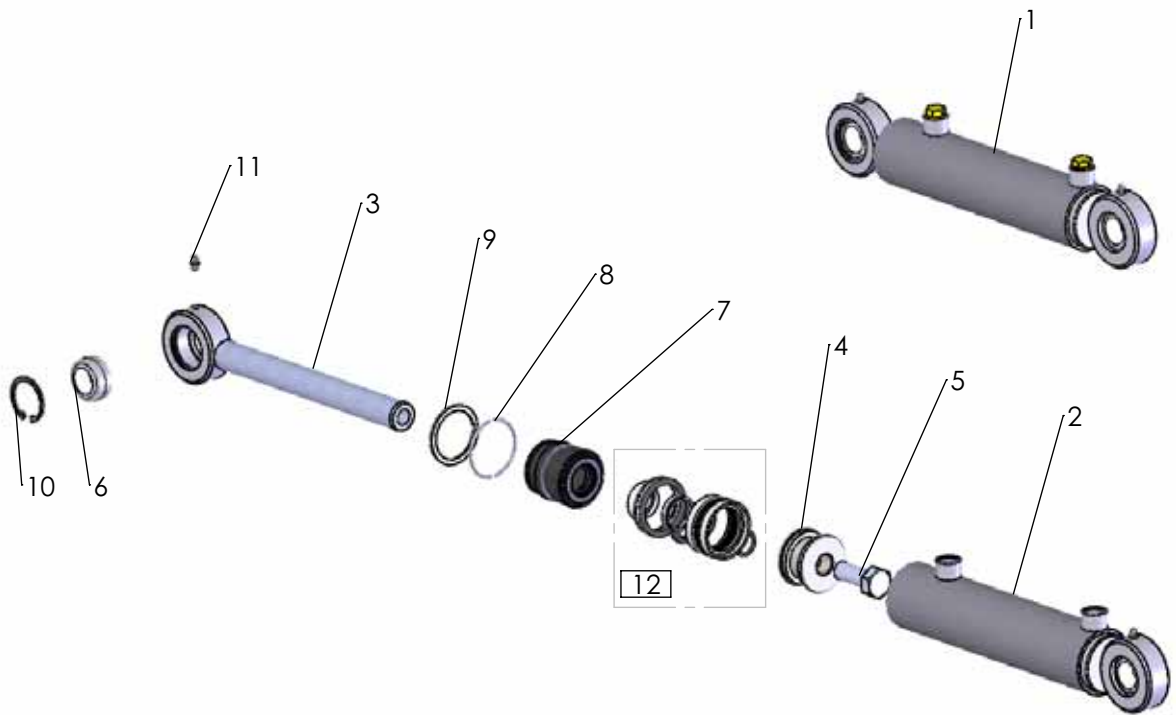
1317



1318

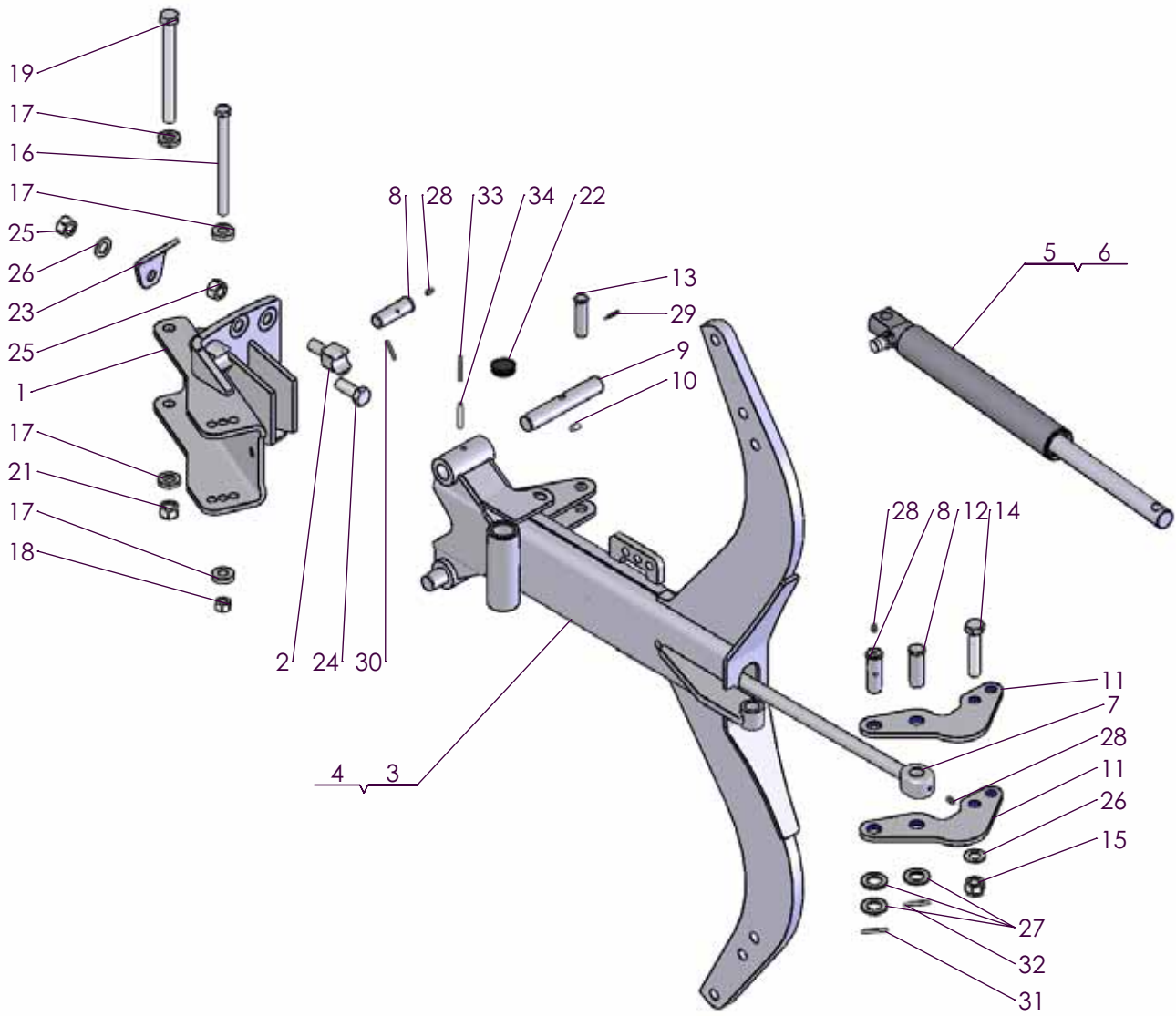
Pos nr/ Ref No	Detalj nr/ Part No	Benämning	Description
<b>1317</b>		<b>LÄNKHJULCYLINDER</b>	<b>REAR WHEEL CYLINDER</b>
1	41 65 20217 50	Hydraulcylinder EV, Ø90/40x260	Hydraulic cylinder SA, Ø90/40x260
2	41 65 91848 00	Cylindrisk bult, Ø16x85	Headed clevis pin, Ø16x85
3	41 65 85763 00	Hårnålssprint, Ø4	Cotter pin, Ø4
4	41 65 98545 50	Cylinderrör Ø90, kompl	Cylinder tube Ø90, cpl
5	41 65 98540 50	Kolvstång kompl	Piston rod compl
6	41 65 91248 50	Mantelring, M105x2	Cylinder jacket ring, M105x2
7	41 65 86405 02	Ledlager, Ø30	Spherical plain bearing, Ø30
8	41 65 91849 50	Stoppring	Lock ring
9	41 65 91268 00	Packningshållare	Seal retainer
10	41 65 93074 00	Packningssats till cylinder 91846	Sealing kit for cylinder 91846
11	735 31 52 01	Spårring SgA 70 FZB	Circlip DIN 471 - 70 x 2.5
12	4735 31 40 11	Spårring SgH 47 FZB	Circlip DIN 472 - 47 x 1.75
13	738 88 20 03	Smörjnippel, AM 8x1,25 FZB	Grease nipple, AM 8x1,25 FZB

Pos nr/ Ref No	Detalj nr/ Part No	Benämning	Description
<b>1318</b>		<b>VÄNDCYLINDER</b>	<b>REVERSING CYLINDER</b>
1	41 65 95796 50	Hydraulcylinder DV, Ø90/40x390	Hydraulic cylinder DA, Ø90/40x390
2	41 65 95797 50	Cylinderrör Ø90, kompl	Cylinder jacket
3	41 65 95799 50	Kolvstång Ø40, komplett	Piston rod Ø40, cpl
4	41 65 95802 00	Styrning, Ø90/40	Guide, Ø90/40
5	4725 27 20 51	Skruv M6S 24x60- 8.8 FZB	Bolt ISO 4014 - M24 x 60
6	41 65 95805 00	Låsringshalvor för cyl Ø90	Locking ring for cyl Ø90
7	4 735 31 58 61	Spårring AV 85 FZB	Retaining ring AV 85 FZB
8	41 65 86405 02	Ledlager, Ø30	Spherical plain bearing, Ø30
9	4735 31 40 11	Spårring SgH 47 FZB	Circlip DIN 472 - 47 x 1.75
10	4 738 88 10 01	Smörjnippel, AH M6 FZB	Grease nipple, AH M6 FZB
11	41 65 95801 00	Kolv, Ø90	Piston, Ø90
12	41 65 96358 00	Packningssats till cyl Ø90/40	Kit of sealings for cyl Ø90/40



1151

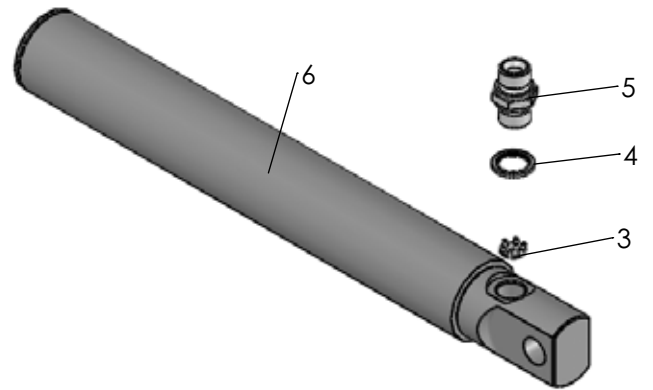
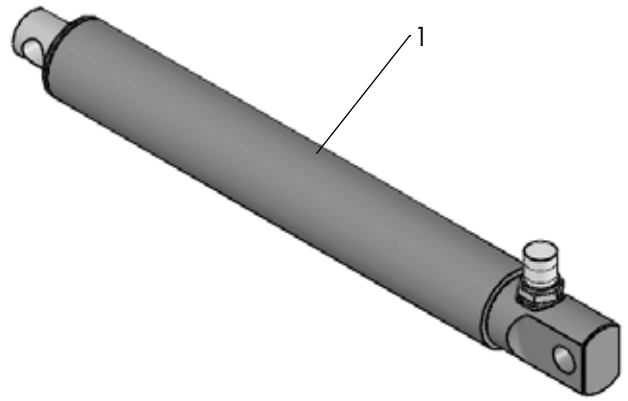
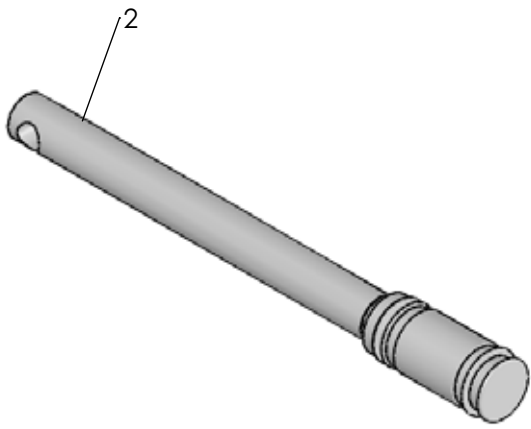
Pos nr/ Ref No	Detalj nr/ Part No	Benämning	Description
<b>1151</b>		<b>HYDRAULCYLINDER</b>	<b>HYDRAULIC CYLINDER</b>
1	4165 94371 50	Hydraulcylinder DV, Ø63/32x190	Hydraulic cylinder DA, Ø63/32x190
2	4165 94415 50	Cylinderrör Ø63/73, kompl.	Cylinder tube Ø63/73, cpl
3	4165 94412 50	Kolvstång Ø32, kompl	Piston rod Ø32, cpl
4	4165 86556 00	Kolv, Ø63	Piston, Ø63
5	725 26 74 51	Skruv M6S 20x 50- 8.8 FZB	Bolt ISO 4014 - M20 x 50
6	4165 86405 02	Ledlager, Ø30	Spherical plain bearing, Ø30
7	4165 86558 00	Styrning, Ø63/32	Guide, Ø63/32
8	4165 86550 00	Låsringshalvor för cyl Ø63	Locking halves for cyl Ø63
9	735 31 46 61	Spårring AV 58 FZB	Retaining ring AV 58 FZB
10	4735 31 40 11	Spårring SgH 47 FZB	Circlip DIN 472 - 47 x 1.75
11	4 738 88 10 01	Smörjnippel, AH M6 FZB	Grease nipple, AH M6 FZB
12	4165 86984 00	Packningssats, cyl Ø63/32	Kit of seals, cyl Ø63/32



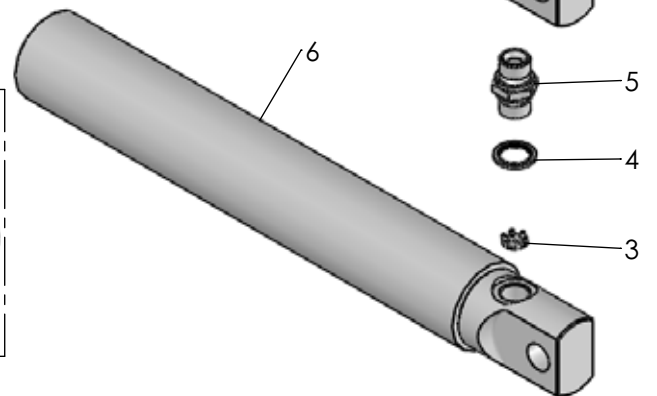
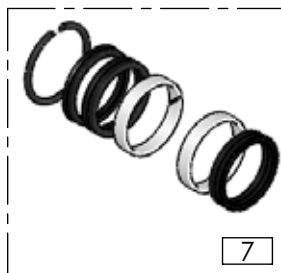
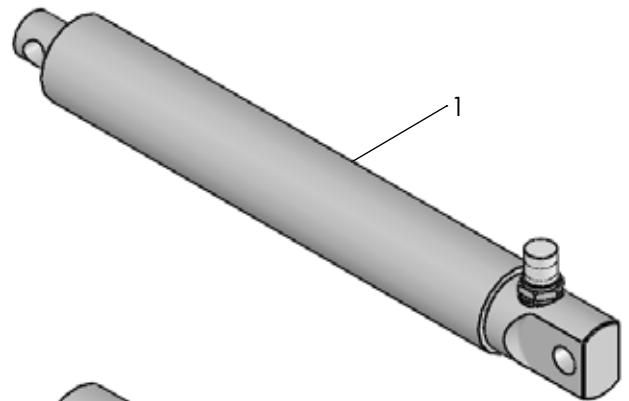
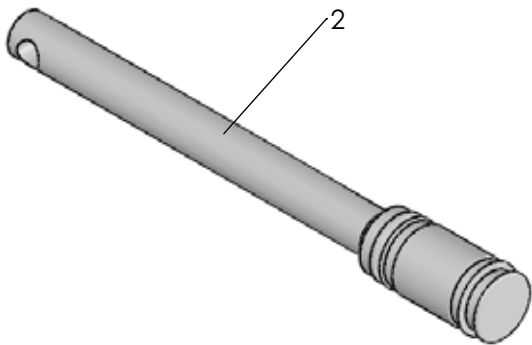
691



Pos nr/ Ref No	Detalj nr/ Part No	Benämning	Description
<b>691</b>		<b>ÅSHUS</b>	<b>BEAM HOUSE</b>
1	4165 99500- 90	Åshus auto	Beam house
2	4165 86080 00	Säte M20	Seat M20
3	4165 86043 90	Ås, komplett, låg automat	Beam short
4	4165 96112 90	Automatås hög (800)	Beam (800)
5	4165 21550 50	Hydraulcylinder EV, Ø50/38x293	Hydraulic cylinder SA, Ø50/38x293
6	4165 26350 50	Hydraulcylinder EV, Ø55x35x293	Hydraulic cylinder SA, Ø55x35x293
7	4165 25902 50	Dragstång L=843	Draw rod, L=843
8	4165 86079 00	Tapp för åskomponent	Pin
9	4165 86044 00	Tapp, Ø30x175	Pin, Ø30x175
10	4165 98096 00	Cylindrisk pinne CPK m6 10x20	Cylindrical pin CPK m6 10x20
11	4165 21555 50	Hävvarm (bumerang)	Walking beam
12	4165 25914 00	Cylindrisk bult, Ø25x73	Clevis pin, Ø25x73
13	4165 72399 01	Cylindrisk bult, Ø20x75,5	Headed clevis pin, Ø20x75,5
14	4165 91945 00	Skruv M6S 20x 95-10.9 MW	Bolt M6S 20x 95-10.9 MW
15	4165 03650 07	Mutter M6M 20 NF-10 MW	Nut ISO-7040-M20-10 MW
16	4165 90856 00	Skruv M16x215-12.9 MW	Bolt M16x215-12.9 MW
17	4165 85884 00	Bricka, Ø17/38x10	Washer, Ø17/38x10
18	4165 03 607 05	Mutter M6M 16-12 MW	Nut ISO 4032-16-12 MW
19	4165 90531 00	Skruv M20x215-12.9 MW	Bolt M20x215-12.9 MW
17	4165 83587 00	Bricka, Ø20,5/38,5x8	Washer, Ø20,5/38,5x8
21	4165 03 607 07	Mutter M6M 20-12 MW	Nut ISO 4032-20-12 MW
22	4165 23869 00	Skyddsplugg, Ø37-40,4	Protective cap, Ø37-40,4
23	4165 22243 60	Lyffäste Ø20,5	Lifting device
24	725 26 74 81	Skruv M6S 20x 50-10.9 FZB	Bolt ISO 4014 - M20 x 50-10.9
25	731 23 26 51	Mutter M6M 20-10 MW	Nut ISO - 4032 - M20-10 MW
26	734 11 92 01	Bricka BRB 21x 37 FZB	Washer ISO 7089-M20-200 HV
27	734 12 00 01	Bricka BRB 26x 45 FZB	Washer 26x45-200 HV
28	738 88 20 03	Smörjnippel, AM 8x1,25 FZB	Grease nipple, AM 8x1,25 FZB
29	721 42 62 01	Fjädrande rörpinne FRP 4x 32 FZB	Spring Pin ISO 8752 - 4 x 32
30	721 43 15 01	Fjädrande rörpinne FRP 5x 36 FZB	Spring Pin ISO 8752 - 5 x 36
31	721 43 17 01	Fjädrande rörpinne FRP 5x 45 FZB	Spring Pin ISO 8752 - 5 x 45
32	721 43 48 01	Fjädrande rörpinne FRP 6x 45 FZB	Spring Pin ISO 8752 - 6 x 45
33	721 43 18 10	Fjädrande rörpinne FRP 5x 50 DC	Spring Pin ISO 8752 - 5 x 50
34	721 43 85 10	Fjädrande rörpinne FRP 8x 50 MW	Spring Pin ISO 8752 - 8 x 50 MW



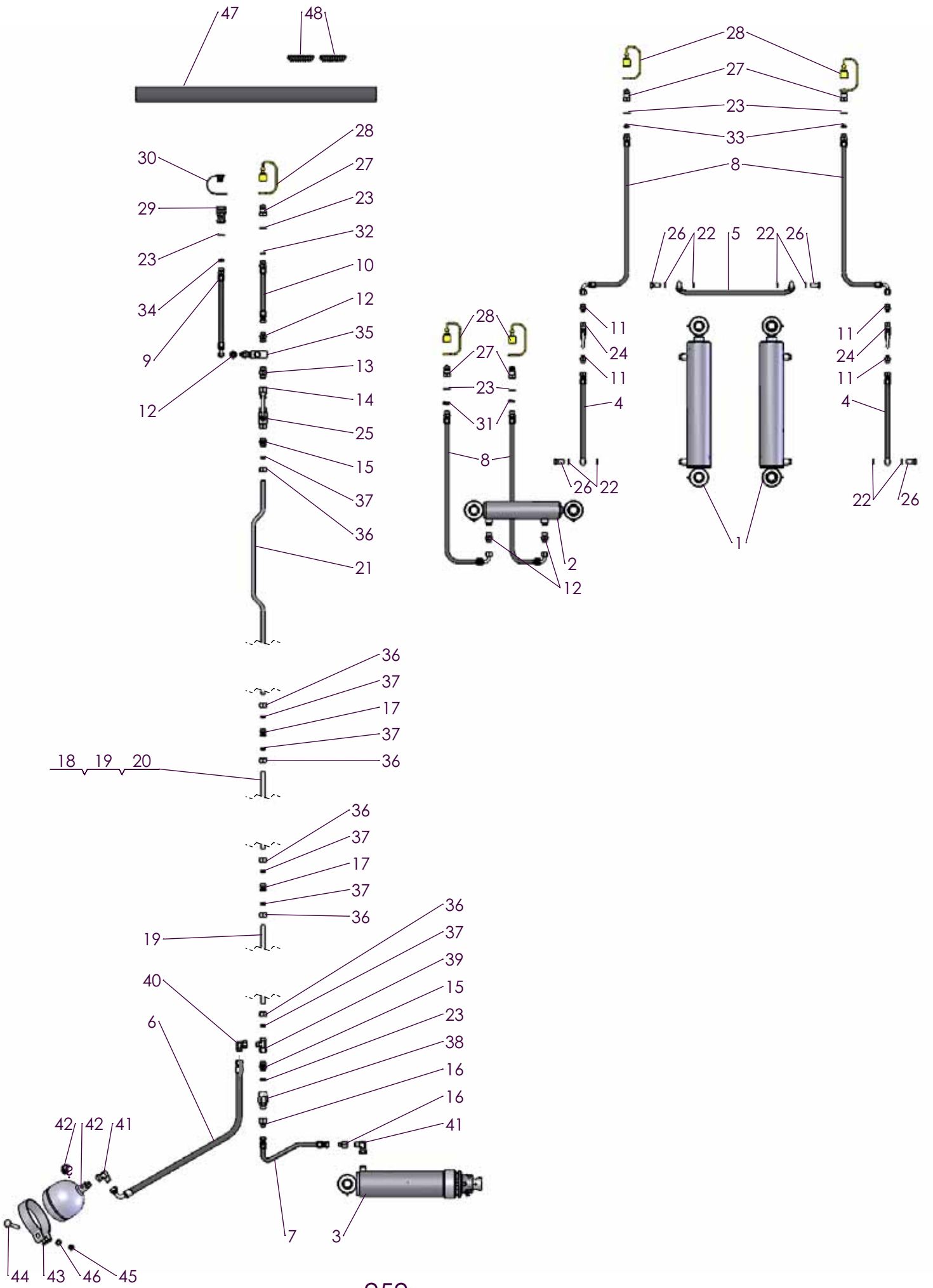
1280



1281

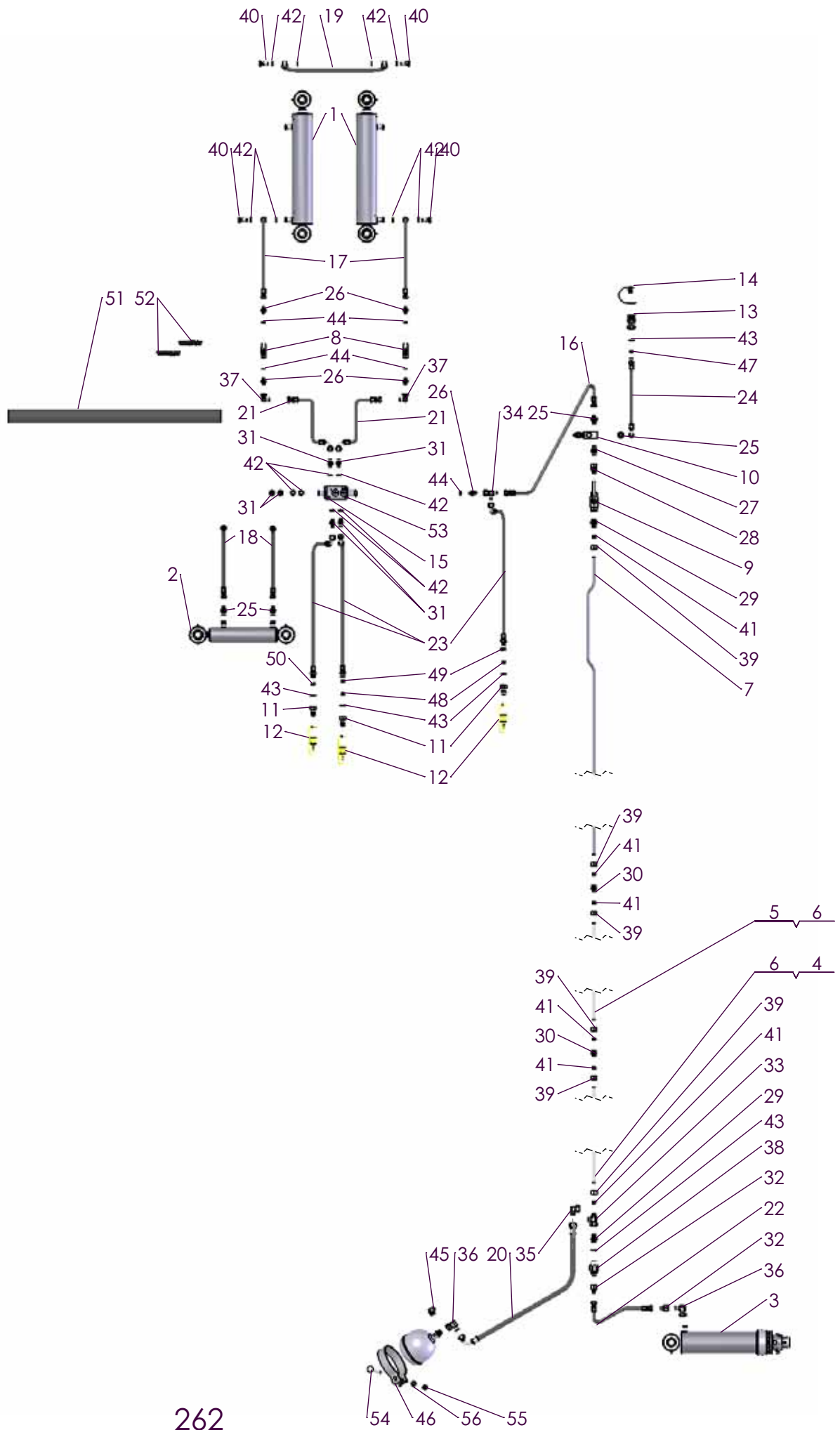
Pos nr/ Ref No	Detalj nr/ Part No	Benämning	Description
<b>1280</b>		<b>HYDRAULISK UTLÖSNINGSCYLINDER</b>	<b>HYDRAULIC STONE TRIP CYLINDER</b>
1	41 65 21550 50	Hydraulcylinder EV, Ø50/38x293	Hydraulic cylinder SA, Ø50/38x293
2	41 65 23802 50	Kolvstång, komplett Ø50	Piston rod Ø50, cpl
3	41 65 77852 00	Ventilkägla, Ø2,2	Restrictor valve, Ø2,2
4	41 65 80316 00	Gummistålbricka, G1/2	Bonded seal, G1/2
5	41 65 80317 00	Rak adapt, 1/2-1/2	Union
6	41 65 21551 50	Cylinderrör, Ø50	Cylinder tube, Ø50
7	41 65 86256 00	Packningssats cyl Ø50	Sealing kit for cyl Ø50

Pos nr/ Ref No	Detalj nr/ Part No	Benämning	Description
<b>1281</b>		<b>HYDRAULISK UTLÖSNINGSCYLINDER</b>	<b>HYDRAULIC STONE TRIP CYLINDER</b>
1	41 65 26350 50	Hydraulcylinder EV, Ø55x35x293	Hydraulic cylinder SA, Ø55x35x293
2	41 65 26455 50	Kolvstång Ø55, komplett	Piston rod Ø55, cpl
3	41 65 77852 00	Ventilkägla, Ø2,2	Restrictor valve, Ø2,2
4	41 65 80316 00	Gummistålbricka, G1/2	Bonded seal, G1/2
5	41 65 80317 00	Rak adapt, 1/2-1/2	Union
6	41 65 26453 50	Cylinderrör, Ø55/65, kompl	Cylinder tube, Ø55/65
7	41 65 26459 00	Packningssats till 26350	Sealing kit for 26350



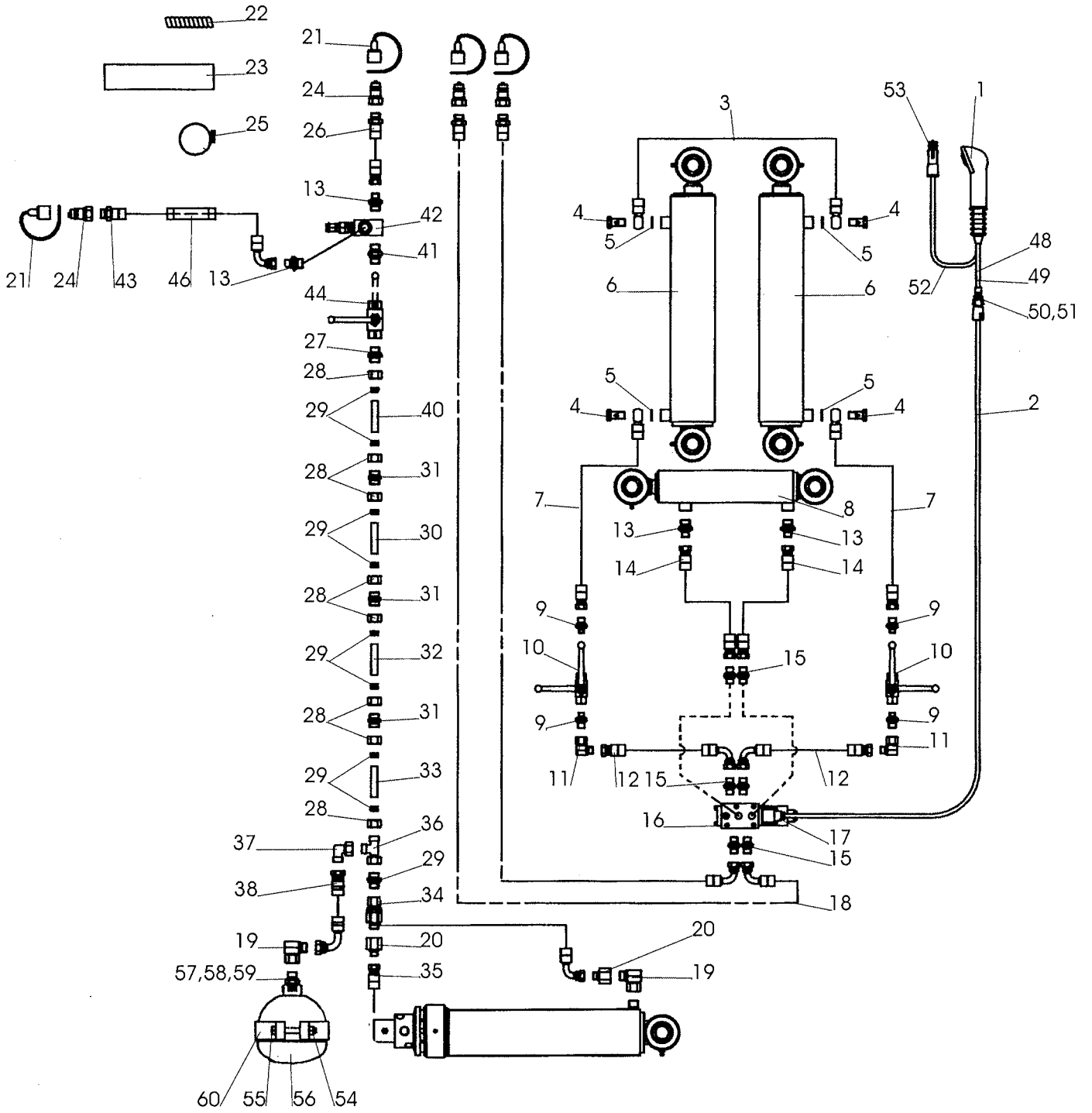
259

Pos nr/ Ref No	Detalj nr/ Part No	Benämning	Description
<b>259</b>		<b>HYDRAULISKT SYSTEM UTAN VENTIL</b>	<b>HYDRAULIC SYSTEM WITHOUT VALVE</b>
1	41 65 95796 50	Hydraulcylinder DV, Ø90/40x390	Hydraulic cylinder DA, Ø90/40x390
2	41 65 94371 50	Hydraulcylinder DV, Ø63/32x190	Hydraulic cylinder DA, Ø63/32x190
3	41 65 20217 50	Hydraulcylinder EV, Ø90/40x260	Hydraulic cylinder SA, Ø90/40x260
4	41 65 95714 00	Hydraulslang, L=450	Hudraulic hose, L=450
5	41 65 96023 00	Hydraulslang, L=600	Hydraulic hose, L=600
6	41 65 99009 00	Hydraulslang, L=790	Hydraulic hose, L=790
7	41 65 93786 00	Hydraulslang, L=1220	Hydraulic hose, L=1220
8	41 65 27433 00	Hydraulslang, L=3620	Hydraulic hose, L=3620
9	41 65 27434 00	Hydraulsslang, L=4150	Hydraulic hose, L=4150
10	41 65 99979 00	Hydraulslang 1/2" rak 3/8" rak L=4150	Hose 1/2" rak 3/8" rak L=4150
11	41 65 93574 00	Rak adapt, 3/8" - 1/4"	Stright union, 3/8"-1/4"
12	41 65 92438 00	Rak adapt, 1/2" - 3/8"	Stright union
13	41 65 65478 00	Rak adapt 1/2"	Union
14	41 65 92138 00	Rakadapt, 1/2" - 1/2"	Union, 1/2" - 1/2"
15	41 65 75752 00	Rakadapt 1/2"-M22	Union 1/2"-M22
16	41 65 92940 00	Rak adapt	Straight Union
17	41 65 75953 00	Rakadapt, M22	Straight union, M22
18	41 65 98849 00	Hydraulrör, RH 15x2, L= 300	Hydraulic tube, RH 15x2, L= 300
19	41 65 98848 00	Hydraulrör, RH 15x2, L=1300	Hydraulic tube, RH 15x2, L=1300
20	41 65 98879 00	Hydraulrör, RH 15x2, L=1000	Hydraulic tube, RH 15x2, L=1000
21	41 65 98847 00	Hydraulrör, L=2280	Hydraulic tube, L=2280
22	41 65 94417 00	Gummistålbricka, G3/8	Bonded seal, G3/8
23	41 65 80316 00	Gummistålbricka, G1/2	Bonded seal, G1/2
24	41 65 84096 00	Kulventil, ISO-G1/4	Ball valve
25	41 65 94452 00	Kulventil, 1/2"	Ball valve, 1/2"
26	41 65 95774 00	Banjoskruv 3/8"	Banjo bolt 3/8"
27	41 65 74814 00	Handel 1/2"	Quick coupling M, 1/2"
28	41 65 78383 00	Handelsskydd	Protective cap
29	41 65 74815 00	Snabbkoppling hondel 1/2"	Quick coupling F
30	41 65 29481 00	Skyddsplugg 1/2", hona	Protection plug 1/2", female
31	41 65 23588 00	Buntband blå, L=368	Cable tie blue, L=368
32	41 65 23587 00	Buntband grönt, L=368	Cable tie green, L=368
33	41 65 23589 00	Buntband svart, L=206	Cable tie black, L=206
34	41 65 24477 00	Buntband natur, L=206	Cable tie, L=206
35	41 65 93010 00	Sekvensventil	Sequens valve
36	41 65 75934 00	Mutter, M22x1,5	Nut, M22x1,5
37	41 65 75935 00	Skärring Ø15	Cutting ring Ø15
38	41 65 31757 00	Svivel, 1/2"-1/2"	Swivel connection, 1/2"-1/2"
39	41 65 90630 00	T-adapt M22x1,5	T-Union M22x1,5
40	41 65 83050 00	L-adapt, M22x1,5	L-Union, M22x1,5
41	41 65 77826 00	L-adapt 1/2"	L-union
42	41 65 25516 50	Ackumulator 1,4 l, 11 MPa	Accumulator 1,4 l, 11MPa
43	41 65 93755 50	Ackumulatorfäste, Ø155	Ackumulator bracket, Ø155
44	727 65 50 51	Skruv MVBF 12x 90- 8.8 FZB	Bolt ISO 8677-M12x90-8.8 FZB
45	731 23 22 01	Mutter M6M 12- 8 FZB	Nut ISO - 4032 - M12-8 FZB
46	734 11 78 01	Bricka BRB 13x 24 FZB	Washer ISO 7089 - 12 FZB
47	41 65 21043 00	Skyddsslang, Ø59,4/63x1000	Protective hose, Ø59,4/63x1000
48	41 65 98919 00	Plastspiral, L=100	Plastic spiral, L=100



262

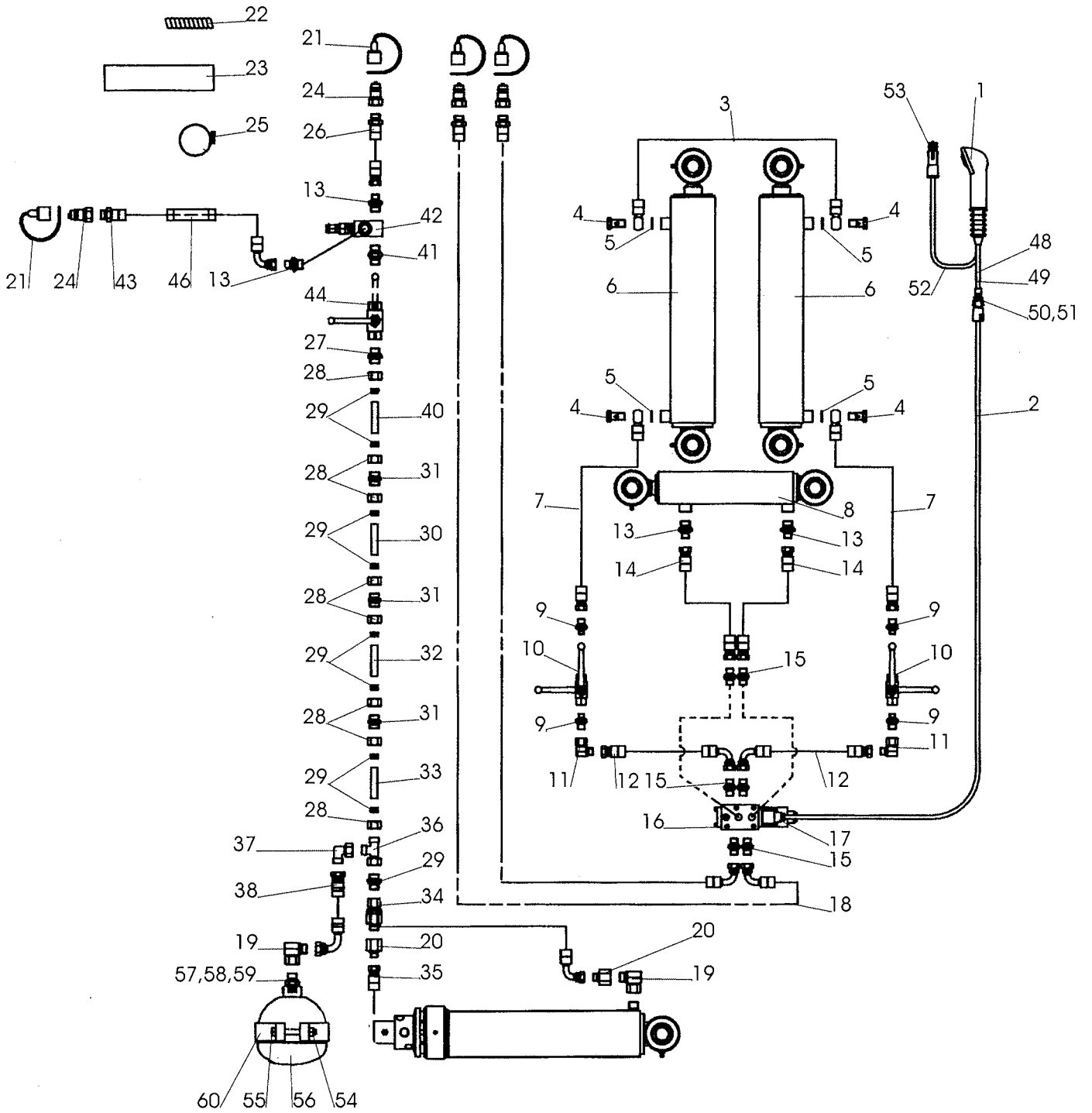
Pos nr/ Ref No	Detalj nr/ Part No	Benämning	Description
<b>262</b>		<b>HYDRAULISKT SYSTEM MED VENTIL</b>	<b>HYDRAULIC SYSTEM WITH VALVE</b>
1	41 65 95796 50	Hydraulcylinder DV, Ø90/40x390	Hydraulic cylinder DA, Ø90/40x390
2	41 65 94371 50	Hydraulcylinder DV, Ø63/32x190	Hydraulic cylinder DA, Ø63/32x190
3	41 65 20217 50	Hydraulcylinder EV, Ø90/40x260	Hydraulic cylinder SA, Ø90/40x260
4	41 65 98849 00	Hydraulrör, RH 15x2, L= 300	Hydraulic tube, RH 15x2, L= 300
5	41 65 98879 00	Hydraulrör, RH 15x2, L=1000	Hydraulic tube, RH 15x2, L=1000
6	41 65 98848 00	Hydraulrör, RH 15x2, L=1300	Hydraulic tube, RH 15x2, L=1300
7	41 65 98847 00	Hydraulrör, L=2280	Hydraulic tube, L=2280
8	41 65 84096 00	Kulventil, ISO-G1/4	Ball valve
9	41 65 94452 00	Kulventil, 1/2"	Ball valve, 1/2"
10	41 65 93010 00	Sekvensventil	Sequens valve
11	41 65 74814 00	Handel 1/2"	Quick coupling M, 1/2"
12	41 65 78383 00	Handelsskydd	Protective cap
13	41 65 74815 00	Snabbkoppling hondel 1/2"	Quick coupling F
14	41 65 29481 00	Skyddsplugg 1/2", hona	Protection plug 1/2", female
15	1 65 93961 50	Omkastarventil, tryckstyrd	Omkastarventil, tryckstyrd
16	41 65 98878 00	Hydraulslang, L=360	Hydraulic hose, L=360
17	41 65 95714 00	Hydraulslang, L=450	Hudraulic hose, L=450
18	41 65 92920 00	Hydraulslang, L=550	Hydraulic hose, L=550
19	41 65 96023 00	Hydraulslang, L=600	Hydraulic hose, L=600
20	41 65 99009 00	Hydraulslang, L=790	Hydraulic hose, L=790
21	41 65 98877 00	Hydraulslang, L=800	Hydraulic hose, L=800
22	41 65 93786 00	Hydraulslang, L=1220	Hydraulic hose, L=1220
23	41 65 27433 00	Hydraulslang, L=3620	Hydraulic hose, L=3620
24	41 65 27434 00	Hydraulslang, L=4150	Hydraulic hose, L=4150
25	41 65 92438 00	Rak adapt, 1/2" - 3/8"	Stright union
26	41 65 93574 00	Rak adapt, 3/8" - 1/4"	Stright union, 3/8"-1/4"
27	41 65 65478 00	Rak adapt 1/2"	Union
28	41 65 92138 00	Rakadapt, 1/2" - 1/2"	Union, 1/2" - 1/2"
29	41 65 75752 00	Rakadapt 1/2"-M22	Union 1/2"-M22
30	41 65 75953 00	Rakadapt, M22	Straight union, M22
31	41 65 92434 00	Rak adapt, 3/8" - 3/8"	Stright union, 3/8" - 3/8"
32	41 65 92940 00	Rak adapt	Straight Union
33	41 65 90630 00	T-adapt M22x1,5	T-Union M22x1,5
34	41 65 93968 00	T-adapt	T-Union
35	41 65 83050 00	L-adapt, M22x1,5	L-Union, M22x1,5
36	41 65 77826 00	L-adapt 1/2"	L-union
37	41 65 92939 00	L-Adapt 3/8" - 3/8"	L-Union 3/8" - 3/8"
38	41 65 31757 00	Svivel, 1/2"-1/2"	Swivel connection, 1/2"-1/2"
39	41 65 75934 00	Mutter, M22x1,5	Nut, M22x1,5
40	41 65 95774 00	Banjoskruv 3/8"	Banjo bolt 3/8"
41	41 65 75935 00	Skärring Ø15	Cutting ring Ø15
42	41 65 94417 00	Gummistålbricka, G3/8	Bonded seal, G3/8
43	41 65 80316 00	Gummistålbricka, G1/2	Bonded seal, G1/2
44	41 65 12983 01	Gummistålbricka, G1/4"	Bonded seal, G1/4
45	41 65 25516 50	Ackumulator 1,4 l, 11 MPa	Accumulator 1,4 l, 11MPa
46	41 65 93755 50	Ackumulatorfäste, Ø155	Ackumulator bracket, Ø155
47	41 65 24477 00	Buntband natur, L=206	Cable tie, L=206
48	41 65 23589 00	Buntband svart, L=206	Cable tie black, L=206
49	41 65 23588 00	Buntband blå, L=368	Cable tie blue, L=368



263

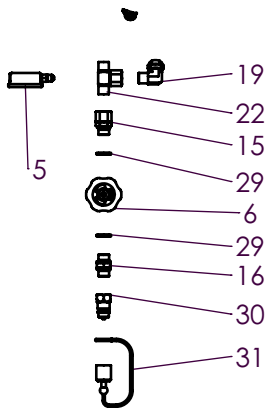


Pos nr/ Ref No	Detalj nr/ Part No	Benämning	Description
<b>263</b>		<b>HYDRAULISKT SYSTEM MED ELSTRYD VENTIL</b>	<b>HYDRAULIC SYSTEM ELEC.CONTROLLED VALVE</b>
1	41 65 96326 00	Cobra	Cobra
2	41 65 97031 00	Sladd	Hose
3	41 65 95792 00	Hydraulslang, L=1000	Hydraulic hose, L=1000
4	41 65 95774 00	Banjoskruv 3/8"	Banjo bolt 3/8"
5	41 65 94417 00	Gummistålbricka, G3/8	Bonded seal, G3/8
6	41 65 95796 50	Hydraulcylinder DV, Ø90/40x390	Hydraulic cylinder DA, Ø90/40x390
7	41 65 95714 00	Hydraulslang, L=450	Hydraulic hose, L=450
8	41 65 94371 50	Hydraulcylinder DV, Ø63/32x190	Hydraulic cylinder DA, Ø63/32x190
9	41 65 93574 00	Rak adapt, 3/8" - 1/4"	Stright union, 3/8"-1/4"
10	41 65 84096 00	Kulventil, ISO-G1/4	Ball valve, ISO-G1/4
11	41 65 92939 00	L-Adapt 3/8" - 3/8"	L-Union 3/8" - 3/8"
12	41 65 98877 00	Hydraulslang, L=800	Hydraulic hose, L=800
13	41 65 92438 00	Rak adapt, 1/2" - 3/8"	Stright union, 1/2" - 3/8"
14	41 65 92920 00	Hydraulslang, L=550	Hydraulic hose, L=550
15	41 65 92434 00	Rak adapt, 3/8" - 3/8"	Stright union, 3/8" - 3/8"
16	725 53 43 01	Skruv MC6S 5x60	Bolt ISO 4762 M5x60
17	41 65 96331 50	Omkastarventil, elstyrd 6/2	Shifter valve, 6/2
18	41 65 98876 00	Hydraulslang, L=3500	Hydraulic hose, L=3500
19	41 65 77826 00	L-adapt 1/2"	L-union 1/2"
20	41 65 92940 00	Rak adapt	Straight Union
21	41 65 78383 00	Handelsskydd	Protective cap
22	41 65 98919 00	Plastspiral, L=100	Plastic spiral, L=100
23	41 65 98874 00	Gummislang, L=250	Rubber tube, L=250
24	41 65 74814 00	Handel 1/2"	Quick coupling M, 1/2"
25	41 65 19520 00	Slangklämma, Ø50-70	Hose clamp, Ø50-70
26	41 65 99979 00	Hydraulslang 1/2" rak 3/8" rak L=4150	Hose 1/2" rak 3/8" L=4150
27	41 65 75752 00	Rakadapt 1/2"-M22	Union 1/2"-M22
28	41 65 75934 00	Mutter, M22x1,5	Nut, M22x1,5
29	41 65 75935 00	Skärring Ø15	Cutting ring Ø15
30	41 65 98847 00	Hydraulrör, L=2280	Hydraulic tube, L=2280
31	41 65 75953 00	Rakadapt, M22	Straight union, M22
32	41 65 98879 00	Hydraulrör, RH 15x2, L=1000	Hydraulic tube, RH 15x2, L=1000
33	41 65 98849 00	Hydraulrör, RH 15x2, L= 300	Hydraulic tube, RH 15x2, L= 300
	41 65 98848 00	Hydraulrör, RH 15x2, L=1300	Hydraulic tube, RH 15x2, L=1300
34	41 65 98538 00	Svivel T 500B, 1/2"-1/2"	Swivel connection, 1/2"-1/2"
35	41 65 98403 00	Hydraulslang, L=1320	Hydraulic hose, L=1320
36	41 65 90630 00	T-adapt M22x1,5	T-Union M22x1,5
37	41 65 83050 00	L-adapt, M22x1,5	L-Union, M22x1,5
38	41 65 99010 00	Hydraulslang M22 - 1/2" 90° L=1000	Hose M22 - 1/2" 90° L=1000
40	41 65 20193 00	Hydraulrör	Hydraulic tube
41	41 65 65478 00	Rak adapt 1/2"	Straight Union 1/2"
42	41 65 93010 00	Sekvensventil	Sequens valve
43	41 65 98876 00	Hydraulslang, L=3500	Hydraulic hose, L=3500
44	41 65 94452 00	Kulventil, 1/2"	Ball valve, 1/2"
46	41 65 16550 50	Krympslang	Shrinking tubing
48	41 65 97039 00	Kabel, L=500	Cable, L=500
49	41 65 97038 00	Krympslang, Ø24/8, L=30	Shrinking tubing, Ø24/8, L=30

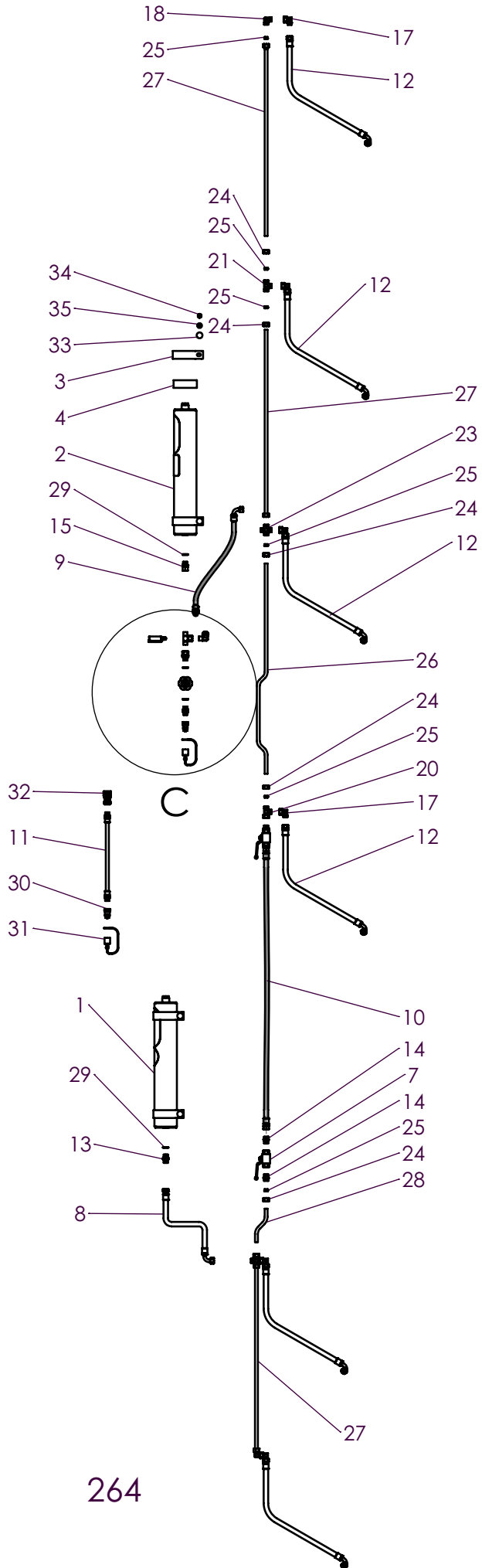


263

Pos nr/ Ref No	Detalj nr/ Part No	Benämning	Description
<b>263</b>		<b>HYDRAULISKT SYSTEM MED ELSTRYD VENTIL</b>	<b>HYDRAULIC SYSTEM ELEC.CONTROLLED VALVE</b>
50	41 65 97037 00	Kopplingsstift, hona	Femal termination
51	41 65 97034 00	Honblock	Female block
52	41 65 96336 00	Kabel, L=2500	Cable, L=2500
53	41 65 97015 00	Stickkontakt	Plug socket
54	731 23 22 01	Mutter M6M 12- 8 FZB	Nut ISO - 4032 - M12-8 FZB
55	727 65 50 51	Skruv MVBF 12x 90- 8.8 FZB	Bolt ISO 8677-M12x90-8.8 FZB
56	41 65 94210 50	Ackumulator	Accumulator
57	41 65 80316 00	Gummistålbricka, G1/2	Bonded seal, G1/2
58	41 65 65478 00	Rak adapt 1/2"	Straight Union 1/2"
59	41 65 92158 00	Plasthuv, utv G1/2	Protective cap, G1/2
60	41 65 93755 50	Ackumulatorfäste, Ø155	Accumulator bracket, Ø155

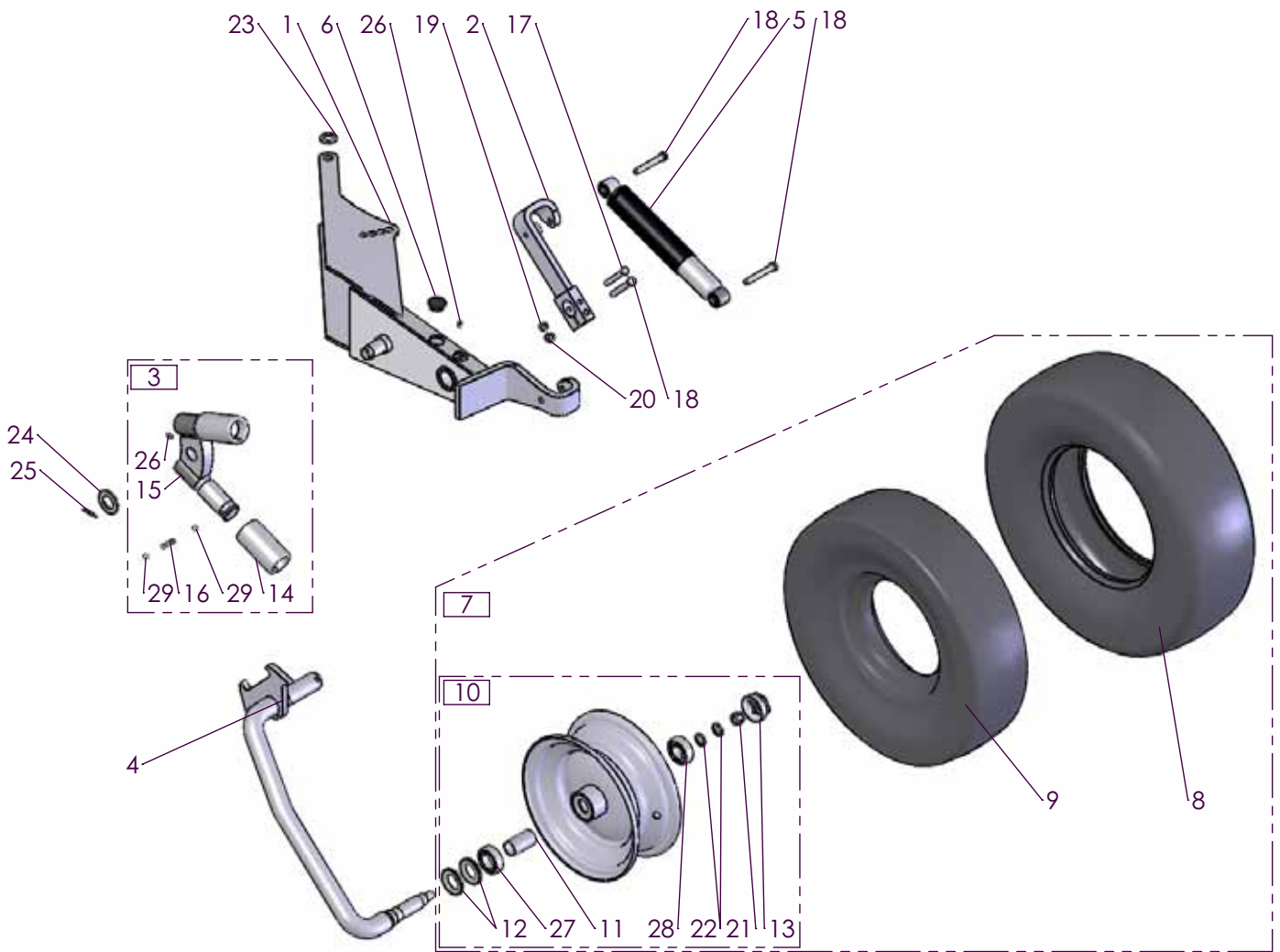


C  
(1:15)



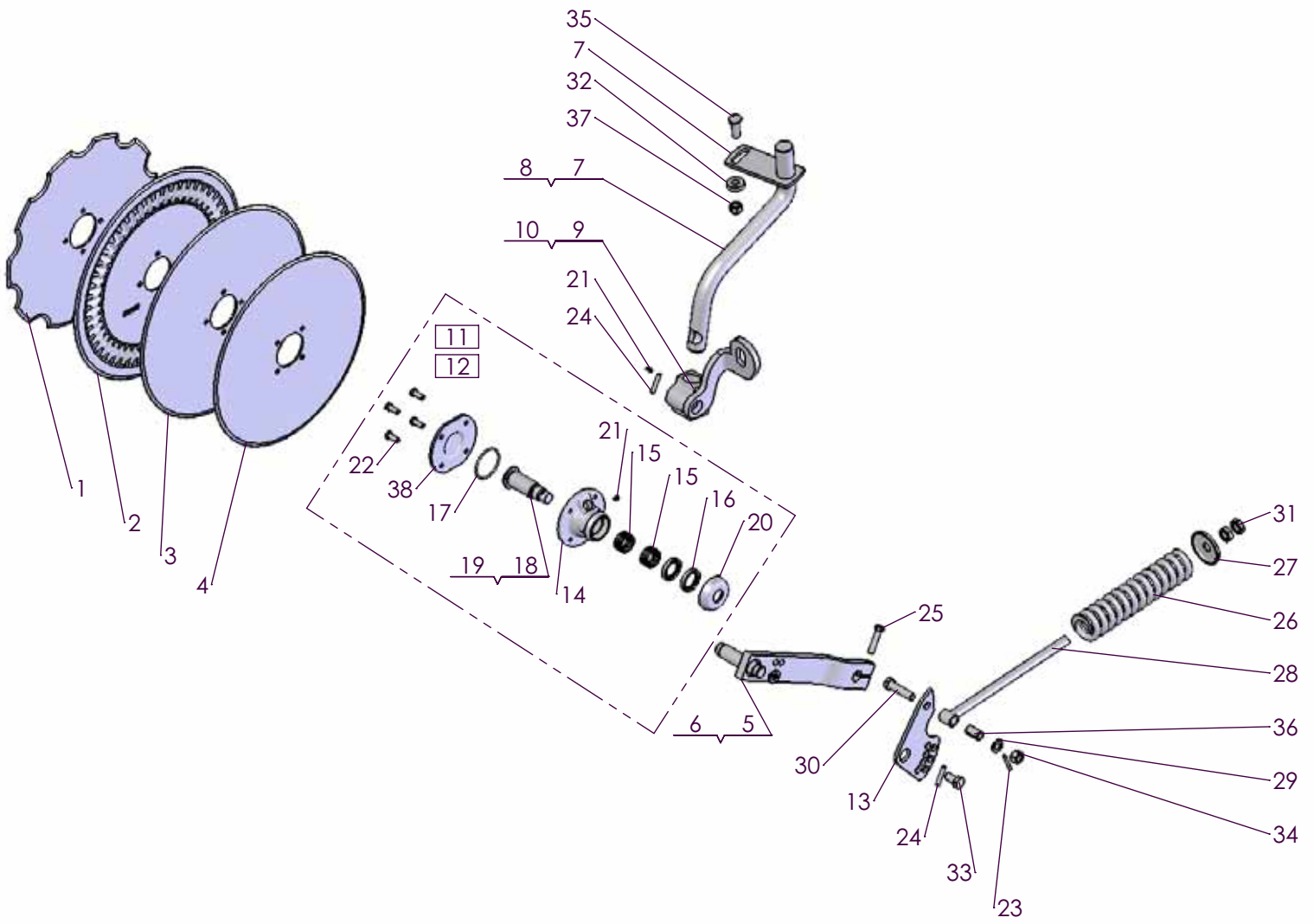
264

Pos nr/ Ref No	Detalj nr/ Part No	Benämning	Description
<b>264</b>		<b>STENSÄKRINGSHYDRAULIK</b>	<b>HYDRAULIC STONE TRIP</b>
1	41 65 95443 50	Kolvackumulator 4l 12MPa, med dekal	Piston accumulator 4l 12MPa with decal
2	41 65 91938 50	Kolvackumulator 4l 9MPa, med dekal	Piston accumulator 4l 9MPa, with decal
3	41 65 33039 50	Ackumulatorfäste, Ø117	Ackumulator bracket, Ø117
4	41 65 24842 02	Självhäftande list	Self adhesive list
5	41 65 80750 00	Manometer	Manometer
6	41 65 73057 00	Avstängningsventil (nålventil)	Shut of valve
7	41 65 94452 00	Kulventil, 1/2"	Ball valve, 1/2"
8	41 65 93524 00	Hydraulslang, L=500	Hydraulic hose, L=500
9	41 65 20513 00	Hydraulslang, L= 1050	Hydraulic hose, L=1050
10	41 65 20033 00	Hydraulslang, L=2700	Hydraulic hose, L=2700
11	41 65 20253 00	Hydraulslang, L=5000	Hydraulik hose, L=5000
12	41 65 98851 00	Hydraulslang, L=690	Hydraulic hose, L=690
13	41 65 80317 00	Rak adapt, 1/2-1/2	Union
14	41 65 75752 00	Rakadapt 1/2"-M22	Union 1/2"-M22
15	41 65 92138 00	Rakadapt, 1/2" - 1/2"	Union, 1/2" - 1/2"
16	41 65 65478 00	Rak adapt 1/2"	Union
17	41 65 83050 00	L-adapt, M22x1,5	L-Union, M22x1,5
18	41 65 75747 00	L-adapt, M22x1,5	L-union, M22x1,5
19	41 65 77826 00	L-adapt 1/2"	L-union
20	41 65 90630 00	T-adapt M22x1,5	T-Union M22x1,5
21	41 65 75746 00	T-adapt, M22x1,5	T-union, M22x1,5
22	41 65 77838 00	T-adapt 1/2"	T-union 1/2"
23	41 65 75928 00	X-adapt, M22x1,5	X-union, M22x1,5
24	41 65 75934 00	Mutter, M22x1,5	Nut, M22x1,5
25	41 65 75935 00	Skärring Ø15	Cutting ring Ø15
26	41 65 20021 00	Hydraulrör	Hydraulic tube
27	41 65 86276 00	Hydraulrör, RH 15x2, L= 958	Hydraulic tube, RH 15x2, L= 958
28	41 65 92133 00	Hydraulrör	Hydraulic pipe
29	41 65 80316 00	Gummistålbricka, G1/2	Bonded seal, G1/2
30	41 65 74814 00	Handel 1/2"	Quick coupling M, 1/2"
31	41 65 78383 00	Handelsskydd	Protective cap
32	41 65 74815 00	Snabbkoppling handel 1/2"	Quick coupling F
33	727 65 50 51	Skruv MVBF 12x 90- 8.8 FZB	Bolt ISO 8677-M12x90-8.8 FZB
34	731 23 22 01	Mutter M6M 12- 8 FZB	Nut ISO - 4032 - M12-8 FZB
35	734 11 78 01	Bricka BRB 13x 24 FZB	Washer ISO 7089 - 12 FZB



387

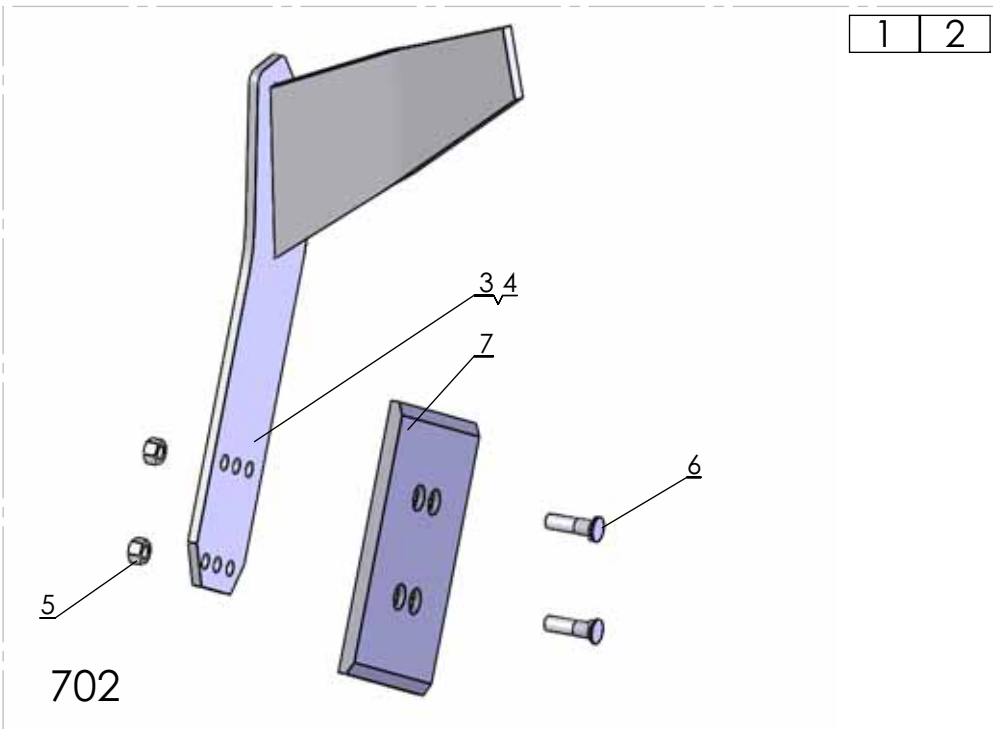
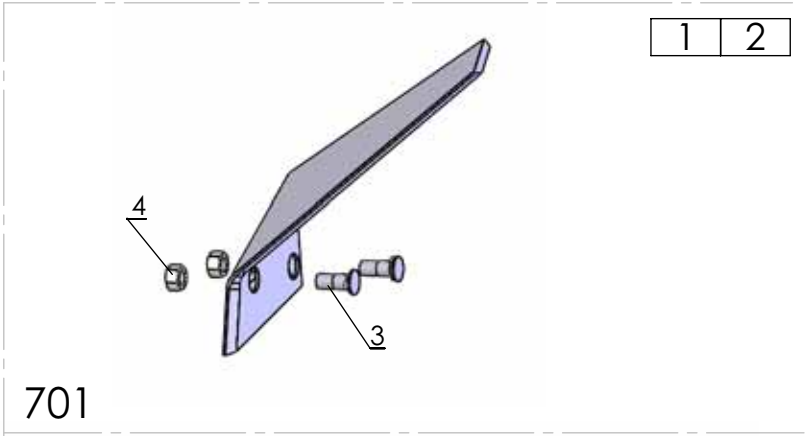
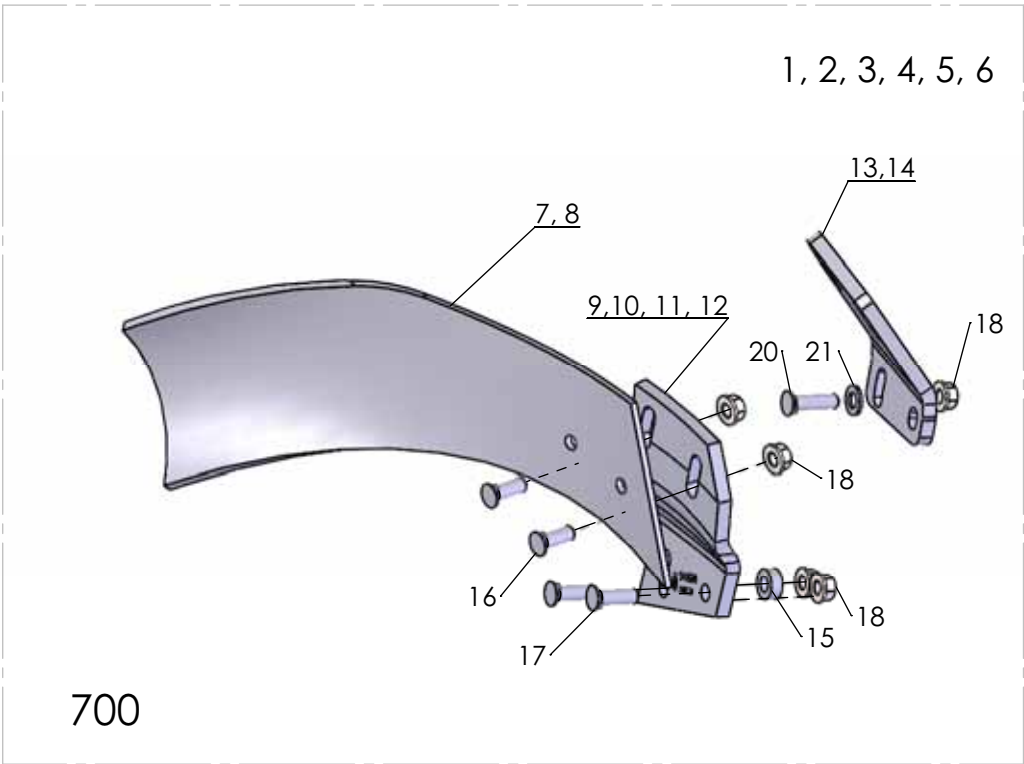
Pos nr/ Ref No	Detalj nr/ Part No	Benämning	Description
<b>387</b>		<b>PENDELHJUL</b>	<b>PENDULUM WHEEL</b>
	4165 91120 92	Pendelhjul	Pendulum wheel
1	4165 90175 90	Konsol	Bracket
2	4165 97270 90	Arm	Arm
3	4165 94946 00	Spärrkläpp	Catch cpl.
4	4165 93864 90	Hjulaxel	Wfeel axle
5	4165 86340 00	Stötdämpare	Shock damper
6	4165 97372 00	Skyddsplugg, Ø34-38	Protective cap, Ø34-38
7	4165 93318 00	Hjul kompl. 7.00-12	Wheel cpl 7.00-12
8	4165 93319 00	Däck 7.00-12	Tire 7.00-12
9	4165 93320 00	Slang	Inner Tube
10	4165 93321 50	Fälg med nav, 4.25x12	Rim with hub, 4.25x12
11	4165 93470 00	Hylsa, Ø31/35x64,2	Sleeve, Ø31/35x64,2
12	4165 93473 00	Z-lamell, Z 007	Z-lamell, Z 007
13	4165 93469 00	Navkapsel Hadsten nr 928	Hub cap Hadsten no 928
14	4165 94949 00	Hylsa	Sleeve
15	4165 94947 00	Kläpp	Catch
16	4165 83046 00	Tryckfjäder	Push Spring
17	725 25 07 51	Skruv M6S 10x 80- 8.8 FZB	Bolt ISO 4014-M10x80-8.8
18	725 25 48 81	Skruv M6S 12x 80-10.9 FZB	Bolt ISO 4014 - M12 x 80-10.9 FZB
19	731 23 20 01	Mutter M6M 10- 8 FZB	Nut Hexagon Nut ISO - 4032 - M10
20	731 23 22 51	Mutter M6M 12-10 MW	Nut ISO 4032-M12-10 MW
21	732 21 24 51	Mutter M6M 16- 8 NF FZB	Nut ISO 7040-M16
22	734 11 86 01	Bricka BRB 17x30 FZB	Washer ISO 7089 - 16
23	734 11 92 01	Bricka BRB 21x 37 FZB	Washer ISO 7089-M20-200 HV
24	734 12 04 01	Bricka BRB 31x 56 FZB	Washer ISO 7089 - 30
25	721 43 47 01	Fjädrande rörpinne FRP 6x 40 FZB	Spring Pin ISO 8752 - 6 x 40
26	738 88 20 03	Smörjnippel, AM 8x1,25 FZB	Grease nipple, AM 8x1,25 FZB
27	738 22 06 21	Kullager 6206-2RS1 WT	Ballbearing 6206-2RS1 WT
28	738 23 05 34	Enradigt spårkullager 6305 2RS1	Ballbearing 6305 2RS1
29	738 61 32 02	Kula	Ball



698



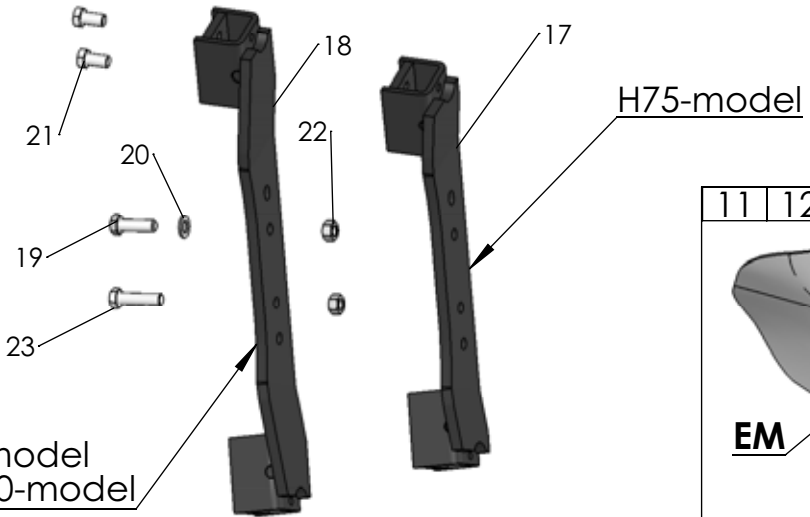
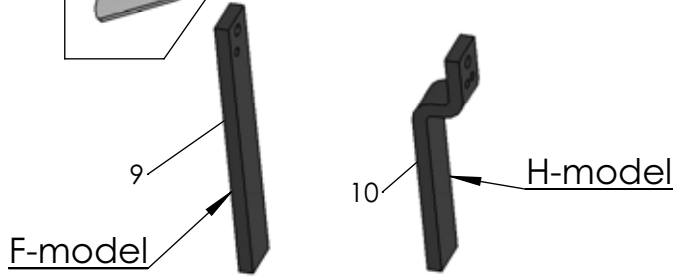
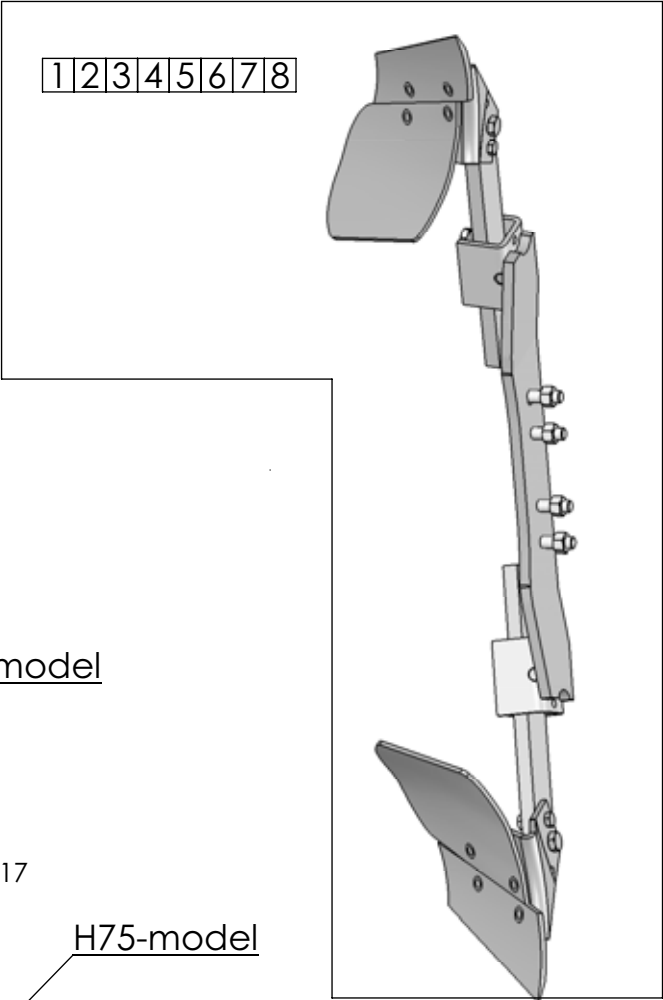
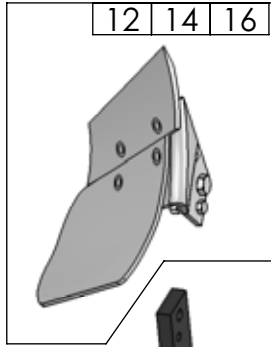
Pos nr/ Ref No	Detalj nr/ Part No	Benämning	Description
<b>698</b>		<b>FJÄDRANDE SKIVRIST</b>	<b>SPRING-LOADED DISC COULTER</b>
1	41 65 72564 50	Skivristklinga Ø457 (18"), tandad	Coulter disc Ø457 (18"), notched
2	41 65 80663 40	Skivristklinga Ø500, ripplad	Disk coulter Ø500, rippled
3	41 65 80662 40	Skivristklinga Ø500, slät	Disc coulter Ø500, plain
4	41 65 72547 40	Skivristklinga Ø457 (18"), slät	Disc coulter Ø457 (18"), plain
5	41 65 86639 90	Skivristarm, höger	Disc coulter arm, RH
6	41 65 86642 90	Skivristarm, Vänster	Arm, Left
7	41 65 27751 90	Skivristskafte 296x266, höger	Disc coulter shank 296x266, RH
8	41 65 27752 90	Skivristskafte 296x266, vänster	Disc coulter shank 296x266, LH
9	41 65 28671 90	Fjäderfäste Höger	Bracket, Right
10	41 65 28668 90	Fjäderfäste, vänster	Spring bracket, LH
11	41 65 75975 00	Skivristnav utan klinga, höger	Disc coulter hub without disc, RH
12	41 65 92237 00	Skivristnav utan klinga, vänster	Disc coulter hub without disc, LH
13	41 65 25249 90	Hävarm	Lever
14	41 65 80967 40	Nav, skivrist	Hub, disc coulter
15	41 65 75545 00	Nållager, 35/42x20	Needle bearing, 35/42x20
16	740 51 77 00	Radialtätning, A35x52x7	Sealing ring, A35x52x7
17	740 48 48 04	O-ring, OR 65,09x3,53	O-ring, OR 65,09x3,53
18	41 65 81076 00	Tapp, skivrist höger	Pin, disc coulter RH
19	41 65 85671 00	Tapp, skivrist vänster	Pin, disc coulter LH
20	41 65 80959 00	Tätningbricka	Sealing washer
21	738 88 20 03	Smörjnippel, AM 8x1,25 FZB	Grease nipple, AM 8x1,25 FZB
22	725 24 93 51	Skruv M6S 10x 25- 8.8 FZB	Bolt ISO 4014 M10x 25- 8.8 FZB
23	721 43 49 01	Fjädrande rörpinne FRP 6x 50	Spring pin ISO 8752 Ø6x50
24	721 43 84 01	Fjädrande rörpinne FRP 8x 45	Spring pin ISO 8752 Ø8x45
25	725 25 43 51	Skruv M6S 12x 55- 8.8 FZB	Bolt ISO 4014 M12x 55- 8.8 FZB
26	41 65 81529 00	Tryckfjäder	Spring
27	41 65 80961 00	Bricka (fjäderstyrning)	Washer (spring guide)
28	41 65 85438 00	Dragstång för skivrist	Shank
29	734 11 86 01	Bricka BRB 17x30 FZB	Washer ISO 7089 - 16
30	725 26 33 51	Skruv M6S 16x 65- 8.8 FZB	Bolt ISO 4014 - M16 x 65
31	731 43 26 01	Mutter ML6M 20 8.8 FZB	Nut ISO-4035 M20 8.8 FZB
32	41 65 85884 00	Bricka, Ø17/38x10	Washer, Ø17/38x10
33	725 26 24 51	Skruv M6S 16x 30 8.8 FZB	Bolt ISO 4017 M16x 30 8.8 FZB
34	731 23 24 01	Mutter M6M 16- 8 FZB	Nut ISO - 4032 - M16-8 FZB
35	41 65 03602 35	Skruv MFBK 16x 50-10.9 MW	Nib bolt MFBK 16x 50-10.9 MW
36	41 65 86240 09	Fjädrande rörpinne FRP 20x 36	Spring pin DIN 7346 S Ø20x36
37	41 65 03 604 05	Mutter M6M M16 10.9 FZB	Nut ISO-4032 M16 10.9 FZB
38	41 65 80966 40	Lock för plan klinga	Cover for disc



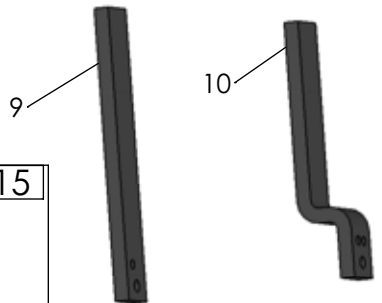
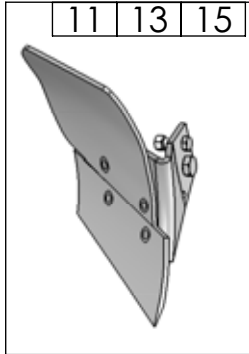
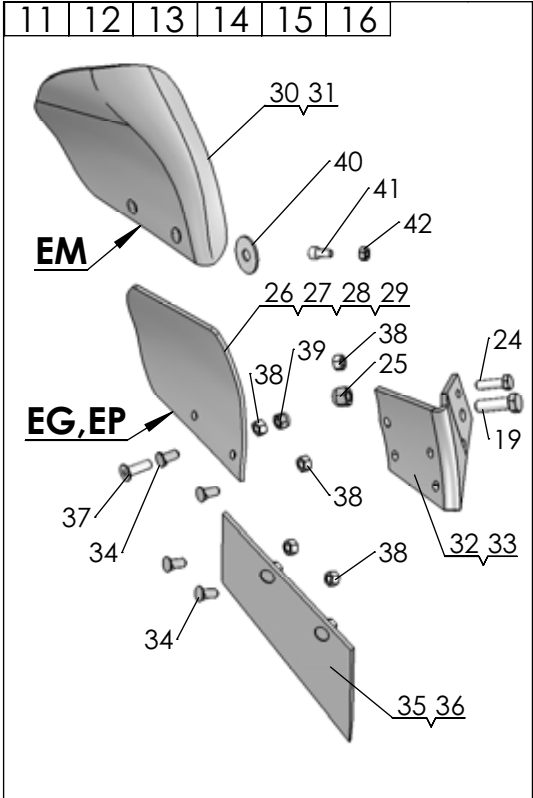
Pos nr/ Ref No	Detalj nr/ Part No	Benämning	Description
<b>700</b>		<b>SKUMVINGE</b>	<b>COVERBOARD</b>
1	4165 96268 40	Skärvinge höger kompl, XL/UC	Coverboard cpl RH, XL/UC
2	4165 96269 40	Skärvinge vänster kompl, XL/UC	Coverboard cpl LH, XL/UC
3	4165 21337 40	Skärvinge höger kompl, XU/XS	Coverboard cpl RH, XU/XS
4	4165 21338 40	Skärvinge vänster kompl, XU/XS	Coverboard LH cpl, XU/XS
5	4165 35114 00	XLD Skärvinge Kompl. Höger	XLD Coverboard Compl. Right
6	4165 35115 00	XLD Skärvinge Kompl. Vänster	XLD Coverboard Compl. left
7	4165 96064 09	Skärvinge höger, kompl	Coverboard right, cpl
8	4165 96065 09	Skärvinge vänster, kompl	Coverboard left, cpl
9	4165 94624 40	Skärvingefäste XL/UC, höger	Bracket coverboard XL/UC, RH
10	4165 94625 40	Skärvingefäste XL/UC, vänster	Bracket coverboard XL/UC, LH
11	4165 99627 40	Skärvingefäste XU, XS, höger	Coverboard bracket XU, XS, RH
12	4165 99628 40	Skärvingefäste XU/XS, vänster,	Coverboard bracket XU/XS, LH
13	4165 35116 40	XLD Fäste skärvinge, Höger	XLD Bracket Cover board, Right
14	4165 35117 40	XLD Fäste skärvinge, Vänster	XLD Bracket Cover board, Left
15	4165 89489 00	Bricka, Ø13/25x10	Washer, Ø13/25x10
16	4165 03602 22	Skruv MFBK 12x 35-10.9 MW	Nib bolt MFBK 12x 35-10.9 MW
17	4165 03602 23	Skruv MFBK 12x 40-10.9 MW	Nib bolt MFBK 12x 40-10.9 MW
18	4165 03615 05	Mutter M6MF 12- 8 FZB	Nut ISO - 4161 - M12 FZB
20	4165 03602 24	Skruv MFBK 12x 45-10.9 MW	Nib bolt MFBK 12x 45-10.9 MW
21	734 11 78 01	Bricka BRB 13x 24 FZB	Washer ISO 7089 - 12 FZB

Pos nr/ Ref No	Detalj nr/ Part No	Benämning	Description
<b>701</b>		<b>FÅRBREDDARE</b>	<b>FURROW WIDENING KNIFE</b>
1	4165 95678 09	Fårbreddare höger, kompl	Furrow knife RH, cpl
2	4165 95679 09	Fårbreddare vänster, kompl	Furrow knife LH, cpl
3	4165 03612 21	Skruv MFBKF 12x32-12.9 MW	Nib bolt MFBKF 12x32-12.9 MW
4	4165 03613 03	Mutter M6M 12-12 MW	Nut ISO - 8673 - M12 x 1.5-12 MW

Pos nr/ Ref No	Detalj nr/ Part No	Benämning	Description
<b>702</b>		<b>FÅRBREDDARE</b>	<b>FURROW WIDENING KNIFE</b>
1	4165 24789 00	Fårbreddare komplett sats, höger	Furrow knife compl, RH
2	4165 24790 00	Fårbreddare komplett sats, vänster	Furrow knife compl, LH
3	4165 23868 40	Fårbreddare, höger	Furrow knife, RH
4	4165 23867 40	Fårbreddare, vänster	Furrow knife, LH
5	4165 03613 03	Mutter M6M 12-12 MW	Nut ISO - 8673 - M12 x 1.5-12 MW
6	4165 03612 24	Skruv MFBKF 12x45-12.9 MW	Bolt MFBKF 12x45-12.9 MW
7	4165 94289 09	Slitplatta, låg	Wearing plate, low

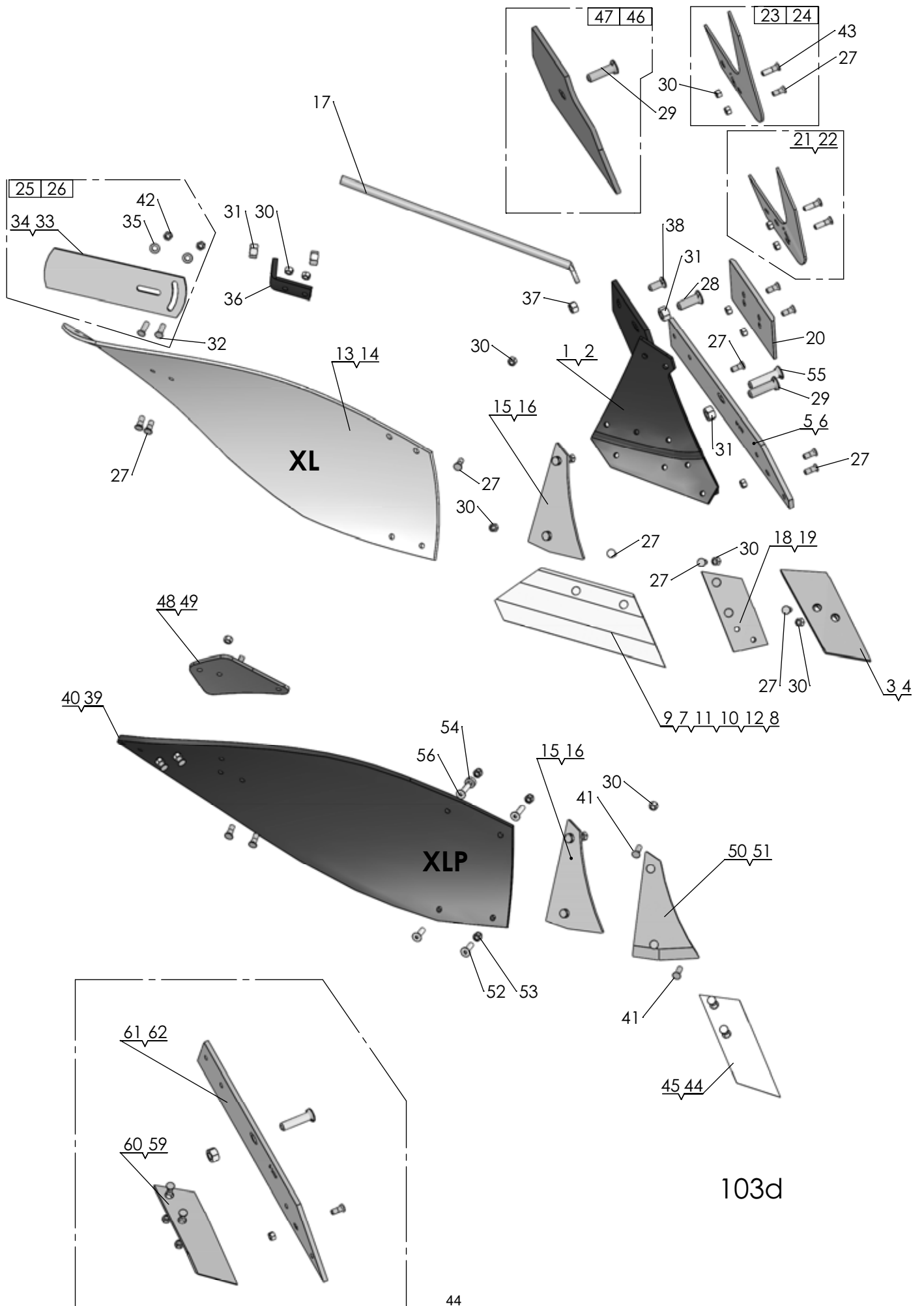


F-model  
H80-model



1010

Pos nr/ Ref No	Detalj nr/ Part No	Benämning	Description
<b>1010</b>		<b>SKUMRIST</b>	<b>SKIMMER</b>
1	4165 30316 90	EP-rist F, kompl	EP-skimmer F, cpl
2	4165 30111 90	EG-rist F, kompl	EG-skimmer F, cpl
3	4165 32902 90	EP-rist H kort, kompl	EP-skimmer H short, cpl
4	4165 32901 90	EG-rist H kort, kompl	EG-skimmer H short, cpl
5	4165 32903 90	EM-rist H kort, kompl	EM-skimmer H short, cpl
6	4165 32980 90	EP-rist H lång, kompl	EP-skimmer H long, cpl
7	4165 32977 90	EG-rist H lång, kompl	EG-skimmer H long, cpl
8	4165 32981 90	EM-rist H lång, kompl	EM-skimmer H long, cpl
9	4165 29166 90	Skumristskaft F, rakt	Skimmer shaft F, stright
10	4165 32636 90	Skumristskaft H	Skimmer shaft H
11	4165 99049 40	Rist EP, höger	Skimmer EP, RH
12	4165 99050 40	Rist EP, vänster	Skimmer EP, LH
13	4165 98260 40	Rist EG, höger	Skimmer EG, RH
14	4165 98261 40	Rist EG, vänster	Skimmer EG, LH
15	4165 24423 40	Rist EM, höger	Skimmer EM, RH
16	4165 24424 40	Rist EM, vänster	Skimmer EM, LH
17	4165 32571 90	Skumrsthållare, kort	Skimmer bracket, short
18	4165 29174 90	Skumrsthållare, lång	Skimmer bracket, long
19	4165 20377 00	Skruv, M6S 16x50-10.9 MW	Bolt, M6S 16x50-10.9 MW
20	734 11 86 01	Bricka BRB 17x30 FZB	Washer ISO 7089 - 16
21	725 26 24 81	Skruv M6S 16x30-MW	Bolt ISO 4014 - M16 x 30-10.9 MW
22	4165 03604 05	Mutter M6M 16-10 FZB	Nut DIN 934 M16-10 FZB
23	725 26 32 81	Skruv M6S 16x 60-10.9 MW	Bolt ISO 4014 M16x60-10.9 MW
24	4165 20376 00	Brytbult, M12x40-10.9 MW	Shear bolt, M12x40-10.9 MW
25	732 21 24 51	Mutter M6M 16- 8 NF FZB	Nut ISO 7040-M16
26	4165 91803 09	Vändskiva EG höger, kompl	Mouldboard EG RH, cpl
27	4165 91804 09	Vändskiva EG vänster, kompl	Mouldboard EG LH, cpl
28	4165 92085 09	Vändskiva EP höger, kompl	Mouldboard EP RH, cpl
29	4165 92086 09	Vändskiva EP vänster, kompl	Mouldboard EP LH, cpl
30	4165 24421 09	Vändskiva EM höger, kompl	Mouldboard EM RH, cpl
31	4165 24422 09	Vändskiva EM vänster, kompl	Mouldboard EM LH, cpl
32	4165 98258 40	Ställ EG-EP-EM, höger	Frog EG-EP-EM, RH
33	4165 98259 40	Ställ EG-EP-EM, vänster	Frog EG-EP-EM, LH
34	4165 03602 21	Skruv MFBK 12x 28-10.9 MW	Nib bolt MFBK 12x 28-10.9 MW
35	4165 91801 09	Skär E höger, kompl	Share E RH, cpl
36	4165 91802 09	Skär E vänster, kompl	Share E LH, cpl
37	725 65 40 01	Skruv MF6S 12x 40- 8.8 FZB	Bolt ISO 10642 - M12 x 40-8.8 FZB
38	731 23 22 01	Mutter M6M 12- 8 FZB	Nut ISO - 4032 - M12-8 FZB
39	732 21 22 51	Mutter M6M 12- 8 NF FZB	Nut ISO 7040-M12
40	4165 25921 00	Självhäftande packning	Rubber washer
41	725 54 91 01	Skruv MC6S 10x 20- 8.8 FZB	Bolt ISO 4762- M10x20- 8.8 FZB
42	731 23 20 01	Mutter M6M 10- 8 FZB	Nut Hexagon Nut ISO - 4032 - M10

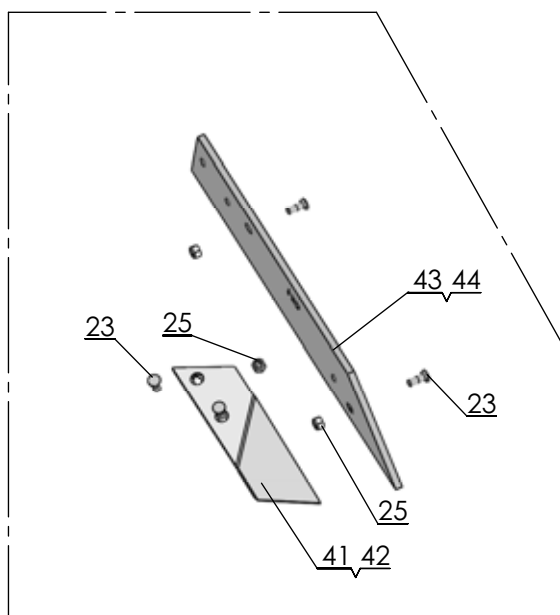
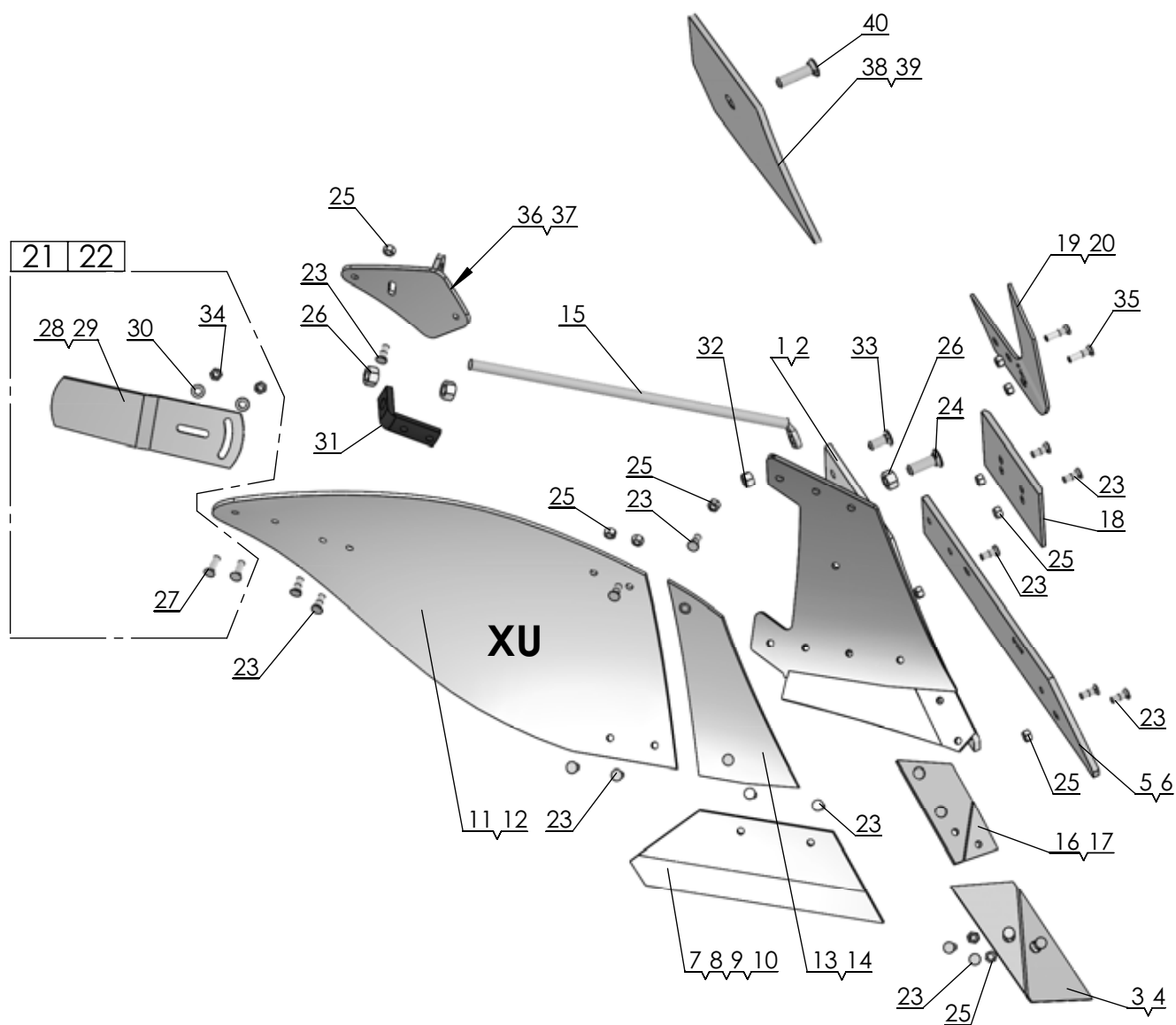


Pos nr/ Ref No	Detalj nr/ Part No	Benämning	Description
<b>103D</b>		<b>Plogkropp XL, XLP</b>	<b>Plough Body XL, XLP</b>
1	4165 94616 90	Ställ XL, Höger	Frog XL, Right
2	4165 94617 90	Ställ XL, Vänster	Frog XL, Left
3	4165 94608 09	Spets höger XL, XU, kompl	Point right XL, XU, cpl
4	4165 94609 09	Spets vänster XL, XU, kompl	Point left XL, XU, cpl
5	4165 94604 09	Landsida XL höger, kompl	Landside XL RH, cpl
6	4165 94605 09	Landsida XL vänster, kompl	Landside XL LH, cpl
7	4165 94598 09	Skär höger 350 (14") XL, kompl	Share RH 350 (14") XL, cpl
8	4165 94599 09	Skär vänster 350 (14") XL, kompl	Share LH 350 (14") XL, cpl
9	4165 94600 09	Skär höger 400 (16") XL, kompl	Share RH 400 (16") XL, cpl
10	4165 94601 09	Skär vänster 400 (16") XL, kompl	Share LH 400 (16") XL, cpl
11	4165 94602 09	Skär höger 450 (18") XL, kompl	Share RH 450 (18") XL, cpl
12	4165 94603 09	Skär väster 450 (18") XL, kompl	Share LH 450 (18") XL, cpl
13	4165 94594 09	Vändskiva XL/AX kompl, höger	Mouldboard XL/AX cpl, RH
14	4165 94595 09	Vändskiva XL/AX kompl, vänster	Mouldboard XL/AX cpl, LH
15	4165 94596 09	Vändskivebröst XL höger, kompl	Mouldboard shin XL right, cpl
16	4165 94597 09	Vändskivebröst XL vänster, kompl	Mouldboard shin XL left, kompl
17	4165 94614 00	Vändskivestötta XL, AX	Support Stay XL, AX
18	4165 94612 09	Spetsplatta XL höger, kompl	Point plate XL RH, cpl
19	4165 94613 09	Spetsplatta XL vänster, kompl	Point plate LH, cpl
20	4165 94289 09	Slitplatta låg, kompl	Wearing plate low, cpl
21	4165 94622 09	Knivrist kompl, höger	Knife coulter cpl, RH
22	4165 94623 09	Knivrist kompl, vänster	Knife coulter cpl, LH
23	4165 29438 09	Knivrist QR höger, kompl	Knife coulter QR RH, cpl
24	4165 29439 09	Knivrist QR vänster, kompl	Knife coulter QR LH, cpl
25	4165 85461 09	Tiltvinge höger, kompl	Mouldboard extension RH, cpl
26	4165 85462 09	Tiltvinge vänster, kompl	Mouldboard extension LH, cpl
27	4165 03612 21	Skruv MFBKF 12x32-12.9 MW	Nib bolt MFBKF 12x32-12.9 MW
28	4165 03602 57	Skruv MFBK 20x 60-10.9 MW	Nib bolt MFBK 20x 60-10.9 MW
29	4165 03602 58	Skruv MFBK 20x 75-10.9 MW	Nib bolt MFBK 20x 75-10.9 MW
30	4165 03613 03	Mutter M6M 12-12 MW	Nut ISO - 8673 - M12 x 1.5-12 MW
31	731 23 26 51	Mutter M6M 20-10 MW	Nut ISO - 4032 - M20-10 MW
32	4165 03602 23	Skruv MFBK 12x 40-10.9 MW	Nib bolt MFBK 12x 40-10.9 MW
33	4165 74922 40	Tiltvinge, höger	Mouldboard extension, RH
34	4165 80559 40	Tiltvinge, vänster	Mouldboard extension, LH
35	734 11 78 01	Bricka BRB 13x 24 FZB	Washer ISO 7089 - 12 FZB
36	4165 94615 40	Stagvinkel	Bracket
37	731 23 24 01	Mutter M6M 16- 8 FZB	Nut ISO - 4032 - M16-8 FZB
38	4165 03602 33	Skruv MFBK 16x 40-10.9 MW	Nib bolt MFBK 16x 40-10.9 MW
39	4165 24803 09	Vändskiva XLP, Höger	Mouldboard XLP, Right
40	4165 24804 09	Vändskiva XLP vänster, kompl	Mouldboard XLP LH, cpl
41	4165 03602 22	Skruv MFBK 12x 35-10.9 MW	Nib bolt MFBK 12x 35-10.9 MW
42	731 23 22 51	Mutter M6M 12-10 MW	Nut ISO 4032-M12-10 MW
43	4165 03612 24	Skruv MFBKF 12x45-12.9 MW	Bolt MFBKF 12x45-12.9 MW
44	4165 96272 09	Spets nedsänkt XL, XS höger, kompl	Point short XL, XS RH, cpl
45	4165 96273 09	Spets nedsänkt XL, XS vänster, kompl	Point short XL, XS LH, cpl
46	4165 23924 09	Täckplåt XL/AX kompl, höger	Covering plate XL/AX cpl, RH
47	4165 23925 09	Täckplåt XL/AX kompl, vänster	Covering plate XL/AX cpl, LH
48	4165 24367 40	Vinkelstötta, höger	Angle support, RH
49	4165 24797 40	Vinkelstötta, vänster	Angle support, LH
50	4165 24801 09	Vändskivebröst med fas höger, kompl	Mouldboard shin with chamfer RH, cpl
51	4165 24802 09	Vändskivebröst med fas vänster, kompl	Mouldboard shin with chamfer LH, cpl
52	725 65 40 01	Skruv MF6S 12x 40- 8.8 FZB	Bolt ISO 10642 - M12 x 40-8.8 FZB
53	732 21 22 51	Mutter M6M 12- 8 NF FZB	Nut ISO 7040-M12
54	4165 89489 00	Bricka, Ø13/25x10	Washer, Ø13/25x10
55	4165 03602 60	Skruv MFBK 20x 85-10.9 MW	Nib bolt MFBK 20x 85-10.9 MW
56	725 65 42 01	Skruv MF6S 12x 50- 8.8 FZB	Bolt ISO 10642 - M12 x 50-8.8 FZB
59	4165 94611 09	Billspets AX, AH vänster, kompl	Point AX, AH left, cpl
60	4165 94610 09	Billspets AX, AH höger, kompl	Point AX, AH right, cpl
61	4165 94606 09	Landsida AX, AXP höger, kompl	Landside AX, AXP RH, cpl
62	4165 94607 09	Landsida AX, AXP, vänster, komp	Landside AX, AXP, LH, cpl



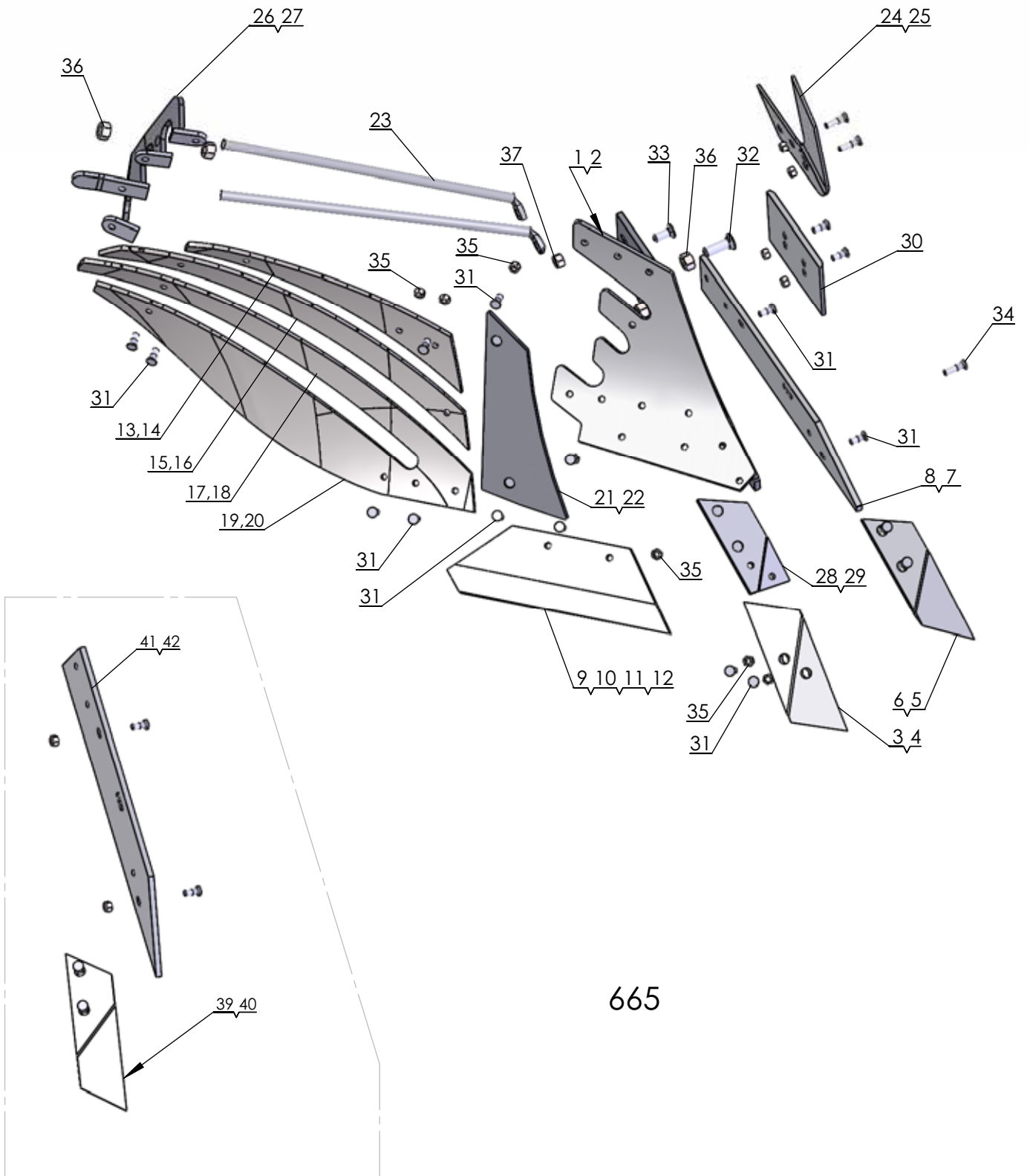


Pos nr/ Ref No	Detalj nr/ Part No	Benämning	Description
<b>1322 Ö</b>		<b>PLOGKROPP XLD</b>	<b>PLOUGH BODY XLD</b>
1	41 65 35010 90	XLD Ställ, Höger	XLD Frog, Right
2	41 65 35011 90	XLD Ställ, Vänster	XLD Frog, Left
3	41 65 35070 09	XLD Spets, Höger, kompl.	XLD Point, Right, Compl.
4	41 65 35071 09	XLD Spets, Vänster, Kompl.	XLD Point, Left, Compl.
5	41 65 35074 09	XLD Vändbar Spets, Höger, Kompl.	XLD Reversible Point, Right, Compl.
6	41 65 35075 09	XLD Vändbar Spets, Vänster, Kompl.	XLD Reversible Point, Left, Compl.
7	41 65 35076 09	XLD Spetsplatta, Höger, Kompl.	XLD Point Bracket, Right, Compl.
8	41 65 35077 09	XLD Spetsplatta, Vänster, Kompl.	XLD Point bracket, Left, Compl.
9	41 65 35040 09	XLD Skär 16", Höger, Kompl.	XLD Share 16", Right, Compl.
10	41 65 35041 09	XLD Skär 16", Vänster, Kompl.	XLD Share 16", Left, Compl.
11	41 65 35042 09	XLD Skär 18", Höger, Kompl.	XLD Share 18", Right, Compl.
12	41 65 35043 09	XLD Skär 18", Vänster, Kompl.	XLD Share 18", Left, Compl.
13	41 65 35044 09	XLD Skär 20", Höger, Kompl.	XLD Share 20", Right, Compl.
14	41 65 35045 09	XLD Skär 20", Vänster, Kompl.	XLD Share 20", Left, Compl.
15	41 65 35060 09	XLD Landsida främre, Höger, Kompl.	XLD Landside Forward, Right, Compl.
16	41 65 35061 09	XLD Landsida Främre, Vänster, Kompl.	XLD Landside Forward, Left, Compl.
17	41 65 35062 09	XLD Landsida Bakre, Höger, Kompl.	XLD Landside Rear, Right, Compl.
18	41 65 35063 09	XLD Landsida Bakre, Vänster, Kompl.	XLD Landside Rear, Left, Compl.
19	41 65 35080 09	XLD Bröst, Höger, Kompl.	XLD Chest, Right, Compl.
20	41 65 35081 09	XLD Bröst, Vänster, Kompl.	XLD Chest, Left, Compl.
21	41 65 35020 09	XLD Vändskiva, Höger, Kompl.	XLD Mouldboard, Right, Compl.
22	41 65 35021 09	XLD Vändskiva, Vänster, Kompl.	XLD Mouldboard, Left, Compl.
23	41 65 03612 21	Skruv MFBKF 12x32-12.9 MW	Nib bolt MFBKF 12x32-12.9 MW
24	41 65 03613 03	Mutter M6M 12x1,25-12 MW	Nut ISO - 8673 - M12 x 1,25-12 MW
25	41 65 94615 40	Stagvinkel	Bracket
26	4731 23 26 51	Mutter M6M 20-10 MW	Nut ISO - 4032 - M20-10 MW
27	41 65 03602 33	Skruv MFBK 16x 40-10.9 MW	Nib bolt MFBK 16x 40-10.9 MW
28	4731 23 24 01	Mutter M6M 16- 8 FZB	Nut ISO - 4032 - M16-8 FZB
29	41 65 03602 57	Skruv MFBK 20x 60-10.9 MW	Nib bolt MFBK 20x 60-10.9 MW
30	41 65 03602 58	Skruv MFBK 20x 75-10.9 MW	Nib bolt MFBK 20x 75-10.9 MW
31	41 65 35096 40	Stagfäste	Stay Bracket
32	41 65 94289 09	Slitplatta låg, kompl	Wearing plate low, cpl
33	41 65 94622 09	Knivrist kompl, höger	Knife coulter cpl, RH
34	41 65 94623 09	Knivrist kompl, vänster	Knife coulter cpl, LH
35	41 65 35112 09	XLD Täckplåt ställ Kompl., Höger	XLD Cover plate Frog Compl., Right
36	41 65 35113 09	XLD Täckplåt ställ Kompl. Vänster	XLD Frog protection plate Compl, Left
37	41 65 03612 24	Skruv MFBKF 12x45-12.9 MW	Bolt MFBKF 12x45-12.9 MW
38	41 65 03602 23	Skruv MFBK 12x 40-10.9 MW	Nib bolt MFBK 12x 40-10.9 MW
39	41 65 03615 05	Mutter M6MF 12- 8 FZB	Nut ISO - 4161 - M12 FZB
40	41 65 85461 09	Tiltvinge höger, kompl	Mouldboard extension RH, cpl
41	41 65 85462 09	Tiltvinge vänster, kompl	Mouldboard extension LH, cpl
42	41 65 36339 01	XLD dubbel stötta, kompl	XLD double stay, cpl
43	41 65 36337 01	XLD stötta, kompl	XLD stay, cpl
44	41 65 35095 00	Vändskivestötta XLD	Mouldboard stay XLD
45	41 65 35094 00	Vändskivestötta XLD	Mouldboard stay XLD

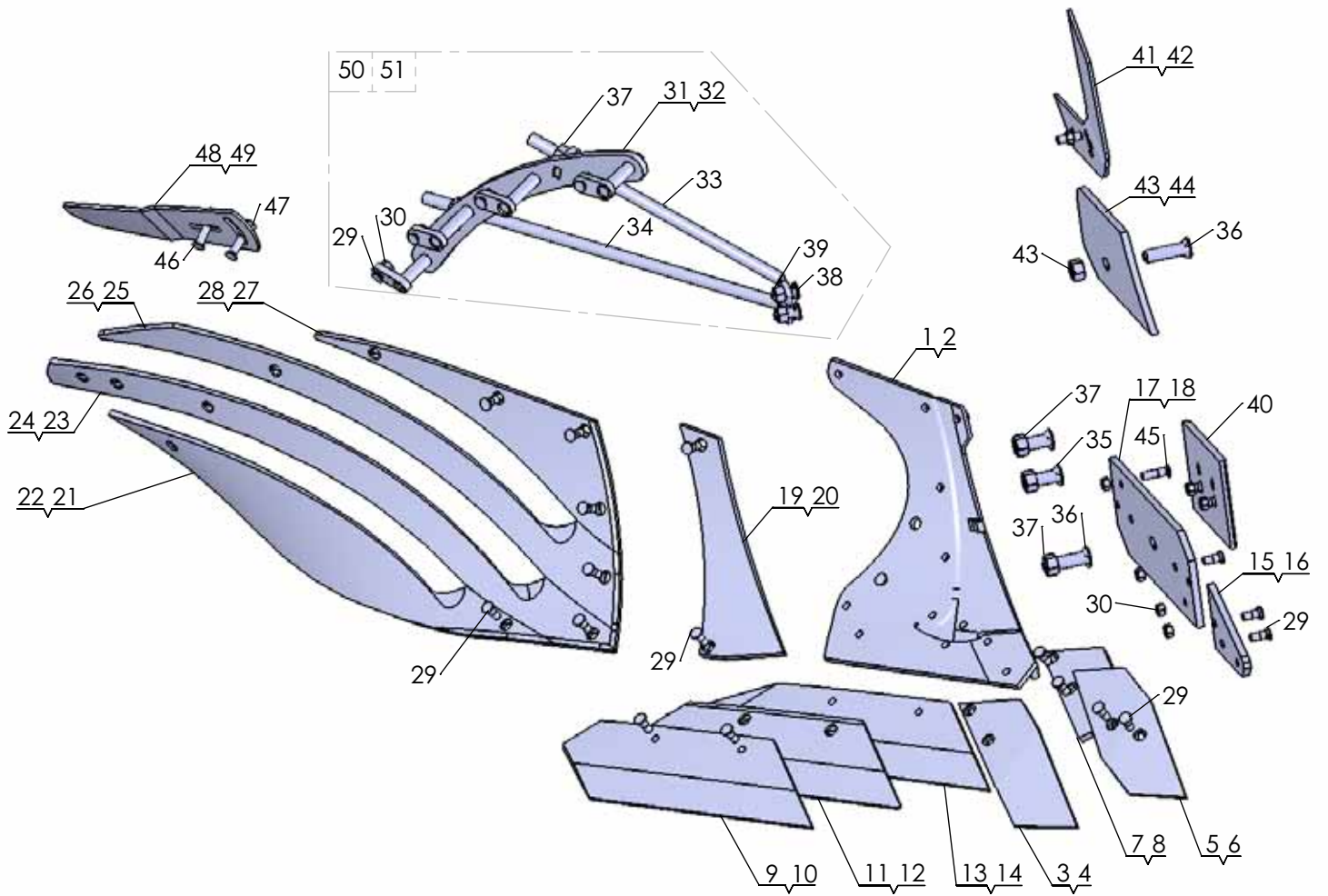


660

Pos nr/ Ref No	Detalj nr/ Part No	Benämning	Description
<b>660</b>		<b>PLOGKROPP XU</b>	<b>PLOUGH BODY</b>
1	4165 20539 90	Ställ XU Höger	Frog XU Right
2	4165 20540 90	Ställ XU Vänster	Frog XU Left
3	4165 94608 09	Spets höger XL, XU, kompl	Point right XL, XU, cpl
4	4165 94609 09	Spets vänster XL, XU, kompl	Point left XL, XU, cpl
5	4165 96094 09	Landsida XU höger, kompl	Landside XU RH, cpl
6	4165 96095 09	Landsida XU vänster, kompl	Landside XU LH, cpl
7	4165 96090 09	Skär XU 400 (16") höger, kompl	Share XU 400 (16") RH, cpl
8	4165 96091 09	Skär XU 400 (16") vänster, kompl	Share XU 400 (16") LH, cpl
9	4165 96092 09	Skär XU 450 (18") höger, kompl	Share XU 450 (18") RH, cpl
10	4165 96093 09	Skär XU 450 (18") vänster, kompl	Share XU 450 (18") LH, cpl
11	4165 96084 09	Vändskiva XU höger, kompl	Mouldboard XU RH, cpl
12	4165 96085 09	Vändskiva XU vänster, kompl	Mouldboard XU LH, cpl
13	4165 96086 09	Vändskivebröst XU/AH höger, kompl	Mouldboard shin XU/AH RH, cpl
14	4165 96087 09	Vändskivebröst XU/AH vänster, kompl	Mouldboard shin XU/AH LH, cpl
15	4165 96104 00	Vändskivestötta XU, AH, XS, AS	Mouldboard stay XU, AH, XS, AS
16	4165 94612 09	Spetsplatta XL höger, kompl	Point plate XL RH, cpl
17	4165 94613 09	Spetsplatta XL vänster, kompl	Point plate LH, cpl
18	4165 94289 09	Slitplatta låg, kompl	Wearing plate low, cpl
19	4165 94622 09	Knivrist kompl, höger	Knife coulter cpl, RH
20	4165 94623 09	Knivrist kompl, vänster	Knife coulter cpl, LH
21	4165 85461 09	Tiltvinge höger, kompl	Mouldboard extension RH, cpl
22	4165 85462 09	Tiltvinge vänster, kompl	Mouldboard extension LH, cpl
23	4165 03612 21	Skruv MFBKF 12x32-12.9 MW	Nib bolt MFBKF 12x32-12.9 MW
24	4165 03602 57	Skruv MFBK 20x 60-10.9 MW	Nib bolt MFBK 20x 60-10.9 MW
25	4165 03613 03	Mutter M6M 12-12 MW	Nut ISO - 8673 - M12 x 1.5-12 MW
26	731 23 26 51	Mutter M6M 20-10 MW	Nut ISO - 4032 - M20-10 MW
27	4165 03602 23	Skruv MFBK 12x 40-10.9 MW	Nib bolt MFBK 12x 40-10.9 MW
28	4165 74922 40	Tiltvinge, höger	Mouldboard extension, RH
29	4165 80559 40	Tiltvinge, vänster	Mouldboard extension, LH
30	734 11 78 01	Bricka BRB 13x 24 FZB	Washer ISO 7089 - 12 FZB
31	4165 94615 40	Stagvinkel	Bracket
32	731 23 24 01	Mutter M6M 16- 8 FZB	Nut ISO - 4032 - M16-8 FZB
33	4165 03602 33	Skruv MFBK 16x 40-10.9 MW	Nib bolt MFBK 16x 40-10.9 MW
34	731 23 22 51	Mutter M6M 12-10 MW	Nut ISO 4032-M12-10 MW
35	4165 03612 24	Skruv MFBKF 12x45-12.9 MW	Bolt MFBKF 12x45-12.9 MW
36	4165 24260 40	Vinkelstötta, höger	Angle bracket, RH
37	4165 24262 40	Vinkelstötta, vänster	Angle bracket, LH
38	4165 29282 09	Täckplåt XU/AH kompl, höger	Covering plate XU/AH cpl, RH
39	4165 29283 09	Täckplåt XU/AH kompl, vänster	Covering plate XU/AX cpl, LH
40	4165 03602 58	Skruv MFBK 20x 75-10.9 MW	Nib bolt MFBK 20x 75-10.9 MW
41	4165 94610 09	Billspets AX, AH höger, kompl	Point AX, AH right, cpl
42	4165 94611 09	Billspets AX, AH vänster, kompl	Point AX, AH left, cpl
43	4165 96096 09	Landsida AH, AS, höger, kompl	Landside AH, AS, right, cpl
44	4165 96097 09	Landsida AH, AS, vänster, kompl	Landside AH, AS, left, cpl

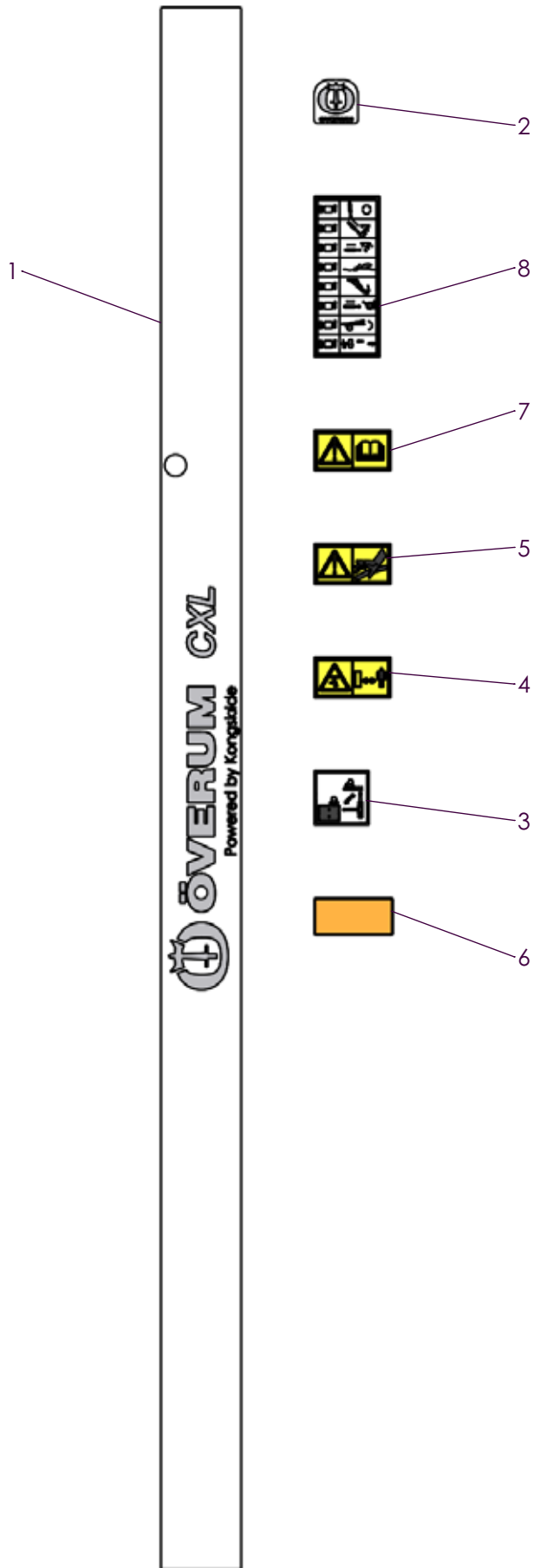


Pos nr/ Ref No	Detalj nr/ Part No	Benämning	Description
<b>665</b>		<b>PLOGKROPP XS</b>	<b>PLOUGH BODY XS</b>
1	4165 21619 90	Plogställ XS, höger	Frog XS, RH
2	4165 21620 90	Plogställ XS, vänster	Frog XS, Left
3	4165 94608 09	Spets höger XL, XU, kompl	Point right XL, XU, cpl
4	4165 94609 09	Spets vänster XL, XU, kompl	Point left XL, XU, cpl
5	4165 96272 09	Spets nedsänkt XL, XS höger, kompl	Point short XL, XS RH, cpl
6	4165 96273 09	Spets nedsänkt XL, XS vänster, kompl	Point short XL, XS LH, cpl
7	4165 96095 09	Landsida XU vänster, kompl	Landside XU LH, cpl
8	4165 96094 09	Landsida XU höger, kompl	Landside XU RH, cpl
9	4165 96090 09	Skär XU 400 (16") höger, kompl	Share XU 400 (16") RH, cpl
10	4165 96091 09	Skär XU 400 (16") vänster, kompl	Share XU 400 (16") LH, cpl
11	4165 96092 09	Skär XU 450 (18") höger, kompl	Share XU 450 (18") RH, cpl
12	4165 96093 09	Skär XU 450 (18") vänster, kompl	Share XU 450 (18") LH, cpl
13	4165 20249 09	Strimla nr 1 höger, kompl	Stripe no 1 right, cpl
14	4165 20894 09	Strimla nr 1 övre vänster, kompl	Stripe no 1 upper left, cpl
15	4165 20250 09	Strimla nr 2 höger, kompl	Stripe no 2 right, cpl
16	4165 20895 09	Strimla nr 2 vänster, kompl	Stripe no 2 left, cpl
17	4165 20251 09	Strimla nr 3 höger, kompl	Stripe no 3 right, cpl
18	4165 20896 09	Strimla nr 3 vänster, kompl	Stripe no 3 left, cpl
19	4165 20252 09	Strimla nr 4 höger, kompl	Stripe no 4 right, cpl
20	4165 20897 09	Strimla nr 4 vänster, kompl	Stripe no 4 left, cpl
21	4165 21470 09	Vändskivebröst XS/AS höger, kompl	Mouldboard shin XS/AS right, cpl
22	4165 21599 09	Vändskivebröst XS/AS vänster, kompl	Mouldboard shin XS/AS left, cpl
23	4165 96104 00	Vändskivestötta XU, AH, XS, AS	Mouldboard stay XU, AH, XS, AS
24	4165 94622 09	Knivrist kompl, höger	Knife coulter cpl, RH
25	4165 94623 09	Knivrist kompl, vänster	Knife coulter cpl, LH
26	4165 20268 40	Brygga, höger	Bridge, right
27	4165 20278 40	Brygga, vänster	Bridge, left
28	4165 94612 09	Spetsplatta XL höger, kompl	Point plate XL RH, cpl
29	4165 94613 09	Spetsplatta XL vänster, kompl	Point plate LH, cpl
30	4165 94289 09	Slitplatta låg, kompl	Wearing plate low, cpl
31	4165 03612 21	Skruv MFBKF 12x32-12.9 MW	Nib bolt MFBKF 12x32-12.9 MW
32	4165 03602 57	Skruv MFBK 20x 60-10.9 MW	Nib bolt MFBK 20x 60-10.9 MW
33	4165 03602 33	Skruv MFBK 16x 40-10.9 MW	Nib bolt MFBK 16x 40-10.9 MW
34	4165 03612 24	Skruv MFBKF 12x45-12.9 MW	Bolt MFBKF 12x45-12.9 MW
35	4165 03613 03	Mutter M6M 12-12 MW	Nut ISO - 8673 - M12 x 1.5-12 MW
36	731 23 26 51	Mutter M6M 20-10 MW	Nut ISO - 4032 - M20-10 MW
37	731 23 24 01	Mutter M6M 16- 8 FZB	Nut ISO - 4032 - M16-8 FZB
39	4165 94610 09	Billspets AX, AH höger, kompl	Point AX, AH right, cpl
40	4165 94611 09	Billspets AX, AH vänster, kompl	Point AX, AH left, cpl
41	4165 96096 09	Landsida AH, AS, höger, kompl	Landside AH, AS, right, cpl
42	4165 96097 09	Landsida AH, AS, vänster, kompl	Landside AH, AS, left, cpl



1520

Pos nr/ Ref No	Detalj nr/ Part No	Benämning	Description
<b>1520 Ö</b>		<b>PLOGKROPP XSD</b>	<b>PLOUGH BODY XSD</b>
1	41 65 35010 90	XLD Ställ, Höger	XLD Frog, Right
2	41 65 35011 90	XLD Ställ, Vänster	XLD Frog, Left
3	41 65 35070 09	XLD Spets, Höger, kompl.	XLD Point, Right, Compl.
4	41 65 35071 09	XLD Spets, Vänster, Kompl.	XLD Point, Left, Compl.
5	41 65 35074 09	XLD Vändbar Spets, Höger, Kompl.	XLD Reversible Point, Right, Compl.
6	41 65 35075 09	XLD Vändbar Spets, Vänster, Kompl.	XLD Reversible Point, Left, Compl.
7	41 65 35076 09	XLD Spetsplatta, Höger, Kompl.	XLD Point Bracket, Right, Compl.
8	41 65 35077 09	XLD Spetsplatta, Vänster, Kompl.	XLD Point bracket, Left, Compl.
9	41 65 35040 09	XLD Skär 16", Höger, Kompl.	XLD Share 16", Right, Compl.
10	41 65 35041 09	XLD Skär 16", Vänster, Kompl.	XLD Share 16", Left, Compl.
11	41 65 35042 09	XLD Skär 18", Höger, Kompl.	XLD Share 18", Right, Compl.
12	41 65 35043 09	XLD Skär 18", Vänster, Kompl.	XLD Share 18", Left, Compl.
13	41 65 35044 09	XLD Skär 20", Höger, Kompl.	XLD Share 20", Right, Compl.
14	41 65 35045 09	XLD Skär 20", Vänster, Kompl.	XLD Share 20", Left, Compl.
15	41 65 35060 09	XLD Landsida främre, Höger, Kompl.	XLD Landside Forward, Right, Compl.
16	41 65 35061 09	XLD Landsida Främre, Vänster, Kompl.	XLD Landside Forward, Left, Compl.
17	41 65 35062 09	XLD Landsida Bakre, Höger, Kompl.	XLD Landside Rear, Right, Compl.
18	41 65 35063 09	XLD Landsida Bakre, Vänster, Kompl.	XLD Landside Rear, Left, Compl.
19	41 65 35080 09	XLD Bröst, Höger, Kompl.	XLD Chest, Right, Compl.
20	41 65 35081 09	XLD Bröst, Vänster, Kompl.	XLD Chest, Left, Compl.
21	41 65 35024 09	XSD Strimla nr 1, Höger	XSD Stripe no 1, Right
22	41 65 35025 09	XSD Strimla nr 1, Vänster	XSD Stripe no 1, Left
23	41 65 35026 09	XSD Strimla nr 2, Höger	XSD Stripe no 2, Right
24	41 65 35027 09	XSD Strimla nr 2, Vänster	XSD Stripe no 2, Left
25	41 65 35028 09	XSD Strimla nr 3, Höger	XSD Stripe no 3, Right
26	41 65 35029 09	XSD Strimla nr 3, Vänster	XSD Stripe no 3, Left
27	41 65 35030 09	XSD Strimla nr 4, Höger	XSD Stripe no 4, Right
28	41 65 35031 09	XSD Strimla nr 4, Vänster	XSD Stripe no 4, Left
29	41 65 03612 21	Skruv MFBKF 12x32-12.9 MW	Nib bolt MFBKF 12x32-12.9 MW
30	41 65 03613 03	Mutter M6M 12x1,25-12 MW	Nut ISO - 8673 - M12 x 1,25-12 MW
31	41 65 35102 40	XSD Stöd, Höger	XSD Support, Right
32	41 65 35103 40	XSD Stöd, Vänster	XSD Support, Left
33	41 65 35093 00	XSD Vändskivestötta Övre	XSD Mouldboard stay Upper
34	41 65 35091 00	XSD Vändskivestötta Undre	XSD Mouldboard Stay Lower
35	41 65 03602 57	Skruv MFBK 20x 60-10.9 MW	Nib bolt MFBK 20x 60-10.9 MW
36	41 65 03602 58	Skruv MFBK 20x 75-10.9 MW	Nib bolt MFBK 20x 75-10.9 MW
37	4731 23 26 51	Mutter M6M 20-10 MW	Nut ISO - 4032 - M20-10 MW
38	41 65 03602 33	Skruv MFBK 16x 40-10.9 MW	Nib bolt MFBK 16x 40-10.9 MW
39	4731 23 24 01	Mutter M6M 16- 8 FZB	Nut ISO - 4032 - M16-8 FZB
40	41 65 94289 09	Slitplatta låg, kompl	Wearing plate low, cpl
41	41 65 94622 09	Knivrist kompl, höger	Knife coulter cpl, RH
42	41 65 94623 09	Knivrist kompl, vänster	Knife coulter cpl, LH
43	41 65 35112 09	XLD Täckplåt ställ Kompl., Höger	XLD Cover plate Frog Compl., Right
44	41 65 35113 09	XLD Täckplåt ställ Kompl. Vänster	XLD Frog protection plate Compl, Left
45	41 65 03612 24	Skruv MFBKF 12x45-12.9 MW	Bolt MFBKF 12x45-12.9 MW
46	41 65 03602 23	Skruv MFBK 12x 40-10.9 MW	Nib bolt MFBK 12x 40-10.9 MW
47	41 65 03615 05	Mutter M6MF 12- 8 FZB	Nut ISO - 4161 - M12 FZB
48	41 65 85461 09	Tiltvinge höger, kompl	Mouldboard extension RH, cpl
49	41 65 85462 09	Tiltvinge vänster, kompl	Mouldboard extension LH, cpl
50	41 65 35118 01	XSD Stag och fäste Kompl. Höger	XSD Stay and Bracket Compl. Right
51	41 65 35119 01	XSD Stag och fäste Kompl. Vänster	XSD Stay and Bracket Compl. Left



1319



Pos nr/ Ref No	Detalj nr/ Part No	Benämning	Description
<b>1319</b>		<b>DEKAL</b>	<b>DECAL</b>
1	4165 34891 00	Dekal: ÖVERUM CXL	Decal: ÖVERUM CXL
2	4165 34754 00	Dekal: ÖVERUM logo, h=43	Decal: ÖVERUM logo, h=43
3	4165 34889 00	Dekal: Transportläge, ventil	Decal: Transport position, valve
4	4165 98301 00	Dekal: Arbetsområde	Decal: Stay a safe distance from the machine
5	4165 98300 00	Dekal: Högt oljetryck	Decal: High pressure fluid-injection into body
6	4165 97077 00	Reflex	Reflex
7	4165 99101 00	Dekal: Läs instruktionsboken	Decal: Read instruction manual
8	4165 23591 00	Dekal: Färgmärkning, delburenplög	Decal: Colour marking, plough





From serial No. 18 300626

4165 68007 93 – 2018-02-13

You can always find the latest version of the manuals at [www.kongskilde.com](http://www.kongskilde.com)