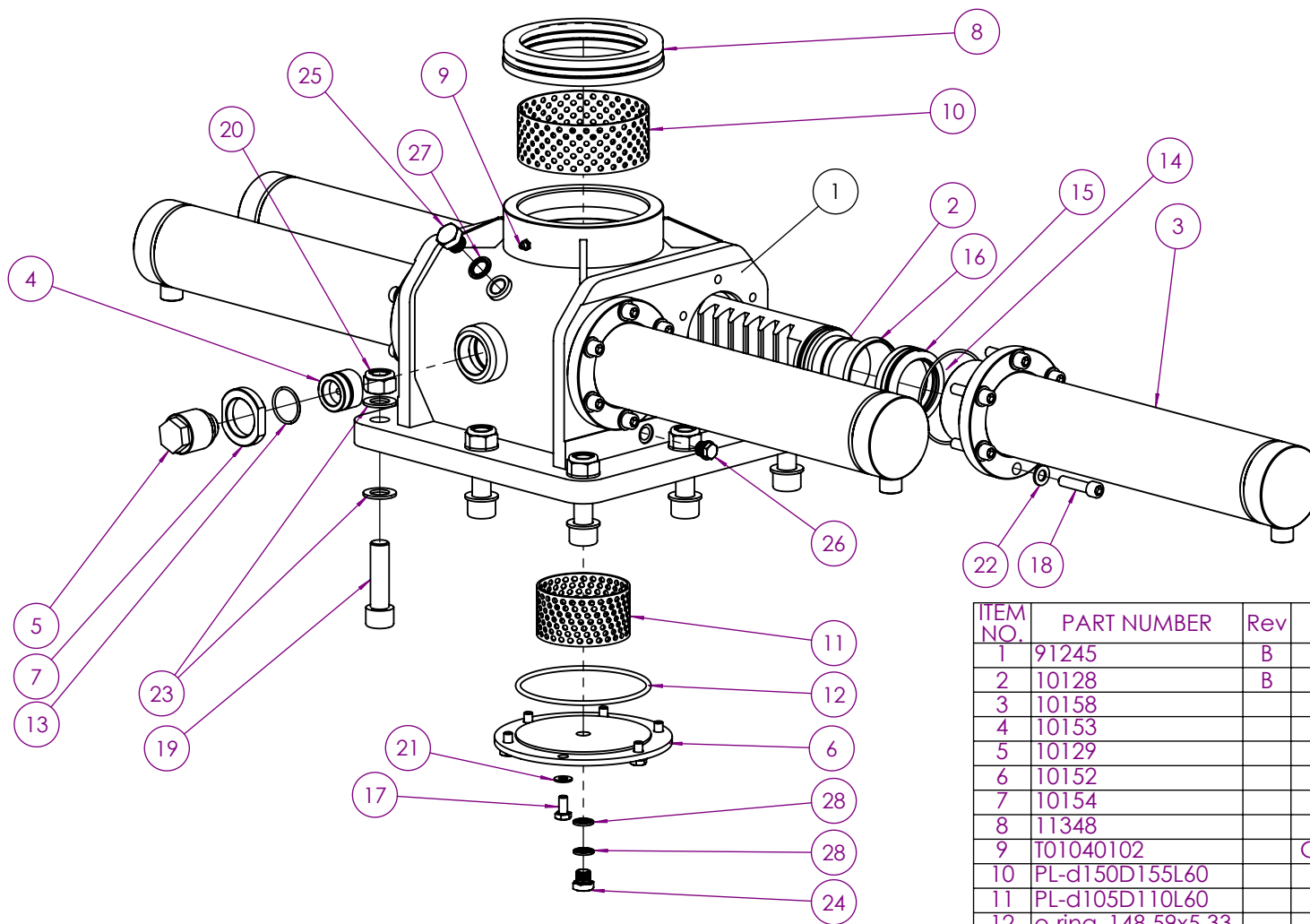


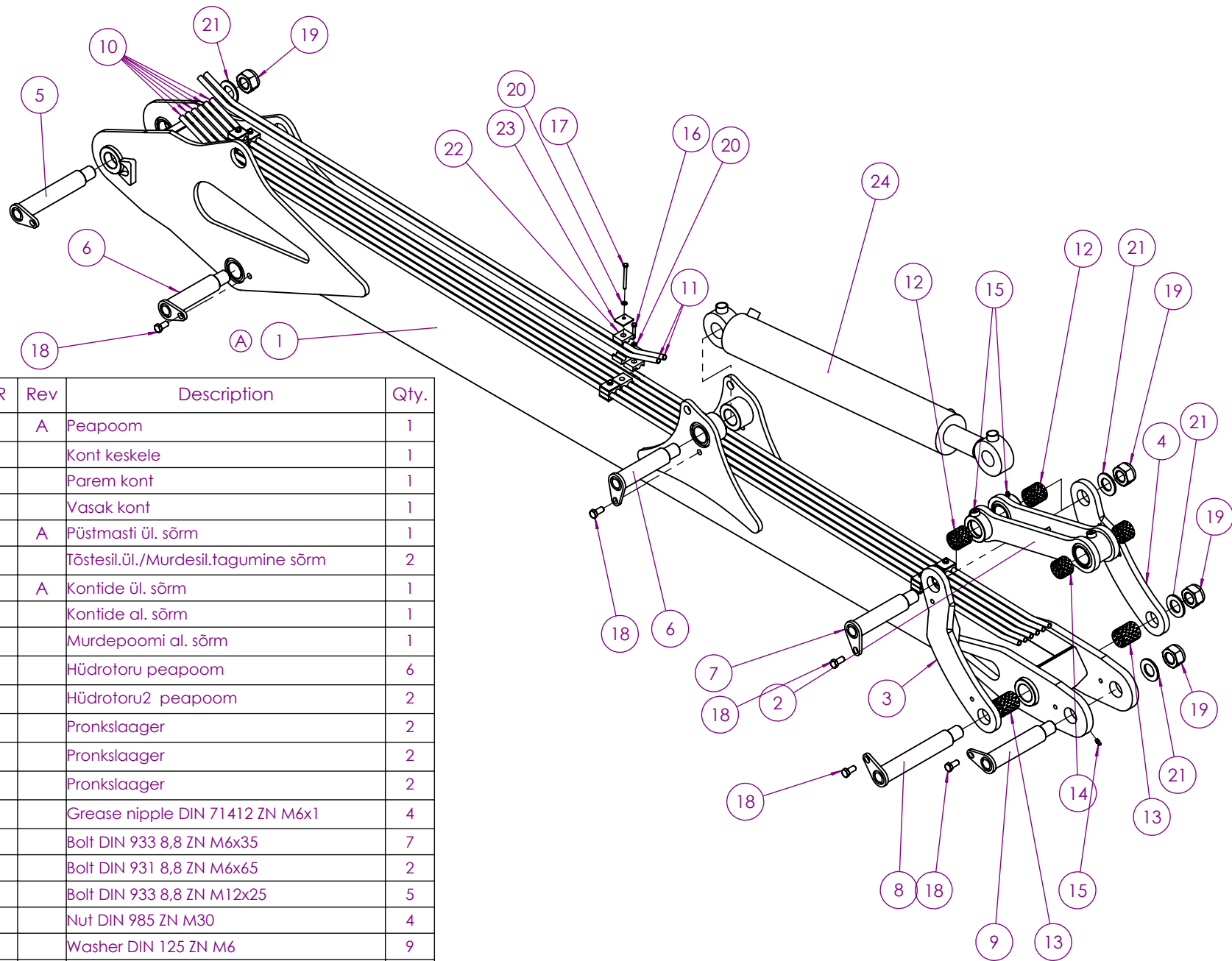
ONIAR

VARAOSAT  
KUORMAIN  
ONIAR 67s



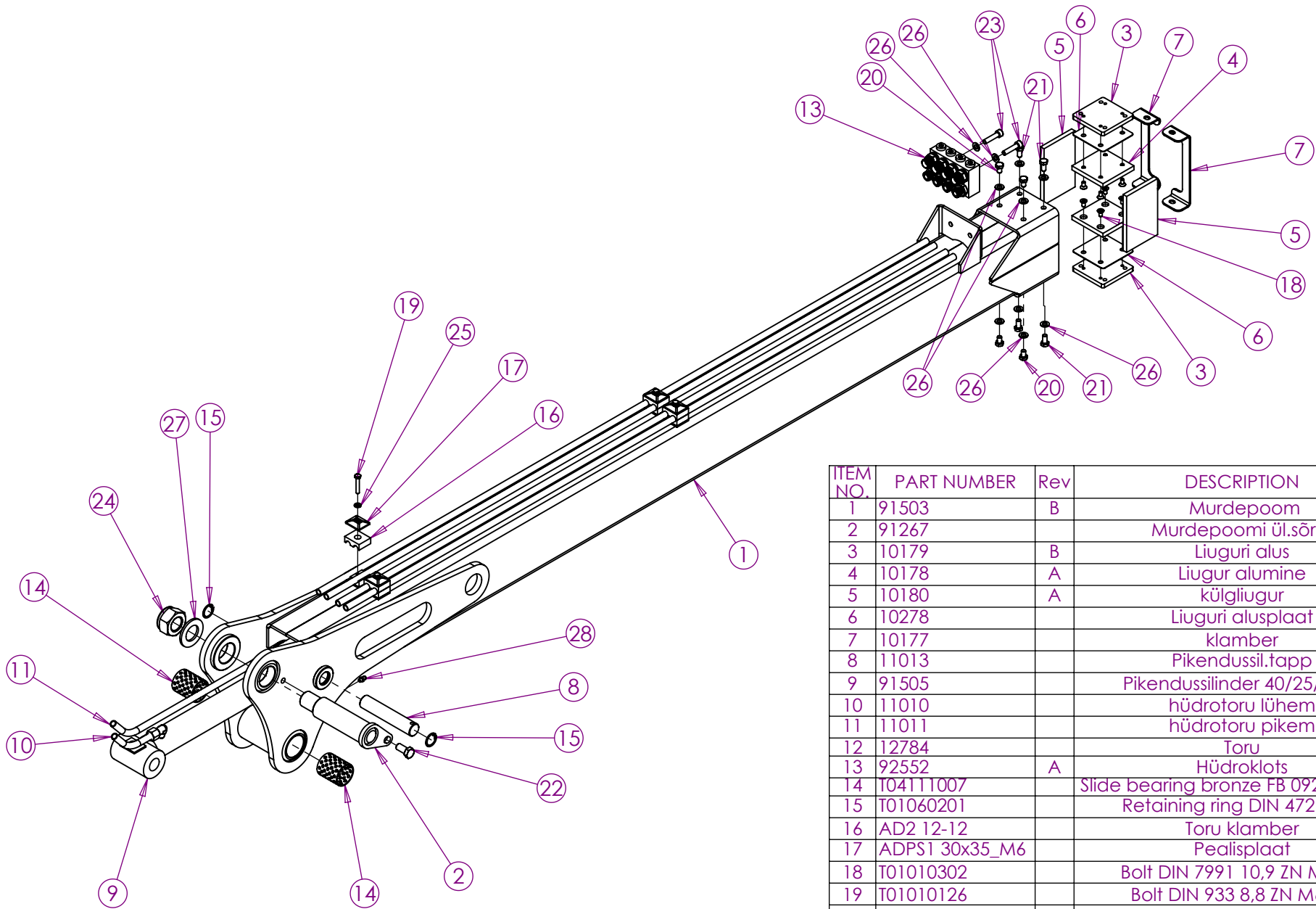
ITEM NO.	PART NUMBER	Rev	DESCRIPTION	QTY.
1	91245	B	Pöördkorpus	1
2	10128	B	Hammaslatt	2
3	10158		Pöördsilinder 67S	4
4	10153		Hammaslati tugi	2
5	10129		Pinguti	2
6	10152		Põhja kaas	1
7	10154		pinguti kontramutter	2
8	11348		Survelaager DIN711 SKF 51130	1
9	T01040102		Grease nipple DIN 71412 ZN M10x1	1
10	PL-d150D155L60		Pronkslaager	1
11	PL-d105D110L60		Pronkslaager	1
12	o-ring_148,59x5,33		O-ring	1
13	o-ring_39,2x3		o-ring	2
14	o-ring_108x3		O-ring	4
15	MD-90x70x14WRR		Kolvitihend	4
16	PPW90x81,4x5,3PU		pühkija	4
17	T01010103		Bolt DIN 933 8,8 ZN M10x20	6
18	T01010212		Bolt DIN 912 8,8 ZN M12x50	24
19	T01010209		Bolt DIN 912 12,9 ST M22x80	8
20	T01020305		Nut DIN 985 ZN M22	8
21	T01030202		Washer DIN 125 ZN M10	6
22	T01030203		Washer DIN 125 ZN M12	24
23	T01030206		Washer DIN 125 ZN M22	16
24	7501-00-06		3/8" M Plug	1
25	1-2 kork		Kork	1
26	3-8 õlikork		DIN 910 3/8" magnetiga kork	1
27	5601-01-08		USIT 1/2"	1
28	5601-01-06		USIT 3/8"	2





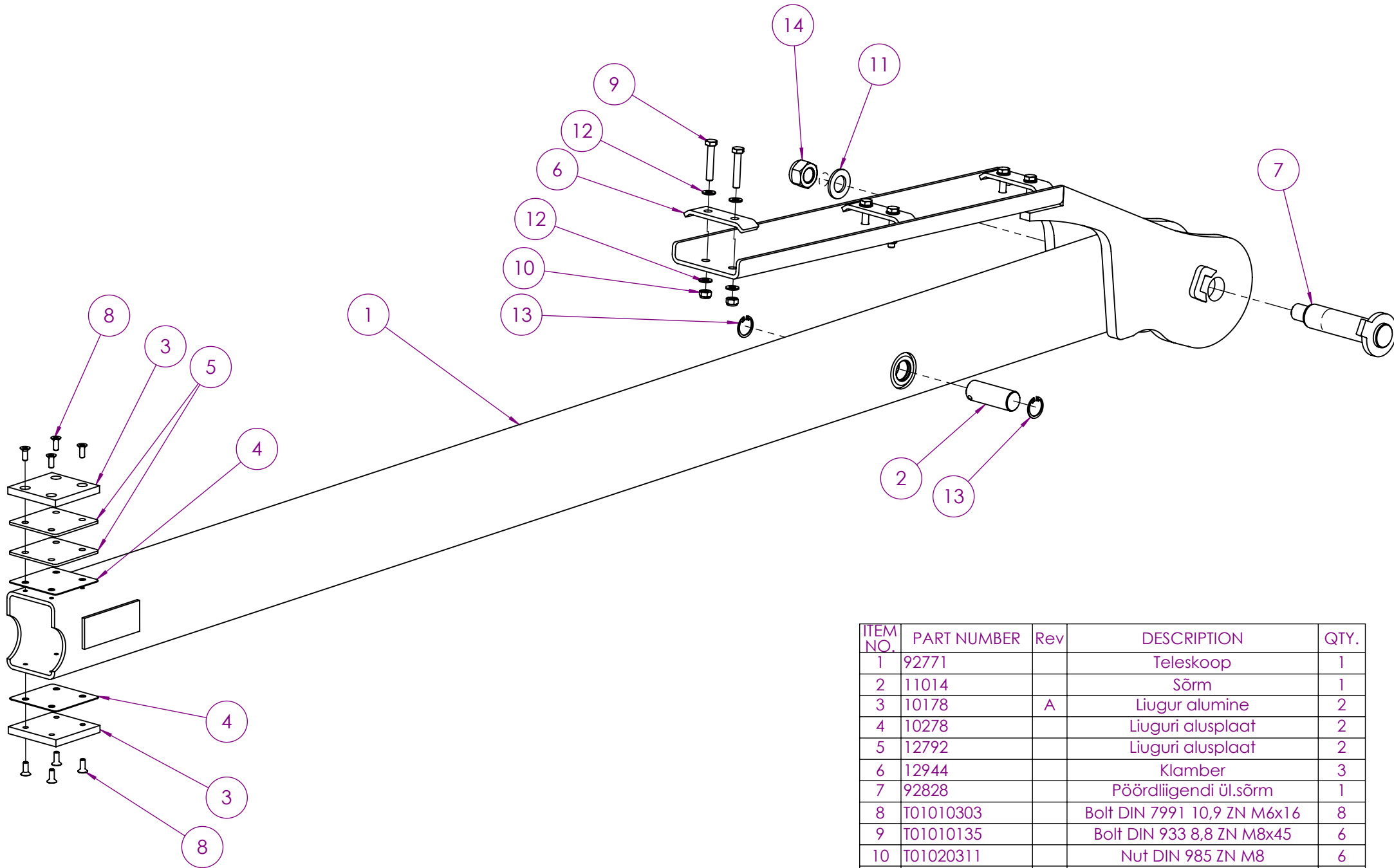
Pos	PART NUMBER	Rev	Description	Qty.
1	91261	A	Peapoom	1
2	91263		Kont keskele	1
3	91278		Parem kont	1
4	91277		Vasak kont	1
5	91266	A	Püstmasti ül. sõrm	1
6	91265		Tõstesil.ül./Murdesil.tagumine sõrm	2
7	91275	A	Kontide ül. sõrm	1
8	91274		Kontide al. sõrm	1
9	91268		Murdepoomi al. sõrm	1
10	10356		Hüdrotoru peapoom	6
11	10353		Hüdrotoru2 peapoom	2
12	PL-d40D44L40		Pronkslaager	2
13	PL-d40D44L50		Pronkslaager	2
14	PL-d40D44L30		Pronkslaager	2
15	T01040104		Grease nipple DIN 71412 ZN M6x1	4
16	T01010126		Bolt DIN 933 8,8 ZN M6x35	7
17	T01010414		Bolt DIN 931 8,8 ZN M6x65	2
18	T01010113		Bolt DIN 933 8,8 ZN M12x25	5
19	T01020308		Nut DIN 985 ZN M30	4
20	T01030211		Washer DIN 125 ZN M6	9
21	T01030208		Washer DIN 125 ZN M30	4
22	AD2 12-12		Toru klamber	22
23	ADPS1 30x35_M6		Pealisplaat	9
24	10310		Murdesilinder	1

## 91358 A PEAPOOM NOSTOPUOMI HUBARM LIFT BOOM

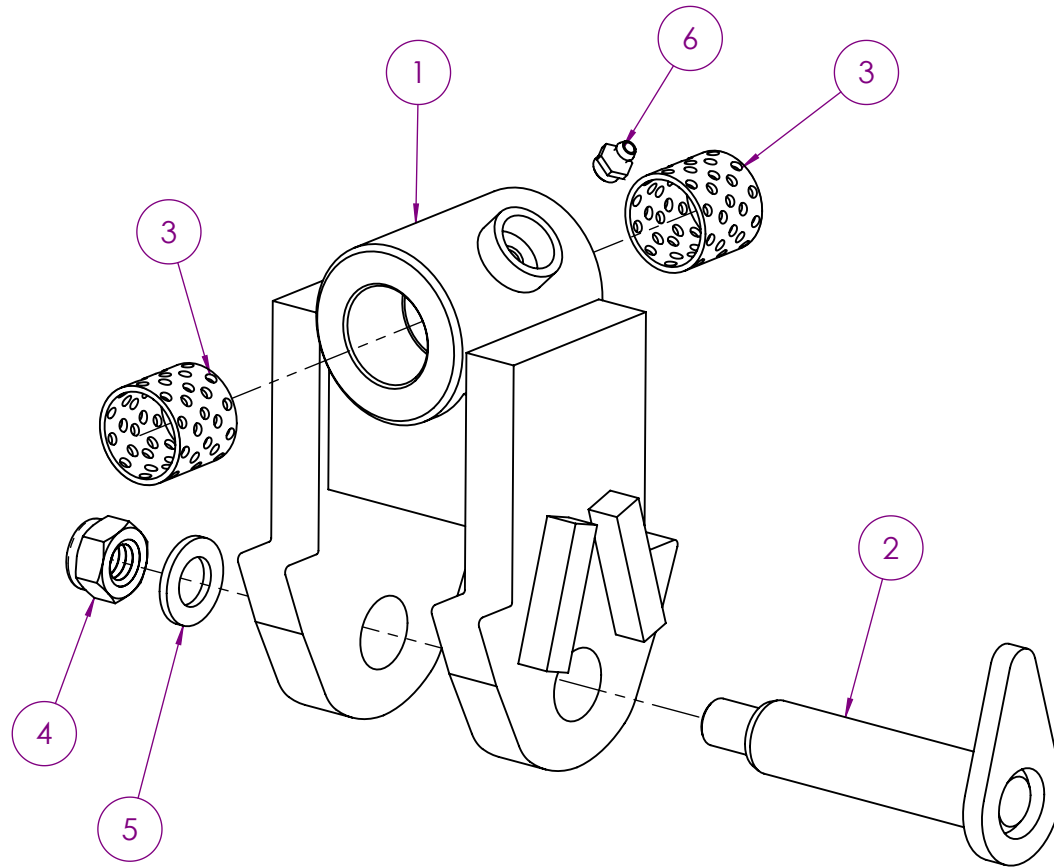


ITEM NO.	PART NUMBER	Rev	DESCRIPTION	QTY.
1	91503	B	Murdepoom	1
2	91267		Murdepoomi ül.sõrm	1
3	10179	B	Liuguri alus	2
4	10178	A	Liugur alumine	2
5	10180	A	külgiugur	2
6	10278		Liuguri alusplaat	2
7	10177		klamber	2
8	11013		Pikendussil.tapp	1
9	91505		Pikendussilinder 40/25/1340	1
10	11010		hüdrotoru lühem	1
11	11011		hüdrotoru pikem	1
12	12784		Toru	4
13	92552	A	Hüdroklots	1
14	104111007		Slide bearing bronze FB 092 40/44x50	2
15	T01060201		Retaining ring DIN 472 ST 25	2
16	AD2 12-12		Toru klamber	8
17	ADPS1 30x35_M6		Pealisplaat	4
18	T01010302		Bolt DIN 7991 10,9 ZN M6x12	8
19	T01010126		Bolt DIN 933 8,8 ZN M6x35	4
20	T01010129		Bolt DIN 933 8,8 ZN M8x12	4
21	T01010130		Bolt DIN 933 8,8 ZN M8x16	4
22	T01010113		Bolt DIN 933 8,8 ZN M12x25	1
23	T01010218		Bolt DIN 912 8,8 ZN M8x35	2
24	T01020308		Nut DIN 985 ZN M30	1
25	T01030211		Washer DIN 125 ZN M6	4
26	T01030212		Washer DIN 125 ZN M8	10
27	T01030208		Washer DIN 125 ZN M30	1
28	T01040104		Grease nipple DIN 71412 ZN M6x1	1

**91501D 67S Murdepoom 67S Fold arm**

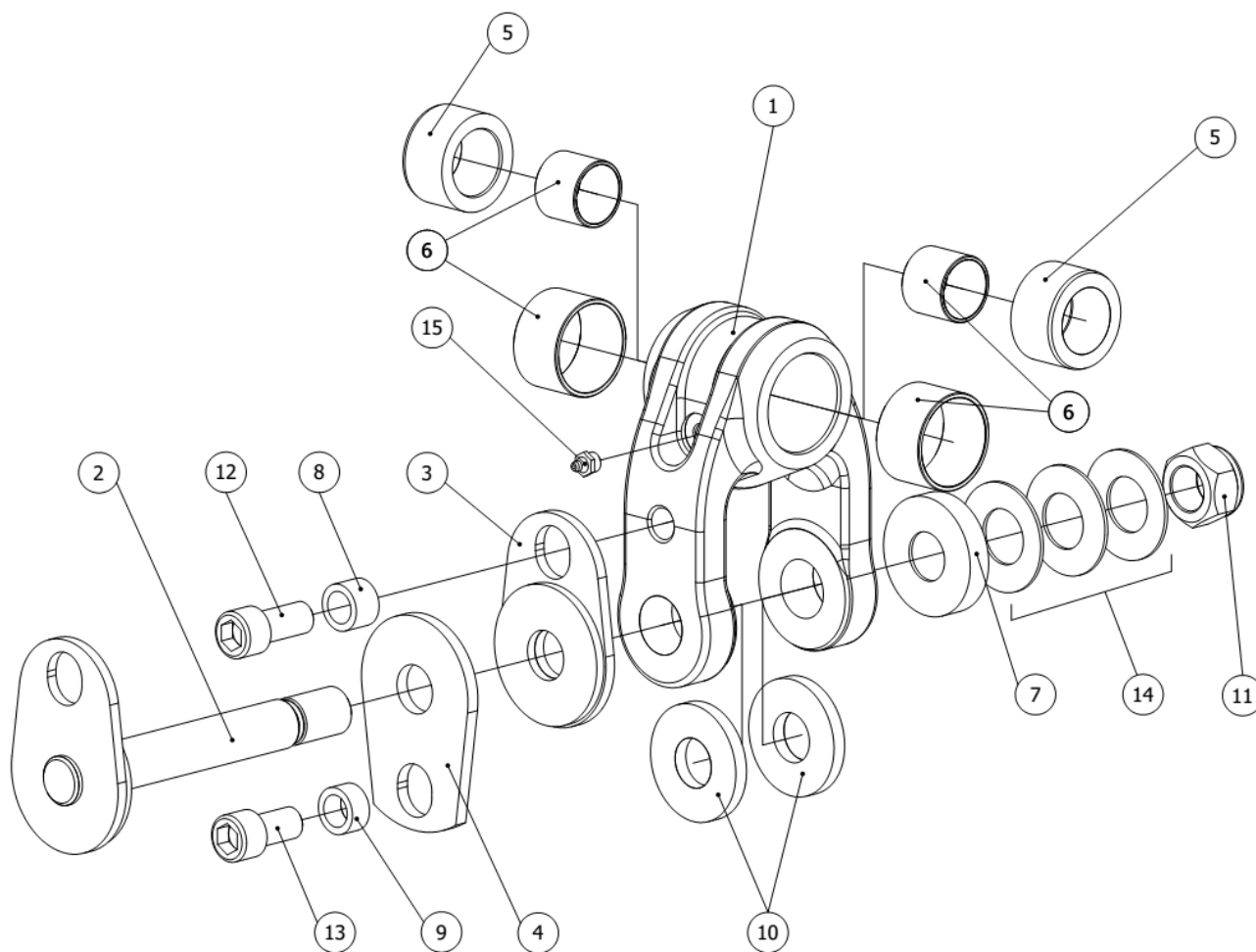


ITEM NO.	PART NUMBER	Rev	DESCRIPTION	QTY.
1	92771		Teleskoop	1
2	11014		Sõrm	1
3	10178	A	Liugur alumine	2
4	10278		Liuguri alusplaat	2
5	12792		Liuguri alusplaat	2
6	12944		Klamber	3
7	92828		Pöördliigendi ül.sõrm	1
8	T01010303		Bolt DIN 7991 10,9 ZN M6x16	8
9	T01010135		Bolt DIN 933 8,8 ZN M8x45	6
10	T01020311		Nut DIN 985 ZN M8	6
11	T01030205		Washer DIN 125 ZN M20	1
12	T01030212		Washer DIN 125 ZN M8	12
13	T01060201		Retaining ring DIN 472 ST 25	2
14	T01020304		Nut DIN 985 ZN M20	1



ITEM NO.	PART NUMBER	Rev	DESCRIPTION	QTY.
1	92783		Riputi GR30/CR300	1
2	92784		Riputi sõrm GR30/CR300	1
3	T04111001		Slide bearing bronze FB 092 30/34x30	2
4	T01020303		Nut DIN 985 ZN M16	1
5	T01030204		Washer DIN 125 ZN M16	1
6	T01040102		Grease nipple DIN 71412 ZN M10x1	1

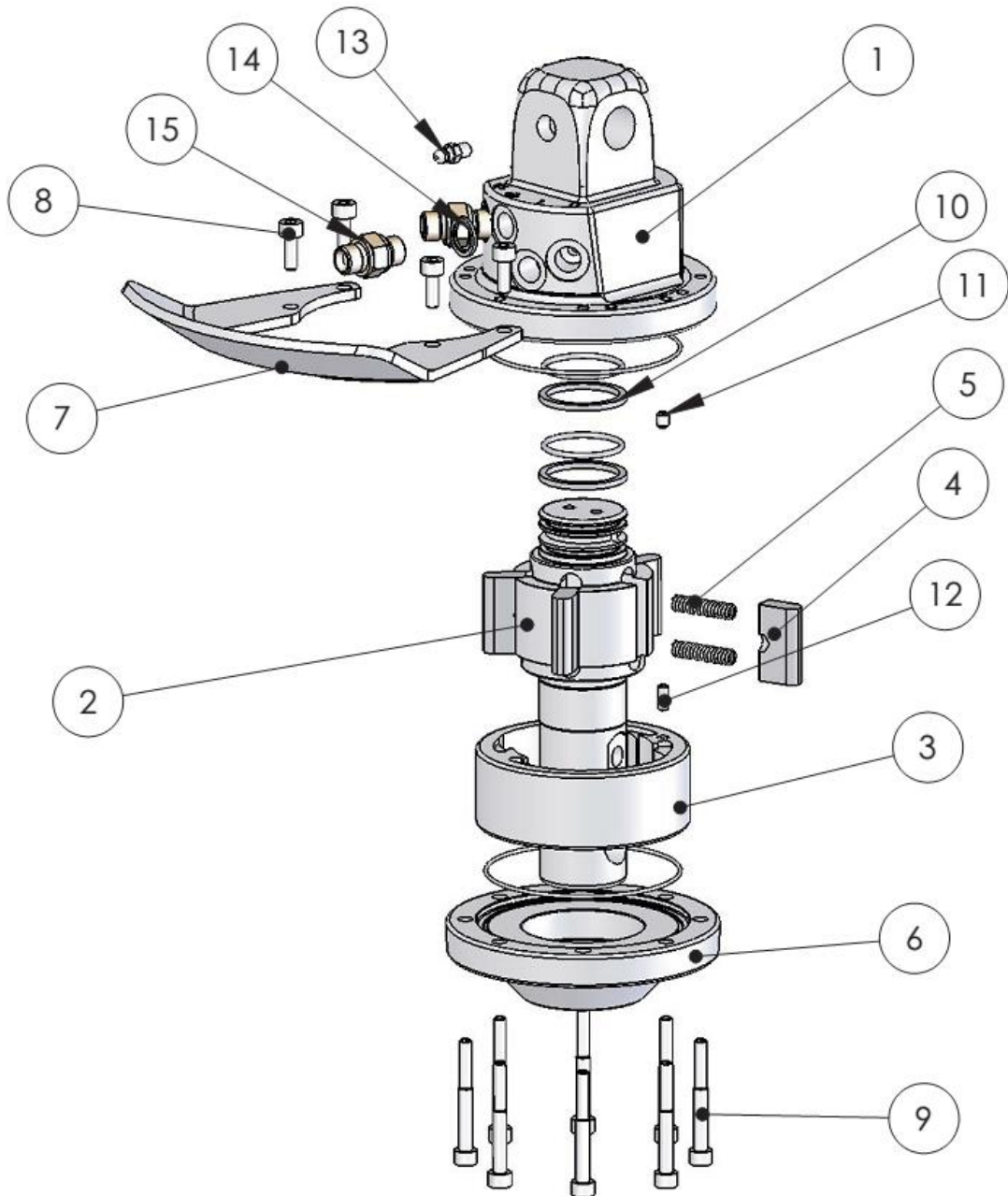
## LINK BR10/80/30



Position	Part number	Part name	Quantity	Notes
1	BR1.001-80	LINK	1	
2	BR 10.01	PIN WITH BRAKE	1	
3	BR 10.02	PLANCH WITH BRAKE	1	
4	BR 10.001	PLATE	1	
5	BR 1.02.001/70/30	BUSHING	2	
6	WB 800 3030	BRONZE BUSHING	2	
7	BR 10.004-01	WASHER	1	
8	BR 10.002	WASHER	1	
9	BR 10.002-01	WASHER	1	
10	BR 1.003 P	WASHER	2	ONLY FOR GR 30
11	M24X1.5	NUT	1	
12	MC6S 12.9 M16X35	SCREW	1	
13	MC6S 12.9 M16X30	SCREW	1	
14	CAT. NO. 4362	DISC SPRING	3	
15	1.2.C6	GREASE NIPPLE	1	

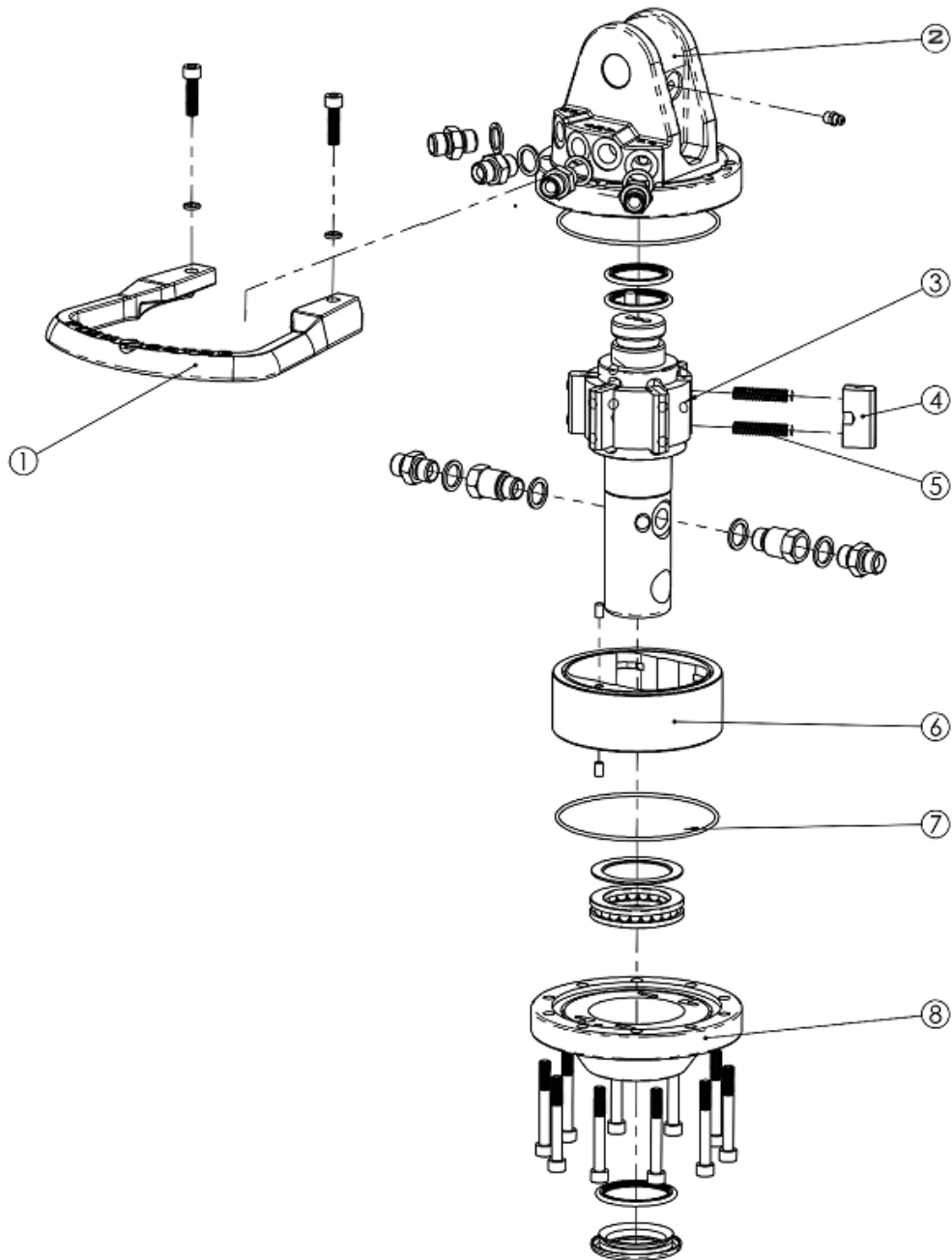


FR7 X25A25

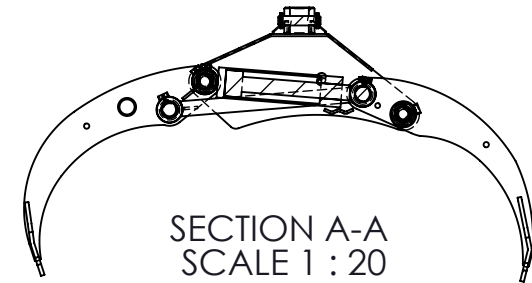
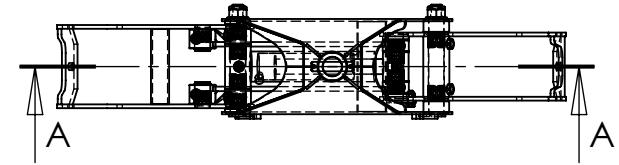
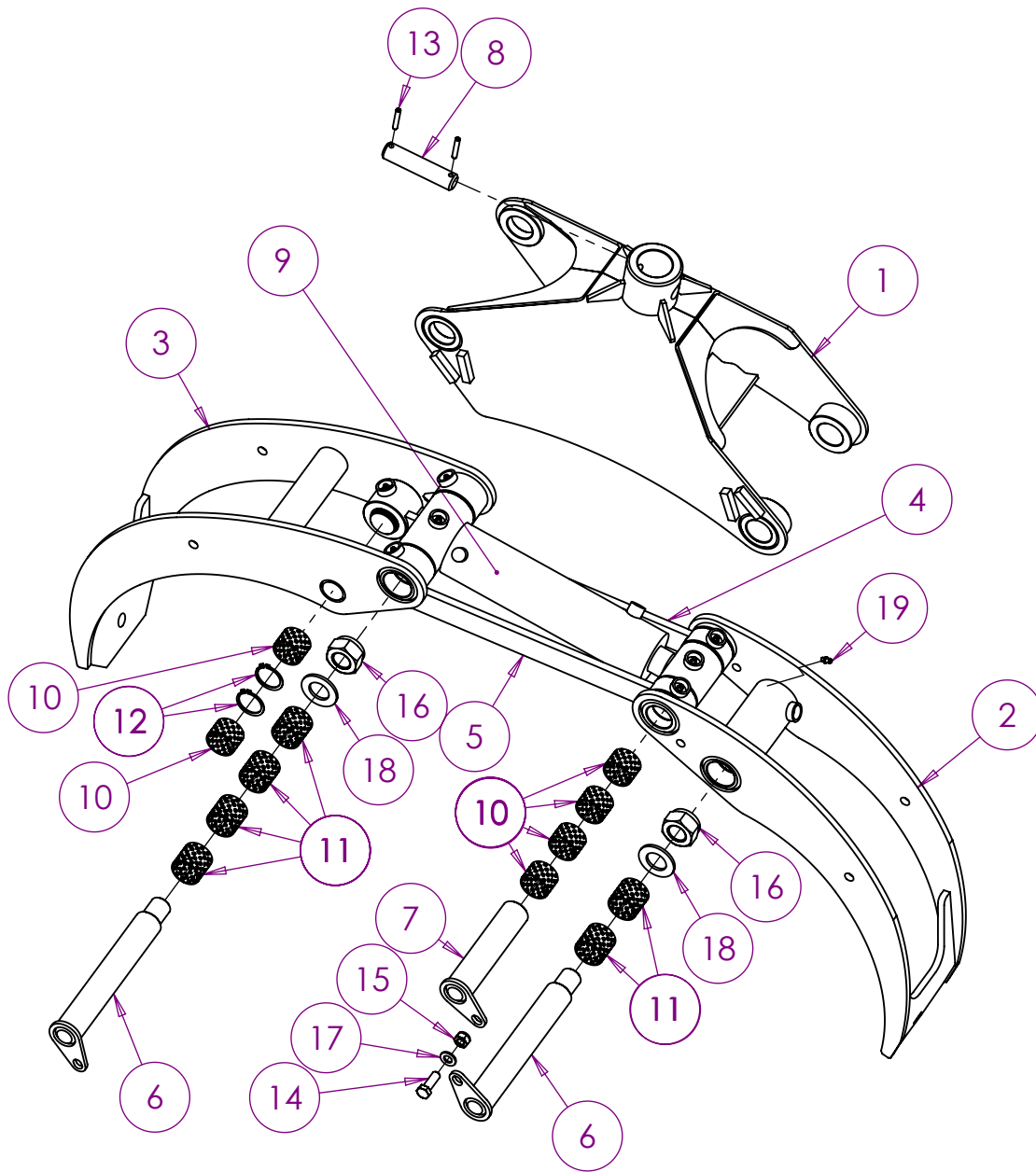


Model	Item	Order number	Name	Quantity	Notes
FR 7-X25A25	1	00830	UPPER COVER FR 7-X25	1	
FR 7-X25A25	2	00790	REPAIR KIT FOR SHAFT A25	1	Include bearing
All types	3	00744	STATOR		
All types	4	00726	WING		
All types	5	00708	SPRING		
All types	6	00746	LOWER STATOR COVER		
All types	7	00713	HOSE GUARD		
All types	8	31020	SCREW M8X20		
All types	9	32025	SCREW M8X65		
All types	10	00717	SEAL KIT		Include all seals
All types	11	31110	SCREW M8X8		
All types	12	31556	PIN 6X14		
All types	13	31250	GREASE NIPPLE		
All types	14	33202	USIT-RING R3/8		
All types	15	32059	RESTRICTOR NIPPLE		

CR300 W25A25

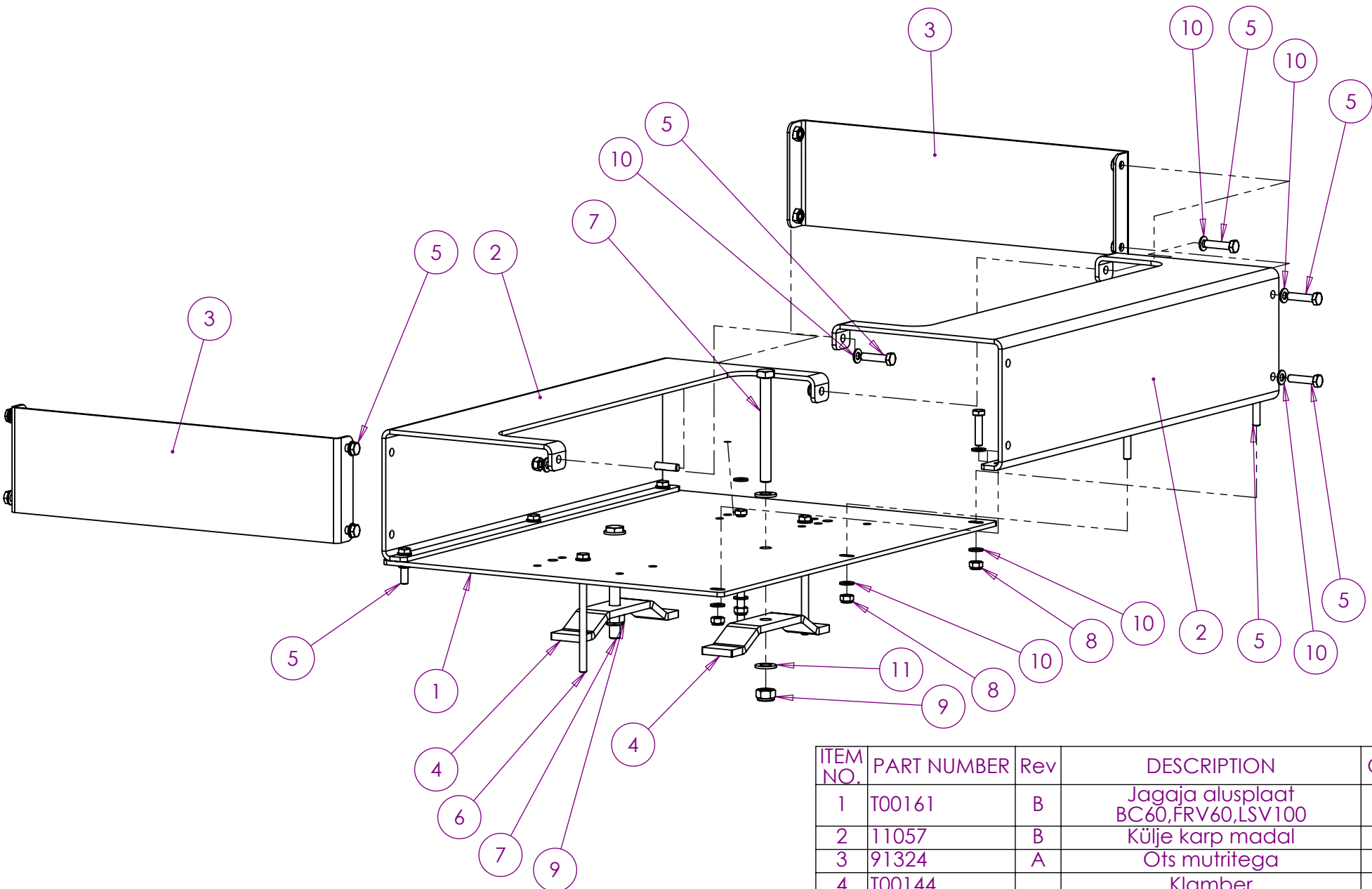


No	Name	Note	Sparepart No.
1	Hose guard		S70300-HG
2	Upper cover W25		S70300-UC
3	Shaft repair kit A25	Include bearing	S70300-SH
4	Wing kit	Include all wings	S70300-WI
5	Spring kit	Include all springs	S70300-SP
6	Stator		S70300-ST
7	Seal kit	Include all seals	S70300-SE
8	Lower cover		S70300-LC
Sidebolts M8x65 12.9 (10 pcs)			
Hose guard bolts M8x30 (2 pcs)			



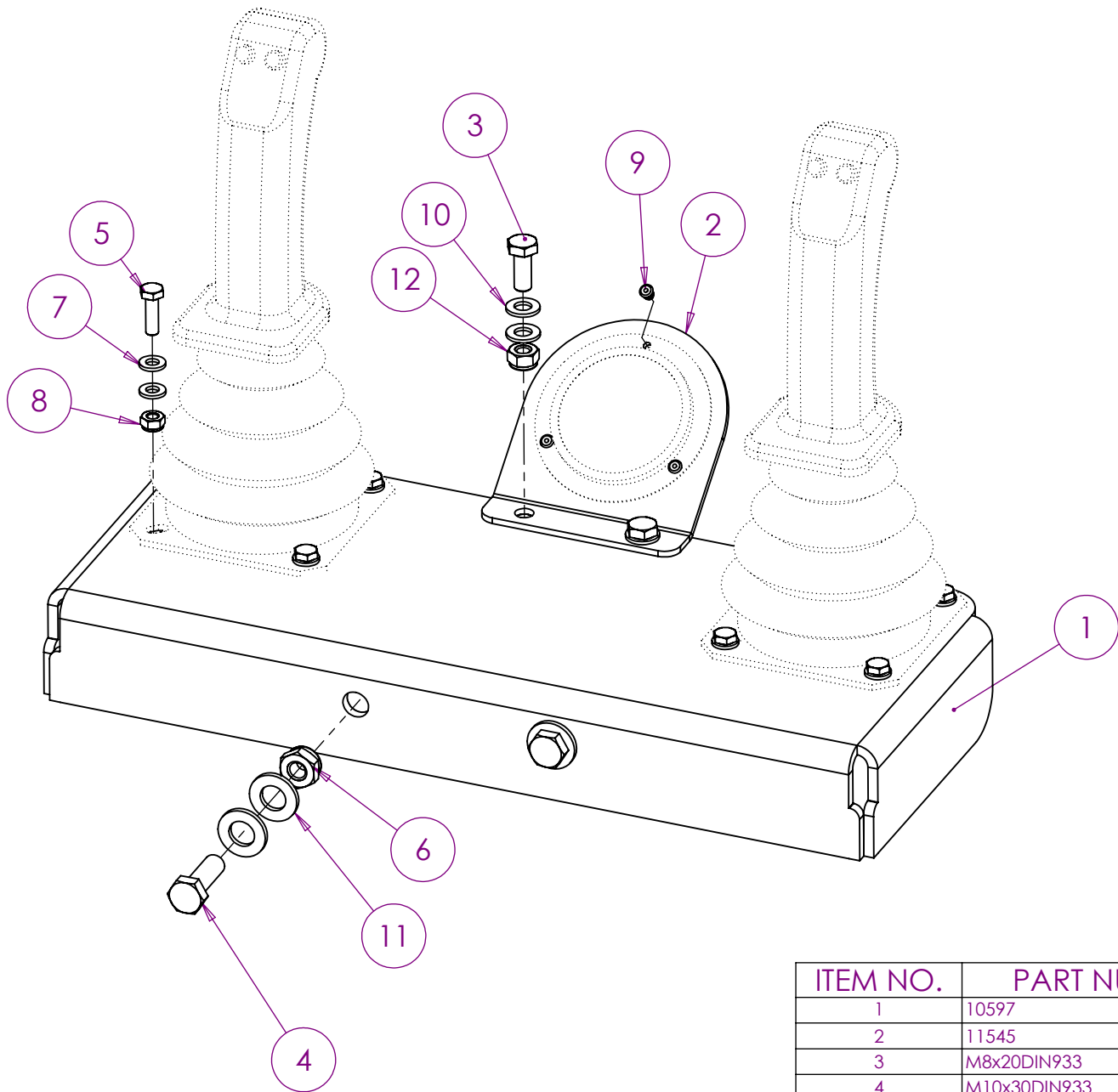
ITEM NO.	PART NUMBER	Rev	DESCRIPTION	/QTY.
1	92138	A	Korv FR7	1
2	92127	A	Sisemine haar	1
3	92128	A	Väliline haar	1
4	92129	A	Kont vasak	1
5	92378		Kont parem	1
6	92131		Korvi sõrm	2
7	92132		Väiksema haara sõrm	1
8	10020		sõrm	1
9	92133		Silinder	1
10	T04111005		Slide bearing bronze FB 092 40/44x30	6
11	T04111008		Slide bearing bronze FB 092 40/44x40	6
12	T01060105		Retaining ring DIN 471 ST 40	2
13	T01060303		Spring pin DIN 1481 ST M6x40	2
14	T01010115		Bolt DIN 933 8,8 ZN M12x35	1
15	T01020302		Nut DIN 985 ZN M12	1
16	T01020308		Nut DIN 985 ZN M30	2
17	T01030203		Washer DIN 125 ZN M12	1
18	T01030208		Washer DIN 125 ZN M30	2
19	T01040104		Grease nipple DIN 71412 ZN M6x1	10

## 92137 B G19 haarats FR7



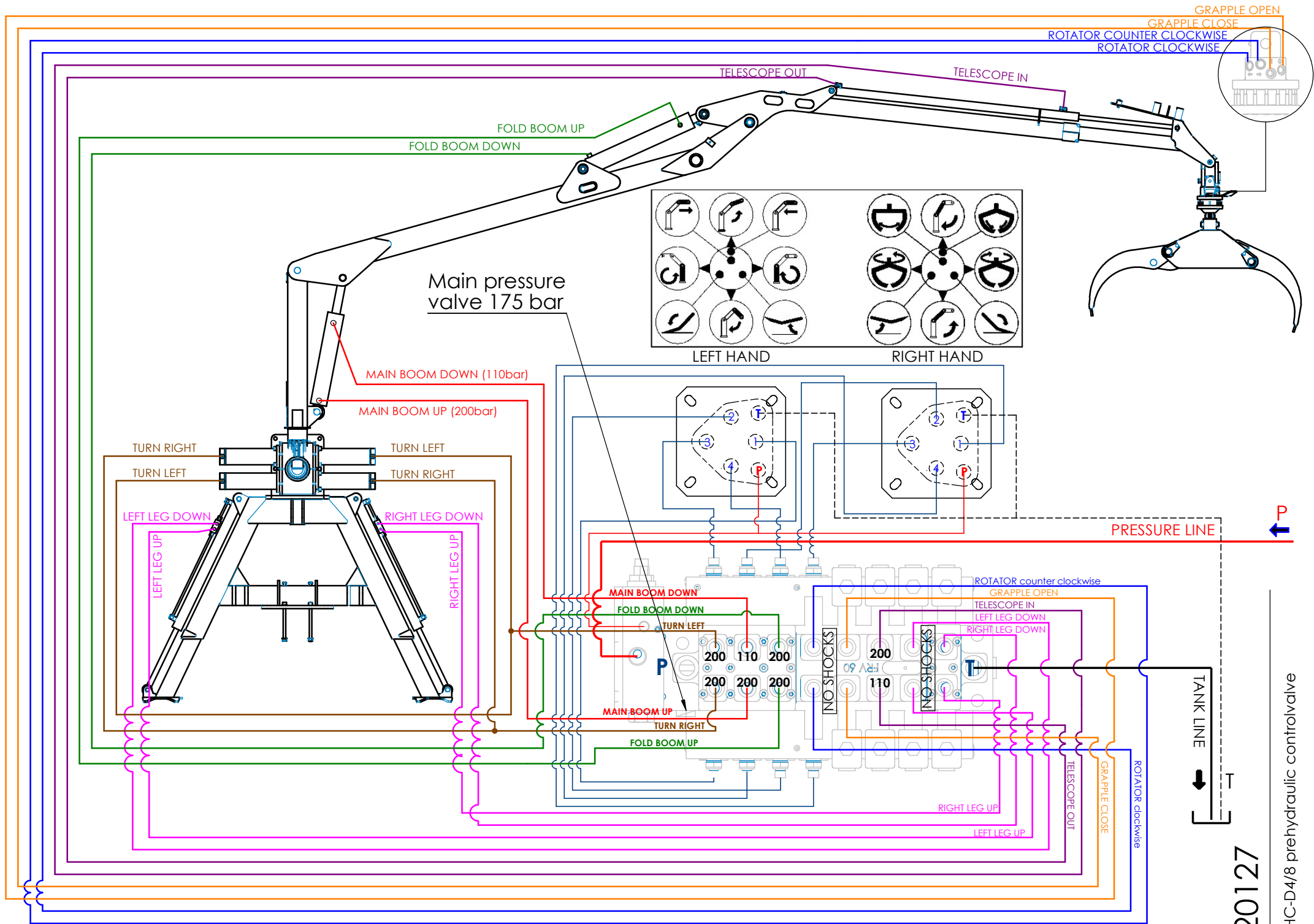
**91325 B**

ITEM NO.	PART NUMBER	Rev	DESCRIPTION	QTY.
1	T00161	B	Jagaja alusplaat BC60,FRV60,LSV100	1
2	11057	B	Külje karp madal	2
3	91324	A	Ots mutritega	2
4	T00144		Klamber	2
5	T01010133		Bolt DIN 933 8,8 ZN M8x35	16
6	T01010416		Bolt DIN 931 8,8 ZN M8x130	3
7	T01010404		Bolt DIN 931 8,8 ZN M12x120	2
8	T01020311		Nut DIN 985 ZN M8	11
9	T01020302		Nut DIN 985 ZN M12	2
10	T01030212		Washer DIN 125 ZN M8	30
11	T01030203		Washer DIN 125 ZN M12	4



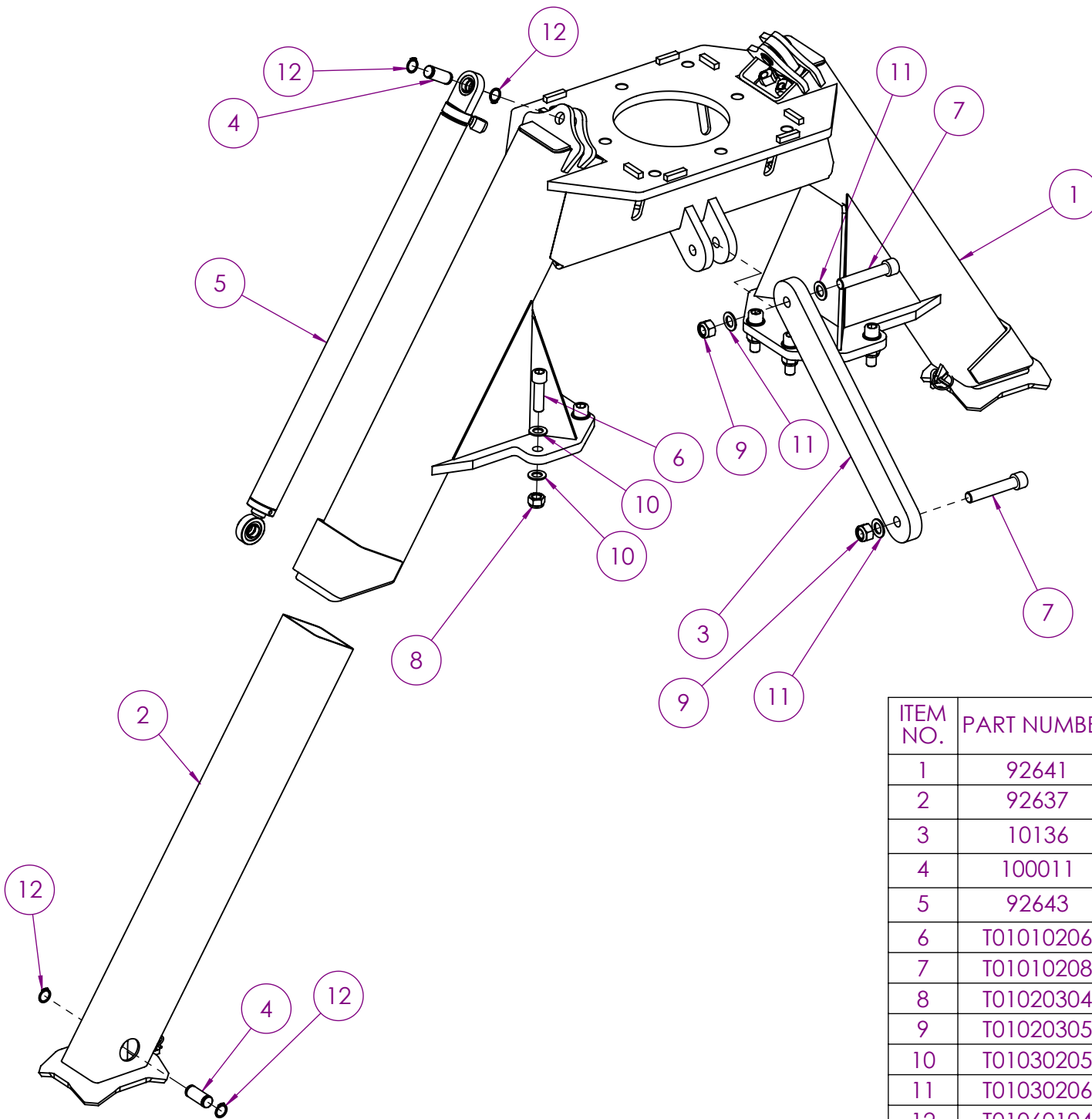
ITEM NO.	PART NUMBER	DESCRIPTION	QTY.
1	10597	joisticu hoidja statiivil	1
2	11545	Manomeetri kinnitus	1
3	M8x20DIN933	Polt	2
4	M10x30DIN933	Polt	2
5	M6x20_DIN931	Polt	8
6	M10nylocnut	Mutter	2
7	M6_DIN125	seib	16
8	M6 DIN985	Mutter	8
9	neet d3,2-L8	DIN 7337 Al/St (FM 0937)	3
10	M8 DIN125	Seib	4
11	M12 DIN125	Seib	4
12	M8 DIN985	Mutter	2

**91713**



20127

\*HC-D4/8 prehydraulic controlvalve



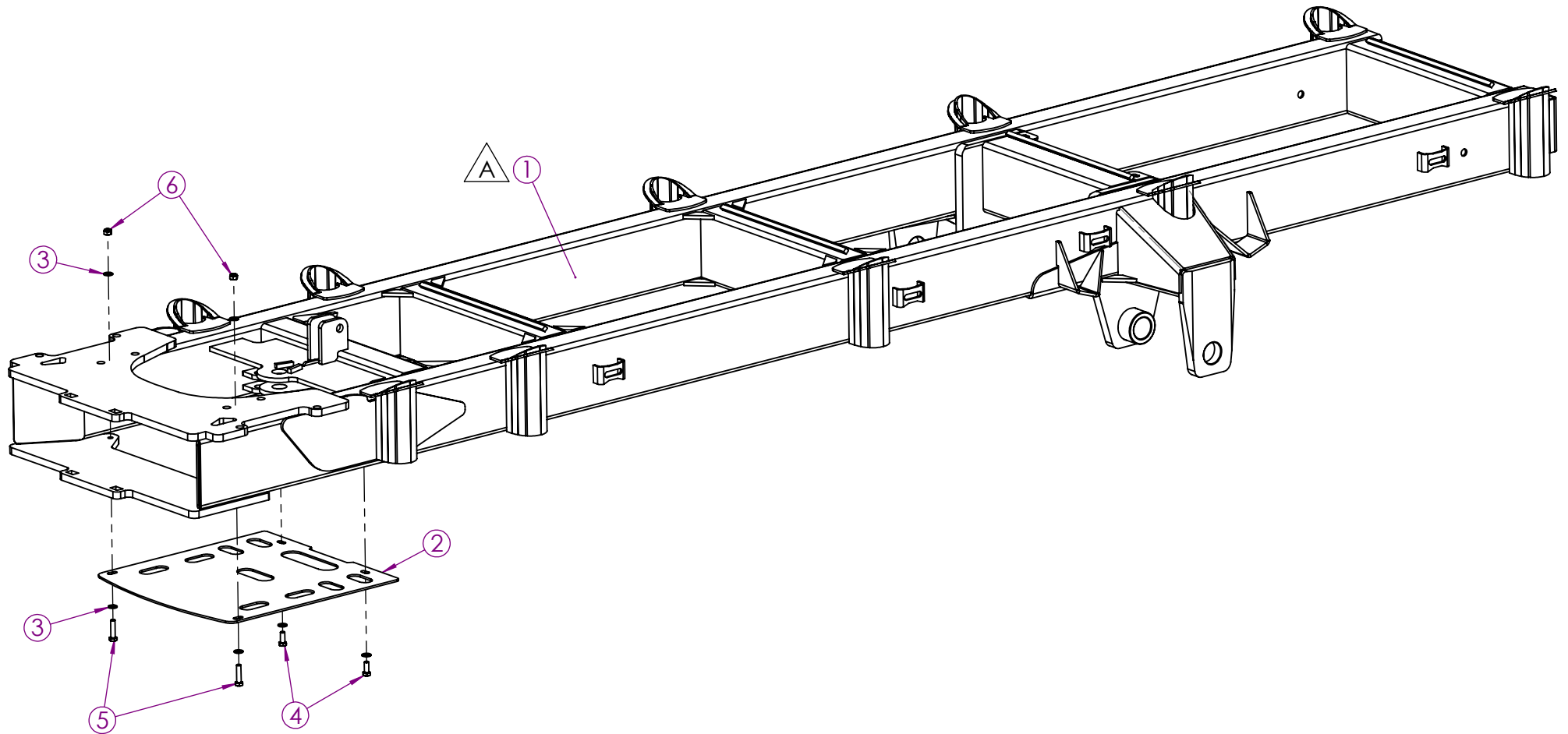
ITEM NO.	PART NUMBER	Rev	DESCRIPTION	Qty
1	92641		A-Puki raam 10T	1
2	92637		Tugijalg	2
3	10136		Diagonaal	1
4	100011		α-puki sõrm	4
5	92643		A-puki silinder	2
6	T01010206		Bolt DIN 912 12,9 ST M20x70	8
7	T01010208		Bolt DIN 912 12,9 ST M22x120	2
8	T01020304		Nut DIN 985 ZN M20	8
9	T01020305		Nut DIN 985 ZN M22	2
10	T01030205		Washer DIN 125 ZN M20	16
11	T01030206		Washer DIN 125 ZN M22	4
12	T01060104		Retaining ring DIN 471 ST 25	8
13	T01060502		Linch Pin DIN 11023 4,5mm ZN	2

92650 A-Pukk 10T A-console 10T

ONIAR

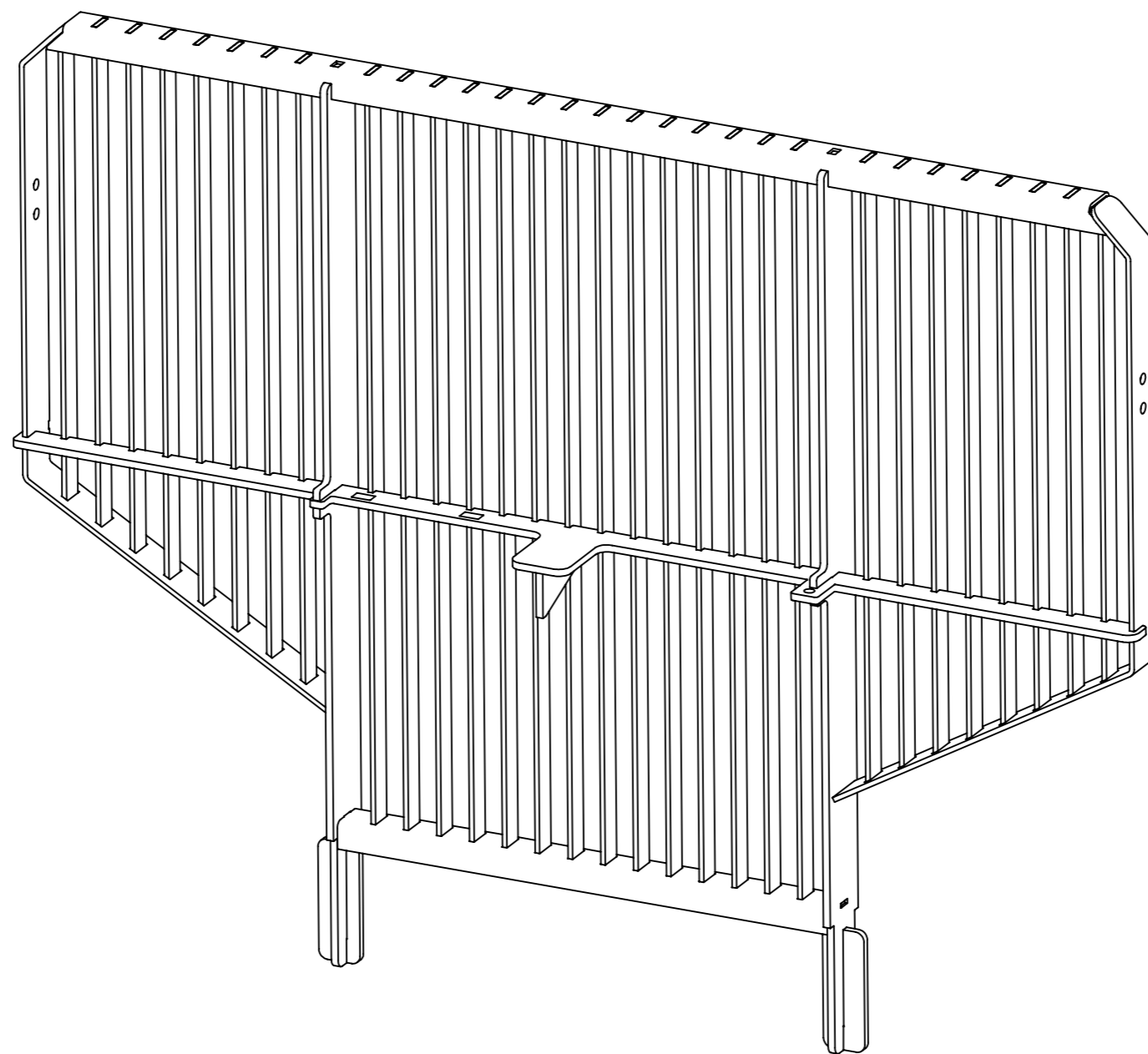
VARAOSAT  
PERÄVAUNU  
10T



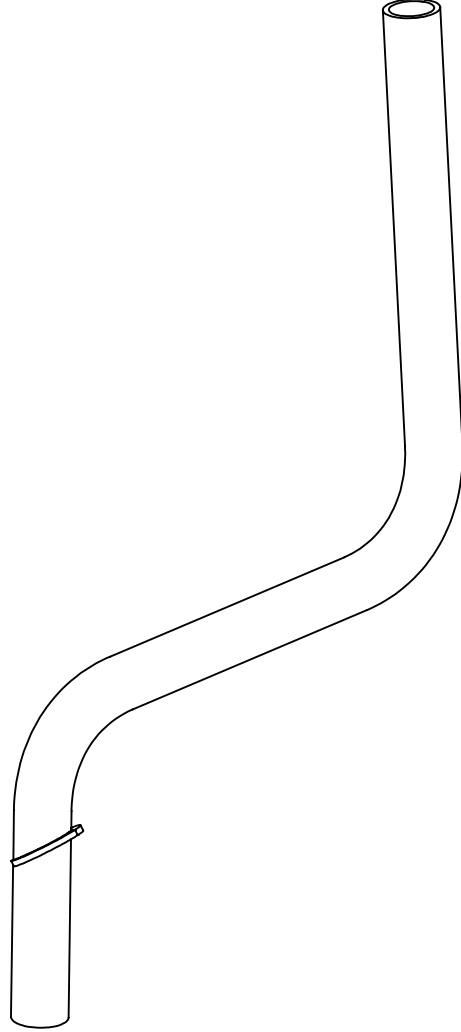


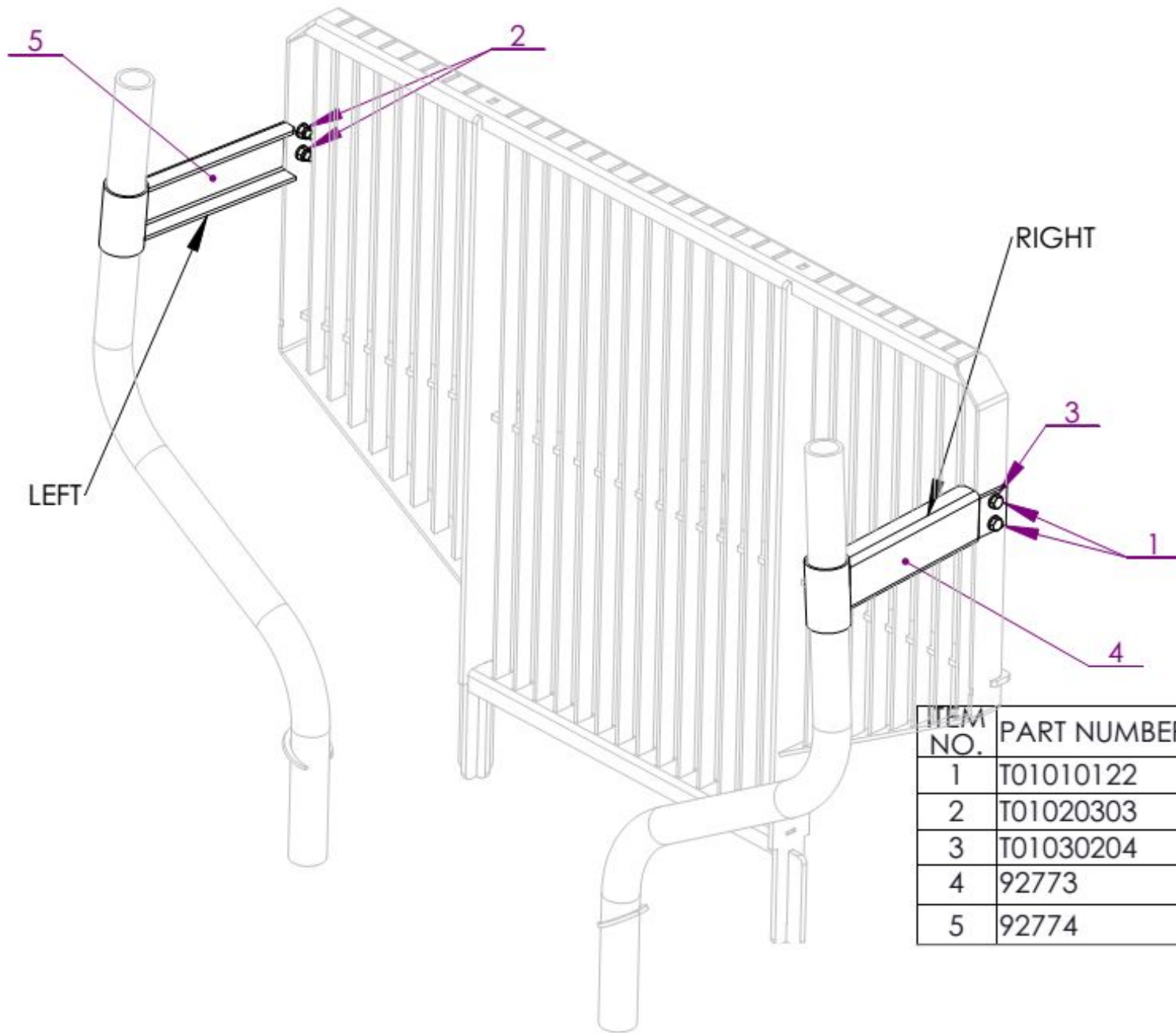
ITEM NO.	PART NUMBER	Revision	DESCRIPTION	Default
1	92740	A	Raam 10T	1
2	12504	A	kate	1
3	T01030203		Washer DIN 125 ZN M12	6
4	T01010114		Bolt DIN 933 8,8 ZN M12x30	2
5	T01010118		Bolt DIN 933 8,8 ZN M12x50	2
6	T01020302		Nut DIN 985 ZN M12	2

92749 A Raam 10T Chassis 10T

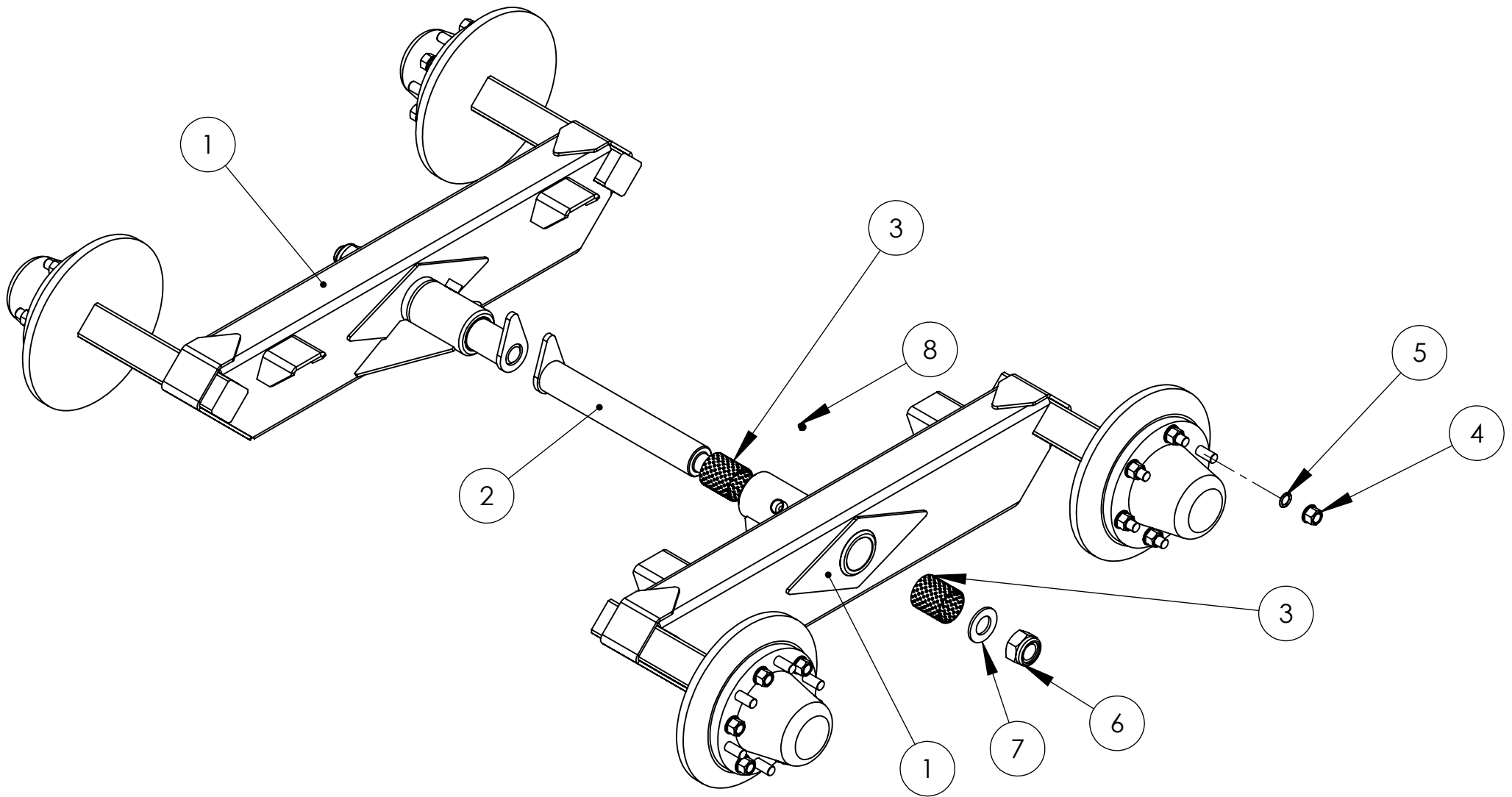


92741 A





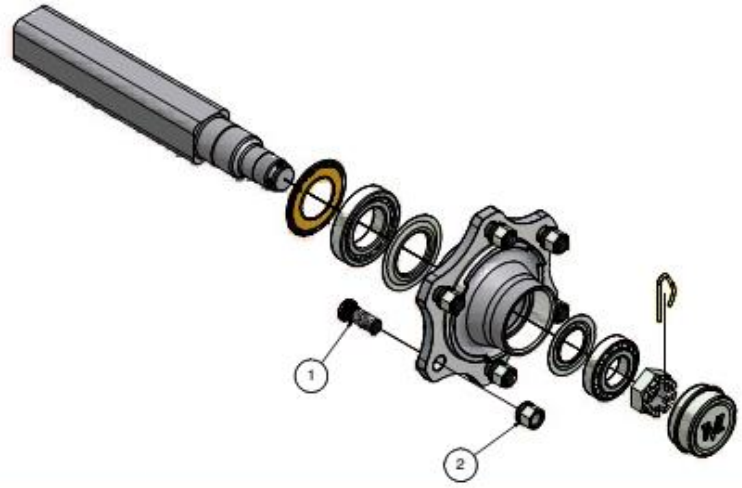
ITEM NO.	PART NUMBER	Rev	DESCRIPTION	QTY.
1	T01010122		Bolt DIN933 8,8 ZN M16x50	4
2	T01020303		Nut DIN 985 ZN M16	4
3	T01030204		Washer DIN 125 ZN M16	8
4	92773		10T Posti klamber parem	1
5	92774		10T Posti klamber vasak	1



## 92757 BALANSSIIR TELI BOGGIE BOGIE

ITEM NO.	PART NUMBER	Rev	DESCRIPTION	QTY.
1	92758		Balanssiir IP70	2
2	92744		Balanssiiri sõrm 10T	2
3	T04111015		Slide bearing bronze FB 092 60/65x70	4
4	M18x1,5		Rattamutter	24
5	Seib M18,5 koonus		Cone washer M18,5	24
6	T01020309		Nut DIN 985 ZN M36	2
7	T01030209		Washer DIN 125 ZN M36	2
8	T01040102		Grease nipple DIN 71412 ZN M10x1	2

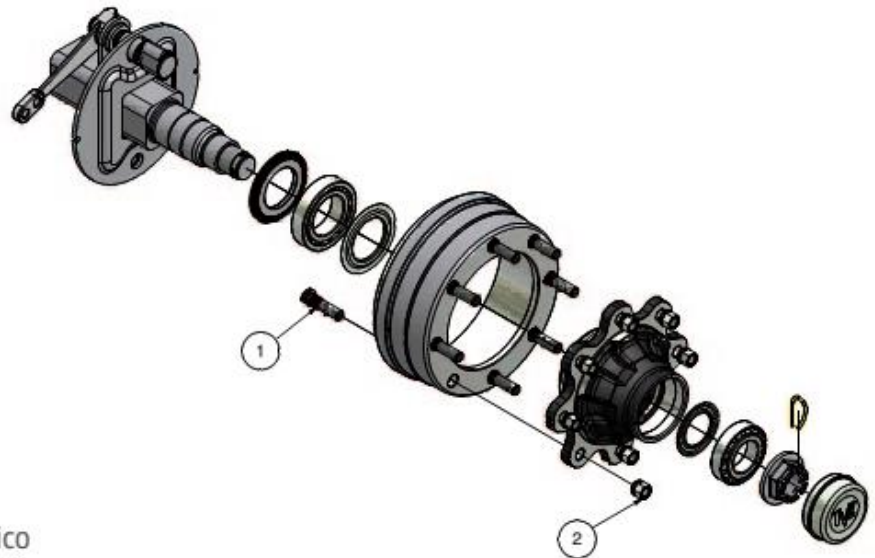
**Fig 1**



Ruota singola - Dado sferico  
Single wheel - Spherical nut

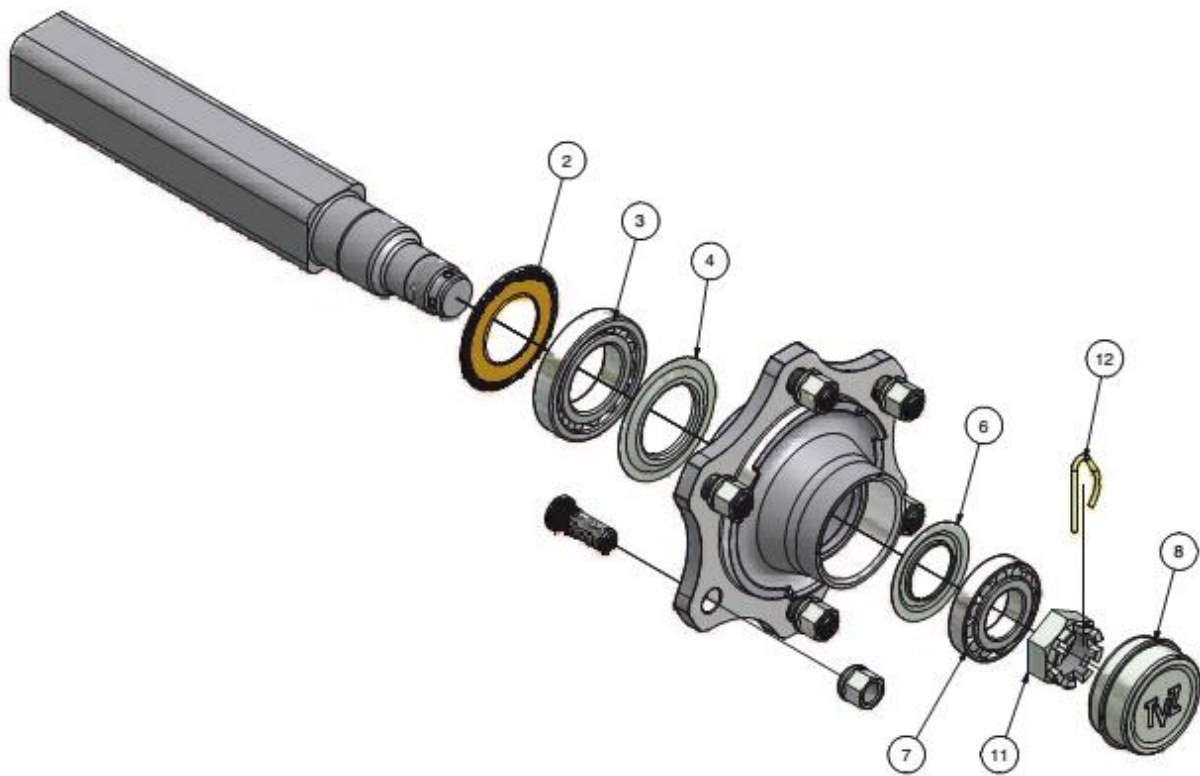
Family	Fitting	Twin wheels	Stud (1)	Nut (2)	Picture (fig.)
661	06 hole 160x205 M18x1,5	No	S57118B1	S57318B4	1
661	08 hole 220x275 M18x1,5	No	S57118B1	S57318B4	1

**Fig 1**

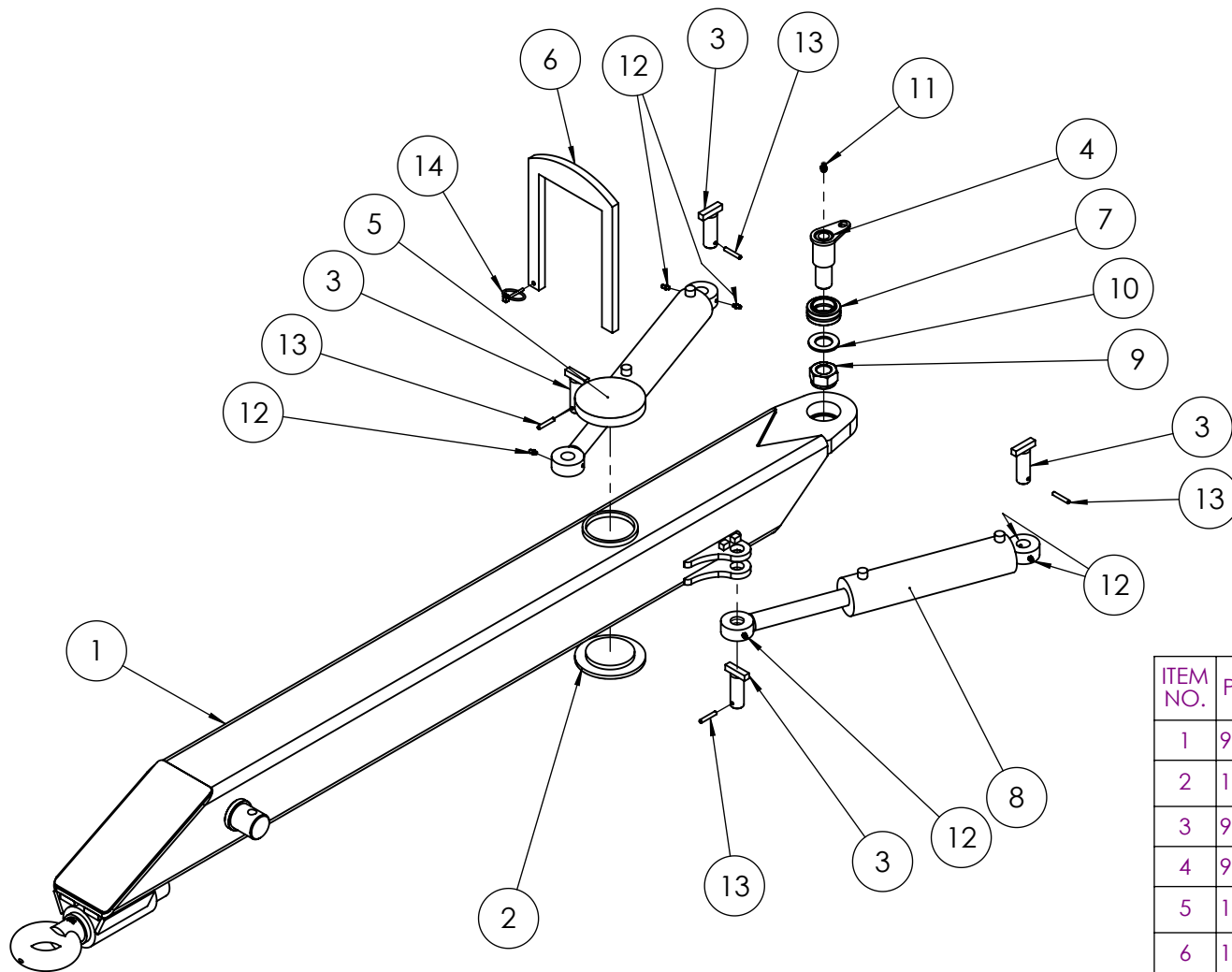


Ruota singola - Dado sferico  
Single wheel - Spherical nut

Family	Fitting	Twin wheels	Stud (1)	Nut (2)	Pictue (fig.)
661	06 hole 160x205 M18x1,5	No	S57118B4	S57318B4	1
661	08 hole 220x275 M18x1,5	No	S57118B4	S57318B4	1



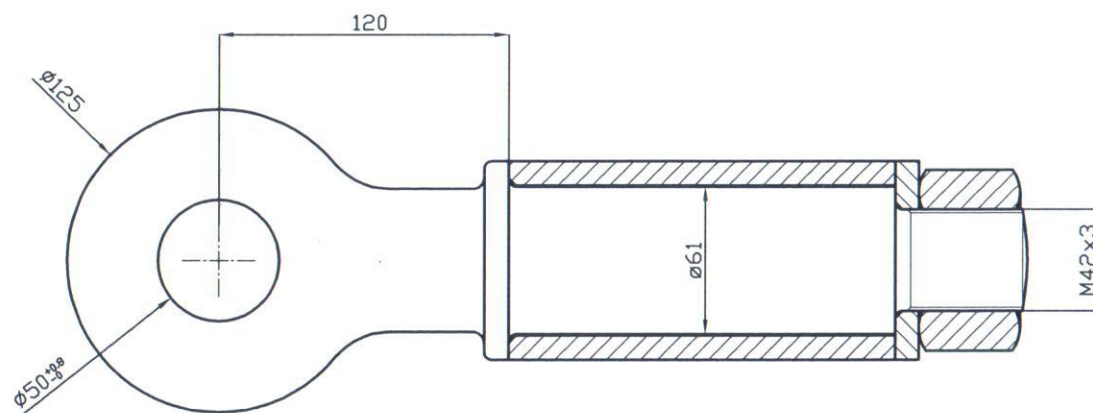
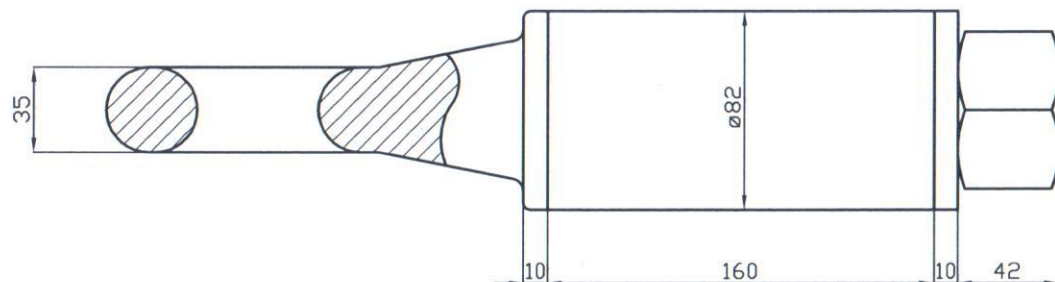
Family	Seal	Internal bearing	Internal nilos	External nilos	External bearing	Crown nut	Elastic pin	Cap
	(2)	(3)	(4)	(6)	(7)	(11)	(12)	(8)
661	S5411201	S59130213	S55110201	S5510901	S59132210	S57539B2	S58205	S56109009



ITEM NO.	PART NUMBER	Rev	DESCRIPTION	Qty.
1	92416		Tiisel PS	1
2	102042		tiisli liugur	1
3	90610		tiisli silindri sõrm	4
4	91204		tiisli sõrm	1
5	10058		tiisli liugur	1
6	10187		tiisli fixaator	1
7	GE40ES		sfääriline laager	1
8	90606		tiisli pöörsilinder	2
9	T01020308		Nut DIN 985 ZN M30	1
10	T01030208		Washer DIN 125 ZN M30	1
11	T01040102		Grease nipple DIN 71412 ZN M10x1	1
12	T01040104		Grease nipple DIN 71412 ZN M6x1	6
13	T01060303		Spring pin DIN 1481 ST M6x40	4
14	T01060502		Linch Pin DIN 11023 4,5mm ZN	1

## 92530 TIISEL VETOAISA ZUGDEICHSEL DRAW BAR

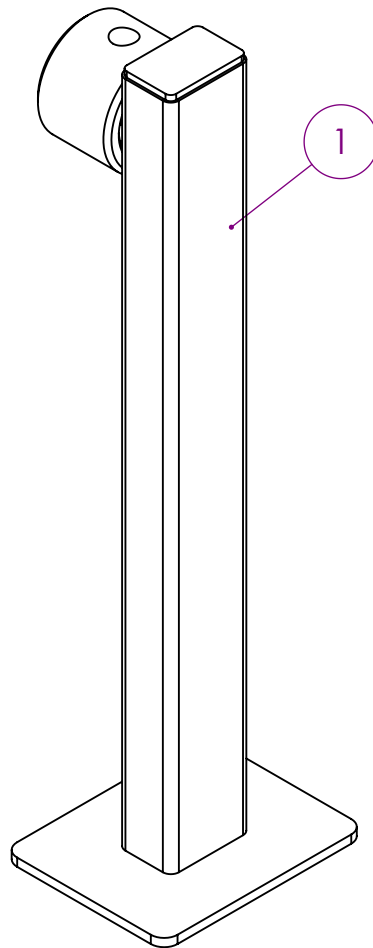
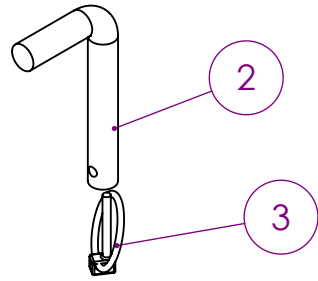




METALLURGICA



PART N°	DESCRIPTION	MATERIALS	BUSH	MAX PULL LOAD	MAX VERT. LOAD
189/74/ISO/1.1	TOWING EYE ISO	Towing eye C43/C45 Bush S355J0 Washer S235 Nut C43	ø82x160	20 t	3 t



**91340 A**

ITEM NO.	PART NUMBER	DESCRIPTION	QTY.
1	10-0301-00	Tiisli tugijalg	1
2	10561	parkjala polt	1
3	A4,5_D40 DIN11023	Rõngassplint	1