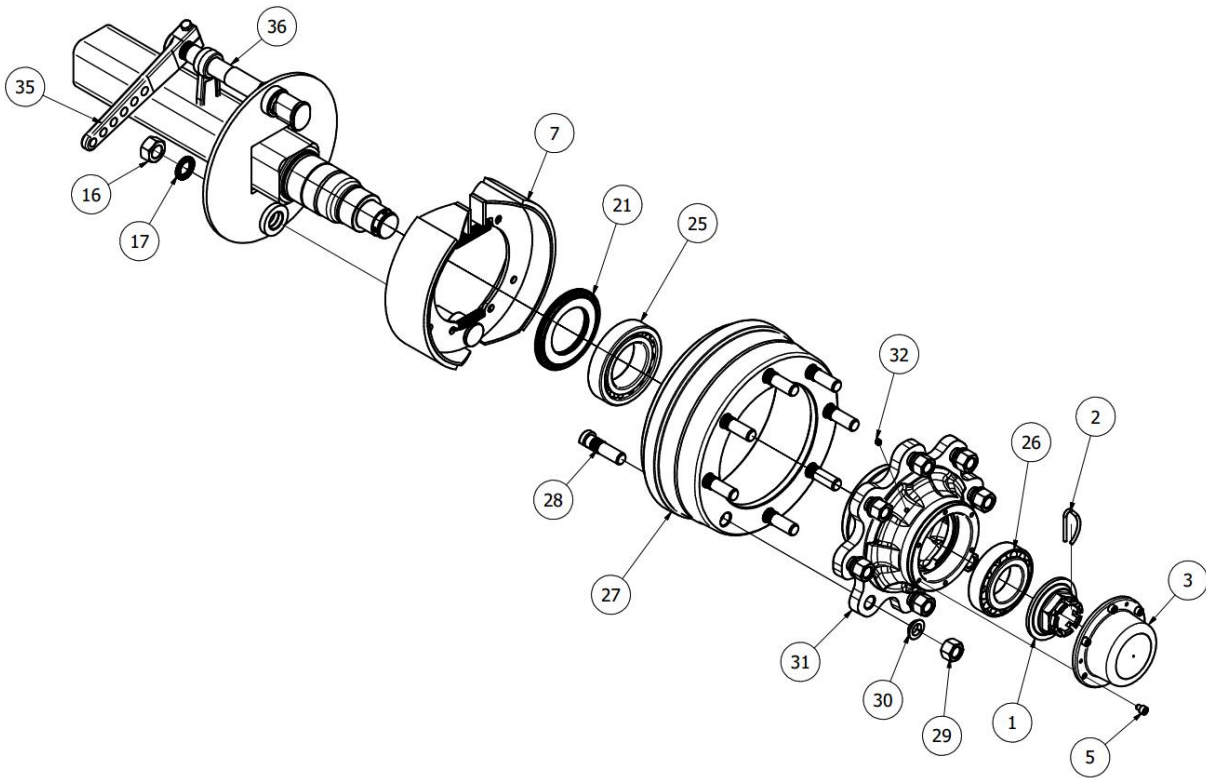


S0900888030S015 TVZ AXLE 90MM



PARTS LIST			
ITEM	QTY	PART NUMBER	DESCRIPTION
1	1	57548B6	CROWN NUT M48X1,50 WR65 H44 7 NOTCH
2	1	58209	SPRING PIN FOR NUT M48 7 NOTCH
3	1	56112516	CAP ϕ 125 TVZ
5	6	96308A0101	SOCKET HEAD SCREW
7	1	9FCA300ZZ98	BRAKE 300X090 B1117
16	1	97124B1	NUT M24X1,50 DIN934 CA 10 ZINC PLATED
17	1	9800241	TWIN WASHER M24 D25.3 D39 SP3.4 DELTA PROTEKT
21	1	5441401	INDUSTRIAL SEAL 082/140
25	1	59132216	32216 080 140 35.25
26	1	59132213	32213 065 120 32.75
27	1	66LJB0804	DRUM 300X100 H08 20 275-220
28	8	57120B12	STUD M20X1,50 L083 HUB AND DRUM BRAKE
29	8	57320B1	STUD NUT M20x1,50 CH30 THICK TYPE
30	8	574201	LIMES WASHER ϕ 20.5
31	1	61L8TD002I	HUB H08 20 120-140 220-275 FOR GREASE NIPPLE
32	1	9860611	GREASE NIPPLE STRAIGHT M06x1.00
35	1	7619401	LV32 FIXED 225-200-175-150-125-100
36	1	753032C250	CAM SHAFT D32X250-300