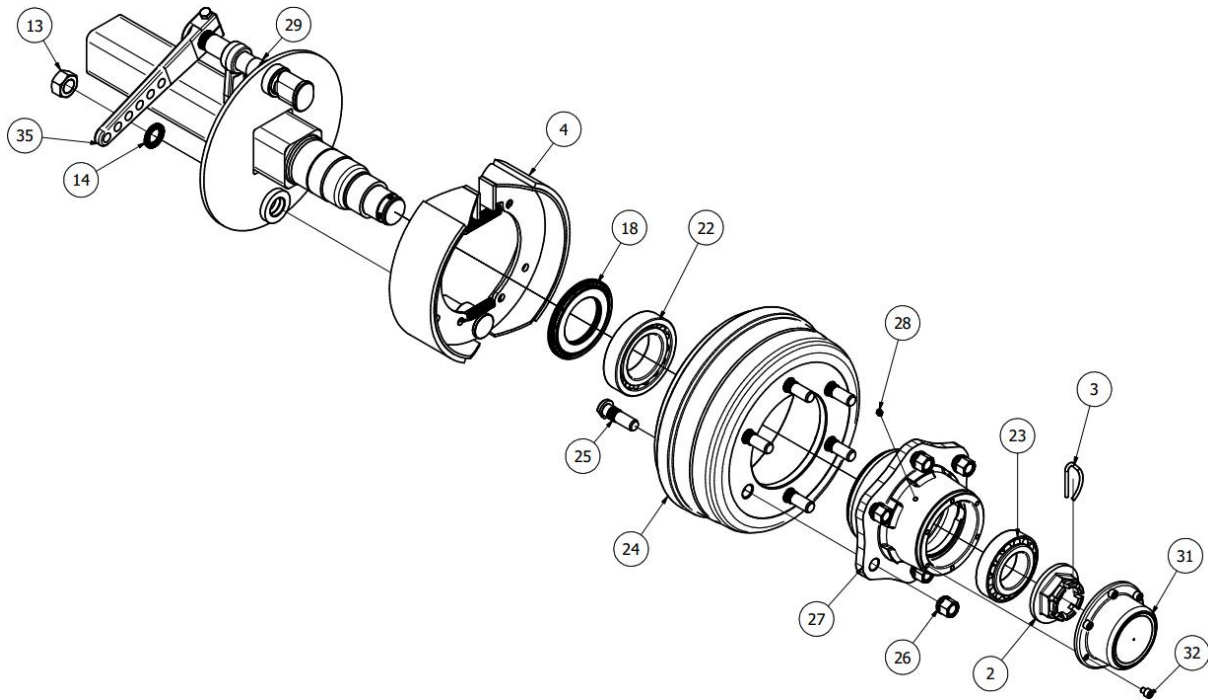


S0800667130S018 TVZ AXLE 80MM



PARTS LIST			
ITEM	QTY	PART NUMBER	DESCRIPTION
2	1	57548B5	CROWN NUT M48X1,50 WR65 H38 7 NOTCH
3	1	58209	SPRING PIN FOR NUT M48 7 NOTCH
4	1	9FCA300ZZ98	BRAKE 300X090 B1117
13	1	97124B1	NUT M24X1,50 DIN934 CA 10 ZINC PLATED
14	1	9800241	TWIN WASHER M24 D25.3 D39 SP3.4 DELTA PROTEKT
18	1	5441301	INDUSTRIAL SEAL 077/130
22	1	59132215	32215 075 130 33,25
23	1	59132212	32212 060 110 29.75
24	1	66LJB0605	DRUM 300X100 H06 18 205-160
25	6	57118B4	STUD M18x1,50 L067 HUB AND DRUM BRAKE
26	6	57318B4	STUD NUT M18x1,50 CH24 GERMAN TYPE
27	1	61L6RD002I	HUB H06 18 110-130 160-205 FOR GREASE NIPPLE
28	1	9860611	GREASE NIPPLE STRAIGHT M06x1.00
29	1	753032C200	CAM SHAFT D32X200-250
31	1	56111002	CAP 110 BOLT ON TVZ
32	6	96308A0101	SOCKET HEAD SCREW
35	1	7619401	LV32 FIXED 225-200-175-150-125-100