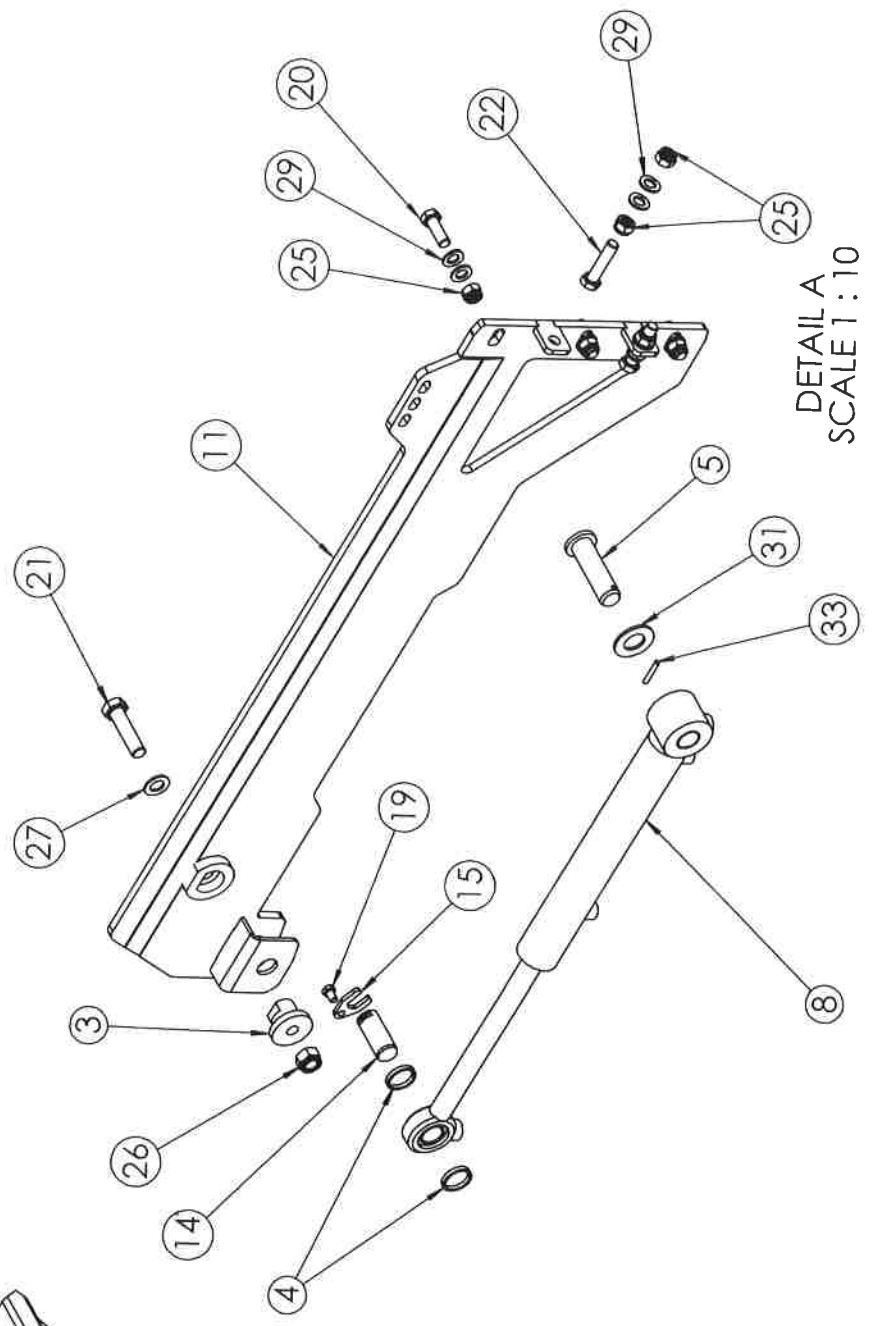


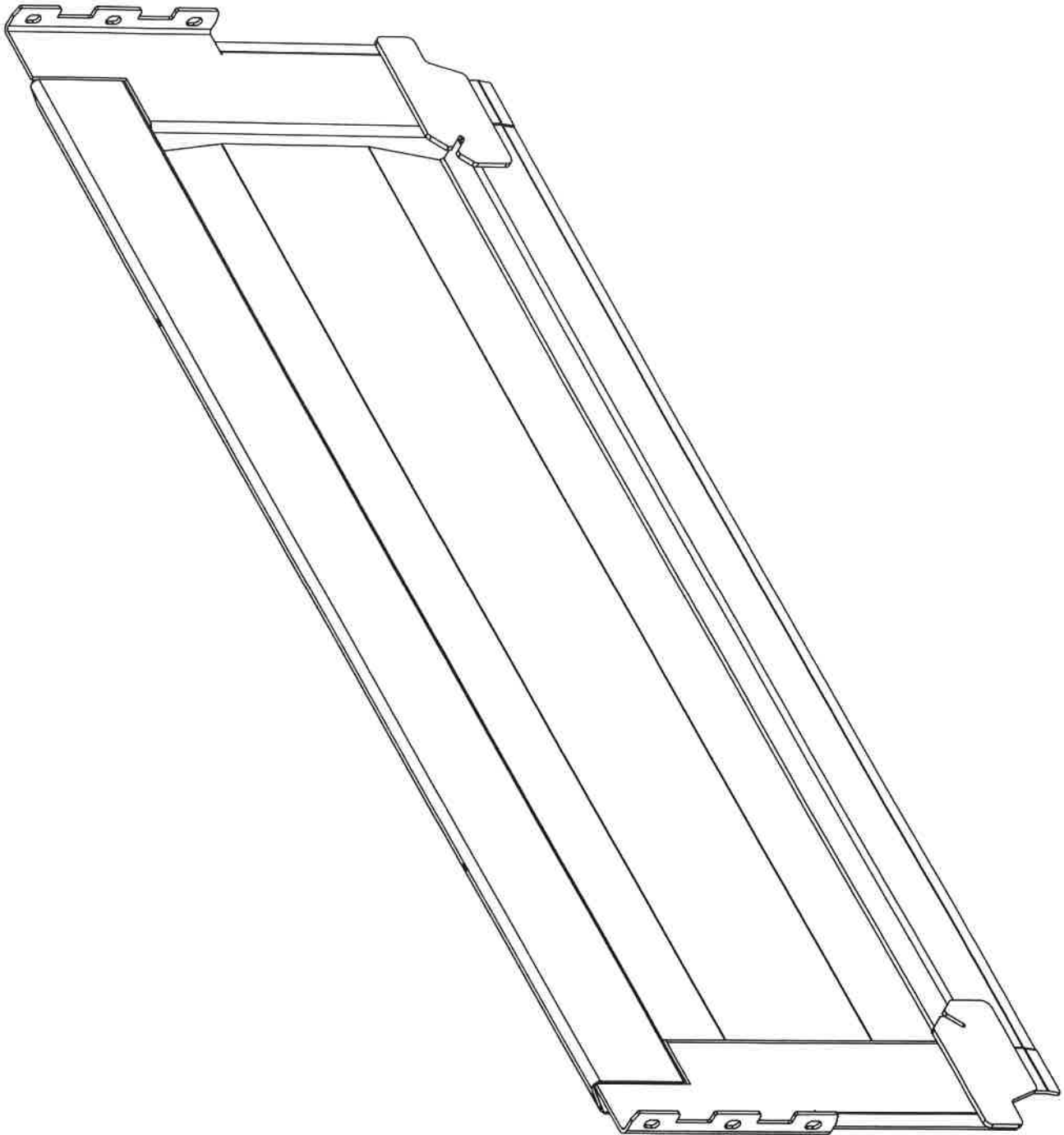
DETAIL B  
SCALE 1 : 10

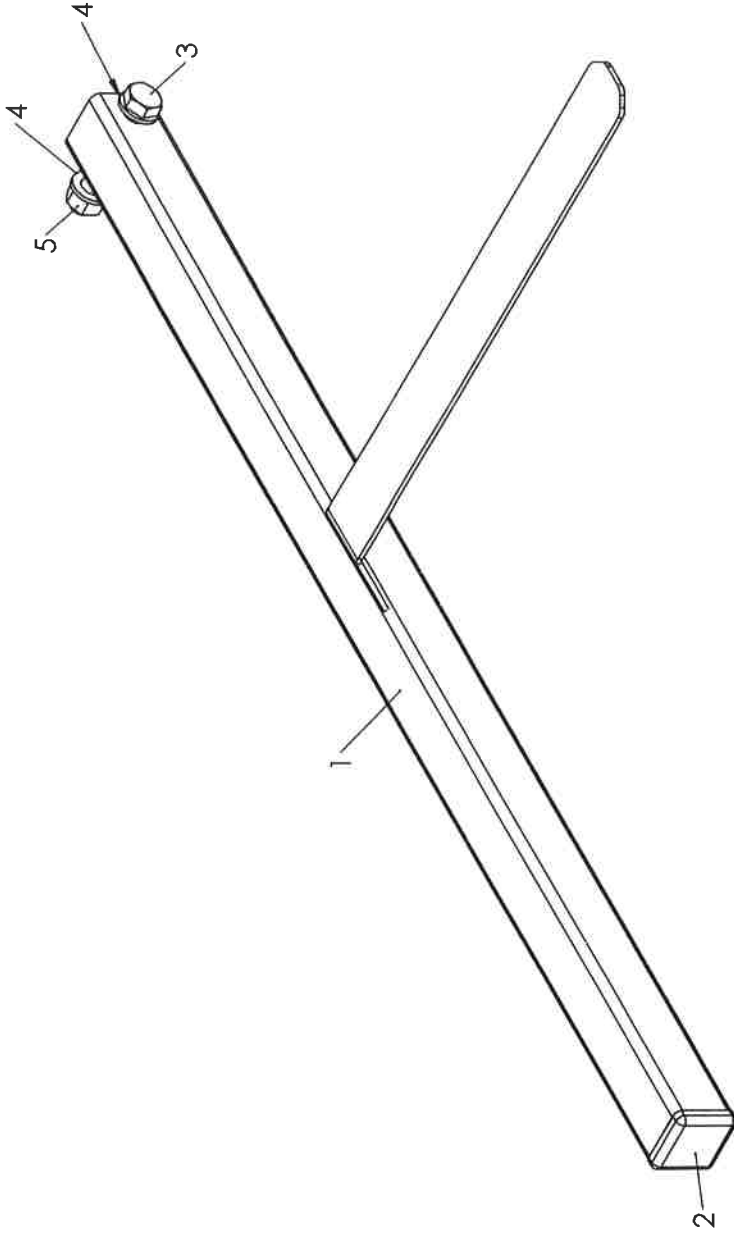


DETAIL A  
SCALE 1 : 10

# 94129 Dumper 13t vann

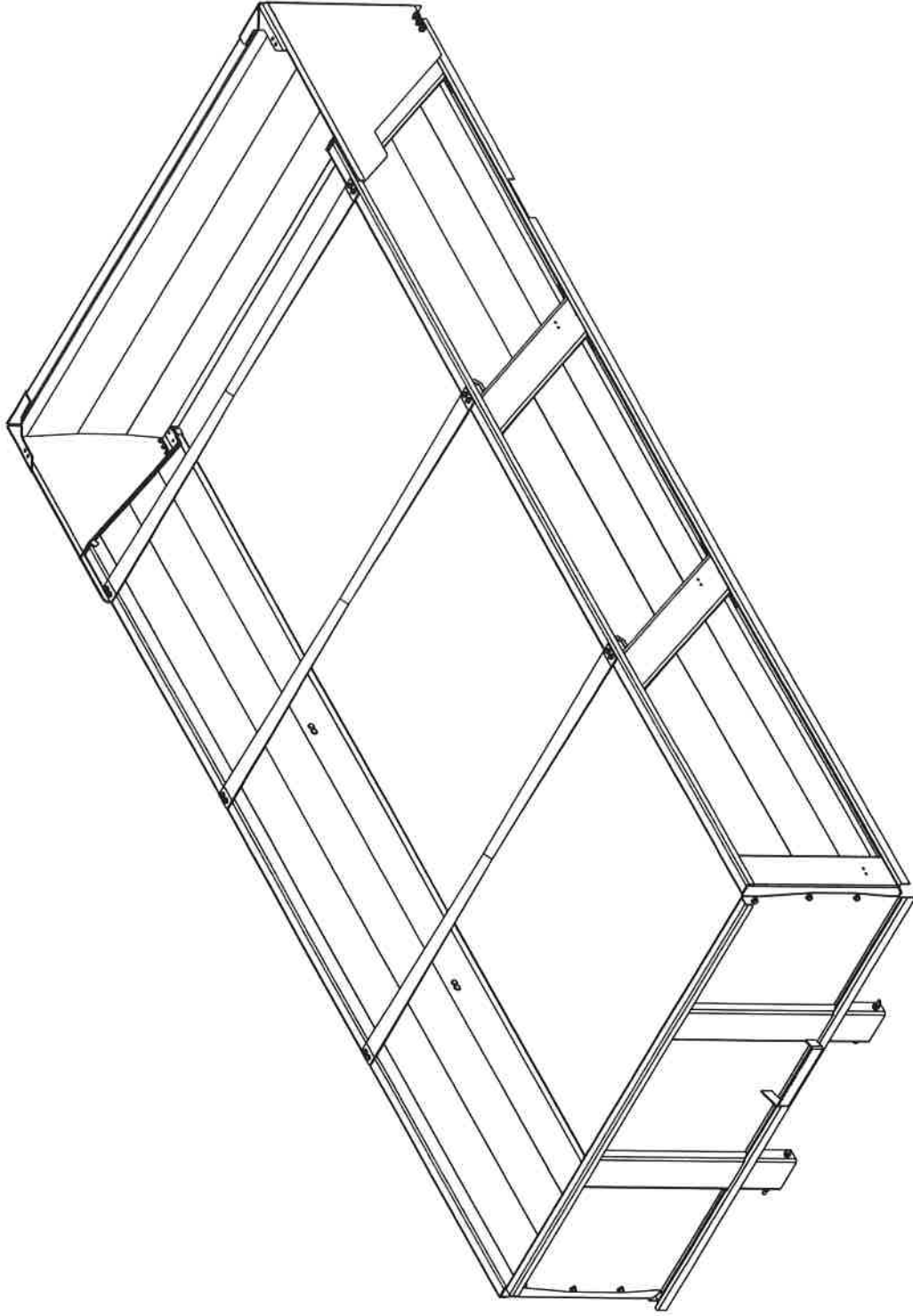
ITEM NO.	PART NUMBER	DESCRIPTION	Default
1	15470	Luugi kinnituskonks	2
2	15489	Ketihoidja alumine	4
3	15543	Luugi sõrm ees	2
4	15628	Silindri tugirõngas	4
5	15630	Sõrm D30	2
6	15651	Kett	2
7	15822	Tihend 13x18	1
8	94051	Luugi tõstesilinder	2
9	94112	Kasti kronstein vasak alumine	1
10	94113	Kasti kinnituskronstein parem alumine	1
11	94119	Luugi käpp parem	1
12	94120	Luugi käpp vasak	1
13	94123	Dumper 13t vann	1
14	A417951	Sõrm D30x68	2
15	A417952	Sõrmelapp	2
16	T01010114	Bolt DIN 933 8,8 ZN M12x30	4
17	T01010122	Bolt DIN 933 8,8 ZN M16x50	8
18	T01010158	Bolt DIN 933 8,8 ZN M20x50	12
19	T01010159	Bolt DIN 933 8,8 ZN M10x16	2
20	T01010161	Bolt DIN 933 8,8 ZN M16x45	6
21	T01010165	Bolt DIN 933 8,8 ZN M20x80	2
22	T01010166	Bolt DIN 933 8,8 ZN M16x70	4
23	T01010262	Bolt DIN 912 8,8 ZN M12x80	2
24	T01020302	Nut DIN 985 ZN M12	4
25	T01020303	Nut DIN 985 ZN M16	14
26	T01020304	Nut DIN 985 ZN M20	14
27	T01030106	Washer DIN 25201 ZN M20	2
28	T01030203	Washer DIN 125 ZN M12	8
29	T01030204	Washer DIN 125 ZN M16	28
30	T01030205	Washer DIN 125 ZN M20	24
31	T01030208	Washer DIN125 ZN M30	2
32	T01050203	Self Drilling Screw Pan Head DIN 7504-N ZN 4,8x19	19
33	T01060303	Spring pin DIN 1481 ST M6x40	2

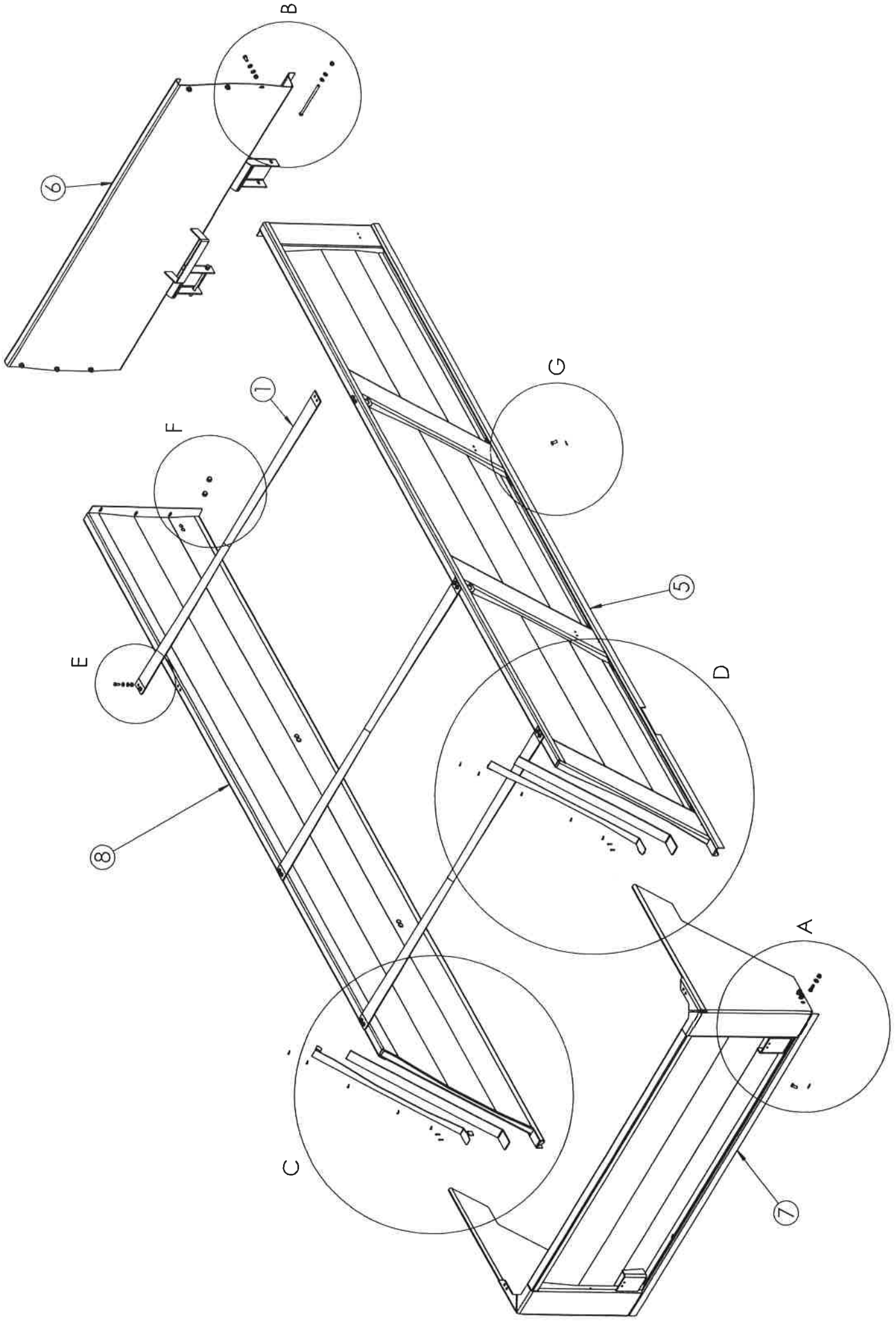




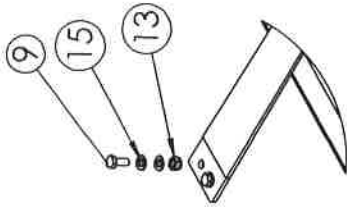
ITEM NO.	PART NUMBER	DESCRIPTION	Default
1	93604	Kasti tugi	1
2	T99002004	Plastic cap VL 50x50x3-5 Black	1
3	T01010409	Bolt DIN 931 8,8 ZN M16X100	1
4	T01030204	Washer DIN 125 ZN M16	2
5	T01020206	Nut DIN 934 ZN M16	1

93608 Kasti tugi

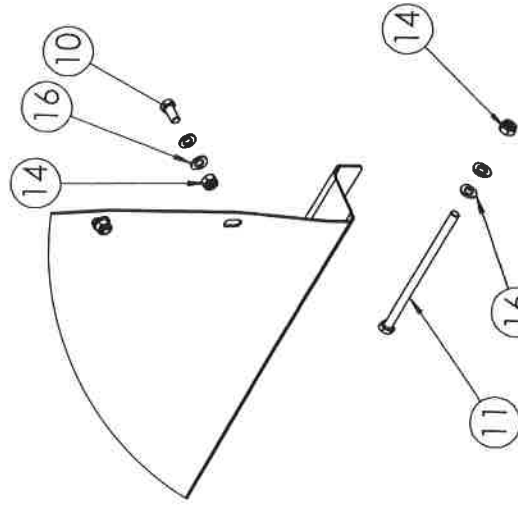




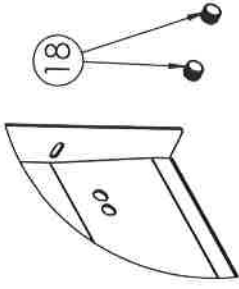




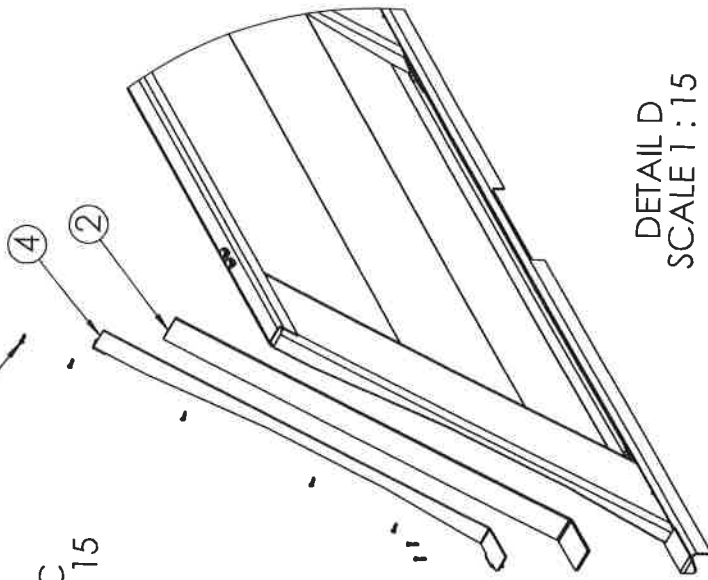
DETAIL E  
SCALE 1 : 10



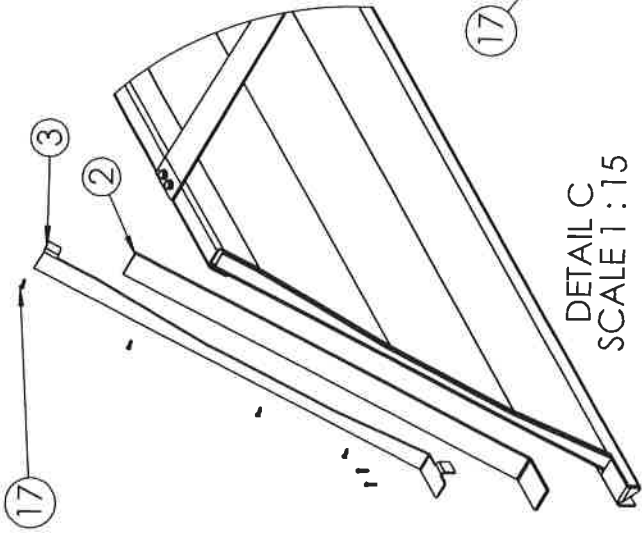
DETAIL B  
SCALE 1 : 10



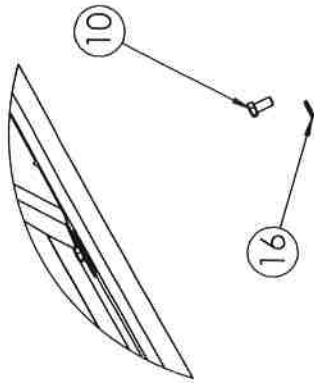
DETAIL F  
SCALE 1 : 10



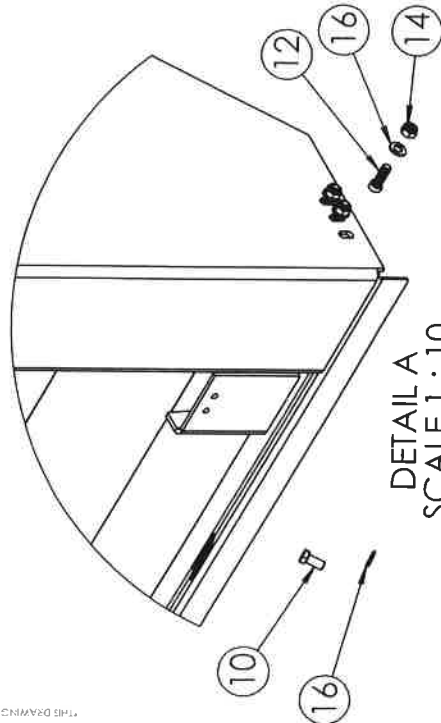
DETAIL D  
SCALE 1 : 15



DETAIL C  
SCALE 1 : 15



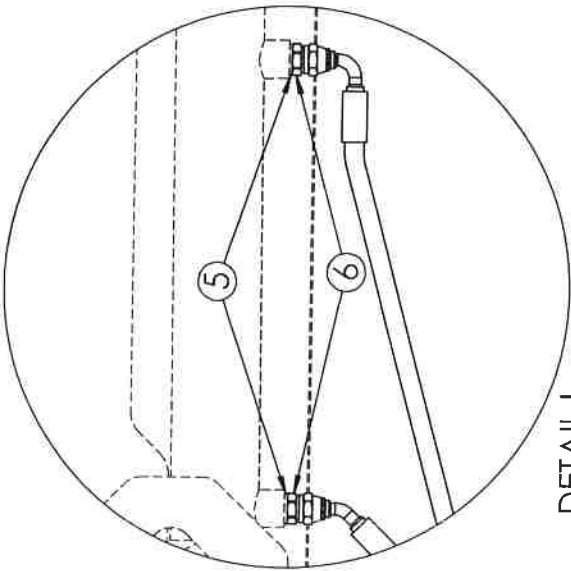
DETAIL G  
SCALE 1 : 10



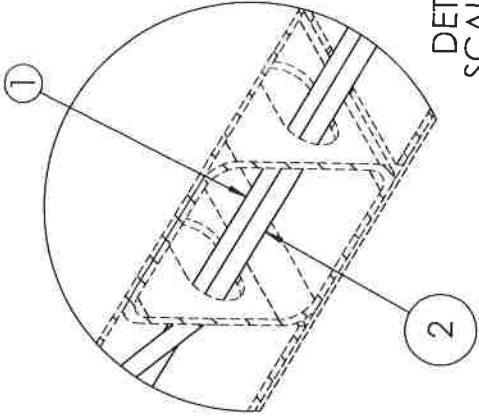
DETAIL A  
SCALE 1 : 10

# 94130 Dumper 13t kõrgendus

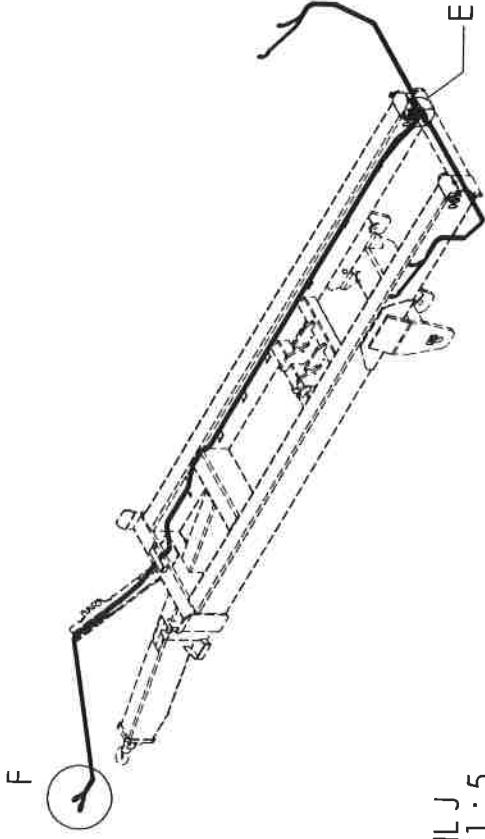
ITEM NO.	PART NUMBER	DESCRIPTION	Default
1	14711	Tõmbelatt risti	3
2	15837	Tihend	2
3	15838	Tihendi hoidja vasak	1
4	15847	Tihendihoidja parem	1
5	94115	Küljesein parem	1
6	94116	Esisein	1
7	94117	Tagaluuk	1
8	94118	Küljesein vasak	1
9	T01010103	Bolt DIN 933 8,8 ZN M10x20	12
10	T01010113	Bolt DIN 933 8,8 ZN M12x25	18
11	T01010406	Bolt DIN 931 8,8 ZN M12x220	2
12	T01011701	Bolt DIN 7984 8,8 M12x35	6
13	T01020301	Nut DIN 985 ZN M10	12
14	T01020302	Nut DIN 985 ZN M12	14
15	T01030202	Washer DIN 125 ZN M10	24
16	T01030203	Washer DIN 125 ZN M12	34
17	T01050202	Self Drilling Screw Pan Head DIN 7504-N ZN 4,2x25	14
18	T99002008	Round insert	12



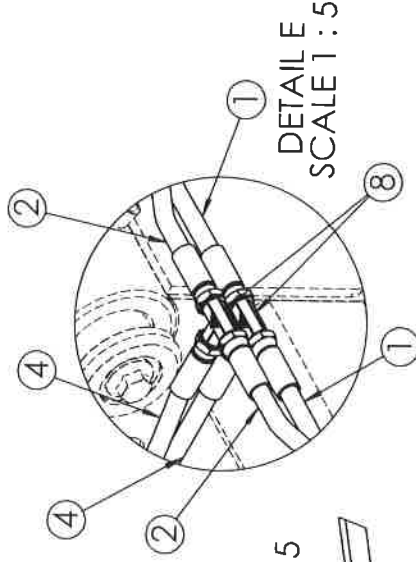
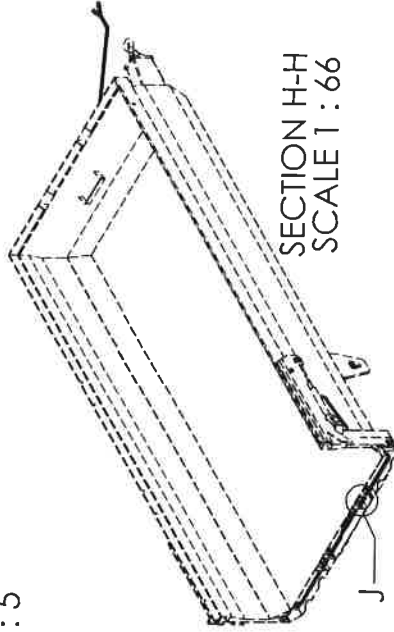
DETAIL I  
SCALE 1 : 5



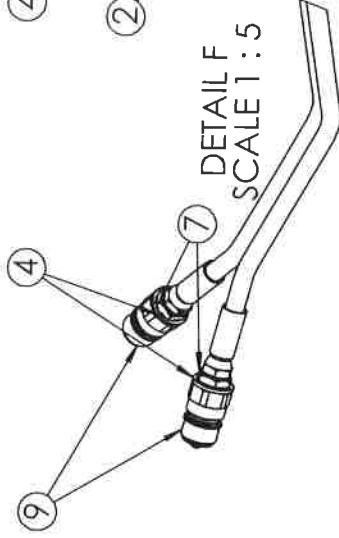
DETAIL J  
SCALE 1 : 5



SECTION H-H  
SCALE 1 : 66

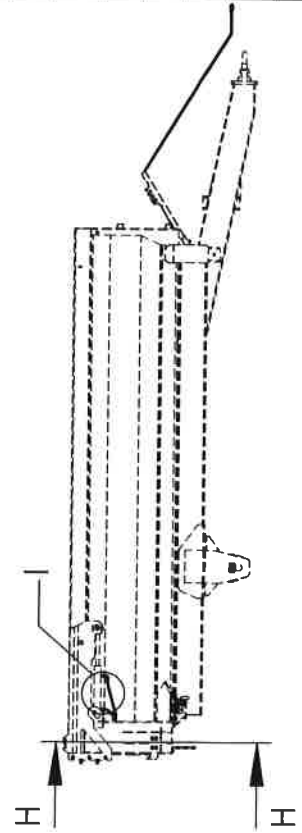


DETAIL E  
SCALE 1 : 5



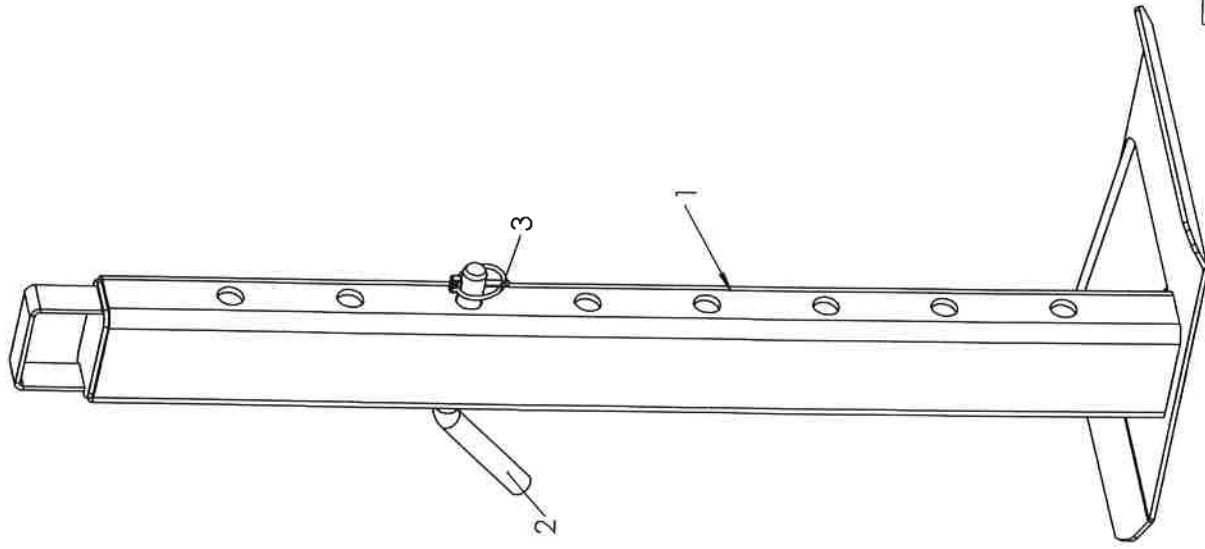
DETAIL F  
SCALE 1 : 5

ITEM NO.	PART NUMBER	DESCRIPTION	Default
1	21237	90° 1/4" luugivoolik	2
2	21238	45° 1/4" luugivoolik	2
3	21239	1/4" luugivoolik	2
4	T020203003	Usit seal 1/2"	2
5	T020203004	Usit seal 1/4"	4
6	T021901002	Straight adapter G1/4"M-G1/4"M HS-7002-04-04	4
7	T021901009	Straight adapter G1/4"M-G1/2"M HS-7002-04-08	2
8	T021931001	Tee adaptor 1/4"-1/4"-1/4" M-M-M T-Ad.	2
9	T022520001	Quick release fitting MF 1/2"	2



21236 Dumper 13t luugi hüdraulika

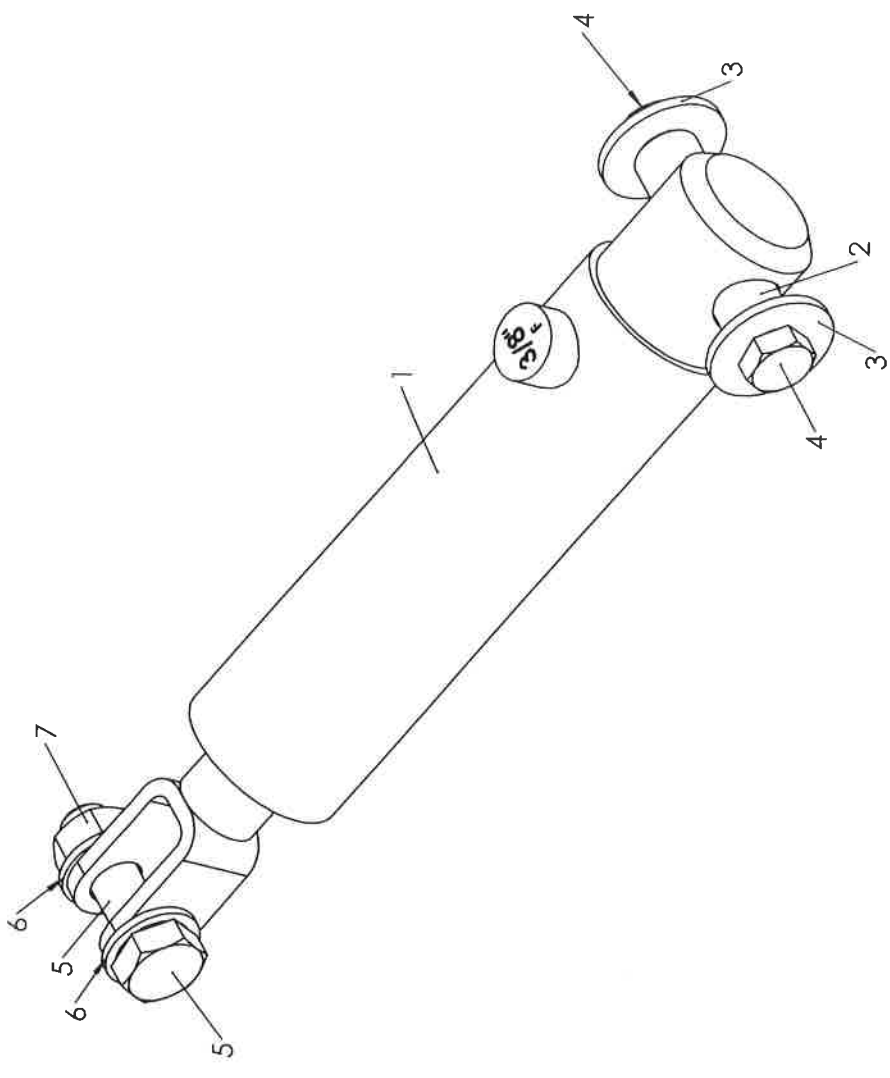




ITEM NO.	PART NUMBER	DESCRIPTION	Default	Revision
1	93416	Parkjalg	1	A
2	14089	Parkjala fiksaator	1	
3	T01060502	Linch Pin DIN 1 1023 4,5mm ZN	1	

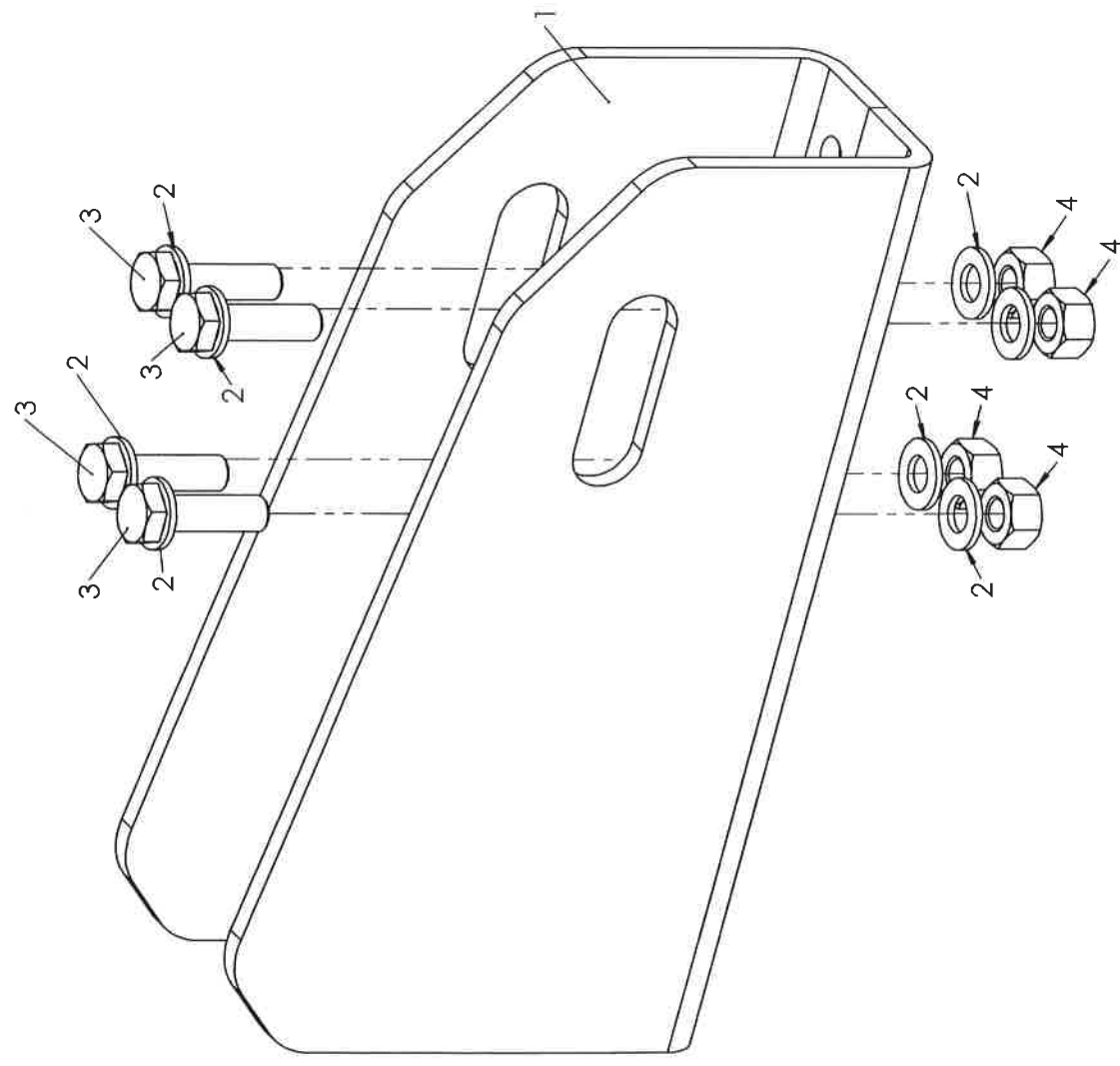
93420A Parkjalg





ITEM NO.	PART NUMBER	DESCRIPTION	Default
1	T02150002	Brake cylinder BHC 40/25-135	1
2	14117	Hüdrosilindri sõrm	1
3	T01030503	Washer DIN 9021 ZN M12	2
4	T01010112	Bolt DIN 933 8,8 ZN M12x20	2
5	T01010467	Bolt DIN931 8,8 ZN M14x50	1
6	T01030216	Washer DIN 125 ZN M14	2
7	T01020211	Nut DIN 934 ZN M14	1

93610 Pidurisilinder



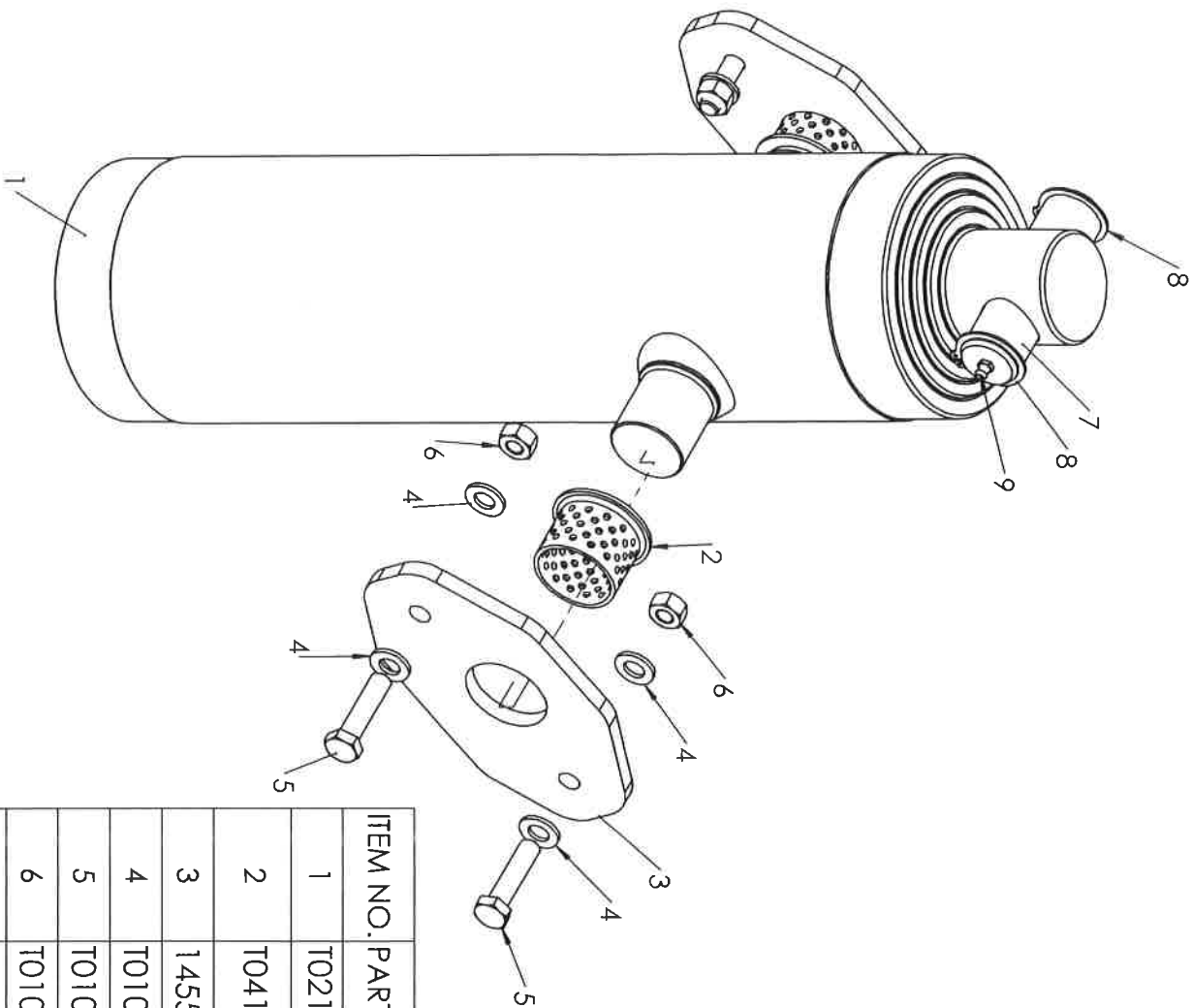
THIS DRAWING IS THE PROPERTY OF LLC ONAR AND PROTECTED BY ACCORDANCE WITH PREVAILING LAW. КАСОЛЕВ ЖООНС ОН ОJ ONAR ОМАНД НИНГ КАРТIJD КИТИГА СЕДУСЕ АУСЕЛ.

ITEM NO.	PART NUMBER	Description	Default	Revision
1	93438	Pidurikate	1	A
2	T01030202	Washer DIN 125 ZN M10	8	
3	T01010106	Bolt DIN933 8,8 ZN M10x35	4	
4	T01020201	Nut DIN 934 ZN M10	4	

93613A Pidurikate 90x90 rummule



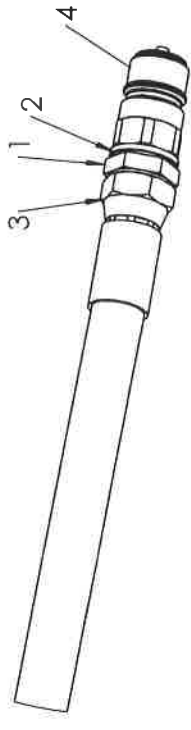
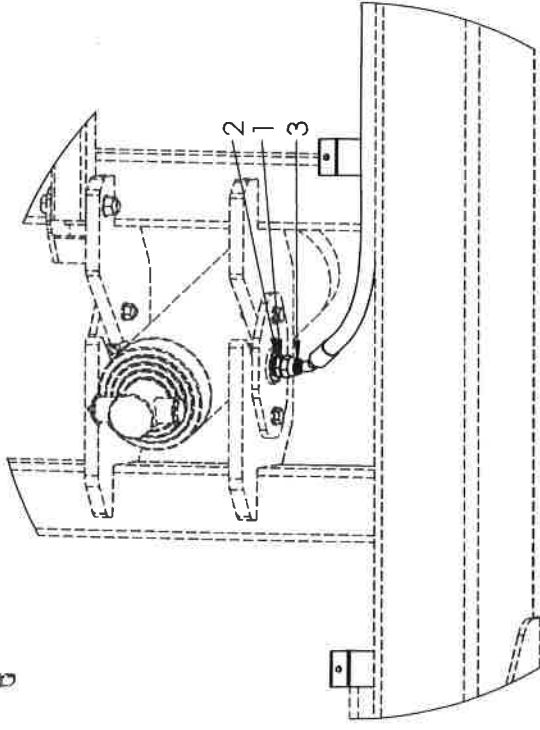
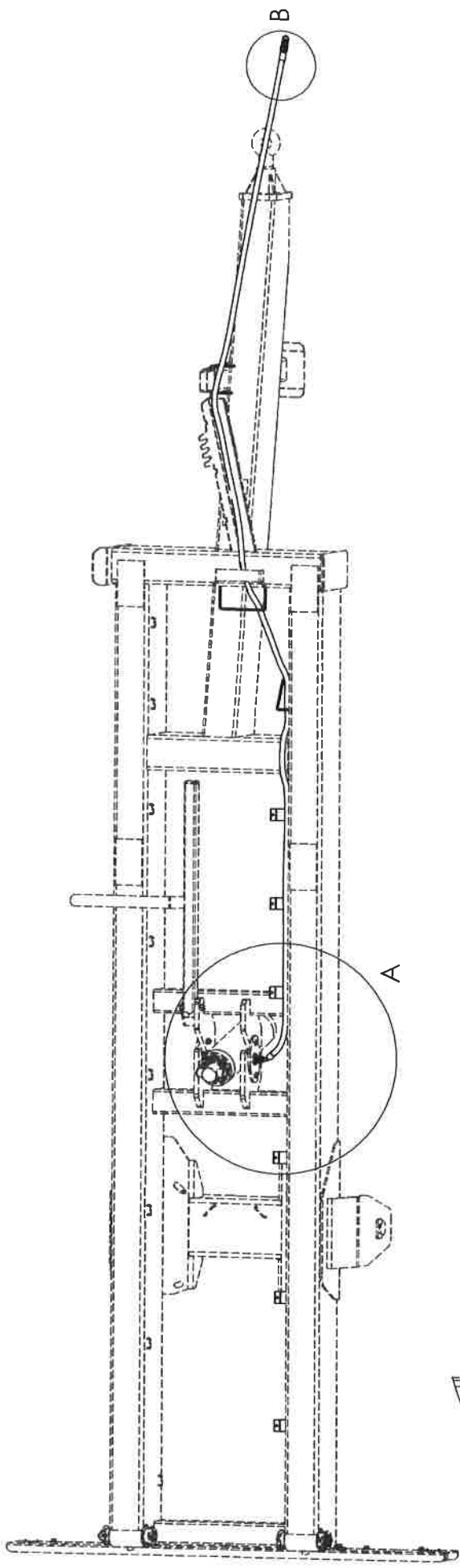




ITEM NO.	PART NUMBER	DESCRIPTION	Default	Revision
1	T02150004	Silinder Chapel Hydraulique 4211	1	
2	T04112005	Slide bearing bronze FBB 092 45-50-60x45	2	
3	14551	Silindri fiksaator	2	A
4	T01030203	Washer DIN 125 ZN M12	8	
5	T01010118	Bolt DIN 933 8,8 ZN M12x50	4	
6	T01020202	Nut DIN 934 ZN M12	4	
7	14556	Silindri sõrm D35h9	1	
8	T01060113	Retaining_ring_DIN_471_ST_35mm	2	
9	T01040104	Grease nipple DIN 71412 ZN M6x1	1	

93606A

Tõstesilinder

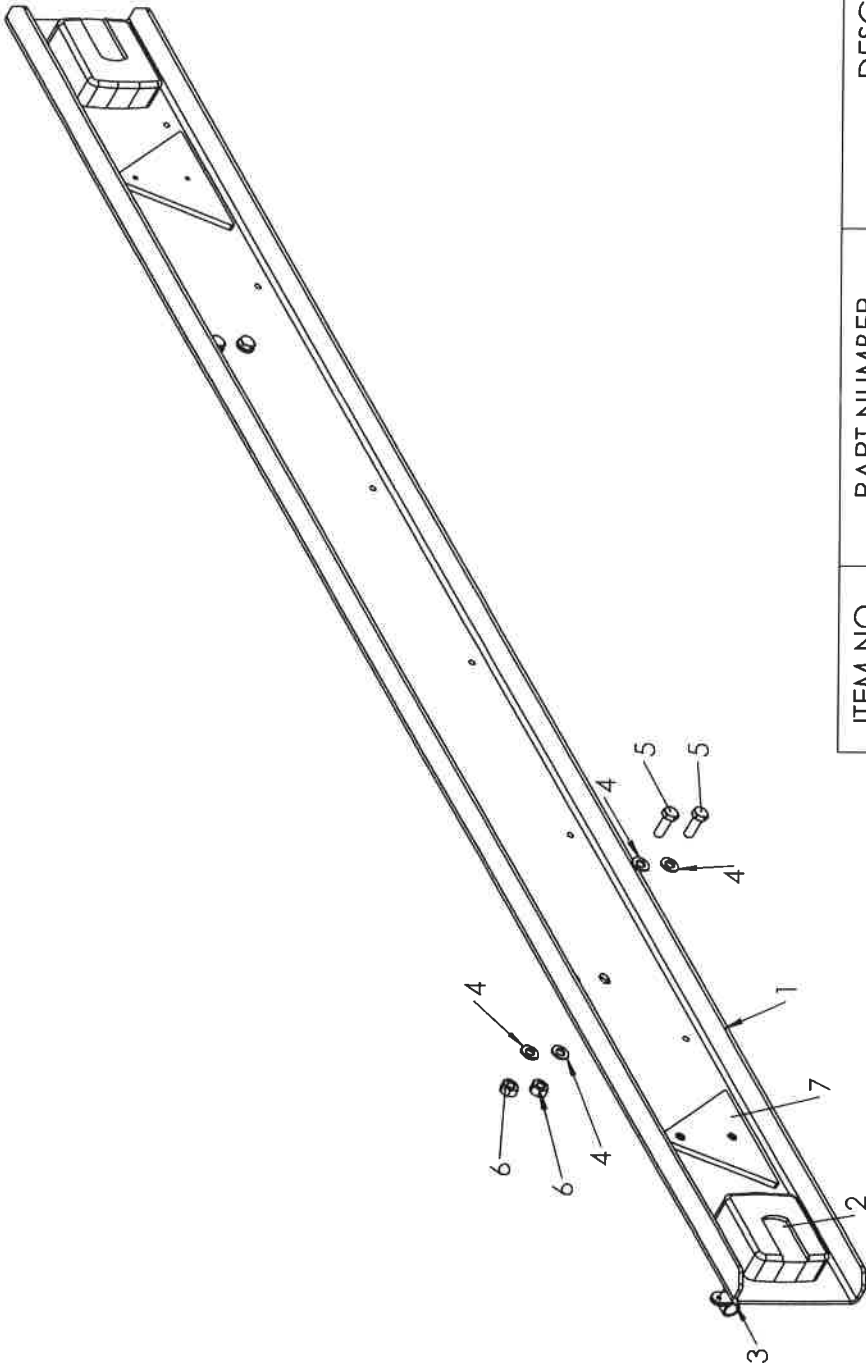


DETAIL B  
SCALE 1 : 3

DETAIL A  
SCALE 1 : 10

ITEM NO.	PART NUMBER	DESCRIPTION	Default
1	T021901004	Straight adapter G1/2"M-G1/2"M HS-7002-08-08	2
2	T020203003	Usit seal 1/2"	2
3	21221	Tõstesilindri voolik	1
4	T022520001	Quick release fitting MF 1/2"	1

21220 Tõstesilindri 4211 hüdraulika



ITEM NO.	PART NUMBER	DESCRIPTION	Default	Revision
1	14547	Tagastange	1	A
2	T0302006	LED rear light 12V 106x98x35 - turn, brake, park	2	
3	T01080402	P-Clip DIN 3016 6mm	7	
4	T01030202	Washer DIN 125 ZN M10	8	
5	T01010105	Bolt DIN933 8.8 ZN M10x30	4	
6	T01020201	Nut DIN 934 ZN M10	4	
7	T0303002	Triangle reflector Motoral red 140mm (M5/70)	2	