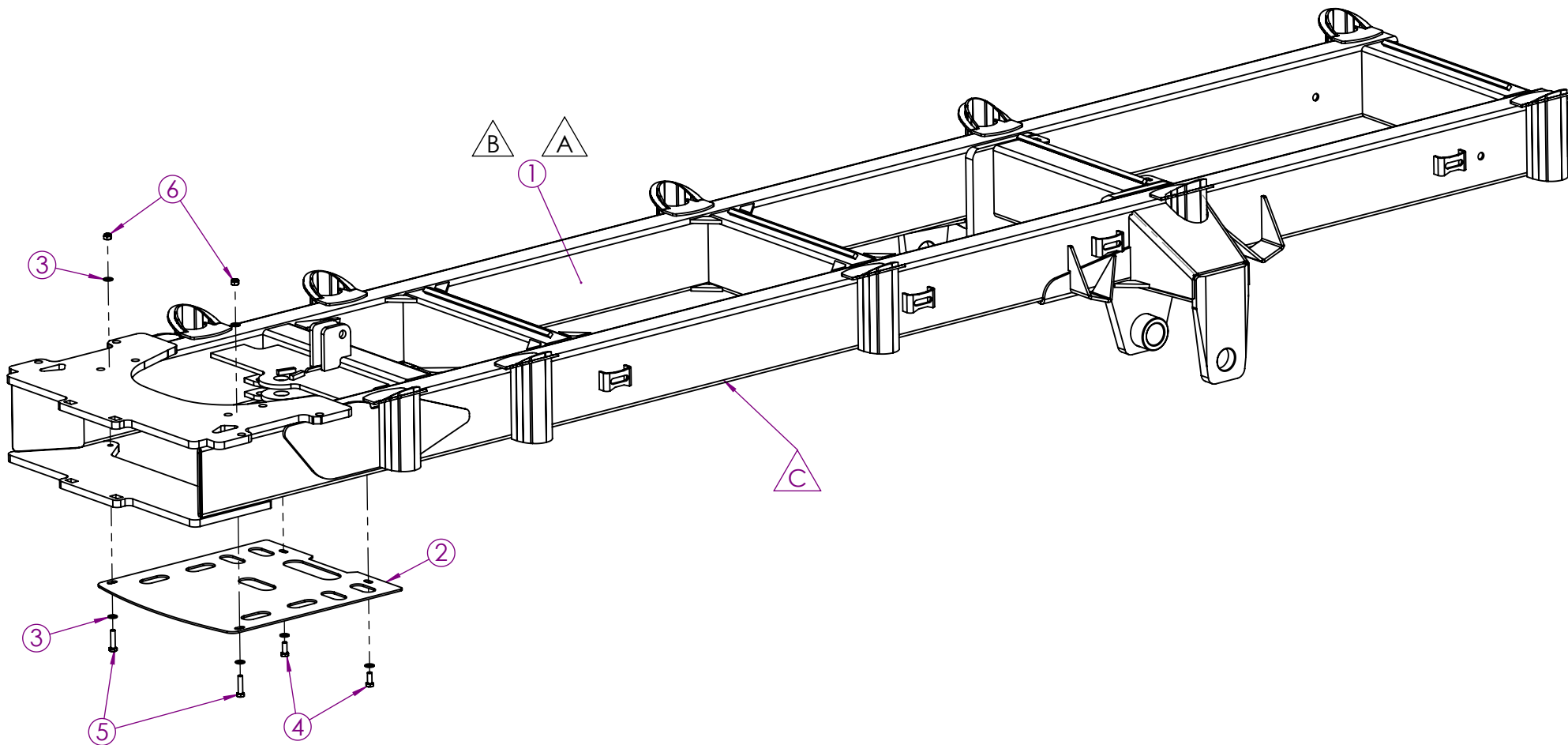
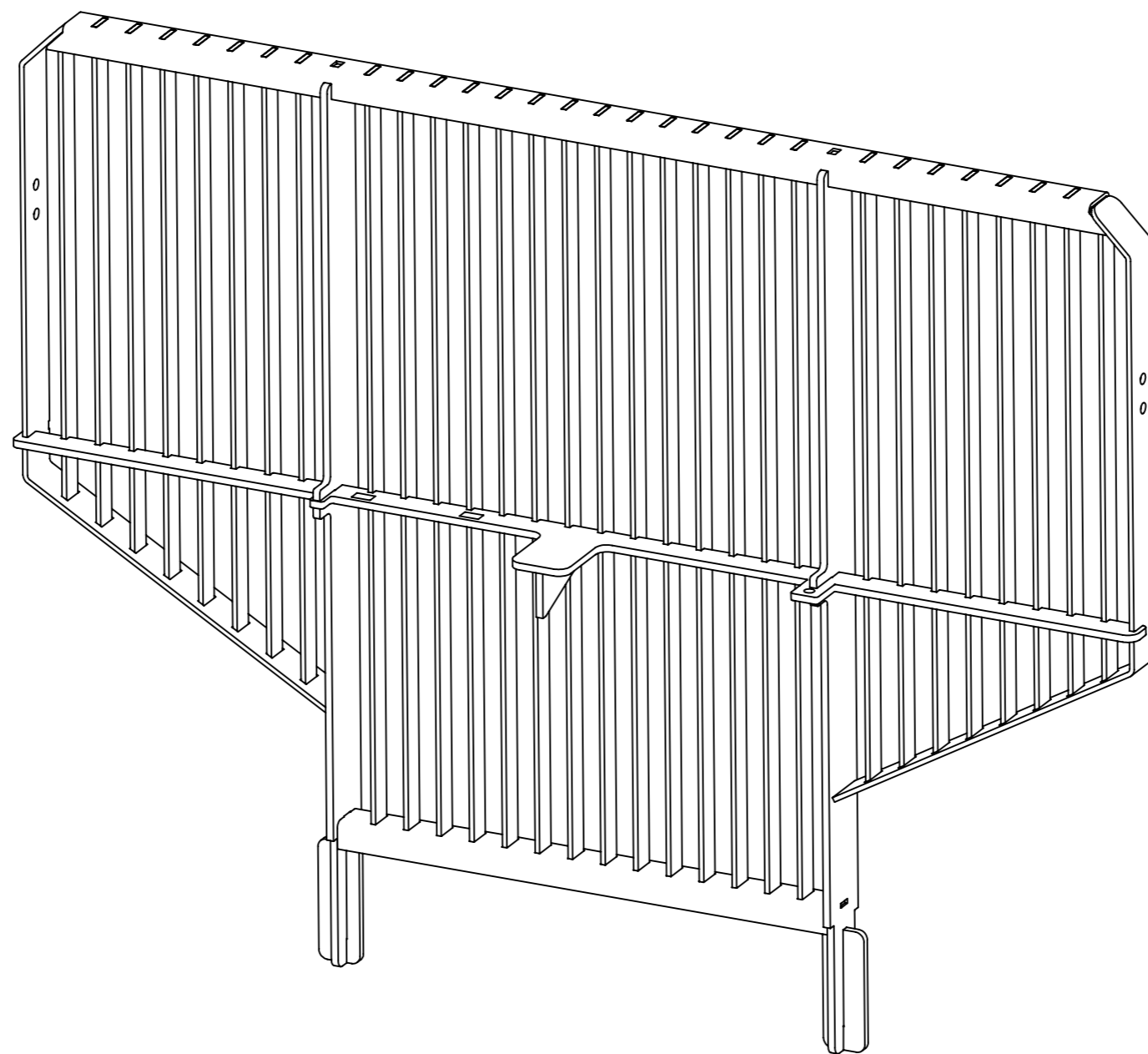


| ITEM NO. | PART NUMBER | Revision | DESCRIPTION | Default |
|----------|-------------|----------|----------------------------|---------|
| 1 | 92740 | C | Raam 10t | 1 |
| 2 | 12504 | B | Kate | 1 |
| 3 | T01030203 | | Washer DIN 125 ZN M12 | 6 |
| 4 | T01010114 | | Bolt DIN 933 8,8 ZN M12x30 | 2 |
| 5 | T01010118 | | Bolt DIN 933 8,8 ZN M12x50 | 2 |
| 6 | T01020302 | | Nut DIN 985 ZN M12 | 2 |

| REVISIONS | | | |
|-----------|-----------------------------------|------------|-------------|
| REV. | DESCRIPTION | DATE | APPROVED |
| A | 92740 keeviskoost muutus | 2.04.2015 | E. Kantsik |
| B | 92740 keeviskoost muutus | 10.11.2015 | M. Järvpõld |
| C | Raami 92740 keeviskoostu muudatus | 12.01.2016 | T.Rehtla |

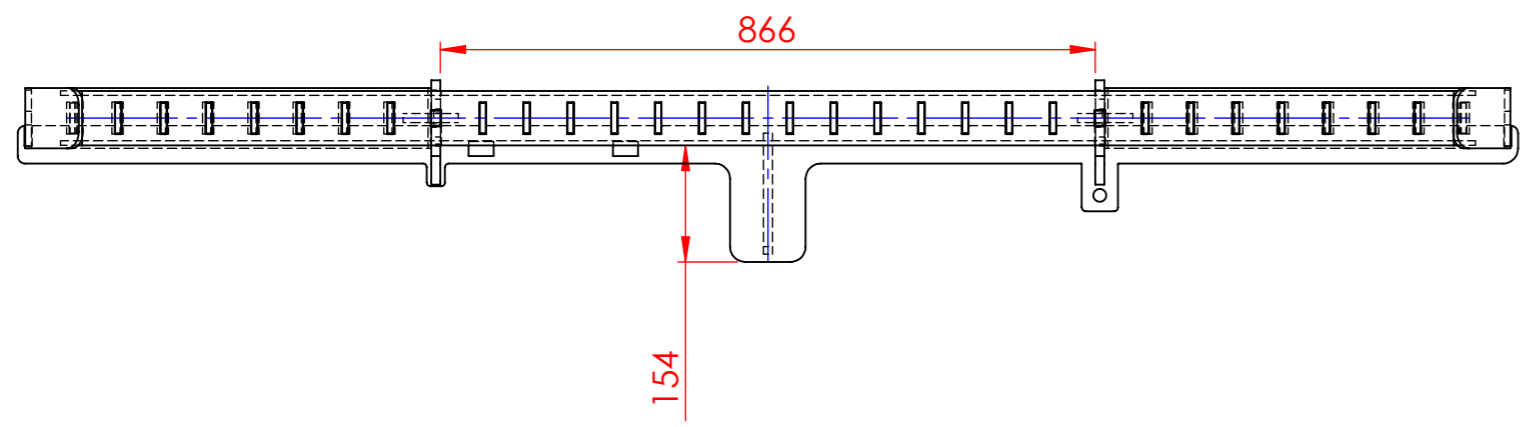
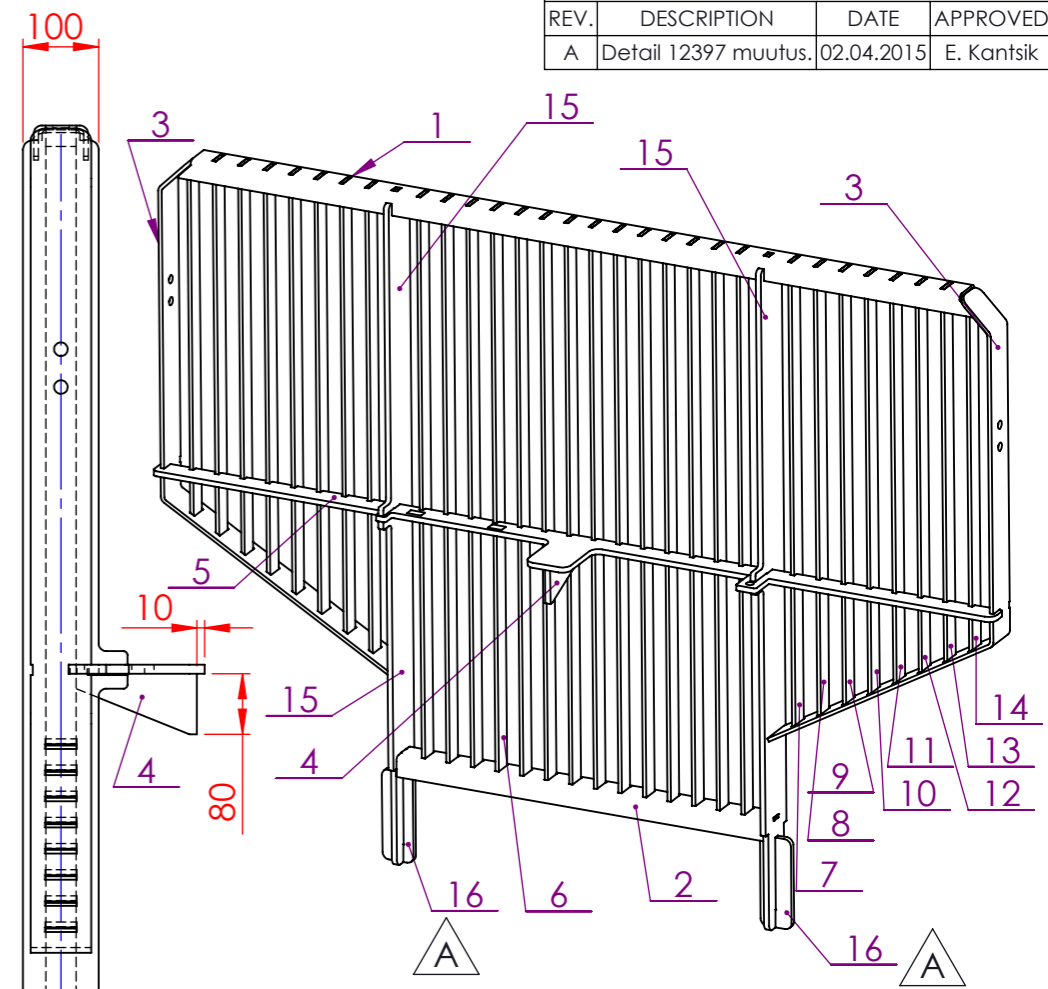
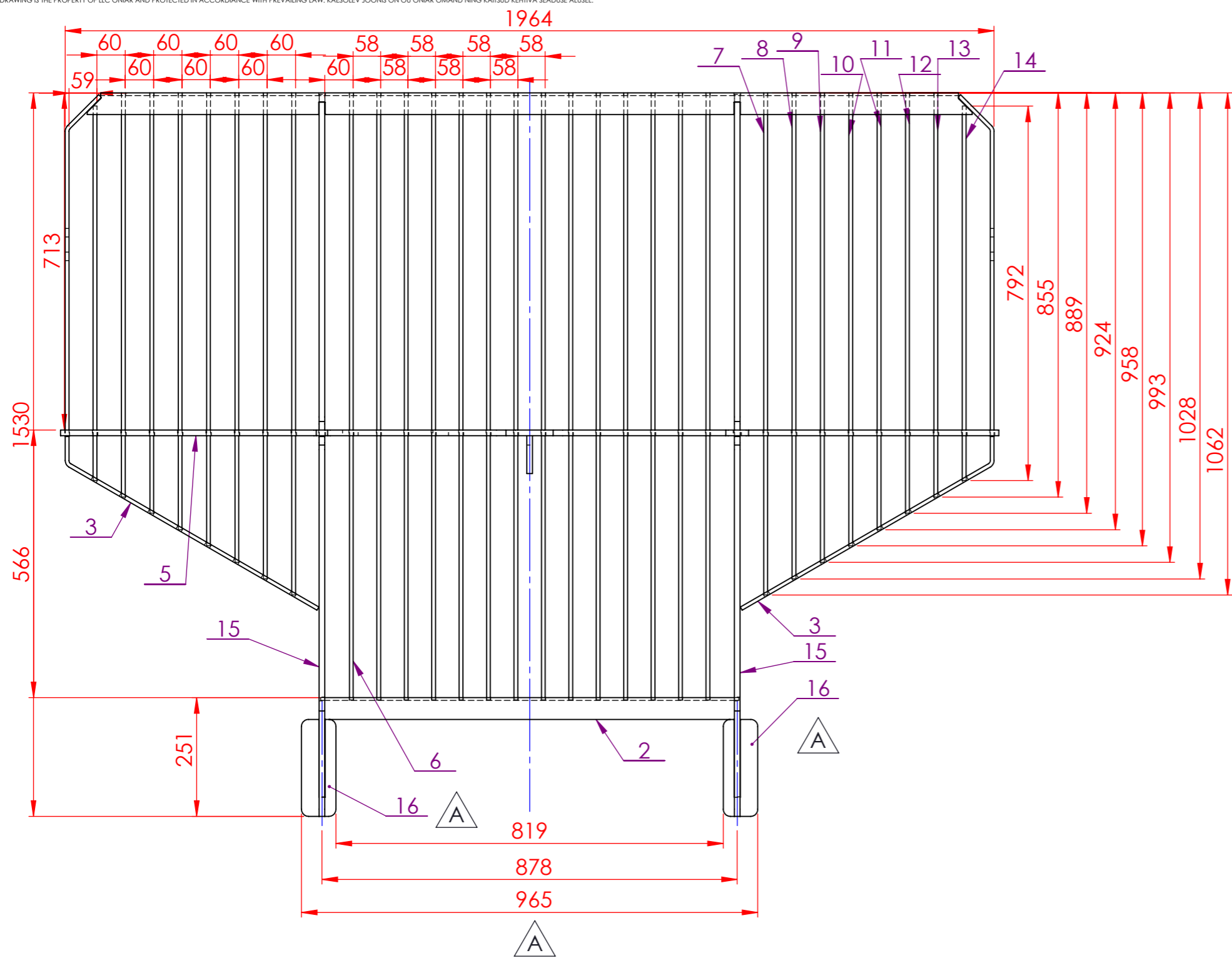


| | | | | | |
|-----------------------|--|---------------------------|---|-------------------|------------------------|
| Materjal/Material: | | Arv/Qty: | Märkimata piirhälbed / Unspecified tolerances | Kaal/Weight (kg): | |
| | | 0 | H12,h12, ±IT14/2 | 594,97 | |
| Pinnakate/Surf.coat.: | | Konstrueeris/Designed By: | Kuupäev/Date: | Toode/Title | Format: Leht/Sheet: |
| | | E.Kantsik | 4.02.2015 | | A4 2/2 |
| | | Joonestas/Drawn By: | Kuupäev/Date: | Detail/det | Mõõt/Scale: REV: |
| www.oniar.eu | | E.Kantsik | 4.02.2015 | Raam 10T | 1:16 C |
| | | Kontrollis/Checked By: | Kuupäev/Date: | | Joonise nr/Drawing No: |
| | | | | | 92749 |



92741 A

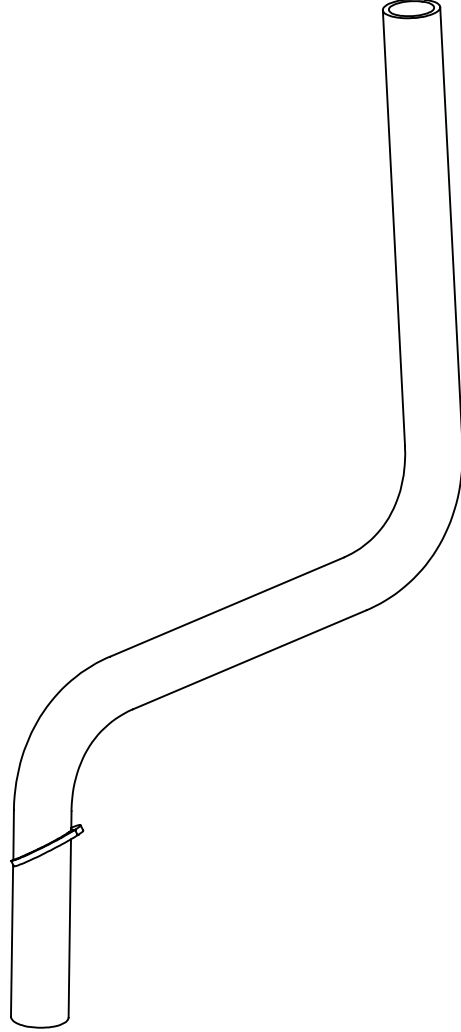
| REVISIONS | | | |
|-----------|----------------------|------------|------------|
| REV. | DESCRIPTION | DATE | APPROVED |
| A | Detail 12397 muutus. | 02.04.2015 | E. Kantsik |

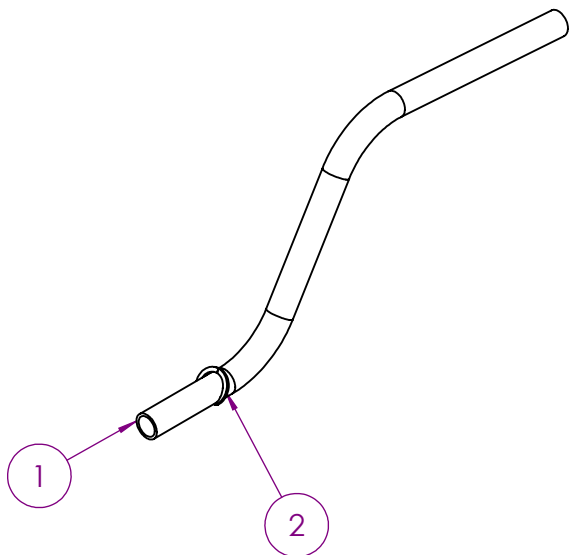
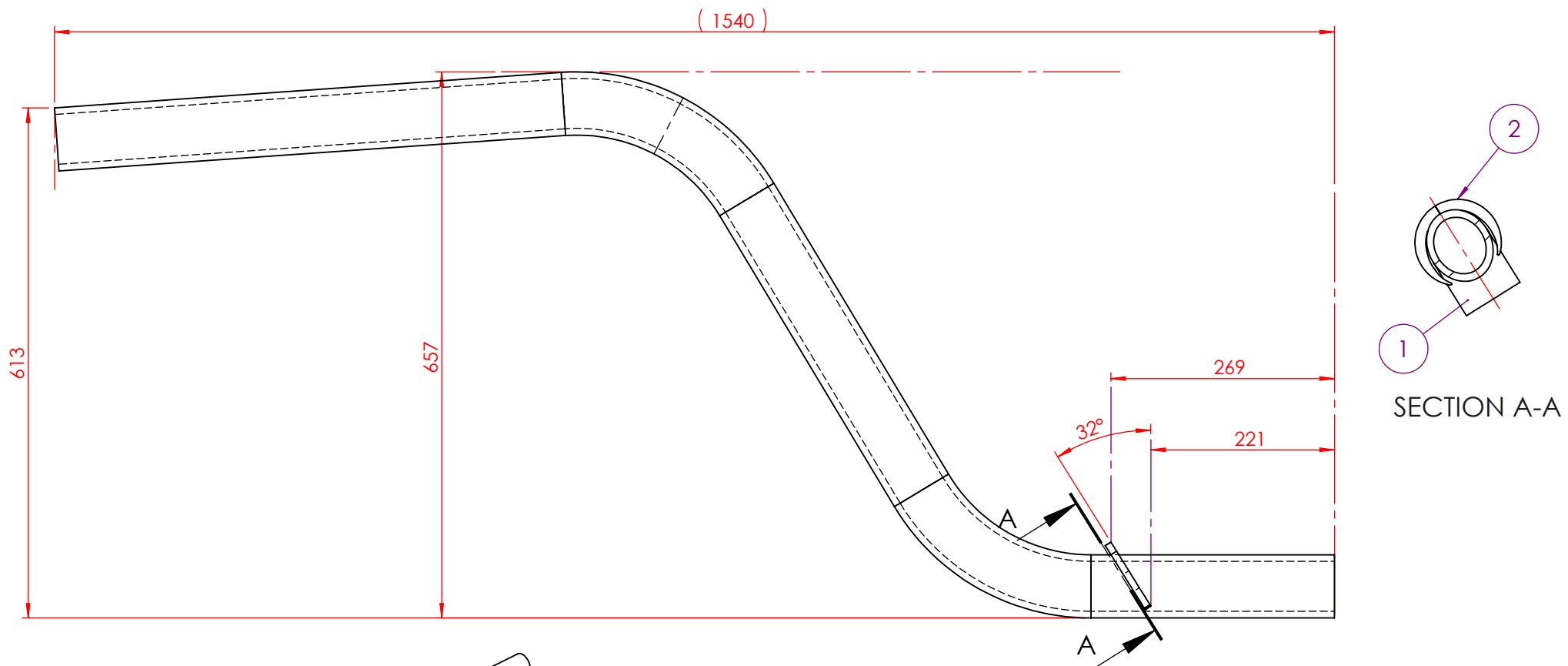


| ITEM NO. | PART NUMBER | Rev | DESCRIPTION | QTY |
|----------|-------------|-----|---------------------------|-----|
| 1 | 11460 | | Võre ülemine põiki toru 2 | 1 |
| 2 | 11462 | | Võre alumine toru 2 | 1 |
| 3 | 11473 | | võre külg 2 | 2 |
| 4 | 11474 | | Kolmnurk | 1 |
| 5 | 11471 | | võre pikk tugi | 1 |
| 6 | 11461 | | Ribi 1 | 14 |
| 7 | 11463 | | Ribi 2 | 2 |
| 8 | 11464 | | Ribi 3 | 2 |
| 9 | 11465 | | Ribi 4 | 2 |
| 10 | 11466 | | Ribi 5 | 2 |
| 11 | 11467 | | Ribi 6 | 2 |
| 12 | 11468 | | Ribi 7 | 2 |
| 13 | 11469 | | Ribi 8 | 2 |
| 14 | 11470 | | Ribi 9 | 2 |
| 15 | 12398 | | võre post | 2 |
| 16 | 12397 | A | ristribi | 2 |

| | | | | |
|----------------------------|------------------------|---------------|-----------------------------|---------------------------------|
| Materjal/Material: | Profil/Profile: | Arv/Qty: | Puhaskaal/Neto weight (kg): | Tooniku kaal/Gross weight (kg): |
| | | 1 | | |
| Pinnakate/Surf.coat.: | Konstrueeris/Designed: | Kuupäev/Date: | Märkimata piirhalded: | Kaal/Weight (kg): |
| | K.Kuusk | 16.09.2008 | H12,h12, ±IT14/2 | 155.87 |
| Trükitud/Printed out date: | Joonestas/Drawn By: | Kuupäev/Date: | Toode/Title | Format: Leht/Sheet: |
| 2.04.2015 | E. Kantsik | 15.10.2012 | | A3 1/1 |
| | Kontrollis/Checked By: | Kuupäev/Date: | Detail/det | Mõõt/Scale: REV: |
| | Eero | 2.04.2015 | Võre 10T | 1:10 A |
| | | | | Joonise nr/Drawing No: |
| | | | | 92741 |

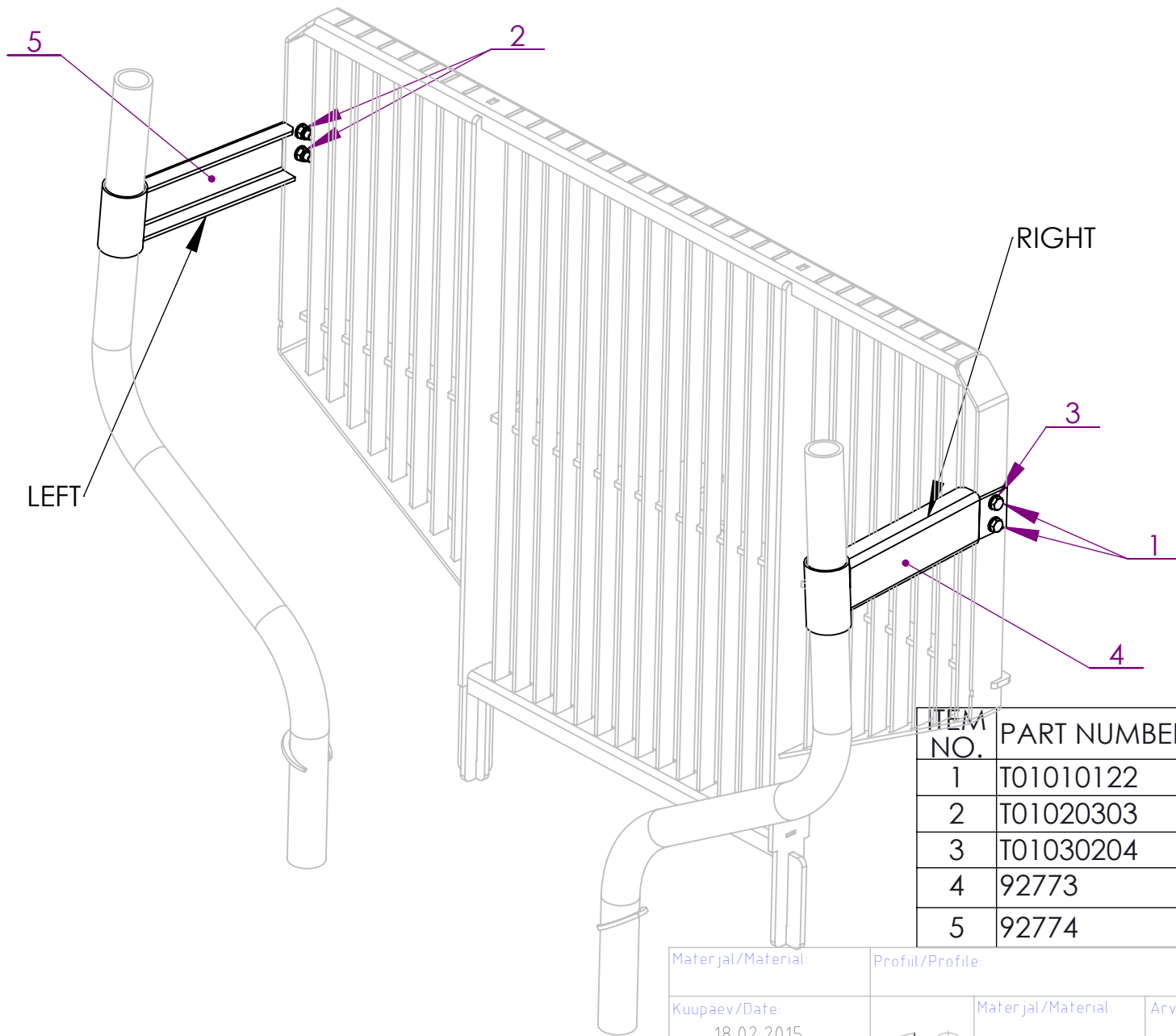






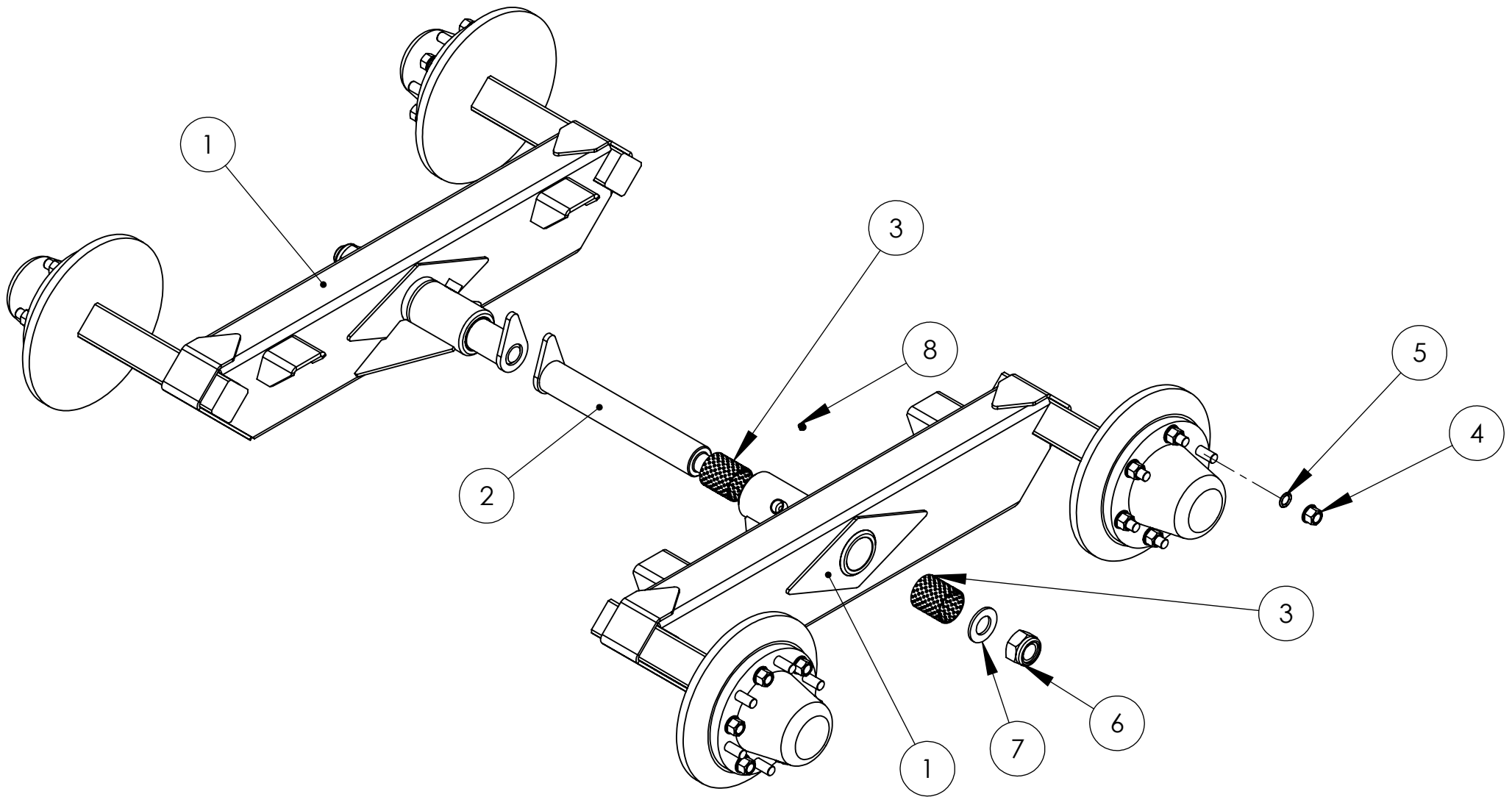
| ITEM NO. | PART NUMBER | Rev | DESCRIPTION | QTY. |
|----------|-------------|-----|-------------------------|------|
| 1 | 12408 | | Tugipost | 1 |
| 2 | 12409 | | tugiposti võru pool 10T | 2 |

| | | | | | |
|--|--|---|--|-----------------------------------|--|
| Materjal/Material: S355 | | Arv/Qty: 0 | Märkimata piirhälbed / Unspecified tolerances H12,h12, ±IT14/2 | Kaal/Weight (kg): 24.09 | |
| Pinnakate/Surf.coat.: | | Konstrueeris/Designed By: M.Mätas | Kuupäev/Date: 6.12.2014 | Toode/Title 9T | Format: A4 |
| WWW.ONIAR.EU | | Joonestas/Drawn By: E.Kantsik | Kuupäev/Date: 2.12.2015 | Detail/det | Leht/Sheet: 2/2 |
| | | Kontrollis/Checked By: | Kuupäev/Date: | Tugipost | Mõõt/Scale: 1:7 |
| | | | | | REV: |
| | | | | | Joonise nr/Drawing No: 92753 |



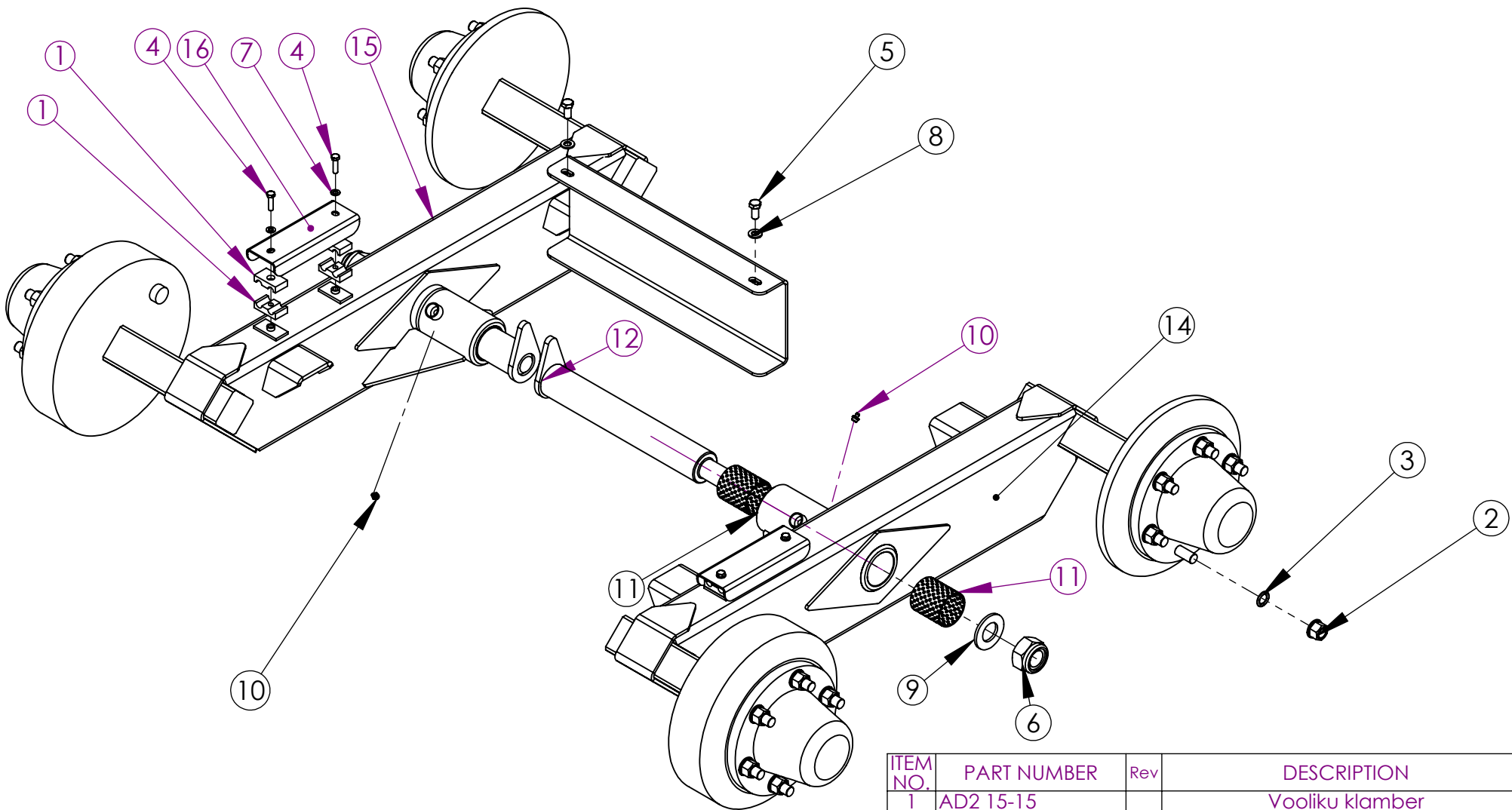
| ITEM NO. | PART NUMBER | Rev | DESCRIPTION | QTY. |
|----------|-------------|-----|---------------------------|------|
| 1 | T01010122 | | Bolt DIN933 8,8 ZN M16x50 | 4 |
| 2 | T01020303 | | Nut DIN 985 ZN M16 | 4 |
| 3 | T01030204 | | Washer DIN 125 ZN M16 | 8 |
| 4 | 92773 | | 10T Posti klamber parem | 1 |
| 5 | 92774 | | 10T Posti klamber vasak | 1 |

| | | | |
|-----------------------------|----------------------|---|---------------------------------|
| Materjal/Material: | Profiil/Profile: | Puhaskaal/Neto weight (kg): | Tooriku kaal/Gross weight (kg): |
| Kuupäev/Date: 18.02.2015 | | Materjal/Material: | Arv/Qty: |
| Muudatus/Change: | | Märkimata piirhälbed: H12,h12, ±IT14/2 | Kaal/Weight (kg): 217.50 |
| | Pinnakate/Surf.coat: | Mõõt/Scale: 1:12 | Toode/Title |
| | | Joonestus/Designed: | Detail/def |
| Kontrollis/Checked: | | 10T käre klambrid | |
| | | | Joonise nr/Drawing No: 92772 |



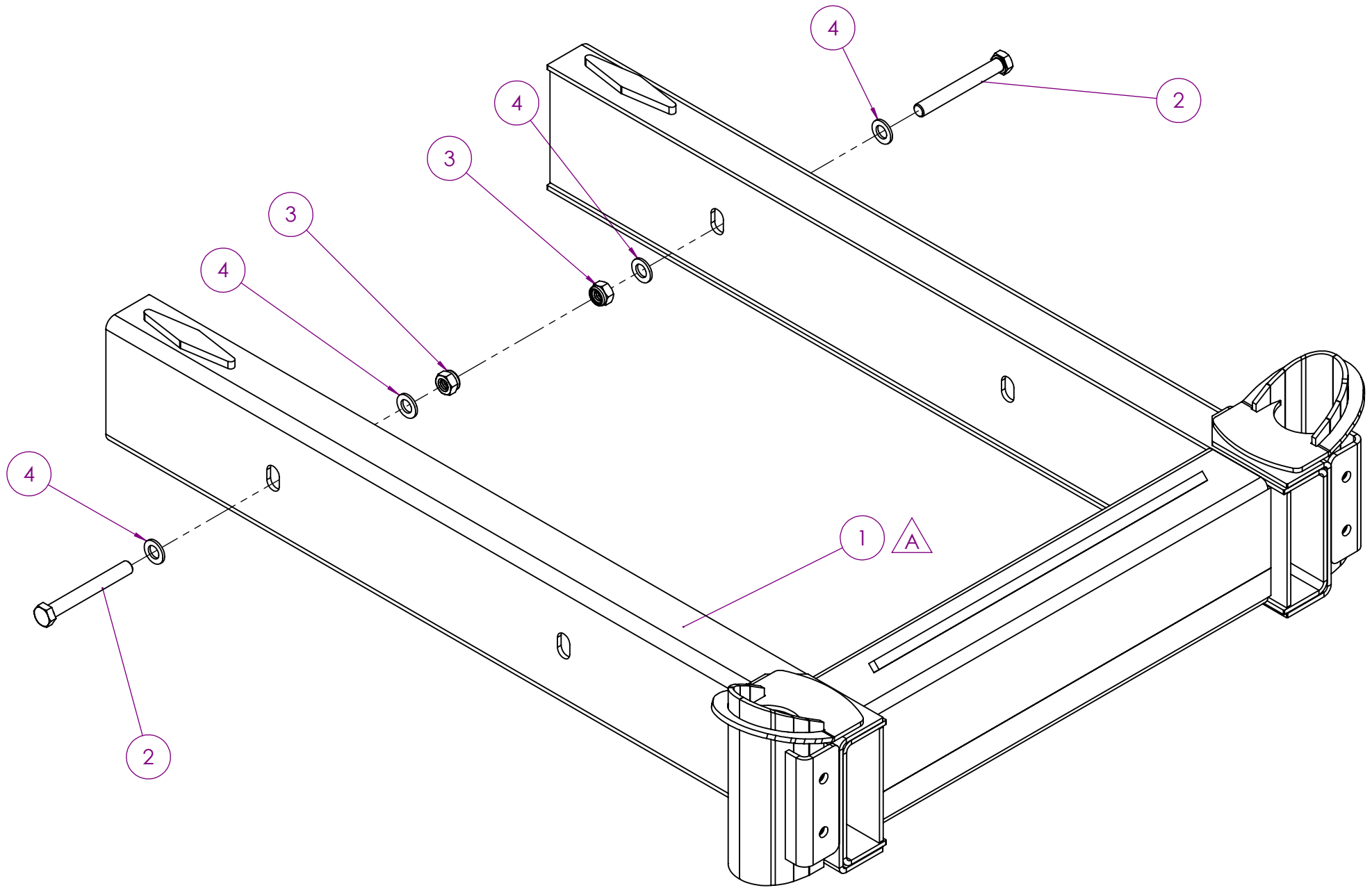
92757 BALANSSIIR TELI BOGGIE BOGIE

| ITEM NO. | PART NUMBER | Rev | DESCRIPTION | QTY. |
|----------|-------------------|-----|---|------|
| 1 | 92758 | | Balanssiir IP70 | 2 |
| 2 | 92744 | | Balanssiiri sõrm 10T | 2 |
| 3 | T04111015 | | Slide bearing bronze FB 092 60/65x70 | 4 |
| 4 | M18x1,5 | | Rattamutter | 24 |
| 5 | Seib M18,5 koonus | | Cone washer M18,5 | 24 |
| 6 | T01020309 | | Nut DIN 985 ZN M36 | 2 |
| 7 | T01030209 | | Washer DIN 125 ZN M36 | 2 |
| 8 | T01040102 | | Grease nipple DIN 71412 ZN M10x1 | 2 |



| ITEM NO. | PART NUMBER | Rev | DESCRIPTION | QTY. |
|----------|-------------------|-----|--------------------------------------|------|
| 1 | AD2 15-15 | | Vooliku klamber | 8 |
| 2 | M18x1,5 | | Rattamutter | 24 |
| 3 | Seib M18,5 koonus | | Cone washer M18,5 | 24 |
| 4 | T01010132 | | Bolt DIN 933 8,8 ZN M8x30 | 4 |
| 5 | T01010113 | | Bolt DIN 933 8,8 ZN M12x25 | 2 |
| 6 | T01020309 | | Nut DIN 985 ZN M36 | 2 |
| 7 | T01030212 | | Washer DIN 125 ZN M8 | 4 |
| 8 | T01030203 | | Washer DIN 125 ZN M12 | 2 |
| 9 | T01030209 | | Washer DIN 125 ZN M36 | 2 |
| 10 | T01040102 | | Grease nipple DIN 71412 ZN M10x1 | 2 |
| 11 | T04111015 | | Slide bearing bronze FB 092 60/65x70 | 4 |
| 12 | 92744 | | Balanssiiri sõrm 10T | 2 |
| 13 | 92764 | | hüdrokarki kaas SP | 1 |
| 14 | 92761 | | Balanssiir 1SP 70 vasak | 1 |
| 15 | 92760 | | Balanssiir 1SP 70 parem | 1 |
| 16 | 12414 | | Vooliku kaitse | 2 |

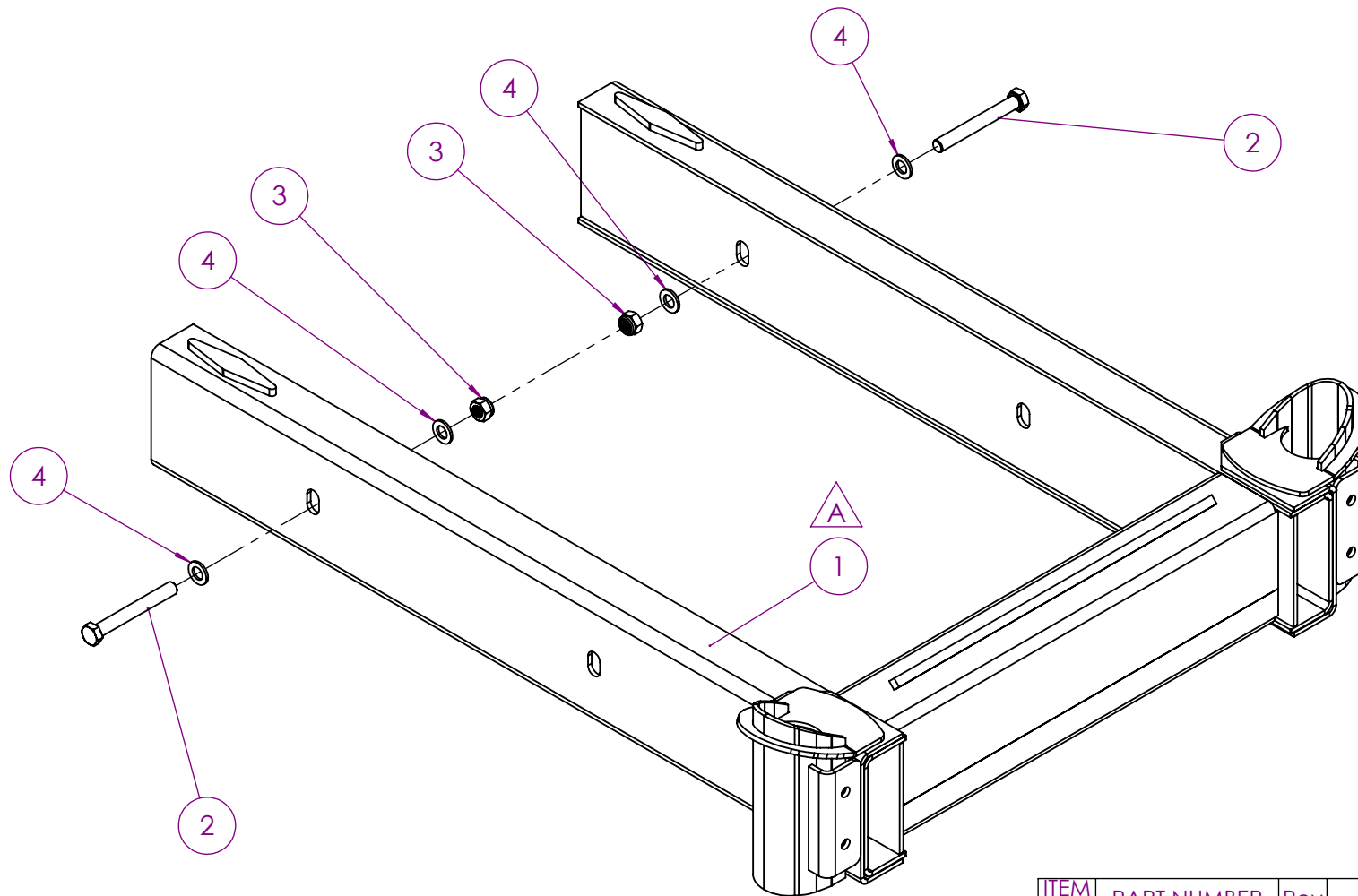
92759 BALANSSIIR TELI BOGGIE BOGGIE



92768A PIKENDUS 10T

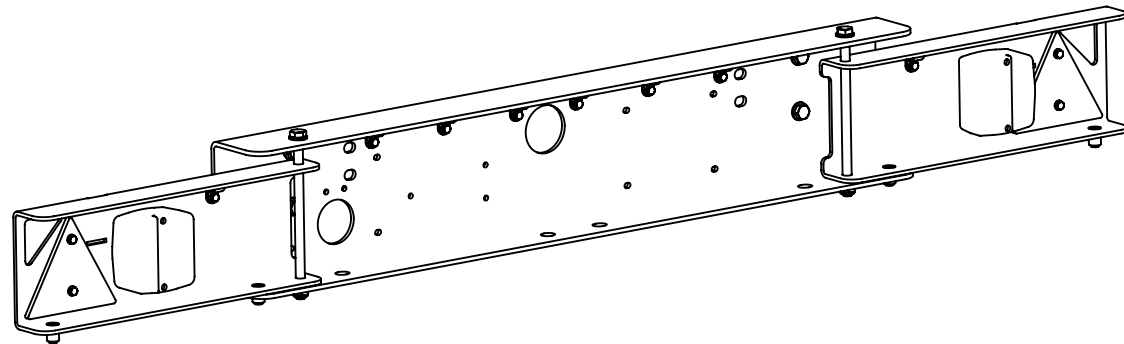
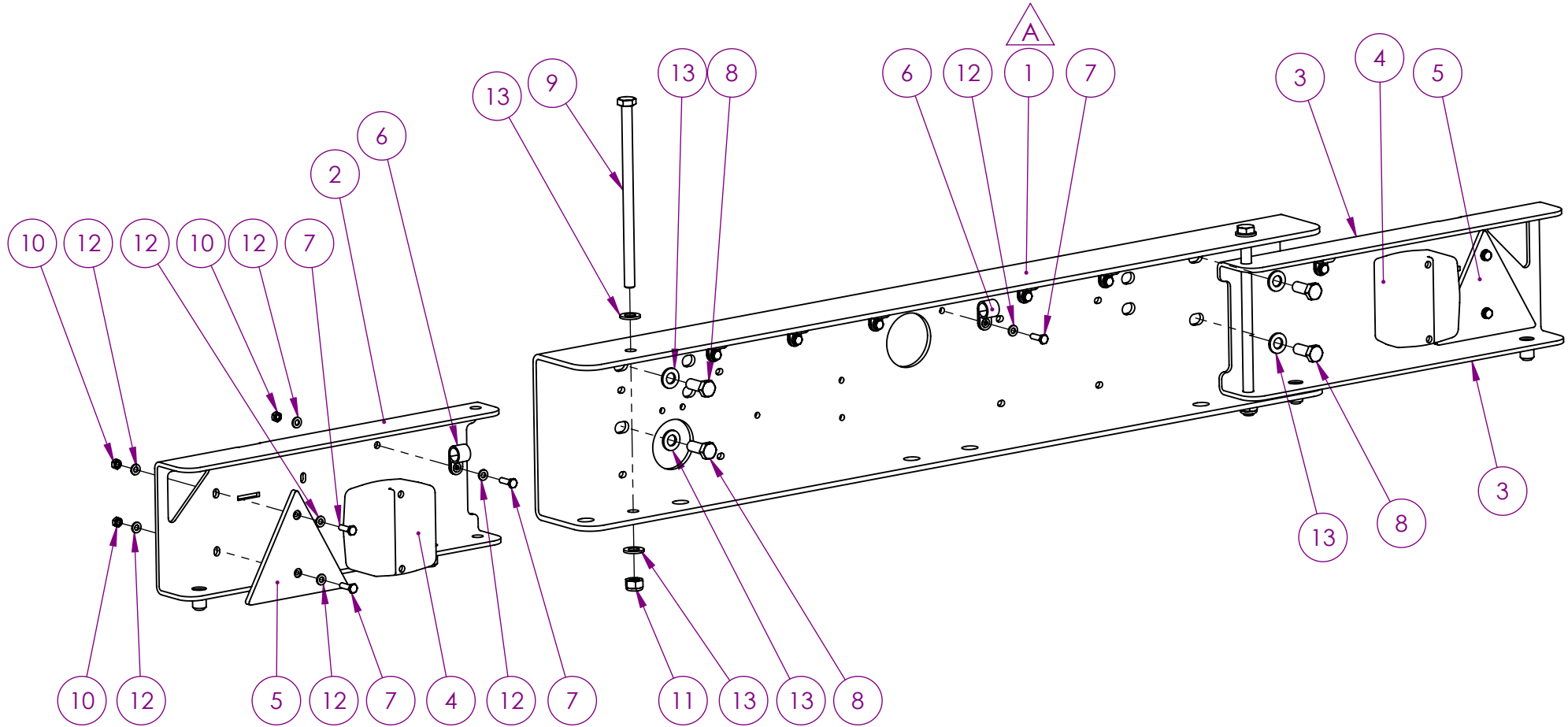
| ITEM NO. | PART NUMBER | Rev | DESCRIPTION | QTY. |
|----------|-------------|-----|-----------------------------|------|
| 1 | 92767 | A | Pikendus 10T | 1 |
| 2 | T01010410 | | Bolt DIN 931 8,8 ZN M16x130 | 2 |
| 3 | T01020303 | | Nut DIN 985 ZN M16 | 2 |
| 4 | T01030204 | | Washer DIN 125 ZN M16 | 4 |

| REVISIONS | | | |
|-----------|---------------------------|------------|------------|
| REV. | DESCRIPTION | DATE | APPROVED |
| A | Keeviskoost 92767 muutus. | 27.04.2015 | E. Kantsik |



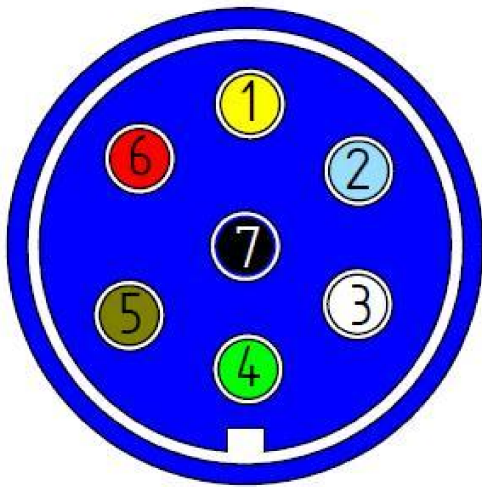
| ITEM NO. | PART NUMBER | Rev | DESCRIPTION | QTY. |
|----------|-------------|-----|-----------------------------|------|
| 1 | 92767 | A | Pikendus 10T | 1 |
| 2 | T01010410 | | Bolt DIN 931 8,8 ZN M16x130 | 2 |
| 3 | T01020303 | | Nut DIN 985 ZN M16 | 2 |
| 4 | T01030204 | | Washer DIN 125 ZN M16 | 4 |

| | | | | | |
|-----------------------|--|---------------------------|---|------------------------|---------------------|
| Materjal/Material: | | Arv/Qty: | Märkimata piirhälbed / Unspecified tolerances | Kaal/Weight (kg): | |
| | | 0 | H12,h12, ±IT14/2 | 79.69 | |
| Pinnakate/Surf.coat.: | | Konstrueeris/Designed By: | Kuupäev/Date: | Toode/Title | Format: Leht/Sheet: |
| | | E. Kantsik | | | A4 2/2 |
| | | Joonestas/Drawn By: | Kuupäev/Date: | Detail/det | Mõõt/Scale: REV: |
| | | E. Kantsik | 27.04.2015 | Pikendus 10T | 1:8 A |
| | | Kontrollis/Checked By: | Kuupäev/Date: | Joonise nr/Drawing No: | |
| | | | | 92768 | |



| ITEM NO. | PART NUMBER | Rev | DESCRIPTION | /QTY. |
|----------|------------------|-----|-----------------------------|-------|
| 1 | 92008 | | Tagastange | 1 |
| 2 | 91994 | A | Tulealus vasak | 1 |
| 3 | 91996 | A | Tulealus parem | 1 |
| 4 | taga_tuli | | Haagise tuli | 2 |
| 5 | kolmnurk_helkur | | Kolmnurk helkur | 2 |
| 6 | klamber DIN 1542 | | klamber 6mm | 8 |
| 7 | T01010124 | | Bolt DIN 933 8,8 ZN M6x20 | 12 |
| 8 | T01010114 | | Bolt DIN 933 8,8 ZN M12x30 | 4 |
| 9 | T01010406 | | Bolt DIN 931 8,8 ZN M12x220 | 2 |
| 10 | T01020310 | | Nut DIN 985 ZN M6 | 6 |
| 11 | T01020302 | | Nut DIN 985 ZN M12 | 2 |
| 12 | T01030211 | | Washer DIN 125 ZN M6 | 18 |
| 13 | T01030203 | | Washer DIN 125 ZN M12 | 8 |

91995 C



7-pin connector

1 - Left turn signal - yellow wire

2 - Rear fog light - blue wire

3 - Ground (connected to chassis) - white wire

4 - Right turn signal - green wire

5 - Rear light, side marker and registration plate lights

Right side - brown wire

6 - Stop light - red wire

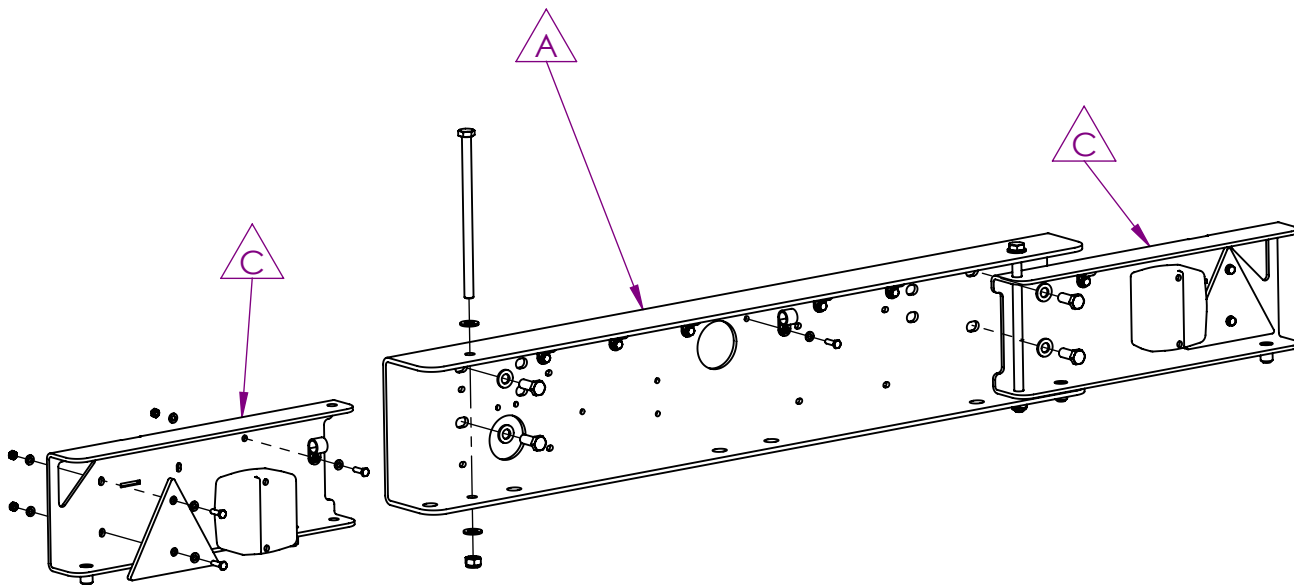
7 - Rear light, side marker and registration plate lights

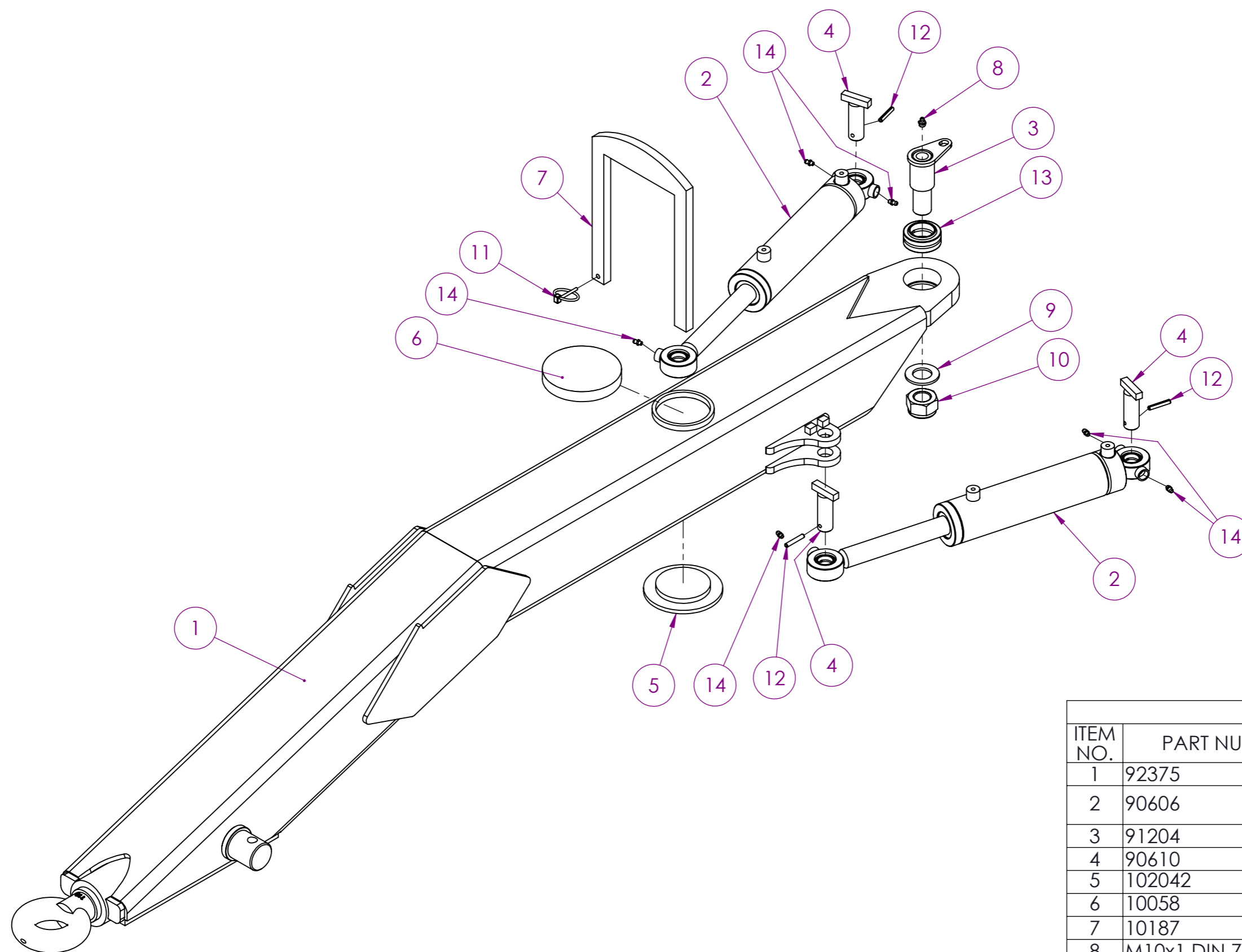
Left side - black wire

REVISIONS

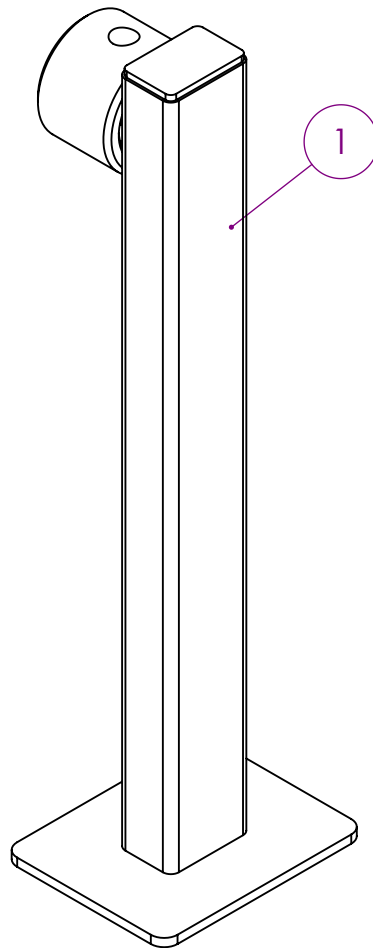
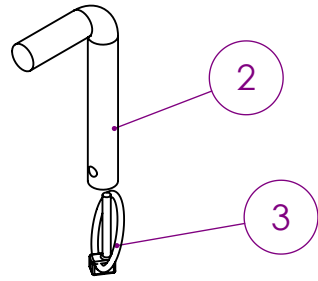
| REV. | DESCRIPTION | DATE | APPROVED |
|------|------------------------------------|------------|------------|
| A | Detail 10706 asendus 92008ga | 19.12.2013 | T.Rehtla |
| B | Käru pistiku elektriskeem lisatud. | 25.02.2014 | E. Kantsik |
| C | Tulealuste 91994 ja 91996 muudatus | 14.11.2014 | T.Rehtla |

B





| Tiisel PK K | | | |
|-------------|-------------------|----------------------|------|
| ITEM NO. | PART NUMBER | DESCRIPTION | QTY. |
| 1 | 92375 | Tiisel PK | 1 |
| 2 | 90606 | Tiisli pöördsilinder | 2 |
| 3 | 91204 | tiisli sõrm | 1 |
| 4 | 90610 | tiisli silindri sõrm | 4 |
| 5 | 102042 | tiisli liugur | 1 |
| 6 | 10058 | tiisli liugur | 1 |
| 7 | 10187 | tiisli fixaator | 1 |
| 8 | M10x1 DIN 71412 | Määrdenippel | 1 |
| 9 | seibM30DIN125 | Seib | 1 |
| 10 | M30 DIN985 | Mutter | 1 |
| 11 | A4,5_D40 DIN11023 | Rõngassplint | 1 |
| 12 | D6L40_DIN1481 | Vedrutihvt | 4 |
| 13 | GE40ES | sfääriline laager | 1 |
| 14 | M6x1 DIN71412 | Määrdenippel | 6 |



91340 A

| ITEM NO. | PART NUMBER | DESCRIPTION | QTY. |
|----------|-------------------|-----------------|------|
| 1 | 10-0301-00 | Tiisli tugijalg | 1 |
| 2 | 10561 | parkjala polt | 1 |
| 3 | A4,5_D40 DIN11023 | Rõngassplint | 1 |

| REV. | DESCRIPTION | DATE | APPROVED |
|------|-----------------------------|------------|----------|
| A | Keeviskoostule lapp lisatud | 27-08-2013 | Kuusk |