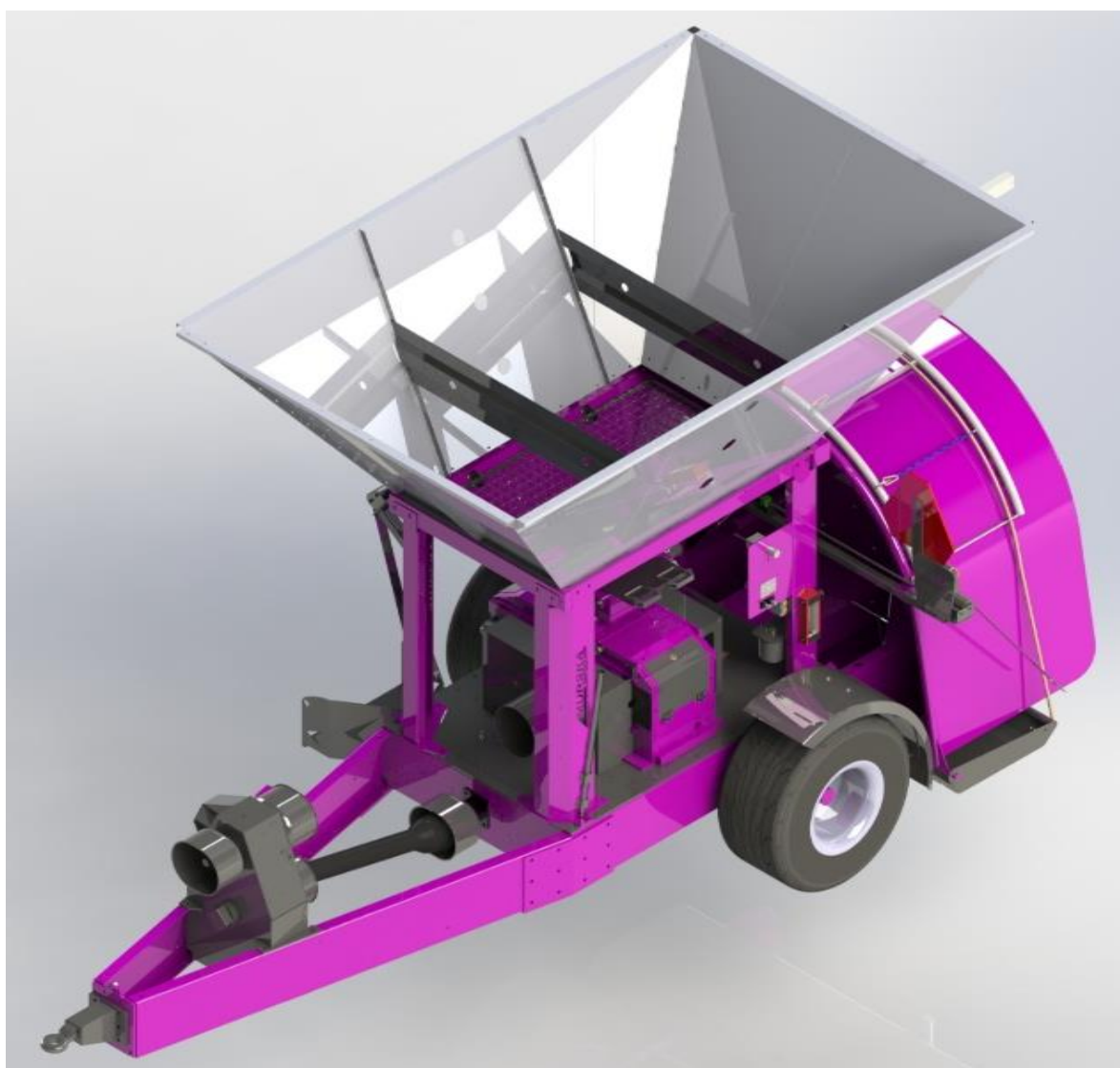
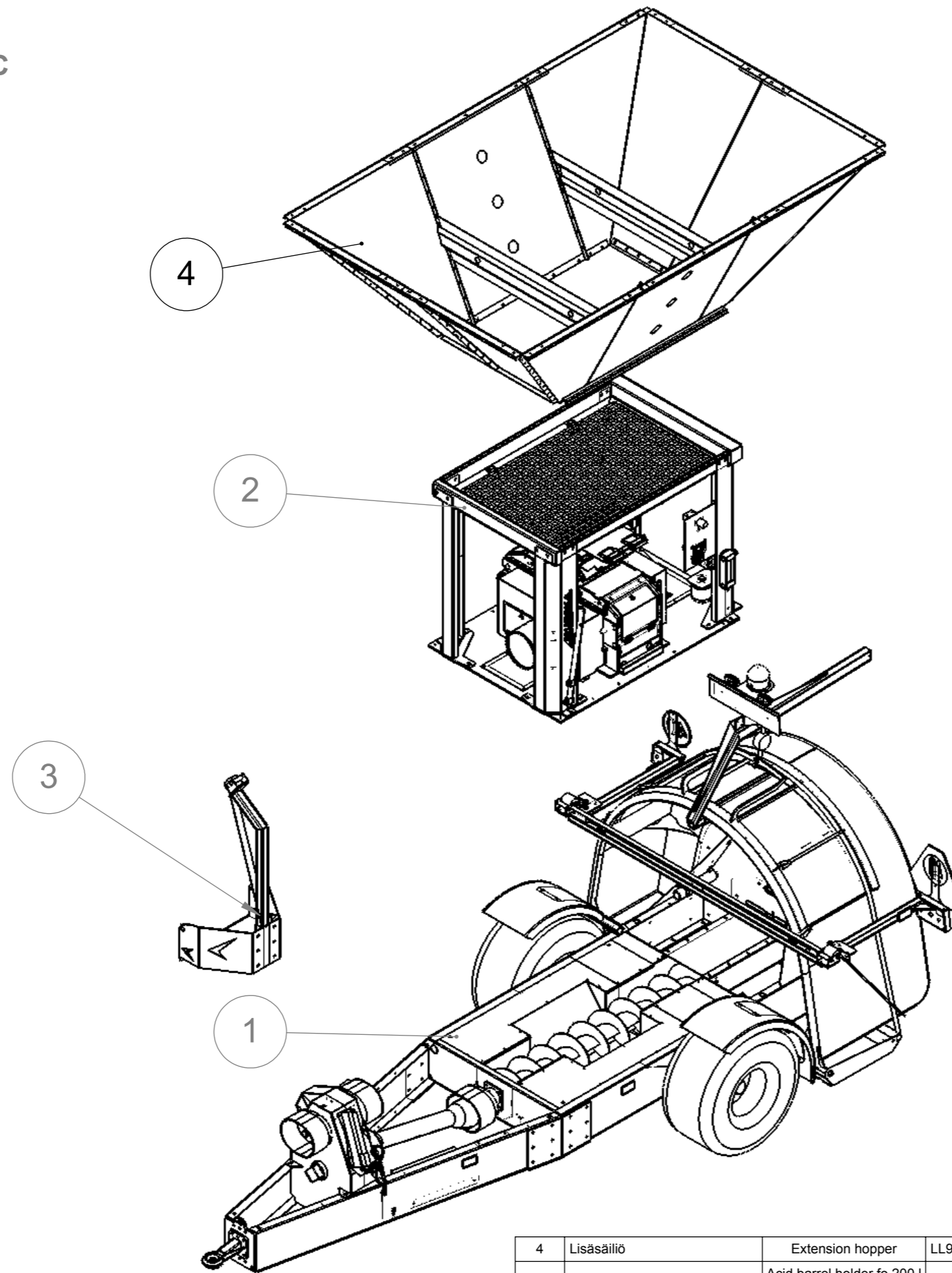




## W-Max 10 varaosakirja/spare parts catalogue

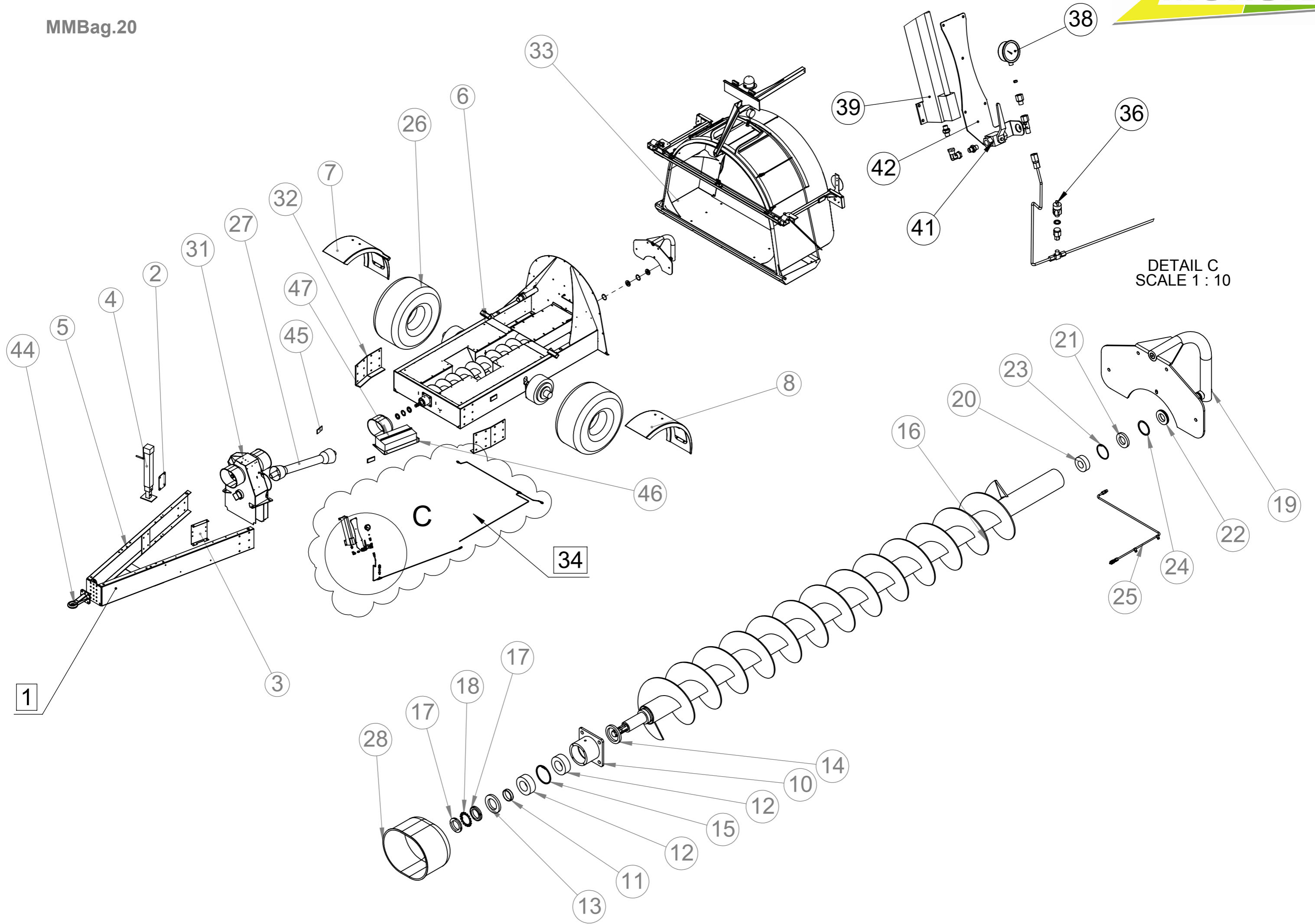


Versio 1.3  
18.5.2016

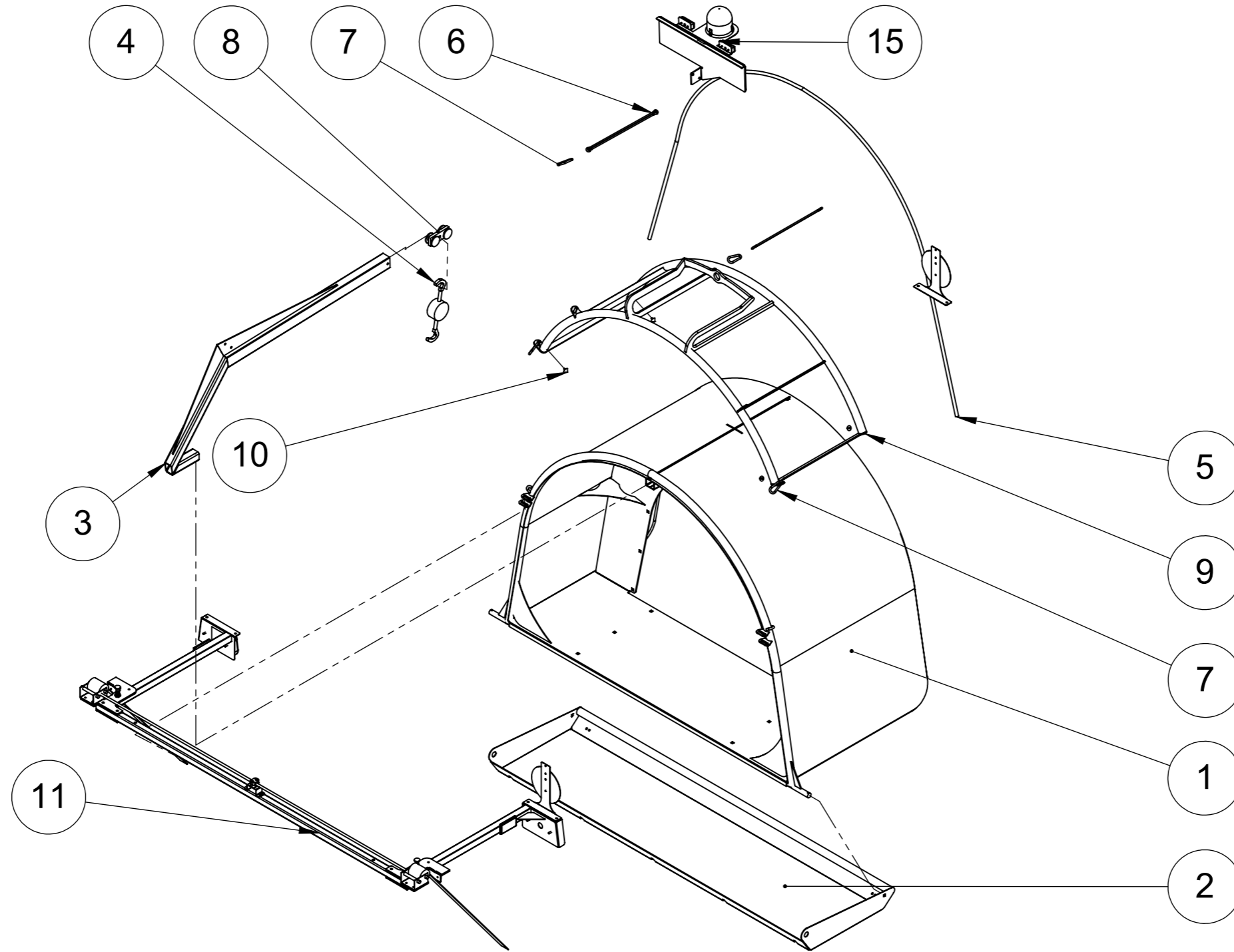


|                 |                                     |                                    |                          |                 |                            |                         |                |
|-----------------|-------------------------------------|------------------------------------|--------------------------|-----------------|----------------------------|-------------------------|----------------|
| 4               | Lisäsäiliö                          | Extension hopper                   | LL9457                   |                 |                            |                         | 1              |
| 3               | Happotynnyriteline                  | Acid barrel holder fo 200 l barrel | LH9273                   |                 |                            |                         | 1              |
| 2               | W-Max 10 C hydraulisyöttölaitteella | W-Max 10 assembly                  | 1004693                  |                 |                            |                         | 1              |
| 1               | Murska Bagger Ø2,0 m tunnelilla     | Murska Bagger Ø2,0                 | MMBag.20                 |                 |                            |                         | 1              |
| <b>Osa Item</b> | <b>DescriptionFinnish</b>           | <b>English description</b>         | <b>Piir. no. Dwg no.</b> | <b>Standard</b> | <b>Materiaali Material</b> | <b>Mitat Dimensions</b> | <b>Kpl Qty</b> |





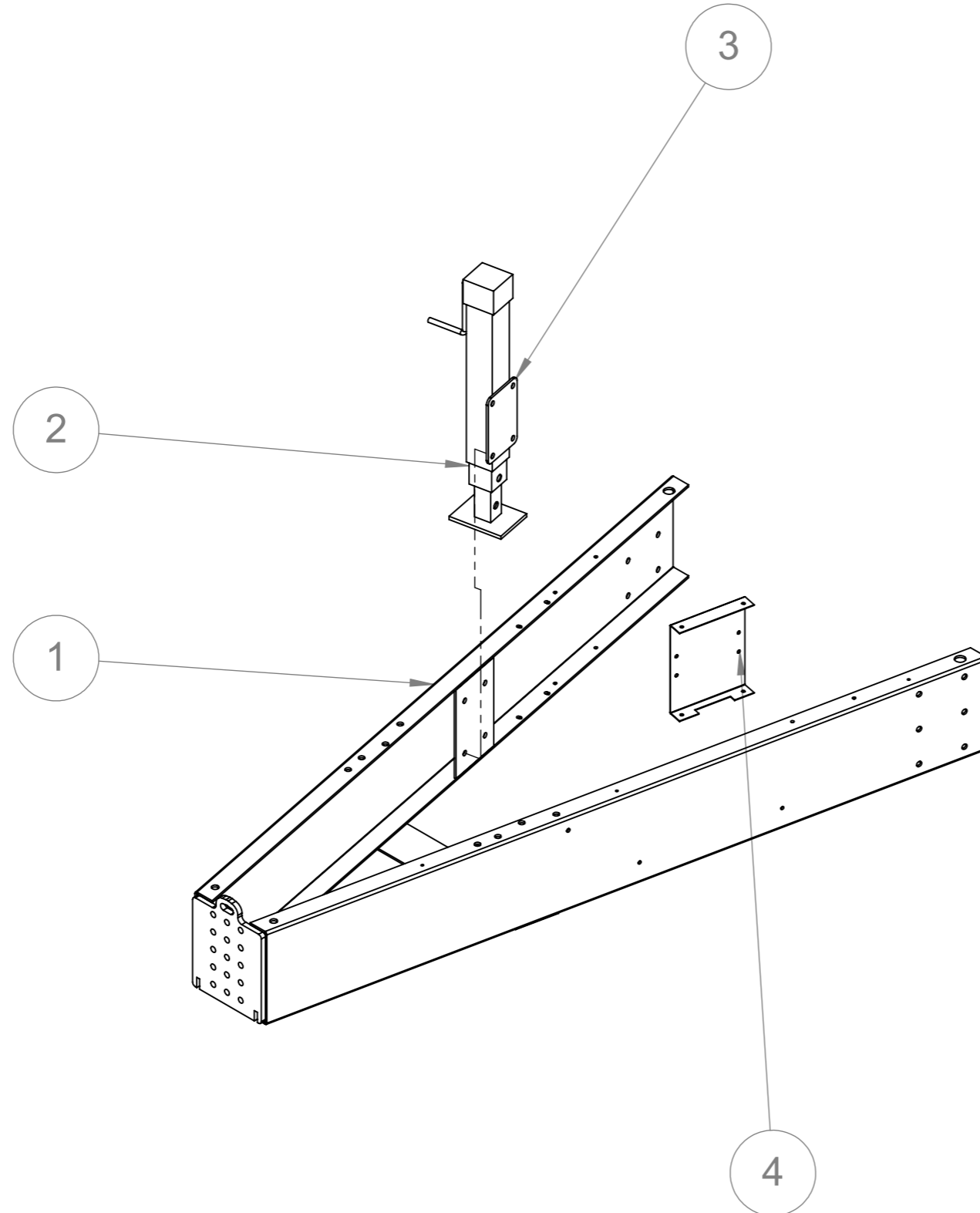
|                 |                                  |                                 |                          |                 |                            |                         |                |
|-----------------|----------------------------------|---------------------------------|--------------------------|-----------------|----------------------------|-------------------------|----------------|
| 47              | Työkalulaatikko                  | Toolbox                         | 7012228                  |                 | S355J2G3                   |                         | 1              |
| 46              | Työkalulaatikon teline           | Toolbox stand                   | 1003095                  |                 | S355J2G3                   |                         | 1              |
| 45              | Heijastin 55x105 keltainen       | Reflector 55x105                | 7012091                  |                 | S355J2G3                   |                         | 4              |
| 44              | Vetolenkki                       | Towing eye, fixed               | 1004106                  |                 |                            |                         | 1              |
| 43              | Jarrusarja takaosa               | Brake kit, rear                 | 1001554                  |                 |                            |                         | 1              |
| 42              | Käsipumpun teline                | Handpump stand                  | 1001838                  |                 | S355J2G3                   |                         | 1              |
| 41              | Kuulahana 3/8", hydrauliiikka    | Closing tap 3/8"                | 504068                   |                 |                            |                         | 1              |
| 40              | Jarruputki 1                     | Brake tube 1                    | 1001837                  |                 | S355J2G3                   |                         | 1              |
| 39              | Power team käsipumppu            | Hydraulic hand pump             | 509706                   |                 |                            |                         | 1              |
| 38              | Painemittari 160 bar             | Pressure gauge max 160 bar      | 509550                   |                 |                            |                         | 1              |
| 37              | Jarruputki 1150                  | brake tube 1150                 | 1005174                  |                 |                            |                         | 1              |
| 36              | Painekello                       | Pressure sensor                 | 4510607                  |                 |                            |                         | 1              |
| 35              | Jarrusarja, etuosa               | Brake kit, front                | 1001553                  |                 |                            |                         | 1              |
| 34              | Jarrujärjestelmä                 | Brake system                    | MP20243                  |                 |                            |                         | 1              |
| 33              | Painekartio kokoonpano 2,0m      | Compression tunnel 2,0 assembly | 1003324                  |                 |                            |                         | 1              |
| 32              | Aisan kiinnityslevy              | Mounting plate                  | 1005166                  |                 |                            |                         | 2              |
| 31              | Ketjuvälitys                     | Chain drive                     | 1003834                  |                 |                            |                         | 1              |
| 30              | Ohjekirjaputkilo                 | Document case                   | 7012139                  |                 |                            |                         | 1              |
| 29              | Pohjaruuvien kansi               | Cover plate                     | 1001318                  |                 | S355J2G3                   |                         | 1              |
| 28              | Nivelakselin suojakupu           | Protective casing for PTO-shaft | 2521904CE                |                 | PE-HD                      |                         | 1              |
| 27              | Nivelakseli 6-860                | PTO shaft                       | 2512169                  |                 |                            |                         | 1              |
| 26              | Rengaspaketti 400/60             | Tire 400/60                     | 7012197                  |                 |                            |                         | 2              |
| 25              | Kärsän rasvaus                   | Greasing pipe                   | 1001551                  |                 |                            |                         | 1              |
| 24              | Rengastiiviste ø72x2mm           | Sealing ø72x2mm                 | 7011282                  |                 |                            |                         | 1              |
| 23              | Pidätinrengas sisäpuolinen i72   | Circlip i 72 inner              | 608678                   | DIN472          |                            |                         | 1              |
| 22              | Pidike rengastiivisteelle ø72mm  | Fasterning for sealing Ø72mm    | MP11283                  |                 |                            |                         | 1              |
| 21              | Akselitiiviste 40x72x10          | Sealing                         | 208587                   |                 |                            |                         | 1              |
| 20              | Laakeri ø 35/72x23               | Bearing                         | 208689                   |                 |                            |                         | 1              |
| 19              | Pohjaruuvien laaakerituki        | Auger Bearing Support           | AKK-2324                 | DIN             |                            |                         | 1              |
| 18              | Akselimutterin lukitysväli MB 10 | Securing plate MB10             | 208674                   |                 | S355J2G3                   |                         | 1              |
| 17              | Akselimutteri KM 10              | Nut KM10                        | 209232                   |                 | S355J2G3                   |                         | 2              |
| 16              | POHJARUUVI 2870                  | Bottom Auger 08                 | AKK-2388                 |                 |                            |                         | 1              |
| 15              | Pidätinrengas i 90               | Circlip inner i 90              | 609231                   |                 |                            |                         | 1              |
| 14              | Akselitiiviste 68x90x10          | Sealing 68x90x10                | 209956                   |                 |                            |                         | 1              |
| 13              | Akselitiiviste 55x90x10          | Sealing 55x90x10                | 205633                   |                 | ABS                        |                         | 1              |
| 12              | Kartio rullalaakeri              | Bearing ø50x90x32               | 209045                   |                 | S355J2G3                   |                         | 2              |
| 11              | Stefan holkki                    | Sealing support ring            | MP9224                   |                 | S355J2G3                   |                         | 1              |
| 10              | Pohjaruuvien painelaakerin pesä  | Thrust bearing housing          | 1005107                  |                 |                            |                         | 1              |
| 9               | Pohjaruuvien painelaakerin pesä  | Thrust bearing housing          | MP9127                   |                 |                            |                         | 1              |
| 8               | Lokasuojat oikeap                | Mudguard right                  | AKK-1817                 |                 |                            |                         | 1              |
| 7               | Lokasuojat vasen                 | Mudguard left                   | AKK-1816                 |                 |                            |                         | 1              |
| 6               | Rungon kokoonpano                | Frame, welded                   | AKK-2631                 |                 |                            |                         | 1              |
| 5               | Vetoaisa baggeri                 | Drawbar                         | 1003835                  |                 |                            |                         | 1              |
| 4               | Tukijalka DG 706                 | Support leg                     | 7012110                  |                 |                            |                         | 1              |
| 3               | Pyöräkiilan kiinnike             | Mounting plate                  | 1001784                  |                 | Sinkitty                   |                         | 1              |
| 2               | Jalan kiinnikelevy vetoaisaan    | Mounting plate                  | 1000714                  |                 | S355J2G3                   | PL6 x                   | 1              |
| 1               | Aisa kokoonpano                  | drawbar assembly                | 1003837                  |                 |                            |                         | 1              |
| <b>Osa Item</b> | <b>DescriptionFinnish</b>        | <b>English description</b>      | <b>Piir. no. Dwg no.</b> | <b>Standard</b> | <b>Materiaali Material</b> | <b>Mitat Dimensions</b> | <b>Kpl Qty</b> |



# 1003324 - Painekartio kokoonpano 2,0m



|                 |                                  |                              |                          |                 |                            |                         |                |
|-----------------|----------------------------------|------------------------------|--------------------------|-----------------|----------------------------|-------------------------|----------------|
| 15              | Rekisterikilventeline kokoonpano | License plate assembly       | 1005258                  |                 |                            |                         | 1              |
| 14              | rekisterikilven teline           | license plate mounting plate | 1005285                  |                 | S355J2G3                   | PL4 254x600             | 1              |
| 13              | Kilven kiinnike                  | Sign mounting plate          | 1005274                  |                 | S355J2G3                   |                         | 1              |
| 12              | 40km/h pohjalevy                 | Speed limit sign             | 1005250                  |                 |                            |                         | 1              |
| 11              | Bagger vinssi- ja valosarja 2m   | Bottom plate lifter 2,0m     | 1005211                  |                 |                            |                         | 1              |
| 10              | Kartiopuskin 25x16 M6            | Conical bumper male stud     | 7012093                  |                 | S355J2G3                   |                         | 4              |
| 9               | Nostoteline 2m säkille           | Bag cradle for Ø2,0m tunnel  | MP10134                  |                 |                            |                         | 1              |
| 8               | Pyörästö MP-300-500 teräs        | Hanger                       | 7010044                  |                 |                            |                         | 1              |
| 7               | Palomiehen haka 8x80             | Clasp 8mm                    | 605645                   |                 |                            |                         | 4              |
| 6               | Köysi 8mm lenkipäät              | nylon rope 8mm               | 1012106                  |                 |                            |                         | 2              |
| 5               | Kumiköysi kangaspäällysteinen    | Rubber band                  | 709269                   |                 |                            |                         | 1              |
| 4               | Ketjunostin MCH-0,25T            | Chain lifter                 | 2510024                  |                 |                            |                         | 1              |
| 3               | Säkinnosto orsi, vahvistettu     | Boom                         | 1001968                  |                 |                            |                         | 1              |
| 2               | Säkin alasuoja 2m                | Bottom plate for 2,0m tunnel | MP9351                   |                 |                            |                         | 1              |
| 1               | Painekartio runko 2.0m           | Compression tunnel 2.0m      | AKK-2634                 |                 |                            |                         | 1              |
| <b>Osa Item</b> | <b>DescriptionFinnish</b>        | <b>English description</b>   | <b>Piir. no. Dwg no.</b> | <b>Standard</b> | <b>Materiaali Material</b> | <b>Mitat Dimensions</b> | <b>Kpl Qty</b> |

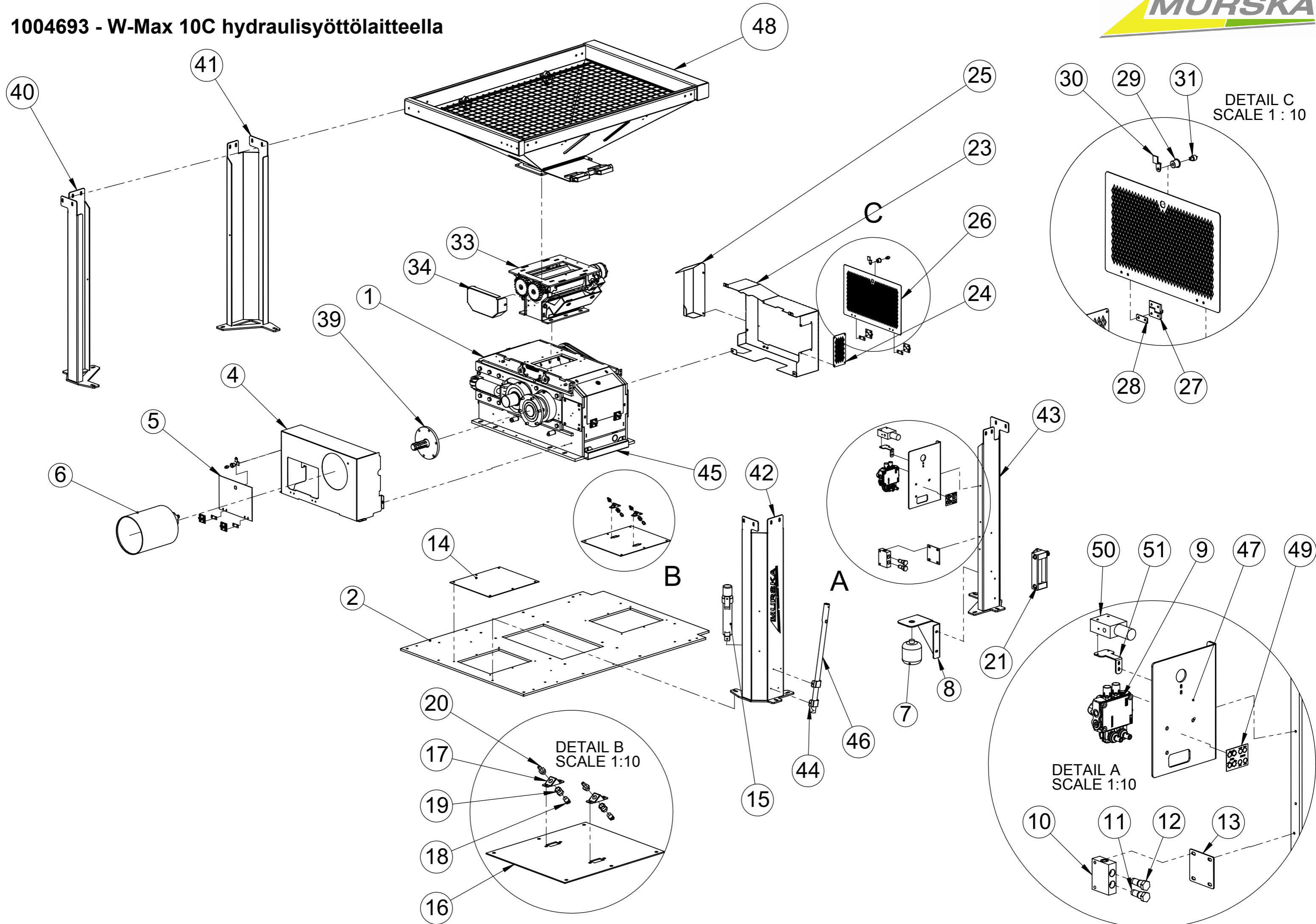


|                     |                               |                            |                              |                 |                                |                             |                    |
|---------------------|-------------------------------|----------------------------|------------------------------|-----------------|--------------------------------|-----------------------------|--------------------|
| 4                   | Pyöräkiilan kiinnike          | Mounting plate             | 1001784                      |                 | Sinkitty                       |                             | 1                  |
| 3                   | Jalan kiinnikelevy vetoaisaan | Mounting plate             | 1000714                      |                 | S355J2G3                       | PL6 x                       | 1                  |
| 2                   | Tukijalka DG 706              | Support leg                | 7012110                      |                 |                                |                             | 1                  |
| 1                   | Vetoaisa baggeri              | Drawbar                    | 1003835                      |                 |                                |                             | 1                  |
| <b>Osa<br/>Item</b> | <b>DescriptionFinnish</b>     | <b>English description</b> | <b>Piir. no.<br/>Dwg no.</b> | <b>Standard</b> | <b>Materiaali<br/>Material</b> | <b>Mitat<br/>Dimensions</b> | <b>Kpl<br/>Qty</b> |





1004693 - W-Max 10C hydraulisyöttölaitteella

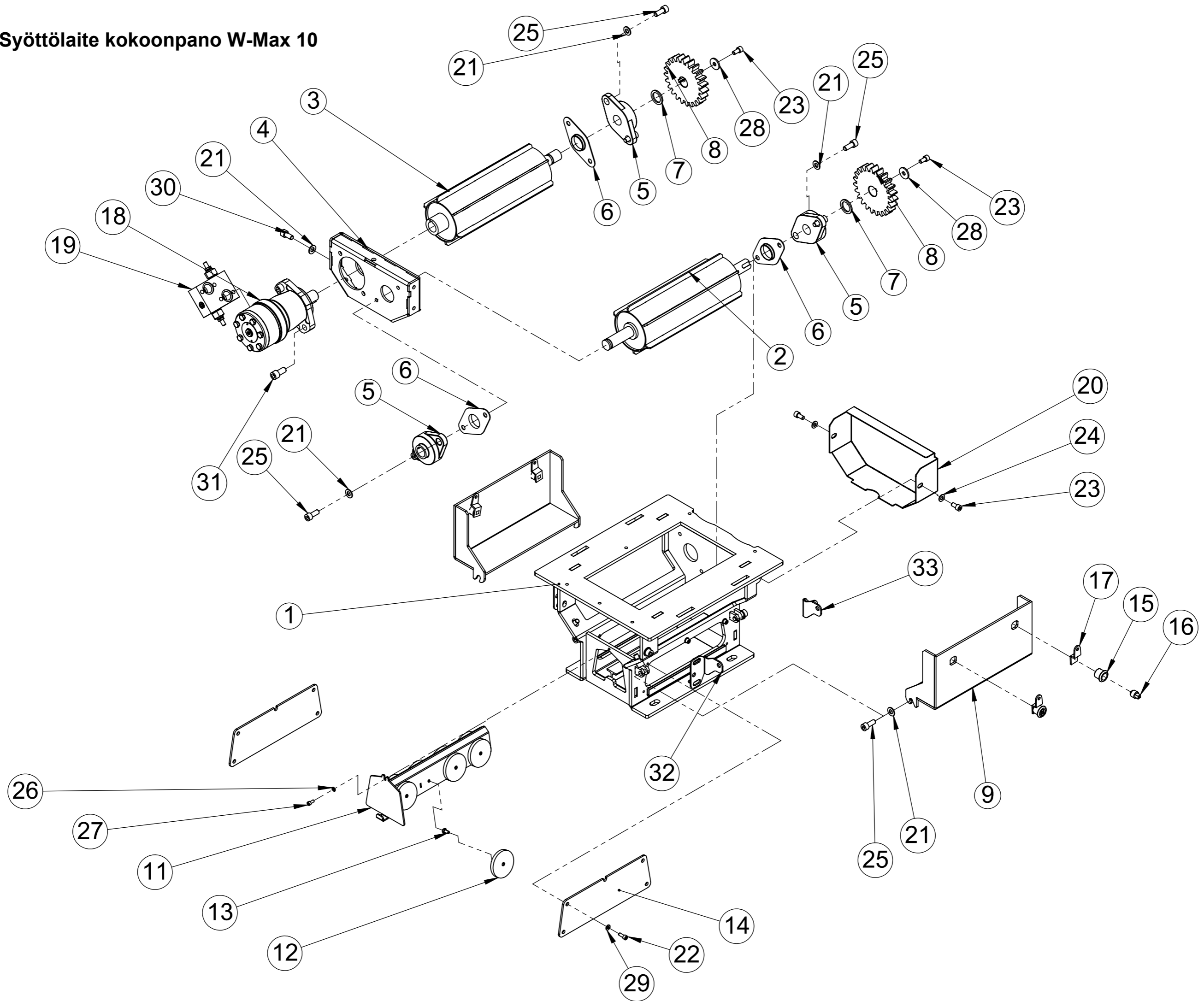


# 1004693 - W-Max 10C hydraulisyöttölaitteella



|                 |                                      |                              |                          |                 |                            |                         |                |
|-----------------|--------------------------------------|------------------------------|--------------------------|-----------------|----------------------------|-------------------------|----------------|
| 51              | Virtausventtiilin tukirauta          | Bracket                      | 1002109                  |                 | S355J2G3                   | PL3 x                   | 1              |
| 50              | Virtauksensäätöventtiili             | Flow regulator               | 5012060                  |                 |                            |                         | 1              |
| 49              | Hydrauliikan suunnat                 | Guide, sticker               | 1004688                  |                 | RST                        | PL1,5 x                 | 1              |
| 48              | Suppilo kokoonpano                   | Hopper assembly              | 1004734                  |                 |                            |                         | 1              |
| 47              | Hydrauliikan käyttöteline            | Bracket                      | 1003468                  |                 | S355J2G3                   | PL5 x                   | 1              |
| 46              | Näytteenottoputki                    | Sampling shovel              | MP20205                  |                 | RST                        |                         | 1              |
| 45              | Suojakisko                           | Cover                        | 1004682                  |                 | S355J2G3                   | PL3 x                   | 1              |
| 44              | Korvake                              | Bracket                      | AKK-1680                 | ISO             | Sinkitty                   | PL1,50 x                | 2              |
| 43              | Suppilonjalka hitsattuna, takavasen  | Hopper leg                   | 1004631                  |                 |                            |                         | 1              |
| 42              | Suppilonjalka hitsattuna, etuvasen   | Hopper leg                   | 1004633                  |                 |                            |                         | 1              |
| 41              | Suppilonjalka hitsattuna, takaoikea  | Hopper leg                   | 1004628                  |                 |                            |                         | 1              |
| 40              | Suppilonjalka hitsattuna, etuoikea   | Hopper leg                   | 1004627                  |                 |                            |                         | 1              |
| 39              | Valssiakselin päätylaippa            | Splined shaft 1 3/4"         | 1004700                  |                 |                            |                         | 1              |
| 38              |                                      |                              | 1004755                  |                 | S355J2G3                   |                         | 1              |
| 37              | Kivitaskun lukitusrauta              | Plate                        | 1004756                  |                 | RST                        | PL3 x                   | 1              |
| 36              |                                      |                              | 1004757                  |                 | S355J2G3                   |                         | 1              |
| 35              | Kivitaskun lukitusrauta              | Plate                        | 1004754                  |                 | RST                        | PL3 x                   | 1              |
| 34              | Syöttölaitteen hammassuoja           | Cover                        | 1004603                  |                 | S355J2G3                   | PL 2x                   | 1              |
| 33              | Syöttölaite hitsattuna               | Feeder frame welded          | 1004538                  |                 |                            |                         | 1              |
| 32              | Syöttölaite kokoonpano               | Feeder assembly              | 1004537                  |                 |                            |                         | 1              |
| 31              | Kara neliö 8mm                       | Locking square               | 704893                   |                 |                            |                         | 1              |
| 30              | Telki 232117                         | Lock hook                    | 7011373                  |                 |                            |                         | 1              |
| 29              | Lukkopesä                            | Lock housing, short          | 704891                   |                 |                            |                         | 1              |
| 28              | Saranan aluslevy                     | Plate                        | 1002713                  |                 | Sinkitty                   | PL2 x                   | 2              |
| 27              | Sarananpuolikas                      | Guard hinge                  | 7012200                  |                 |                            |                         | 4              |
| 26              | Takasuojan kansi                     | Hatch                        | 1002584                  |                 | S355J2G3                   | PL2 x                   | 1              |
| 25              | Hihnapyöränsuoja                     | Cover                        | 1003621                  |                 | S355J2G3                   | PL1,50 x                | 1              |
| 24              | Luukku                               | Cover                        | 1003624                  |                 | S355J2G3                   | PL2 x                   | 1              |
| 23              | Hihnasuoja hitsattuna                | Belt cover                   | 1003628                  |                 |                            |                         | 1              |
| 22              | Hihnasuojakokoonpano                 | Cover assembly               | 1003629                  |                 |                            |                         | 1              |
| 21              | Virtausmittari pieni, HP20           | Acid flow meter HP20         | 4512112                  |                 | S355J2G3                   |                         | 1              |
| 20              | Suutinsarjan osa                     | Nozzle parts without sprayer | 80Murska-SS1-2           |                 |                            |                         | 2              |
| 19              | Suutinsarjan osa                     | Nozzle parts without sprayer | 80Murska-SS1-1           |                 |                            |                         | 2              |
| 18              | happosuutin                          | Spraying nozzle              | 7010471                  |                 |                            |                         | 2              |
| 17              | Suuttimen kiinnike                   | Nozzle clamp                 | MP10797                  |                 | AISI 304                   |                         | 2              |
| 16              | Ruuvien suojakansi                   | Cover                        | 1002212                  |                 |                            |                         | 1              |
| 15              | Ohjekirjaputkilo                     | Document case                | 7012139                  |                 |                            |                         | 1              |
| 14              | Ruuvien kansi                        | Cover                        | 1002213                  |                 | S355J2G3                   | PL3 365x420             | 1              |
| 13              | Patruunaventtiilin tukirauta         | Plate                        | 1004683                  |                 | S355J2G3                   | PL3 x                   | 1              |
| 12              | Paineavattava vastaventtiilipatruuna | Valve cartridge              | 1002779                  |                 |                            |                         | 1              |
| 11              | Tulppa                               | Plug                         | 1002780                  |                 |                            |                         | 1              |
| 10              | Patruunaventtiili                    | Valve                        | 1002768                  |                 |                            |                         | 1              |
| 9               | suuntaventtiili 5/2                  | Hydraulic valve              | 1002770                  |                 |                            |                         | 1              |
| 8               | Paineakun teline                     | Bracket                      | 1002122                  |                 | S355J2G3                   | PL6 x                   | 1              |
| 7               | Paineakku 150bar                     | Hydraulic accumulator        | 1002769                  |                 |                            |                         | 1              |
| 6               | Nivelakselin suoja                   | PTO cover                    | MP11159                  |                 |                            |                         | 1              |
| 5               | Sivuluukku                           | Hatch cover                  | 1002603                  |                 | S355J2G3                   | PL2 200x285             | 1              |
| 4               | Suojalevy                            | Cover                        | 1004606                  |                 | S355J2G3                   | PL 1,5                  | 1              |
| 3               | Suoja kokoonpano                     | Cover assembly               | 1004611                  |                 |                            |                         | 1              |
| 2               | Bagger sovitelevy                    | Base plate                   | 1002071                  |                 | S355J2G3                   | PL12 x                  | 1              |
| 1               | Kasetti w-max 10                     | W-Max 10 cassette assembly   | 1001954                  |                 |                            |                         | 1              |
| <b>Osa Item</b> | <b>DescriptionFinnish</b>            | <b>English description</b>   | <b>Piir. no. Dwg no.</b> | <b>Standard</b> | <b>Materiaali Material</b> | <b>Mitat Dimensions</b> | <b>Kpl Qty</b> |

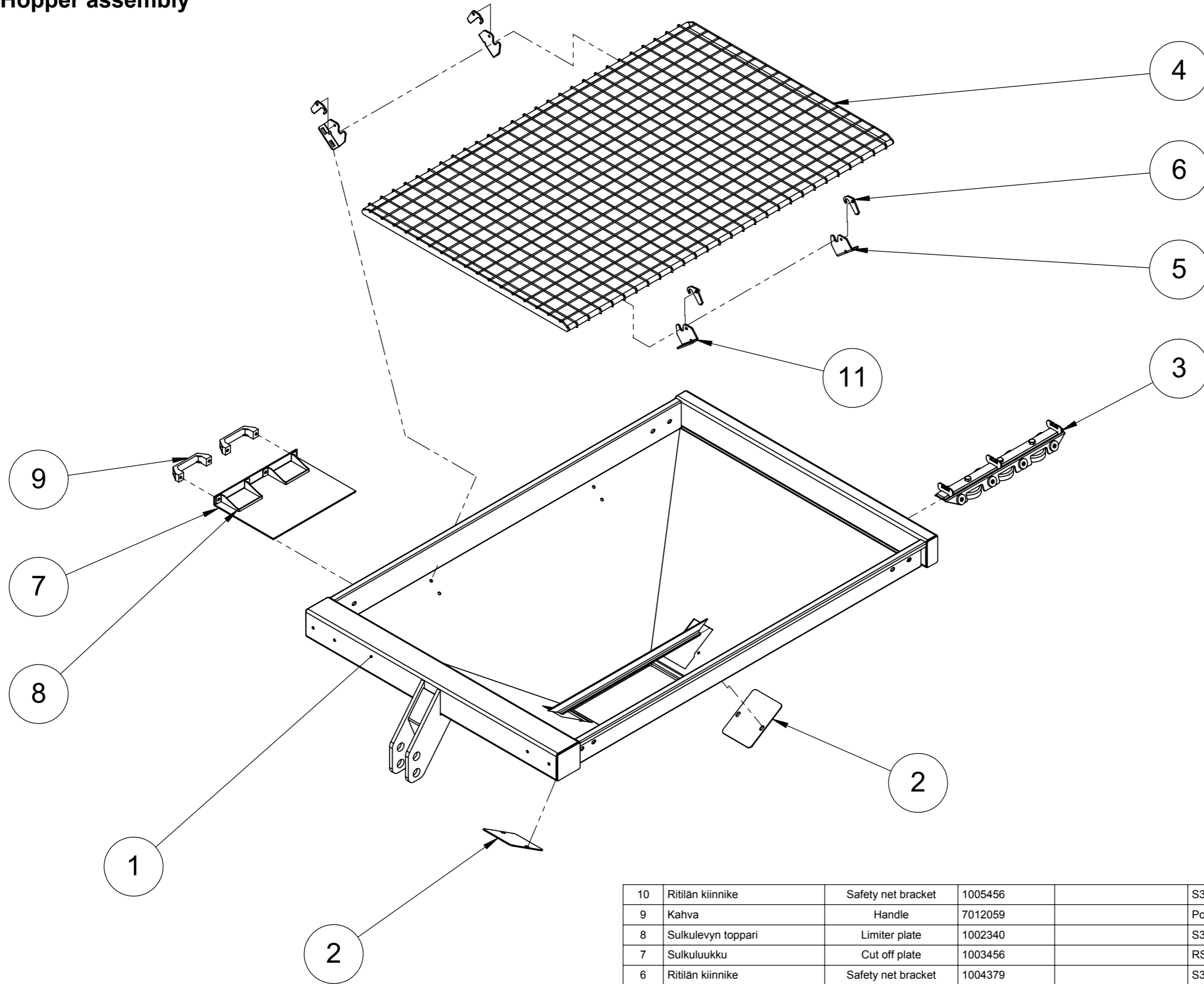
1004537 - Syöttölaite kokoonpano W-Max 10



# 1004537 - Syöttölaite kokoonpano

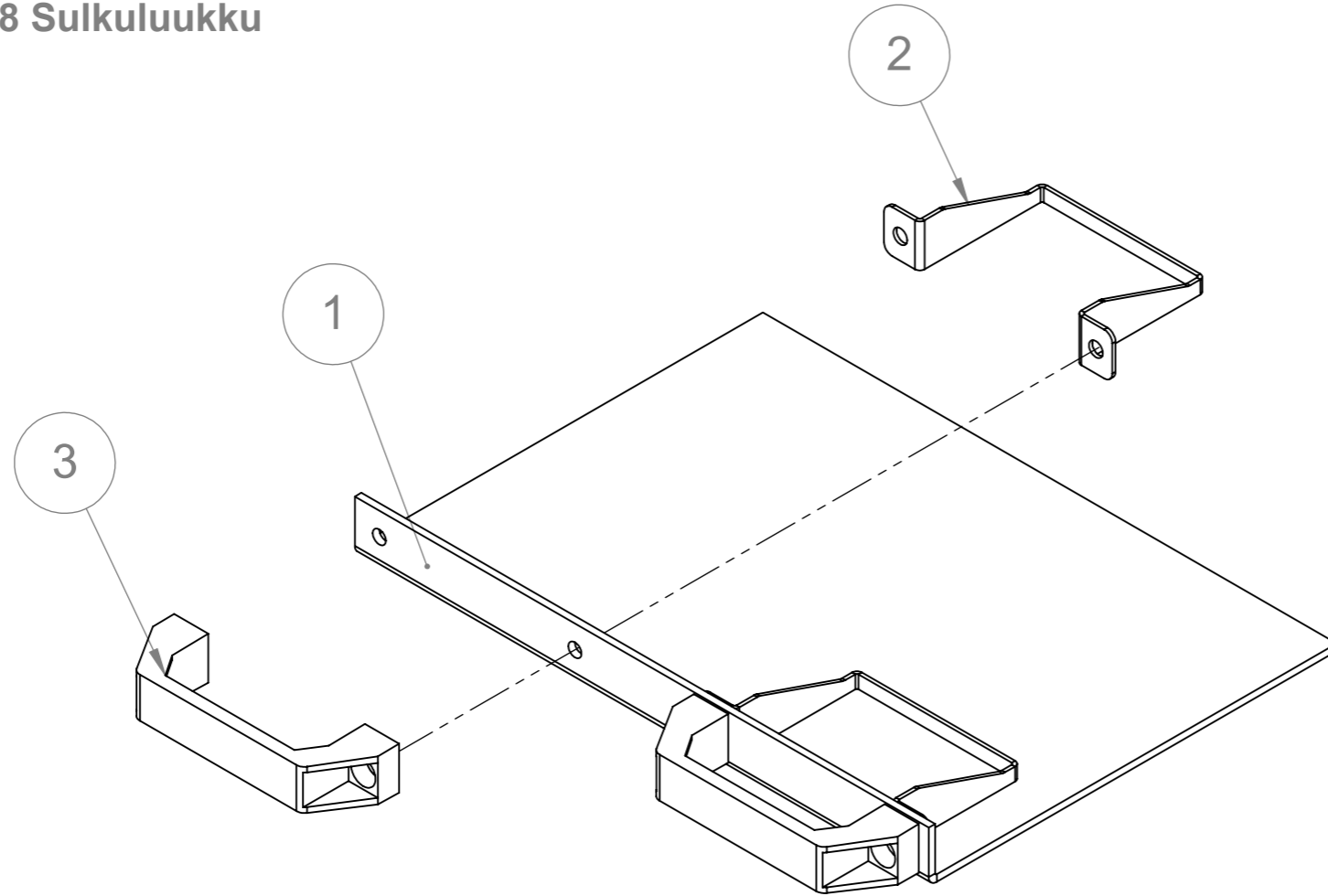
|                 |   |                              |                          |                           |                            |                         |                |
|-----------------|---|------------------------------|--------------------------|---------------------------|----------------------------|-------------------------|----------------|
| 33              | Kivitaskun lukitusrauta                   | Plate                        | 1004756                  |                           | RST                        | PL3 x                   | 1              |
| 32              | Kivitaskun lukitusrauta                   | Plate                        | 1004754                  |                           | RST                        | PL3 x                   | 1              |
| 31              | Kuusiokoloruuvi                           | Hexagon socket screw         |                          | DIN 912                   |                            | M12x25                  | 2              |
| 30              | Kuusiokoloruuvi                           | Hexagon socket screw         |                          | DIN 912                   |                            | M10x20                  | 6              |
| 29              | Aluslaatta                                | Washer                       | 60W04076                 | DIN 125                   | Zn                         | A6                      | 6              |
| 28              | Korilaatta                                | Washer                       |                          | DIN 440                   |                            | M8                      | 2              |
| 27              | Kuusiokoloruuvi                           | Hexagon socket screw         |                          | DIN 912                   |                            | M5x12                   | 1              |
| 26              | Aluslaatta                                | Washer                       | 60W04075                 | DIN 125                   | Zn                         | A5                      | 1              |
| 25              | Kuusiokoloruuvi                           | Hexagon socket screw         |                          | DIN 912                   |                            | M10x25                  | 10             |
| 24              | Aluslaatta                                | Washer                       | 6004078                  | DIN 125                   | Zn                         | A8                      | 2              |
| 23              | Kuusiokoloruuvi                           | Hexagon socket screw         |                          | DIN 912                   |                            | M8x16                   | 4              |
| 22              | Kuusiokoloruuvi                           | Hexagon socket screw         |                          | DIN 912                   |                            | M6x16                   | 6              |
| 21              | Aluslaatta                                | Washer                       | 60040710                 | DIN 125                   | Zn                         | A10                     | 16             |
| 20              | Syöttölaitteen hammassuoja                | Cover                        | 1004603                  |                           | S355J2G3                   | PL 2x                   | 1              |
| 19              | Kaksoispaineenrajoitusventtiili KPDR 210P | Double pressure relief valve | 5012056                  |                           |                            |                         | 1              |
| 18              | Hydraulimoottori MR200CD                  | Hydraulic motor MR200CD      | 1002772                  |                           |                            |                         | 1              |
| 17              | Telki 232117                              | Lock hook                    | 7011373                  |                           |                            |                         | 1              |
| 16              | Kara neliö 8mm                            | Locking square               | 704893                   |                           |                            |                         | 1              |
| 15              | Lukkopesä                                 | Lock housing, short          | 704891                   |                           |                            |                         | 1              |
| 14              | Syöttölaitteen pleksi                     | Plexiglass                   | 1004566                  |                           | PC                         | PL4 x                   | 2              |
| 13              | Kuusioruuvi                               | Hexagon head screw           | 601057612                | DIN 933                   |                            | M6x12                   | 8              |
| 12              | Magneetti ø66                             | Protective magnet ø66mm      | 7012167                  |                           |                            | 7012167                 | 8              |
| 11              | Magneetikisko hitsattuna                  | Magnetic bar welded          | 1004549                  |                           |                            |                         | 1              |
| 10              | Magneettirauta koottuna                   | Magnetic bar assembly        | 1004548                  |                           |                            |                         | 1              |
| 9               | Kivitasku                                 | Stone trap                   | 1004547                  |                           |                            |                         | 2              |
| 8               | Syöttölaitteen hammaspyörä                | Sprocket z23                 | 1002743                  |                           | S355J2G3                   |                         | 2              |
| 7               | Holkki 35/25/3                            | Sleeve                       | 1002343                  |                           |                            |                         | 2              |
| 6               | Laakeritiiviste UCFL 205                  | Seal for bearing UCFL 205    | MP8827                   |                           |                            |                         | 3              |
| 5               | Laakeri UCFL 205                          | Bearing                      | 203992                   |                           |                            |                         | 3              |
| 4               | Hydr.moottorin teline                     | Rack                         | 1002976                  |                           |                            |                         | 1              |
| 3               | Syöttölaitteen rulla                      | Feeder roll                  | 1004587                  |                           |                            |                         | 1              |
| 2               | Syöttölaitteen rulla                      | Feeder roll                  | 1004583                  |                           |                            |                         | 1              |
| 1               | Syöttölaite hitsattuna                    | Feeder frame welded          | 1004538                  |                           |                            |                         | 1              |
| <b>Osa Item</b> | <b>DescriptionFinnish</b>                 | <b>English description</b>   | <b>Piir. no. Dwg no.</b> | <b>Standardi Standard</b> | <b>Materiaali Material</b> | <b>Mitat Dimensions</b> | <b>Kpl Qty</b> |

1004734 - Suppilo kokoonpano  
Hopper assembly



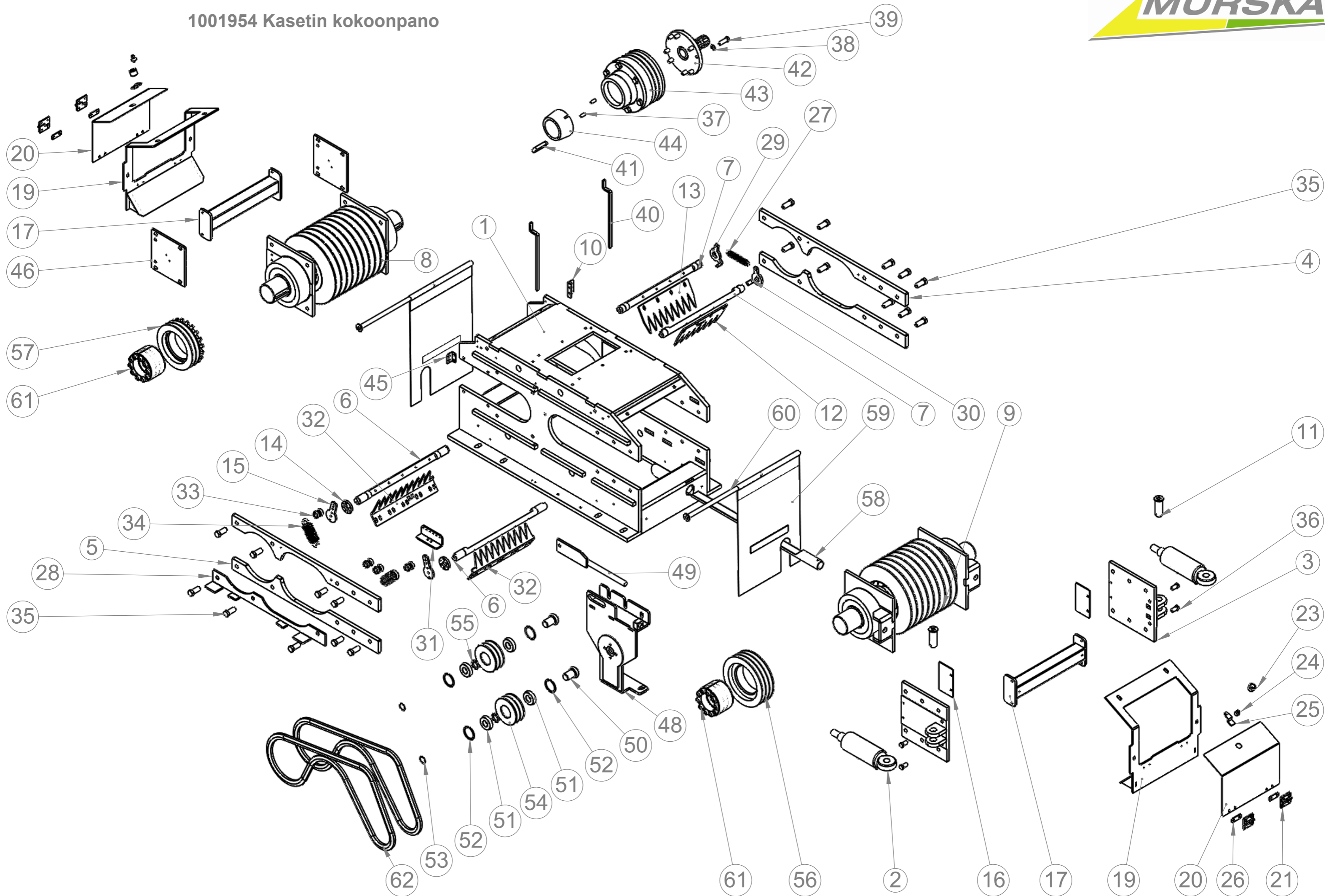
|                     |                           |                            |                              |                 |                                |                             |                    |
|---------------------|---------------------------|----------------------------|------------------------------|-----------------|--------------------------------|-----------------------------|--------------------|
| 10                  | Ritilän kiinnike          | Safety net bracket         | 1005456                      |                 | S355J2G3                       | PL4 x                       | 2                  |
| 9                   | Kahva                     | Handle                     | 7012059                      |                 | Polyamide PA6                  |                             | 2                  |
| 8                   | Sulkulevyn toppari        | Limiter plate              | 1002340                      |                 | S355J2G3                       | PL2 x                       | 2                  |
| 7                   | Sulkuluukku               | Cut off plate              | 1003456                      |                 | RST                            |                             | 1                  |
| 6                   | Ritilän kiinnike          | Safety net bracket         | 1004379                      |                 | S355J2G3                       | PL4 x                       | 4                  |
| 5                   | Ritilän kiinnike          | Safety net bracket         | 1004377                      |                 | S355J2G3                       | PL4 x                       | 2                  |
| 4                   | Suppilon suojaverkko      | Safety net                 | 1003763                      |                 |                                |                             | 1                  |
| 3                   | Magneetti teline kok.     | Magnetic bar assembly      | 1002011                      |                 |                                |                             | 1                  |
| 2                   | Peitelevy                 | Cover                      | 1001596                      |                 | S355J2G3                       | PL3 x                       | 2                  |
| 1                   | Suppilo                   | Hopper                     | 1001584                      |                 |                                |                             | 1                  |
| <b>Osa<br/>Item</b> | <b>DescriptionFinnish</b> | <b>English description</b> | <b>Piir. no.<br/>Dwg no.</b> | <b>Standard</b> | <b>Materiaali<br/>Material</b> | <b>Mitat<br/>Dimensions</b> | <b>Kpl<br/>Qty</b> |

## 1003458 Sulkuluukku



|                 |                           |                          |                           |   |                         |                |
|-----------------|---------------------------|--------------------------|---------------------------|---|-------------------------|----------------|
| 3               | Kahva                     | 7012059                  |                           | Handles of polyamide PA6, glass ball reinforced |                         | 2              |
| 2               | Sulkulevyn toppari        | 1002340                  |                           | S355J2G3  | PL2 x                   | 2              |
| 1               | Sulkuluukku               | 1003456                  |                           | RST   |                         | 1              |
| <b>Osa Item</b> | <b>DescriptionFinnish</b> | <b>Piir. no. Dwg no.</b> | <b>Standardi Standard</b> | <b>Materiaali Material</b>                      | <b>Mitat Dimensions</b> | <b>Kpl Qty</b> |

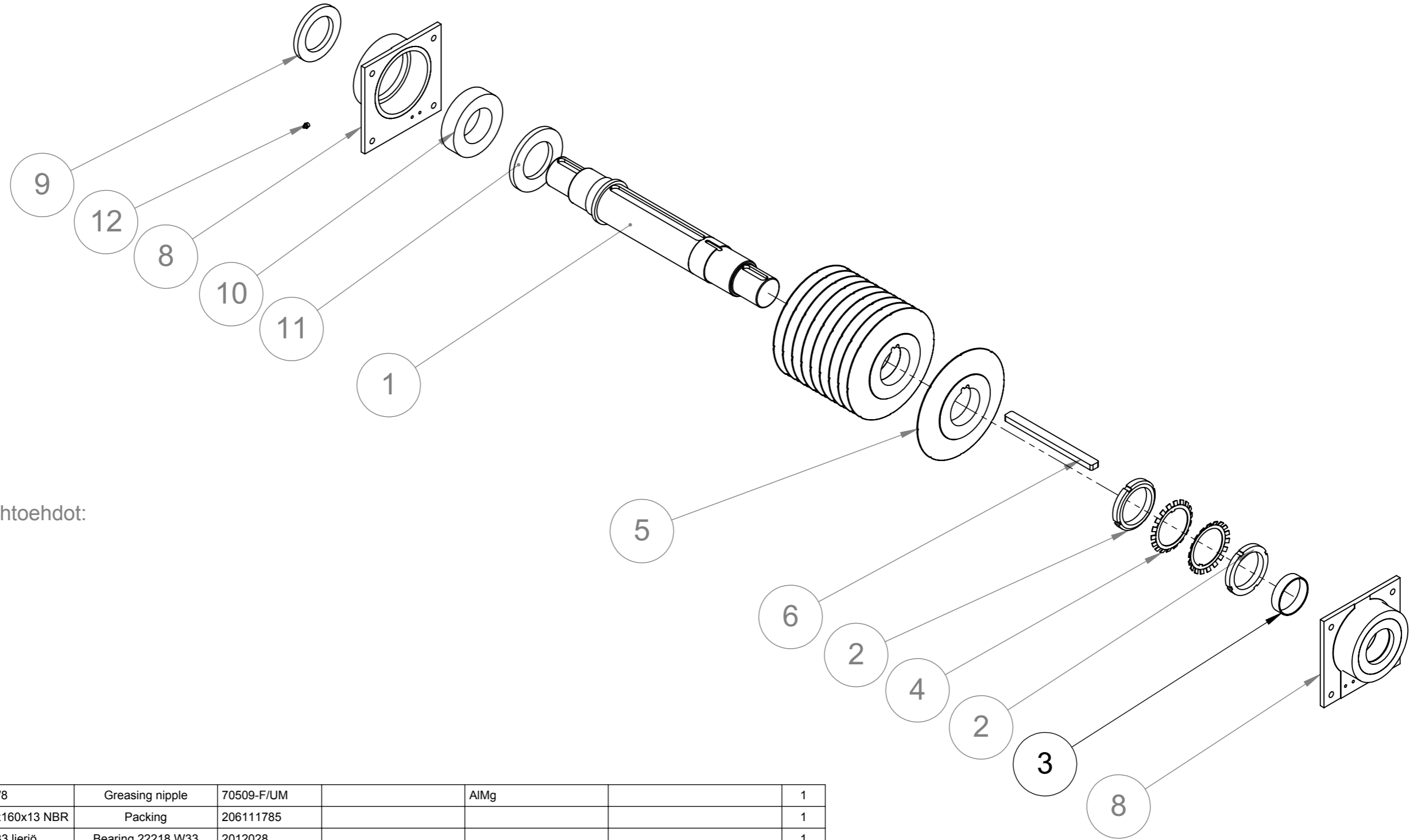
1001954 Kasetin kokoonpano





|                 |                                |                                   |                          |                 |                            |                         |                |
|-----------------|--------------------------------|-----------------------------------|--------------------------|-----------------|----------------------------|-------------------------|----------------|
| 62              | Kiilahihna BB68                | Belt BB68                         | 2512185                  |                 | Kumi                       |                         | 2              |
| 61              | Kartioholkki RCK 11-75         | Self centering clamp              | 2512179                  |                 |                            |                         | 2              |
| 60              | Verhotanko hitsattuna          | Rod                               | 1004068                  |                 |                            |                         | 2              |
| 59              | Suojaverho tankokiinnityksellä | Curtain                           | 1003733                  |                 | Kumi                       |                         | 2              |
| 58              | Näytteenottoputki              | Sampling shovel                   | MP20205                  |                 | RST                        |                         | 1              |
| 57              | Kiilahihnapyörä                | V-Belt pulley                     | 1003693                  | DIN 2211        |                            | SPB Dm=180 n=3          | 1              |
| 56              | Kiilahihnapyörä                | V-Belt pulley                     | 1003571                  | DIN 2211        |                            | SPB Dm=200 n=3          | 1              |
| 55              | Soviterengas 25/35/5           | Sleeve 25/35/5                    | 1005030                  |                 | S355J2G3                   | PL5 x                   | 2              |
| 54              | Hihnapyörä                     | V-belt pulley                     | 1004477                  |                 | S355J2G3                   | Ø110 L=46               | 2              |
| 53              | Pidätinrenkas A25              | Retaining ring                    | 601705                   | DIN 471         |                            | 25                      | 2              |
| 52              | Pidätinrenkas i52              | Retaining ring                    | 601710                   | DIN 472         |                            | 52                      | 4              |
| 51              | Laakeri 6205 2RS               | Bearing                           | 201691                   |                 |                            |                         | 4              |
| 50              | Hihnapyörän akseli             | Shaft                             | 1003584                  |                 | S355J2G3                   |                         | 2              |
| 49              | Kiristimen runko               | Belt adjuster                     | 1003564                  |                 |                            |                         | 1              |
| 48              | Rullapidin hitsattuna          | Bracket                           | 1003689                  |                 |                            |                         | 1              |
| 47              | Hihnankiristin                 | V-Belt adjuster assembly          | 1003593                  |                 |                            |                         | 1              |
| 46              | Peitelevy                      | Cover                             | 1003592                  |                 | S355J2G3                   | PL8 x                   | 2              |
| 45              | Rasvanippon kiinnikelevy       | Mounting plate for grease nipples | 1000980                  |                 | AISI 304                   |                         | 1              |
| 44              | Kartioholkki 3030-75           | Taper hub                         | 2511402                  |                 |                            |                         | 1              |
| 43              | hihnapyörä kiinnitysholkilla   | Pulley with Taper Hub             | 1002814                  |                 |                            |                         | 1              |
| 42              | Valssiakselin päätylaippa      | Splined shaft 1 3/4"              | 1000843                  |                 |                            |                         | 1              |
| 41              | Kartioholkin kiila 20x12 L=70  | Parallel key 20x12                | 1002754                  |                 | Kiilateräs                 |                         | 1              |
| 40              | Välysiuska 6mm                 | Spacer                            | 1003878                  |                 | S355J2G3                   | PL6 11x320              | 2              |
| 39              | Kuusioruuvi                    | Hexagon head screw                | 6010571040               | DIN 933         |                            | M10x40                  | 8              |
| 38              | Aluslaatta                     | Washer                            | 60040710                 | DIN 125         | Zn                         | A10                     | 8              |
| 37              | Pidätinruuvi                   |                                   |                          | DIN 913         |                            | M8x25                   | 2              |
| 36              | Kuusioruuvi                    | Hexagon head screw                | 6010571025               | DIN 933         |                            | M10x25                  | 4              |
| 35              | Kuusioruuvi                    | Hexagon head screw                | 6010571440               | DIN 933         |                            | M14x40                  | 20             |
| 34              | Vetojousi 2,92x31,8x127        | Spring                            | 7012164                  |                 |                            |                         | 2              |
| 33              | Jousen holkki                  | Spring bushing                    | 1002951                  |                 | BOM                        | Ø25 L=30                | 4              |
| 32              | Veitsi alas taivutettu A Prof. | Scraper W-Max 10                  | 1003072                  |                 | S355J2G3                   |                         | 2              |
| 31              | Vetojousen kiinnike            | Bracket                           | 1002913                  |                 | RST                        | PL5 x                   | 1              |
| 30              | Jousen korvake                 | Limiter for scraper, left         | 1002926                  |                 | S355J2G3                   | PL8 x                   | 1              |
| 29              | Jousen korvake                 | Limiter for scraper, right        | 1002931                  |                 | S355J2G3                   | PL8 x                   | 1              |
| 28              | veitsen toppari                | Limiter for scrapers              | 1002835                  |                 | S355J2G3                   | PL6 x                   | 1              |
| 27              | Vetojousi 1,75x16,51x114,3     | Spring                            | 7011727                  |                 |                            |                         | 1              |
| 26              | Saranan aluslevy               | Plate                             | 1002713                  |                 | Sinkitty                   | PL2 x                   | 2              |
| 25              | Telki 232117                   | Lock hook                         | 7011373                  |                 |                            |                         | 1              |
| 24              | Kara neliö 8mm                 | Locking square                    | 704893                   |                 |                            |                         | 1              |
| 23              | Lukkopesä                      | Lock housing, short               | 704891                   |                 |                            |                         | 1              |
| 22              | Salpalukko                     | Lock mechanism                    |                          |                 |                            |                         | 1              |
| 21              | Sarananpuolikas                | Guard hinge                       | 7012200                  |                 |                            |                         | 4              |
| 20              | Sivuluukku                     | Hatch cover                       | 1002594                  |                 | S355J2G3                   | PL2 x                   | 1              |
| 19              | Kasetin sivuluukku hitsattuna  | Hatch welded                      | 1003747                  |                 |                            |                         | 1              |
| 18              | Kasetin sivuluukku kokoonpano  | Hatch assembly                    | 1003748                  |                 |                            |                         | 2              |
| 17              | Kasetin tukiputki koottu       | Reinforcement bar                 | 1002592                  |                 |                            |                         | 2              |
| 16              | peitepala                      | Cover                             | 1001833                  |                 |                            |                         | 2              |
| 15              | Veitsen väännin                | Scraper handle                    | 1001804                  |                 | S355J2G3                   | PL6 x                   | 2              |
| 14              | Jousen korvake                 | Bracket                           | 1001629                  |                 | S355J2G3                   | PL8 50x                 | 2              |
| 13              | Veitsi ylös A Prof.            | Scraper W-Max 10                  | 1002307                  |                 | S355J2G3                   |                         | 1              |
| 12              | Veitsi ylös A prof.            | Scraper W-Max 10                  | 1002309                  |                 | S355J2G3                   |                         | 1              |
| 11              | Sylinterin tappi               | Cylinder pin                      | 1002322                  |                 |                            |                         | 2              |
| 10              | Nippateline 3 reikäinen        | Mounting plate for grease nipples | 1001830                  |                 | S355J2G3                   | PL2 x                   | 1              |
| 9               | Liikkuva valssipaketti         | Adj. Roller disc assembly         | 1001999                  |                 |                            |                         | 1              |
| 8               | Kiinteä valssipaketti          | Roller disc assembly              | 1001997                  |                 |                            |                         | 1              |
| 7               | yläveitsen akseli              | Shaft for upper scraper           | 1001718                  |                 |                            |                         | 2              |
| 6               | veitsien akseli                | Shaft for lower scrapers          | 1001747                  |                 |                            |                         | 2              |
| 5               | tukilevy                       | Plate                             | 1002411                  |                 | S355J2G3                   | PL15 x                  | 2              |
| 4               | tukilevy                       | Plate                             | 1001681                  |                 | S355J2G3                   | PL15 x                  | 2              |
| 3               | Sylinterin kiinnityslevy       | Mounting plate for cylinder       | 1000801                  |                 |                            |                         | 2              |
| 2               | Valssin sylinteri              | Hydraulic cylinder                | 1000335                  |                 |                            |                         | 2              |
| 1               | kasetin runko                  | Cassette frame                    | 1001953                  |                 |                            |                         | 1              |
| <b>Osa Item</b> | <b>DescriptionFinnish</b>      | <b>English description</b>        | <b>Piir. no. Dwg no.</b> | <b>Standard</b> | <b>Materiaali Material</b> | <b>Mitat Dimensions</b> | <b>Kpl Qty</b> |

## 1001997 Kiinteä valssipaketti



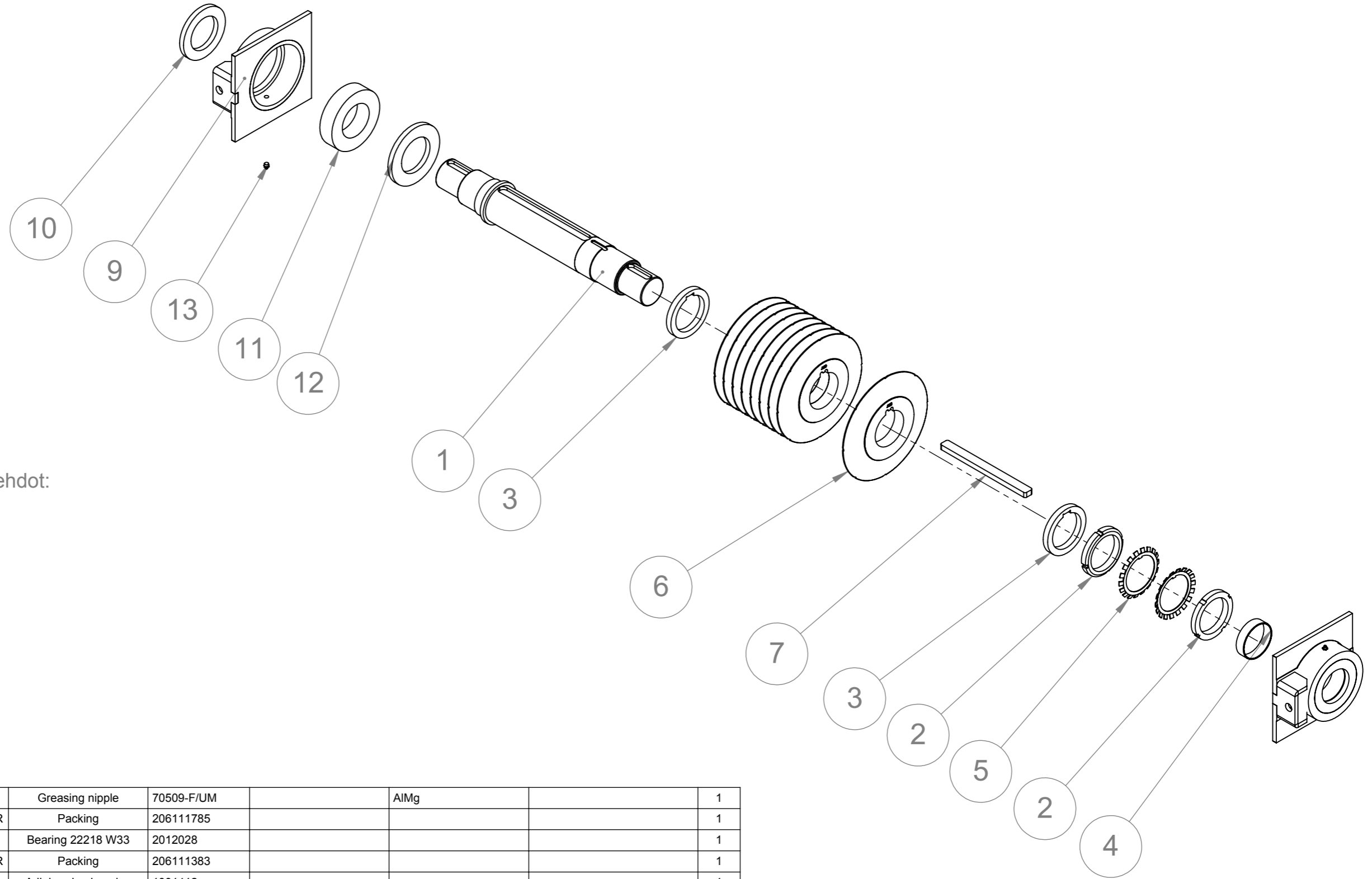
### Kartiokiekkovaihtoehdot:

A-Profiili  
A06 - 1002534  
A10 - 1002297  
A16 - 1002300

Teräväkärki  
10 - 1002058  
16 - 1001803

|                     |                              |                            |                              |                 |                                |                             |                    |
|---------------------|------------------------------|----------------------------|------------------------------|-----------------|--------------------------------|-----------------------------|--------------------|
| 12                  | Rasvanippa KR 1/8            | Greasing nipple            | 70509-F/UM                   |                 | AlMg                           |                             | 1                  |
| 11                  | Akselitiviste R95x160x13 NBR | Packing                    | 206111785                    |                 |                                |                             | 1                  |
| 10                  | Laakeri 22218 W33 lieriö     | Bearing 22218 W33          | 2012028                      |                 |                                |                             | 1                  |
| 9                   | Akselitiviste R90x140x13 NBR | Packing                    | 206111383                    |                 |                                |                             | 1                  |
| 8                   | Laakeripesä valssille        | Fixed bearing housing      | 1000633                      |                 |                                |                             | 1                  |
| 7                   | Laakeripesä kokoonpano       | Fixed bearing housing      | 1002177                      |                 |                                |                             | 2                  |
| 6                   | Kiila 25x14 L=285            | Parallel key               | 1002756                      |                 | Kiilateräs                     | L=285                       | 1                  |
| 5                   | Kartiokiekko 1mm ura         | Roller disc A10            | 1002297                      |                 | S355J2G3                       |                             | 10                 |
| 4                   | MB_19 varmistuslaatta        | Securing plate MB19        | 2012030                      |                 |                                |                             | 2                  |
| 3                   | Holkki                       | Seal support ring          | 1001959                      |                 | S355J2G3                       | Ø110xØ90 L=25mm             | 1                  |
| 2                   | Laakerimutteri KM19          | Nut KM19                   | 2012029                      |                 |                                |                             | 2                  |
| 1                   | Valssi akseli 1              | Shaft                      | 1001430                      |                 | Nuorrutusteräs                 |                             | 1                  |
| <b>Osa<br/>Item</b> | <b>DescriptionFinnish</b>    | <b>English description</b> | <b>Piir. no.<br/>Dwg no.</b> | <b>Standard</b> | <b>Materiaali<br/>Material</b> | <b>Mitat<br/>Dimensions</b> | <b>Kpl<br/>Qty</b> |

# 1001999 Liikkuva valssipaketti



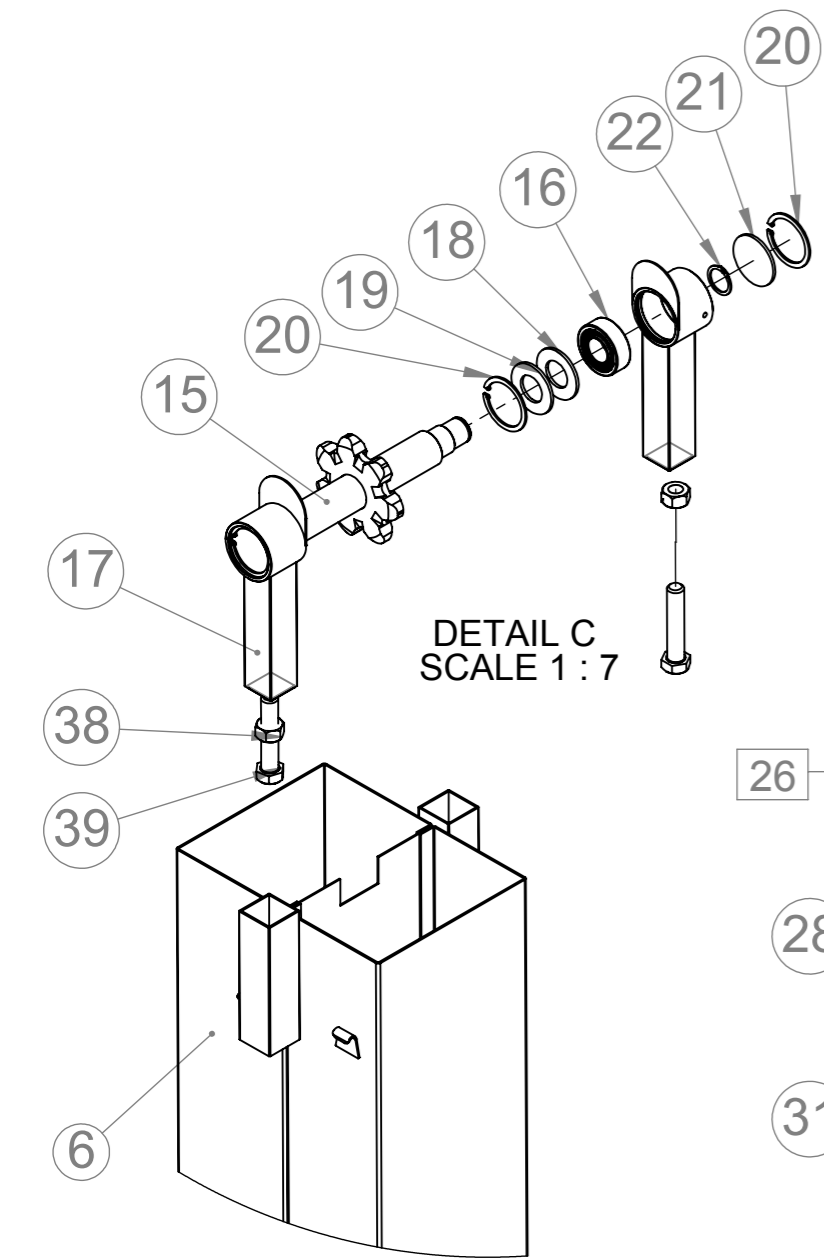
## Kartiokiekkovaihtoehdot:

A-Profiili  
 A06 - 1002534  
 A10 - 1002297  
 A16 - 1002300

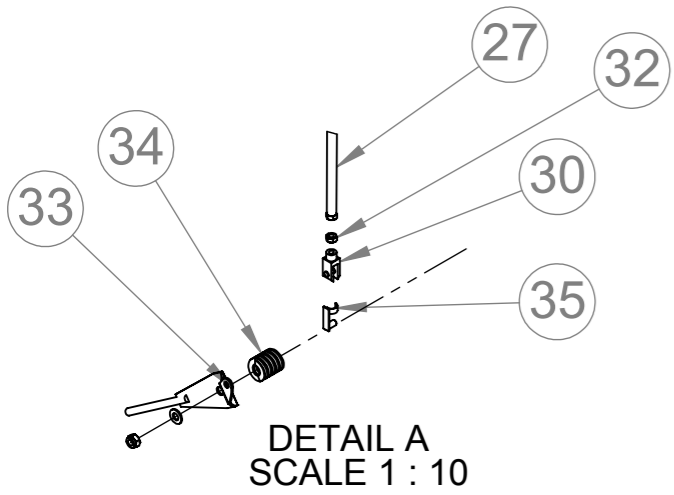
Teräväkärki  
 10 - 1002058  
 16 - 1001803

|                 |                               |                            |                          |                 |                            |                         |                |
|-----------------|-------------------------------|----------------------------|--------------------------|-----------------|----------------------------|-------------------------|----------------|
| 13              | Rasvanippa KR 1/8             | Greasing nipple            | 70509-F/UM               |                 | AlMg                       |                         | 1              |
| 12              | Akselitiiviste R95x160x13 NBR | Packing                    | 206111785                |                 |                            |                         | 1              |
| 11              | Laakeri 22218 W33 lieriö      | Bearing 22218 W33          | 2012028                  |                 |                            |                         | 1              |
| 10              | Akselitiiviste R90x140x13 NBR | Packing                    | 206111383                |                 |                            |                         | 1              |
| 9               | Laakeripesä kokoonpano        | Adj. bearing housing       | 1001412                  |                 |                            |                         | 1              |
| 8               | Laakeripesän kokoonpano       | Adj. bearing housing       | 1002178                  |                 |                            |                         | 2              |
| 7               | Kiila 25x14 L=285             | Parallel key               | 1002756                  |                 | Kiilateräs                 | L=285                   | 1              |
| 6               | Kartiokiekko 1mm ura          | Roller disc A10            | 1002297                  |                 | S355J2G3                   |                         | 9              |
| 5               | MB_19 varmistuslaatta         | Securing plate MB19        | 2012030                  |                 |                            |                         | 2              |
| 4               | Holkki                        | Seal support ring          | 1001959                  |                 | S355J2G3                   | Ø110xØ90 L=25mm         | 1              |
| 3               | Tiivistekiekko 15mm           | Spacer ring                | 1001517                  |                 | S355J2G3                   | PL15 x                  | 2              |
| 2               | Laakerimutteri KM19           | Nut KM19                   | 2012029                  |                 |                            |                         | 2              |
| 1               | Valssi akseli 1               | Shaft                      | 1001430                  |                 | Nuorrutusteräs             |                         | 1              |
| <b>Osa Item</b> | <b>DescriptionFinnish</b>     | <b>English description</b> | <b>Piir. no. Dwg no.</b> | <b>Standard</b> | <b>Materiaali Material</b> | <b>Mitat Dimensions</b> | <b>Kpl Qty</b> |

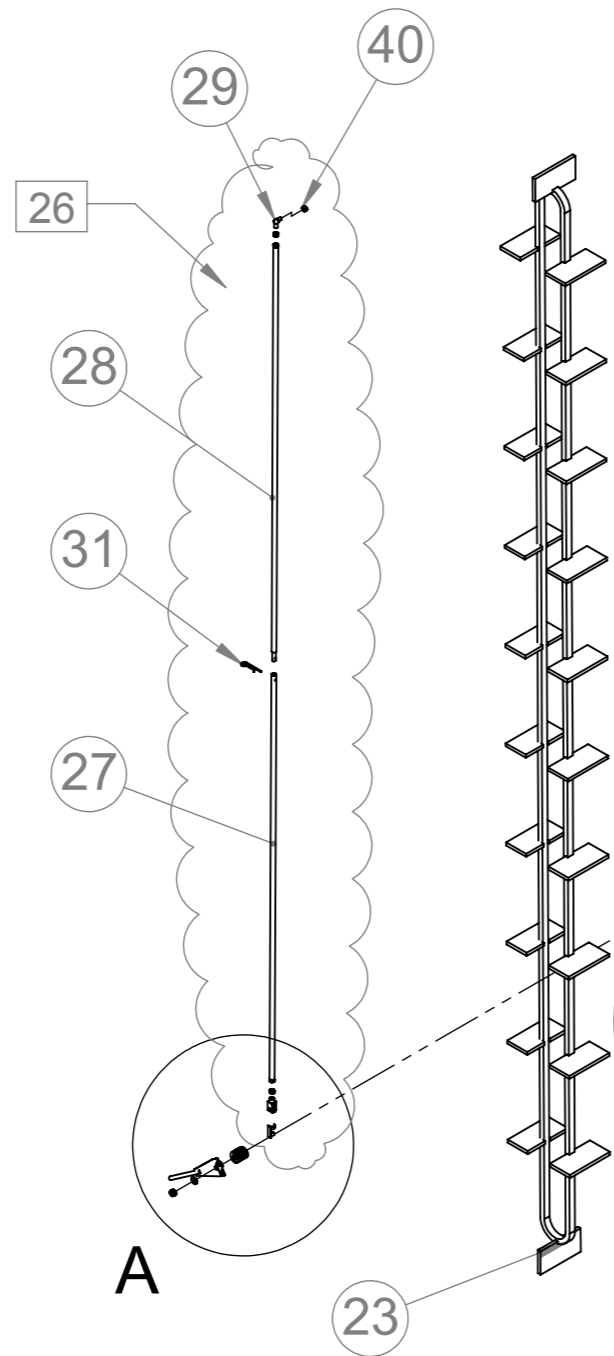
1002812 Elevaattori 3m



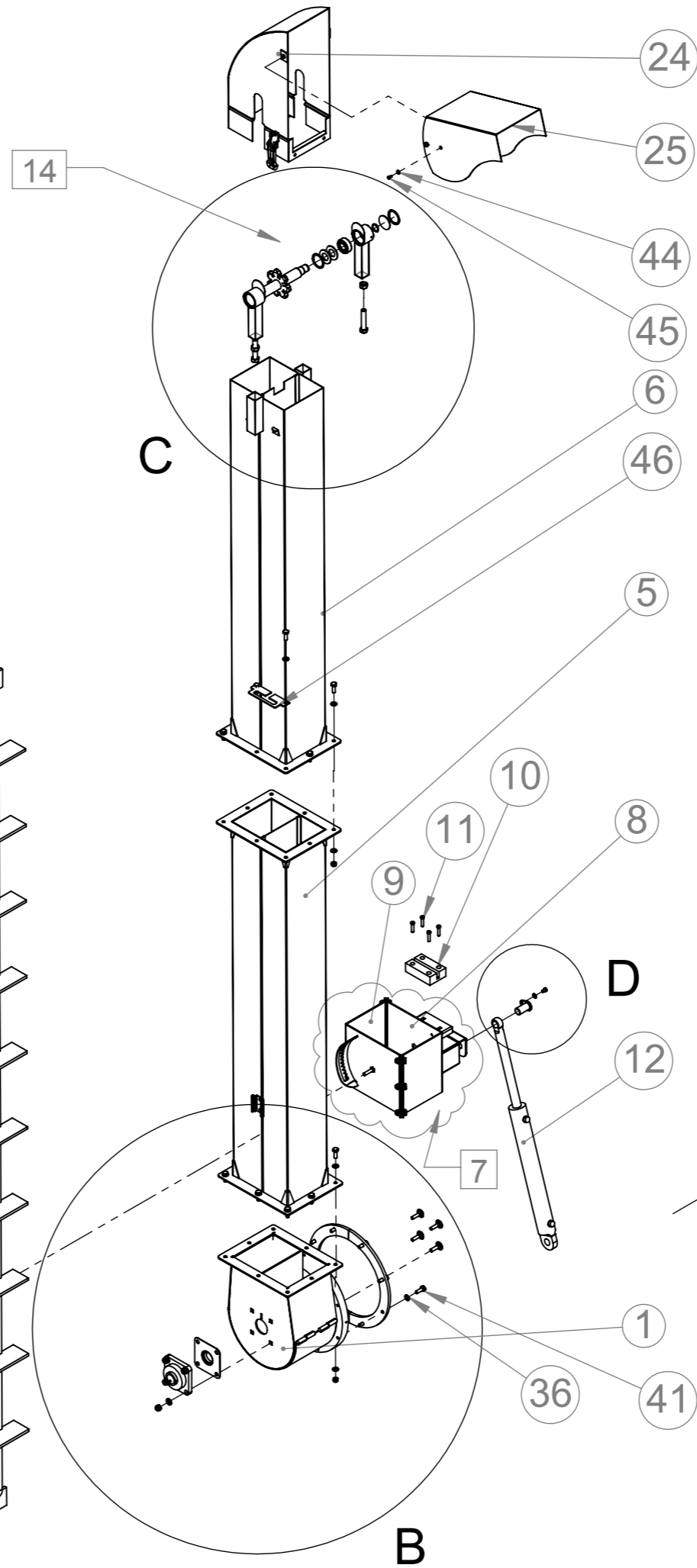
DETAIL C  
SCALE 1 : 7



DETAIL A  
SCALE 1 : 10

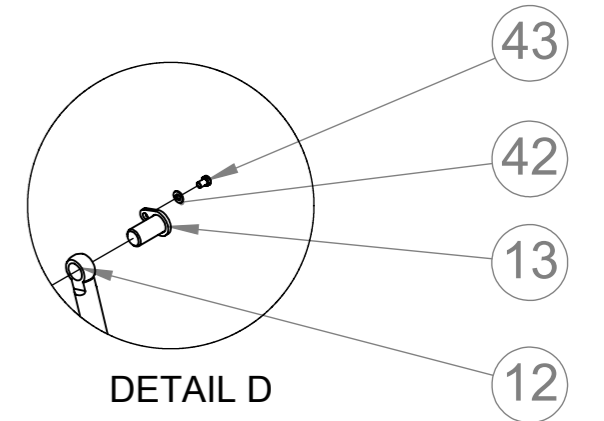


A

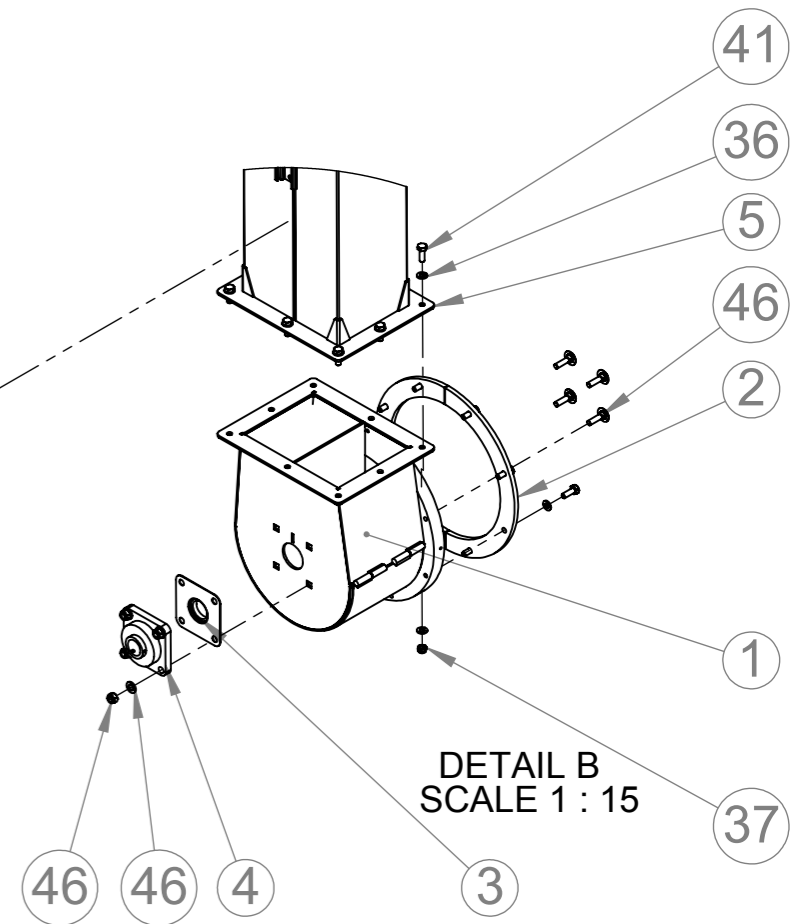


C

B



DETAIL D

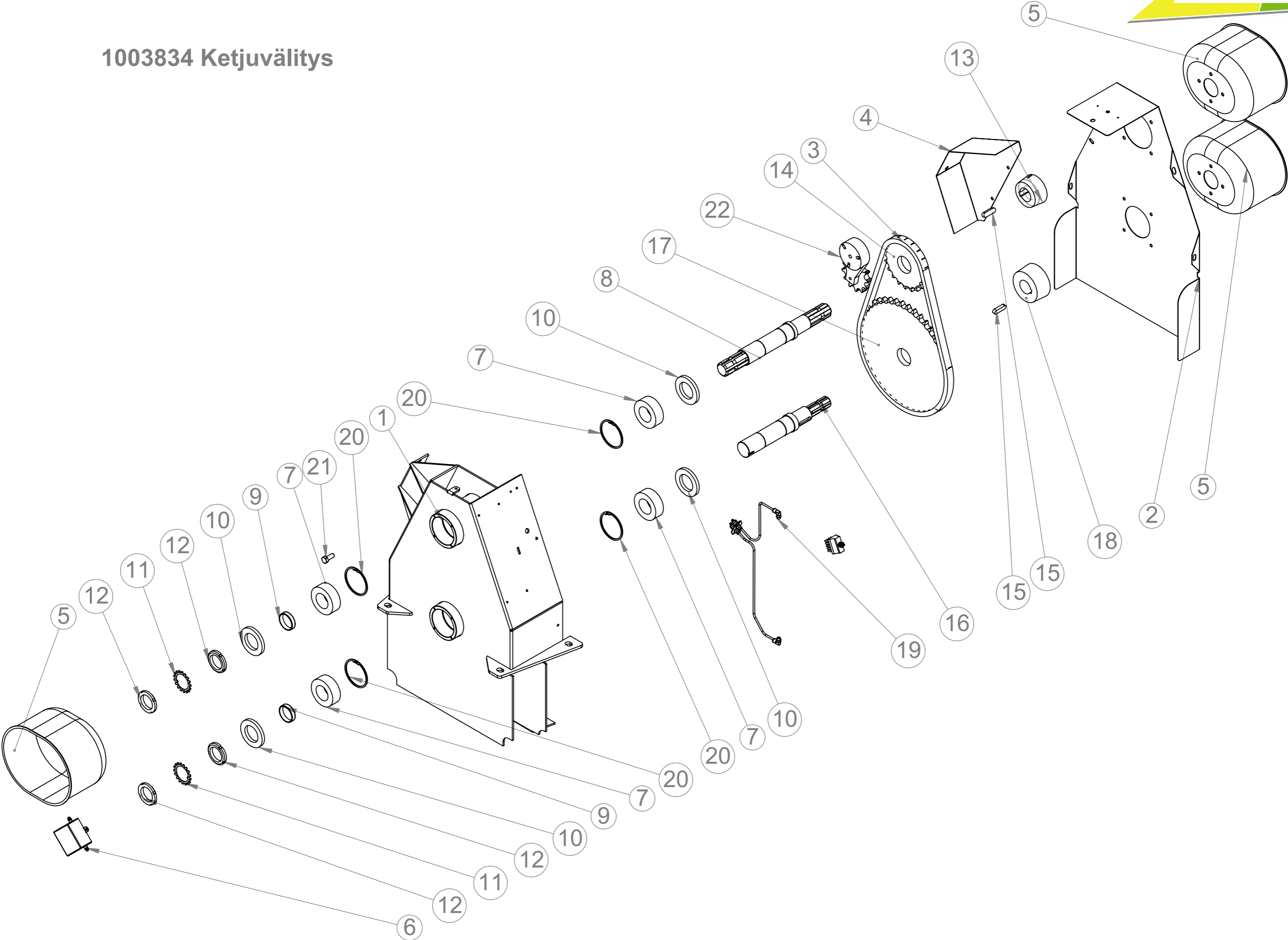


DETAIL B  
SCALE 1 : 15

# 1002812 - Elevaattori 3m

|                 |                                  |                                |                          |                  |                            |                         |                |
|-----------------|----------------------------------|--------------------------------|--------------------------|------------------|----------------------------|-------------------------|----------------|
| 46              | Tangon tuki                      | Bracket                        | 1003011                  |                  | Sinkitty                   | PL3 x                   | 1              |
| 45              | Kuusiokoloruuvi                  |                                |                          | DIN 6912         |                            | M6x12                   | 2              |
| 44              | Aluslaatta                       |                                |                          | DIN 125          |                            | A6                      | 4              |
| 43              | Kuusiokoloruuvi                  |                                |                          | DIN 7984         |                            | M8x12                   | 1              |
| 42              | Aluslaatta                       |                                | 6004078                  | DIN 125          | Zn                         | A8                      | 1              |
| 41              | Kuusioruuvi                      |                                |                          | DIN 933          |                            | M10x30                  | 24             |
| 40              | Kuusiomutteri                    |                                | 6003178                  | DIN 934          |                            | M8                      | 1              |
| 39              | Kuusioruuvi                      | Hex screw                      | 6010571680               | DIN 933          |                            | M16x80                  | 2              |
| 38              | Kuusiomutteri                    | Hex nut                        |                          | DIN 934          |                            | M16                     | 2              |
| 37              | Lukitusmutteri                   |                                |                          | DIN EN ISO 10511 |                            | M10                     | 17             |
| 36              | Aluslaatta                       |                                |                          | DIN 125          |                            | A10                     | 41             |
| 35              | Haarukkapään tappi               | Pin                            | 708386                   |                  | S355J2G3                   |                         | 1              |
| 34              | Työkalujousi 32/16x38            | Spring Ø32/16x38               | 7012024                  |                  | S355J2G3                   |                         | 1              |
| 33              | Säätövipu                        | Control lever                  | AKK-1620                 |                  |                            |                         | 1              |
| 32              | Kuusiomutteri                    |                                | 6003178                  | DIN 934          |                            | M8                      | 2              |
| 31              | Neulasokka                       | Secure pin                     | 80W04733-1               |                  |                            |                         | 1              |
| 30              | Haarukkapää A21_B21              |                                | 8379                     |                  |                            |                         | 1              |
| 29              | Kuulanivel 20375                 | Ball joint                     | 708378                   |                  |                            |                         | 1              |
| 28              | Lipan säätötanko 2               | Adjusting rod                  | 1005131                  |                  |                            |                         | 1              |
| 27              | Lipan säätötanko 1               | Adjusting rod                  | 1005130                  |                  |                            |                         | 1              |
| 26              | Lipan säätötanko kok.            | Adjusting rod, complete        | 1005134                  |                  |                            |                         | 1              |
| 25              | Lippa                            | Elevator hat vizor             | 1001108                  |                  |                            |                         | 1              |
| 24              | Elevaattorin hattu               | Elevator hat                   | MP4257                   |                  |                            |                         | 1              |
| 23              | Elevaattorin ketju CA550, 6,8 m  | Elevator chain CA550 6,8 m     | MP20510                  |                  |                            |                         | 1              |
| 22              | Pidätinrenkas A25                | Circlip A25                    | 601705                   | DIN 471          |                            | 25                      | 2              |
| 21              | Tiivisterengas                   | Packing                        | MP5030                   |                  | ABS                        |                         | 2              |
| 20              | Pidätinrenkas sisäpuolinen i52   | Circlip Internal 52 x 2        | 601710                   | DIN 472          |                            | 52                      | 4              |
| 19              | Tiivisterengas                   | Packing                        | MP4527                   |                  | ABS                        |                         | 2              |
| 18              | Tiivisterengas                   | Seal Ø 52 / 28 mm              | 205029                   |                  |                            |                         | 2              |
| 17              | Laakeripesä                      | Bearing housing                | MP11556                  |                  |                            |                         | 2              |
| 16              | Laakeri 22205 25/52x18           | Bearing                        | 201703                   |                  |                            |                         | 2              |
| 15              | Elevaattorin taittopyörä         | Chain tensioner unit           | MP4477                   |                  |                            |                         | 1              |
| 14              | Ketjunkiristäjä                  | Chain tensioner                | MP11570                  |                  |                            |                         | 1              |
| 13              | Sylinterin tappi                 | Cylinder pin                   | AKK-1331                 |                  |                            |                         | 1              |
| 12              | Hydrauli sylinteri               | Hydraulic cylinder             | 5011762                  |                  |                            |                         | 1              |
| 11              | Kuusiokoloruuvi                  |                                |                          | DIN 6912         |                            | M8x35                   | 4              |
| 10              | Tukimuovi                        | Sliding piece                  | 1000763                  |                  | PE-HD                      |                         | 1              |
| 9               | Elevaattorin panta               | Elevator collar                | 1001095                  |                  |                            |                         | 1              |
| 8               | Elevaattorin panta               | Elevator collar                | 1001093                  |                  |                            |                         | 1              |
| 7               | Elevaattorin panta               | Elevator collar                | 1001096                  |                  |                            |                         | 1              |
| 6               | Elevaattori 1,5m yläpää          | Elevator tube 1.5m top half    | 1000418                  |                  |                            |                         | 1              |
| 5               | Elevaattorin alaosa 1,5m         | Elevator tube 1.5m bottom half | 1000416                  |                  |                            |                         | 1              |
| 4               | Laakeri UCF 207                  | Bearing UCF 207                | 203993                   |                  |                            |                         | 1              |
| 3               | Laakeritiiviste UCF 207 ø40/50   | Seal ø40x50                    | MP8826                   |                  |                            |                         | 1              |
| 2               | Laippa                           | Plate                          | AKK-1182                 | ISO              | S355J2G3                   | PL10 x                  | 2              |
| 1               | Elevaattorin alapääty, vers. -07 | Bottom auger end housing       | AKK-1170                 |                  |                            |                         | 1              |
| <b>Osa Item</b> | <b>DescriptionFinnish</b>        | <b>English description</b>     | <b>Piir. no. Dwg no.</b> | <b>Standard</b>  | <b>Materiaali Material</b> | <b>Mitat Dimensions</b> | <b>Kpl Qty</b> |

1003834 Ketjuvälitys



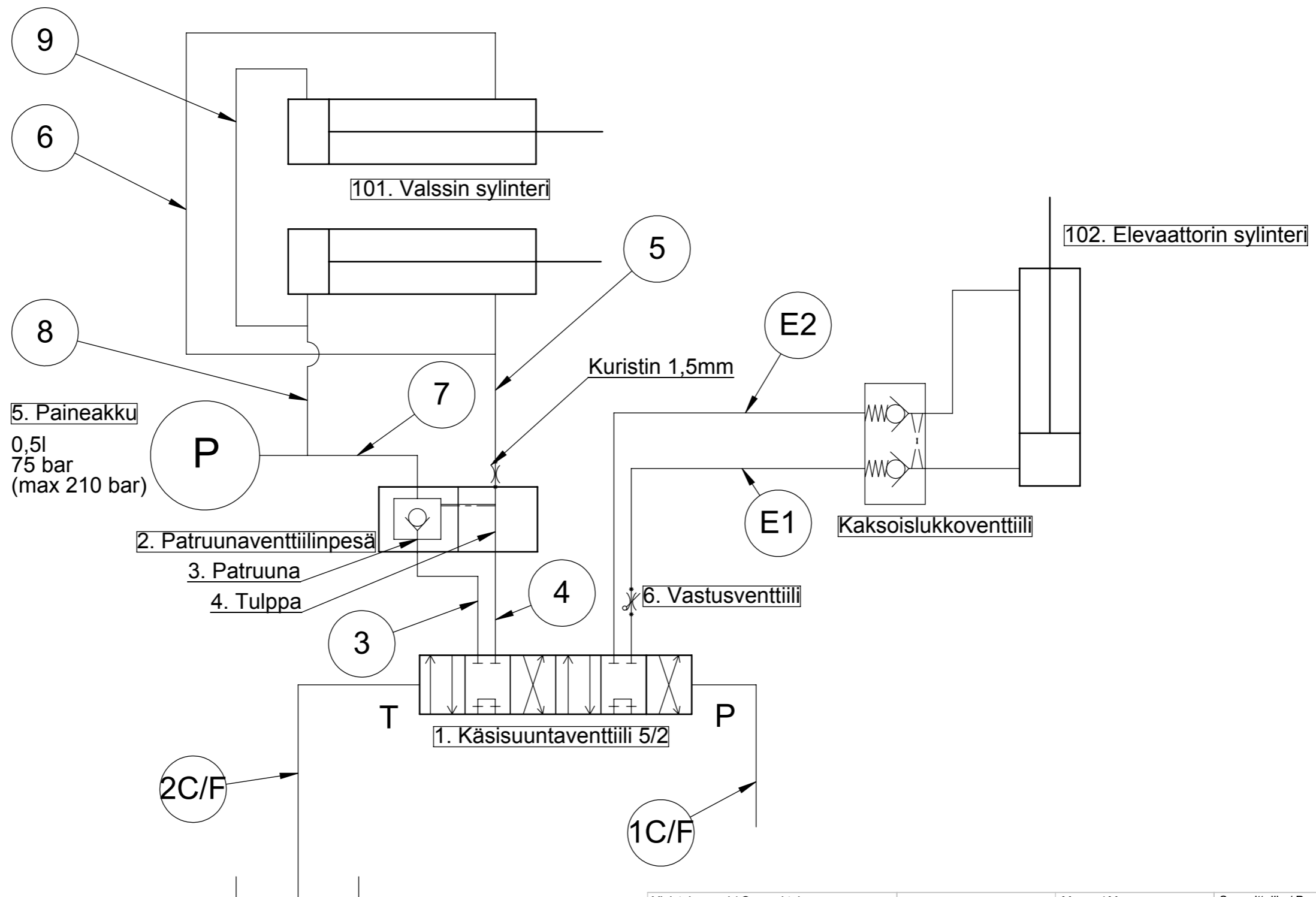
|                     |                                  |                                 |                              |                 |                                |                             |                    |
|---------------------|----------------------------------|---------------------------------|------------------------------|-----------------|--------------------------------|-----------------------------|--------------------|
| 22                  | Ketjunkturistin                  | Chain tensioner TCR 2 1"        | 2512060                      |                 |                                |                             | 1                  |
| 21                  | Kuusioruuvi                      |                                 |                              | DIN 933         |                                | M12x30                      | 1                  |
| 20                  | Pidätinrenas i 90                | Circlip inner i 90              | 609231                       |                 |                                |                             | 4                  |
| 19                  | Vetoaisan rasvasarja             | Greasing system                 | 1001552                      |                 |                                |                             | 1                  |
| 18                  | Karioholkki 3020/45              | Taper-hub 3020 / 45             | 259823                       |                 |                                |                             | 1                  |
| 17                  | Ketjupyörä S1-45-3020            | Chain Sprocket S1-45/3020       | 2512055                      |                 |                                |                             | 1                  |
| 16                  | Booriakseli ketjupyörälle        | Splined shaft                   | 1000681                      |                 |                                |                             | 1                  |
| 15                  | Kiiläteräs 14x9                  | parallel key                    | 102773                       |                 | S355J2G3                       |                             | 2                  |
| 14                  | Ketjupyörä S1-20-2517            | Chain sprocket S1-20/2517       | 258593                       |                 |                                |                             | 1                  |
| 13                  | Kartioholkki 2517 / 45           | Taper-hub 2517 / 45             | 259065                       |                 |                                |                             | 1                  |
| 12                  | Akselimutteri KM 10              | Nut KM10                        | 209232                       |                 | S355J2G3                       |                             | 4                  |
| 11                  | Akselimutterin lukityslevy MB 10 | Securing plate MB10             | 208674                       |                 | S355J2G3                       |                             | 2                  |
| 10                  | Akselitiiviste 55x90x10          | Sealing 55x90x10                | 205633                       |                 | ABS                            |                             | 4                  |
| 9                   | Stefan holkki                    | Sealing support ring            | MP9224                       |                 | S355J2G3                       |                             | 2                  |
| 8                   | Booriakseli kaksipäinen          | Double splined shaft            | 1000680                      |                 |                                |                             | 1                  |
| 7                   | Kartio rullalaakeri              | Bearing ø50x90x32               | 209045                       |                 | S355J2G3                       |                             | 4                  |
| 6                   | Suojakuppi                       | Shaft cover                     | 1001289                      |                 | Sinkitty                       |                             | 1                  |
| 5                   | Nivelakselin suojakupu           | Protective casing for PTO-shaft | 2521904CE                    |                 | PE-HD                          |                             | 3                  |
| 4                   | kiristimen suoja kotelo          | Cover box                       | AKK-1646                     |                 | S235J2G3                       |                             | 1                  |
| 3                   | Rullaketju 1"                    | Chain 1"                        | 258594                       |                 |                                |                             | 1                  |
| 2                   | Tukilaakerin levy                | Cover plate                     | 1000806                      |                 | KyVa                           |                             | 1                  |
| 1                   | Ketjukotelo                      | Chainbox                        | 1003827                      |                 |                                |                             | 1                  |
| <b>Osa<br/>Item</b> | <b>DescriptionFinnish</b>        | <b>English description</b>      | <b>Piir. no.<br/>Dwg no.</b> | <b>Standard</b> | <b>Materiaali<br/>Material</b> | <b>Mitat<br/>Dimensions</b> | <b>Kpl<br/>Qty</b> |





# 1003617 Hammashihnakäyttö

|                     |  |                                    |                              |                 |                                |                             |                    |
|---------------------|--|------------------------------------|------------------------------|-----------------|--------------------------------|-----------------------------|--------------------|
| 29                  | kartioholkki 2517-65                       | Taper hub 2517 / 65                | 251675                       |                 |                                |                             | 1                  |
| 28                  | Käsipumpun teline                          | Handpump stand                     | 1001838                      |                 | S355J2G3                       |                             | 1                  |
| 27                  | Suojakuppi                                 | Axle guard                         | 1003912                      |                 | Sinkitty                       |                             | 1                  |
| 26                  | Rasvaletku                                 | Greasing tube                      | 1003864                      |                 | S355J2G3                       |                             | 1                  |
| 25                  | Rasvaletku                                 | Greasing tube                      | 1003863                      |                 | S355J2G3                       |                             | 1                  |
| 24                  | nipan levy                                 | Mounting plate                     | 1000230                      |                 | S355J2G3                       |                             | 1                  |
| 23                  | Kiinnityslevy                              | Plate                              | 1003791                      |                 | S355J2G3                       |                             | 1                  |
| 22                  | Laakeri 6205 2RS                           | Bearing 6205 2RS,<br>Ø25/52x15     | 201691                       |                 |                                |                             | 2                  |
| 21                  | laakeripesä kiristinp.                     | Bearing housing                    | 1003716                      |                 | S355J2G3                       | Ø71,3x46,7 L=45             | 1                  |
| 20                  | Kiristin                                   | Tensioner                          | 1003752                      |                 |                                |                             | 1                  |
| 19                  | Hammashihna                                | Belt                               | 1003817                      |                 |                                |                             | 1                  |
| 18                  | Pidätinrenkas A25                          | Retaining ring                     | 601705                       | DIN 471         |                                | 25                          | 1                  |
| 17                  | ikkunan muovi                              | Hopper window glass                | MP8307                       |                 | PVC                            |                             | 2                  |
| 16                  | Pidätinrenkas i 90                         | Circlip inner i 90                 | 609231                       |                 |                                |                             | 4                  |
| 15                  | Nivelakselin suojakupu                     | Protective casing for<br>PTO-shaft | 2521904CE                    |                 | PE-HD                          |                             | 3                  |
| 14                  | Hihnakotelon kansi                         | Cover plate                        | 1003705                      |                 | S355J2G3                       |                             | 1                  |
| 13                  | Peitelevy                                  | Cover Plate                        | 1003703                      |                 | S355J2G3                       |                             | 1                  |
| 12                  | 8M-62 hammashihnapyörä<br>Z90 3020         | Teethbelt pulley                   | 1003682                      |                 |                                |                             | 1                  |
| 11                  | 8M-62 hammashihnapyörä<br>Z64 2517         | Teethbelt pulley                   | 1003683                      |                 |                                |                             | 2                  |
| 10                  | Stefan holkki                              | Sealing support ring               | MP9224                       |                 | S355J2G3                       |                             | 2                  |
| 9                   | Kartio rullalaakeri                        | Bearing ø50x90x32                  | 209045                       |                 | S355J2G3                       |                             | 4                  |
| 8                   | Akselitiiviste 55x90x10                    | Sealing 55x90x10                   | 205633                       |                 | ABS                            |                             | 4                  |
| 7                   | Akselimutterin lukityslukituslevy MB<br>10 | Securing plate MB10                | 208674                       |                 | S355J2G3                       |                             | 2                  |
| 6                   | Akselimutteri KM 10                        | Nut KM10                           | 209232                       |                 | S355J2G3                       |                             | 4                  |
| 5                   | Karioholkki 3020/45                        | Taper-hub 3020 / 45                | 259823                       |                 |                                |                             | 1                  |
| 4                   | Kartioholkki 2517 / 45                     | Taper-hub 2517 / 45                | 259065                       |                 |                                |                             | 1                  |
| 3                   | booriakseli                                | Double splined shaft               | 1003627                      |                 |                                |                             | 1                  |
| 2                   | booriakseli 2                              | splined shaft                      | 1003630                      |                 |                                |                             | 1                  |
| 1                   | Hihnavälityksen runko                      | Belt drive frame                   | 1003625                      |                 |                                |                             | 1                  |
| <b>Osa<br/>Item</b> | <b>DescriptionFinnish</b>                  | <b>English description</b>         | <b>Piir. no.<br/>Dwg no.</b> | <b>Standard</b> | <b>Materiaali<br/>Material</b> | <b>Mitat<br/>Dimensions</b> | <b>Kpl<br/>Qty</b> |



Yleistoleranssi / General tolerances  
SFS-EN 22768-1, SFS-EN ISO 13920

Tämä asiakirja on Aimo Kortteen Konepaja Oy:n omaisuutta. Sitä ei saa jäljentää tai luovuttaa kolmannelle osapuolelle ilman Aimo Kortteen Konepaja Oy:n lupaa. This document is a property of Aimo Kortteen konepaja Oy. It must not be copied or assigned to a third party without permission of Aimo Kortteen Konepaja Oy.



Massa / Mass  
**kg**  
Mittakaava / Scale  
**A4 1:6**

|                          |            |
|--------------------------|------------|
| Suunnittelija / Designed | Pvm / Date |
| Tarkastaja / Checked     | Pvm / Date |

Projekti / Project

Tehdään kpl / Quantity manufactured

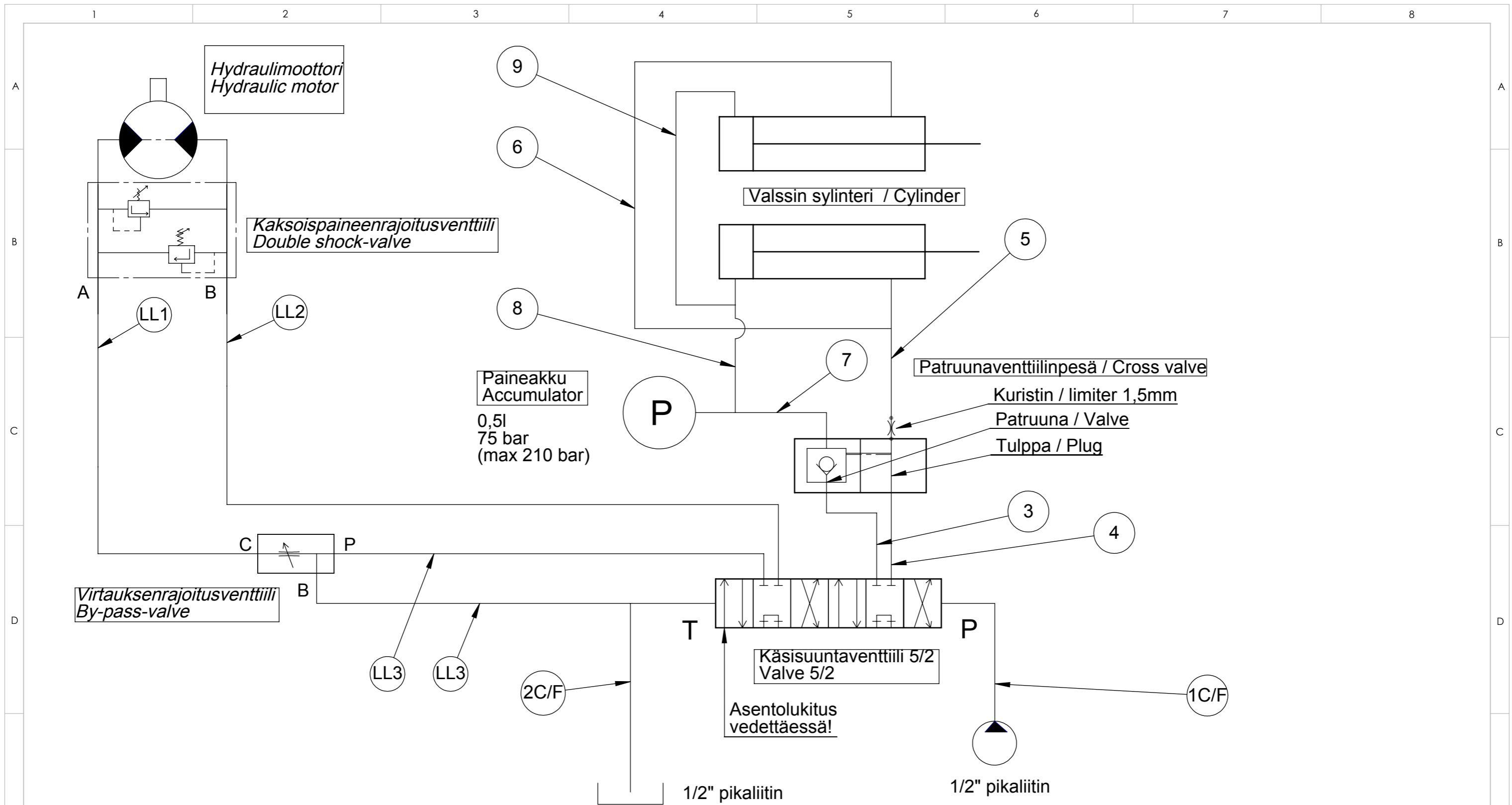
Nimitys / Description  
**W-Max 10  
Hydraulikaava**



Piirustusnumero / Drawing number  
**1002959**

Rev  
**PRE-03**

| Rev | Muutos / Change | Pvm / Date | Suunnittelija / Designed |
|-----|-----------------|------------|--------------------------|
|-----|-----------------|------------|--------------------------|

1 2 3 4 5 6 7 8



|  |  |   |  |                                 |
|--|--|---|--|---------------------------------|
| Yleistoleranssi / General tolerances<br>SFS-EN 22768-1, SFS-EN ISO 13920   |  | <br>Massa / Mass<br><b>kg</b><br>Mittakaava / Scale<br><b>A4 1:6</b> | Suunnittelija / Designed<br><b>OPe</b>                                     | Pvm / Date<br><b>04.08.2015</b> |
| Tämä asiakirja on Aimo Kortteen Konepaja Oy:n omaisuutta. Sitä ei saa jäljentää tai luovuttaa kolmannelle osapuolelle ilman Aimo Kortteen Konepaja Oy:n lupaa. This document is a property of Aimo Kortteen konepaja Oy. It must not be copied or assigned to a third party without permission of Aimo Kortteen Konepaja Oy. |  |   | Tarkastaja / Checked   | Pvm / Date                      |
| Projekti / Project   |  |   | Tehdään kpl / Quantity manufactured  |                                 |
| <br>Aimo Kortteen Konepaja Oy<br>PL 161, 84100 YLIVIESKA<br>Puh. 08-4110500 Fax. 08-425422<br>WWW.murska.fi   |  |   | Piirustusnumero / Drawing number<br><b>1002959</b><br>Rev<br><b>PRE-03</b> |                                 |
| Nimitys / Description<br><b>W-Max 10, hydr.syöttimellä</b><br><b>Hydraulikaava</b>   |  |   |  |                                 |

| Rev | Muutos / Change | Pvm / Date | Suunnittelija / Designed |
|-----|-----------------|------------|--------------------------|
| 1   |                 |            |                          |



**Aimo Kortteen Konepaja Oy**

PL 161, (Pohjolantie 2)  
**84101 YLIVIESKA**

Puh. (08) 411 0500  
Fax. (08) 425 422

Sähköposti:  
[info@murska.fi](mailto:info@murska.fi)

Kotisivu:  
[www.murska.fi](http://www.murska.fi)

