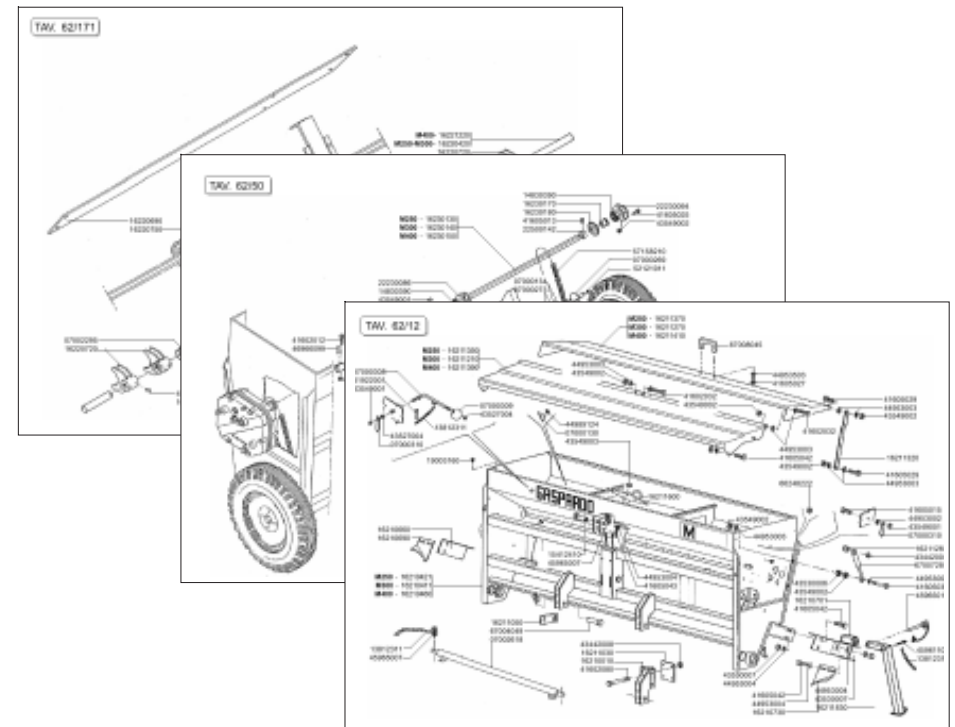


GASPARDO

MASCHIO GASPARDO S.p.A.



NINA

Cod: G19530857 2015-05

- *) Valido per Paesi UE
- *) Valid for EU member countries
- *) Valable dans les Pays UE
- *) Gilt für EU-Mitgliedsländer
- *) Válido para Países UE

- IT** PARTI DI RICAMBIO
- EN** SPARE PARTS
- DE** ERSATZTEILE
- FR** PIÈCES DÉTACHÉES
- ES** PIEZAS DE REPUESTO

PARTI DI RICAMBIO**SPARE PARTS****ERSATZTEILE****PIECES DÉTACHÉES****RESPUESTOS**

Le ordinazioni delle parti di ricambio vanno fatte presso i nostri concessionari di zona e devono essere sempre corredate dalle seguenti indicazioni:

- **Tipo, modello e numero di matricola dell'attrezzatura.** Tali dati sono stampigliati nell'apposita targhetta di cui è dotata ogni attrezzatura.

- **Numero di codice della parte richiesta** rilevabile dal catalogo ricambi.

- **Descrizione del particolare e quantità richiesta.**

- **Numero della tavola.**

- **Mezzo di trasporto.** Nel caso questa voce non sia specificata, la Ditta Costruttrice, pur dedicando a questo servizio una particolare cura, non risponde di eventuali ritardi di spedizione dovuti a cause di forza maggiore.

Le spese di trasporto si intendono sempre a carico del destinatario. La merce viaggia a rischio e pericolo del committente anche se venduta franco destino.

NOTA: Il termine **(Dx) Destro** o **(Sx) Sinistro** della macchina o di parti di essa, è inteso guardando la macchina dalla parte posteriore. Le eccezioni saranno indicate.

Orders must be transmitted through our area dealers and should always include the following indications:

- **Type, model and serial number of the machine.** *These data are punched on the data plate with which every implement is equipped.*

- **Code number of the required spare part.** *This will be found in the spare parts catalogue.*

- **Description of the part and required quantity.**

- **Table number.**

- **Means of dispatch.** *If this item is not indicated, the Manufacturer, while dedicating particular care to this service, shall not be held responsible for delays in delivery caused by cases of force majeure.*

Transport expenses shall always be at the consignee's charge. The goods travel at the purchaser's risk and peril even when sold ex destination.

NOTE: *The symbols (Dx) right and (Sx) left, concerning the machine or single parts of it, are referred, as in the figure, to a rear view of them. Exceptions will be indicated.*

Die Bestellungen müssen bei unseren Gebietshändler aufgegeben werden. Bei der Bestellung sind stets die folgenden Angaben zu machen:

- **Typ, Modell und Serien-Nummer des Geräts.** Diese Daten stehen auf dem Typenschild, mit dem jedes Gerät versehen ist.

- **Artikel Nr. der erforderlichen Ersatzteile.** Diese stehen im Ersatzteil-Katalog.

- **Beschreibung des Ersatzteils und die erforderliche Stückzahl.**

- **Tafelnummer.**

- **Versandmittel.** Wenn dieser Punkt nicht spezifiziert wird, haftet die Herstellerfirma nicht für etwaigen Lieferverzug aufgrund höherer Gewalt, auch wenn er diesen Service besonders aufmerksam abwickelt. Die Frachtkosten gehen dagegen immer zu Lasten des Empfängers. Die Ware reist auf Gefahr und Risiko des Auftraggebers, auch wenn frei Haus Verkauft vereinbart worden ist.

N.B.: Die Merkzeichen **(Dx) rechts** und **(Sx) links** betreffen eine rückwärtige Aussicht der Maschine oder Teile von ihr (siehe Bild). Ausnahmen werden gezeigt.

Les ordres doivent être effectués auprès de nos concessionaires de zone en précisant les indications suivantes:

- **Type, modèle et numéro de série de la machine.** *Ces données sont gravées sur la plaque d'identification de chaque outil.*

- **Numéro de code de la pièce détachée** indiqué sur le catalogue des pièces détachées.

- **Description de la pièce et quantité requise.**

- **Numéro de plan.**

- **Moyen d'expédition.** *Si cette rubrique n'est pas indiquée, le Constructeur, bien que soucieux de ce service, ne répond pas des retards d'expédition pour des causes de force majeure.*

Les frais de transport sont toujours à la charge du destinataire. La marchandise voyage aux risques et périls de l'acheteur même si vendue franco de port.

N.B.: *Les références (Dx) droit et (Sx) gauche de la machine ou des parties de la même, est entendue, comme de la figure, en regardant la machine de derriere dans le sens de marche.*

Los pedidos han de efectuarse en nuestros consesionarios de zona y deben incluir siempre las siguientes indicaciones:

- **Tipo, modelo y número de matricula del equipo.** Dichos datos están impresos en la relativa placa presente en el equipo.

- **Número de código de la parte requerida** presente en el catálogo respuestas.

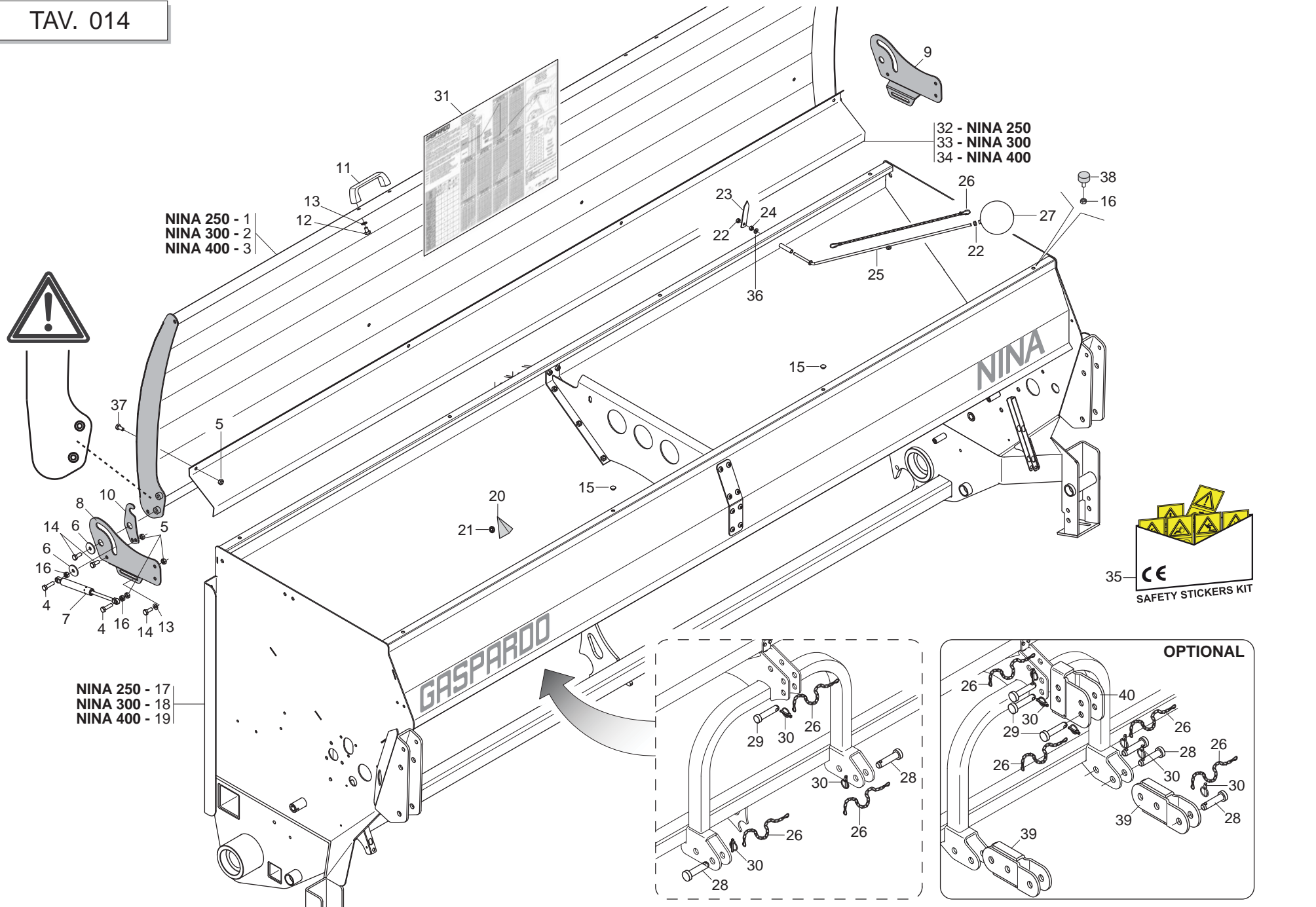
- **Descripción de la pieza y cantidad requerida.**

- **Numero de ilustración.**

- **Medio de transporte.** En caso que este ítem no esté especificado, el Fabricante, aún prestando la debidas consideraciones para este aspecto, no responde por eventuales retardos de env'o debidos a causas de fuerza mayor. Los gastos de transporte se consideran siempre a cargo del destinatario. La mercadería viaja bajo riesgo y peligro del comprador, incluso cuando se vende franco destino.

N.B.: La refencia **(Dx) derecha** o **(Sx) izquierda** de la máquina o de sus componentes, se entiende, como en la figura, mirando la máquina por la parte trasera. Se indicarán las excepciones.

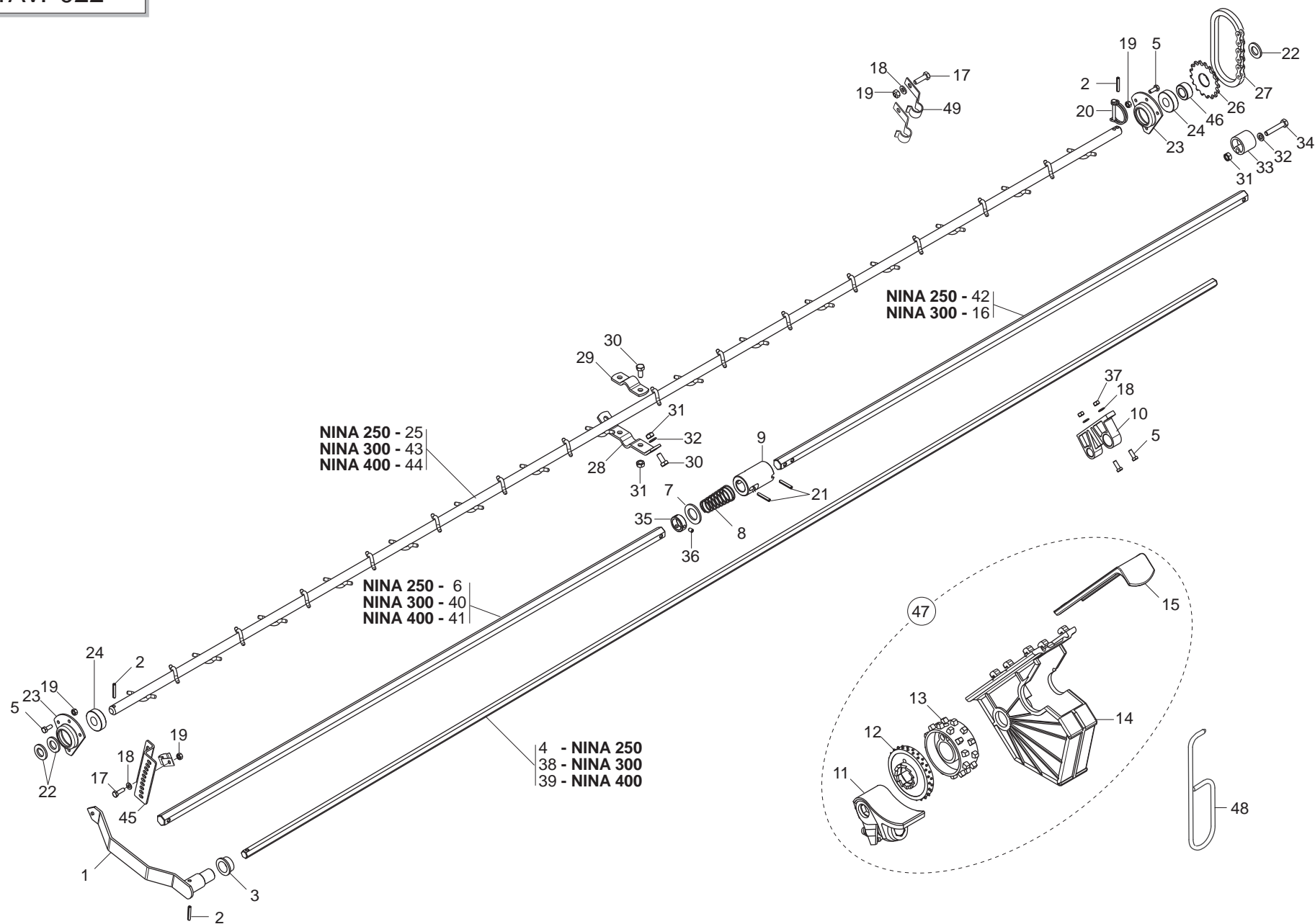
| Nr. Tav. | Descrizione - Description | Pag. |
|-----------------|--|-------------|
| TAV. 014 | Telaio tramoggia NINA 250-300-400 | 4 |
| TAV. 022 | Distribuzione | 6 |
| TAV. 034 | Trasmissione e cambio | 8 |
| TAV. 042 | Ruote e rompitraccia | 10 |
| TAV. 052 | Doppia trasmissione | 12 |
| TAV. 060 | Regolazione assolcatori | 14 |
| TAV. 071 | Regolazione oleodinamica assolcatori | 16 |
| TAV. 083 | Vaschette scarico semi | 18 |
| TAV. 094 | Assolcatori a stivaletto | 20 |
| TAV. 106 | Assolcatori a dischi COREX | 22 |
| TAV. 204 | Assolcatori a SINGOLO disco | 26 |
| TAV. 205 | Assolcatori a SINGOLO disco | 30 |
| TAV. 113 | Segnafile | 34 |
| TAV. 122 | Erpice copriseme MULTI CONTROL | 36 |
| TAV. 213 | Erpice copriseme LIGHT | 38 |
| TAV. 130 | Pedana | 40 |
| TAV. 144 | Separatori e rialzo tramoggia | 42 |
| TAV. 152 | Tramoggia semina erbai | 44 |
| TAV. 161 | Trasmissione tramoggia semina erbai | 48 |
| TAV. 172 | Tracciasentieri posteriore | 50 |
| TAV. 192 | Kit luci e tabelle d'ingombro | 52 |



TELAIO TRAMOGGIA «NINA 250-300-400»

TAV. 014

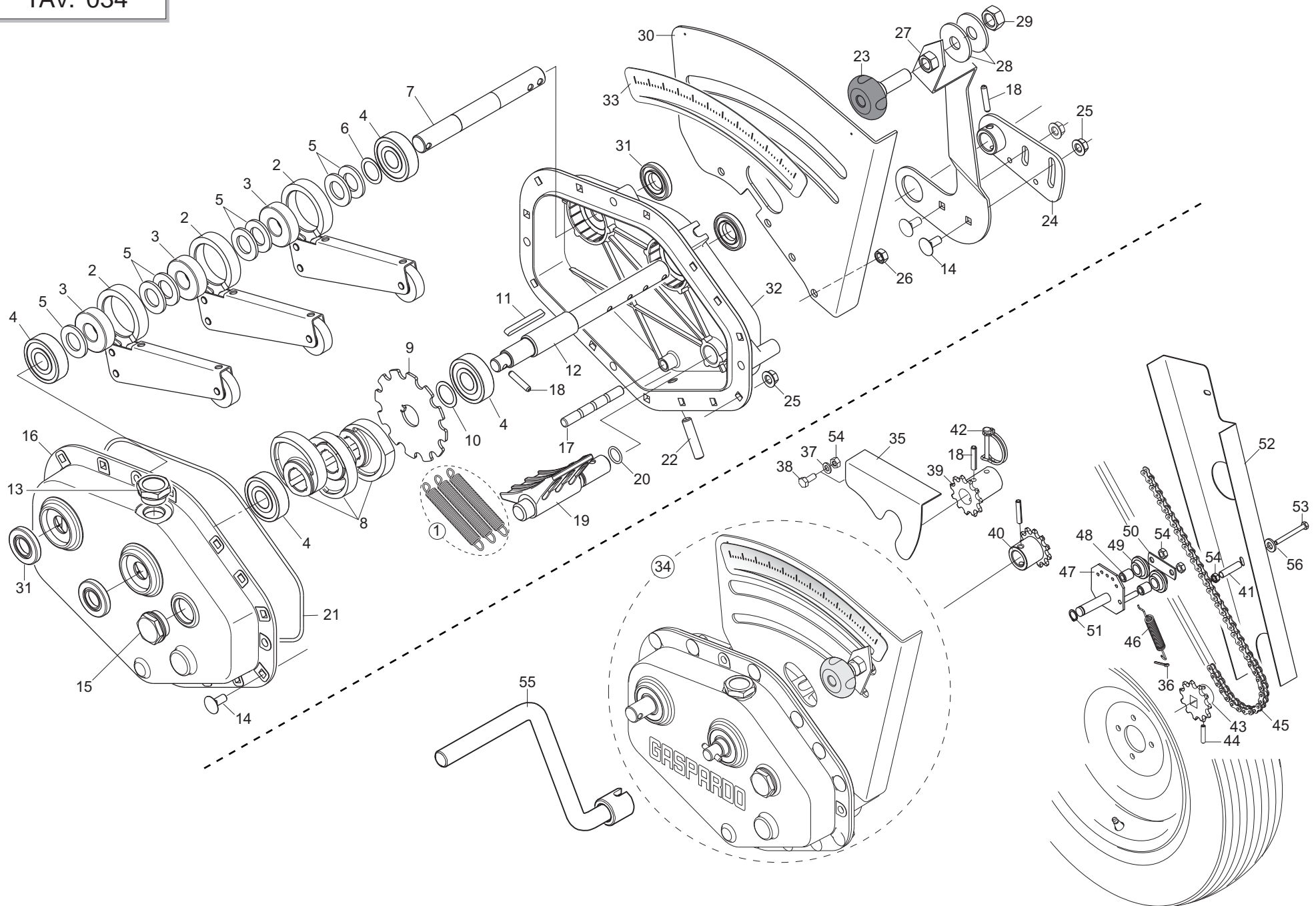
| Pos. | Cod. | Descrizione | Description | Description | Benennung | Descripcion |
|------|-----------|--------------------------------|--------------------------------|--------------------------------|--------------------------------|--------------------------------|
| 1 | G16214731 | COPERCHIO NINA 250 | COVER SHAFT | ASSEMBLAGE COUVERCLE | MONT.DECKEL | ENS.TAPA |
| 2 | G16214651 | COPERCHIO 300 | COVER | COUVERCLE | DECKEL | TAPA |
| 3 | G16315221 | COPERCHIO TONDO 400 | CIRCULAR COVER 400 | | | |
| 4 | F01020445 | VITE M8X1,25X30 U5739 8.8ZN | SCR. M8X1,25X30 U5739 8.8ZN | VIS M 8X1,25X30 U5739 8.8 ZN | SCHRAU. M8X1,25X30 U5739 8.8ZN | TORN. M8X1,25X30 U5739 8.8 ZN |
| 5 | F01220022 | DADO M8X1,25 D980 8ZN | NUT M8X1,25 D980 8ZN | ECROU M8X 1,25 D980 8 ZN | MUTTER M8X 1,25 D980 8 ZN | TUERCA M8X 1,25 D980 8 ZN |
| 6 | F01420049 | ROS.M8 8,4X 32X 2 U6593 ZN | WASHER M8 8,4X32X2 U6593 ZN | RONDELLA M8 8,4X32X2 U6593 ZN | SCHEIBE M8 8,4X32X2 U6593 ZN | ARANDELA M8 8,4X32X2 U6593 ZN |
| 7 | F02400027 | MOLLA A GAS 600 N | GAS SPRING 600N | | | |
| 8 | G16315440 | STAFFA ROTAZ.COPERCHIO DX ZN | ROTATION BRACKET COVER RIGHT | | | |
| 9 | G16315450 | STAFFA ROTAZ.COPERCHIO SX ZN | ROTATION BRACKET COVER LEFT | | | |
| 10 | G16214721 | STAFFA BLOCCO COPERCHIO ZN | BRACKET | ETRIER | B_GEL | ESTRIBO |
| 11 | F05150112 | MANIGLIA INTERAS. 117 FORO 8MM | HANDLE | POIGNEE | HANDGRIFF | MANILLA |
| 12 | F01020427 | VITE M 8X1,25X 12 U5739 8.8ZN | SCR. M8X1,25X12 U5739 8.8ZN | VIS M8X1,25X12 U5739 8.8ZN | SCHRA. M8X1,25X12 U5739 8.8ZN | TORN. M8X1,25X12 U5739 8.8ZN |
| 13 | F01410051 | ROS.M8 8,4X 17X1,6 U6592 ZN | WASHER M8 8,4X17X1,6 U6592 ZN | RONDELLE M8 8,4X17X1,6 U6592ZN | SCHEIBE M8 8,4X17X1,6 U6592 ZN | ARANDELA M8 8,4X17X1,6 U6592ZN |
| 14 | F01020436 | VITE M8X1,25X20 U5739 8.8ZN | SCR. M8X1,25X20 U5739 8.8ZN | VIS M8X1,25X 20 U5739 8.8 ZN | SCHRAUBE M8X1,25X20U5739 8.8ZN | TORN. M8X1,25X20 U5739 8.8 ZN |
| 15 | F05100145 | TAPPO PLASTCA D.9 X FORO 10 | PLASTIC PLUG D.9 X HOLE 10 | | | |
| 16 | F01200244 | DADO M8X1,25 U5588 6.8ZN | NUT M8X1,25 U5588 6.8ZN | ECROU M8 X1,25 U5588 6.8 ZN | MUTTER M8 X1,25 U5588 6.8 ZN | TUERCA M8 X1,25 U5588 6.8 ZN |
| 17 | G16214113 | TELAIO NINA 250 | FRAME NINA 250 | | | |
| 18 | G16213383 | TELAIO NINA 300 | FRAME NINA 300 | | | |
| 19 | G16214192 | TELAIO NINA 400 | FRAME NINA 400 | | | |
| 20 | G07000130 | ANGOLARE FLUIDITA' SEMENTI | SEED CHUTE L BAR | CORNIERE FLUIDITE GRAINES | SAATGUT FLUIDITZTZWINKEL | ANGULAR FLUIDEZ SEMILLAS |
| 21 | F02050648 | ANELLO BENZING-QUICKLOCK BQ7 > | BENZING-QUICKLOCK BQ7 RING | BAGUE BENZING-QUICKLOCK BQ7 | RING BENZING-QUICKLOCK BQ7 | ANILLO BENZING-QUICKLOCK BQ7 |
| 22 | F01220011 | DADO M6X1 D980 8ZN | NUT M6X1 D980 8ZN | ECROU M6X1 D980 8 ZN | MUTTER M6X1 D980 8 ZN | TUERCA M6X1 D980 8 ZN |
| 23 | G07000310 | INDICE LIVELLO POS. VERTICALE | VERTICAL POSITION LEVEL INDEX | INDEX DE NIVEAU POS. VERTICAL | STANDANZEIGER VERTIKALE POSITI | NDICE NIVEL POSICIN VERTICALIN |
| 24 | F01200232 | DADO M6X1 U5588 6.8ZN | NUT M6X1 U5588 6.8ZN | ECROU 6 UNI 5588 6.8 ZN | MUTTER 6 UNI 5588 6.8 ZN | TUERCA 6 UNI 5588 6.8 ZN |
| 25 | G07000308 | ASTA LIVELLO SEMENTI | SEED LEVEL ROD | TIGE DE NIVEAU DES GRAINES | SAATGUTMESS-STAB | VARILLA DE NIVEL SEMILLAS |
| 26 | G13812311 | CATENELLA CON MOSCHETTONE ZN | CHAIN WITH SPRING CATCH | CHAINETTE AVEC MOUSQUETON | KETTE MIT KARABINERHAKEN | CADENA CON GANCHO |
| 27 | G07000309 | GALLEGGIANTE | FLOAT | FLOTTEUR | SCHWIMMER | FLOTADOR |
| 28 | F20100135 | PERNO D28 L 93 C43 ZN | PIN D28 L93 C43 GALV.ED | | | |
| 29 | F20100132 | PERNO D25 L 91 C43 ZN | PIN D25 L91 C43 ZN | | | |
| 30 | F02200507 | SPINA A SCATTO D 9 B/83 | SNAP PIN D9 B/83 ZN | FICHE A DETENTE D9 B/83 ZN | EINRASTSTIFT D9 B/83 ZN | CLAVIJA DE MUELLE D9 B/83 ZN |
| 31 | G19707112 | TABELLA DI SEMINA NINA-DAMA | SEEDING TAB. NINA-DAMA | | | |
| 32 | G16214750 | LAMIERA RINF.COPERCHIO 250 | COVER REINFORCEMENT 2500 | RENFORCEMENT COUVERTURE 2500 | DECKEL VERSTÄRKERUNG 2500 | REFUERZO TAPA 2500 |
| 33 | G16214680 | LAMIERA RINF.COPERCHIO 300 | COVER REINFORCEMENT 3000 | RENFORCEMENT COUVERTURE 3000 | DECKEL VERSTÄRKERUNG 3000 | REFUERZO TAPA 3000 |
| 34 | G16315240 | LAMIERA RINF.COPERCHIO 400 | REINF.COVER SHEET 400 | | | |
| 35 | G89900500 | KIT DECALCOMANIE -CE- | DECAL KIT -CE- | KIT DECALCOMANIE -CE- K | IT ABZIEHB. -CE- S | ET CALCOMANAS -CE- KI |
| 36 | F01410037 | ROS.M6 6,4X12,5X1,6 U6592 ZN | WASHER M6 6,4X12,5X1,6 U6592ZN | RONDEL.M6 6,4X12,5X1,6 U6592ZN | SCHEIB.M6 6,4X12,5X1,6 U6592ZN | ARAND.M6 6,4X12,5X1,6 U6592 ZN |
| 37 | F01020432 | VITE M8X1,25X16 U5739 8.8ZN | SCR. M8X1,25X16 U5739 8.8ZN | VIS M8 X1,25X16 U5739 8.8 ZN | SCHRAUBE M8X1,25X16U5739 8.8ZN | TORNILLO M8X1,25X16U5739 8.8ZN |
| 38 | F05150456 | PARACOLPI 30X15 M8X25 | BUFFER 30X15 M8X25 | PARE-CHOCS 30X15 M8X25 | STOSSDZMPFER 30X15 M8X25 | PARAGOLPES 30X15 M8X25 |
| 39 | G16214050 | PROLUNGA 1-2 PUNTO | | | | |
| 40 | G16214060 | ESTENSIONE 3 PUNTO | | | | |



DISTRIBUZIONE

TAV. 022

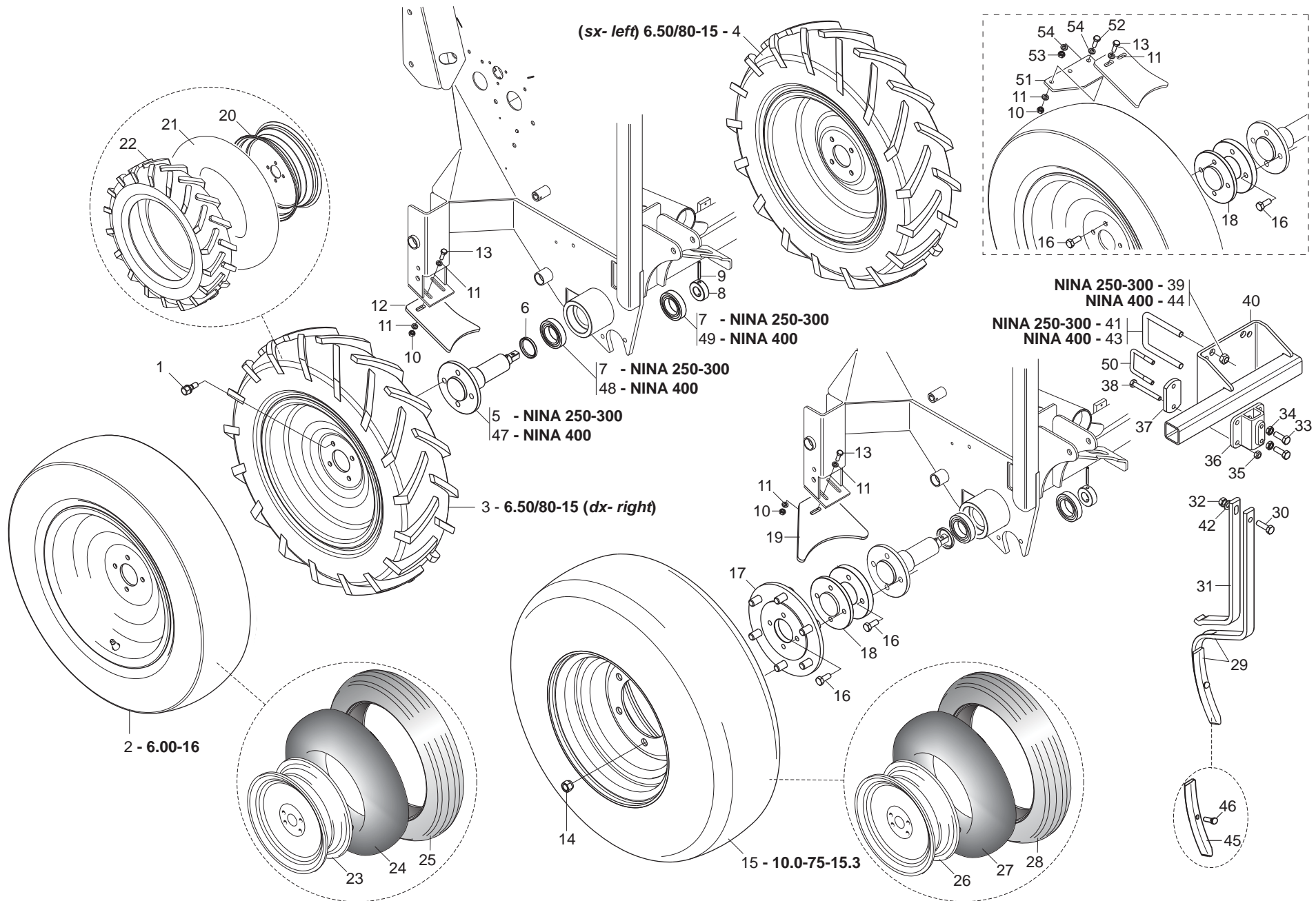
| Pos. | Cod. | Descrizione | Description | Description | Benennung | Descripcion |
|------|-----------|-------------------------------|--------------------------------|--------------------------------|--------------------------------|--------------------------------|
| 1 | G16221200 | LEVA REGOLAZIONE TASTATORI | FEELER ADJUSTMENT LEVER | LEVIER REGLAGE TATEURS | TASTERREGULIERHEBEL | PALANCA REGULACIN PALPADORES M |
| 2 | F02100086 | SPINA E.P. 5X 30 U6873 C70 ZN | PIN EL. 5 X30 DIN 1481 ZN | FICHE EL. 5 X30 DIN 1481 ZN | SPANNSTIFT 5 X30 DIN 1481 ZN | CLAVIJA EL.5 X30 DIN 1481 ZN |
| 3 | F04100055 | CUSCIN.FLANG.MFM-2228-15 | BEARING MFM-2228-15 | ROULEMENT MFM-2228-15 | LAGER MFM-2228-15 | COJINETE MFM-2228-15 |
| 4 | G16220510 | ASSE ESAG.14 X2050 ZN | HEX. SPINDLE 14x2050 GALVAN. | AXE HEXAGONAL 14x2050 ZN | SECHSK.ACHSE 14x2050 ZN | EJE HEXAGONAL 14x2050 ZN |
| 5 | F01020403 | VITE M6X1X16 U5739 8.8ZN | SCR. M6X1X16 U5739 8.8ZN | VIS M6X1X16U5739 8.8 ZN | SCHRAUBE M6X1X16 U5739 8.8 ZN | TORNILLO M6X1X16 U5739 8.8 ZN |
| 6 | G16221440 | ASSE DISTRIBUZIONE SX ZN | LEFT DISTRIBUT.SPINDLE | AXE DISTRIBUTEUR GCH. | LINKE STREUERACHSE | EJE DISTRIBUIDOR IZQ. |
| 7 | F01410135 | ROS.M22 23X 39X 3 U6592 ZN | WASHER M22 23X 39X 3 U6592 ZN | ROND. M22 23X 39X3 U6592 ZN | SCHEI. M22 23X 39X3 U6592 ZN | ARANDELLA M22 23X39X3 U6592 ZN |
| 8 | G65338039 | MOLLA COMP.ZN INNESTO SP | ZN COUPLING COMP. SPRING SP | RESSORT COMPL. ZN ACCOUPLEM. | DRUCKFEDER ZN KUPPLUNG SP | MUELLE COMP.ZN ACOPLAMIENTO SP |
| 9 | G16221330 | DISINNESTO ASSE DISTRIB. ZN | DISENGAG.DISTRIB.AXLE ZN | | | |
| 10 | G19003030 | SUPPORTO ALBERI | SHAFTS SUPPORT | SUPPORT ARBRES | WELLENLAGER | SOPORTE EJES |
| 11 | G16220610 | REGOLATORE | GOVERNOR | REGULATEUR | REGLER | REGULADOR |
| 12 | G19002380 | RULLO A DENTI FINI | ROLLER- FINE TEETH M97 | ROTOR PETITS ERGOTS | FEINGEZAHNTE ROLLE M97 | RODILLO DE DIENTES FINOS M97 |
| 13 | G16220600 | RULLO DENTI COMBINATO | COMBINED TOOTH ROLLER | ROTOR GROS ERGOTS * | KOMBINIERTE ZAHNROLLE | RODILLO DIENTES COMBINADO |
| 14 | G19003014 | SCATOLETTA DISTRIBUZIONE | DISTRIBUTION BOX | | | |
| 15 | G19003023 | CURSORE REGOLAZ.APERTURA | APERTURE ADJUSTMENT SLIDER | | | |
| 16 | G16320460 | ASSE DISTRIBUZIONE SX | RIGHT DISTRIBUT.SPINDLE | AXE DISTRIBUTEUR DRT. | RECHTE STREUERACHSE | EJE DISTRIBUIDOR DER. |
| 17 | F01020404 | VITE M6X1X20 U5739 8.8ZN | SCREW M6X1X20 U5739 8.8ZN | VIS M6X1X20U5739 8.8ZN | SCHRAUBE M6X1X20 U5739 8.8ZN | TORNILLO M6X1X20 U5739 8.8ZN |
| 18 | F01410037 | ROS.M6 6,4X12,5X1,6 U6592 ZN | WASHER M6 6,4X12,5X1,6 U6592ZN | RONDEL.M6 6,4X12,5X1,6 U6592ZN | SCHEIB.M6 6,4X12,5X1,6 U6592ZN | ARAND.M6 6,4X12,5X1,6 U6592 ZN |
| 19 | F01220011 | DADO M6X1 D980 8ZN | NUT M6X1 D980 8ZN | ECROU M6X1 D980 8 ZN | MUTTER M6X1 D980 8 ZN | TUERCA M6X1 D980 8 ZN |
| 20 | F02200595 | SPINA SICUR. D. 5X30 ZN | PIN X GEAR | GOUJON | BOLZEN | ESPIÑA |
| 21 | F02100091 | SPINA E.P. 5X 45 U6873 C70 BR | PIN EL. .5 X45 DIN 1481 | FICHE EL. 5 X45 DIN 1481 | SPANNSTIFT 5 X45 DIN 1481 | CLAVIJA EL.5 X45 DIN 1481 |
| 22 | F01410100 | ROS.M16 17X 30X 3 U6592 ZN | WASHER M16 17X30X3 U6592 ZN | RONDELLE M16 17X30X3 U6592 ZN | SCHRAUBE M16 17X 30X3 U6592 ZN | ARANDELA M16 17X30X 3 U6592 ZN |
| 23 | G16220090 | SUPPORTO CUSCINETTO | GALV.BEARING SUPPORT | SUPPORT PALIER ZN | LAGERBschSE ZN | SOPORTE COJINETE ZN |
| 24 | F04010161 | CUSC.D17 D40 B12 6203 2RS EX | BEARING D17 D40 B12 6203 2RS | ROULEMENT 6203 2RS | LAGER 6203 2RS | COJINETE 6203 2RS SKF |
| 25 | G16220112 | ASS.ALBERO MESCOLO NINA 250 | MIX SHAFT NINA250 | ARBRE MELANGEUR NINA250 | MISCHERWELLE NINA250 | EJE MEZCLADOR NINA250 |
| 26 | G16220100 | INGRANAGGIO Z-17 | GEAR Z.17 | ENGRENAGE Z.17 | ZAHNRAD Z.17 | ENGRANAJE Z.17 |
| 27 | F06080135 | CATENA 1/2 ISO 084 28 MAGLIE | CHAIN 1/2 ISO 083 28 SHACKLE | CHAINE 1/2 ISO 083 28 MAILLES | KETTE 1/2 ISO 083 28 MASCHE | CADENA 1/2 ISO 083 28 ESLABON |
| 28 | G16221260 | SUPPORTO INF.ALBERO AGITATORE | UNDER SHAFT SUPPORT | SUPPORT INF. ARBRE | UNTERE HALTERUNG WELLE | SOPORTE INFERIORE EJE |
| 29 | G16220590 | SUPPORTO MESCOLO | MIXER SUPPORT | SUPPORT MELANGEUR | HALTERUNG MISCHER | SOPORTE MEZCLADOR |
| 30 | F01020436 | VITE M8X1,25X20 U5739 8.8ZN | SCR. M8X1,25X20 U5739 8.8ZN | VIS M8X1,25X 20 U5739 8.8 ZN | SCHRAUBE M8X1,25X20U5739 8.8ZN | TORN. M8X1,25X20 U5739 8.8 ZN |
| 31 | F01220022 | DADO M8X1,25 D980 8ZN | NUT M8X1,25 D980 8ZN | ECROU M8X 1,25 D980 8 ZN | MUTTER M8X 1,25 D980 8 ZN | TUERCA M8X 1,25 D980 8 ZN |
| 32 | F01410051 | ROS.M8 8,4X 17X1,6 U6592 ZN | WASHER M8 8,4X17X1,6 U6592 ZN | RONDELLE M8 8,4X17X1,6 U6592ZN | SCHEIBE M8 8,4X17X1,6 U6592 ZN | ARANDELA M8 8,4X17X1,6 U6592ZN |
| 33 | G66248207 | TENDICATENA SPAND. SP-520 | CHAIN TENSIONER | TENDEUR DE CHAINE EPAND. ENGR. | KETTENSANNER DsNGERSTR. SP-52 | SENSOR DE CADENA ABON. SP-520 |
| 34 | F01020070 | VITE M8X1,25X45 U5737 8.8ZN | SCR. M8X1,25X45 U5737 8.8ZN | VIS M 8X1,25X 45 U5737 8.8ZN | SCHRAU. M8X1,25X45 U5737 8.8ZN | TORN. M 8X1,25X 45 U5737 8.8ZN |
| 35 | G16221510 | FERMO ASSE DISTRIBUZIONE ZN | STOP | ARRET | FESTSTELLVORRICHTUNG | BLOQUEO |
| 36 | F01050085 | VITE M6X1X8 U5927 | SCR. M6X1X8 U5927 | VIS M6X1X8 U5927 | SCHRAUBE M6X1X8 U5927 | TORNILLO M6X1X8 U5927 |
| 37 | F01200232 | DADO M6X1 U5588 6.8ZN | NUT M6X1 U5588 6.8ZN | ECROU 6 UNI 5588 6.8 ZN | MUTTER 6 UNI 5588 6.8 ZN | TUERCA 6 UNI 5588 6.8 ZN |
| 38 | G16220520 | ASSE ESAG.14 X2550 ZN | HEX. SPINDLE 14x2550 GALVAN. | AXE HEXAGONAL 14x2550 ZN | SECHSK.ACHSE 14x2550 ZN | EJE HEXAGONAL 14x2550 ZN |
| 39 | G16220530 | ASSE ESAGONALE 14X3550 ZN | HEX. SPINDLE 14x3550 GALVAN. | AXE HEXAGONAL 14x3550 ZN | SECHSK.ACHSE 14x3550 ZN | EJE HEXAGONAL 14x3550 ZN |
| 40 | G16320450 | ASSE DISTRIBUZIONE DX | LEFT DISTRIBUT.SPINDLE | AXE DISTRIBUTEUR GCH. | LINKE STREUERACHSE | EJE DISTRIBUIDOR IZQ. |
| 41 | G16220500 | ASSE ESAG.C40 19X3540 | HEX. SPINDLE 19x3540 | AXE HEXAGONAL 19x3540 | SECHSK.ACHSE 19x3540 | EJE HEXAGONAL 19x3540 |
| 42 | G16221430 | ASSE DISTRIBUZIONE DX.ZN | RIGHT DISTRIBUT.SPINDLE | AXE DISTRIBUTEUR DRT. | RECHTE STREUERACHSE | EJE DISTRIBUIDOR DER. |
| 43 | G16221521 | ASS.ALBERO MESCOLO NINA 300 | MIX SHAFT NINA300 | ARBRE MELANGEUR NINA300 | MISCHERWELLE NINA300 | EJE MEZCLADOR NINA300 |
| 44 | G16220561 | ASS.ALBERO MESCOLO NINA 400 | MIX SHAFT NINA400 | ARBRE MELANGEUR NINA400 | MISCHERWELLE NINA400 | EJE MEZCLADOR NINA400 |
| 45 | G16220250 | LEVA REGOLAZ.TASTATORI | FEELER ADJUSTING SQUARE * | LEVIER DE REGLAGE DES TATEURS | TASTERREGULIERWINKEL* | ESCUADRA DE REGULAC. DE PALPAD |
| 46 | G18801860 | BOCCOLA 17,25X30 X14 | BUSHING D17,25X30X14 | | | |
| 47 | G16220620 | DISTRIBUTORE COMPLETO | DISTRIBUTOR ASSY. | DISTRIBUTEUR COMPL. | KOMPLETTER SZAPPARAT | DISTRIBUIDOR COMPLETO |
| 48 | G07000074 | GANCIO X DISINNESTO RULLI ZN | GALVAN.ROLLER DISENGAGE. HOOK | CROCHET POUR DECONNECT. ROULEA | HAKEN Fsr WALZENAUSKUPPLUNG ZN | GANCHO P/ DESCONEXIN RODILLOSC |
| 49 | G07002493 | GANCIO SUPPORTO MANIGLIA M ZN | GALVAN. HANDLE SUPPORT HOOK M | CROCHET SUPPORT POIGNEE M ZN | HAKEN GRIFFHALTERUNG M ZN | GANCHO SOPORTE MANIJA M ZN |



TRASMISSIONE E CAMBIO

TAV. 034

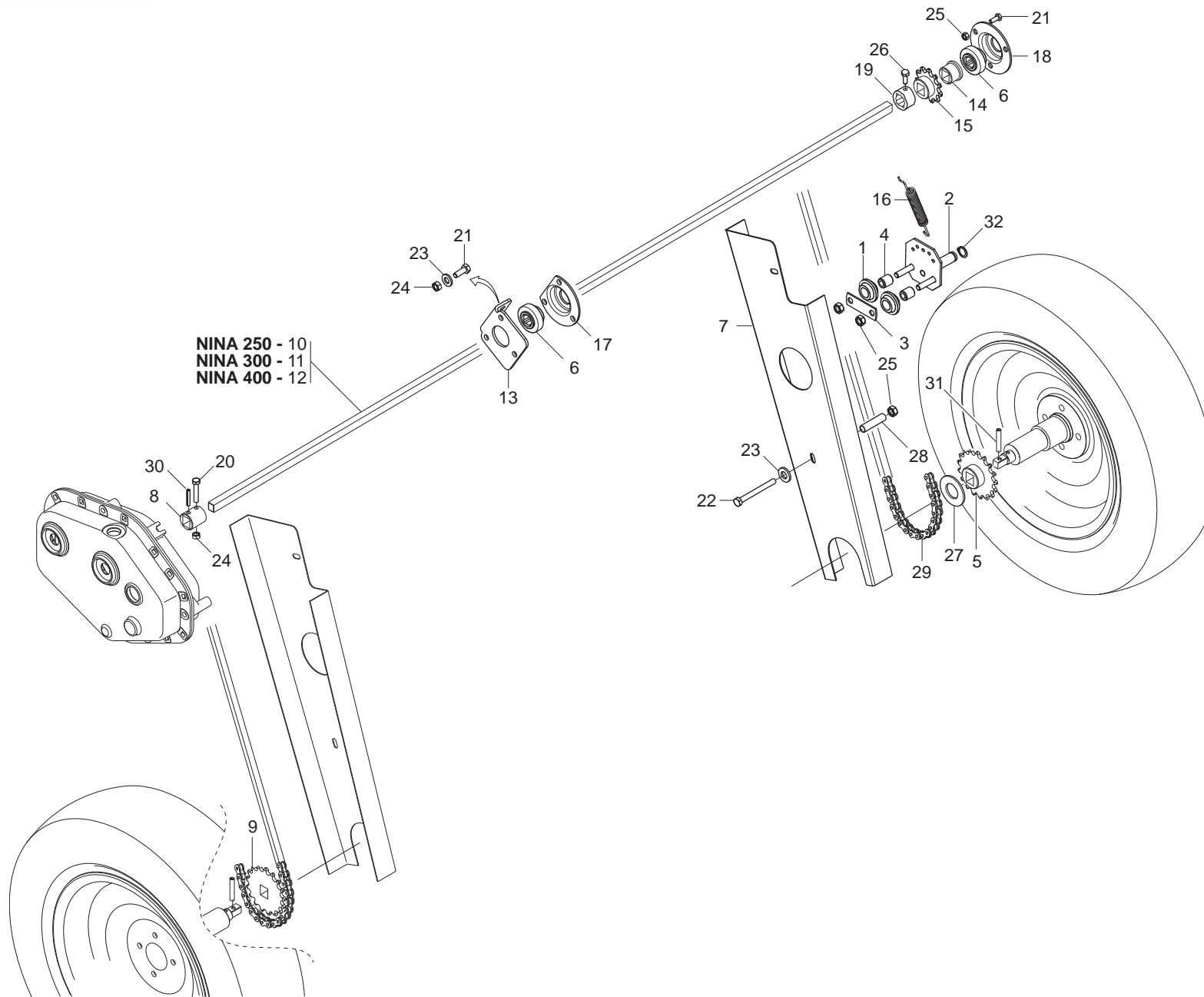
| Pos. | Cod. | Descrizione | Description | Description | Benennung | Descripcion |
|------|-----------|--------------------------------|--------------------------------|--------------------------------|---------------------------------|--------------------------------|
| 1 | G18930010 | KIT MOLLE TRAZ.CAMBIO PLASTICA | KIT GEAR TRACT. SPRING | RESS. TRACT. BOITE VITESSE | ZUGFEDER GETRIEBE | MUELLE TRAC. CAMBIO |
| 2 | G07000006 | RIBADITURA BIELLA | CONNECTING ROD RIVETING | RIVETAGE BIELLE | PLEUEL EINNIIETEN | REMACHADO BIELA |
| 3 | F06120065 | RUOTA LIBERA KK20 | FREE WHEEL | ROUE LIBRE | FREILAUF | RUEDA LIBRE |
| 4 | F04010207 | CUSC.D20 D52 B15 6304 Z | BEARING D20 D52 B15 6304 Z | ROULEMENT D20 D52 B15 6304 | LAGER D20 D52 B15 6304 Z | COJINETE D20 D52 B15 6304 Z |
| 5 | F01410124 | ROS.M20 21X 37X 3 U6592 ZN | WASHER M20 21X 37X 3 U6592 ZN | RONDEL.M20 21X 37X 3 U6592 ZN | MUTTER M20 21X 37X 3 U6592 ZN | ARANDELA M20 21X37X3 U6592 ZN |
| 6 | G20970100 | RONDELLA 30X0,5X22 ACC. | WASHER 30X0-5X22 ACC. | RONDELLE 30X0-5X22 ACIER | UNTERLEGSSCHEIBE 30X0-5X22 ACC. | ARANDELA 30X0-5X22 ACC. |
| 7 | G16230530 | ALBERO RUOTA LIBERA C.PLA BON. | FREE-WHEEL SHAFT | ARBRE ROUE LIBRE | LOSRADWELLE | LOSRADWELLE |
| 8 | G07000014 | CAMMA CAMBIO BAGNO OLIO | OIL BATH GEARBOX CAM | CAME BOITE DE VIT. BAIN HUILE | NOCKEN GETRIEBE TLBAD | LEVA CAMBIO BA%O ACEITE |
| 9 | G16230520 | RUOTA FONICA | PHONIC WHEEL | ROUE PHONIQUE | TONRADES | RUEDA FÓNICA |
| 10 | F01440079 | ROND.RASAM.26,2X34,8X0,5 IX | WASHER D.26,2X34,8X0,5 | RONDELLE D.26,2X34,8X0,5 | UNTERLEGSSCHEIBE D.26,2X35X0,5 | ARANDELA D.26,2X34,8X0,5 |
| 11 | F02150040 | LINGUETTA 6X 6X 55 U6604A | PARALLEL KEY 6X 6X 55 U6604A | LANGUETTE 06X6X55 UNI 6604/A | FEDERKEIL 06X6X55 UNI 6604/A | LENGSETA 06X6X55 UNI 6604/A |
| 12 | G16230540 | ALBERO CAMMES CAMBIO PLA | CAM SHAFT | ARBRE A CAMES | NOCKENWELLE | EJE DE LEVAS |
| 13 | F03150706 | TAPPO OLIO 3/4" MODELLO TC/6 | OIL PLUG 3/4" MODEL TC/6 | | | |
| 14 | F01060040 | VITE M8X1,25X20 U5732 4.6ZG | SCR. M8X1,25X20 U5732 4.6ZG | VIS M8X1,25X20 U5732 4.6 ZN | SCHRA. M8X1,25X20 U5732 4.6 ZN | TORN. M8X1,25X20 U5732 4.6 ZN |
| 15 | F03150736 | TAPPO LIVELLO M30X1,5 HFE 22 | OIL LEVEL PLUG M30X1,5 HFE 22 | BOUCHON NIV. M30X1-5 HFE 22 | STANDSCHRAUBE M30X1-5 HFE 22 | TAPN NIVEL M30X1-5 HFE 22 D |
| 16 | G19005720 | COPERCHIO CAMBIO | GEARBOX COVER | COUVERCLE BOITE DE VITESSE | WECHSELGETRIEBEDECKEL | TAPA CAMBIO |
| 17 | G16230550 | PERNO SUPPORTO MOLLE | PIN | GOUJON | STIFT | PERNO |
| 18 | F02100113 | SPINA E.P. 6X 30 U6873 C70 ZN | PIN EL. 6X30 DIN 1481 ZN * | GOUPILLE EL.6 X30 DIN1481ZN* | SPANNSTIFT 6 X30 DIN 1481 ZN | CLAVIJA EL.6 X30 DIN 1481 ZN |
| 19 | G16230561 | REGOLATORE CAMBIO | GEAR REGULATOR | | | |
| 20 | F03010390 | ANELLO OR 15,08X2,26 NBR | O-RING 15,08X2,26 NBR | GARNITURE OR 15,08X2,26 NBR | DICHTUNG OR 15,08X2,26 NBR | JUNTA OR 15,08X2,26 NBR |
| 21 | F03010721 | ANEL. OR 247,24X3,53 NBR | RING OR 247,24X3,53 NBR | | | |
| 22 | F01050104 | VITE M10X1,5X45 U5927 14.9BR | SCR. M10X1,5X45 U5927 14.9BR | GOUJON 10X45 5927 14.9 | STIFT 10X45 UNI 5927 14.9 | TORNILLO SIN CABEZA 10X45 5927 |
| 23 | F06220014 | VOLANTINO 8 LOBI M12X40 SX | 8-LOBE HANDWHEEL M12X40 LEFT | VOLANT 8 LOBES M12X40 GCH | HANDRAD 8 BUCKEL M12X40 LINKS | VOLANTE 8 LOBI M12X40 IZQ |
| 24 | G16230590 | AS.SUPPL.LEVA REGOLAZIONE ZN | ADJUSTMENT LEVER SUPPORT | LEVIER REGLAGE SUPPORT | EINSTELLHEBEL HALTERUNG | SOPORTE PALANCA REGULACION |
| 25 | F01260043 | DADO M8 D6923 8.8ZN | NUT M8 D6923 8.8ZN | ECROU BRIDE .M8 DIN 6923 8.8 Z | GEFLANSCHTE MUTTER M8 DIN6923 | TUERCA BRIDA M8 DIN 6923 8.8 Z |
| 26 | F01200244 | DADO M8X1,25 U5588 6.8ZN | NUT M8X1,25 U5588 6.8ZN | ECROU M8 X1,25 U5588 6.8 ZN | MUTTER M8 X1,25 U5588 6.8 ZN | TUERCA M8 X1,25 U5588 6.8 ZN |
| 27 | G16230611 | LEVA REGOLAZIONE ZN | ADJUSTMENT LEVER | LEVIER REGLAGE | EINSTELLHEBEL | PALANCA REGULACION |
| 28 | F01420084 | ROS.M14 14,5X 36X 3 U6593 ZN | GALVANIZED WASHER 14 X36 X3 | RONDELLE 14 X36 X3 ZN | UNTERLEGSSCHEIBE 14 X36 X3 ZN | ARANDELA 14 X36 X3 ZN |
| 29 | G16230360 | DADO M12X1,75 SX AUTOB. | M12X1,75 LEFT SELF-LOCK NUT | ECROU M12X1,75 GCH AUTOBLOCANT | MUTTER M12X1,75 LINKS SELBSTSP | TUERCA M12X1,75 IZ. AUTO. |
| 30 | G16230572 | SUPPORTO REGOLAZIONE ZN | REGULATION SUPPORT ZN | | | |
| 31 | F03010257 | ANEL. T.AS 20X 42X 7 D3760NBR | RING T.AS 20X 42X 7 D3760NBR | | | |
| 32 | G19005710 | SCATOLA CAMBIO | GEARBOX | BOITE DE VITESSE | GETRIEBEKASTEN | CAJA DE CAMBIO VELOCIDAD |
| 33 | G19703421 | DECAL.REGOLAZ.CAMBIO PLA | LABEL GEAR BOX REGULAT. PLA | | | |
| 34 | G16230511 | SCATOLA CAMBIO SEME PLA COMPL | GEARBOX | BOITE DE VITESSE | WECHSELGETRIEBEGEHAEUSE | CAJA CAMBIO |
| 35 | G16230081 | CARTER AGITATORE ZN | PROTECTION STIRRER | CARTER | GEHAEUSE | CARTER |
| 36 | F02200227 | COPIGLIA 5X 30 U1336 ZN | PIN 5X 30 U1336 ZN | | | |
| 37 | F01410037 | ROS.M6 6,4X12,5X1,6 U6592 ZN | WASHER M6 6,4X12,5X1,6 U6592ZN | RONDEL.M6 6,4X12,5X1,6 U6592ZN | SCHEIB.M6 6,4X12,5X1,6 U6592ZN | ARAND.M6 6,4X12,5X1,6 U6592 ZN |
| 38 | F01020418 | VITE M6X1X14 U5739 A2IX | SCR. M6X1X14 U5739 A2IX | VIS 6X14 5739 INOX A2 | SCHRAUBE 6X14 5739 INOX A2 | TORNILLO 6X14 5739 INOX A2 |
| 39 | G16230060 | PIGNONE Z11 ZN | PINION Z 11 | PIGNON Z 11 | RITZEL Z 11 | PI%N Z 11 P |
| 40 | G16230040 | PIGNONE Z-11 ZN | GEAR Z.11 GALVANIZED | PIGNON Z 11 ZN | RITZEL Z 11 ZN | PI%N Z 11 ZN P |
| 41 | G16230640 | DISTANZIALE CARTER TRSM. ZN | TRANS.CARTER SPACER ZN | | | |
| 42 | F02200595 | SPINA SICUR. D. 5X30 ZN | PIN X GEAR | GOUJON | BOLZEN | ESPINA |
| 43 | G13930380 | PIGNONE Z20 1/2-3/16 D.16,4 | PINION Z20 1/2-3/16 D.16,4 | | | |
| 44 | F02100116 | SPINA E.P. 6X 32 U6873 C70 BR | PIN EL. 6X32 DIN 1481 * | GOUPILLE EL.6 X32 DIN 1481* | SPANNSTIFT 6 X30 DIN 1481 | CLAVIJA EL.6 X32 DIN 1481 |
| 45 | F06080223 | SP.CAT.1/2-3/16 108M.ISO 083-1 | SP.CAT.1/2-3/16 108M.ISO 083-1 | | | |
| 46 | G18903280 | MOLLA TENDICATENA | TENSIONER SPRING | RESSORT TENDEUR DE CHAINE | FEDER KETTENSANNER | MUELLE TENSOR DE LA CADENA |
| 47 | G07000269 | ASS.TENDICATENA | CHAIN TIGHTENER | ESSIEU TENDEUR DE CHAINE | EINHEIT KETTENSANNER | TENSOR DE CADENA |
| 48 | G07000273 | BUSSOLA TENDICATENA | CHAIN TIGHTENER BUSH | DOUILLE TENDEUR DE CHAINE | BschSE KETTENSANNER | CASQUILLO TENSOR DE CADENA |
| 49 | G07000134 | RULLO TENDICATENA | CHAIN TIGHTENER ROLLER | ROULEAU TENDEUR DE CHAINE | ROLLE KETTENSANNER | RODILLO TENSOR DE LA CADENA |
| 50 | G07000272 | PIASTRINA CHIUSURA TENDICATENA | CHAIN TIGHTENER CLOSING PLATE | PLAQUETTE FERM. TEND. DE CHAIN | KETTENSANNERSCHLISS-PLATTE | PLACA DE CIERRE TENSOR DE CADE |
| 51 | F02050604 | ANELLO E. DE 14X 1 U7435 C70 | STOP RING 14 UNI 7435-75 | BAGUE ARR.14 UNI 7435-75 | RING 14 UNI 7435-75 | ANILLO PARADA 14 UNI 7435-75 |
| 52 | G16230480 | CARTER TRASMISSIONE | TRASM. CARTER | | | |
| 53 | F01020082 | VITE M8X1,25X65 U5737 8.8ZN | SCR. M8X1,25X65 U5737 8.8ZN | VIS M8X1,25X65 U5737 8.8 ZN | SCHRA. M8X1,25X65 U5737 8.8 ZN | TORN. M8X1,25X65 U5737 8.8 ZN |
| 54 | F01220022 | DADO M8X1,25 D980 8ZN | NUT M8X1,25 D980 8ZN | ECROU M8X 1,25 D980 8 ZN | MUTTER M8X 1,25 D980 8 ZN | TUERCA M8X 1,25 D980 8 ZN |
| 55 | G07002489 | COMP.MANIGLIA CAMBIO ZN | GEAR HANDLE M ZN | MANIVELLE ESSAI DEBIT/REGLAGE | GETRIEBE SGRIF M ZN | MANIJA CAMBIO M ZN |
| 56 | F01410051 | ROS.M8 8,4X 17X1,6 U6592 ZN | WASHER M8 8,4X17X1,6 U6592 ZN | RONDELLE M8 8,4X17X1,6 U6592ZN | SCHEIBE M8 8,4X17X1,6 U6592 ZN | ARANDELA M8 8,4X17X1,6 U6592ZN |



RUOTE E ROMPITRACCIA

TAV. 042

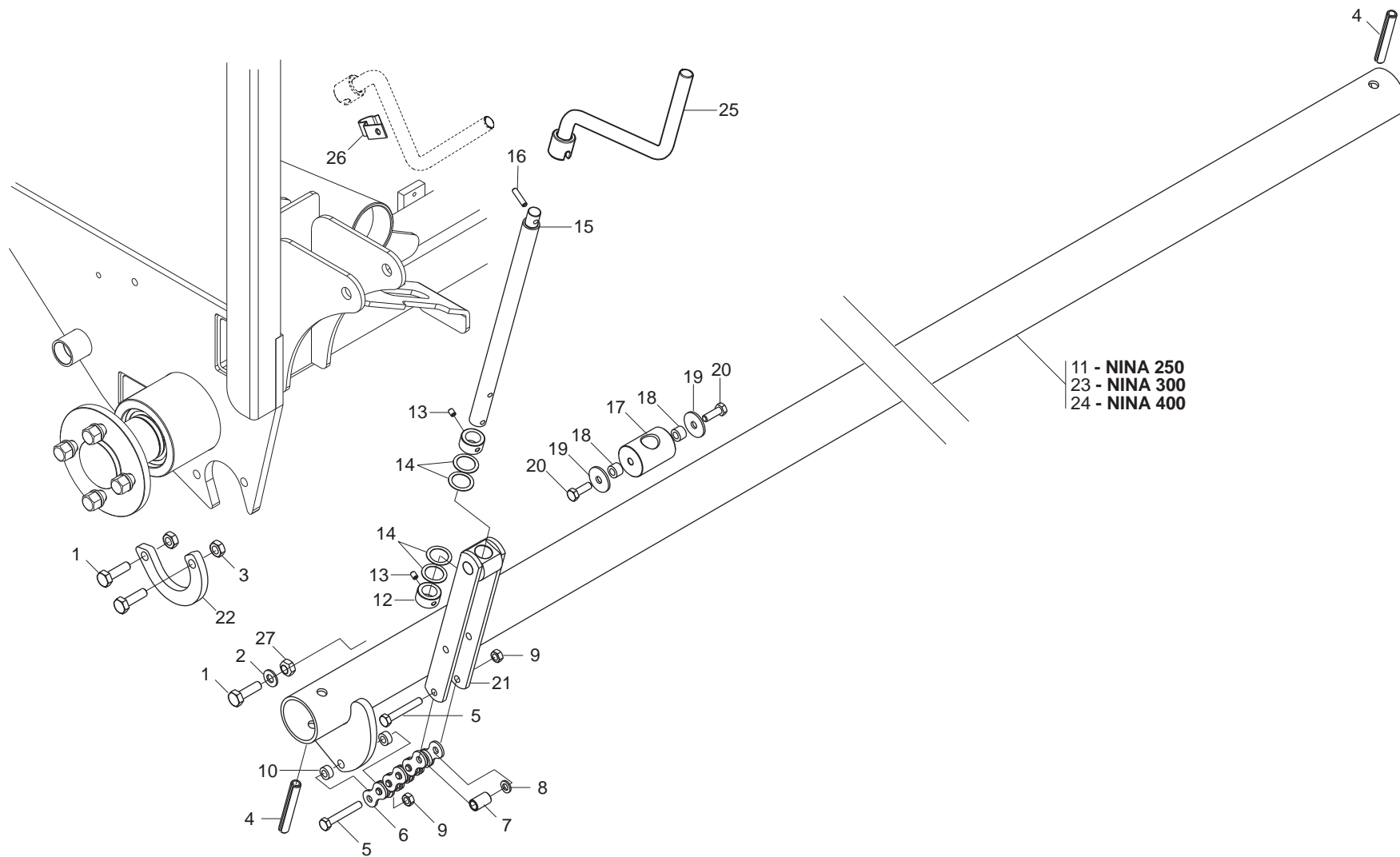
| Pos. | Cod. | Descrizione | Description | Description | Benennung | Descrpcion |
|------|-----------|--------------------------------|--------------------------------|--------------------------------|--------------------------------|--------------------------------|
| 1 | F01250028 | DADO COLON.CON.60°M12X20 ZN | STUD BOLT M12X20 ZN | COLONNETTE M12X20 ZN | SCHRAUBBOLZEN M12X20 ZN | ESP-RRAGO M12X20 ZN |
| 2 | G16230230 | RUOTA 6.00-16 COMPL. FULDA | WHEEL 6.00-16 COMPL. FULDA | | | |
| 3 | F06120116 | RUOTA 6.50/80-15 COMPL. | COMPLETE WHEEL 6.50/80-15 | | | |
| 4 | F06120115 | RUOTA GOMMATA LARGA SX COMPL. | UPRIGHT- WIDE RUBBERED WHEEL | MONT. ROUE CAOUTCHOUT. LARG. | STZNDER BREITES GUMMIRAD | MONT.RUEDA DE CAUCHO ANCHA |
| 5 | G16230101 | ASSE RUOTA D.45 | WHEEL AXIS D.45 | AXE ROUE D.45 | RADACHSE D.45 | EJE RUEDA D.45 |
| 6 | G16230430 | DISTANZIALE DI BATTUTA ZN | GALVANIS. SPACER STOP | ECARTEUR DE BUTEE ZN | DISTANZST_KANSCHLAG ZN | DISTANCIADOR DE TOPE ZN |
| 7 | F04010143 | CUSC.D45 D75 B16 6009 2RS1 EX> | BEARING D45 D75 B16 6009 2RS1 | | | |
| 8 | G16230440 | DISTANZIALE CUSCIN.-INGRANAG. | BEARING SPACER | | | |
| 9 | F02100122 | SPINA E.P. 6X 45 U6873 C70 BR | PIN EL. 6 X45 DIN 1481 | FICHE EL. 6 X45 DIN 1481 | SPANNSTIFT 6 X45 DIN 1481 | CLAVIJA EL.6 X45 DIN 1481 |
| 10 | F01200244 | DADO M8X1,25 U5588 6.8ZN | NUT M8X1,25 U5588 6.8ZN | ECROU M8 X1,25 U5588 6.8 ZN | MUTTER M8 X1,25 U5588 6.8 ZN | TUERCA M8 X1,25 U5588 6.8 ZN |
| 11 | F01410051 | ROS.M8 8,4X 17X1,6 U6592 ZN | WASHER M8 8,4X17X1,6 U6592 ZN | RONDELLE M8 8,4X17X1,6 U6592ZN | SCHEIBE M8 8,4X17X1,6 U6592 ZN | ARANDELA M8 8,4X17X1,6 U6592ZN |
| 12 | G16213451 | RASCHIATERRA R.6.00-16 | SOILSCRAPER R.6.00-16 | | | |
| 13 | F01020440 | VITE M8X1,25X25 U5739 8.8ZN | SCR. M8X1,25X25 U5739 8.8ZN | VIS M8X1,25X25 U5739 8.8 ZN | SCHRAUBE M8X1,25X25U5739 8.8ZN | TORNIL.M8X1,25X25 U5739 8.8 ZN |
| 14 | F01250052 | DADO COLON. 18X1,5 ZN | COLUMN NUT M18X1,5 ZN | ECROU M18X1,5 COLONNE ZN | MUTTER COLON. M18X1,5 ZN | TUERCA M18X1,5 COLUMNA ZN |
| 15 | F06120070 | RUOTA CP 10.0/75-15.3 AM 10 PR | WHEEL CP 10.0/75-15.3 AM 10 PR | | | |
| 16 | F01020510 | VITE M12X1,75X30 U5739 8.8ZN | SCR. M12X1,75X30 U5739 8.8ZN | VIS M12X1,75X30 U5739 8.8ZN | SCHRAU.M12X1,75X30 U5739 8.8ZN | TORN. M12X1,75X30 U5739 8.8ZN |
| 17 | G16230450 | FLANGIA RUOTA 10.0-75/15 | 10.0-75/15 WHEEL FLANGE | BRIDE ROUE 10.0-75/15 | FLANSCH RAD 10.0-75/15 | BRIDA RUEDA 10.0-75/15 |
| 18 | G16230320 | DISTANZIALE ASSE RUOTA | WHEEL AXLE SPACER | | | |
| 19 | G16214400 | RASCHIATERRA R.10.0/75-15 | SOILSCRAPER R.10.0/75-15 | | | |
| 20 | F06120206 | CERCHIO 3.00 D 15 PV RAL 9001 | RIM 3.00 D 15 PV RAL 9002 | | | |
| 21 | F06120134 | CAMERA X R5.00-15 E 6.5/80-15 | INNER TUBE R5.00-15 6.5/80-15 | CHAMBRE R5.00-15 6.5/80-15 | KAMMER R5.00-15 6.5/80-15 | CAMARA R5.00-15 6.5/80-15 |
| 22 | F06120180 | COPERTURA 6.5/80-15 IM 110 6PR | TYRE 6.5/80-15 IM 110 6PR | | | |
| 23 | F06120040 | CERCHIO 4.00 E 16 | RING 4.00 E | JANTE 4.00 E 16 | REIFEN 4.00 E | LLANTA 4.00 E |
| 24 | F06120137 | CAMERA 31 A 16 | INNER TUBE 31 A-16 | CHAMBRE 31 A-16 | KAMMER 31 A-16 | CUBIERTA 31 A-16 |
| 25 | F06120175 | COPERTURA 6.00-16 6 PR | TYRE 6.00-16 6 PR | COUVERTURE 6.00-16 6 PR | ABDECKUNG 6.00-16 6 PR | CUBIERTA 6.00-16 6 PR |
| 26 | F06120023 | CERCHIO 9.00 15.3 CANALE 6F | RING 9.00-15.3 CHANNEL 6F | JANTE 9.00-15.3 CANALE 6F | REIFEN 9.00-15.3 KANAL 6F | LLANTA 9.00-15.3 CANAL 6F |
| 27 | F06120132 | CAMERA 10.0/75-15.3 VG | CHAMBER 10.0/75-15.3 VG | CHAMBRE 10.0/75-15.3 VG | KAMMER 10.0/75-15.3 VG | CAMARA 10.0/75-15.3 VG |
| 28 | F06120156 | COPERTURA 10.0/75-15.3 AM 10PR | TYRE 10.0/75-15.3 PR10 AM | COUVERTURE 10/75-15.3 PR10 AM | MANTEL 10.0/75-15.3 PR10 AM | CUBIERTA 10.0/75-15.3 PR10 AM |
| 29 | G67002019 | ROMPITRACCIA | TRACEBREAKER | BRIS. DE TRACES | SPURMESSER | ROMPEHUELLA |
| 30 | F01020528 | VITE M12X1,75X40 U5739 10.9ZD | BOLT M12X1,75X40 U5739 10.9ZN | VIS M12X1,75X40 U5739 10.9 ZN | SCHR.M12X1,75X40 U5739 10.9 ZN | TORN.M12X1,75X40 U5739 10.9 ZN |
| 31 | G67002020 | RINFORZO ROMPITRACCIA | ROWBRAKER REINFORC. | RENFORT EFFACEUR DE TRACES | VERST-RKUNG SPURLOCKERERZINKEN | REFUERZO ROMPETRAZAS |
| 32 | F01200294 | DADO M12X1,75 U5588 6.8BR | NUT M12X1,75 U5588 6.8BR | ECROU 10 UNI 5588 6.8 | MUTTER 12 UNI 5588 6.8 | TUERCA 10 UNI 5588 6.8 |
| 33 | F01020512 | VITE M12X1,75X35 U5739 8.8ZN | SCR. M12X1,75X35 U5739 8.8ZN | VIS M12X1,75X35 5739 8.8 ZN | SCHR. M12X1,75X35 5739 8.8 ZN | TORN. M12X1,75X35 5739 8.8 ZN |
| 34 | F01020421 | VITE M6X1X25 U5739 A2IX | SCR. M6X1X25 U5739 A2IX | | | |
| 35 | F01220033 | DADO M10X1,5 D980 8ZN | NUT M10X1,5 D980 8ZN | ECROU M10X1,5 D980 8ZN | MUTTER M10X1,5 D980 8ZN | TUERCA M10X1,5 D980 8ZN |
| 36 | G19204220 | SUPPORTO ROMPITRACCIA | WIPEMARK SUPPORT | | | |
| 37 | G16019090 | SCONTRO 90X 50-10 2F11 62 | STRIKER 90 X50 -10 2F11 62 | BUTEE 90 X50 -10 2F11 62 | ANSCHLAG 90 X50 -10 2F11 62 | ELEMENTO DE EMPALME 90 X50 -10 |
| 38 | F01020132 | VITE M10X1,5X90 U5737 10.9ZD | SCREW M10X1,5X90 U5737 10.9ZD | VIS M10X1,5X90 U5737 10.9ZD | SCHRAU.M10X1,5X90 U5737 10.9ZD | TORN. M10X1,5X90 U5737 10.9ZD |
| 39 | F01220255 | DADO M14X2 D980 8ZN | NUT M14X2 D980 8ZN | ECROU M14X2 D980 8 ZN | MUTTER M14X2 D980 8 ZN | TUERCA M14X2 D980 8 ZN |
| 40 | G16214021 | SUPPORTO ROMPITRACCIA | ROW TRACK BRAKER SUPPORT | | | |
| 41 | F20110770 | CAV.Q.B=80 M=14X2 L=119 | U BOLT Q.B=80 M=14X2 L=119 | BRIDE U M14X2X50 96X119 ZN | ANSCHLANG U M14X2X50 96X119 ZN | EL.DE EMPALME M14X2X50 96X119 |
| 42 | F01410076 | ROS.M12 13X 24X2,5 U6592 ZN | WASHER 12 13X 24X2,5 U6592 ZN | RONDEL. M12 13X24X2,5 U6592 ZN | SCHEIBE M12 13X24X2,5 U6592 ZN | ARANDELA M12 13 X24X2,5 ZN |
| 43 | F20110800 | CAV.R.B=100 M=16X2 L=135 | U BOLT R.B=100 M=16X2 L=135 | ATTEL.B=100 M=16X2 L=135 | VERBI.B=100 M=16X2 L=135 | PERNO U B=100 M=16X2 L=135 |
| 44 | F01220266 | DADO M16X2 D980 8ZN | NUT M16X2 D980 8ZN | ECROU M16X 2 D980 8 ZN | MUTTER M16X 2 D980 8 ZN | TUERCA M16X 2 D980 8 ZN |
| 45 | F20120013 | VOMERE REVERSIBILE 36X6X210 | REVERSIBLE PLOWSHARE 36X6X210 | | | |
| 46 | G67002021 | BULLONE TESTA OVALE M10X35 | OVAL HEAD BOLT M10X35 | BOULON TETE AVALE M10X35 | SCHRAUBE OVAL KOPF. M10X35 | PERNO CABAZA OVALADO M10X35 |
| 47 | G16214640 | ASSE RUOTA | WHEEL AXIS | AXE ROUE | RADACHSE | EJE RUEDA |
| 48 | F04010186 | CUSC.D45 D85 B19 6209 2RS1 | BEARING D45 D85 B19 6209 2RS1 | ROULEMENT 6209 2RS1 | LAGER 6209 2RS1 | COJINETE 6209 2RS1 |
| 49 | F04010175 | CUSC.D35 D72 B17 6207 | BEARING D35 D72 B17 6207 | ROULEMENT 6207 | LAGER 6207 | COJINETE 6207 |
| 50 | F20110715 | CAV.Q.B=50 M=10X1,5 L=80 | UBOLTSTRIKER Q.B=50M10X1,5L=80 | BUTEE M10X 1,5X 30 61X 80 ZB | ANSCHLAG M10X 1,5X 30 61X 80 | EL. DE EMPALME M10X 1,5X 30 |
| 51 | G16212340 | PIASTRA DISTANZ.RASCHIATERRA | SPACER PLATE SOILSCRAPER | | | |
| 52 | F01020483 | VITE M10X1,5X40 U5739 10.9ZD | SCR. M10X1,5X40 U5739 10.9ZD | VIS M10X1,5X40 U5739 10.9 ZD | SCHRA.M10X1,5X40 U5739 10.9 ZD | TORN. M10X1,5X40 U5739 10.9 ZD |
| 53 | F01200270 | DADO M10X1,5 U5588 6.8ZN | NUT M10X1,5 U5588 6.8ZN | ECROU M10X 1,5 U5588 6.8 ZN | MUTTER M10X 1,5 U5588 6.8 ZN | TUERCA M10X 1,5 U5588 6.8 ZN |
| 54 | F01410064 | ROS.M10 10,5X 20X 2 U6592 ZN | WASHER M10 10,5X20X2 U6592 ZN | RONDEL. M10 10,5X20X2 U6592 ZN | SCHEIBE M10 10,5X20X2 U6592 ZN | ARANDEL.M10 10,5X20X2 U6592 ZN |



DOPPIA TRASMISSIONE

TAV. 052

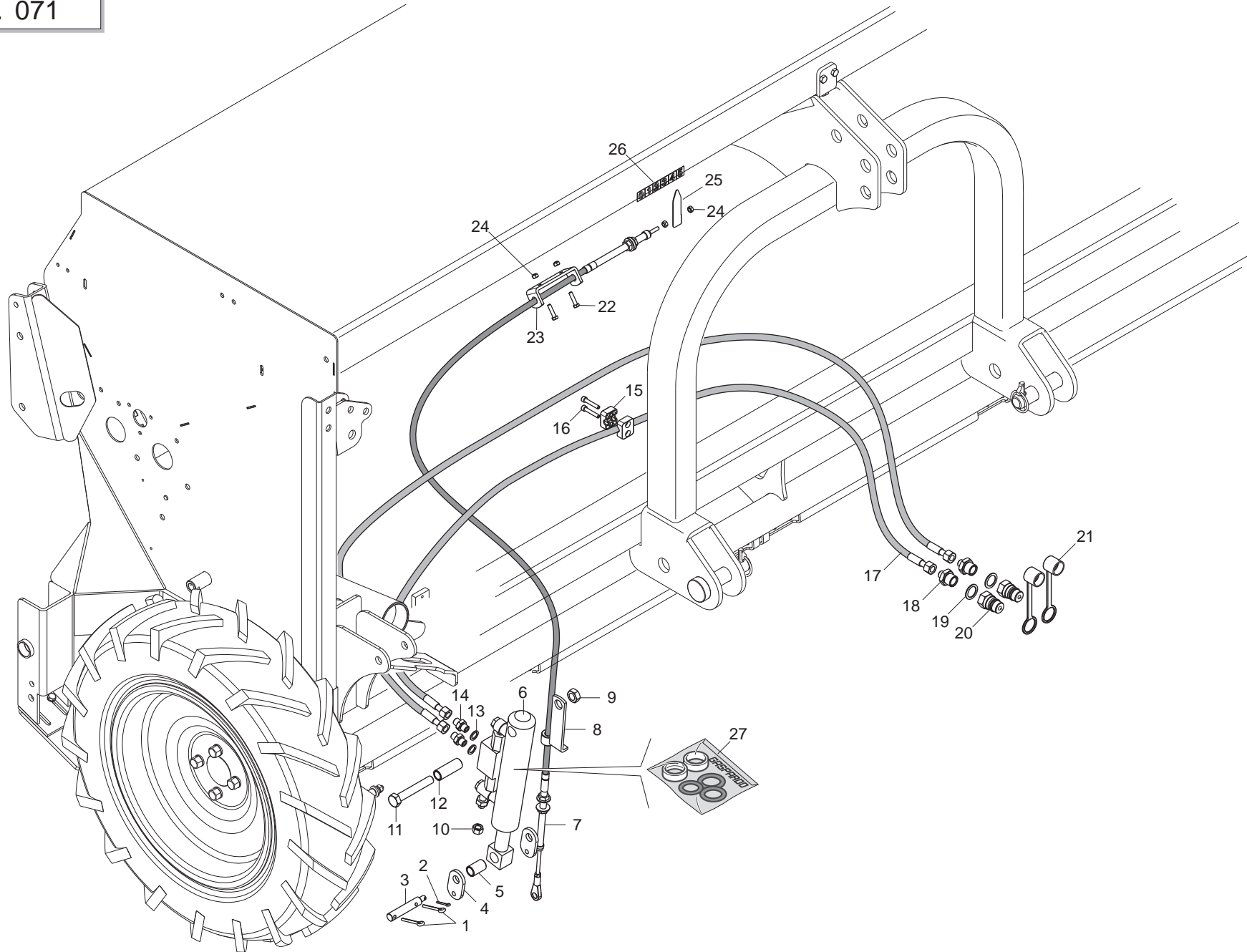
| Pos. | Cod. | Descrizione | Description | Description | Benennung | Description |
|------|-----------|--------------------------------|--------------------------------|--------------------------------|--------------------------------|--------------------------------|
| 1 | G07000134 | RULLO TENDICATENA | CHAIN TIGHTENER ROLLER | ROULEAU TENDEUR DE CHAINE | ROLLE KETTENSANNER | RODILLO TENSOR DE LA CADENA |
| 2 | G07000269 | ASS.TENDICATENA | CHAIN TIGHTENER | ESSIEU TENDEUR DE CHAINE | EINHEIT KETTENSANNER | TENSOR DE CADENA |
| 3 | G07000272 | PIASTRINA CHIUSURA TENDICATENA | CHAIN TIGHTENER CLOSING PLATE | PLAQUETTE FERM. TEND. DE CHAIN | KETTENSANNERSCHLISS-PLATTE | PLACA DE CIERRE TENSOR DE CADE |
| 4 | G07000273 | BUSSOLA TENDICATENA | CHAIN TIGHTENER BUSH | DOUILLE TENDEUR DE CHAINE | BsCHSE KETTENSANNER | CASQUILLO TENSOR DE CADENA |
| 5 | G07002669 | INGRANAGGIO R.L. Z-20 DX | FREE WHEEL GEAR Z-20 RIGHT | ENGRENAGE ROUE LIBRE Z-20 DRT. | ZAHNRAD FREILAUF Z-20 RECHTER | ENGRANAJE R.LIBRE Z-20 DRC. |
| 6 | G14830390 | CUSCINETTO FORO QUADRO | SQUARE-HOLED BEARING | ROULEMENT TROU CARRE | VIERKANTLAGER | COJINETE ORIFICIO CUADRADO |
| 7 | G16230490 | CARTER TRASMISSIONE | TRASM. CARTER | | | |
| 8 | G16230050 | BOCCOLA ZN | BUSHING GALVAN | BOITE ZN | BsCHSE ZN | CASQUILLO ZN |
| 9 | G07002547 | INGRANAGGIO R.L. Z.20 SX | FREE WHEEL GEAR Z-20 LEFT | ENGRENAGE ROUE LIBRE Z-20 GCH. | ZAHNRAD FREILAUF Z-20 LINCHER | ENGRANAJE R.LIBRE Z-20 IZQ. |
| 10 | G16230130 | ASSE TRASM.L.1980 | TRANSMISSION AXLE L1980 | AXE TRANSMISSION L.1980 | ANTRIEBSACHSE L.1980 | EJE TRANSMISIN L 1980 |
| 11 | G13732200 | ASSE TRASMISSIONE L.2485 | TRANSMISSION AXLE L2485 | AXE TRANSMISSION L.2485 | sBERTRAGUNGSACHSE L.2485 | EJE TRANSMISIN L 2485 A |
| 12 | G16230150 | ASSE TRASM.L.3480 | TRANSMISSION AXLE L3480 | AXE TRANSMISSION L.3480 | ANTRIEBSACHSE L.3480 | EJE TRANSMISIN L 3480 |
| 13 | G16230500 | SUPPORTO DOPPIA TRASMISSIONE | SUPPORT DOUBLE TRANSM. | | | |
| 14 | G16230170 | DISTANZIALE CUSCINETTO INGR. | GEAR ROLLER BEARING SPACER | ECARTEUR ROULEMENT ENGRENAGE | DISTANZST_CK LAGER R-DERPAAR | DISTANCIADOR COJINETE ENGR. |
| 15 | G16230180 | PIGNONE Z-11 ZN | PINION Z 11 GALVAN | PIGNON Z 11 ZN | RITZEL Z 11 ZN | PIGNON Z 11 ZN P |
| 16 | G18903280 | MOLLATENDICATENA | TENSIONER SPRING | RESSORT TENDEUR DE CHAINE | FEDER KETTENSANNER | MUELLE TENSOR DE LA CADENA |
| 17 | G22230086 | SUPPORTO CUSCINETTO TAGLIATO | CUT BEARING SUPPORT | SUPPORT PALIER COUPE | HALTERUNG LAGER MIT SCHNITT | SOPORTE COJINETE CORTADO |
| 18 | G22230094 | SUPPORTO CUSCINETTO | BEARING SUPPORT | SUPPORT PALIER | LAGERBsCHSE | SOPORTE COJINETE |
| 19 | G22500142 | FERMO ASSI | AXLE STOP | ARRET AXES | FESTSTELLVORRICHTUNG ACHSEN | BLOQUEO EJES |
| 20 | F01020040 | VITE M6X1X40 U5737 8.8ZN | SCR. M6X1X40 U5737 8.8ZN | VIS M6X1X40 U5737 8.8ZN | SCHRAU. M6X1X40 U5737 8.8ZN | TORNI. M6X1X40 U5737 8.8ZN |
| 21 | F01020432 | VITE M8X1,25X16 U5739 8.8ZN | SCR. M8X1,25X16 U5739 8.8ZN | VIS M8 X1,25X16 U5739 8.8 ZN | SCHRAUBE M8X1,25X16U5739 8.8ZN | TORNILLO M8X1,25X16U5739 8.8ZN |
| 22 | F01020082 | VITE M8X1,25X65 U5737 8.8ZN | SCR. M8X1,25X65 U5737 8.8ZN | VIS M8X1,25X65 U5737 8.8 ZN | SCHRA. M8X1,25X65 U5737 8.8 ZN | TORN. M8X1,25X65 U5737 8.8 ZN |
| 23 | F01410051 | ROS.M8 8,4X 17X1,6 U6592 ZN | WASHER M8 8,4X17X1,6 U6592 ZN | RONDELLE M8 8,4X17X1,6 U6592ZN | SCHIEBE M8 8,4X17X1,6 U6592 ZN | ARANDELA M8 8,4X17X1,6 U6592ZN |
| 24 | F01220011 | DADO M6X1 D980 8ZN | NUT M6X1 D980 8ZN | ECROU M6X1 D980 8 ZN | MUTTER M6X1 D980 8 ZN | TUERCA M6X1 D980 8 ZN |
| 25 | F01220022 | DADO M8X1,25 D980 8ZN | NUT M8X1,25 D980 8ZN | ECROU M8X 1,25 D980 8 ZN | MUTTER M8X 1,25 D980 8 ZN | TUERCA M8X 1,25 D980 8 ZN |
| 26 | F01020397 | VITE M6X1X10 U5739 8.8ZN | SCR. M6X1X10 U5739 8.8ZN | VIS 6X10 5739 8.G ZN | SCHRAUBE 6X10 5739 8.G ZN | TORNILLO 6X10 5739 8.G ZN |
| 27 | F01410135 | ROS.M22 23X 39X 3 U6592 ZN | WASHER M22 23X 39X 3 U6592 ZN | ROND. M22 23X 39X3 U6592 ZN | SCHEI. M22 23X 39X3 U6592 ZN | ARANDELLA M22 23X39X3 U6592 ZN |
| 28 | G16230640 | DISTANZIALE CARTER TRSM. ZN | TRANS.CARTER SPACER ZN | | | |
| 29 | F06080223 | SP.CAT.1/2-3/16 108M.ISO 083-1 | SP.CAT.1/2-3/16 108M.ISO 083-1 | | | |
| 30 | F02100113 | SPINA E.P. 6X 30 U6873 C70 ZN | PIN EL. 6X30 DIN 1481 ZN * | GOUPILLE EL.6 X30 DIN1481ZN* | SPANNSTIFT 6 X30 DIN 1481 ZN | CLAVIJA EL.6 X30 DIN 1481 ZN |
| 31 | F02100116 | SPINA E.P. 6X 32 U6873 C70 BR | PIN EL. 6X32 DIN 1481 * | GOUPILLE EL.6 X32 DIN 1481* | SPANNSTIFT 6 X30 DIN 1481 | CLAVIJA EL.6 X32 DIN 1481 |
| 32 | F02050604 | ANELLO E. DE 14X 1 U7435 C70 | STOP RING 14 UNI 7435-75 | BAGUE ARR.14 UNI 7435-75 | RING 14 UNI 7435-75 | ANILLO PARADA 14 UNI 7435-75 |



REGOLAZIONE PRESSIONE ASSOLCATORI

TAV. 060

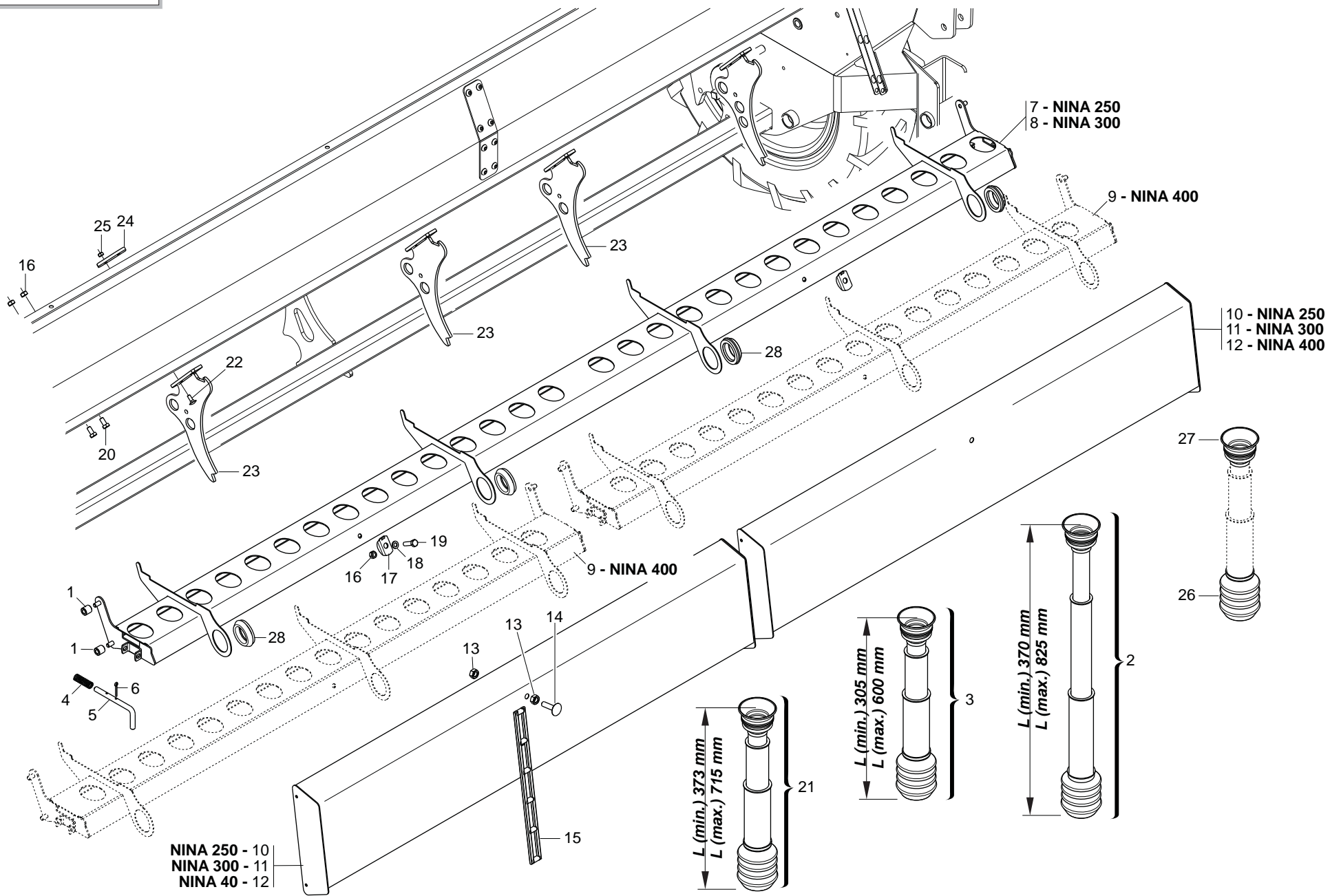
| Pos. | Cod. | Descrizione | Description | Description | Benennung | Descripcion |
|------|-----------|--------------------------------|-------------------------------|--------------------------------|----------------------------------|--------------------------------|
| 1 | F01020479 | VITE M10X1,5X35 U5739 8.8ZN | SCR. M10X1,5X35 U5739 8.8ZN | VIS M10X1,5X35 U5739 8.8 ZN | SCHR. M10X1,5X35 U5739 8.8 ZN | TORN. M10X1,5X35 U5739 8.8 ZN |
| 2 | F01420060 | ROS.M10 10,5X 30X2,5 U6593 ZN | WASHER 10,5X30 | RONDELLE 10,5X30 | SCHEIBE 10,5X30 | ARANDELA 10,5X30 |
| 3 | F01220033 | DADO M10X1,5 D980 8ZN | NUT M10X1,5 D980 8ZN | ECROU M10X1,5 D980 8ZN | MUTTER M10X1,5 D980 8ZN | TUERCA M10X1,5 D980 8ZN |
| 4 | F02100181 | SPINA E.P. 12X 80 U6873 C70 BR | PIN EL. 12X 80 U6873 C70 BR | FICHE EL. 12X 80 U6873 C70 BR | SPANNSTIFT 12X 80 U6873 C70 BR | CLAVIJA EL.12X 80 U6873 C70 BR |
| 5 | F01020075 | VITE M8X1,25X55 U5737 8.8ZN | SCR. M8X1,25X55 U5737 8.8ZN | VIS M8X1,25X 55 U5737 8.8 ZN | SCHRAU. M8X1,25X55 U5737 8.8ZN | TORNIL. M8X1,25X55 U5737 8.8ZN |
| 6 | F06080191 | CATENA 1 ISO 16B 6 MAGLIE | CHAIN 1 ISO 16B 6 LINKS | | | |
| 7 | G18801480 | BOCCOLA 10,25X14 X23 ZN | BUSHING 10,25 X 14 X 23 GALVA | BOITE 10,25X14 X23 ZN | BsCHSE 10,25X14 X23 ZN | CASQUILLO 10,25X14 X23 ZN |
| 8 | F01410051 | ROS.M8 8,4X 17X1,6 U6592 ZN | WASHER M8 8,4X17X1,6 U6592 ZN | RONDELLE M8 8,4X17X1,6 U6592ZN | SCHEIBE M8 8,4X17X1,6 U6592 ZN | ARANDELA M8 8,4X17X1,6 U6592ZN |
| 9 | F01220022 | DADO M8X1,25 D980 8ZN | NUT M8X1,25 D980 8ZN | ECROU M8X 1,25 D980 8 ZN | MUTTER M8X 1,25 D980 8 ZN | TUERCA M8X 1,25 D980 8 ZN |
| 10 | G20980050 | BOCCOLA 15X7X8,5 ZN | BUSHING 15X7X8-5 ZN | BOITE 15X7X8-5 ZN | BsCHSE 15X7X8-5 ZN | CASQUILLO 15X7X8-5 ZN |
| 11 | G16214140 | TUBO TENSIONE MOLLE | SPRING PIPE | TUBE RESSORT | ROHR FEDER | TUBO MUELLE |
| 12 | G16912580 | BUSSOLA FILETTATA S-SC ZN | GALVANIS. THREADED BUSH | MANCHON FILETE S-SC ZN | GEWINDEB_CHSE S-SC ZN | CASQUILLO FILETEADO S-SC ZN |
| 13 | F01050085 | VITE M6X1X8 U5927 | SCR. M6X1X8 U5927 | VIS M6X1X8 U5927 | SCHRAUBE M6X1X8 U5927 | TORNILLO M6X1X8 U5927 |
| 14 | G20970100 | RONDELLA 30X0,5X22 ACC. | WASHER 30X0-5X22 ACC. | RONDELLE 30X0-5X22 ACIER | UNTERLEGSCHSHEIBE 30X0-5X22 ACC. | ARANDELA 30X0-5X22 ACC. |
| 15 | G16018710 | VITE REGOLAZIONE TPN 20 ZN | ADJUSTING BOLT TPN 20 GALVAN | VIS RÉGLAGE TPN 20 ZN | STELLSCHRAUBE TPN 20ZN | TORNILLO REGULACIÓN TPN 20 ZN |
| 16 | F02100110 | SPINA E.P. 6X 26 U6873 C70 BR | PIN EL. 6 X26 DIN 1481 | FICHE EL.6 X26 DIN 1481 | SPANNSTIFT 6 X26 DIN 1481 | CLAVIJA EL.6 X26 DIN 1481 |
| 17 | G16340970 | BOCCOLA TIRAMOLLA SUP.ZN | BUSHING HIGH.TIGH.SPRING | | | |
| 18 | G18801580 | BOCCOLA 8,5 X15 X10 ZN | BUSH 8.5 X15 X10 | DOUILLE 8,5 X15 X10 | BUCHSE 8,5 X15 X10 | MANGUITO 8,5 X15 X10 |
| 19 | F01420048 | ROS.M8 8,4X 24X 2 U6593 ZN | WASHER M8 8,4X 24X2 U6593 ZN | RONDELLE M8 8,4X24X 2 U6593 ZN | SCHEIBEN M8 8,4X24X 2 U6593 ZN | ARANDELA M8 8,4X 24X2 U6593 ZN |
| 20 | F01020436 | VITE M8X1,25X20 U5739 8.8ZN | SCR. M8X1,25X20 U5739 8.8ZN | VIS M8X1,25X 20 U5739 8.8 ZN | SCHRAUBE M8X1,25X20U5739 8.8ZN | TORN. M8X1,25X20 U5739 8.8 ZN |
| 21 | G16313810 | FORCELLA TIRO MOLLE ZN | TIGHTENER SPRING FORK | | | |
| 22 | G16312530 | ANELLO CHIUSURA INFERIORE ZN | CLOSURE RING INFERIORE ZN | | | |
| 23 | G16213230 | TUBO TENSIONE MOLLE | SPRING PIPE | TUBE RESSORT | ROHR FEDER | TUBO MUELLE |
| 24 | G16214360 | TUBO TENSIONE MOLLA | SPRING PIPE | TUBE RESSORT | ROHR FEDER | TUBO MUELLE |
| 25 | G07002489 | COMP.MANIGLIA CAMBIO ZN | GEAR HANDLE M ZN | MANIVELLE ESSAI DEBIT/REGLAGE | GETRIEBE SGRIF M ZN | MANIJA CAMBIO M ZN |
| 26 | G07002493 | GANCIO SUPPORTO MANIGLIA M ZN | GALVAN. HANDLE SUPPORT HOOK M | CROCHET SUPPORT POIGNEE M ZN | HAKEN GRIFFHALTERUNG M ZN | GANCHO SOPORTE MANIJA M ZN |
| 27 | F01200270 | DADO M10X1,5 U5588 6.8ZN | NUT M10X1,5 U5588 6.8ZN | ECROU M10X 1,5 U5588 6.8 ZN | MUTTER M10X 1,5 U5588 6.8 ZN | TUERCA M10X 1,5 U5588 6.8 ZN |



REGOLAZIONE OLEODINAMICA PRESSIONE ASSOLCATORI

TAV. 071

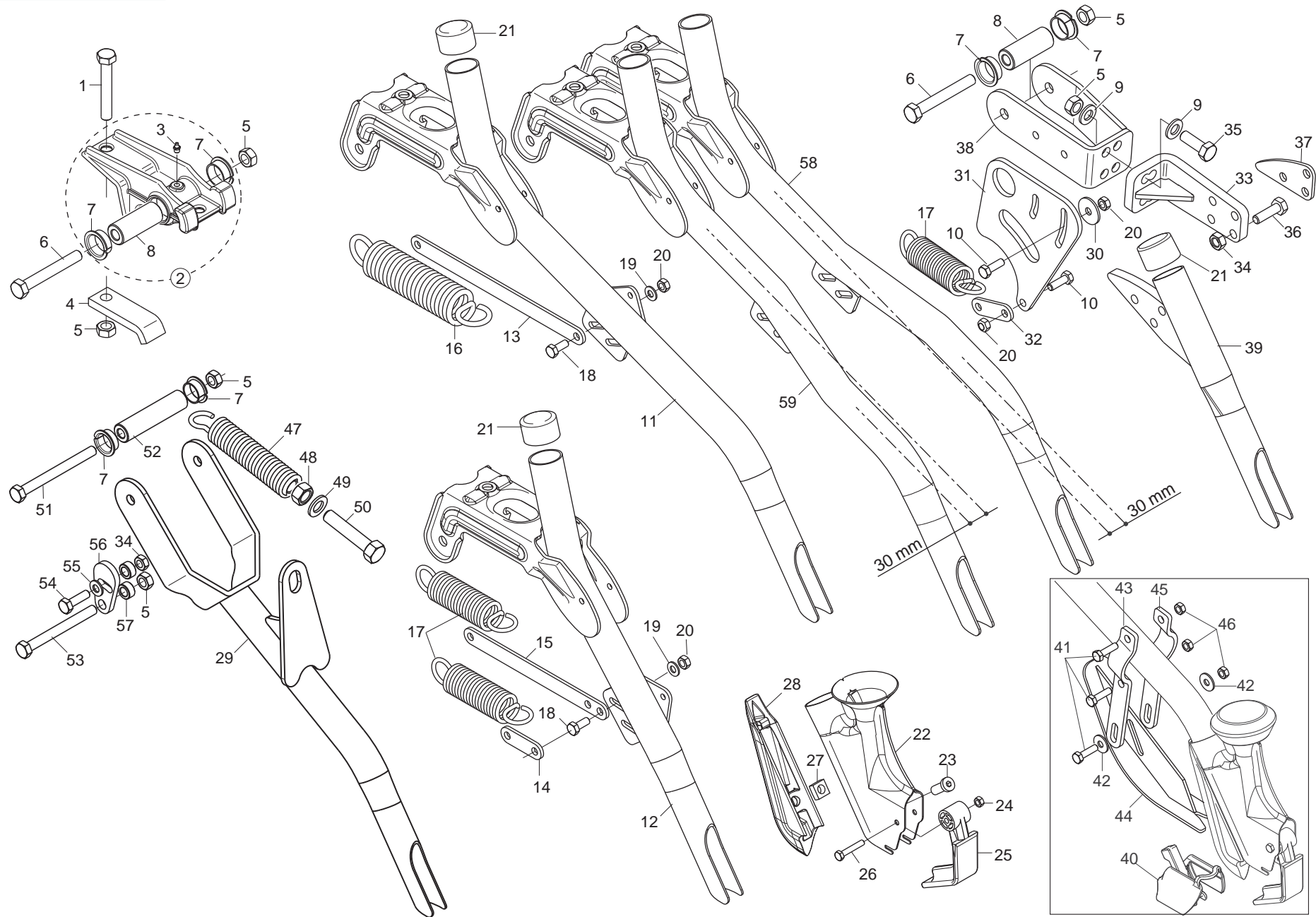
| Pos. | Cod. | Descrizione | Description | Description | Benennung | Descripcion |
|------|-----------|--------------------------------|------------------------------|--------------------------------|--------------------------------|--------------------------------|
| 1 | F02200229 | COPIGLIA 5X 45 U1336 ZN | SPLIT PIN 5X 45 U1336 ZN | GOUPILLE 5X 45 U1336 ZN | SPANNSTIFT 5X 45 U1336 ZN | PASADOR 5X 45 U1336 ZN |
| 2 | F02200162 | COPIGLIA 3X 20 U1336 ZN | SPLIT PIN 3 X20 1336 GALVAN. | GOUPILLE 3 X20 1336 ZN | SPLINT 3 X20 1336 ZN | PASADOR 3 X20 1336 ZN |
| 3 | G16340980 | PERNO ATTACCO CILINDRO ZN | PIN | PIVOT | ZAPFEN | PERNO |
| 4 | G16313920 | PIATTO ATTACCO CATENA ZN | HITCH CHAIN PLATE | | | |
| 5 | G18802780 | BOCCOLA 15 X20 X32 ZN | BUSHING 15 X20 X32 ZN | BOITE 15 X20 X32 ZN | BUCHSE 15 X20 X32 ZN | CASQUILLO 15 X20 X32 ZN |
| 6 | G16910340 | CILINDRO SOLLEVAMENTO FALCIONI | LIFTING CYLINDER FOR CUTTER | | | |
| 7 | F06240012 | CAVO FLESSIBILE 3,5 M | FLEXIBLE CABLE L=3,5m | CABLE FLEXIBLE 3,5 M | FLEXIBLES KABEL 3,5 M | CABLE FLEXIBLE |
| 8 | G16018760 | FERMO CORDA | ROPE STOP | ARRET CORDE | SEILFESTSTELLVORRICHTUNG | BLOQUEO CUERDA |
| 9 | F01220255 | DADO M14X2 D980 8ZN | NUT M14X2 D980 8ZN | ECROU M14X2 D980 8 ZN | MUTTER M14X2 D980 8 ZN | TUERCA M14X2 D980 8 ZN |
| 10 | F03150678 | TAPPO FEMMINA DA 1/4 ZN | 1/4 FEMALE ZG PLUG | BOUCHON FEMELLE DE 1/4 ZG | PFROPFEN 1/4 ZG | TAPN HEMBRA DE 1/4 ZG |
| 11 | F01020212 | VITE M14X2X90 U5737 8.8ZN | SCR. M14X2X90 U5737 8.8ZN | VIS M14X 2X 90 U5737 8.8 ZN | SCHARUBE M14X2X90 U5737 8.8 ZN | TORNILLO M14X2X90 U5737 8.8 ZN |
| 12 | G18802770 | BOCCOLA 15 X20 X55 ZN | BUSH 15 X20 X55 ZN | | | |
| 13 | F01500012 | RONDELLA IN RAME 1/4" | COPPER WASHER 13X19X1,5-1/4" | RONDELLE 13X19X1,5-1/4" | SCHEIBE 13X19X1,5-1/4" | ARANDELA 13X19X1,5-1/4" |
| 14 | F03150266 | NIPPLO MM CIL-CIL 1/4-1/4 ZN | NIPPLE GALV.CYL.MALE 1/4 ZN | NIPPLE MALE CYL. 1/4 ZN | NIPPELZYL.1/4 ZN | NIPLE MACHO CIL.1/4 ZN |
| 15 | F03151136 | COPPIA COLLARE A1-12 S | COLLAR A1-12 S | COLLIER A1-12 S | BUNDRING A1-12 S | ARGOLLA A1-12 S |
| 16 | F01040066 | VITE M6X1X35 U5931 8.8ZN | SCREW M6X1X35 U5931 8.8ZN | VIS M6X1X35 U5931 8.8ZN | SCHRAUBE M6X1X35 U5931 8.8ZN | TORNILLO M6X1X35 U5931 8.8ZN |
| 17 | G14215341 | TUBO 1/4R2 F-F 1/4 L.4000 | PIPE 1/4R2 F-F 1/4 L.4000 | TUBE 1/4R2 F-F 1/4 L.4000 | ROHR 1/4R2 F-F 1/4 L.4000 | TUBO 1/4R2 H-H 1/4 L.4000 |
| 18 | F03150211 | NIPPLO MM CIL-CIL 1/2-1/4 ZN | NIPLE MM CIL-CIL 1/4-1/2 ZN | NIPLE MM 1/4-1/2 ZN | NIPLE GG 1/4-1/2 ZN | NIPLE MM 1/4-1/2 ZN |
| 19 | F03151237 | ROS. 21 X27X1,5 RAME -1/2" | COPPER WASHER 21X27X1,5 1/2 | RONDELLE CUIVRE 21X27X1,5 1/2 | SCHEIBE KUPFER 21X27X1,5 1/2 | ARANDELA COBRE 21X27X1,5 1/2 |
| 20 | F03150935 | INNESTO RAP.MASCH.1/2 A VALV. | QUICK CONNECT MALE CONE 1/2 | CONNEXION RAPIDE MALE CONE 1/2 | SCHNELLKUPP.GEWINDE KONISC 1/2 | ACOPLAMIENT.RAP.MACHO CONO 1/2 |
| 21 | F05150325 | CAPPUC.F X INN.M RAP.1/2 ROSSO | COVER CONNECT F 1/2 RED | COUVERCLE CONNEXION F 1/2 ROSE | DECKEL W 1/2 SCHNELLKUPP. ROT | PAC PROTECCION F 1/2 ROJO |
| 22 | F01020406 | VITE M6X1X25 U5739 8.8ZN | SCR. M6X1X25 U5739 8.8ZN | VIS M6X25 | SCHRAUBE M6X25 | TORNILLO M6X25 |
| 23 | G16018770 | ATTACCO CORDA SUPERIORE | UPPER ROPE COUPLING | FIXATION SUP. CORDE | OBERE KUPPLUNG | CONEXIN SUPERIOR CUERDA |
| 24 | F01220011 | DADO M6X1 D980 8ZN | NUT M6X1 D980 8ZN | ECROU M6X1 D980 8 ZN | MUTTER M6X1 D980 8 ZN | TUERCA M6X1 D980 8 ZN |
| 25 | G16018950 | INDICATORE ZN | INDICATOR | INDICATEUR | ANZEIGER | INDICADOR |
| 26 | G19705620 | DECAL.REGOLAZIONE 0-5 | 0-5 ADJUSTMENT STICKER | ETIQ. REGLAGE 0-5 | AUFKLEBER EINSTELLUNG 0-5 | ETIQ. REGULACIÉN 0-5 |
| 27 | F03100199 | KIT GUARNIZ.CILINDRO 16910340 | KIT O-RING CYLINDER 16910340 | | | |



VASCHETTE SCARICO SEMI

TAV. 083

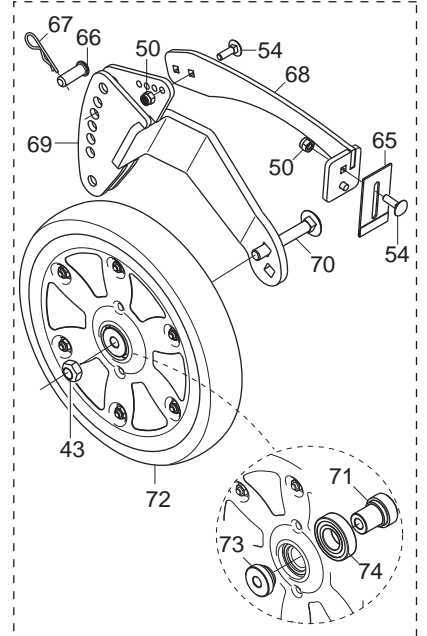
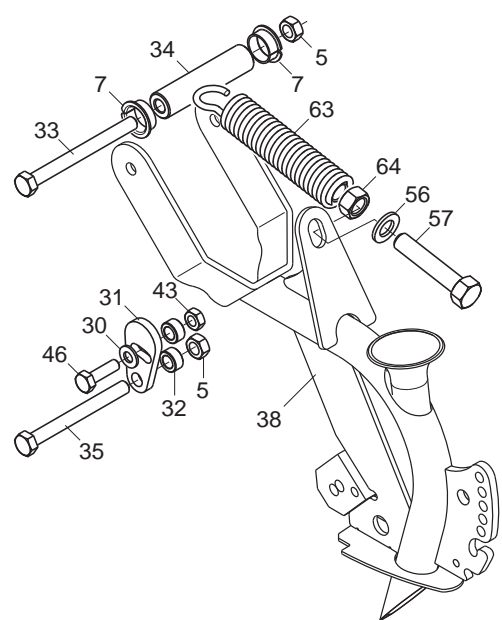
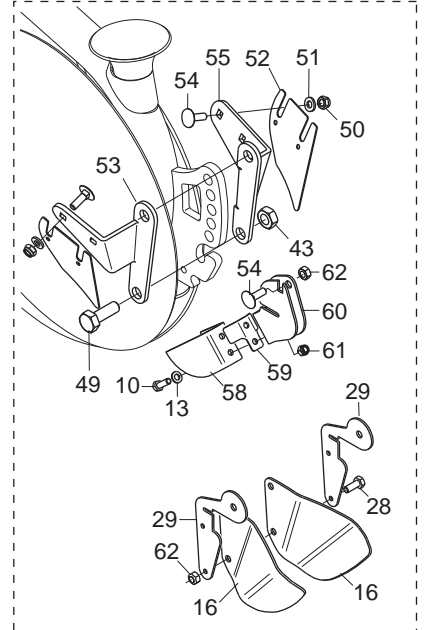
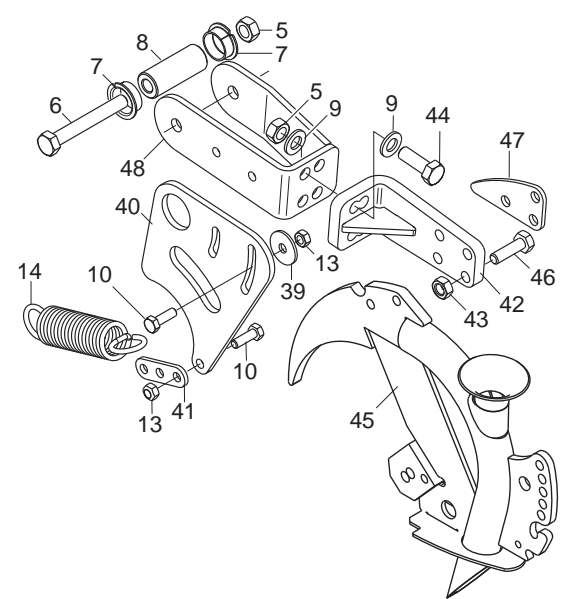
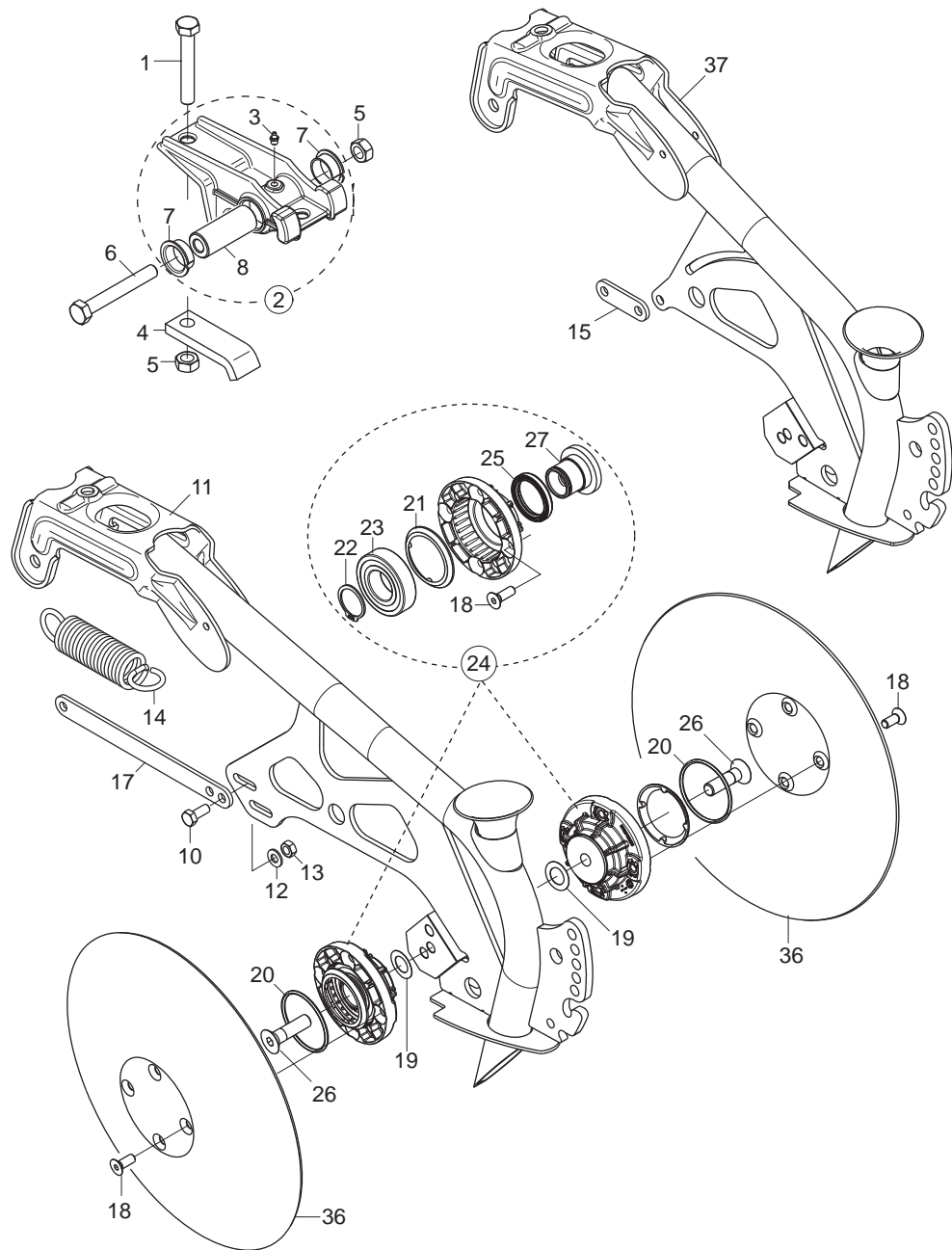
| Pos. | Cod. | Descrizione | Description | Description | Benennung | Descrpcion |
|------|-----------|--------------------------------|--------------------------------|--------------------------------|--------------------------------|--------------------------------|
| 1 | G18803050 | BOCCOLA 8,5X16X16 PL | BUSHING 8,5X16X16 PL | | | |
| 2 | G07002742 | TUBO TELESCOPICO LUNGO | TELESCOPIC PIPE LONG | TUBE TELESCOP COMPL LONG ARR | LANGES TELESKOPROHR | TUBO TELESCOPICO LARGO T |
| 3 | G07002751 | TUBO TELESCOPICO CORTO COMPL | COMPLETE TELESCOPIC PIPE SHORT | TUBE BATI COURT COMPL. > | ROHR KURZER RAHMEN KOMPLETT | TUBO BASTIDOR CORTO COMPLETO |
| 4 | G18904060 | MOLLA CHIAVISTELLO BUSSOLIERA | MUELLE | | | |
| 5 | G16920140 | CHIAVISTELLO BLOCCO BUSSOLIERA | BOLT LOCK BUSHING | | | |
| 6 | F02200162 | COPIGLIA 3X 20 U1336 ZN | SPLIT PIN 3 X20 1336 GALVAN. | GOUPILLE 3 X20 1336 ZN | SPLINT 3 X20 1336 ZN | PASADOR 3 X20 1336 ZN |
| 7 | G16221402 | ASS.BUSSOLIERA 250 | DL BUSH HOUSING SHAFT 250 | ASS.PORTE-DOUILLES 250 | MONTLOCHPLATTE 250 | ENS. TRAVESADO PERFORADO 250 |
| 8 | G16221282 | ASS.BUSSOLIERA 300 | DL BUSH HOUSING SHAFT 300 | ASS.PORTE-DOUILLES 300 | MONTLOCHPLATTE 300 | ENS. TRAVESADO PERFORADO 300 |
| 9 | G16221501 | ASS.BUSSOLIERA 400 | BUSHING HOUSE 400 | | | |
| 10 | G16221420 | VASCHETTA PROVA SEMINA | HOPPER SOWING TEST | TREMIE ASSAIE ENSEM. | TRICHTER SAATPROBE | TOLVA PRUEBA SIEMBRA |
| 11 | G16221250 | AS.VASCHETTA PROVA SEMINA | HOPPER SOWING TEST | TREMIE ASSAIE ENSEM. | TRICHTER SAATPROBE | TOLVA PRUEBA SIEMBRA |
| 12 | G16221480 | VASCHETTA PROVA SEMINA 400 | HOPPER SOWING TEST 400 | | | |
| 13 | F01200270 | DADO M10X1,5 U5588 6.8ZN | NUT M10X1,5 U5588 6.8ZN | ECROU M10X 1,5 U5588 6.8 ZN | MUTTER M10X 1,5 U5588 6.8 ZN | TUERCA M10X 1,5 U5588 6.8 ZN |
| 14 | F01060076 | VITE M10X1,5X40 U5731 8.8ZN | SCR. M10X1,5X40 U5731 8.8ZN | VIS M10X1,5X40 U5731 8.8ZN | SCHRA. M10X1,5X40 U5731 8.8ZN | TORN. M10X1,5X40 U5731 8.8ZN |
| 15 | F06080487 | CATENA AGGANCIO TELO IN GOMMA | RUBBER FRAME CONNECTION CHAIN | CHA+NE ACCROCHAGE TOILE EN CAO | KETTE BEFESTIGUNG GUMMITUCH | CADENA ENGANCHE LONA DE CAUCHO |
| 16 | F01220022 | DADO M8X1,25 D980 8ZN | NUT M8X1,25 D980 8ZN | ECROU M8X 1,25 D980 8 ZN | MUTTER M8X 1,25 D980 8 ZN | TUERCA M8X 1,25 D980 8 ZN |
| 17 | G16040130 | RONDELLA FERMO DENTE ZN | STOP WASHER | RONDELLE D'ARRET | FESTSTELLSCHEIBE | ARANDELA DE BLOQUEO |
| 18 | F01410051 | ROS.M8 8,4X 17X1,6 U6592 ZN | WASHER M8 8,4X17X1,6 U6592 ZN | RONDELLE M8 8,4X17X1,6 U6592ZN | SCHEIBE M8 8,4X17X1,6 U6592 ZN | ARANDELA M8 8,4X17X1,6 U6592ZN |
| 19 | F01020440 | VITE M8X1,25X25 U5739 8.8ZN | SCR. M8X1,25X25 U5739 8.8ZN | VIS M8X1,25X25 U5739 8.8 ZN | SCHRAUBE M8X1,25X25U5739 8.8ZN | TORNIL.M8X1,25X25 U5739 8.8 ZN |
| 20 | F01020432 | VITE M8X1,25X16 U5739 8.8ZN | SCR. M8X1,25X16 U5739 8.8ZN | VIS M8 X1,25X16 U5739 8.8 ZN | SCHRAUBE M8X1,25X16U5739 8.8ZN | TORNILLO M8X1,25X16U5739 8.8ZN |
| 21 | G07002741 | TUBO TELESCOPICO CORTO | TELESCOPIC PIPE SHORT | TUBE TELESCOP COMPL COURT AVA | KURZES TELESKOPROHR | TUBO TELESCOPICO CORTO T |
| 22 | F01060015 | VITE M6X1X25 U5732 4.6ZN | SCR. M6X1X25 U5732 4.6ZN | VIS 6X25 5732 4.6 ZN | SCHRAUBE 6X25 5732 4.6 ZN | TORNILLO 6X25 5732 4.6 ZN |
| 23 | G16320673 | SUPPORTO ALBERO TRAMLINE | SUPPORT | SUPPORT | HALTERUNG | SOPORTE |
| 24 | G16313831 | RINFORZO SUPPORTO TRAMLINE | REINFORCEMENT | RENFORCE | VERSTARKUNG | REFUERZO |
| 25 | F01200232 | DADO M6X1 U5588 6.8ZN | NUT M6X1 U5588 6.8ZN | ECROU 6 UNI 5588 6.8 ZN | MUTTER 6 UNI 5588 6.8 ZN | TUERCA 6 UNI 5588 6.8 ZN |
| 26 | G07000126 | CUFFIA ATTACCO SCARPETTA | SLIDE LINKAGE HOUSING | PROTECTEUR FIXATION SABOT | FALTENBALG | ENVOLTURA CONEXIN GUA APOYO GL |
| 27 | G07000127 | CUFFIA SUP.TUBO TELESCOPICO | TELESCOPIC PIPE SUPP. HOUSING | PROTECTEUR SUP. TUBE TELESCOPI | OB. KASTEN TELESKOPROHR | ENVOLTURA SUP. TUBO TELESCOPIC |
| 28 | G16221580 | PROTEZIONE MANIGLIA | HANDLE PROTECTION | | | |



ASSOLCATORI A STIVALETTO

TAV. 094

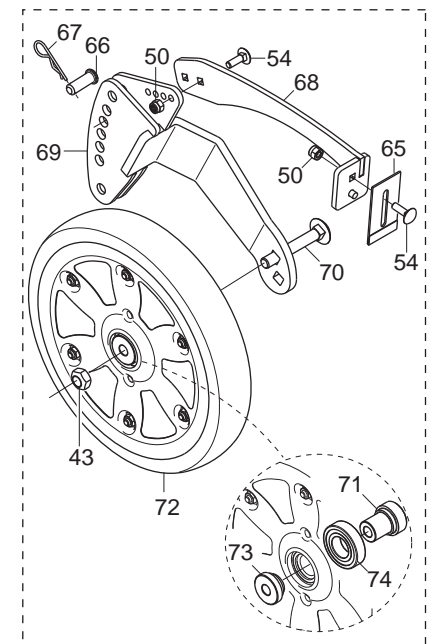
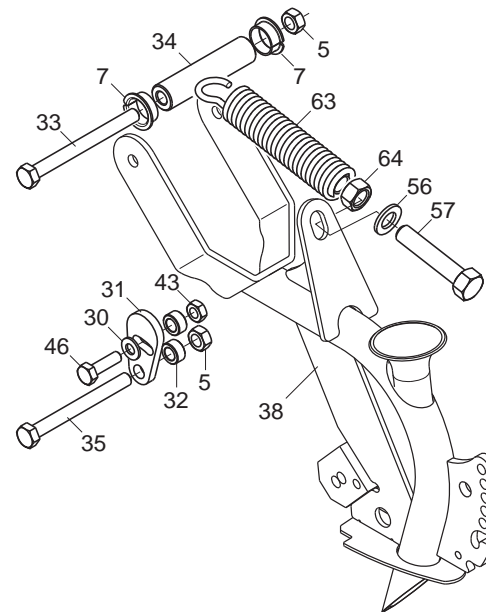
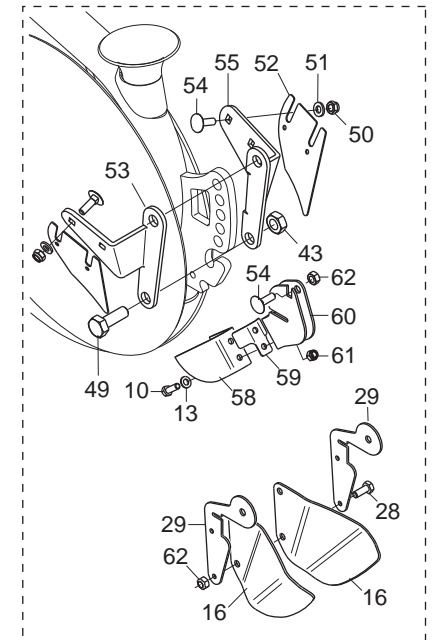
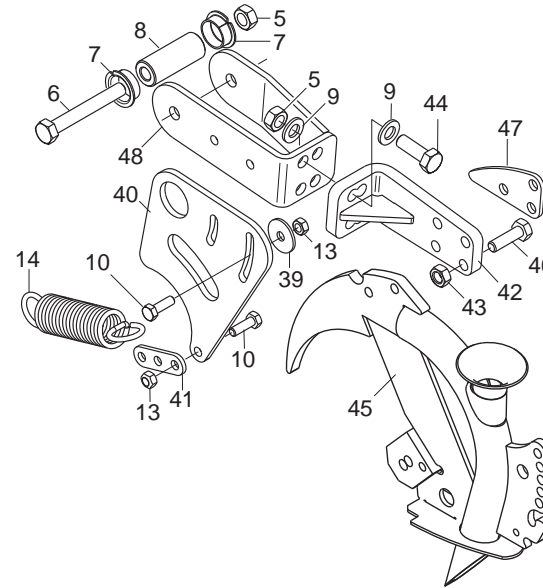
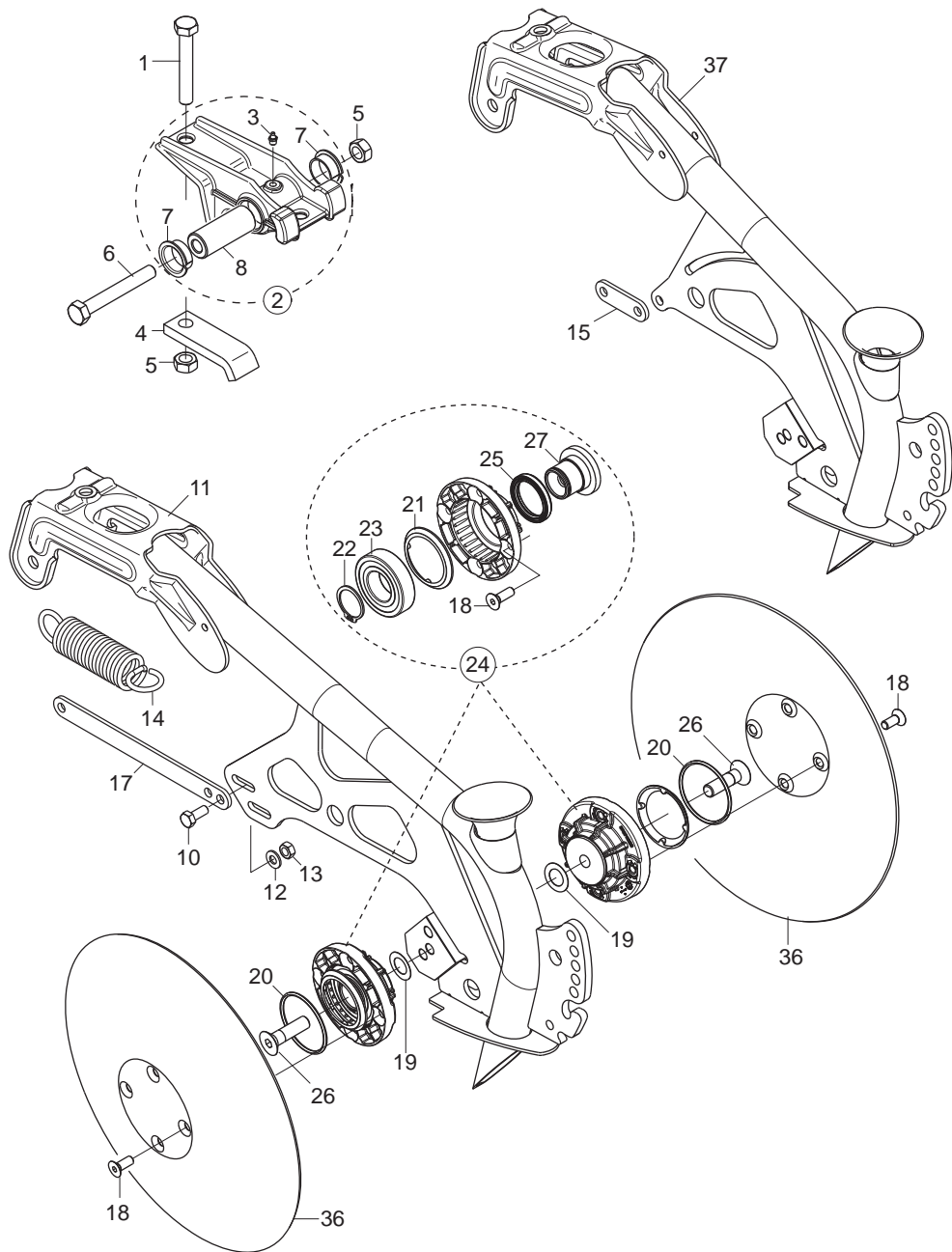
| Pos. | Cod. | Descrizione | Description | Description | Benennung | Descripcion |
|------|-----------|--------------------------------|-------------------------------|--------------------------------|---------------------------------|--------------------------------|
| 1 | F01020166 | VITE M12X1,75X80 U5737 8.8ZN | SCR. M12X1,75X80 U5737 8.8ZN | VIS M12X1,75X80 U5737 8.8ZN | SCHRA. M12X1,75X80 U5737 8.8ZN | TORN. M12X1,75X80 U5737 8.8ZN |
| 2 | G16248350 | SUPPORTO ASSOLCATORE COMPL | FURROW SUPPORT COMPL. | | | |
| 3 | F01100011 | ING.M 6X1 7663-A 9SMNPB28 ZN | GREASE NIPPLE M6X1 7663-A ZN | GRAISS. A BILLE M6X1 7663A ZN | SCHMIERBUECHE M6X1 7663-A ZN | ENGRAS. DE ESFE. M6X1 7663-AZN |
| 4 | G16340810 | SCONTRIO FISSAGGIO | FIXING STRIKER PLATE | BUTEE DE FIXATION | | ELEM. DE EMPALME DE SUJECION |
| 5 | F01220048 | DADO M12X1,75 D980 8ZN | NUT M12X1,75 D980 8ZN | ECROU M12X1,75 D980 8 ZN | SCHRAUBE M12X1,75 D980 8 ZN | TUERCA M12X1,75 D980 8 ZN |
| 6 | F01020168 | VITE M12X1,75X90 U5737 8.8ZN | SCR. M12X1,75X90 U5737 8.8ZN | VIS M12X1,75X90 U5737 8.8 ZN | SCHRAUB.M12X1,75X90 5737 8.8 ZN | TORNIL.M12X1,75X90 5737 8.8 ZN |
| 7 | F04150034 | CUSCINETTO FLANGIATO 25X28X16 | BEARING FLANGED 25X28X16 | | | |
| 8 | G18802740 | BOCCOLA 12X25X63,5 | BUSHING 25X12X63,5 | BOITE 25X12X63,5 | BUCHSE 25X12X63,5 | CASQUILLO 25X12X63,5 |
| 9 | F01410076 | ROS.M12 13X 24X2,5 U6592 ZN | WASHER 12 13X 24X2,5 U6592 ZN | RONDEL. M12 13X24X2,5 U6592 ZN | SCHEIBE M12 13X24X2,5 U6592 ZN | ARANDELA M12 13 X24X2,5 ZN |
| 10 | F01020440 | VITE M8X1,25X25 U5739 8.8ZN | SCR. M8X1,25X25 U5739 8.8ZN | VIS M8X1,25X25 U5739 8.8 ZN | SCHRAUBE M8X1,25X25U5739 8.8ZN | TORNIL.M8X1,25X25 U5739 8.8 ZN |
| 11 | G16244041 | TUBO LUNGO BASSO | LONG LOW PIPE | | | |
| 12 | G16042171 | TUBO CORTO BASSO | SHORT LOW TUBE | | | |
| 13 | G16042680 | TIRANTE L.303 | TIE ROD L.303 | | | |
| 14 | G16042500 | TIRANTE L.103 | TIE-ROD L.103 | | | |
| 15 | G16042510 | TIRANTE L.263 | TIE-ROD L.263 | | | |
| 16 | G18904360 | MOLLA TENSIONAM.ELEM.LUNGO ZN | SPRING | RESSORT | FEDER | MUELLE |
| 17 | G18904350 | MOLLA TENSIONAM.ELEM.CORTO ZN | DRILL COULTER TENS. SPRING | RESSORT TENDEUR SOC | EDER SZSCHARSPANNUNG | UELLE TENSIN SURCADOR |
| 18 | F01020440 | VITE M8X1,25X25 U5739 8.8ZN | SCR. M8X1,25X25 U5739 8.8ZN | VIS M8X1,25X25 U5739 8.8 ZN | SCHRAUBE M8X1,25X25U5739 8.8ZN | TORNIL.M8X1,25X25 U5739 8.8 ZN |
| 19 | F01410051 | ROS.M8 8,4X 17X1,6 U6592 ZN | WASHER M8 8,4X17X1,6 U6592 ZN | RONDELLE M8 8,4X17X1,6 U6592ZN | SCHEIBE M8 8,4X17X1,6 U6592 ZN | ARANDELA M8 8,4X17X1,6 U6592ZN |
| 20 | F01220022 | DADO M8X1,25 D980 8ZN | NUT M8X1,25 D980 8ZN | ECROU M8X 1,25 D980 8 ZN | MUTTER M8X 1,25 D980 8 ZN | TUERCA M8X 1,25 D980 8 ZN |
| 21 | F05100195 | CAPPUCCIO 36,51X25,41 NERO > | COVER 36,51X25,41 NERO | | | |
| 22 | G16243990 | SCARPETTA INTERCAMBIABILE | INTERCHANGE CUTTER | HACHOIR | SAASCHAR | HOJA DE CORTE |
| 23 | F01040600 | VITE M10X1,5X30 U9327 8.8ZN | SCR. M10X1,5X30 U9327 8.8ZN | VIS M10X 30 U9327 8.8 ZN | SCHRAUBE M10X 30 U9327 8.8 ZN | TORNILLO M10X 30 U9327 8.8 ZN |
| 24 | F01220011 | DADO M6X1 D980 8ZN | NUT M6X1 D980 8ZN | ECROU M6X1 D980 8 ZN | MUTTER M6X1 D980 8 ZN | TUERCA M6X1 D980 8 ZN |
| 25 | G07002218 | ANTI INTASAMENTO M | ANTI CLOGGING M | ANTI BOURRAGE SOC | VERSTOPFUNGSCHEMMENDES ELEMENT | ANTI OBSTRUCCIN M A |
| 26 | F01020040 | VITE M6X1X40 U5737 8.8ZN | SCR. M6X1X40 U5737 8.8ZN | VIS M6X1X40 U5737 8.8ZN | SCHRAU. M6X1X40 U5737 8.8ZN | TORNIL. M6X1X40 U5737 8.8ZN |
| 27 | F01270010 | DADO M10X1,517X8 D557 ZN | NUT M10X1,517X8 D557 ZN | ECROU M10 17X8 D557 Z | MUTTER M10 17X8 D557 | TUERCA M10 17X8 D557 |
| 28 | G16243760 | FALCIONE SCARPETTA FS1 | CUTTER | COUPEUR FS1 | SAASCHAR | HOJA DE CORTE |
| 29 | G16248281 | TUBO SCARPETTE ESTERNO | SHOE TUBE EXTERNAL | | | |
| 30 | F01420048 | ROS.M8 8,4X 24X 2 U6593 ZN | WASHER M8 8,4X 24X2 U6593 ZN | RONDELLE M8 8,4X24X 2 U6593 ZN | SCHEIBEN M8 8,4X24X 2 U6593 ZN | ARANDELA M8 8,4X 24X2 U6593 ZN |
| 31 | G16248410 | FINE CORSA ELEMENTO INTERMEDIO | INT.ELEMENT FOR END OF STROKE | | | |
| 32 | G16340860 | PIATTO TIRO MOLLA CORTO ZN | PLATE SPRING TIGHTENER | | | |
| 33 | G16248380 | PIASTRAASOLATA | SUPPORT WITH HOLES | | | |
| 34 | F01220033 | DADO M10X1,5 D980 8ZN | NUT M10X1,5 D980 8ZN | ECROU M10X1,5 D980 8ZN | MUTTER M10X1,5 D980 8ZN | TUERCA M10X1,5 D980 8ZN |
| 35 | F01020512 | VITE M12X1,75X35 U5739 8.8ZN | SCR. M12X1,75X35 U5739 8.8ZN | VIS M12X1,75X35 5739 8.8 ZN | SCHR. M12X1,75X35 5739 8.8 ZN | TORN. M12X1,75X35 5739 8.8 ZN |
| 36 | F01020484 | VITE M10X1,5X45 U5739 8.8ZN | SCR. M10X1,5X45 U5739 8.8ZN | VIS 10X45 5739 8.G ZN | SCHRAUBE 10X45 5739 8.G ZN | TORNILLO 10X45 5739 8.G ZN |
| 37 | G16248480 | DISTANZIALE | SPACER | | | |
| 38 | G16248390 | SUPPORTO ELEMENTO | ELEMENT SUPPORT | | | |
| 39 | G16248501 | TUBO SCARPETTA INTERMEDIA | INTERMED. COULTER PIPE | TUBE SABOT INTERM+DIAIRE | MITTLERE SCHUHLEITUNG. | TUBO BOTA INTERMED. |
| 40 | G16243770 | SCARPA SEMINA A FASCIA | BANDS CUTTER | HACHOIR BANDES | SZSCHAR BANDEL | GUAYADORA FAJA |
| 41 | F01020445 | VITE M8X1,25X30 U5739 8.8ZN | SCR. M8X1,25X30 U5739 8.8ZN | VIS M 8X1,25X30 U5739 8.8 ZN | SCHRAU, M8X1,25X30 U5739 8.8ZN | TORN. M8X1,25X30 U5739 8.8 ZN |
| 42 | F01420048 | ROS.M8 8,4X 24X 2 U6593 ZN | WASHER M8 8,4X 24X2 U6593 ZN | RONDELLE M8 8,4X24X 2 U6593 ZN | SCHEIBEN M8 8,4X24X 2 U6593 ZN | ARANDELA M8 8,4X 24X2 U6593 ZN |
| 43 | G16249010 | SUPPORTO SX PATTINO LIMITATORE | LEFT SUPPORT LIMITER SLIDING | | | |
| 44 | G16248980 | ASS.PATTINO LIMITATORE | LIMITER SLIDING | | | |
| 45 | G16249000 | SUPPORTO DX PATTINO LIMITATORE | RIGT SUPP.LIMITER SLIDING | | | |
| 46 | F01220022 | DADO M8X1,25 D980 8ZN | NUT M8X1,25 D980 8ZN | ECROU M8X 1,25 D980 8 ZN | MUTTER M8X 1,25 D980 8 ZN | TUERCA M8X 1,25 D980 8 ZN |
| 47 | G15226270 | MOLLA COMPL. | COMPL. SPRING | | | |
| 48 | F01200324 | DADO M16X2 U5588 8.8ZN | NUT M16X2 U5588 8.8ZN | ECROU M16X2 U5588 8.8ZN | MUTTER M16X2 U5588 8.8ZN | TUERCA M16X2 U5588 8.8ZN |
| 49 | F01410100 | ROS.M16 17X 30X 3 U6592 ZN | WASHER M16 17X30X3 U6592 ZN | RONDELLE M16 17X30X3 U6592 ZN | SCHRAUBE M16 17X 30X3 U6592 ZN | ARANDELA M16 17X30X 3 U6592 ZN |
| 50 | F01020579 | VITE M16X2X80 U5739 8.8ZN | SCR. M16X2X80 U5739 8.8ZN | VIS 16X80 5739 8.G ZN | SCHRAUBE 16X80 5739 8.G ZN | TORNILLO 16X80 5739 8.G ZN |
| 51 | F01020176 | VITE M12X1,75X130 U5737 8.8ZN | SCR. M12X1,75X130 U5737 8.8ZN | VIS M 12X130 | SCHRAUBE M 12X130 | TORNILLO M 12X130 |
| 52 | G18803040 | BOCCOLA 12 X25 X105,5 | BUSHING D12X25X105,5 | | | |
| 53 | F01020174 | VITE M12X1,75X120 U5737 8.8ZN | SCR. M12X1,75X120 U5737 8.8ZN | VIS M12X1,75X120 U5737 8.8 ZN | SCHRAUBE M12X1,75X120 U5737 ZN | TORN.M12X1,75X120 U5737 8.8 ZN |
| 54 | F01020479 | VITE M10X1,5X35 U5739 8.8ZN | SCR. M10X1,5X35 U5739 8.8ZN | VIS M10X1,5X35 U5739 8.8 ZN | SCHR. M10X1,5X35 U5739 8.8 ZN | TORN. M10X1,5X35 U5739 8.8 ZN |
| 55 | F01410064 | ROS.M10 10,5X 20X 2 U6592 ZN | WASHER M10 10,5X20X2 U6592 ZN | RONDEL. M10 10,5X20X2 U6592 ZN | SCHEIBE M10 10,5X20X2 U6592 ZN | ARANDEL.M10 10,5X20X2 U6592 ZN |
| 56 | G16213480 | FERMO ELEMENTO ESTERNO ZN | OUTER ELEMENT LOCK ZN | | | |
| 57 | F01220033 | DADO M10X1,5 D980 8ZN | NUT M10X1,5 D980 8ZN | ECROU M10X1,5 D980 8ZN | MUTTER M10X1,5 D980 8ZN | TUERCA M10X1,5 D980 8ZN |
| 58 | G20980021 | BOCCOLA D.12,25X20X10 | BUSHING D.12-25X20X10 | BOITE D. 12-25X20X10 | BsCHSE D.12-25X20X10 | CASQUILLO D.12-25X20X10 |
| 59 | G16248920 | ASS.TUBO PIEGATO DX | ASSY BEND TUBE RIGHT | | | |
| 59 | G16248950 | ASS.TUBO PIEGATO SX | ASSY BEND TUBE LEFT | | | |



ASSOLCATORI A DISCHI COREX

TAV. 106

| Pos. | Cod. | Descrizione | Description | Description | Benennung | Descrpcion |
|------|-----------|--------------------------------|--------------------------------|--------------------------------|--------------------------------|--------------------------------|
| 1 | F01020166 | VITE M12X1,75X80 U5737 8.8ZN | SCR. M12X1,75X80 U5737 8.8ZN | VIS M12X1,75X80 U5737 8.8ZN | SCHRA. M12X1,75X80 U5737 8.8ZN | TORN. M12X1,75X80 U5737 8.8ZN |
| 2 | G16248350 | SUPPORTO ASSOLCATORE COMPL | FURROW SUPPORT COMPL. | | | |
| 3 | F01100011 | ING.M 6X1 7663-A 9SMNPB28 ZN | GREASE NIPPLE M6X1 7663-A ZN | GRAISS. A BILLE M6X1 7663A ZN | SCHMIERBUECHE M6X1 7663-A ZN | ENGRAS. DE ESFE. M6X1 7663-AZN |
| 4 | G16340810 | SCONTRIO FISSAGGIO | FIXING STRIKER PLATE | BUTEE DE FIXATION | BEFESTIGUNGSANSCHLAG | ELEM. DE EMPALME DE SUJECION |
| 5 | F01220048 | DADO M12X1,75 D980 8ZN | NUT M12X1,75 D980 8ZN | ECROU M12X1,75 D980 8 ZN | SCHEIBE M12X1,75 D980 8 ZN | TUERCA M12X1,75 D980 8 ZN |
| 6 | F01020168 | VITE M12X1,75X90 U5737 8.8ZN | SCR. M12X1,75X90 U5737 8.8ZN | VIS M12X1,75X90 U5737 8.8 ZN | SCHRAB.M12X1,75X90 5737 8.8 ZN | TORNIL.M12X1,75X90 5737 8.8 ZN |
| 7 | F04150034 | CUSCINETTO FLANGIATO 25X28X16 | BEARING FLANGED 25X28X16 | | | |
| 8 | G18802740 | BOCCOLA 12X25X63,5 | BUSHING 25X12X63,5 | BOITE 25X12X63,5 | BUCHSE 25X12X63,5 | CASQUILLO 25X12X63,5 |
| 9 | F01410076 | ROS.M12 13X 24X2,5 U6592 ZN | WASHER 12 13X 24X2,5 U6592 ZN | RONDEL. M12 13X24X2,5 U6592 ZN | SCHEIBE M12 13X24X2,5 U6592 ZN | ARANDELA M12 13 X24X2,5 ZN |
| 10 | F01020440 | VITE M8X1,25X25 U5739 8.8ZN | SCR. M8X1,25X25 U5739 8.8ZN | VIS M8X1,25X25 U5739 8.8 ZN | SCHRAUBE M8X1,25X25U5739 8.8ZN | TORNIL.M8X1,25X25 U5739 8.8 ZN |
| 11 | G16246383 | ASS.TUBO DISCO COREX DRITTO | RIGHT ASS. PIPE DISK COREX | | | |
| 12 | F01410051 | ROS.M8 8,4X 17X1,6 U6592 ZN | WASHER M8 8,4X17X1,6 U6592 ZN | RONDELLE M8 8,4X17X1,6 U6592ZN | SCHEIBE M8 8,4X17X1,6 U6592 ZN | ARANDELA M8 8,4X17X1,6 U6592ZN |
| 13 | F01220022 | DADO M8X1,25 D980 8ZN | NUT M8X1,25 D980 8ZN | ECROU M8X 1,25 D980 8 ZN | MUTTER M8X 1,25 D980 8 ZN | TUERCA M8X 1,25 D980 8 ZN |
| 14 | G18904350 | MOLLA TENSIONAM.ELEM.CORTO ZN | DRILL COULTER TENS. SPRING | RESSORT TENDEUR SOC | EDER SZSCHARSPANNUNG | UELLE TENSIN SURCADOR |
| 15 | G16042500 | TIRANTE L.103 | TIE-ROD L.103 | | | |
| 16 | G16249030 | DEFLETTORE INTERNO | INTERNAL DEFLECTOR | | | |
| 17 | G16042510 | TIRANTE L.263 | TIE-ROD L.263 | | | |
| 18 | F01030055 | VITE M8X1,25X20 U5933 10.9ZD | SCR. M8X1,25X20 U5933 10.9ZD | VIS M 8X20 | SCHRAUBE M 8X20 | TORNILLO M 8X20 |
| 19 | G22220073 | RONDELLA 28X0,3X16,5 | WASHER 28X0-3X16-5 | RONDELLE 28X0-3X16-5 | UNTERLEGSCHIEBE 28X0-3X16-5 | ARANDELA 28X0-3X16-5 |
| 20 | F03011144 | GUARNIZIONE OR 3 X 56 | SEAL 3 X 56 | | | |
| 21 | G16244181 | ANELLO DI SOSTEGNO ZAMA | RING | BAGUE | RING | ANILLO |
| 22 | F02050112 | ANELLO E. DE 30X 1,5 U7435 C70 | SEEGER RING 30X 1,5 U7435 C70 | SEEGER E. 30 X 1,5 U7435 C70 | SEEGERING E. 30X 1,5 U7435 C70 | ANILLO E. 30 X 1,5 U7435 C70 |
| 23 | F04010174 | CUSCINETTO 6206 2RS | BEARING D30 D62 B16 6206 2RS | PALIER 6206 2RS | LAGER 6206 2RS | COJINETE 6206 2RS |
| 24 | G16248850 | KIT MOZZO COREX | KIT HUB COREX | | | KIT BUJE COREX |
| 25 | F03010074 | ANELLO T.A. 32X 47X 7 D3760NBR | RING T.A. 32X 47X 7 D3760NBR | BAGUE 32X 47X 7 D3760NBR | SCHUTZRING 32X 47X 7 D3760NBR | ANILLO T.A. 32X 47X 7 D3760NBR |
| 26 | F01030112 | VITE M12X1,75X45 U5933 10.9ZD | SCR. M12X1,75X45 U5933 10.9ZD | VIS M12X1,75X45 U5933 10.9 ZD | SCHRAUBE M12X1,75X45 U5933 10. | TORNIL. M12X1,75X45 U5933 10.9 |
| 27 | G16244050 | ASSE COREX ZN | AXLE COREX ZN | AXE COREX ZN | ACHSE COREX ZN | EJE COREX ZN |
| 28 | F01020403 | VITE M6X1X16 U5739 8.8ZN | SCR. M6X1X16 U5739 8.8ZN | VIS M6X1X16 U5739 8.8 ZN | SCHRAUBE M6X1X16 U5739 8.8 ZN | TORNILLO M6X1X16 U5739 8.8 ZN |
| 29 | G16249021 | SUPPORTO DEFLETTORE INTERNO | DEFLECTOR INTERNAL SUPPORT | | | |
| 30 | F01410064 | ROS.M10 10,5X 20X 2 U6592 ZN | WASHER M10 10,5X20X2 U6592 ZN | RONDEL. M10 10,5X20X2 U6592 ZN | SCHEIBE M10 10,5X20X2 U6592 ZN | ARANDEL.M10 10,5X20X2 U6592 ZN |
| 31 | G16213480 | FERMO ELEMENTO ESTERNO ZN | OUTER ELEMENT LOCK ZN | | | |
| 32 | G20980021 | BOCCOLA D.12,25X20X10 | BUSHING D.12-25X20X10 | BOITE D. 12-25X20X10 | BsCHSE D.12-25X20X10 | CASQUILLO D.12-25X20X10 |
| 33 | F01020176 | VITE M12X1,75X130 U5737 8.8ZN | SCR. M12X1,75X130 U5737 8.8ZN | VIS M 12X130 | SCHRAUBE M 12X130 | TORNILLO M 12X130 |
| 34 | G18803040 | BOCCOLA 12 X25 X105,5 | BUSHING D12X25X105,5 | | | |
| 35 | F01020174 | VITE M12X1,75X120 U5737 8.8ZN | SCR. M12X1,75X120 U5737 8.8ZN | VIS M12X1,75X120 U5737 8.8 ZN | SCHRAUBE M12X1,75X120 U5737 ZN | TORN.M12X1,75X120 U5737 8.8 ZN |
| 36 | G16043090 | DISCO COREX FE-B SP.2,5 | DISC COREX FE-B SP.2,5 | | | DISCO COREX FE-B SP.2,5 |
| 37 | G16248433 | ASS.TUBO CORTO DISCO COREX | ASS. PIPE SHORT DISK COREX | | | |
| 38 | G16246223 | ASS.TUBO DISCO COREX ESTERNO | ASSY OUTER COREX DISK TUBE | | | |
| 39 | F01420048 | ROS.M8 8,4X 24X 2 U6593 ZN | WASHER M8 8,4X 24X2 U6593 ZN | RONDELLE M8 8,4X24X 2 U6593 ZN | SCHEIBEN M8 8,4X24X 2 U6593 ZN | ARANDELA M8 8,4X 24X2 U6593 ZN |
| 40 | G16248410 | FINE CORSA ELEMENTO INTERMEDIO | INT.ELEMENT FOR END OF STROKE | | | |
| 41 | G16340860 | PIATTO TIRO MOLLA CORTO ZN | PLATE SPRING TIGHTENER | | | |
| 42 | G16248380 | PIASTRAASOLATA | SUPPORT WITH HOLES | | | |
| 43 | F01220033 | DADO M10X1,5 D980 8ZN | NUT M10X1,5 D980 8ZN | ECROU M10X1,5 D980 8ZN | MUTTER M10X1,5 D980 8ZN | TUERCA M10X1,5 D980 8ZN |
| 44 | F01020512 | VITE M12X1,75X35 U5739 8.8ZN | SCR. M12X1,75X35 U5739 8.8ZN | VIS M12X1,75X35 5739 8.8 ZN | SCHR. M12X1,75X35 5739 8.8 ZN | TORN. M12X1,75X35 5739 8.8 ZN |
| 45 | G16246314 | ASS.TUBO DISCO COREX INTERMED. | ASSY INTERM.COREX DISK TUBE | | | |
| 46 | F01020484 | VITE M10X1,5X45 U5739 8.8ZN | SCR. M10X1,5X45 U5739 8.8ZN | VIS 10X45 5739 8.G ZN | SCHRAUBE 10X45 5739 8.G ZN | TORNILLO 10X45 5739 8.G ZN |
| 47 | G16248480 | DISTANZIALE | SPACER | | | |
| 48 | G16248390 | SUPPORTO ELEMENTO | ELEMENT SUPPORT | | | |
| 49 | F01020476 | VITE M10X1,5X30 U5739 8.8ZN | SCR. M10X1,5X30 U5739 8.8ZN | VIS M10X1,5X30 U5739 8.8 ZN | SCHRAUBE M10X1,5X30U5739 8.8ZN | TORNIL.M10X1,5X30 U5739 8.8 ZN |
| 50 | F01230022 | DADO M6X1 D982 8ZN | NUT M6X1 D982 8ZN | ECROU AUTO-FREIN.M6X1 D982 8ZN | SICHERUNGSMUT. M6X1 D982 8 ZN | TUERCA DE SEGU.M6X1 D982 8 ZN |
| 51 | F01410037 | ROS.M6 6,4X12,5X1,6 U6592 ZN | WASHER M6 6,4X12,5X1,6 U6592ZN | RONDEL.M6 6,4X12,5X1,6 U6592ZN | SCHEIB.M6 6,4X12,5X1,6 U6592ZN | ARAND.M6 6,4X12,5X1,6 U6592 ZN |
| 52 | G16248050 | RASCHIATERRA | SOILSCRAPER | | | |
| 53 | G16248060 | SUPPORTO RASCHIATERRA SX | LEFT SOILSCRAPER SUPPORT | | | |
| 54 | F01060013 | VITE M6X1X20 U5732 4.6ZN | SCR. M6X1X20 U5732 4.6ZN | VIS 6X20 5732 4.6 ZN | SCHRAUBE 6X20 5732 4.6 ZN | TORNILLO 6X20 5732 4.6 ZN |

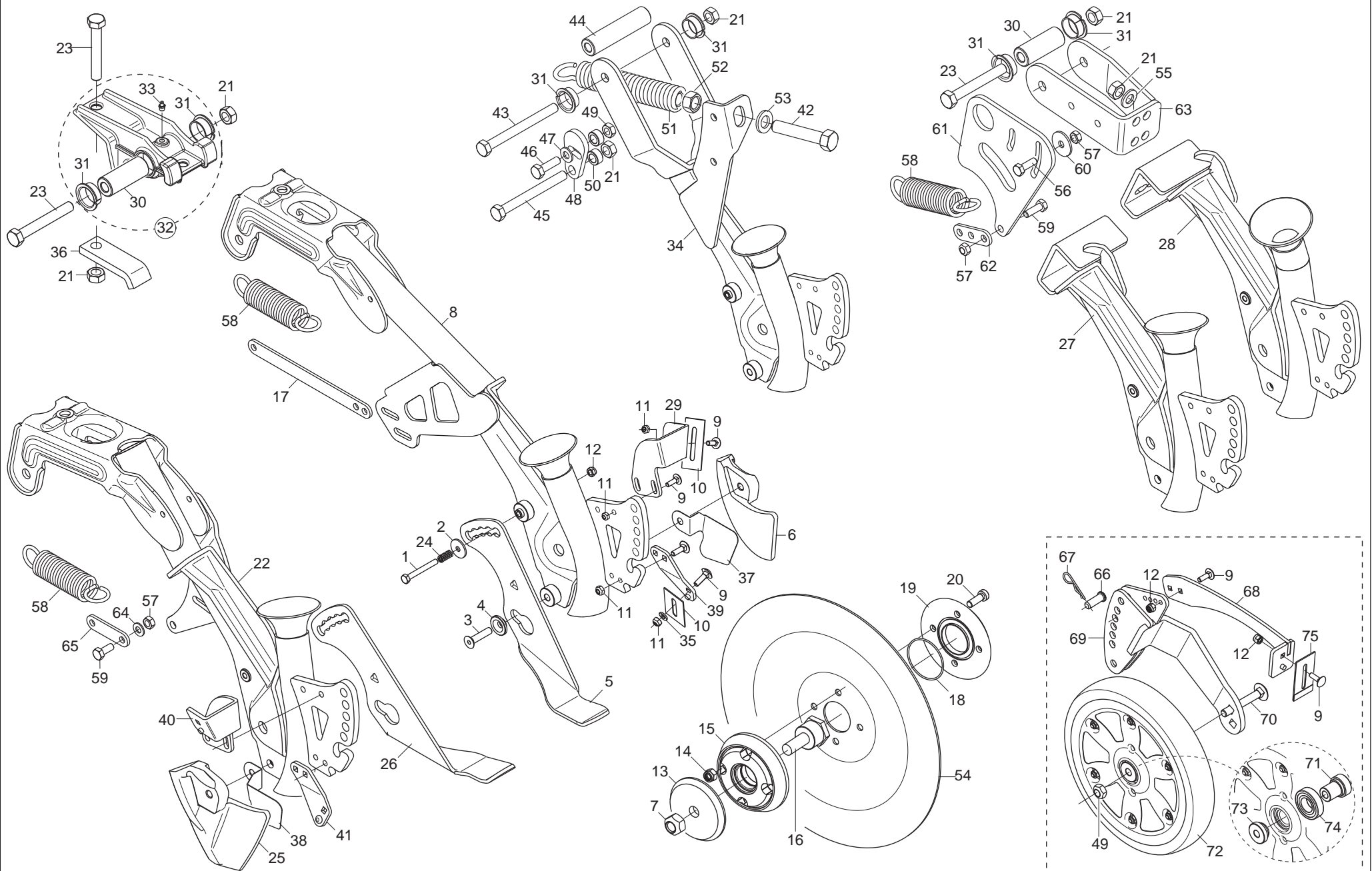


ASSOLCATORI A DISCHI COREX

TAV. 106

| Pos. | Cod. | Descrizione | Description | Description | Benennung | Descripcion |
|------|-----------|--------------------------------|--------------------------------|-------------------------------|--------------------------------|--------------------------------|
| 55 | G16248070 | SUPPORTO RASCHIATERRA DX | SOILSCRAPER SUPPORT | | | |
| 56 | F01410100 | ROS.M16 17X 30X 3 U6592 ZN | WASHER M16 17X30X3 U6592 ZN | RONDELLE M16 17X30X3 U6592 ZN | SCHRAUBE M16 17X 30X3 U6592 ZN | ARANDELA M16 17X30X 3 U6592 ZN |
| 57 | F01020579 | VITE M16X2X80 U5739 8.8ZN | SCR. M16X2X80 U5739 8.8ZN | VIS 16X80 5739 8.G ZN | SCHRAUBE 16X80 5739 8.G ZN | TORNILLO 16X80 5739 8.G ZN |
| 58 | G16248860 | RASCHIATERRA | SOILSCRAPER | | | |
| 59 | G16248890 | DEFLETTORE RASCHIATERRA INT. | INNER Baffle SOILSCRAPER | | | |
| 60 | G16248870 | SUPPORTO RASCHIATERRA INT. | INNER SOILSCRAPER | | | |
| 61 | F01230019 | DADO M5X0,8 D982 8ZN | NUT M5X0,8 D982 8ZN | ECROU AUTOB.NOR.5 ZN | SELBSTSP.MUTTER NOR.5 ZN | TUERCA AUTOB. NOR. 5 ZN |
| 62 | F01220011 | DADO M6X1 D980 8ZN | NUT M6X1 D980 8ZN | ECROU M6X1 D980 8 ZN | MUTTER M6X1 D980 8 ZN | TUERCA M6X1 D980 8 ZN |
| 63 | G15226270 | MOLLA COMPL. | COMPL. SPRING | | | |
| 64 | F01200324 | DADO M16X2 U5588 8.8ZN | NUT M16X2 U5588 8.8ZN | ECROU M16X2 U5588 8.8ZN | MUTTER M16X2 U5588 8.8ZN | TUERCA M16X2 U5588 8.8ZN |
| 65 | G16043880 | RASCHIATERRA DS CON RIPORTO ZN | SOILSCRAPER DS ZN | | | |
| 66 | F02100336 | PERNO D.10 UNI 1710 ZN | PIN D.10 UNI 1710 | PIVOT D.10 UNI 1710 | BOLZEN D.10 UNI 1710 | PERNO D.10 UNI 1710 |
| 67 | F02200342 | COPIGLIA R 2X 50 ZN | SPRING SPLIT PIN 2X50 ZN | GOUPILLE R 2X50 ZN | SPLINT R 2X50 ZN | CHAVETA R 2X50 ZN |
| 68 | G16045500 | SUPPORTO RASCHIA RUOTINO250X42 | SOIL SCRAPER SUPPORT | | | |
| 69 | G16043461 | SUPPORTO RUOTINO | WHEEL SUPPORT | | | |
| 70 | F01060086 | VITE M10X1,5X70 U5732 4.6ZN | SCR. M10X1,5X70 U5732 4.6ZN | VIS 10X70 5732 4.6 ZN | SCHRAUBE 10X70 5732 4.6 ZN | TORNILLO 10X70 5732 4.6 ZN |
| 71 | G16043820 | BOCCOLA D10XD29-35 ZN | BUSHING D10XD29-35 ZN | | | |
| 72 | F06120409 | RUOTA GOMMA 250X42L PLA.2CUS.> | RUBBER WHEEL 250X42L PLA.2BEAR | | | |
| 73 | G16043830 | BOCCOLA D10XD29-13 ZN | BUSHING D10XD29-13 ZN | | | |
| 74 | F04010131 | CUSC.D20 D42 B12 6004-2RSH EX> | BEARING D20 D42 B12 6004-2RSH | ROULEMENT 6004 | LAGER 6004 | COJINETE 6004 |

TAV. 204

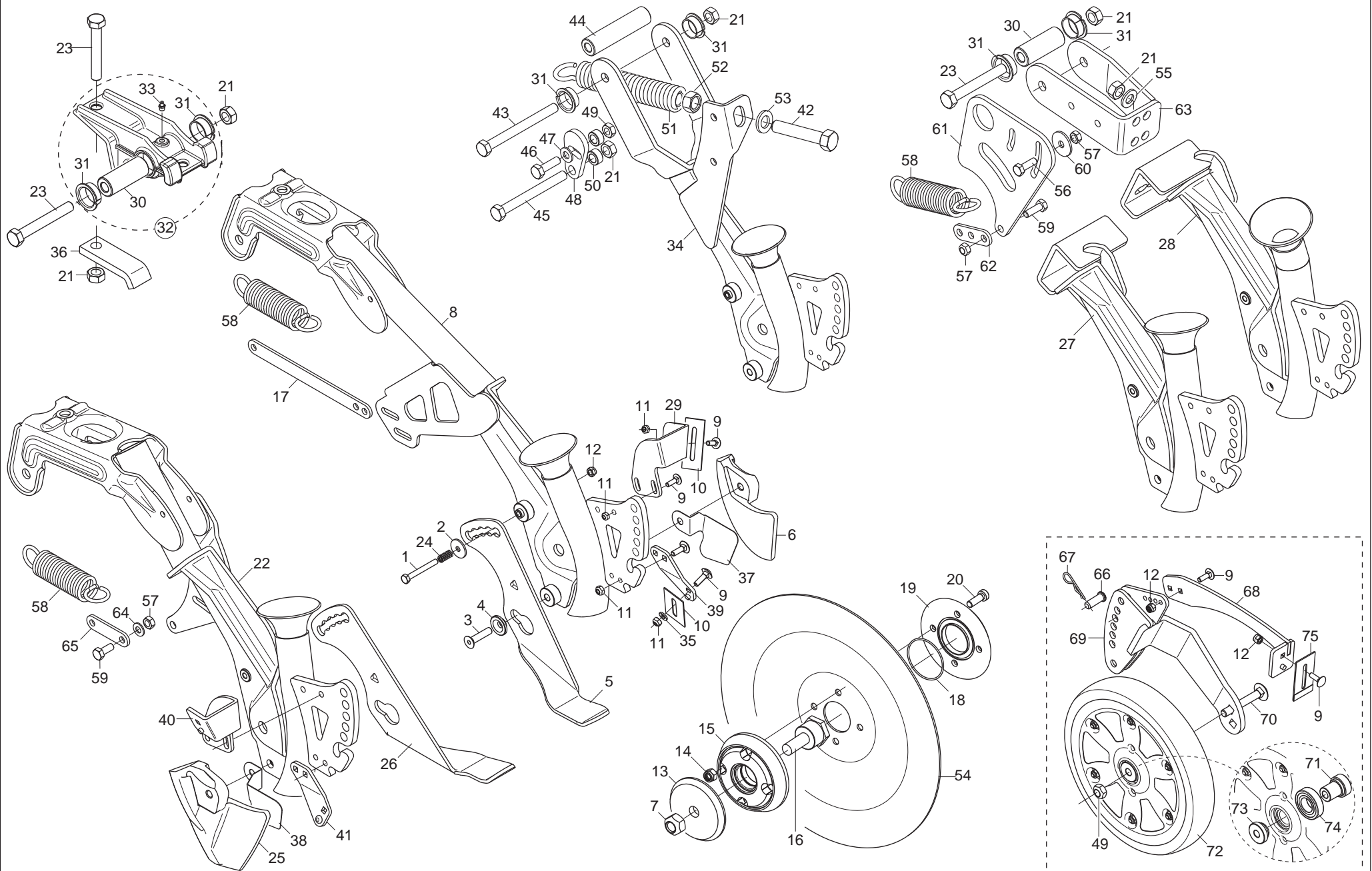


ASSOLCATORI A SINGOLO DISCO

TAV. 204

| Pos. | Cod. | Descrizione | Description | Description | Benennung | Descripcion |
|------|-----------|--------------------------------|--------------------------------|--------------------------------|--------------------------------|--------------------------------|
| 1 | F01020042 | VITE M6X1X50 U5737 8.8ZN | SCR. M6X1X50 U5737 8.8ZN | VIS M6X1X50 U5737 8.8ZN | SCHRAU. M6X1X50 U5737 8.8ZN | TORN. M6X1X50 U5737 8.8ZN |
| 2 | F01420037 | ROS.M6 6,4X 24X1,5 U6593 ZN | WASHER M6 6,4X24X1,5 U6593 ZN | | | |
| 3 | F01030060 | VITE M8X1,25X35 U5933 10.9ZD | SCREW M8X1,25X35 U5933 10.9ZD | VIS M8X1,25X35 U5933 10.9ZD | SCHRA.M8X1,25X35 U5933 10.9ZD | TORN. M8X1,25X35 U5933 10.9ZD |
| 4 | G15821110 | BOCCOLA SUPPORTO COPRISEME | SEED COVER SUPP. BUSHING | BOITE SUPPORT COUVRE-SEMENCE | BsCHSE SAMENABDECKERHALTER. | CASQUILLO SOPORTE CUBRESEMILLA |
| 5 | G16248622 | LIMITATORE DI PROFONDITA SX | LEFT DEPTH LIMITER | | | |
| 6 | G19203970 | FALCIONE DS SX | LEFT CUTTER | | | BOTA DS IZQ |
| 7 | F01220255 | DADO M14X2 D980 8ZN | NUT M14X2 D980 8ZN | ECROU M14X2 D980 8 ZN | MUTTER M14X2 D980 8 ZN | TUERCA M14X2 D980 8 ZN |
| 8 | G16248632 | ELEMENTO DS LUNGO | ELEMENT LONG SIMPLE DISC | | | |
| 9 | F01060013 | VITE M6X1X20 U5732 4.6ZN | SCR. M6X1X20 U5732 4.6ZN | VIS 6X20 5732 4.6 ZN | SCHRAUBE 6X20 5732 4.6 ZN | TORNILLO 6X20 5732 4.6 ZN |
| 10 | G16043880 | RASCHIATERRA DS CON RIPORTO ZN | SOILSCRAPER DS ZN | | | |
| 11 | F01220011 | DADO M6X1 D980 8ZN | NUT M6X1 D980 8ZN | ECROU M6X1 D980 8 ZN | MUTTER M6X1 D980 8 ZN | TUERCA M6X1 D980 8 ZN |
| 12 | F01230022 | DADO M6X1 D982 8ZN | NUT M6X1 D982 8ZN | ECROU AUTO-FREIN.M6X1 D982 8ZN | SICHERUNGSMUT. M6X1 D982 8 ZN | TUERCA DE SEGU.M6X1 D982 8 ZN |
| 13 | G16040863 | PARAPOLVERE DI BLOCCAGGIO ZAMA | ZAMA LOCK DUST SEAL | PARE-POUSSI+RE DE BLOCAGE ZAMA | FESTSTELL-STAUBABDECKUNG ZAMA | GUARDAPOLVO DE BLOQUEO ZAMAK |
| 14 | F01230034 | DADO M8X1,25 D982 8 | NUT M8X1,25 D982 8ZN | ECROU M8X 1,25 D982 8 ZN | MUTTER M8X 1,25 D982 8 ZN | TUERCA M8X 1,25 D982 8 ZN |
| 15 | G16040921 | FLANGIA CON CUSCINETTI | FLANGE w/ BEARING | BRIDE AVEC ROULEMENTS | FLANSCH MIT LAGERN | BRIDA CON COJINETES |
| 16 | G16040820 | ASSE DISCO | DISC SPINDLE | AXE DISQUE | SCHEIBENACHSE | EJE DISCO |
| 17 | G16042510 | TIRANTE L.263 | TIE-ROD L.263 | | | |
| 18 | F03010576 | ANELLO OR 50,52X1,78 NBR | GASKET OR 50,52X1,78 NBR | BAGUE OR 50,52X1,78 NBR | RING OR 50,52X1,78 NBR | ANILLO OR 50,52X1,78 NBR |
| 19 | G19003411 | DISCO ESTERNO | OUTER DISC | DISQUE EXTERNE | AUSSENSCHEIBE | DISCO EXTERNO |
| 20 | F01040501 | VITE M8X1,25X25 D7984 8.8ZN | SCREW M8X1,25X25 D7984 8.8ZN | VIS M8X1,25X25 D7984 8.8ZN | SCHRAU. M8X1,25X25 D7984 8.8ZN | TORN. M8X1,25X25 D7984 8.8ZN |
| 21 | F01220048 | DADO M12X1,75 D980 8ZN | NUT M12X1,75 D980 8ZN | ECROU M12X1,75 D980 8 ZN | SCHEIBE M12X1,75 D980 8 ZN | TUERCA M12X1,75 D980 8 ZN |
| 22 | G16248682 | ELEMENTO DS CORTO | ELEMENT DS SHORT | | | |
| 23 | F01020168 | VITE M12X1,75X90 U5737 8.8ZN | SCR. M12X1,75X90 U5737 8.8ZN | VIS M12X1,75X90 U5737 8.8 ZN | SCHRAB.M12X1,75X90 5737 8.8 ZN | TORNIL.M12X1,75X90 5737 8.8 ZN |
| 24 | G18904240 | MOLLA APERTURA PORTA CONTROLLO | SPRING | RESSORT | FEDER | MUELLE |
| 25 | G19203980 | FALCIONE DS DX | RIGHT CUTTER | | | BOTA DS DER |
| 26 | G16248782 | LIMITATORE DI PROFONDITA DX | RIGHT DEPTH LIMITER | | | |
| 27 | G16248562 | ELEMENTO DS INTERMEDIO SX | LEFT INTER. ELEMENT DS | | | |
| 28 | G16248802 | ELEMENTO DS INTERMEDIO DX | RIGHT INTER. ELEMENT DS | | | |
| 29 | G16249070 | RASCHIATERRA CORTO INT. ZN | INT.AL SHORT SOILSCRAPER ZN | | | |
| 30 | G18802740 | BOCCOLA 12X25X63,5 | BUSHING 25X12X63,5 | BOITE 25X12X63,5 | BUCHSE 25X12X63,5 | CASQUILLO 25X12X63,5 |
| 31 | F04150034 | CUSCINETTO FLANGIATO 25X28X16 | BEARING FLANGED 25X28X16 | | | |
| 32 | G16248350 | SUPPORTO ASSOLCATORE COMPL | FURROW SUPPORT COMPL. | | | |
| 33 | F01100011 | ING.M 6X1 7663-A 9SMNPB28 ZN | GREASE NIPPLE M6X1 7663-A ZN | GRAISS. A BILLE M6X1 7663A ZN | SCHMIERBUECHE M6X1 7663-A ZN | ENGRAS. DE ESFE. M6X1 7663-AZN |
| 34 | G16248742 | ELEMENTO DS ESTERNO | EXTERNAL ELEMENT DS | | | |
| 35 | F01410037 | ROS.M6 6,4X12,5X1,6 U6592 ZN | WASHER M6 6,4X12,5X1,6 U6592ZN | RONDEL.M6 6,4X12,5X1,6 U6592ZN | SCHEIB.M6 6,4X12,5X1,6 U6592ZN | ARAND.M6 6,4X12,5X1,6 U6592 ZN |
| 36 | G16340810 | SCONTRO FISSAGGIO | FIXING STRIKER PLATE | BUTEE DE FIXATION | BEFESTIGUNGSANSCHLAG | ELEM. DE EMPALME DE SUJECION |
| 37 | G16249040 | SUPPORTO LAMELLA DS DX IX | BLADE SUPPORT DS DX IX | | | |
| 38 | G16249050 | SUPPORTO LAMELLA DS SX IX | BLADE SUPPORT DS SX IX | | | |
| 39 | G16249130 | SUPPORTO INF.RASCHIAT.DX ZN | R.LOW SOILSCRAPER SUPPORT ZN | | | |
| 40 | G16249100 | RASCHIATERRA CORTO EST. ZN | EXT.AL SHORT SOILSCRAPER ZN | | | |
| 41 | G16249140 | SUPPORTO INF.RASCHIAT.SX ZN | LOW.MUDSCRAPER SUPP.LEFT | | | |
| 42 | F01020579 | VITE M16X2X80 U5739 8.8ZN | SCR. M16X2X80 U5739 8.8ZN | VIS 16X80 5739 8.G ZN | SCHRAUBE 16X80 5739 8.G ZN | TORNILLO 16X80 5739 8.G ZN |
| 43 | F01020176 | VITE M12X1,75X130 U5737 8.8ZN | SCR. M12X1,75X130 U5737 8.8ZN | VIS M 12X130 | SCHRAUBE M 12X130 | TORNILLO M 12X130 |
| 44 | G18803040 | BOCCOLA 12 X25 X105,5 | BUSHING D12X25X105,5 | | | |
| 45 | F01020174 | VITE M12X1,75X120 U5737 8.8ZN | SCR. M12X1,75X120 U5737 8.8ZN | VIS M12X1,75X120 U5737 8.8 ZN | SCHRAUBE M12X1,75X120 U5737 ZN | TORN.M12X1,75X120 U5737 8.8 ZN |
| 46 | F01020479 | VITE M10X1,5X35 U5739 8.8ZN | SCR. M10X1,5X35 U5739 8.8ZN | VIS M10X1,5X35 U5739 8.8 ZN | SCHR. M10X1,5X35 U5739 8.8 ZN | TORN. M10X1,5X35 U5739 8.8 ZN |
| 47 | F01410064 | ROS.M10 10,5X 20X 2 U6592 ZN | WASHER M10 10,5X20X2 U6592 ZN | RONDEL. M10 10,5X20X2 U6592 ZN | SCHEIBE M10 10,5X20X2 U6592 ZN | ARANDEL.M10 10,5X20X2 U6592 ZN |
| 48 | G16213480 | FERMO ELEMENTO ESTERNO ZN | OUTER ELEMENT LOCK ZN | | | |
| 49 | F01220033 | DADO M10X1,5 D980 8ZN | NUT M10X1,5 D980 8ZN | ECROU M10X1,5 D980 8ZN | MUTTER M10X1,5 D980 8ZN | TUERCA M10X1,5 D980 8ZN |
| 50 | G20980021 | BOCCOLA D.12,25X20X10 | BUSHING D.12-25X20X10 | BOITE D. 12-25X20X10 | BsCHSE D.12-25X20X10 | CASQUILLO D.12-25X20X10 |
| 51 | G15226270 | MOLLA COMPL. | COMPL. SPRING | | | |
| 52 | F01200324 | DADO M16X2 U5588 8.8ZN | NUT M16X2 U5588 8.8ZN | ECROU M16X2 U5588 8.8ZN | MUTTER M16X2 U5588 8.8ZN | TUERCA M16X2 U5588 8.8ZN |
| 53 | F01410100 | ROS.M16 17X 30X 3 U6592 ZN | WASHER M16 17X30X3 U6592 ZN | RONDELLE M16 17X30X3 U6592 ZN | SCHRAUBE M16 17X 30X3 U6592 ZN | ARANDELA M16 17X30X 3 U6592 ZN |
| 54 | G16043890 | DISCO ASSOLCATORE D.328 SP.2,5 | DISC OPENER D.328 SP.2,5 | | | |
| 55 | F01410076 | ROS.M12 13X 24X2,5 U6592 ZN | WASHER 12 13X 24X2,5 U6592 ZN | RONDEL. M12 13X24X2,5 U6592 ZN | SCHEIBE M12 13X24X2,5 U6592 ZN | ARANDELA M12 13 X24X2,5 ZN |

TAV. 204

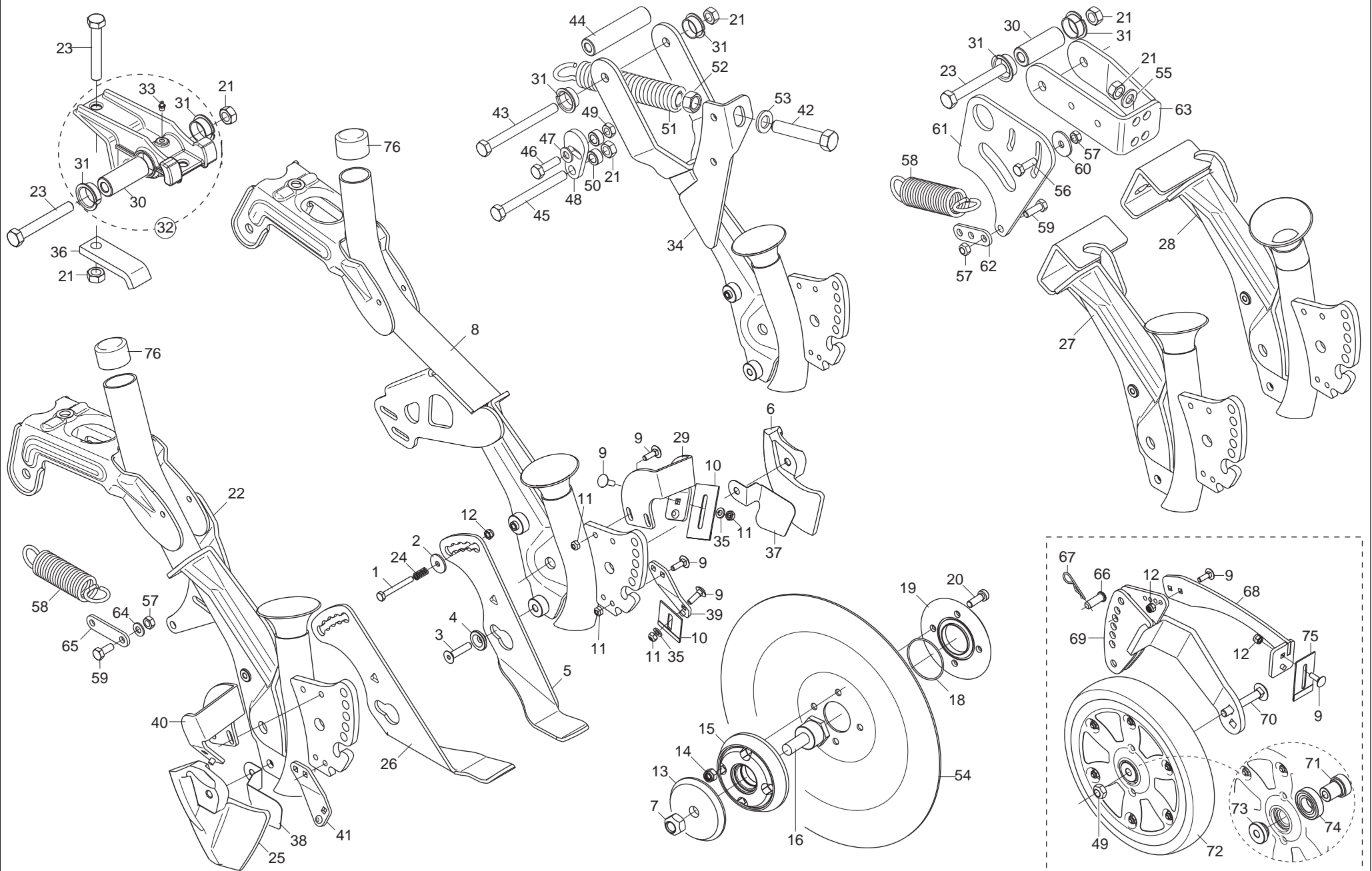


ASSOLCATORI A SINGOLO DISCO

TAV. 204

| Pos. | Cod. | Descrizione | Description | Description | Benennung | Descripcion |
|------|-----------|---------------------------------|--------------------------------|--------------------------------|--------------------------------|--------------------------------|
| 56 | F01020440 | VITE M8X1,25X25 U5739 8.8ZN | SCR. M8X1,25X25 U5739 8.8ZN | VIS M8X1,25X25 U5739 8.8 ZN | SCHRAUBE M8X1,25X25U5739 8.8ZN | TORNIL.M8X1,25X25 U5739 8.8 ZN |
| 57 | F01220022 | DADO M8X1,25 D980 8ZN | NUT M8X1,25 D980 8ZN | ECROU M8X 1,25 D980 8 ZN | MUTTER M8X 1,25 D980 8 ZN | TUERCA M8X 1,25 D980 8 ZN |
| 58 | G18904350 | MOLLA TENSIONAM.ELEM.CORTO ZN | DRILL COULTER TENS. SPRING | RESSORT TENDEUR SOC | EDER SZSCHARSPANNUNG | UELLE TENSIN SURCADOR |
| 59 | F01020436 | VITE M8X1,25X20 U5739 8.8ZN | SCR. M8X1,25X20 U5739 8.8ZN | VIS M8X1,25X 20 U5739 8.8 ZN | SCHRAUBE M8X1,25X20U5739 8.8ZN | TORN. M8X1,25X20 U5739 8.8 ZN |
| 60 | F01420048 | ROS.M8 8,4X 24X 2 U6593 ZN | WASHER M8 8,4X 24X2 U6593 ZN | RONDELLE M8 8,4X24X 2 U6593 ZN | SCHEIBEN M8 8,4X24X 2 U6593 ZN | ARANDELA M8 8,4X 24X2 U6593 ZN |
| 61 | G16248410 | FINE CORSA ELEMENTO INTERMEDIO | INT.ELEMENT FOR END OF STROKE | | | |
| 62 | G16340860 | PIATTO TIRO MOLLA CORTO ZN | PLATE SPRING TIGHTENER | | | |
| 63 | G16248390 | SUPPORTO ELEMENTO | ELEMENT SUPPORT | | | |
| 64 | F01410051 | ROS.M8 8,4X 17X1,6 U6592 ZN | WASHER M8 8,4X17X1,6 U6592 ZN | RONDELLE M8 8,4X17X1,6 U6592ZN | SCHEIBE M8 8,4X17X1,6 U6592 ZN | ARANDELA M8 8,4X17X1,6 U6592ZN |
| 65 | G16042500 | TIRANTE L.103 | TIE-ROD L.103 | | | |
| 66 | F02100336 | PERNO D.10 UNI 1710 ZN | PIN D.10 UNI 1710 | PIVOT D.10 UNI 1710 | BOLZEN D.10 UNI 1710 | PERNO D.10 UNI 1710 |
| 67 | F02200342 | COPIGLIA R 2X 50 ZN | SPRING SPLIT PIN 2X50 ZN | GOUPILLE R 2X50 ZN | SPLINT R 2X50 ZN | CHAVETA R 2X50 ZN |
| 68 | G16045500 | SUPPORTO RASCHIA RUOTINO250X42 | SOIL SCRAPER SUPPORT | | | |
| 69 | G16043461 | SUPPORTO RUOTINO | WHEEL SUPPORT | | | |
| 70 | F01060086 | VITE M10X1,5X70 U5732 4.6ZN | SCR. M10X1,5X70 U5732 4.6ZN | VIS 10X70 5732 4.6 ZN | SCHRAUBE 10X70 5732 4.6 ZN | TORNILLO 10X70 5732 4.6 ZN |
| 71 | G16043820 | BOCCOLA D10XD29-35 ZN | BUSHING D10XD29-35 ZN | | | |
| 72 | F06120409 | RUOTA GOMMA 250X42L PLA.2CUS.> | RUBBER WHEEL 250X42L PLA.2BEAR | | | |
| 73 | G16043830 | BOCCOLA D10XD29-13 ZN | BUSHING D10XD29-13 ZN | | | |
| 74 | F04010131 | CUSC.D20 D42 B12 6004-2RSH EX> | BEARING D20 D42 B12 6004-2RSH | ROULEMENT 6004 | LAGER 6004 | COJINETE 6004 |
| 75 | G16043880 | RASCHIATERRA DS CON RIPOORTO ZN | SOILSCRAPER DS ZN | | | |

TAV. 205

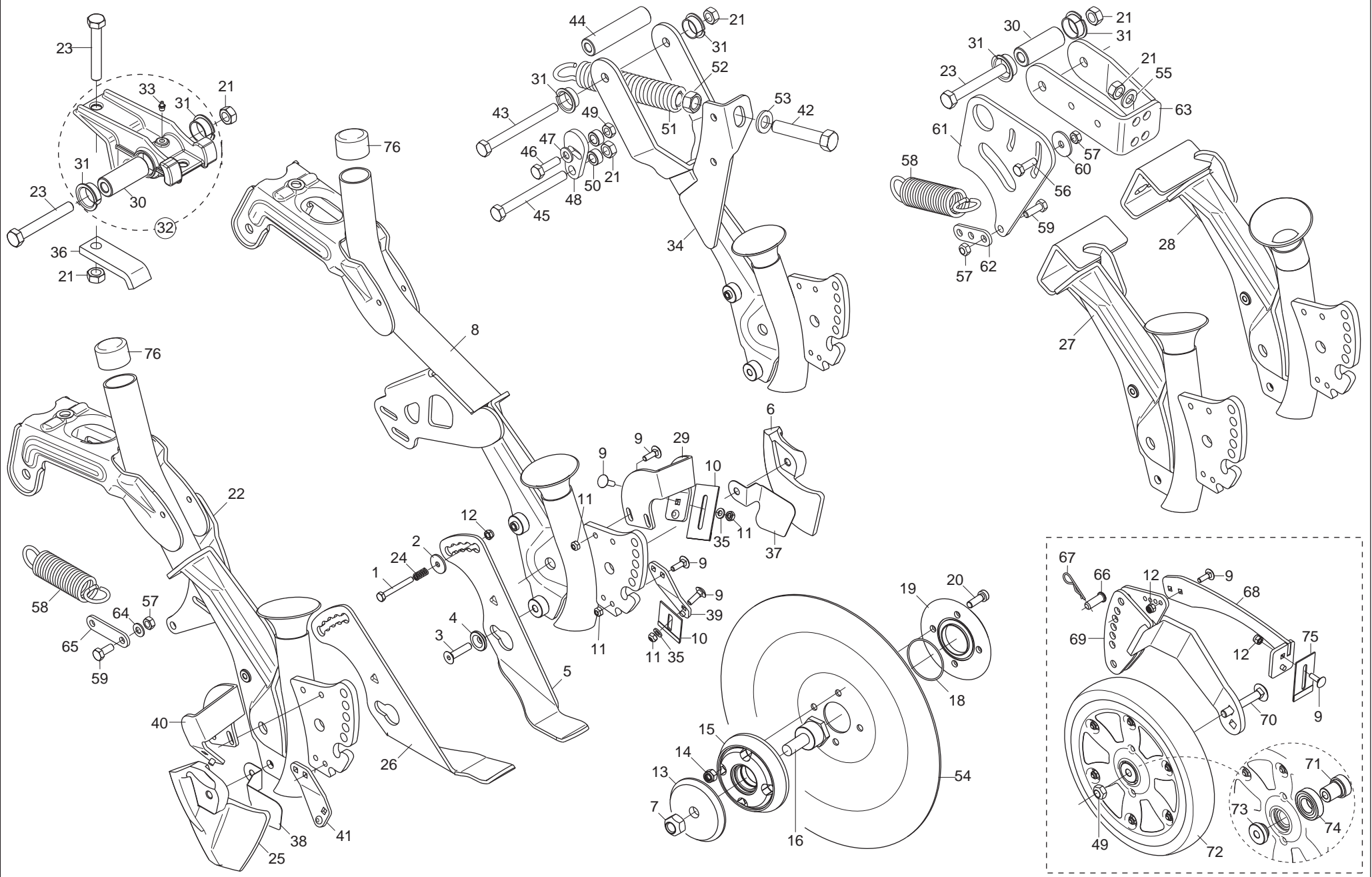


ASSOLCATORI A SINGOLO DISCO

TAV. 205

| Pos. | Cod. | Descrizione | Description | Description | Benennung | Descripcion |
|------|-----------|--------------------------------|--------------------------------|--------------------------------|--------------------------------|--------------------------------|
| 1 | F01020042 | VITE M6X1X50 U5737 8.8ZN | SCR. M6X1X50 U5737 8.8ZN | VIS M6X1X50 U5737 8.8ZN | SCHRAU. M6X1X50 U5737 8.8ZN | TORNI. M6X1X50 U5737 8.8ZN |
| 2 | F01420037 | ROS.M6 6,4X 24X1,5 U6593 ZN | WASHER M6 6,4X24X1,5 U6593 ZN | | | |
| 3 | F01030060 | VITE M8X1,25X35 U5933 10.9ZD | SCREW M8X1,25X35 U5933 10.9ZD | VIS M8X1,25X35 U5933 10.9ZD | SCHRA.M8X1,25X35 U5933 10.9ZD | TORN. M8X1,25X35 U5933 10.9ZD |
| 4 | G15821110 | BOCCOLA SUPPORTO COPRISEME | SEED COVER SUPP. BUSHING | BOITE SUPPORT COUVRE-SEMENCE | BsCHSE SAMENABDECKERHALTER. | CASQUILLO SOPORTE CUBRESEMILLA |
| 5 | G16248622 | LIMITATORE DI PROFONDITA SX | LEFT DEPTH LIMITER | | | |
| 6 | G19203970 | FALCIONE DS SX | LEFT CUTTER | | | BOTA DS IZQ |
| 7 | F01220255 | DADO M14X2 D980 8ZN | NUT M14X2 D980 8ZN | ECROU M14X2 D980 8 ZN | MUTTER M14X2 D980 8 ZN | TUERCA M14X2 D980 8 ZN |
| 8 | G16248633 | ELEMENTO DS LUNGO | ELEMENT LONG SIMPLE DISC | | | |
| 9 | F01060013 | VITE M6X1X20 U5732 4.6ZN | SCR. M6X1X20 U5732 4.6ZN | VIS 6X20 5732 4.6 ZN | SCHRAUBE 6X20 5732 4.6 ZN | TORNILLO 6X20 5732 4.6 ZN |
| 10 | G16043880 | RASCHIATERRA DS CON RIPORTO ZN | SOILSCRAPER DS ZN | | | |
| 11 | F01220011 | DADO M6X1 D980 8ZN | NUT M6X1 D980 8ZN | ECROU M6X1 D980 8 ZN | MUTTER M6X1 D980 8 ZN | TUERCA M6X1 D980 8 ZN |
| 12 | F01230022 | DADO M6X1 D982 8ZN | NUT M6X1 D982 8ZN | ECROU AUTO-FREIN.M6X1 D982 8ZN | SICHERUNGSMUT. M6X1 D982 8 ZN | TUERCA DE SEGU.M6X1 D982 8 ZN |
| 13 | G16040863 | PARAPOLVERE DI BLOCCAGGIO ZAMA | ZAMA LOCK DUST SEAL | PARE-POUSSI+RE DE BLOCAGE ZAMA | FESTSTELL-STAUABDECKUNG ZAMA | GUARDAPOLVO DE BLOQUEO ZAMAK |
| 14 | F01230034 | DADO M8X1,25 D982 8 | NUT M8X1,25 D982 8ZN | ECROU M8X 1,25 D982 8 ZN | MUTTER M8X 1,25 D982 8 ZN | TUERCA M8X 1,25 D982 8 ZN |
| 15 | G16040921 | FLANGIA CON CUSCINETTI | FLANGE w/ BEARING | BRIDE AVEC ROULEMENTS | FLANSCH MIT LAGERN | BRIDA CON COJINETES |
| 16 | G16040820 | ASSE DISCO | DISC SPINDLE | AXE DISQUE | SCHEIBENACHSE | EJE DISCO |
| 17 | G16042510 | TIRANTE L.263 | TIE-ROD L.263 | | | |
| 18 | F03010576 | ANELLO OR 50,52X1,78 NBR | GASKET OR 50,52X1,78 NBR | BAGUE OR 50,52X1,78 NBR | RING OR 50,52X1,78 NBR | ANILLO OR 50,52X1,78 NBR |
| 19 | G19003411 | DISCO ESTERNO | OUTER DISC | DISQUE EXTERNE | AUSSENSCHEIBE | DISCO EXTERNO |
| 20 | F01040501 | VITE M8X1,25X25 D7984 8.8ZN | SCREW M8X1,25X25 D7984 8.8ZN | VIS M8X1,25X25 D7984 8.8ZN | SCHRAU. M8X1,25X25 D7984 8.8ZN | TORN. M8X1,25X25 D7984 8.8ZN |
| 21 | F01220048 | DADO M12X1,75 D980 8ZN | NUT M12X1,75 D980 8ZN | ECROU M12X1,75 D980 8 ZN | SCHEIBE M12X1,75 D980 8 ZN | TUERCA M12X1,75 D980 8 ZN |
| 22 | G16248683 | ELEMENTO DS CORTO | ELEMENT DS SHORT | | | |
| 23 | F01020168 | VITE M12X1,75X90 U5737 8.8ZN | SCR. M12X1,75X90 U5737 8.8ZN | VIS M12X1,75X90 U5737 8.8 ZN | SCHRAB.M12X1,75X90 5737 8.8 ZN | TORNIL.M12X1,75X90 5737 8.8 ZN |
| 24 | G18904240 | MOLLA APERTURA PORTA CONTROLLO | SPRING | | | MUELLE |
| 25 | G19203980 | FALCIONE DS DX | RIGHT CUTTER | | | BOTA DS DER |
| 26 | G16248782 | LIMITATORE DI PROFONDITA DX | RIGHT DEPTH LIMITER | | | |
| 27 | G16248563 | ELEMENTO DS INTERMEDIO SX | LEFT INTER. ELEMENT DS | | | |
| 28 | G16248803 | ELEMENTO DS INTERMEDIO DX | RIGHT INTER. ELEMENT DS | | | |
| 29 | G16249390 | SUPPORTO RASCHIATERRA SUP.DX | SOIL SCRAPER SUPPORT SUP.RIGHT | | | |
| 30 | G18802740 | BOCCOLA 12X25X63,5 | BUSHING 25X12X63,5 | BOITE 25X12X63,5 | BUCHSE 25X12X63,5 | CASQUILLO 25X12X63,5 |
| 31 | F04150034 | CUSCINETTO FLANGIATO 25X28X16 | BEARING FLANGED 25X28X16 | | | |
| 32 | G16248350 | SUPPORTO ASSOLCATORE COMPL | FURROW SUPPORT COMPL. | | | |
| 33 | F01100011 | ING.M 6X1 7663-A 9SMNPB28 ZN | GREASE NIPPLE M6X1 7663-A ZN | GRAISS. A BILLE M6X1 7663A ZN | SCHMIERBUECHE M6X1 7663-A ZN | ENGRAS. DE ESFE. M6X1 7663-AZN |
| 34 | G16248743 | ELEMENTO DS ESTERNO | EXTERNAL ELEMENT DS | | | |
| 35 | F01410037 | ROS.M6 6,4X12,5X1,6 U6592 ZN | WASHER M6 6,4X12,5X1,6 U6592ZN | RONDEL.M6 6,4X12,5X1,6 U6592ZN | SCHEIB.M6 6,4X12,5X1,6 U6592ZN | ARAND.M6 6,4X12,5X1,6 U6592 ZN |
| 36 | G16340810 | SCONTRIO FISSAGGIO | FIXING STRIKER PLATE | BUTEE DE FIXATION | BEFESTIGUNGSANSCHLAG | ELEM. DE EMPALME DE SUJECION |
| 37 | G16249040 | SUPPORTO LAMELLA DS DX IX | BLADE SUPPORT DS DX IX | | | |
| 38 | G16249050 | SUPPORTO LAMELLA DS SX IX | BLADE SUPPORT DS SX IX | | | |
| 39 | G16249130 | SUPPORTO INF.RASCHIAT.DX ZN | R.LOW SOILSCRAPER SUPPORT ZN | | | |
| 40 | G16249410 | SUPPORTO RASCHIATERRA SUP.SX | SOIL SCRAPER SUPPORT SUP.LEFT | | | |
| 41 | G16249140 | SUPPORTO INF.RASCHIAT.SX ZN | LOW.MUDSCRAPER SUPP.LEFT | | | |
| 42 | F01020579 | VITE M16X2X80 U5739 8.8ZN | SCR. M16X2X80 U5739 8.8ZN | VIS 16X80 5739 8.G ZN | SCHRAUBE 16X80 5739 8.G ZN | TORNILLO 16X80 5739 8.G ZN |
| 43 | F01020176 | VITE M12X1,75X130 U5737 8.8ZN | SCR. M12X1,75X130 U5737 8.8ZN | VIS M 12X130 | SCHRAUBE M 12X130 | TORNILLO M 12X130 |
| 44 | G18803040 | BOCCOLA 12 X25 X105,5 | BUSHING D12X25X105,5 | | | |
| 45 | F01020174 | VITE M12X1,75X120 U5737 8.8ZN | SCR. M12X1,75X120 U5737 8.8ZN | VIS M12X1,75X120 U5737 8.8 ZN | SCHRAUBE M12X1,75X120 U5737 ZN | TORN.M12X1,75X120 U5737 8.8 ZN |
| 46 | F01020479 | VITE M10X1,5X35 U5739 8.8ZN | SCR. M10X1,5X35 U5739 8.8ZN | VIS M10X1,5X35 U5739 8.8 ZN | SCHR. M10X1,5X35 U5739 8.8 ZN | TORN. M10X1,5X35 U5739 8.8 ZN |
| 47 | F01410064 | ROS.M10 10,5X 20X 2 U6592 ZN | WASHER M10 10,5X20X2 U6592 ZN | RONDEL. M10 10,5X20X2 U6592 ZN | SCHEIBE M10 10,5X20X2 U6592 ZN | ARANDEL.M10 10,5X20X2 U6592 ZN |
| 48 | G16213480 | FERMO ELEMENTO ESTERNO ZN | OUTER ELEMENT LOCK ZN | | | |
| 49 | F01220033 | DADO M10X1,5 D980 8ZN | NUT M10X1,5 D980 8ZN | ECROU M10X1,5 D980 8ZN | MUTTER M10X1,5 D980 8ZN | TUERCA M10X1,5 D980 8ZN |
| 50 | G20980021 | BOCCOLA D.12,25X20X10 | BUSHING D.12-25X20X10 | BOITE D. 12-25X20X10 | BsCHSE D.12-25X20X10 | CASQUILLO D.12-25X20X10 |
| 51 | G15226270 | MOLLA COMPL. | COMPL. SPRING | | | |
| 52 | F01200324 | DADO M16X2 U5588 8.8ZN | NUT M16X2 U5588 8.8ZN | ECROU M16X2 U5588 8.8ZN | MUTTER M16X2 U5588 8.8ZN | TUERCA M16X2 U5588 8.8ZN |
| 53 | F01410100 | ROS.M16 17X 30X 3 U6592 ZN | WASHER M16 17X30X3 U6592 ZN | RONDELLE M16 17X30X3 U6592 ZN | SCHRAUBE M16 17X 30X3 U6592 ZN | ARANDELA M16 17X30X 3 U6592 ZN |
| 54 | G16043890 | DISCO ASSOLCATORE D.328 SP.2,5 | DISC OPENER D.328 SP.2,5 | | | DISCO SURGADOR D.328 SP 2,5 |
| 55 | F01410076 | ROS.M12 13X 24X2,5 U6592 ZN | WASHER 12 13X 24X2,5 U6592 ZN | RONDEL. M12 13X24X2,5 U6592 ZN | SCHEIBE M12 13X24X2,5 U6592 ZN | ARANDELA M12 13 X24X2,5 ZN |

TAV. 205

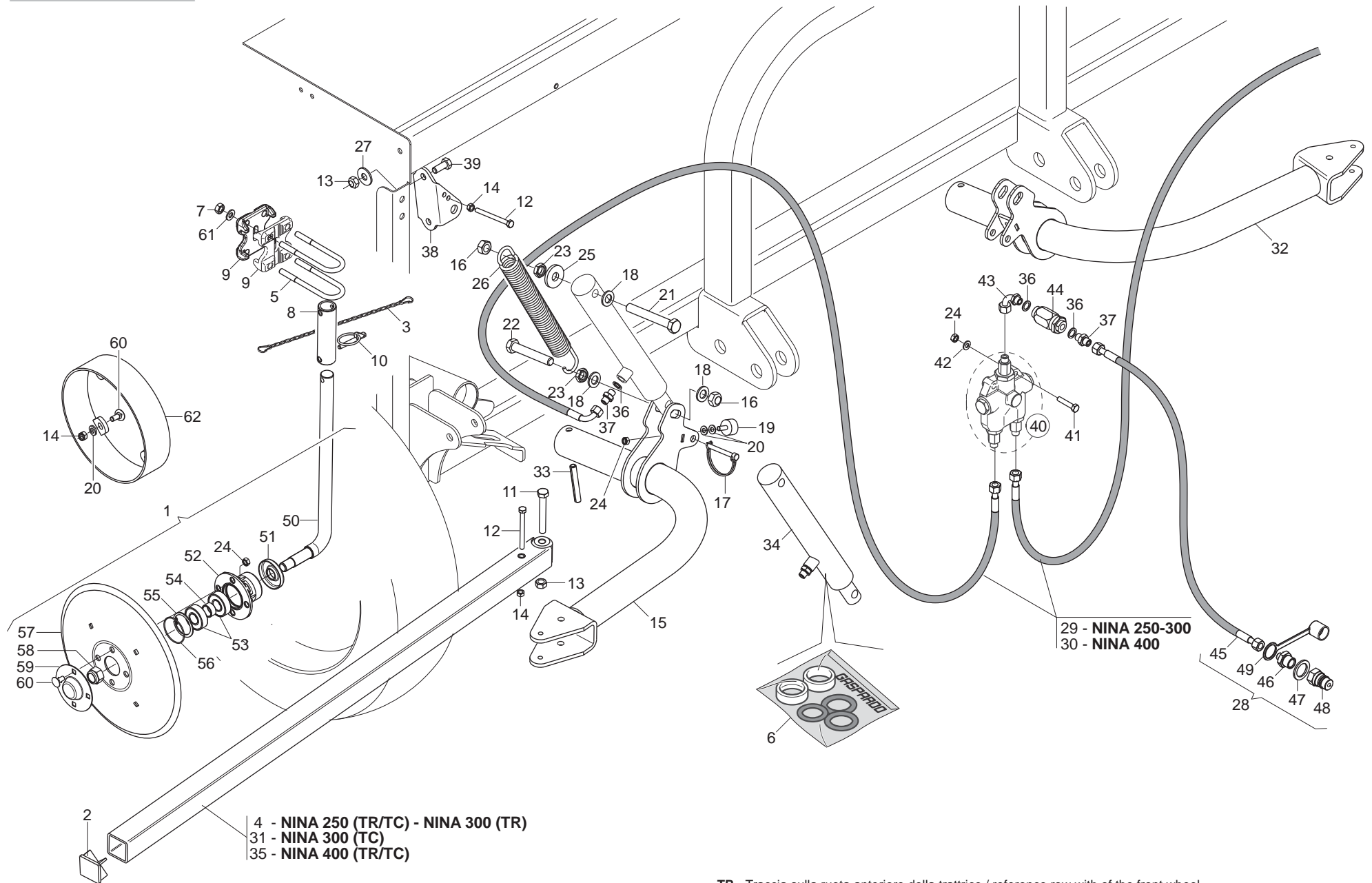


ASSOLCATORI A SINGOLO DISCO

TAV. 205

| Pos. | Cod. | Descrizione | Description | Description | Benennung | Descripcion |
|------|-----------|--------------------------------|--------------------------------|--------------------------------|--------------------------------|--------------------------------|
| 56 | F01020440 | VITE M8X1,25X25 U5739 8.8ZN | SCR. M8X1,25X25 U5739 8.8ZN | VIS M8X1,25X25 U5739 8.8 ZN | SCHRAUBE M8X1,25X25U5739 8.8ZN | TORNIL.M8X1,25X25 U5739 8.8 ZN |
| 57 | F01220022 | DADO M8X1,25 D980 8ZN | NUT M8X1,25 D980 8ZN | ECROU M8X 1,25 D980 8 ZN | MUTTER M8X 1,25 D980 8 ZN | TUERCA M8X 1,25 D980 8 ZN |
| 58 | G18904350 | MOLLA TENSIONAM.ELEM.CORTO ZN | DRILL COULTER TENS. SPRING | RESSORT TENDEUR SOC | EDER SZSCHARSPANNUNG | UELLE TENSIN SURCADOR |
| 59 | F01020436 | VITE M8X1,25X20 U5739 8.8ZN | SCR. M8X1,25X20 U5739 8.8ZN | VIS M8X1,25X 20 U5739 8.8 ZN | SCHRAUBE M8X1,25X20U5739 8.8ZN | TORN. M8X1,25X20 U5739 8.8 ZN |
| 60 | F01420048 | ROS.M8 8,4X 24X 2 U6593 ZN | WASHER M8 8,4X 24X2 U6593 ZN | RONDELLE M8 8,4X24X 2 U6593 ZN | SCHEIBEN M8 8,4X24X 2 U6593 ZN | ARANDELA M8 8,4X 24X2 U6593 ZN |
| 61 | G16248410 | FINE CORSA ELEMENTO INTERMEDIO | INT.ELEMENT FOR END OF STROKE | | | |
| 62 | G16340860 | PIATTO TIRO MOLLA CORTO ZN | PLATE SPRING TIGHTENER | | | |
| 63 | G16248390 | SUPPORTO ELEMENTO | ELEMENT SUPPORT | | | |
| 64 | F01410051 | ROS.M8 8,4X 17X1,6 U6592 ZN | WASHER M8 8,4X17X1,6 U6592 ZN | RONDELLE M8 8,4X17X1,6 U6592ZN | SCHEIBE M8 8,4X17X1,6 U6592 ZN | ARANDELA M8 8,4X17X1,6 U6592ZN |
| 65 | G16042500 | TIRANTE L.103 | TIE-ROD L.103 | | | |
| 66 | F02100336 | PERNO D.10 UNI 1710 ZN | PIN D.10 UNI 1710 | PIVOT D.10 UNI 1710 | BOLZEN D.10 UNI 1710 | PERNO D.10 UNI 1710 |
| 67 | F02200342 | COPIGLIA R 2X 50 ZN | SPRING SPLIT PIN 2X50 ZN | GOUPILLE R 2X50 ZN | SPLINT R 2X50 ZN | CHAVETA R 2X50 ZN |
| 68 | G16045500 | SUPPORTO RASCHIA RUOTINO250X42 | SOIL SCRAPER SUPPORT | | | |
| 69 | G16043461 | SUPPORTO RUOTINO | WHEEL SUPPORT | | | |
| 70 | F01060086 | VITE M10X1,5X70 U5732 4.6ZN | SCR. M10X1,5X70 U5732 4.6ZN | VIS 10X70 5732 4.6 ZN | SCHRAUBE 10X70 5732 4.6 ZN | TORNILLO 10X70 5732 4.6 ZN |
| 71 | G16043820 | BOCCOLA D10XD29-35 ZN | BUSHING D10XD29-35 ZN | | | |
| 72 | F06120409 | RUOTA GOMMA 250X42L PLA.2CUS.> | RUBBER WHEEL 250X42L PLA.2BEAR | | | |
| 73 | G16043830 | BOCCOLA D10XD29-13 ZN | BUSHING D10XD29-13 ZN | | | |
| 74 | F04010131 | CUSC.D20 D42 B12 6004-2RSH EX> | BEARING D20 D42 B12 6004-2RSH | ROULEMENT 6004 | LAGER 6004 | COJINETE 6004 |
| 75 | G16043880 | RASCHIATERRA DS CON RIPORTO ZN | SOILSCRAPER DS ZN | | | |
| 76 | F05100195 | CAPPUCCIO 36,51X25,41 NERO > | COVER 36,51X25,41 NERO | | | |

TAV. 113

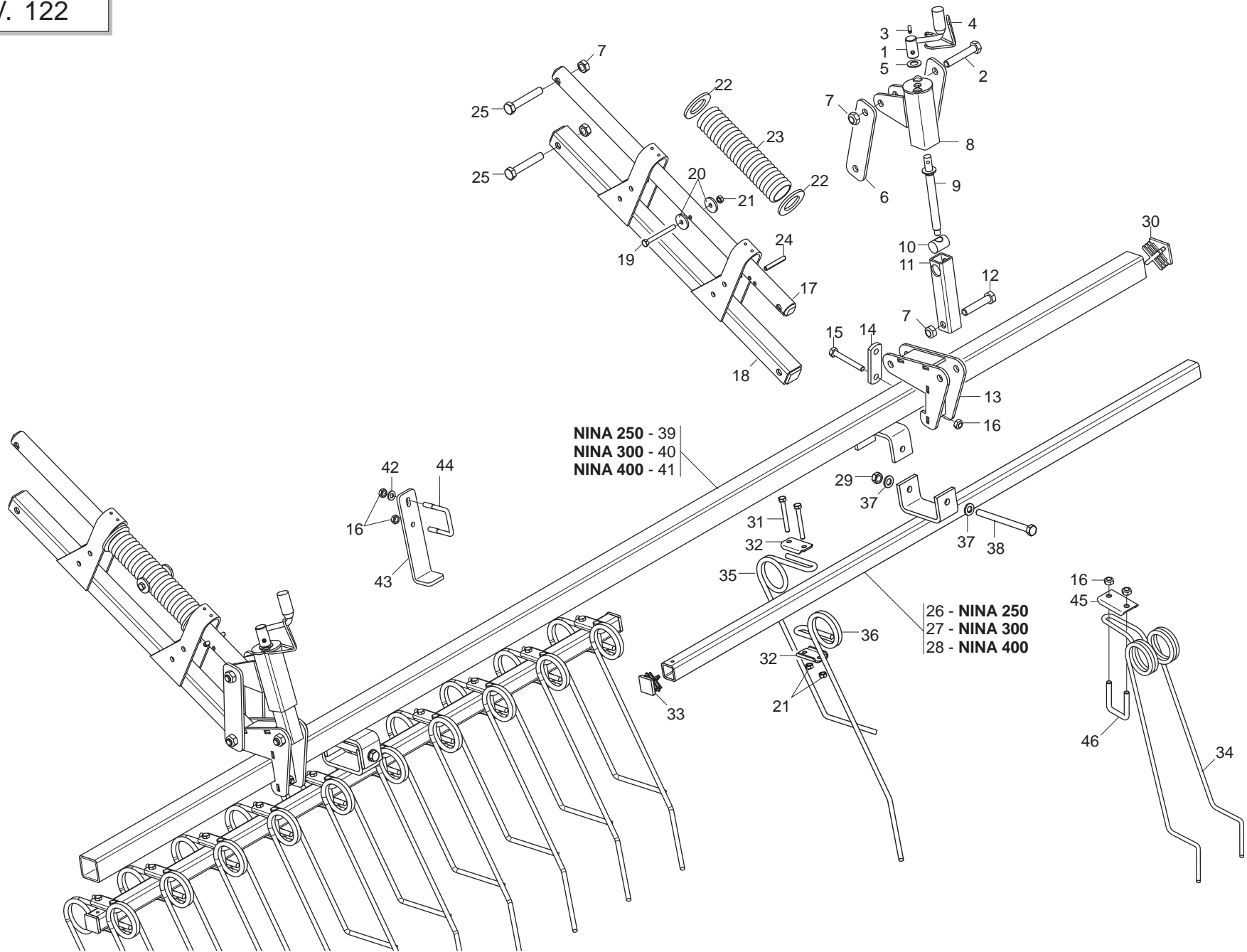


TR - Traccia sulla ruota anteriore della trattore / reference row with of the front wheel
 TC - Traccia al centro della trattore / reference row with centre of the tractor

SEGNAFILE

TAV. 113

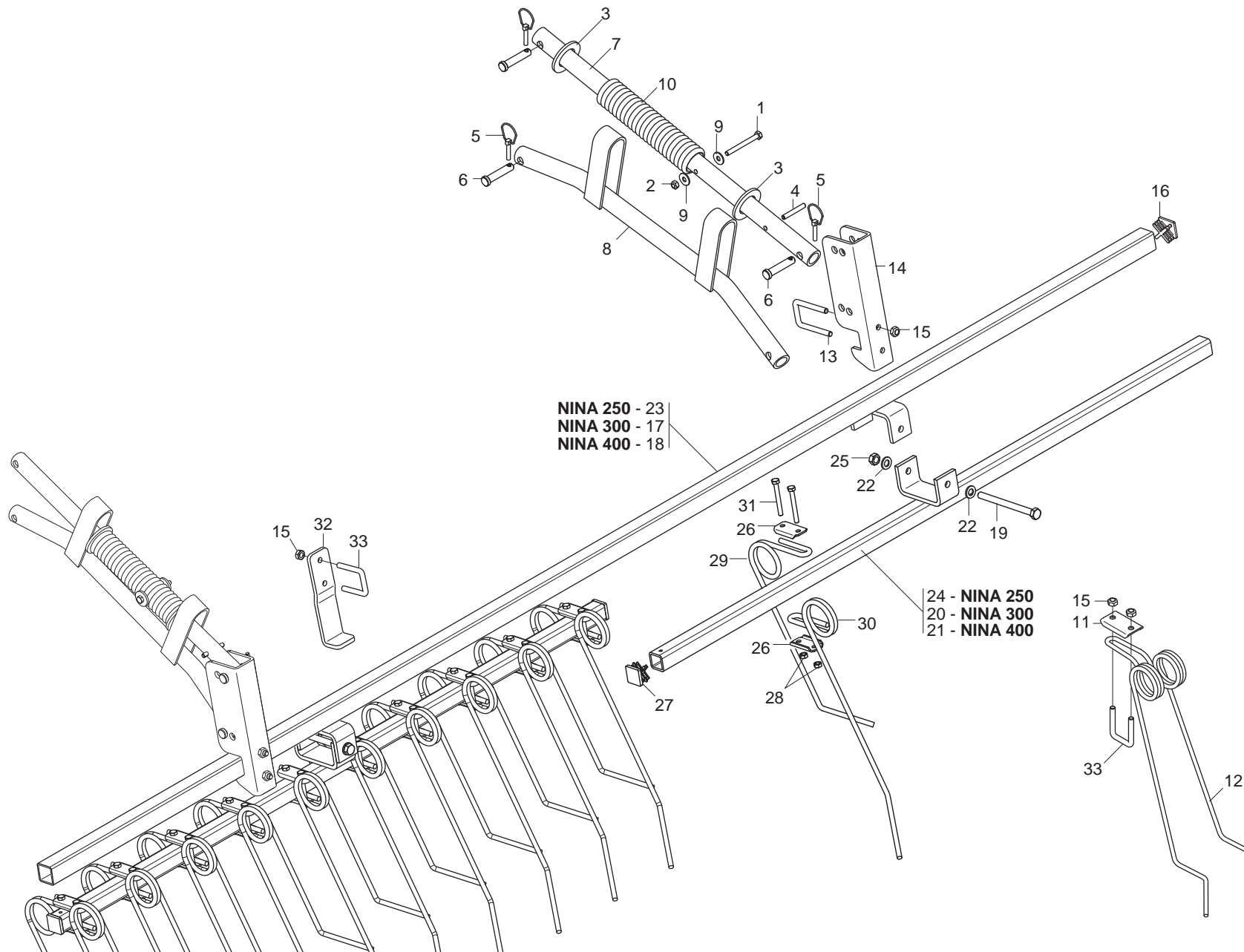
| Pos. | Cod. | Descrizione | Description | Description | Benennung | Descripcion |
|------|-----------|--------------------------------|--------------------------------|--------------------------------|-----------------------------------|---------------------------------|
| 1 | G17111481 | DISCO D.320 COMPL.MAGICA | DISK D.320 COMPLETE MAGICA | | | |
| 2 | G11410370 | TAPPO PER TUBO 50X50X3 * | PLUG PIPE 50X50X3 | BOUCHON TUBE 50X50X3 | ROHRPFROPFEN 50X50X3 | TAPN TUBO 50X50X3 D |
| 3 | G13812311 | CATENELLA CON MOSCHETTONE ZN | CHAIN WITH SPRING CATCH | CHAINETTE AVEC MOUSQUETON | KETTE MIT KARABINERHAKEN | CADENA CON GANCHO |
| 4 | G16913390 | BRACCIO SEGNAFILE 350 | ROW MARKER ARM 350 | BRAS TRACEUR 350 | REIHENANREISSARM 350 | BRAZO MARCADOR DE FILAS 350 |
| 5 | F20110860 | CAV.T.M10X1,5X30 46X128,5ZN | U BOLT.T.M10X1,5X30 46X128,5 | CAVALIER M10X46 ZN | VERBINDUNG M10X46 ZN | PERNO EN U M10X46 ZN |
| 6 | F03100191 | KIT GUARNIZ.CILINDRO 15413110 | CYLINDER SEAL KIT 15413110 | KIT GARNIT. CYLINDRE 15413110 | KIT ZYLINDERDICHTUNG 15413110 | KIT JUNTA CILINDRO 15413110 |
| 7 | F01200270 | DADO M10X1,5 U5588 6.8ZN | NUT M10X1,5 U5588 6.8ZN | ECROU M10X1,5 U5588 6.8 ZN | MUTTER M10X1,5 U5588 6.8 ZN | TUERCA M10X1,5 U5588 6.8 ZN |
| 8 | G17111290 | MANICOTTO DISCO ZN | DISC SLEEVE U BOLT | MANCHON DISQUE | SCHIEBENMUFFE | MANGUITO DISCO |
| 9 | G19204230 | SUPPORTO MANICOTTO TQ.50 | SLEEVE SUPPORT TQ.50 | | | |
| 10 | F02200507 | SPINA A SCATTO D 9 B/83 | SNAP PIN D9 B/83 ZN | FICHE A DETENTE D9 B/83 ZN | EINRASTSTIFT D9 B/83 ZN | CLAVIJA DE MUELLE D9 B/83 ZN |
| 11 | F01020168 | VITE M12X1,75X90 U5737 8.8ZN | SCR. M12X1,75X90 U5737 8.8ZN | VIS M12X1,75X90 U5737 8.8 ZN | SCHRAB. M12X1,75X90 5737 8.8 ZN | TORNIL. M12X1,75X90 5737 8.8 ZN |
| 12 | F01020088 | VITE M8X1,25X90 U5737 8.8ZN | SCREW M8X1,25X90 U5737 8.8ZN | VIS M8X1,25X90 U5737 8.8 ZN | SCHR. M8X1,25X90 U5737 8.8 ZN | TORN. M8X1,25X90 U5737 8.8 ZN |
| 13 | F01220048 | DADO M12X1,75 D980 8ZN | NUT M12X1,75 D980 8ZN | ECROU M12X1,75 D980 8 ZN | SCHIEBE M12X1,75 D980 8 ZN | TUERCA M12X1,75 D980 8 ZN |
| 14 | F01220022 | DADO M8X1,25 D980 8ZN | NUT M8X1,25 D980 8ZN | ECROU M8X1,25 D980 8 ZN | MUTTER M8X1,25 D980 8 ZN | TUERCA M8X1,25 D980 8 ZN |
| 15 | G16213910 | BRACCIO SEGNAFILE DX | ROW MARKER ARM RIGHT | | | |
| 16 | F01220266 | DADO M16X2 D980 8ZN | NUT M16X2 D980 8ZN | ECROU M16X2 D980 8 ZN | MUTTER M16X2 D980 8 ZN | TUERCA M16X2 D980 8 ZN |
| 17 | F02200562 | SPINA SICUR. D. 8X70 ZN | SNAP PIN D.8X70 ZN | FICHE EL. D.8X70 ZN | SCHERSTIFT D.8X70 ZN | CLAVIJA D.8X70 ZN |
| 18 | F01410100 | ROS.M16 17X 30X 3 U6592 ZN | WASHER M16 17X30X3 U6592 ZN | RONDELLE M16 17X30X3 U6592 ZN | SCHRAUBE M16 17X 30X3 U6592 ZN | ARANDELA M16 17X30X3 U6592 ZN |
| 19 | F05150456 | PARACOLPI 30X15 M8X25 | BUFFER 30X15 M8X25 | PARE-CHOC 30X15 M8X25 | STOSSDZMPFER 30X15 M8X25 | PARAGOLPES 30X15 M8X25 |
| 20 | F01410051 | ROS.M8 8,4X 17X1,6 U6592 ZN | WASHER M8 8,4X17X1,6 U6592 ZN | RONDELLE M8 8,4X17X1,6 U6592ZN | SCHIEBE M8 8,4X17X1,6 U6592 ZN | ARANDELA M8 8,4X17X1,6 U6592ZN |
| 21 | F01020266 | VITE M16X2X120 U5737 8.8ZN | SCREW M16X2X120 U5737 8.8ZN | VIS M16X2X120 U5737 8.8ZN | SCHRAU. M16X2X120 U5737 8.8ZN | TORN. M16X2X120 U5737 8.8ZN |
| 22 | F01020580 | VITE M16X2X100 U5739 8.8ZN | SCR. M16X2X100 U5739 8.8ZN | VIS M16X2X100 8.8 U5739 | SCHARUBE M16X2X100 8.8 U5739 | TORNILLO M16X2X100 8.8 U5739 |
| 23 | F01200444 | DADO M16X2 U5589 6SNZ | NUT M16X2 U5589 6SNZ | ECROU M16X2 | MUTTER M16X2 | DADO M16X2 |
| 24 | F01200244 | DADO M8X1,25 U5588 6.8ZN | NUT M8X1,25 U5588 6.8ZN | ECROU M8 X1,25 U5588 6.8 ZN | MUTTER M8 X1,25 U5588 6.8 ZN | TUERCA M8 X1,25 U5588 6.8 ZN |
| 25 | G18700450 | RONDELLA 17 X45 X6 ZN | WASHER 17X45X6 GALV.ED | | | |
| 26 | G16214150 | MOLLA SEGNAFILE ZN | ROW-MARKER SPRING ZN | | | |
| 27 | F01410076 | ROS.M12 13X 24X2,5 U6592 ZN | WASHER 12 13X 24X2,5 U6592 ZN | RONDEL. M12 13X24X2,5 U6592 ZN | SCHIEBE M12 13X24X2,5 U6592 ZN | ARANDELA M12 13 X24X2,5 ZN |
| 28 | G13811211 | TUBO X COLLEG. AL TRATTORE | PIPE FOR CONNECTION TO TRACTOR | TUBE POUR CONN. AU TRACTEUR | ROHR F. KUPPLUNG AM SCHLEPPER | TUBO P/CONEXIN AL TRACTOR T |
| 29 | G15210541 | TUBO 1/4R2 CF1/4- F1/4 2100 | TUBE 1/4R2 CF1/4- F1/4 2100 | | | |
| 30 | G15210554 | TUBO 1/4R2 F1/4-CF1/4 2850 | TUBE 1/4R2 F1/4-CF1/4 2850 | | | |
| 31 | G16072221 | BRACCIO SEGNAFILE | ROW MARKER ARM | | | |
| 32 | G16213800 | BRACCIO SEGNAFILE SX | ROW MARKER ARM LEFT | | | |
| 33 | F02100181 | SPINA E.P. 12X 80 U6873 C70 BR | PIN EL. 12X 80 U6873 C70 BR | FICHE EL. 12X 80 U6873 C70 BR | SPANNSTIFT 12X 80 U6873 C70 BR | CLAVIJA EL.12X 80 U6873 C70 BR |
| 34 | G16214000 | CILINDRO SE 30X40 -220 | CYLINDER SE 30X40 -220 | | | |
| 35 | G16213991 | ASS.BRACCIO SEGNAFILE 400 TC | ASS.ROW MARKER ARM 400 TC | | | |
| 36 | F01500012 | RONDELLA IN RAME 1/4" | COPPER WASHER 13X19X1,5-1/4" | RONDELLE 13X19X1,5-1/4" | SCHIEBE 13X19X1,5-1/4" | ARANDELA 13X19X1,5-1/4" |
| 37 | F03150266 | NIPPLO MM CIL-CIL 1/4-1/4 ZN | NIPPLE GALV.CYL.MALE 1/4 ZN | NIPPLE MALE CYL. 1/4 ZN | NIPPELZYL.1/4 ZN | NIPLE MACHO CIL.1/4 ZN |
| 38 | G16213941 | SUPPORTO SEGNAFILE | ROWMARKER SUPPORT | | | |
| 39 | F01020510 | VITE M12X1,75X30 U5739 8.8ZN | SCR. M12X1,75X30 U5739 8.8ZN | VIS M12X1,75X30 U5739 8.8ZN | SCHRAU. M12X1,75X30 U5739 8.8ZN | TORN. M12X1,75X30 U5739 8.8ZN |
| 40 | G16611050 | MONT.VALVOLA SEGNAFILE CN | ROWMARKER VALVE ASSY. | SOUPAPE TRACEUR COMPL. | KOMPL. SPURREISSERVENTIL | V-LVULA MARC. DE FILAS COMPL |
| 41 | F01020068 | VITE M8X1,25X40 U5737 8.8ZN | SCR. M8X1,25X40 U5737 8.8ZN | VIS M8X1,25X40 U5737 8.8 ZN | SCHRA. M8X1,25X40 U5737 8.8 ZN | TORNIL.M8X1,25X40 U5737 8.8 ZN |
| 42 | F01410051 | ROS.M8 8,4X 17X1,6 U6592 ZN | WASHER M8 8,4X17X1,6 U6592 ZN | RONDELLE M8 8,4X17X1,6 U6592ZN | SCHIEBE M8 8,4X17X1,6 U6592 ZN | ARANDELA M8 8,4X17X1,6 U6592ZN |
| 43 | F03150859 | CURVA 90° F.GIREV.1/4 - M.1/4 | ELBOW 90° F.SLEWING 1/4 -M.1/4 | COUDE 90° F.TOURN.1/4 - M.1/4 | KNIESTsCK 90° F.DREHB.1/4 - M.1/4 | CURVA 90 F.GIRAT.1/4 - M.1/4 |
| 44 | F03151226 | REGOL.DI FLUSSO VRF 1/4' GAS | 1/4' GAS VALVE VRF | SOUPAPE REG DEBIT VRF 1/4' GAZ | VENITL VRF 1/4' GAS | VæLVULA VRF 1/4' GAS |
| 45 | G22270463 | TUB.TR.1/4R2 F-F 1/4 L1500 LM | TUBE TR.1/4R2 F-F1/4 L1500 LM | TUB.TR.1/4R2 F-F 1/4 L1500 LM | ROHR/1/4R2 F-F 1/4 L1500 LM | TUB.TR.1/4R2 F-F 1/4 L1500 LM |
| 46 | F03150211 | NIPPLO MM CIL-CIL 1/2-1/4 ZN | NIPLE MM CIL-CIL 1/4-1/2 ZN | NIPLE MM 1/4-1/2 ZN | NIPLE GG 1/4-1/2 ZN | NIPLE MM 1/4-1/2 ZN |
| 47 | F03151237 | ROS. 21 X27X1,5 RAME -1/2" | COPPER WASHER 21X27X1,5 1/2 | RONDELLE CUIVRE 21X27X1,5 1/2 | SCHIEBE KUPFER 21X27X1,5 1/2 | ARANDELA COBRE 21X27X1,5 1/2 |
| 48 | F03150935 | INNESTO RAP.MASCH.1/2 A VALV. | QUICK CONNECT MALE CONE 1/2 | CONNEXION RAPIDE MALE CONE 1/2 | SCHNELLKUPP.GEWINDE KONISC 1/2 | ACOPLAMIENT.RAP.MACHO CONO 1/2 |
| 49 | F05150325 | CAPPUC.F X INN.M RAP.1/2 ROSSO | COVER CONNECT F 1/2 RED | COUVERCLE CONNEXION F 1/2 ROSE | DECKEL W 1/2 SCHNELLKUPP. ROT | PAC PROTECCION F 1/2 ROJO |
| 50 | G17111490 | PERNO REGGIDISCO SEGN.MAGICA | ROWMARKER DISCHOLDER PIN | | | |
| 51 | G16610431 | FONDELLO ZN | BOTTOM GALV.ED | | | |
| 52 | G16610160 | SUPP.CUSCINETTI DISCO SEGN.ZN. | GALVAN. ROWMARKER DISK BEARING | SUPPORT ROUEMENTS DISQUE TRAC | SCHIEBENLAGERHALTERUNG | SOPORTE COJINETE DE DISCO MARC |
| 53 | F04010156 | CUSC.d20 D47 B14 6204 2RSH | BEARING d20 D47 B14 6204 2RSH | | | |
| 54 | G18801270 | BOCCOLA 21 X25 X12 ZN B. | BUSHING 21 X25 X12 ZN | | | |
| 55 | F02050370 | ANELLO E. DI 47X1,75 U7437 C70 | SEEGER RING 47X1,75 U7437 C70 | SEEGER E. 47X1,75 U7437 C70 | SEEGERING E. 47X1,75 U7437 C70 | ANILLO E. 47X1,75 U7437 C70 |
| 56 | F03010576 | ANELLO OR 50,52X1,78 NBR | GASKET OR 50,52X1,78 NBR | BAGUE OR 50,52X1,78 NBR | RING OR 50,52X1,78 NBR | ANILLO OR 50,52X1,78 NBR |
| 57 | G16610170 | DISCO SEGNAFILE D.320 | ROW MARKER DISK D.320 | DISQUE TRACEUR D320 | SPURREISSERSCHIEBE D. 320 | DISCO MARCARDOR DE FILAS O 320 |
| 58 | F01230098 | DADO M18X2,5 D982 8ZN | NUT M18X2,5 D982 8 ZN | ECROU M18X2,5 D982 8 ZN | MUTTER M18X2,5 D982 8 ZN | TUERCA M18X2,5 D982 8 ZN |
| 59 | G16610190 | CHIUSURA CUSCINETTO ZN | END BEARING ZN | | | |
| 60 | F01060040 | VITE M8X1,25X20 U5732 4.6ZG | SCR. M8X1,25X20 U5732 4.6ZG | VIS M8X1,25X20 U5732 4.6 ZN | SCHRA. M8X1,25X20 U5732 4.6 ZN | TORN. M8X1,25X20 U5732 4.6 ZN |
| 61 | F01410064 | ROS.M10 10,5X 20X 2 U6592 ZN | WASHER M10 10,5X20X2 U6592 ZN | RONDEL. M10 10,5X20X2 U6592 ZN | SCHIEBE M10 10,5X20X2 U6592 ZN | ARANDEL.M10 10,5X20X2 U6592 ZN |
| 62 | G16610210 | AS.LIMITATORE PROFONDITA' | LIMITER DEPTH COUPLYNG | GR. ASS. LIMITEUR DE PROFONDEU | TIEFENBEGRENZERKOMPLEX | CONJ. LIMITADOR DE PROFUNDIDAD |



ERPICE COPRISEME MULTI CONTROL

TAV. 122

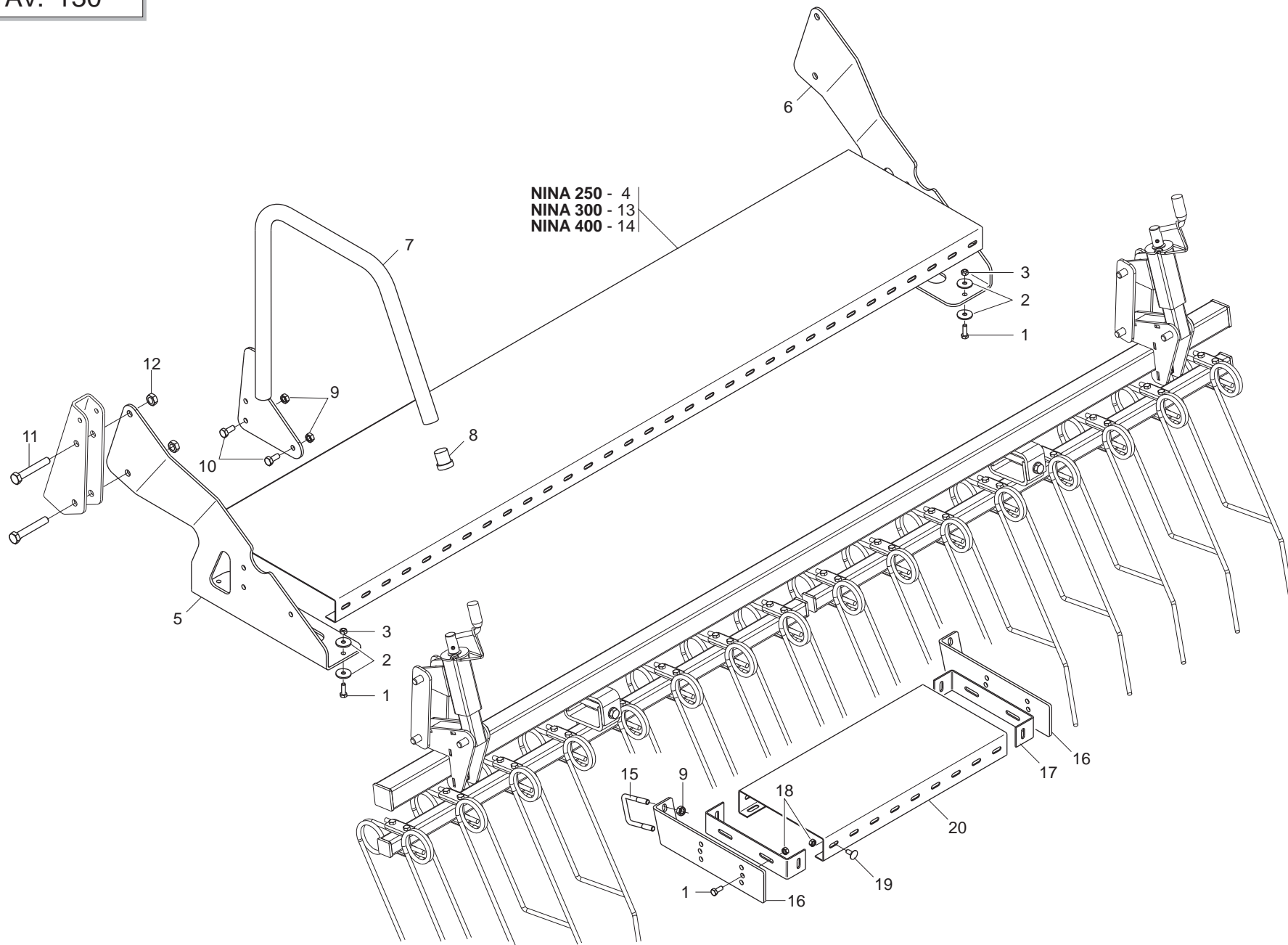
| Pos. | Cod. | Descrizione | Description | Description | Benennung | Descrpcion |
|------|-----------|--------------------------------|--------------------------------|--------------------------------|--------------------------------|---------------------------------|
| 1 | G22270235 | MANIGLIA REGOLAZIONE B4 | ADJUSTMENT HANDLE B4 | POIGNEE REGLAGE B4 | EINSTELLGRIFF B4 | MANIJA REGULACIN B4 M |
| 2 | F01020210 | VITE M14X2X80 U5737 8.8ZN | BOLT M14X2X80 U5737 8.8ZN | VIS M14X2X80 U5737 8.8ZN | SCHRA. M14X2X80 U5737 8.8ZN | TORN. M14X2X80 U5737 8.8ZN |
| 3 | F02100111 | SPINA E.P. 6X 24 U6873 A2 IX | PIN EL. 6 X24 U6873 A2 IX | | | |
| 4 | G65336100 | MOLLA SPEC.FERMO MANIGLIA SP | SPEC SPRING HANDLE STOP SP | RESSORT SPEC. ARRET POIGNEE SP | SPEZIALFEDER GRIFFSPERRE SP | MUELLE ESPEC. BLOQUEO MANIJA S |
| 5 | G20970149 | RONDELLA D.15X28X1,5 | WASHER D.15X28X1-5 | RONDELLE D. 15X28X1-5 | UNTERLEGSSCHEIBE D.15X28X1-5 | ARANDELA D.15X28X1-5 |
| 6 | G16243470 | SCONTR0 200X 50- 6 2F14 155 | STRIKER 200X50 -6 2F14 155 | BUTEE 200X50 -6 2F14 155 | ANSCHLAG 200X50 -6 2F14 155 | ELEMENTO DE EMPALME 200X50 -6 |
| 7 | F01220255 | DADO M14X2 D980 8ZN | NUT M14X2 D980 8ZN | ECROU M14X2 D980 8 ZN | MUTTER M14X2 D980 8 ZN | TUERCA M14X2 D980 8 ZN |
| 8 | G16243580 | TUBO REGOLAZIONE | ADJUSTMENT TUBE | TUBE REGLAGE | ROHR EINSTELLUNG | TUBO REGULACION |
| 9 | G22505058 | VITE DI REGOLAZIONE POSTERIORE | REAR ADJUSTMENT BOLT | VIS DE REGLAGE ARRIERE | HINTERE EINSTELLSCHRAUBE | TORNILLO DE REGULACIN TRASEROS |
| 10 | G22230063 | ELEMENTO ARTICOLATO | ARTICULATED ELEMENT | ELEMENT ARTICULE | GELENKELEMENT | ELEMENTO ARTICULADO |
| 11 | G16243530 | TUBO INTERNO DI REGOLAZIONE | INTERNAL PIPE | TUBE INT. | INNENROHR | TUBO INTERIOR |
| 12 | F01020207 | VITE M14X2X70 U5737 8.8ZN | SCR. M14X2X70 U5737 8.8ZN | VIS M14X2X70 U5737 8.8 ZN | SCHRAUBE M14X2X70 U5737 8.8 ZN | TORNILLO M14X2X70 U5737 8.8 ZN |
| 13 | G16243491 | SUPPORTO ERPICE | HARROW SUPPORT | | | |
| 14 | G20890017 | SCONTR0 | STRIKER PLATE | BUTEE | ANSCHLAG | ELEMENTO DE EMPALME |
| 15 | F01020128 | VITE M10X1,5X80 U5737 8.8ZN | SCR. M10X1,5X80 U5737 8.8ZN | VIS M10X1,5X80 U5737 8.8 ZN | SCHRAU. M10X1,5X80 U5737 8.8ZN | TORNIL. M10X1,5X80 U5737 8.8 ZN |
| 16 | F01220033 | DADO M10X1,5 D980 8ZN | NUT M10X1,5 D980 8ZN | ECROU M10X1,5 D980 8ZN | MUTTER M10X1,5 D980 8ZN | TUERCA M10X1,5 D980 8ZN |
| 17 | G16041760 | TUBO SUP.ERPICE | PIPE SUPPORT HARROW | TUBE SUPPORT | ALTERUNGSROHR | TUBO SOPORTE |
| 18 | G16243441 | TUBO INFERIORE ERPICE | LOWER HARROW TUBE | | | |
| 19 | F01020086 | VITE M8X1,25X80 U5737 8.8ZN | SCR. M8X1,25X80 U5737 8.8ZN | VIS M8X1X80 | SCHRAUBE M8X1X80 | TORNILLO M8X1X80 |
| 20 | G18700320 | RONDELLA 8,5 X32 X4 ZN | WASHER 8,5 X32 X4 GALV.ED | | | |
| 21 | F01220022 | DADO M8X1,25 D980 8ZN | NUT M8X1,25 D980 8ZN | ECROU M8X 1,25 D980 8 ZN | MUTTER M8X 1,25 D980 8 ZN | TUERCA M8X 1,25 D980 8 ZN |
| 22 | F01420118 | ROS.M36 37X 66X 5 U6592 ZN | WASHER M36 37X 66X 5 U6592 | RONDELLE 39X66X5 6593 ZB | SCHEIBE 39X66X5 6593 ZB | ARANDELA 39X66X5 6593 ZB |
| 23 | G18903560 | MOLLA COMPRESSIONE ERPICE ZN | SPRING. | RESSORT COMPL. | DRUCKFEDER | MUELLE COMP. |
| 24 | F02100146 | SPINA E.P. 8X 55 U6873 C70 BR | PIN EL. .8 X55 DIN 1481 | FICHE EL.8 X55 DIN 1481 | SPANNSTIFT 8 X55 DIN 1481 | CLAVIJA EL.8 X55 DIN 1481 |
| 25 | F01020212 | VITE M14X2X90 U5737 8.8ZN | SCR. M14X2X90 U5737 8.8ZN | VIS M14X 2X 90 U5737 8.8 ZN | SCHARUBE M14X2X90 U5737 8.8 ZN | TORNILLO M14X2X90 U5737 8.8 ZN |
| 26 | G16240400 | TUBO INFERIORE ERPICE | LOWER HARROW TUBE | TUBE INFERIEUR HERSE | UNTERES ROHR EGGE | TUBO INFERIOR GRADA |
| 27 | G16240430 | TUBO INFERIORE ERPICE | LOWER HARROW TUBE | TUBE INFERIEUR HERSE | UNTERES ROHR EGGE | TUBO INFERIOR GRADA |
| 28 | G16240840 | TUBO INF.ERPICE M400 | TUB INF.HARROW M400 | | | |
| 29 | F01220048 | DADO M12X1,75 D980 8ZN | NUT M12X1,75 D980 8ZN | ECROU M12X1,75 D980 8 ZN | SCHEIBE M12X1,75 D980 8 ZN | TUERCA M12X1,75 D980 8 ZN |
| 30 | F20120349 | PUNTALE Q.50 ALETT.POLIT.NERO | CAP | BOUCHON | DECKEL | CORCHO |
| 31 | F01020082 | VITE M8X1,25X65 U5737 8.8ZN | SCR. M8X1,25X65 U5737 8.8ZN | VIS M8X1,25X65 U5737 8.8 ZN | SCHRA. M8X1,25X65 U5737 8.8 ZN | TORN. M8X1,25X65 U5737 8.8 ZN |
| 32 | G07000026 | PIASTR.DENTI A MOLLA ZN | GALVAN. SPRING TOOTHED PLATE | PLAQUE DENTS A RESSORT ZN | PLATTE FEDERZZHNE ZN | PLACA DIENTES DE MUELLE ZN |
| 33 | F20120346 | PUNTALE Q 35 ALETT.POLIT.NERO | SQ.TIP 35 BLACK | | | |
| 34 | G18904710 | MOLLA COPRISEME 2 PUNTE D.9 | SEED COVER SPRING 2 TIPS D.9 | | | CUBRESEMILLAS 2 PUNTAS D.9 |
| 35 | G18903640 | MOLLA CORTA COPRISEME D.9 | SPEC. SPRING SHORT TOOTH D.9 | DENT HERSE RECOUVR COURTE D.9 | SPEZIALFEDER M. KURZ.ZAHN D.9 | CUBRISEMILLA DIENTE CORTO D.9 |
| 36 | G18903650 | MOLLA LUNGA COPRISEME D.9 | SPEC. SPRING LONG TOOTH D.9 | DENT HERSE RECOUVR LONGUE D.9 | SPEZIALFEDER M. LANG.ZAHN D.9 | CUBRISEMILLA DIENTE LARGO D.9 |
| 37 | F01410076 | ROS.M12 13X 24X2,5 U6592 ZN | WASHER 12 13X 24X2,5 U6592 ZN | RONDEL. M12 13X24X2,5 U6592 ZN | SCHEIBE M12 13X24X2,5 U6592 ZN | ARANDELA M12 13 X24X2,5 ZN |
| 38 | F01020179 | VITE M12X1,75X150 U5737 8.8ZN | SCR. M12X1,75X150 U5737 8.8ZN | VIS M12X1,75X150 5737 8.8 ZN | SCHRA.M12X1,75X150 5737 8.8 ZN | TORN. M12X1,75X150 5737 8.8 ZN |
| 39 | G16243680 | TUBO SUPPORTO ERPICE | HARROW SUPPORT TUBE | TUBE SUP.HERSE | ROHR EGGENHALTERUNG | TUBO SOP.GARDA |
| 40 | G16243560 | TUBO SUPPORTO ERPICE | HARROW SUPPORT TUBE | TUBE SUP.HERSE | ROHR EGGENHALTERUNG | TUBO SOP.GARDA |
| 41 | G16243710 | TUBO SUPPORTO ERPICE | HARROW SUPPORT TUBE | TUBE SUP.HERSE | ROHR EGGENHALTERUNG | TUBO SOP.GARDA |
| 42 | F01420060 | ROS.M10 10,5X 30X2,5 U6593 ZN | WASHER 10,5X30 | RONDELLE 10,5X30 | SCHEIBE 10,5X30 | ARANDELA 10,5X30 |
| 43 | G16073100 | GUIDA BRACCIO OSCILLANTE | ARM GUIDE OSCILLATING | | | |
| 44 | F20110715 | CAV.Q.B=50 M=10X1,5 L=80 | UBOLTSTRIKER Q.B=50M10X1,5L=80 | BUTEE M10X 1,5X 30 61X 80 ZB | ANSCHLAG M10X 1,5X 30 61X 80 | EL. DE EMPALME M10X 1,5X 30 |
| 45 | G16240780 | PIASTRINA X MOLLA ERPICE ZN | PLATE SEED COVER SPRING | PLAQUETTE RESSORT COUVRE-GRAIN | PLZTTCHEN SAMENABDECKFEDER | PLAQUETA MUELLE CUBRESEMILLAS |
| 46 | F20110705 | CAV.Q.B=40 M=10X1,5 L=62 | U BOLT Q.B=40 M=10X1,5 L=62 | CAVALIER ZN | BsGELBOLZEN ZN | PERNO EN U ZN |



ERPICE COPRISEME STANDARD

TAV. 213

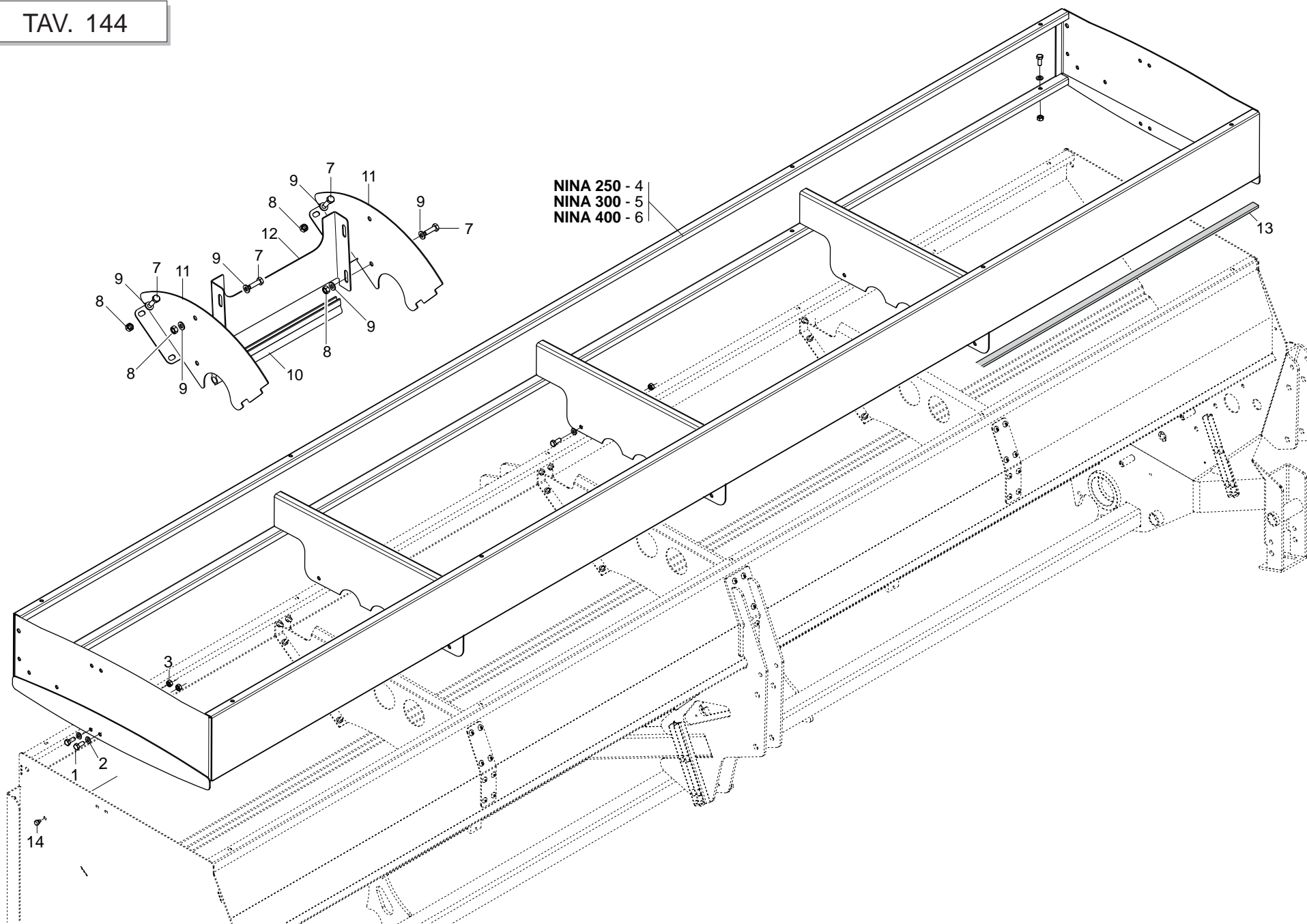
| Pos. | Cod. | Descrizione | Description | Description | Benennung | Descripcion |
|------|-----------|-------------------------------|-------------------------------|--------------------------------|--------------------------------|--------------------------------|
| 1 | F01020086 | VITE M8X1,25X80 U5737 8.8ZN | SCR. M8X1,25X80 U5737 8.8ZN | VIS M8X1X80 | SCHRAUBE M8X1X80 | TORNILLO M8X1X80 |
| 2 | F01220022 | DADO M8X1,25 D980 8ZN | NUT M8X1,25 D980 8ZN | ECROU M8X 1,25 D980 8 ZN | MUTTER M8X 1,25 D980 8 ZN | TUERCA M8X 1,25 D980 8 ZN |
| 3 | F01420118 | ROS.M36 37X 66X 5 U6592 ZN | WASHER M36 37X 66X 5 U6592 | RONDELLE 39X66X5 6593 ZB | SCHEIBE 39X66X5 6593 ZB | ARANDELA 39X66X5 6593 ZB |
| 4 | F02100146 | SPINA E.P. 8X 55 U6873 C70 BR | PIN EL. .8 X55 DIN 1481 | FICHE EL.8 X55 DIN 1481 | SPANNSTIFT 8 X55 DIN 1481 | CLAVIJA EL.8 X55 DIN 1481 |
| 5 | F02200463 | SPINA SCATTO D. 5 B/81 ZN | SNAP PIN D5 B/81 ZN | FICHE A DETENTE D5 B/81 ZN | EINRASTSTIFT D5 B/81 ZN | CLAVIJA DE MUELLE D5 B/81 ZN |
| 6 | G07002569 | PERNO 14 X68 ZN | PIN | PIVOT | ZAPFEN | PERNO |
| 7 | G16041760 | TUBO SUP.ERPICE | PIPE SUPPORT HARROW | TUBE SUPPORT | ALTERUNGSROHR | TUBO SOPORTE |
| 8 | G16240310 | TUBO INFERIORE | LOWER TUBE | TUBE INFERIEUR | UNTERES ROHR | TUBO INFERIOR |
| 9 | G18700320 | RONDELLA 8,5 X32 X4 ZN | WASHER 8,5 X32 X4 GALV.ED | | | |
| 10 | G18903560 | MOLLA COMPRESSIONE ERPICE ZN | SPRING. | RESSORT COMPL. | DRUCKFEDER | MUELLE COMP. |
| 11 | G16240780 | PIASTRINA X MOLLA ERPICE ZN | PLATE SEED COVER SPRING | PLAQUETTE RESSORT COUVRE-GRAIN | PLZTTCHEN SAMENABDECKFEDER | PLAQUETA MUELLE CUBRESEMILLAS |
| 12 | G18904710 | MOLLA COPRISEME 2 PUNTE D.9 | SEED COVER SPRING 2 TIPS D.9 | | | CUBRESEMILLAS 2 PUNTAS D.9 |
| 13 | F20110710 | CAV.Q.B=40 M=10X1,5 L=85 | U BOLT Q.B=40 M=10X1,5 L=85 | CAVALIER M10X1,5X50 51X85 ZN | VERBINDUNG M10X1,5X50 51X85 ZN | PERNO EN U M10X1,5X50 51X85 ZN |
| 14 | G16240300 | SUPPORTO TUBO ERPICE | HARROW SUPPORT | SUPPORT HERSE | EGGENHALTERUNG | SOPORTE GRADA |
| 15 | F01220033 | DADO M10X1,5 D980 8ZN | NUT M10X1,5 D980 8ZN | ECROU M10X1,5 D980 8ZN | MUTTER M10X1,5 D980 8ZN | TUERCA M10X1,5 D980 8ZN |
| 16 | F20120348 | PUNTALE Q.40 NERO | SQUARE TIP 40 BLACK | | | |
| 17 | G16240410 | TUBO SUPERIORE ERPICE | UPPER HARROW TUBE | TUBE SUPERIEUR HERSE | OBERES EGGENROHR | TUBO SUPERIOR GARDA |
| 18 | G16240850 | TUBO SUPPORTO ERPICE M400 | HARROW SUPPORT TUBE 400 | TUBE SUP.HERSE 400 | ROHR EGGENHALTERUNG 400 | TUBO SOP.GARDA 400 |
| 19 | F01020179 | VITE M12X1,75X150 U5737 8.8ZN | SCR. M12X1,75X150 U5737 8.8ZN | VIS M12X1,75X150 5737 8.8 ZN | SCHRA.M12X1,75X150 5737 8.8 ZN | TORN. M12X1,75X150 5737 8.8 ZN |
| 20 | G16240430 | TUBO INFERIORE ERPICE | LOWER HARROW TUBE | TUBE INFERIEUR HERSE | UNTERES ROHR EGGE | TUBO INFERIOR GRADA |
| 21 | G16240840 | TUBO INF.ERPICE M400 | TUB INF.HARROW M400 | | | |
| 22 | F01410076 | ROS.M12 13X 24X2,5 U6592 ZN | WASHER 12 13X 24X2,5 U6592 ZN | RONDEL. M12 13X24X2,5 U6592 ZN | SCHEIBE M12 13X24X2,5 U6592 ZN | ARANDELA M12 13 X24X2,5 ZN |
| 23 | G16240370 | TUBO ERPICE SUPERIORE 250 | UPPER HARROW TUBE 250 | | | |
| 24 | G16240400 | TUBO INFERIORE ERPICE | LOWER HARROW TUBE | TUBE INFERIEUR HERSE | UNTERES ROHR EGGE | TUBO INFERIOR GRADA |
| 25 | F01220048 | DADO M12X1,75 D980 8ZN | NUT M12X1,75 D980 8ZN | ECROU M12X1,75 D980 8 ZN | SCHEIBE M12X1,75 D980 8 ZN | TUERCA M12X1,75 D980 8 ZN |
| 26 | G07000026 | PIASTR.DENTI A MOLLA ZN | GALVAN. SPRING TOOTHED PLATE | PLAQUE DENTS A RESSORT ZN | PLATTE FEDERZZHNE ZN | PLACA DIENTES DE MUELLE ZN |
| 27 | F20120346 | PUNTALE Q 35 ALETT.POLIT.NERO | SQ.TIP 35 BLACK | | | |
| 28 | F01220022 | DADO M8X1,25 D980 8ZN | NUT M8X1,25 D980 8ZN | ECROU M8X 1,25 D980 8 ZN | MUTTER M8X 1,25 D980 8 ZN | TUERCA M8X 1,25 D980 8 ZN |
| 29 | G18903640 | MOLLA CORTA COPRISEME D.9 | SPEC. SPRING SHORT TOOTH D.9 | DENT HERSE RECOUVR COURTE D.9 | SPEZIALFEDER M. KURZ.ZAHN D.9 | CUBRISEMILLA DIENTE CORTO D.9 |
| 30 | G18903650 | MOLLA LUNGA COPRISEME D.9 | SPEC. SPRING LONG TOOTH D.9 | DENT HERSE RECOUVR LONGUE D.9 | SPEZIALFEDER M. LANG.ZAHN D.9 | CUBRISEMILLA DIENTE LARGO D.9 |
| 31 | F01020082 | VITE M8X1,25X65 U5737 8.8ZN | SCR. M8X1,25X65 U5737 8.8ZN | VIS M8X1,25X65 U5737 8.8 ZN | SCHRA. M8X1,25X65 U5737 8.8 ZN | TORN. M8X1,25X65 U5737 8.8 ZN |
| 32 | G16073090 | GUIDA BRACCIO OSCILL.COPRIS. | ARM GUIDE OSC.SEEDCOVER | | | |
| 33 | F20110705 | CAV.Q.B=40 M=10X1,5 L=62 | U BOLT Q.B=40 M=10X1,5 L=62 | CAVALIER ZN | BsGELBOLZEN ZN | PERNO EN U ZN |



PEDANE

TAV. 130

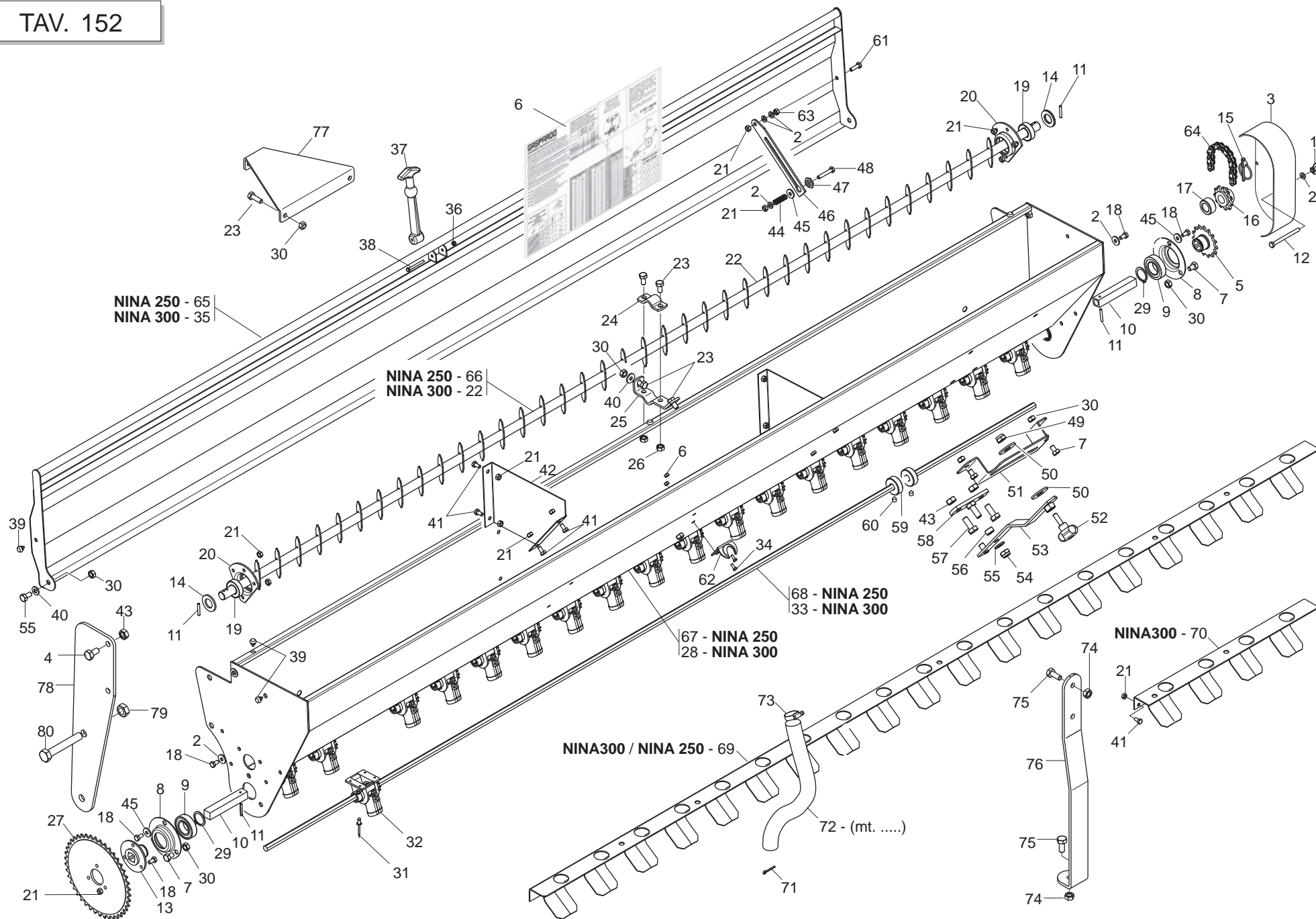
| Pos. | Cod. | Descrizione | Description | Description | Benennung | Descripcion |
|------|-----------|--------------------------------|--------------------------------|--------------------------------|--------------------------------|--------------------------------|
| 1 | F01020436 | VITE M8X1,25X20 U5739 8.8ZN | SCR. M8X1,25X20 U5739 8.8ZN | VIS M8X1,25X 20 U5739 8.8 ZN | SCHRAUBE M8X1,25X20U5739 8.8ZN | TORN. M8X1,25X20 U5739 8.8 ZN |
| 2 | F01410051 | ROS.M8 8,4X 17X1,6 U6592 ZN | WASHER M8 8,4X17X1,6 U6592 ZN | RONDELLE M8 8,4X17X1,6 U6592ZN | SCHEIBE M8 8,4X17X1,6 U6592 ZN | ARANDELA M8 8,4X17X1,6 U6592ZN |
| 3 | F01220022 | DADO M8X1,25 D980 8ZN | NUT M8X1,25 D980 8ZN | ECROU M8X 1,25 D980 8 ZN | MUTTER M8X 1,25 D980 8 ZN | TUERCA M8X 1,25 D980 8 ZN |
| 4 | G16214160 | PEDANA 400 X 1920 X 58 SP.2 ZN | BOARD 400 X 1920 X 58 SP.2 ZN | | | |
| 5 | G16213720 | SUPPORTO PEDANA SX | LEFT BOARD SUPPORT | | | |
| 6 | G16213710 | SUPPORTO PEDANA DX | RIGHT BOARD SUPPORT | | | |
| 7 | G16213750 | CORRIMANO | HANDRAIL | | | |
| 8 | G67008050 | TERMINALE ROTONDO 28 | ROUND END 28 | PIECE TERMIN.ROUNDE 28 | RUNDER ABSCHLUSS 28 | TERMINAL REDONDO 28 |
| 9 | F01220033 | DADO M10X1,5 D980 8ZN | NUT M10X1,5 D980 8ZN | ECROU M10X1,5 D980 8ZN | MUTTER M10X1,5 D980 8ZN | TUERCA M10X1,5 D980 8ZN |
| 10 | F01020472 | VITE M10X1,5X25 U5739 8.8ZN | SCR. M10X1,5X25 U5739 8.8ZN | VIS M10X1,5X25 U5739 8.8 ZN | SCHRAUBE M10X1,5X25 U5739 8.8 | TORNILLO 10X25 U5739 8.8 ZN |
| 11 | F01020210 | VITE M14X2X80 U5737 8.8ZN | BOLT M14X2X80 U5737 8.8ZN | VIS M14X2X80 U5737 8.8ZN | SCHRA. M14X2X80 U5737 8.8ZN | TORN. M14X2X80 U5737 8.8ZN |
| 12 | F01220255 | DADO M14X2 D980 8ZN | NUT M14X2 D980 8ZN | ECROU M14X2 D980 8 ZN | MUTTER M14X2 D980 8 ZN | TUERCA M14X2 D980 8 ZN |
| 13 | G16310500 | PEDANA MC250 | PLATAFORM.MC250 | | | |
| 14 | G16214390 | PEDANA 400 X 1620 X 58 SP2 ZN | BOARD 400 X 1620 X 58 SP2 ZN | MARCHE PIED 400X1620X58 SP2 ZN | | |
| 15 | F20110715 | CAV.Q.B=50 M=10X1,5 L=80 | UBOLTSTRIKER Q.B=50M10X1,5L=80 | BUTEE M10X 1,5X 30 61X 80 ZB | ANSCHLAG M10X 1,5X 30 61X 80 | EL. DE EMPALME M10X 1,5X 30 |
| 16 | G16242471 | SUPPORTO SCALINO | STEP SUPPORT | SUPPORT MARCHE | STUFENHALTERUNG | SOPORTE ESCALON |
| 17 | G07000379 | TERMINALE PEDANA ZN | GALVANIZED PLATFORM END | PIECE TERMINALE MARCHEPIED ZN | LAUFSTEGABSCHLUSS ZN | TERMINAL PLATAFORMA ZN |
| 18 | F01260043 | DADO M8 D6923 8.8ZN | NUT M8 D6923 8.8ZN | ECROU BRIDE .M8 DIN 6923 8.8 Z | GEFLANSCHTE MUTTER M8 DIN6923 | TUERCA BRIDA M8 DIN 6923 8.8 Z |
| 19 | F01030495 | VITE TTCN 90' M8X16 ZN | TTCN 90' BOLT M8X16 GALVANIZED | VIS TTCN 90' M8X16 ZN | SCHRAUBE TTCN 90' M8X16 ZN | TORNILLO TTCN 90' M8x16 ZN |
| 20 | G07000680 | PEDANA 540 ZN | GALVANIZED PLATFORM 540 | MARCHEPIED 540 ZN | TRITTBRETT 540 ZN | PLATAFORMA 540 ZN |



SEPARATORI E RIALZO TRAMOGGIA

TAV. 144

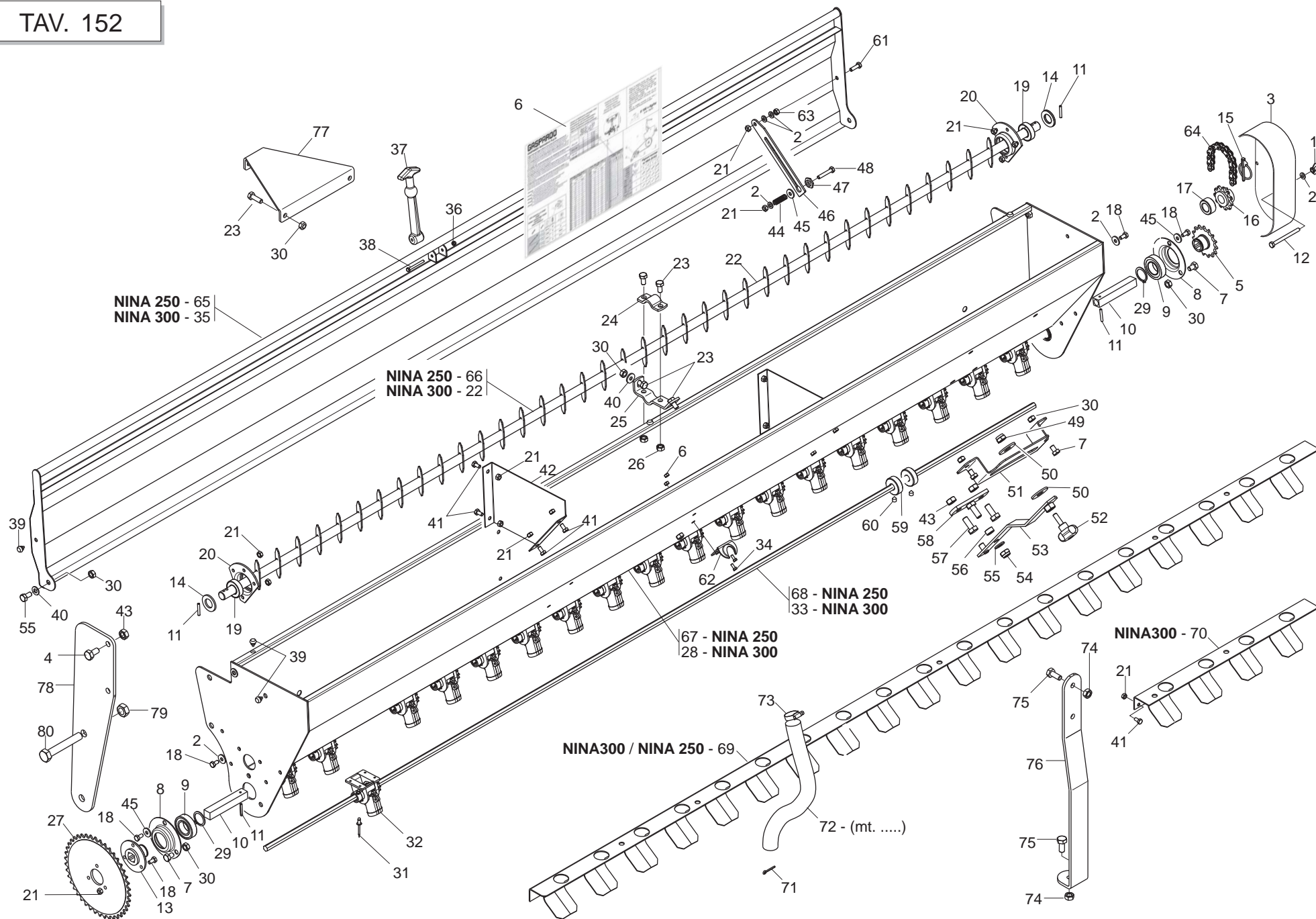
| Pos. | Cod. | Descrizione | Description | Description | Benennung | Descripcion |
|------|-----------|-------------------------------|--------------------------------|--------------------------------|--------------------------------|--------------------------------|
| 1 | F01020436 | VITE M8X1,25X20 U5739 8.8ZN | SCR. M8X1,25X20 U5739 8.8ZN | VIS M8X1,25X 20 U5739 8.8 ZN | SCHRAUBE M8X1,25X20U5739 8.8ZN | TORN. M8X1,25X20 U5739 8.8 ZN |
| 2 | F01410051 | ROS.M8 8,4X 17X1,6 U6592 ZN | WASHER M8 8,4X17X1,6 U6592 ZN | RONDELLE M8 8,4X17X1,6 U6592ZN | SCHEIBE M8 8,4X17X1,6 U6592 ZN | ARANDELA M8 8,4X17X1,6 U6592ZN |
| 3 | F01200244 | DADO M8X1,25 U5588 6.8ZN | NUT M8X1,25 U5588 6.8ZN | ECROU M8 X1,25 U5588 6.8 ZN | MUTTER M8 X1,25 U5588 6.8 ZN | TUERCA M8 X1,25 U5588 6.8 ZN |
| 4 | G16214383 | RIALZO TRAMOGGIA 250 | LIFT HOOPER ASSEMBLY | GR. HAUTEUR TREMIE | TRICHTERDECKEL | CONJ. REALCE DE LA TOLVA |
| 5 | G16211485 | RIALZO TRAMOGGIA 300 | HOPPER EXTENSION 300 | | | |
| 6 | G16214423 | RIALZO TRAMOGGIA 400 | HOPPER EXTENSION 400 | | | |
| 7 | F01020404 | VITE M6X1X20 U5739 8.8ZN | SCREW M6X1X20 U5739 8.8ZN | VIS M6X1X20 U5739 8.8ZN | SCHRAUBE M6X1X20 U5739 8.8ZN | TORNILLO M6X1X20 U5739 8.8ZN |
| 8 | F01200232 | DADO M6X1 U5588 6.8ZN | NUT M6X1 U5588 6.8ZN | ECROU 6 UNI 5588 6.8 ZN | MUTTER 6 UNI 5588 6.8 ZN | TUERCA 6 UNI 5588 6.8 ZN |
| 9 | F01410037 | ROS.M6 6,4X12,5X1,6 U6592 ZN | WASHER M6 6,4X12,5X1,6 U6592ZN | RONDEL.M6 6,4X12,5X1,6 U6592ZN | SCHEIB.M6 6,4X12,5X1,6 U6592ZN | ARAND.M6 6,4X12,5X1,6 U6592 ZN |
| 10 | F03011087 | GUARNIZIONE BATTUTA COPERCHIO | COVER RABBET GASKET | GARNITURE BUTEE COUVERCLE | DICHTUNG DECKELANSCHLAG | JUNTA DE TOPE TAPA |
| 11 | G16221450 | SEPARATORE TRASVERSALE TRAM. | SEPARATOR | SEPARATEUR | ABSCHIEDER | SEPARADOR |
| 12 | G16221460 | SEPARATORE TRAMOGGIA | SEPARATOR | SEPARATEUR | ABSCHIEDER | SEPARADOR |
| 13 | F07100132 | MOUSSE ADESIVA MM 5X3 | ADHESIVE MOUSSE MM 5X3 | | | |
| 14 | G66248223 | TAPPO SUPP.SPAND.D.11 | PLUG MAN. SPR. SUPP. D.11 | BOUCHON SUPPORT EP. ENGRAIS D. | HALTERUNGSPFROPFEN DsNGERSTR. | TAPN SOPORTE ABON.D.11 D |



TRAMOGGIA SEMINA ERBAI

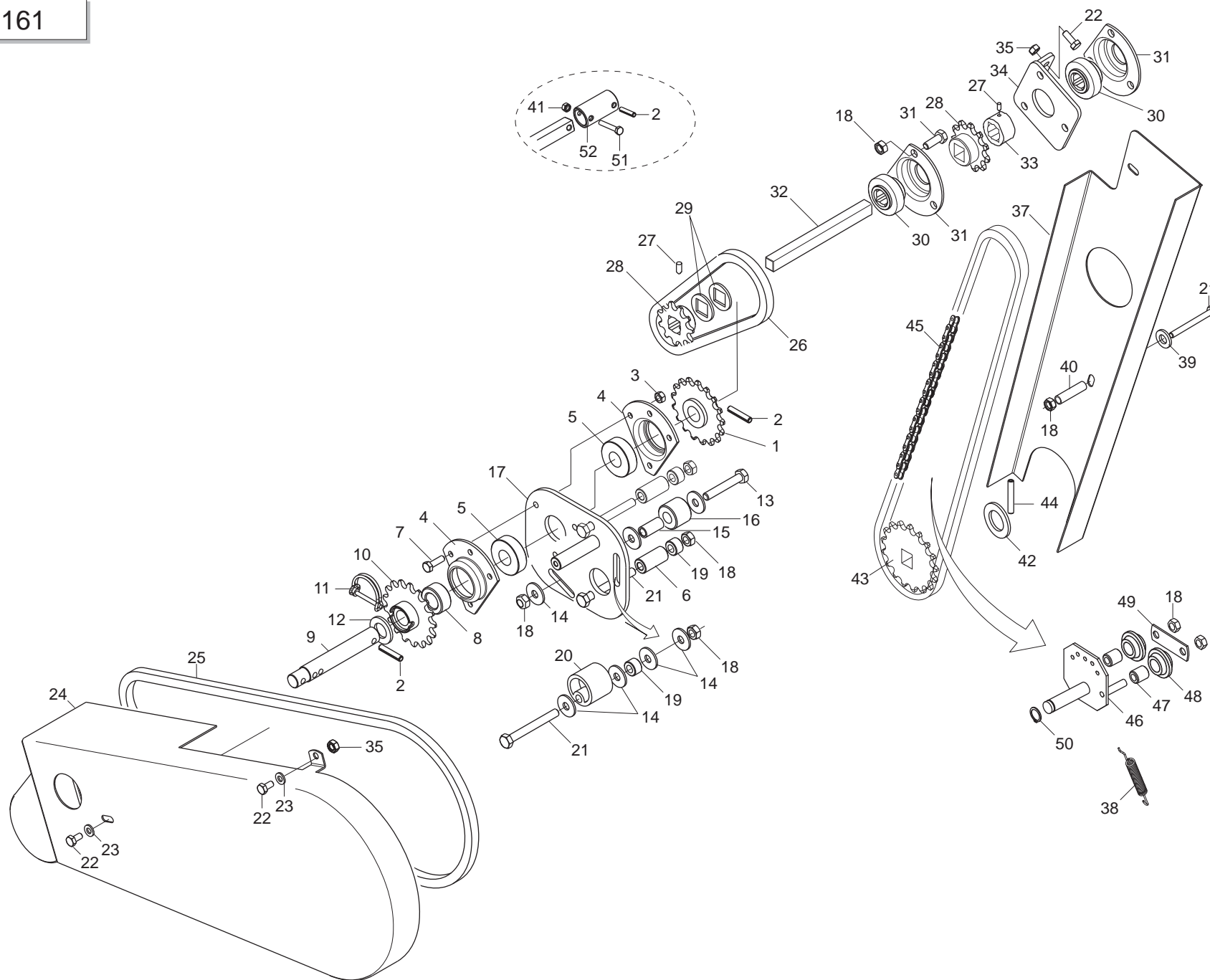
TAV. 152

| Pos. | Cod. | Descrizione | Description | Description | Benennung | Descripcion |
|------|-----------|--------------------------------|--------------------------------|--------------------------------|--------------------------------|--------------------------------|
| 1 | F01240012 | DADO M6X1 U5448 5.8ZN | NUT M6X1 U5448 5.8ZN | ECROU 6 UNI 5448 5.8 ZN | MUTTER 6 UNI 5448 5.8 ZN | TUERCA 6 UNI 5448 5.8 ZN |
| 2 | F01410037 | ROS.M6 6,4X12,5X1,6 U6592 ZN | WASHER M6 6,4X12,5X1,6 U6592ZN | RONDEL.M6 6,4X12,5X1,6 U6592ZN | SCHEIB.M6 6,4X12,5X1,6 U6592ZN | ARAND.M6 6,4X12,5X1,6 U6592 ZN |
| 3 | G17520740 | CARTER | CASE | CARTER | GEHZUSE | C+RTER |
| 4 | F01020472 | VITE M10X1,5X25 U5739 8.8ZN | SCR. M10X1,5X25 U5739 8.8ZN | VIS M10X1,5X25 U5739 8.8 ZN | SCHRAUBE M10X1,5X25 U5739 8.8 | TORNILLO 10X25 U5739 8.8 ZN |
| 5 | G15835470 | PIGNONE ISO 08B-1 1/2-3/16 Z15 | ISO 08B-1 Z=15 PINION SQR16,4 | | | |
| 6 | G19706911 | TABELLA SEMINA TR.ERBAI S-SC | SEEDING TABLE TR.ERBAI S-SC | | | |
| 7 | F01020432 | VITE M8X1,25X16 U5739 8.8ZN | SCR. M8X1,25X16 U5739 8.8ZN | VIS M8 X1,25X16 U5739 8.8 ZN | SCHRAUBE M8X1,25X16U5739 8.8ZN | TORNILLO M8X1,25X16U5739 8.8ZN |
| 8 | G22230094 | SUPPORTO CUSCINETTO | BEARING SUPPORT | SUPPORT PALIER | LAGERBsCHSE | SOPORTE COJINETE |
| 9 | F04010134 | CUSC.D25 D47 B12 6005 2Z | BEARING D25 D47 B12 6005 2Z | PALIER 6005 2Z | LAGER 6005 2Z | COJINETE 6005 2Z |
| 10 | G17530660 | ASSE TRASMISSIONE TRAMOGG.400 | TRANSMISSION AXLE | AXE TRANSMISSION | _BERTRAGUNGSACHSE | EJE TRANSMISIÉN |
| 11 | F02100062 | SPINA E.P. 4X 24 U6873 C70 BR | PIN EL. 4 X24 DIN 1481 | FICHE EL. 4 X24 DIN 1481 | SPANNSTIFT 4 X24 DIN 1481 | CLAVIJA EL.4 X24 DIN 1481 |
| 12 | F01020047 | VITE M6X1X70 U5737 8.8ZN | SCR. M6X1X70 U5737 8.8ZN | VIS 6 X70 5737 8.G ZN | SCHRAUBE 6 X70 5737 8.G ZN | TORNILLO 6 X70 5737 8.G ZN |
| 13 | G17530030 | FLANGIA SUPPORTO INGRANAGGIO | FLANGE SUPPORT | BRIDE SUPPORT | LAGERFLANSCH | BRIDA DE SOPORTE |
| 14 | G15321901 | RONDELLA 17X25X2 | WASHER 17X25X2 | RONDELLE 17X25X2 | UNTERLEGSCHIEBE 17X25X2 | ARANDELA 17X25X2 |
| 15 | F02100066 | SPINA E.P. 4X 36 U6873 C70 BR | PIN EL. 4X 36 U6873 C70 BR | | | |
| 16 | G17530100 | INGRAN. Z11 PER ALBERO MESCOLO | GEAR Z11 FOR MIX.SHAFT | | | |
| 17 | G18801860 | BOCCOLA 17,25X30 X14 | BUSHING D17,25X30X14 | | | |
| 18 | F01020403 | VITE M6X1X16 U5739 8.8ZN | SCR. M6X1X16 U5739 8.8ZN | VIS M6X1X16 U5739 8.8 ZN | SCHRAUBE M6X1X16 U5739 8.8 ZN | TORNILLO M6X1X16 U5739 8.8 ZN |
| 19 | F04010161 | CUSC.D17 D40 B12 6203 2RS EX | BEARING D17 D40 B12 6203 2RS | ROULEMENT 6203 2RS | LAGER 6203 2RS | COJINETE 6203 2RS SKF |
| 20 | G16220090 | SUPPORTO CUSCINETTO | GALV.BEARING SUPPORT | SUPPORT PALIER ZN | LAGERBsCHSE ZN | SOPORTE COJINETE ZN |
| 21 | F01220011 | DADO M6X1 D980 8ZN | NUT M6X1 D980 8ZN | ECROU M6X1 D980 8 ZN | MUTTER M6X1 D980 8 ZN | TUERCA M6X1 D980 8 ZN |
| 22 | G17520181 | ALBERO MESCOLO TRAM. 300 | HOPPER MIXER SHAFT 300 | ARBRE MELANGE TREMIE 300 | MISCHERWELLE TRICHTER 300 | ARBOL MEZCLA TOLVA 300 |
| 23 | F01020436 | VITE M8X1,25X20 U5739 8.8ZN | SCR. M8X1,25X20 U5739 8.8ZN | VIS M8X1,25X 20 U5739 8.8 ZN | SCHRAUBE M8X1,25X20U5739 8.8ZN | TORN. M8X1,25X20 U5739 8.8 ZN |
| 24 | G17520210 | SUPPORTO SUP.ALBERO MESCOLO | UPPER SHAFT SUPPORT | SUPPORT SUP. ARBRE | OB. HALTERUNG WELLE | SOPORTE SUP. EJE |
| 25 | G17520220 | SUPPORTO INF.ALBERO MESCOLO | UNDER SHAFT SUPPORT | SUPPORT INF. ARBRE | UNTERE HALTERUNG WELLE | SOPORTE INFERIOR EJE |
| 26 | F01200244 | DADO M8X1,25 U5588 6.8ZN | NUT M8X1,25 U5588 6.8ZN | ECROU M8 X1,25 U5588 6.8 ZN | MUTTER M8 X1,25 U5588 6.8 ZN | TUERCA M8 X1,25 U5588 6.8 ZN |
| 27 | G20890128 | CORONA Z-42 SP | RING GEAR Z-42 SP | COURONNE Z-42 SP | KRANZ Z-42 SP | CORONA Z-42 SP |
| 28 | G17520340 | SERBATOIO 300 (23 USCITE) | TANK 300 | RESERVOIR 300 | BEHULTER 300 | DEPSITO 300 |
| 29 | F02050101 | ANELLO E. DE 25X 1,2 U7435 C70 | SEEGER RING E. 25X1,2 7435 C70 | SEEGER E. 25X 1,2 U7435 C70 | SEEGERING E. 25X 1,2 U7435 C70 | ANILLO E. 25X 1,2 U7435 C70 |
| 30 | F01220022 | DADO M8X1,25 D980 8ZN | NUT M8X1,25 D980 8ZN | ECROU M8X 1,25 D980 8 ZN | MUTTER M8X 1,25 D980 8 ZN | TUERCA M8X 1,25 D980 8 ZN |
| 31 | F02250066 | RIVETTO STR. 3 X 9 U9200A AL | POP RIVET 3X9 ALUMINIUM | RIVET 3 X 9 ALL | REISSNIETE 3 X 9 ALU | REMACHE DESGAR. 3 X 9 AL |
| 32 | G15326681 | DISTRIBUTORE COMPLETO ERBAI | DISTRIBUTOR COMPLETE ERBAI | | | |
| 33 | G17530051 | ALBERO DISTRIB.TRAMOGGIA 300ZN | DISTRIB. SHAFT 300 | ARBRE DISTRIB. 300 | WELLE SZAPPARAT 300 | EJE DISTRIB. 300 |
| 34 | F01020362 | VITE M4X0,7X12 U5739 8.8ZN | SCR. M4X0,7X12 U5739 8.8ZN | VIS 4X12 5739 8.G ZN | SCHRAUBE 4X12 5739 8.G ZN | TORNILLO 4X12 5739 8.G ZN |
| 35 | G17520070 | COPERCHIO TRAMOGGIA 300 | HOPPER COVER 300 | COUVERCLE TREMIE 300 | TRICHTERDECKEL 300 | TAPA DE LA TOLVA 300 |
| 36 | F01230016 | DADO M4X0,7 D982 8ZN | NUT M4X0,7 D982 8ZN | ECROU AUTOB.NOR.4 ZN | SELBSTSP. MUTTER NOR. 4 ZN | TUERCA AUTOB. NOR. 4 ZN |
| 37 | F05150495 | TIRANTE IN GOMMA | RUBBER COUPLING TIE ROD | TRINGLE D'ATTELAGE | KUPPLUNGSSPANNSTANGE | TIRANTE DE ENGANCHE |
| 38 | F01020012 | VITE M4X0,7X40 U5737 8.8ZN | SCR. M4X0,7X40 U5737 8.8ZN | VIS 4X40 5737 8.G ZN | SCHRAUBE 4X40 5737 8.G ZN | TORNILLO 4X40 5737 8.G ZN |
| 39 | F19003160 | TAPPO PER FORO D.7 | PLUG FOR D.7 HOLE | BOUCHON POUR TROU D.7 P | FROPFEN Fsr LOCH D.7 T | APN PARA AGUJERO D.7 DO |
| 40 | F01420048 | ROS.M8 8,4X 24X 2 U6593 ZN | WASHER M8 8,4X 24X2 U6593 ZN | RONDELLE M8 8,4X24X 2 U6593 ZN | SCHEIBEN M8 8,4X24X 2 U6593 ZN | ARANDELA M8 8,4X 24X2 U6593 ZN |
| 41 | F01020398 | VITE M6X1X12 U5739 8.8ZN | SCR. M6X1X12 U5739 8.8ZN | VIS M6X 1X12 U5739 8.8 ZN | SCHRAUBE M6X 1X12 U5739 8.8 ZN | TORNILLO M6X 1X12 U5739 8.8 ZN |
| 42 | G17520370 | SEPARATORE TRAMOGGIA | TANK SEPARATOR | SEPARATEUR RESERVOIR | ABSCHIEDER BEHULTER | SEPARADOR DE DEPOSITO |
| 43 | F01200270 | DADO M10X1,5 U5588 6.8ZN | NUT M10X1,5 U5588 6.8ZN | ECROU M10X 1,5 U5588 6.8 ZN | MUTTER M10X 1,5 U5588 6.8 ZN | TUERCA M10X 1,5 U5588 6.8 ZN |
| 44 | G65338048 | MOLLA COMP.REGOL.FLUSS.M.ID.SV | FLOW REGUL. COMP. SPRING .M.I | RESSORT COMPL. REGL. FLUX M. I | DRUCKFEDER FLUSSEINSTELLUNG M. | MUELLE COMP. REGUL.FLUJO M.ID. |
| 45 | F01420036 | ROS.M6 6,4X 18X1,5 U6593 ZN | WASHER M6 6,4X 18X1,5 U6593 ZN | RONDELLE M6 6,4X18X1,5 U6593ZN | SCHEIBEN M6 6,4X18X1,5U6593 ZN | ARANDELA M6 6,4X18X1,5U6593ZN |
| 46 | G17520380 | ASTA SICUREZZA COPERCHIO | SAFETY ROD COVER | TIGE DE SECURITE COUVERCLE | SICHERHEITSTAB DECKEL | VARILLA DE SEGURIDAD TAPA |
| 47 | G17520390 | PERNO BLOCCO ASTA | ROD STOP PIN | PIVOT BLOCAGE TIGE | ZAPFEN STABBLOCK | PERNO BLOQUEO VARILLA |
| 48 | F01020411 | VITE M6X1X35 U5739 8.8ZN | SCR. M6X1X35 U5739 8.8ZN | VIS M6X1X35 U5739 8.8ZN | SCHRAUBE M6X1X35 U5739 8.8ZN | TORNILLO M6X1X35 U5739 8.8ZN |
| 49 | G16230360 | DADO M12X1,75 SX AUTOB. | M12X1,75 LEFT SELF-LOCK NUT | ECROU M12X1,75 GCH AUTOBLOCANT | MUTTER M12X1,75 LINKS SELBSTSP | TUERCA M12X1,75 IZ. AUTO. |
| 50 | F01420084 | ROS.M14 14,5X 36X 3 U6593 ZN | GALVANIZED WASHER 14 X36 X3 | RONDELLE 14 X36 X3 ZN | UNTERLEGSCHIEBE 14 X36 X3 ZN | ARANDELA 14 X36 X3 ZN |
| 51 | G17520260 | SUPPORTO INDICATORE | INDICATOR SUPPORT | SUPPORT INDICATEUR | ANZEIGERHALTERUNG | SOPORTE CORTANTE |
| 52 | F06220014 | VOLANTINO 8 LOBI M12X40 SX | 8-LOBE HANDWHEEL M12X40 LEFT | VOLANT 8 LOBES M12X40 GCH | HANDRAD 8 BUCKEL M12X40 LINKS | VOLANTE 8 LOBI M12X40 IZQ |
| 53 | G17520250 | INDICE REGOLAZIONE | REGULATION INDEX | INDEX REGLAGE | ANZEIGER EINSTELLUNG | NDICE REGULACIÉN |
| 54 | F01230048 | DADO M10X1,5 D982 8ZN | NUT M10X1,5 D982 8ZN | ECR.AUTO-FREIN.M10X1,5 D982 ZN | SICHERUNGSMUTT.M10X1,5 D982 ZN | TUERCA SEGURID.M10X1,5 D982 ZN |



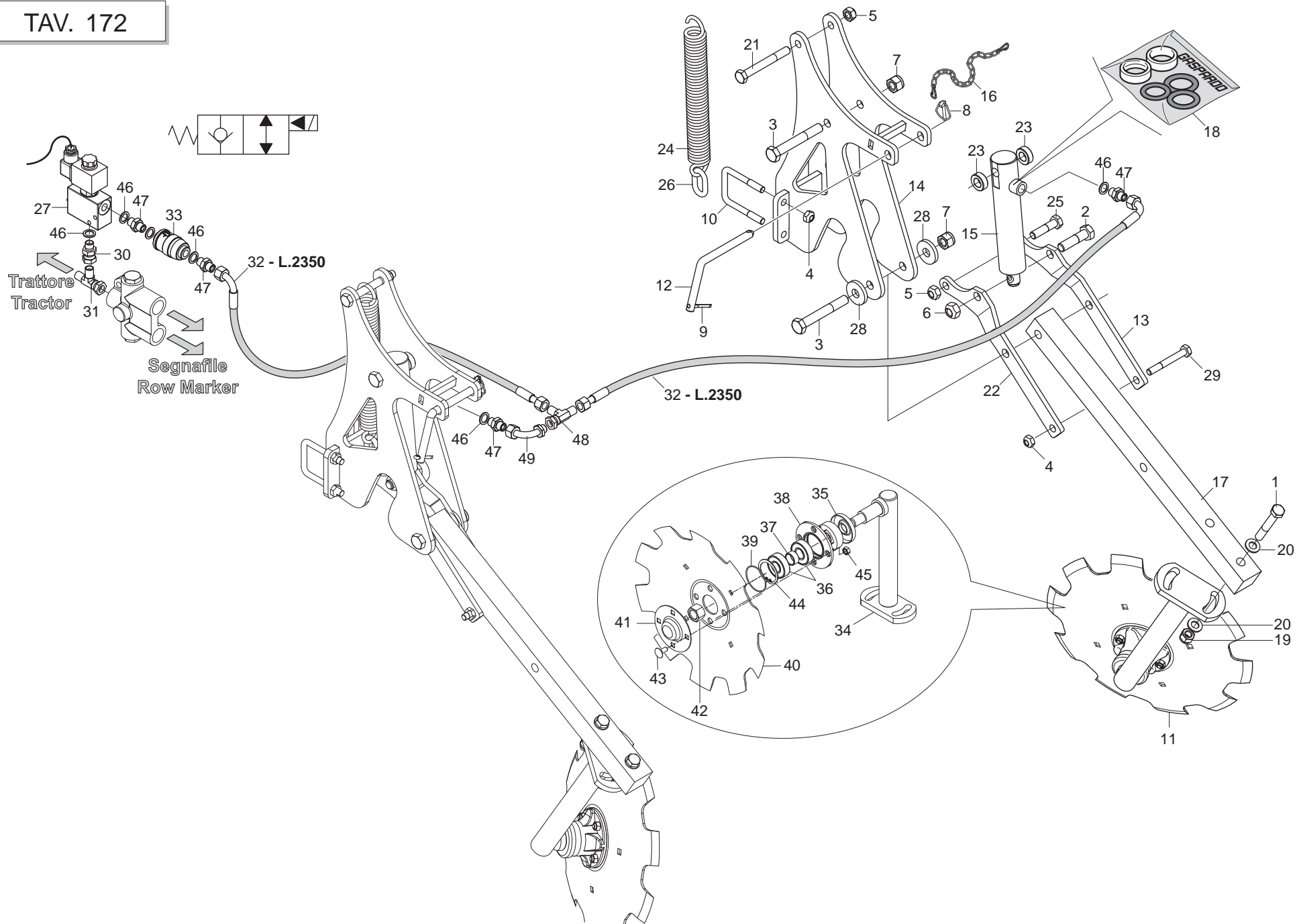
TRAMOGGIA SEMINA ERBAI
TAV. 152

| Pos. | Cod. | Descrizione | Description | Description | Benennung | Descripcion |
|------|-----------|--------------------------------|------------------------------|-----------------------------|--------------------------------|--------------------------------|
| 55 | F01020440 | VITE M8X1,25X25 U5739 8.8ZN | SCR. M8X1,25X25 U5739 8.8ZN | VIS M8X1,25X25 U5739 8.8 ZN | SCHRAUBE M8X1,25X25U5739 8.8ZN | TORNIL.M8X1,25X25 U5739 8.8 ZN |
| 56 | G20980072 | BOCCOLA 10,25X16X8,5 | BUSHING 10.25X16X8.5 | BOITE 10-25X16X8-5 | BsCHSE 10-25X16X8-5 | CASQUILLO 10-25X16X8-5 |
| 57 | F01020470 | VITE M10X1,5X20 U5739 8.8ZN | SCR. M10X1,5X20 U5739 8.8ZN | VIS M10X1,5X20 U5739 8.8 ZN | SCHRAUBE M10X1,5X20 U5739 ZN | TORNILLOM10X1,5X20 U5739 8.8ZN |
| 58 | G17520290 | SUPPORTO INDICATORE | INDICATOR SUPPORT | SUPPORT INDICATEUR | ANZEIGERHALTERUNG | SOPORTE CORTANTE |
| 59 | G17520270 | BOCCOLA-MOVIM.11,5X35XH12 ZN | BUSHING | BOITE | B_CHSE | CASQUILLO |
| 60 | F01050085 | VITE M6X1X8 U5927 | SCR. M6X1X8 U5927 | VIS M6X1X8 U5927 | SCHRAUBE M6X1X8 U5927 | TORNILLO M6X1X8 U5927 |
| 61 | F01020404 | VITE M6X1X20 U5739 8.8ZN | SCREW M6X1X20 U5739 8.8ZN | VIS M6X1X20 U5739 8.8ZN | SCHRAUBE M6X1X20 U5739 8.8ZN | TORNILLO M6X1X20 U5739 8.8ZN |
| 62 | F02250705 | OCCHIELLO AGGANCIO ART.360 | HOOK EYE | OEILLET D'ACCROCHAGE | KUPPLUNGSTSE | ARGOLLA DE ENGANCHE |
| 63 | F01200232 | DADO M6X1 U5588 6.8ZN | NUT M6X1 U5588 6.8ZN | ECROU 6 UNI 5588 6.8 ZN | MUTTER 6 UNI 5588 6.8 ZN | TUERCA 6 UNI 5588 6.8 ZN |
| 64 | F06080224 | CATENA 1/2 ISO 084 24 MAGLIE | CHAIN 1/2 ISO 084 24 LINKS | | | |
| 65 | G17520040 | COPERCHIO TRAMOGGIA 250 | HOPPER COVER 250 | COUVERCLE TREMIE 250 | TRICHTERDECKEL 250 | TAPA DE LA TOLVA 250 |
| 66 | G17520161 | ALBERO MESCOLO TRAMOGGIA 250 | HOPPER MIXER SHAFT 250 | ARBRE MELANGE TREMIE 250 | MISCHERWELLE TRICHTER 250 | ARBOL MEZCLA TOLVA |
| 67 | G17520320 | SERBATOIO 250 (19 USCITE) | TANK 250 | RESERVOIR 250 | BEHZLTER 250 | DEPSTO 250 |
| 68 | G17530040 | ALBERO DISTRIB.TRAMOGGIA 250 | DISTRIB. SHAFT 250 | ARBRE DISTRIB. 250 | WELLE SZAPPARAT 250 | EJE DISTRIB. 250 |
| 69 | G17510070 | SPARPAGLIATORE | DISPERSING UNIT | +PARPILLEUR | VERSTREUER | ESPARCIDOR |
| 70 | G17510080 | PROLUNGA SPARPAGLIATORE | DISPERSING UNIT EXTENSION | RALLONGE +PARPILLEUR | VERL-NGERUNG VERSTTREUER | PROLONGACIEN ESPARCIDOR |
| 71 | F02200197 | COPIGLIA 4X 50 U1336 ZN | SPLIT PIN 4 X50 1336 GALVAN. | GOUPILLE 4 X50 1336 ZN | SPLINT 4 X50 1336 ZN | PASADOR 4 X50 1336 ZN |
| 72 | F03100319 | TUBO CRISTALLO 25X32 | CRYSTAL PIPE 25X32 | | | |
| 73 | F02300018 | FASCETTA STRING. 25/40 H.8 | CLAMP 25/40 H.8 | GAINIE 25/40 H.8 | KLEMME 25/40 H.8 | BRAZADERA 25/40 H.8 |
| 74 | F01220033 | DADO M10X1,5 D980 8ZN | NUT M10X1,5 D980 8ZN | ECROU M10X1,5 D980 8ZN | MUTTER M10X1,5 D980 8ZN | TUERCA M10X1,5 D980 8ZN |
| 75 | F01020476 | VITE M10X1,5X30 U5739 8.8ZN | SCR. M10X1,5X30 U5739 8.8ZN | VIS M10X1,5X30 U5739 8.8 ZN | SCHRAUBE M10X1,5X30U5739 8.8ZN | TORNIL.M10X1,5X30 U5739 8.8 ZN |
| 76 | G17521540 | SUPPORTO SPARPAGLIATORE | SPREADER SUPPORT | | | |
| 77 | G17510600 | SUPPORTO CENTR.TRAMOGGIA ERBAI | CENTRAL SUPPORT HOPPER ERBAI | | | |
| 78 | G17510610 | SUPPORTO LATER.TRAMOGGIA ERBAI | SIDE SUPPORT HOPPER ERBAI | | | |
| 79 | F01220255 | DADO M14X2 D980 8ZN | NUT M14X2 D980 8ZN | ECROU M14X2 D980 8 ZN | MUTTER M14X2 D980 8 ZN | TUERCA M14X2 D980 8 ZN |
| 80 | F01020212 | VITE M14X2X90 U5737 8.8ZN | SCR. M14X2X90 U5737 8.8ZN | VIS M14X 2X 90 U5737 8.8 ZN | SCHARUBE M14X2X90 U5737 8.8 ZN | TORNILLO M14X2X90 U5737 8.8 ZN |



TRASMISSIONE TRAMOGGIA SEMINA ERBAI
TAV. 161

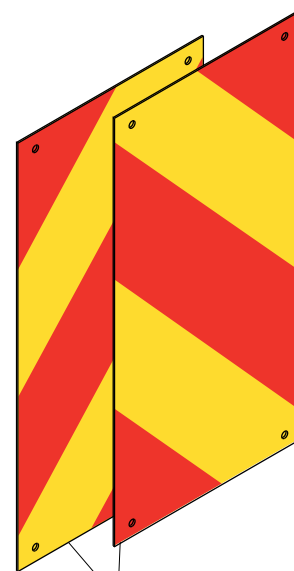
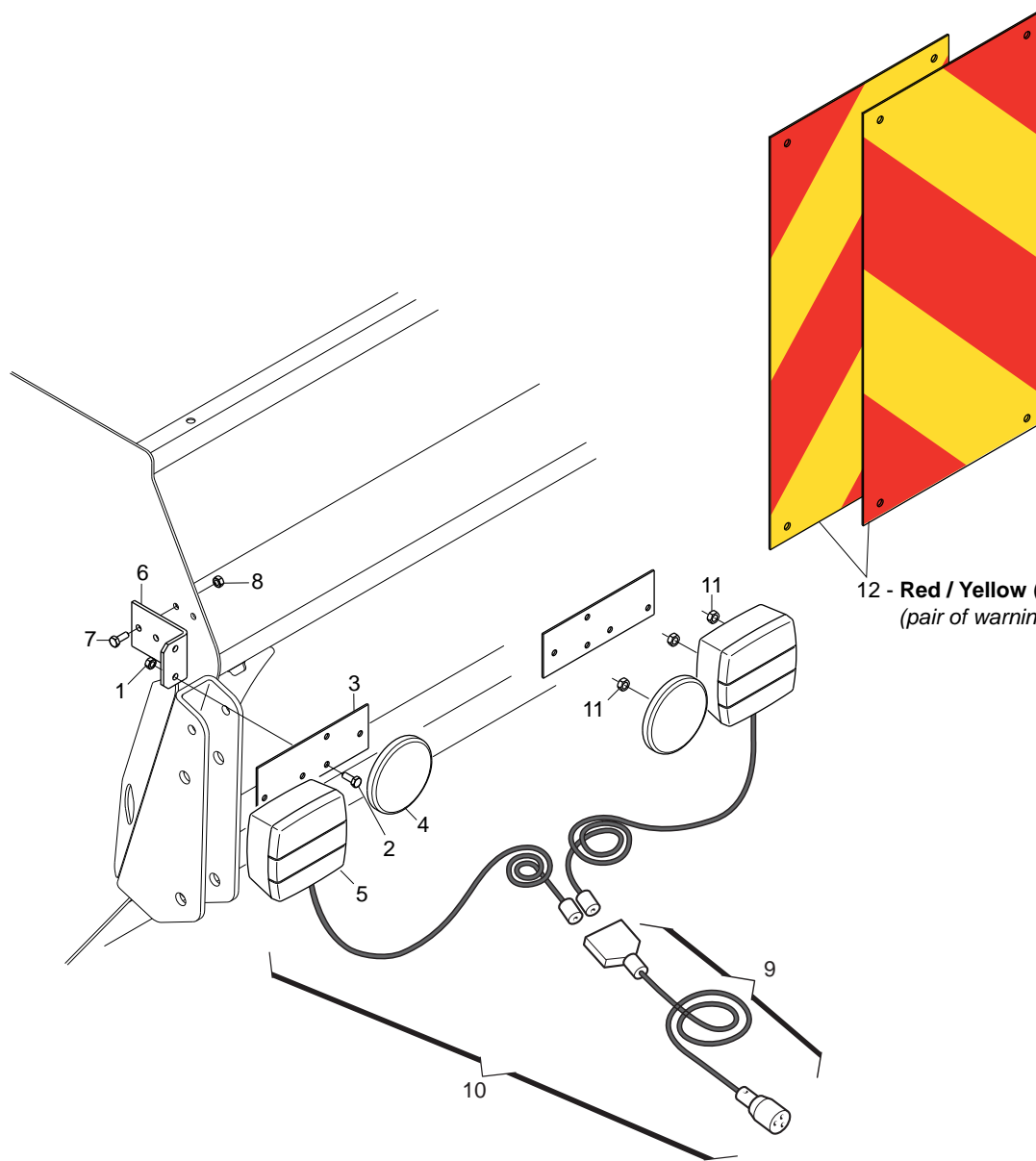
| Pos. | Cod. | Descrizione | Description | Description | Benennung | Descrpcion |
|------|-----------|--------------------------------|--------------------------------|--------------------------------|-----------------------------------|--------------------------------|
| 1 | G17530080 | INGRANAGGIO Z17 CON FORO | GEAR Z17 WITH HOLE | | | |
| 2 | F02100113 | SPINA E.P. 6X 30 U6873 C70 ZN | PIN EL. 6X30 DIN 1481 ZN * | GOUPILLE EL.6 X30 DIN1481ZN* | SPANNSTIFT 6 X30 DIN 1481 ZN | CLAVIJA EL.6 X30 DIN 1481 ZN |
| 3 | F01220011 | DADO M6X1 D980 8ZN | NUT M6X1 D980 8ZN | ECROU M6X1 D980 8 ZN | MUTTER M6X1 D980 8 ZN | TUERCA M6X1 D980 8 ZN |
| 4 | G16220090 | SUPPORTO CUSCINETTO | GALV.BEARING SUPPORT | SUPPORT PALIER ZN | LAGERBSCHSE ZN | SOPORTE COJINETE ZN |
| 5 | F04010161 | CUSC.D17 D40 B12 6203 2RS EX | BEARING D17 D40 B12 6203 2RS | ROULEMENT 6203 2RS | LAGER 6203 2RS | COJINETE 6203 2RS SKF |
| 6 | G20980086 | BOCCOLA DIST.D.8,5X16X31 | BUSHING SPAC.. D.8-5X16X31 | BOITE ENTRETOISE D. 8-5X16X31 | VERTEILERBSCHSE D.8-5X16X31 | CASQUILLO DIST. D.8-5X16X31 |
| 7 | F01020404 | VITE M6X1X20 U5739 8.8ZN | SCREW M6X1X20 U5739 8.8ZN | VIS M6X1X20 U5739 8.8ZN | SCHRAUBE M6X1X20 U5739 8.8ZN | TORNILLO M6X1X20 U5739 8.8ZN |
| 8 | G18801860 | BOCCOLA 17,25X30 X14 | BUSHING D17,25X30X14 | | | |
| 9 | G17530010 | PERNO PORTA INGRANAGGI | GEARHOLDER PIN | | | |
| 10 | G16220100 | INGRANAGGIO Z-17 | GEAR Z.17 | ENGRENAGE Z.17 | ZAHNRAD Z.17 | ENGRANAJE Z.17 |
| 11 | F02200595 | SPINA SICUR. D. 5X30 ZN | PIN X GEAR | GOUJON | BOLZEN | ESPIÑA |
| 12 | F01410100 | ROS.M16 17X 30X 3 U6592 ZN | WASHER M16 17X30X3 U6592 ZN | RONDELLE M16 17X30X3 U6592 ZN | SCHRAUBE M16 17X 30X3 U6592 ZN | ARANDELA M16 17X30X3 U6592 ZN |
| 13 | F01020072 | VITE M8X1,25X50 U5737 8.8ZN | SCR. M8X1,25X50 U5737 8.8ZN | VIS M8X1,25X50 U5737 8.8 ZN | SCHR. M8X1,25X50 U5737 8.8 ZN | TORN. M8X1,25X50 U5737 8.8 ZN |
| 14 | F01420048 | ROS.M8 8,4X 24X 2 U6593 ZN | WASHER M8 8,4X 24X2 U6593 ZN | RONDELLE M8 8,4X24X 2 U6593 ZN | SCHEIBEN M8 8,4X24X 2 U6593 ZN | ARANDELA M8 8,4X 24X2 U6593 ZN |
| 15 | G18801720 | BOCCOLA 8,1X12X24,5 ZN | BUSHING 8,1X12X24,5 ZN | | | |
| 16 | G19003360 | RULLO TENDICATENA 12,5 X27X 22 | CHAIN TIGHTENER ROLLER | ROULEAU TENDEUR DE CHAINE | ROLLE KETTENSANNER | RODILLO TENSOR DE LA CADENA |
| 17 | G17530960 | SUPPORTO RINVIO TRASMISSIONE | TRASMISSION SUPP. | | | |
| 18 | F01220022 | DADO M8X1,25 D980 8ZN | NUT M8X1,25 D980 8ZN | ECROU M8X 1,25 D980 8 ZN | MUTTER M8X 1,25 D980 8 ZN | TUERCA M8X 1,25 D980 8 ZN |
| 19 | G18801580 | BOCCOLA 8,5 X15 X10 ZN | BUSH 8,5 X15 X10 | DOUILLE 8,5 X15 X10 | BUCHSE 8,5 X15 X10 | MANGUITO 8,5 X15 X10 |
| 20 | G66248207 | TENDICATENA SPAND. SP-520 | CHAIN TENSIONER | TENDEUR DE CHAINE EPAND. ENGR. | KETTENSANNER DsNGERSTR. SP-52 | TENSOR DE CADENA ABON. SP-520 |
| 21 | F01020082 | VITE M8X1,25X65 U5737 8.8ZN | SCR. M8X1,25X65 U5737 8.8ZN | VIS M8X1,25X65 U5737 8.8 ZN | SCHRA. M8X1,25X65 U5737 8.8 ZN | TORN. M8X1,25X65 U5737 8.8 ZN |
| 22 | F01020398 | VITE M6X1X12 U5739 8.8ZN | SCR. M6X1X12 U5739 8.8ZN | VIS M6X 1X12 U5739 8.8 ZN | SCHRAUBE M6X 1X12 U5739 8.8 ZN | TORNILLO M6X 1X12 U5739 8.8 ZN |
| 23 | F01410037 | ROS.M6 6,4X12,5X1,6 U6592 ZN | WASHER M6 6,4X12,5X1,6 U6592ZN | RONDEL.M6 6,4X12,5X1,6 U6592ZN | SCHEIB.M6 6,4X12,5X1,6 U6592ZN | ARAND.M6 6,4X12,5X1,6 U6592 ZN |
| 24 | G17520130 | CARTER PROTEZIONE | GUARD CARTER | | | |
| 25 | F06080048 | CATENA 1/2 ISO 083 92 MAGLIE | CHAIN 1/2 ISO 083 92 LINKS | | | |
| 26 | F06080016 | CATENA 1/2 ISO 083 38 MAGLIE | CHAIN 1/2 ISO 083 38 LINKS | CHAINE 1/2 ISO 083 38 MAILLES | KETTE 1/2 ISO 083 38 MASCHE | CADENA 1/2 ISO 083 38 ESLABON |
| 27 | F01050085 | VITE M6X1X8 U5927 | SCR. M6X1X8 U5927 | VIS M6X1X8 U5927 | SCHRAUBE M6X1X8 U5927 | TORNILLO M6X1X8 U5927 |
| 28 | G17530070 | INGRANAGGIO Z11 FORO QUADRO | GEAR Z11 SQUARE HOLE | ENGRENAGE Z11 TROU CARR+ | ZAHNRAD Z11 QUADRATISCHE BOHRU | ENGRANAJE Z11 AGUJERO CUADRADO |
| 29 | G18701650 | RONDELLA FORO QUADRO ZN | WASHER 16,5X30X2,5 ZN | RONDELLE 16,5X30X2,5 ZN | UNTERLEGSCHSCHEIBE 16,5X30X2,5 ZN | ARANDELA 16,5X30X2,5 ZN |
| 30 | G14830390 | CUSCINETTO FORO QUADRO | SQUARE-HOLED BEARING | ROULEMENT TROU CARRE | VIERKANTLAGER | COJINETE ORIFICIO CUADRADO |
| 31 | G22230086 | SUPPORTO CUSCINETTO TAGLIATO | CUT BEARING SUPPORT | SUPPORT PALIER COUPE | HALTERUNG LAGER MIT SCHNITT | SOPORTE COJINETE CORTADO |
| 32 | G17530020 | ASSE DI TRASMISSIONE | DRIVE AXLE | AXE DE TRANSMISSION | ANTRIEBSACHSE | -RBOL DE TRANSMISIÉN |
| 33 | G22500142 | FERMO ASSI | AXLE STOP | ARRET AXES | FESTSTELLVORRICHTUNG ACHSEN | BLOQUEO EJES |
| 34 | G16230500 | SUPPORTO DOPPIA TRASMISSIONE | SUPPORT DOUBLE TRANSM. | | | |
| 35 | F01220011 | DADO M6X1 D980 8ZN | NUT M6X1 D980 8ZN | ECROU M6X1 D980 8 ZN | MUTTER M6X1 D980 8 ZN | TUERCA M6X1 D980 8 ZN |
| 36 | F01020427 | VITE M 8X1,25X 12 U5739 8.8ZN | SCR. M8X1,25X12 U5739 8.8ZN | VIS M8X1,25X12 U5739 8.8ZN | SCHRA. M8X1,25X12 U5739 8.8ZN | TORN. M8X1,25X12 U5739 8.8ZN |
| 37 | G16230490 | CARTER TRASMISSIONE | TRASM. CARTER | | | |
| 38 | G18903280 | MOLLA TENDICATENA | TENSIONER SPRING | RESSORT TENDEUR DE CHAINE | FEDER KETTENSANNER | MUELLE TENSOR DE LA CADENA |
| 39 | F01410051 | ROS.M8 8,4X 17X1,6 U6592 ZN | WASHER M8 8,4X17X1,6 U6592 ZN | RONDELLE M8 8,4X17X1,6 U6592ZN | SCHEIBE M8 8,4X17X1,6 U6592 ZN | ARANDELA M8 8,4X17X1,6 U6592ZN |
| 40 | G16230640 | DISTANZIALE CARTER TRSM. ZN | TRASNS.CARTER SPACER ZN | | | |
| 41 | F01200022 | DADO M6X1 U5587 6.8ZN | NUT M6X1 U5587 6.8ZN | ECROU M6 | MUTTER M6 | DADO M6 |
| 42 | F01410135 | ROS.M22 23X 39X 3 U6592 ZN | WASHER M22 23X 39X 3 U6592 ZN | ROND. M22 23X 39X3 U6592 ZN | SCHEI. M22 23X 39X3 U6592 ZN | ARANDELLA M22 23X39X3 U6592 ZN |
| 43 | G07002669 | INGRANAGGIO R.L. Z-20 DX | FREE WHEEL GEAR Z-20 RIGHT | ENGRENAGE ROUE LIBRE Z-20 DRT. | ZAHNRAD FREILAUF Z-20 RECHTER | ENGRANAJE R.LIBRE Z-20 DRC. |
| 44 | F02100116 | SPINA E.P. 6X 32 U6873 C70 BR | PIN EL. 6X32 DIN 1481 * | GOUPILLE EL.6 X32 DIN 1481* | SPANNSTIFT 6 X30 DIN 1481 | CLAVIJA EL.6 X32 DIN 1481 |
| 45 | F06080134 | CATENA 1/2 ISO 084 104 MAGLIE | CHAIN 1/2 ISO 084 104 LINK | | | |
| 46 | G07000269 | ASS.TENDICATENA | CHAIN TIGHTENER | ESSIEU TENDEUR DE CHAINE | EINHEIT KETTENSANNER | TENSOR DE CADENA |
| 47 | G07000273 | BUSSOLA TENDICATENA | CHAIN TIGHTENER BUSH | DOUILLE TENDEUR DE CHAINE | BsCHSE KETTENSANNER | CASQUILLO TENSOR DE CADENA |
| 48 | G07000134 | RULLO TENDICATENA | CHAIN TIGHTENER ROLLER | ROULEAU TENDEUR DE CHAINE | ROLLE KETTENSANNER | RODILLO TENSOR DE LA CADENA |
| 49 | G07000272 | PIASTRINA CHIUSURA TENDICATENA | CHAIN TIGHTENER CLOSING PLATE | PLAQUETTE FERM. TEND. DE CHAIN | KETTENSANNERSCHELISS-PLATTE | PLACA DE CIERRE TENSOR DE CADE |
| 50 | F02050604 | ANELLO E. DE 14X 1 U7435 C70 | STOP RING 14 UNI 7435-75 | BAGUE ARR.14 UNI 7435-75 | RING 14 UNI 7435-75 | ANILLO PARADA 14 UNI 7435-75 |
| 51 | F01020040 | VITE M6X1X40 U5737 8.8ZN | SCR. M6X1X40 U5737 8.8ZN | VIS M6X1X40 U5737 8.8ZN | SCHRAU. M6X1X40 U5737 8.8ZN | TORNI. M6X1X40 U5737 8.8ZN |
| 52 | G17530090 | DISTANZ. PER DOPPIA TRASSMISS. | SPACER FOR TWIN-TRANS. | | | |
| 53 | F01200022 | DADO M6X1 U5587 6.8ZN | NUT M6X1 U5587 6.8ZN | ECROU M6 | MUTTER M6 | DADO M6 |



TRACCIASIENTIERI POSTERIORE

TAV. 172

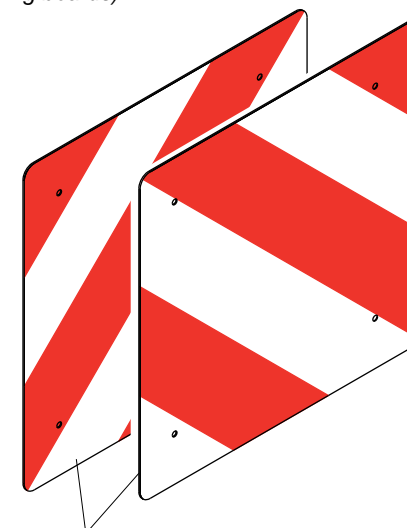
| Pos. | Cod. | Descrizione | Description | Description | Benennung | Description |
|------|-----------|--------------------------------|---------------------------------|---------------------------------|---------------------------------|--------------------------------|
| 1 | F01020166 | VITE M12X1,75X80 U5737 8.8ZN | SCR. M12X1,75X80 U5737 8.8ZN | VIS M12X1,75X80 U5737 8.8ZN | SCHRA. M12X1,75X80 U5737 8.8ZN | TORN. M12X1,75X80 U5737 8.8ZN |
| 2 | F01020201 | VITE M14X2X55 U5737 8.8ZN | SCR. M14X2X55 U5737 8.8ZN | VIS M 14X55 | SCHRAUBE M 14X55 | TORNILLO M 14X55 |
| 3 | F01020214 | VITE M14X2X100 U5737 8.8ZN | SCREW M14X2X100 U5737 8.8ZN | VIS M14X2X100 U5737 8.8ZN | SCHRAU. M14X2X100 U5737 8.8ZN | TORN. M14X2X100 U5737 8.8ZN |
| 4 | F01220033 | DADO M10X1,5 D980 8ZN | NUT M10X1,5 D980 8ZN | ECROU M10X1,5 D980 8ZN | MUTTER M10X1,5 D980 8ZN | TUERCA M10X1,5 D980 8ZN |
| 5 | F01220048 | DADO M12X1,75 D980 8ZN | NUT M12X1,75 D980 8ZN | ECROU M12X1,75 D980 8 ZN | SCHEIBE M12X1,75 D980 8 ZN | TUERCA M12X1,75 D980 8 ZN |
| 6 | F01220255 | DADO M14X2 D980 8ZN | NUT M14X2 D980 8ZN | ECROU M14X2 D980 8 ZN | MUTTER M14X2 D980 8 ZN | TUERCA M14X2 D980 8 ZN |
| 7 | F01230073 | DADO M14X2 D982 8ZN | SELF LOCK NUT M14X2 D982 8ZN | ECROU AUTOBL. M14X2 D982 8ZN | SELBSTSP.MUTT. M14X2 D982 8ZN | TUERCA AUTOBL. M14X2 D982 8ZN |
| 8 | F02200452 | SPINA SCATTO D.4,4 B/80 ZN | SNAP PIN D4.4 B/80 ZN | FICHE A DETENTE D4.4 B/80 ZN | EINRASTSTIFT D4.4 B/80 ZN | CLAVIJA DE MUELLE D4,4 B/80 ZN |
| 9 | F02200227 | COPIGLIA 5X 30 U1336 ZN | PIN 5X 30 U1336 ZN | | | |
| 10 | F20110715 | CAV.Q.B=50 M=10X1,5 L=80 | UBOLTSTRIKER Q.B=50M10X1,5L=80 | BUTEE M10X 1,5X 30 61X 80 ZB | ANSCHLAG M10X 1,5X 30 61X 80 | EL. DE EMPALME M10X 1,5X 30 |
| 11 | G15317292 | MONT.DISCO SEGNAFILE | COMPLETE ROW MARKER DISC | DISQUE TRACEUR COMPLET | REIHENANREISSERSCHEIBE KOMPLET | DISCO MARCADOR DE FILAS COMPL. |
| 12 | G14212010 | CHIAVISTELLO PUNTELLO PIEGH.ZN | PROP LATCH ZN | | | |
| 13 | G17942550 | LEVA SOLLEVAMENTO SX | LEFT LIFTING LEVER | | | |
| 14 | G17942520 | SUPPORTO TRACCIASIENTIERI | TRAIL TRACER SUPPORT | | | |
| 15 | G16910360 | CILINDRO SE 25X35-100 | CYLINDER SE 25X35-100 | CYLINDRE SE 25X35-100 | ZYLINDER SE 25X35-100 | CILINDRO SE 25X35-100 |
| 16 | G13812311 | CATENELLA CON MOSCHETTONE ZN | CHAIN WITH SPRING CATCH | CHAINETTE AVEC MOUSQUETON | KETTE MIT KARABINERHAKEN | CADENA CON GANCHO |
| 17 | G17942570 | QUADRO 40 X590 4F14,5 | SQUARE SHAFT 40 X590 4F14,5 | | | |
| 18 | F03100200 | KIT GUARNIZ.CILINDRO 16910360 | CYLINDER GASKETS 16910360 | JOINTS CYLINDRE 16910360 | DICHTUNG ZYLINDER 16910360 | PROTECCIONES CILINDRO 16910360 |
| 19 | F01230059 | DADO M12X1,75 D982 8ZN | LOCK-NUT M12X1,75 D982 8ZN | ECR.AUTO-FREI.M12X1,75 D982 ZN | SICHERUNGSMUT.M12X1,75 D982 8ZN | TUER.DE SEGUR.M12X1,75 D982 ZN |
| 20 | F01410076 | ROS.M12 13X 24X2,5 U6592 ZN | WASHER 12 13X 24X2,5 U6592 ZN | RONDEL. M12 13X24X2,5 U6592 ZN | SCHEIBE M12 13X24X2,5 U6592 ZN | ARANDELA M12 13 X24X2,5 ZN |
| 21 | F01020170 | VITE M12X1,75X100 U5737 8.8ZN | SCR. M12X1,75X100 U5737 8.8ZN | VIS M12X1,75X100 5737 8.8 ZN | SCHRA.M12X1,75X100 5737 8.8 ZN | TORN. M12X1,75X100 5737 8.8 ZN |
| 22 | G17942560 | LEVA SOLLEVAMENTO DX | RIGHT LIFTING LEVER | | | |
| 23 | G18800940 | BOCCOLA 15,25X28 X10 | BUSHING 15.25 X 28 X 10 | BOITE 15-25X28 X10 | BsCHSE 15-25X28 X10 | CASQUILLO 15-25X28 X10 |
| 24 | G65337004 | MOLLA TRAZ.SOLLEV. FU | TRACTION SPRING LIFT. FU | RESSORT TRACT. LEVAGE FU | ZUGFEDER HEBUNG FU | MUELLE TRAC. LEVDEL. FU |
| 25 | F01020156 | VITE M12X1,75X50 U5737 8.8ZN | SCR. M12X1,75X50 U5737 8.8ZN | VIS M12X1,75X50 U5737 8.8 ZN | SCHR. M12X1,75X50 U5737 8.8 ZN | TORN. M12X1,75X50 U5737 8.8 ZN |
| 26 | G16621390 | ANELLO CAT.LUC.GENOVESE 8 ZN | RING CHAIN GENOVESE 8 | | | |
| 27 | G16070900 | VALVOLA CABLATA | ASSY WIRED VALVE | | | |
| 28 | G18700690 | RONDELLA 15 X40 X6 ZN | WASHER 15 X 40 X 6 ZN | RONDELLE 15 X40 X6 ZN | UNTERLEGSCHIEBE 15 X40 X6 ZN | ARANDELA 15 X40 X6 ZN |
| 29 | F01020128 | VITE M10X1,5X80 U5737 8.8ZN | SCR. M10X1,5X80 U5737 8.8ZN | VIS M10X1,5X80 U5737 8.8ZN | SCHRAU. M10X1,5X80 U5737 8.8ZN | TORNIL.M10X1,5X80 U5737 8.8ZN |
| 30 | F03150045 | >NIPPLO MF GIREVOLE 1/4 ZN CIL | NIPPLE MF SWIVEL 1/4 ZN CIL | | | |
| 31 | F03151217 | RACCORDO -T- LATER.M-M-FG 1/4 | T M-FG-M LATER.CONNECTION PIPE | RACCORD T M-FG-M 1/4 | ANSCHLUSST M-FG-M 1/4 | UNION T M-HG-M 1/4 |
| 32 | G22505140 | TUBO 1/4R2 C-F 1/4 L.2350 LM | TUBE 1/4R1 C-F 1/4 L.2350 LM | TUBE 1/4R2 C-F 1/4 L.2350 LM | ROHR 1/4R2 C-F 1/4 L.2350 LM | TUBO 1/4R2 C-F 1/4 L.2350 LM |
| 33 | F03151226 | REGOL.DI FLUSSO VRF 1/4" GAS | 1/4" GAS VALVE VRF | SOUPAPE REG DEBIT VRF 1/4" GAZ | VENITL VRF 1/4" GAS | VæLVULA VRF 1/4" GAS |
| 34 | G17714260 | SUPPORTO DISCO SEGNAFILE | ROWMARKER DISK SUPPORT | | | |
| 35 | G16610431 | FONDELLO ZN | BOTTOM GALV.ED | | | |
| 36 | F04010156 | CUSC.d20 D47 B14 6204 2RSH | BEARING d20 D47 B14 6204 2RSH | | | |
| 37 | G18801270 | BOCCOLA 21 X25 X12 ZN B. | BUSHING 21 X25 X12 ZN | | | |
| 38 | G16610160 | SUPP.CUSCINETTI DISCO SEGN.ZN. | GALVAN. ROWMARKER DISK BEARING | SUPPORT ROULEMENTS DISQUE TRAC | SCHEIBENLAGERHALTERUNG | SOPORTE COJINETE DE DISCO MARC |
| 39 | F03010576 | ANELLO OR 50,52X1,78 NBR | GASKET OR 50,52X1,78 NBR | BAGUE OR 50,52X1,78 NBR | RING OR 50,52X1,78 NBR | ANILLO OR 50,52X1,78 NBR |
| 40 | G16072590 | DISCO SEGNAFILE D.350 | ROW-MARKER DISK D.350 | | | |
| 41 | G16610190 | CHIUSURA CUSCINETTO ZN | END BEARING ZN | | | |
| 42 | F01230098 | DADO M18X2,5 D982 8ZN | NUT M18X2,5 D982 8 ZN | ECROU M18X 2,5 D982 8 ZN | MUTTER M18X 2,5 D982 8 ZN | TUERCA M18X 2,5 D982 8 ZN |
| 43 | F01060040 | VITE M8X1,25X20 U5732 4.6ZG | SCR. M8X1,25X20 U5732 4.6ZG | VIS M8X1,25X20 U5732 4.6 ZN | SCHRA. M8X1,25X20 U5732 4.6 ZN | TORN. M8X1,25X20 U5732 4.6 ZN |
| 44 | F02050370 | ANELLO E. DI 47X1,75 U7437 C70 | SEEEGER RING 47X 1,75 U7437 C70 | SEEGERING E. 47X 1,75 U7437 C70 | SEEEGERING E. 47X1,75 U7437 C70 | ANILLO E. 47X 1,75 U7437 C70 |
| 45 | F01200244 | DADO M8X1,25 U5588 6.8ZN | NUT M8X1,25 U5588 6.8ZN | ECROU M8 X1,25 U5588 6.8 ZN | MUTTER M8 X1,25 U5588 6.8 ZN | TUERCA M8 X1,25 U5588 6.8 ZN |
| 46 | F01500012 | RONDELLA IN RAME 1/4" | COPPER WASHER 13X19X1,5-1/4" | RONDELLE 13X19X1,5-1/4" | SCHEIBE 13X19X1,5-1/4" | ARANDELA 13X19X1,5-1/4" |
| 47 | F03150266 | NIPPLO MM CIL-CIL 1/4-1/4 ZN | NIPPLE GALV.CYL.MALE 1/4 ZN | NIPPLE MALE CYL. 1/4 ZN | NIPPELZYL.1/4 ZN | NIPLE MACHO CIL.1/4 ZN |
| 48 | F03151217 | RACCORDO -T- LATER.M-M-FG 1/4 | T M-FG-M LATER.CONNECTION PIPE | RACCORD T M-FG-M 1/4 | ANSCHLUSST M-FG-M 1/4 | UNION T M-HG-M 1/4 |
| 49 | F03150859 | CURVA 90° F.GIREV.1/4 - M.1/4 | ELBOW 90° F.SLEWING 1/4 -M.1/4 | COUDE 90° F.TOURN.1/4 - M.1/4 | KNIESTsCK 90° F.DREHB.1/4 - M. | CURVA 90 F.GIRAT.1/4 - M.1/4 |



12 - Red / Yellow (564x282)
(pair of warning boards)



(423x282) Red / White - 14
(pair of warning boards)



(423x423) Red / White - 13
(pair of warning boards)

KIT LUCI E TABELLE D'INGOMBRO

TAV. 192

| Pos. | Cod. | Descrizione | Description | Description | Benennung | Descripcion |
|------|-----------|--------------------------------|------------------------------|--------------------------------|--------------------------------|--------------------------------|
| 1 | F01220022 | DADO M8X1,25 D980 8ZN | NUT M8X1,25 D980 8ZN | ECROU M8X 1,25 D980 8 ZN | MUTTER M8X 1,25 D980 8 ZN | TUERCA M8X 1,25 D980 8 ZN |
| 2 | F01020432 | VITE M8X1,25X16 U5739 8.8ZN | SCR. M8X1,25X16 U5739 8.8ZN | VIS M8 X1,25X16 U5739 8.8 ZN | SCHRAUBE M8X1,25X16U5739 8.8ZN | TORNILLO M8X1,25X16U5739 8.8ZN |
| 3 | G13616570 | PIASTRA SUPP.LUCI | LIGHTS PLATE SUPPORT | | | |
| 4 | F05010221 | CATARIFRANGENTE TONDO D.80 > | ROUND REFLECTOR D.80 | | | |
| 5 | F05010076 | FANALE X KIT LUCI | LAMP KIT LIGHTS COMPL. | FEU KIT ECLAIRAGE COMPL. | LAMPEN KIT LICHT KOMPL. | FAROL SET LUCES COMPL. |
| 6 | G16211010 | SUPPORTO FANALI M | LIGHTS SUPPORT | | | |
| 7 | F01020403 | VITE M6X1X16 U5739 8.8ZN | SCR. M6X1X16 U5739 8.8ZN | VIS M6X1X16 U5739 8.8 ZN | SCHRAUBE M6X1X16 U5739 8.8 ZN | TORNILLO M6X1X16 U5739 8.8 ZN |
| 8 | F01220011 | DADO M6X1 D980 8ZN | NUT M6X1 D980 8ZN | ECROU M6X1 D980 8 ZN | MUTTER M6X1 D980 8 ZN | TUERCA M6X1 D980 8 ZN |
| 9 | F05010080 | CABLAGGIO PER KIT LUCI | LIGHT WIRING HARNESS | CABLAGE KIT PHARES | VERKABELUNG LAMPENKIT | CABLEADO JUEGO LUCES |
| 10 | G13616620 | KIT LUCI PER MACCHINE PORTATE | KIT LIGHTS FREIGHTED MACHINE | | | |
| 11 | F01220200 | DADO M5X0,8 D980 8ZN | NUT M5X0,8 D980 8ZN | ECROU M5X 0,8 D980 8 ZN | MUTTER M5X 0,8 D980 8 ZN | TUERCA M5X 0,8 D980 8 ZN |
| 12 | F05010357 | N.2 PANNELLI CARICHI SPORGENTI | N.2 JUTTING LOAD PANELS | N.2 PANNEAUX CHARGES SAILLANT | N.2 TAFELN VORSRINGENDE LADUN | 2 PANELES CARGADOS SALIENTES |
| 13 | F05010590 | PANNELLI CAR.SPORG.423X423 | REFLECT PANELS 423X423 | | | |
| 14 | F05010591 | PANNELLI CAR.SPORG.423X282 | WARNING BOARD 423X282 | PANNEAUX REFLECHISSANT 423X282 | WARNTAFEL 423X282 | ADVERTENCIA BORDO 423X282 |

**USATE SEMPRE RICAMBI ORIGINALI
ALWAYS USE ORIGINAL SPARE PARTS
IMMER DIE ORIGINAL-ERSATZTEILE VERWENDEN
EMPLOYEZ TOUJOURS LES PIECES DE RECHANGE ORIGINALES
UTILIZAR SIEMPRE REPUESTOS ORIGINALES**

GASPARDO

Servizio Assistenza Tecnica - After Sales Service: +39 0434 695557

Servizio Ricambi - Spare Parts Service: +39 0434 695496

DEALER:



MASCHIO GASPARDO SpA

Registered office & Production plant

Via Marcello, 73 - 35011 Campodarsego (Padova) - Italy
Tel. +39 049 9289810
Fax +39 049 9289900
info@maschio.com
www.maschionet.com

MASCHIO GASPARDO SpA

Production plant

Via Mussons, 7 - 33075
Morsano al Tagliamento (PN) - Italy
Tel. +39 0434 695410
Fax +39 0434 695425
info@gaspardo.it

MASCHIO DEUTSCHLAND GMBH

Äußere Nürnberger Straße 5
D - 91177 Thalmässing - Deutschland
Tel. +49 (0) 9173 79000
Fax +49 (0) 9173 790079
dialog@maschio.de
www.maschio.de

MASCHIO FRANCE Sarl

Rue Denis Papin ZA
F - 45240 La Ferté Saint Aubin
France
Tel. +33 (0) 2.38.64.12.12
Fax +33 (0) 2.38.64.66.79
info@maschio.fr

000 МАСКИО-ГАСПАРДО РУССИЯ

Улица Пушкина, 117 Б
404126 Волжский
Волгоградская область
Тел. +7 8443 203100
факс. +7 8443 203101
info@maschio.ru

MASCHIO-GASPARDO ROMANIA S.R.L.

Strada Înfrâritii, F.N.
315100 Chisineu-Cris (Arad) -România
Tel. +40 257 307030
Fax +40 257 307040
info@maschio.ro

MASCHIO-GASPARDO North America

112 3rd Avenue East
Dewitt, IA 52742 - USA
Ph. +1 563 659 6400
Fax +1 563 659 6405
info@maschio.us

MASCHIO IBERICA S.L.

**MASCHIO-GASPARDO POLAND
MASCHIO-GASPARDO UCRAINA
GASPARDO-MASCHIO TURCHIA
MASCHIO-GASPARDO CINA
MASCHIO-GASPARDO INDIA
MASCHIO-GASPARDO KOREA**