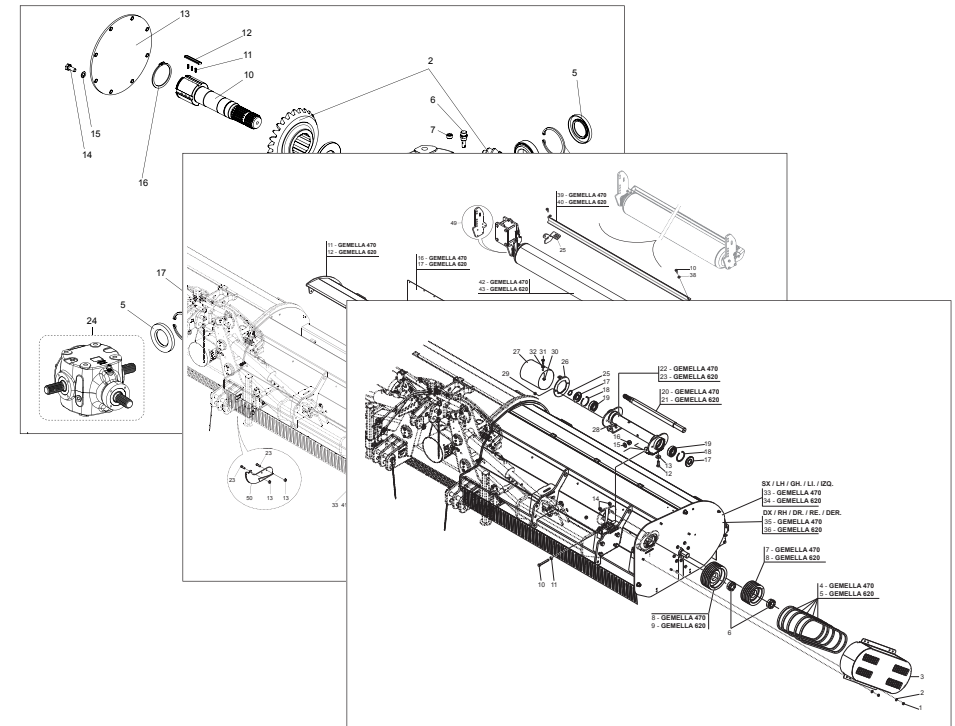


**MASCHIO GASPARDO S.p.A.**



# GEMELLA

**Cod: F07011408 2016-05**

- \*) Valido per Paesi UE
- \*) Valid for EU member countries
- \*) Valable dans les Pays UE
- \*) Gilt für EU-Mitgliedsländer
- \*) Válido para Países UE

- IT** PARTI DI RICAMBIO
- EN** SPARE PARTS
- DE** ERSATZTEILE
- FR** PIÈCES DÉTACHÉES
- ES** PIEZAS DE REPUESTO

**PARTI DI RICAMBIO**

Le ordinazioni delle parti di ricambio vanno fatte presso i nostri concessionari di zona e devono essere sempre corredate dalle seguenti indicazioni:

- **Tipo, modello e numero di matricola dell'attrezzatura.** Tali dati sono stampigliati nell'apposita targhetta di cui è dotata ogni attrezzatura.
- **Numero di codice della parte richiesta** rilevabile dal catalogo ricambi.
- **Descrizione del particolare e quantità richiesta.**
- **Numero della tavola.**
- **Mezzo di trasporto.** Nel caso questa voce non sia specificata, la Ditta Costruttrice, pur dedicando a questo servizio una particolare cura, non risponde di eventuali ritardi di spedizione dovuti a cause di forza maggiore.  
Le spese di trasporto si intendono sempre a carico del destinatario. La merce viaggia a rischio e pericolo del committente anche se venduta franco destino.

**NOTA:** Il termine **(Dx) Destro** o **(Sx) Sinistro** della macchina o di parti di essa, è inteso guardando la macchina dalla parte posteriore. Le eccezioni saranno indicate.

**SPARE PARTS**

*Orders must be transmitted through our area dealers and should always include the following indications:*

- **Type, model and serial number of the machine.** *These data are punched on the data plate with which every implement is equipped.*
- **Code number of the required spare part.** *This will be found in the spare parts catalogue.*
- **Description of the part and required quantity.**
- **Table number.**
- **Means of dispatch.** *If this item is not indicated, the Manufacturer, while dedicating particular care to this service, shall not be held responsible for delays in delivery caused by cases of force majeure.*  
*Transport expenses shall always be at the consignee's charge. The goods travel at the purchaser's risk and peril even when sold ex destination.*

**NOTE:** *The symbols (Dx) right and (Sx) left, concerning the machine or single parts of it, are referred, as in the figure, to a rear view of them. Exceptions will be indicated.*

**ERSATZTEILE**

Die Bestellungen müssen bei unseren Gebietshändlern aufgegeben werden. Bei der Bestellung sind stets die folgenden Angaben zu machen:

- **Typ, Modell und Serien-Nummer des Geräts.** Diese Daten stehen auf dem Typenschild, mit dem jedes Gerät versehen ist.
- **Artikel Nr. der erforderlichen Ersatzteile.** Diese stehen im Ersatzteil-Katalog.
- **Beschreibung des Ersatzteils und die erforderliche Stückzahl.**
- **Tafelnummer.**
- **Versandmittel.** Wenn dieser Punkt nicht spezifiziert wird, haftet die Herstellerfirma nicht für etwaigen Lieferverzug aufgrund höherer Gewalt, auch wenn er diesen Service besonders aufmerksam abwickelt.  
Die Frachtkosten gehen dagegen immer zu Lasten des Empfängers. Die Ware reist auf Gefahr und Risiko des Auftraggebers, auch wenn frei Haus Verkauft vereinbart worden ist.

**N.B.:** Die Merkzeichen **(Dx) rechts** und **(Sx) links** betreffen eine rückwärtige Aussicht der Maschine oder Teile von ihr (siehe Bild). Ausnahmen werden gezeigt.

**PIECES DÉTACHÉES**

*Les ordres doivent être effectués auprès de nos concessionnaires de zone en précisant les indications suivantes:*

- **Type, modèle et numéro de série de la machine.** *Ces données sont gravées sur la plaque d'identification de chaque outil.*
- **Numéro de code de la pièce détachée** *indiqué sur le catalogue des pièces détachées.*
- **Description de la pièce et quantité requise.**
- **Numéro de plan.**
- **Moyen d'expédition.** *Si cette rubrique n'est pas indiquée, le Constructeur, bien que soucieux de ce service, ne répond pas des retards d'expédition pour des causes de force majeure.*  
*Les frais de transport sont toujours à la charge du destinataire. La marchandise voyage aux risques et périls de l'acheteur même si vendue franco de port.*

**N.B.:** *Les références (Dx) droit et (Sx) gauche de la machine ou des parties de la même, est entendue, comme de la figure, en regardant la machine de derriere dans le sens de marche.*

**RESPUESTOS**

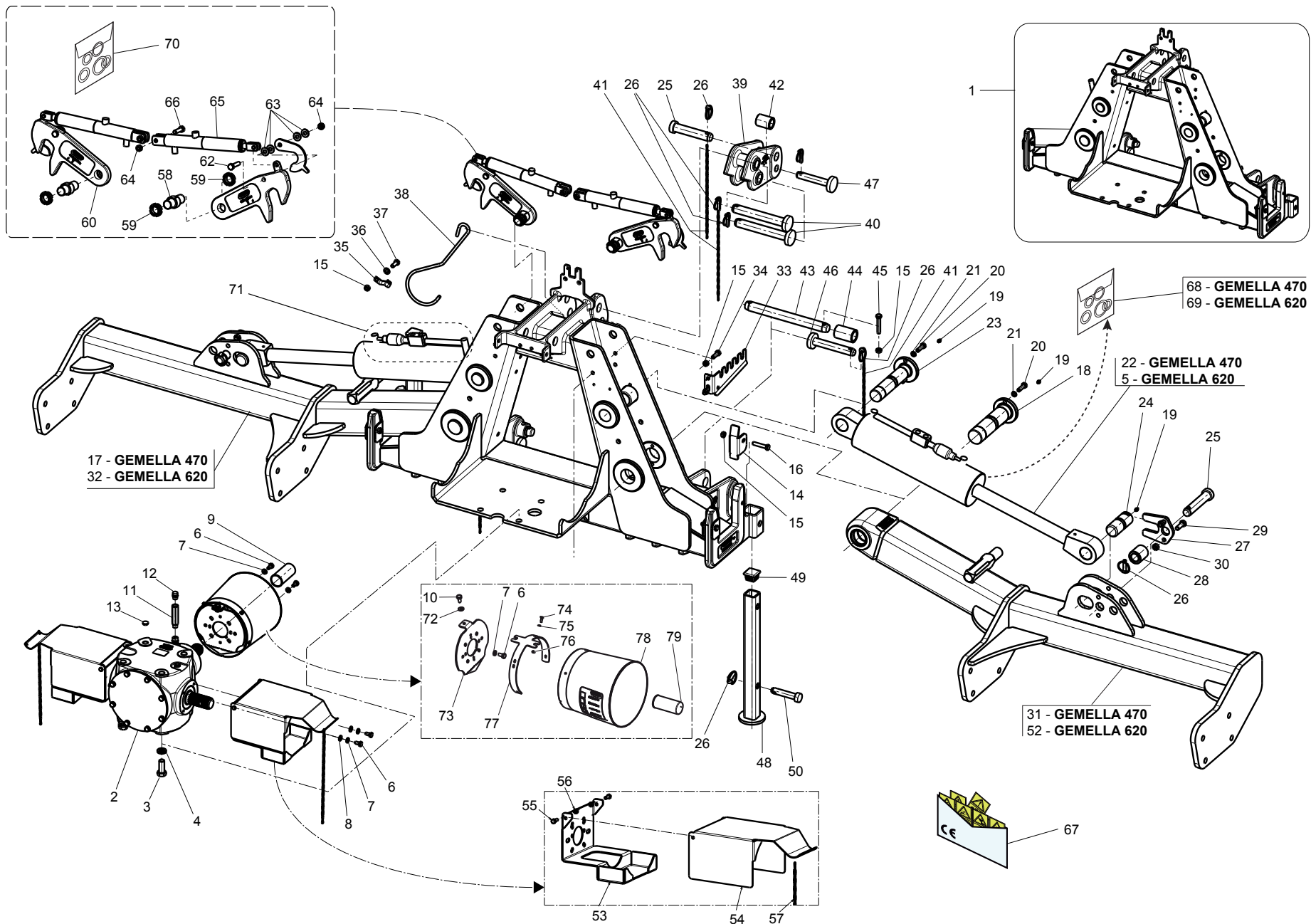
Los pedidos han de efectuarse en nuestros concesionarios de zona y deben incluir siempre las siguientes indicaciones:

- **Tipo, modelo y número de matrícula del equipo.** Dichos datos están impresos en la relativa placa presente en el equipo.
- **Número de código de la parte requerida** presente en el catálogo respuestas.
- **Descripción de la pieza y cantidad requerida.**
- **Numero de ilustración.**
- **Medio de transporte.** En caso que este ítem no esté especificado, el Fabricante, aún prestando la debidas consideraciones para este aspecto, no responde por eventuales retardos de env'o debidos a causas de fuerza mayor.  
Los gastos de transporte se consideraran siempre a cargo del destinatario. La mercadería viaja bajo riesgo y peligro del comprador, incluso cuando se vende franco destino.

**N.B.:** La referencia **(Dx) derecha** o **(Sx) izquierda** de la máquina o de sus componentes, se entiende, como en la figura, mirando la máquina por la parte trasera. Se indicarán las excepciones.

<b>N° Tavola</b>	<b>Descrizione</b>	<b>Pagina</b>	<b>N° Table</b>	<b>Description</b>	<b>Page</b>
TAV. 010	Terzo punto .....	4	TAV. 010	Third point.....	4
TAV. 020	Esploso moltiplicatore .....	8	TAV. 020	Gearbox exploded drawing.....	8
TAV. 030	Impianto idraulico .....	10	TAV. 030	Hydraulic plant .....	10
TAV. 040	Trasmissione laterale .....	12	TAV. 040	Side transmission.....	12
TAV. 050	Rotore ed utensili .....	14	TAV. 050	Rotor and blades.....	14
TAV. 060	Rullo e cofani posteriori .....	16	TAV. 060	Rear roller and bonnets .....	16
TAV. 070	Ruote posteriori (optional).....	18	TAV. 070	Optional rear wheels .....	18
TAV. 080	Supporti tabelle stradali .....	20	TAV. 080	Road transport supports kit.....	20
TAV. 090	Kit tabelle stradali G99600001 .....	22	TAV. 090	G99600001 Road transport kit.....	22
TAV. 100	Kit tabelle stradali G99600009 .....	24	TAV. 100	G99600009 Road transport kit.....	24
TAV. 110	Kit tabelle stradali G99600011 .....	26	TAV. 110	G99600011 Road transport kit .....	26
TAV. 120	Albero cardanico centrale GEMELLA 470 (Standard) .....	28	TAV. 120	Central cardan shaft GEMELLA 470 (Standard).....	28
TAV. 130	Albero cardanico centrale GEMELLA 470 (Optional).....	30	TAV. 130	Central cardan shaft GEMELLA 470 (Optional).....	30
TAV. 140	Albero cardanico centrale GEMELLA 620 (Standard) .....	32	TAV. 140	Central cardan shaft GEMELLA 620 (Standard).....	32
TAV. 150	Albero cardanico centrale GEMELLA 620 (Optional).....	34	TAV. 150	Central cardan shaft GEMELLA 620 (Optional).....	34
TAV. 160	Albero cardanico centrale GEMELLA 620 (Optional).....	36	TAV. 160	Central cardan shaft GEMELLA 620 (Optional).....	36
TAV. 170	Alberi cardanici laterali.....	38	TAV. 170	Side cardan shafts .....	38

# TAV. 010

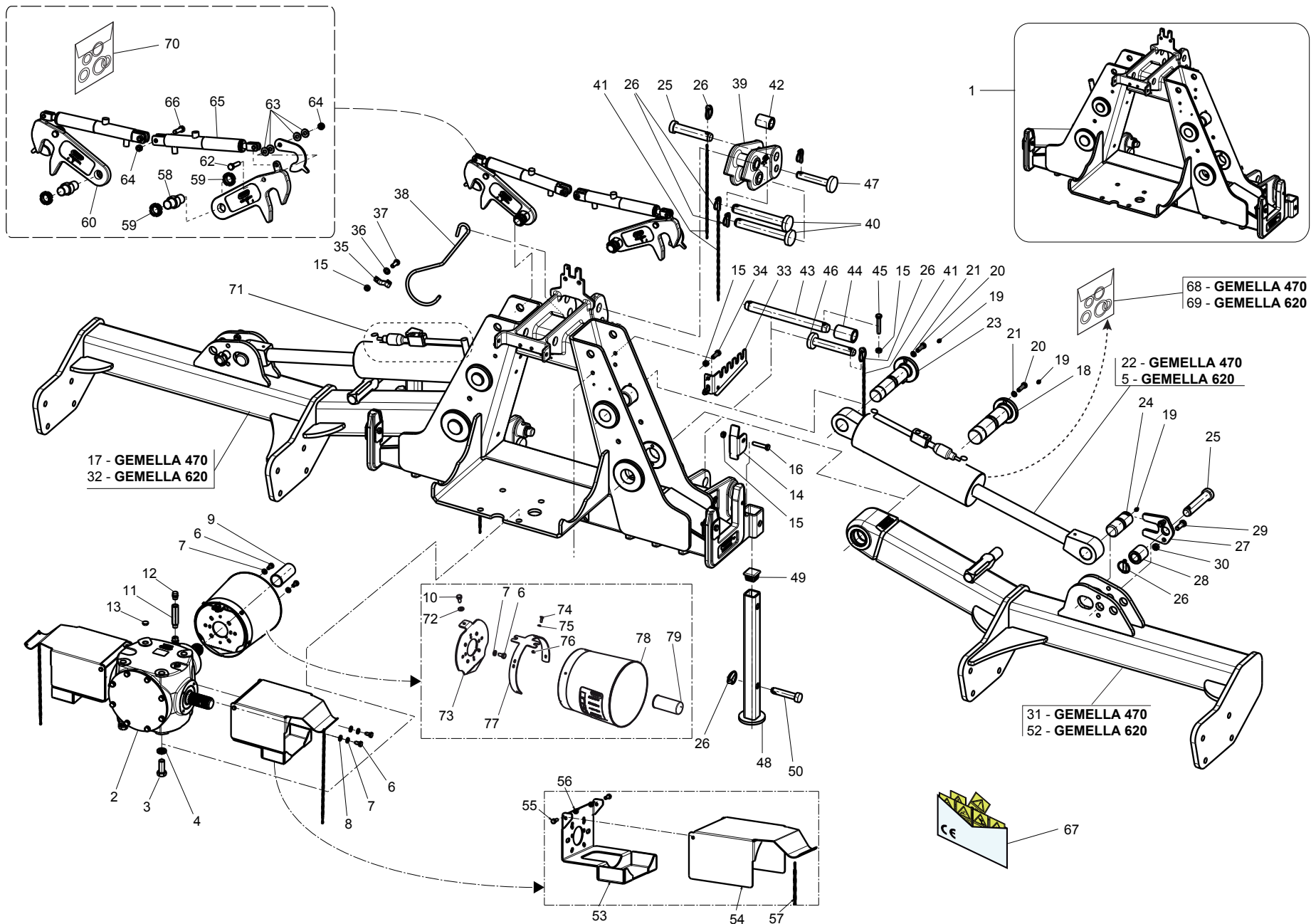


TERZO PUNTO / THIRD POINT

TAV. 010

Pos.	Cod.	Descrizione	Description	Benennung	Description	Descrpcion
1	M32400788	CASTELLO 3° PUNTO	COMPLETE 3RD POINT			
2	M32400101	SCAT.MOLTIPL. BOND. 1000 RPM	GEAR BOX BOND. 1000 RPM			
3	F01020605	VITE M20X2,5X50 U5739 8.8ZN >	SCR. M20X2,5X50 U5739 8.8ZN	VIS M 20X2,5X50	SCHRAUBE M 20X2,5X50	TORNILLO M 20X2,5X50
4	F01480167	ROS.G 21X34 X 6 FLZNNC-240H	GROWER WASHER D.18	RONDELLE GROWER D.18	SCHEIBE GROWER D.18	ARANDELA GROWER D.18
5	M12400807	MARTINETTO I.A=125 C=361 L=744	JACK I.A=125 C=361 L=744			
6	F01020470	VITE M10X1,5X20 U5739 8.8ZN	SCR. M10X1,5X20 U5739 8.8ZN	VIS M10X1,5X20 U5739 8.8 ZN	SCHRAUBE M10X1,5X20 U5739 ZN	TORNILLO M10X1,5X20 U5739 8.8ZN
7	F01480112	ROS.G 10,5X19X 3 FLZNNC - 240H	GROWER WASHER D.10	RONDELLE GROWER D.10	SCHEIBE GROWER D.10	ARANDELA GROWER D.10
8	F01410064	ROS.M10 10,5X 20X 2 U6592 ZN >	WASHER M10 10,5X20X2 U6592 ZN	RONDEL. M10 10,5X20X2 U6592 ZN	SCHEIBE M10 10,5X20X2 U6592 ZN	ARANDEL.M10 10,5X20X2 U6592 ZN
9	M38100147	MANICOTTO PROTEZIONE PDF 1"3/4	P.T.O. PROTECTION	MANCHON DE PROTECTION P.T.O.	ZAPFWELLENSCHUTZ P.T.O.	MANGUITO PROTECCION P.T.O.
10	F01020403	VITE M6X1X16 U5739 8.8ZN	SCR. M6X1X16 U5739 8.8ZN	VIS M6X1X16 U5739 8.8 ZN	SCHRAUBE M6X1X16 U5739 8.8 ZN	TORNILLO M6X1X16 U5739 8.8 ZN
11	M58100222	PROLUNGA SFIATO	BREATHER PLUG 3/8"GAS	BOUCHON DE SOUPIRAIL 3/8"GAS	ENTLUEFTERSTOPFEN 3/8"GAS	TAPON RESPIRADERO 3/8"GAS
12	F03150718	TAPPO 3/8" GAS CON SFIATO	GAS BREATHER PLUG 3/8"	BOUCHON D'HUILE SOUPIRAIL	OELENTLUEFTERSTOPFEN	TAPON ACEITE
13	F05100014	TAPPO CH. TUBO MM.20 1.02.105	PLUG	BOUCHON FERMETURE	VERSCHLUSSPFROPFEN	TAPON CLAUSURA
14	M12400550	PATTINO	THRUST SHOE	PATIN	SPANNER	PATIN
15	F01220047	DADO M12X1,25 D980 8ZN	NUT M12X1,25 D980 8ZN	ECROU M12X1,25 D980 8 ZN	MUTTER M12X1,25 D980 8 ZN	TUERCA M12X1,25 D980 8 ZN
16	F01010057	VITE M12X1,25X60 U5738 8.8ZN	SCR. M12X1,25X60 U5738 8.8ZN	VIS M12X1,25X60 U5738 8.8 ZN	SCHRA.M12X1,25X60 U5738 8.8 ZN	TORN. M12X1,25X60 U5738 8.8 ZN
17	M32446576	ALA SX GEMELLA 470	LEFT WING GEMELLA 470			
18	M37400580	PERNO D.60 ANTERIORE	PIN D=60	GOUJON D=60	STIFT D=60	PERNO D=60
19	F01100048	ING.M 8X1,25 7663A 9SMNPB28 Z>	GREASE NIPPLE M8X1,25 U7663A	GRAISSEUR A BILLES M8X1,25	SCHMIERBUECHSE M8X1,25 7663A	ENGRAS. DE ESFERAS M8 X 1,25 A
20	F01010291	VITE M12X1,25X40 U5740 8.8ZN	SCR. M12X1,25X40 U5740 8.8ZN	VIS M12X1,25X40 U5740 8.8 ZN	SCHR.M12X1,25X40 U5740 8.8 ZN	TORN. M12X1,25X40 U5740 8.8 ZN
21	F01450026	ROS. M13X19,5X2,5 "NORD-LOCK"	WASHER M13X19,5X2,5 NORD-LOCK	RONDELLE	SCHEIBE	ARANDELA
22	M12400803	MARTINETTO I.A=100 C=361 L=744	HYDRAULIQUE ADJUSTER	MANIVELLE HYDRAULIQUE	HYDRAUL.SPINDELVERSTELLUNG	GATO HYDRAULICO
23	M37400582	PERNO D.50 CILINDRO	PIN D=50	GOUJON D=50	STIFT D=50	PERNO D=50
24	M27400812	PERNO D=50 L=125	PIN D=50 L=125	GOUJON D=50 L=125	STIFT D=50 L=125	PERNO D=50 L=125
25	F20100124	PERNO D32 L135 C40 TEST.D45 Z>	BOLT D32 L135 C40 ZN	BOULON D32 L135 C40 ZN	BOLZEN D32 L135 C40 ZN	PERNO D32 L135 C40 ZN
26	F02200529	SPINA SCATTO D.11 H58 ZN >	SNAP PIN D.11 H58 ZN	FICHE A DETENTE D.11 H58 ZN	EINRASTSTIFT D.11 H58 ZN	CLAVIJA DE MUELLE D.11 H58 ZN
27	M27400811	PIASTRA FERMO PERNO	PIN STOP PLATE			
28	M12400543	BOCCOLA D=52 D=32 L=60	BUSHING D=52 D=32 L=60	BOUCLE D=52 D=32 L=60	BUECHSE D=52 D=32 L=60	ARANDELA D=52 D=32 L=60
29	F01010318	VITE M14X1,5X40 U5740 8.8ZN	SCR. M14X1,5X40 U5740 8.8ZN	VIS M 14X1,5X40	SCHRAUBE M 14X1,5X40	TORNILLO M 14X1,5X40
30	F01220059	DADO M14X1,5 D980 8ZN >	NUT M14X1,5 D980 8ZN	ECROU M14X 1,5 D980 8 ZN	MUTTER M14X 1,5 D980 8 ZN	TUERCA M14X 1,5 D980 8 ZN
31	M32446575	ALA DX GEMELLA 470	RIGHT WING GEMELLA 470			
32	M32462576	ALA SX GEMELLA 620	LEFT WING GEMELLA 620			
33	M58100448	STAFFA PORTATUBI IDRAULICI	SPACER SUPPORTING STIRRUP	ETRIER SUPPORT ENTRETOISE	DISTANZSTUECKHALTERBUEGEL	ESTRIBO SOPORTE DISTANCIADOR
34	F01010288	VITE M12X1,25X35 U5740 8.8ZN	SCR. M12X1,25X35 U5740 8.8ZN	VIS M12X1,25X35 U5740 8.8 ZN	SCHR.M12X1,25X35 U5740 8.8 ZN	TORN.M12X1,25X35 U5740 8.8 ZN
35	F20120401	FASCETTA FERMA CARDANO ZN	SHAFT HOOK SUPPORT	SUPPORT CARDAN	GELENKWELLE HACKEN HALTER	SOPORTE CARDAN
36	F01410076	ROS.M12 13X 24X2,5 U6592 ZN >	WASHER 12 13X 24X2,5 U6592 ZN	RONDEL. M12 13X24X2,5 U6592 ZN	SCHEIBE M12 13X24X2,5 U6592 ZN	ARANDELA M12 13 X24X2,5 ZN
37	F01010283	VITE M12X1,25X30 U5740 8.8ZN	SCR. M12X1,25X30 U5740 8.8ZN	VIS M 12X1,25X30	SCHRAUBE M 12X1,25X30	TORNILLO M 12X1,25X30
38	F20120400	GANCIO SOSTEGNO CARDANO	SHAFT HOOK SUPPORT	SUPPORT CARDAN	GELENKWELLE - HACKEN	SOPORTE CARDAN
39	M32400792	BIELLA ATT.TERZO P.	3RD LINKAGE ROD			
40	F20100140	PERNO D32 L208 C43 TEST.D60 ZN	PIN D32 L208 C43 ZN			
41	M58100930	CATENELLA L=476	ASSEMBLY CHAIN DMP L=476	CHAINE L=476	KETTE L=476	CADENA L=476
42	M12400758	DISTANZ. D=45 D=32,5 L=53 ZN	SPACER D=45 D=32,5 L=53 ZN			
43	M37400583	PERNO D.36	PIN D=36	GOUJON D=36	STIFT D=36	PERNO D=36
44	M12400757	DISTANZ. D=50 D=36,5 L=76 ZN	SPACER 50X36,5X76	ENTRETOISE 50X36,5X76	DISTANZSTUECK 50X36,5X76	DISTANCIADOR 50X36,5X76
45	F01020436	VITE M8X1,25X20 U5739 8.8ZN >	SCR. M8X1,25X20 U5739 8.8ZN	VIS M8X1,25X 20 U5739 8.8 ZN	SCHRAUBE M8X1,25X20U5739 8.8ZN	TORN. M8X1,25X20 U5739 8.8 ZN
46	F20100138	PERNO D28 L154 C43 TEST.D60 ZN	PIN D28 L154 C43 ZN	BOULON D28 L154 C43 ZN	BOLTZEN D28 L154 C43 ZN	PERNO D28 L154 C43 ZN
47	F20100133	PERNO D25 L122 C43 TEST.D60 ZN	PIN D25 L122 C43 ZN	BOULON D25 L122 C43 ZN	BOLZEN D25 L122 C43 ZN	PERNO D25 L122 C43 ZN
48	M12400590	PIEDINO L=550	SUPPORT	SUPPORT FRAISE	FRASE STANDER	SOPORTE FRESADORA
49	F20120349	PUNTALE Q.50 ALETT.POLIT.NERO>	CAP	BOUCHON	DECKEL	CORCHO
50	F20100049	PERNO D22 L86 C43 TEST.D35 ZN>	BOLT D22 L86 C43 ZN	GOUJON D.22	BOLZEN D.22	PERNO D.22
52	M32462575	ALA DX GEMELLA 620	RIGHT WING GEMELLA 620			
53	M32400766	ATTACCO PROTEZIONE CARDANO	CARDAN PROTECTION SUPPORT			
54	M32400767	PROTEZIONE CARDANO	CARDAN SAFETY			
55	F01020436	VITE M8X1,25X20 U5739 8.8ZN >	SCR. M8X1,25X20 U5739 8.8ZN	VIS M8X1,25X 20 U5739 8.8 ZN	SCHRAUBE M8X1,25X20U5739 8.8ZN	TORN. M8X1,25X20 U5739 8.8 ZN
56	F01220022	DADO M8X1,25 D980 8ZN	NUT M8X1,25 D980 8ZN	ECROU M8X 1,25 D980 8 ZN	MUTTER M8X 1,25 D980 8 ZN	TUERCA M8X 1,25 D980 8 ZN
57	M58100930	CATENELLA L=476	ASSEMBLY CHAIN DMP L=476	CHAINE L=476	KETTE L=476	CADENA L=476
58	M06400584	PERNO AGGANCI	PIN HOOK	BOULON CROCHETS	BOLZEN HAKEN	GANCHOS PERNO
59	F02010111	GHIERA AU.GUP M30X1,5 T.4H ZN>	SELF LOCKING NUT M30X1,5	COLLIER AUTOBL. M30X1,5	SELBSTSP. NUTMUTTER M30X1,5	VIROLA AUTOBL. M30X1,5
60	M37400541	AGGANCI ALI	UPPER LOCKER HOOK	CROCHET ARRET SUPERIEUR	OBNENHAKENHALTER	GANCHO DEL CIERRE SUPERIOR

# TAV. 010

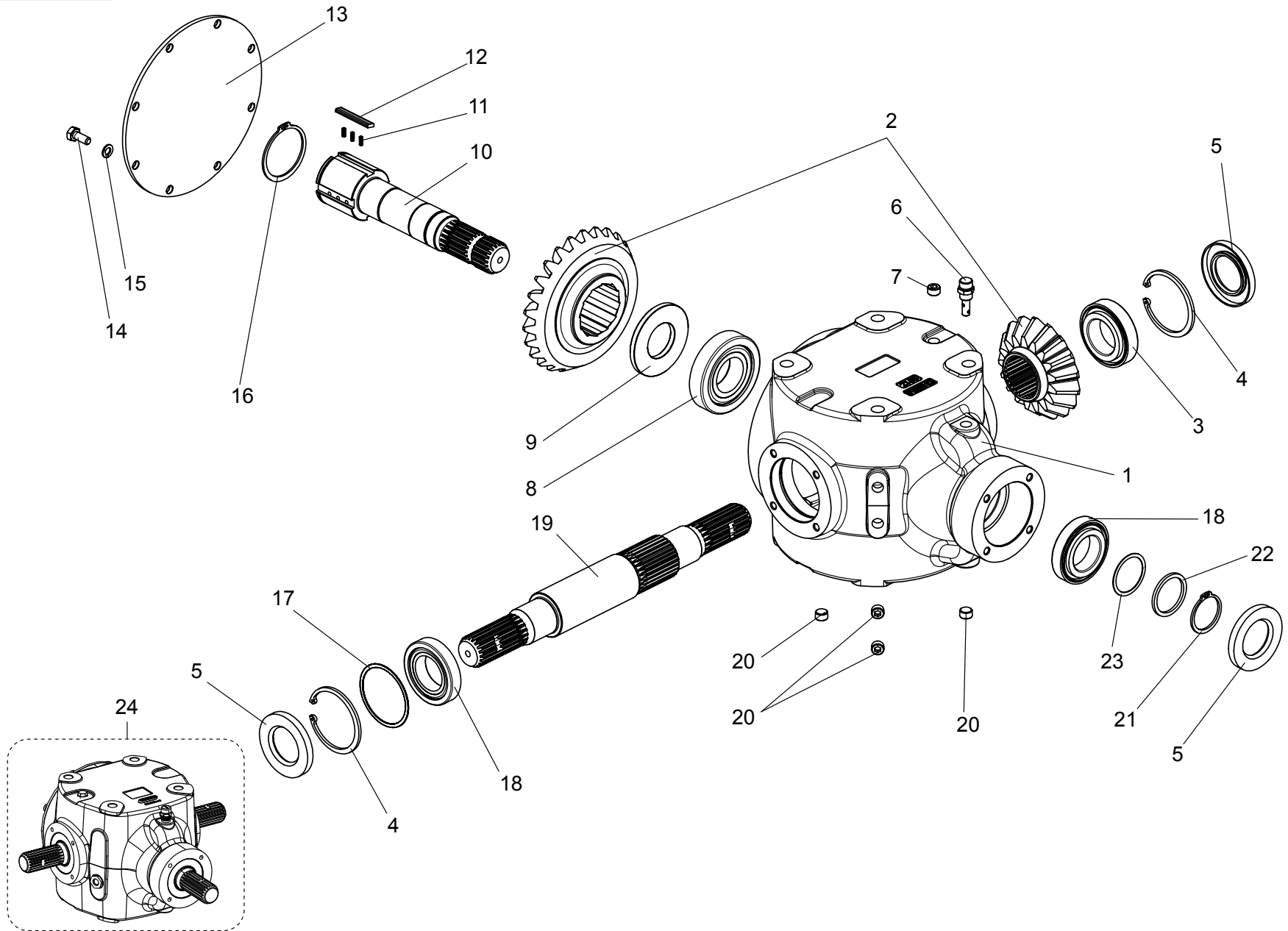


TERZO PUNTO / THIRD POINT

TAV. 010

Pos.	Cod.	Descrizione	Description	Benennung	Description	Description
61	M12400717	AGGANCIO DI SICUREZZA	SAFETY HOOK	ACCUEIL DE SÉCURITÉ	DOCKING SICHERHEIT	GANCHO SEGURIDAD
62	F01010055	VITE M12X1,25X50 U5738 8.8ZN	SCR. M12X1,25X50 U5738 8.8ZN	VIS M12X1,25X50 U5738 8.8 ZN	SCHRA.M12X1,25X50 U5738 8.8 ZN	TORN. M12X1,25X50 U5738 8.8 ZN
63	F01470022	ROS.T 12,2X28X1,50 FLZNNC-240>	WASHER 12	ROSETTE	SCHEIBE 12	ARANDELLA 12
64	F01220047	DADO M12X1,25 D980 8ZN	NUT M12X1,25 D980 8ZN	ECROU M12X1,25 D980 8 ZN	MUTTER M12X1,25 D980 8 ZN	TUERCA M12X1,25 D980 8 ZN
65	M58100711	MARTINETTO AGGANCI COMPL.T.N.>	CYLINDER D42 C60 L392	CILINDRE D42 C60 L392	ZYLINDER D42 C60 L392	CILINDRO D42 C60 L392
66	F01010053	VITE M12X1,25X45 U5738 8.8ZN	SCR. M12X1,25X45 U5738 8.8ZN	VIS M 12X1,25X45	SCHRAUBE M 12X1,25X45	TORNILLO M 12X1,25X45
67	F20030241	KIT.ET.CE TRINCIA	KIT CE LABELS MULCHERS			
68	F03100148	SERIE GUARNIZIONI PER 58100801	GASKET SET (58100801)	SERIE JOINTS	DICHTUNGSSATZ	SERIE JUNTAS
69	F03100606	KIT GUARNIZ.CILINDRO M12400807	CYLINDER GASKET KIT M12400807			
70	F03100151	SERIE GUARN.COMP.X58100854/711	GASKET SETS X 58100854/711	SERIE JOINTS X 58100854/711	DICHTUNGSSATZ X 58100854/711	SERIE JUNTAS X 58100854/711
71	M12400893	KIT VALV. M12400807-M12400803>	KIT VALVE M12400807-M12400803			
72	F01410037	ROS.M6 6,4X12,5X1,6 U6592 ZN>	WASHER M6 6,4X12,5X1,6 U6592ZN	RONDEL.M6 6,4X12,5X1,6 U6592ZN	SCHEIB.M6 6,4X12,5X1,6 U6592ZN	ARAND.M6 6,4X12,5X1,6 U6592 ZN
73	M58100222	PROLUNGA SFIATO	BREATHER PLUG 3/8" GAS	BOUCHON DE SOUPIRAIL 3/8" GAS	ENTLUEFTERSTOPFEN 3/8" GAS	TAPON RESPIRADERO 3/8" GAS
74	F01020403	VITE M6X1X16 U5739 8.8ZN	SCR. M6X1X16 U5739 8.8ZN	VIS M6X1X16 U5739 8.8 ZN	SCHRAUBE M6X1X16 U5739 8.8 ZN	TORNILLO M6X1X16 U5739 8.8 ZN
75	F01410037	ROS.M6 6,4X12,5X1,6 U6592 ZN>	WASHER M6 6,4X12,5X1,6 U6592ZN	RONDEL.M6 6,4X12,5X1,6 U6592ZN	SCHEIB.M6 6,4X12,5X1,6 U6592ZN	ARAND.M6 6,4X12,5X1,6 U6592 ZN
76	F01220011	DADO M6X1 D980 8ZN >	NUT M6X1 D980 8ZN	ECROU M6X1 D980 8 ZN	MUTTER M6X1 D980 8 ZN	TUERCA M6X1 D980 8 ZN
77	M12400115	ATTACCO CUFFIA	PROTECTION SUPPORT	SUPPORT PROTECTION CARDAN	GELENKWELLENSCHUTZ HALTER	SOPORTE PROTECCION CARDANICO
78	M10100168	PROTEZIONE CARDANO	CARDAN PROTECTION	PROTECTION CARDAN	GELENKWELLENSCHUTZ	PROTECCION CARDANICO
79	M38100147	MANICOTTO PROTEZIONE PDF 1"3/4	P.T.O. PROTECTION	MANCHON DE PROTECTION P.T.O.	ZAPFWELLENSCHUTZ P.T.O.	MANGUITO PROTECCION P.T.O.

**TAV. 020**



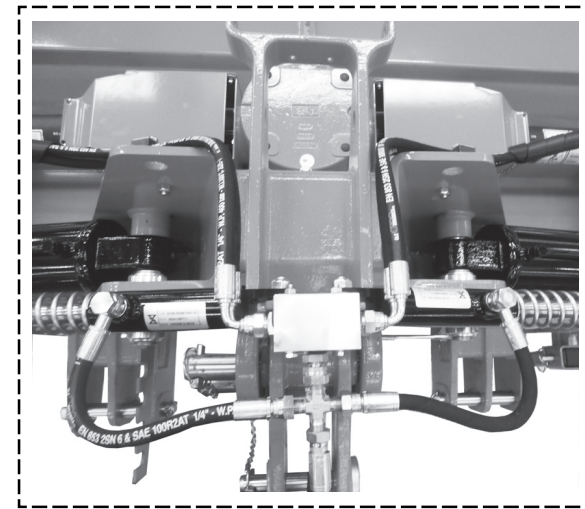
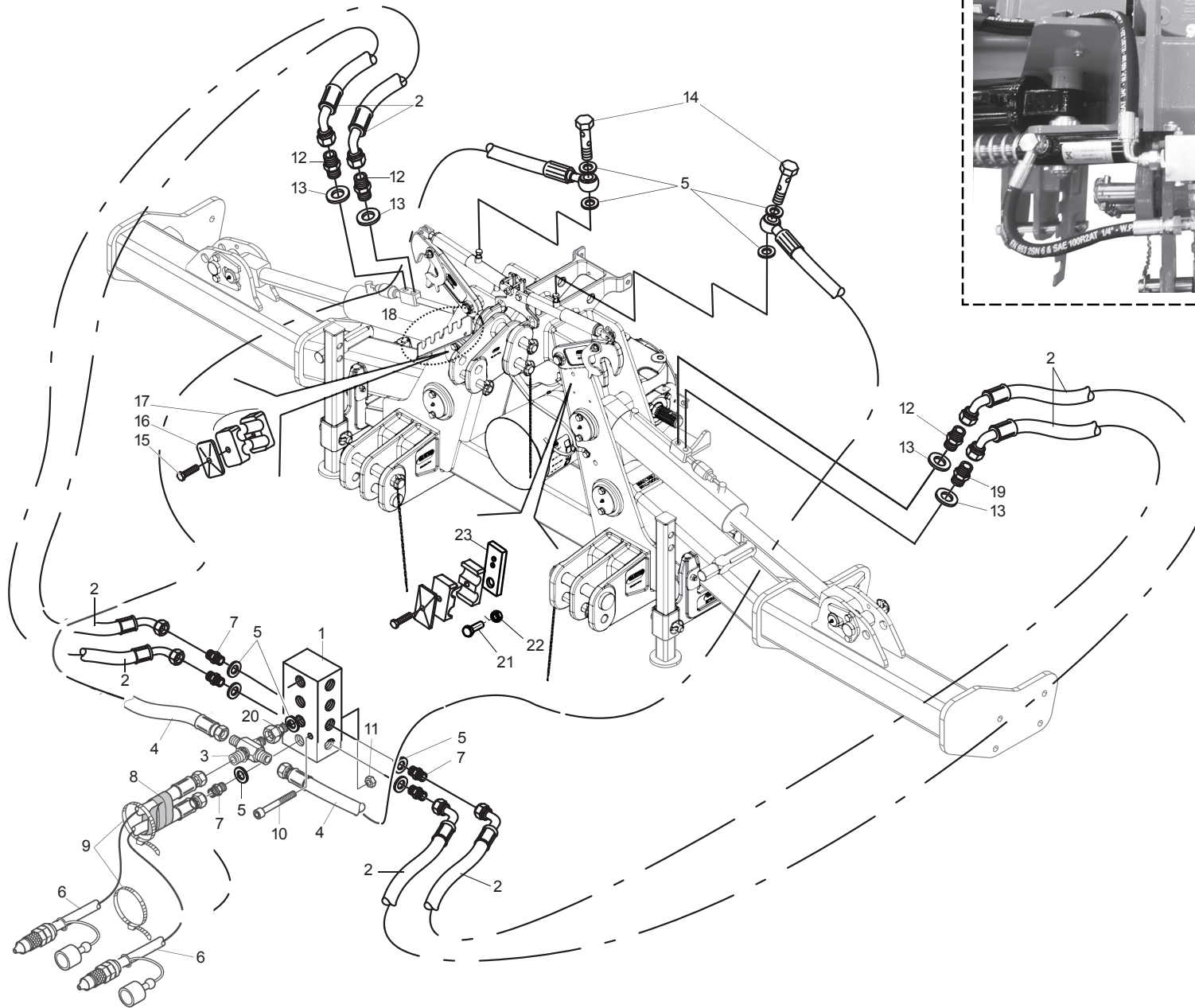


**ESPLOSO MOLTIPLICATORE / GEARBOX EXPLODED DRAWING**

**TAV. 020**

Pos.	Cod.	Descrizione	Description	Benennung	Description	Description
1	M30500221	SCATOLA 2155 G25	GEAR BOX 2155 G25			
2	M30500228	448065703 COPPIA CON. R.L.2150	BEVEL GEAR PAIR R.L.2150			
3	F04050080	CUSC.D50 D90 T24,75 32210	BEARING D50 D90 T24,75 32210	ROULEMENT D50 D90 T24,75 322	LAGER D50 D90 T24,75 32210	COJINETE D50 D90 T24,75 3221
4	F02050559	ANELLO E. DI 90X 4 U7438 C70	COMPRESSION RING D.90	ANNEAU RESSORT D.90	RING D.90	ANILLO D.90
5	F03010798	ANELLO T. 50X 90X 10 SPEC.	OIL SEAL 50X90X10	PARE-HUILE 50X90X10	OELABDICHTUNG 50X90X10	PARA-ACEITE 50X90X10
6	M30500227	373007005 TAPPO CON TUBO L.35	CAP WITH TUBE L.35			
8	F04050042	CUSC.D50 D110 T29,25 30310	BEARING 30310	ROULEMENT 30310	LAGER 30310	COJINETE 30310
9	M30500224	DISTANZ. SP. 8 MM.	SPACER SP. 8 MM.			
10	M30500223	ALBERO Z X R.L.X2155	SHAFT Z X R.L.X2155			
11	M50400905	MOLLA PER RUOTA LIBERA	SPRING FOR FREE WHEEL			
12	M30500226	298700013 PIASTRINA RL. X2050	PLATE RL. X2050			
13	M30500225	298625400 COPERCHIO C 2150	COVER C 2150			
14	F01050063	VITE M10X1,5X25 U5925 8.8ZN	SCR. M10X1,5X25 U5925 8.8ZN	VIS M 10X25	SECHSKANTSCHRAUBE M 10X25	TORNILLO M 10X25
15	F01480112	ROS.G 10,5X19X 3 FLZNNC - 240H	GROWER WASHER D.10	RONDELLE GROWER D.10	SCHEIBE GROWER D.10	ARANDELA GROWER D.10
16	F02050238	ANELLO E. DE 72X 2,5 U7435 C70	SEEGER RING			
17	M30500216	>340I09000 ANELLI SPES. I.090				
18	F04050019	CUSC.D50 D90 T21,75 30210	BEARING D50 D90 T21,75 30210	ROULEMENT 30210	LAGER 30210	COJINETE 30210
19	M30500222	ALB 2150 XY MONT.G1	SHAFT 2150 XY MONT.G1			
20	M29100112	TAPPO SCARICO OLIO	OIL OUTLET PLUG	BOUCHON DE VIDANGE HUILE	OELABLASSPFROPFEN	TAPON DESCARGADO ACEITE
21	F02050581	ANELLO E. DI 50X 3 U7436 C70	COMPRESSION RING D.50	ANNEAU RESSORT D.50	RING D.50	ANILLO D.50
22	M58100008	298405025-DISTANZ. 50.2X60.3X4	SPACER 50.2X60.3X4	ENTRETOISE 50.2X60.3X4	DISTANZSTUECK 50.2X60.3X4	DISTANCIADOR 50.2X60.3X4
23	M58100009	340E05000-ANELLI SPESS.050 *	SPACER	ENTRETOISE	DISTANZSTUECK	DISTANCIADOR
24	M32400101	SCAT.MOLTIPL. BOND. 1000 RPM	GEAR BOX BOND. 1000 RPM			

**TAV. 030**

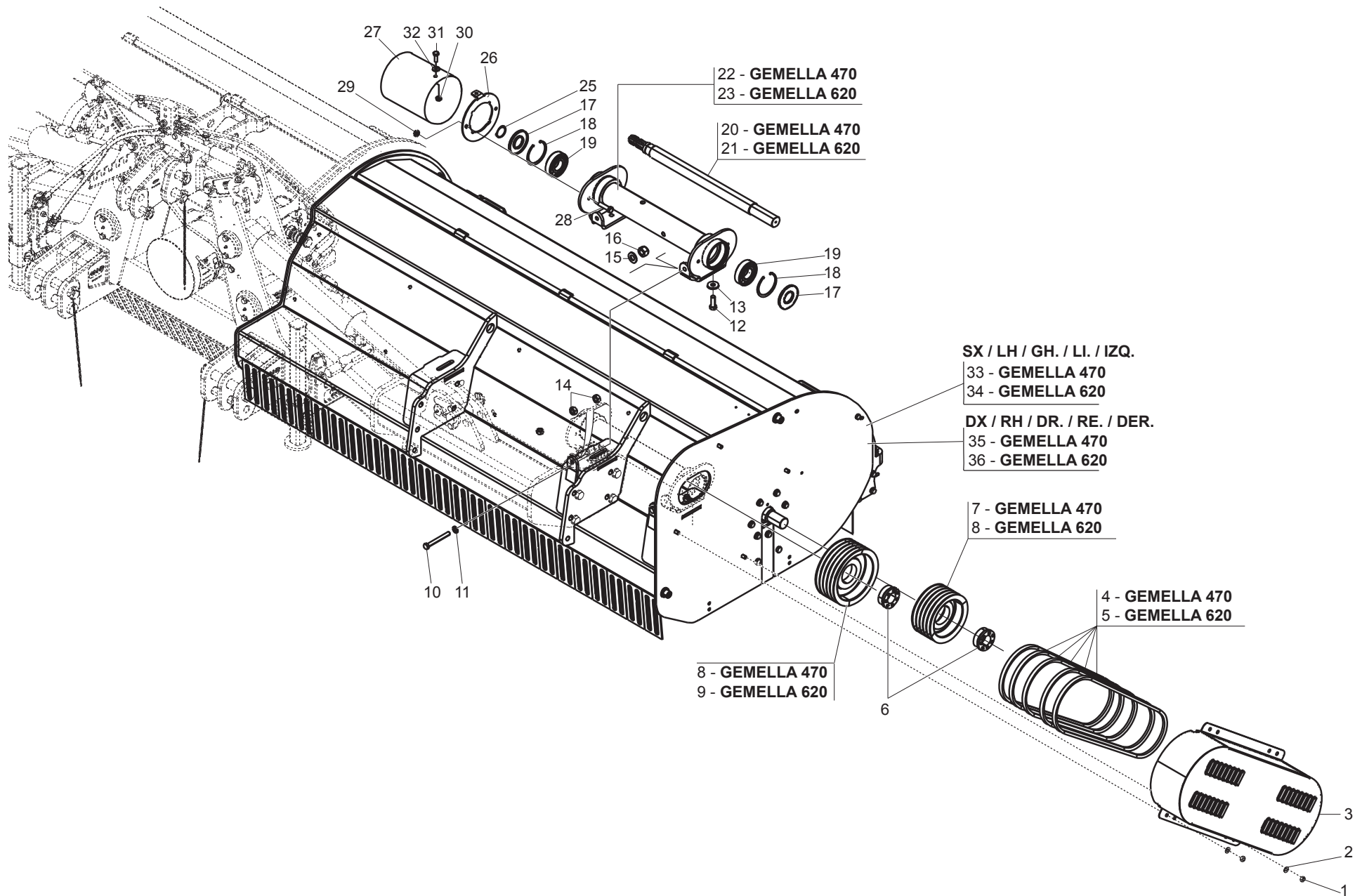


**IMPIANTO IDRAULICO / HYDRAULIC PLANT**

**TAV. 030**

Pos.	Cod.	Descrizione	Description	Benennung	Description	Description
1	M12400718	BLOCCO RACCORDI	UNION	RACCORD	ANSCHLUSSTSCK	UNIN
2	F03050295	TR 2SN 1/4" F901/4 F451/4 1050	HYDRAULIC TUBE L.1050	TUBE HYDRAUL. L.1050	HYDRAUL. ROHR L.1050	TUBO HYDRAULICO L.1050
3	F03150884	ADATT'A CROCE 4M 1/4"	CROSS ADAPTER 4M 1/4"	RACCORD 1/4	ANSCHLUSST 1/4	UNIN 1/4
4	F03050583	TR 2SN 1/4" FD1/4 FB 1/4 290	HYDRAULIC TUBE L.290	TUBE HYDRAUL. L.290	HYDRAUL. ROHR L.290	TUBO HYDRAULICO L.290
5	F03020069	RONDELLA BONDED AUTOCENT 1/4	BONDED WASHER 1/4"	RONDELLE BONDED 1/4"	BONDED SCHEIBE 1/4"	BONDED ARANDELA 1/4"
6	M58100890	PREMONT.TUB.IDR.MART.LAT. GUA	HYDRAULIC TUBE	TUBE HYDRAUL.	HYDRAUL. ROHR	TUBO HYDRAULICO
7	F03150266	NIPPLO MM CIL-CIL 1/4-1/4 ZN	NIPPLE CYL.MALE 1/4 GALV.	NIPPLE MALE CYL. 1/4 ZN	NIPPELZYL. 1/4 ZN	NIPLE MACHO CIL. 1/4 ZN
8	F03100363	GUAINA TELATA D=65 L=1300	SHEATH D=65 L=1300	GAINIE D=65 L=1300	MANTEL D=65 L=1300	VAINA D=65 L=1300
9	F05150069	FASC.NERA 9X430 RTA ART.5329	BLACK BAND	BANDE NOIR 9X430	SCHWARZER BAND 9X430	CINTA NEGRO
10	F01020043	VITE M6X1X60 U5737 8.8ZN	SCR. M6X1X60 U5737 8.8ZN	VIS M6X1X60 U5737 8.8 ZN	SCHRAUBE M6X1X60 U5737 8.8 ZN	TORNILLO M6X1X60 U5737 8.8 ZN
11	F01220011	DADO M6X1 D980 8ZN	NUT M6X1 D980 8ZN	ECROU M6X1 D980 8 ZN	MUTTER M6X1 D980 8 ZN	TUERCA M6X1 D980 8 ZN
12	F03150310	NIPPLO MM CIL-CIL 3/8-1/4 ZN	NIPPLE CYL.MALE3/8-1/4 ZN	NIPPLE MALE CYL.3/8-1/4 ZN	NIPPELZYL.3/8-1/4 ZN	NIPLE MACHO CIL.3/8-1/4 ZN
13	F03020070	RONDELLA BONDED AUTOCENT 3/8	AUTOCENT BONDED WASHER 3/8	RONDELLE BONDED AUTOCENT 3/8	SCHEIBE BONDED AUTOCENT 3/8	ARANDELA BONDED AUTOCENT 3/8
14	F03151051	VITE FORATA 1/4" L=24/32	PIERCED SCREW 1/4" GAS	BOULON PERCE 1/4" GAS	GEBORTE MUTTERSCHRAUBE 1/4"GAS	PERNO HORADO 1/4" GAS
15	F01020450	VITE M8X1,25X40 U5739 8.8ZN	SCR. M8X1,25X40 U5739 8.8ZN	VIS M8X1,25X40 U5739 8.8ZN	SCHRA. M8X1,25X40 U5739 8.8ZN	TORN. M8X1,25X40 U5739 8.8ZN
16	F03150993	PIATTO X COLLARE SUPERIORE ZN	PLATE	PLAT	PLATTE	PLATO
17	F03150992	COPPIA COLLARI X TUBO D.16	DOUBLE SUPPORT	SUPPORT DOUBLE	DOPPELHALTER	SOPORTE DOBLE
18	M58100448	STAFFA PORTATUBI IDRAULICI	SPACER SUPPORTING STIRRUP	ETRIER SUPPORT ENTRETOISE	DISTANZSTUECKHALTERBUEGEL	ESTRIBO SOPORTE DISTANCIADOR
19	F20120068	NIPPLO MM 3/8 1/4 CON STROZ.ZN	NIPPLE MM 3/8 1/4 CON STROZZ	NIPPLE MM 3/8 1/4	NIPPEL MM 3/8 1/4	NIPLE MM 3/8 1/4
20	F03020030	NIPPLO MF GIR BSP1/4-19X1/4-19	MALE/FEMAL.NIPPLE1/4-19X1/4-19			
21	F01010291	VITE M12X1,25X40 U5740 8.8ZN	SCR. M12X1,25X40 U5740 8.8ZN	VIS M12X1,25X40 U5740 8.8 ZN	SCHR.M12X1,25X40 U5740 8.8 ZN	TORN. M12X1,25X40 U5740 8.8 ZN
22	F01220047	DADO M12X1,25 D980 8ZN	NUT M12X1,25 D980 8ZN	ECROU M12X1,25 D980 8 ZN	MUTTER M12X1,25 D980 8 ZN	TUERCA M12X1,25 D980 8 ZN
23	M76100598	PIATTO	PLATE 85X30	PLAT	PLATTE	PLATO

**TAV. 040**



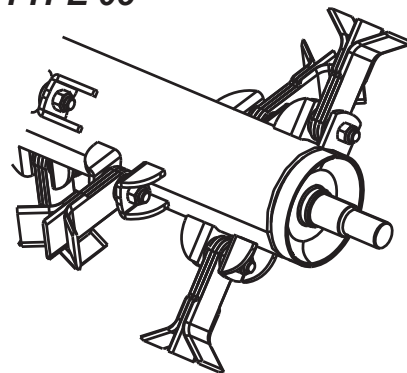
TRASMISSIONE LATERALE / SIDE TRANSMISSION

TAV. 040

Pos.	Cod.	Descrizione	Description	Benennung	Description	Description
1	F01220047	DADO M12X1,25 D980 8ZN	NUT M12X1,25 D980 8ZN	ECROU M12X1,25 D980 8 ZN	MUTTER M12X1,25 D980 8 ZN	TUERCA M12X1,25 D980 8 ZN
2	F01410076	ROS.M12 13X 24X2,5 U6592 ZN	WASHER 12 13X 24X2,5 U6592 ZN	RONDEL. M12 13X24X2,5 U6592 ZN	SCHEIBE M12 13X24X2,5 U6592 ZN	ARANDELA M12 13 X24X2,5 ZN
3	M63400305	COMP.CARTER LEOPARD ST	CARTER LEOPARD ST			
4	F06010041	CINGHIA SPBX L=1700	BELT SPBX L=1700		RIEMEN SPBX L=1700	
5	F06010067	CINGHIA XPB L=1800	BELT L=1800	COURROIE L=1800	RIEMEN L=1800	CORREA L=1800
6	F06060039	CALETTATORE AUTOCENTR.45X80	SELF CENTR.CLAMP.EL.45X80	EMBOITEMENT AUTOBLOCANT 45X80		
7	T40005128	PULEGGIA D=200 5V	PULLEY	POULIE	SCHEIBE	ROLDANA
8	T30003003	PULEGGIA D=236 5V	PILLEY D=236 5V			
9	T40005120	PULEGGIA D=250 5V	PULLEY TORNADO 230-250-280	POULIE TORNADO 230-250-280	SCHEIBE TORNADO 230-250-280	POLEA TORNADO 230-250-280
10	F01020550	VITE M14X2X120 U5739 8.8ZN	SCR. M14X2X120 U5739 8.8ZN	VIS M14X2X120	SCHRAUBE M14X2X120	TORNILLO M14X2X120
11	F01410088	ROS.M14 15X 28X2,5 U6592 ZN	WAS.M14 15X 28X2,5 U6592 ZB	RON.M14 15X 28X2,5 U6592 ZB	SCH.M14 15X 28X2,5 U6592 ZB	ARA.M14 15X 28X2,5 U6592 ZB
12	F01010341	VITE M16X1,5X45 U5740 8.8ZN	SCR. M16X1,5X45 U5740 8.8ZN	VIS M16X1,5 X45 U5740 8.8 ZN	SCHR.M16X1,5 X45 U5740 8.8 ZN	TORN.M16X1,5 X45 U5740 8.8 ZN
13	F01500023	ROS. 17 X45X6 D6340 C50 ZD	ELASTIC DISK	DISQUE ELASTIQUE	ELASTISCHE SCHEIBE	DISCO ELASTICO
14	F01200306	DADO M14X2 U5588 6.8ZN	NUT M14X2 U5588 6.8ZN	ECROU M14X2	MUTTER M14X2	DADO M14X2
15	F01410088	ROS.M14 15X 28X2,5 U6592 ZN	WAS.M14 15X 28X2,5 U6592 ZB	RON.M14 15X 28X2,5 U6592 ZB	SCH.M14 15X 28X2,5 U6592 ZB	ARA.M14 15X 28X2,5 U6592 ZB
16	F01230073	DADO M14X2 D982 8ZN	SELF LOCK NUT M14X2 D982 8ZN	ECROU AUTOBL. M14X2 D982 8ZN	SELBSTSP.MUTT. M14X2 D982 8ZN	TUERCA AUTOBL. M14X2 D982 8ZN
17	F03010291	ANEL. T.AS 45X100X 8 D3760NBR	RING T.AS 45X100X 8 D3760NBR	BAGUE T.AS 45X100X 8 D3760NBR	SCHUTZRING 45X100X 8 D3760NBR	ANILLO T.A 45X100X 8 D3760NBR
18	F02050471	ANELLO E. DI100X 3 U7437 C70	SEEGER RING D.100	BAGUE SEEGER D.100	SEEGERRING D.100	ANILLO SEEGER D.100
19	F04010222	CUSC.D45 D100 B25 6309	BEARING D45 D100 B25 6309	ROULEMENT 6309	LAGER 6309	COJINETE 6309
20	M32423204	ALBERO DI RINVIO D.50 L.798	SHAFT D.50 L.798			
21	M32431204	ALBERO DI RINVIO D.50 L.1415,5	SHAFT D.50 L.1415,6			
22	M32423202	DISTANZ.LATO TRASM. L=548	TRANSM. SIDE SPACER L=548			
23	M32431202	DISTANZ.LATO TRASM. L=1165,5	TRANSM. SIDE SPACER L=1165,5			
24	F03150719	TAPPO 3/8 GAS	GAS CAP 3/8	BOUCHON	DECKEL	CORCHO
25	F02050191	ANELLO E. DE 45X1,75 U7435 C70	RING 45X1,75 U7435 C70	BAGUE ELASTIQUE UNI 7435	EXT.RING DE 45X1,75 U7435 C70	ANILLO DE 45X1,75 U7435 C70
26	M32400763	ATTACCO PROTEZIONE	ATTACK PROTECTION			
27	M72400907	PROTEZ. CARD. D=190 L=250	CARDAN PROTECTION D=190 L=250			
28	F01010244	VITE M10X1,25X25 U5740 8.8ZN	SCR. M10X1,25X25 U5740 8.8ZN	VIS M 10X1,25X25	SCHRAUBE M 10X1,25X25	TORNILLO M 10X1,25X25
29	F01220034	DADO M10X1,25 D980 8ZN	NUT M10X1,25 D980 8ZN	ECRO.M10X1,25 D980 8 ZB	MUTT.M10X1,25 D980 8 ZB	TUER.M10X1,25 D980 8 ZB
30	F01200268	DADO M10X1,25 U5588 6SN	NUT M10X1,25 U5588 6SN	ECROU M10X1,25	MUTTER M10X1,25	TUER. M10X1,25
31	F01020470	VITE M10X1,5X20 U5739 8.8ZN	SCR. M10X1,5X20 U5739 8.8ZN	VIS M10X1,5X20 U5739 8.8 ZN	SCHRAUBE M10X1,5X20 U5739 ZN	TORNILLO M10X1,5X20 U5739 8.8ZN
32	F01410064	ROS.M10 10,5X 20X 2 U6592 ZN	WASHER M10 10,5X20X2 U6592 ZN	RONDEL. M10 10,5X20X2 U6592 ZN	SCHEIBE M10 10,5X20X2 U6592 ZN	ARANDEL.M10 10,5X20X2 U6592 ZN
33	M32423506	TELAIO SX GEMELLA 470	LEFT FRAME GEMELLA 470			
34	M32431506	TELAIO SX GEMELLA 620	LEFT FRAME GEMELLA 620			
35	M32423505	TELAIO DX GEMELLA 470	RIGH FRAME GEMELLA 470			
36	M32431505	TELAIO DX GEMELLA 620	RIGH FRAME GEMELLA 620			

# TAV. 050

## TYPE 05



13 - GEMELLA 470  
14 - GEMELLA 620

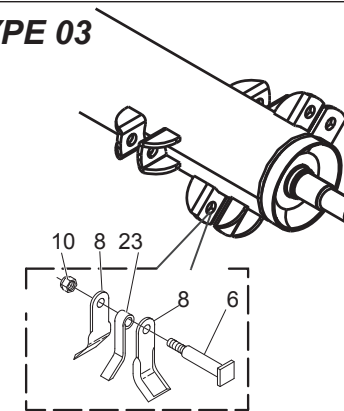
*DX / RH / DRT. / RE. / DER.*

19 - GEMELLA 470  
20 - GEMELLA 620

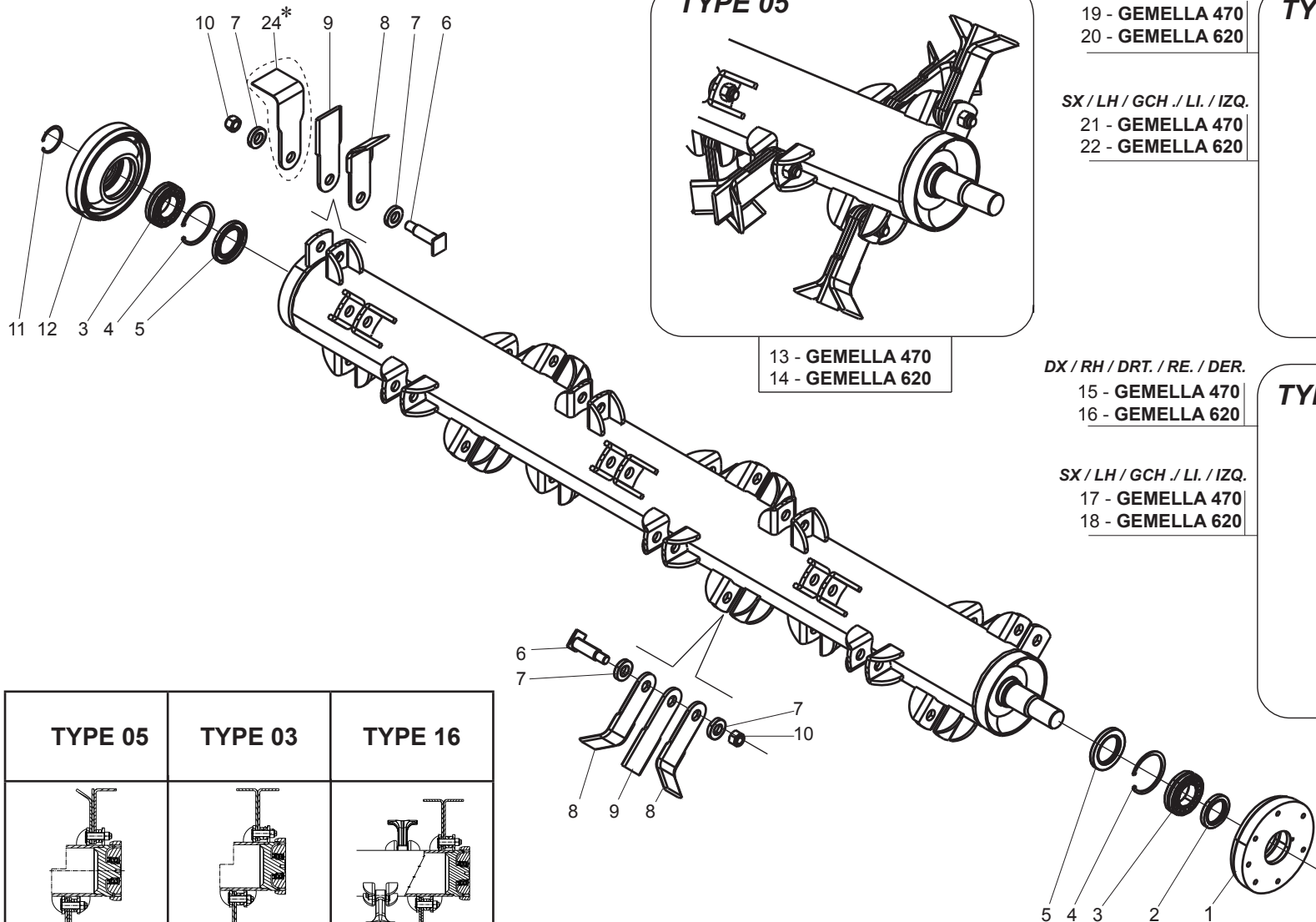
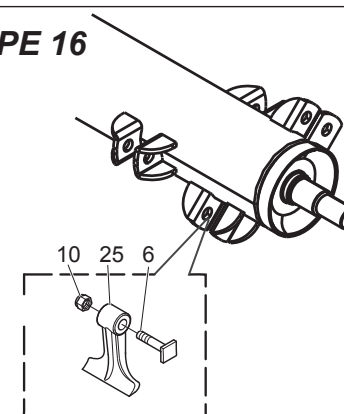
*SX / LH / GCH. / LI. / IZQ.*

21 - GEMELLA 470  
22 - GEMELLA 620

## TYPE 03



## TYPE 16



TYPE 05	TYPE 03	TYPE 16
<p>*Posizione del coltello N.°24 sul rotore lato interno *Position of blade N.°24 on rotor inner side.</p>		

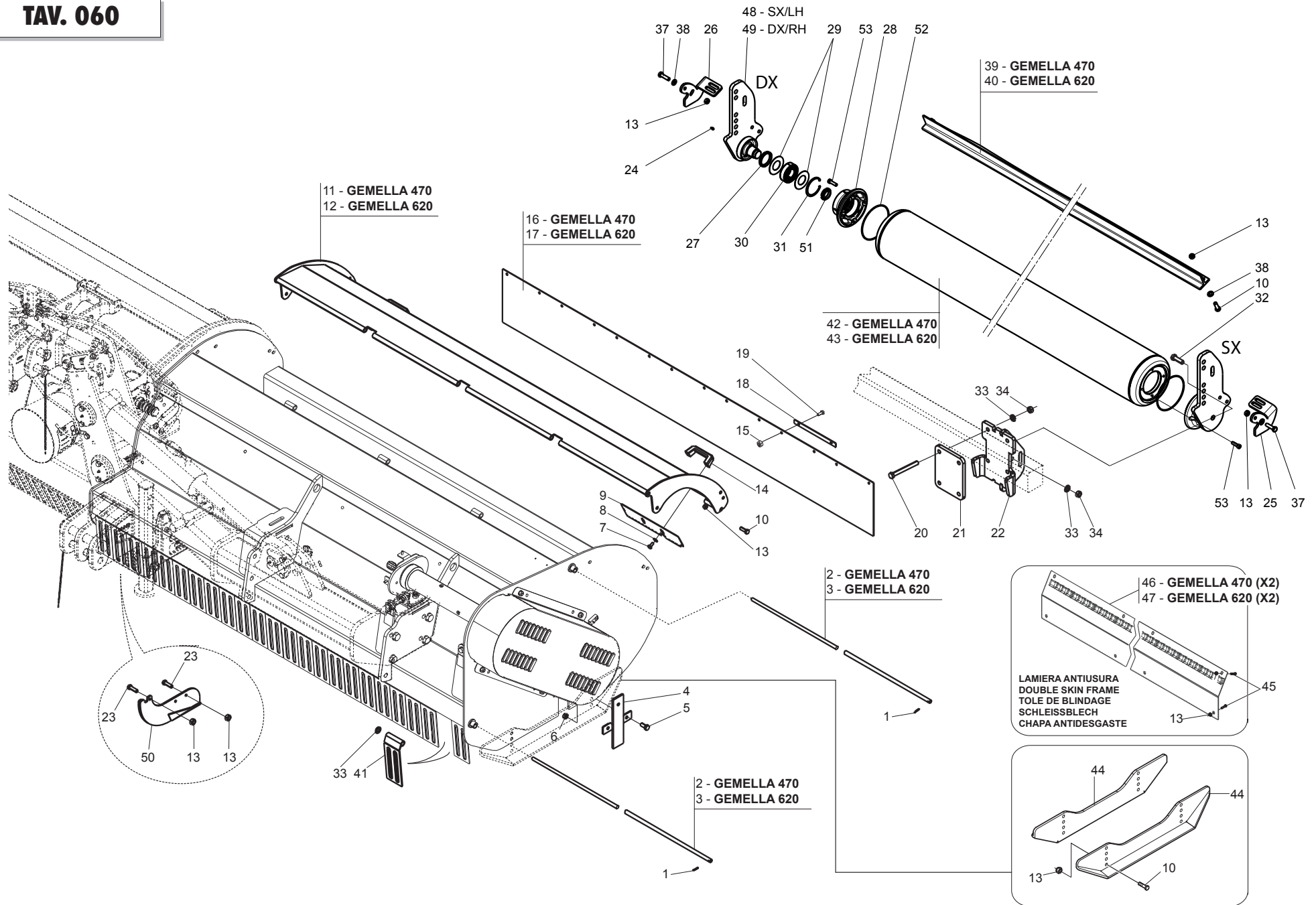
ROTORE ED UTENSILI / ROTOR AND BLADES

TAV. 050

Pos.	Cod.	Descrizione	Description	Benennung	Description	Description
1	M03400456	SUPPORTO ROTORE SX	LEFT ROTOR SUPPORT			
2	F03010313	ANELLO T.AS 55X 80X10 D3760NBR	OIL SEAL 55X 80X10 D3760NBR	BAGUE T.AS 55X 80X10 D3760NBR	SCHUTZRING 55X 80X10 D3760NBR	ANILLO T.AS 55X 80X10 D3760NBR
3	F04010033	CUSC.D55 D100 B25 22211	BEARING D55 D100 B25	ROULEMENT D55 D100 B25	LAGER D55 D100 B25	COJINETE D55 D100 B25
4	F02050471	ANELLO E. DI100X 3 U7437 C70	SEEGER RING D.100	BAGUE SEEGER D.100	SEEGERRING D.100	ANILLO SEEGER D.100
5	F03010218	ANELLO T.A. 65X100X10 D3760NBR	OIL SEAL 65X100X10	PARE-HUILE 65X100X10 D3760NBR	OELABDICHTUNG 65X100X10 D3760	ANILLO 65X100X10
6	T40005131	PERNO COLTELLI ZN	BLADE PIN ZN	GOUJON COUTEAUX ZN	BOLZEN	PERNO
7	T40005140	DISTANZIALE COLTELLO DIRITTO	SPACER	ENTRETOISE COUTEAU DROIT	DISTANZSTUECK	ARANDELA CUCHILLO
8	T40005142	COLTELLO A Y L=210	BLADE Y L=210	COUTEAU Y L=210	MESSER Y L=210	CUCHILLA Y L=210
9	T40005141	COLTELLO DIRITTO L=210	KNIFE STRAIGHT L=210	COUTEAU DROIT L=210	MESSER L=210	CUCHILLA L=210
10	F01230258	DADO M20X 1,5 U7474 8S ZN	SELF LOCKING NUT M20X1,5	ECROU AUTOBL. M20X1,5	SELBSTSPERR.MUTTER M20X1,5	DADO AUTOBL. M20X1,5
11	F02050215	ANELLO E. DE 55X 2 U7435 C70	RET. RING FOR SHAFT 55X2 U7435	BAGUE ELASTIQUE UNI 7435	RING 55X 2 U7435 C70	ANILLO UNI 7435
12	M03400455	SUPPORTO ROTORE DX	RIGHT ROTOR SUPPORT			
13	M32423407	ASS.ROTORE ELIC. C05 230*RIC.	COMPLETE ROTOR BLADES* 05	ROTOR COMPL. COUTEAUX* 05	LAEUFER KOMPL. MESSER* 05	ROTOR COMPL. CUCHILLAS* 05
14	M32431407	ASS.ROTORE ELIC. C05 310*RIC.	COMPLETE ROTOR BLADES* 05	ROTOR COMPL. COUTEAUX* 05	LAEUFER KOMPL. MESSER* 05	ROTOR COMPL. CUCHILLAS* 05
15	M32423408	ASS.ROTORE ELI.M16 230 DX*RIC.	COMPLETE ROTOR HAMMER* 16 RH	ROTOR COMPL. MARTEAUX* 16 DR.	LAEUFER KOMPL.SCHLEG.*16 RE.	ROTOR COMPL. MARTILLOS* 16 DER.
16	M32431408	ASS.ROTORE ELI.M16 310 DX*RIC.	COMPLETE ROTOR HAMMER* 16 RH	ROTOR COMPL. MARTEAUX* 16 DR.	LAEUFER KOMPL.SCHLEG.*16 RE.	ROTOR COMPL. MARTILLOS* 16 DER.
17	M32423409	ASS.ROTORE ELI.M16 230 SX*RIC.	COMPLETE ROTOR HAMMER* 16 LH	ROTOR COMPL. MARTEAUX* 16 GH.	LAEUFER KOMPL.SCHLEG.*16 LI.	ROTOR COMPL. MARTILLOS* 16 IZQ.
18	M32431409	ASS.ROTORE ELI.M16 310 SX*RIC.	COMPLETE ROTOR HAMMER* 16 LH	ROTOR COMPL. MARTEAUX* 16 GH.	LAEUFER KOMPL.SCHLEG.*16 LI.	ROTOR COMPL. MARTILLOS* 16 IZQ.
19	M32423410	ASS.ROTORE ELI.C03 230 DX*RIC.	COMPLETE ROTOR BLADES* 03 RH	ROTOR COMPL. COUTEAUX* 03 DR.	LAEUFER KOMPL. MESSER* 03 RE.	ROTOR COMPL. CUCHILLAS* 03 DER.
20	M32431410	ASS.ROTORE ELI.C03 310 DX*RIC.	COMPLETE ROTOR BLADES* 03 RH	ROTOR COMPL. COUTEAUX* 03 GH.	LAEUFER KOMPL. MESSER* 03 RE.	ROTOR COMPL. CUCHILLAS* 03 DER.
21	M32423411	ASS.ROTORE ELI.C03 230 SX*RIC.	COMPLETE ROTOR BLADES* 03 LH	ROTOR COMPL. COUTEAUX* 03 GH.	LAEUFER KOMPL. MESSER* 03 LI.	ROTOR COMPL. CUCHILLAS* 03 IZQ.
22	M32431411	ASS.ROTORE ELI.C03 310 SX*RIC.	COMPLETE ROTOR BLADES* 03 LH	ROTOR COMPL. COUTEAUX* 03 GH.	LAEUFER KOMPL. MESSER* 03 LI.	ROTOR COMPL. CUCHILLAS* 03 IZQ.
23	T40005143	COLTELLO INTERMEDIO	STRAIGHT BLADE	LAM DROIT	GERADE MESSER	RECHTAS COUCHILLAS
24	M02400401	COLTELLO A L LUNGO 85	L BLADE 85			
25	T30004025	MAZZA STAMPATA	HAMMER	MARTEAUX	SCHLEGEL	MARTILLO

\*ROTORI SENZA SUPPORTI / ROTORS WITHOUT SUPPORTS

# TAV. 060

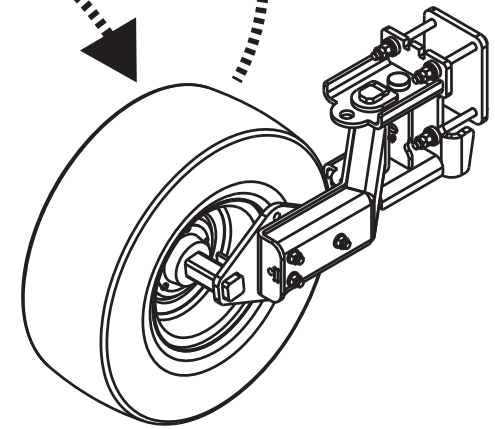
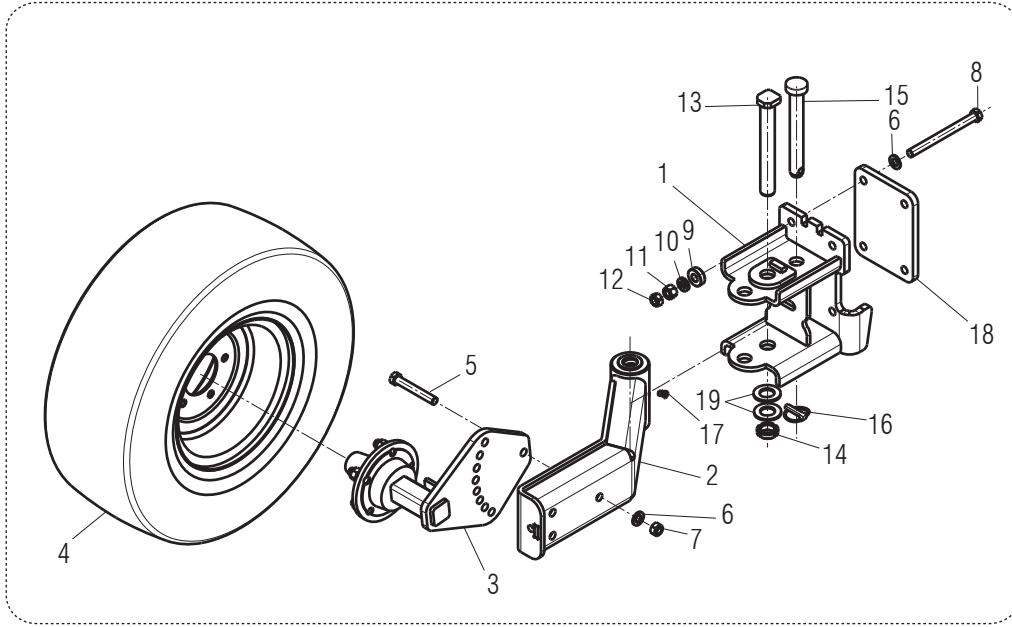
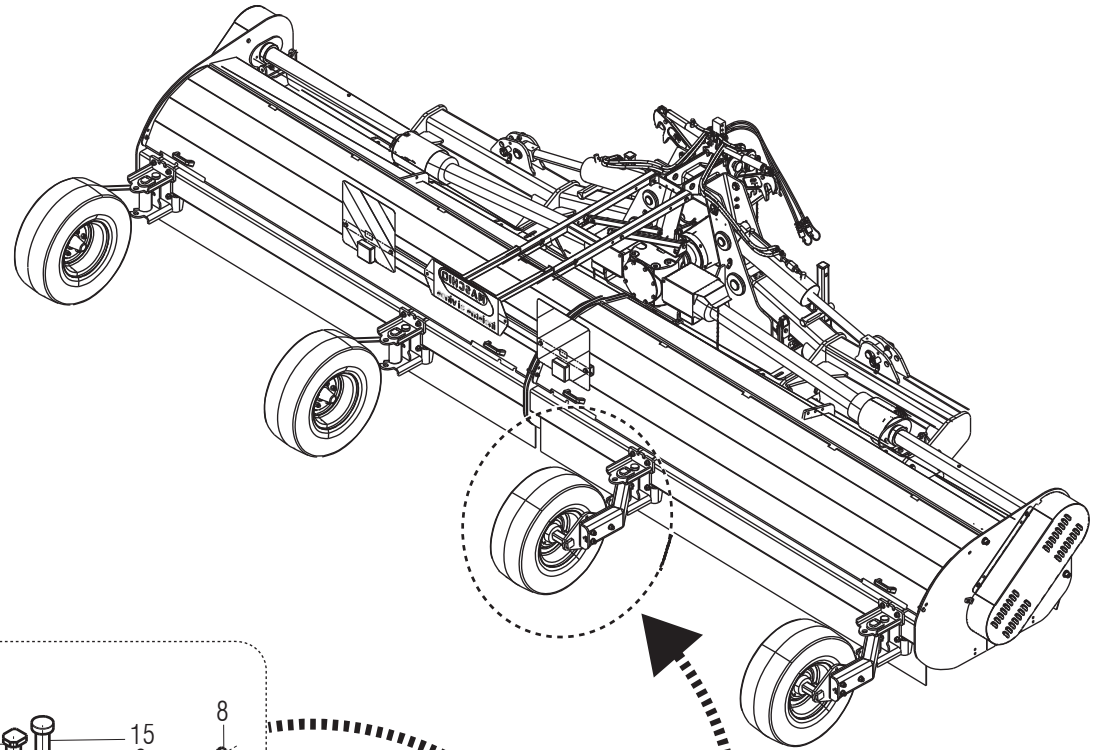




**RULLO E COFANI POSTERIORI / REAR ROLLER AND BONNETS**

**TAV. 060**

Pos.	Cod.	Descrizione	Description	Benennung	Description	Descrpcion
1	F02100114	SPINA E.P. 6X 30 U6873 C70 BR	ELASTIC PIN 6X30	GOUJON ELASTIQUE 6X30	SPANNHUELSE 6X30	ESPIÑA ELÁSTICA 6X30
2	T40235032	ASTA PER COPERCHIO 230 ZN	ROD 230 ZN	BARRE SUPPORT 230 ZN	STANGE 230 ZN	ASTA SOPORTE 230 ZN
3	T40315032	ASTA PER COPERCHIO MS310	ROD MS310	TIGE MS310	STANGE MS310	VARILLA MS310
4	M31400558	COMP.CHIUSURA ROTORE TORNADO	PLATE	PLAQUETTE	PLATTE	PLAQUITA
5	F01010313	VITE M14X1,5X30 U5740 8.8ZN	SCR. M14X1,5X30 U5740 8.8ZN	VIS M 14X1,5X30	SCHRAUBE M 14X1,5X30	TORNILLO M 14X1,5X30
6	F01220059	DADO M14X1,5 D980 8ZN >	NUT M14X1,5 D980 8ZN	ECROU M14X 1,5 D980 8 ZN	MUTTER M14X 1,5 D980 8 ZN	TUERCA M14X 1,5 D980 8 ZN
7	F01020432	VITE M8X1,25X16 U5739 8.8ZN >	SCR. M8X1,25X16 U5739 8.8ZN	VIS M8 X1,25X16 U5739 8.8 ZN	SCHRAUBE M8X1,25X16U5739 8.8ZN	TORNILLO M8X1,25X16U5739 8.8ZN
8	F01410051	ROS.M8 8,4X 17X1,6 U6592 ZN >	WASHER M8 8,4X17X1,6 U6592 ZN	RONDELLE M8 8,4X17X1,6 U6592ZN	SCHLEIBE M8 8,4X17X1,6 U6592 ZN	ARANDELA M8 8,4X17X1,6 U6592ZN
9	M32400806	PROTEZIONE POSTERIORE COFANO	REAR CARTER PROTECTION			
10	F01010288	VITE M12X1,25X35 U5740 8.8ZN	SCR. M12X1,25X35 U5740 8.8ZN	VIS M12X1,25X35 U5740 8.8 ZN	SCHR.M12X1,25X35 U5740 8.8 ZN	TORN.M12X1,25X35 U5740 8.8 ZN
11	M32423702	COFANO POST.GEMELLA 230	REAR BONNET GEMELLA 230			
12	M32431702	COFANO POST.GEMELLA 310	REAR BONNET GEMELLA 310			
13	F01220047	DADO M12X1,25 D980 8ZN	NUT M12X1,25 D980 8ZN	ECROU M12X1,25 D980 8 ZN	MUTTER M12X1,25 D980 8 ZN	TUERCA M12X1,25 D980 8 ZN
14	F05150112	MANIGLIA INTERAS. 117 FORO 8MM	HANDLE	POIGNEE	HANDGRIFF	MANILLA
15	F01220022	DADO M8X1,25 D980 8ZN	NUT M8X1,25 D980 8ZN	ECROU M8X 1,25 D980 8 ZN	MUTTER M8X 1,25 D980 8 ZN	TUERCA M8X 1,25 D980 8 ZN
16	M31423560	PROTEZ. POST.PVC TORNADO 230	REAR PROTECTION 230	PROTECTION ARRIERE 230	HINTERER SCHUTZ 230	PROTECCION TRASERA 230
17	M31431560	PROTEZ. POST.PVC TORNADO 310	REAR PROTECTION 310	PROTECTION ARRIERE 310	HINTERER SCHUTZ 310	PROTECCION TRASERA 310
18	M07400953	PIATTO PER ATTACCO GOMMA	PLATE	PLAT	PLATTE	PLATO
19	F01020436	VITE M8X1,25X20 U5739 8.8ZN >	SCR. M8X1,25X20 U5739 8.8ZN	VIS M8X1,25X 20 U5739 8.8 ZN	SCHRAUBE M8X1,25X20U5739 8.8ZN	TORN. M8X1,25X20 U5739 8.8 ZN
20	F01010132	VITE M16X1,5X150 U5738 8.8ZN	SCR. M16X1,5X150 U5738 8.8ZN	VIS M 16X1,5X150	SCHRAUBE M 16X1,5X150	TORNILLO M 16X1,5X150
21	M63400619	PIASTRA SCINTRO DI FIX	PLATE FIXATION			
22	M63400606	COMPOSTO ATTACCO RULLO SX	COMPLETE LEFT ROLLER LINKAGE			
23	F01010283	VITE M12X1,25X30 U5740 8.8ZN	SCR. M12X1,25X30 U5740 8.8ZN	VIS M 12X1,25X30	SCHRAUBE M 12X1,25X30	TORNILLO M 12X1,25X30
24	F01100011	ING.M 6X1 7663-A 9SMNPB28 ZN >	GREASE NIPPLE M6X1 7663-A ZN	GRAISS. A BILLE M6X1 7663A ZN	SCHMIERBUECHE M6X1 7663-A ZN	ENGRAS. DE ESFE. M6X1 7663-AZN
25	M31400631	STAFFA RASCHIATERRA DX	SCRAPER CLAMP DX			
26	M31400632	STAFFA RASCHIATERRA SX	SCRAPER CLAMP DX			
27	F03010160	ANELLO T.A. 50X 65X 8 D3760NBR	OIL SEAL 50X65X8	PARE-HUILE 50X65X8	OELABDICHTUNG 50X65X8	PARA-ACEITE 50X65X8
28	M30400607	SUPPORTO CUSCINETTO RULLO	ROLLER BEARING SUPPORT			
29	M30400617	ROSETTA SPESS. D=80 D=42 0,5	WASHER SPACER D=80 D=42 0,5			
30	F04010327	CUSC.D40 D80 B23 62208 2RS1	BEARING D40 D80 B23 62208 2RS2			
31	F02050425	ANELLO E. DI 80X 2,5 U7437 C70	SEEGER RING D.80	BAGUE SEEGER D.80	SEEGERRING D.80	ANILLO SEEGER D.80
32	F01010114	VITE M16X1,5X50 U5738 8.8 ZN >	SCR. M16X1,5X50 U5738 8.8ZN	VIS M 16X1,5X50 U5738 8.8 ZN	SCHRAU. M16X1,5X50 U5738 8,8ZN	TORN. M16X1,5X50 U5738 8.8 ZN
33	F01410100	ROS.M16 17X 30X 3 U6592 ZN >	WASHER M16 17X30X3 U6592 ZN	RONDELLE M16 17X30X3 U6592 ZN	SCHRAUBE M16 17X 30X3 U6592 ZN	ARANDELA M16 17X30X 3 U6592 ZN
34	F01220070	DADO M16X1,5 D980 10ZN	NUT M16X1,5 D980 8ZN	ECRO.M16X1,5 D980 8ZN	MUTTER M16X1,5 D980 8ZN	TUER.M16X1,5 D980 8ZN
35	F01100011	ING.M 6X1 7663-A 9SMNPB28 ZN >	GREASE NIPPLE M6X1 7663-A ZN	GRAISS. A BILLE M6X1 7663A ZN	SCHMIERBUECHE M6X1 7663-A ZN	ENGRAS. DE ESFE. M6X1 7663-AZN
36	F05100193	CAPPUCCIO 5,95X19,05 GIALLO	CAP	BOUCHON	DECKEL	CORCHO
37	F01010053	VITE M12X1,25X45 U5738 8.8ZN	SCR. M12X1,25X45 U5738 8.8ZN	VIS M 12X1,25X45	SCHRAUBE M 12X1,25X45	TORNILLO M 12X1,25X45
38	F01410076	ROS.M12 13X 24X2,5 U6592 ZN >	WASHER 12 13X 24X2,5 U6592 ZN	RONDEL. M12 13X24X2,5 U6592 ZN	SCHLEIBE M12 13X24X2,5 U6592 ZN	ARANDELA M12 13 X24X2,5 ZN
39	M31420619	RASCHIA FANGO L=1978	SCRAPER			
40	M31428619	RASCHIA FANGO L=2732	SCRAPER			
41	M31400550	BANDELLA PROTEZIONE L=93 ZN 0>	PROTECTION BAR	BANDE PROTECTION	SCHUTZWORNE	ALETA PROTECCION
42	M27720606	RULLO POSTERIORE MOD.200	REAR ROLLER D=219.1			
43	M27728606	RULLO POSTERIORE MOD.280	REAR ROLLER D=219.1			
44	M31400532	SLITTA TORNADO	SKID TORNADO	GLISSIERE	GLEITKUFE	TRINEO
45	F01010281	VITE M12X1,25X25 U5740 8.8ZN	SCR. M12X1,25X25 U5740 8.8ZN	VIS M 12X1,25X25	SCHRAUBE M 12X1,25X25	TORNILLO M 12X1,25X25
46	M31423930	COMP. ANT+CONT.LAM.TORNADO 230	DOUBLE SKIN FRAME TORNADO 230	TOLE DE BLINDAGE	SCHLEISSBLECH	CHAPA ANTIDESGASTE
47	M31431930	COMP. ANT+CONT.LAM.TORNADO 310	DOUBLE SKIN FRAME TORNADO 310	TOLE DE BLINDAGE	SCHLEISSBLECH	CHAPA ANTIDESGASTE
48	M32400610	STAFFA RULLO SX CARP.NO SUPP.	ROLLER PLATE L.			
49	M32400609	STAFFA RULLO DX CARP.NO SUPP.	ROLLER PLATE R.			
50	M32400743	CONVOGLIATORE	CONVEYOR			
51	F02010022	GHIERA AU.GUK M35X1,5 T.4H ZN>	SELF LOCKING NUT M35X1,5	COLLIER AUTOBL. M35X1,5	SELBSTSP. NUTMUTTER M35X1,5	VIROLA AUTOBL. M35X1,5
52	F03010758	ANEL. OR 148,82X3,53 NBR 70	GASKET OR 148,82X3,53 NBR 70	BAGUE OR 148,82X3,53 NBR 70	RING OR 148,82X3,53 NBR 70	ANILLO OR 148,82X3,53 NBR 70
53	F01040110	VITE M10X1,25X35 U5931 8.8ZN >	SCR. M10X1,25X35 U5931 8.8ZN	VIS M10X1,25X35 U5931 8.8 ZN	SCHRAUBE M10X1,25X35 U5931 8.8	TORNILLO M10X1,25X35 U5931 8.8

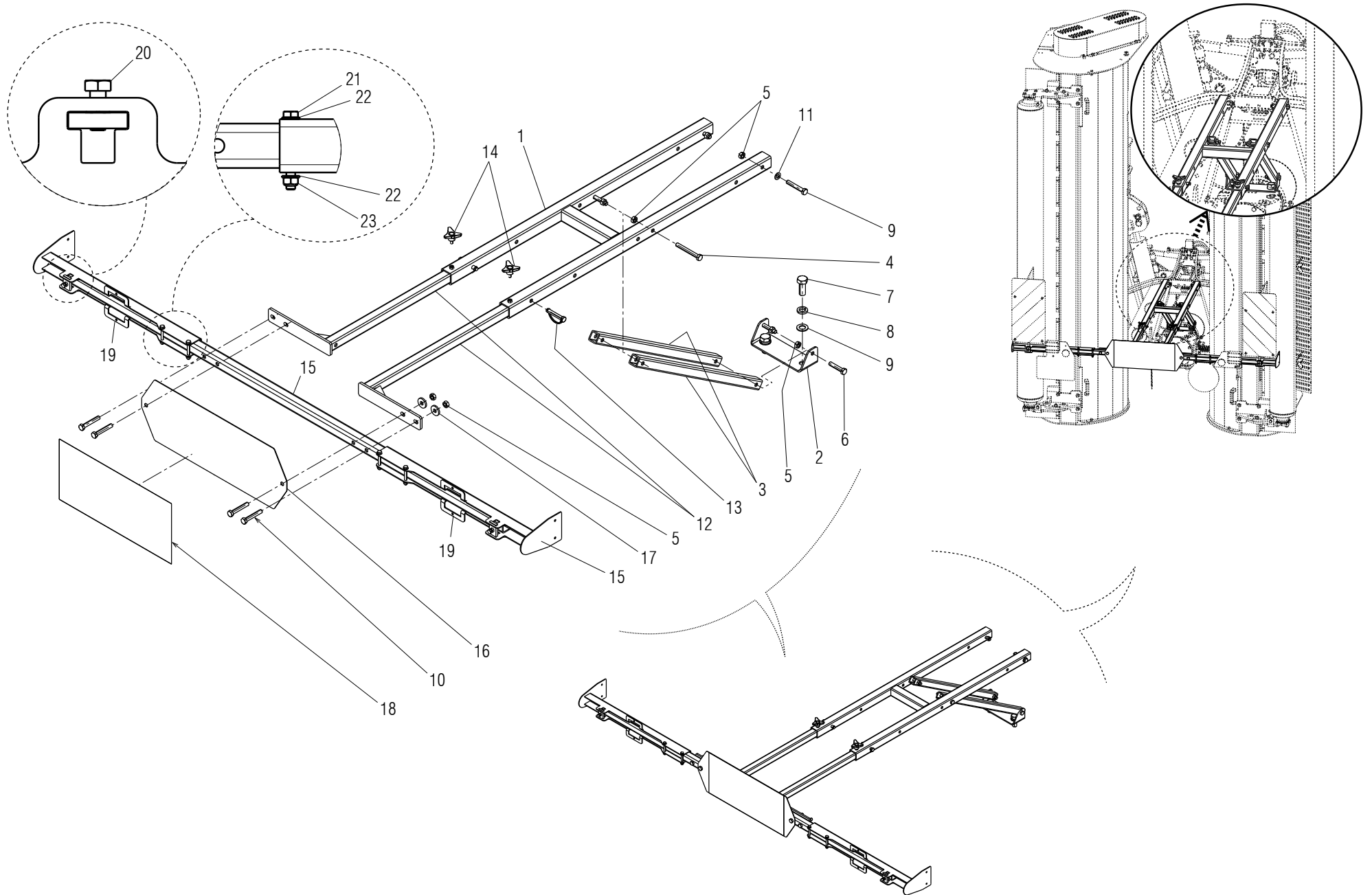


**RUOTE POSTERIORI / REAR WHEELS**

**TAV. 070**

Pos.	Cod.	Descrizione	Description	Benennung	Description	Description
1	M63400612	COMPOSTO ATTACCO RUOTA	COMPLETE WHEEL LINKAGE			
2	M63400618	AS.SNODO RUOTE+BOCC LEOPARD	COMPL. CONN. WHELL+BUSHING LEO			
3	M32400550	COMP.SEMIASSE RUOTA	COMPL. WHEEL SEMIAXLE SHAFT			
4	F06120098	RUOTA 10.0/80-12 8PR FL.5F >	WHEEL 215/70 R15	ROUE 215/70 R15	RAD 215/70 R15	RUEDA 215/70 R15
5	F01010126	VITE M16X1,5X110 U5738 8.8ZN	SCR. M16X1,5X110 U5738 8.8ZN	VIS M 16X1,5X110	SCHRAUBE M 16X1,5X110	TORNILLO M 16X1,5X110
6	F01410100	ROS.M16 17X 30X 3 U6592 ZN >	WASHER M16 17X30X3 U6592 ZN	RONDELLE M16 17X30X3 U6592 ZN	SCHRAUBE M16 17X 30X3 U6592 ZN	ARANDELA M16 17X30X 3 U6592 ZN
7	F01220070	DADO M16X1,5 D980 10ZN	NUT M16X1,5 D980 8ZN	ECRO.M16X1,5 D980 8ZN	MUTTER M16X1,5 D980 8ZN	TUER.M16X1,5 D980 8ZN
8	F01020279	VITE M16X2X190 U5737 10.9ZD >	SCR. M16X2X190 U5737 10.9ZD	VIS 16X2X190 U5737 10.9ZD	SCHRA. 16X2X190 U5737 10.9ZD	TORNIL. 16X2X190 U5737 10.9ZD
9	T21004046	DISTANZIALE COLTELLO ZN	SPACER KNIFE			
10	F01480145	ROS.G 17X29 X 5 FLZNNC-240H	GROWER WASHER 17X29	RONDELLE GROWER 17X29	SCHEIBE GROWER 17X29	ARANDELA GROWER 17X29
11	F01200110	DADO M16X2 U5587 CL8 ZN 6.8ZN	NUT M16X2 U5587 6.8ZN	ECROU M16	MUTTER M16	TUERCA M16
12	F01220266	DADO M16X2 D980 8ZN	NUT M16X2 D980 8ZN	ECROU M16X 2 D980 8 ZN	MUTTER M16X 2 D980 8 ZN	TUERCA M16X 2 D980 8 ZN
13	M50400551	PERNO D=30 L=207	PIN D=30 L=207	GOUJON D=30 L=207	STIFT D=30 L=207	PERNO D=30 L=207
14	F02010111	GHIERA AU.GUP M30X1,5 T.4H ZN>	SELF LOCKING NUT M30X1,5	COLLIER AUTOBL. M30X1,5	SELBSTSP. NUTMUTTER M30X1,5	VIROLA AUTOBL. M30X1,5
15	F20100077	PERNO D28 L194 C43 TEST.D45 ZN	PIN D=28 L=200	GOUJON D=28 L=200	STIFT D=28 L=200	PERNO D=28 L=200
16	F02200529	SPINA SCATTO D.11 H58 ZN >	SNAP PIN D.11 H58 ZN	FICHE A DETENTE D.11 H58 ZN	EINRASTSTIFT D.11 H58 ZN	CLAVIJA DE MUELLE D.11 H58 ZN
17	F01100063	ING.M10X1 7663-C 9SMNPB28 ZN>	GREASE NIPPLE M10X1 7663	ING.M10X1 7663-C 9SMNPB28 ZN	ING.M10X1 7663-C 9SMNPB28 ZN	ING.M10X1 7663-C 9SMNPB28 ZN
18	M63400619	PIASTRA SCONTRO DI FIX	PLATE FIXATION			
19	F01410168	ROS.M30 31X 56X 4 U6592 ZN >	WASHER M30 31X56X4 U6592 ZN	RONDELLA M30 31X56X4 U6592 ZN	SCHRAUBE M30 31X56X4 U6592 ZN	ARANDELLA M30 31X56X4 U6592 ZN

**TAV. 080**

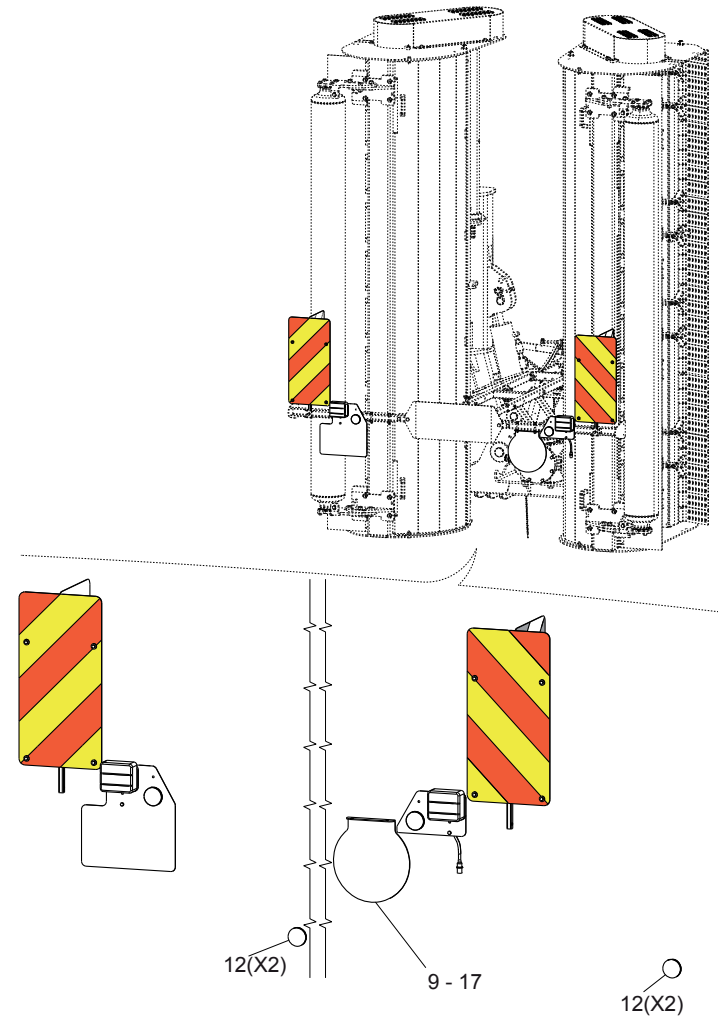
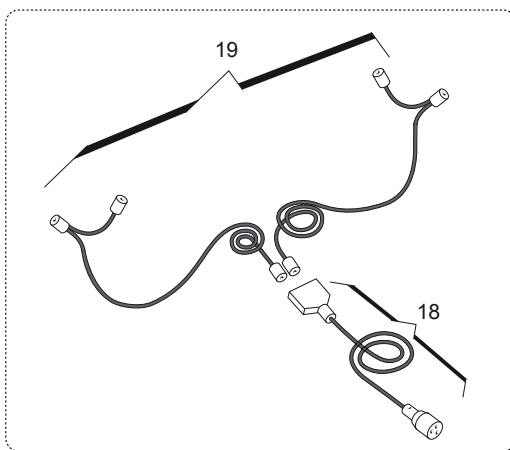
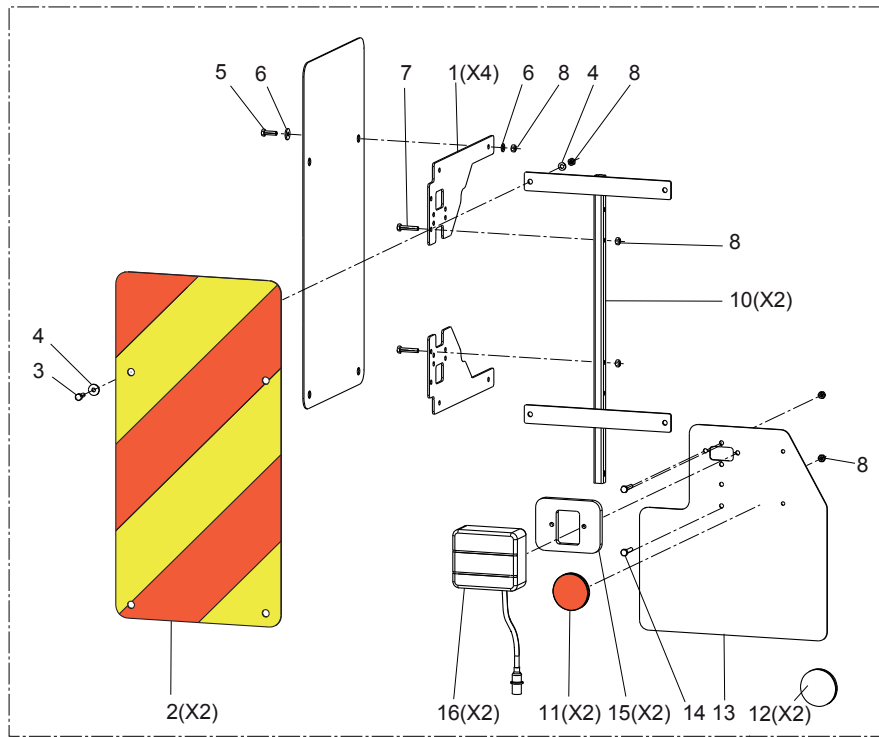


**SUPPORTI TABELLE STRADALI / ROAD TRANSPORT SUPPORTS KIT**

**TAV. 080**

Pos.	Cod.	Descrizione	Description	Benennung	Description	Description
1	M32400802	SUPPORTO KIT LUCI	LIGHT KIT SUP.			
2	M32400566	STAFFA KIT LUCI	STIRRUP LIGHT KIT			
3	M32400562	TUBO SUPPORTO BARRA LUCI	SUPPORT LIGHT TUBE			
4	F01010064	VITE M12X1,25X100 U5738 8.8ZN	SCR. M12X1,25X100 U5738 8.8ZN	VIS M 12X1,25X100	SCHRAUBE M 12X1,25X100	TORNILLO M 12X1,25X100
5	F01220047	DADO M12X1,25 D980 8ZN	NUT M12X1,25 D980 8ZN	ECROU M12X1,25 D980 8 ZN	MUTTER M12X1,25 D980 8 ZN	TUERCA M12X1,25 D980 8 ZN
6	F01010057	VITE M12X1,25X60 U5738 8.8ZN	SCR. M12X1,25X60 U5738 8.8ZN	VIS M12X1,25X60 U5738 8.8 ZN	SCHRA.M12X1,25X60 U5738 8.8 ZN	TORN. M12X1,25X60 U5738 8.8 ZN
7	F01020605	VITE M20X2,5X50 U5739 8.8ZN	SCR. M20X2,5X50 U5739 8.8ZN	VIS M 20X2,5X50	SCHRAUBE M 20X2,5X50	TORNILLO M 20X2,5X50
8	F01480167	ROS.G 21X34 X 6 FLZNNC-240H	GROWER WASHER D.18	RONDELLE GROWER D.18	SCHEIBE GROWER D.18	ARANDELA GROWER D.18
9	F01410124	ROS.M20 21X 37X 3 U6592 ZN	WASHER M20 21X 37X 3 U6592 ZN	RONDEL.M20 21X 37X 3 U6592 ZN	MUTTER M20 21X 37X 3 U6592 ZN	ARANDELA M20 21X37X3 U6592 ZN
10	F01010060	VITE M12X1,25X75 U5738 8.8ZN	SCR. M12X1,25X75 U5738 8.8ZN	VIS M12X1,25X75 U5738 8.8 ZB	SCHR.M12X1,25X75 U5738 8.8 ZB	TORN.M12X1,25X75 U5738 8.8 ZB
11	F01410076	ROS.M12 13X 24X2,5 U6592 ZN	WASHER 12 13X 24X2,5 U6592 ZN	RONDEL. M12 13X24X2,5 U6592 ZN	SCHEIBE M12 13X24X2,5 U6592 ZN	ARANDELA M12 13 X24X2,5 ZN
12	M32400760	SUPPORTO BARRALUCI	LIGHTS BAR SUP.			
13	F02200584	SPINA SICUR.D.12X70 ZN	PIN D12 L70 ZN	FICHE D12 L70 ZN	STIFT D12 L70 ZN	CLAVIJA D12 L70 ZN
14	F06220018	VOLANTINO 3LOBI D.65-M8X15	3-LOBE HANDWHEEL D.65-M8X15			
15	M55400920	TUBO QUADRO B40 S4 L1990	SQUARE PIPE B40			
16	M09400715	PIASTRA PER ETICHETTA	PLATE			
17	F01500011	ROS. 13 X35X5 D6340 C50 ZN	WASHER D. 12	RONDELLE D.12	SCHEIBE D.12	ARANDELA D.12
18	F20010111	ETICH.IDENT. INSIEME SI VINCE	LABEL	ETIQUETTE	AUFKLEBER	ETIQUETA
19	M55400921	STAFFA SCORREVOLE	SLIDIN CLAMP			
20	F01020436	VITE M8X1,25X20 U5739 8.8ZN	SCR. M8X1,25X20 U5739 8.8ZN	VIS M8X1,25X 20 U5739 8.8 ZN	SCHRAUBE M8X1,25X20U5739 8.8ZN	TORN. M8X1,25X20 U5739 8.8 ZN
21	F01410051	ROS.M8 8,4X 17X1,6 U6592 ZN	WASHER M8 8,4X17X1,6 U6592 ZN	RONDELLE M8 8,4X17X1,6 U6592ZN	SCHEIBE M8 8,4X17X1,6 U6592 ZN	ARANDELA M8 8,4X17X1,6 U6592ZN
22	F01220022	DADO M8X1,25 D980 8ZN	NUT M8X1,25 D980 8ZN	ECROU M8X 1,25 D980 8 ZN	MUTTER M8X 1,25 D980 8 ZN	TUERCA M8X 1,25 D980 8 ZN

# TAV. 090

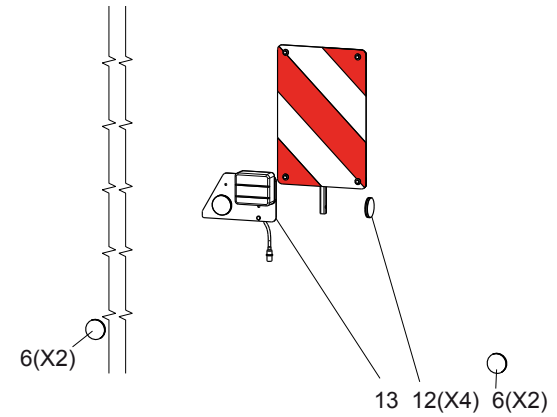
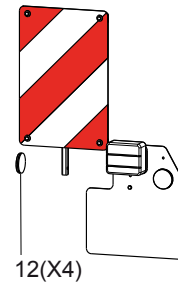
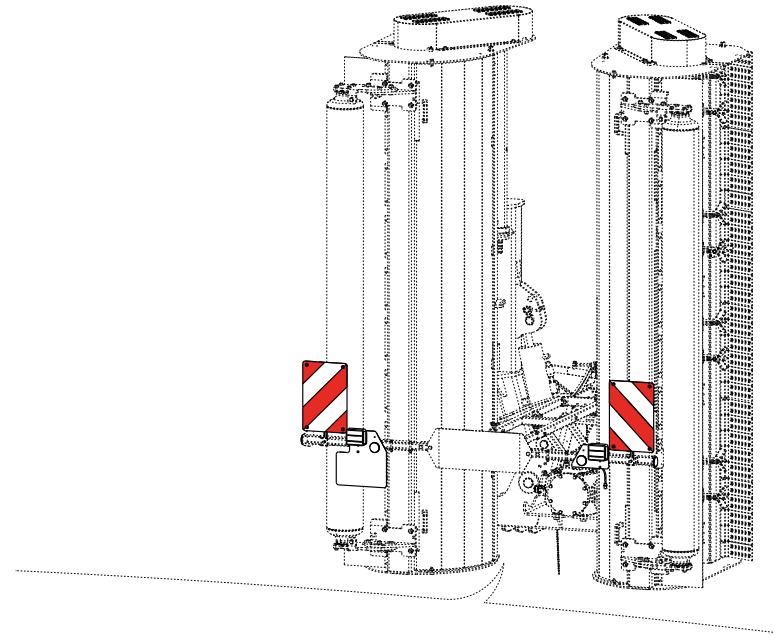
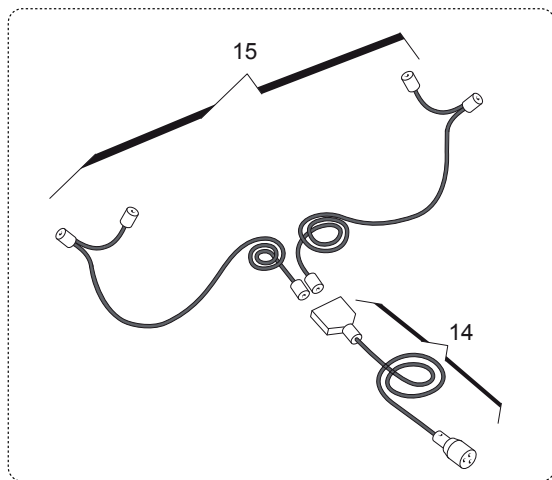
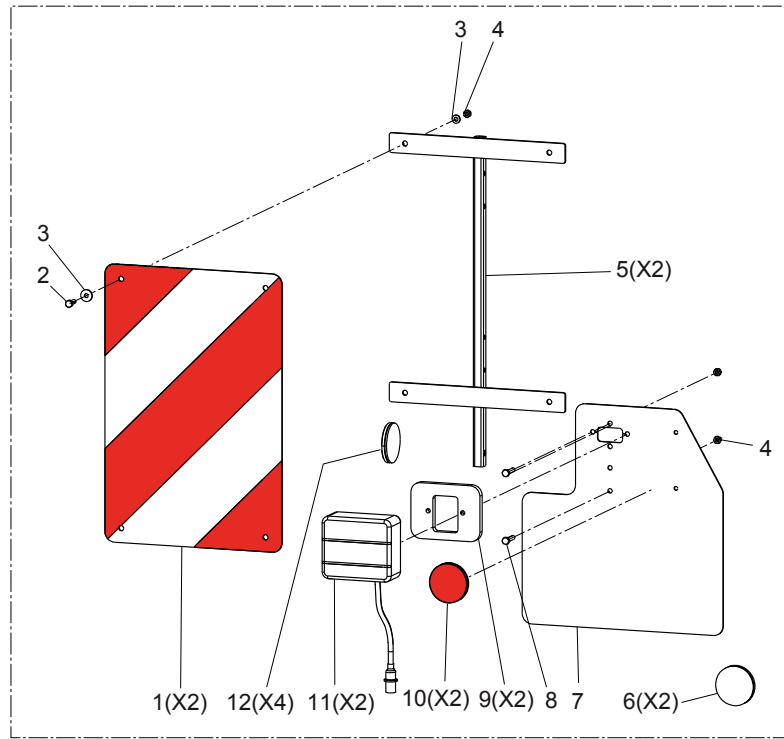


**KIT TABELLE STRADALI G99600001 / G99600001 ROAD TRANSPORT KIT**

**TAV. 090**

Pos.	Cod.	Descrizione	Description	Benennung	Description	Description
1	M04700558	SUPPORTO TABELLA INGOMBRO	LIGHT-CHART SUPPORT			
2	F05010816	TABELLE (2)CAR.SPORGENTI IT	WARNING BOARDS (2) IT			
3	F01020404	VITE M6X1X20 U5739 8.8ZN	SCREW M6X1X20 U5739 8.8ZN	VIS M6X1X20 U5739 8.8ZN	SCHRAUBE M6X1X20 U5739 8.8ZN	TORNILLO M6X1X20 U5739 8.8ZN
4	F01420036	ROS.M6 6,4X 18X1,5 U6593 ZN	WASHER M6 6,4X 18X1,5 U6593 ZN	RONDELLE M6 6,4X18X1,5 U6593ZN	SCHEIBEN M6 6,4X18X1,5U6593 ZN	ARANDELA M6 6,4X18X1,5U6593ZN
5	F01020404	VITE M6X1X20 U5739 8.8ZN	SCREW M6X1X20 U5739 8.8ZN	VIS M6X1X20 U5739 8.8ZN	SCHRAUBE M6X1X20 U5739 8.8ZN	TORNILLO M6X1X20 U5739 8.8ZN
6	F01420036	ROS.M6 6,4X 18X1,5 U6593 ZN	WASHER M6 6,4X 18X1,5 U6593 ZN	RONDELLE M6 6,4X18X1,5 U6593ZN	SCHEIBEN M6 6,4X18X1,5U6593 ZN	ARANDELA M6 6,4X18X1,5U6593ZN
7	F01020408	VITE M6X1X30 U5739 8.8ZN	SCR. M6X1X30 U5739 8.8ZN	VIS M 6X1X30	SCHRAUBE M 6X1X30	TORNILLO M 6X1X30
8	F01220011	DADO M6X1 D980 8ZN	NUT M6X1 D980 8ZN	ECROU M6X1 D980 8 ZN	MUTTER M6X1 D980 8 ZN	TUERCA M6X1 D980 8 ZN
9	F20030261	ETICH. LIMITE VELOCITA' 40	SPEED LIMIT 40 LABEL			
10	G16612070	TELAIO SUPP.TABELLE STRAD.	FRAME SUPPORT TABLE			
11	F05010820	CATARIFR.TONDO D60 ROSSO	ROUND REFLECTOR D.60 RED			
12	F05010818	CATARIFR.TONDO D60 BIANCO	ROUND REFLECTOR D.60 WHITE			
13	GA5210030	PORTA TARGA	NUMBERPLATE SUPPORT			
14	F01020411	VITE M6X1X35 U5739 8.8ZN	SCR. M6X1X35 U5739 8.8ZN	VIS M6X1X35 U5739 8.8ZN	SCHRAUBE M6X1X35 U5739 8.8ZN	TORNILLO M6X1X35 U5739 8.8ZN
15	GA5210040	SUPPORTO LUCE	SUPPORT LIGHT			
16	F05010822	KIT FANALI DX-SX CON CAVO	KIT REAR ROAD LIGHTS MOUNTED			
17	GA5210070	SUPP.LIMITE VELOCITÀ	SPEED LIMIT SUPPORT			
18	F05200026	CABLAGGIO PRINCIPALE	MAIN CABLE			
19	F05200027	CABLAGGIO ALI LUCI STRADALI	LATERAL STREET LIGHTS CABLE			

# TAV. 100



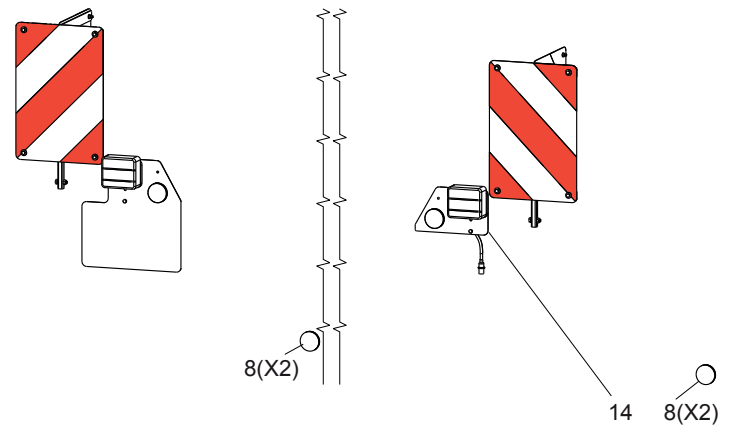
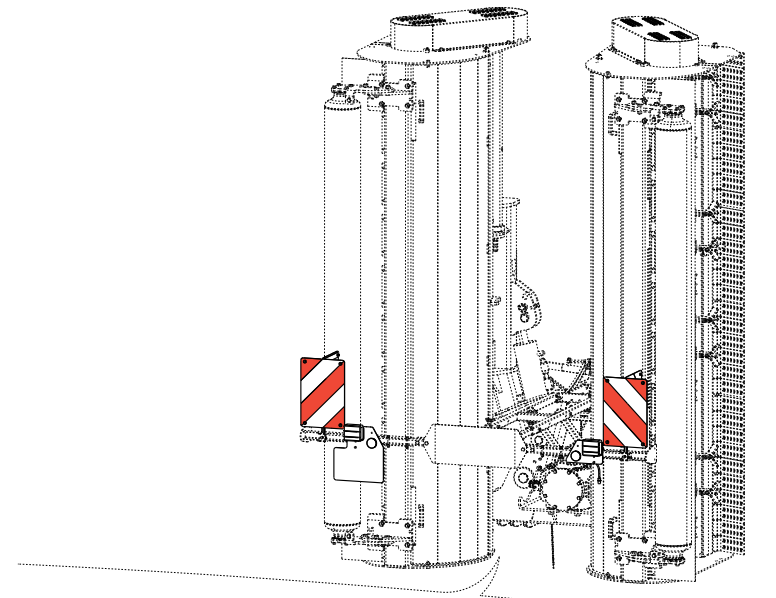
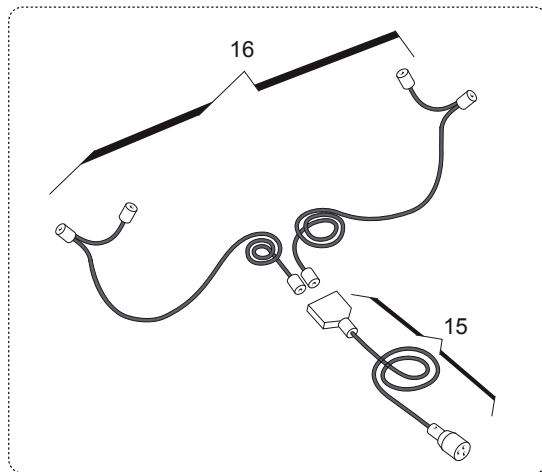
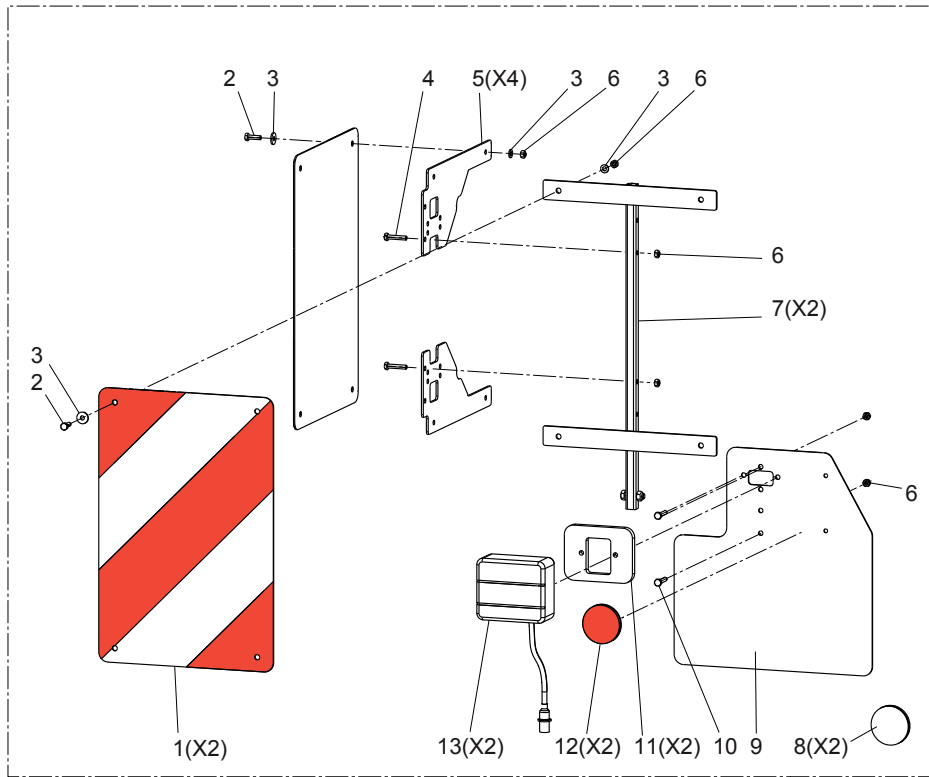


**KIT TABELLE STRADALI G99600009 / G99600009 ROAD TRANSPORT KIT**

**TAV. 100**

Pos.	Cod.	Descrizione	Description	Benennung	Description	Descripcion
1	F05010817	TABELLE (2)CAR.SPORGENTI FR-DE	WARNING BOARDS (2) FR-DE	TABLEAUX (2)AVERTISSEM. FR-DE	BRETT (2) WARNUNG FR-DE	TABLAS (2)CAR.ADVERT. FR-DE
2	F01020404	VITE M6X1X20 U5739 8.8ZN	SCREW M6X1X20 U5739 8.8ZN	VIS M6X1X20 U5739 8.8ZN	SCHRAUBE M6X1X20 U5739 8.8ZN	TORNILLO M6X1X20 U5739 8.8ZN
3	F01420036	ROS.M6 6,4X 18X1,5 U6593 ZN	WASHER M6 6,4X 18X1,5 U6593 ZN	RONDELLE M6 6,4X18X1,5 U6593ZN	SCHEIBEN M6 6,4X18X1,5U6593 ZN	ARANDELA M6 6,4X18X1,5U6593ZN
4	F01220011	DADO M6X1 D980 8ZN	NUT M6X1 D980 8ZN	ECROU M6X1 D980 8 ZN	MUTTER M6X1 D980 8 ZN	TUERCA M6X1 D980 8 ZN
5	G16612070	TELAIO SUPP.TABELLE STRAD.	FRAME SUPPORT TABLE			
6	F05010818	CATARIFR.TONDO D60 BIANCO	ROUND REFLECTOR D.60 WHITE			
7	GA5210030	PORTA TARGA	NUMBERPLATE SUPPORT			
8	F01020411	VITE M6X1X35 U5739 8.8ZN	SCR. M6X1X35 U5739 8.8ZN	VIS M6X1X35 U5739 8.8ZN	SCHRAUBE M6X1X35 U5739 8.8ZN	TORNILLO M6X1X35 U5739 8.8ZN
9	GA5210040	SUPPORTO LUCE	SUPPORT LIGHT			
10	F05010820	CATARIFR.TONDO D60 ROSSO	ROUND REFLECTOR D.60 RED			
11	F05010822	KIT FANALI DX-SX CON CAVO	KIT REAR ROAD LIGHTS MOUNTED			
12	F05010819	CATARIFR.TONDO D60 GIALLO	ROUND REFLECTOR D.60 YELLOW	JAUNE RÉFLECTEUR ROUND	RUNDFLEKTOR GELB D60	REFLECTOR REDONDO AMARILLO
13	GA5210020	PORTA LUCE	BACK LIGHT SUPPORT			
14	F05200026	CABLAGGIO PRINCIPALE	MAIN CABLE			
15	F05200027	CABLAGGIO ALI LUCI STRADALI	LATERAL STREET LIGHTS CABLE			

**TAV. 110**

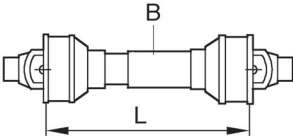
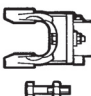
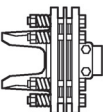



**KIT TABELLE STRADALI G99600011 / G99600011 ROAD TRANSPORT KIT**

**TAV. 110**

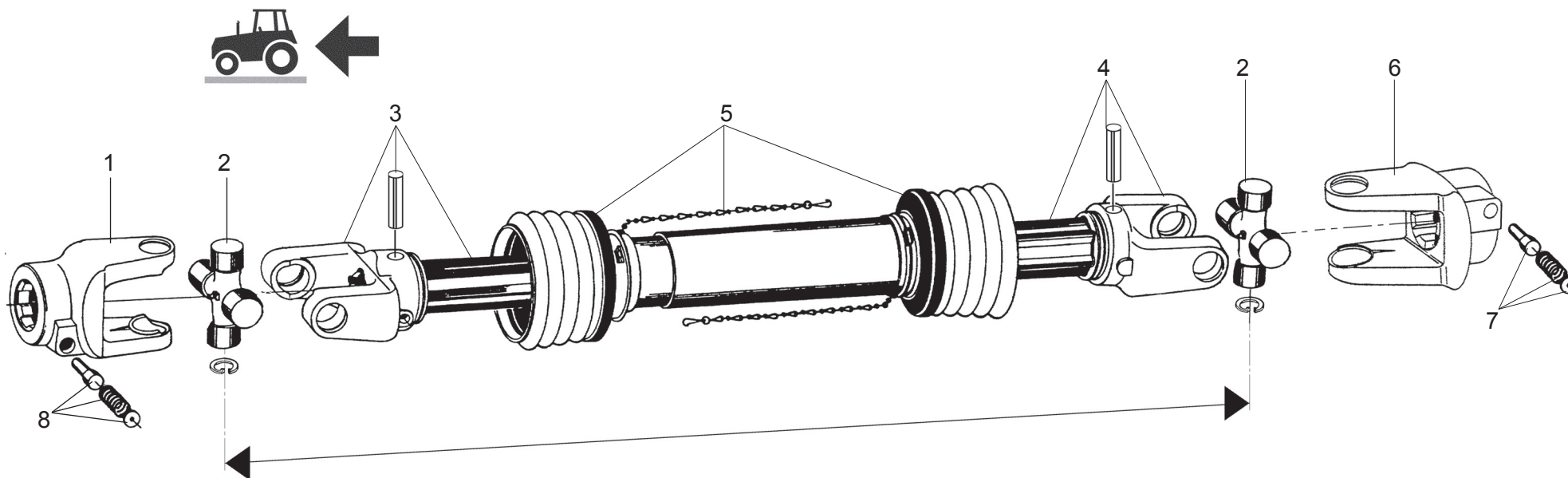
Pos.	Cod.	Descrizione	Description	Benennung	Description	Descripcion
1	F05010817	TABELLE (2)CAR.SPORGENTI FR-DE	WARNING BOARDS (2) FR-DE	TABLEAUX (2)AVERTISSEM. FR-DE	BRETT (2) WARNUNG FR-DE	TABLAS (2)CAR.ADVERT. FR-DE
2	F01020404	VITE M6X1X20 U5739 8.8ZN	SCREW M6X1X20 U5739 8.8ZN	VIS M6X1X20 U5739 8.8ZN	SCHRAUBE M6X1X20 U5739 8.8ZN	TORNILLO M6X1X20 U5739 8.8ZN
3	F01420036	ROS.M6 6,4X 18X1,5 U6593 ZN	WASHER M6 6,4X 18X1,5 U6593 ZN	RONDELLE M6 6,4X18X1,5 U6593ZN	SCHEIBEN M6 6,4X18X1,5U6593 ZN	ARANDELA M6 6,4X18X1,5U6593ZN
4	F01020408	VITE M6X1X30 U5739 8.8ZN	SCR. M6X1X30 U5739 8.8ZN	VIS M 6X1X30	SCHRAUBE M 6X1X30	TORNILLO M 6X1X30
5	M04700558	SUPPORTO TABELLA INGOMBRO	LIGHT-CHART SUPPORT			
6	F01220011	DADO M6X1 D980 8ZN	NUT M6X1 D980 8ZN	ECROU M6X1 D980 8 ZN	MUTTER M6X1 D980 8 ZN	TUERCA M6X1 D980 8 ZN
7	G16612070	TELAIO SUPP.TABELLE STRAD.	FRAME SUPPORT TABLE			
8	F05010818	CATARIFR.TONDO D60 BIANCO	ROUND REFLECTOR D.60 WHITE			
9	GA5210030	PORTA TARGA	NUMBERPLATE SUPPORT			
10	F01020411	VITE M6X1X35 U5739 8.8ZN	SCR. M6X1X35 U5739 8.8ZN	VIS M6X1X35 U5739 8.8ZN	SCHRAUBE M6X1X35 U5739 8.8ZN	TORNILLO M6X1X35 U5739 8.8ZN
11	GA5210040	SUPPORTO LUCE	SUPPORT LIGHT			
12	F05010820	CATARIFR.TONDO D60 ROSSO	ROUND REFLECTOR D.60 RED			
13	F05010822	KIT FANALI DX-SX CON CAVO	KIT REAR ROAD LIGHTS MOUNTED			
14	GA5210020	PORTA LUCE	BACK LIGHT SUPPORT			
15	F05200026	CABLAGGIO PRINCIPALE	MAIN CABLE			
16	F05200027	CABLAGGIO ALI LUCI STRADALI	LATERAL STREET LIGHTS CABLE			

**TAV. 120**

			
A F08011599 - L = 710	—	—	GEMELLA

**CENTRALE  
CENTRAL  
ZENTRALE**

**GEMELLA 470**

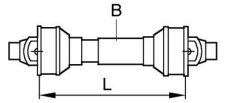

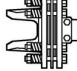
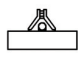


ALBERO CARDANICO CENTRALE GEMELLA 470 / CENTRAL CARDAN SHAFT GEMELLA 470

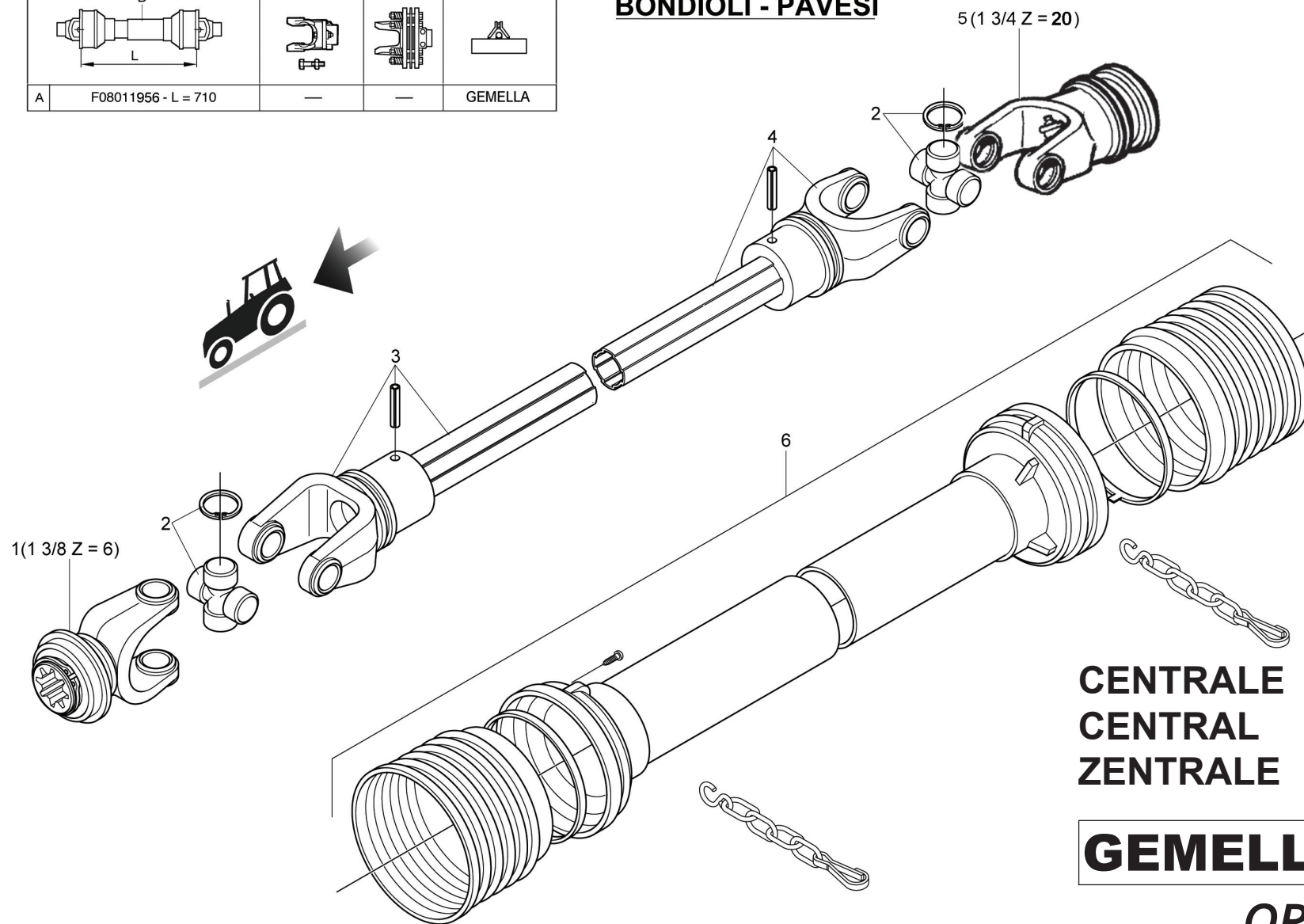
**TAV. 120**

Pos.	Cod.	Descrizione	Description	Benennung	Description	Description
1	F08010459	FORCELLA COMP.PULS.-1'3/8 Z6	LINKAGE FORK-1'3/8 Z6	FOURCHE ATTELAGE-1'3/8 Z6	GABELSTUECK-1'3/8 Z6	HORQUILLA ATAQUE-1'3/8 Z6
2	F08010686	CROCIERA COMPLETA	SPIDER ASSY	CROISIERE COMPL.	GELENKKREUZ KOMPL.	CRUCETA COMPLETA
3	F08010533	FORCELLA CON TUBO INTERNO	FORK WITH INTERNAL PIPE	FOURCHE AVEC TUBE INTERIEUR	GABELST. + INNENROHR	HORQUILLA + TUBO INTERNO
4	F08010721	FORCELLA + TUBO ESTERNO	FORK WITH EXTERNAL PIPE	FOURCHE AVEC TUBE EXTERIEUR	GABELST. + AUSSENROHR	HORQUILLA + TUBO ESTERNO
5	F08010858	PROTEZIONE COMPLETA	PROTECTION ASSY	PROTECTION COMPL.	KOMPL. SCHUTZ	PROTECCION COMPL.
6	F08010460	FORCELLA 1'3/4 Z20 X W 2500	LINKAGE FORK-1'3/4 Z20	FOURCHE ATTELAGE-1'3/4 Z20	GABELSTUECK-1'3/4 Z20	HORQUILLA ATAQUE-1'3/4 Z20
7	F08011179	PULSANTE	PUSHBUTTON ASSY	POUSSOIR COMPL.	DRUCKKNOPF KOMPL.	PULSADOR COMPL.
8	F08011168	339107 PULSANTE	YOKE PIN 339107	POUSSOIR COMPL.	DRUCKKNOPF KOMPL.	PULSADOR COMPL.
9	F08011599	CAR 50 WA 38Z6 DIR L970				

**TAV. 130**

			
A F08011956 - L = 710	—	—	GEMELLA

**BONDIOLI - PAVESI**



**CENTRALE  
CENTRAL  
ZENTRALE**

**GEMELLA 470**

**OPTIONAL**

ALBERO CARDANICO CENTRALE GEMELLA 470 (OPTIONAL) / CENTRAL CARDAN SHAFT GEMELLA 470 (OPTIONAL)

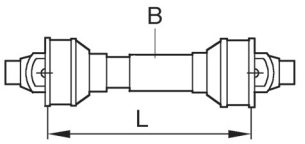
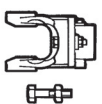
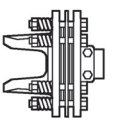

**TAV. 130**

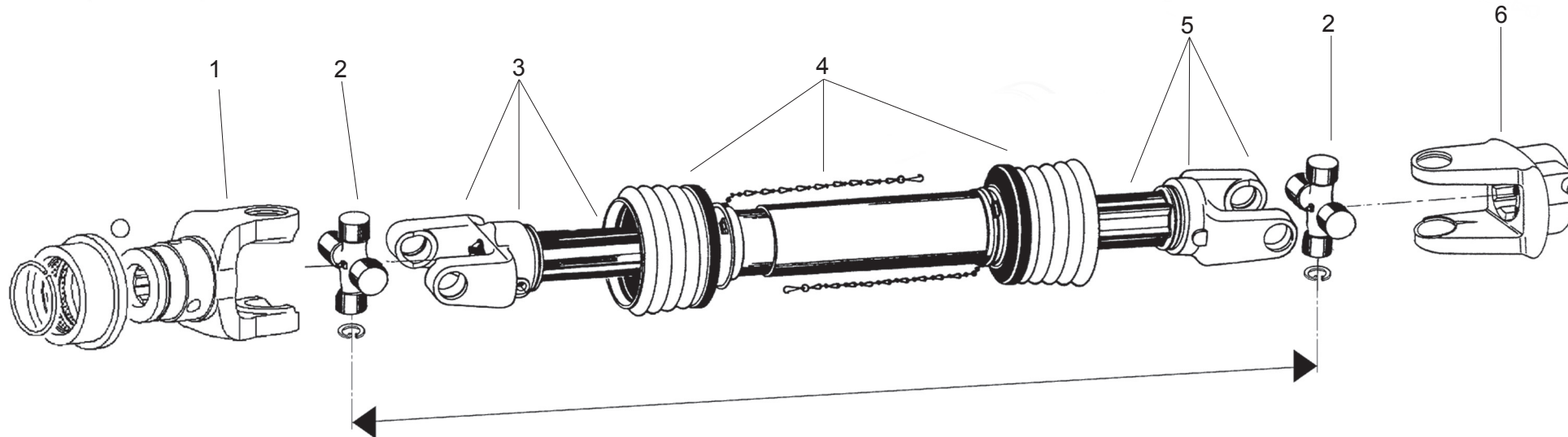
Pos.	Cod.	Descrizione	Description	Benennung	Description	Description
1	F08013041	FORC.COMPL. BO S8 3/8Z63	FORK			
2	f08010750	CROCIERA	SPIDER			
3	f08010733	FORC.COMP.TUBO EST.+SPINA S8	FORK WITH EXTERNAL PIPE			
4	f08010734	FORC.COMP.TUBO INT.+SPINA S8	FORK WITH INTERNAL PIPE			
5	F08013042	FORC.COMPL. BO S8 3/4Z20 RT	COMPLETE FORK 1 3/4" Z20			
6	f08010918	PROTEZIONE COMPLETA	PROTECTION ASSY			

# TAV. 140

CENTRALE  
CENTRAL  
ZENTRALE

## GEMELLA 620

			
A F08011500 - L = 860	—	—	GEMELLA



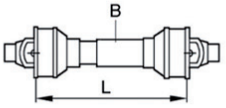





ALBERO CARDANICO CENTRALE GEMELLA 620 / *CENTRAL CARDAN SHAFT GEMELLA 620*

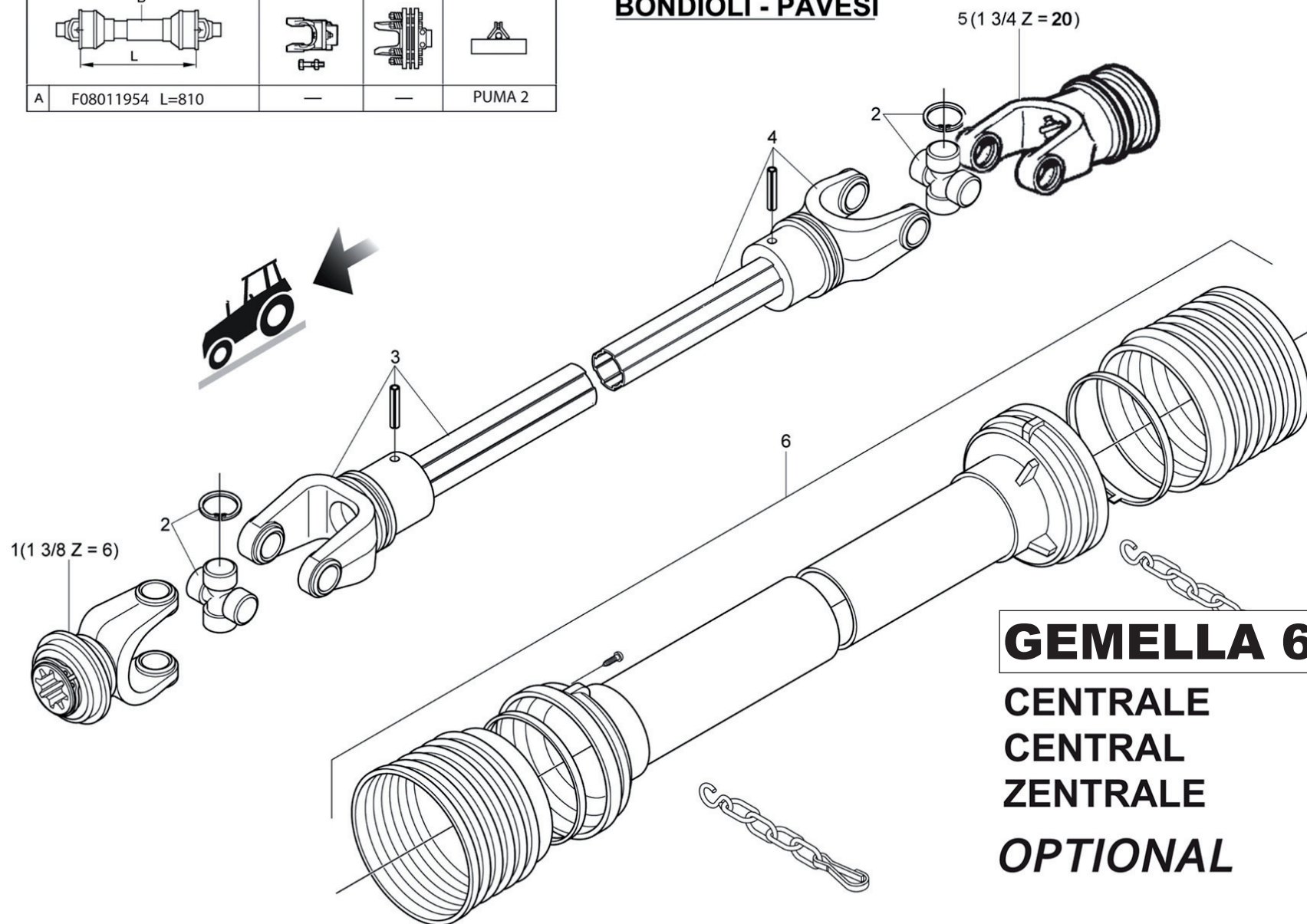
**TAV. 140**

Pos.	Cod.	Descrizione	Description	Benennung	Description	Description
1	F08010461	FORC.COMPL.PULSANTE 1"3/8 Z6	COMPLETE FORK 1 3/8" Z6			
2	F08010674	CROCIERA COMPLETA	SPIDER ASSY	CROISIERE COMPL.	GELENKKREUZ KOMPL.	GRUCETA COMPLETA
3	F08010659	FORCELLA CON TUBO INTERNO	FORK WITH INTERNAL PIPE	FOURCHE AVEC TUBE INT.	GABELST. + AUSSENROHR	HORQUILLA + TUBO INT.
4	F08010860	PROTEZIONE COMPLETA	PROTECTION ASSY	PROTECTION COMPL.	KOMPL. SCHUTZ	PROTECCION COMPL.
5	F08010660	FORCELLA CON TUBO ESTERNO	FORK WITH EXTERNAL PIPE	FOURCHE AVEC TUBE EXTERIEUR	GABELST. + AUSSENROHR	HORQUILLA + TUBO ESTERNO
6	F08010416	FORCELLA 1-3/4 Z 20 X W 2600	LINKAGE FORK 1 3/4 Z20	FOURCHE ATTELAGE 1 3/4 Z20	GABELSTUECK 1 3/4 Z20	HORQUILLA ATAQUE 1 3/4 Z20

# TAV. 150

			
A F08011954 L=810	—	—	PUMA 2

## BONDIOLI - PAVESI



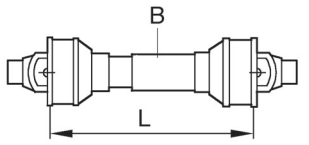
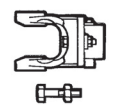
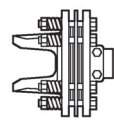

**GEMELLA 620**  
CENTRALE  
CENTRAL  
ZENTRALE  
OPTIONAL

**ALBERO CARDANICO CENTRALE GEMELLA 620 / CENTRAL CARDAN SHAFT GEMELLA 620**

**TAV. 150**

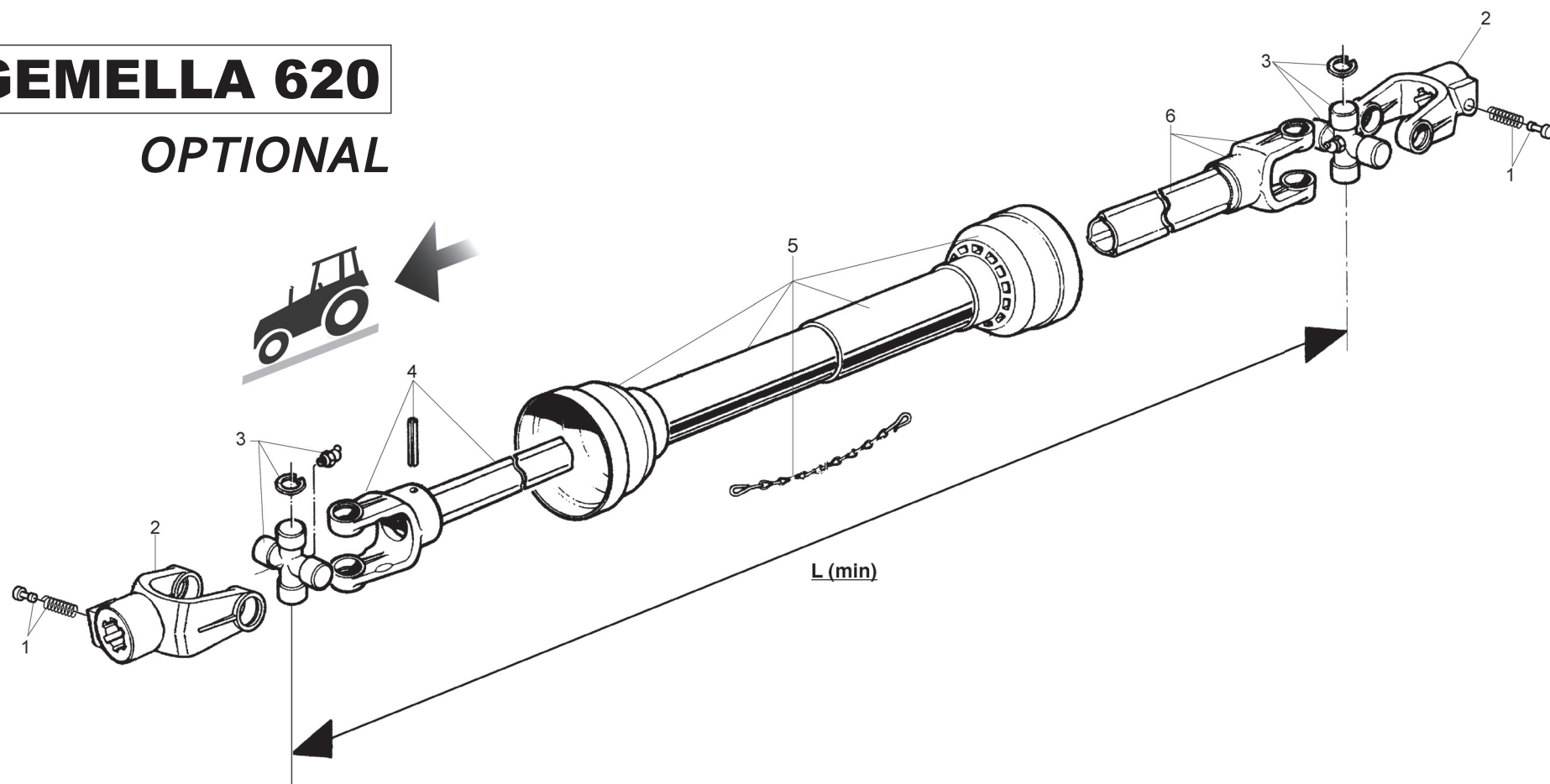
Pos.	Cod.	Descrizione	Description	Benennung	Description	Description
1	F08013043	FORC.COMPL. BO SH 3/8Z6	COMPLETE FORK 1 3/8" Z6			
2	F08010749	CROCIERA	SPIDER			
3	F08010731	FORC.COMP.TUBO EST.+SPINA SH	FORK WITH EXTERNAL PIPE			
4	F08010732	FORC.COMP.TUBO INT.+SPINA SH	FORK WITH INTERNAL PIPE			
5	F08013044	FORC.COMPL. BO SH 3/4Z20 RT	COMPLETE FORK 1 3/4" Z20			
6	F08010917	PROTEZIONE COMPLETA	PROTECTION ASSY			

# TAV. 160

			
A	F08011496 - L = 870	—	GEMELLA

## CENTRALE CENTRAL ZENTRALE

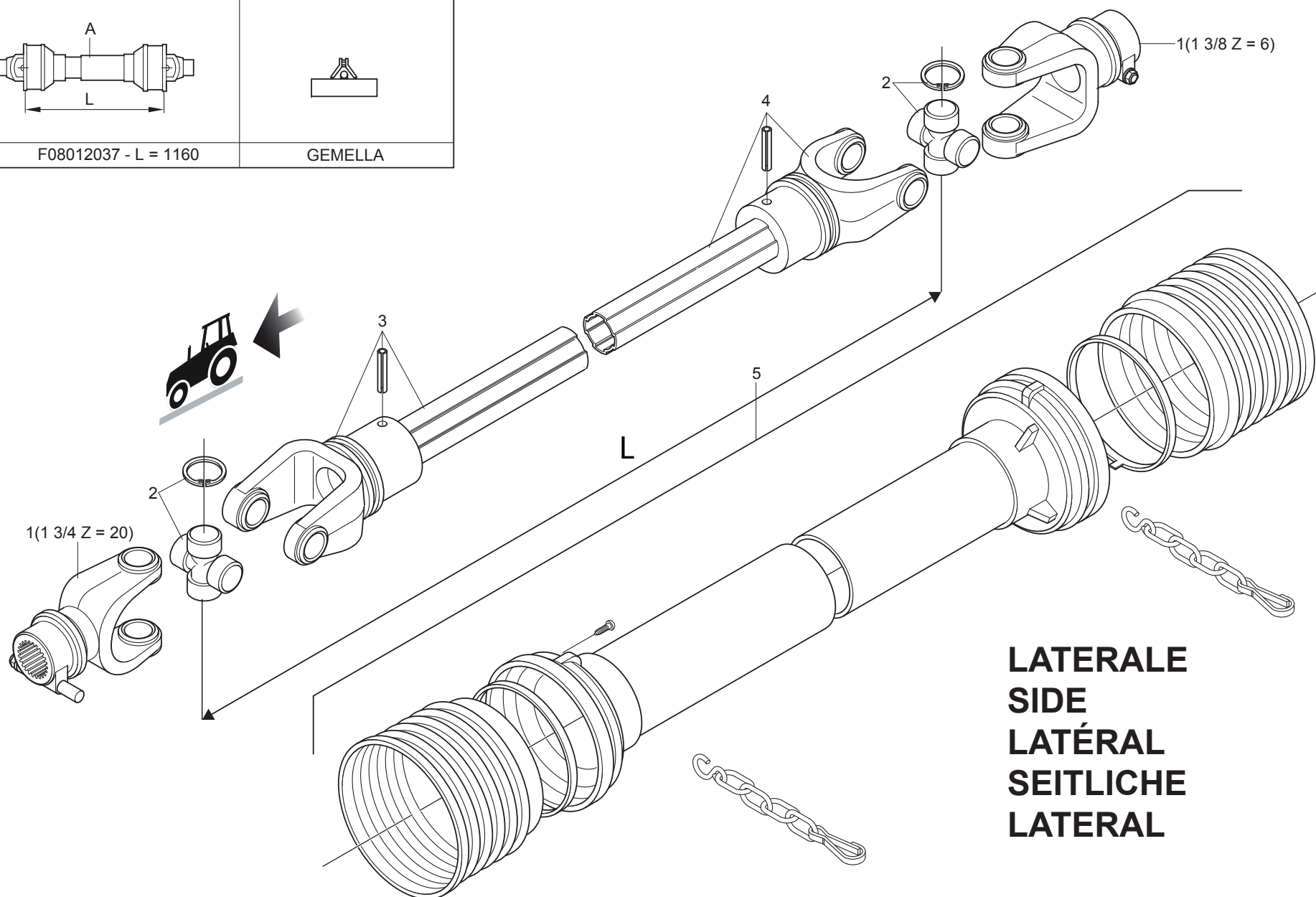
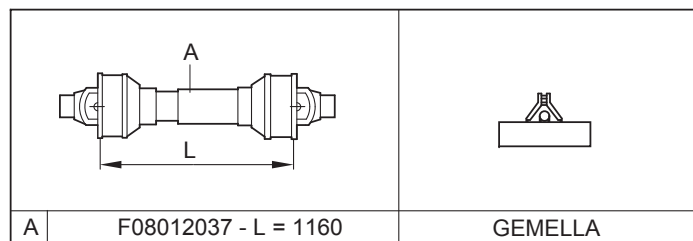
### GEMELLA 620 OPTIONAL



ALBERO CARDANICO CENTRALE GEMELLA 620 (OPTIONAL) / OPTIONAL CENTRAL CARDAN SHAFT GEMELLA 620

**TAV. 160**

Pos.	Cod.	Descrizione	Description	Benennung	Description	Description
1	F08011168	339107 PULSANTE	YOKE PIN 339107	POUSSOIR COMPL.	DRUCKKNOPF KOMPL.	PULSADOR COMPL.
2	F08010416	FORCELLA 1-3/4 Z 20 X W 2600	LINKAGE FORK 1 3/4 Z20	FOURCHE ATTELAGE 1 3/4 Z20	GABELSTUECK 1 3/4 Z20	HORQUILLA ATAQUE 1 3/4 Z20
3	F08010674	CROCIERA COMPLETA	SPIDER ASSY	CROISIERE COMPL.	GELENKKREUZ KOMPL.	CRUCETA COMPLETA
4	F08010197	FORCELLA COMPL. ALBERO INTERNO	FORK WITH INTERNAL PIPE	FOURCHE AVEC TUBE INTERIEUR	GABELST. + INNENROHR	HORQUILLA + TUBO INTERNO
5	F08010893	PROTEZIONE COMPLETA	PROTECTION ASSY	PROTECTION COMPL.	KOMPL. SCHUTZ	PROTECCION COMPL.
6	F08010196	FORCELLA COMPL. ALBERO ESTERNO	FORK WITH EXTERNAL SHAFT	FOURCHE AVEC TUBE EXT.	GABELST. + AUSSENROHR	HORQUILLA + TUBO EXT.

**TAV. 170****BONDIOLI - PAVESI**

**LATERALE  
SIDE  
LATÉRAL  
SEITLICHE  
LATERAL**

**ALBERI CARDANICI LATERALI / SIDE CARDAN SHAFTS**

**TAV. 170**

Pos.	Cod.	Descrizione	Description	Benennung	Description	Descripcion
1	F08013068	FORC.S9 1 3/4Z20 BUL	FORC.S9 1 3/4Z20 BUL			
2	F08010739	CROCIERA COMPLETA S9	SPIDER ASSY	CROISIERE COMPL.	GELENKKREUZ KOMPL.	CRUCETA COMPLETA
3	F08010242	FORC+TUBO+SP.GHIERA EST.S8	FORK EST. S8			
4	F08013014	FORC.INT.S8+TUB*1000	FORK WITH INTERNAL PIPE	FOURCHE AVEC TUBE INTERIEUR	GABELST. + INNENROHR	HORQUILLA + TUBO INTERNO
5	F08010198	PROT. COMPL.S8 *116* FX	PROTECTION S8			
6	F08010195	FORCELLA S8 1"3/8 Z6 BO SMUSS.	FORK S8 3/8 Z6 BO			

**USATE SEMPRE RICAMBI ORIGINALI  
ALWAYS USE ORIGINAL SPARE PARTS  
IMMER DIE ORIGINAL-ERSATZTEILE VERWENDEN  
EMPLOYEZ TOUJOURS LES PIECES DE RECHANGE ORIGINALES  
UTILIZAR SIEMPRE REPUESTOS ORIGINALES**



**Servizio Assistenza Tecnica - After Sales Service**

**+39 049 9289966**

**Servizio Ricambi - Spare Parts Service**

**+39 049 9289888**

DEALER:



**MASCHIO GASPARDO SpA**

**Registered Office and Production Plant**

Via Marcello, 73 - 35011 Campodarsego (Padova) - Italy

Tel. +39 049 9289810

Fax +39 049 9289900

info@maschio.com

www.maschionet.com

**MASCHIO DEUTSCHLAND GMBH**

Außere Nürnberger Straße 5

D - 91177 Thalmaßing - Deutschland

Tel. +49 (0) 9173 79000

Fax +49 (0) 9173 790079

dialog@maschio.de

www.maschionet.de

**MASCHIO FRANCE Sarl**

1 rue Denis Papin ZA

F - 45240 La Ferte St. Aubin

France

Tel. +33 (0) 2.38.64.12.12

Fax +33 (0) 2.38.64.66.79

info@maschio.fr

**000 MASCHIO-ГАСПАРДО РУССИЯ**

04130, Россия,

Волгоградская область,

г. Волжский, ул. Пушкина, 117 «б».

Тел.: +7 8443 203100

факс: +7 8443 203101

e-mail: info@maschio.ru

**MASCHIO GASPARDO SpA**

**Production Plant**

Via Mussons, 7 - 33075 Morsano al Tagliamento (PN) - Italy

Tel. +39 0434 695410

Fax +39 0434 695425

info@gaspardo.it

**MASCHIO GASPARDO NORTH AMERICA Inc.**

112 3rd Avenue East

DeWitt - IA 52742

Ph. +1 563 6596400

Fax +1 563 6596404

info@maschio.us

**MASCHIO-GASPARDO ROMANIA S.R.L.**

Strada Înfrătirii, F.N.

315100 Chisineu-Cris (Arad) -România

Tel. +40 257 307030

Fax +40 257 307040

info@maschio.ro

**MASCHIO IBERICA S.L.**

**MASCHIO-GASPARDO POLAND**

**MASCHIO-GASPARDO UCRAINA**

**GASPARDO-MASCHIO TURCHIA**

**MASCHIO-GASPARDO CINA**

**MASCHIO-GASPARDO INDIA**

**MASCHIO-GASPARDO KOREA**