

Ersatzteilliste

Parts list

Anbaupflüge

Mounted Ploughs

VariOpal 7X / 7 HydriX

Art.Nr. 175 1720

01.18

LEMKEN GmbH & Co. KG

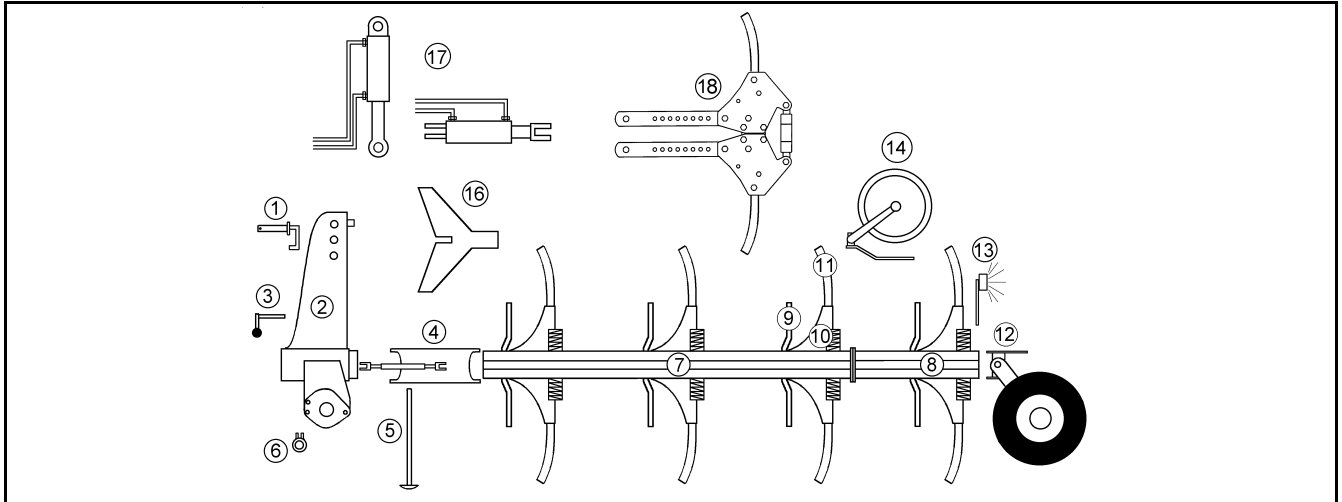
Weseler Straße 5, D-46519 Alpen / Postfach 11 60, D-46515 Alpen

Telefon (0 28 02) 81-0, Telefax (0 28 02) 81-220

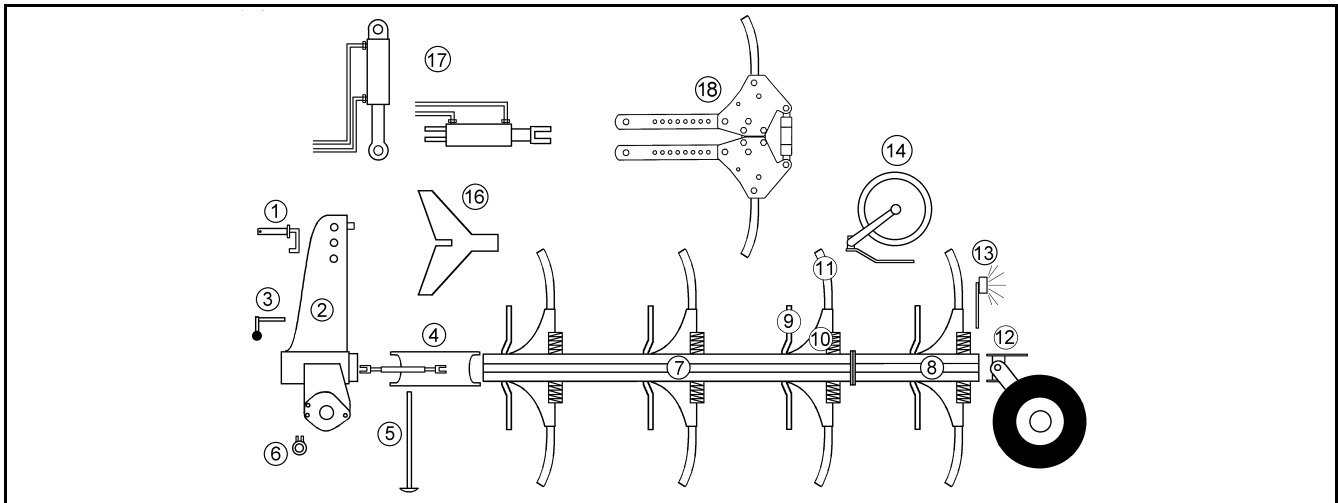
eMail: lemken@lemken.com, Internet: <http://www.lemken.com>

INHALTSVERZEICHNIS / CONTENTS

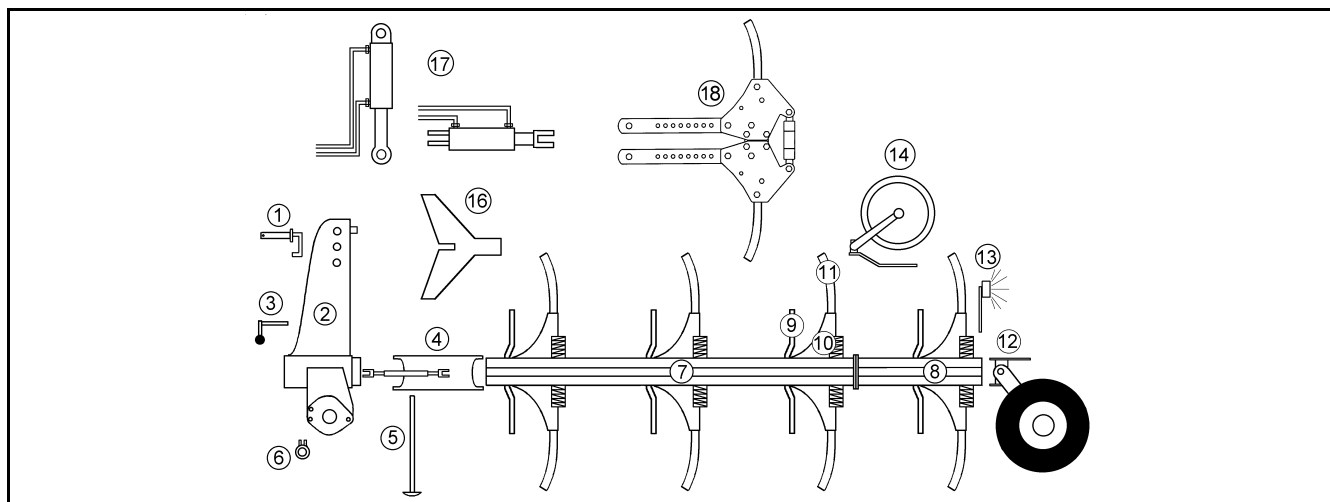
VariOpal 7X / 7 HydriX



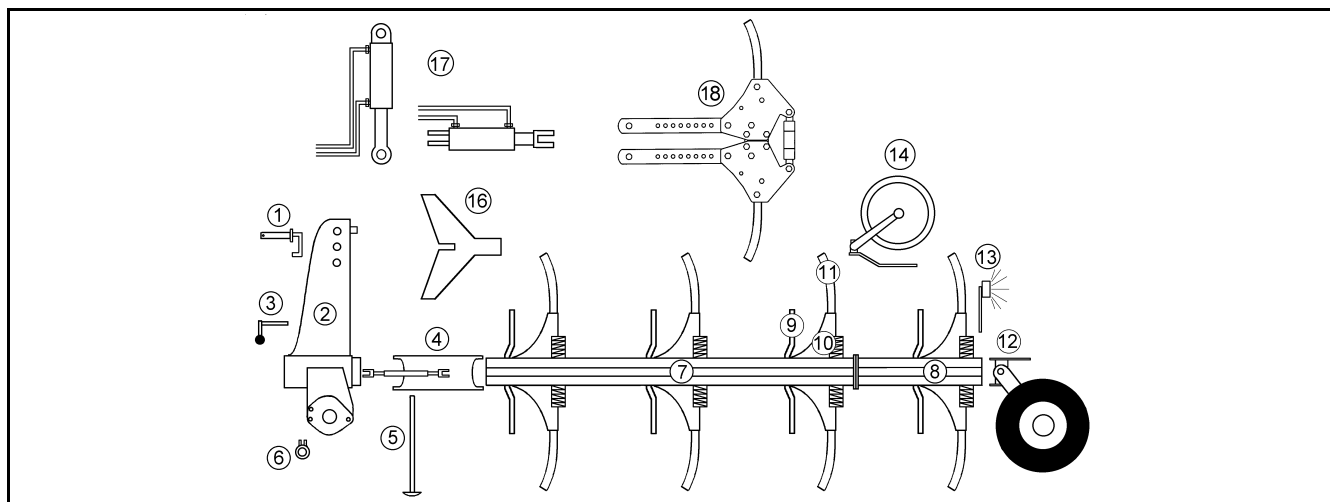
| Pos. | Art.Nr. | Artikeltext / Description | Abmessung | |
|------|----------|-------------------------------|-----------------------|----------------------|
| 1 | 313 7911 | Oberlenkerbolzen kpl. | Top link pin, cpl. | KAT2G D25,4/31,7x158 |
| 1 | 313 7921 | Oberlenkerbolzen kpl. | Top link pin, cpl. | KAT3G D31,7/25,4x158 |
| 2 | 321 9110 | Werkzeugsatz | Tool set | EurOpal 6/7 |
| 2 | 633 7504 | Drehwerk | Turnover mechanism | E100-OF |
| 2 | 633 7505 | Drehwerk | Turnover mechanism | E100 |
| 2 | 633 7512 | Drehwerk | Turnover mechanism | E100-RB |
| 2 | 633 7550 | Drehwerk | Turnover mechanism | E100 EPS |
| 2 | 633 7552 | Drehwerk | Turnover mechanism | E100-OS |
| 2 | 63310002 | Drehwerk | Turnover mechanism | E100 Hydrix |
| 3 | 633 7431 | Verriegelung | Locking device | D25x260 |
| 4 | 634 1640 | Breitenverstellung | Width adjuster | TR30x3-730/520 |
| 4 | 634 3124 | Zugpunkt-+ Breitereinstellung | Adjustment centre | V-50/735 HY |
| 4 | 634 3150 | Zugpunkt-+ Breitereinstellung | Adjustment centre | V-50/600 |
| 5 | 629 2510 | Abstellstütze | Stand | V-R750-800 915mm |
| 6 | 661 1250 | Unterlenkeranschluss | Lower link connection | T40-OS L2 Z2 |
| 6 | 661 1251 | Unterlenkeranschluss | Lower link connection | T40-OS L2 Z3 |
| 6 | 661 1252 | Unterlenkeranschluss | Lower link connection | T40-OS L3 Z3 |
| 6 | 661 1385 | Unterlenkeranschluss | Lower link connection | E55 L2 Z2 |
| 6 | 661 1386 | Unterlenkeranschluss | Lower link connection | E55 L2 Z3 |
| 6 | 661 1387 | Unterlenkeranschluss | Lower link connection | E55 L3 Z2 |
| 6 | 661 1388 | Unterlenkeranschluss | Lower link connection | E68 L3 Z3 |
| 6 | 661 1394 | Unterlenkeranschluss | Lower link connection | E68 L2 Z3 |
| 6 | 661 1399 | Unterlenkeranschluss | Lower link connection | E68 L4 Z4 |
| 6 | 661 1401 | Unterlenkeranschluss | Lower link connection | E55FH L2 Z2 |
| 6 | 661 1402 | Unterlenkeranschluss | Lower link connection | E55FH L3 Z2 |
| 6 | 661 1405 | Unterlenkeranschluss | Lower link connection | E55FH L2 Z3 |
| 6 | 661 1406 | Unterlenkeranschluss | Lower link connection | E68FH L3 Z3 |
| 7 | 321 9250 | Schnittbreitenanzeige | Pointer | VariOpal 7-90 |
| 7 | 321 9251 | Schnittbreitenanzeige | Pointer | VariOpal 7-100 |
| 7 | 321 9252 | Schnittbreitenanzeige | Pointer | VariOpal 7-120 |
| 7 | 602 8698 | Grundrahmen | Basic frame | VO 7 2-120 |



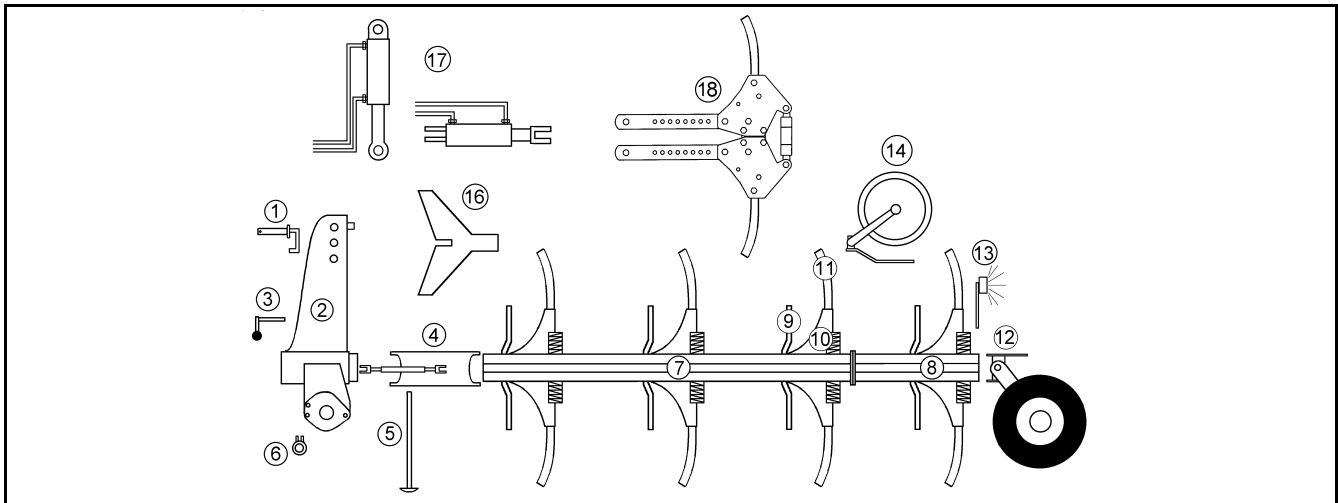
| Pos. | Art.Nr. | Artikeltext / Description | Abmessung | |
|------|----------|--------------------------------|--------------------------------|------------------------------|
| 7 | 602 8699 | Grundrahmen | Basic frame | VO 7 3-120 |
| 7 | 602 8700 | Grundrahmen | Basic frame | VO 7 4-100 |
| 7 | 602 8701 | Grundrahmen | Basic frame | VO 7 4-90 |
| 7 | 602 8702 | Grundrahmen | Basic frame | VO 7 3-100 |
| 7 | 602 8703 | Grundrahmen | Basic frame | VO 7 3-90 |
| 7 | 60210074 | Grundrahmen | Basic frame | VariOpal 7 5-90 |
| 7 | 60210075 | Grundrahmen | Basic frame | VO 7 5-100 |
| 7 | 605 1591 | Steuerstange für Rahmen o. Rad | Control rod f.frame w.o.wheel | VariOpal 7/7X-3-120 |
| 7 | 605 1592 | Steuerstange | Control rod | VariOpal 7/7X-3-120 |
| 7 | 605 1600 | Steuerstange für Rahmen m. Rad | Control rod for frame w. wheel | VariOpal 7/7X-3-100 |
| 7 | 605 1601 | Steuerstange für Rahmen m. Rad | Control rod for frame w. wheel | VariOpal 7/7X-4-100 |
| 7 | 605 1602 | Steuerstange | Control rod | VariOpal 7/7X-5-100 mit Rad |
| 7 | 605 1604 | Steuerstange für Rahmen o. Rad | Control rod f.frame w.o.wheel | VariOpal 7/7X-3-100 |
| 7 | 605 1605 | Steuerstange für Rahmen o. Rad | Control rod f.frame w.o.wheel | VariOpal 7/7X-4-100 |
| 7 | 605 1606 | Steuerstange | Control rod | VariOpal 7/7X-5-100 ohne Rad |
| 7 | 605 1612 | Steuerstange | Control rod | VariOpal 7/7X-2-120 |
| 7 | 605 1615 | Steuerstange für Rahmen m. Rad | Control rod for frame w. wheel | VariOpal 7/7X-3-90 |
| 7 | 605 1616 | Steuerstange für Rahmen m. Rad | Control rod for frame w. wheel | VariOpal 7/7X-4-90 |
| 7 | 605 1617 | Steuerstange | Control rod | VariOpal 7/7X-5-90 mit Rad |
| 7 | 605 1619 | Steuerstange für Rahmen o. Rad | Control rod f.frame w.o.wheel | VariOpal 7/7X-3-90 |
| 7 | 605 1620 | Steuerstange für Rahmen o. Rad | Control rod f.frame w.o.wheel | VariOpal 7/7X-4-90 |
| 7 | 605 1621 | Steuerstange | Control rod | VariOpal 7/7X-5-90 ohne Rad |
| 8 | 602 8705 | Anbauteil | Frame extension | VO 7-100 |
| 8 | 602 8706 | Anbauteil | Frame extension | VO 7-90 |
| 8 | 605 1607 | Steuerstange | Control rod | Anbauteil VO7/7X-3/4-120 |
| 8 | 605 1608 | Steuerstange | Control rod | Anbauteil VO 7/7X-3-100 |
| 8 | 605 1609 | Steuerstange | Control rod | Anbauteil VO7/7X-4/5-100 |
| 8 | 605 1611 | Steuerstange | Control rod | Anbauteil VO 7/7X-2-120 |
| 8 | 605 1623 | Steuerstange | Control rod | Anbauteil VO 7/7X-3-90 |



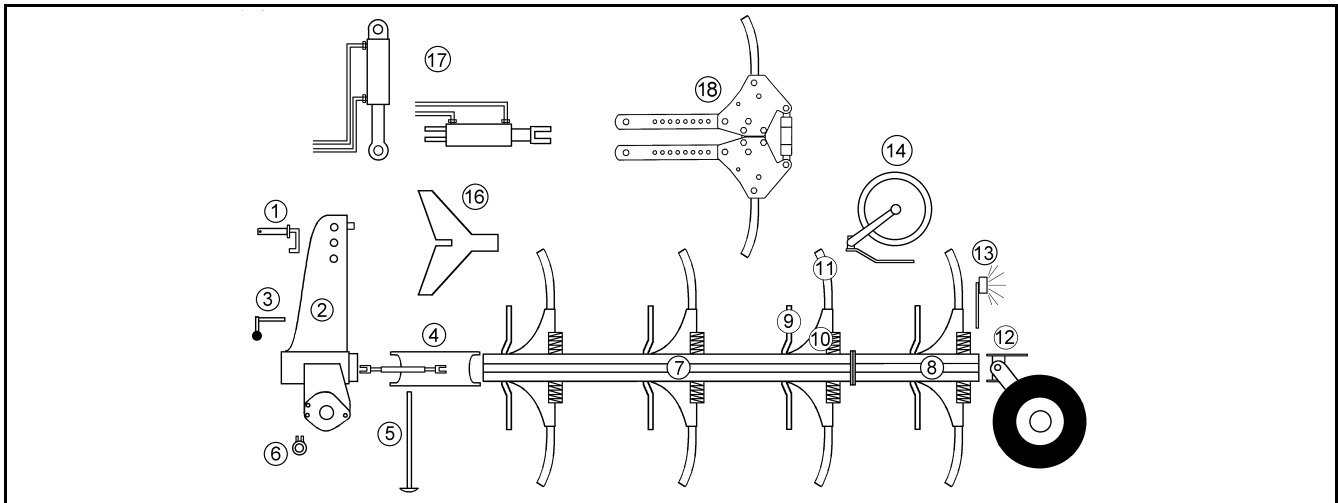
| Pos. | Art.Nr. | Artikeltext / Description | Abmessung |
|------|----------|--|--------------------------------|
| 8 | 605 1624 | Steuerstange Control rod | Anbauteil VO7/7X-4/5-90 |
| 9 | 663 7840 | Vorwerkzeughalm zum Sech Disc stalk | D40/80 Z50 |
| 9 | 663 8474 | Vorwerkzeughalm Skim stalk | DE-D45 H750-800 |
| 9 | 663 8720 | Düngereinlegerhalm Skim stalk | K--X30 |
| 9 | 663 8732 | Düngereinlegerhalm Skim stalk | K--X40 |
| 10 | 602 2717 | Halmtasche Bracket | VariOpal 7 X |
| 11 | 464 5010 | Koerperhalm Leg | 80x30x607-R750 D14 |
| 11 | 464 5011 | Koerperhalm Leg | 80x30x657-R800 D14 |
| 11 | 464 5020 | Körperhalm Leg | 80x30x627-R750 D14,3 |
| 11 | 464 5025 | Körperhalm Leg | 80x30x677-R800 D14,3 |
| 11 | 699 6000 | Körperhalmsschrauben Bolts for leg | Dural |
| 12 | 548 2620 | Pendelrad-Halm Wheel stalk | kpl. 5/94/140-L |
| 12 | 548 2621 | Pendelrad-Halm Wheel stalk | kpl. 5/94/140 K |
| 12 | 548 2657 | Pendelrad-Konsole Wheel bracket | VariOpal 7 |
| 12 | 549 1220 | Abstreifer Scraper | 40x8x330 3xD12 |
| 12 | 549 1262 | Konsole Bracket | VariOpal 7 Unirad |
| 12 | 549 1710 | Steuerstange Control rod | VO 7 HRP-K 50x15x453/403 |
| 12 | 549 1730 | Radhalm Wheel stalk | 5/94/140 |
| 12 | 549 1731 | Radhalm Wheel stalk | 6/161/205 |
| 12 | 549 1733 | Radhalm Wheel stalk | HY 6/161/205 |
| 12 | 549 8849 | Rad Wheel | 5/94/140 D14 |
| 12 | 549 8858 | Rad 5/94/140 D14 Wheel 5/94/140 D14 | 195R15 D650x198 4PR ET-0 |
| 12 | 549 8893 | Lagerung Bearing | 5/93,5/140 M14 50x50 |
| 12 | 549 8894 | Lagerung Bearing | V60-6/160/205/88.5 D18 |
| 12 | 549 8900 | Flanschlager Flange-type bearing | 5/93,5/140 M14 |
| 12 | 549 8901 | Flanschlager Flange-type bearing | 6/160/205 D18 |
| 12 | 549 8902 | Uni-Rad-Halm Stalk Uni-wheel | HY 5/95/140 |
| 12 | 549 8903 | Radlagerung Bearing | HY 6/161/205 |
| 12 | 550 8862 | Rad Wheel | 10.0/75-15.3 10PR AW ET-32 |
| 12 | 550 8863 | Rad Wheel | 10.0/75-15.3 12PR AW ET-25 |
| 12 | 550 8864 | Rad Wheel | 340/55-16TL 6/161/205/B2 |
| 12 | 55010332 | Rad Wheel | 6/161/205 10.0/75-15.3 AW ET-2 |
| 12 | 648 4192 | Pendelstützrad Depth wheel | VO7 5/94/140 |



| Pos. | Art.Nr. | Artikeltext / Description | Abmessung | |
|------|----------|---------------------------|------------------------------|------------------------|
| 12 | 648 4218 | Pendelstützrad | Depth wheel | VO7 5/94/140 |
| 12 | 649 1671 | Uni-Rad | Uni-wheel | VO7 5/94/140 |
| 12 | 649 1672 | Uni-Rad | Uni-wheel | VO7 6/161/205 |
| 12 | 649 1673 | Uni-Rad | Uni-wheel | HY VO7 6/161/205 |
| 12 | 649 1687 | Uni-Rad | Uni-wheel | HY VO7 5/94/140 |
| 13 | 373 4150 | Verlängerungskabel | Extension cable | 7-polig 2,5m |
| 13 | 570 2086 | Beleuchtungsanlage | Lighting equipment | Pflug |
| 13 | 573 6025 | Kabelbaum | Cable form | VariOpal |
| 13 | 573 6026 | Kabelbaum Ausgänge | Cable form exits | VariOpal |
| 13 | 573 6028 | Kabelbaum Schlepper | Cable form | 14P-4m |
| 13 | 573 6030 | Kabelbaum LS- Anforderung | Cable form | VariOpal |
| 13 | 573 6031 | Kabelbaum Stützrad | Cable form | VariOpal |
| 13 | 670 1151 | Leuchtenhalter | Lamp holder | LH 1 |
| 13 | 670 1200 | Leuchtenhalter | Lamp holder | LH3A UNI |
| 13 | 670 1674 | Beleuchtungsanlage | Lighting equipment | BLA-1 PF/UNI 33,7x1580 |
| 13 | 670 1676 | Beleuchtungsanlage | Lighting equipment | BLA-2 PF |
| 13 | 670 1708 | seitl. Warntafel | Lateral warning board | SWT-1 |
| 13 | 670 2012 | Warntafel mit Beleuchtung | Warning boards with lighting | HR+HL 7m |
| 13 | 673 4374 | Drehpotentiometer | Rotary potentiometer | E100 EPS |
| 13 | 673 4377 | Winkelsensor | Angle sensor | E100 EPS |
| 13 | 673 4980 | Terminalhalter | Holder | LKT/LBT/LST/LEP |
| 13 | 673 6001 | Standardterminal | Operator terminal | LST-2 TDM R360 |
| 13 | 673 6002 | Gehäuse mit Jobrechner | Housing | CR0016 |
| 13 | 673 6004 | Befestigungssatz | Set of fittings | VariTitan |
| 13 | 673 6032 | Gehäuse-Jobr. | Joystickbox | JB-1 |
| 14 | 642 6810 | Grenzpflugscheibe | Headland disc | GPS-E7-D530 |
| 14 | 657 7818 | Scheibensech gefedert | Trip disc-coulter | X140-X160 RE 500 G |
| 14 | 657 7819 | Scheibensech gefedert | Trip disc-coulter | X140-X160 LI 500 G |
| 14 | 657 7820 | Scheibensech gefedert | Trip disc-coulter | X140-X160 RE 500 Z |
| 14 | 657 7821 | Scheibensech gefedert | Trip disc-coulter | X140-X160 LI 500 Z |
| 14 | 657 9332 | Secharm kpl. | Disc arm | D500-G Z50 |
| 14 | 657 9333 | Secharm kpl. | Disc arm | D500-Z Z50 |
| 16 | 622 2661 | Mitnehmerarm | Attachment arm | E2V-HY |
| 16 | 622 2664 | Konsole zum Mitnehmerarm | Bracket | E7 D16/160x65 kpl. |



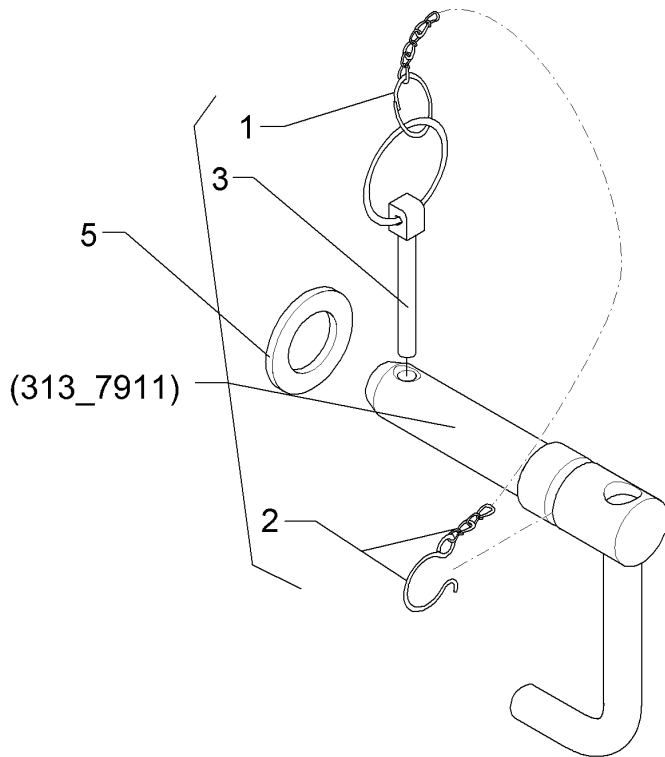
| Pos. | Art.Nr. | Artikeltext / Description | Abmessung | |
|------|----------|-----------------------------|---------------------------|--------------------------------|
| 16 | 622 2688 | Steuerkette | Check chain | VariOpal 7/8/9 X |
| 17 | 475 4394 | Schlauchhalter | Hose carrier | M20x75 Zn Hydrix 7X+8X |
| 17 | 575 2198 | Druckspeicher für Packerarm | Pressure accumulator | NRS-SK 210 |
| 17 | 575 2314 | Hydraulikzylinder | Hydraulic ram | 60/30-210-430 |
| 17 | 575 2403 | Einschwenkzylinder | Swing-in ram | DZ90/40-100-555 EL |
| 17 | 575 2430 | Breitenverstellzylinder | Adjuster ram | DZ90/40-100-600 |
| 17 | 575 2445 | Memoryzylinder | Memory ram | 90/40-100-600 |
| 17 | 575 2454 | Memoryzylinder | Memory ram | DZ-S90/45-100/600 |
| 17 | 575 2490 | Umschaltzylinder | Change over ram | DZ70/40-240 IV-A |
| 17 | 575 2492 | Umschaltzylinder VÜP | Turn over ram with VÜP | DZ70/40-240 HPS-II-A-FS |
| 17 | 575 2495 | Umschaltzylinder VÜP | Turn over ram with VÜP | DZ80/40-240-D35 HPS-II-AR |
| 17 | 575 2498 | Umschaltzylinder Vari-Stop | Switch over ram Vari-Stop | DZ80/40-240-D35 |
| 17 | 575 2501 | Umschaltzylinder | Change over ram | DZ80/40/240-D35 EL |
| 17 | 575 2506 | Umschaltzylinder | Change over ram | DZ80/40-236-D35 HPS-III-AR |
| 17 | 575 2508 | Umschaltzylinder | Change over ram | DZ70/40-240 SYS 5A |
| 17 | 575 2523 | Zugzylinder | Hydraulic ram | EZ 60/30-125 |
| 17 | 575 9041 | Block zum HydriX | Block | 60-150 bar |
| 17 | 675 1093 | Hydraulikanlage | Hydraulic assembly | X-HY 2SG-1000(3-Schar mit Rad) |
| 17 | 675 1094 | Hydraulikanlage | Hydraulic assembly | X-HY 3SG-900 |
| 17 | 675 1095 | Hydraulikanlage | Hydraulic assembly | X-HY 3SG-1000 |
| 17 | 675 1096 | Hydraulikanlage | Hydraulic assembly | X-HY 2SG-1200(3-Schar mit Rad) |
| 17 | 675 1097 | Hydraulikanlage | Hydraulic assembly | X-HY 3SG-1200 |
| 17 | 675 1103 | Hydraulikanlage | Hydraulic assembly | X-HY 3SG-900 |
| 17 | 675 1104 | Hydraulikanlage | Hydraulic assembly | X-HY 4SG-900 |
| 17 | 675 1105 | Hydraulikanlage | Hydraulic assembly | X-HY 5SG-900 |
| 17 | 675 1107 | Hydraulikanlage | Hydraulic assembly | EurOpal X 2SG-1000 |
| 17 | 675 1108 | Hydraulikanlage | Hydraulic assembly | EurOpal X 3SG-1000 |
| 17 | 675 1109 | Hydraulikanlage | Hydraulic assembly | X-HY 4SG-1000 |
| 17 | 675 1110 | Hydraulikanlage | Hydraulic assembly | X-HY 5SG-1000 |
| 17 | 675 1112 | Hydraulikanlage | Hydraulic assembly | X-HY 1SA-900 |
| 17 | 675 1113 | Hydraulikanlage | Hydraulic assembly | X-HY 1SA-1000 |
| 17 | 675 1116 | Halter für Stickstoffblase | Holder | E+V-Opal 7 X-HY |
| 17 | 675 1122 | Hydraulikanlage | Hydraulic assembly | X-HY 2SG-1200 |
| 17 | 675 1123 | Hydraulikanlage | Hydraulic assembly | EurOpal X 3SG-1200 |
| 17 | 675 1126 | Hydraulikanlage | Hydraulic assembly | X-HY 1SA-1000 |
| 17 | 675 1150 | Hydraulikanlage | Hydraulic assembly | Uni-Pendelrad (4-furchig) |



| Pos. | Art.Nr. | Artikeltext / Description | Abmessung | |
|------|----------|----------------------------------|------------------------------|-----------------------------|
| 17 | 675 1151 | Hydraulikanlage | Hydraulic assembly | Uni-Pendelrad (5-furchig) |
| 17 | 675 1152 | Hydraulikanlage | Hydraulic assembly | Uni-Pendelrad (6-furchig) |
| 17 | 675 1340 | Hydraulikanlage Mitnehmerarm | HY-assembly attachment arm | PA-E1-D |
| 17 | 675 1346 | Hydraulikanlage Mitnehmerarm | HY-assembly attachment arm | PA-E1-K |
| 17 | 675 3556 | Breitenverstellung Memory-VÜP | HY-width adjuster Memory-VÜP | DZ-S90/40/100-600 |
| 17 | 675 3577 | Breitenverstellung Memory-VÜP | HY-width adjuster Memory-VÜP | DZ90/40/100-600 L WE |
| 17 | 675 3578 | Breitenverstellung | Width adjuster | DZ90/40/100-600 L WE |
| 17 | 675 3594 | Breitenverstellung Memory-VÜP | HY-width adjuster Memory-VÜP | DZ90/40/100-600 WE |
| 17 | 675 3602 | Breitenverstellung | Width adjuster | DZ90/40/100+DZ80/30/174 |
| 17 | 675 3603 | Hydraulische Ausschwenkung | HY-assembly swing-out device | DZ80/30/174 ON-LAND |
| 17 | 675 3635 | HY-Drehung | HY-turnover device | D70/IV-A |
| 17 | 675 3639 | HY-Drehung | HY-turnover device | D80 VUEP HPS-III-AR |
| 17 | 675 3641 | HY-Drehung | HY-turnover device | D80 VUEP HPS-II-AR |
| 17 | 675 3644 | HY-Drehung | HY-turnover device | D70/SYS 5-A |
| 17 | 675 3645 | HY-Drehung | HY-turnover device | D80 VUEP HPS-III-AR |
| 17 | 675 3655 | HY-Drehung | HY-turnover device | D80/240 Vari-Stop |
| 17 | 675 3656 | HY-Drehung | HY-turnover device | D80/240 Vari-Stop-Memory |
| 17 | 675 3700 | HY-Drehung | HY-turnover device | D80/40-240-D35 EPS |
| 17 | 675 3705 | Breitenverstellung Memory-EPS | HY-width adjuster Memory-EPS | DZ100/50-100-600 EPS |
| 17 | 675 3710 | Vorderfurcheneinstellung EPS | HY-front furrow adjuster EPS | DZ90/40-100-555 E6/7 |
| 17 | 675 9050 | Kombiblock einstellb. kpl. | Combi block adjustable, cpl. | EPS |
| 17 | 675 9051 | Stützradblock kpl. | Depth wheel block | EPS |
| 17 | 67510153 | Halter | Holder | Hydrix 2/3-H |
| 18 | 626 8172 | Überlastsicherung mit Rolle | Trip device with roller | VariOpal 7 X / 8 X GR30-D14 |
| 18 | 626 8175 | Überlastsicherung | Overload safety device | 30x80-170-V/D20 E7/E8 |
| 18 | 626 8201 | Überlastsicherung-Grindel | Trip device - beam | Rolle-HY-170_80.30-D14 |
| 18 | 626 8202 | Überlastsicherung-Grindel | Trip device - beam | Rolle-HY-170 80x30-D14/D20 |
| 18 | 626 8207 | Überlastsicherung | Overload safety device | 80x30/40-V/D20 7/8 |
| 18 | 626 8209 | Überlastsicherung | Overload safety device | S-170-80x30/40-HY A14 D20 |

| | |
|---|----------|
| Oberlenkerbolzen kpl./Top link pin, cpl. | 1 |
|---|----------|

| | |
|-------------------------------|-----------------|
| VariOpal 7X / 7 HydriX | 313 7911 |
|-------------------------------|-----------------|

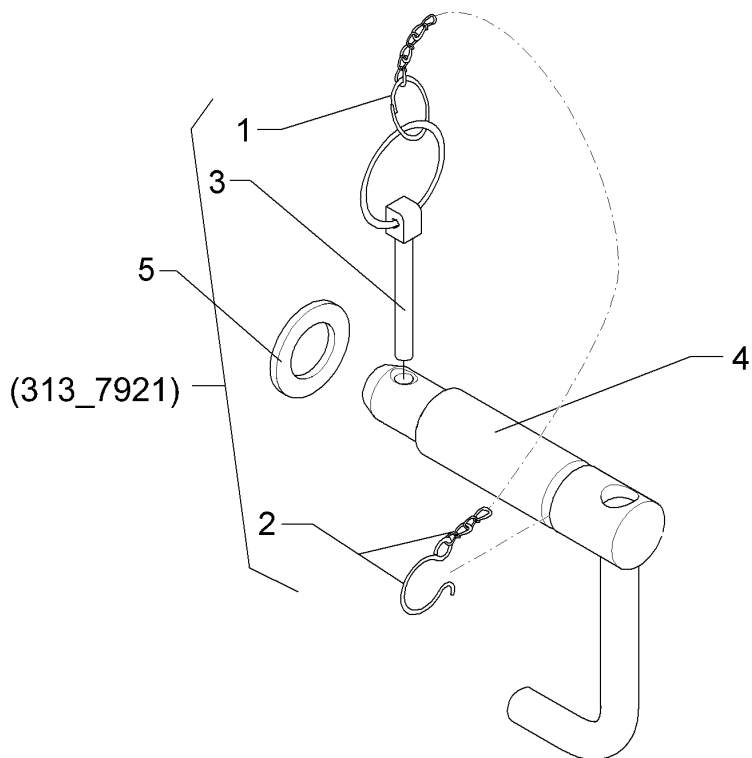


01.18

| Pos. | Art.Nr. | Stck. | Artikeltext / Description | Abmessung | |
|------|----------|-------|---------------------------|----------------|----------------------------|
| 1 | 305 8545 | 1 | Sicherungsring | Retaining ring | 3x30-35x1,25 Zn |
| 2 | 305 8560 | 1 | Federsicherung | Securing clip | D3,6/D21-460mm-Zn |
| 3 | 311 9315 | 1 | Klappstift mit Bohrung | Securing pin | 8x42 DIN11023 |
| 4 | 313 7910 | 1 | Oberlenkerbolzen | Top link pin | KAT2G D25,4/31,7x158 Zn |
| 5 | 305 6283 | 1 | Scheibe | Washer | B28 DIN125 |

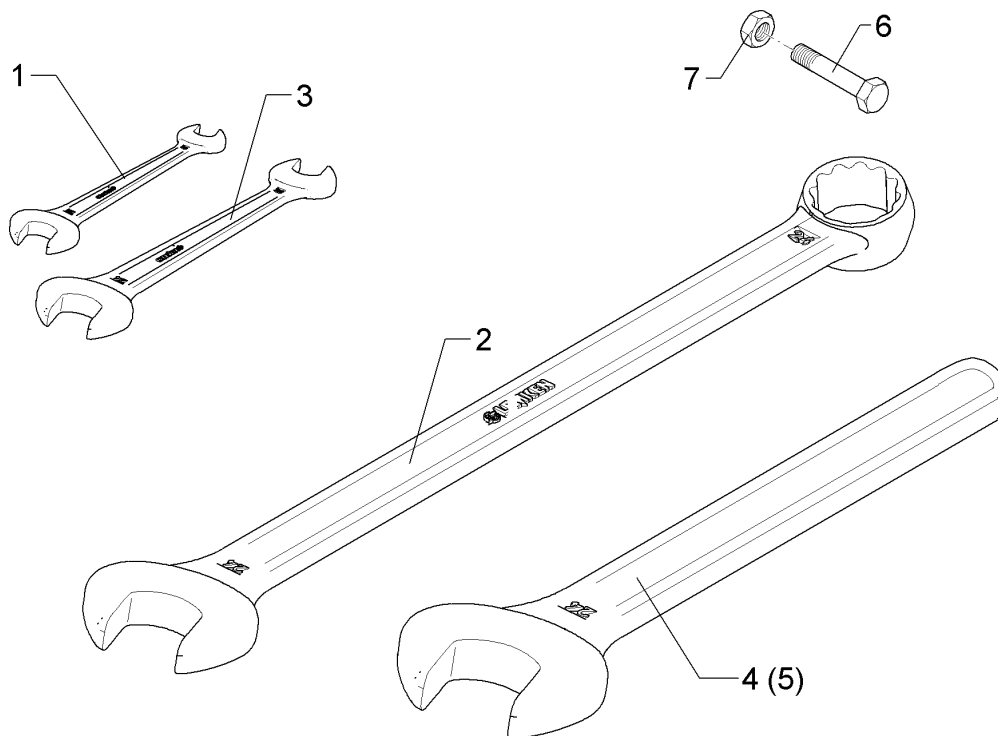
| | |
|---|----------|
| Oberlenkerbolzen kpl./Top link pin, cpl. | 1 |
|---|----------|

| | |
|-------------------------------|-----------------|
| VariOpal 7X / 7 HydriX | 313 7921 |
|-------------------------------|-----------------|



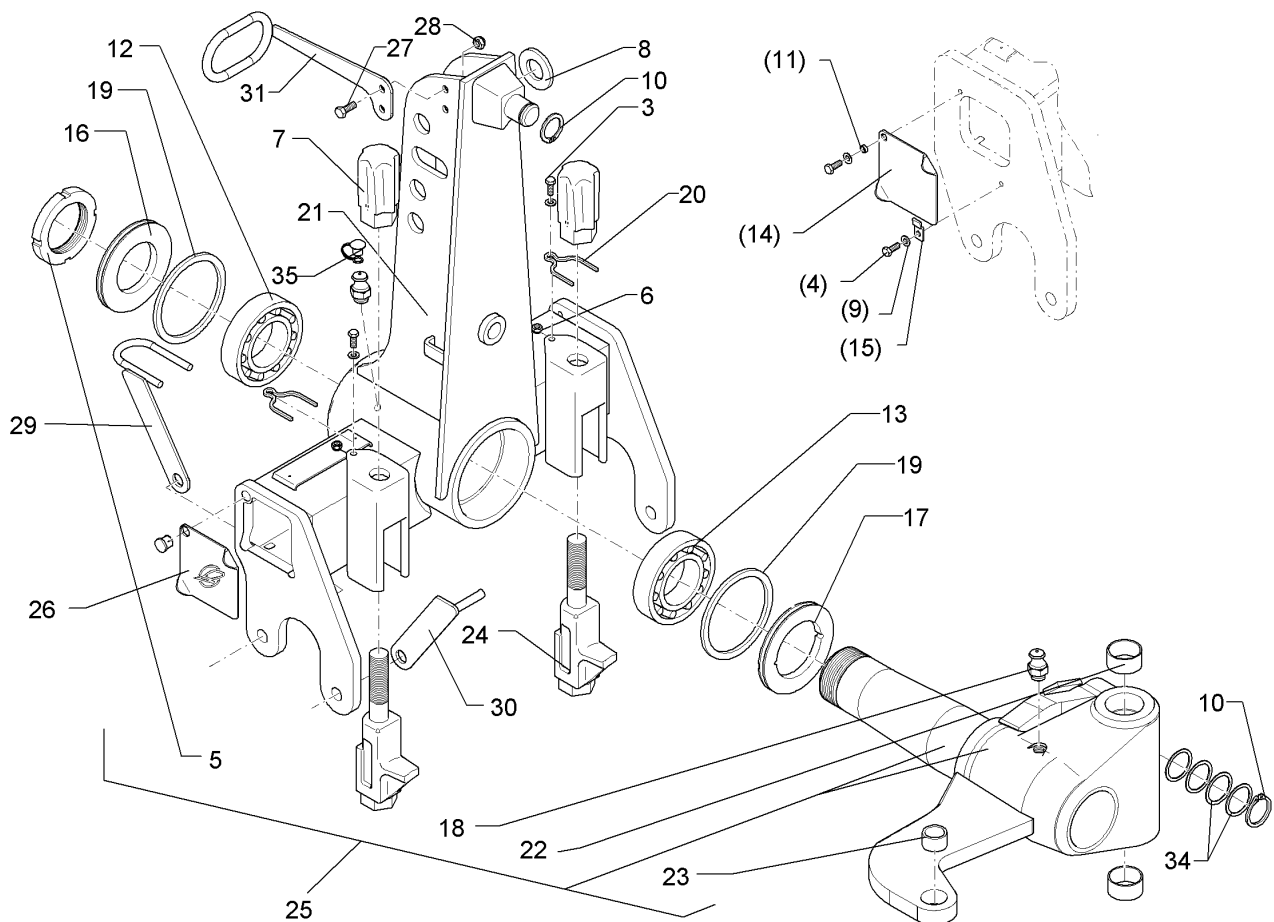
01.18

| Pos. | Art.Nr. | Stck. | Artikeltext / Description | Abmessung | |
|------|----------|-------|---------------------------|----------------|----------------------------|
| 1 | 305 8545 | 1 | Sicherungsring | Retaining ring | 3x30-35x1,25 Zn |
| 2 | 305 8560 | 1 | Federsicherung | Securing clip | D3,6/D21-460mm-Zn |
| 3 | 311 9315 | 1 | Klappstift mit Bohrung | Securing pin | 8x42 DIN11023 |
| 4 | 313 7920 | 1 | Oberlenkerbolzen | Top link pin | KAT3G D31,7/25,4x160 Zn |
| 5 | 305 6283 | 1 | Scheibe | Washer | B28 DIN125 |



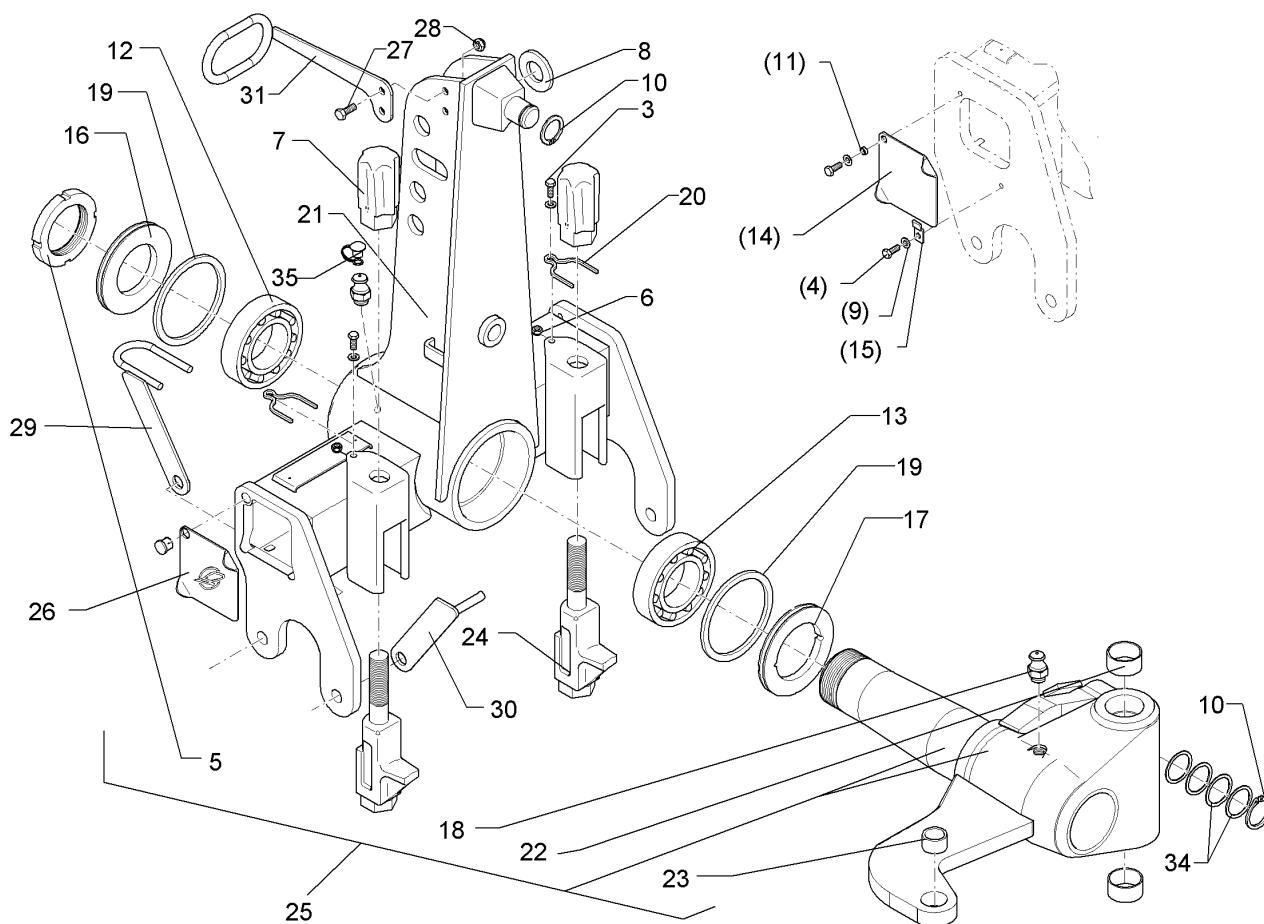
01.18

| Pos. | Art.Nr. | Stck. | Artikeltext / Description | Abmessung | |
|------|----------|-------|---------------------------|--------------|-----------------------|
| 1 | 321 9815 | 1 | Schlüssel | Spanner | Gabel 19/22 |
| 2 | 321 9820 | 1 | Schlüssel | Spanner | Gabel 24 Ring 30 |
| 3 | 321 9838 | 1 | Schlüssel | Spanner | Gabel 30/24 DIN895 Zn |
| 4 | 321 9855 | 1 | Schlüssel | Spanner | Gabel 50 DIN894 Zn |
| 5 | 321 9850 | 1 | Schlüssel | Spanner | Gabel 46 DIN894 Zn |
| 6 | 301 3424 | 8 | Sechskantschraube spz. | Hexagon bolt | M12x75-10.9 Zn |
| 7 | 303 1013 | 8 | Sechskantmutter | Hexagon nut | M12 DIN934-8 Zn |



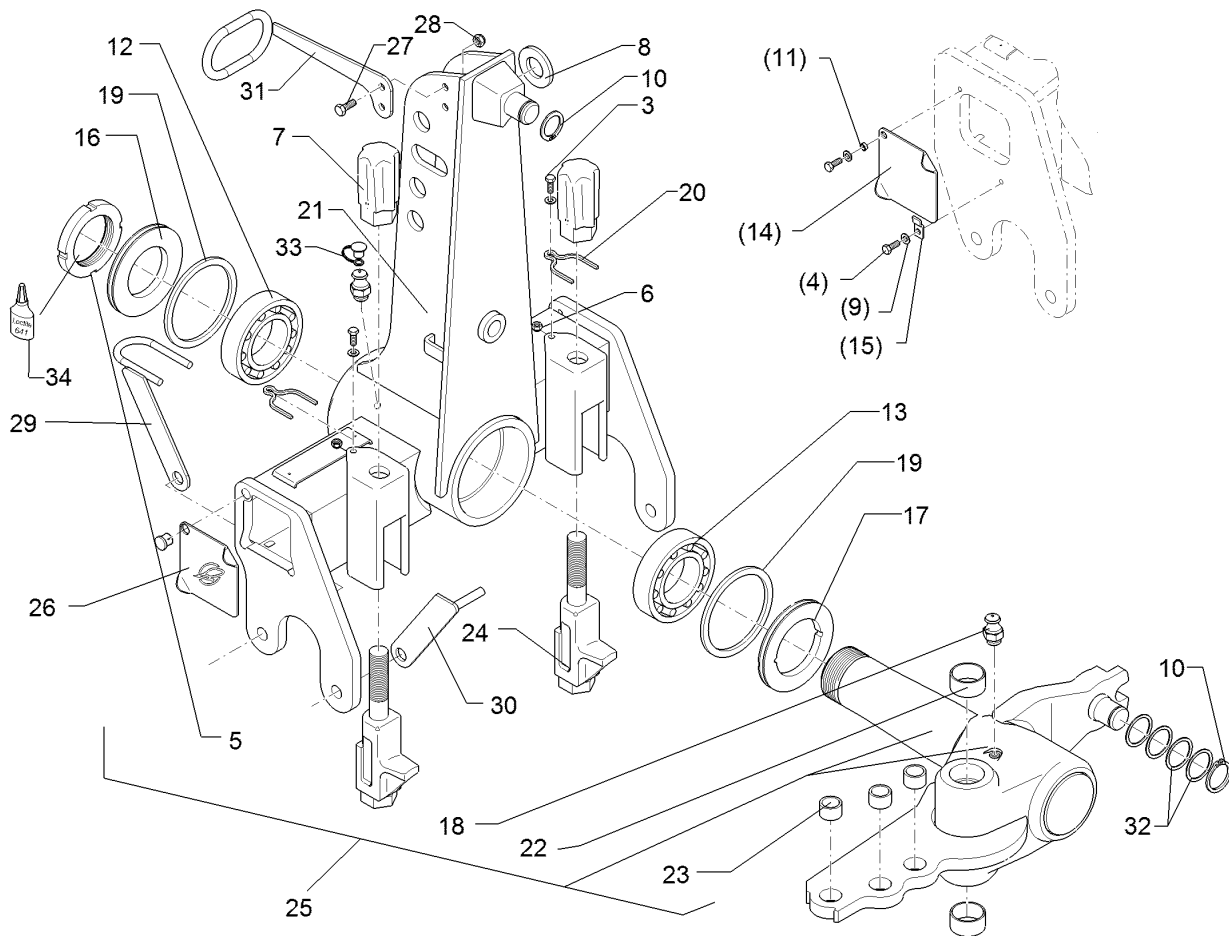
01.18

| Pos. | Art.Nr. | Stck. | Artikeltext / Description | | Abmessung |
|------|----------|-------|------------------------------|------------------------|--------------------------|
| 3 | 301 7280 | 2 | Sechskantschraube | Hexagon bolt | M8x25-8.8 Zn DIN933 |
| 4 | 301 7260 | 4 | Sechskantschraube | Hexagon bolt | M8x16-8.8 Zn DIN933 |
| 5 | 303 0346 | 1 | Nutmutter | Grooved nut | M85x2 MK17 Zn |
| 6 | 303 0932 | 2 | Sicherungsmutter | Selflocking nut | NM8-8 Zn DIN985 |
| 7 | 303 8960 | 2 | Hutmutter | Cap nut | M27-SW46x118 |
| 8 | 305 6254 | 1 | Scheibe | Washer | D25/44x4 Zn ISO7089 |
| 9 | 305 8694 | 2 | Scheibe | Washer | A8,4 DIN125-St Zn |
| 10 | 305 8873 | 2 | Sicherungsring | Retaining ring | 35x2,5 DIN471 |
| 11 | 317 6710 | 2 | Röhrchen | Tube | 10x1x4 |
| 12 | 319 9095 | 1 | Kegelrollenlager | Tapered roller bearing | 30217 D150/85x30,5 |
| 13 | 319 9219 | 1 | Kegelrollenlager | Tapered roller bearing | 32020X D150/100x32 |
| 14 | 323 0002 | 2 | Deckel | Cover | 3x115x115 1xD11 |
| 15 | 323 0003 | 2 | Halter | Holder | 15x3x40 1xD8,5 |
| 16 | 323 0060 | 1 | Dichtscheibe | Seal washer | D149,5/100x12 2xd8 Zn |
| 17 | 323 0062 | 1 | Dichtscheibe mit Nut | Seal washer | D149,5/85x12 Zn |
| 18 | 323 6348 | 1 | Schmiernippel | Grease nipple | AM10x1 DIN71412 |
| 19 | 323 7970 | 2 | Filzring | Felt ring | D150/130x6 |
| 20 | 329 8620 | 2 | Klammer | Clamp | D4x70-46 Zn |
| 21 | 433 7505 | 1 | Turm | Headstock | E100 |
| 22 | 317 2025 | 2 | Einspannbuchse mit Presssitz | Expansion bush | EG50/55x30 |



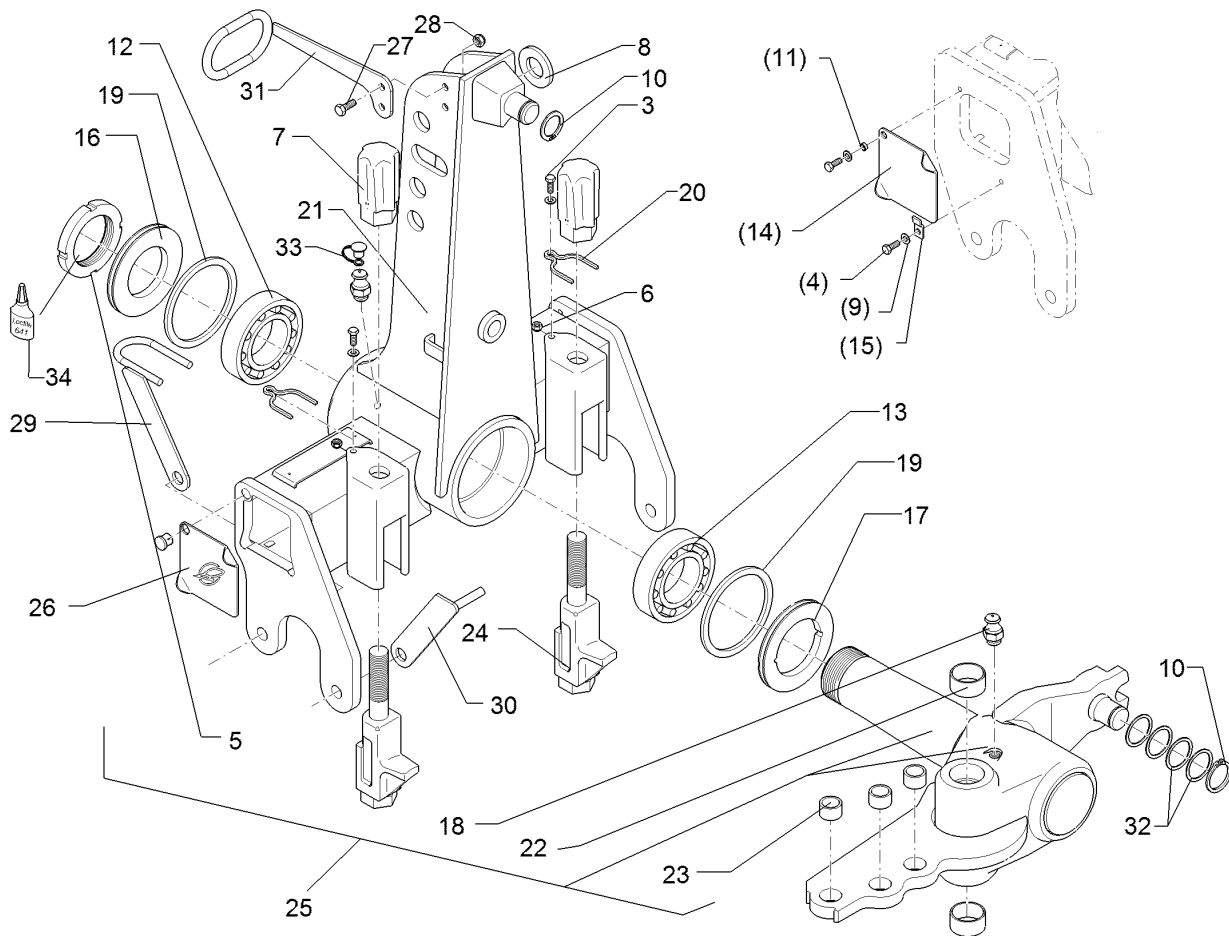
01.18

| Pos. | Art.Nr. | Stck. | Artikeltext / Description | | Abmessung |
|------|----------|-------|------------------------------|--------------------|--------------------------|
| 23 | 317 3417 | 1 | Einspannbuchse mit Presssitz | Expansion bush | EG30/38x25 |
| 24 | 433 9201 | 2 | Anschlag | Stop | D75/90-M27 |
| 25 | 533 8109 | 1 | Wendeachse | Turning axle | E100 On-Land |
| 26 | 323 0004 | 1 | Niet | Rivet | KPL 118x118x6 |
| 27 | 301 5004 | 2 | Sechskantschraube | Hexagon bolt | M10x30-8.8 Zn DIN933 |
| 28 | 303 0933 | 2 | Sicherungsmutter | Selflocking nut | NM10-8 DIN985 Zn |
| 29 | 475 4402 | 1 | Schlauchhalter vorn | Hose carrier front | SDV |
| 30 | 475 4403 | 1 | Schlauchhalter hinten | Hose carrier rear | SDH |
| 31 | 475 4404 | 1 | Schlauchhalter oben | Hose carrier rear | SDO |
| 34 | 305 2247 | 1 | Stützscheibe | Supporting washer | S 35x45x2,5 DIN988 Zn |
| 35 | 323 6401 | 1 | Schutzkappe | Cap | M6-M10 |



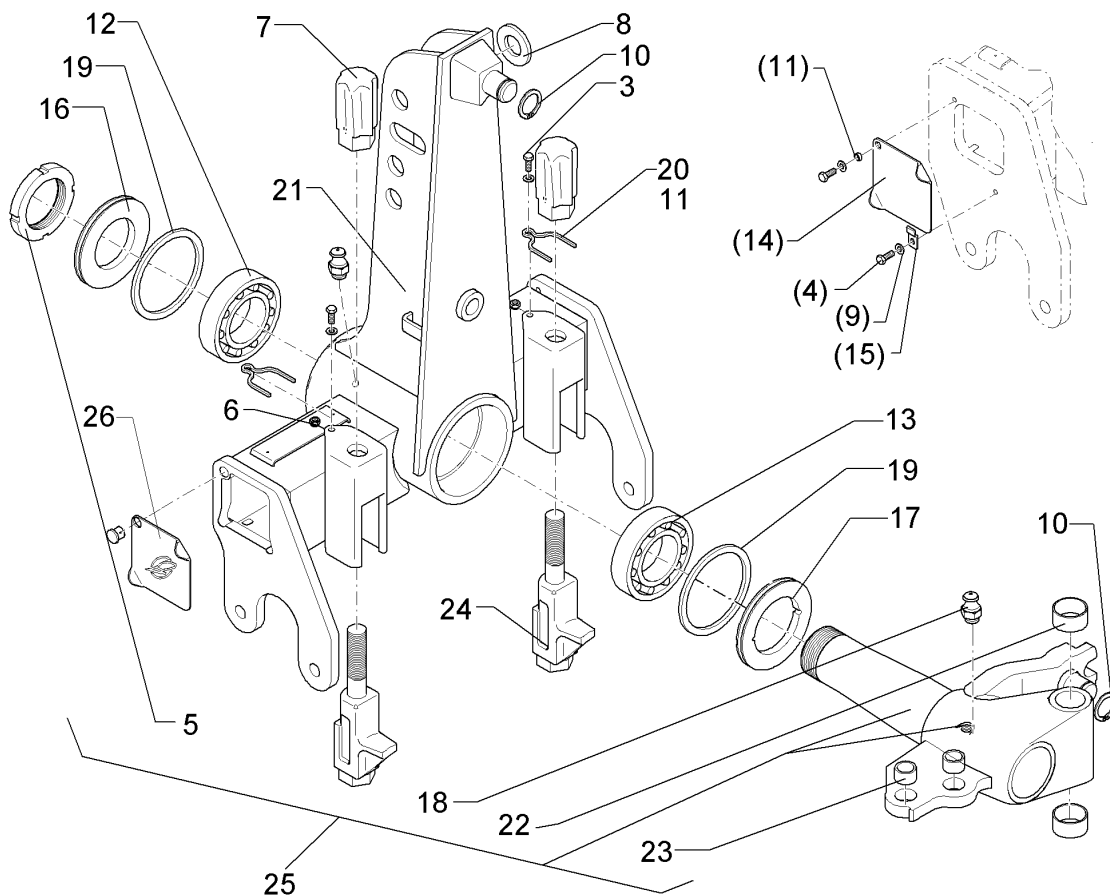
01.18

| Pos. | Art.Nr. | Stck. | Artikeltext / Description | | Abmessung |
|------|----------|-------|------------------------------|------------------------|--------------------------|
| 3 | 301 7280 | 2 | Sechskantschraube | Hexagon bolt | M8x25-8.8 Zn DIN933 |
| 4 | 301 7260 | 4 | Sechskantschraube | Hexagon bolt | M8x16-8.8 Zn DIN933 |
| 5 | 303 0346 | 1 | Nutmutter | Grooved nut | M85x2 MK17 Zn |
| 6 | 303 0932 | 2 | Sicherungsmutter | Selflocking nut | NM8-8 Zn DIN985 |
| 7 | 303 8960 | 2 | Hutmutter | Cap nut | M27-SW46x118 |
| 8 | 305 6254 | 1 | Scheibe | Washer | D25/44x4 Zn ISO7089 |
| 9 | 305 8694 | 2 | Scheibe | Washer | A8,4 DIN125-St Zn |
| 10 | 305 8873 | 2 | Sicherungsring | Retaining ring | 35x2,5 DIN471 |
| 11 | 317 6710 | 2 | Röhrchen | Tube | 10x1x4 |
| 12 | 319 9095 | 1 | Kegelrollenlager | Tapered roller bearing | 30217 D150/85x30,5 |
| 13 | 319 9219 | 1 | Kegelrollenlager | Tapered roller bearing | 32020X D150/100x32 |
| 14 | 323 0002 | 2 | Deckel | Cover | 3x115x115 1xD11 |
| 15 | 323 0003 | 2 | Halter | Holder | 15x3x40 1xD8,5 |
| 16 | 323 0062 | 1 | Dichtscheibe mit Nut | Seal washer | D149,5/85x12 Zn |
| 17 | 323 0060 | 1 | Dichtscheibe | Seal washer | D149,5/100x12 2xd8 Zn |
| 18 | 323 6348 | 1 | Schmiernippel | Grease nipple | AM10x1 DIN71412 |
| 19 | 323 7970 | 2 | Filzring | Felt ring | D150/130x6 |
| 20 | 329 8620 | 2 | Klammer | Clamp | D4x70-46 Zn |
| 21 | 433 7505 | 1 | Turm | Headstock | E100 |
| 22 | 317 2025 | 2 | Einspannbuchse mit Presssitz | Expansion bush | EG50/55x30 |



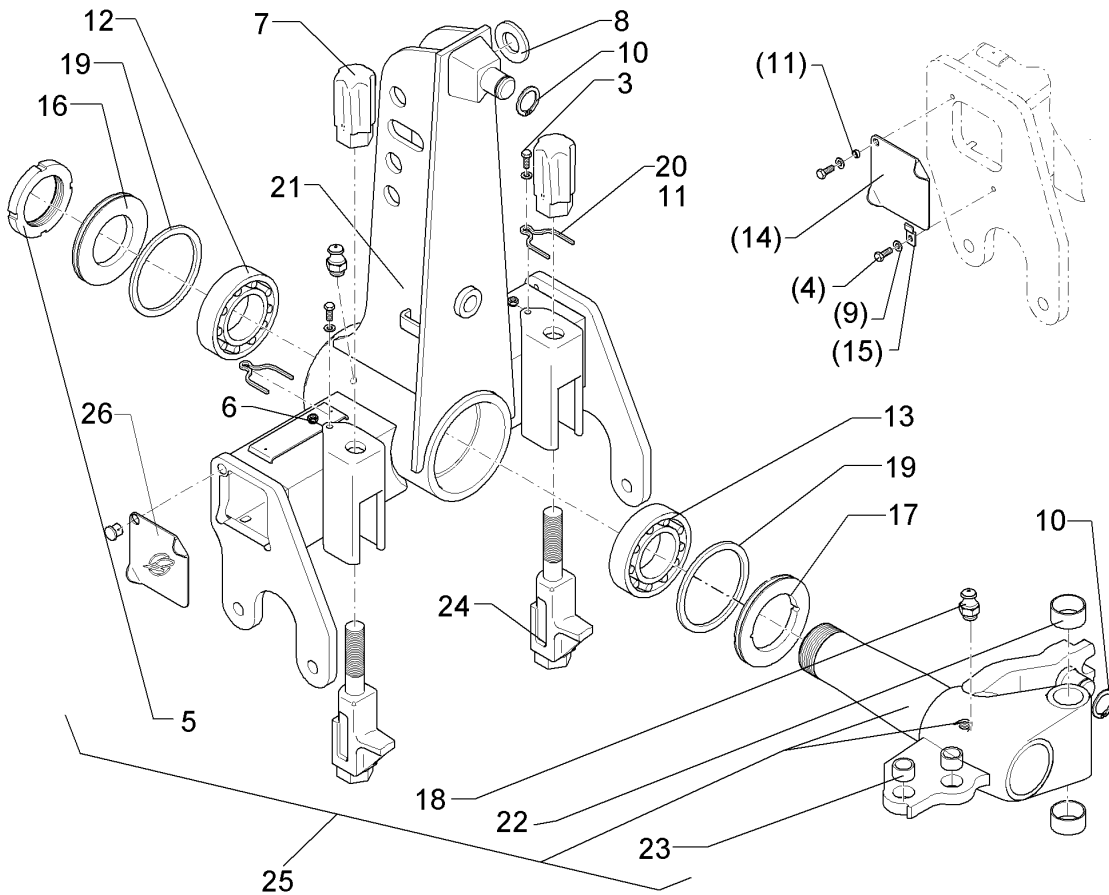
01.18

| Pos. | Art.Nr. | Stck. | Artikeltext / Description | | Abmessung |
|------|----------|-------|------------------------------|--------------------|--------------------------|
| 23 | 317 3417 | 3 | Einspannbuchse mit Presssitz | Expansion bush | EG30/38x25 |
| 24 | 433 9201 | 2 | Anschlag | Stop | D75/90-M27 |
| 25 | 533 8110 | 1 | Wendeachse | Turning axle | E100 |
| 26 | 323 0004 | 1 | Niet | Rivet | KPL 118x118x6 |
| 27 | 301 5004 | 2 | Sechskantschraube | Hexagon bolt | M10x30-8.8 Zn DIN933 |
| 28 | 303 0933 | 2 | Sicherungsmutter | Selflocking nut | NM10-8 DIN985 Zn |
| 29 | 475 4402 | 1 | Schlauchhalter vorn | Hose carrier front | SDV |
| 30 | 475 4403 | 1 | Schlauchhalter hinten | Hose carrier rear | SDH |
| 31 | 475 4404 | 1 | Schlauchhalter oben | Hose carrier rear | SDO |
| 32 | 305 2247 | 1 | Stützscheibe | Supporting washer | S 35x45x2,5 DIN988 Zn |
| 33 | 323 6401 | 1 | Schutzkappe | Cap | M6-M10 |



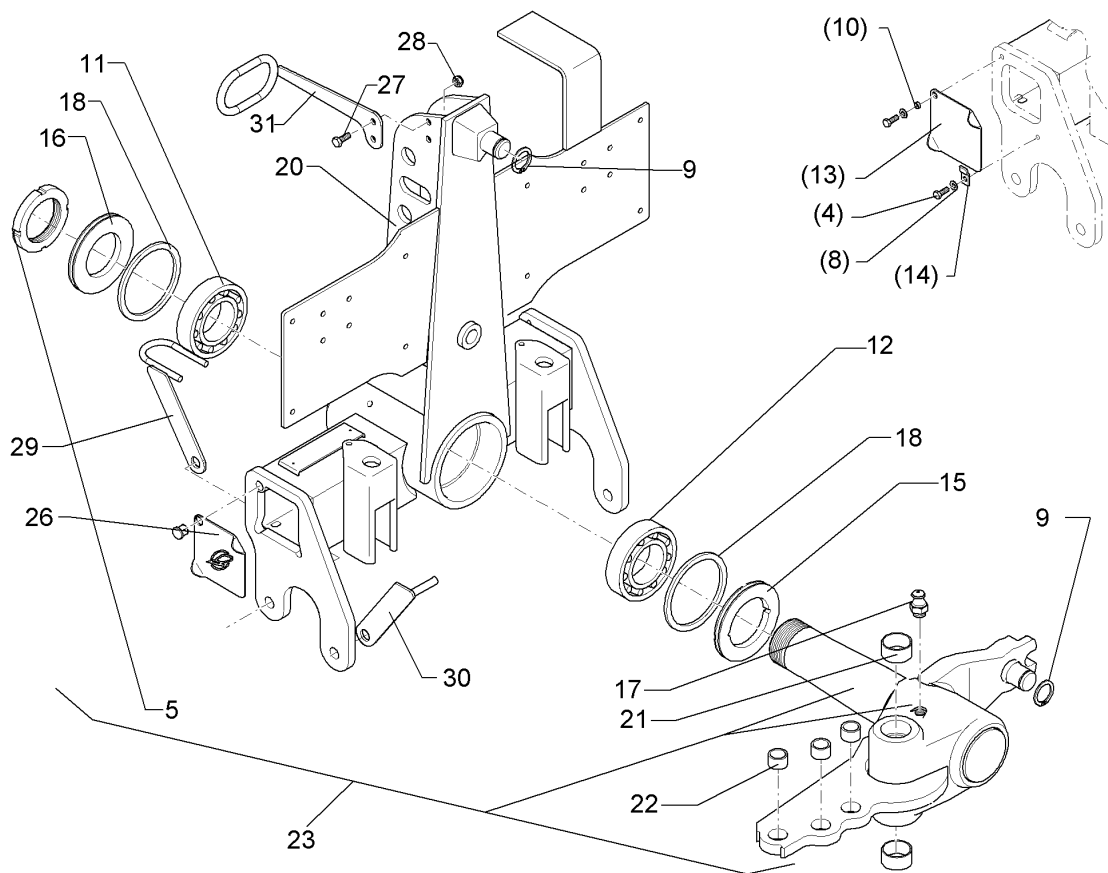
01.18

| Pos. | Art.Nr. | Stck. | Artikeltext / Description | | Abmessung |
|------|----------|-------|------------------------------|------------------------|--------------------------|
| 3 | 301 7280 | 2 | Sechskantschraube | Hexagon bolt | M8x25-8.8 Zn DIN933 |
| 4 | 301 7260 | 4 | Sechskantschraube | Hexagon bolt | M8x16-8.8 Zn DIN933 |
| 5 | 303 0346 | 1 | Nutmutter | Grooved nut | M85x2 MK17 Zn |
| 6 | 303 0932 | 2 | Sicherungsmutter | Selflocking nut | NM8-8 Zn DIN985 |
| 7 | 303 8960 | 2 | Hutmutter | Cap nut | M27-SW46x118 |
| 8 | 305 6254 | 1 | Scheibe | Washer | D25/44x4 Zn ISO7089 |
| 9 | 305 8694 | 4 | Scheibe | Washer | A8,4 DIN125-St Zn |
| 10 | 305 8873 | 2 | Sicherungsring | Retaining ring | 35x2,5 DIN471 |
| 11 | 317 6710 | 2 | Röhrchen | Tube | 10x1x4 |
| 12 | 319 9095 | 1 | Kegelrollenlager | Tapered roller bearing | 30217 D150/85x30,5 |
| 13 | 319 9219 | 1 | Kegelrollenlager | Tapered roller bearing | 32020X D150/100x32 |
| 14 | 323 0002 | 2 | Deckel | Cover | 3x115x115 1xD11 |
| 15 | 323 0003 | 2 | Halter | Holder | 15x3x40 1xD8,5 |
| 16 | 323 0062 | 1 | Dichtscheibe mit Nut | Seal washer | D149,5/85x12 Zn |
| 17 | 323 0060 | 1 | Dichtscheibe | Seal washer | D149,5/100x12 2xD8 Zn |
| 18 | 323 6348 | 2 | Schmiernippel | Grease nipple | AM10x1 DIN71412 |
| 19 | 323 7970 | 2 | Filzring | Felt ring | D150/130x6 |
| 20 | 329 8620 | 2 | Klammer | Clamp | D4x70-46 Zn |
| 21 | 433 7505 | 1 | Turm | Headstock | E100 |
| 22 | 317 2025 | 2 | Einspannbuchse mit Presssitz | Expansion bush | EG50/55x30 |



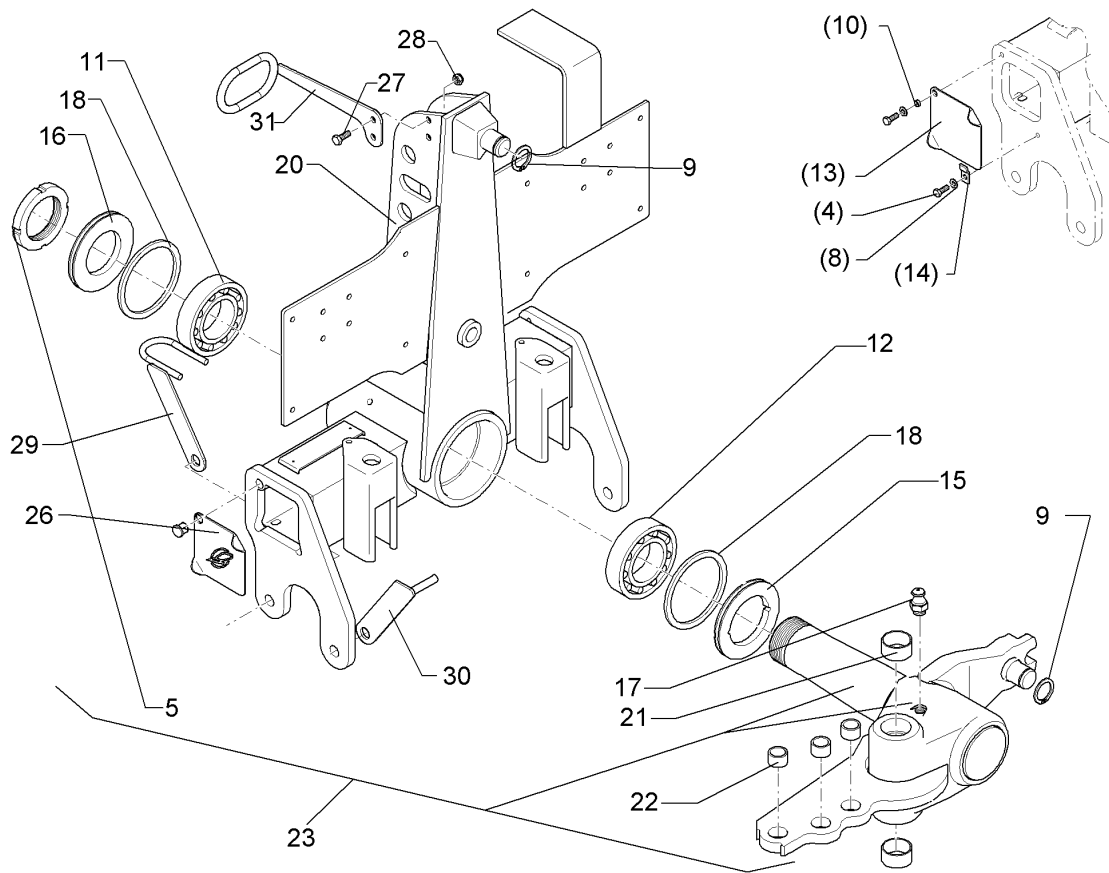
01.18

| Pos. | Art.Nr. | Stck. | Artikeltext / Description | | Abmessung |
|------|----------|-------|------------------------------|----------------|---------------|
| 23 | 317 3417 | 2 | Einspannbuchse mit Presssitz | Expansion bush | EG30/38x25 |
| 24 | 433 9201 | 2 | Anschlag | Stop | D75/90-M27 |
| 25 | 533 8114 | 1 | Wendeachse | Turning axle | E100-RB |
| 26 | 323 0004 | 1 | Niet | Rivet | KPL 118x118x6 |



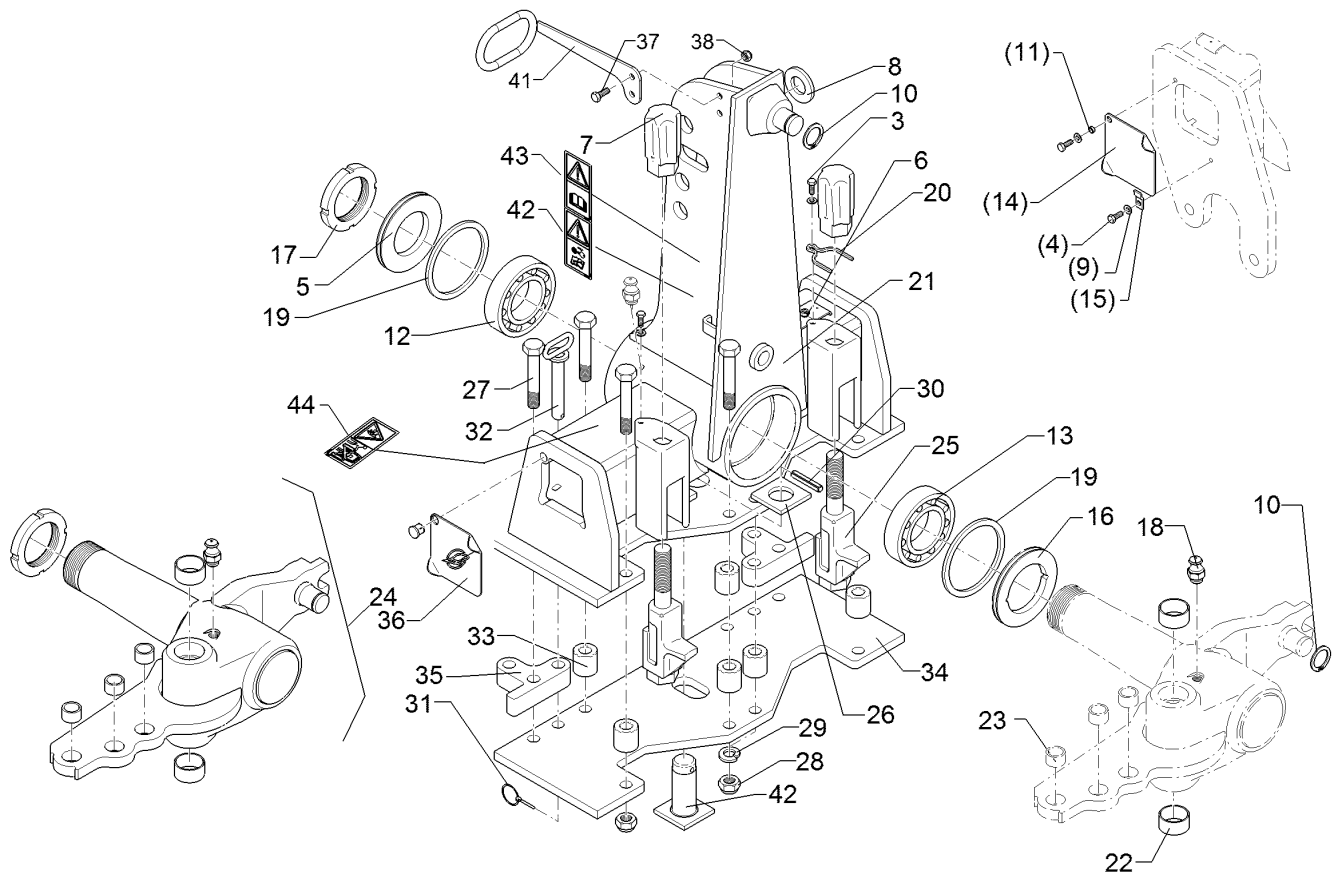
01.18

| Pos. | Art.Nr. | Stck. | Artikeltext / Description | | Abmessung |
|------|----------|-------|------------------------------|------------------------|--------------------------|
| 4 | 301 7260 | 4 | Sechskantschraube | Hexagon bolt | M8x16-8.8 Zn DIN933 |
| 5 | 303 0346 | 1 | Nutmutter | Grooved nut | M85x2 MK17 Zn |
| 8 | 305 8694 | 4 | Scheibe | Washer | A8,4 DIN125-St Zn |
| 9 | 305 8873 | 2 | Sicherungsring | Retaining ring | 35x2,5 DIN471 |
| 10 | 317 6710 | 2 | Röhrchen | Tube | 10x1x4 |
| 11 | 319 9095 | 1 | Kegelrollenlager | Tapered roller bearing | 30217 D150/85x30,5 |
| 12 | 319 9219 | 1 | Kegelrollenlager | Tapered roller bearing | 32020X D150/100x32 |
| 13 | 323 0002 | 2 | Deckel | Cover | 3x115x115 1xD11 |
| 14 | 323 0003 | 2 | Halter | Holder | 15x3x40 1xD8,5 |
| 15 | 323 0060 | 1 | Dichtscheibe | Seal washer | D149,5/100x12 2xD8 Zn |
| 16 | 323 0062 | 1 | Dichtscheibe mit Nut | Seal washer | D149,5/85x12 Zn |
| 17 | 323 6348 | 2 | Schmiernippel | Grease nipple | AM10x1 DIN71412 |
| 18 | 323 7970 | 2 | Filzring | Felt ring | D150/130x6 |
| 20 | 433 7550 | 1 | Turm | Headstock | E100 EPS |
| 21 | 317 2025 | 2 | Einspannbuchse mit Presssitz | Expansion bush | EG50/55x30 |
| 22 | 317 3417 | 3 | Einspannbuchse mit Presssitz | Expansion bush | EG30/38x25 |
| 23 | 533 8130 | 1 | Wendeachse | Turning axle | E100 EPS |
| 25 | 323 0004 | 1 | Niet | Rivet | KPL 118x118x6 |
| 27 | 301 5004 | 2 | Sechskantschraube | Hexagon bolt | M10x30-8.8 Zn DIN933 |
| 28 | 303 0933 | 2 | Sicherungsmutter | Selflocking nut | NM10-8 DIN985 Zn |
| 29 | 475 4402 | 1 | Schlauchhalter vorn | Hose carrier front | SDV |



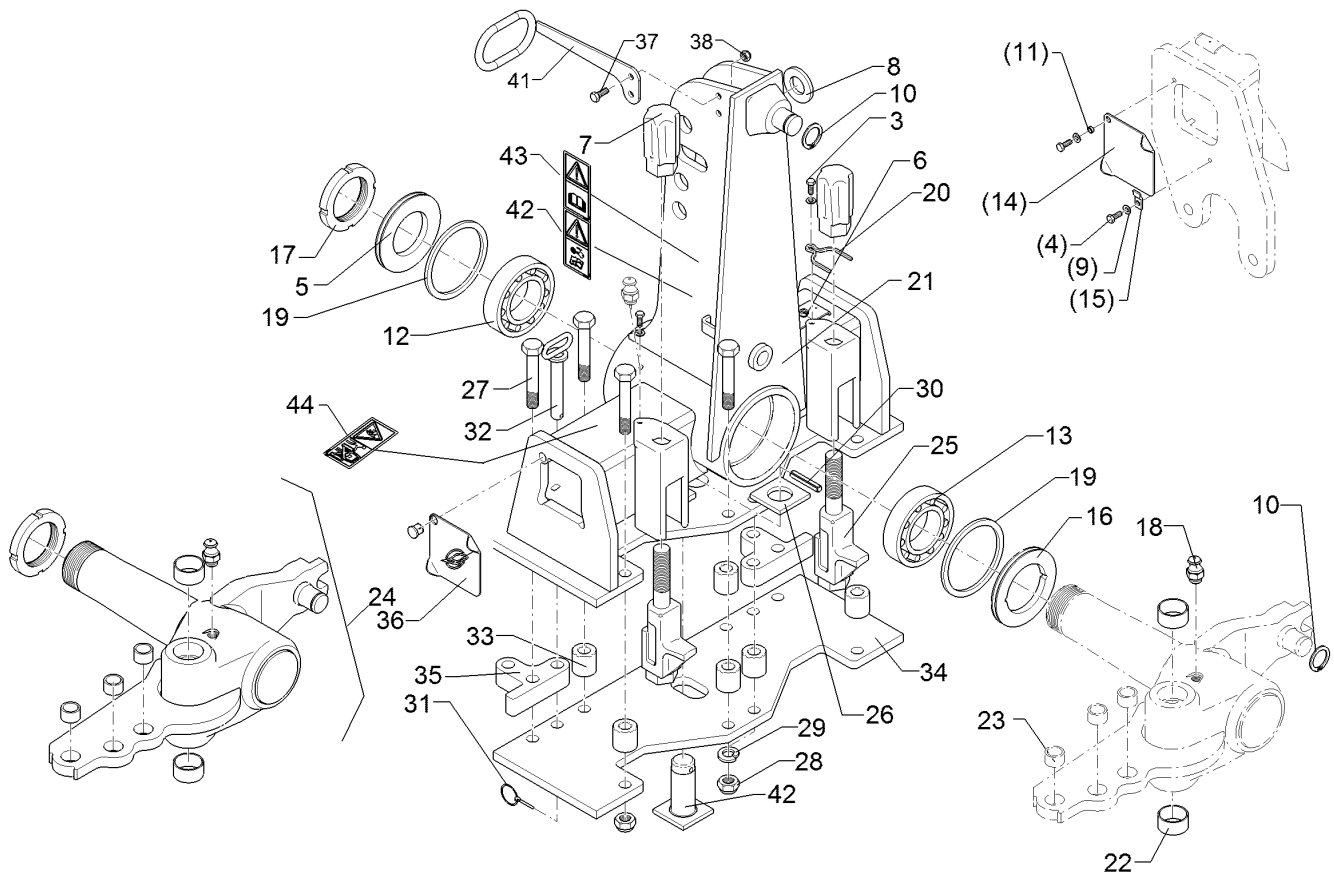
01.18

| Pos. | Art.Nr. | Stck. | Artikeltext / Description | Abmessung | |
|------|----------|-------|---------------------------|-------------------|-----|
| 30 | 475 4403 | 1 | Schlauchhalter hinten | Hose carrier rear | SDH |
| 31 | 475 4404 | 1 | Schlauchhalter oben | Hose carrier rear | SDO |



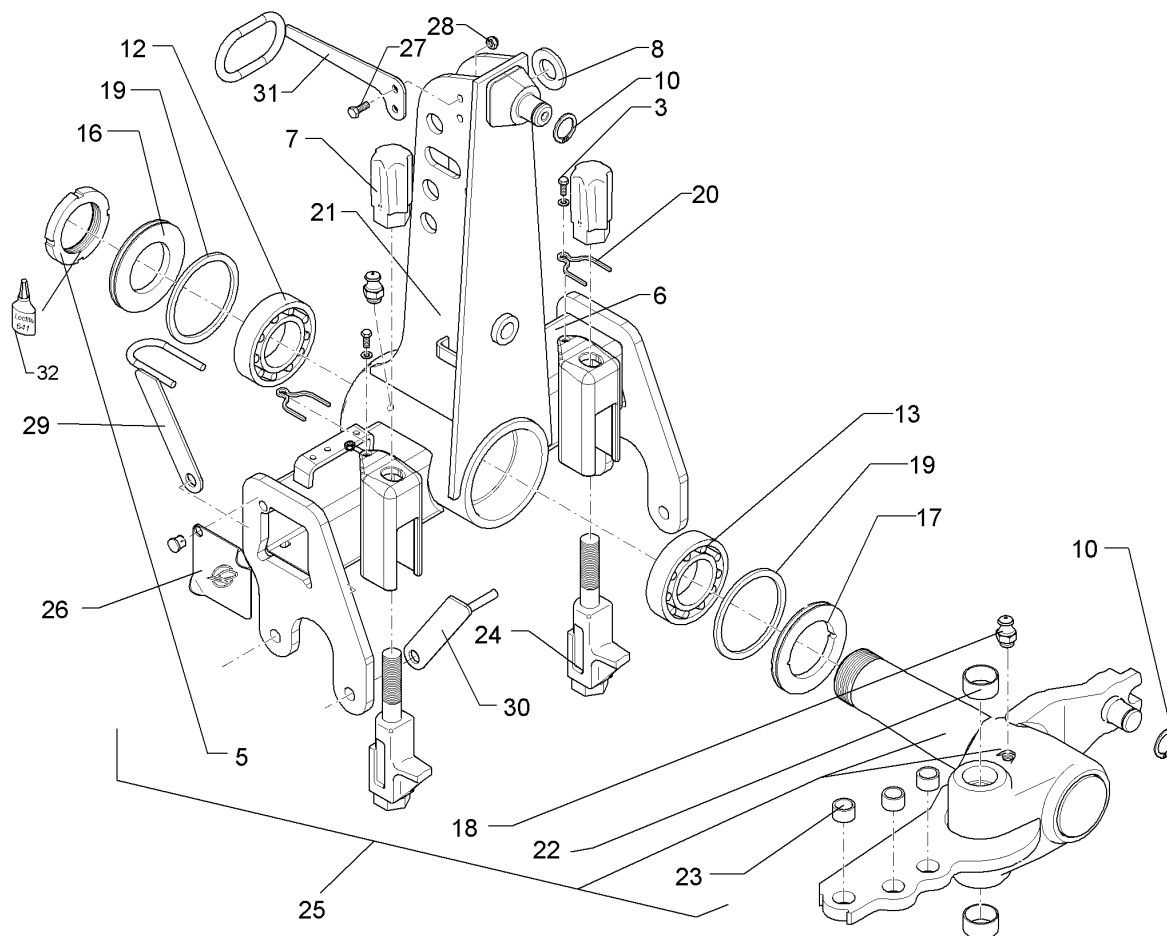
01.18

| Pos. | Art.Nr. | Stck. | Artikeltext / Description | | Abmessung |
|------|----------|-------|------------------------------|------------------------|--------------------------|
| 3 | 301 7280 | 2 | Sechskantschraube | Hexagon bolt | M8x25-8.8 Zn DIN933 |
| 4 | 301 7260 | 4 | Sechskantschraube | Hexagon bolt | M8x16-8.8 Zn DIN933 |
| 5 | 303 0346 | 1 | Nutmutter | Grooved nut | M85x2 MK17 Zn |
| 6 | 303 0932 | 2 | Sicherungsmutter | Selflocking nut | NM8-8 Zn DIN985 |
| 7 | 303 8960 | 2 | Hutmutter | Cap nut | M27-SW46x118 |
| 8 | 305 6254 | 1 | Scheibe | Washer | D25/44x4 Zn ISO7089 |
| 9 | 305 8694 | 4 | Scheibe | Washer | A8,4 DIN125-St Zn |
| 10 | 305 8873 | 2 | Sicherungsring | Retaining ring | 35x2,5 DIN471 |
| 11 | 317 6710 | 2 | Röhrchen | Tube | 10x1x4 |
| 12 | 319 9095 | 1 | Kegelrollenlager | Tapered roller bearing | 30217 D150/85x30,5 |
| 13 | 319 9219 | 1 | Kegelrollenlager | Tapered roller bearing | 32020X D150/100x32 |
| 14 | 323 0002 | 2 | Deckel | Cover | 3x115x115 1xD11 |
| 15 | 323 0003 | 2 | Halter | Holder | 15x3x40 1xD8,5 |
| 16 | 323 0060 | 1 | Dichtscheibe | Seal washer | D149,5/100x12 2xD8 Zn |
| 17 | 323 0062 | 1 | Dichtscheibe mit Nut | Seal washer | D149,5/85x12 Zn |
| 18 | 323 6348 | 1 | Schmiernippel | Grease nipple | AM10x1 DIN71412 |
| 19 | 323 7970 | 2 | Filzring | Felt ring | D150/130x6 |
| 20 | 329 8620 | 2 | Klammer | Clamp | D4x70-46 Zn |
| 21 | 433 7552 | 1 | Turm | Headstock | E100-OS |
| 22 | 317 2025 | 2 | Einspannbuchse mit Presssitz | Expansion bush | EG50/55x30 |



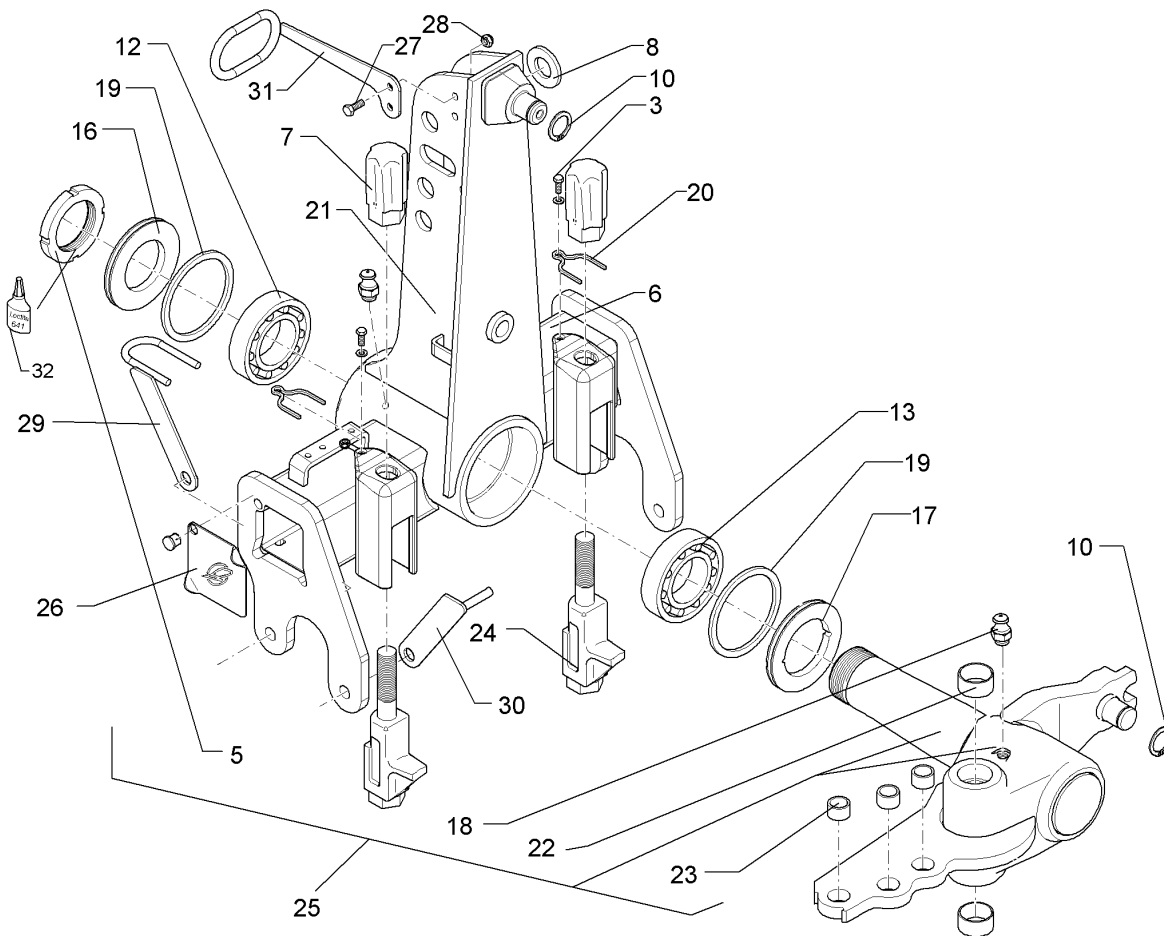
01.18

| Pos. | Art.Nr. | Stck. | Artikeltext / Description | | Abmessung |
|------|----------|-------|------------------------------|-------------------|-------------------------|
| 23 | 317 3417 | 3 | Einspannbuchse mit Presssitz | Expansion bush | EG30/38x25 |
| 24 | 533 8110 | 1 | Wendeachse | Turning axle | E100 |
| 25 | 433 9201 | 1 | Anschlag | Stop | D75/90-M27 |
| 26 | 433 9157 | 1 | Platte | Plate | 70x70x8/D41 |
| 27 | 301 4408 | 8 | Sechskantschraube spz. | Hexagon bolt | M20x100xb25-10.9 Zn |
| 28 | 303 0936 | 8 | Sicherungsmutter | Selflocking nut | NM20-8 Zn DIN985 |
| 29 | 305 6012 | 8 | Scheibe | Washer | 21 ISO7089 Zn |
| 30 | 309 7000 | 1 | Spannhülse | Expansion bush | 8x50-DIN1481 Zn |
| 31 | 311 9565 | 2 | Klappstift | Securing pin | 4,5 |
| 32 | 313 8146 | 2 | Bolzen mit Griff | Pin with grip | D20x112/122 Zn |
| 33 | 317 6941 | 6 | Buchse | Bush | 40/20x40,7 |
| 34 | 433 0300 | 1 | Tragplatte | Support plate | E-OS 16x240x714 |
| 35 | 433 9160 | 2 | Sperre | Lock | OS-35x97x142 3xD21 |
| 36 | 323 0004 | 1 | Niet | Rivet | KPL 118x118x6 |
| 37 | 301 5004 | 2 | Sechskantschraube | Hexagon bolt | M10x30-8.8 Zn DIN933 |
| 38 | 303 0933 | 2 | Sicherungsmutter | Selflocking nut | NM10-8 DIN985 Zn |
| 41 | 475 4404 | 1 | Schlauchhalter oben | Hose carrier rear | SDO |
| 42 | 313 8118 | 1 | Bolzen mit Kopf | Pin with collar | D40x84/108 Zn |



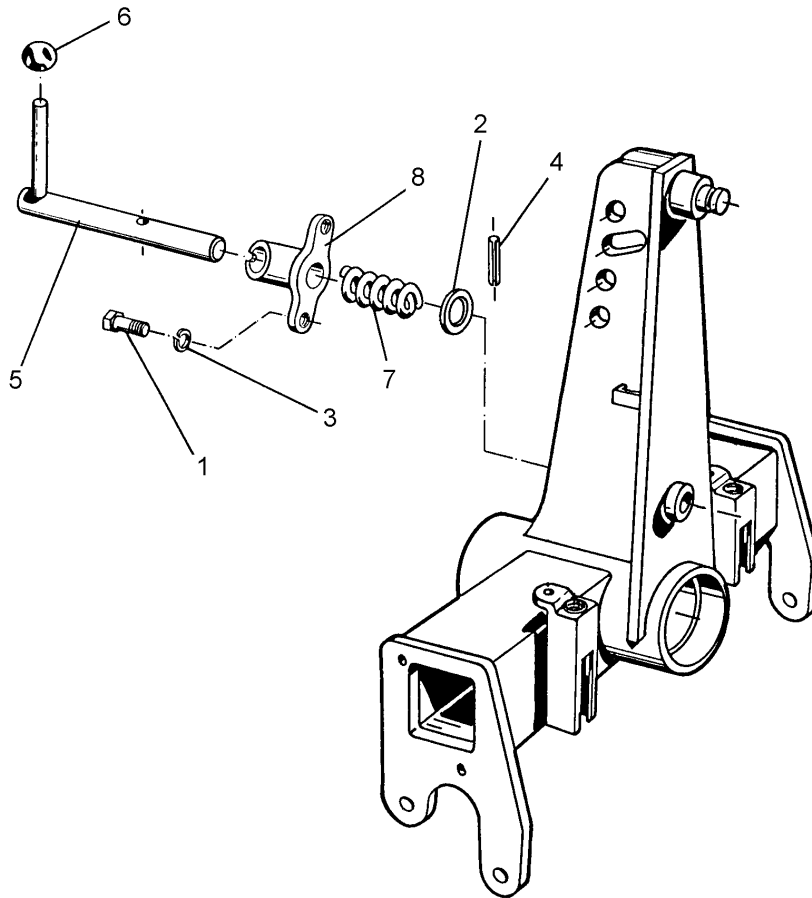
01.18

| Pos. | Art.Nr. | Stck. | Artikeltext / Description | | Abmessung |
|------|----------|-------|------------------------------|------------------------|--------------------------|
| 3 | 301 7280 | 2 | Sechskantschraube | Hexagon bolt | M8x25-8.8 Zn DIN933 |
| 4 | 301 7260 | 4 | Sechskantschraube | Hexagon bolt | M8x16-8.8 Zn DIN933 |
| 5 | 303 0346 | 1 | Nutmutter | Grooved nut | M85x2 MK17 Zn |
| 6 | 303 0932 | 2 | Sicherungsmutter | Selflocking nut | NM8-8 Zn DIN985 |
| 7 | 303 8960 | 2 | Hutmutter | Cap nut | M27-SW46x118 |
| 8 | 305 6254 | 1 | Scheibe | Washer | D25/44x4 Zn ISO7089 |
| 9 | 305 8694 | 4 | Scheibe | Washer | A8,4 DIN125-St Zn |
| 10 | 305 8873 | 2 | Sicherungsring | Retaining ring | 35x2,5 DIN471 |
| 12 | 319 9095 | 1 | Kegelrollenlager | Tapered roller bearing | 30217 D150/85x30,5 |
| 13 | 319 9219 | 1 | Kegelrollenlager | Tapered roller bearing | 32020X D150/100x32 |
| 16 | 323 0062 | 1 | Dichtscheibe mit Nut | Seal washer | D149,5/85x12 Zn |
| 17 | 323 0060 | 1 | Dichtscheibe | Seal washer | D149,5/100x12 2xd8 Zn |
| 18 | 323 6348 | 2 | Schmiernippel | Grease nipple | AM10x1 DIN71412 |
| 19 | 323 7970 | 2 | Filzring | Felt ring | D150/130x6 |
| 20 | 329 8620 | 2 | Klammer | Clamp | D4x70-46 Zn |
| 21 | 43310002 | 1 | Turm | Headstock | E100 HydriX |
| 22 | 317 2025 | 2 | Einspannbuchse mit Presssitz | Expansion bush | EG50/55x30 |
| 23 | 317 3417 | 3 | Einspannbuchse mit Presssitz | Expansion bush | EG30/38x25 |
| 24 | 433 9201 | 2 | Anschlag | Stop | D75/90-M27 |
| 25 | 533 8110 | 1 | Wendeachse | Turning axle | E100 |



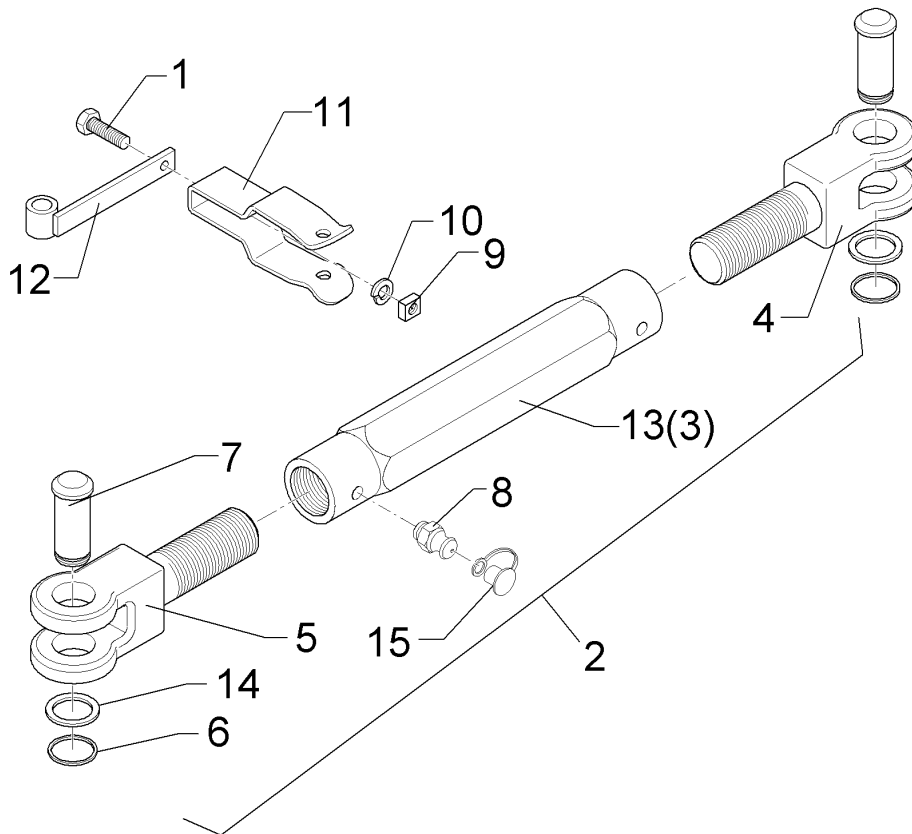
01.18

| Pos. | Art.Nr. | Stck. | Artikeltext / Description | | Abmessung |
|------|----------|-------|---------------------------|--------------------|-------------------------|
| 26 | 323 0004 | 1 | Niet | Rivet | KPL 118x118x6 |
| 27 | 301 5004 | 2 | Sechskantschraube | Hexagon bolt | M10x30-8.8 Zn DIN933 |
| 28 | 303 0933 | 2 | Sicherungsmutter | Selflocking nut | NM10-8 DIN985 Zn |
| 29 | 475 4402 | 1 | Schlauchhalter vorn | Hose carrier front | SDV |
| 30 | 475 4403 | 1 | Schlauchhalter hinten | Hose carrier rear | SDH |
| 31 | 475 4404 | 1 | Schlauchhalter oben | Hose carrier rear | SDO |



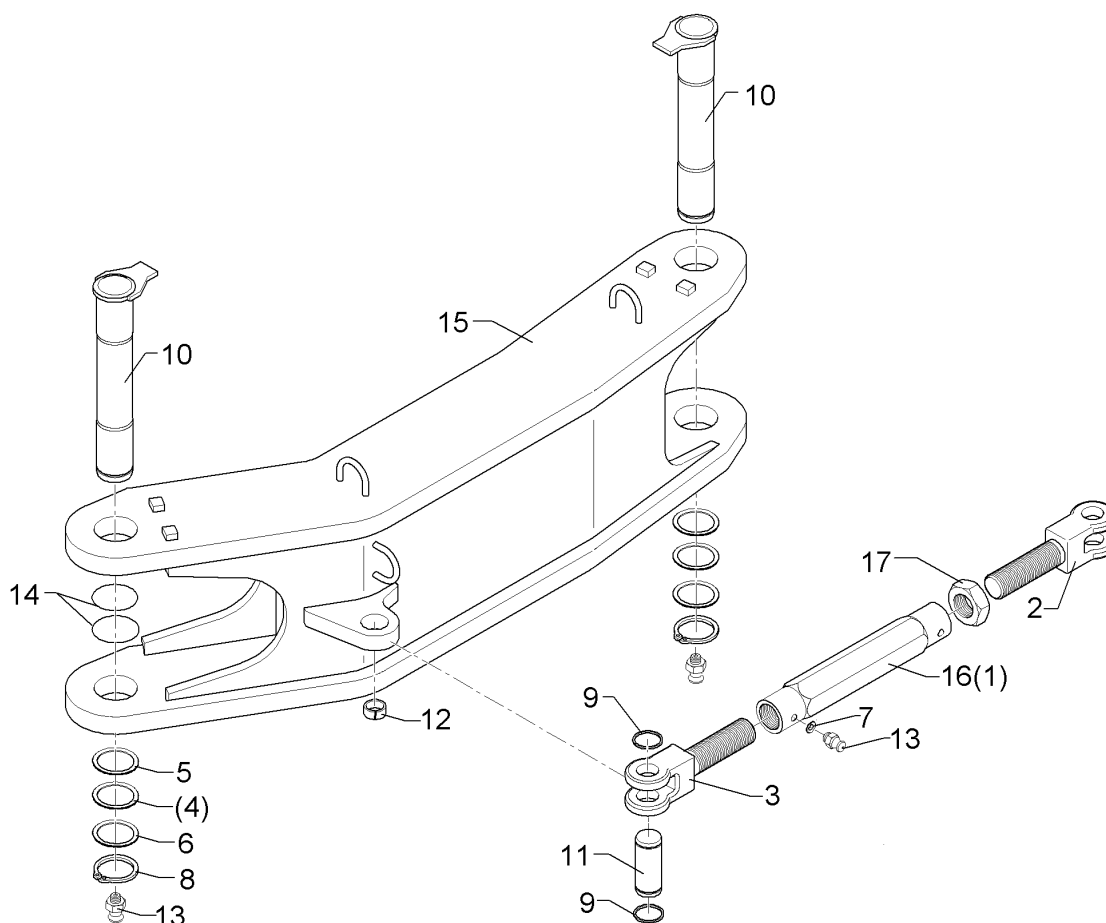
01.18

| Pos. | Art.Nr. | Stck. | Artikeltext / Description | | Abmessung |
|------|----------|-------|---------------------------|--------------------|-------------------------|
| 1 | 301 5004 | 2 | Sechskantschraube | Hexagon bolt | M10x30-8.8 Zn DIN933 |
| 2 | 305 6222 | 1 | Passscheibe | Shim | 26x37x1,0 DIN988 Zn |
| 3 | 305 8696 | 2 | Scheibe | Washer | A10,5 DIN125-St Zn |
| 4 | 309 6072 | 1 | Spannhülse | Expansion bush | 8x40-DIN1481 Zn |
| 5 | 313 8290 | 1 | Verriegelungsbolzen | Locking pin | D25x260 Zn |
| 6 | 321 2575 | 1 | Kugel konisch | Ball | D40 D12 |
| 7 | 329 8176 | 1 | Druckfeder | Compression spring | 2,5x32x110 DIN2098 |
| 8 | 433 9146 | 1 | Konsole | Bracket | D26/45x70 |



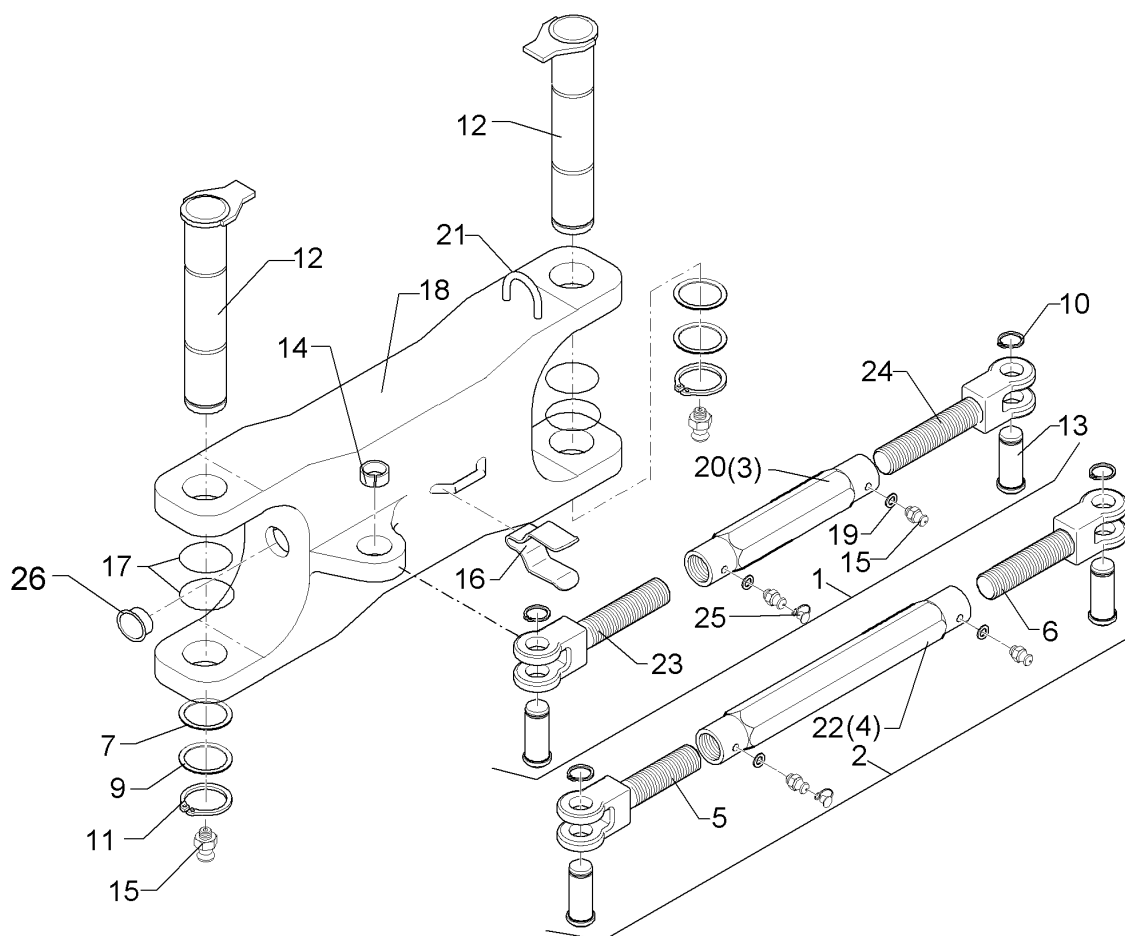
01.18

| Pos. | Art.Nr. | Stck. | Artikeltext / Description | | Abmessung |
|------|----------|-------|---------------------------|-------------------|----------------------------|
| 1 | 301 5004 | 1 | Sechskantschraube | Hexagon bolt | M10x30-8.8 Zn DIN933 |
| 2 | 302 8745 | 1 | Spannschloss | Turnbuckle | TR30x3/730/520 |
| 3 | 302 8915 | 1 | Spannschlossmutter | Threaded sleeve | TR30x3x390 |
| 4 | 302 9000 | 1 | Gabelstück | Forkpiece | TR30x3x120x225 D30 Zn |
| 5 | 302 9001 | 1 | Gabelstück | Forkpiece | TR30x3LHx120/225 D30 Zn |
| 6 | 305 8867 | 4 | Sicherungsring | Retaining ring | 30x2 DIN471 Zn |
| 7 | 313 7802 | 2 | Bolzen mit Kopf | Pin with collar | D30/35x63/80 Zn |
| 8 | 323 6348 | 2 | Schmiernippel | Grease nipple | AM10x1 DIN71412 |
| 9 | 303 1100 | 1 | Vierkantmutter | Nut | M10 DIN557-5 |
| 10 | 305 9900 | 1 | Federring | Spring ring | 10 DIN127 Zn |
| 11 | 329 1798 | 1 | Flachformfeder | U-spring | 40x4x230 SW46 |
| 12 | 434 1640 | 1 | Halter mit Röhrchen | Holder | D26,9x25 |
| 13 | 302 8787 | 1 | Spannschlossmutter | Threaded sleeve | TR30x3x390-SW50 |
| 14 | 305 2242 | 2 | Stützscheibe | Supporting washer | S 30/42x2,5 DIN988 Zn |
| 15 | 323 6401 | 2 | Schutzkappe | Cap | M6-M10 |



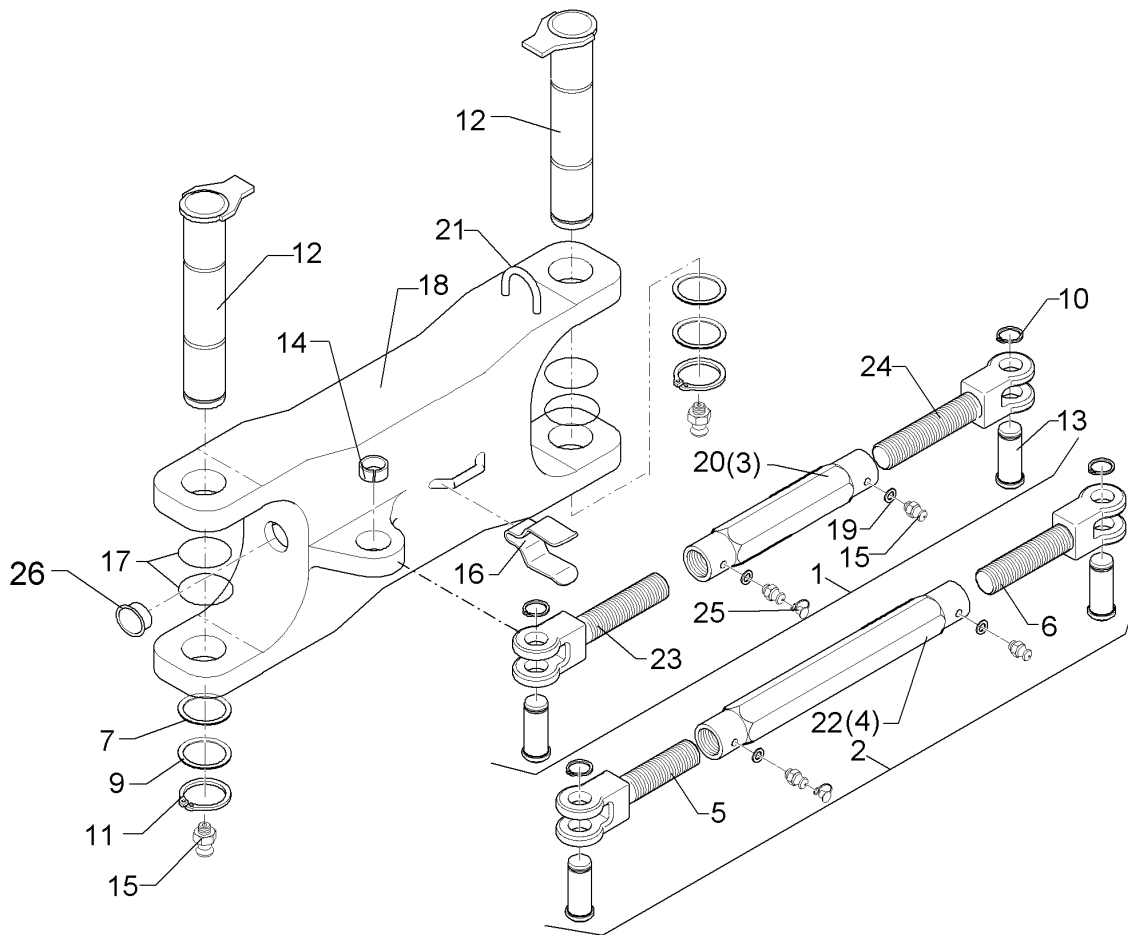
01.18

| Pos. | Art.Nr. | Stck. | Artikeltext / Description | | Abmessung |
|------|----------|-------|------------------------------|-------------------|----------------------------|
| 1 | 302 8915 | 1 | Spannschlossmutter | Threaded sleeve | TR30x3x390 |
| 2 | 302 9000 | 1 | Gabelstück | Forkpiece | TR30x3x120x225 D30 Zn |
| 3 | 302 9001 | 1 | Gabelstück | Forkpiece | TR30x3LHx120/225 D30 Zn |
| 4 | 305 2155 | 4 | Passscheibe | Shim | 50x62x2,0 DIN988 |
| 5 | 305 2150 | 2 | Passscheibe | Shim | 50x62x1,0 DIN988 |
| 6 | 305 2255 | 4 | Stützscheibe | Supporting washer | S 50x62x3 DIN988 Zn |
| 7 | 305 6130 | 2 | Scheibe | Washer | D10/16x1 Zn |
| 8 | 305 8877 | 4 | Sicherungsring | Retaining ring | 50x3 DIN471 |
| 9 | 305 8867 | 2 | Sicherungsring | Retaining ring | 30x2 DIN471 Zn |
| 10 | 313 5031 | 2 | Bolzen mit Verdrehsicherung | Pin with stop | D50x265/290-M10x1 Zn |
| 11 | 313 7802 | 2 | Bolzen mit Kopf | Pin with collar | D30/35x63/80 Zn |
| 12 | 317 3417 | 1 | Einspannbuchse mit Presssitz | Expansion bush | EG30/38x25 |
| 13 | 323 6348 | 4 | Schmiernippel | Grease nipple | AM10x1 DIN71412 |
| 14 | 375 1255 | 4 | O-Ring | O-ring | 68x3-80Shore Viton83 |
| 15 | 434 3149 | 1 | Lenker | Link | 50-791 GEB |
| 16 | 302 8787 | 1 | Spannschlossmutter | Threaded sleeve | TR30x3x390-SW50 |
| 17 | 303 3040 | 1 | Mutter | Nut | TR 30x3 SW 46 |



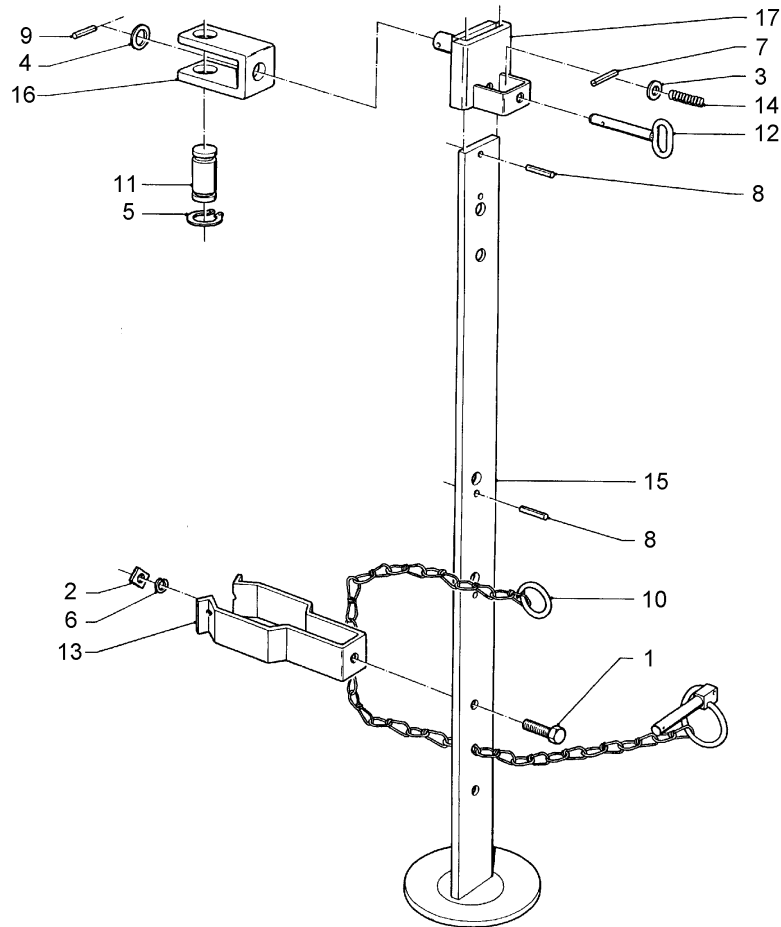
01.18

| Pos. | Art.Nr. | Stck. | Artikeltext / Description | | Abmessung |
|------|----------|-------|------------------------------|-------------------|----------------------------|
| 1 | 302 8737 | 1 | Spannschloss | Turnbuckle | TR30x3/450-320 |
| 2 | 302 8745 | 1 | Spannschloss | Turnbuckle | TR30x3/730/520 |
| 3 | 302 8905 | 1 | Spannschlossmutter | Threaded sleeve | TR30x3x190 |
| 4 | 302 8915 | 1 | Spannschlossmutter | Threaded sleeve | TR30x3x390 |
| 5 | 302 9000 | 1 | Gabelstück | Forkpiece | TR30x3x120x225 D30 Zn |
| 6 | 302 9001 | 1 | Gabelstück | Forkpiece | TR30x3LHx120/225 D30 Zn |
| 7 | 305 2150 | 4 | Passscheibe | Shim | 50x62x1,0 DIN988 |
| 9 | 305 2255 | 2 | Stützscheibe | Supporting washer | S 50x62x3 DIN988 Zn |
| 10 | 305 8867 | 4 | Sicherungsring | Retaining ring | 30x2 DIN471 Zn |
| 11 | 305 8877 | 2 | Sicherungsring | Retaining ring | 50x3 DIN471 |
| 12 | 313 5031 | 2 | Bolzen mit Verdrehsicherung | Pin with stop | D50x265/290-M10x1 Zn |
| 13 | 313 7802 | 4 | Bolzen mit Kopf | Pin with collar | D30/35x63/80 Zn |
| 14 | 317 3417 | 1 | Einspannbuchse mit Presssitz | Expansion bush | EG30/38x25 |
| 15 | 323 6348 | 2 | Schmiernippel | Grease nipple | AM10x1 DIN71412 |
| 16 | 329 1792 | 1 | Flachformfeder | U-spring | 40x4x230 für SW46 |
| 17 | 375 1255 | 4 | O-Ring | O-ring | 68x3-80Shore Viton83 |
| 18 | 434 3150 | 1 | Lenker | Link | 50-600 V-140 |
| 19 | 305 6130 | 4 | Scheibe | Washer | D10/16x1 Zn |
| 20 | 302 8785 | 1 | Spannschlossmutter | Threaded sleeve | TR30x3x190-SW50 |
| 21 | 215 1588 | 1 | Bügel | Clamp | D10x135 50x45 |



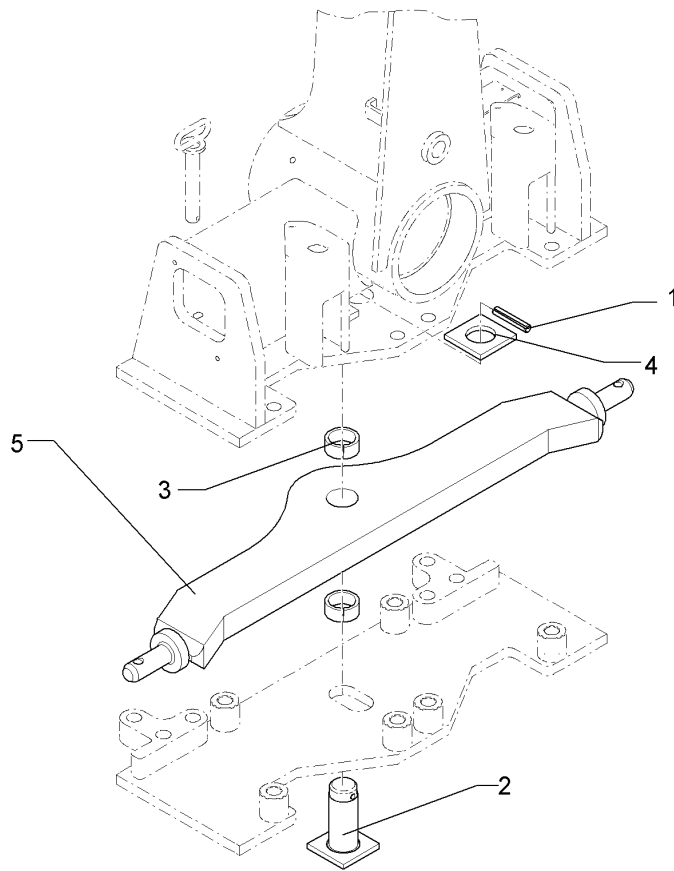
01.18

| Pos. | Art.Nr. | Stck. | Artikeltext / Description | | Abmessung |
|------|----------|-------|---------------------------|-----------------|---------------------------|
| 22 | 302 8787 | 1 | Spannschlossmutter | Threaded sleeve | TR30x3x390-SW50 |
| 23 | 302 8998 | 1 | Gabelstück | Forkpiece | TR30x3x80/185 D30 Zn |
| 24 | 302 8999 | 1 | Gabelstück | Forkpiece | TR30x3LHx80/185 D30 Zn |
| 25 | 323 6401 | 2 | Schutzkappe | Cap | M6-M10 |
| 26 | 32310031 | 2 | Lamellenstopfen | Lamellar cap | GPN 320 GL 40 RAL5015 |



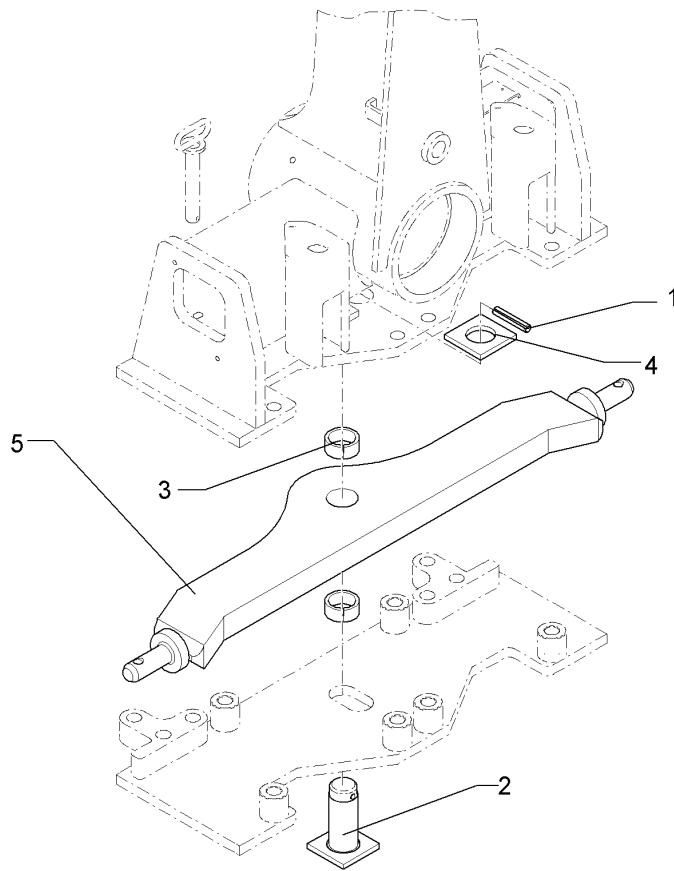
01.18

| Pos. | Art.Nr. | Stck. | Artikeltext / Description | | Abmessung |
|------|----------|-------|---------------------------|--------------------|---------------------------|
| 1 | 301 5004 | 1 | Sechskantschraube | Hexagon bolt | M10x30-8.8 Zn DIN933 |
| 2 | 303 1100 | 1 | Vierkantschraube | Nut | M10 DIN557-5 |
| 3 | 305 8580 | 1 | Scheibe | Washer | 13/24x2,5 St-Zn DIN125 |
| 4 | 305 6254 | 1 | Scheibe | Washer | D25/44x4 Zn ISO7089 |
| 5 | 305 8867 | 2 | Sicherungsring | Retaining ring | 30x2 DIN471 Zn |
| 6 | 305 9900 | 1 | Federring | Spring ring | 10 DIN127 Zn |
| 7 | 309 6038 | 1 | Spannhülse | Expansion bush | 5x30-DIN1481 Chrom 8 |
| 8 | 309 6052 | 2 | Spannhülse | Expansion bush | 6x32-DIN1481 |
| 9 | 309 6072 | 1 | Spannhülse | Expansion bush | 8x40-DIN1481 Zn |
| 10 | 311 9320 | 1 | Klappstift mit Kette | Securing pin | 10x80 |
| 11 | 313 7803 | 1 | Bolzen | Pin | D30x81,7/100 Zn |
| 12 | 313 8136 | 1 | Bolzen mit Griff | Pin with grip | D12x48,5/80 Zn |
| 13 | 329 1798 | 1 | Flachformfeder | U-spring | 40x4x230 SW46 |
| 14 | 329 8106 | 1 | Druckfeder | Compression spring | 1,6x16x51,5 |
| 15 | 429 2510 | 1 | Abstellstütze | Stand | V-R750-800 |
| 16 | 429 4585 | 1 | Halter | Holder | 60/65/90 D30/D25 |
| 17 | 429 4600 | 1 | Führung | Guiding | 62/14x80 D25 |



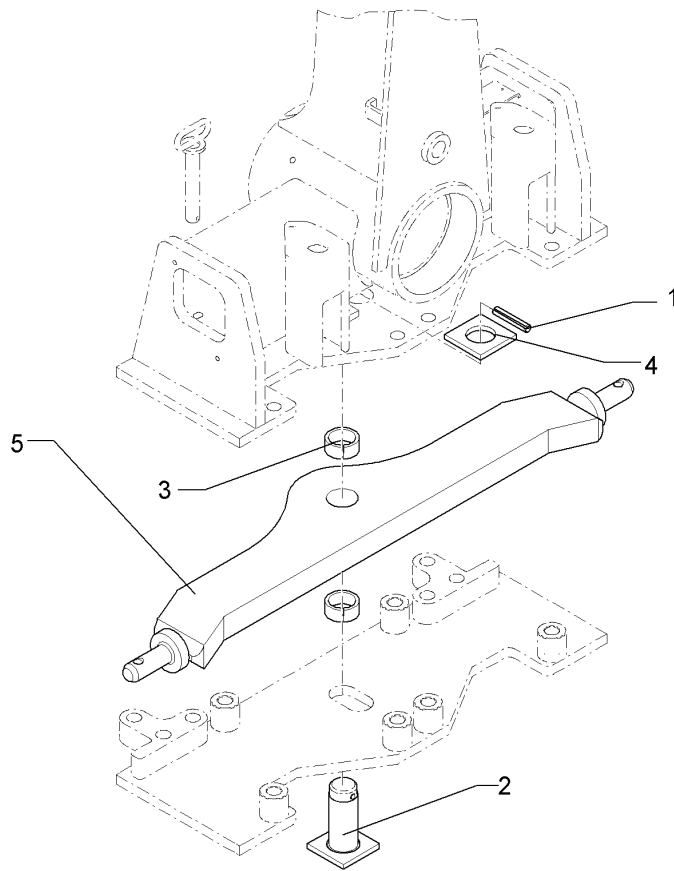
01.18

| Pos. | Art.Nr. | Stck. | Artikeltext / Description | | Abmessung |
|------|----------|-------|------------------------------|-----------------|-----------------|
| 1 | 309 6080 | 1 | Spannhülse | Expansion bush | 8x60-DIN1481 Zn |
| 2 | 313 8118 | 1 | Bolzen mit Kopf | Pin with collar | D40x84/108 Zn |
| 3 | 317 2005 | 2 | Einspannbuchse mit Presssitz | Expansion bush | EG40/44x20 |
| 4 | 433 9157 | 1 | Platte | Plate | 70x70x8/D41 |
| 5 | 461 0165 | 1 | Zugschiene | Cross shaft | L2 Z2 40x160 |



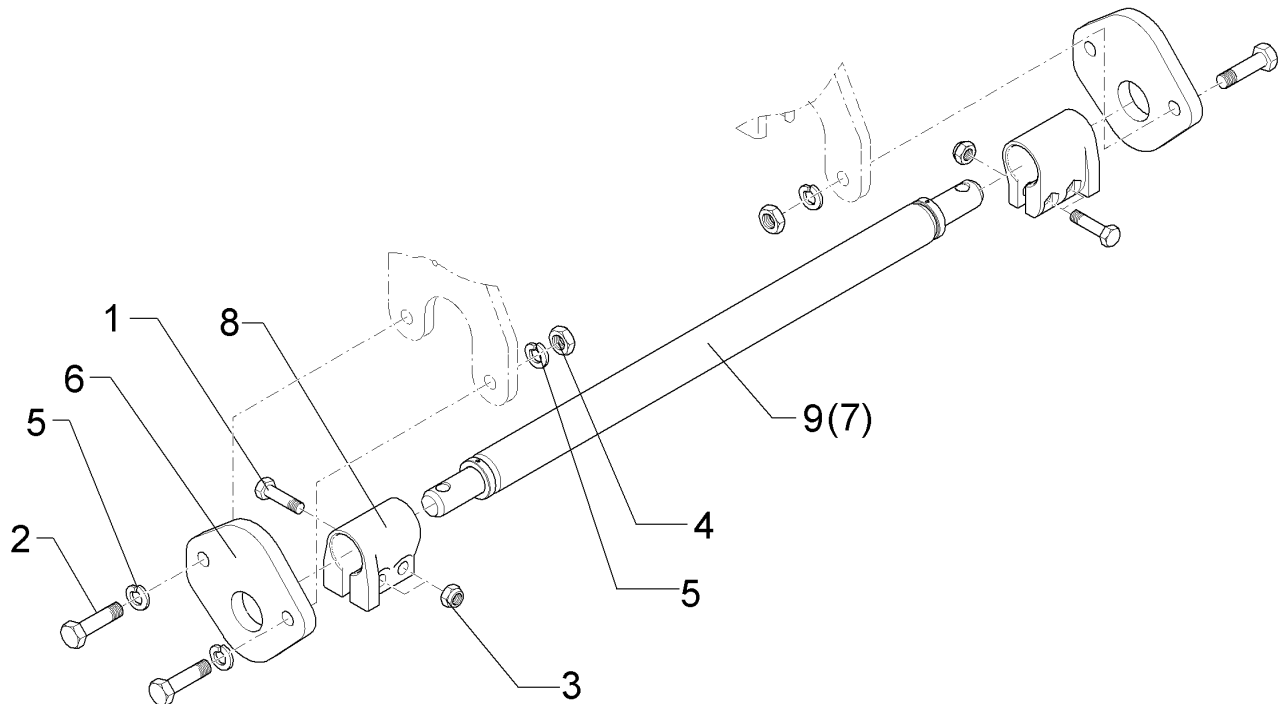
01.18

| Pos. | Art.Nr. | Stck. | Artikeltext / Description | | Abmessung |
|------|----------|-------|------------------------------|-----------------|-----------------|
| 1 | 309 6080 | 1 | Spannhülse | Expansion bush | 8x60-DIN1481 Zn |
| 2 | 313 8118 | 1 | Bolzen mit Kopf | Pin with collar | D40x84/108 Zn |
| 3 | 317 2005 | 2 | Einspannbuchse mit Presssitz | Expansion bush | EG40/44x20 |
| 4 | 433 9157 | 1 | Platte | Plate | 70x70x8/D41 |
| 5 | 461 0166 | 1 | Zugschiene | Cross shaft | L2 Z3 40x160 |



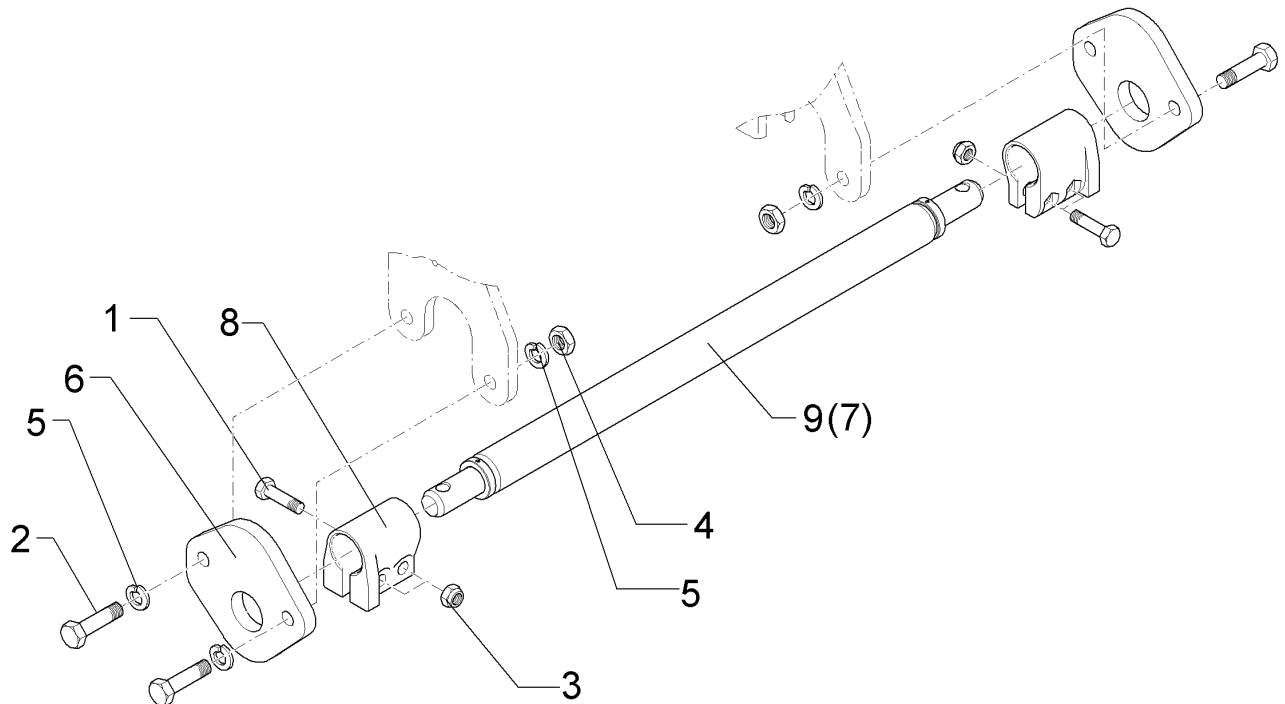
01.18

| Pos. | Art.Nr. | Stck. | Artikeltext / Description | | Abmessung |
|------|----------|-------|------------------------------|-----------------|------------------|
| 1 | 309 6080 | 1 | Spannhülse | Expansion bush | 8x60-DIN1481 Zn |
| 2 | 313 8118 | 1 | Bolzen mit Kopf | Pin with collar | D40x84/108 Zn |
| 3 | 317 2005 | 2 | Einspannbuchse mit Presssitz | Expansion bush | EG40/44x20 |
| 4 | 433 9157 | 1 | Platte | Plate | 70x70x8/D41 |
| 5 | 461 0167 | 1 | Zugschiene | Cross shaft | L3 Z3 40x160 D44 |



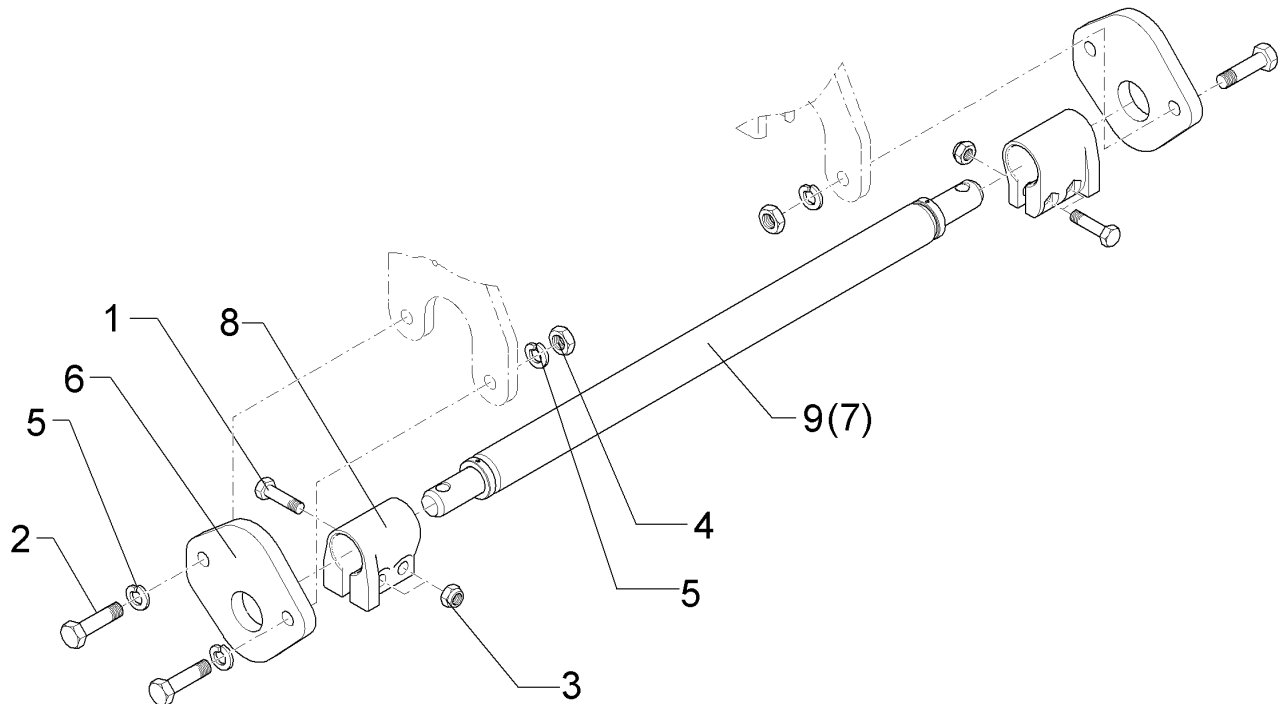
01.18

| Pos. | Art.Nr. | Stck. | Artikeltext / Description | | Abmessung |
|------|----------|-------|---------------------------|-----------------|---------------------------|
| 1 | 301 3868 | 4 | Sechskantschraube | Hexagon bolt | M16x65-8.8 Zn DIN931-A |
| 2 | 301 5390 | 4 | Sechskantschraube spz. | Hexagon bolt | M20x65-12.9 Zn |
| 3 | 303 0935 | 4 | Sicherungsmutter | Selflocking nut | NM16-8 Zn DIN985 |
| 4 | 303 0978 | 4 | Sechskantmutter | Hexagon nut | M20 DIN934-8 Zn |
| 5 | 305 6012 | 8 | Scheibe | Washer | 21 ISO7089 Zn |
| 6 | 461 6060 | 2 | Schienenplatte | Plate | 20x199x212 1xD55,7 |
| 7 | 461 7917 | 1 | Schienenwelle | Drawbar | D55x970 L2 Z2 |
| 8 | 461 9892 | 2 | Sperrstück | Stop | D55x100 2xD18 |
| 9 | 46110013 | 1 | Zugschiene | Cross shaft | D55x970 L2 Z2 HÜ |



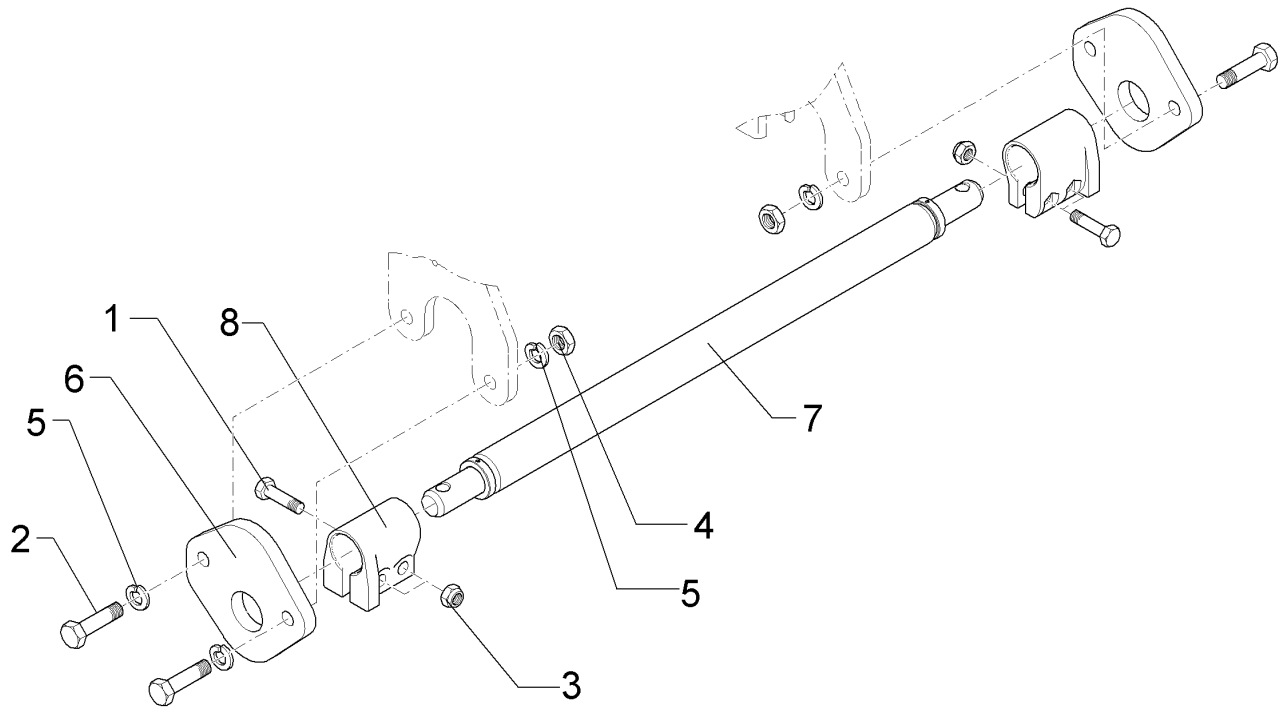
01.18

| Pos. | Art.Nr. | Stck. | Artikeltext / Description | | Abmessung |
|------|----------|-------|---------------------------|-----------------|---------------------------|
| 1 | 301 3868 | 4 | Sechskantschraube | Hexagon bolt | M16x65-8.8 Zn DIN931-A |
| 2 | 301 5390 | 4 | Sechskantschraube spz. | Hexagon bolt | M20x65-12.9 Zn |
| 3 | 303 0935 | 4 | Sicherungsmutter | Selflocking nut | NM16-8 Zn DIN985 |
| 4 | 303 0978 | 4 | Sechskantmutter | Hexagon nut | M20 DIN934-8 Zn |
| 5 | 305 6012 | 8 | Scheibe | Washer | 21 ISO7089 Zn |
| 6 | 461 6060 | 2 | Schienenplatte | Plate | 20x199x212 1xD55,7 |
| 7 | 461 7923 | 1 | Schienenwelle | Drawbar | D55x980 L2 Z3 |
| 8 | 461 9892 | 2 | Sperrstück | Stop | D55x100 2xD18 |
| 9 | 46110014 | 1 | Schienenwelle | Drawbar | D55x980 L2 Z3 HÜ |



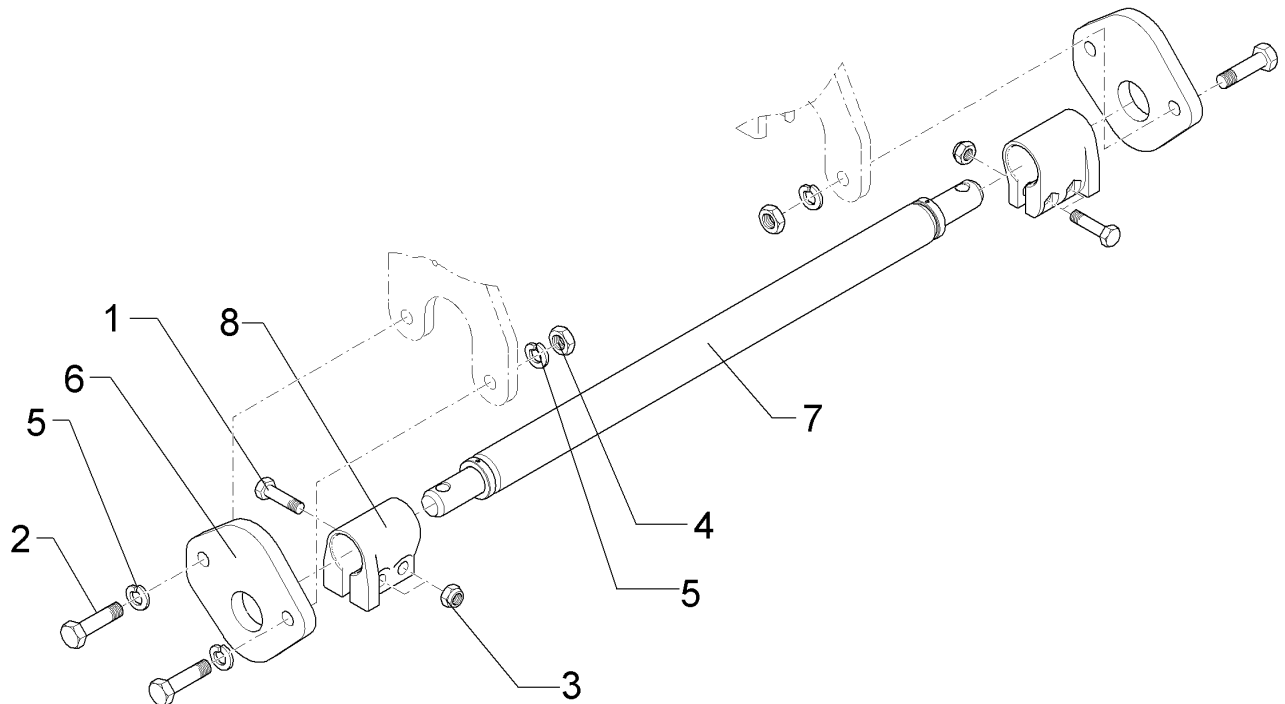
01.18

| Pos. | Art.Nr. | Stck. | Artikeltext / Description | | Abmessung |
|------|----------|-------|---------------------------|-----------------|---------------------------|
| 1 | 301 3868 | 4 | Sechskantschraube | Hexagon bolt | M16x65-8.8 Zn DIN931-A |
| 2 | 301 5390 | 4 | Sechskantschraube spz. | Hexagon bolt | M20x65-12.9 Zn |
| 3 | 303 0935 | 4 | Sicherungsmutter | Selflocking nut | NM16-8 Zn DIN985 |
| 4 | 303 0978 | 4 | Sechskantmutter | Hexagon nut | M20 DIN934-8 Zn |
| 5 | 305 6012 | 8 | Scheibe | Washer | 21 ISO7089 Zn |
| 6 | 461 6060 | 2 | Schienenplatte | Plate | 20x199x212 1xD55,7 |
| 7 | 461 7924 | 1 | Schienenwelle | Drawbar | D55x1110 L3 Z2 |
| 8 | 461 9892 | 2 | Sperrstück | Stop | D55x100 2xD18 |
| 9 | 46110015 | 1 | Schienenwelle | Drawbar | D55x1110 L3 Z2 HÜ |



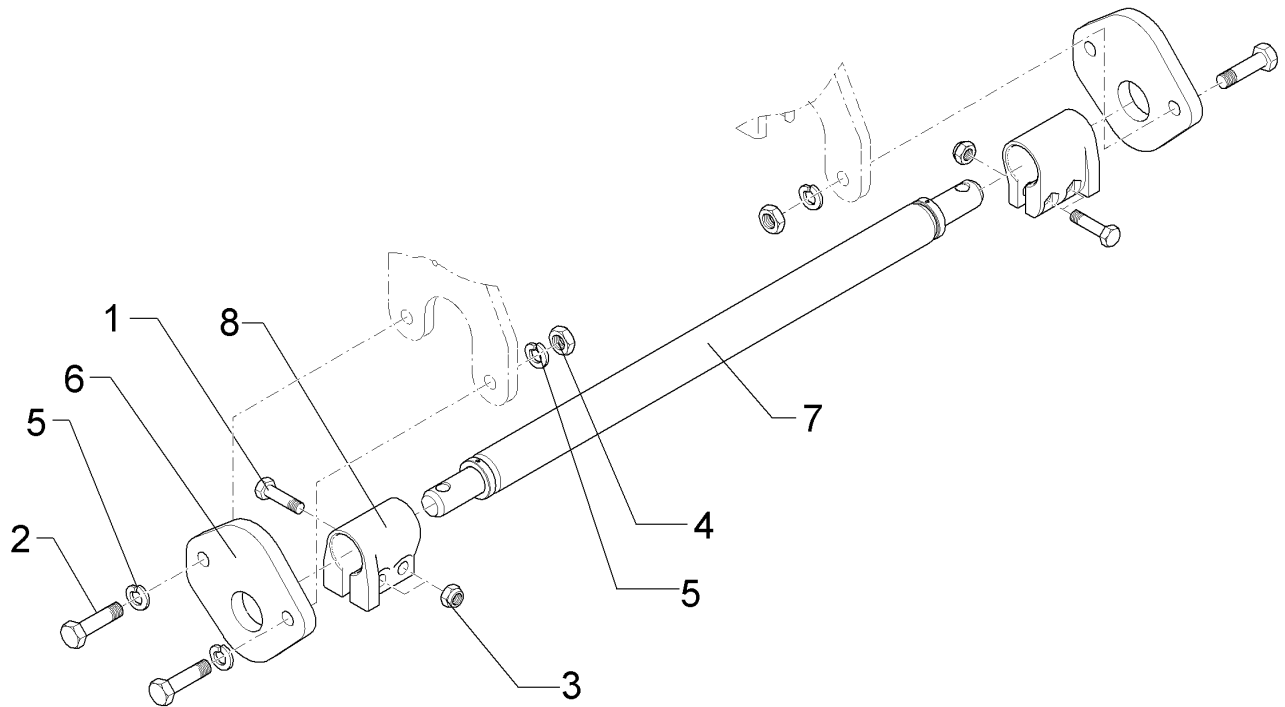
01.18

| Pos. | Art.Nr. | Stck. | Artikeltext / Description | | Abmessung |
|------|----------|-------|---------------------------|-----------------|---------------------------|
| 1 | 301 3868 | 4 | Sechskantschraube | Hexagon bolt | M16x65-8.8 Zn DIN931-A |
| 2 | 301 5390 | 4 | Sechskantschraube spz. | Hexagon bolt | M20x65-12.9 Zn |
| 3 | 303 0935 | 4 | Sicherungsmutter | Selflocking nut | NM16-8 Zn DIN985 |
| 4 | 303 0978 | 4 | Sechskantmutter | Hexagon nut | M20 DIN934-8 Zn |
| 5 | 305 6012 | 8 | Scheibe | Washer | 21 ISO7089 Zn |
| 6 | 461 6061 | 2 | Schienenplatte | Plate | 20x199x212 1xD68,7 |
| 7 | 461 7925 | 1 | Zugschiene | Cross shaft | D68x1120 L3 Z3 HÜ |
| 8 | 461 9893 | 2 | Sperrstück | Stop | D68x100 2xD18 |



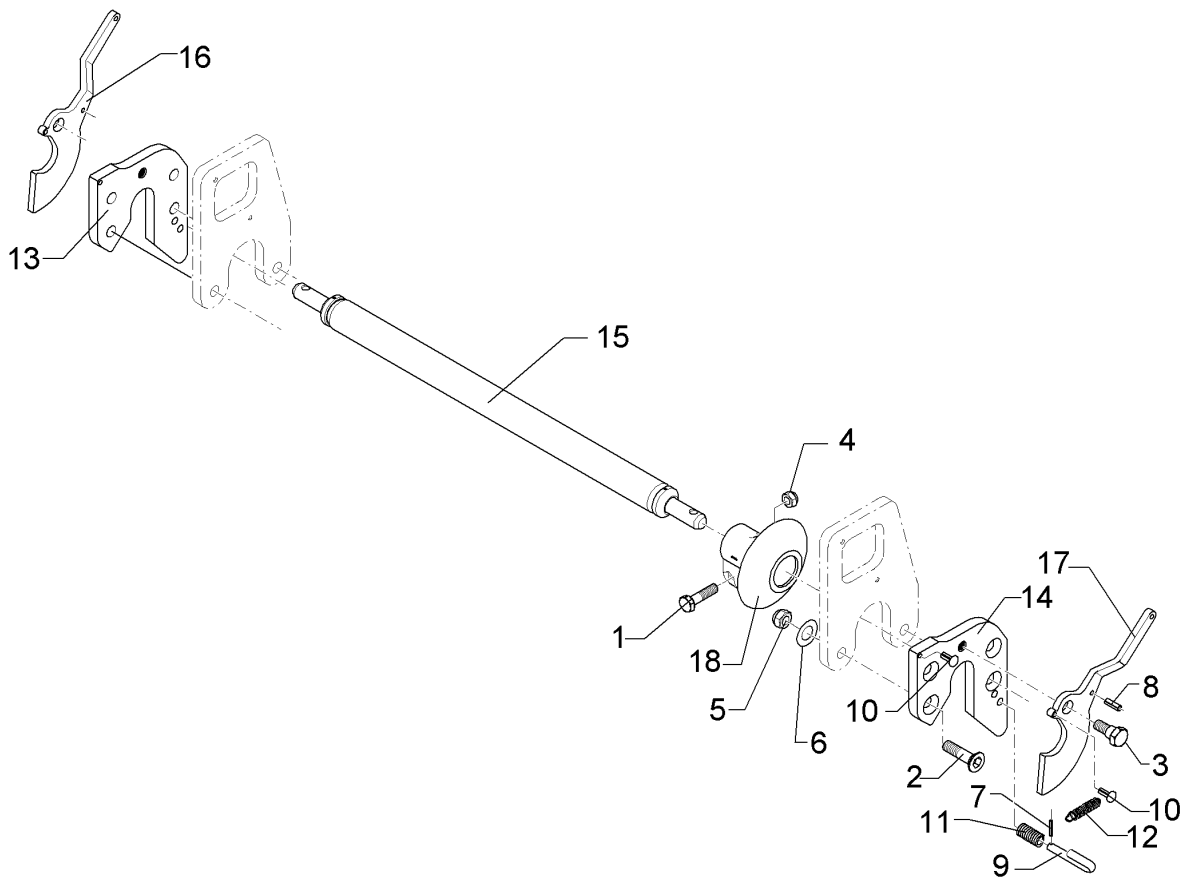
01.18

| Pos. | Art.Nr. | Stck. | Artikeltext / Description | | Abmessung |
|------|----------|-------|---------------------------|-----------------|------------------------------|
| 1 | 301 3868 | 4 | Sechskantschraube | Hexagon bolt | M16x65-8.8 Zn DIN931-A |
| 2 | 301 5390 | 4 | Sechskantschraube spz. | Hexagon bolt | M20x65-12.9 Zn |
| 3 | 303 0935 | 4 | Sicherungsmutter | Selflocking nut | NM16-8 Zn DIN985 |
| 4 | 303 0978 | 4 | Sechskantmutter | Hexagon nut | M20 DIN934-8 Zn |
| 5 | 305 6012 | 8 | Scheibe | Washer | 21 ISO7089 Zn |
| 6 | 461 6061 | 2 | Schienenplatte | Plate | 20x199x212 1xD68,7 |
| 7 | 461 7905 | 1 | Zugschiene | Cross shaft | D68x980 L2 Z3 HÜ (Kat.3N) |
| 8 | 461 9893 | 2 | Sperrstück | Stop | D68x100 2xD18 |



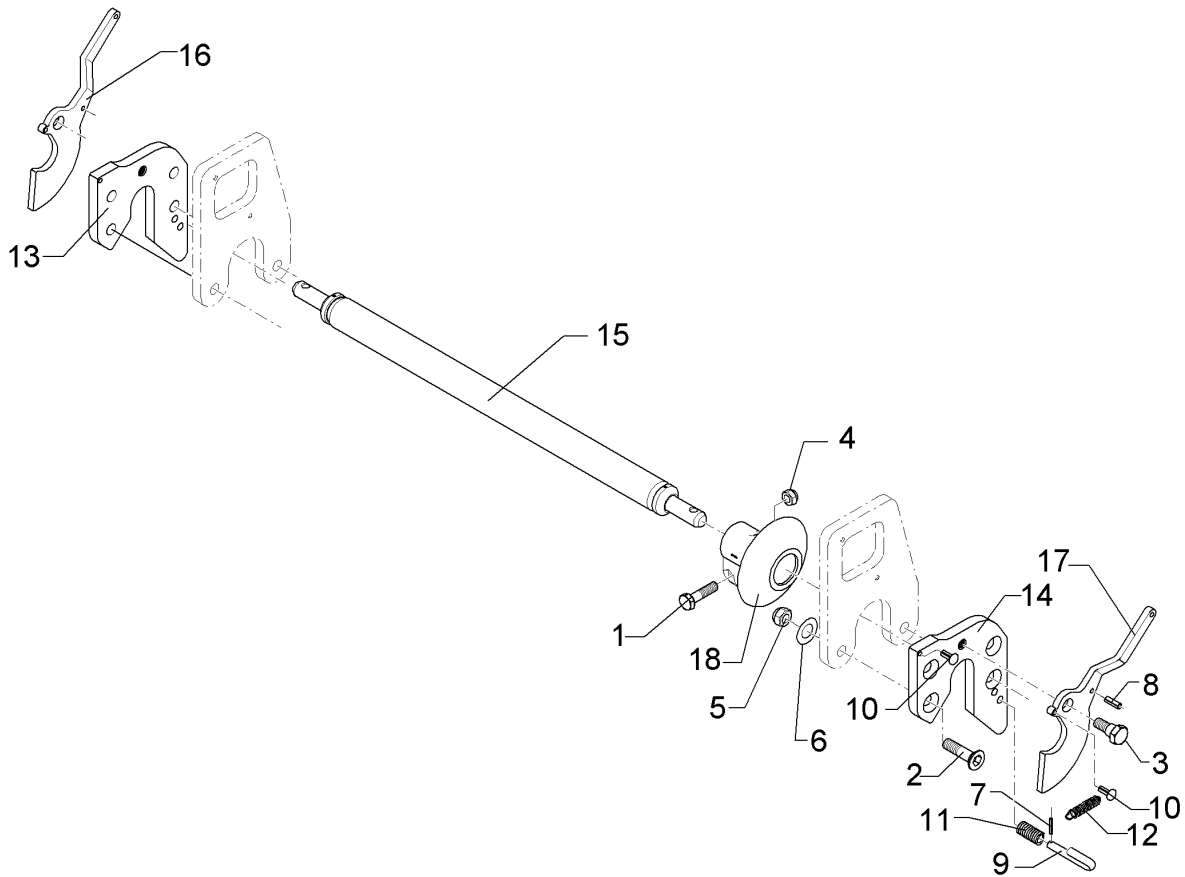
01.18

| Pos. | Art.Nr. | Stck. | Artikeltext / Description | | Abmessung |
|------|----------|-------|---------------------------|-----------------|---------------------------|
| 1 | 301 3868 | 4 | Sechskantschraube | Hexagon bolt | M16x65-8.8 Zn DIN931-A |
| 2 | 301 5390 | 4 | Sechskantschraube spz. | Hexagon bolt | M20x65-12.9 Zn |
| 3 | 303 0935 | 4 | Sicherungsmutter | Selflocking nut | NM16-8 Zn DIN985 |
| 4 | 303 0978 | 4 | Sechskantmutter | Hexagon nut | M20 DIN934-8 Zn |
| 5 | 305 6012 | 8 | Scheibe | Washer | 21 ISO7089 Zn |
| 6 | 461 6061 | 2 | Schienenplatte | Plate | 20x199x212 1xD68,7 |
| 7 | 461 7908 | 1 | Zugschiene | Cross shaft | D68X1342 L4 Z4 |
| 8 | 461 9893 | 2 | Sperrstück | Stop | D68x100 2xD18 |



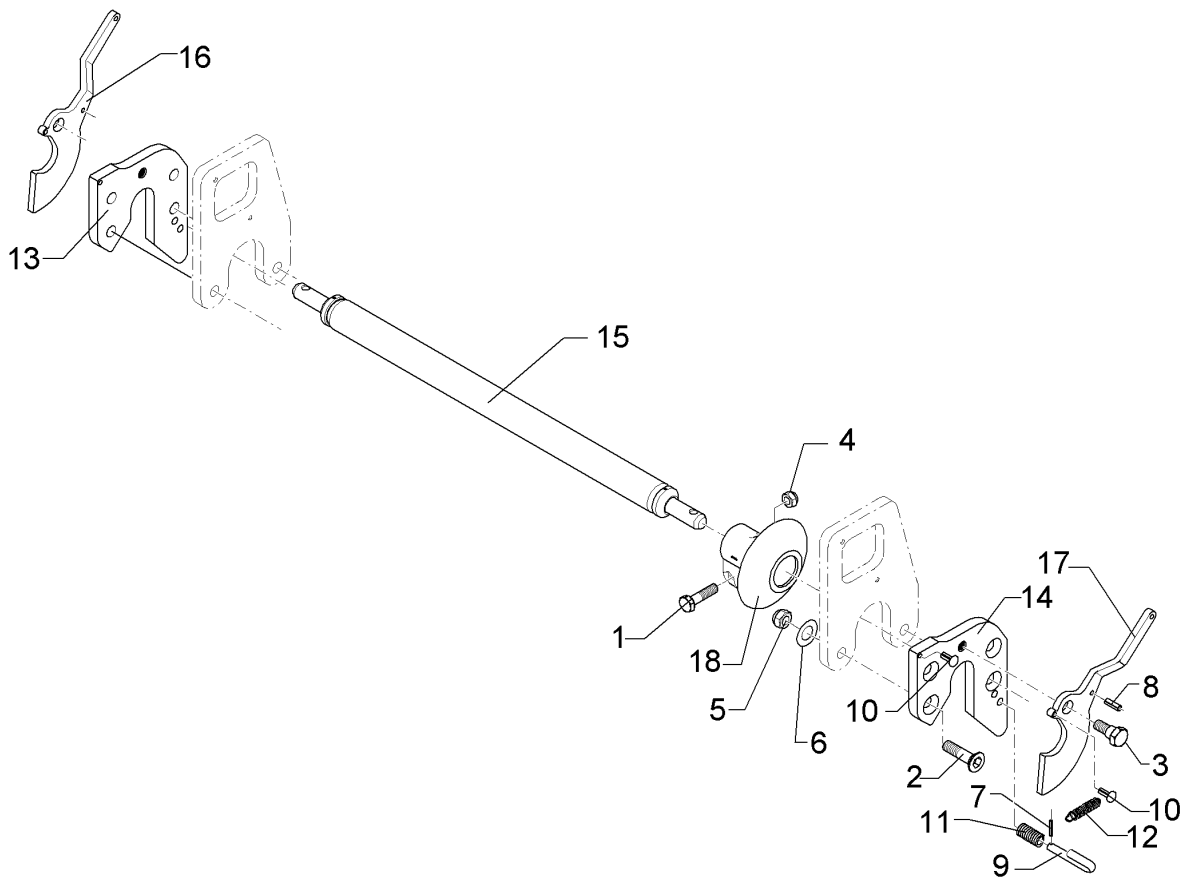
01.18

| Pos. | Art.Nr. | Stck. | Artikeltext / Description | | Abmessung |
|------|----------|-------|---------------------------|--------------------|---------------------------|
| 1 | 301 3868 | 4 | Sechskantschraube | Hexagon bolt | M16x65-8.8 Zn DIN931-A |
| 2 | 301 5744 | 4 | Senkschraube spz. | Countersunk bolt | M20x60-12.9 Zn |
| 3 | 301 6425 | 2 | Schraube | Screw | M20x16/D24 Zn |
| 4 | 303 0935 | 4 | Sicherungsmutter | Selflocking nut | NM16-8 Zn DIN985 |
| 5 | 303 0978 | 4 | Sechskantmutter | Hexagon nut | M20 DIN934-8 Zn |
| 6 | 305 6012 | 4 | Scheibe | Washer | 21 ISO7089 Zn |
| 7 | 309 6038 | 2 | Spannhülse | Expansion bush | 5x30-DIN1481 Chrom 8 |
| 8 | 309 6940 | 2 | Spannhülse | Expansion bush | 8x28-DIN1481 |
| 9 | 313 8645 | 2 | Stift | Pin | D12x60 GEB180GRD Zn |
| 10 | 315 9710 | 4 | Halbrundkerbnagel | Rivet | 8x16 DIN1476 |
| 11 | 329 8106 | 2 | Druckfeder | Compression spring | 1,6x16x51,5 |
| 12 | 329 8495 | 2 | Zugfeder | Spring | 2,5x12x75 |
| 13 | 461 6078 | 1 | Schienenplatte | Plate | E55FH RE |
| 14 | 461 6079 | 1 | Schienenplatte | Plate | E55FH LI |
| 15 | 461 7917 | 1 | Schienenwelle | Drawbar | D55x970 L2 Z2 |
| 16 | 461 8186 | 1 | Haken | Hook | E55F RE |
| 17 | 461 8187 | 1 | Haken | Hook | E55F LI |
| 18 | 461 9890 | 2 | Sperrstück | Stop | D55-F |



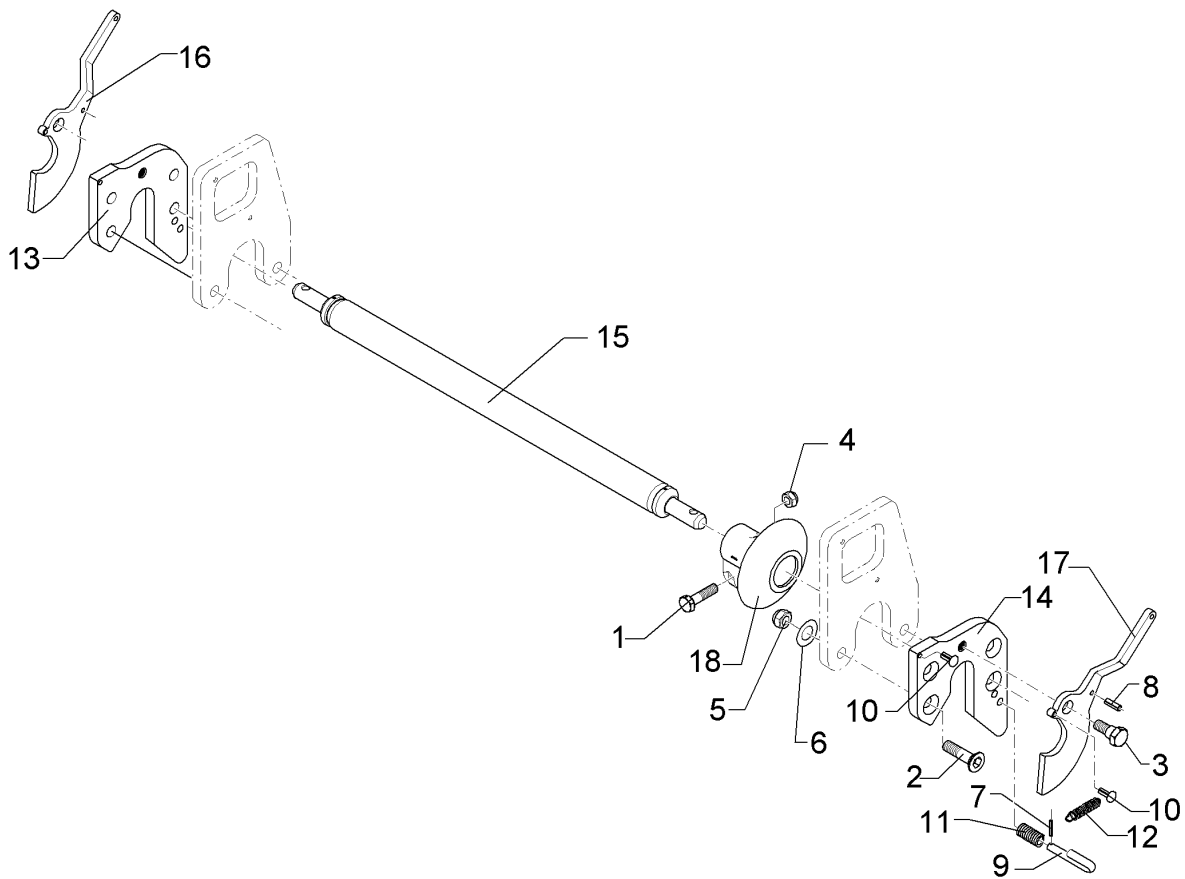
01.18

| Pos. | Art.Nr. | Stck. | Artikeltext / Description | | Abmessung |
|------|----------|-------|---------------------------|--------------------|---------------------------|
| 1 | 301 3868 | 4 | Sechskantschraube | Hexagon bolt | M16x65-8.8 Zn DIN931-A |
| 2 | 301 5744 | 4 | Senkschraube spz. | Countersunk bolt | M20x60-12.9 Zn |
| 3 | 301 6425 | 2 | Schraube | Screw | M20x16/D24 Zn |
| 4 | 303 0935 | 4 | Sicherungsmutter | Selflocking nut | NM16-8 Zn DIN985 |
| 5 | 303 0978 | 4 | Sechskantmutter | Hexagon nut | M20 DIN934-8 Zn |
| 6 | 305 6012 | 4 | Scheibe | Washer | 21 ISO7089 Zn |
| 7 | 309 6038 | 2 | Spannhülse | Expansion bush | 5x30-DIN1481 Chrom 8 |
| 8 | 309 6940 | 2 | Spannhülse | Expansion bush | 8x28-DIN1481 |
| 9 | 313 8645 | 2 | Stift | Pin | D12x60 GEB180GRD Zn |
| 10 | 315 9710 | 4 | Halbrundkerbnagel | Rivet | 8x16 DIN1476 |
| 11 | 329 8106 | 2 | Druckfeder | Compression spring | 1,6x16x51,5 |
| 12 | 329 8495 | 2 | Zugfeder | Spring | 2,5x12x75 |
| 13 | 461 6078 | 1 | Schienenplatte | Plate | E55FH RE |
| 14 | 461 6079 | 1 | Schienenplatte | Plate | E55FH LI |
| 15 | 461 7924 | 1 | Schienenwelle | Drawbar | D55x1110 L3 Z2 |
| 16 | 461 8186 | 1 | Haken | Hook | E55F RE |
| 17 | 461 8187 | 1 | Haken | Hook | E55F LI |
| 18 | 461 9890 | 2 | Sperrstück | Stop | D55-F |



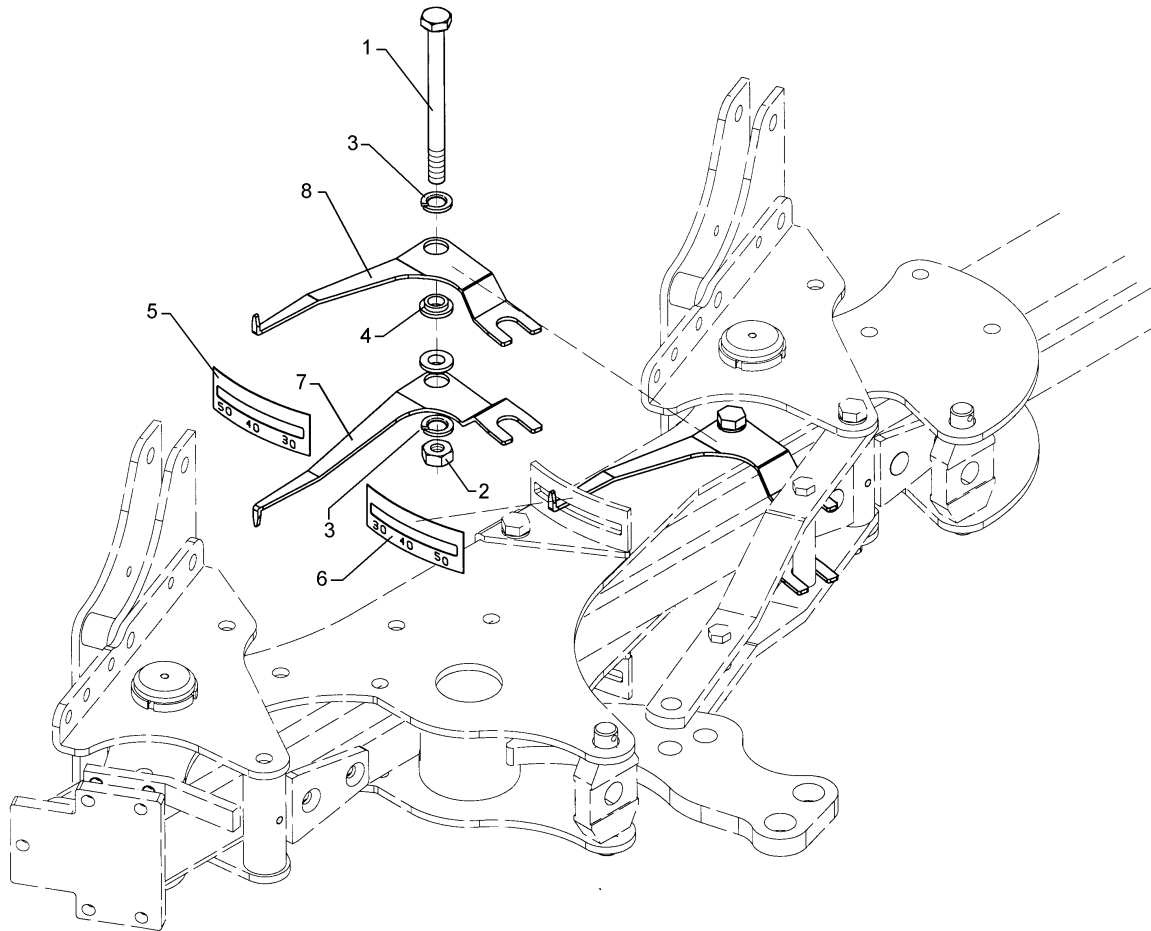
01.18

| Pos. | Art.Nr. | Stck. | Artikeltext / Description | | Abmessung |
|------|----------|-------|---------------------------|--------------------|---------------------------|
| 1 | 301 3868 | 4 | Sechskantschraube | Hexagon bolt | M16x65-8.8 Zn DIN931-A |
| 2 | 301 5744 | 4 | Senkschraube spz. | Countersunk bolt | M20x60-12.9 Zn |
| 3 | 301 6425 | 2 | Schraube | Screw | M20x16/D24 Zn |
| 4 | 303 0935 | 4 | Sicherungsmutter | Selflocking nut | NM16-8 Zn DIN985 |
| 5 | 303 0978 | 4 | Sechskantmutter | Hexagon nut | M20 DIN934-8 Zn |
| 6 | 305 6012 | 4 | Scheibe | Washer | 21 ISO7089 Zn |
| 7 | 309 6038 | 2 | Spannhülse | Expansion bush | 5x30-DIN1481 Chrom 8 |
| 8 | 309 6940 | 2 | Spannhülse | Expansion bush | 8x28-DIN1481 |
| 9 | 313 8645 | 2 | Stift | Pin | D12x60 GEB180GRD Zn |
| 10 | 315 9710 | 4 | Halbrundkerbnagel | Rivet | 8x16 DIN1476 |
| 11 | 329 8106 | 2 | Druckfeder | Compression spring | 1,6x16x51,5 |
| 12 | 329 8495 | 2 | Zugfeder | Spring | 2,5x12x75 |
| 13 | 461 6078 | 1 | Schienenplatte | Plate | E55FH RE |
| 14 | 461 6079 | 1 | Schienenplatte | Plate | E55FH LI |
| 15 | 461 7923 | 1 | Schienenwelle | Drawbar | D55x980 L2 Z3 |
| 16 | 461 8186 | 1 | Haken | Hook | E55F RE |
| 17 | 461 8187 | 1 | Haken | Hook | E55F LI |
| 18 | 461 9890 | 2 | Sperrstück | Stop | D55-F |



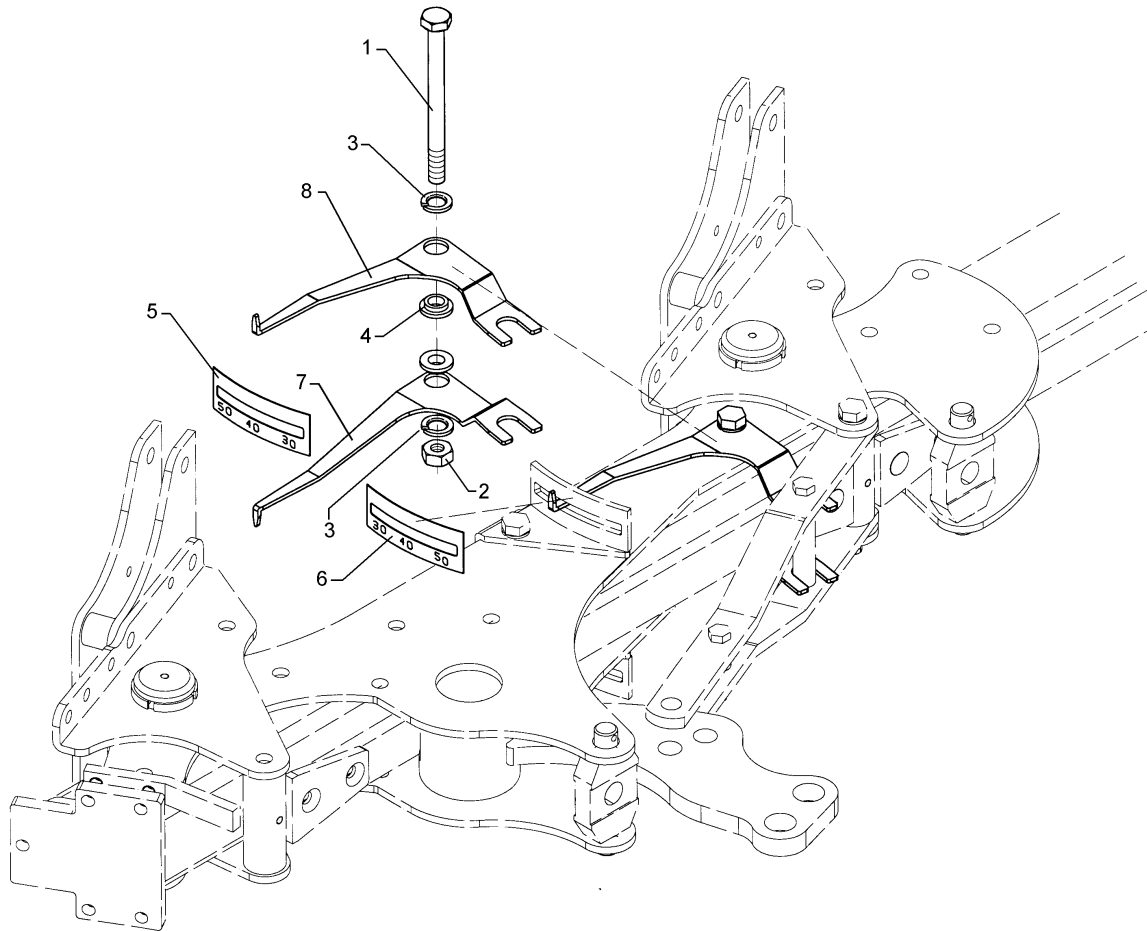
01.18

| Pos. | Art.Nr. | Stck. | Artikeltext / Description | | Abmessung |
|------|----------|-------|---------------------------|--------------------|---------------------------|
| 1 | 301 3868 | 4 | Sechskantschraube | Hexagon bolt | M16x65-8.8 Zn DIN931-A |
| 2 | 301 5744 | 4 | Senkschraube spz. | Countersunk bolt | M20x60-12.9 Zn |
| 3 | 301 6425 | 2 | Schraube | Screw | M20x16/D24 Zn |
| 4 | 303 0935 | 4 | Sicherungsmutter | Selflocking nut | NM16-8 Zn DIN985 |
| 5 | 303 0978 | 4 | Sechskantmutter | Hexagon nut | M20 DIN934-8 Zn |
| 6 | 305 6012 | 4 | Scheibe | Washer | 21 ISO7089 Zn |
| 7 | 309 6038 | 2 | Spannhülse | Expansion bush | 5x30-DIN1481 Chrom 8 |
| 8 | 309 6940 | 2 | Spannhülse | Expansion bush | 8x28-DIN1481 |
| 9 | 313 8645 | 2 | Stift | Pin | D12x60 GEB180GRD Zn |
| 10 | 315 9710 | 4 | Halbrundkerbnagel | Rivet | 8x16 DIN1476 |
| 11 | 329 8106 | 2 | Druckfeder | Compression spring | 1,6x16x51,5 |
| 12 | 329 8495 | 2 | Zugfeder | Spring | 2,5x12x75 |
| 13 | 461 6080 | 1 | Schienenplatte | Plate | E68FH RE |
| 14 | 461 6081 | 1 | Schienenplatte | Plate | E68FH LI |
| 15 | 461 7925 | 1 | Zugschiene | Cross shaft | D68x1120 L3 Z3 HÜ |
| 16 | 461 8184 | 1 | Haken | Hook | E68F RE |
| 17 | 461 8185 | 1 | Haken | Hook | E68F LI |
| 18 | 461 9891 | 2 | Sperrstück | Stop | D68-F |



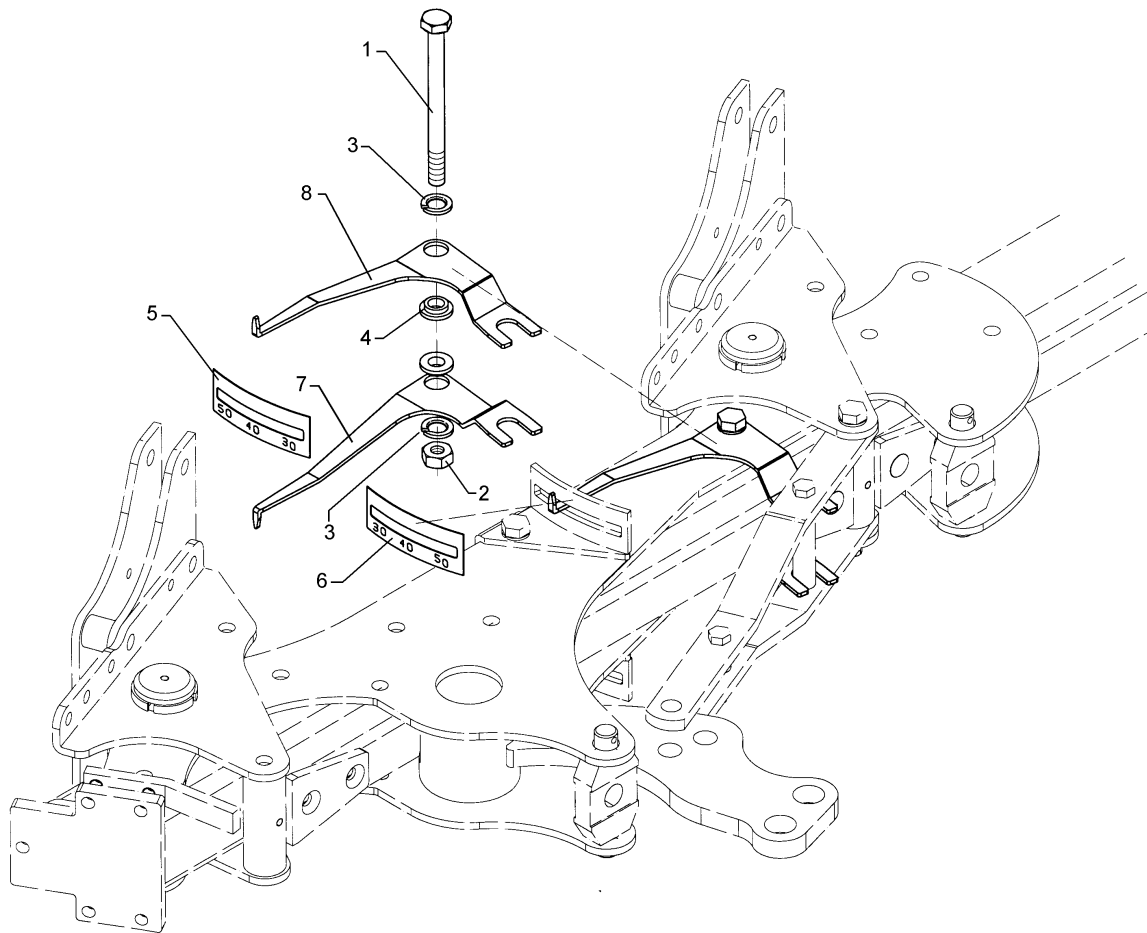
01.18

| Pos. | Art.Nr. | Stck. | Artikeltext / Description | | Abmessung |
|------|----------|-------|---------------------------|----------------|--------------------------------|
| 1 | 301 4539 | 1 | Sechskantschraube spezial | Hexagon bolt | M20x1,5x190s164xb23-10.9 Zn |
| 2 | 303 0977 | 1 | Sechskantmutter | Hexagon nut | M20x1,5 DIN934-10 Zn |
| 3 | 305 6012 | 2 | Scheibe | Washer | 21 ISO7089 Zn |
| 4 | 317 4345 | 2 | Bundbuchse | Flange bushing | D40/29/20x11 |
| 5 | 321 1042 | 1 | Aufkleber | Label | RE VO-5/7 20-50 |
| 6 | 321 1043 | 1 | Aufkleber | Label | LI VO-5/7 20-50 |
| 7 | 321 7004 | 1 | Zeiger | Pointer | VariOpal 7 RE t=5 |
| 8 | 321 7005 | 1 | Zeiger | Pointer | VariOpal 7 LI t=5 |



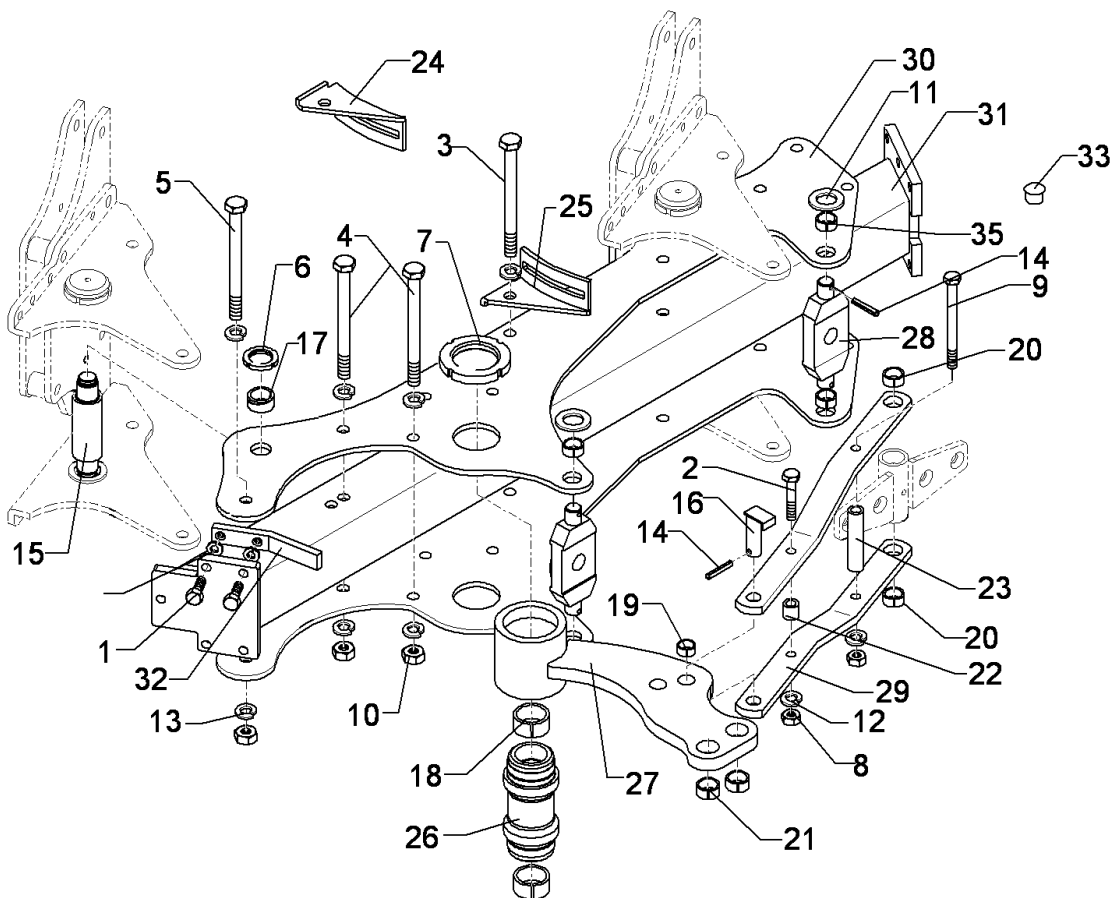
01.18

| Pos. | Art.Nr. | Stck. | Artikeltext / Description | | Abmessung |
|------|----------|-------|---------------------------|----------------|---------------------------------|
| 1 | 301 4539 | 1 | Sechskantschraube spezial | Hexagon bolt | M20x1,5x190ls164xb23-10.9 Zn |
| 2 | 303 0977 | 1 | Sechskantmutter | Hexagon nut | M20x1,5 DIN934-10 Zn |
| 3 | 305 6012 | 2 | Scheibe | Washer | 21 ISO7089 Zn |
| 4 | 317 4345 | 2 | Bundbuchse | Flange bushing | D40/29/20x11 |
| 5 | 321 1040 | 1 | Aufkleber | Label | RE VO-7 25-55 |
| 6 | 321 1041 | 1 | Aufkleber | Label | LI VO-7 25-55 |
| 7 | 321 7004 | 1 | Zeiger | Pointer | VariOpal 7 RE t=5 |
| 8 | 321 7005 | 1 | Zeiger | Pointer | VariOpal 7 LI t=5 |



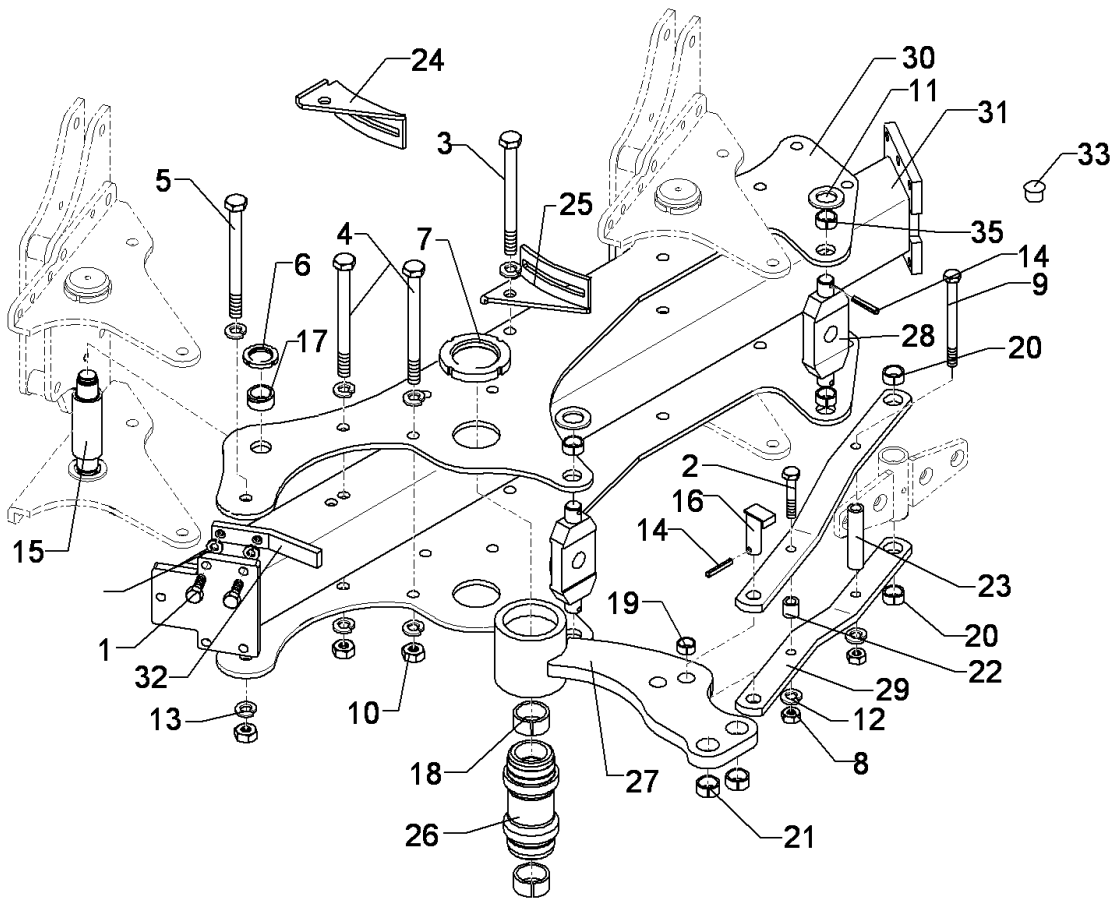
01.18

| Pos. | Art.Nr. | Stck. | Artikeltext / Description | | Abmessung |
|------|----------|-------|---------------------------|----------------|---------------------------------|
| 1 | 301 4539 | 1 | Sechskantschraube spezial | Hexagon bolt | M20x1,5x190ls164xb23-10.9 Zn |
| 2 | 303 0977 | 1 | Sechskantmutter | Hexagon nut | M20x1,5 DIN934-10 Zn |
| 3 | 305 6012 | 2 | Scheibe | Washer | 21 ISO7089 Zn |
| 4 | 317 4345 | 2 | Bundbuchse | Flange bushing | D40/29/20x11 |
| 5 | 321 1040 | 1 | Aufkleber | Label | RE VO-7 25-55 |
| 6 | 321 1041 | 1 | Aufkleber | Label | LI VO-7 25-55 |
| 7 | 321 7000 | 1 | Zeiger | Pointer | VariOpal 5/7 RE t=5 |
| 8 | 321 7001 | 1 | Zeiger | Pointer | VariOpal 5/7 LI t=5 |



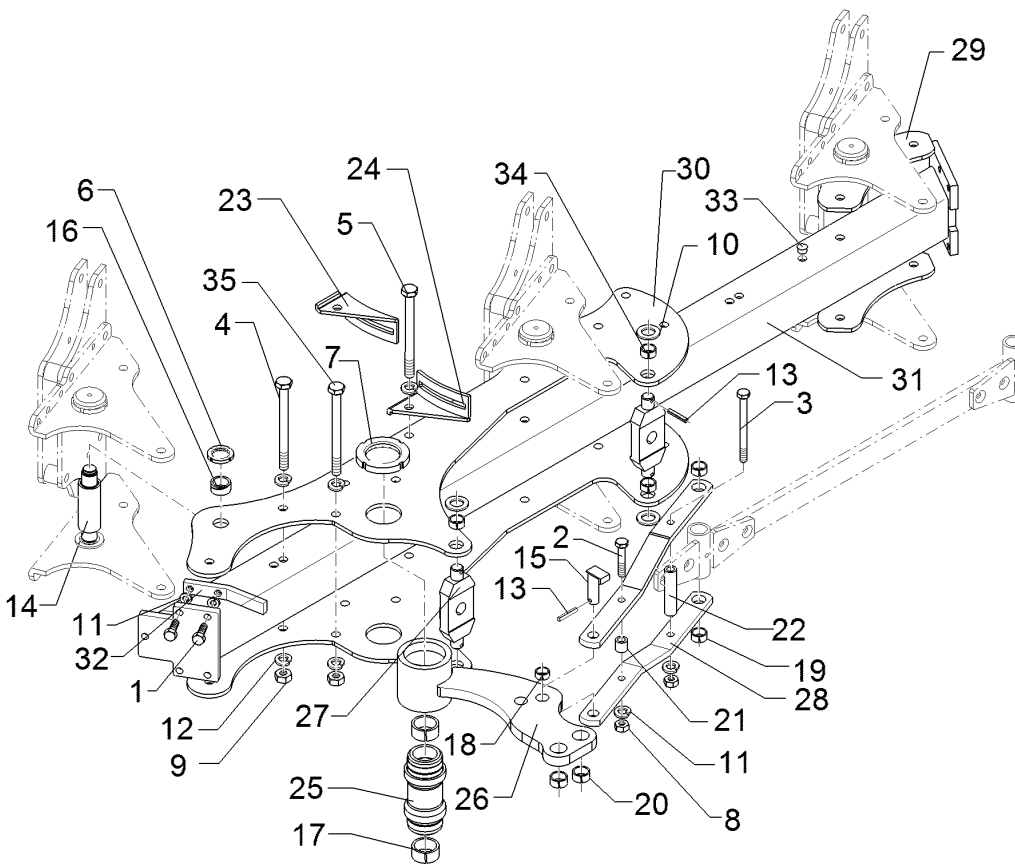
01.18

| Pos. | Art.Nr. | Stck. | Artikeltext / Description | | Abmessung |
|------|----------|-------|------------------------------|----------------|---------------------------------|
| 1 | 301 5404 | 2 | Sechskantschraube | Hexagon bolt | M16x40-8.8 Zn DIN933 |
| 2 | 301 3903 | 1 | Sechskantschraube | Hexagon bolt | M16x75-8.8 Zn DIN931-A |
| 3 | 301 4538 | 1 | Sechskantschraube spezial | Hexagon bolt | M20x1,5x175ls150xb22-10.9 Zn |
| 4 | 301 4522 | 1 | Sechskantschraube spezial | Hexagon bolt | M20x1,5x155ls135xb17-10.9 Zn |
| 5 | 301 4523 | 8 | Sechskantschraube spezial | Hexagon bolt | M20x1,5x170ls144xb23-10.9 Zn |
| 6 | 303 0338 | 4 | Nutmutter | Grooved nut | M30x1,5 |
| 7 | 303 0341 | 2 | Nutmutter | Grooved nut | M80x2 KM16 Zn |
| 8 | 303 1015 | 2 | Sechskantmutter | Hexagon nut | M16 DIN934-8 Zn |
| 9 | 301 4117 | 1 | Sechskantschraube | Hexagon bolt | M16x170-8.8 DIN931-A |
| 10 | 303 0977 | 10 | Sechskantmutter | Hexagon nut | M20x1,5 DIN934-10 Zn |
| 11 | 305 6283 | 4 | Scheibe | Washer | B28 DIN125 |
| 12 | 305 6141 | 4 | Scheibe | Washer | 17/30x3 DIN/ISO-7089 |
| 13 | 305 6012 | 19 | Scheibe | Washer | 21 ISO7089 Zn |
| 14 | 309 6072 | 5 | Spannhülse | Expansion bush | 8x40-DIN1481 Zn |
| 15 | 313 5560 | 2 | Bolzen | Pin | D50/120x200 D35/M30x1,5 VE7S |
| 16 | 313 8052 | 1 | Bolzen | Pin | D25x57/70 L26 Zn |
| 17 | 317 2000 | 4 | Buchse | Bush | D45/D35x21 |
| 18 | 317 2025 | 2 | Einspannbuchse mit Presssitz | Expansion bush | EG50/55x30 |



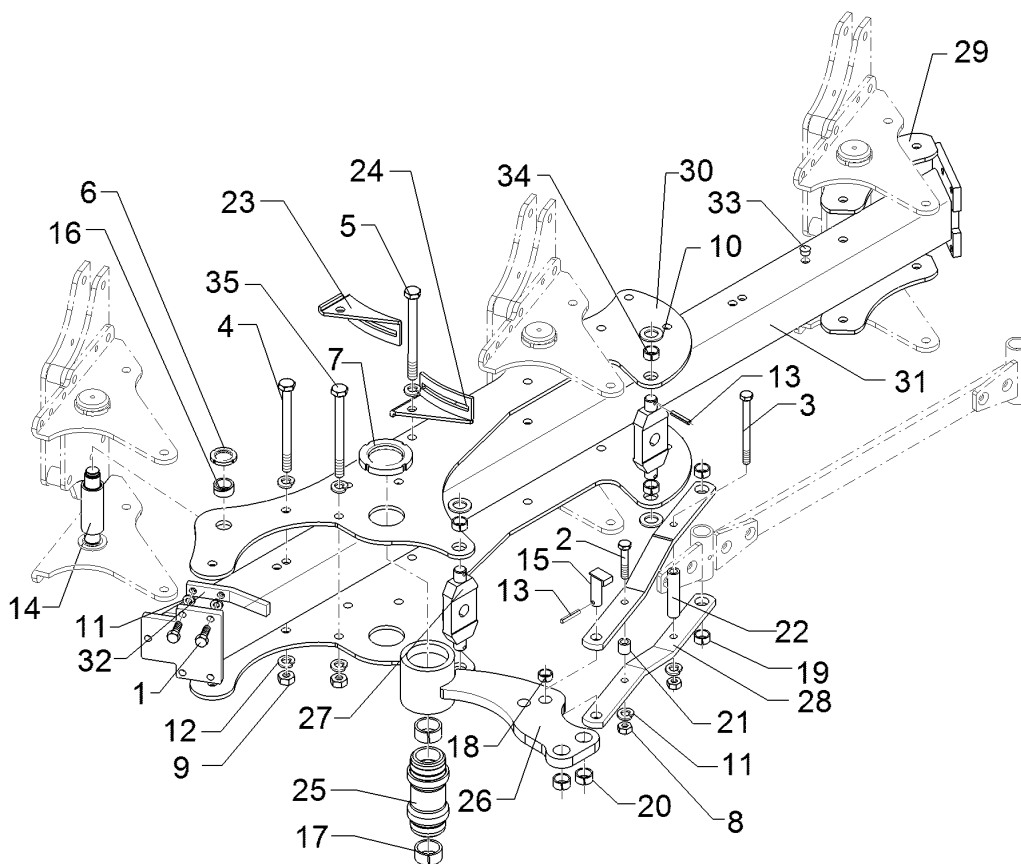
01.18

| Pos. | Art.Nr. | Stck. | Artikeltext / Description | | Abmessung |
|------|----------|-------|------------------------------|----------------|-----------------------------|
| 19 | 317 3345 | 1 | Einspannbuchse mit Presssitz | Expansion bush | EG25/29x25 |
| 20 | 317 3337 | 2 | Einspannbuchse | Expansion bush | EG28/32x15 |
| 21 | 317 3417 | 2 | Einspannbuchse mit Presssitz | Expansion bush | Presssitz EG30/38x25 |
| 22 | 317 6801 | 1 | Röhrchen | Tube | 26,9x5x26 Zn |
| 23 | 317 6859 | 1 | Röhrchen | Tube | D26,9x4,5x119,3 Zn |
| 24 | 321 7200 | 1 | Halter | Holder | VariOpal 7-1000 RE t=5 |
| 25 | 321 7201 | 1 | Halter | Holder | VariOpal 7-1000 LI t=5 |
| 26 | 402 1282 | 1 | Lagerrohr | Bearing tube | D50/M80/93x119x199,5 Zn |
| 27 | 402 1650 | 1 | Schwinge | Rocker arm | D93,5x118 VO 7-1200 |
| 28 | 402 1709 | 2 | Kreuzgelenk | Cross union | VO7 70x38x173 D30 Z28 Zn |
| 29 | 402 1766 | 1 | Steuerstange | Control rod | 50x15x780 VO7-120 |
| 30 | 402 2959 | 2 | Lagerplatte | Bearing plate | VO-7-1200 |
| 31 | 402 8319 | 1 | Grundrahmen | Basic frame | EurOpal 7 2-120 |
| 32 | 402 8300 | 1 | Anschlag | Stop | 30x15x203 2xM16-65 |
| 33 | 323 8071 | 4 | Schutzkappe | Cap | GPN 300V19 - D20 RAL5015 |
| 35 | 317 3347 | 4 | Einspannbuchse mit Presssitz | Expansion bush | EG28/32x10 |



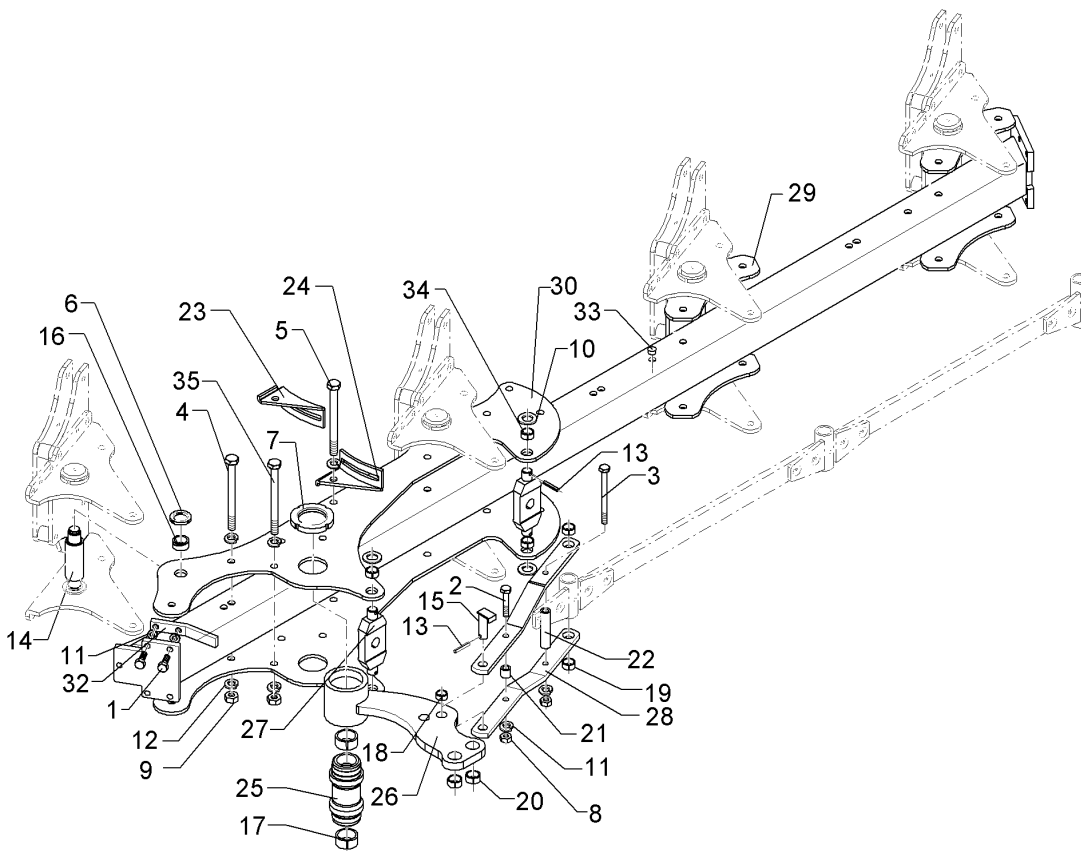
01.18

| Pos. | Art.Nr. | Stck. | Artikeltext / Description | | Abmessung |
|------|----------|-------|------------------------------|----------------|---|
| 1 | 301 5404 | 2 | Sechskantschraube | Hexagon bolt | M16x40-8.8 Zn DIN933 |
| 2 | 301 3903 | 1 | Sechskantschraube | Hexagon bolt | M16x75-8.8 Zn DIN931-A |
| 3 | 301 4117 | 1 | Sechskantschraube | Hexagon bolt | M16x170-8.8 DIN931-A |
| 4 | 301 4522 | 1 | Sechskantschraube spezial | Hexagon bolt | M20x1,5x155ls135xb17-10.9 Zn |
| 5 | 301 4538 | 1 | Sechskantschraube spezial | Hexagon bolt | M20x1,5x175ls150xb22-10.9 Zn |
| 6 | 303 0338 | 6 | Nutmutter | Grooved nut | M30x1,5 |
| 7 | 303 0341 | 2 | Nutmutter | Grooved nut | M80x2 KM16 Zn |
| 8 | 303 1015 | 2 | Sechskantmutter | Hexagon nut | M16 DIN934-8 Zn |
| 9 | 303 0977 | 13 | Sechskantmutter | Hexagon nut | M20x1,5 DIN934-10 Zn |
| 10 | 305 6283 | 4 | Scheibe | Washer | B28 DIN125 |
| 11 | 305 6141 | 4 | Scheibe | Washer | 17/30x3 DIN/ISO-7089 |
| 12 | 305 6012 | 23 | Scheibe | Washer | 21 ISO7089 Zn |
| 13 | 309 6072 | 5 | Spannhülse | Expansion bush | 8x40-DIN1481 Zn |
| 14 | 313 5560 | 3 | Bolzen | Pin | D50/120x200 D35/M30x1,5 VE7S D25x57/70 L26 Zn |
| 15 | 313 8052 | 1 | Bolzen | Pin | |
| 16 | 317 2000 | 6 | Buchse | Bush | D45/D35x21 |
| 17 | 317 2025 | 2 | Einspannbuchse mit Presssitz | Expansion bush | EG50/55x30 |
| 18 | 317 3345 | 1 | Einspannbuchse mit Presssitz | Expansion bush | EG25/29x25 |



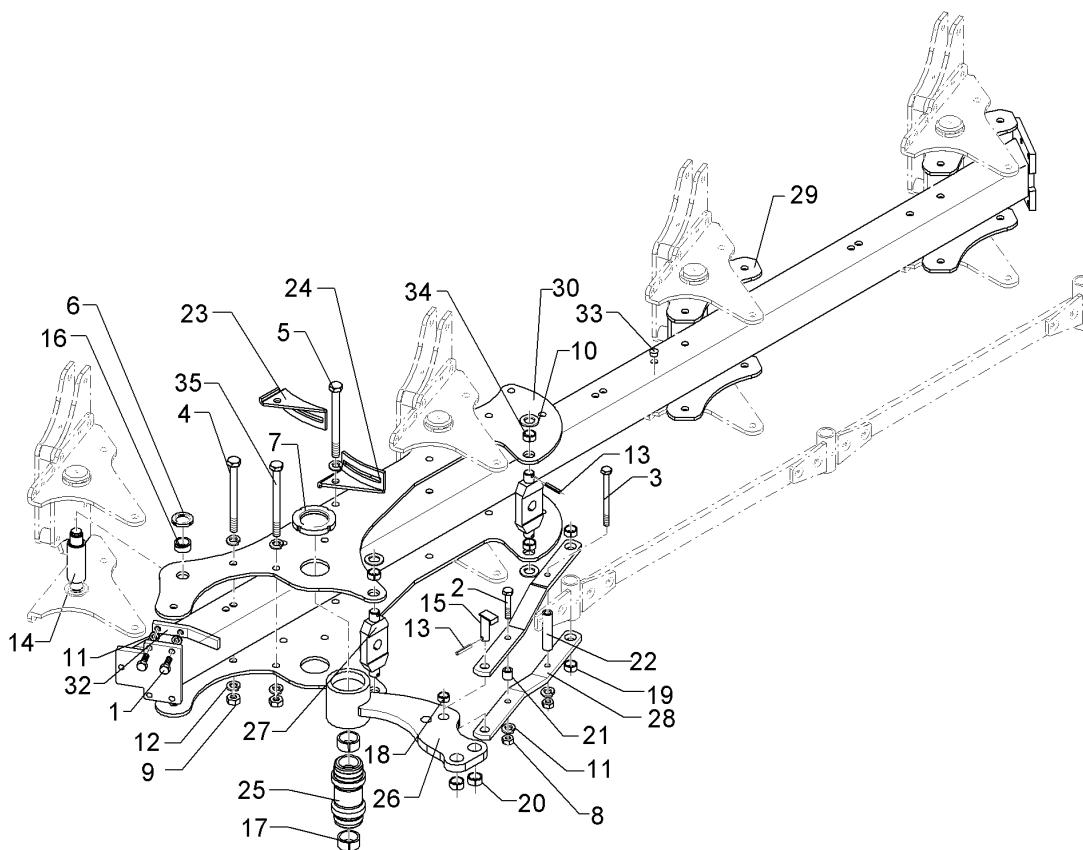
01.18

| Pos. | Art.Nr. | Stck. | Artikeltext / Description | | Abmessung |
|------|----------|-------|------------------------------|----------------|---------------------------------|
| 19 | 317 3337 | 2 | Einspannbuchse | Expansion bush | EG28/32x15 Presssitz |
| 20 | 317 3417 | 2 | Einspannbuchse mit Presssitz | Expansion bush | EG30/38x25 |
| 21 | 317 6801 | 1 | Röhrchen | Tube | 26,9x5x26 Zn |
| 22 | 317 6859 | 1 | Röhrchen | Tube | D26,9x4,5x119,3 Zn |
| 23 | 321 7200 | 1 | Halter | Holder | VariOpal 7-1000 RE t=5 |
| 24 | 321 7201 | 1 | Halter | Holder | VariOpal 7-1000 LI t=5 |
| 25 | 402 1282 | 1 | Lagerrohr | Bearing tube | D50/M80/93x119x199,5 Zn |
| 26 | 402 1650 | 1 | Schwinge | Rocker arm | D93,5x118 VO 7-1200 |
| 27 | 402 1709 | 2 | Kreuzgelenk | Cross union | VO7 70x38x173 D30 Z28 Zn |
| 28 | 402 1766 | 2 | Steuerstange | Control rod | 50x15x780 VO7-120 |
| 29 | 402 2940 | 2 | Lagerplatte | Bearing plate | D35 VO 7 |
| 30 | 402 2959 | 2 | Lagerplatte | Bearing plate | VO-7-1200 |
| 31 | 402 8320 | 1 | Grundrahmen | Basic frame | EurOpal 7 3-120 |
| 32 | 402 8300 | 1 | Anschlag | Stop | 30x15x203 2xM16-65 |
| 33 | 323 8071 | 12 | Schutzkappe | Cap | GPN 300V19 - D20 RAL5015 |
| 34 | 317 3347 | 4 | Einspannbuchse mit Presssitz | Expansion bush | EG28/32x10 |
| 35 | 301 4523 | 10 | Sechskantschraube spezial | Hexagon bolt | M20x1,5x170ls144xb23-10.9 Zn |



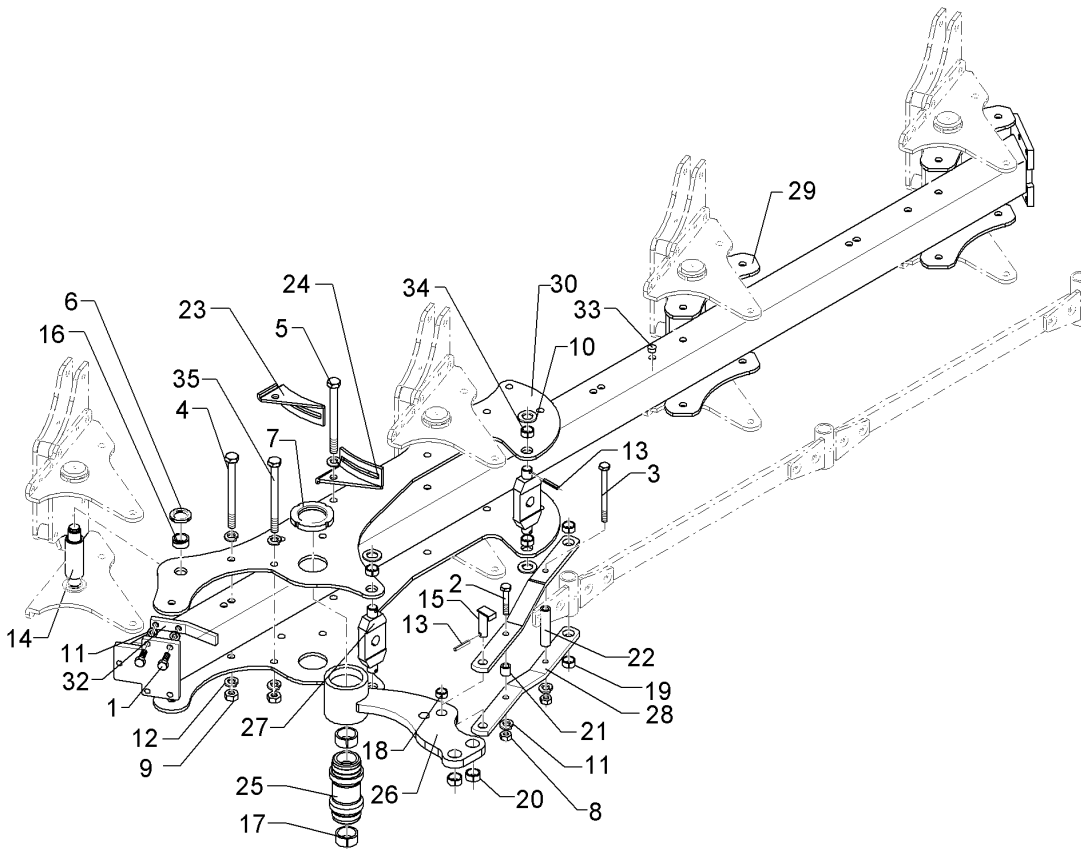
01.18

| Pos. | Art.Nr. | Stck. | Artikeltext / Description | | Abmessung |
|------|----------|-------|------------------------------|----------------|---|
| 1 | 301 5404 | 2 | Sechskantschraube | Hexagon bolt | M16x40-8.8 Zn |
| 2 | 301 3903 | 1 | Sechskantschraube | Hexagon bolt | DIN933 M16x75-8.8 Zn |
| 3 | 301 4117 | 1 | Sechskantschraube | Hexagon bolt | DIN931-A M16x170-8.8 DIN931-A |
| 4 | 301 4523 | 11 | Sechskantschraube spezial | Hexagon bolt | M20x1,5x170ls144xb23-10.9 Zn |
| 5 | 301 4538 | 1 | Sechskantschraube spezial | Hexagon bolt | M20x1,5x175ls150xb22-10.9 Zn |
| 6 | 303 0338 | 8 | Nutmutter | Grooved nut | M30x1,5 |
| 7 | 303 0341 | 2 | Nutmutter | Grooved nut | M80x2 KM16 Zn |
| 8 | 303 1015 | 2 | Sechskantmutter | Hexagon nut | M16 DIN934-8 Zn |
| 9 | 303 0977 | 14 | Sechskantmutter | Hexagon nut | M20x1,5 DIN934-10 Zn |
| 10 | 305 6283 | 4 | Scheibe | Washer | B28 DIN125 |
| 11 | 305 6141 | 4 | Scheibe | Washer | 17/30x3 DIN/ISO-7089 |
| 12 | 305 6012 | 27 | Scheibe | Washer | 21 ISO7089 Zn |
| 13 | 309 6072 | 5 | Spannhülse | Expansion bush | 8x40-DIN1481 Zn |
| 14 | 313 5560 | 4 | Bolzen | Pin | D50/120x200 D35/M30x1,5 VE7S D25x57/70 L26 Zn |
| 15 | 313 8052 | 1 | Bolzen | Pin | |
| 16 | 317 2000 | 8 | Buchse | Bush | D45/D35x21 |
| 17 | 317 2025 | 2 | Einspannbuchse mit Presssitz | Expansion bush | EG50/55x30 |
| 18 | 317 3345 | 1 | Einspannbuchse mit Presssitz | Expansion bush | EG25/29x25 |



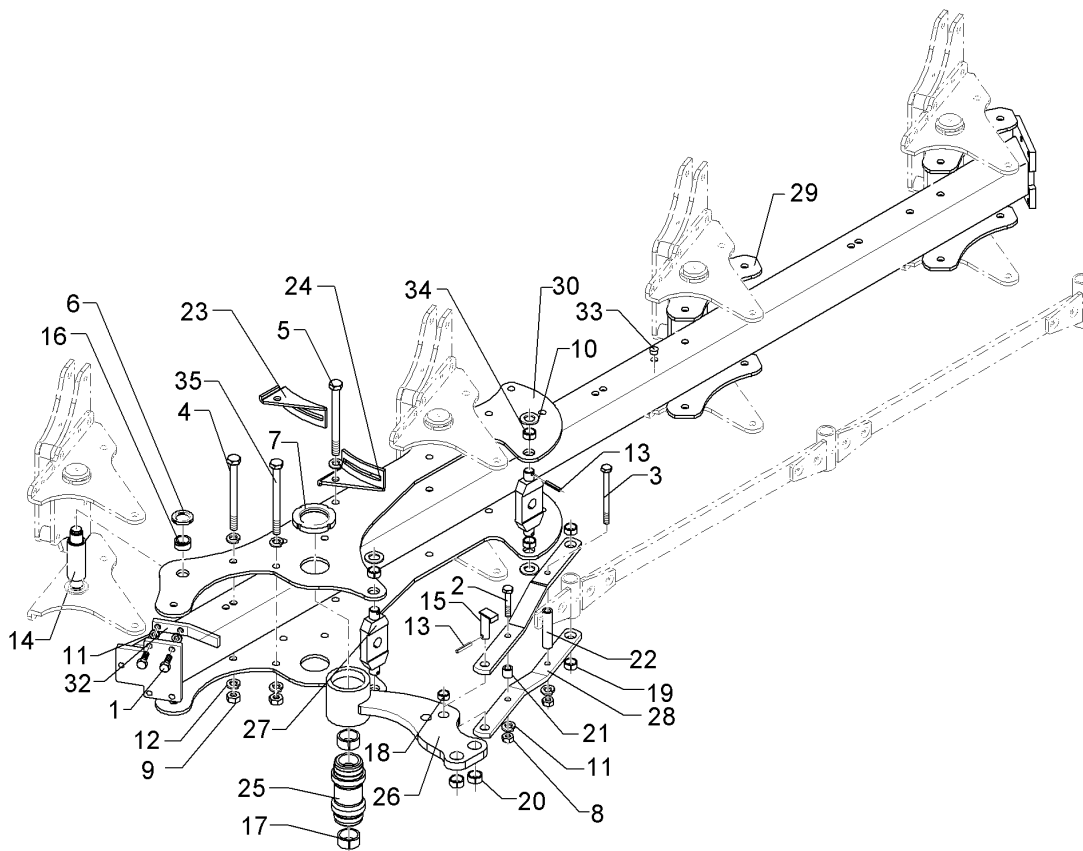
01.18

| Pos. | Art.Nr. | Stck. | Artikeltext / Description | | Abmessung |
|------|----------|-------|------------------------------|----------------|---------------------------------|
| 19 | 317 3337 | 2 | Einspannbuchse | Expansion bush | EG28/32x15 Presssitz |
| 20 | 317 3417 | 2 | Einspannbuchse mit Presssitz | Expansion bush | EG30/38x25 |
| 21 | 317 6801 | 1 | Röhrchen | Tube | 26,9x5x26 Zn |
| 22 | 317 6859 | 1 | Röhrchen | Tube | D26,9x4,5x119,3 Zn |
| 23 | 321 7200 | 1 | Halter | Holder | VariOpal 7-1000 RE t=5 |
| 24 | 321 7201 | 1 | Halter | Holder | VariOpal 7-1000 LI t=5 |
| 25 | 402 1282 | 1 | Lagerrohr | Bearing tube | D50/M80/93x119x199,5 Zn |
| 26 | 402 1660 | 1 | Schwinge | Rocker arm | D93,5x118 VO 7 |
| 27 | 402 1709 | 2 | Kreuzgelenk | Cross union | VO7 70x38x173 D30 Z28 Zn |
| 28 | 402 1765 | 2 | Steuerstange | Control rod | 50x15x630 VO7-100 |
| 29 | 402 2940 | 4 | Lagerplatte | Bearing plate | D35 VO 7 |
| 30 | 402 2960 | 2 | Lagerplatte | Bearing plate | VO-7-1000 |
| 31 | 402 8241 | 1 | Grundrahmen | Basic frame | EurOpal 7 4-100 |
| 32 | 402 8300 | 1 | Anschlag | Stop | 30x15x203 2xM16-65 |
| 33 | 323 8071 | 14 | Schutzkappe | Cap | GPN 300V/19 - D20 RAL5015 |
| 34 | 317 3347 | 4 | Einspannbuchse mit Presssitz | Expansion bush | EG28/32x10 |
| 35 | 301 4522 | 1 | Sechskantschraube spezial | Hexagon bolt | M20x1,5x155ls135xb17-10.9 Zn |



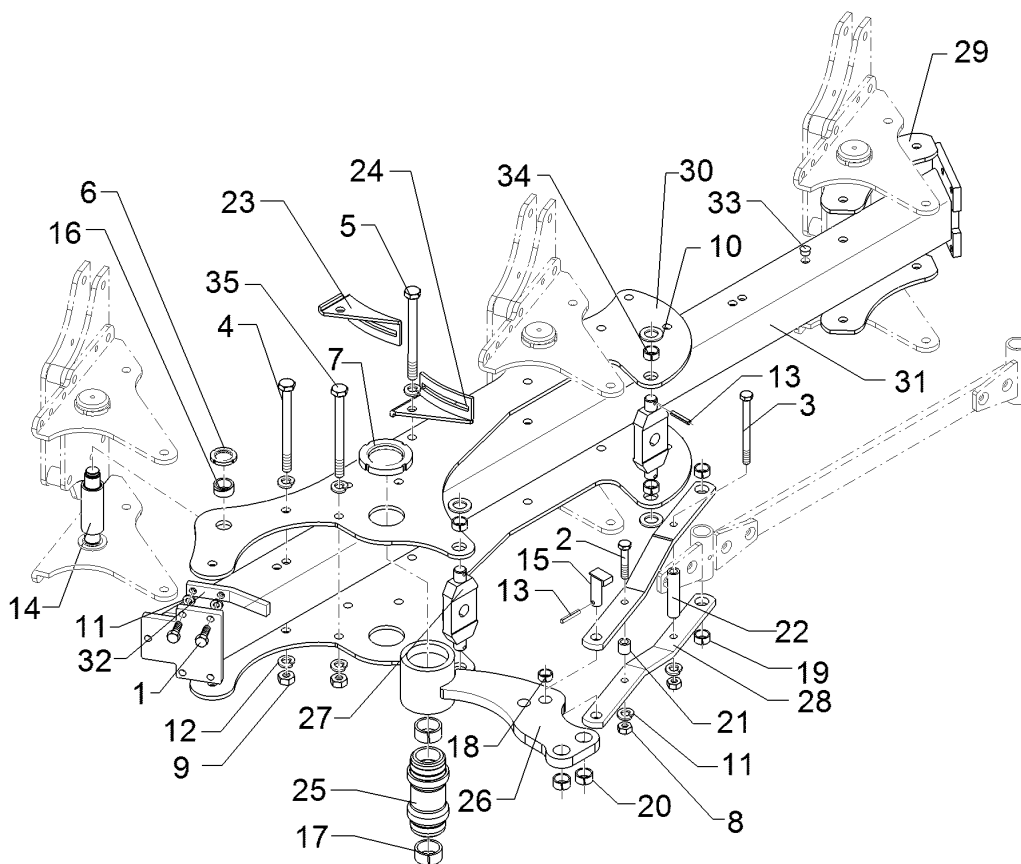
01.18

| Pos. | Art.Nr. | Stck. | Artikeltext / Description | | Abmessung |
|------|----------|-------|------------------------------|----------------|---|
| 1 | 301 5404 | 2 | Sechskantschraube | Hexagon bolt | M16x40-8.8 Zn |
| 2 | 301 3903 | 1 | Sechskantschraube | Hexagon bolt | DIN933 M16x75-8.8 Zn |
| 3 | 301 4117 | 1 | Sechskantschraube | Hexagon bolt | DIN931-A M16x170-8.8 DIN931-A |
| 4 | 301 4522 | 1 | Sechskantschraube spezial | Hexagon bolt | M20x1,5x155ls135xb17-10.9 Zn |
| 5 | 301 4538 | 1 | Sechskantschraube spezial | Hexagon bolt | M20x1,5x175ls150xb22-10.9 Zn |
| 6 | 303 0338 | 8 | Nutmutter | Grooved nut | M30x1,5 |
| 7 | 303 0341 | 2 | Nutmutter | Grooved nut | M80x2 KM16 Zn |
| 8 | 303 1015 | 2 | Sechskantmutter | Hexagon nut | M16 DIN934-8 Zn |
| 9 | 303 0977 | 14 | Sechskantmutter | Hexagon nut | M20x1,5 DIN934-10 Zn |
| 10 | 305 6283 | 4 | Scheibe | Washer | B28 DIN125 |
| 11 | 305 6141 | 4 | Scheibe | Washer | 17/30x3 DIN/ISO-7089 |
| 12 | 305 6012 | 27 | Scheibe | Washer | 21 ISO7089 Zn |
| 13 | 309 6072 | 5 | Spannhülse | Expansion bush | 8x40-DIN1481 Zn |
| 14 | 313 5560 | 4 | Bolzen | Pin | D50/120x200 D35/M30x1,5 VE7S D25x57/70 L26 Zn |
| 15 | 313 8052 | 1 | Bolzen | Pin | |
| 16 | 317 2000 | 8 | Buchse | Bush | D45/D35x21 |
| 17 | 317 2025 | 2 | Einspannbuchse mit Presssitz | Expansion bush | EG50/55x30 |
| 18 | 317 3345 | 1 | Einspannbuchse mit Presssitz | Expansion bush | EG25/29x25 |



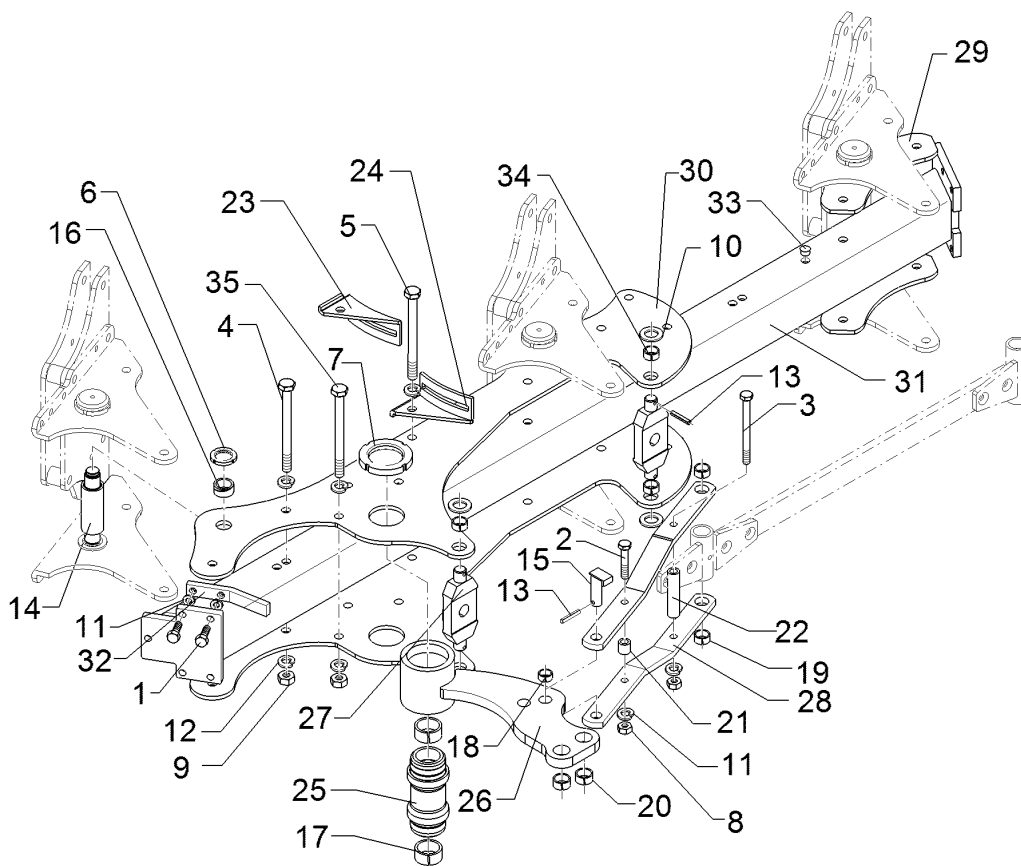
01.18

| Pos. | Art.Nr. | Stck. | Artikeltext / Description | | Abmessung |
|------|----------|-------|------------------------------|----------------|---------------------------------|
| 19 | 317 3337 | 2 | Einspannbuchse | Expansion bush | EG28/32x15 Presssitz |
| 20 | 317 3417 | 2 | Einspannbuchse mit Presssitz | Expansion bush | EG30/38x25 |
| 21 | 317 6801 | 1 | Röhrchen | Tube | 26,9x5x26 Zn |
| 22 | 317 6859 | 1 | Röhrchen | Tube | D26,9x4,5x119,3 Zn |
| 23 | 321 7202 | 1 | Halter | Holder | VariOpal 7-900 RE t=5 |
| 24 | 321 7203 | 1 | Halter | Holder | VariOpal 7-900 LI t=5 |
| 25 | 402 1282 | 1 | Lagerrohr | Bearing tube | D50/M80/93x119x199,5 Zn |
| 26 | 402 1660 | 1 | Schwinge | Rocker arm | D93,5x118 VO 7 |
| 27 | 402 1709 | 2 | Kreuzgelenk | Cross union | VO7 70x38x173 D30 Z28 Zn |
| 28 | 402 1764 | 2 | Steuerstange | Control rod | 50x15x584 VO7-90 |
| 29 | 402 2940 | 4 | Lagerplatte | Bearing plate | D35 VO 7 |
| 30 | 402 2961 | 2 | Lagerplatte | Bearing plate | VO-7-900 |
| 31 | 402 8244 | 1 | Grundrahmen | Basic frame | EurOpal 7 4-90 |
| 32 | 402 8300 | 1 | Anschlag | Stop | 30x15x203 2xM16-65 |
| 33 | 323 8071 | 14 | Schutzkappe | Cap | GPN 300V/19 - D20 RAL5015 |
| 34 | 317 3347 | 4 | Einspannbuchse mit Presssitz | Expansion bush | EG28/32x10 |
| 35 | 301 4523 | 11 | Sechskantschraube spezial | Hexagon bolt | M20x1,5x170ls144xb23-10.9 Zn |



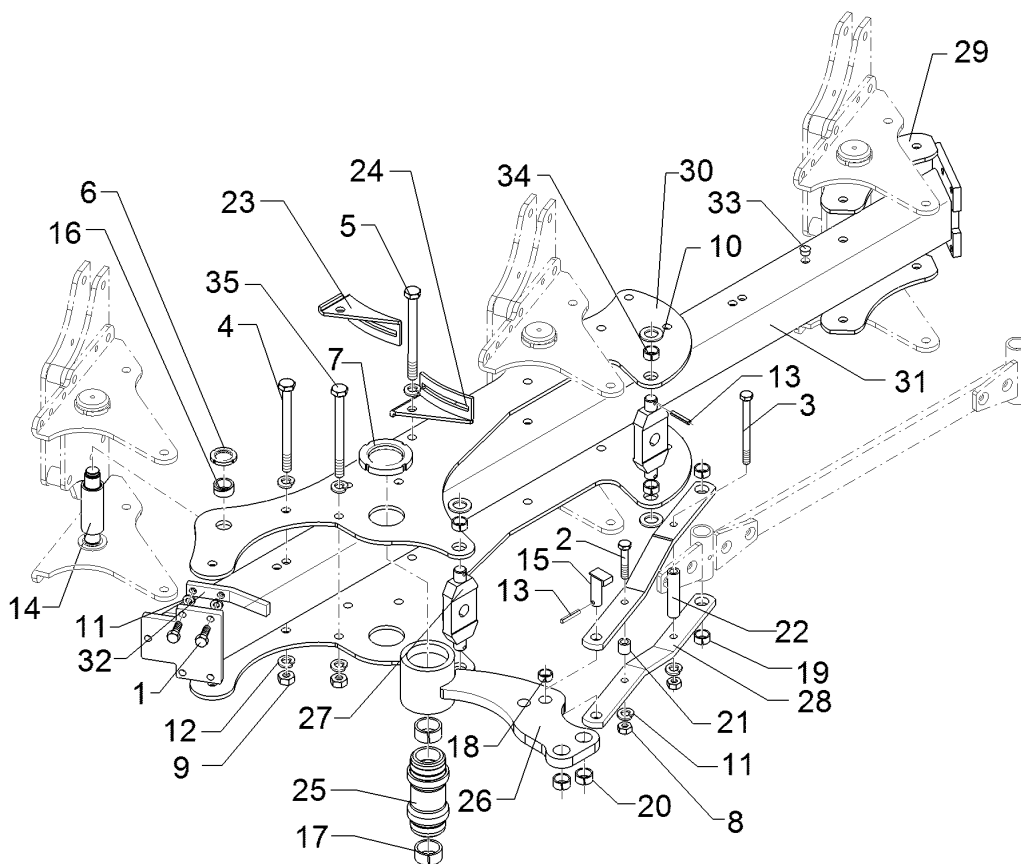
01.18

| Pos. | Art.Nr. | Stck. | Artikeltext / Description | | Abmessung |
|------|----------|-------|------------------------------|----------------|---|
| 1 | 301 5404 | 2 | Sechskantschraube | Hexagon bolt | M16x40-8.8 Zn DIN933 |
| 2 | 301 3903 | 1 | Sechskantschraube | Hexagon bolt | M16x75-8.8 Zn DIN931-A |
| 3 | 301 4117 | 1 | Sechskantschraube | Hexagon bolt | M16x170-8.8 DIN931-A |
| 4 | 301 4522 | 1 | Sechskantschraube spezial | Hexagon bolt | M20x1,5x155ls135xb17-10.9 Zn |
| 5 | 301 4538 | 1 | Sechskantschraube spezial | Hexagon bolt | M20x1,5x175ls150xb22-10.9 Zn |
| 6 | 303 0338 | 6 | Nutmutter | Grooved nut | M30x1,5 |
| 7 | 303 0341 | 2 | Nutmutter | Grooved nut | M80x2 KM16 Zn |
| 8 | 303 1015 | 2 | Sechskantmutter | Hexagon nut | M16 DIN934-8 Zn |
| 9 | 303 0977 | 12 | Sechskantmutter | Hexagon nut | M20x1,5 DIN934-10 Zn |
| 10 | 305 6283 | 4 | Scheibe | Washer | B28 DIN125 |
| 11 | 305 6141 | 4 | Scheibe | Washer | 17/30x3 DIN/ISO-7089 |
| 12 | 305 6012 | 23 | Scheibe | Washer | 21 ISO7089 Zn |
| 13 | 309 6072 | 5 | Spannhülse | Expansion bush | 8x40-DIN1481 Zn |
| 14 | 313 5560 | 3 | Bolzen | Pin | D50/120x200 D35/M30x1,5 VE7S D25x57/70 L26 Zn |
| 15 | 313 8052 | 1 | Bolzen | Pin | |
| 16 | 317 2000 | 6 | Buchse | Bush | D45/D35x21 |
| 17 | 317 2025 | 2 | Einspannbuchse mit Presssitz | Expansion bush | EG50/55x30 |
| 18 | 317 3345 | 1 | Einspannbuchse mit Presssitz | Expansion bush | EG25/29x25 |



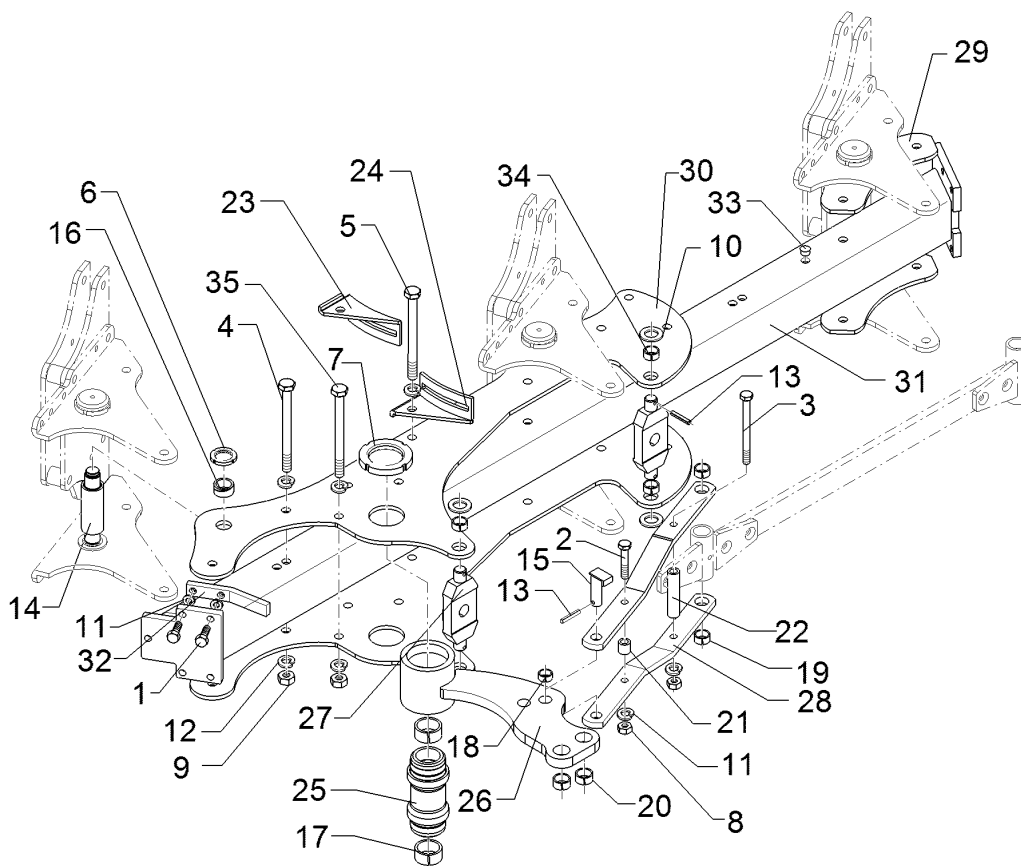
01.18

| Pos. | Art.Nr. | Stck. | Artikeltext / Description | | Abmessung |
|------|----------|-------|------------------------------|----------------|---------------------------------|
| 19 | 317 3337 | 2 | Einspannbuchse | Expansion bush | EG28/32x15 Presssitz |
| 20 | 317 3417 | 2 | Einspannbuchse mit Presssitz | Expansion bush | EG30/38x25 |
| 21 | 317 6801 | 1 | Röhrchen | Tube | 26,9x5x26 Zn |
| 22 | 317 6859 | 1 | Röhrchen | Tube | D26,9x4,5x119,3 Zn |
| 23 | 321 7200 | 1 | Halter | Holder | VariOpal 7-1000 RE t=5 |
| 24 | 321 7201 | 1 | Halter | Holder | VariOpal 7-1000 LI t=5 |
| 25 | 402 1282 | 1 | Lagerrohr | Bearing tube | D50/M80/93x119x199,5 Zn |
| 26 | 402 1660 | 1 | Schwinge | Rocker arm | D93,5x118 VO 7 |
| 27 | 402 1709 | 2 | Kreuzgelenk | Cross union | VO7 70x38x173 D30 Z28 Zn |
| 28 | 402 1765 | 2 | Steuerstange | Control rod | 50x15x630 VO7-100 |
| 29 | 402 2940 | 2 | Lagerplatte | Bearing plate | D35 VO 7 |
| 30 | 402 2960 | 2 | Lagerplatte | Bearing plate | VO-7-1000 |
| 31 | 402 8240 | 1 | Grundrahmen | Basic frame | EurOpal 7 3-100 |
| 32 | 402 8300 | 1 | Anschlag | Stop | 30x15x203 2xM16-65 |
| 33 | 323 8071 | 12 | Schutzkappe | Cap | GPN 300V19 - D20 RAL5015 |
| 34 | 317 3347 | 4 | Einspannbuchse mit Presssitz | Expansion bush | EG28/32x10 |
| 35 | 301 4523 | 9 | Sechskantschraube spezial | Hexagon bolt | M20x1,5x170ls144xb23-10.9 Zn |



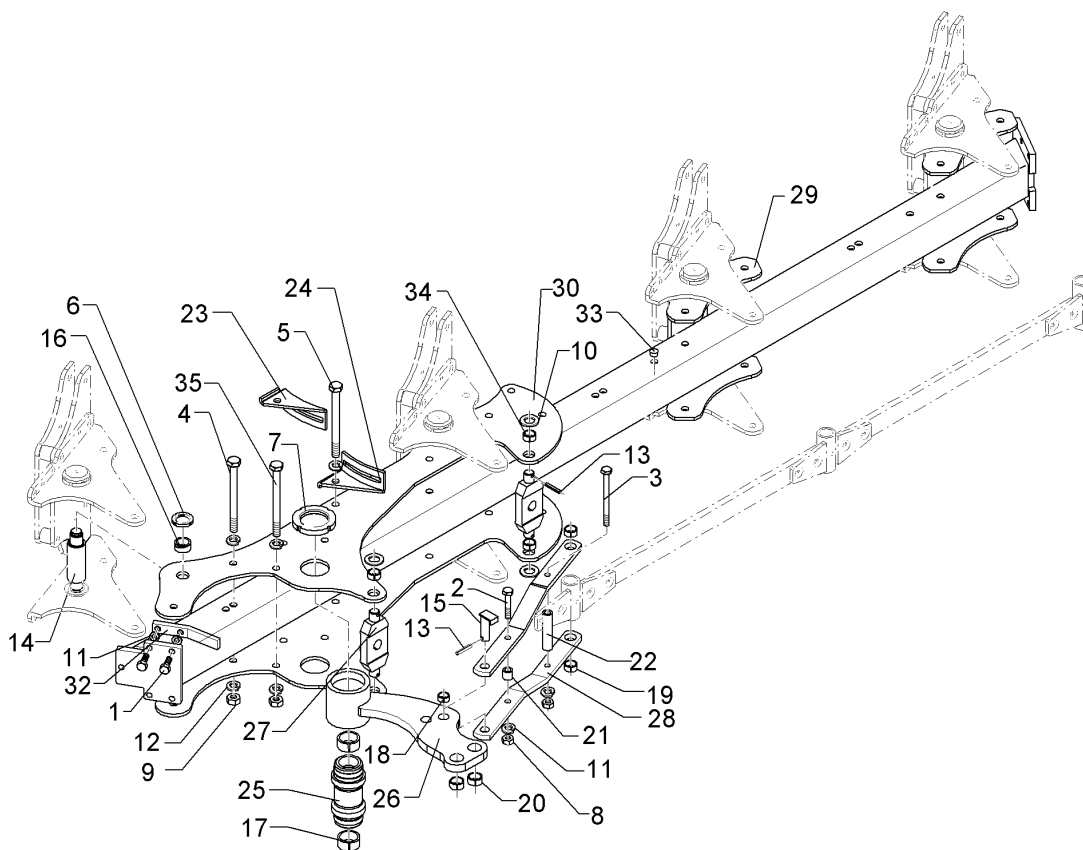
01.18

| Pos. | Art.Nr. | Stck. | Artikeltext / Description | | Abmessung |
|------|----------|-------|------------------------------|----------------|---------------------------------|
| 1 | 301 5404 | 2 | Sechskantschraube | Hexagon bolt | M16x40-8.8 Zn DIN933 |
| 2 | 301 3903 | 1 | Sechskantschraube | Hexagon bolt | M16x75-8.8 Zn DIN931-A |
| 3 | 301 4117 | 1 | Sechskantschraube | Hexagon bolt | M16x170-8.8 DIN931-A |
| 4 | 301 4522 | 1 | Sechskantschraube spezial | Hexagon bolt | M20x1,5x155ls135xb17-10.9 Zn |
| 5 | 301 4523 | 9 | Sechskantschraube spezial | Hexagon bolt | M20x1,5x170ls144xb23-10.9 Zn |
| 6 | 303 0341 | 2 | Nutmutter | Grooved nut | M80x2 KM16 Zn |
| 7 | 303 1015 | 2 | Sechskantmutter | Hexagon nut | M16 DIN934-8 Zn |
| 8 | 303 0977 | 12 | Sechskantmutter | Hexagon nut | M20x1,5 DIN934-10 Zn |
| 9 | 305 6283 | 4 | Scheibe | Washer | B28 DIN125 |
| 10 | 305 6141 | 4 | Scheibe | Washer | 17/30x3 DIN/ISO-7089 |
| 11 | 305 6012 | 23 | Scheibe | Washer | 21 ISO7089 Zn |
| 12 | 309 6072 | 5 | Spannhülse | Expansion bush | 8x40-DIN1481 Zn |
| 14 | 313 5560 | 3 | Bolzen | Pin | D50/120x200 D35/M30x1,5 VE7S |
| 15 | 313 8052 | 1 | Bolzen | Pin | D25x57/70 L26 Zn |
| 16 | 317 2000 | 6 | Buchse | Bush | D45/D35x21 |
| 17 | 317 2025 | 2 | Einspannbuchse mit Presssitz | Expansion bush | EG50/55x30 |
| 18 | 317 3345 | 1 | Einspannbuchse mit Presssitz | Expansion bush | EG25/29x25 |
| 19 | 317 3337 | 2 | Einspannbuchse | Expansion bush | EG28/32x15 Presssitz |



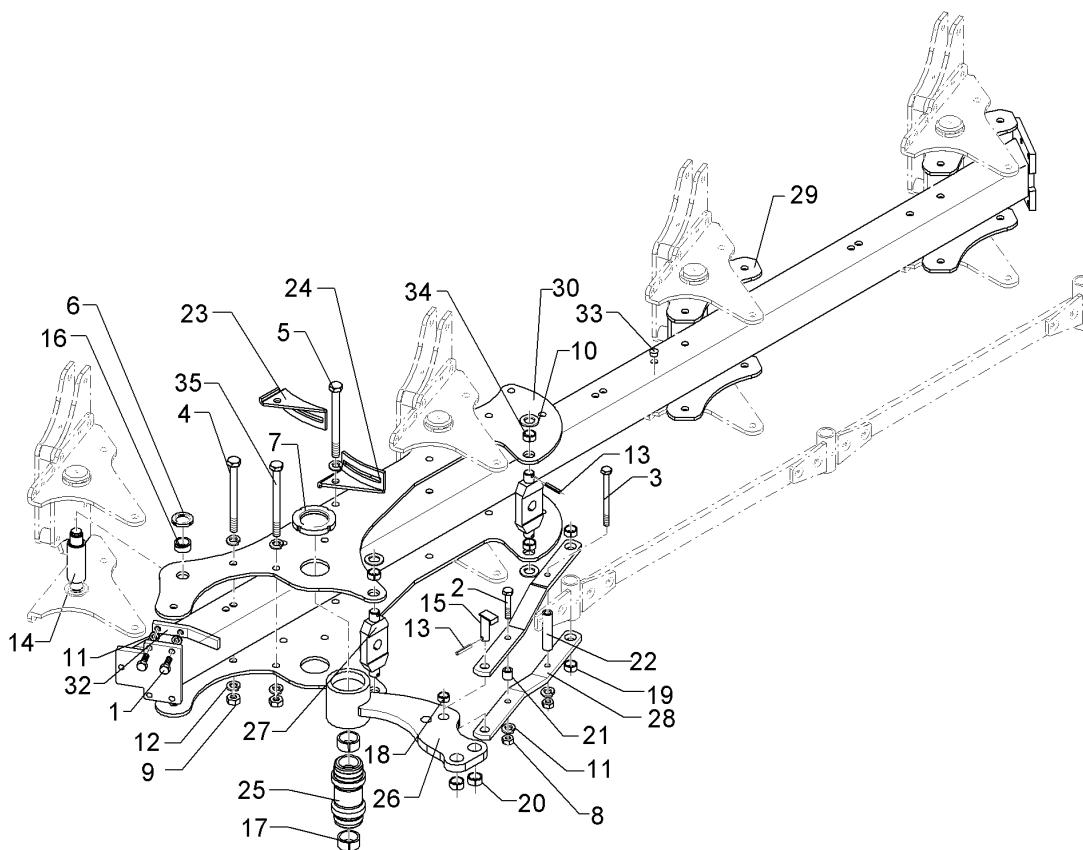
01.18

| Pos. | Art.Nr. | Stck. | Artikeltext / Description | | Abmessung |
|------|----------|-------|------------------------------|----------------|---------------------------------|
| 20 | 317 3417 | 2 | Einspannbuchse mit Presssitz | Expansion bush | EG30/38x25 |
| 21 | 317 6801 | 1 | Röhrchen | Tube | 26,9x5x26 Zn |
| 22 | 317 6859 | 1 | Röhrchen | Tube | D26,9x4,5x119,3 Zn |
| 23 | 321 7202 | 1 | Halter | Holder | VariOpal 7-900 RE t=5 |
| 24 | 321 7203 | 1 | Halter | Holder | VariOpal 7-900 LI t=5 |
| 25 | 402 1282 | 1 | Lagerrohr | Bearing tube | D50/M80/93x119x199,5 Zn |
| 26 | 402 1660 | 1 | Schwinge | Rocker arm | D93,5x118 VO 7 |
| 27 | 402 1709 | 2 | Kreuzgelenk | Cross union | VO7 70x38x173 D30 Z28 Zn |
| 28 | 402 1764 | 2 | Steuerstange | Control rod | 50x15x584 VO7-90 |
| 29 | 402 2940 | 4 | Lagerplatte | Bearing plate | D35 VO 7 |
| 30 | 402 2961 | 2 | Lagerplatte | Bearing plate | VO-7-900 |
| 31 | 402 8243 | 1 | Grundrahmen | Basic frame | EurOpal 7 3-90 |
| 32 | 402 8300 | 1 | Anschlag | Stop | 30x15x203 2xM16-65 |
| 33 | 323 8071 | 12 | Schutzkappe | Cap | GPN 300V19 - D20 RAL5015 |
| 34 | 317 3347 | 6 | Einspannbuchse mit Presssitz | Expansion bush | EG28/32x10 |
| 35 | 301 4538 | 1 | Sechskantschraube spezial | Hexagon bolt | M20x1,5x175ls150xb22-10.9 Zn |



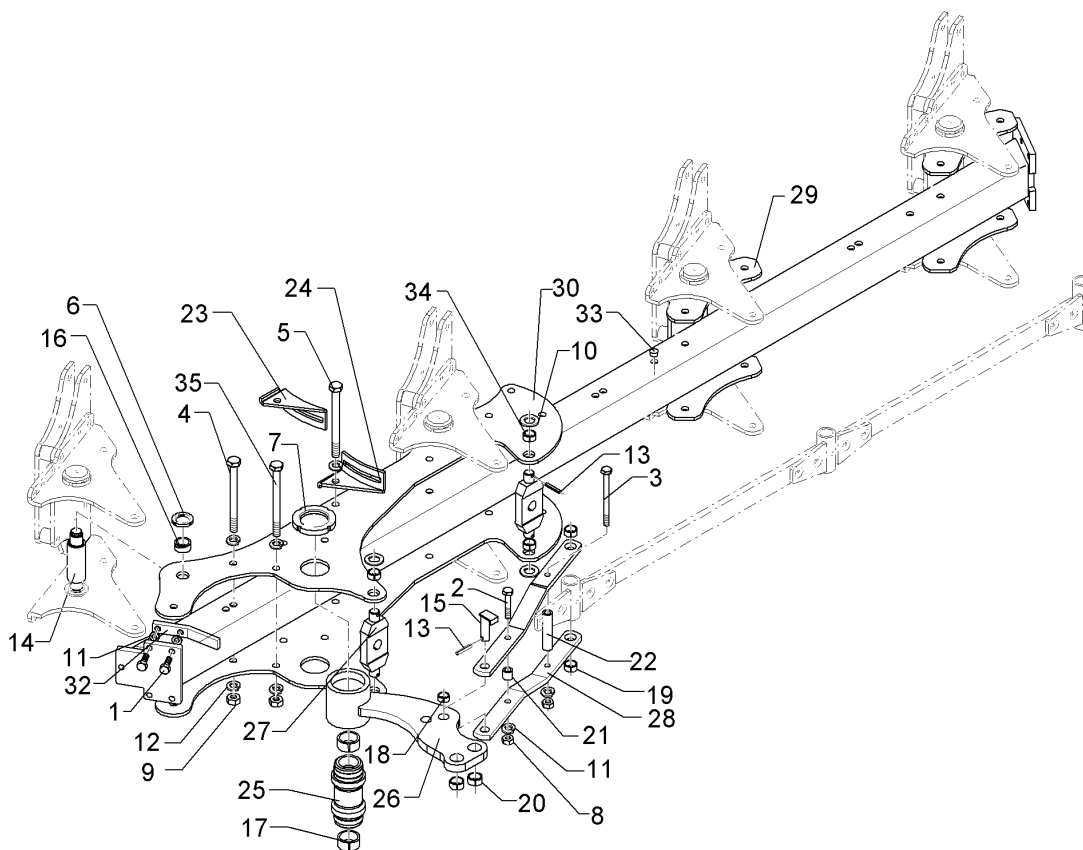
01.18

| Pos. | Art.Nr. | Stck. | Artikeltext / Description | | Abmessung |
|------|----------|-------|------------------------------|----------------|---|
| 1 | 301 5404 | 2 | Sechskantschraube | Hexagon bolt | M16x40-8.8 Zn |
| 2 | 301 3903 | 1 | Sechskantschraube | Hexagon bolt | DIN933 M16x75-8.8 Zn |
| 3 | 301 4117 | 1 | Sechskantschraube | Hexagon bolt | DIN931-A M16x170-8.8 DIN931-A |
| 4 | 301 4522 | 1 | Sechskantschraube spezial | Hexagon bolt | M20x1,5x155ls135xb17-10.9 Zn |
| 5 | 301 4538 | 1 | Sechskantschraube spezial | Hexagon bolt | M20x1,5x175ls150xb22-10.9 Zn |
| 6 | 303 0338 | 10 | Nutmutter | Grooved nut | M30x1,5 |
| 7 | 303 0341 | 2 | Nutmutter | Grooved nut | M80x2 KM16 Zn |
| 8 | 303 1015 | 2 | Sechskantmutter | Hexagon nut | M16 DIN934-8 Zn |
| 9 | 303 0977 | 16 | Sechskantmutter | Hexagon nut | M20x1,5 DIN934-10 Zn |
| 10 | 305 6283 | 4 | Scheibe | Washer | B28 DIN125 |
| 11 | 305 6141 | 4 | Scheibe | Washer | 17/30x3 DIN/ISO-7089 |
| 12 | 305 6012 | 31 | Scheibe | Washer | 21 ISO7089 Zn |
| 13 | 309 6072 | 5 | Spannhülse | Expansion bush | 8x40-DIN1481 Zn |
| 14 | 313 5560 | 5 | Bolzen | Pin | D50/120x200 D35/M30x1,5 VE7S D25x57/70 L26 Zn |
| 15 | 313 8052 | 1 | Bolzen | Pin | |
| 16 | 317 2000 | 10 | Buchse | Bush | D45/D35x21 |
| 17 | 317 2025 | 2 | Einspannbuchse mit Presssitz | Expansion bush | EG50/55x30 |
| 18 | 317 3345 | 1 | Einspannbuchse mit Presssitz | Expansion bush | EG25/29x25 |



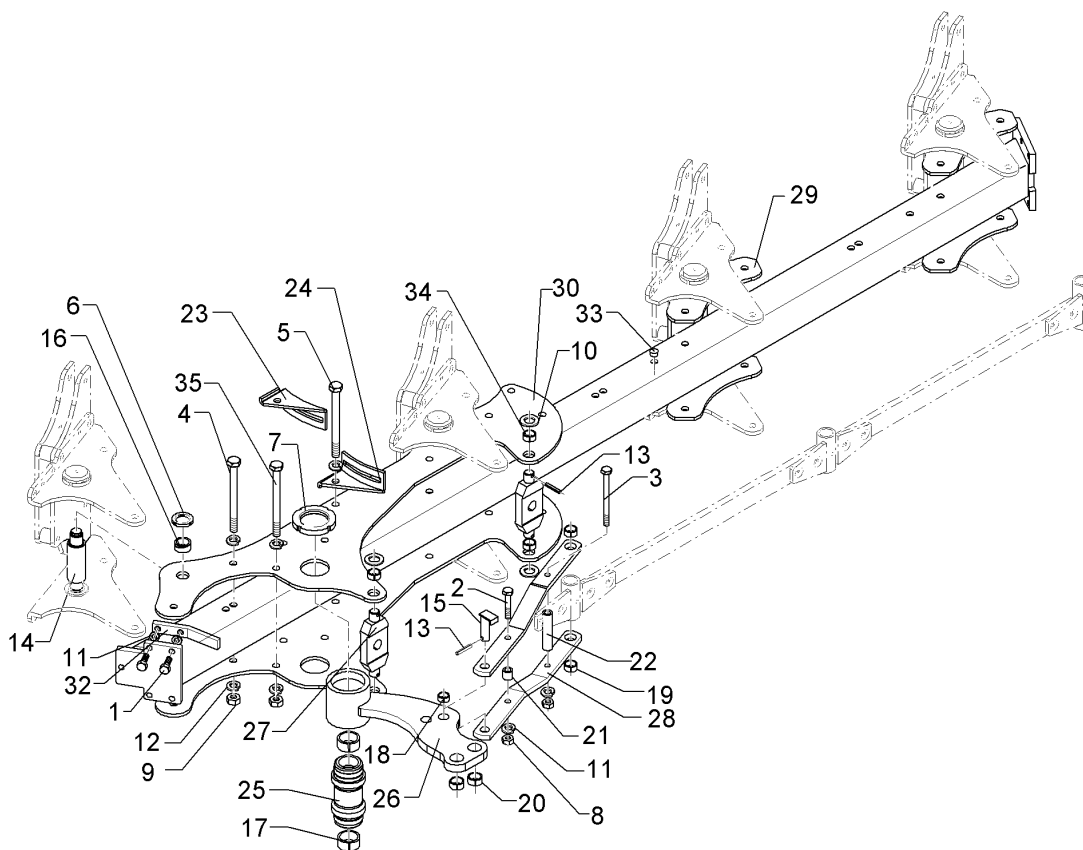
01.18

| Pos. | Art.Nr. | Stck. | Artikeltext / Description | | Abmessung |
|------|----------|-------|------------------------------|----------------|---------------------------------|
| 19 | 317 3337 | 2 | Einspannbuchse | Expansion bush | EG28/32x15 Presssitz |
| 20 | 317 3417 | 2 | Einspannbuchse mit Presssitz | Expansion bush | EG30/38x25 |
| 21 | 317 6801 | 1 | Röhrchen | Tube | 26,9x5x26 Zn |
| 22 | 317 6859 | 1 | Röhrchen | Tube | D26,9x4,5x119,3 Zn |
| 23 | 321 7202 | 1 | Halter | Holder | VariOpal 7-900 RE t=5 |
| 24 | 321 7203 | 1 | Halter | Holder | VariOpal 7-900 LI t=5 |
| 25 | 402 1282 | 1 | Lagerrohr | Bearing tube | D50/M80/93x119x199,5 Zn |
| 26 | 402 1660 | 1 | Schwinge | Rocker arm | D93,5x118 VO 7 |
| 27 | 402 1709 | 2 | Kreuzgelenk | Cross union | VO7 70x38x173 D30 Z28 Zn |
| 28 | 402 1764 | 2 | Steuerstange | Control rod | 50x15x584 VO7-90 |
| 29 | 402 2940 | 6 | Lagerplatte | Bearing plate | D35 VO 7 |
| 30 | 402 2961 | 2 | Lagerplatte | Bearing plate | VO-7-900 |
| 31 | 40210051 | 1 | Grundrahmen | Basic frame | EurOpal 7 5-90 |
| 32 | 402 8300 | 1 | Anschlag | Stop | 30x15x203 2xM16-65 |
| 33 | 323 8071 | 16 | Schutzkappe | Cap | GPN 300V/19 - D20 RAL5015 |
| 34 | 317 3347 | 4 | Einspannbuchse mit Presssitz | Expansion bush | EG28/32x10 |
| 35 | 301 4523 | 13 | Sechskantschraube spezial | Hexagon bolt | M20x1,5x170ls144xb23-10.9 Zn |



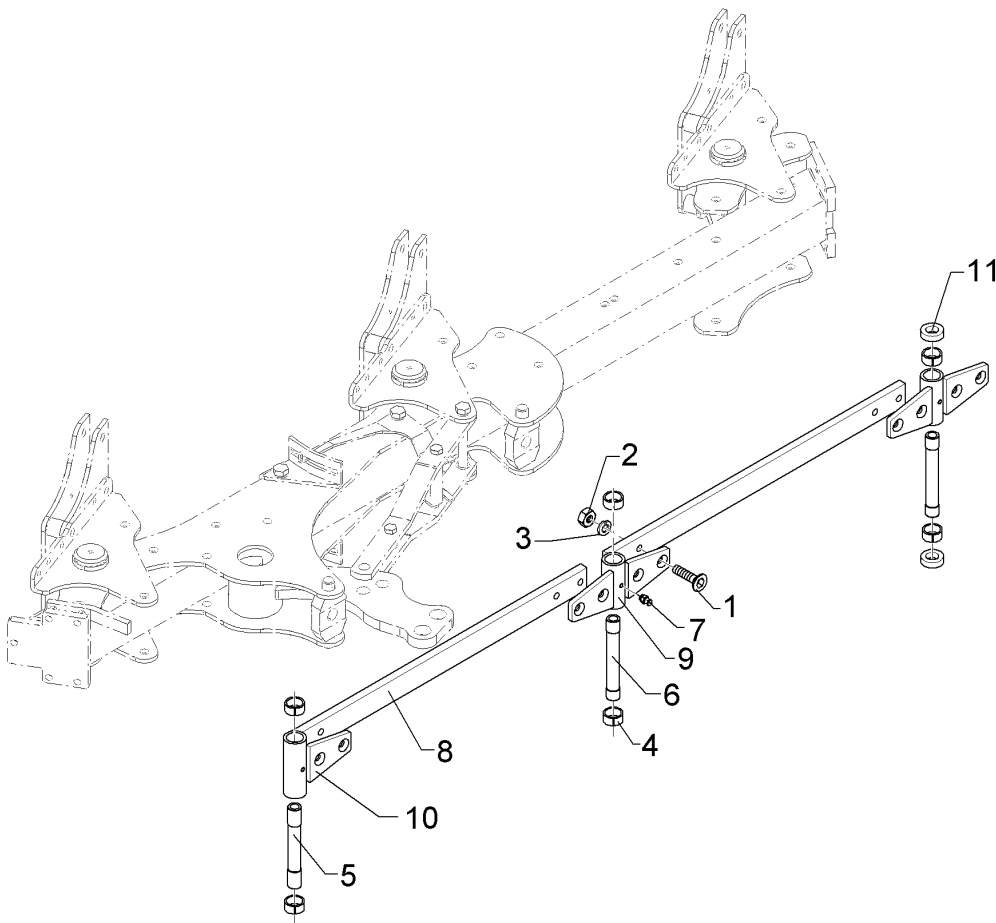
01.18

| Pos. | Art.Nr. | Stck. | Artikeltext / Description | | Abmessung |
|------|----------|-------|------------------------------|----------------|---|
| 1 | 301 5404 | 2 | Sechskantschraube | Hexagon bolt | M16x40-8.8 Zn |
| 2 | 301 3903 | 1 | Sechskantschraube | Hexagon bolt | DIN933 M16x75-8.8 Zn |
| 3 | 301 4117 | 1 | Sechskantschraube | Hexagon bolt | DIN931-A M16x170-8.8 DIN931-A |
| 4 | 301 4523 | 13 | Sechskantschraube spezial | Hexagon bolt | M20x1,5x170ls144xb23-10.9 Zn |
| 5 | 301 4538 | 1 | Sechskantschraube spezial | Hexagon bolt | M20x1,5x175ls150xb22-10.9 Zn |
| 6 | 303 0338 | 10 | Nutmutter | Grooved nut | M30x1,5 |
| 7 | 303 0341 | 2 | Nutmutter | Grooved nut | M80x2 KM16 Zn |
| 8 | 303 1015 | 2 | Sechskantmutter | Hexagon nut | M16 DIN934-8 Zn |
| 9 | 303 0977 | 16 | Sechskantmutter | Hexagon nut | M20x1,5 DIN934-10 Zn |
| 10 | 305 6283 | 4 | Scheibe | Washer | B28 DIN125 |
| 11 | 305 6141 | 4 | Scheibe | Washer | 17/30x3 DIN/ISO-7089 |
| 12 | 305 6012 | 31 | Scheibe | Washer | 21 ISO7089 Zn |
| 13 | 309 6072 | 5 | Spannhülse | Expansion bush | 8x40-DIN1481 Zn |
| 14 | 313 5560 | 5 | Bolzen | Pin | D50/120x200 D35/M30x1,5 VE7S D25x57/70 L26 Zn |
| 15 | 313 8052 | 1 | Bolzen | Pin | |
| 16 | 317 2000 | 10 | Buchse | Bush | D45/D35x21 |
| 17 | 317 2025 | 2 | Einspannbuchse mit Presssitz | Expansion bush | EG50/55x30 |
| 18 | 317 3345 | 1 | Einspannbuchse mit Presssitz | Expansion bush | EG25/29x25 |



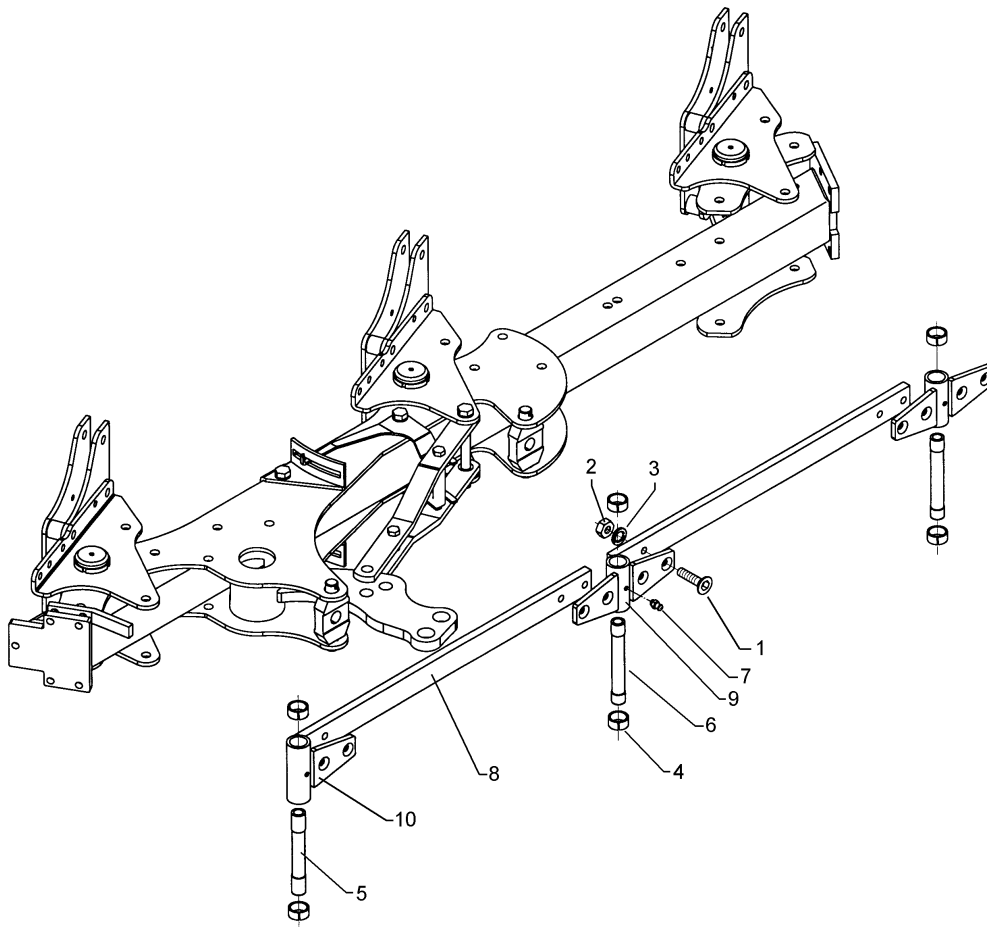
01.18

| Pos. | Art.Nr. | Stck. | Artikeltext / Description | | Abmessung |
|------|----------|-------|------------------------------|----------------|---------------------------------|
| 19 | 317 3337 | 2 | Einspannbuchse | Expansion bush | EG28/32x15 Presssitz |
| 20 | 317 3417 | 2 | Einspannbuchse mit Presssitz | Expansion bush | EG30/38x25 |
| 21 | 317 6801 | 1 | Röhrchen | Tube | 26,9x5x26 Zn |
| 22 | 317 6859 | 1 | Röhrchen | Tube | D26,9x4,5x119,3 Zn |
| 23 | 321 7200 | 1 | Halter | Holder | VariOpal 7-1000 RE t=5 |
| 24 | 321 7201 | 1 | Halter | Holder | VariOpal 7-1000 LI t=5 |
| 25 | 402 1282 | 1 | Lagerrohr | Bearing tube | D50/M80/93x119x199,5 Zn |
| 26 | 402 1660 | 1 | Schwinge | Rocker arm | D93,5x118 VO 7 |
| 27 | 402 1709 | 2 | Kreuzgelenk | Cross union | VO7 70x38x173 D30 Z28 Zn |
| 28 | 402 1765 | 2 | Steuerstange | Control rod | 50x15x630 VO7-100 |
| 29 | 402 2940 | 6 | Lagerplatte | Bearing plate | D35 VO 7 |
| 30 | 402 2960 | 2 | Lagerplatte | Bearing plate | VO-7-1000 |
| 31 | 40210052 | 1 | Grundrahmen | Basic frame | EurOpal 7 5-100 |
| 32 | 402 8300 | 1 | Anschlag | Stop | 30x15x203 2xM16-65 |
| 33 | 323 8071 | 16 | Schutzkappe | Cap | GPN 300V/19 - D20 RAL5015 |
| 34 | 317 3347 | 4 | Einspannbuchse mit Presssitz | Expansion bush | EG28/32x10 |
| 35 | 301 4522 | 1 | Sechskantschraube spezial | Hexagon bolt | M20x1,5x155ls135xb17-10.9 Zn |



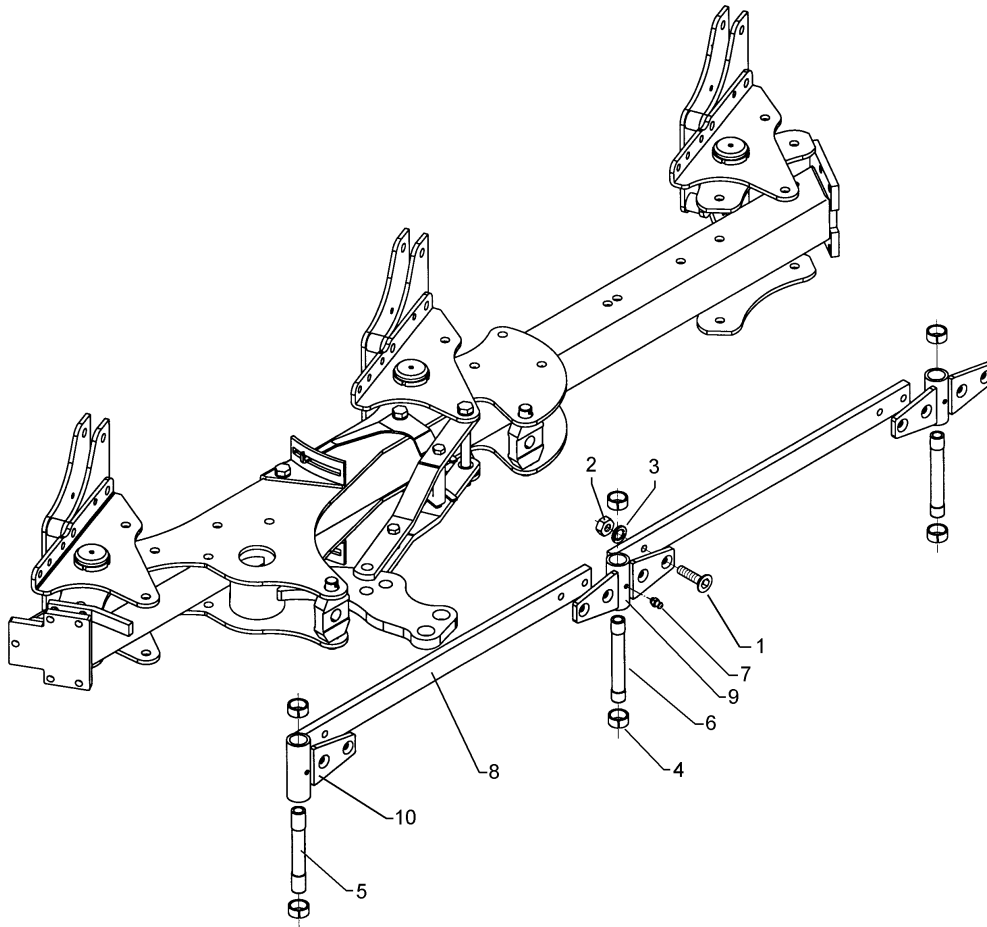
01.18

| Pos. | Art.Nr. | Stck. | Artikeltext / Description | | Abmessung |
|------|----------|-------|------------------------------|------------------|-------------------------|
| 1 | 301 6144 | 8 | Senkschraube spz. | Countersunk bolt | M16x50-10.9 Zn |
| 2 | 303 1015 | 8 | Sechskantmutter | Hexagon nut | M16 DIN934-8 Zn |
| 3 | 305 6141 | 8 | Scheibe | Washer | 17/30x3 DIN/ISO-7089 |
| 4 | 317 3417 | 6 | Einspannbuchse mit Presssitz | Expansion bush | EG30/38x25 |
| 5 | 317 7200 | 1 | Hülse | Bushing | D30/28/20x150 |
| 6 | 317 7201 | 2 | Hülse | Bushing | D30/28/20x150 |
| 7 | 323 6348 | 3 | Schmiernippel | Grease nipple | AM10x1 DIN71412 |
| 8 | 402 2321 | 2 | Steuerstange | Control rod | 60x20x1130 4xD16,1 |
| 9 | 402 2610 | 2 | Lagerung | Bearing | D38x119-4xD16 VO7 |
| 10 | 402 2612 | 1 | Lagerung | Bearing | D38x149-2xD16 VO7 |
| 11 | 305 6275 | 2 | Scheibe | Washer | D51/28,5x15 |



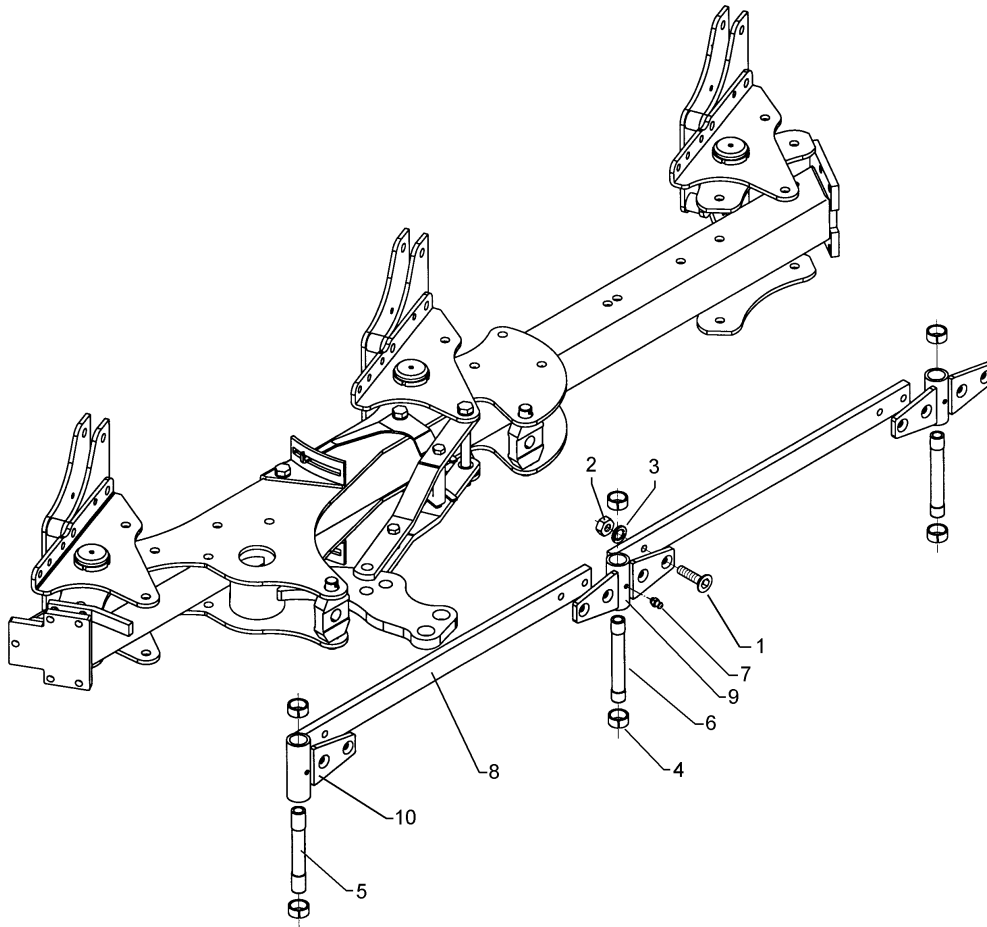
01.18

| Pos. | Art.Nr. | Stck. | Artikeltext / Description | | Abmessung |
|------|----------|-------|------------------------------|------------------|-------------------------|
| 1 | 301 6144 | 8 | Senkschraube spz. | Countersunk bolt | M16x50-10.9 Zn |
| 2 | 303 1015 | 8 | Sechskantmutter | Hexagon nut | M16 DIN934-8 Zn |
| 3 | 305 6141 | 8 | Scheibe | Washer | 17/30x3 DIN/ISO-7089 |
| 4 | 317 3417 | 6 | Einspannbuchse mit Presssitz | Expansion bush | EG30/38x25 |
| 5 | 317 7200 | 1 | Hülse | Bushing | D30/28/20x150 |
| 6 | 317 7201 | 2 | Hülse | Bushing | D30/28/20x150 |
| 7 | 323 6348 | 3 | Schmiernippel | Grease nipple | AM10x1 DIN71412 |
| 8 | 402 2321 | 2 | Steuerstange | Control rod | 60x20x1130 4xD16,1 |
| 9 | 402 2610 | 2 | Lagerung | Bearing | D38x119-4xD16 VO7 |
| 10 | 402 2612 | 1 | Lagerung | Bearing | D38x149-2xD16 VO7 |



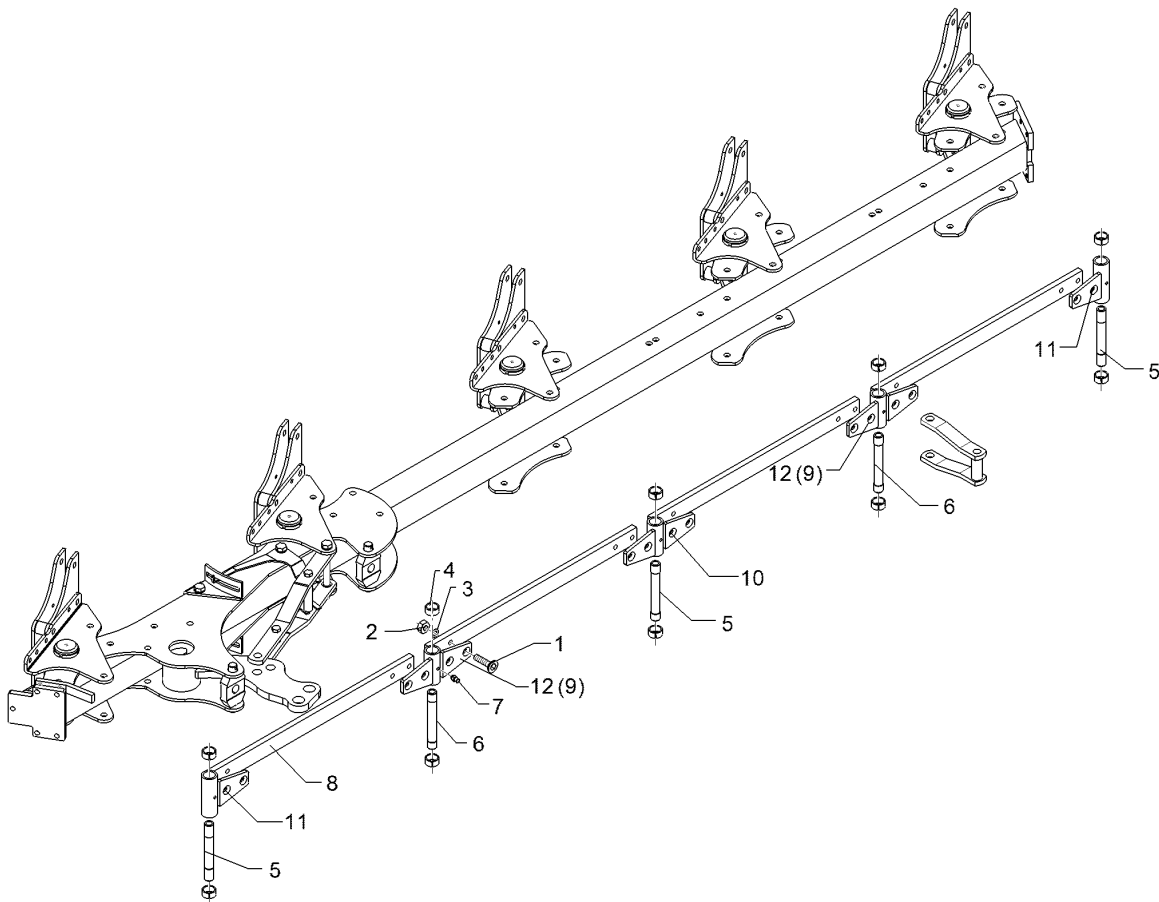
01.18

| Pos. | Art.Nr. | Stck. | Artikeltext / Description | | Abmessung |
|------|----------|-------|------------------------------|------------------|-------------------------|
| 1 | 301 6144 | 8 | Senkschraube spz. | Countersunk bolt | M16x50-10.9 Zn |
| 2 | 303 1015 | 8 | Sechskantmutter | Hexagon nut | M16 DIN934-8 Zn |
| 3 | 305 6141 | 8 | Scheibe | Washer | 17/30x3 DIN/ISO-7089 |
| 4 | 317 3417 | 6 | Einspannbuchse mit Presssitz | Expansion bush | EG30/38x25 |
| 5 | 317 7200 | 1 | Hülse | Bushing | D30/28/20x150 |
| 6 | 317 7201 | 2 | Hülse | Bushing | D30/28/20x150 |
| 7 | 323 6348 | 3 | Schmiernippel | Grease nipple | AM10x1 DIN71412 |
| 8 | 402 2320 | 2 | Stange | Rod | 60x20x930 4xD16,1 |
| 9 | 402 2610 | 2 | Lagerung | Bearing | D38x119-4xD16 VO7 |
| 10 | 402 2612 | 1 | Lagerung | Bearing | D38x149-2xD16 VO7 |



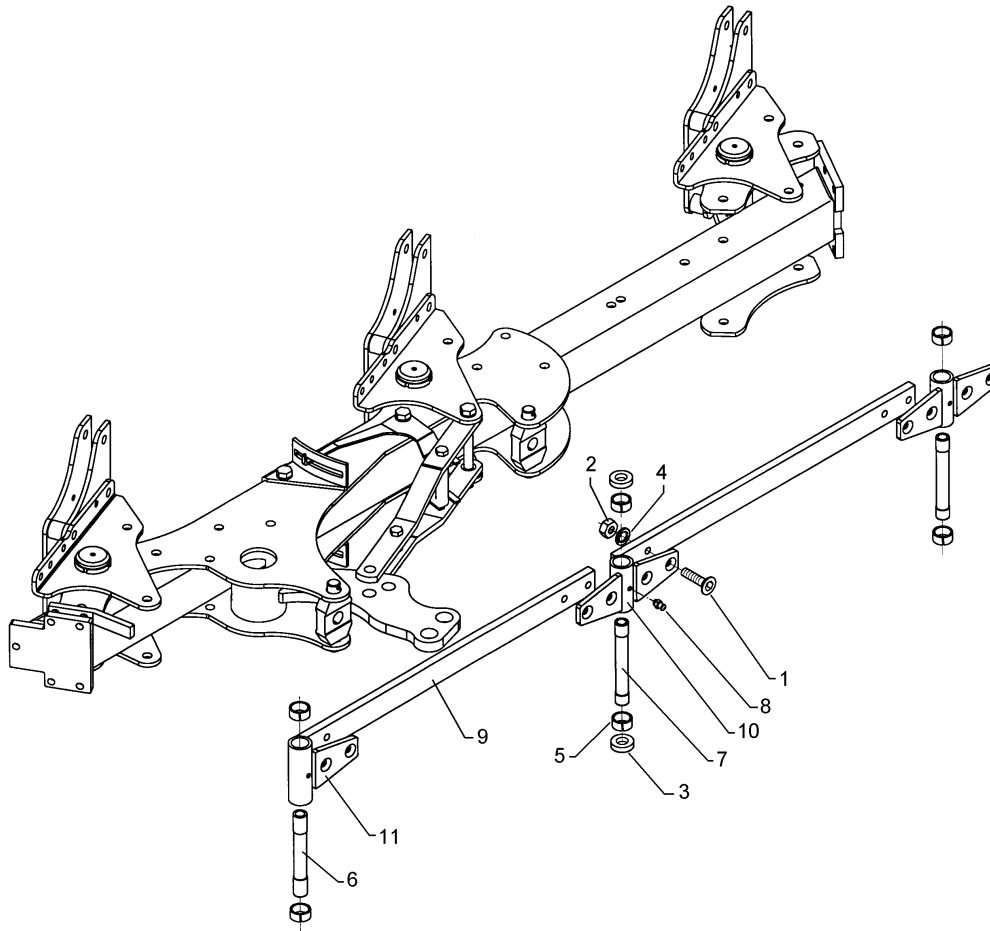
01.18

| Pos. | Art.Nr. | Stck. | Artikeltext / Description | | Abmessung |
|------|----------|-------|------------------------------|------------------|-------------------------|
| 1 | 301 6144 | 12 | Senkschraube spz. | Countersunk bolt | M16x50-10.9 Zn |
| 2 | 303 1015 | 12 | Sechskantmutter | Hexagon nut | M16 DIN934-8 Zn |
| 3 | 305 6141 | 12 | Scheibe | Washer | 17/30x3 DIN/ISO-7089 |
| 4 | 317 3417 | 8 | Einspannbuchse mit Presssitz | Expansion bush | EG30/38x25 |
| 5 | 317 7200 | 2 | Hülse | Bushing | D30/28/20x150 |
| 6 | 317 7201 | 2 | Hülse | Bushing | D30/28/20x150 |
| 7 | 323 6348 | 4 | Schmiernippel | Grease nipple | AM10x1 DIN71412 |
| 8 | 402 2320 | 3 | Stange | Rod | 60x20x930 4xD16,1 |
| 9 | 402 2610 | 2 | Lagerung | Bearing | D38x119-4xD16 VO7 |
| 10 | 402 2612 | 2 | Lagerung | Bearing | D38x149-2xD16 VO7 |



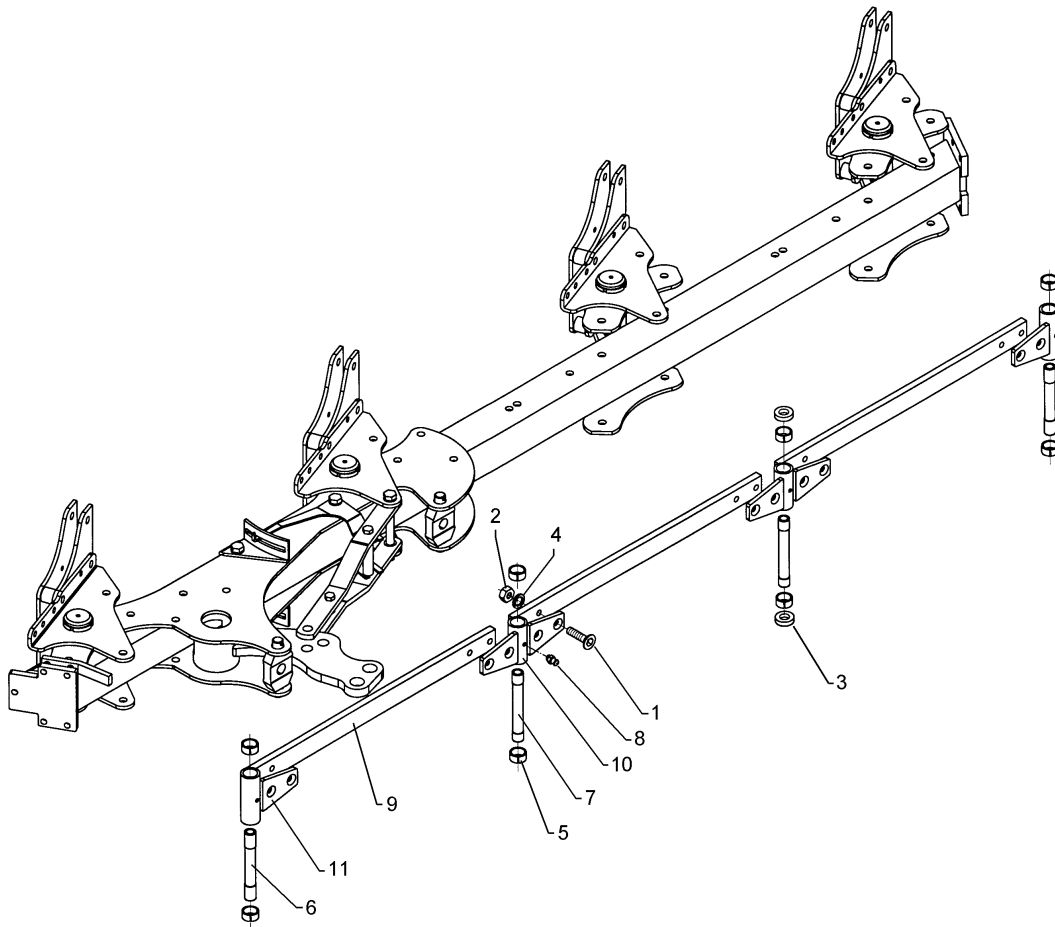
01.18

| Pos. | Art.Nr. | Stck. | Artikeltext / Description | | Abmessung |
|------|----------|-------|------------------------------|------------------|-------------------------|
| 1 | 301 6144 | 16 | Senkschraube spz. | Countersunk bolt | M16x50-10.9 Zn |
| 2 | 303 1015 | 16 | Sechskantmutter | Hexagon nut | M16 DIN934-8 Zn |
| 3 | 305 6141 | 16 | Scheibe | Washer | 17/30x3 DIN/ISO-7089 |
| 4 | 317 3417 | 10 | Einspannbuchse mit Presssitz | Expansion bush | EG30/38x25 |
| 5 | 317 7200 | 3 | Hülse | Bushing | D30/28/20x150 |
| 6 | 317 7201 | 2 | Hülse | Bushing | D30/28/20x150 |
| 7 | 323 6348 | 5 | Schmiernippel | Grease nipple | AM10x1 DIN71412 |
| 8 | 402 2320 | 4 | Stange | Rod | 60x20x930 4xD16,1 |
| 10 | 402 2611 | 1 | Lagerung | Bearing | D38x149-4xD16 VO7 |
| 11 | 402 2612 | 2 | Lagerung | Bearing | D38x149-2xD16 VO7 |
| 12 | 402 2610 | 2 | Lagerung | Bearing | D38x119-4xD16 VO7 |



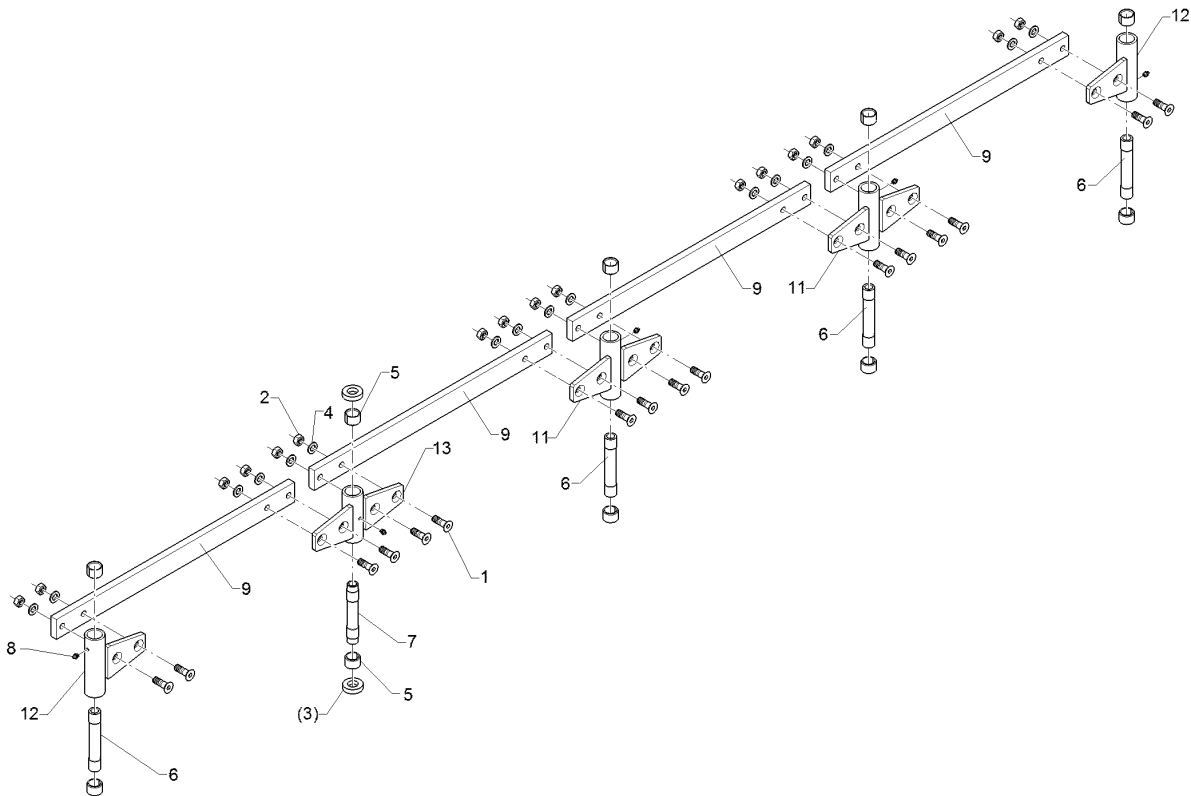
01.18

| Pos. | Art.Nr. | Stck. | Artikeltext / Description | | Abmessung |
|------|----------|-------|------------------------------|------------------|-------------------------|
| 1 | 301 6144 | 8 | Senkschraube spz. | Countersunk bolt | M16x50-10.9 Zn |
| 2 | 303 1015 | 8 | Sechskantmutter | Hexagon nut | M16 DIN934-8 Zn |
| 3 | 305 6275 | 2 | Scheibe | Washer | D51/28,5x15 |
| 4 | 305 6141 | 8 | Scheibe | Washer | 17/30x3 DIN/ISO-7089 |
| 5 | 317 3417 | 6 | Einspannbuchse mit Presssitz | Expansion bush | EG30/38x25 |
| 6 | 317 7200 | 1 | Hülse | Bushing | D30/28/20x150 |
| 7 | 317 7201 | 2 | Hülse | Bushing | D30/28/20x150 |
| 8 | 323 6348 | 3 | Schmiernippel | Grease nipple | AM10x1 DIN71412 |
| 9 | 402 2320 | 2 | Stange | Rod | 60x20x930 4xD16,1 |
| 10 | 402 2610 | 2 | Lagerung | Bearing | D38x119-4xD16 VO7 |
| 11 | 402 2612 | 1 | Lagerung | Bearing | D38x149-2xD16 VO7 |



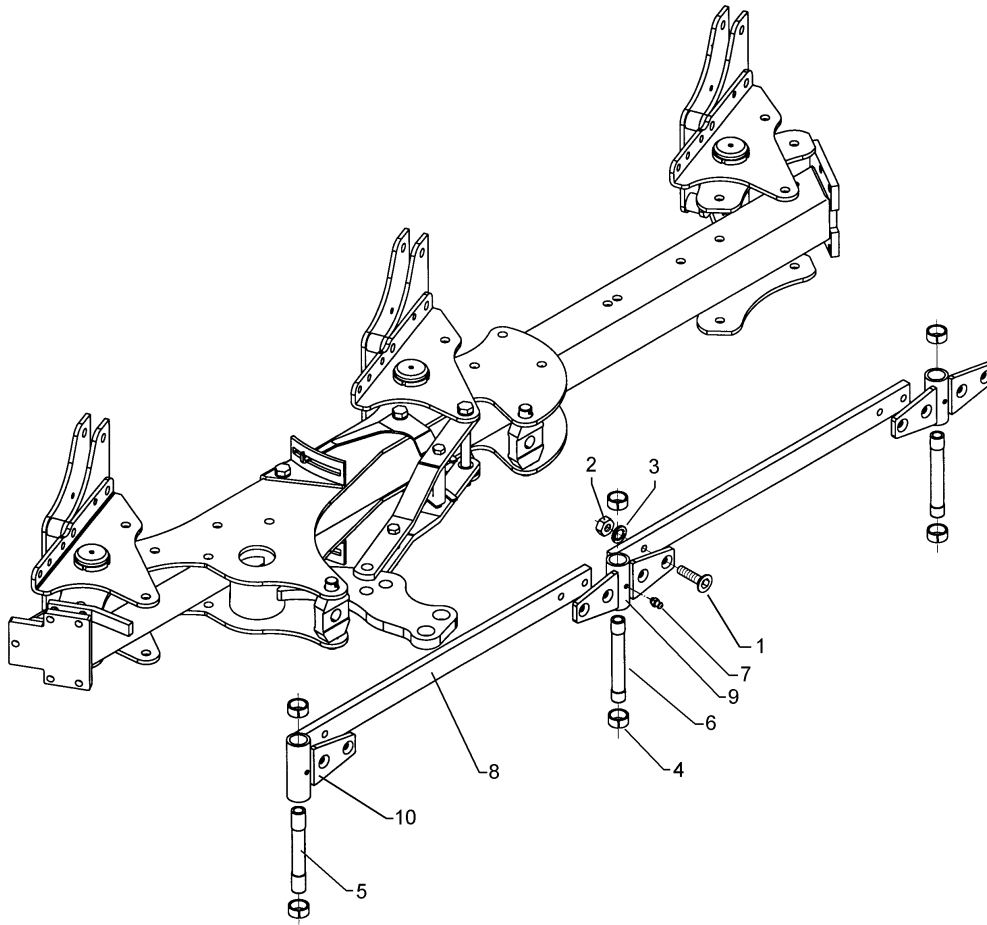
01.18

| Pos. | Art.Nr. | Stck. | Artikeltext / Description | | Abmessung |
|------|----------|-------|------------------------------|------------------|-------------------------|
| 1 | 301 6144 | 12 | Senkschraube spz. | Countersunk bolt | M16x50-10.9 Zn |
| 2 | 303 1015 | 12 | Sechskantmutter | Hexagon nut | M16 DIN934-8 Zn |
| 3 | 305 6275 | 2 | Scheibe | Washer | D51/28,5x15 |
| 4 | 305 6141 | 12 | Scheibe | Washer | 17/30x3 DIN/ISO-7089 |
| 5 | 317 3417 | 8 | Einspannbuchse mit Presssitz | Expansion bush | EG30/38x25 |
| 6 | 317 7200 | 2 | Hülse | Bushing | D30/28/20x150 |
| 7 | 317 7201 | 2 | Hülse | Bushing | D30/28/20x150 |
| 8 | 323 6348 | 4 | Schmiernippel | Grease nipple | AM10x1 DIN71412 |
| 9 | 402 2320 | 3 | Stange | Rod | 60x20x930 4xD16,1 |
| 10 | 402 2610 | 2 | Lagerung | Bearing | D38x119-4xD16 VO7 |
| 11 | 402 2612 | 2 | Lagerung | Bearing | D38x149-2xD16 VO7 |



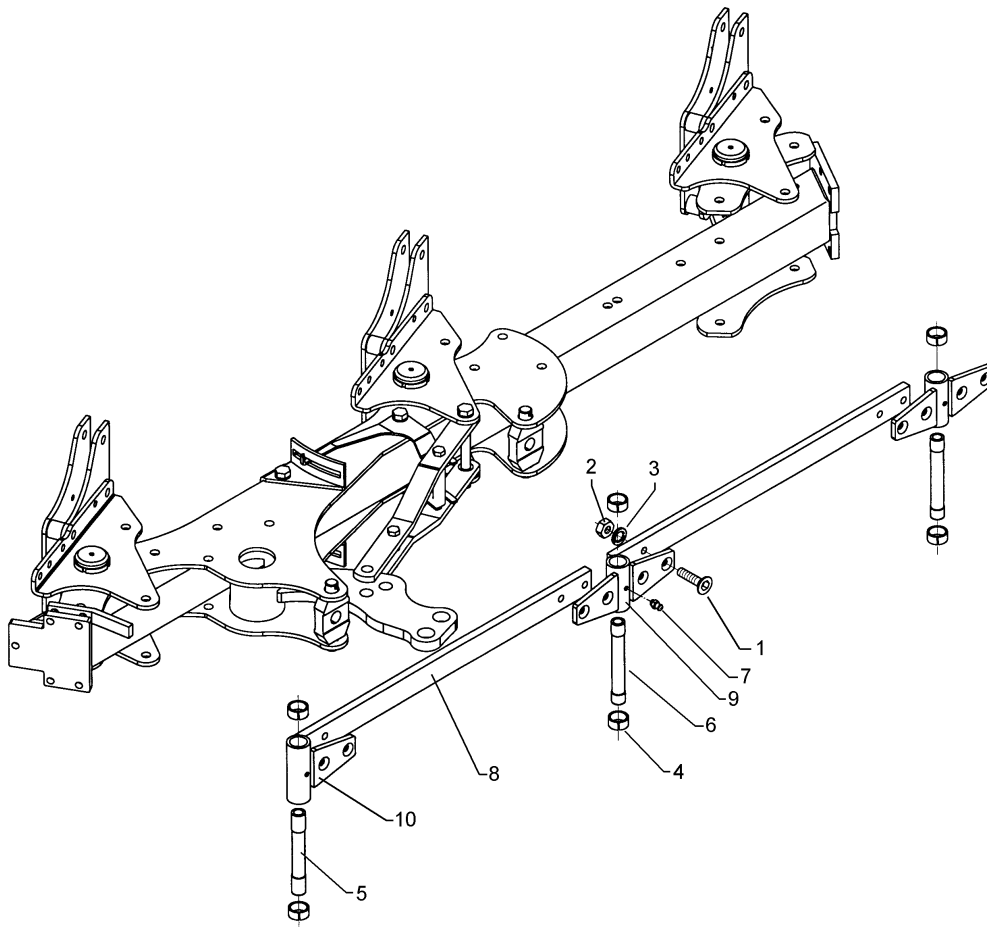
01.18

| Pos. | Art.Nr. | Stck. | Artikeltext / Description | | Abmessung |
|------|----------|-------|------------------------------|------------------|-------------------------|
| 1 | 301 6144 | 16 | Senkschraube spz. | Countersunk bolt | M16x50-10.9 Zn |
| 2 | 303 1015 | 16 | Sechskantmutter | Hexagon nut | M16 DIN934-8 Zn |
| 3 | 305 6275 | 2 | Scheibe | Washer | D51/28,5x15 |
| 4 | 305 6141 | 16 | Scheibe | Washer | 17/30x3 DIN/ISO-7089 |
| 5 | 317 3417 | 10 | Einspannbuchse mit Presssitz | Expansion bush | EG30/38x25 |
| 6 | 317 7200 | 3 | Hülse | Bushing | D30/28/20x150 |
| 7 | 317 7201 | 2 | Hülse | Bushing | D30/28/20x150 |
| 8 | 323 6348 | 5 | Schmiernippel | Grease nipple | AM10x1 DIN71412 |
| 9 | 402 2320 | 4 | Stange | Rod | 60x20x930 4xD16,1 |
| 10 | 402 2610 | 2 | Lagerung | Bearing | D38x119-4xD16 VO7 |
| 11 | 402 2611 | 1 | Lagerung | Bearing | D38x149-4xD16 VO7 |
| 12 | 402 2612 | 2 | Lagerung | Bearing | D38x149-2xD16 VO7 |



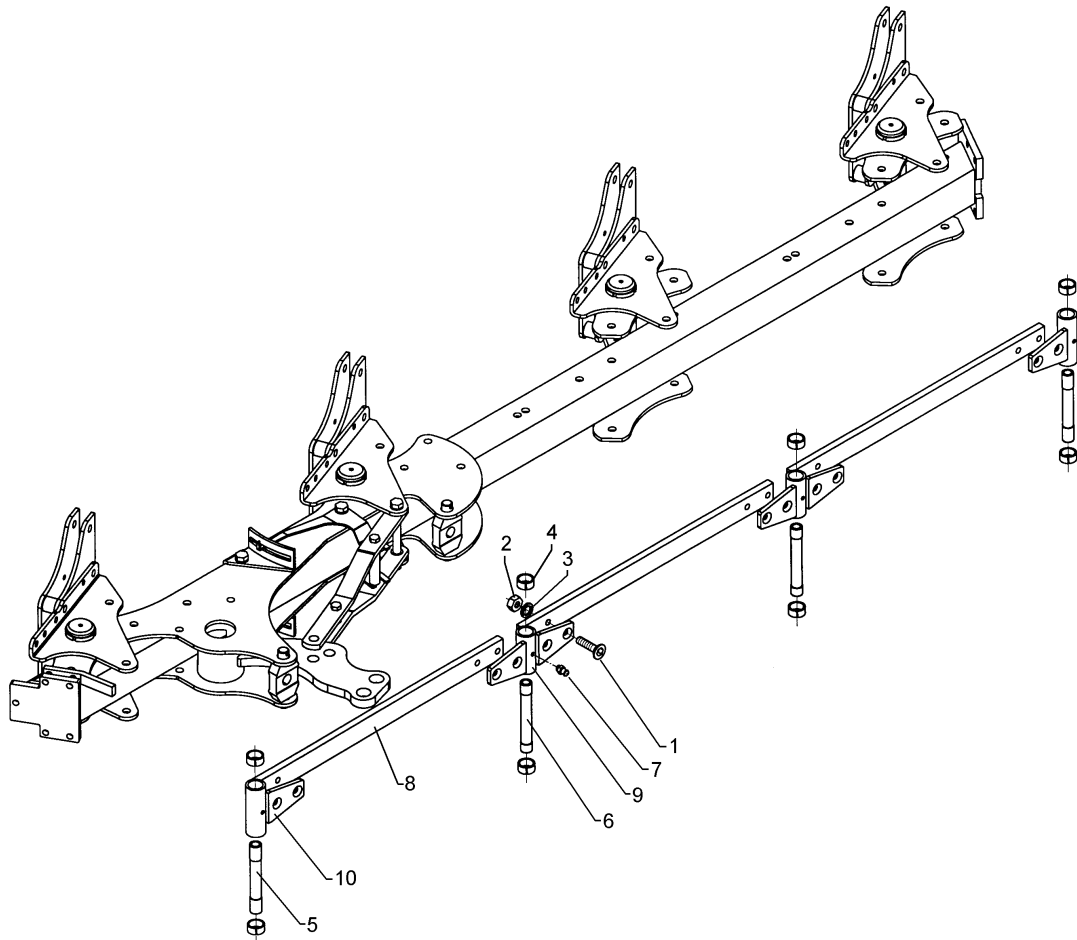
01.18

| Pos. | Art.Nr. | Stck. | Artikeltext / Description | | Abmessung |
|------|----------|-------|------------------------------|------------------|-------------------------|
| 1 | 301 6144 | 4 | Senkschraube spz. | Countersunk bolt | M16x50-10.9 Zn |
| 2 | 303 1015 | 4 | Sechskantmutter | Hexagon nut | M16 DIN934-8 Zn |
| 3 | 305 6141 | 4 | Scheibe | Washer | 17/30x3 DIN/ISO-7089 |
| 4 | 317 3417 | 4 | Einspannbuchse mit Presssitz | Expansion bush | EG30/38x25 |
| 5 | 317 7200 | 1 | Hülse | Bushing | D30/28/20x150 |
| 6 | 317 7201 | 1 | Hülse | Bushing | D30/28/20x150 |
| 7 | 323 6348 | 2 | Schmiernippel | Grease nipple | AM10x1 DIN71412 |
| 8 | 402 2321 | 1 | Steuerstange | Control rod | 60x20x1130 4xD16,1 |
| 9 | 402 2610 | 1 | Lagerung | Bearing | D38x119-4xD16 VO7 |
| 10 | 402 2612 | 1 | Lagerung | Bearing | D38x149-2xD16 VO7 |



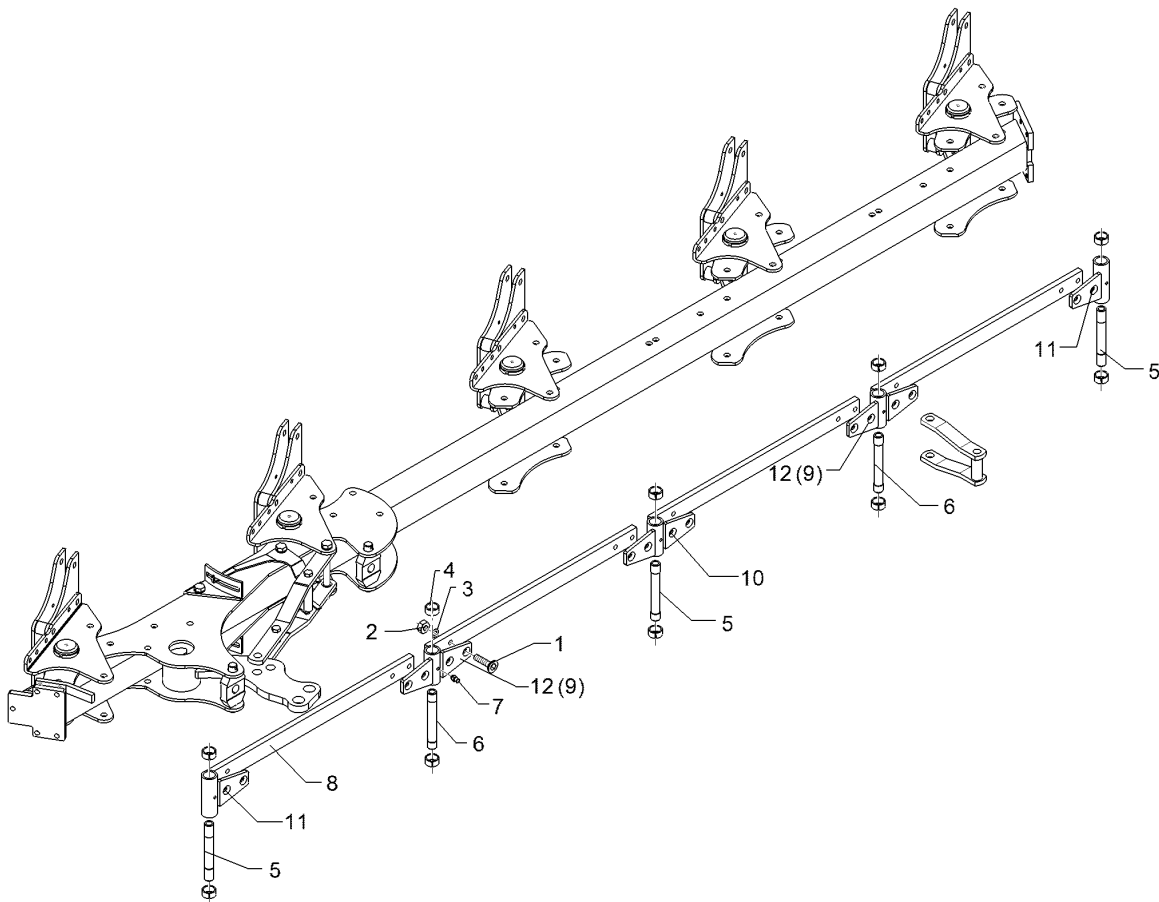
01.18

| Pos. | Art.Nr. | Stck. | Artikeltext / Description | | Abmessung |
|------|----------|-------|------------------------------|------------------|-------------------------|
| 1 | 301 6144 | 8 | Senkschraube spz. | Countersunk bolt | M16x50-10.9 Zn |
| 2 | 303 1015 | 8 | Sechskantmutter | Hexagon nut | M16 DIN934-8 Zn |
| 3 | 305 6141 | 8 | Scheibe | Washer | 17/30x3 DIN/ISO-7089 |
| 4 | 317 3417 | 6 | Einspannbuchse mit Presssitz | Expansion bush | EG30/38x25 |
| 5 | 317 7200 | 1 | Hülse | Bushing | D30/28/20x150 |
| 6 | 317 7201 | 2 | Hülse | Bushing | D30/28/20x150 |
| 7 | 323 6348 | 3 | Schmiernippel | Grease nipple | AM10x1 DIN71412 |
| 8 | 402 2315 | 2 | Stange | Rod | 60x20x830 4xD16,1 |
| 9 | 402 2610 | 2 | Lagerung | Bearing | D38x119-4xD16 VO7 |
| 10 | 402 2612 | 1 | Lagerung | Bearing | D38x149-2xD16 VO7 |



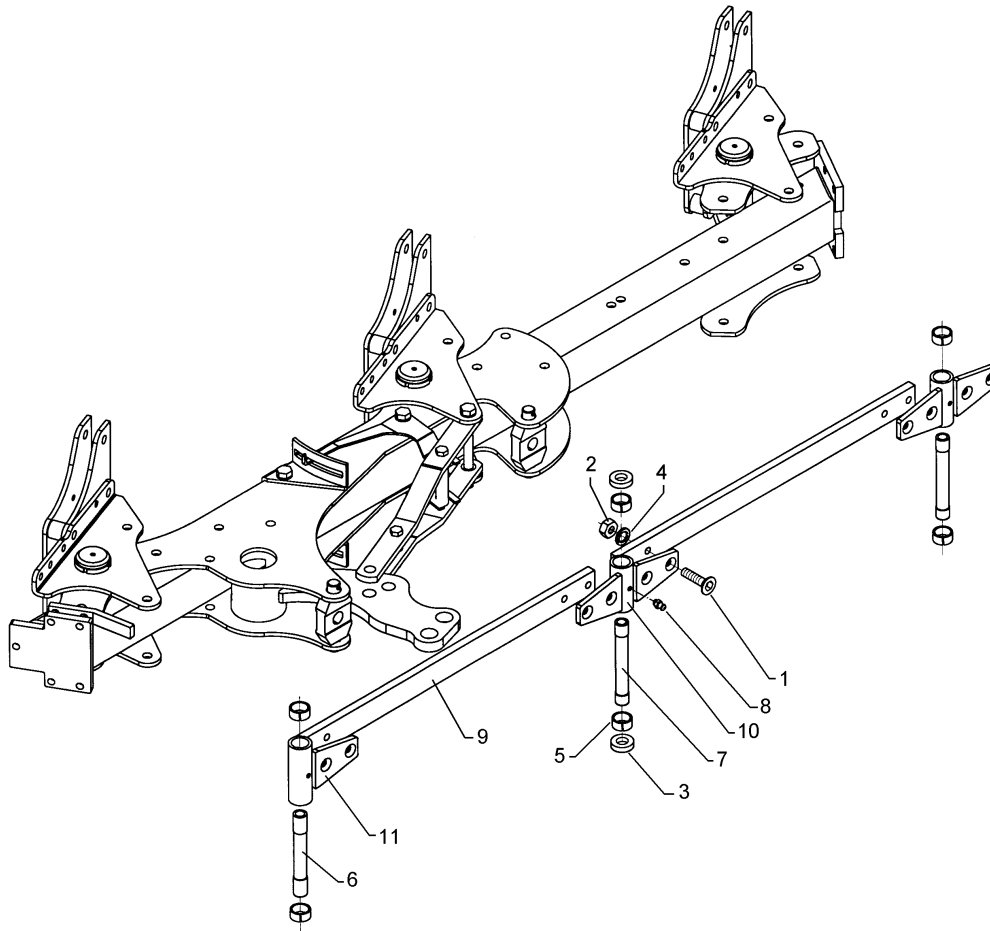
01.18

| Pos. | Art.Nr. | Stck. | Artikeltext / Description | | Abmessung |
|------|----------|-------|------------------------------|------------------|-------------------------|
| 1 | 301 6144 | 12 | Senkschraube spz. | Countersunk bolt | M16x50-10.9 Zn |
| 2 | 303 1015 | 12 | Sechskantmutter | Hexagon nut | M16 DIN934-8 Zn |
| 3 | 305 6141 | 12 | Scheibe | Washer | 17/30x3 DIN/ISO-7089 |
| 4 | 317 3417 | 8 | Einspannbuchse mit Presssitz | Expansion bush | EG30/38x25 |
| 5 | 317 7200 | 2 | Hülse | Bushing | D30/28/20x150 |
| 6 | 317 7201 | 2 | Hülse | Bushing | D30/28/20x150 |
| 7 | 323 6348 | 4 | Schmiernippel | Grease nipple | AM10x1 DIN71412 |
| 8 | 402 2315 | 3 | Stange | Rod | 60x20x830 4xD16,1 |
| 9 | 402 2610 | 2 | Lagerung | Bearing | D38x119-4xD16 VO7 |
| 10 | 402 2612 | 2 | Lagerung | Bearing | D38x149-2xD16 VO7 |



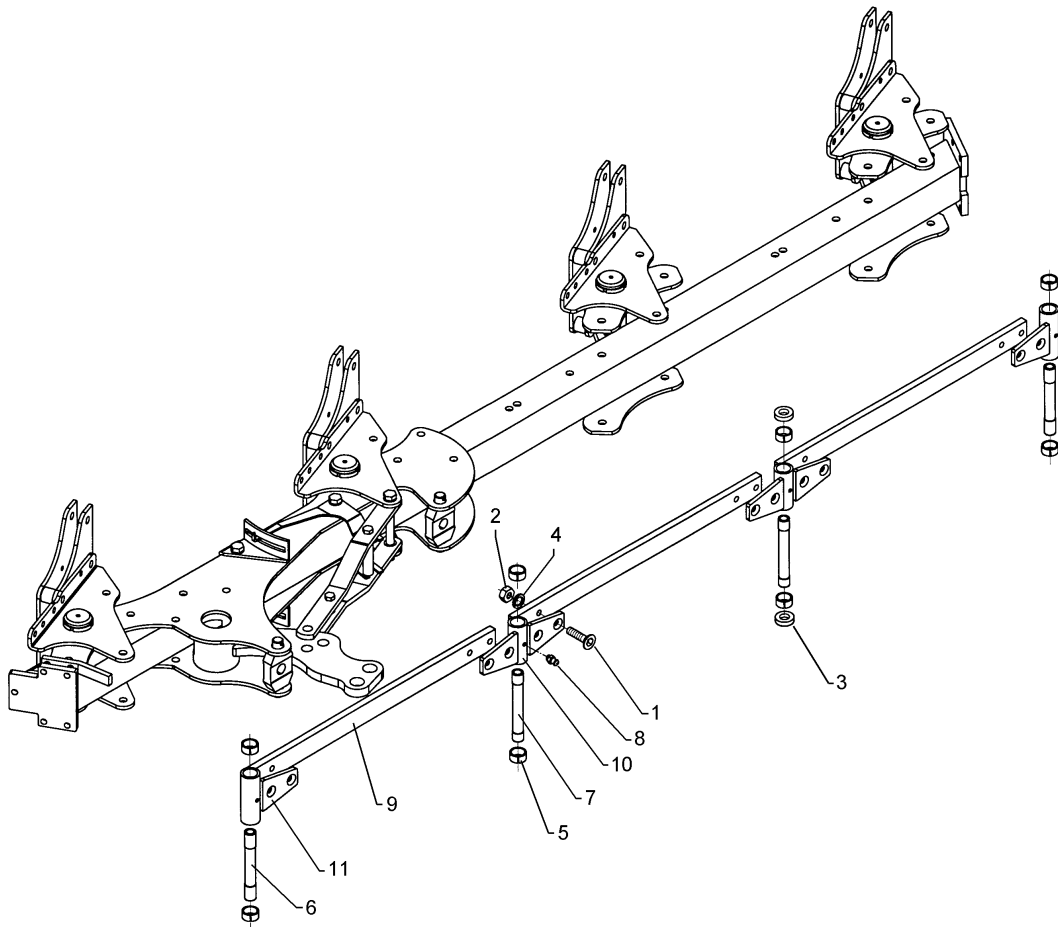
01.18

| Pos. | Art.Nr. | Stck. | Artikeltext / Description | | Abmessung |
|------|----------|-------|------------------------------|------------------|-------------------------|
| 1 | 301 6144 | 16 | Senkschraube spz. | Countersunk bolt | M16x50-10.9 Zn |
| 2 | 303 1015 | 16 | Sechskantmutter | Hexagon nut | M16 DIN934-8 Zn |
| 3 | 305 6141 | 16 | Scheibe | Washer | 17/30x3 DIN/ISO-7089 |
| 4 | 317 3417 | 10 | Einspannbuchse mit Presssitz | Expansion bush | EG30/38x25 |
| 5 | 317 7200 | 3 | Hülse | Bushing | D30/28/20x150 |
| 6 | 317 7201 | 2 | Hülse | Bushing | D30/28/20x150 |
| 7 | 323 6348 | 5 | Schmiernippel | Grease nipple | AM10x1 DIN71412 |
| 8 | 402 2315 | 4 | Stange | Rod | 60x20x830 4xD16,1 |
| 10 | 402 2611 | 1 | Lagerung | Bearing | D38x149-4xD16 VO7 |
| 11 | 402 2612 | 2 | Lagerung | Bearing | D38x149-2xD16 VO7 |
| 12 | 402 2610 | 2 | Lagerung | Bearing | D38x119-4xD16 VO7 |



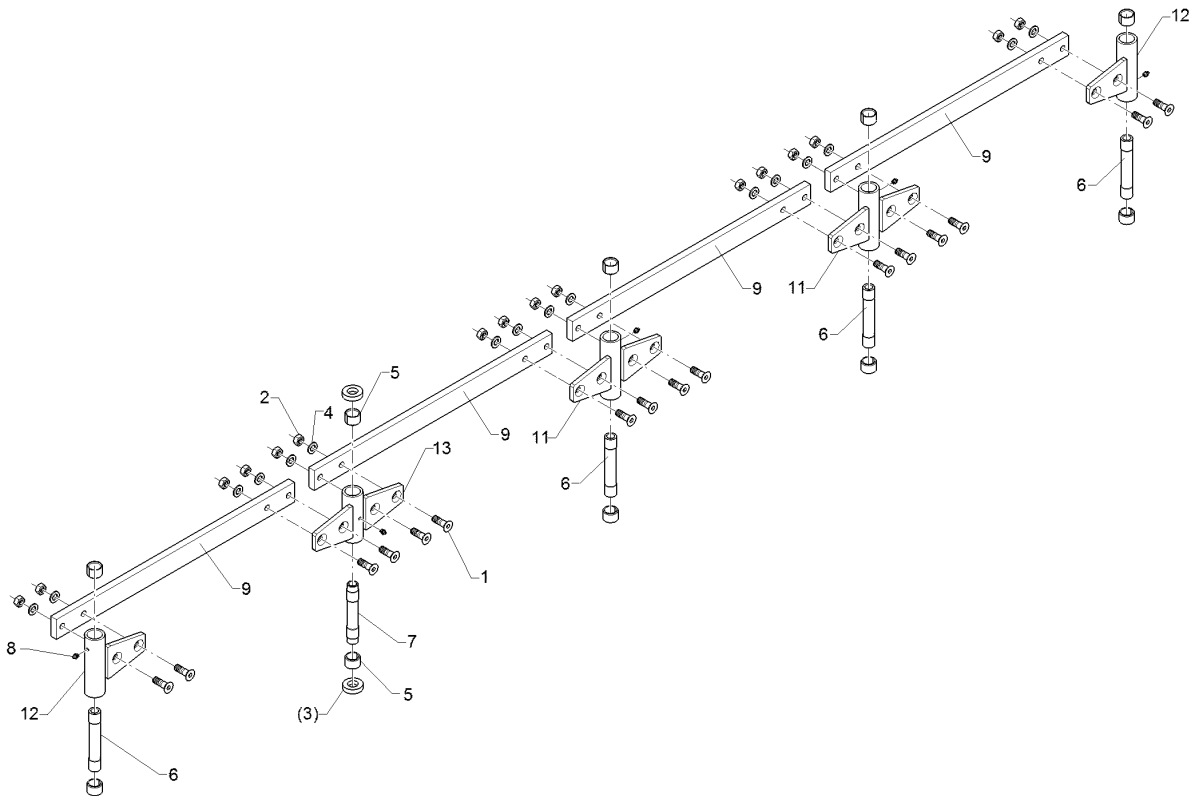
01.18

| Pos. | Art.Nr. | Stck. | Artikeltext / Description | | Abmessung |
|------|----------|-------|------------------------------|------------------|-------------------------|
| 1 | 301 6144 | 8 | Senkschraube spz. | Countersunk bolt | M16x50-10.9 Zn |
| 2 | 303 1015 | 8 | Sechskantmutter | Hexagon nut | M16 DIN934-8 Zn |
| 3 | 305 6275 | 2 | Scheibe | Washer | D51/28,5x15 |
| 4 | 305 6141 | 8 | Scheibe | Washer | 17/30x3 DIN/ISO-7089 |
| 5 | 317 3417 | 6 | Einspannbuchse mit Presssitz | Expansion bush | EG30/38x25 |
| 6 | 317 7200 | 1 | Hülse | Bushing | D30/28/20x150 |
| 7 | 317 7201 | 2 | Hülse | Bushing | D30/28/20x150 |
| 8 | 323 6348 | 3 | Schmiernippel | Grease nipple | AM10x1 DIN71412 |
| 9 | 402 2315 | 2 | Stange | Rod | 60x20x830 4xD16,1 |
| 10 | 402 2610 | 2 | Lagerung | Bearing | D38x119-4xD16 VO7 |
| 11 | 402 2612 | 1 | Lagerung | Bearing | D38x149-2xD16 VO7 |



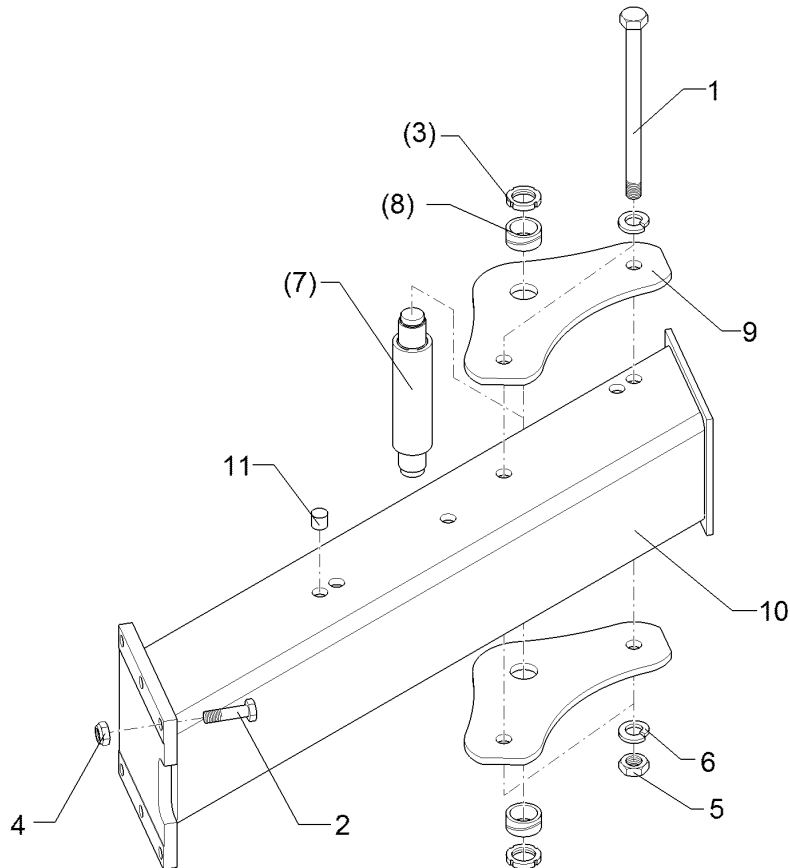
01.18

| Pos. | Art.Nr. | Stck. | Artikeltext / Description | | Abmessung |
|------|----------|-------|------------------------------|------------------|-------------------------|
| 1 | 301 6144 | 12 | Senkschraube spz. | Countersunk bolt | M16x50-10.9 Zn |
| 2 | 303 1015 | 12 | Sechskantmutter | Hexagon nut | M16 DIN934-8 Zn |
| 3 | 305 6275 | 2 | Scheibe | Washer | D51/28,5x15 |
| 4 | 305 6141 | 12 | Scheibe | Washer | 17/30x3 DIN/ISO-7089 |
| 5 | 317 3417 | 8 | Einspannbuchse mit Presssitz | Expansion bush | EG30/38x25 |
| 6 | 317 7200 | 2 | Hülse | Bushing | D30/28/20x150 |
| 7 | 317 7201 | 2 | Hülse | Bushing | D30/28/20x150 |
| 8 | 323 6348 | 4 | Schmiernippel | Grease nipple | AM10x1 DIN71412 |
| 9 | 402 2315 | 3 | Stange | Rod | 60x20x830 4xD16,1 |
| 10 | 402 2610 | 2 | Lagerung | Bearing | D38x119-4xD16 VO7 |
| 11 | 402 2612 | 2 | Lagerung | Bearing | D38x149-2xD16 VO7 |



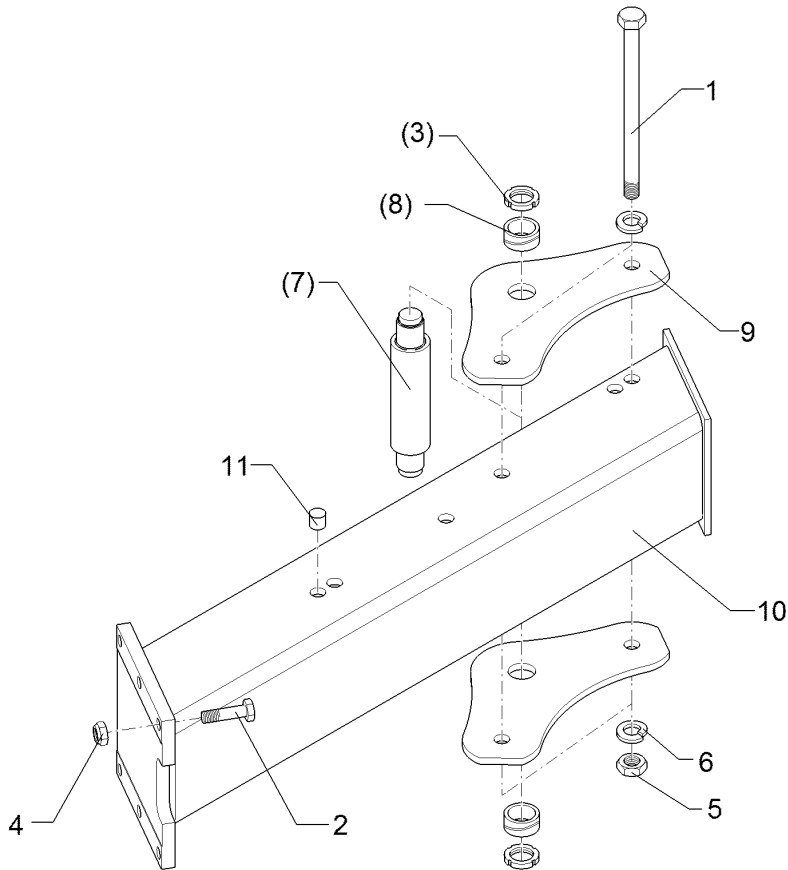
01.18

| Pos. | Art.Nr. | Stck. | Artikeltext / Description | Abmessung | |
|------|----------|-------|------------------------------|------------------|-------------------------|
| 1 | 301 6144 | 16 | Senkschraube spz. | Countersunk bolt | M16x50-10.9 Zn |
| 2 | 303 1015 | 16 | Sechskantmutter | Hexagon nut | M16 DIN934-8 Zn |
| 3 | 305 6275 | 2 | Scheibe | Washer | D51/28,5x15 |
| 4 | 305 6141 | 16 | Scheibe | Washer | 17/30x3 DIN/ISO-7089 |
| 5 | 317 3417 | 10 | Einspannbuchse mit Presssitz | Expansion bush | EG30/38x25 |
| 6 | 317 7200 | 3 | Hülse | Bushing | D30/28/20x150 |
| 7 | 317 7201 | 2 | Hülse | Bushing | D30/28/20x150 |
| 8 | 323 6348 | 5 | Schmiernippel | Grease nipple | AM10x1 DIN171412 |
| 9 | 402 2315 | 4 | Stange | Rod | 60x20x830 4xD16,1 |
| 10 | 402 2610 | 2 | Lagerung | Bearing | D38x119-4xD16 VO7 |
| 11 | 402 2611 | 1 | Lagerung | Bearing | D38x149-4xD16 VO7 |
| 12 | 402 2612 | 2 | Lagerung | Bearing | D38x149-2xD16 VO7 |



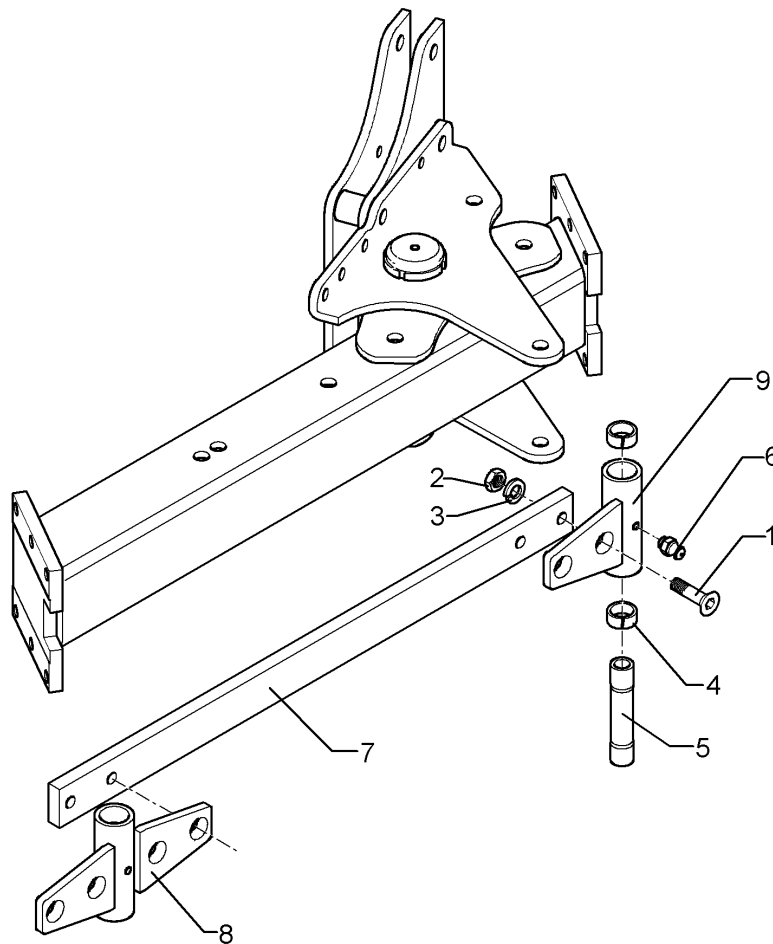
01.18

| Pos. | Art.Nr. | Stck. | Artikeltext / Description | | Abmessung |
|------|----------|-------|---------------------------|-----------------|---------------------------------|
| 1 | 301 4523 | 2 | Sechskantschraube spezial | Hexagon bolt | M20x1,5x170ls144xb23-10.9 Zn |
| 2 | 301 5385 | 6 | Sechskantschraube spz. | Hexagon bolt | M16x55-10.9 Zn |
| 3 | 303 0338 | 2 | Nutmutter | Grooved nut | M30x1,5 |
| 4 | 303 0935 | 6 | Sicherungsmutter | Selflocking nut | NM16-8 Zn DIN985 |
| 5 | 303 0977 | 2 | Sechskantmutter | Hexagon nut | M20x1,5 DIN934-10 Zn |
| 6 | 305 6012 | 4 | Scheibe | Washer | 21 ISO7089 Zn |
| 7 | 313 5560 | 1 | Bolzen | Pin | D50/120x200 D35/M30x1,5 VE7S |
| 8 | 317 2000 | 2 | Buchse | Bush | D45/D35x21 |
| 9 | 402 2940 | 2 | Lagerplatte | Bearing plate | D35 VO 7 |
| 10 | 402 8242 | 1 | Anbauteil | Frame extension | EurOpal 7 100 |
| 11 | 323 8071 | 8 | Schutzkappe | Cap | GPN 300V19 - D20 RAL5015 |



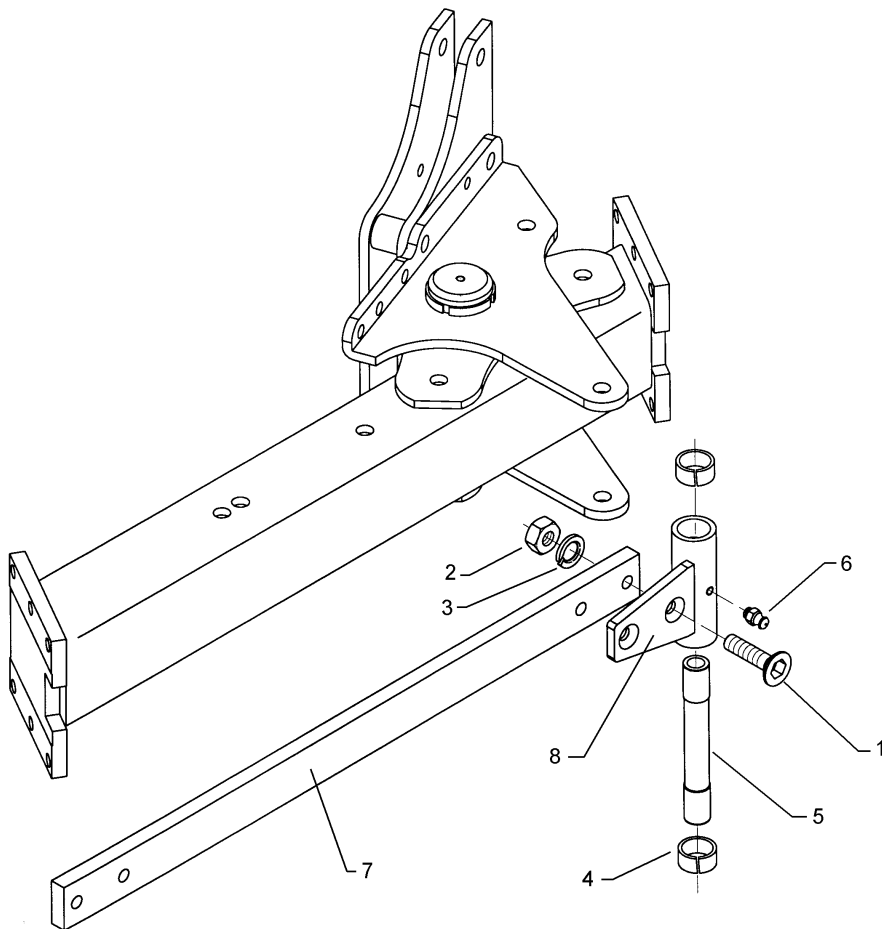
01.18

| Pos. | Art.Nr. | Stck. | Artikeltext / Description | | Abmessung |
|------|----------|-------|---------------------------|-----------------|---------------------------------|
| 1 | 301 4523 | 2 | Sechskantschraube spezial | Hexagon bolt | M20x1,5x170ls144xb23-10.9 Zn |
| 2 | 301 5385 | 6 | Sechskantschraube spz. | Hexagon bolt | M16x55-10.9 Zn |
| 3 | 303 0338 | 2 | Nutmutter | Grooved nut | M30x1,5 |
| 4 | 303 0935 | 6 | Sicherungsmutter | Selflocking nut | NM16-8 Zn DIN985 |
| 5 | 303 0977 | 2 | Sechskantmutter | Hexagon nut | M20x1,5 DIN934-10 Zn |
| 6 | 305 6012 | 4 | Scheibe | Washer | 21 ISO7089 Zn |
| 7 | 313 5560 | 1 | Bolzen | Pin | D50/120x200 D35/M30x1,5 VE7S |
| 8 | 317 2000 | 2 | Buchse | Bush | D45/D35x21 |
| 9 | 402 2940 | 2 | Lagerplatte | Bearing plate | D35 VO 7 |
| 10 | 402 8245 | 1 | Anbauteil | Frame extension | EurOpal 7 90 |
| 11 | 323 8071 | 8 | Schutzkappe | Cap | GPN 300V19 - D20 RAL5015 |



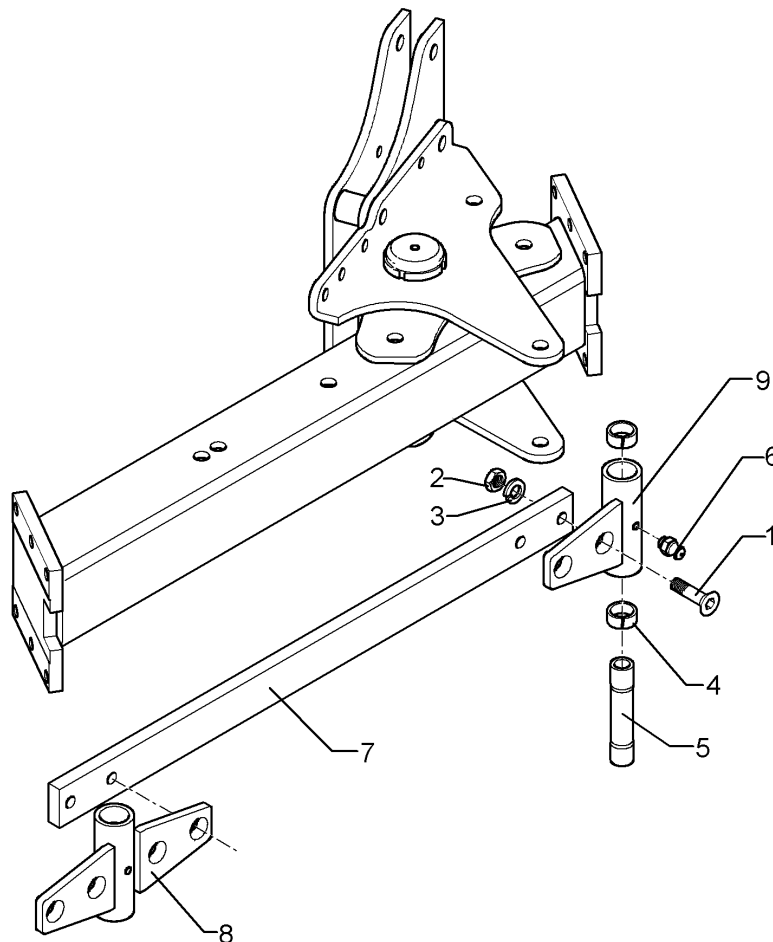
01.18

| Pos. | Art.Nr. | Stck. | Artikeltext / Description | | Abmessung |
|------|----------|-------|------------------------------|------------------|----------------------------|
| 1 | 301 6144 | 4 | Senkschraube spz. | Countersunk bolt | M16x50-10.9 Zn |
| 2 | 303 1015 | 4 | Sechskantmutter | Hexagon nut | M16 DIN934-8 Zn |
| 3 | 305 6141 | 4 | Scheibe | Washer | 17/30x3 |
| 4 | 317 3417 | 2 | Einspannbuchse mit Presssitz | Expansion bush | DIN/ISO-7089 EG30/38x25 |
| 5 | 317 7200 | 1 | Hülse | Bushing | D30/28/20x150 |
| 6 | 323 6348 | 1 | Schmiernippel | Grease nipple | AM10x1 DIN71412 |
| 7 | 402 2321 | 1 | Steuerstange | Control rod | 60x20x1130 4xD16,1 |
| 8 | 402 2611 | 1 | Lagerung | Bearing | D38x149-4xD16 VO7 |
| 9 | 402 2612 | 1 | Lagerung | Bearing | D38x149-2xD16 VO7 |



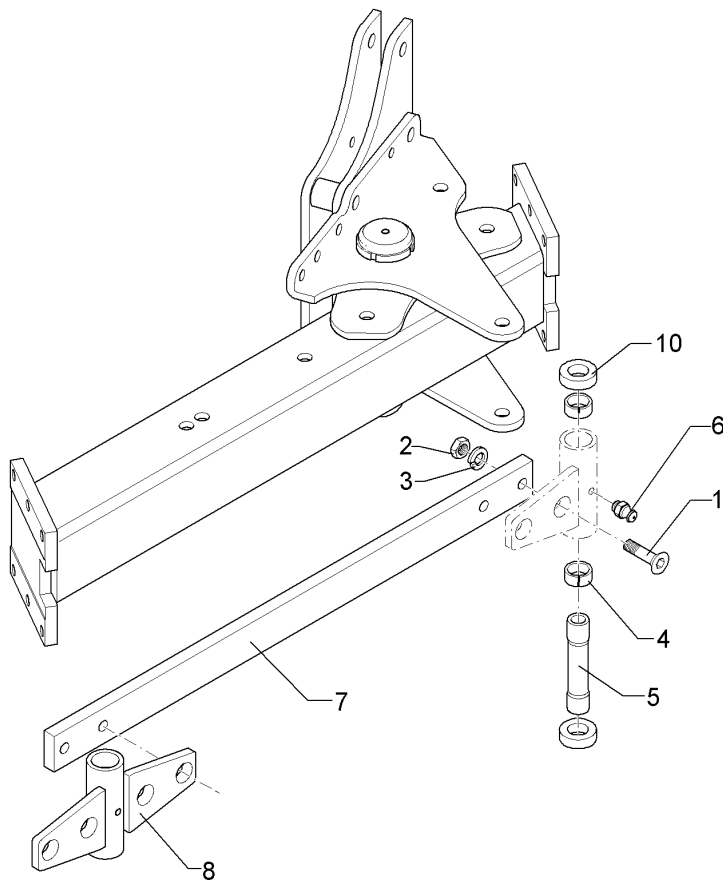
01.18

| Pos. | Art.Nr. | Stck. | Artikeltext / Description | | Abmessung |
|------|----------|-------|------------------------------|------------------|----------------------------|
| 1 | 301 6144 | 4 | Senkschraube spz. | Countersunk bolt | M16x50-10.9 Zn |
| 2 | 303 1015 | 4 | Sechskantmutter | Hexagon nut | M16 DIN934-8 Zn |
| 3 | 305 6141 | 4 | Scheibe | Washer | 17/30x3 |
| 4 | 317 3417 | 2 | Einspannbuchse mit Presssitz | Expansion bush | DIN/ISO-7089 EG30/38x25 |
| 5 | 317 7200 | 1 | Hülse | Bushing | D30/28/20x150 |
| 6 | 323 6348 | 1 | Schmiernippel | Grease nipple | AM10x1 DIN71412 |
| 7 | 402 2320 | 1 | Stange | Rod | 60x20x930 4xD16,1 |
| 8 | 402 2612 | 1 | Lagerung | Bearing | D38x149-2xD16 VO7 |



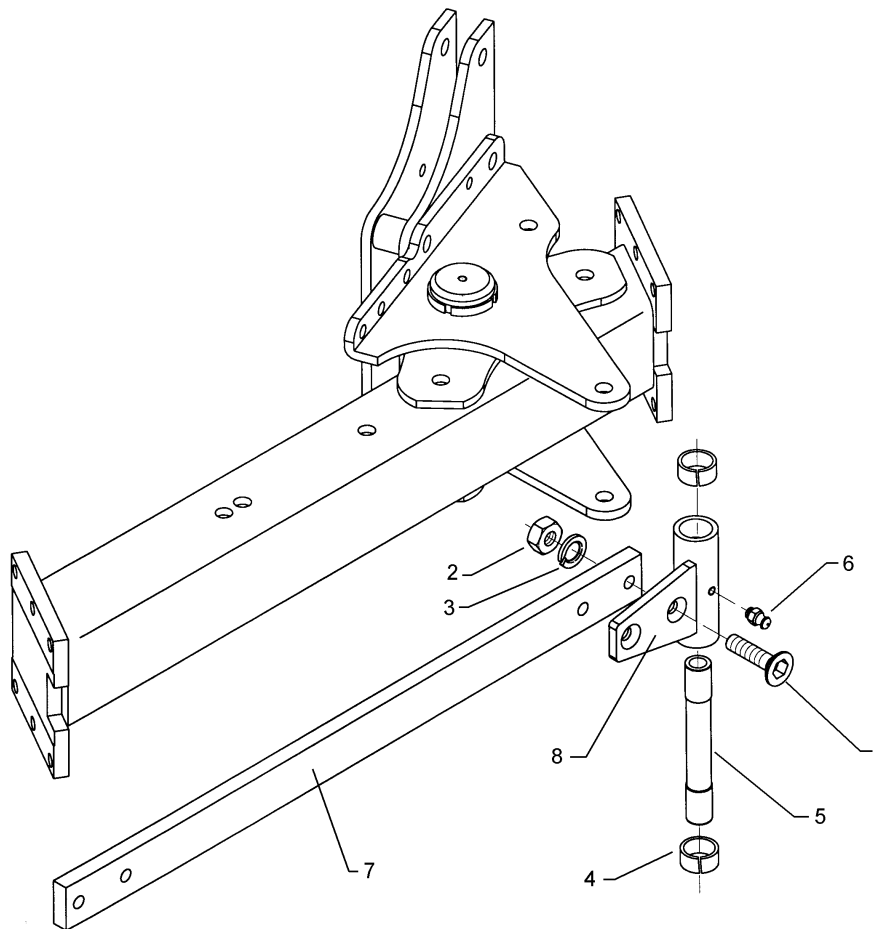
01.18

| Pos. | Art.Nr. | Stck. | Artikeltext / Description | | Abmessung |
|------|----------|-------|------------------------------|------------------|----------------------------|
| 1 | 301 6144 | 4 | Senkschraube spz. | Countersunk bolt | M16x50-10.9 Zn |
| 2 | 303 1015 | 4 | Sechskantmutter | Hexagon nut | M16 DIN934-8 Zn |
| 3 | 305 6141 | 4 | Scheibe | Washer | 17/30x3 |
| 4 | 317 3417 | 2 | Einspannbuchse mit Presssitz | Expansion bush | DIN/ISO-7089 EG30/38x25 |
| 5 | 317 7200 | 1 | Hülse | Bushing | D30/28/20x150 |
| 6 | 323 6348 | 1 | Schmiernippel | Grease nipple | AM10x1 DIN71412 |
| 7 | 402 2320 | 1 | Stange | Rod | 60x20x930 4xD16,1 |
| 8 | 402 2611 | 1 | Lagerung | Bearing | D38x149-4xD16 VO7 |
| 9 | 402 2612 | 1 | Lagerung | Bearing | D38x149-2xD16 VO7 |



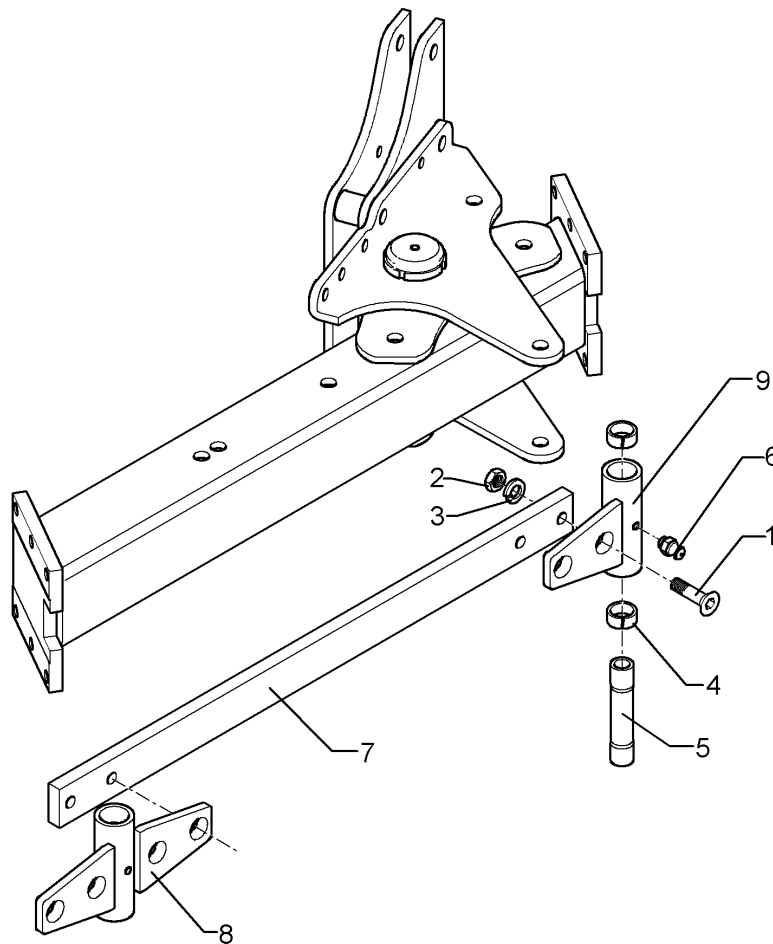
01.18

| Pos. | Art.Nr. | Stck. | Artikeltext / Description | | Abmessung |
|------|----------|-------|------------------------------|------------------|-------------------------|
| 1 | 301 6144 | 4 | Senkschraube spz. | Countersunk bolt | M16x50-10.9 Zn |
| 2 | 303 1015 | 4 | Sechskantmutter | Hexagon nut | M16 DIN934-8 Zn |
| 3 | 305 6141 | 4 | Scheibe | Washer | 17/30x3 DIN/ISO-7089 |
| 4 | 317 3417 | 2 | Einspannbuchse mit Presssitz | Expansion bush | EG30/38x25 |
| 5 | 317 7201 | 1 | Hülse | Bushing | D30/28/20x150 |
| 6 | 323 6348 | 1 | Schmiernippel | Grease nipple | AM10x1 DIN71412 |
| 7 | 402 2321 | 1 | Steuerstange | Control rod | 60x20x1130 4xD16,1 |
| 8 | 402 2610 | 1 | Lagerung | Bearing | D38x119-4xD16 VO7 |
| 10 | 305 6275 | 2 | Scheibe | Washer | D51/28,5x15 |



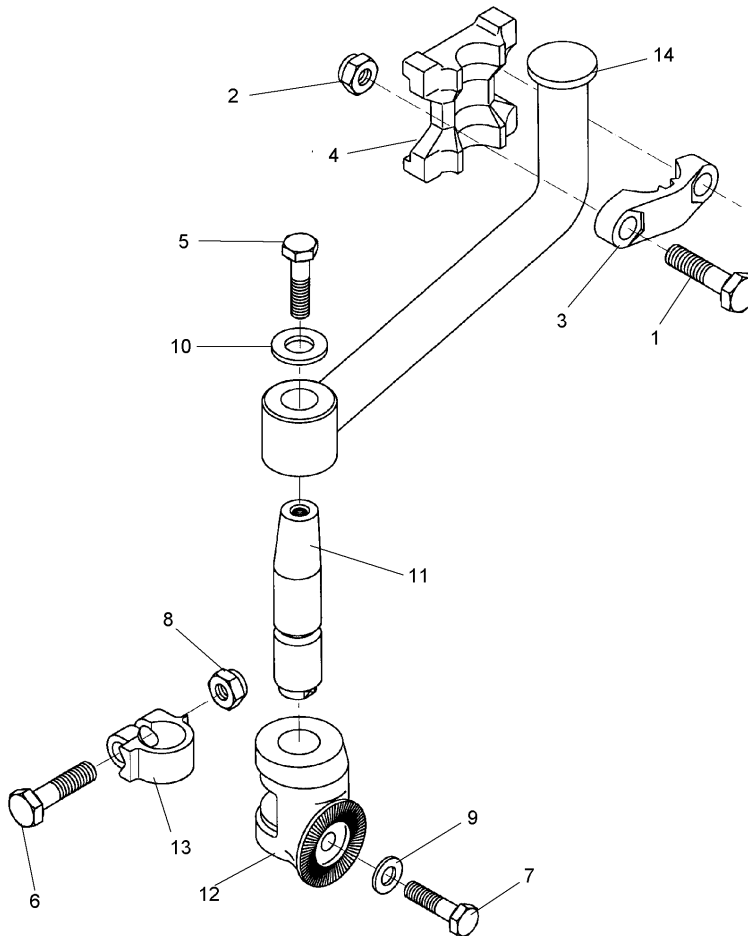
01.18

| Pos. | Art.Nr. | Stck. | Artikeltext / Description | | Abmessung |
|------|----------|-------|------------------------------|------------------|----------------------------|
| 1 | 301 6144 | 4 | Senkschraube spz. | Countersunk bolt | M16x50-10.9 Zn |
| 2 | 303 1015 | 4 | Sechskantmutter | Hexagon nut | M16 DIN934-8 Zn |
| 3 | 305 6141 | 4 | Scheibe | Washer | 17/30x3 |
| 4 | 317 3417 | 2 | Einspannbuchse mit Presssitz | Expansion bush | DIN/ISO-7089 EG30/38x25 |
| 5 | 317 7200 | 1 | Hülse | Bushing | D30/28/20x150 |
| 6 | 323 6348 | 1 | Schmiernippel | Grease nipple | AM10x1 DIN71412 |
| 7 | 402 2315 | 1 | Stange | Rod | 60x20x830 4xD16,1 |
| 8 | 402 2612 | 1 | Lagerung | Bearing | D38x149-2xD16 VO7 |



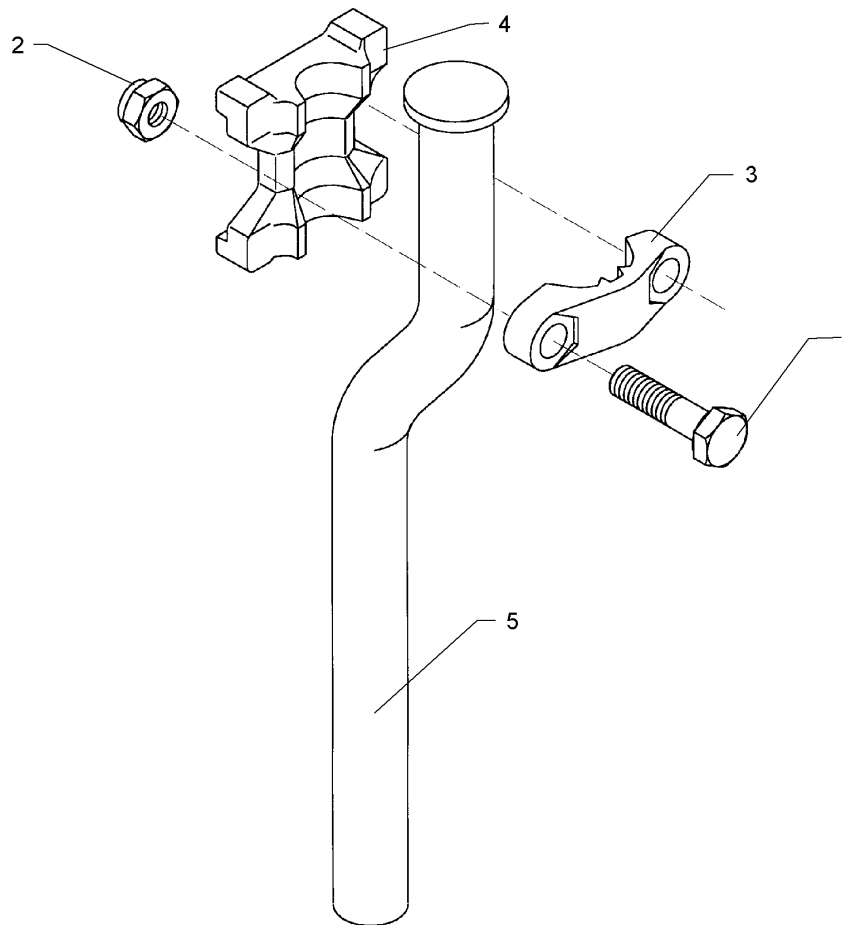
01.18

| Pos. | Art.Nr. | Stck. | Artikeltext / Description | | Abmessung |
|------|----------|-------|------------------------------|------------------|----------------------------|
| 1 | 301 6144 | 4 | Senkschraube spz. | Countersunk bolt | M16x50-10.9 Zn |
| 2 | 303 1015 | 4 | Sechskantmutter | Hexagon nut | M16 DIN934-8 Zn |
| 3 | 305 6141 | 4 | Scheibe | Washer | 17/30x3 |
| 4 | 317 3417 | 2 | Einspannbuchse mit Presssitz | Expansion bush | DIN/ISO-7089 EG30/38x25 |
| 5 | 317 7200 | 1 | Hülse | Bushing | D30/28/20x150 |
| 6 | 323 6348 | 1 | Schmiernippel | Grease nipple | AM10x1 DIN71412 |
| 7 | 402 2315 | 1 | Stange | Rod | 60x20x830 4xD16,1 |
| 8 | 402 2611 | 1 | Lagerung | Bearing | D38x149-4xD16 VO7 |
| 9 | 402 2612 | 1 | Lagerung | Bearing | D38x149-2xD16 VO7 |



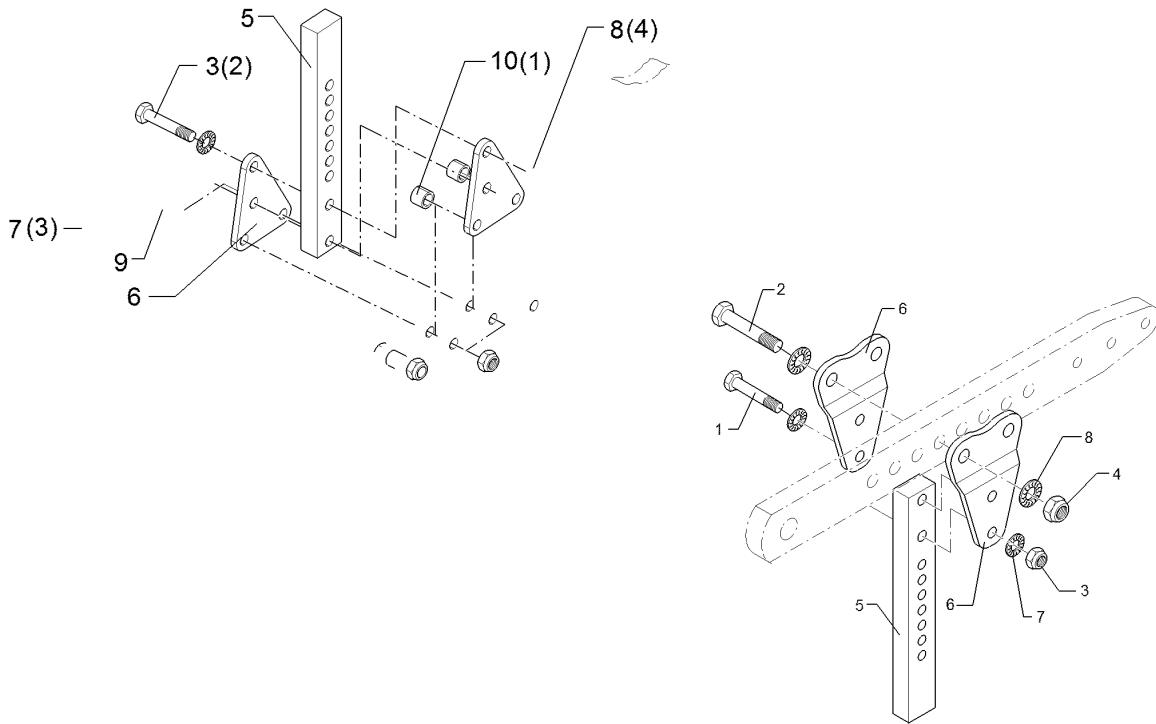
01.18

| Pos. | Art.Nr. | Stck. | Artikeltext / Description | | Abmessung |
|------|----------|-------|---------------------------|--------------------|----------------------------|
| 1 | 301 7068 | 2 | Sechskantschraube | Hexagon bolt | M20x110-8.8 Zn DIN931-A |
| 2 | 303 0936 | 2 | Sicherungsmutter | Selflocking nut | NM20-8 Zn DIN985 |
| 3 | 459 9009 | 1 | Klemme | Clamp | 45x35x120 2xD20,1-85 Zn |
| 4 | 459 9011 | 1 | Klemmplatte | Clamping plate | 40/80 |
| 5 | 301 3682 | 1 | Sechskantschraube | Hexagon bolt | M16x30-8.8 Zn DIN933 |
| 6 | 301 3868 | 1 | Sechskantschraube | Hexagon bolt | M16x65-8.8 Zn DIN931-A |
| 7 | 301 4251 | 1 | Sechskantschraube | Hexagon bolt | M20x55-10.9 DIN933 |
| 8 | 303 1015 | 1 | Sechskantmutter | Hexagon nut | M16 DIN934-8 Zn |
| 9 | 305 6012 | 1 | Scheibe | Washer | 21 ISO7089 Zn |
| 10 | 305 6161 | 1 | Scheibe | Washer | 17/40x6 DIN7349 Zn |
| 11 | 457 8452 | 1 | Zapfen konisch | Pivot | D38x176 |
| 12 | 457 9145 | 1 | Zahnkonsole | Hirth-type bracket | D70/38,3 50 Zähne |
| 13 | 457 9870 | 1 | Sperrstück | Stop | D38x29 |
| 14 | 463 7840 | 1 | Rundhalm | Round stalk | D40 geb. |



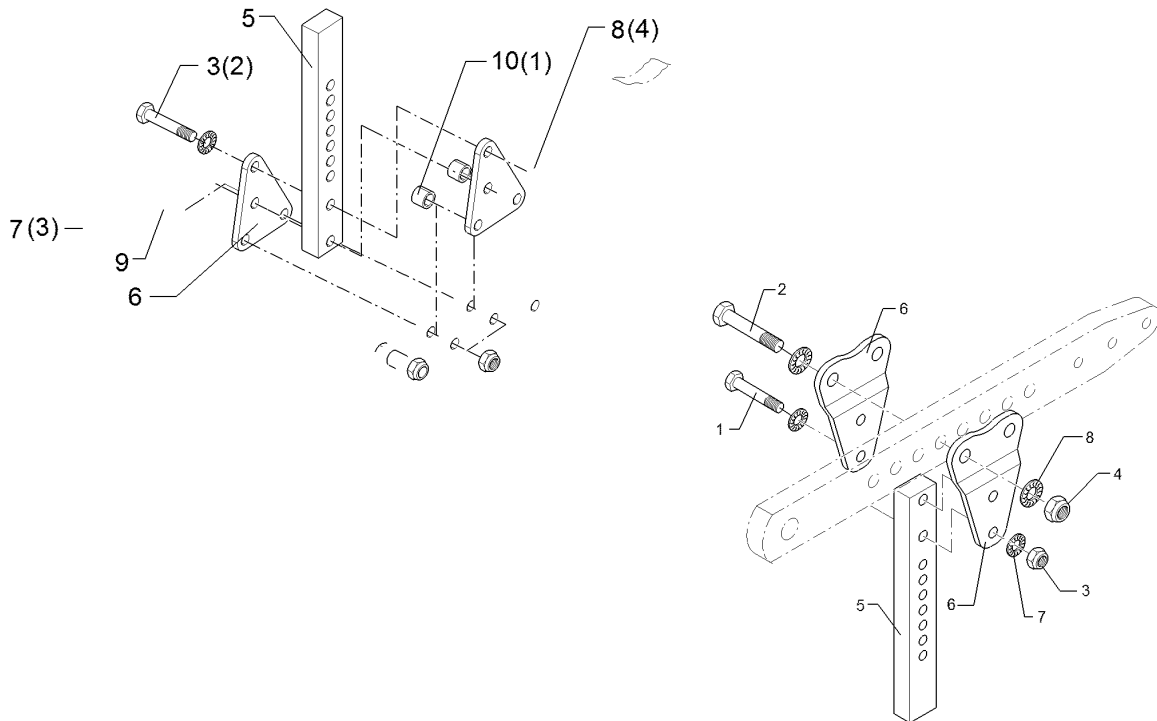
01.18

| Pos. | Art.Nr. | Stck. | Artikeltext / Description | | Abmessung |
|------|----------|-------|---------------------------|---------------------|----------------------------|
| 1 | 301 7068 | 2 | Sechskantschraube | Hexagon bolt | M20x110-8.8 Zn DIN931-A |
| 2 | 303 0936 | 2 | Sicherungsmutter | Selflocking nut | NM20-8 Zn DIN985 |
| 3 | 459 9009 | 1 | Klemme | Clamp | 45x35x120 |
| 4 | 459 9012 | 1 | Klemmplatte | Clamping plate | 2xD20,1-85 Zn 45/80 |
| 5 | 463 8513 | 1 | Rundhalm gekröpft | Round stalk cranked | D45 H750-800 |



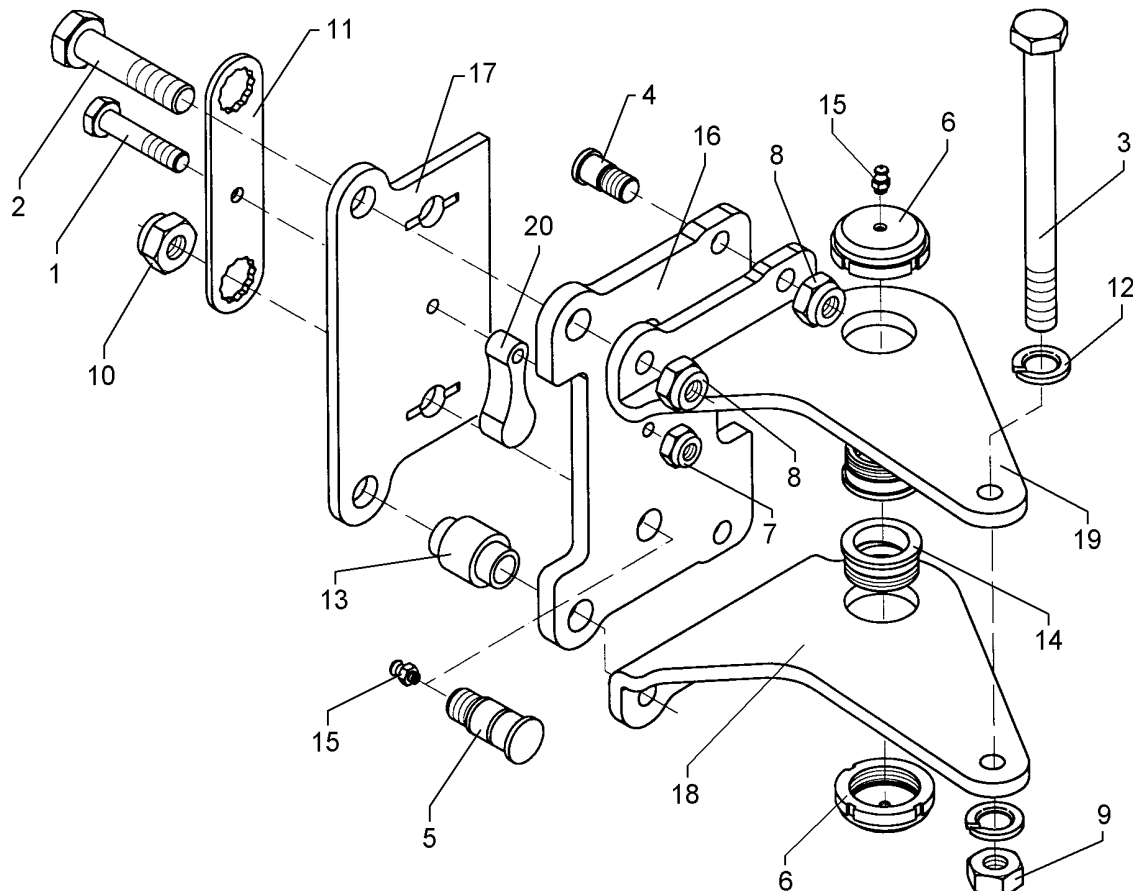
01.18

| Pos. | Art.Nr. | Stck. | Artikeltext / Description | | Abmessung |
|------|----------|-------|---------------------------|--------------|-------------------|
| 1 | 301 5361 | 2 | Sechskantschraube spz. | Hexagon bolt | M16x75-12.9 Zn |
| 2 | 301 4606 | 2 | Sechskantschraube spz. | Hexagon bolt | M20x80-10.9 Zn |
| 3 | 30310069 | 2 | Sechskantmutter | Hexagon nut | M16 DIN934-12 Zn5 |
| 4 | 30310110 | 2 | Sechskantmutter | Hexagon nut | M20 DIN934-10 Zn |
| 5 | 463 8652 | 1 | Düngereinlegerhalm | Skim stalk | 50x30x371 7xD15 |
| 6 | 463 8655 | 2 | Halmplatte | Plate | 10x135x191 GEK11 |
| 7 | 30510119 | 4 | Sperrkantscheibe | Washer | 16,4/32,5x2,5 Zn5 |
| 8 | 30510175 | 4 | Sperrkantscheibe | Washer | 21/40x3 Zn5 |



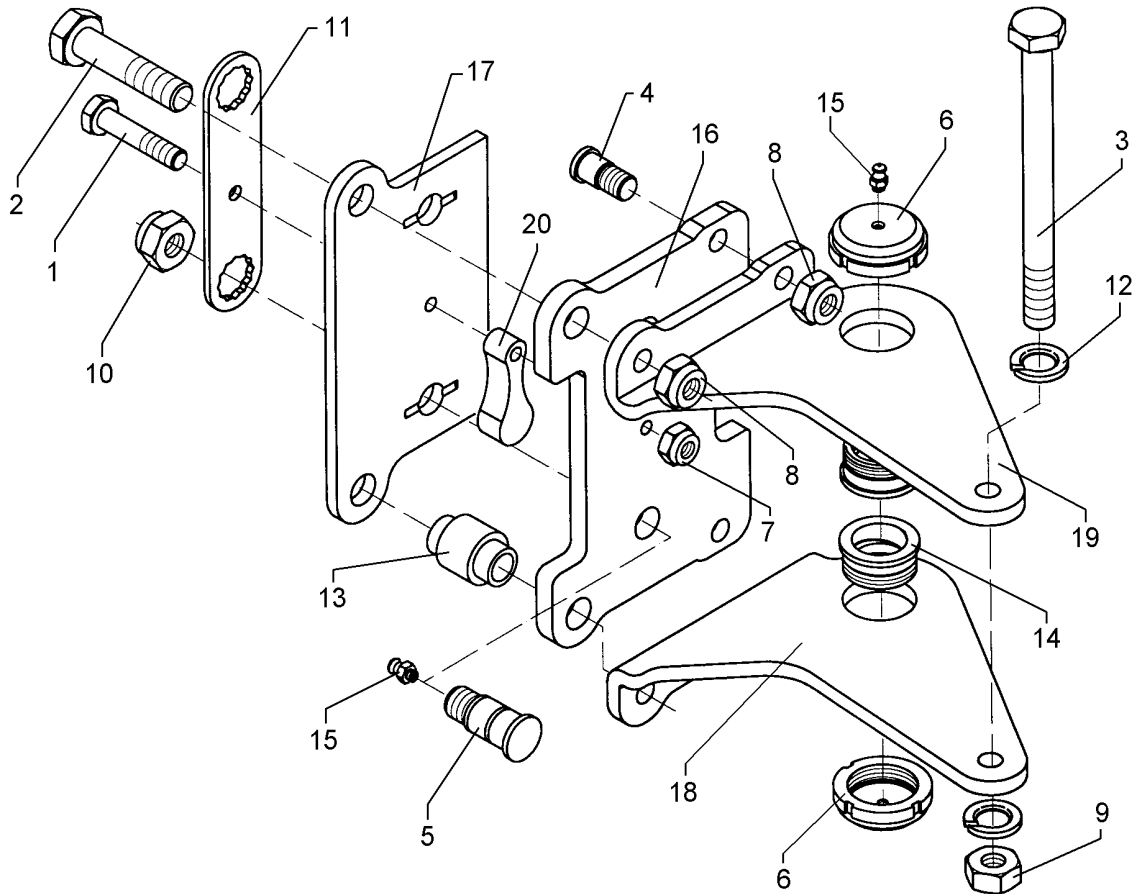
01.18

| Pos. | Art.Nr. | Stck. | Artikeltext / Description | | Abmessung |
|------|----------|-------|---------------------------|--------------|-------------------|
| 1 | 301 5361 | 2 | Sechskantschraube spz. | Hexagon bolt | M16x75-12.9 Zn |
| 2 | 301 4607 | 2 | Sechskantschraube spz. | Hexagon bolt | M20x90-12.9 Zn |
| 3 | 30310069 | 2 | Sechskantmutter | Hexagon nut | M16 DIN934-12 Zn5 |
| 4 | 30310110 | 2 | Sechskantmutter | Hexagon nut | M20 DIN934-10 Zn |
| 5 | 463 8652 | 1 | Düngereinlegerhalm | Skim stalk | 50x30x371 7xD15 |
| 6 | 463 8656 | 2 | Halmplatte | Plate | 10x135x191 GEK6 |
| 7 | 30510119 | 4 | Sperrkantscheibe | Washer | 16,4/32,5x2,5 Zn5 |
| 8 | 30510175 | 4 | Sperrkantscheibe | Washer | 21/40x3 Zn5 |



01.18

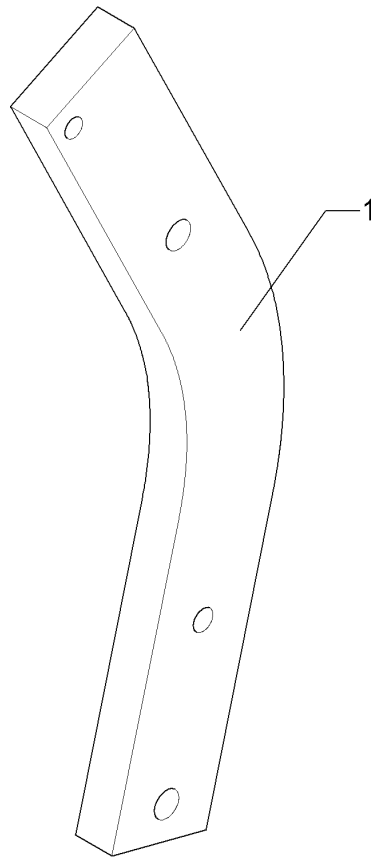
| Pos. | Art.Nr. | Stck. | Artikeltext / Description | | Abmessung |
|------|----------|-------|---------------------------|-------------------|----------------------------|
| 1 | 301 3432 | 1 | Sechskantschraube | Hexagon bolt | M12x80-8.8 Zn DIN931-A |
| 2 | 301 4607 | 2 | Sechskantschraube spz. | Hexagon bolt | M20x90-12.9 Zn |
| 3 | 301 4540 | 1 | Sechskantschraube spz. | Hexagon bolt | M20x1,5x200-10.9 Zn |
| 4 | 301 8220 | 2 | Schraube | Screw | D25/20x45/49,5-M20 Zn |
| 5 | 301 8221 | 2 | Schraube | Screw | D33/28,1x83-M24 Zn |
| 6 | 303 0349 | 2 | Nutmutter | Grooved nut | M60x2 M10x1 D80x24 Zn |
| 7 | 303 0934 | 1 | Sicherungsmutter | Selflocking nut | NM12-8 Zn DIN985 |
| 8 | 303 0936 | 4 | Sicherungsmutter | Selflocking nut | NM20-8 Zn DIN985 |
| 9 | 303 0977 | 1 | Sechskantmutter | Hexagon nut | M20x1,5 DIN934-10 Zn |
| 10 | 303 1019 | 2 | Sechskantmutter | Hexagon nut | M24 DIN934-8 Zn |
| 11 | 305 1340 | 1 | Sicherungsblech | Locking plate | SW36-170/230x6 Zn |
| 12 | 305 6012 | 2 | Scheibe | Washer | 21 ISO7089 Zn |
| 13 | 317 7505 | 2 | Hülse | Bushing | D40/28x54,5-D20 |
| 14 | 317 9376 | 2 | Bundbuchse | Flange bushing | D65/60/45x30 M60x2 Znph |
| 15 | 323 6348 | 4 | Schmiernippel | Grease nipple | AM10x1 DIN71412 |
| 16 | 402 2552 | 1 | Grindelplatte | Plate for beam | 16x230x280 E7X |
| 17 | 402 2553 | 1 | Grindelplatte | Plate for beam | 10x176x280 E7X |
| 18 | 402 2650 | 1 | Verstellwinkel | Adjusting bracket | 12x285x339 VO7 X RE |



01.18

| Pos. | Art.Nr. | Stck. | Artikeltext / Description | Abmessung |
|------|----------|-------|-------------------------------------|------------------------|
| 19 | 402 2651 | 1 | Verstellwinkel Adjusting bracket | 12x285x339 VO7 X LI |
| 20 | 426 0461 | 1 | Endanschlag End stop | 25x39x101x D12,25 |

| | |
|------------------------|----------|
| Koerperhalm/Leg | 11 |
| VariOpal 7X / 7 HydriX | 464 5010 |

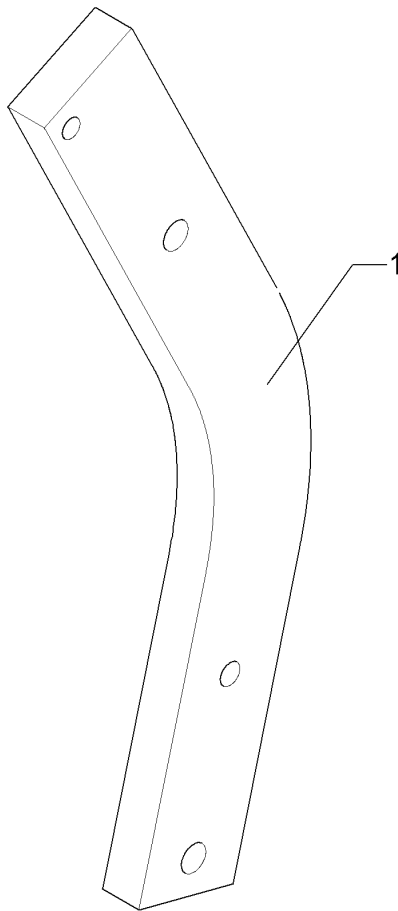


01.18

| Pos. | Art.Nr. | Stck. | Artikeltext / Description | | Abmessung |
|------|----------|-------|---------------------------|-----|-----------------------|
| 1 | 464 5010 | 12 | Koerperhalm | Leg | 80x30x607-R750 D14 |

| | |
|-----------------|----|
| Koerperhalm/Leg | 11 |
|-----------------|----|

| | |
|------------------------|----------|
| VariOpal 7X / 7 HydriX | 464 5011 |
|------------------------|----------|

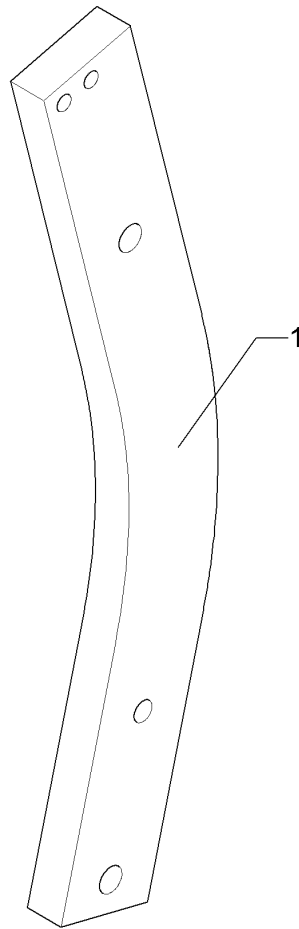


01.18

| Pos. | Art.Nr. | Stck. | Artikeltext / Description | | Abmessung |
|------|----------|-------|---------------------------|-----|-----------------------|
| 1 | 464 5011 | 14 | Koerperhalm | Leg | 80x30x657-R800 D14 |

| | |
|----------------|----|
| Körperhalm/Leg | 11 |
|----------------|----|

| | |
|------------------------|----------|
| VariOpal 7X / 7 HydriX | 464 5020 |
|------------------------|----------|

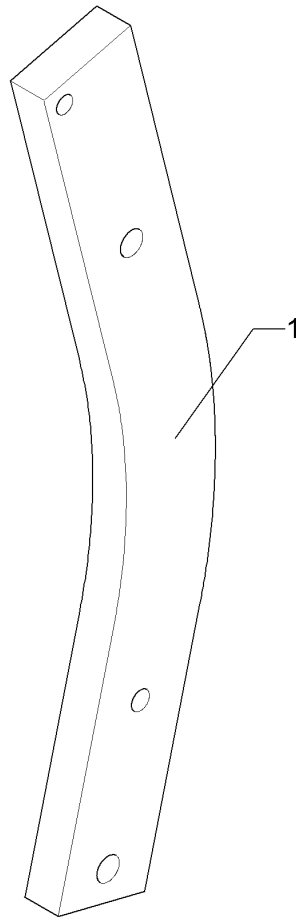


01.18

| Pos. | Art.Nr. | Stck. | Artikeltext / Description | | Abmessung |
|------|----------|-------|---------------------------|-----|-------------------------|
| 1 | 464 5020 | 12 | Körperhalm | Leg | 80x30x627-R750 D14,3 |

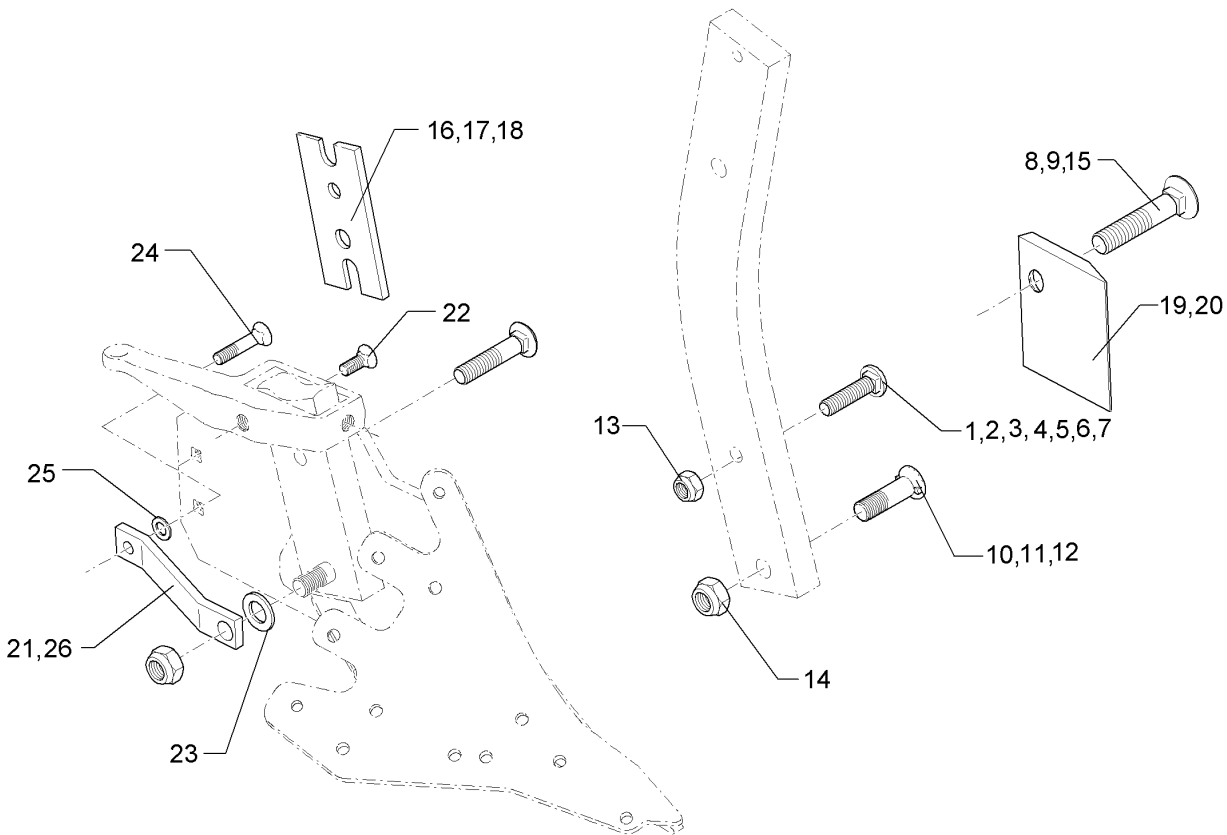
| | |
|----------------|----|
| Körperhalm/Leg | 11 |
|----------------|----|

| | |
|------------------------|----------|
| VariOpal 7X / 7 HydriX | 464 5025 |
|------------------------|----------|



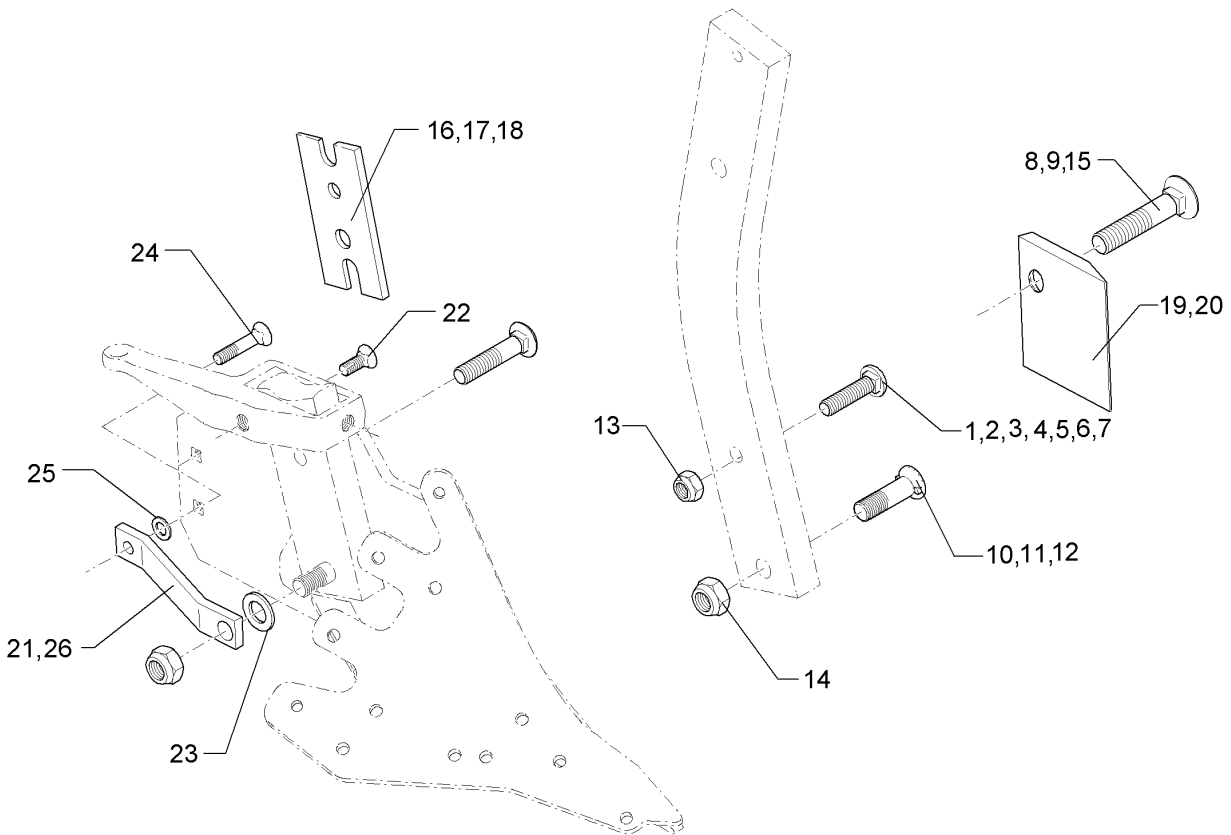
01.18

| Pos. | Art.Nr. | Stck. | Artikeltext / Description | | Abmessung |
|------|----------|-------|---------------------------|-----|-------------------------|
| 1 | 464 5025 | 14 | Körperhalm | Leg | 80x30x677-R800 D14,3 |



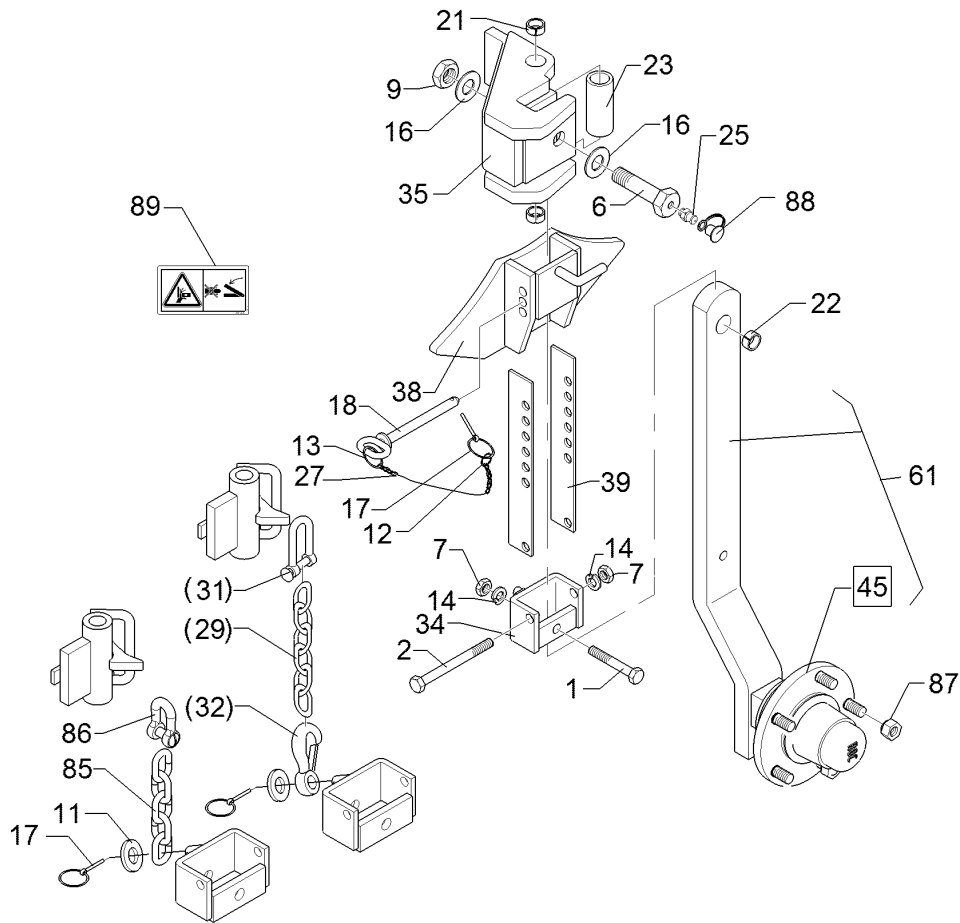
01.18

| Pos. | Art.Nr. | Stck. | Artikeltext / Description | | Abmessung |
|------|----------|-------|---------------------------|-------------------|-------------------------------|
| 1 | 301 2211 | 1 | Flachrundschaube | Saucer-head screw | M16x55-10.9 Zn |
| 2 | 301 2227 | 1 | Flachrundschaube | Saucer-head screw | M16x60-10.9 Zn |
| 3 | 301 2242 | 1 | Flachrundschaube | Saucer-head screw | M16x65-10.9 Zn |
| 4 | 301 2261 | 1 | Flachrundschaube | Saucer-head screw | M16x70-10.9 Zn |
| 5 | 301 2279 | 1 | Flachrundschaube | Saucer-head screw | M16x75-10.9 Zn |
| 6 | 301 2292 | 1 | Flachrundschaube | Saucer-head screw | M16x80-10.9 Zn |
| 7 | 301 2312 | 1 | Flachrundschaube | Saucer-head screw | M16x100-10.9 Zn |
| 8 | 301 5740 | 1 | Senkschraube | Countersunk bolt | M16x80-10.9 Zn |
| 9 | 301 5741 | 1 | Senkschraube | Countersunk bolt | M16x105-10.9 Zn |
| 10 | 301 5747 | 1 | Senkschraube | Countersunk bolt | M20x70x8,5-12.9 Zn |
| 11 | 301 5750 | 1 | Senkschraube | Countersunk bolt | M20x80x8,5-12.9 Zn |
| 12 | 301 5753 | 1 | Senkschraube | Countersunk bolt | M20x100x8,5-12.9 Zn |
| 13 | 303 0935 | 1 | Sicherungsmutter | Selflocking nut | NM16-8 Zn DIN985 |
| 14 | 303 0936 | 1 | Sicherungsmutter | Selflocking nut | NM20-8 Zn DIN985 |
| 15 | 301 5739 | 1 | Senkschraube | Countersunk bolt | M16x65-10.9 Zn |
| 16 | 469 1896 | 1 | Keil | Wedge | 80x200-2 GRD |
| 17 | 469 1899 | 1 | Keil | Wedge | 80x200 4GRD Zn |
| 18 | 469 1900 | 1 | Keil | Wedge | 70x210-6 GRD |
| 19 | 340 1480 | 1 | Rumpfschoner | Frog-protector | SCR11 RE 130x114 |
| 20 | 340 1481 | 1 | Rumpfschoner | Frog-protector | SCR11 LI 130x114 |
| 21 | 469 5480 | 1 | Verstärkung | Strengthening | 40x10x260+D12,25+D20,25 gekr. |



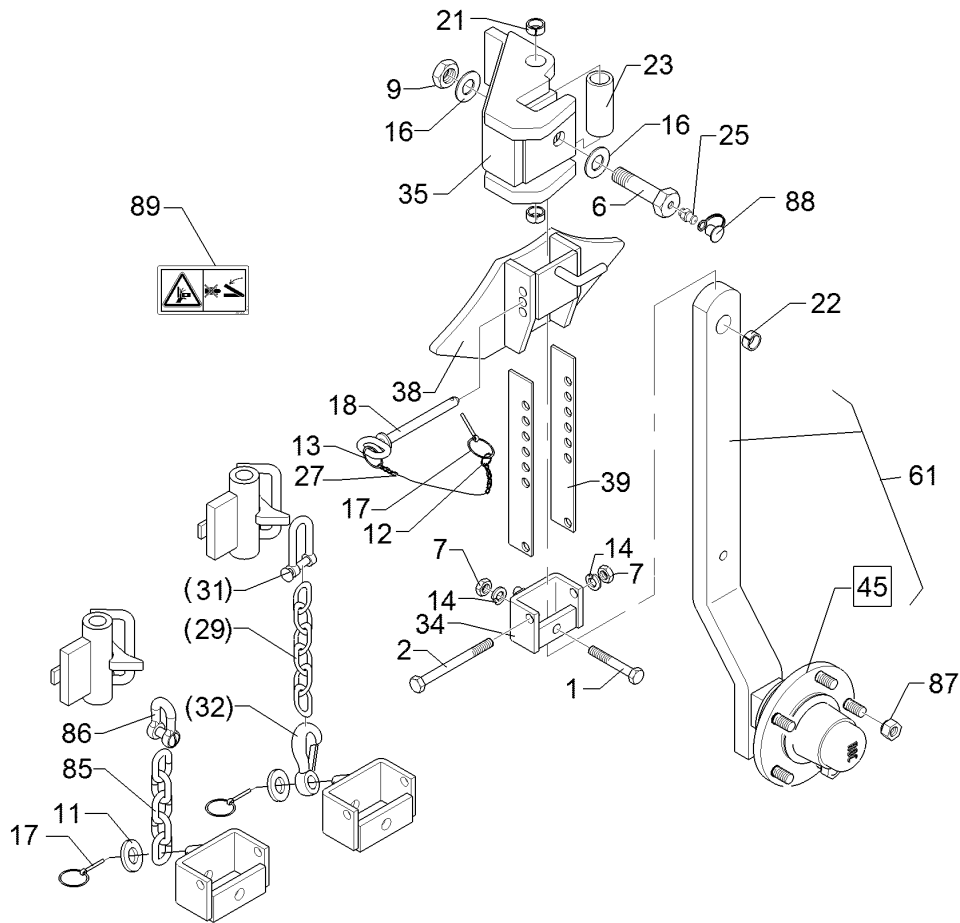
01.18

| Pos. | Art.Nr. | Stck. | Artikeltext / Description | | Abmessung |
|------|----------|-------|---------------------------|------------------|--------------------------------|
| 22 | 301 5785 | 1 | Senkschraube | Countersunk bolt | M12x33-12.9-MU-10 Zn |
| 23 | 305 6012 | 1 | Scheibe | Washer | 21 ISO7089 Zn |
| 24 | 301 5794 | 1 | Senkschraube | Countersunk bolt | M12x45-12.9-MU-10 DIN608 Zn |
| 25 | 305 6167 | 1 | Scheibe | Washer | 13/35x5 Zn DIN 6340 |
| 26 | 469 5478 | 1 | Verstärkung | Strengthening | 40x10x320 TK16 |



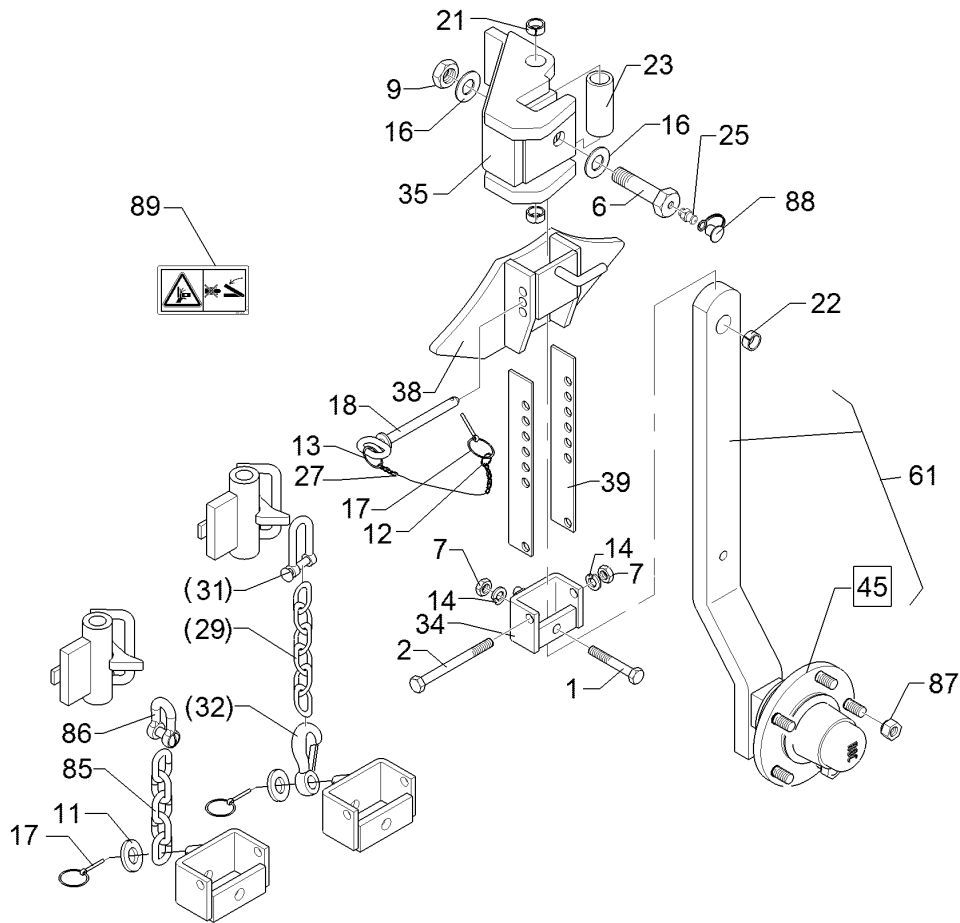
01.18

| Pos. | Art.Nr. | Stck. | Artikeltext / Description | | Abmessung |
|------|----------|-------|---------------------------|--------------------|---------------------------------|
| 1 | 301 3391 | 1 | Sechskantschraube spz. | Hexagon bolt | M12x60-10.9 Zn |
| 2 | 301 3462 | 1 | Sechskantschraube | Hexagon bolt | M12x100-8.8 Zn DIN931-A |
| 6 | 301 4604 | 1 | Sechskantschraube | Hexagon bolt | M20x75 MSB Zn |
| 7 | 303 1013 | 2 | Sechskantmutter | Hexagon nut | M12 DIN934-8 Zn |
| 9 | 303 0978 | 1 | Sechskantmutter | Hexagon nut | M20 DIN934-8 Zn |
| 11 | 305 6141 | 1 | Scheibe | Washer | 17/30x3 DIN/ISO-7089 |
| 12 | 305 8545 | 1 | Sicherungsring | Retaining ring | 3x30-35x1,25 Zn |
| 13 | 305 8551 | 1 | Sicherungsring | Retaining ring | Di41x3 A2 |
| 14 | 305 8580 | 2 | Scheibe | Washer | 13/24x2,5 St-Zn DIN125 |
| 16 | 305 6012 | 2 | Scheibe | Washer | 21 ISO7089 Zn |
| 17 | 311 9565 | 2 | Klappstift | Securing pin | 4,5 |
| 18 | 313 8137 | 1 | Bolzen mit Griff | Pin with grip | D12x103,5/118 Zn |
| 21 | 317 3358 | 2 | Einspannbuchse DIN 1498 | Expansion bush | EG20/26x16 |
| 22 | 317 3394 | 1 | Einspannbuchse | Expansion bush | EG20/26x25-DIN1498 |
| 23 | 317 6664 | 1 | Röhrchen | Tube | 33,7x4,5x79 Zn |
| 25 | 323 6348 | 1 | Schmiernippel | Grease nipple | AM10x1 DIN71412 |
| 27 | 331 6130 | 1 | Knotenkette | Knotted-link chain | D2x150 |
| 29 | 331 6246 | 1 | Kette | Chain | G8x32 DIN5685 6GL 21MN4 Zn-V |
| 31 | 331 8381 | 1 | Kettenschäkel hochfest | Chain shackle | 8x13x27 LA0302 |
| 32 | 331 9012 | 1 | Haken | Hook | D16x90 |
| 34 | 448 2599 | 1 | Halter mit Zapfen | Holder with pivot | 27x71 |



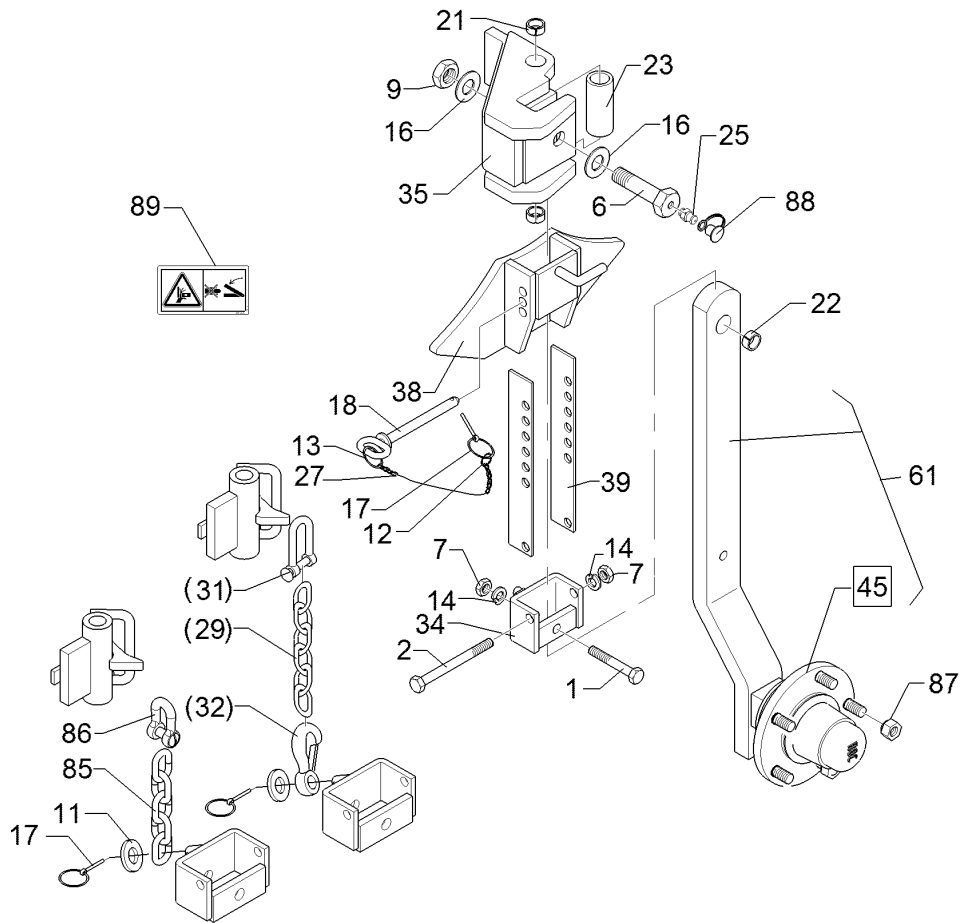
01.18

| Pos. | Art.Nr. | Stck. | Artikeltext / Description | Abmessung | |
|------|----------|-------|---------------------------|----------------|----------------------------|
| 35 | 448 2601 | 1 | Kreuzgelenk | Cross union | D20x119 E7 |
| 38 | 448 2602 | 1 | Anschlag | Stop | 70x42 E7 |
| 39 | 448 2607 | 2 | Verstelleiste | Adjuster plate | 40x4x270 7xD13 |
| 45 | 549 8893 | 1 | Lagerung | Bearing | 5/93,5/140 M14 50x50 |
| 61 | 548 2608 | 1 | Radhalm | Wheel stalk | 60x25x735/615 Pendelrad |
| 85 | 331 6277 | 1 | Kette | Chain | G10x50 5 Gl. DIN 5685 |
| 86 | 331 8406 | 1 | Schäkel | Shackle | B 0,6 DIN 82101 Zn |
| 87 | 303 6413 | 5 | Kugelbundmutter | Wheel nut | M14x1,5-8 Zn DIN74361 |
| 88 | 323 6401 | 2 | Schutzkappe | Cap | M6-M10 |
| 89 | 390 0506 | 1 | Aufkleber Warnbildzeichen | Warning Label | Quetschgefahr QF |



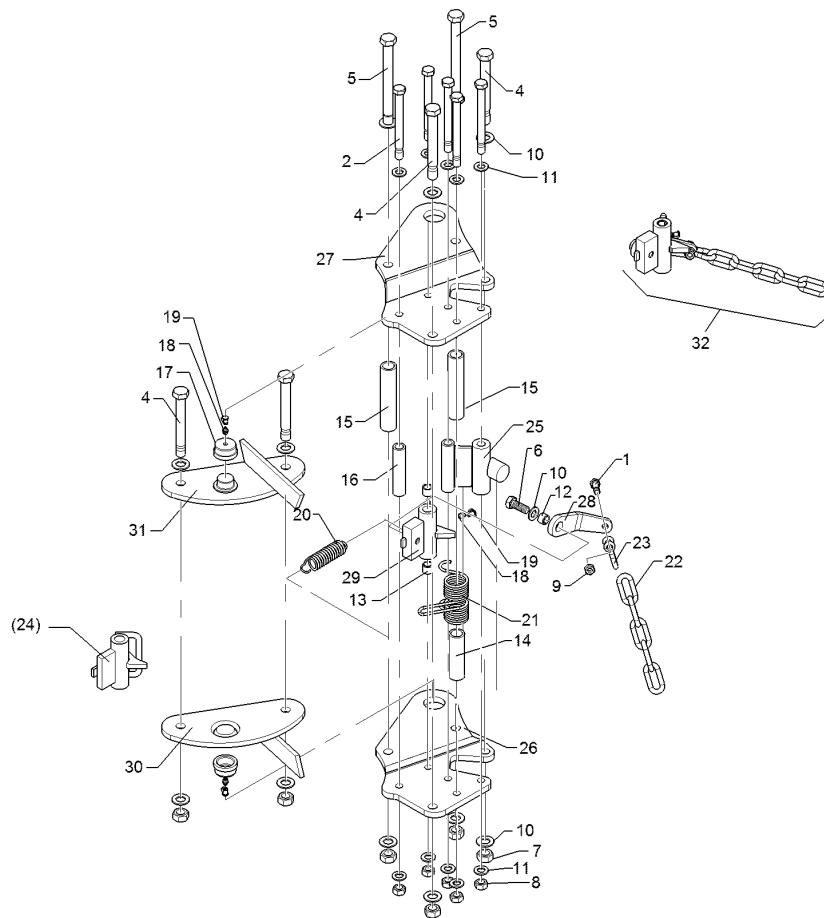
01.18

| Pos. | Art.Nr. | Stck. | Artikeltext / Description | | Abmessung |
|------|----------|-------|---------------------------|--------------------|---------------------------------|
| 1 | 301 3391 | 1 | Sechskantschraube spz. | Hexagon bolt | M12x60-10.9 Zn |
| 2 | 301 3462 | 1 | Sechskantschraube | Hexagon bolt | M12x100-8.8 Zn DIN931-A |
| 6 | 301 4604 | 1 | Sechskantschraube | Hexagon bolt | M20x75 MSB Zn |
| 7 | 303 1013 | 2 | Sechskantmutter | Hexagon nut | M12 DIN934-8 Zn |
| 9 | 303 0978 | 1 | Sechskantmutter | Hexagon nut | M20 DIN934-8 Zn |
| 11 | 305 6141 | 1 | Scheibe | Washer | 17/30x3 DIN/ISO-7089 |
| 12 | 305 8545 | 1 | Sicherungsring | Retaining ring | 3x30-35x1,25 Zn |
| 13 | 305 8551 | 1 | Sicherungsring | Retaining ring | Di41x3 A2 |
| 14 | 305 8580 | 2 | Scheibe | Washer | 13/24x2,5 St-Zn DIN125 |
| 16 | 305 6012 | 2 | Scheibe | Washer | 21 ISO7089 Zn |
| 17 | 311 9565 | 2 | Klappstift | Securing pin | 4,5 |
| 18 | 313 8137 | 1 | Bolzen mit Griff | Pin with grip | D12x103,5/118 Zn |
| 21 | 317 3358 | 2 | Einspannbuchse DIN 1498 | Expansion bush | EG20/26x16 |
| 22 | 317 3394 | 1 | Einspannbuchse | Expansion bush | EG20/26x25-DIN1498 |
| 23 | 317 6664 | 1 | Röhrchen | Tube | 33,7x4,5x79 Zn |
| 25 | 323 6348 | 1 | Schmiernippel | Grease nipple | AM10x1 DIN71412 |
| 27 | 331 6130 | 1 | Knotenkette | Knotted-link chain | D2x150 |
| 29 | 331 6246 | 1 | Kette | Chain | G8x32 DIN5685 6GL 21MN4 Zn-V |
| 31 | 331 8381 | 1 | Kettenschäkel hochfest | Chain shackle | 8x13x27 LA0302 |
| 32 | 331 9012 | 1 | Haken | Hook | D16x90 |
| 34 | 448 2599 | 1 | Halter mit Zapfen | Holder with pivot | 27x71 |



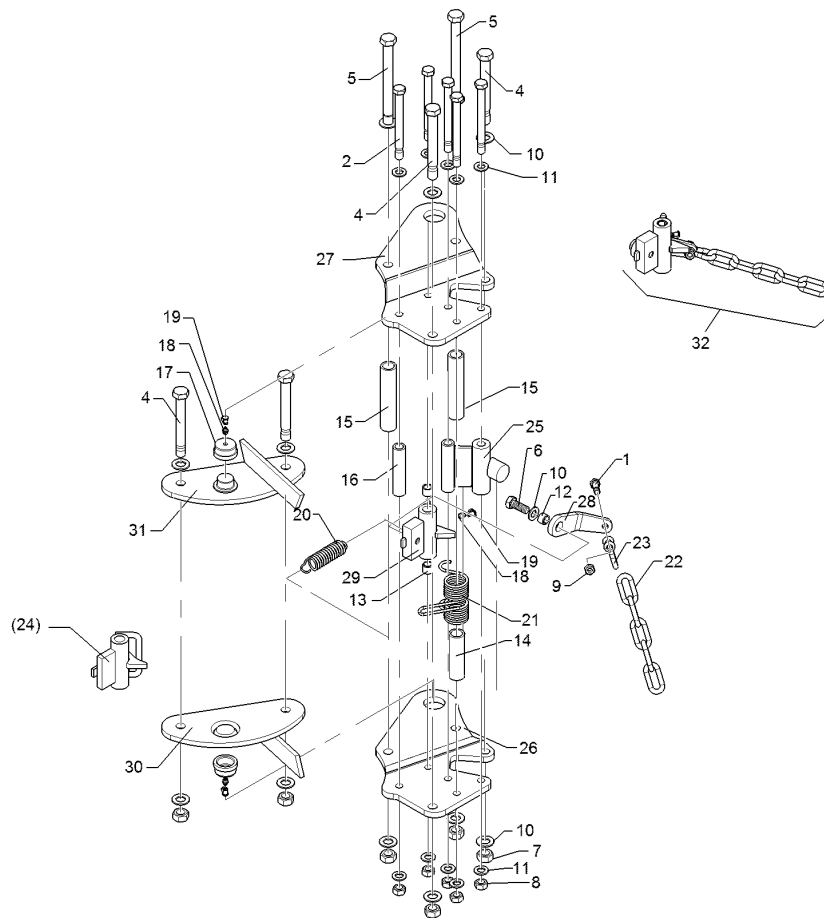
01.18

| Pos. | Art.Nr. | Stck. | Artikeltext / Description | Abmessung | |
|------|----------|-------|---------------------------|----------------|----------------------------|
| 35 | 448 2601 | 1 | Kreuzgelenk | Cross union | D20x119 E7 |
| 38 | 448 2602 | 1 | Anschlag | Stop | 70x42 E7 |
| 39 | 448 2607 | 2 | Verstelleiste | Adjuster plate | 40x4x270 7xD13 |
| 45 | 549 8893 | 1 | Lagerung | Bearing | 5/93,5/140 M14 50x50 |
| 61 | 548 2607 | 1 | Radhalm | Wheel stalk | 60x25x675/550 Pendelrad |
| 85 | 331 6277 | 1 | Kette | Chain | G10x50 5 Gl. DIN 5685 |
| 86 | 331 8406 | 1 | Schäkel | Shackle | B 0,6 DIN 82101 Zn |
| 87 | 303 6413 | 5 | Kugelbundmutter | Wheel nut | M14x1,5-8 Zn DIN74361 |
| 88 | 323 6401 | 2 | Schutzkappe | Cap | M6-M10 |
| 89 | 390 0506 | 1 | Aufkleber Warnbildzeichen | Warning Label | Quetschgefahr QF |



01.18

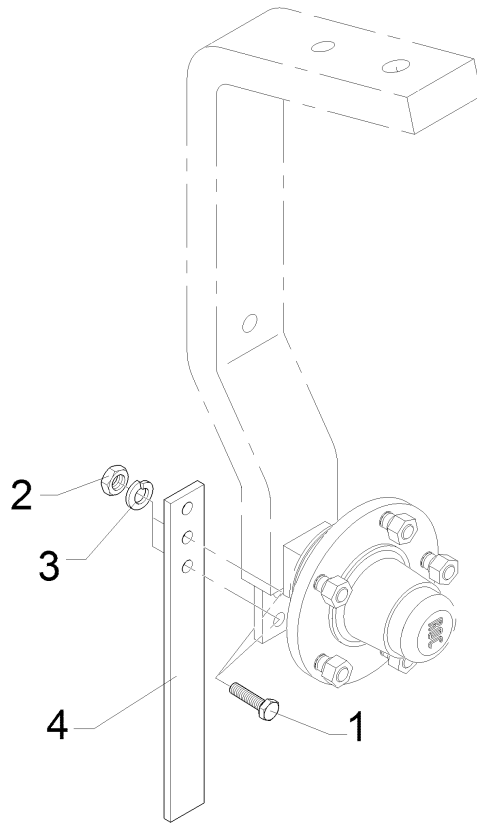
| Pos. | Art.Nr. | Stck. | Artikeltext / Description | | Abmessung |
|------|----------|-------|---------------------------|----------------|--------------------------------|
| 1 | 301 3367 | 1 | Sechskantschraube spz. | Hexagon bolt | M12x45-8.8 Zn |
| 2 | 301 4121 | 5 | Sechskantschraube | Hexagon bolt | M16x1,5x172s150xb19-10.9 Zn |
| 4 | 301 4523 | 4 | Sechskantschraube spezial | Hexagon bolt | M20x1,5x170s144xb23-10.9 Zn |
| 5 | 301 4549 | 2 | Sechskantschraube spezial | Hexagon bolt | M20x1,5x210-10.9 Zn |
| 6 | 301 5404 | 1 | Sechskantschraube | Hexagon bolt | M16x40-8.8 Zn |
| 7 | 303 0977 | 6 | Sechskantmutter | Hexagon nut | DIN933 M20x1,5 DIN934-10 Zn |
| 8 | 303 0990 | 5 | Sechskantmutter | Hexagon nut | M16x1,5 DIN934-10 Zn |
| 9 | 303 1013 | 1 | Sechskantmutter | Hexagon nut | M12 DIN934-8 Zn |
| 10 | 305 6012 | 12 | Scheibe | Washer | 21 ISO7089 Zn |
| 11 | 305 6141 | 11 | Scheibe | Washer | 17/30x3 DIN/ISO-7089 |
| 12 | 317 3334 | 1 | Einspannbuchse | Expansion bush | EG16/22x14-DIN1498 |
| 13 | 317 3336 | 2 | Einspannbuchse | Expansion bush | EG16/22x18-DIN1498 |
| 14 | 317 6660 | 1 | Röhrchen | Tube | 33,7x4,5x110 Zn |
| 15 | 317 6670 | 2 | Röhrchen | Tube | 33,7x4,5x158 Zn |
| 16 | 317 6859 | 1 | Röhrchen | Tube | D26,9x4,5x119,3 Zn |
| 17 | 317 9309 | 2 | Bundbuchse | Flange bushing | D50/44,8/35x28 |
| 18 | 323 6348 | 3 | Schmiernippel | Grease nipple | M10x1 Zn AM10x1 DIN71412 |
| 19 | 323 6401 | 3 | Schutzkappe | Cap | M6-M10 |
| 20 | 329 8496 | 1 | Zugfeder | Spring | 2,8x27,2x91 D35/12 |



01.18

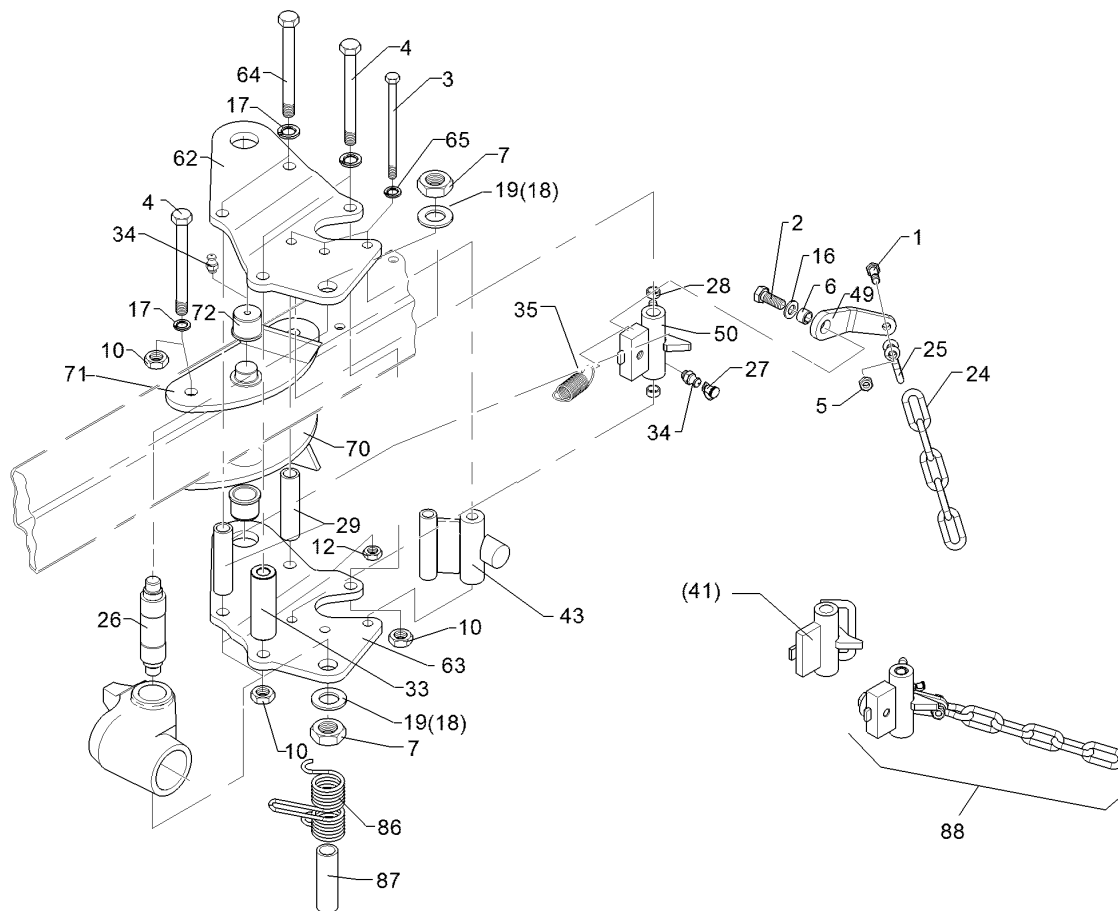
| Pos. | Art.Nr. | Stck. | Artikeltext / Description | | Abmessung |
|------|----------|-------|---------------------------|----------------|---|
| 21 | 329 9041 | 1 | Drehfeder | Torsion spring | d=5,5 Dm=46 |
| 22 | 331 6277 | 1 | Kette | Chain | 2-Schenkel Zn G10x50 5 Gl. DIN 5685 |
| 23 | 331 8380 | 1 | Malotte ohne Gewinde | Shackle | D13 |
| 24 | 448 2598 | 1 | Verriegelung mit Bügel | Locking device | D38/22x117,5 |
| 25 | 448 2605 | 1 | Anschlag | Stop | 60x30 2xD16x119 |
| 26 | 448 2620 | 1 | Platte | Plate | 14x366x372 E8 GEK20 RE |
| 27 | 448 2621 | 1 | Platte | Plate | 14x366x372 E8 GEK20 LI |
| 28 | 44810015 | 1 | Hebel | Lever | 12x46x163 GEB45° D23 D13 V |
| 29 | 44810016 | 1 | Verriegelung | Locking device | D38/22x117,5 |
| 30 | 449 1970 | 1 | Lagerplatte | Bearing plate | VariOpal RE |
| 31 | 449 1971 | 1 | Lagerplatte | Bearing plate | VariOpal LI |
| 32 | 54810007 | 1 | Montagesatz | Mounting set | Stützrad |

| | |
|-------------------------------|-----------------|
| Abstreifer/Scraper | 12 |
| VariOpal 7X / 7 HydriX | 549 1220 |



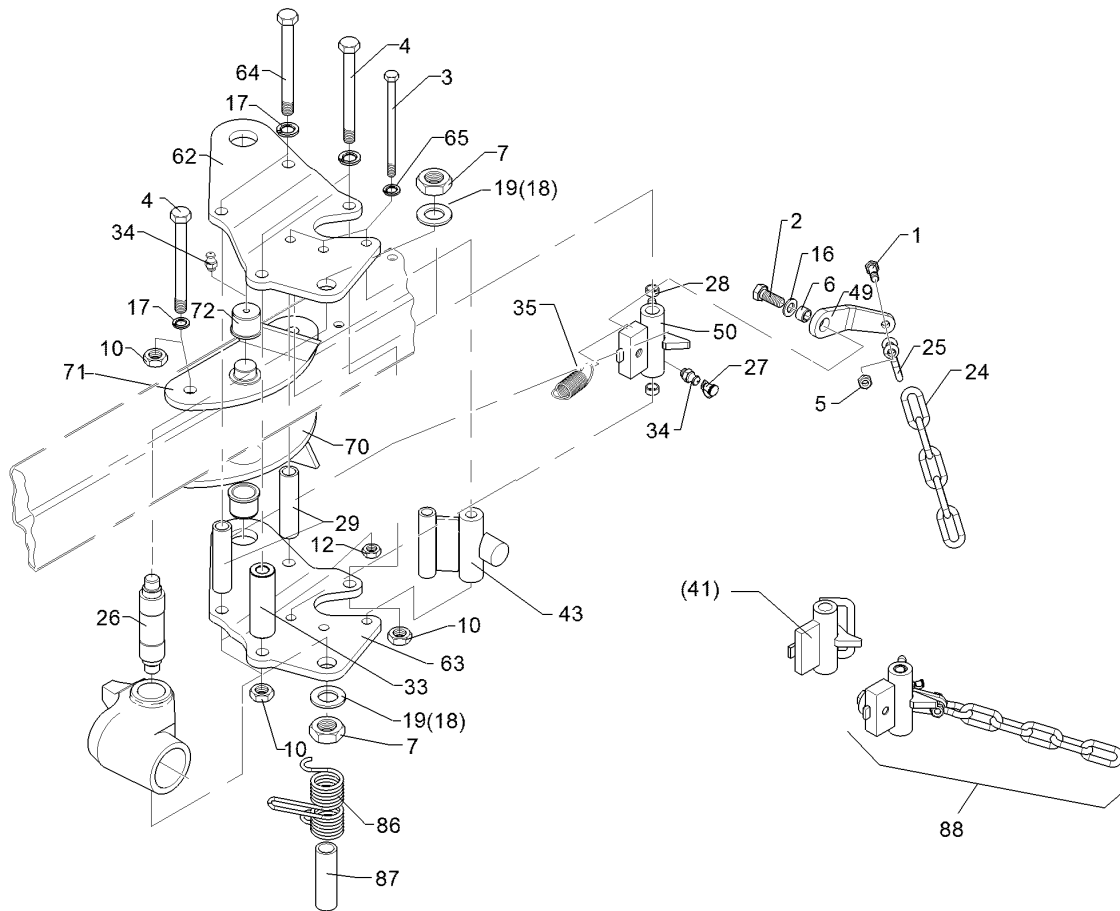
01.18

| Pos. | Art.Nr. | Stck. | Artikeltext / Description | | Abmessung |
|------|----------|-------|---------------------------|--------------|---------------------------|
| 1 | 301 7334 | 2 | Sechskantschraube | Hexagon bolt | M12x35-8.8 Zn DIN933 |
| 2 | 303 1013 | 2 | Sechskantmutter | Hexagon nut | M12 DIN934-8 Zn |
| 3 | 305 8580 | 2 | Scheibe | Washer | 13/24x2,5 St-Zn DIN125 |
| 4 | 449 1642 | 1 | Abstreifer | Scraper | 40x8x330 3xD12 |



01.18

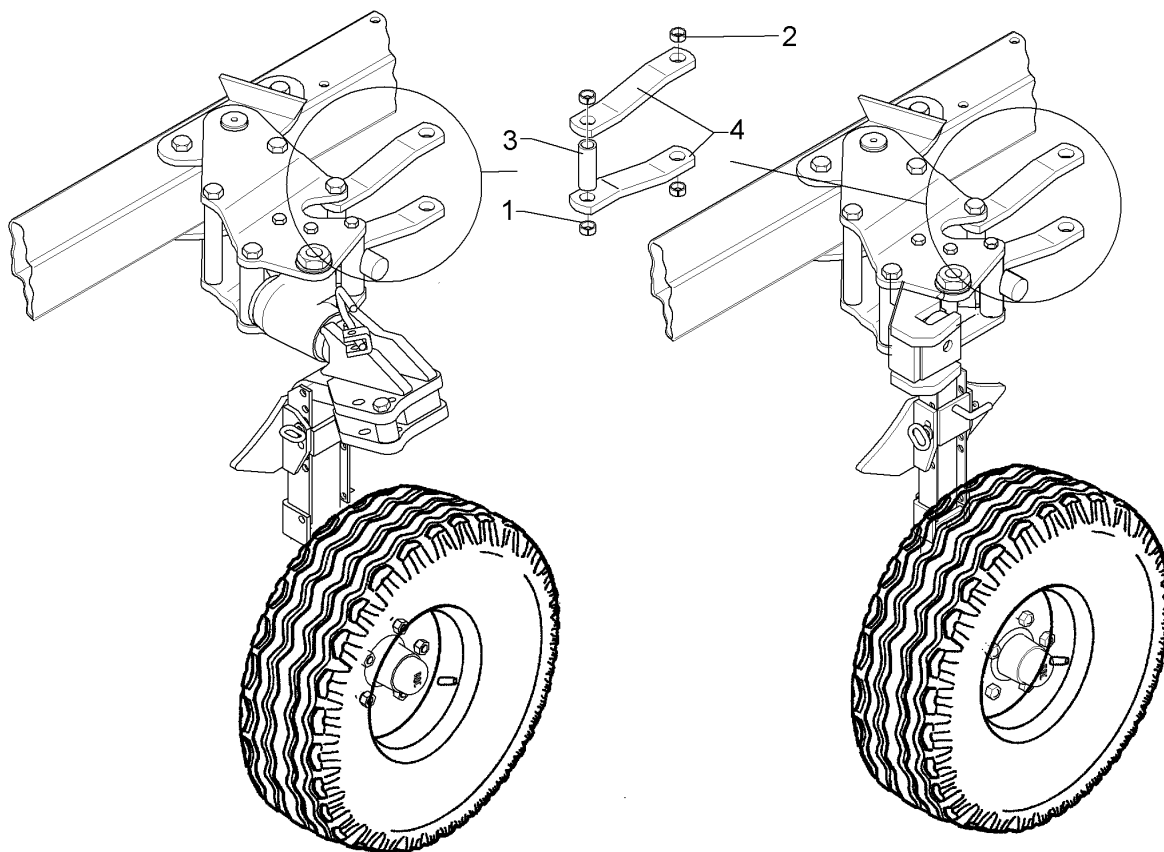
| Pos. | Art.Nr. | Stck. | Artikeltext / Description | | Abmessung |
|------|----------|-------|---------------------------|-------------------|---------------------------------|
| 1 | 301 3367 | 1 | Sechskantschraube spz. | Hexagon bolt | M12x45-8.8 Zn |
| 2 | 301 5404 | 1 | Sechskantschraube | Hexagon bolt | M16x40-8.8 Zn DIN933 |
| 3 | 301 4121 | 3 | Sechskantschraube | Hexagon bolt | M16x1,5x172ls150xb19-10.9 Zn |
| 4 | 301 4523 | 4 | Sechskantschraube spezial | Hexagon bolt | M20x1,5x170ls144xb23-10.9 Zn |
| 5 | 303 1013 | 1 | Sechskantmutter | Hexagon nut | M12 DIN934-8 Zn |
| 6 | 317 3334 | 1 | Einspannbuchse | Expansion bush | EG16/22x14-DIN1498 |
| 7 | 303 0956 | 2 | Sechskantmutter | Hexagon nut | BM24x1,5 Zn DIN439-8 |
| 10 | 303 0977 | 6 | Sechskantmutter | Hexagon nut | M20x1,5 DIN934-10 Zn |
| 12 | 303 0990 | 3 | Sechskantmutter | Hexagon nut | M16x1,5 DIN934-10 Zn |
| 13 | 305 6141 | 7 | Scheibe | Washer | 17/30x3 DIN/ISO-7089 |
| 17 | 305 6012 | 12 | Scheibe | Washer | 21 ISO7089 Zn |
| 18 | 305 2230 | 2 | Stützscheibe | Supporting washer | S 25x35x2,0 DIN988 Zn |
| 19 | 305 6254 | 2 | Scheibe | Washer | D25/44x4 Zn ISO7089 |
| 24 | 331 6277 | 1 | Kette | Chain | G10x50 5 Gl. DIN 5685 |
| 25 | 331 8380 | 1 | Malotte ohne Gewinde | Shackle | D13 |
| 26 | 313 4018 | 1 | Bolzen | Pin | D40/30/M24x1,5x185 |
| 27 | 323 6401 | 5 | Schutzkappe | Cap | M10x1 M6-M10 |



01.18

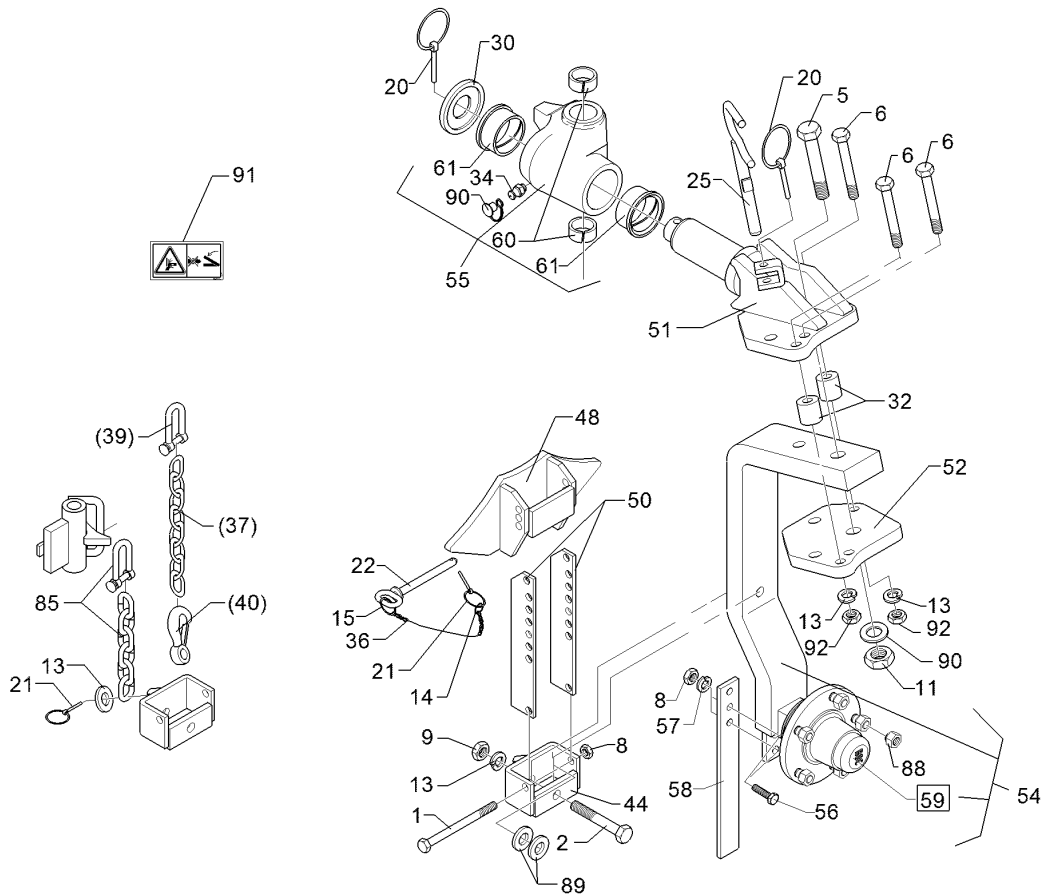
| Pos. | Art.Nr. | Stck. | Artikeltext / Description | Abmessung | |
|------|----------|-------|---------------------------|----------------|-------------------------------|
| 28 | 317 3336 | 2 | Einspannbuchse | Expansion bush | EG16/22x18-DIN1498 |
| 29 | 317 6670 | 2 | Röhrchen | Tube | 33,7x4,5x158 Zn |
| 33 | 317 7510 | 1 | Distanzbuchse | Distance bush | D40/20,2x120 Zn |
| 34 | 323 6348 | 5 | Schmiernippel | Grease nipple | AM10x1 DIN71412 |
| 35 | 329 8496 | 1 | Zugfeder | Spring | 2,8x27,2x91 D35/12 |
| 41 | 448 2598 | 1 | Verriegelung mit Bügel | Locking device | D38/22x117,5 |
| 43 | 448 2605 | 1 | Anschlag | Stop | 60x30 2xD16x119 |
| 49 | 44810015 | 1 | Hebel | Lever | 12x46x163 GEB45° D23 D13 V |
| 50 | 44810016 | 1 | Verriegelung | Locking device | D38/22x117,5 |
| 62 | 449 5770 | 1 | Lagerplatte | Bearing plate | V7 GEK20 RE |
| 63 | 449 5771 | 1 | Lagerplatte | Bearing plate | V7 GEK20 LI |
| 64 | 301 4549 | 2 | Sechskantschraube spezial | Hexagon bolt | M20x1,5x210-10.9 Zn |
| 70 | 449 1970 | 1 | Lagerplatte | Bearing plate | VariOpal RE |
| 71 | 449 1971 | 1 | Lagerplatte | Bearing plate | VariOpal LI |
| 72 | 317 9309 | 2 | Bundbuchse | Flange bushing | D50/44,8/35x28 M10x1 Zn |
| 86 | 329 9041 | 1 | Drehfeder | Torsion spring | d=5,5 Dm=46 2-Schenkel Zn |
| 87 | 317 6660 | 1 | Röhrchen | Tube | 33,7x4,5x110 Zn |
| 88 | 54810007 | 1 | Montagesatz | Mounting set | Stützrad |

| | |
|--------------------------|----------|
| Steuerstange/Control rod | 12 |
| VariOpal 7X / 7 HydriX | 549 1710 |



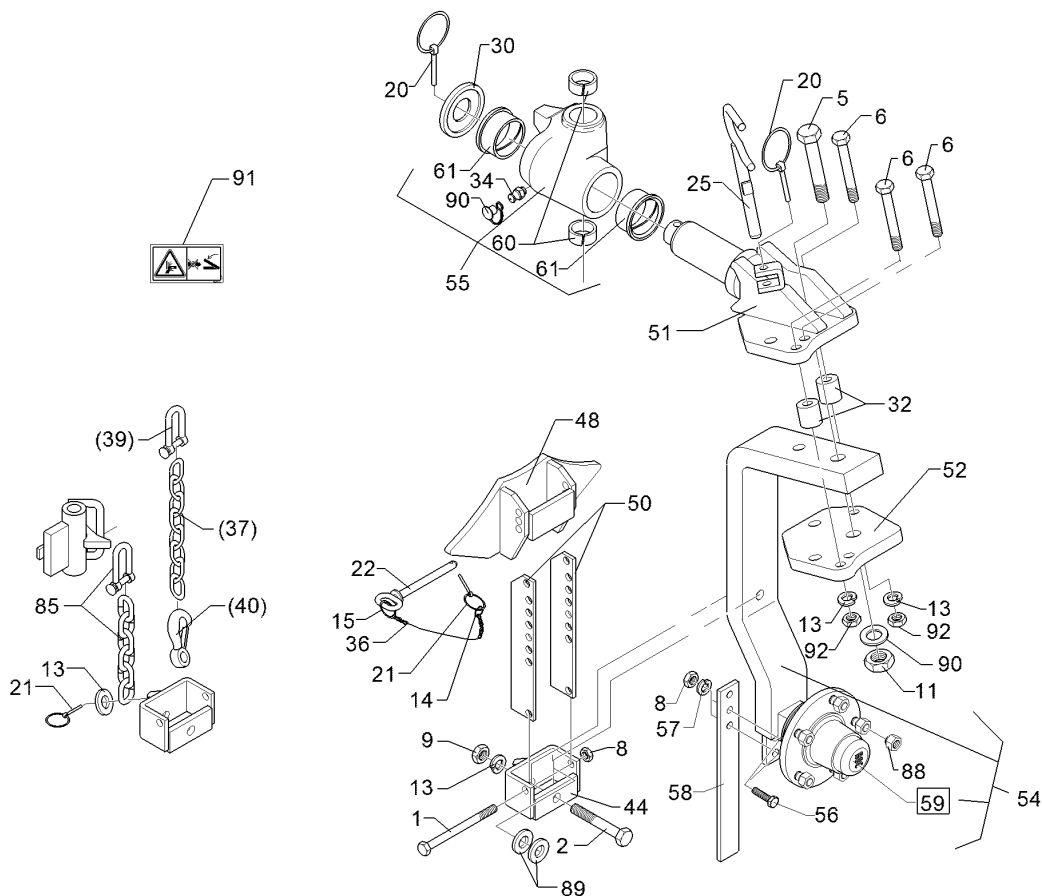
01.18

| Pos. | Art.Nr. | Stck. | Artikeltext / Description | | Abmessung |
|------|----------|-------|------------------------------|----------------|--------------------------------|
| 1 | 317 3338 | 2 | Einspannbuchse mit Presssitz | Expansion bush | EG20/26x16 |
| 2 | 317 3337 | 2 | Einspannbuchse | Expansion bush | EG28/32x15 |
| 3 | 317 6673 | 1 | Röhrchen | Tube | Presssitz 33,7x4,5x87 |
| 4 | 449 1710 | 2 | Steuerstange | Control rod | 50x15x455 1x403-D26/D32 VO7 |



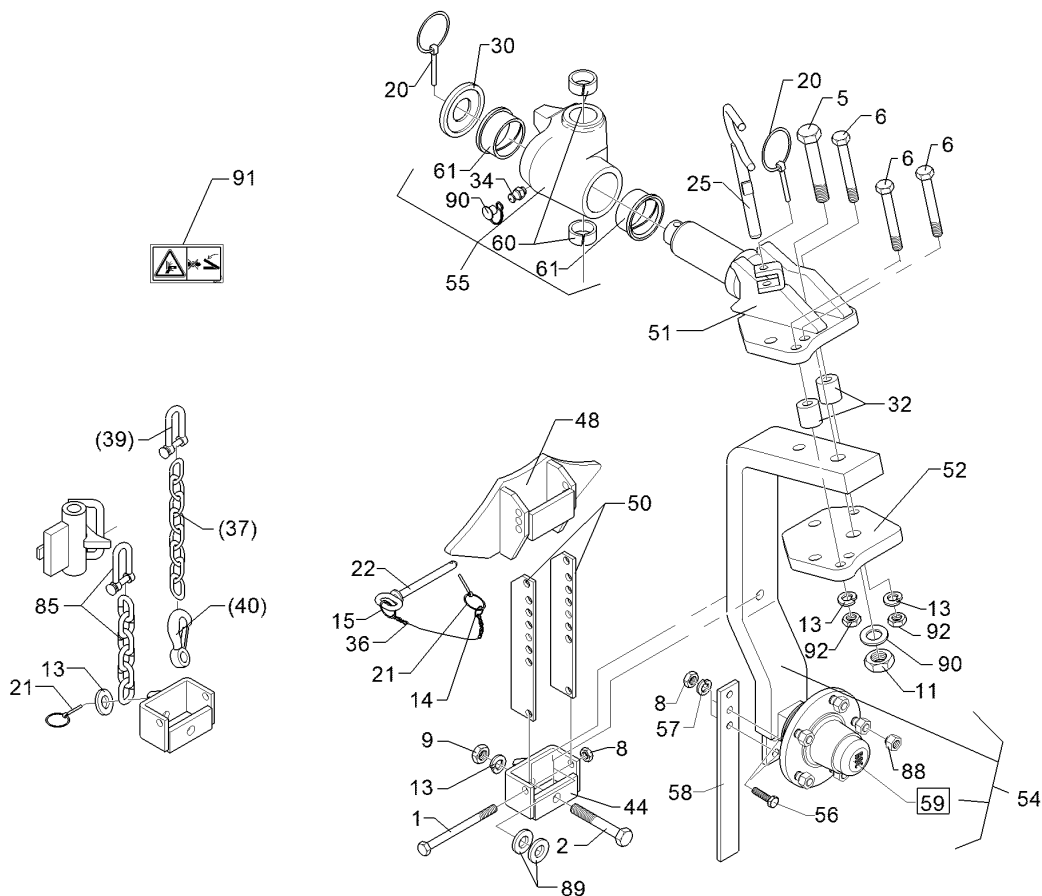
01.18

| Pos. | Art.Nr. | Stck. | Artikeltext / Description | | Abmessung |
|------|----------|-------|---------------------------|--------------------|--|
| 1 | 301 3498 | 1 | Sechskantschraube | Hexagon bolt | M12x120-8.8 Zn |
| 2 | 301 3918 | 1 | Sechskantschraube | Hexagon bolt | DIN931-A M16x80-8.8 Zn |
| 5 | 301 4661 | 1 | Sechskantschraube spz. | Hexagon bolt | DIN931-A M24x100ls70xb25-10.9 Zn |
| 6 | 301 3994 | 3 | Sechskantschraube spz. | Hexagon bolt | M16x100-12.9 Zn |
| 8 | 303 1013 | 3 | Sechskantmutter | Hexagon nut | M12 DIN934-8 Zn |
| 9 | 303 1015 | 1 | Sechskantmutter | Hexagon nut | M16 DIN934-8 Zn |
| 11 | 303 1019 | 1 | Sechskantmutter | Hexagon nut | M24 DIN934-8 Zn |
| 13 | 305 6141 | 5 | Scheibe | Washer | 17/30x3 DIN/ISO-7089 |
| 14 | 305 8545 | 1 | Sicherungsring | Retaining ring | 3x30-35x1,25 Zn |
| 15 | 305 8551 | 1 | Sicherungsring | Retaining ring | Di41x3 A2 |
| 20 | 311 9302 | 2 | Klappstift | Securing pin | 12x60 |
| 21 | 311 9565 | 2 | Klappstift | Securing pin | 4,5 |
| 22 | 313 1213 | 1 | Bolzen mit Griff | Pin with grip | D12x118,5/131 D5 Zn |
| 25 | 313 1815 | 1 | Bolzen mit Griff | Pin with grip | D18x165 Zn |
| 30 | 317 6907 | 1 | Stellingring | Adjusting ring | D88/40,5x20 Zn |
| 32 | 317 7504 | 2 | Buchse | Bush | D35/16x35,5 |
| 36 | 331 6130 | 1 | Knotenkette | Knotted-link chain | D2x150 |
| 37 | 331 6246 | 1 | Kette | Chain | G8x32 DIN5685 6GL 21MN4 Zn-V |
| 39 | 331 8381 | 1 | Kettenschäkel hochfest | Chain shackle | 8x13x27 LA0302 |
| 40 | 331 9012 | 1 | Haken | Hook | D16x90 |



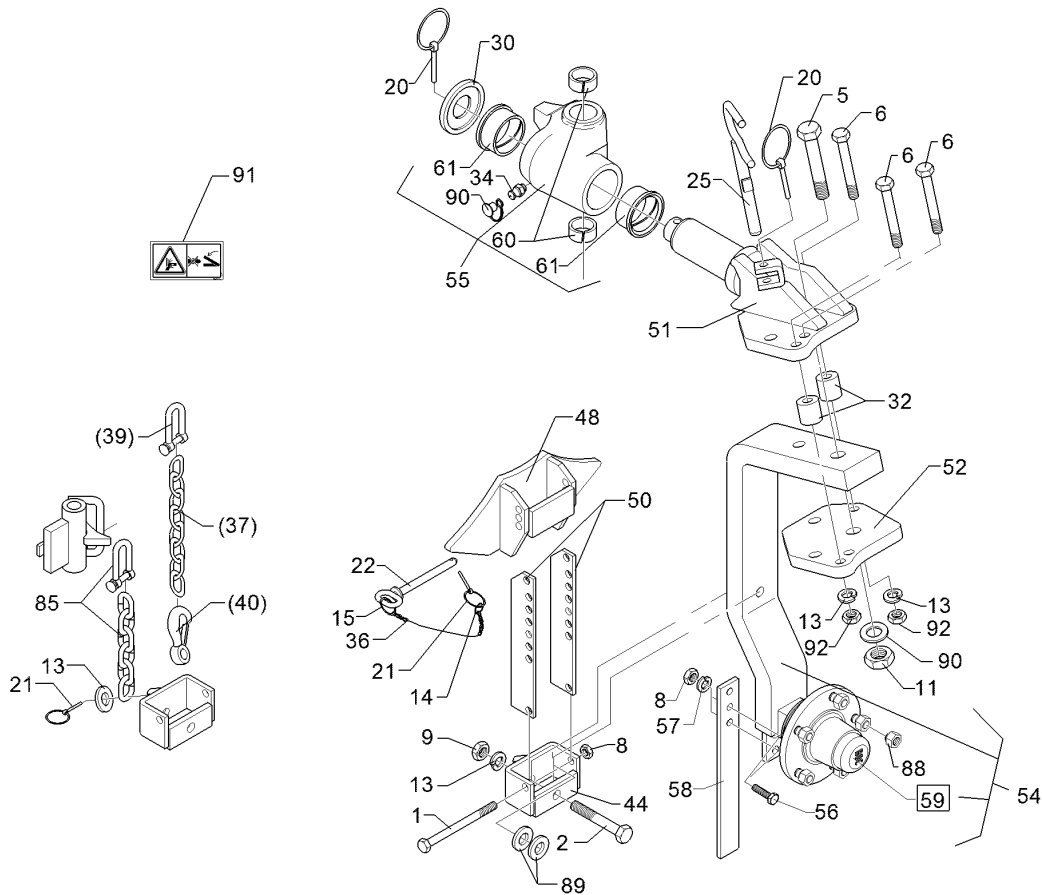
01.18

| Pos. | Art.Nr. | Stck. | Artikeltext / Description | Abmessung |
|------|----------|-------|------------------------------|-------------------|
| 44 | 449 5745 | 1 | Halter mit Zapfen | Holder with pivot |
| 48 | 449 5755 | 1 | Anschlag | Stop |
| 50 | 449 5757 | 2 | Verstelleiste | Adjuster plate |
| 51 | 449 5758 | 1 | Schwenklager | Swivel bearing |
| 52 | 449 5759 | 1 | Konsolenteil | Part of bracket |
| 54 | 549 1331 | 1 | Radhalm | Wheel stalk |
| 55 | 549 5750 | 1 | Kreuzgelenk | Cross union |
| 56 | 301 7334 | 2 | Sechskantschraube | Hexagon bolt |
| 57 | 305 8580 | 4 | Scheibe | Washer |
| 58 | 449 1642 | 1 | Abstreifer | Scraper |
| 59 | 549 8893 | 1 | Lagerung | Bearing |
| 60 | 317 2005 | 2 | Einspannbuchse mit Presssitz | Expansion bush |
| 61 | 317 9373 | 2 | Bundbuchse | Flange bushing |
| 85 | 331 9891 | 1 | Kette kpl. mit Schäkel | Chain |
| 88 | 303 6413 | 5 | Kugelbundmutter | Wheel nut |
| 89 | 305 6161 | 2 | Scheibe | Washer |
| 90 | 305 6254 | 1 | Scheibe | Washer |
| 91 | 390 0506 | 1 | Aufkleber Warnbildzeichen | Warning Label |
| 92 | 303 0971 | 3 | Sechskantmutter | Hexagon nut |



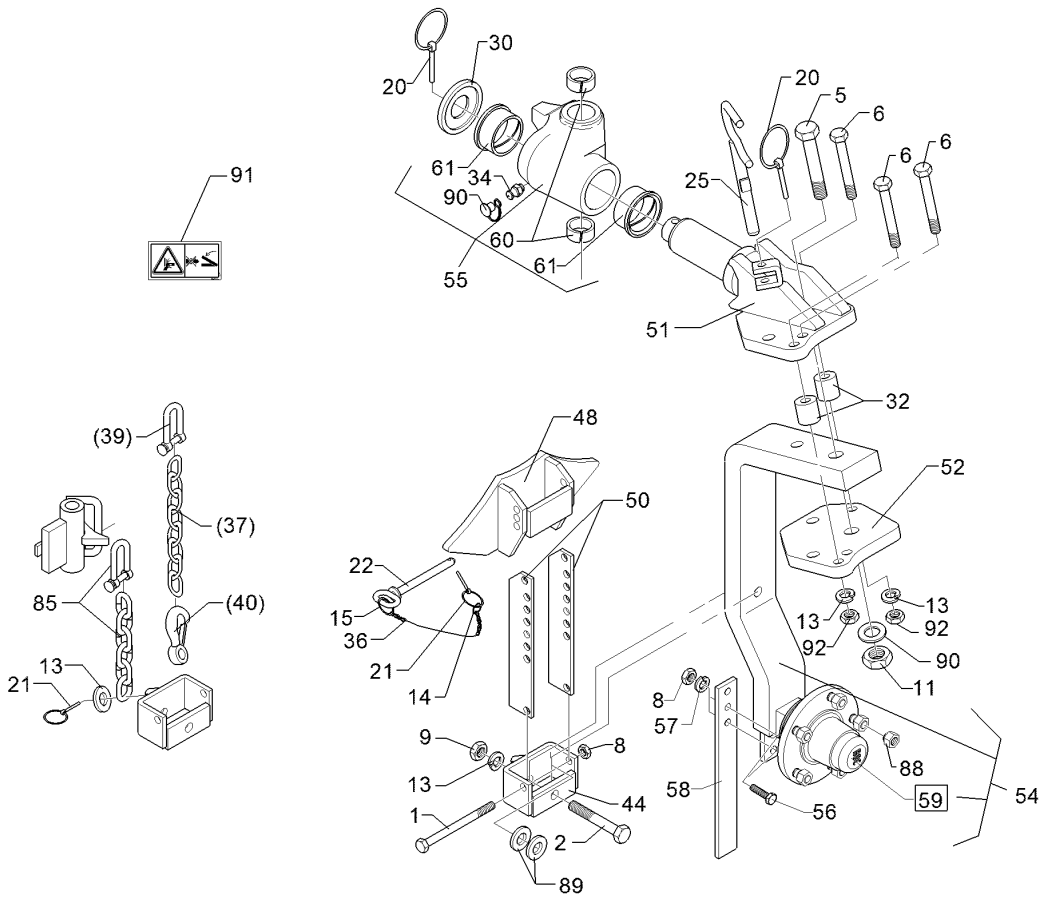
01.18

| Pos. | Art.Nr. | Stck. | Artikeltext / Description | | Abmessung |
|------|----------|-------|---------------------------|--------------------|---------------------------------------|
| 1 | 301 3498 | 1 | Sechskantschraube | Hexagon bolt | M12x120-8.8 Zn |
| 2 | 301 3918 | 1 | Sechskantschraube | Hexagon bolt | DIN931-A M16x80-8.8 Zn |
| 5 | 301 4661 | 1 | Sechskantschraube spz. | Hexagon bolt | DIN931-A M24x100s70xb25-10.9 Zn |
| 6 | 301 3994 | 3 | Sechskantschraube spz. | Hexagon bolt | M16x100-12.9 Zn |
| 8 | 303 1013 | 3 | Sechskantmutter | Hexagon nut | M12 DIN934-8 Zn |
| 9 | 303 1015 | 1 | Sechskantmutter | Hexagon nut | M16 DIN934-8 Zn |
| 11 | 303 1019 | 1 | Sechskantmutter | Hexagon nut | M24 DIN934-8 Zn |
| 14 | 305 8545 | 1 | Sicherungsring | Retaining ring | 3x30-35x1,25 Zn |
| 15 | 305 8551 | 1 | Sicherungsring | Retaining ring | Di41x3 A2 |
| 20 | 311 9302 | 2 | Klappstift | Securing pin | 12x60 |
| 21 | 311 9565 | 2 | Klappstift | Securing pin | 4,5 |
| 22 | 313 1213 | 1 | Bolzen mit Griff | Pin with grip | D12x118,5/131 D5 Zn |
| 25 | 313 1815 | 1 | Bolzen mit Griff | Pin with grip | D18x165 Zn |
| 27 | 305 6141 | 5 | Scheibe | Washer | 17/30x3 DIN/ISO-7089 |
| 30 | 317 6907 | 1 | Stellingring | Adjusting ring | D88/40,5x20 Zn |
| 32 | 317 7504 | 2 | Buchse | Bush | D35/16x35,5 |
| 34 | 323 6348 | 1 | Schmiernippel | Grease nipple | AM10x1 DIN71412 |
| 36 | 331 6130 | 1 | Knotenkette | Knotted-link chain | D2x150 |
| 37 | 331 6246 | 1 | Kette | Chain | G8x32 DIN5685 6GL 21MN4 Zn-V |
| 39 | 331 8381 | 1 | Kettenschäkel hochfest | Chain shackle | 8x13x27 LA0302 |



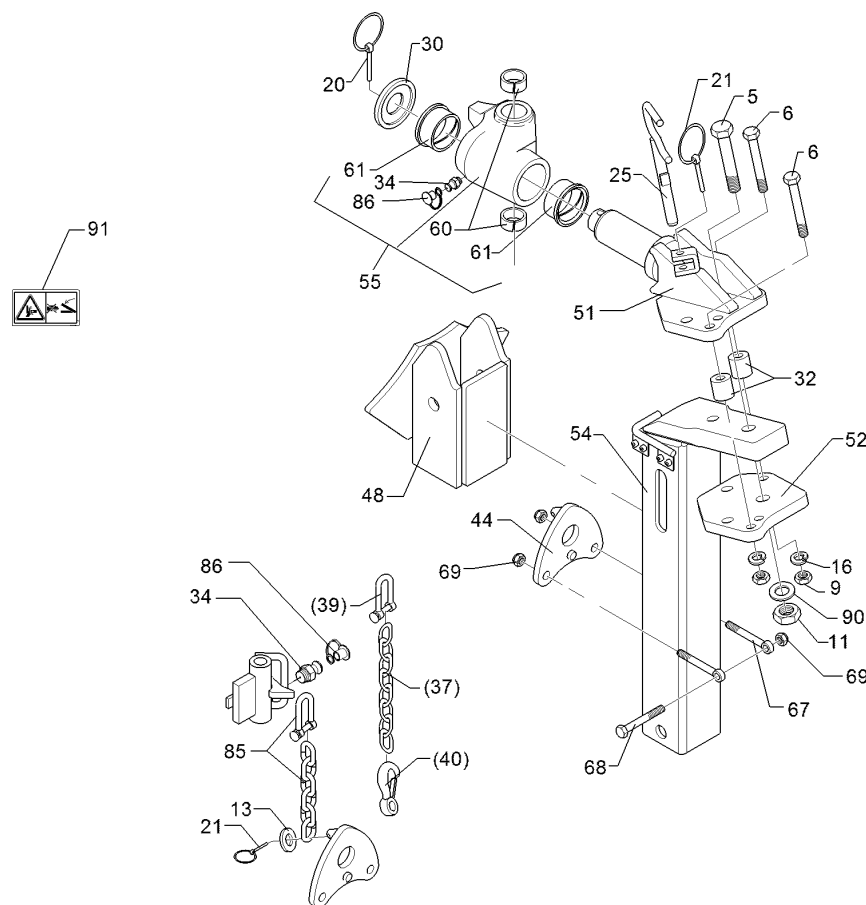
01.18

| Pos. | Art.Nr. | Stck. | Artikeltext / Description | Abmessung | |
|------|----------|-------|------------------------------|-------------------|-----------------------------|
| 40 | 331 9012 | 1 | Haken | Hook | D16x90 |
| 44 | 449 5745 | 1 | Halter mit Zapfen | Holder with pivot | 47x95 UPR |
| 48 | 449 5755 | 1 | Anschlag | Stop | 52x95 UPR |
| 50 | 449 5757 | 2 | Verstelleiste | Adjuster plate | 50x6x270 |
| 51 | 449 5758 | 1 | Schwenklager | Swivel bearing | D60 D20,1 UPR |
| 52 | 449 5759 | 1 | Konsolenteil | Part of bracket | 20x190x210 D20,1 |
| 54 | 549 1342 | 1 | Radhalm | Wheel stalk | 80x35 D20 6/205 UPR |
| 55 | 549 5750 | 1 | Kreuzgelenk | Cross union | D60/44x120 |
| 56 | 301 7334 | 2 | Sechskantschraube | Hexagon bolt | M12x35-8.8 Zn DIN933 |
| 57 | 305 8580 | 4 | Scheibe | Washer | 13/24x2,5 St-Zn DIN125 |
| 58 | 449 1642 | 1 | Abstreifer | Scraper | 40x8x330 3xD12 |
| 59 | 549 8894 | 1 | Lagerung | Bearing | V60-6/160/205/88.5 D18 |
| 60 | 317 2005 | 2 | Einspannbuchse mit Presssitz | Expansion bush | EG40/44x20 |
| 61 | 317 9373 | 2 | Bundbuchse | Flange bushing | D80/66/60x45 |
| 85 | 331 9891 | 1 | Kette kpl. mit Schäkel | Chain | 6GL 10x40 |
| 87 | 323 6401 | 1 | Schutzkappe | Cap | M6-M10 |
| 88 | 303 6416 | 6 | Kugelbundmutter | Wheel nut | M18x1,5-10 Zn DIN 74361 |
| 89 | 305 6161 | 2 | Scheibe | Washer | 17/40x6 DIN7349 Zn |
| 90 | 305 6254 | 1 | Scheibe | Washer | D25/44x4 Zn |
| 91 | 390 0506 | 1 | Aufkleber Warnbildzeichen | Warning Label | ISO7089 Quetschgefahr QF |



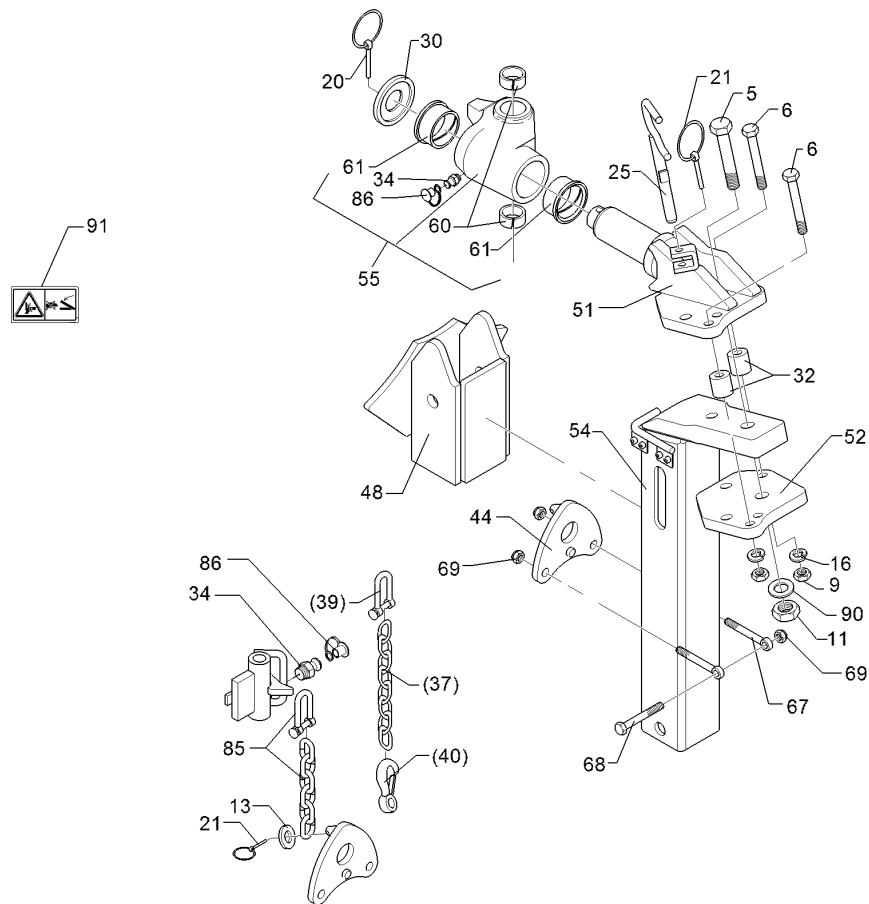
01.18

| Pos. | Art.Nr. | Stck. | Artikeltext / Description | Abmessung |
|------|----------|-------|--------------------------------|------------------|
| 92 | 303 0971 | 3 | Sechskantmutter Hexagon nut | M16 DIN934-10 Zn |



01.18

| Pos. | Art.Nr. | Stck. | Artikeltext / Description | | Abmessung |
|------|----------|-------|------------------------------|-----------------|---------------------------------|
| 5 | 301 4661 | 1 | Sechskantschraube spz. | Hexagon bolt | M24x100ls70xb25-10.9 Zn |
| 6 | 301 3994 | 3 | Sechskantschraube spz. | Hexagon bolt | M16x100-12.9 Zn |
| 9 | 303 0971 | 3 | Sechskantmutter | Hexagon nut | M16 DIN934-10 Zn |
| 11 | 303 1019 | 1 | Sechskantmutter | Hexagon nut | M24 DIN934-8 Zn |
| 13 | 305 6141 | 4 | Scheibe | Washer | 17/30x3 DIN/ISO-7089 |
| 20 | 311 9302 | 2 | Klappstift | Securing pin | 12x60 |
| 21 | 311 9565 | 1 | Klappstift | Securing pin | 4,5 |
| 25 | 313 1815 | 1 | Bolzen mit Griff | Pin with grip | D18x165 Zn |
| 30 | 317 6907 | 1 | Stelling | Adjusting ring | D88/40,5x20 Zn |
| 32 | 317 7504 | 2 | Buchse | Bush | D35/16x35,5 |
| 34 | 323 6348 | 1 | Schmiernippel | Grease nipple | AM10x1 DIN71412 |
| 37 | 331 6246 | 1 | Kette | Chain | G8x32 DIN5685 6GL 21MN4 Zn-V |
| 39 | 331 8381 | 1 | Kettenschäkel hochfest | Chain shackle | 8x13x27 LA0302 |
| 40 | 331 9012 | 1 | Haken | Hook | D16x90 |
| 44 | 449 5742 | 1 | Zapfenplatte | Plate | UPR HY |
| 48 | 449 5744 | 1 | Kulisse | Sliding part | 100x100 HY |
| 51 | 449 5741 | 1 | Schwenklager | Swivel bearing | D60 D20 UPR-HY |
| 52 | 449 5759 | 1 | Konsolenteil | Part of bracket | 20x190x210 D20,1 |
| 54 | 449 5746 | 1 | Radhalm | Wheel stalk | 100x100 |
| 55 | 549 5740 | 1 | Kreuzgelenk | Cross union | D60/44x120 HY |
| 60 | 317 2005 | 2 | Einspannbuchse mit Presssitz | Expansion bush | EG40/44x20 |
| 61 | 317 9373 | 2 | Bundbuchse | Flange bushing | D80/66/60x45 |

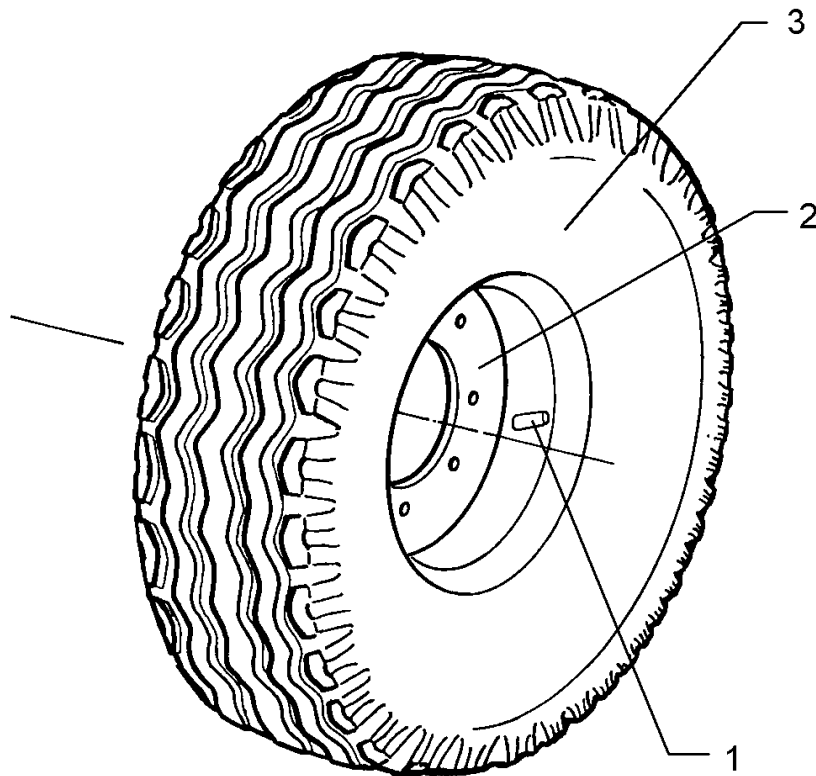


01.18

| Pos. | Art.Nr. | Stck. | Artikeltext / Description | | Abmessung |
|------|----------|-------|---------------------------|-----------------|-----------------------------------|
| 65 | 305 6148 | 4 | Passscheibe | Shim | 17x24x1,0 DIN988 |
| 67 | 301 0860 | 2 | Augenschraube | Eye bolt | BM16x150-8.8 D2=16,1 Zn DIN444 |
| 68 | 301 5410 | 1 | Sechskantschraube | Hexagon bolt | M16x160-8.8 Zn DIN931-A |
| 69 | 303 0935 | 3 | Sicherungsmutter | Selflocking nut | NM16-8 Zn DIN985 |
| 85 | 331 9891 | 1 | Kette kpl. mit Schäkel | Chain | 6GL 10x40 |
| 86 | 323 6401 | 1 | Schutzkappe | Cap | M6-M10 |
| 90 | 305 6254 | 1 | Scheibe | Washer | D25/44x4 Zn ISO7089 |
| 91 | 390 0506 | 1 | Aufkleber Warnbildzeichen | Warning Label | Quetschgefahr QF |

| | |
|-----------|----|
| Rad/Wheel | 12 |
|-----------|----|

| | |
|------------------------|----------|
| VariOpal 7X / 7 HydriX | 549 8849 |
|------------------------|----------|

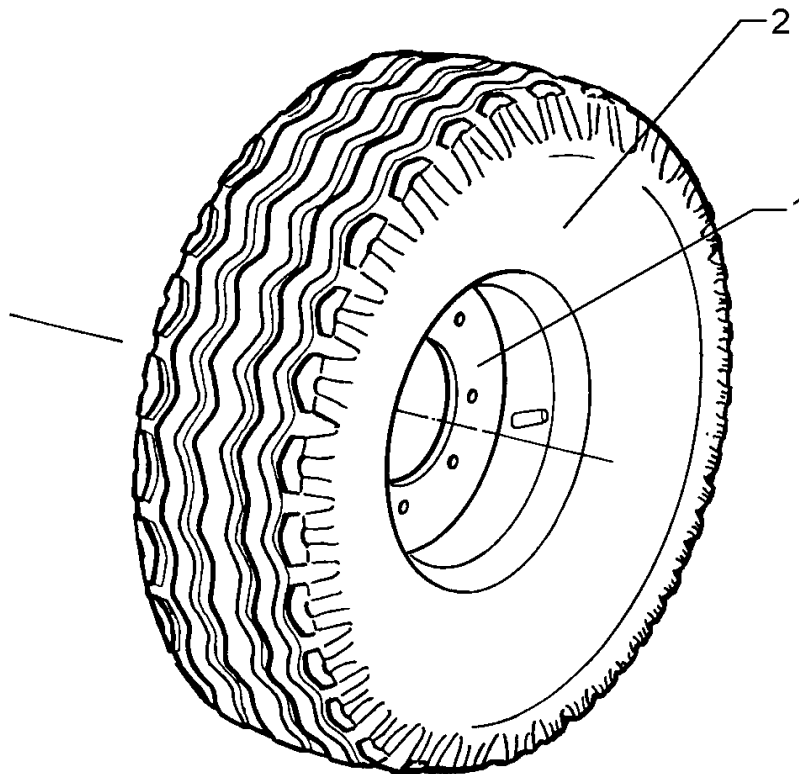


01.18

| Pos. | Art.Nr. | Stck. | Artikeltext / Description | | Abmessung |
|------|----------|-------|---------------------------|------|--------------------------|
| 1 | 357 3422 | 1 | Schlauch | Hose | 10.0/80-12 TR15 |
| 2 | 357 7069 | 1 | Felge | Rim | 7.00x12ET-25 5/94/140 |
| 3 | 357 8856 | 1 | Reifen | Tyre | 10.0/80-12 8 PR AW |

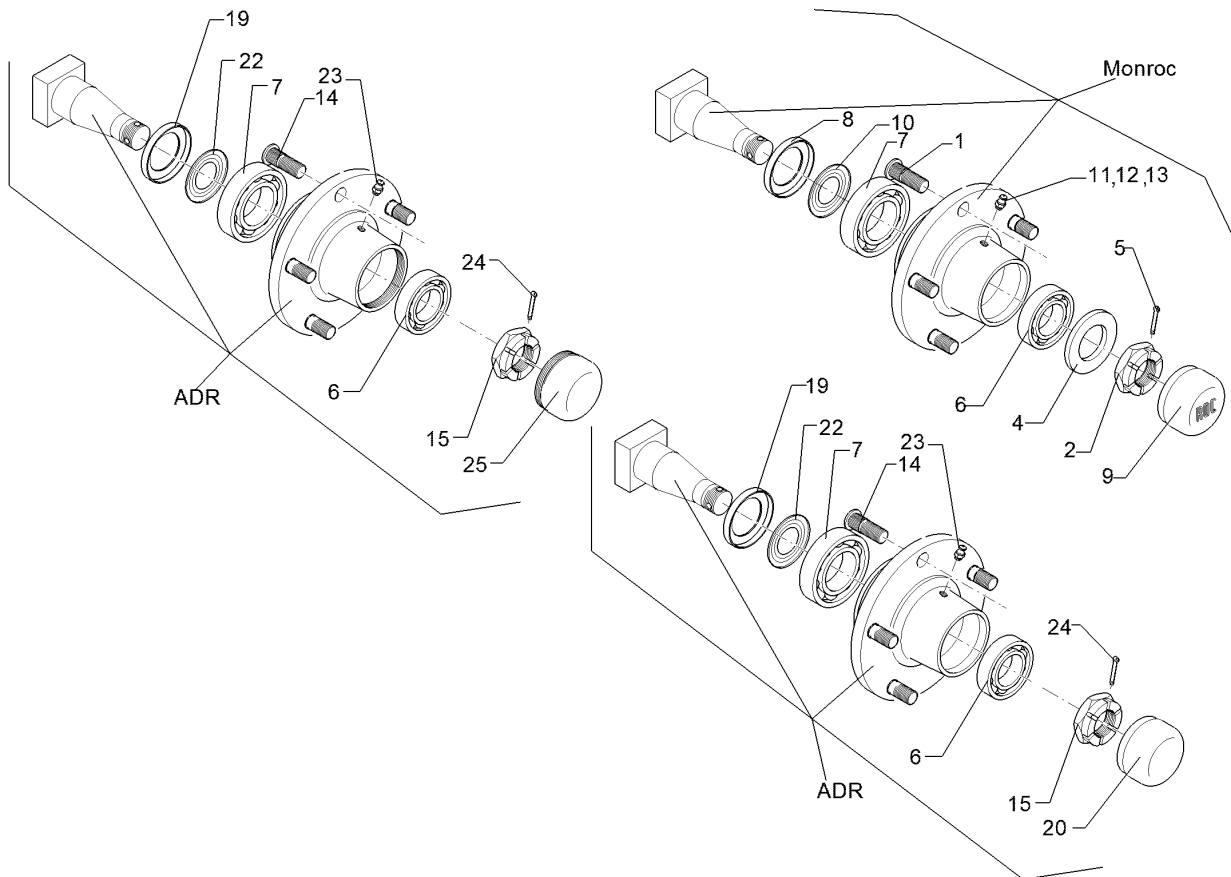
| | |
|-------------------------------------|-----------|
| Rad 5/94/140 D14/Wheel 5/94/140 D14 | 12 |
|-------------------------------------|-----------|

| | |
|-------------------------------|-----------------|
| VariOpal 7X / 7 HydriX | 549 8858 |
|-------------------------------|-----------------|



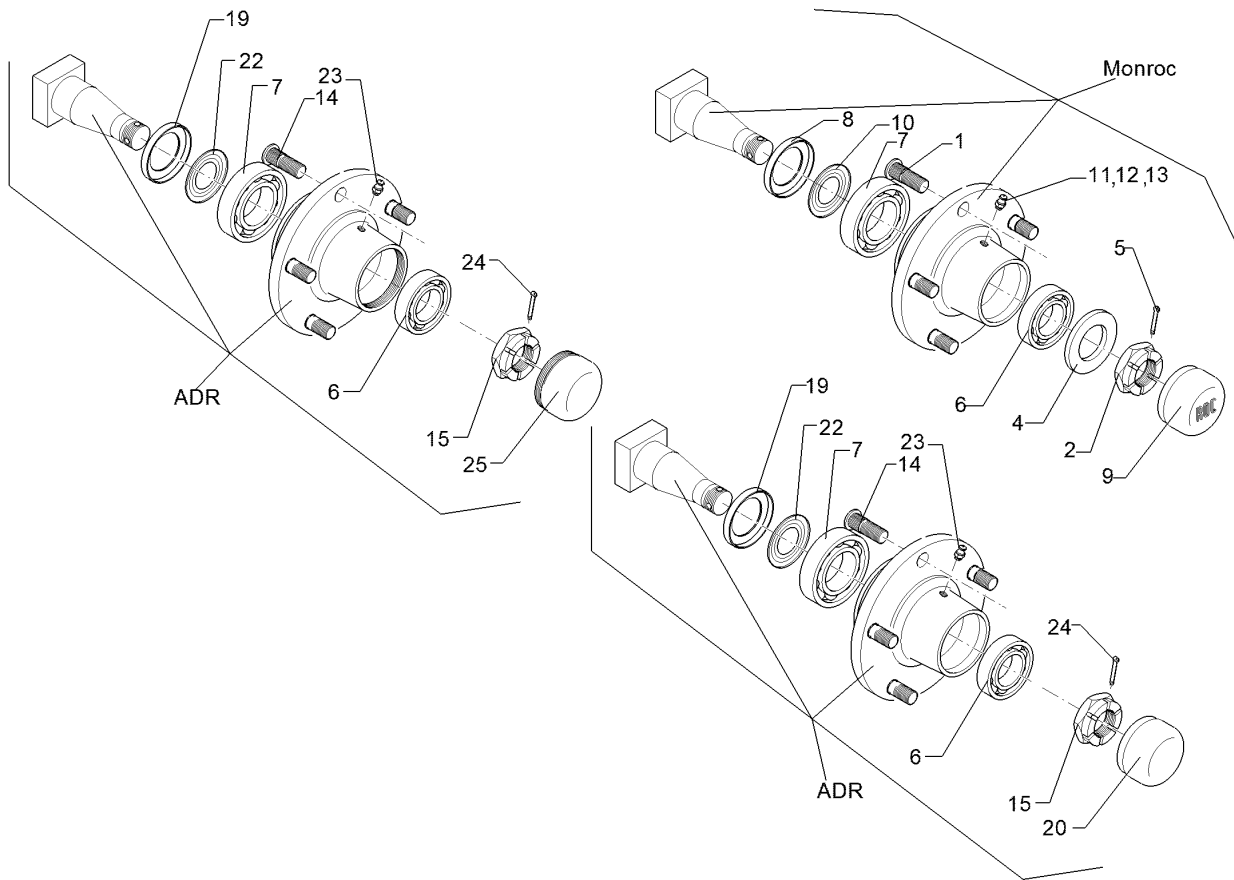
01.18

| Pos. | Art.Nr. | Stck. | Artikeltext / Description | | Abmessung |
|------|----------|-------|---------------------------|------|--------------------------|
| 1 | 357 7029 | 1 | Felge | Rim | 5Jx15 H2 ET0 5/94/140 |
| 2 | 357 8837 | 1 | Reifen | Tyre | 195/65x15 D650x198 |



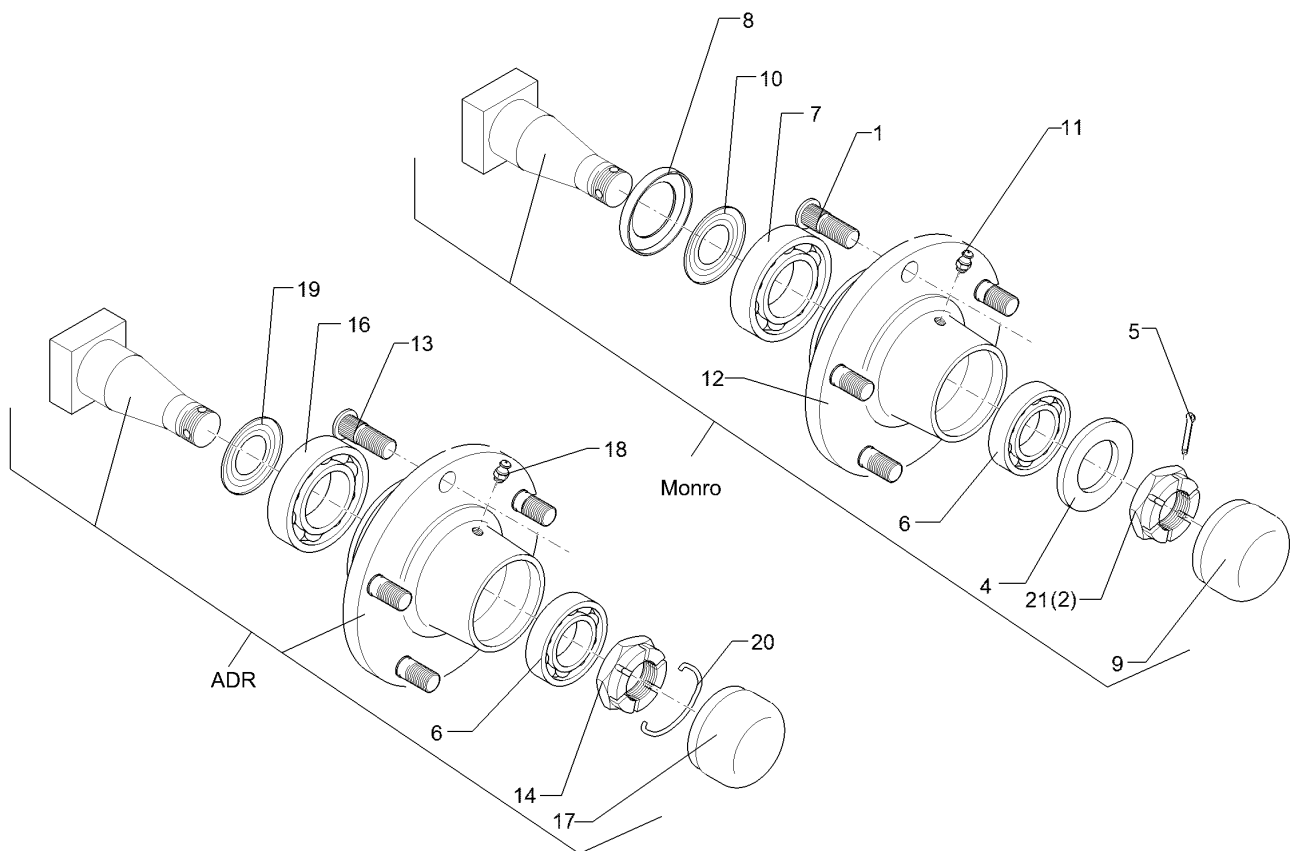
01.18

| Pos. | Art.Nr. | Stck. | Artikeltext / Description | Abmessung | |
|------|----------|-------|---------------------------|------------------------|-------------------------------------|
| 1 | 301 6414 | 5 | Radbolzen | Wheel bolt | M14x1,5x45 Zn |
| 2 | 303 0139 | 1 | Kronenmutter | Castle nut | DIN937-M24x2 |
| 3 | 303 6413 | 5 | Kugelbundmutter | Wheel nut | M14x1,5-8 Zn DIN74361 |
| 4 | 305 6254 | 1 | Scheibe | Washer | D25/44x4 Zn ISO7089 |
| 5 | 311 7617 | 1 | Splint | Peg | 4x40 DIN94-St Zn |
| 6 | 319 9116 | 1 | Kegelrollenlager | Tapered roller bearing | 30206. |
| 7 | 319 9151 | 1 | Kegelrollenlager | Tapered roller bearing | 30209. |
| 8 | 323 0413 | 1 | Hüllscheibe | Cover washer | D100/45x12 |
| 9 | 323 1321 | 1 | Schraubkappe | Cap | D63,5x40 |
| 10 | 323 1802 | 1 | Nilos-Ring | Nilos ring | 30209 AV |
| 11 | 323 6345 | 1 | Schmiernippel gerade | Grease nipple | LAM 6 DIN71412 |
| 12 | 323 6353 | 1 | Schmiernippel | Grease nipple | BM8x1,25 DIN71412-6kt. 65 GRD |
| 13 | 323 6363 | 1 | Schmiernippel | Grease nipple | 1/4" SAE |
| 14 | 301 6416 | 5 | Radschraube | Wheel bolt | M14x1,5x41/45 |
| 15 | 303 0174 | 1 | Kronenmutter | Castle nut | M27x1,5 |
| 19 | 323 7628 | 1 | Dichtung zum Lager | Seal | 30209 |
| 20 | 323 1315 | 1 | Schlagkappe | Lug strap | ADR D62x21 |
| 21 | 323 1841 | 1 | Nilos-Ring | Nilos ring | 30206 JV |
| 22 | 323 1844 | 1 | Nilos-Ring | Nilos ring | 30209 JV |



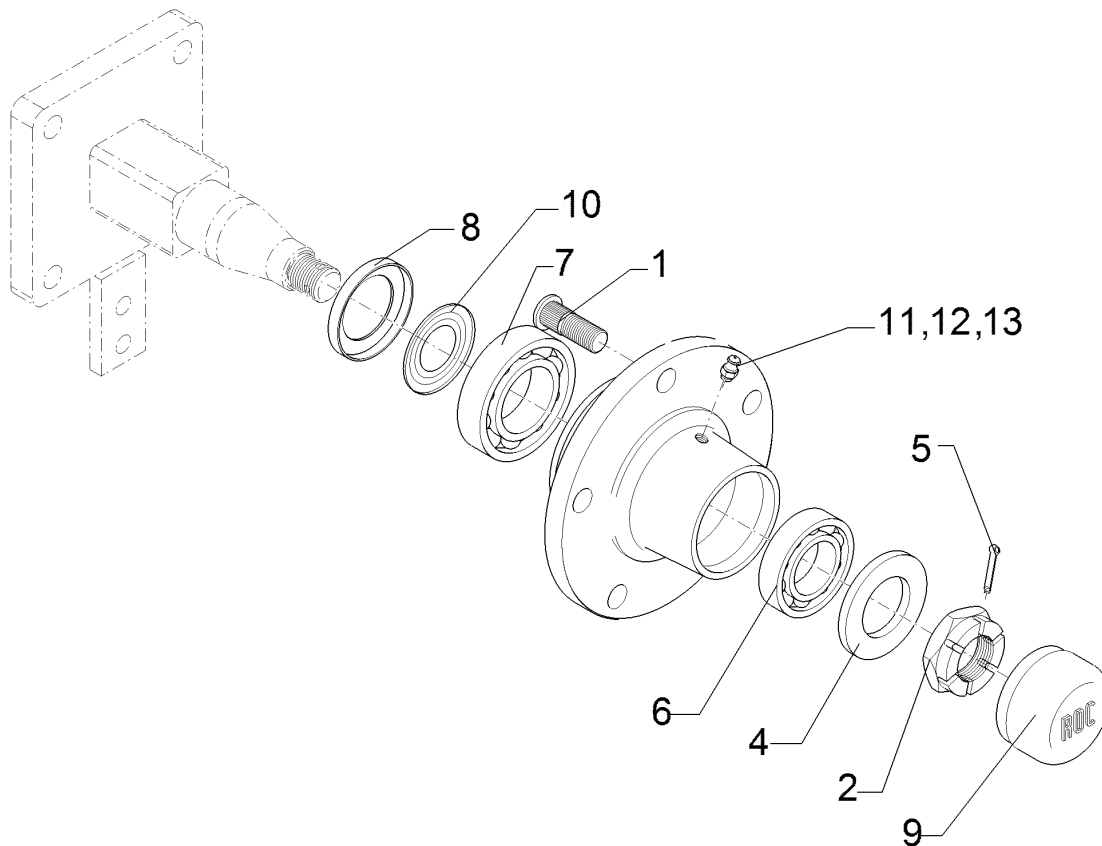
01.18

| Pos. | Art.Nr. | Stck. | Artikeltext / Description | | Abmessung |
|------|----------|-------|---------------------------|---------------|---------------------------|
| 23 | 323 6354 | 1 | Schmiernippel | Grease nipple | BM8x1 DIN71412-6kt. 45 |
| 24 | 329 3541 | 1 | Sicherungsklammer | Safety clamp | GRD D5x50 |
| 25 | 323 1314 | 1 | Schraubkappe | Cap | M64x2 (D62) |



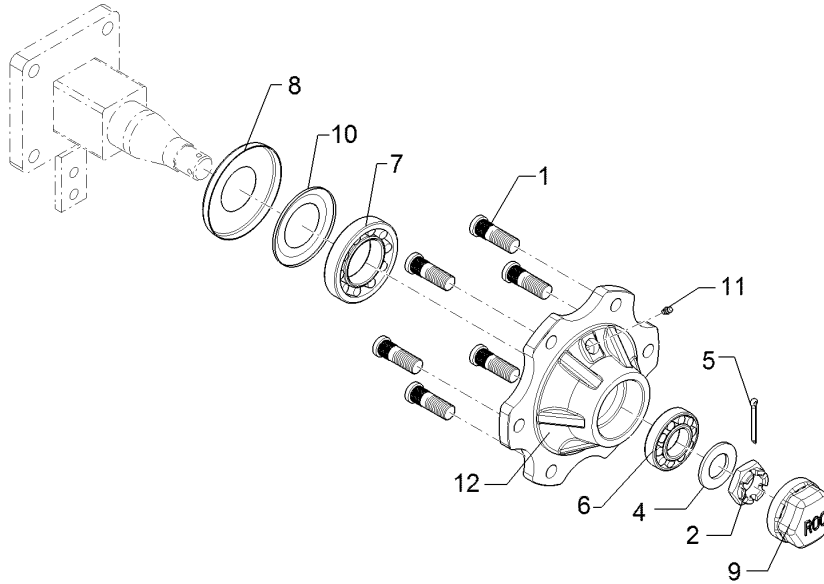
01.18

| Pos. | Art.Nr. | Stck. | Artikeltext / Description | | Abmessung |
|------|----------|-------|---------------------------|------------------------|----------------------------|
| 1 | 30110079 | 6 | Radschraube | Wheel bolt | M18x1,5x54 |
| 2 | 30310017 | 1 | Kronenmutter | Castle nut | M30x2 h=18 |
| 4 | 305 6285 | 1 | Scheibe | Washer | 31/56x4 DIN/ISO-7089 Zn |
| 5 | 311 7635 | 1 | Splint | Peg | 5x45 DIN94-St Zn |
| 6 | 319 9015 | 1 | Kegelrollenlager | Tapered roller bearing | 30207 |
| 7 | 319 9019 | 1 | Kegelrollenlager | Tapered roller bearing | 30211. |
| 8 | 323 0414 | 1 | Schutzkappe | Cap | D110x10 |
| 9 | 323 1322 | 1 | Schraubkappe | Cap | D73x40 |
| 10 | 323 1803 | 1 | Nilos-Ring | Nilos ring | 30211 AV |
| 11 | 323 6345 | 1 | Schmiernippel gerade | Grease nipple | LAM 6 DIN71412 |
| 12 | 449 8893 | 1 | Nabe | Hub | 6/205 ROC |
| 13 | 301 6431 | 6 | Radschraube | Wheel bolt | M18x1,5x49/54 |
| 14 | 303 0175 | 1 | Kronenmutter | Castle nut | M39x1,5 |
| 16 | 319 9118 | 1 | Kegelrollenlager | Tapered roller bearing | 30208. |
| 17 | 323 1313 | 1 | Schraubkappe | Cap | (D80) |
| 18 | 323 6355 | 1 | Schmiernippel | Grease nipple | AM8x1,25 DIN71412 |
| 19 | 323 7627 | 1 | Dichtung zum Lager | Seal | 30211 |
| 20 | 329 3542 | 1 | Sicherungsklammer | Safety clamp | D4x67 |
| 21 | 303 0141 | 1 | Kronenmutter | Castle nut | DIN935-M30x1,5 |



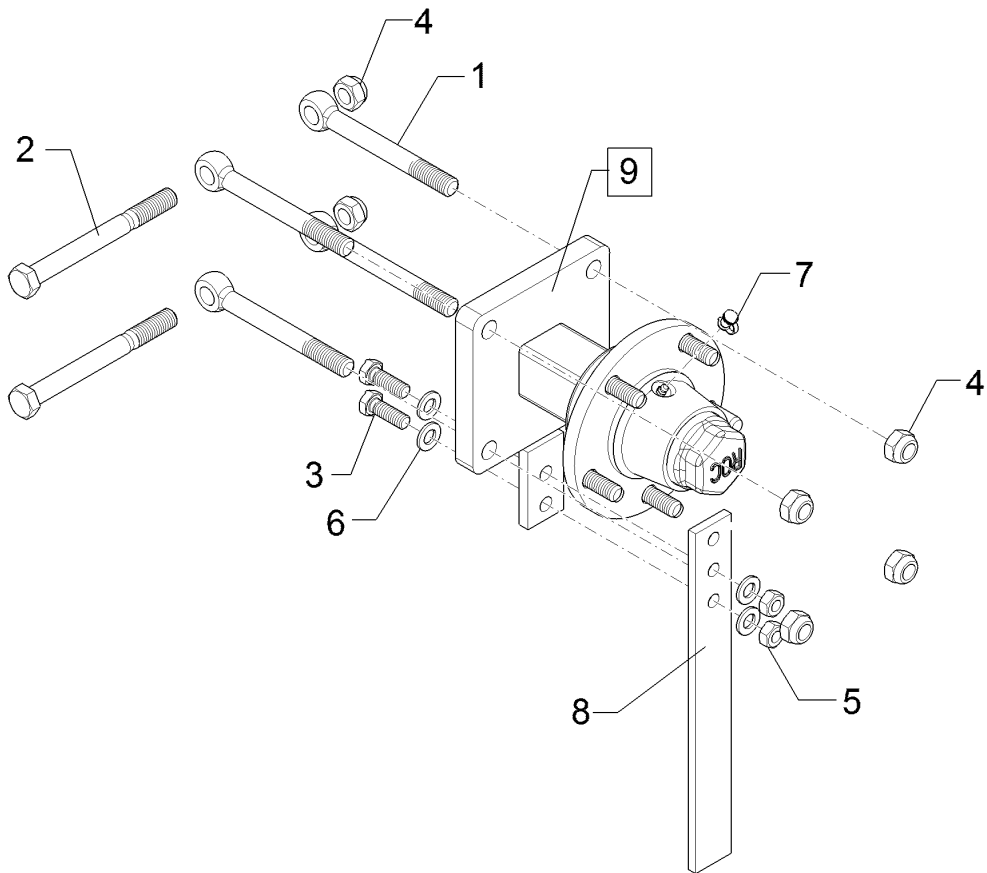
01.18

| Pos. | Art.Nr. | Stck. | Artikeltext / Description | | Abmessung |
|------|----------|-------|---------------------------|------------------------|--------------------------|
| 1 | 301 6414 | 5 | Radbolzen | Wheel bolt | M14x1,5x45 Zn |
| 2 | 303 0139 | 1 | Kronenmutter | Castle nut | DIN937-M24x2 |
| 3 | 303 6413 | 5 | Kugelbundmutter | Wheel nut | M14x1,5-8 Zn DIN74361 |
| 4 | 305 6254 | 1 | Scheibe | Washer | D25/44x4 Zn ISO7089 |
| 5 | 311 7617 | 1 | Splint | Peg | 4x40 DIN94-St Zn |
| 6 | 319 9116 | 1 | Kegelrollenlager | Tapered roller bearing | 30206. |
| 7 | 319 9151 | 1 | Kegelrollenlager | Tapered roller bearing | 30209. |
| 8 | 323 0413 | 1 | Hüllscheibe | Cover washer | D100/45x12 |
| 9 | 323 1321 | 1 | Schraubkappe | Cap | D63,5x40 |
| 10 | 323 1802 | 1 | Nilos-Ring | Nilos ring | 30209 AV |
| 11 | 323 6363 | 1 | Schmiernippel | Grease nipple | 1/4" SAE |
| 12 | 449 8892 | 1 | Nabe | Hub | 5/140/93 |



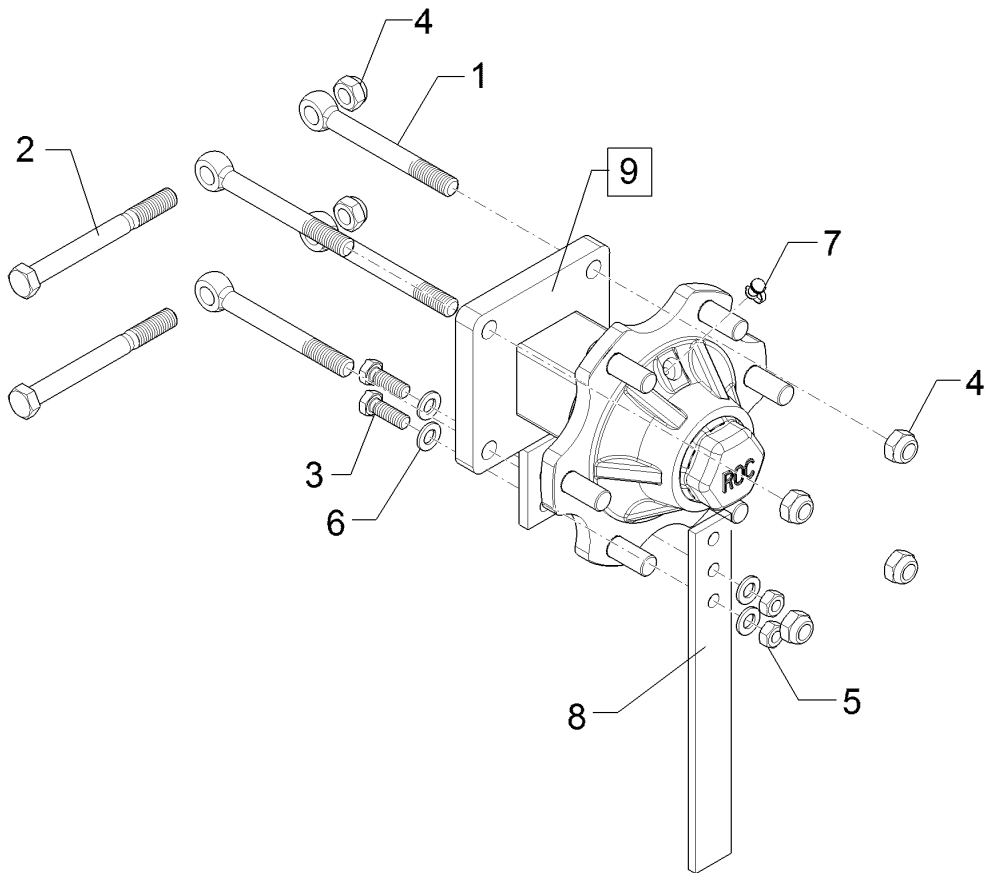
01.18

| Pos. | Art.Nr. | Stck. | Artikeltext / Description | | Abmessung |
|------|----------|-------|---------------------------|------------------------|----------------------------|
| 1 | 30110079 | 6 | Radschraube | Wheel bolt | M18x1,5x54 |
| 2 | 30310017 | 1 | Kronenmutter | Castle nut | M30x2 h=18 |
| 3 | 303 6416 | 6 | Kugelbundmutter | Wheel nut | M18x1,5-10 Zn DIN 74361 |
| 4 | 305 6285 | 1 | Scheibe | Washer | 31/56x4 DIN/ISO-7089 Zn |
| 5 | 311 7635 | 1 | Splint | Peg | 5x45 DIN94-St Zn |
| 6 | 319 9015 | 1 | Kegelrollenlager | Tapered roller bearing | 30207 |
| 7 | 319 9019 | 1 | Kegelrollenlager | Tapered roller bearing | 30211. |
| 8 | 323 0414 | 1 | Schutzkappe | Cap | D110x10 |
| 9 | 323 1322 | 1 | Schraubkappe | Cap | D73x40 |
| 10 | 323 1803 | 1 | Nilos-Ring | Nilos ring | 30211 AV |
| 11 | 323 6345 | 1 | Schmiernippel gerade | Grease nipple | LAM 6 DIN71412 |
| 12 | 449 8893 | 1 | Nabe | Hub | 6/205 ROC |



01.18

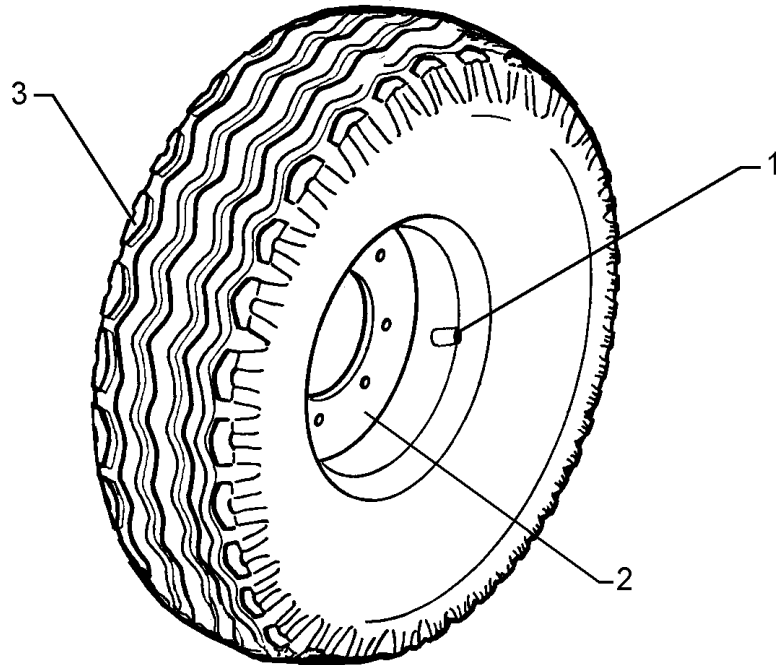
| Pos. | Art.Nr. | Stck. | Artikeltext / Description | | Abmessung |
|------|----------|-------|---------------------------|---------------------|-----------------------------------|
| 1 | 301 0860 | 4 | Augenschraube | Eye bolt | BM16x150-8.8 D2=16,1 Zn DIN444 |
| 2 | 301 5410 | 2 | Sechskantschraube | Hexagon bolt | M16x160-8.8 Zn DIN931-A |
| 3 | 301 7334 | 2 | Sechskantschraube | Hexagon bolt | M12x35-8.8 Zn DIN933 |
| 4 | 303 0935 | 6 | Sicherungsmutter | Selflocking nut | NM16-8 Zn DIN985 |
| 5 | 303 1013 | 2 | Sechskantmutter | Hexagon nut | M12 DIN934-8 Zn |
| 6 | 305 8580 | 4 | Scheibe | Washer | 13/24x2,5 St-Zn DIN125 |
| 7 | 323 6401 | 1 | Schutzkappe | Cap | M6-M10 |
| 8 | 449 1642 | 1 | Abstreifer | Scraper | 40x8x330 3xD12 |
| 9 | 549 8900 | 1 | Flanschlager | Flange-type bearing | 5/93,5/140 M14 |



01.18

| Pos. | Art.Nr. | Stck. | Artikeltext / Description | | Abmessung |
|------|----------|-------|---------------------------|---------------------|-----------------------------------|
| 1 | 301 0860 | 4 | Augenschraube | Eye bolt | BM16x150-8.8 D2=16,1 Zn DIN444 |
| 2 | 301 5410 | 2 | Sechskantschraube | Hexagon bolt | M16x160-8.8 Zn DIN931-A |
| 3 | 301 7334 | 2 | Sechskantschraube | Hexagon bolt | M12x35-8.8 Zn DIN933 |
| 4 | 303 0935 | 6 | Sicherungsmutter | Selflocking nut | NM16-8 Zn DIN985 |
| 5 | 303 1013 | 2 | Sechskantmutter | Hexagon nut | M12 DIN934-8 Zn |
| 6 | 305 8580 | 4 | Scheibe | Washer | 13/24x2,5 St-Zn DIN125 |
| 7 | 323 6401 | 1 | Schutzkappe | Cap | M6-M10 |
| 8 | 449 1642 | 1 | Abstreifer | Scraper | 40x8x330 3xD12 |
| 9 | 549 8901 | 1 | Flanschlager | Flange-type bearing | 6/160/205 D18 |

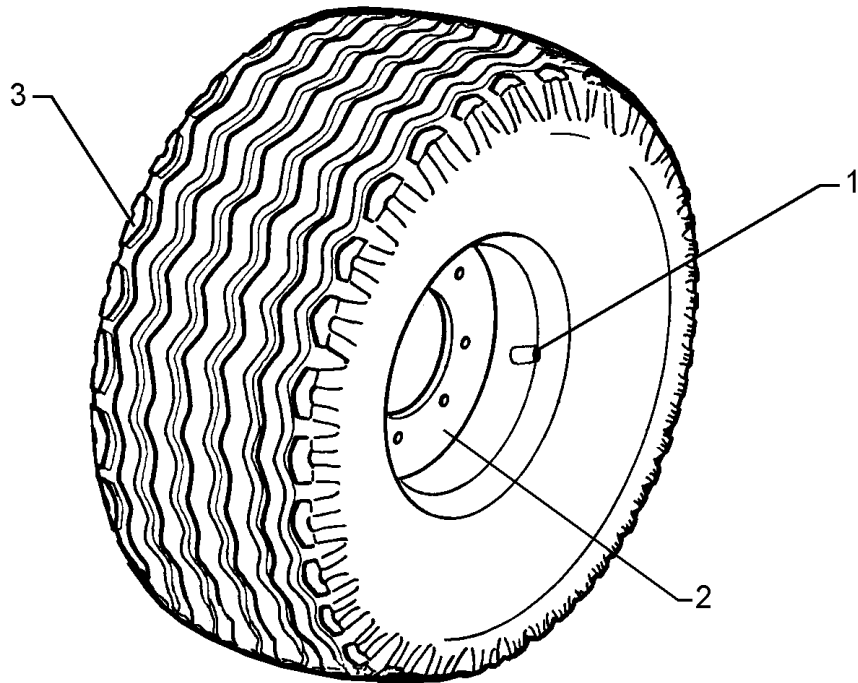
| | |
|------------------------|----------|
| Rad/Wheel | 12 |
| VariOpal 7X / 7 HydriX | 550 8862 |



01.18

| Pos. | Art.Nr. | Stck. | Artikeltext / Description | | Abmessung |
|------|----------|-------|---------------------------|------|----------------------------|
| 1 | 357 3415 | 1 | Schlauch | Hose | 10,0/75-15.3 TR15 |
| 2 | 357 7054 | 1 | Felge | Rim | 9.0x15.3 5/94/140 ET-32 |
| 3 | 357 8863 | 1 | Reifen | Tyre | 10,0/75-15.3 12PR AW |

| | |
|------------------------|----------|
| Rad/Wheel | 12 |
| VariOpal 7X / 7 HydriX | 550 8863 |

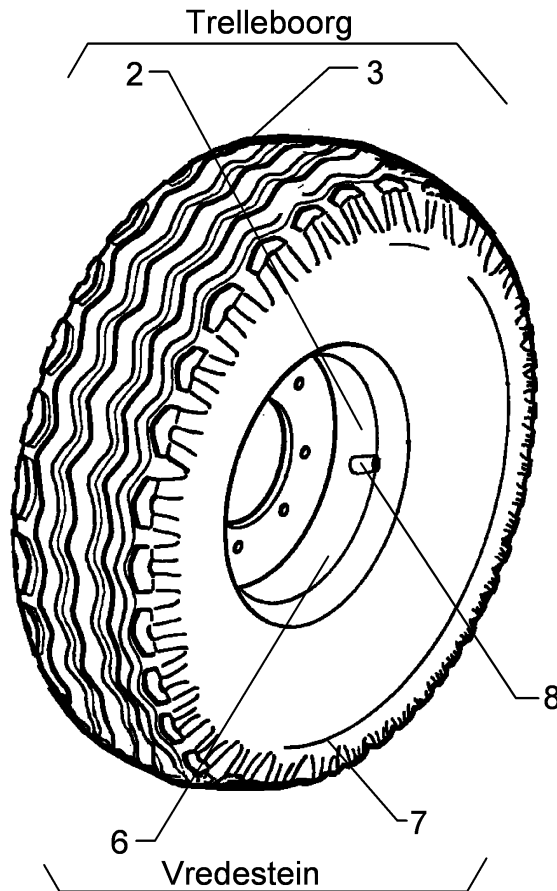


01.18

| Pos. | Art.Nr. | Stck. | Artikeltext / Description | | Abmessung |
|------|----------|-------|---------------------------|------|-----------------------------|
| 1 | 357 3415 | 1 | Schlauch | Hose | 10,0/75-15.3 TR15 |
| 2 | 357 7056 | 1 | Felge | Rim | 9.0x15.3 6/161/205 ET-25 |
| 3 | 357 8863 | 1 | Reifen | Tyre | 10,0/75-15.3 12PR AW |

| | |
|-----------|----|
| Rad/Wheel | 12 |
|-----------|----|

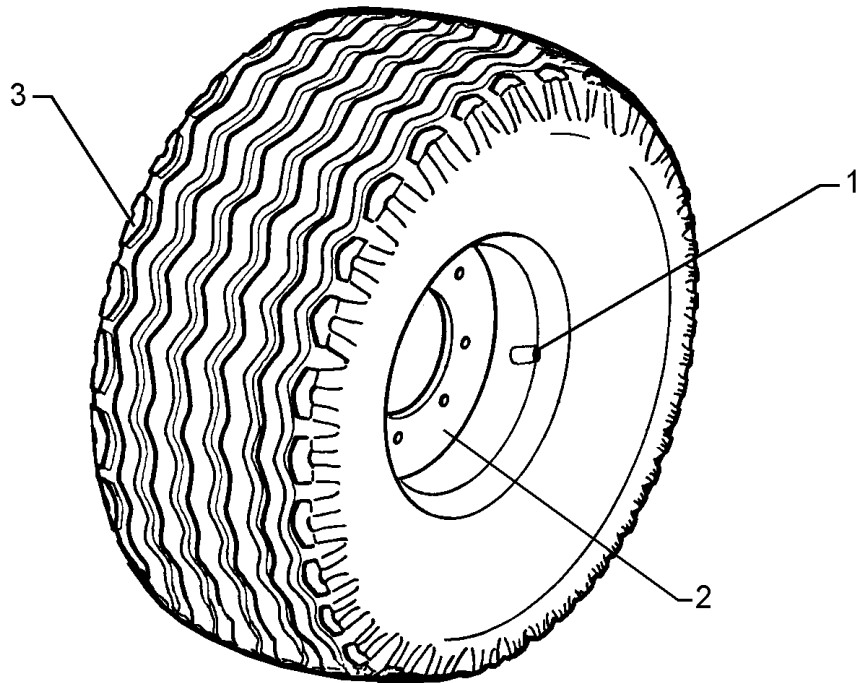
| | |
|------------------------|----------|
| VariOpal 7X / 7 HydriX | 550 8864 |
|------------------------|----------|



01.18

| Pos. | Art.Nr. | Stck. | Artikeltext / Description | | Abmessung |
|------|----------|-------|---------------------------|-------|--|
| 2 | 357 7064 | 1 | Felge | Rim | 11.00x16 |
| 3 | 357 8864 | 1 | Reifen | Tyre | 6/161/205/B2 ET+40 340/55-16TL AW305 128/140A8 |
| 6 | 357 7031 | 1 | Felge | Rim | 11.00x16 6/161/205 ET-50 |
| 7 | 357 8853 | 1 | Reifen | Tyre | 350/50-16 12PR Flotation |
| 8 | 357 2002 | 1 | Ventil | Valve | TR415 |

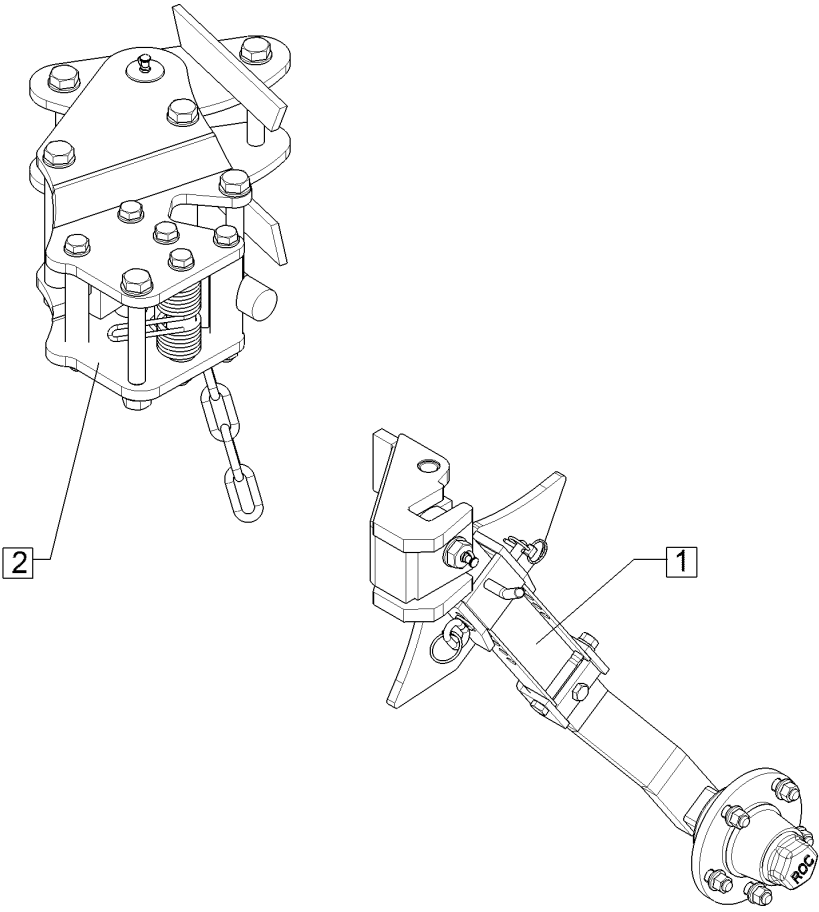
| | |
|------------------------|----------|
| Rad/Wheel | 12 |
| VariOpal 7X / 7 HydriX | 55010332 |



01.18

| Pos. | Art.Nr. | Stck. | Artikeltext / Description | | Abmessung |
|------|----------|-------|---------------------------|------|-----------------------------|
| 2 | 357 7056 | 1 | Felge | Rim | 9.0x15.3 6/161/205 ET-25 |
| 3 | 35710110 | 1 | Reifen | Tyre | 10.0/75-15.3 AW702 135A8 |

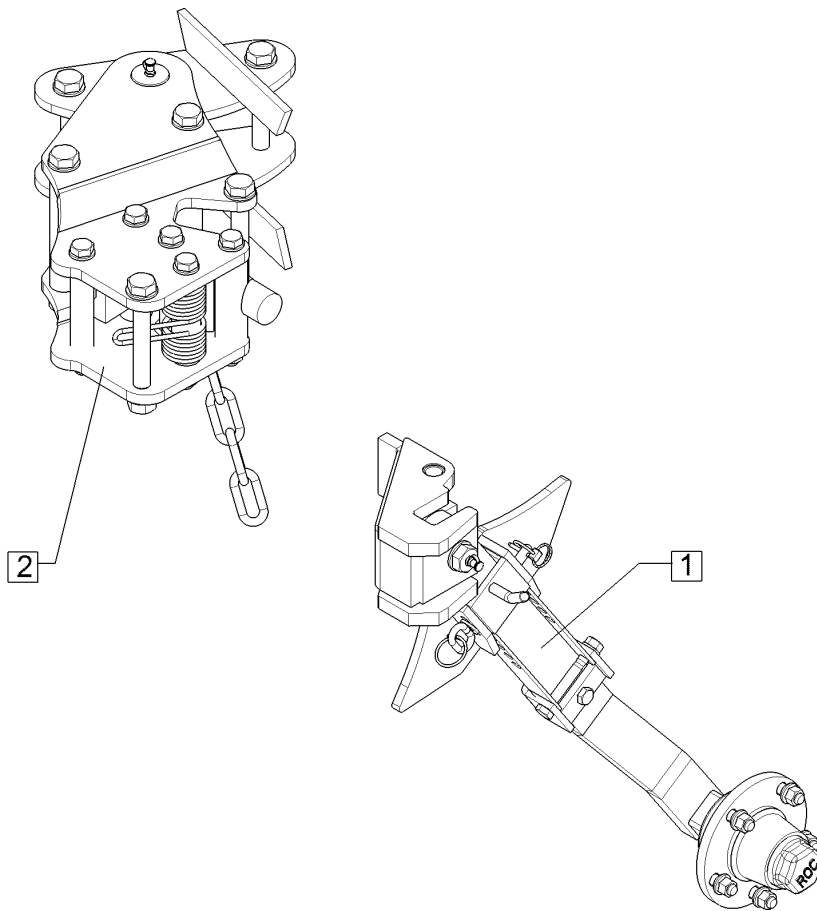
| | |
|----------------------------|----------|
| Pendelstützrad/Depth wheel | 12 |
| VariOpal 7X / 7 HydriX | 648 4192 |



01.18

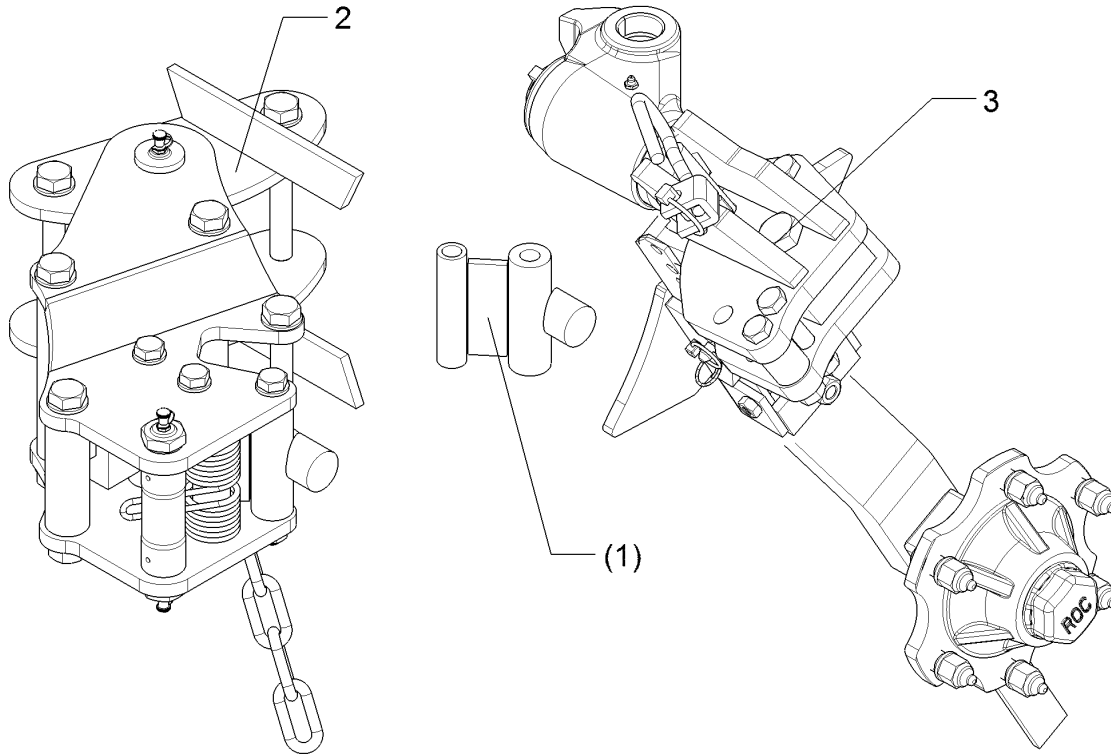
| Pos. | Art.Nr. | Stck. | Artikeltext / Description | | Abmessung |
|------|----------|-------|---------------------------|---------------|-------------------------------|
| 1 | 548 2620 | 1 | Pendelrad-Halm | Wheel stalk | kpl. 5/94/140-L VariOpal 7 |
| 2 | 548 2657 | 1 | Pendelrad-Konsole | Wheel bracket | |

| | |
|----------------------------|----------|
| Pendelstützrad/Depth wheel | 12 |
| VariOpal 7X / 7 HydriX | 648 4218 |



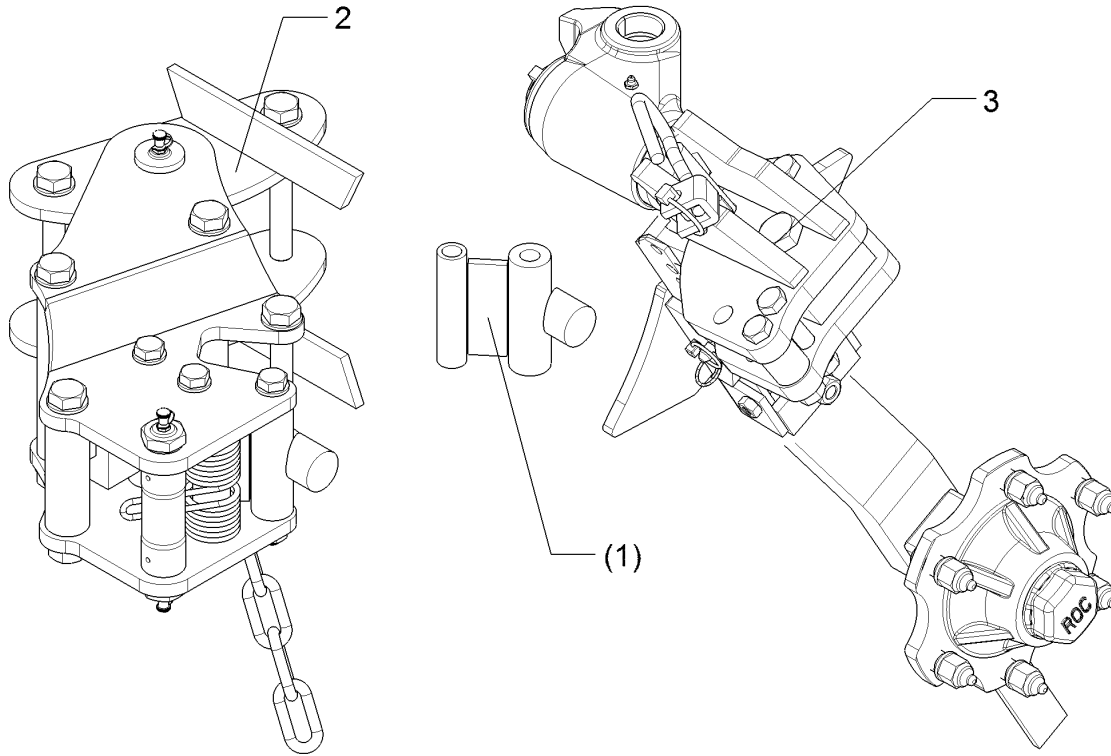
01.18

| Pos. | Art.Nr. | Stck. | Artikeltext / Description | | Abmessung |
|------|----------|-------|---------------------------|---------------|-------------------------------|
| 1 | 548 2621 | 1 | Pendelrad-Halm | Wheel stalk | kpl. 5/94/140 K VariOpal 7 |
| 2 | 548 2657 | 1 | Pendelrad-Konsole | Wheel bracket | |



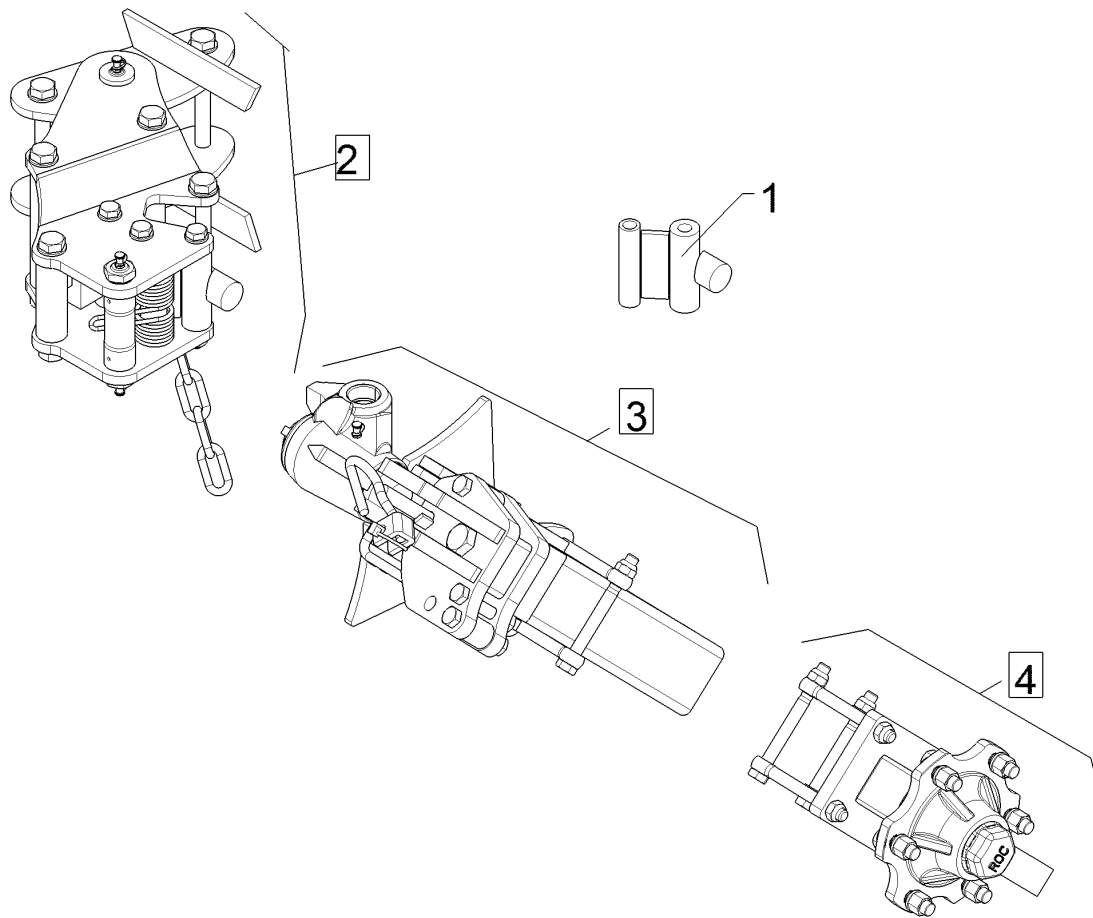
01.18

| Pos. | Art.Nr. | Stck. | Artikeltext / Description | | Abmessung |
|------|----------|-------|---------------------------|-------------|-------------------|
| 1 | 448 2605 | 1 | Anschlag | Stop | 60x30 2xD16x119 |
| 2 | 549 1262 | 1 | Konsole | Bracket | VariOpal 7 Unirad |
| 3 | 549 1730 | 1 | Radhalm | Wheel stalk | 5/94/140 |



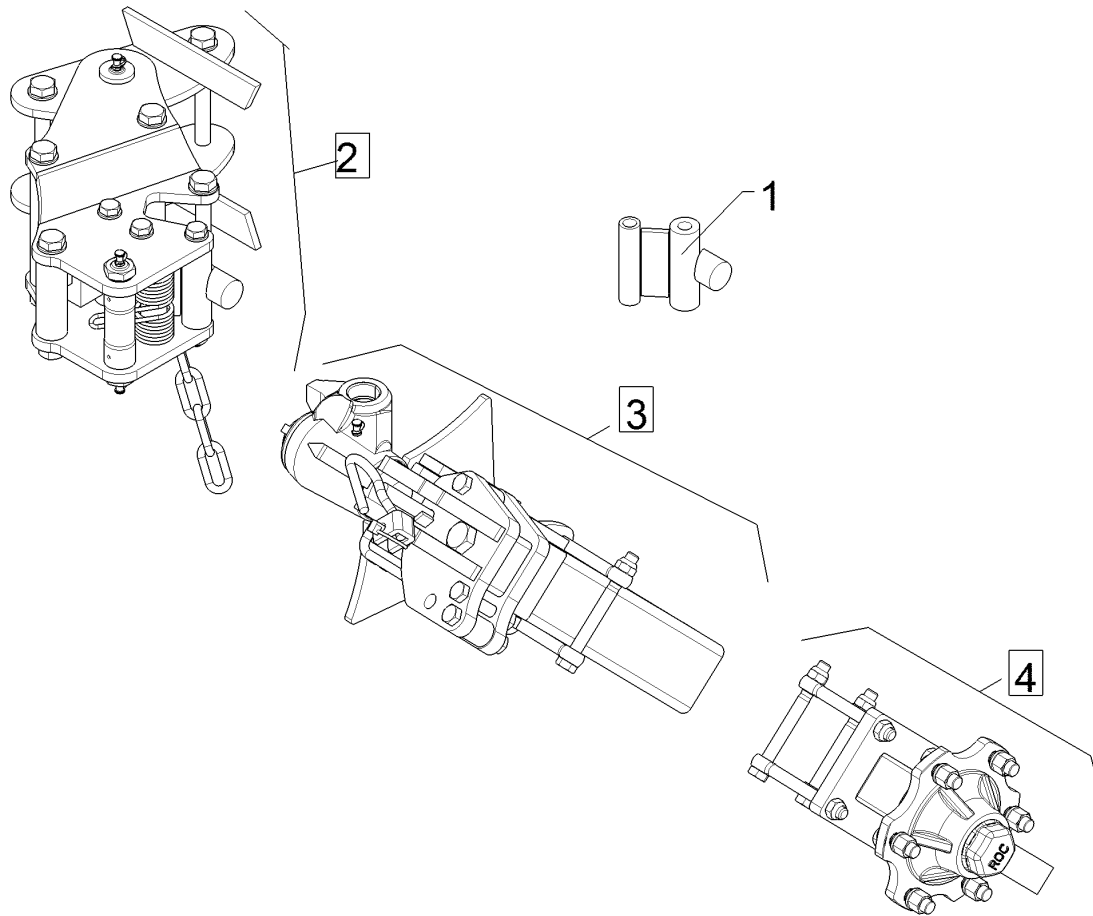
01.18

| Pos. | Art.Nr. | Stck. | Artikeltext / Description | | Abmessung |
|------|----------|-------|---------------------------|-------------|---|
| 1 | 448 2605 | 1 | Anschlag | Stop | 60x30 2xD16x119 VariOpal 7 Unirad 6/161/205 |
| 2 | 549 1262 | 1 | Konsole | Bracket | |
| 3 | 549 1731 | 1 | Radhalm | Wheel stalk | |



01.18

| Pos. | Art.Nr. | Stck. | Artikeltext / Description | | Abmessung |
|------|----------|-------|---------------------------|-------------|-------------------|
| 1 | 448 2605 | 1 | Anschlag | Stop | 60x30 2xD16x119 |
| 2 | 549 1262 | 1 | Konsole | Bracket | VariOpal 7 Unirad |
| 3 | 549 1733 | 1 | Radhalm | Wheel stalk | HY 6/161/205 |
| 4 | 549 8903 | 1 | Radlagerung | Bearing | HY 6/161/205 |

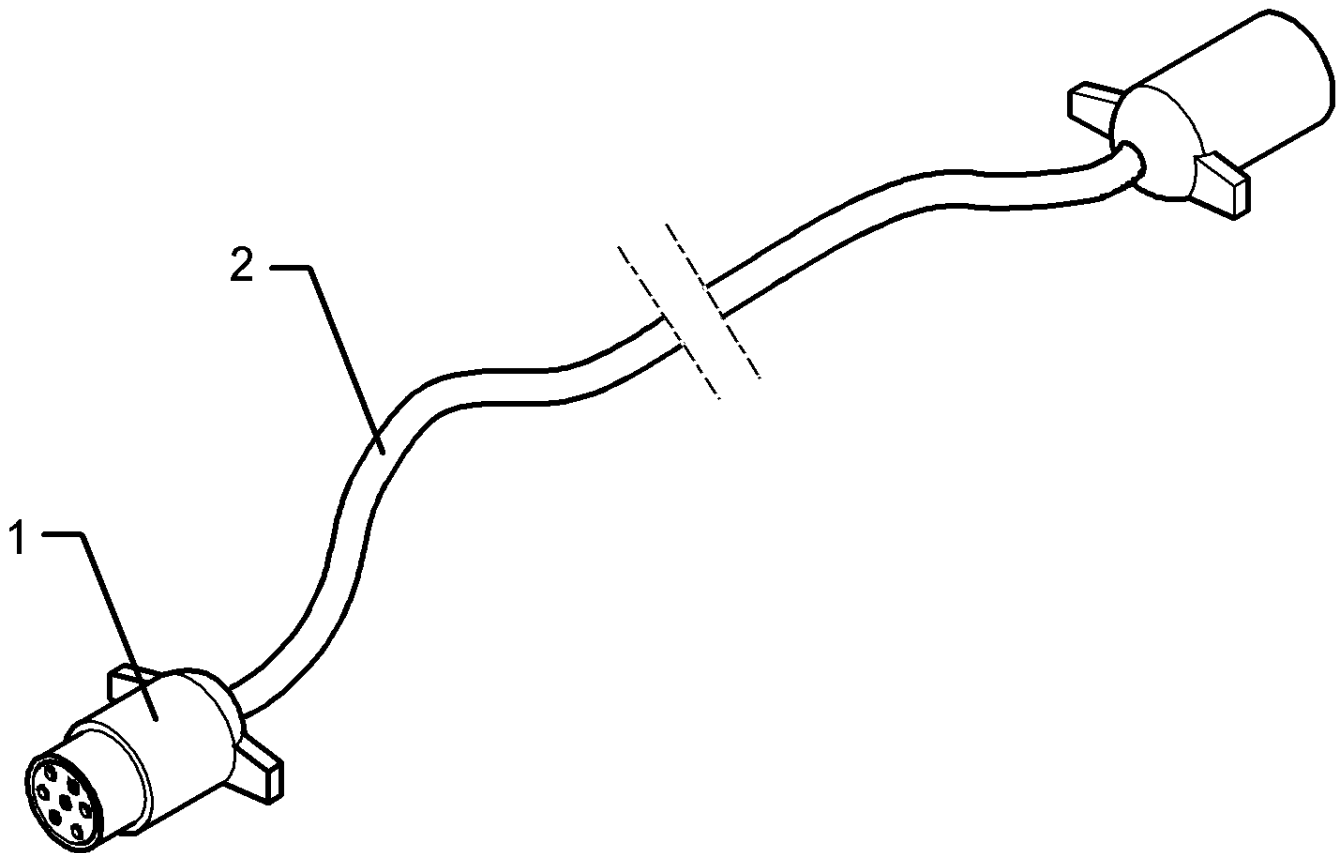


01.18

| Pos. | Art.Nr. | Stck. | Artikeltext / Description | Abmessung |
|------|----------|-------|---------------------------|---|
| 1 | 448 2605 | 1 | Anschlag | Stop |
| 2 | 549 1262 | 1 | Konsole | Bracket |
| 3 | 549 1733 | 1 | Radhalm | Wheel stalk |
| 4 | 549 8902 | 1 | Uni-Rad-Halm | Stalk Uni-wheel |
| | | | | 60x30 2xD16x119 VariOpal 7 Unirad HY 6/161/205 HY 5/95/140 |

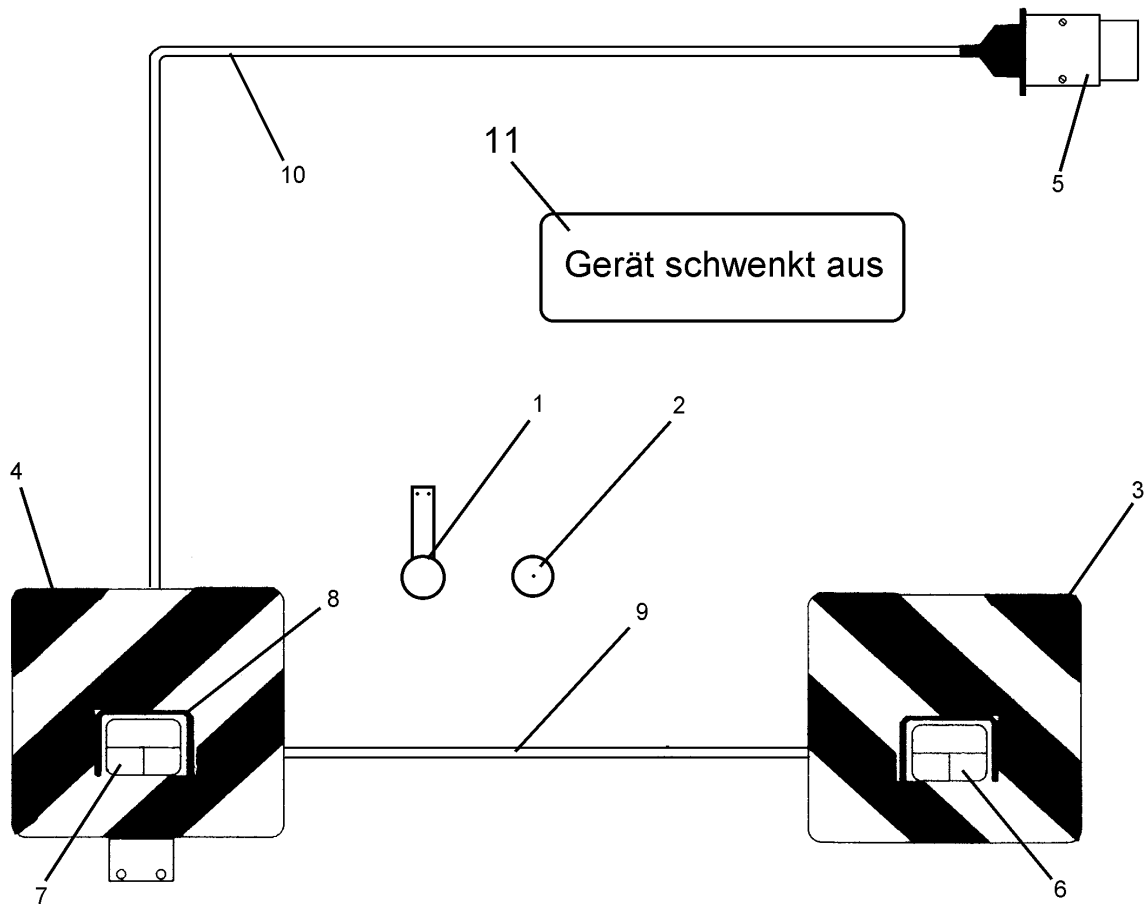
| | |
|------------------------------------|----|
| Verlängerungskabel/Extension cable | 13 |
|------------------------------------|----|

| | |
|------------------------|----------|
| VariOpal 7X / 7 HydriX | 373 4150 |
|------------------------|----------|



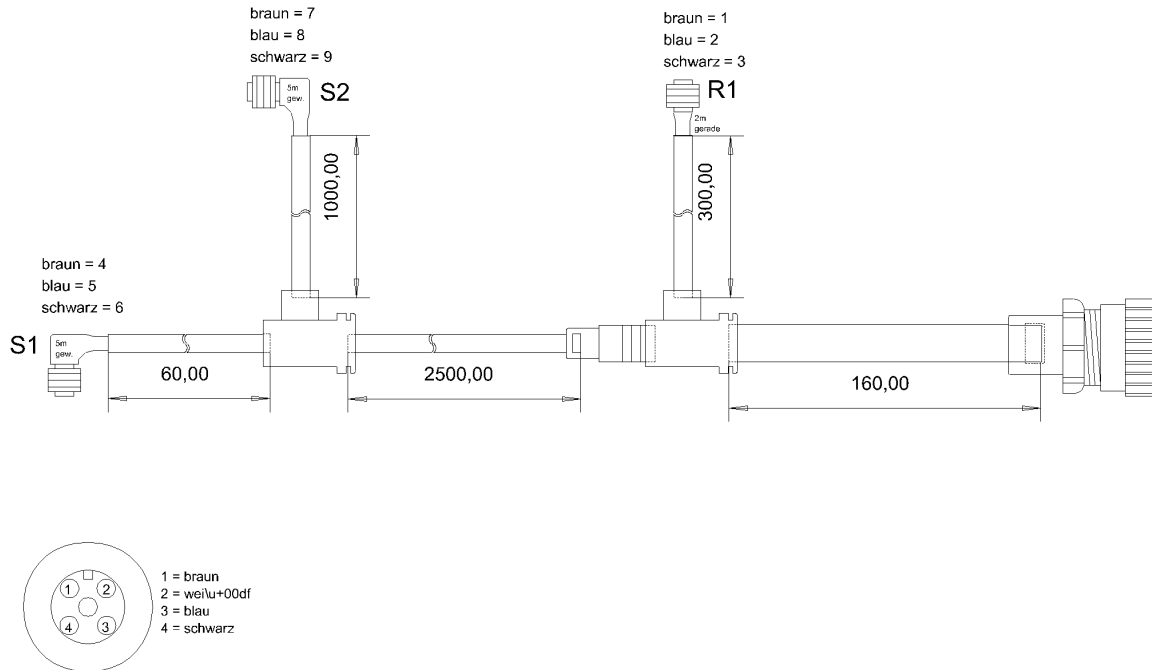
01.18

| Pos. | Art.Nr. | Stck. | Artikeltext / Description | Abmessung |
|------|----------|-------|---------------------------|-----------|
| 1 | 373 2124 | 1 | Stecker Alu | Plug |
| 2 | 373 4130 | 2 | Kabel | Cable |
| | | | | 7-polig |
| | | | | 7x1,5 S/W |



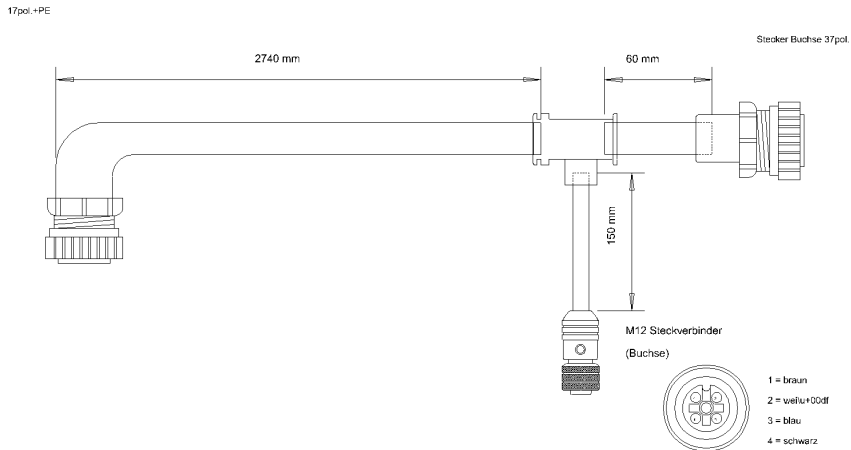
01.18

| Pos. | Art.Nr. | Stck. | Artikeltext / Description | Abmessung | |
|------|----------|-------|--------------------------------|-------------------|--------------------------------|
| 1 | 321 9915 | 2 | Rückstrahler rot m.Pendelhalt. | Reflector, red | D60-55x300 |
| 2 | 321 9916 | 2 | Rückstrahler gelb | Reflector, yellow | D60 |
| 3 | 321 9934 | 1 | Warntafel | Warning board | RE 423x423 DIN11030 |
| 4 | 321 9935 | 1 | Warntafel | Warning board | LI 423x423 DIN11030 |
| 5 | 373 2121 | 1 | Stecker | Plug | 7-polig |
| 6 | 373 3130 | 1 | Rückleuchte | Rear light | BBS95R RE |
| 7 | 373 3131 | 1 | Rückleuchte | Rear light | BBSK95L LI |
| 8 | 373 3801 | 2 | Schutzhaube hinten | Rear cover | SH95 |
| 9 | 373 4137 | 2 | Kabel grün | Cable, green | 4x0,75 |
| 10 | 373 4140 | 7 | Kabel | Cable | 6x0,75 S/W |
| 11 | 390 6192 | 1 | Aufkleber | Label | Achtung Geraet schwenkt aus |



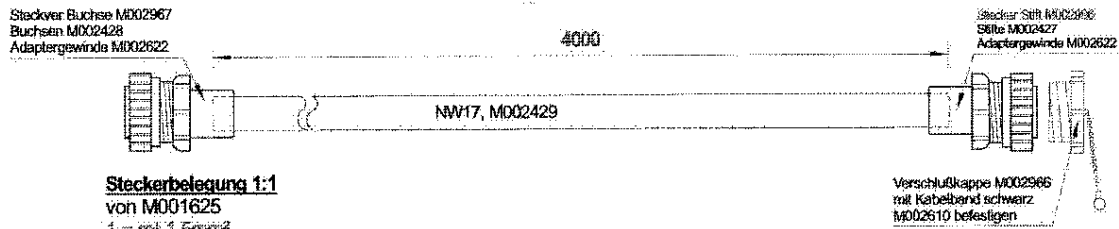
01.18

| Pos. | Art.Nr. | Stck. | Artikeltext / Description | Abmessung |
|------|----------|-------|---------------------------|-----------|
| 1 | 573 6025 | 1 | Kabelbaum Cable form | VariOpal |



01.18

| Pos. | Art.Nr. | Stck. | Artikeltext / Description | | Abmessung |
|------|----------|-------|---------------------------|------------------|-----------|
| 1 | 573 6026 | 1 | Kabelbaum Ausgänge | Cable form exits | VariOpal |



Steckerbelegung 1:1

von M001625

- 1 = rot 1,5mm²
- 2 = rot 1,5mm²

von M001011

- 3 = blau 1,5mm²
- 4 = blau 1,5mm²

von M003042

Schirm mit Litze verlängern und an Pin 4 einseitig am Stecker mit Kappe anschließen

- 5 = weiß, (RXD)
- 6 = braun, (TXD)
- 7 = grün, (CAN-High)
- 8 = gelb, (CAN-Low)

von M002419

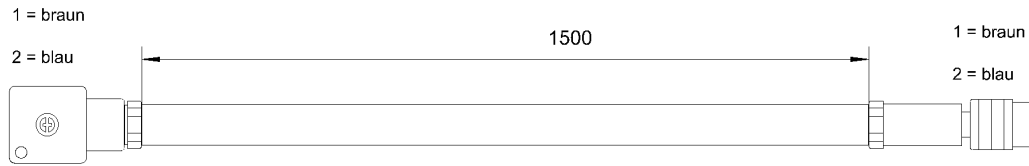
- 9 = weiß,
- 10 = braun
- 11 = grün
- 12 = gelb
- 13 = grau
- 14 = rosa



01.18

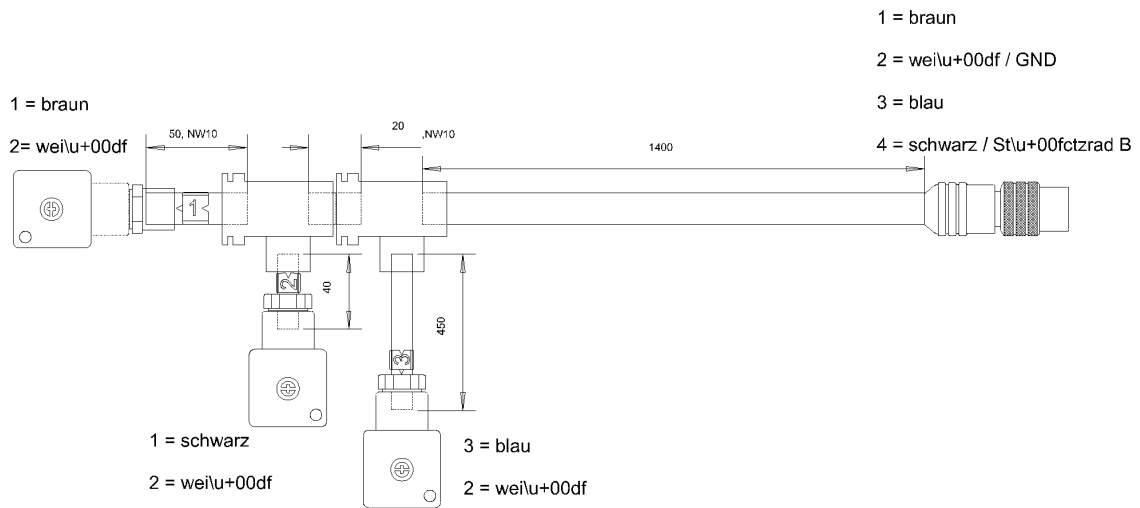
| Pos. | Art.Nr. | Stck. | Artikeltext / Description | | Abmessung |
|------|----------|-------|---------------------------|------------|-----------|
| 1 | 573 6028 | 1 | Kabelbaum Schlepper | Cable form | 14P-4m |

| | |
|--------------------------------------|----------|
| Kabelbaum LS- Anforderung/Cable form | 13 |
| VariOpal 7X / 7 HydriX | 573 6030 |



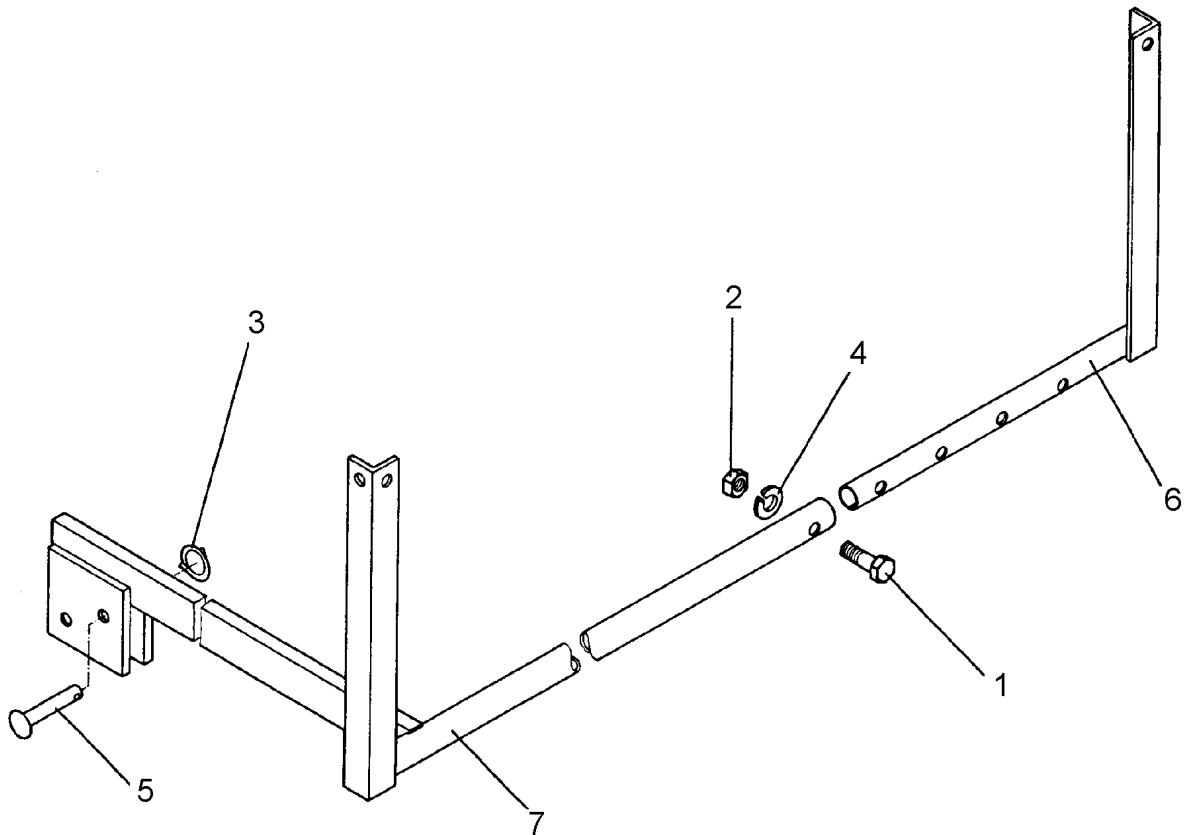
01.18

| Pos. | Art.Nr. | Stck. | Artikeltext / Description | | Abmessung |
|------|----------|-------|---------------------------|------------|-----------|
| 1 | 573 6030 | 1 | Kabelbaum LS- Anforderung | Cable form | VariOpal |



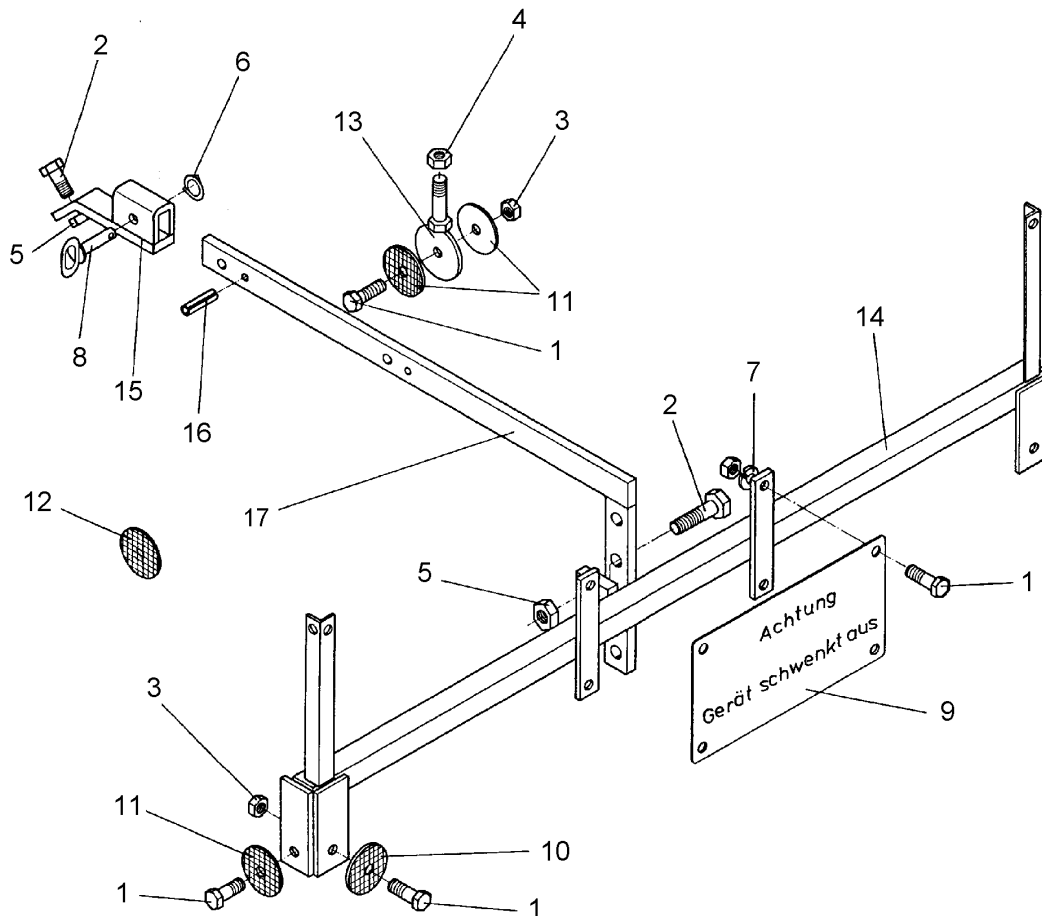
01.18

| Pos. | Art.Nr. | Stck. | Artikeltext / Description | Abmessung |
|------|----------|-------|----------------------------------|-----------|
| 1 | 573 6031 | 1 | Kabelbaum Stützrad Cable form | VariOpal |



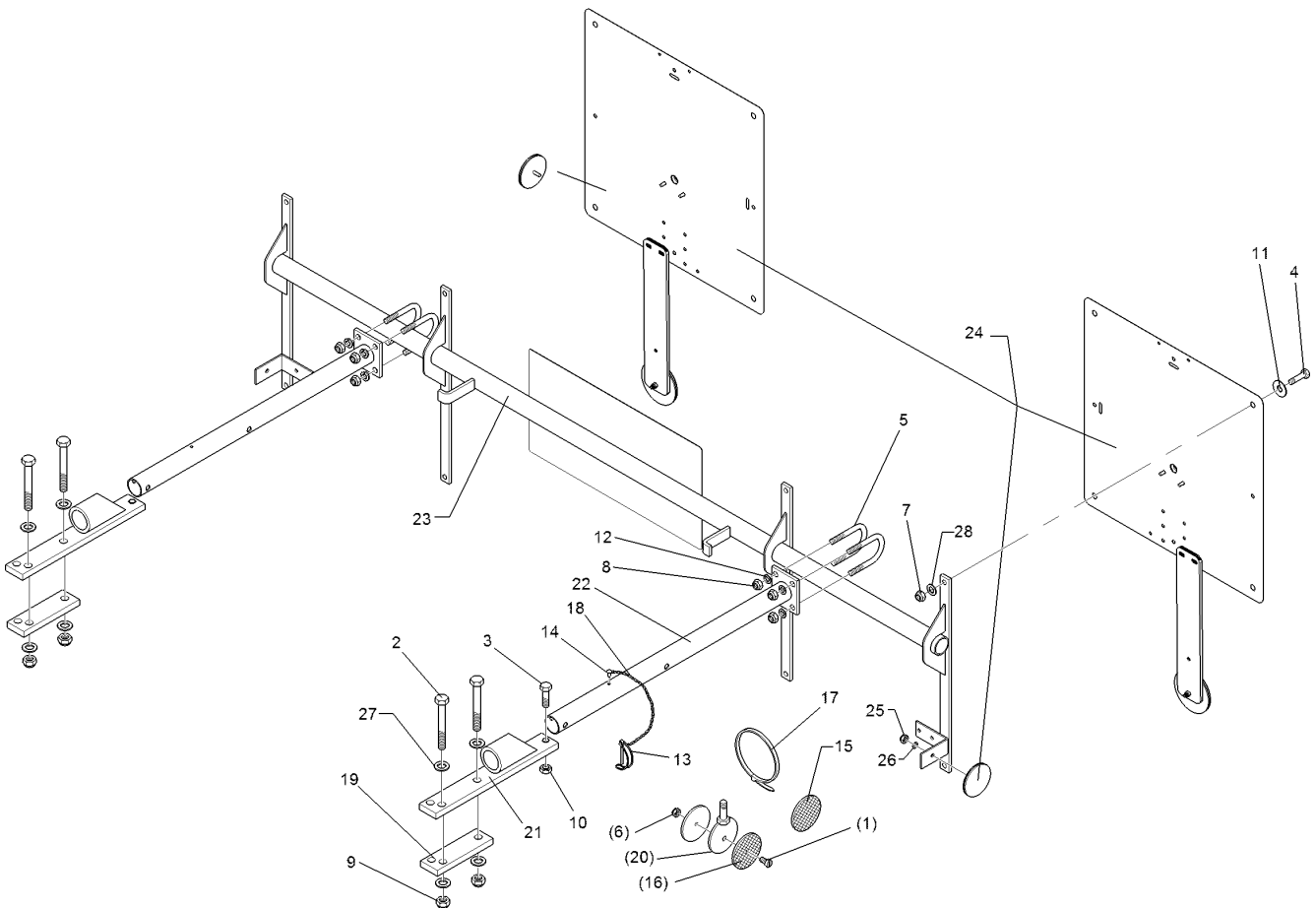
01.18

| Pos. | Art.Nr. | Stck. | Artikeltext / Description | | Abmessung |
|------|----------|-------|---------------------------|----------------|--------------------------|
| 1 | 301 3070 | 1 | Sechskantschraube | Hexagon bolt | M8x40-8.8 Zn DIN931-A |
| 2 | 303 1011 | 1 | Sechskantmutter | Hexagon nut | M8 DIN934-8 Zn |
| 3 | 305 8551 | 1 | Sicherungsring | Retaining ring | Di41x3 A2 |
| 4 | 305 9898 | 1 | Federring | Spring ring | 8 A DIN127 Zn |
| 5 | 315 8006 | 1 | Niet | Rivet | 12x55 BO Zn |
| 6 | 470 1150 | 1 | Leuchtenhalter | Lamp holder | RE LH 1 |
| 7 | 470 1151 | 1 | Leuchtenhalter | Lamp holder | LI LH 1 |



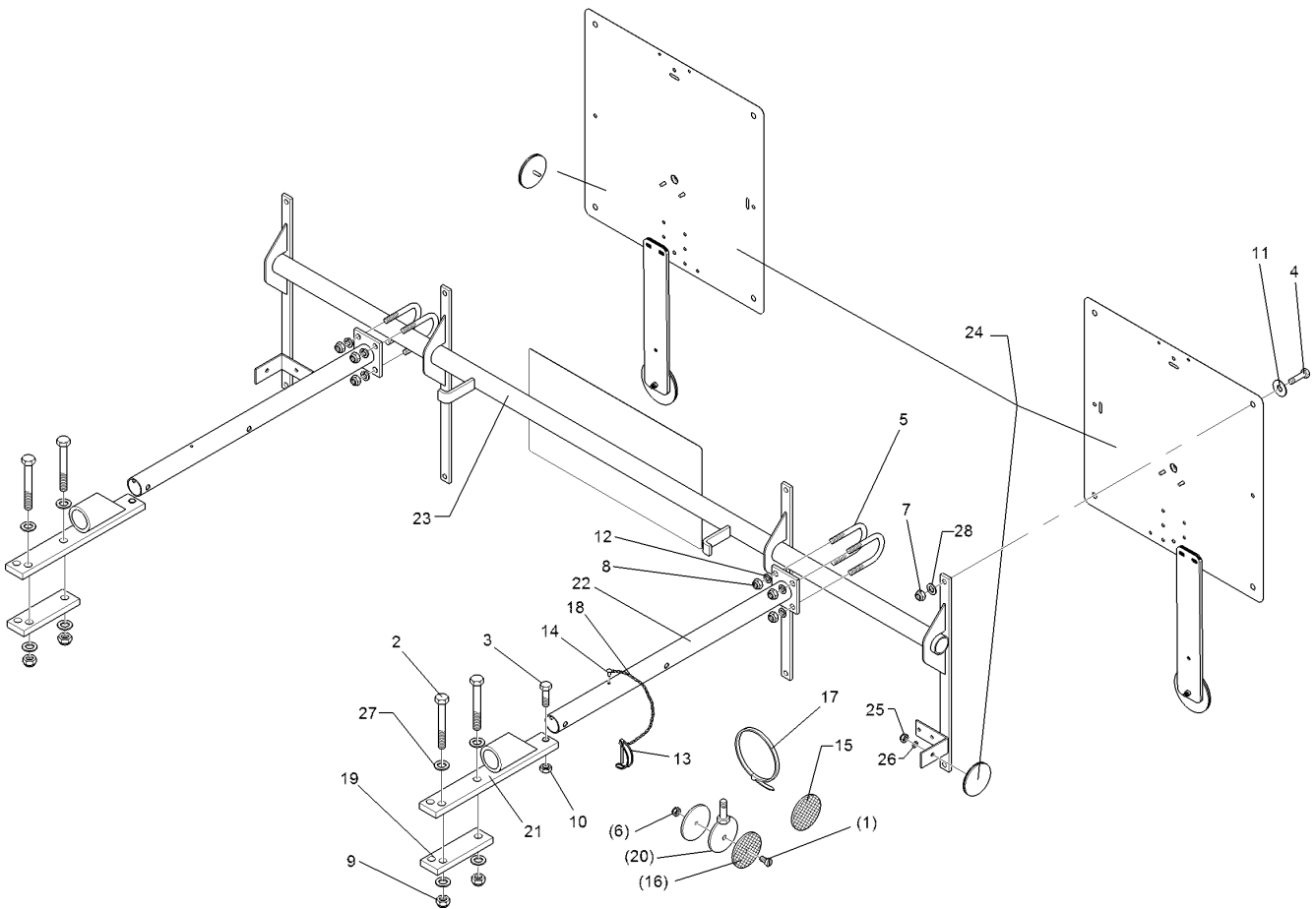
01.18

| Pos. | Art.Nr. | Stck. | Artikeltext / Description | | Abmessung |
|------|----------|-------|-----------------------------|-----------------------------|---------------------------|
| 1 | 301 3006 | 6 | Sechskantschraube | Hexagon bolt | M6x25-8.8 Zn DIN933 |
| 2 | 301 3837 | 2 | Sechskantschraube | Hexagon bolt | M16x60-8.8 Zn DIN931-A |
| 3 | 303 0931 | 10 | Sicherungsmutter | Selflocking nut | NM6-8 Zn DIN985 |
| 4 | 303 0933 | 1 | Sicherungsmutter | Selflocking nut | NM10-8 DIN985 Zn |
| 5 | 303 0935 | 2 | Sicherungsmutter | Selflocking nut | NM16-8 Zn DIN985 |
| 6 | 305 8551 | 1 | Sicherungsring | Retaining ring | Di41x3 A2 |
| 7 | 305 9896 | 4 | Federring | Spring ring | 6 DIN127 Zn |
| 8 | 313 7807 | 1 | Bolzen | Pin | D12x59/117,5 V Zn |
| 9 | 321 9900 | 1 | Schild | Board | Geräet schwenkt aus |
| 10 | 321 9920 | 2 | Rückstrahler rot | Reflector, red | 8 RA 002014-031 |
| 11 | 321 9921 | 2 | Rückstrahler gelb m. Loch | Reflector, yellow | D60 |
| 12 | 321 9919 | 6 | Rückstrahler gelb selbstkl. | Self-adh. reflector, yellow | 6200GK |
| 13 | 470 1200 | 1 | Halter | Holder | D70xD7-M10x25 |
| 14 | 470 1207 | 1 | Leuchtenhalter | Lamp holder | LH 30x30x1500 |
| 15 | 470 1210 | 1 | Führungsstück | Guiding | LH 30x15x200/40x15 |
| 16 | 309 6054 | 2 | Spannhülse | Expansion bush | 6x40-DIN1481 Zn |
| 17 | 470 1205 | 1 | Halter | Holder | LH 40x15x900 |



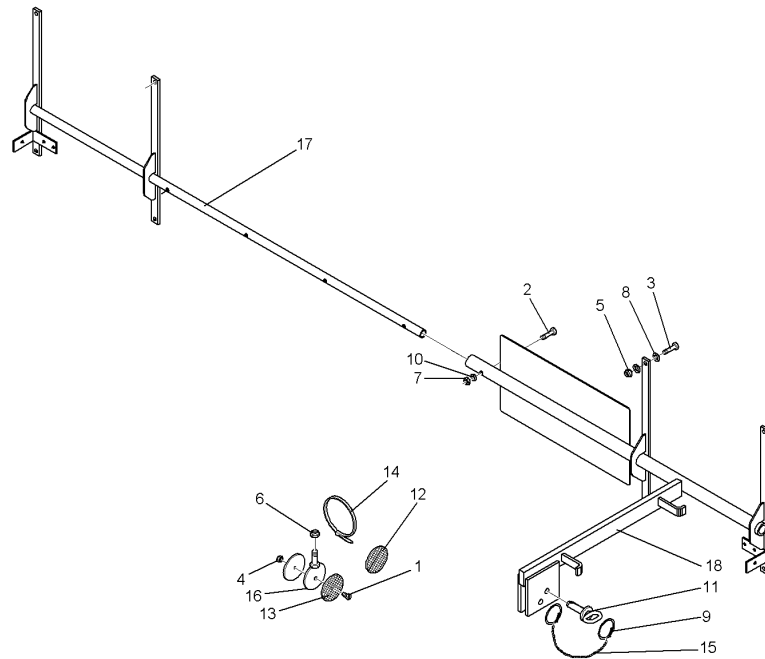
01.18

| Pos. | Art.Nr. | Stck. | Artikeltext / Description | | Abmessung |
|------|----------|-------|-----------------------------|-----------------------------|-------------------------------|
| 1 | 301 3006 | 1 | Sechskantschraube | Hexagon bolt | M6x25-8.8 Zn DIN933 |
| 2 | 301 3432 | 4 | Sechskantschraube | Hexagon bolt | M12x80-8.8 Zn DIN931-A |
| 3 | 301 3350 | 2 | Sechskantschraube | Hexagon bolt | M12x50-8.8 Zn DIN933 |
| 4 | 301 6750 | 8 | Sechskantschraube | Hexagon bolt | M8x20-8.8 Zn DIN933 |
| 5 | 301 7781 | 4 | Bügelsschraube | U-bolt | M10x48x76 Zn DIN3570A |
| 6 | 303 0931 | 1 | Sicherungsmutter | Selflocking nut | NM6-8 Zn DIN985 |
| 7 | 303 0932 | 8 | Sicherungsmutter | Selflocking nut | NM8-8 Zn DIN985 |
| 8 | 303 0933 | 8 | Sicherungsmutter | Selflocking nut | NM10-8 DIN985 Zn |
| 9 | 303 0934 | 4 | Sicherungsmutter | Selflocking nut | NM12-8 Zn DIN985 |
| 10 | 303 1013 | 2 | Sechskantmutter | Hexagon nut | M12 DIN934-8 Zn |
| 11 | 305 6124 | 8 | Scheibe | Washer | 8,4/25x2 DIN9021-St Zn |
| 12 | 305 8696 | 8 | Scheibe | Washer | A10,5 DIN125-St Zn |
| 13 | 311 9305 | 2 | Rohrklappstecker | Securing pin | 8x50/S9 |
| 14 | 315 9616 | 2 | Blindniet | Rivet | 4,8x10 |
| 15 | 321 9919 | 4 | Rückstrahler gelb selbstkl. | Self-adh. reflector, yellow | 6200GK |
| 16 | 321 9921 | 2 | Rückstrahler gelb m. Loch | Reflector, yellow | D60 |
| 17 | 325 1331 | 8 | Kabelbinder | Cable clip | 4,7x186 |
| 18 | 331 6130 | 2 | Knotenkette | Knotted-link chain | D2x150 |
| 19 | 459 1071 | 2 | Brücke | Clamp plate | 40x12x132 3xD14-92,5-102,5 |



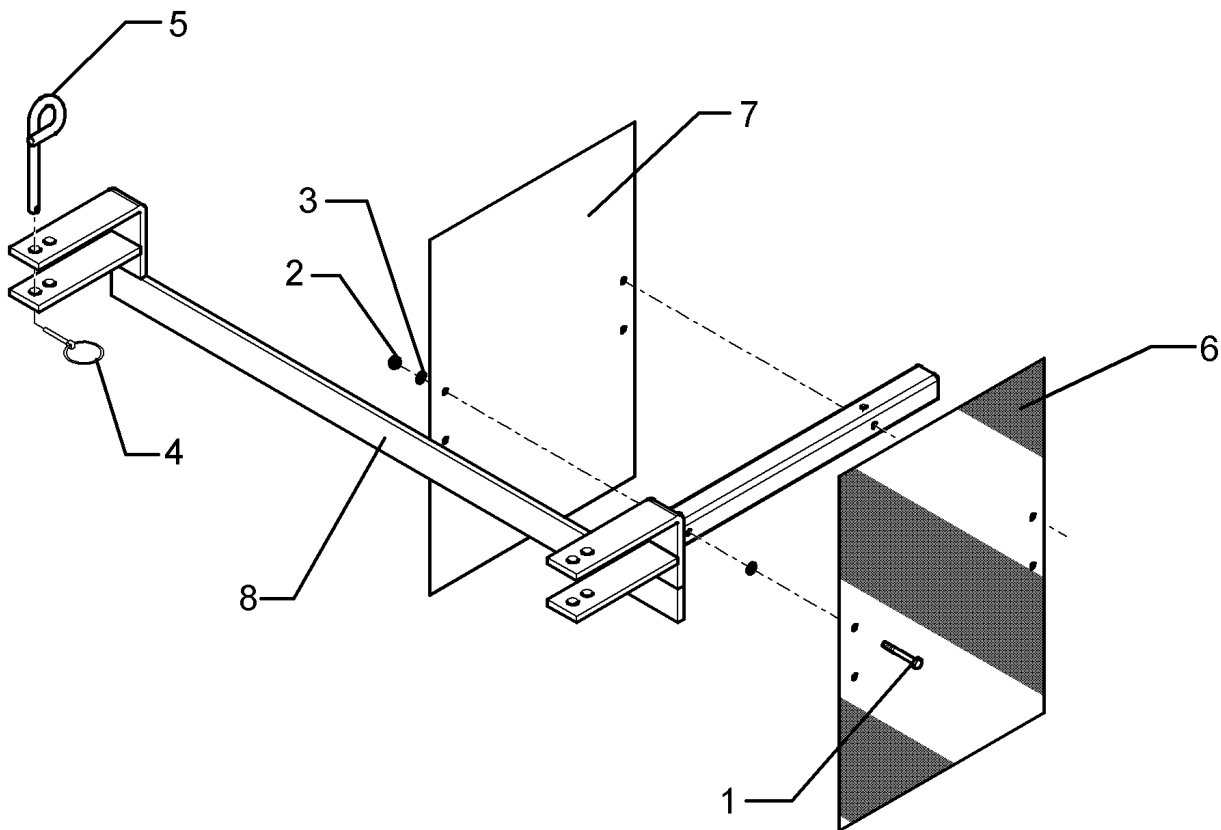
01.18

| Pos. | Art.Nr. | Stck. | Artikeltext / Description | Abmessung |
|------|----------|-------|---------------------------|--------------------|
| 20 | 470 1200 | 1 | Halter | Holder |
| 21 | 470 1672 | 2 | Halter | Holder |
| 22 | 470 1673 | 2 | Träger | Carrier |
| 23 | 470 1674 | 1 | Leuchtenhalter | Lamp holder |
| 24 | 570 2086 | 1 | Beleuchtungsanlage | Lighting equipment |
| 25 | 303 0929 | 2 | Sicherungsmutter | Selflocking nut |
| 26 | 305 8569 | 2 | Scheibe | Washer |
| 27 | 305 8580 | 8 | Scheibe | Washer |
| 28 | 305 8694 | 8 | Scheibe | Washer |
| | | | | D70xD7-M10x25 |
| | | | | 40x12x290 |
| | | | | Halm70-80 |
| | | | | 60x70x550 |
| | | | | BLA-1 PF/UNI |
| | | | | 33,7x1580 |
| | | | | Pflug |
| | | | | NM5-8 Zn DIN985 |
| | | | | 5,3 DIN125 Zn |
| | | | | 13/24x2,5 St-Zn |
| | | | | DIN125 |
| | | | | A8,4 DIN125-St Zn |



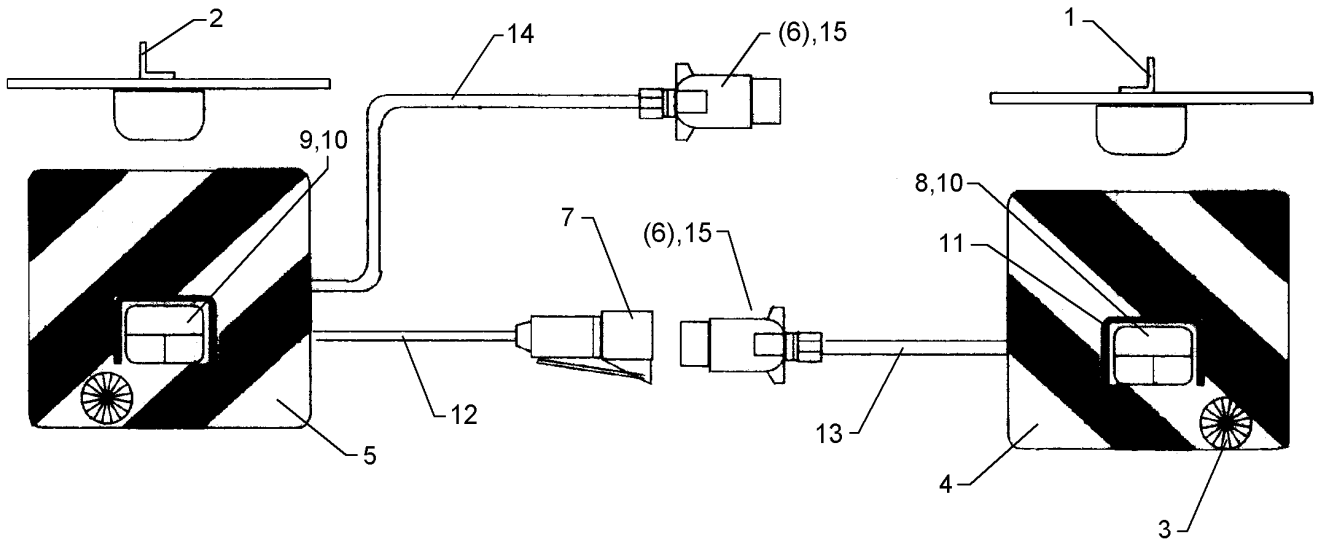
01.18

| Pos. | Art.Nr. | Stck. | Artikeltext / Description | | Abmessung |
|------|----------|-------|-----------------------------|-----------------------------|---------------------------|
| 1 | 301 3006 | 1 | Sechskantschraube | Hexagon bolt | M6x25-8.8 Zn DIN933 |
| 2 | 301 3070 | 1 | Sechskantschraube | Hexagon bolt | M8x40-8.8 Zn DIN931-A |
| 3 | 301 6750 | 8 | Sechskantschraube | Hexagon bolt | M8x20-8.8 Zn DIN933 |
| 4 | 303 0931 | 1 | Sicherungsmutter | Selflocking nut | NM6-8 Zn DIN985 |
| 5 | 303 0932 | 8 | Sicherungsmutter | Selflocking nut | NM8-8 Zn DIN985 |
| 6 | 303 0933 | 1 | Sicherungsmutter | Selflocking nut | NM10-8 DIN985 Zn |
| 7 | 303 1011 | 1 | Sechskantmutter | Hexagon nut | M8 DIN934-8 Zn |
| 8 | 305 6124 | 16 | Scheibe | Washer | 8,4/25x2 DIN9021-St Zn |
| 9 | 305 8551 | 2 | Sicherungsring | Retaining ring | Di41x3 A2 |
| 10 | 305 9898 | 1 | Federring | Spring ring | 8 A DIN127 Zn |
| 11 | 313 7807 | 1 | Bolzen | Pin | D12x59/117,5 V Zn |
| 12 | 321 9919 | 6 | Rückstrahler gelb selbstkl. | Self-adh. reflector, yellow | 6200GK |
| 13 | 321 9921 | 2 | Rückstrahler gelb m. Loch | Reflector, yellow | D60 |
| 14 | 325 1331 | 5 | Kabelbinder | Cable clip | 4,7x186 |
| 15 | 331 6130 | 1 | Knotenkette | Knotted-link chain | D2x150 |
| 16 | 470 1200 | 1 | Halter | Holder | D70xD7-M10x25 |
| 17 | 470 1676 | 1 | Halter | Holder | BLA-2 PF RE |
| 18 | 470 1677 | 1 | Halter | Holder | BLA-2 PF LI |
| 19 | 570 2086 | 1 | Beleuchtungsanlage | Lighting equipment | Pflug |



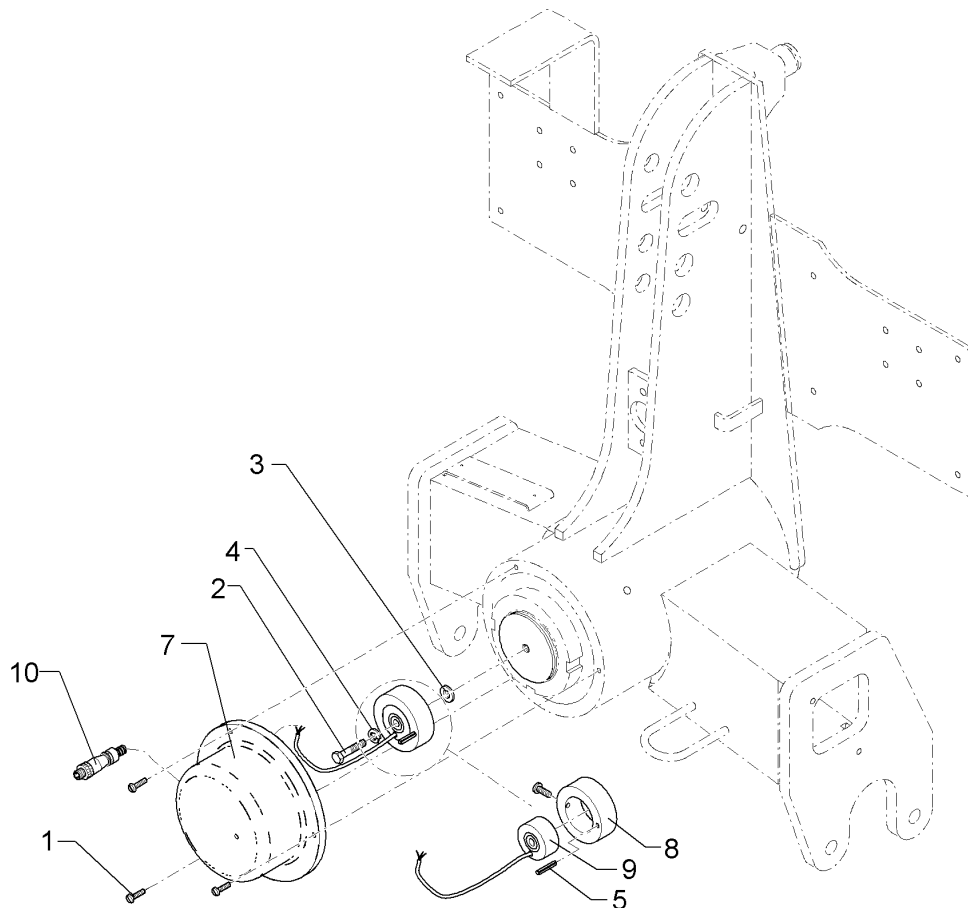
01.18

| Pos. | Art.Nr. | Stck. | Artikeltext / Description | | Abmessung |
|------|----------|-------|---------------------------|-------------------------|-----------------------------------|
| 1 | 301 2998 | 2 | Sechskantschraube | Hexagon bolt | M5x40-8.8 Zn DIN931-A |
| 2 | 303 0967 | 2 | Sechskantmutter | Hexagon nut | M5 DIN934-8 Zn |
| 3 | 305 6968 | 4 | Scheibe | Washer | R5,5/18x2 DIN440-St Zn |
| 4 | 311 9565 | 2 | Klappstift | Securing pin | 4,5 |
| 5 | 313 8610 | 2 | Bolzen | Pin | D10x85 Zn (10x210) |
| 6 | 321 9926 | 1 | Warntafel rot/weiss | Warning board red/white | R2 282x423 (B2 TP-ESC-A 06021) |
| 7 | 321 9927 | 1 | Warntafel rot/weiss | Warning board red/white | R1 423x282 (B1 TP-ESC-A 06021) |
| 8 | 470 1708 | 1 | Warntafelhalter | Holder | WTH-1 |



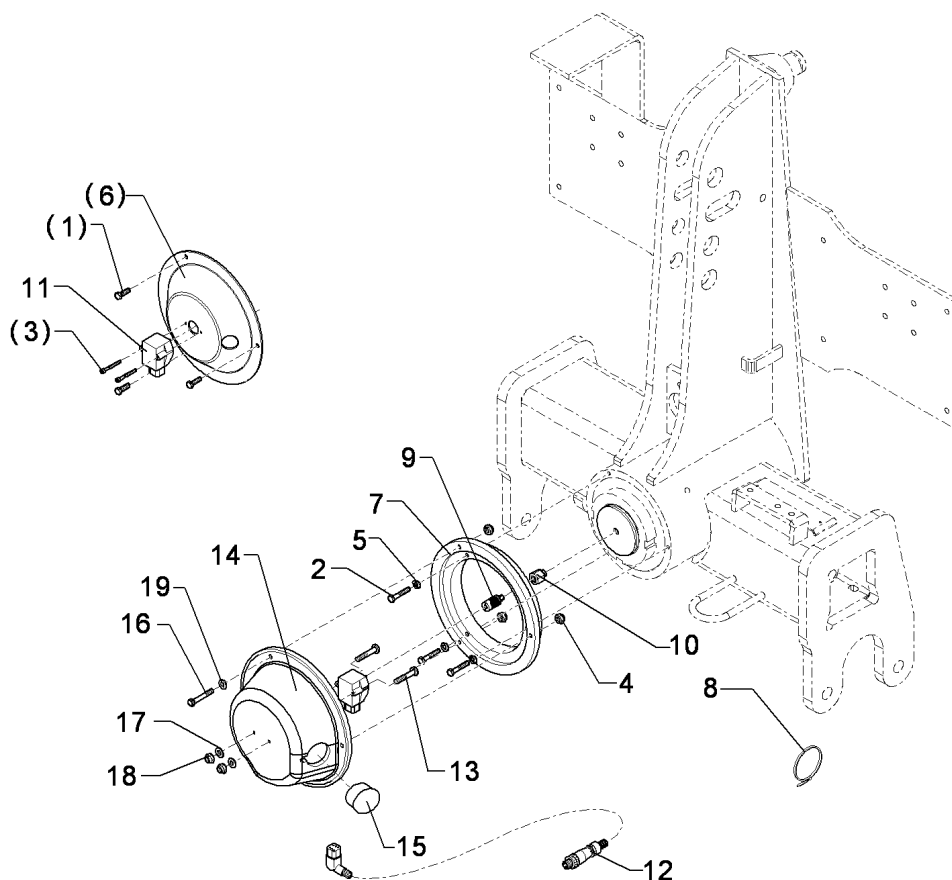
01.18

| Pos. | Art.Nr. | Stck. | Artikeltext / Description | Abmessung | |
|------|----------|-------|---------------------------|------------------|------------------------|
| 1 | 321 5012 | 1 | Aufsteckteil | Plug-on unit | RE HR11027 |
| 2 | 321 5013 | 1 | Aufsteckteil | Plug-on unit | LI HL11027 |
| 3 | 321 9917 | 2 | Rückstrahler | Reflector | 6200K |
| 4 | 321 9934 | 1 | Warntafel | Warning board | RE 423x423 DIN11030 |
| 5 | 321 9935 | 1 | Warntafel | Warning board | LI 423x423 DIN11030 |
| 6 | 373 2121 | 2 | Stecker | Plug | 7-polig |
| 7 | 373 2140 | 1 | Kupplungsdose | Connector socket | 72. |
| 8 | 373 3130 | 1 | Rückleuchte | Rear light | BBS95R RE |
| 9 | 373 3133 | 1 | Rückleuchte | Rear light | BBS95L LI |
| 10 | 373 3526 | 2 | Lichtscheibe | Light glas | RE E95 |
| 11 | 373 3801 | 2 | Schutzhaube hinten | Rear cover | SH95 |
| 12 | 373 4136 | 2 | Kabel gelb | Cable, yellow | 4x0,75 |
| 13 | 373 4137 | 2 | Kabel grün | Cable, green | 4x0,75 |
| 14 | 373 4140 | 7 | Kabel | Cable | 6x0,75 S/W |
| 15 | 373 2124 | 2 | Stecker Alu | Plug | 7-polig |



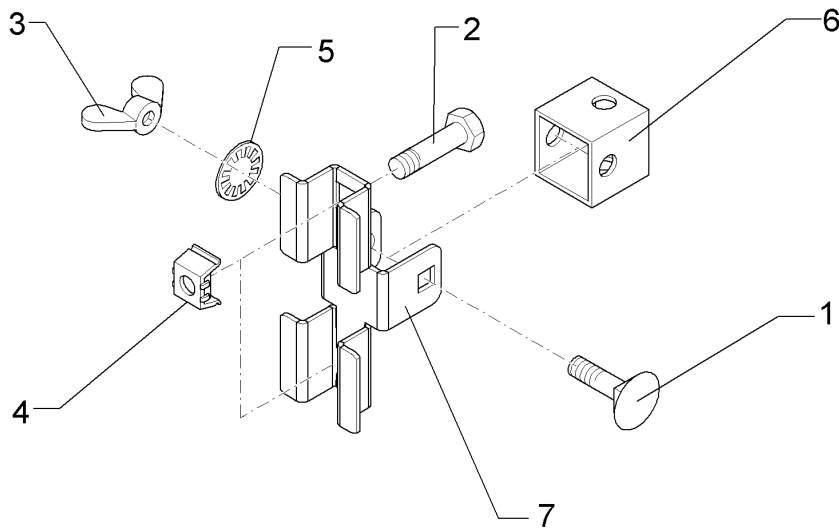
01.18

| Pos. | Art.Nr. | Stck. | Artikeltext / Description | | Abmessung |
|------|----------|-------|---------------------------|----------------------------|----------------------------|
| 1 | 301 0301 | 4 | Linsenschraube | Oval head screw | M6x20-4,6 Zn DIN7985 |
| 2 | 301 5424 | 1 | Sechskantschraube | Hexagon bolt | M10x45-8.8 Zn DIN931-A |
| 3 | 305 6110 | 1 | Scheibe | Washer | 11/20x2,5 DIN1441-St Zn |
| 4 | 305 9900 | 1 | Federring | Spring ring | 10 DIN127 Zn |
| 5 | 309 6057 | 1 | Spannhülse | Expansion bush | 6x55-DIN1481 Zn |
| 7 | 473 8072 | 1 | Schutzkappe | Cap | D178/142x82 EPS |
| 8 | 473 8074 | 1 | Ring | Ring | D80/50,2x28 EPS |
| 9 | 573 4374 | 1 | Hohlwellen-Potentiometer | Hollow shaft potentiometer | GL100,5x46 M340 |
| 10 | 573 6027 | 1 | Kabelbaum | Cable form | Potenziometer |



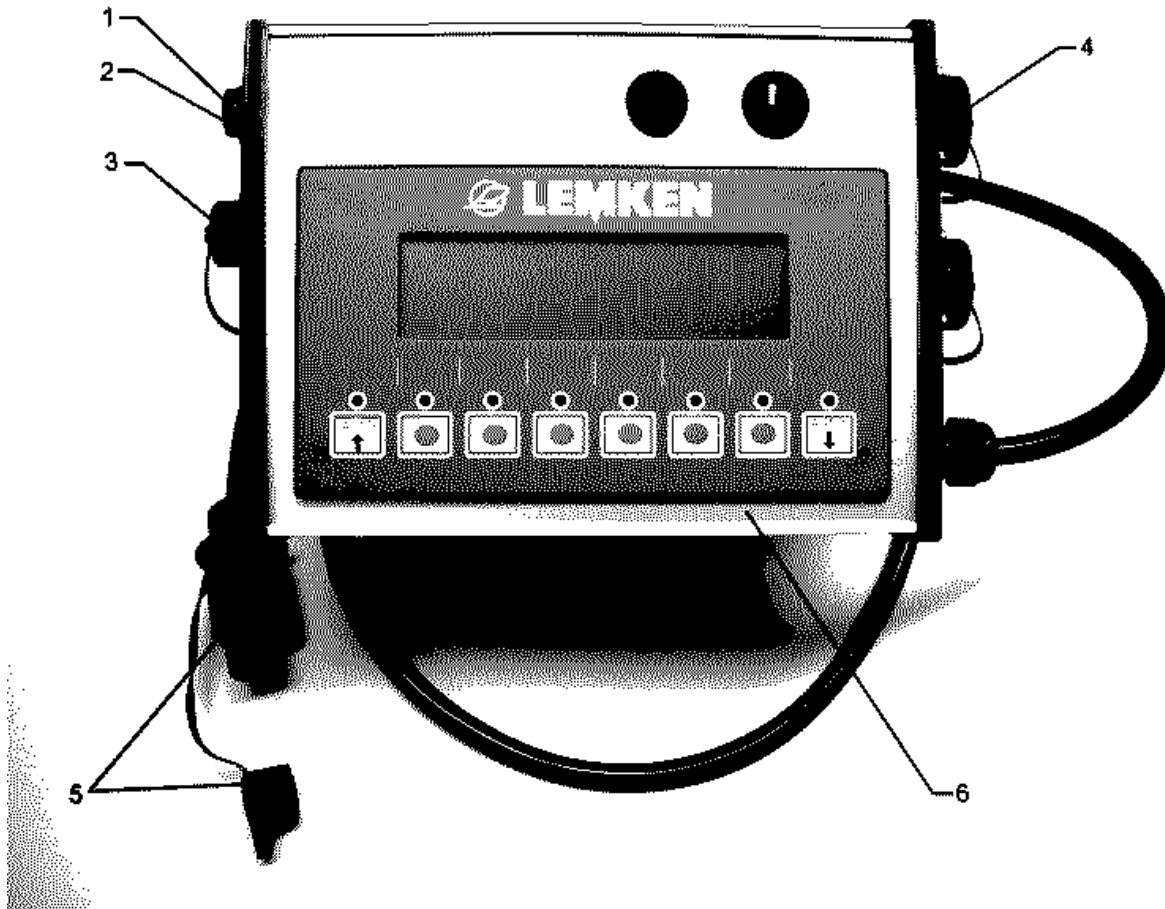
01.18

| Pos. | Art.Nr. | Stck. | Artikeltext / Description | | Abmessung |
|------|----------|-------|---------------------------|----------------------------|----------------------------------|
| 1 | 301 3004 | 3 | Sechskantschraube | Hexagon bolt | M6x20-8.8 Zn DIN933 |
| 2 | 301 3007 | 3 | Sechskantschraube | Hexagon bolt | M6x35-8.8 Zn DIN931-A |
| 3 | 301 5852 | 2 | Zylinderschraube | Allen screw | M4x35-8.8 Zn DIN912 |
| 4 | 303 0931 | 3 | Sicherungsmutter | Selflocking nut | NM6-8 Zn DIN985 |
| 5 | 305 9896 | 3 | Federring | Spring ring | 6 DIN127 Zn |
| 6 | 323 0005 | 1 | Deckel | Cover | 213/80x3x40 3xD6 V2A |
| 7 | 323 0019 | 1 | Distanzring | Distance ring | 218/190/160x31 3xD6 |
| 8 | 325 1331 | 8 | Kabelbinder | Cable clip | 4,7x186 |
| 9 | 455 3170 | 1 | Miniaturlagkupplung | Bellow coupling, miniature | MK3 |
| 10 | 473 8104 | 1 | Schraube | Screw | M10x8,5/23-SW17 Zn V-Opal EPS |
| 11 | 573 4384 | 1 | Winkelsensor | Angle sensor | 240 GRD |
| 12 | 573 6032 | 1 | Kabelbaum Winkelsensor | Cable form | Vari-Opal EPS |
| 13 | 301 0283 | 2 | Flachkopfschraube | Flatheaded bolt | M4x45-4.8 Zn DIN85 |
| 14 | 323 0007 | 1 | Deckel | Cover | D216x77 3xD6,5 |
| 15 | 323 8082 | 1 | Lamellenstopfen | Lamellar cap | GPN 320 GL42 1 - 2 |
| 16 | 301 3012 | 3 | Sechskantschraube | Hexagon bolt | M6x30-8.8 Zn DIN931-A |
| 17 | 305 8567 | 2 | Scheibe | Washer | 4,3 DIN125 Zn |
| 18 | 303 0928 | 2 | Sicherungsmutter | Selflocking nut | NM4-8 Zn DIN985 |
| 19 | 305 8572 | 3 | Scheibe | Washer | 6,4 DIN9021 Zn |



01.18

| Pos. | Art.Nr. | Stck. | Artikeltext / Description | | Abmessung |
|------|----------|-------|----------------------------|-------------------|---------------------------|
| 1 | 301 1136 | 1 | Flachrundschaube | Saucer-head screw | M8x50-8.8 Zn DIN603 |
| 2 | 301 7280 | 2 | Sechskantschraube | Hexagon bolt | M8x25-8.8 Zn DIN933 |
| 3 | 303 1508 | 1 | Flügelmutter | Wing nut | M8-DIN315-5 A3B |
| 4 | 303 1620 | 2 | Käfigmutter | Nut | M8-8/12,5 DIN88109 Zn |
| 5 | 305 9835 | 1 | Sperrkantscheibe | Washer | 10,2/22,25x1,6 Zn |
| 6 | 473 8064 | 1 | Halter für Strangprofil | Holder | GBT 2000 30x30x2x30 Zn |
| 7 | 473 8065 | 1 | Gelenk für Halter GBT 2000 | Link | 30x30x2x30 Zn |



01.18

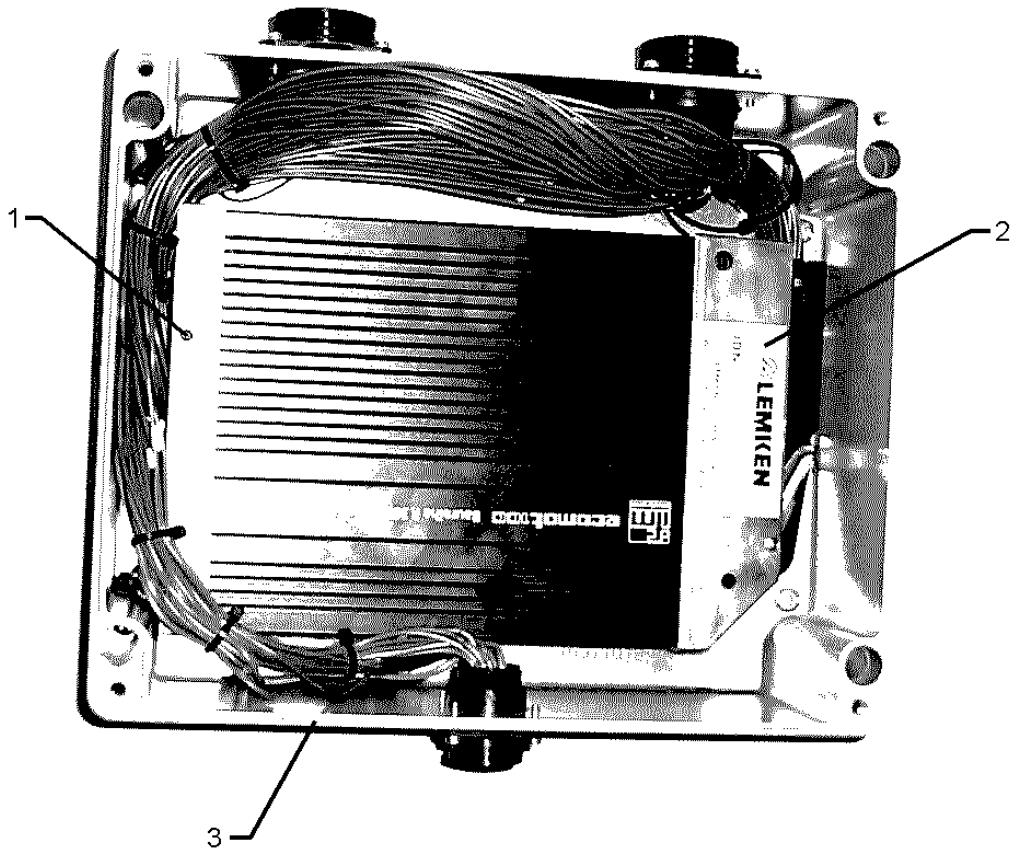
| Pos. | Art.Nr. | Stck. | Artikeltext / Description | | Abmessung |
|------|----------|-------|---------------------------|--------------------|-----------------------|
| 1 | 373 1306 | 1 | Glasrohrsicherung | Fuse | 5x20 1A mittel traege |
| 2 | 373 1308 | 1 | Glasrohrsicherung | Fuse | 5x20 16A traege |
| 3 | 373 2162 | 1 | Staubschutzkappe | Dust cap | BG11 IG |
| 4 | 373 2165 | 1 | Staubschutzkappe | Dust cap | BG-17 IG |
| 6 | 573 6001 | 1 | Bedienterminal | Operation terminal | CR1101 |

Gehäuse mit Jobrechner/Housing

13

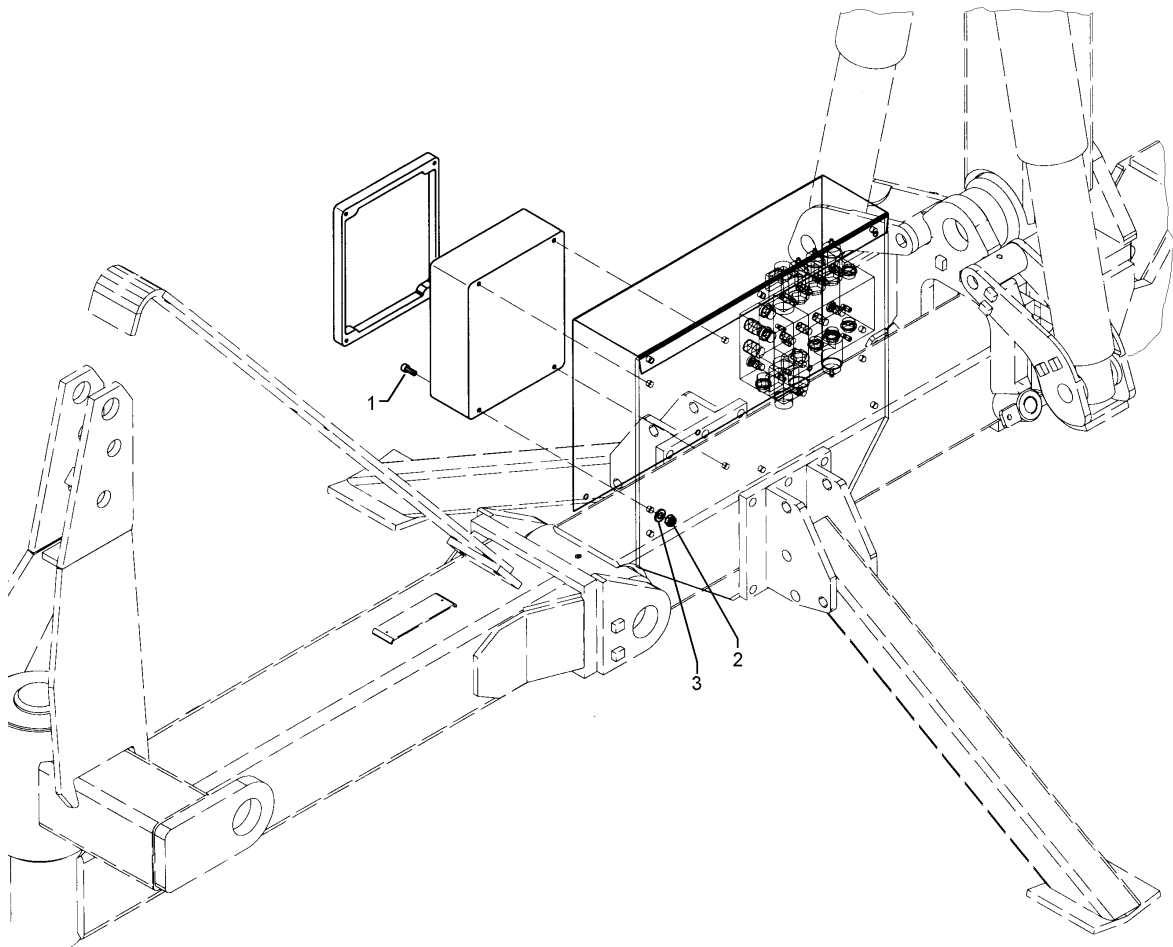
VariOpal 7X / 7 HydriX

673 6002



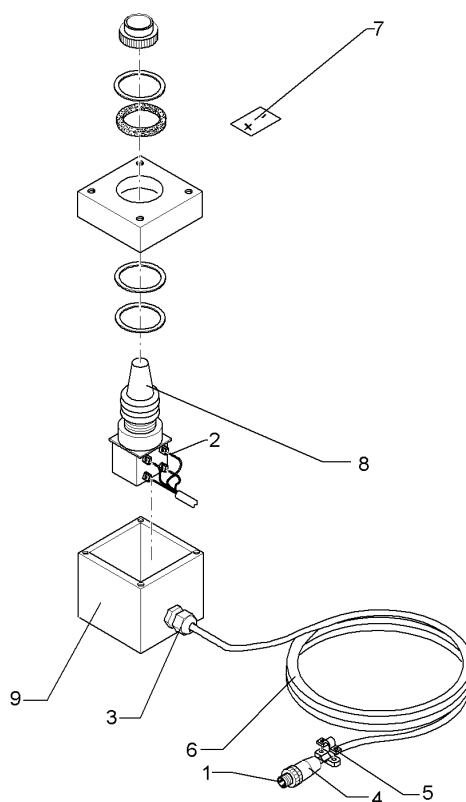
01.18

| Pos. | Art.Nr. | Stck. | Artikeltext / Description | | Abmessung |
|------|----------|-------|----------------------------|-----------------|--------------------|
| 1 | 301 0293 | 2 | Flachkopfschraube | Flatheaded bolt | M5x50-4,6 Zn DIN85 |
| 2 | 573 6002 | 1 | Jobrechner | Job computer | CR0016/CR0020 |
| 3 | 573 6005 | 1 | Gehäuse komplett verkabelt | Housing | 280x225x110 |



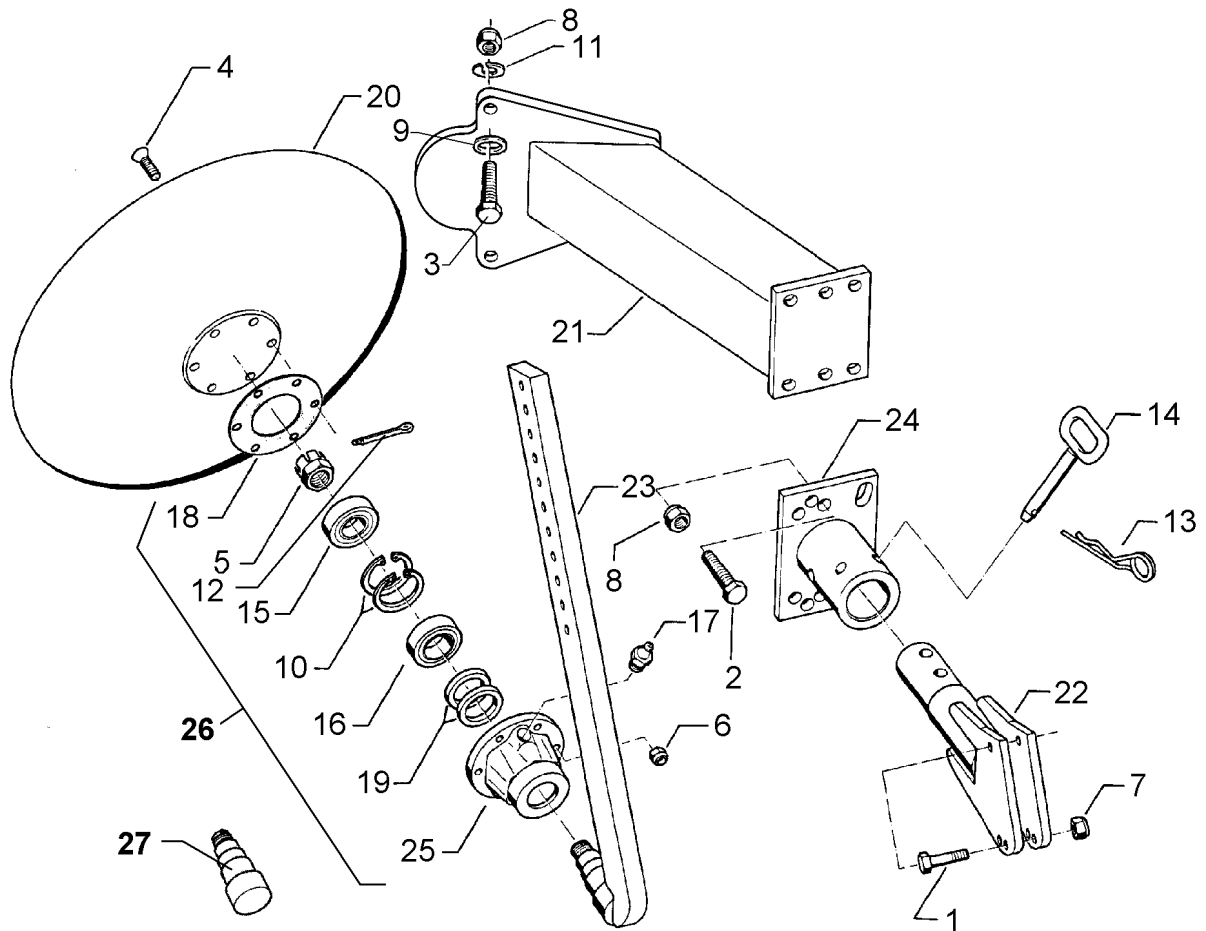
01.18

| Pos. | Art.Nr. | Stck. | Artikeltext / Description | | Abmessung |
|------|----------|-------|------------------------------|-----------------|--------------------|
| 1 | 301 0104 | 4 | Zylinderschraube mit Schlitz | Allen screw | M6x45-4.8 Zn DIN84 |
| 2 | 303 0931 | 4 | Sicherungsmutter | Selflocking nut | NM6-8 Zn DIN985 |
| 3 | 305 8571 | 4 | Scheibe | Washer | 6,4 DIN125-A Zn |



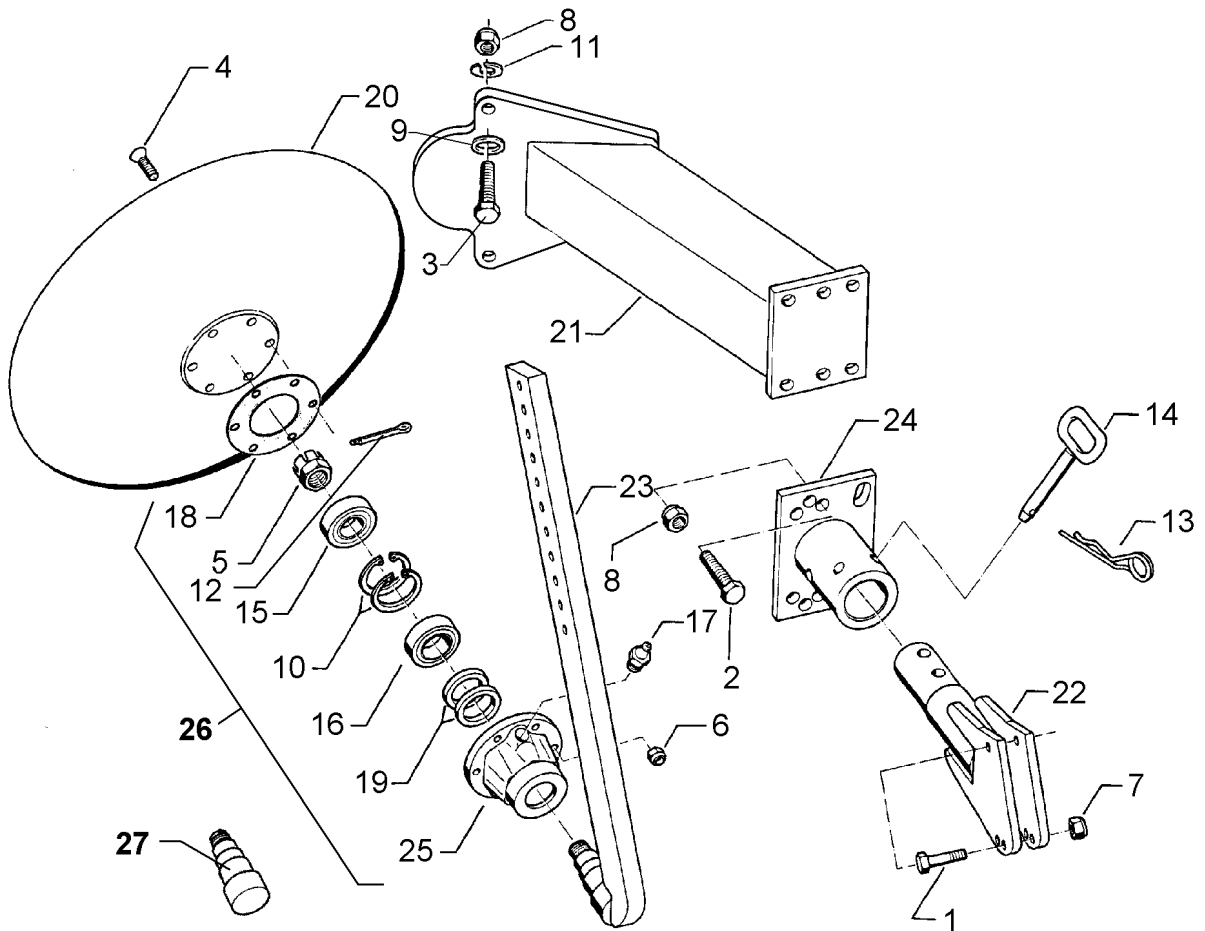
01.18

| Pos. | Art.Nr. | Stck. | Artikeltext / Description | | Abmessung |
|------|----------|-------|-------------------------------|----------------------------|-----------------------|
| 1 | 373 0300 | 4 | Stiftkontakt | Pin contact | Typ III 0,75-1,5 |
| 2 | 373 0453 | 5 | Aderendhülse | Multicore cable end | 0,75x8 grau |
| 3 | 373 0766 | 1 | Kabelverschraubung | Screw-type conduit fitting | PG9 |
| 4 | 373 2170 | 1 | Stecker | Plug | 4-polig BG-11 IG |
| 5 | 373 2171 | 1 | Kabelklemme mit Zugentlastung | Clamp | BG-11 |
| 6 | 373 4136 | 1 | Kabel gelb | Cable, yellow | 4x0,75 |
| 7 | 390 9002 | 1 | Aufkleber | Label | Joystickbox |
| 8 | 573 4610 | 1 | Joystickschalter | Joystick-switch | 2-Schaltstellungen |
| 9 | 573 4611 | 1 | Gehäuse | Housing | 80x75x75,5 RAL5015 |



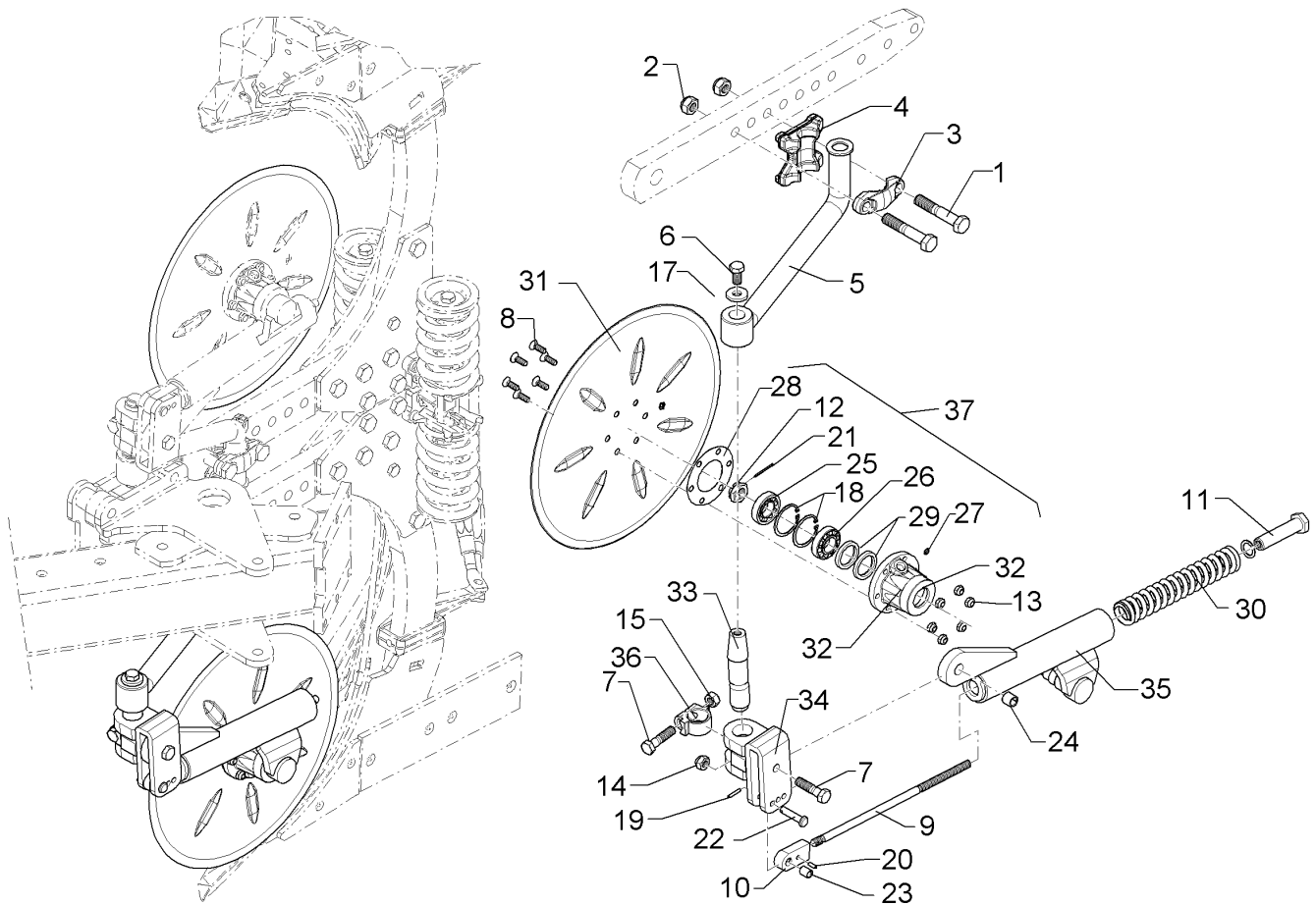
01.18

| Pos. | Art.Nr. | Stck. | Artikeltext / Description | | Abmessung |
|------|----------|-------|---------------------------|------------------------|-----------------------------|
| 1 | 301 5452 | 2 | Sechskantschraube | Hexagon bolt | M12x60-8.8 Zn DIN931-A |
| 2 | 301 5074 | 4 | Sechskantschraube | Hexagon bolt | M16x80-8.8 Zn DIN933 |
| 3 | 301 5370 | 4 | Sechskantschraube spz. | Hexagon bolt | M16x90-12.9 Zn |
| 4 | 301 6123 | 6 | Senkschraube | Countersunk bolt | M10x30-10.9 Zn DIN7991-A |
| 5 | 303 0193 | 1 | Kronenmutter | Castle nut | DIN937-M24x1,5-22H |
| 6 | 303 0933 | 6 | Sicherungsmutter | Selflocking nut | NM10-8 DIN985 Zn |
| 7 | 303 0934 | 2 | Sicherungsmutter | Selflocking nut | NM12-8 Zn DIN985 |
| 8 | 303 0935 | 8 | Sicherungsmutter | Selflocking nut | NM16-8 Zn DIN985 |
| 9 | 305 6141 | 4 | Scheibe | Washer | 17/30x3 DIN/ISO-7089 |
| 10 | 305 8924 | 2 | Sicherungsring | Retaining ring | 62x2 DIN472 |
| 12 | 311 7613 | 1 | Splint | Peg | 3,2x40 DIN94-St Zn |
| 13 | 311 8604 | 1 | Federstecker | Spring pin | 4 Zn DIN11024 |
| 14 | 313 8139 | 1 | Bolzen mit Griff | Pin with grip | D16x84/102 Zn |
| 15 | 319 9116 | 1 | Kegelrollenlager | Tapered roller bearing | 30206. |
| 16 | 319 9166 | 1 | Kegelrollenlager | Tapered roller bearing | 32007X |
| 17 | 323 6345 | 1 | Schmiernippel gerade | Grease nipple | LAM 6 DIN71412 |
| 18 | 323 7641 | 1 | Dichtung | Seal | D120/65x1,6 |
| 19 | 323 8032 | 2 | Wellendichtring | Oil seal | 40x55x7 BA |
| 20 | 349 0462 | 1 | Hohlscheibe | Concave disc | D530 |
| 21 | 442 6810 | 1 | Konsole | Bracket | GPS EurOpal 7 |
| 22 | 442 7130 | 1 | Halmführung mit Achse | Stalk guiding | GPS - 60x25 |



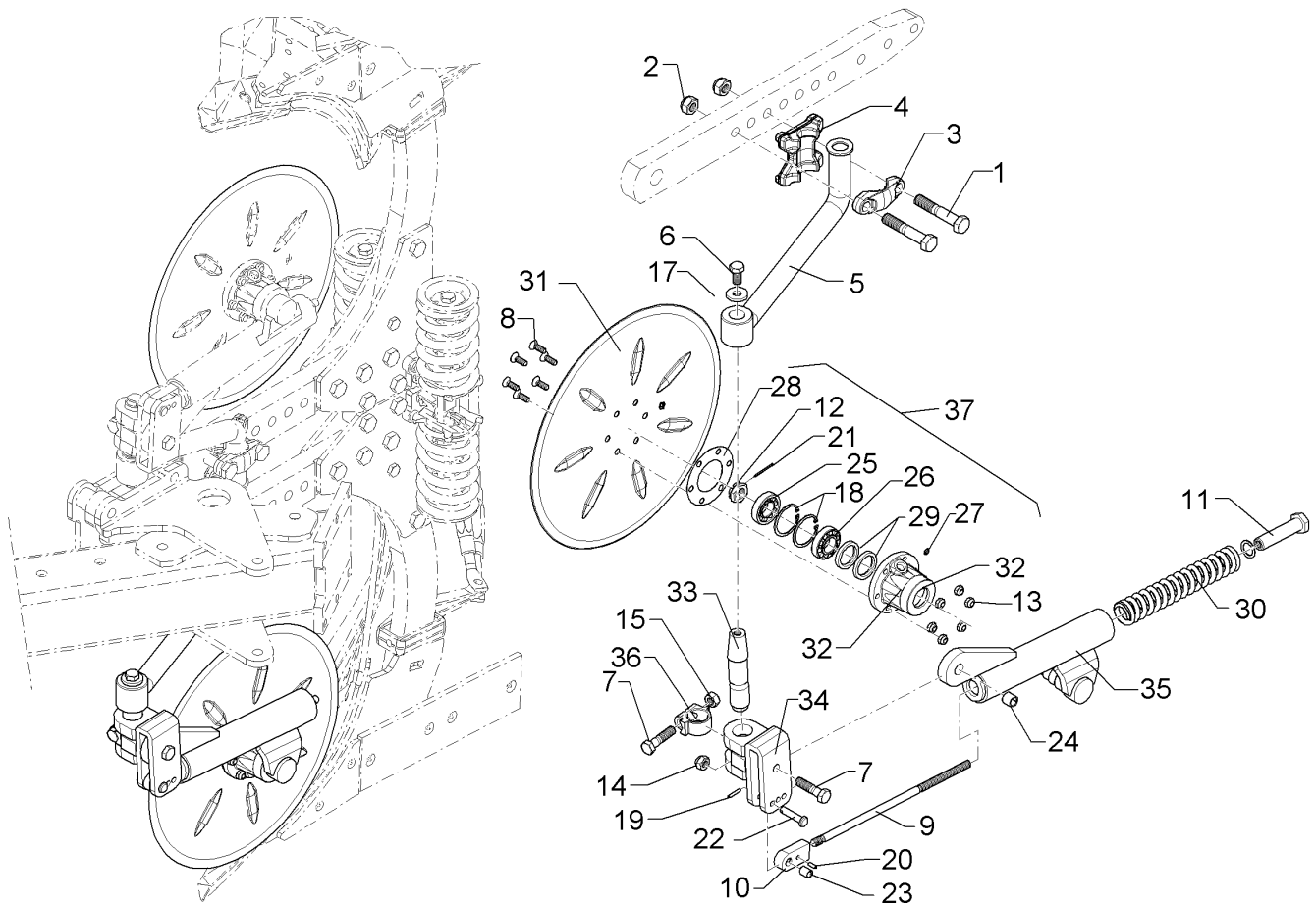
01.18

| Pos. | Art.Nr. | Stck. | Artikeltext / Description | | Abmessung |
|------|----------|-------|---------------------------|---------|------------------------|
| 23 | 442 7145 | 1 | Halm mit Achse | Stalk | GPS - 60x25 |
| 24 | 442 7160 | 1 | Flansch mit Rohr | Flange | 120x16x180 |
| 25 | 447 8882 | 1 | Nabe | Hub | 668 A |
| 26 | 547 8882 | 1 | Lagerung | Bearing | 668A 1x30206+32007X |
| 27 | 215 7927 | 1 | Achse | Axle | D50/40/35/30x113 |



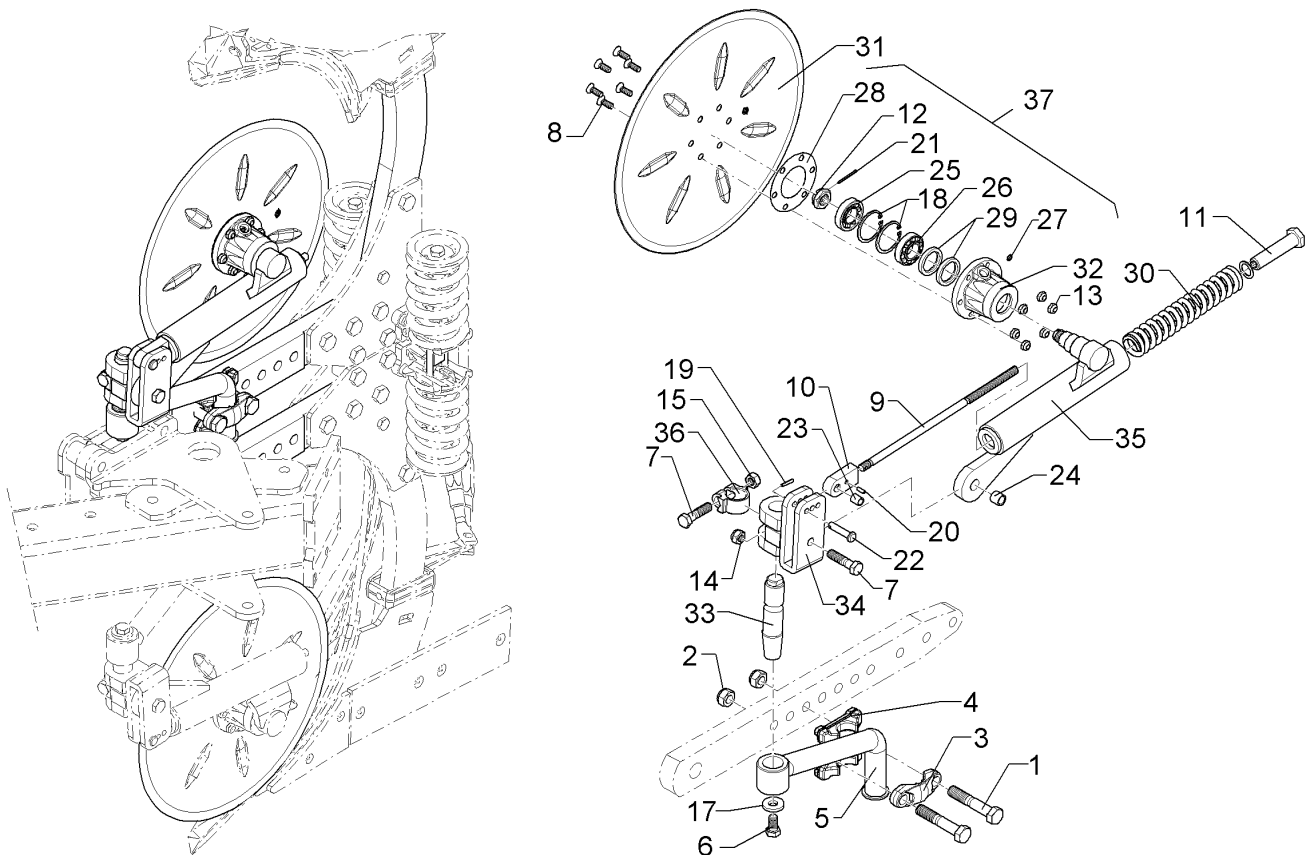
01.18

| Pos. | Art.Nr. | Stck. | Artikeltext / Description | Abmessung | |
|------|----------|-------|---------------------------|-------------------|-------------------------------------|
| 1 | 301 7068 | 2 | Sechskantschraube | Hexagon bolt | M20x110-8.8 Zn DIN931-A |
| 2 | 303 0936 | 2 | Sicherungsmutter | Selflocking nut | NM20-8 Zn DIN985 |
| 3 | 459 9009 | 1 | Klemme | Clamp | 45x35x120 2xD20,1-85 Zn 40/80 |
| 4 | 459 9011 | 1 | Klemmplatte | Clamping plate | |
| 5 | 463 7840 | 1 | Rundhalm | Round stalk | D40 geb. |
| 6 | 301 3682 | 1 | Sechskantschraube | Hexagon bolt | M16x30-8.8 Zn DIN933 |
| 7 | 301 3868 | 2 | Sechskantschraube | Hexagon bolt | M16x65-8.8 Zn DIN931-A |
| 8 | 301 6123 | 6 | Senkschraube | Countersunk bolt | M10x30-10.9 Zn DIN7991-A |
| 9 | 302 0351 | 1 | Stange | Rod | M14x410 |
| 10 | 302 9036 | 1 | Gelenkauge | Joint | 20x36x73 Zn |
| 11 | 303 0116 | 1 | Mutter | Nut | M14x20 D16x105 SW36 |
| 12 | 303 0193 | 1 | Kronenmutter | Castle nut | DIN937-M24x1,5-22H |
| 13 | 303 0933 | 6 | Sicherungsmutter | Selflocking nut | NM10-8 DIN985 Zn |
| 14 | 303 0935 | 1 | Sicherungsmutter | Selflocking nut | NM16-8 Zn DIN985 |
| 15 | 303 1015 | 1 | Sechskantmutter | Hexagon nut | M16 DIN934-8 Zn |
| 16 | 305 2230 | 1 | Stützscheibe | Supporting washer | S 25x35x2,0 DIN988 Zn |
| 17 | 305 6161 | 1 | Scheibe | Washer | 17/40x6 DIN7349 Zn |
| 18 | 305 8924 | 2 | Sicherungsring | Retaining ring | 62x2 DIN472 |



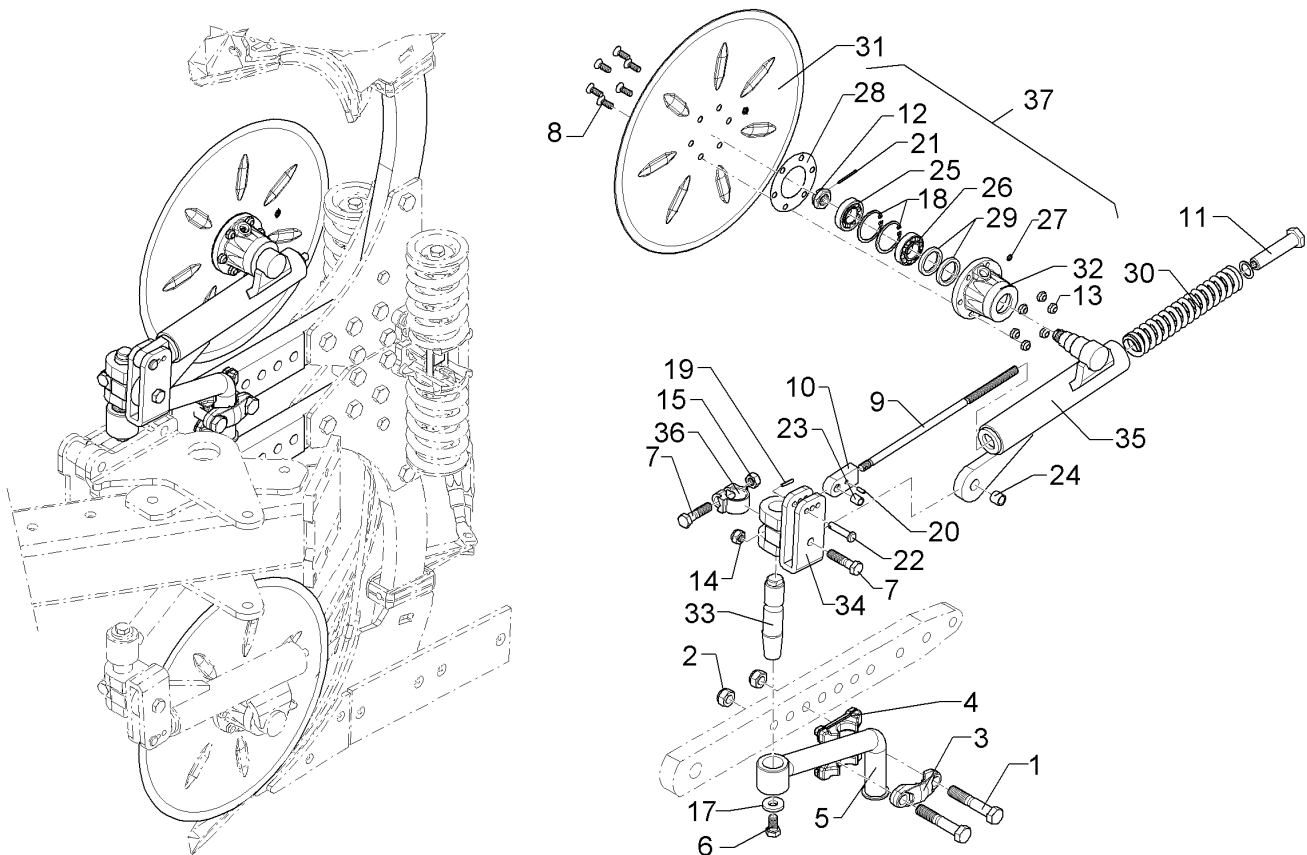
01.18

| Pos. | Art.Nr. | Stck. | Artikeltext / Description | Abmessung | |
|------|----------|-------|---------------------------|------------------------|-------------------------|
| 19 | 309 6038 | 1 | Spannhülse | Expansion bush | 5x30-DIN1481 Chrom 8 |
| 20 | 309 6047 | 1 | Spannhülse | Expansion bush | 6x18-DIN1481 |
| 21 | 311 7613 | 1 | Splint | Peg | 3,2x40 DIN94-St Zn |
| 22 | 313 2500 | 1 | Bolzen mit Kopf | Pin with collar | D12x47,5/61 D5 |
| 23 | 317 3305 | 1 | Einspannbuchse | Expansion bush | EG12/16x20-DIN1498 |
| 24 | 317 3395 | 1 | Einspannbuchse | Expansion bush | EG16/22x20 |
| 25 | 319 9116 | 1 | Kegelrollenlager | Tapered roller bearing | 30206. |
| 26 | 319 9166 | 1 | Kegelrollenlager | Tapered roller bearing | 32007X |
| 27 | 323 6345 | 1 | Schmiernippel gerade | Grease nipple | LAM 6 DIN71412 |
| 28 | 323 7641 | 1 | Dichtung | Seal | D120/65x1,6 |
| 29 | 323 8032 | 2 | Wellendichtring | Oil seal | 40x55x7 BA |
| 30 | 329 8443 | 1 | Druckfeder | Compression spring | 10,5x38x460 |
| 31 | 349 0029 | 1 | Sechscheibe | Disc | D500/100x5 G |
| 32 | 447 8882 | 1 | Nabe | Hub | 668 A |
| 33 | 457 8452 | 1 | Zapfen konisch | Pivot | D38x176 |
| 34 | 457 9151 | 1 | Konsole zum Scheibensech | Bracket | GEF 140-160 |
| 35 | 457 9350 | 1 | Secharm | Swinging arm | RE-D63,5x335 |
| 36 | 457 9870 | 1 | Sperrstück | Stop | D38x29 |
| 37 | 547 8882 | 1 | Lagerung | Bearing | 668A 1x30206+32007X |



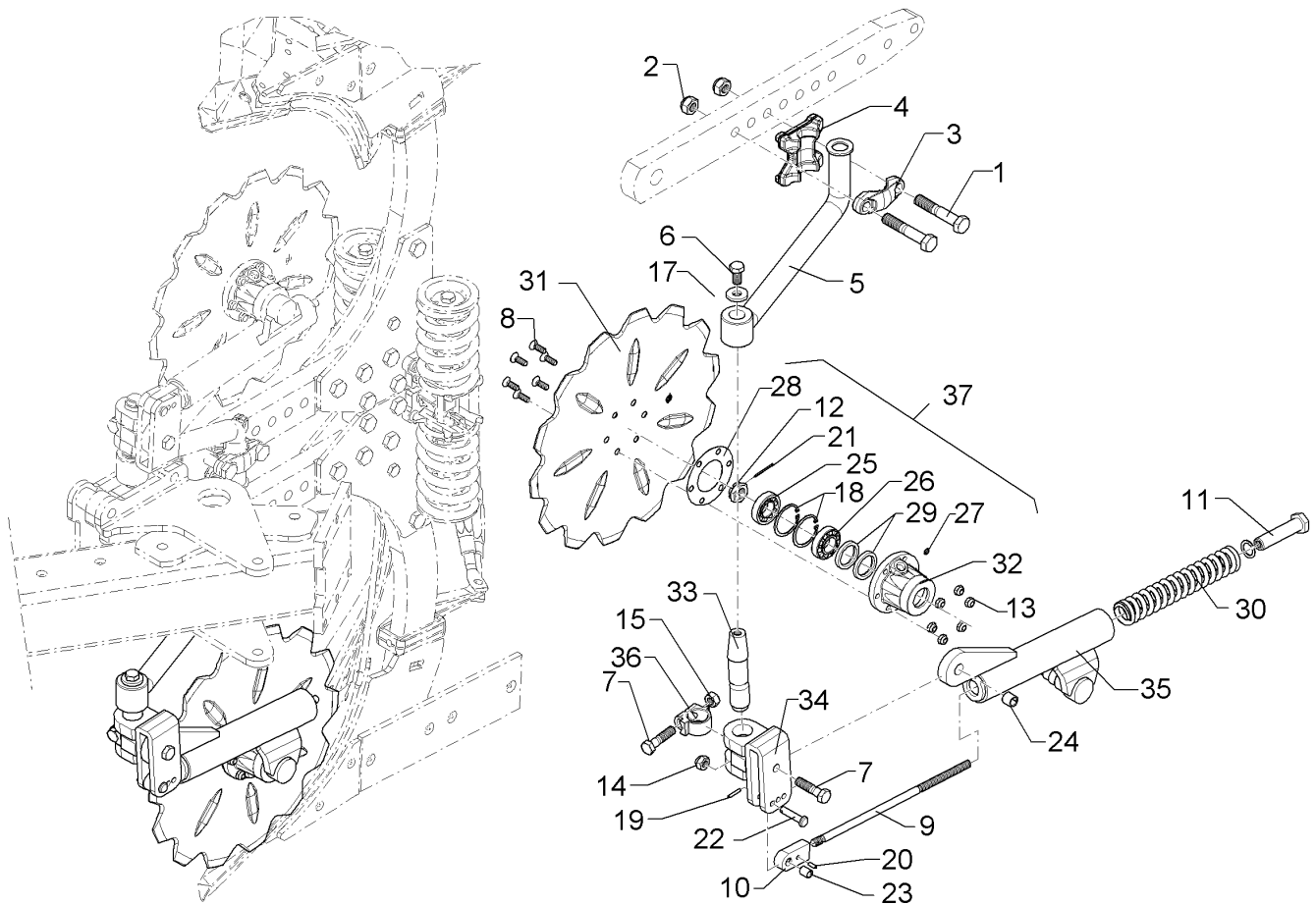
01.18

| Pos. | Art.Nr. | Stck. | Artikeltext / Description | Abmessung | |
|------|----------|-------|---------------------------|-------------------|-----------------------------|
| 1 | 301 7068 | 2 | Sechskantschraube | Hexagon bolt | M20x110-8.8 Zn DIN931-A |
| 2 | 303 0936 | 2 | Sicherungsmutter | Selflocking nut | NM20-8 Zn DIN985 |
| 3 | 459 9009 | 1 | Klemme | Clamp | 45x35x120 |
| 4 | 459 9011 | 1 | Klemmplatte | Clamping plate | 2xD20,1-85 Zn 40/80 |
| 5 | 463 7840 | 1 | Rundhalm | Round stalk | D40 geb. |
| 6 | 301 3682 | 1 | Sechskantschraube | Hexagon bolt | M16x30-8.8 Zn DIN933 |
| 7 | 301 3868 | 2 | Sechskantschraube | Hexagon bolt | M16x65-8.8 Zn DIN931-A |
| 8 | 301 6123 | 6 | Senkschraube | Countersunk bolt | M10x30-10.9 Zn DIN7991-A |
| 9 | 302 0351 | 1 | Stange | Rod | M14x410 |
| 10 | 302 9036 | 1 | Gelenkauge | Joint | 20x36x73 Zn |
| 11 | 303 0116 | 1 | Mutter | Nut | M14x20 D16x105 SW36 |
| 12 | 303 0193 | 1 | Kronenmutter | Castle nut | DIN937-M24x1,5-22H |
| 13 | 303 0933 | 6 | Sicherungsmutter | Selflocking nut | NM10-8 DIN985 Zn |
| 14 | 303 0935 | 1 | Sicherungsmutter | Selflocking nut | NM16-8 Zn DIN985 |
| 15 | 303 1015 | 1 | Sechskantmutter | Hexagon nut | M16 DIN934-8 Zn |
| 16 | 305 2230 | 1 | Stützscheibe | Supporting washer | S 25x35x2,0 DIN988 Zn |
| 17 | 305 6161 | 1 | Scheibe | Washer | 17/40x6 DIN7349 Zn |
| 18 | 305 8924 | 2 | Sicherungsring | Retaining ring | 62x2 DIN472 |



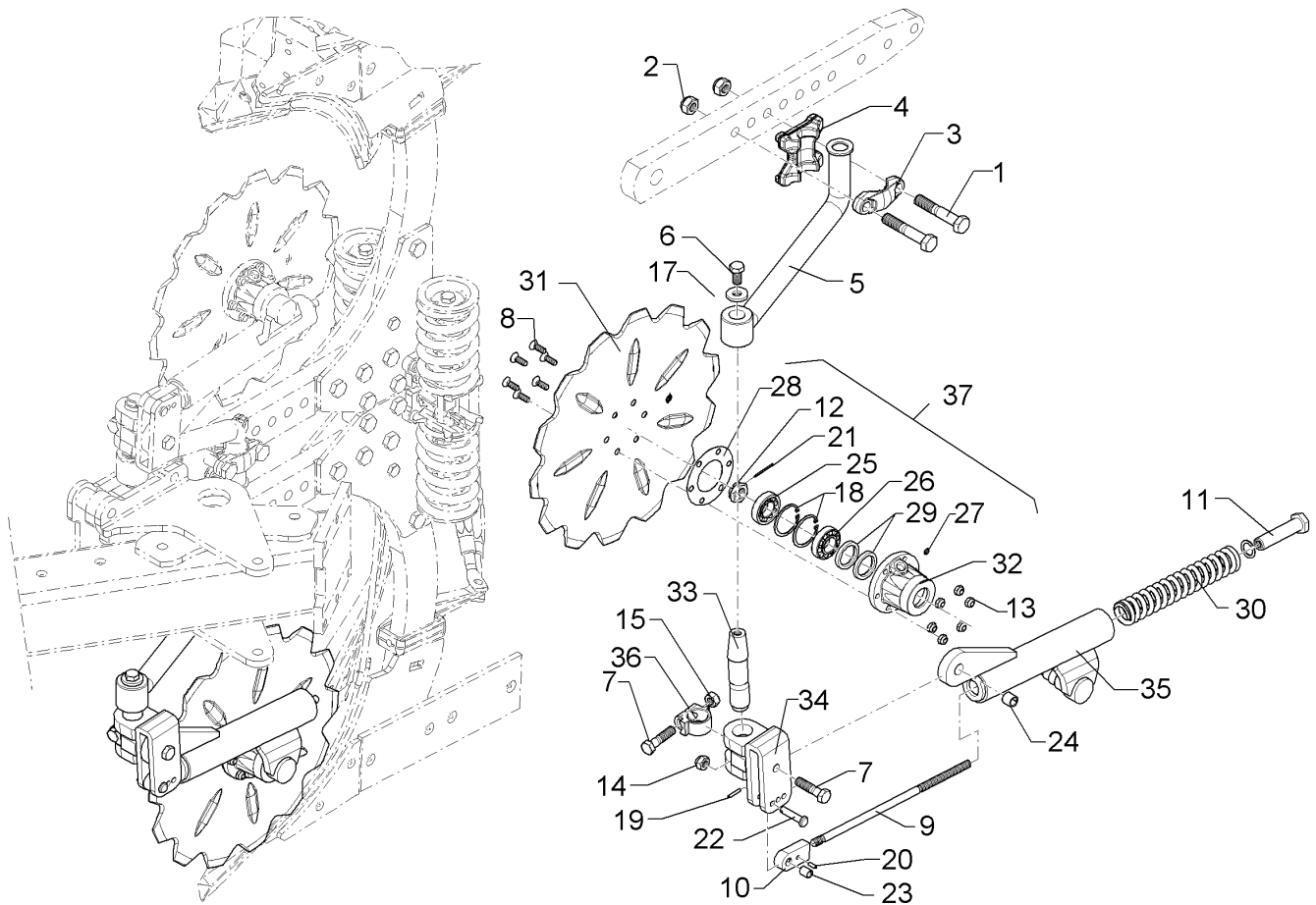
01.18

| Pos. | Art.Nr. | Stck. | Artikeltext / Description | Abmessung |
|------|----------|-------|---------------------------|---|
| 19 | 309 6038 | 1 | Spannhülse | Expansion bush 5x30-DIN1481 Chrom 8 |
| 20 | 309 6047 | 1 | Spannhülse | Expansion bush 6x18-DIN1481 |
| 21 | 311 7613 | 1 | Splint | Peg 3,2x40 DIN94-St Zn |
| 22 | 313 2500 | 1 | Bolzen mit Kopf | Pin with collar D12x47,5/61 D5 |
| 23 | 317 3305 | 1 | Einspannbuchse | Expansion bush EG12/16x20-DIN1498 |
| 24 | 317 3395 | 1 | Einspannbuchse | Expansion bush EG16/22x20 |
| 25 | 319 9116 | 1 | Kegelrollenlager | Tapered roller bearing 30206. |
| 26 | 319 9166 | 1 | Kegelrollenlager | Tapered roller bearing 32007X |
| 27 | 323 6345 | 1 | Schmiernippel gerade | Grease nipple LAM 6 DIN71412 |
| 28 | 323 7641 | 1 | Dichtung | Seal D120/65x1,6 |
| 29 | 323 8032 | 2 | Wellendichtring | Oil seal 40x55x7 BA |
| 30 | 329 8443 | 1 | Druckfeder | Compression spring 10,5x38x460 |
| 31 | 349 0029 | 1 | Sechscheibe | Disc D500/100x5 G |
| 32 | 447 8882 | 1 | Nabe | Hub 668 A |
| 33 | 457 8452 | 1 | Zapfen konisch | Pivot D38x176 |
| 34 | 457 9151 | 1 | Konsole zum Scheibensech | Bracket GEF 140-160 |
| 35 | 457 9351 | 1 | Secharm | Swinging arm LI-D63,5x335 |
| 36 | 457 9870 | 1 | Sperrstück | Stop D38x29 |
| 37 | 547 8882 | 1 | Lagerung | Bearing 668A 1x30206+32007X |



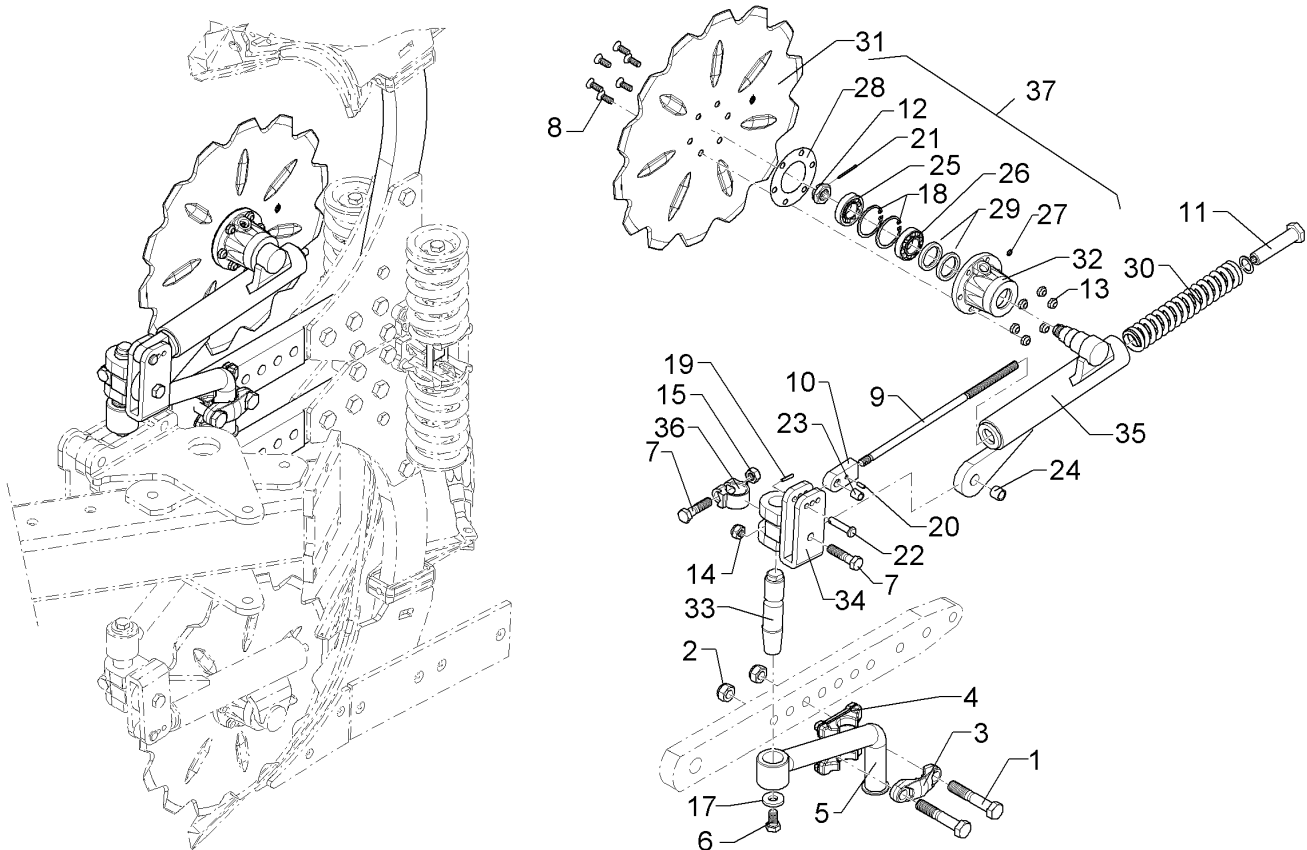
01.18

| Pos. | Art.Nr. | Stck. | Artikeltext / Description | Abmessung | |
|------|----------|-------|---------------------------|-------------------|-----------------------------|
| 1 | 301 7068 | 2 | Sechskantschraube | Hexagon bolt | M20x110-8.8 Zn DIN931-A |
| 2 | 303 0936 | 2 | Sicherungsmutter | Selflocking nut | NM20-8 Zn DIN985 |
| 3 | 459 9009 | 1 | Klemme | Clamp | 45x35x120 |
| 4 | 459 9011 | 1 | Klemmplatte | Clamping plate | 2xD20,1-85 Zn 40/80 |
| 5 | 463 7840 | 1 | Rundhalm | Round stalk | D40 geb. |
| 6 | 301 3682 | 1 | Sechskantschraube | Hexagon bolt | M16x30-8.8 Zn DIN933 |
| 7 | 301 3868 | 2 | Sechskantschraube | Hexagon bolt | M16x65-8.8 Zn DIN931-A |
| 8 | 301 6123 | 6 | Senkschraube | Countersunk bolt | M10x30-10.9 Zn DIN7991-A |
| 9 | 302 0351 | 1 | Stange | Rod | M14x410 |
| 10 | 302 9036 | 1 | Gelenkauge | Joint | 20x36x73 Zn |
| 11 | 303 0116 | 1 | Mutter | Nut | M14x20 D16x105 SW36 |
| 12 | 303 0193 | 1 | Kronenmutter | Castle nut | DIN937-M24x1,5-22H |
| 13 | 303 0933 | 6 | Sicherungsmutter | Selflocking nut | NM10-8 DIN985 Zn |
| 14 | 303 0935 | 1 | Sicherungsmutter | Selflocking nut | NM16-8 Zn DIN985 |
| 15 | 303 1015 | 1 | Sechskantmutter | Hexagon nut | M16 DIN934-8 Zn |
| 16 | 305 2230 | 1 | Stützscheibe | Supporting washer | S 25x35x2,0 DIN988 Zn |
| 17 | 305 6161 | 1 | Scheibe | Washer | 17/40x6 DIN7349 Zn |
| 18 | 305 8924 | 2 | Sicherungsring | Retaining ring | 62x2 DIN472 |



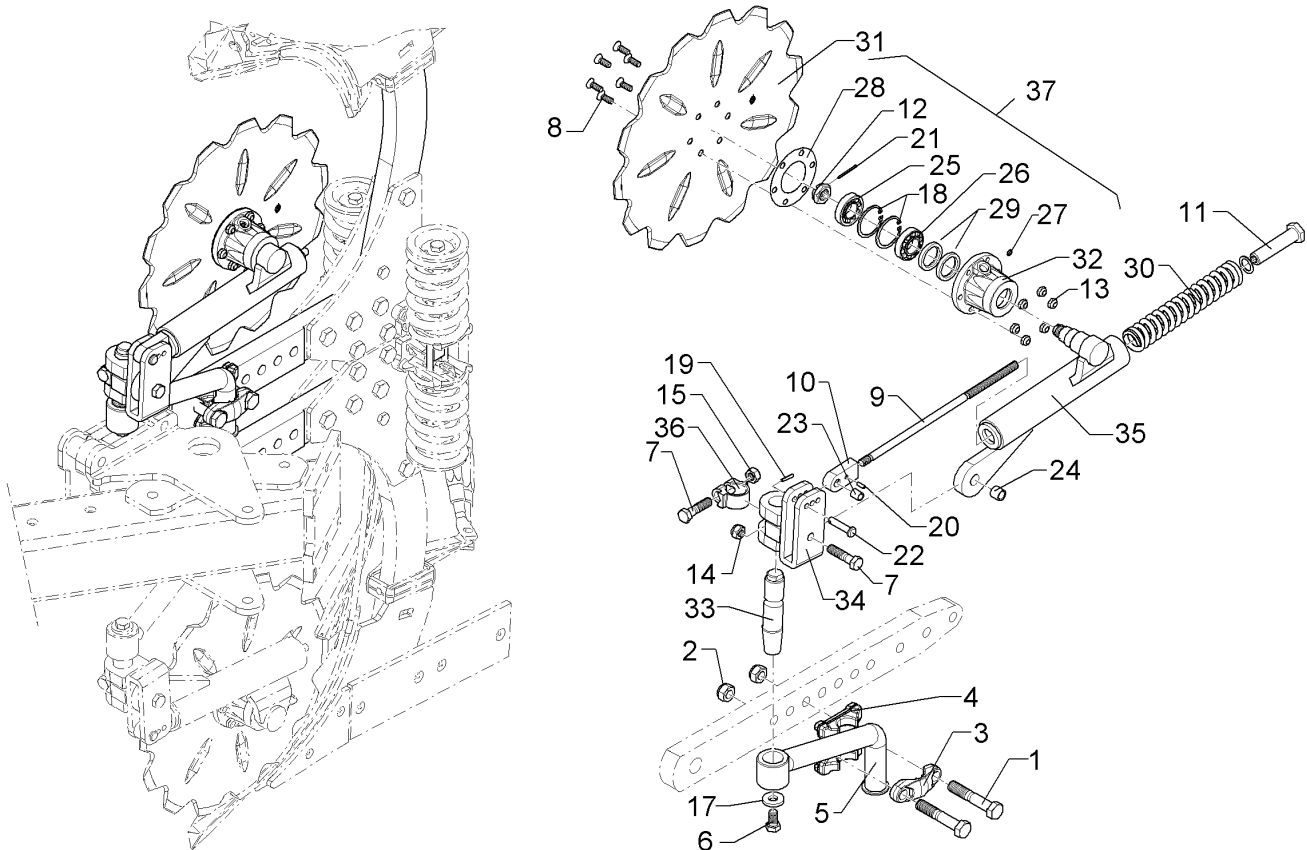
01.18

| Pos. | Art.Nr. | Stck. | Artikeltext / Description | Abmessung |
|------|----------|-------|---------------------------|---|
| 19 | 309 6038 | 1 | Spannhülse | Expansion bush 5x30-DIN1481 Chrom 8 |
| 20 | 309 6047 | 1 | Spannhülse | Expansion bush 6x18-DIN1481 |
| 21 | 311 7613 | 1 | Splint | Peg 3,2x40 DIN94-St Zn |
| 22 | 313 2500 | 1 | Bolzen mit Kopf | Pin with collar D12x47,5/61 D5 |
| 23 | 317 3305 | 1 | Einspannbuchse | Expansion bush EG12/16x20-DIN1498 |
| 24 | 317 3395 | 1 | Einspannbuchse | Expansion bush EG16/22x20 |
| 25 | 319 9116 | 1 | Kegelrollenlager | Tapered roller bearing 30206. |
| 26 | 319 9166 | 1 | Kegelrollenlager | Tapered roller bearing 32007X |
| 27 | 323 6345 | 1 | Schmiernippel gerade | Grease nipple LAM 6 DIN71412 |
| 28 | 323 7641 | 1 | Dichtung | Seal D120/65x1,6 |
| 29 | 323 8032 | 2 | Wellendichtring | Oil seal 40x55x7 BA |
| 30 | 329 8443 | 1 | Druckfeder | Compression spring 10,5x38x460 |
| 31 | 349 0042 | 1 | Sechscheibe | Disc D500/100x5-Z |
| 32 | 447 8882 | 1 | Nabe | Hub 668 A |
| 33 | 457 8452 | 1 | Zapfen konisch | Pivot D38x176 |
| 34 | 457 9151 | 1 | Konsole zum Scheibensech | Bracket GEF 140-160 |
| 35 | 457 9350 | 1 | Secharm | Swinging arm RE-D63,5x335 |
| 36 | 457 9870 | 1 | Sperrstück | Stop D38x29 |
| 37 | 547 8882 | 1 | Lagerung | Bearing 668A 1x30206+32007X |



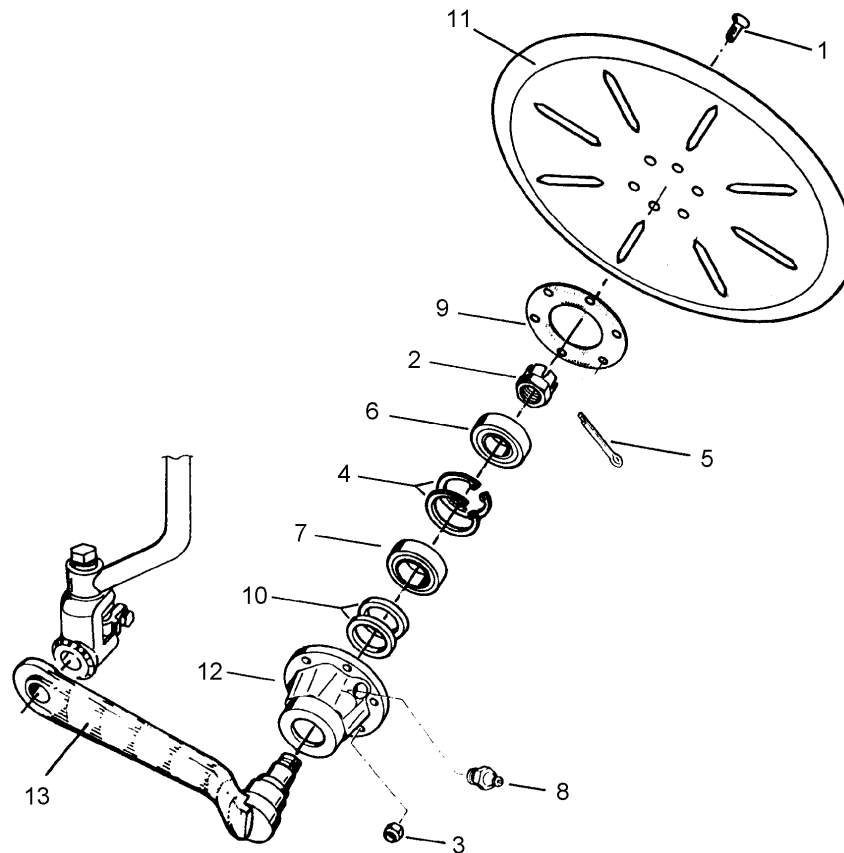
01.18

| Pos. | Art.Nr. | Stck. | Artikeltext / Description | | Abmessung |
|------|----------|-------|---------------------------|-------------------|-----------------------------|
| 1 | 301 7068 | 2 | Sechskantschraube | Hexagon bolt | M20x110-8.8 Zn DIN931-A |
| 2 | 303 0936 | 2 | Sicherungsmutter | Selflocking nut | NM20-8 Zn DIN985 |
| 3 | 459 9009 | 1 | Klemme | Clamp | 45x35x120 2xD20,1-85 Zn |
| 4 | 459 9011 | 1 | Klemmplatte | Clamping plate | 40/80 |
| 5 | 463 7840 | 1 | Rundhalm | Round stalk | D40 geb. |
| 6 | 301 3682 | 1 | Sechskantschraube | Hexagon bolt | M16x30-8.8 Zn DIN933 |
| 7 | 301 3868 | 2 | Sechskantschraube | Hexagon bolt | M16x65-8.8 Zn DIN931-A |
| 8 | 301 6123 | 6 | Senkschraube | Countersunk bolt | M10x30-10.9 Zn DIN7991-A |
| 9 | 302 0351 | 1 | Stange | Rod | M14x410 |
| 10 | 302 9036 | 1 | Gelenkauge | Joint | 20x36x73 Zn |
| 11 | 303 0116 | 1 | Mutter | Nut | M14x20 D16x105 SW36 |
| 12 | 303 0193 | 1 | Kronenmutter | Castle nut | DIN937-M24x1,5-22H |
| 14 | 303 0935 | 1 | Sicherungsmutter | Selflocking nut | NM16-8 Zn DIN985 |
| 15 | 303 1015 | 1 | Sechskantmutter | Hexagon nut | M16 DIN934-8 Zn |
| 16 | 305 2230 | 1 | Stützscheibe | Supporting washer | S 25x35x2,0 DIN988 Zn |
| 17 | 305 6161 | 1 | Scheibe | Washer | 17/40x6 DIN7349 Zn |
| 18 | 305 8924 | 2 | Sicherungsring | Retaining ring | 62x2 DIN472 |
| 19 | 309 6038 | 1 | Spannhülse | Expansion bush | 5x30-DIN1481 Chrom 8 |
| 20 | 309 6047 | 1 | Spannhülse | Expansion bush | 6x18-DIN1481 |



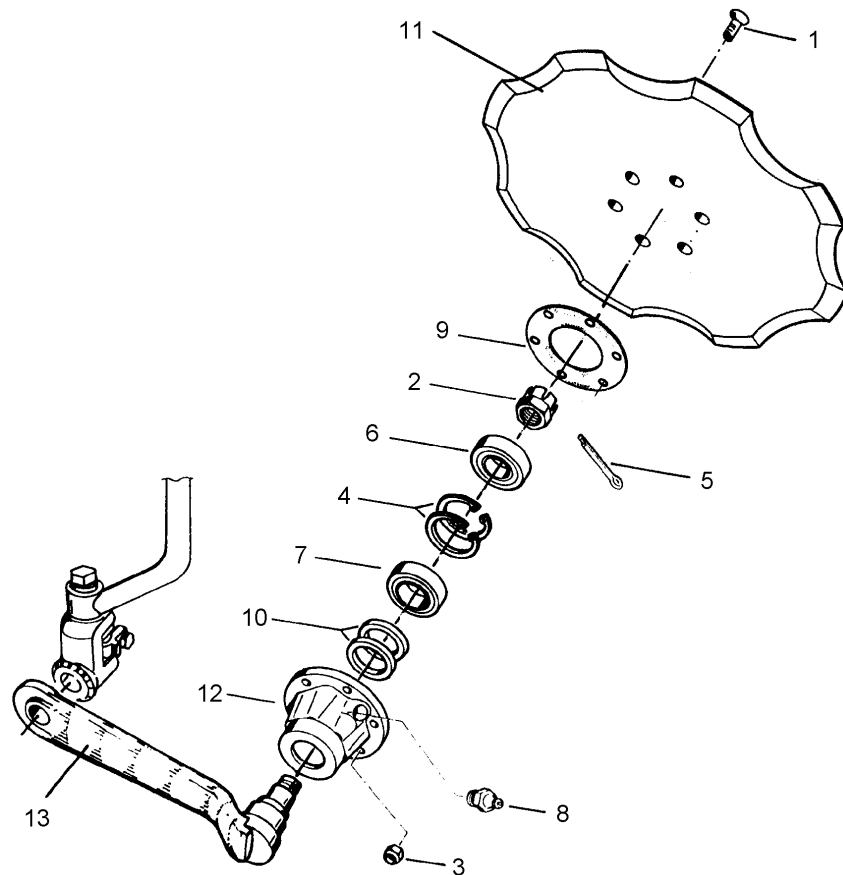
01.18

| Pos. | Art.Nr. | Stck. | Artikeltext / Description | Abmessung | |
|------|----------|-------|---------------------------|------------------------|------------------------|
| 21 | 311 7613 | 1 | Splint | Peg | 3,2x40 DIN94-St Zn |
| 22 | 313 2500 | 1 | Bolzen mit Kopf | Pin with collar | D12x47,5/61 D5 |
| 23 | 317 3305 | 1 | Einspannbuchse | Expansion bush | EG12/16x20-DIN1498 |
| 24 | 317 3395 | 1 | Einspannbuchse | Expansion bush | EG16/22x20 |
| 25 | 303 0976 | 1 | Sechskantmutter | Hexagon nut | M16 DIN934-8 |
| 26 | 319 9166 | 1 | Kegelrollenlager | Tapered roller bearing | 32007X |
| 27 | 323 6345 | 1 | Schmiernippel gerade | Grease nipple | LAM 6 DIN71412 |
| 28 | 323 7641 | 1 | Dichtung | Seal | D120/65x1,6 |
| 29 | 323 8032 | 2 | Wellendichtring | Oil seal | 40x55x7 BA |
| 30 | 329 8443 | 1 | Druckfeder | Compression spring | 10,5x38x460 |
| 31 | 349 0042 | 1 | Sechsscheibe | Disc | D500/100x5-Z |
| 32 | 447 8882 | 1 | Nabe | Hub | 668 A |
| 33 | 457 8452 | 1 | Zapfen konisch | Pivot | D38x176 |
| 34 | 457 9151 | 1 | Konsole zum Scheibensech | Bracket | GEF 140-160 |
| 35 | 457 9351 | 1 | Secharm | Swinging arm | LI-D63,5x335 |
| 36 | 457 9870 | 1 | Sperrstück | Stop | D38x29 |
| 37 | 547 8882 | 1 | Lagerung | Bearing | 668A 1x30206+32007X |



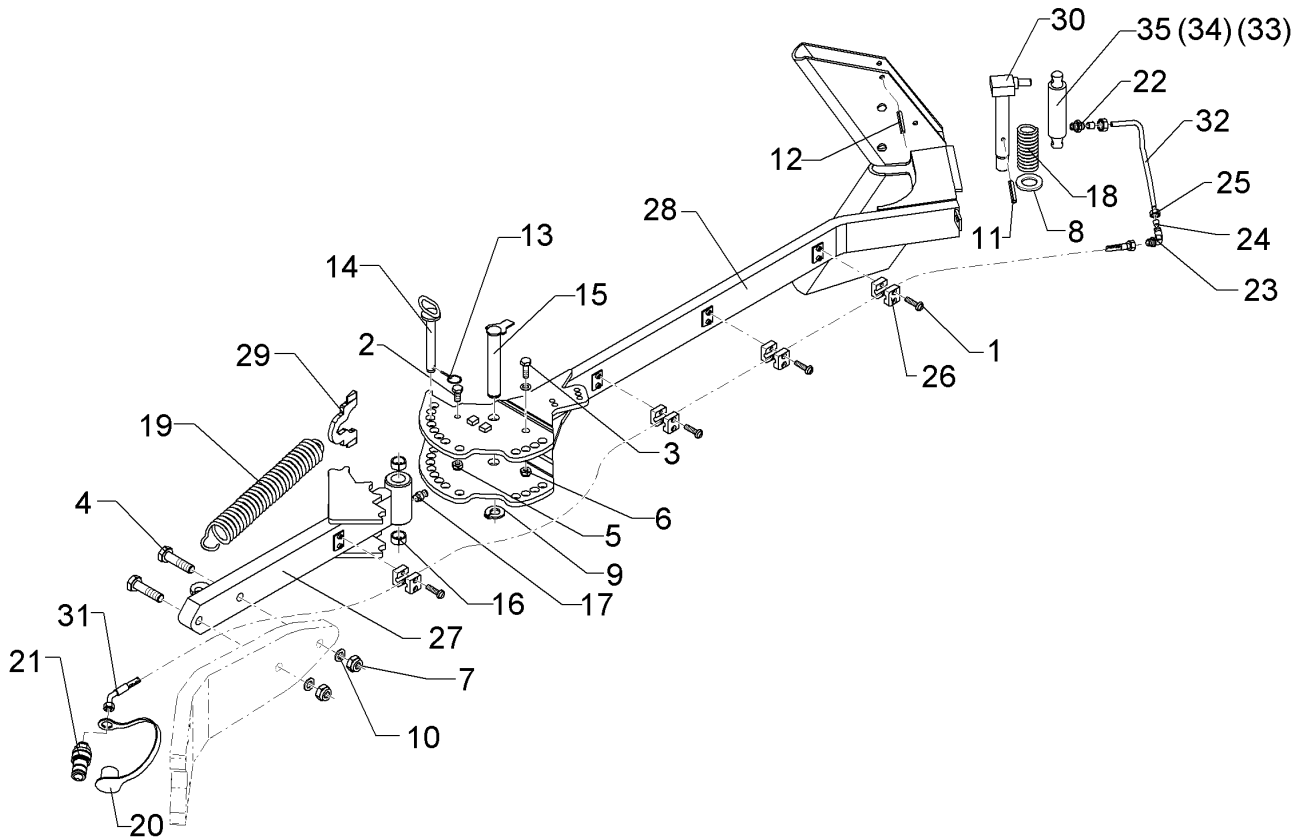
01.18

| Pos. | Art.Nr. | Stck. | Artikeltext / Description | | Abmessung |
|------|----------|-------|---------------------------|------------------------|-----------------------------|
| 1 | 301 6123 | 6 | Senkschraube | Countersunk bolt | M10x30-10.9 Zn DIN7991-A |
| 2 | 303 0193 | 1 | Kronenmutter | Castle nut | DIN937-M24x1,5-22H |
| 3 | 303 0933 | 6 | Sicherungsmutter | Selflocking nut | NM10-8 DIN985 Zn |
| 4 | 305 8924 | 2 | Sicherungsring | Retaining ring | 62x2 DIN472 |
| 5 | 311 7613 | 1 | Splint | Peg | 3,2x40 DIN94-St Zn |
| 6 | 319 9116 | 1 | Kegelrollenlager | Tapered roller bearing | 30206. |
| 7 | 319 9166 | 1 | Kegelrollenlager | Tapered roller bearing | 32007X |
| 8 | 323 6345 | 1 | Schmiernippel gerade | Grease nipple | LAM 6 DIN71412 |
| 9 | 323 7641 | 1 | Dichtung | Seal | D120/65x1,6 |
| 10 | 323 8032 | 2 | Wellendichtring | Oil seal | 40x55x7 BA |
| 11 | 349 0029 | 1 | Sechscheibe | Disc | D500/100x5 G |
| 12 | 447 8882 | 1 | Nabe | Hub | 668 A |
| 13 | 457 9330 | 1 | Secharm | Swinging arm | D77x400 Z50 |



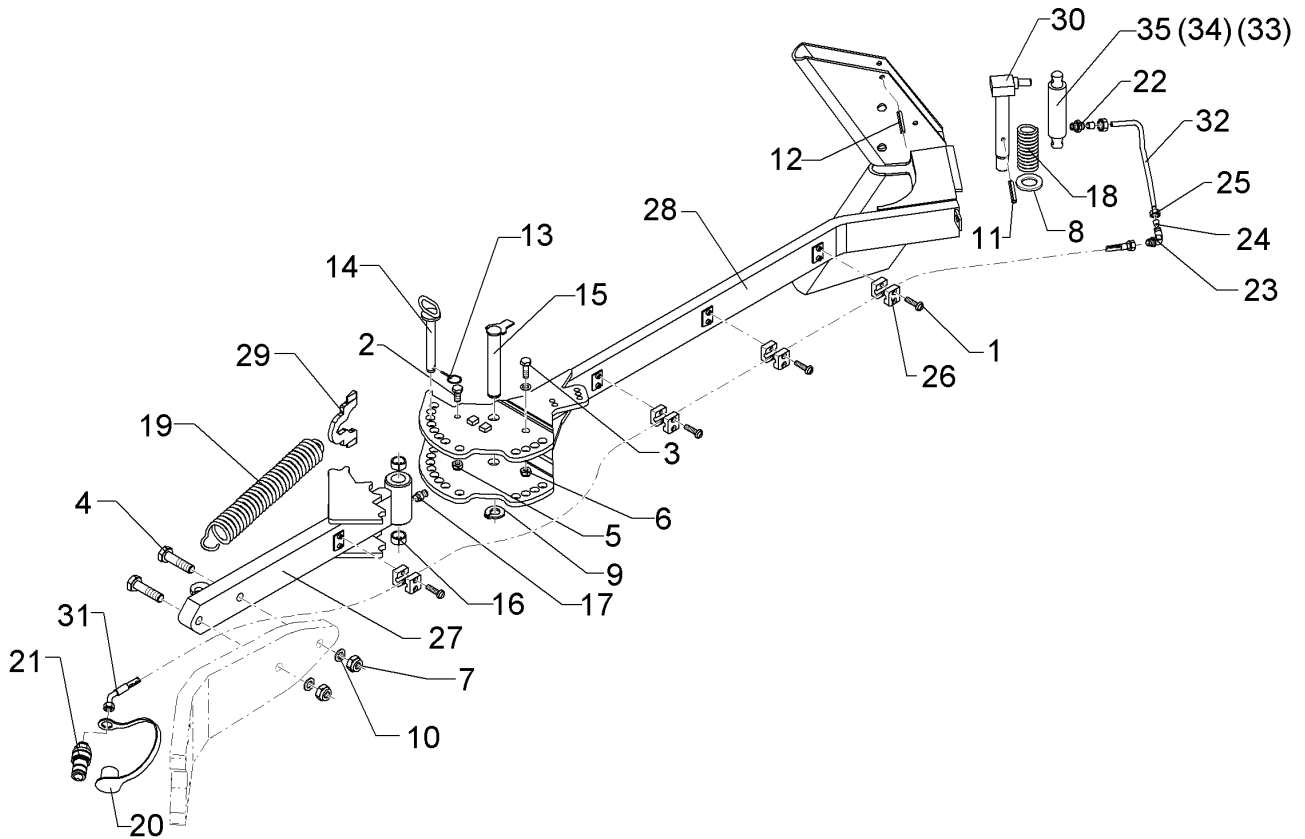
01.18

| Pos. | Art.Nr. | Stck. | Artikeltext / Description | | Abmessung |
|------|----------|-------|---------------------------|------------------------|-----------------------------|
| 1 | 301 6123 | 6 | Senkschraube | Countersunk bolt | M10x30-10.9 Zn DIN7991-A |
| 2 | 303 0193 | 1 | Kronenmutter | Castle nut | DIN937-M24x1,5-22H |
| 3 | 303 0933 | 6 | Sicherungsmutter | Selflocking nut | NM10-8 DIN985 Zn |
| 4 | 305 8924 | 2 | Sicherungsring | Retaining ring | 62x2 DIN472 |
| 5 | 311 7613 | 1 | Splint | Peg | 3,2x40 DIN94-St Zn |
| 6 | 319 9116 | 1 | Kegelrollenlager | Tapered roller bearing | 30206. |
| 7 | 319 9166 | 1 | Kegelrollenlager | Tapered roller bearing | 32007X |
| 8 | 323 6345 | 1 | Schmiernippel gerade | Grease nipple | LAM 6 DIN71412 |
| 9 | 323 7641 | 1 | Dichtung | Seal | D120/65x1,6 |
| 10 | 323 8032 | 2 | Wellendichtring | Oil seal | 40x55x7 BA |
| 11 | 349 0042 | 1 | Sechscheibe | Disc | D500/100x5-Z |
| 12 | 447 8882 | 1 | Nabe | Hub | 668 A |
| 13 | 457 9330 | 1 | Secharm | Swinging arm | D77x400 Z50 |



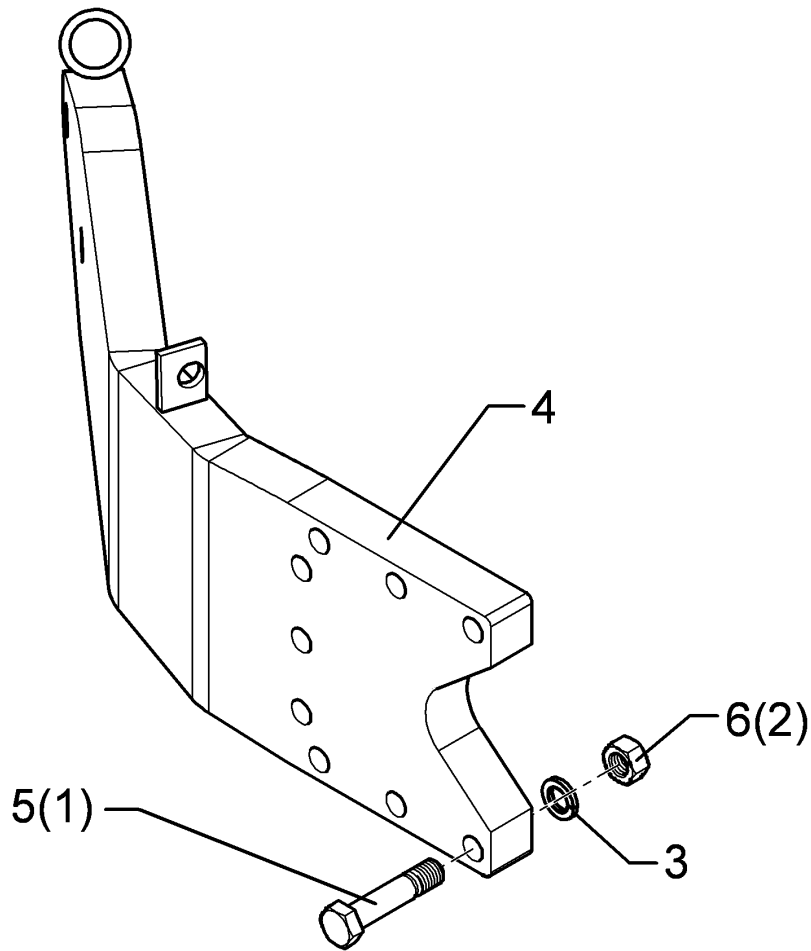
01.18

| Pos. | Art.Nr. | Stck. | Artikeltext / Description | | Abmessung |
|------|----------|-------|------------------------------|--------------------|----------------------------------|
| 1 | 301 0302 | 8 | Linsenschraube | Oval head screw | M6x25-4,6 Zn DIN7985 |
| 2 | 301 3314 | 1 | Sechskantschraube | Hexagon bolt | M12x25-8.8 Zn DIN933 |
| 3 | 301 3701 | 1 | Sechskantschraube | Hexagon bolt | M16x35-12.9 A=max.3 Zn DIN933 |
| 4 | 301 4408 | 2 | Sechskantschraube spz. | Hexagon bolt | M20x100xb25-10.9 Zn |
| 5 | 303 0934 | 1 | Sicherungsmutter | Selflocking nut | NM12-8 Zn DIN985 |
| 6 | 303 0935 | 1 | Sicherungsmutter | Selflocking nut | NM16-8 Zn DIN985 |
| 7 | 30310110 | 2 | Sechskantmutter | Hexagon nut | M20 DIN934-10 Zn |
| 8 | 305 6229 | 1 | Scheibe | Washer | 45x31x5 Zn DIN1441 |
| 9 | 305 8861 | 1 | Sicherungsring | Retaining ring | 25x2 DIN471 Zn |
| 10 | 305 6012 | 2 | Scheibe | Washer | 21 ISO7089 Zn |
| 11 | 309 6072 | 1 | Spannhülse | Expansion bush | 8x40-DIN1481 Zn |
| 12 | 309 6174 | 2 | Spannhülse | Expansion bush | 10x70-DIN1481 |
| 13 | 311 9565 | 2 | Klappstift | Securing pin | 4,5 |
| 14 | 313 2020 | 2 | Bolzen mit Griff | Pin with grip | D20x143/165 Zn |
| 15 | 313 2538 | 1 | Bolzen mit Verdrehsicherung | Pin with stop | D25x136/153 Zn |
| 16 | 317 3408 | 2 | Einspannbuchse mit Presssitz | Expansion bush | EG25/32x20 |
| 17 | 323 6348 | 1 | Schmiernippel | Grease nipple | AM10x1 DIN71412 |
| 18 | 329 8289 | 1 | Druckfeder | Compression spring | 5x37x138 |
| 19 | 329 8595 | 1 | Zugfeder | Spring | 7x35x437 |
| 20 | 375 2164 | 1 | Staubkappe | Dust cap | rd BG.2 |
| 21 | 375 2716 | 1 | SVK-Stecker | Hydraulic coupling | BG-2 10LM16x1,5 |



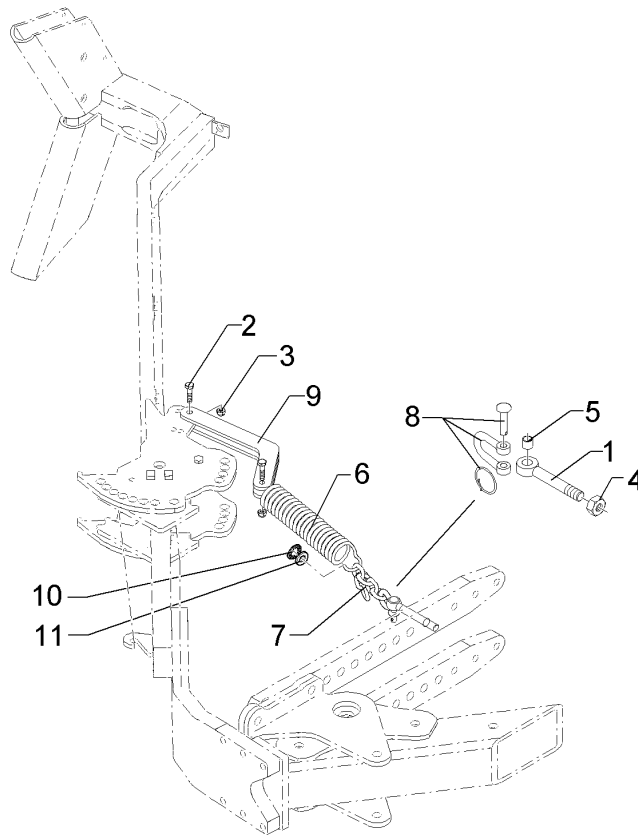
01.18

| Pos. | Art.Nr. | Stck. | Artikeltext / Description | | Abmessung |
|------|----------|-------|----------------------------|----------------|-------------------------------|
| 22 | 375 3990 | 1 | Einschraubverschraubung | Nipple | x-GE 10-LM M18x1,5 |
| 23 | 375 4390 | 1 | Winkel-Schottverschraubung | Angle union | x-WSV10-L M16x1,5 |
| 24 | 375 5100 | 2 | Schneidring | Cutting ring | S 10 L WD |
| 25 | 375 5300 | 2 | Überwurfmutter | Union nut | 10L M16x1,5 Zn |
| 26 | 375 9961 | 8 | Schellenkörper | Clamp | 1/2x215 PP |
| 27 | 422 9514 | 1 | Tragarm | Supporting arm | 80x40x707 E2V |
| 28 | 422 9515 | 1 | Fangarm | Hook arm | 80x30 E2V |
| 29 | 422 9516 | 1 | Hebel | Lever | 10x93x140 |
| 30 | 422 9550 | 1 | Verriegelungsbolzen | Locking pin | D30x240 Zn |
| 31 | 475 2677 | 1 | Hydraulikschlauch | Hydraulic hose | 1SN08-2200 DKOL10 0/45 GRD |
| 32 | 57511111 | 1 | Hydraulikrohr | Hydraulic tube | 10x2x309 3xGEB |
| 33 | 575 2335 | 1 | Hydraulikzylinder | Hydraulic ram | EZ25/80 D16/170 |
| 34 | 575 2337 | 1 | Hydraulikzylinder | Hydraulic ram | ED30-80 D16/170 |
| 35 | 575 2328 | 1 | Hydraulikzylinder | Hydraulic ram | ED30/35 D16/170 |
| 36 | 305 6141 | 1 | Scheibe | Washer | 17/30x3 DIN/ISO-7089 |



01.18

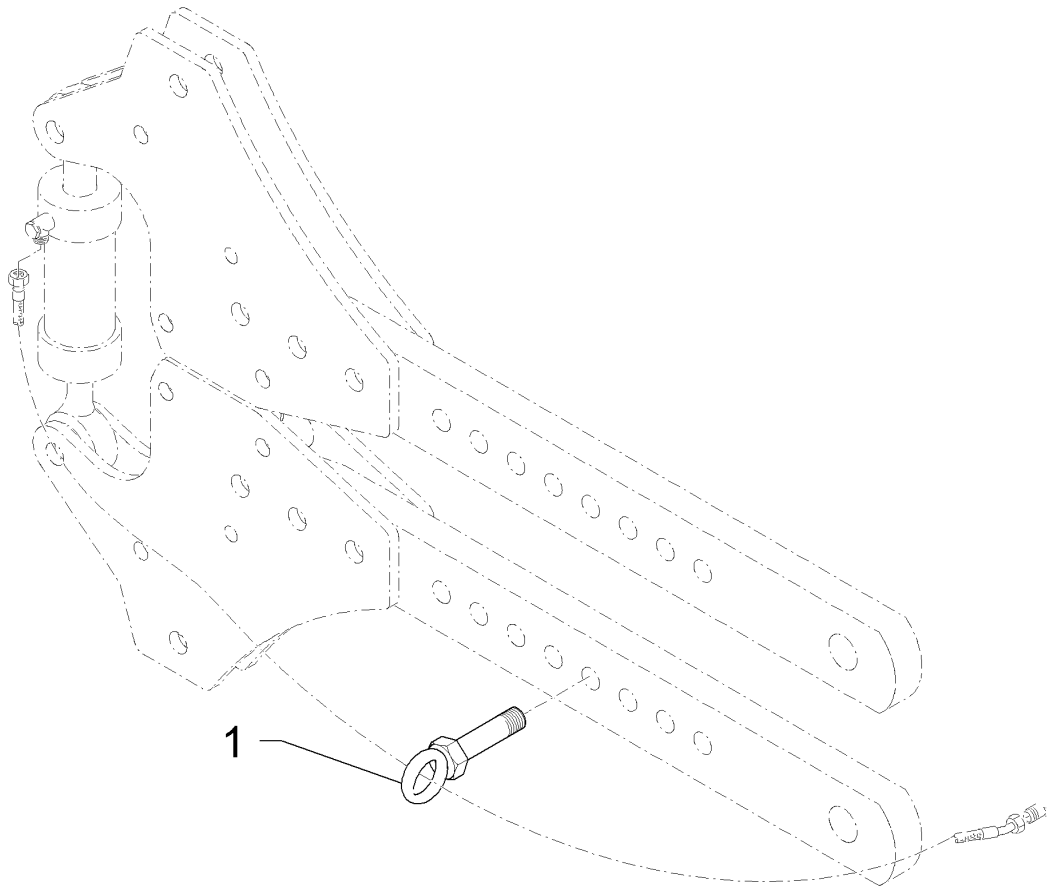
| Pos. | Art.Nr. | Stck. | Artikeltext / Description | | Abmessung |
|------|----------|-------|---------------------------|--------------|-------------------------|
| 1 | 301 5363 | 6 | Sechskantschraube spz. | Hexagon bolt | M16x70-12.9 Zn |
| 2 | 303 1015 | 6 | Sechskantmutter | Hexagon nut | M16 DIN934-8 Zn |
| 3 | 305 6141 | 6 | Scheibe | Washer | 17/30x3 DIN/ISO-7089 |
| 4 | 422 9522 | 1 | Konsole zum Mitnehmerarm | Bracket | E7 D16/160x65 |
| 5 | 303 0971 | 6 | Sechskantmutter | Hexagon nut | M16 DIN934-10 Zn |
| 6 | 301 5361 | 6 | Sechskantschraube spz. | Hexagon bolt | M16x75-12.9 Zn |



01.18

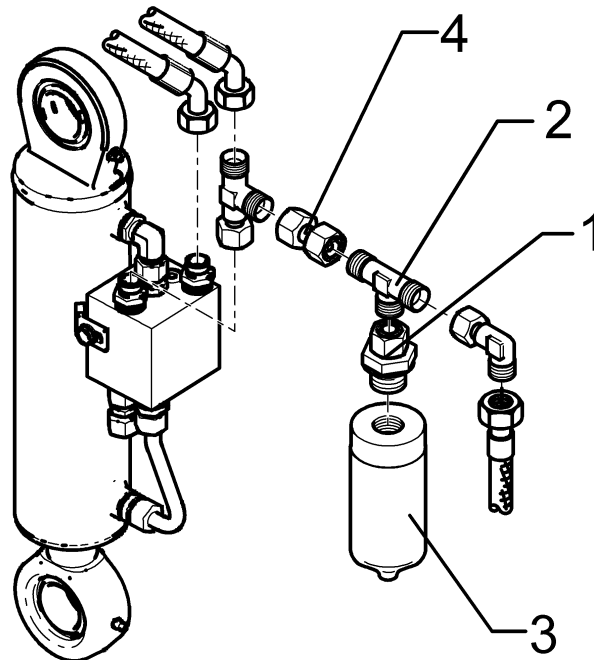
| Pos. | Art.Nr. | Stck. | Artikeltext / Description | | Abmessung |
|------|----------|-------|---------------------------|-------------------|---------------------------------|
| 1 | 301 8818 | 1 | Schraube mit Lasche | Bolt with lashing | M20x70 |
| 2 | 301 3367 | 2 | Sechskantschraube spz. | Hexagon bolt | M12x45-8.8 Zn |
| 3 | 303 0934 | 2 | Sicherungsmutter | Selflocking nut | NM12-8 Zn DIN985 |
| 4 | 303 0936 | 1 | Sicherungsmutter | Selflocking nut | NM20-8 Zn DIN985 |
| 6 | 329 8612 | 1 | Zugfeder | Spring | 9x45x400 |
| 7 | 331 6246 | 1 | Kette | Chain | G8x32 DIN5685 6GL 21MN4 Zn-V |
| 8 | 331 9815 | 1 | Malotte | Shackle | D13-kpl. |
| 9 | 422 9513 | 1 | Hebel gebogen | Lever | 2x40x8 2xD12,5x307 |
| 10 | 305 8577 | 1 | Scheibe | Washer | 10,5/30x2,5 St-Zn |
| 11 | 305 8843 | 1 | Sicherungsscheibe | Lock washer | 9x0,30 VA |

| | |
|-----------------------------|----------|
| Schlauchhalter/Hose carrier | 17 |
| VariOpal 7X / 7 HydriX | 475 4394 |



01.18

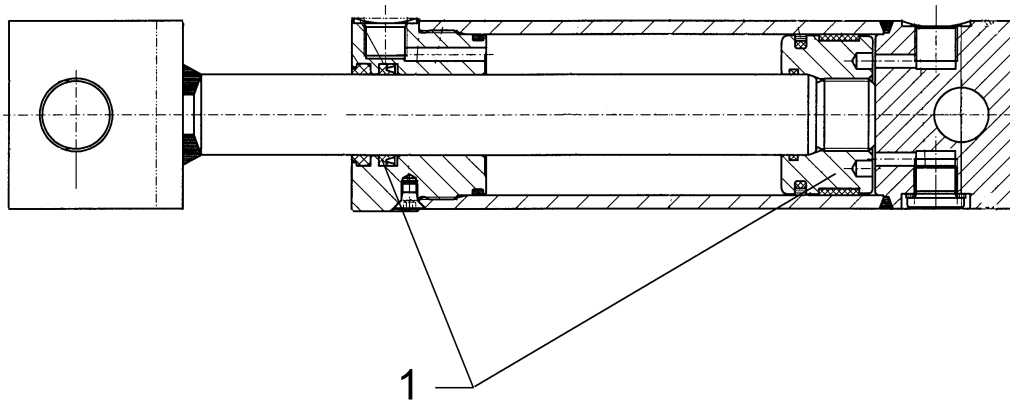
| Pos. | Art.Nr. | Stck. | Artikeltext / Description | | Abmessung |
|------|----------|-------|---------------------------|--------------|---------------------------|
| 1 | 475 4394 | 1 | Schlauchhalter | Hose carrier | M20x75 Zn Hydrix 7X+8X |



01.18

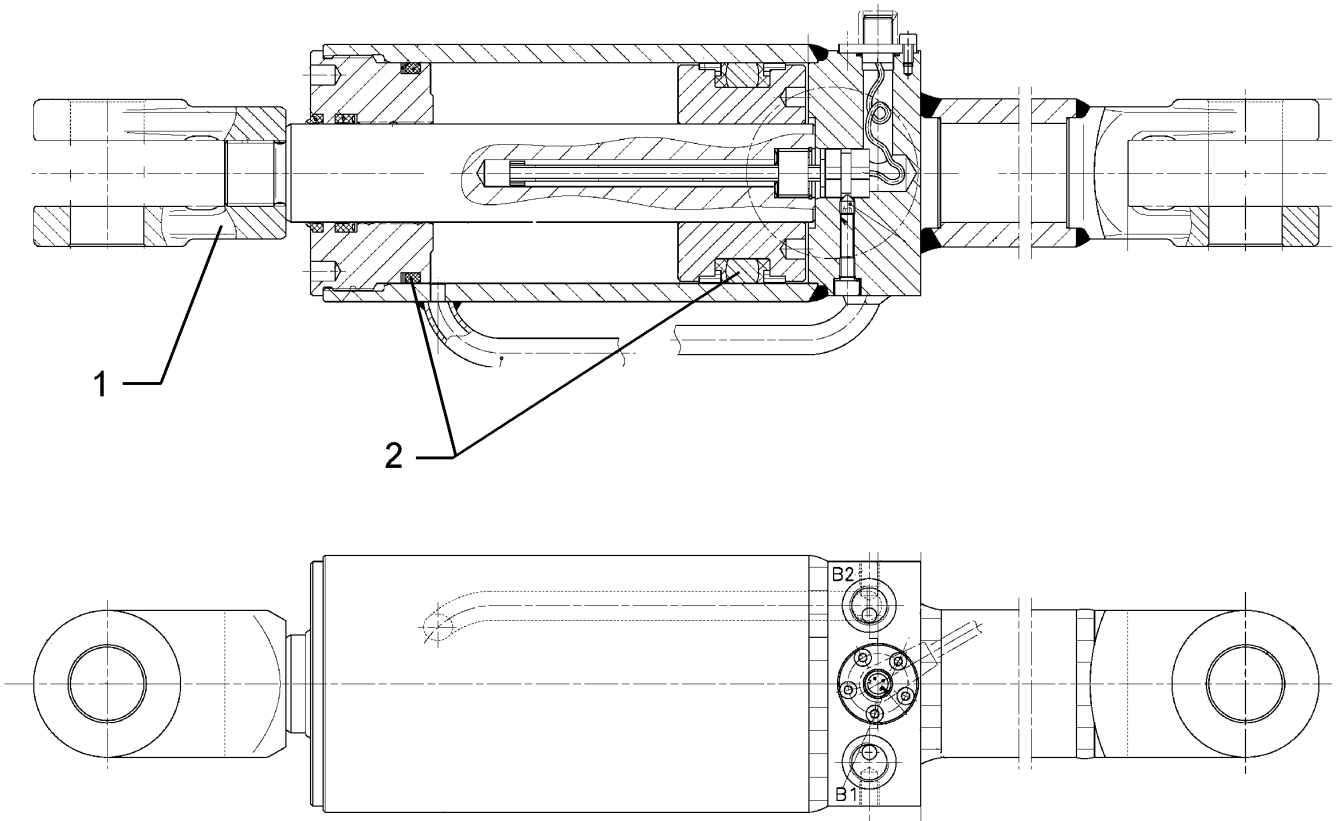
| Pos. | Art.Nr. | Stck. | Artikeltext / Description | | Abmessung |
|------|----------|-------|-------------------------------|----------------------|-------------------------------|
| 1 | 375 4049 | 1 | Einstellbare GE-Verschraubung | Nipple | evGE 12-LR 1/2"-ED DKO |
| 2 | 375 4480 | 1 | T-Verschraubung | T-union | x-T12-L M18x1,5 Zn |
| 3 | 575 2163 | 1 | Druckspeicher | Pressure accumulator | Typ 0,16l 210-10bar G1/2ZL |
| 4 | 375 4132 | 1 | Verbindung gerade | Connection | DKOL12/DKOL12 M18x1,5 |

| | |
|---------------------------------|----------|
| Hydraulikzylinder/Hydraulic ram | 17 |
| VariOpal 7X / 7 HydriX | 575 2314 |



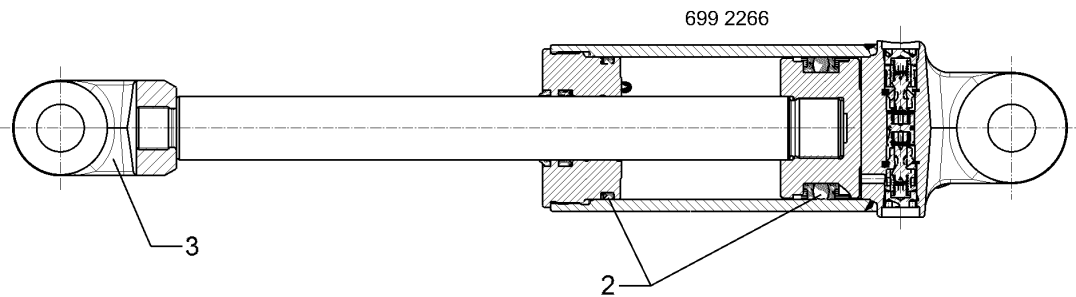
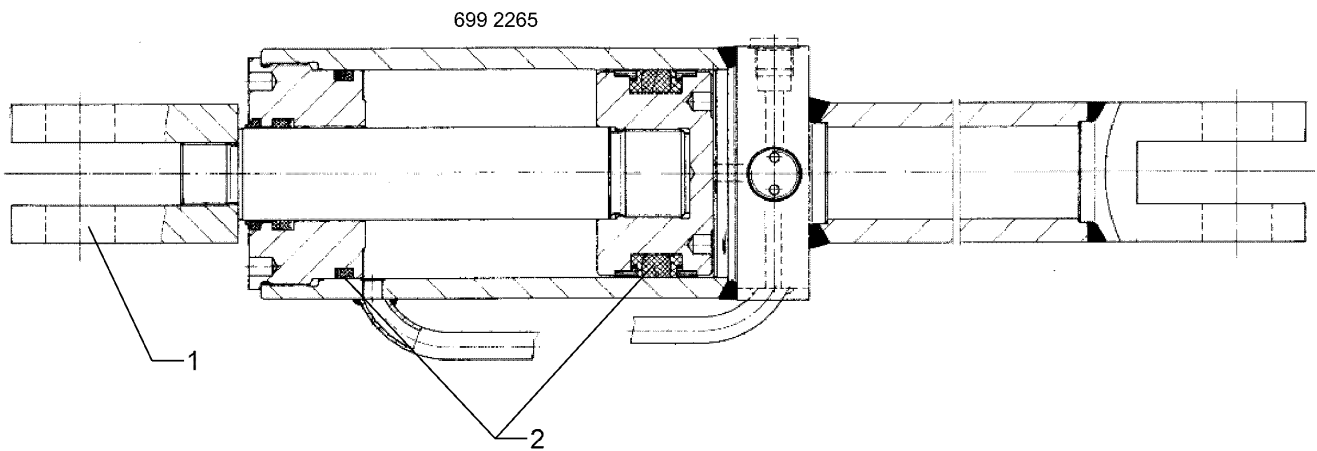
01.18

| Pos. | Art.Nr. | Stck. | Artikeltext / Description | | Abmessung |
|------|----------|-------|---------------------------|----------|-----------|
| 1 | 575 9237 | 1 | Dichtungssatz | Seal set | 30/60 |



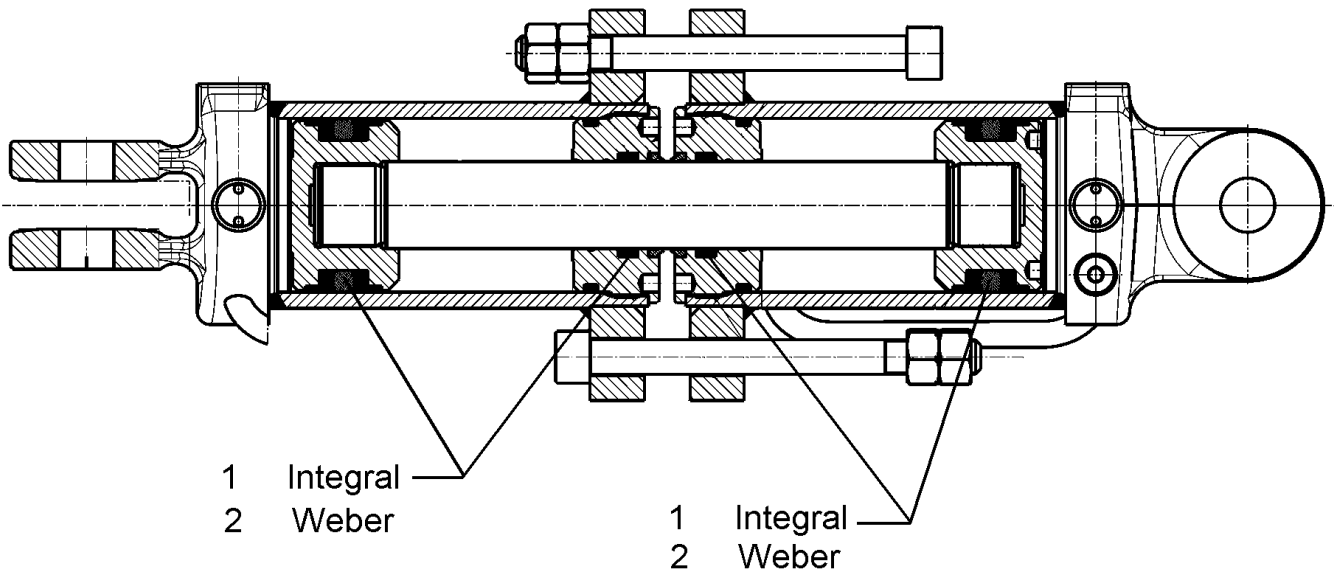
01.18

| Pos. | Art.Nr. | Stck. | Artikeltext / Description | | Abmessung |
|------|----------|-------|---------------------------|-----------------|--------------|
| 1 | 302 9095 | 1 | Gelenkgabel | Fork-type joint | M27x2-75-D30 |
| 2 | 575 9246 | 1 | Dichtungssatz | Seal set | D40/90 |



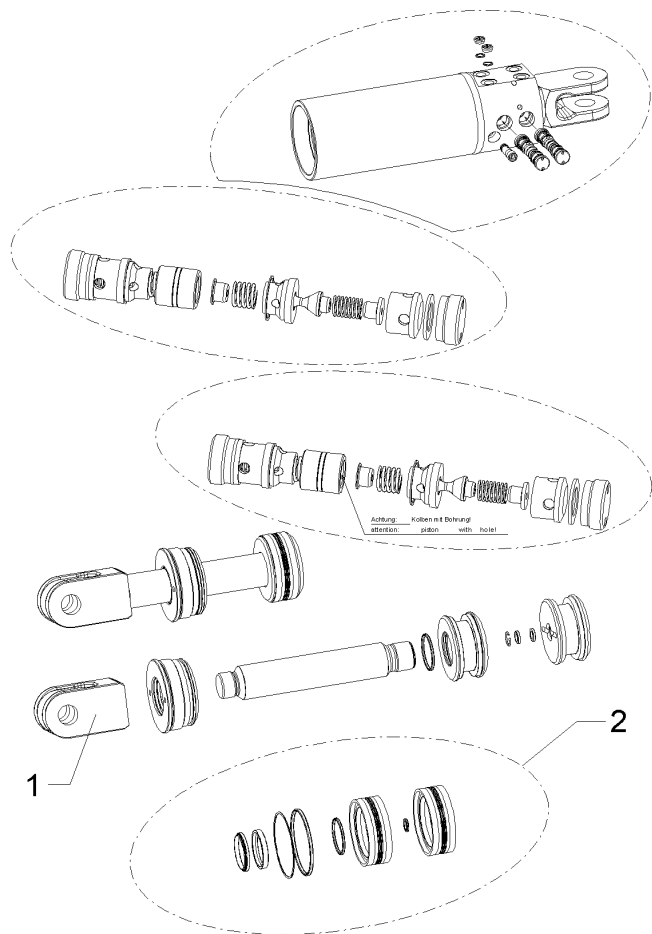
01.18

| Pos. | Art.Nr. | Stck. | Artikeltext / Description | | Abmessung |
|------|----------|-------|---------------------------|-----------------|--------------|
| 1 | 302 9094 | 1 | Gelenkgabel | Fork-type joint | M27x2-D30-68 |
| 2 | 575 9218 | 1 | Dichtungssatz | Seal set | D40/90-100-B |
| 3 | 302 9095 | 1 | Gelenkgabel | Fork-type joint | M27x2-75-D30 |



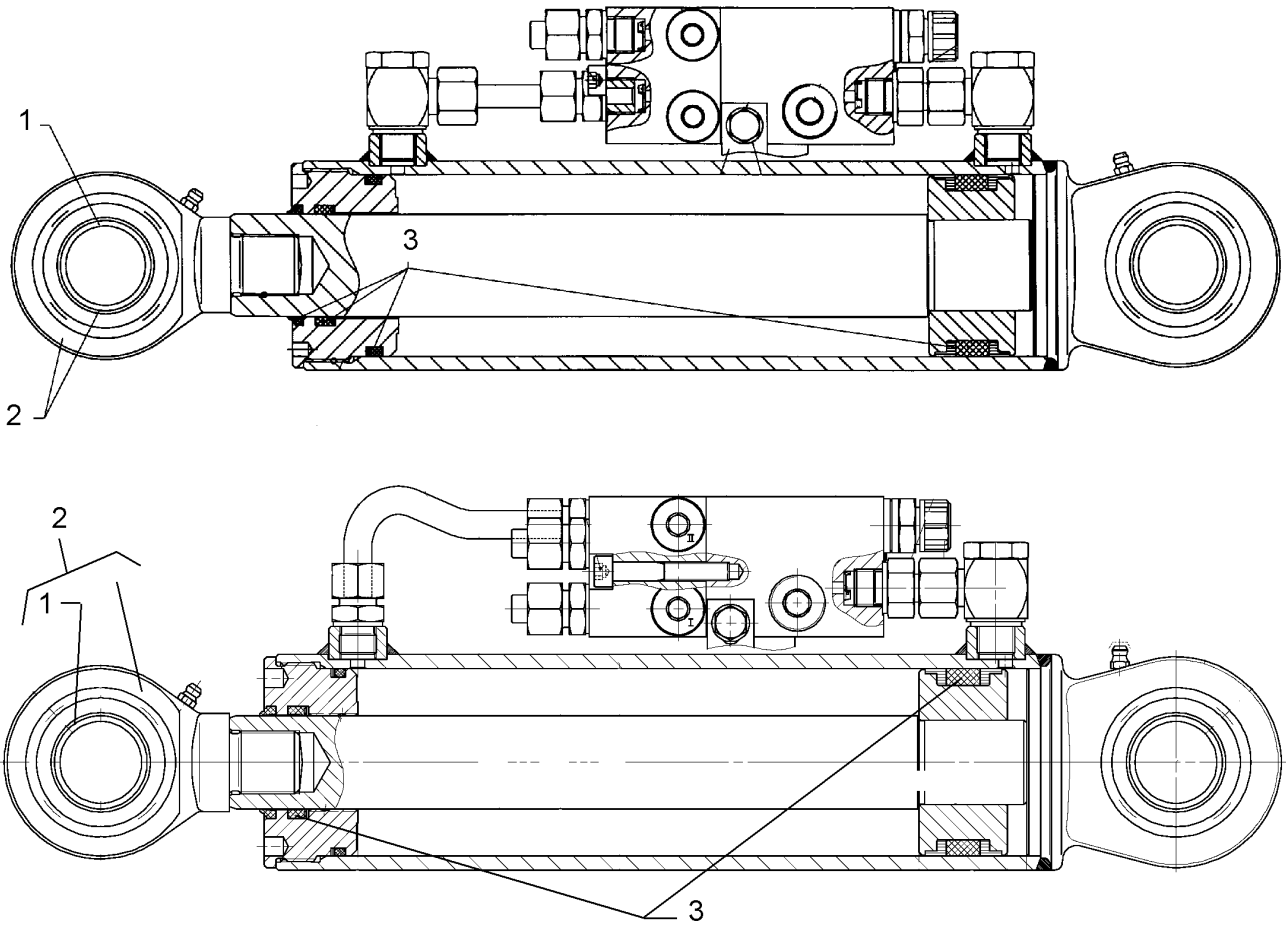
01.18

| Pos. | Art.Nr. | Stck. | Artikeltext / Description | | Abmessung |
|------|----------|-------|---------------------------|----------|-----------|
| 1 | 575 9228 | 2 | Dichtungssatz | Seal set | D40/90 |
| 2 | 575 9246 | 2 | Dichtungssatz | Seal set | D40/90 |



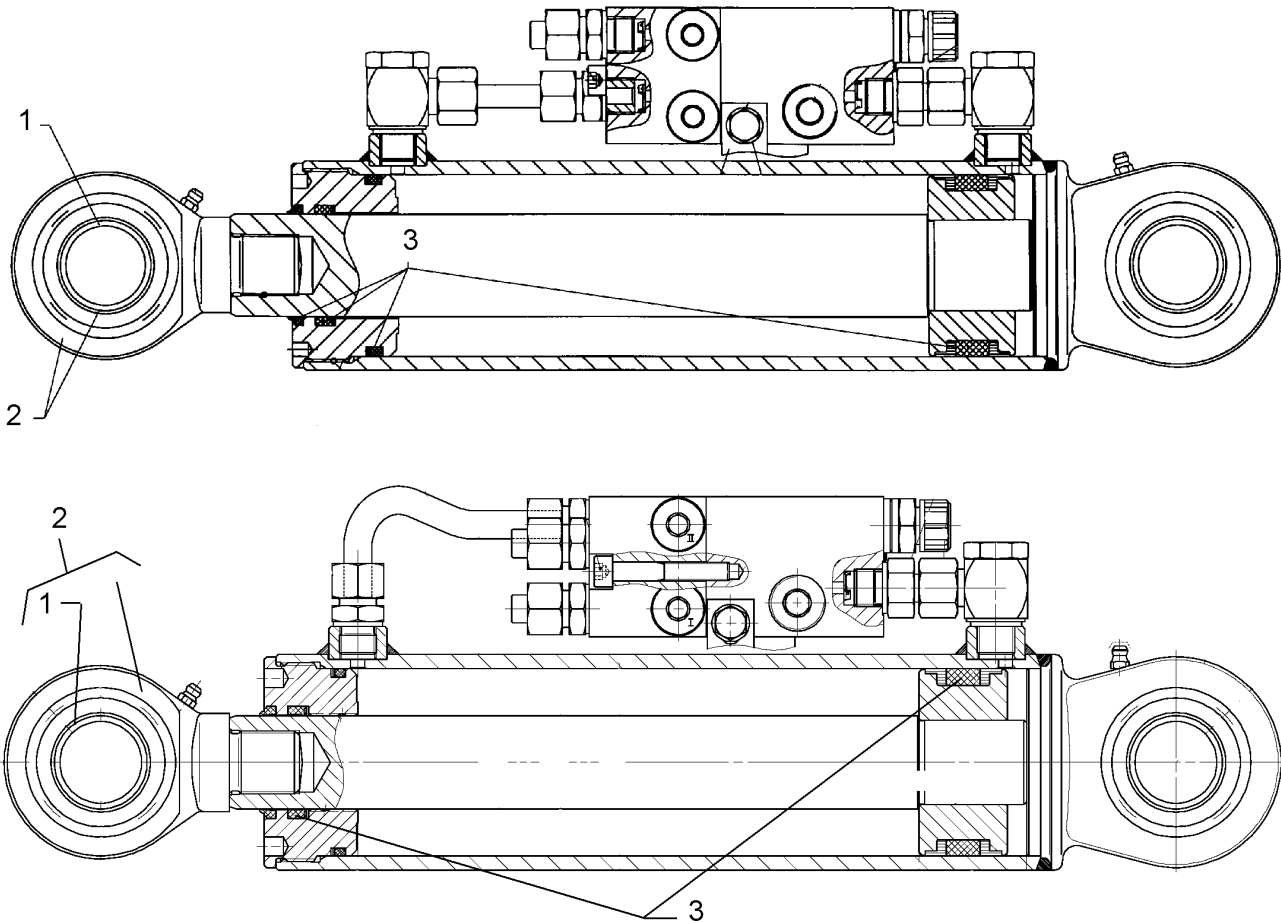
01.18

| Pos. | Art.Nr. | Stck. | Artikeltext / Description | Abmessung |
|------|----------|-------|---------------------------|-------------------------|
| 1 | 302 9115 | 1 | Gelenkgabel | M48x2,5-D35-60x70x27x91 |
| 2 | 575 9283 | 1 | Dichtungssatz | 45/90 |



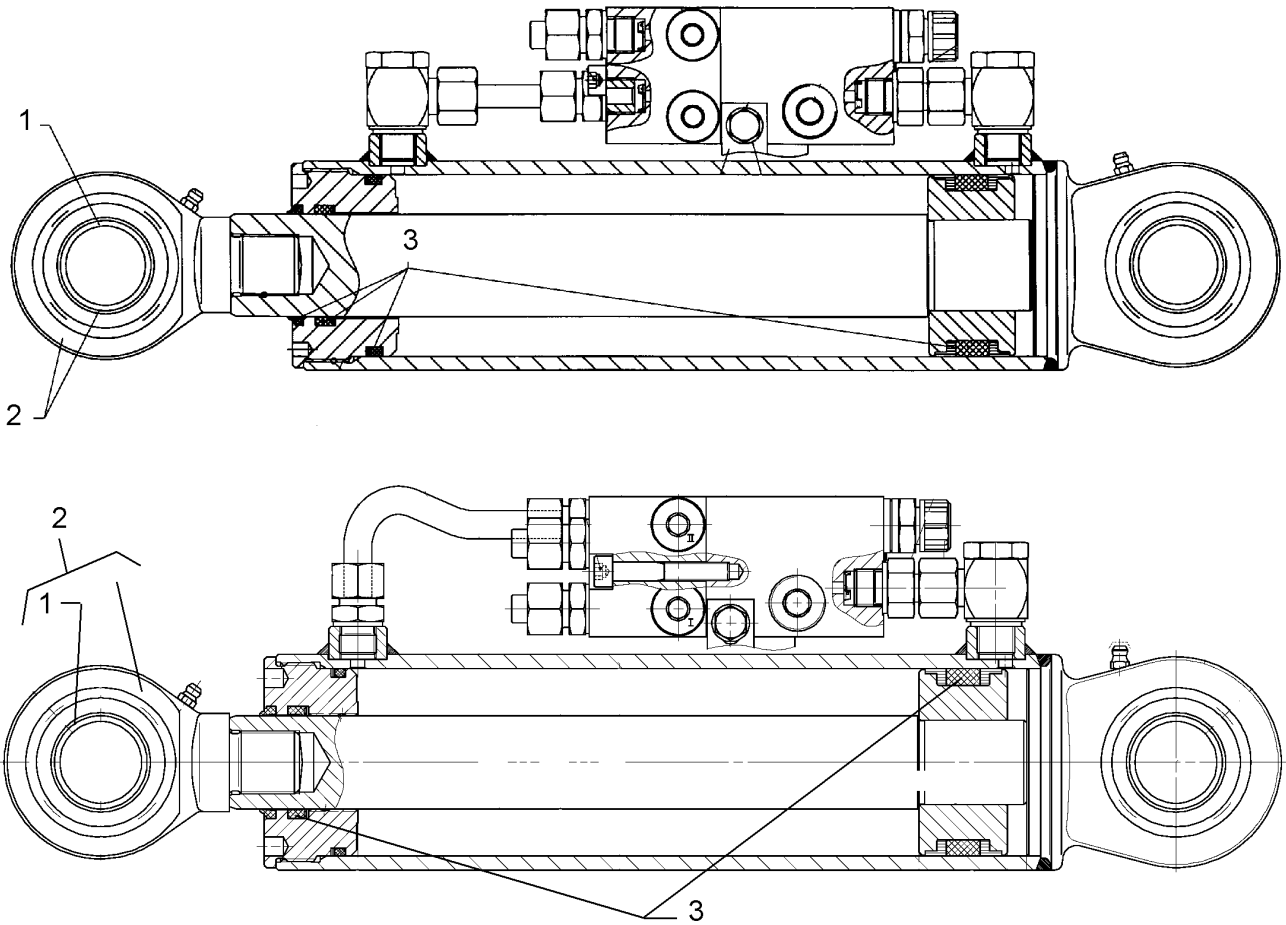
01.18

| Pos. | Art.Nr. | Stck. | Artikeltext / Description | | Abmessung |
|------|----------|-------|------------------------------|---------------------|---------------------|
| 1 | 317 3454 | 1 | Gelenklager | Articulated bearing | GE 35 DO |
| 2 | 302 9446 | 1 | Zylinderauge mit Gelenklager | Ram eye | D35-55-M27x1,5 - 83 |
| 3 | 575 9229 | 1 | Dichtungssatz | Seal set | D40/70 |



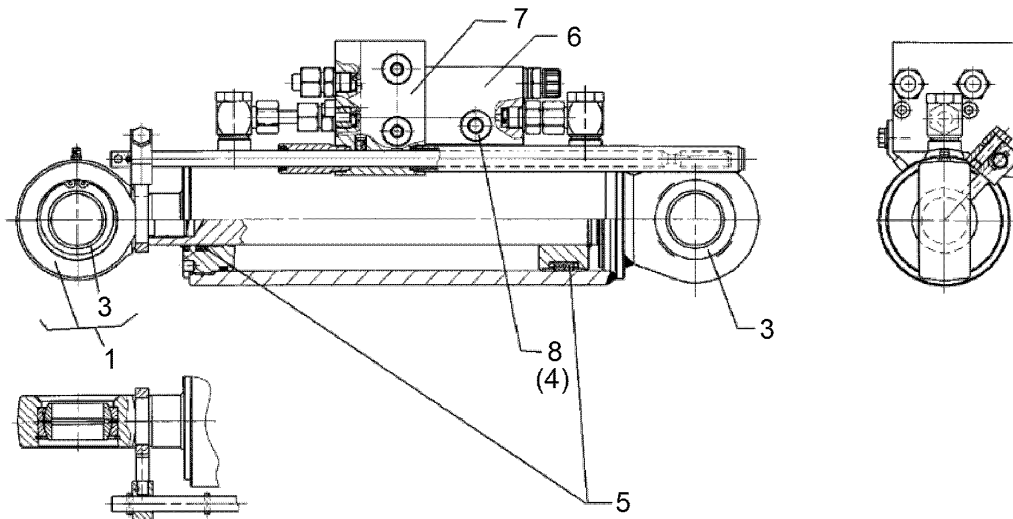
01.18

| Pos. | Art.Nr. | Stck. | Artikeltext / Description | | Abmessung |
|------|----------|-------|------------------------------|---------------------|---------------------|
| 1 | 317 3454 | 1 | Gelenklager | Articulated bearing | GE 35 DO |
| 2 | 302 9446 | 1 | Zylinderauge mit Gelenklager | Ram eye | D35-55-M27x1,5 - 83 |
| 3 | 575 9229 | 1 | Dichtungssatz | Seal set | D40/70 |



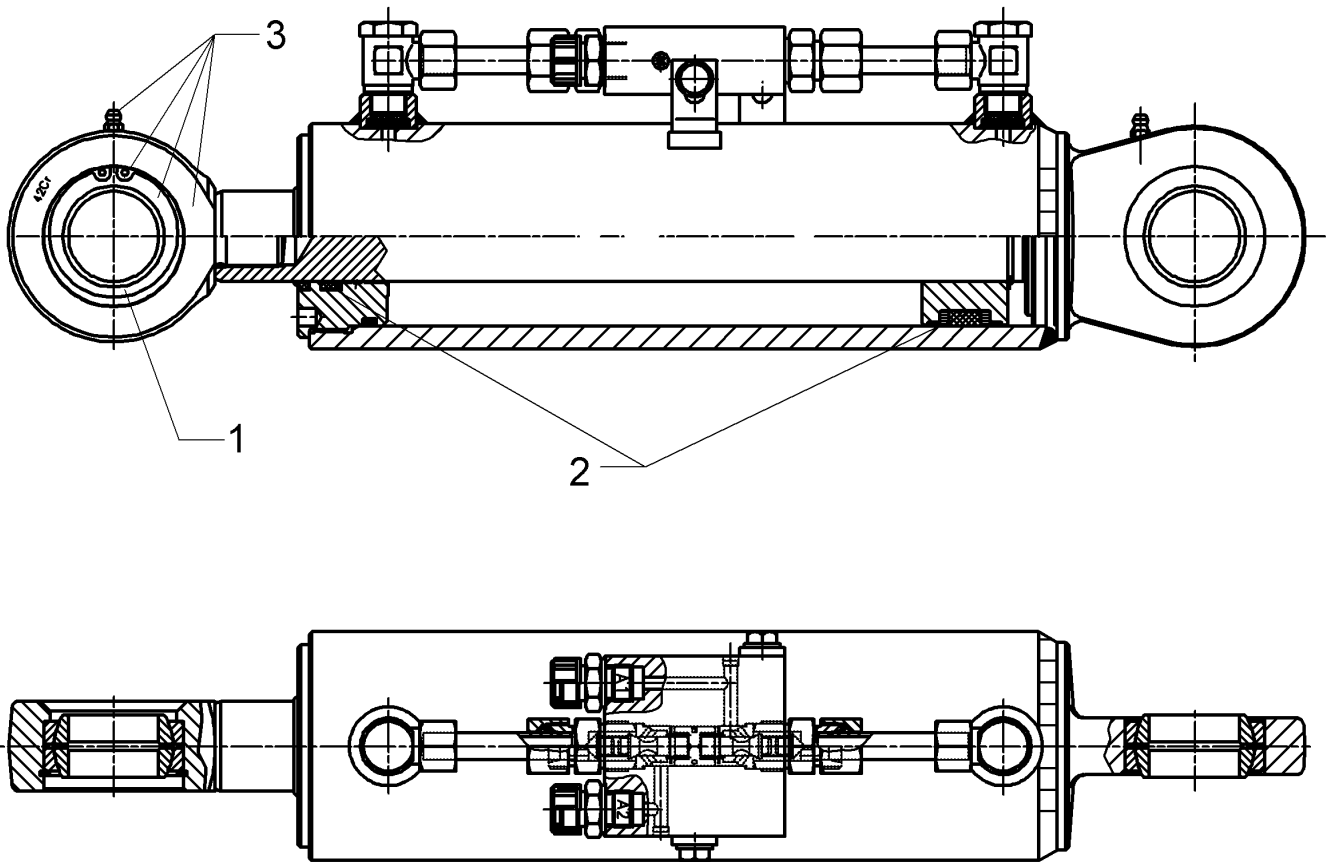
01.18

| Pos. | Art.Nr. | Stck. | Artikeltext / Description | | Abmessung |
|------|----------|-------|------------------------------|---------------------|---------------------|
| 1 | 302 9446 | 1 | Zylinderauge mit Gelenklager | Ram eye | D35-55-M27x1,5 - 83 |
| 2 | 317 3454 | 1 | Gelenklager | Articulated bearing | GE 35 DO |
| 3 | 575 9234 | 1 | Dichtungssatz | Seal set | 40/80 |



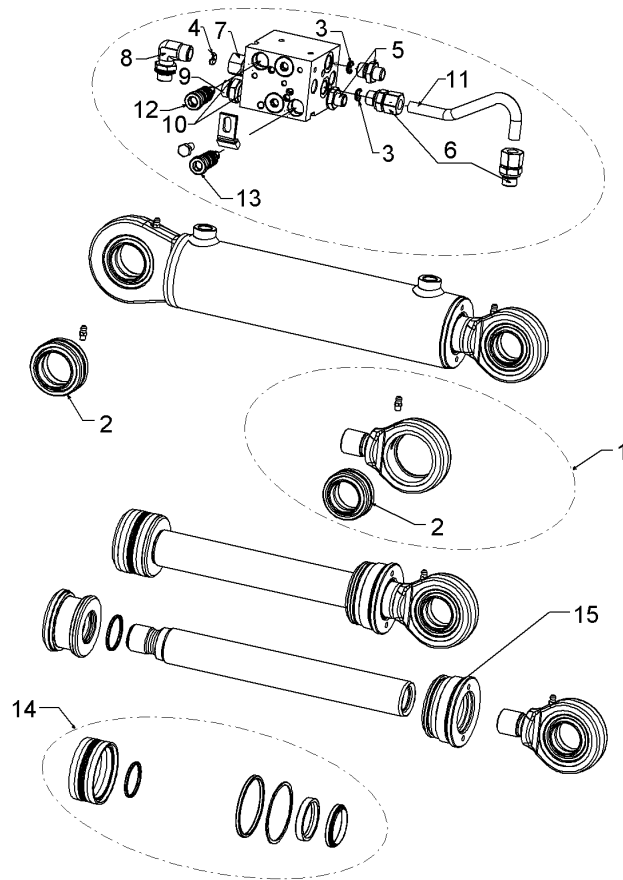
01.18

| Pos. | Art.Nr. | Stck. | Artikeltext / Description | | Abmessung |
|------|----------|-------|------------------------------|-----------------------------|-----------------------|
| 1 | 302 9447 | 1 | Zylinderauge kpl. mit Absatz | Ram eye, complete | D35-55-M27x1,5 |
| 3 | 317 3454 | 1 | Gelenklager | Articulated bearing | GE 35 DO |
| 4 | 575 2129 | 1 | Rückschlagventil mit Rille | Nonreturn valve with groove | R 13 E 5 M 1:2,6 kpl. |
| 5 | 575 9234 | 1 | Dichtungssatz | Seal set | 40/80 |
| 6 | 575 9239 | 1 | Dichtungssatz Steuerventil | Seal set | 575 2118 |
| 7 | 575 9242 | 1 | Dichtungssatz Ventil | Seal set | - |



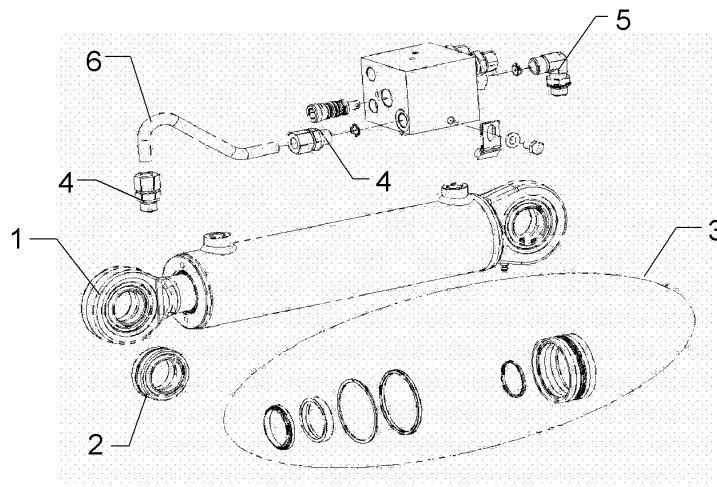
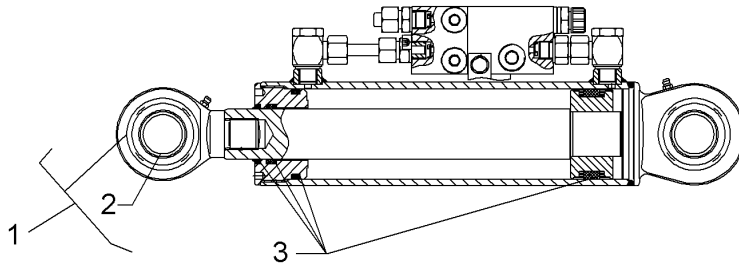
01.18

| Pos. | Art.Nr. | Stck. | Artikeltext / Description | | Abmessung |
|------|----------|-------|---------------------------|---------------------|-----------|
| 1 | 317 3454 | 1 | Gelenklager | Articulated bearing | GE 35 DO |
| 2 | 575 9286 | 1 | Dichtungssatz | Seal set | 50/100 |



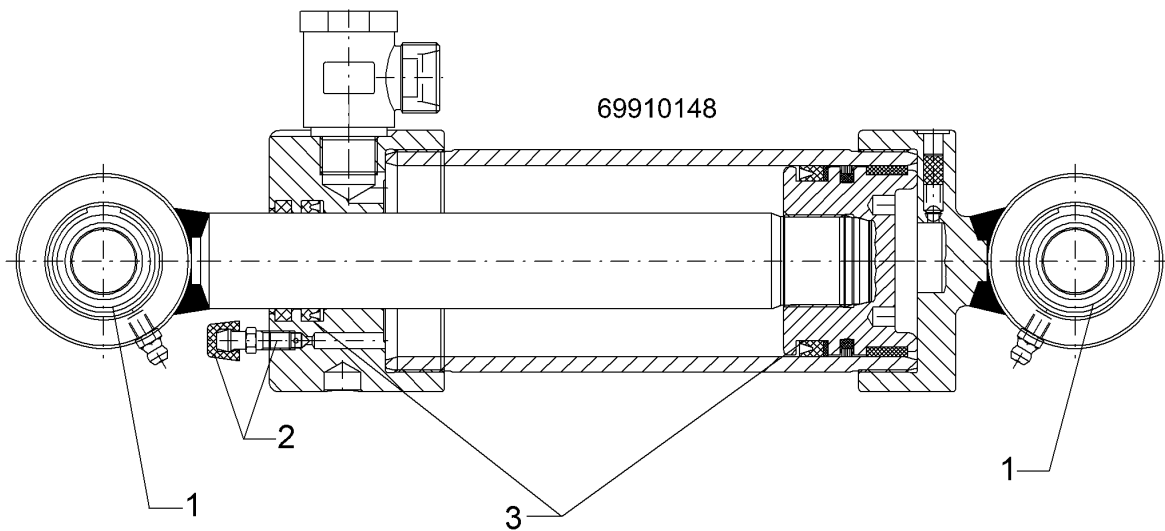
01.18

| Pos. | Art.Nr. | Stck. | Artikeltext / Description | | Abmessung |
|------|----------|-------|--------------------------------|---------------------|---|
| 1 | 302 9108 | 1 | Gelenkgabel | Fork-type joint | M27x1,5-55-D35 |
| 2 | 317 3454 | 2 | Gelenklager | Articulated bearing | GE 35 DO |
| 3 | 375 2509 | 2 | Drosselscheibe Dreibein | Restrictor washer | 1,7 |
| 4 | 375 2515 | 1 | Drosselscheibe Dreibein | Restrictor washer | Dreibein 2,5 |
| 5 | 375 3983 | 2 | Gerade Einschraubverschraubung | Nipple | x-GE 08-LM 16x1,5 |
| 6 | 375 4011 | 2 | Einschraubverschraubung | Nipple | x-GE12-LM-ED |
| 7 | 375 4041 | 1 | Einschraubverschraubung | Nipple | M16x1,5 Zn evGE 12-LM M16x1,5 DKO24 |
| 8 | 375 4329 | 1 | Schwenkverschraubung | Union, swivel | GRD 812258.0 Weber |
| 9 | 375 4726 | 2 | Schraubstutzen | Nipple | M18x1,5/M18x1,5SW24x37 |
| 10 | 375 5081 | 2 | Dichtkantenring | Seal ring | 18,2x25,1x5 |
| 11 | 47510038 | 1 | Hydraulikrohr | Hydraulic tube | 12x2x244x131 GEB |
| 12 | 575 2124 | 1 | Rückschlagventil | Nonreturn valve | R 13 E 4 M |
| 13 | 575 2164 | 1 | Rückschlagventil | Nonreturn valve | R 13 E 4 M |
| 14 | 575 9277 | 1 | Dichtungssatz | Seal set | 40/80 |



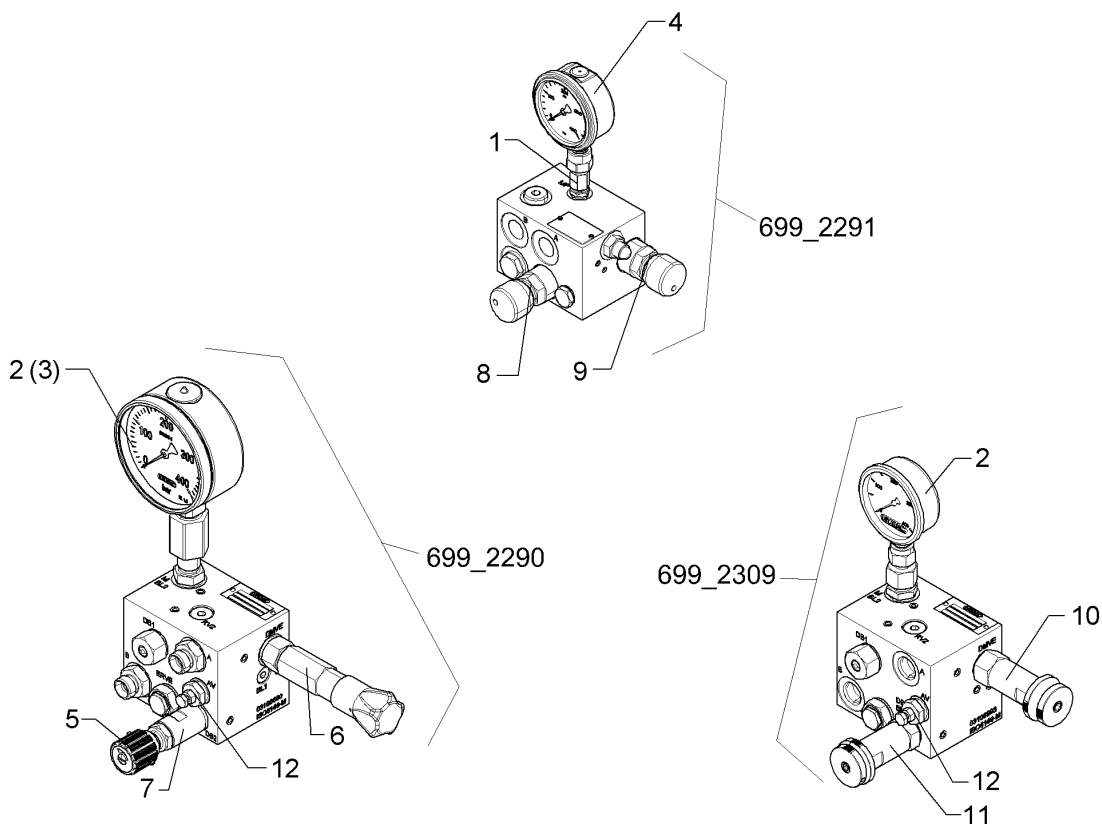
01.18

| Pos. | Art.Nr. | Stck. | Artikeltext / Description | | Abmessung |
|------|----------|-------|---------------------------|---------------------|----------------------------|
| 1 | 302 9108 | 1 | Gelenkgabel | Fork-type joint | M27x1,5-55-D35 |
| 2 | 317 3454 | 2 | Gelenklager | Articulated bearing | GE 35 DO |
| 3 | 575 9229 | 1 | Dichtungssatz | Seal set | D40/70 |
| 4 | 375 4011 | 2 | Einschraubverschraubung | Nipple | x-GE12-LM-ED M16x1,5 Zn |
| 5 | 375 4329 | 1 | Schwenkverschraubung | Union, swivel | 812258.0 Weber |
| 6 | 57510246 | 1 | Hydraulikrohr | Hydraulic tube | - |



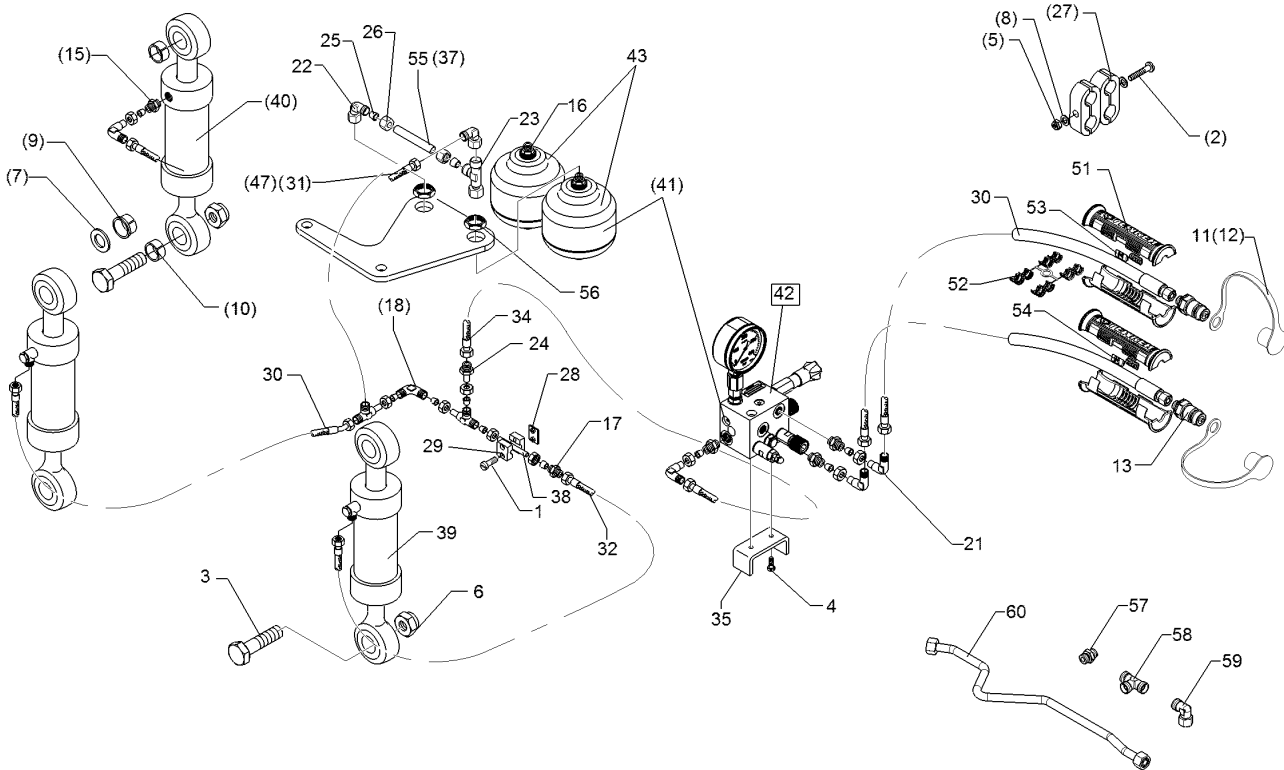
01.18

| Pos. | Art.Nr. | Stck. | Artikeltext / Description | | Abmessung |
|------|----------|-------|--------------------------------|---------------------|------------|
| 1 | 317 3457 | 2 | Gelenklager | Articulated bearing | GE 20 DO-c |
| 2 | 575 1140 | 1 | Entlüftungsventil m.Gummihaube | Vent valve | M6-R0033 |
| 3 | 575 9261 | 1 | Dichtungssatz | Seal set | 30/60 |



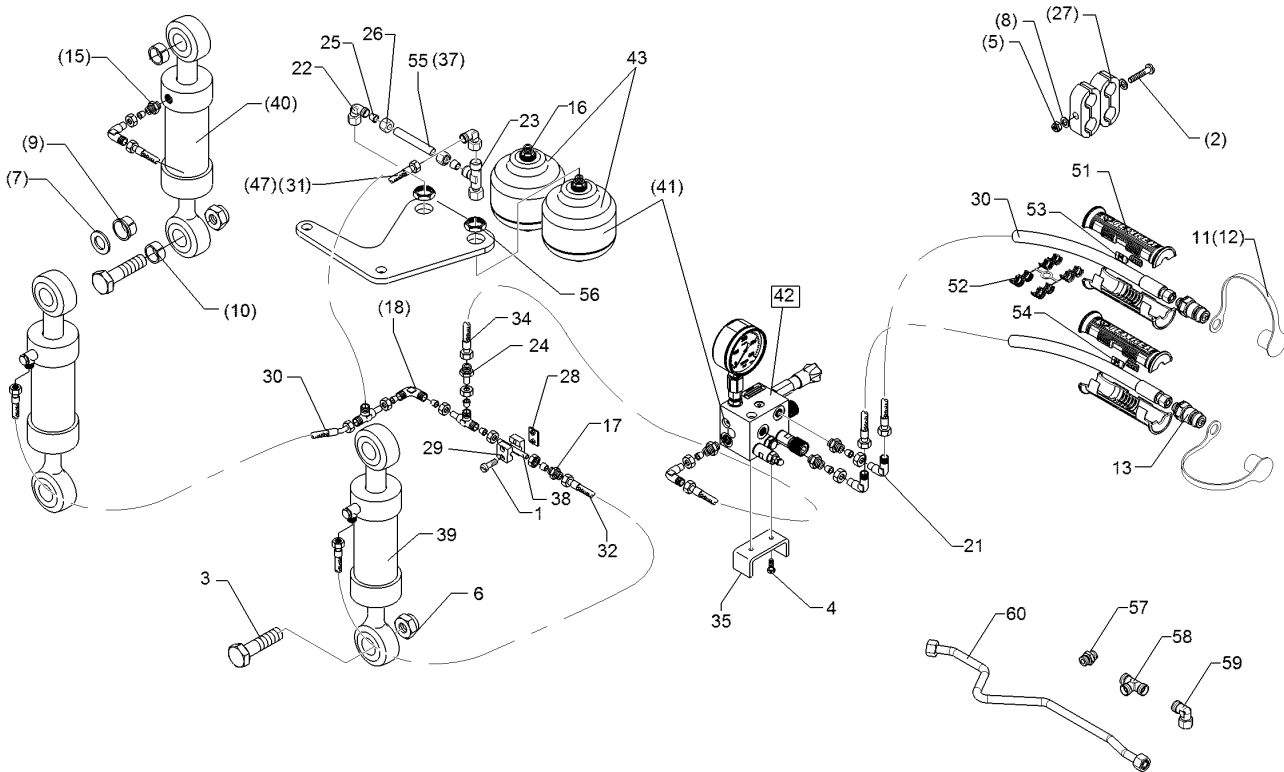
01.18

| Pos. | Art.Nr. | Stck. | Artikeltext / Description | | Abmessung |
|------|----------|-------|--------------------------------|--------------------------------|---------------------------------|
| 1 | 375 4708 | 1 | Manometerverschraubung | Manometer union piece | MAVE 8-LR IG-1/4" |
| 2 | 575 4221 | 1 | Manometer | Manometer | HN60-01-A 63/400/G1/4B |
| 3 | 575 4222 | 1 | Manometer | Manometer | HN60-01/100/0 400bar |
| 4 | 575 4223 | 1 | Manometer | Manometer | DR63/411.111/155 |
| 5 | 575 4240 | 1 | Drehknopf Druckbegrenzugsvent. | Turning knob | mit Schraube (unterer Druck) |
| 6 | 575 4880 | 1 | Druckregelventil oberer Druck | Pressure control valve,top p. | DMVE |
| 7 | 575 4881 | 1 | Druckregelventil unterer Druck | Pressure control valve, bot.p. | MT-DB4E |
| 8 | 575 4882 | 1 | Druckregelventil unterer Druck | Pressure control valve, bot.p. | DB2 |
| 9 | 575 4883 | 1 | Druckregelventil oberer Druck | Pressure control valve,top p. | DMV1 |
| 10 | 575 4884 | 1 | Druckregelventil oberer Druck | Pressure control valve,top p. | DR08-01-C-N-220H |
| 11 | 575 4885 | 1 | Druckregelventil unterer Druck | Pressure control valve, bot.p. | DB08A-01-C-N-330H |
| 12 | 57510090 | 1 | Absperrschraube | Bolt | zu 575_9041 |



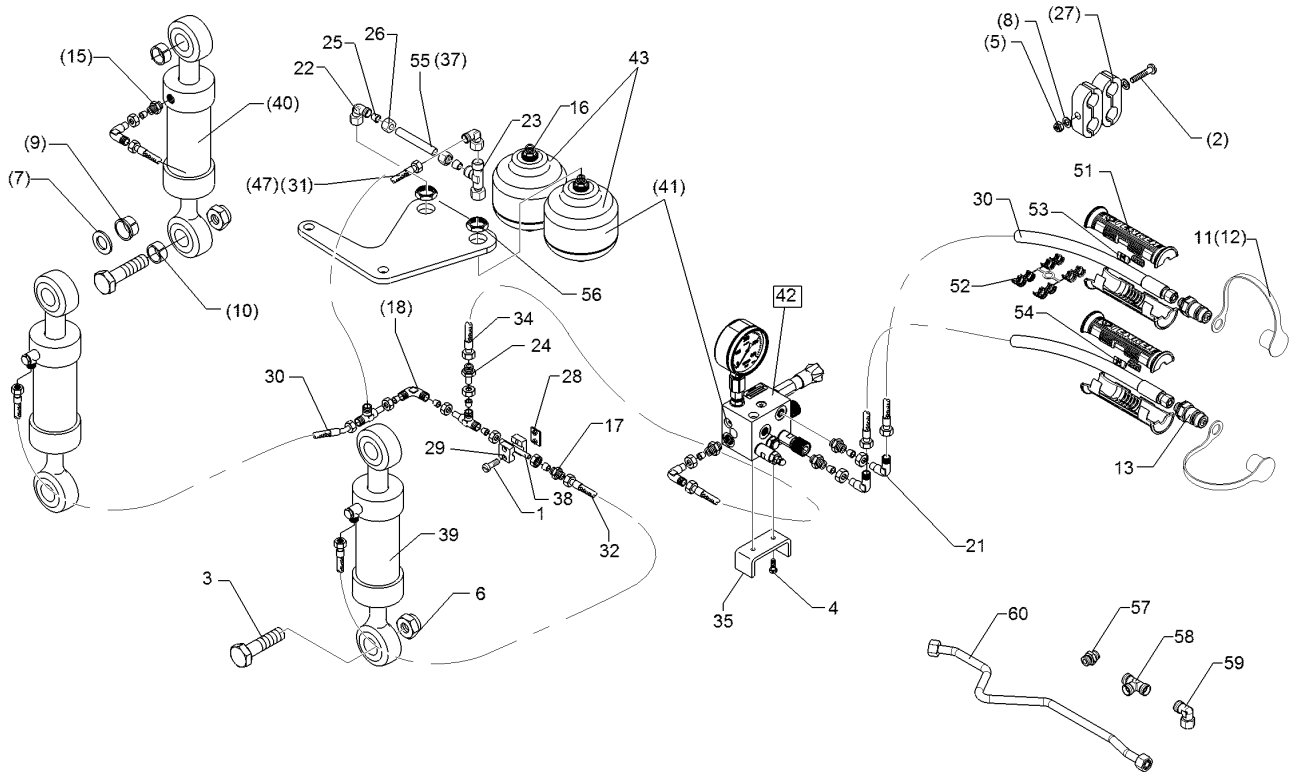
01.18

| Pos. | Art.Nr. | Stck. | Artikeltext / Description | | Abmessung |
|------|----------|-------|--------------------------------|------------------------|------------------------------|
| 1 | 301 0302 | 2 | Linsenschraube | Oval head screw | M6x25-4,6 Zn DIN7985 |
| 2 | 301 0312 | 1 | Linsenschraube | Oval head screw | M6x75-4,6 Zn DIN7985 |
| 3 | 301 4607 | 4 | Sechskantschraube spz. | Hexagon bolt | M20x90-12.9 Zn |
| 4 | 301 7260 | 2 | Sechskantschraube | Hexagon bolt | M8x16-8.8 Zn DIN933 |
| 5 | 303 0931 | 1 | Sicherungsmutter | Selflocking nut | NM6-8 Zn DIN985 |
| 6 | 303 0936 | 4 | Sicherungsmutter | Selflocking nut | NM20-8 Zn DIN985 |
| 7 | 305 6165 | 4 | Scheibe | Washer | D35/20,5x5 Zn |
| 8 | 305 8571 | 2 | Scheibe | Washer | 6,4 DIN125-A Zn |
| 9 | 317 9520 | 12 | Bundbuchse | Flange bushing | D30/20x19 |
| 10 | 317 9521 | 6 | Buchse | Bush | D30/20x29 |
| 11 | 375 2124 | 2 | Staubkappe, weiß | Cap, white | D26,5 Bg.3 |
| 12 | 375 2122 | 2 | Staubkappe, schwarz | Cap, black | D26,5 Bg.3 |
| 13 | 375 2718 | 2 | SVK-Stecker | Hydraulic coupling | BG-3 12L M18x1,5 |
| 15 | 375 4029 | 2 | Gerade Einschraubverschraubung | Nipple | x-GE15-LM 18x1,5-B |
| 16 | 375 4040 | 2 | Einschraubverschraubung | Nipple | xGE 15-LR R1/2"-B |
| 17 | 375 4120 | 2 | Gerade Verschraubung | Nipple | x-G15-L M22x1,5 |
| 18 | 375 4220 | 1 | Winkelverschraubung | Elbow union | W15-L M22x1,5 |
| 21 | 375 4500 | 3 | Einstellbare W-Verschraubung | Adjustable angle union | EW12-LM DKO24 GRD M18x1,5 |
| 22 | 375 4502 | 5 | Einstellbare W-Verschraubung | Adjustable angle union | EW15-L |
| 23 | 375 4553 | 2 | Einstellbare L-Verschraubung | Adjustable L-union | EL15-L-DKO24 GRD |



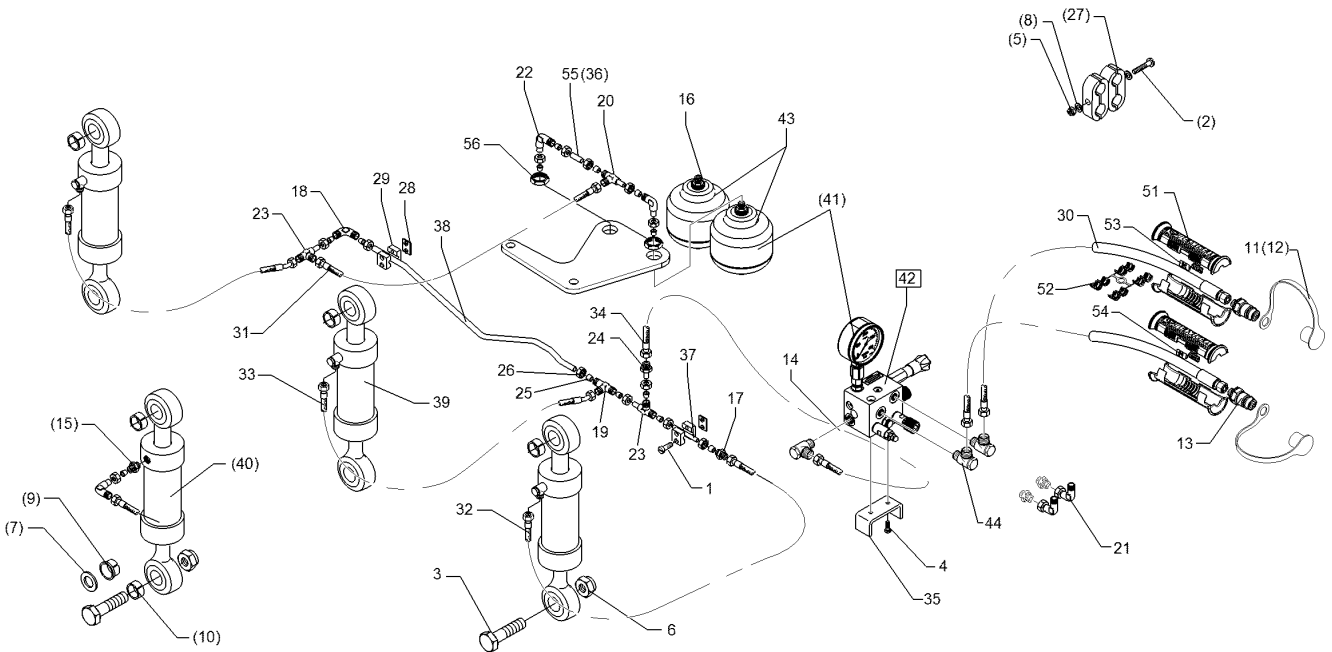
01.18

| Pos. | Art.Nr. | Stck. | Artikeltext / Description | Abmessung | |
|------|----------|-------|-------------------------------|----------------------|-------------------------------------|
| 24 | 375 4653 | 1 | Konus-Reduzieranschluss | Reduction joint | x-KOR15/12-L DKO24 GRD |
| 27 | 375 9850 | 4 | Schelle | Clamp | LNU4-19/15PP |
| 28 | 375 9950 | 1 | Anschweißplatte | Weld on plate | SP1A 36x30x2 |
| 29 | 375 9961 | 2 | Schellenkörper | Clamp | 1/2x215 PP |
| 30 | 475 2688 | 2 | Hydraulikschlauch | Hydraulic hose | 1SN08-1500-DKOL12/DKOL12 |
| 31 | 475 2683 | 1 | Hydraulikschlauch | Hydraulic hose | 2SN12-0600-DKO L15/L15 00/90GR |
| 32 | 475 3010 | 1 | Hydraulikschlauch | Hydraulic hose | 2SC12-1200 DKOL15/DKOL15 0/0° |
| 33 | 475 3011 | 1 | Hydraulikschlauch | Hydraulic hose | 2SN12-1200 DKOL15 00/45 GRD |
| 34 | 475 3012 | 1 | Hydraulikschlauch | Hydraulic hose | 2SN08-2800/DKOL12/DKOL12 |
| 35 | 475 4373 | 1 | Halter | Holder | MSS 30x8x188 2xGEB90GRD |
| 37 | 57510446 | 1 | Hydraulikrohr | Hydraulic tube | 3xD8,5 15x2x45 |
| 38 | 57510011 | 1 | Hydraulikrohr | Hydraulic tube | 15x2x150 |
| 39 | 575 2523 | 2 | Zugzylinder | Hydraulic ram | EZ 60/30-125 |
| 40 | 575 2524 | 3 | Zugzylinder | Hydraulic ram | ZZ 63/30-125 |
| 41 | 575 9040 | 1 | HP-System z.hydr.Steinsicher. | HP-system | Euro/Vari7X+8X |
| 42 | 575 9041 | 1 | Block zum HydriX | Block | 60-150 bar |
| 43 | 575 9042 | 2 | Druckspeicher | Pressure accumulator | Typ 0,75l 250-50bar G1/2 ZL |



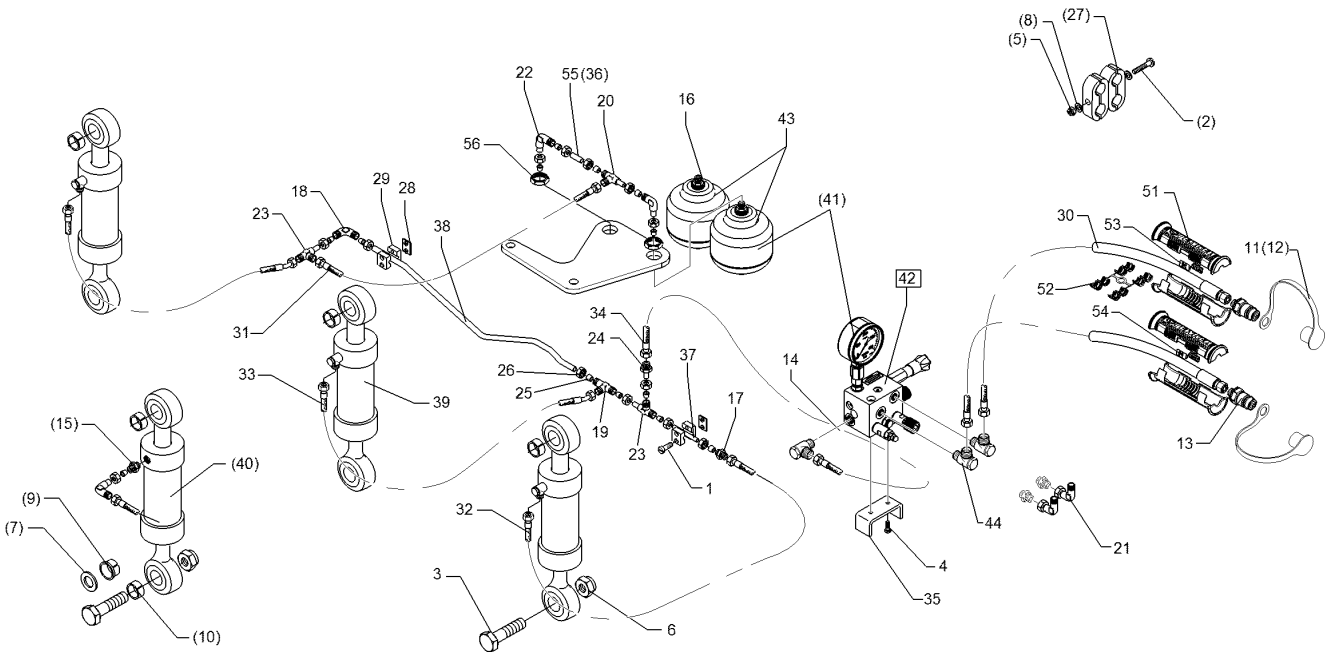
01.18

| Pos. | Art.Nr. | Stck. | Artikeltext / Description | | Abmessung |
|------|----------|-------|------------------------------|------------------------|--|
| 47 | 475 3016 | 1 | Hydraulikschlauch | Hydraulic hose | 2SN12-800 DKOL15/DKOL15 0/90° |
| 51 | 375 2607 | 4 | Griff Halbschale | Handle | - |
| 52 | 375 2606 | 2 | Einleger | Insert | DN6 DN8 |
| 53 | 325 1600 | 2 | Kennzeichnung | Marking | P0 |
| 54 | 325 1607 | 2 | Kennzeichnung | Marking | T0 |
| 56 | 30310095 | 2 | Sechskantmutter | Hexagon nut | M33x1,5 k=8 ZnNi 720h |
| 57 | 375 4020 | 3 | Einschraubverschraubung | Nipple | x-GE12-LM M18x1,5 Zn |
| 58 | 375 4484 | 1 | T-Verschraubung | T-union | x-T15-L M22x1,5 Zn |
| 59 | 375 4503 | 3 | Einstellbare W-Verschraubung | Adjustable angle union | EW15-L-DKO24 GRD O-Ring 15,0x2,0x635 |
| 60 | 57510924 | 1 | Hydraulikrohr | Hydraulic tube | |



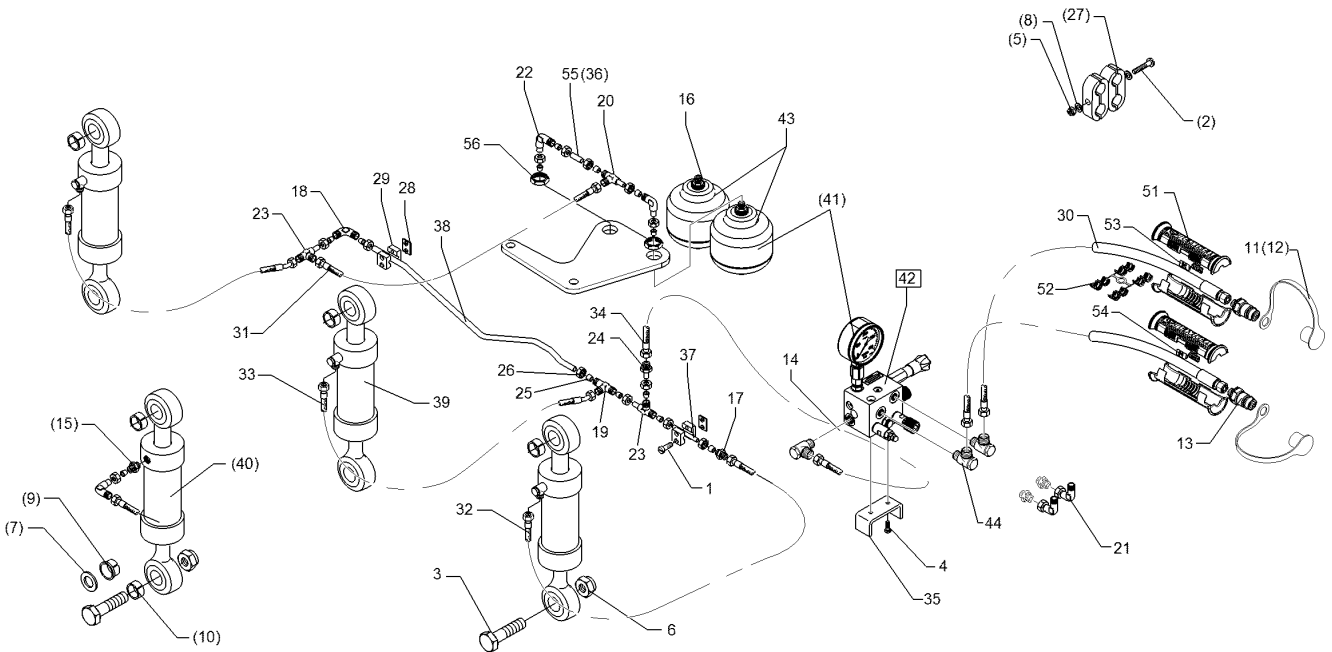
01.18

| Pos. | Art.Nr. | Stck. | Artikeltext / Description | | Abmessung |
|------|----------|-------|------------------------------|------------------------|------------------------------|
| 1 | 301 0302 | 4 | Linsenschraube | Oval head screw | M6x25-4,6 Zn DIN7985 |
| 2 | 301 0312 | 1 | Linsenschraube | Oval head screw | M6x75-4,6 Zn DIN7985 |
| 3 | 301 4606 | 6 | Sechskantschraube spz. | Hexagon bolt | M20x80-10.9 Zn |
| 4 | 301 7260 | 2 | Sechskantschraube | Hexagon bolt | M8x16-8.8 Zn DIN933 |
| 5 | 303 0931 | 1 | Sicherungsmutter | Selflocking nut | NM6-8 Zn DIN985 |
| 6 | 303 0936 | 6 | Sicherungsmutter | Selflocking nut | NM20-8 Zn DIN985 |
| 8 | 305 8571 | 2 | Scheibe | Washer | 6,4 DIN125-A Zn |
| 11 | 375 2124 | 2 | Staubkappe, weiß | Cap, white | D26,5 Bg.3 |
| 12 | 375 2122 | 2 | Staubkappe, schwarz | Cap, black | D26,5 Bg.3 |
| 13 | 375 2718 | 2 | SVK-Stecker | Hydraulic coupling | BG-3 12L M18x1,5 |
| 14 | 375 4020 | 3 | Einschraubverschraubung | Nipple | x-GE12-LM M18x1,5 Zn |
| 16 | 375 4040 | 2 | Einschraubverschraubung | Nipple | xGE 15-LR R1/2"-B |
| 17 | 375 4120 | 2 | Gerade Verschraubung | Nipple | x-G15-L M22x1,5 |
| 18 | 375 4220 | 1 | Winkelverschraubung | Elbow union | W15-L M22x1,5 |
| 19 | 375 4484 | 2 | T-Verschraubung | T-union | x-T15-L M22x1,5 Zn |
| 20 | 375 4494 | 1 | Einstellbare T-Verschraubung | Adjustable T-union | ET15-LM |
| 21 | 375 4500 | 3 | Einstellbare W-Verschraubung | Adjustable angle union | EW12-LM DKO24 GRD M18x1,5 |
| 22 | 375 4503 | 4 | Einstellbare W-Verschraubung | Adjustable angle union | EW15-L-DKO24 GRD O-Ring |
| 23 | 375 4553 | 2 | Einstellbare L-Verschraubung | Adjustable L-union | EL15-L-DKO24 GRD |



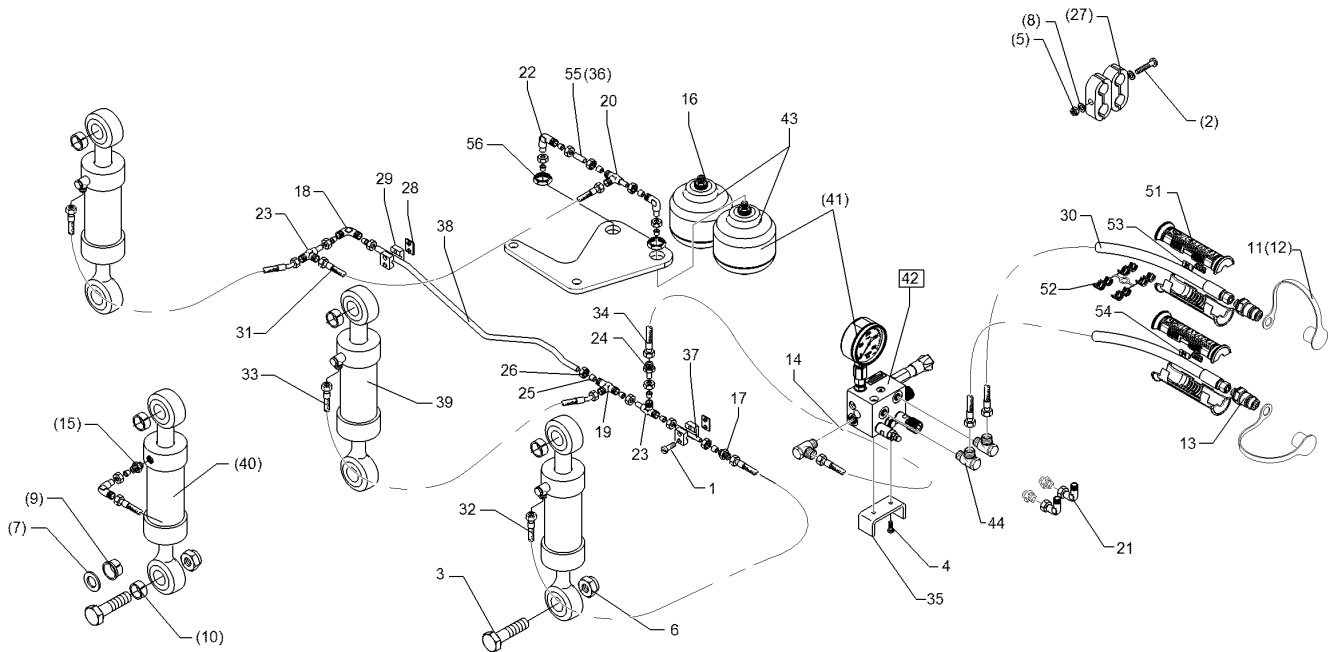
01.18

| Pos. | Art.Nr. | Stck. | Artikeltext / Description | Abmessung | |
|------|----------|-------|---------------------------|-----------------|--|
| 24 | 375 4653 | 1 | Konus-Reduzieranschluss | Reduction joint | x-KOR15/12-L DKO24 GRD |
| 25 | 375 5120 | 6 | Schneidring | Cutting ring | S 15 L WD |
| 26 | 375 5320 | 6 | Überwurfmutter | Union nut | 15L M22x1,5 Zn |
| 27 | 375 9850 | 4 | Schelle | Clamp | LNU4-19/15PP |
| 28 | 375 9950 | 2 | Anschweißplatte | Weld on plate | SP1A 36x30x2 |
| 29 | 375 9961 | 4 | Schellenkörper | Clamp | 1/2x215 PP |
| 30 | 475 2688 | 2 | Hydraulikschlauch | Hydraulic hose | 1SN08-1500-DKOL12/DKOL12 |
| 31 | 475 3016 | 1 | Hydraulikschlauch | Hydraulic hose | 2SN12-800 DKOL15/DKOL15 |
| 32 | 475 3010 | 1 | Hydraulikschlauch | Hydraulic hose | 0/90° 2SC12-1200 DKOL15/DKOL15 |
| 33 | 475 3011 | 2 | Hydraulikschlauch | Hydraulic hose | 0/0° 2SN12-1200 |
| 34 | 475 3012 | 1 | Hydraulikschlauch | Hydraulic hose | DKOL15 00/45 GRD 2SN08-2800/DKOL12/DKOL12 |
| 35 | 475 4373 | 1 | Halter | Holder | MSS 30x8x188 2xGEB90GRD |
| 36 | 57510011 | 1 | Hydraulikrohr | Hydraulic tube | 3xD8,5 15x2x150 |
| 37 | 57510283 | 1 | Hydraulikrohr | Hydraulic tube | 15x2x98 |
| 38 | 57510141 | 1 | Hydraulikrohr | Hydraulic tube | 15x2x897 5xGEB |
| 39 | 575 2523 | 3 | Zugzylinder | Hydraulic ram | EZ 60/30-125 |
| 40 | 575 2524 | 3 | Zugzylinder | Hydraulic ram | ZZ 63/30-125 |



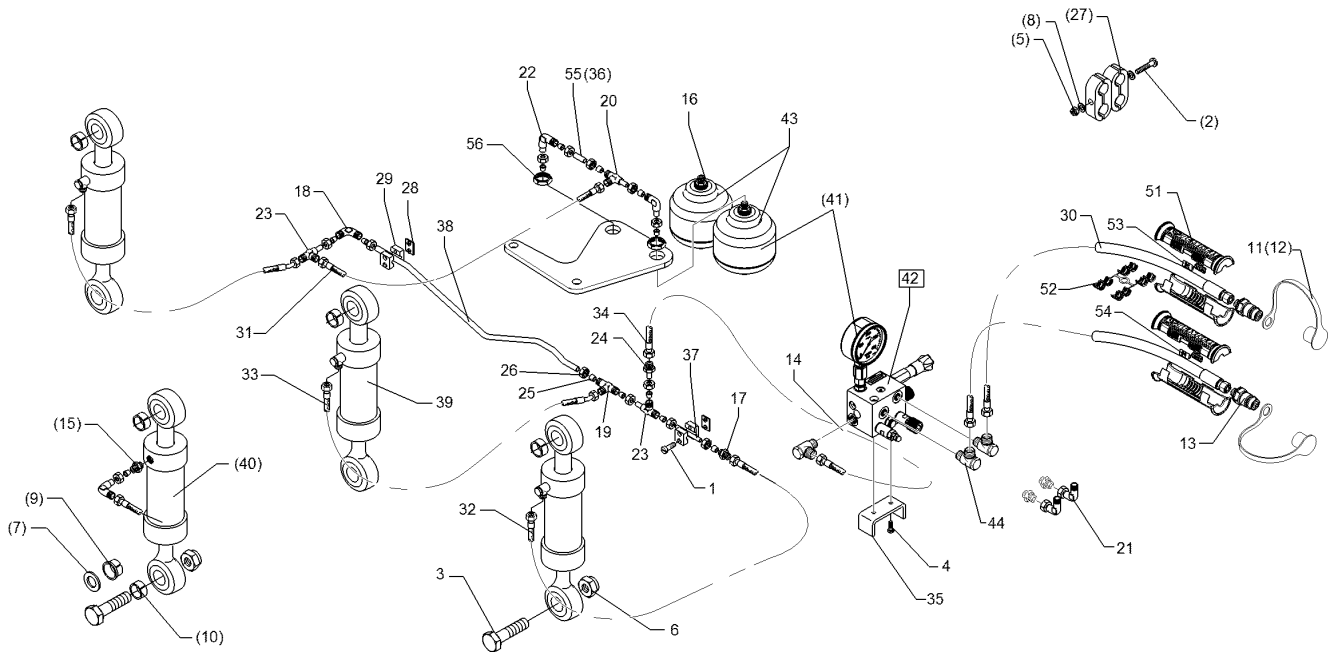
01.18

| Pos. | Art.Nr. | Stck. | Artikeltext / Description | | Abmessung |
|------|----------|-------|-------------------------------|----------------------|--------------------------------------|
| 41 | 575 9040 | 1 | HP-System z.hydr.Steinsicher. | HP-system | Euro/Vari7X+8X |
| 42 | 575 9041 | 1 | Block zum HydriX | Block | 60-150 bar |
| 43 | 575 9042 | 2 | Druckspeicher | Pressure accumulator | Typ 0,75l 250-50bar |
| 44 | 375 4311 | 3 | Schwenkverschraubung | Union, swivel | G1/2 ZL x-SWVE12-LM M18x1,5 Zn |
| 51 | 375 2607 | 4 | Griff Halbschale | Handle | - |
| 52 | 375 2606 | 2 | Einleger | Insert | DN6 DN8 |
| 53 | 325 1600 | 2 | Kennzeichnung | Marking | P0 |
| 54 | 325 1607 | 2 | Kennzeichnung | Marking | T0 |
| 56 | 30310095 | 2 | Sechskantmutter | Hexagon nut | M33x1,5 k=8 ZnNi 720h |



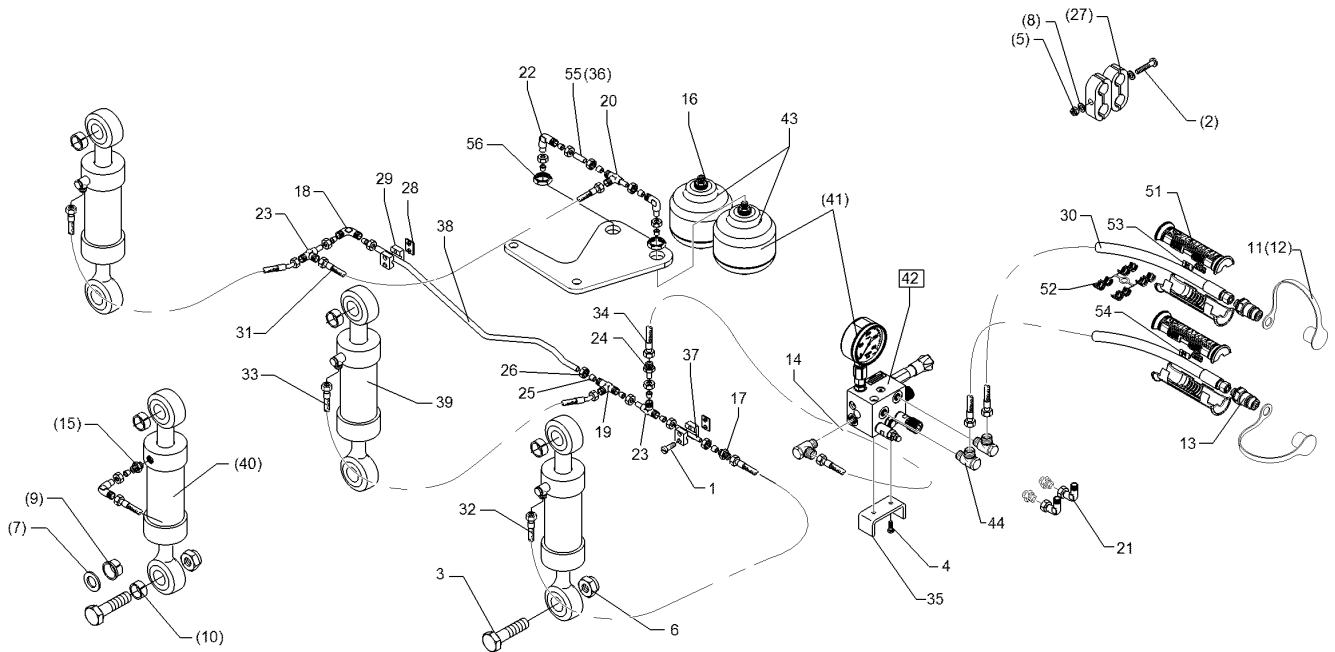
01.18

| Pos. | Art.Nr. | Stck. | Artikeltext / Description | | Abmessung |
|------|----------|-------|--------------------------------|--------------------|-------------------------|
| 1 | 301 0302 | 4 | Linsenschraube | Oval head screw | M6x25-4,6 Zn DIN7985 |
| 2 | 301 0312 | 1 | Linsenschraube | Oval head screw | M6x75-4,6 Zn DIN7985 |
| 3 | 301 4606 | 6 | Sechskantschraube spz. | Hexagon bolt | M20x80-10.9 Zn |
| 4 | 301 7260 | 2 | Sechskantschraube | Hexagon bolt | M8x16-8.8 Zn DIN933 |
| 5 | 303 0931 | 1 | Sicherungsmutter | Selflocking nut | NM6-8 Zn DIN985 |
| 6 | 303 0936 | 6 | Sicherungsmutter | Selflocking nut | NM20-8 Zn DIN985 |
| 7 | 305 6165 | 6 | Scheibe | Washer | D35/20,5x5 Zn |
| 8 | 305 8571 | 2 | Scheibe | Washer | 6,4 DIN125-A Zn |
| 9 | 317 9520 | 12 | Bundbuchse | Flange bushing | D30/20x19 |
| 10 | 317 9521 | 6 | Buchse | Bush | D30/20x29 |
| 11 | 375 2124 | 2 | Staubkappe, weiß | Cap, white | D26,5 Bg.3 |
| 12 | 375 2122 | 2 | Staubkappe, schwarz | Cap, black | D26,5 Bg.3 |
| 13 | 375 2718 | 2 | SVK-Stecker | Hydraulic coupling | BG-3 12L M18x1,5 |
| 14 | 375 4020 | 3 | Einschraubverschraubung | Nipple | x-GE12-LM M18x1,5 Zn |
| 15 | 375 4029 | 3 | Gerade Einschraubverschraubung | Nipple | x-GE15-LM 18x1,5-B |
| 16 | 375 4040 | 2 | Einschraubverschraubung | Nipple | xGE 15-LR R1/2"-B |
| 17 | 375 4120 | 2 | Gerade Verschraubung | Nipple | x-G15-L M22x1,5 |
| 18 | 375 4220 | 1 | Winkelverschraubung | Elbow union | W15-L M22x1,5 |
| 19 | 375 4484 | 1 | T-Verschraubung | T-union | x-T15-L M22x1,5 Zn |
| 20 | 375 4494 | 1 | Einstellbare T-Verschraubung | Adjustable T-union | ET15-LM |



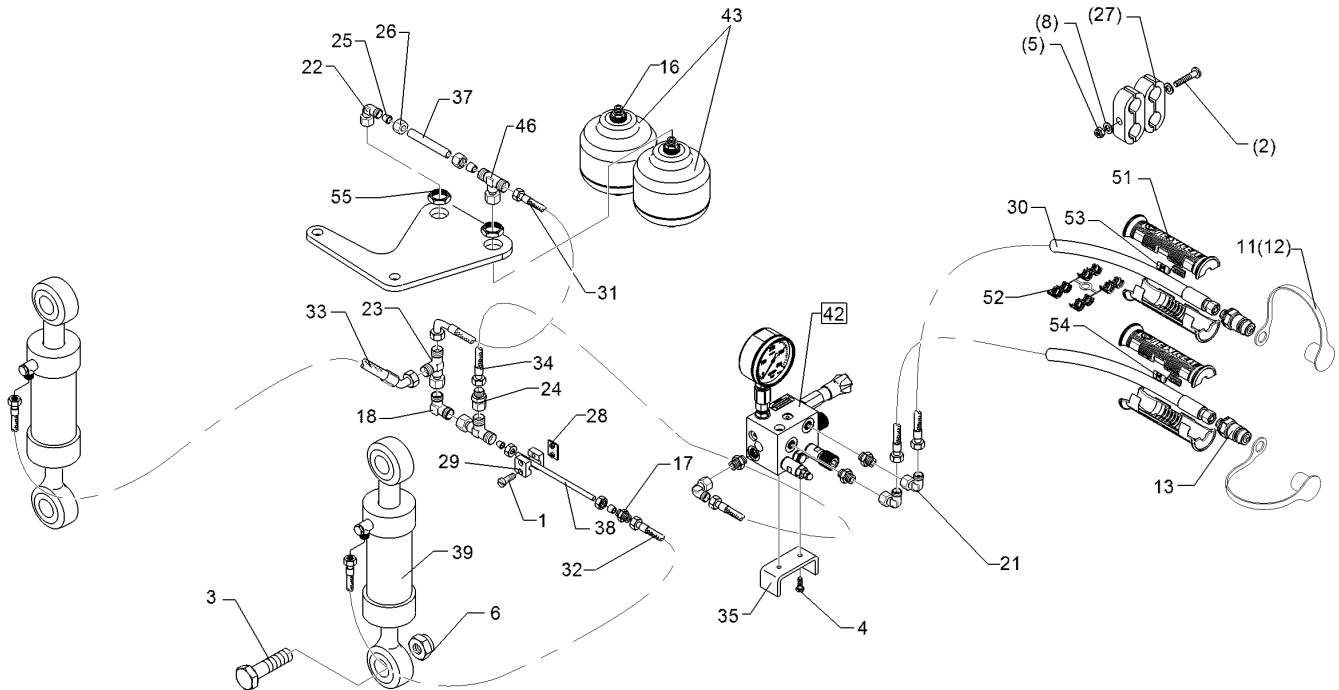
01.18

| Pos. | Art.Nr. | Stck. | Artikeltext / Description | | Abmessung |
|------|----------|-------|------------------------------|------------------------|---|
| 21 | 375 4500 | 3 | Einstellbare W-Verschraubung | Adjustable angle union | EW12-LM DKO24 GRD M18x1,5 |
| 22 | 375 4503 | 4 | Einstellbare W-Verschraubung | Adjustable angle union | EW15-L-DKO24 GRD O-Ring |
| 23 | 375 4553 | 2 | Einstellbare L-Verschraubung | Adjustable L-union | EL15-L-DKO24 GRD |
| 24 | 375 4653 | 1 | Konus-Reduzieranschluss | Reduction joint | x-KOR15/12-L DKO24 GRD |
| 27 | 375 9850 | 4 | Schelle | Clamp | LNU4-19/15PP |
| 28 | 375 9950 | 2 | Anschweißplatte | Weld on plate | SP1A 36x30x2 |
| 29 | 375 9961 | 4 | Schellenkörper | Clamp | 1/2x215 PP |
| 30 | 475 2688 | 2 | Hydraulikschlauch | Hydraulic hose | 1SN08-1500-DKOL12/DKOL12 |
| 31 | 475 3016 | 1 | Hydraulikschlauch | Hydraulic hose | 2SN12-800 DKOL15/DKOL15 0/90° |
| 32 | 475 3010 | 1 | Hydraulikschlauch | Hydraulic hose | 2SC12-1200 DKOL15/DKOL15 0/0° |
| 33 | 475 3011 | 2 | Hydraulikschlauch | Hydraulic hose | 2SN12-1200 DKOL15 00/45 GRD |
| 34 | 475 3012 | 1 | Hydraulikschlauch | Hydraulic hose | 2SN08-2800/DKOL12/DKOL12 |
| 35 | 475 4373 | 1 | Halter | Holder | MSS 30x8x188 2xGEB90GRD 3xD8,5 |
| 36 | 57510283 | 1 | Hydraulikrohr | Hydraulic tube | 15x2x98 |
| 37 | 57510011 | 1 | Hydraulikrohr | Hydraulic tube | 15x2x150 |
| 38 | 57510140 | 1 | Hydraulikrohr | Hydraulic tube | 15x2x997 5xGEB |



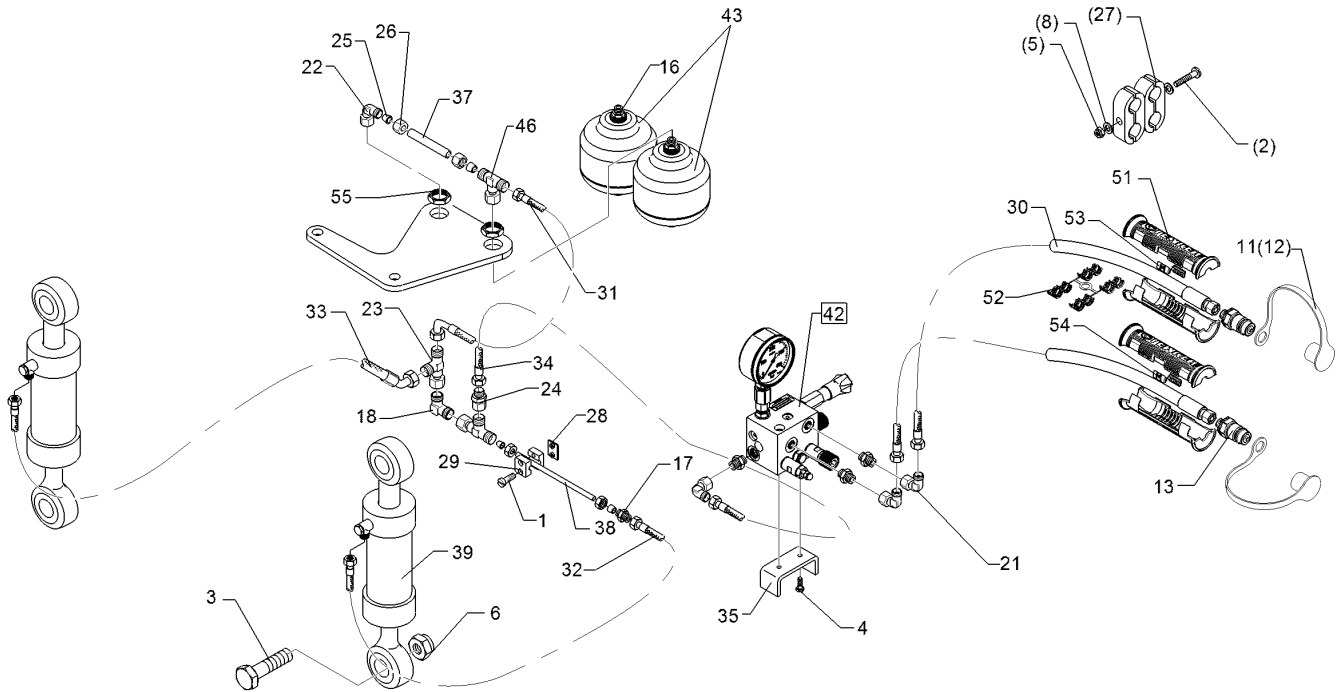
01.18

| Pos. | Art.Nr. | Stck. | Artikeltext / Description | Abmessung | |
|------|----------|-------|-------------------------------|----------------------|--------------------------------|
| 39 | 575 2523 | 3 | Zugzylinder | Hydraulic ram | EZ 60/30-125 |
| 40 | 575 2524 | 3 | Zugzylinder | Hydraulic ram | ZZ 63/30-125 |
| 41 | 575 9040 | 1 | HP-System z.hydr.Steinsicher. | HP-system | Euro/Vari7X+8X |
| 42 | 575 9041 | 1 | Block zum HydriX | Block | 60-150 bar |
| 43 | 575 9042 | 2 | Druckspeicher | Pressure accumulator | Typ 0,75l 250-50bar G1/2 ZL |
| 44 | 375 4311 | 3 | Schwenkverschraubung | Union, swivel | x-SWVE12-LM M18x1,5 Zn |
| 51 | 375 2607 | 4 | Griff Halbschale | Handle | - |
| 52 | 375 2606 | 2 | Einleger | Insert | DN6 DN8 |
| 53 | 325 1600 | 2 | Kennzeichnung | Marking | P0 |
| 54 | 325 1607 | 2 | Kennzeichnung | Marking | T0 |
| 56 | 30310095 | 2 | Sechskantmutter | Hexagon nut | M33x1,5 k=8 ZnNi 720h |



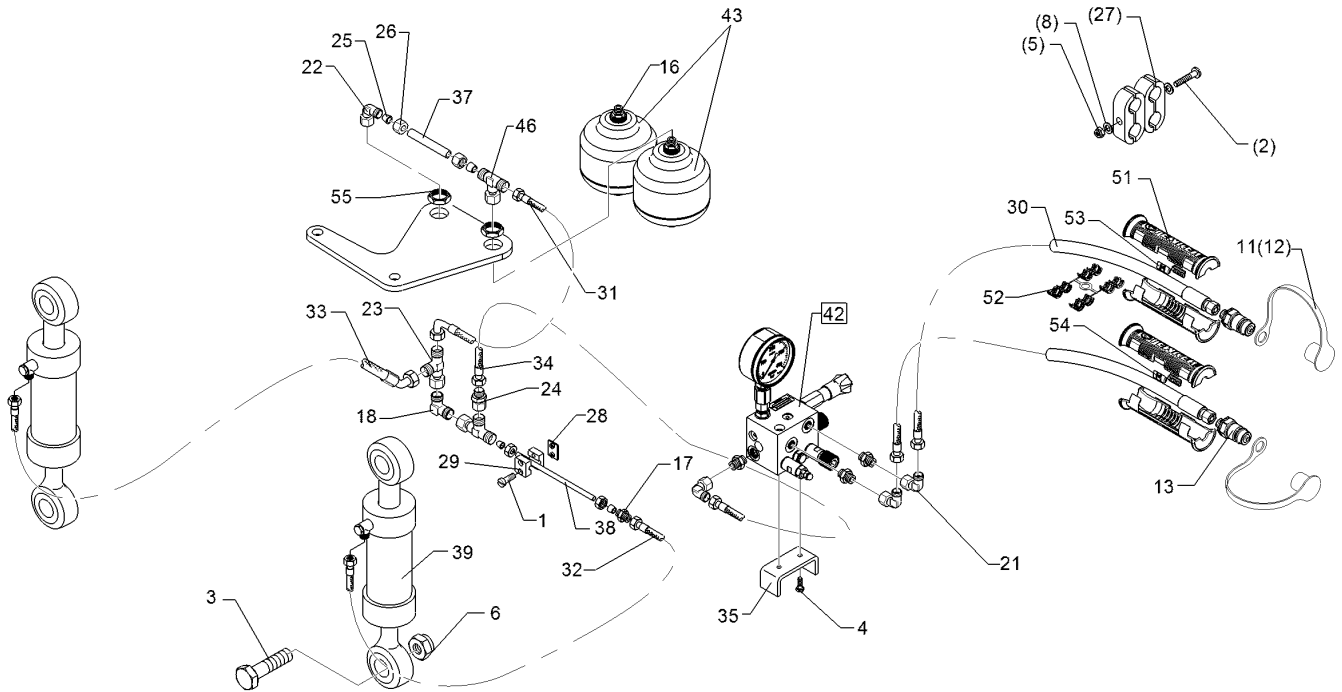
01.18

| Pos. | Art.Nr. | Stck. | Artikeltext / Description | | Abmessung |
|------|----------|-------|------------------------------|------------------------|------------------------------|
| 1 | 301 0302 | 2 | Linsenschraube | Oval head screw | M6x25-4,6 Zn DIN7985 |
| 2 | 301 0312 | 1 | Linsenschraube | Oval head screw | M6x75-4,6 Zn DIN7985 |
| 3 | 301 4607 | 4 | Sechskantschraube spz. | Hexagon bolt | M20x90-12.9 Zn |
| 5 | 303 0931 | 1 | Sicherungsmutter | Selflocking nut | NM6-8 Zn DIN985 |
| 6 | 303 0936 | 4 | Sicherungsmutter | Selflocking nut | NM20-8 Zn DIN985 |
| 8 | 305 8571 | 2 | Scheibe | Washer | 6,4 DIN125-A Zn |
| 11 | 375 2124 | 2 | Staubkappe, weiß | Cap, white | D26,5 Bg.3 |
| 12 | 375 2122 | 2 | Staubkappe, schwarz | Cap, black | D26,5 Bg.3 |
| 13 | 375 2718 | 2 | SVK-Stecker | Hydraulic coupling | BG-3 12L M18x1,5 |
| 15 | 375 4020 | 3 | Einschraubverschraubung | Nipple | x-GE12-LM M18x1,5 Zn |
| 16 | 375 4040 | 2 | Einschraubverschraubung | Nipple | xGE 15-LR R1/2"-B |
| 17 | 375 4120 | 1 | Gerade Verschraubung | Nipple | x-G15-L M22x1,5 |
| 18 | 375 4220 | 1 | Winkelverschraubung | Elbow union | W15-L M22x1,5 |
| 19 | 375 4484 | 1 | T-Verschraubung | T-union | x-T15-L M22x1,5 Zn |
| 20 | 375 4494 | 1 | Einstellbare T-Verschraubung | Adjustable T-union | ET15-LM |
| 21 | 375 4500 | 3 | Einstellbare W-Verschraubung | Adjustable angle union | EW12-LM DKO24 GRD M18x1,5 |
| 22 | 375 4503 | 2 | Einstellbare W-Verschraubung | Adjustable angle union | EW15-L-DKO24 GRD O-Ring |
| 23 | 375 4553 | 3 | Einstellbare L-Verschraubung | Adjustable L-union | EL15-L-DKO24 GRD |
| 24 | 375 4653 | 1 | Konus-Reduzieranschluss | Reduction joint | x-KOR15/12-L DKO24 GRD |
| 25 | 375 5120 | 15 | Schneidring | Cutting ring | S 15 L WD |



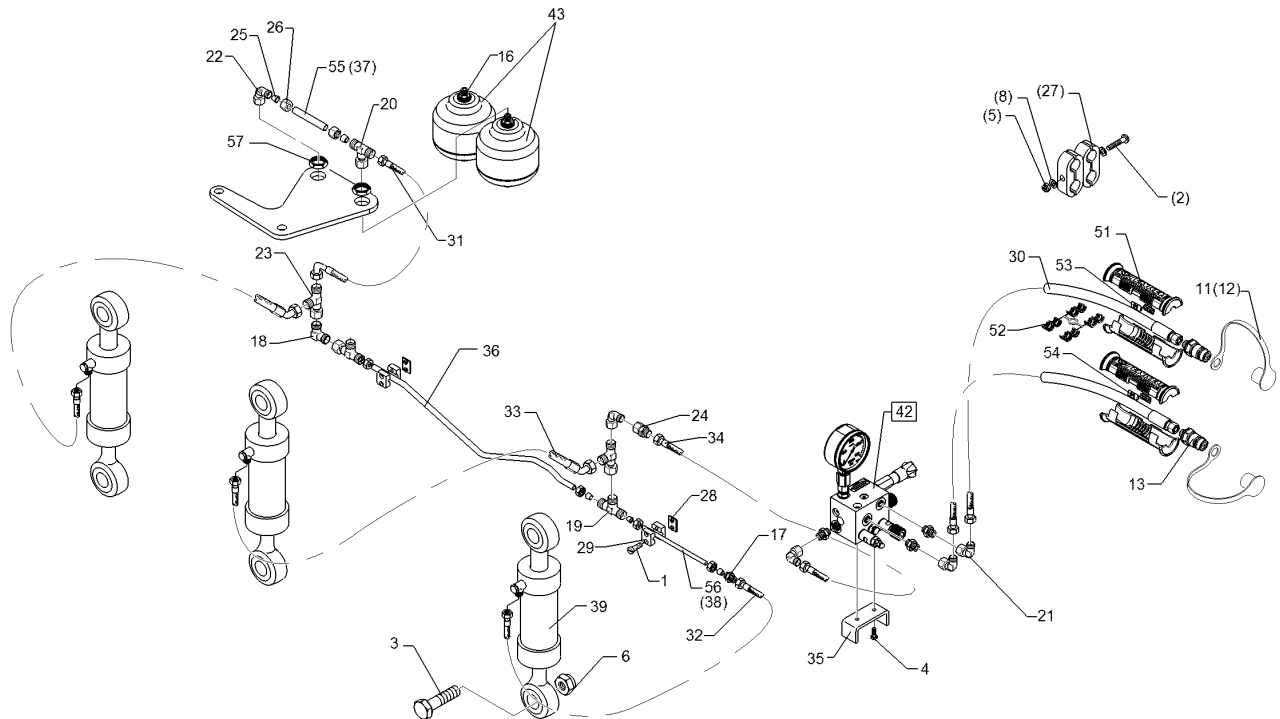
01.18

| Pos. | Art.Nr. | Stck. | Artikeltext / Description | | Abmessung |
|------|----------|-------|---------------------------|----------------------|---|
| 26 | 375 5320 | 15 | Überwurfmutter | Union nut | 15L M22x1,5 Zn |
| 27 | 375 9850 | 4 | Schelle | Clamp | LNU4-19/15PP |
| 28 | 375 9950 | 1 | Anschweißplatte | Weld on plate | SP1A 36x30x2 |
| 29 | 375 9961 | 2 | Schellenkörper | Clamp | 1/2x215 PP |
| 30 | 475 2688 | 2 | Hydraulikschlauch | Hydraulic hose | 1SN08-1500-DKOL12/DKOL12 |
| 31 | 475 3016 | 1 | Hydraulikschlauch | Hydraulic hose | 2SN12-800 DKOL15/DKOL15 0/90° |
| 32 | 475 3010 | 1 | Hydraulikschlauch | Hydraulic hose | 2SC12-1200 DKOL15/DKOL15 0/0° |
| 33 | 475 3011 | 1 | Hydraulikschlauch | Hydraulic hose | 2SN12-1200 DKOL15 00/45 GRD |
| 34 | 475 3012 | 1 | Hydraulikschlauch | Hydraulic hose | 2SN08-2800/DKOL12/DKOL12 |
| 35 | 475 4373 | 1 | Halter | Holder | MSS 30x8x188 2xGEB90GRD 3xD8,5 |
| 36 | 57510452 | 1 | Hydraulikrohr | Hydraulic tube | 15x2x1197 5xGEB |
| 37 | 57510283 | 1 | Hydraulikrohr | Hydraulic tube | 15x2x98 |
| 38 | 57510449 | 1 | Hydraulikrohr | Hydraulic tube | 15x2x200 |
| 39 | 575 2523 | 2 | Zugzylinder | Hydraulic ram | EZ 60/30-125 |
| 42 | 575 9041 | 1 | Block zum HydriX | Block | 60-150 bar |
| 43 | 575 9042 | 2 | Druckspeicher | Pressure accumulator | Typ 0,75l 250-50bar G1/2 ZL |
| 51 | 375 2607 | 4 | Griff Halbschale | Handle | - |



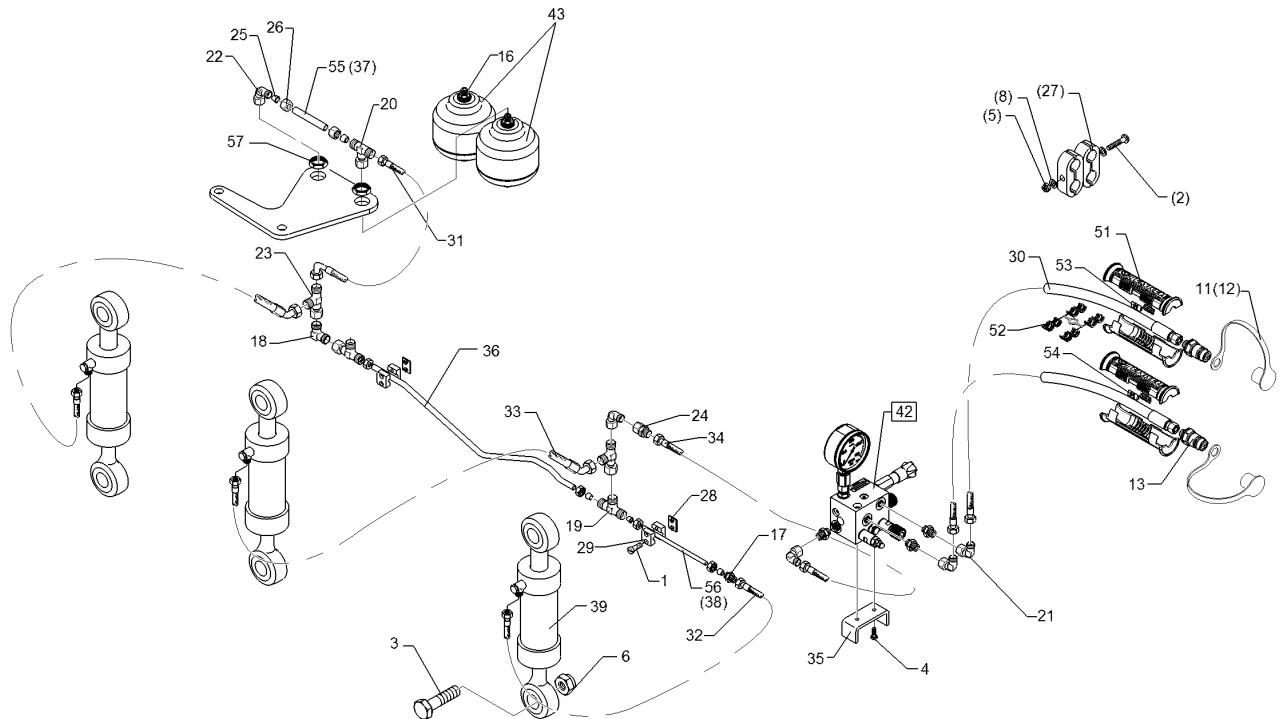
01.18

| Pos. | Art.Nr. | Stck. | Artikeltext / Description | | Abmessung |
|------|----------|-------|---------------------------|-------------|--------------------------|
| 52 | 375 2606 | 2 | Einleger | Insert | DN6 DN8 |
| 53 | 325 1600 | 2 | Kennzeichnung | Marking | P0 |
| 54 | 325 1607 | 2 | Kennzeichnung | Marking | T0 |
| 57 | 30310095 | 2 | Sechskantmutter | Hexagon nut | M33x1,5 k=8 ZnNi 720h |



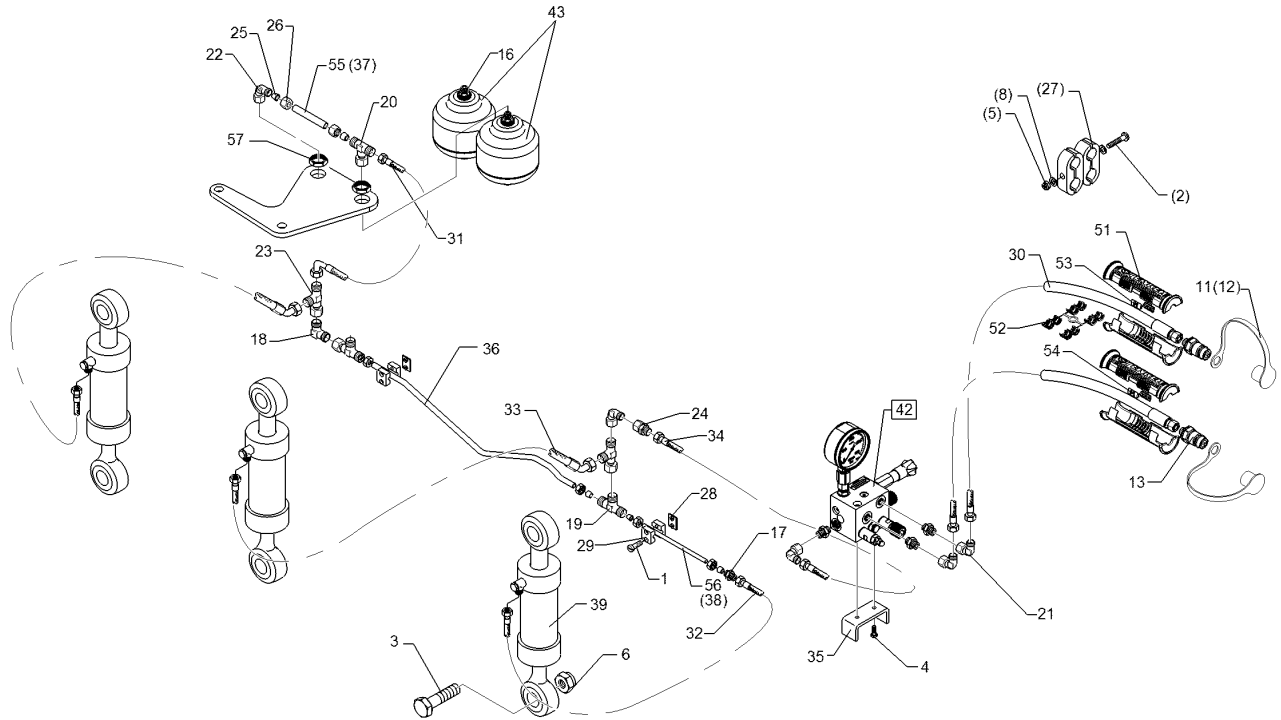
01.18

| Pos. | Art.Nr. | Stck. | Artikeltext / Description | | Abmessung |
|------|----------|-------|------------------------------|------------------------|------------------------------|
| 1 | 301 0302 | 4 | Linsenschraube | Oval head screw | M6x25-4,6 Zn |
| 2 | 301 0312 | 1 | Linsenschraube | Oval head screw | DIN7985 M6x75-4,6 Zn |
| 3 | 301 4607 | 6 | Sechskantschraube spz. | Hexagon bolt | DIN7985 M20x90-12.9 Zn |
| 5 | 303 0931 | 1 | Sicherungsmutter | Selflocking nut | NM6-8 Zn DIN985 |
| 6 | 303 0936 | 6 | Sicherungsmutter | Selflocking nut | NM20-8 Zn DIN985 |
| 8 | 305 8571 | 2 | Scheibe | Washer | 6,4 DIN125-A Zn |
| 11 | 375 2124 | 2 | Staubkappe, weiß | Cap, white | D26,5 Bg.3 |
| 12 | 375 2122 | 2 | Staubkappe, schwarz | Cap, black | D26,5 Bg.3 |
| 13 | 375 2718 | 2 | SVK-Stecker | Hydraulic coupling | BG-3 12L M18x1,5 |
| 15 | 375 4020 | 3 | Einschraubverschraubung | Nipple | x-GE12-LM M18x1,5 Zn |
| 16 | 375 4040 | 2 | Einschraubverschraubung | Nipple | xGE 15-LR R1/2"-B |
| 17 | 375 4120 | 2 | Gerade Verschraubung | Nipple | x-G15-L M22x1,5 |
| 19 | 375 4484 | 1 | T-Verschraubung | T-union | x-T15-L M22x1,5 Zn |
| 20 | 375 4494 | 1 | Einstellbare T-Verschraubung | Adjustable T-union | ET15-LM |
| 21 | 375 4500 | 3 | Einstellbare W-Verschraubung | Adjustable angle union | EW12-LM DKO24 GRD M18x1,5 |
| 22 | 375 4503 | 4 | Einstellbare W-Verschraubung | Adjustable angle union | EW15-L-DKO24 GRD O-Ring |
| 23 | 375 4553 | 3 | Einstellbare L-Verschraubung | Adjustable L-union | EL15-L-DKO24 GRD |
| 24 | 375 4653 | 1 | Konus-Reduzieranschluss | Reduction joint | x-KOR15/12-L DKO24 GRD |
| 27 | 375 9850 | 4 | Schelle | Clamp | LNU4-19/15PP |
| 28 | 375 9950 | 2 | Anschweißplatte | Weld on plate | SP1A 36x30x2 |



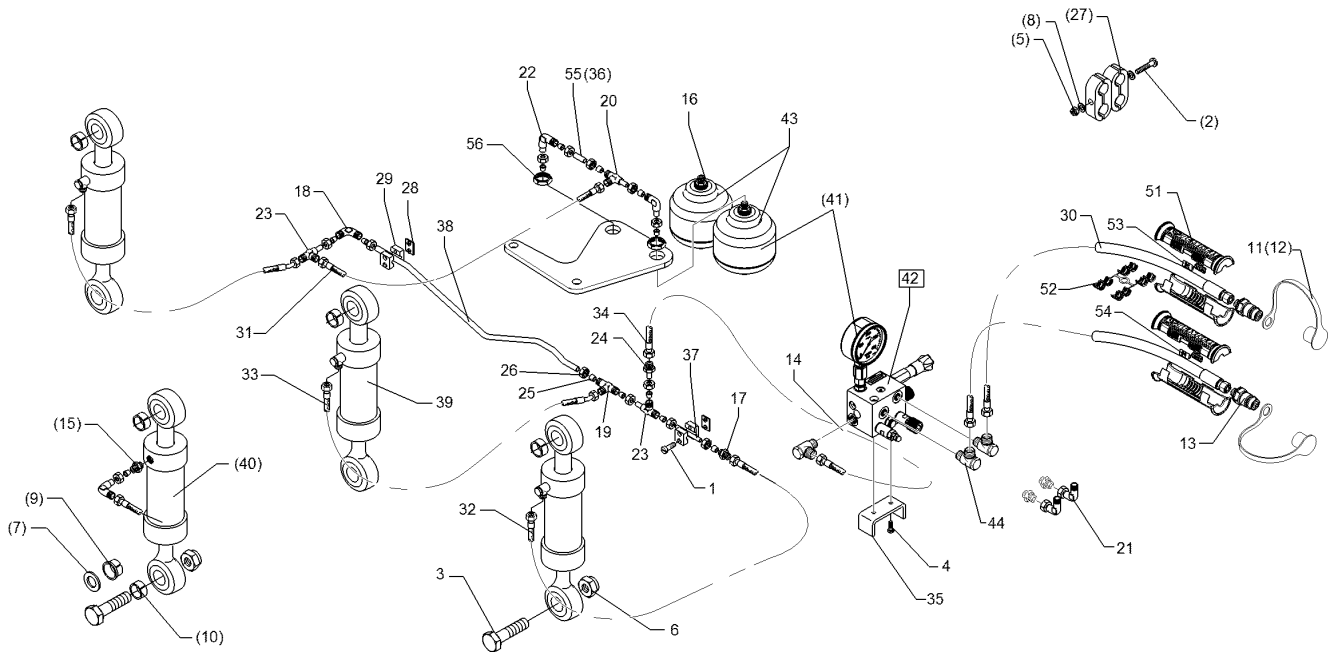
01.18

| Pos. | Art.Nr. | Stck. | Artikeltext / Description | | Abmessung |
|------|----------|-------|---------------------------|----------------------|---|
| 29 | 375 9961 | 4 | Schellenkörper | Clamp | 1/2x215 PP |
| 30 | 475 2688 | 2 | Hydraulikschlauch | Hydraulic hose | 1SN08-1500-DKOL12/DKOL12 |
| 31 | 475 3016 | 1 | Hydraulikschlauch | Hydraulic hose | 2SN12-800 DKOL15/DKOL15 0/90° |
| 32 | 475 3010 | 1 | Hydraulikschlauch | Hydraulic hose | 2SC12-1200 DKOL15/DKOL15 0/0° |
| 33 | 475 3011 | 2 | Hydraulikschlauch | Hydraulic hose | 2SN12-1200 DKOL15 00/45 GRD |
| 34 | 475 3012 | 1 | Hydraulikschlauch | Hydraulic hose | 2SN08-2800/DKOL12/DKOL12 |
| 35 | 475 4373 | 1 | Halter | Holder | MSS 30x8x188 2xGEB90GRD 3xD8,5 |
| 36 | 57510452 | 2 | Hydraulikrohr | Hydraulic tube | 15x2x1197 5xGEB |
| 37 | 57510283 | 1 | Hydraulikrohr | Hydraulic tube | 15x2x98 |
| 38 | 57510449 | 1 | Hydraulikrohr | Hydraulic tube | 15x2x200 |
| 39 | 575 2523 | 3 | Zugzylinder | Hydraulic ram | EZ 60/30-125 |
| 42 | 575 9041 | 1 | Block zum HydriX | Block | 60-150 bar |
| 43 | 575 9042 | 2 | Druckspeicher | Pressure accumulator | Typ 0,75l 250-50bar G1/2 ZL |
| 51 | 375 2607 | 4 | Griff Halbschale | Handle | - |
| 52 | 375 2606 | 2 | Einleger | Insert | DN6 DN8 |
| 53 | 325 1600 | 2 | Kennzeichnung | Marking | P0 |
| 54 | 325 1607 | 2 | Kennzeichnung | Marking | T0 |



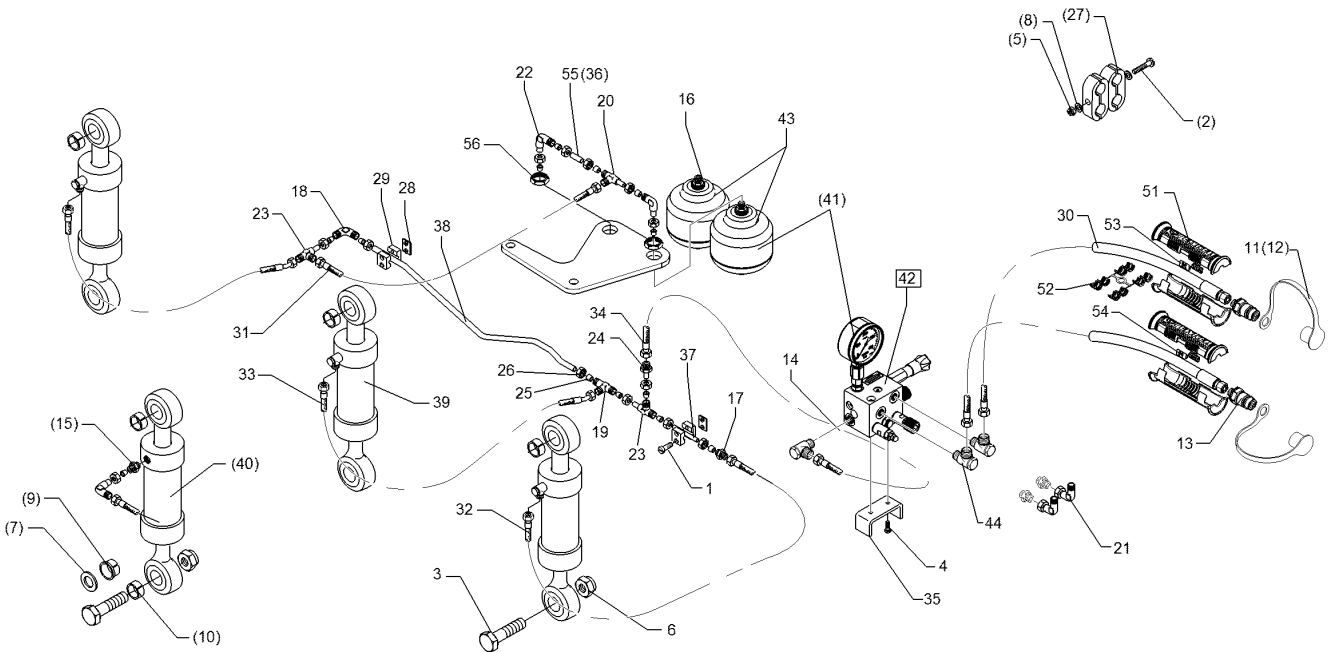
01.18

| Pos. | Art.Nr. | Stck. | Artikeltext / Description | | Abmessung |
|------|----------|-------|---------------------------|-------------|--------------------------|
| 57 | 30310095 | 2 | Sechskantmutter | Hexagon nut | M33x1,5 k=8 ZnNi 720h |



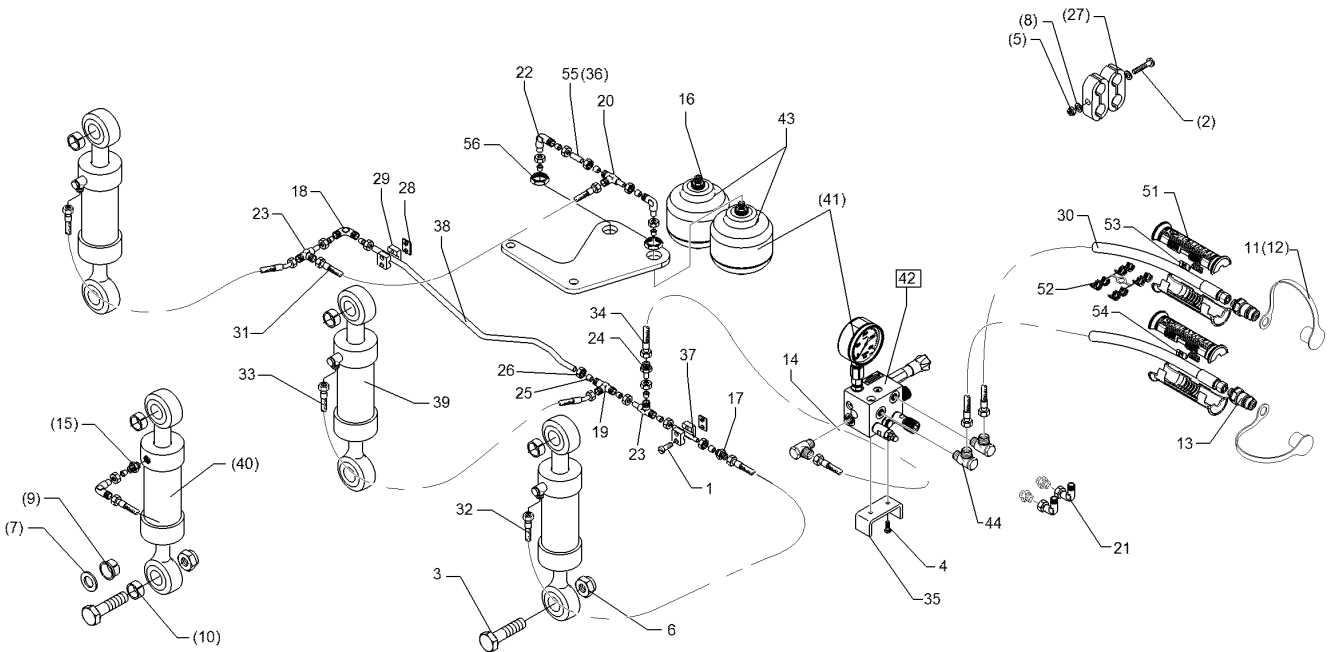
01.18

| Pos. | Art.Nr. | Stck. | Artikeltext / Description | | Abmessung |
|------|----------|-------|--------------------------------|------------------------|------------------------------|
| 1 | 301 0302 | 4 | Linsenschraube | Oval head screw | M6x25-4,6 Zn DIN7985 |
| 2 | 301 0312 | 1 | Linsenschraube | Oval head screw | M6x75-4,6 Zn DIN7985 |
| 4 | 301 7260 | 2 | Sechskantschraube | Hexagon bolt | M8x16-8.8 Zn DIN933 |
| 5 | 303 0931 | 1 | Sicherungsmutter | Selflocking nut | NM6-8 Zn DIN985 |
| 6 | 303 0936 | 6 | Sicherungsmutter | Selflocking nut | NM20-8 Zn DIN985 |
| 7 | 305 6165 | 6 | Scheibe | Washer | D35/20,5x5 Zn |
| 8 | 305 8571 | 2 | Scheibe | Washer | 6,4 DIN125-A Zn |
| 9 | 317 9520 | 12 | Bundbuchse | Flange bushing | D30/20x19 |
| 10 | 317 9521 | 6 | Buchse | Bush | D30/20x29 |
| 11 | 375 2124 | 2 | Staubkappe, weiß | Cap, white | D26,5 Bg.3 |
| 12 | 375 2122 | 2 | Staubkappe, schwarz | Cap, black | D26,5 Bg.3 |
| 13 | 375 2718 | 2 | SVK-Stecker | Hydraulic coupling | BG-3 12L M18x1,5 |
| 14 | 375 4020 | 3 | Einschraubverschraubung | Nipple | x-GE12-LM M18x1,5 Zn |
| 15 | 375 4029 | 4 | Gerade Einschraubverschraubung | Nipple | x-GE15-LM 18x1,5-B |
| 16 | 375 4040 | 2 | Einschraubverschraubung | Nipple | xGE 15-LR R1/2"-B |
| 17 | 375 4120 | 1 | Gerade Verschraubung | Nipple | x-G15-L M22x1,5 |
| 18 | 375 4220 | 1 | Winkelverschraubung | Elbow union | W15-L M22x1,5 |
| 19 | 375 4484 | 2 | T-Verschraubung | T-union | x-T15-L M22x1,5 Zn |
| 20 | 375 4494 | 1 | Einstellbare T-Verschraubung | Adjustable T-union | ET15-LM |
| 21 | 375 4500 | 3 | Einstellbare W-Verschraubung | Adjustable angle union | EW12-LM DKO24 GRD M18x1,5 |



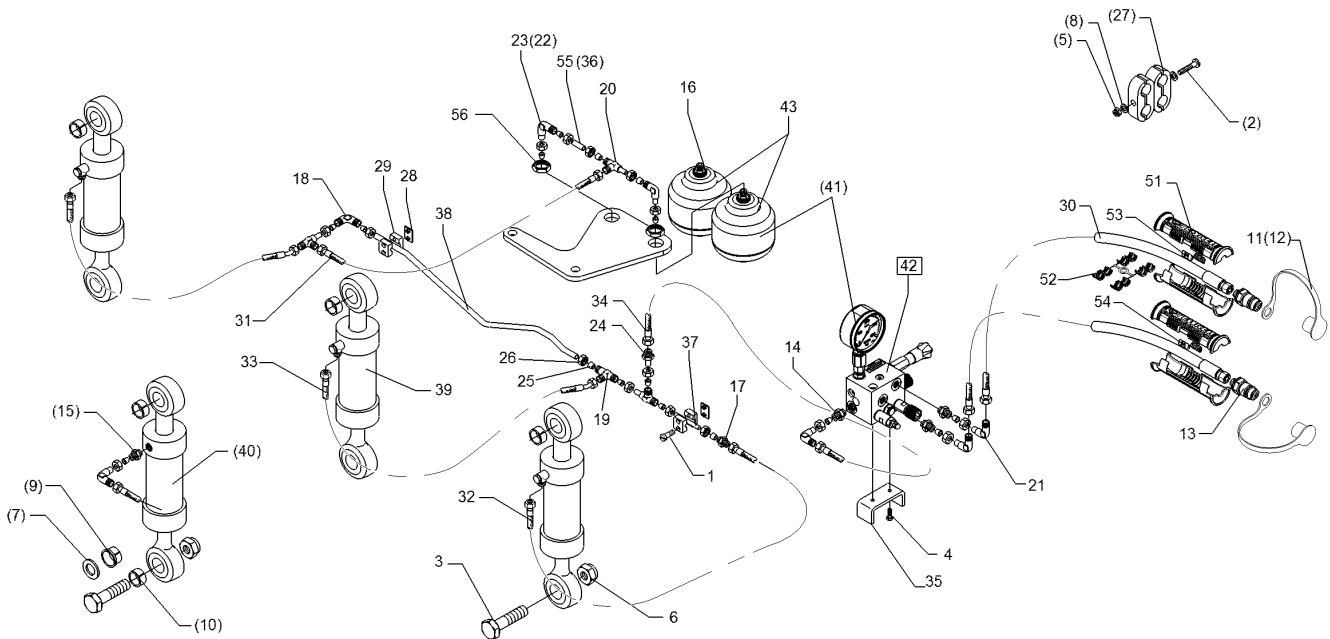
01.18

| Pos. | Art.Nr. | Stck. | Artikeltext / Description | | Abmessung |
|------|----------|-------|------------------------------|------------------------|-------------------------------------|
| 22 | 375 4503 | 3 | Einstellbare W-Verschraubung | Adjustable angle union | EW15-L-DKO24 GRD O-Ring |
| 23 | 375 4553 | 2 | Einstellbare L-Verschraubung | Adjustable L-union | EL15-L-DKO24 GRD |
| 24 | 375 4653 | 1 | Konus-Reduzieranschluss | Reduction joint | x-KOR15/12-L DKO24 GRD |
| 25 | 375 5120 | 6 | Schneidring | Cutting ring | S 15 L WD |
| 26 | 375 5320 | 6 | Überwurfmutter | Union nut | 15L M22x1,5 Zn |
| 27 | 375 9850 | 4 | Schelle | Clamp | LNU4-19/15PP |
| 28 | 375 9950 | 2 | Anschweißplatte | Weld on plate | SP1A 36x30x2 |
| 29 | 375 9961 | 4 | Schellenkörper | Clamp | 1/2x215 PP |
| 30 | 475 2688 | 2 | Hydraulikschlauch | Hydraulic hose | 1SN08-1500-DKOL12/DKOL12 |
| 31 | 475 2683 | 1 | Hydraulikschlauch | Hydraulic hose | 2SN12-0600-DKO L15/L15 00/90GR |
| 32 | 475 3010 | 1 | Hydraulikschlauch | Hydraulic hose | 2SC12-1200 DKOL15/DKOL15 0/0° |
| 33 | 475 3011 | 2 | Hydraulikschlauch | Hydraulic hose | 2SN12-1200 DKOL15 00/45 GRD |
| 34 | 475 3012 | 1 | Hydraulikschlauch | Hydraulic hose | 2SN08-2800/DKOL12/DKOL12 |
| 35 | 475 4373 | 1 | Halter | Holder | MSS 30x8x188 2xGEB90GRD |
| 36 | 475 9970 | 1 | Hydraulikrohr | Hydraulic tube | 3xD8,5 15x2x98 |
| 37 | 57510011 | 1 | Hydraulikrohr | Hydraulic tube | 15x2x150 |
| 38 | 57510141 | 1 | Hydraulikrohr | Hydraulic tube | 15x2x897 5xGEB |
| 39 | 575 2523 | 3 | Zugzylinder | Hydraulic ram | EZ 60/30-125 |



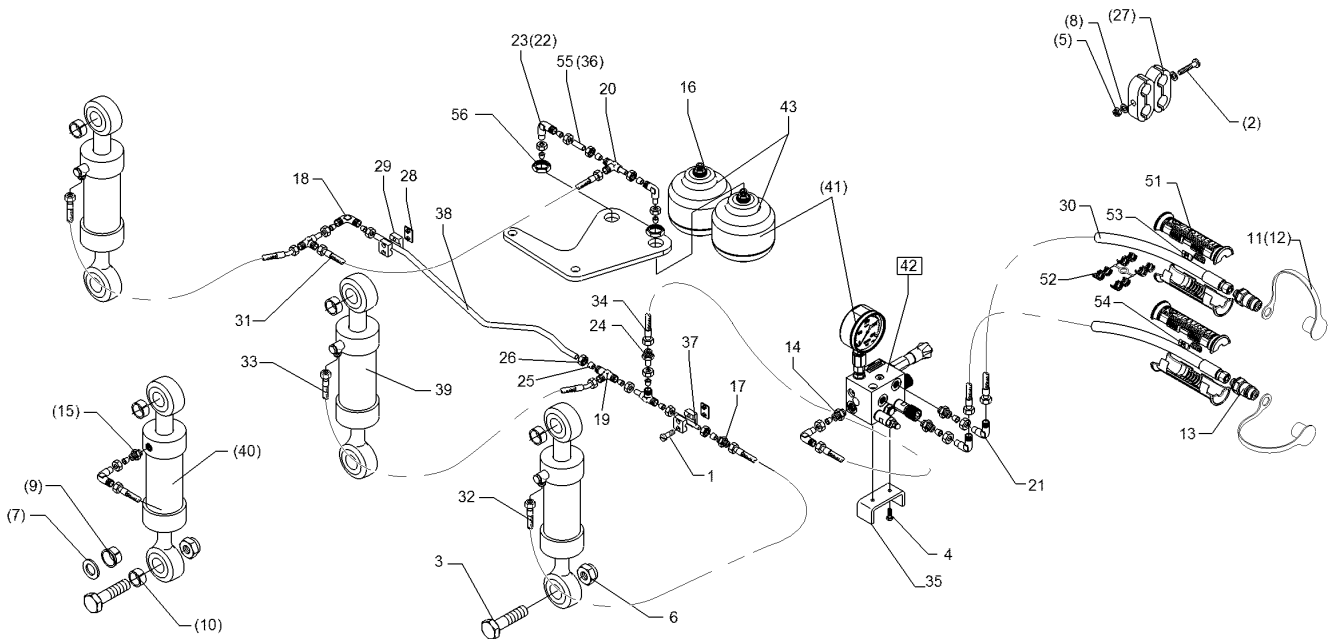
01.18

| Pos. | Art.Nr. | Stck. | Artikeltext / Description | | Abmessung |
|------|----------|-------|---------------------------|----------------------|--------------------------------------|
| 40 | 575 2524 | 3 | Zugzylinder | Hydraulic ram | ZZ 63/30-125 |
| 42 | 575 9041 | 1 | Block zum HydriX | Block | 60-150 bar |
| 43 | 575 9042 | 2 | Druckspeicher | Pressure accumulator | Typ 0,75l 250-50bar |
| 44 | 375 4311 | 3 | Schwenkverschraubung | Union, swivel | G1/2 ZL x-SWVE12-LM M18x1,5 Zn |
| 51 | 375 2607 | 4 | Griff Halbschale | Handle | - |
| 52 | 375 2606 | 2 | Einleger | Insert | DN6 DN8 |
| 53 | 325 1600 | 2 | Kennzeichnung | Marking | P0 |
| 54 | 325 1607 | 2 | Kennzeichnung | Marking | T0 |
| 55 | 57510283 | 1 | Hydraulikrohr | Hydraulic tube | 15x2x98 |
| 56 | 30310095 | 2 | Sechskantmutter | Hexagon nut | M33x1,5 k=8 ZnNi 720h |



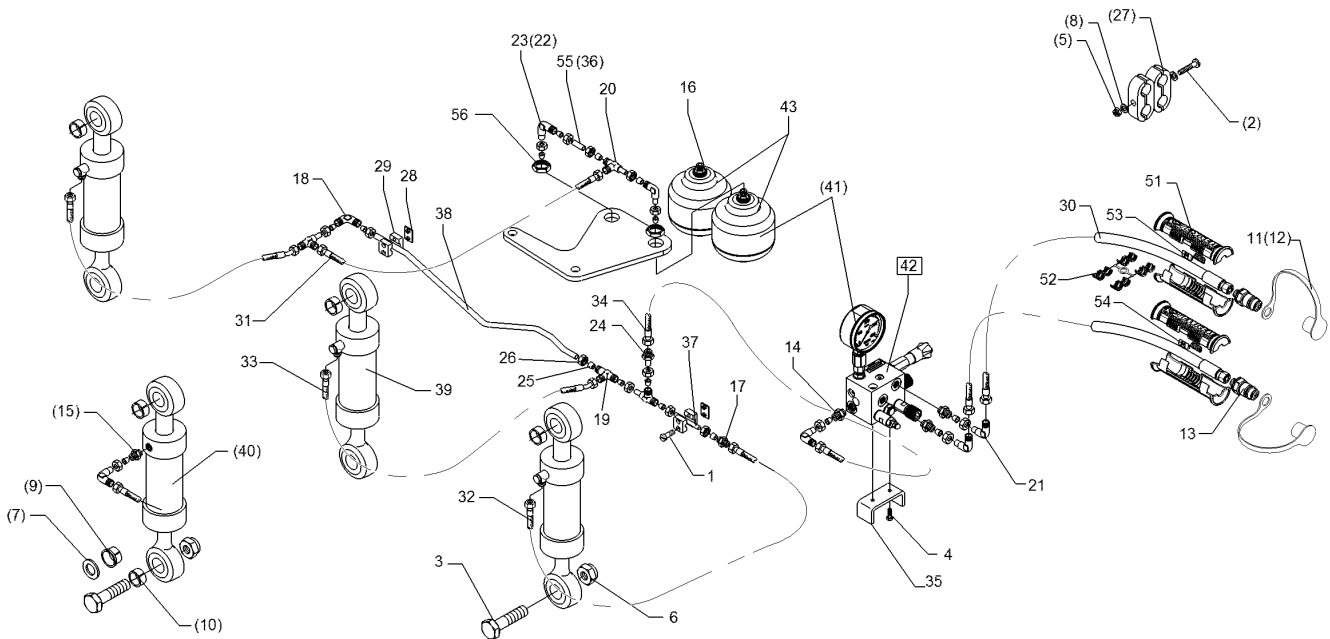
01.18

| Pos. | Art.Nr. | Stck. | Artikeltext / Description | | Abmessung |
|------|----------|-------|--------------------------------|------------------------|------------------------------|
| 1 | 301 0302 | 6 | Linsenschraube | Oval head screw | M6x25-4,6 Zn DIN7985 |
| 2 | 301 0312 | 1 | Linsenschraube | Oval head screw | M6x75-4,6 Zn DIN7985 |
| 4 | 301 7260 | 2 | Sechskantschraube | Hexagon bolt | M8x16-8.8 Zn DIN933 |
| 5 | 303 0931 | 1 | Sicherungsmutter | Selflocking nut | NM6-8 Zn DIN985 |
| 6 | 303 0936 | 8 | Sicherungsmutter | Selflocking nut | NM20-8 Zn DIN985 |
| 8 | 305 8571 | 2 | Scheibe | Washer | 6,4 DIN125-A Zn |
| 9 | 317 9520 | 16 | Bundbuchse | Flange bushing | D30/20x19 |
| 10 | 317 9521 | 8 | Buchse | Bush | D30/20x29 |
| 11 | 375 2124 | 2 | Staubkappe, weiß | Cap, white | D26,5 Bg.3 |
| 12 | 375 2122 | 2 | Staubkappe, schwarz | Cap, black | D26,5 Bg.3 |
| 13 | 375 2718 | 2 | SVK-Stecker | Hydraulic coupling | BG-3 12L M18x1,5 |
| 14 | 375 4020 | 3 | Einschraubverschraubung | Nipple | x-GE12-LM M18x1,5 Zn |
| 15 | 375 4029 | 4 | Gerade Einschraubverschraubung | Nipple | x-GE15-LM 18x1,5-B |
| 16 | 375 4040 | 2 | Einschraubverschraubung | Nipple | xGE 15-LR R1/2"-B |
| 17 | 375 4120 | 1 | Gerade Verschraubung | Nipple | x-G15-L M22x1,5 |
| 18 | 375 4220 | 1 | Winkelverschraubung | Elbow union | W15-L M22x1,5 |
| 19 | 375 4484 | 3 | T-Verschraubung | T-union | x-T15-L M22x1,5 Zn |
| 20 | 375 4494 | 1 | Einstellbare T-Verschraubung | Adjustable T-union | ET15-LM |
| 21 | 375 4500 | 3 | Einstellbare W-Verschraubung | Adjustable angle union | EW12-LM DKO24 GRD M18x1,5 |
| 22 | 375 4503 | 3 | Einstellbare W-Verschraubung | Adjustable angle union | EW15-L-DKO24 GRD O-Ring |



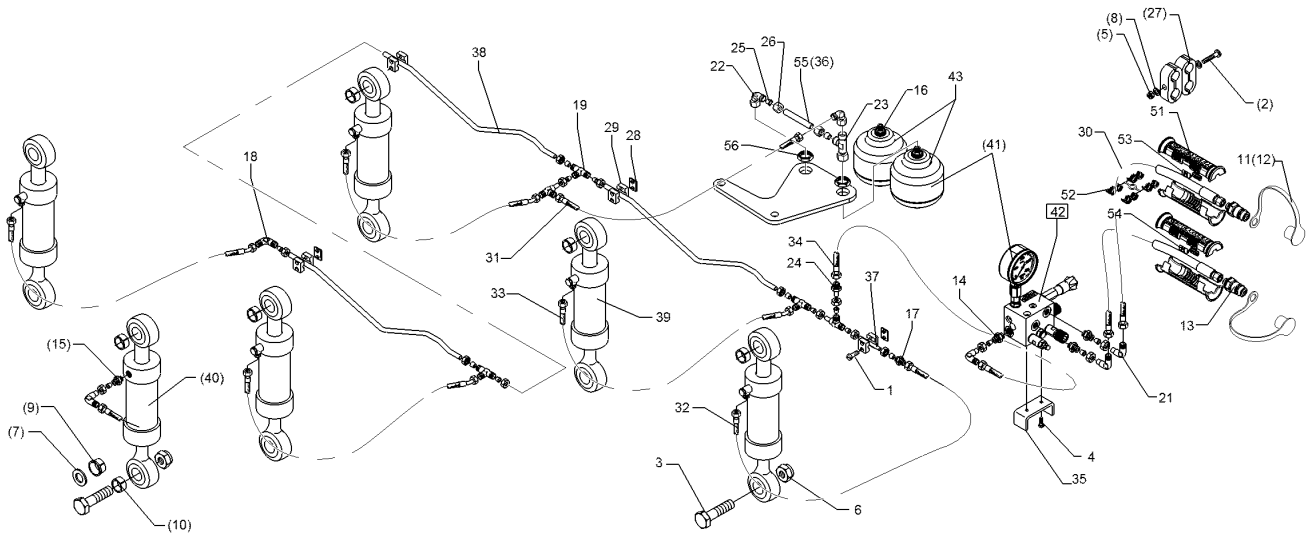
01.18

| Pos. | Art.Nr. | Stck. | Artikeltext / Description | | Abmessung |
|------|----------|-------|------------------------------|--------------------|---|
| 23 | 375 4553 | 2 | Einstellbare L-Verschraubung | Adjustable L-union | EL15-L-DKO24 GRD |
| 24 | 375 4653 | 1 | Konus-Reduzieranschluss | Reduction joint | x-KOR15/12-L DKO24 GRD |
| 25 | 375 5120 | 8 | Schneidring | Cutting ring | S 15 L WD |
| 26 | 375 5320 | 8 | Überwurfmutter | Union nut | 15L M22x1,5 Zn |
| 27 | 375 9850 | 4 | Schelle | Clamp | LNU4-19/15PP |
| 28 | 375 9950 | 3 | Anschweißplatte | Weld on plate | SP1A 36x30x2 |
| 29 | 375 9961 | 6 | Schellenkörper | Clamp | 1/2x215 PP |
| 30 | 475 2688 | 2 | Hydraulikschlauch | Hydraulic hose | 1SN08-1500-DKOL12/DKOL12 |
| 31 | 475 2683 | 1 | Hydraulikschlauch | Hydraulic hose | 2SN12-0600-DKO L15/L15 00/90GR |
| 32 | 475 3010 | 1 | Hydraulikschlauch | Hydraulic hose | 2SC12-1200 DKOL15/DKOL15 0/0° |
| 33 | 475 3011 | 3 | Hydraulikschlauch | Hydraulic hose | 2SN12-1200 DKOL15 00/45 GRD |
| 34 | 475 3012 | 1 | Hydraulikschlauch | Hydraulic hose | 2SN08-2800/DKOL12/DKOL12 |
| 35 | 475 4373 | 1 | Halter | Holder | MSS 30x8x188 2xGEB90GRD 3xD8,5 |
| 36 | 475 9970 | 1 | Hydraulikrohr | Hydraulic tube | 15x2x98 |
| 37 | 57510011 | 1 | Hydraulikrohr | Hydraulic tube | 15x2x150 |
| 38 | 57510141 | 2 | Hydraulikrohr | Hydraulic tube | 15x2x897 5xGEB |
| 39 | 575 2523 | 4 | Zugzylinder | Hydraulic ram | EZ 60/30-125 |
| 40 | 575 2524 | 4 | Zugzylinder | Hydraulic ram | ZZ 63/30-125 |



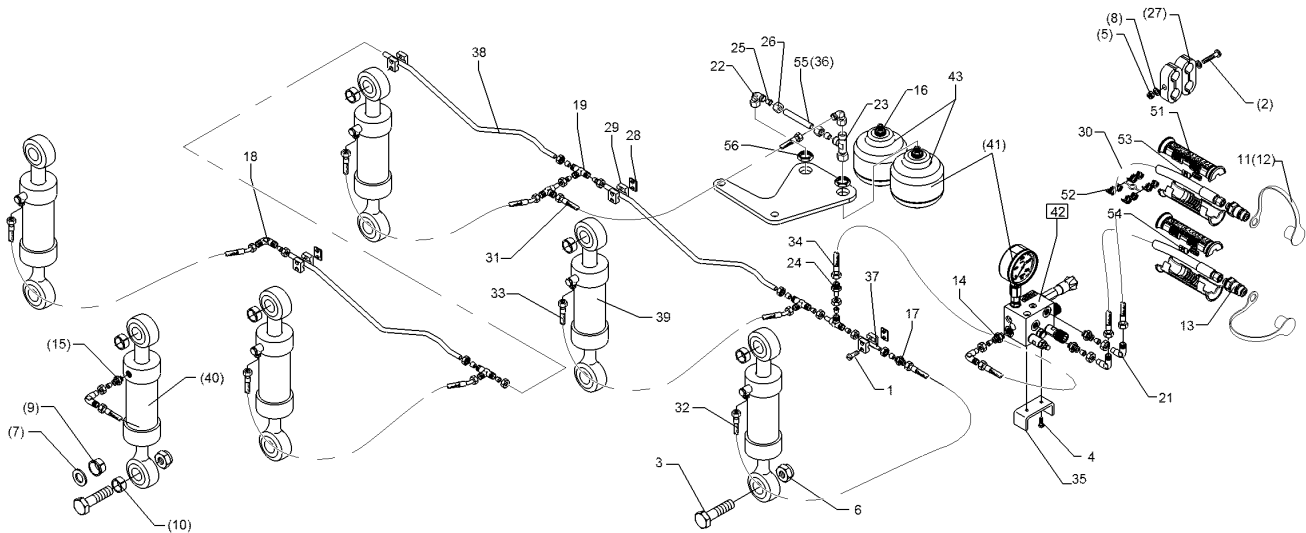
01.18

| Pos. | Art.Nr. | Stck. | Artikeltext / Description | Abmessung |
|------|----------|-------|-------------------------------|----------------------|
| 41 | 575 9040 | 1 | HP-System z.hydr.Steinsicher. | HP-system |
| 42 | 575 9041 | 1 | Block zum HydriX | Block |
| 43 | 575 9042 | 2 | Druckspeicher | Pressure accumulator |
| 44 | 375 4311 | 3 | Schwenkverschraubung | Union, swivel |
| 51 | 375 2607 | 4 | Griff Halbschale | Handle |
| 52 | 375 2606 | 2 | Einleger | Insert |
| 53 | 325 1600 | 2 | Kennzeichnung | Marking |
| 54 | 325 1607 | 2 | Kennzeichnung | Marking |
| 55 | 57510283 | 1 | Hydraulikrohr | Hydraulic tube |
| 56 | 30310095 | 2 | Sechskantmutter | Hexagon nut |
| | | | | Euro/Vari7X+8X |
| | | | | 60-150 bar |
| | | | | Typ 0,75l 250-50bar |
| | | | | G1/2 ZL |
| | | | | x-SWVE12-LM |
| | | | | M18x1,5 Zn |
| | | | | - |
| | | | | DN6 DN8 |
| | | | | P0 |
| | | | | T0 |
| | | | | 15x2x98 |
| | | | | M33x1,5 k=8 ZnNi |
| | | | | 720h |



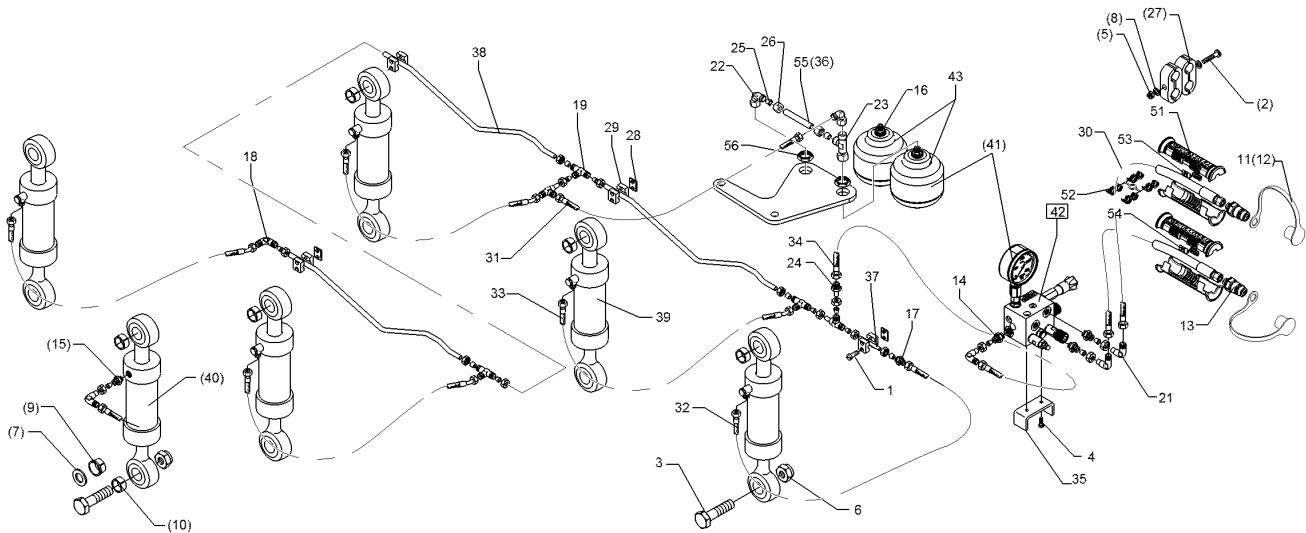
01.18

| Pos. | Art.Nr. | Stck. | Artikeltext / Description | | Abmessung |
|------|----------|-------|--------------------------------|------------------------|------------------------------|
| 1 | 301 0302 | 8 | Linsenschraube | Oval head screw | M6x25-4,6 Zn DIN7985 |
| 2 | 301 0312 | 1 | Linsenschraube | Oval head screw | M6x75-4,6 Zn DIN7985 |
| 4 | 301 7260 | 2 | Sechskantschraube | Hexagon bolt | M8x16-8.8 Zn DIN933 |
| 5 | 303 0931 | 1 | Sicherungsmutter | Selflocking nut | NM6-8 Zn DIN985 |
| 6 | 303 0936 | 10 | Sicherungsmutter | Selflocking nut | NM20-8 Zn DIN985 |
| 8 | 305 8571 | 2 | Scheibe | Washer | 6,4 DIN125-A Zn |
| 9 | 317 9520 | 20 | Bundbuchse | Flange bushing | D30/20x19 |
| 10 | 317 9521 | 10 | Buchse | Bush | D30/20x29 |
| 11 | 375 2124 | 2 | Staubkappe, weiß | Cap, white | D26,5 Bg.3 |
| 12 | 375 2122 | 2 | Staubkappe, schwarz | Cap, black | D26,5 Bg.3 |
| 13 | 375 2718 | 2 | SVK-Stecker | Hydraulic coupling | BG-3 12L M18x1,5 |
| 14 | 375 4020 | 3 | Einschraubverschraubung | Nipple | x-GE12-LM M18x1,5 Zn |
| 15 | 375 4029 | 5 | Gerade Einschraubverschraubung | Nipple | x-GE15-LM 18x1,5-B |
| 16 | 375 4040 | 2 | Einschraubverschraubung | Nipple | xGE 15-LR R1/2"-B |
| 17 | 375 4120 | 1 | Gerade Verschraubung | Nipple | x-G15-L M22x1,5 |
| 18 | 375 4220 | 1 | Winkelverschraubung | Elbow union | W15-L M22x1,5 |
| 19 | 375 4484 | 4 | T-Verschraubung | T-union | x-T15-L M22x1,5 Zn |
| 20 | 375 4494 | 1 | Einstellbare T-Verschraubung | Adjustable T-union | ET15-LM |
| 21 | 375 4500 | 3 | Einstellbare W-Verschraubung | Adjustable angle union | EW12-LM DKO24 GRD M18x1,5 |
| 22 | 375 4503 | 3 | Einstellbare W-Verschraubung | Adjustable angle union | EW15-L-DKO24 GRD O-Ring |



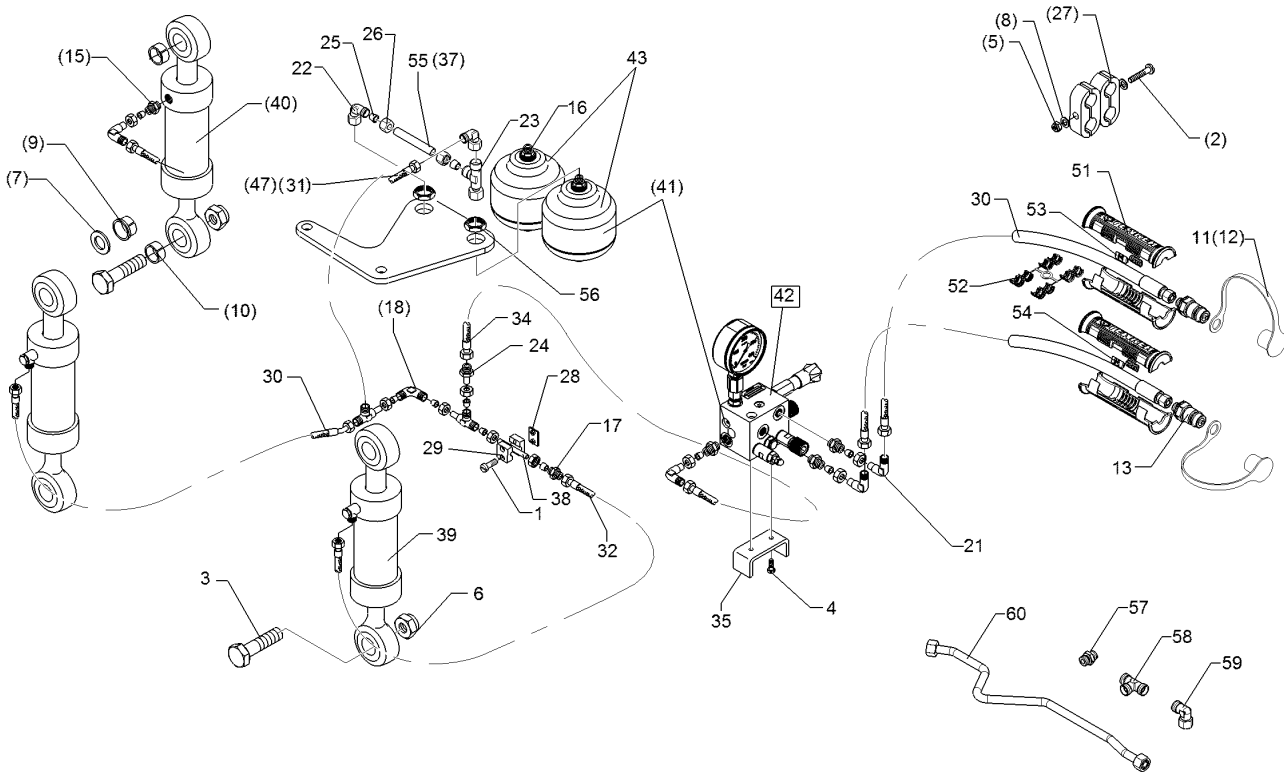
01.18

| Pos. | Art.Nr. | Stck. | Artikeltext / Description | | Abmessung |
|------|----------|-------|------------------------------|--------------------|--|
| 23 | 375 4553 | 2 | Einstellbare L-Verschraubung | Adjustable L-union | EL15-L-DKO24 GRD |
| 24 | 375 4653 | 1 | Konus-Reduzieranschluss | Reduction joint | x-KOR15/12-L DKO24 GRD |
| 25 | 375 5120 | 10 | Schneidring | Cutting ring | S 15 L WD |
| 26 | 375 5320 | 10 | Überwurfmutter | Union nut | 15L M22x1,5 Zn |
| 27 | 375 9850 | 4 | Schelle | Clamp | LNU4-19/15PP |
| 28 | 375 9950 | 4 | Anschweißplatte | Weld on plate | SP1A 36x30x2 |
| 29 | 375 9961 | 8 | Schellenkörper | Clamp | 1/2x215 PP |
| 30 | 475 2688 | 2 | Hydraulikschlauch | Hydraulic hose | 1SN08-1500-DKOL12/DKOL12 |
| 31 | 475 2683 | 1 | Hydraulikschlauch | Hydraulic hose | 2SN12-0600-DKO L15/L15 00/90GR |
| 32 | 475 3010 | 1 | Hydraulikschlauch | Hydraulic hose | 2SC12-1200 DKOL15/DKOL15 0/0° |
| 33 | 475 3011 | 4 | Hydraulikschlauch | Hydraulic hose | 2SN12-1200 DKOL15 00/45 GRD |
| 34 | 475 3012 | 1 | Hydraulikschlauch | Hydraulic hose | 2SN08-2800/DKOL12/DKOL12 |
| 35 | 475 4373 | 1 | Halter | Holder | MSS 30x8x188 2xGEB90GRD 3xD8,5 15x2x98 |
| 36 | 475 9970 | 1 | Hydraulikrohr | Hydraulic tube | 15x2x150 |
| 37 | 57510011 | 1 | Hydraulikrohr | Hydraulic tube | 15x2x897 5xGEB |
| 38 | 57510141 | 3 | Hydraulikrohr | Hydraulic tube | EZ 60/30-125 |
| 39 | 575 2523 | 5 | Zugzylinder | Hydraulic ram | ZZ 63/30-125 |
| 40 | 575 2524 | 5 | Zugzylinder | Hydraulic ram | |



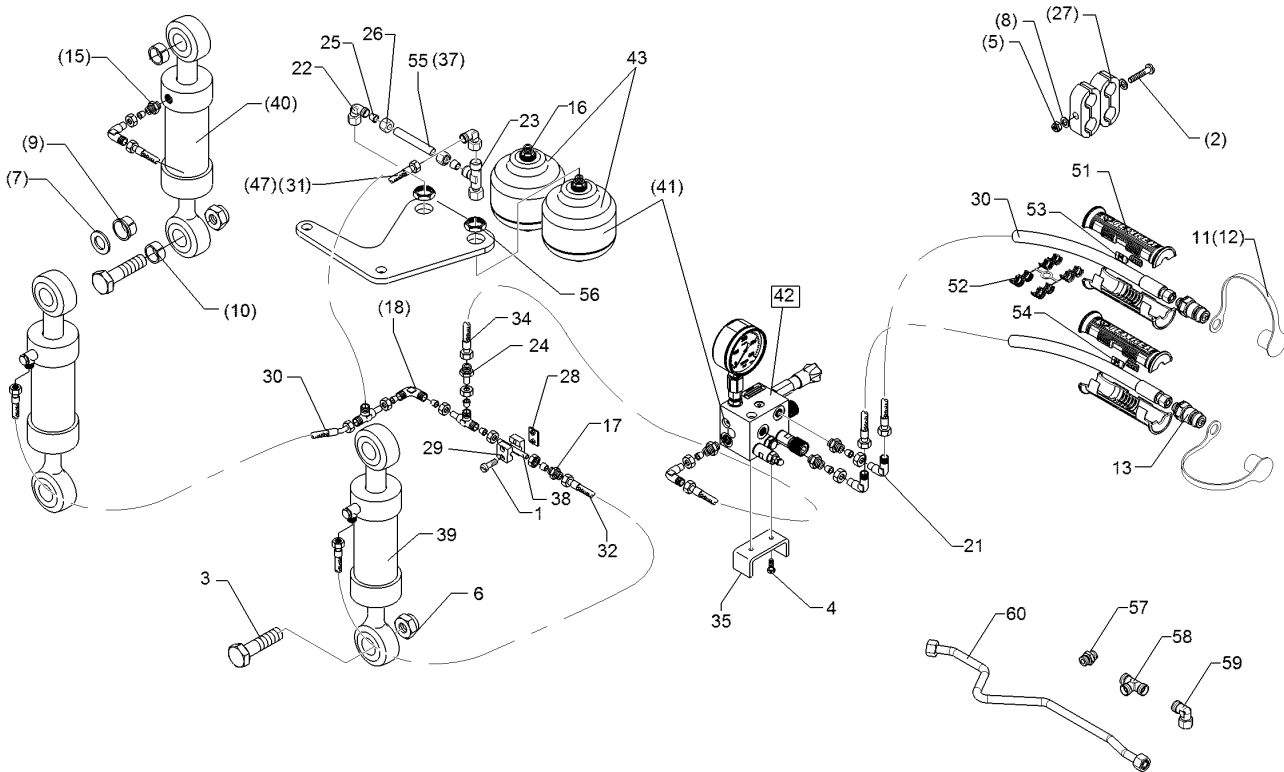
01.18

| Pos. | Art.Nr. | Stck. | Artikeltext / Description | | Abmessung |
|------|----------|-------|-------------------------------|----------------------|--------------------------|
| 41 | 575 9040 | 1 | HP-System z.hydr.Steinsicher. | HP-system | Euro/Vari7X+8X |
| 42 | 575 9041 | 1 | Block zum HydriX | Block | 60-150 bar |
| 43 | 575 9042 | 2 | Druckspeicher | Pressure accumulator | Typ 0,75l 250-50bar |
| 44 | 375 4311 | 3 | Schwenkverschraubung | Union, swivel | G1/2 ZL x-SWVE12-LM |
| 51 | 375 2607 | 4 | Griff Halbschale | Handle | M18x1,5 Zn |
| 52 | 375 2606 | 2 | Einleger | Insert | - |
| 53 | 325 1600 | 2 | Kennzeichnung | Marking | DN6 DN8 |
| 54 | 325 1607 | 2 | Kennzeichnung | Marking | P0 |
| 55 | 57510283 | 1 | Hydraulikrohr | Hydraulic tube | T0 |
| 56 | 30310095 | 2 | Sechskantmutter | Hexagon nut | 15x2x98 |
| | | | | | M33x1,5 k=8 ZnNi 720h |



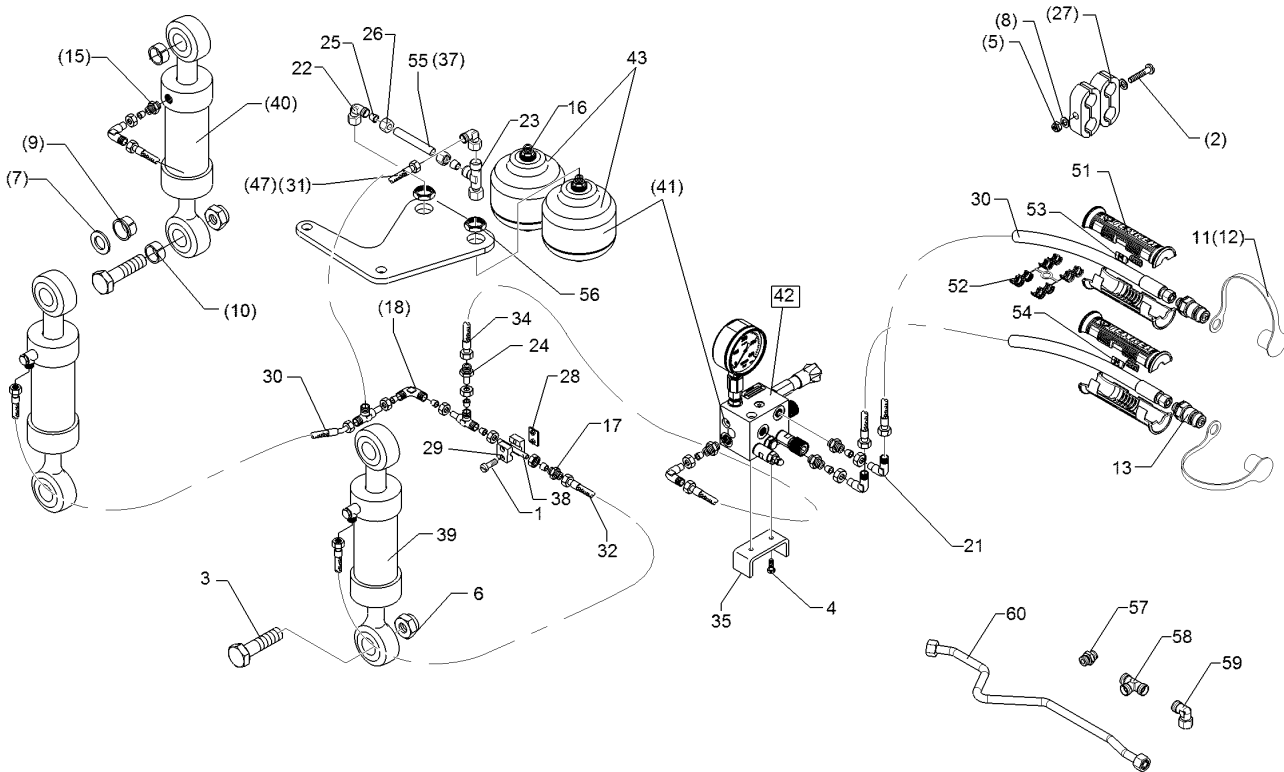
01.18

| Pos. | Art.Nr. | Stck. | Artikeltext / Description | | Abmessung |
|------|----------|-------|--------------------------------|------------------------|--|
| 1 | 301 0302 | 2 | Linsenschraube | Oval head screw | M6x25-4,6 Zn DIN7985 |
| 2 | 301 0312 | 1 | Linsenschraube | Oval head screw | M6x75-4,6 Zn DIN7985 |
| 4 | 301 7260 | 2 | Sechskantschraube | Hexagon bolt | M8x16-8.8 Zn DIN933 |
| 5 | 303 0931 | 1 | Sicherungsmutter | Selflocking nut | NM6-8 Zn DIN985 |
| 6 | 303 0936 | 4 | Sicherungsmutter | Selflocking nut | NM20-8 Zn DIN985 |
| 8 | 305 8571 | 2 | Scheibe | Washer | 6,4 DIN125-A Zn |
| 9 | 317 9520 | 12 | Bundbuchse | Flange bushing | D30/20x19 |
| 10 | 317 9521 | 6 | Buchse | Bush | D30/20x29 |
| 11 | 375 2124 | 2 | Staubkappe, weiß | Cap, white | D26,5 Bg.3 |
| 12 | 375 2122 | 2 | Staubkappe, schwarz | Cap, black | D26,5 Bg.3 |
| 13 | 375 2718 | 2 | SVK-Stecker | Hydraulic coupling | BG-3 12L M18x1,5 |
| 15 | 375 4029 | 2 | Gerade Einschraubverschraubung | Nipple | x-GE15-LM 18x1,5-B |
| 16 | 375 4040 | 2 | Einschraubverschraubung | Nipple | xGE 15-LR R1/2"-B |
| 17 | 375 4120 | 2 | Gerade Verschraubung | Nipple | x-G15-L M22x1,5 |
| 18 | 375 4220 | 1 | Winkelverschraubung | Elbow union | W15-L M22x1,5 |
| 21 | 375 4500 | 3 | Einstellbare W-Verschraubung | Adjustable angle union | EW12-LM DKO24 GRD M18x1,5 EW15-L |
| 22 | 375 4502 | 5 | Einstellbare W-Verschraubung | Adjustable angle union | EW12-LM DKO24 GRD M18x1,5 EW15-L |
| 23 | 375 4553 | 2 | Einstellbare L-Verschraubung | Adjustable L-union | EL15-L-DKO24 GRD |
| 24 | 375 4653 | 1 | Konus-Reduzieranschluss | Reduction joint | x-KOR15/12-L DKO24 GRD |
| 27 | 375 9850 | 4 | Schelle | Clamp | LNU4-19/15PP |



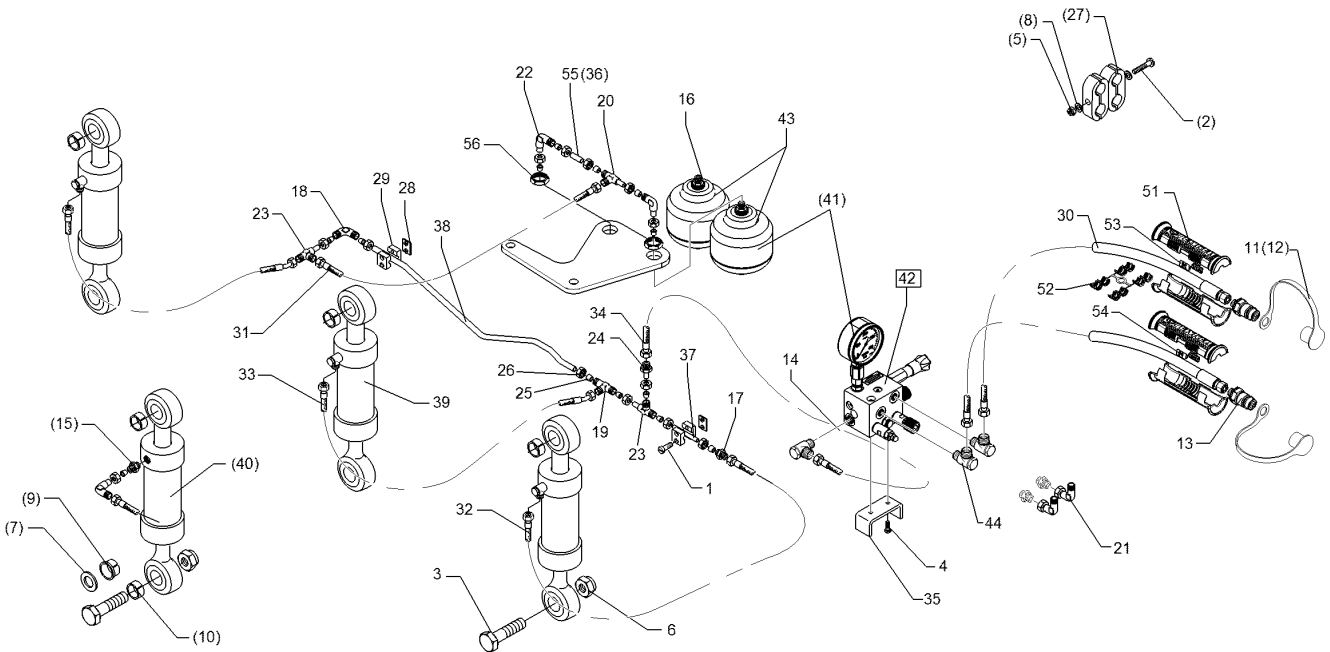
01.18

| Pos. | Art.Nr. | Stck. | Artikeltext / Description | Abmessung | |
|------|----------|-------|-------------------------------|----------------------|-------------------------------------|
| 28 | 375 9950 | 1 | Anschweißplatte | Weld on plate | SP1A 36x30x2 |
| 29 | 375 9961 | 2 | Schellenkörper | Clamp | 1/2x215 PP |
| 30 | 475 2688 | 2 | Hydraulikschlauch | Hydraulic hose | 1SN08-1500-DKOL12/DKOL12 |
| 31 | 475 3009 | 1 | Hydraulikschlauch | Hydraulic hose | 2SN12-500 DKOL15/DKOL15 0/0° |
| 32 | 475 3010 | 1 | Hydraulikschlauch | Hydraulic hose | 2SC12-1200 DKOL15/DKOL15 0/0° |
| 33 | 475 3011 | 1 | Hydraulikschlauch | Hydraulic hose | 2SN12-1200 DKOL15 00/45 GRD |
| 34 | 475 3012 | 1 | Hydraulikschlauch | Hydraulic hose | 2SN08-2800/DKOL12/DKOL12 |
| 35 | 475 4373 | 1 | Halter | Holder | MSS 30x8x188 2xGEB90GRD |
| 37 | 475 9969 | 1 | Hydraulikrohr | Hydraulic tube | 3xD8,5 15x2x45 |
| 38 | 57510011 | 1 | Hydraulikrohr | Hydraulic tube | 15x2x150 |
| 39 | 575 2523 | 2 | Zugzylinder | Hydraulic ram | EZ 60/30-125 |
| 40 | 575 2524 | 3 | Zugzylinder | Hydraulic ram | ZZ 63/30-125 |
| 41 | 575 9040 | 1 | HP-System z.hydr.Steinsicher. | HP-system | Euro/Vari7X+8X |
| 42 | 575 9041 | 1 | Block zum HydriX | Block | 60-150 bar |
| 43 | 575 9042 | 2 | Druckspeicher | Pressure accumulator | Typ 0,75l 250-50bar G1/2 ZL |
| 47 | 475 3016 | 1 | Hydraulikschlauch | Hydraulic hose | 2SN12-800 DKOL15/DKOL15 0/90° |



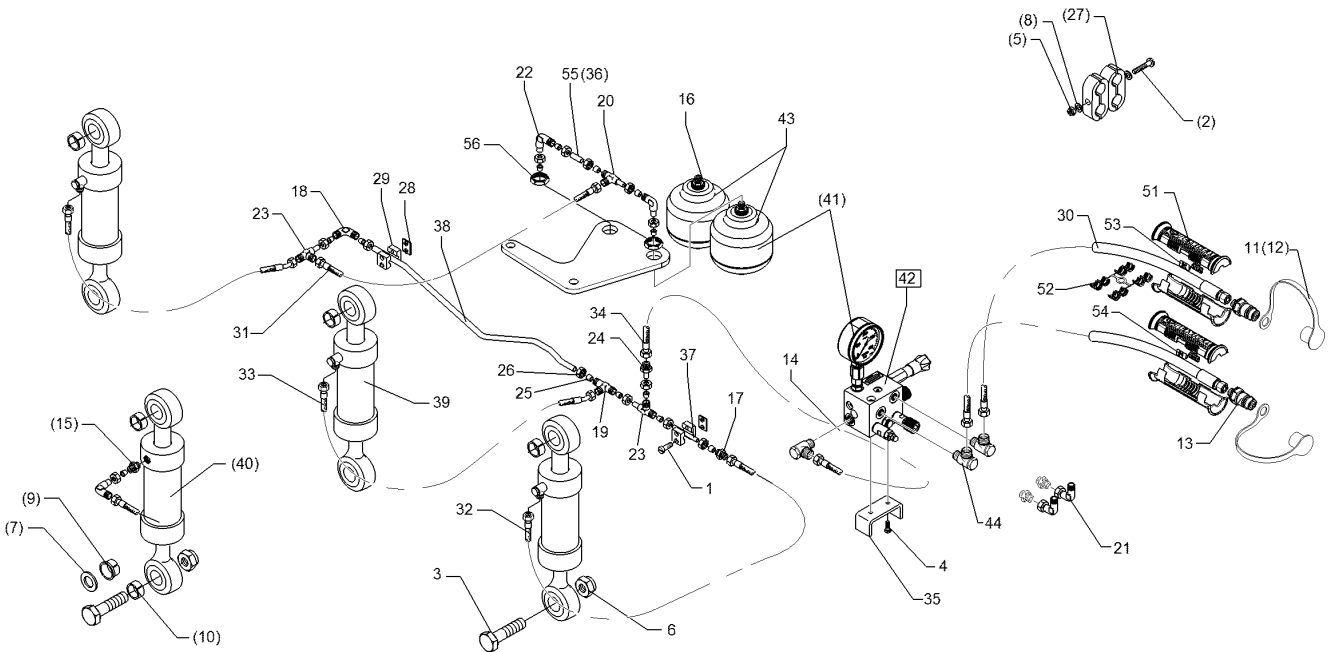
01.18

| Pos. | Art.Nr. | Stck. | Artikeltext / Description | Abmessung | |
|------|----------|-------|------------------------------|------------------------|---------------------------------|
| 51 | 375 2607 | 4 | Griff Halbschale | Handle | - |
| 52 | 375 2606 | 2 | Einleger | Insert | DN6 DN8 |
| 53 | 325 1600 | 2 | Kennzeichnung | Marking | P0 |
| 54 | 325 1607 | 2 | Kennzeichnung | Marking | T0 |
| 55 | 57510446 | 1 | Hydraulikrohr | Hydraulic tube | 15x2x45 |
| 56 | 30310095 | 2 | Sechskantmutter | Hexagon nut | M33x1,5 k=8 ZnNi |
| 57 | 375 4020 | 3 | Einschraubverschraubung | Nipple | 720h x-GE12-LM M18x1,5 Zn |
| 58 | 375 4484 | 1 | T-Verschraubung | T-union | x-T15-L M22x1,5 Zn |
| 59 | 375 4503 | 3 | Einstellbare W-Verschraubung | Adjustable angle union | EW15-L-DKO24 |
| 60 | 57510924 | 1 | Hydraulikrohr | Hydraulic tube | GRD O-Ring 15,0x2,0x635 |



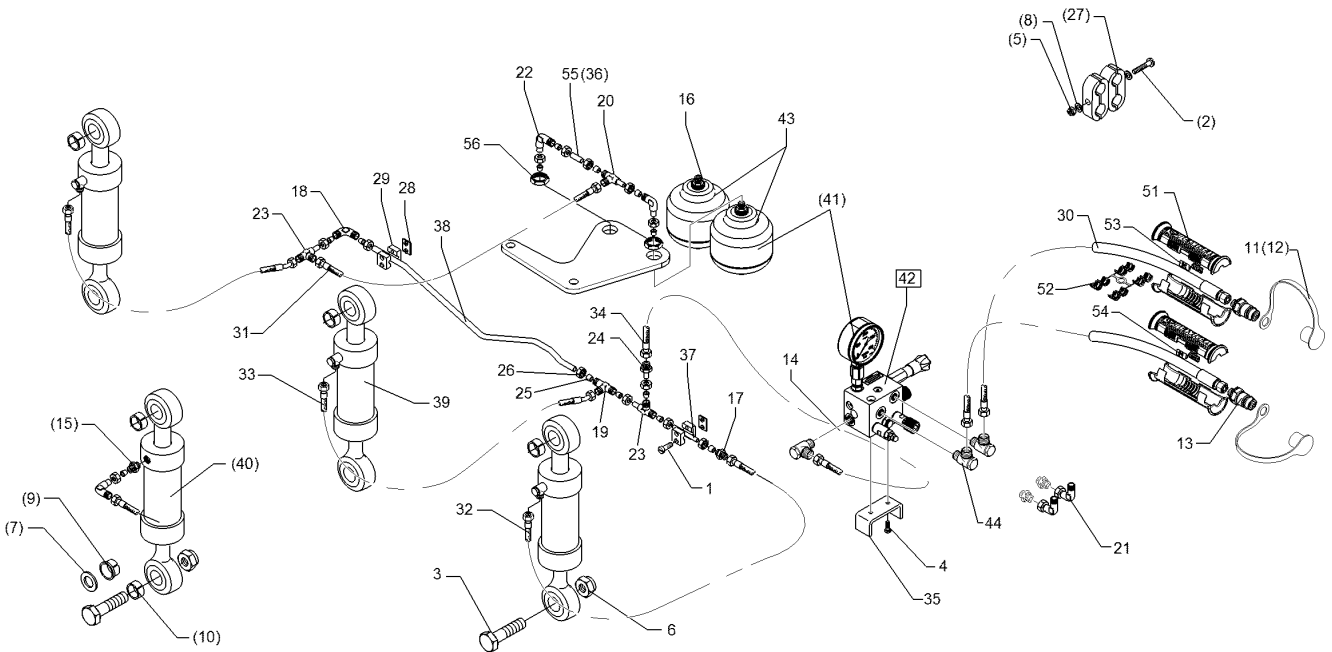
01.18

| Pos. | Art.Nr. | Stck. | Artikeltext / Description | | Abmessung |
|------|----------|-------|--------------------------------|------------------------|------------------------------|
| 1 | 301 0302 | 4 | Linsenschraube | Oval head screw | M6x25-4,6 Zn DIN7985 |
| 2 | 301 0312 | 1 | Linsenschraube | Oval head screw | M6x75-4,6 Zn DIN7985 |
| 4 | 301 7260 | 2 | Sechskantschraube | Hexagon bolt | M8x16-8.8 Zn DIN933 |
| 5 | 303 0931 | 1 | Sicherungsmutter | Selflocking nut | NM6-8 Zn DIN985 |
| 6 | 303 0936 | 6 | Sicherungsmutter | Selflocking nut | NM20-8 Zn DIN985 |
| 8 | 305 8571 | 2 | Scheibe | Washer | 6,4 DIN125-A Zn |
| 9 | 317 9520 | 12 | Bundbuchse | Flange bushing | D30/20x19 |
| 10 | 317 9521 | 6 | Buchse | Bush | D30/20x29 |
| 11 | 375 2124 | 2 | Staubkappe, weiß | Cap, white | D26,5 Bg.3 |
| 12 | 375 2122 | 2 | Staubkappe, schwarz | Cap, black | D26,5 Bg.3 |
| 13 | 375 2718 | 2 | SVK-Stecker | Hydraulic coupling | BG-3 12L M18x1,5 |
| 14 | 375 4029 | 3 | Gerade Einschraubverschraubung | Nipple | x-GE15-LM 18x1,5-B |
| 15 | 375 4040 | 2 | Einschraubverschraubung | Nipple | xGE 15-LR R1/2"-B |
| 16 | 375 4120 | 1 | Gerade Verschraubung | Nipple | x-G15-L M22x1,5 |
| 17 | 375 4220 | 1 | Winkelverschraubung | Elbow union | W15-L M22x1,5 |
| 18 | 375 4311 | 3 | Schwenkverschraubung | Union, swivel | x-SWVE12-LM M18x1,5 Zn |
| 19 | 375 4484 | 1 | T-Verschraubung | T-union | x-T15-L M22x1,5 Zn |
| 20 | 375 4494 | 1 | Einstellbare T-Verschraubung | Adjustable T-union | ET15-LM |
| 21 | 375 4500 | 3 | Einstellbare W-Verschraubung | Adjustable angle union | EW12-LM DKO24 GRD M18x1,5 |
| 22 | 375 4503 | 3 | Einstellbare W-Verschraubung | Adjustable angle union | EW15-L-DKO24 GRD O-Ring |



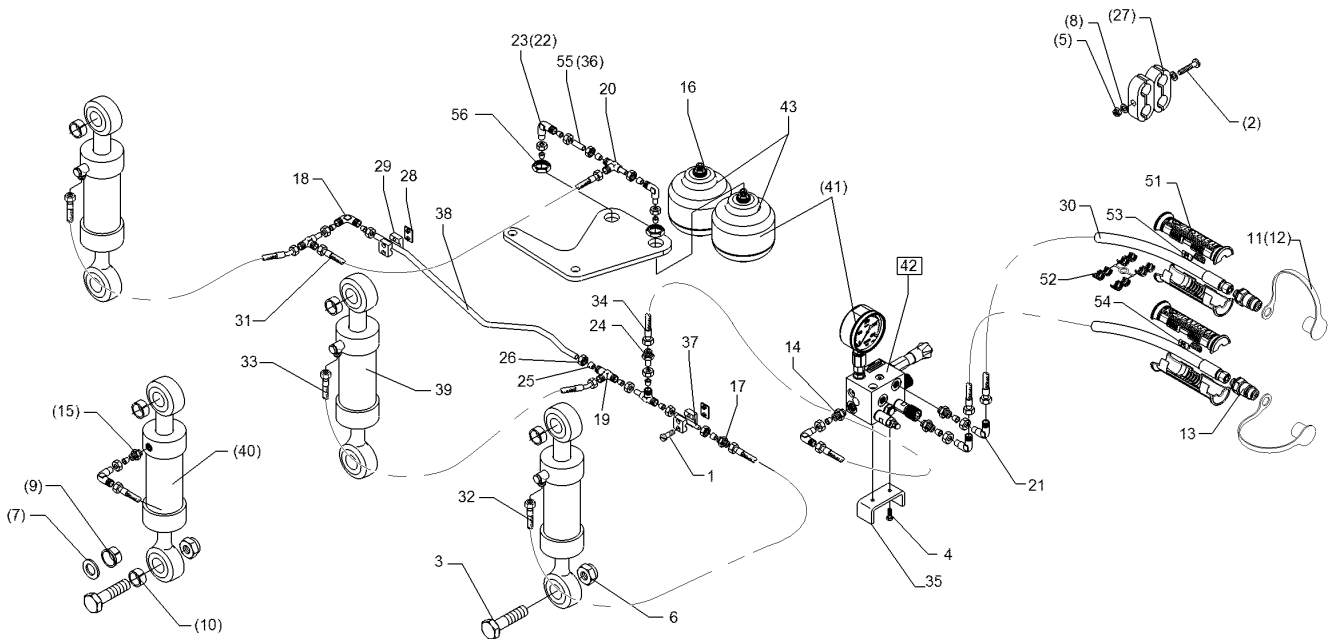
01.18

| Pos. | Art.Nr. | Stck. | Artikeltext / Description | | Abmessung |
|------|----------|-------|-------------------------------|--------------------|-------------------------------------|
| 23 | 375 4553 | 2 | Einstellbare L-Verschraubung | Adjustable L-union | EL15-L-DKO24 GRD |
| 24 | 375 4653 | 1 | Konus-Reduzieranschluss | Reduction joint | x-KOR15/12-L DKO24 GRD |
| 27 | 375 9850 | 4 | Schelle | Clamp | LNU4-19/15PP |
| 28 | 375 9950 | 2 | Anschweißplatte | Weld on plate | SP1A 36x30x2 |
| 29 | 375 9961 | 4 | Schellenkörper | Clamp | 1/2x215 PP |
| 30 | 475 2688 | 2 | Hydraulikschlauch | Hydraulic hose | 1SN08-1500-DKOL12/DKOL12 |
| 31 | 475 2683 | 1 | Hydraulikschlauch | Hydraulic hose | 2SN12-0600-DKO L15/L15 00/90GR |
| 32 | 475 3010 | 1 | Hydraulikschlauch | Hydraulic hose | 2SC12-1200 DKOL15/DKOL15 0/0° |
| 33 | 475 3011 | 2 | Hydraulikschlauch | Hydraulic hose | 2SN12-1200 DKOL15 00/45 GRD |
| 34 | 475 3012 | 1 | Hydraulikschlauch | Hydraulic hose | 2SN08-2800/DKOL12/DKOL12 |
| 35 | 475 4373 | 1 | Halter | Holder | MSS 30x8x188 2xGEB90GRD |
| 36 | 475 9970 | 1 | Hydraulikrohr | Hydraulic tube | 3xD8,5 15x2x98 |
| 37 | 57510011 | 1 | Hydraulikrohr | Hydraulic tube | 15x2x150 |
| 38 | 57510140 | 1 | Hydraulikrohr | Hydraulic tube | 15x2x997 5xGEB |
| 39 | 575 2523 | 3 | Zugzylinder | Hydraulic ram | EZ 60/30-125 |
| 40 | 575 2524 | 3 | Zugzylinder | Hydraulic ram | ZZ 63/30-125 |
| 41 | 575 9040 | 1 | HP-System z.hydr.Steinsicher. | HP-system | Euro/Vari7X+8X |
| 42 | 575 9041 | 1 | Block zum HydriX | Block | 60-150 bar |



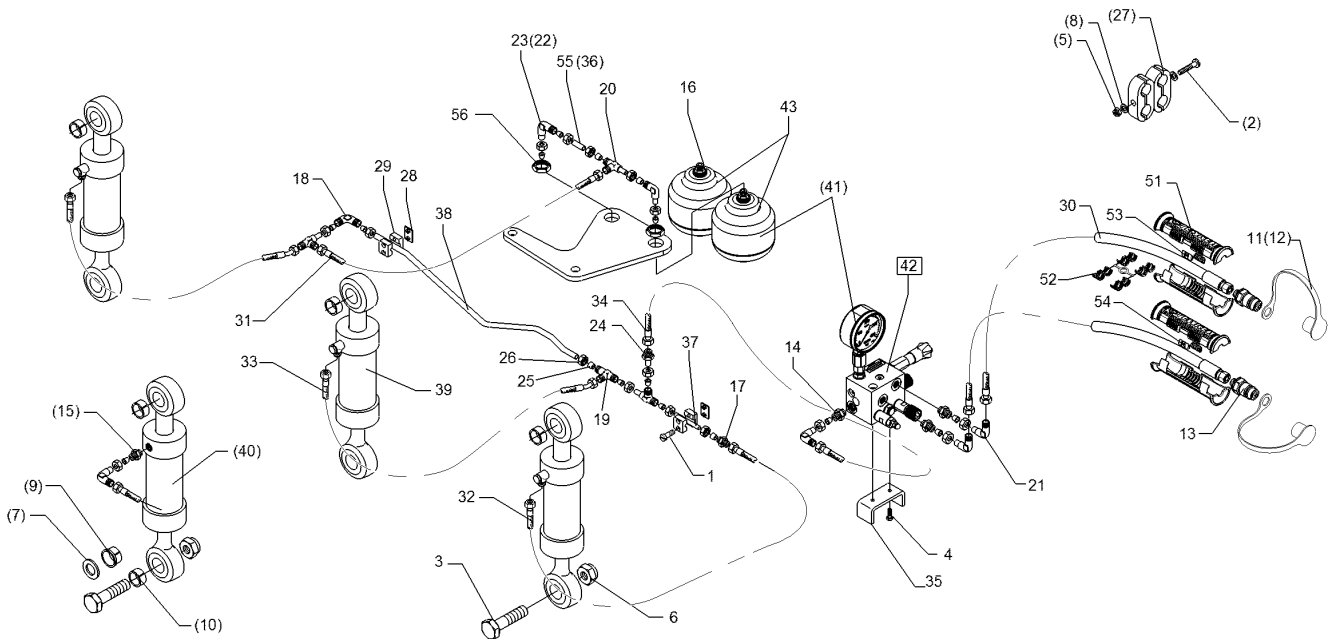
01.18

| Pos. | Art.Nr. | Stck. | Artikeltext / Description | | Abmessung |
|------|----------|-------|---------------------------|----------------------|------------------------------------|
| 43 | 575 9042 | 2 | Druckspeicher | Pressure accumulator | Typ 0,75l 250-50bar |
| 44 | 375 4020 | 3 | Einschraubverschraubung | Nipple | G1/2 ZL x-GE12-LM M18x1,5 Zn |
| 51 | 375 2607 | 4 | Griff Halbschale | Handle | - |
| 52 | 375 2606 | 2 | Einleger | Insert | DN6 DN8 |
| 53 | 325 1600 | 2 | Kennzeichnung | Marking | P0 |
| 54 | 325 1607 | 2 | Kennzeichnung | Marking | T0 |
| 55 | 57510283 | 1 | Hydraulikrohr | Hydraulic tube | 15x2x98 |
| 56 | 30310095 | 2 | Sechskantmutter | Hexagon nut | M33x1,5 k=8 ZnNi 720h |



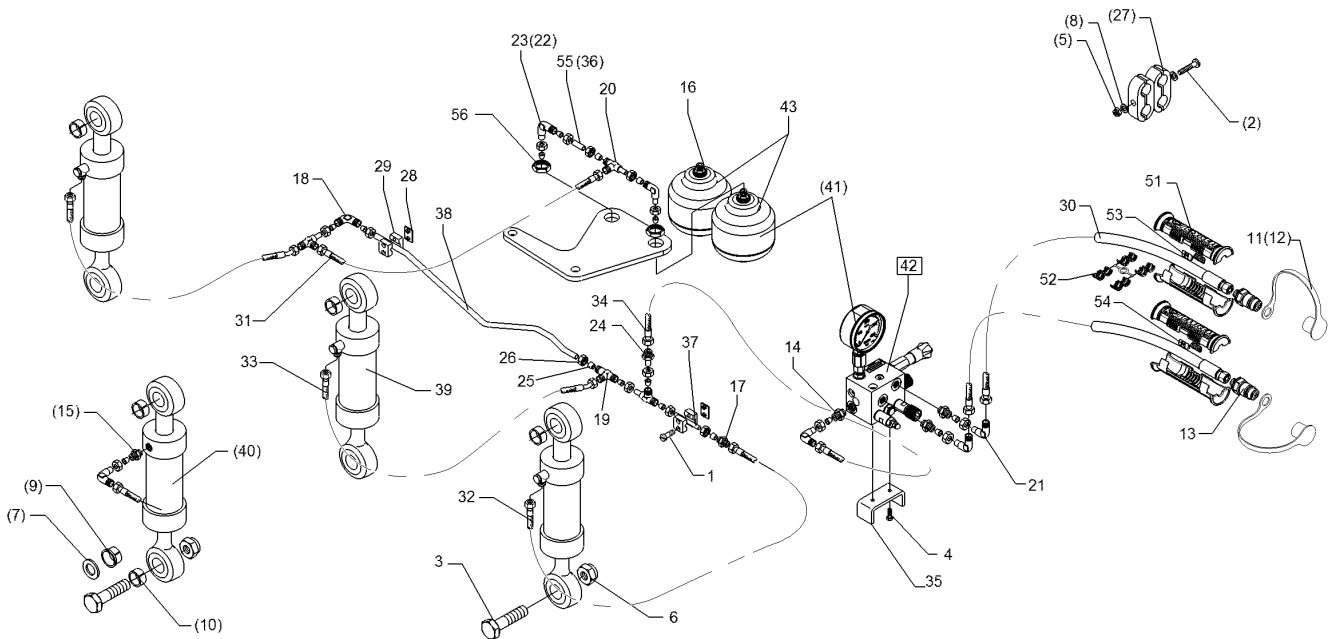
01.18

| Pos. | Art.Nr. | Stck. | Artikeltext / Description | | Abmessung |
|------|----------|-------|--------------------------------|------------------------|------------------------------|
| 1 | 301 0302 | 6 | Linsenschraube | Oval head screw | M6x25-4,6 Zn DIN7985 |
| 2 | 301 0312 | 1 | Linsenschraube | Oval head screw | M6x75-4,6 Zn DIN7985 |
| 4 | 301 7260 | 2 | Sechskantschraube | Hexagon bolt | M8x16-8.8 Zn DIN933 |
| 5 | 303 0931 | 1 | Sicherungsmutter | Selflocking nut | NM6-8 Zn DIN985 |
| 6 | 303 0936 | 8 | Sicherungsmutter | Selflocking nut | NM20-8 Zn DIN985 |
| 8 | 305 8571 | 2 | Scheibe | Washer | 6,4 DIN125-A Zn |
| 9 | 317 9520 | 16 | Bundbuchse | Flange bushing | D30/20x19 |
| 10 | 317 9521 | 8 | Buchse | Bush | D30/20x29 |
| 11 | 375 2124 | 2 | Staubkappe, weiß | Cap, white | D26,5 Bg.3 |
| 12 | 375 2122 | 2 | Staubkappe, schwarz | Cap, black | D26,5 Bg.3 |
| 13 | 375 2718 | 2 | SVK-Stecker | Hydraulic coupling | BG-3 12L M18x1,5 |
| 14 | 375 4029 | 4 | Gerade Einschraubverschraubung | Nipple | x-GE15-LM 18x1,5-B |
| 15 | 375 4040 | 2 | Einschraubverschraubung | Nipple | xGE 15-LR R1/2"-B |
| 16 | 375 4120 | 1 | Gerade Verschraubung | Nipple | x-G15-L M22x1,5 |
| 17 | 375 4220 | 1 | Winkelverschraubung | Elbow union | W15-L M22x1,5 |
| 18 | 375 4311 | 3 | Schwenkverschraubung | Union, swivel | x-SWVE12-LM M18x1,5 Zn |
| 19 | 375 4484 | 2 | T-Verschraubung | T-union | x-T15-L M22x1,5 Zn |
| 20 | 375 4494 | 1 | Einstellbare T-Verschraubung | Adjustable T-union | ET15-LM |
| 21 | 375 4500 | 3 | Einstellbare W-Verschraubung | Adjustable angle union | EW12-LM DKO24 GRD M18x1,5 |
| 22 | 375 4503 | 3 | Einstellbare W-Verschraubung | Adjustable angle union | EW15-L-DKO24 GRD O-Ring |



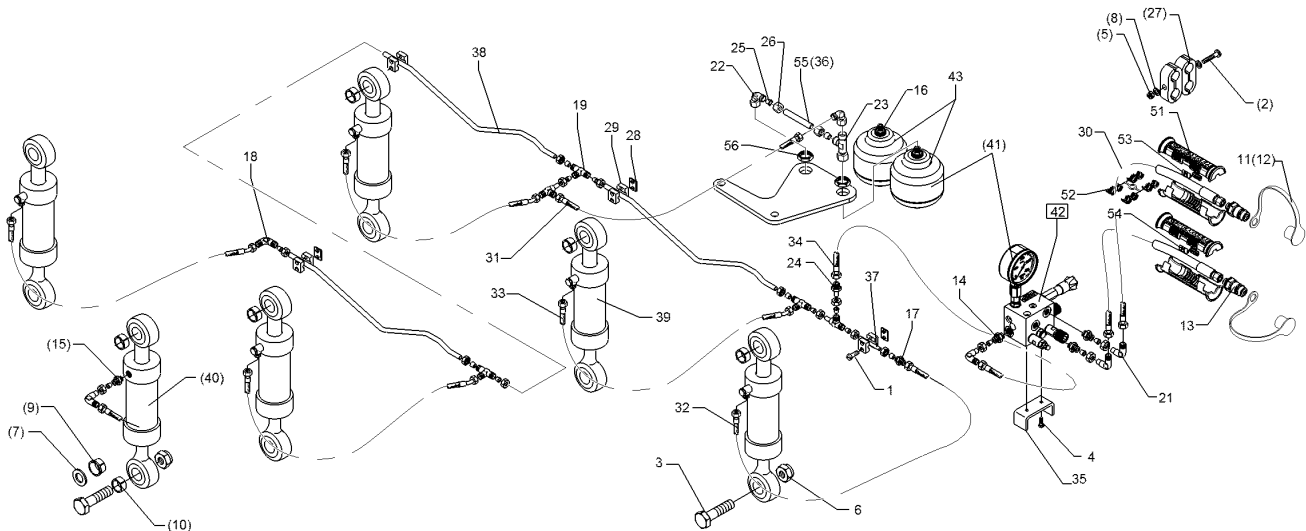
01.18

| Pos. | Art.Nr. | Stck. | Artikeltext / Description | Abmessung | |
|------|----------|-------|------------------------------|--------------------|--|
| 23 | 375 4553 | 2 | Einstellbare L-Verschraubung | Adjustable L-union | EL15-L-DKO24 GRD |
| 24 | 375 4653 | 1 | Konus-Reduzieranschluss | Reduction joint | x-KOR15/12-L DKO24 GRD |
| 25 | 375 5120 | 8 | Schneidring | Cutting ring | S 15 L WD |
| 26 | 375 5320 | 8 | Überwurfmutter | Union nut | 15L M22x1,5 Zn |
| 27 | 375 9850 | 4 | Schelle | Clamp | LNU4-19/15PP |
| 28 | 375 9950 | 3 | Anschweißplatte | Weld on plate | SP1A 36x30x2 |
| 29 | 375 9961 | 6 | Schellenkörper | Clamp | 1/2x215 PP |
| 30 | 475 2688 | 2 | Hydraulikschlauch | Hydraulic hose | 1SN08-1500-DKOL12/DKOL12 |
| 31 | 475 2683 | 1 | Hydraulikschlauch | Hydraulic hose | 2SN12-0600-DKO L15/L15 00/90GR |
| 32 | 475 3010 | 1 | Hydraulikschlauch | Hydraulic hose | 2SC12-1200 DKOL15/DKOL15 0/0° |
| 33 | 475 3011 | 3 | Hydraulikschlauch | Hydraulic hose | 2SN12-1200 DKOL15 00/45 GRD |
| 34 | 475 3012 | 1 | Hydraulikschlauch | Hydraulic hose | 2SN08-2800/DKOL12/DKOL12 |
| 35 | 475 4373 | 1 | Halter | Holder | MSS 30x8x188 2xGEB90GRD 3xD8,5 15x2x98 |
| 36 | 475 9970 | 1 | Hydraulikrohr | Hydraulic tube | 15x2x150 |
| 37 | 57510011 | 1 | Hydraulikrohr | Hydraulic tube | 15x2x997 5xGEB |
| 38 | 57510140 | 2 | Hydraulikrohr | Hydraulic tube | 15x2x997 5xGEB |
| 39 | 575 2523 | 4 | Zugzylinder | Hydraulic ram | EZ 60/30-125 |
| 40 | 575 2524 | 4 | Zugzylinder | Hydraulic ram | ZZ 63/30-125 |



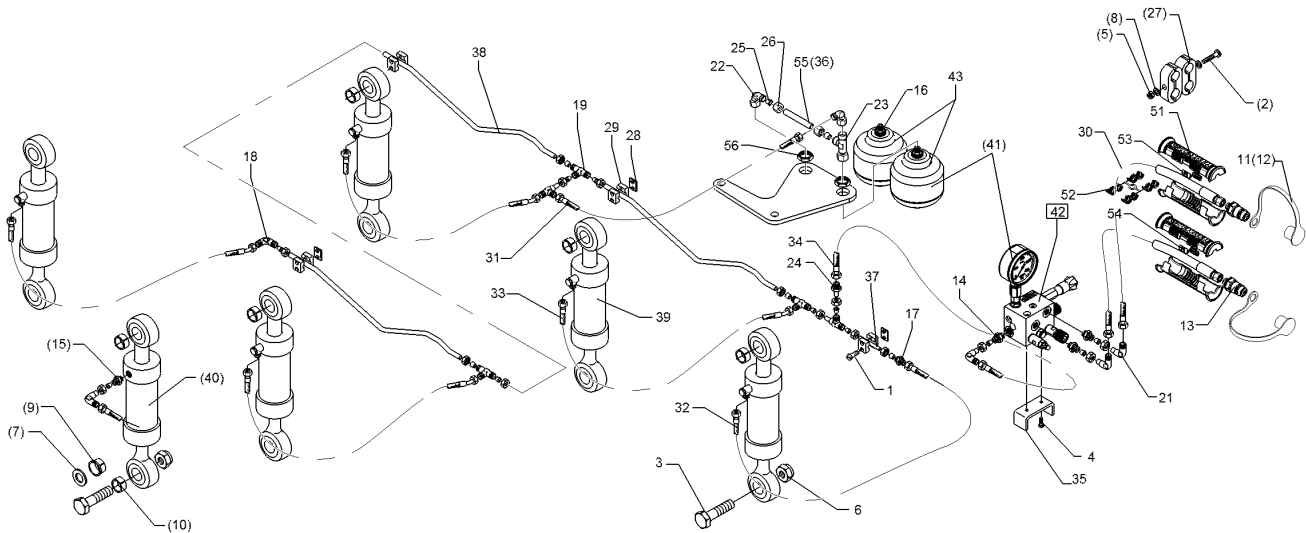
01.18

| Pos. | Art.Nr. | Stck. | Artikeltext / Description | Abmessung |
|------|----------|-------|-------------------------------|----------------------|
| 41 | 575 9040 | 1 | HP-System z.hydr.Steinsicher. | HP-system |
| 42 | 575 9041 | 1 | Block zum HydriX | Block |
| 43 | 575 9042 | 2 | Druckspeicher | Pressure accumulator |
| 44 | 375 4020 | 3 | Einschraubverschraubung | Nipple |
| 51 | 375 2607 | 4 | Griff Halbschale | Handle |
| 52 | 375 2606 | 2 | Einleger | Insert |
| 53 | 325 1600 | 2 | Kennzeichnung | Marking |
| 54 | 325 1607 | 2 | Kennzeichnung | Marking |
| 55 | 57510283 | 1 | Hydraulikrohr | Hydraulic tube |
| 56 | 30310095 | 2 | Sechskantmutter | Hexagon nut |



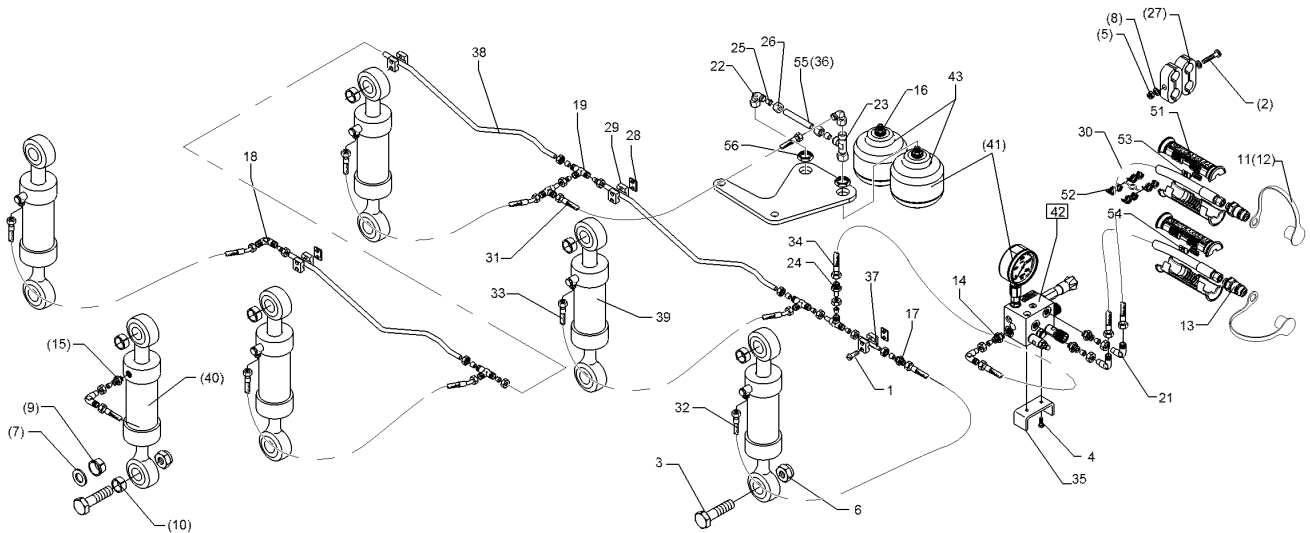
01.18

| Pos. | Art.Nr. | Stck. | Artikeltext / Description | | Abmessung |
|------|----------|-------|--------------------------------|------------------------|------------------------------|
| 1 | 301 0302 | 8 | Linsenschraube | Oval head screw | M6x25-4,6 Zn DIN7985 |
| 2 | 301 0312 | 1 | Linsenschraube | Oval head screw | M6x75-4,6 Zn DIN7985 |
| 4 | 301 7260 | 2 | Sechskantschraube | Hexagon bolt | M8x16-8,8 Zn DIN933 |
| 5 | 303 0931 | 1 | Sicherungsmutter | Selflocking nut | NM6-8 Zn DIN985 |
| 6 | 303 0936 | 10 | Sicherungsmutter | Selflocking nut | NM20-8 Zn DIN985 |
| 8 | 305 8571 | 2 | Scheibe | Washer | 6,4 DIN125-A Zn |
| 9 | 317 9520 | 20 | Bundbuchse | Flange bushing | D30/20x19 |
| 10 | 317 9521 | 10 | Buchse | Bush | D30/20x29 |
| 11 | 375 2124 | 2 | Staubkappe, weiß | Cap, white | D26,5 Bg.3 |
| 12 | 375 2122 | 2 | Staubkappe, schwarz | Cap, black | D26,5 Bg.3 |
| 13 | 375 2718 | 2 | SVK-Stecker | Hydraulic coupling | BG-3 12L M18x1,5 |
| 14 | 375 4029 | 5 | Gerade Einschraubverschraubung | Nipple | x-GE15-LM 18x1,5-B |
| 15 | 375 4040 | 2 | Einschraubverschraubung | Nipple | xGE 15-LR R1/2"-B |
| 16 | 375 4120 | 1 | Gerade Verschraubung | Nipple | x-G15-L M22x1,5 |
| 17 | 375 4220 | 1 | Winkelverschraubung | Elbow union | W15-L M22x1,5 |
| 18 | 375 4311 | 3 | Schwenkverschraubung | Union, swivel | x-SWVE12-LM M18x1,5 Zn |
| 19 | 375 4484 | 3 | T-Verschraubung | T-union | x-T15-L M22x1,5 Zn |
| 20 | 375 4494 | 1 | Einstellbare T-Verschraubung | Adjustable T-union | ET15-LM |
| 21 | 375 4500 | 3 | Einstellbare W-Verschraubung | Adjustable angle union | EW12-LM DKO24 GRD M18x1,5 |
| 22 | 375 4503 | 3 | Einstellbare W-Verschraubung | Adjustable angle union | EW15-L-DKO24 GRD O-Ring |



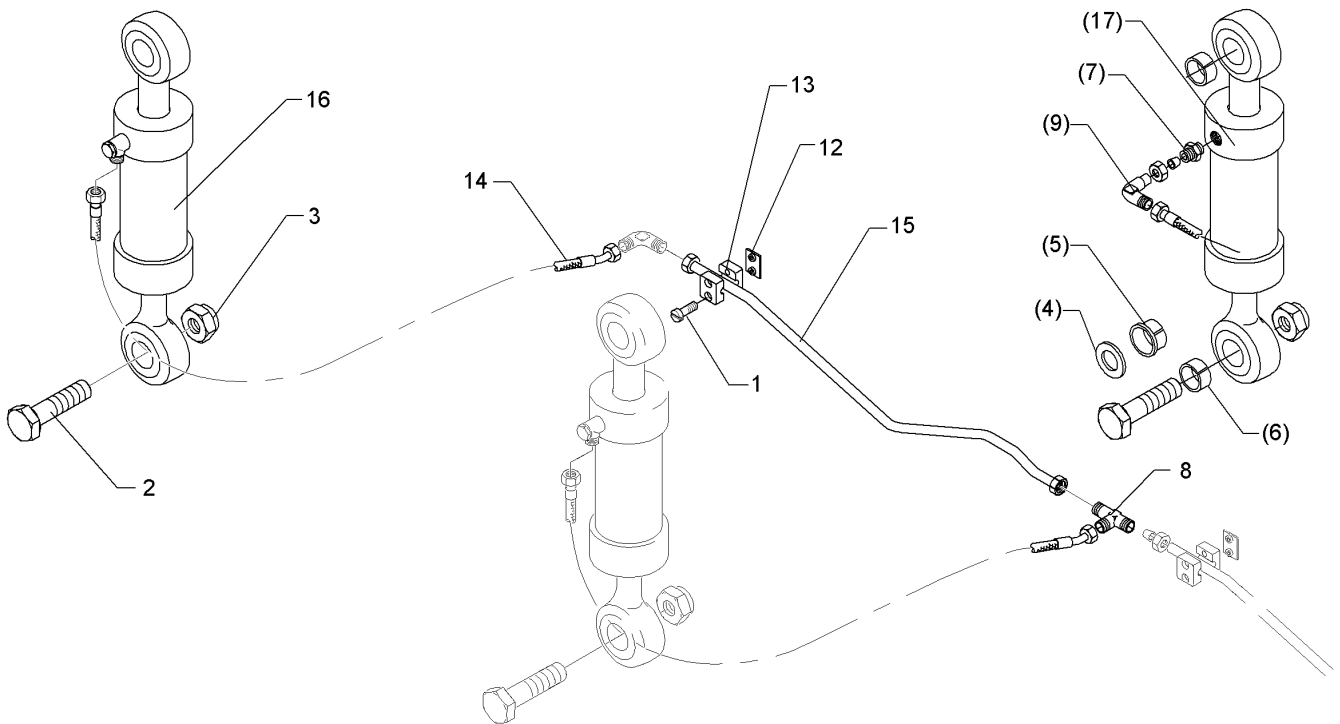
01.18

| Pos. | Art.Nr. | Stck. | Artikeltext / Description | | Abmessung |
|------|----------|-------|------------------------------|--------------------|--|
| 23 | 375 4553 | 2 | Einstellbare L-Verschraubung | Adjustable L-union | EL15-L-DKO24 GRD |
| 24 | 375 4653 | 1 | Konus-Reduzieranschluss | Reduction joint | x-KOR15/12-L DKO24 GRD |
| 25 | 375 5120 | 10 | Schneidring | Cutting ring | S 15 L WD |
| 26 | 375 5320 | 10 | Überwurfmutter | Union nut | 15L M22x1,5 Zn |
| 27 | 375 9850 | 4 | Schelle | Clamp | LNU4-19/15PP |
| 28 | 375 9950 | 4 | Anschweißplatte | Weld on plate | SP1A 36x30x2 |
| 29 | 375 9961 | 8 | Schellenkörper | Clamp | 1/2x215 PP |
| 30 | 475 2688 | 2 | Hydraulikschlauch | Hydraulic hose | 1SN08-1500-DKOL12/DKOL12 |
| 31 | 475 2683 | 1 | Hydraulikschlauch | Hydraulic hose | 2SN12-0600-DKO L15/L15 00/90GR |
| 32 | 475 3010 | 1 | Hydraulikschlauch | Hydraulic hose | 2SC12-1200 DKOL15/DKOL15 0/0° |
| 33 | 475 3011 | 4 | Hydraulikschlauch | Hydraulic hose | 2SN12-1200 DKOL15 00/45 GRD |
| 34 | 475 3012 | 1 | Hydraulikschlauch | Hydraulic hose | 2SN08-2800/DKOL12/DKOL12 |
| 35 | 475 4373 | 1 | Halter | Holder | MSS 30x8x188 2xGEB90GRD 3xD8,5 15x2x98 |
| 36 | 475 9970 | 1 | Hydraulikrohr | Hydraulic tube | 15x2x150 |
| 37 | 57510011 | 1 | Hydraulikrohr | Hydraulic tube | 15x2x997 5xGEB |
| 38 | 57510140 | 3 | Hydraulikrohr | Hydraulic tube | EZ 60/30-125 |
| 39 | 575 2523 | 5 | Zugzylinder | Hydraulic ram | ZZ 63/30-125 |
| 40 | 575 2524 | 5 | Zugzylinder | Hydraulic ram | |



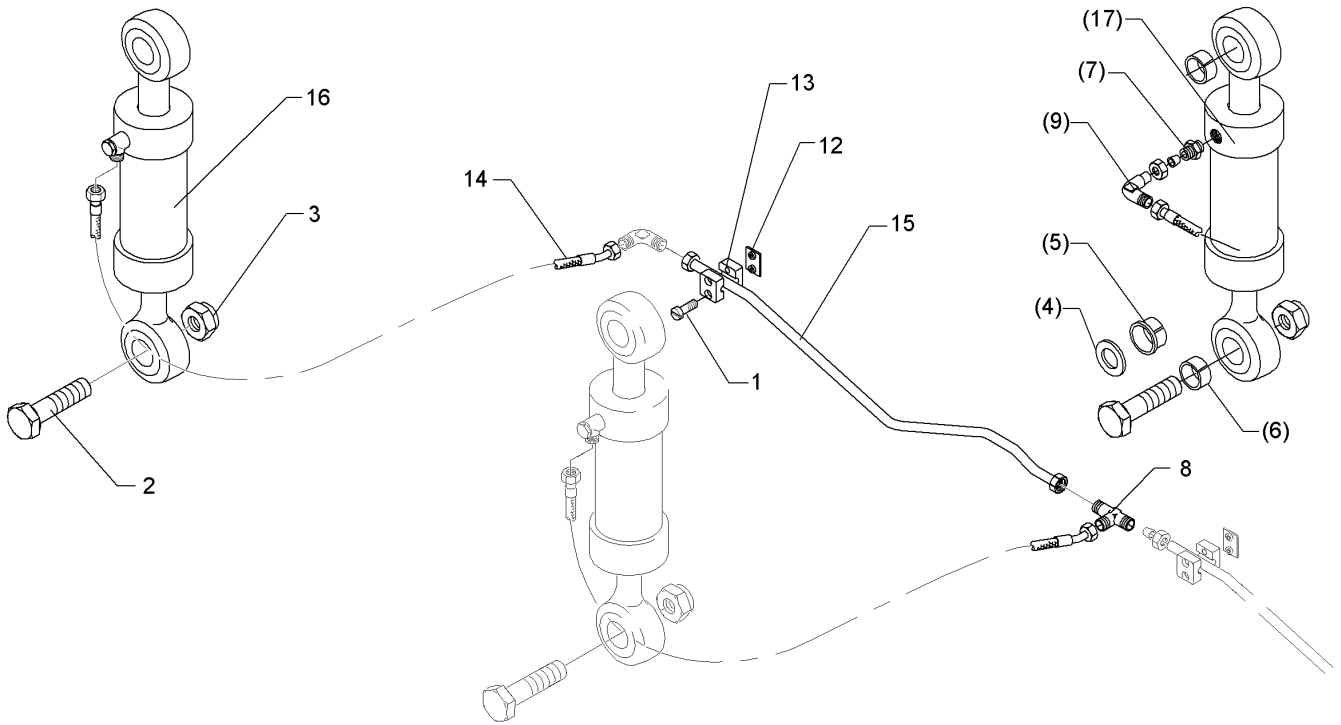
01.18

| Pos. | Art.Nr. | Stck. | Artikeltext / Description | | Abmessung |
|------|----------|-------|-------------------------------|----------------------|------------------------------------|
| 41 | 575 9040 | 1 | HP-System z.hydr.Steinsicher. | HP-system | Euro/Vari7X+8X |
| 42 | 575 9041 | 1 | Block zum HydriX | Block | 60-150 bar |
| 43 | 575 9042 | 2 | Druckspeicher | Pressure accumulator | Typ 0,75l 250-50bar |
| 44 | 375 4020 | 3 | Einschraubverschraubung | Nipple | G1/2 ZL x-GE12-LM M18x1,5 Zn |
| 51 | 375 2607 | 4 | Griff Halbschale | Handle | - |
| 52 | 375 2606 | 2 | Einleger | Insert | DN6 DN8 |
| 53 | 325 1600 | 2 | Kennzeichnung | Marking | P0 |
| 54 | 325 1607 | 2 | Kennzeichnung | Marking | T0 |
| 55 | 57510283 | 1 | Hydraulikrohr | Hydraulic tube | 15x2x98 |
| 56 | 30310095 | 2 | Sechskantmutter | Hexagon nut | M33x1,5 k=8 ZnNi 720h |



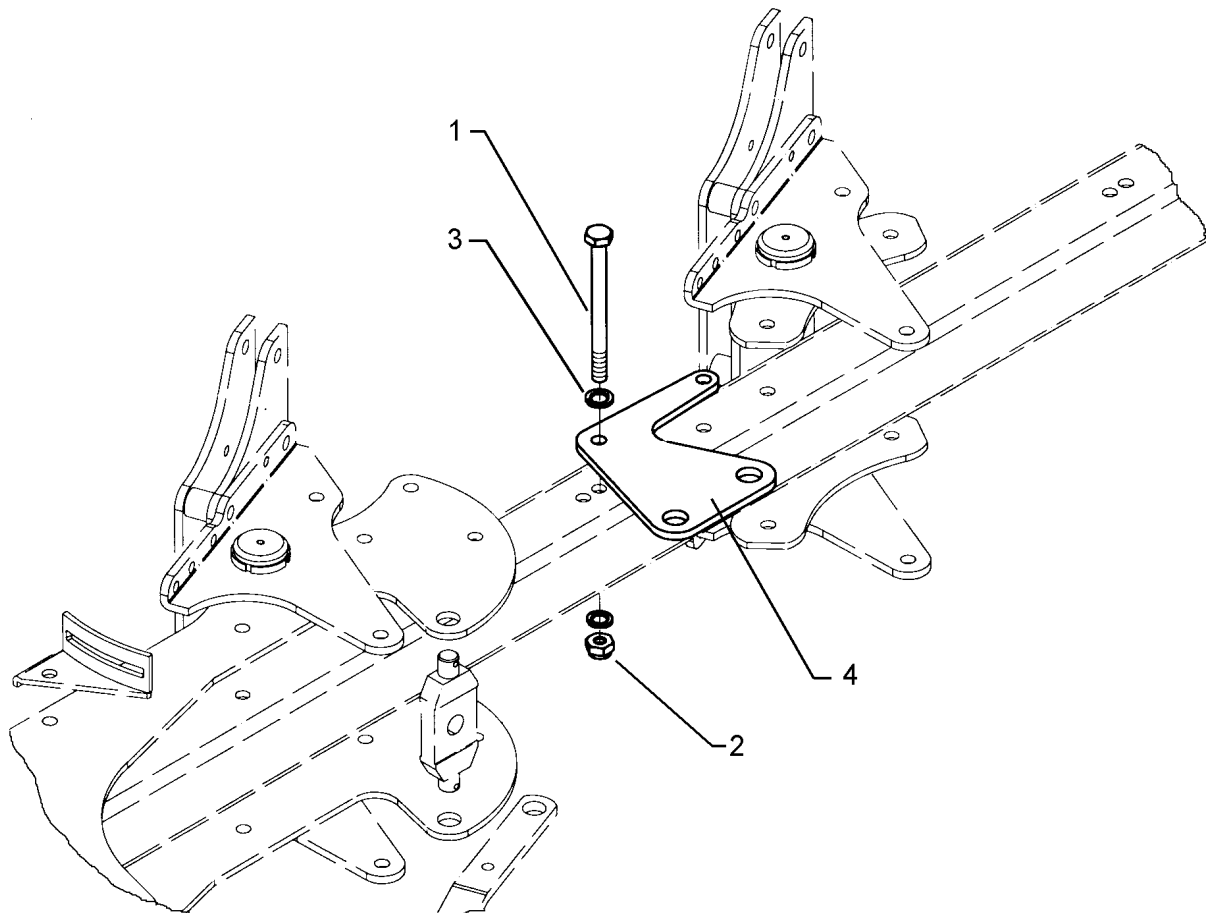
01.18

| Pos. | Art.Nr. | Stck. | Artikeltext / Description | | Abmessung |
|------|----------|-------|--------------------------------|------------------------|--------------------------------|
| 1 | 301 0302 | 2 | Linsenschraube | Oval head screw | M6x25-4,6 Zn DIN7985 |
| 2 | 301 4606 | 2 | Sechskantschraube spz. | Hexagon bolt | M20x80-10.9 Zn |
| 3 | 303 0936 | 2 | Sicherungsmutter | Selflocking nut | NM20-8 Zn DIN985 |
| 4 | 305 6165 | 2 | Scheibe | Washer | D35/20,5x5 Zn |
| 5 | 317 9520 | 4 | Bundbuchse | Flange bushing | D30/20x19 |
| 6 | 317 9521 | 4 | Buchse | Bush | D30/20x29 |
| 7 | 375 4029 | 1 | Gerade Einschraubverschraubung | Nipple | x-GE15-LM 18x1,5-B |
| 8 | 375 4484 | 1 | T-Verschraubung | T-union | x-T15-L M22x1,5 Zn |
| 9 | 375 4502 | 1 | Einstellbare W-Verschraubung | Adjustable angle union | EW15-L |
| 12 | 375 9950 | 1 | Anschweißplatte | Weld on plate | SP1A 36x30x2 |
| 13 | 375 9961 | 2 | Schellenkörper | Clamp | 1/2x215 PP |
| 14 | 475 3011 | 1 | Hydraulikschlauch | Hydraulic hose | 2SN12-1200 DKOL15 00/45 GRD |
| 15 | 57510141 | 1 | Hydraulikrohr | Hydraulic tube | 15x2x897 5xGEB |
| 16 | 575 2523 | 1 | Zugzylinder | Hydraulic ram | EZ 60/30-125 |
| 17 | 575 2524 | 1 | Zugzylinder | Hydraulic ram | ZZ 63/30-125 |



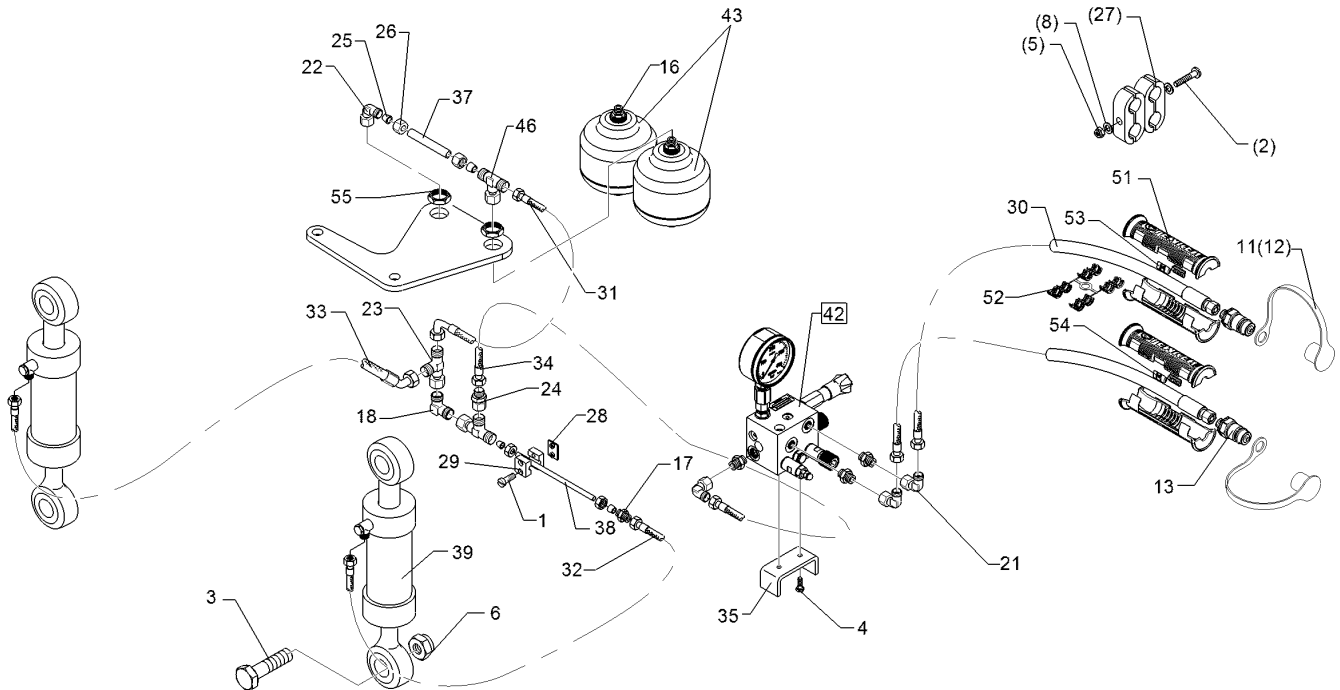
01.18

| Pos. | Art.Nr. | Stck. | Artikeltext / Description | | Abmessung |
|------|----------|-------|--------------------------------|------------------------|--------------------------------|
| 1 | 301 0302 | 2 | Linsenschraube | Oval head screw | M6x25-4,6 Zn DIN7985 |
| 2 | 301 4606 | 2 | Sechskantschraube spz. | Hexagon bolt | M20x80-10.9 Zn |
| 3 | 303 0936 | 2 | Sicherungsmutter | Selflocking nut | NM20-8 Zn DIN985 |
| 4 | 305 6165 | 2 | Scheibe | Washer | D35/20,5x5 Zn |
| 5 | 317 9520 | 4 | Bundbuchse | Flange bushing | D30/20x19 |
| 6 | 317 9521 | 4 | Buchse | Bush | D30/20x29 |
| 7 | 375 4029 | 1 | Gerade Einschraubverschraubung | Nipple | x-GE15-LM 18x1,5-B |
| 8 | 375 4484 | 1 | T-Verschraubung | T-union | x-T15-L M22x1,5 Zn |
| 9 | 375 4502 | 1 | Einstellbare W-Verschraubung | Adjustable angle union | EW15-L |
| 12 | 375 9950 | 1 | Anschweißplatte | Weld on plate | SP1A 36x30x2 |
| 13 | 375 9961 | 2 | Schellenkörper | Clamp | 1/2x215 PP |
| 14 | 475 3011 | 1 | Hydraulikschlauch | Hydraulic hose | 2SN12-1200 DKOL15 00/45 GRD |
| 15 | 57510140 | 1 | Hydraulikrohr | Hydraulic tube | 15x2x997 5xGEB |
| 16 | 575 2523 | 1 | Zugzylinder | Hydraulic ram | EZ 60/30-125 |
| 17 | 575 2524 | 1 | Zugzylinder | Hydraulic ram | ZZ 63/30-125 |



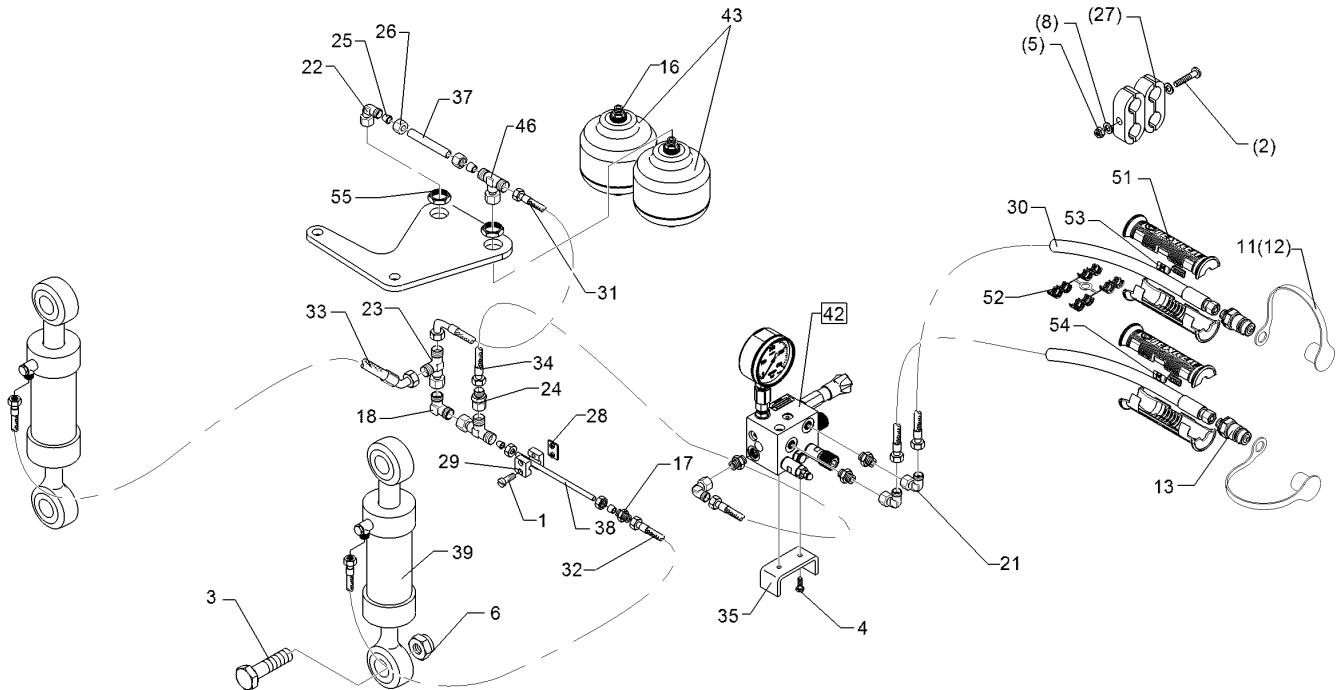
01.18

| Pos. | Art.Nr. | Stck. | Artikeltext / Description | | Abmessung |
|------|----------|-------|----------------------------|--------------|---------------------------------|
| 1 | 301 4522 | 2 | Sechskantschraube spezial | Hexagon bolt | M20x1,5x155ls135xb17-10.9 Zn |
| 2 | 303 0977 | 2 | Sechskantmutter | Hexagon nut | M20x1,5 DIN934-10 Zn |
| 3 | 305 6012 | 4 | Scheibe | Washer | 21 ISO7089 Zn |
| 4 | 475 4372 | 1 | Platte für Stickstoffblase | Plate | 12x265x310 Hydrix |



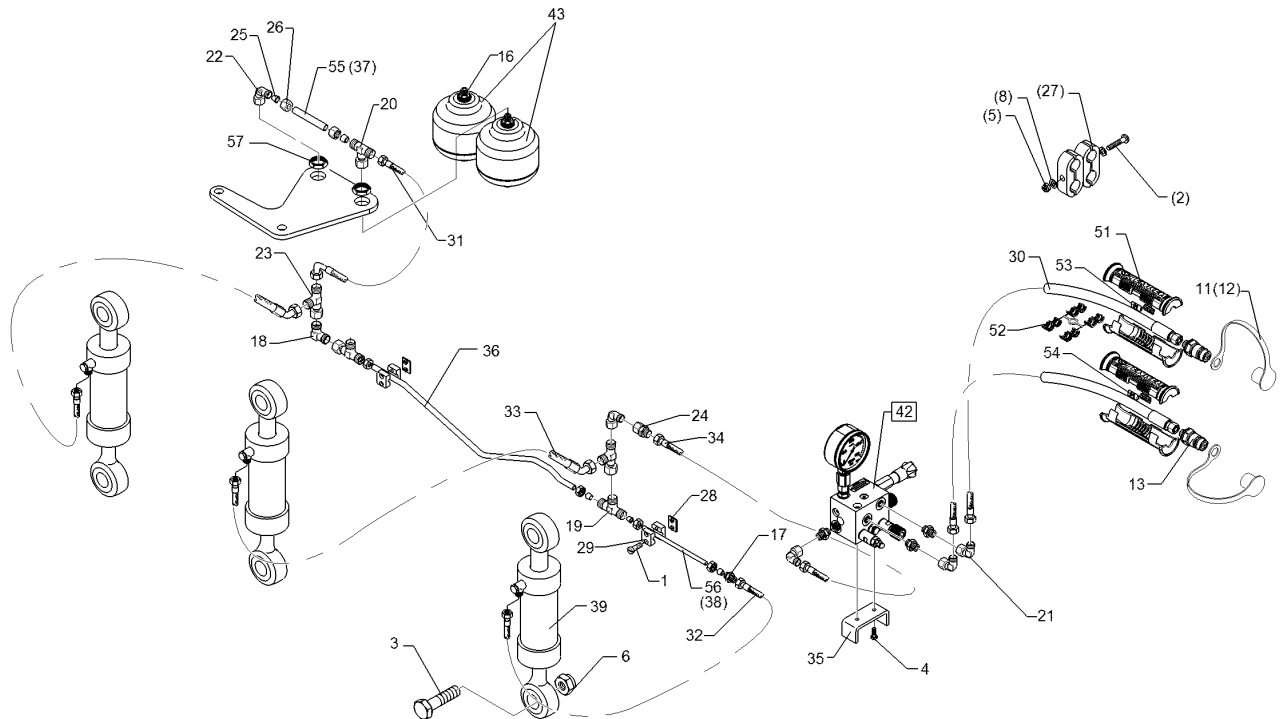
01.18

| Pos. | Art.Nr. | Stck. | Artikeltext / Description | | Abmessung |
|------|----------|-------|------------------------------|------------------------|------------------------------|
| 1 | 301 0302 | 4 | Linsenschraube | Oval head screw | M6x25-4,6 Zn DIN7985 |
| 2 | 301 0312 | 1 | Linsenschraube | Oval head screw | M6x75-4,6 Zn DIN7985 |
| 3 | 301 4607 | 4 | Sechskantschraube spz. | Hexagon bolt | M20x90-12.9 Zn |
| 5 | 303 0931 | 1 | Sicherungsmutter | Selflocking nut | NM6-8 Zn DIN985 |
| 6 | 303 0936 | 4 | Sicherungsmutter | Selflocking nut | NM20-8 Zn DIN985 |
| 8 | 305 8571 | 2 | Scheibe | Washer | 6,4 DIN125-A Zn |
| 11 | 375 2124 | 2 | Staubkappe, weiß | Cap, white | D26,5 Bg.3 |
| 12 | 375 2122 | 2 | Staubkappe, schwarz | Cap, black | D26,5 Bg.3 |
| 13 | 375 2718 | 2 | SVK-Stecker | Hydraulic coupling | BG-3 12L M18x1,5 |
| 15 | 375 4020 | 3 | Einschraubverschraubung | Nipple | x-GE12-LM M18x1,5 Zn |
| 16 | 375 4040 | 2 | Einschraubverschraubung | Nipple | xGE 15-LR R1/2"-B |
| 17 | 375 4120 | 1 | Gerade Verschraubung | Nipple | x-G15-L M22x1,5 |
| 18 | 375 4220 | 1 | Winkelverschraubung | Elbow union | W15-L M22x1,5 |
| 19 | 375 4484 | 1 | T-Verschraubung | T-union | x-T15-L M22x1,5 Zn |
| 21 | 375 4500 | 3 | Einstellbare W-Verschraubung | Adjustable angle union | EW12-LM DKO24 GRD M18x1,5 |
| 22 | 375 4503 | 2 | Einstellbare W-Verschraubung | Adjustable angle union | EW15-L-DKO24 GRD O-Ring |
| 23 | 375 4553 | 1 | Einstellbare L-Verschraubung | Adjustable L-union | EL15-L-DKO24 GRD |
| 24 | 375 4653 | 1 | Konus-Reduzieranschluss | Reduction joint | x-KOR15/12-L DKO24 GRD |
| 25 | 375 5120 | 4 | Schneidring | Cutting ring | S 15 L WD |
| 26 | 375 5320 | 4 | Überwurfmutter | Union nut | 15L M22x1,5 Zn |



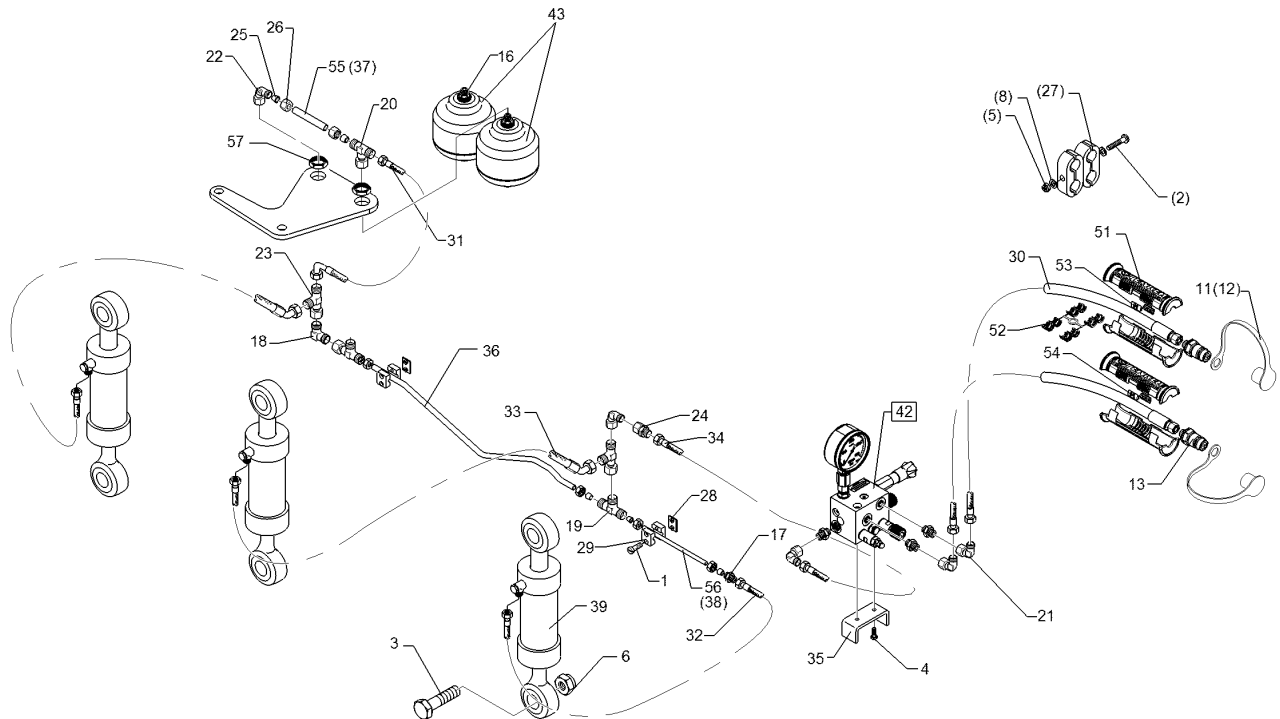
01.18

| Pos. | Art.Nr. | Stck. | Artikeltext / Description | | Abmessung |
|------|----------|-------|---------------------------|----------------|-------------------------------------|
| 27 | 375 9850 | 4 | Schelle | Clamp | LNU4-19/15PP |
| 28 | 375 9950 | 2 | Anschweißplatte | Weld on plate | SP1A 36x30x2 |
| 29 | 375 9961 | 4 | Schellenkörper | Clamp | 1/2x215 PP |
| 30 | 475 2688 | 2 | Hydraulikschlauch | Hydraulic hose | 1SN08-1500-DKOL12/DKOL12 |
| 31 | 475 2683 | 1 | Hydraulikschlauch | Hydraulic hose | 2SN12-0600-DKO L15/L15 00/90GR |
| 32 | 475 3010 | 1 | Hydraulikschlauch | Hydraulic hose | 2SC12-1200 DKOL15/DKOL15 0/0° |
| 33 | 475 3011 | 1 | Hydraulikschlauch | Hydraulic hose | 2SN12-1200 DKOL15 00/45 GRD |
| 34 | 475 3012 | 1 | Hydraulikschlauch | Hydraulic hose | 2SN08-2800/DKOL12/DKOL12 |
| 35 | 475 4373 | 1 | Halter | Holder | MSS 30x8x188 2xGEB90GRD |
| 37 | 57510283 | 1 | Hydraulikrohr | Hydraulic tube | 3xD8,5 15x2x98 |
| 38 | 57510449 | 1 | Hydraulikrohr | Hydraulic tube | 15x2x200 |
| 39 | 575 2523 | 2 | Zugzylinder | Hydraulic ram | EZ 60/30-125 |
| 42 | 575 9041 | 1 | Block zum HydriX | Block | 60-150 bar |
| 51 | 375 2607 | 4 | Griff Halbschale | Handle | - |
| 52 | 375 2606 | 2 | Einleger | Insert | DN6 DN8 |
| 53 | 325 1600 | 2 | Kennzeichnung | Marking | P0 |
| 54 | 325 1607 | 2 | Kennzeichnung | Marking | T0 |
| 55 | 30310095 | 2 | Sechskantmutter | Hexagon nut | M33x1,5 k=8 ZnNi 720h |



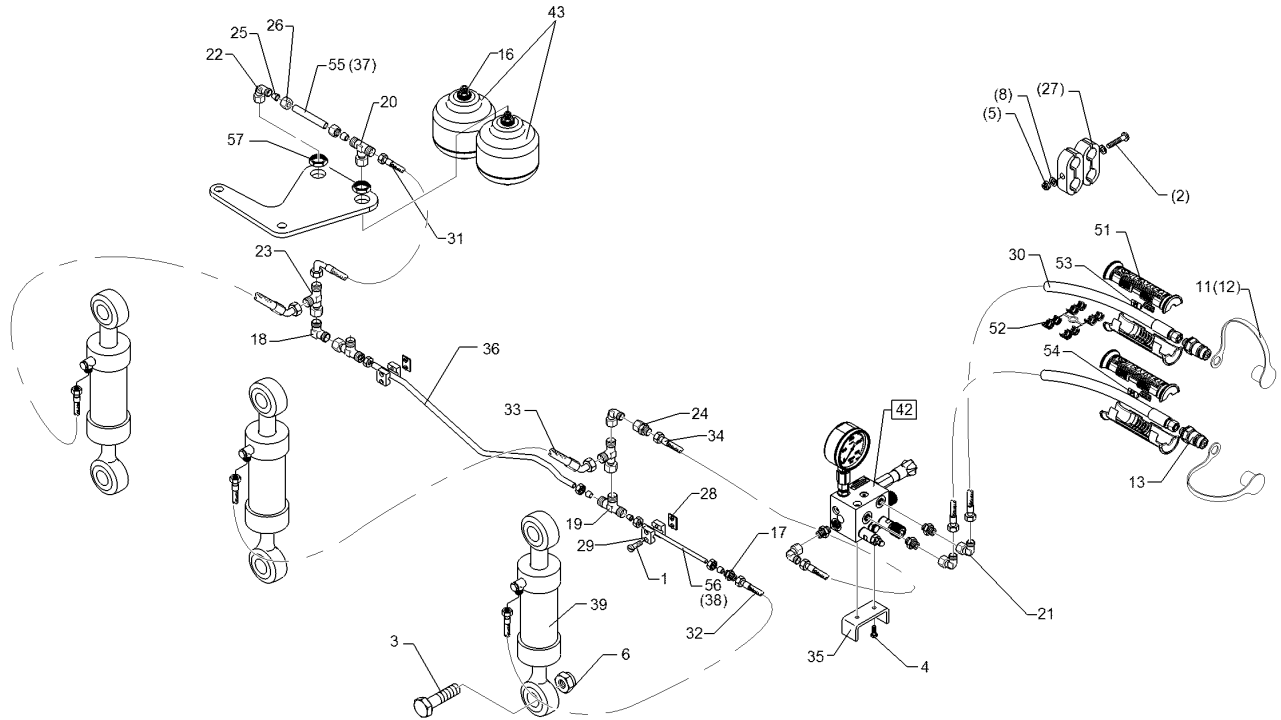
01.18

| Pos. | Art.Nr. | Stck. | Artikeltext / Description | | Abmessung |
|------|----------|-------|------------------------------|------------------------|------------------------------|
| 1 | 301 0302 | 4 | Linsenschraube | Oval head screw | M6x25-4,6 Zn DIN7985 |
| 2 | 301 0312 | 1 | Linsenschraube | Oval head screw | M6x75-4,6 Zn DIN7985 |
| 5 | 303 0931 | 1 | Sicherungsmutter | Selflocking nut | NM6-8 Zn DIN985 |
| 6 | 303 0936 | 6 | Sicherungsmutter | Selflocking nut | NM20-8 Zn DIN985 |
| 8 | 305 8571 | 2 | Scheibe | Washer | 6,4 DIN125-A Zn |
| 11 | 375 2124 | 2 | Staubkappe, weiß | Cap, white | D26,5 Bg.3 |
| 12 | 375 2122 | 2 | Staubkappe, schwarz | Cap, black | D26,5 Bg.3 |
| 13 | 375 2718 | 2 | SVK-Stecker | Hydraulic coupling | BG-3 12L M18x1,5 |
| 15 | 375 4020 | 3 | Einschraubverschraubung | Nipple | x-GE12-LM M18x1,5 Zn |
| 16 | 375 4040 | 2 | Einschraubverschraubung | Nipple | xGE 15-LR R1/2"-B |
| 17 | 375 4120 | 1 | Gerade Verschraubung | Nipple | x-G15-L M22x1,5 |
| 18 | 375 4220 | 1 | Winkelverschraubung | Elbow union | W15-L M22x1,5 |
| 19 | 375 4484 | 1 | T-Verschraubung | T-union | x-T15-L M22x1,5 Zn |
| 20 | 375 4494 | 1 | Einstellbare T-Verschraubung | Adjustable T-union | ET15-LM |
| 21 | 375 4500 | 3 | Einstellbare W-Verschraubung | Adjustable angle union | EW12-LM DKO24 GRD M18x1,5 |
| 22 | 375 4503 | 2 | Einstellbare W-Verschraubung | Adjustable angle union | EW15-L-DKO24 GRD O-Ring |
| 23 | 375 4553 | 3 | Einstellbare L-Verschraubung | Adjustable L-union | EL15-L-DKO24 GRD |
| 24 | 375 4653 | 1 | Konus-Reduzieranschluss | Reduction joint | x-KOR15/12-L DKO24 GRD |
| 27 | 375 9850 | 4 | Schelle | Clamp | LNU4-19/15PP |
| 28 | 375 9950 | 2 | Anschweißplatte | Weld on plate | SP1A 36x30x2 |



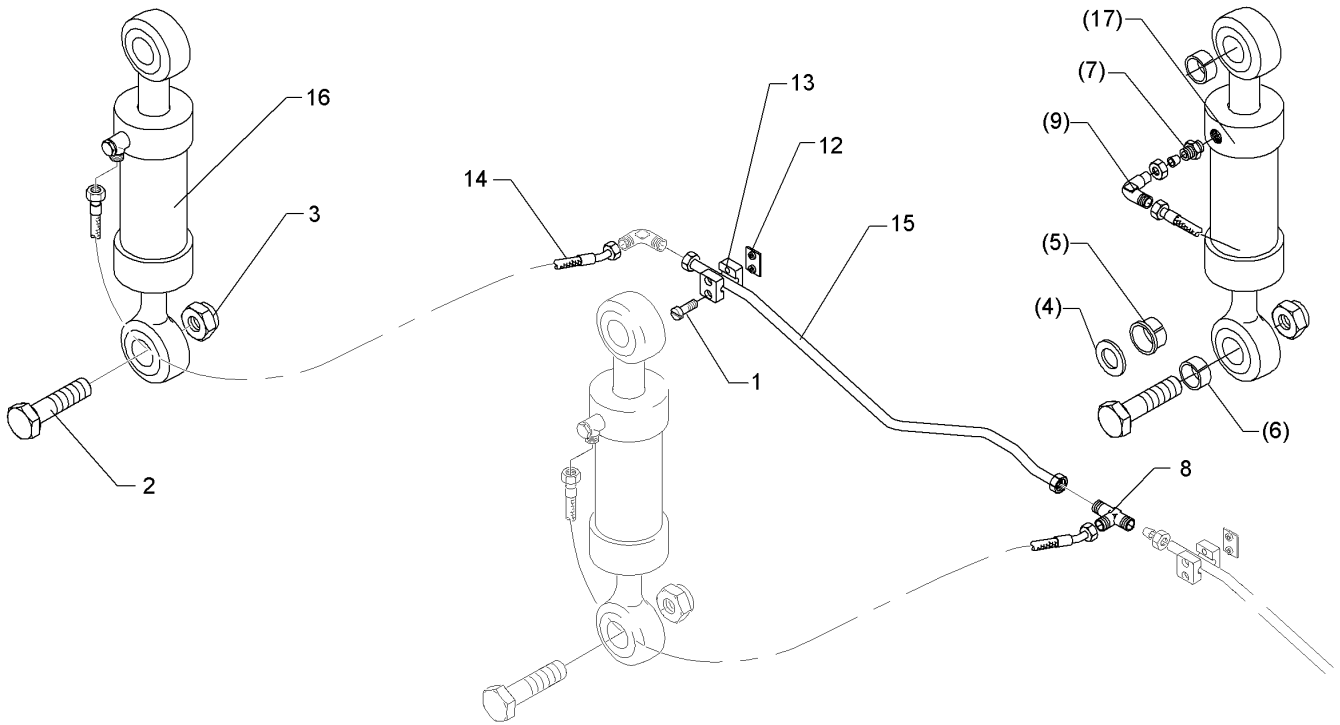
01.18

| Pos. | Art.Nr. | Stck. | Artikeltext / Description | | Abmessung |
|------|----------|-------|---------------------------|----------------------|-------------------------------------|
| 29 | 375 9961 | 4 | Schellenkörper | Clamp | 1/2x215 PP |
| 30 | 475 2688 | 2 | Hydraulikschlauch | Hydraulic hose | 1SN08-1500-DKOL12/DKOL12 |
| 31 | 475 2683 | 1 | Hydraulikschlauch | Hydraulic hose | 2SN12-0600-DKO L15/L15 00/90GR |
| 32 | 475 3010 | 1 | Hydraulikschlauch | Hydraulic hose | 2SC12-1200 DKOL15/DKOL15 0/0° |
| 33 | 475 3011 | 2 | Hydraulikschlauch | Hydraulic hose | 2SN12-1200 DKOL15 00/45 GRD |
| 34 | 475 3012 | 1 | Hydraulikschlauch | Hydraulic hose | 2SN08-2800/DKOL12/DKOL12 |
| 35 | 475 4373 | 1 | Halter | Holder | MSS 30x8x188 2xGEB90GRD |
| 37 | 475 9970 | 1 | Hydraulikrohr | Hydraulic tube | 3xD8,5 15x2x98 |
| 38 | 475 9971 | 1 | Hydraulikrohr | Hydraulic tube | 15x2x200 |
| 39 | 575 2523 | 3 | Zugzylinder | Hydraulic ram | EZ 60/30-125 |
| 42 | 575 9041 | 1 | Block zum HydriX | Block | 60-150 bar |
| 43 | 575 9042 | 2 | Druckspeicher | Pressure accumulator | Typ 0,75l 250-50bar G1/2 ZL |
| 51 | 375 2607 | 4 | Griff Halbschale | Handle | - |
| 52 | 375 2606 | 2 | Einleger | Insert | DN6 DN8 |
| 53 | 325 1600 | 2 | Kennzeichnung | Marking | P0 |
| 54 | 325 1607 | 2 | Kennzeichnung | Marking | T0 |
| 55 | 57510283 | 1 | Hydraulikrohr | Hydraulic tube | 15x2x98 |
| 56 | 57510449 | 1 | Hydraulikrohr | Hydraulic tube | 15x2x200 |



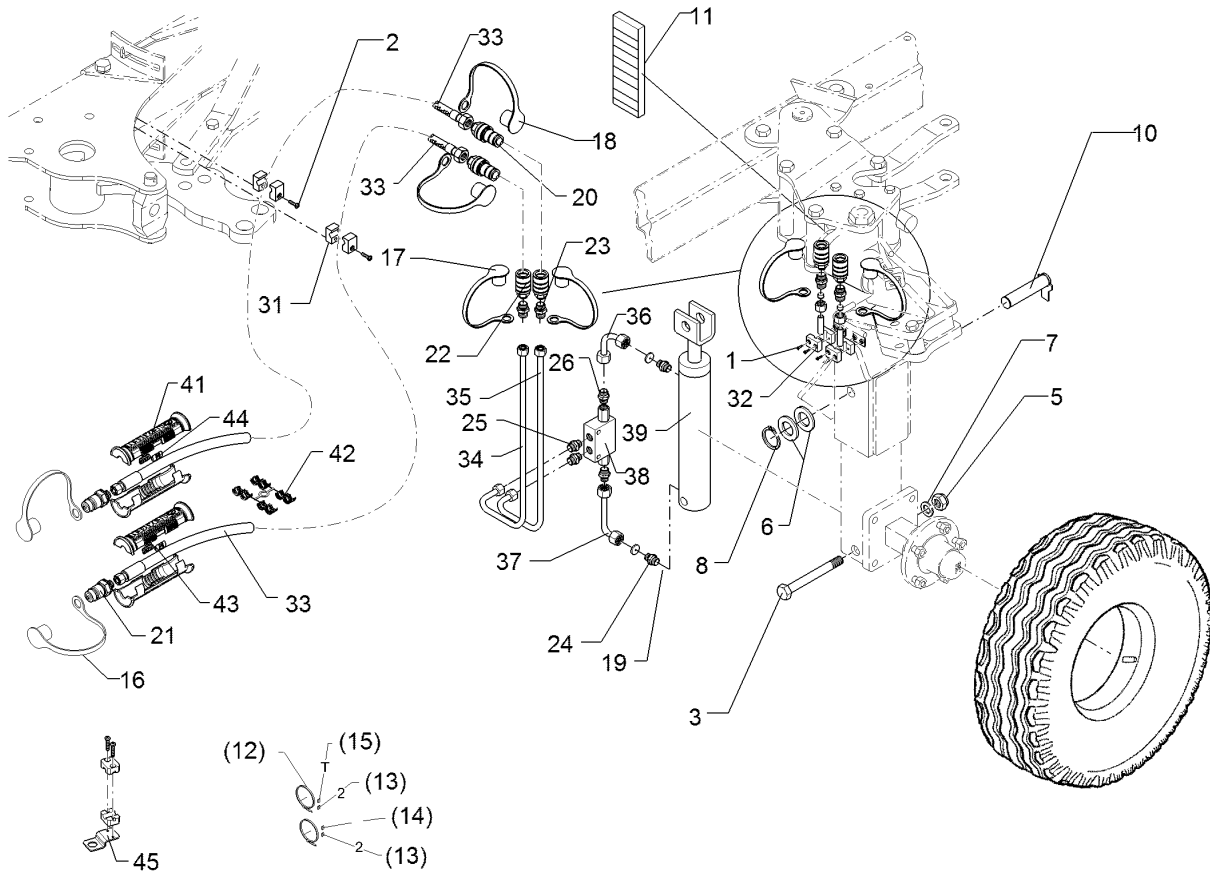
01.18

| Pos. | Art.Nr. | Stck. | Artikeltext / Description | | Abmessung |
|------|----------|-------|---------------------------|-------------|--------------------------|
| 57 | 30310095 | 2 | Sechskantmutter | Hexagon nut | M33x1,5 k=8 ZnNi 720h |



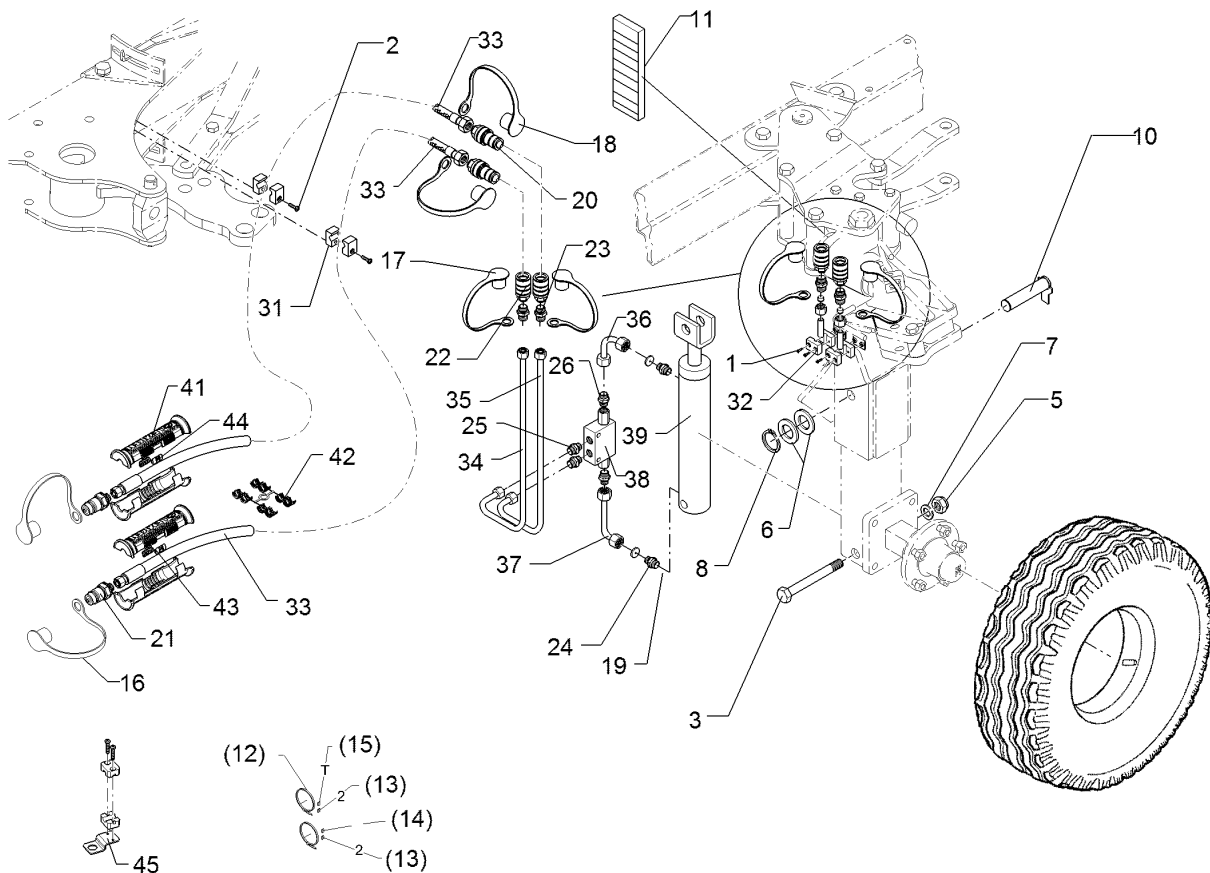
01.18

| Pos. | Art.Nr. | Stck. | Artikeltext / Description | | Abmessung |
|------|----------|-------|--------------------------------|------------------------|--------------------------------|
| 1 | 301 0302 | 2 | Linsenschraube | Oval head screw | M6x25-4,6 Zn DIN7985 |
| 3 | 303 0936 | 2 | Sicherungsmutter | Selflocking nut | NM20-8 Zn DIN985 |
| 5 | 317 9520 | 4 | Bundbuchse | Flange bushing | D30/20x19 |
| 6 | 317 9521 | 4 | Buchse | Bush | D30/20x29 |
| 7 | 375 4029 | 1 | Gerade Einschraubverschraubung | Nipple | x-GE15-LM 18x1,5-B |
| 8 | 375 4484 | 1 | T-Verschraubung | T-union | x-T15-L M22x1,5 Zn |
| 9 | 375 4502 | 1 | Einstellbare W-Verschraubung | Adjustable angle union | EW15-L |
| 12 | 375 9950 | 1 | Anschweißplatte | Weld on plate | SP1A 36x30x2 |
| 13 | 375 9961 | 2 | Schellenkörper | Clamp | 1/2x215 PP |
| 14 | 475 3011 | 1 | Hydraulikschlauch | Hydraulic hose | 2SN12-1200 DKOL15 00/45 GRD |
| 15 | 57510452 | 1 | Hydraulikrohr | Hydraulic tube | 15x2x1197 5xGEB |
| 16 | 575 2523 | 1 | Zugzylinder | Hydraulic ram | EZ 60/30-125 |
| 17 | 575 2524 | 1 | Zugzylinder | Hydraulic ram | ZZ 63/30-125 |



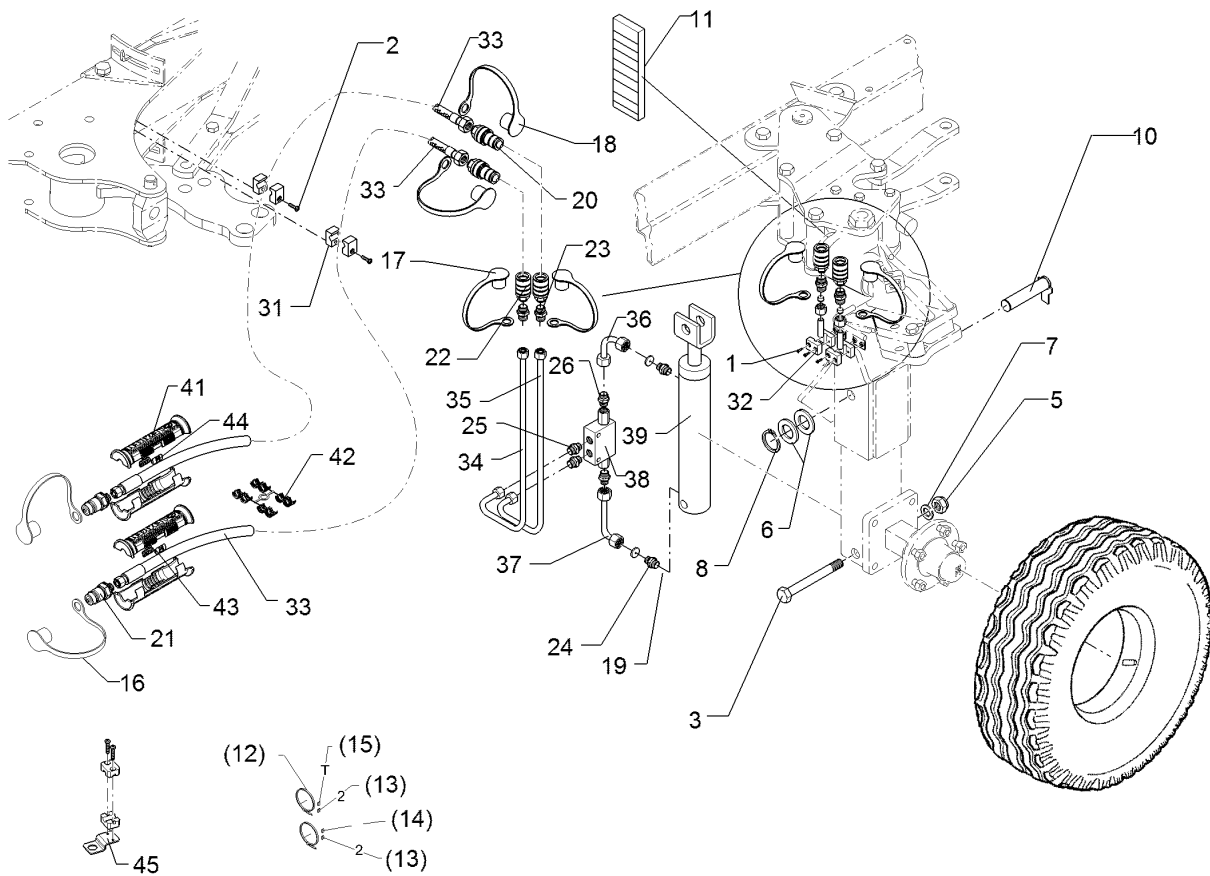
01.18

| Pos. | Art.Nr. | Stck. | Artikeltext / Description | | Abmessung |
|------|----------|-------|--------------------------------|--------------------|----------------------------------|
| 1 | 301 0302 | 4 | Linsenschraube | Oval head screw | M6x25-4,6 Zn DIN7985 |
| 2 | 301 0303 | 4 | Linsenschraube | Oval head screw | M6x30-4,6 Zn DIN7985 |
| 3 | 301 4465 | 1 | Sechskantschraube gek. | Hexagon bolt | M20x130-8.8 (160) Zn DIN931-A |
| 5 | 303 0936 | 1 | Sicherungsmutter | Selflocking nut | NM20-8 Zn DIN985 |
| 6 | 305 2230 | 2 | Stützscheibe | Supporting washer | S 25x35x2,0 DIN988 Zn |
| 7 | 305 6012 | 2 | Scheibe | Washer | 21 ISO7089 Zn |
| 8 | 305 8861 | 1 | Sicherungsring | Retaining ring | 25x2 DIN471 Zn |
| 10 | 313 2538 | 1 | Bolzen mit Verdrehsicherung | Pin with stop | D25x136/153 Zn |
| 11 | 321 1200 | 2 | Skala Tiefenanzeige für Unirad | Scale | 27x80 |
| 12 | 325 1350 | 2 | Spannband | Strap | 6,3x254 VA |
| 13 | 325 1502 | 2 | EASY-READ Zeichen | EASY-READ sign | "2" |
| 14 | 325 1511 | 1 | EASY-READ Zeichen | EASY-READ sign | "P" |
| 15 | 325 1512 | 1 | EASY-READ Zeichen | EASY-READ sign | "T" |
| 16 | 375 2121 | 2 | Staubkappe | Dust cap | D26,5 Bg.3 |
| 17 | 375 2128 | 2 | Staubkappe | Dust cap | Gr.2-M.-FF |
| 18 | 375 2129 | 2 | Staubkappe | Dust cap | Gr.2-S.-FF |
| 19 | 375 2171 | 2 | Drosselscheibe | Restrictor washer | D12x1,5 BO 0,9 |
| 20 | 375 2715 | 2 | SVK-Stecker | Hydraulic coupling | Gr.2 G 3/8ZL |
| 21 | 375 2718 | 2 | SVK-Stecker | Hydraulic coupling | BG-3 12L M18x1,5 |
| 22 | 375 2729 | 2 | SVK-Muffe | SVK-socket | Gr.2 G 3/8" |
| 23 | 375 3996 | 4 | Einstellbare GE-Verschraubung | Nipple | xGE 10-L R 3/8" |



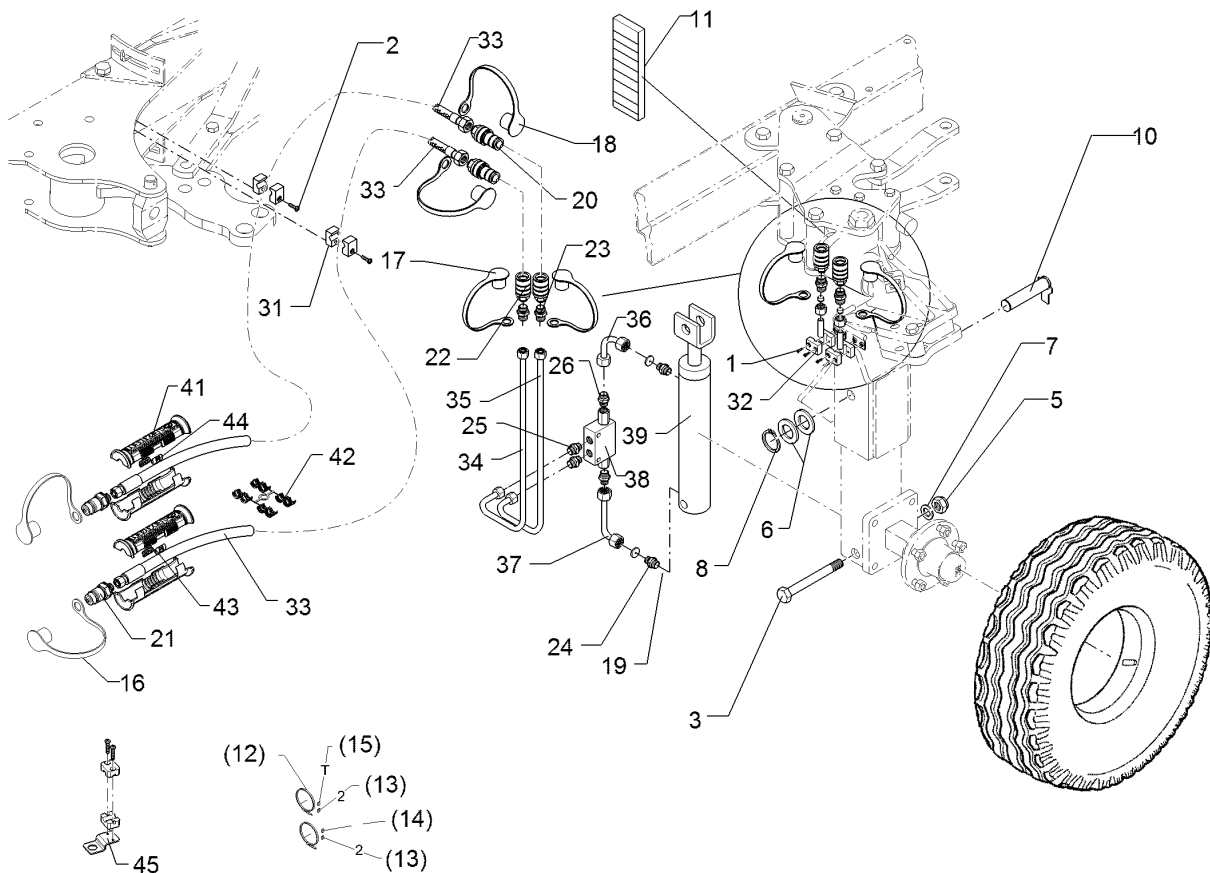
01.18

| Pos. | Art.Nr. | Stck. | Artikeltext / Description | | Abmessung |
|------|----------|-------|-------------------------------|-----------------|-------------------------------------|
| 24 | 375 4010 | 2 | Einschraubverschraubung | Nipple | x-GE12-LM M16x1,5 Zn |
| 25 | 375 4035 | 2 | Einstellbare GE-Verschraubung | Nipple | GE 10-L R 1/4" |
| 26 | 375 4038 | 2 | Einschraubverschraubung | Nipple | GE 12-LR 1/4 ZL ED |
| 31 | 375 9961 | 4 | Schellenkörper | Clamp | 1/2x215 PP |
| 32 | 375 9959 | 4 | Schellenkörper | Clamp | 1/2x110A PP |
| 33 | 475 2646 | 2 | Hydraulikschlauch | Hydraulic hose | 1SN08-5500 DKOL12/DKOL10 0/0° |
| 34 | 57510868 | 1 | Hydraulikrohr | Hydraulic tube | 10x2x605 2x90GRD |
| 35 | 57510869 | 1 | Hydraulikrohr | Hydraulic tube | 10x2x702 2x90GRD |
| 36 | 57510321 | 1 | Hydraulikrohr | Hydraulic tube | 12x2x89 GEB90GRD |
| 37 | 57510322 | 1 | Hydraulikrohr | Hydraulic tube | 12x2x151 GEB90GRD |
| 38 | 575 2161 | 1 | Rückschlagventil | Nonreturn valve | RDP 06 1/4 |
| 39 | 575 2314 | 1 | Hydraulikzylinder | Hydraulic ram | 60/30-210-430 |
| 41 | 375 2607 | 4 | Griff Halbschale | Handle | - |
| 42 | 375 2606 | 2 | Einleger | Insert | DN6 DN8 |
| 43 | 325 1603 | 2 | Kennzeichnung | Marking | P3 |
| 44 | 325 1610 | 2 | Kennzeichnung | Marking | T3 |
| 45 | 475 4407 | 2 | Halter | Holder | 40x3x92 Zn |



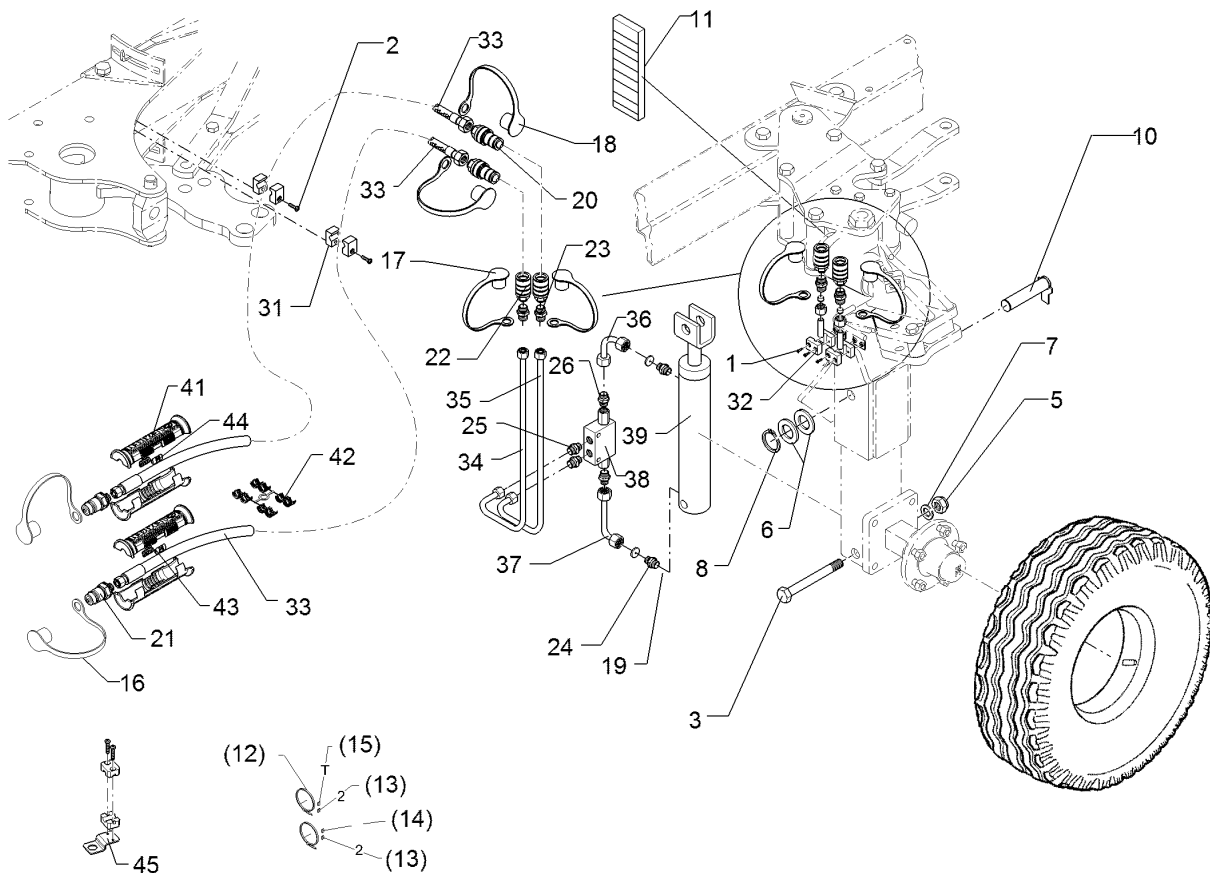
01.18

| Pos. | Art.Nr. | Stck. | Artikeltext / Description | | Abmessung |
|------|----------|-------|--------------------------------|--------------------|----------------------------------|
| 1 | 301 0302 | 4 | Linsenschraube | Oval head screw | M6x25-4,6 Zn DIN7985 |
| 2 | 301 0306 | 2 | Linsenschraube | Oval head screw | M6x45-4,6 Zn DIN7985 |
| 3 | 301 4465 | 1 | Sechskantschraube gek. | Hexagon bolt | M20x130-8.8 (160) Zn DIN931-A |
| 5 | 303 0936 | 1 | Sicherungsmutter | Selflocking nut | NM20-8 Zn DIN985 |
| 6 | 305 2230 | 2 | Stützscheibe | Supporting washer | S 25x35x2,0 DIN988 Zn |
| 7 | 305 6012 | 1 | Scheibe | Washer | 21 ISO7089 Zn |
| 8 | 305 8861 | 1 | Sicherungsring | Retaining ring | 25x2 DIN471 Zn |
| 10 | 313 2538 | 1 | Bolzen mit Verdrehsicherung | Pin with stop | D25x136/153 Zn |
| 11 | 321 1200 | 2 | Skala Tiefenanzeige für Unirad | Scale | 27x80 |
| 12 | 325 1350 | 2 | Spannband | Strap | 6,3x254 VA |
| 13 | 325 1502 | 2 | EASY-READ Zeichen | EASY-READ sign | "2" |
| 14 | 325 1511 | 1 | EASY-READ Zeichen | EASY-READ sign | "P" |
| 15 | 325 1512 | 1 | EASY-READ Zeichen | EASY-READ sign | "T" |
| 16 | 375 2121 | 2 | Staubkappe | Dust cap | D26,5 Bg.3 |
| 17 | 375 2128 | 2 | Staubkappe | Dust cap | Gr.2-M.-FF |
| 18 | 375 2129 | 2 | Staubkappe | Dust cap | Gr.2-S.-FF |
| 19 | 375 2171 | 2 | Drosselscheibe | Restrictor washer | D12x1,5 BO 0,9 |
| 20 | 375 2715 | 2 | SVK-Stecker | Hydraulic coupling | Gr.2 G 3/8ZL |
| 21 | 375 2718 | 2 | SVK-Stecker | Hydraulic coupling | BG-3 12L M18x1,5 |
| 22 | 375 2729 | 2 | SVK-Muffe | SVK-socket | Gr.2 G 3/8" |
| 23 | 375 3996 | 4 | Einstellbare GE-Verschraubung | Nipple | xGE 10-L R 3/8" |



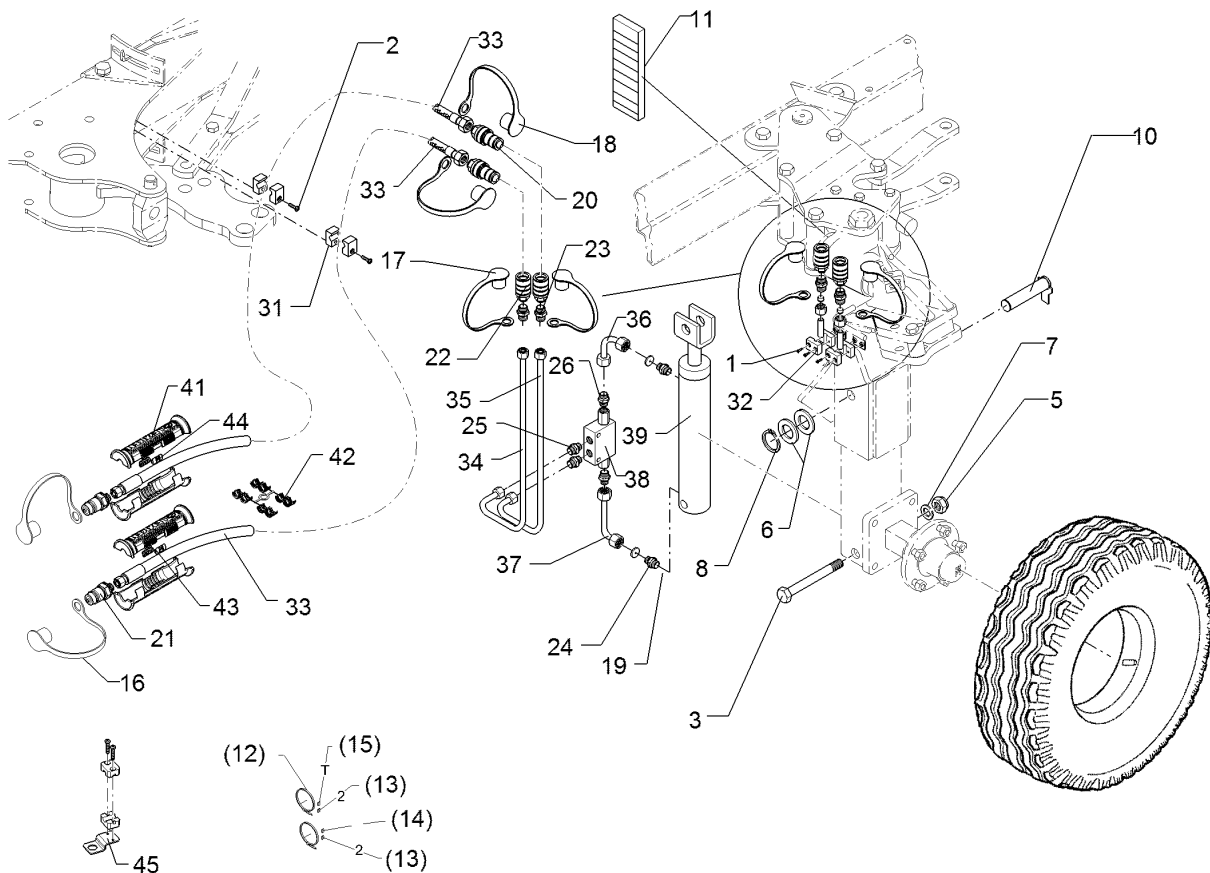
01.18

| Pos. | Art.Nr. | Stck. | Artikeltext / Description | | Abmessung |
|------|----------|-------|-------------------------------|-----------------|--------------------------|
| 24 | 375 4010 | 2 | Einschraubverschraubung | Nipple | x-GE12-LM M16x1,5 Zn |
| 25 | 375 4035 | 2 | Einstellbare GE-Verschraubung | Nipple | GE 10-L R 1/4" |
| 26 | 375 4038 | 2 | Einschraubverschraubung | Nipple | GE 12-LR 1/4 ZL ED |
| 31 | 375 9852 | 4 | Doppelschelle | Double clip | LNGF-19/19PP |
| 32 | 375 9959 | 4 | Schellenkörper | Clamp | 1/2x110A PP |
| 33 | 475 2647 | 2 | Hydraulikschlauch | Hydraulic hose | 1SN08-6500-DKOL10/DKOL12 |
| 34 | 57510868 | 1 | Hydraulikrohr | Hydraulic tube | 10x2x605 2x90GRD |
| 35 | 57510869 | 1 | Hydraulikrohr | Hydraulic tube | 10x2x702 2x90GRD |
| 36 | 57510321 | 1 | Hydraulikrohr | Hydraulic tube | 12x2x89 GEB90GRD |
| 37 | 57510322 | 1 | Hydraulikrohr | Hydraulic tube | 12x2x151 GEB90GRD |
| 38 | 575 2161 | 1 | Rückschlagventil | Nonreturn valve | RDP 06 1/4 |
| 39 | 575 2314 | 1 | Hydraulikzylinder | Hydraulic ram | 60/30-210-430 |
| 41 | 375 2607 | 4 | Griff Halbschale | Handle | - |
| 42 | 375 2606 | 2 | Einleger | Insert | DN6 DN8 |
| 43 | 325 1603 | 2 | Kennzeichnung | Marking | P3 |
| 44 | 325 1610 | 2 | Kennzeichnung | Marking | T3 |
| 45 | 475 4407 | 4 | Halter | Holder | 40x3x92 Zn |



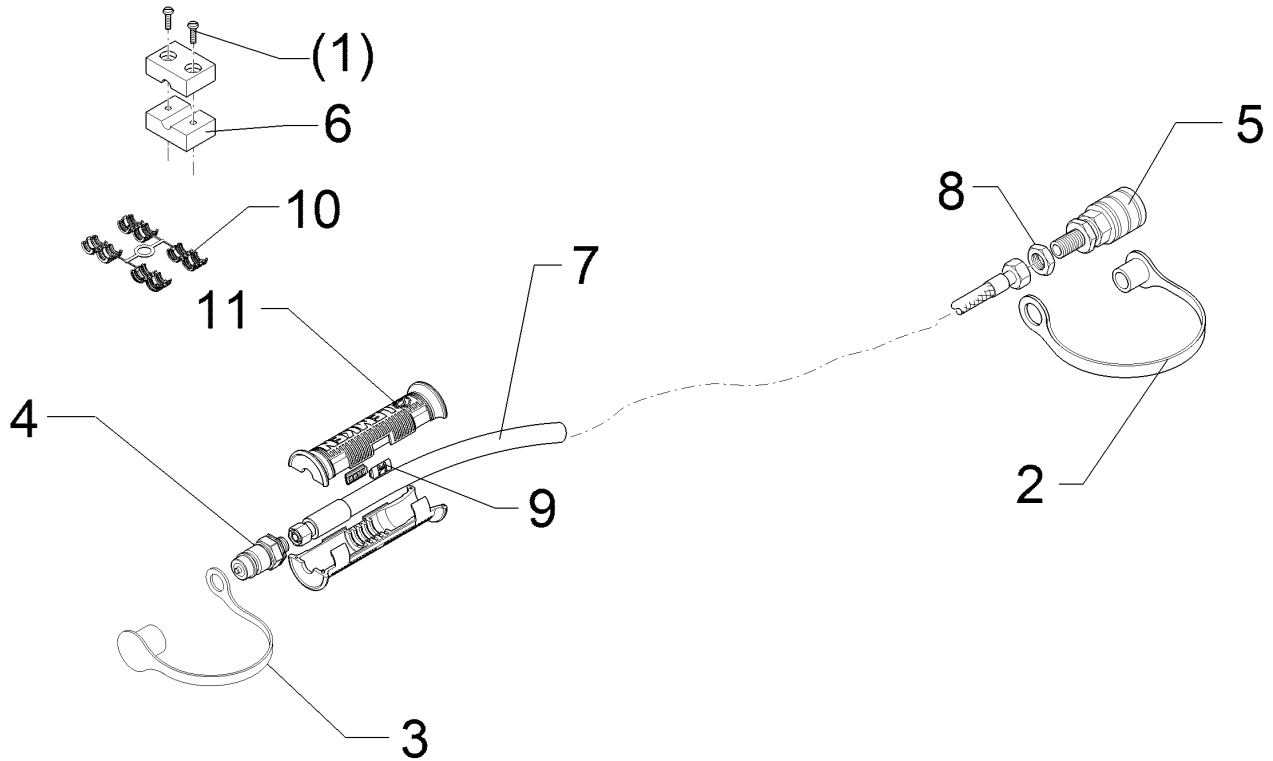
01.18

| Pos. | Art.Nr. | Stck. | Artikeltext / Description | | Abmessung |
|------|----------|-------|--------------------------------|--------------------|----------------------------------|
| 1 | 301 0302 | 4 | Linsenschraube | Oval head screw | M6x25-4,6 Zn DIN7985 |
| 2 | 301 0306 | 1 | Linsenschraube | Oval head screw | M6x45-4,6 Zn DIN7985 |
| 3 | 301 4465 | 1 | Sechskantschraube gek. | Hexagon bolt | M20x130-8.8 (160) Zn DIN931-A |
| 5 | 303 0936 | 1 | Sicherungsmutter | Selflocking nut | NM20-8 Zn DIN985 |
| 6 | 305 2230 | 2 | Stützscheibe | Supporting washer | S 25x35x2,0 DIN988 Zn |
| 7 | 305 6012 | 1 | Scheibe | Washer | 21 ISO7089 Zn |
| 8 | 305 8861 | 1 | Sicherungsring | Retaining ring | 25x2 DIN471 Zn |
| 10 | 313 2538 | 1 | Bolzen mit Verdrehsicherung | Pin with stop | D25x136/153 Zn |
| 11 | 321 1200 | 2 | Skala Tiefenanzeige für Unirad | Scale | 27x80 |
| 12 | 325 1350 | 2 | Spannband | Strap | 6,3x254 VA |
| 13 | 325 1502 | 2 | EASY-READ Zeichen | EASY-READ sign | "2" |
| 14 | 325 1511 | 1 | EASY-READ Zeichen | EASY-READ sign | "P" |
| 15 | 325 1512 | 1 | EASY-READ Zeichen | EASY-READ sign | "T" |
| 16 | 375 2121 | 2 | Staubkappe | Dust cap | D26,5 Bg.3 |
| 17 | 375 2128 | 2 | Staubkappe | Dust cap | Gr.2-M.-FF |
| 18 | 375 2129 | 2 | Staubkappe | Dust cap | Gr.2-S.-FF |
| 19 | 375 2171 | 2 | Drosselscheibe | Restrictor washer | D12x1,5 BO 0,9 |
| 20 | 375 2715 | 2 | SVK-Stecker | Hydraulic coupling | Gr.2 G 3/8ZL |
| 21 | 375 2718 | 2 | SVK-Stecker | Hydraulic coupling | BG-3 12L M18x1,5 |
| 22 | 375 2729 | 2 | SVK-Muffe | SVK-socket | Gr.2 G 3/8" |
| 23 | 375 3996 | 4 | Einstellbare GE-Verschraubung | Nipple | xGE 10-L R 3/8" |



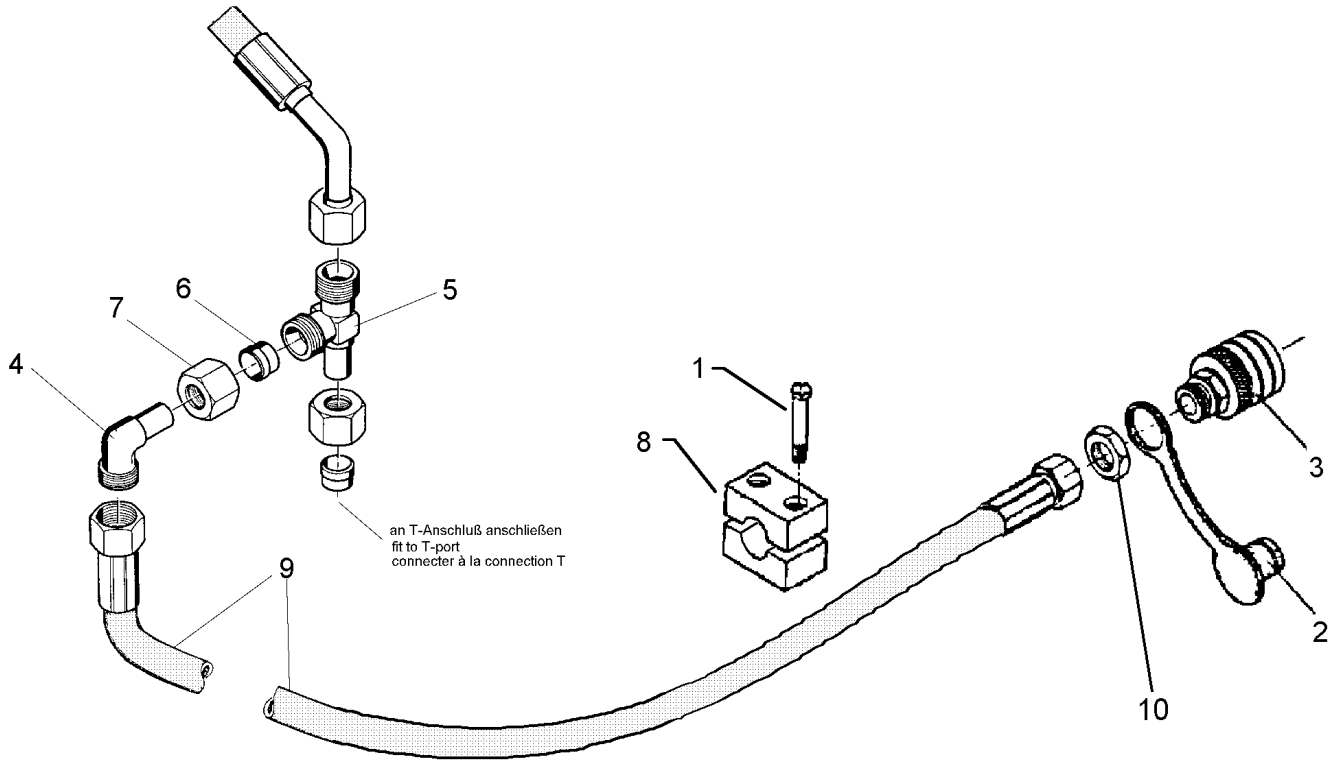
01.18

| Pos. | Art.Nr. | Stck. | Artikeltext / Description | | Abmessung |
|------|----------|-------|-------------------------------|-----------------|--------------------------|
| 24 | 375 4010 | 2 | Einschraubverschraubung | Nipple | x-GE12-LM M16x1,5 Zn |
| 25 | 375 4035 | 2 | Einstellbare GE-Verschraubung | Nipple | GE 10-L R 1/4" |
| 26 | 375 4038 | 2 | Einschraubverschraubung | Nipple | GE 12-LR 1/4 ZL ED |
| 31 | 375 9852 | 4 | Doppelschelle | Double clip | LNGF-19/19PP |
| 32 | 375 9959 | 4 | Schellenkörper | Clamp | 1/2x110A PP |
| 33 | 475 2648 | 2 | Hydraulikschlauch | Hydraulic hose | 1SN08-7500-DKOL10/DKOL12 |
| 34 | 57510868 | 1 | Hydraulikrohr | Hydraulic tube | 10x2x605 2x90GRD |
| 35 | 57510869 | 1 | Hydraulikrohr | Hydraulic tube | 10x2x702 2x90GRD |
| 36 | 57510321 | 1 | Hydraulikrohr | Hydraulic tube | 12x2x89 GEB90GRD |
| 37 | 57510322 | 1 | Hydraulikrohr | Hydraulic tube | 12x2x151 GEB90GRD |
| 38 | 575 2161 | 1 | Rückschlagventil | Nonreturn valve | RDP 06 1/4 |
| 39 | 575 2314 | 1 | Hydraulikzylinder | Hydraulic ram | 60/30-210-430 |
| 41 | 375 2607 | 4 | Griff Halbschale | Handle | - |
| 42 | 375 2606 | 2 | Einleger | Insert | DN6 DN8 |
| 43 | 325 1603 | 2 | Kennzeichnung | Marking | P3 |
| 44 | 325 1610 | 2 | Kennzeichnung | Marking | T3 |
| 45 | 475 4407 | 6 | Halter | Holder | 40x3x92 Zn |



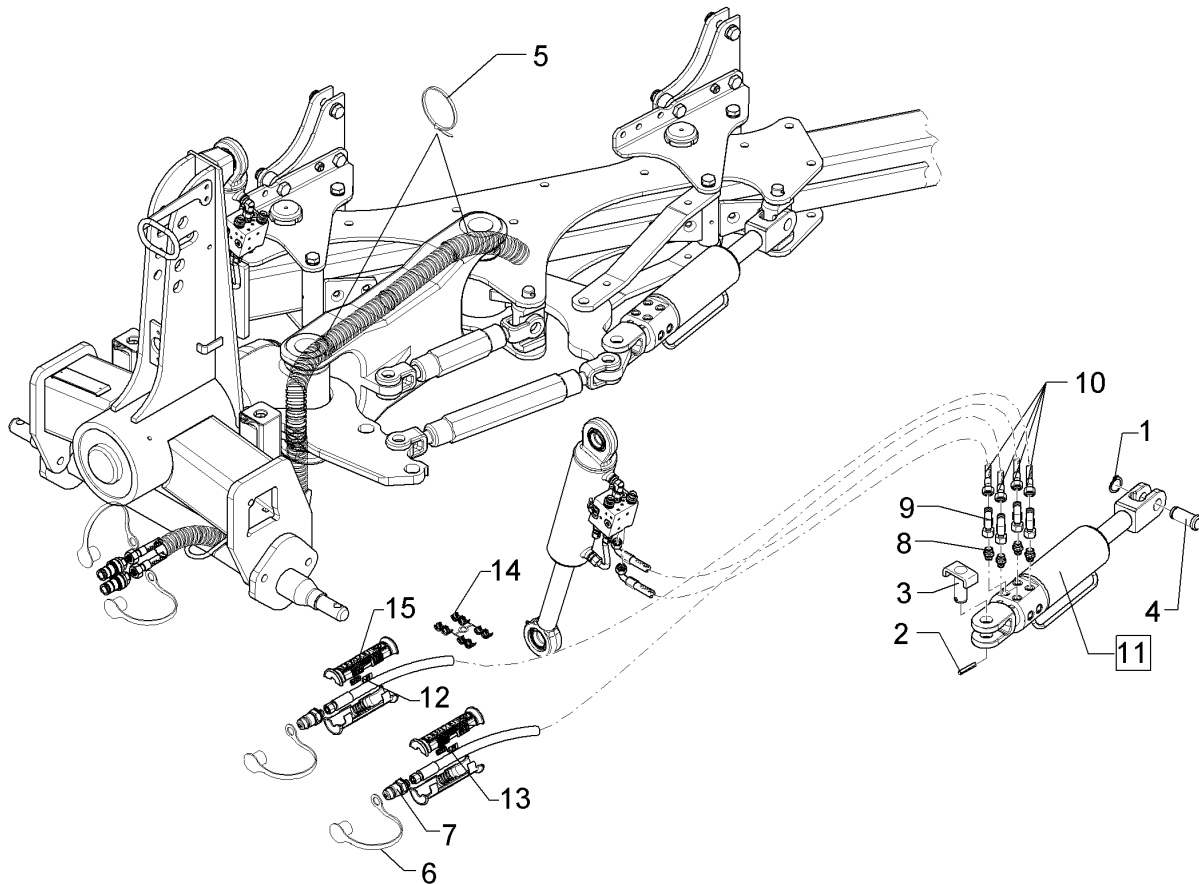
01.18

| Pos. | Art.Nr. | Stck. | Artikeltext / Description | | Abmessung |
|------|----------|-------|---------------------------|--------------------|-----------------------------|
| 1 | 301 0301 | 2 | Linsenschraube | Oval head screw | M6x20-4,6 Zn DIN7985 |
| 2 | 375 2163 | 1 | Staubstecker | Plastic male probe | NW 6 |
| 3 | 375 2122 | 1 | Staubkappe, schwarz | Cap, black | D26,5 Bg.3 |
| 4 | 375 2718 | 1 | SVK-Stecker | Hydraulic coupling | BG-3 12L M18x1,5 |
| 5 | 375 2730 | 1 | SVK-Muffe | SVK-socket | BG 2 NW8 M16x1,5 Schott |
| 6 | 375 9960 | 2 | Schellenkörper | Clamp | 1/2x112A PP |
| 7 | 475 2678 | 1 | Hydraulikschlauch | Hydraulic hose | 1SN06-4400 DKOL10/DKOL12 |
| 9 | 325 1604 | 2 | Kennzeichnung | Marking | P4 |
| 10 | 375 2606 | 1 | Einleger | Insert | DN6 DN8 |
| 11 | 375 2607 | 2 | Griff Halbschale | Handle | - |



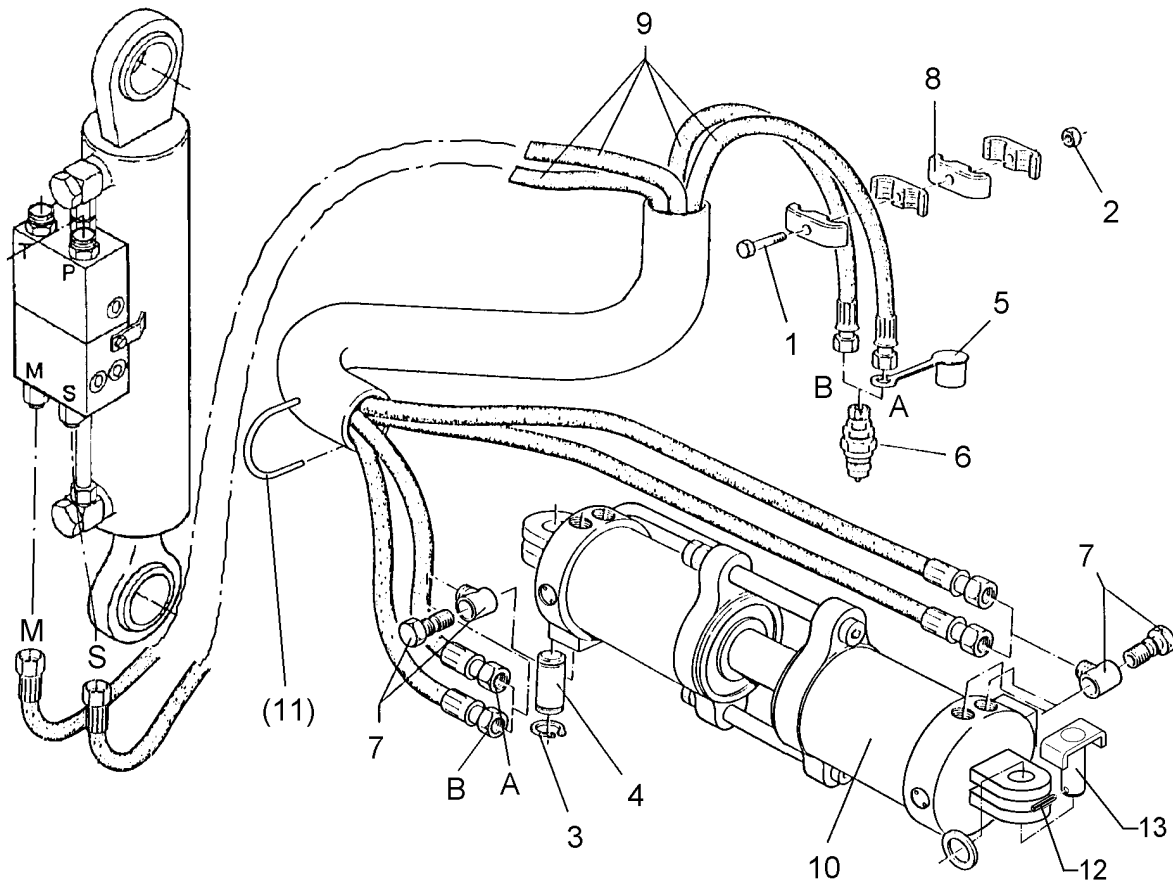
01.18

| Pos. | Art.Nr. | Stck. | Artikeltext / Description | | Abmessung |
|------|----------|-------|------------------------------|------------------------|----------------------------|
| 1 | 301 0301 | 2 | Linsenschraube | Oval head screw | M6x20-4,6 Zn DIN7985 |
| 2 | 375 2163 | 1 | Staubstecker | Plastic male probe | NW 6 |
| 3 | 375 2730 | 1 | SVK-Muffe | SVK-socket | BG 2 NW8 M16x1,5 Schott |
| 4 | 375 4500 | 1 | Einstellbare W-Verschraubung | Adjustable angle union | EW12-LM DKO24 |
| 5 | 375 4550 | 1 | Einstellbare L-Verschraubung | Adjustable L-union | GRD M18x1,5 |
| 6 | 375 5110 | 1 | Schneidring | Cutting ring | EL12-L M18x1,5 |
| 7 | 375 5310 | 1 | Überwurfmutter | Union nut | 12L M18x1,5 Zn/ZnNi |
| 8 | 375 9960 | 2 | Schellenkörper | Clamp | 1/2x112A PP |
| 9 | 475 2679 | 1 | Hydraulikschlauch | Hydraulic hose | 1SN06-2800 DKOL10/12 |
| 10 | 375 5698 | 1 | Sechskantmutter | Hexagon nut | M16x1,5 SW22 Zn |



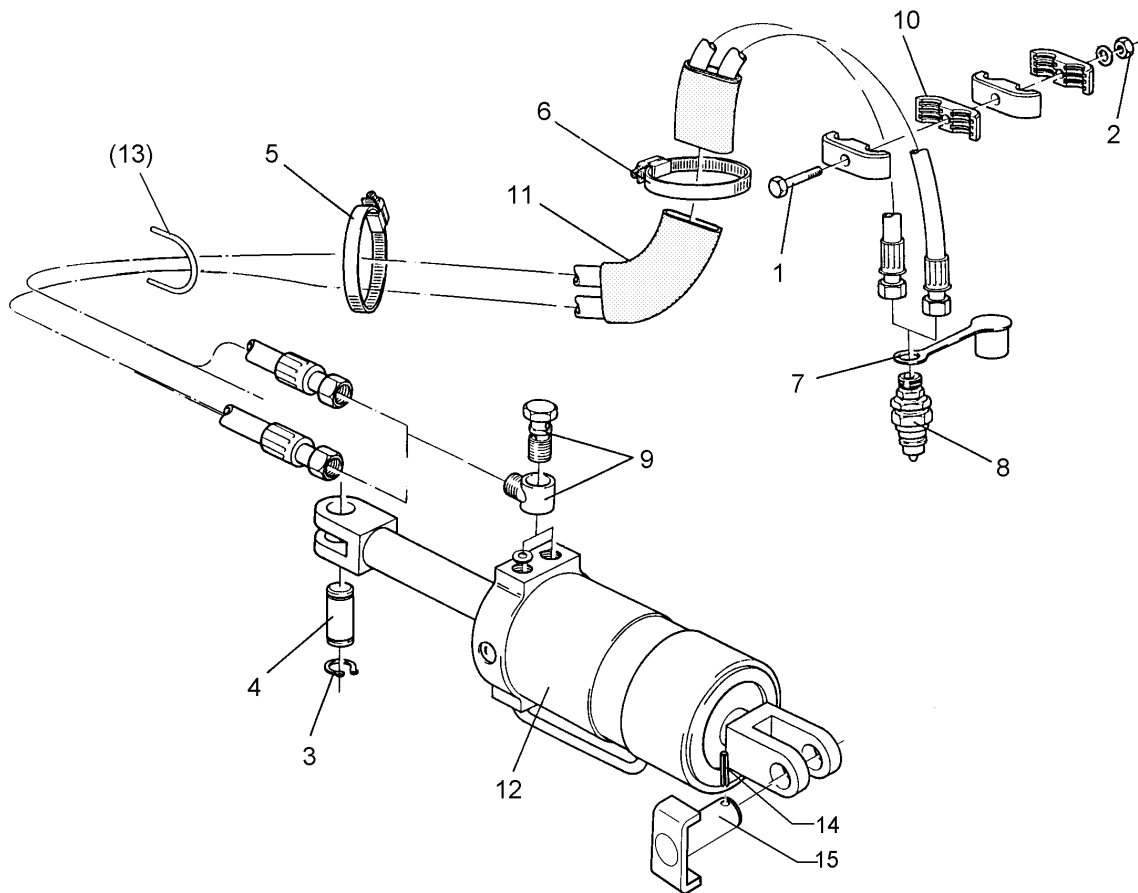
01.18

| Pos. | Art.Nr. | Stck. | Artikeltext / Description | | Abmessung |
|------|----------|-------|--------------------------------|------------------------|-----------------------------|
| 1 | 305 8867 | 2 | Sicherungsring | Retaining ring | 30x2 DIN471 Zn |
| 2 | 309 7000 | 1 | Spannhülse | Expansion bush | 8x50-DIN1481 Zn |
| 3 | 313 3005 | 1 | Bolzen mit Verdrehsicherung | Pin with stop | D30x83 U-71 Zn |
| 4 | 313 7802 | 1 | Bolzen mit Kopf | Pin with collar | D30/35x63/80 Zn |
| 5 | 325 1251 | 2 | Kabelbinder | Cable clip | 8,9x813mm T150L |
| 6 | 375 2120 | 2 | Staubkappe, grün | Cap | D26,5 Bg.3 |
| 7 | 375 2718 | 2 | SVK-Stecker | Hydraulic coupling | BG-3 12L M18x1,5 |
| 8 | 375 3983 | 4 | Gerade Einschraubverschraubung | Nipple | x-GE 08-LM 16x1,5 |
| 9 | 375 4498 | 4 | Einstellbare W-Verschraubung | Adjustable angle union | EW08-L M14x1,5 Zn |
| 10 | 475 2792 | 1 | Schlauchpaket | Hose-assembly | 2x2SC06-3450-DKOL08/DKOL08- |
| 11 | 575 2454 | 1 | Memoryzylinder | Memory ram | DZ-S90/45-100/600 |
| 12 | 325 1602 | 2 | Kennzeichnung | Marking | P2 |
| 13 | 325 1609 | 2 | Kennzeichnung | Marking | T2 |
| 14 | 375 2606 | 2 | Einleger | Insert | DN6 DN8 |
| 15 | 375 2607 | 4 | Griff Halbschale | Handle | - |



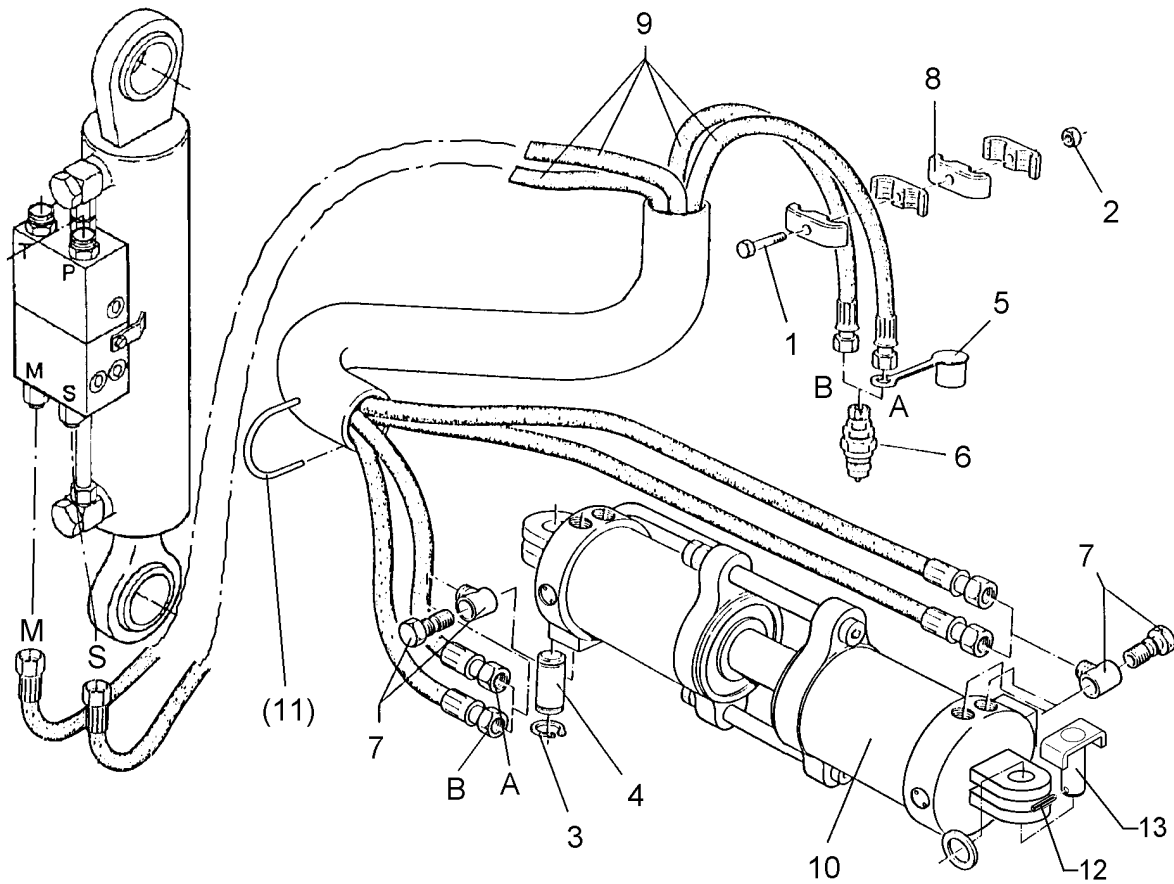
01.18

| Pos. | Art.Nr. | Stck. | Artikeltext / Description | | Abmessung |
|------|----------|-------|-----------------------------|--------------------|----------------------------|
| 1 | 301 5401 | 1 | Sechskantschraube | Hexagon bolt | M6x70-8.8 Zn DIN931-A |
| 2 | 303 0931 | 1 | Sicherungsmutter | Selflocking nut | NM6-8 Zn DIN985 |
| 3 | 305 8867 | 2 | Sicherungsring | Retaining ring | 30x2 DIN471 Zn |
| 4 | 313 7802 | 1 | Bolzen mit Kopf | Pin with collar | D30/35x63/80 Zn |
| 5 | 375 2120 | 2 | Staubkappe, grün | Cap | D26,5 Bg.3 |
| 6 | 375 2718 | 2 | SVK-Stecker | Hydraulic coupling | BG-3 12L M18x1,5 |
| 7 | 375 4310 | 4 | Schwenkverschraubung | Union, swivel | x-SWVE12-LM M16x1,5 |
| 8 | 375 9850 | 4 | Schelle | Clamp | LNU4-19/15PP |
| 9 | 475 2823 | 1 | Schlauchpaket | Hose-assembly | 2x2950 1x45 GRD +2x4500 |
| 10 | 575 2445 | 1 | Memoryzylinder | Memory ram | 90/40-100-600 |
| 11 | 215 1588 | 1 | Bügel | Clamp | D10x135 50x45 |
| 12 | 309 7000 | 1 | Spannhülse | Expansion bush | 8x50-DIN1481 Zn |
| 13 | 313 3005 | 1 | Bolzen mit Verdrehsicherung | Pin with stop | D30x83 U-71 Zn |



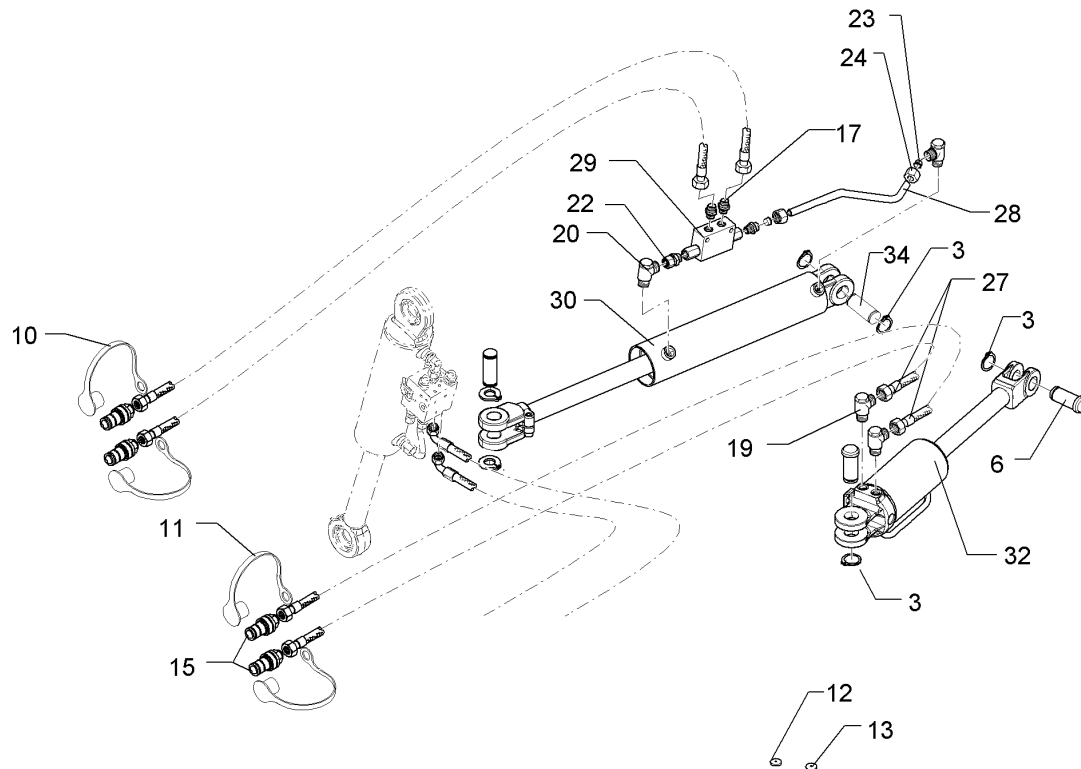
01.18

| Pos. | Art.Nr. | Stck. | Artikeltext / Description | | Abmessung |
|------|----------|-------|-----------------------------|--------------------|-----------------------------|
| 1 | 301 5401 | 1 | Sechskantschraube | Hexagon bolt | M6x70-8.8 Zn DIN931-A |
| 2 | 303 0931 | 1 | Sicherungsmutter | Selflocking nut | NM6-8 Zn DIN985 |
| 3 | 305 8867 | 2 | Sicherungsring | Retaining ring | 30x2 DIN471 Zn |
| 4 | 313 7802 | 1 | Bolzen mit Kopf | Pin with collar | D30/35x63/80 Zn |
| 5 | 325 1160 | 1 | Schlauchschelle | Hose clip | 40/60 |
| 6 | 325 1180 | 1 | Schlauchschelle | Hose clip | OL-S 6400 |
| 7 | 375 2120 | 2 | Staubkappe, grün | Cap | D26,5 Bg.3 |
| 8 | 375 2718 | 2 | SVK-Stecker | Hydraulic coupling | BG-3 12L M18x1,5 |
| 9 | 375 4310 | 2 | Schwenkverschraubung | Union, swivel | x-SWVE12-LM M16x1,5 |
| 10 | 375 9850 | 4 | Schelle | Clamp | LNU4-19/15PP |
| 11 | 475 2811 | 1 | Schlauchpaket | Hose-assembly | 2x1SN-4100 DKOL12/DKOL12 |
| 12 | 575 2430 | 1 | Breitenverstellzylinder | Adjuster ram | DZ90/40-100-600 |
| 13 | 215 1588 | 1 | Bügel | Clamp | D10x135 50x45 |
| 14 | 309 7000 | 1 | Spannhülse | Expansion bush | 8x50-DIN1481 Zn |
| 15 | 313 3005 | 1 | Bolzen mit Verdrehsicherung | Pin with stop | D30x83 U-71 Zn |
| 16 | 325 1602 | 2 | Kennzeichnung | Marking | P2 |
| 17 | 325 1609 | 2 | Kennzeichnung | Marking | T2 |
| 18 | 375 2606 | 2 | Einleger | Insert | DN6 DN8 |
| 19 | 375 2607 | 4 | Griff Halbschale | Handle | - |



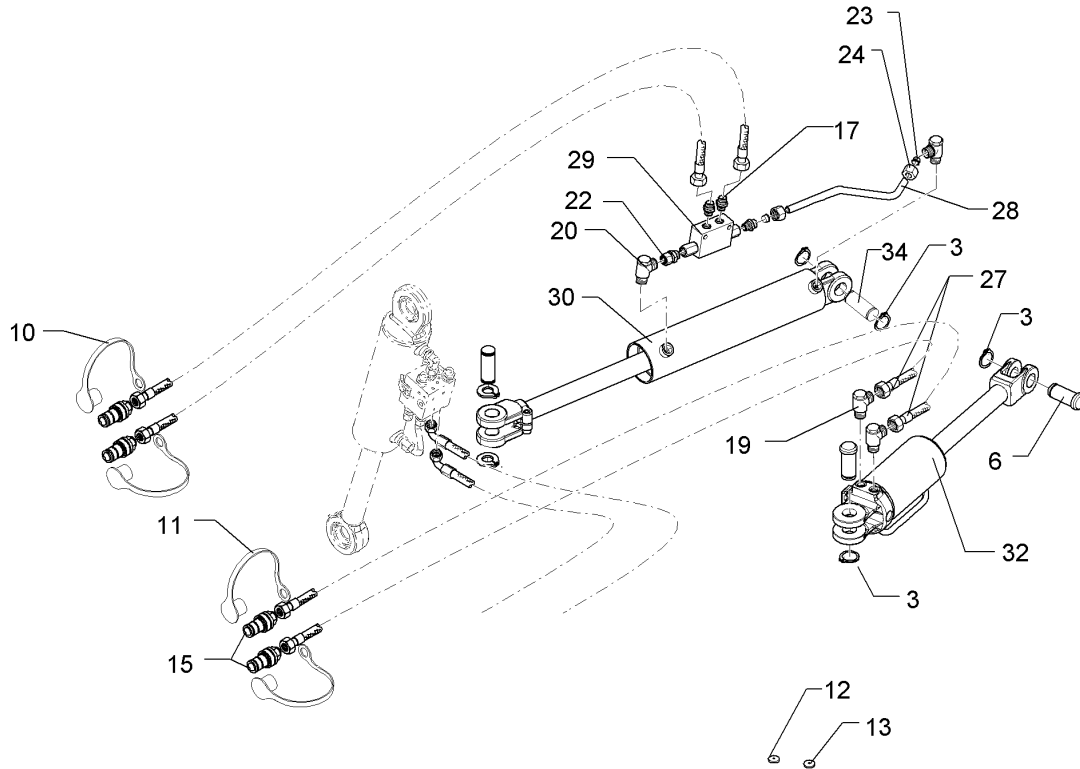
01.18

| Pos. | Art.Nr. | Stck. | Artikeltext / Description | | Abmessung |
|------|----------|-------|-----------------------------|--------------------|----------------------------|
| 1 | 301 5401 | 1 | Sechskantschraube | Hexagon bolt | M6x70-8.8 Zn DIN931-A |
| 2 | 303 0931 | 1 | Sicherungsmutter | Selflocking nut | NM6-8 Zn DIN985 |
| 3 | 305 8867 | 2 | Sicherungsring | Retaining ring | 30x2 DIN471 Zn |
| 4 | 313 7802 | 1 | Bolzen mit Kopf | Pin with collar | D30/35x63/80 Zn |
| 5 | 375 2120 | 2 | Staubkappe, grün | Cap | D26,5 Bg.3 |
| 6 | 375 2718 | 2 | SVK-Stecker | Hydraulic coupling | BG-3 12L M18x1,5 |
| 7 | 375 4310 | 4 | Schwenkverschraubung | Union, swivel | x-SWVE12-LM M16x1,5 |
| 8 | 375 9850 | 4 | Schelle | Clamp | LNU4-19/15PP |
| 9 | 475 2820 | 1 | Schlauchpaket | Hose-assembly | 2x3050 1x45 GRD +2x4600 |
| 10 | 575 2445 | 1 | Memoryzylinder | Memory ram | 90/40-100-600 |
| 11 | 215 1588 | 1 | Bügel | Clamp | D10x135 50x45 |
| 12 | 309 7000 | 1 | Spannhülse | Expansion bush | 8x50-DIN1481 Zn |
| 13 | 313 3005 | 1 | Bolzen mit Verdrehsicherung | Pin with stop | D30x83 U-71 Zn |



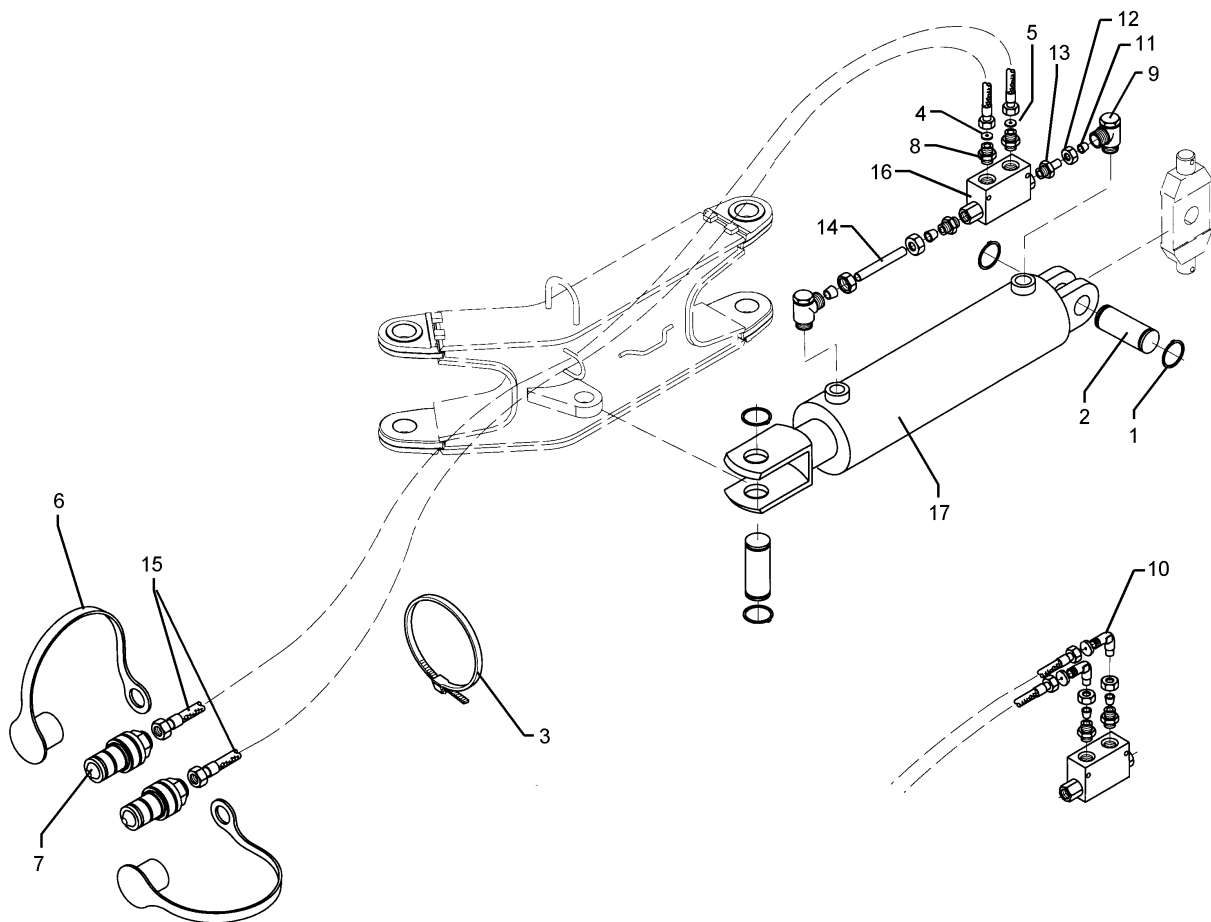
01.18

| Pos. | Art.Nr. | Stck. | Artikeltext / Description | | Abmessung |
|------|----------|-------|------------------------------|------------------------|---------------------------------|
| 3 | 305 8867 | 4 | Sicherungsring | Retaining ring | 30x2 DIN471 Zn |
| 6 | 313 7802 | 2 | Bolzen mit Kopf | Pin with collar | D30/35x63/80 Zn |
| 7 | 325 1180 | 1 | Schlauchschelle | Hose clip | OL-S 6400 |
| 10 | 375 2120 | 2 | Staubkappe, grün | Cap | D26,5 Bg.3 |
| 11 | 375 2123 | 2 | Staubkappe, gelb | Cap | D26,5 Bg.3 |
| 12 | 375 2172 | 1 | Drosselscheibe | Restrictor washer | D12x1,5 BO 1,0 |
| 13 | 375 2173 | 1 | Drosselscheibe | Restrictor washer | D12x1,5 BO 1,5 |
| 15 | 375 2718 | 4 | SVK-Stecker | Hydraulic coupling | BG-3 12L M18x1,5 |
| 17 | 375 4038 | 3 | Einschraubverschraubung | Nipple | GE 12-LR 1/4 ZL ED |
| 19 | 375 4310 | 2 | Schwenkverschraubung | Union, swivel | x-SWVE12-LM M16x1,5 |
| 20 | 375 4311 | 2 | Schwenkverschraubung | Union, swivel | x-SWVE12-LM M18x1,5 Zn |
| 21 | 375 4500 | 2 | Einstellbare W-Verschraubung | Adjustable angle union | EW12-LM DKO24 GRD M18x1,5 |
| 22 | 375 4711 | 1 | Stutzen | Stud | x-evGE-12-ED 1/4" DKO 24 GRD |
| 23 | 375 5110 | 4 | Schneidring | Cutting ring | 12-L/S Zn/ZnNi WD |
| 24 | 375 5310 | 4 | Überwurfmutter | Union nut | 12L M18x1,5 Zn/ZnNi |
| 27 | 475 2816 | 1 | Schlauchpaket | Hose-assembly | 2x3300/2x3800 MSS |
| 28 | 57510305 | 1 | Hydraulikrohr | Hydraulic tube | 12x2x52 |
| 29 | 575 2161 | 1 | Rückschlagventil | Nonreturn valve | RDP 06 1/4 |
| 30 | 575 2309 | 1 | Hydraulikzylinder | Hydraulic ram | DZ80/30/174 |
| 32 | 575 2430 | 1 | Breitenverstellzylinder | Adjuster ram | DZ90/40-100-600 |



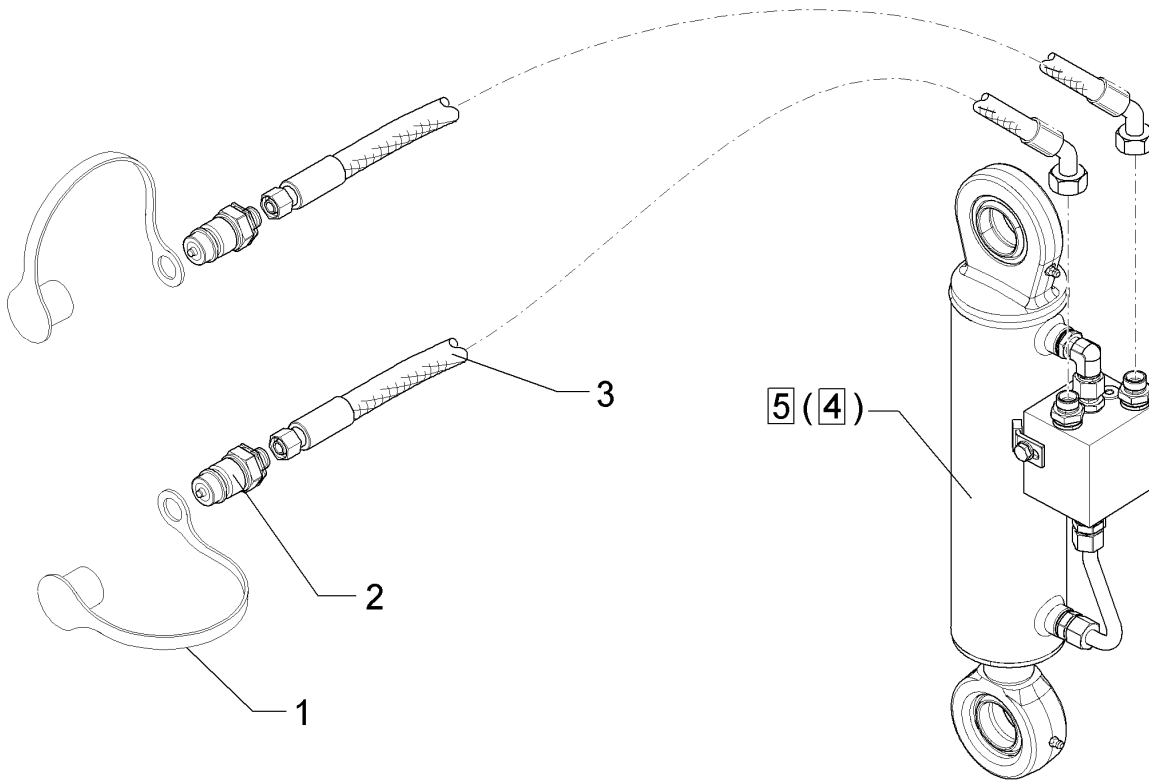
01.18

| Pos. | Art.Nr. | Stck. | Artikeltext / Description | | Abmessung |
|------|----------|-------|---------------------------|-----|-----------------|
| 34 | 313 7803 | 2 | Bolzen | Pin | D30x81,7/100 Zn |



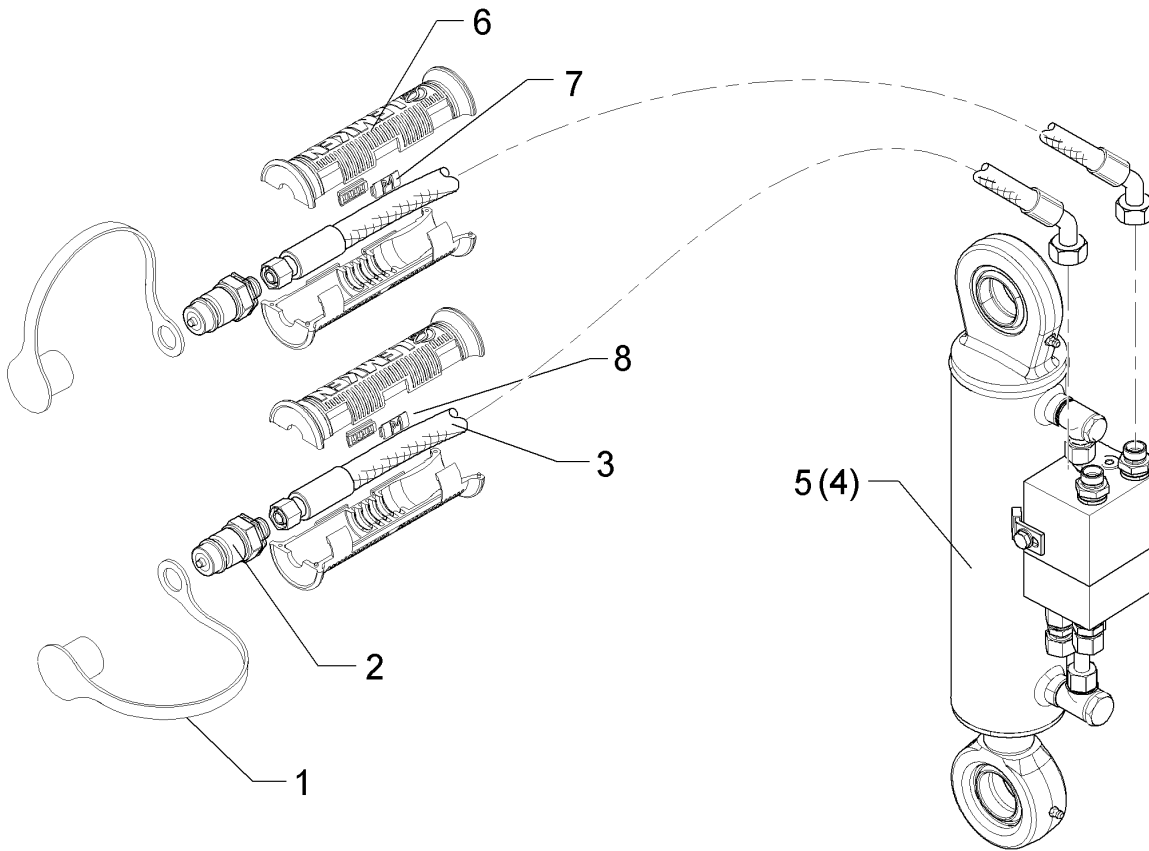
01.18

| Pos. | Art.Nr. | Stck. | Artikeltext / Description | | Abmessung |
|------|----------|-------|------------------------------|------------------------|---------------------------------|
| 1 | 305 8867 | 2 | Sicherungsring | Retaining ring | 30x2 DIN471 Zn |
| 2 | 313 7802 | 2 | Bolzen mit Kopf | Pin with collar | D30/35x63/80 Zn |
| 3 | 325 1180 | 1 | Schlauchschele | Hose clip | OL-S 6400 |
| 4 | 375 2172 | 1 | Drosselscheibe | Restrictor washer | D12x1,5 BO 1,0 |
| 5 | 375 2173 | 1 | Drosselscheibe | Restrictor washer | D12x1,5 BO 1,5 |
| 6 | 375 2123 | 2 | Staubkappe, gelb | Cap | D26,5 Bg.3 |
| 7 | 375 2718 | 2 | SVK-Stecker | Hydraulic coupling | BG-3 12L M18x1,5 |
| 8 | 375 4038 | 3 | Einschraubverschraubung | Nipple | GE 12-LR 1/4 ZL ED |
| 9 | 375 4311 | 2 | Schwenkverschraubung | Union, swivel | x-SWVE12-LM M18x1,5 Zn |
| 10 | 375 4500 | 2 | Einstellbare W-Verschraubung | Adjustable angle union | EW12-LM DKO24 GRD M18x1,5 |
| 11 | 375 5110 | 4 | Schneidring | Cutting ring | 12-L/S Zn/ZnNi WD |
| 12 | 375 5310 | 4 | Überwurfmutter | Union nut | 12L M18x1,5 Zn/ZnNi |
| 13 | 375 4711 | 1 | Stutzen | Stud | x-evGE-12-ED 1/4" DKO 24 GRD |
| 14 | 57510305 | 1 | Hydraulikrohr | Hydraulic tube | 12x2x52 |
| 15 | 475 2801 | 1 | Schlauchpaket | Hose-assembly | 2xNW8x3300 MSS |
| 16 | 575 2161 | 1 | Rückschlagventil | Nonreturn valve | RDP 06 1/4 |
| 17 | 575 2309 | 1 | Hydraulikzylinder | Hydraulic ram | DZ80/30/174 |



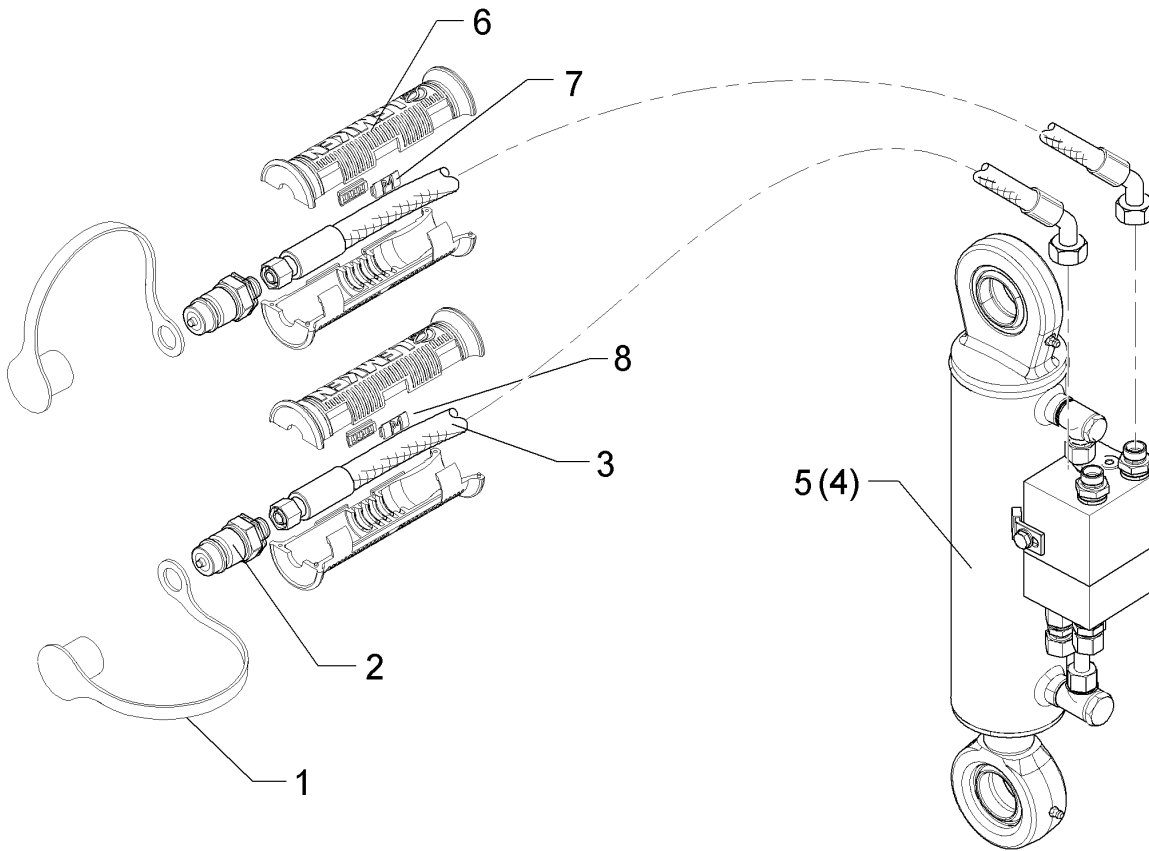
01.18

| Pos. | Art.Nr. | Stck. | Artikeltext / Description | Abmessung |
|------|----------|-------|---------------------------|--------------------|
| 1 | 375 2166 | 2 | Staubkappe, rot | Cap, red |
| 2 | 375 2718 | 2 | SVK-Stecker | Hydraulic coupling |
| 3 | 475 2617 | 2 | Hydraulikschlauch | Hydraulic hose |
| 4 | 575 2490 | 1 | Umschaltzylinder | Change over ram |
| 5 | 575 2508 | 1 | Umschaltzylinder | Change over ram |



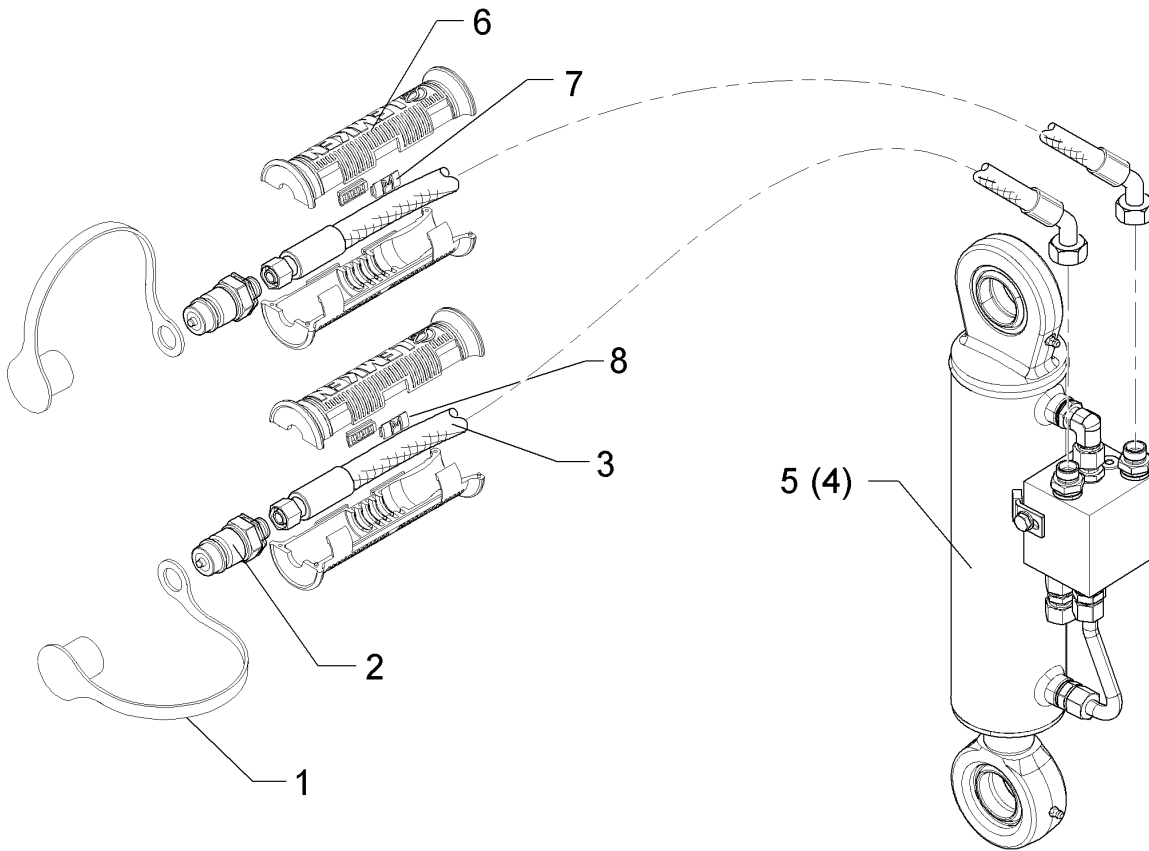
01.18

| Pos. | Art.Nr. | Stck. | Artikeltext / Description | Abmessung |
|------|----------|-------|---------------------------|------------------------|
| 1 | 375 2166 | 2 | Staubkappe, rot | Cap, red |
| 2 | 375 2718 | 2 | SVK-Stecker | Hydraulic coupling |
| 3 | 475 2617 | 2 | Hydraulikschlauch | Hydraulic hose |
| 4 | 575 2492 | 1 | Umschaltzylinder VÜP | Turn over ram with VÜP |
| 5 | 575 2506 | 1 | Umschaltzylinder | Change over ram |



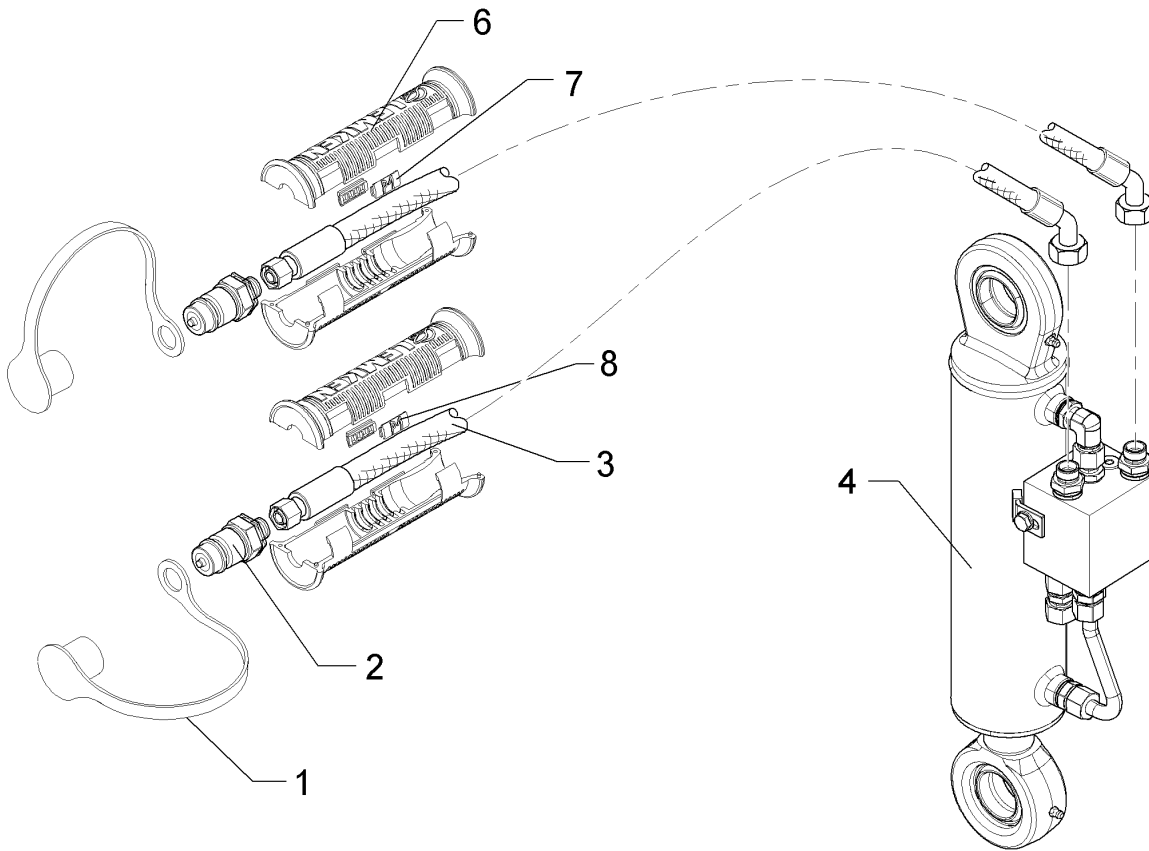
01.18

| Pos. | Art.Nr. | Stck. | Artikeltext / Description | Abmessung | |
|------|----------|-------|---------------------------|------------------------|--------------------------------------|
| 1 | 375 2166 | 2 | Staubkappe, rot | Cap, red | D26,5 |
| 2 | 375 2718 | 2 | SVK-Stecker | Hydraulic coupling | BG-3 12L M18x1,5 |
| 3 | 475 2617 | 2 | Hydraulikschlauch | Hydraulic hose | 2SN10-1250 DKOL12/DKOL12 0/45° |
| 4 | 575 2495 | 1 | Umschaltzylinder VÜP | Turn over ram with VÜP | DZ80/40-240-D35 HPS-II-AR |



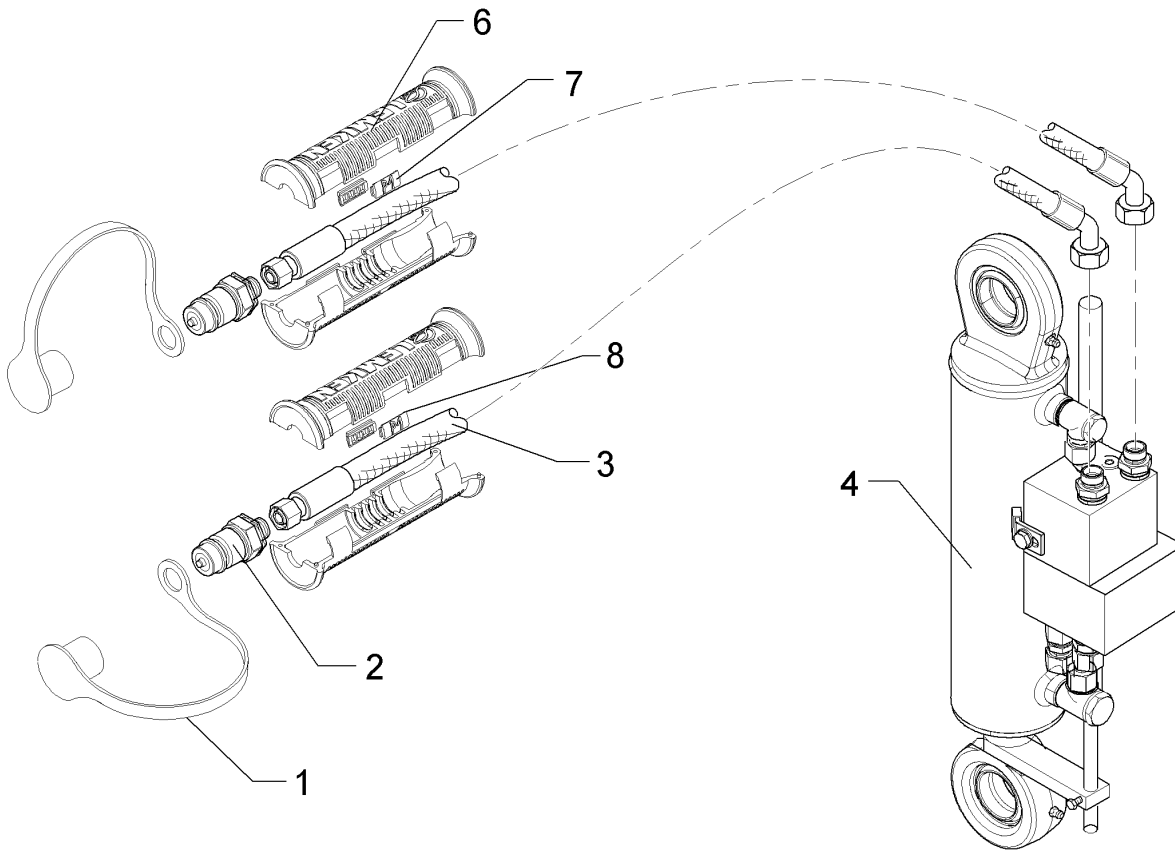
01.18

| Pos. | Art.Nr. | Stck. | Artikeltext / Description | Abmessung | |
|------|----------|-------|---------------------------|------------------------|--------------------------------------|
| 1 | 375 2166 | 2 | Staubkappe, rot | Cap, red | D26,5 |
| 2 | 375 2718 | 2 | SVK-Stecker | Hydraulic coupling | BG-3 12L M18x1,5 |
| 3 | 475 2617 | 2 | Hydraulikschlauch | Hydraulic hose | 2SN10-1250 DKOL12/DKOL12 0/45° |
| 4 | 575 2492 | 1 | Umschaltzylinder VÜP | Turn over ram with VÜP | DZ70/40-240 HPS-II-A-FS |
| 5 | 575 2508 | 1 | Umschaltzylinder | Change over ram | DZ70/40-240 SYS 5A |
| 6 | 375 2607 | 4 | Griff Halbschale | Handle | - |
| 7 | 325 1601 | 2 | Kennzeichnung | Marking | P1 20x9 |
| 8 | 325 1608 | 2 | Kennzeichnung | Marking | T1 20x9 |



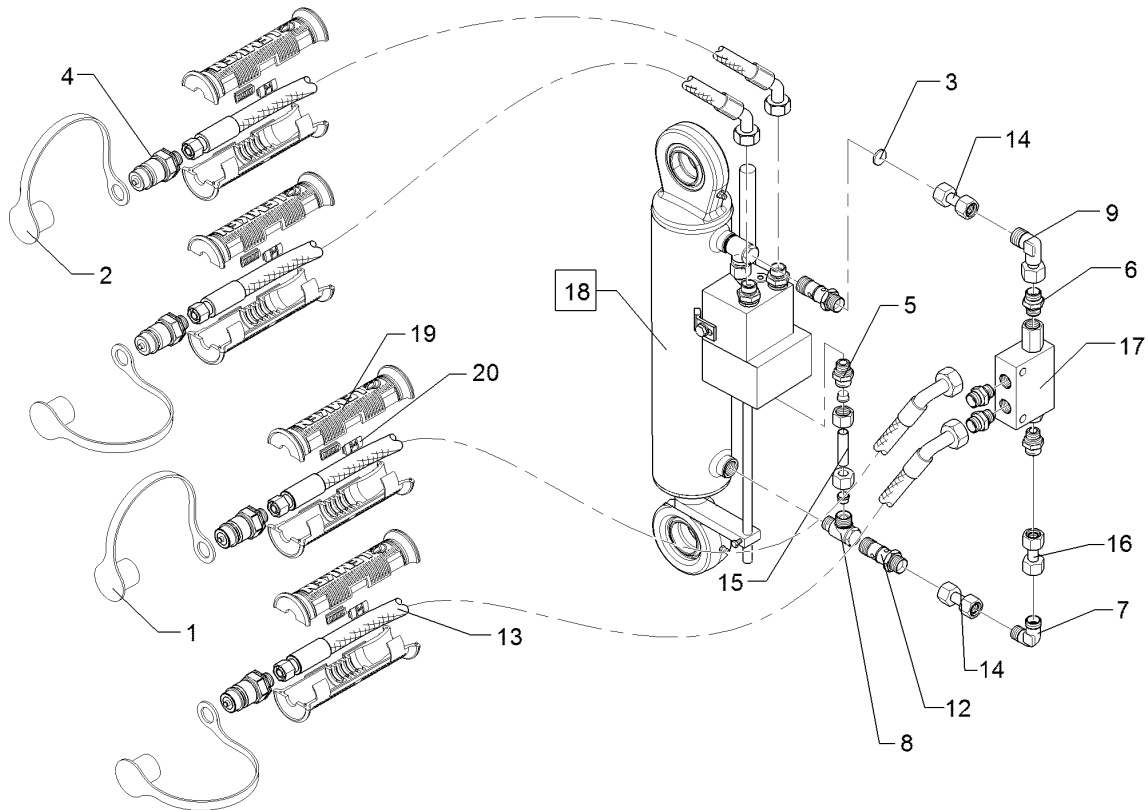
01.18

| Pos. | Art.Nr. | Stck. | Artikeltext / Description | | Abmessung |
|------|----------|-------|---------------------------|--------------------|--------------------------------------|
| 1 | 375 2166 | 2 | Staubkappe, rot | Cap, red | D26,5 |
| 2 | 375 2718 | 2 | SVK-Stecker | Hydraulic coupling | BG-3 12L M18x1,5 |
| 3 | 475 2617 | 2 | Hydraulikschlauch | Hydraulic hose | 2SN10-1250 DKOL12/DKOL12 0/45° |
| 4 | 575 2506 | 1 | Umschaltzylinder | Change over ram | DZ80/40-236-D35 HPS-III-AR |
| 6 | 375 2607 | 4 | Griff Halbschale | Handle | - |
| 7 | 325 1601 | 2 | Kennzeichnung | Marking | P1 20x9 |
| 8 | 325 1608 | 2 | Kennzeichnung | Marking | T1 20x9 |



01.18

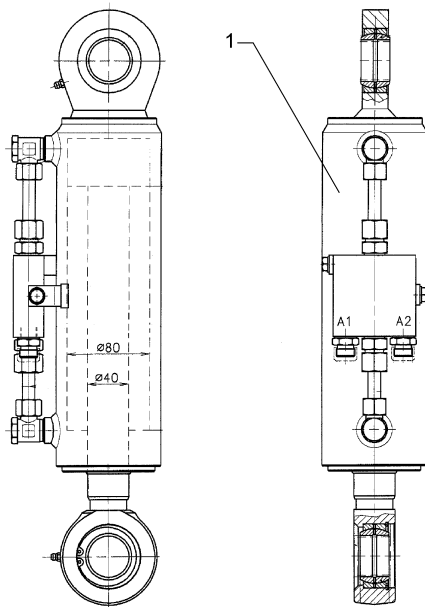
| Pos. | Art.Nr. | Stck. | Artikeltext / Description | | Abmessung |
|------|----------|-------|----------------------------|---------------------------|--------------------------------------|
| 1 | 375 2166 | 2 | Staubkappe, rot | Cap, red | D26,5 |
| 2 | 375 2718 | 2 | SVK-Stecker | Hydraulic coupling | BG-3 12L M18x1,5 |
| 3 | 475 2617 | 2 | Hydraulikschlauch | Hydraulic hose | 2SN10-1250 DKOL12/DKOL12 0/45° |
| 4 | 575 2498 | 1 | Umschaltzylinder Vari-Stop | Switch over ram Vari-Stop | DZ80/40-240-D35 |
| 6 | 375 2607 | 4 | Griff Halbschale | Handle | - |
| 7 | 325 1601 | 2 | Kennzeichnung | Marking | P1 20x9 |
| 8 | 325 1608 | 2 | Kennzeichnung | Marking | T1 20x9 |



01.18

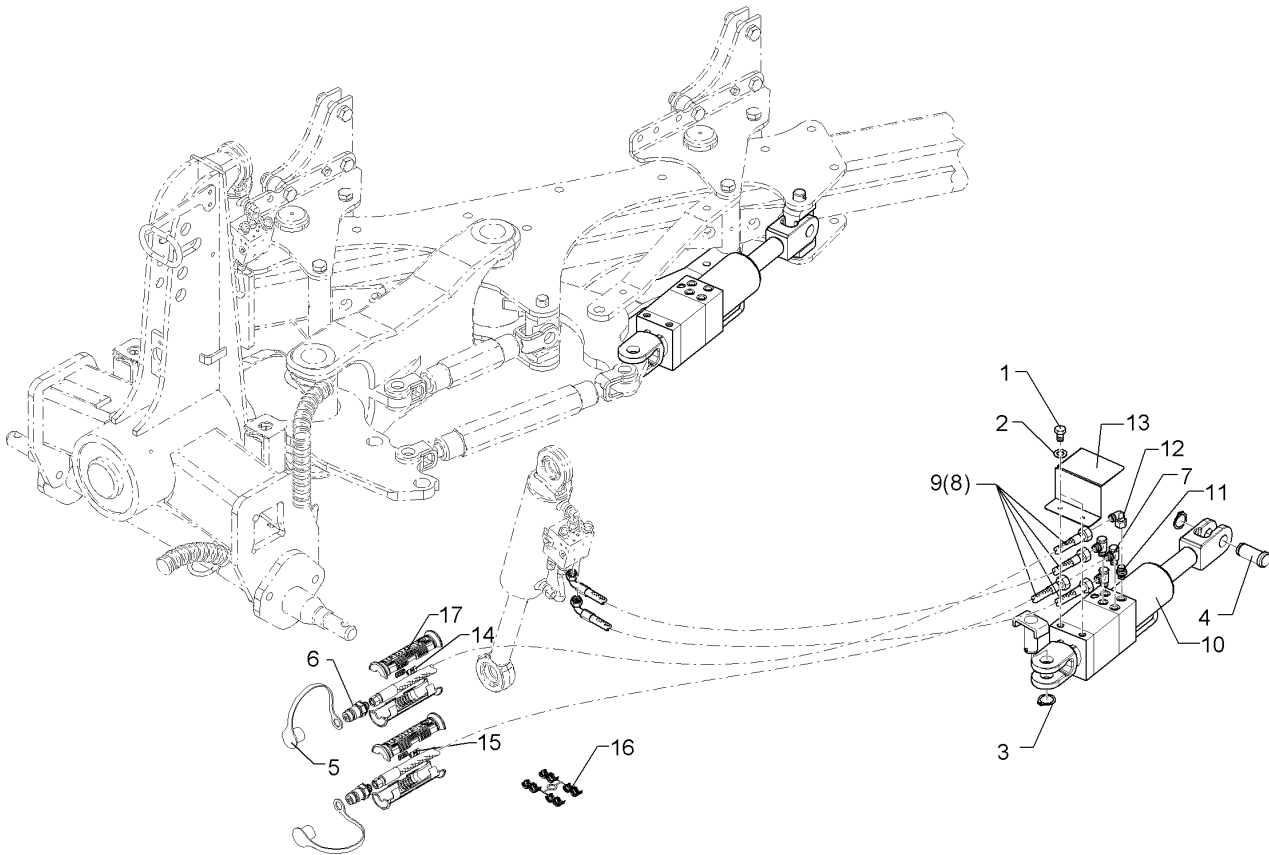
| Pos. | Art.Nr. | Stck. | Artikeltext / Description | Abmessung | |
|------|----------|-------|------------------------------|---------------------------|--------------------------------------|
| 1 | 375 2120 | 2 | Staubkappe, grün | Cap | D26,5 Bg.3 |
| 2 | 375 2166 | 2 | Staubkappe, rot | Cap, red | D26,5 |
| 3 | 375 2172 | 1 | Drosselscheibe | Restrictor washer | D12x1,5 BO 1,0 |
| 4 | 375 2718 | 4 | SVK-Stecker | Hydraulic coupling | BG-3 12L M18x1,5 |
| 5 | 375 4010 | 1 | Einschraubverschraubung | Nipple | x-GE12-LM M16x1,5 Zn |
| 6 | 375 4038 | 4 | Einschraubverschraubung | Nipple | GE 12-LR 1/4 ZL ED |
| 7 | 375 4210 | 1 | Winkelverschraubung | Elbow union | x-W12-L M18x1,5 |
| 8 | 375 4310 | 2 | Schwenkverschraubung | Union, swivel | x-SWVE12-LM M16x1,5 |
| 9 | 375 4500 | 1 | Einstellbare W-Verschraubung | Adjustable angle union | EW12-LM DKO24 GRD M18x1,5 |
| 12 | 375 5532 | 2 | Sonderhohlschraube m.Bohrung | Banjo bolt | M16x1,5 12L Zn |
| 13 | 475 2617 | 4 | Hydraulikschlauch | Hydraulic hose | 2SN10-1250 DKOL12/DKOL12 0/45° |
| 14 | 57510320 | 2 | Hydraulikrohr | Hydraulic tube | 12x2x35 1xDR |
| 15 | 57510391 | 1 | Hydraulikrohr | Hydraulic tube | 12x2x55 1xDR |
| 16 | 57510392 | 1 | Hydraulikrohr | Hydraulic tube | 12x2x98 1xDR |
| 17 | 575 2161 | 1 | Rückschlagventil | Nonreturn valve | RDP 06 1/4 |
| 18 | 575 2498 | 1 | Umschaltzylinder Vari-Stop | Switch over ram Vari-Stop | DZ80/40-240-D35 |
| 19 | 375 2607 | 8 | Griff Halbschale | Handle | - |

| | |
|-------------------------------|----------|
| HY-Drehung/HY-turnover device | 17 |
| VariOpal 7X / 7 HydriX | 675 3700 |



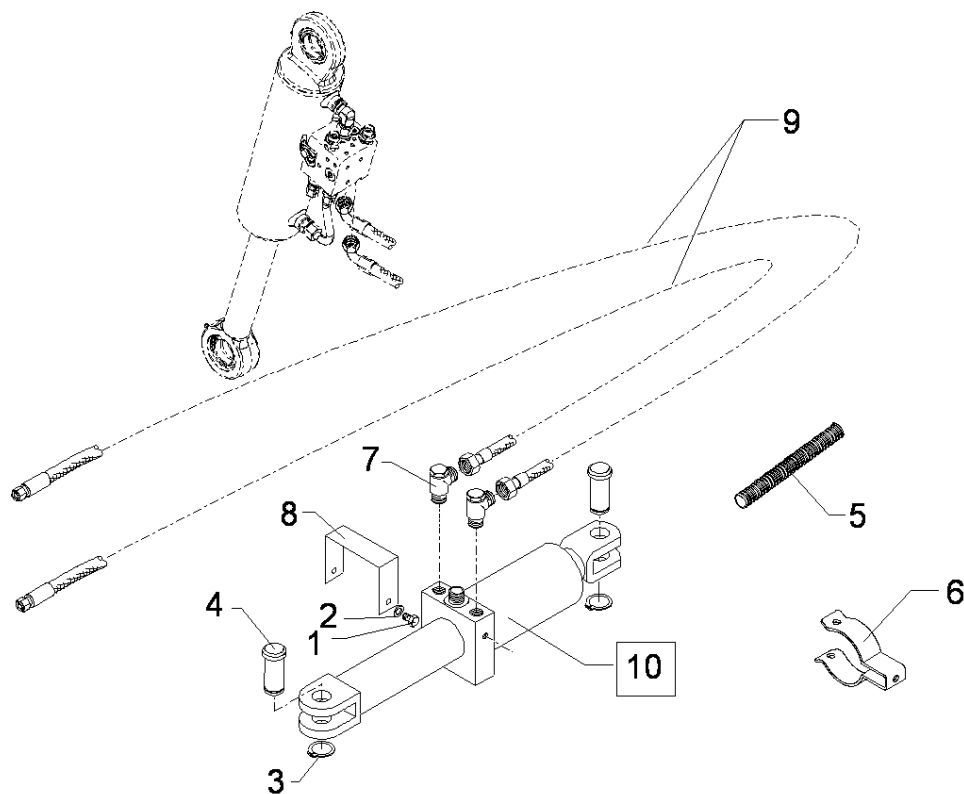
01.18

| Pos. | Art.Nr. | Stck. | Artikeltext / Description | | Abmessung |
|------|----------|-------|---------------------------|-----------------|--------------------|
| 1 | 575 2501 | 1 | Umschaltzylinder | Change over ram | DZ80/40/240-D35 EL |



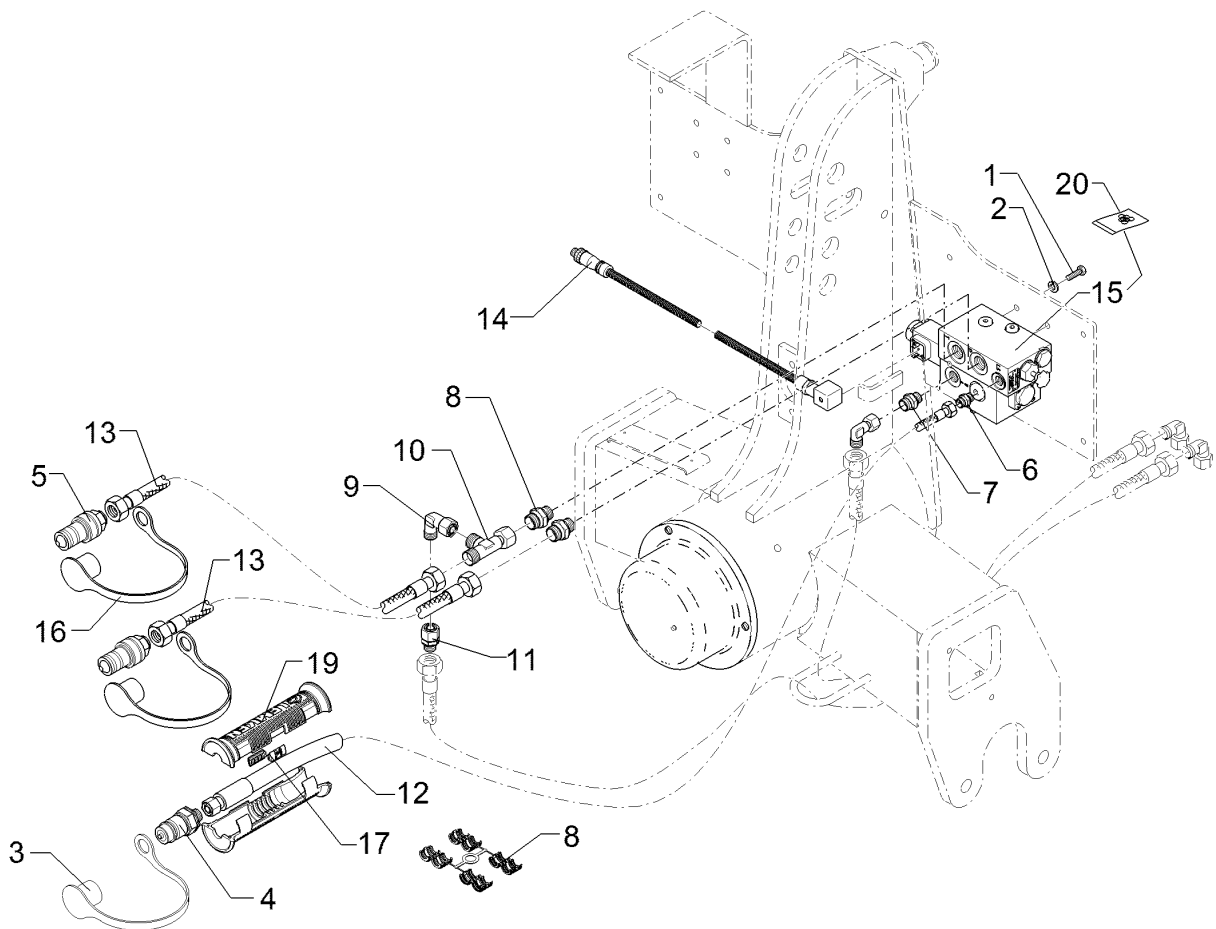
01.18

| Pos. | Art.Nr. | Stck. | Artikeltext / Description | | Abmessung |
|------|----------|-------|------------------------------|------------------------|----------------------------------|
| 1 | 301 3054 | 2 | Sechskantschraube | Hexagon bolt | M8x10-8.8 Zn DIN933 |
| 2 | 305 8694 | 2 | Scheibe | Washer | A8,4 DIN125-St Zn |
| 3 | 305 8867 | 2 | Sicherungsring | Retaining ring | 30x2 DIN471 Zn |
| 4 | 313 7802 | 2 | Bolzen mit Kopf | Pin with collar | D30/35x63/80 Zn |
| 5 | 375 2166 | 2 | Staubkappe, rot | Cap, red | D26,5 |
| 6 | 375 2718 | 2 | SVK-Stecker | Hydraulic coupling | BG-3 12L M18x1,5 |
| 7 | 375 4310 | 3 | Schwenkverschraubung | Union, swivel | x-SWVE12-LM M16x1,5 |
| 8 | 475 2830 | 1 | Schlauchpaket | Hose-assembly | 1x2700/2800 2x4100 Schut.2600 |
| 9 | 475 2818 | 1 | Schlauchpaket | Hose-assembly | 2x2950 1x45 GRD +2x3100 |
| 10 | 575 2450 | 1 | Memoryzylinder | Memory ram | DZ100/50-100-600 |
| 11 | 375 4010 | 1 | Einschraubverschraubung | Nipple | x-GE12-LM M16x1,5 Zn |
| 12 | 375 4500 | 1 | Einstellbare W-Verschraubung | Adjustable angle union | EW12-LM DKO24 GRD M18x1,5 |
| 13 | 470 5006 | 1 | Schutzblech | Guard | 130x90x90 Memory-EPS |



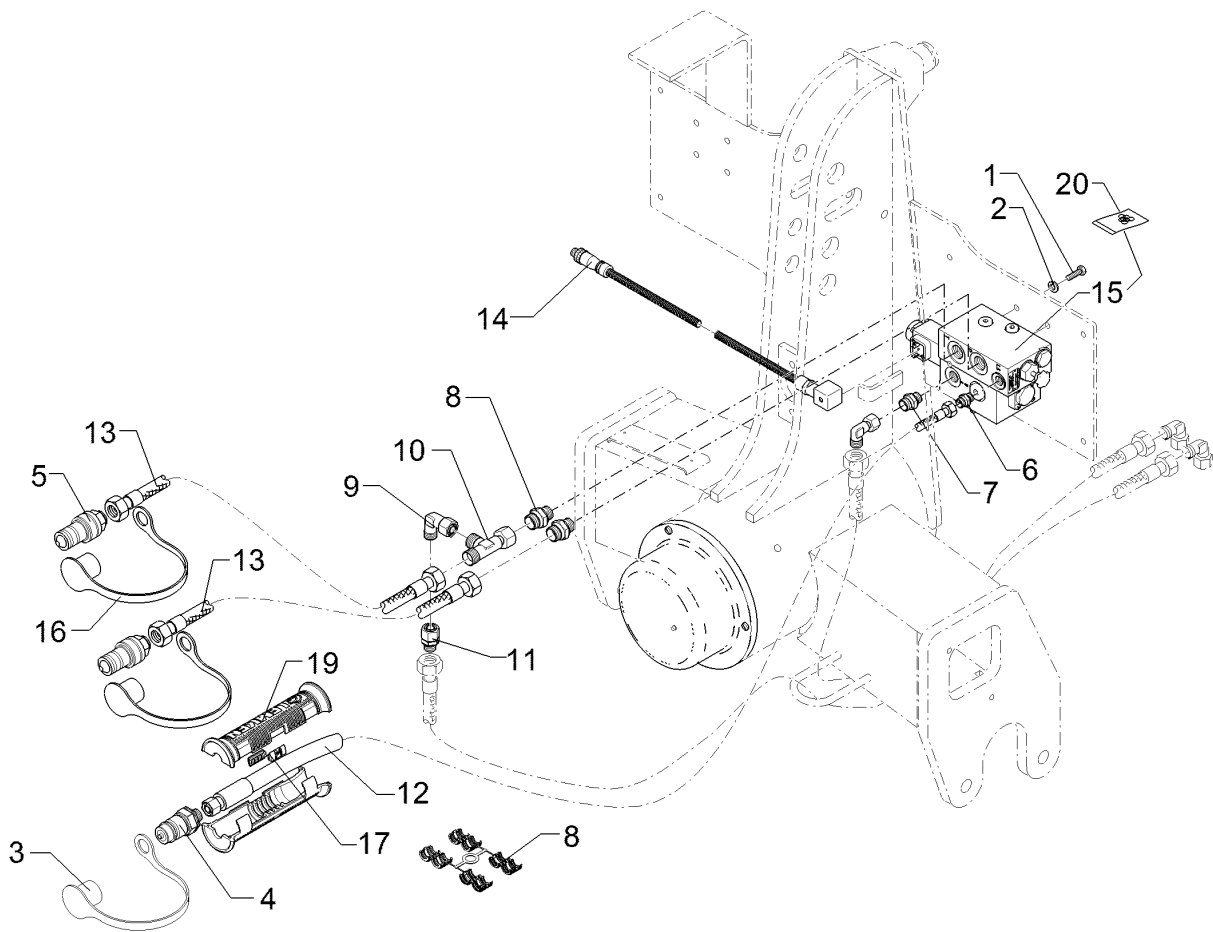
01.18

| Pos. | Art.Nr. | Stck. | Artikeltext / Description | | Abmessung |
|------|----------|-------|---------------------------|-----------------|------------------------|
| 1 | 301 3054 | 2 | Sechskantschraube | Hexagon bolt | M8x10-8.8 Zn DIN933 |
| 2 | 305 8694 | 2 | Scheibe | Washer | A8,4 DIN125-St Zn |
| 3 | 305 8867 | 2 | Sicherungsring | Retaining ring | 30x2 DIN471 Zn |
| 4 | 313 7802 | 2 | Bolzen mit Kopf | Pin with collar | D30/35x63/80 Zn |
| 5 | 325 5516 | 0 | Wellrohr | Corrugated tube | Di=36 |
| 6 | 329 1810 | 1 | Flachformfeder | U-spring | 40x4x360-D95 |
| 7 | 375 4310 | 4 | Schwenkverschraubung | Union, swivel | x-SWVE12-LM M16x1,5 |
| 8 | 470 5007 | 1 | Schutzblech | Guard | 40x3x290 U-101x90 |
| 9 | 475 2655 | 2 | Hydraulikschlauch | Hydraulic hose | 1SN08-900 M18x1,5 |
| 10 | 575 2403 | 1 | Einschwenkzylinder | Swing-in ram | DZ90/40-100-555 EL |



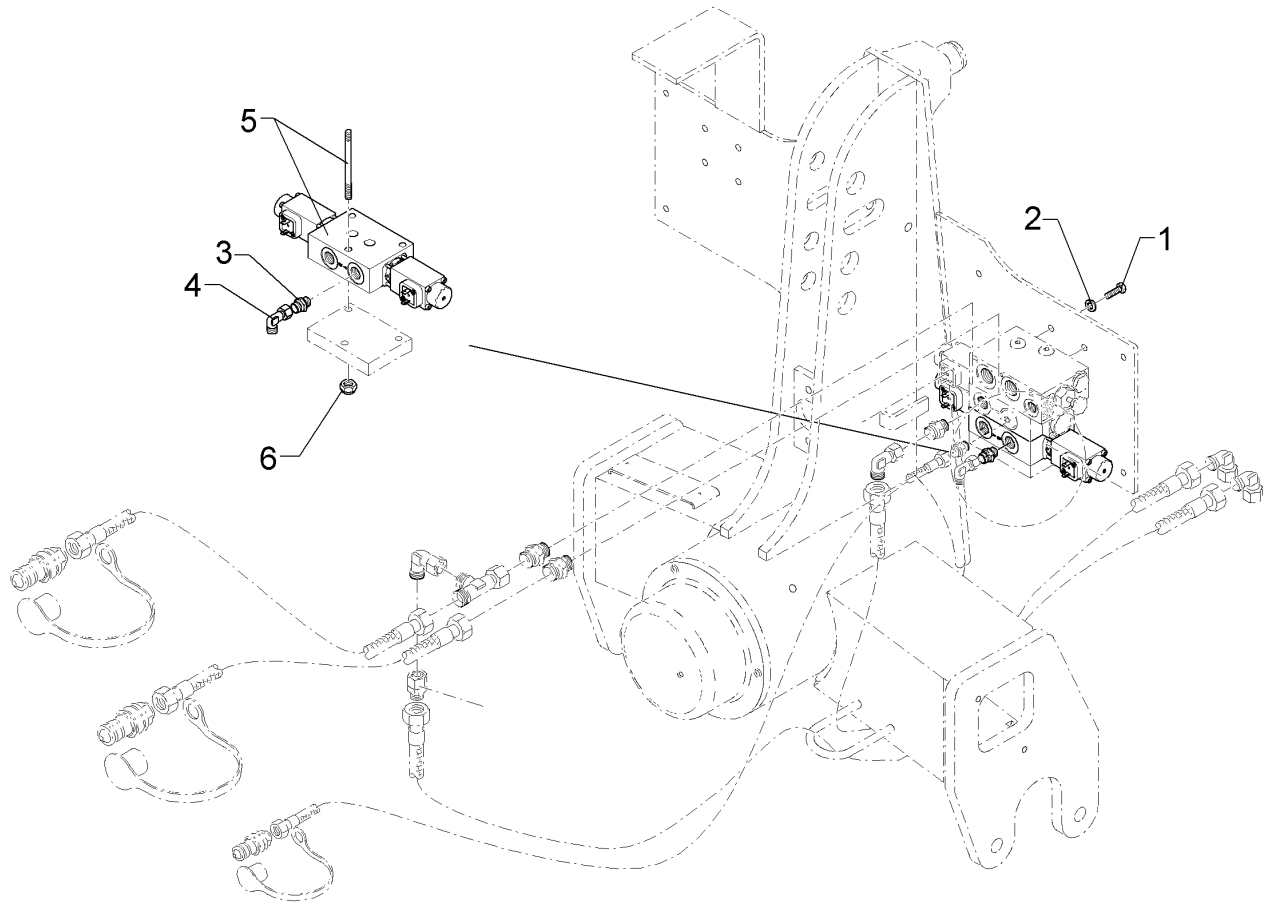
01.18

| Pos. | Art.Nr. | Stck. | Artikeltext / Description | | Abmessung |
|------|----------|-------|--------------------------------|------------------------|-------------------------------|
| 1 | 301 7260 | 4 | Sechskantschraube | Hexagon bolt | M8x16-8.8 Zn DIN933 |
| 2 | 305 9898 | 4 | Federring | Spring ring | 8 A DIN127 Zn |
| 3 | 375 2164 | 1 | Staubkappe | Dust cap | rd BG.2 |
| 4 | 375 2716 | 1 | SVK-Stecker | Hydraulic coupling | BG-2 10LM16x1,5 |
| 5 | 375 2736 | 2 | SVK-Stecker | Hydraulic coupling | BG-3 15L CEL M22x1,5 SW-27 |
| 6 | 375 4009 | 1 | Einschraubverschraubung | Nipple | x-GE12-LM M14x1,5 Zn |
| 7 | 375 4020 | 1 | Einschraubverschraubung | Nipple | x-GE12-LM M18x1,5 Zn |
| 8 | 375 4032 | 2 | Gerade Einschraubverschraubung | Nipple | x-GE15-LM 22x1,5-ED |
| 9 | 375 4500 | 3 | Einstellbare W-Verschraubung | Adjustable angle union | EW12-LM DKO24 GRD M18x1,5 |
| 10 | 375 4553 | 1 | Einstellbare L-Verschraubung | Adjustable L-union | EL15-L-DKO24 GRD |
| 11 | 375 4653 | 1 | Konus-Reduzieranschluss | Reduction joint | x-KOR15/12-L DKO24 GRD |
| 12 | 475 2629 | 1 | Hydraulikschlauch | Hydraulic hose | 1SN08-1350 M16/M18x1,5 |
| 13 | 475 3013 | 2 | Hydraulikschlauch | Hydraulic hose | 2SN12-1500 DKOL15/DKOL15 |
| 14 | 573 6030 | 1 | Kabelbaum LS- Anforderung | Cable form | VariOpal |
| 15 | 575 9050 | 1 | Kombiblock einstellb. | Combi block adjustable | EPS |
| 16 | 375 2166 | 2 | Staubkappe, rot | Cap, red | D26,5 |
| 17 | 325 1614 | 2 | Kennzeichnung | Marking | LS |
| 18 | 375 2606 | 1 | Einleger | Insert | DN6 DN8 |



01.18

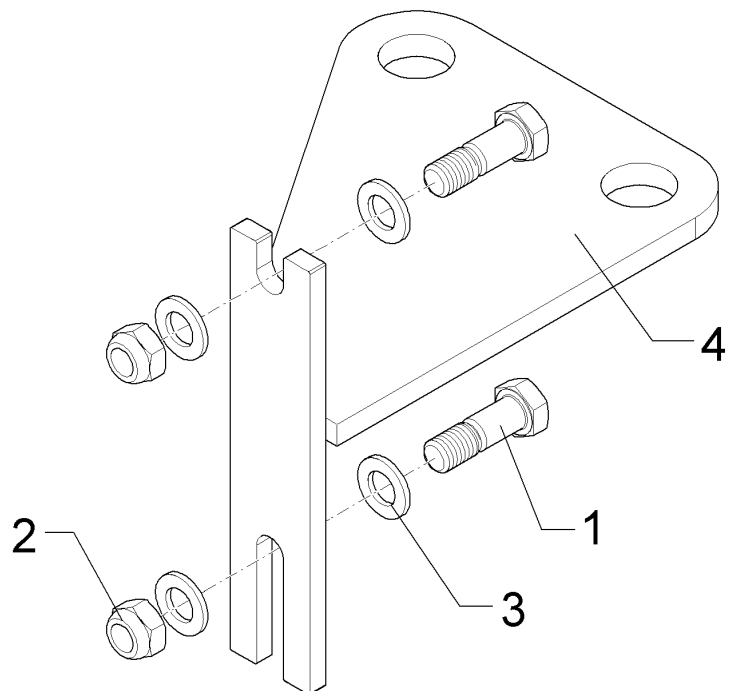
| Pos. | Art.Nr. | Stck. | Artikeltext / Description | Abmessung |
|------|----------|-------|---------------------------|-----------------------------|
| 19 | 375 2607 | 2 | Griff Halbschale | Handle |
| 20 | 57510689 | 1 | Dichtungssatz | Seal set |
| | | | | - LC8 LD8 LH8 LM8 LP8 |



01.18

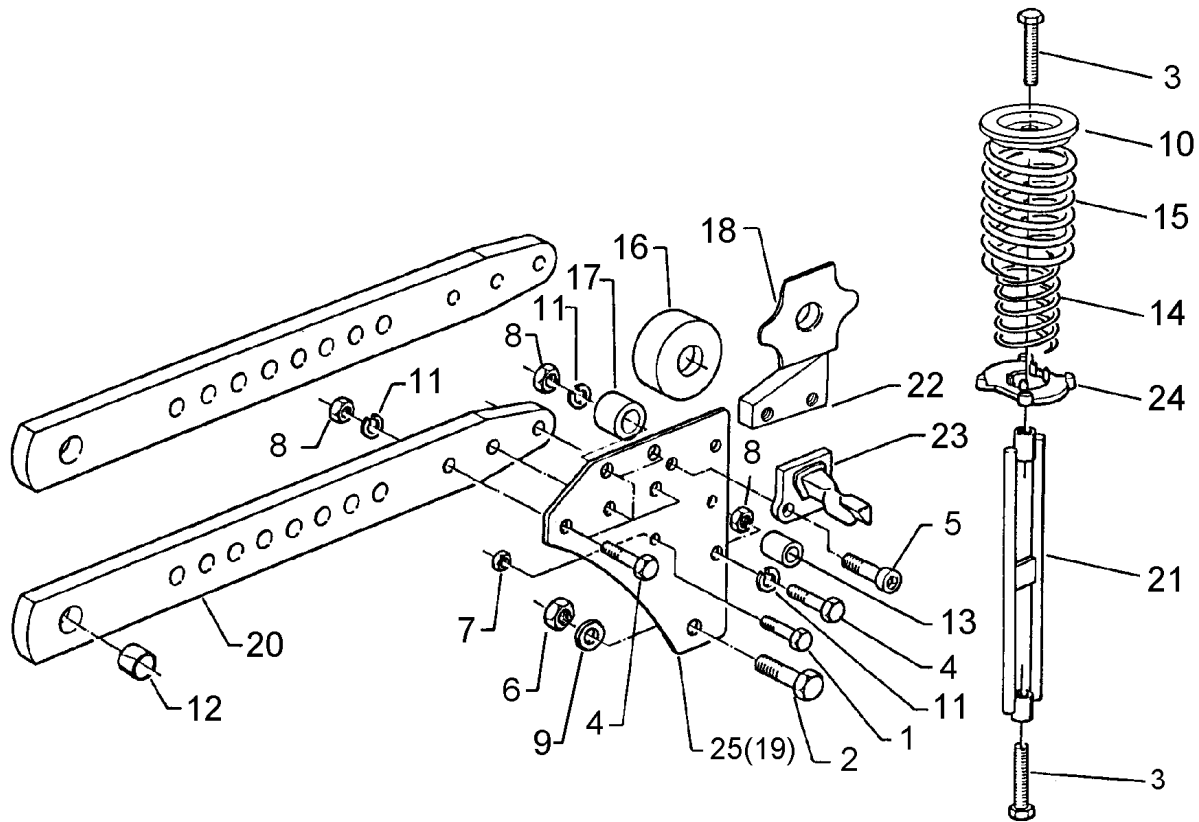
| Pos. | Art.Nr. | Stck. | Artikeltext / Description | | Abmessung |
|------|----------|-------|------------------------------|------------------------|------------------------------|
| 1 | 301 3066 | 2 | Sechskantschraube | Hexagon bolt | M8x30-8.8 Zn DIN933 |
| 2 | 305 9898 | 2 | Federring | Spring ring | 8 A DIN127 Zn |
| 3 | 375 4020 | 1 | Einschraubverschraubung | Nipple | x-GE12-LM M18x1,5 Zn |
| 4 | 375 4500 | 2 | Einstellbare W-Verschraubung | Adjustable angle union | EW12-LM DKO24 GRD M18x1,5 |
| 5 | 575 9051 | 1 | Stützradblock | Depth wheel block | EPS |
| 6 | 303 0113 | 3 | Dichtmutter | Nut | M8 100280470 |

| | |
|-------------------------------|-----------------|
| Halter/Holder | 17 |
| VariOpal 7X / 7 HydriX | 67510153 |



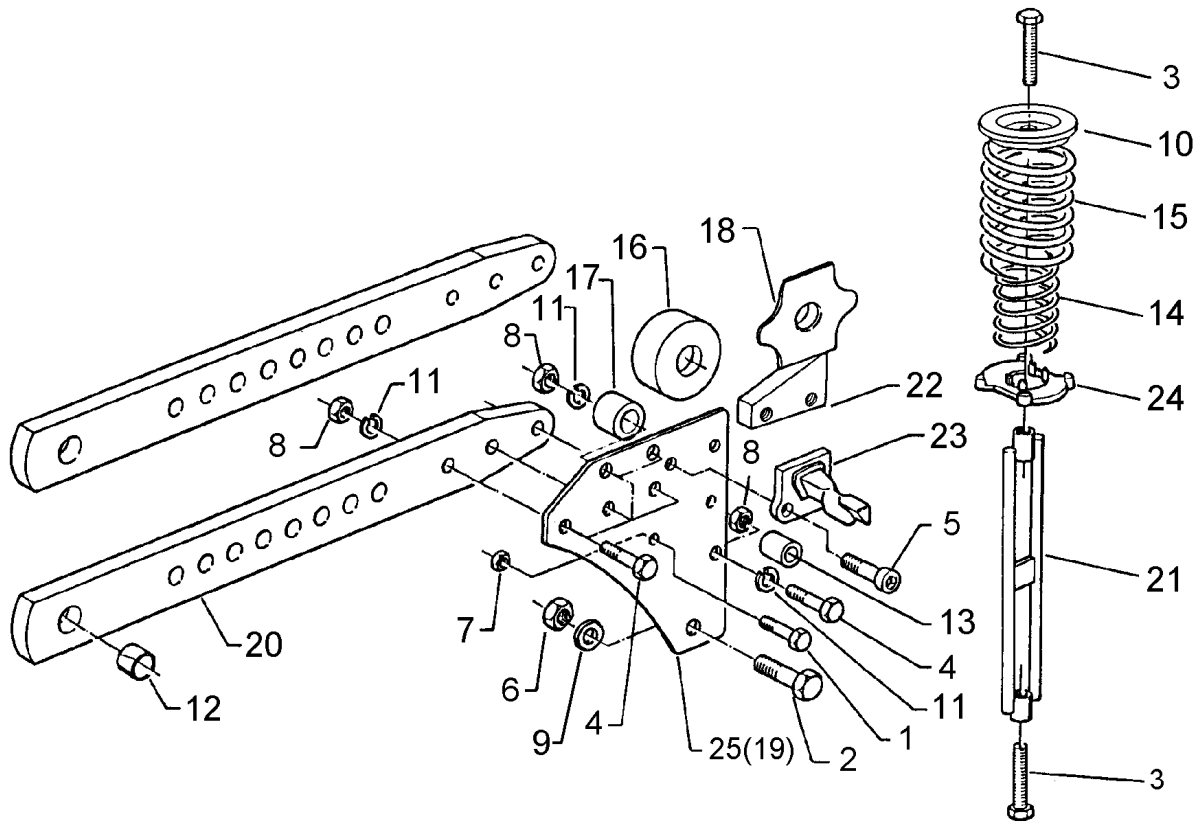
01.18

| Pos. | Art.Nr. | Stck. | Artikeltext / Description | | Abmessung |
|------|----------|-------|---------------------------|-----------------|-------------------------|
| 1 | 301 5409 | 2 | Sechskantschraube spz. | Hexagon bolt | M16x50-8.8 Zn |
| 2 | 303 0935 | 2 | Sicherungsmutter | Selflocking nut | NM16-8 Zn DIN985 |
| 3 | 305 6141 | 4 | Scheibe | Washer | 17/30x3 DIN/ISO-7089 |
| 4 | 475 4397 | 1 | Halter | Holder | Hydrix 2/3-H |



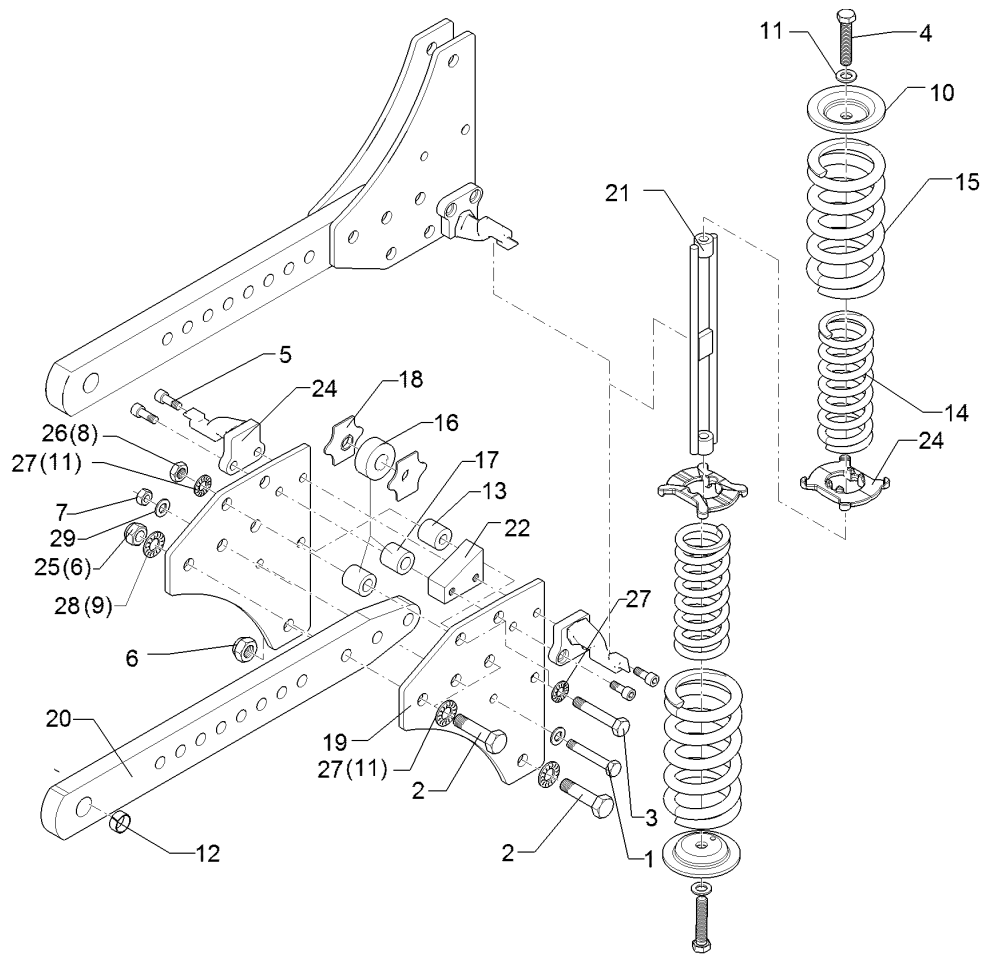
01.18

| Pos. | Art.Nr. | Stck. | Artikeltext / Description | | Abmessung |
|------|----------|-------|------------------------------|--------------------|---------------------------------------|
| 1 | 301 3595 | 2 | Sechskantschraube spz. | Hexagon bolt | M14x70-10.9 Zn |
| 2 | 301 4606 | 2 | Sechskantschraube spz. | Hexagon bolt | M20x80-10.9 Zn |
| 3 | 301 5074 | 4 | Sechskantschraube | Hexagon bolt | M16x80-8.8 Zn DIN933 |
| 4 | 301 5363 | 12 | Sechskantschraube spz. | Hexagon bolt | M16x70-12.9 Zn |
| 5 | 301 5874 | 8 | Zylinderschraube | Allen screw | M14x30-8.8 Zn DIN912 |
| 6 | 303 0936 | 2 | Sicherungsmutter | Selflocking nut | NM20-8 Zn DIN985 |
| 7 | 303 0974 | 2 | Sechskantmutter | Hexagon nut | M14 DIN934-8 |
| 8 | 303 1015 | 12 | Sechskantmutter | Hexagon nut | M16 DIN934-8 Zn |
| 9 | 305 6012 | 2 | Scheibe | Washer | 21 ISO7089 Zn |
| 10 | 305 6678 | 4 | Scheibe | Washer | D115/80x20x6 GEK |
| 11 | 305 6141 | 24 | Scheibe | Washer | 17/30x3 DIN/ISO-7089 EG28/32x30 |
| 12 | 317 3350 | 2 | Einspannbuchse mit Presssitz | Expansion bush | D35/16,2x30,5 Zn |
| 13 | 317 7502 | 2 | Buchse | Bush | 11,75x69,75x202 |
| 14 | 329 8468 | 4 | Druckfeder | Compression spring | 16,5x98,5x212 |
| 15 | 329 8470 | 4 | Druckfeder | Compression spring | D58,5x22 Zn |
| 16 | 426 0004 | 1 | Rolle | Roller | D36/16x30 Zn |
| 17 | 426 0007 | 4 | Wälzbuchse | Roller bush | 3x70x80x9 Zn |
| 18 | 426 0008 | 2 | Führungsblech | Guiding plate | 10x285x339 D14 |
| 19 | 426 0193 | 4 | Halmsplatte | Plate | VO7X |
| 20 | 426 1427 | 2 | Grindel | Beam | 80x30x765 |
| 21 | 426 2160 | 2 | Zugglied | Tension member | M16x383 |



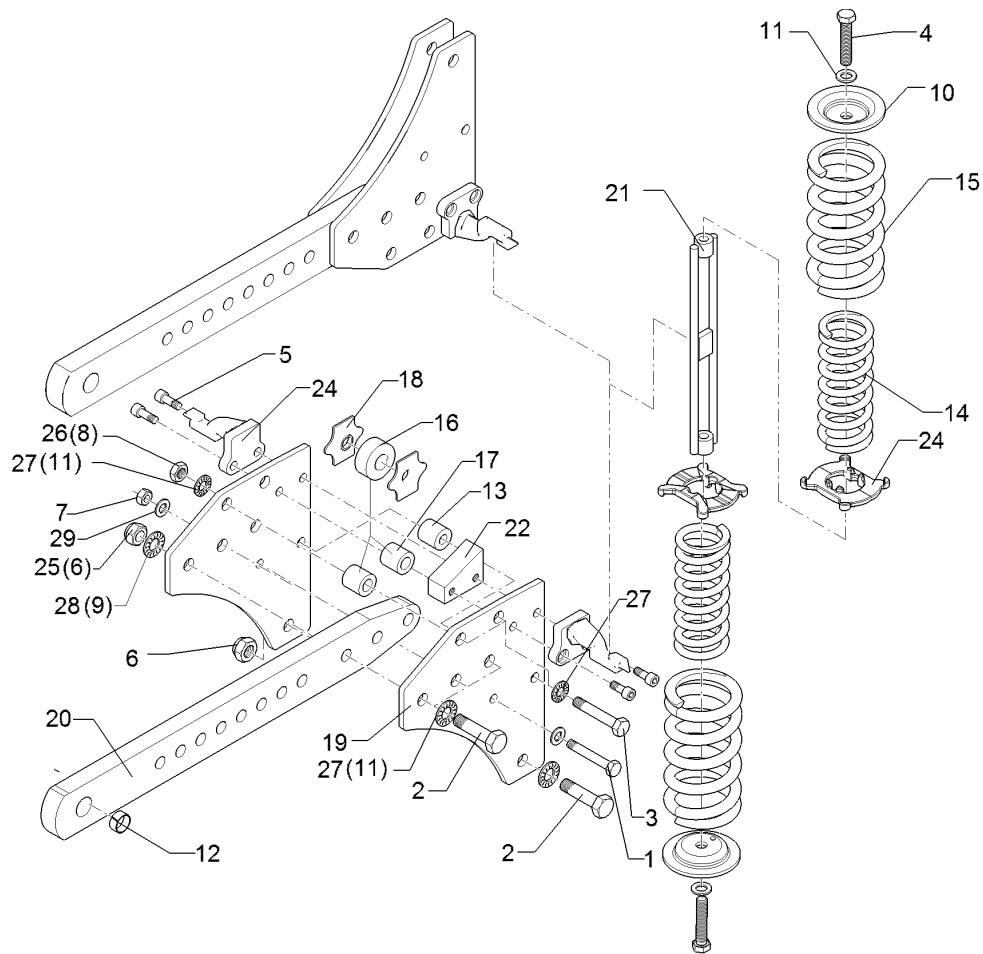
01.18

| Pos. | Art.Nr. | Stck. | Artikeltext / Description | | Abmessung |
|------|----------|-------|---------------------------|--------------------|------------------------|
| 22 | 426 4079 | 2 | Zwischenplatte | Intermediate plate | 80x30x60 2xM14 Zn |
| 23 | 426 4106 | 4 | Federhalter | Holder | X140/X160 D14x50 |
| 24 | 426 4125 | 4 | Lager | Bearing | 57/110 Zn |
| 25 | 426 0194 | 4 | Halplatte | Plate | 10x285x303 D14 VO7X |



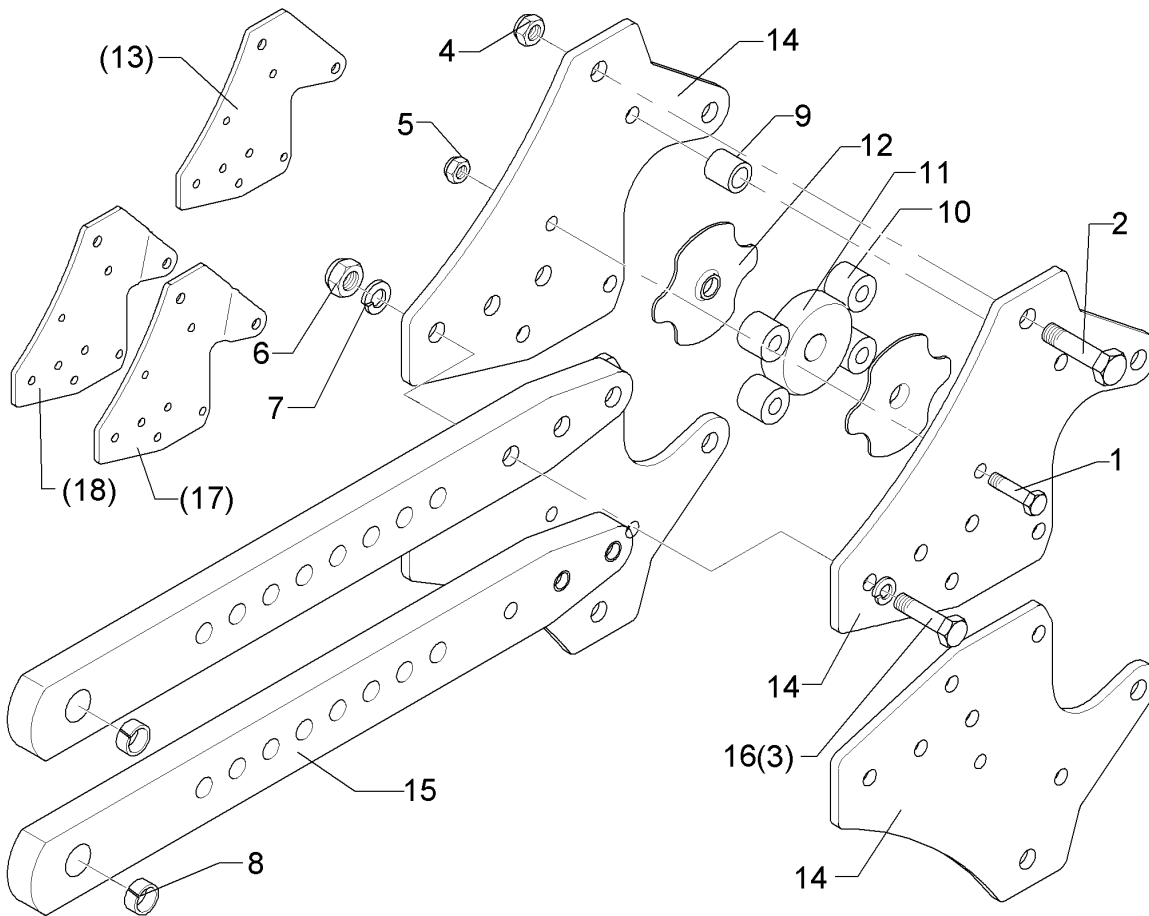
01.18

| Pos. | Art.Nr. | Stck. | Artikeltext / Description | Abmessung | |
|------|----------|-------|------------------------------|--------------------|---------------------------------------|
| 1 | 301 3595 | 2 | Sechskantschraube spz. | Hexagon bolt | M14x70-10.9 Zn |
| 2 | 301 4606 | 8 | Sechskantschraube spz. | Hexagon bolt | M20x80-10.9 Zn |
| 3 | 301 5074 | 4 | Sechskantschraube | Hexagon bolt | M16x80-8.8 Zn DIN933 |
| 4 | 301 5363 | 6 | Sechskantschraube spz. | Hexagon bolt | M16x70-12.9 Zn |
| 5 | 301 5874 | 8 | Zylinderschraube | Allen screw | M14x30-8.8 Zn DIN912 |
| 6 | 303 0936 | 8 | Sicherungsmutter | Selflocking nut | NM20-8 Zn DIN985 |
| 7 | 303 0974 | 2 | Sechskantmutter | Hexagon nut | M14 DIN934-8 |
| 8 | 303 1015 | 6 | Sechskantmutter | Hexagon nut | M16 DIN934-8 Zn |
| 9 | 305 6012 | 8 | Scheibe | Washer | 21 ISO7089 Zn |
| 10 | 305 6678 | 4 | Scheibe | Washer | D115/80x20x6 GEK |
| 11 | 305 6141 | 4 | Scheibe | Washer | 17/30x3 DIN/ISO-7089 EG28/32x30 |
| 12 | 317 3350 | 2 | Einspannbuchse mit Presssitz | Expansion bush | D35/16,2x30,5 Zn |
| 13 | 317 7502 | 2 | Buchse | Bush | 11,75x69,75x202 |
| 14 | 329 8468 | 4 | Druckfeder | Compression spring | 16,5x98,5x212 |
| 15 | 329 8470 | 4 | Druckfeder | Compression spring | D58,5x22 Zn |
| 16 | 426 0004 | 1 | Rolle | Roller | D36/16x30 Zn |
| 17 | 426 0007 | 4 | Wälzbuchse | Roller bush | 3x70x80x9 Zn |
| 18 | 426 0008 | 2 | Führungsblech | Guiding plate | 10x285x303 D14/20 VO7X |
| 19 | 426 0195 | 4 | Halmsplatte | Plate | 80x30x765 D32 11xD20,1 |
| 20 | 426 1430 | 2 | Grindel | Beam | |



01.18

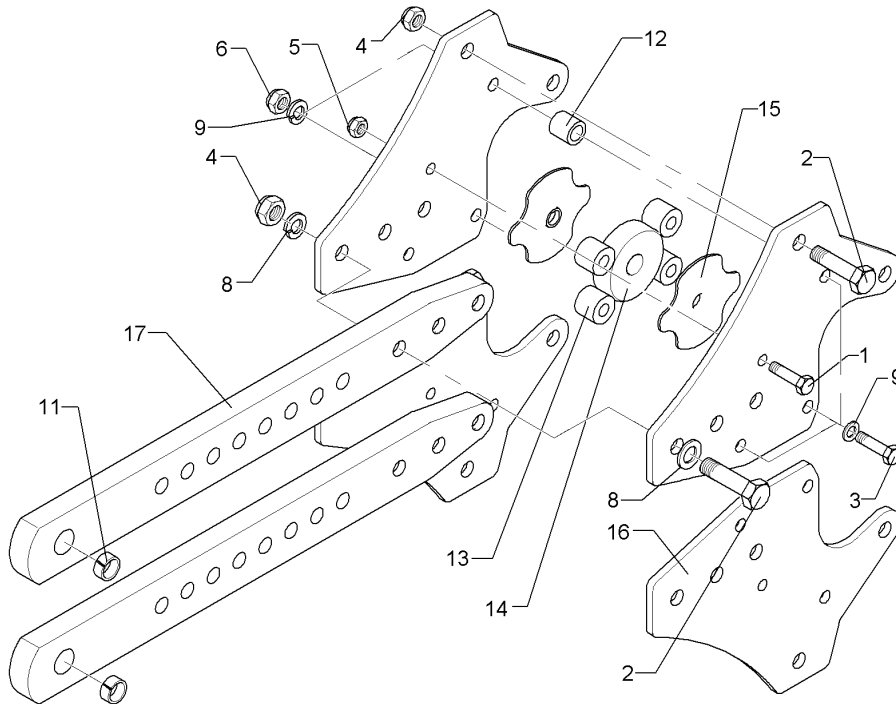
| Pos. | Art.Nr. | Stck. | Artikeltext / Description | Abmessung | |
|------|----------|-------|---------------------------|--------------------|------------------------|
| 21 | 426 2160 | 2 | Zugglied | Tension member | M16x383 |
| 22 | 426 4079 | 2 | Zwischenplatte | Intermediate plate | 80x30x60 2xM14 Zn |
| 23 | 426 4106 | 4 | Federhalter | Holder | X140/X160 D14x50 |
| 24 | 426 4125 | 4 | Lager | Bearing | 57/110 Zn |
| 25 | 30310035 | 8 | Sicherungsmutter | Selflocking nut | NM20 DIN985-10 Zn |
| 26 | 30310069 | 6 | Sechskantmutter | Hexagon nut | M16 DIN934-12 Zn5 |
| 27 | 30510119 | 12 | Sperrkantscheibe | Washer | 16,4/32,5x2,5 Zn5 |
| 28 | 30510175 | 16 | Sperrkantscheibe | Washer | 21/40x3 Zn5 |
| 29 | 305 6139 | 4 | Scheibe | Washer | 28x15x2,5 Zn DIN125 |



01.18

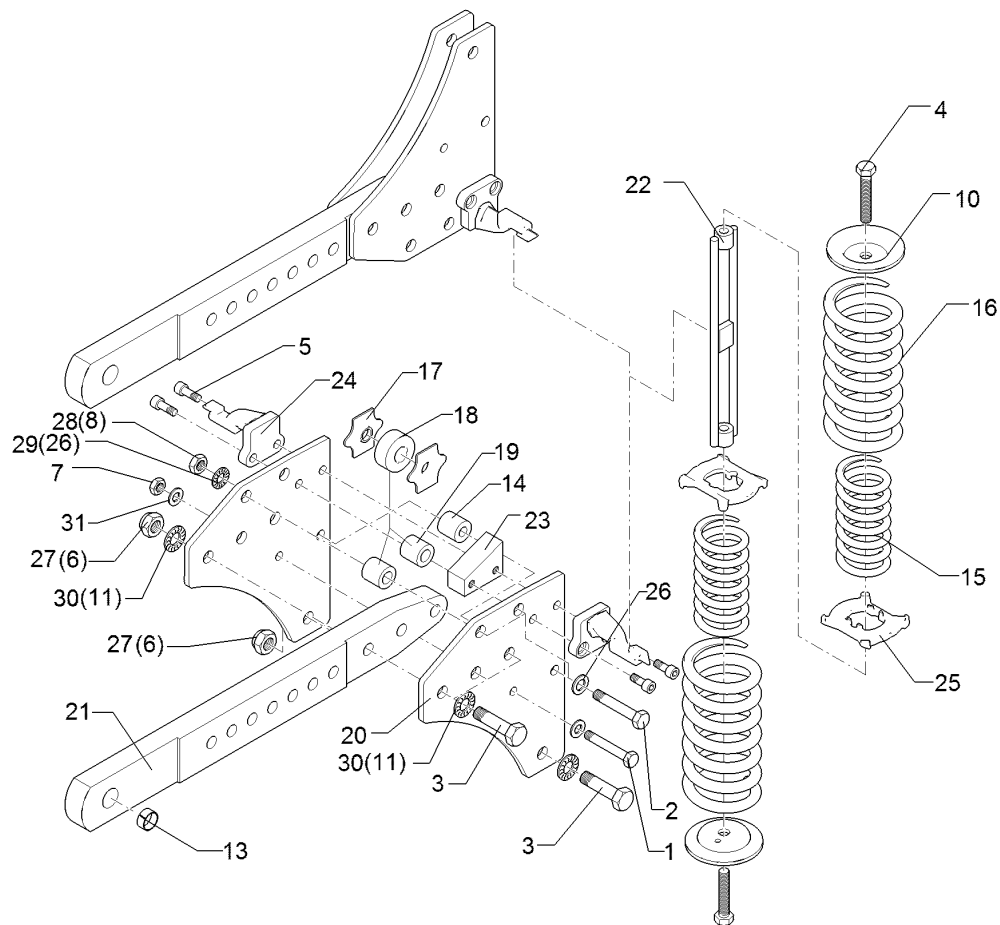
| Pos. | Art.Nr. | Stck. | Artikeltext / Description | | Abmessung |
|------|----------|-------|------------------------------|-----------------|---------------------------------------|
| 1 | 301 3595 | 2 | Sechskantschraube spz. | Hexagon bolt | M14x70-10.9 Zn |
| 2 | 301 4606 | 2 | Sechskantschraube spz. | Hexagon bolt | M20x80-10.9 Zn |
| 4 | 303 0936 | 2 | Sicherungsmutter | Selflocking nut | NM20-8 Zn DIN985 |
| 5 | 303 0974 | 2 | Sechskantmutter | Hexagon nut | M14 DIN934-8 |
| 6 | 303 1015 | 12 | Sechskantmutter | Hexagon nut | M16 DIN934-8 Zn |
| 7 | 305 6141 | 24 | Scheibe | Washer | 17/30x3 DIN/ISO-7089 EG28/32x30 |
| 8 | 317 3350 | 2 | Einspannbuchse mit Presssitz | Expansion bush | D35/16,2x30,5 Zn |
| 9 | 317 7502 | 2 | Buchse | Bush | D36/16x30 Zn |
| 10 | 426 0007 | 4 | Wälzbuchse | Roller bush | D94,5x22 Zn |
| 11 | 426 0020 | 1 | Rolle | Roller | 3x120x130,76x9 Zn |
| 12 | 426 0021 | 2 | Führungsblech | Guiding plate | 10x339x407 |
| 13 | 426 0022 | 4 | Halmpatte | Plate | 10x303,7x406,4 |
| 14 | 426 0023 | 4 | Halmpatte | Plate | 80x30x765 |
| 15 | 426 1427 | 2 | Grindel | Beam | M16x70-12.9 Zn |
| 16 | 301 5363 | 12 | Sechskantschraube spz. | Hexagon bolt | 10x339x409 RE |
| 17 | 426 0024 | 2 | Halmpatte | Plate | 10x339x409 LI |
| 18 | 426 0025 | 2 | Halmpatte | Plate | |

8



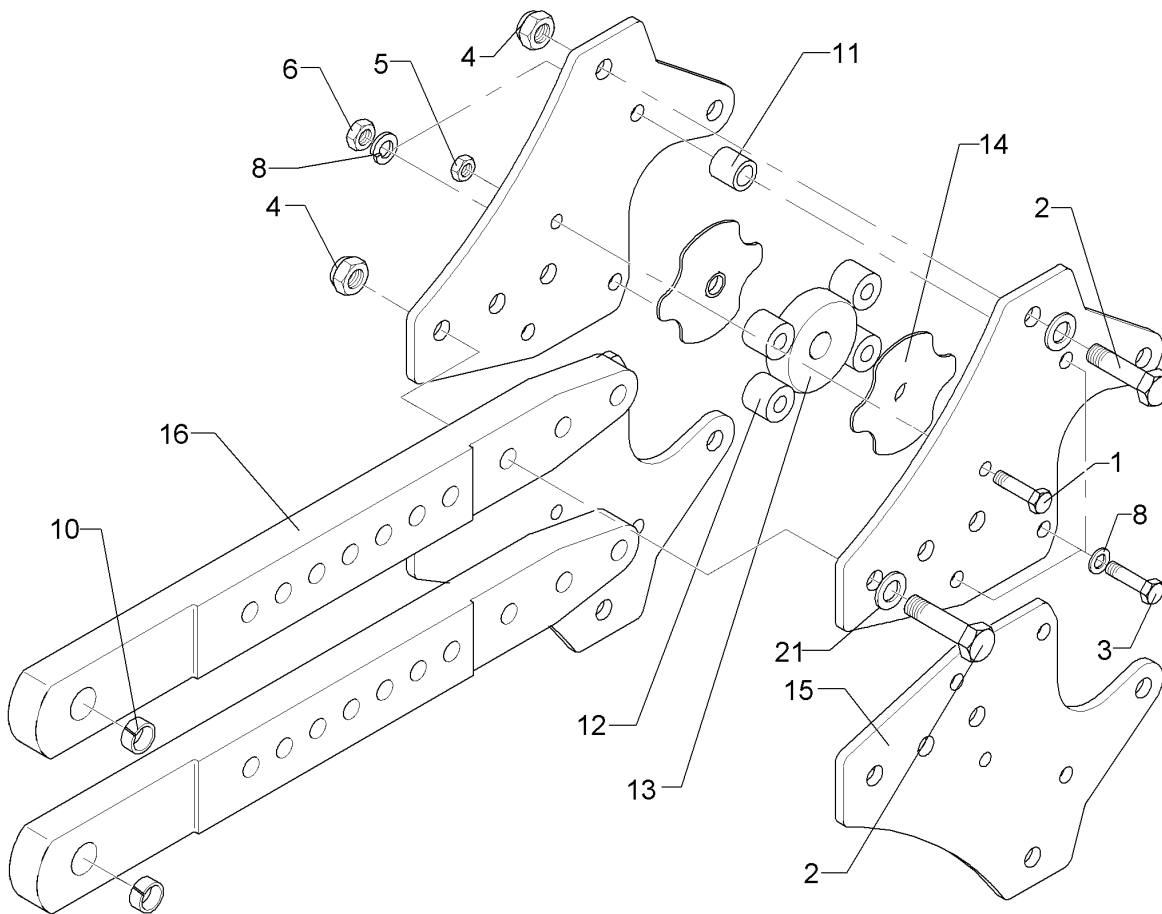
01.18

| Pos. | Art.Nr. | Stck. | Artikeltext / Description | | Abmessung |
|------|----------|-------|------------------------------|-----------------|----------------------------------|
| 1 | 301 3595 | 2 | Sechskantschraube spz. | Hexagon bolt | M14x70-10.9 Zn |
| 2 | 301 4606 | 8 | Sechskantschraube spz. | Hexagon bolt | M20x80-10.9 Zn |
| 3 | 301 5363 | 6 | Sechskantschraube spz. | Hexagon bolt | M16x70-12.9 Zn |
| 4 | 303 0936 | 8 | Sicherungsmutter | Selflocking nut | NM20-8 Zn DIN985 |
| 5 | 303 0974 | 2 | Sechskantmutter | Hexagon nut | M14 DIN934-8 |
| 6 | 303 1015 | 6 | Sechskantmutter | Hexagon nut | M16 DIN934-8 Zn |
| 8 | 305 6012 | 8 | Scheibe | Washer | 21 ISO7089 Zn |
| 9 | 305 6141 | 12 | Scheibe | Washer | 17/30x3 DIN/ISO-7089 |
| 11 | 317 3350 | 2 | Einspannbuchse mit Presssitz | Expansion bush | EG28/32x30 |
| 12 | 317 7502 | 2 | Buchse | Bush | D35/16,2x30,5 Zn |
| 13 | 426 0007 | 4 | Wälzbuchse | Roller bush | D36/16x30 Zn |
| 14 | 426 0020 | 1 | Rolle | Roller | D94,5x22 Zn |
| 15 | 426 0021 | 2 | Führungsblech | Guiding plate | 3x120x130,76x9 Zn |
| 16 | 426 0028 | 4 | Halmplatte | Plate | X-HY 10x303,7x406,4 D14/20 |
| 17 | 426 1430 | 2 | Grindel | Beam | 80x30x765 D32 11xD20,1 |



01.18

| Pos. | Art.Nr. | Stck. | Artikeltext / Description | | Abmessung |
|------|----------|-------|---------------------------|-----------------|-------------------------|
| 24 | 426 4106 | 4 | Federhalter | Holder | X140/X160 D14x50 |
| 25 | 426 4125 | 4 | Lager | Bearing | 57/110 Zn |
| 26 | 305 6141 | 4 | Scheibe | Washer | 17/30x3 DIN/ISO-7089 |
| 27 | 30310035 | 8 | Sicherungsmutter | Selflocking nut | NM20 DIN985-10 Zn |
| 28 | 30310069 | 6 | Sechskantmutter | Hexagon nut | M16 DIN934-12 Zn5 |
| 29 | 30510119 | 12 | Sperrkantscheibe | Washer | 16,4/32,5x2,5 Zn5 |
| 30 | 30510175 | 16 | Sperrkantscheibe | Washer | 21/40x3 Zn5 |
| 31 | 305 6139 | 4 | Scheibe | Washer | 28x15x2,5 Zn DIN125 |



01.18

| Pos. | Art.Nr. | Stck. | Artikeltext / Description | | Abmessung |
|------|----------|-------|------------------------------|-----------------|---------------------------------------|
| 1 | 301 3595 | 2 | Sechskantschraube spz. | Hexagon bolt | M14x70-10.9 Zn |
| 2 | 301 4606 | 8 | Sechskantschraube spz. | Hexagon bolt | M20x80-10.9 Zn |
| 3 | 301 5363 | 6 | Sechskantschraube spz. | Hexagon bolt | M16x70-12.9 Zn |
| 4 | 303 0936 | 8 | Sicherungsmutter | Selflocking nut | NM20-8 Zn DIN985 |
| 5 | 303 0974 | 2 | Sechskantmutter | Hexagon nut | M14 DIN934-8 |
| 6 | 303 1015 | 6 | Sechskantmutter | Hexagon nut | M16 DIN934-8 Zn |
| 8 | 305 6141 | 12 | Scheibe | Washer | 17/30x3 DIN/ISO-7089 EG28/32x30 |
| 10 | 317 3350 | 2 | Einspannbuchse mit Presssitz | Expansion bush | |
| 11 | 317 7502 | 2 | Buchse | Bush | D35/16,2x30,5 Zn |
| 12 | 426 0007 | 4 | Wälzbuchse | Roller bush | D36/16x30 Zn |
| 13 | 426 0020 | 1 | Rolle | Roller | D94,5x22 Zn |
| 14 | 426 0021 | 2 | Führungsblech | Guiding plate | 3x120x130,76x9 Zn |
| 15 | 426 0028 | 4 | Halmpatte | Plate | X-HY 10x303,7x406,4 D14/20 |
| 16 | 426 1431 | 2 | Grindel | Beam | 80x30/40x765 D32 11xD20,1 |
| 21 | 305 6012 | 8 | Scheibe | Washer | 21 ISO7089 Zn |