



## **Ersatzteilliste**

Parts list

**Aufsattel-Drehpflüge**

Semi-mounted Reversible Ploughs

# **VariDiamant 10**

Art.Nr. 175 1749

04.14

---

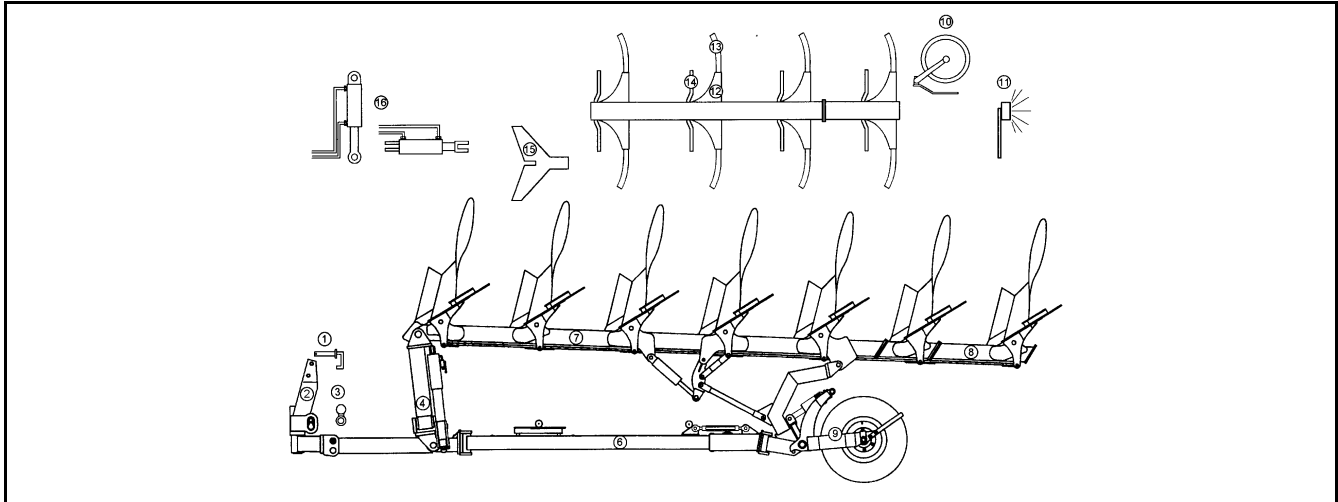
---

**LEMKEN GmbH & Co. KG**

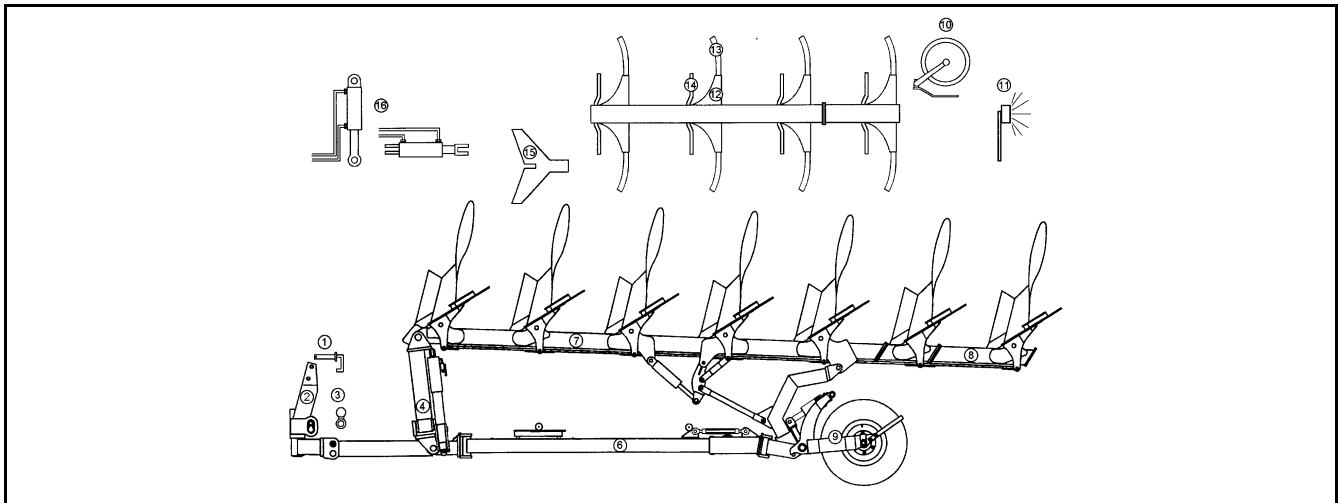
Weseler Straße 5, D-46519 Alpen / Postfach 11 60, D-46515 Alpen

Telefon (0 28 02) 81-0, Telefax (0 28 02) 81-220

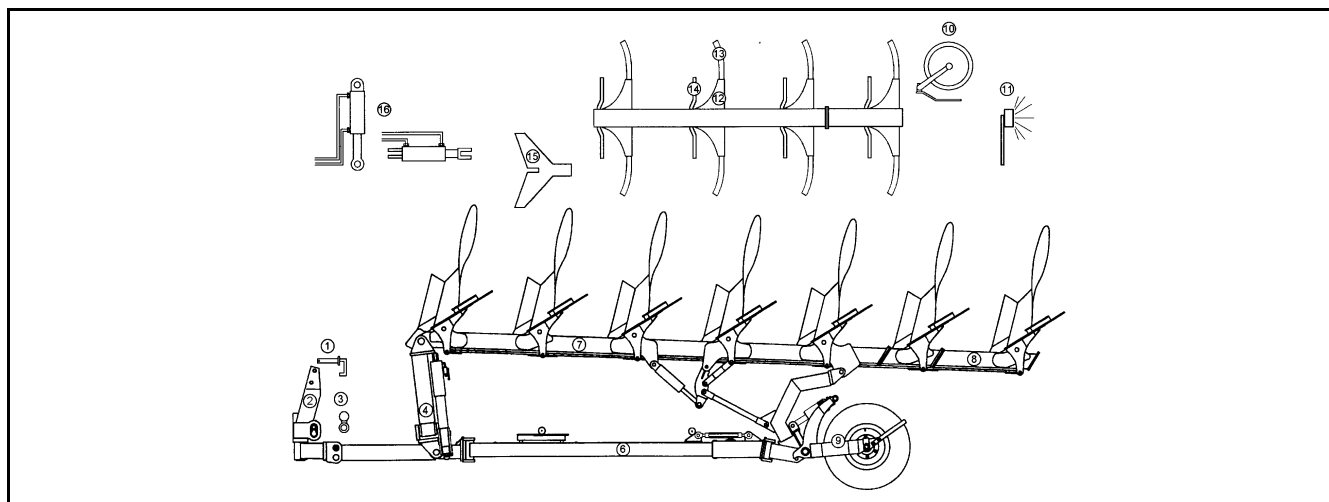
eMail: [lemken@lemken.com](mailto:lemken@lemken.com), Internet: <http://www.lemken.com>



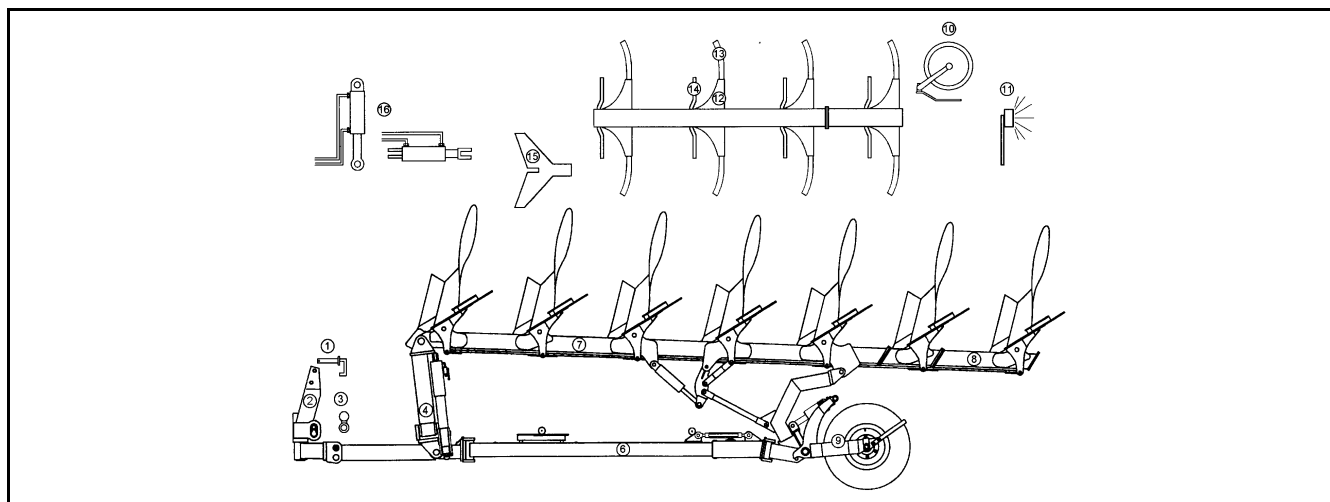
| Pos. | Art.Nr.  | Artikeltext / Description  | Abmessung               |                           |
|------|----------|----------------------------|-------------------------|---------------------------|
| 1    | 313 7927 | Oberlenkerbolzen mit Kette | Top link pin with chain | K700 D40/44,5x228         |
| 1    | 313 7929 | Oberlenkerbolzen mit Kette | Top link pin with chain | KAT3GK700 31,7x228        |
| 1    | 313 7931 | Oberlenkerbolzen mit Kette | Top link pin with chain | KAT3G 31,7x213            |
| 2    | 636 0220 | Turm                       | Headstock               | D100 Diamant 11           |
| 3    | 661 1367 | Unterenkeranschluss        | Lower link connection   | D68 L2 Z3                 |
| 3    | 661 1368 | Unterenkeranschluss        | Lower link connection   | D68 L3 Z3                 |
| 3    | 661 1369 | Unterenkeranschluss        | Lower link connection   | AD10 D68 L3 Z4            |
| 3    | 661 1370 | Unterenkeranschluss        | Lower link connection   | AD10 D68 L1100 Z4 K700    |
| 3    | 661 1371 | Unterenkeranschluss        | Lower link connection   | AD10 D68 L4 Z4            |
| 3    | 661 1373 | Unterenkeranschluss        | Lower link connection   | D68/68 L3 Z3/K4           |
| 4    | 636 0221 | Drehwerk                   | Turnover mechanism      | Diamant 10 On-Land        |
| 4    | 636 0222 | Drehwerk                   | Turnover mechanism      | Diamant 10                |
| 5    | 321 9128 | Werkzeugsatz               | Tool set                | Vari-Diamant/Diamant S    |
| 6    | 302 8746 | Spannschloss               | Turnbuckle              | TR30x3/730/520 MVS        |
| 6    | 605 8079 | Stabilisator               | Stabilizer              | 8-100 7-100 AD10 140x5010 |
| 6    | 605 8080 | Stabilisator               | Stabilizer              | 5-100 AD10 140x2010       |
| 6    | 605 8081 | Stabilisator               | Stabilizer              | 6-100 AD10 140x3010       |
| 6    | 605 8082 | Stabilisator               | Stabilizer              | 7-100 AD10 140x4010       |
| 6    | 605 8083 | Stabilisator               | Stabilizer              | 5-100 AD10 140x1912       |
| 6    | 605 8084 | Stabilisator               | Stabilizer              | 6-100 AD10 140x2912       |
| 6    | 605 8085 | Stabilisator               | Stabilizer              | 7-100 AD10 140x3912       |
| 6    | 605 8086 | Stabilisator               | Stabilizer              | 8-100 7-120 AD10 140x4912 |
| 6    | 605 8088 | Stabilisator               | Stabilizer              | 5-120 AD10 140x2537       |
| 6    | 605 8089 | Stabilisator               | Stabilizer              | 5X6-120 AD10 140x3737     |
| 6    | 605 8090 | Stabilisator               | Stabilizer              | 5-120 AD10 140x2537 OF    |
| 6    | 605 8095 | Stabilisator               | Stabilizer              | 6-120 AD10 140x3835 OF    |
| 6    | 636 0212 | Stabigelenk                | Stabilizer joint        | VT10                      |
| 6    | 636 0213 | Stabigelenk                | Stabilizer joint        | AD10                      |
| 7    | 321 9261 | Schnittbreitenanzeige      | Pointer                 | VariDiamant 10            |
| 7    | 605 1700 | Steuerstange               | Rod                     | VariDiamant 10            |
| 7    | 605 1701 | Steuerstange               | Rod                     | VariDiamant 10            |



| Pos. | Art.Nr.  | Artikeltext / Description | Abmessung            |                                |
|------|----------|---------------------------|----------------------|--------------------------------|
| 7    | 605 1702 | Steuerstange              | Rod                  | VariDiamant 10                 |
| 7    | 605 1703 | Steuerstange              | Rod                  | VariDiamant 10                 |
| 7    | 605 1705 | Steuerstange              | Rod                  | VariDiamant 10 -120            |
| 7    | 605 1706 | Steuerstange              | Rod                  | VariDiamant 10 -120            |
| 7    | 605 7413 | Grundrahmen               | Basic frame          | VariDiamant 10 5-100           |
| 7    | 605 7414 | Grundrahmen               | Basic frame          | VariDiamant 10 6-100           |
| 7    | 605 7415 | Grundrahmen               | Basic frame          | VariDiamant 10 7-100           |
| 7    | 605 7416 | Grundrahmen               | Basic frame          | VariDiamant 10 8-100           |
| 7    | 605 7417 | Grundrahmen               | Basic frame          | VariDiamant 10 5-100           |
| 7    | 605 7418 | Grundrahmen               | Basic frame          | VariDiamant 10 6-100           |
| 7    | 605 7419 | Grundrahmen               | Basic frame          | VariDiamant 10 7-100           |
| 7    | 605 7420 | Grundrahmen               | Basic frame          | VariDiamant 10 8-100           |
| 7    | 605 7422 | Grundrahmen               | Basic frame          | VariDiamant 10 5-120           |
| 7    | 605 7423 | Grundrahmen               | Basic frame          | VariDiamant 10 6-120           |
| 8    | 602 8732 | Anbauteil                 | Frame extension      | VariOpal 9-I-100/120           |
| 8    | 602 8733 | Anbauteil                 | Frame extension      | VO 9-100                       |
| 8    | 605 1680 | Steuerstange              | Rod                  | Anbauteil VO 9/9X-4/5/6-100    |
| 8    | 605 1692 | Steuerstange              | Rod                  | Anbauteil VO 9/9X-4/5/6-120    |
| 9    | 549 8894 | Lagerung                  | Bearing              | V60-6/160/205/88.5 D18         |
| 9    | 550 7084 | Lagerung                  | Bearing              | D35x622 6/205                  |
| 9    | 550 8850 | Rad 6/161/205 D18         | Wheel 6/161/205 D18  | 11.5/80-15.3 10PR AW           |
| 9    | 550 8855 | Rad 6/161/205 D18         | Wheel 6/161/205 D18  | BKT 400/55-22.5 TL ET-0 14PR   |
| 9    | 550 8856 | Rad 6/161/205 D18 BKT     | Wheel 6/161/205 D18  | 500/45-22.5 TL ET-0            |
| 9    | 550 8857 | Rad 6/161/205 D18         | Wheel 6/161/205 D18  | 38x20,00x16,1 STG 8PR LO       |
| 9    | 550 8869 | Rad 6/161/205 D18         | Wheel 6/161/205 D18  | NOKIA 500/60-15.5 ELS ET-0     |
| 9    | 650 5727 | Stützrad                  | Depth wheel          | VariDiamant 10                 |
| 9    | 650 7416 | Schwenkrad                | Swinging depth wheel | D50x160 Diamant10 11,5/80-15,3 |
| 10   | 657 7943 | Scheibensech              | Disc coulter         | VO 9 D500 A Z Z40              |
| 10   | 657 7944 | Scheibensech              | Disc coulter         | VO 9 D500 A G-Z40              |
| 10   | 657 7945 | Scheibensech              | Disc coulter         | VO 9 D590 A Z Z40              |
| 10   | 657 7955 | Scheibensech Mais         | Disc coulter         | VO 9 D590-M Z                  |
| 10   | 657 7956 | Scheibensech Mais         | Disc coulter         | VO 9 D500-M G                  |
| 10   | 657 7957 | Scheibensech Mais         | Disc coulter         | VO 9 D500-M Z                  |
| 10   | 657 9348 | Secharm kpl.              | Disc arm             | D500 G V-A Z40                 |



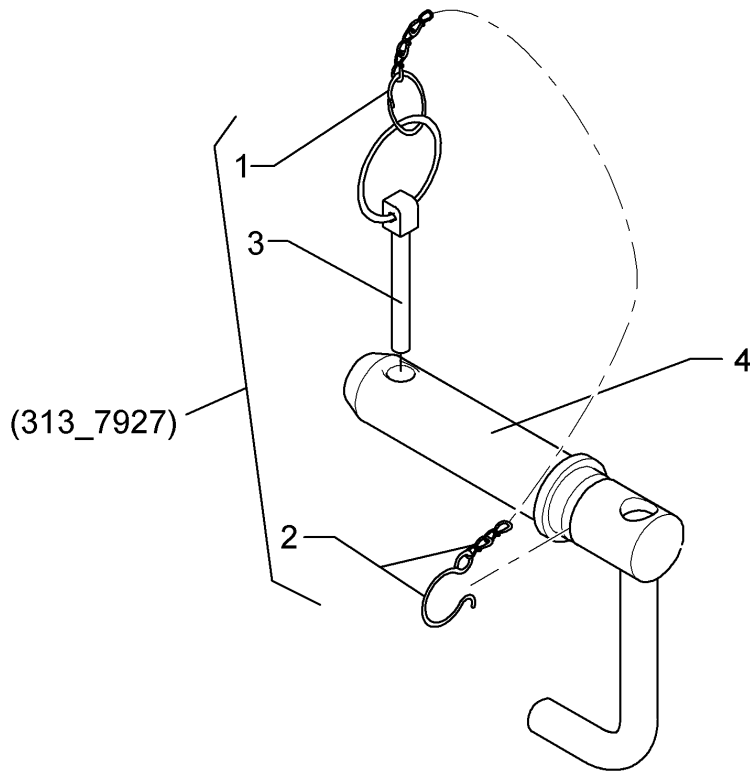
| Pos. | Art.Nr.  | Artikeltext / Description | Abmessung                |                             |
|------|----------|---------------------------|--------------------------|-----------------------------|
| 11   | 373 4151 | Verlängerungskabel        | Extension cable          | 7-polig 5m                  |
| 11   | 570 2086 | Beleuchtungsanlage        | Lighting equipment       | Pflug                       |
| 11   | 570 2098 | Beleuchtungsanlage        | Lighting equipment       | Pflug                       |
| 11   | 670 1674 | Beleuchtungsanlage        | Lighting equipment       | BLA-1 PF/UNI 33,7x1580      |
| 11   | 670 1675 | Beleuchtungsanlage        | Lighting equipment       | BLA-1 PF/AD 33,7x1580       |
| 11   | 670 1708 | seitl. Warntafel          | Lateral warning board    | SWT-1                       |
| 12   | 602 2705 | Halmtasche                | Bracket                  | VariOpal 9                  |
| 12   | 602 2706 | Halmtasche                | Bracket                  | VariOpal 9 Sech             |
| 12   | 602 2726 | Halmtasche                | Bracket                  | VariOpal 9-I                |
| 12   | 602 2727 | Halmtasche                | Bracket                  | VariOpal 9-I Sech           |
| 12   | 602 2728 | Halmtasche                | Bracket                  | VariOpal 9-I f.DE.          |
| 12   | 602 2729 | Halmtasche                | Bracket                  | VariOpal 9-I Sech/DE        |
| 13   | 464 4990 | Körperhalm                | Leg                      | 80x35x657-R750              |
| 13   | 464 4991 | Körperhalm                | Leg                      | 80x35x707-R800              |
| 13   | 464 4992 | Körperhalm                | Leg                      | 80x35x807-R900              |
| 13   | 464 4995 | Körperhalm                | Leg                      | 80x40x807-R900              |
| 13   | 464 4996 | Körperhalm                | Leg                      | 100x40x810-R900             |
| 13   | 699 6000 | Körperhalmsschrauben      | Bolts for leg            | Dural                       |
| 14   | 663 8687 | Düngereinlegerhalm        | Skim stalk               | S1 50x30x1134-260/220 H800  |
| 14   | 663 8752 | Düngereinlegerhalm        | Skim stalk               | S1 50x30-260 H800           |
| 14   | 663 8755 | Düngereinlegerhalm        | Skim stalk               | EV-260/179 50x30 H800       |
| 14   | 663 8758 | Düngereinlegerhalm        | Skim stalk               | EV-V 260/179 50x30 H800-900 |
| 14   | 663 8759 | Düngereinlegerhalm        | Skim stalk               | EV-260/179 50x30 H900       |
| 14   | 663 8762 | Düngereinlegerhalm        | Skim stalk               | S1-V 50x30-260 H800-900     |
| 14   | 663 8764 | Düngereinlegerhalm        | Skim stalk               | S 50x30-260 H900            |
| 15   | 622 2661 | Packerarm                 | Attachment arm           | E2V                         |
| 15   | 622 2671 | Konsole zum Mitnehmerarm  | Bracket                  | Diamant 10                  |
| 15   | 62210038 | Packerarm                 | Attachment arm           | E2V-HY Diamant 11           |
| 16   | 475 2832 | Schlauchpaket             | Hose-assembly            | 2x5900,2x4600,1x7500 MSS    |
| 16   | 575 2266 | Hydraulikzylinder         | Ram                      | DZ80/40x320-580+-5          |
| 16   | 575 2298 | Hydraulikzylinder         | Ram                      | DZ80/40/320-580             |
| 16   | 575 2302 | Teleskopzylinder 2-stufig | Telescopic ram 2 pistons | ET78/97-500                 |



| Pos. | Art.Nr.  | Artikeltext / Description    | Abmessung                   |                              |
|------|----------|------------------------------|-----------------------------|------------------------------|
| 16   | 575 2303 | Teleskopzylinder 2-stufig    | Telescopic ram 2 pistons    | ET105/90x500                 |
| 16   | 575 2321 | Hydraulikzylinder mit Gabel  | Ram                         | 80/40x245-515+-5 D25 M18x1,5 |
| 16   | 575 2342 | Hydraulikzylinder EW         | Hydraulic ram SA            | ED80-200/360                 |
| 16   | 575 2344 | Hydraulikzylinder            | Ram                         | DZ80/40-200-435              |
| 16   | 575 2358 | Hydraulikzylinder mit Gabel  | Ram                         | 90/40-245-515-D30            |
| 16   | 575 2393 | Teleskopzylinder 2-stufig    | Telescopic ram 2 pistons    | ET105(110)/90x500            |
| 16   | 575 2537 | Hydraulikzylinder            | Ram                         | DZ80/40-175/590              |
| 16   | 575 6601 | Adapter                      | Adapter                     | K700                         |
| 16   | 575 9918 | Stützraddämpfung             | Wheel damping               | Diamant 10                   |
| 16   | 675 1331 | Hydraulikanlage Mitnehmerarm | HY-assembly attachment arm  | PA-Diamant 10                |
| 16   | 675 1332 | Hydraulikanlage Mitnehmerarm | HY-assembly attachment arm  | PA-Diamant 10 OF             |
| 16   | 675 2114 | Vorderfurcheneinstellung     | HY-front furrow adjustment  | HY V-AD-10 5/100 DZ80x320    |
| 16   | 675 2115 | Vorderfurcheneinstellung     | HY-front furrow adjustment  | HY V-AD-10 5-100             |
| 16   | 675 2116 | Vorderfurcheneinstellung     | HY-front furrow adjustment  | HY V-AD-10 6-100             |
| 16   | 675 2117 | Vorderfurcheneinstellung     | HY-front furrow adjustment  | HY V-AD-10 7-100             |
| 16   | 675 2118 | Vorderfurcheneinstellung     | HY-front furrow adjustment  | HY V-AD-10 8-100             |
| 16   | 675 2119 | Vorderfurcheneinstellung     | HY-front furrow adjustment  | HY V-AD-10 5/120 DZ80x320    |
| 16   | 675 2120 | Vorderfurcheneinstellung     | HY-front furrow adjustment  | HY V-AD-10 6/120 DZ80x320    |
| 16   | 675 2451 | Hydraulikanlage Drehwerk     | HY-assembly turnover device | ET78/97-500 Diamant 10       |
| 16   | 675 2453 | Hydraulikanlage Onland       | HY-assembly Onland          | DZ80-320 Diamant 10          |
| 16   | 675 2454 | Hydraulikanlage Stützrad     | HY-assembly depth wheel     | VariDiamant 10               |
| 16   | 675 2459 | Breitenverstellung           | Width adjuster              | DZ80-200 5-100 Diamant 10    |
| 16   | 675 2460 | Breitenverstellung           | Width adjuster              | DZ80-200 6-10 Diamant 10     |
| 16   | 675 2461 | Breitenverstellung           | Width adjuster              | DZ80-200 7-100 Diamant 10    |
| 16   | 675 2462 | Breitenverstellung           | Width adjuster              | DZ80-200 8-100 Diamant 10    |
| 16   | 675 2463 | Breitenverstellung           | Width adjuster              | DZ80-175 5 6-120 Diamant 10  |

|  |   |
|--|---|
| Oberlenkerbolzen mit Kette/Top link pin with chain | 1 |
|--|---|

|                |          |
|----------------|----------|
| VariDiamant 10 | 313 7927 |
|----------------|----------|

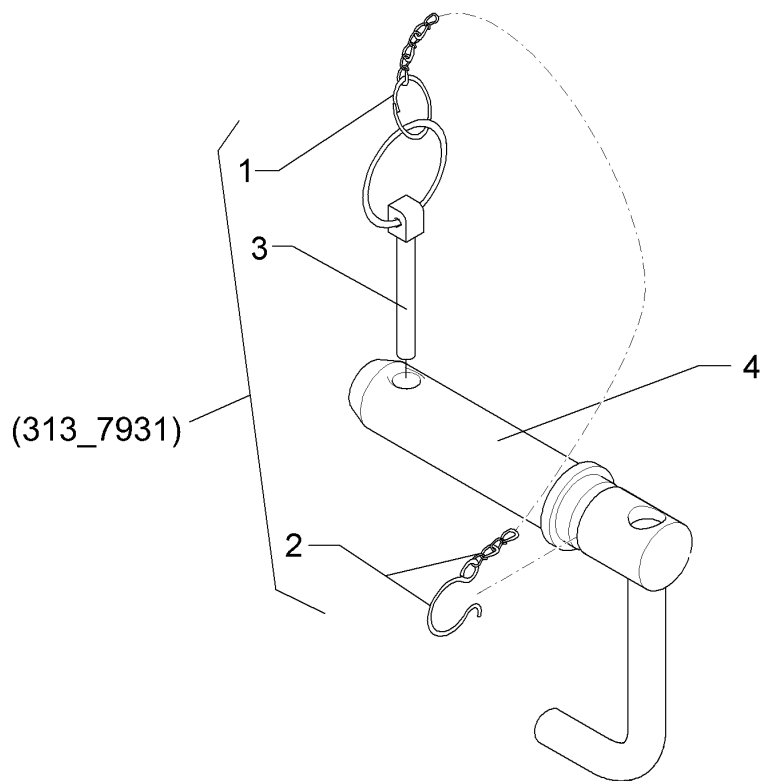


04.14

| Pos. | Art.Nr.  | Stck. | Artikeltext / Description |                          | Abmessung            |
|------|----------|-------|---------------------------|--------------------------|----------------------|
| 1    | 305 8545 | 1     | Sicherungsring            | Securing ring            | 3x30-35x1,25 Zn      |
| 2    | 305 8560 | 1     | Federsicherung mit Kette  | Securing clip with chain | D3,6/D21-460mm-Zn    |
| 3    | 311 9302 | 1     | Klappstift                | Securing pin             | 12x60                |
| 4    | 313 7926 | 1     | Oberlenkerbolzen          | Top link pin             | K700 D40/44,5x228 Zn |

|  |   |
|--|---|
| Oberlenkerbolzen mit Kette/Top link pin with chain | 1 |
|--|---|

|                |          |
|----------------|----------|
| VariDiamant 10 | 313 7929 |
|----------------|----------|

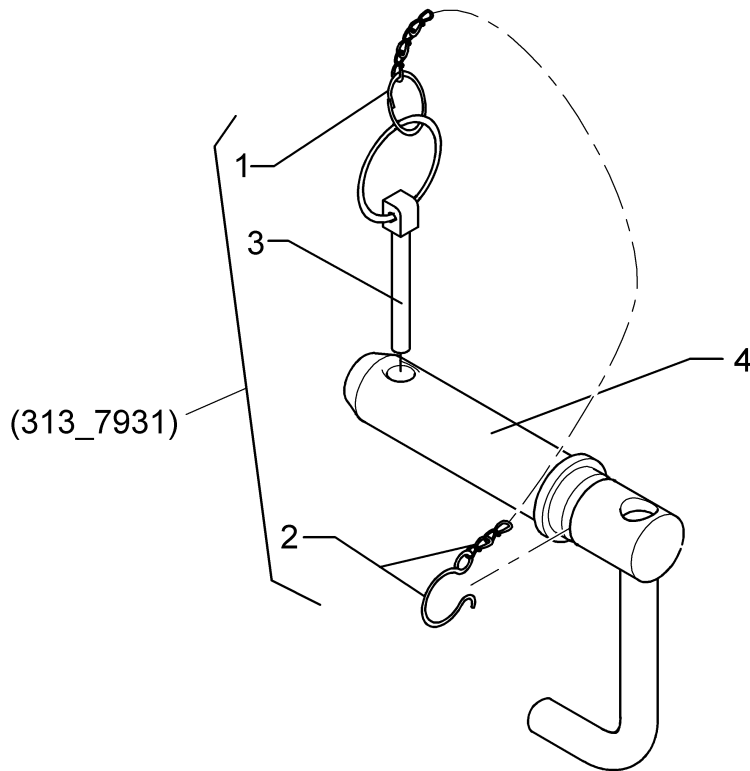


04.14

| Pos. | Art.Nr.  | Stck. | Artikeltext / Description |                          | Abmessung                   |
|------|----------|-------|---------------------------|--------------------------|-----------------------------|
| 1    | 305 8545 | 1     | Sicherungsring            | Securing ring            | 3x30-35x1,25 Zn             |
| 2    | 305 8560 | 1     | Federsicherung mit Kette  | Securing clip with chain | D3,6/D21-460mm-Zn           |
| 3    | 311 9302 | 1     | Klappstift                | Securing pin             | 12x60                       |
| 4    | 313 7928 | 1     | Oberlenkerbolzen          | Top link pin             | KAT3GK700<br>31,7/39x228 Zn |

|  |   |
|--|---|
| Oberlenkerbolzen mit Kette/Top link pin with chain | 1 |
|--|---|

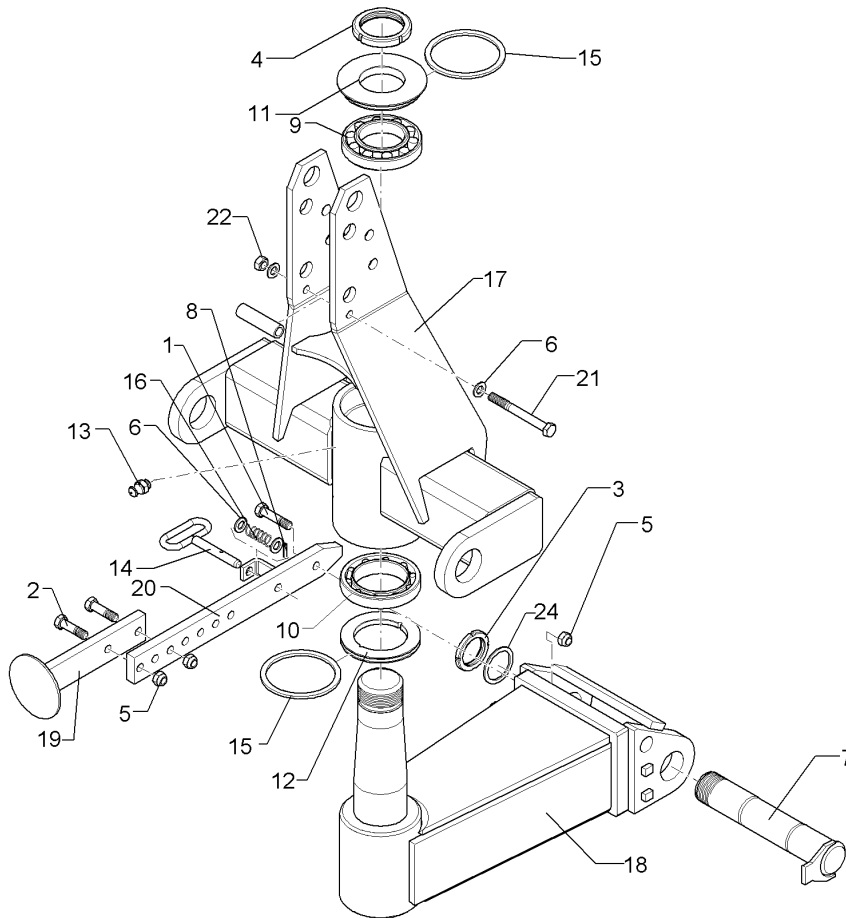
|                |          |
|----------------|----------|
| VariDiamant 10 | 313 7931 |
|----------------|----------|



04.14

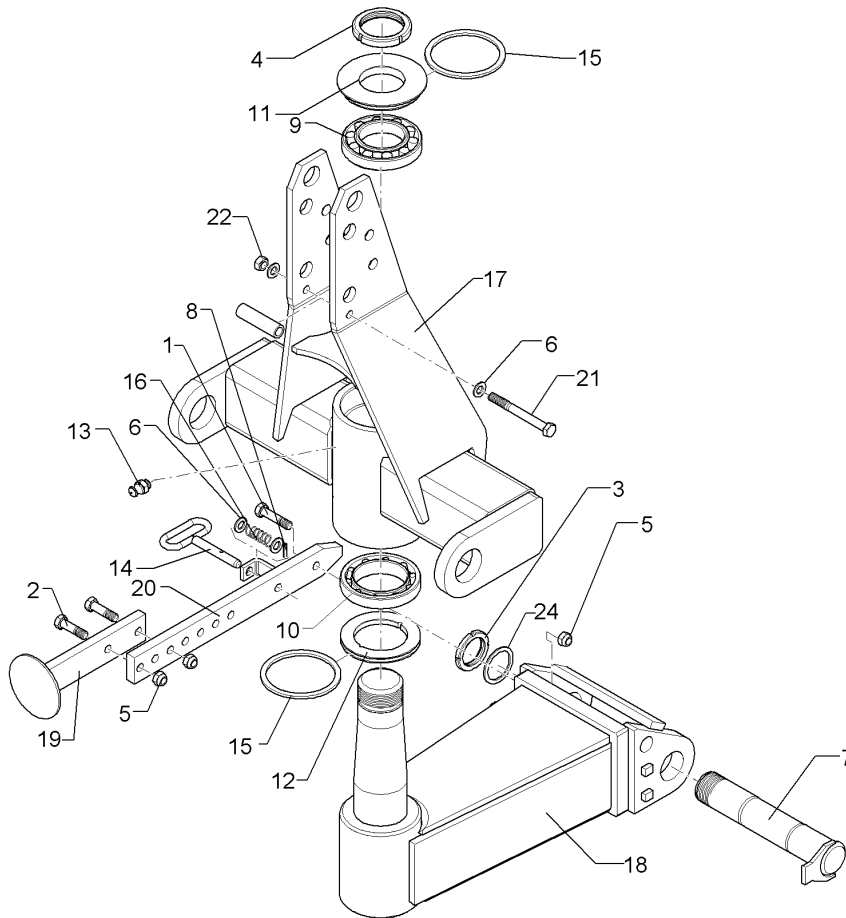
| Pos. | Art.Nr.  | Stck. | Artikeltext / Description |                          | Abmessung                |
|------|----------|-------|---------------------------|--------------------------|--------------------------|
| 1    | 305 8545 | 1     | Sicherungsring            | Securing ring            | 3x30-35x1,25 Zn          |
| 2    | 305 8560 | 1     | Federsicherung mit Kette  | Securing clip with chain | D3,6/D21-460mm-Zn        |
| 3    | 311 9302 | 1     | Klappstift                | Securing pin             | 12x60                    |
| 4    | 313 7930 | 1     | Oberlenkerbolzen          | Top link pin             | KAT3GL<br>31,7/39x213 Zn |





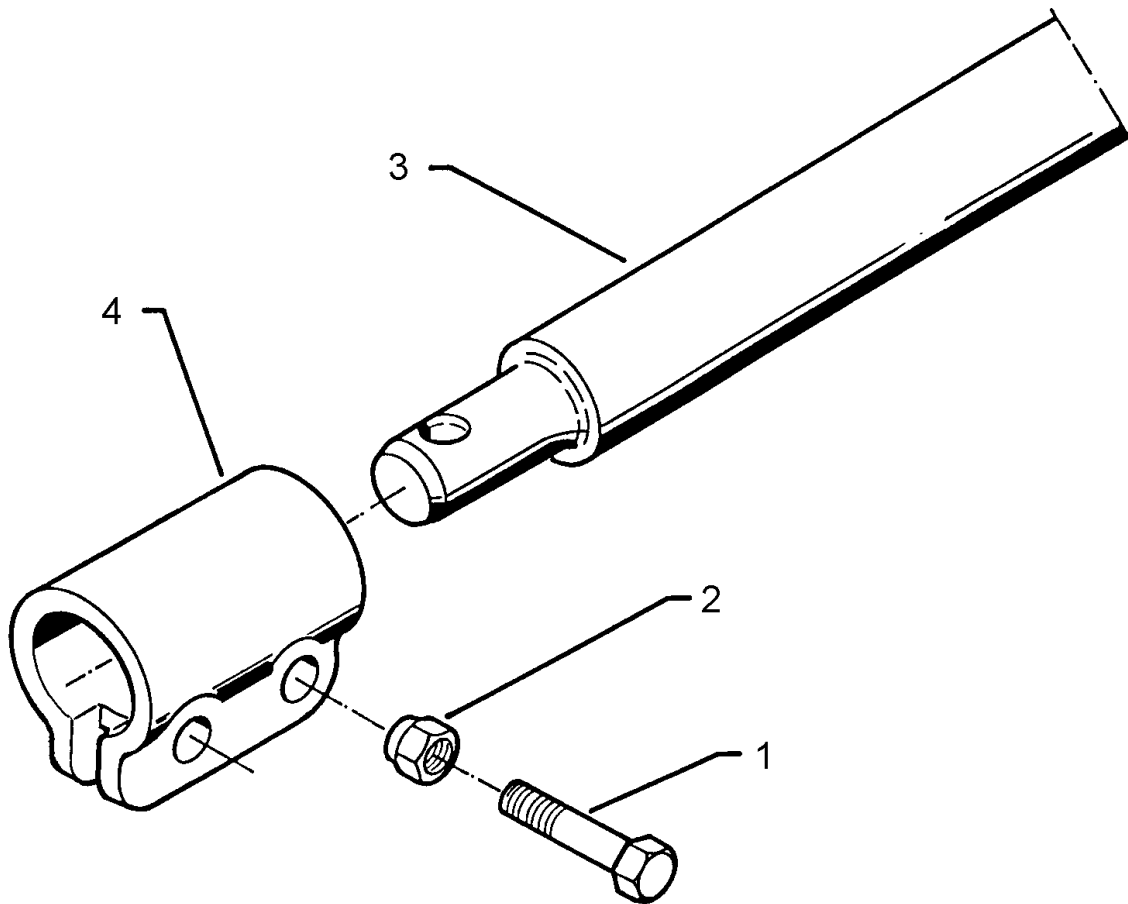
04.14

| Pos. | Art.Nr.  | Stck. | Artikeltext / Description   |                    | Abmessung                |
|------|----------|-------|-----------------------------|--------------------|--------------------------|
| 1    | 301 5363 | 1     | Sechskantschraube spz.      | Hexagon bolt       | M16x70-12.9 Zn           |
| 2    | 301 3779 | 2     | Sechskantschraube spz.      | Hexagon bolt       | M16x60-10.9 Zn           |
| 3    | 303 0339 | 1     | Nutmutter                   | Grooved nut        | M60x2 SI                 |
| 4    | 303 0346 | 1     | Nutmutter                   | Grooved nut        | M85x2 MK17 Zn            |
| 5    | 303 0935 | 3     | Sicherungsmutter            | Selflocking nut    | NM16-8 Zn DIN985         |
| 6    | 305 6141 | 4     | Scheibe                     | Washer             | 17/30x3<br>DIN/ISO-7089  |
| 7    | 313 6031 | 1     | Bolzen mit Verdrehsicherung | Pin with stop      | D60x305/340 M60X2<br>Zn  |
| 8    | 309 6050 | 1     | Spannhülse                  | Expansion bush     | 6x30-DIN1481 Zn          |
| 9    | 319 9095 | 1     | Kegelrollenlager            | Bearing            | 30217 D150/85x30,5       |
| 10   | 319 9219 | 1     | Kegelrollenlager            | Bearing            | 32020X<br>D150/100x32    |
| 11   | 323 0057 | 1     | Dichtscheibe                | Seal washer        | D168/149,5/85x18,5<br>Zn |
| 12   | 323 0060 | 1     | Dichtscheibe mit Nut        | Seal washer        | D149,5/100x12 Zn         |
| 13   | 323 6348 | 1     | Schmiernippel               | Grease nipple      | AM10x1 DIN71412          |
| 14   | 313 1611 | 1     | Bolzen mit Griff            | Pin with grip      | D16x115 Zn               |
| 15   | 323 7970 | 2     | Filzring                    | Felt ring          | D150/130x6               |
| 16   | 329 8244 | 1     | Druckfeder                  | Compression spring | 2x20x55,4 Zn             |
| 17   | 436 0210 | 1     | Turm                        | Headstock          | D100 Diamant 11          |
| 18   | 436 0221 | 1     | Kreuzgelenk                 | Cross union        | D100/60x620/240          |
| 19   | 429 2809 | 1     | Abstellstütze               | Stand              | 60x20x280                |
| 20   | 429 2810 | 1     | Abstellstütze               | Stand              | 60x20x550 AD10           |



04.14

| Pos. | Art.Nr.  | Stck. | Artikeltext / Description |                   | Abmessung                                   |
|------|----------|-------|---------------------------|-------------------|---|
| 21   | 301 4085 | 1     | Sechskantschraube         | Hexagon bolt      | M16x150-8.8 Zn                              |
| 22   | 303 1015 | 1     | Sechskantmutter           | Hexagon nut       | DIN931-A                                    |
| 23   | 31710033 | 1     | Röhrchen                  | Tube              | M16 DIN934-8 Zn                             |
| 24   | 305 2261 | 1     | Stützscheibe              | Supporting washer | D26,9x4,5x99,3 Zn<br>S 60x75x3 DIN988<br>Zn |

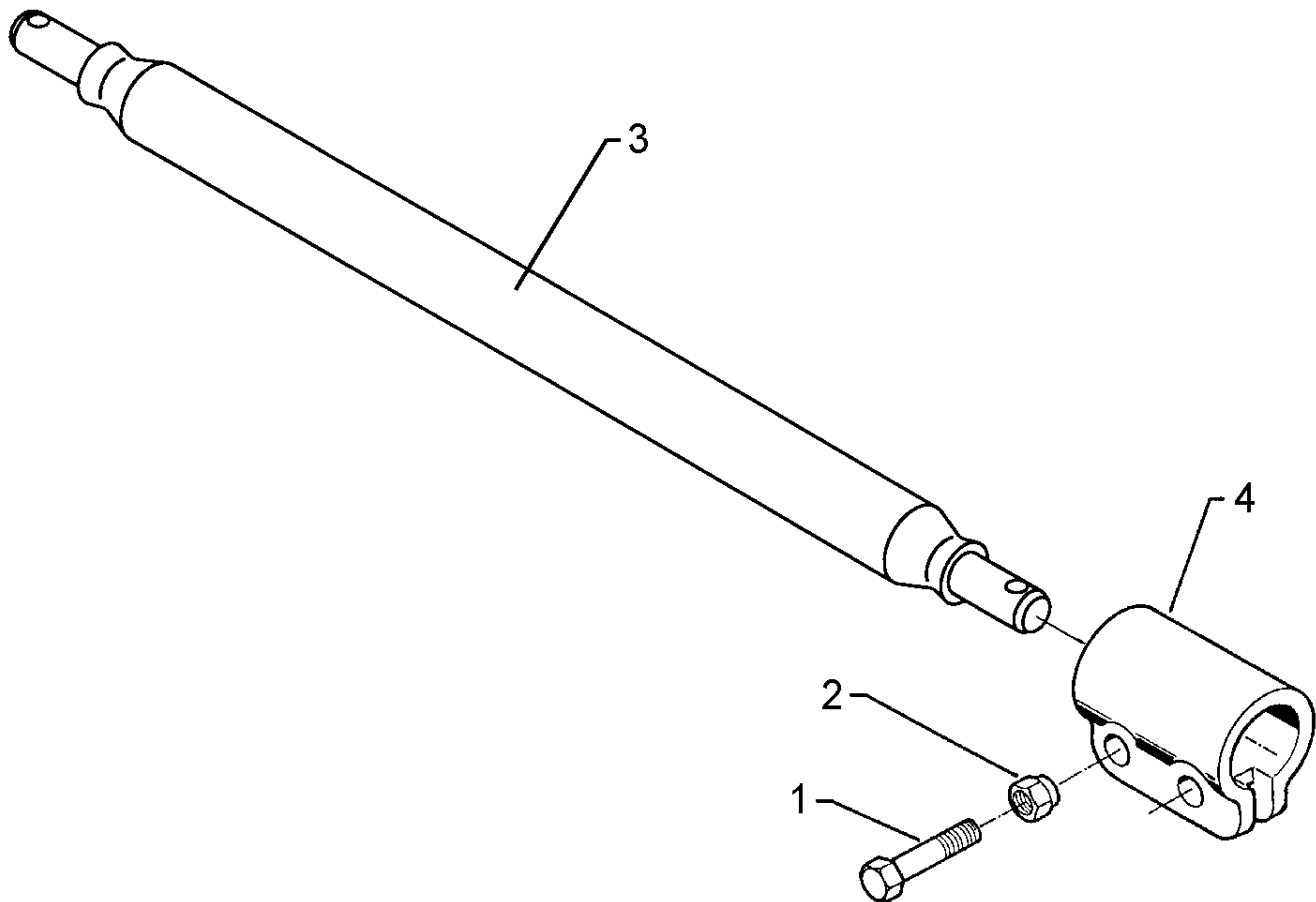


04.14

| Pos. | Art.Nr.  | Stck. | Artikeltext / Description |                 | Abmessung                 |
|------|----------|-------|---------------------------|-----------------|---------------------------|
| 1    | 301 3868 | 4     | Sechskantschraube         | Hexagon bolt    | M16x65-8.8 Zn<br>DIN931-A |
| 2    | 303 0935 | 4     | Sicherungsmutter          | Selflocking nut | NM16-8 Zn DIN985          |
| 3    | 461 7905 | 1     | Schienenwelle mit Hülse   | Drawbar         | D68 L2 Z3 (Kat.3N)        |
| 4    | 461 9893 | 2     | Sperrstück                | Adjusting piece | D68x100 2xD18             |

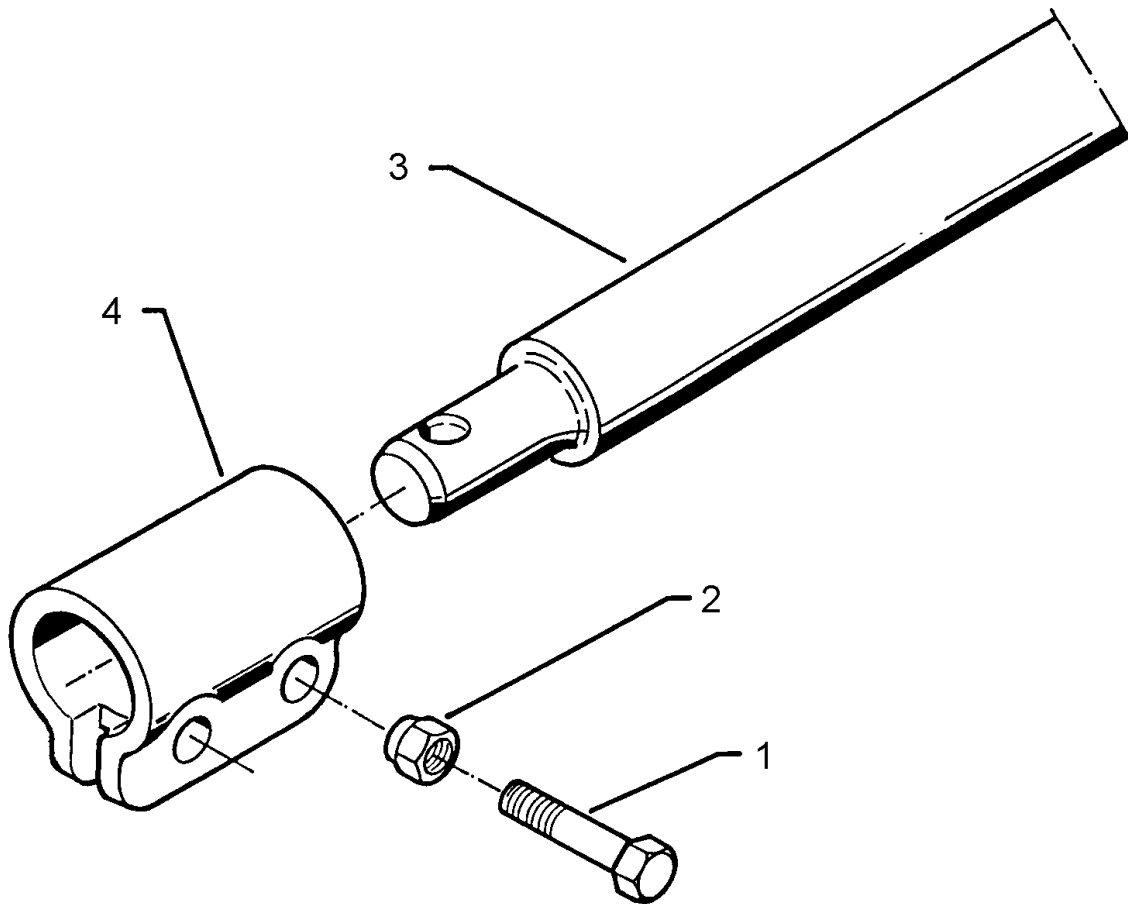
|   |          |
|---|----------|
| <b>Unterlenkeranschluss/Lower link connection</b> | <b>3</b> |
|---|----------|

|                       |                 |
|-----------------------|-----------------|
| <b>VariDiamant 10</b> | <b>661 1368</b> |
|-----------------------|-----------------|



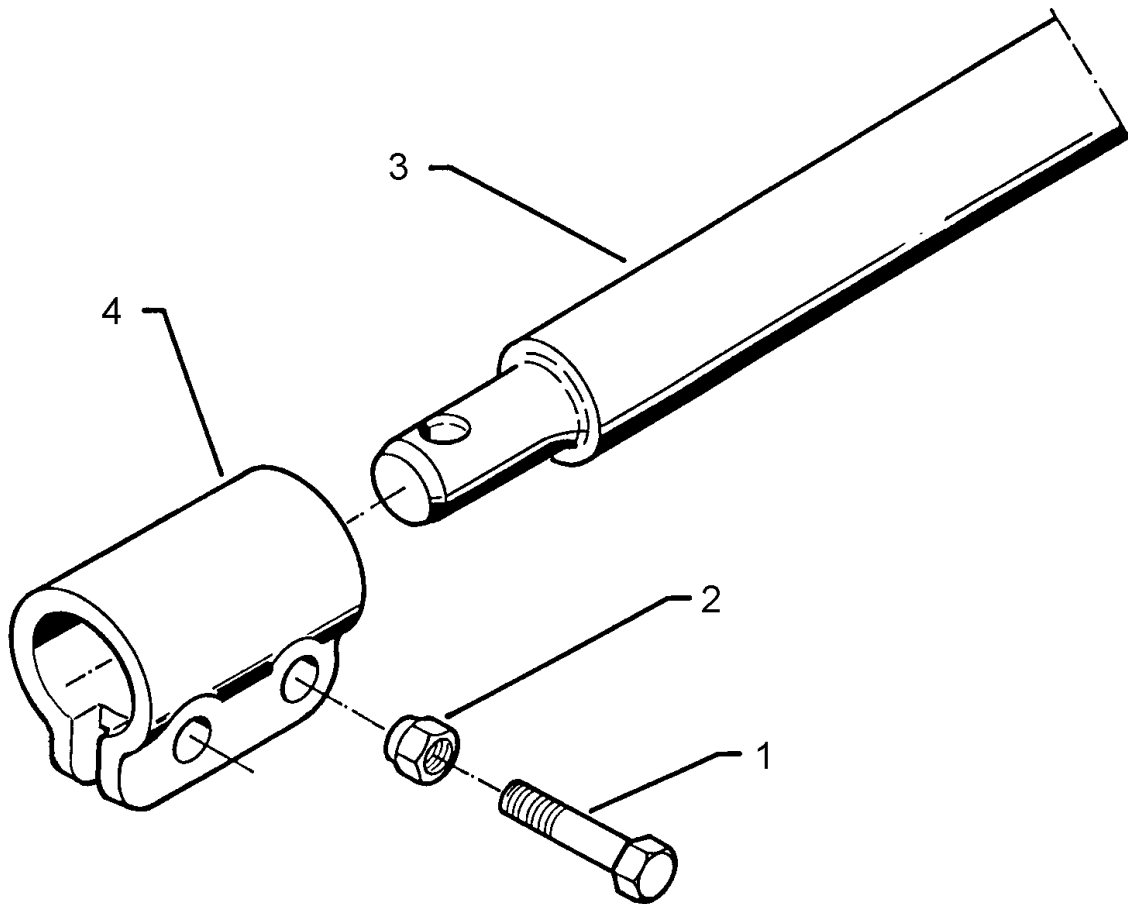
04.14

| Pos. | Art.Nr.  | Stck. | Artikeltext / Description |                 | Abmessung                 |
|------|----------|-------|---------------------------|-----------------|---------------------------|
| 1    | 301 3868 | 4     | Sechskantschraube         | Hexagon bolt    | M16x65-8.8 Zn<br>DIN931-A |
| 2    | 303 0935 | 4     | Sicherungsmutter          | Selflocking nut | NM16-8 Zn DIN985          |
| 3    | 461 7925 | 1     | Schienenwelle             | Drawbar         | D68 L3 Z3 (Kat.3)         |
| 4    | 461 9893 | 2     | Sperrstück                | Adjusting piece | D68x100 2xD18             |



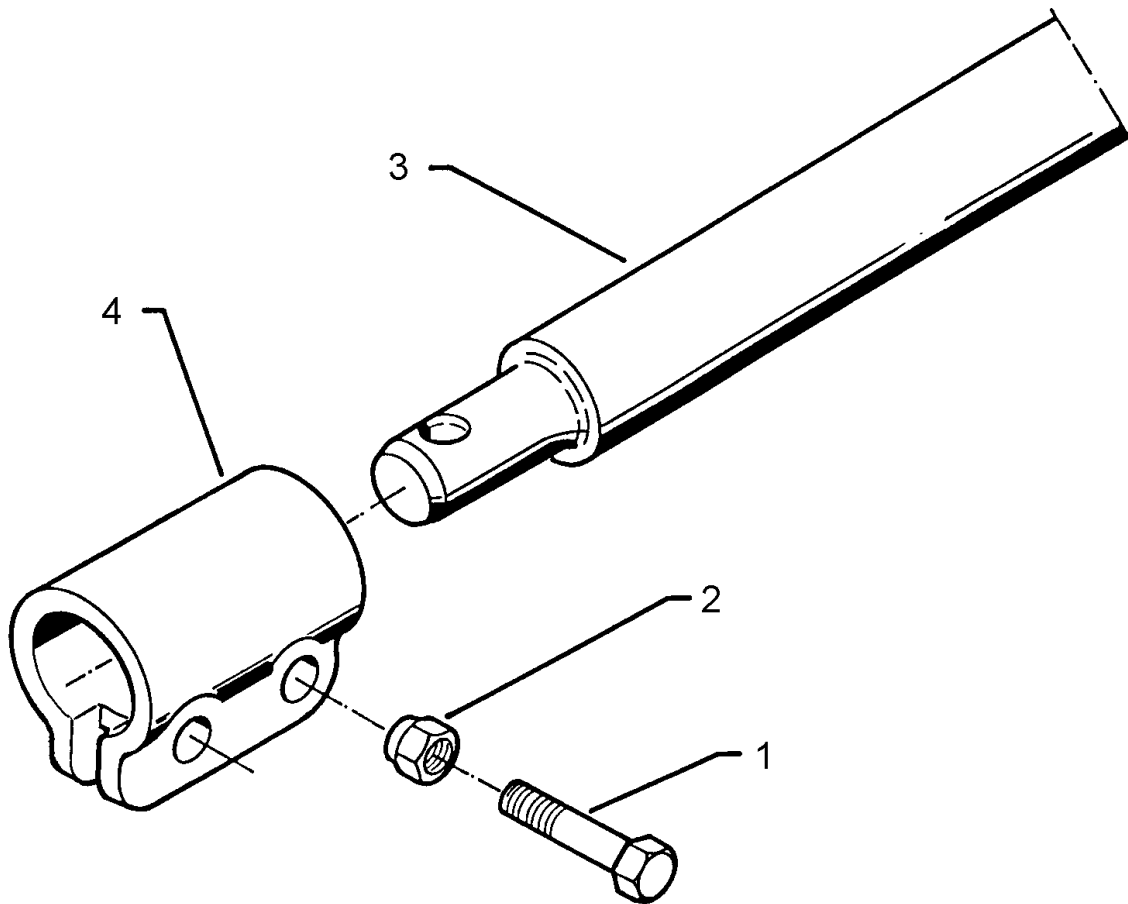
04.14

| Pos. | Art.Nr.  | Stck. | Artikeltext / Description |                 | Abmessung                 |
|------|----------|-------|---------------------------|-----------------|---------------------------|
| 1    | 301 3868 | 4     | Sechskantschraube         | Hexagon bolt    | M16x65-8.8 Zn<br>DIN931-A |
| 2    | 303 0935 | 4     | Sicherungsmutter          | Selflocking nut | NM16-8 Zn DIN985          |
| 3    | 461 7907 | 1     | Schienenwelle             | Drawbar         | D68 L3 Z4                 |
| 4    | 461 9893 | 2     | Sperrstück                | Adjusting piece | D68x100 2xD18             |



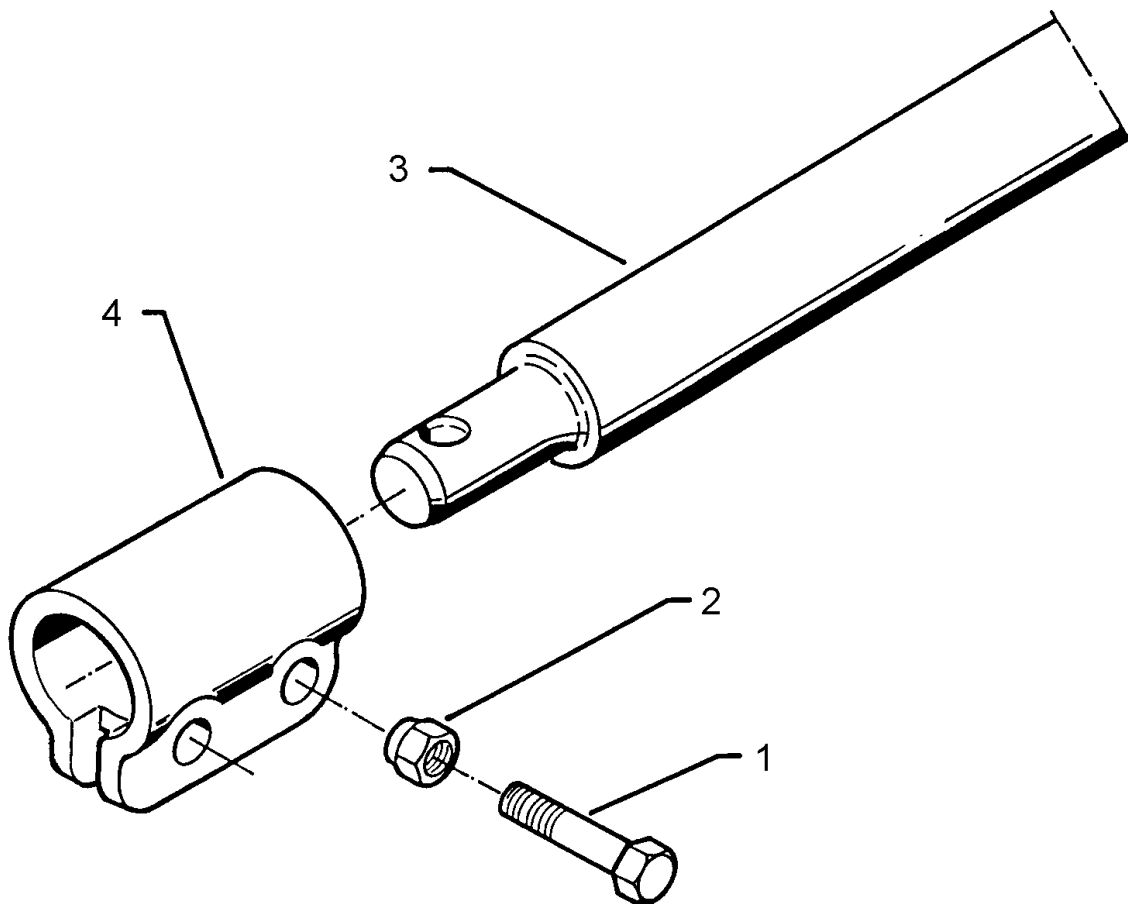
04.14

| Pos. | Art.Nr.  | Stck. | Artikeltext / Description |                 | Abmessung                 |
|------|----------|-------|---------------------------|-----------------|---------------------------|
| 1    | 301 3868 | 4     | Sechskantschraube         | Hexagon bolt    | M16x65-8.8 Zn<br>DIN931-A |
| 2    | 303 0935 | 4     | Sicherungsmutter          | Selflocking nut | NM16-8 Zn DIN985          |
| 3    | 461 7928 | 1     | Schienenwelle             | Drawbar         | D68 L1100 Z58<br>K700     |
| 4    | 461 9893 | 2     | Sperrstück                | Adjusting piece | D68x100 2xD18             |



04.14

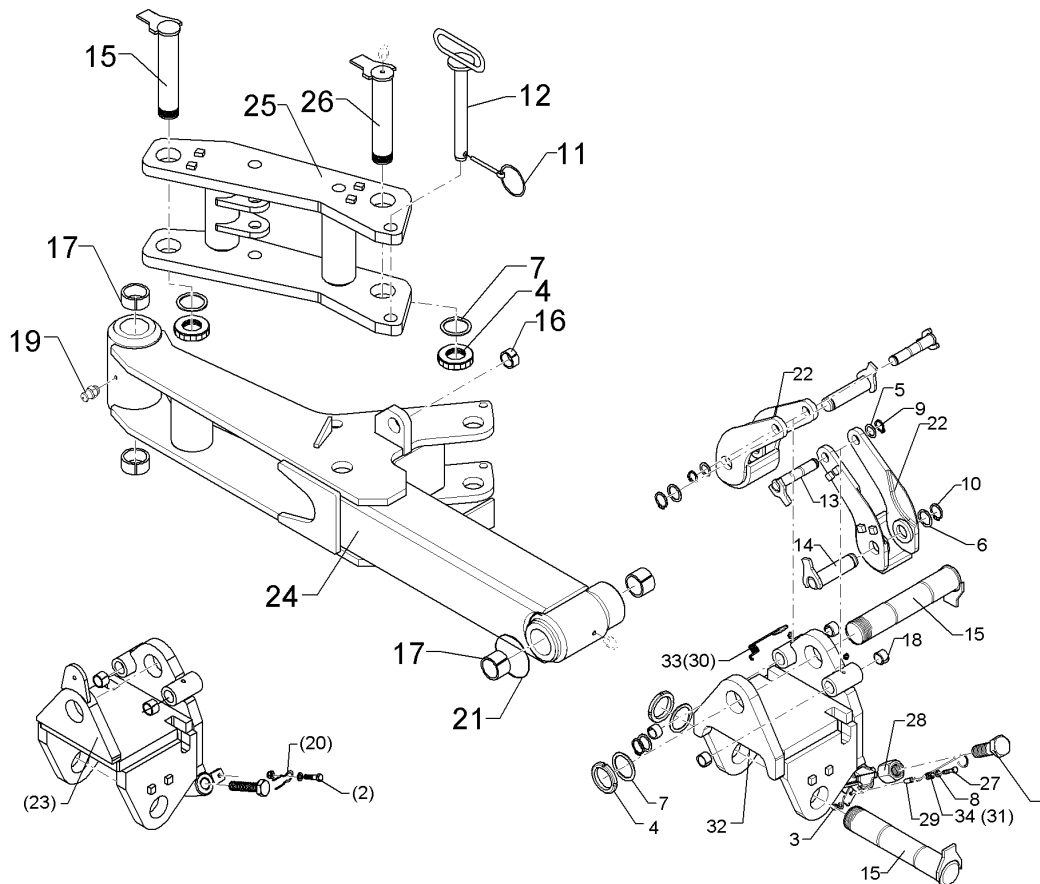
| Pos. | Art.Nr.  | Stck. | Artikeltext / Description |                 | Abmessung                 |
|------|----------|-------|---------------------------|-----------------|---------------------------|
| 1    | 301 3868 | 4     | Sechskantschraube         | Hexagon bolt    | M16x65-8.8 Zn<br>DIN931-A |
| 2    | 303 0935 | 4     | Sicherungsmutter          | Selflocking nut | NM16-8 Zn DIN985          |
| 3    | 461 7908 | 1     | Schienenwelle             | Drawbar         | D68 L4 Z4                 |
| 4    | 461 9893 | 2     | Sperrstück                | Adjusting piece | D68x100 2xD18             |



04.14

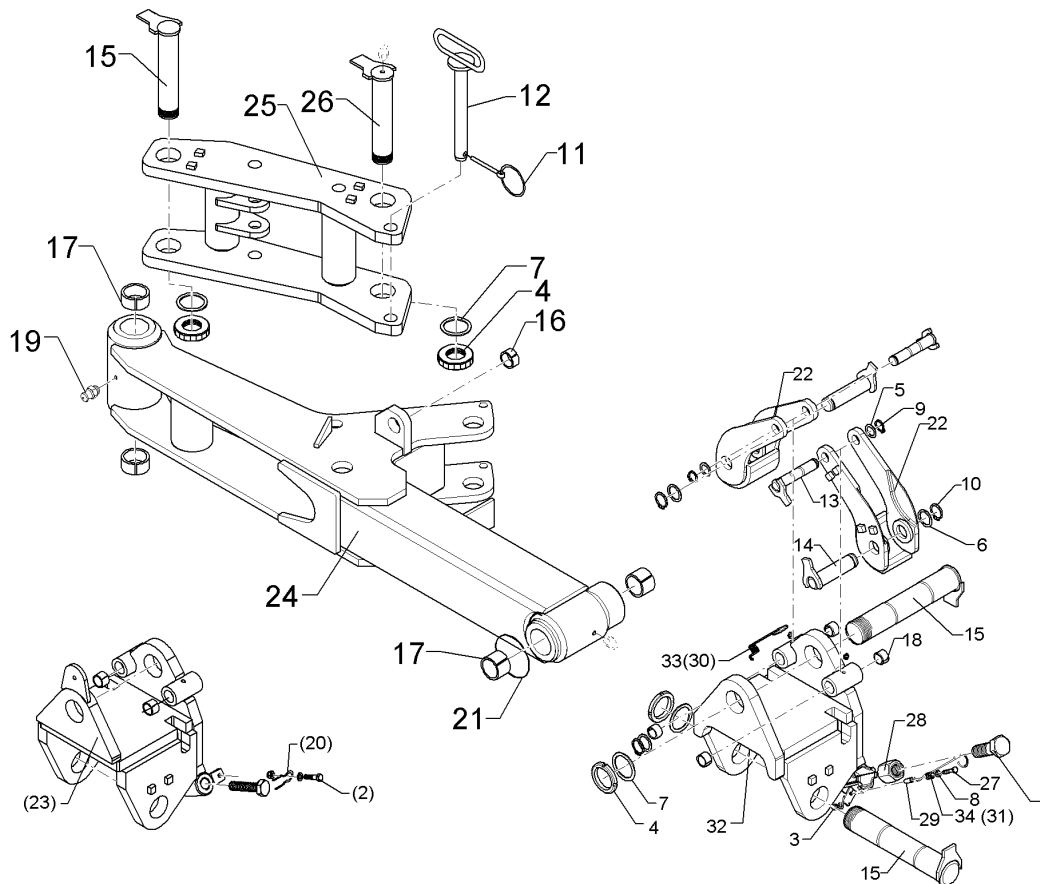
| Pos. | Art.Nr.  | Stck. | Artikeltext / Description |                 | Abmessung                 |
|------|----------|-------|---------------------------|-----------------|---------------------------|
| 1    | 301 3868 | 4     | Sechskantschraube         | Hexagon bolt    | M16x65-8.8 Zn<br>DIN931-A |
| 2    | 303 0935 | 4     | Sicherungsmutter          | Selflocking nut | NM16-8 Zn DIN985          |
| 3    | 461 7910 | 1     | Schienenwelle             | Drawbar         | D68 L3 Z3-91 1142lg       |
| 4    | 461 9893 | 2     | Sperrstück                | Adjusting piece | D68x100 2xD18             |





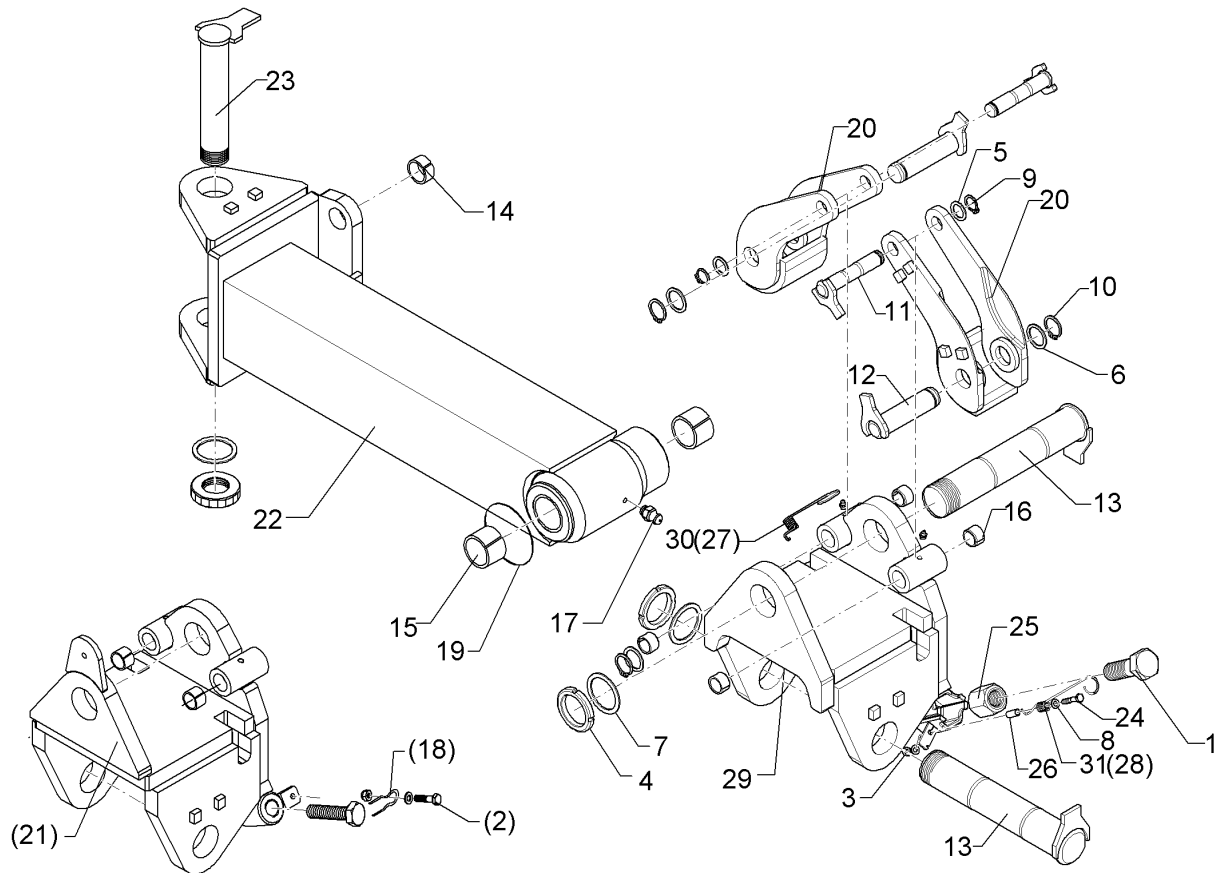
04.14

| Pos. | Art.Nr.  | Stck. | Artikeltext / Description    |                   | Abmessung                |
|------|----------|-------|------------------------------|-------------------|--------------------------|
| 1    | 301 5248 | 2     | Sechskantschraube abgeflacht | Hexagon bolt      | M30x90-8.8 Zn            |
| 2    | 301 7280 | 2     | Sechskantschraube            | Hexagon bolt      | M8x25-8.8 Zn<br>DIN933   |
| 3    | 303 0932 | 2     | Sicherungsmutter             | Selflocking nut   | NM8-8 Zn DIN985          |
| 4    | 303 0339 | 4     | Nutmutter                    | Grooved nut       | M60x2 SI                 |
| 5    | 305 2230 | 2     | Stützscheibe                 | Supporting washer | S 25x35x2,0 DIN988<br>Zn |
| 6    | 305 2247 | 2     | Stützscheibe                 | Supporting washer | S 35x45x2,5 DIN988<br>Zn |
| 7    | 305 2261 | 4     | Stützscheibe                 | Supporting washer | S 60x75x3 DIN988<br>Zn   |
| 8    | 305 8694 | 4     | Scheibe                      | Washer            | A8,4 DIN125-St Zn        |
| 9    | 305 8861 | 2     | Sicherungsring               | Securing ring     | 25x2 DIN471 Zn           |
| 10   | 305 8873 | 2     | Sicherungsring               | Securing ring     | 35x2,5 DIN471            |
| 11   | 311 9300 | 1     | Klappstift                   | Securing pin      | 10mm                     |
| 12   | 313 3031 | 1     | Bolzen                       | Pin               | D30x301/325 Zn           |
| 13   | 313 2513 | 2     | Bolzen mit Verdrehsicherung  | Pin with stop     | D25x122/139 Zn           |
| 14   | 313 3513 | 2     | Bolzen                       | Pin               | D35x122/142 Zn           |
| 15   | 313 6031 | 3     | Bolzen mit Verdrehsicherung  | Pin with stop     | D60x305/340 M60X2<br>Zn  |
| 16   | 317 3367 | 2     | Einspannbuchse               | Expansion bush    | EG35/40x25-DIN1498       |
| 17   | 317 3392 | 4     | Einspannbuchse               | Expansion bush    | EG60+0,15+0,05/70x50     |
| 18   | 317 3408 | 4     | Einspannbuchse mit Presssitz | Expansion bush    | EG25/32x20               |
| 19   | 323 6348 | 6     | Schmiernippel                | Grease nipple     | AM10x1 DIN71412          |
| 20   | 329 8616 | 2     | Klammer                      | Clamp             | D4x70 Zn                 |



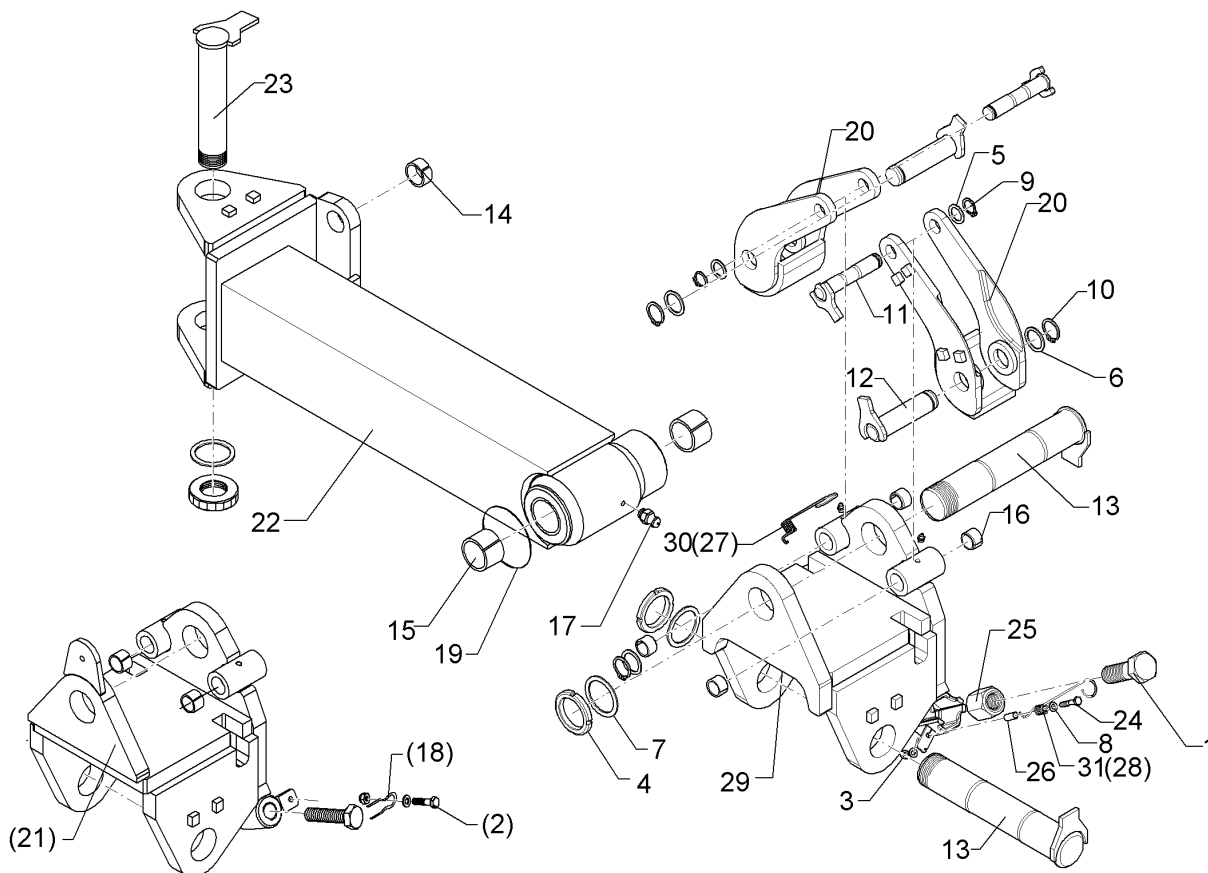
04.14

| Pos. | Art.Nr.  | Stck. | Artikeltext / Description   | Abmessung                                  |
|------|----------|-------|-----------------------------|--|
| 21   | 375 1295 | 2     | O-Ring                      | O-ring<br>80x4-80Shore<br>Viton83          |
| 22   | 436 0150 | 2     | Schwinge                    | Rocker arm<br>D25/35x250 RE                |
| 23   | 436 0214 | 1     | Konsole                     | Bracket<br>D60/240 Diamant 10              |
| 24   | 436 7440 | 1     | Wendelenker                 | Turning link<br>D60/D60x1517<br>Diamnat 10 |
| 25   | 436 7460 | 1     | Lenker                      | Link<br>D60x555 V-Diamant<br>10            |
| 26   | 313 6041 | 1     | Bolzen mit Verdrehsicherung | Pin with stop<br>D60x340-M60X2-M10x1<br>Zn |
| 27   | 301 3073 | 2     | Sechskantschraube           | Hexagon bolt<br>M8x45-8.8 Zn<br>DIN931-A   |
| 28   | 30310013 | 2     | Sechskantmutter             | Hexagon nut<br>M30x50 SW46 Zn              |
| 29   | 31710057 | 2     | Hülse                       | Bushing<br>D11/8,5x25 Zn                   |
| 30   | 329 9939 | 1     | Drehfeder                   | Torsion spring<br>Di=11 d3x484 A2          |
| 31   | 329 9940 | 1     | Drehfeder                   | Torsion spring<br>Di=11 d3x484 A2          |
| 32   | 43610012 | 1     | Konsole                     | Bracket<br>D60/240 Diamant 11              |
| 33   | 32910036 | 1     | Drehfeder                   | Torsion spring<br>Di=11 d3x544 A2 RE       |
| 34   | 32910037 | 1     | Drehfeder                   | Torsion spring<br>Di=11 d3x544 A2 LI       |



04.14

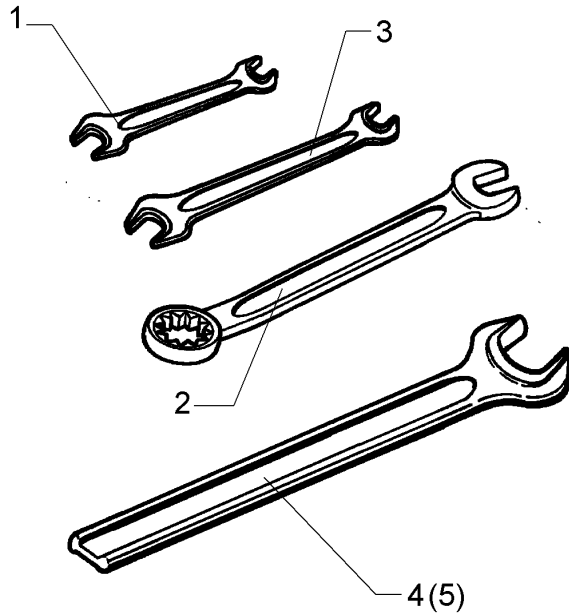
| Pos. | Art.Nr.  | Stck. | Artikeltext / Description    |                   | Abmessung                |
|------|----------|-------|------------------------------|-------------------|--------------------------|
| 1    | 301 5248 | 2     | Sechskantschraube abgeflacht | Hexagon bolt      | M30x90-8.8 Zn            |
| 2    | 301 7280 | 2     | Sechskantschraube            | Hexagon bolt      | M8x25-8.8 Zn<br>DIN933   |
| 3    | 303 0932 | 2     | Sicherungsmutter             | Selflocking nut   | NM8-8 Zn DIN985          |
| 4    | 303 0339 | 3     | Nutmutter                    | Grooved nut       | M60x2 SI                 |
| 5    | 305 2230 | 2     | Stützscheibe                 | Supporting washer | S 25x35x2,0 DIN988<br>Zn |
| 6    | 305 2247 | 2     | Stützscheibe                 | Supporting washer | S 35x45x2,5 DIN988<br>Zn |
| 7    | 305 2261 | 3     | Stützscheibe                 | Supporting washer | S 60x75x3 DIN988<br>Zn   |
| 8    | 305 8694 | 4     | Scheibe                      | Washer            | A8,4 DIN125-St Zn        |
| 9    | 305 8861 | 2     | Sicherungsring               | Securing ring     | 25x2 DIN471 Zn           |
| 10   | 305 8873 | 2     | Sicherungsring               | Securing ring     | 35x2,5 DIN471            |
| 11   | 313 2513 | 2     | Bolzen mit Verdrehsicherung  | Pin with stop     | D25x122/139 Zn           |
| 12   | 313 3513 | 2     | Bolzen                       | Pin               | D35x122/142 Zn           |
| 13   | 313 6031 | 2     | Bolzen mit Verdrehsicherung  | Pin with stop     | D60x305/340 M60X2<br>Zn  |
| 14   | 317 3367 | 2     | Einspannbuchse               | Expansion bush    | EG35/40x25-DIN1498       |
| 15   | 317 3392 | 2     | Einspannbuchse               | Expansion bush    | EG60+0,15+0,05/70x50     |
| 16   | 317 3408 | 4     | Einspannbuchse mit Presssitz | Expansion bush    | EG25/32x20               |
| 17   | 323 6348 | 4     | Schmiernippel                | Grease nipple     | AM10x1 DIN71412          |
| 18   | 329 8616 | 2     | Klammer                      | Clamp             | D4x70 Zn                 |
| 19   | 375 1295 | 2     | O-Ring                       | O-ring            | 80x4-80Shore<br>Viton83  |
| 20   | 436 0150 | 2     | Schwinge                     | Rocker arm        | D25/35x250 RE            |



04.14

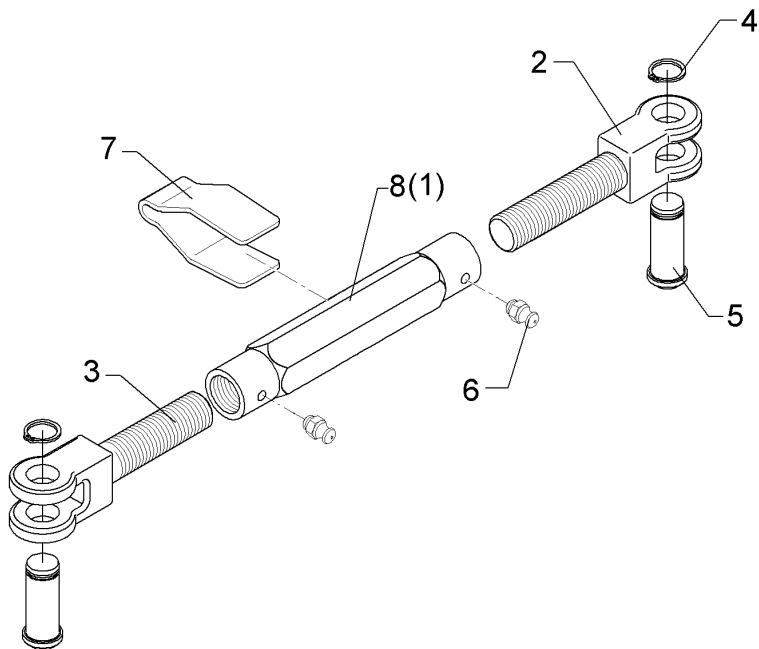
| Pos. | Art.Nr.  | Stck. | Artikeltext / Description   |                | Abmessung                 |
|------|----------|-------|-----------------------------|----------------|---------------------------|
| 21   | 436 0214 | 1     | Konsole                     | Bracket        | D60/240 Diamant 10        |
| 22   | 436 7445 | 1     | Wendelenker                 | Turning link   | D60/D70x937<br>V-AD160    |
| 23   | 313 6041 | 1     | Bolzen mit Verdrehsicherung | Pin with stop  | D60x340-M60X2-M10x1<br>Zn |
| 24   | 301 3073 | 2     | Sechskantschraube           | Hexagon bolt   | M8x45-8.8 Zn<br>DIN931-A  |
| 25   | 30310013 | 2     | Sechskantmutter             | Hexagon nut    | M30x50 SW46 Zn            |
| 26   | 31710057 | 2     | Hülse                       | Bushing        | D11/8,5x25 Zn             |
| 27   | 329 9939 | 1     | Drehfeder                   | Torsion spring | Di=11 d3x484 A2           |
| 28   | 329 9940 | 1     | Drehfeder                   | Torsion spring | Di=11 d3x484 A2           |
| 29   | 43610012 | 1     | Konsole                     | Bracket        | D60/240 Diamant 11        |
| 30   | 32910036 | 1     | Drehfeder                   | Torsion spring | Di=11 d3x544 A2 RE        |
| 31   | 32910037 | 1     | Drehfeder                   | Torsion spring | Di=11 d3x544 A2 LI        |

|                              |                 |
|------------------------------|-----------------|
| <b>Werkzeugsatz/Tool set</b> | <b>5</b>        |
| <b>VariDiamant 10</b>        | <b>321 9128</b> |



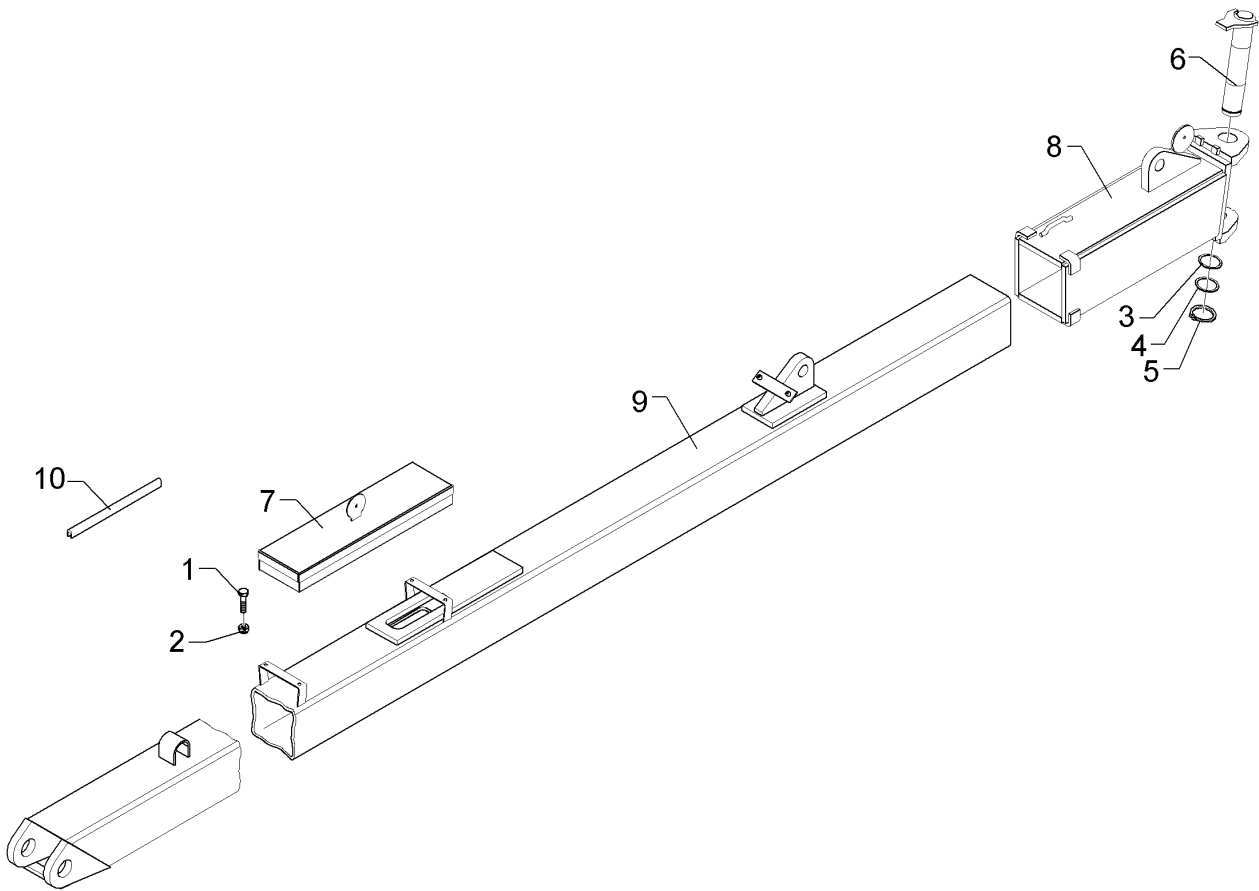
04.14

| Pos. | Art.Nr.  | Stck. | Artikeltext / Description |         | Abmessung                |
|------|----------|-------|---------------------------|---------|--------------------------|
| 1    | 321 9815 | 1     | Schlüssel                 | Spanner | Gabel 19/22              |
| 2    | 321 9820 | 1     | Schlüssel                 | Spanner | Gabel 24 Ring 30         |
| 3    | 321 9830 | 1     | Schlüssel                 | Spanner | Gabel 17/19 DIN895<br>Zn |
| 4    | 321 9850 | 1     | Schlüssel                 | Spanner | Gabel 46 DIN894 Zn       |
| 5    | 321 9855 | 1     | Schlüssel                 | Spanner | Gabel 50 DIN894 Zn       |



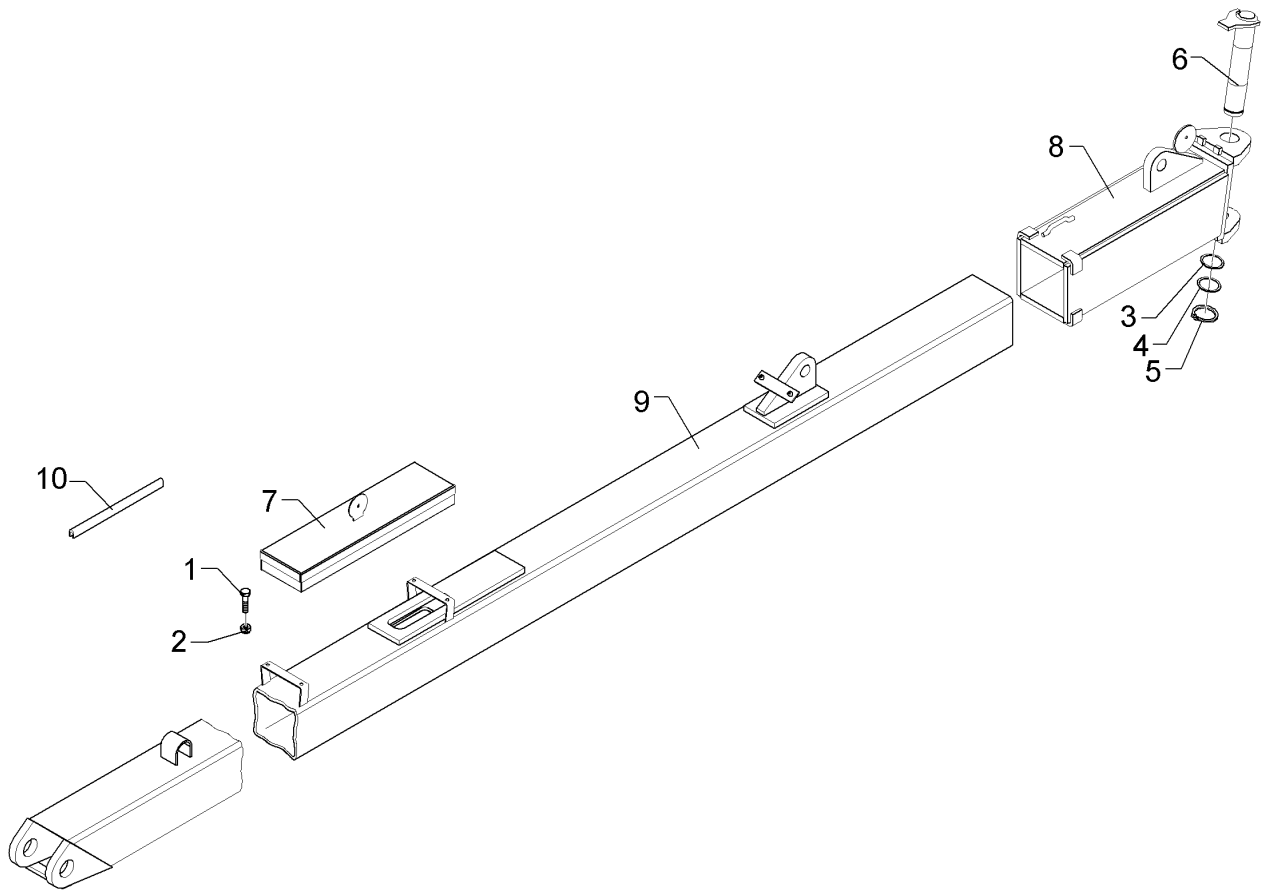
04.14

| Pos. | Art.Nr.  | Stck. | Artikeltext / Description |                   | Abmessung                  |
|------|----------|-------|---------------------------|-------------------|----------------------------|
| 1    | 302 8915 | 1     | Spannschlossmutter        | Turnbuckle sleeve | TR30x3x390                 |
| 2    | 302 9000 | 1     | Gabelstück                | Forkpiece         | TR30x3x120x225<br>D30 Zn   |
| 3    | 302 9001 | 1     | Gabelstück                | Forkpiece         | TR30x3LHx120/225<br>D30 Zn |
| 4    | 305 8867 | 2     | Sicherungsring            | Securing ring     | 30x2 DIN471 Zn             |
| 5    | 313 7802 | 2     | Bolzen mit Kopf           | Pin with collar   | D30/35x63/80 Zn            |
| 6    | 323 6348 | 2     | Schmiernippel             | Grease nipple     | AM10x1 DIN71412            |
| 7    | 329 1792 | 1     | Flachformfeder            | U-spring          | 40x4x230 für SW46          |
| 8    | 302 8787 | 1     | Spannschlossmutter        | Turnbuckle sleeve | TR30x3x390-SW50            |



04.14

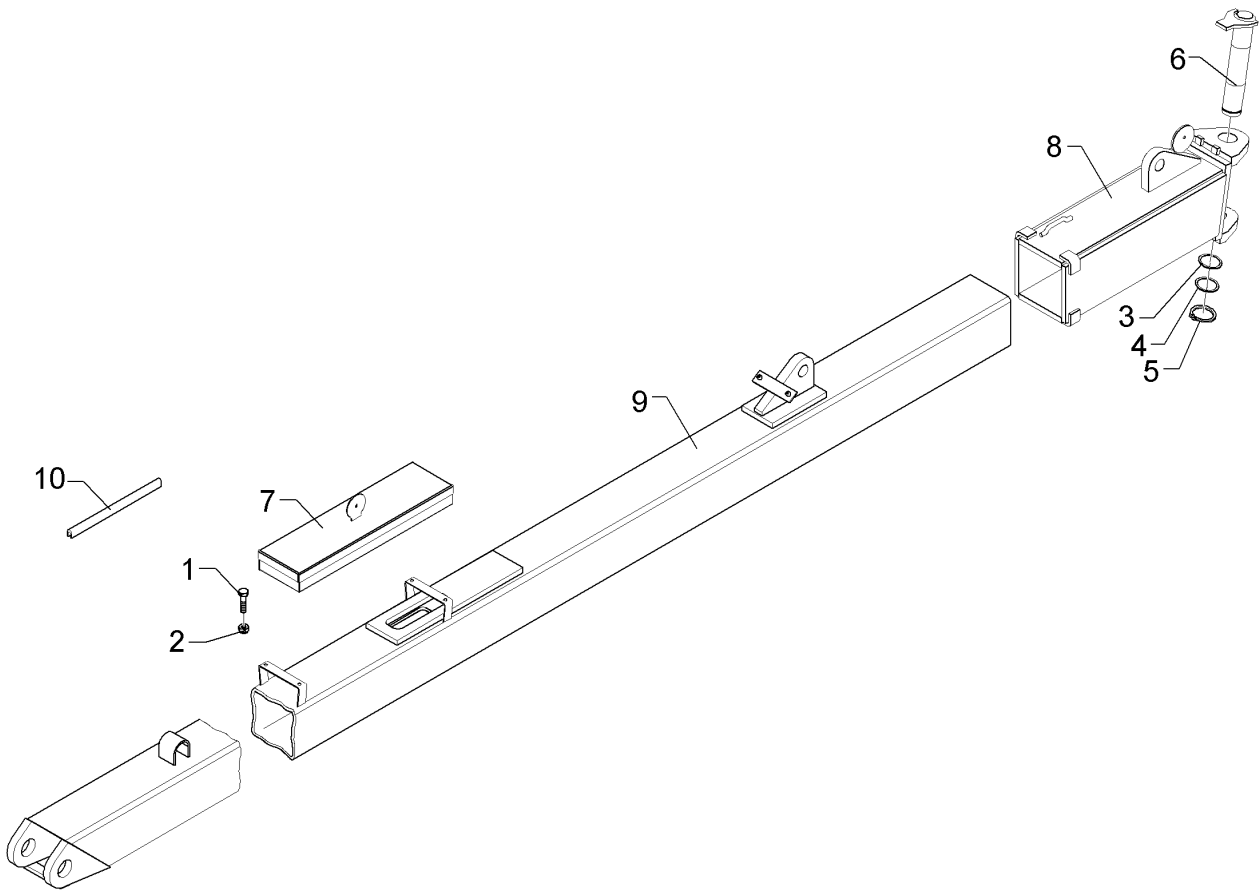
| Pos. | Art.Nr.  | Stck. | Artikeltext / Description   |                   | Abmessung                  |
|------|----------|-------|-----------------------------|-------------------|----------------------------|
| 1    | 301 3000 | 4     | Sechskantschraube           | Hexagon bolt      | M6x10-8.8 Zn<br>DIN933     |
| 2    | 303 0931 | 4     | Sicherungsmutter            | Selflocking nut   | NM6-8 Zn DIN985            |
| 3    | 305 2125 | 1     | Passscheibe                 | Shim              | 45x55x1,0 DIN988           |
| 4    | 305 2252 | 1     | Stützscheibe                | Supporting washer | S 45x55x3 DIN988<br>Zn     |
| 5    | 305 8876 | 1     | Sicherungsring              | Securing ring     | 45x2,5 DIN471              |
| 6    | 313 4524 | 1     | Bolzen mit Verdrehsicherung | Pin with stop     | D45x235/259 Zn             |
| 7    | 321 8920 | 1     | Werkzeugkasten              | Toolbox           | 140x505<br>D8x110x480      |
| 8    | 405 5678 | 1     | Gelenkstück                 | Connecting piece  | 142x530 V-AD-160           |
| 9    | 405 8087 | 1     | Zugrohr                     | Stabilizer        | 8-100 140x5010<br>VD-10-OF |
| 10   | 301 4556 | 2     | Sechskantschraube           | Hexagon bolt      | M20x220-8.8 Zn<br>DIN931-A |
| 11   | 303 0978 | 2     | Sechskantmutter             | Hexagon nut       | M20 DIN934-8 Zn            |
| 12   | 305 6012 | 4     | Scheibe                     | Washer            | 21 ISO7089 Zn              |
| 13   | 459 1155 | 2     | Brücke                      | Clamp plate       | 50x15x200<br>2xD21-162     |



04.14

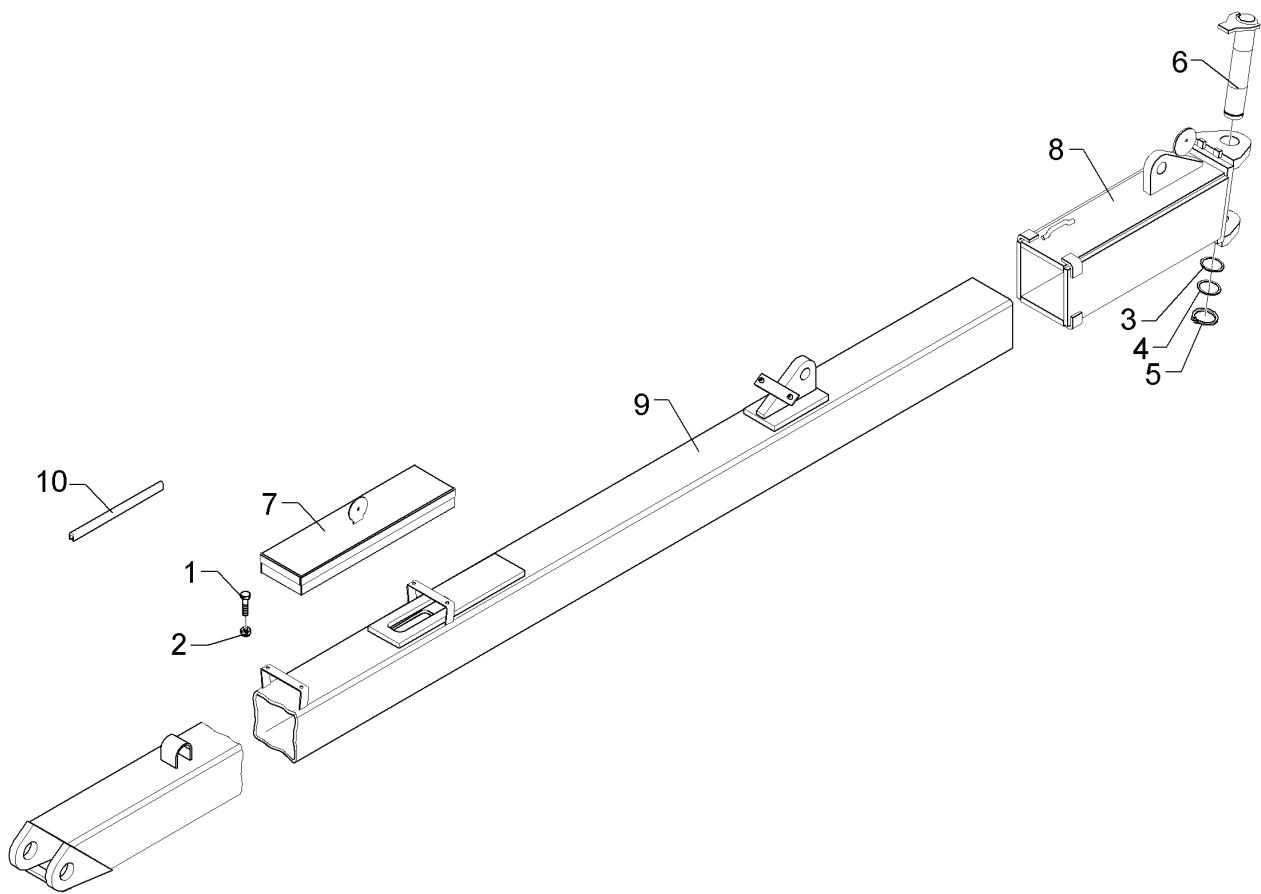
| Pos. | Art.Nr.  | Stck. | Artikeltext / Description   |                   | Abmessung                  |
|------|----------|-------|-----------------------------|-------------------|----------------------------|
| 1    | 301 3000 | 4     | Sechskantschraube           | Hexagon bolt      | M6x10-8.8 Zn<br>DIN933     |
| 2    | 303 0931 | 4     | Sicherungsmutter            | Selflocking nut   | NM6-8 Zn DIN985            |
| 3    | 305 2125 | 1     | Passscheibe                 | Shim              | 45x55x1,0 DIN988           |
| 4    | 305 2252 | 1     | Stützscheibe                | Supporting washer | S 45x55x3 DIN988<br>Zn     |
| 5    | 305 8876 | 1     | Sicherungsring              | Securing ring     | 45x2,5 DIN471              |
| 6    | 313 4524 | 1     | Bolzen mit Verdrehsicherung | Pin with stop     | D45x235/259 Zn             |
| 7    | 321 8920 | 1     | Werkzeugkasten              | Toolbox           | 140x505<br>D8x110x480      |
| 8    | 405 5678 | 1     | Gelenkstück                 | Connecting piece  | 142x530 V-AD-160           |
| 9    | 405 8080 | 1     | Zugrohr                     | Stabilizer        | 5-100 140x2000<br>VD-10-OF |
| 10   | 301 4556 | 2     | Sechskantschraube           | Hexagon bolt      | M20x220-8.8 Zn<br>DIN931-A |
| 11   | 303 0978 | 2     | Sechskantmutter             | Hexagon nut       | M20 DIN934-8 Zn            |
| 12   | 305 6012 | 4     | Scheibe                     | Washer            | 21 ISO7089 Zn              |
| 13   | 459 1155 | 2     | Brücke                      | Clamp plate       | 50x15x200<br>2xD21-162     |





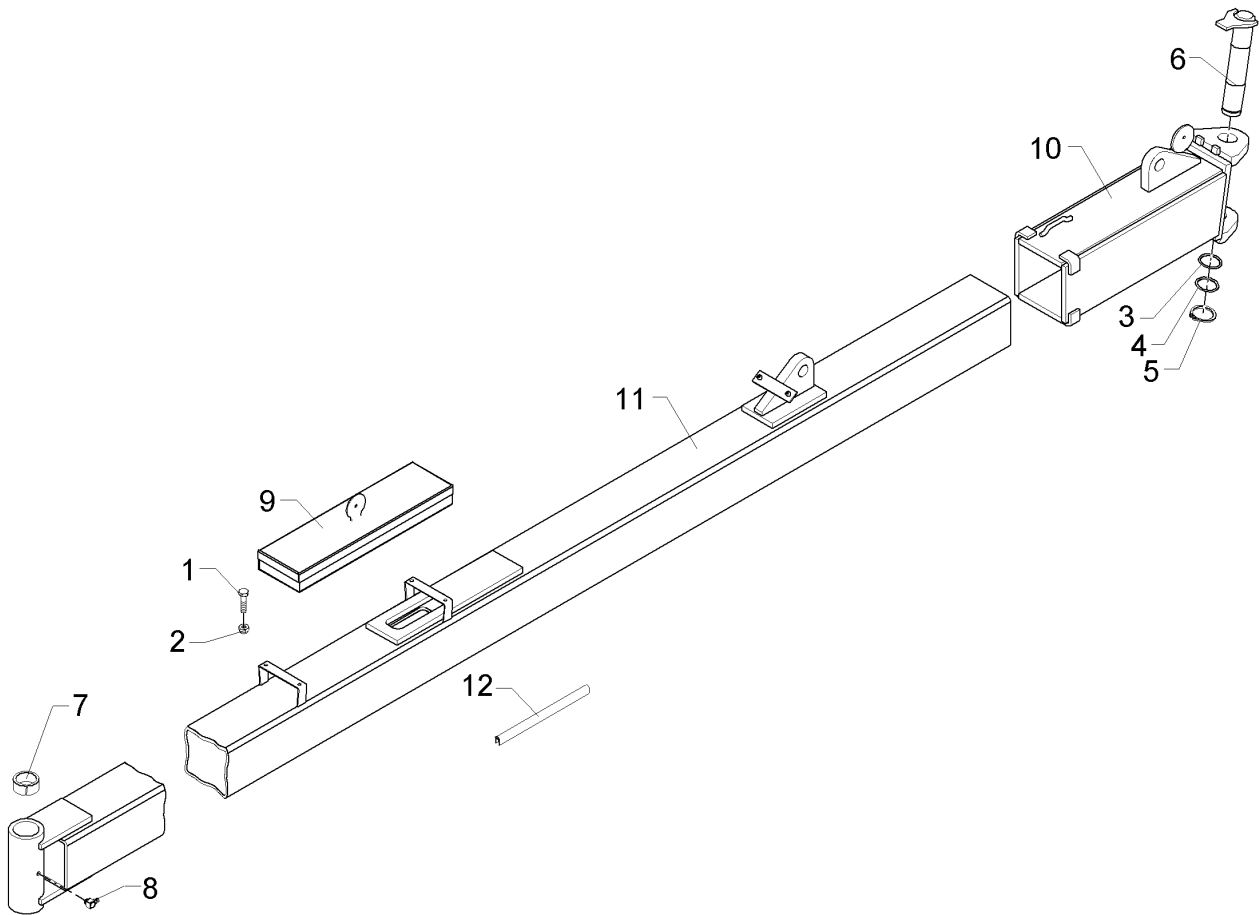
04.14

| Pos. | Art.Nr.  | Stck. | Artikeltext / Description   |                   | Abmessung                  |
|------|----------|-------|-----------------------------|-------------------|----------------------------|
| 1    | 301 3000 | 4     | Sechskantschraube           | Hexagon bolt      | M6x10-8.8 Zn<br>DIN933     |
| 2    | 303 0931 | 4     | Sicherungsmutter            | Selflocking nut   | NM6-8 Zn DIN985            |
| 3    | 305 2125 | 1     | Passscheibe                 | Shim              | 45x55x1,0 DIN988           |
| 4    | 305 2252 | 1     | Stützscheibe                | Supporting washer | S 45x55x3 DIN988<br>Zn     |
| 5    | 305 8876 | 1     | Sicherungsring              | Securing ring     | 45x2,5 DIN471              |
| 6    | 313 4524 | 1     | Bolzen mit Verdrehsicherung | Pin with stop     | D45x235/259 Zn             |
| 7    | 321 8920 | 1     | Werkzeugkasten              | Toolbox           | 140x505<br>D8x110x480      |
| 8    | 405 5678 | 1     | Gelenkstück                 | Connecting piece  | 142x530 V-AD-160           |
| 9    | 405 8081 | 1     | Zugrohr                     | Stabilizer        | 6-100 140x3000<br>VD-10-OF |
| 10   | 301 4556 | 2     | Sechskantschraube           | Hexagon bolt      | M20x220-8.8 Zn<br>DIN931-A |
| 11   | 303 0978 | 2     | Sechskantmutter             | Hexagon nut       | M20 DIN934-8 Zn            |
| 12   | 305 6012 | 4     | Scheibe                     | Washer            | 21 ISO7089 Zn              |
| 13   | 459 1155 | 2     | Brücke                      | Clamp plate       | 50x15x200<br>2xD21-162     |



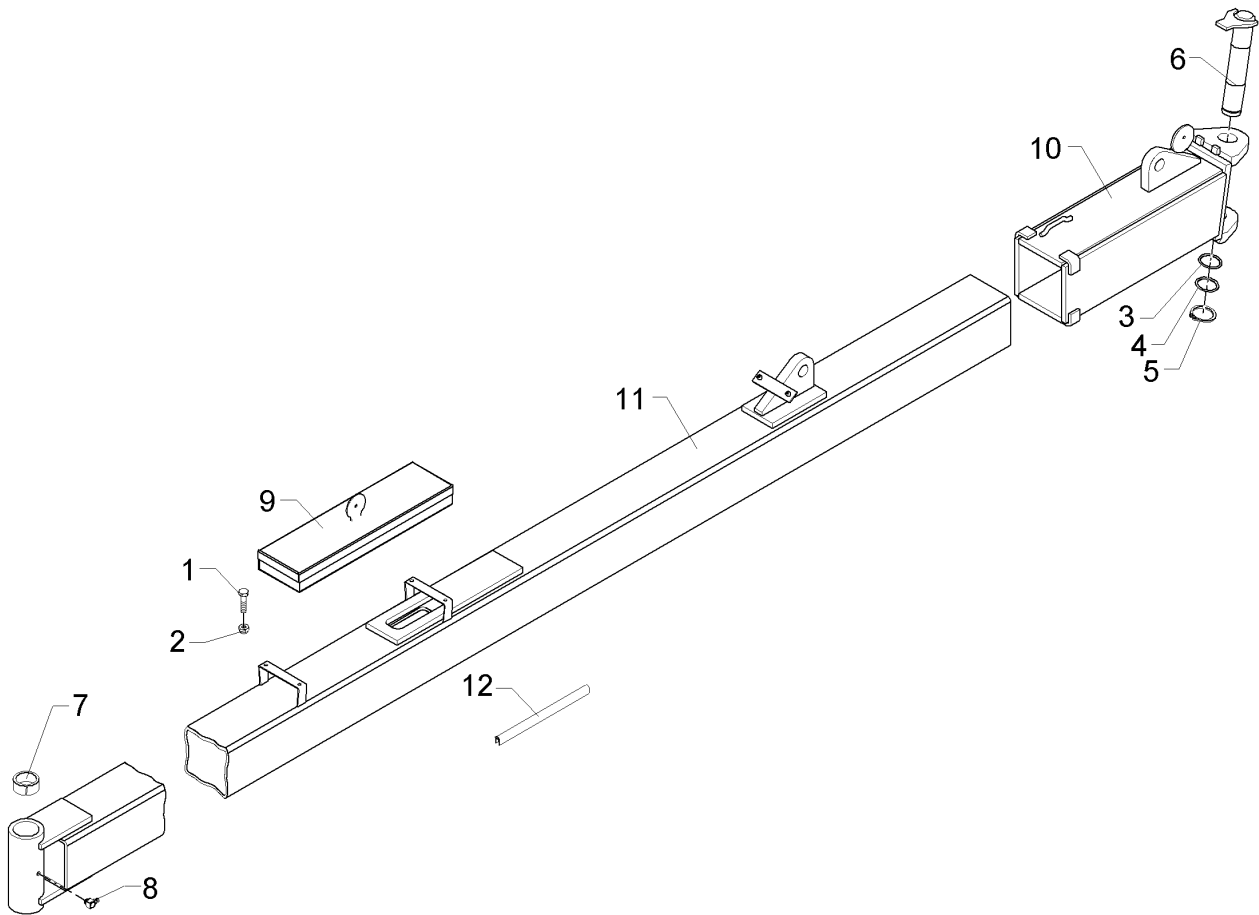
04.14

| Pos. | Art.Nr.  | Stck. | Artikeltext / Description   |                   | Abmessung                  |
|------|----------|-------|-----------------------------|-------------------|----------------------------|
| 1    | 301 3000 | 4     | Sechskantschraube           | Hexagon bolt      | M6x10-8.8 Zn<br>DIN933     |
| 2    | 303 0931 | 4     | Sicherungsmutter            | Selflocking nut   | NM6-8 Zn DIN985            |
| 3    | 305 2125 | 1     | Passscheibe                 | Shim              | 45x55x1,0 DIN988           |
| 4    | 305 2252 | 1     | Stützscheibe                | Supporting washer | S 45x55x3 DIN988<br>Zn     |
| 5    | 305 8876 | 1     | Sicherungsring              | Securing ring     | 45x2,5 DIN471              |
| 6    | 313 4524 | 1     | Bolzen mit Verdrehsicherung | Pin with stop     | D45x235/259 Zn             |
| 7    | 321 8920 | 1     | Werkzeugkasten              | Toolbox           | 140x505<br>D8x110x480      |
| 8    | 405 5678 | 1     | Gelenkstück                 | Connecting piece  | 142x530 V-AD-160           |
| 9    | 405 8082 | 1     | Zugrohr                     | Stabilizer        | 7-100 140x4000<br>VD-10-OF |
| 10   | 301 4556 | 2     | Sechskantschraube           | Hexagon bolt      | M20x220-8.8 Zn<br>DIN931-A |
| 11   | 303 0978 | 2     | Sechskantmutter             | Hexagon nut       | M20 DIN934-8 Zn            |
| 12   | 305 6012 | 4     | Scheibe                     | Washer            | 21 ISO7089 Zn              |
| 13   | 459 1155 | 2     | Brücke                      | Clamp plate       | 50x15x200<br>2xD21-162     |



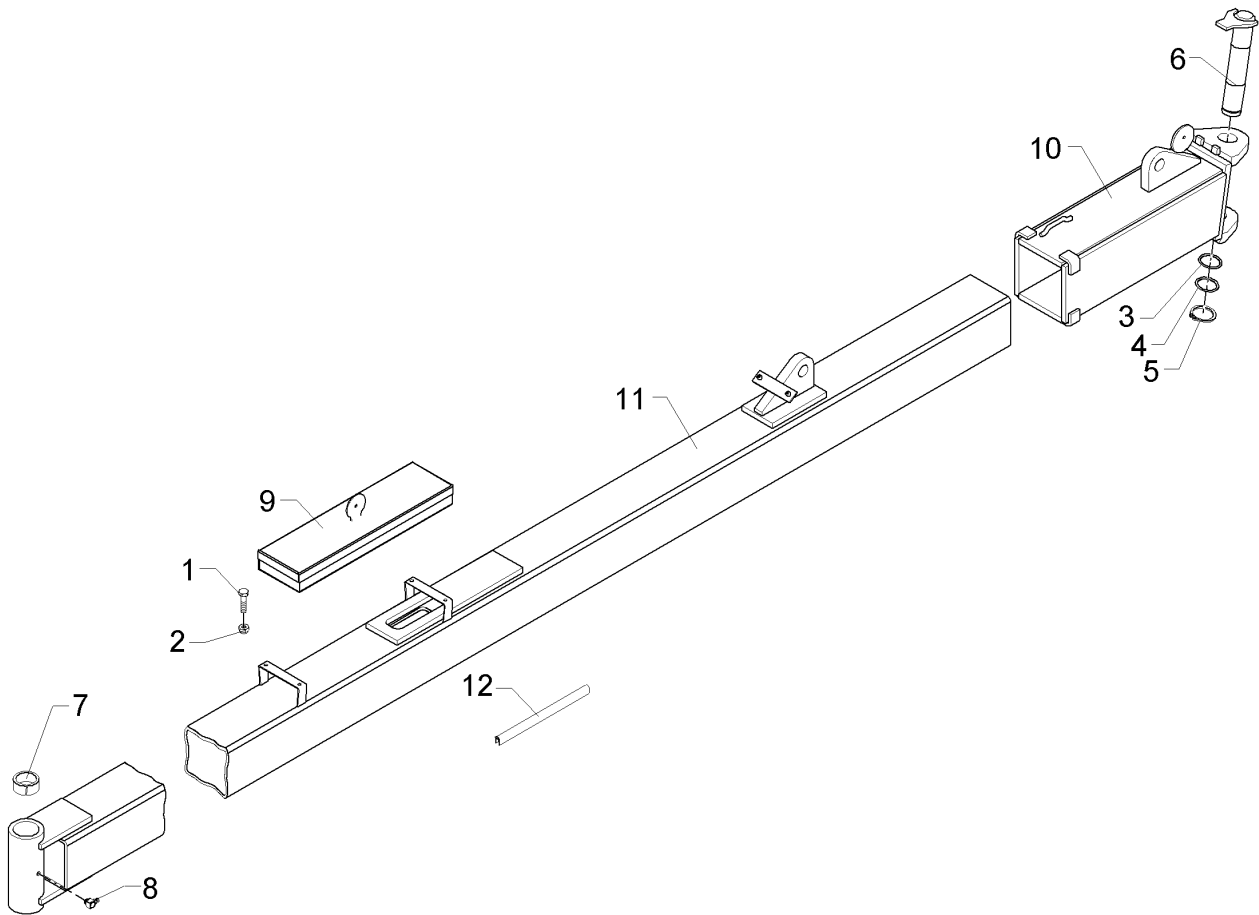
04.14

| Pos. | Art.Nr.  | Stck. | Artikeltext / Description   |                   | Abmessung                  |
|------|----------|-------|-----------------------------|-------------------|----------------------------|
| 1    | 301 3000 | 4     | Sechskantschraube           | Hexagon bolt      | M6x10-8.8 Zn<br>DIN933     |
| 2    | 303 0931 | 4     | Sicherungsmutter            | Selflocking nut   | NM6-8 Zn DIN985            |
| 3    | 305 2125 | 1     | Passscheibe                 | Shim              | 45x55x1,0 DIN988           |
| 4    | 305 2252 | 1     | Stützscheibe                | Supporting washer | S 45x55x3 DIN988           |
| 5    | 305 8876 | 1     | Sicherungsring              | Securing ring     | Zn<br>45x2,5 DIN471        |
| 6    | 313 4524 | 1     | Bolzen mit Verdrehsicherung | Pin with stop     | D45x235/259 Zn             |
| 7    | 317 3434 | 2     | Einspannbuchse              | Expansion bush    | EG50/60x40-DIN1498         |
| 8    | 323 6349 | 1     | Schmiernippel               | Grease nipple     | CM10x1<br>DIN71412-90 GRD  |
| 9    | 321 8920 | 1     | Werkzeugkasten              | Toolbox           | 140x505<br>D8x110x480      |
| 10   | 405 5678 | 1     | Gelenkstück                 | Connecting piece  | 142x530 V-AD-160           |
| 11   | 405 8083 | 1     | Zugrohr                     | Stabilizer        | 5-100 140x1912<br>VD-10    |
| 12   | 301 4556 | 2     | Sechskantschraube           | Hexagon bolt      | M20x220-8.8 Zn<br>DIN931-A |
| 13   | 303 0978 | 2     | Sechskantmutter             | Hexagon nut       | M20 DIN934-8 Zn            |
| 14   | 305 6012 | 4     | Scheibe                     | Washer            | 21 ISO7089 Zn              |
| 15   | 459 1155 | 2     | Brücke                      | Clamp plate       | 50x15x200<br>2xD21-162     |



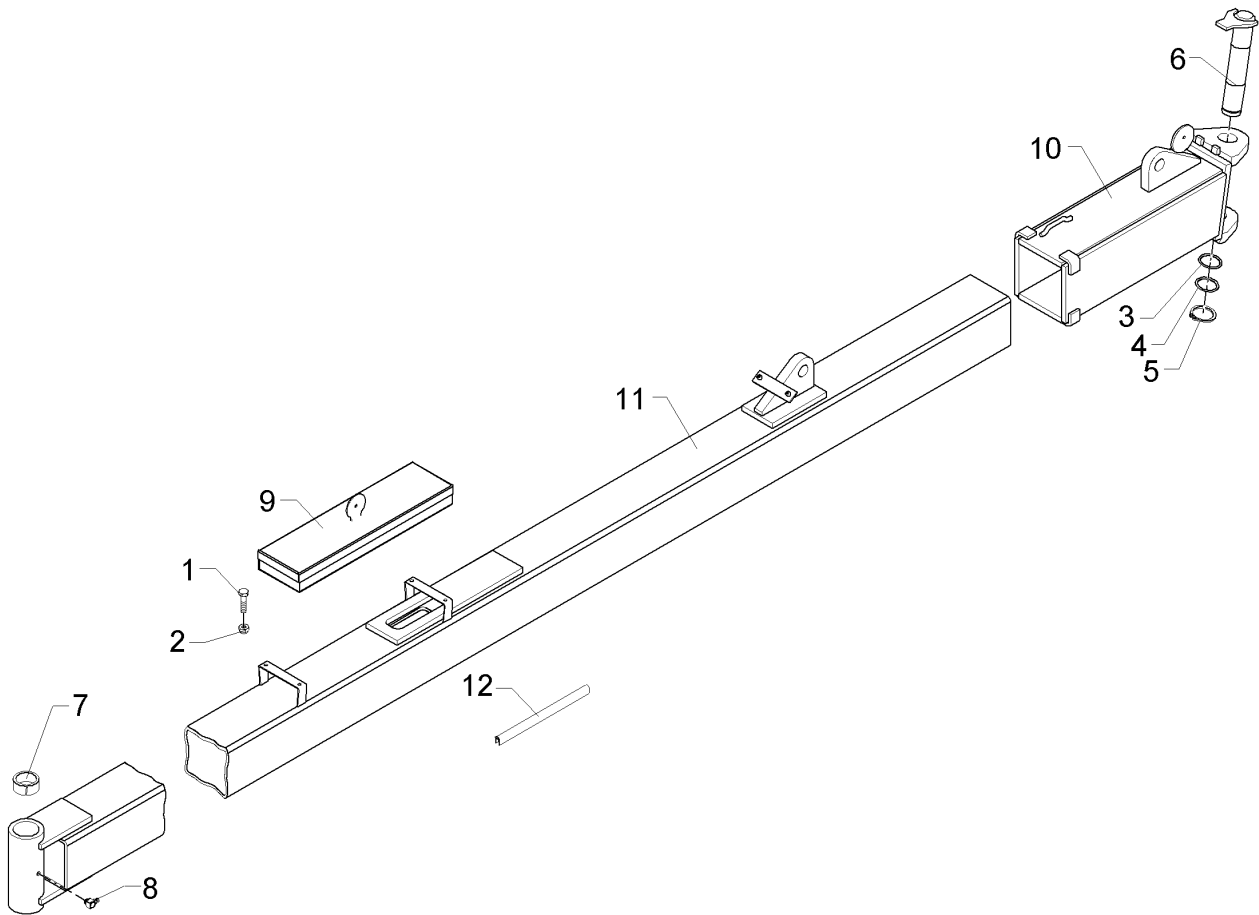
04.14

| Pos. | Art.Nr.  | Stck. | Artikeltext / Description   |                   | Abmessung                  |
|------|----------|-------|-----------------------------|-------------------|----------------------------|
| 1    | 301 3000 | 4     | Sechskantschraube           | Hexagon bolt      | M6x10-8.8 Zn<br>DIN933     |
| 2    | 303 0931 | 4     | Sicherungsmutter            | Selflocking nut   | NM6-8 Zn DIN985            |
| 3    | 305 2125 | 1     | Passscheibe                 | Shim              | 45x55x1,0 DIN988           |
| 4    | 305 2252 | 1     | Stützscheibe                | Supporting washer | S 45x55x3 DIN988           |
| 5    | 305 8876 | 1     | Sicherungsring              | Securing ring     | Zn<br>45x2,5 DIN471        |
| 6    | 313 4524 | 1     | Bolzen mit Verdrehsicherung | Pin with stop     | D45x235/259 Zn             |
| 7    | 317 3434 | 2     | Einspannbuchse              | Expansion bush    | EG50/60x40-DIN1498         |
| 8    | 323 6349 | 1     | Schmiernippel               | Grease nipple     | CM10x1<br>DIN71412-90 GRD  |
| 9    | 321 8920 | 1     | Werkzeugkasten              | Toolbox           | 140x505<br>D8x110x480      |
| 10   | 405 5678 | 1     | Gelenkstück                 | Connecting piece  | 142x530 V-AD-160           |
| 11   | 405 8084 | 1     | Zugrohr                     | Stabilizer        | 6-100 140x2912<br>VD-10    |
| 12   | 301 4556 | 2     | Sechskantschraube           | Hexagon bolt      | M20x220-8.8 Zn<br>DIN931-A |
| 13   | 303 0978 | 2     | Sechskantmutter             | Hexagon nut       | M20 DIN934-8 Zn            |
| 14   | 305 6012 | 4     | Scheibe                     | Washer            | 21 ISO7089 Zn              |
| 15   | 459 1155 | 2     | Brücke                      | Clamp plate       | 50x15x200<br>2xD21-162     |



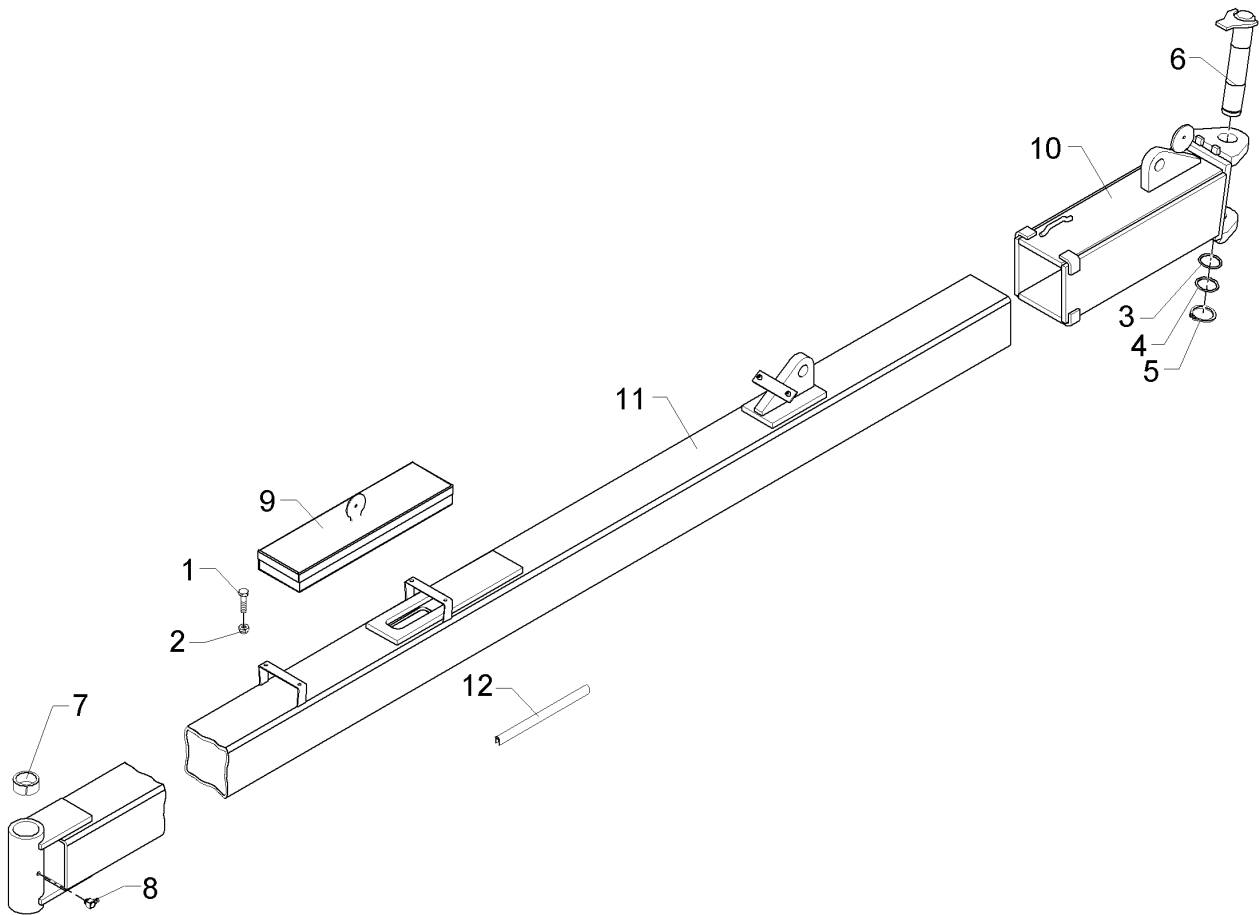
04.14

| Pos. | Art.Nr.  | Stck. | Artikeltext / Description   |                   | Abmessung                  |
|------|----------|-------|-----------------------------|-------------------|----------------------------|
| 1    | 301 3000 | 4     | Sechskantschraube           | Hexagon bolt      | M6x10-8.8 Zn<br>DIN933     |
| 2    | 303 0931 | 4     | Sicherungsmutter            | Selflocking nut   | NM6-8 Zn DIN985            |
| 3    | 305 2125 | 1     | Passscheibe                 | Shim              | 45x55x1,0 DIN988           |
| 4    | 305 2252 | 1     | Stützscheibe                | Supporting washer | S 45x55x3 DIN988           |
| 5    | 305 8876 | 1     | Sicherungsring              | Securing ring     | Zn<br>45x2,5 DIN471        |
| 6    | 313 4524 | 1     | Bolzen mit Verdrehsicherung | Pin with stop     | D45x235/259 Zn             |
| 7    | 317 3434 | 2     | Einspannbuchse              | Expansion bush    | EG50/60x40-DIN1498         |
| 8    | 323 6349 | 1     | Schmiernippel               | Grease nipple     | CM10x1<br>DIN71412-90 GRD  |
| 9    | 321 8920 | 1     | Werkzeugkasten              | Toolbox           | 140x505<br>D8x110x480      |
| 10   | 405 5678 | 1     | Gelenkstück                 | Connecting piece  | 142x530 V-AD-160           |
| 11   | 405 8085 | 1     | Zugrohr                     | Stabilizer        | 7-100 140x3912<br>VD-10    |
| 12   | 301 4556 | 2     | Sechskantschraube           | Hexagon bolt      | M20x220-8.8 Zn<br>DIN931-A |
| 13   | 303 0978 | 2     | Sechskantmutter             | Hexagon nut       | M20 DIN934-8 Zn            |
| 14   | 305 6012 | 4     | Scheibe                     | Washer            | 21 ISO7089 Zn              |
| 15   | 459 1155 | 2     | Brücke                      | Clamp plate       | 50x15x200<br>2xD21-162     |



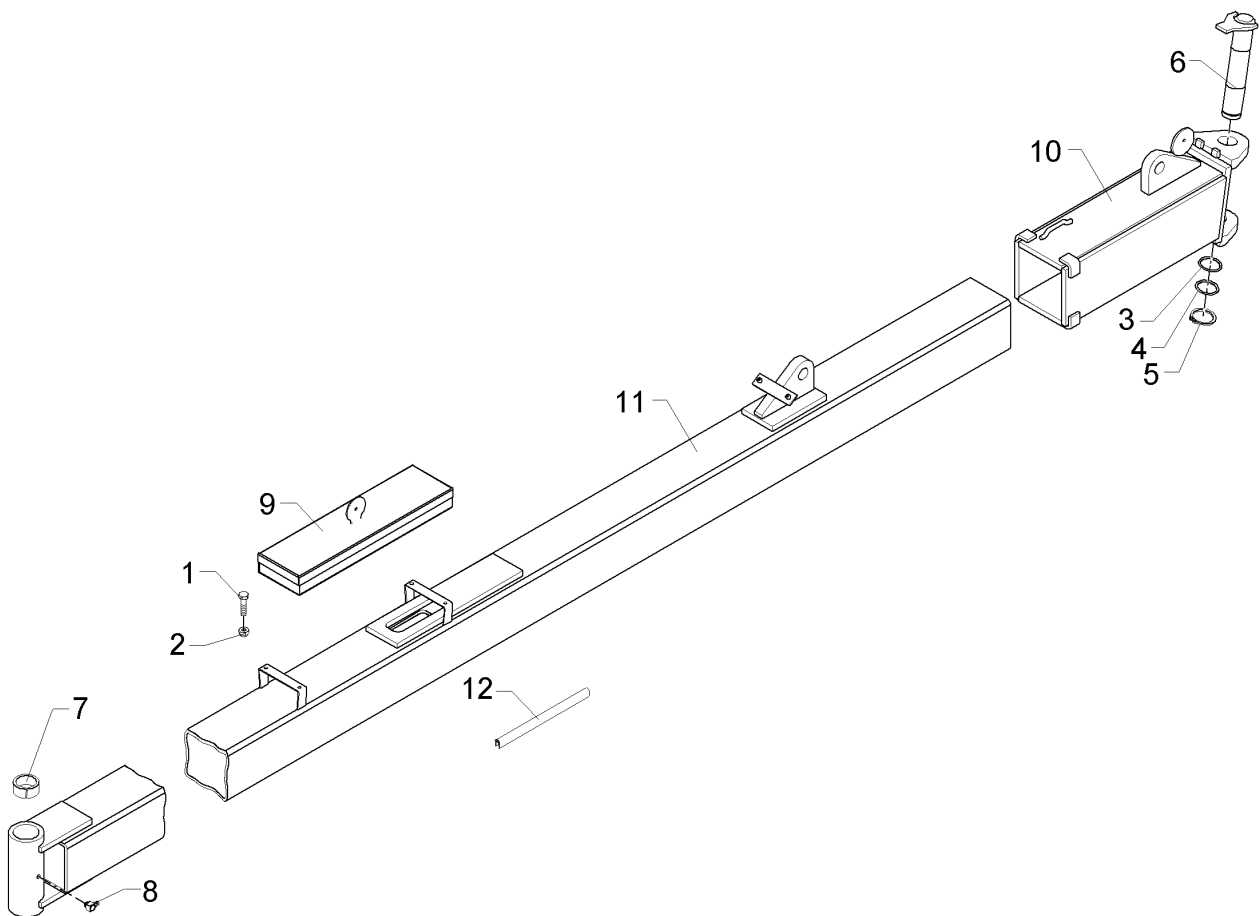
04.14

| Pos. | Art.Nr.  | Stck. | Artikeltext / Description   |                   | Abmessung                    |
|------|----------|-------|-----------------------------|-------------------|------------------------------|
| 1    | 301 3000 | 4     | Sechskantschraube           | Hexagon bolt      | M6x10-8.8 Zn<br>DIN933       |
| 2    | 303 0931 | 4     | Sicherungsmutter            | Selflocking nut   | NM6-8 Zn DIN985              |
| 3    | 305 2125 | 1     | Passscheibe                 | Shim              | 45x55x1,0 DIN988             |
| 4    | 305 2252 | 1     | Stützscheibe                | Supporting washer | S 45x55x3 DIN988<br>Zn       |
| 5    | 305 8876 | 1     | Sicherungsring              | Securing ring     | 45x2,5 DIN471                |
| 6    | 313 4524 | 1     | Bolzen mit Verdrehsicherung | Pin with stop     | D45x235/259 Zn               |
| 7    | 317 3434 | 2     | Einspannbuchse              | Expansion bush    | EG50/60x40-DIN1498           |
| 8    | 323 6349 | 1     | Schmiernippel               | Grease nipple     | CM10x1<br>DIN71412-90 GRD    |
| 9    | 321 8920 | 1     | Werkzeugkasten              | Toolbox           | 140x505<br>D8x110x480        |
| 10   | 405 5678 | 1     | Gelenkstück                 | Connecting piece  | 142x530 V-AD-160             |
| 11   | 405 8086 | 1     | Zugrohr                     | Stabilizer        | 8-100 7-120<br>140x4912 VD10 |
| 12   | 301 4556 | 2     | Sechskantschraube           | Hexagon bolt      | M20x220-8.8 Zn<br>DIN931-A   |
| 13   | 303 0978 | 2     | Sechskantmutter             | Hexagon nut       | M20 DIN934-8 Zn              |
| 14   | 305 6012 | 4     | Scheibe                     | Washer            | 21 ISO7089 Zn                |
| 15   | 459 1155 | 2     | Brücke                      | Clamp plate       | 50x15x200<br>2xD21-162       |



04.14

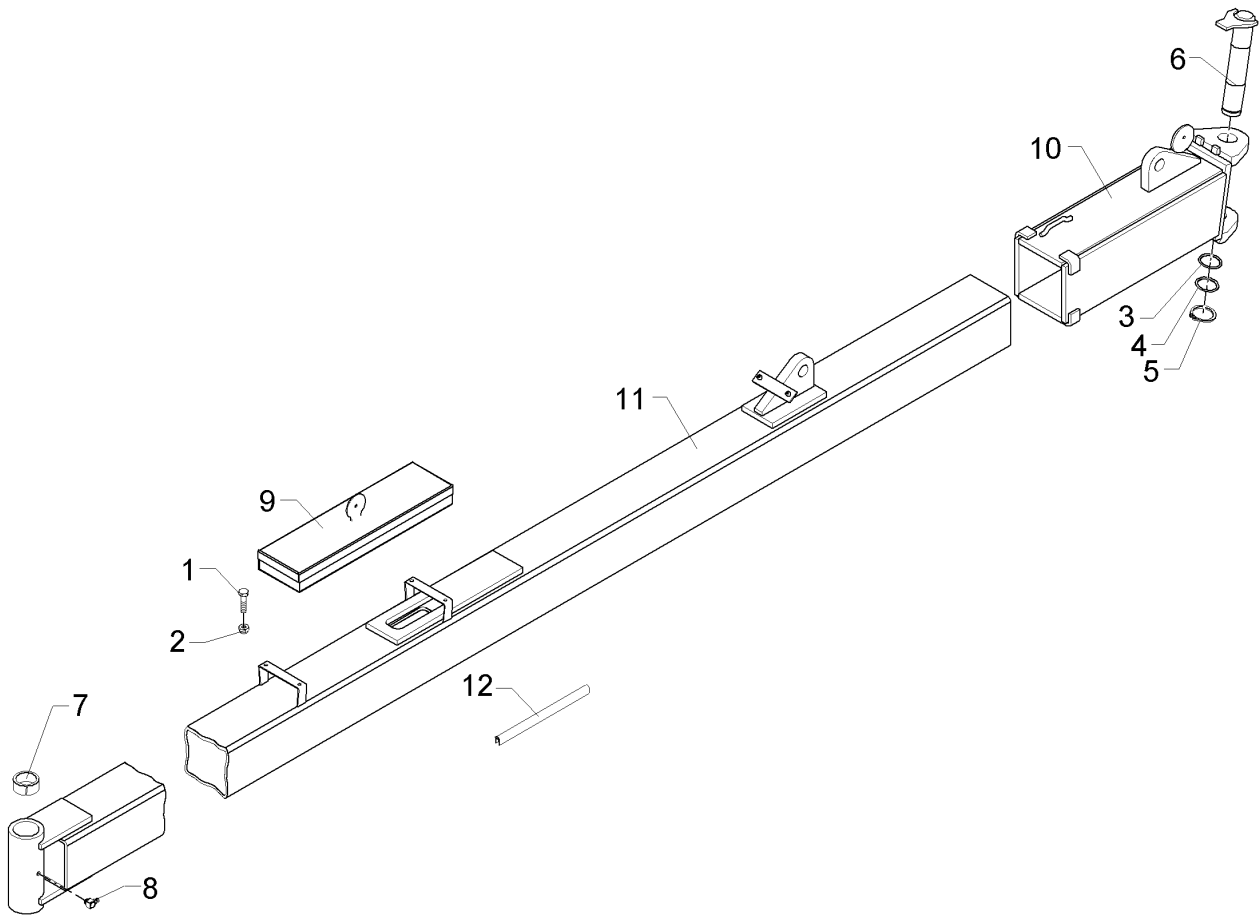
| Pos. | Art.Nr.  | Stck. | Artikeltext / Description   |                   | Abmessung                  |
|------|----------|-------|-----------------------------|-------------------|----------------------------|
| 1    | 301 3000 | 4     | Sechskantschraube           | Hexagon bolt      | M6x10-8.8 Zn<br>DIN933     |
| 2    | 303 0931 | 4     | Sicherungsmutter            | Selflocking nut   | NM6-8 Zn DIN985            |
| 3    | 305 2125 | 1     | Passscheibe                 | Shim              | 45x55x1,0 DIN988           |
| 4    | 305 2252 | 1     | Stützscheibe                | Supporting washer | S 45x55x3 DIN988           |
| 5    | 305 8876 | 1     | Sicherungsring              | Securing ring     | Zn<br>45x2,5 DIN471        |
| 6    | 313 4524 | 1     | Bolzen mit Verdrehsicherung | Pin with stop     | D45x235/259 Zn             |
| 7    | 317 3434 | 2     | Einspannbuchse              | Expansion bush    | EG50/60x40-DIN1498         |
| 8    | 323 6349 | 1     | Schmiernippel               | Grease nipple     | CM10x1<br>DIN71412-90 GRD  |
| 9    | 321 8920 | 1     | Werkzeugkasten              | Toolbox           | 140x505<br>D8x110x480      |
| 10   | 405 5678 | 1     | Gelenkstück                 | Connecting piece  | 142x530 V-AD-160           |
| 11   | 405 8088 | 1     | Zugrohr                     | Stabilizer        | 5-120 140x2537<br>VD-10    |
| 12   | 301 4556 | 2     | Sechskantschraube           | Hexagon bolt      | M20x220-8.8 Zn<br>DIN931-A |
| 13   | 303 0978 | 2     | Sechskantmutter             | Hexagon nut       | M20 DIN934-8 Zn            |
| 14   | 305 6012 | 4     | Scheibe                     | Washer            | 21 ISO7089 Zn              |
| 15   | 459 1155 | 2     | Brücke                      | Clamp plate       | 50x15x200<br>2xD21-162     |



04.14

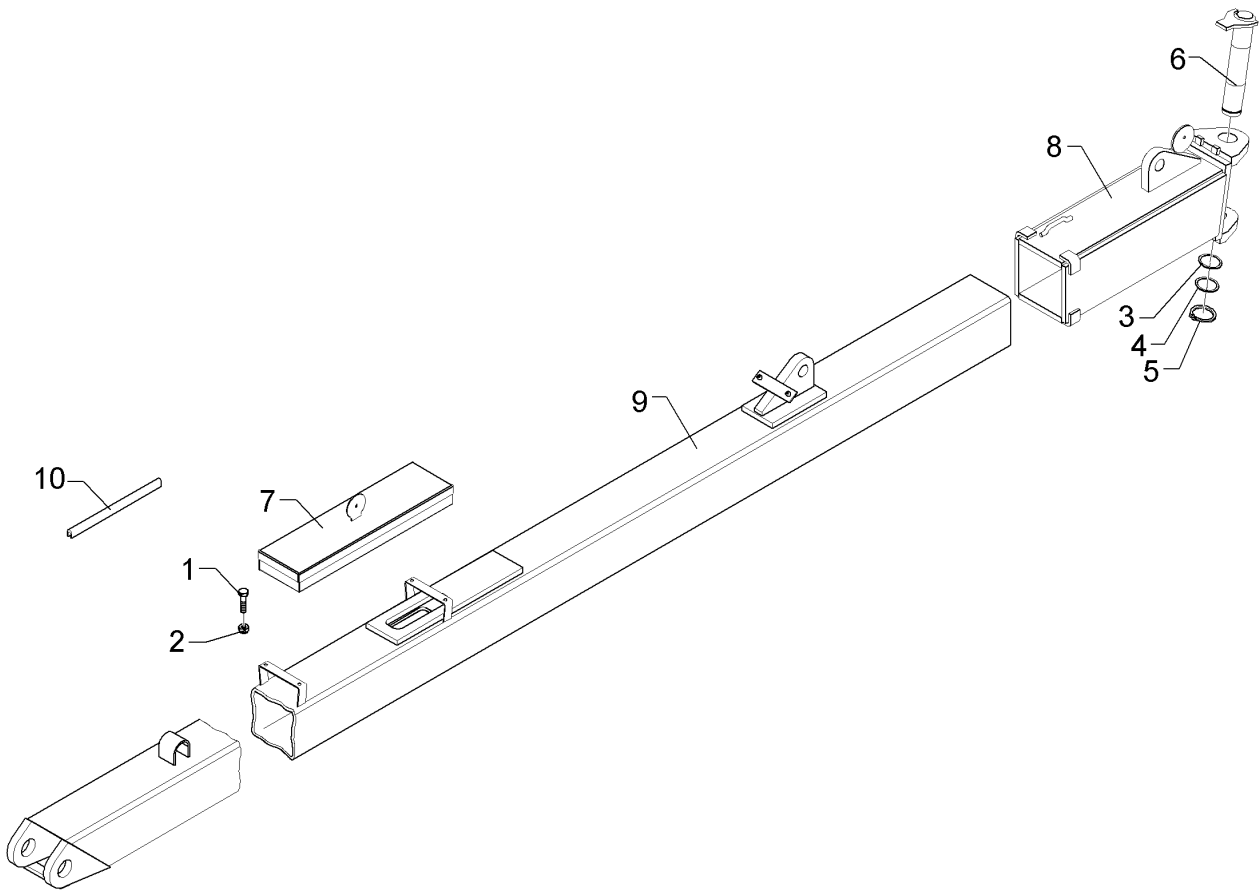
| Pos. | Art.Nr.  | Stck. | Artikeltext / Description   |                   | Abmessung                  |
|------|----------|-------|-----------------------------|-------------------|----------------------------|
| 1    | 301 3000 | 4     | Sechskantschraube           | Hexagon bolt      | M6x10-8.8 Zn<br>DIN933     |
| 2    | 303 0931 | 4     | Sicherungsmutter            | Selflocking nut   | NM6-8 Zn DIN985            |
| 3    | 305 2125 | 1     | Passscheibe                 | Shim              | 45x55x1,0 DIN988           |
| 4    | 305 2252 | 1     | Stützscheibe                | Supporting washer | S 45x55x3 DIN988           |
| 5    | 305 8876 | 1     | Sicherungsring              | Securing ring     | Zn<br>45x2,5 DIN471        |
| 6    | 313 4524 | 1     | Bolzen mit Verdrehsicherung | Pin with stop     | D45x235/259 Zn             |
| 7    | 317 3434 | 2     | Einspannbuchse              | Expansion bush    | EG50/60x40-DIN1498         |
| 8    | 323 6349 | 1     | Schmiernippel               | Grease nipple     | CM10x1<br>DIN71412-90 GRD  |
| 9    | 321 8920 | 1     | Werkzeugkasten              | Toolbox           | 140x505<br>D8x110x480      |
| 10   | 405 5678 | 1     | Gelenkstück                 | Connecting piece  | 142x530 V-AD-160           |
| 11   | 405 8089 | 1     | Zugrohr                     | Stabilizer        | 5x6-120 140x3737<br>VD-10X |
| 12   | 301 4556 | 2     | Sechskantschraube           | Hexagon bolt      | M20x220-8.8 Zn<br>DIN931-A |
| 13   | 303 0978 | 2     | Sechskantmutter             | Hexagon nut       | M20 DIN934-8 Zn            |
| 14   | 305 6012 | 4     | Scheibe                     | Washer            | 21 ISO7089 Zn              |
| 15   | 459 1155 | 2     | Brücke                      | Clamp plate       | 50x15x200<br>2xD21-162     |





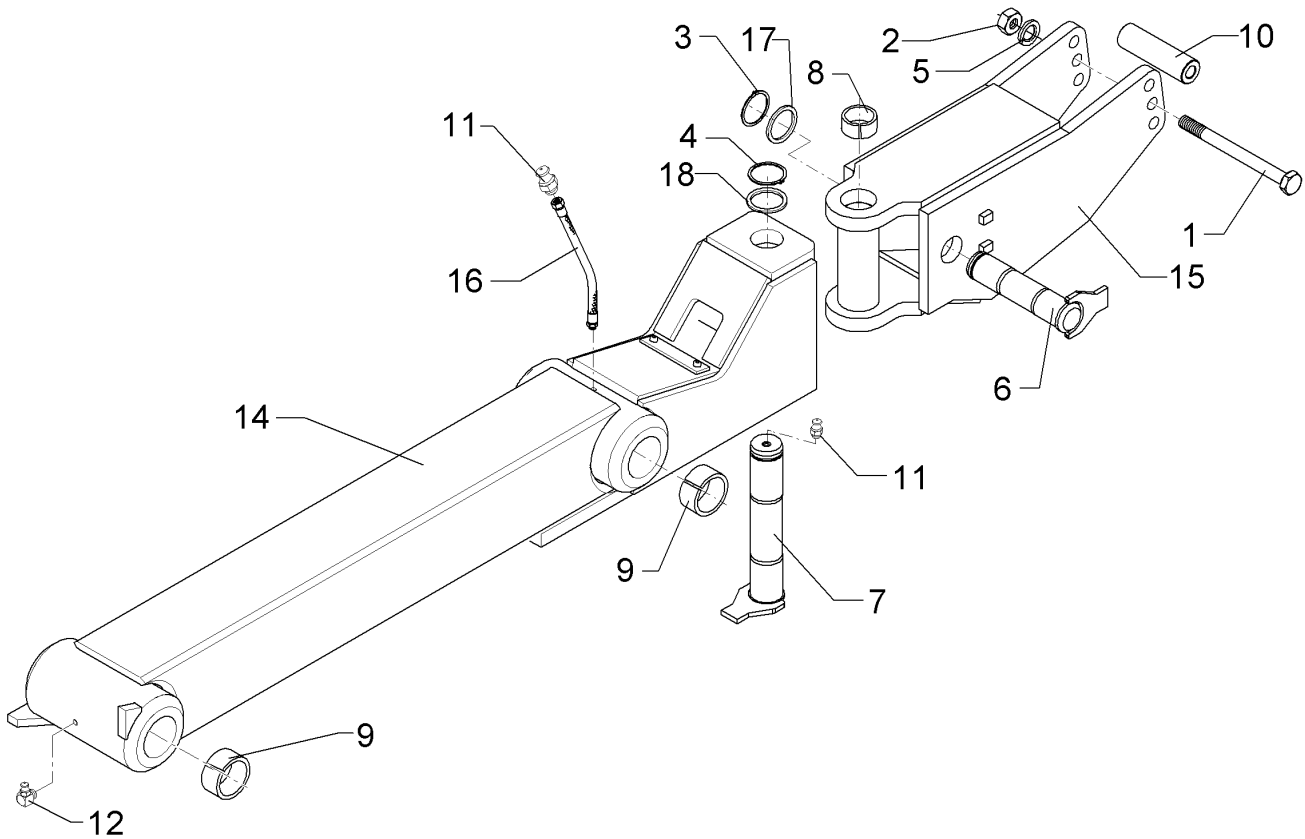
04.14

| Pos. | Art.Nr.  | Stck. | Artikeltext / Description   |                   | Abmessung                  |
|------|----------|-------|-----------------------------|-------------------|----------------------------|
| 1    | 301 3000 | 4     | Sechskantschraube           | Hexagon bolt      | M6x10-8.8 Zn<br>DIN933     |
| 2    | 303 0931 | 4     | Sicherungsmutter            | Selflocking nut   | NM6-8 Zn DIN985            |
| 3    | 305 2125 | 1     | Passscheibe                 | Shim              | 45x55x1,0 DIN988           |
| 4    | 305 2252 | 1     | Stützscheibe                | Supporting washer | S 45x55x3 DIN988           |
| 5    | 305 8876 | 1     | Sicherungsring              | Securing ring     | Zn<br>45x2,5 DIN471        |
| 6    | 313 4524 | 1     | Bolzen mit Verdrehsicherung | Pin with stop     | D45x235/259 Zn             |
| 9    | 321 8920 | 1     | Werkzeugkasten              | Toolbox           | 140x505<br>D8x110x480      |
| 10   | 405 5679 | 1     | Gelenkstück                 | Connecting piece  | 142x630 V-AD-160           |
| 11   | 405 8090 | 1     | Zugrohr                     | Stabilizer        | 5-120 140x2635<br>VD-10-OF |
| 12   | 301 4556 | 2     | Sechskantschraube           | Hexagon bolt      | M20x220-8.8 Zn<br>DIN931-A |
| 13   | 303 0978 | 2     | Sechskantmutter             | Hexagon nut       | M20 DIN934-8 Zn            |
| 14   | 305 6012 | 4     | Scheibe                     | Washer            | 21 ISO7089 Zn              |
| 15   | 459 1155 | 2     | Brücke                      | Clamp plate       | 50x15x200<br>2xD21-162     |



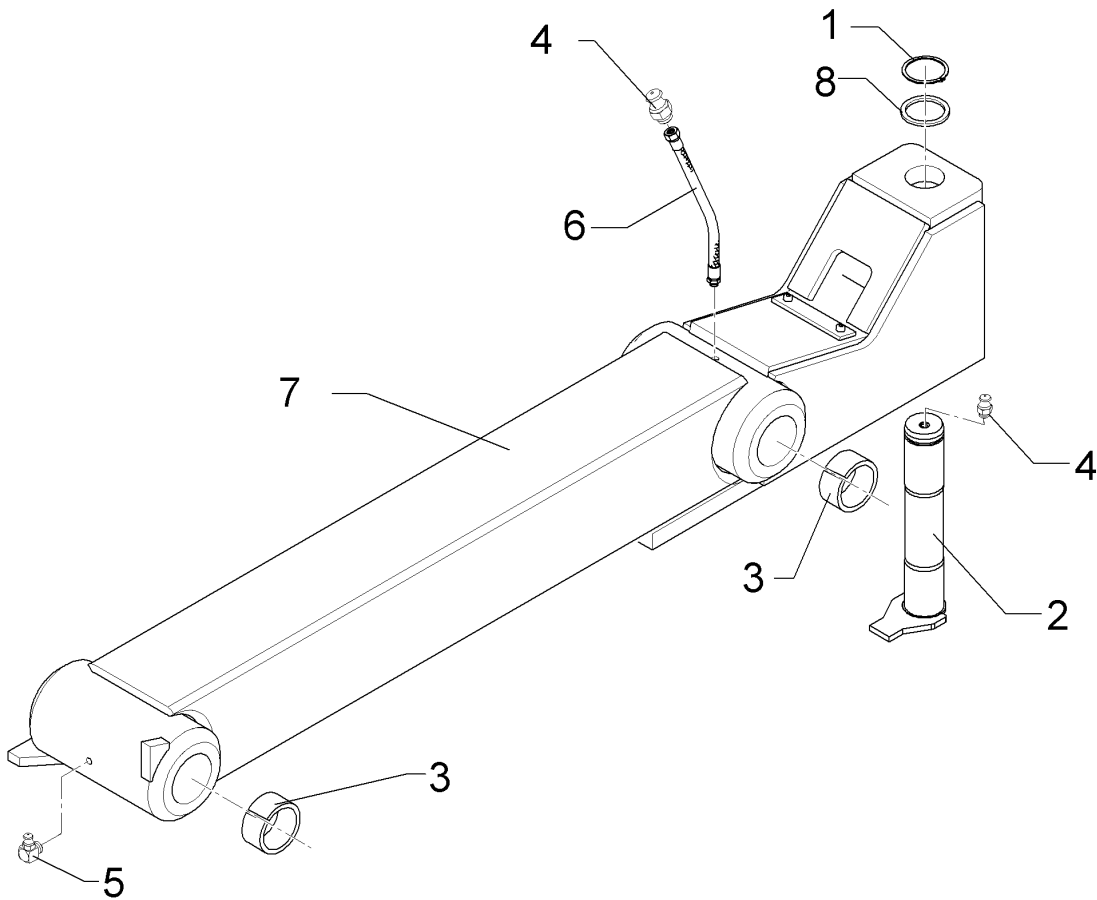
04.14

| Pos. | Art.Nr.  | Stck. | Artikeltext / Description   |                   | Abmessung                  |
|------|----------|-------|-----------------------------|-------------------|----------------------------|
| 1    | 301 3000 | 4     | Sechskantschraube           | Hexagon bolt      | M6x10-8.8 Zn<br>DIN933     |
| 2    | 303 0931 | 4     | Sicherungsmutter            | Selflocking nut   | NM6-8 Zn DIN985            |
| 3    | 305 2125 | 1     | Passscheibe                 | Shim              | 45x55x1,0 DIN988           |
| 4    | 305 2252 | 1     | Stützscheibe                | Supporting washer | S 45x55x3 DIN988<br>Zn     |
| 5    | 305 8876 | 1     | Sicherungsring              | Securing ring     | 45x2,5 DIN471              |
| 6    | 313 4524 | 1     | Bolzen mit Verdrehsicherung | Pin with stop     | D45x235/259 Zn             |
| 7    | 321 8920 | 1     | Werkzeugkasten              | Toolbox           | 140x505<br>D8x110x480      |
| 8    | 405 5679 | 1     | Gelenkstück                 | Connecting piece  | 142x630 V-AD-160           |
| 9    | 405 8091 | 1     | Zugrohr                     | Stabilizer        | 6-120 140x3835<br>VD-10-OF |
| 10   | 301 4556 | 2     | Sechskantschraube           | Hexagon bolt      | M20x220-8.8 Zn<br>DIN931-A |
| 11   | 303 0978 | 2     | Sechskantmutter             | Hexagon nut       | M20 DIN934-8 Zn            |
| 12   | 305 6012 | 4     | Scheibe                     | Washer            | 21 ISO7089 Zn              |
| 13   | 459 1155 | 2     | Brücke                      | Clamp plate       | 50x15x200<br>2xD21-162     |



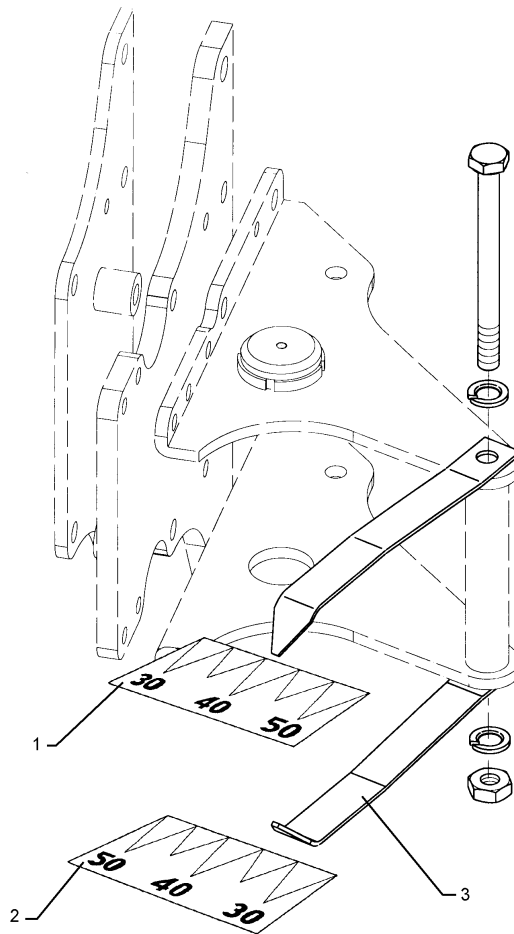
04.14

| Pos. | Art.Nr.  | Stck. | Artikeltext / Description    |                             | Abmessung                       |
|------|----------|-------|------------------------------|-----------------------------|---------------------------------|
| 1    | 301 4542 | 1     | Sechskantschraube spezial    | Hexagon bolt                | M20x1,5x215ls189xb23-10.9<br>Zn |
| 2    | 303 0977 | 1     | Sechskantmutter              | Hexagon nut                 | M20x1,5 DIN934-10<br>Zn         |
| 3    | 305 8876 | 1     | Sicherungsring               | Securing ring               | 45x2,5 DIN471                   |
| 4    | 305 8877 | 1     | Sicherungsring               | Securing ring               | 50x3 DIN471                     |
| 5    | 305 6012 | 1     | Scheibe                      | Washer                      | 21 ISO7089 Zn                   |
| 6    | 313 4526 | 1     | Bolzen mit Verdrehsicherung  | Pin with stop               | D45x183/207 Zn                  |
| 7    | 313 5031 | 1     | Bolzen mit Verdrehsicherung  | Pin with stop               | D50x265/290-M10x1<br>Zn         |
| 8    | 317 2025 | 2     | Einspannbuchse mit Presssitz | Expansion bush              | EG50/55x30                      |
| 9    | 317 3392 | 4     | Einspannbuchse               | Expansion bush              | EG60+0,15+0,05/70x50            |
| 10   | 317 7511 | 1     | Distanzbuchse                | Distance bush               | D40/20,2x140 Zn                 |
| 11   | 323 6348 | 2     | Schmiernippel                | Grease nipple               | AM10x1 DIN71412                 |
| 12   | 323 6349 | 1     | Schmiernippel                | Grease nipple               | CM10x1<br>DIN71412-90 GRD       |
| 14   | 436 0212 | 1     | Stabilisator 160-1050 VT10   | Stabilizer                  | 160-1050 VT10                   |
| 15   | 436 0213 | 1     | Zugpunktverstellung          | Pull point adjustment       | VT10 183x241x623                |
| 16   | 323 6452 | 1     | Schmiernippelverlängerung    | Extension for grease nipple | 300lg<br>M10x11-M10x1A          |
| 17   | 305 2252 | 1     | Stützscheibe                 | Supporting washer           | S 45x55x3 DIN988<br>Zn          |
| 18   | 305 2255 | 1     | Stützscheibe                 | Supporting washer           | S 50x62x3 DIN988<br>Zn          |



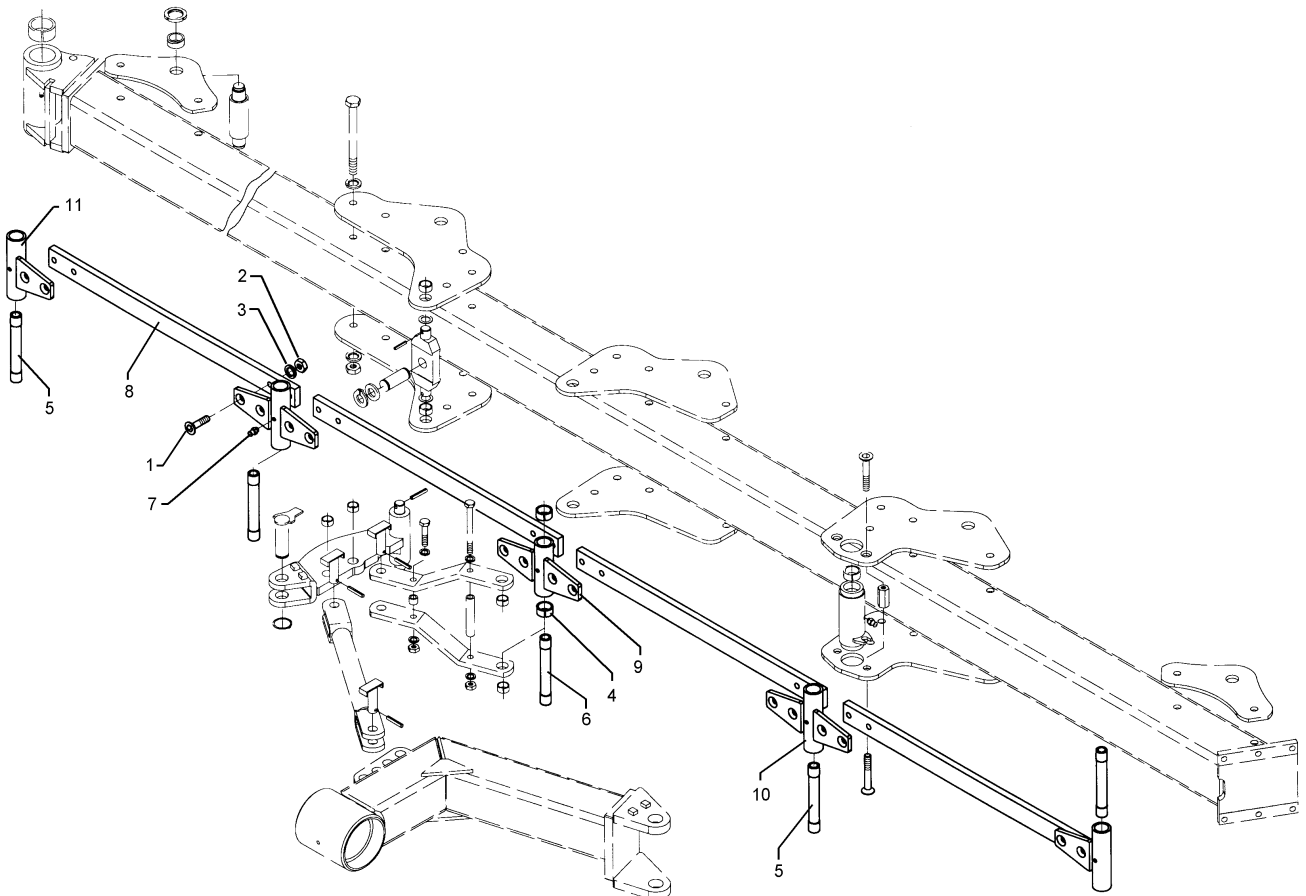
04.14

| Pos. | Art.Nr.  | Stck. | Artikeltext / Description   |                             | Abmessung                 |
|------|----------|-------|-----------------------------|-----------------------------|---------------------------|
| 1    | 305 8877 | 1     | Sicherungsring              | Securing ring               | 50x3 DIN471               |
| 2    | 313 5031 | 1     | Bolzen mit Verdrehsicherung | Pin with stop               | D50x265/290-M10x1<br>Zn   |
| 3    | 317 3392 | 4     | Einspannbuchse              | Expansion bush              | EG60+0,15+0,05/70x50      |
| 4    | 323 6348 | 2     | Schmiernippel               | Grease nipple               | AM10x1 DIN71412           |
| 5    | 323 6349 | 1     | Schmiernippel               | Grease nipple               | CM10x1<br>DIN71412-90 GRD |
| 6    | 323 6452 | 1     | Schmiernippelverlängerung   | Extension for grease nipple | 300lg<br>M10x11-M10x1A    |
| 7    | 436 0212 | 1     | Stabilisator 160-1050 VT10  | Stabilizer                  | 160-1050 VT10             |
| 8    | 305 2255 | 1     | Stützscheibe                | Supporting washer           | S 50x62x3 DIN988<br>Zn    |



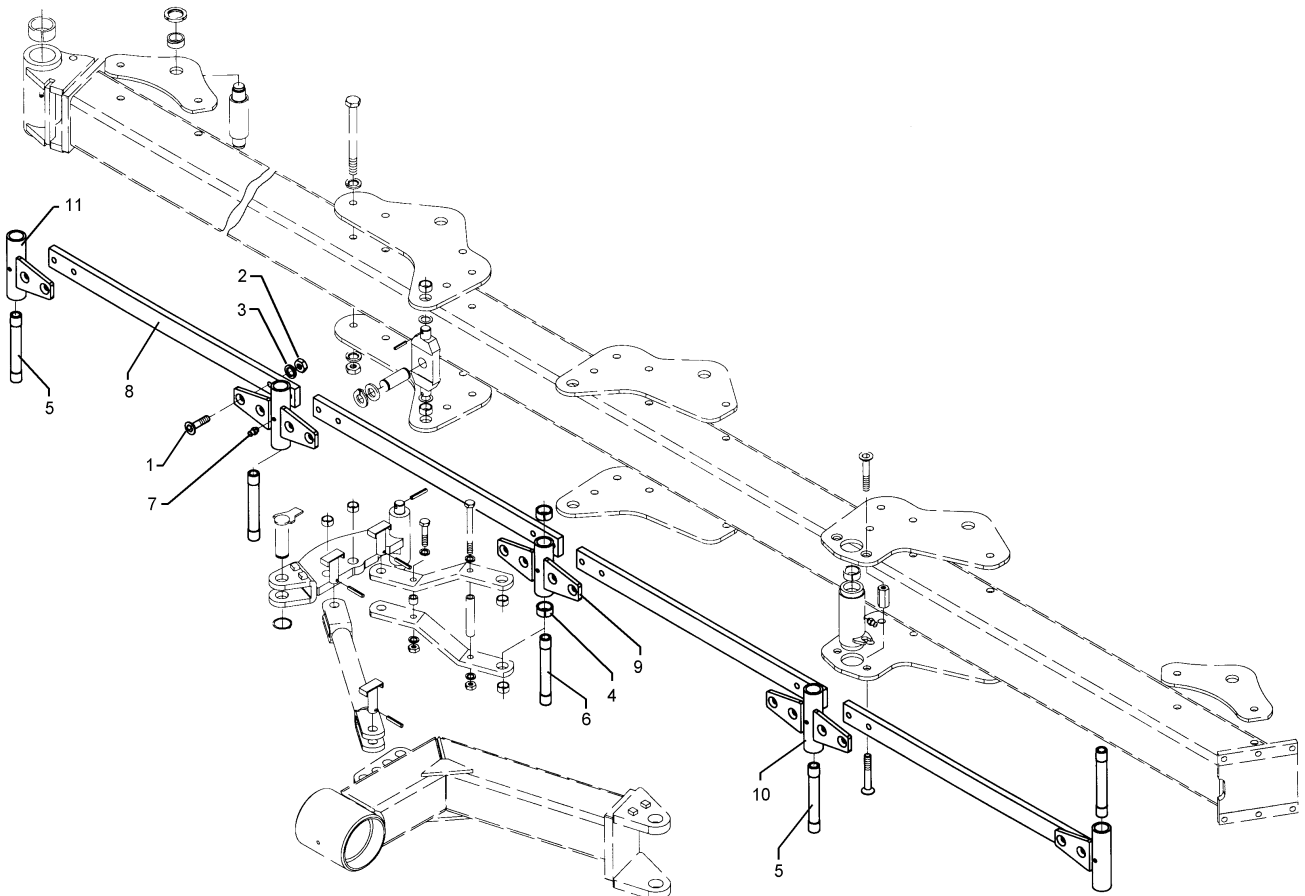
04.14

| Pos. | Art.Nr.  | Stck. | Artikeltext / Description |         | Abmessung              |
|------|----------|-------|---------------------------|---------|------------------------|
| 1    | 321 1038 | 1     | Aufkleber                 | Label   | RE Vari 30-50          |
| 2    | 321 1039 | 1     | Aufkleber                 | Label   | LI Vari 50-30          |
| 3    | 321 7014 | 2     | Zeiger                    | Pointer | 40x4x385<br>D20,13xGEB |



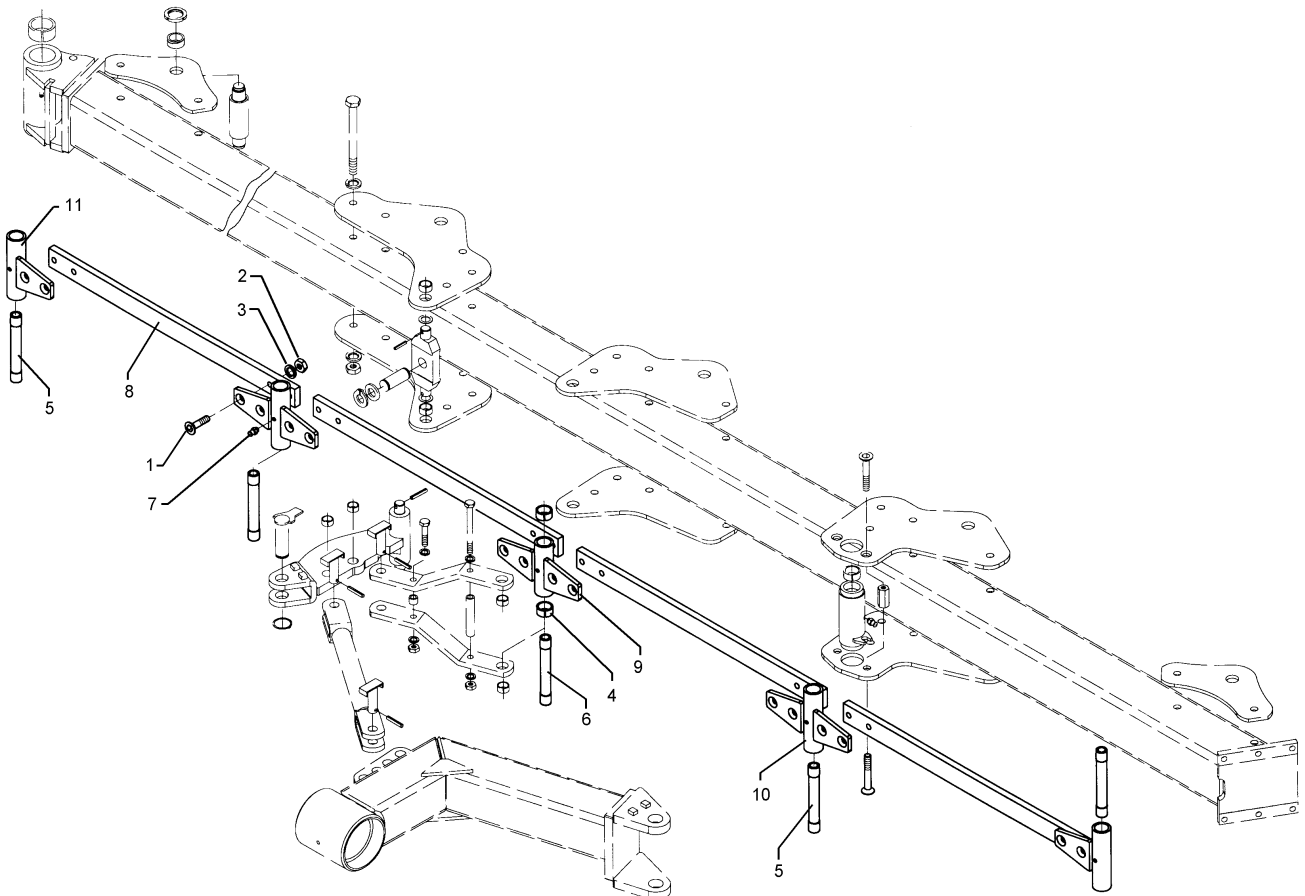
04.14

| Pos. | Art.Nr.  | Stck. | Artikeltext / Description    |                  | Abmessung               |
|------|----------|-------|------------------------------|------------------|-------------------------|
| 1    | 301 6144 | 16    | Senkschraube spz.            | Countersunk bolt | M16x50-10.9 Zn          |
| 2    | 303 1015 | 16    | Sechskantmutter              | Hexagon nut      | M16 DIN934-8 Zn         |
| 3    | 305 6141 | 16    | Scheibe                      | Washer           | 17/30x3<br>DIN/ISO-7089 |
| 4    | 317 3417 | 12    | Einspannbuchse mit Presssitz | Expansion bush   | EG30/38x25              |
| 5    | 317 7208 | 4     | Hülse                        | Bushing          | D30/20x194-2xL30        |
| 6    | 317 7209 | 1     | Hülse                        | Bushing          | D30/20x194-2xL16/D28    |
| 7    | 323 6348 | 5     | Schmiernippel                | Grease nipple    | AM10x1 DIN71412         |
| 8    | 402 2320 | 4     | Stange                       | Rod              | 60x20x930 4xD16,1       |
| 9    | 402 2620 | 1     | Lagerung                     | Bearing          | D38x163-4xD16 VO<br>9   |
| 10   | 402 2621 | 2     | Lagerung                     | Bearing          | D38x193-4xD16 VO<br>9   |
| 11   | 402 2622 | 2     | Lagerung                     | Bearing          | D38x193-2xD16 VO<br>9   |



04.14

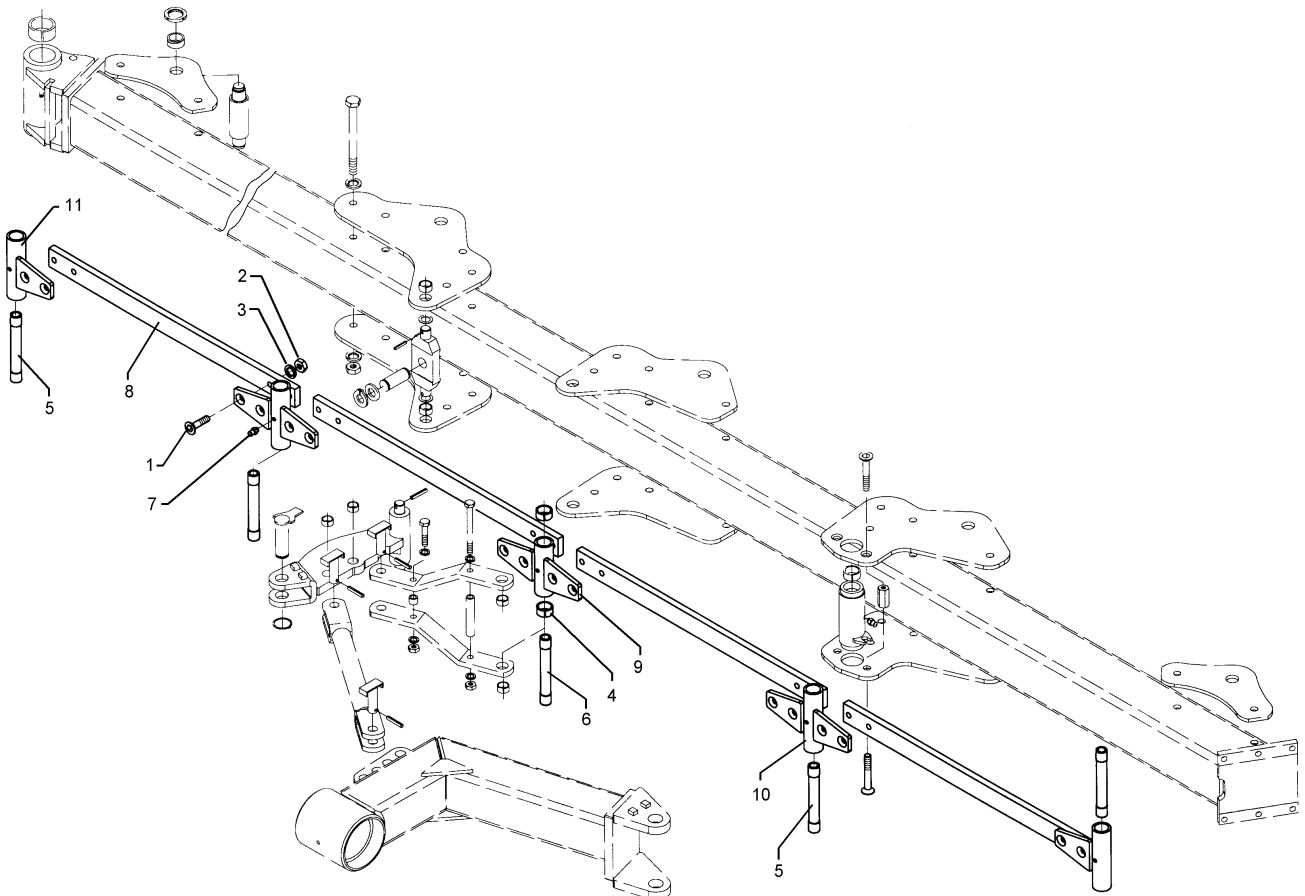
| Pos. | Art.Nr.  | Stck. | Artikeltext / Description    |                  | Abmessung               |
|------|----------|-------|------------------------------|------------------|-------------------------|
| 1    | 301 6144 | 20    | Senkschraube spz.            | Countersunk bolt | M16x50-10.9 Zn          |
| 2    | 303 1015 | 20    | Sechskantmutter              | Hexagon nut      | M16 DIN934-8 Zn         |
| 3    | 305 6141 | 20    | Scheibe                      | Washer           | 17/30x3<br>DIN/ISO-7089 |
| 4    | 317 3417 | 12    | Einspannbuchse mit Presssitz | Expansion bush   | EG30/38x25              |
| 5    | 317 7208 | 5     | Hülse                        | Bushing          | D30/20x194-2xL30        |
| 6    | 317 7209 | 1     | Hülse                        | Bushing          | D30/20x194-2xL16/D28    |
| 7    | 323 6348 | 6     | Schmiernippel                | Grease nipple    | AM10x1 DIN71412         |
| 8    | 402 2320 | 5     | Stange                       | Rod              | 60x20x930 4xD16,1       |
| 9    | 402 2620 | 1     | Lagerung                     | Bearing          | D38x163-4xD16 VO<br>9   |
| 10   | 402 2621 | 3     | Lagerung                     | Bearing          | D38x193-4xD16 VO<br>9   |
| 11   | 402 2622 | 2     | Lagerung                     | Bearing          | D38x193-2xD16 VO<br>9   |



04.14

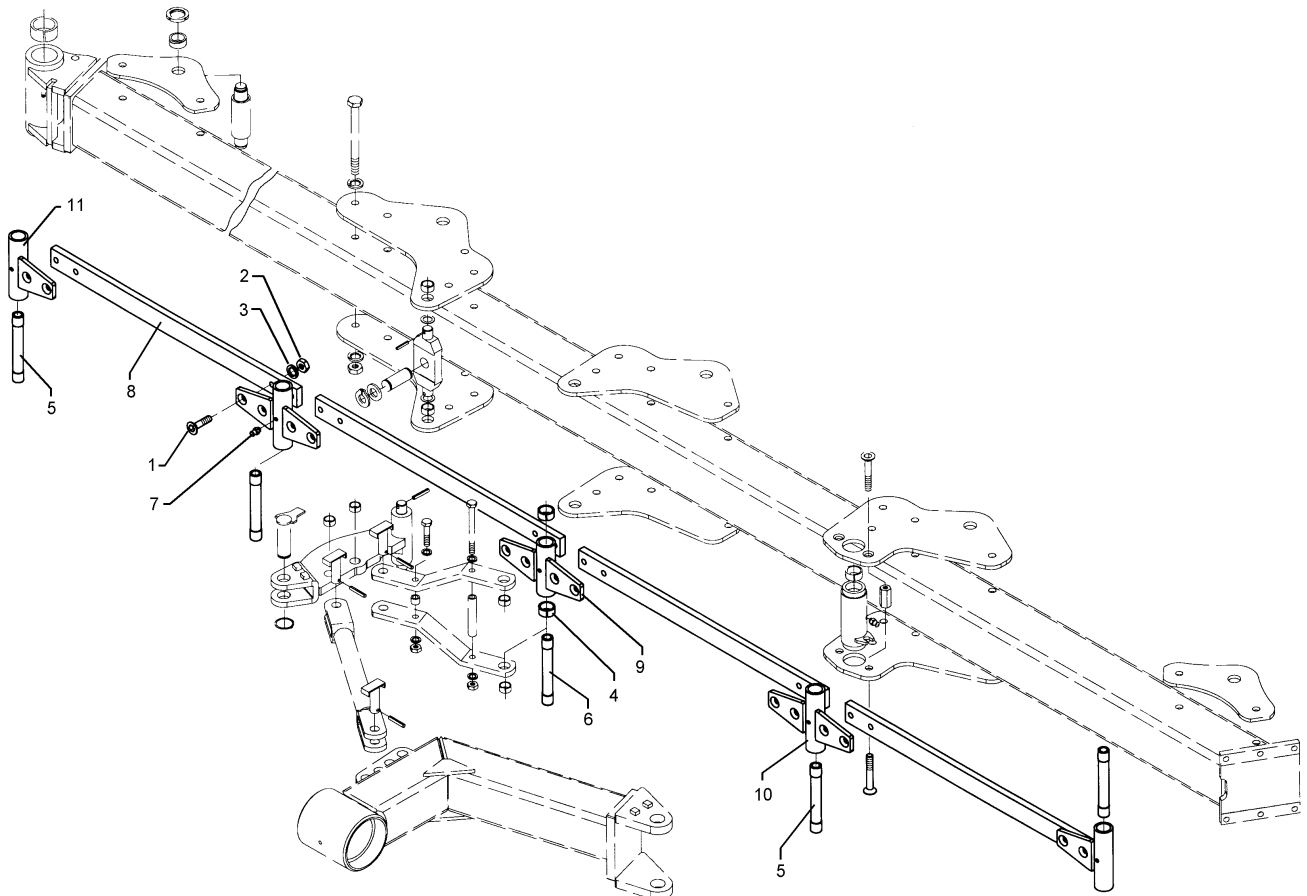
| Pos. | Art.Nr.  | Stck. | Artikeltext / Description    |                  | Abmessung               |
|------|----------|-------|------------------------------|------------------|-------------------------|
| 1    | 301 6144 | 24    | Senkschraube spz.            | Countersunk bolt | M16x50-10.9 Zn          |
| 2    | 303 1015 | 24    | Sechskantmutter              | Hexagon nut      | M16 DIN934-8 Zn         |
| 3    | 305 6141 | 24    | Scheibe                      | Washer           | 17/30x3<br>DIN/ISO-7089 |
| 4    | 317 3417 | 14    | Einspannbuchse mit Presssitz | Expansion bush   | EG30/38x25              |
| 5    | 317 7208 | 6     | Hülse                        | Bushing          | D30/20x194-2xL30        |
| 6    | 317 7209 | 1     | Hülse                        | Bushing          | D30/20x194-2xL16/D28    |
| 7    | 323 6348 | 7     | Schmiernippel                | Grease nipple    | AM10x1 DIN71412         |
| 8    | 402 2320 | 6     | Stange                       | Rod              | 60x20x930 4xD16,1       |
| 9    | 402 2620 | 1     | Lagerung                     | Bearing          | D38x163-4xD16 VO<br>9   |
| 10   | 402 2621 | 4     | Lagerung                     | Bearing          | D38x193-4xD16 VO<br>9   |
| 11   | 402 2622 | 2     | Lagerung                     | Bearing          | D38x193-2xD16 VO<br>9   |





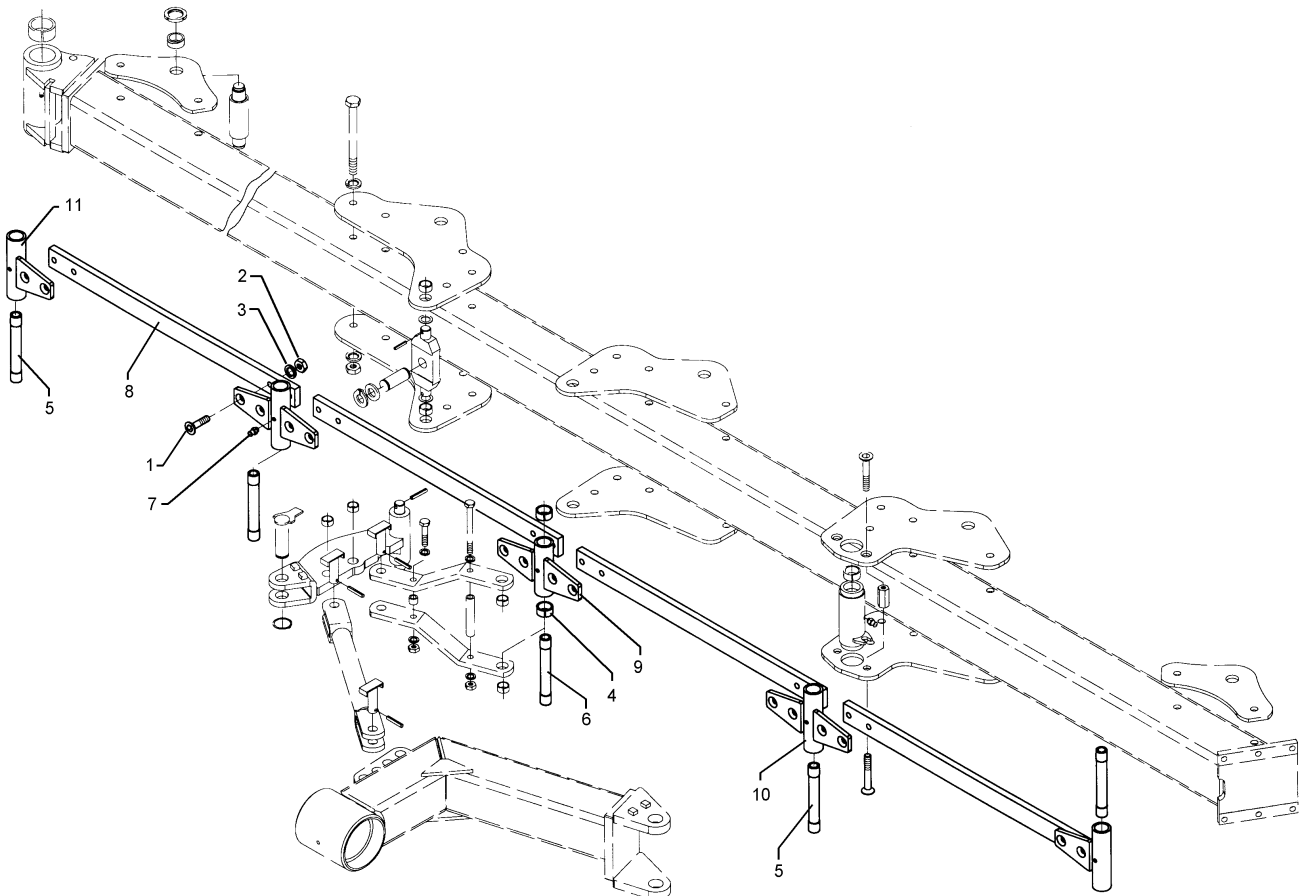
04.14

| Pos. | Art.Nr.  | Stck. | Artikeltext / Description    |                  | Abmessung               |
|------|----------|-------|------------------------------|------------------|-------------------------|
| 1    | 301 6144 | 28    | Senkschraube spz.            | Countersunk bolt | M16x50-10.9 Zn          |
| 2    | 303 1015 | 28    | Sechskantmutter              | Hexagon nut      | M16 DIN934-8 Zn         |
| 3    | 305 6141 | 28    | Scheibe                      | Washer           | 17/30x3<br>DIN/ISO-7089 |
| 4    | 317 3417 | 14    | Einspannbuchse mit Presssitz | Expansion bush   | EG30/38x25              |
| 5    | 317 7208 | 7     | Hülse                        | Bushing          | D30/20x194-2xL30        |
| 6    | 317 7209 | 1     | Hülse                        | Bushing          | D30/20x194-2xL16/D28    |
| 7    | 323 6348 | 8     | Schmiernippel                | Grease nipple    | AM10x1 DIN71412         |
| 8    | 402 2320 | 7     | Stange                       | Rod              | 60x20x930 4xD16,1       |
| 9    | 402 2620 | 1     | Lagerung                     | Bearing          | D38x163-4xD16 VO<br>9   |
| 10   | 402 2621 | 5     | Lagerung                     | Bearing          | D38x193-4xD16 VO<br>9   |
| 11   | 402 2622 | 2     | Lagerung                     | Bearing          | D38x193-2xD16 VO<br>9   |



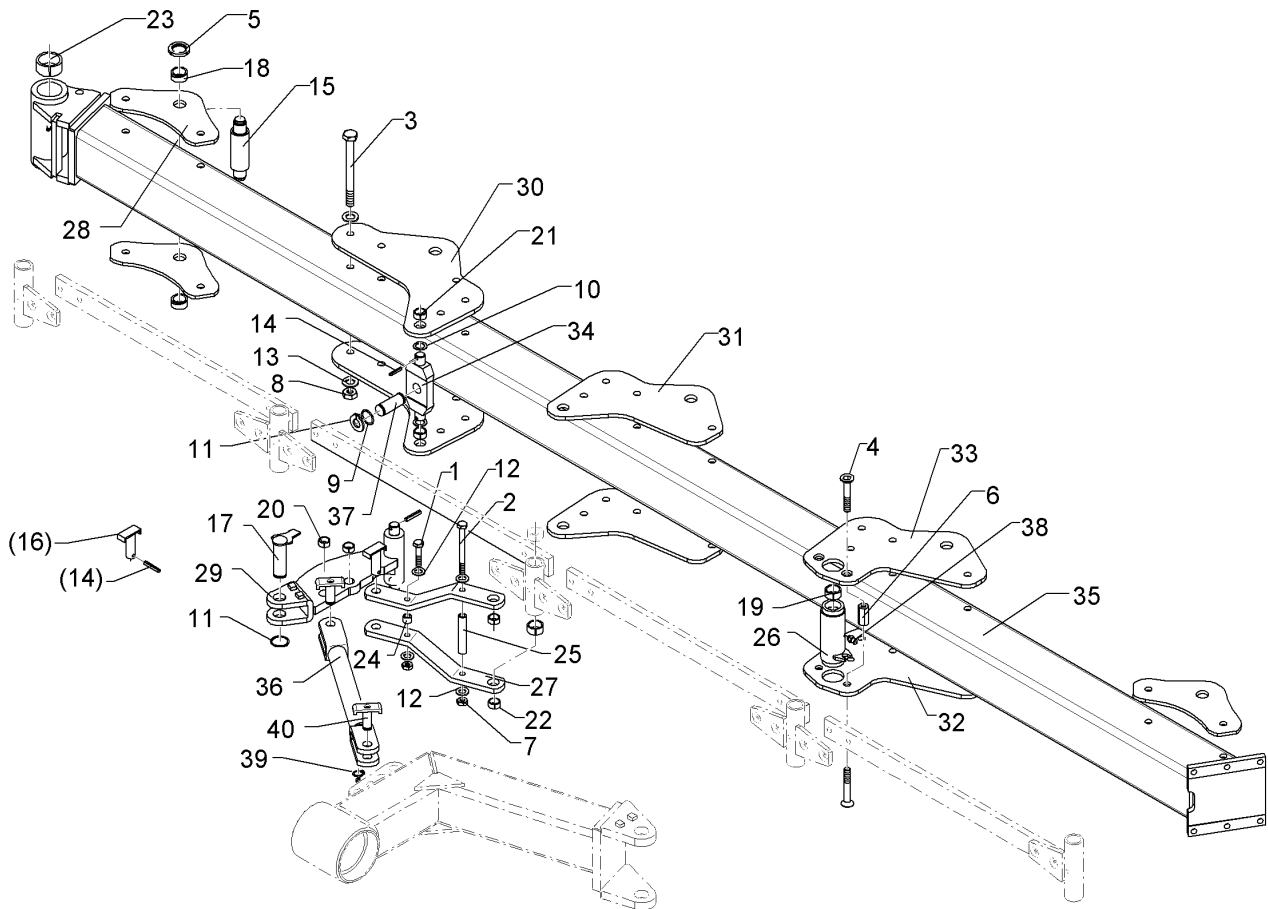
04.14

| Pos. | Art.Nr.  | Stck. | Artikeltext / Description    |                  | Abmessung               |
|------|----------|-------|------------------------------|------------------|-------------------------|
| 1    | 301 6144 | 16    | Senkschraube spz.            | Countersunk bolt | M16x50-10.9 Zn          |
| 2    | 303 1015 | 16    | Sechskantmutter              | Hexagon nut      | M16 DIN934-8 Zn         |
| 3    | 305 6141 | 16    | Scheibe                      | Washer           | 17/30x3<br>DIN/ISO-7089 |
| 4    | 317 3417 | 12    | Einspannbuchse mit Presssitz | Expansion bush   | EG30/38x25              |
| 5    | 317 7208 | 4     | Hülse                        | Bushing          | D30/20x194-2xL30        |
| 6    | 317 7209 | 1     | Hülse                        | Bushing          | D30/20x194-2xL16/D28    |
| 7    | 323 6348 | 5     | Schmiernippel                | Grease nipple    | AM10x1 DIN71412         |
| 8    | 402 2321 | 4     | Steuerstange                 | Rod              | 60x20x1130 4xD16,1      |
| 9    | 402 2620 | 1     | Lagerung                     | Bearing          | D38x163-4xD16 VO<br>9   |
| 10   | 402 2621 | 2     | Lagerung                     | Bearing          | D38x193-4xD16 VO<br>9   |
| 11   | 402 2622 | 2     | Lagerung                     | Bearing          | D38x193-2xD16 VO<br>9   |



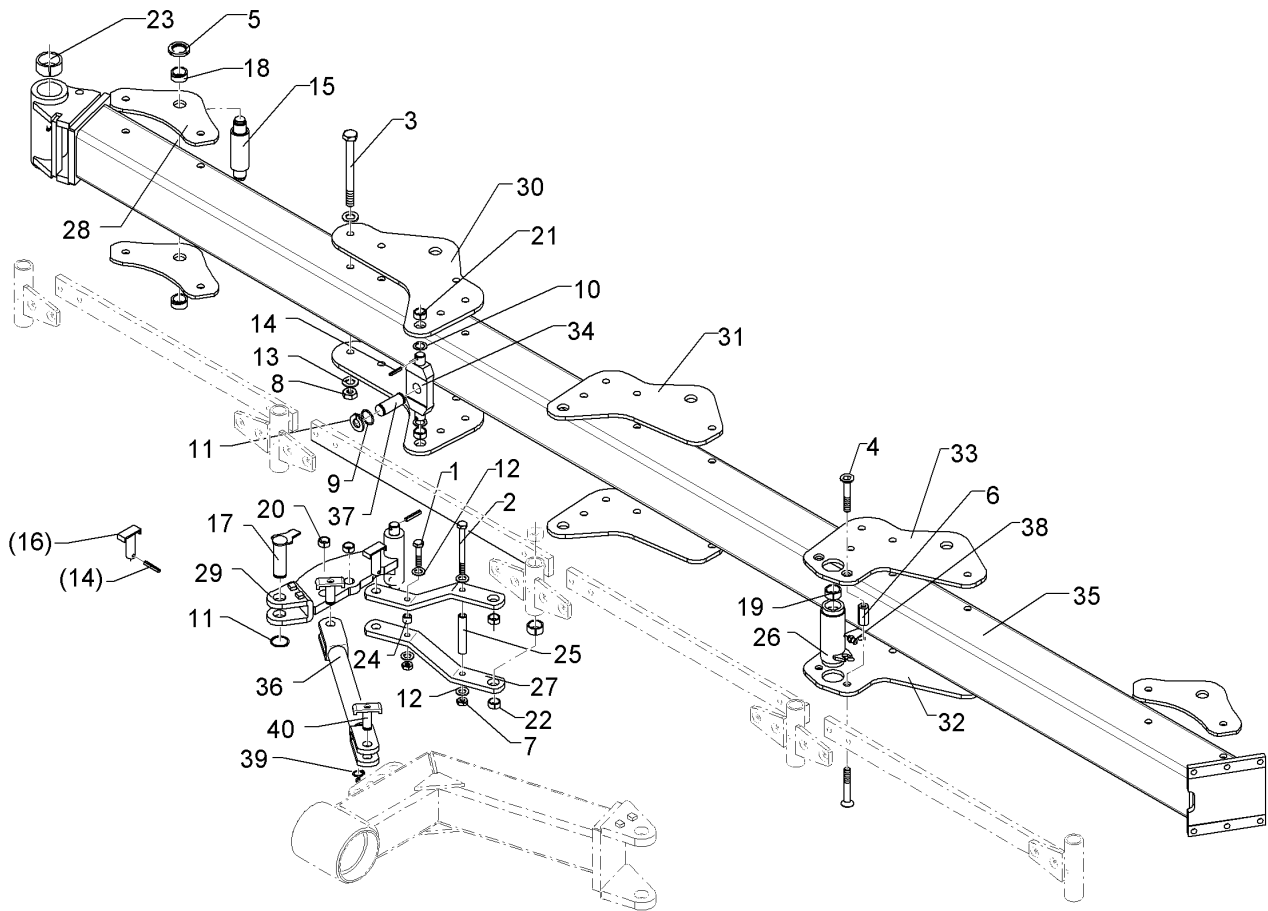
04.14

| Pos. | Art.Nr.  | Stck. | Artikeltext / Description    |                  | Abmessung               |
|------|----------|-------|------------------------------|------------------|-------------------------|
| 1    | 301 6144 | 20    | Senkschraube spz.            | Countersunk bolt | M16x50-10.9 Zn          |
| 2    | 303 1015 | 20    | Sechskantmutter              | Hexagon nut      | M16 DIN934-8 Zn         |
| 3    | 305 6141 | 20    | Scheibe                      | Washer           | 17/30x3<br>DIN/ISO-7089 |
| 4    | 317 3417 | 14    | Einspannbuchse mit Presssitz | Expansion bush   | EG30/38x25              |
| 5    | 317 7208 | 5     | Hülse                        | Bushing          | D30/20x194-2xL30        |
| 6    | 317 7209 | 1     | Hülse                        | Bushing          | D30/20x194-2xL16/D28    |
| 7    | 323 6348 | 6     | Schmiernippel                | Grease nipple    | AM10x1 DIN71412         |
| 8    | 402 2321 | 5     | Steuerstange                 | Rod              | 60x20x1130 4xD16,1      |
| 9    | 402 2620 | 1     | Lagerung                     | Bearing          | D38x163-4xD16 VO<br>9   |
| 10   | 402 2621 | 3     | Lagerung                     | Bearing          | D38x193-4xD16 VO<br>9   |
| 11   | 402 2622 | 2     | Lagerung                     | Bearing          | D38x193-2xD16 VO<br>9   |



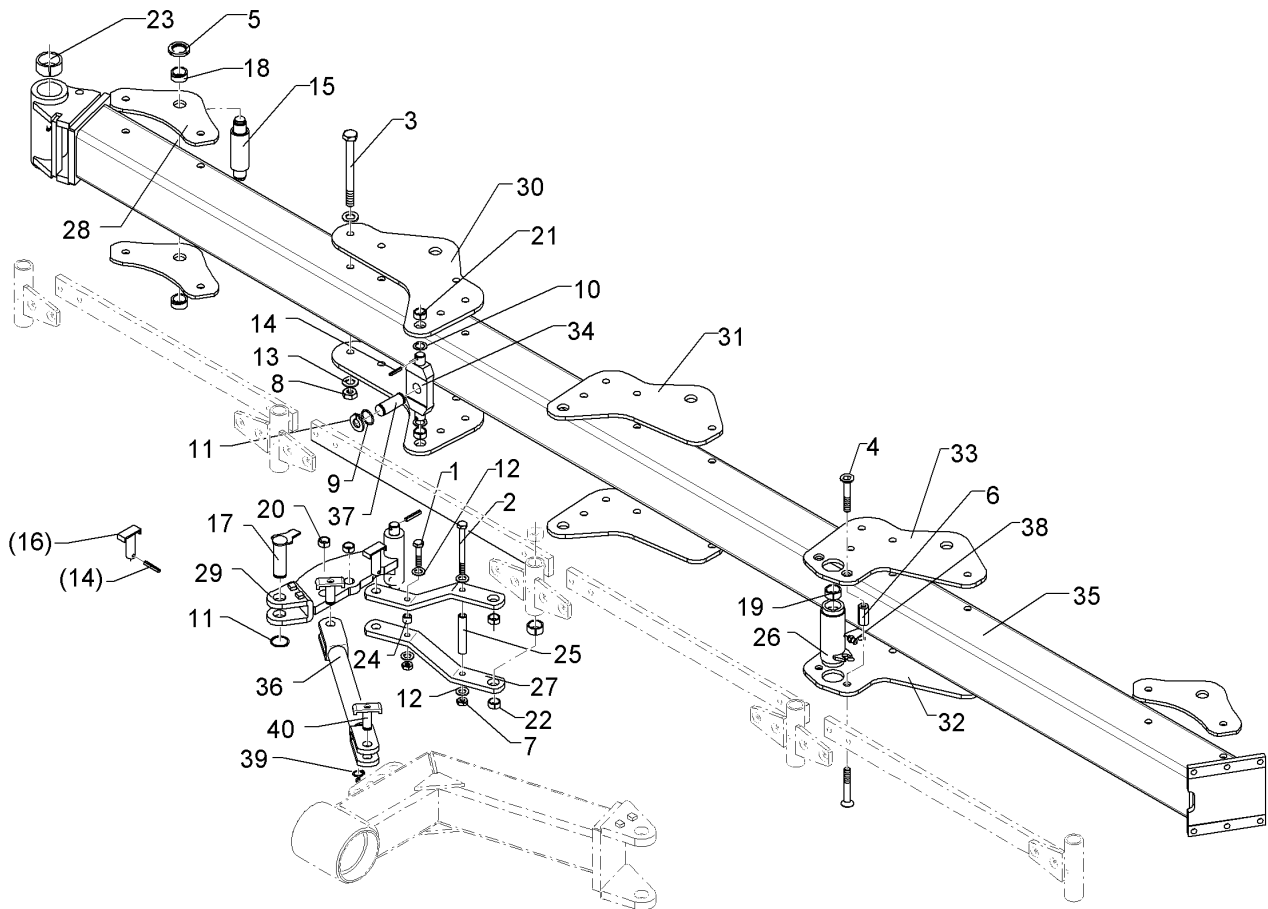
04.14

| Pos. | Art.Nr.  | Stck. | Artikeltext / Description    |                               | Abmessung                      |
|------|----------|-------|------------------------------|-------------------------------|--------------------------------|
| 1    | 301 3903 | 1     | Sechskantschraube            | Hexagon bolt                  | M16x75-8.8 Zn<br>DIN931-A      |
| 2    | 301 4137 | 1     | Sechskantschraube            | Hexagon bolt                  | M16x220-8.8 Zn<br>DIN931-A     |
| 3    | 301 4549 | 17    | Sechskantschraube spezial    | Hexagon bolt                  | M20x1,5x210-10.9<br>Zn         |
| 4    | 301 6152 | 4     | Senkschraube                 | COUNTER SUNK SCR. M12x45-12.9 | M16x90-10.9 Zn<br>DIN7991-A    |
| 5    | 303 0338 | 10    | Nutmutter                    | Grooved nut                   | M30x1,5                        |
| 6    | 303 0988 | 2     | Sechskantmutter              | Hexagon nut                   | M16x35 Zn                      |
| 7    | 303 1015 | 2     | Sechskantmutter              | Hexagon nut                   | M16 DIN934-8 Zn                |
| 8    | 303 0977 | 17    | Sechskantmutter              | Hexagon nut                   | M20x1,5 DIN934-10<br>Zn        |
| 9    | 305 2247 | 2     | Stützscheibe                 | Supporting washer             | S 35x45x2,5 DIN988<br>Zn       |
| 10   | 305 6283 | 2     | Scheibe                      | Washer                        | B28 DIN125                     |
| 11   | 305 8873 | 3     | Sicherungsring               | Securing ring                 | 35x2,5 DIN471                  |
| 12   | 305 6141 | 4     | Scheibe                      | Washer                        | 17/30x3<br>DIN/ISO-7089        |
| 13   | 305 6012 | 34    | Scheibe                      | Washer                        | 21 ISO7089 Zn                  |
| 14   | 309 6072 | 4     | Spannhülse                   | Expansion bush                | 8x40-DIN1481 Zn                |
| 15   | 313 5570 | 5     | Bolzen                       | Pin                           | D50/160x244<br>D35/M30x1,5 VO9 |
| 16   | 313 8053 | 3     | Bolzen mit Verdrehsicherung  | Pin with stop                 | D25x57/70 U62 Zn               |
| 17   | 313 8120 | 1     | Bolzen mit Verdrehsicherung  | Pin with stop                 | D35x77/95 Zn                   |
| 18   | 317 2000 | 10    | Buchse                       | Bush                          | D45/D35x21                     |
| 19   | 317 2005 | 2     | Einspannbuchse mit Presssitz | Expansion bush                | EG40/44x20                     |



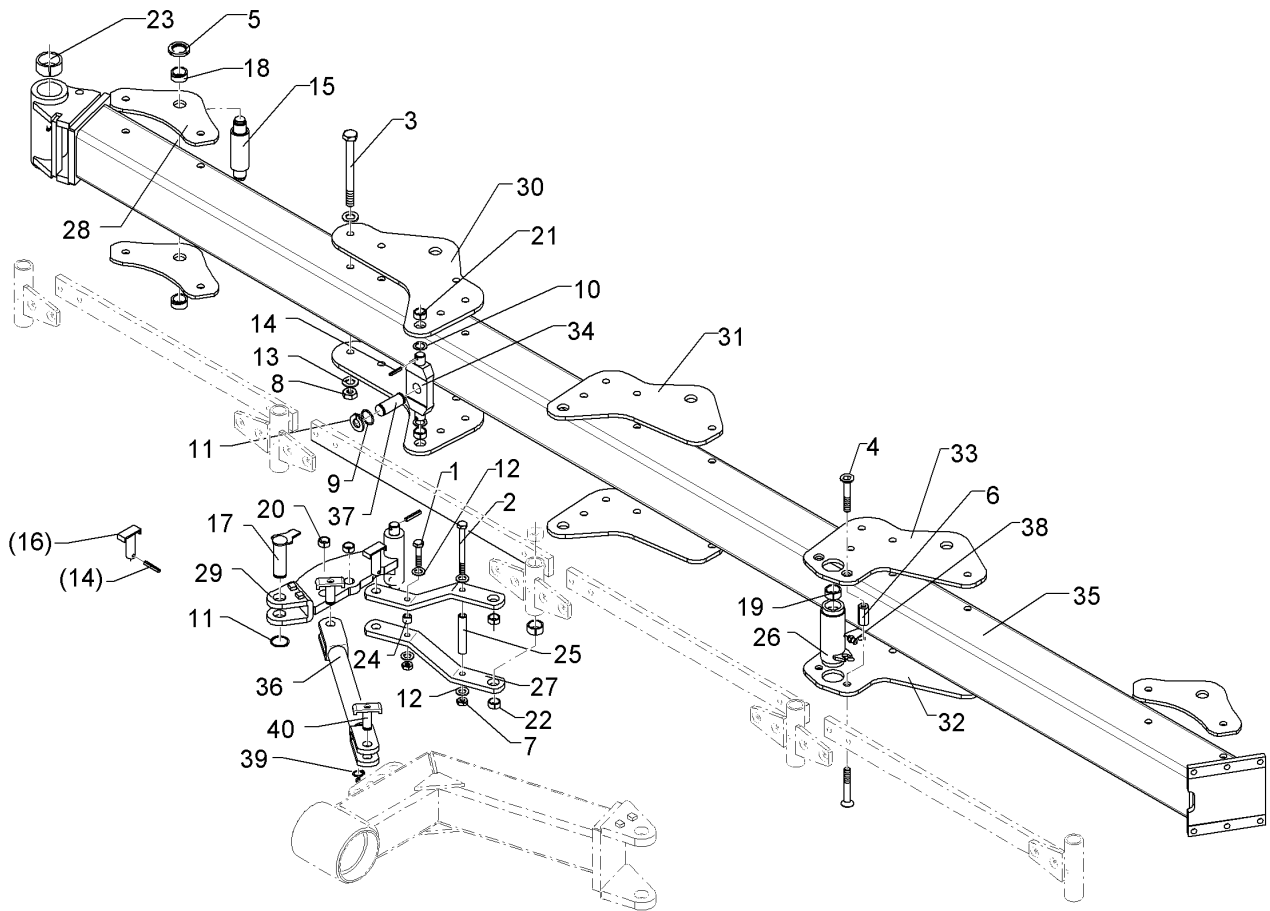
04.14

| Pos. | Art.Nr.  | Stck. | Artikeltext / Description      |                | Abmessung            |
|------|----------|-------|--------------------------------|----------------|----------------------|
| 20   | 317 3356 | 2     | Einspannbuchse                 | Expansion bush | EG25/29x25 DIN 1498  |
| 21   | 317 3348 | 4     | Einspannbuchse                 | Expansion bush | EG28/32x12-DIN1498   |
| 22   | 317 3337 | 2     | Einspannbuchse                 | Expansion bush | EG28/32x15 Presssitz |
| 23   | 317 3393 | 2     | Einspannbuchse                 | Expansion bush | EG60/70x50-DIN1498   |
| 24   | 317 6801 | 1     | Röhrchen                       | Tube           | 26,9x5x26 Zn         |
| 25   | 317 6866 | 1     | Röhrchen                       | Tube           | 26,9x4,5x163 Zn      |
| 26   | 402 1271 | 1     | Lagerrohr mit Verdrehsicherung | Bearing tube   | D40/60/68x189 Zn     |
| 27   | 402 1752 | 2     | Steuerstange                   | Rod            | 60x15x434            |
| 28   | 402 2941 | 4     | Lagerplatte                    | Bearing plate  | D35 VO-8/9           |
| 29   | 405 0310 | 1     | Schwinge                       | Rocker arm     | D40/28x400 V         |
| 30   | 405 1201 | 2     | Lagerplatte                    | Bearing plate  | 12x382x544 D35/32    |
| 31   | 405 1202 | 2     | Lagerplatte                    | Bearing plate  | 12x372x444 D35/32    |
| 32   | 405 1204 | 1     | Lagerplatte                    | Bearing plate  | 12x391x452 60/35 RE  |
| 33   | 405 1205 | 1     | Lagerplatte                    | Bearing plate  | 12x391x452 60/35 LI  |
| 34   | 405 1301 | 1     | Kreuzgelenk                    | Cross union    | 80x30x217 D35 Zn     |
| 35   | 405 7405 | 1     | Grundrahmen                    | Basic frame    | VariDiamant 10 5-100 |
| 36   | 450 7161 | 1     | Steuerstange                   | Rod            | D25x575 Diamant10    |
| 37   | 313 7785 | 1     | Bolzen                         | Pin            | D35x95 Zn            |
| 38   | 323 6348 | 3     | Schmiernippel                  | Grease nipple  | AM10x1 DIN71412      |
| 39   | 305 8861 | 3     | Sicherungsring                 | Securing ring  | 25x2 DIN471 Zn       |
| 40   | 313 8061 | 3     | Bolzen mit Verdrehsicherung    | Pin with stop  | D25x65/58 Zn         |



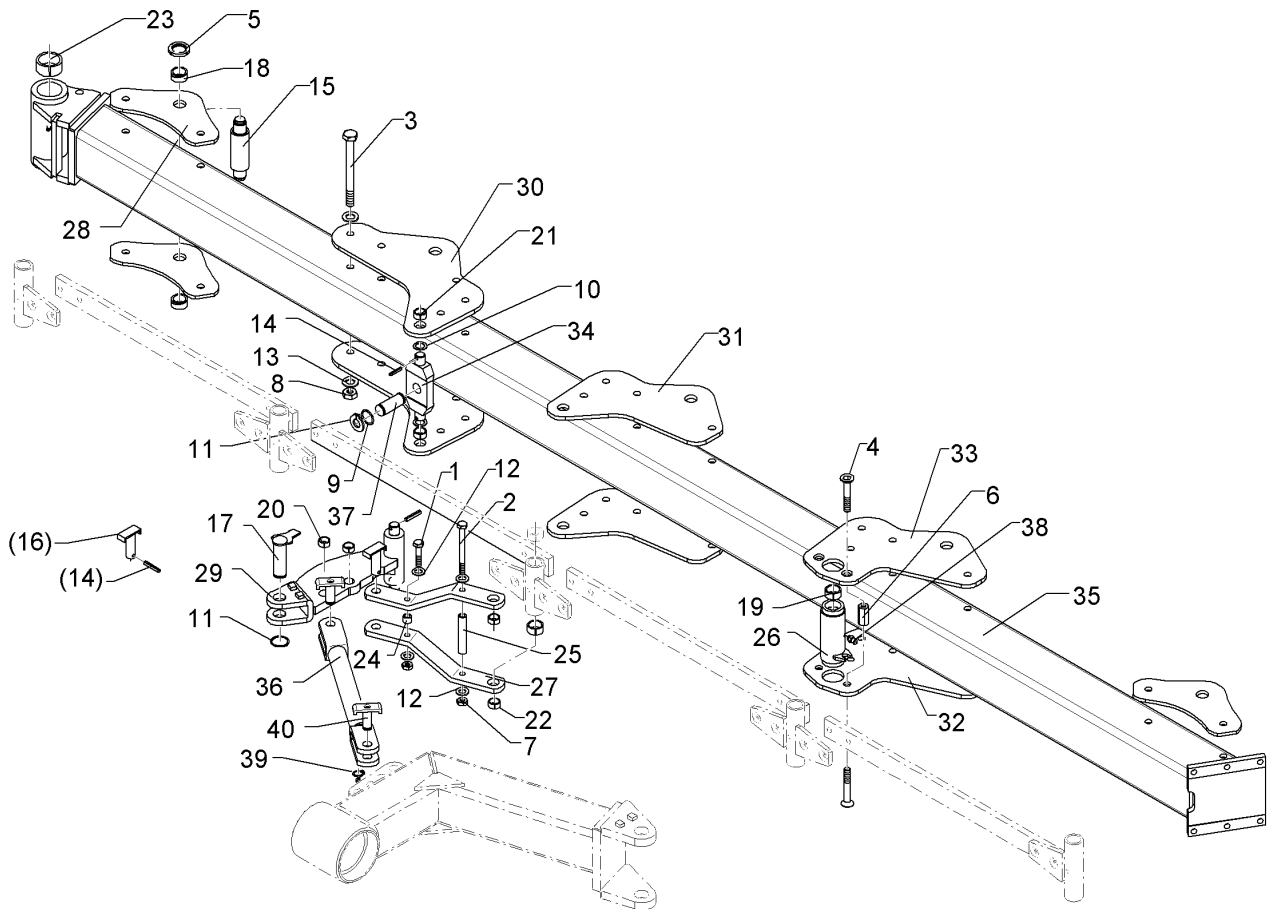
04.14

| Pos. | Art.Nr.  | Stck. | Artikeltext / Description    |                               | Abmessung                      |
|------|----------|-------|------------------------------|-------------------------------|--------------------------------|
| 1    | 301 3903 | 1     | Sechskantschraube            | Hexagon bolt                  | M16x75-8.8 Zn<br>DIN931-A      |
| 2    | 301 4137 | 1     | Sechskantschraube            | Hexagon bolt                  | M16x220-8.8 Zn<br>DIN931-A     |
| 3    | 301 4549 | 19    | Sechskantschraube spezial    | Hexagon bolt                  | M20x1,5x210-10.9<br>Zn         |
| 4    | 301 6152 | 4     | Senkschraube                 | COUNTER SUNK SCR. M12x45-12.9 | M16x90-10.9 Zn<br>DIN7991-A    |
| 5    | 303 0338 | 12    | Nutmutter                    | Grooved nut                   | M30x1,5                        |
| 6    | 303 0988 | 2     | Sechskantmutter              | Hexagon nut                   | M16x35 Zn                      |
| 7    | 303 1015 | 2     | Sechskantmutter              | Hexagon nut                   | M16 DIN934-8 Zn                |
| 8    | 303 0977 | 19    | Sechskantmutter              | Hexagon nut                   | M20x1,5 DIN934-10<br>Zn        |
| 9    | 305 2247 | 2     | Stützscheibe                 | Supporting washer             | S 35x45x2,5 DIN988<br>Zn       |
| 10   | 305 6283 | 2     | Scheibe                      | Washer                        | B28 DIN125                     |
| 11   | 305 8873 | 3     | Sicherungsring               | Securing ring                 | 35x2,5 DIN471                  |
| 12   | 305 6141 | 4     | Scheibe                      | Washer                        | 17/30x3<br>DIN/ISO-7089        |
| 13   | 305 6012 | 38    | Scheibe                      | Washer                        | 21 ISO7089 Zn                  |
| 14   | 309 6072 | 4     | Spannhülse                   | Expansion bush                | 8x40-DIN1481 Zn                |
| 15   | 313 5570 | 6     | Bolzen                       | Pin                           | D50/160x244<br>D35/M30x1,5 VO9 |
| 16   | 313 8053 | 3     | Bolzen mit Verdrehsicherung  | Pin with stop                 | D25x57/70 U62 Zn               |
| 17   | 313 8120 | 1     | Bolzen mit Verdrehsicherung  | Pin with stop                 | D35x77/95 Zn                   |
| 18   | 317 2000 | 12    | Buchse                       | Bush                          | D45/D35x21                     |
| 19   | 317 2005 | 2     | Einspannbuchse mit Presssitz | Expansion bush                | EG40/44x20                     |



04.14

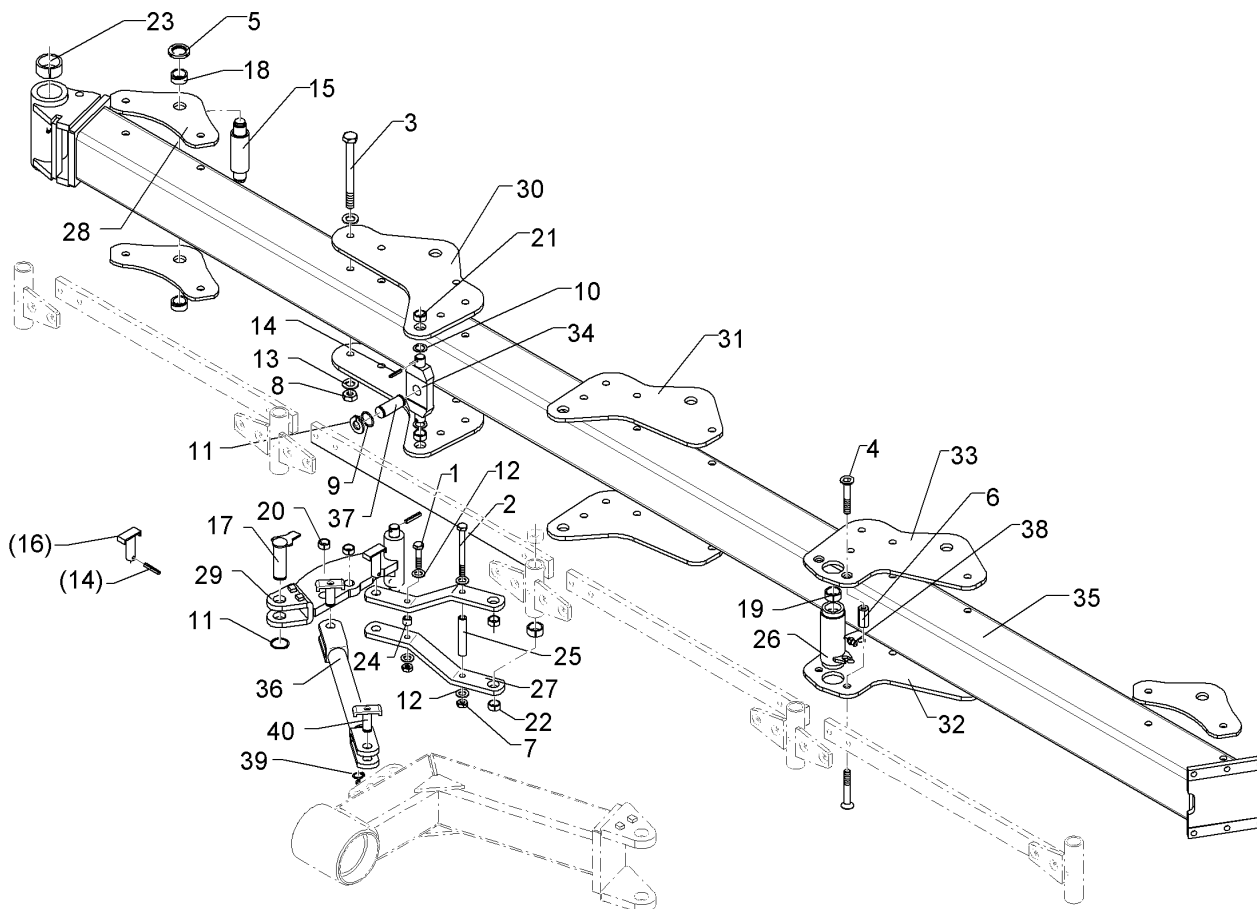
| Pos. | Art.Nr.  | Stck. | Artikeltext / Description      |                | Abmessung            |
|------|----------|-------|--------------------------------|----------------|----------------------|
| 20   | 317 3356 | 2     | Einspannbuchse                 | Expansion bush | EG25/29x25 DIN 1498  |
| 21   | 317 3348 | 4     | Einspannbuchse                 | Expansion bush | EG28/32x12-DIN1498   |
| 22   | 317 3337 | 2     | Einspannbuchse                 | Expansion bush | EG28/32x15 Presssitz |
| 23   | 317 3393 | 2     | Einspannbuchse                 | Expansion bush | EG60/70x50-DIN1498   |
| 24   | 317 6801 | 1     | Röhrchen                       | Tube           | 26,9x5x26 Zn         |
| 25   | 317 6866 | 1     | Röhrchen                       | Tube           | 26,9x4,5x163 Zn      |
| 26   | 402 1271 | 1     | Lagerrohr mit Verdrehsicherung | Bearing tube   | D40/60/68x189 Zn     |
| 27   | 402 1752 | 2     | Steuerstange                   | Rod            | 60x15x434            |
| 28   | 402 2941 | 6     | Lagerplatte                    | Bearing plate  | D35 VO-8/9           |
| 29   | 405 0310 | 1     | Schwinge                       | Rocker arm     | D40/28x400 V         |
| 30   | 405 1201 | 2     | Lagerplatte                    | Bearing plate  | 12x382x544 D35/32    |
| 31   | 405 1202 | 2     | Lagerplatte                    | Bearing plate  | 12x372x444 D35/32    |
| 32   | 405 1204 | 1     | Lagerplatte                    | Bearing plate  | 12x391x452 60/35 RE  |
| 33   | 405 1205 | 1     | Lagerplatte                    | Bearing plate  | 12x391x452 60/35 LI  |
| 34   | 405 1301 | 1     | Kreuzgelenk                    | Cross union    | 80x30x217 D35 Zn     |
| 35   | 405 7406 | 1     | Grundrahmen                    | Basic frame    | VariDiamant 10 6-100 |
| 36   | 450 7161 | 1     | Steuerstange                   | Rod            | D25x575 Diamant10    |
| 37   | 313 7785 | 1     | Bolzen                         | Pin            | D35x95 Zn            |
| 38   | 323 6348 | 9     | Schmiernippel                  | Grease nipple  | AM10x1 DIN71412      |
| 39   | 305 8861 | 3     | Sicherungsring                 | Securing ring  | 25x2 DIN471 Zn       |
| 40   | 313 8061 | 3     | Bolzen mit Verdrehsicherung    | Pin with stop  | D25x65/58 Zn         |



04.14

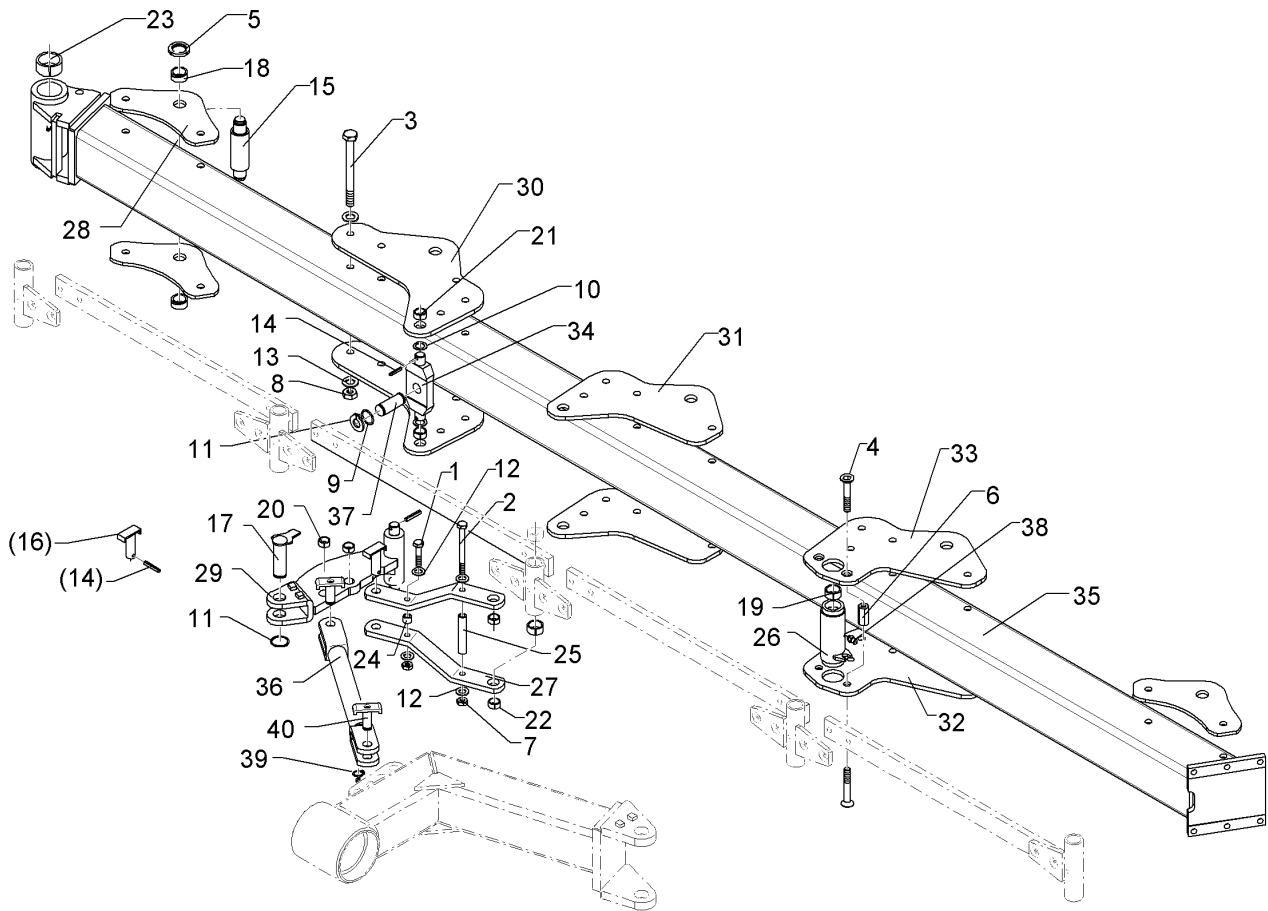
| Pos. | Art.Nr.  | Stck. | Artikeltext / Description    |                               | Abmessung                      |
|------|----------|-------|------------------------------|-------------------------------|--------------------------------|
| 1    | 301 3903 | 1     | Sechskantschraube            | Hexagon bolt                  | M16x75-8.8 Zn<br>DIN931-A      |
| 2    | 301 4137 | 1     | Sechskantschraube            | Hexagon bolt                  | M16x220-8.8 Zn<br>DIN931-A     |
| 3    | 301 4549 | 21    | Sechskantschraube spezial    | Hexagon bolt                  | M20x1,5x210-10.9<br>Zn         |
| 4    | 301 6152 | 4     | Senkschraube                 | COUNTER SUNK SCR. M12x45-12.9 | M16x90-10.9 Zn<br>DIN7991-A    |
| 5    | 303 0338 | 14    | Nutmutter                    | Grooved nut                   | M30x1,5                        |
| 6    | 303 0988 | 2     | Sechskantmutter              | Hexagon nut                   | M16x35 Zn                      |
| 7    | 303 1015 | 2     | Sechskantmutter              | Hexagon nut                   | M16 DIN934-8 Zn                |
| 8    | 303 0977 | 21    | Sechskantmutter              | Hexagon nut                   | M20x1,5 DIN934-10<br>Zn        |
| 9    | 305 2247 | 2     | Stützscheibe                 | Supporting washer             | S 35x45x2,5 DIN988<br>Zn       |
| 10   | 305 6283 | 2     | Scheibe                      | Washer                        | B28 DIN125                     |
| 11   | 305 8873 | 3     | Sicherungsring               | Securing ring                 | 35x2,5 DIN471                  |
| 12   | 305 6141 | 4     | Scheibe                      | Washer                        | 17/30x3<br>DIN/ISO-7089        |
| 13   | 305 6012 | 42    | Scheibe                      | Washer                        | 21 ISO7089 Zn                  |
| 14   | 309 6072 | 4     | Spannhülse                   | Expansion bush                | 8x40-DIN1481 Zn                |
| 15   | 313 5570 | 7     | Bolzen                       | Pin                           | D50/160x244<br>D35/M30x1,5 VO9 |
| 16   | 313 8053 | 3     | Bolzen mit Verdrehsicherung  | Pin with stop                 | D25x57/70 U62 Zn               |
| 17   | 313 8120 | 1     | Bolzen mit Verdrehsicherung  | Pin with stop                 | D35x77/95 Zn                   |
| 18   | 317 2000 | 14    | Buchse                       | Bush                          | D45/D35x21                     |
| 19   | 317 2005 | 2     | Einspannbuchse mit Presssitz | Expansion bush                | EG40/44x20                     |





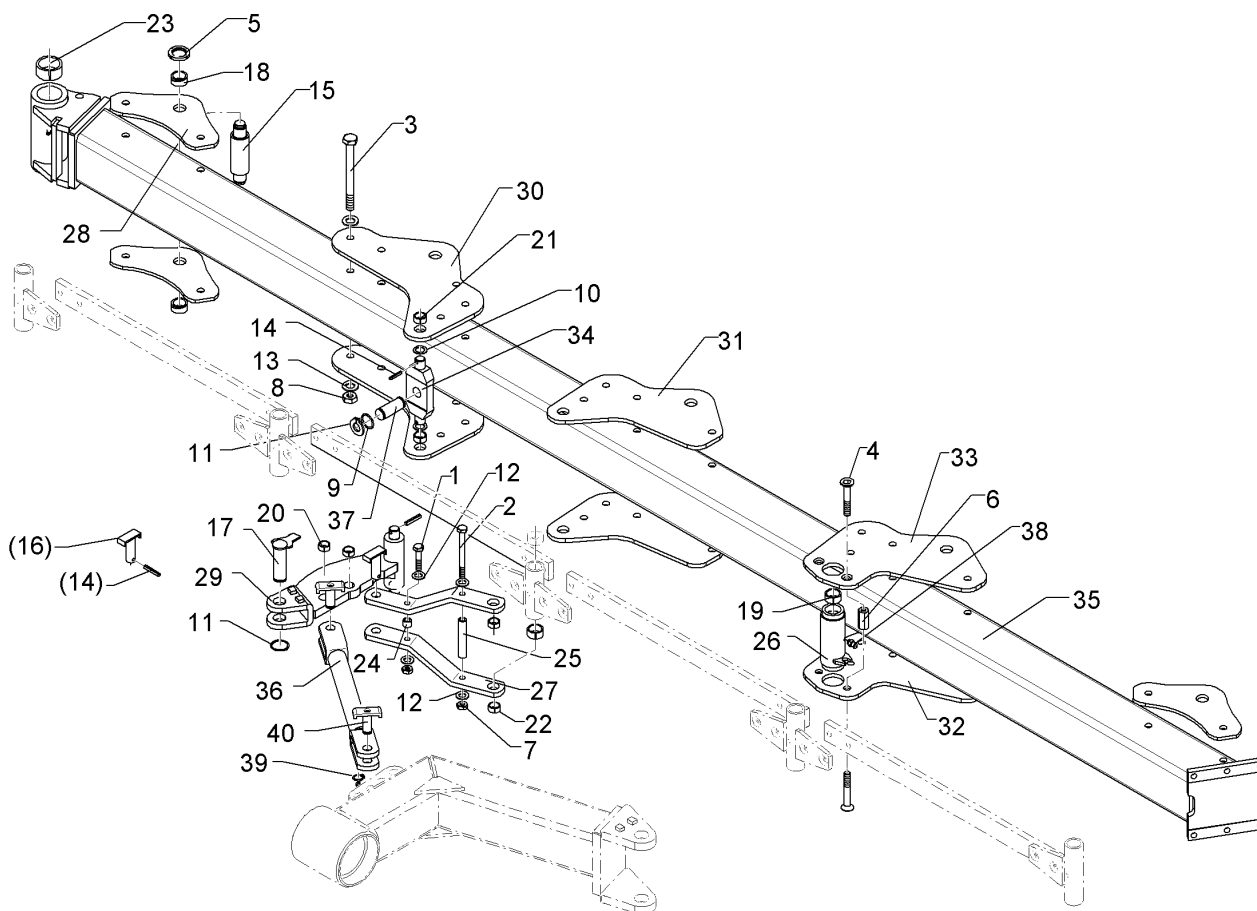
04.14

| Pos. | Art.Nr.  | Stck. | Artikeltext / Description      |                | Abmessung            |
|------|----------|-------|--------------------------------|----------------|----------------------|
| 20   | 317 3356 | 2     | Einspannbuchse                 | Expansion bush | EG25/29x25 DIN 1498  |
| 21   | 317 3348 | 4     | Einspannbuchse                 | Expansion bush | EG28/32x12-DIN1498   |
| 22   | 317 3337 | 2     | Einspannbuchse                 | Expansion bush | EG28/32x15 Presssitz |
| 23   | 317 3393 | 2     | Einspannbuchse                 | Expansion bush | EG60/70x50-DIN1498   |
| 24   | 317 6801 | 1     | Röhrchen                       | Tube           | 26,9x5x26 Zn         |
| 25   | 317 6866 | 1     | Röhrchen                       | Tube           | 26,9x4,5x163 Zn      |
| 26   | 402 1271 | 1     | Lagerrohr mit Verdrehsicherung | Bearing tube   | D40/60/68x189 Zn     |
| 27   | 402 1752 | 2     | Steuerstange                   | Rod            | 60x15x434            |
| 28   | 402 2941 | 8     | Lagerplatte                    | Bearing plate  | D35 VO-8/9           |
| 29   | 405 0310 | 1     | Schwinge                       | Rocker arm     | D40/28x400 V         |
| 30   | 405 1201 | 2     | Lagerplatte                    | Bearing plate  | 12x382x544 D35/32    |
| 31   | 405 1202 | 2     | Lagerplatte                    | Bearing plate  | 12x372x444 D35/32    |
| 32   | 405 1204 | 1     | Lagerplatte                    | Bearing plate  | 12x391x452 60/35 RE  |
| 33   | 405 1205 | 1     | Lagerplatte                    | Bearing plate  | 12x391x452 60/35 LI  |
| 34   | 405 1301 | 1     | Kreuzgelenk                    | Cross union    | 80x30x217 D35 Zn     |
| 35   | 405 7407 | 1     | Grundrahmen                    | Basic frame    | VariDiamant 10 7-100 |
| 36   | 450 7161 | 1     | Steuerstange                   | Rod            | D25x575 Diamant10    |
| 37   | 313 7785 | 1     | Bolzen                         | Pin            | D35x95 Zn            |
| 38   | 323 6348 | 9     | Schmiernippel                  | Grease nipple  | AM10x1 DIN71412      |
| 39   | 305 8861 | 3     | Sicherungsring                 | Securing ring  | 25x2 DIN471 Zn       |
| 40   | 313 8061 | 3     | Bolzen mit Verdrehsicherung    | Pin with stop  | D25x65/58 Zn         |



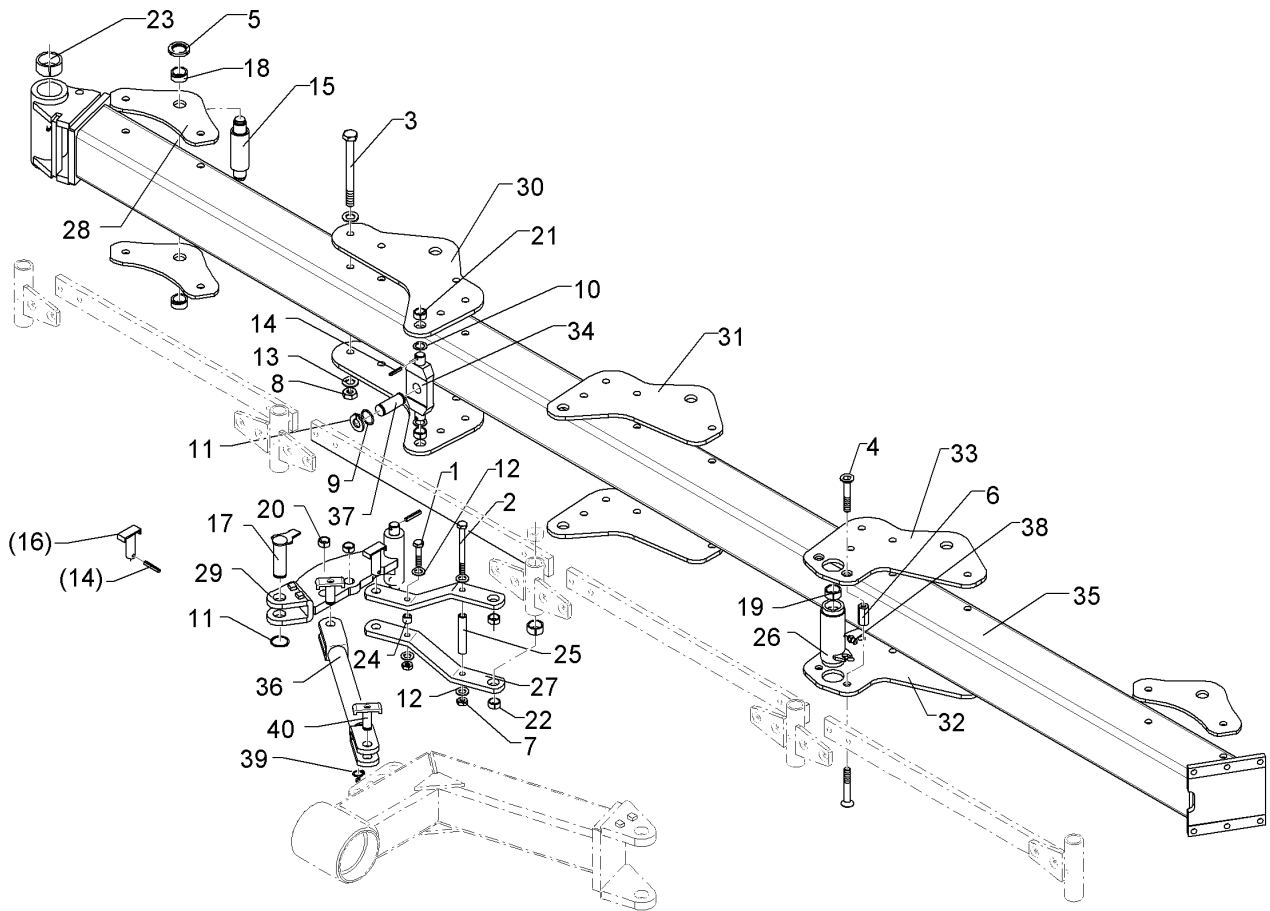
04.14

| Pos. | Art.Nr.  | Stck. | Artikeltext / Description    |                               | Abmessung                      |
|------|----------|-------|------------------------------|-------------------------------|--------------------------------|
| 1    | 301 3903 | 1     | Sechskantschraube            | Hexagon bolt                  | M16x75-8.8 Zn<br>DIN931-A      |
| 2    | 301 4137 | 1     | Sechskantschraube            | Hexagon bolt                  | M16x220-8.8 Zn<br>DIN931-A     |
| 3    | 301 4549 | 23    | Sechskantschraube spezial    | Hexagon bolt                  | M20x1,5x210-10.9<br>Zn         |
| 4    | 301 6152 | 4     | Senkschraube                 | COUNTER SUNK SCR. M12x45-12.9 | M16x90-10.9 Zn<br>DIN7991-A    |
| 5    | 303 0338 | 16    | Nutmutter                    | Grooved nut                   | M30x1,5                        |
| 6    | 303 0988 | 2     | Sechskantmutter              | Hexagon nut                   | M16x35 Zn                      |
| 7    | 303 1015 | 2     | Sechskantmutter              | Hexagon nut                   | M16 DIN934-8 Zn                |
| 8    | 303 0977 | 23    | Sechskantmutter              | Hexagon nut                   | M20x1,5 DIN934-10<br>Zn        |
| 9    | 305 2247 | 2     | Stützscheibe                 | Supporting washer             | S 35x45x2,5 DIN988<br>Zn       |
| 10   | 305 6283 | 2     | Scheibe                      | Washer                        | B28 DIN125                     |
| 11   | 305 8873 | 3     | Sicherungsring               | Securing ring                 | 35x2,5 DIN471                  |
| 12   | 305 6141 | 4     | Scheibe                      | Washer                        | 17/30x3<br>DIN/ISO-7089        |
| 13   | 305 6012 | 46    | Scheibe                      | Washer                        | 21 ISO7089 Zn                  |
| 14   | 309 6072 | 4     | Spannhülse                   | Expansion bush                | 8x40-DIN1481 Zn                |
| 15   | 313 5570 | 8     | Bolzen                       | Pin                           | D50/160x244<br>D35/M30x1,5 VO9 |
| 16   | 313 8053 | 3     | Bolzen mit Verdrehsicherung  | Pin with stop                 | D25x57/70 U62 Zn               |
| 17   | 313 8120 | 1     | Bolzen mit Verdrehsicherung  | Pin with stop                 | D35x77/95 Zn                   |
| 18   | 317 2000 | 16    | Buchse                       | Bush                          | D45/D35x21                     |
| 19   | 317 2005 | 2     | Einspannbuchse mit Presssitz | Expansion bush                | EG40/44x20                     |



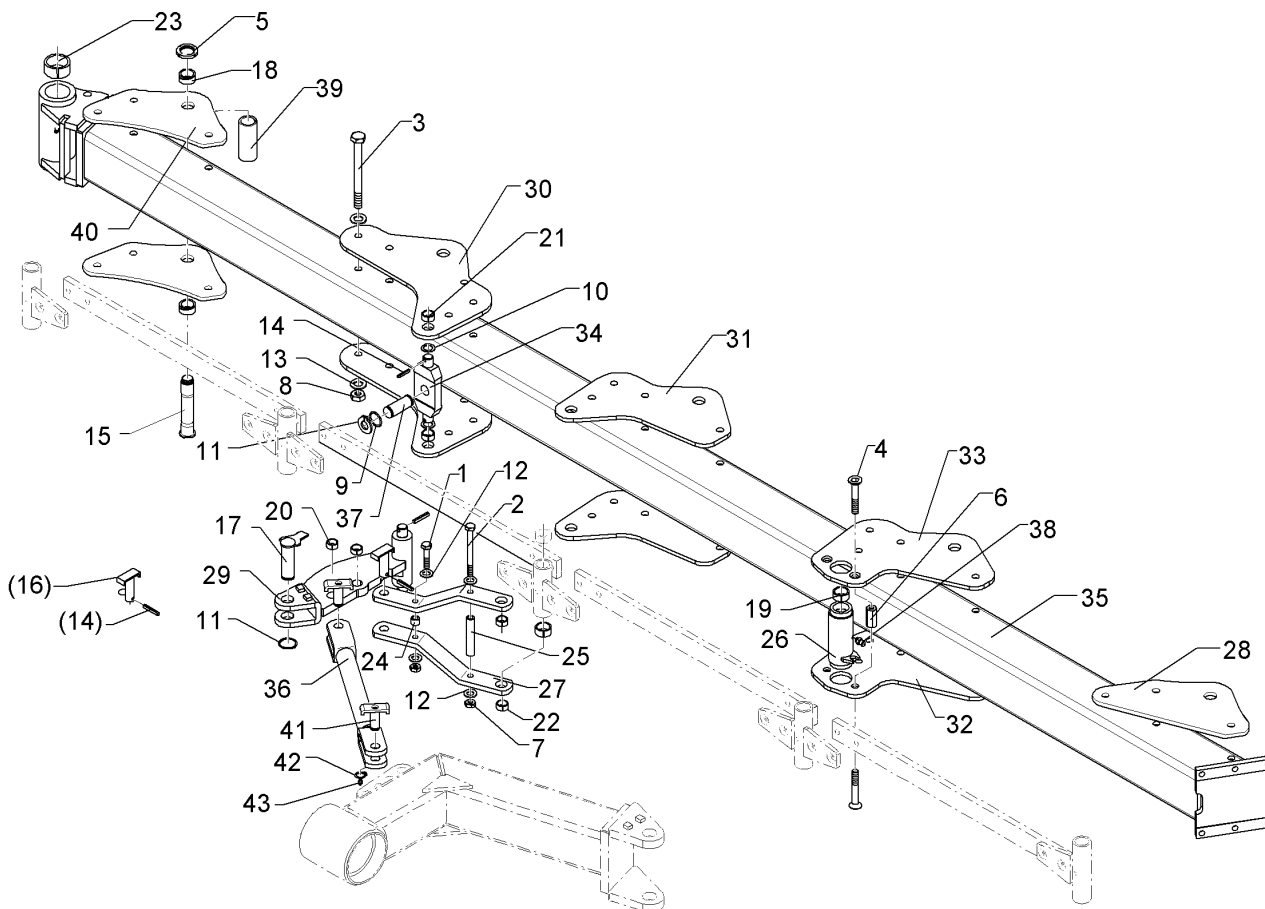
04.14

| Pos. | Art.Nr.  | Stck. | Artikeltext / Description      |                | Abmessung                 |
|------|----------|-------|--------------------------------|----------------|---------------------------|
| 20   | 317 3356 | 2     | Einspannbuchse                 | Expansion bush | EG25/29x25 DIN 1498       |
| 21   | 317 3348 | 4     | Einspannbuchse                 | Expansion bush | EG28/32x12-DIN1498        |
| 22   | 317 3337 | 2     | Einspannbuchse                 | Expansion bush | EG28/32x15 Presssitz      |
| 23   | 317 3393 | 2     | Einspannbuchse                 | Expansion bush | EG60/70x50-DIN1498        |
| 24   | 317 6801 | 1     | Röhrchen                       | Tube           | 26,9x5x26 Zn              |
| 25   | 317 6866 | 1     | Röhrchen                       | Tube           | 26,9x4,5x163 Zn           |
| 26   | 402 1271 | 1     | Lagerrohr mit Verdrehsicherung | Bearing tube   | D40/60/68x189 Zn          |
| 27   | 402 1752 | 2     | Steuerstange                   | Rod            | 60x15x434                 |
| 28   | 402 2941 | 10    | Lagerplatte                    | Bearing plate  | D35 VO-8/9                |
| 29   | 405 0310 | 1     | Schwinge                       | Rocker arm     | D40/28x400 V              |
| 30   | 405 1201 | 2     | Lagerplatte                    | Bearing plate  | 12x382x544 D35/32         |
| 31   | 405 1202 | 2     | Lagerplatte                    | Bearing plate  | 12x372x444 D35/32         |
| 32   | 405 1204 | 1     | Lagerplatte                    | Bearing plate  | 12x391x452 60/35 RE       |
| 33   | 405 1205 | 1     | Lagerplatte                    | Bearing plate  | 12x391x452 60/35 LI       |
| 34   | 405 1301 | 1     | Kreuzgelenk                    | Cross union    | 80x30x217 D35 Zn          |
| 35   | 405 7408 | 1     | Grundrahmen                    | Basic frame    | VariDiamant 10 8-100      |
| 36   | 450 7163 | 1     | Steuerstange                   | Rod            | D25x1525 Diamant10 8schar |
| 37   | 313 7785 | 1     | Bolzen                         | Pin            | D35x95 Zn                 |
| 38   | 323 6348 | 3     | Schmiernippel                  | Grease nipple  | AM10x1 DIN71412           |
| 39   | 305 8861 | 3     | Sicherungsring                 | Securing ring  | 25x2 DIN471 Zn            |



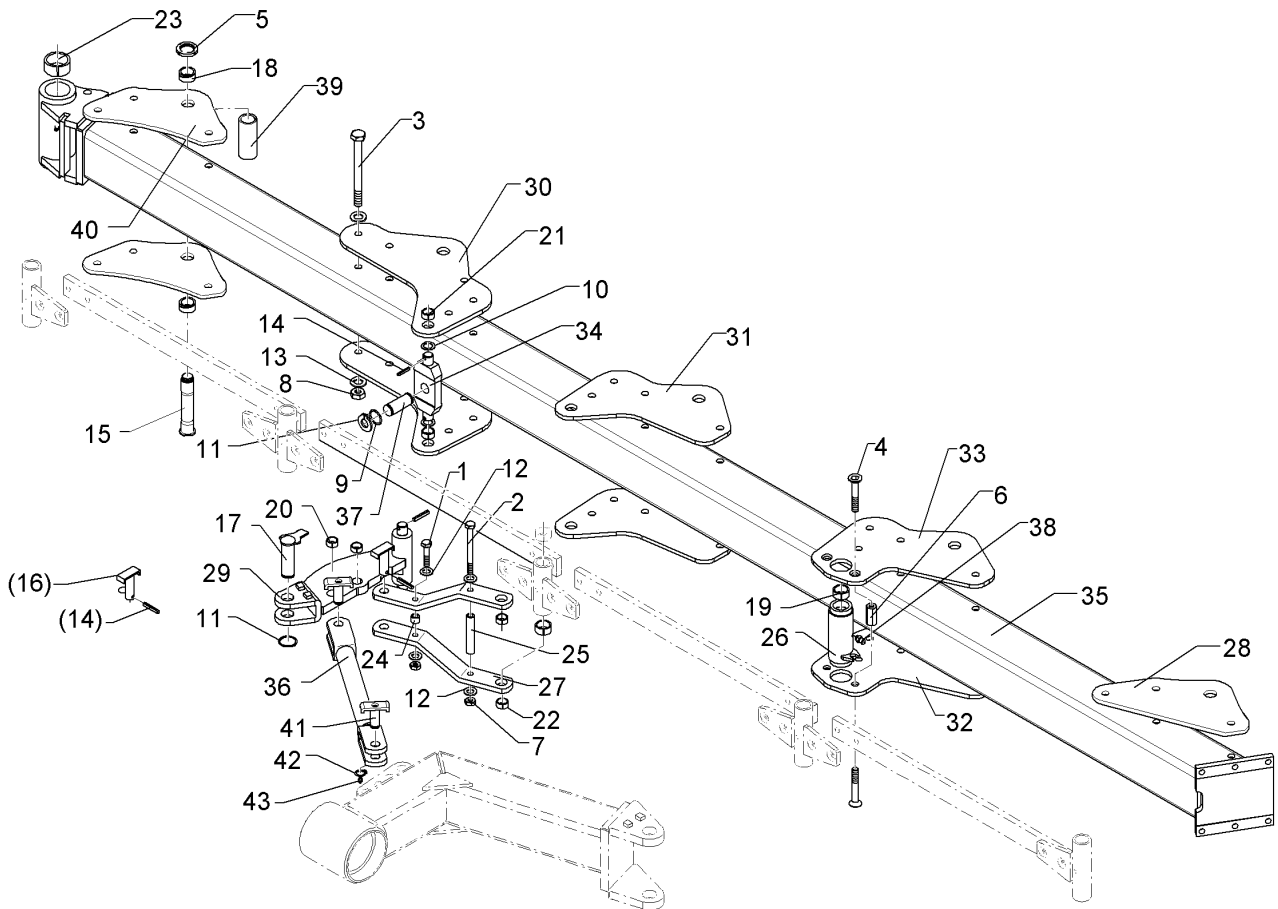
04.14

| Pos. | Art.Nr.  | Stck. | Artikeltext / Description   |               | Abmessung    |
|------|----------|-------|-----------------------------|---------------|--------------|
| 40   | 313 8061 | 3     | Bolzen mit Verdrehsicherung | Pin with stop | D25x65/58 Zn |



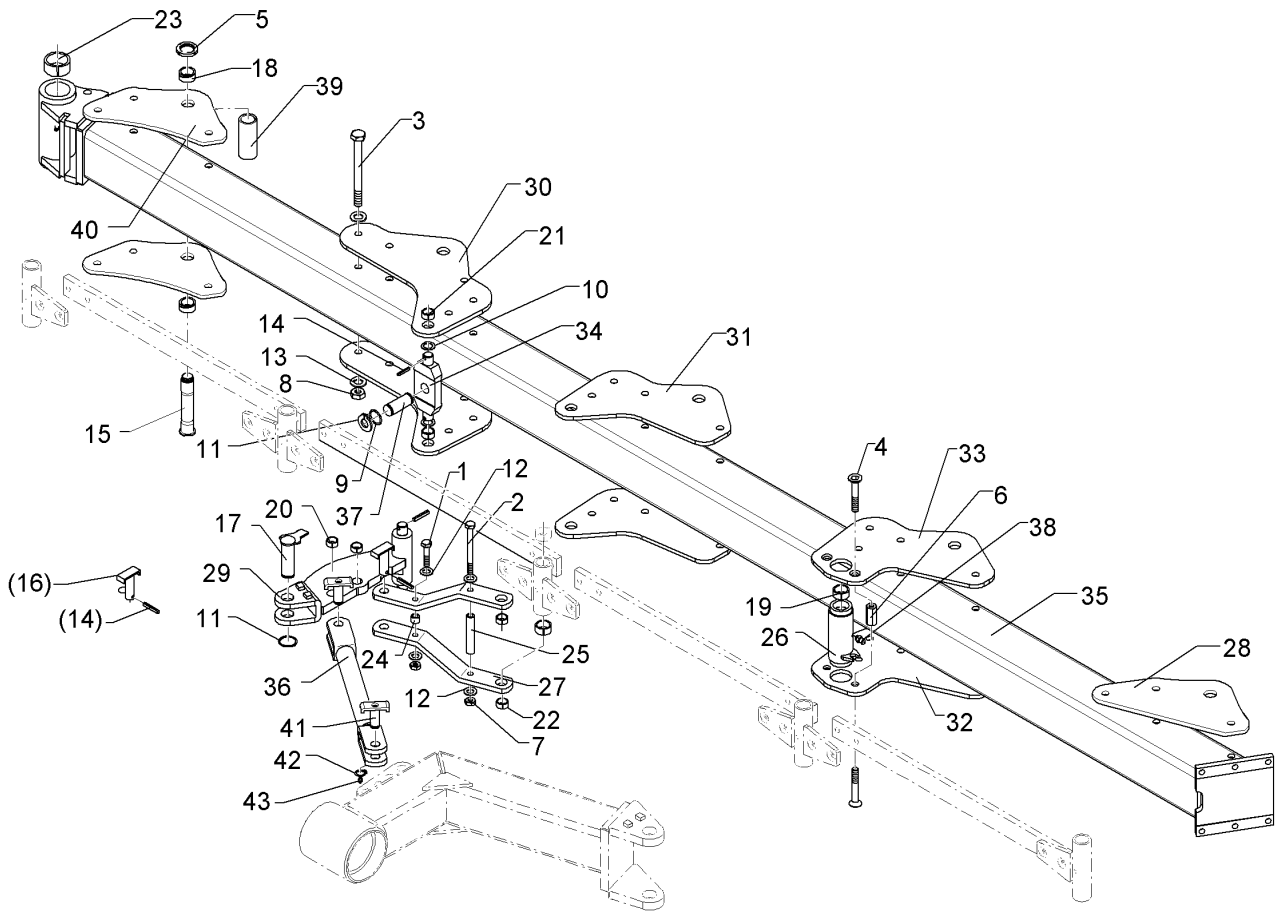
04.14

| Pos. | Art.Nr.  | Stck. | Artikeltext / Description    |                               | Abmessung                   |
|------|----------|-------|------------------------------|-------------------------------|-----------------------------|
| 1    | 301 3903 | 1     | Sechskantschraube            | Hexagon bolt                  | M16x75-8.8 Zn<br>DIN931-A   |
| 2    | 301 4137 | 1     | Sechskantschraube            | Hexagon bolt                  | M16x220-8.8 Zn<br>DIN931-A  |
| 3    | 301 4549 | 19    | Sechskantschraube spezial    | Hexagon bolt                  | M20x1,5x210-10.9<br>Zn      |
| 4    | 301 6152 | 4     | Senkschraube                 | COUNTER SUNK SCR. M12x45-12.9 | M16x90-10.9 Zn<br>DIN7991-A |
| 5    | 303 0338 | 5     | Nutmutter                    | Grooved nut                   | M30x1,5                     |
| 6    | 303 0988 | 2     | Sechskantmutter              | Hexagon nut                   | M16x35 Zn                   |
| 7    | 303 1015 | 2     | Sechskantmutter              | Hexagon nut                   | M16 DIN934-8 Zn             |
| 8    | 303 0977 | 19    | Sechskantmutter              | Hexagon nut                   | M20x1,5 DIN934-10<br>Zn     |
| 9    | 305 2247 | 2     | Stützscheibe                 | Supporting washer             | S 35x45x2,5 DIN988<br>Zn    |
| 10   | 305 6283 | 2     | Scheibe                      | Washer                        | B28 DIN125                  |
| 11   | 305 8873 | 3     | Sicherungsring               | Securing ring                 | 35x2,5 DIN471               |
| 12   | 305 6141 | 4     | Scheibe                      | Washer                        | 17/30x3<br>DIN/ISO-7089     |
| 13   | 305 6012 | 38    | Scheibe                      | Washer                        | 21 ISO7089 Zn               |
| 14   | 309 6072 | 4     | Spannhülse                   | Expansion bush                | 8x40-DIN1481 Zn             |
| 15   | 313 3525 | 5     | Bolzen mit Kopf              | Pin with collar               | D35/44/M35x1,5x244<br>VO9   |
| 16   | 313 8053 | 3     | Bolzen mit Verdrehsicherung  | Pin with stop                 | D25x57/70 U62 Zn            |
| 17   | 313 8120 | 1     | Bolzen mit Verdrehsicherung  | Pin with stop                 | D35x77/95 Zn                |
| 18   | 317 2000 | 10    | Buchse                       | Bush                          | D45/D35x21                  |
| 19   | 317 2005 | 2     | Einspannbuchse mit Presssitz | Expansion bush                | EG40/44x20                  |



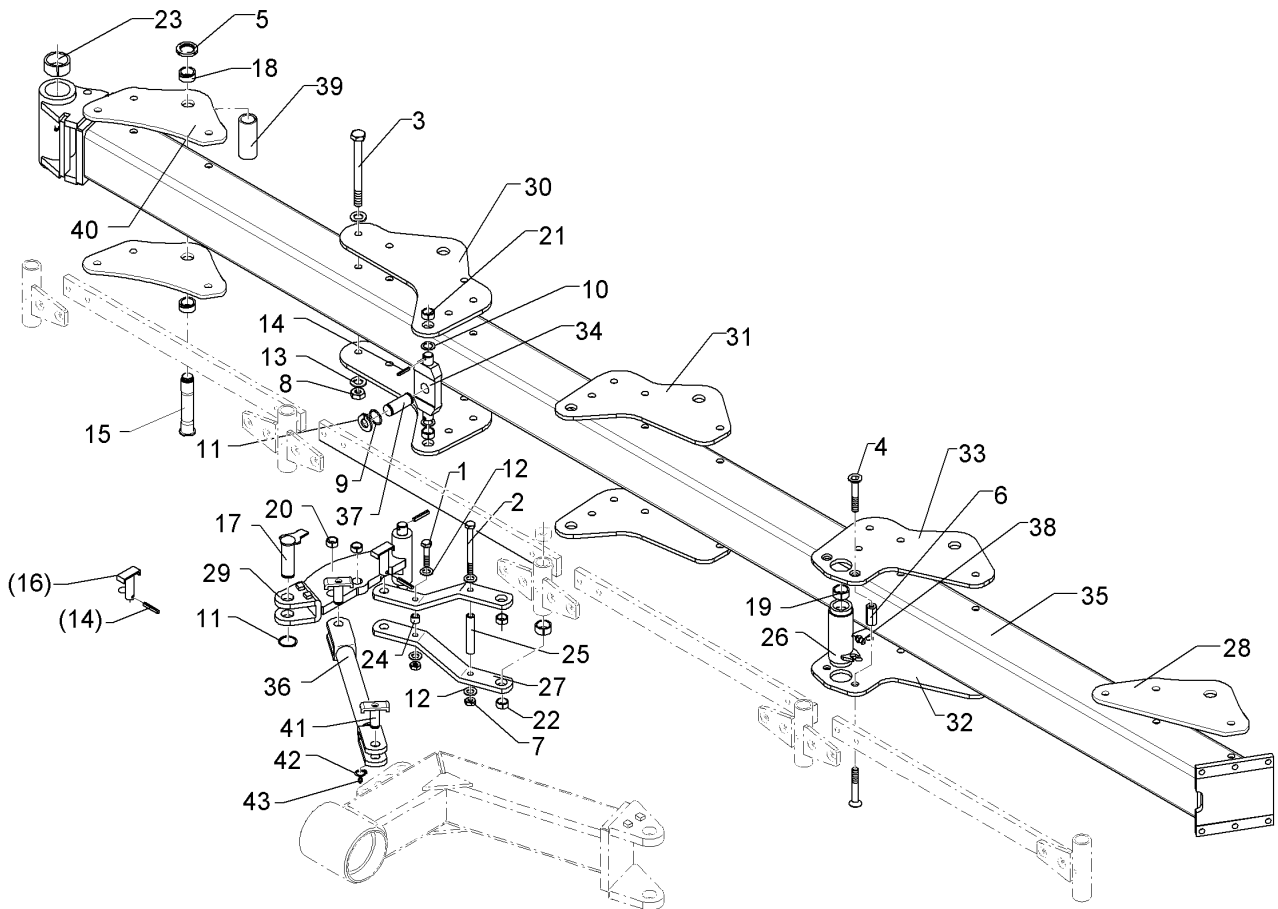
04.14

| Pos. | Art.Nr.  | Stck. | Artikeltext / Description      |                | Abmessung                        |
|------|----------|-------|--------------------------------|----------------|----------------------------------|
| 20   | 317 3356 | 2     | Einspannbuchse                 | Expansion bush | EG25/29x25 DIN 1498              |
| 21   | 317 3348 | 4     | Einspannbuchse                 | Expansion bush | EG28/32x12-DIN1498               |
| 22   | 317 3337 | 2     | Einspannbuchse                 | Expansion bush | EG28/32x15 Presssitz             |
| 23   | 317 3393 | 2     | Einspannbuchse                 | Expansion bush | EG60/70x50-DIN1498               |
| 24   | 317 6801 | 1     | Röhrchen                       | Tube           | 26,9x5x26 Zn                     |
| 25   | 317 6866 | 1     | Röhrchen                       | Tube           | 26,9x4,5x163 Zn                  |
| 26   | 402 1271 | 1     | Lagerrohr mit Verdrehsicherung | Bearing tube   | D40/60/68x189 Zn                 |
| 27   | 402 1752 | 2     | Steuerstange                   | Rod            | 60x15x434                        |
| 28   | 402 2942 | 2     | Lagerplatte                    | Bearing plate  | D35 3xD20 VO-9<br>12x218,3x461,9 |
| 29   | 405 0310 | 1     | Schwinge                       | Rocker arm     | D40/28x400 V                     |
| 30   | 405 1201 | 2     | Lagerplatte                    | Bearing plate  | 12x382x544 D35/32                |
| 31   | 405 1202 | 2     | Lagerplatte                    | Bearing plate  | 12x372x444 D35/32                |
| 32   | 405 1204 | 1     | Lagerplatte                    | Bearing plate  | 12x391x452 60/35 RE              |
| 33   | 405 1205 | 1     | Lagerplatte                    | Bearing plate  | 12x391x452 60/35 LI              |
| 34   | 405 1301 | 1     | Kreuzgelenk                    | Cross union    | 80x30x217 D35 Zn                 |
| 35   | 405 7405 | 1     | Grundrahmen                    | Basic frame    | VariDiamant 10<br>5-100          |
| 36   | 450 7161 | 1     | Steuerstange                   | Rod            | D25x575 Diamant10                |
| 37   | 313 7785 | 1     | Bolzen                         | Pin            | D35x95 Zn                        |
| 39   | 317 7527 | 5     | Distanzbuchse                  | Distance bush  | D50/35,2x160 Zn                  |
| 40   | 402 2943 | 2     | Lagerplatte                    | Bearing plate  | D35 4xD20 VD10<br>12x218,3x415,1 |



04.14

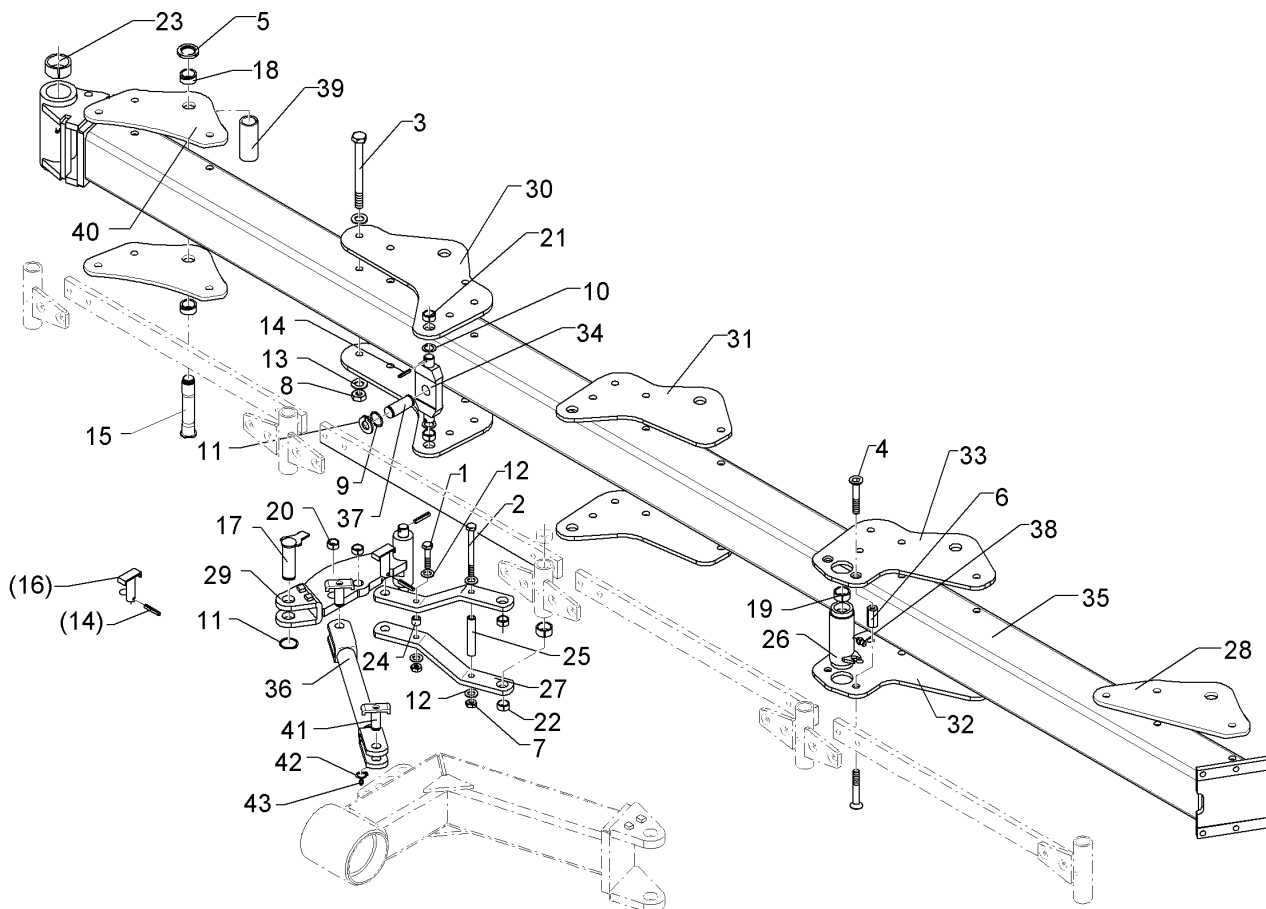
| Pos. | Art.Nr.  | Stck. | Artikeltext / Description   |               | Abmessung       |
|------|----------|-------|-----------------------------|---------------|-----------------|
| 41   | 313 8061 | 3     | Bolzen mit Verdrehsicherung | Pin with stop | D25x65/58 Zn    |
| 42   | 323 6348 | 3     | Schmiernippel               | Grease nipple | AM10x1 DIN71412 |



04.14

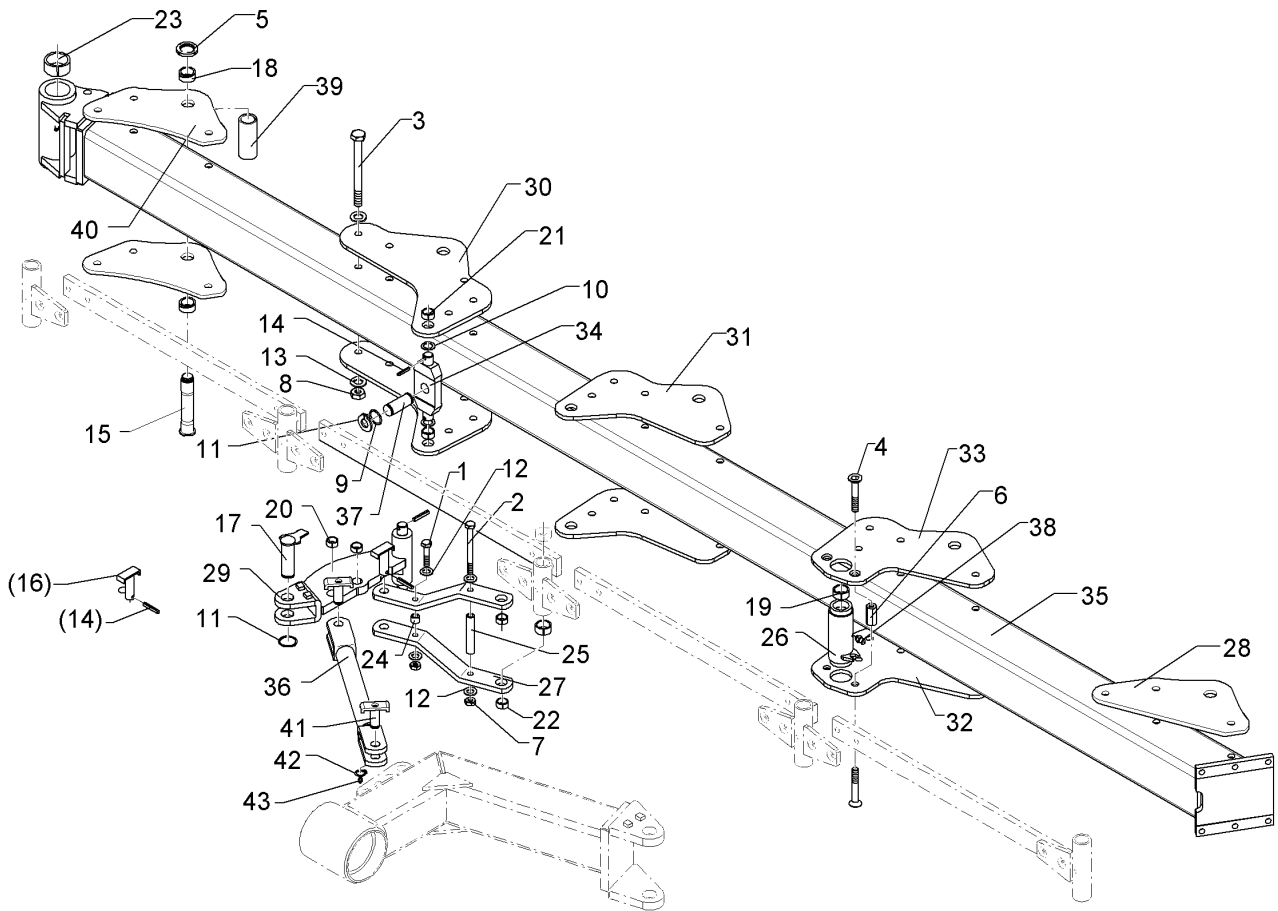
| Pos. | Art.Nr.  | Stck. | Artikeltext / Description    |                               | Abmessung                       |
|------|----------|-------|------------------------------|-------------------------------|---------------------------------|
| 1    | 301 3903 | 1     | Sechskantschraube            | Hexagon bolt                  | M16x75-8.8 Zn                   |
| 2    | 301 4137 | 1     | Sechskantschraube            | Hexagon bolt                  | DIN931-A<br>M16x220-8.8 Zn      |
| 3    | 301 4549 | 22    | Sechskantschraube spezial    | Hexagon bolt                  | DIN931-A<br>M20x1,5x210-10.9 Zn |
| 4    | 301 6152 | 4     | Senkschraube                 | COUNTER SUNK SCR. M12x45-12.9 | M16x90-10.9 Zn                  |
| 5    | 303 0338 | 6     | Nutmutter                    | Grooved nut                   | DIN7991-A<br>M30x1,5            |
| 6    | 303 0988 | 2     | Sechskantmutter              | Hexagon nut                   | M16x35 Zn                       |
| 7    | 303 1015 | 2     | Sechskantmutter              | Hexagon nut                   | M16 DIN934-8 Zn                 |
| 8    | 303 0977 | 22    | Sechskantmutter              | Hexagon nut                   | M20x1,5 DIN934-10 Zn            |
| 9    | 305 2247 | 2     | Stützscheibe                 | Supporting washer             | S 35x45x2,5 DIN988 Zn           |
| 10   | 305 6283 | 2     | Scheibe                      | Washer                        | B28 DIN125                      |
| 11   | 305 8873 | 3     | Sicherungsring               | Securing ring                 | 35x2,5 DIN471                   |
| 12   | 305 6141 | 4     | Scheibe                      | Washer                        | 17/30x3<br>DIN/ISO-7089         |
| 13   | 305 6012 | 44    | Scheibe                      | Washer                        | 21 ISO7089 Zn                   |
| 14   | 309 6072 | 4     | Spannhülse                   | Expansion bush                | 8x40-DIN1481 Zn                 |
| 15   | 313 3525 | 6     | Bolzen mit Kopf              | Pin with collar               | D35/44/M35x1,5x244 VO9          |
| 16   | 313 8053 | 3     | Bolzen mit Verdrehsicherung  | Pin with stop                 | D25x57/70 U62 Zn                |
| 17   | 313 8120 | 1     | Bolzen mit Verdrehsicherung  | Pin with stop                 | D35x77/95 Zn                    |
| 18   | 317 2000 | 12    | Buchse                       | Bush                          | D45/D35x21                      |
| 19   | 317 2005 | 2     | Einspannbuchse mit Presssitz | Expansion bush                | EG40/44x20                      |





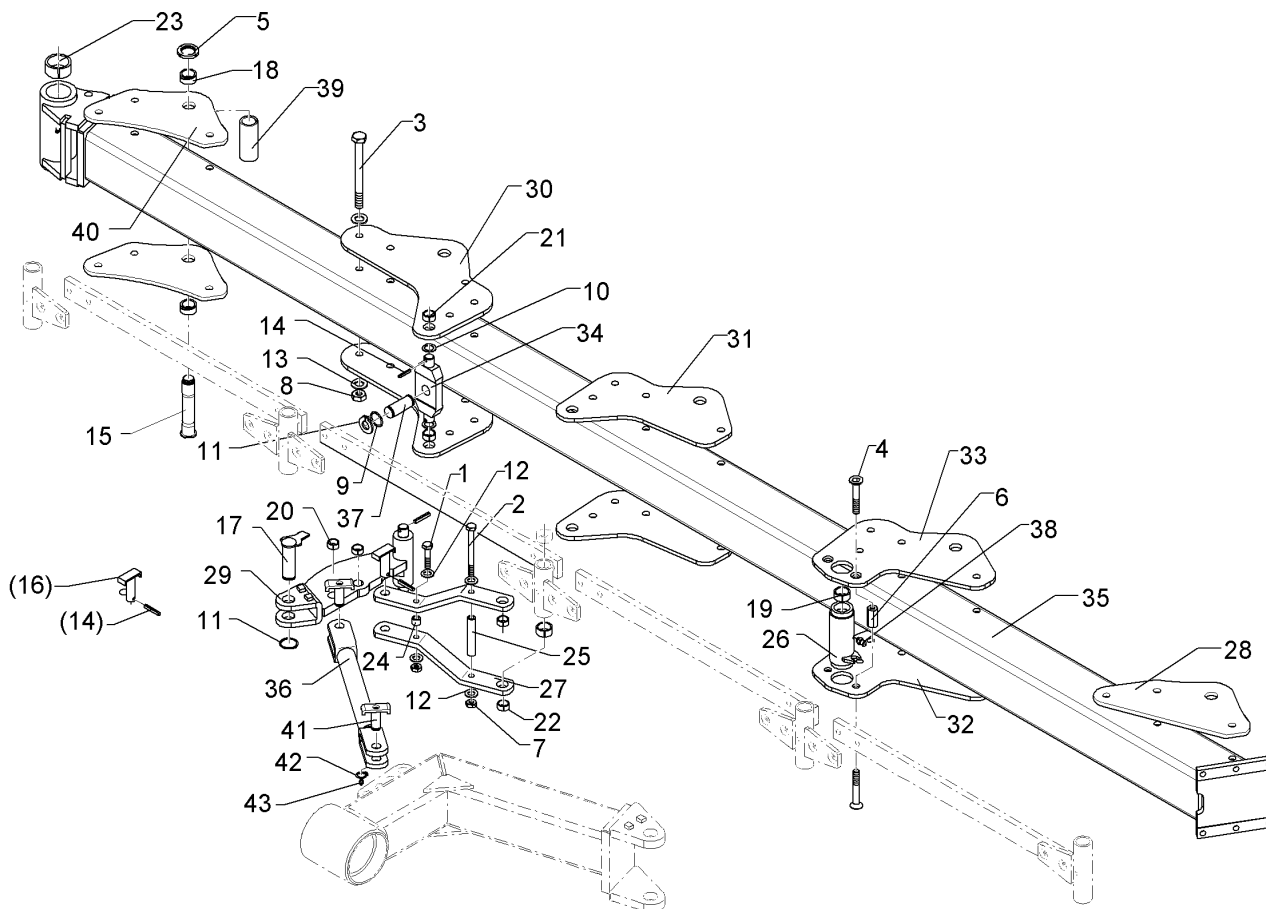
04.14

| Pos. | Art.Nr.  | Stck. | Artikeltext / Description      |                | Abmessung  |
|------|----------|-------|--------------------------------|----------------|--|
| 20   | 317 3356 | 2     | Einspannbuchse                 | Expansion bush | EG25/29x25 DIN 1498                              |
| 21   | 317 3348 | 4     | Einspannbuchse                 | Expansion bush | EG28/32x12-DIN1498                               |
| 22   | 317 3337 | 2     | Einspannbuchse                 | Expansion bush | EG28/32x15 Presssitz                             |
| 23   | 317 3393 | 2     | Einspannbuchse                 | Expansion bush | EG60/70x50-DIN1498                               |
| 24   | 317 6801 | 1     | Röhrchen                       | Tube           | 26,9x5x26 Zn                                     |
| 25   | 317 6866 | 1     | Röhrchen                       | Tube           | 26,9x4,5x163 Zn                                  |
| 26   | 402 1271 | 1     | Lagerrohr mit Verdrehsicherung | Bearing tube   | D40/60/68x189 Zn                                 |
| 27   | 402 1752 | 2     | Steuerstange                   | Rod            | 60x15x434  |
| 28   | 402 2942 | 4     | Lagerplatte                    | Bearing plate  | D35 3xD20 VO-9<br>12x218,3x461,9<br>D40/28x400 V |
| 29   | 405 0310 | 1     | Schwinge                       | Rocker arm     |  |
| 30   | 405 1201 | 2     | Lagerplatte                    | Bearing plate  | 12x382x544 D35/32                                |
| 31   | 405 1202 | 2     | Lagerplatte                    | Bearing plate  | 12x372x444 D35/32                                |
| 32   | 405 1204 | 1     | Lagerplatte                    | Bearing plate  | 12x391x452 60/35 RE                              |
| 33   | 405 1205 | 1     | Lagerplatte                    | Bearing plate  | 12x391x452 60/35 LI                              |
| 34   | 405 1301 | 1     | Kreuzgelenk                    | Cross union    | 80x30x217 D35 Zn                                 |
| 35   | 405 7406 | 1     | Grundrahmen                    | Basic frame    | VariDiamant 10<br>6-100                          |
| 36   | 450 7161 | 1     | Steuerstange                   | Rod            | D25x575 Diamant10                                |
| 37   | 313 7785 | 1     | Bolzen                         | Pin            | D35x95 Zn  |
| 39   | 317 7527 | 6     | Distanzbuchse                  | Distance bush  | D50/35,2x160 Zn                                  |
| 40   | 402 2943 | 2     | Lagerplatte                    | Bearing plate  | D35 4xD20 VD10<br>12x218,3x415,1                 |



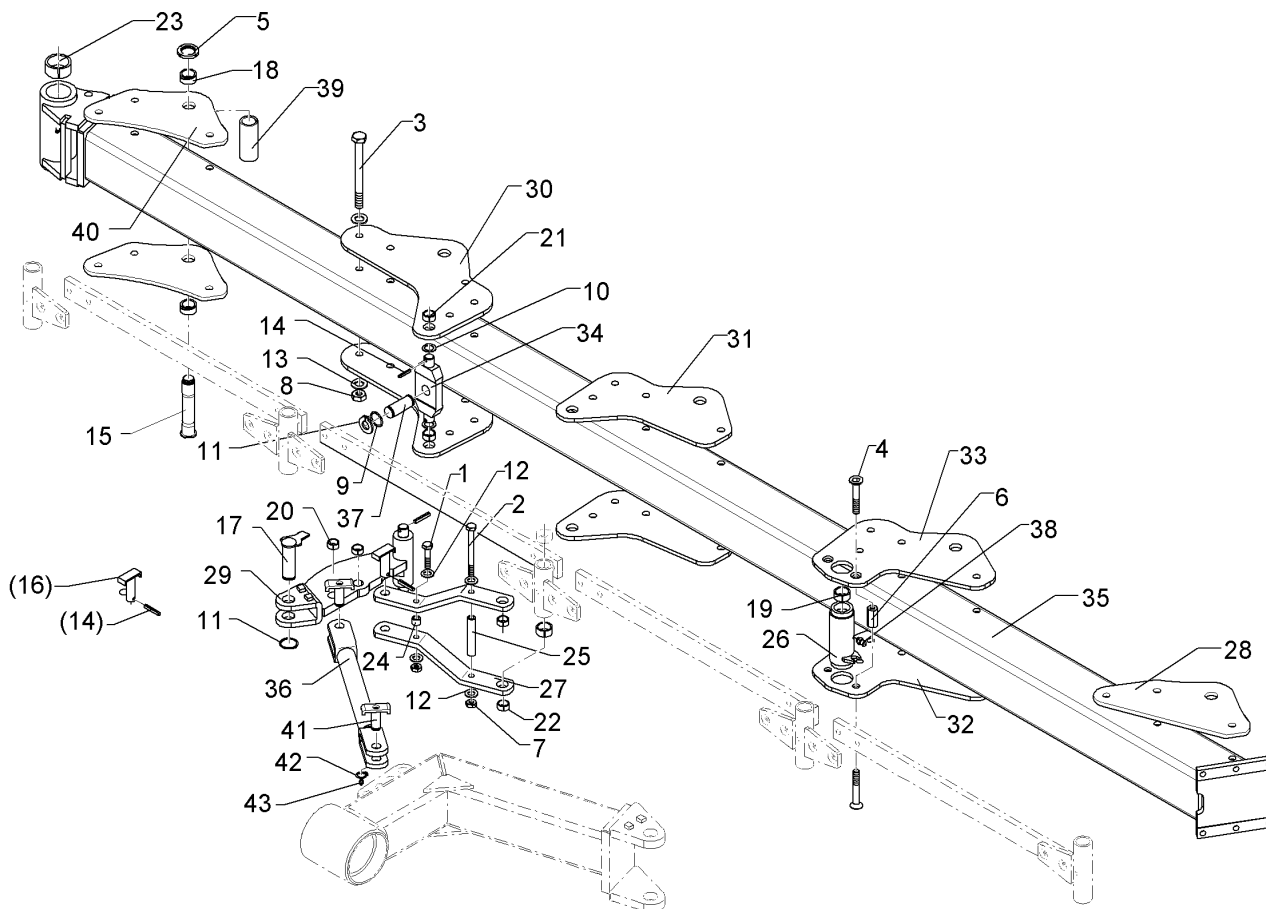
04.14

| Pos. | Art.Nr.  | Stck. | Artikeltext / Description   |               | Abmessung       |
|------|----------|-------|-----------------------------|---------------|-----------------|
| 41   | 305 8861 | 3     | Sicherungsring              | Securing ring | 25x2 DIN471 Zn  |
| 42   | 313 8061 | 3     | Bolzen mit Verdrehsicherung | Pin with stop | D25x65/58 Zn    |
| 43   | 323 6348 | 3     | Schmiernippel               | Grease nipple | AM10x1 DIN71412 |



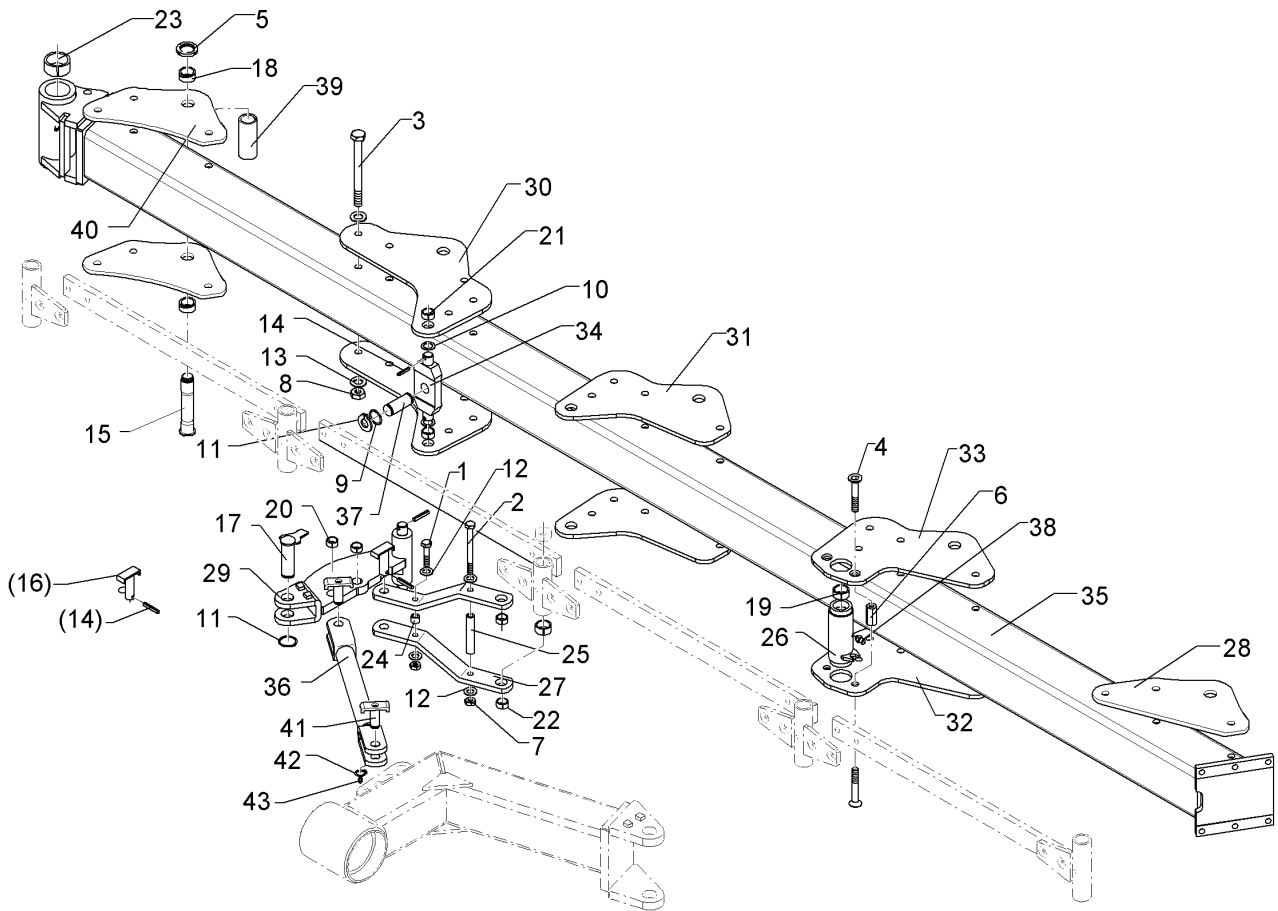
04.14

| Pos. | Art.Nr.  | Stck. | Artikeltext / Description    |                               | Abmessung                   |
|------|----------|-------|------------------------------|-------------------------------|-----------------------------|
| 1    | 301 3903 | 1     | Sechskantschraube            | Hexagon bolt                  | M16x75-8.8 Zn<br>DIN931-A   |
| 2    | 301 4137 | 1     | Sechskantschraube            | Hexagon bolt                  | M16x220-8.8 Zn<br>DIN931-A  |
| 3    | 301 4549 | 25    | Sechskantschraube spezial    | Hexagon bolt                  | M20x1,5x210-10.9<br>Zn      |
| 4    | 301 6152 | 4     | Senkschraube                 | COUNTER SUNK SCR. M12x45-12.9 | M16x90-10.9 Zn<br>DIN7991-A |
| 5    | 303 0338 | 14    | Nutmutter                    | Grooved nut                   | M30x1,5                     |
| 6    | 303 0988 | 2     | Sechskantmutter              | Hexagon nut                   | M16x35 Zn                   |
| 7    | 303 1015 | 2     | Sechskantmutter              | Hexagon nut                   | M16 DIN934-8 Zn             |
| 8    | 303 0977 | 25    | Sechskantmutter              | Hexagon nut                   | M20x1,5 DIN934-10<br>Zn     |
| 9    | 305 2247 | 2     | Stützscheibe                 | Supporting washer             | S 35x45x2,5 DIN988<br>Zn    |
| 10   | 305 6283 | 2     | Scheibe                      | Washer                        | B28 DIN125                  |
| 11   | 305 8873 | 3     | Sicherungsring               | Securing ring                 | 35x2,5 DIN471               |
| 12   | 305 6141 | 4     | Scheibe                      | Washer                        | 17/30x3<br>DIN/ISO-7089     |
| 13   | 305 6012 | 50    | Scheibe                      | Washer                        | 21 ISO7089 Zn               |
| 14   | 309 6072 | 4     | Spannhülse                   | Expansion bush                | 8x40-DIN1481 Zn             |
| 15   | 313 3525 | 7     | Bolzen mit Kopf              | Pin with collar               | D35/44/M35x1,5x244<br>VO9   |
| 16   | 313 8053 | 3     | Bolzen mit Verdrehsicherung  | Pin with stop                 | D25x57/70 U62 Zn            |
| 17   | 313 8120 | 1     | Bolzen mit Verdrehsicherung  | Pin with stop                 | D35x77/95 Zn                |
| 18   | 317 2000 | 14    | Buchse                       | Bush                          | D45/D35x21                  |
| 19   | 317 2005 | 2     | Einspannbuchse mit Presssitz | Expansion bush                | EG40/44x20                  |



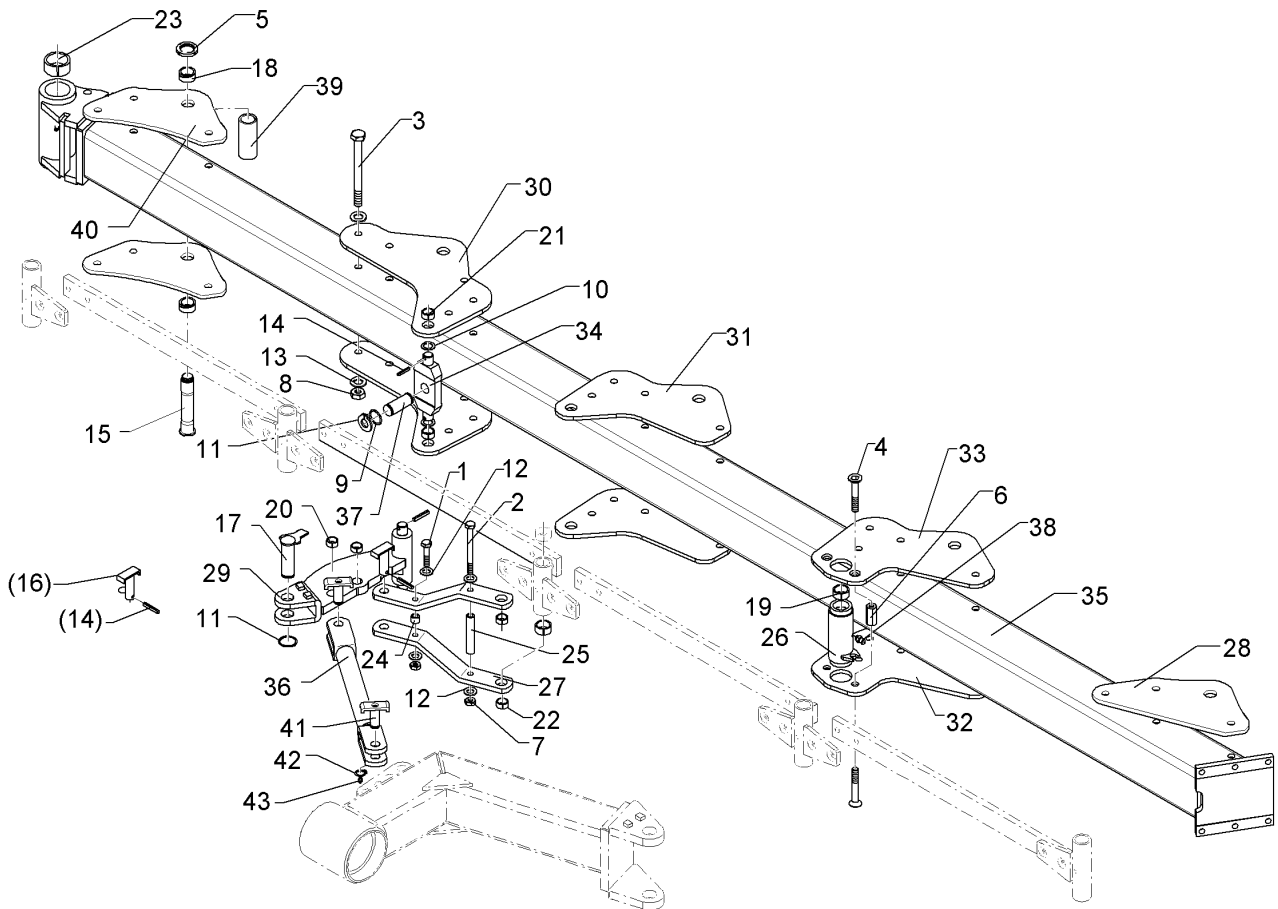
04.14

| Pos. | Art.Nr.  | Stck. | Artikeltext / Description      |                | Abmessung  |
|------|----------|-------|--------------------------------|----------------|--|
| 20   | 317 3356 | 2     | Einspannbuchse                 | Expansion bush | EG25/29x25 DIN 1498                              |
| 21   | 317 3348 | 4     | Einspannbuchse                 | Expansion bush | EG28/32x12-DIN1498                               |
| 22   | 317 3337 | 2     | Einspannbuchse                 | Expansion bush | EG28/32x15 Presssitz                             |
| 23   | 317 3393 | 2     | Einspannbuchse                 | Expansion bush | EG60/70x50-DIN1498                               |
| 24   | 317 6801 | 1     | Röhrchen                       | Tube           | 26,9x5x26 Zn                                     |
| 25   | 317 6866 | 1     | Röhrchen                       | Tube           | 26,9x4,5x163 Zn                                  |
| 26   | 402 1271 | 1     | Lagerrohr mit Verdrehsicherung | Bearing tube   | D40/60/68x189 Zn                                 |
| 27   | 402 1752 | 2     | Steuerstange                   | Rod            | 60x15x434  |
| 28   | 402 2942 | 6     | Lagerplatte                    | Bearing plate  | D35 3xD20 VO-9<br>12x218,3x461,9<br>D40/28x400 V |
| 29   | 405 0310 | 1     | Schwinge                       | Rocker arm     |  |
| 30   | 405 1201 | 2     | Lagerplatte                    | Bearing plate  | 12x382x544 D35/32                                |
| 31   | 405 1202 | 2     | Lagerplatte                    | Bearing plate  | 12x372x444 D35/32                                |
| 32   | 405 1204 | 1     | Lagerplatte                    | Bearing plate  | 12x391x452 60/35 RE                              |
| 33   | 405 1205 | 1     | Lagerplatte                    | Bearing plate  | 12x391x452 60/35 LI                              |
| 34   | 405 1301 | 1     | Kreuzgelenk                    | Cross union    | 80x30x217 D35 Zn                                 |
| 35   | 405 7407 | 1     | Grundrahmen                    | Basic frame    | VariDiamant 10<br>7-100                          |
| 36   | 450 7161 | 1     | Steuerstange                   | Rod            | D25x575 Diamant10                                |
| 37   | 313 7785 | 1     | Bolzen                         | Pin            | D35x95 Zn  |
| 39   | 317 7527 | 7     | Distanzbuchse                  | Distance bush  | D50/35,2x160 Zn                                  |
| 40   | 402 2943 | 2     | Lagerplatte                    | Bearing plate  | D35 4xD20 VD10<br>12x218,3x415,1                 |



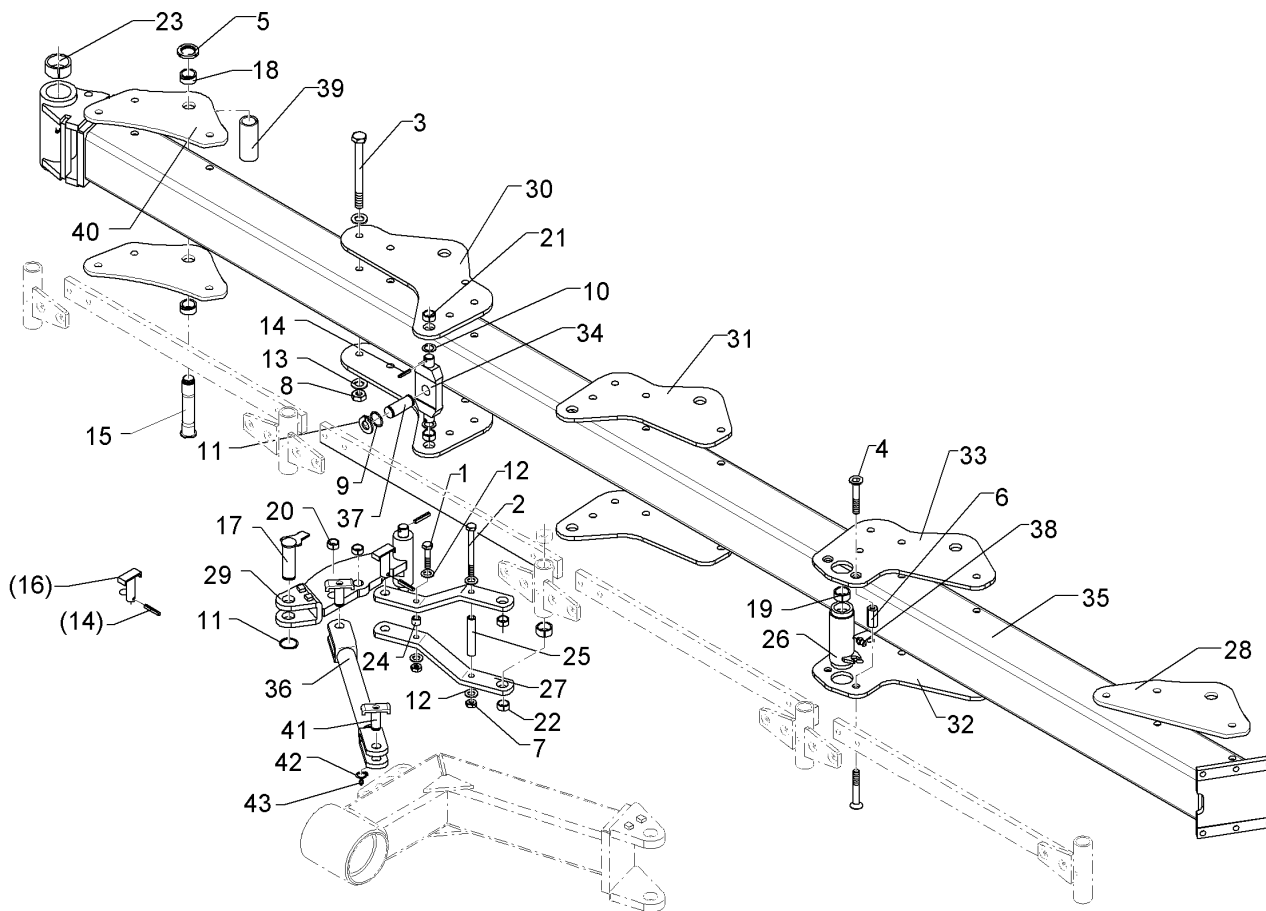
04.14

| Pos. | Art.Nr.  | Stck. | Artikeltext / Description   |               | Abmessung       |
|------|----------|-------|-----------------------------|---------------|-----------------|
| 41   | 305 8861 | 3     | Sicherungsring              | Securing ring | 25x2 DIN471 Zn  |
| 42   | 313 8061 | 3     | Bolzen mit Verdrehsicherung | Pin with stop | D25x65/58 Zn    |
| 43   | 323 6348 | 3     | Schmiernippel               | Grease nipple | AM10x1 DIN71412 |



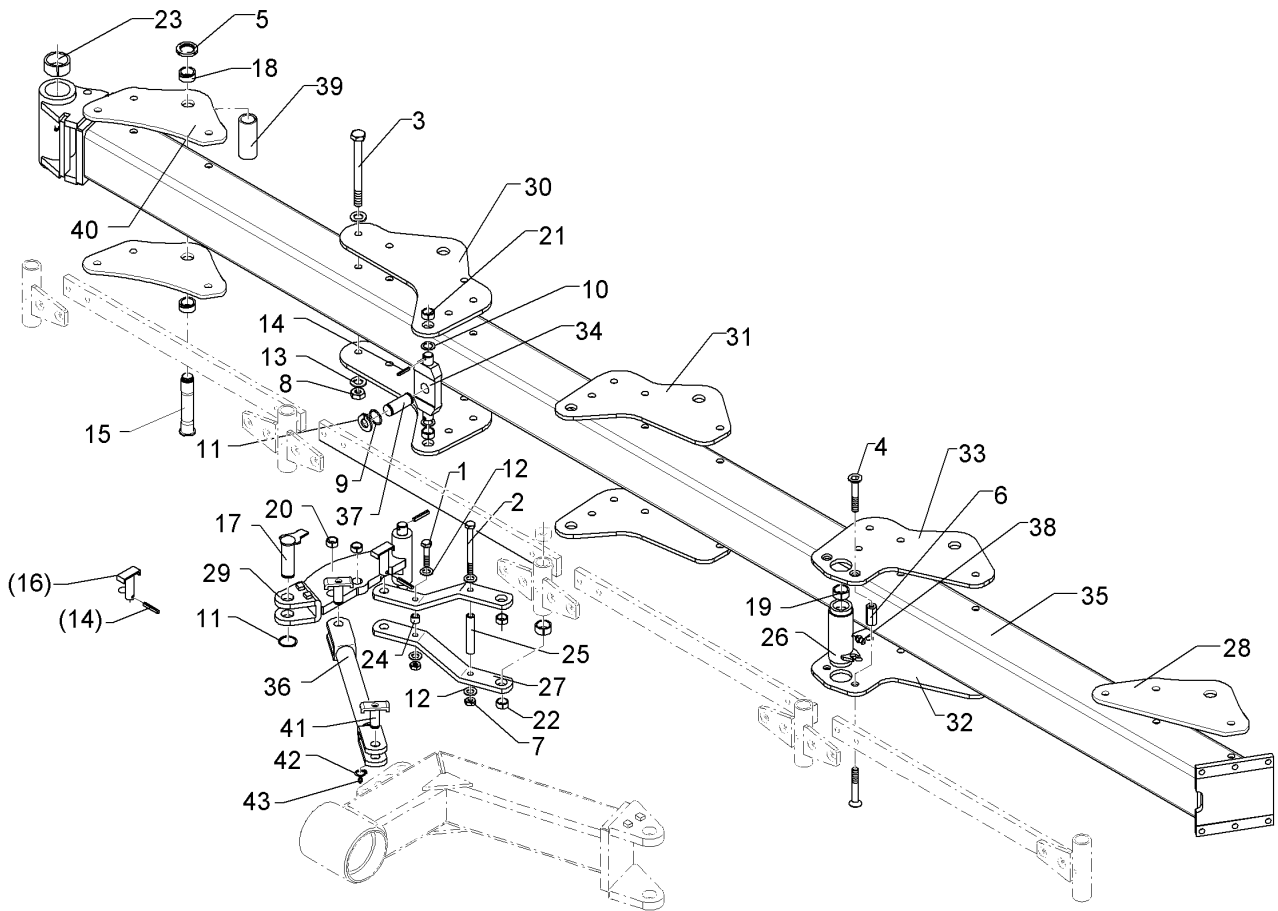
04.14

| Pos. | Art.Nr.  | Stck. | Artikeltext / Description    |                               | Abmessung                       |
|------|----------|-------|------------------------------|-------------------------------|---------------------------------|
| 1    | 301 3903 | 1     | Sechskantschraube            | Hexagon bolt                  | M16x75-8.8 Zn                   |
| 2    | 301 4137 | 1     | Sechskantschraube            | Hexagon bolt                  | DIN931-A<br>M16x220-8.8 Zn      |
| 3    | 301 4549 | 28    | Sechskantschraube spezial    | Hexagon bolt                  | DIN931-A<br>M20x1,5x210-10.9 Zn |
| 4    | 301 6152 | 4     | Senkschraube                 | COUNTER SUNK SCR. M12x45-12.9 | M16x90-10.9 Zn                  |
| 5    | 303 0338 | 16    | Nutmutter                    | Grooved nut                   | DIN7991-A<br>M30x1,5            |
| 6    | 303 0988 | 2     | Sechskantmutter              | Hexagon nut                   | M16x35 Zn                       |
| 7    | 303 1015 | 2     | Sechskantmutter              | Hexagon nut                   | M16 DIN934-8 Zn                 |
| 8    | 303 0977 | 28    | Sechskantmutter              | Hexagon nut                   | M20x1,5 DIN934-10 Zn            |
| 9    | 305 2247 | 2     | Stützscheibe                 | Supporting washer             | S 35x45x2,5 DIN988 Zn           |
| 10   | 305 6283 | 2     | Scheibe                      | Washer                        | B28 DIN125                      |
| 11   | 305 8873 | 3     | Sicherungsring               | Securing ring                 | 35x2,5 DIN471                   |
| 12   | 305 6141 | 4     | Scheibe                      | Washer                        | 17/30x3<br>DIN/ISO-7089         |
| 13   | 305 6012 | 54    | Scheibe                      | Washer                        | 21 ISO7089 Zn                   |
| 14   | 309 6072 | 4     | Spannhülse                   | Expansion bush                | 8x40-DIN1481 Zn                 |
| 15   | 313 3525 | 8     | Bolzen mit Kopf              | Pin with collar               | D35/44/M35x1,5x244 VO9          |
| 16   | 313 8053 | 3     | Bolzen mit Verdrehsicherung  | Pin with stop                 | D25x57/70 U62 Zn                |
| 17   | 313 8120 | 1     | Bolzen mit Verdrehsicherung  | Pin with stop                 | D35x77/95 Zn                    |
| 18   | 317 2000 | 16    | Buchse                       | Bush                          | D45/D35x21                      |
| 19   | 317 2005 | 2     | Einspannbuchse mit Presssitz | Expansion bush                | EG40/44x20                      |



04.14

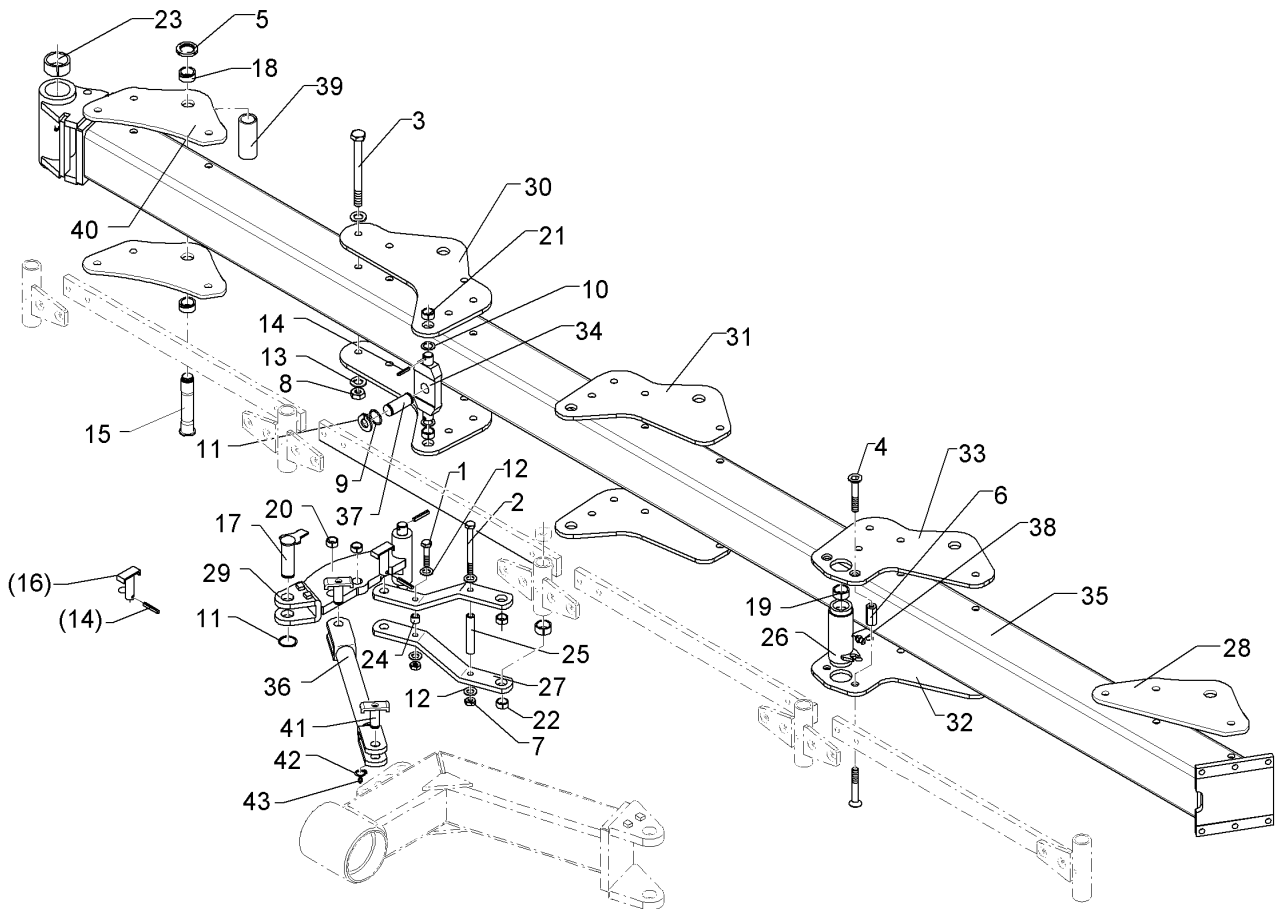
| Pos. | Art.Nr.  | Stck. | Artikeltext / Description      |                | Abmessung  |
|------|----------|-------|--------------------------------|----------------|--|
| 20   | 317 3356 | 2     | Einspannbuchse                 | Expansion bush | EG25/29x25 DIN 1498                              |
| 21   | 317 3348 | 4     | Einspannbuchse                 | Expansion bush | EG28/32x12-DIN1498                               |
| 22   | 317 3337 | 2     | Einspannbuchse                 | Expansion bush | EG28/32x15 Presssitz                             |
| 23   | 317 3393 | 2     | Einspannbuchse                 | Expansion bush | EG60/70x50-DIN1498                               |
| 24   | 317 6801 | 1     | Röhrchen                       | Tube           | 26,9x5x26 Zn                                     |
| 25   | 317 6866 | 1     | Röhrchen                       | Tube           | 26,9x4,5x163 Zn                                  |
| 26   | 402 1271 | 1     | Lagerrohr mit Verdrehsicherung | Bearing tube   | D40/60/68x189 Zn                                 |
| 27   | 402 1752 | 2     | Steuerstange                   | Rod            | 60x15x434  |
| 28   | 402 2942 | 8     | Lagerplatte                    | Bearing plate  | D35 3xD20 VO-9<br>12x218,3x461,9<br>D40/28x400 V |
| 29   | 405 0310 | 1     | Schwinge                       | Rocker arm     |  |
| 30   | 405 1201 | 2     | Lagerplatte                    | Bearing plate  | 12x382x544 D35/32                                |
| 31   | 405 1202 | 2     | Lagerplatte                    | Bearing plate  | 12x372x444 D35/32                                |
| 32   | 405 1204 | 1     | Lagerplatte                    | Bearing plate  | 12x391x452 60/35 RE                              |
| 33   | 405 1205 | 1     | Lagerplatte                    | Bearing plate  | 12x391x452 60/35 LI                              |
| 34   | 405 1301 | 1     | Kreuzgelenk                    | Cross union    | 80x30x217 D35 Zn                                 |
| 35   | 405 7408 | 1     | Grundrahmen                    | Basic frame    | VariDiamant 10<br>8-100                          |
| 36   | 450 7163 | 1     | Steuerstange                   | Rod            | D25x1525<br>Diamant10 8schar                     |
| 37   | 313 7785 | 1     | Bolzen                         | Pin            | D35x95 Zn  |
| 39   | 317 7527 | 8     | Distanzbuchse                  | Distance bush  | D50/35,2x160 Zn                                  |



04.14

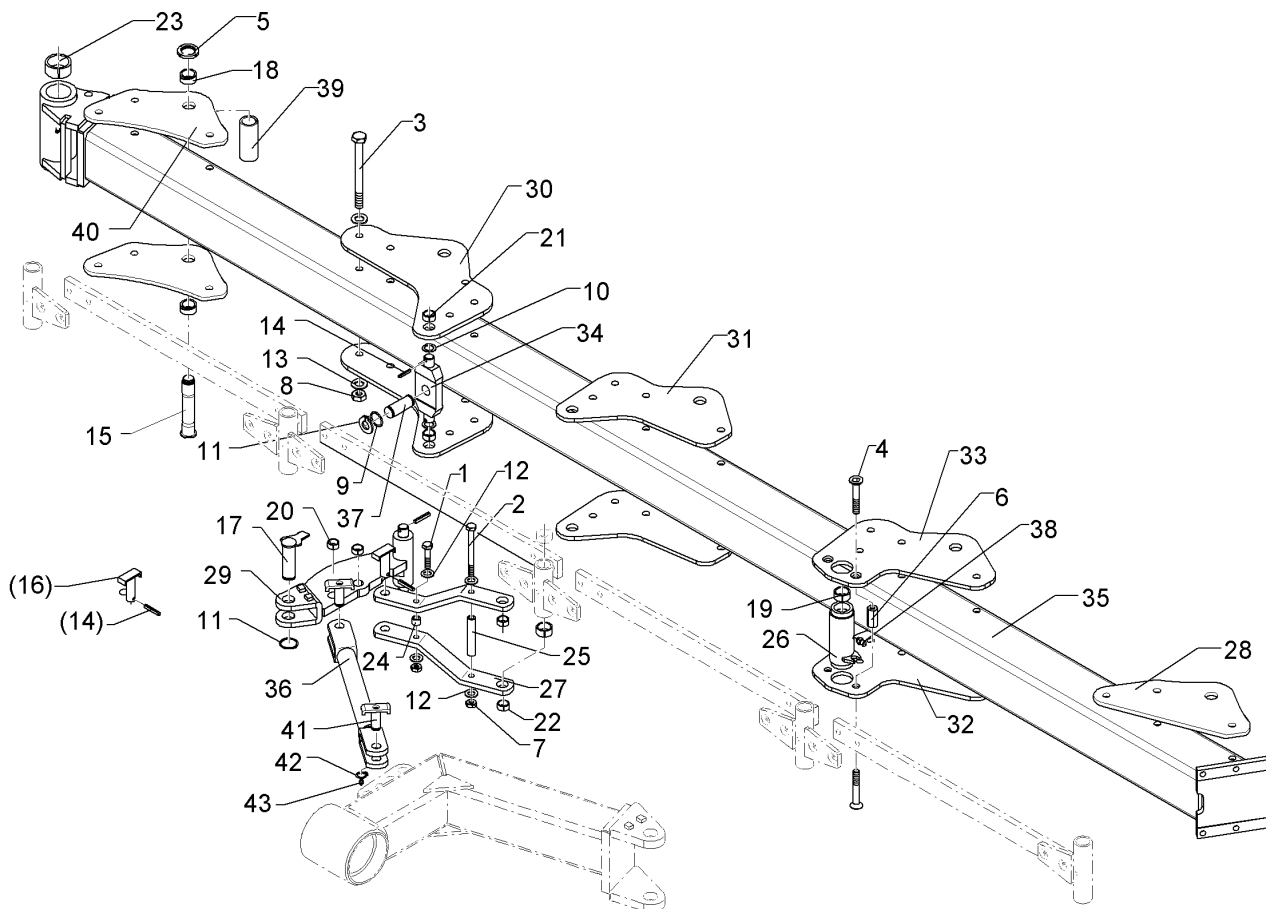
| Pos. | Art.Nr.  | Stck. | Artikeltext / Description   |               | Abmessung                        |
|------|----------|-------|-----------------------------|---------------|----------------------------------|
| 40   | 402 2943 | 2     | Lagerplatte                 | Bearing plate | D35 4xD20 VD10<br>12x218,3x415,1 |
| 41   | 305 8861 | 3     | Sicherungsring              | Securing ring | 25x2 DIN471 Zn                   |
| 42   | 313 8061 | 3     | Bolzen mit Verdrehsicherung | Pin with stop | D25x65/58 Zn                     |
| 43   | 323 6348 | 3     | Schmiernippel               | Grease nipple | AM10x1 DIN71412                  |





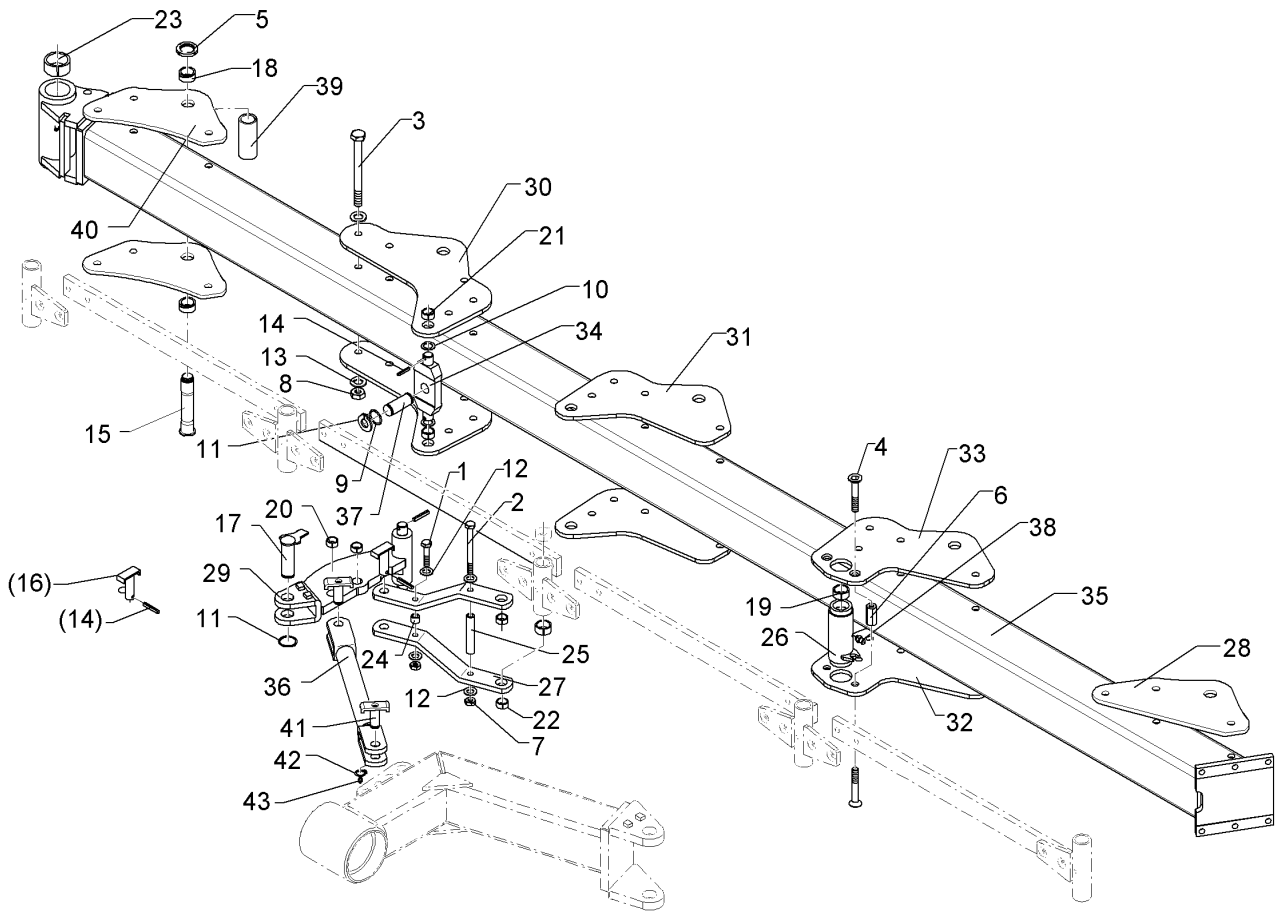
04.14

| Pos. | Art.Nr.  | Stck. | Artikeltext / Description    |                               | Abmessung                   |
|------|----------|-------|------------------------------|-------------------------------|-----------------------------|
| 1    | 301 3903 | 1     | Sechskantschraube            | Hexagon bolt                  | M16x75-8.8 Zn<br>DIN931-A   |
| 2    | 301 4137 | 1     | Sechskantschraube            | Hexagon bolt                  | M16x220-8.8 Zn<br>DIN931-A  |
| 3    | 301 4549 | 20    | Sechskantschraube spezial    | Hexagon bolt                  | M20x1,5x210-10.9<br>Zn      |
| 4    | 301 6152 | 4     | Senkschraube                 | COUNTER SUNK SCR. M12x45-12.9 | M16x90-10.9 Zn<br>DIN7991-A |
| 5    | 303 0338 | 5     | Nutmutter                    | Grooved nut                   | M30x1,5                     |
| 6    | 303 0988 | 2     | Sechskantmutter              | Hexagon nut                   | M16x35 Zn                   |
| 7    | 303 1015 | 2     | Sechskantmutter              | Hexagon nut                   | M16 DIN934-8 Zn             |
| 8    | 303 0977 | 20    | Sechskantmutter              | Hexagon nut                   | M20x1,5 DIN934-10<br>Zn     |
| 9    | 305 2247 | 2     | Stützscheibe                 | Supporting washer             | S 35x45x2,5 DIN988<br>Zn    |
| 10   | 305 6283 | 2     | Scheibe                      | Washer                        | B28 DIN125                  |
| 11   | 305 8873 | 3     | Sicherungsring               | Securing ring                 | 35x2,5 DIN471               |
| 12   | 305 6141 | 4     | Scheibe                      | Washer                        | 17/30x3<br>DIN/ISO-7089     |
| 13   | 305 6012 | 40    | Scheibe                      | Washer                        | 21 ISO7089 Zn               |
| 14   | 309 6072 | 4     | Spannhülse                   | Expansion bush                | 8x40-DIN1481 Zn             |
| 15   | 313 3525 | 5     | Bolzen mit Kopf              | Pin with collar               | D35/44/M35x1,5x244<br>VO9   |
| 16   | 313 8053 | 3     | Bolzen mit Verdrehsicherung  | Pin with stop                 | D25x57/70 U62 Zn            |
| 17   | 313 8120 | 1     | Bolzen mit Verdrehsicherung  | Pin with stop                 | D35x77/95 Zn                |
| 18   | 317 2000 | 10    | Buchse                       | Bush                          | D45/D35x21                  |
| 19   | 317 2005 | 2     | Einspannbuchse mit Presssitz | Expansion bush                | EG40/44x20                  |



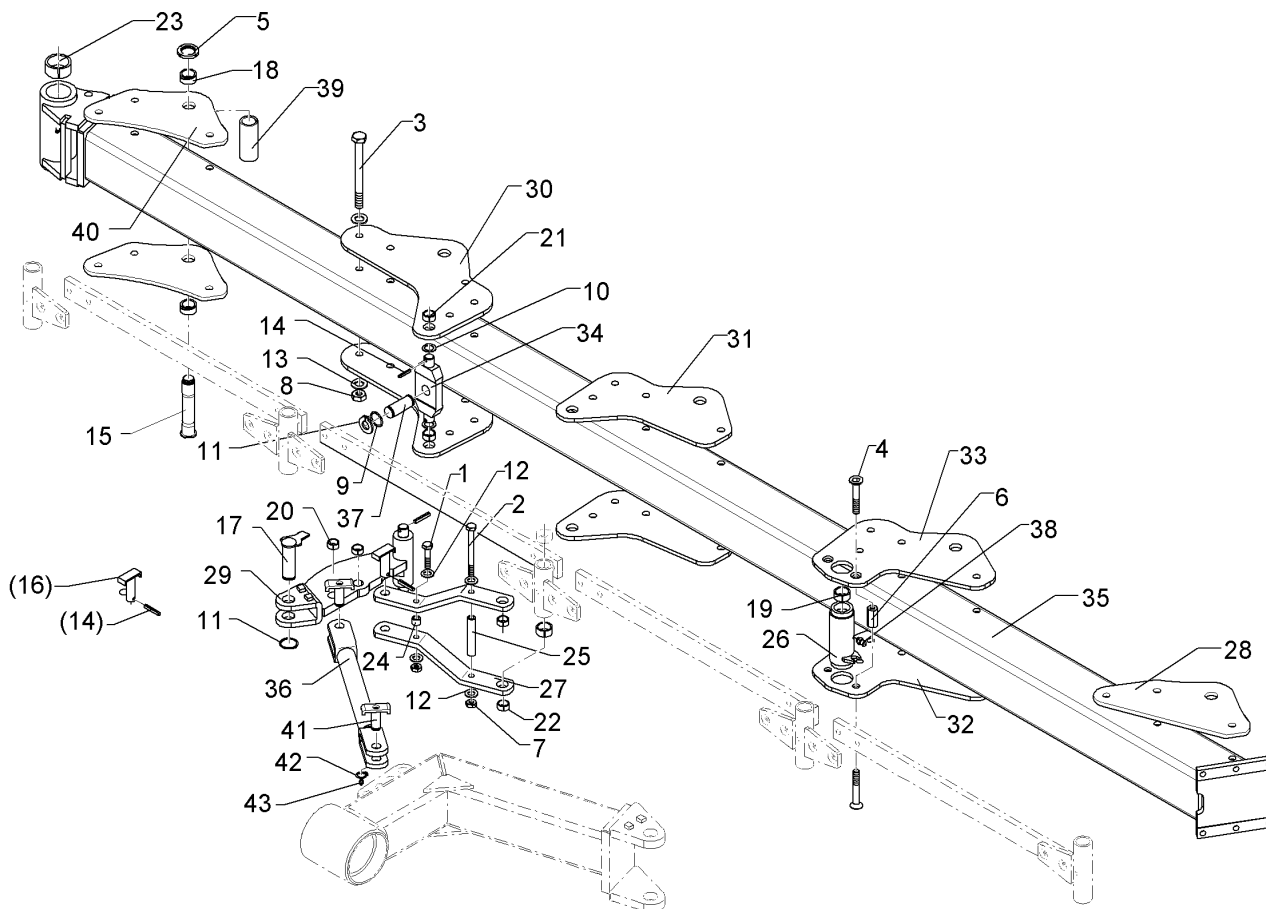
04.14

| Pos. | Art.Nr.  | Stck. | Artikeltext / Description      |                | Abmessung  |
|------|----------|-------|--------------------------------|----------------|--|
| 20   | 317 3356 | 2     | Einspannbuchse                 | Expansion bush | EG25/29x25 DIN 1498                              |
| 21   | 317 3348 | 4     | Einspannbuchse                 | Expansion bush | EG28/32x12-DIN1498                               |
| 22   | 317 3337 | 2     | Einspannbuchse                 | Expansion bush | EG28/32x15 Presssitz                             |
| 23   | 317 3393 | 2     | Einspannbuchse                 | Expansion bush | EG60/70x50-DIN1498                               |
| 24   | 317 6801 | 1     | Röhrchen                       | Tube           | 26,9x5x26 Zn                                     |
| 25   | 317 6866 | 1     | Röhrchen                       | Tube           | 26,9x4,5x163 Zn                                  |
| 26   | 402 1271 | 1     | Lagerrohr mit Verdrehsicherung | Bearing tube   | D40/60/68x189 Zn                                 |
| 27   | 402 1752 | 2     | Steuerstange                   | Rod            | 60x15x434  |
| 28   | 402 2942 | 2     | Lagerplatte                    | Bearing plate  | D35 3xD20 VO-9<br>12x218,3x461,9<br>D40/28x400 V |
| 29   | 405 0310 | 1     | Schwinge                       | Rocker arm     |  |
| 30   | 405 1201 | 2     | Lagerplatte                    | Bearing plate  | 12x382x544 D35/32                                |
| 31   | 405 1202 | 2     | Lagerplatte                    | Bearing plate  | 12x372x444 D35/32                                |
| 32   | 405 1204 | 1     | Lagerplatte                    | Bearing plate  | 12x391x452 60/35 RE                              |
| 33   | 405 1205 | 1     | Lagerplatte                    | Bearing plate  | 12x391x452 60/35 LI                              |
| 34   | 405 1301 | 1     | Kreuzgelenk                    | Cross union    | 80x30x217 D35 Zn                                 |
| 35   | 405 7422 | 1     | Grundrahmen                    | Basic frame    | VariDiamant 10<br>5-120                          |
| 36   | 450 7165 | 1     | Steuerstange                   | Rod            | D25x760 Diamant 10<br>-120                       |
| 37   | 313 7785 | 1     | Bolzen                         | Pin            | D35x95 Zn  |
| 39   | 317 7527 | 5     | Distanzbuchse                  | Distance bush  | D50/35,2x160 Zn                                  |



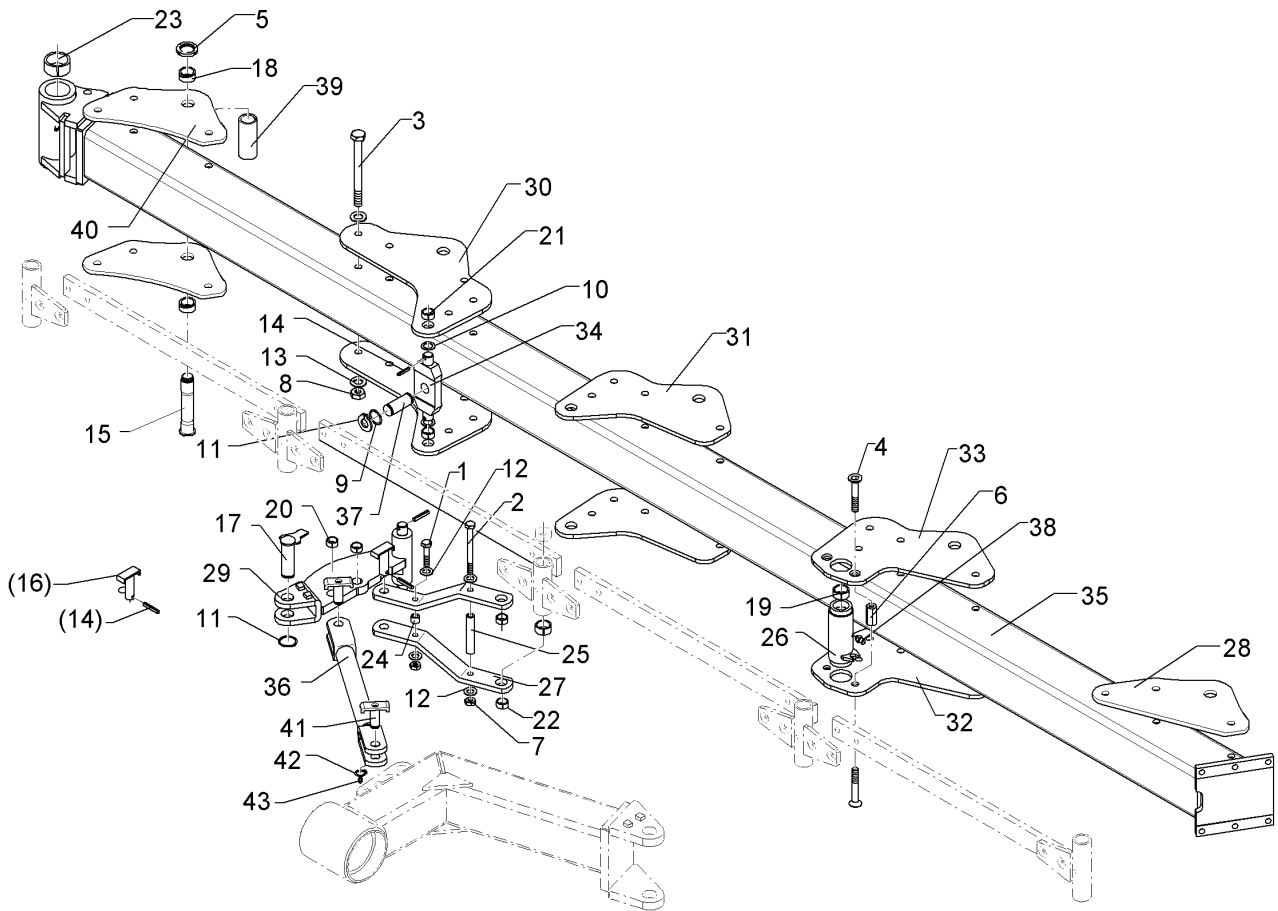
04.14

| Pos. | Art.Nr.  | Stck. | Artikeltext / Description   |               | Abmessung                        |
|------|----------|-------|-----------------------------|---------------|----------------------------------|
| 40   | 402 2943 | 2     | Lagerplatte                 | Bearing plate | D35 4xD20 VD10<br>12x218,3x415,1 |
| 41   | 305 8861 | 3     | Sicherungsring              | Securing ring | 25x2 DIN471 Zn                   |
| 42   | 313 8061 | 3     | Bolzen mit Verdrehsicherung | Pin with stop | D25x65/58 Zn                     |
| 43   | 323 6348 | 3     | Schmiernippel               | Grease nipple | AM10x1 DIN71412                  |



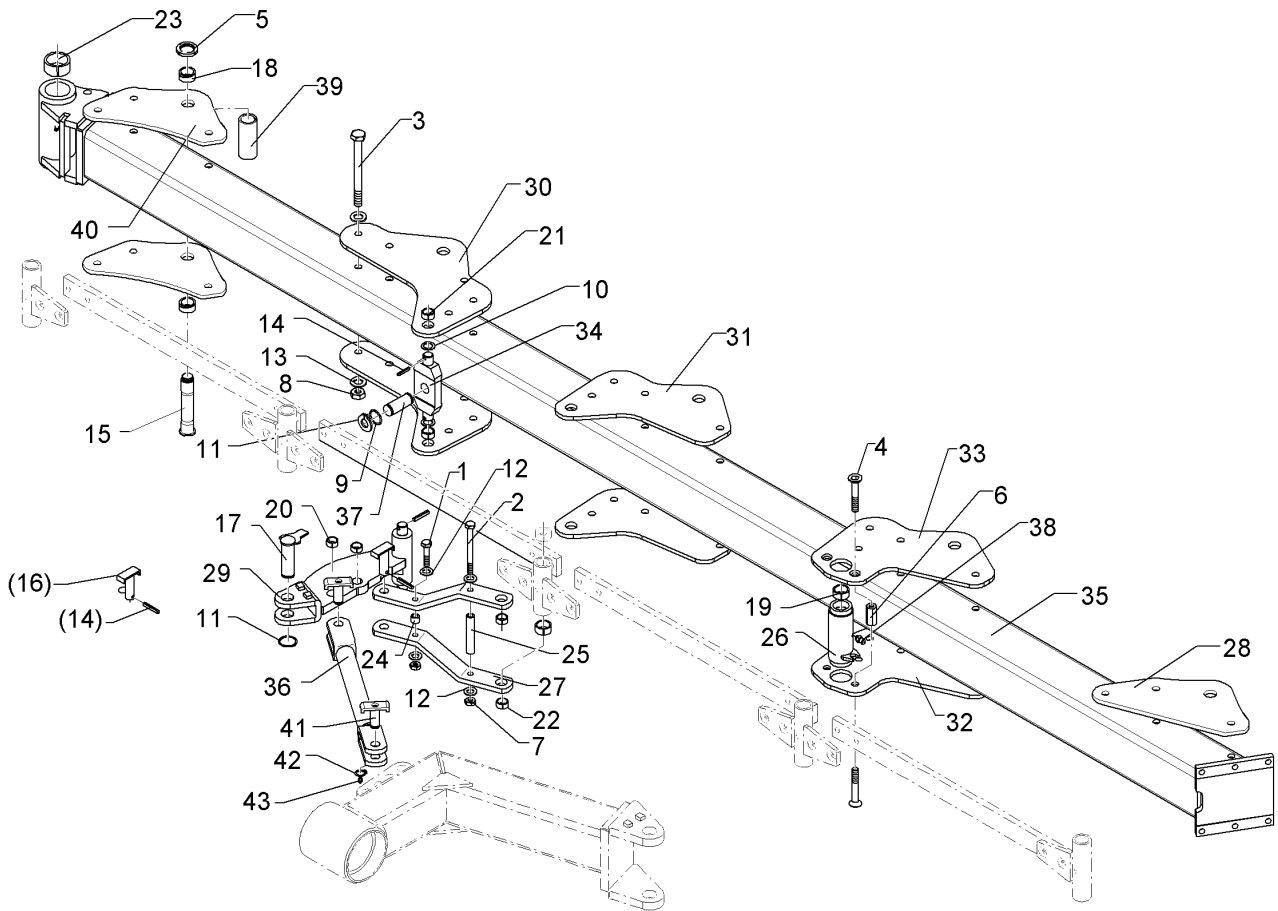
04.14

| Pos. | Art.Nr.  | Stck. | Artikeltext / Description    |                               | Abmessung                       |
|------|----------|-------|------------------------------|-------------------------------|---------------------------------|
| 1    | 301 3903 | 1     | Sechskantschraube            | Hexagon bolt                  | M16x75-8.8 Zn                   |
| 2    | 301 4137 | 1     | Sechskantschraube            | Hexagon bolt                  | DIN931-A<br>M16x220-8.8 Zn      |
| 3    | 301 4549 | 22    | Sechskantschraube spezial    | Hexagon bolt                  | DIN931-A<br>M20x1,5x210-10.9 Zn |
| 4    | 301 6152 | 4     | Senkschraube                 | COUNTER SUNK SCR. M12x45-12.9 | M16x90-10.9 Zn                  |
| 5    | 303 0338 | 6     | Nutmutter                    | Grooved nut                   | DIN7991-A<br>M30x1,5            |
| 6    | 303 0988 | 2     | Sechskantmutter              | Hexagon nut                   | M16x35 Zn                       |
| 7    | 303 1015 | 2     | Sechskantmutter              | Hexagon nut                   | M16 DIN934-8 Zn                 |
| 8    | 303 0977 | 19    | Sechskantmutter              | Hexagon nut                   | M20x1,5 DIN934-10 Zn            |
| 9    | 305 2247 | 2     | Stützscheibe                 | Supporting washer             | S 35x45x2,5 DIN988 Zn           |
| 10   | 305 6283 | 2     | Scheibe                      | Washer                        | B28 DIN125                      |
| 11   | 305 8873 | 3     | Sicherungsring               | Securing ring                 | 35x2,5 DIN471                   |
| 12   | 305 6141 | 4     | Scheibe                      | Washer                        | 17/30x3<br>DIN/ISO-7089         |
| 13   | 305 6012 | 42    | Scheibe                      | Washer                        | 21 ISO7089 Zn                   |
| 14   | 309 6072 | 4     | Spannhülse                   | Expansion bush                | 8x40-DIN1481 Zn                 |
| 15   | 313 3525 | 6     | Bolzen mit Kopf              | Pin with collar               | D35/44/M35x1,5x244 VO9          |
| 16   | 313 8053 | 3     | Bolzen mit Verdrehsicherung  | Pin with stop                 | D25x57/70 U62 Zn                |
| 17   | 313 8120 | 1     | Bolzen mit Verdrehsicherung  | Pin with stop                 | D35x77/95 Zn                    |
| 18   | 317 2000 | 12    | Buchse                       | Bush                          | D45/D35x21                      |
| 19   | 317 2005 | 2     | Einspannbuchse mit Presssitz | Expansion bush                | EG40/44x20                      |



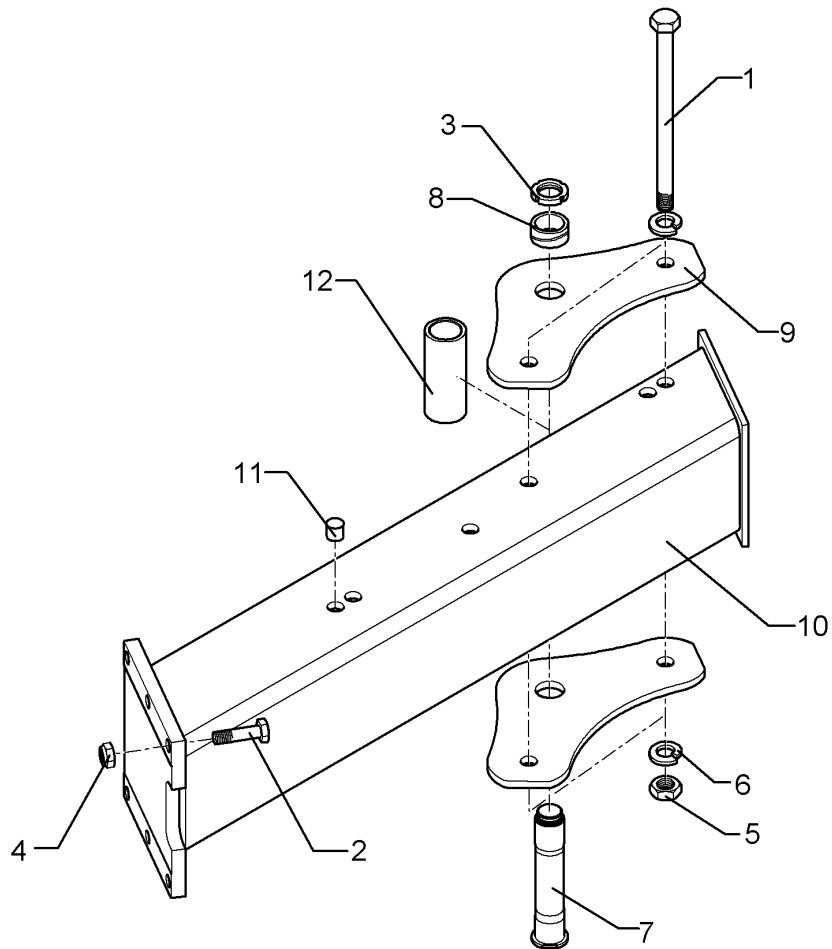
04.14

| Pos. | Art.Nr.  | Stck. | Artikeltext / Description      |                | Abmessung  |
|------|----------|-------|--------------------------------|----------------|--|
| 20   | 317 3356 | 2     | Einspannbuchse                 | Expansion bush | EG25/29x25 DIN 1498                              |
| 21   | 317 3348 | 4     | Einspannbuchse                 | Expansion bush | EG28/32x12-DIN1498                               |
| 22   | 317 3337 | 2     | Einspannbuchse                 | Expansion bush | EG28/32x15 Presssitz                             |
| 23   | 317 3393 | 2     | Einspannbuchse                 | Expansion bush | EG60/70x50-DIN1498                               |
| 24   | 317 6801 | 1     | Röhrchen                       | Tube           | 26,9x5x26 Zn                                     |
| 25   | 317 6866 | 1     | Röhrchen                       | Tube           | 26,9x4,5x163 Zn                                  |
| 26   | 402 1271 | 1     | Lagerrohr mit Verdrehsicherung | Bearing tube   | D40/60/68x189 Zn                                 |
| 27   | 402 1752 | 2     | Steuerstange                   | Rod            | 60x15x434  |
| 28   | 402 2942 | 4     | Lagerplatte                    | Bearing plate  | D35 3xD20 VO-9<br>12x218,3x461,9<br>D40/28x400 V |
| 29   | 405 0310 | 1     | Schwinge                       | Rocker arm     |  |
| 30   | 405 1201 | 2     | Lagerplatte                    | Bearing plate  | 12x382x544 D35/32                                |
| 31   | 405 1202 | 2     | Lagerplatte                    | Bearing plate  | 12x372x444 D35/32                                |
| 32   | 405 1204 | 1     | Lagerplatte                    | Bearing plate  | 12x391x452 60/35 RE                              |
| 33   | 405 1205 | 1     | Lagerplatte                    | Bearing plate  | 12x391x452 60/35 LI                              |
| 34   | 405 1301 | 1     | Kreuzgelenk                    | Cross union    | 80x30x217 D35 Zn                                 |
| 35   | 405 7423 | 1     | Grundrahmen                    | Basic frame    | VariDiamant 10<br>6-120                          |
| 36   | 450 7166 | 1     | Steuerstange                   | Rod            | D25x1916 Diamant<br>10 -120                      |
| 37   | 313 7785 | 1     | Bolzen                         | Pin            | D35x95 Zn  |
| 39   | 317 7527 | 6     | Distanzbuchse                  | Distance bush  | D50/35,2x160 Zn                                  |



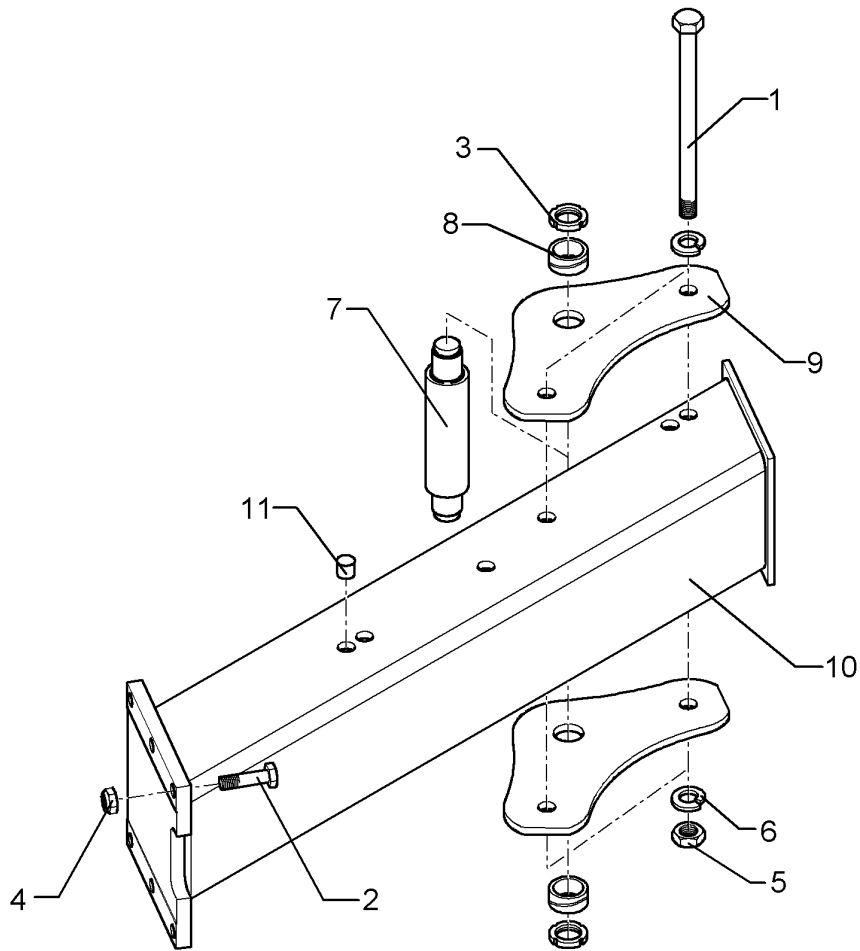
04.14

| Pos. | Art.Nr.  | Stck. | Artikeltext / Description   |               | Abmessung                        |
|------|----------|-------|-----------------------------|---------------|----------------------------------|
| 40   | 402 2943 | 4     | Lagerplatte                 | Bearing plate | D35 4xD20 VD10<br>12x218,3x415,1 |
| 41   | 305 8861 | 3     | Sicherungsring              | Securing ring | 25x2 DIN471 Zn                   |
| 42   | 313 8061 | 3     | Bolzen mit Verdrehsicherung | Pin with stop | D25x65/58 Zn                     |
| 43   | 323 6348 | 3     | Schmiernippel               | Grease nipple | AM10x1 DIN71412                  |



04.14

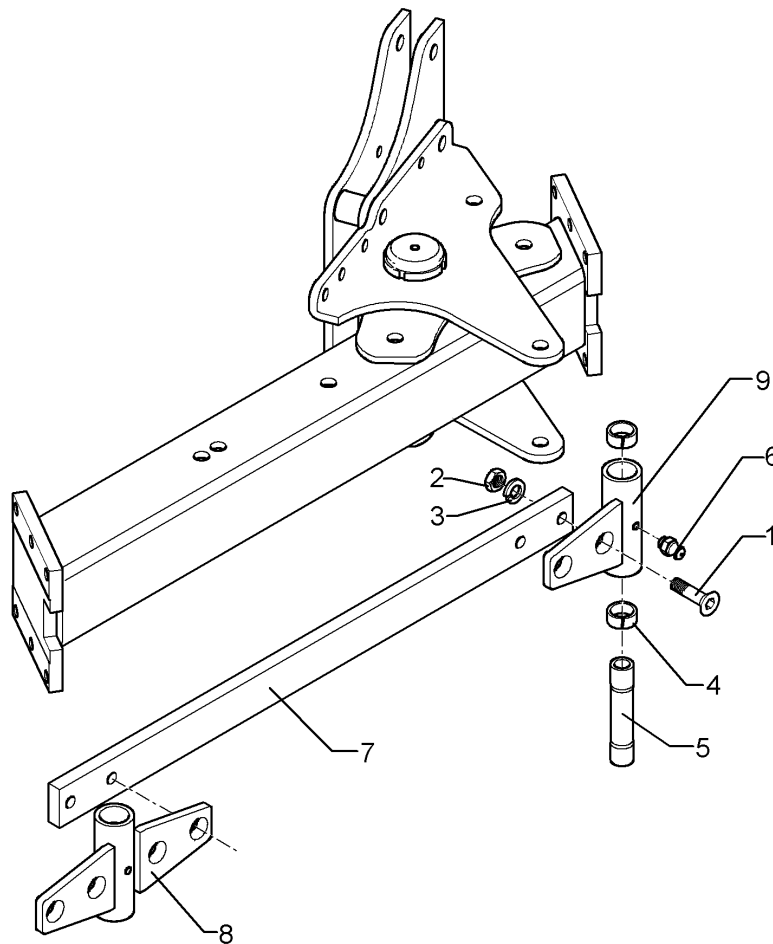
| Pos. | Art.Nr.  | Stck. | Artikeltext / Description |                 | Abmessung                     |
|------|----------|-------|---------------------------|-----------------|-------------------------------|
| 1    | 301 4549 | 3     | Sechskantschraube spezial | Hexagon bolt    | M20x1,5x210-10.9 Zn           |
| 2    | 301 5409 | 6     | Sechskantschraube spz.    | Hexagon bolt    | M16x50-8.8 Zn                 |
| 3    | 303 0338 | 1     | Nutmutter                 | Grooved nut     | M30x1,5                       |
| 4    | 303 0935 | 6     | Sicherungsmutter          | Selflocking nut | NM16-8 Zn DIN985              |
| 5    | 303 0977 | 3     | Sechskantmutter           | Hexagon nut     | M20x1,5 DIN934-10 Zn          |
| 6    | 305 6012 | 6     | Scheibe                   | Washer          | 21 ISO7089 Zn                 |
| 7    | 313 3525 | 1     | Bolzen mit Kopf           | Pin with collar | D35/44/M35x1,5x244 VO9        |
| 8    | 317 2000 | 2     | Buchse                    | Bush            | D45/D35x21                    |
| 9    | 402 2942 | 2     | Lagerplatte               | Bearing plate   | D35 3xD20 VO-9 12x218,3x461,9 |
| 10   | 402 8281 | 1     | Anbauteil                 | Frame extension | EurOpal 9 160-100             |
| 11   | 323 8071 | 8     | Schutzkappe               | Cap             | GPN 300V19 - D20 RAL5015      |
| 12   | 317 7527 | 1     | Distanzbuchse             | Distance bush   | D50/35,2x160 Zn               |



04.14

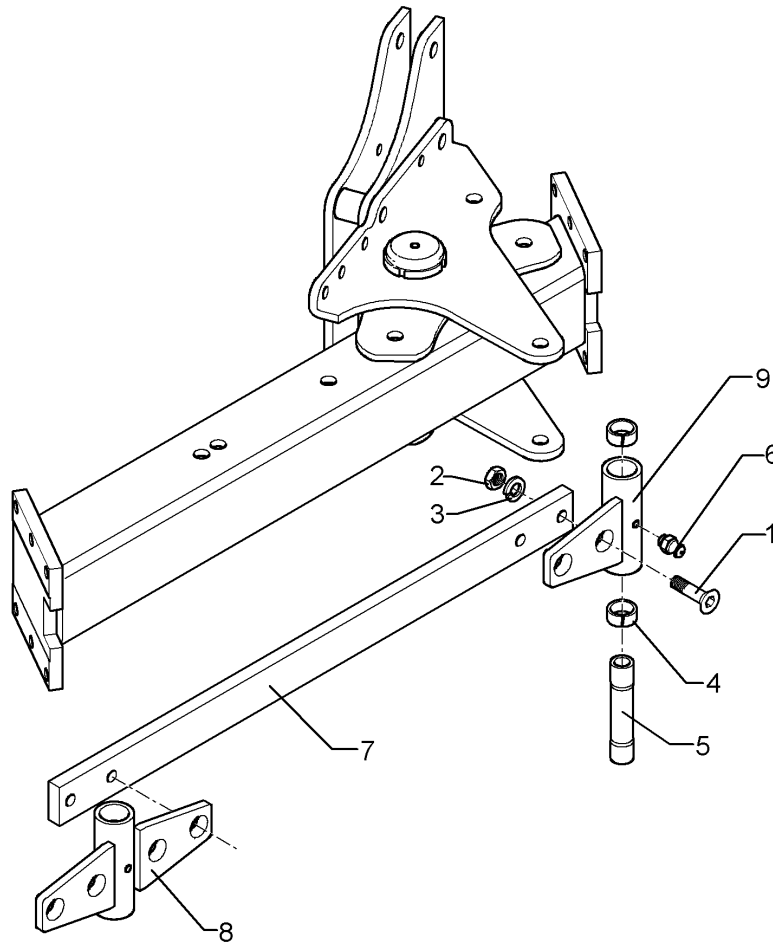
| Pos. | Art.Nr.  | Stck. | Artikeltext / Description |                 | Abmessung                                    |
|------|----------|-------|---------------------------|-----------------|--|
| 1    | 301 4549 | 2     | Sechskantschraube spezial | Hexagon bolt    | M20x1,5x210-10.9<br>Zn                       |
| 2    | 301 5385 | 6     | Sechskantschraube spz.    | Hexagon bolt    | M16x55-10.9 Zn                               |
| 3    | 303 0338 | 2     | Nutmutter                 | Grooved nut     | M30x1,5                                      |
| 4    | 303 0935 | 6     | Sicherungsmutter          | Selflocking nut | NM16-8 Zn DIN985                             |
| 5    | 303 0977 | 2     | Sechskantmutter           | Hexagon nut     | M20x1,5 DIN934-10<br>Zn                      |
| 6    | 305 6012 | 4     | Scheibe                   | Washer          | 21 ISO7089 Zn                                |
| 7    | 313 5570 | 1     | Bolzen                    | Pin             | D50/160x244<br>D35/M30x1,5 VO9<br>D45/D35x21 |
| 8    | 317 2000 | 2     | Buchse                    | Bush            |  |
| 9    | 402 2941 | 2     | Lagerplatte               | Bearing plate   | D35 VO-8/9                                   |
| 10   | 402 8281 | 1     | Anbauteil                 | Frame extension | EurOpal 9 160-100                            |
| 11   | 323 8071 | 8     | Schutzkappe               | Cap             | GPN 300V19 - D20<br>RAL5015                  |





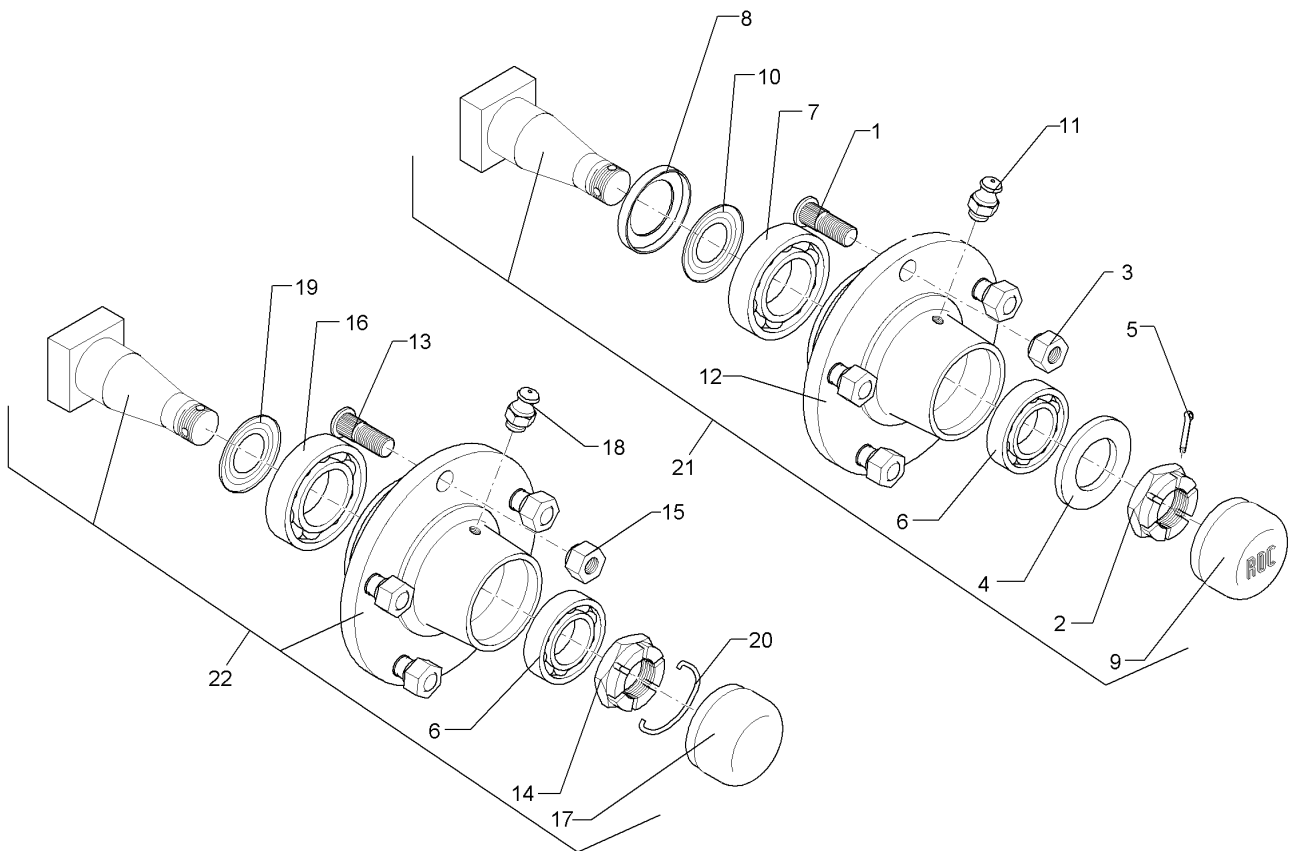
04.14

| Pos. | Art.Nr.  | Stck. | Artikeltext / Description    |                  | Abmessung                  |
|------|----------|-------|------------------------------|------------------|----------------------------|
| 1    | 301 6144 | 4     | Senkschraube spz.            | Countersunk bolt | M16x50-10.9 Zn             |
| 2    | 303 1015 | 4     | Sechskantmutter              | Hexagon nut      | M16 DIN934-8 Zn            |
| 3    | 305 6141 | 4     | Scheibe                      | Washer           | 17/30x3                    |
| 4    | 317 3417 | 2     | Einspannbuchse mit Presssitz | Expansion bush   | DIN/ISO-7089<br>EG30/38x25 |
| 5    | 317 7208 | 1     | Hülse                        | Bushing          | D30/20x194-2xL30           |
| 6    | 323 6348 | 1     | Schmiernippel                | Grease nipple    | AM10x1 DIN71412            |
| 7    | 402 2320 | 1     | Stange                       | Rod              | 60x20x930 4xD16,1          |
| 8    | 402 2621 | 1     | Lagerung                     | Bearing          | D38x193-4xD16 VO<br>9      |
| 9    | 402 2622 | 1     | Lagerung                     | Bearing          | D38x193-2xD16 VO<br>9      |



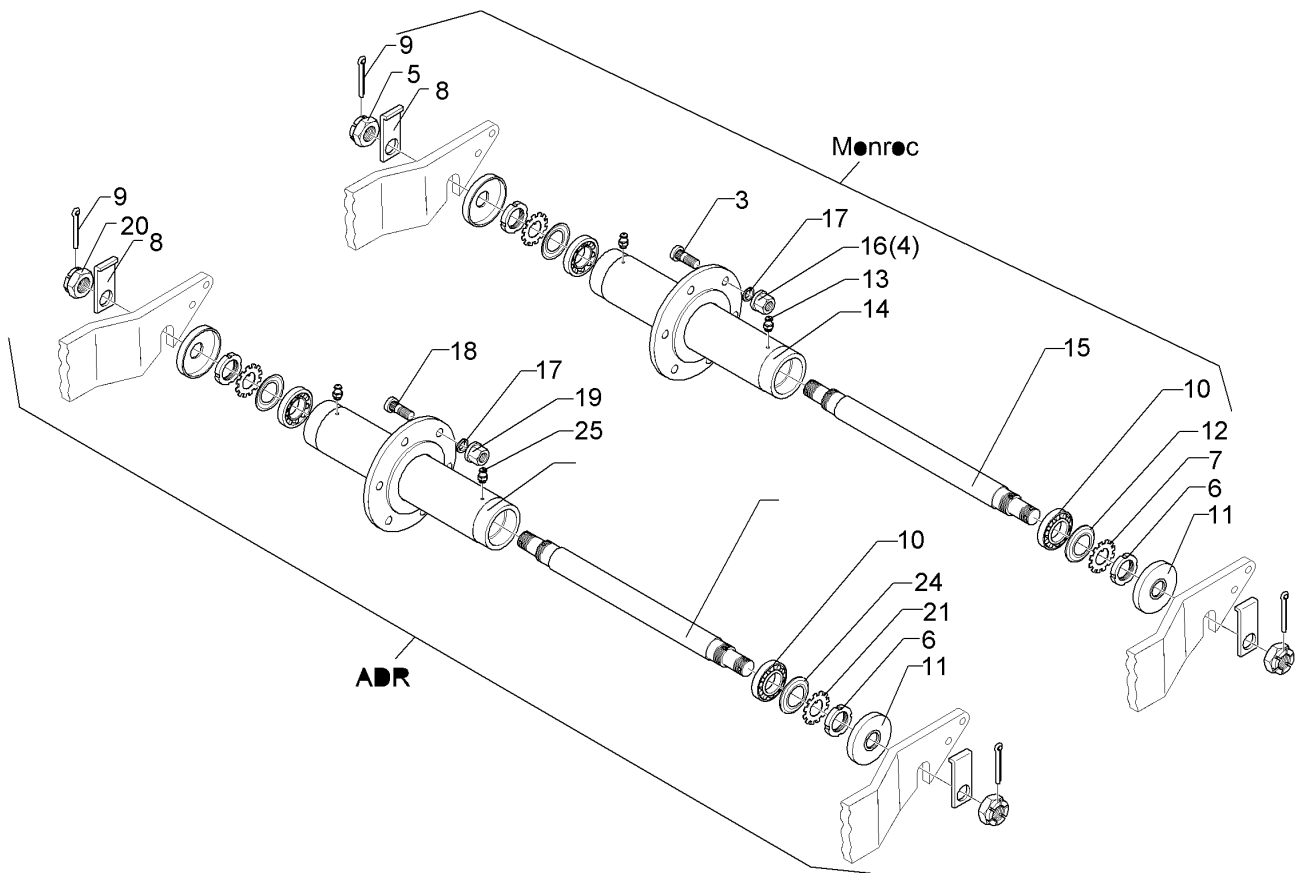
04.14

| Pos. | Art.Nr.  | Stck. | Artikeltext / Description    |                  | Abmessung                  |
|------|----------|-------|------------------------------|------------------|----------------------------|
| 1    | 301 6144 | 4     | Senkschraube spz.            | Countersunk bolt | M16x50-10.9 Zn             |
| 2    | 303 1015 | 4     | Sechskantmutter              | Hexagon nut      | M16 DIN934-8 Zn            |
| 3    | 305 6141 | 4     | Scheibe                      | Washer           | 17/30x3                    |
| 4    | 317 3417 | 2     | Einspannbuchse mit Presssitz | Expansion bush   | DIN/ISO-7089<br>EG30/38x25 |
| 5    | 317 7208 | 1     | Hülse                        | Bushing          | D30/20x194-2xL30           |
| 6    | 323 6348 | 1     | Schmiernippel                | Grease nipple    | AM10x1 DIN71412            |
| 7    | 402 2321 | 1     | Steuerstange                 | Rod              | 60x20x1130 4xD16,1         |
| 8    | 402 2621 | 1     | Lagerung                     | Bearing          | D38x193-4xD16 VO<br>9      |
| 9    | 402 2622 | 1     | Lagerung                     | Bearing          | D38x193-2xD16 VO<br>9      |



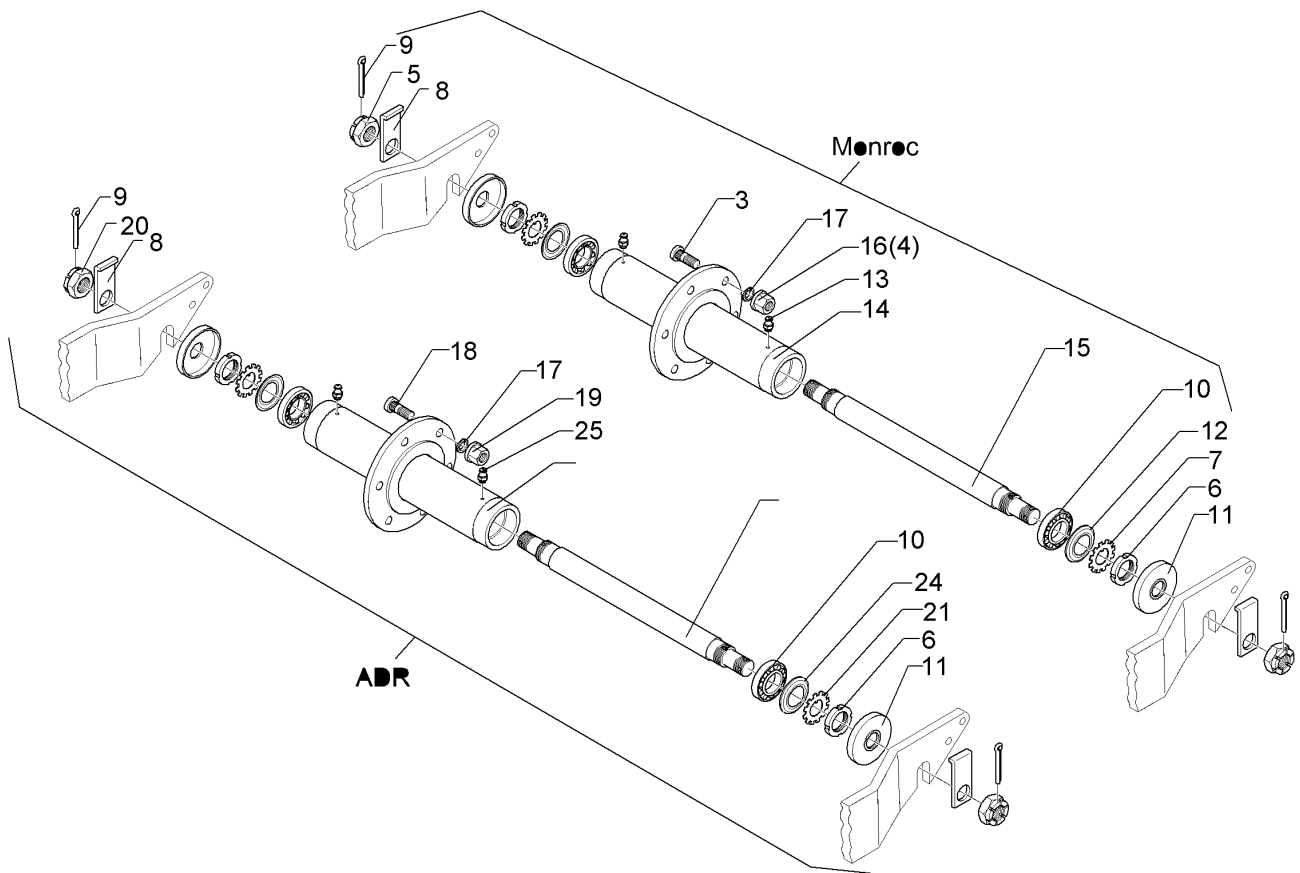
04.14

| Pos. | Art.Nr.  | Stck. | Artikeltext / Description     |               | Abmessung                  |
|------|----------|-------|-------------------------------|---------------|----------------------------|
| 1    | 301 6421 | 6     | Radschraube                   | Wheel bolt    | M18x1,5x52-D19             |
| 2    | 303 0141 | 1     | Kronenmutter                  | Castle nut    | REB<br>DIN935-M30x1,5      |
| 3    | 303 6416 | 6     | Kugelbundmutter               | Wheel nut     | M18x1,5-10 Zn DIN<br>74361 |
| 4    | 305 6284 | 1     | Scheibe                       | Washer        | 30 DIN126                  |
| 5    | 311 7635 | 1     | Splint                        | Peg           | 5x45 DIN94-St Zn           |
| 6    | 319 9015 | 1     | Kegelrollenlager              | Bearing       | 30207                      |
| 7    | 319 9019 | 1     | Kegelrollenlager              | Bearing       | 30211.                     |
| 8    | 323 0414 | 1     | Schutzkappe                   | Cap           | D110x10                    |
| 9    | 323 1322 | 1     | Schraubkappe                  | Cap           | D73x40                     |
| 10   | 323 1803 | 1     | Nilos-Ring                    | Nilos ring    | 30211 AV                   |
| 11   | 323 6345 | 1     | Schmiernippel gerade          | Grease nipple | LAM 6 DIN71412             |
| 12   | 449 8893 | 1     | Nabe                          | Hub           | 6/205 ROC                  |
| 13   | 301 6431 | 6     | Radschraube                   | Wheel bolt    | M18x1,5x49/54              |
| 14   | 303 0175 | 1     | Kronenmutter                  | Castle nut    | M39x1,5                    |
| 15   | 303 6418 | 6     | Radmutter                     | Wheel nut     | M18x1,5-8 h=25             |
| 16   | 319 9118 | 1     | Kegelrollenlager              | Bearing       | 30208.                     |
| 17   | 323 1313 | 1     | Schraubkappe                  | Cap           | (D80)                      |
| 18   | 323 6355 | 1     | Schmiernippel                 | Grease nipple | AM8x1,25 DIN71412          |
| 19   | 323 7627 | 1     | Dichtung zum Lager            | Seal          | 30211                      |
| 20   | 329 3542 | 1     | Sicherungsklammer             | Safety clamp  | D4x67                      |
| 21   | 699 2333 | 1     | Lagerung-Ersatzteilstückliste | Bearing       | V60-6/160/205/88.5<br>D18  |
| 22   | 699 2334 | 1     | Lagerung-Ersatzteilstückliste | Bearing       | -                          |



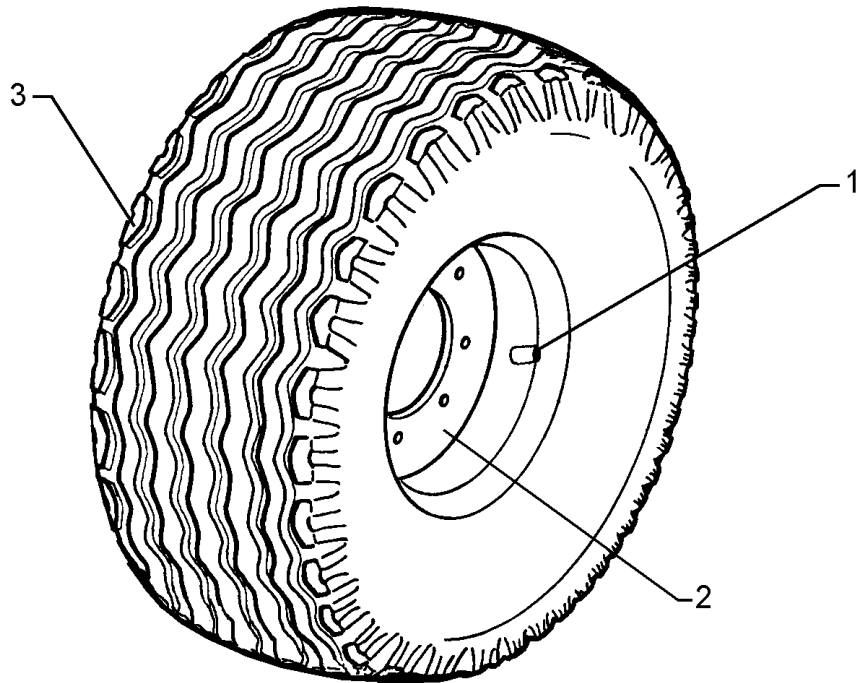
04.14

| Pos. | Art.Nr.  | Stck. | Artikeltext / Description |               | Abmessung                         |
|------|----------|-------|---------------------------|---------------|-----------------------------------|
| 3    | 301 6421 | 6     | Radschraube               | Wheel bolt    | M18x1,5x52-D19                    |
| 4    | 303 6416 | 6     | Kugelbundmutter           | Wheel nut     | REB<br>M18x1,5-10 Zn DIN<br>74361 |
| 5    | 303 0172 | 2     | Kronenmutter              | Castle nut    | M35x1,5                           |
| 6    | 303 0410 | 2     | Nutmutter                 | Grooved nut   | M45x1,5 DIN981                    |
| 7    | 305 1317 | 2     | Sicherungsblech           | Locking plate | D45 MB9A                          |
| 8    | 305 1450 | 2     | Sicherungsblech           | Locking plate | 50x8x128 D35                      |
| 9    | 311 7649 | 2     | Splint                    | Peg           | 6,3x63 DIN94-St Zn                |
| 10   | 319 9151 | 2     | Kegelrollenlager          | Bearing       | 30209.                            |
| 11   | 323 0211 | 2     | Dichtscheibe              | Seal washer   | D35/D100x15                       |
| 12   | 323 1802 | 2     | Nilos-Ring                | Nilos ring    | 30209 AV                          |
| 13   | 323 6345 | 2     | Schmiernippel gerade      | Grease nipple | LAM 6 DIN71412                    |
| 14   | 450 7084 | 1     | Nabe                      | Hub           | 6/205x500                         |
| 15   | 450 8181 | 1     | Achse                     | Axle          | D50x622 ROC<br>62250              |
| 16   | 303 6420 | 6     | Radmutter                 | Wheel nut     | B18-8 DIN74361                    |
| 17   | 305 9935 | 6     | Federring mit Kugelfläche | Spring ring   | 18,5 DIN74361C                    |
| 18   | 301 6431 | 6     | Radschraube               | Wheel bolt    | M18x1,5x49/54                     |
| 19   | 303 6417 | 6     | Radmutter                 | Wheel nut     | M18x1,5-8 h=18                    |
| 20   | 303 0173 | 2     | Kronenmutter              | Castle nut    | M36x1,5                           |
| 21   | 305 6456 | 2     | Scheibe mit Nasen         | Washer        | d45                               |
| 22   | 329 3540 | 2     | Sicherungsklammer         | Safety clamp  | -                                 |
| 23   | 317 9485 | 2     | Buchse                    | Bush          | D55/37x13                         |
| 24   | 323 1844 | 2     | Nilos-Ring                | Nilos ring    | 30209 JV                          |



04.14

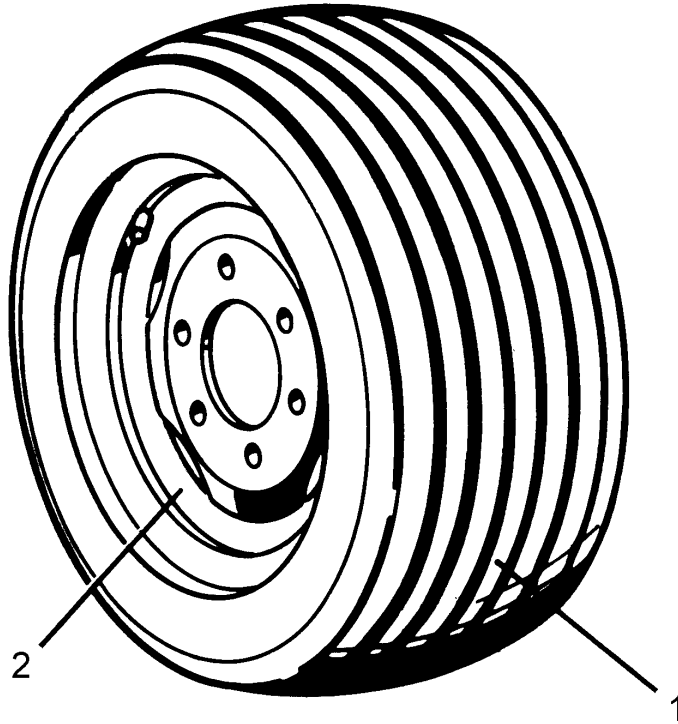
| Pos. | Art.Nr.  | Stck. | Artikeltext / Description | Abmessung     |                   |
|------|----------|-------|---------------------------|---------------|-------------------|
| 25   | 323 6355 | 2     | Schmiernippel             | Grease nipple | AM8x1,25 DIN71412 |
| 26   | 323 7628 | 2     | Dichtung zum Lager        | Seal          | 30209             |



04.14

| Pos. | Art.Nr.  | Stck. | Artikeltext / Description |      | Abmessung                 |
|------|----------|-------|---------------------------|------|---------------------------|
| 1    | 357 3415 | 1     | Schlauch                  | Hose | 10,0/75-15.3 TR15         |
| 2    | 357 7026 | 1     | Felge                     | Rim  | 9.0x15.3 6/161/205<br>ET0 |
| 3    | 357 8858 | 1     | Reifen                    | Tyre | 11.5/80x15.3 10PR<br>AW   |

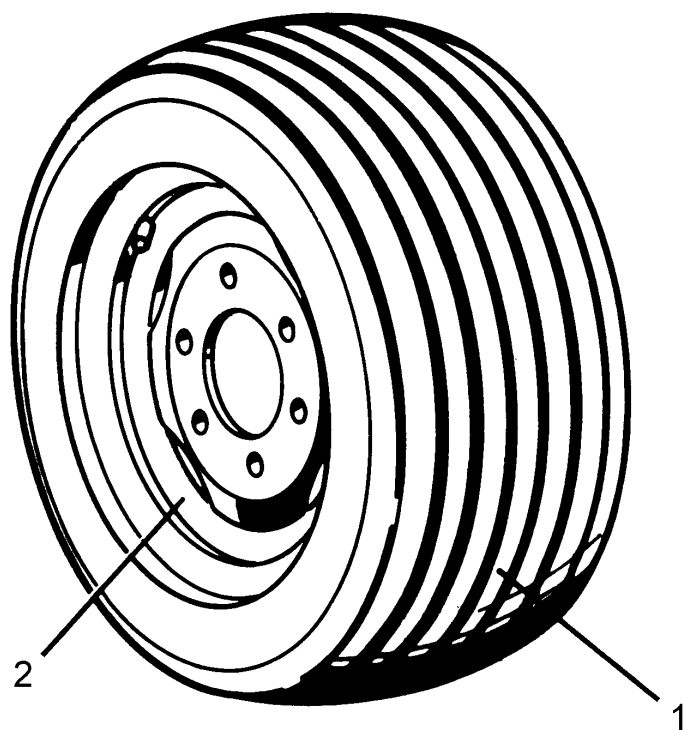
|                                       |          |
|---------------------------------------|----------|
| Rad 6/161/205 D18/Wheel 6/161/205 D18 | 9        |
| VariDiamant 10                        | 550 8855 |



04.14

| Pos. | Art.Nr.  | Stck. | Artikeltext / Description |      | Abmessung                    |
|------|----------|-------|---------------------------|------|------------------------------|
| 1    | 357 7077 | 1     | Reifen                    | Tyre | 400/55-22.5 TL BKT<br>14PR   |
| 2    | 357 8877 | 1     | Felge                     | Rim  | 11.75x22.5<br>6/161/205 ET-0 |

|   |          |
|---|----------|
| Rad 6/161/205 D18 BKT/Wheel 6/161/205 D18 | 9        |
| VariDiamant 10                            | 550 8856 |

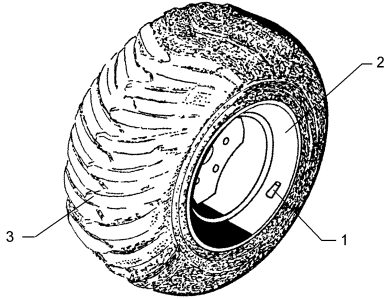


04.14

| Pos. | Art.Nr.  | Stck. | Artikeltext / Description |      | Abmessung  |
|------|----------|-------|---------------------------|------|--|
| 1    | 357 7076 | 1     | Reifen                    | Tyre | 500/45-22.5 TL BKT<br>16.00x22.5<br>6/161/205 ET-0 |
| 2    | 357 8870 | 1     | Felge                     | Rim  |  |



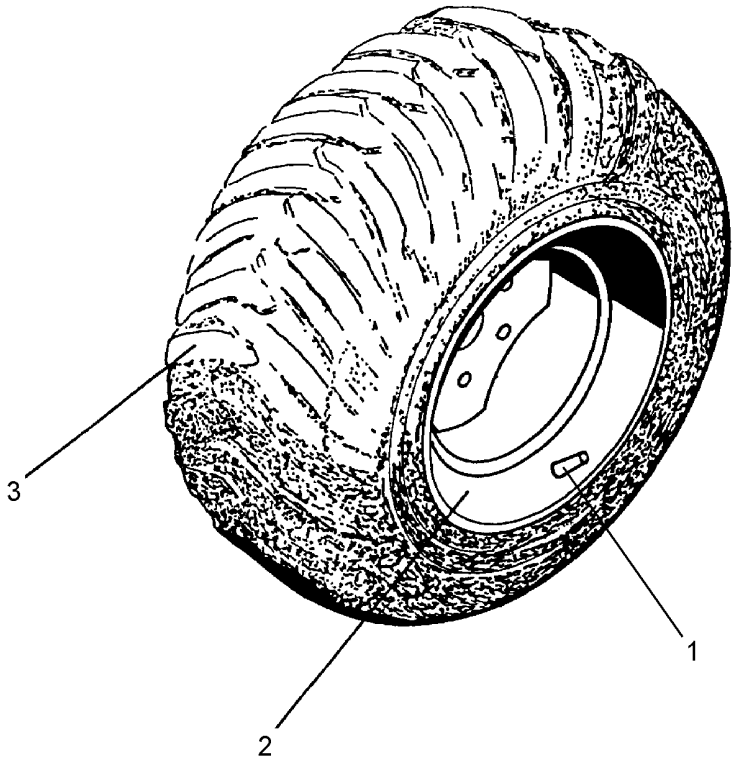
|                                       |          |
|---------------------------------------|----------|
| Rad 6/161/205 D18/Wheel 6/161/205 D18 | 9        |
| VariDiamant 10                        | 550 8857 |



04.14

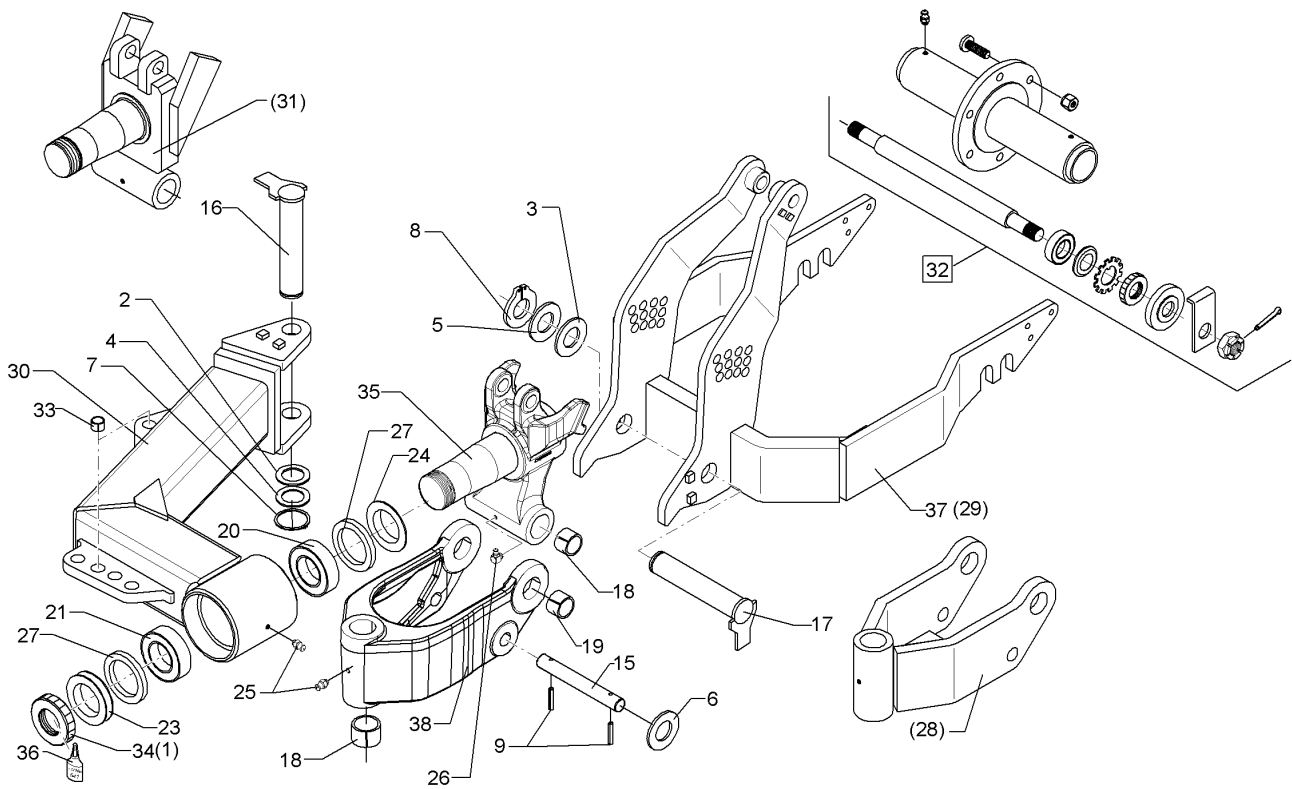
| Pos. | Art.Nr.  | Stck. | Artikeltext / Description |      | Abmessung               |
|------|----------|-------|---------------------------|------|-------------------------|
| 1    | 357 3432 | 1     | Schlauch                  | Hose | 15.0/55-17 TR15         |
| 2    | 357 7062 | 1     | Felge                     | Rim  | 16.0 LBx16.1            |
| 3    | 357 8862 | 1     | Reifen                    | Tyre | 38x20.00-16.1 8PR<br>ST |

|                                       |          |
|---------------------------------------|----------|
| Rad 6/161/205 D18/Wheel 6/161/205 D18 | 9        |
| VariDiamant 10                        | 550 8869 |



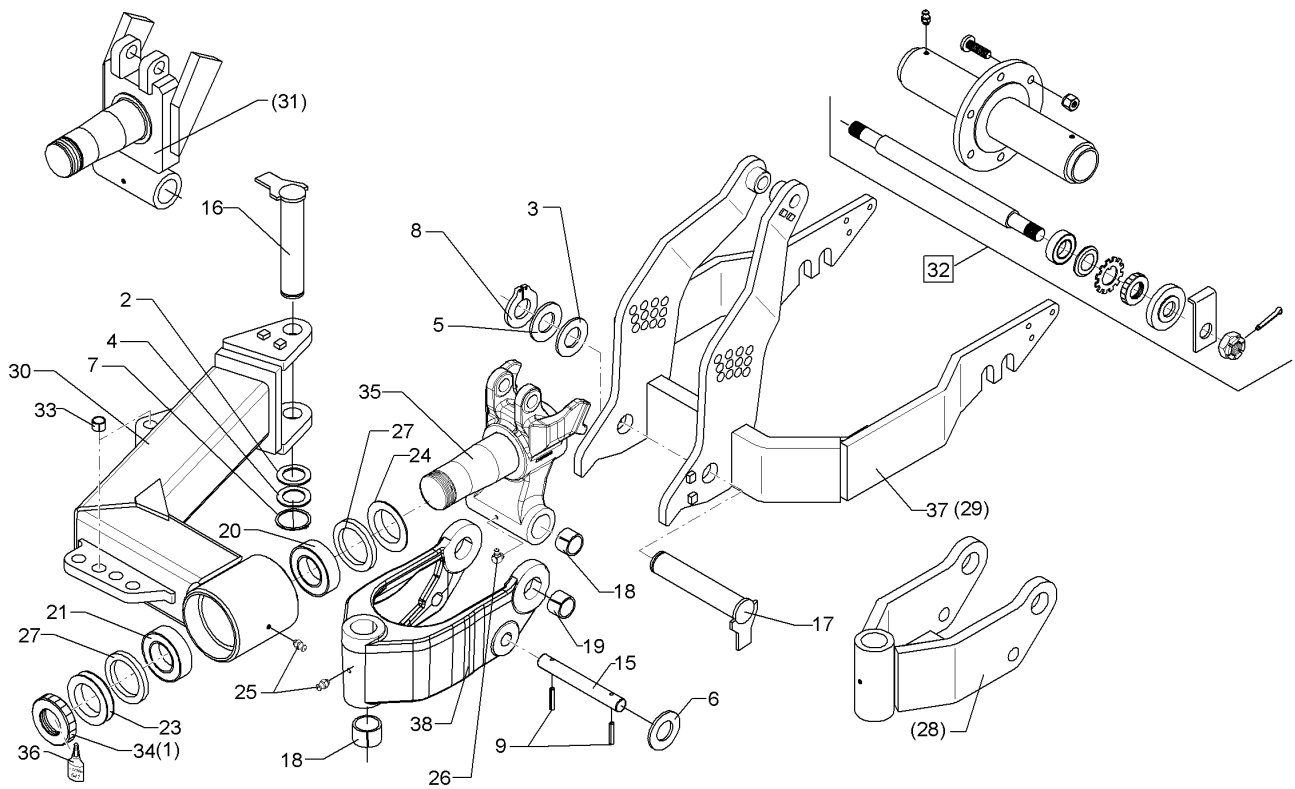
04.14

| Pos. | Art.Nr.  | Stck. | Artikeltext / Description |      | Abmessung                    |
|------|----------|-------|---------------------------|------|------------------------------|
| 1    | 357 3428 | 1     | Schlauch                  | Hose | 500/55/60-15.5               |
| 2    | 357 8869 | 1     | Felge                     | Rim  | 16.00x15.5<br>6/161/205 ET-0 |
| 3    | 357 7070 | 1     | Reifen                    | Tyre | 500/60-15.5 ELS              |



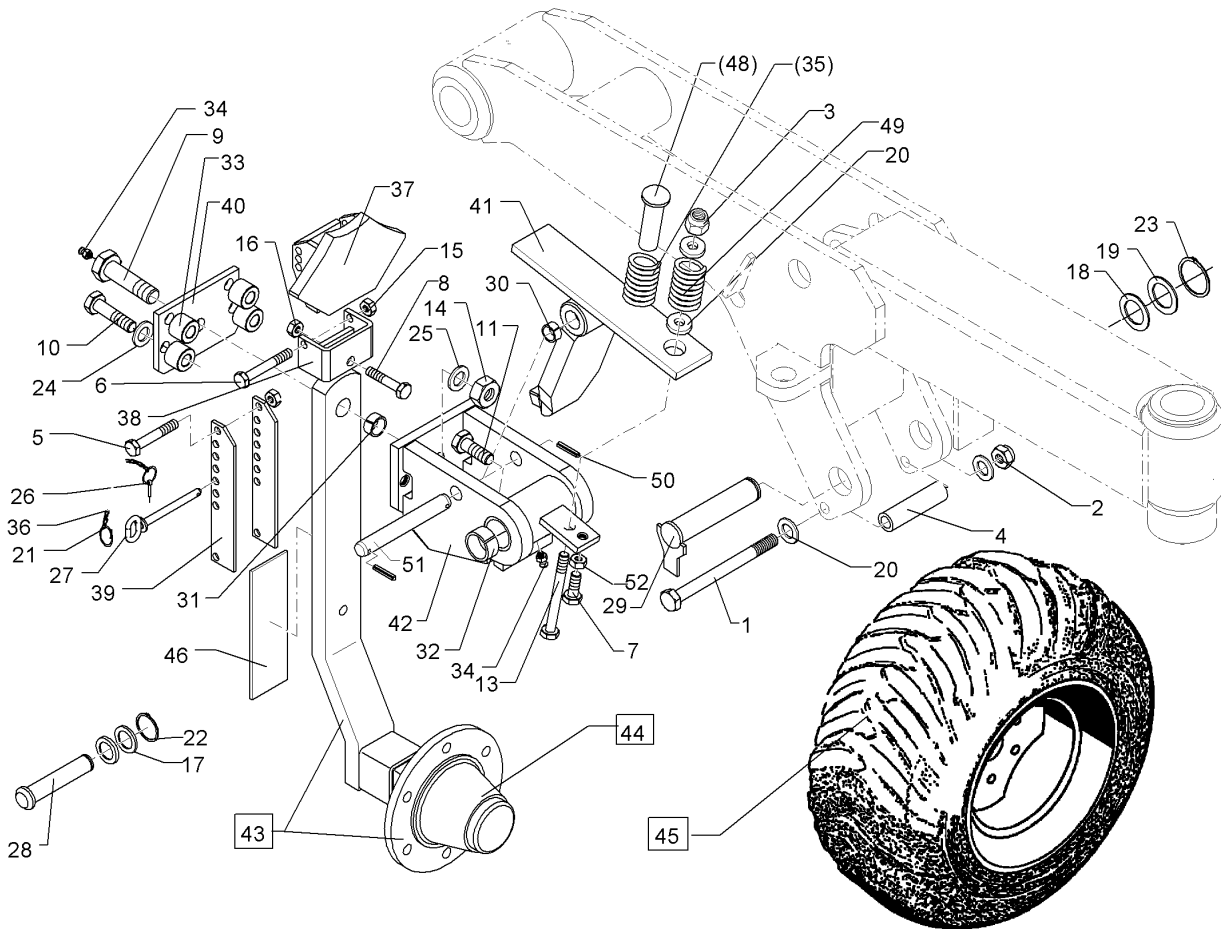
04.14

| Pos. | Art.Nr.  | Stck. | Artikeltext / Description    |                   | Abmessung                     |
|------|----------|-------|------------------------------|-------------------|-------------------------------|
| 1    | 303 0342 | 1     | Nutmutter selbstsichernd     | Grooved nut       | M80x2 S                       |
| 2    | 305 2095 | 1     | Passscheibe                  | Shim              | 40x50x1,0 DIN988 Zn           |
| 3    | 305 2125 | 1     | Passscheibe                  | Shim              | 45x55x1,0 DIN988 Zn           |
| 4    | 305 2250 | 2     | Stützscheibe                 | Supporting washer | S 40x50x2,5 DIN988 Zn         |
| 5    | 305 2252 | 1     | Stützscheibe                 | Supporting washer | S 45x55x3 DIN988 Zn           |
| 6    | 305 6229 | 2     | Scheibe                      | Washer            | 45x31x5 Zn DIN1441            |
| 7    | 305 8875 | 1     | Sicherungsring               | Securing ring     | 40x2,5 DIN471                 |
| 8    | 305 8876 | 1     | Sicherungsring               | Securing ring     | 45x2,5 DIN471                 |
| 9    | 309 7000 | 2     | Spannhülse                   | Expansion bush    | 8x50-DIN1481 Zn               |
| 15   | 313 3027 | 1     | Bolzen                       | Pin               | D30x152/270 Zn                |
| 16   | 313 4025 | 1     | Bolzen mit Verdrehsicherung  | Pin with stop     | D40x244/263 Zn                |
| 17   | 313 4529 | 1     | Bolzen mit Verdrehsicherung  | Pin with stop     | D45x275/299 Zn                |
| 18   | 317 3430 | 4     | Einspannbuchse               | Expansion bush    | EG45/55x40-DIN1498            |
| 19   | 317 2015 | 2     | Einspannbuchse mit Presssitz | Expansion bush    | EG45/50x25                    |
| 20   | 319 9104 | 1     | Kegelrollenlager             | Bearing           | 32018X                        |
| 21   | 319 9094 | 1     | Kegelrollenlager             | Bearing           | 30216.                        |
| 23   | 323 0039 | 1     | Dichtscheibe                 | Seal washer       | D139,5/80x12 Zn               |
| 24   | 323 0040 | 1     | Dichtscheibe mit Nut         | Seal washer       | D139,5/90x12 Zn               |
| 25   | 323 6348 | 2     | Schmiernippel                | Grease nipple     | AM10x1 DIN71412               |
| 26   | 323 6349 | 1     | Schmiernippel                | Grease nipple     | CM10x1                        |
| 27   | 323 7944 | 2     | Filzring                     | Felt ring         | DIN71412-90 GRD<br>D140/120x6 |



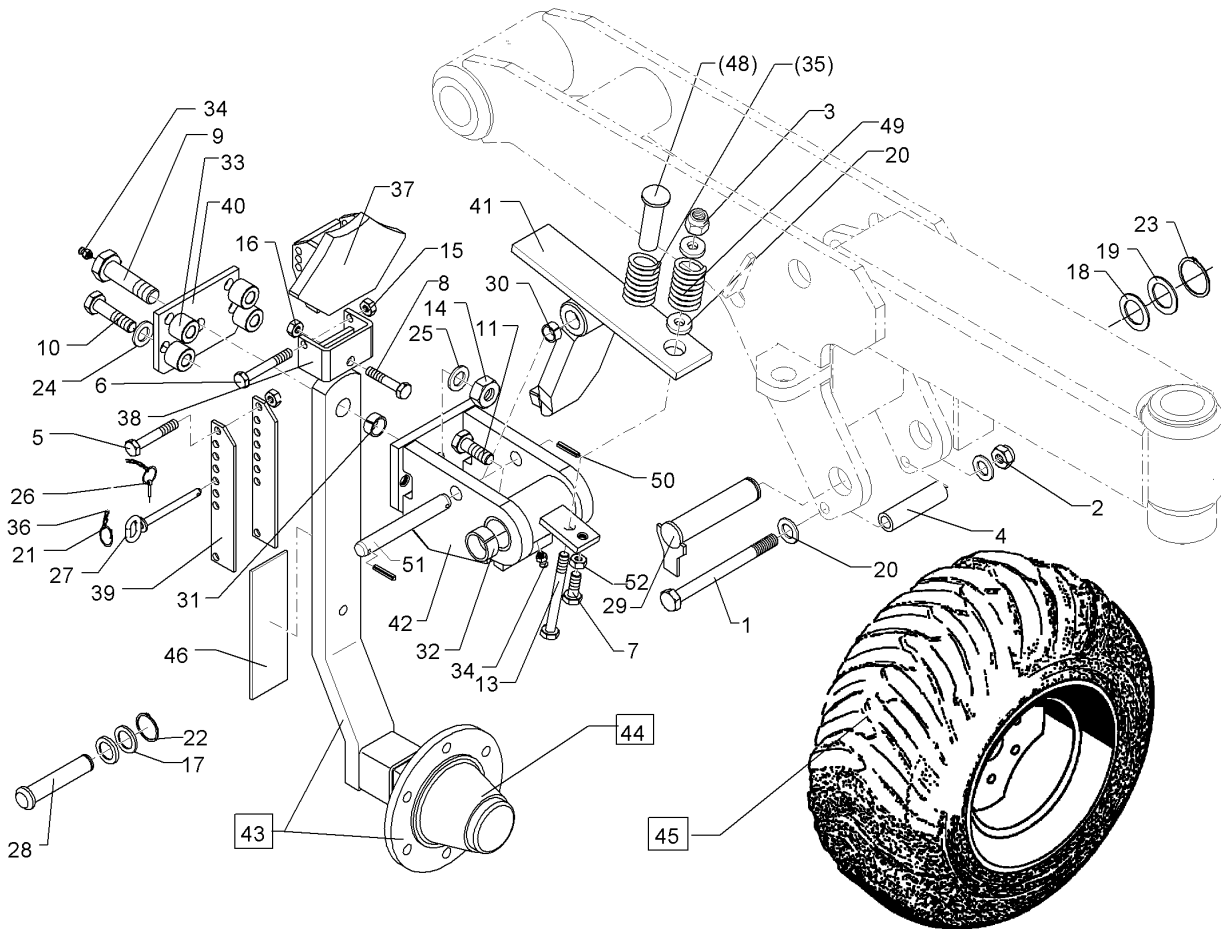
04.14

| Pos. | Art.Nr.  | Stck. | Artikeltext / Description    |                 | Abmessung          |
|------|----------|-------|------------------------------|-----------------|--------------------|
| 28   | 450 7392 | 1     | Schwenklager                 | Swivel bearing  | D45x180x350        |
| 29   | 450 5974 | 1     | Radgabel                     | Wheel fork      | D36x520 VD10       |
| 30   | 450 6331 | 1     | Radarm                       | Wheel arm       | D40x190 VD-10 X    |
| 31   | 450 8234 | 1     | Tragachse                    | Supporting axle | D90/45x179 V10     |
| 32   | 550 7084 | 1     | Lagerung                     | Bearing         | D35x622 6/205      |
| 33   | 317 3345 | 1     | Einspannbuchse mit Presssitz | Expansion bush  | EG25/29x25         |
| 34   | 303 0341 | 1     | Nutmutter                    | Grooved nut     | M80x2 KM16 Zn      |
| 35   | 45010021 | 1     | Tragachse                    | Supporting axle | D90x210            |
| 36   | 886 3006 | 1     | Loctite                      | Loctite         | Nr.641 10ml        |
| 37   | 45010051 | 1     | Radgabel                     | Wheel fork      | D36x520 Diamant 11 |



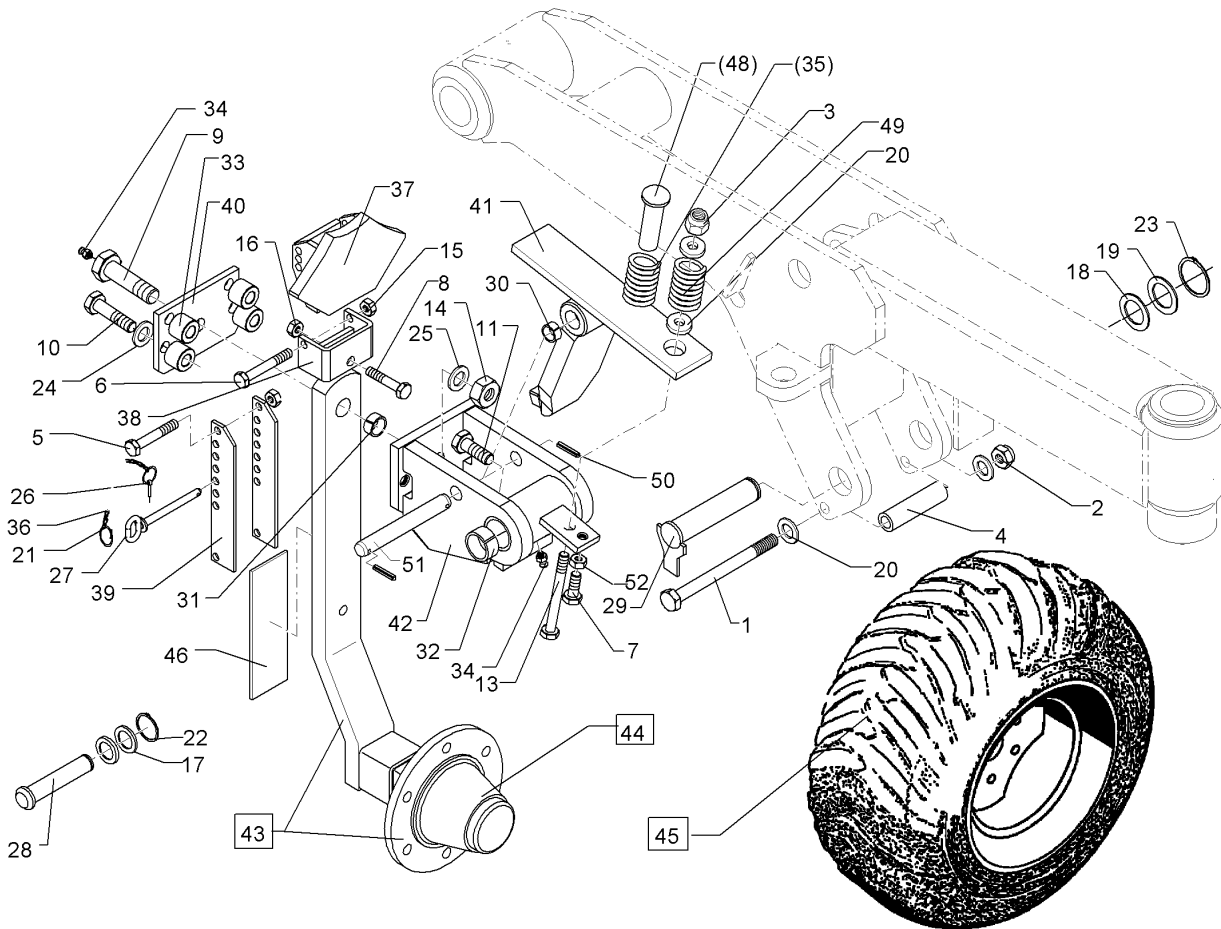
04.14

| Pos. | Art.Nr.  | Stck. | Artikeltext / Description |                   | Abmessung                     |
|------|----------|-------|---------------------------|-------------------|-------------------------------|
| 1    | 301 4545 | 1     | Sechskantschraube spezial | Hexagon bolt      | M20x1,5x230ls204xb23-10.9 Zn  |
| 2    | 303 0977 | 1     | Sechskantmutter           | Hexagon nut       | M20x1,5 DIN934-10 Zn          |
| 3    | 303 0935 | 1     | Sicherungsmutter          | Selflocking nut   | NM16-8 Zn DIN985              |
| 4    | 317 6668 | 1     | Röhrchen                  | Tube              | 33,7x4,5x160                  |
| 5    | 301 3470 | 1     | Sechskantschraube spz.    | Hexagon bolt      | M12x105-10.9 Zn               |
| 6    | 301 3498 | 1     | Sechskantschraube         | Hexagon bolt      | M12x120-8.8 Zn DIN931-A       |
| 7    | 301 3734 | 1     | Sechskantschraube         | Hexagon bolt      | M16x45-12.9 A=max.3 Zn DIN933 |
| 8    | 301 3868 | 1     | Sechskantschraube         | Hexagon bolt      | M16x65-8.8 Zn DIN931-A        |
| 9    | 301 4637 | 1     | Sechskantschraube         | Hexagon bolt      | M24x85-8.8 MSB Zn             |
| 10   | 301 5390 | 4     | Sechskantschraube spz.    | Hexagon bolt      | M20x65-12.9 Zn                |
| 11   | 301 4197 | 1     | Sechskantschraube         | Hexagon bolt      | M20x40-8.8 Zn DIN933          |
| 12   | 301 5404 | 1     | Sechskantschraube         | Hexagon bolt      | M16x40-8.8 Zn DIN933          |
| 13   | 301 5410 | 1     | Sechskantschraube         | Hexagon bolt      | M16x160-8.8 Zn DIN931-A       |
| 14   | 303 0960 | 1     | Sechskantmutter           | Hexagon nut       | BM24 DIN 439-8                |
| 15   | 303 0934 | 2     | Sicherungsmutter          | Selflocking nut   | NM12-8 Zn DIN985              |
| 16   | 303 1015 | 3     | Sechskantmutter           | Hexagon nut       | M16 DIN934-8 Zn               |
| 17   | 305 2230 | 6     | Stützscheibe              | Supporting washer | S 25x35x2,0 DIN988 Zn         |
| 18   | 305 2150 | 2     | Passscheibe               | Shim              | 50x62x1,0 DIN988 Zn           |



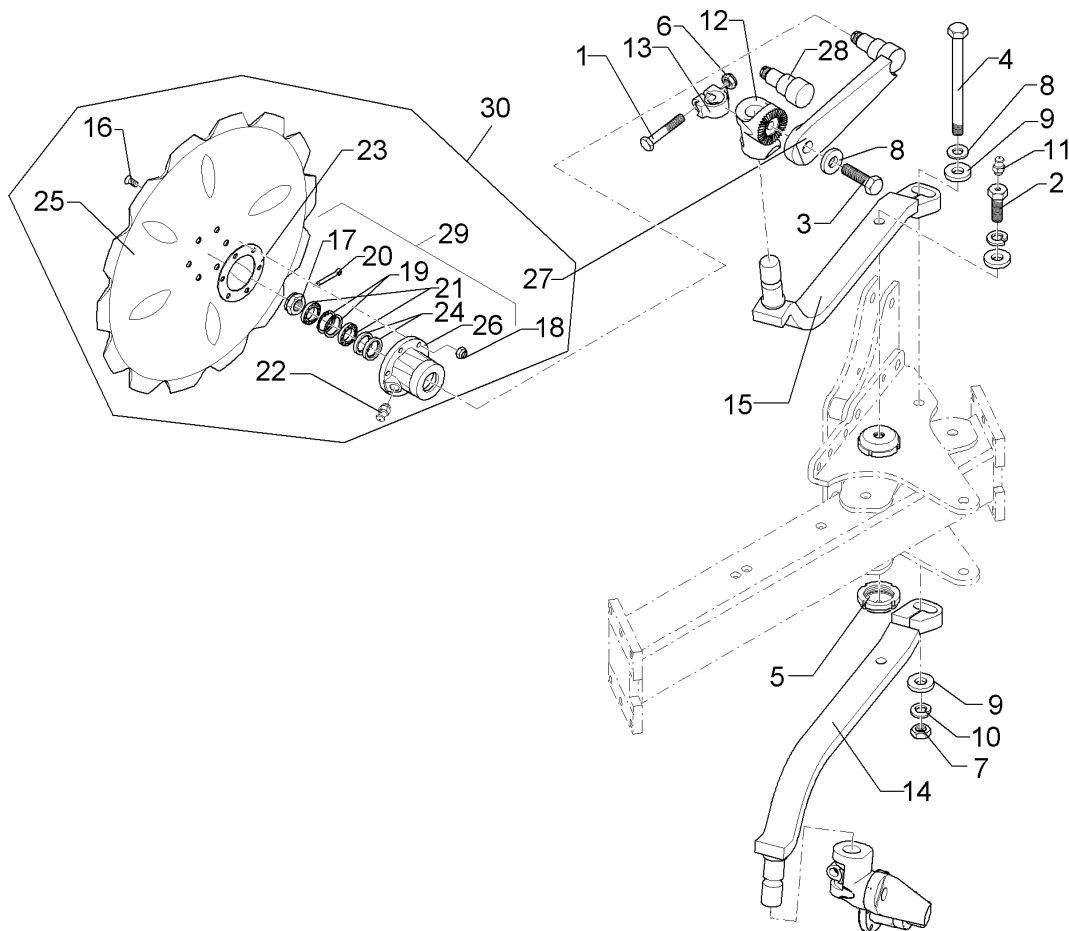
04.14

| Pos. | Art.Nr.  | Stck. | Artikeltext / Description    | Abmessung          |                                   |
|------|----------|-------|------------------------------|--------------------|-----------------------------------|
| 19   | 305 2255 | 4     | Stützscheibe                 | Supporting washer  | S 50x62x3 DIN988<br>Zn            |
| 20   | 305 6161 | 2     | Scheibe                      | Washer             | 17/40x6 DIN7349 Zn                |
| 21   | 305 8551 | 2     | Federsicherung               | Securing clip      | Di41x3 A2                         |
| 22   | 305 8861 | 1     | Sicherungsring               | Securing ring      | 25x2 DIN471 Zn                    |
| 23   | 305 8877 | 1     | Sicherungsring               | Securing ring      | 50x3 DIN471                       |
| 24   | 305 6012 | 2     | Scheibe                      | Washer             | 21 ISO7089 Zn                     |
| 25   | 305 6254 | 1     | Scheibe                      | Washer             | 25 ISO7089 Zn                     |
| 26   | 311 9565 | 1     | Klappstift                   | Securing pin       | 4,5                               |
| 27   | 313 1213 | 1     | Bolzen mit Griff             | Pin with grip      | D12x118,5/131 D5<br>Zn            |
| 28   | 313 2534 | 1     | Bolzen mit Kopf              | Pin with collar    | D25/30x176/193                    |
| 29   | 313 5035 | 1     | Bolzen mit Verdrehsicherung  | Pin with stop      | D50x211/236 Zn                    |
| 30   | 317 3408 | 2     | Einspannbuchse mit Presssitz | Expansion bush     | EG25/32x20                        |
| 31   | 317 3409 | 2     | Einspannbuchse               | Expansion bush     | EG25/32x28-DIN1498                |
| 32   | 317 3434 | 2     | Einspannbuchse               | Expansion bush     | EG50/60x40-DIN1498                |
| 33   | 317 6944 | 4     | Buchse                       | Bush               | D40/20,2x30,5 Zn                  |
| 34   | 323 6350 | 2     | Schmiernippel                | Grease nipple      | BM10x1<br>DIN71412-4kt. 45<br>GRD |
| 35   | 329 8289 | 1     | Druckfeder                   | Compression spring | 5x37x138                          |
| 36   | 331 6130 | 1     | Knotenkette                  | Knotted-link chain | D2x150                            |
| 37   | 449 5748 | 1     | Anschlag                     | Stop               | 52x95 Schwenkrad<br>VT10          |
| 38   | 449 5749 | 1     | Halter Schwenkrad            | Holder             | 47x95 VT10                        |



04.14

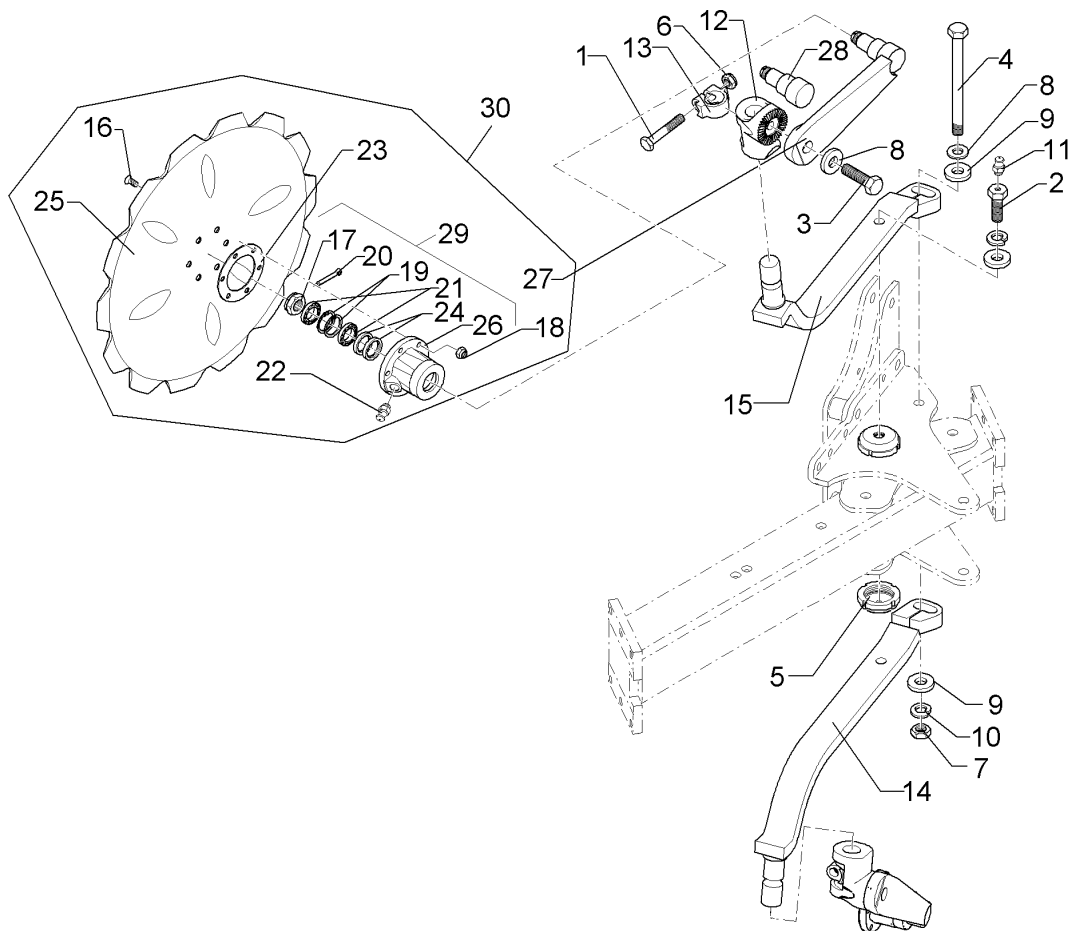
| Pos. | Art.Nr.  | Stck. | Artikeltext / Description | Abmessung                |                           |
|------|----------|-------|---------------------------|--------------------------|---------------------------|
| 39   | 449 5757 | 2     | Verstelleiste             | Adjuster plate           | 50x6x270                  |
| 40   | 450 7414 | 1     | Gegenplatte               | Plate                    | 120x12x180 VT10           |
| 41   | 450 7415 | 1     | Schwenkansschlag          | Pivot stop               | D25x160 VT10              |
| 42   | 450 7416 | 1     | Schwenkconsole            | Swivel bracket           | D60x160 VT10              |
| 43   | 550 7416 | 1     | Radhalm mit Lagerung      | Wheel stalk with bearing | 80x30 6/205 VT10          |
| 44   | 549 8894 | 1     | Lagerung                  | Bearing                  | V60-6/160/205/88.5<br>D18 |
| 45   | 550 8850 | 1     | Rad 6/161/205 D18         | Wheel 6/161/205 D18      | 11.5/80-15.3 10PR<br>AW   |
| 46   | 449 5747 | 1     | Platte                    | Plate                    | 80x5x250 Zn               |
| 48   | 303 0114 | 1     | Federmutter               | Spring nut               | D45/30x110 M16x50         |
| 49   | 329 8290 | 1     | Druckfeder                | Compression spring       | 4x33x135 VD-324           |
| 50   | 309 6054 | 2     | Spannhülse                | Expansion bush           | 6x40-DIN1481 Zn           |
| 51   | 31310010 | 1     | Bolzen                    | Pin                      | D25x195 2xD6-175<br>Zn    |
| 52   | 303 1020 | 1     | Sechskantmutter           | Hexagon nut              | M16 DIN936-8 Zn           |



04.14

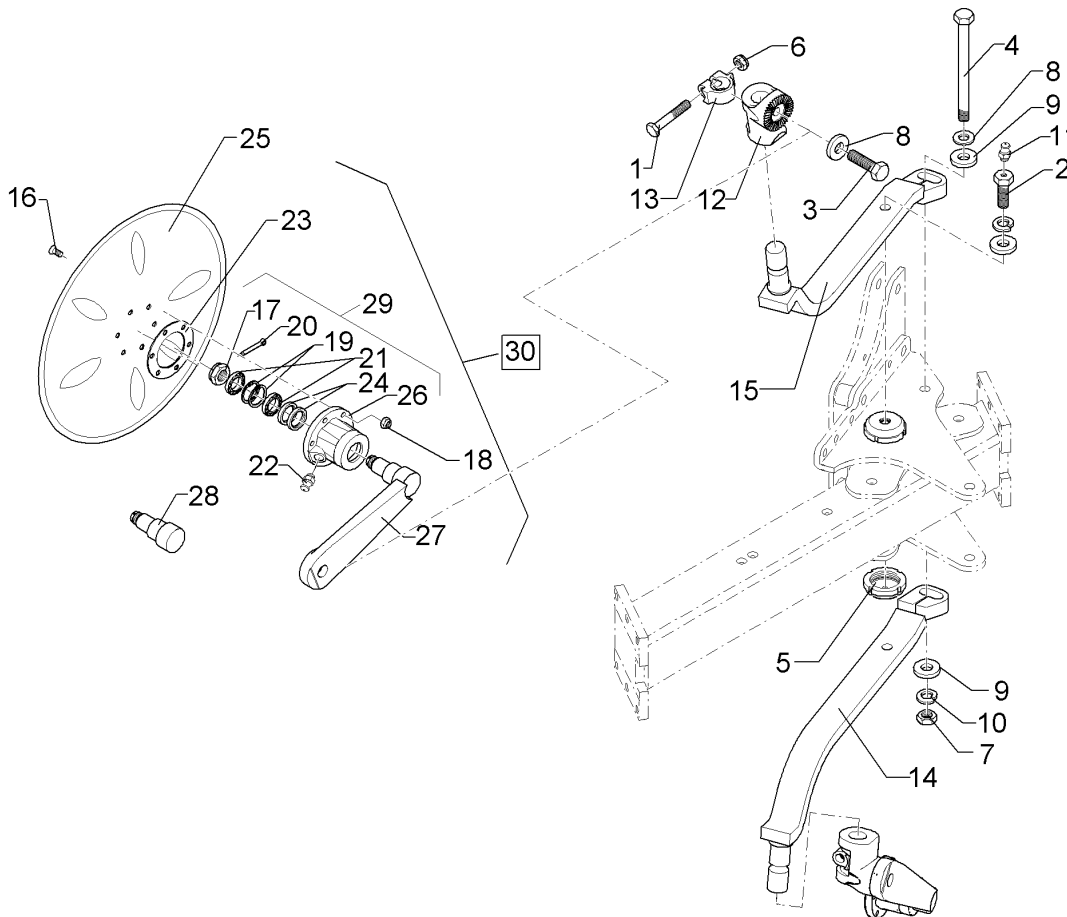
| Pos. | Art.Nr.  | Stck. | Artikeltext / Description |                               | Abmessung                   |
|------|----------|-------|---------------------------|-------------------------------|-----------------------------|
| 1    | 301 3868 | 2     | Sechskantschraube         | Hexagon bolt                  | M16x65-8.8 Zn<br>DIN931-A   |
| 2    | 301 4237 | 2     | Sechskantschraube spz.    | Hexagon bolt                  | M20x1,5x50/M10x1<br>Zn      |
| 3    | 301 5414 | 2     | Sechskantschraube         | Hexagon bolt                  | M20x60-8.8 Zn<br>DIN933     |
| 4    | 301 4583 | 1     | Sechskantschraube         | Hexagon bolt                  | M20x320-8.8 Zn<br>DIN931-A  |
| 5    | 303 0350 | 2     | Nutmutter                 | Grooved nut                   | M60x2 M20x1,5<br>D80x30 Zn  |
| 6    | 303 1015 | 2     | Sechskantmutter           | Hexagon nut                   | M16 DIN934-8 Zn             |
| 7    | 303 0978 | 1     | Sechskantmutter           | Hexagon nut                   | M20 DIN934-8 Zn             |
| 8    | 305 6012 | 4     | Scheibe                   | Washer                        | 21 ISO7089 Zn               |
| 9    | 305 6015 | 4     | Scheibe                   | Washer                        | 21 DIN7349                  |
| 10   | 305 9888 | 3     | Federring                 | Spring ring                   | 20 DIN127-A                 |
| 11   | 323 6348 | 2     | Schmiernippel             | Grease nipple                 | AM10x1 DIN71412             |
| 12   | 457 9146 | 2     | Zahnkonsole               | Hirth-type bracket            | D70/38 Z40                  |
| 13   | 457 9870 | 2     | Sperrstück                | Adjusting piece               | D38x30                      |
| 14   | 463 8684 | 1     | Sechshalm                 | Disc stalk                    | 60x25x630                   |
| 15   | 463 8685 | 1     | Sechshalm                 | Disc stalk                    | 60x25x630                   |
| 16   | 301 6123 | 6     | Senkschraube              | COUNTER SUNK SCR. M12x45-12.9 | M10x30-10.9 Zn<br>DIN7991-A |
| 17   | 303 0193 | 1     | Kronenmutter              | Castle nut                    | DIN937-M24x1,5-22H          |
| 18   | 303 0933 | 6     | Sicherungsmutter          | Selflocking nut               | NM10-8 Zn DIN985            |
| 19   | 305 8924 | 2     | Sicherungsring            | Securing ring                 | 62x2 DIN472                 |
| 20   | 311 7613 | 1     | Splint                    | Peg                           | 3,2x40 DIN94-St Zn          |





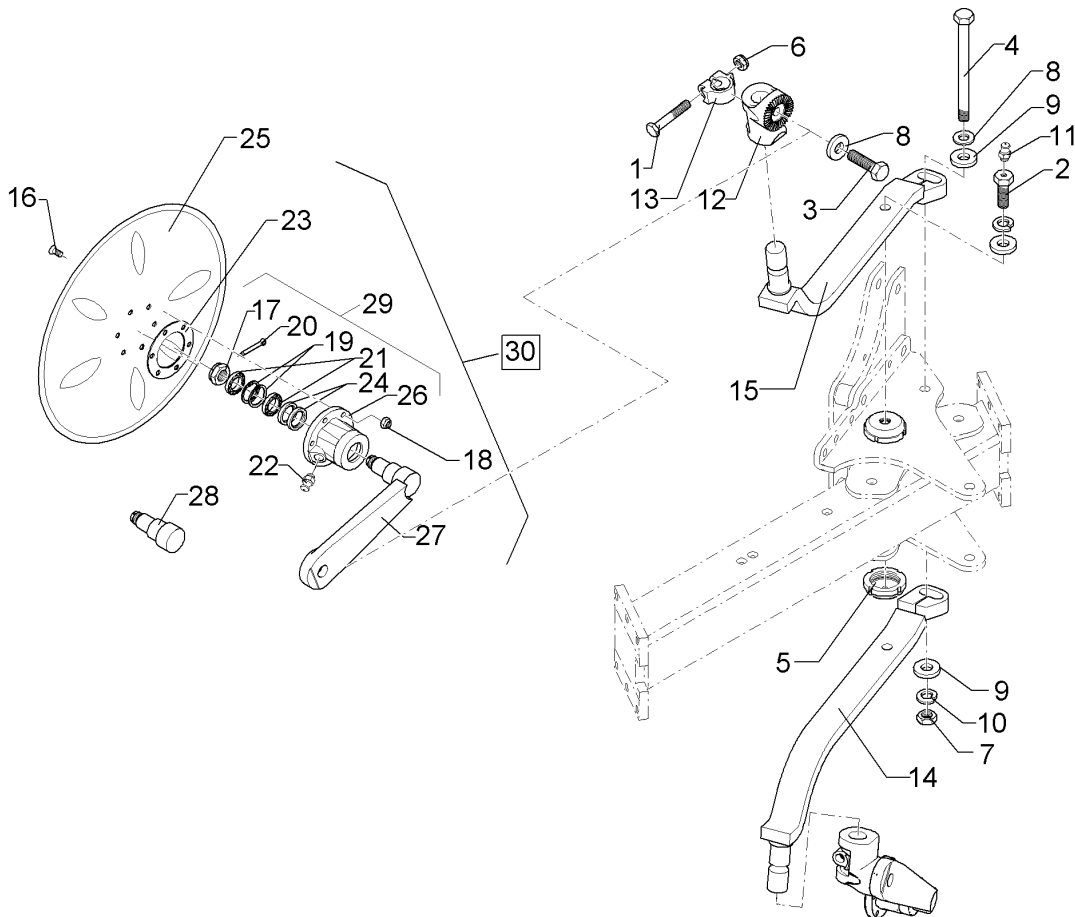
04.14

| Pos. | Art.Nr.  | Stck. | Artikeltext / Description | Abmessung     |                |
|------|----------|-------|---------------------------|---------------|----------------|
| 21   | 319 9116 | 2     | Kegelrollenlager          | Bearing       | 30206.         |
| 22   | 323 6345 | 1     | Schmiernippel gerade      | Grease nipple | LAM 6 DIN71412 |
| 23   | 323 7641 | 1     | Dichtung                  | Seal          | D120/65x1,6    |
| 24   | 323 8032 | 2     | Wellendichtring           | Oil seal      | 40x55x7 BA     |
| 25   | 349 0042 | 1     | Sechscheibe               | Disc          | D500/100x5-Z   |
| 26   | 447 8882 | 1     | Nabe                      | Hub           | 668 A          |
| 27   | 457 9328 | 1     | Secharm                   | Swinging arm  | D77x250 Z40    |
| 28   | 215 1667 | 1     | Achse                     | Axle          | D50/40/30x123  |
| 29   | 547 8883 | 1     | Lagerung                  | Bearing       | 668A 2x30206   |
| 30   | 657 9349 | 2     | Secharm kpl.              | Disc arm      | D500-Z V-A Z40 |



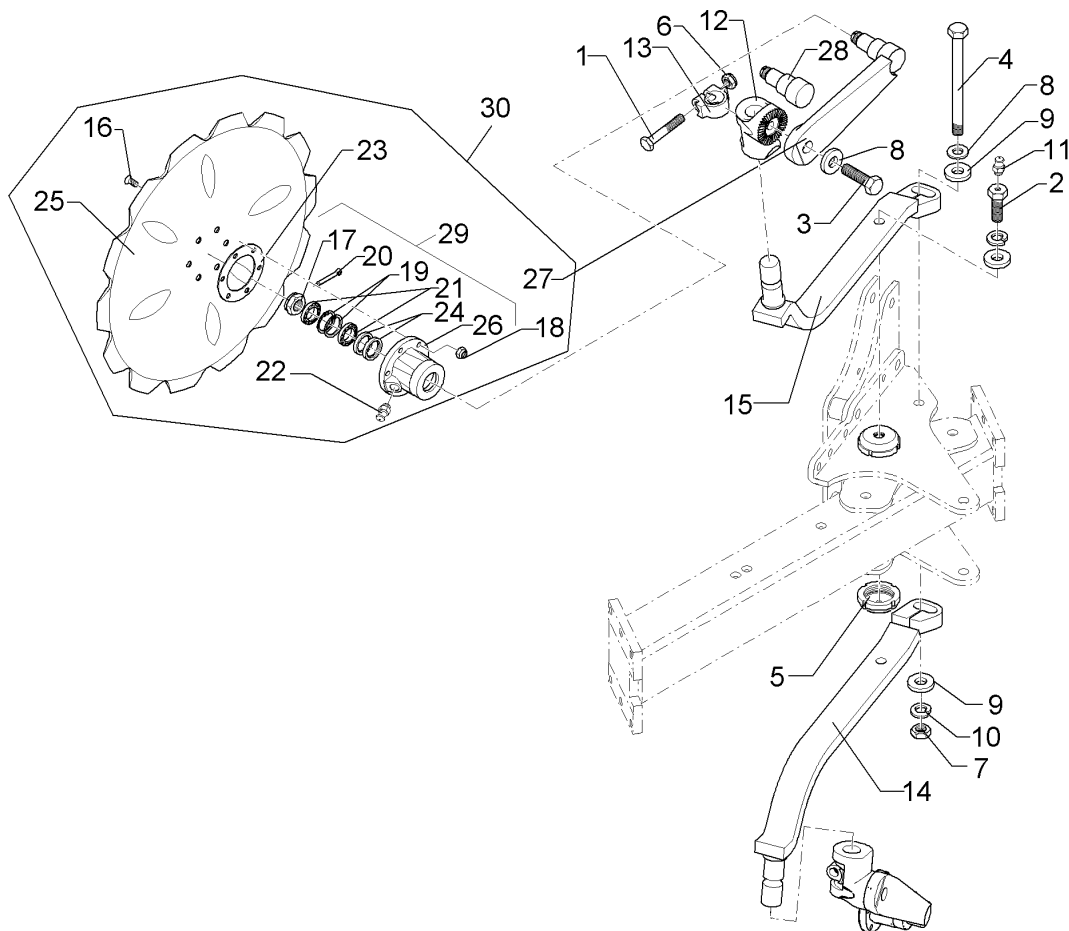
04.14

| Pos. | Art.Nr.  | Stck. | Artikeltext / Description |                               | Abmessung   |
|------|----------|-------|---------------------------|-------------------------------|---|
| 1    | 301 3868 | 2     | Sechskantschraube         | Hexagon bolt                  | M16x65-8.8 Zn<br>DIN931-A                         |
| 2    | 301 4237 | 2     | Sechskantschraube spz.    | Hexagon bolt                  | M20x1,5x50/M10x1<br>Zn                            |
| 3    | 301 5414 | 2     | Sechskantschraube         | Hexagon bolt                  | M20x60-8.8 Zn<br>DIN933                           |
| 4    | 301 4583 | 1     | Sechskantschraube         | Hexagon bolt                  | M20x320-8.8 Zn<br>DIN931-A                        |
| 5    | 303 0350 | 2     | Nutmutter                 | Grooved nut                   | M60x2 M20x1,5<br>D80x30 Zn                        |
| 6    | 303 1015 | 2     | Sechskantmutter           | Hexagon nut                   | M16 DIN934-8 Zn                                   |
| 7    | 303 0978 | 2     | Sechskantmutter           | Hexagon nut                   | M20 DIN934-8 Zn                                   |
| 8    | 305 6012 | 4     | Scheibe                   | Washer                        | 21 ISO7089 Zn                                     |
| 9    | 305 6015 | 4     | Scheibe                   | Washer                        | 21 DIN7349  |
| 10   | 305 9888 | 3     | Federring                 | Spring ring                   | 20 DIN127-A                                       |
| 11   | 323 6348 | 2     | Schmiernippel             | Grease nipple                 | AM10x1 DIN71412                                   |
| 12   | 457 9146 | 2     | Zahnkonsole               | Hirth-type bracket            | D70/38 Z40  |
| 13   | 457 9870 | 2     | Sperrstück                | Adjusting piece               | D38x30  |
| 14   | 463 8684 | 1     | Sechshalm                 | Disc stalk                    | 60x25x630   |
| 15   | 463 8685 | 1     | Sechshalm                 | Disc stalk                    | 60x25x630   |
| 16   | 301 6123 | 6     | Senkschraube              | COUNTER SUNK SCR. M12x45-12.9 | M10x30-10.9 Zn<br>DIN7991-A<br>DIN937-M24x1,5-22H |
| 17   | 303 0193 | 1     | Kronenmutter              | Castle nut                    | DIN937-M24x1,5-22H                                |
| 18   | 303 0933 | 6     | Sicherungsmutter          | Selflocking nut               | NM10-8 Zn DIN985                                  |
| 19   | 305 8924 | 2     | Sicherungsring            | Securing ring                 | 62x2 DIN472                                       |
| 20   | 311 7613 | 1     | Splint                    | Peg                           | 3,2x40 DIN94-St Zn                                |



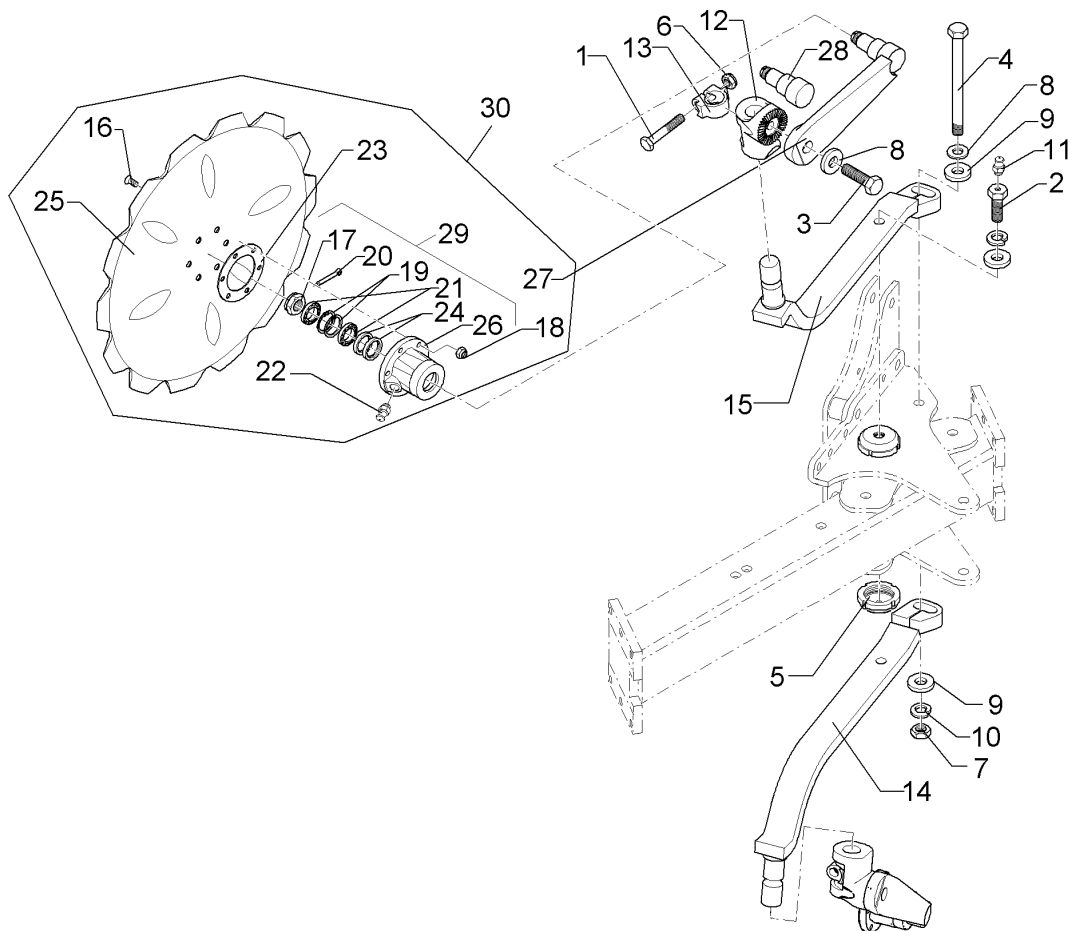
04.14

| Pos. | Art.Nr.  | Stck. | Artikeltext / Description | Abmessung     |                |
|------|----------|-------|---------------------------|---------------|----------------|
| 21   | 319 9116 | 2     | Kegelrollenlager          | Bearing       | 30206.         |
| 22   | 323 6345 | 1     | Schmiernippel gerade      | Grease nipple | LAM 6 DIN71412 |
| 23   | 323 7641 | 1     | Dichtung                  | Seal          | D120/65x1,6    |
| 24   | 323 8032 | 2     | Wellendichtring           | Oil seal      | 40x55x7 BA     |
| 25   | 349 0029 | 1     | Sechscheibe               | Disc          | D500/100x5 G   |
| 26   | 447 8882 | 1     | Nabe                      | Hub           | 668 A          |
| 27   | 457 9328 | 1     | Secharm                   | Swinging arm  | D77x250 Z40    |
| 28   | 215 1667 | 1     | Achse                     | Axle          | D50/40/30x123  |
| 29   | 547 8883 | 1     | Lagerung                  | Bearing       | 668A 2x30206   |
| 30   | 657 9348 | 2     | Secharm kpl.              | Disc arm      | D500 G V-A Z40 |



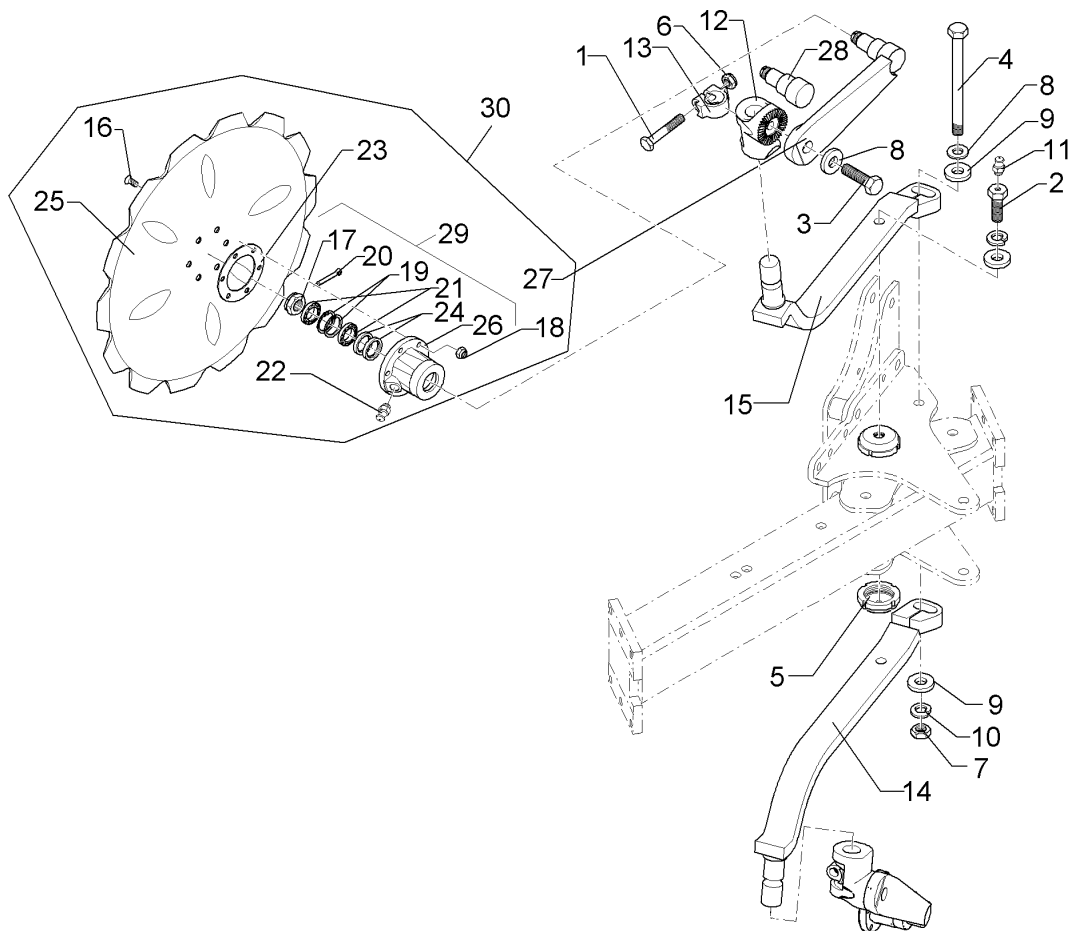
04.14

| Pos. | Art.Nr.  | Stck. | Artikeltext / Description |                               | Abmessung   |
|------|----------|-------|---------------------------|-------------------------------|---|
| 1    | 301 3868 | 2     | Sechskantschraube         | Hexagon bolt                  | M16x65-8.8 Zn<br>DIN931-A                         |
| 2    | 301 4237 | 2     | Sechskantschraube spz.    | Hexagon bolt                  | M20x1,5x50/M10x1<br>Zn                            |
| 3    | 301 5414 | 2     | Sechskantschraube         | Hexagon bolt                  | M20x60-8.8 Zn<br>DIN933                           |
| 4    | 301 4583 | 1     | Sechskantschraube         | Hexagon bolt                  | M20x320-8.8 Zn<br>DIN931-A                        |
| 5    | 303 0350 | 2     | Nutmutter                 | Grooved nut                   | M60x2 M20x1,5<br>D80x30 Zn                        |
| 6    | 303 1015 | 2     | Sechskantmutter           | Hexagon nut                   | M16 DIN934-8 Zn                                   |
| 7    | 303 0978 | 1     | Sechskantmutter           | Hexagon nut                   | M20 DIN934-8 Zn                                   |
| 8    | 305 6012 | 4     | Scheibe                   | Washer                        | 21 ISO7089 Zn                                     |
| 9    | 305 6015 | 4     | Scheibe                   | Washer                        | 21 DIN7349  |
| 10   | 305 9888 | 3     | Federring                 | Spring ring                   | 20 DIN127-A                                       |
| 11   | 323 6348 | 2     | Schmiernippel             | Grease nipple                 | AM10x1 DIN71412                                   |
| 12   | 457 9146 | 2     | Zahnkonsole               | Hirth-type bracket            | D70/38 Z40  |
| 13   | 457 9870 | 2     | Sperrstück                | Adjusting piece               | D38x30  |
| 14   | 463 8684 | 1     | Sechshalm                 | Disc stalk                    | 60x25x630   |
| 15   | 463 8685 | 1     | Sechshalm                 | Disc stalk                    | 60x25x630   |
| 16   | 301 6123 | 6     | Senkschraube              | COUNTER SUNK SCR. M12x45-12.9 | M10x30-10.9 Zn<br>DIN7991-A<br>DIN937-M24x1,5-22H |
| 17   | 303 0193 | 1     | Kronenmutter              | Castle nut                    | DIN7991-A<br>DIN937-M24x1,5-22H                   |
| 18   | 303 0933 | 6     | Sicherungsmutter          | Selflocking nut               | NM10-8 Zn DIN985                                  |
| 19   | 305 8924 | 2     | Sicherungsring            | Securing ring                 | 62x2 DIN472                                       |
| 20   | 311 7613 | 1     | Splint                    | Peg                           | 3,2x40 DIN94-St Zn                                |



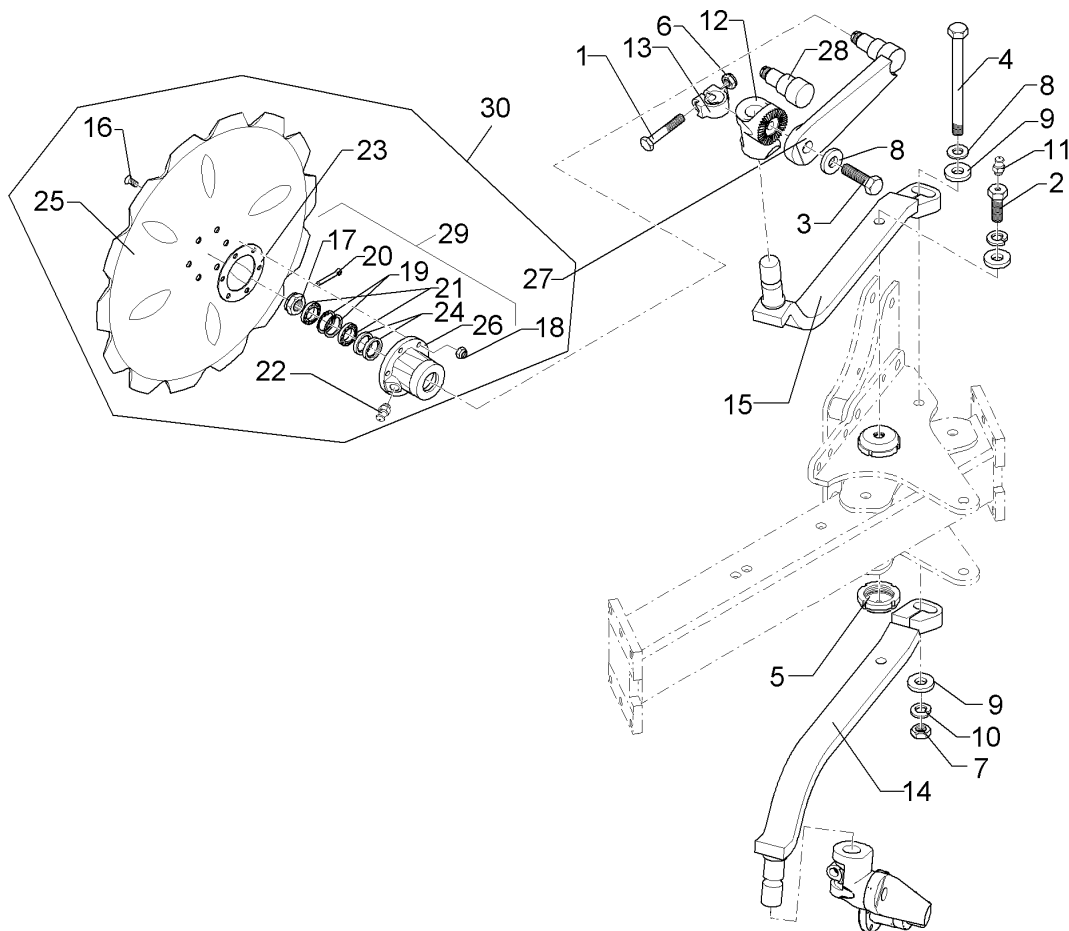
04.14

| Pos. | Art.Nr.  | Stck. | Artikeltext / Description | Abmessung     |                |
|------|----------|-------|---------------------------|---------------|----------------|
| 21   | 319 9116 | 2     | Kegelrollenlager          | Bearing       | 30206.         |
| 22   | 323 6345 | 1     | Schmiernippel gerade      | Grease nipple | LAM 6 DIN71412 |
| 23   | 323 7641 | 1     | Dichtung                  | Seal          | D120/65x1,6    |
| 24   | 323 8032 | 2     | Wellendichtring           | Oil seal      | 40x55x7 BA     |
| 25   | 349 0050 | 1     | Sechscheibe               | Disc          | D590/100x6 GEZ |
| 26   | 447 8882 | 1     | Nabe                      | Hub           | 668 A          |
| 27   | 457 9328 | 1     | Secharm                   | Swinging arm  | D77x250 Z40    |
| 28   | 215 1667 | 1     | Achse                     | Axle          | D50/40/30x123  |
| 29   | 547 8883 | 1     | Lagerung                  | Bearing       | 668A 2x30206   |
| 30   | 657 9350 | 2     | Secharm kpl.              | Disc arm      | D590-Z V-A Z40 |



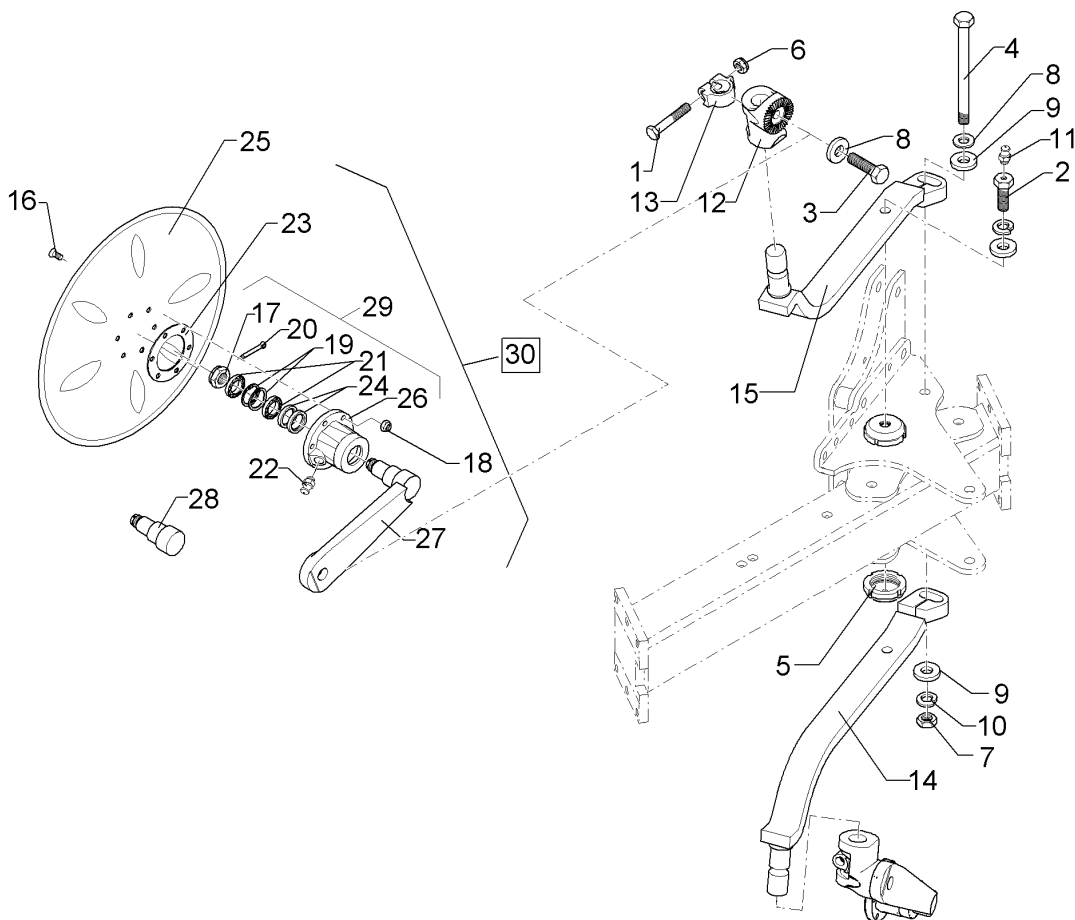
04.14

| Pos. | Art.Nr.  | Stck. | Artikeltext / Description |                               | Abmessung   |
|------|----------|-------|---------------------------|-------------------------------|---|
| 1    | 301 3868 | 2     | Sechskantschraube         | Hexagon bolt                  | M16x65-8.8 Zn<br>DIN931-A                         |
| 2    | 301 4237 | 2     | Sechskantschraube spz.    | Hexagon bolt                  | M20x1,5x50/M10x1<br>Zn                            |
| 3    | 301 5414 | 2     | Sechskantschraube         | Hexagon bolt                  | M20x60-8.8 Zn<br>DIN933                           |
| 4    | 301 4583 | 1     | Sechskantschraube         | Hexagon bolt                  | M20x320-8.8 Zn<br>DIN931-A                        |
| 5    | 303 0350 | 2     | Nutmutter                 | Grooved nut                   | M60x2 M20x1,5<br>D80x30 Zn                        |
| 6    | 303 1015 | 2     | Sechskantmutter           | Hexagon nut                   | M16 DIN934-8 Zn                                   |
| 7    | 303 0978 | 1     | Sechskantmutter           | Hexagon nut                   | M20 DIN934-8 Zn                                   |
| 8    | 305 6012 | 4     | Scheibe                   | Washer                        | 21 ISO7089 Zn                                     |
| 9    | 305 6015 | 4     | Scheibe                   | Washer                        | 21 DIN7349  |
| 10   | 305 9888 | 3     | Federring                 | Spring ring                   | 20 DIN127-A                                       |
| 11   | 323 6348 | 2     | Schmiernippel             | Grease nipple                 | AM10x1 DIN71412                                   |
| 12   | 457 9146 | 2     | Zahnkonsole               | Hirth-type bracket            | D70/38 Z40  |
| 13   | 457 9870 | 2     | Sperrstück                | Adjusting piece               | D38x30  |
| 14   | 463 8706 | 1     | Maissechhalm              | Disc stalk                    | 60x25x846-M RE                                    |
| 15   | 463 8707 | 1     | Maissechhalm              | Disc stalk                    | 60x25x846-M LI                                    |
| 16   | 301 6123 | 6     | Senkschraube              | COUNTER SUNK SCR. M12x45-12.9 | M10x30-10.9 Zn<br>DIN7991-A<br>DIN937-M24x1,5-22H |
| 17   | 303 0193 | 1     | Kronenmutter              | Castle nut                    | DIN7991-A<br>DIN937-M24x1,5-22H                   |
| 18   | 303 0933 | 6     | Sicherungsmutter          | Selflocking nut               | NM10-8 Zn DIN985                                  |
| 19   | 305 8924 | 2     | Sicherungsring            | Securing ring                 | 62x2 DIN472                                       |
| 20   | 311 7613 | 1     | Splint                    | Peg                           | 3,2x40 DIN94-St Zn                                |



04.14

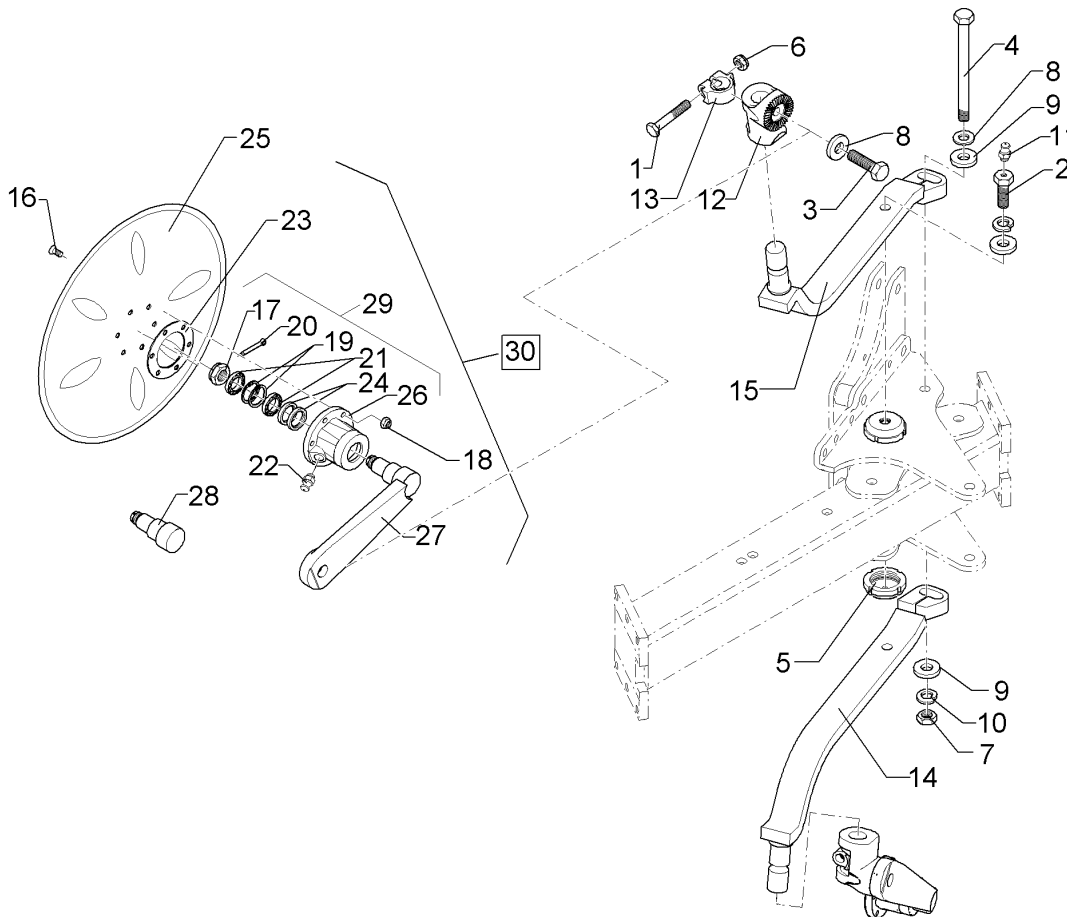
| Pos. | Art.Nr.  | Stck. | Artikeltext / Description | Abmessung     |                |
|------|----------|-------|---------------------------|---------------|----------------|
| 21   | 319 9116 | 2     | Kegelrollenlager          | Bearing       | 30206.         |
| 22   | 323 6345 | 1     | Schmiernippel gerade      | Grease nipple | LAM 6 DIN71412 |
| 23   | 323 7641 | 1     | Dichtung                  | Seal          | D120/65x1,6    |
| 24   | 323 8032 | 2     | Wellendichtring           | Oil seal      | 40x55x7 BA     |
| 25   | 349 0050 | 1     | Sechscheibe               | Disc          | D590/100x6 GEZ |
| 26   | 447 8882 | 1     | Nabe                      | Hub           | 668 A          |
| 27   | 457 9328 | 1     | Secharm                   | Swinging arm  | D77x250 Z40    |
| 28   | 215 1667 | 1     | Achse                     | Axle          | D50/40/30x123  |
| 29   | 547 8883 | 1     | Lagerung                  | Bearing       | 668A 2x30206   |
| 30   | 657 9350 | 2     | Secharm kpl.              | Disc arm      | D590-Z V-A Z40 |



04.14

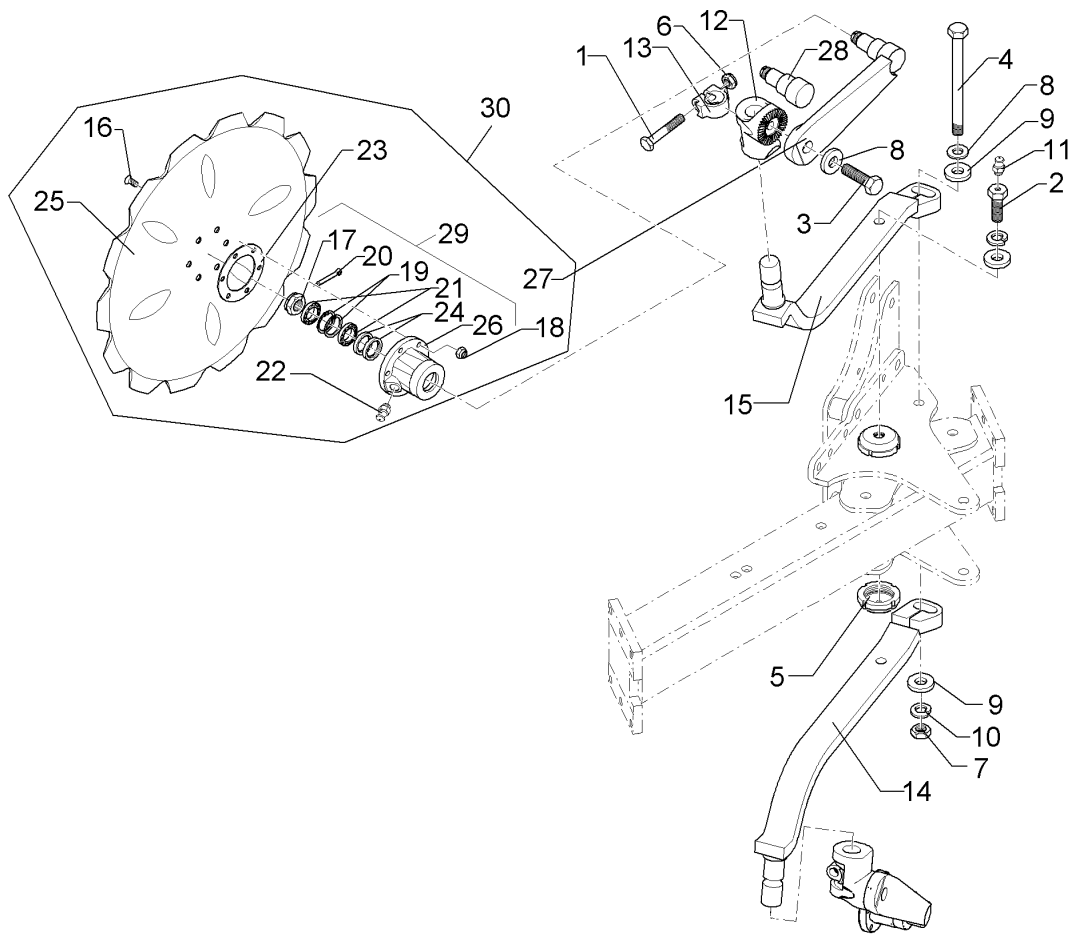
| Pos. | Art.Nr.  | Stck. | Artikeltext / Description |                               | Abmessung                   |
|------|----------|-------|---------------------------|-------------------------------|-----------------------------|
| 1    | 301 3868 | 2     | Sechskantschraube         | Hexagon bolt                  | M16x65-8.8 Zn<br>DIN931-A   |
| 2    | 301 4237 | 2     | Sechskantschraube spz.    | Hexagon bolt                  | M20x1,5x50/M10x1<br>Zn      |
| 3    | 301 5414 | 2     | Sechskantschraube         | Hexagon bolt                  | M20x60-8.8 Zn<br>DIN933     |
| 4    | 301 4583 | 1     | Sechskantschraube         | Hexagon bolt                  | M20x320-8.8 Zn<br>DIN931-A  |
| 5    | 303 0350 | 2     | Nutmutter                 | Grooved nut                   | M60x2 M20x1,5<br>D80x30 Zn  |
| 6    | 303 1015 | 2     | Sechskantmutter           | Hexagon nut                   | M16 DIN934-8 Zn             |
| 7    | 303 0978 | 1     | Sechskantmutter           | Hexagon nut                   | M20 DIN934-8 Zn             |
| 8    | 305 6012 | 4     | Scheibe                   | Washer                        | 21 ISO7089 Zn               |
| 9    | 305 6015 | 4     | Scheibe                   | Washer                        | 21 DIN7349                  |
| 10   | 305 9888 | 3     | Federring                 | Spring ring                   | 20 DIN127-A                 |
| 11   | 323 6348 | 2     | Schmiernippel             | Grease nipple                 | AM10x1 DIN71412             |
| 12   | 457 9146 | 2     | Zahnkonsole               | Hirth-type bracket            | D70/38 Z40                  |
| 13   | 457 9870 | 2     | Sperrstück                | Adjusting piece               | D38x30                      |
| 14   | 463 8706 | 1     | Maissechhalm              | Disc stalk                    | 60x25x846-M RE              |
| 15   | 463 8707 | 1     | Maissechhalm              | Disc stalk                    | 60x25x846-M LI              |
| 16   | 301 6123 | 6     | Senkschraube              | COUNTER SUNK SCR. M12x45-12.9 | M10x30-10.9 Zn<br>DIN7991-A |
| 17   | 303 0193 | 1     | Kronenmutter              | Castle nut                    | DIN937-M24x1,5-22H          |
| 18   | 303 0933 | 6     | Sicherungsmutter          | Selflocking nut               | NM10-8 Zn DIN985            |
| 19   | 305 8924 | 2     | Sicherungsring            | Securing ring                 | 62x2 DIN472                 |
| 20   | 311 7613 | 1     | Splint                    | Peg                           | 3,2x40 DIN94-St Zn          |





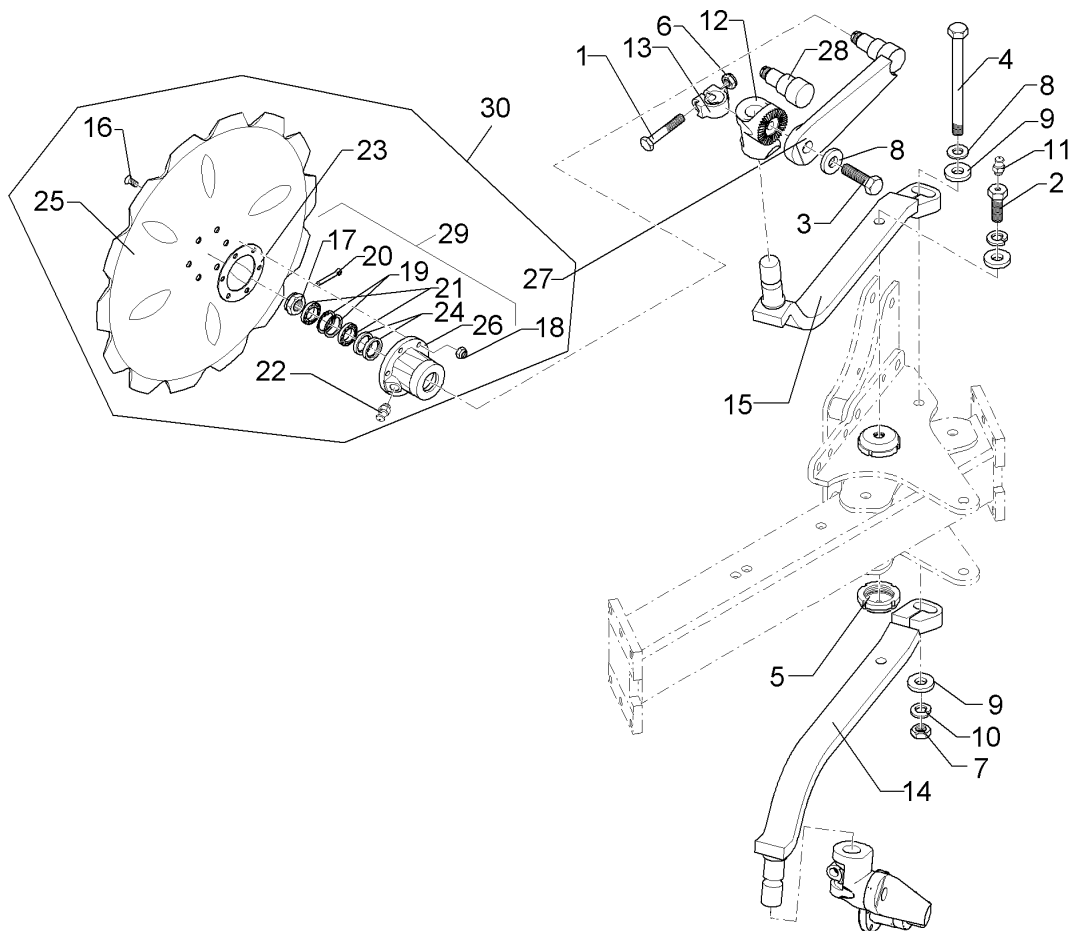
04.14

| Pos. | Art.Nr.  | Stck. | Artikeltext / Description |               | Abmessung      |
|------|----------|-------|---------------------------|---------------|----------------|
| 21   | 319 9116 | 2     | Kegelrollenlager          | Bearing       | 30206.         |
| 22   | 323 6345 | 1     | Schmiernippel gerade      | Grease nipple | LAM 6 DIN71412 |
| 23   | 323 7641 | 1     | Dichtung                  | Seal          | D120/65x1,6    |
| 24   | 323 8032 | 2     | Wellendichtring           | Oil seal      | 40x55x7 BA     |
| 25   | 349 0029 | 1     | Sechscheibe               | Disc          | D500/100x5 G   |
| 26   | 447 8882 | 1     | Nabe                      | Hub           | 668 A          |
| 27   | 457 9328 | 1     | Secharm                   | Swinging arm  | D77x250 Z40    |
| 28   | 215 1667 | 1     | Achse                     | Axle          | D50/40/30x123  |
| 29   | 547 8883 | 1     | Lagerung                  | Bearing       | 668A 2x30206   |
| 30   | 657 9348 | 2     | Secharm kpl.              | Disc arm      | D500 G V-A Z40 |



04.14

| Pos. | Art.Nr.  | Stck. | Artikeltext / Description |                               | Abmessung   |
|------|----------|-------|---------------------------|-------------------------------|---|
| 1    | 301 3868 | 2     | Sechskantschraube         | Hexagon bolt                  | M16x65-8.8 Zn<br>DIN931-A                         |
| 2    | 301 4237 | 2     | Sechskantschraube spz.    | Hexagon bolt                  | M20x1,5x50/M10x1<br>Zn                            |
| 3    | 301 5414 | 2     | Sechskantschraube         | Hexagon bolt                  | M20x60-8.8 Zn<br>DIN933                           |
| 4    | 301 4583 | 1     | Sechskantschraube         | Hexagon bolt                  | M20x320-8.8 Zn<br>DIN931-A                        |
| 5    | 303 0350 | 2     | Nutmutter                 | Grooved nut                   | M60x2 M20x1,5<br>D80x30 Zn                        |
| 6    | 303 1015 | 2     | Sechskantmutter           | Hexagon nut                   | M16 DIN934-8 Zn                                   |
| 7    | 303 0978 | 1     | Sechskantmutter           | Hexagon nut                   | M20 DIN934-8 Zn                                   |
| 8    | 305 6012 | 4     | Scheibe                   | Washer                        | 21 ISO7089 Zn                                     |
| 9    | 305 6015 | 4     | Scheibe                   | Washer                        | 21 DIN7349  |
| 10   | 305 9888 | 3     | Federring                 | Spring ring                   | 20 DIN127-A                                       |
| 11   | 323 6348 | 2     | Schmiernippel             | Grease nipple                 | AM10x1 DIN71412                                   |
| 12   | 457 9146 | 2     | Zahnkonsole               | Hirth-type bracket            | D70/38 Z40  |
| 13   | 457 9870 | 2     | Sperrstück                | Adjusting piece               | D38x30  |
| 14   | 463 8706 | 1     | Maissechhalm              | Disc stalk                    | 60x25x846-M RE                                    |
| 15   | 463 8707 | 1     | Maissechhalm              | Disc stalk                    | 60x25x846-M LI                                    |
| 16   | 301 6123 | 6     | Senkschraube              | COUNTER SUNK SCR. M12x45-12.9 | M10x30-10.9 Zn<br>DIN7991-A<br>DIN937-M24x1,5-22H |
| 17   | 303 0193 | 1     | Kronenmutter              | Castle nut                    | DIN7991-A<br>DIN937-M24x1,5-22H                   |
| 18   | 303 0933 | 6     | Sicherungsmutter          | Selflocking nut               | NM10-8 Zn DIN985                                  |
| 19   | 305 8924 | 2     | Sicherungsring            | Securing ring                 | 62x2 DIN472                                       |
| 20   | 311 7613 | 1     | Splint                    | Peg                           | 3,2x40 DIN94-St Zn                                |



04.14

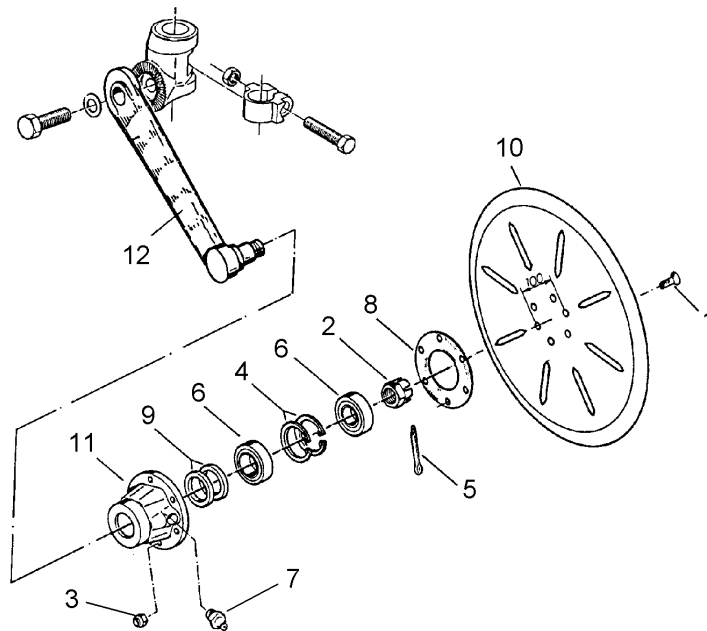
| Pos. | Art.Nr.  | Stck. | Artikeltext / Description |               | Abmessung      |
|------|----------|-------|---------------------------|---------------|----------------|
| 21   | 319 9116 | 2     | Kegelrollenlager          | Bearing       | 30206.         |
| 22   | 323 6345 | 1     | Schmiernippel gerade      | Grease nipple | LAM 6 DIN71412 |
| 23   | 323 7641 | 1     | Dichtung                  | Seal          | D120/65x1,6    |
| 24   | 323 8032 | 2     | Wellendichtring           | Oil seal      | 40x55x7 BA     |
| 25   | 349 0042 | 1     | Sechscheibe               | Disc          | D500/100x5-Z   |
| 26   | 447 8882 | 1     | Nabe                      | Hub           | 668 A          |
| 27   | 457 9328 | 1     | Secharm                   | Swinging arm  | D77x250 Z40    |
| 28   | 215 1667 | 1     | Achse                     | Axle          | D50/40/30x123  |
| 29   | 547 8883 | 1     | Lagerung                  | Bearing       | 668A 2x30206   |
| 30   | 657 9349 | 2     | Secharm kpl.              | Disc arm      | D500-Z V-A Z40 |

Secharm kpl./Disc arm

10

VariDiamant 10

657 9348

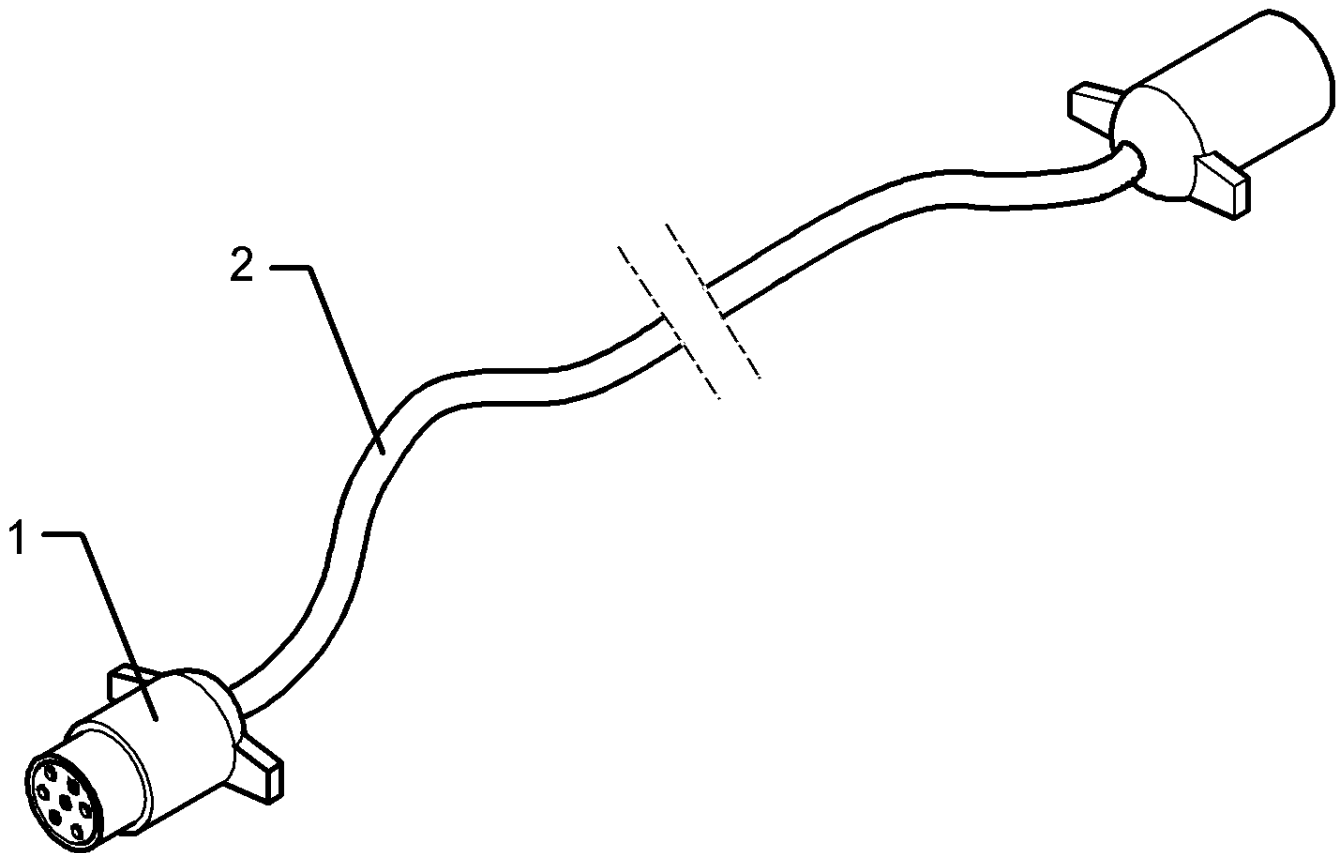


04.14

| Pos. | Art.Nr.  | Stck. | Artikeltext / Description | Abmessung                     |                             |
|------|----------|-------|---------------------------|-------------------------------|-----------------------------|
| 1    | 301 6123 | 6     | Senkschraube              | COUNTER SUNK SCR. M12x45-12.9 | M10x30-10.9 Zn<br>DIN7991-A |
| 2    | 303 0193 | 1     | Kronenmutter              | Castle nut                    | DIN937-M24x1,5-22H          |
| 3    | 303 0933 | 6     | Sicherungsmutter          | Selflocking nut               | NM10-8 Zn DIN985            |
| 4    | 305 8924 | 2     | Sicherungsring            | Securing ring                 | 62x2 DIN472                 |
| 5    | 311 7613 | 1     | Splint                    | Peg                           | 3,2x40 DIN94-St Zn          |
| 6    | 319 9116 | 2     | Kegelrollenlager          | Bearing                       | 30206.                      |
| 7    | 323 6345 | 1     | Schmiernippel gerade      | Grease nipple                 | LAM 6 DIN71412              |
| 8    | 323 7641 | 1     | Dichtung                  | Seal                          | D120/65x1,6                 |
| 9    | 323 8032 | 2     | Wellendichtring           | Oil seal                      | 40x55x7 BA                  |
| 10   | 349 0029 | 1     | Sechscheibe               | Disc                          | D500/100x5 G                |
| 11   | 447 8882 | 1     | Nabe                      | Hub                           | 668 A                       |
| 12   | 457 9328 | 1     | Secharm                   | Swinging arm                  | D77x250 Z40                 |

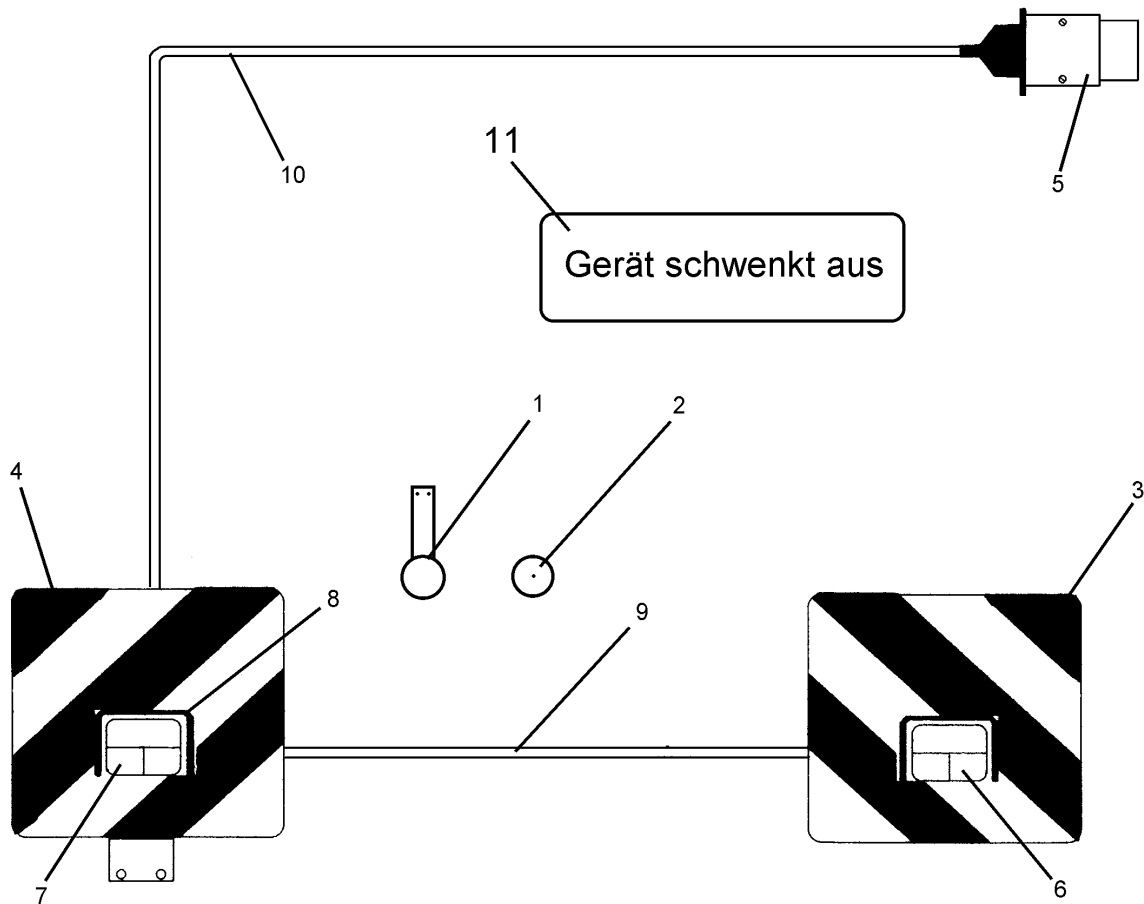
|                                    |    |
|------------------------------------|----|
| Verlängerungskabel/Extension cable | 11 |
|------------------------------------|----|

|                |          |
|----------------|----------|
| VariDiamant 10 | 373 4151 |
|----------------|----------|



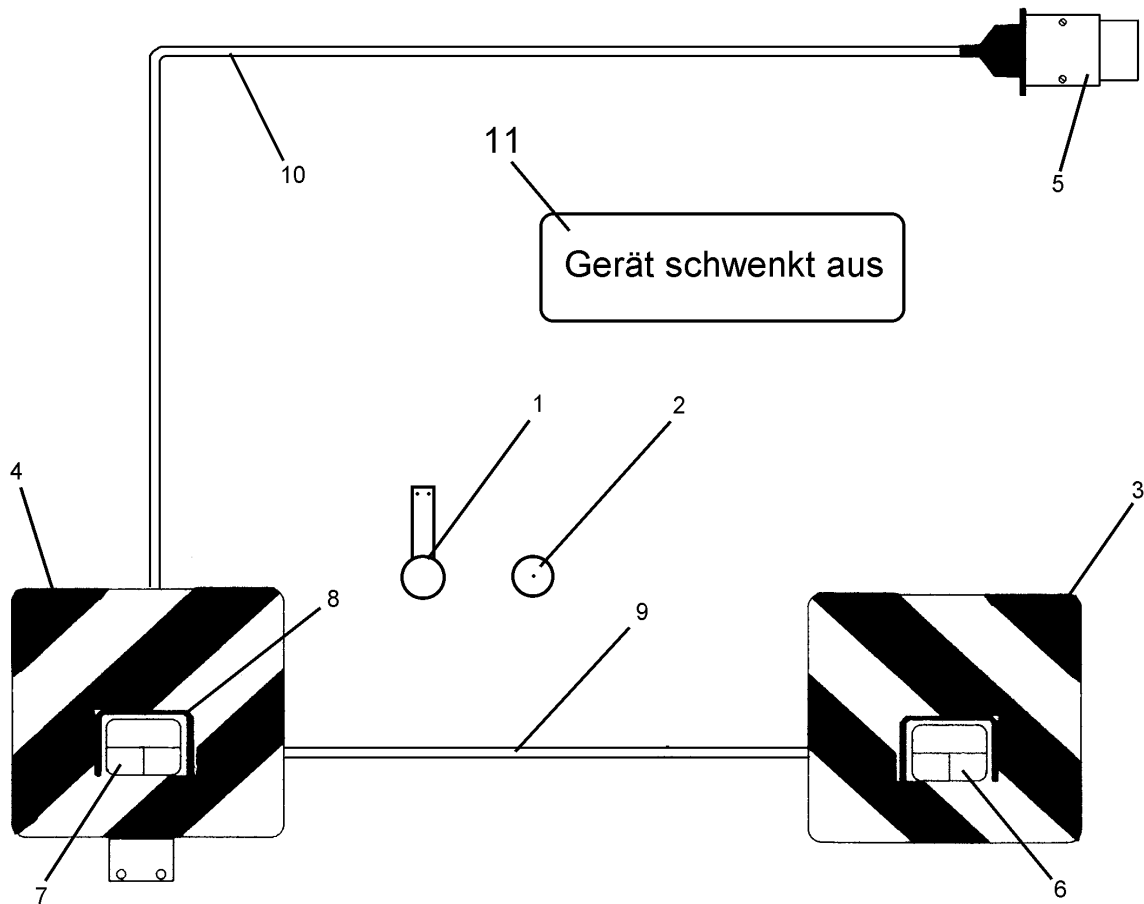
04.14

| Pos. | Art.Nr.  | Stck. | Artikeltext / Description |       | Abmessung        |
|------|----------|-------|---------------------------|-------|------------------|
| 1    | 373 2124 | 1     | Stecker Alu               | Plug  | 7-polig          |
| 2    | 373 4130 | 5     | Kabel                     | Cable | H05VVF 7x1,5 S/W |



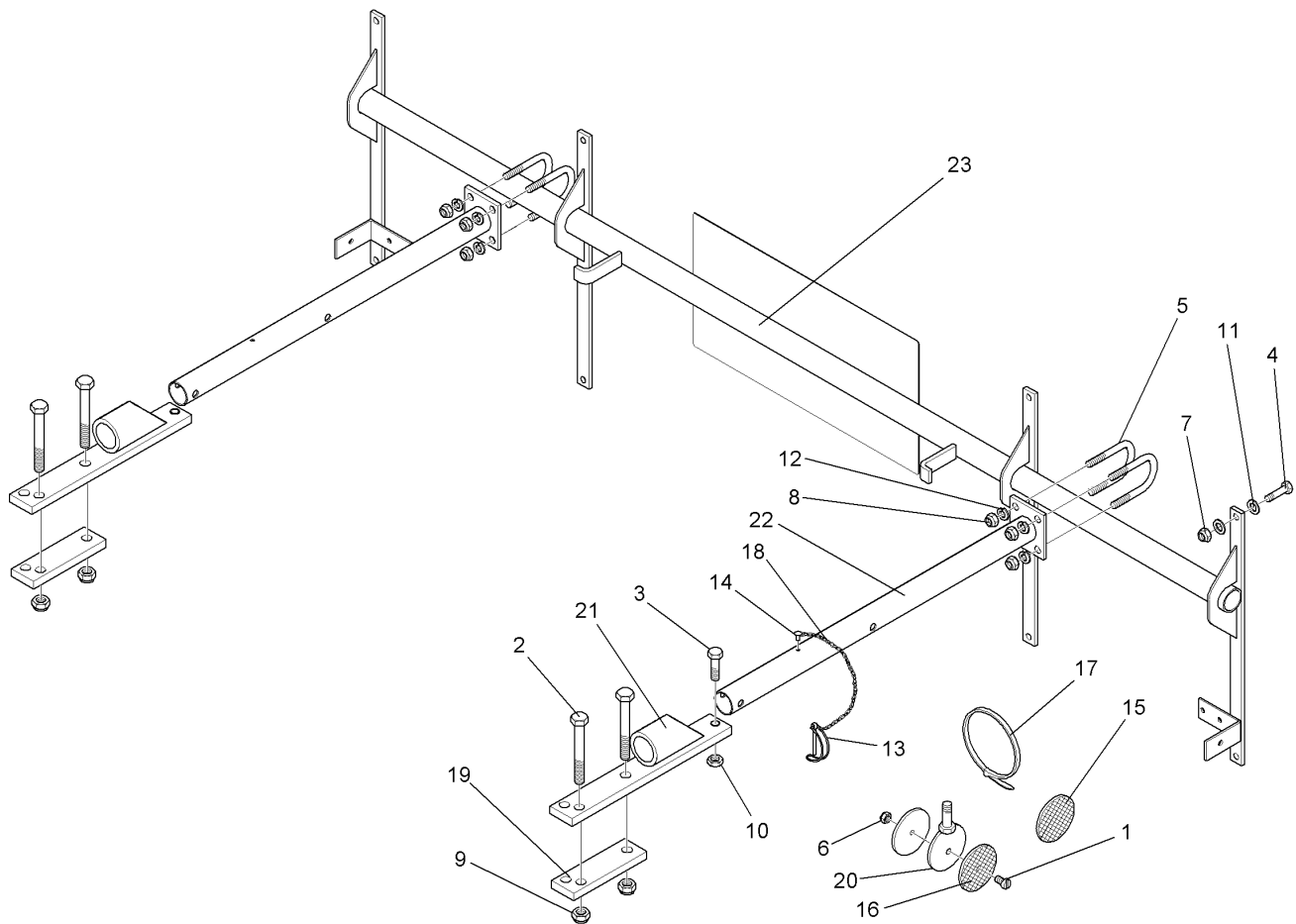
04.14

| Pos. | Art.Nr.  | Stck. | Artikeltext / Description      |                   | Abmessung                      |
|------|----------|-------|--------------------------------|-------------------|--------------------------------|
| 1    | 321 9915 | 2     | Rückstrahler rot m.Pendelhalt. | Reflector, red    | D60-55x300                     |
| 2    | 321 9916 | 2     | Rückstrahler gelb              | Reflector, yellow | D60                            |
| 3    | 321 9934 | 1     | Warntafel                      | Warning board     | RE 423x423<br>DIN11030         |
| 4    | 321 9935 | 1     | Warntafel                      | Warning board     | LI 423x423<br>DIN11030         |
| 5    | 373 2121 | 1     | Stecker                        | Plug              | 7-polig                        |
| 6    | 373 3130 | 1     | Rückleuchte                    | Rear light        | BBS95R RE                      |
| 7    | 373 3131 | 1     | Rückleuchte                    | Rear light        | BBSK95L LI                     |
| 8    | 373 3801 | 2     | Schutzhaube hinten             | Rear cover        | SH95                           |
| 9    | 373 4137 | 2     | Kabel grün                     | Cable, green      | 4x0,75                         |
| 10   | 373 4140 | 7     | Kabel                          | Cable             | 6x0,75 S/W                     |
| 11   | 390 6192 | 1     | Aufkleber                      | Label             | Achtung Geraet<br>schwenkt aus |



04.14

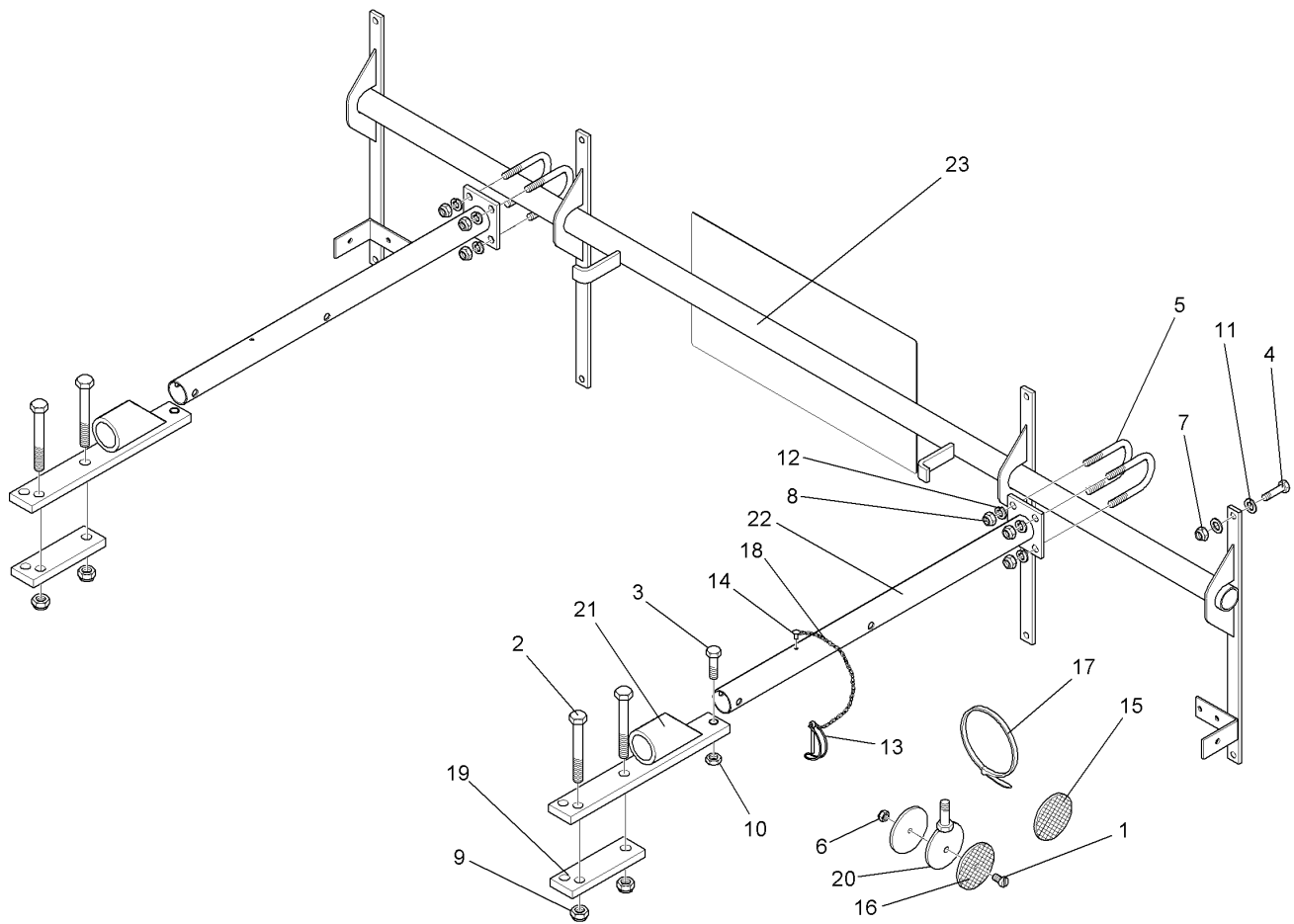
| Pos. | Art.Nr.  | Stck. | Artikeltext / Description      |                   | Abmessung                      |
|------|----------|-------|--------------------------------|-------------------|--------------------------------|
| 1    | 321 9914 | 2     | Rückstrahler rot m.Pendelhalt. | Reflector, red    | -                              |
| 2    | 321 9916 | 2     | Rückstrahler gelb              | Reflector, yellow | D60                            |
| 3    | 321 9934 | 1     | Warntafel                      | Warning board     | RE 423x423<br>DIN11030         |
| 4    | 321 9935 | 1     | Warntafel                      | Warning board     | LI 423x423<br>DIN11030         |
| 5    | 373 2121 | 1     | Stecker                        | Plug              | 7-polig                        |
| 6    | 373 3130 | 1     | Rückleuchte                    | Rear light        | BBS95R RE                      |
| 7    | 373 3131 | 1     | Rückleuchte                    | Rear light        | BBSK95L LI                     |
| 8    | 373 3801 | 2     | Schutzhaube hinten             | Rear cover        | SH95                           |
| 9    | 373 4137 | 2     | Kabel grün                     | Cable, green      | 4x0,75                         |
| 10   | 373 4140 | 7     | Kabel                          | Cable             | 6x0,75 S/W                     |
| 11   | 390 6192 | 1     | Aufkleber                      | Label             | Achtung Geraet<br>schwenkt aus |



04.14

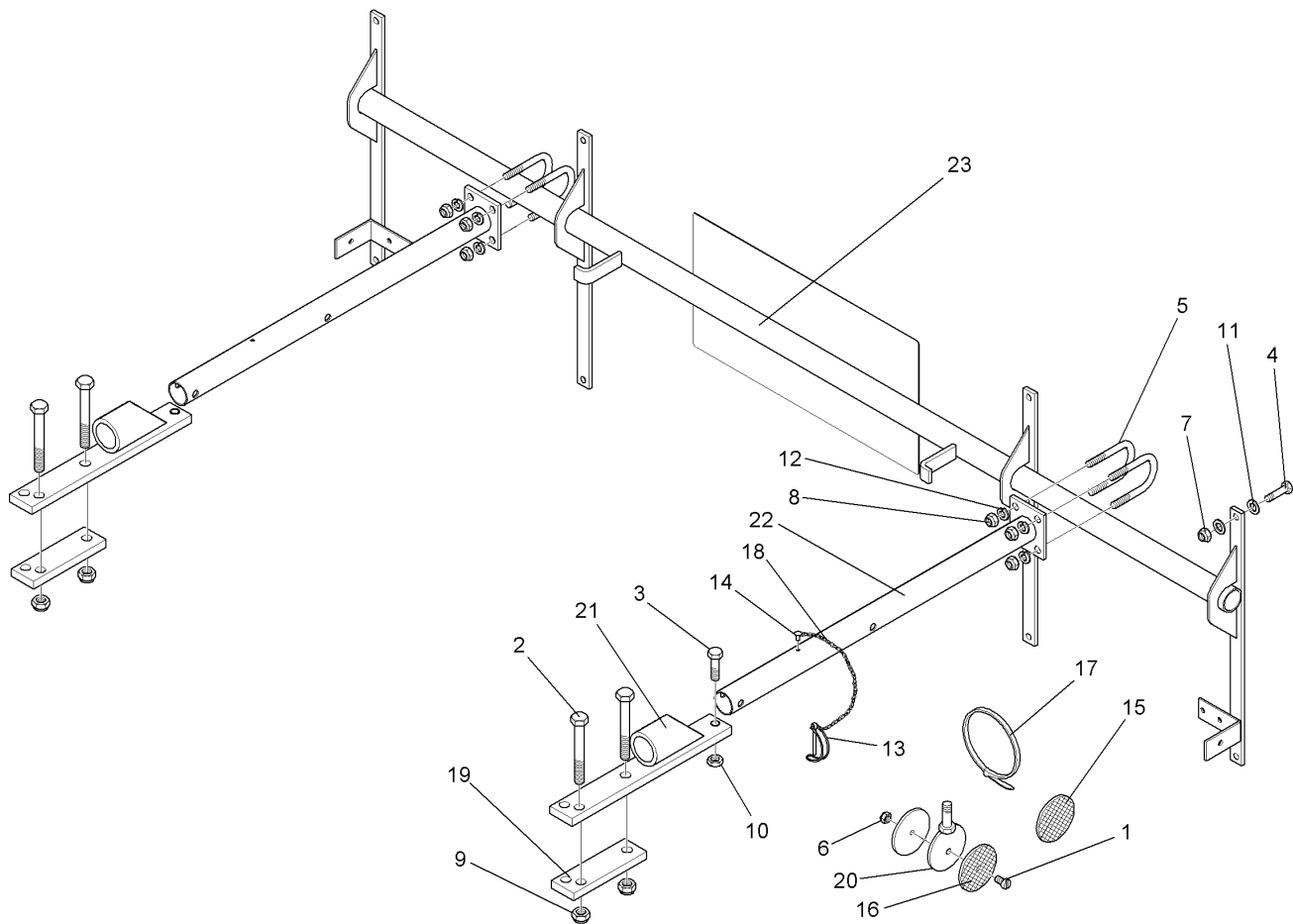
| Pos. | Art.Nr.  | Stck. | Artikeltext / Description   |                             | Abmessung                     |
|------|----------|-------|-----------------------------|-----------------------------|-------------------------------|
| 1    | 301 3006 | 2     | Sechskantschraube           | Hexagon bolt                | M6x25-8.8 Zn<br>DIN933        |
| 2    | 301 3432 | 4     | Sechskantschraube           | Hexagon bolt                | M12x80-8.8 Zn<br>DIN931-A     |
| 3    | 301 3350 | 2     | Sechskantschraube           | Hexagon bolt                | M12x50-8.8 Zn<br>DIN933       |
| 4    | 301 6750 | 8     | Sechskantschraube           | Hexagon bolt                | M8x20-8.8 Zn<br>DIN933        |
| 5    | 301 7781 | 4     | Bügelsschraube              | U-bolt                      | M10x48x76 Zn<br>DIN3570A      |
| 6    | 303 0931 | 2     | Sicherungsmutter            | Selflocking nut             | NM6-8 Zn DIN985               |
| 7    | 303 0932 | 8     | Sicherungsmutter            | Selflocking nut             | NM8-8 Zn DIN985               |
| 8    | 303 0933 | 9     | Sicherungsmutter            | Selflocking nut             | NM10-8 Zn DIN985              |
| 9    | 303 0934 | 4     | Sicherungsmutter            | Selflocking nut             | NM12-8 Zn DIN985              |
| 10   | 303 1013 | 2     | Sechskantmutter             | Hexagon nut                 | M12 DIN934-8 Zn               |
| 11   | 305 6124 | 16    | Scheibe                     | Washer                      | 8,4/25x2 DIN9021-St<br>Zn     |
| 12   | 305 9900 | 8     | Federring                   | Spring ring                 | 10 DIN127 Zn                  |
| 13   | 311 9305 | 2     | Rohrklappstecker            | Securing pin                | 8x50/S9                       |
| 14   | 315 9616 | 2     | Blindniet                   | Rivet                       | 4,8x10                        |
| 15   | 321 9919 | 6     | Rückstrahler gelb selbstkl. | Self-adh. reflector, yellow | 6200GK                        |
| 16   | 321 9921 | 2     | Rückstrahler gelb m. Loch   | Reflector, yellow           | D60                           |
| 17   | 325 1325 | 8     | Kabelbinder                 | Clip                        | 179x4mm T40R                  |
| 18   | 331 6130 | 2     | Knotenkette                 | Knotted-link chain          | D2x150                        |
| 19   | 459 1071 | 2     | Brücke                      | Clamp plate                 | 40x12x132<br>3xD14-92,5-102,5 |





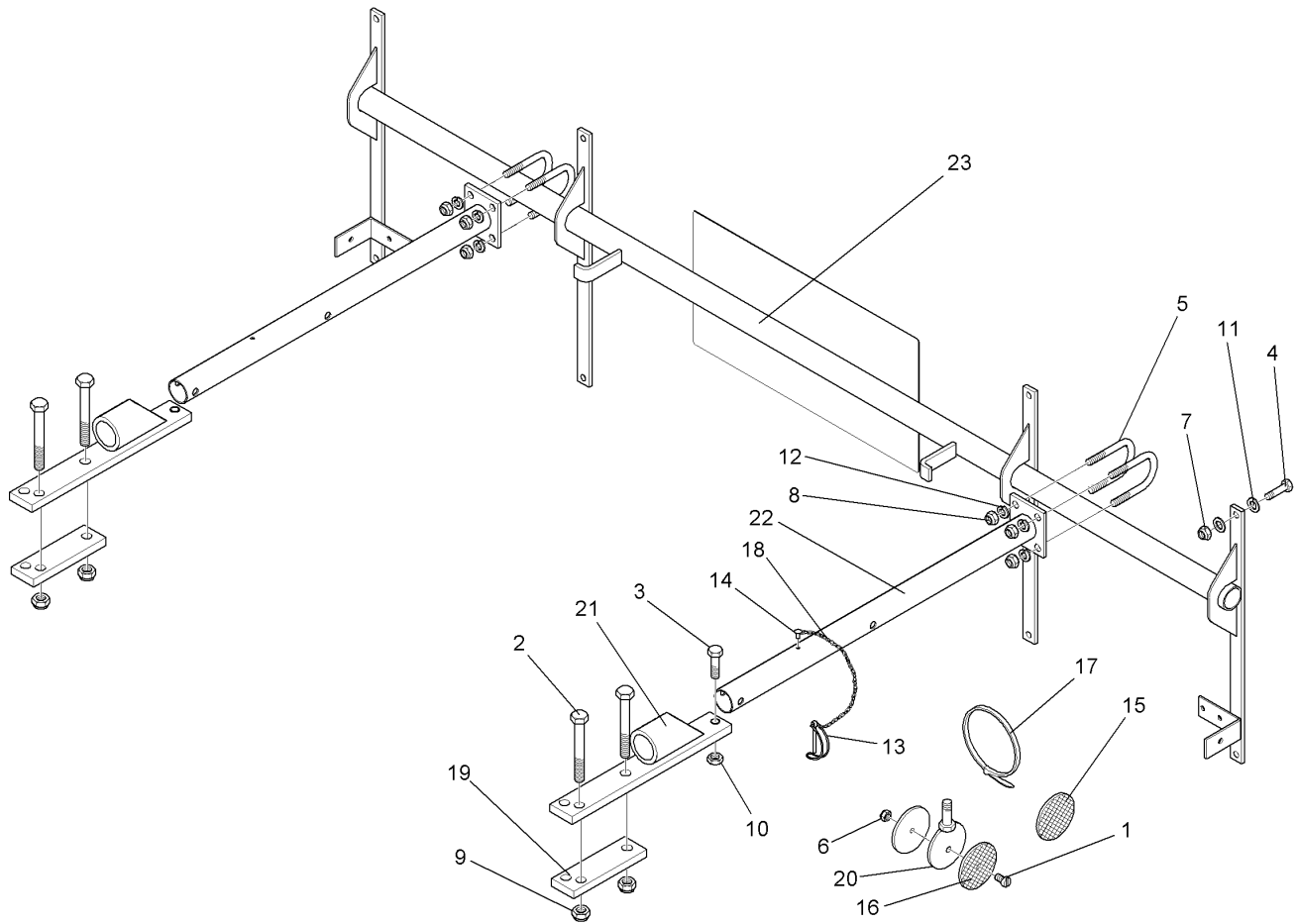
04.14

| Pos. | Art.Nr.  | Stck. | Artikeltext / Description | Abmessung          |
|------|----------|-------|---------------------------|--------------------|
| 20   | 470 1200 | 1     | Halter                    | Holder             |
| 21   | 470 1672 | 2     | Halter                    | Holder             |
| 22   | 470 1673 | 2     | Träger                    | Carrier            |
| 23   | 470 1674 | 1     | Leuchtenhalter            | Carrier for light  |
| 24   | 570 2086 | 1     | Beleuchtungsanlage        | Lighting equipment |
|      |          |       |                           | D70xD7-M10x25      |
|      |          |       |                           | 40x12x290          |
|      |          |       |                           | Halm70-80          |
|      |          |       |                           | 60x70x550          |
|      |          |       |                           | BLA-1 PF/UNI       |
|      |          |       |                           | 33,7x1580          |
|      |          |       |                           | Pflug              |



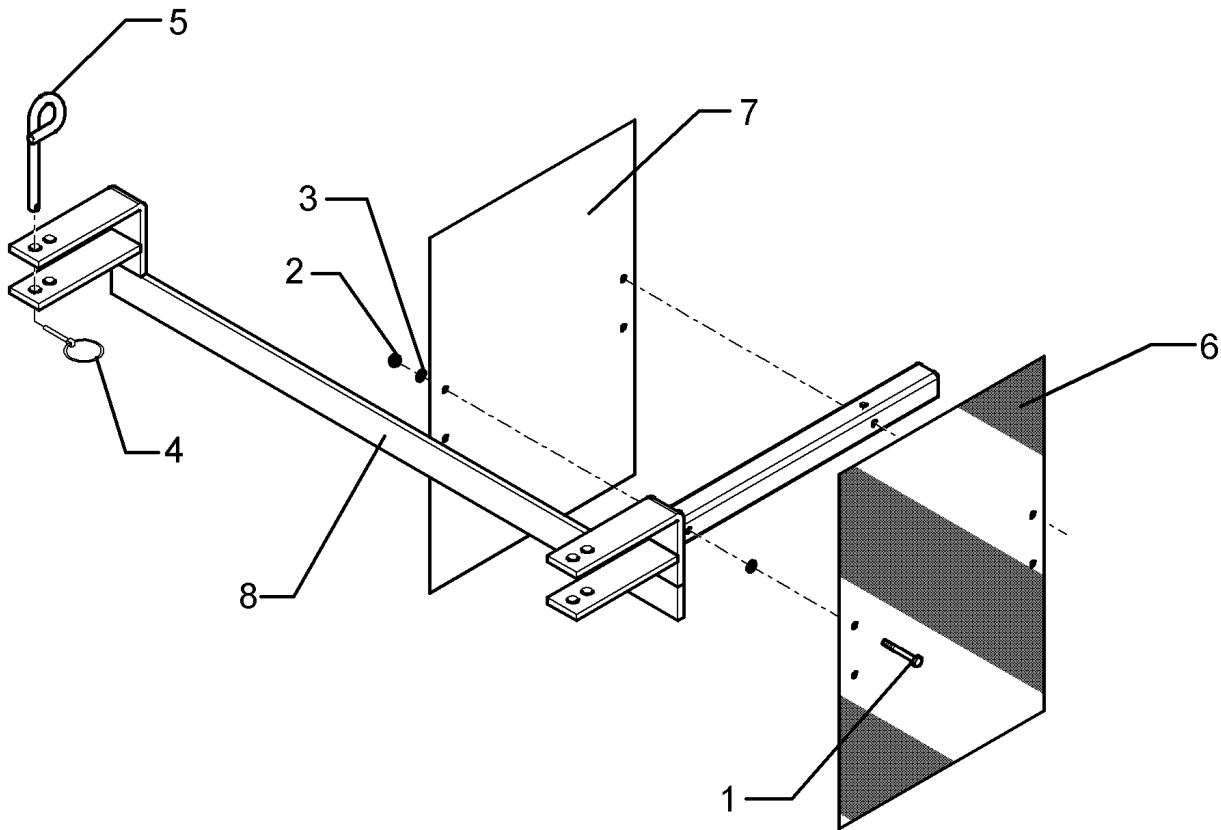
04.14

| Pos. | Art.Nr.  | Stck. | Artikeltext / Description   |                             | Abmessung                     |
|------|----------|-------|-----------------------------|-----------------------------|-------------------------------|
| 1    | 301 3006 | 1     | Sechskantschraube           | Hexagon bolt                | M6x25-8.8 Zn<br>DIN933        |
| 2    | 301 3432 | 4     | Sechskantschraube           | Hexagon bolt                | M12x80-8.8 Zn<br>DIN931-A     |
| 3    | 301 3350 | 2     | Sechskantschraube           | Hexagon bolt                | M12x50-8.8 Zn<br>DIN933       |
| 4    | 301 6750 | 8     | Sechskantschraube           | Hexagon bolt                | M8x20-8.8 Zn<br>DIN933        |
| 5    | 301 7781 | 4     | Bügelsschraube              | U-bolt                      | M10x48x76 Zn<br>DIN3570A      |
| 6    | 303 0931 | 1     | Sicherungsmutter            | Selflocking nut             | NM6-8 Zn DIN985               |
| 7    | 303 0932 | 8     | Sicherungsmutter            | Selflocking nut             | NM8-8 Zn DIN985               |
| 8    | 303 0933 | 9     | Sicherungsmutter            | Selflocking nut             | NM10-8 Zn DIN985              |
| 9    | 303 0934 | 4     | Sicherungsmutter            | Selflocking nut             | NM12-8 Zn DIN985              |
| 10   | 303 1013 | 2     | Sechskantmutter             | Hexagon nut                 | M12 DIN934-8 Zn               |
| 11   | 305 6124 | 16    | Scheibe                     | Washer                      | 8,4/25x2 DIN9021-St<br>Zn     |
| 12   | 305 9900 | 8     | Federring                   | Spring ring                 | 10 DIN127 Zn                  |
| 13   | 311 9305 | 2     | Rohrklappstecker            | Securing pin                | 8x50/S9                       |
| 14   | 315 9616 | 2     | Blindniet                   | Rivet                       | 4,8x10                        |
| 15   | 321 9919 | 6     | Rückstrahler gelb selbstkl. | Self-adh. reflector, yellow | 6200GK                        |
| 16   | 321 9921 | 2     | Rückstrahler gelb m. Loch   | Reflector, yellow           | D60                           |
| 17   | 325 1331 | 8     | Kabelbinder                 | Clip                        | 4,7x186                       |
| 18   | 331 6130 | 2     | Knotenkette                 | Knotted-link chain          | D2x150                        |
| 19   | 459 1071 | 2     | Brücke                      | Clamp plate                 | 40x12x132<br>3xD14-92,5-102,5 |



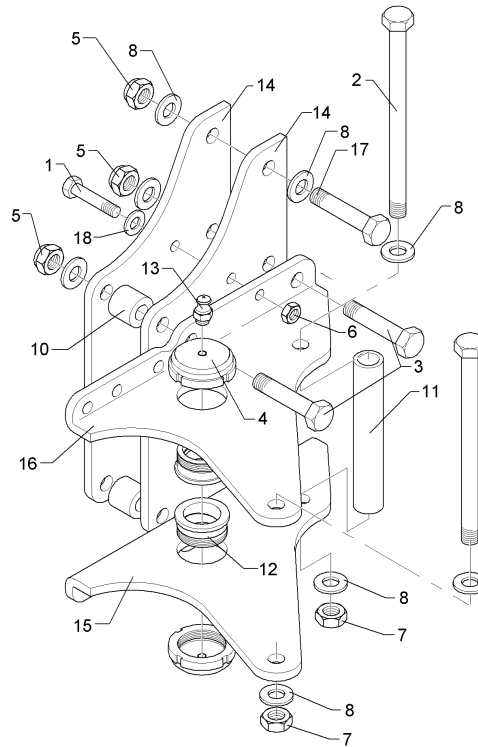
04.14

| Pos. | Art.Nr.  | Stck. | Artikeltext / Description | Abmessung          |
|------|----------|-------|---------------------------|--------------------|
| 20   | 470 1200 | 1     | Halter                    | Holder             |
| 21   | 470 1672 | 2     | Halter                    | Holder             |
| 22   | 470 1673 | 2     | Träger                    | Carrier            |
| 23   | 470 1674 | 1     | Leuchtenhalter            | Carrier for light  |
| 24   | 570 2098 | 1     | Beleuchtungsanlage        | Lighting equipment |
|      |          |       |                           | D70xD7-M10x25      |
|      |          |       |                           | 40x12x290          |
|      |          |       |                           | Halm70-80          |
|      |          |       |                           | 60x70x550          |
|      |          |       |                           | BLA-1 PF/UNI       |
|      |          |       |                           | 33,7x1580          |
|      |          |       |                           | Pflug              |



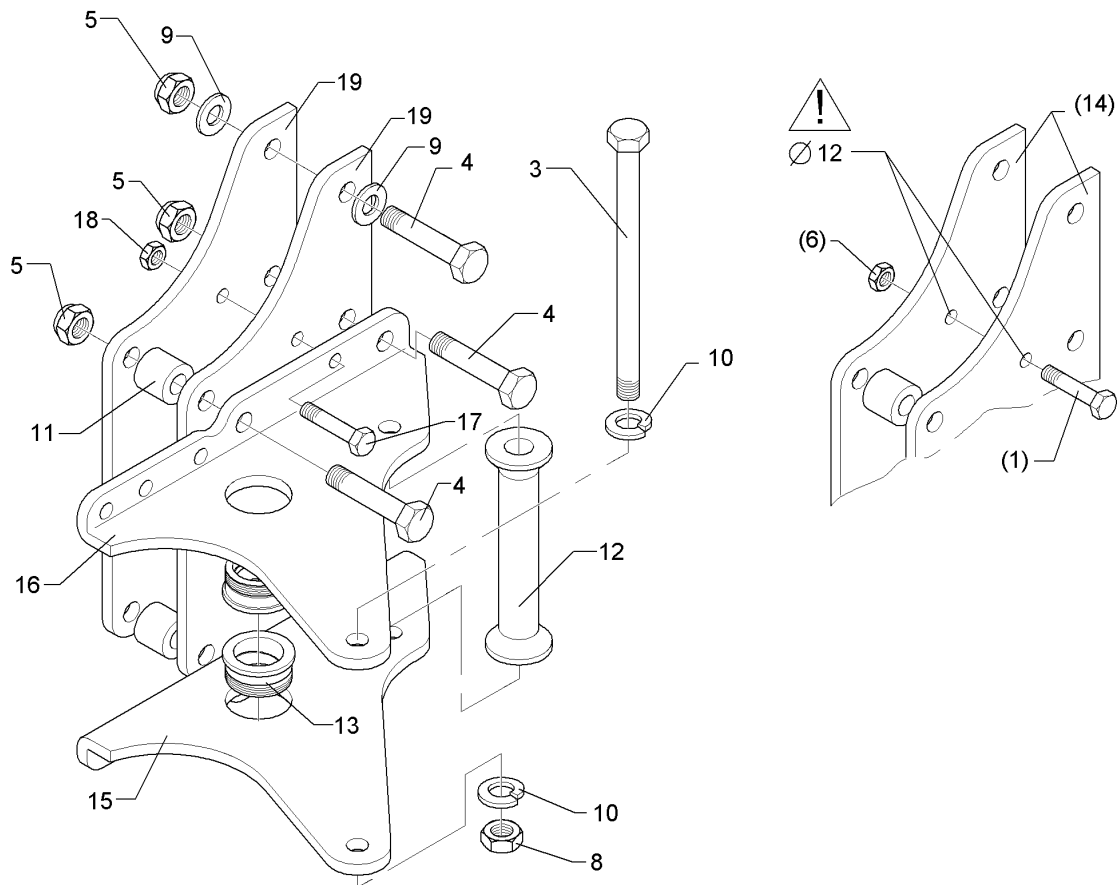
04.14

| Pos. | Art.Nr.  | Stck. | Artikeltext / Description |                         | Abmessung                         |
|------|----------|-------|---------------------------|-------------------------|-----------------------------------|
| 1    | 301 2998 | 2     | Sechskantschraube         | Hexagon bolt            | M5x40-8.8 Zn<br>DIN931-A          |
| 2    | 303 0967 | 2     | Sechskantmutter           | Hexagon nut             | M5 DIN934-8 Zn                    |
| 3    | 305 6968 | 4     | Scheibe                   | Washer                  | R5,5/18x2<br>DIN440-St Zn         |
| 4    | 311 9565 | 2     | Klappstift                | Securing pin            | 4,5                               |
| 5    | 313 8610 | 2     | Bolzen                    | Pin                     | D10x85 Zn (10x210)                |
| 6    | 321 9926 | 1     | Warntafel rot/weiss       | Warning board red/white | R2 282x423 (B2<br>TP-ESC-A 06021) |
| 7    | 321 9927 | 1     | Warntafel rot/weiss       | Warning board red/white | R1 423x282 (B1<br>TP-ESC-A 06021) |
| 8    | 470 1708 | 1     | Warntafelhalter           | Holder                  | WTH-1                             |



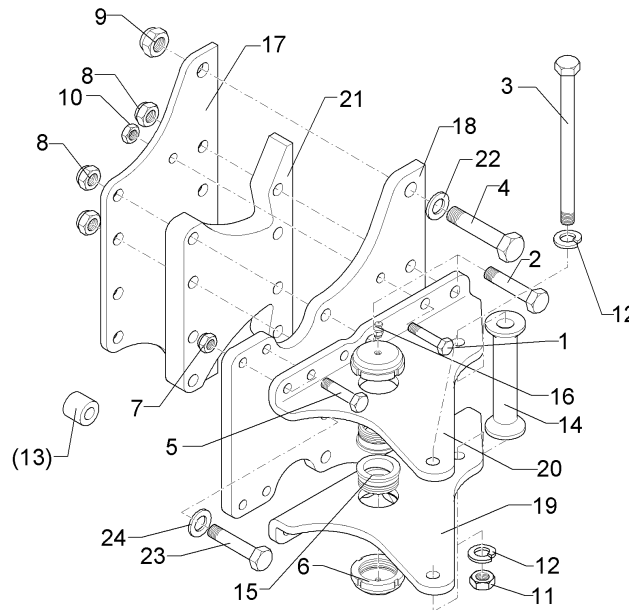
04.14

| Pos. | Art.Nr.  | Stck. | Artikeltext / Description |                   | Abmessung                  |
|------|----------|-------|---------------------------|-------------------|----------------------------|
| 1    | 301 3607 | 2     | Sechskantschraube spz.    | Hexagon bolt      | M14x85-10.9 Zn             |
| 2    | 301 4573 | 2     | Sechskantschraube spezial | Hexagon bolt      | M20x1,5x250-10.9 Zn        |
| 3    | 301 4408 | 6     | Sechskantschraube spz.    | Hexagon bolt      | M20x100xb25-10.9 Zn        |
| 4    | 303 0349 | 2     | Nutmutter                 | Grooved nut       | M60x2 M10x1<br>D80x24 Zn   |
| 5    | 303 0936 | 6     | Sicherungsmutter          | Selflocking nut   | NM20-8 Zn DIN985           |
| 6    | 303 0974 | 2     | Sechskantmutter           | Hexagon nut       | M14 DIN934-8               |
| 7    | 303 0977 | 2     | Sechskantmutter           | Hexagon nut       | M20x1,5 DIN934-10 Zn       |
| 8    | 305 6012 | 4     | Scheibe                   | Washer            | 21 ISO7089 Zn              |
| 9    | 305 9888 | 4     | Federring                 | Spring ring       | 20 DIN127-A                |
| 10   | 317 6947 | 4     | Buchse                    | Bush              | 40/20x35,5                 |
| 11   | 317 7523 | 1     | Distanzbuchse             | Distance bush     | D40/20,2x194 Zn            |
| 12   | 317 9376 | 2     | Bundbuchse                | Flange bushing    | D65/60/45x30<br>M60x2 Znph |
| 13   | 323 6348 | 2     | Schmiernippel             | Grease nipple     | AM10x1 DIN71412            |
| 14   | 402 2572 | 2     | Halmsplatte               | Plate             | 12x235x600 E9              |
| 15   | 402 2680 | 1     | Verstellwinkel            | Adjusting bracket | 12x292x410 VO9 RE          |
| 16   | 402 2681 | 1     | Verstellwinkel            | Adjusting bracket | 12x292x410 VO9 LI          |



04.14

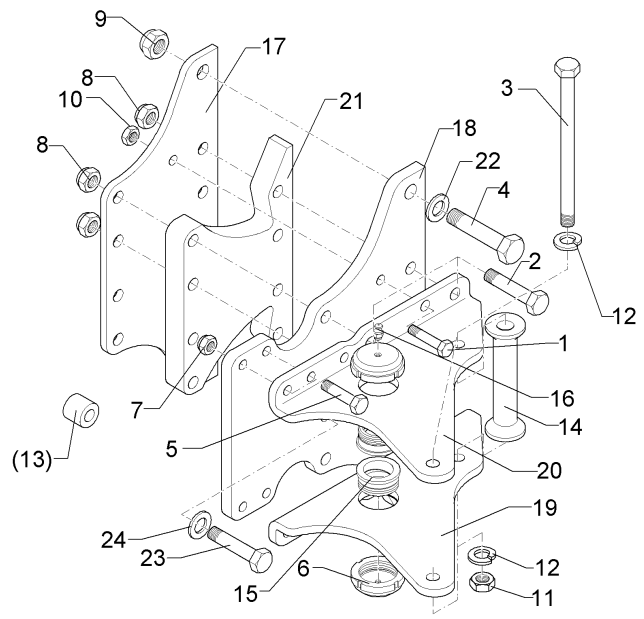
| Pos. | Art.Nr.  | Stck. | Artikeltext / Description |                   | Abmessung                   |
|------|----------|-------|---------------------------|-------------------|-----------------------------|
| 1    | 301 3607 | 2     | Sechskantschraube spz.    | Hexagon bolt      | M14x85-10.9 Zn              |
| 3    | 301 4573 | 1     | Sechskantschraube spezial | Hexagon bolt      | M20x1,5x250-10.9 Zn         |
| 4    | 301 4408 | 6     | Sechskantschraube spz.    | Hexagon bolt      | M20x100xb25-10.9 Zn         |
| 5    | 303 0936 | 6     | Sicherungsmutter          | Selflocking nut   | NM20-8 Zn DIN985            |
| 7    | 303 0974 | 2     | Sechskantmutter           | Hexagon nut       | M14 DIN934-8                |
| 8    | 303 0977 | 1     | Sechskantmutter           | Hexagon nut       | M20x1,5 DIN934-10 Zn        |
| 10   | 305 9888 | 2     | Federring                 | Spring ring       | 20 DIN127-A                 |
| 11   | 317 6947 | 4     | Buchse                    | Bush              | 40/20x35,5                  |
| 12   | 317 7523 | 1     | Distanzbuchse             | Distance bush     | D40/20,2x194 Zn             |
| 13   | 317 9376 | 2     | Bundbuchse                | Flange bushing    | D65/60/45x30                |
| 14   | 402 2572 | 2     | Halmsplatte               | Plate             | M60x2 Znph<br>12x235x600 E9 |
| 15   | 402 2680 | 1     | Verstellwinkel            | Adjusting bracket | 12x292x410 VO9 RE           |
| 16   | 402 2681 | 1     | Verstellwinkel            | Adjusting bracket | 12x292x410 VO9 LI           |



04.14

| Pos. | Art.Nr.  | Stck. | Artikeltext / Description |                   | Abmessung                  |
|------|----------|-------|---------------------------|-------------------|----------------------------|
| 1    | 301 3994 | 2     | Sechskantschraube spz.    | Hexagon bolt      | M16x100-12.9 Zn            |
| 2    | 301 7068 | 4     | Sechskantschraube         | Hexagon bolt      | M20x110-8.8 Zn<br>DIN931-A |
| 3    | 301 4573 | 2     | Sechskantschraube spezial | Hexagon bolt      | M20x1,5x250-10.9<br>Zn     |
| 4    | 301 4661 | 2     | Sechskantschraube spz.    | Hexagon bolt      | M24x100ls70xb25-10.9<br>Zn |
| 5    | 301 3779 | 4     | Sechskantschraube spz.    | Hexagon bolt      | M16x60-10.9 Zn             |
| 6    | 303 0349 | 2     | Nutmutter                 | Grooved nut       | M60x2 M10x1<br>D80x24 Zn   |
| 7    | 303 0935 | 4     | Sicherungsmutter          | Selflocking nut   | NM16-8 Zn DIN985           |
| 8    | 303 0936 | 8     | Sicherungsmutter          | Selflocking nut   | NM20-8 Zn DIN985           |
| 9    | 303 0937 | 2     | Sicherungsmutter          | Selflocking nut   | NM24-8 Zn DIN985           |
| 10   | 303 1015 | 2     | Sechskantmutter           | Hexagon nut       | M16 DIN934-8 Zn            |
| 11   | 303 0977 | 2     | Sechskantmutter           | Hexagon nut       | M20x1,5 DIN934-10<br>Zn    |
| 12   | 305 9888 | 4     | Federring                 | Spring ring       | 20 DIN127-A                |
| 13   | 317 6941 | 4     | Buchse                    | Bush              | 40/20x40,7                 |
| 14   | 317 7523 | 1     | Distanzbuchse             | Distance bush     | D40/20,2x194 Zn            |
| 15   | 317 9376 | 2     | Bundbuchse                | Flange bushing    | D65/60/45x30<br>M60x2 Znph |
| 16   | 323 6348 | 2     | Schmiernippel             | Grease nipple     | AM10x1 DIN71412            |
| 17   | 402 2571 | 1     | Halmsplatte               | Plate             | 12x235x600 E9-I            |
| 18   | 402 2573 | 1     | Halmsplatte               | Plate             | 20x410x600 E9-I            |
| 19   | 402 2684 | 1     | Verstellwinkel            | Adjusting bracket | 14x295x410 VO9 I<br>RE     |

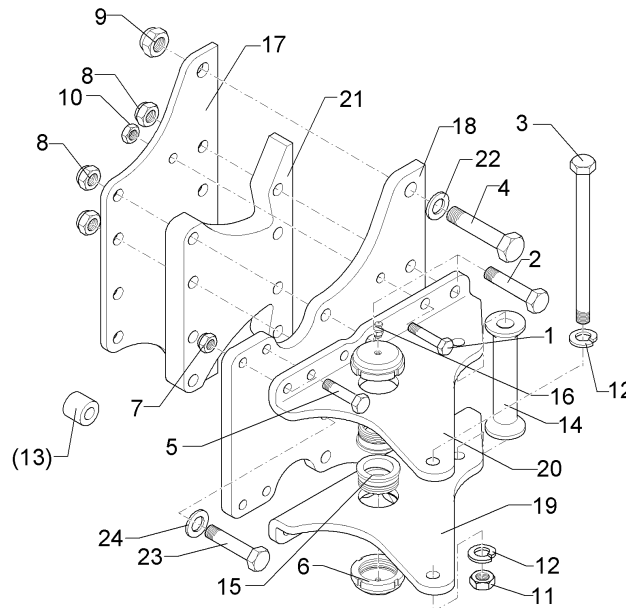
|                           |                 |
|---------------------------|-----------------|
| <b>Halmtasche/Bracket</b> | <b>12</b>       |
| <b>VariDiamant 10</b>     | <b>602 2726</b> |



04.14

| Pos. | Art.Nr.  | Stck. | Artikeltext / Description |                   | Abmessung              |
|------|----------|-------|---------------------------|-------------------|------------------------|
| 20   | 402 2685 | 1     | Verstellwinkel            | Adjusting bracket | 14x295x410 VO9   LI    |
| 21   | 402 2592 | 1     | Distanzplatte             | Distance plate    | 38,3x400x230 E9-I      |
| 22   | 305 6254 | 2     | Scheibe                   | Washer            | 25 ISO7089 Zn          |
| 23   | 301 4408 | 4     | Sechskantschraube spz.    | Hexagon bolt      | M20x100xb25-10.9<br>Zn |
| 24   | 305 6012 | 4     | Scheibe                   | Washer            | 21 ISO7089 Zn          |

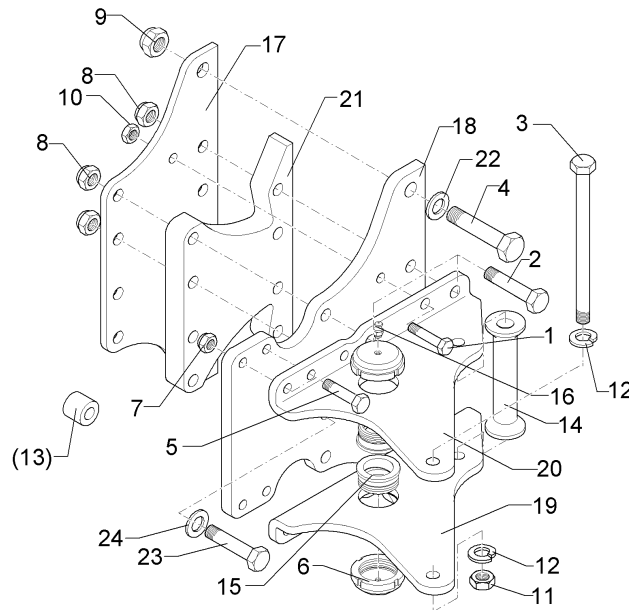




04.14

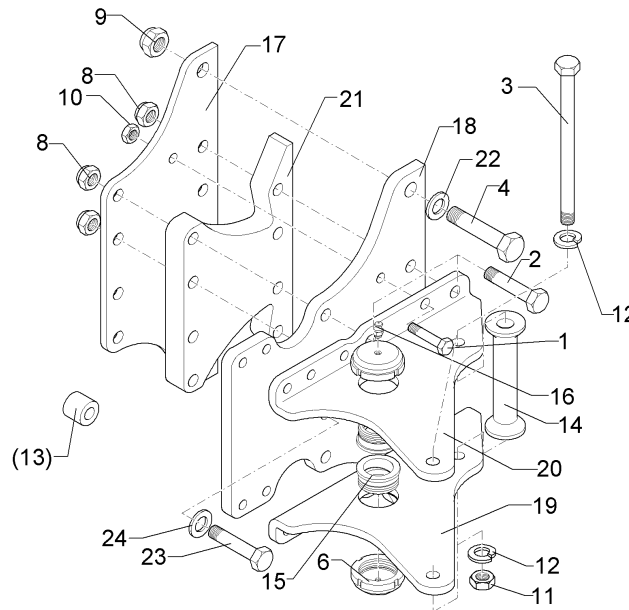
| Pos. | Art.Nr.  | Stck. | Artikeltext / Description |                   | Abmessung                  |
|------|----------|-------|---------------------------|-------------------|----------------------------|
| 1    | 301 3994 | 2     | Sechskantschraube spz.    | Hexagon bolt      | M16x100-12.9 Zn            |
| 2    | 301 7068 | 4     | Sechskantschraube         | Hexagon bolt      | M20x110-8.8 Zn<br>DIN931-A |
| 3    | 301 4573 | 1     | Sechskantschraube spezial | Hexagon bolt      | M20x1,5x250-10.9<br>Zn     |
| 4    | 301 4661 | 2     | Sechskantschraube spz.    | Hexagon bolt      | M24x100ls70xb25-10.9<br>Zn |
| 5    | 301 5385 | 4     | Sechskantschraube spz.    | Hexagon bolt      | M16x55-10.9 Zn             |
| 7    | 303 0935 | 4     | Sicherungsmutter          | Selflocking nut   | NM16-8 Zn DIN985           |
| 8    | 303 0936 | 8     | Sicherungsmutter          | Selflocking nut   | NM20-8 Zn DIN985           |
| 9    | 303 0937 | 2     | Sicherungsmutter          | Selflocking nut   | NM24-8 Zn DIN985           |
| 10   | 303 1015 | 2     | Sechskantmutter           | Hexagon nut       | M16 DIN934-8 Zn            |
| 11   | 303 0977 | 1     | Sechskantmutter           | Hexagon nut       | M20x1,5 DIN934-10<br>Zn    |
| 12   | 305 9888 | 2     | Federring                 | Spring ring       | 20 DIN127-A                |
| 13   | 317 6941 | 4     | Buchse                    | Bush              | 40/20x40,7                 |
| 14   | 317 7523 | 1     | Distanzbuchse             | Distance bush     | D40/20,2x194 Zn            |
| 15   | 317 9376 | 2     | Bundbuchse                | Flange bushing    | D65/60/45x30<br>M60x2 Znph |
| 17   | 402 2571 | 1     | Halmsplatte               | Plate             | 12x235x600 E9-I            |
| 18   | 402 2573 | 1     | Halmsplatte               | Plate             | 20x410x600 E9-I            |
| 19   | 402 2684 | 1     | Verstellwinkel            | Adjusting bracket | 14x295x410 VO9 I<br>RE     |
| 20   | 402 2685 | 1     | Verstellwinkel            | Adjusting bracket | 14x295x410 VO9 I LI        |
| 21   | 402 2592 | 1     | Distanzplatte             | Distance plate    | 38,3x400x230 E9-I          |
| 22   | 305 6254 | 4     | Scheibe                   | Washer            | 25 ISO7089 Zn              |

|                           |                 |
|---------------------------|-----------------|
| <b>Halmtasche/Bracket</b> | <b>12</b>       |
| <b>VariDiamant 10</b>     | <b>602 2727</b> |



04.14

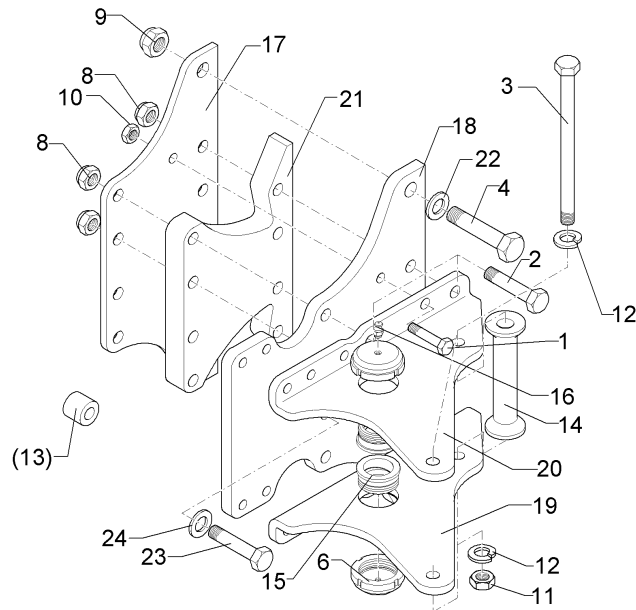
| Pos. | Art.Nr.  | Stck. | Artikeltext / Description |              | Abmessung              |
|------|----------|-------|---------------------------|--------------|------------------------|
| 23   | 301 4408 | 4     | Sechskantschraube spz.    | Hexagon bolt | M20x100xb25-10.9<br>Zn |
| 24   | 305 6012 | 4     | Scheibe                   | Washer       | 21 ISO7089 Zn          |



04.14

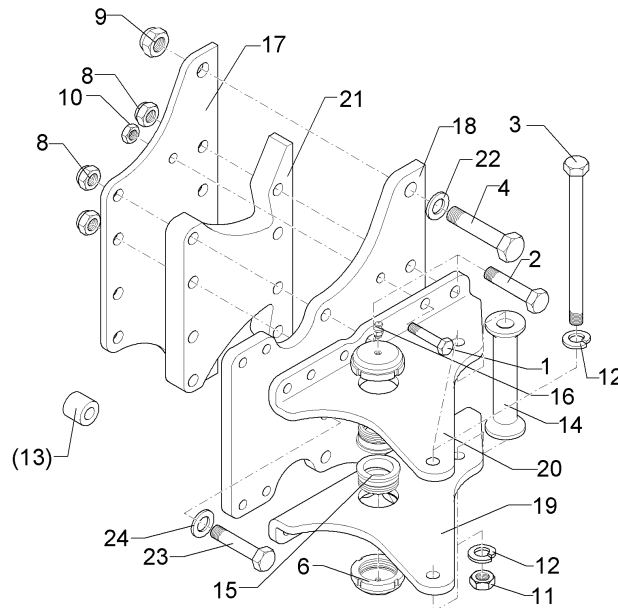
| Pos. | Art.Nr.  | Stck. | Artikeltext / Description |                   | Abmessung                  |
|------|----------|-------|---------------------------|-------------------|----------------------------|
| 1    | 301 3994 | 2     | Sechskantschraube spz.    | Hexagon bolt      | M16x100-12.9 Zn            |
| 2    | 301 7068 | 4     | Sechskantschraube         | Hexagon bolt      | M20x110-8.8 Zn<br>DIN931-A |
| 3    | 301 4573 | 2     | Sechskantschraube spezial | Hexagon bolt      | M20x1,5x250-10.9<br>Zn     |
| 4    | 301 4661 | 2     | Sechskantschraube spz.    | Hexagon bolt      | M24x100ls70xb25-10.9<br>Zn |
| 6    | 303 0349 | 2     | Nutmutter                 | Grooved nut       | M60x2 M10x1<br>D80x24 Zn   |
| 8    | 303 0936 | 8     | Sicherungsmutter          | Selflocking nut   | NM20-8 Zn DIN985           |
| 9    | 303 0937 | 2     | Sicherungsmutter          | Selflocking nut   | NM24-8 Zn DIN985           |
| 10   | 303 1015 | 2     | Sechskantmutter           | Hexagon nut       | M16 DIN934-8 Zn            |
| 11   | 303 0977 | 2     | Sechskantmutter           | Hexagon nut       | M20x1,5 DIN934-10<br>Zn    |
| 12   | 305 9888 | 4     | Federring                 | Spring ring       | 20 DIN127-A                |
| 13   | 317 6941 | 4     | Buchse                    | Bush              | 40/20x40,7                 |
| 14   | 317 7523 | 1     | Distanzbuchse             | Distance bush     | D40/20,2x194 Zn            |
| 15   | 317 9376 | 2     | Bundbuchse                | Flange bushing    | D65/60/45x30<br>M60x2 Znph |
| 16   | 323 6348 | 2     | Schmiernippel             | Grease nipple     | AM10x1 DIN71412            |
| 17   | 402 2571 | 1     | Halmpatte                 | Plate             | 12x235x600 E9-I            |
| 18   | 402 2573 | 1     | Halmpatte                 | Plate             | 20x410x600 E9-I            |
| 19   | 402 2684 | 1     | Verstellwinkel            | Adjusting bracket | 14x295x410 VO9 I<br>RE     |
| 20   | 402 2685 | 1     | Verstellwinkel            | Adjusting bracket | 14x295x410 VO9 I LI        |
| 21   | 402 2592 | 1     | Distanzplatte             | Distance plate    | 38,3x400x230 E9-I          |

|                           |                 |
|---------------------------|-----------------|
| <b>Halmtasche/Bracket</b> | <b>12</b>       |
| <b>VariDiamant 10</b>     | <b>602 2728</b> |



04.14

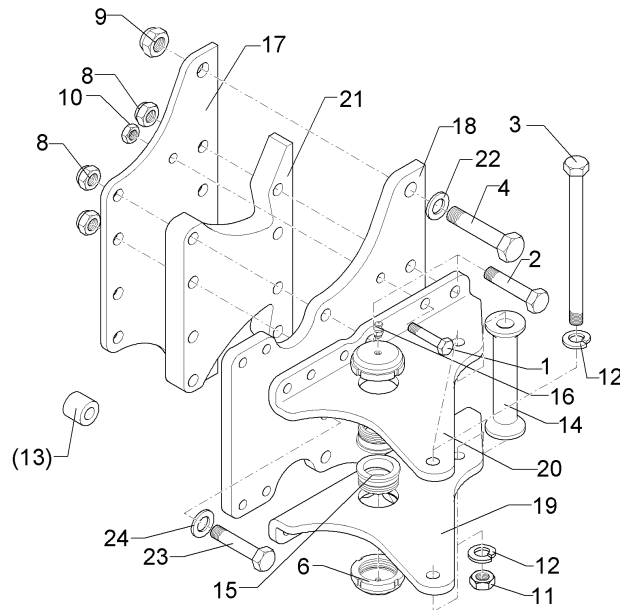
| Pos. | Art.Nr.  | Stck. | Artikeltext / Description |              | Abmessung              |
|------|----------|-------|---------------------------|--------------|------------------------|
| 22   | 305 6254 | 4     | Scheibe                   | Washer       | 25 ISO7089 Zn          |
| 23   | 301 4408 | 4     | Sechskantschraube spz.    | Hexagon bolt | M20x100xb25-10.9<br>Zn |
| 24   | 305 6012 | 4     | Scheibe                   | Washer       | 21 ISO7089 Zn          |



04.14

| Pos. | Art.Nr.  | Stck. | Artikeltext / Description |                   | Abmessung                  |
|------|----------|-------|---------------------------|-------------------|----------------------------|
| 1    | 301 3994 | 2     | Sechskantschraube spz.    | Hexagon bolt      | M16x100-12.9 Zn            |
| 2    | 301 7068 | 4     | Sechskantschraube         | Hexagon bolt      | M20x110-8.8 Zn<br>DIN931-A |
| 3    | 301 4573 | 1     | Sechskantschraube spezial | Hexagon bolt      | M20x1,5x250-10.9<br>Zn     |
| 4    | 301 4661 | 2     | Sechskantschraube spz.    | Hexagon bolt      | M24x100ls70xb25-10.9<br>Zn |
| 8    | 303 0936 | 8     | Sicherungsmutter          | Selflocking nut   | NM20-8 Zn DIN985           |
| 9    | 303 0937 | 2     | Sicherungsmutter          | Selflocking nut   | NM24-8 Zn DIN985           |
| 10   | 303 1015 | 2     | Sechskantmutter           | Hexagon nut       | M16 DIN934-8 Zn            |
| 11   | 303 0977 | 1     | Sechskantmutter           | Hexagon nut       | M20x1,5 DIN934-10<br>Zn    |
| 12   | 305 9888 | 2     | Federring                 | Spring ring       | 20 DIN127-A                |
| 13   | 317 6941 | 4     | Buchse                    | Bush              | 40/20x40,7                 |
| 14   | 317 7523 | 1     | Distanzbuchse             | Distance bush     | D40/20,2x194 Zn            |
| 15   | 317 9376 | 2     | Bundbuchse                | Flange bushing    | D65/60/45x30<br>M60x2 Znph |
| 17   | 402 2571 | 1     | Halmsplatte               | Plate             | 12x235x600 E9-I            |
| 18   | 402 2573 | 1     | Halmsplatte               | Plate             | 20x410x600 E9-I            |
| 19   | 402 2684 | 1     | Verstellwinkel            | Adjusting bracket | 14x295x410 VO9 I<br>RE     |
| 20   | 402 2685 | 1     | Verstellwinkel            | Adjusting bracket | 14x295x410 VO9 I LI        |
| 21   | 402 2592 | 1     | Distanzplatte             | Distance plate    | 38,3x400x230 E9-I          |
| 22   | 305 6254 | 4     | Scheibe                   | Washer            | 25 ISO7089 Zn              |
| 23   | 301 4408 | 4     | Sechskantschraube spz.    | Hexagon bolt      | M20x100xb25-10.9<br>Zn     |

|                           |                 |
|---------------------------|-----------------|
| <b>Halmtasche/Bracket</b> | <b>12</b>       |
| <b>VariDiamant 10</b>     | <b>602 2729</b> |

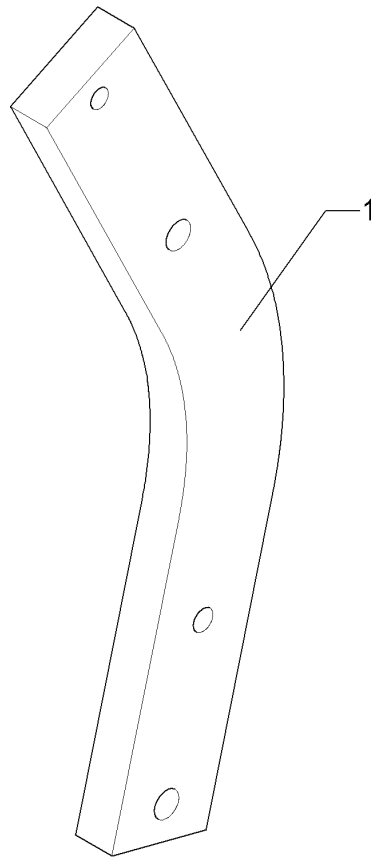


04.14

| Pos. | Art.Nr.  | Stck. | Artikeltext / Description | Abmessung     |
|------|----------|-------|---------------------------|---------------|
| 24   | 305 6012 | 4     | Scheibe<br>Washer         | 21 ISO7089 Zn |

|                |    |
|----------------|----|
| Körperhalm/Leg | 13 |
|----------------|----|

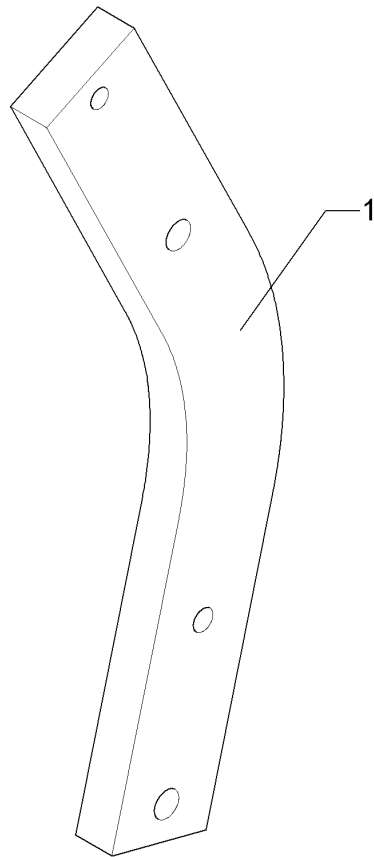
|                |          |
|----------------|----------|
| VariDiamant 10 | 464 4990 |
|----------------|----------|



04.14

| Pos. | Art.Nr.  | Stck. | Artikeltext / Description |     | Abmessung      |
|------|----------|-------|---------------------------|-----|----------------|
| 1    | 464 4990 | 17    | Körperhalm                | Leg | 80x35x657-R750 |

|                |          |
|----------------|----------|
| Körperhalm/Leg | 13       |
| VariDiamant 10 | 464 4991 |

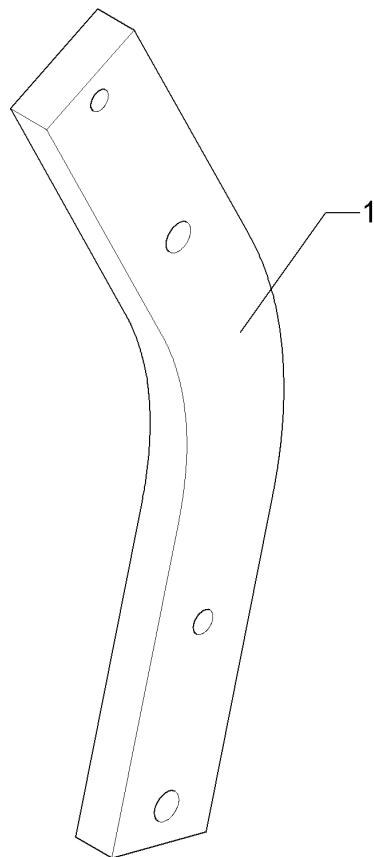


04.14

| Pos. | Art.Nr.  | Stck. | Artikeltext / Description |     | Abmessung      |
|------|----------|-------|---------------------------|-----|----------------|
| 1    | 464 4991 | 17    | Körperhalm                | Leg | 80x35x707-R800 |



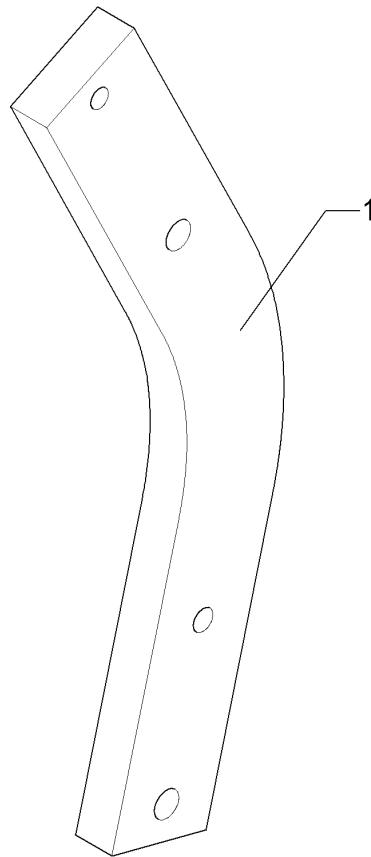
|                |          |
|----------------|----------|
| Körperhalm/Leg | 13       |
| VariDiamant 10 | 464 4992 |



04.14

| Pos. | Art.Nr.  | Stck. | Artikeltext / Description |     | Abmessung      |
|------|----------|-------|---------------------------|-----|----------------|
| 1    | 464 4992 | 19    | Körperhalm                | Leg | 80x35x807-R900 |

|                |          |
|----------------|----------|
| Körperhalm/Leg | 13       |
| VariDiamant 10 | 464 4995 |

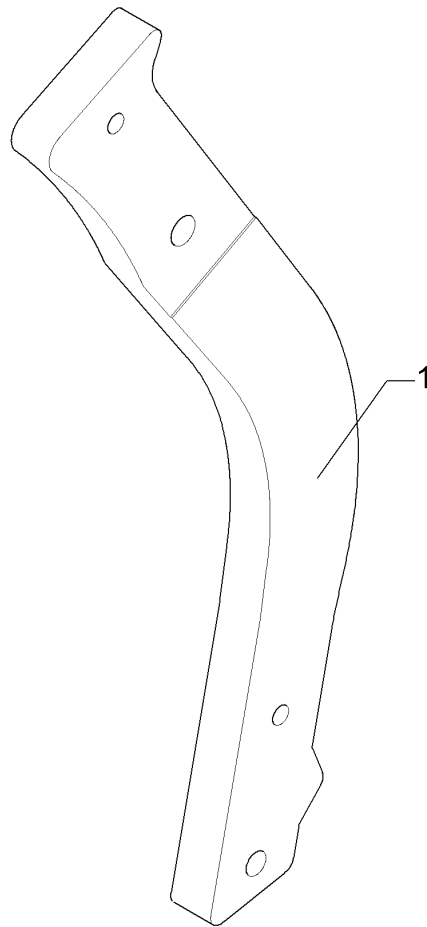


04.14

| Pos. | Art.Nr.  | Stck. | Artikeltext / Description |     | Abmessung      |
|------|----------|-------|---------------------------|-----|----------------|
| 1    | 464 4995 | 22    | Körperhalm                | Leg | 80x40x807-R900 |

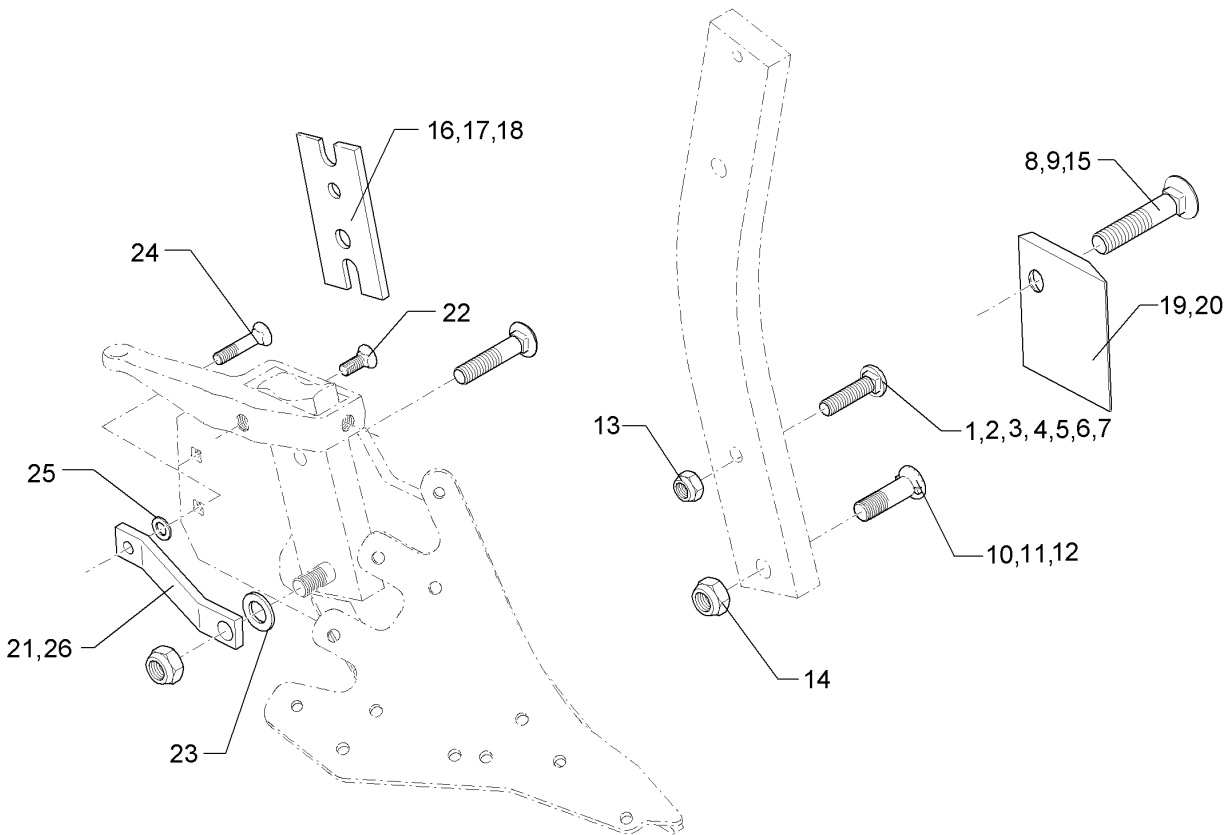
|                |    |
|----------------|----|
| Körperhalm/Leg | 13 |
|----------------|----|

|                |          |
|----------------|----------|
| VariDiamant 10 | 464 4996 |
|----------------|----------|



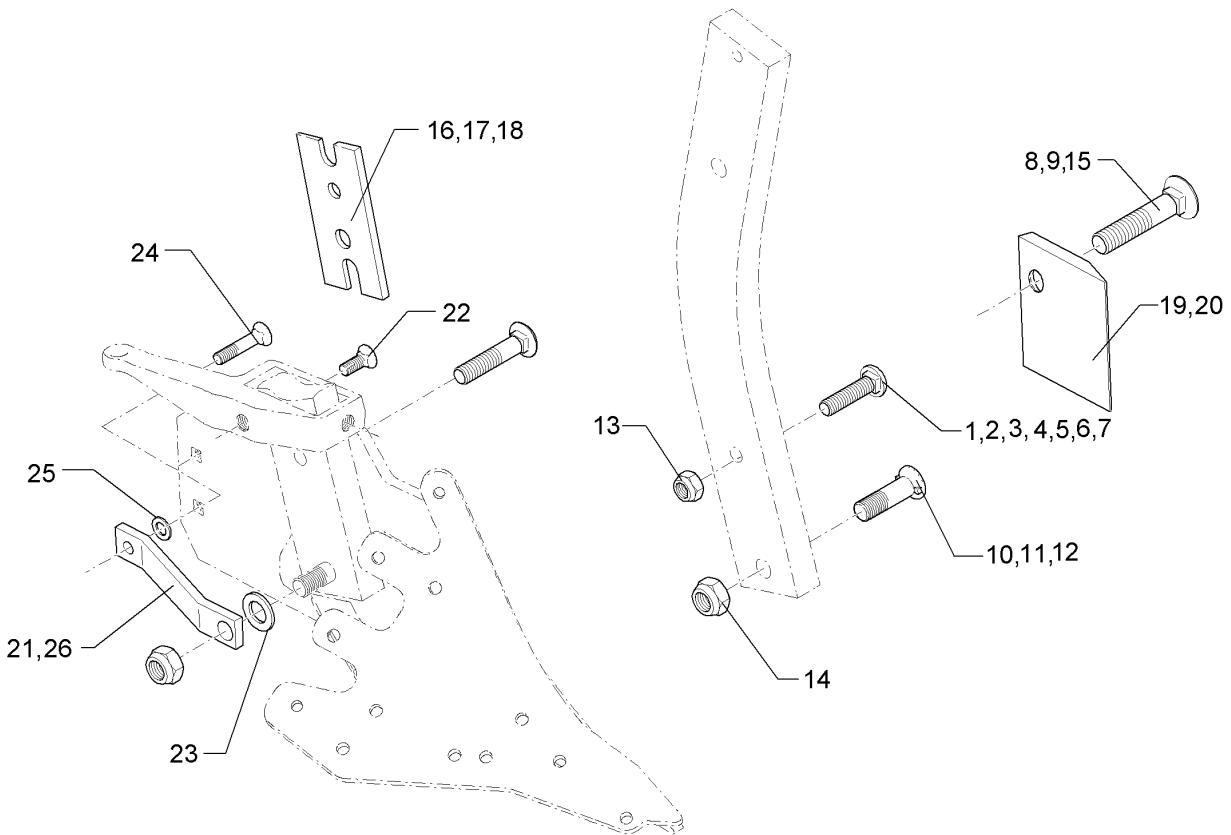
04.14

| Pos. | Art.Nr.  | Stck. | Artikeltext / Description |     | Abmessung       |
|------|----------|-------|---------------------------|-----|-----------------|
| 1    | 464 4996 | 37    | Körperhalm                | Leg | 100x40x810-R900 |



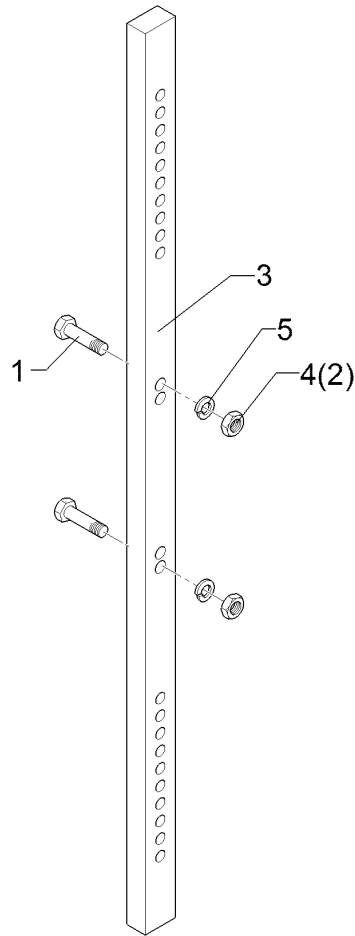
04.14

| Pos. | Art.Nr.  | Stck. | Artikeltext / Description |                               | Abmessung                     |
|------|----------|-------|---------------------------|-------------------------------|-------------------------------|
| 1    | 301 2211 | 1     | Flachrundschaube          | Bolt, cup square head         | M16x55-10.9 Zn                |
| 2    | 301 2227 | 1     | Flachrundschaube          | Bolt, cup square head         | M16x60-10.9 Zn                |
| 3    | 301 2242 | 1     | Flachrundschaube          | Bolt, cup square head         | M16x65-10.9 Zn                |
| 4    | 301 2261 | 1     | Flachrundschaube          | Bolt, cup square head         | M16x70-10.9 Zn                |
| 5    | 301 2279 | 1     | Flachrundschaube          | Bolt, cup square head         | M16x75-10.9 Zn                |
| 6    | 301 2292 | 1     | Flachrundschaube          | Bolt, cup square head         | M16x80-10.9 Zn                |
| 7    | 301 2312 | 1     | Flachrundschaube          | Bolt, cup square head         | M16x100-10.9 Zn               |
| 8    | 301 5740 | 1     | Senkschraube              | COUNTER SUNK SCR. M12x45-12.9 | M16x80-10.9 Zn                |
| 9    | 301 5741 | 1     | Senkschraube              | COUNTER SUNK SCR. M12x45-12.9 | M16x105-10.9 Zn               |
| 10   | 301 5747 | 1     | Senkschraube              | COUNTER SUNK SCR. M12x45-12.9 | M20x70x8,5-12.9 Zn            |
| 11   | 301 5750 | 1     | Senkschraube              | COUNTER SUNK SCR. M12x45-12.9 | M20x80x8,5-12.9 Zn            |
| 12   | 301 5753 | 1     | Senkschraube              | COUNTER SUNK SCR. M12x45-12.9 | M20x100x8,5-12.9 Zn           |
| 13   | 303 0935 | 1     | Sicherungsmutter          | Selflocking nut               | NM16-8 Zn DIN985              |
| 14   | 303 0936 | 1     | Sicherungsmutter          | Selflocking nut               | NM20-8 Zn DIN985              |
| 15   | 301 5739 | 1     | Senkschraube              | COUNTER SUNK SCR. M12x45-12.9 | M16x65-10.9 Zn                |
| 16   | 469 1896 | 1     | Keil                      | Wedge                         | 80x200-2 GRD                  |
| 17   | 469 1899 | 1     | Keil                      | Wedge                         | 80x200 4GRD Zn                |
| 18   | 469 1900 | 1     | Keil                      | Wedge                         | 70x210-6 GRD                  |
| 19   | 340 1480 | 1     | Rumpfschoner              | Frog-protector                | SCR11 RE 130x114              |
| 20   | 340 1481 | 1     | Rumpfschoner              | Frog-protector                | SCR11 LI 130x114              |
| 21   | 469 5480 | 1     | Verstärkung               | Strengthening                 | 40x10x260+D12,25+D20,25 gekr. |



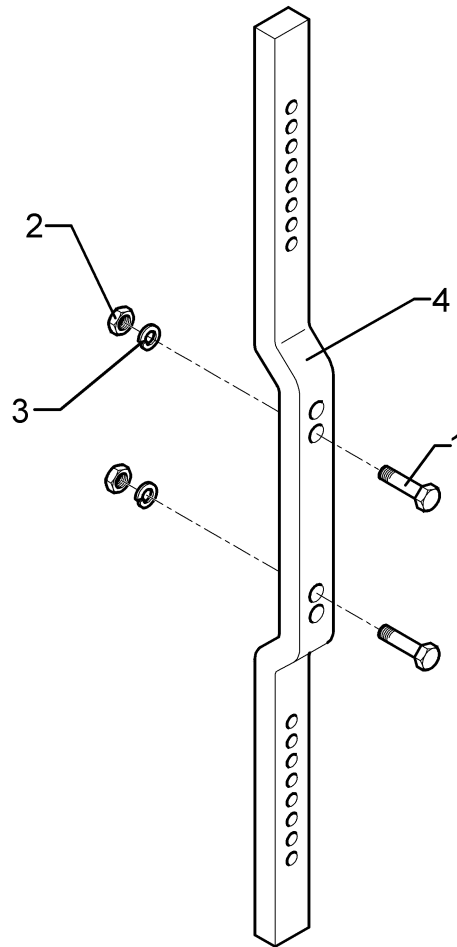
04.14

| Pos. | Art.Nr.  | Stck. | Artikeltext / Description                     | Abmessung                      |
|------|----------|-------|---|--------------------------------|
| 22   | 301 5785 | 1     | Senkschraube<br>COUNTER SUNK SCR. M12x45-12.9 | M12x33-12.9-MU-10<br>Zn        |
| 23   | 305 6012 | 1     | Scheibe<br>Washer                             | 21 ISO7089 Zn                  |
| 24   | 301 5794 | 1     | Senkschraube<br>COUNTER SUNK SCR. M12x45-12.9 | M12x45-12.9-MU-10<br>DIN608 Zn |
| 25   | 305 6167 | 1     | Scheibe<br>Washer                             | 13/35x5 Zn DIN<br>6340         |
| 26   | 469 5478 | 1     | Verstärkung<br>Strengthening                  | 40x10x320 TK16                 |



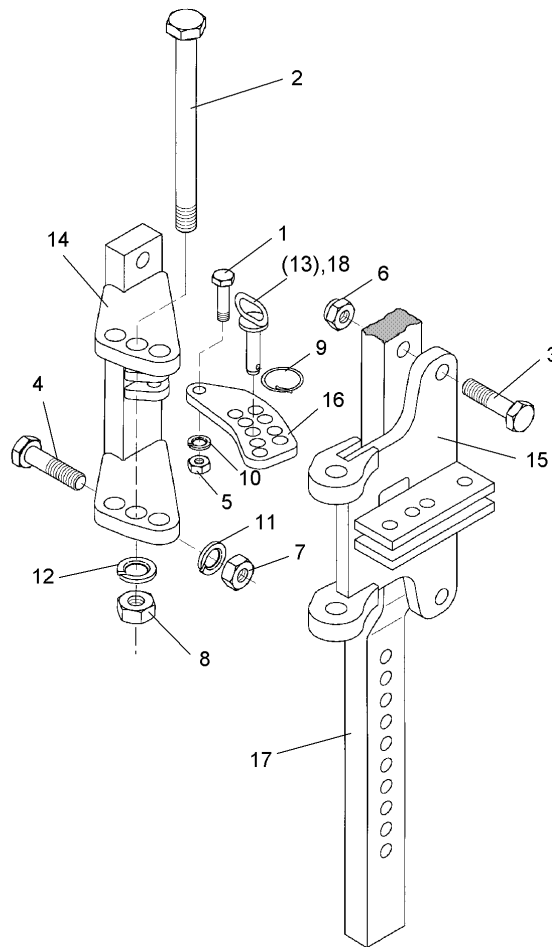
04.14

| Pos. | Art.Nr.  | Stck. | Artikeltext / Description |                 | Abmessung                 |
|------|----------|-------|---------------------------|-----------------|---------------------------|
| 1    | 301 3779 | 2     | Sechskantschraube spz.    | Hexagon bolt    | M16x60-10.9 Zn            |
| 2    | 303 0935 | 2     | Sicherungsmutter          | Selflocking nut | NM16-8 Zn DIN985          |
| 3    | 463 8649 | 1     | Düngereinlegerhalm        | Skim stalk      | 50x30x1134-260/220<br>H80 |
| 4    | 303 1015 | 2     | Sechskantmutter           | Hexagon nut     | M16 DIN934-8 Zn           |
| 5    | 305 6141 | 2     | Scheibe                   | Washer          | 17/30x3<br>DIN/ISO-7089   |



04.14

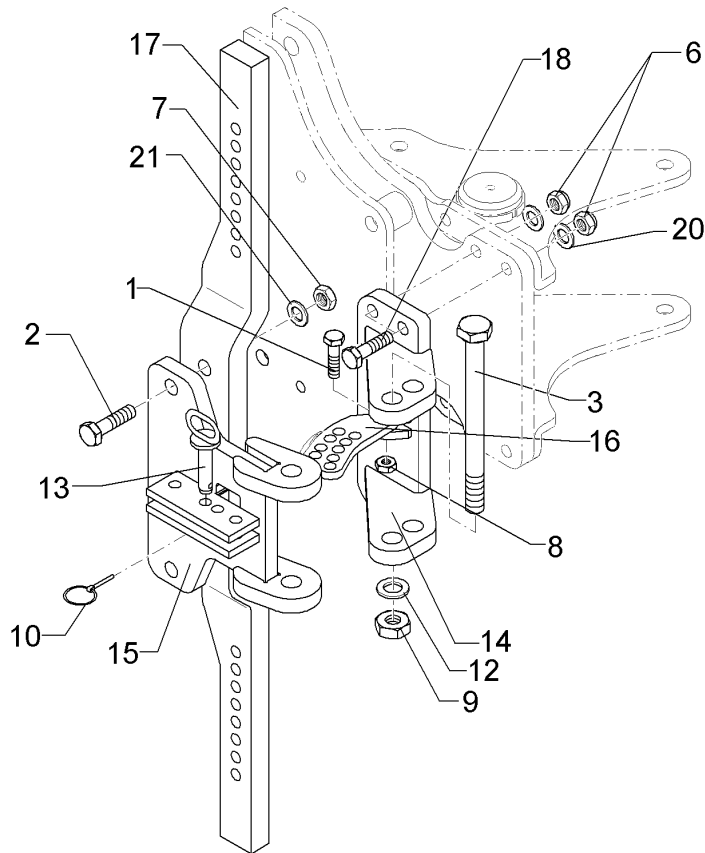
| Pos. | Art.Nr.  | Stck. | Artikeltext / Description |              | Abmessung               |
|------|----------|-------|---------------------------|--------------|-------------------------|
| 1    | 301 3870 | 2     | Sechskantschraube spz.    | Hexagon bolt | M16x65-10.9 Zn          |
| 2    | 303 1015 | 2     | Sechskantmutter           | Hexagon nut  | M16 DIN934-8 Zn         |
| 3    | 305 6141 | 4     | Scheibe                   | Washer       | 17/30x3<br>DIN/ISO-7089 |
| 4    | 463 8642 | 1     | Düngereinlegerhalm        | Skim stalk   | 50x30x1124-260          |



04.14

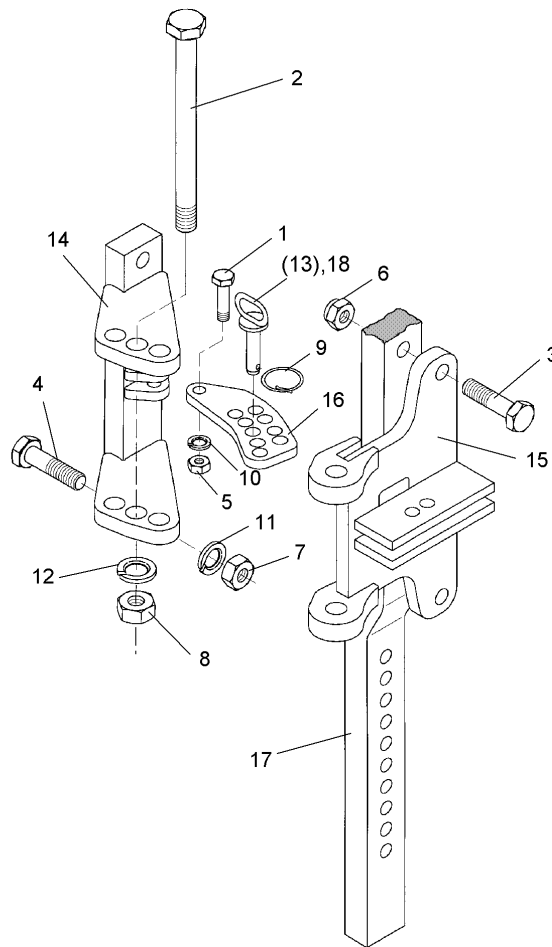
| Pos. | Art.Nr.  | Stck. | Artikeltext / Description |                 | Abmessung                    |
|------|----------|-------|---------------------------|-----------------|------------------------------|
| 1    | 301 3367 | 1     | Sechskantschraube spz.    | Hexagon bolt    | M12x45-8.8 Zn                |
| 2    | 301 4546 | 1     | Sechskantschraube spezial | Hexagon bolt    | M20x1,5x240ls214xb23-10.9 Zn |
| 3    | 301 3868 | 2     | Sechskantschraube         | Hexagon bolt    | M16x65-8.8 Zn<br>DIN931-A    |
| 4    | 301 5385 | 2     | Sechskantschraube spz.    | Hexagon bolt    | M16x55-10.9 Zn               |
| 5    | 303 0934 | 1     | Sicherungsmutter          | Selflocking nut | NM12-8 Zn DIN985             |
| 6    | 303 0935 | 2     | Sicherungsmutter          | Selflocking nut | NM16-8 Zn DIN985             |
| 7    | 303 1015 | 4     | Sechskantmutter           | Hexagon nut     | M16 DIN934-8 Zn              |
| 8    | 303 0977 | 1     | Sechskantmutter           | Hexagon nut     | M20x1,5 DIN934-10 Zn         |
| 9    | 311 9565 | 1     | Klappstift                | Securing pin    | 4,5                          |
| 10   | 305 9902 | 1     | Federring                 | Spring ring     | 12 DIN127 Zn                 |
| 11   | 305 6141 | 4     | Scheibe                   | Washer          | 17/30x3<br>DIN/ISO-7089      |
| 12   | 305 6012 | 1     | Scheibe                   | Washer          | 21 ISO7089 Zn                |
| 13   | 313 8158 | 1     | Bolzen mit Griff          | Pin with grip   | D14x61/103 Zn                |
| 14   | 457 7207 | 1     | Konsole                   | Bracket         | DE 260/179 D16<br>E8+9       |
| 15   | 457 7208 | 1     | Schwenkkonsole            | Swivel bracket  | DE 260/178 D16,5<br>E8+9     |
| 16   | 457 7204 | 1     | Lasche                    | Lashing         | 50x10x142<br>9xD14,25+1xD12  |
| 17   | 463 8642 | 1     | Düngereinlegerhalm        | Skim stalk      | 50x30x1124-260               |
| 18   | 313 8159 | 1     | Bolzen mit Griff          | Pin with grip   | D14x55/69 Zn                 |





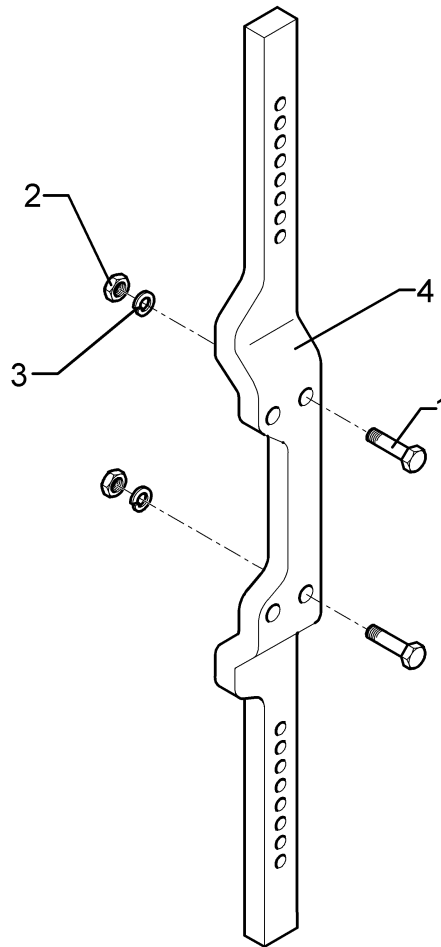
04.14

| Pos. | Art.Nr.  | Stck. | Artikeltext / Description |                 | Abmessung                               |
|------|----------|-------|---------------------------|-----------------|---|
| 1    | 301 3367 | 1     | Sechskantschraube spz.    | Hexagon bolt    | M12x45-8.8 Zn                           |
| 2    | 301 4601 | 2     | Sechskantschraube spz.    | Hexagon bolt    | M20x70-10.9 Zn                          |
| 3    | 301 4861 | 1     | Sechskantschraube         | Hexagon bolt    | M24x250-8.8 Zn<br>(300) DIN931-A        |
| 6    | 303 0935 | 4     | Sicherungsmutter          | Selflocking nut | NM16-8 Zn DIN985                        |
| 7    | 303 0936 | 2     | Sicherungsmutter          | Selflocking nut | NM20-8 Zn DIN985                        |
| 8    | 303 0934 | 1     | Sicherungsmutter          | Selflocking nut | NM12-8 Zn DIN985                        |
| 9    | 303 0937 | 1     | Sicherungsmutter          | Selflocking nut | NM24-8 Zn DIN985                        |
| 10   | 311 9565 | 1     | Klappstift                | Securing pin    | 4,5                                     |
| 12   | 305 6254 | 1     | Scheibe                   | Washer          | 25 ISO7089 Zn                           |
| 13   | 313 8158 | 1     | Bolzen mit Griff          | Pin with grip   | D14x61/103 Zn                           |
| 14   | 457 7210 | 1     | Konsole                   | Bracket         | DE-I 260/179 E8+9                       |
| 15   | 457 7212 | 1     | Schwenkkonsole            | Swivel bracket  | DE-I 260/178 D20<br>E8+9                |
| 16   | 457 7204 | 1     | Lasche                    | Lashing         | 50x10x142                               |
| 17   | 463 8643 | 1     | Düngereinlegerhalm        | Skim stalk      | 9xD14,25+1xD12<br>80x30x1133-260<br>D20 |
| 18   | 301 5361 | 4     | Sechskantschraube spz.    | Hexagon bolt    | M16x75-12.9 Zn                          |
| 20   | 305 6141 | 4     | Scheibe                   | Washer          | 17/30x3<br>DIN/ISO-7089                 |
| 21   | 305 6012 | 2     | Scheibe                   | Washer          | 21 ISO7089 Zn                           |



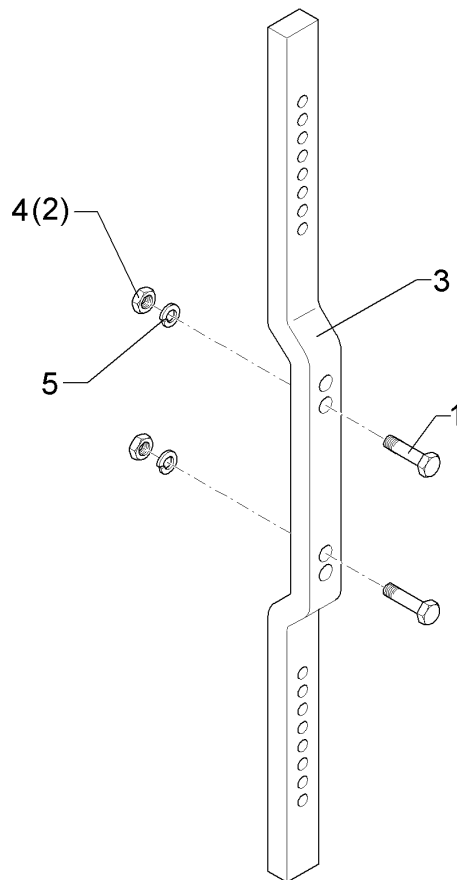
04.14

| Pos. | Art.Nr.  | Stck. | Artikeltext / Description |                 | Abmessung                                    |
|------|----------|-------|---------------------------|-----------------|--|
| 1    | 301 3367 | 1     | Sechskantschraube spz.    | Hexagon bolt    | M12x45-8.8 Zn                                |
| 2    | 301 4546 | 1     | Sechskantschraube spezial | Hexagon bolt    | M20x1,5x240ls214xb23-10.9 Zn                 |
| 3    | 301 3868 | 2     | Sechskantschraube         | Hexagon bolt    | M16x65-8.8 Zn<br>DIN931-A                    |
| 4    | 301 5385 | 2     | Sechskantschraube spz.    | Hexagon bolt    | M16x55-10.9 Zn                               |
| 5    | 303 0934 | 1     | Sicherungsmutter          | Selflocking nut | NM12-8 Zn DIN985                             |
| 6    | 303 0935 | 2     | Sicherungsmutter          | Selflocking nut | NM16-8 Zn DIN985                             |
| 7    | 303 1015 | 4     | Sechskantmutter           | Hexagon nut     | M16 DIN934-8 Zn                              |
| 8    | 303 0977 | 1     | Sechskantmutter           | Hexagon nut     | M20x1,5 DIN934-10 Zn                         |
| 9    | 305 8551 | 1     | Federsicherung            | Securing clip   | Di41x3 A2                                    |
| 10   | 305 9902 | 1     | Federring                 | Spring ring     | 12 DIN127 Zn                                 |
| 11   | 305 6141 | 4     | Scheibe                   | Washer          | 17/30x3<br>DIN/ISO-7089                      |
| 12   | 305 6012 | 1     | Scheibe                   | Washer          | 21 ISO7089 Zn                                |
| 14   | 457 7207 | 1     | Konsole                   | Bracket         | DE 260/179 D16<br>E8+9                       |
| 15   | 457 7208 | 1     | Schwenkkonsole            | Swivel bracket  | DE 260/178 D16,5<br>E8+9                     |
| 16   | 457 7204 | 1     | Lasche                    | Lashing         | 50x10x142                                    |
| 17   | 463 8651 | 1     | Düngereinlegerhalm        | Skim stalk      | 9xD14,25+1xD12<br>50x30x1327-260/220<br>H900 |
| 18   | 313 8158 | 1     | Bolzen mit Griff          | Pin with grip   | D14x61/103 Zn                                |



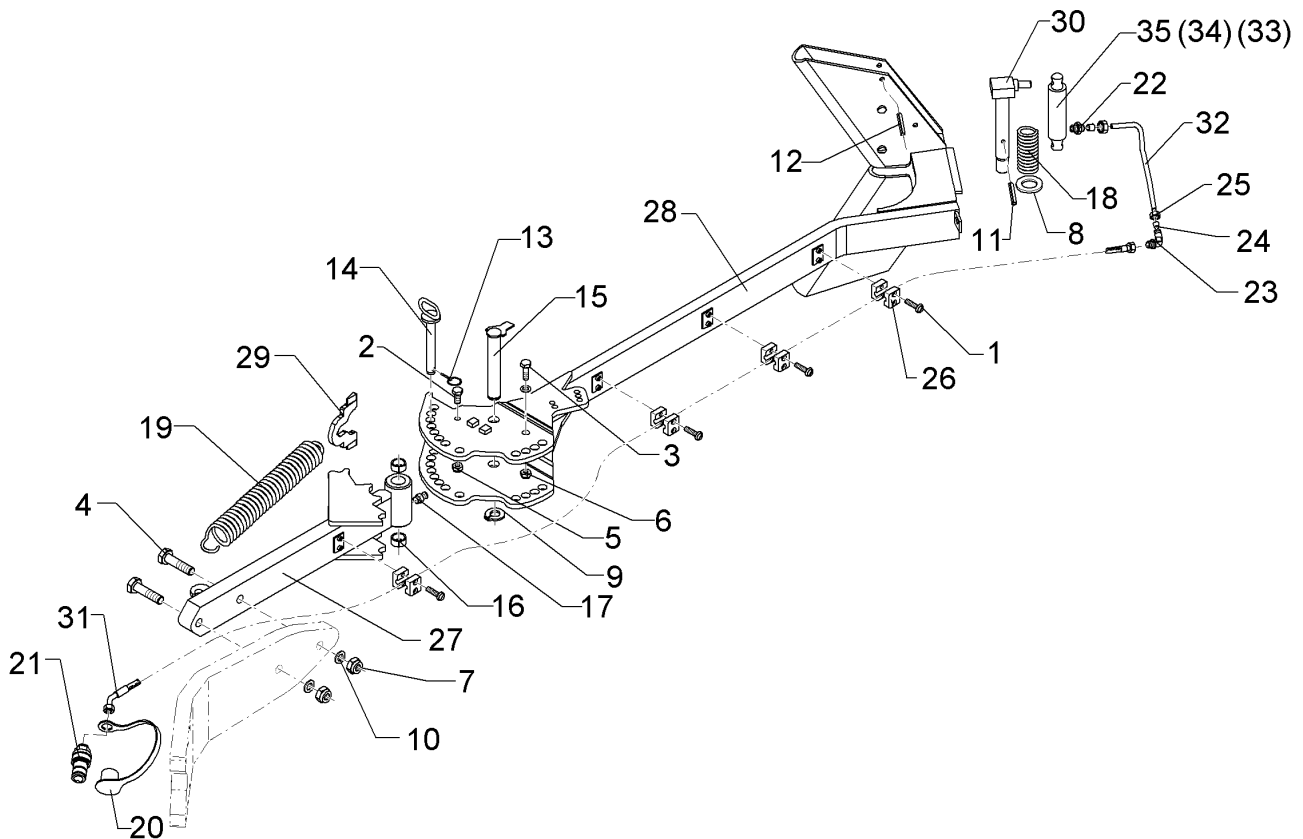
04.14

| Pos. | Art.Nr.  | Stck. | Artikeltext / Description |              | Abmessung                       |
|------|----------|-------|---------------------------|--------------|---------------------------------|
| 1    | 301 3779 | 4     | Sechskantschraube spz.    | Hexagon bolt | M16x60-10.9 Zn                  |
| 2    | 303 1015 | 4     | Sechskantmutter           | Hexagon nut  | M16 DIN934-8 Zn                 |
| 3    | 305 6141 | 4     | Scheibe                   | Washer       | 17/30x3<br>DIN/ISO-7089         |
| 4    | 463 8639 | 1     | Düngereinlegerhalm        | Skim stalk   | 50/95x30x1174-260-V<br>4xD16,25 |



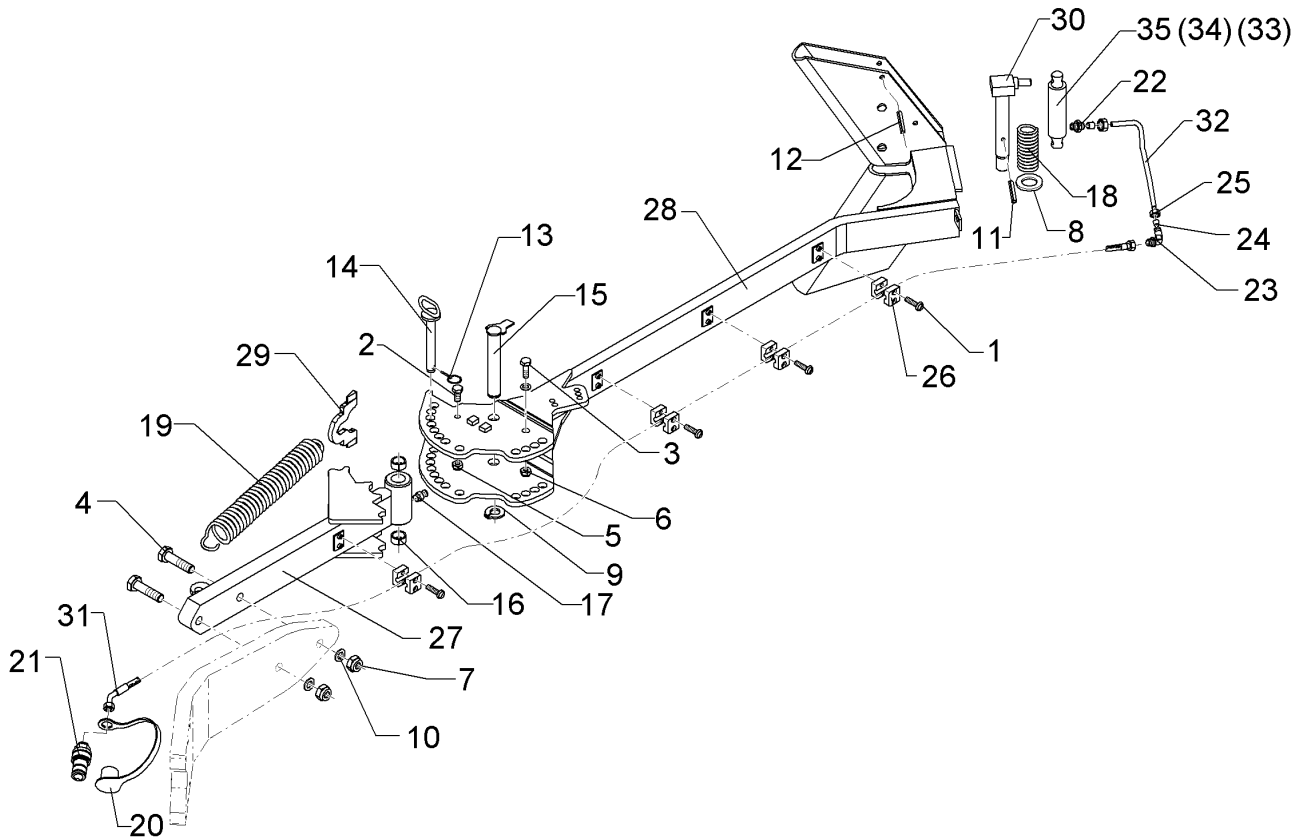
04.14

| Pos. | Art.Nr.  | Stck. | Artikeltext / Description |                 | Abmessung                  |
|------|----------|-------|---------------------------|-----------------|----------------------------|
| 1    | 301 3779 | 2     | Sechskantschraube spz.    | Hexagon bolt    | M16x60-10.9 Zn             |
| 2    | 303 0935 | 2     | Sicherungsmutter          | Selflocking nut | NM16-8 Zn DIN985           |
| 3    | 463 8651 | 1     | Düngereinlegerhalm        | Skim stalk      | 50x30x1327-260/220<br>H900 |
| 4    | 303 1015 | 2     | Sechskantmutter           | Hexagon nut     | M16 DIN934-8 Zn            |
| 5    | 305 6141 | 2     | Scheibe                   | Washer          | 17/30x3<br>DIN/ISO-7089    |



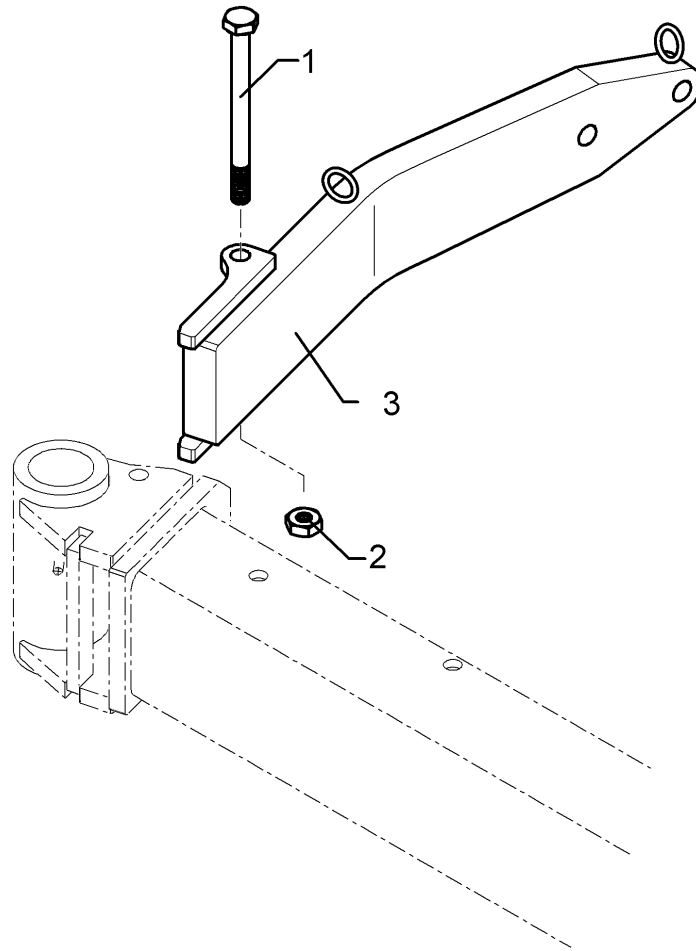
04.14

| Pos. | Art.Nr.  | Stck. | Artikeltext / Description    |                    | Abmessung                        |
|------|----------|-------|------------------------------|--------------------|----------------------------------|
| 1    | 301 0302 | 8     | Linsenschraube               | Flatheaded bolt    | M6x25-4,6 Zn<br>DIN7985          |
| 2    | 301 3314 | 1     | Sechskantschraube            | Hexagon bolt       | M12x25-8.8 Zn<br>DIN933          |
| 3    | 301 3701 | 1     | Sechskantschraube            | Hexagon bolt       | M16x35-12.9<br>A=max.3 Zn DIN933 |
| 4    | 301 4408 | 2     | Sechskantschraube spz.       | Hexagon bolt       | M20x100xb25-10.9<br>Zn           |
| 5    | 303 0934 | 1     | Sicherungsmutter             | Selflocking nut    | NM12-8 Zn DIN985                 |
| 6    | 303 0935 | 1     | Sicherungsmutter             | Selflocking nut    | NM16-8 Zn DIN985                 |
| 7    | 303 0978 | 2     | Sechskantmutter              | Hexagon nut        | M20 DIN934-8 Zn                  |
| 8    | 305 6229 | 1     | Scheibe                      | Washer             | 45x31x5 Zn DIN1441               |
| 9    | 305 8861 | 1     | Sicherungsring               | Securing ring      | 25x2 DIN471 Zn                   |
| 10   | 305 6012 | 2     | Scheibe                      | Washer             | 21 ISO7089 Zn                    |
| 11   | 309 6072 | 1     | Spannhülse                   | Expansion bush     | 8x40-DIN1481 Zn                  |
| 12   | 309 6174 | 2     | Spannhülse                   | Expansion bush     | 10x70-DIN1481                    |
| 13   | 311 9565 | 2     | Klappstift                   | Securing pin       | 4,5                              |
| 14   | 313 2020 | 2     | Bolzen mit Griff             | Pin with grip      | D20x143/165 Zn                   |
| 15   | 313 2538 | 1     | Bolzen mit Verdrehsicherung  | Pin with stop      | D25x136/153 Zn                   |
| 16   | 317 3408 | 2     | Einspannbuchse mit Presssitz | Expansion bush     | EG25/32x20                       |
| 17   | 323 6348 | 1     | Schmiernippel                | Grease nipple      | AM10x1 DIN71412                  |
| 18   | 329 8289 | 1     | Druckfeder                   | Compression spring | 5x37x138                         |
| 19   | 329 8595 | 1     | Zugfeder                     | Spring             | 7x35x437                         |
| 20   | 375 2164 | 1     | Staubkappe                   | Dust cap           | rd BG.2                          |
| 21   | 375 2716 | 1     | SVK-Stecker                  | Hydraulic coupling | BG-2 10LM16x1,5                  |



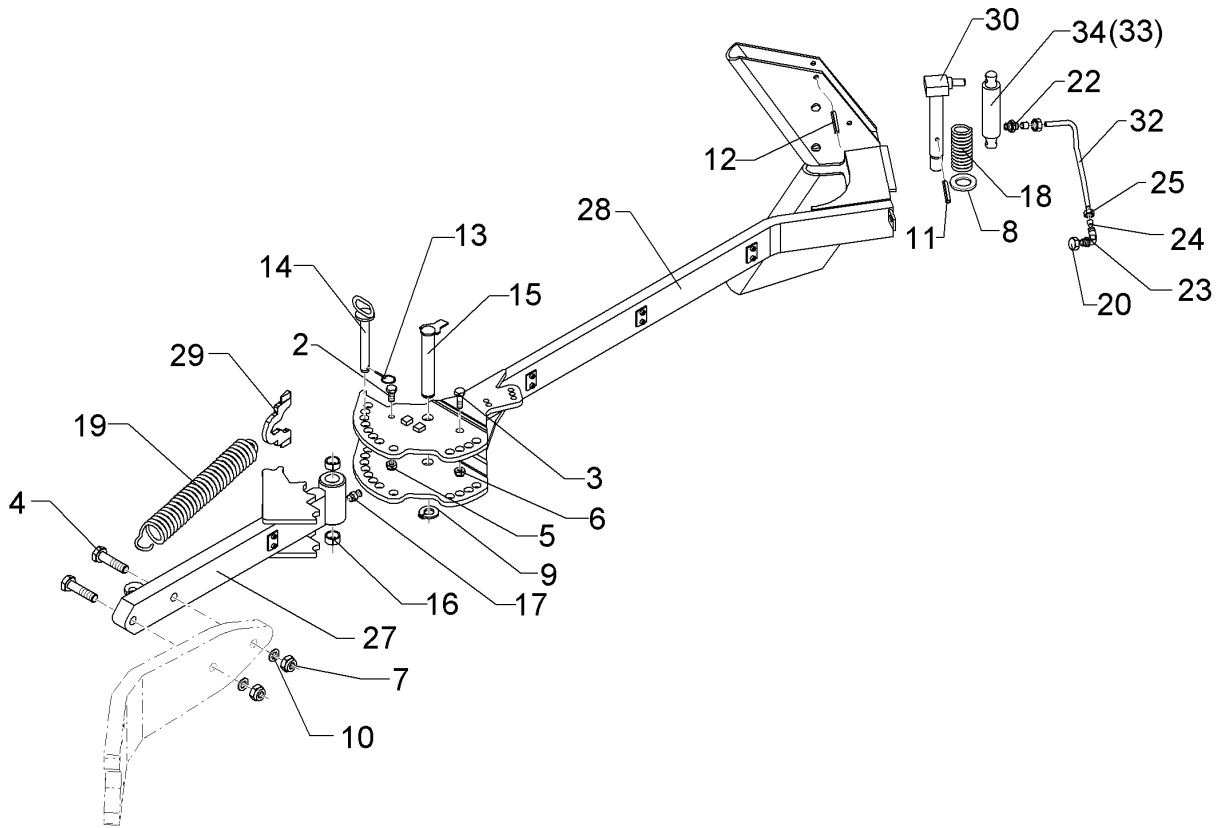
04.14

| Pos. | Art.Nr.  | Stck. | Artikeltext / Description  |                | Abmessung                     |
|------|----------|-------|----------------------------|----------------|-------------------------------|
| 22   | 375 3990 | 1     | Einschraubverschraubung    | Nipple         | x-GE 10-LM<br>M18x1,5         |
| 23   | 375 4390 | 1     | Winkel-Schottverschraubung | Angle union    | x-WSV10-L M16x1,5             |
| 24   | 375 5100 | 2     | Schneidring                | Cutting ring   | S 10 L WD                     |
| 25   | 375 5300 | 2     | Überwurfmutter             | Union nut      | 10L M16x1,5 Zn                |
| 26   | 375 9961 | 8     | Schellenkörper             | Clamp          | 1/2x215 PP                    |
| 27   | 422 9514 | 1     | Tragarm                    | Supporting arm | 80x40x707 E2V                 |
| 28   | 422 9515 | 1     | Fangarm                    | Hook arm       | 80x30 E2V                     |
| 29   | 422 9516 | 1     | Hebel                      | Lever          | 10x93x140                     |
| 30   | 422 9550 | 1     | Verriegelungsbolzen        | Locking pin    | D30x240                       |
| 31   | 475 2677 | 1     | Hydraulikschlauch          | Hydraulic hose | 1SN08-2200<br>DKOL10 0/45 GRD |
| 32   | 475 9668 | 1     | Hydraulikrohr              | Tube           | 10x2x332 3xGEB                |
| 33   | 575 2335 | 1     | Hydraulikzylinder          | Ram            | EZ25/80 D16/170               |
| 34   | 575 2337 | 1     | Hydraulikzylinder          | Ram            | ED30-80 D16/170               |
| 35   | 575 2328 | 1     | Hydraulikzylinder          | Ram            | ED30/35 D16/170               |
| 36   | 305 6141 | 1     | Scheibe                    | Washer         | 17/30x3<br>DIN/ISO-7089       |



04.14

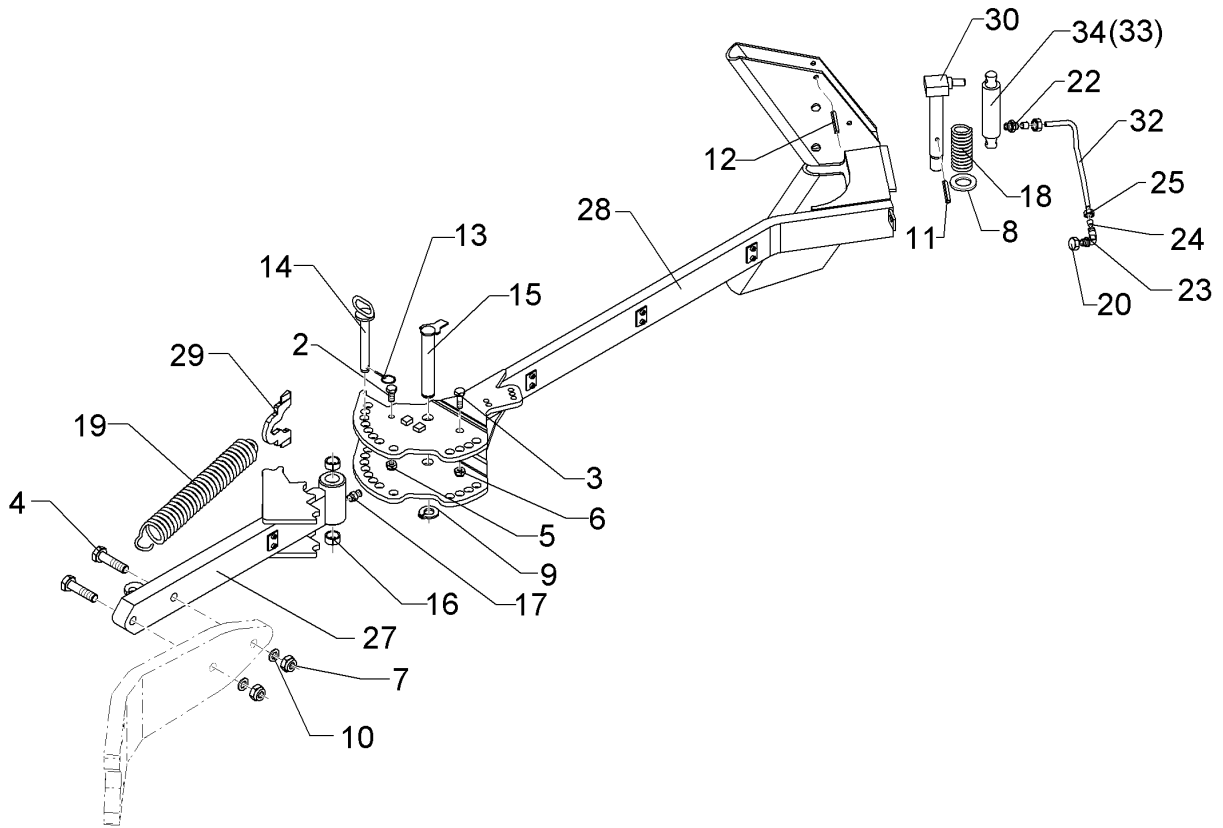
| Pos. | Art.Nr.  | Stck. | Artikeltext / Description |              | Abmessung              |
|------|----------|-------|---------------------------|--------------|------------------------|
| 1    | 301 4543 | 1     | Sechskantschraube spz.    | Hexagon bolt | M20x1,5x220-10.9<br>Zn |
| 2    | 303 0957 | 1     | Sechskantmutter           | Hexagon nut  | BM20x1,5<br>DIN439-8V  |
| 3    | 422 9530 | 1     | Konsole zum Mitnehmerarm  | Bracket      | Diamant10 140x35       |



04.14

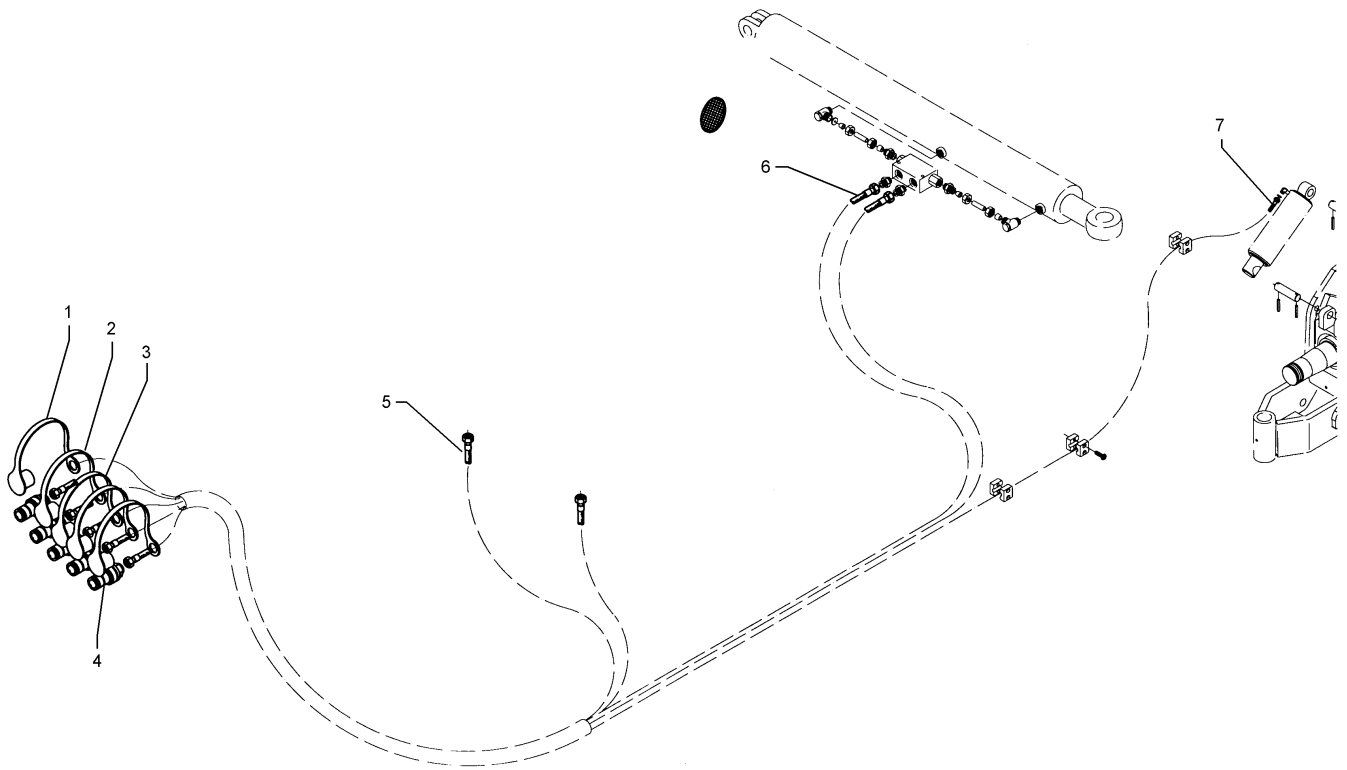
| Pos. | Art.Nr.  | Stck. | Artikeltext / Description    |                    | Abmessung                        |
|------|----------|-------|------------------------------|--------------------|----------------------------------|
| 2    | 301 3314 | 1     | Sechskantschraube            | Hexagon bolt       | M12x25-8.8 Zn<br>DIN933          |
| 3    | 301 3701 | 1     | Sechskantschraube            | Hexagon bolt       | M16x35-12.9<br>A=max.3 Zn DIN933 |
| 4    | 301 4408 | 2     | Sechskantschraube spz.       | Hexagon bolt       | M20x100xb25-10.9<br>Zn           |
| 5    | 303 0934 | 1     | Sicherungsmutter             | Selflocking nut    | NM12-8 Zn DIN985                 |
| 6    | 303 0935 | 1     | Sicherungsmutter             | Selflocking nut    | NM16-8 Zn DIN985                 |
| 7    | 303 0978 | 2     | Sechskantmutter              | Hexagon nut        | M20 DIN934-8 Zn                  |
| 8    | 305 6229 | 1     | Scheibe                      | Washer             | 45x31x5 Zn DIN1441               |
| 9    | 305 8861 | 1     | Sicherungsring               | Securing ring      | 25x2 DIN471 Zn                   |
| 10   | 305 6012 | 2     | Scheibe                      | Washer             | 21 ISO7089 Zn                    |
| 11   | 309 6072 | 2     | Spannhülse                   | Expansion bush     | 8x40-DIN1481 Zn                  |
| 12   | 309 6174 | 1     | Spannhülse                   | Expansion bush     | 10x70-DIN1481                    |
| 13   | 311 9565 | 2     | Klappstift                   | Securing pin       | 4,5                              |
| 14   | 313 2020 | 2     | Bolzen mit Griff             | Pin with grip      | D20x143/165 Zn                   |
| 15   | 313 2538 | 1     | Bolzen mit Verdrehsicherung  | Pin with stop      | D25x136/153 Zn                   |
| 16   | 317 3408 | 2     | Einspannbuchse mit Presssitz | Expansion bush     | EG25/32x20                       |
| 17   | 323 6348 | 1     | Schmiernippel                | Grease nipple      | AM10x1 DIN71412                  |
| 18   | 329 8289 | 1     | Druckfeder                   | Compression spring | 5x37x138                         |
| 19   | 329 8595 | 1     | Zugfeder                     | Spring             | 7x35x437                         |
| 20   | 323 8067 | 1     | Schraubkappe                 | Cap                | GPN800 M16x1,5                   |
| 22   | 375 3990 | 1     | Einschraubverschraubung      | Nipple             | x-GE 10-LM<br>M18x1,5            |
| 23   | 375 4390 | 1     | Winkel-Schottverschraubung   | Angle union        | x-WSV10-L M16x1,5                |





04.14

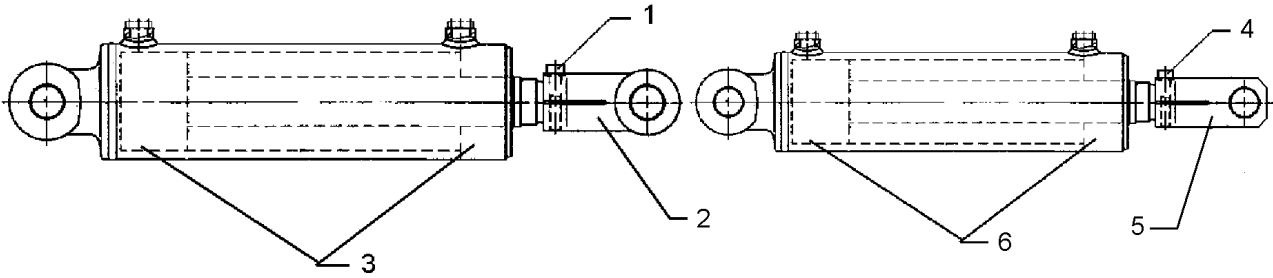
| Pos. | Art.Nr.  | Stck. | Artikeltext / Description |                | Abmessung       |
|------|----------|-------|---------------------------|----------------|-----------------|
| 24   | 375 5100 | 2     | Schneidring               | Cutting ring   | S 10 L WD       |
| 25   | 375 5300 | 2     | Überwurfmutter            | Union nut      | 10L M16x1,5 Zn  |
| 27   | 422 9514 | 1     | Tragarm                   | Supporting arm | 80x40x707 E2V   |
| 28   | 422 9515 | 1     | Fangarm                   | Hook arm       | 80x30 E2V       |
| 29   | 422 9516 | 1     | Hebel                     | Lever          | 10x93x140       |
| 30   | 422 9550 | 1     | Verriegelungsbolzen       | Locking pin    | D30x240         |
| 32   | 475 9668 | 1     | Hydraulikrohr             | Tube           | 10x2x332 3xGEB  |
| 33   | 575 2328 | 1     | Hydraulikzylinder         | Ram            | ED30/35 D16/170 |



04.14

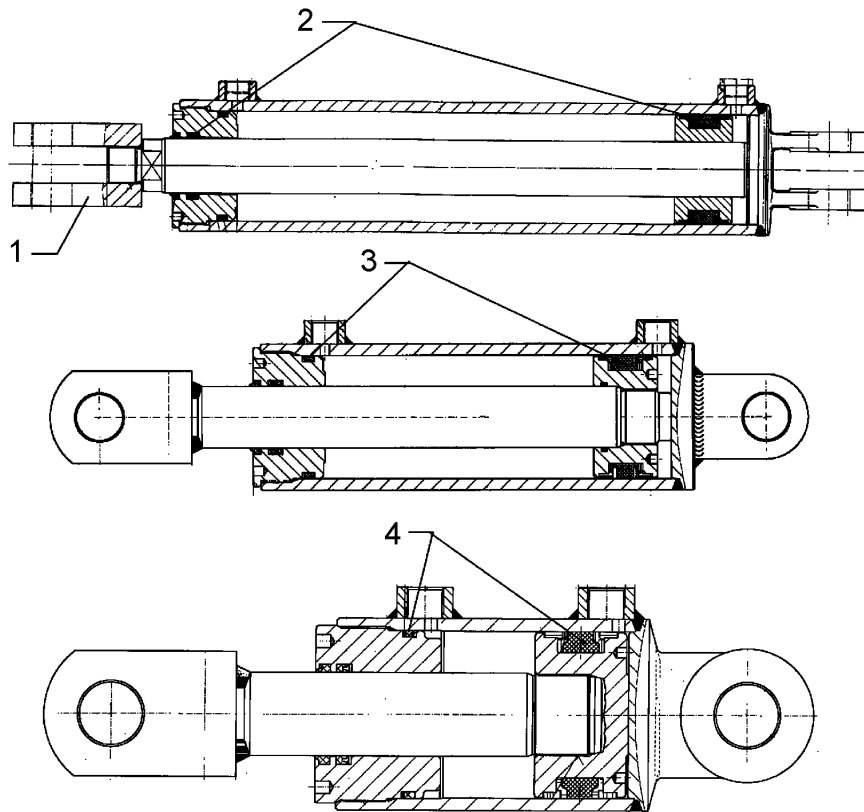
| Pos. | Art.Nr.  | Stck. | Artikeltext / Description |                    | Abmessung         |
|------|----------|-------|---------------------------|--------------------|-------------------|
| 1    | 375 2121 | 1     | Staubkappe                | Dust cap           | D26,5 Bg.3        |
| 2    | 375 2166 | 2     | Staubkappe, rot           | Cap, red           | D26,5             |
| 3    | 375 2120 | 2     | Staubkappe, grün          | Cap                | D26,5 Bg.3        |
| 4    | 375 2718 | 5     | SVK-Stecker               | Hydraulic coupling | BG-3 12L M18x1,5  |
| 5    | 475 2490 | 2     | Hydraulikschlauch         | Hydraulic hose     | 2SC08-4600-DKOL12 |
| 6    | 475 2491 | 2     | Hydraulikschlauch         | Hydraulic hose     | 2SC08-5900-DKOL12 |
| 7    | 475 2494 | 1     | Hydraulikschlauch         | Hydraulic hose     | 2SC08-7500-DKOL12 |

|                              |                 |
|------------------------------|-----------------|
| <b>Hydraulikzylinder/Ram</b> | <b>16</b>       |
| <b>VariDiamant 10</b>        | <b>575 2266</b> |



04.14

| Pos. | Art.Nr.  | Stck. | Artikeltext / Description |                 | Abmessung               |
|------|----------|-------|---------------------------|-----------------|-------------------------|
| 1    | 301 5817 | 2     | Zylinderschraube          | Allen screw     | M10x55-8.8 DIN912       |
| 2    | 302 9109 | 1     | Gelenkgabel               | Fork-type joint | M36x2,5-69/28x93<br>D30 |
| 3    | 575 9280 | 1     | Dichtungssatz             | Seal set        | 40/80                   |
| 4    | 301 5832 | 1     | Zylinderschraube          | Allen screw     | M12x40-12.9<br>DIN912   |
| 5    | 302 9103 | 1     | Gelenkgabel               | Fork-type joint | D30-83 M39x1,5          |
| 6    | 575 9231 | 1     | Dichtungssatz             | Seal set        | D40/80                  |

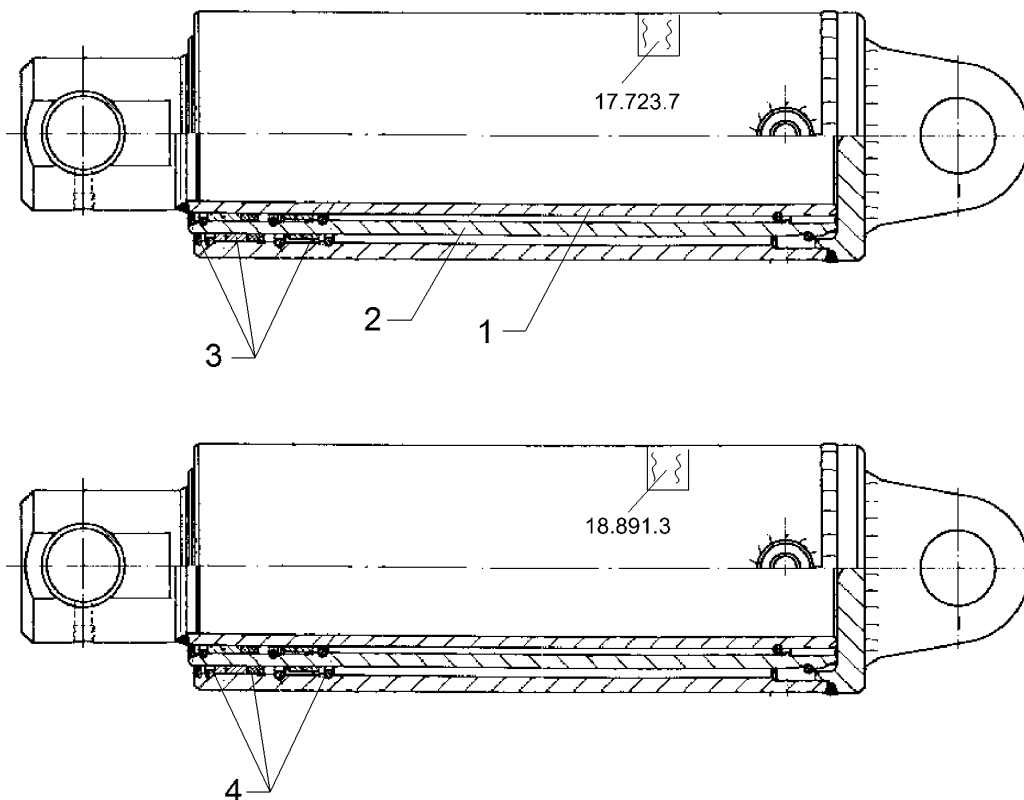


04.14

| Pos. | Art.Nr.  | Stck. | Artikeltext / Description |                 | Abmessung    |
|------|----------|-------|---------------------------|-----------------|--------------|
| 1    | 302 9092 | 1     | Gelenkgabel               | Fork-type joint | M27x2-65-D30 |
| 2    | 575 9179 | 1     | Dichtungssatz             | Seal set        | D40/80       |
| 3    | 575 9231 | 1     | Dichtungssatz             | Seal set        | D40/80       |
| 4    | 575 9257 | 1     | Dichtungssatz             | Seal set        | D40/80       |

Teleskopzylinder 2-stufig/Telescopic ram 2 pistons 16

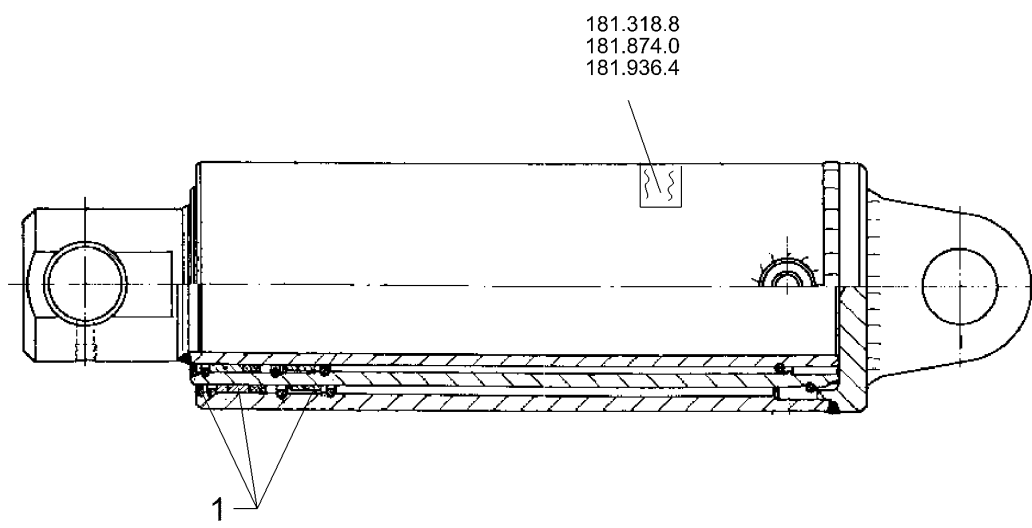
VariDiamant 10 575 2302



04.14

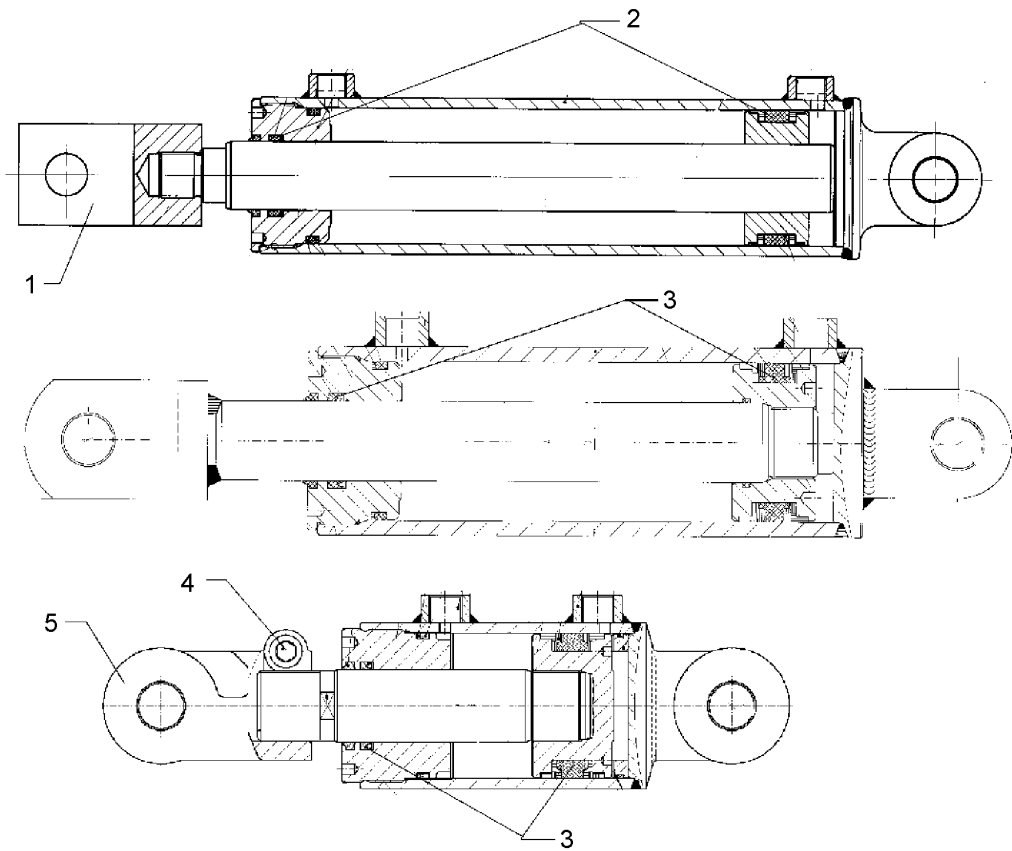
| Pos. | Art.Nr.  | Stck. | Artikeltext / Description     | Abmessung                |              |
|------|----------|-------|-------------------------------|--------------------------|--------------|
| 1    | 475 5245 | 1     | Kolbenstange Teleskopzylinder | Piston rod-telescope ram | D78x506      |
| 2    | 475 5246 | 1     | Kolbenstange Teleskopzylinder | Piston rod-telescope ram | D97/85,9x424 |
| 3    | 575 9225 | 1     | Dichtungssatz                 | Seal set                 | 78/97        |
| 4    | 575 9235 | 1     | Dichtungssatz                 | Seal set                 | 78/97        |

|  |          |
|--|----------|
| Teleskopzylinder 2-stufig/Telescopic ram 2 pistons | 16       |
| VariDiamant 10                                     | 575 2303 |



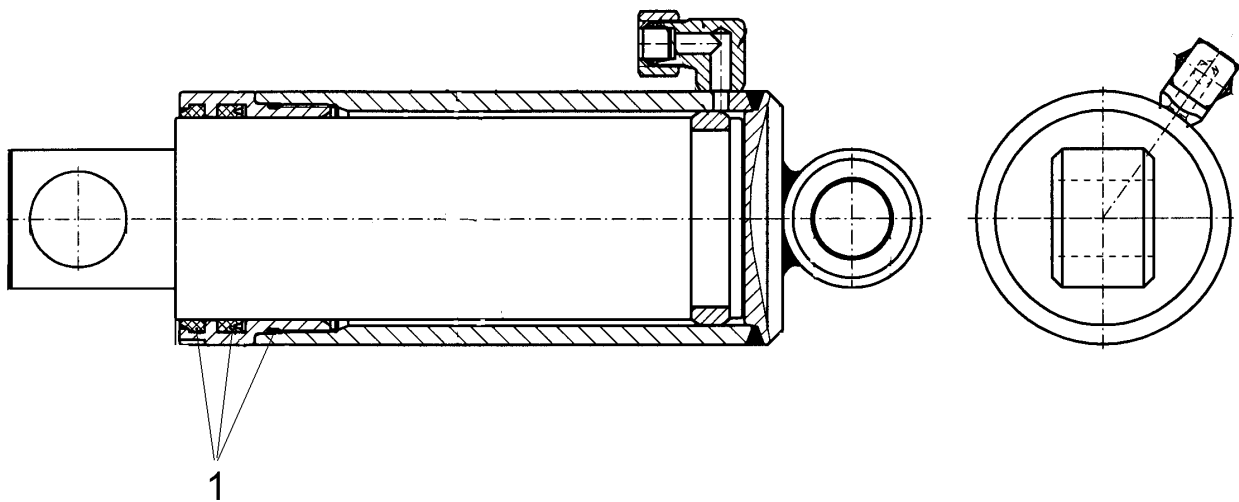
04.14

| Pos. | Art.Nr.  | Stck. | Artikeltext / Description |          | Abmessung |
|------|----------|-------|---------------------------|----------|-----------|
| 1    | 575 9265 | 1     | Dichtungssatz             | Seal set | 90/105    |



04.14

| Pos. | Art.Nr.  | Stck. | Artikeltext / Description |                 | Abmessung             |
|------|----------|-------|---------------------------|-----------------|-----------------------|
| 1    | 302 9098 | 1     | Gelenkgabel               | Fork-type joint | M27x2-80-D25          |
| 2    | 575 9179 | 1     | Dichtungssatz             | Seal set        | D40/80                |
| 3    | 575 9257 | 1     | Dichtungssatz             | Seal set        | D40/80                |
| 4    | 301 5832 | 1     | Zylinderschraube          | Allen screw     | M12x40-12.9<br>DIN912 |
| 5    | 302 9104 | 1     | Gelenkgabel               | Fork-type joint | D25-83 M39x1,5        |

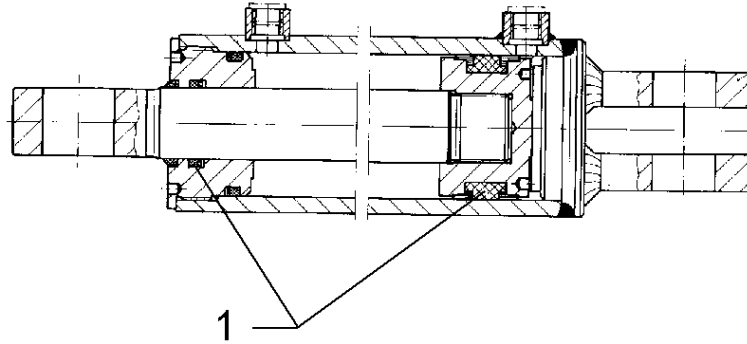


04.14

| Pos. | Art.Nr.  | Stck. | Artikeltext / Description |          | Abmessung |
|------|----------|-------|---------------------------|----------|-----------|
| 1    | 575 9262 | 1     | Dichtungssatz             | Seal set | D80       |



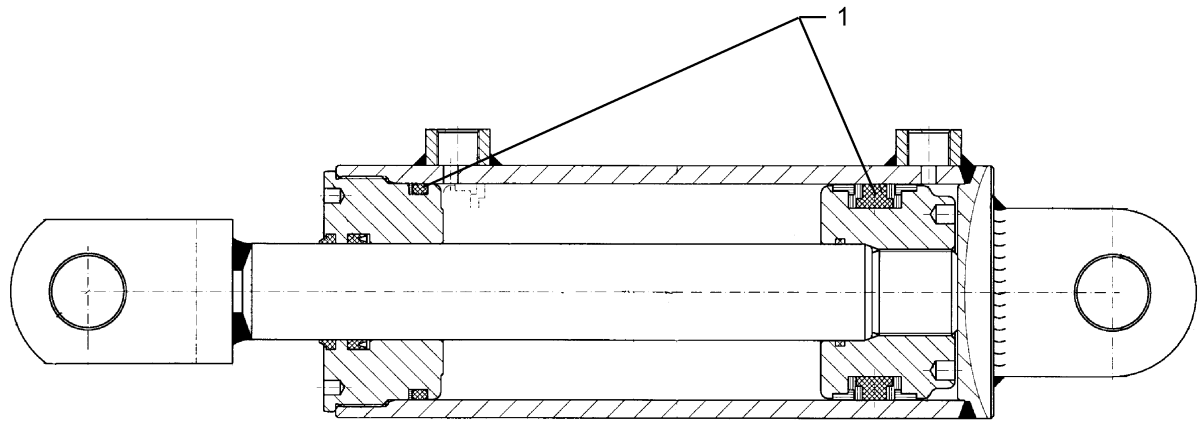
|                       |          |
|-----------------------|----------|
| Hydraulikzylinder/Ram | 16       |
| VariDiamant 10        | 575 2344 |



04.14

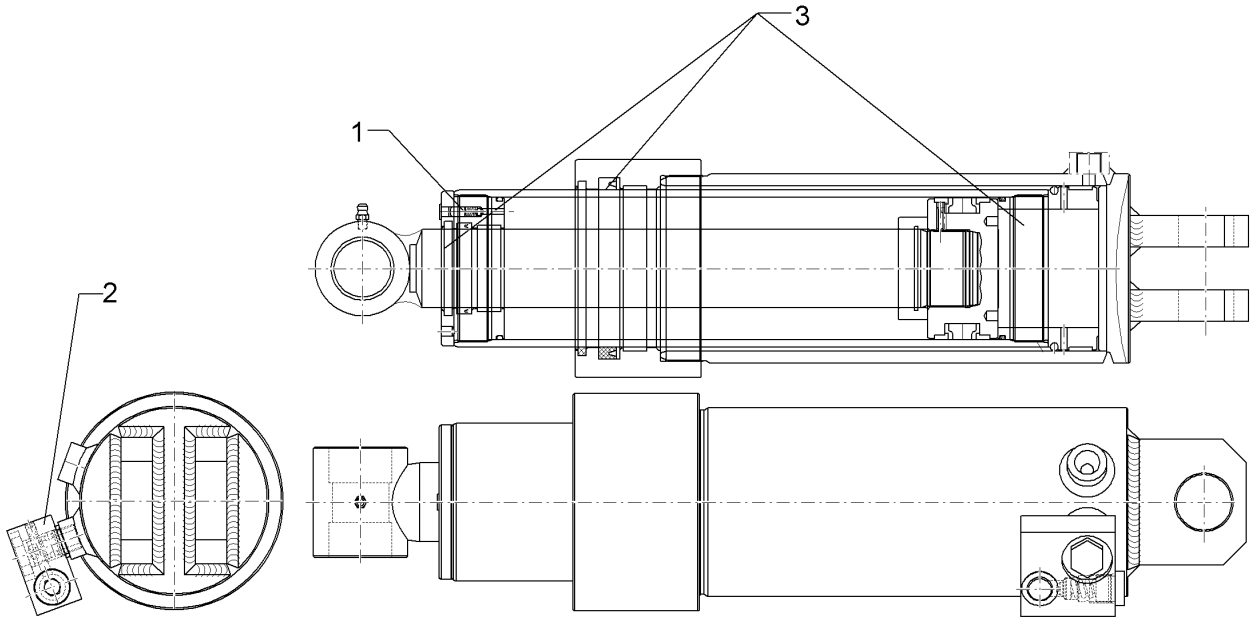
| Pos. | Art.Nr.  | Stck. | Artikeltext / Description |          | Abmessung |
|------|----------|-------|---------------------------|----------|-----------|
| 1    | 575 9179 | 1     | Dichtungssatz             | Seal set | D40/80    |

|                                 |          |
|---------------------------------|----------|
| Hydraulikzylinder mit Gabel/Ram | 16       |
| VariDiamant 10                  | 575 2358 |



04.14

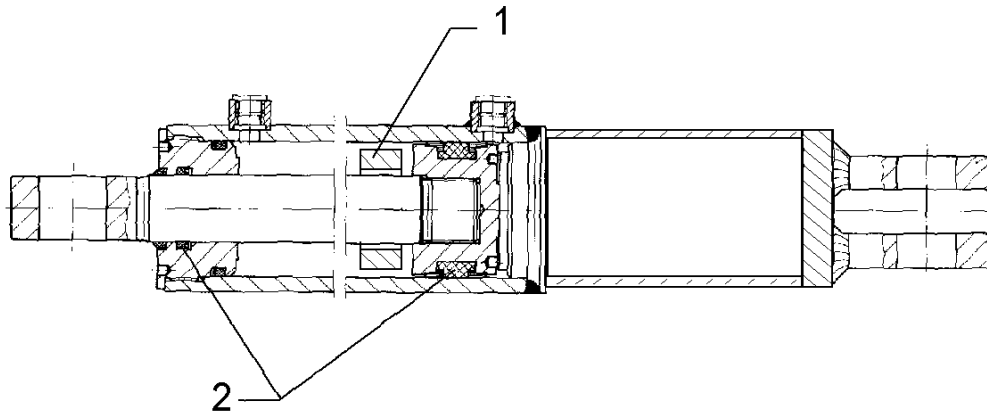
| Pos. | Art.Nr.  | Stck. | Artikeltext / Description |          | Abmessung |
|------|----------|-------|---------------------------|----------|-----------|
| 1    | 575 9177 | 1     | Dichtungssatz             | Seal set | D40/90    |



04.14

| Pos. | Art.Nr.  | Stck. | Artikeltext / Description |                         | Abmessung         |
|------|----------|-------|---------------------------|-------------------------|-------------------|
| 1    | 575 1145 | 1     | Entlüftungsfilter         | Venting filter          | -                 |
| 2    | 575 2054 | 1     | Druckbegrenzungsventil    | Pressure limiting valve | 250 bar 2xM16x1,5 |
| 3    | 575 9276 | 1     | Dichtungssatz             | Seal set                | D90/110           |

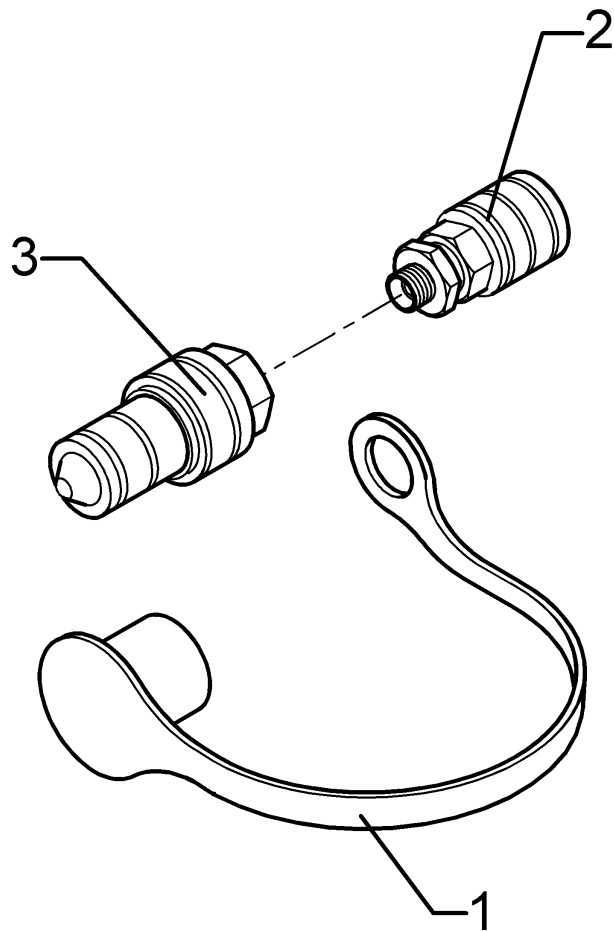
|                       |          |
|-----------------------|----------|
| Hydraulikzylinder/Ram | 16       |
| VariDiamant 10        | 575 2537 |



04.14

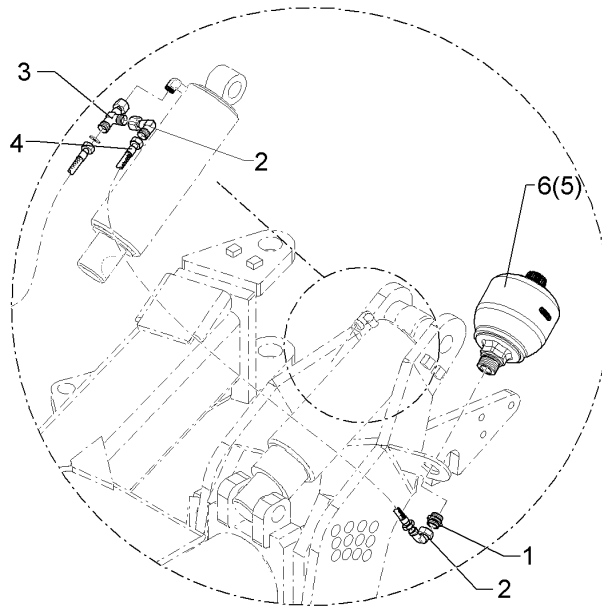
| Pos. | Art.Nr.  | Stck. | Artikeltext / Description |                | Abmessung         |
|------|----------|-------|---------------------------|----------------|-------------------|
| 1    | 317 8646 | 1     | Stelling                  | Adjusting ring | D63,5/45x25 D12,5 |
| 2    | 575 9179 | 1     | Dichtungssatz             | Seal set       | D40/80            |

|                 |          |
|-----------------|----------|
| Adapter/Adapter | 16       |
| VariDiamant 10  | 575 6601 |



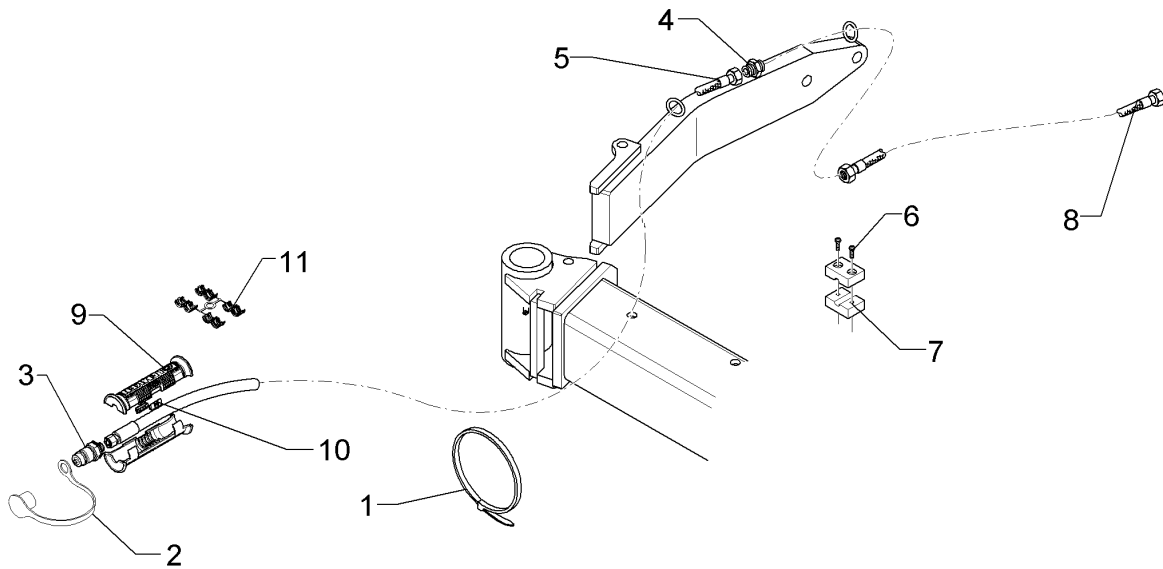
04.14

| Pos. | Art.Nr.  | Stck. | Artikeltext / Description | Abmessung             |
|------|----------|-------|---------------------------|-----------------------|
| 1    | 375 2165 | 1     | Staubstecker rot          | -                     |
| 2    | 375 2737 | 1     | SVK-Muffe                 | BG-3 CEL15<br>M22x1,5 |
| 3    | 375 2741 | 1     | Steckkupplung Kugel       | K700 12LM18x1,5       |



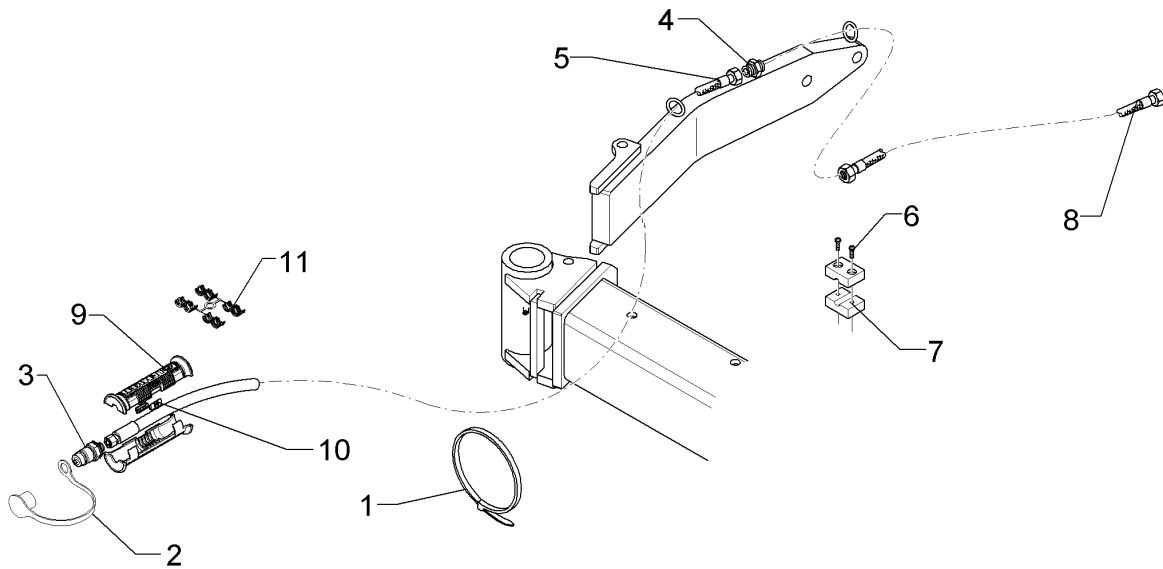
04.14

| Pos. | Art.Nr.  | Stck. | Artikeltext / Description    |                        | Abmessung                    |
|------|----------|-------|------------------------------|------------------------|------------------------------|
| 1    | 375 4039 | 1     | Einschraubverschraubung      | Nipple                 | GE 12-LR 1/2"                |
| 2    | 375 4500 | 2     | Einstellbare W-Verschraubung | Adjustable angle union | EW12-LM DKO24<br>GRD M18x1,5 |
| 3    | 375 4550 | 1     | Einstellbare L-Verschraubung | Adjustable L-union     | EL12-L M18x1,5               |
| 4    | 475 2613 | 1     | Hydraulikschlauch            | Hydraulic hose         | 2SN10-500 M18x1,5            |
| 5    | 575 9042 | 1     | Druckspeicher                | Pressure accumulator   | Typ 0,75l 330-50bar<br>1/2"  |
| 6    | 57510264 | 1     | Druckspeicher                | Pressure accumulator   | Typ 0,75l<br>330-120bar R1/2 |



04.14

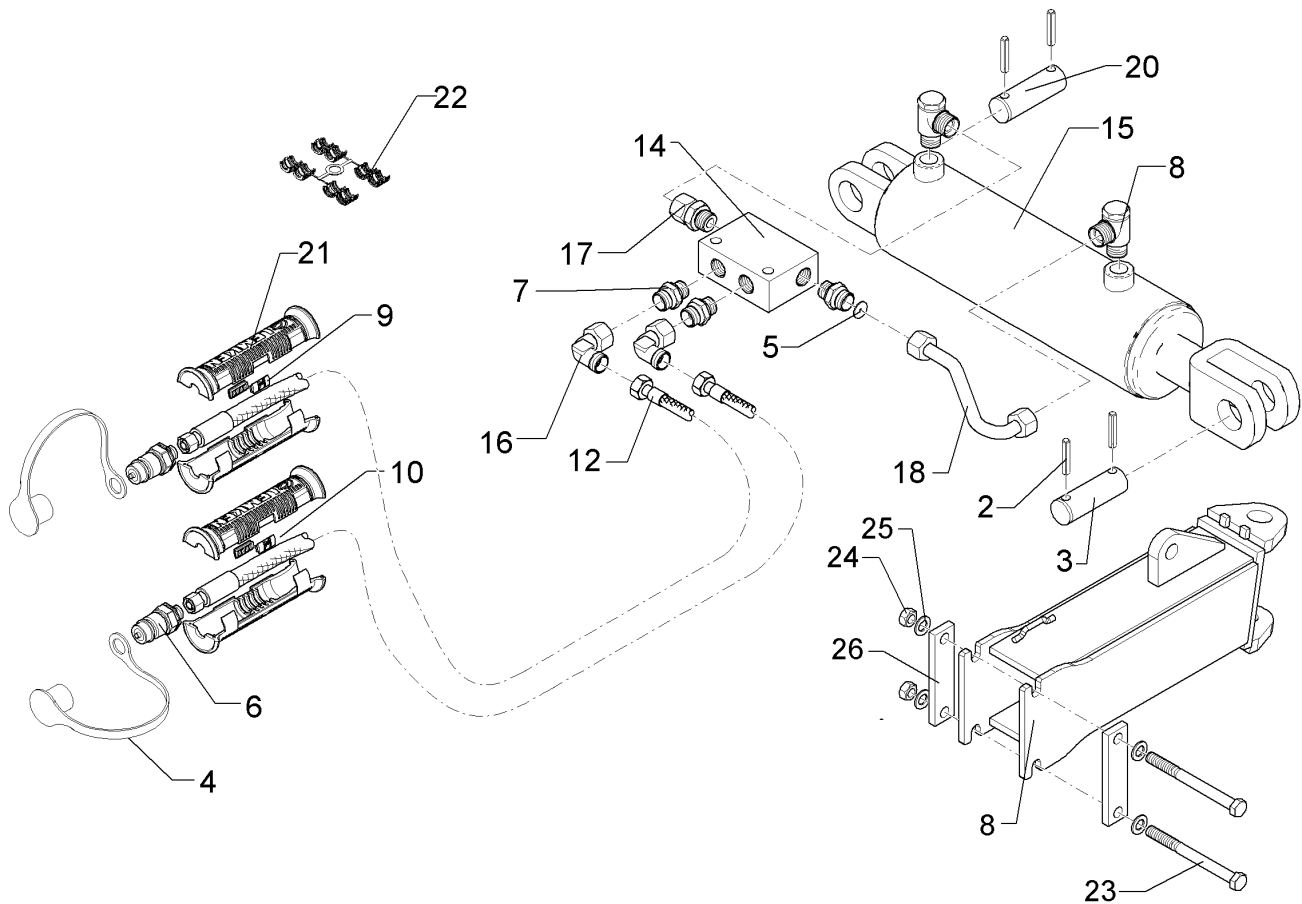
| Pos. | Art.Nr.  | Stck. | Artikeltext / Description |                    | Abmessung                      |
|------|----------|-------|---------------------------|--------------------|--------------------------------|
| 1    | 325 1331 | 6     | Kabelbinder               | Clip               | 4,7x186                        |
| 2    | 375 2122 | 1     | Staubkappe, schwarz       | Cap, black         | D26,5 Bg.3                     |
| 3    | 375 2718 | 1     | SVK-Stecker               | Hydraulic coupling | BG-3 12L M18x1,5               |
| 4    | 375 4098 | 1     | Gerade Verschraubung      | Nipple             | G10-L/G12-L<br>M16x1,5/M18x1.5 |
| 5    | 475 2677 | 1     | Hydraulikschlauch         | Hydraulic hose     | 1SN08-2200<br>DKOL10 0/45 GRD  |
| 6    | 301 0302 | 8     | Linsenschraube            | Flatheaded bolt    | M6x25-4,6 Zn<br>DIN7985        |
| 7    | 375 9961 | 8     | Schellenkörper            | Clamp              | 1/2x215 PP                     |
| 8    | 475 2489 | 1     | Hydraulikschlauch         | Hydraulic hose     | 2SC08-5400-DKOL12/DKOL12       |
| 9    | 375 2607 | 2     | Griff Halbschale          | Handle             | -                              |
| 10   | 325 1604 | 2     | Kennzeichnung             | Marking            | P4                             |
| 11   | 375 2606 | 1     | Einleger                  | Insert             | DN6 DN8                        |



04.14

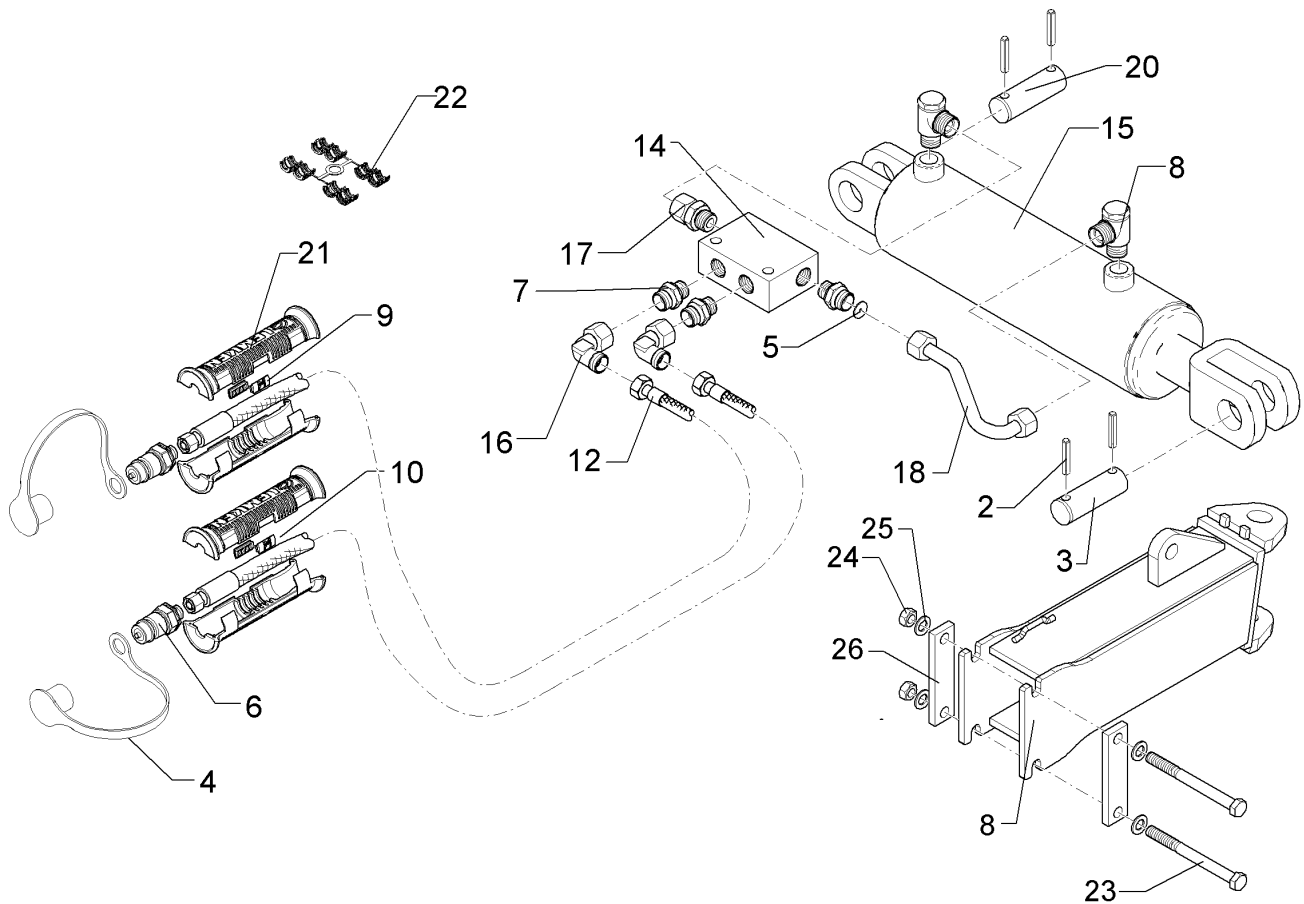
| Pos. | Art.Nr.  | Stck. | Artikeltext / Description |                    | Abmessung                      |
|------|----------|-------|---------------------------|--------------------|--------------------------------|
| 1    | 325 1331 | 6     | Kabelbinder               | Clip               | 4,7x186                        |
| 2    | 375 2122 | 1     | Staubkappe, schwarz       | Cap, black         | D26,5 Bg.3                     |
| 3    | 375 2718 | 1     | SVK-Stecker               | Hydraulic coupling | BG-3 12L M18x1,5               |
| 4    | 375 4098 | 1     | Gerade Verschraubung      | Nipple             | G10-L/G12-L<br>M16x1,5/M18x1.5 |
| 5    | 475 2492 | 1     | Hydraulikschlauch         | Hydraulic hose     | 2SC08-6900-DKOL12              |
| 6    | 301 0302 | 8     | Linsenschraube            | Flatheaded bolt    | M6x25-4,6 Zn<br>DIN7985        |
| 7    | 375 9961 | 8     | Schellenkörper            | Clamp              | 1/2x215 PP                     |
| 8    | 475 2677 | 1     | Hydraulikschlauch         | Hydraulic hose     | 1SN08-2200<br>DKOL10 0/45 GRD  |
| 9    | 375 2607 | 2     | Griff Halbschale          | Handle             | -                              |
| 10   | 325 1604 | 2     | Kennzeichnung             | Marking            | P4                             |
| 11   | 375 2606 | 1     | Einleger                  | Insert             | DN6 DN8                        |





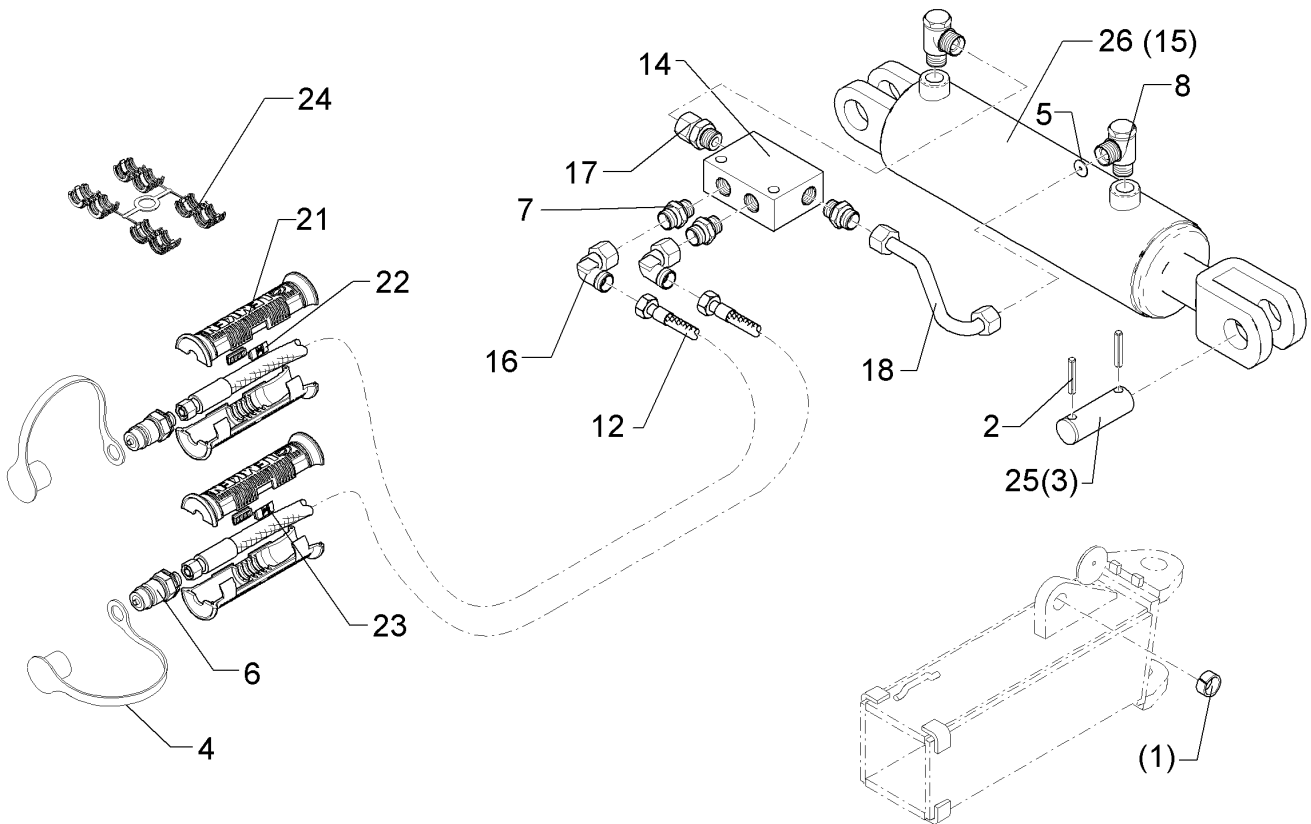
04.14

| Pos. | Art.Nr.  | Stck. | Artikeltext / Description    | Abmessung              |                                      |
|------|----------|-------|------------------------------|------------------------|--------------------------------------|
| 2    | 309 7000 | 4     | Spannhülse                   | Expansion bush         | 8x50-DIN1481 Zn                      |
| 3    | 313 3012 | 1     | Bolzen                       | Pin                    | D30x92 2xd8 Zn                       |
| 4    | 375 2123 | 2     | Staubkappe, gelb             | Cap                    | D26,5 Bg.3                           |
| 5    | 375 2173 | 1     | Drosselplättchen             | Throttle plate         | D12x1,5 BO 1,5                       |
| 6    | 375 2718 | 2     | SVK-Stecker                  | Hydraulic coupling     | BG-3 12L M18x1,5                     |
| 7    | 375 4038 | 3     | Einschraubverschraubung      | Nipple                 | GE 12-LR 1/4"                        |
| 8    | 375 4311 | 2     | Schwenkverschraubung         | Union, swivel          | x-SWVE12-LM<br>M18x1,5 Zn            |
| 9    | 325 1606 | 2     | Kennzeichnung                | Marking                | P6                                   |
| 10   | 325 1613 | 2     | Kennzeichnung                | Marking                | T6                                   |
| 12   | 475 2502 | 2     | Hydraulikschlauch            | Hydraulic hose         | 1SN08-6100-DKOL12                    |
| 14   | 575 2161 | 1     | Rückschlagventil             | Nonreturn valve        | RDP 06 1/4                           |
| 15   | 575 2298 | 1     | Hydraulikzylinder            | Ram                    | DZ80/40/320-580                      |
| 16   | 375 4500 | 2     | Einstellbare W-Verschraubung | Adjustable angle union | EW12-LM DKO24<br>GRD M18x1,5         |
| 17   | 375 4711 | 2     | Stutzen                      | Stud                   | x-evGE-12-ED 1/4"                    |
| 18   | 57510136 | 1     | Hydraulikrohr                | Tube                   | DKO 24 GRD<br>12x2x262 2xGEB<br>1xDR |
| 19   | 405 5679 | 1     | Gelenkstück                  | Connecting piece       | 142x630 V-AD-160                     |
| 20   | 313 3011 | 1     | Bolzen                       | Pin                    | D30x72/102 Zn                        |
| 21   | 375 2607 | 4     | Griff Halbschale             | Handle                 | -                                    |
| 22   | 375 2606 | 2     | Einleger                     | Insert                 | DN6 DN8                              |
| 23   | 301 4556 | 2     | Sechskantschraube            | Hexagon bolt           | M20x220-8.8 Zn<br>DIN931-A           |



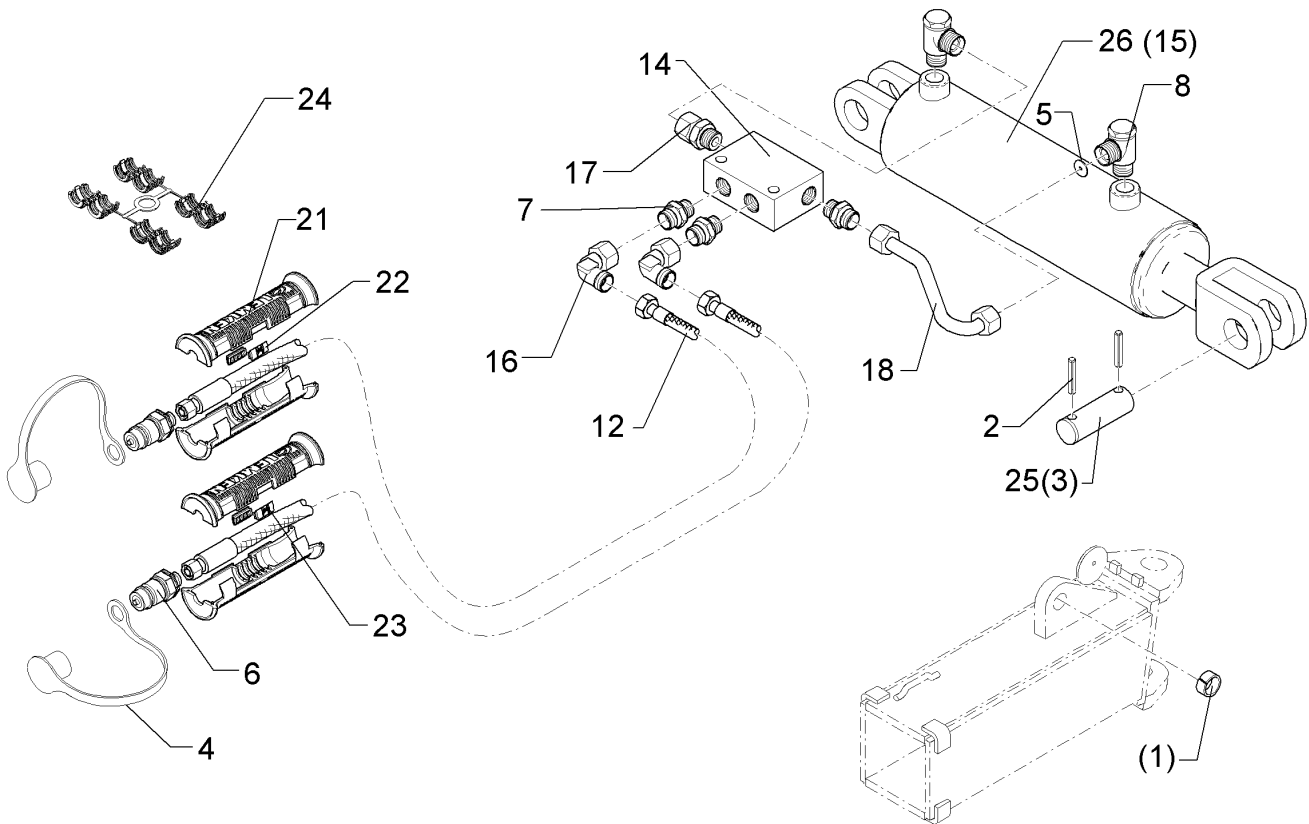
04.14

| Pos. | Art.Nr.  | Stck. | Artikeltext / Description |             | Abmessung              |
|------|----------|-------|---------------------------|-------------|------------------------|
| 24   | 303 0978 | 2     | Sechskantmutter           | Hexagon nut | M20 DIN934-8 Zn        |
| 25   | 305 6012 | 4     | Scheibe                   | Washer      | 21 ISO7089 Zn          |
| 26   | 459 1155 | 2     | Brücke                    | Clamp plate | 50x15x200<br>2xD21-162 |



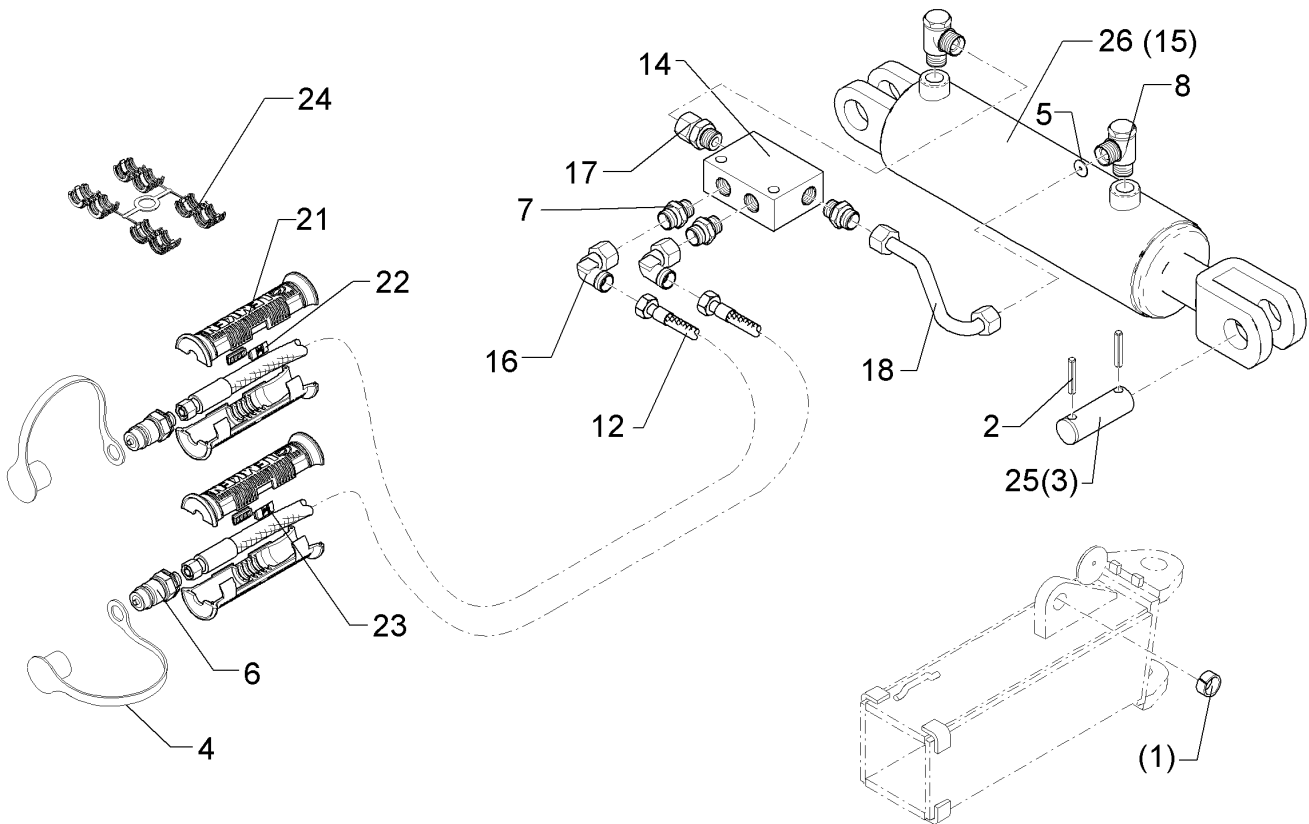
04.14

| Pos. | Art.Nr.  | Stck. | Artikeltext / Description    | Abmessung              |                                 |
|------|----------|-------|------------------------------|------------------------|---------------------------------|
| 1    | 309 3367 | 2     | Spannhülse                   | Expansion bush         | 30x24-DIN7346                   |
| 2    | 309 6072 | 4     | Spannhülse                   | Expansion bush         | 8x40-DIN1481 Zn                 |
| 3    | 313 2553 | 2     | Bolzen                       | Pin                    | D25x102 2xd8-80 Zn              |
| 4    | 375 2123 | 2     | Staubkappe, gelb             | Cap                    | D26,5 Bg.3                      |
| 5    | 375 2173 | 1     | Drosselplättchen             | Throttle plate         | D12x1,5 BO 1,5                  |
| 6    | 375 2718 | 2     | SVK-Stecker                  | Hydraulic coupling     | BG-3 12L M18x1,5                |
| 7    | 375 4038 | 3     | Einschraubverschraubung      | Nipple                 | GE 12-LR 1/4"                   |
| 8    | 375 4311 | 2     | Schwenkverschraubung         | Union, swivel          | x-SWVE12-LM<br>M18x1,5 Zn       |
| 12   | 475 2491 | 2     | Hydraulikschlauch            | Hydraulic hose         | 2SC08-5900-DKOL12               |
| 14   | 575 2161 | 1     | Rückschlagventil             | Nonreturn valve        | RDP 06 1/4                      |
| 15   | 575 2321 | 1     | Hydraulikzylinder mit Gabel  | Ram                    | 80/40x245-515+-5<br>D25 M18x1,5 |
| 16   | 375 4500 | 2     | Einstellbare W-Verschraubung | Adjustable angle union | EW12-LM DKO24<br>GRD M18x1,5    |
| 17   | 375 4711 | 1     | Stutzen                      | Stud                   | x-evGE-12-ED 1/4"<br>DKO 24 GRD |
| 18   | 57510127 | 1     | Hydraulikrohr                | Tube                   | 12x2x185 2xGEB<br>1xDR          |
| 22   | 325 1606 | 2     | Kennzeichnung                | Marking                | P6                              |
| 23   | 325 1613 | 2     | Kennzeichnung                | Marking                | T6                              |
| 24   | 375 2606 | 2     | Einleger                     | Insert                 | DN6 DN8                         |
| 25   | 313 3012 | 2     | Bolzen                       | Pin                    | D30x92 2xd8 Zn                  |
| 26   | 575 2358 | 1     | Hydraulikzylinder mit Gabel  | Ram                    | 90/40-245-515-D30               |



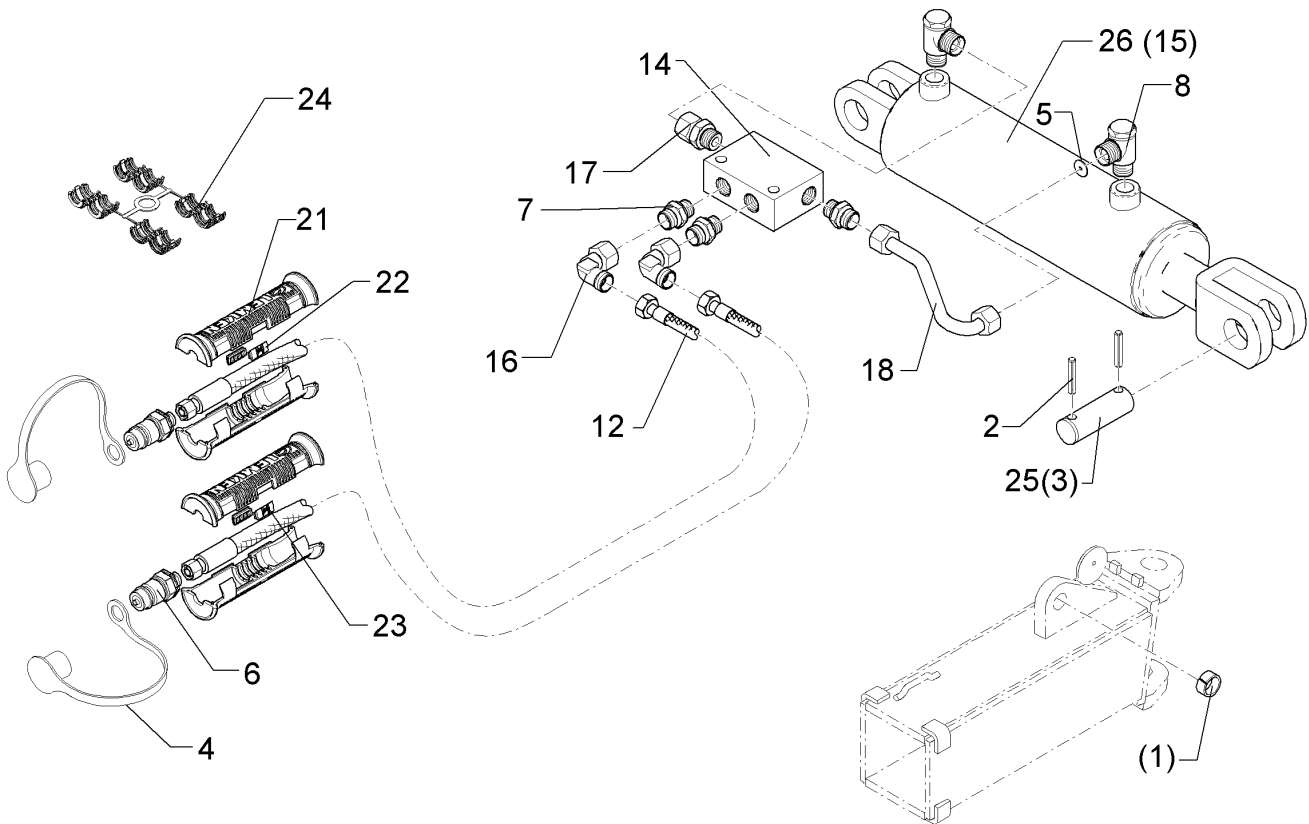
04.14

| Pos. | Art.Nr.  | Stck. | Artikeltext / Description    |                        | Abmessung                       |
|------|----------|-------|------------------------------|------------------------|---------------------------------|
| 1    | 309 3367 | 2     | Spannhülse                   | Expansion bush         | 30x24-DIN7346                   |
| 2    | 309 6072 | 4     | Spannhülse                   | Expansion bush         | 8x40-DIN1481 Zn                 |
| 3    | 313 2553 | 2     | Bolzen                       | Pin                    | D25x102 2xd8-80 Zn              |
| 4    | 375 2123 | 2     | Staubkappe, gelb             | Cap                    | D26,5 Bg.3                      |
| 5    | 375 2173 | 1     | Drosselplättchen             | Throttle plate         | D12x1,5 BO 1,5                  |
| 6    | 375 2718 | 2     | SVK-Stecker                  | Hydraulic coupling     | BG-3 12L M18x1,5                |
| 7    | 375 4038 | 3     | Einschraubverschraubung      | Nipple                 | GE 12-LR 1/4"                   |
| 8    | 375 4311 | 2     | Schwenkverschraubung         | Union, swivel          | x-SWVE12-LM<br>M18x1,5 Zn       |
| 12   | 475 2492 | 2     | Hydraulikschlauch            | Hydraulic hose         | 2SC08-6900-DKOL12               |
| 14   | 575 2161 | 1     | Rückschlagventil             | Nonreturn valve        | RDP 06 1/4                      |
| 15   | 575 2321 | 1     | Hydraulikzylinder mit Gabel  | Ram                    | 80/40x245-515+-5<br>D25 M18x1,5 |
| 16   | 375 4500 | 2     | Einstellbare W-Verschraubung | Adjustable angle union | EW12-LM DKO24<br>GRD M18x1,5    |
| 17   | 375 4711 | 1     | Stutzen                      | Stud                   | x-evGE-12-ED 1/4"<br>DKO 24 GRD |
| 18   | 57510127 | 1     | Hydraulikrohr                | Tube                   | 12x2x185 2xGEB<br>1xDR          |
| 21   | 375 2607 | 4     | Griff Halbschale             | Handle                 | -                               |
| 22   | 325 1606 | 2     | Kennzeichnung                | Marking                | P6                              |
| 23   | 325 1613 | 2     | Kennzeichnung                | Marking                | T6                              |
| 24   | 375 2606 | 2     | Einleger                     | Insert                 | DN6 DN8                         |
| 25   | 313 3012 | 2     | Bolzen                       | Pin                    | D30x92 2xd8 Zn                  |
| 26   | 575 2358 | 1     | Hydraulikzylinder mit Gabel  | Ram                    | 90/40-245-515-D30               |



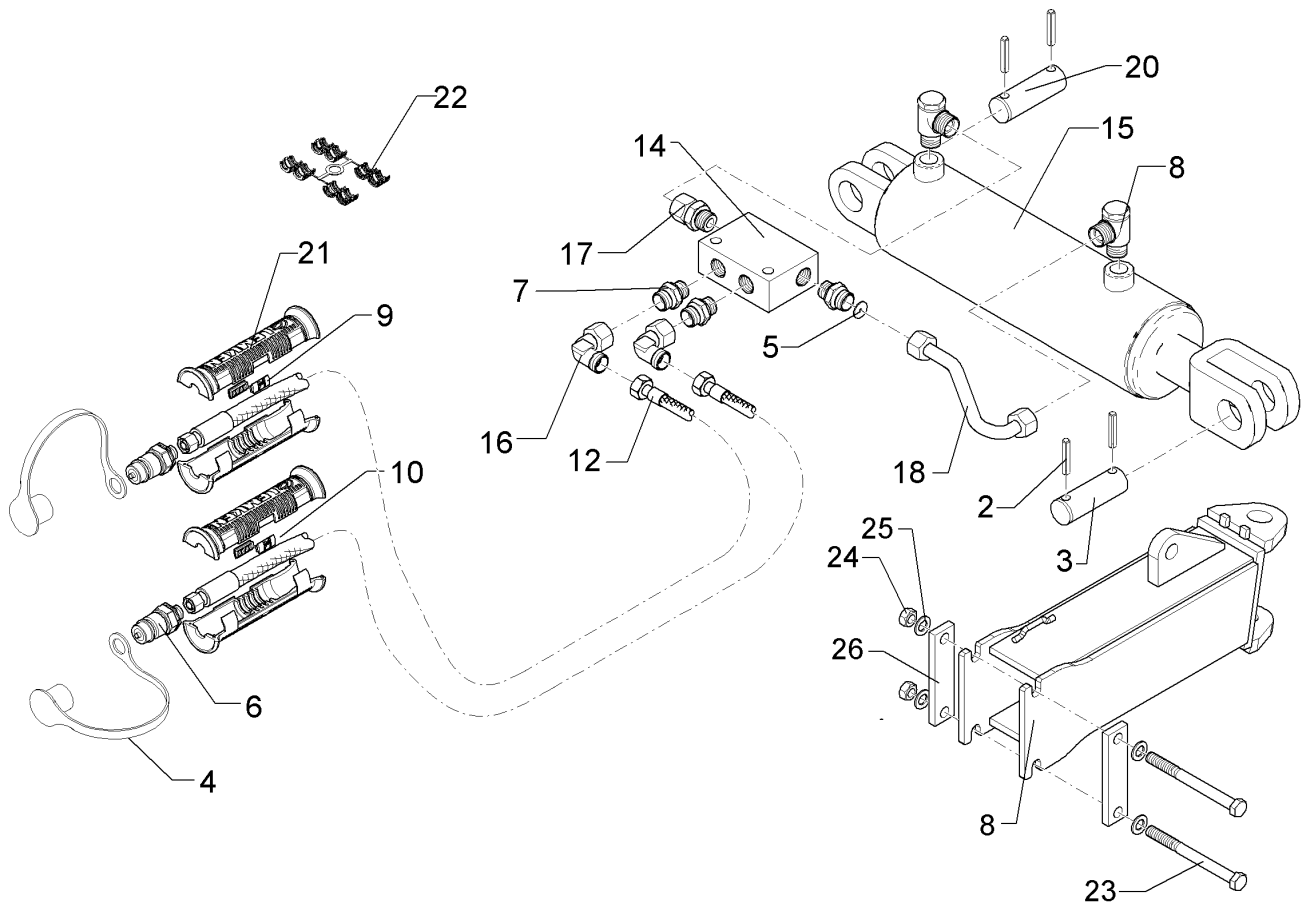
04.14

| Pos. | Art.Nr.  | Stck. | Artikeltext / Description    |                        | Abmessung                       |
|------|----------|-------|------------------------------|------------------------|---------------------------------|
| 1    | 309 3367 | 2     | Spannhülse                   | Expansion bush         | 30x24-DIN7346                   |
| 2    | 309 6072 | 4     | Spannhülse                   | Expansion bush         | 8x40-DIN1481 Zn                 |
| 3    | 313 2553 | 2     | Bolzen                       | Pin                    | D25x102 2xd8-80 Zn              |
| 4    | 375 2123 | 2     | Staubkappe, gelb             | Cap                    | D26,5 Bg.3                      |
| 5    | 375 2173 | 1     | Drosselplättchen             | Throttle plate         | D12x1,5 BO 1,5                  |
| 6    | 375 2718 | 2     | SVK-Stecker                  | Hydraulic coupling     | BG-3 12L M18x1,5                |
| 7    | 375 4038 | 3     | Einschraubverschraubung      | Nipple                 | GE 12-LR 1/4"                   |
| 8    | 375 4311 | 2     | Schwenkverschraubung         | Union, swivel          | x-SWVE12-LM<br>M18x1,5 Zn       |
| 12   | 475 2494 | 2     | Hydraulikschlauch            | Hydraulic hose         | 2SC08-7500-DKOL12               |
| 14   | 575 2161 | 1     | Rückschlagventil             | Nonreturn valve        | RDP 06 1/4                      |
| 15   | 575 2321 | 1     | Hydraulikzylinder mit Gabel  | Ram                    | 80/40x245-515+-5<br>D25 M18x1,5 |
| 16   | 375 4500 | 2     | Einstellbare W-Verschraubung | Adjustable angle union | EW12-LM DKO24<br>GRD M18x1,5    |
| 17   | 375 4711 | 1     | Stutzen                      | Stud                   | x-evGE-12-ED 1/4"<br>DKO 24 GRD |
| 18   | 57510127 | 1     | Hydraulikrohr                | Tube                   | 12x2x185 2xGEB<br>1xDR          |
| 21   | 375 2607 | 4     | Griff Halbschale             | Handle                 | -                               |
| 22   | 325 1606 | 2     | Kennzeichnung                | Marking                | P6                              |
| 23   | 325 1613 | 2     | Kennzeichnung                | Marking                | T6                              |
| 24   | 375 2606 | 2     | Einleger                     | Insert                 | DN6 DN8                         |
| 25   | 313 3012 | 2     | Bolzen                       | Pin                    | D30x92 2xd8 Zn                  |
| 26   | 575 2358 | 1     | Hydraulikzylinder mit Gabel  | Ram                    | 90/40-245-515-D30               |



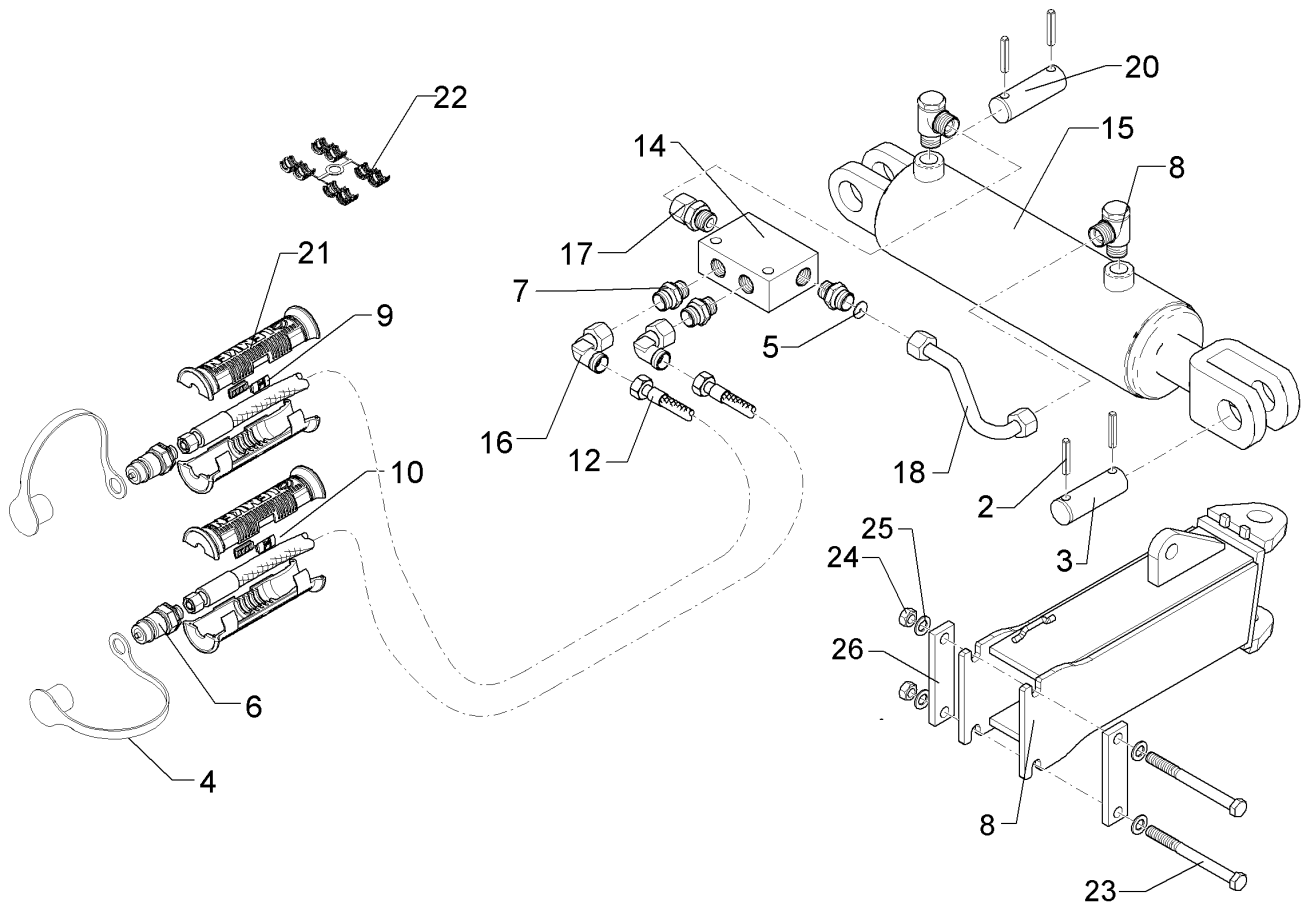
04.14

| Pos. | Art.Nr.  | Stck. | Artikeltext / Description    |                        | Abmessung                            |
|------|----------|-------|------------------------------|------------------------|--------------------------------------|
| 1    | 309 3367 | 2     | Spannhülse                   | Expansion bush         | 30x24-DIN7346                        |
| 2    | 309 6072 | 4     | Spannhülse                   | Expansion bush         | 8x40-DIN1481 Zn                      |
| 3    | 313 2553 | 2     | Bolzen                       | Pin                    | D25x102 2xd8-80 Zn                   |
| 4    | 375 2123 | 2     | Staubkappe, gelb             | Cap                    | D26,5 Bg.3                           |
| 5    | 375 2173 | 1     | Drosselplättchen             | Throttle plate         | D12x1,5 BO 1,5                       |
| 6    | 375 2718 | 2     | SVK-Stecker                  | Hydraulic coupling     | BG-3 12L M18x1,5                     |
| 7    | 375 4038 | 3     | Einschraubverschraubung      | Nipple                 | GE 12-LR 1/4"                        |
| 8    | 375 4311 | 2     | Schwenkverschraubung         | Union, swivel          | x-SWVE12-LM<br>M18x1,5 Zn            |
| 12   | 475 2426 | 2     | Hydraulikschlauch            | Hydraulic hose         | 2SC08-8500<br>M18x1,5                |
| 14   | 575 2161 | 1     | Rückschlagventil             | Nonreturn valve        | RDP 06 1/4                           |
| 15   | 575 2321 | 1     | Hydraulikzylinder mit Gabel  | Ram                    | 80/40x245-515+-5                     |
| 16   | 375 4500 | 2     | Einstellbare W-Verschraubung | Adjustable angle union | D25 M18x1,5<br>EW12-LM DKO24         |
| 17   | 375 4711 | 1     | Stutzen                      | Stud                   | GRD M18x1,5<br>x-evGE-12-ED 1/4"     |
| 18   | 57510127 | 1     | Hydraulikrohr                | Tube                   | DKO 24 GRD<br>12x2x185 2xGEB<br>1xDR |
| 21   | 375 2607 | 4     | Griff Halbschale             | Handle                 | -                                    |
| 22   | 325 1606 | 2     | Kennzeichnung                | Marking                | P6                                   |
| 23   | 325 1613 | 2     | Kennzeichnung                | Marking                | T6                                   |
| 24   | 375 2606 | 2     | Einleger                     | Insert                 | DN6 DN8                              |
| 25   | 313 3012 | 2     | Bolzen                       | Pin                    | D30x92 2xd8 Zn                       |
| 26   | 575 2358 | 1     | Hydraulikzylinder mit Gabel  | Ram                    | 90/40-245-515-D30                    |



04.14

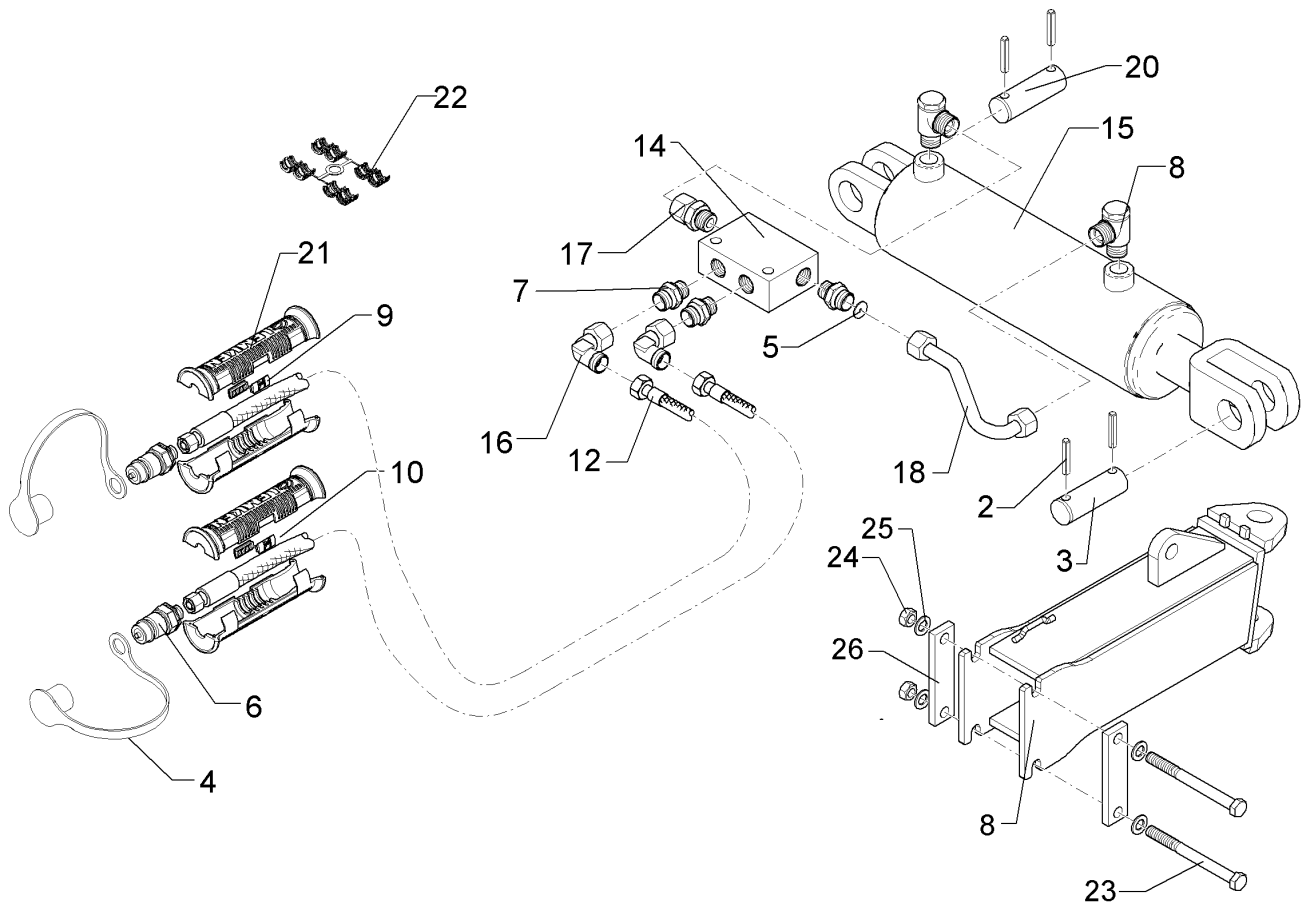
| Pos. | Art.Nr.  | Stck. | Artikeltext / Description    | Abmessung              |                                      |
|------|----------|-------|------------------------------|------------------------|--------------------------------------|
| 2    | 309 7000 | 4     | Spannhülse                   | Expansion bush         | 8x50-DIN1481 Zn                      |
| 3    | 313 3012 | 1     | Bolzen                       | Pin                    | D30x92 2xd8 Zn                       |
| 4    | 375 2123 | 2     | Staubkappe, gelb             | Cap                    | D26,5 Bg.3                           |
| 5    | 375 2173 | 1     | Drosselplättchen             | Throttle plate         | D12x1,5 BO 1,5                       |
| 6    | 375 2718 | 2     | SVK-Stecker                  | Hydraulic coupling     | BG-3 12L M18x1,5                     |
| 7    | 375 4038 | 3     | Einschraubverschraubung      | Nipple                 | GE 12-LR 1/4"                        |
| 8    | 375 4311 | 2     | Schwenkverschraubung         | Union, swivel          | x-SWVE12-LM<br>M18x1,5 Zn            |
| 9    | 325 1606 | 2     | Kennzeichnung                | Marking                | P6                                   |
| 10   | 325 1613 | 2     | Kennzeichnung                | Marking                | T6                                   |
| 12   | 475 2492 | 2     | Hydraulikschlauch            | Hydraulic hose         | 2SC08-6900-DKOL12                    |
| 14   | 575 2161 | 1     | Rückschlagventil             | Nonreturn valve        | RDP 06 1/4                           |
| 15   | 575 2298 | 1     | Hydraulikzylinder            | Ram                    | DZ80/40/320-580                      |
| 16   | 375 4500 | 2     | Einstellbare W-Verschraubung | Adjustable angle union | EW12-LM DKO24<br>GRD M18x1,5         |
| 17   | 375 4711 | 1     | Stutzen                      | Stud                   | x-evGE-12-ED 1/4"                    |
| 18   | 57510136 | 1     | Hydraulikrohr                | Tube                   | DKO 24 GRD<br>12x2x262 2xGEB<br>1xDR |
| 19   | 405 5679 | 1     | Gelenkstück                  | Connecting piece       | 142x630 V-AD-160                     |
| 20   | 313 3011 | 1     | Bolzen                       | Pin                    | D30x72/102 Zn                        |
| 21   | 375 2607 | 4     | Griff Halbschale             | Handle                 | -                                    |
| 22   | 375 2606 | 2     | Einleger                     | Insert                 | DN6 DN8                              |
| 23   | 301 4556 | 2     | Sechskantschraube            | Hexagon bolt           | M20x220-8.8 Zn<br>DIN931-A           |



04.14

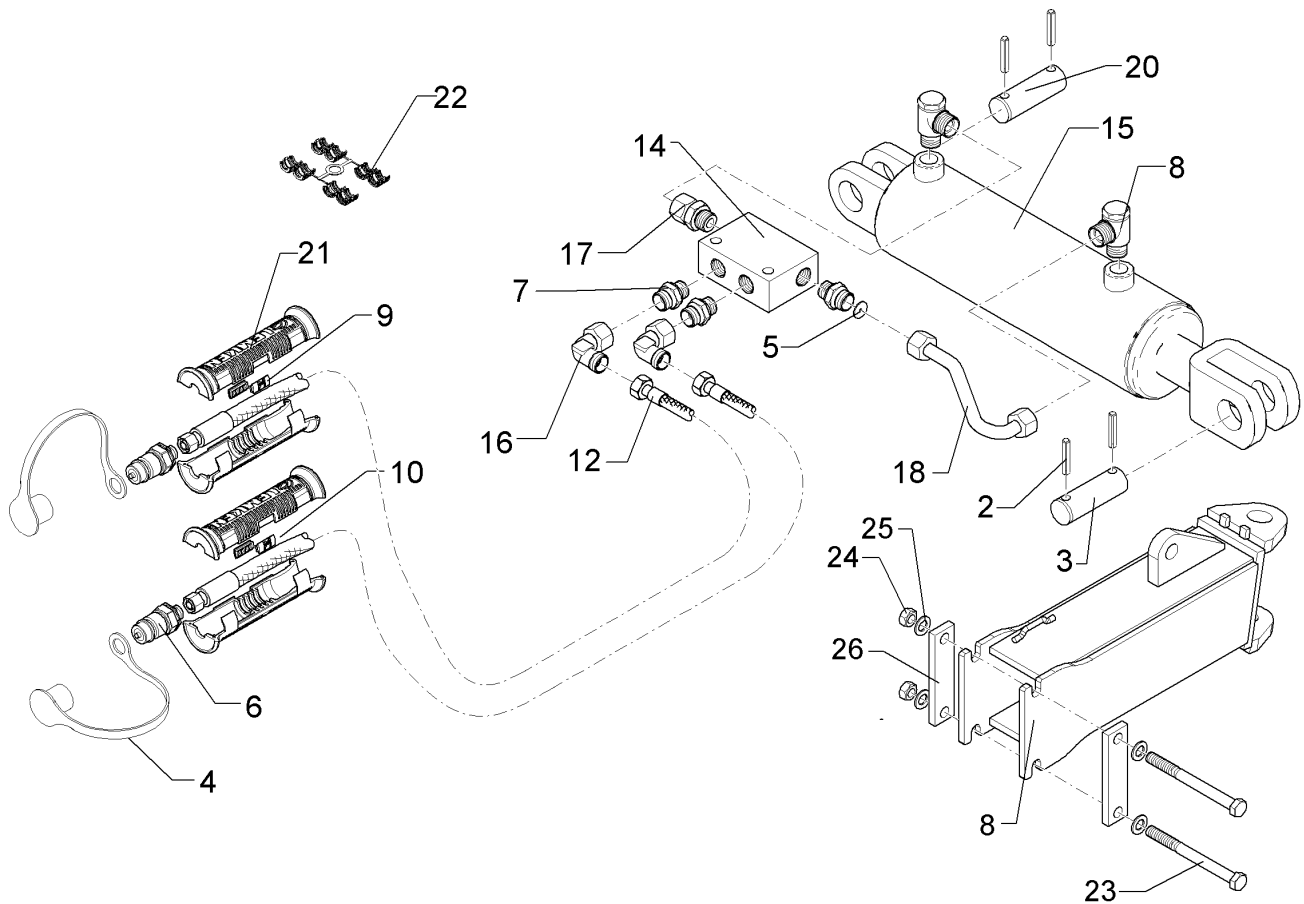
| Pos. | Art.Nr.  | Stck. | Artikeltext / Description |             | Abmessung              |
|------|----------|-------|---------------------------|-------------|------------------------|
| 24   | 303 0978 | 2     | Sechskantmutter           | Hexagon nut | M20 DIN934-8 Zn        |
| 25   | 305 6012 | 4     | Scheibe                   | Washer      | 21 ISO7089 Zn          |
| 26   | 459 1155 | 2     | Brücke                    | Clamp plate | 50x15x200<br>2xD21-162 |





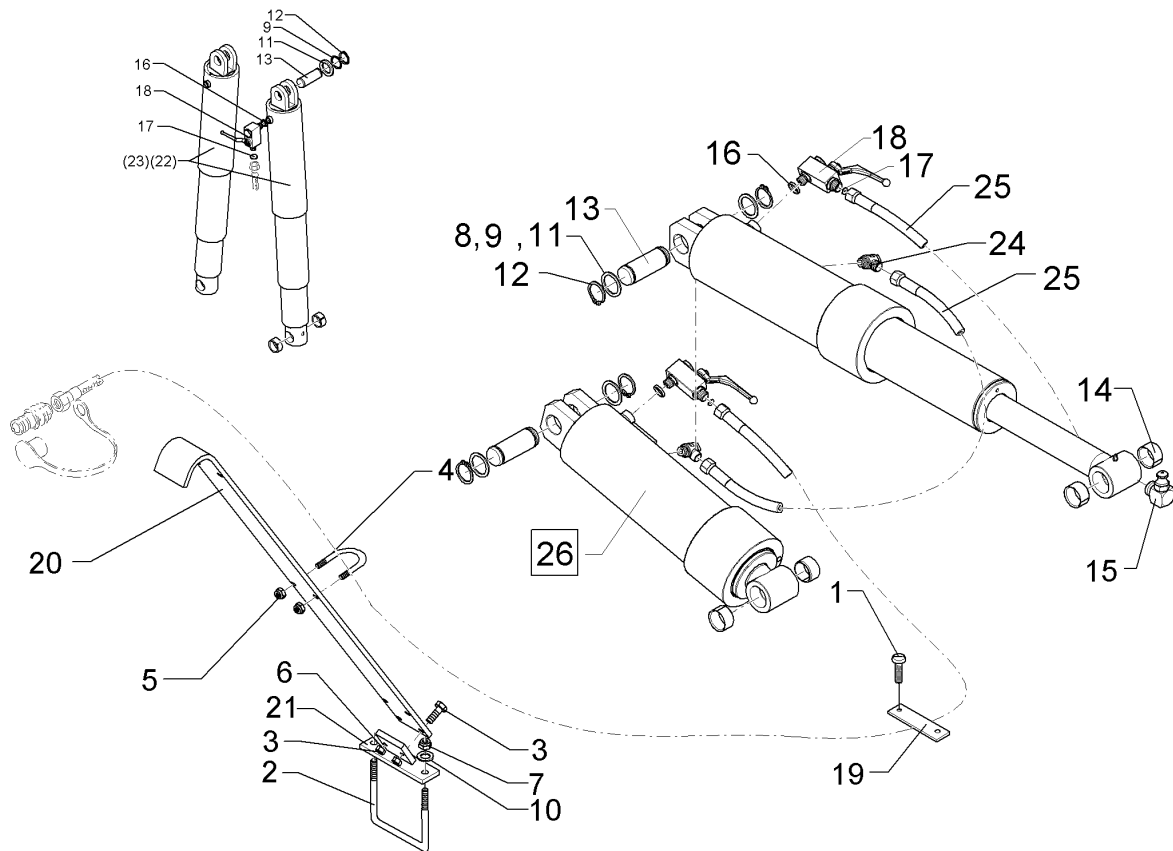
04.14

| Pos. | Art.Nr.  | Stck. | Artikeltext / Description    | Abmessung              |                                      |
|------|----------|-------|------------------------------|------------------------|--------------------------------------|
| 2    | 309 7000 | 4     | Spannhülse                   | Expansion bush         | 8x50-DIN1481 Zn                      |
| 3    | 313 3012 | 1     | Bolzen                       | Pin                    | D30x92 2xd8 Zn                       |
| 4    | 375 2123 | 2     | Staubkappe, gelb             | Cap                    | D26,5 Bg.3                           |
| 5    | 375 2173 | 1     | Drosselplättchen             | Throttle plate         | D12x1,5 BO 1,5                       |
| 6    | 375 2718 | 2     | SVK-Stecker                  | Hydraulic coupling     | BG-3 12L M18x1,5                     |
| 7    | 375 4038 | 3     | Einschraubverschraubung      | Nipple                 | GE 12-LR 1/4"                        |
| 8    | 375 4311 | 2     | Schwenkverschraubung         | Union, swivel          | x-SWVE12-LM<br>M18x1,5 Zn            |
| 9    | 325 1606 | 2     | Kennzeichnung                | Marking                | P6                                   |
| 10   | 325 1613 | 2     | Kennzeichnung                | Marking                | T6                                   |
| 12   | 475 2493 | 2     | Hydraulikschlauch            | Hydraulic hose         | 2SC08-7900-DKOL12                    |
| 14   | 575 2161 | 1     | Rückschlagventil             | Nonreturn valve        | RDP 06 1/4                           |
| 15   | 575 2298 | 1     | Hydraulikzylinder            | Ram                    | DZ80/40/320-580                      |
| 16   | 375 4500 | 2     | Einstellbare W-Verschraubung | Adjustable angle union | EW12-LM DKO24<br>GRD M18x1,5         |
| 17   | 375 4711 | 1     | Stutzen                      | Stud                   | x-evGE-12-ED 1/4"                    |
| 18   | 57510136 | 1     | Hydraulikrohr                | Tube                   | DKO 24 GRD<br>12x2x262 2xGEB<br>1xDR |
| 19   | 405 5679 | 1     | Gelenkstück                  | Connecting piece       | 142x630 V-AD-160                     |
| 20   | 313 3011 | 1     | Bolzen                       | Pin                    | D30x72/102 Zn                        |
| 21   | 375 2607 | 4     | Griff Halbschale             | Handle                 | -                                    |
| 22   | 375 2606 | 2     | Einleger                     | Insert                 | DN6 DN8                              |
| 23   | 301 4556 | 2     | Sechskantschraube            | Hexagon bolt           | M20x220-8.8 Zn<br>DIN931-A           |



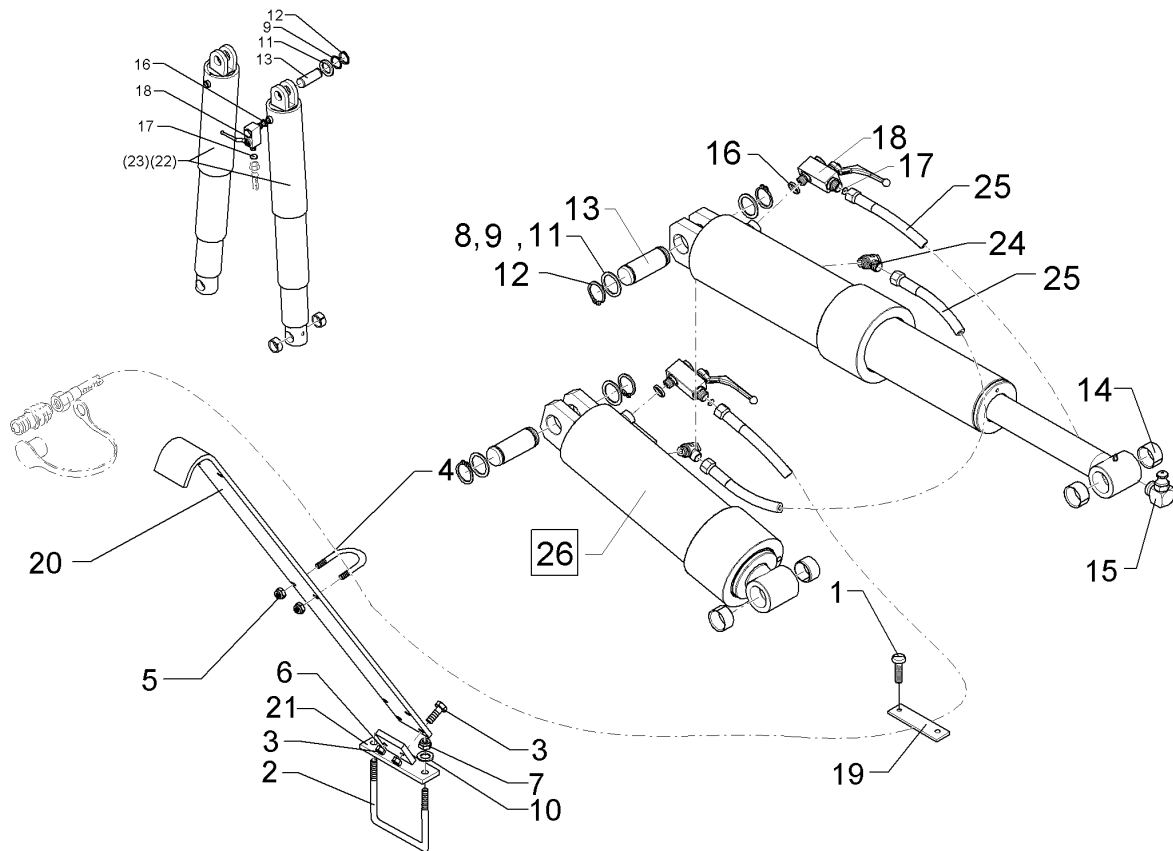
04.14

| Pos. | Art.Nr.  | Stck. | Artikeltext / Description |             | Abmessung              |
|------|----------|-------|---------------------------|-------------|------------------------|
| 24   | 303 0978 | 2     | Sechskantmutter           | Hexagon nut | M20 DIN934-8 Zn        |
| 25   | 305 6012 | 4     | Scheibe                   | Washer      | 21 ISO7089 Zn          |
| 26   | 459 1155 | 2     | Brücke                    | Clamp plate | 50x15x200<br>2xD21-162 |



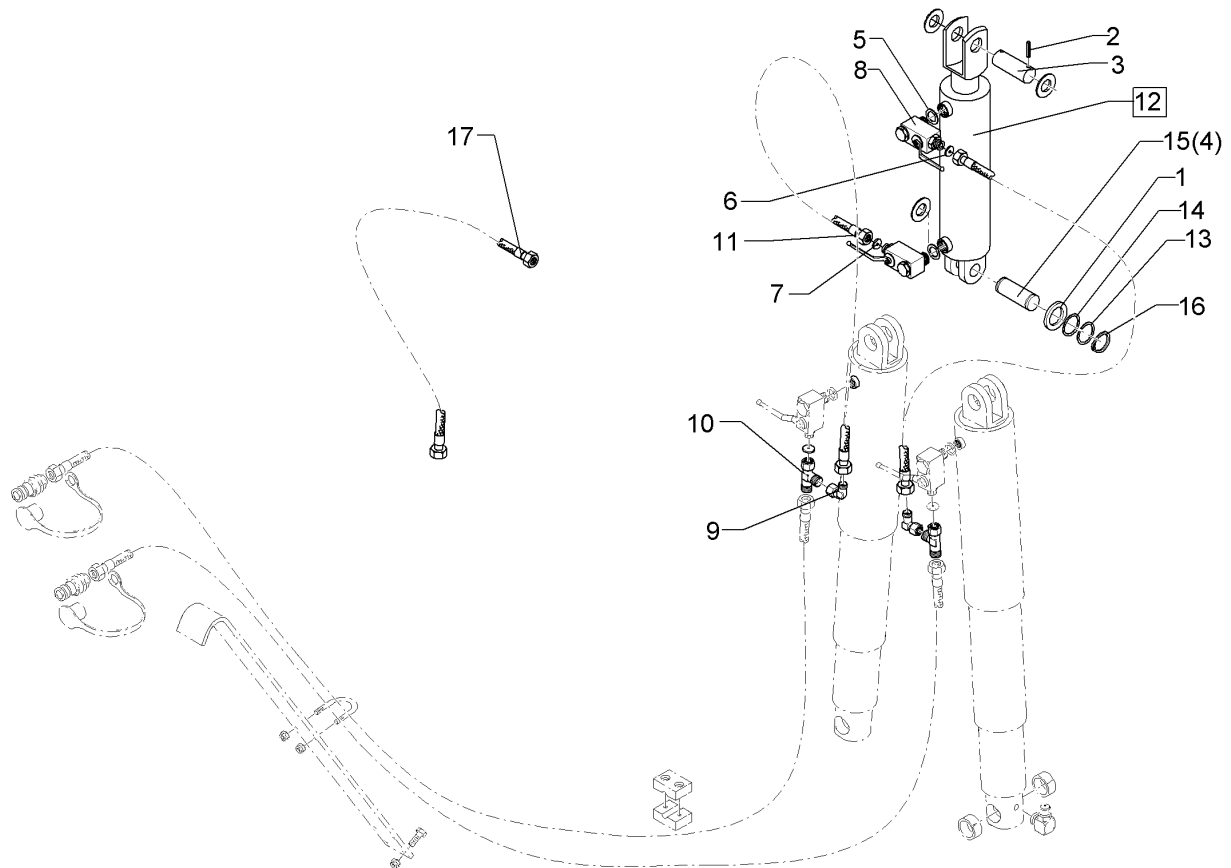
04.14

| Pos. | Art.Nr.  | Stck. | Artikeltext / Description    |                   | Abmessung                         |
|------|----------|-------|------------------------------|-------------------|-----------------------------------|
| 1    | 301 0302 | 2     | Linsenschraube               | Flatheaded bolt   | M6x25-4,6 Zn<br>DIN7985           |
| 2    | 301 7803 | 1     | Bügelschraube                | U-bolt            | M16/160 Zn                        |
| 3    | 301 5449 | 2     | Sechskantschraube            | Hexagon bolt      | M12x45-8.8 Zn<br>DIN931-A         |
| 4    | 301 7782 | 3     | Bügelschraube                | U-bolt            | M10x62x60 Zn                      |
| 5    | 303 0933 | 6     | Sicherungsmutter             | Selflocking nut   | NM10-8 Zn DIN985                  |
| 6    | 303 0934 | 2     | Sicherungsmutter             | Selflocking nut   | NM12-8 Zn DIN985                  |
| 7    | 303 0935 | 2     | Sicherungsmutter             | Selflocking nut   | NM16-8 Zn DIN985                  |
| 8    | 305 2072 | 2     | Passscheibe                  | Shim              | 35x45x1,0 DIN988<br>Zn            |
| 9    | 305 2247 | 4     | Stützscheibe                 | Supporting washer | S 35x45x2,5 DIN988<br>Zn          |
| 10   | 305 6161 | 2     | Scheibe                      | Washer            | 17/40x6 DIN7349 Zn                |
| 11   | 305 6955 | 2     | Scheibe                      | Washer            | 36/60x5 DIN126 Zn                 |
| 12   | 305 8873 | 4     | Sicherungsring               | Securing ring     | 35x2,5 DIN471                     |
| 13   | 313 7785 | 2     | Bolzen                       | Pin               | D35x95 Zn                         |
| 14   | 317 3421 | 4     | Einspannbuchse mit Presssitz | Expansion bush    | EG35/40x22                        |
| 15   | 323 6350 | 2     | Schmiernippel                | Grease nipple     | BM10x1<br>DIN71412-4kt. 45<br>GRD |
| 16   | 375 5081 | 2     | Dichtkantenring              | Seal ring         | 18,2x25,1x5                       |
| 17   | 375 2176 | 2     | Drosselplättchen             | Throttle plate    | D12x1,5 BO 2,5                    |
| 18   | 375 2202 | 2     | Kugelhahn                    | Valve             | HBPA 0602 M16x1,5<br>Zn DN6       |



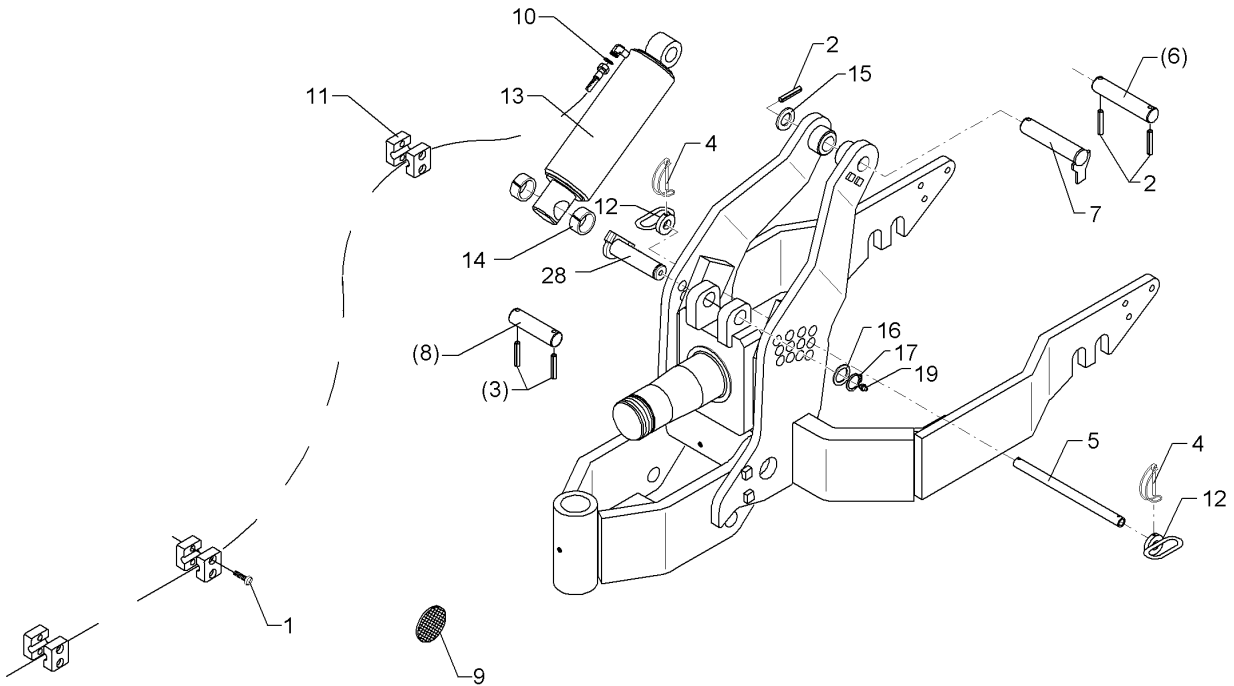
04.14

| Pos. | Art.Nr.  | Stck. | Artikeltext / Description | Abmessung                |                                    |
|------|----------|-------|---------------------------|--------------------------|------------------------------------|
| 19   | 375 9957 | 2     | Deckplatte                | Cover plate              | HRL 7 DP ST<br>ZNC-GR 7            |
| 20   | 475 4353 | 1     | Schlauchhalter            | Hose carrier             | 80x10x1200                         |
| 21   | 475 4339 | 1     | Schlauchhalter            | Hose carrier             | D16x180 Diamant 10                 |
| 22   | 575 2302 | 2     | Teleskopzylinder 2-stufig | Telescopic ram 2 pistons | ET78/97-500                        |
| 23   | 575 2303 | 2     | Teleskopzylinder 2-stufig | Telescopic ram 2 pistons | ET105/90x500                       |
| 24   | 375 4310 | 2     | Schwenkverschraubung      | Union, swivel            | x-SWVE12-LM<br>M16x1,5             |
| 25   | 475 2597 | 1     | Hydraulikschlauch         | Hydraulic hose           | 2SN10-700                          |
| 26   | 575 2393 | 2     | Teleskopzylinder 2-stufig | Telescopic ram 2 pistons | DKOL12/DKOL12<br>ET105(110)/90x500 |



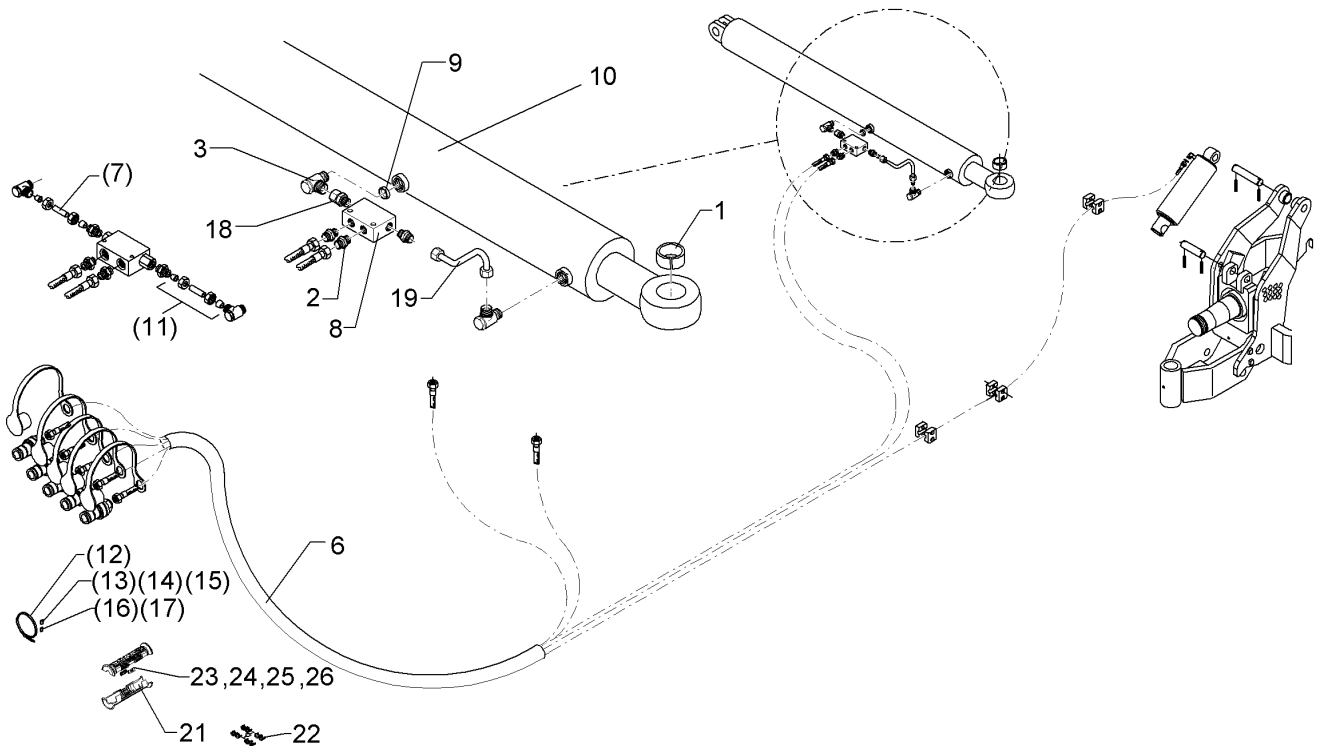
04.14

| Pos. | Art.Nr.  | Stck. | Artikeltext / Description    |                        | Abmessung                    |
|------|----------|-------|------------------------------|------------------------|------------------------------|
| 1    | 305 6285 | 2     | Scheibe                      | Washer                 | 31/56x4<br>DIN/ISO-7089 Zn   |
| 2    | 309 7000 | 4     | Spannhülse                   | Expansion bush         | 8x50-DIN1481 Zn              |
| 3    | 313 3015 | 1     | Bolzen                       | Pin                    | D30x150 2xD8-128<br>Zn       |
| 4    | 313 3011 | 1     | Bolzen                       | Pin                    | D30x72/102 Zn                |
| 5    | 375 5081 | 2     | Dichtkantenring              | Seal ring              | 18,2x25,1x5                  |
| 6    | 375 2172 | 1     | Drosselplättchen             | Throttle plate         | D12x1,5 BO 1,0               |
| 7    | 375 2173 | 1     | Drosselplättchen             | Throttle plate         | D12x1,5 BO 1,5               |
| 8    | 375 2206 | 2     | Kugelhahn                    | Valve                  | HBPA 0602 M18x1,5<br>Zn DN6  |
| 9    | 375 4500 | 2     | Einstellbare W-Verschraubung | Adjustable angle union | EW12-LM DKO24<br>GRD M18x1,5 |
| 10   | 375 4550 | 2     | Einstellbare L-Verschraubung | Adjustable L-union     | EL12-L M18x1,5               |
| 11   | 475 2654 | 2     | Hydraulikschlauch            | Hydraulic hose         | 2SN08-800 DKOL12             |
| 12   | 575 2266 | 1     | Hydraulikzylinder            | Ram                    | DZ80/40x320-580+-5           |
| 13   | 305 2051 | 2     | Passscheibe                  | Shim                   | 30x42x1,0 DIN988<br>Zn       |
| 14   | 305 2055 | 4     | Passscheibe                  | Shim                   | 30x42x2,0 DIN988             |
| 15   | 313 7803 | 1     | Bolzen                       | Pin                    | D30x81,7/100 Zn              |
| 16   | 305 8867 | 2     | Sicherungsring               | Securing ring          | 30x2 DIN471 Zn               |
| 17   | 475 2655 | 1     | Hydraulikschlauch            | Hydraulic hose         | 1SN08-900 M18x1,5            |



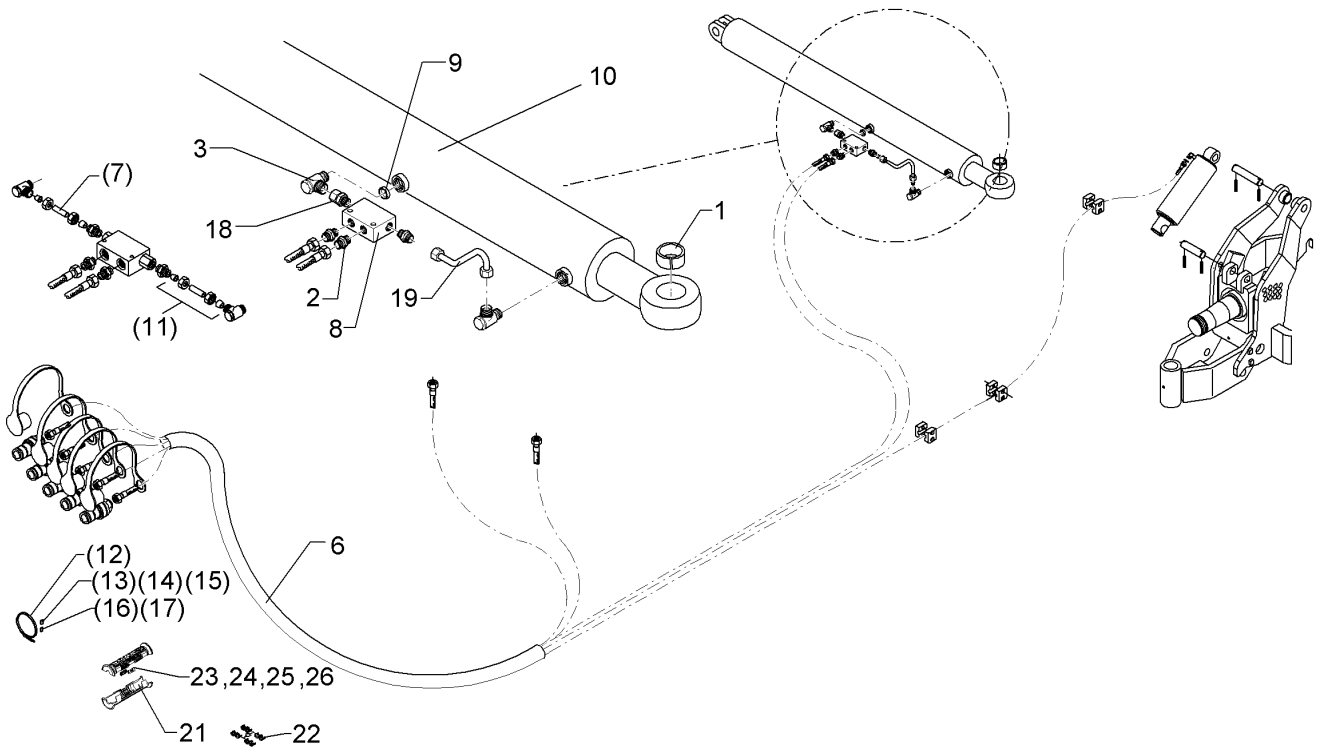
04.14

| Pos. | Art.Nr.  | Stck. | Artikeltext / Description    |                             | Abmessung                  |
|------|----------|-------|------------------------------|-----------------------------|----------------------------|
| 1    | 301 0302 | 6     | Linsenschraube               | Flatheaded bolt             | M6x25-4,6 Zn<br>DIN7985    |
| 2    | 309 6208 | 1     | Spannhülse                   | Expansion bush              | 12x50-DIN1481<br>Chrom 8   |
| 3    | 309 7000 | 2     | Spannhülse                   | Expansion bush              | 8x50-DIN1481 Zn            |
| 4    | 311 9305 | 2     | Rohrklappstecker             | Securing pin                | 8x50/S9                    |
| 5    | 313 2034 | 1     | Bolzen                       | Pin                         | D20x345 Zn                 |
| 6    | 313 3018 | 1     | Bolzen                       | Pin                         | D30x148/185 Zn             |
| 7    | 313 3020 | 1     | Bolzen mit Verdrehsicherung  | Pin with stop               | D30x176 Zn                 |
| 8    | 313 3015 | 1     | Bolzen                       | Pin                         | D30x150 2xD8-128<br>Zn     |
| 9    | 321 9919 | 6     | Rückstrahler gelb selbstkl.  | Self-adh. reflector, yellow | 6200GK                     |
| 10   | 375 2176 | 1     | Drosselplättchen             | Throttle plate              | D12x1,5 BO 2,5             |
| 11   | 375 9961 | 6     | Schellenkörper               | Clamp                       | 1/2x215 PP                 |
| 12   | 321 6959 | 2     | Handgriff mit Röhrchen       | Handle                      | D38/20                     |
| 13   | 575 2342 | 1     | Hydraulikzylinder EW         | Hydraulic ram SA            | ED80-200/360               |
| 14   | 317 3417 | 2     | Einspannbuchse mit Presssitz | Expansion bush              | EG30/38x25                 |
| 15   | 305 6285 | 1     | Scheibe                      | Washer                      | 31/56x4<br>DIN/ISO-7089 Zn |
| 16   | 305 2242 | 1     | Stützscheibe                 | Supporting washer           | S 30/42x2,5 DIN988<br>Zn   |
| 17   | 305 8867 | 1     | Sicherungsring               | Securing ring               | 30x2 DIN471 Zn             |
| 18   | 31310085 | 1     | Bolzen                       | Pin                         | D30x112/134 M10x1<br>Zn    |
| 19   | 323 6348 | 1     | Schmiernippel                | Grease nipple               | AM10x1 DIN71412            |



04.14

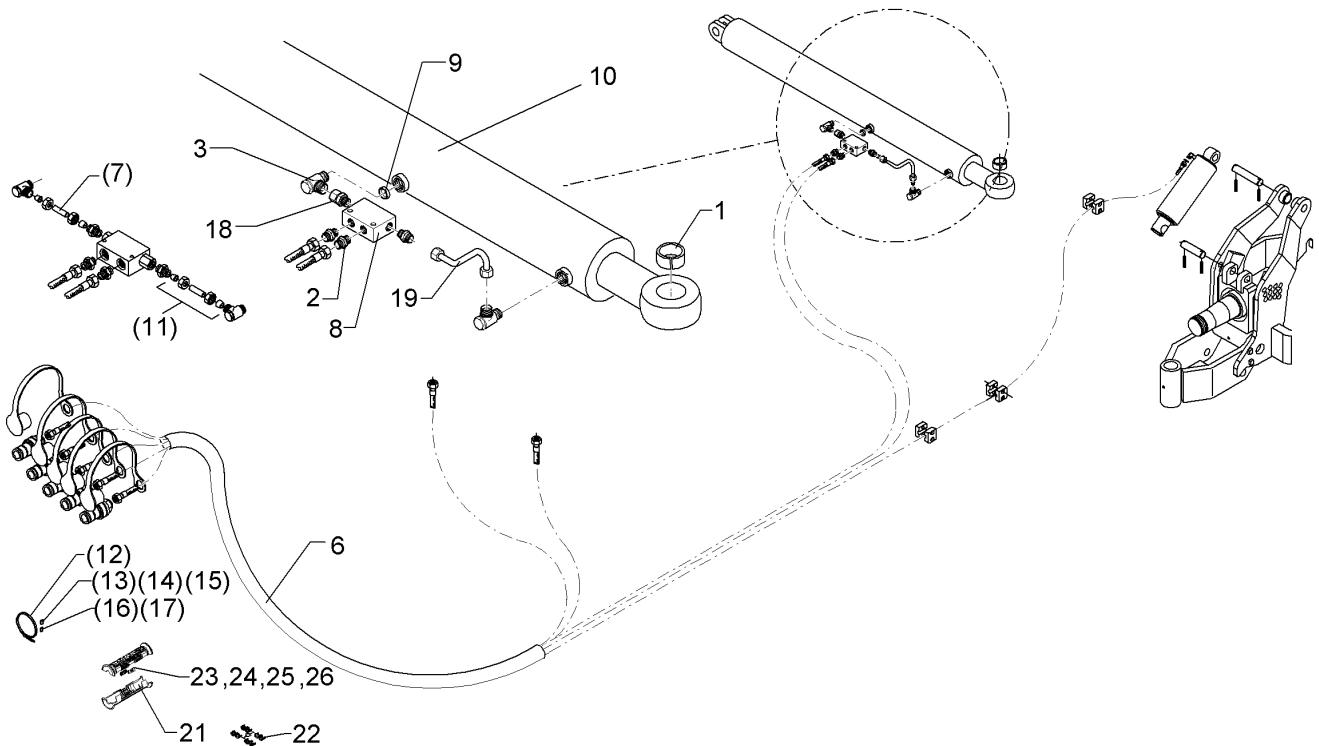
| Pos. | Art.Nr.  | Stck. | Artikeltext / Description |                          | Abmessung                                |
|------|----------|-------|---------------------------|--------------------------|--|
| 1    | 317 3368 | 1     | Einspannbuchse            | Expansion bush           | EG35/40x40-DIN1498                       |
| 2    | 375 4038 | 3     | Einschraubverschraubung   | Nipple                   | GE 12-LR 1/4"                            |
| 3    | 375 4310 | 2     | Schwenkverschraubung      | Union, swivel            | x-SWVE12-LM<br>M16x1,5                   |
| 6    | 475 2832 | 1     | Schlauchpaket             | Hose-assembly            | 2x5900,2x4600,1x7500<br>MSS              |
| 7    | 475 8848 | 1     | Hydraulikrohr             | Tube                     | 12x2x40                                  |
| 8    | 575 2161 | 1     | Rückschlagventil          | Nonreturn valve          | RDP 06 1/4                               |
| 9    | 575 2176 | 1     | Drosselrückschlagventil   | Throttle nonreturn valve | D14,3/1,5                                |
| 10   | 575 2344 | 1     | Hydraulikzylinder         | Ram                      | DZ80/40-200-435                          |
| 11   | 575 9705 | 1     | Hydraulikrohr             | Tube                     | 12x47 kpl.                               |
| 12   | 325 1350 | 5     | Spannband                 | Strap                    | 6,3x254 VA                               |
| 13   | 325 1501 | 2     | EASY-READ Zeichen         | EASY-READ sign           | "1"                                      |
| 14   | 325 1502 | 2     | EASY-READ Zeichen         | EASY-READ sign           | "2"                                      |
| 15   | 325 1503 | 1     | EASY-READ Zeichen         | EASY-READ sign           | "3"                                      |
| 16   | 325 1511 | 3     | EASY-READ Zeichen         | EASY-READ sign           | "P"                                      |
| 17   | 325 1512 | 2     | EASY-READ Zeichen         | EASY-READ sign           | "T"                                      |
| 18   | 375 4711 | 1     | Stutzen                   | Stud                     | x-evGE-12-ED 1/4"                        |
| 19   | 57510267 | 1     | Hydraulikrohr             | Tube                     | DKO 24 GRD<br>12x2x185<br>2xGEB180/90GRD |
| 21   | 375 2607 | 10    | Griff Halbschale          | Handle                   | -  |
| 22   | 375 2606 | 5     | Einleger                  | Insert                   | DN6 DN8                                  |
| 23   | 325 1601 | 2     | Kennzeichnung             | Marking                  | P1                                       |
| 24   | 325 1602 | 2     | Kennzeichnung             | Marking                  | P2                                       |



04.14

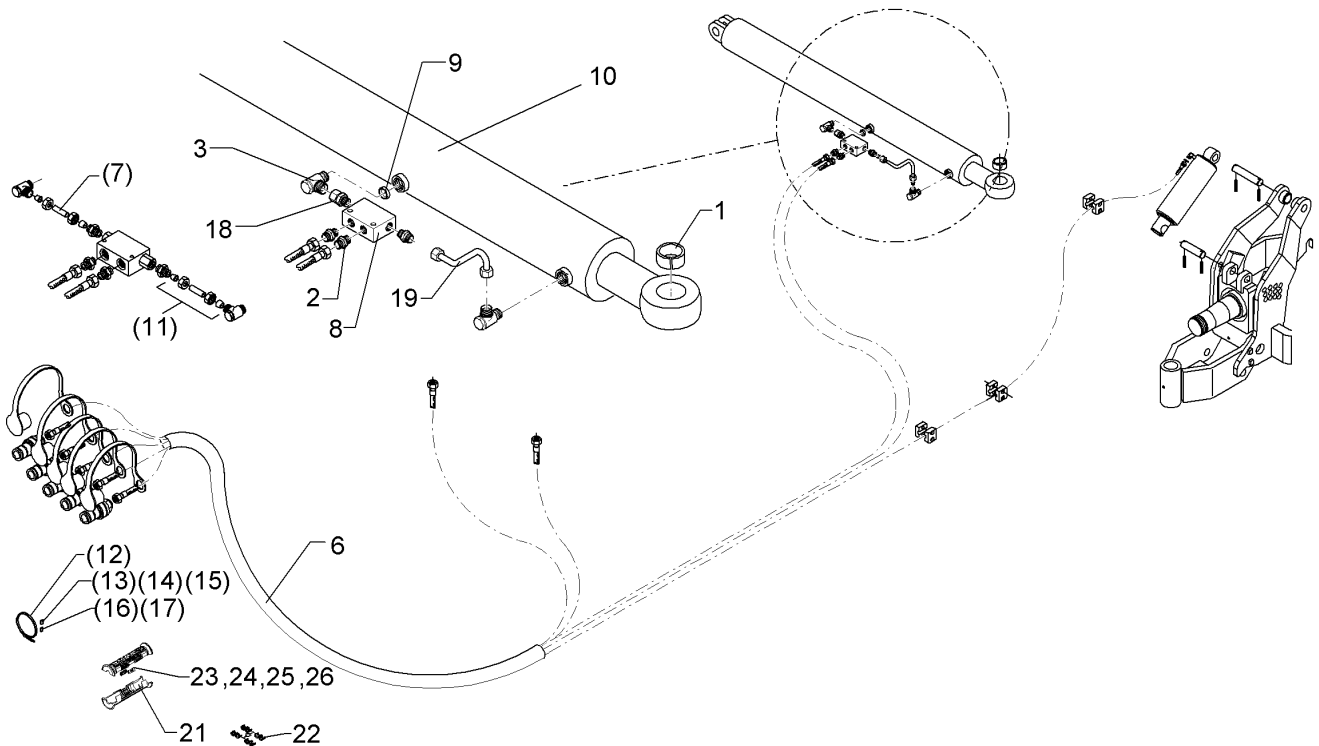
| Pos. | Art.Nr.  | Stck. | Artikeltext / Description |         | Abmessung |
|------|----------|-------|---------------------------|---------|-----------|
| 25   | 325 1603 | 2     | Kennzeichnung             | Marking | P3        |
| 26   | 325 1608 | 2     | Kennzeichnung             | Marking | T1        |
| 27   | 325 1609 | 2     | Kennzeichnung             | Marking | T2        |





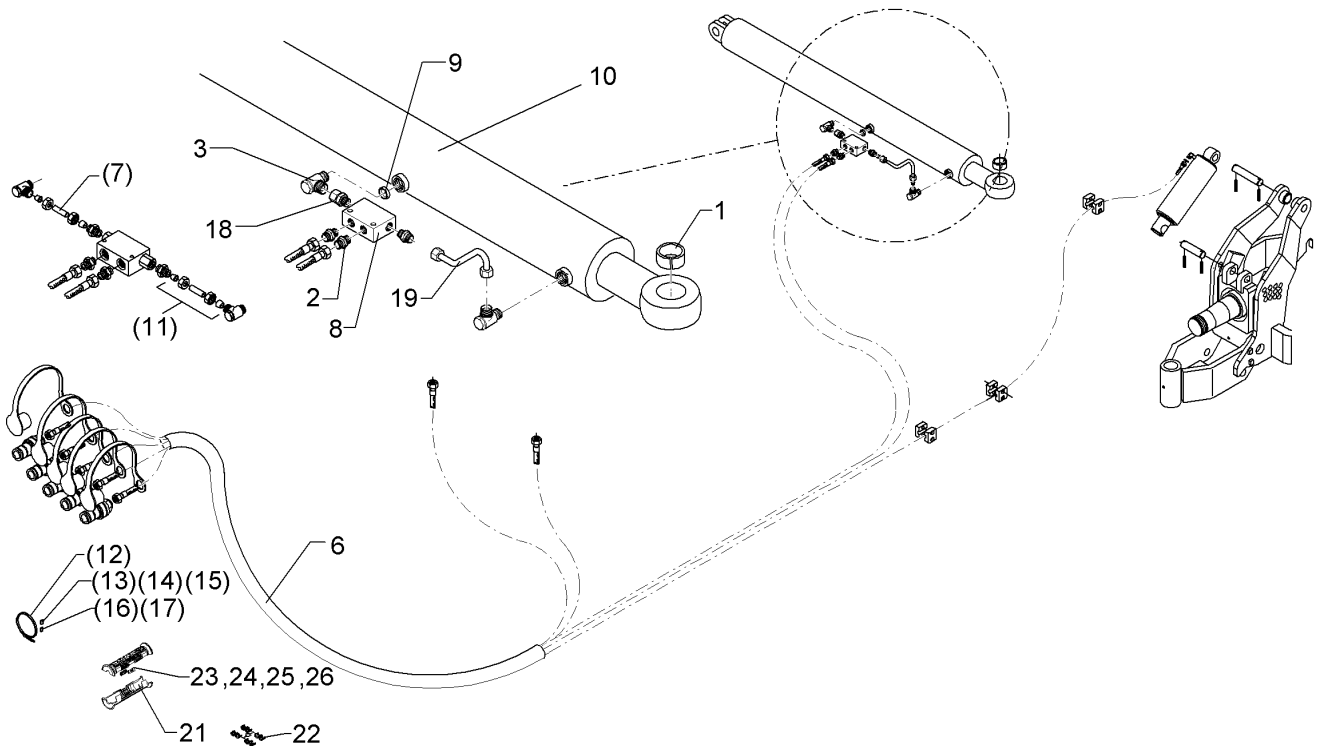
04.14

| Pos. | Art.Nr.  | Stck. | Artikeltext / Description |                          | Abmessung                                |
|------|----------|-------|---------------------------|--------------------------|--|
| 1    | 317 3368 | 1     | Einspannbuchse            | Expansion bush           | EG35/40x40-DIN1498                       |
| 2    | 375 4038 | 3     | Einschraubverschraubung   | Nipple                   | GE 12-LR 1/4"                            |
| 3    | 375 4310 | 2     | Schwenkverschraubung      | Union, swivel            | x-SWVE12-LM<br>M16x1,5                   |
| 6    | 475 2833 | 1     | Schlauchpaket             | Hose-assembly            | 2x4600,2x6900,1x8500<br>MSS              |
| 7    | 475 8848 | 1     | Hydraulikrohr             | Tube                     | 12x2x40                                  |
| 8    | 575 2161 | 1     | Rückschlagventil          | Nonreturn valve          | RDP 06 1/4                               |
| 9    | 575 2176 | 1     | Drosselrückschlagventil   | Throttle nonreturn valve | D14,3/1,5                                |
| 10   | 575 2350 | 1     | Hydraulikzylinder         | Ram                      | DZ80/40-200-1348                         |
| 11   | 575 9705 | 1     | Hydraulikrohr             | Tube                     | 12x47 kpl.                               |
| 12   | 325 1350 | 5     | Spannband                 | Strap                    | 6,3x254 VA                               |
| 13   | 325 1501 | 2     | EASY-READ Zeichen         | EASY-READ sign           | "1"                                      |
| 14   | 325 1502 | 2     | EASY-READ Zeichen         | EASY-READ sign           | "2"                                      |
| 15   | 325 1503 | 1     | EASY-READ Zeichen         | EASY-READ sign           | "3"                                      |
| 16   | 325 1511 | 3     | EASY-READ Zeichen         | EASY-READ sign           | "P"                                      |
| 17   | 325 1512 | 2     | EASY-READ Zeichen         | EASY-READ sign           | "T"                                      |
| 18   | 375 4711 | 1     | Stutzen                   | Stud                     | x-evGE-12-ED 1/4"                        |
| 19   | 57510267 | 1     | Hydraulikrohr             | Tube                     | DKO 24 GRD<br>12x2x185<br>2xGEB180/90GRD |
| 20   | 375 2607 | 10    | Griff Halbschale          | Handle                   | -  |
| 21   | 325 1601 | 2     | Kennzeichnung             | Marking                  | P1                                       |
| 22   | 375 2606 | 5     | Einleger                  | Insert                   | DN6 DN8                                  |
| 23   | 325 1602 | 2     | Kennzeichnung             | Marking                  | P2                                       |



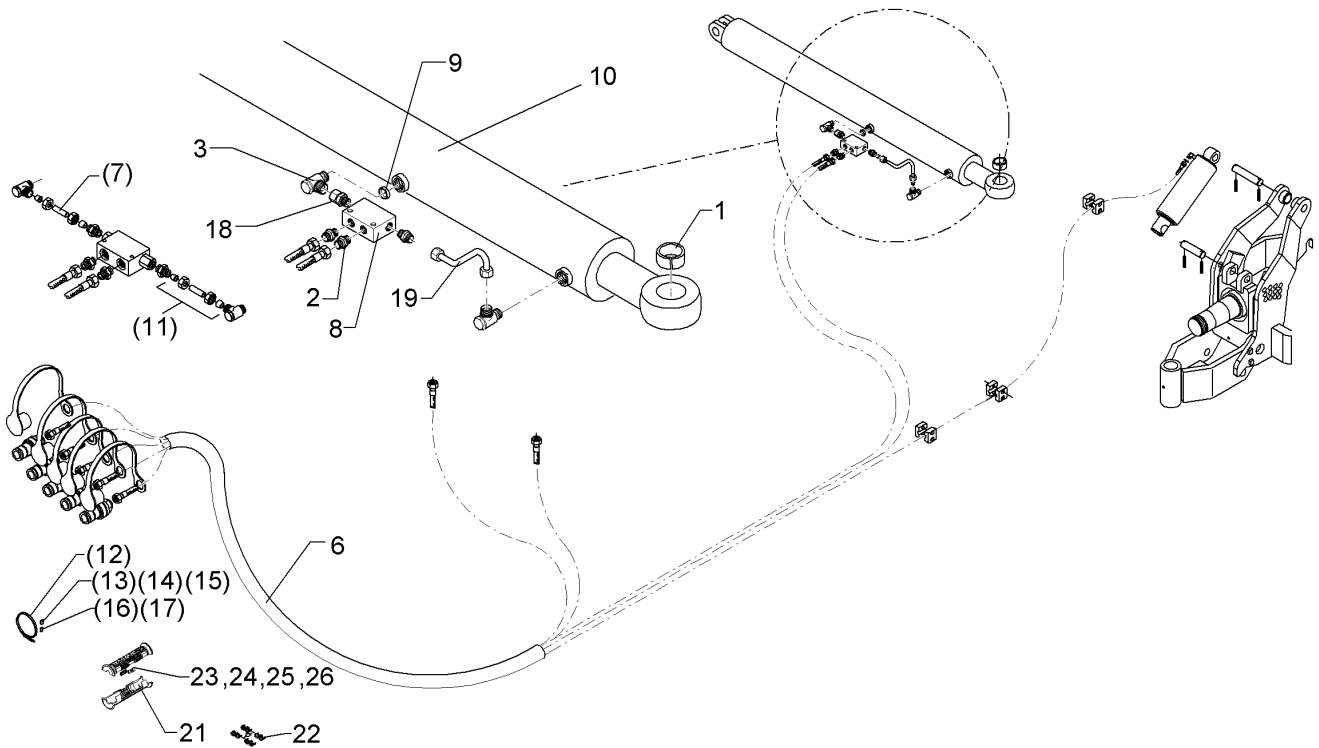
04.14

| Pos. | Art.Nr.  | Stck. | Artikeltext / Description |         | Abmessung |
|------|----------|-------|---------------------------|---------|-----------|
| 24   | 325 1603 | 2     | Kennzeichnung             | Marking | P3        |
| 25   | 325 1608 | 2     | Kennzeichnung             | Marking | T1        |
| 26   | 325 1609 | 2     | Kennzeichnung             | Marking | T2        |



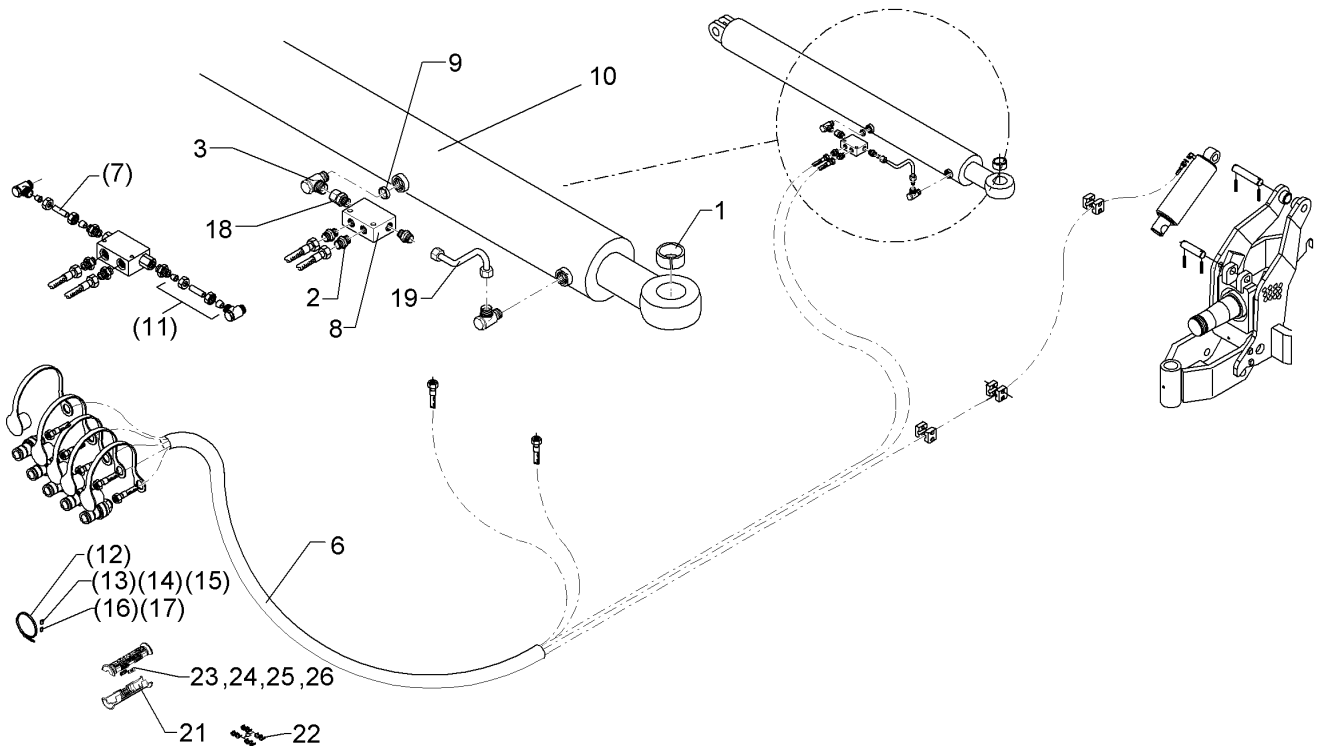
04.14

| Pos. | Art.Nr.  | Stck. | Artikeltext / Description |                          | Abmessung                                |
|------|----------|-------|---------------------------|--------------------------|--|
| 1    | 317 3368 | 1     | Einspannbuchse            | Expansion bush           | EG35/40x40-DIN1498                       |
| 2    | 375 4038 | 3     | Einschraubverschraubung   | Nipple                   | GE 12-LR 1/4"                            |
| 3    | 375 4310 | 2     | Schwenkverschraubung      | Union, swivel            | x-SWVE12-LM<br>M16x1,5                   |
| 6    | 475 2834 | 1     | Schlauchpaket             | Hose-assembly            | 2x4600,2x7900,1x9500<br>MSS<br>12x2x40   |
| 7    | 475 8848 | 1     | Hydraulikrohr             | Tube                     | RDP 06 1/4                               |
| 8    | 575 2161 | 1     | Rückschlagventil          | Nonreturn valve          | D14,3/1,5                                |
| 9    | 575 2176 | 1     | Drosselrückschlagventil   | Throttle nonreturn valve | DZ80/40-200-1348                         |
| 10   | 575 2350 | 1     | Hydraulikzylinder         | Ram                      | 12x47 kpl.                               |
| 11   | 575 9705 | 1     | Hydraulikrohr             | Tube                     | 6,3x254 VA                               |
| 12   | 325 1350 | 5     | Spannband                 | Strap                    | "1"                                      |
| 13   | 325 1501 | 2     | EASY-READ Zeichen         | EASY-READ sign           | "2"                                      |
| 14   | 325 1502 | 2     | EASY-READ Zeichen         | EASY-READ sign           | "3"                                      |
| 15   | 325 1503 | 1     | EASY-READ Zeichen         | EASY-READ sign           | "P"                                      |
| 16   | 325 1511 | 3     | EASY-READ Zeichen         | EASY-READ sign           | "T"                                      |
| 17   | 325 1512 | 2     | EASY-READ Zeichen         | EASY-READ sign           |  |
| 18   | 375 4711 | 1     | Stutzen                   | Stud                     | x-evGE-12-ED 1/4"                        |
| 19   | 57510267 | 1     | Hydraulikrohr             | Tube                     | DKO 24 GRD<br>12x2x185<br>2xGEB180/90GRD |
| 21   | 375 2607 | 10    | Griff Halbschale          | Handle                   | -  |
| 22   | 375 2606 | 5     | Einleger                  | Insert                   | DN6 DN8                                  |
| 23   | 325 1601 | 2     | Kennzeichnung             | Marking                  | P1                                       |
| 24   | 325 1602 | 2     | Kennzeichnung             | Marking                  | P2                                       |



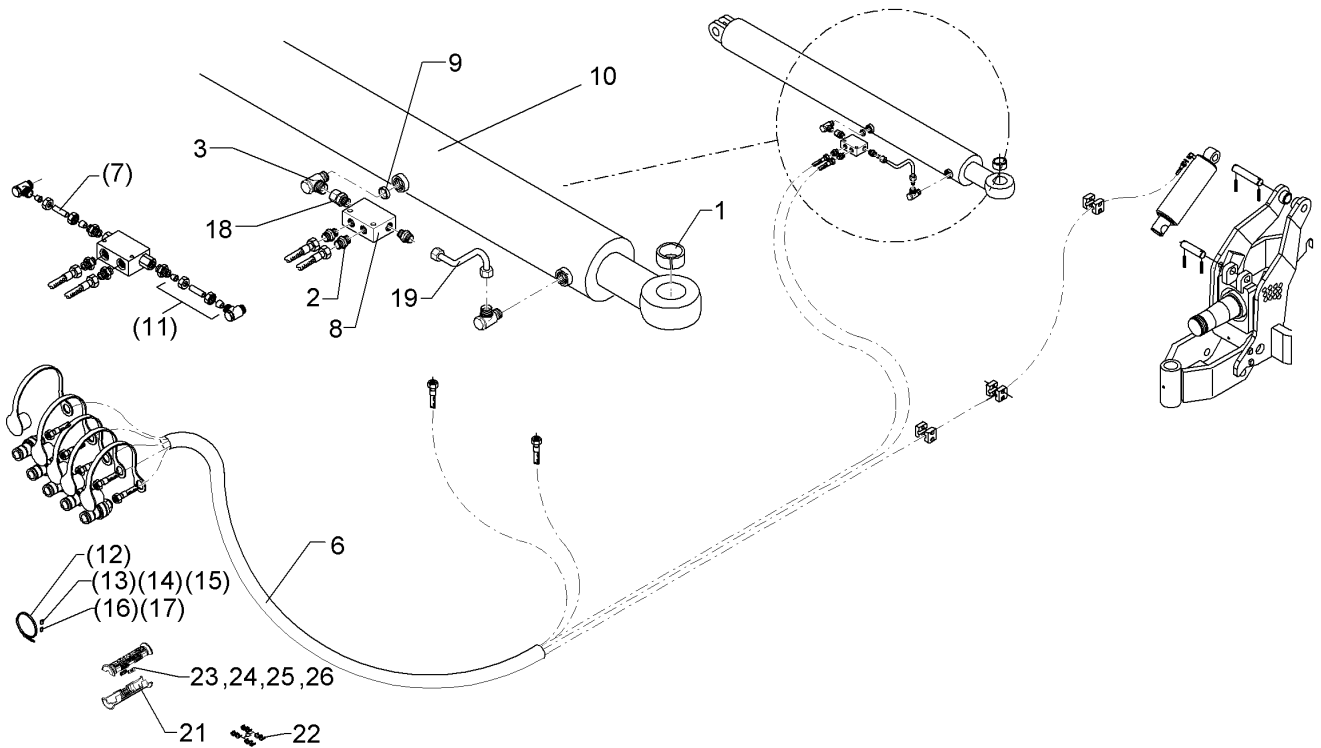
04.14

| Pos. | Art.Nr.  | Stck. | Artikeltext / Description |         | Abmessung |
|------|----------|-------|---------------------------|---------|-----------|
| 25   | 325 1603 | 2     | Kennzeichnung             | Marking | P3        |
| 26   | 325 1608 | 2     | Kennzeichnung             | Marking | T1        |
| 27   | 325 1609 | 2     | Kennzeichnung             | Marking | T2        |



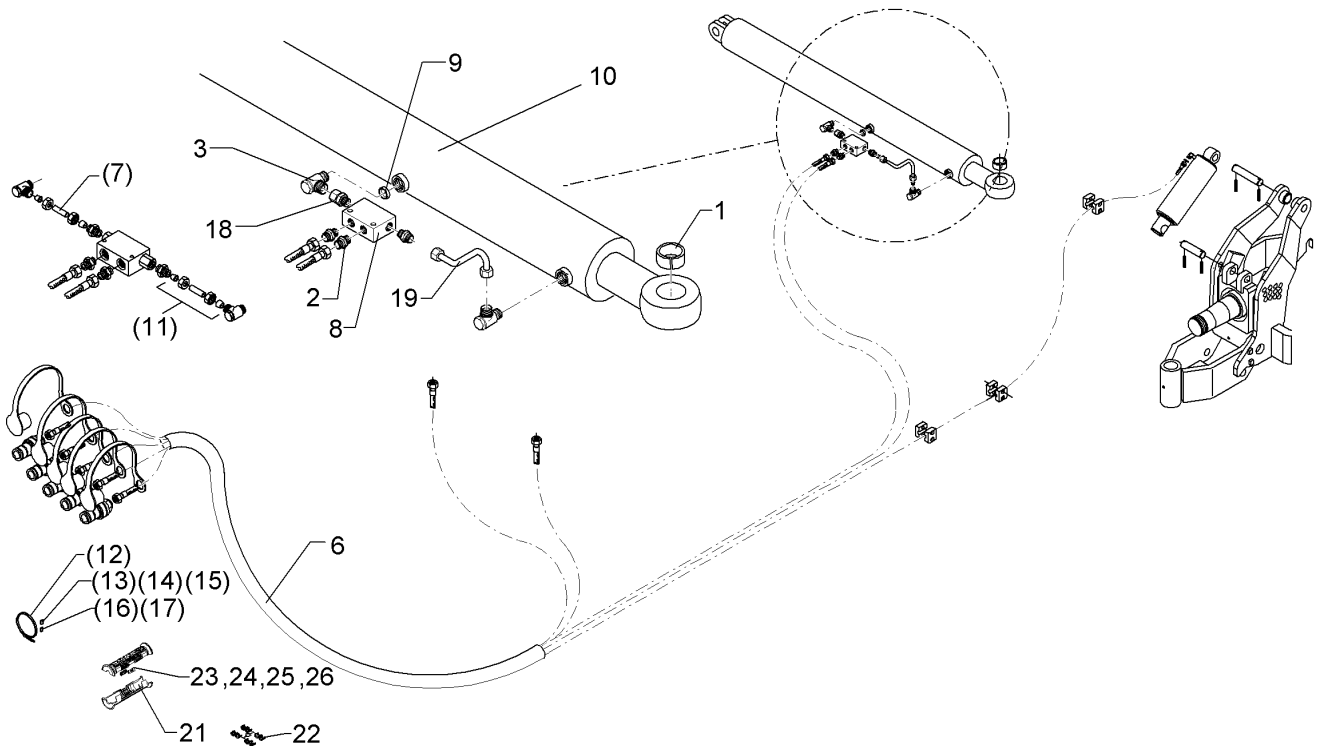
04.14

| Pos. | Art.Nr.  | Stck. | Artikeltext / Description |                          | Abmessung                                |
|------|----------|-------|---------------------------|--------------------------|--|
| 1    | 317 3368 | 1     | Einspannbuchse            | Expansion bush           | EG35/40x40-DIN1498                       |
| 2    | 375 4038 | 3     | Einschraubverschraubung   | Nipple                   | GE 12-LR 1/4"                            |
| 3    | 375 4310 | 2     | Schwenkverschraubung      | Union, swivel            | x-SWVE12-LM<br>M16x1,5                   |
| 6    | 475 2836 | 1     | Schlauchpaket             | Hose-assembly            | 2x4600,2x8500,1x10500<br>MSS             |
| 7    | 475 8848 | 1     | Hydraulikrohr             | Tube                     | 12x2x40                                  |
| 8    | 575 2161 | 1     | Rückschlagventil          | Nonreturn valve          | RDP 06 1/4                               |
| 9    | 575 2178 | 1     | Drosselrückschlagventil   | Throttle nonreturn valve | D14,3/1,9                                |
| 10   | 575 2350 | 1     | Hydraulikzylinder         | Ram                      | DZ80/40-200-1348                         |
| 11   | 575 9705 | 1     | Hydraulikrohr             | Tube                     | 12x47 kpl.                               |
| 12   | 325 1350 | 5     | Spannband                 | Strap                    | 6,3x254 VA                               |
| 13   | 325 1501 | 2     | EASY-READ Zeichen         | EASY-READ sign           | "1"                                      |
| 14   | 325 1502 | 2     | EASY-READ Zeichen         | EASY-READ sign           | "2"                                      |
| 15   | 325 1503 | 1     | EASY-READ Zeichen         | EASY-READ sign           | "3"                                      |
| 16   | 325 1511 | 3     | EASY-READ Zeichen         | EASY-READ sign           | "P"                                      |
| 17   | 325 1512 | 2     | EASY-READ Zeichen         | EASY-READ sign           | "T"                                      |
| 18   | 375 4711 | 1     | Stutzen                   | Stud                     | x-evGE-12-ED 1/4"                        |
| 19   | 57510267 | 1     | Hydraulikrohr             | Tube                     | DKO 24 GRD<br>12x2x185<br>2xGEB180/90GRD |
| 21   | 375 2607 | 10    | Griff Halbschale          | Handle                   | -  |
| 22   | 375 2606 | 5     | Einleger                  | Insert                   | DN6 DN8                                  |
| 23   | 325 1601 | 2     | Kennzeichnung             | Marking                  | P1                                       |
| 24   | 325 1602 | 2     | Kennzeichnung             | Marking                  | P2                                       |



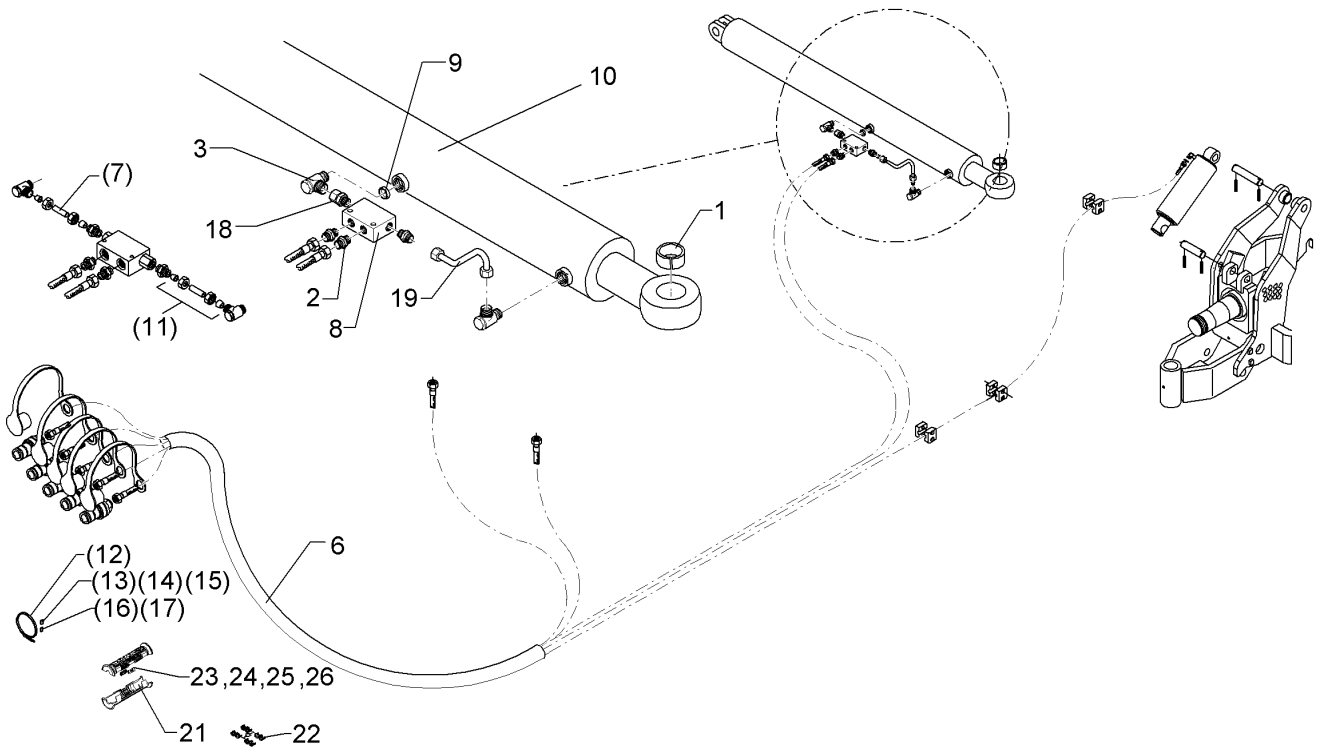
04.14

| Pos. | Art.Nr.  | Stck. | Artikeltext / Description |         | Abmessung |
|------|----------|-------|---------------------------|---------|-----------|
| 25   | 325 1603 | 2     | Kennzeichnung             | Marking | P3        |
| 26   | 325 1608 | 2     | Kennzeichnung             | Marking | T1        |
| 27   | 325 1609 | 2     | Kennzeichnung             | Marking | T2        |



04.14

| Pos. | Art.Nr.  | Stck. | Artikeltext / Description |                          | Abmessung                                |
|------|----------|-------|---------------------------|--------------------------|--|
| 1    | 317 3368 | 1     | Einspannbuchse            | Expansion bush           | EG35/40x40-DIN1498                       |
| 2    | 375 4038 | 3     | Einschraubverschraubung   | Nipple                   | GE 12-LR 1/4"                            |
| 3    | 375 4310 | 2     | Schwenkverschraubung      | Union, swivel            | x-SWVE12-LM<br>M16x1,5                   |
| 6    | 475 2834 | 1     | Schlauchpaket             | Hose-assembly            | 2x4600,2x7900,1x9500<br>MSS<br>12x2x40   |
| 7    | 475 8848 | 1     | Hydraulikrohr             | Tube                     | RDP 06 1/4                               |
| 8    | 575 2161 | 1     | Rückschlagventil          | Nonreturn valve          | D14,3/1,5                                |
| 9    | 575 2176 | 1     | Drosselrückschlagventil   | Throttle nonreturn valve | DZ80/40-175/590                          |
| 10   | 575 2537 | 1     | Hydraulikzylinder         | Ram                      | 12x47 kpl.                               |
| 11   | 575 9705 | 1     | Hydraulikrohr             | Tube                     | 6,3x254 VA                               |
| 12   | 325 1350 | 5     | Spannband                 | Strap                    | "1"                                      |
| 13   | 325 1501 | 2     | EASY-READ Zeichen         | EASY-READ sign           | "2"                                      |
| 14   | 325 1502 | 2     | EASY-READ Zeichen         | EASY-READ sign           | "3"                                      |
| 15   | 325 1503 | 1     | EASY-READ Zeichen         | EASY-READ sign           | "P"                                      |
| 16   | 325 1511 | 3     | EASY-READ Zeichen         | EASY-READ sign           | "T"                                      |
| 17   | 325 1512 | 2     | EASY-READ Zeichen         | EASY-READ sign           |  |
| 18   | 375 4711 | 1     | Stutzen                   | Stud                     | x-evGE-12-ED 1/4"                        |
| 19   | 57510267 | 1     | Hydraulikrohr             | Tube                     | DKO 24 GRD<br>12x2x185<br>2xGEB180/90GRD |
| 21   | 375 2607 | 10    | Griff Halbschale          | Handle                   | -  |
| 22   | 375 2606 | 5     | Einleger                  | Insert                   | DN6 DN8                                  |
| 23   | 325 1601 | 2     | Kennzeichnung             | Marking                  | P1                                       |
| 24   | 325 1602 | 2     | Kennzeichnung             | Marking                  | P2                                       |



04.14

| Pos. | Art.Nr.  | Stck. | Artikeltext / Description |         | Abmessung |
|------|----------|-------|---------------------------|---------|-----------|
| 25   | 325 1603 | 2     | Kennzeichnung             | Marking | P3        |
| 26   | 325 1608 | 2     | Kennzeichnung             | Marking | T1        |
| 27   | 325 1609 | 2     | Kennzeichnung             | Marking | T2        |