



Ersatzteilliste

Parts list

Kurzscheibeneggen

Compact Disc Harrows

Rubin 9/400 KÜA

Art.Nr. 175 1756

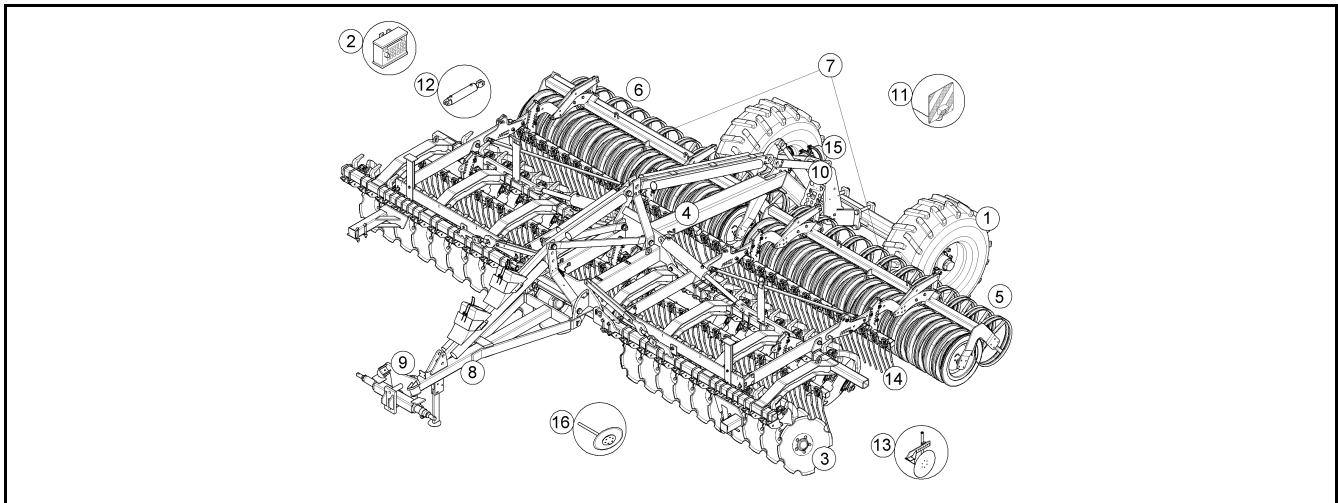
01.18

LEMKEN GmbH & Co. KG

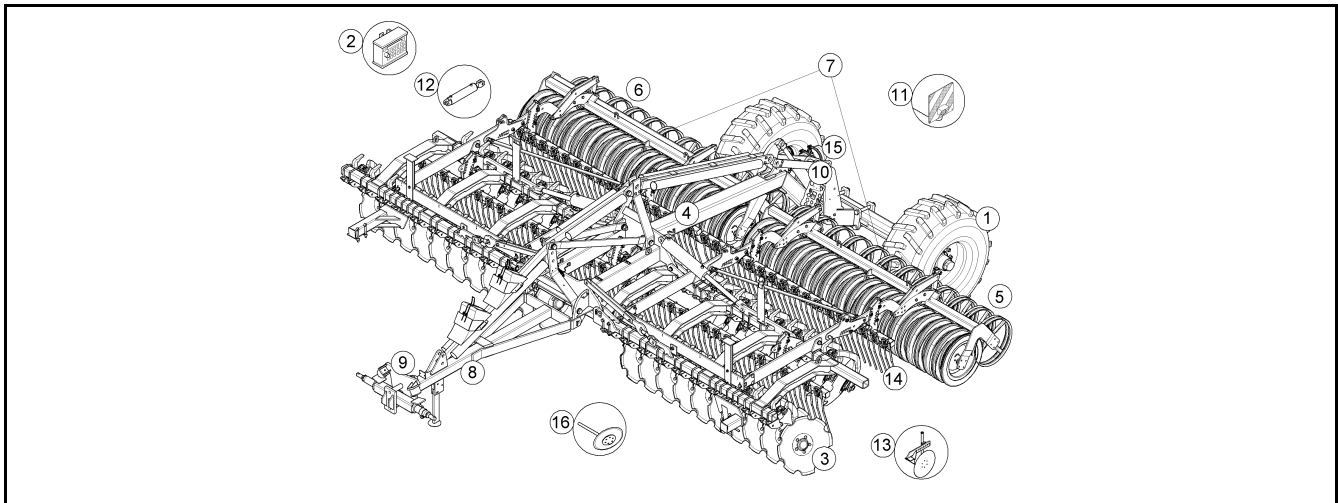
Weseler Straße 5, D-46519 Alpen / Postfach 11 60, D-46515 Alpen

Telefon (0 28 02) 81-0, Telefax (0 28 02) 81-220

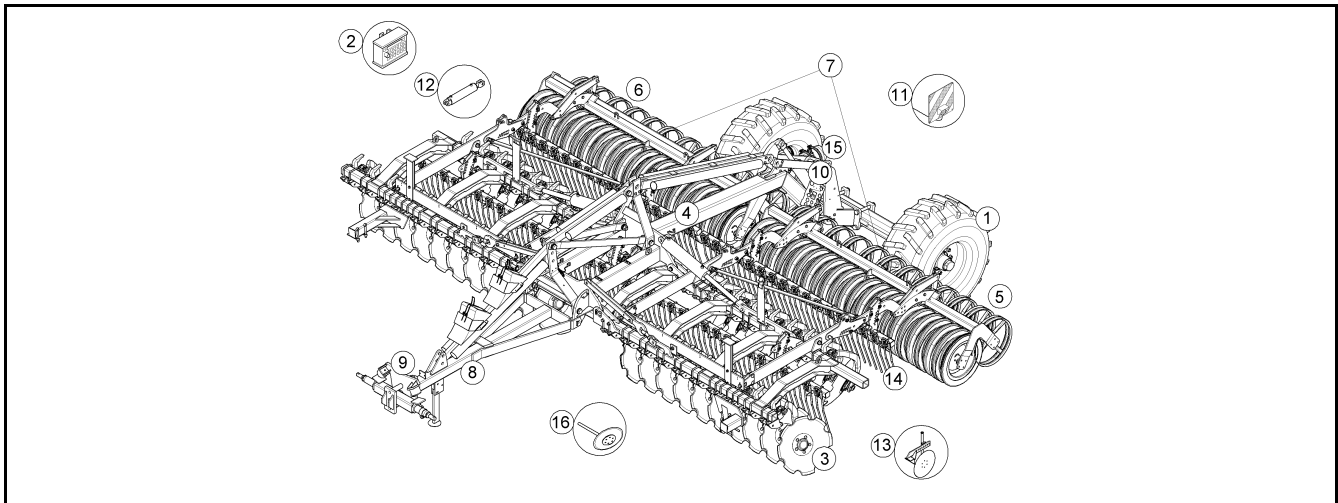
eMail: lemken@lemken.com, Internet: <http://www.lemken.com>



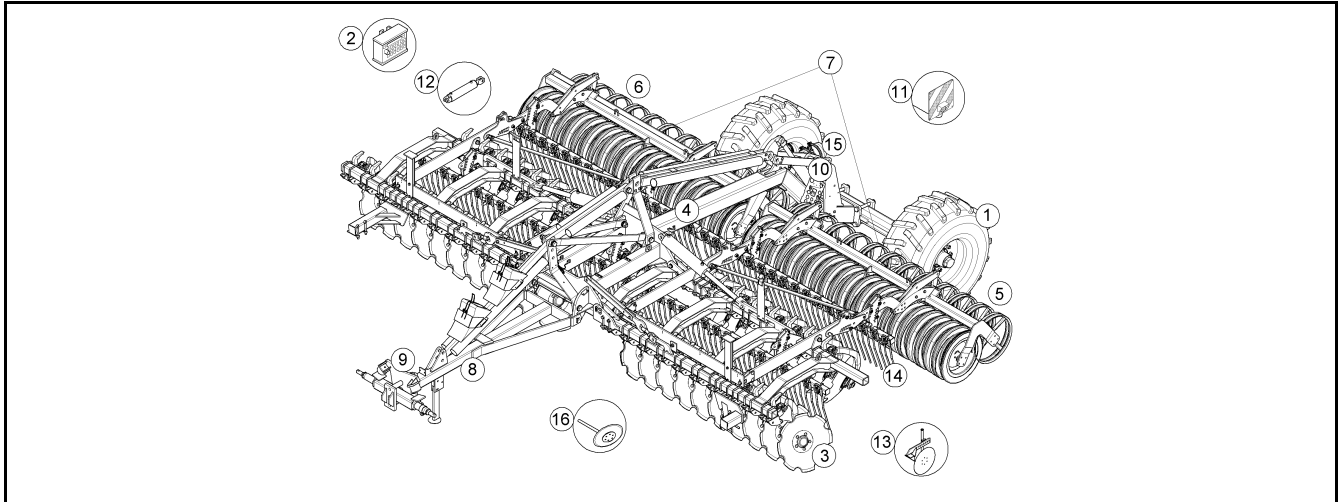
| Pos. | Art.Nr. | Artikeltext / Description | Abmessung | |
|------|----------|-----------------------------|--------------------|--------------------------------|
| 1 | 321 6964 | Exzenterhebel mit Stecker | Eccentric lever | D16x230/69x14x50/33 |
| 1 | 549 8849 | Rad | Wheel | 5/94/140 D14 |
| 1 | 549 8858 | Rad 5/94/140 D14 | Wheel 5/94/140 D14 | 195R15 D650x198 4PR ET-0 |
| 1 | 549 8859 | Rad 5/94/140 D14 | Wheel 5/94/140 D14 | 185R14 D650x188 4PR |
| 1 | 549 8893 | Lagerung | Bearing | 5/93,5/140 M14 50x50 |
| 1 | 550 8516 | Laufachse | Running axle | GS12008 CO-55.72.001.007 |
| 1 | 550 8519 | Bremsachse | Braking axle | GS12008 55.72.448.000 |
| 1 | 550 8520 | Laufachse | Running axle | GS7008 55.67.001.014 |
| 1 | 550 8524 | Bremsachse | Braking axle | 120x14x2530 400X80 ADR |
| 1 | 550 8538 | Bremsachse | Braking axle | GS12008 55.72.460.040 |
| 1 | 550 8872 | Rad 8/221/275 | Wheel 8/221/275 | 560(550)/60-22.5 12PR/RE (560) |
| 1 | 550 8873 | Rad 8/221/275 | Wheel 8/221/275 | 560(550)/60-22.5 12PR/LI (560) |
| 1 | 550 8874 | Rad 8/221/275 | Wheel 8/221/275 | 12.5/80-18 12PR AW |
| 1 | 550 8884 | Rad | Wheel | Alliance 700/50-22.5 16PR ET0 |
| 1 | 550 8885 | Rad | Wheel | Alliance 700/50-22.5 16PR ET0 |
| 1 | 550 8900 | Rad 8/221/275 | Wheel 8/221/275 | 16.0/70-20 12PR AW |
| 1 | 55010025 | Laufachse | Running axle | 150x10x3230 8xM20x1,5-D275/220 |
| 1 | 55010066 | Rad | Wheel | 560/60-22.5 12PR/RE |
| 1 | 55010067 | Rad | Wheel | 560/60-22.5 12PR/LI |
| 1 | 55010220 | Bremsachse | Braking axle | GS12010 150x16x2350 |
| 1 | 55010221 | Laufachse | Running axle | GS12010 |
| 1 | 55010238 | Rad | Wheel | Alliance 550/60-22.5 16PR/RE |
| 1 | 55010239 | Rad | Wheel | Alliance 550/60-22.5 16PR/LI |
| 1 | 55010240 | Rad | Wheel | Alliance 700/50-22.5 16PR/RE |
| 1 | 55010241 | Rad | Wheel | Alliance 700/50-22.5 16PR/LI |
| 1 | 55010248 | Bremsachse | Braking axle | GS 12008 150x16x2530 |
| 1 | 55010250 | Rad | Wheel | 560/60-22.5 16PR/RE |
| 1 | 55010251 | Rad | Wheel | 560/60-22.5 16PR/LI |
| 1 | 57710012 | Mont.-BG.Drulubrems.Transp. | Assembly Group | Rubin 9 KA |
| 1 | 612 8080 | Halmtasche | Bracket | Rubin 90x90 70x30 RE |
| 1 | 612 8081 | Kombikonsole | Leg bracket | Rubin 90x90 70x30 LI |
| 1 | 647 2520 | Stützrad mit Halm | Depth wheel | 10.0/80-12 70x30 |
| 1 | 647 2521 | Stützrad mit Halm | Depth wheel | 195 R15 70x30 |
| 1 | 647 7483 | Radkonsole | Wheel bracket | 70x30 Rubin |
| 1 | 650 8519 | Bremsachse | Braking axle | 150x150 M30x260 |
| 1 | 650 8524 | Bremsachse | Braking axle | 120x12,5x2530 M30x200 ADR |
| 1 | 650 8525 | Laufachse | Running axle | GS7008 M30x260 |



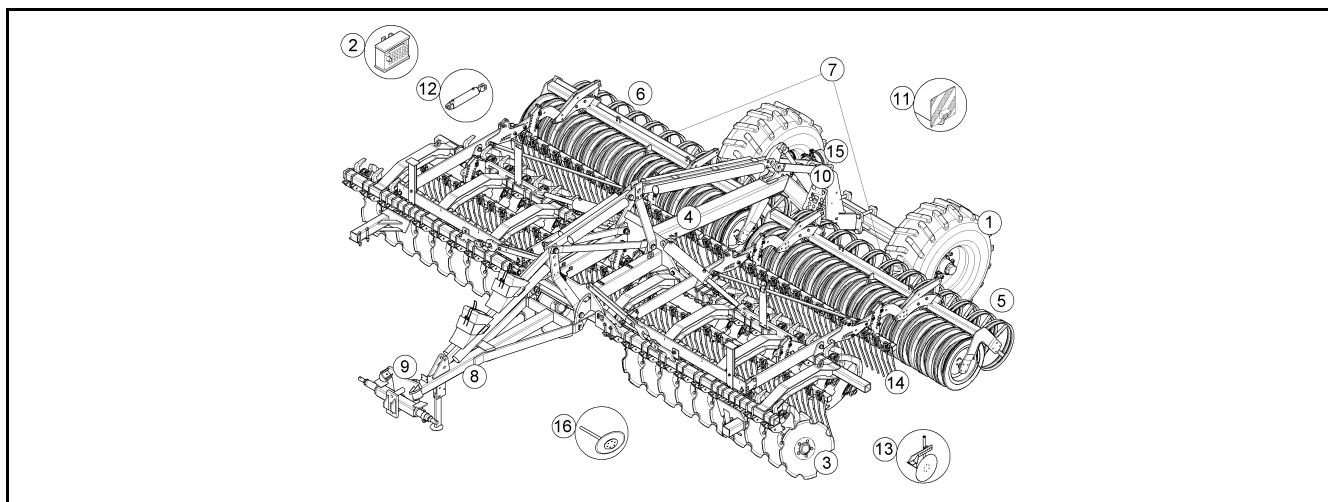
| Pos. | Art.Nr. | Artikeltext / Description | Abmessung | |
|------|----------|---------------------------|--------------------|--------------------------------|
| 1 | 650 8526 | Laufachse | Running axle | GS12008 M30x260 |
| 1 | 650 8538 | Bremsachse | Braking axle | 150x150 M30x260 |
| 1 | 650 8559 | Fahrwerk | Trailer | Rubin 9/400-600 KA |
| 1 | 650 8610 | Fahrwerk Kombi. | Trailer | Rubin "B" |
| 1 | 650 8615 | Fahrwerk Transport | Trailer | Rubin "B" |
| 1 | 65010019 | Laufachse | Running axle | 150x3230 M30x260 |
| 1 | 65010101 | Bremsachse | Braking axle | GS12010 |
| 1 | 65010102 | Laufachse | Running axle | GS12010 |
| 1 | 65010105 | Bremsachse | Braking axle | GS12008 10t |
| 1 | 67010116 | Unterlegkeil | Wheel chock | NG53 kpl. |
| 1 | 69910274 | Bremsachse | Braking axle | 120x14x2530 400x80 ADR |
| 1 | 69910275 | Bremsachse | Braking axle | 120x14x2530 400x80 ADR |
| 2 | 373 4306 | Verlängerungskabel | Extension cable | 22-polig 8m |
| 2 | 573 5082 | Kabelbaum | Cable form | ELFG104-XXXX 10m |
| 2 | 57310152 | Verlängerungskabel | Extension cable | Isobus 10m |
| 2 | 673 6032 | Joystickbox | Joystickbox | JB-1 |
| 2 | 673 6163 | Verlängerung | Extension | 8m-10 Solitronic |
| 2 | 67310157 | Verlängerungskabel | Extension cable | ISOBUS 10m |
| 3 | 51210012 | MS Taschenlager | MS bracket bearing | Rubin(D) |
| 3 | 612 8089 | Halmtasche | Bracket | Rubin 90x90-B SW41 |
| 3 | 612 8090 | Halmtasche | Bracket | Rubin 90x90-B VO |
| 3 | 612 8091 | Halmtasche | Bracket | Rubin 90x90-B HI |
| 3 | 612 8092 | Halmtasche | Bracket | Rubin 90x110-B VO |
| 3 | 612 8093 | Halmtasche | Bracket | Rubin 90x110-B HI |
| 3 | 612 8100 | Hohlscheibenelement | Hollow disc unit | D620x6 Rubin RE 90x90 |
| 3 | 612 8101 | Hohlscheibenelement | Hollow disc unit | D620x6 Rubin LI 90x90 |
| 3 | 612 8102 | Hohlscheibenelement | Hollow disc unit | D620x6 Rubin RE 90x110 |
| 3 | 612 8103 | Hohlscheibenelement | Hollow disc unit | D620x6 Rubin LI 90x110 |
| 3 | 612 8109 | Halmtasche | Bracket | Rubin 90x90-A SW41 |
| 3 | 612 8110 | Halmtasche | Bracket | Rubin 90x90-A |
| 3 | 612 8111 | Halmtasche | Bracket | Rubin 90x110-A |
| 3 | 612 8112 | Halm mit Lagerung | Stalk with bearing | RE 60x25 D130 6xD12 Rubin 9 |
| 3 | 612 8113 | Halm mit Lagerung | Stalk with bearing | LI 60x25 D130 6xD12 Rubin 9 |
| 3 | 612 8170 | Halm mit Lagerung | Stalk with bearing | RE 60x25 D150 5xD12 "B"Rubin 9 |
| 3 | 612 8171 | Halm mit Lagerung | Stalk with bearing | LI 60x25 D150 5xD12 "B"Rubin 9 |



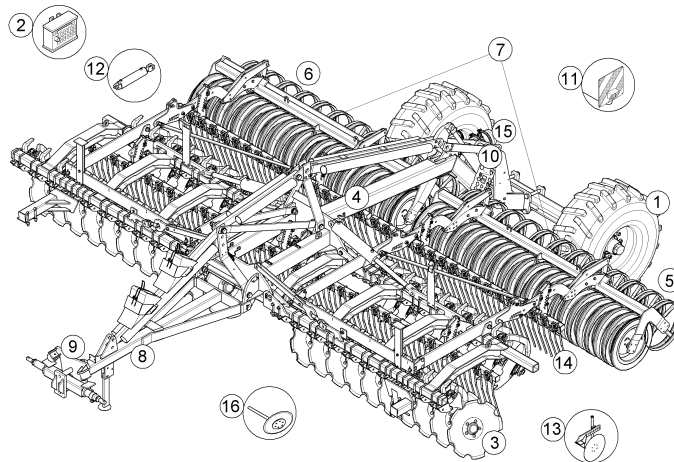
| Pos. | Art.Nr. | Artikeltext / Description | Abmessung | |
|------|----------|------------------------------|----------------------------|--------------------------|
| 3 | 61210026 | Halm mit Lagerung | Stalk with bearing | Rubin 9 RE |
| 3 | 61210027 | Halm mit Lagerung | Stalk with bearing | Rubin 9 LI |
| 3 | 61210084 | Halmtasche | Bracket | Rubin(D) 90x90 SW41 |
| 3 | 61210085 | Halmtasche | Bracket | Rubin(D) 90x90 VO |
| 3 | 61210086 | Halmtasche | Bracket | Rubin(D) 90x90 HI |
| 3 | 61210087 | Halmtasche | Bracket | Rubin(D) 90x110 VO |
| 3 | 61210088 | Halmtasche | Bracket | Rubin(D) 90x110 HI |
| 3 | 657 9200 | Hohlscheibe, gezackt | Hollow disc | D620x6 Rubin |
| 3 | 657 9202 | Hohlscheibe, gezackt | Hollow disc | D620x6 "B" Rubin |
| 4 | 59010092 | Aufkleber | Label | Rubin 9 KUA |
| 4 | 612 8120 | Träger mit Tiefeneinstellung | Carrier | 100x20 Rubin |
| 4 | 612 8208 | Grundrahmen | Basic frame | Rubin 9/400-K |
| 4 | 612 8220 | Grundrahmen | Basic frame | Rubin 9/400-K-A |
| 4 | 612 8260 | Grundrahmen | Basic frame | Rubin 9/400-K (B) |
| 4 | 617 8148 | Verriegelung hydraulisch | Hydraulic locking device | Rubin 9/400K-600K "B" |
| 4 | 622 1036 | Stabilisator | Stabilizer | 80x654-2.00 |
| 4 | 62210327 | Halter | Holder | DPW 540/540 |
| 4 | 62210358 | Doppelprofilwalze | Double profile roller | -B 540-2.00-RE |
| 4 | 62210359 | Doppelprofilringwalze | Double profile ring roller | -B 540-2.00-LI |
| 4 | 62210402 | Messerwalze lange Messer | Knife roller, long knives | -R D600-200 RE (A) |
| 4 | 62210403 | Messerwalze lange Messer | Knife roller, long knives | -R D600-200 LI (A) |
| 4 | 62210434 | Walze | Roller | DRF-R 540/400-2.00-R RU9 |
| 4 | 62210435 | Walze | Roller | DRF-R 540/400-2.00-L RU9 |
| 4 | 629 7121 | Abstellstütze zur Deichsel | Stand | 70x22/110x110x600 |
| 4 | 640 5235 | Geräteturm | Headstock | Rubin 9 KA -28.02.2003 |
| 4 | 640 5237 | Geräteturm | Headstock | Rubin 9 KA-A -01.03.2003 |
| 4 | 640 5247 | Geräteturm | Headstock | Rubin 9 KA "B" |
| 4 | 64010015 | Geräteturm | Headstock | hyd.Deichsel Rubin 9 KUA |
| 5 | 622 0150 | Halter zur Doppelwalze | Holder | DRF-DRR 400/400 |
| 5 | 622 0152 | Halter zur Doppelwalze | Holder | DRR 540/400 |
| 5 | 622 6604 | Rohrstabwalze | Tube bar roller | RSW 540-2.00-RE SM9K |
| 5 | 622 6622 | Rohrstabwalze | Tube bar roller | RSW-- D600-200 SM9 RE |
| 5 | 622 6684 | Doppelwalze Rohr-Flachstab | Double roller | DRF 400/400-2.00-RE SM9K |
| 5 | 622 6702 | Doppelwalze Rohr-Rohr | Double roller | DRR 400/400-2.00-RE SM9K |
| 5 | 622 6804 | Messerwalze | Knife roller | MSW D600-200 RE SM9 |



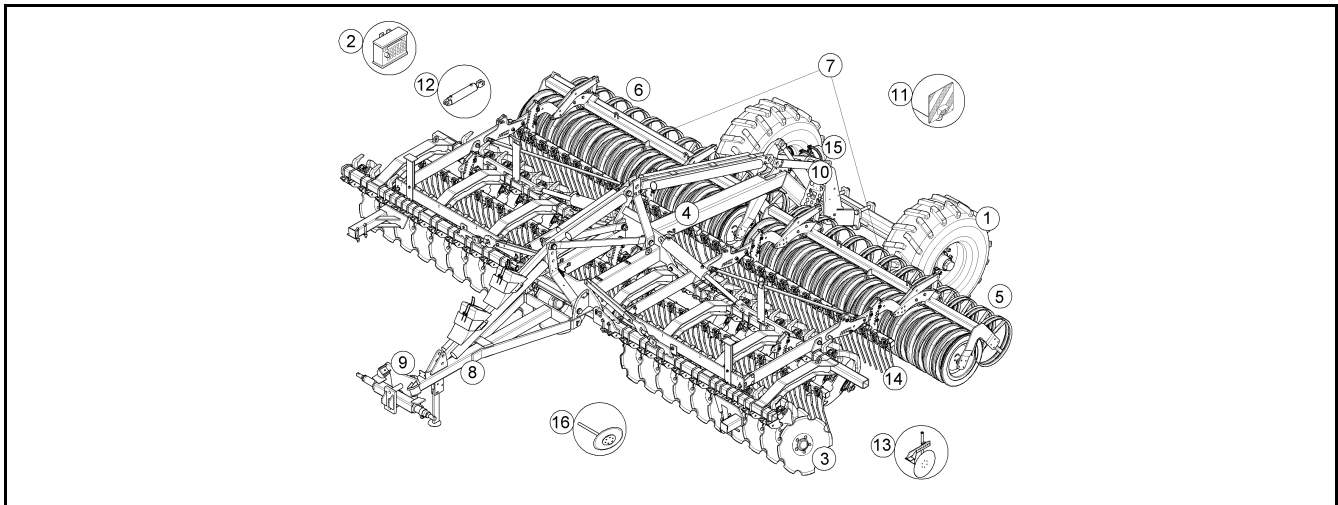
| Pos. | Art.Nr. | Artikeltext / Description | Abmessung | |
|------|----------|----------------------------|---------------------------|-----------------------------|
| 5 | 622 6814 | Messerwalze lange Messer | Knife roller, long knives | MSW D600-200 RE SM9 |
| 5 | 622 6852 | Doppelwalze Rohr-Rohr | Double roller | DRR 540/400-2.00-RE SM9K |
| 5 | 622 6884 | Messerwalze | Knife roller | MSW-R D600-200 SM9-RE RU-LI |
| 5 | 622 6914 | Messerwalze lange Messer | Knife roller, long knives | MSW-R D600-200 SM-RE RU-LI |
| 5 | 622 7262 | Rohrstabwalze | Tube bar roller | RSW-R 540-2.00-RE SM9 |
| 5 | 622 7278 | Rohrstabwalze | Tube bar roller | RSW-R D600-200 SM9 RE |
| 5 | 622 7308 | Doppelwalze Rohr-Flachstab | Double roller | DRF-R 400/400-2.00-RE SM9K |
| 5 | 622 7358 | Doppelwalze Rohr-Rohr | Double roller | DRR-R 400/400-2.00-RE SM9K |
| 5 | 622 7395 | Doppelprofilwalze | Double profile roller | DPW 540-2.00-LI SM9K |
| 5 | 622 7464 | Doppelprofilwalze | Double profile roller | DPW-A 540-2.00-RE SM9 |
| 5 | 622 7530 | Zahnpackerwalze Abstr.HTM | Packer roller | ZPW-R D500-2.00 |
| 5 | 622 7534 | Zahnpackerwalze Abstr.kurz | Packer roller | HTM ZPW-R D500-2.00 |
| 5 | 622 8309 | Doppelwalze Rohr-Rohr | Double roller | DRR-R 540/400-2.00-LI SM9K |
| 5 | 62210004 | Messerwalze lange Messer | Knife roller, long knives | MSW-R D600-200 RU-RE |
| 5 | 62210005 | Messerwalze lange Messer | Knife roller, long knives | MSW-R D600-200 RU-LI |
| 5 | 62210014 | Flexringwalze | Flexring roller | FRW D540-2.00 RE RU |
| 5 | 62210015 | Flexringwalze | Flexring roller | FRW D540-2.00 LI RU |
| 5 | 62210049 | Trapezpackerwalze | Trapeze packer roller | TPW-R D500-2.00-16R125 |
| 5 | 62210050 | Trapezpackerwalze | Trapeze packer roller | TPW-R D500-2.00-13R150 k |
| 5 | 62210051 | Trapezpackerwalze | Trapeze packer roller | TPW-R D500-2.00-14R150 k |
| 5 | 62210168 | Trapezpackerwalze | Trapeze packer roller | TPW-R D500-2.00-16R125 |
| 5 | 62210169 | Trapezpackerwalze | Trapeze packer roller | TPW-R D500-2.00-13R150 |
| 5 | 62210170 | Trapezpackerwalze | Trapeze packer roller | TPW-R D500-2.00-14R150 |
| 5 | 62210171 | Trapezpackerwalze | Trapeze packer roller | TPW-R D500-2.00-16R125 k |
| 5 | 62210172 | Trapezpackerwalze | Trapeze packer roller | TPW-R D500-2.00-13R150 k |
| 5 | 62210173 | Trapezpackerwalze | Trapeze packer roller | TPW-R D500-2.00-14R150 k |
| 5 | 62210178 | Halter | Holder | TPW D500 |
| 5 | 62210182 | Trapezscheibenwalze | Trapeze disc roller | TSW-R D500-2.00-16R125 |
| 6 | 622 6605 | Rohrstabwalze | Tube bar roller | RSW 540-2.00-LI SM9K |
| 6 | 622 6623 | Rohrstabwalze | Tube bar roller | RSW-- D600-2.00 SM9 LI |
| 6 | 622 6685 | Doppelwalze Rohr-Flachstab | Double roller | DRF 400/400-2.00-LI SM9K |
| 6 | 622 6703 | Doppelwalze Rohr-Rohr | Double roller | DRR 400/400-2.00-LI SM9K |
| 6 | 622 6805 | Messerwalze | Knife roller | MSW D600-200 LI SM9 |
| 6 | 622 6815 | Messerwalze lange Messer | Knife roller, long knives | MSW D600-200 LI SM9 |
| 6 | 622 6853 | Doppelwalze Rohr-Rohr | Double roller | DRR 540/400-2.00-LI SM9K |
| 6 | 622 6885 | Messerwalze | Knife roller | MSW-R D600-200 SM9-LI RU-RE |



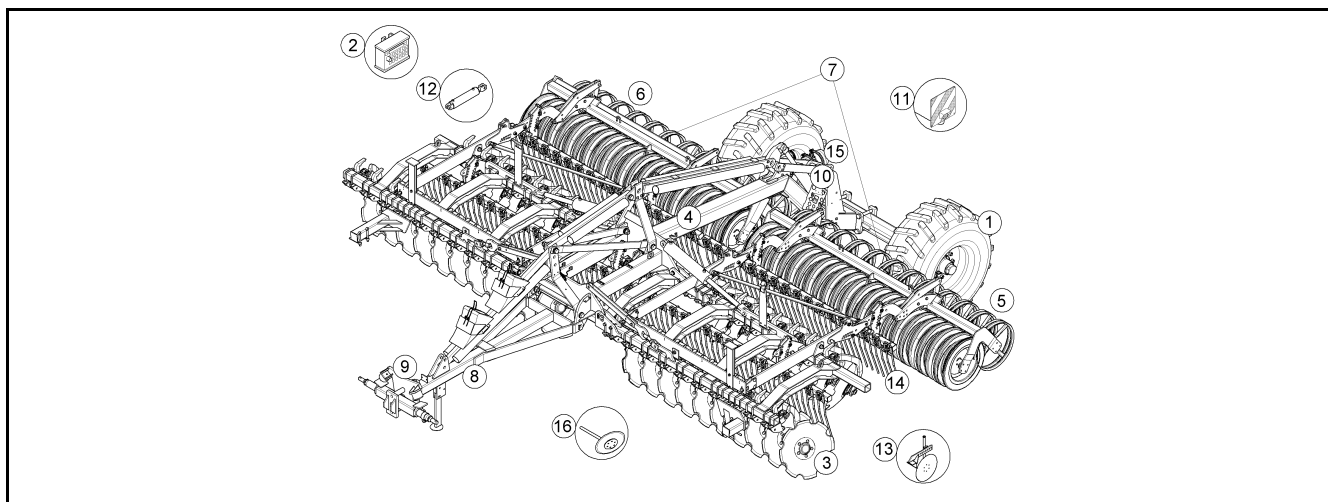
| Pos. | Art.Nr. | Artikeltext / Description | | Abmessung |
|------|----------|--------------------------------|------------------------------|------------------------------|
| 6 | 622 6915 | Messerwalze lange Messer | Knife roller, long knives | MSW-R D600-200 SM-LI RU-RE |
| 6 | 622 7263 | Rohrstabwalze | Tube bar roller | RSW-R 540-2.00-LI SM9 |
| 6 | 622 7279 | Rohrstabwalze | Tube bar roller | RSW-R D600-200 SM9 LI |
| 6 | 622 7309 | Doppelwalze Rohr-Flachstab | Double roller | DRF-R 400/400-2.00-LI SM9K |
| 6 | 622 7359 | Doppelwalze Rohr-Rohr | Double roller | DRR-R 400/400-2.00-LI SM9K |
| 6 | 622 7394 | Doppelprofilwalze | Double profile roller | DPW 540-2.00-RE SM9K |
| 6 | 622 7465 | Doppelprofilwalze | Double profile roller | DPW-A 540-2.00-LI SM9 |
| 6 | 622 8308 | Doppelwalze Rohr-Rohr | Double roller | DRR-R 540/400-2.00-RE SM9K |
| 7 | 33110011 | Sicherheitskette | Safety chain | 89kN kpl. |
| 7 | 33110031 | Sicherheitskette | Safety chain | kpl. 89kN |
| 7 | 617 8182 | Adapter | Adapter | ZPW-SM9/400 RE+LI |
| 7 | 622 0184 | Halter | Holder | GRW-GR D590-90 |
| 7 | 622 0188 | Halter zur Gummiringwalze | Holder | GRW-GR D590-90 M20 |
| 7 | 622 6612 | Rohrstabwalze | Tube bar roller | RSW 400-2.00 SM9K |
| 7 | 622 6720 | Zahnpackerwalze | Toothed packer roller | ZPW D500-2,0m |
| 7 | 622 6736 | Trapezpackerwalze | Trapeze packer roller | TPW D500-200-16R125 |
| 7 | 622 6741 | Zahnpackerwalze kurz.Abstreif. | Packer roller, short scraper | ZPW D500-2,0m |
| 7 | 622 6748 | Trapezpackerwalze | Trapeze packer roller | TPW D500-200-13R150 |
| 7 | 622 6749 | Trapezpackerwalze | Trapeze packer roller | TPW D500-200-14R150 |
| 7 | 622 6755 | Trapezpackerwalze | Trapeze packer roller | TPW D500-200-11R175 |
| 7 | 622 6756 | Trapezpackerwalze | Trapeze packer roller | TPW D500-200-12R175 |
| 7 | 622 6763 | Trapezscheibenwalze | Trapeze disc roller | TSW D500-200-16R-125 |
| 7 | 622 6777 | Trapezscheibenwalze | Trapeze disc roller | TSW-R D500-2.00-16R125 |
| 7 | 622 6870 | Gummiringwalze | Rubber ring roller | GRW D590-200-16R-125 |
| 7 | 622 7252 | Rohrstabwalze | Tube bar roller | RSW-R 400-2.00 SM9K |
| 7 | 622 7430 | Zahnpackerwalze | Toothed packer roller | ZPW-R D500-2.00 |
| 7 | 622 7434 | Zahnpackerwalze kurz.Abstreif. | Packer roller, short scraper | ZPW-R D500-2.00 k |
| 7 | 622 7440 | Trapezpackerwalze | Trapeze packer roller | TPW-R D500-2.00-16R125 |
| 7 | 622 7444 | Trapezpackerwalze | Trapeze packer roller | TPW-R D500-2.00-13R150 |
| 7 | 622 7445 | Trapezpackerwalze | Trapeze packer roller | TPW-R D500-2.00-14R150 |
| 7 | 640 8630 | Zugöse | Traction loop | D50 |
| 7 | 640 8631 | Zugöse | Traction loop | D76-D |
| 7 | 640 8632 | Zugkugelumkupplung | Ball-shaped coupling | K80 M9711 |
| 7 | 64010008 | Zugöse | Traction loop | D55 |
| 8 | 62910016 | Abstellstütze | Stand | hyd.Deichsel Rubin 9 400 KUA |



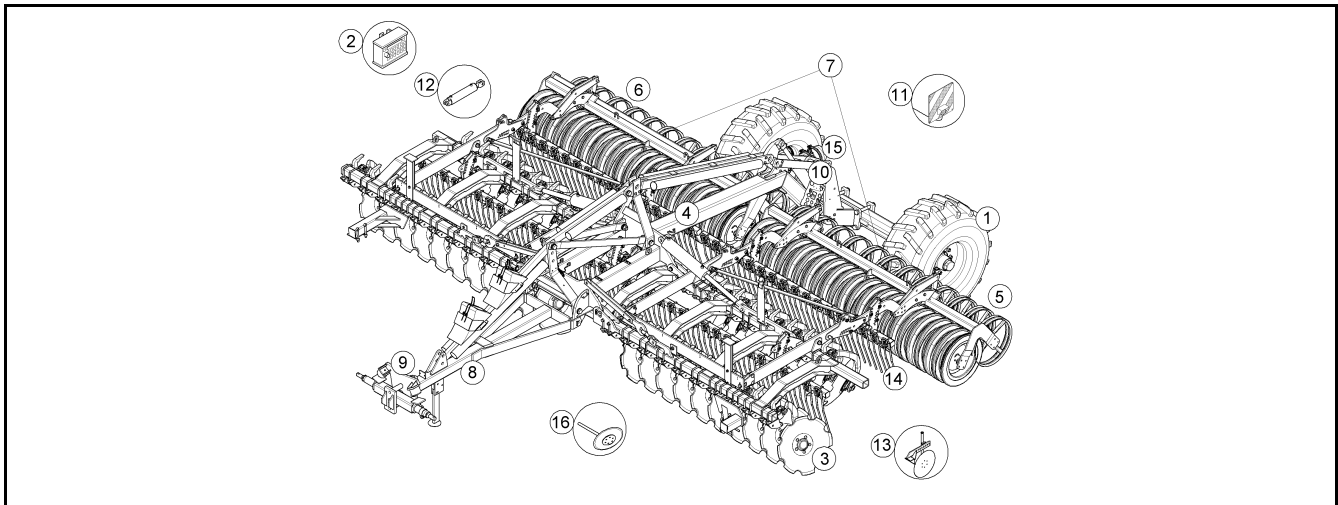
| Pos. | Art.Nr. | Artikeltext / Description | Abmessung | |
|------|----------|------------------------------|------------------------|-------------------------------|
| 8 | 640 9137 | Deichsel | Drawbar | Rubin 9 KA (KG35) |
| 8 | 640 9141 | Deichsel | Drawbar | Rubin 9 KA KG45 |
| 8 | 640 9151 | Deichsel | Drawbar | Rubin 9 KA (B) |
| 8 | 640 9153 | Deichsel | Drawbar | Rubin 9 KA (B) 2500 |
| 8 | 64010016 | Deichsel | Drawbar | hyd. Rubin 9 KUA |
| 9 | 64010091 | Zugöse | Traction loop | Cat.3 D46 160x160-M20x70 |
| 9 | 64010092 | Zugöse | Traction loop | Cat.4 D58 160x160-M20x70 |
| 9 | 64010093 | Zugöse | Traction loop | Cat.5 D79 160x160-M20x70 |
| 9 | 64010094 | Zugkugelumkopplung | Ball-shaped coupling | K80 160x160-M20x70 |
| 9 | 661 1411 | Unterlenkeranschluss | Lower link connection | ED68/55 L2 Z2 |
| 9 | 661 1412 | Unterlenkeranschluss | Lower link connection | ED68/55 L3 Z2 |
| 9 | 661 1413 | Unterlenkeranschluss | Lower link connection | ED68 L2 Z3 |
| 9 | 661 1414 | Unterlenkeranschluss | Lower link connection | ED68 L3 Z3 |
| 9 | 661 1417 | Unterlenkeranschluss | Lower link connection | ED68 L1100 Z58 K700 |
| 9 | 661 6161 | Tiefenbegrenzung | Depth limiter | K700 -B M24 |
| 9 | 661 6162 | Tiefenbegrenzung | Depth limiter | K700 -B M30 |
| 10 | 302 8767 | Spannschloß | Turnbuckle | TR36x3/980/800 |
| 10 | 661 8369 | Kupplungsteil | Fitting | FK 150x150x120 (Solitair 9KA) |
| 10 | 661 8510 | Hydraulisches Aushubgestänge | Hydraulic lift linkage | D50x200 L2 Z3 |
| 10 | 661 8511 | Hydraulisches Aushubgestänge | Hydraulic lift linkage | D50x200 L2 Z3 Thorit 9 |
| 10 | 66110027 | Kupplungsteil | Fitting | Solitair 25 KA |
| 11 | 373 4261 | Kabel | Cable | 7x1,5x5000 |
| 11 | 373 4270 | Kabel | Cable | 7x1,5x9000 |
| 11 | 37310075 | Grundkabel | Basic cable | 1x7pol 2x4pol 13/11m SAE |
| 11 | 37310160 | Grundkabel | Basic cable | 6x1/1x2,5x5000 ISO1724/1185 |
| 11 | 37310162 | Grundkabel | Basic cable | 6x1/1x2,5x9000 ISO1724/1185 |
| 11 | 37310173 | Grundkabel | Basic cable | 2x4x0,75x13000 7pol. ISO1185 |
| 11 | 570 1758 | Beleuchtungseinheit | Lighting unit | 3eck HI RE |
| 11 | 570 1759 | Beleuchtungseinheit | Lighting unit | 3eck HI LI |
| 11 | 570 1762 | Beleuchtungseinheit | Lighting unit | 2x296x414 VO RE |
| 11 | 570 1763 | Beleuchtungseinheit | Lighting unit | 2x296x414 VO LI |
| 11 | 570 2070 | Adapterkabel | Cable | EU-USA |
| 11 | 57010014 | Warntafel | Warning board | 2x296x414VO RE |
| 11 | 57010015 | Warntafel | Warning board | 2x296x414VO LI |



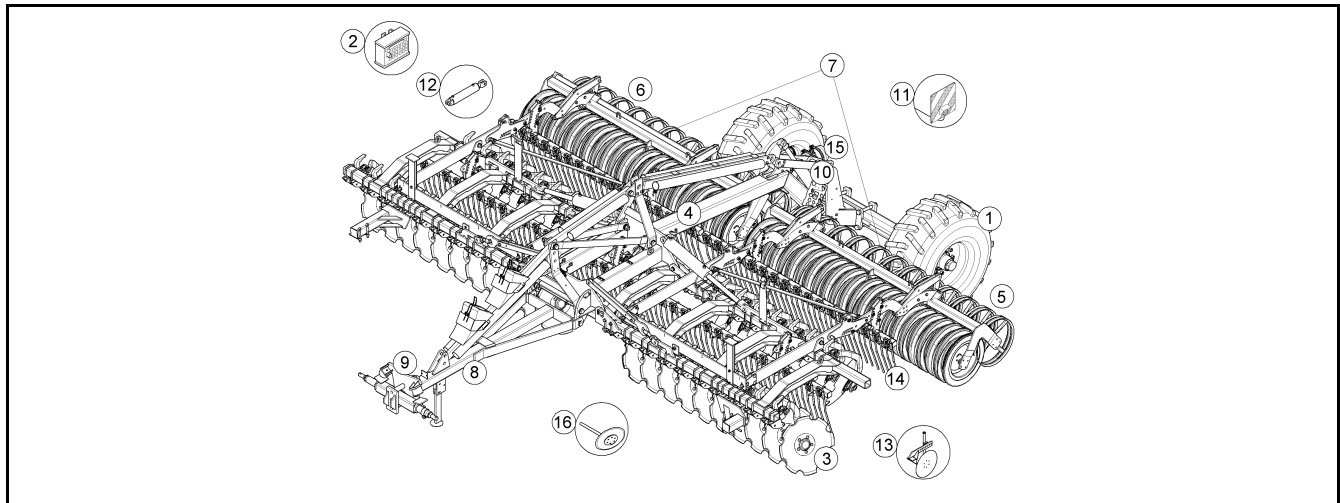
| Pos. | Art.Nr. | Artikeltext / Description | Abmessung | |
|------|----------|--------------------------------------|-------------------------------|---------------------|
| 11 | 57010020 | Beleuchtungseinheit | Lighting unit | HI+VO NE |
| 11 | 57010021 | Beleuchtungseinheit | Lighting unit | HI NE |
| 11 | 57010022 | Beleuchtungseinheit | Lighting unit | HI+VO RE NE |
| 11 | 57010023 | Beleuchtungseinheit | Lighting unit | HI+VO LI NE |
| 11 | 57010100 | Beleuchtungseinheit | Lighting unit | 3eck HI RE |
| 11 | 57010101 | Beleuchtungseinheit | Lighting unit | 3eck HI LI |
| 11 | 57010102 | Beleuchtungseinheit | Lighting unit | 2x296x414 VO RE |
| 11 | 57010103 | Beleuchtungseinheit | Lighting unit | 2x296x414 VO LI |
| 11 | 57010114 | Kennzeichenhalter | Holder for registration plate | 1,5x275x292 |
| 11 | 670 0647 | Schild | Board | D38 25km(F) |
| 11 | 670 1906 | Beleuchtungsanlage ohne Halter | Lighting equipment | V Rubin 9 KA |
| 11 | 670 1907 | Beleuchtungsanlage mit Halter | Lighting equipment | V Rubin 9 KA |
| 11 | 670 1911 | Beleuchtungsanlage o. Halter schwenk | Lighting equipment | V Rubin 9 KA |
| 11 | 670 1912 | Beleuchtungsanlage o. Halter schwenk | Lighting equipment | V Rubin 9 KA |
| 11 | 670 2007 | Beleuchtungsanlage hinten | Lighting equipment, rear | KA 150x150 |
| 11 | 670 2142 | Beleuchtungsanlage | Lighting equipment | ML Rubin KA |
| 11 | 670 2143 | Beleuchtungsanlage | Lighting equipment | ML Rubin KA |
| 11 | 670 5070 | Transportschutz | Transport protection | Zirkon 9-K ZPW |
| 11 | 670 5077 | Transportschutz | Transport protection | Rubin K(A) |
| 11 | 67010004 | Beleuchtungsanlage | Lighting equipment | ML Rubin KA Trsp. K |
| 11 | 67010005 | Beleuchtungsanlage | Lighting equipment | ML Rubin KA Komb. K |
| 11 | 67010022 | Beleuchtungsanlage | Lighting equipment | ML Rubin KA |
| 11 | 67010050 | Beleuchtungsanlage | Lighting equipment | ML (F) Rubin KA |
| 11 | 67010052 | Beleuchtungsanlage | Lighting equipment | ML (F) Rubin KA |
| 11 | 67010053 | Beleuchtungsanlage | Lighting equipment | ML (F) Rubin KA |
| 11 | 67010063 | Schild langsamfahrend.Fahrzeug | Board | Rubin 9 |
| 11 | 67010064 | Beleuchtungsanlage | Lighting equipment | Rubin KUA NE |
| 11 | 67010065 | Beleuchtungsanlage | Lighting equipment | Rubin KUA NE |
| 11 | 67010070 | Beleuchtungsverbreiterung | Lighting enlargement | 5x80x349 |
| 11 | 67010176 | Halteplatte | Holder plate | mit Brücke |
| 12 | 575 2193 | Steuerblock | Control valve | L8S-3D/1E |
| 12 | 575 2200 | Dreiwegedruckwaage | Three-way pressure balance | LU8SSCK-QM22/04 |
| 12 | 575 2201 | Wegeventil | Directional valve | 6/3 LD8SE4D2525 |



| Pos. | Art.Nr. | Artikeltext / Description | Abmessung | |
|------|----------|-----------------------------------|-------------------------------|--------------------------------|
| 12 | 575 2211 | Sitzventil | Seat valve | SVH04M878SA-OM14G12 |
| 12 | 575 2262 | Hydraulikzylinder | Hydraulic ram | DZ090/40x0320-0580 D30 D30 |
| 12 | 575 2268 | Hydraulikzylinder | Hydraulic ram | DZ90/40x320-580+-5 |
| 12 | 575 2269 | Hydraulikzylinder | Hydraulic ram | DZ100/45x0320-0580 D30 D30 |
| 12 | 575 2310 | Plunger-Zylinder | Plunger-ram | 25-250-365 2xD16,25 |
| 12 | 575 2312 | Plunger-Zylinder | Plunger-ram | 40-210-378 2xD20,25 |
| 12 | 575 2318 | Hydraulikzylinder | Hydraulic ram | DZ140/70x0200-0565 D60 FLA |
| 12 | 575 2336 | Hydraulikzylinder | Hydraulic ram | DZ025/18x10-240D16,4D16,5 |
| 12 | 575 2355 | Hydraulikzylinder | Hydraulic ram | DZ090/45x0450-0750 D30 D30 |
| 12 | 575 2359 | Hydraulikzylinder mit Gabel | Ram | 100/40-245-515-D30 |
| 12 | 575 6601 | Adapter | Adapter | K700 |
| 12 | 575 9921 | Erweiterungssatz | Extension set | Rubin KUA |
| 12 | 57510292 | Hydraulikzylinder | Hydraulic ram | DZ90/45x200-1348 |
| 12 | 57510521 | Erweiterungssatz | Extension set | Rubin KUA |
| 12 | 675 5304 | Hydraulikanlage Aushubgestänge | HY-assembly lift linkage | DZ 90x450 |
| 12 | 675 5411 | Hydraulikanlage Steuerblock | HY-assembly control valve | Smaragd 9 KA "B"-FW |
| 12 | 675 5413 | Hydraulikleitungen Steuerblock | HY-pipe assembly | Smaragd 9 KA "B"-SP |
| 12 | 675 5414 | Hydraulikleitungen Steuerblock | HY-pipe assembly | Smaragd 9 KA "B"-AHG |
| 12 | 675 5550 | Hydraulische Einklappung | HY-assembly folding device | Rubin 9/400 K DZ 90/320 |
| 12 | 675 5554 | Hydraulikleitungen Klappung | HY-pipe assembly folding dev. | Rubin 9 KA |
| 12 | 675 5555 | Hydraulikanlage Aufsattelung | HY-assembly trailer | Rubin 9 KA DZ100/245 |
| 12 | 675 5556 | Hydraulikanlage Aufsattelung | HY-assembly trailer | Rubin 9 KA DZ100/320 |
| 12 | 675 5557 | Hydraulikleitungen Einklappung | HY-pipe assembly | Rubin 9 KA 6/2 W. AHG |
| 12 | 675 5558 | Hydraulikleitungen Aushubgest. | HY-pipe assembly | Rubin 9 KA |
| 12 | 675 5559 | Hydraulikleitungen Spuranreiß. | HY-pipe assembly | Rubin 9 KA |
| 12 | 675 5560 | Hydraulikleitungen Antrieb | HY-pipe assembly | Rubin 9 KA |
| 12 | 675 5561 | Hydraulikleitungen Antrieb | HY-pipe assembly | Rubin 9 KA |
| 12 | 675 5562 | Hydraulikanlage Steuerblock | HY-assembly control valve | Rubin 9 KA L8S |
| 12 | 675 5563 | Hydraulikanlage Spuranreißer | HY-assembly track marker | Rubin 9 KA 4m |
| 12 | 675 5566 | Hydraulikanlage Spuranreißer | HY-assembly track marker | Rubin 9 KA-S 4m |
| 12 | 675 5570 | Hydraulikleitungen Einklappung | HY-pipe assembly | Rubin 9 KA |
| 12 | 675 5571 | Hydraulikleitungen Steuerblock | HY-pipe assembly | Rubin 9 KA-K |
| 12 | 675 5572 | Hydraulikleitung Aushubgest. | HY-pipe lifting device | Rubin 9 KA EW |
| 12 | 675 5576 | Hydraulikanlage | Hydraulic assembly | Rubin 9 DZ140x200 Transport |
| 12 | 675 5577 | Hydraulikanlage | Hydraulic assembly | Rubin 9 DZ100x320 Kombination |
| 12 | 675 5578 | Hydraulische Aufsattelung | Hydraulic trailer | Rubin 9/600 KUA "B" DZ 100/320 |
| 12 | 675 5580 | Hydraulische Einklappung | HY-assembly folding device | Rubin 9 K (B) DZ 90/450 |



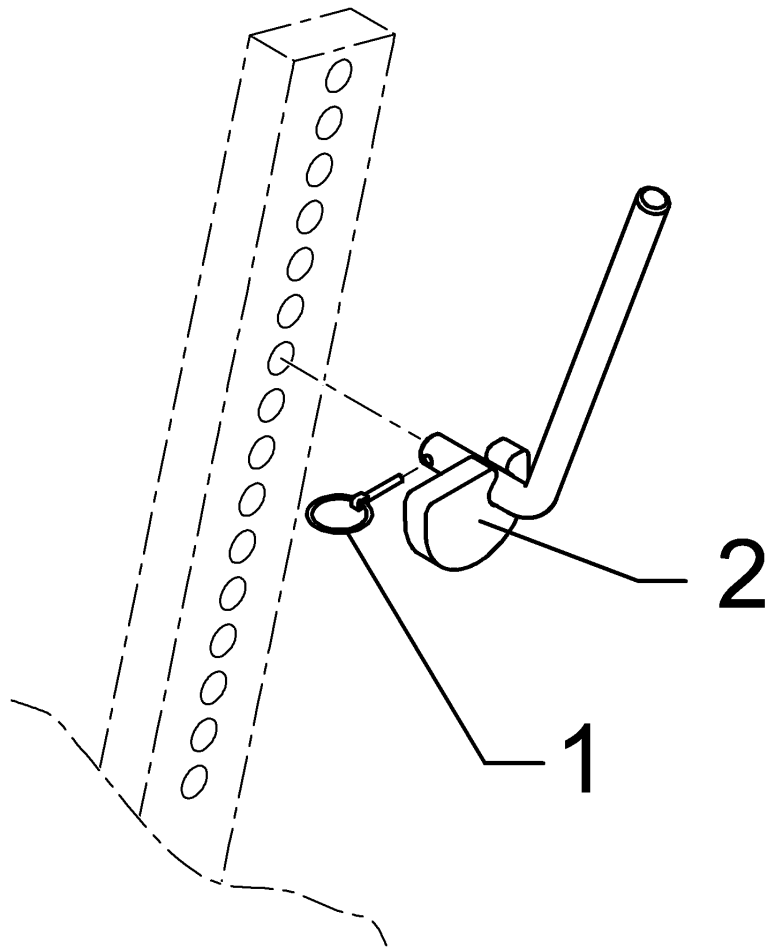
| Pos. | Art.Nr. | Artikeltext / Description | Abmessung | |
|------|----------|--------------------------------|--------------------------------|--------------------------------|
| 12 | 675 5584 | Hydraulikleitungen Klappung | HY-pipe assembly folding dev. | Rubin 9 KA-B |
| 12 | 675 5585 | Hydraulikleitungen Einklappung | HY-pipe assembly | Rubin 9 KA-B 6/2 W. AHG |
| 12 | 67510035 | Hydraulikleitungen Aushubgest. | HY-pipe assembly | Rubin 9 KA |
| 12 | 67510036 | Hydraulikleitungen Spuranreiß. | HY-pipe assembly | Rubin 9 KA |
| 12 | 67510037 | Hydraulikleitungen Antrieb | HY-pipe assembly | Rubin 9 KA |
| 12 | 67510038 | Hydraulikleitungen Antrieb | HY-pipe assembly | Rubin 9 KA |
| 12 | 67510039 | Hydraulikanlage Steuerblock | HY-assembly control valve | Rubin 9 KA L8S |
| 12 | 67510042 | Hydraulikleitungen Einklappung | HY-pipe assembly | Rubin 9 KA |
| 12 | 67510043 | Hydraulikleitungen Steuerblock | HY-pipe assembly | Rubin 9 KA-K |
| 12 | 67510044 | Hydraulikleitung Aushubgest. | HY-pipe lifting device | Rubin 9 KA EW |
| 12 | 67510045 | Hydraulikanlage | Hydraulic assembly | Rubin 9 DZ140x200 Transport |
| 12 | 67510046 | Hydraulikanlage | Hydraulic assembly | Rubin 9 DZ100x320 Kombination |
| 12 | 67510047 | Hydraulikleitungen Klappung | HY-pipe assembly folding dev. | Rubin 9 KA-B |
| 12 | 67510048 | Hydraulikleitungen Einklappung | HY-pipe assembly | Rubin 9 KA(B) 6/2 W. AHG |
| 12 | 67510234 | Hydraulikanlage | Hydraulic assembly | Rubin 9 KUA |
| 12 | 67510261 | Hydraulikanlage Spuranreißer | HY-assembly track marker | Rubin 9 KA 4m |
| 12 | 67510468 | Hydraulikleitung | Hydraulic Supply Pipes | Rubin 9 KA |
| 12 | 67510469 | Hydraulikanlage | Hydraulic assembly | Rubin 9 DZ140x200 |
| 12 | 67510991 | Hy-anl. 6/2 Wegeventil | HY-assembly directional valve | Rubin 9 KUA |
| 12 | 67510992 | Hy-anl. 6/2 Wegeventil | HY-assembly directional valve | Rubin 9 KUA-L |
| 12 | 67510993 | Hy.Zuführl. Antrieb | Hydraulic Supply Pipes | Rubin 9KUA+Solitair 25 P6/T6 |
| 12 | 67510994 | Hy.Zuführl. Antrieb | Hydraulic Supply Pipes | Rubin 9KUA-L+Solitair 25 P6/T6 |
| 12 | 67510995 | Hy.Zuführl. Einzelkornsämasch. | HY supply pipe prec.seed drill | Rubin 9 KUA+Soli.25+EK P7 |
| 12 | 67510996 | Hy.Zuführl. Einzelkornsämasch. | HY supply pipe prec.seed drill | Hy.lt. Ru.9KUAL+Soli.25+EK P7 |
| 13 | 657 9302 | Begrenzungsscheibe | Outer disc | D500 Rubin 9 |
| 13 | 657 9304 | Seitenbegrenzung mit Gummifed. | Outer limit | D500 Rubin 9 |
| 13 | 657 9305 | Begrenzungsscheibe | Outer disc | D500 |
| 13 | 657 9310 | Halter Begrenzungs. Rubin | Holder | 90x90 |
| 14 | 622 6399 | Zustreicher | Leveller | 100x8x200 Rubin 9 |
| 14 | 622 6408 | Striegel kompl. | Levelling harrow | Rubin 9/400-K |
| 15 | 57710011 | Mont.-BG.Drulubrems.Kombin. | Assembly Group | Rubin 9 KA |
| 15 | 65010012 | Standbremse | Parking brake | Rubin 9 KUA Kombination |
| 15 | 65010013 | Standbremse | Parking brake | Rubin 9 KUA Transport |
| 15 | 675 5569 | Hydraulische Bremsanlage | Hydraulic braking assembly | Rubin 9 KA 2xEZ 30x110 |



| Pos. | Art.Nr. | Artikeltext / Description | Abmessung | |
|------|----------|--------------------------------|-----------------------------|------------------------|
| 15 | 675 5579 | Hydr. Bremsanlage Transport | HY-brake assembly transport | Rubin 9 KA 1xEZ 30x110 |
| 15 | 675 5590 | Hydraulische Bremsanlage | Hydraulic braking assembly | Rubin 9 KA 2xEZ 30x110 |
| 15 | 67510050 | Hydr. Bremsanlage Transport | HY-brake assembly transport | Rubin 9 KA 1xEZ 30x110 |
| 15 | 677 6060 | Druckluftbremsanlage | Compressed-air brake | 2L Rubin 9 KA |
| 15 | 677 6061 | Druckluftbremsanlage 1 Leitung | Compressed air brake | Rubin 9 KA |
| 15 | 677 6076 | Druckluftbremsanlage Transport | Compressed-air brake | Rubin 9 KA |
| 15 | 67710001 | Druckluftbremsanlage 2 Leitung | Compressed-air brake | Rubin 9 KA |
| 15 | 67710002 | Druckluftbremsanlage 1 Leitung | Compressed air brake | Rubin 9 KA |
| 15 | 67710003 | Druckluftbremsanlage Transport | Compressed-air brake | Rubin 9 KA |
| 15 | 67710088 | Druckluftbremsanlage | Compressed-air brake | -N 2L Rubin 9 KA 10t |
| 15 | 67710089 | Druckluftbremsanlage | Compressed-air brake | -L 2L Rubin 9 KA 10t |
| 16 | 582 1248 | Achse zum Spuranreißer | Axle for track marker | D30x595 668A |
| 16 | 682 1296 | Konsole für Spuranreißer | Bracket for track marker | Rubin 9/400 RE |
| 16 | 682 1297 | Konsole für Spuranreißer | Bracket for track marker | Rubin 9/400 LI |
| 16 | 682 1327 | Spuranreißer | Track marker | Zirkon 400/400K+KA |

| | |
|--|----------|
| Exzenterhebel mit Stecker/Eccentric lever | 1 |
|--|----------|

| | |
|------------------------|-----------------|
| Rubin 9/400 KÜA | 321 6964 |
|------------------------|-----------------|

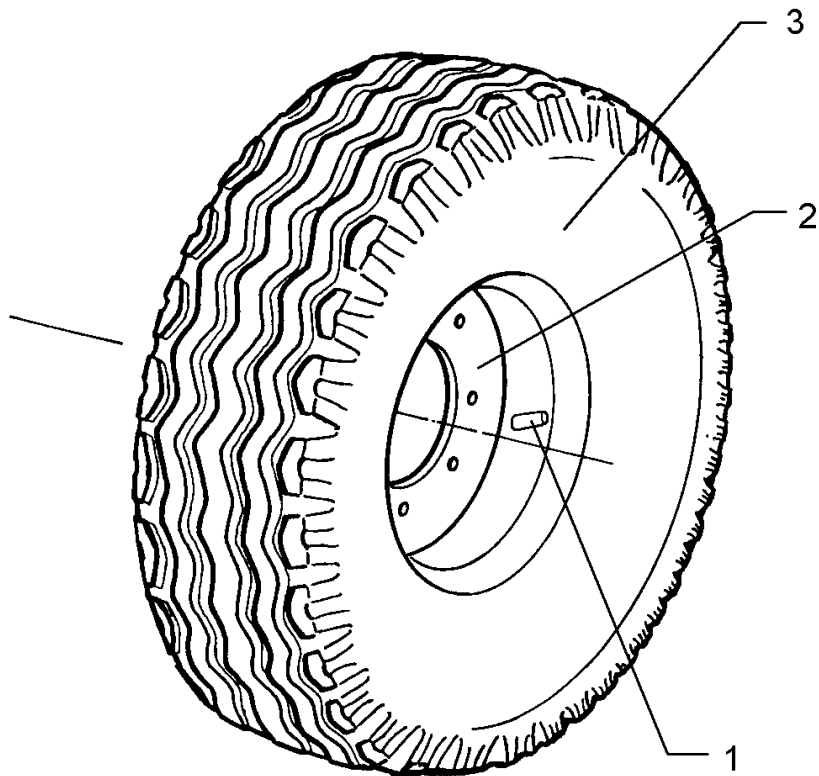


01.18

| Pos. | Art.Nr. | Stck. | Artikeltext / Description | Abmessung |
|------|----------|-------|---------------------------|----------------------------|
| 1 | 311 9565 | 1 | Klappstift | Securing pin |
| 2 | 321 6963 | 1 | Exzenterhebel | Eccentric lever |
| | | | | 4,5 D16x230/69x14x50/33 |

| | |
|-----------|---|
| Rad/Wheel | 1 |
|-----------|---|

| | |
|-----------------|----------|
| Rubin 9/400 KÜA | 549 8849 |
|-----------------|----------|

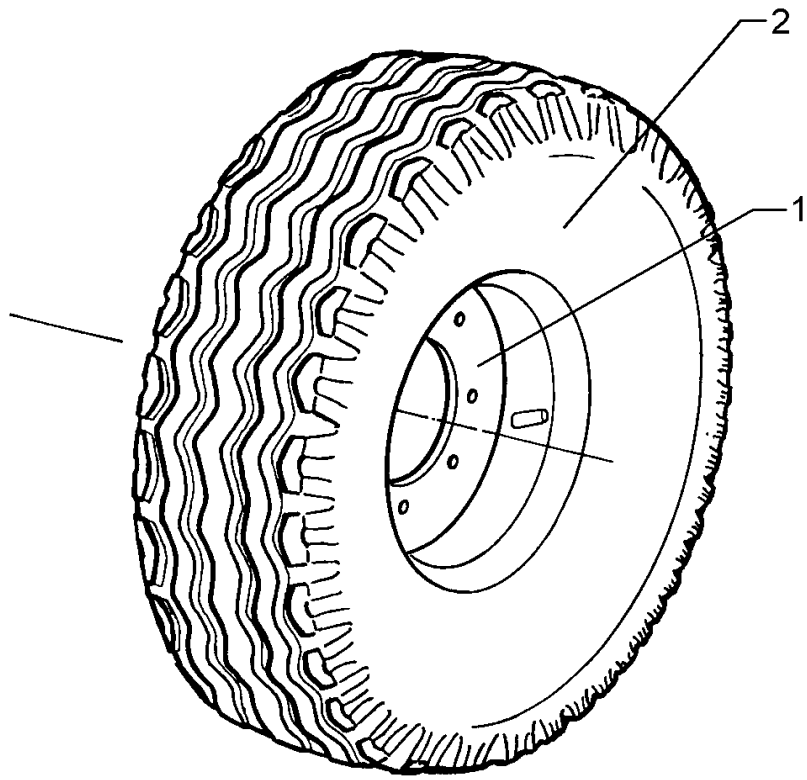


01.18

| Pos. | Art.Nr. | Stck. | Artikeltext / Description | | Abmessung |
|------|----------|-------|---------------------------|------|--------------------------|
| 1 | 357 3422 | 1 | Schlauch | Hose | 10.0/80-12 TR15 |
| 2 | 357 7069 | 1 | Felge | Rim | 7.00x12ET-25 5/94/140 |
| 3 | 357 8856 | 1 | Reifen | Tyre | 10.0/80-12 8 PR AW |

Rad 5/94/140 D14/Wheel 5/94/140 D14 1

Rubin 9/400 KÜA 549 8858

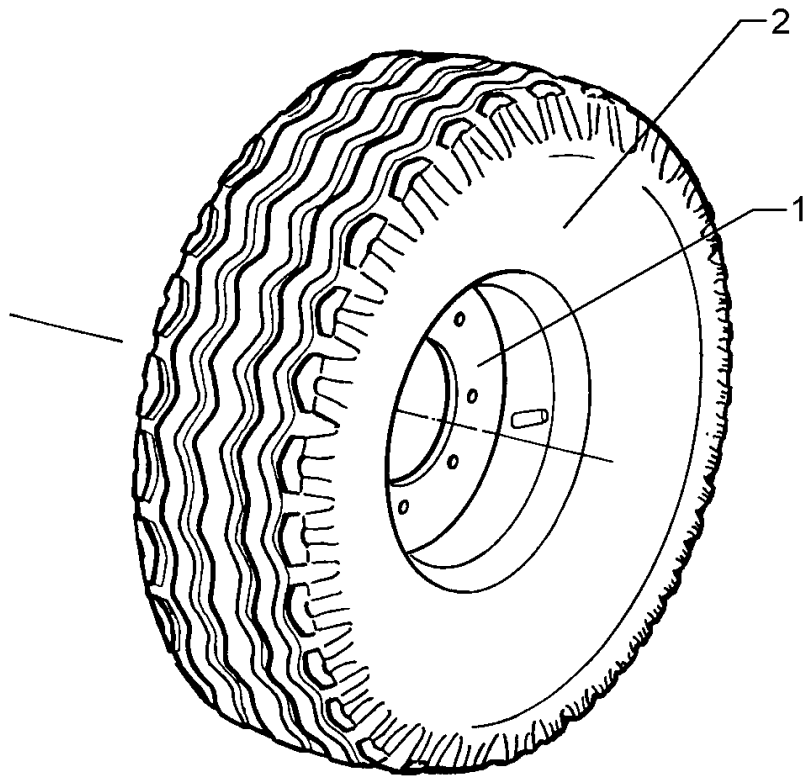


01.18

| Pos. | Art.Nr. | Stck. | Artikeltext / Description | | Abmessung |
|------|----------|-------|---------------------------|------|-----------------------------------|
| 1 | 357 7029 | 1 | Felge | Rim | 5Jx15 H2 ET0 |
| 2 | 357 8837 | 1 | Reifen | Tyre | 5/94/140 195/65x15 D650x198 |

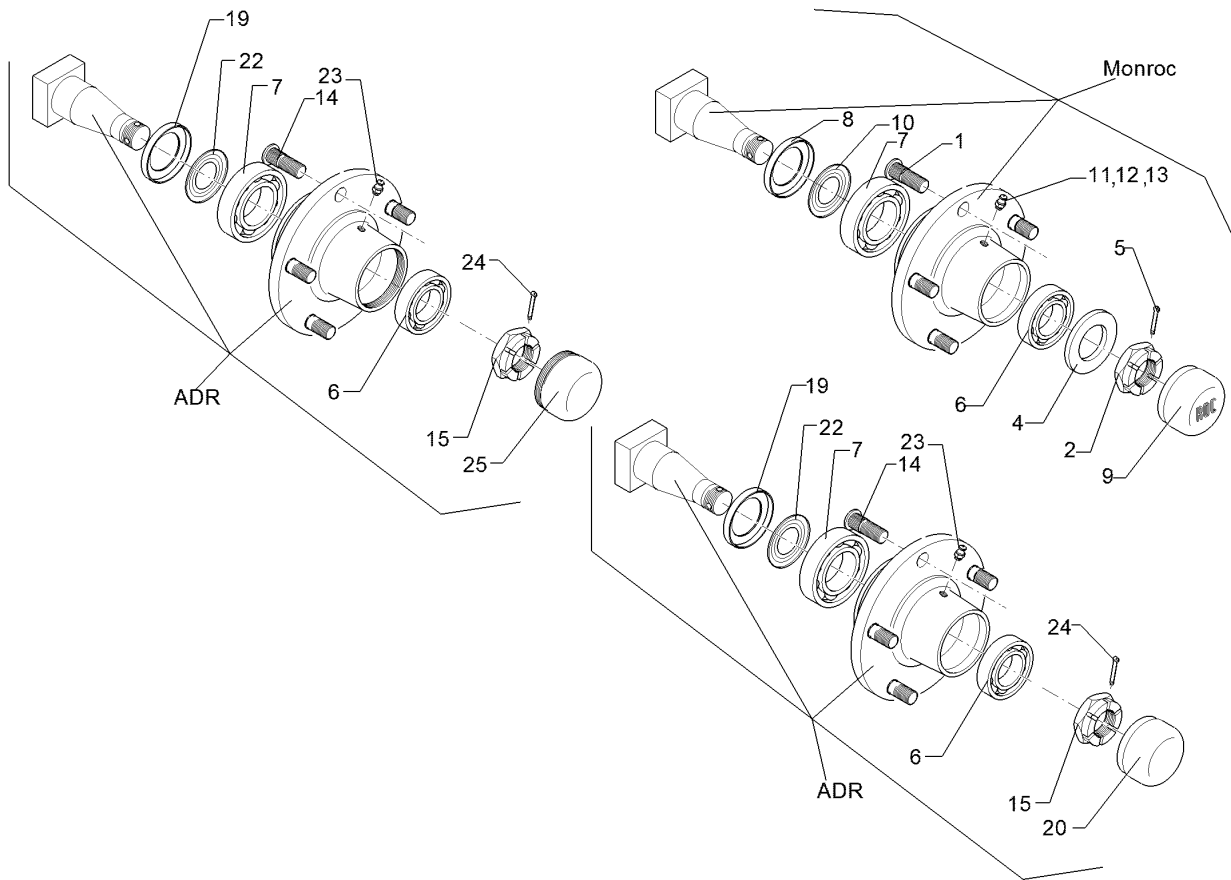
| | |
|-------------------------------------|----------|
| Rad 5/94/140 D14/Wheel 5/94/140 D14 | 1 |
|-------------------------------------|----------|

| | |
|------------------------|-----------------|
| Rubin 9/400 KÜA | 549 8859 |
|------------------------|-----------------|



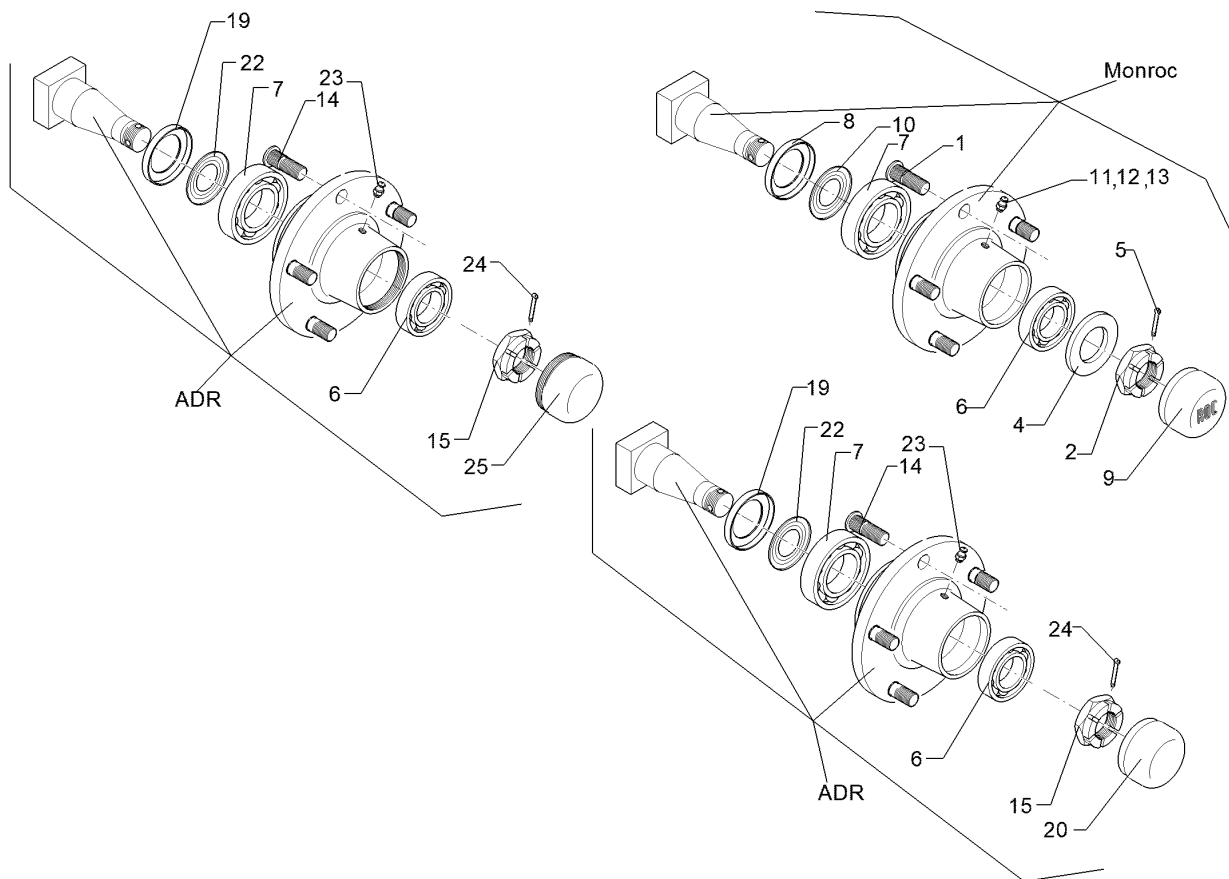
01.18

| Pos. | Art.Nr. | Stck. | Artikeltext / Description | Abmessung |
|------|----------|-------|---------------------------|------------------------------------|
| 1 | 357 7068 | 1 | Felge | Rim |
| 2 | 357 8859 | 1 | Reifen | Tyre |
| | | | | 5J14H2 5/94/140 185R15 D650x188 |



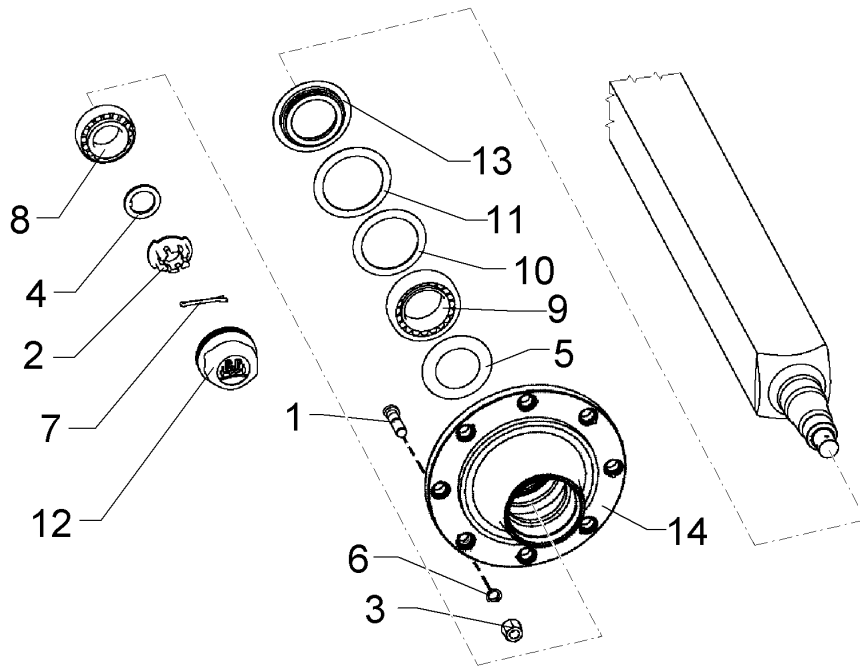
01.18

| Pos. | Art.Nr. | Stck. | Artikeltext / Description | Abmessung | |
|------|----------|-------|---------------------------|------------------------|-------------------------------------|
| 1 | 301 6414 | 5 | Radbolzen | Wheel bolt | M14x1,5x45 Zn |
| 2 | 303 0139 | 1 | Kronenmutter | Castle nut | DIN937-M24x2 |
| 3 | 303 6413 | 5 | Kugelbundmutter | Wheel nut | M14x1,5-8 Zn |
| 4 | 305 6254 | 1 | Scheibe | Washer | DIN74361 D25/44x4 Zn |
| 5 | 311 7617 | 1 | Splint | Peg | ISO7089 4x40 DIN94-St Zn |
| 6 | 319 9116 | 1 | Kegelrollenlager | Tapered roller bearing | 30206. |
| 7 | 319 9151 | 1 | Kegelrollenlager | Tapered roller bearing | 30209. |
| 8 | 323 0413 | 1 | Hüllscheibe | Cover washer | D100/45x12 |
| 9 | 323 1321 | 1 | Schraubkappe | Cap | D63,5x40 |
| 10 | 323 1802 | 1 | Nilos-Ring | Nilos ring | 30209 AV |
| 11 | 323 6345 | 1 | Schmiernippel gerade | Grease nipple | LAM 6 DIN71412 |
| 12 | 323 6353 | 1 | Schmiernippel | Grease nipple | BM8x1,25 DIN71412-6kt. 65 GRD |
| 13 | 323 6363 | 1 | Schmiernippel | Grease nipple | 1/4" SAE |
| 14 | 301 6416 | 5 | Radschraube | Wheel bolt | M14x1,5x41/45 |
| 15 | 303 0174 | 1 | Kronenmutter | Castle nut | M27x1,5 |
| 19 | 323 7628 | 1 | Dichtung zum Lager | Seal | 30209 |
| 20 | 323 1315 | 1 | Schlagkappe | Lug strap | ADR D62x21 |
| 21 | 323 1841 | 1 | Nilos-Ring | Nilos ring | 30206 JV |
| 22 | 323 1844 | 1 | Nilos-Ring | Nilos ring | 30209 JV |



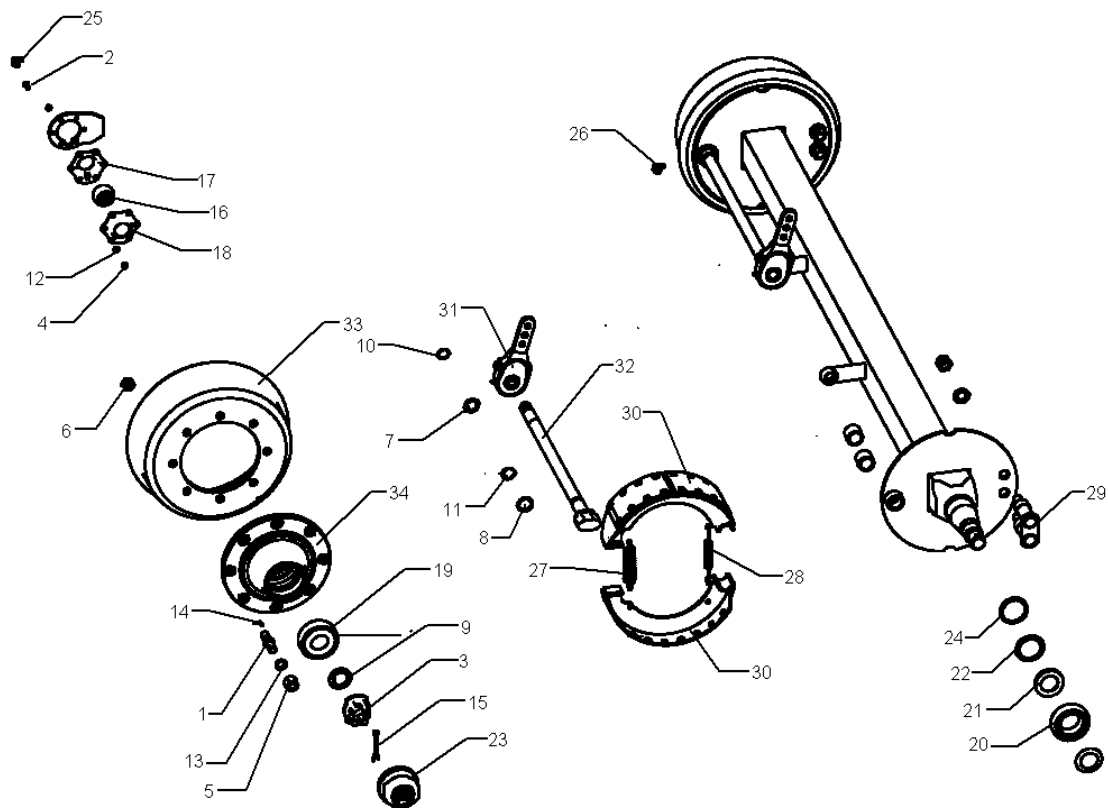
01.18

| Pos. | Art.Nr. | Stck. | Artikeltext / Description | Abmessung |
|------|----------|-------|-----------------------------------|---------------------------|
| 23 | 323 6354 | 1 | Schmiernippel Grease nipple | BM8x1 DIN71412-6kt. 45 |
| 24 | 329 3541 | 1 | Sicherungsklammer Safety clamp | GRD D5x50 |
| 25 | 323 1314 | 1 | Schraubkappe Cap | M64x2 (D62) |



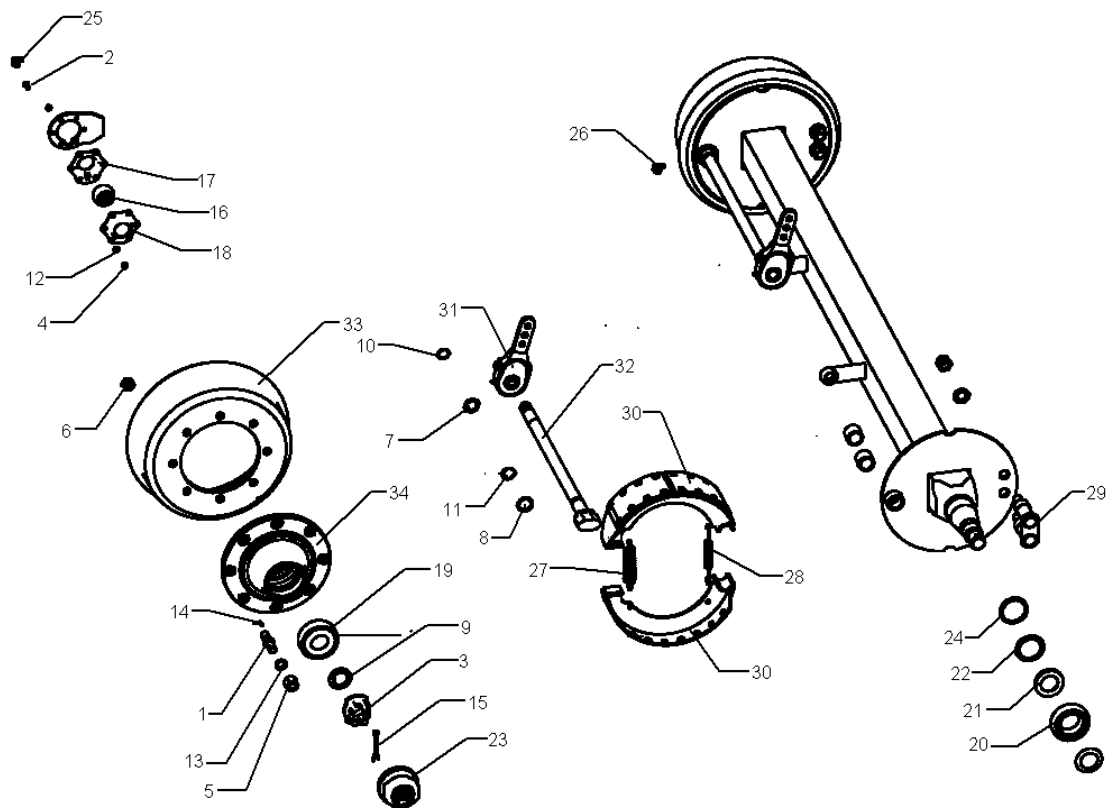
01.18

| Pos. | Art.Nr. | Stck. | Artikeltext / Description | | Abmessung |
|------|----------|-------|---------------------------|------------------------|-------------------------|
| 1 | 301 6429 | 16 | Radbolzen | Wheel bolt | M20x1,5x60 |
| 2 | 303 0260 | 2 | Kronenmutter | Castle nut | M52x2 |
| 3 | 303 6421 | 16 | Flachbundmutter | Flat collar nut | M20x1,5 Zn SW27 |
| 4 | 305 6451 | 2 | Scheibe mit Nase | Washer | D76/53x6 |
| 5 | 305 6455 | 2 | Abdeckblech | Cover | - |
| 6 | 305 9932 | 16 | Federring mit Kugelbund | Spring ring | C20 DIN74361 |
| 7 | 311 7667 | 2 | Splint | Peg | 8x80 DIN94-St Zn |
| 8 | 319 9207 | 2 | Kegelrollenlager | Tapered roller bearing | 33118 |
| 9 | 319 9210 | 2 | Kegelrollenlager | Tapered roller bearing | 33213. |
| 10 | 323 0218 | 2 | Dichtscheibe Kunststoff | Seal washer | D155/120x3 |
| 11 | 323 0217 | 2 | Dichtscheibe Kunststoff | Seal washer | D160/120x3 |
| 12 | 323 1326 | 2 | Schraubkappe | Cap | M125x2 BPW |
| 13 | 323 1682 | 2 | Stoßring | Thrust washer | D160/120x1,5 |
| 14 | 450 6914 | 2 | Radnabe Laufachse | Wheel hub | 8/220/275 D20 M125x2 |



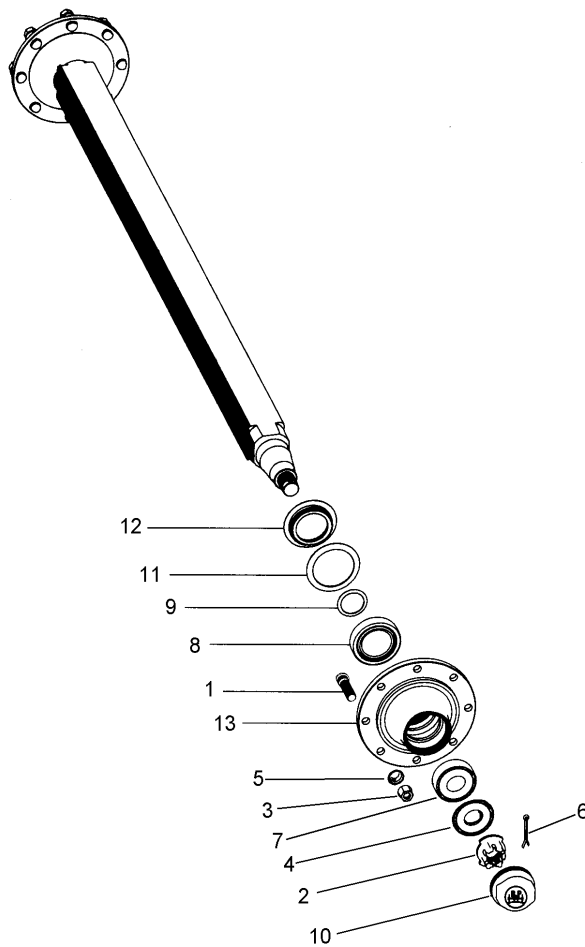
01.18

| Pos. | Art.Nr. | Stck. | Artikeltext / Description | | Abmessung |
|------|----------|-------|---------------------------|------------------------|------------------------|
| 1 | 301 6423 | 16 | Radbolzen | Wheel bolt | M20x1,5x94 |
| 2 | 301 6750 | 12 | Sechskantschraube | Hexagon bolt | M8x20-8.8 Zn DIN933 |
| 3 | 303 0260 | 2 | Kronenmutter | Castle nut | M52x2 |
| 4 | 303 1011 | 12 | Sechskantmutter | Hexagon nut | M8 DIN934-8 Zn |
| 5 | 303 6421 | 16 | Flachbundmutter | Flat collar nut | M20x1,5 Zn SW27 |
| 6 | 303 6425 | 16 | Radmutter | Wheel nut | M20x1,5 Zn |
| 7 | 305 2055 | 2 | Passscheibe | Shim | 30x42x2,0 DIN988 |
| 8 | 305 2072 | 2 | Passscheibe | Shim | 35x45x1,0 DIN988 Zn |
| 9 | 305 6451 | 2 | Scheibe mit Nase | Washer | D76/53x6 |
| 10 | 305 8866 | 2 | Sicherungsring | Retaining ring | A 29x1,5 DIN471 |
| 11 | 305 8870 | 2 | Sicherungsring | Retaining ring | 34x1,5 DIN471 |
| 12 | 305 9690 | 12 | Federscheibe | Spring washer | B8 DIN137 Zn |
| 13 | 305 9932 | 16 | Federring mit Kugelbund | Spring ring | C20 DIN74361 |
| 14 | 309 1324 | 16 | Kerbstift | Grooved pin | 5x10 |
| 15 | 311 7667 | 2 | Splint | Peg | 8x80 DIN94-St Zn |
| 16 | 317 8110 | 2 | Buchse | Bush | D70/32x42 |
| 17 | 319 1128 | 2 | Lagerhalter | Bearing holder | 5xD8 TK87 A |
| 18 | 319 1129 | 2 | Lagerhalter | Bearing holder | 5xD8 TK87 A |
| 19 | 319 9210 | 2 | Kegelrollenlager | Tapered roller bearing | 33213. |
| 20 | 319 9207 | 2 | Kegelrollenlager | Tapered roller bearing | 33118 |
| 21 | 323 0217 | 2 | Dichtscheibe Kunststoff | Seal washer | D160/120x3 |
| 22 | 323 0218 | 2 | Dichtscheibe Kunststoff | Seal washer | D155/120x3 |



01.18

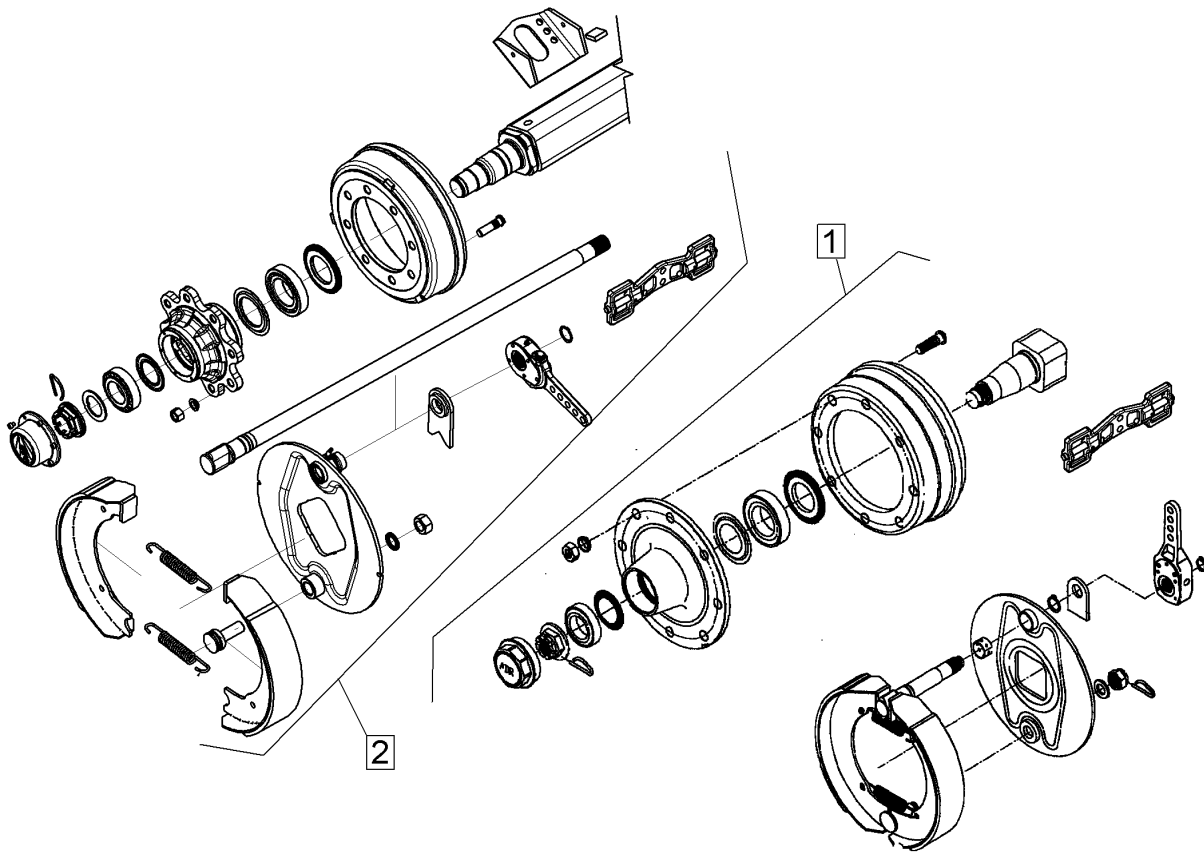
| Pos. | Art.Nr. | Stck. | Artikeltext / Description | | Abmessung |
|------|----------|-------|---------------------------|--------------------------|---------------------------|
| 23 | 323 1326 | 2 | Schraubkappe | Cap | M125x2 BPW |
| 25 | 323 6348 | 2 | Schmiernippel | Grease nipple | AM10x1 DIN71412 |
| 26 | 323 6349 | 2 | Schmiernippel | Grease nipple | CM10x1 DIN71412-90 GRD |
| 27 | 329 8554 | 2 | Zugfeder | Spring | 6x24x150 |
| 28 | 329 8555 | 2 | Zugfeder | Spring | 4x16x180 |
| 29 | 450 6781 | 2 | Bremsbackenbolzen | Brake-shoe mounting bolt | M24x1,5x144 kpl. |
| 30 | 450 6802 | 4 | Bremsbacke mit Belag | Brake-shoe with lining | D400x120 |
| 31 | 450 6846 | 2 | Gestängesteller | Linkage control element | D29x180 3xD14 |
| 32 | 450 6852 | 2 | Bremsnockenwelle | Brake camshaft | D32x400 A302 |
| 33 | 450 6905 | 2 | Bremstrommel | Brake drum | D400x120 |
| 34 | 450 6904 | 2 | Radnabe Bremsachse | Wheel hub | 8/220/275 D20 M125x2 |



01.18

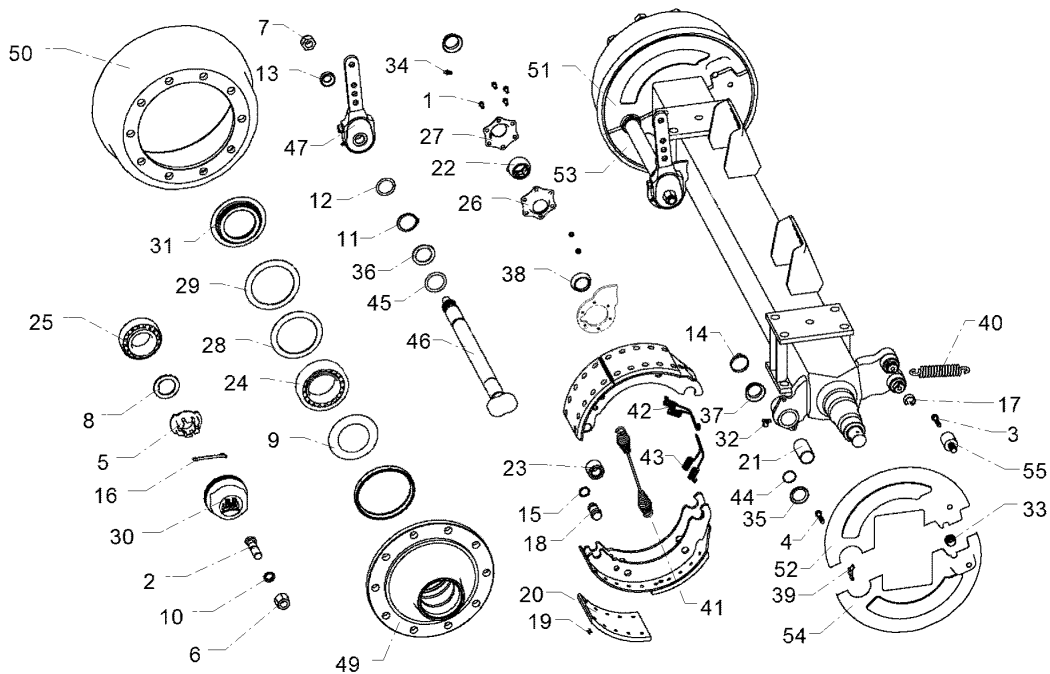
| Pos. | Art.Nr. | Stck. | Artikeltext / Description | | Abmessung |
|------|----------|-------|---------------------------|------------------------|--------------------|
| 1 | 301 6424 | 16 | Radbolzen | Wheel bolt | M20x1,5x54 |
| 2 | 303 0242 | 2 | Kronenmutter | Castle nut | M36x1,5 |
| 3 | 303 6421 | 16 | Flachbundmutter | Flat collar nut | M20x1,5 Zn SW27 |
| 4 | 305 6450 | 2 | Scheibe | Washer | 970033 |
| 5 | 305 9932 | 16 | Federring mit Kugelbund | Spring ring | C20 DIN74361 |
| 6 | 311 7650 | 2 | Splint | Peg | 6,3x56 DIN94-St Zn |
| 7 | 319 9017 | 2 | Kegelrollenlager | Tapered roller bearing | 30210 D90/50x21,75 |
| 8 | 319 9216 | 2 | Kegelrollenlager | Tapered roller bearing | 32014X |
| 9 | 323 0221 | 2 | Scheibe | Washer | D66/37x5 |
| 10 | 323 1323 | 2 | Schutzkappe | Cap | D90,1 |
| 11 | 323 1680 | 2 | Dichtring | Seal ring | 05.120.26.08.0 |
| 12 | 323 1681 | 2 | Stoßring | Thrust washer | D85/74x7 |
| 13 | 450 6908 | 2 | Radnabe | Wheel hub | 8/220/275 D90 |

| | |
|-------------------------|----------|
| Bremsachse/Braking axle | 1 |
| Rubin 9/400 KÜA | 550 8524 |



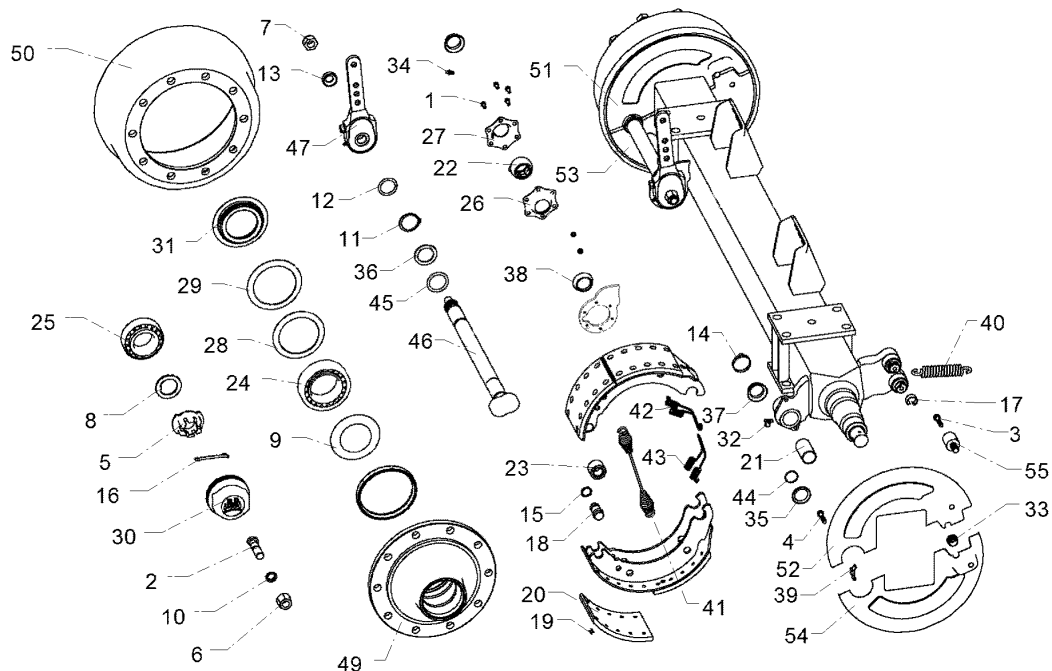
01.18

| Pos. | Art.Nr. | Stck. | Artikeltext / Description | | Abmessung |
|------|----------|-------|---------------------------|--------------|---------------------------|
| 1 | 69910274 | 16 | Bremsachse | Braking axle | 120x14x2530 400x80 ADR |
| 2 | 69910275 | 2 | Bremsachse | Braking axle | 120x14x2530 400x80 ADR |



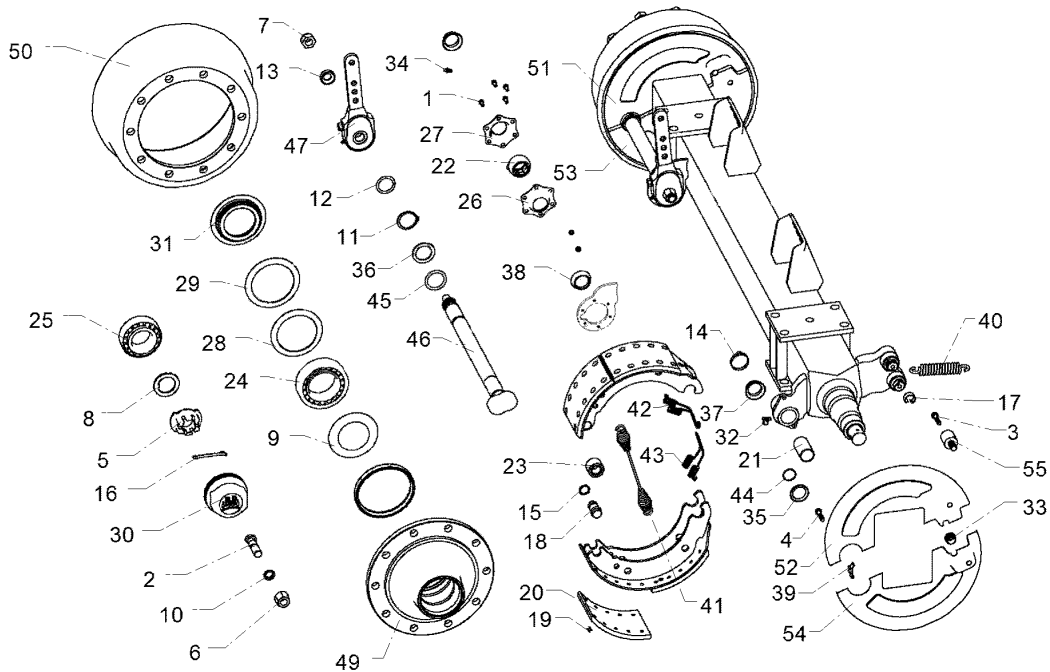
01.18

| Pos. | Art.Nr. | Stck. | Artikeltext / Description | | Abmessung |
|------|----------|-------|---------------------------|------------------|-----------------------------|
| 1 | 301 7280 | 8 | Sechskantschraube | Hexagon bolt | M8x25-8.8 Zn DIN933 |
| 2 | 30110032 | 16 | Radbolzen | Wheel bolt | M20x1,5x76 |
| 3 | 301 6120 | 4 | Senkschraube | Countersunk bolt | M10x15-10.9 Zn DIN7991-A |
| 4 | 30110037 | 4 | Sechskantschraube | Hexagon bolt | M10x12 |
| 5 | 303 0260 | 2 | Kronenmutter | Castle nut | M52x2 |
| 6 | 303 6421 | 16 | Flachbundmutter | Flat collar nut | M20x1,5 Zn SW27 |
| 7 | 30310009 | 2 | Sechskantmutter | Hexagon nut | M22x1,5x15 |
| 8 | 305 6451 | 2 | Scheibe mit Nase | Washer | D76/53x6 |
| 9 | 305 6455 | 2 | Abdeckblech | Cover | - |
| 10 | 305 9932 | 16 | Federring mit Kugelbund | Spring ring | C20 DIN74361 |
| 11 | 30510034 | 4 | Sicherungsring | Retaining ring | A 42x2,5 DIN471 |
| 12 | 30510035 | 2 | Sprengring | Circlip | SW40 |
| 13 | 30510036 | 2 | Scheibe | Washer | - |
| 14 | 30510037 | 2 | Sicherungsklammer | Safety clamp | - |
| 15 | 30510038 | 8 | Ring | Ring | - |
| 16 | 31110003 | 2 | Splint | Peg | 8x63 DIN94-St |
| 17 | 31110004 | 8 | Hakensprengring | Hook spring ring | - |
| 18 | 31310008 | 4 | Bolzen | Pin | - |
| 19 | 315 6000 | 80 | Niet | Rivet | B8x15 DIN7338 |
| 20 | 31510009 | 8 | Bremsbelag | Brake lining | - |
| 21 | 31710014 | 2 | Buchse | Bush | D46/42x73 |
| 22 | 31710015 | 2 | Buchse | Bush | D38/34x35 |



01.18

| Pos. | Art.Nr. | Stck. | Artikeltext / Description | | Abmessung |
|------|----------|-------|---------------------------|------------------------|----------------------------------|
| 23 | 31710016 | 4 | Rolle | Roller | - |
| 24 | 319 9207 | 2 | Kegelrollenlager | Tapered roller bearing | 33118 |
| 25 | 319 9210 | 2 | Kegelrollenlager | Tapered roller bearing | 33213. |
| 26 | 31910011 | 2 | Lagerhalter | Bearing holder | - |
| 27 | 31910012 | 2 | Lagerhalter | Bearing holder | - |
| 28 | 323 0217 | 2 | Dichtscheibe Kunststoff | Seal washer | D160/120x3 |
| 29 | 323 0218 | 2 | Dichtscheibe Kunststoff | Seal washer | D155/120x3 |
| 30 | 323 1326 | 2 | Schraubkappe | Cap | M125x2 BPW |
| 31 | 323 1682 | 2 | Stoßring | Thrust washer | D160/120x1,5 |
| 32 | 323 6348 | 2 | Schmiernippel | Grease nipple | AM10x1 DIN71412 |
| 33 | 32310032 | 2 | Stopfen | Plug | - |
| 34 | 323 6354 | 2 | Schmiernippel | Grease nipple | BM8x1 DIN71412-6kt. 45 GRD |
| 35 | 32310025 | 2 | Ring | Ring | - |
| 36 | 32310026 | 2 | Dichtring | Seal ring | - |
| 37 | 32310027 | 2 | Dichtring | Seal ring | - |
| 38 | 32310028 | 4 | Dichtring | Seal ring | - |
| 39 | 32310029 | 6 | Stopfen | Plug | - |
| 40 | 32910008 | 2 | Zugfeder | Spring | D=4 Lo=148 |
| 41 | 32910009 | 2 | Zugfeder | Spring | - |
| 42 | 32910010 | 2 | Zugfeder | Spring | - |
| 43 | 32910011 | 2 | Zugfeder | Spring | - |
| 44 | 375 1211 | 2 | O-Ring | O-ring | 40x2,5 |

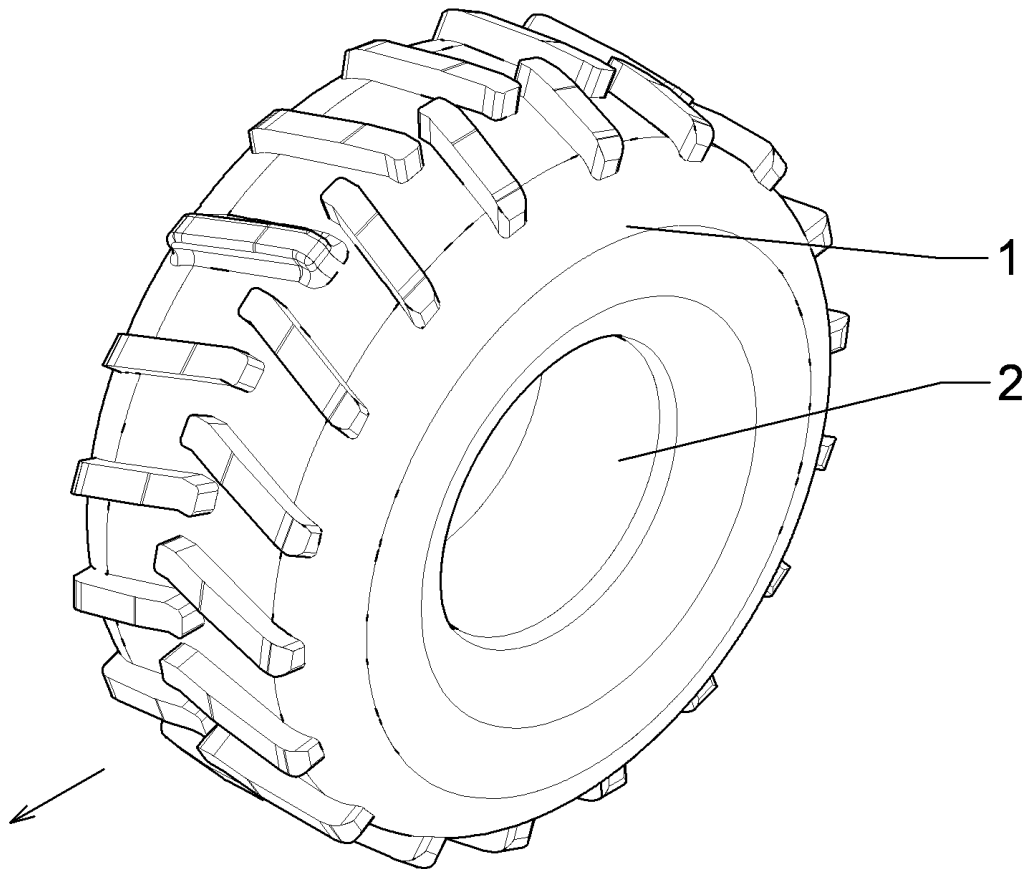


01.18

| Pos. | Art.Nr. | Stck. | Artikeltext / Description | | Abmessung |
|------|----------|-------|---------------------------|-------------------------|-------------------------|
| 45 | 37510059 | 2 | O-Ring | O-ring | 37x2,6 |
| 46 | 45010038 | 2 | Bremsnockenwelle | Brake camshaft | L=390 A=271.5 |
| 47 | 45010028 | 2 | Gestängesteller | Linkage control element | - |
| 48 | 45010029 | 4 | Bremsbacke | Brake-shoe with lining | kpl. |
| 49 | 450 6914 | 2 | Radnabe Laufachse | Wheel hub | 8/220/275 D20 M125x2 |
| 50 | 45010039 | 2 | Bremstrommel | Brake drum | - |
| 51 | 45010040 | 1 | Abdeckblech | Cover | - |
| 52 | 45010033 | 1 | Abdeckblech | Cover | LI OB |
| 53 | 45010034 | 1 | Abdeckblech | Cover | RE UN |
| 54 | 45010035 | 1 | Abdeckblech | Cover | LI UN |
| 55 | 45010036 | 4 | Gewindebolzen | Threaded pin | - |
| 56 | 55010014 | 1 | Bremswellenlagerung | Bearing | KIT |
| 57 | 55010015 | 1 | Bremsbackenteile | Brake shoe parts | KIT |
| 58 | 55010016 | 1 | Lagerungsteile | Bearing parts | KIT |

| | |
|-------------------------------|----------|
| Rad 8/221/275/Wheel 8/221/275 | 1 |
|-------------------------------|----------|

| | |
|------------------------|-----------------|
| Rubin 9/400 KÜA | 550 8872 |
|------------------------|-----------------|

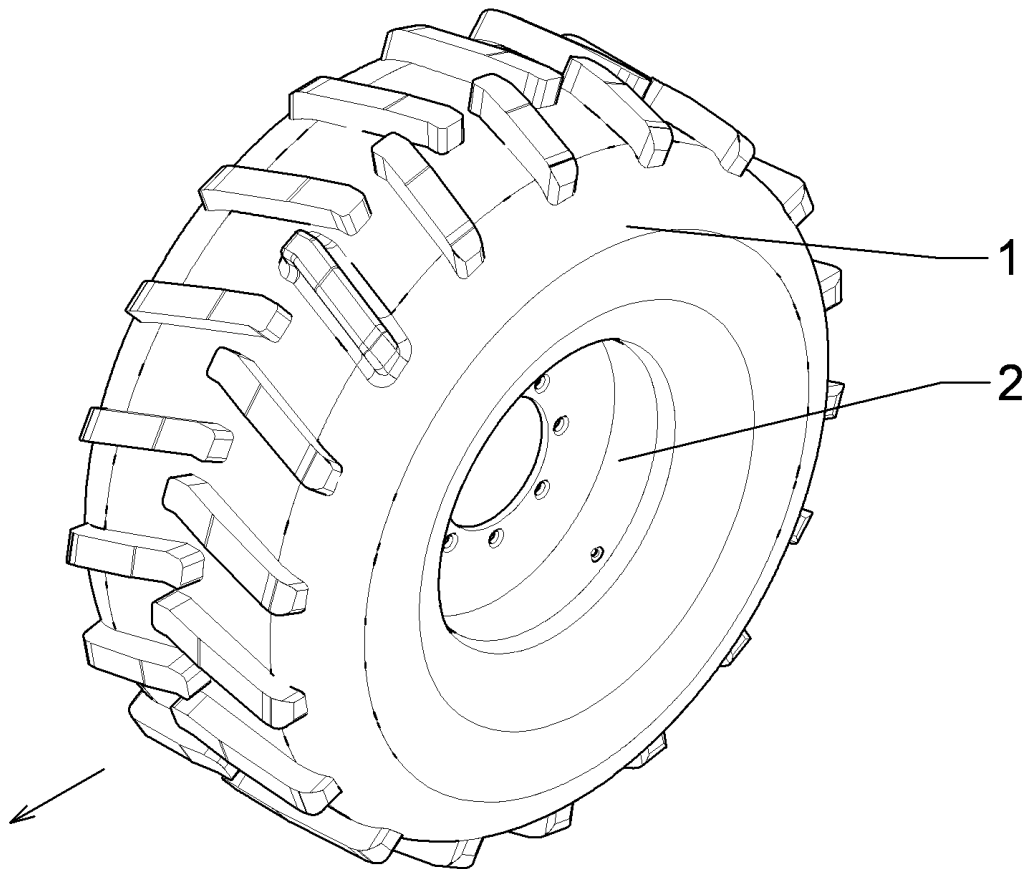


01.18

| Pos. | Art.Nr. | Stck. | Artikeltext / Description | | Abmessung |
|------|----------|-------|---------------------------|------|--------------------------------|
| 1 | 357 7072 | 1 | Reifen | Tyre | 560(550)/60-22.5 T-404 12PR |
| 2 | 357 8871 | 1 | Felge | Rim | 16.00x22.5 8/221/275 ET+70 |
| 3 | 357 3431 | 1 | Schlauch | Hose | 550/60-22.5 |

| | |
|-------------------------------|----------|
| Rad 8/221/275/Wheel 8/221/275 | 1 |
|-------------------------------|----------|

| | |
|------------------------|-----------------|
| Rubin 9/400 KÜA | 550 8873 |
|------------------------|-----------------|

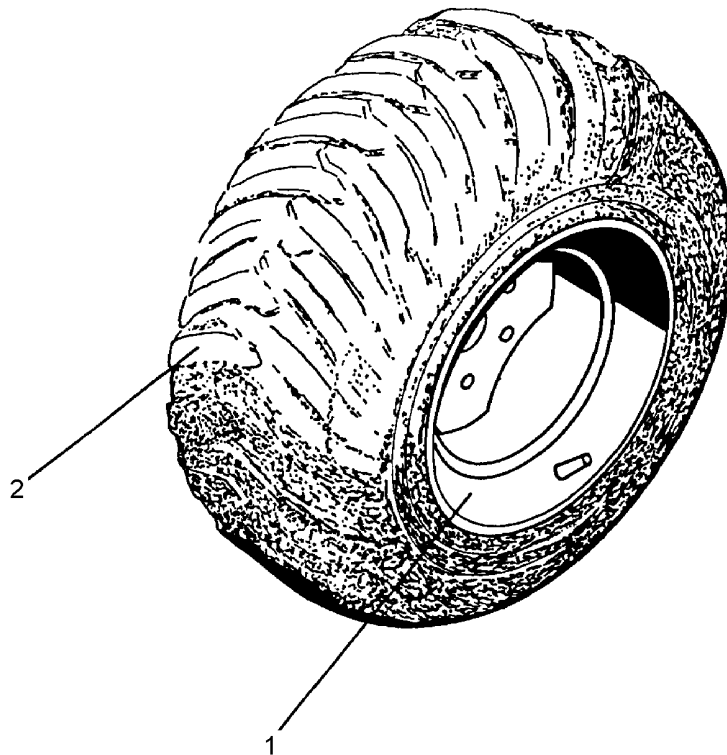


01.18

| Pos. | Art.Nr. | Stck. | Artikeltext / Description | | Abmessung |
|------|----------|-------|---------------------------|------|--------------------------------|
| 1 | 357 7072 | 1 | Reifen | Tyre | 560(550)/60-22.5 T-404 12PR |
| 2 | 357 8871 | 1 | Felge | Rim | 16.00x22.5 8/221/275 ET+70 |
| 3 | 357 3431 | 1 | Schlauch | Hose | 550/60-22.5 |

| | |
|-------------------------------|----------|
| Rad 8/221/275/Wheel 8/221/275 | 1 |
|-------------------------------|----------|

| | |
|------------------------|-----------------|
| Rubin 9/400 KÜA | 550 8874 |
|------------------------|-----------------|

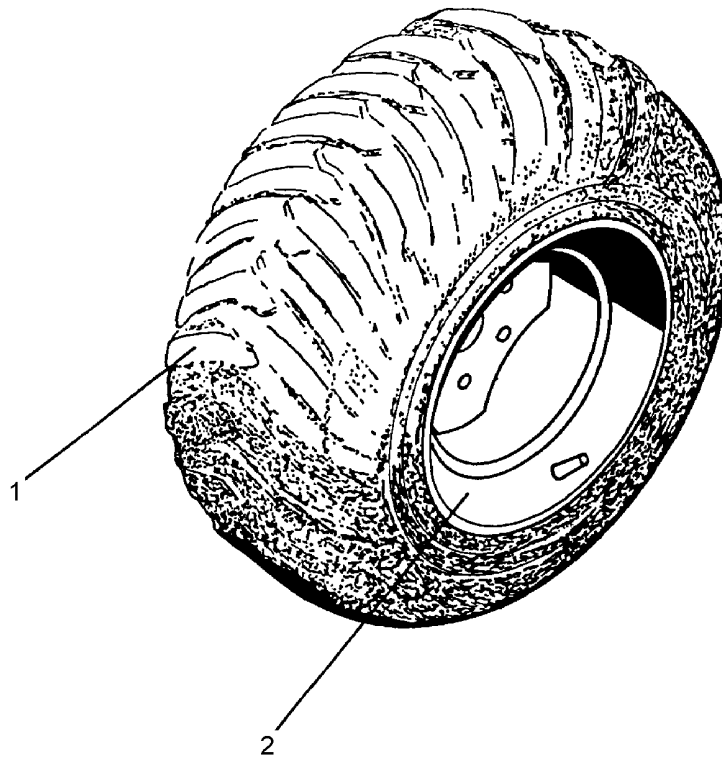


01.18

| Pos. | Art.Nr. | Stck. | Artikeltext / Description | | Abmessung |
|------|----------|-------|---------------------------|------|--------------------------|
| 1 | 357 7063 | 1 | Felge | Rim | 11x18 8/221/275 ET-35 |
| 2 | 357 8866 | 1 | Reifen | Tyre | 12.5/80-18 12PR AW |

| | |
|-----------|---|
| Rad/Wheel | 1 |
|-----------|---|

| | |
|-----------------|----------|
| Rubin 9/400 KÜA | 550 8884 |
|-----------------|----------|

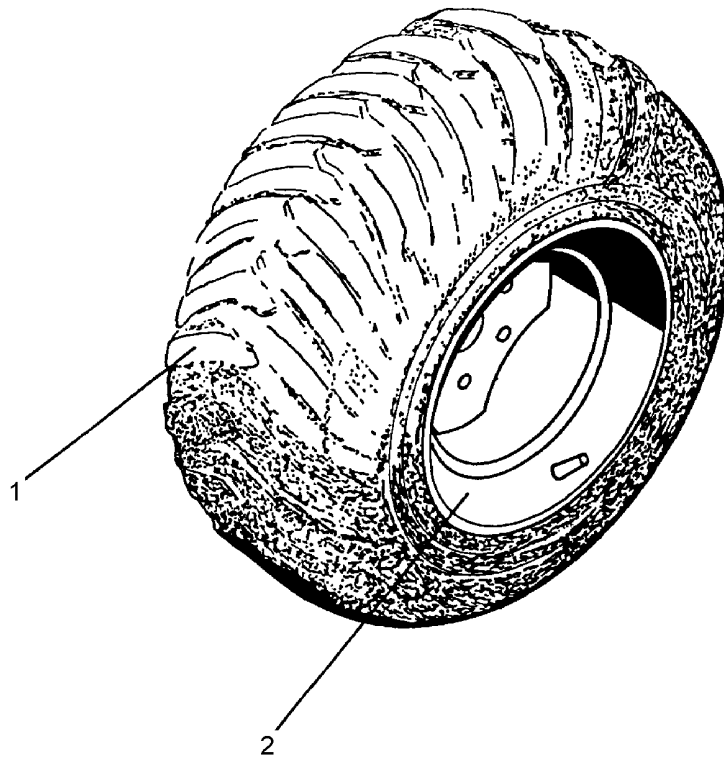


01.18

| Pos. | Art.Nr. | Stck. | Artikeltext / Description | | Abmessung |
|------|----------|-------|---------------------------|------|------------------------------|
| 1 | 357 7074 | 1 | Reifen | Tyre | 700/50-22.5 I-331 16PR |
| 2 | 357 8875 | 1 | Felge | Rim | 24.00x22.5 8/221/275 ET 0 |

| | |
|-----------|---|
| Rad/Wheel | 1 |
|-----------|---|

| | |
|-----------------|----------|
| Rubin 9/400 KÜA | 550 8885 |
|-----------------|----------|

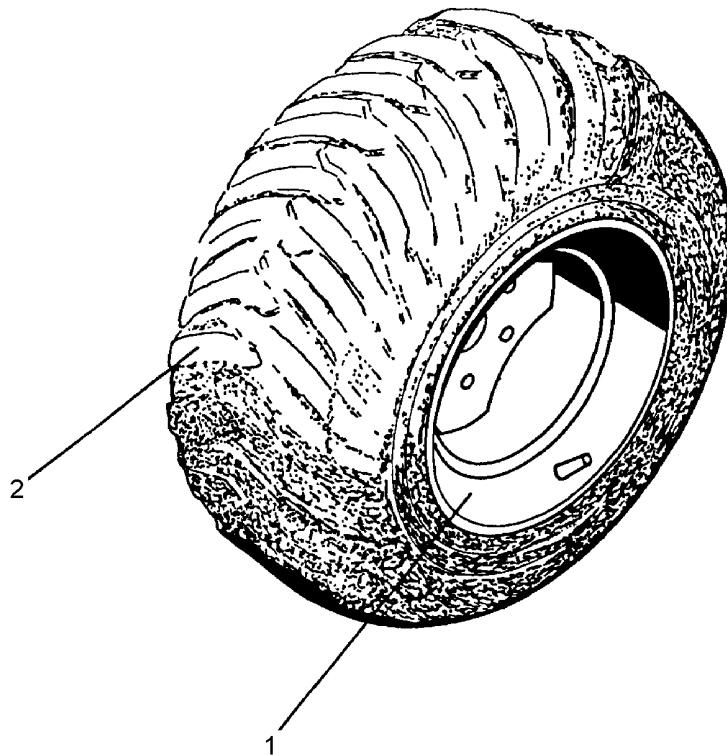


01.18

| Pos. | Art.Nr. | Stck. | Artikeltext / Description | | Abmessung |
|------|----------|-------|---------------------------|------|------------------------------|
| 1 | 357 7074 | 1 | Reifen | Tyre | 700/50-22.5 I-331 16PR |
| 2 | 357 8875 | 1 | Felge | Rim | 24.00x22.5 8/221/275 ET 0 |

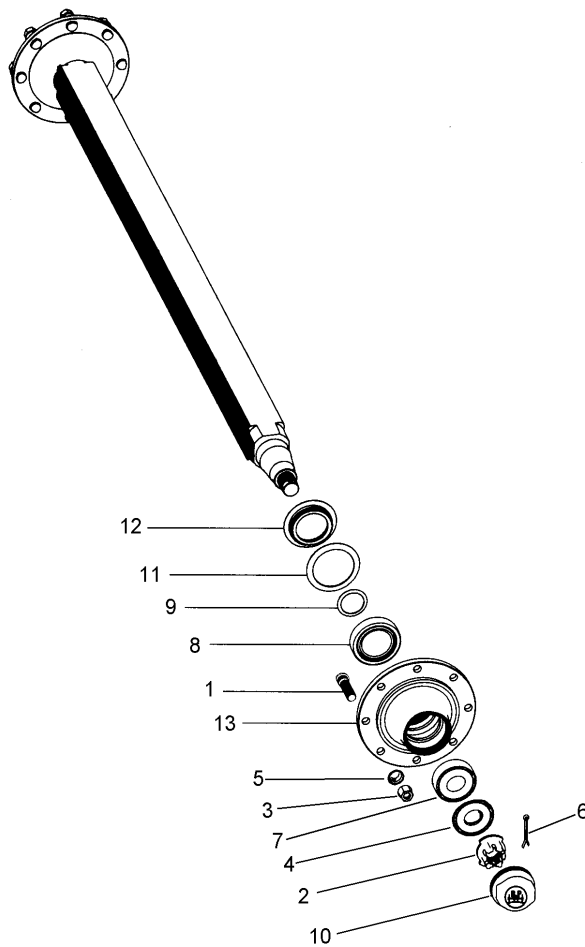
| | |
|-------------------------------|----------|
| Rad 8/221/275/Wheel 8/221/275 | 1 |
|-------------------------------|----------|

| | |
|------------------------|-----------------|
| Rubin 9/400 KÜA | 550 8900 |
|------------------------|-----------------|



01.18

| Pos. | Art.Nr. | Stck. | Artikeltext / Description | | Abmessung |
|------|----------|-------|---------------------------|------|------------------------------|
| 1 | 357 8881 | 1 | Felge | Rim | 14.00x20.0 8/221/275 ET-0 |
| 2 | 357 7084 | 1 | Reifen | Tyre | 16.0/70-20 AW 705 BKT |

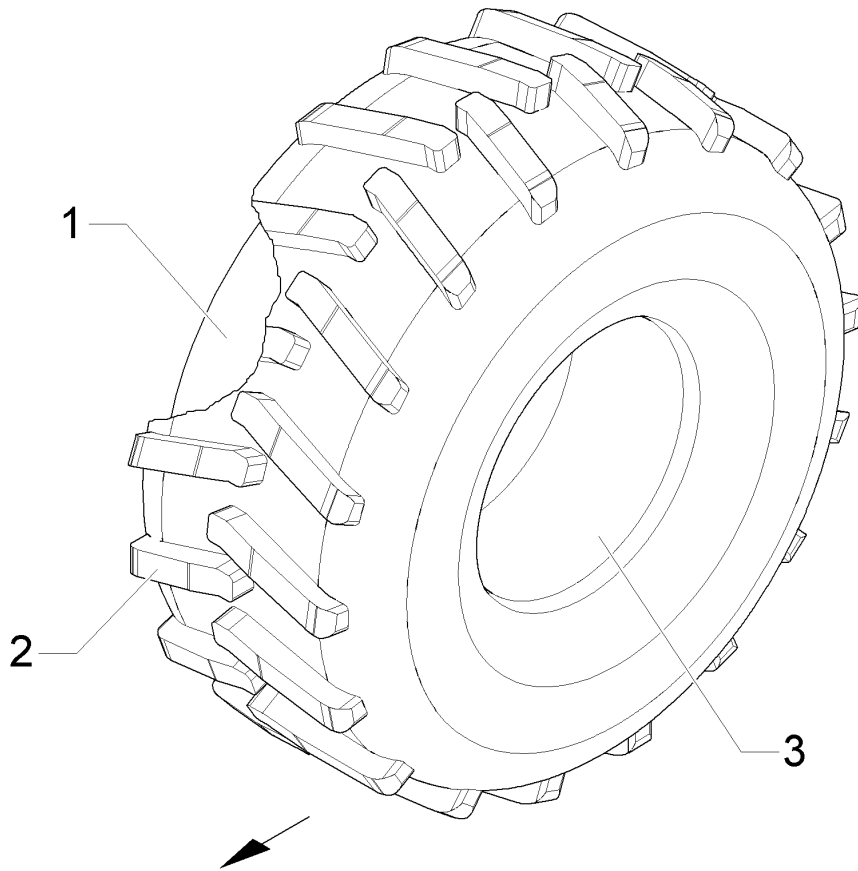


01.18

| Pos. | Art.Nr. | Stck. | Artikeltext / Description | | Abmessung |
|------|----------|-------|---------------------------|------------------------|--------------------|
| 1 | 301 6424 | 16 | Radbolzen | Wheel bolt | M20x1,5x54 |
| 2 | 303 0242 | 2 | Kronenmutter | Castle nut | M36x1,5 |
| 3 | 303 6421 | 16 | Flachbundmutter | Flat collar nut | M20x1,5 Zn SW27 |
| 4 | 305 6450 | 2 | Scheibe | Washer | 970033 |
| 5 | 305 9932 | 16 | Federring mit Kugelbund | Spring ring | C20 DIN74361 |
| 6 | 311 7649 | 2 | Splint | Peg | 6,3x63 DIN94-St Zn |
| 7 | 319 9017 | 2 | Kegelrollenlager | Tapered roller bearing | 30210 D90/50x21,75 |
| 8 | 319 9216 | 2 | Kegelrollenlager | Tapered roller bearing | 32014X |
| 9 | 323 0221 | 2 | Scheibe | Washer | D66/37x5 |
| 10 | 323 1323 | 2 | Schutzkappe | Cap | D90,1 |
| 11 | 323 1680 | 2 | Dichtring | Seal ring | 05.120.26.08.0 |
| 12 | 323 1681 | 2 | Stoßring | Thrust washer | D85/74x7 |
| 13 | 450 6908 | 2 | Radnabe | Wheel hub | 8/220/275 D90 |

| | |
|-----------|---|
| Rad/Wheel | 1 |
|-----------|---|

| | |
|-----------------|----------|
| Rubin 9/400 KÜA | 55010066 |
|-----------------|----------|

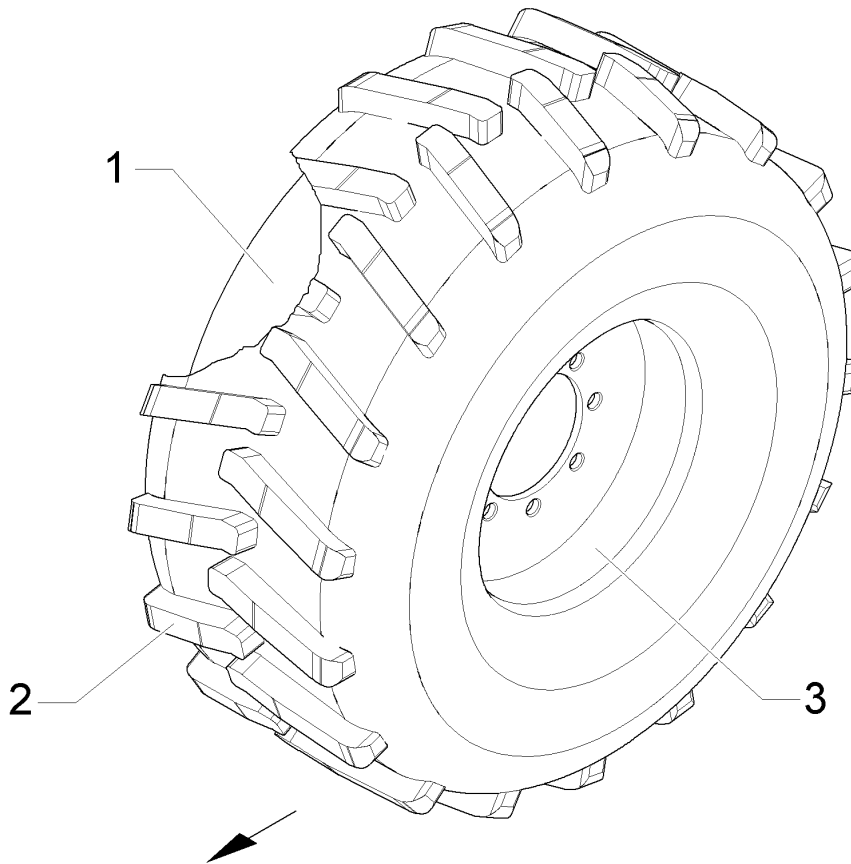


01.18

| Pos. | Art.Nr. | Stck. | Artikeltext / Description | | Abmessung |
|------|----------|-------|---------------------------|------|--------------------------------|
| 1 | 357 3431 | 1 | Schlauch | Hose | 550/60-22.5 |
| 2 | 357 7072 | 1 | Reifen | Tyre | 560(550)/60-22.5 T-404 12PR |
| 3 | 35710013 | 1 | Felge | Rim | 16.00x22.5 8/221/275 ET+70 |

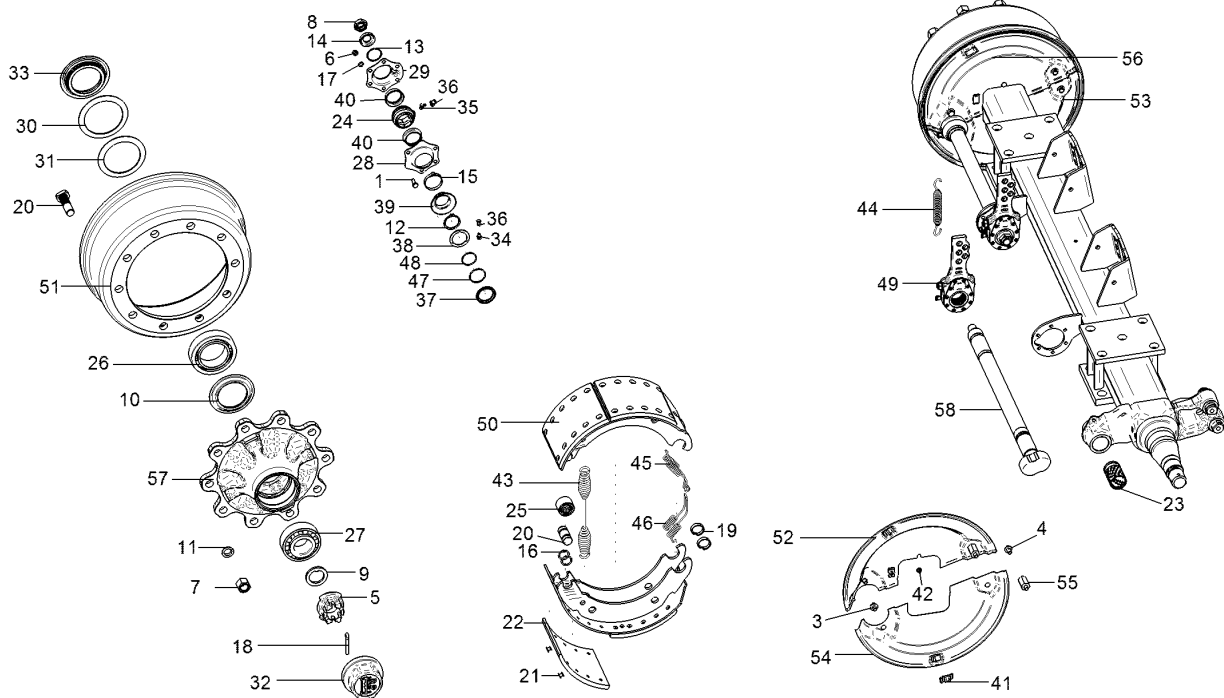
| | |
|-----------|---|
| Rad/Wheel | 1 |
|-----------|---|

| | |
|-----------------|----------|
| Rubin 9/400 KÜA | 55010067 |
|-----------------|----------|



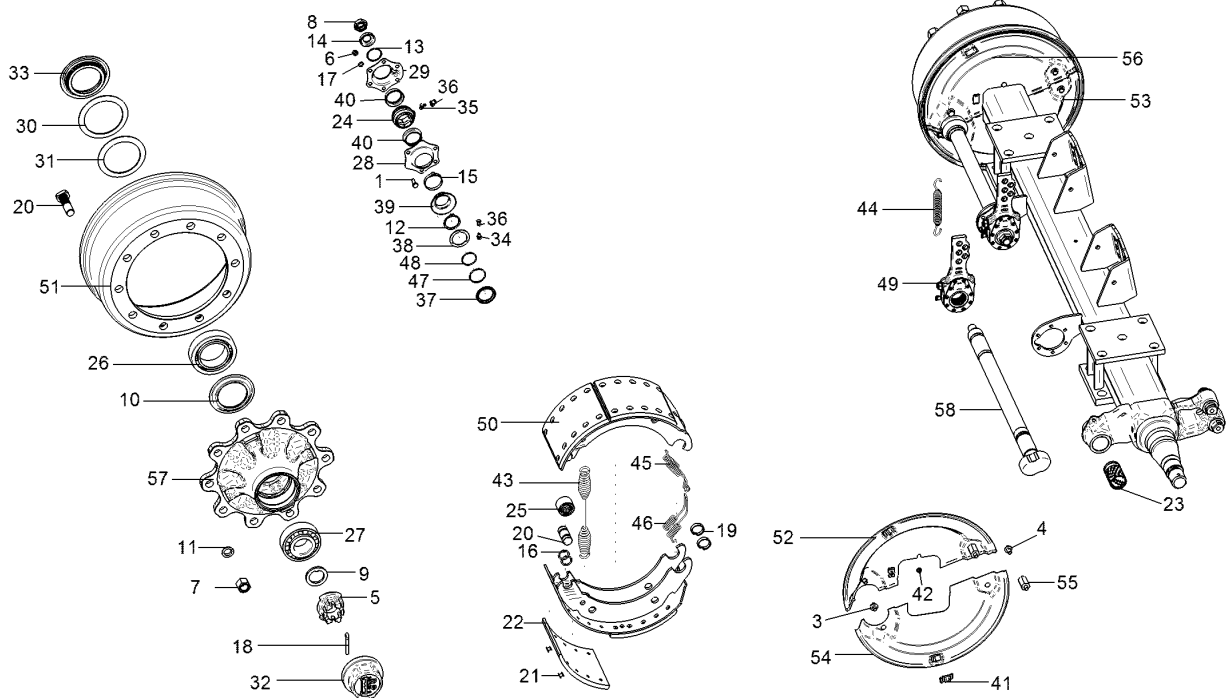
01.18

| Pos. | Art.Nr. | Stck. | Artikeltext / Description | | Abmessung |
|------|----------|-------|---------------------------|------|--------------------------------|
| 1 | 357 3431 | 1 | Schlauch | Hose | 550/60-22.5 |
| 2 | 357 7072 | 1 | Reifen | Tyre | 560(550)/60-22.5 T-404 12PR |
| 3 | 35710013 | 1 | Felge | Rim | 16.00x22.5 8/221/275 ET+70 |



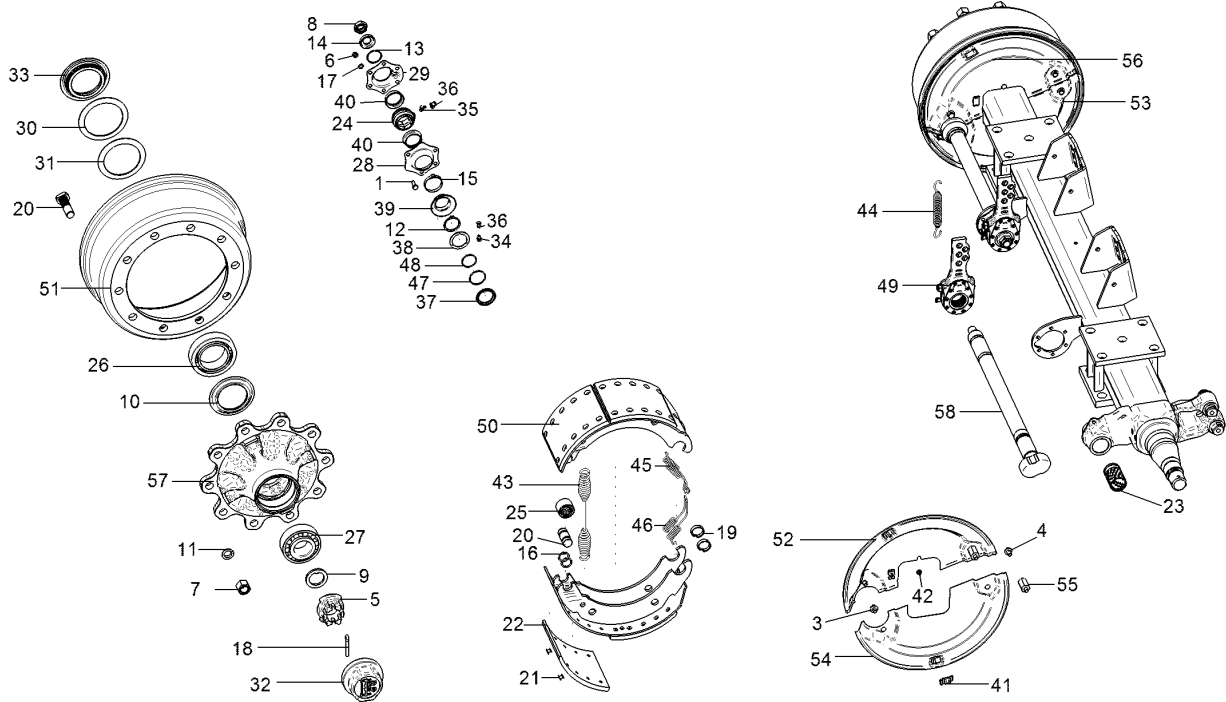
01.18

| Pos. | Art.Nr. | Stck. | Artikeltext / Description | | Abmessung |
|------|----------|-------|---------------------------|------------------|------------------------|
| 1 | 301 7280 | 8 | Sechskantschraube | Hexagon bolt | M8x25-8.8 Zn DIN933 |
| 2 | 30110035 | 20 | Radbolzen | Wheel bolt | M22x1,5x80 |
| 3 | 30110036 | 4 | Sechskantschraube | Hexagon bolt | M10x15 |
| 4 | 30110037 | 4 | Sechskantschraube | Hexagon bolt | M10x12 |
| 5 | 303 0260 | 2 | Kronenmutter | Castle nut | M52x2 |
| 6 | 303 0969 | 8 | Sechskantmutter | Hexagon nut | M8 DIN934-8 |
| 7 | 303 6428 | 20 | Flachbundmutter | Flat collar nut | M22x1,5 Zn |
| 8 | 30310009 | 2 | Sechskantmutter | Hexagon nut | M22x1,5x15 |
| 9 | 305 6451 | 2 | Scheibe mit Nase | Washer | D76/53x6 |
| 10 | 305 6455 | 2 | Abdeckblech | Cover | - |
| 11 | 305 9934 | 20 | Federring mit Kugel | Spring ring | C22,5 Zn |
| 12 | 30510034 | 4 | Sicherungsring | Retaining ring | A 42x2,5 DIN471 |
| 13 | 30510035 | 2 | Sprengring | Circlip | SW40 |
| 14 | 30510036 | 2 | Scheibe | Washer | - |
| 15 | 30510037 | 2 | Sicherungsklammer | Safety clamp | - |
| 16 | 30510038 | 8 | Ring | Ring | - |
| 17 | 30510042 | 8 | Federscheibe | Spring washer | B8 DIN137 |
| 18 | 31110003 | 2 | Splint | Peg | 8x63 DIN94-St |
| 19 | 31110004 | 8 | Hakensprengring | Hook spring ring | - |
| 20 | 31310008 | 4 | Bolzen | Pin | - |
| 21 | 315 6000 | 80 | Niet | Rivet | B8x15 DIN7338 |
| 22 | 31510009 | 8 | Bremsbelag | Brake lining | - |
| 23 | 31710014 | 2 | Buchse | Bush | D46/42x73 |



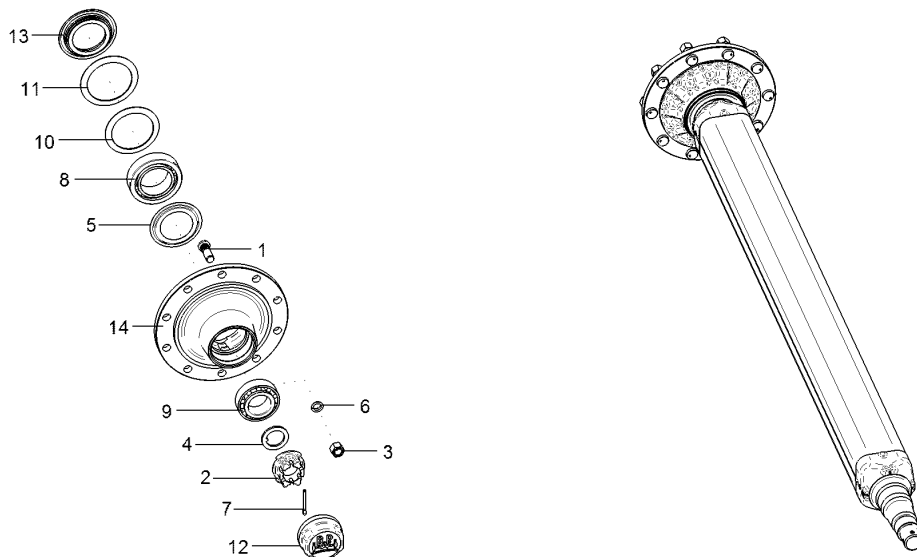
01.18

| Pos. | Art.Nr. | Stck. | Artikeltext / Description | | Abmessung |
|------|----------|-------|---------------------------|------------------------|---------------------------|
| 24 | 31710015 | 2 | Buchse | Bush | D38/34x35 |
| 25 | 31710016 | 4 | Rolle | Roller | - |
| 26 | 319 9207 | 2 | Kegelrollenlager | Tapered roller bearing | 33118 |
| 27 | 319 9210 | 2 | Kegelrollenlager | Tapered roller bearing | 33213. |
| 28 | 31910011 | 2 | Lagerhalter | Bearing holder | - |
| 29 | 31910012 | 2 | Lagerhalter | Bearing holder | - |
| 30 | 323 0217 | 2 | Dichtscheibe Kunststoff | Seal washer | D160/120x3 |
| 31 | 323 0218 | 2 | Dichtscheibe Kunststoff | Seal washer | D155/120x3 |
| 32 | 323 1326 | 2 | Schraubkappe | Cap | M125x2 BPW |
| 33 | 323 1682 | 2 | Stoßring | Thrust washer | D160/120x1,5 |
| 34 | 323 6348 | 2 | Schmiernippel | Grease nipple | AM10x1 DIN71412 |
| 35 | 323 6354 | 2 | Schmiernippel | Grease nipple | BM8x1 DIN71412-6kt. 45 |
| 36 | 32310021 | 2 | Schutzkappe | Cap | GRD GPN980 0201 |
| 37 | 32310025 | 2 | Ring | Ring | - |
| 38 | 32310026 | 2 | Dichtring | Seal ring | - |
| 39 | 32310027 | 2 | Dichtring | Seal ring | - |
| 40 | 32310028 | 4 | Dichtring | Seal ring | - |
| 41 | 32310029 | 4 | Stopfen | Plug | - |
| 42 | 32310032 | 2 | Stopfen | Plug | - |
| 43 | 32910009 | 2 | Zugfeder | Spring | - |
| 44 | 32910048 | 2 | Zugfeder | Spring | - |
| 45 | 32910049 | 2 | Zugfeder | Spring | - |



01.18

| Pos. | Art.Nr. | Stck. | Artikeltext / Description | Abmessung | |
|------|----------|-------|---------------------------|-------------------------|---------------|
| 46 | 32910050 | 2 | Zugfeder | Spring | - |
| 47 | 375 1211 | 2 | O-Ring | O-ring | 40x2,5 |
| 48 | 37510059 | 2 | O-Ring | O-ring | 37x2,6 |
| 49 | 45010028 | 2 | Gestängesteller | Linkage control element | - |
| 50 | 45010029 | 4 | Bremsbacke | Brake-shoe with lining | kpl. |
| 51 | 45010031 | 2 | Bremstrommel | Brake drum | - |
| 52 | 45010033 | 1 | Abdeckblech | Cover | LI OB |
| 53 | 45010034 | 1 | Abdeckblech | Cover | RE UN |
| 54 | 45010035 | 1 | Abdeckblech | Cover | LI UN |
| 55 | 45010036 | 4 | Gewindebolzen | Threaded pin | - |
| 56 | 45010040 | 1 | Abdeckblech | Cover | - |
| 57 | 45010126 | 2 | Radnabe | Wheel hub | - |
| 58 | 45010139 | 2 | Bremsnockenwelle | Brake camshaft | L=460 A=341,5 |
| 59 | 55010016 | 1 | Lagerungsteile | Bearing parts | KIT |
| 60 | 55010224 | 1 | Bremsbackenteile | Brake shoe parts | KIT |

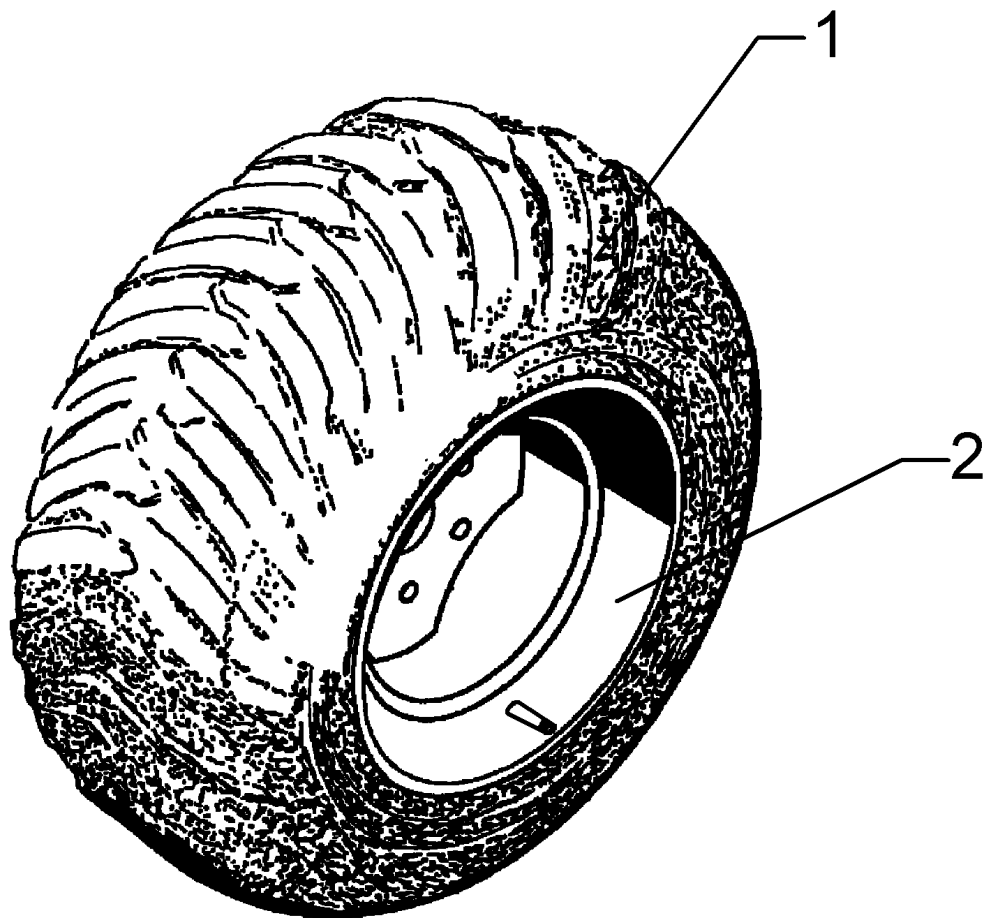


01.18

| Pos. | Art.Nr. | Stck. | Artikeltext / Description | | Abmessung |
|------|----------|-------|---------------------------|------------------------|----------------|
| 1 | 301 6434 | 20 | Radbolzen | Wheel bolt | M22x1,5x65 |
| 2 | 303 0260 | 2 | Kronenmutter | Castle nut | M52x2 |
| 3 | 303 6428 | 20 | Flachbundmutter | Flat collar nut | M22x1,5 Zn |
| 4 | 305 6451 | 2 | Scheibe mit Nase | Washer | D76/53x6 |
| 5 | 305 6455 | 2 | Abdeckblech | Cover | - |
| 6 | 305 9934 | 20 | Federring mit Kugel | Spring ring | C22,5 Zn |
| 7 | 31110003 | 2 | Splint | Peg | 8x63 DIN94-St |
| 8 | 319 9207 | 2 | Kegelrollenlager | Tapered roller bearing | 33118 |
| 9 | 319 9210 | 2 | Kegelrollenlager | Tapered roller bearing | 33213. |
| 10 | 323 0217 | 2 | Dichtscheibe Kunststoff | Seal washer | D160/120x3 |
| 11 | 323 0218 | 2 | Dichtscheibe Kunststoff | Seal washer | D155/120x3 |
| 12 | 323 1326 | 2 | Schraubkappe | Cap | M125x2 BPW |
| 13 | 323 1682 | 2 | Stoßring | Thrust washer | D160/120x1,5 |
| 14 | 45010140 | 2 | Radnabe | Wheel hub | 10/280/335 D22 |
| 15 | 55010016 | 1 | Lagerungsteile | Bearing parts | M125x2 KIT |

| | |
|-----------|---|
| Rad/Wheel | 1 |
|-----------|---|

| | |
|-----------------|----------|
| Rubin 9/400 KÜA | 55010238 |
|-----------------|----------|

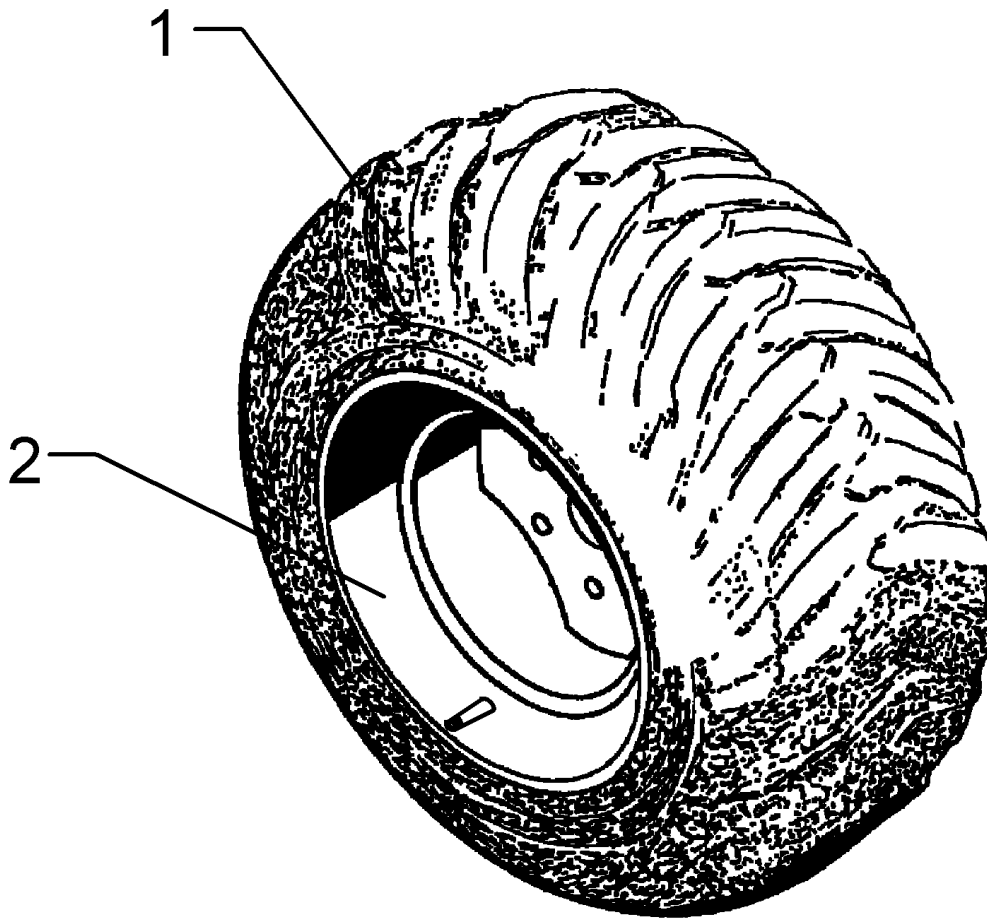


01.18

| Pos. | Art.Nr. | Stck. | Artikeltext / Description | | Abmessung |
|------|----------|-------|---------------------------|------|------------------------------|
| 1 | 357 7085 | 1 | Reifen | Tyre | 550/60-22.5 I-331 16PR |
| 2 | 35710097 | 1 | Felge | Rim | 16.00x22.5 10/281/335 ETO |

| | |
|-----------|---|
| Rad/Wheel | 1 |
|-----------|---|

| | |
|-----------------|----------|
| Rubin 9/400 KÜA | 55010239 |
|-----------------|----------|

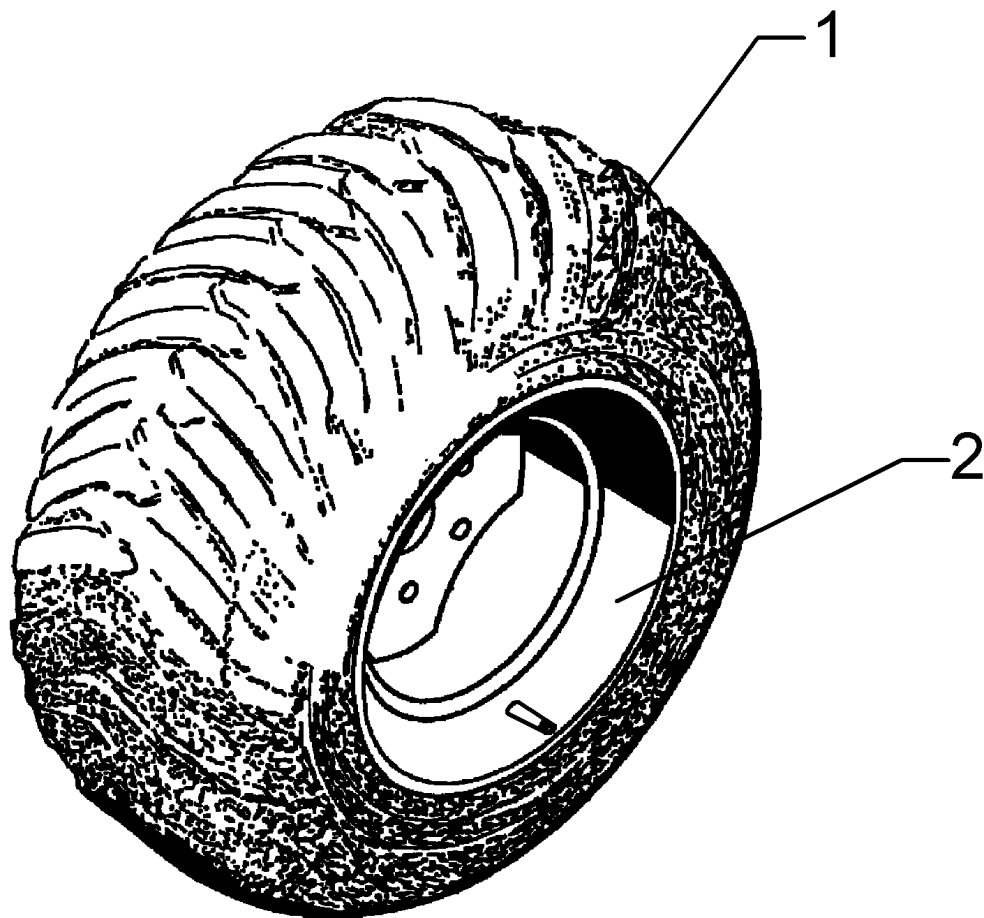


01.18

| Pos. | Art.Nr. | Stck. | Artikeltext / Description | | Abmessung |
|------|----------|-------|---------------------------|------|------------------------------|
| 1 | 357 7085 | 1 | Reifen | Tyre | 550/60-22.5 I-331 16PR |
| 2 | 35710097 | 1 | Felge | Rim | 16.00x22.5 10/281/335 ETO |

| | |
|-----------|---|
| Rad/Wheel | 1 |
|-----------|---|

| | |
|-----------------|----------|
| Rubin 9/400 KÜA | 55010240 |
|-----------------|----------|

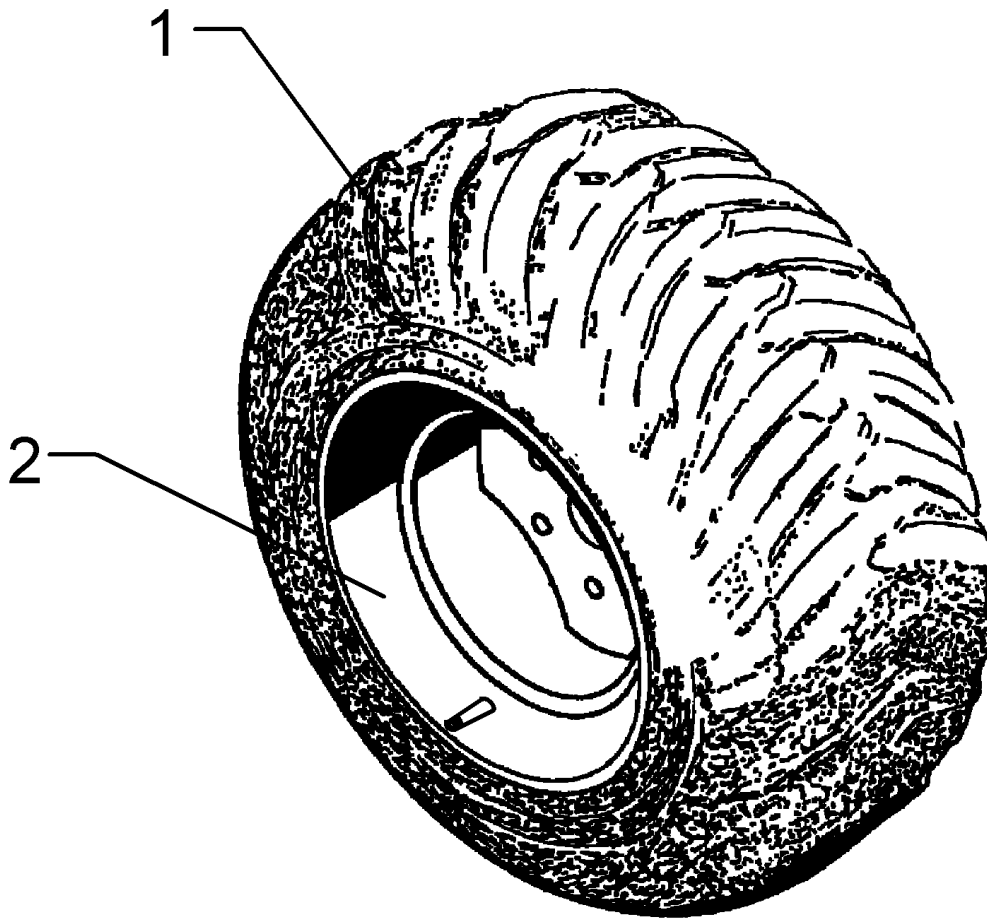


01.18

| Pos. | Art.Nr. | Stck. | Artikeltext / Description | | Abmessung |
|------|----------|-------|---------------------------|------|--------------------------------|
| 1 | 357 7074 | 1 | Reifen | Tyre | 700/50-22.5 I-331 16PR |
| 2 | 35710096 | 1 | Felge | Rim | 24.00x22.5 10/281/335 ET+50 |

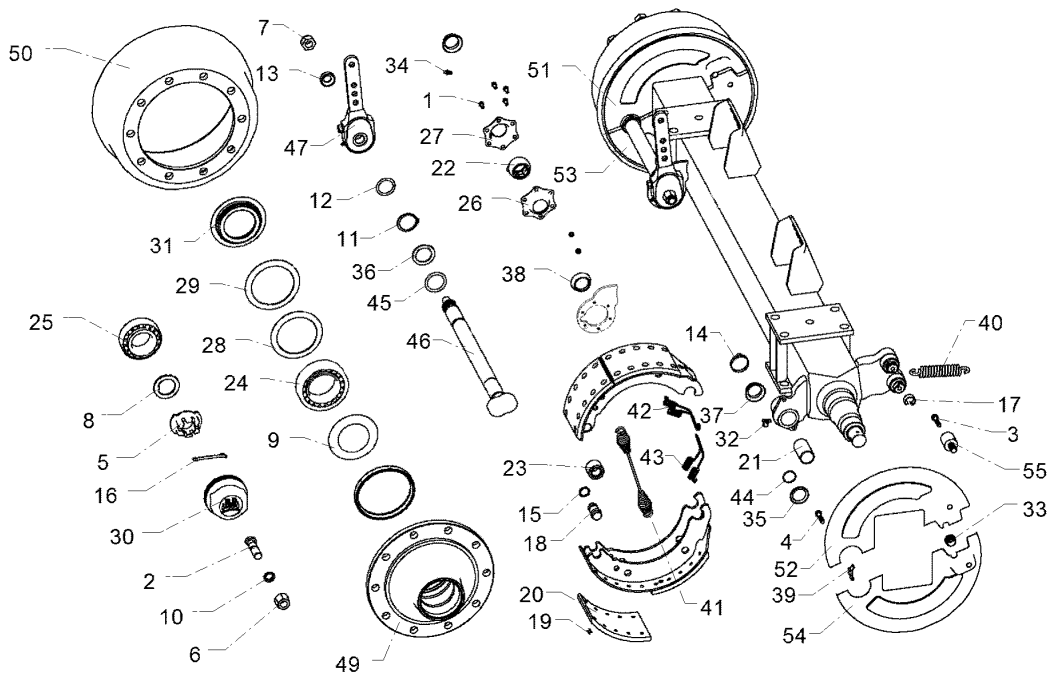
| | |
|-----------|---|
| Rad/Wheel | 1 |
|-----------|---|

| | |
|-----------------|----------|
| Rubin 9/400 KÜA | 55010241 |
|-----------------|----------|



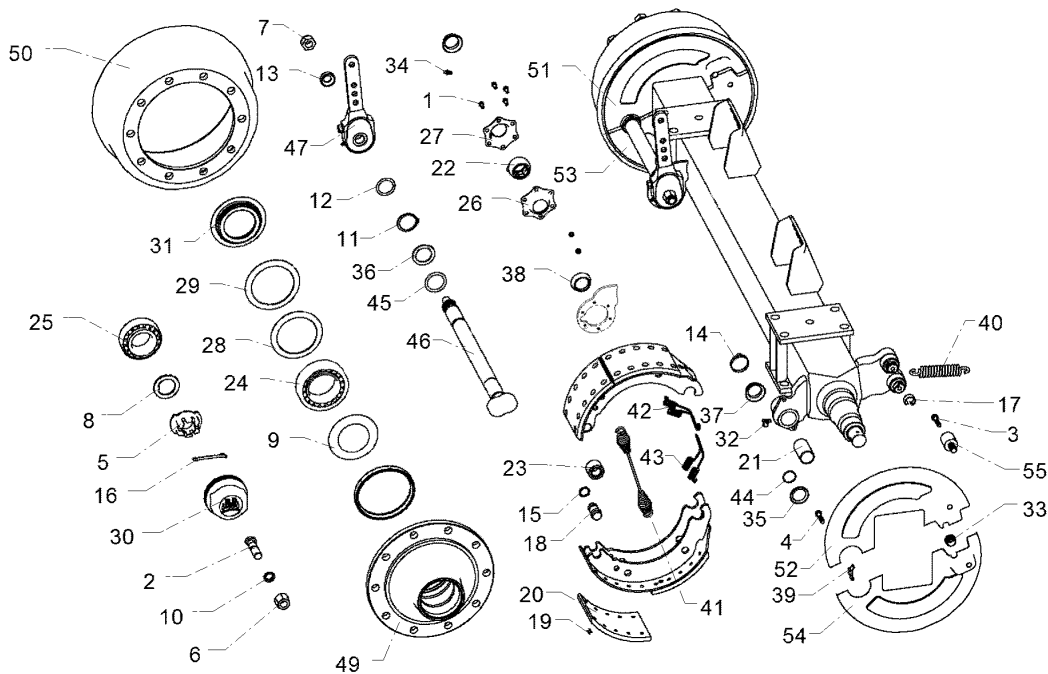
01.18

| Pos. | Art.Nr. | Stck. | Artikeltext / Description | | Abmessung |
|------|----------|-------|---------------------------|------|--------------------------------|
| 1 | 357 7074 | 1 | Reifen | Tyre | 700/50-22.5 I-331 16PR |
| 2 | 35710096 | 1 | Felge | Rim | 24.00x22.5 10/281/335 ET+50 |



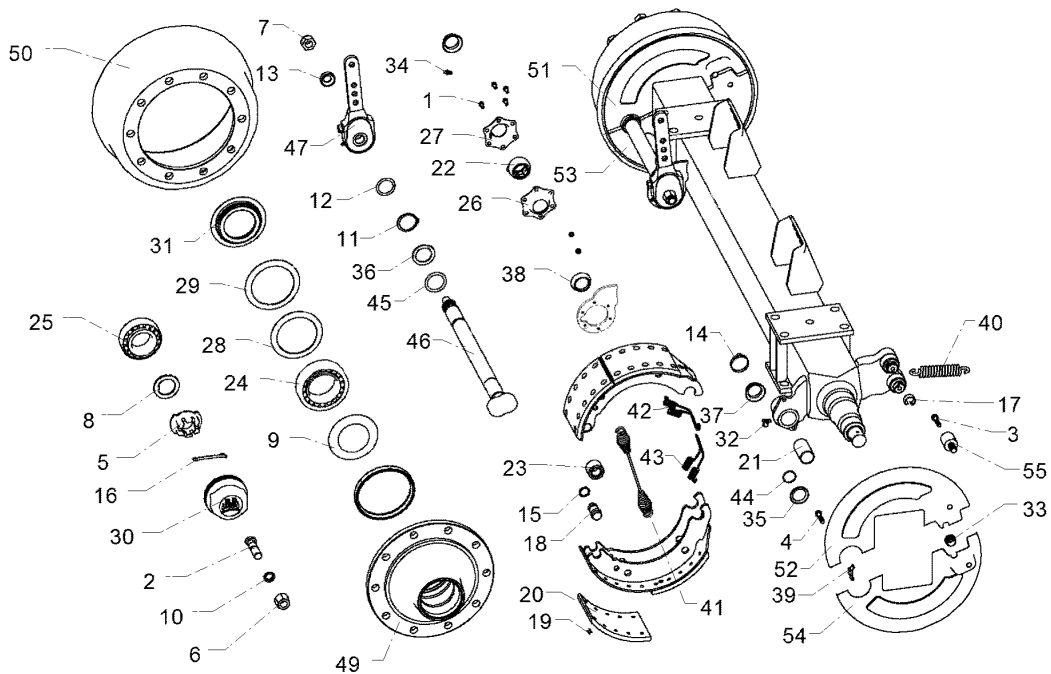
01.18

| Pos. | Art.Nr. | Stck. | Artikeltext / Description | | Abmessung |
|------|----------|-------|---------------------------|------------------|-----------------------------|
| 1 | 301 7280 | 8 | Sechskantschraube | Hexagon bolt | M8x25-8.8 Zn DIN933 |
| 2 | 30110032 | 16 | Radbolzen | Wheel bolt | M20x1,5x76 |
| 3 | 301 6120 | 4 | Senkschraube | Countersunk bolt | M10x15-10.9 Zn DIN7991-A |
| 4 | 30110037 | 4 | Sechskantschraube | Hexagon bolt | M10x12 |
| 5 | 303 0260 | 2 | Kronenmutter | Castle nut | M52x2 |
| 6 | 303 6421 | 16 | Flachbundmutter | Flat collar nut | M20x1,5 Zn SW27 |
| 7 | 30310009 | 2 | Sechskantmutter | Hexagon nut | M22x1,5x15 |
| 8 | 305 6451 | 2 | Scheibe mit Nase | Washer | D76/53x6 |
| 9 | 305 6455 | 2 | Abdeckblech | Cover | - |
| 10 | 305 9932 | 16 | Federring mit Kugelbund | Spring ring | C20 DIN74361 |
| 11 | 30510034 | 4 | Sicherungsring | Retaining ring | A 42x2,5 DIN471 |
| 12 | 30510035 | 2 | Sprengring | Circlip | SW40 |
| 13 | 30510036 | 2 | Scheibe | Washer | - |
| 14 | 30510037 | 2 | Sicherungsklammer | Safety clamp | - |
| 15 | 30510038 | 8 | Ring | Ring | - |
| 16 | 31110003 | 2 | Splint | Peg | 8x63 DIN94-St |
| 17 | 31110004 | 8 | Hakensprengring | Hook spring ring | - |
| 18 | 31310008 | 4 | Bolzen | Pin | - |
| 19 | 315 6000 | 80 | Niet | Rivet | B8x15 DIN7338 |
| 20 | 31510009 | 8 | Bremsbelag | Brake lining | - |
| 21 | 31710014 | 2 | Buchse | Bush | D46/42x73 |
| 22 | 31710015 | 2 | Buchse | Bush | D38/34x35 |



01.18

| Pos. | Art.Nr. | Stck. | Artikeltext / Description | | Abmessung |
|------|----------|-------|---------------------------|------------------------|----------------------------------|
| 23 | 31710016 | 4 | Rolle | Roller | - |
| 24 | 319 9207 | 2 | Kegelrollenlager | Tapered roller bearing | 33118 |
| 25 | 319 9210 | 2 | Kegelrollenlager | Tapered roller bearing | 33213. |
| 26 | 31910011 | 2 | Lagerhalter | Bearing holder | - |
| 27 | 31910012 | 2 | Lagerhalter | Bearing holder | - |
| 28 | 323 0217 | 2 | Dichtscheibe Kunststoff | Seal washer | D160/120x3 |
| 29 | 323 0218 | 2 | Dichtscheibe Kunststoff | Seal washer | D155/120x3 |
| 30 | 323 1326 | 2 | Schraubkappe | Cap | M125x2 BPW |
| 31 | 323 1682 | 2 | Stoßring | Thrust washer | D160/120x1,5 |
| 32 | 323 6348 | 2 | Schmiernippel | Grease nipple | AM10x1 DIN71412 |
| 33 | 32310032 | 2 | Stopfen | Plug | - |
| 34 | 323 6354 | 2 | Schmiernippel | Grease nipple | BM8x1 DIN71412-6kt. 45 GRD |
| 35 | 32310025 | 2 | Ring | Ring | - |
| 36 | 32310026 | 2 | Dichtring | Seal ring | - |
| 37 | 32310027 | 2 | Dichtring | Seal ring | - |
| 38 | 32310028 | 4 | Dichtring | Seal ring | - |
| 39 | 32310029 | 6 | Stopfen | Plug | - |
| 40 | 32910008 | 2 | Zugfeder | Spring | D=4 Lo=148 |
| 41 | 32910009 | 2 | Zugfeder | Spring | - |
| 42 | 32910010 | 2 | Zugfeder | Spring | - |
| 43 | 32910011 | 2 | Zugfeder | Spring | - |
| 44 | 375 1211 | 2 | O-Ring | O-ring | 40x2,5 |

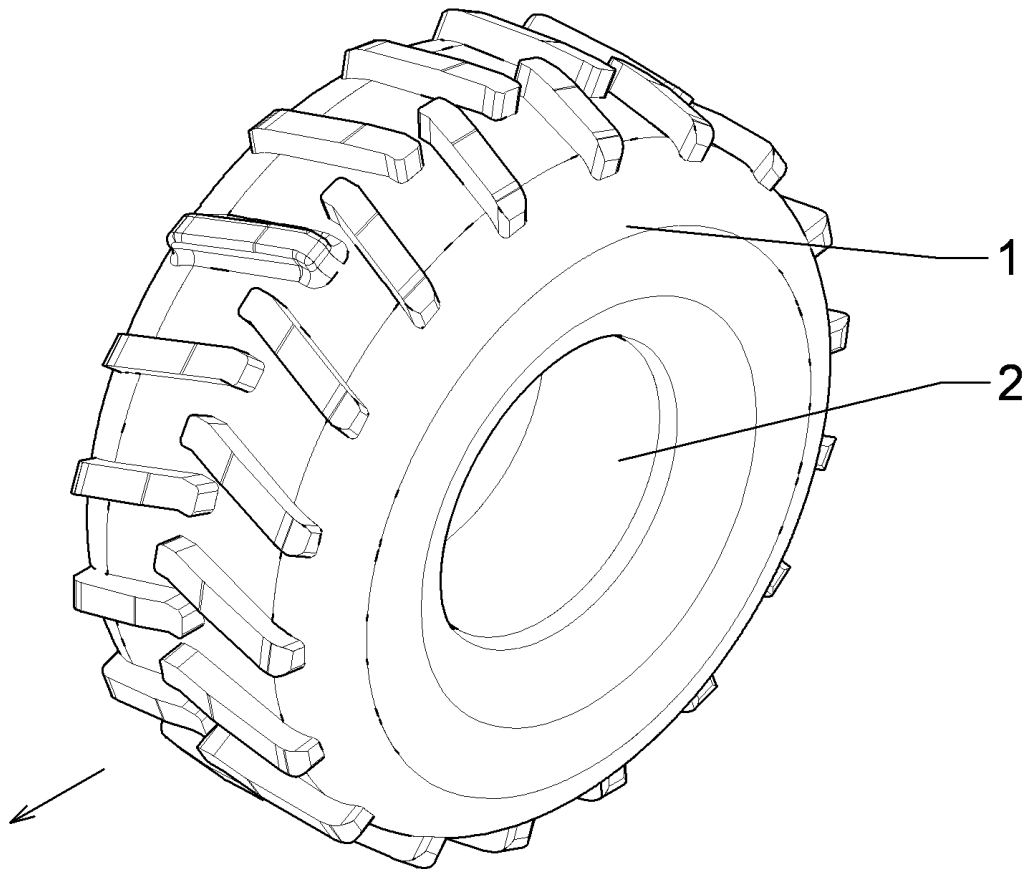


01.18

| Pos. | Art.Nr. | Stck. | Artikeltext / Description | | Abmessung |
|------|----------|-------|---------------------------|-------------------------|-------------------------|
| 45 | 37510059 | 2 | O-Ring | O-ring | 37x2,6 |
| 46 | 45010038 | 2 | Bremsnockenwelle | Brake camshaft | L=390 A=271.5 |
| 47 | 45010028 | 2 | Gestängesteller | Linkage control element | - |
| 48 | 45010029 | 4 | Bremsbacke | Brake-shoe with lining | kpl. |
| 49 | 450 6914 | 2 | Radnabe Laufachse | Wheel hub | 8/220/275 D20 M125x2 |
| 50 | 45010039 | 2 | Bremstrommel | Brake drum | - |
| 51 | 45010040 | 1 | Abdeckblech | Cover | - |
| 52 | 45010033 | 1 | Abdeckblech | Cover | LI OB |
| 53 | 45010034 | 1 | Abdeckblech | Cover | RE UN |
| 54 | 45010035 | 1 | Abdeckblech | Cover | LI UN |
| 55 | 45010036 | 4 | Gewindebolzen | Threaded pin | - |
| 56 | 55010014 | 1 | Bremswellenlagerung | Bearing | KIT |
| 57 | 55010015 | 1 | Bremsbackenteile | Brake shoe parts | KIT |
| 58 | 55010016 | 1 | Lagerungsteile | Bearing parts | KIT |

| | |
|-----------|---|
| Rad/Wheel | 1 |
|-----------|---|

| | |
|-----------------|----------|
| Rubin 9/400 KÜA | 55010250 |
|-----------------|----------|

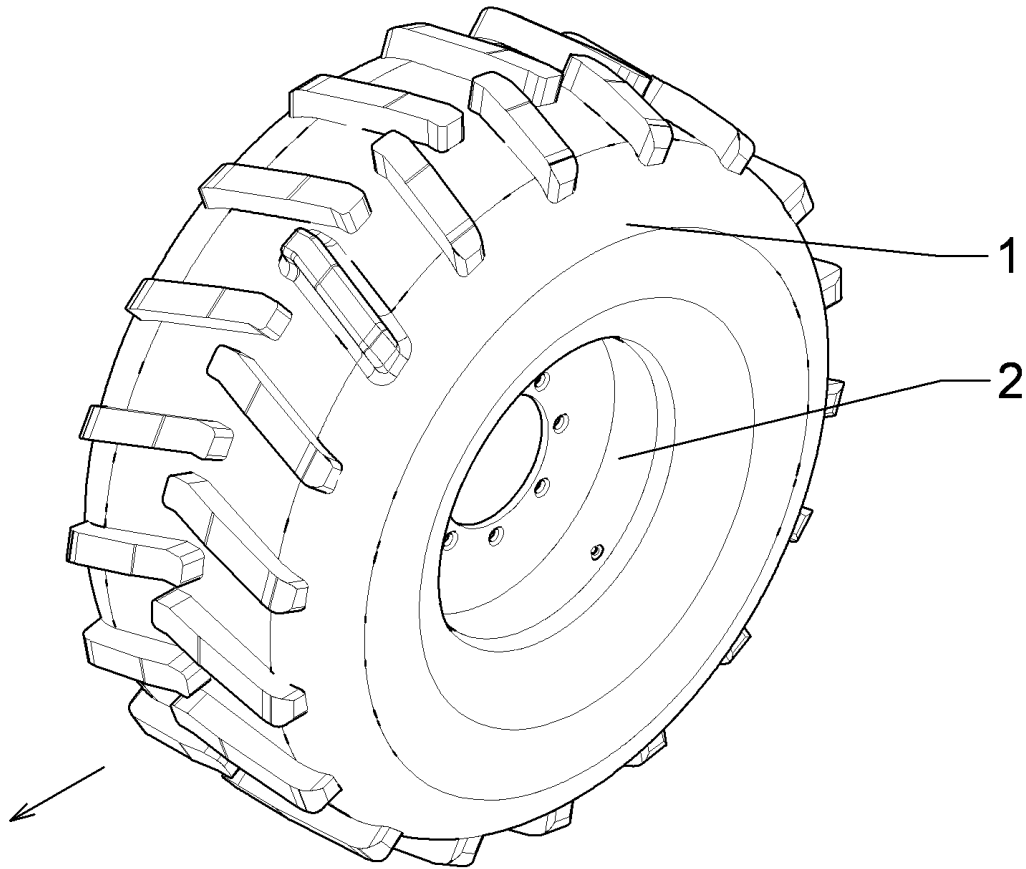


01.18

| Pos. | Art.Nr. | Stck. | Artikeltext / Description | | Abmessung |
|------|----------|-------|---------------------------|------|-------------------------------------|
| 1 | 35710013 | 1 | Felge | Rim | 16.00x22.5 |
| 2 | 35710104 | 1 | Reifen | Tyre | 8/221/275 ET+70 560/60-22.5 16PR |

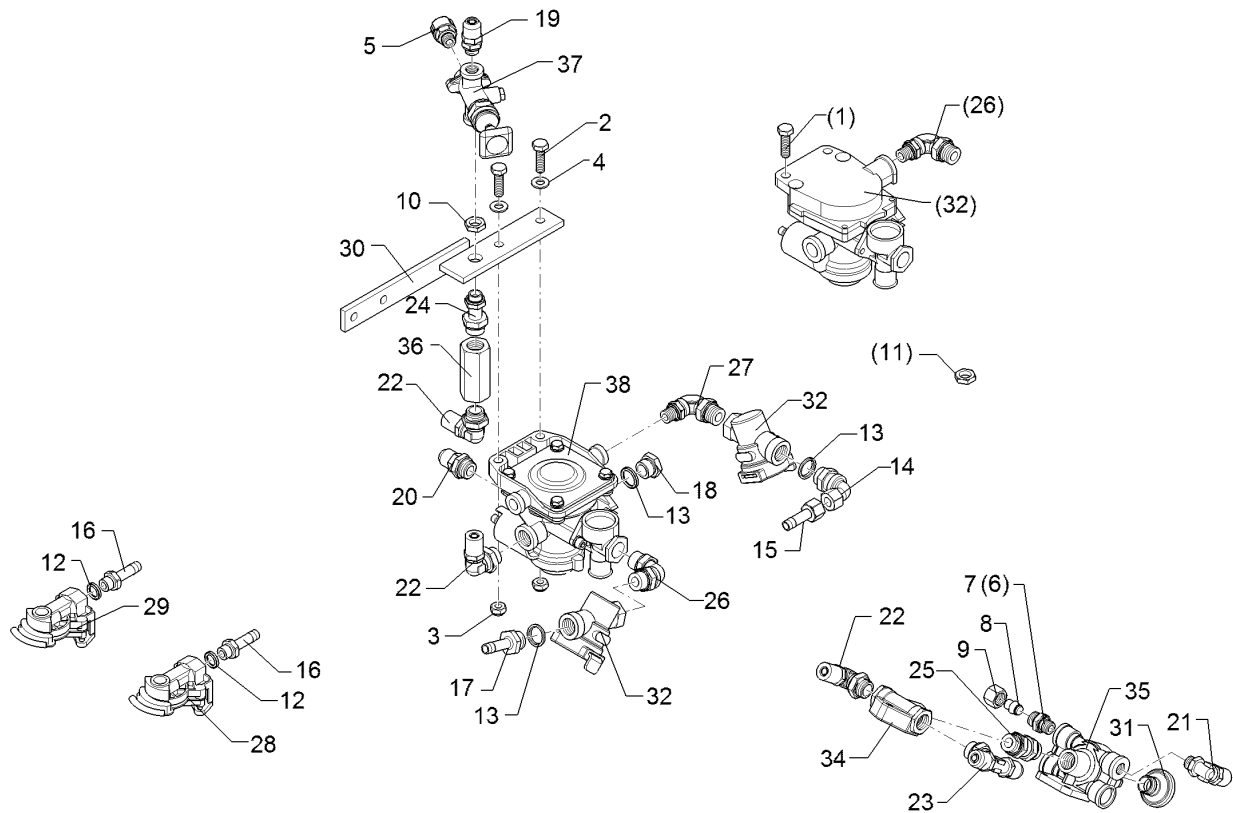
| | |
|-----------|---|
| Rad/Wheel | 1 |
|-----------|---|

| | |
|-----------------|----------|
| Rubin 9/400 KÜA | 55010251 |
|-----------------|----------|



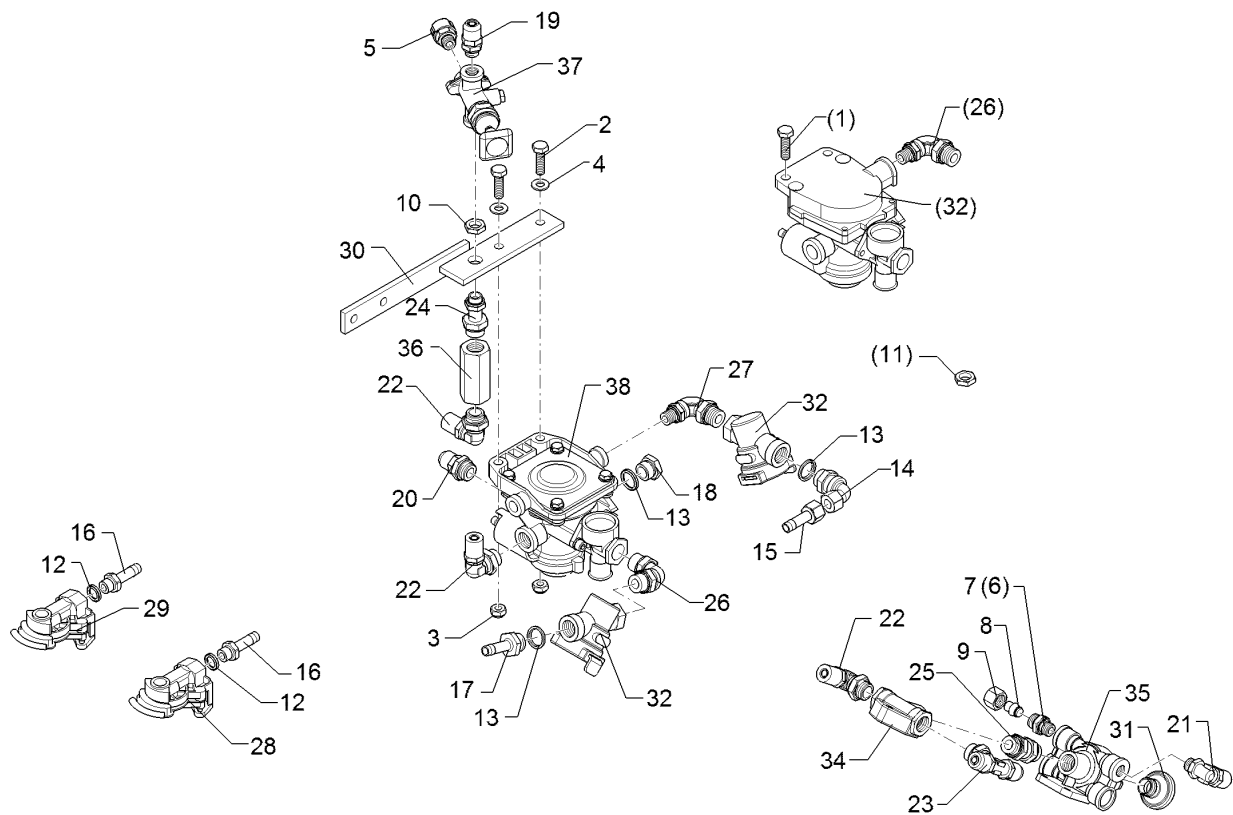
01.18

| Pos. | Art.Nr. | Stck. | Artikeltext / Description | | Abmessung |
|------|----------|-------|---------------------------|------|-------------------------------------|
| 1 | 35710013 | 1 | Felge | Rim | 16.00x22.5 |
| 2 | 35710104 | 1 | Reifen | Tyre | 8/221/275 ET+70 560/60-22.5 16PR |



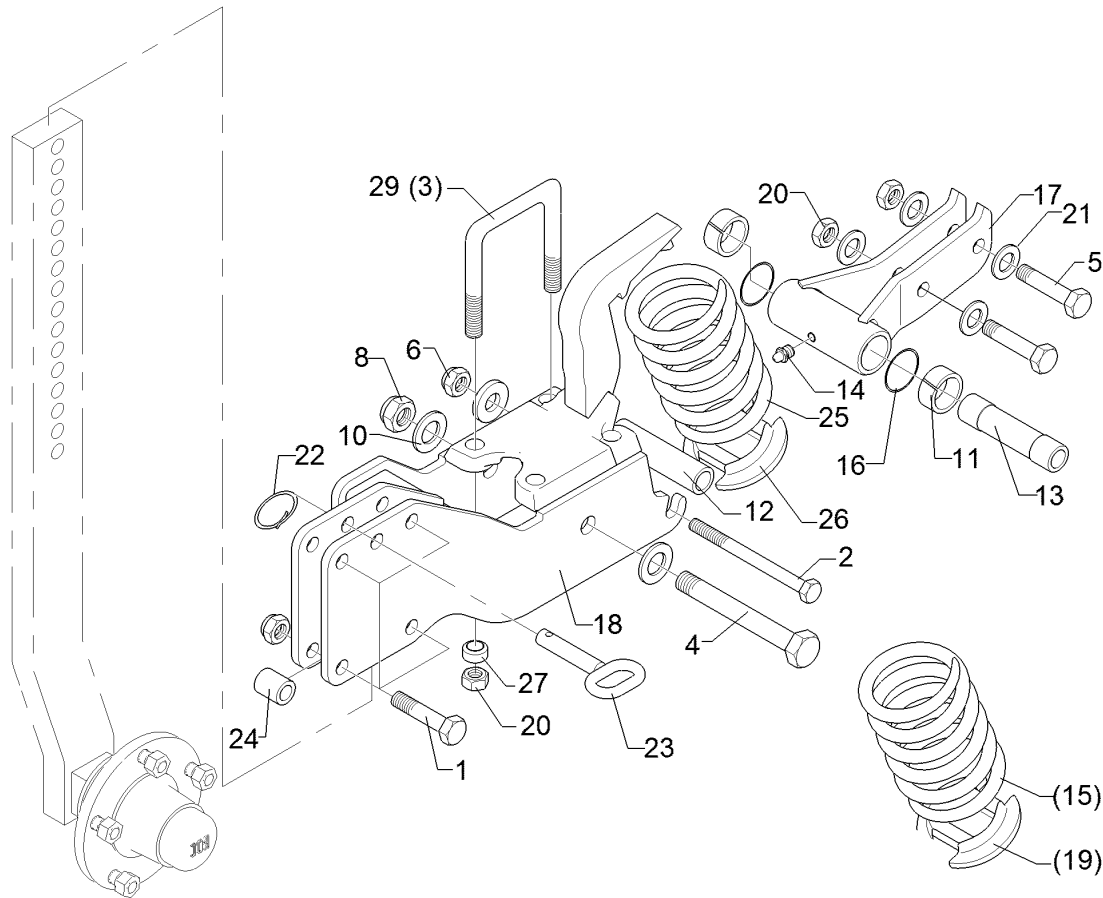
01.18

| Pos. | Art.Nr. | Stck. | Artikeltext / Description | | Abmessung |
|------|----------|-------|--------------------------------|-------------------------|----------------------------|
| 1 | 301 3226 | 2 | Sechskantschraube | Hexagon bolt | M10x30-10.9 Zn DIN933 |
| 2 | 301 7308 | 2 | Sechskantschraube | Hexagon bolt | M10x35-8.8 Zn DIN933 |
| 3 | 303 0933 | 2 | Sicherungsmutter | Selflocking nut | NM10-8 DIN985 Zn |
| 4 | 305 8696 | 2 | Scheibe | Washer | A10,5 DIN125-St Zn |
| 5 | 375 2190 | 1 | Be- und Entlüftungsschraube | Vent plug | M16x1,5 |
| 6 | 375 4010 | 1 | Einschraubverschraubung | Nipple | x-GE12-LM M16x1,5 Zn |
| 7 | 375 4011 | 1 | Einschraubverschraubung | Nipple | x-GE12-LM-ED M16x1,5 Zn |
| 8 | 375 4660 | 1 | Blindstopfen | Blind plug | BUZ12-L |
| 9 | 375 5310 | 1 | Überwurfmutter | Union nut | 12L M18x1,5 Zn/ZnNi |
| 10 | 375 5698 | 1 | Sechskantmutter | Hexagon nut | M16x1,5 SW22 Zn |
| 11 | 375 5710 | 1 | Sechskantmutter | Hexagon nut | M22x1,5 SW27x7 |
| 12 | 377 1180 | 2 | Druckring mit O-Ring | Thrust ring with O-ring | DR/R16x21-RU/14,3x2,4 |
| 13 | 377 1181 | 3 | Druckring mit O-Ring | Thrust ring with O-ring | DR/R22x27-RU/20,3x2,4 |
| 14 | 377 1260 | 1 | Winkel-Einschraubverschraubung | Angle union | 15/1-26/112 M22x1,5 |
| 15 | 377 1300 | 1 | Schlauchstutzen | Hose nipple | S/FL12-11 M12L D12L |
| 16 | 377 1301 | 2 | Schlauchstutzen | Hose nipple | ES/BM 16x1,5-11 |
| 17 | 377 1302 | 1 | Schlauchstutzen | Hose nipple | ES/B15-11 M22x1,5 |
| 18 | 377 1350 | 1 | Verschlusschraube | Plug | VS/BM 22x1,5 |
| 19 | 377 1400 | 1 | Einschraubsteckverbindung | Push-in connection | 00° M16x1,5 12x1,5 |
| 20 | 377 1401 | 1 | Einschraubsteckverbindung | Push-in connection | 00° M22x1,5 12x1,5 |



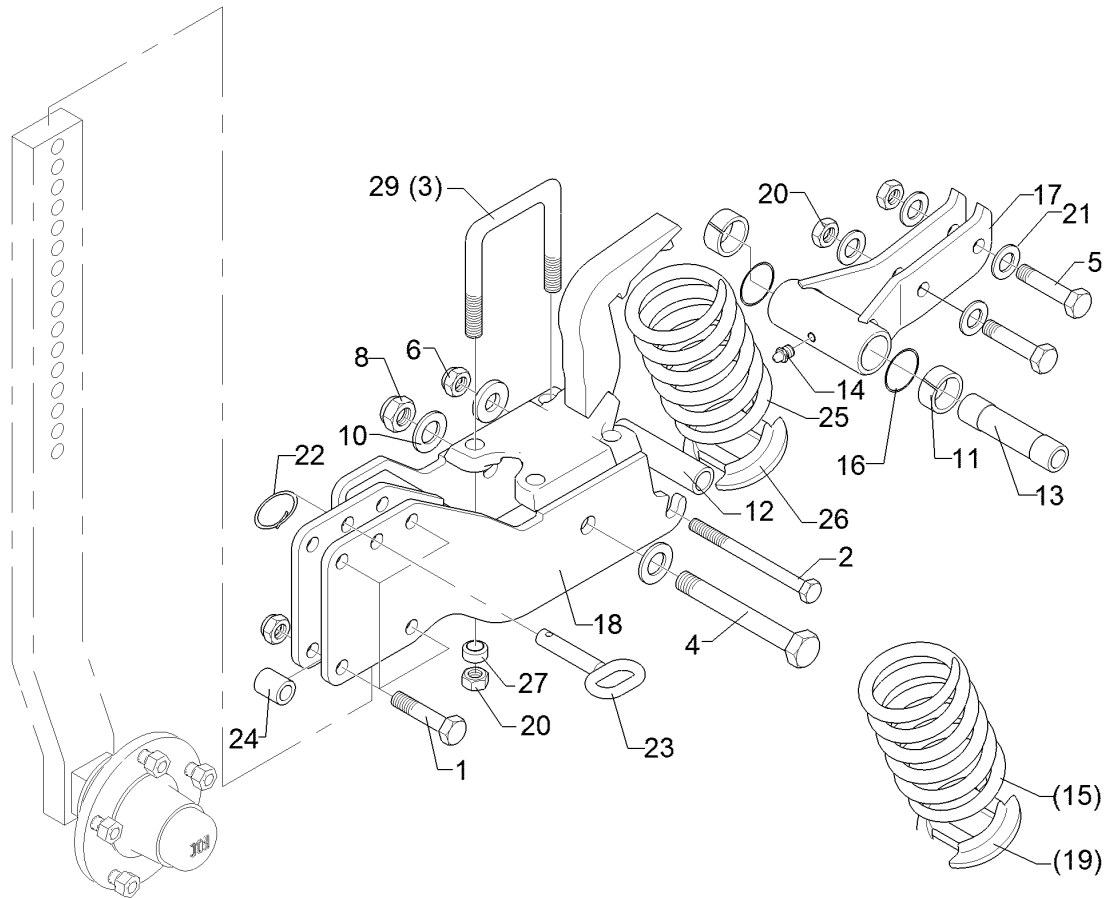
01.18

| Pos. | Art.Nr. | Stck. | Artikeltext / Description | | Abmessung |
|------|----------|-------|---------------------------|----------------------|---------------------------------|
| 21 | 377 1409 | 1 | Einschraubsteckverbindung | Push-in connection | M16x1,5 12x1,5 |
| 22 | 377 1410 | 3 | Einschraubsteckverbindung | Push-in connection | M22x1,5 12x1,5 |
| 23 | 377 1430 | 1 | Einschraubsteckverbindung | Push-in connection | 90/90° M22x1,5 12x1,5 12x1,5 |
| 24 | 377 1460 | 1 | Einschraubstutzen | Screwed socket | 00° M22x1,5 M16x1,5 |
| 25 | 377 1461 | 1 | Einschraubstutzen | Screwed socket | 00° M22x1,5 M22x1,5 |
| 26 | 377 1472 | 1 | Einschraubstutzen | Screwed socket | 90° M22x1,5 M22x1,5 |
| 27 | 377 1473 | 1 | Einschraubstutzen | Screwed socket | 90° M22x1,5 M16x1,5 |
| 28 | 377 2540 | 1 | Kupplungskopf Vorrat rot | Hose coupling | M16x1,5 ISO1728 |
| 29 | 377 2541 | 1 | Kupplungskopf Bremse gelb | Hose coupling | M16x1,5 ISO1728 |
| 30 | 477 1125 | 1 | Halter | Holder | 30x8x330 |
| 31 | 577 2570 | 1 | Entlüftungsfiter | Venting filter | M22x1,5 031 000 909 |
| 32 | 577 2580 | 2 | Rohrleitungsfilter | Filter | M22x1,5 DIN74347 |
| 33 | 577 2590 | 1 | Anhängerbremseventil | Trailer brake valve | 350 026 002 |
| 34 | 577 2660 | 1 | 2-Wege-Ventil | 2-port control valve | M22x1,5 333 001 201 |
| 35 | 577 2671 | 1 | Schnelllöseventil | Quick release valve | M16x1,5 356 023 011 |
| 36 | 577 2680 | 1 | Rückschlagventil | Nonreturn valve | M22x1,5 |
| 37 | 577 2690 | 1 | Parkventil | Parking valve | M16x1,5 |
| 38 | 57710019 | 1 | Anhängerbremseventil | Trailer brake valve | 350 026 102 |



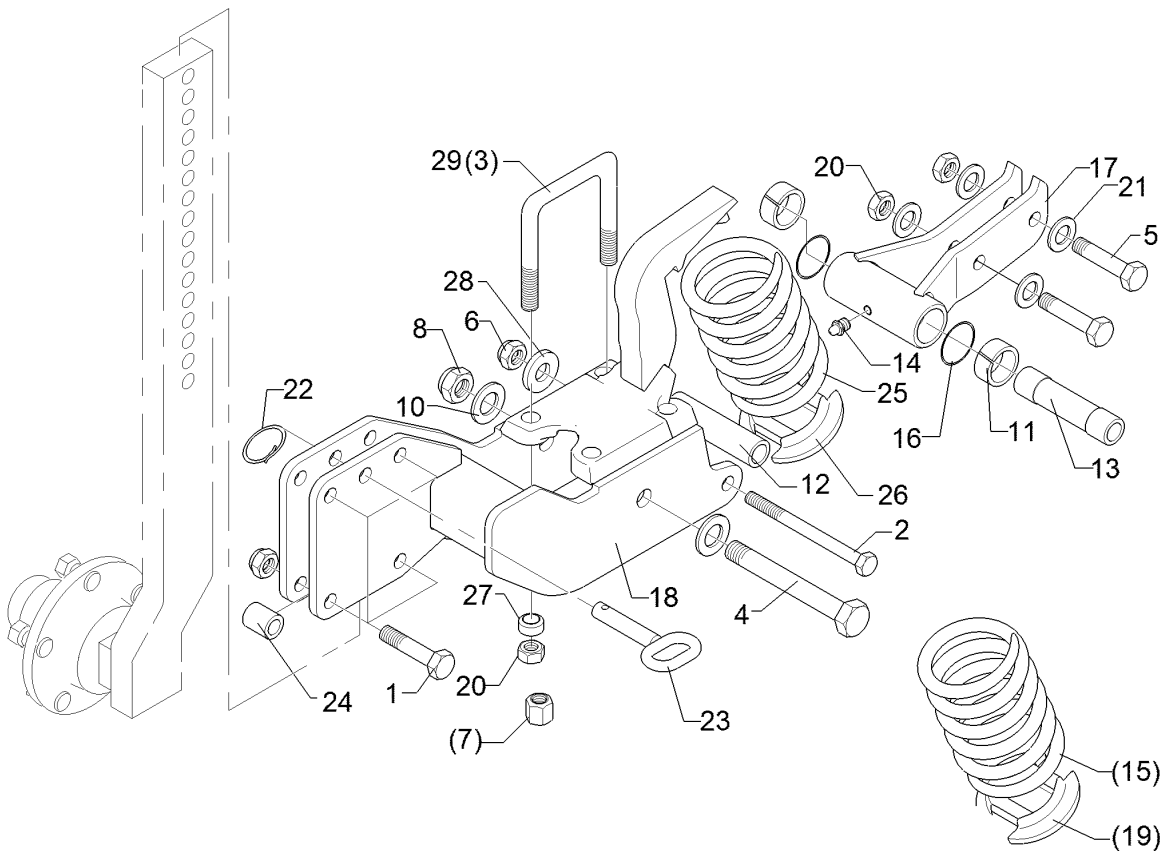
01.18

| Pos. | Art.Nr. | Stck. | Artikeltext / Description | | Abmessung |
|------|----------|-------|---------------------------|--------------------|--------------------------------|
| 1 | 301 3884 | 4 | Sechskantschraube | Hexagon bolt | M16x70-8.8 Zn DIN931-A |
| 2 | 30110345 | 1 | Sechskantschraube spz. | Hexagon bolt | M16x165-10.9 Zn |
| 3 | 301 7795 | 2 | Bügelschraube | U-bolt | M16/90/135 (382) Zn |
| 4 | 301 4523 | 1 | Sechskantschraube spezial | Hexagon bolt | M20x1,5x170s144xb23-10.9 Zn |
| 5 | 301 5361 | 2 | Sechskantschraube spz. | Hexagon bolt | M16x75-12.9 Zn |
| 6 | 303 0935 | 1 | Sicherungsmutter | Selflocking nut | NM16-8 Zn DIN985 |
| 7 | 303 0954 | 4 | Sechskantmutter | Hexagon nut | M16 DIN 6330-10 Form B |
| 8 | 303 0977 | 1 | Sechskantmutter | Hexagon nut | M20x1,5 DIN934-10 Zn |
| 10 | 305 6012 | 2 | Scheibe | Washer | 21 ISO7089 Zn |
| 11 | 317 3422 | 2 | Einspannbuchse | Expansion bush | EG30/38x25 |
| 12 | 317 6826 | 1 | Rohr | Tube | D30x5,6x125 Zn |
| 13 | 317 7199 | 1 | Hülse | Bushing | D30/20,1x128-2xL25 |
| 14 | 323 6348 | 1 | Schmiernippel | Grease nipple | AM10x1 DIN71412 |
| 15 | 329 8469 | 1 | Druckfeder | Compression spring | 14x97x202 |
| 16 | 375 1226 | 2 | O-Ring | O-ring | 46x3-80Shore Viton83 |
| 17 | 412 8103 | 1 | Taschenlagerung | Bracket bearing | D51x128 60x25 Rubin 9 |
| 18 | 412 8080 | 1 | Halmtasche | Bracket | 90x90/D20x128 Rubin RE |
| 19 | 427 8169 | 1 | Federführung | Spring guiding | D110/20x83 Zn |
| 20 | 303 0971 | 6 | Sechskantmutter | Hexagon nut | M16 DIN934-10 Zn |



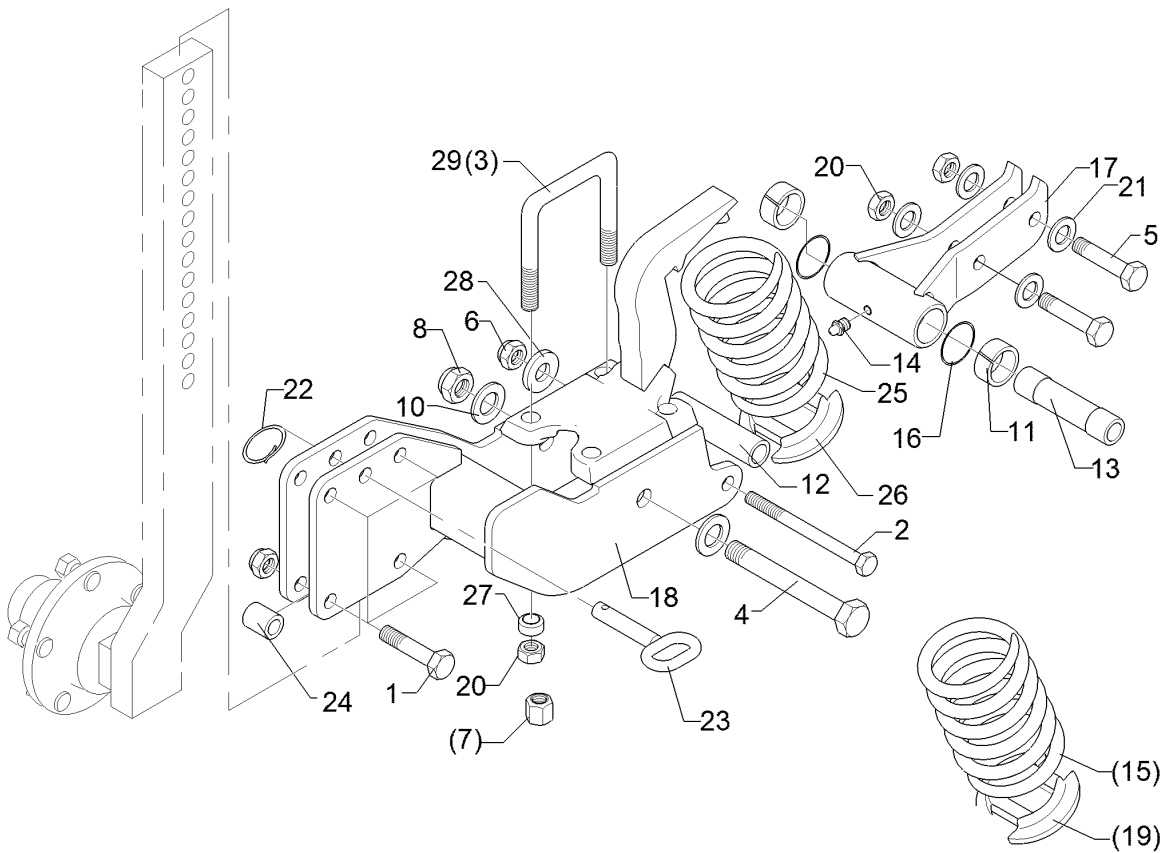
01.18

| Pos. | Art.Nr. | Stck. | Artikeltext / Description | Abmessung | |
|------|----------|-------|---------------------------|--------------------|--------------------------|
| 21 | 305 6141 | 6 | Scheibe | Washer | 17/30x3 DIN/ISO-7089 |
| 22 | 305 8551 | 1 | Sicherungsring | Retaining ring | Di41x3 A2 |
| 23 | 313 8143 | 1 | Bolzen mit Griff | Pin with grip | D16x77/90 Zn |
| 24 | 317 6966 | 4 | Röhrchen | Tube | 26,9x5,0x31,5 Zn |
| 25 | 329 8467 | 1 | Druckfeder | Compression spring | 14x97x218 |
| 26 | 427 8170 | 1 | Lager | Bearing | D110/27x83 Zn Rubin 9 |
| 27 | 30510101 | 4 | Scheibe | Washer | D25/16,5x9 R22 Zn |
| 28 | 305 6161 | 1 | Scheibe | Washer | 17/40x6 DIN7349 Zn |
| 29 | 30110069 | 2 | Bügelsschraube | U-bolt | M16x135 U-91 Zn |



01.18

| Pos. | Art.Nr. | Stck. | Artikeltext / Description | Abmessung | |
|------|----------|-------|---------------------------|--------------------|--------------------------------|
| 1 | 301 3884 | 4 | Sechskantschraube | Hexagon bolt | M16x70-8.8 Zn DIN931-A |
| 2 | 30110345 | 1 | Sechskantschraube spz. | Hexagon bolt | M16x165-10.9 Zn |
| 3 | 301 7795 | 2 | Bügelschraube | U-bolt | M16/90/135 (382) Zn |
| 4 | 301 4523 | 1 | Sechskantschraube spezial | Hexagon bolt | M20x1,5x170s144xb23-10.9 Zn |
| 5 | 301 5361 | 2 | Sechskantschraube spz. | Hexagon bolt | M16x75-12.9 Zn |
| 6 | 303 0935 | 1 | Sicherungsmutter | Selflocking nut | NM16-8 Zn DIN985 |
| 7 | 303 0954 | 4 | Sechskantmutter | Hexagon nut | M16 DIN 6330-10 Form B |
| 8 | 303 0977 | 1 | Sechskantmutter | Hexagon nut | M20x1,5 DIN934-10 Zn |
| 10 | 305 6012 | 2 | Scheibe | Washer | 21 ISO7089 Zn |
| 11 | 317 3422 | 2 | Einspannbuchse | Expansion bush | EG30/38x25 |
| 12 | 317 6826 | 1 | Rohr | Tube | D30x5,6x125 Zn |
| 13 | 317 7199 | 1 | Hülse | Bushing | D30/20,1x128-2xL25 |
| 14 | 323 6348 | 1 | Schmiernippel | Grease nipple | AM10x1 DIN71412 |
| 15 | 329 8469 | 1 | Druckfeder | Compression spring | 14x97x202 |
| 16 | 375 1226 | 2 | O-Ring | O-ring | 46x3-80Shore Viton83 |
| 17 | 412 8103 | 1 | Taschenlagerung | Bracket bearing | D51x128 60x25 Rubin 9 |
| 18 | 412 8081 | 1 | Halmtasche | Bracket | 90x90/D20x128-Rubin LI |
| 19 | 427 8169 | 1 | Federführung | Spring guiding | D110/20x83 Zn |
| 20 | 303 0971 | 6 | Sechskantmutter | Hexagon nut | M16 DIN934-10 Zn |

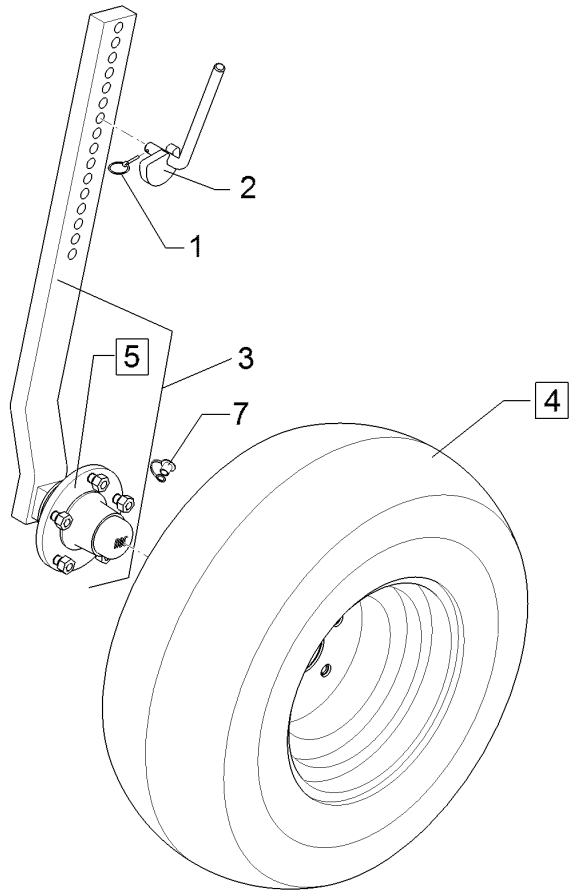


01.18

| Pos. | Art.Nr. | Stck. | Artikeltext / Description | Abmessung | |
|------|----------|-------|---------------------------|--------------------|--------------------------|
| 21 | 305 6141 | 6 | Scheibe | Washer | 17/30x3 DIN/ISO-7089 |
| 22 | 305 8551 | 1 | Sicherungsring | Retaining ring | Di41x3 A2 |
| 23 | 313 8143 | 1 | Bolzen mit Griff | Pin with grip | D16x77/90 Zn |
| 24 | 317 6966 | 4 | Röhrchen | Tube | 26,9x5,0x31,5 Zn |
| 25 | 329 8467 | 1 | Druckfeder | Compression spring | 14x97x218 |
| 26 | 427 8170 | 1 | Lager | Bearing | D110/27x83 Zn Rubin 9 |
| 27 | 30510101 | 4 | Scheibe | Washer | D25/16,5x9 R22 Zn |
| 28 | 305 6161 | 1 | Scheibe | Washer | 17/40x6 DIN7349 Zn |
| 29 | 30110069 | 2 | Bügelsschraube | U-bolt | M16x135 U-91 Zn |

| | |
|--------------------------------------|----------|
| Stützrad mit Halm/Depth wheel | 1 |
|--------------------------------------|----------|

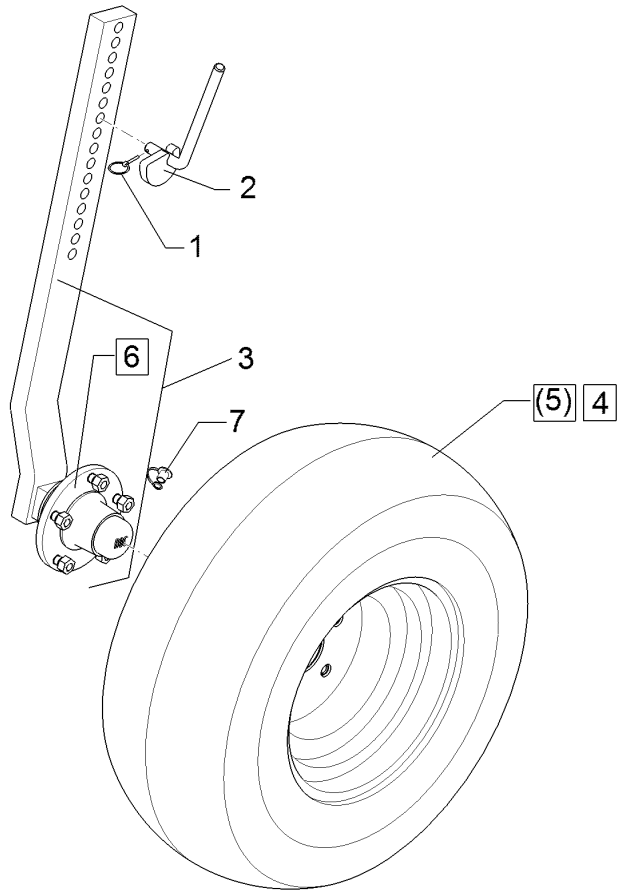
| | |
|------------------------|-----------------|
| Rubin 9/400 KÜA | 647 2520 |
|------------------------|-----------------|



01.18

| Pos. | Art.Nr. | Stck. | Artikeltext / Description | Abmessung |
|------|---------|-------|---------------------------|-----------|
|------|---------|-------|---------------------------|-----------|

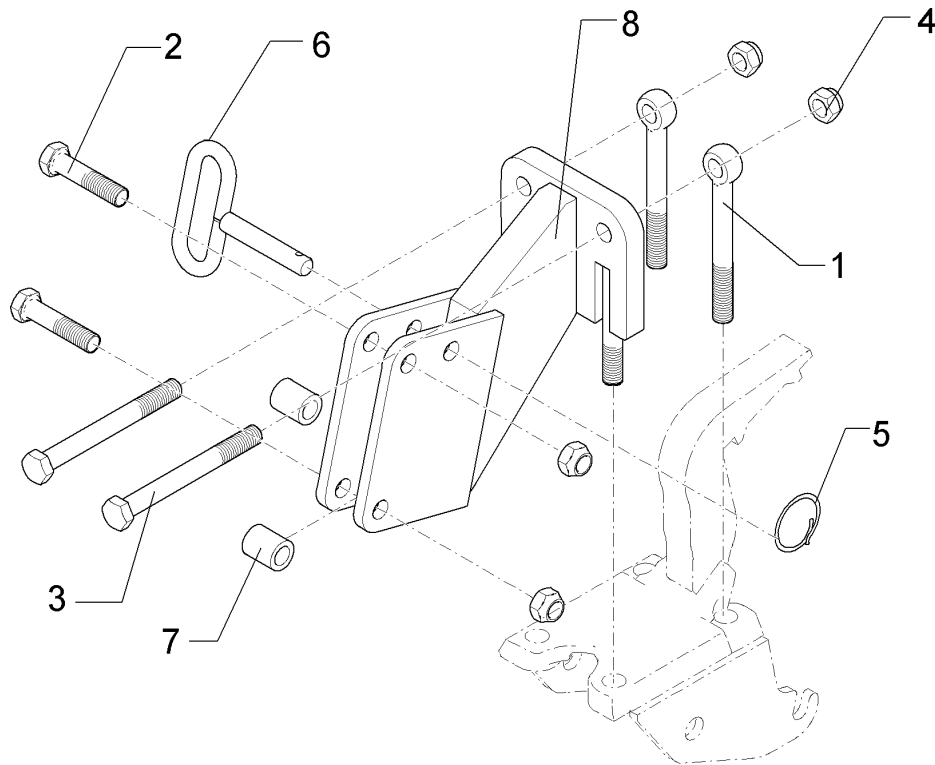
| | | | | | |
|---|----------|---|---------------|-----------------|---------------------|
| 1 | 311 9565 | 1 | Klappstift | Securing pin | 4,5 |
| 2 | 321 6963 | 1 | Exzenterhebel | Eccentric lever | D16x230/69x14x50/33 |
| 3 | 547 2520 | 1 | Radhalm | Wheel stalk | 70x30x837 5/94/140 |
| 4 | 549 8849 | 1 | Rad | Wheel | 5/94/140 D14 |
| 5 | 549 8893 | 1 | Lagerung | Bearing | 5/93,5/140 M14 |
| 7 | 323 6401 | 1 | Schutzkappe | Cap | 50x50 M6-M10 |



01.18

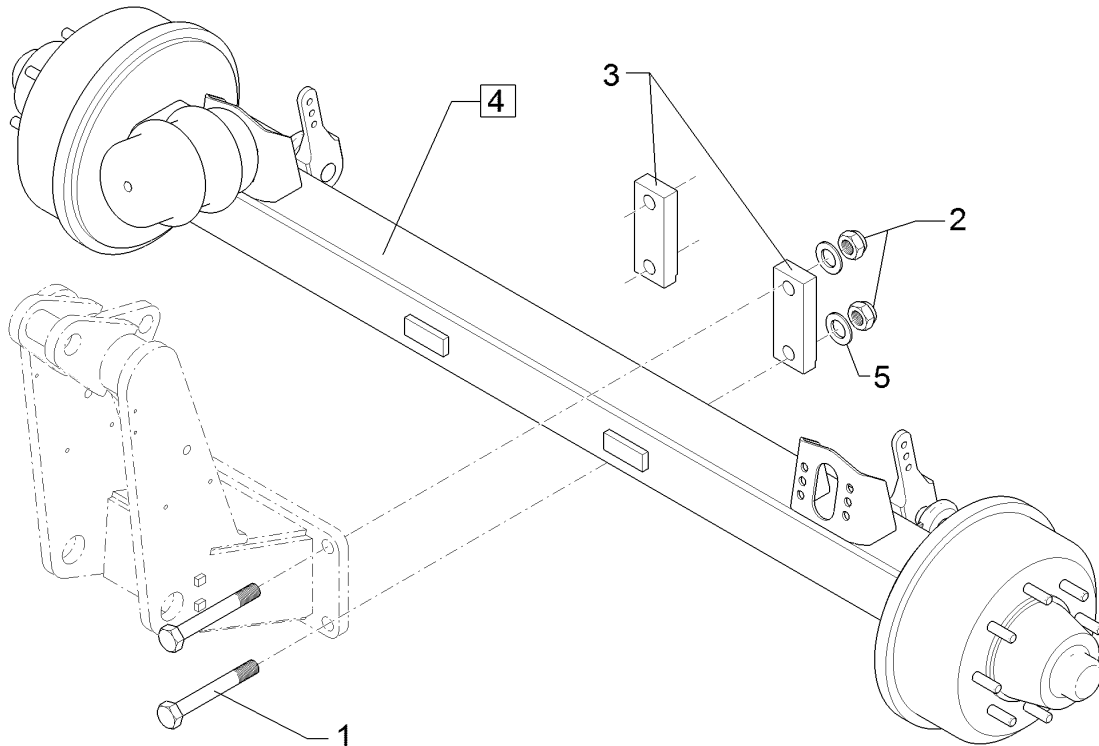
| Pos. | Art.Nr. | Stck. | Artikeltext / Description | Abmessung |
|------|---------|-------|---------------------------|-----------|
|------|---------|-------|---------------------------|-----------|

| | | | | | |
|---|----------|---|------------------|--------------------|-----------------------------|
| 1 | 311 9565 | 1 | Klappstift | Securing pin | 4,5 |
| 2 | 321 6963 | 1 | Exzenterhebel | Eccentric lever | D16x230/69x14x50/33 |
| 3 | 547 2520 | 1 | Radhalm | Wheel stalk | 70x30x837 5/94/140 |
| 4 | 549 8858 | 1 | Rad 5/94/140 D14 | Wheel 5/94/140 D14 | 195R15 D650x198 4PR ET-0 |
| 5 | 549 8859 | 1 | Rad 5/94/140 D14 | Wheel 5/94/140 D14 | 185R14 D650x188 4PR |
| 6 | 549 8893 | 1 | Lagerung | Bearing | 5/93,5/140 M14 50x50 |
| 7 | 323 6401 | 1 | Schutzkappe | Cap | M6-M10 |



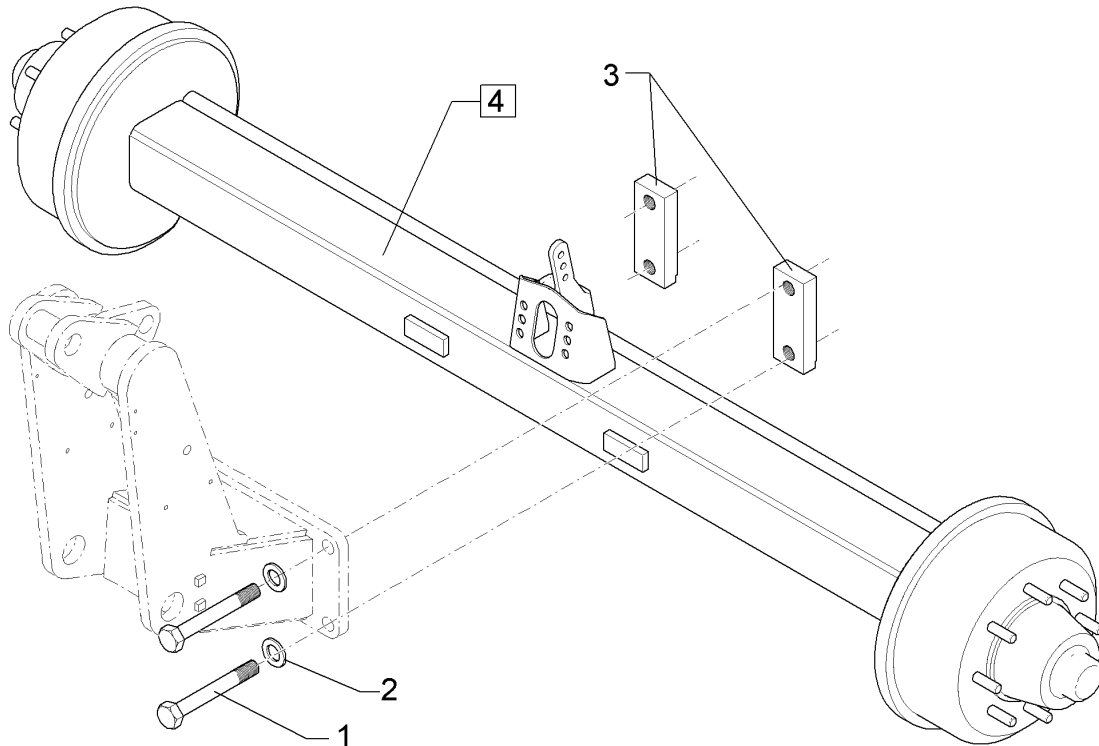
01.18

| Pos. | Art.Nr. | Stck. | Artikeltext / Description | | Abmessung |
|------|----------|-------|---------------------------|-----------------|-----------------------------------|
| 1 | 301 0860 | 2 | Augenschraube | Eye bolt | BM16x150-8.8 D2=16,1 Zn DIN444 |
| 2 | 301 3884 | 2 | Sechskantschraube | Hexagon bolt | M16x70-8.8 Zn DIN931-A |
| 3 | 301 4085 | 2 | Sechskantschraube | Hexagon bolt | M16x150-8.8 Zn DIN931-A |
| 4 | 303 0935 | 4 | Sicherungsmutter | Selflocking nut | NM16-8 Zn DIN985 |
| 5 | 305 8551 | 1 | Sicherungsring | Retaining ring | Di41x3 A2 |
| 6 | 313 8143 | 1 | Bolzen mit Griff | Pin with grip | D16x77/90 Zn |
| 7 | 317 6966 | 2 | Röhrchen | Tube | 26,9x5,0x31,5 Zn |
| 8 | 447 7483 | 1 | Radkonsole | Wheel bracket | 70x30 Rubin 9 |

Bremsachse/Braking axle**1****Rubin 9/400 KÜA****650 8519**

01.18

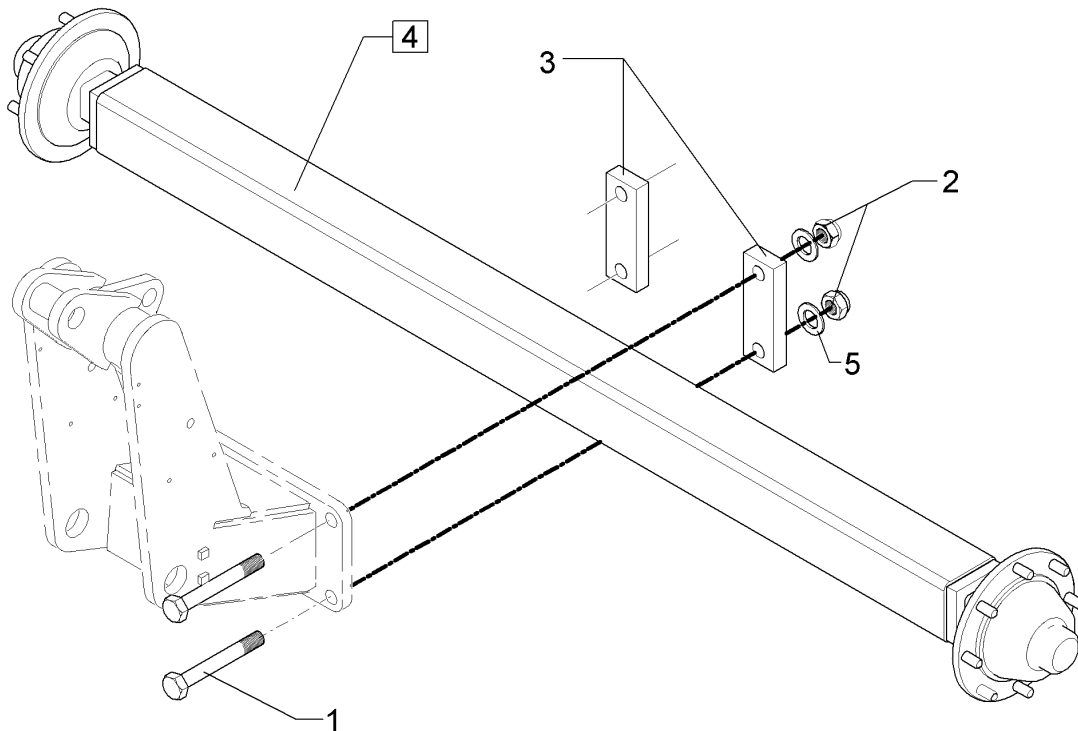
| Pos. | Art.Nr. | Stck. | Artikeltext / Description | | Abmessung |
|------|----------|-------|---------------------------|-----------------|--------------------------|
| 1 | 301 4906 | 4 | Sechskantschraube | Hexagon bolt | M30x260xb35-10.9 Zn |
| 2 | 303 0938 | 4 | Sicherungsmutter | Selflocking nut | NM30-8 Zn DIN985 |
| 3 | 459 1179 | 2 | Brücke | Clamp plate | 80x35x240 1x180-D31 |
| 4 | 550 8519 | 1 | Bremsachse | Braking axle | GS12008 55.72.448.000 |
| 5 | 305 6327 | 8 | Scheibe | Washer | 60x31x6 Zn 200HV |

Bremsachse/Braking axle**1****Rubin 9/400 KÜA****650 8524**

01.18

| Pos. | Art.Nr. | Stck. | Artikeltext / Description | | Abmessung |
|------|----------|-------|---------------------------|--------------|---------------------------|
| 1 | 301 4896 | 4 | Sechskantschraube spz. | Hexagon bolt | M30x190-8.8 Zn |
| 2 | 305 6327 | 4 | Scheibe | Washer | 60x31x6 Zn 200HV |
| 3 | 459 1186 | 2 | Brücke | Clamp plate | 80x35x210 2xM30-151 Zn |
| 4 | 550 8524 | 1 | Bremsachse | Braking axle | 120x14x2530 400X80 ADR |

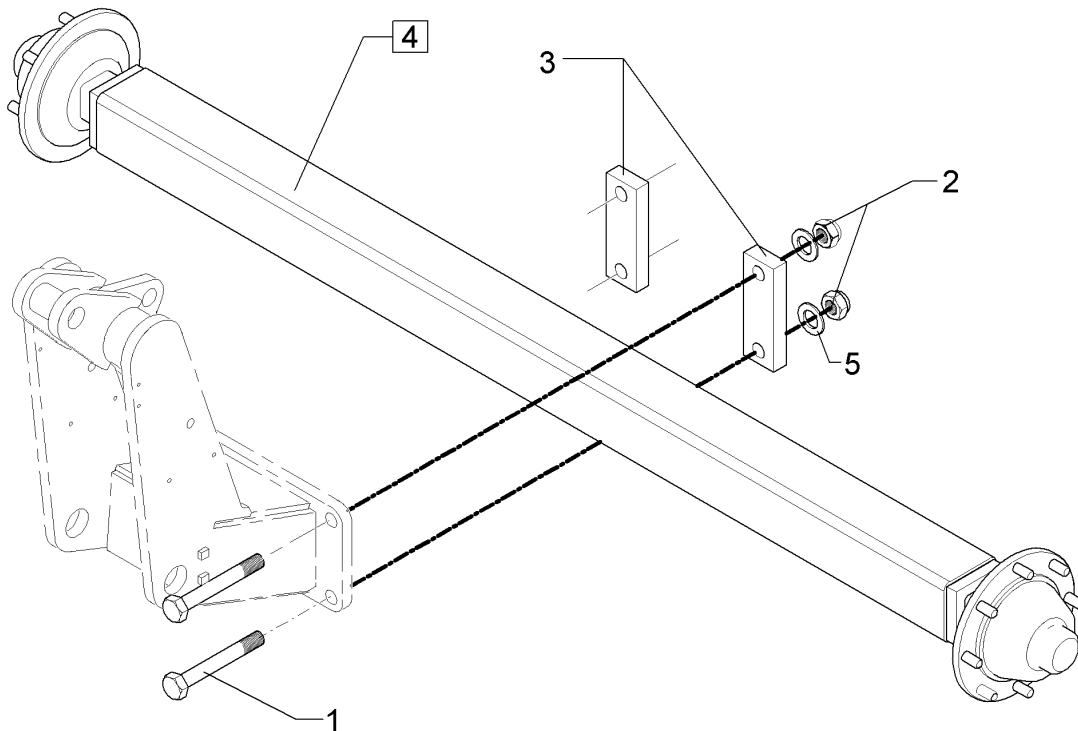
| | |
|------------------------|----------|
| Laufachse/Running axle | 1 |
| Rubin 9/400 KÜA | 650 8525 |



01.18

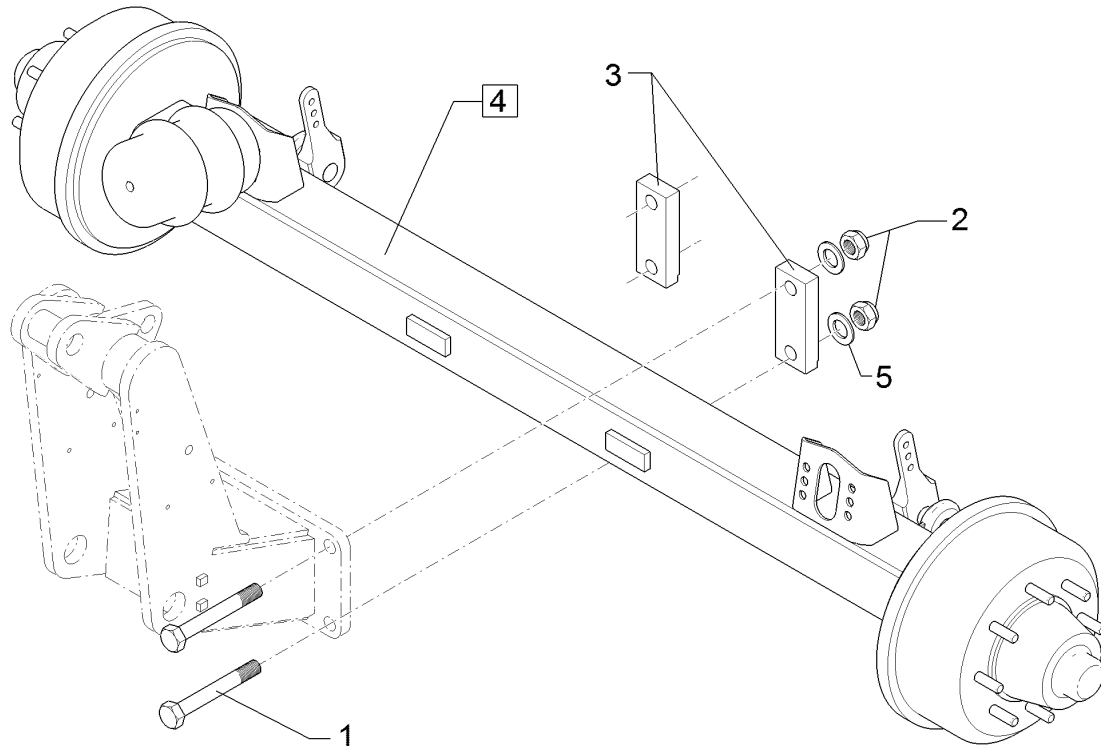
| Pos. | Art.Nr. | Stck. | Artikeltext / Description | | Abmessung |
|------|----------|-------|---------------------------|-----------------|-----------------------------------|
| 1 | 301 4906 | 4 | Sechskantschraube | Hexagon bolt | M30x260xb35-10.9 Zn |
| 2 | 303 0938 | 4 | Sicherungsmutter | Selflocking nut | NM30-8 Zn DIN985 |
| 3 | 459 1179 | 2 | Brücke | Clamp plate | 80x35x240 |
| 4 | 550 8520 | 1 | Laufachse | Running axle | 1x180-D31 GS7008 |
| 5 | 305 6327 | 8 | Scheibe | Washer | 55.67.001.014 60x31x6 Zn 200HV |

| | |
|------------------------|----------|
| Laufachse/Running axle | 1 |
| Rubin 9/400 KÜA | 650 8526 |



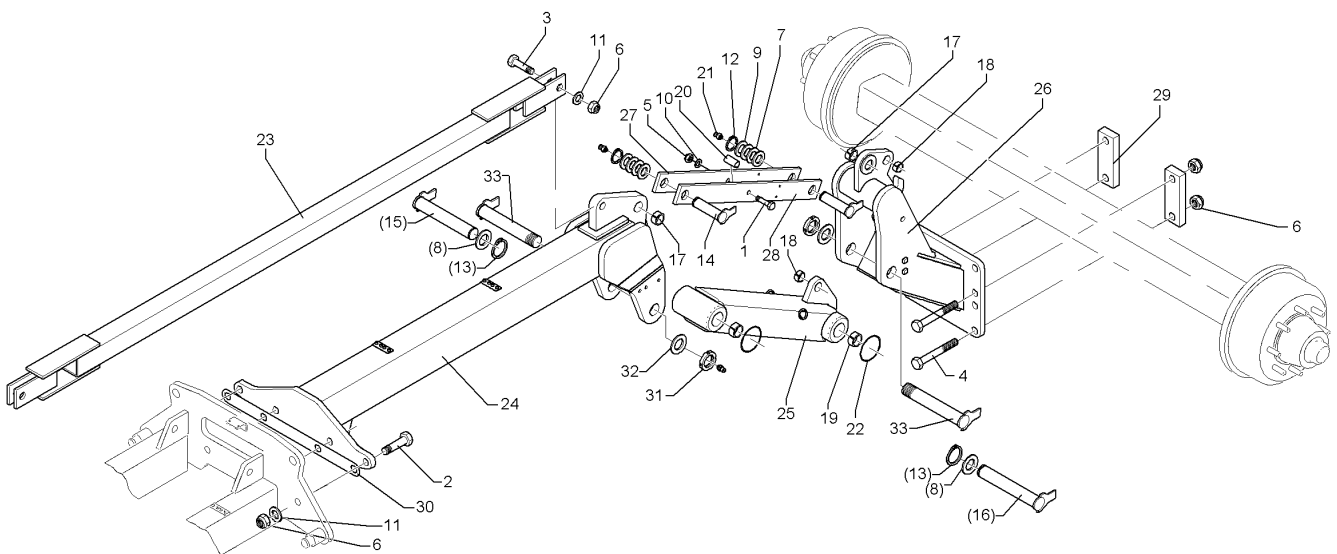
01.18

| Pos. | Art.Nr. | Stck. | Artikeltext / Description | | Abmessung |
|------|----------|-------|---------------------------|-----------------|--------------------------------------|
| 1 | 301 4906 | 4 | Sechskantschraube | Hexagon bolt | M30x260xb35-10.9 Zn |
| 2 | 303 0938 | 4 | Sicherungsmutter | Selflocking nut | NM30-8 Zn DIN985 |
| 3 | 459 1179 | 2 | Brücke | Clamp plate | 80x35x240 |
| 4 | 550 8516 | 1 | Laufachse | Running axle | 1x180-D31 GS12008 |
| 5 | 305 6327 | 8 | Scheibe | Washer | CO-55.72.001.007 60x31x6 Zn 200HV |

Bremsachse/Braking axle**1****Rubin 9/400 KÜA****650 8538**

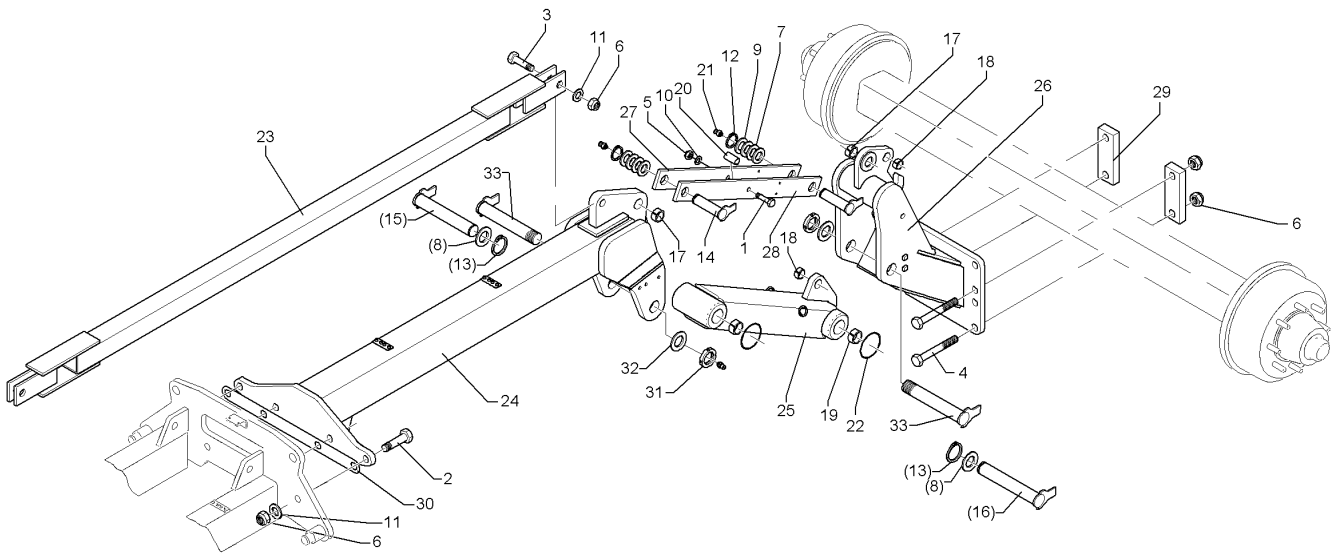
01.18

| Pos. | Art.Nr. | Stck. | Artikeltext / Description | | Abmessung |
|------|----------|-------|---------------------------|-----------------|--------------------------|
| 1 | 301 4906 | 4 | Sechskantschraube | Hexagon bolt | M30x260xb35-10.9 Zn |
| 2 | 303 0938 | 4 | Sicherungsmutter | Selflocking nut | NM30-8 Zn DIN985 |
| 3 | 459 1179 | 2 | Brücke | Clamp plate | 80x35x240 1x180-D31 |
| 4 | 550 8538 | 1 | Bremsachse | Braking axle | GS12008 55.72.460.040 |
| 5 | 305 6327 | 8 | Scheibe | Washer | 60x31x6 Zn 200HV |



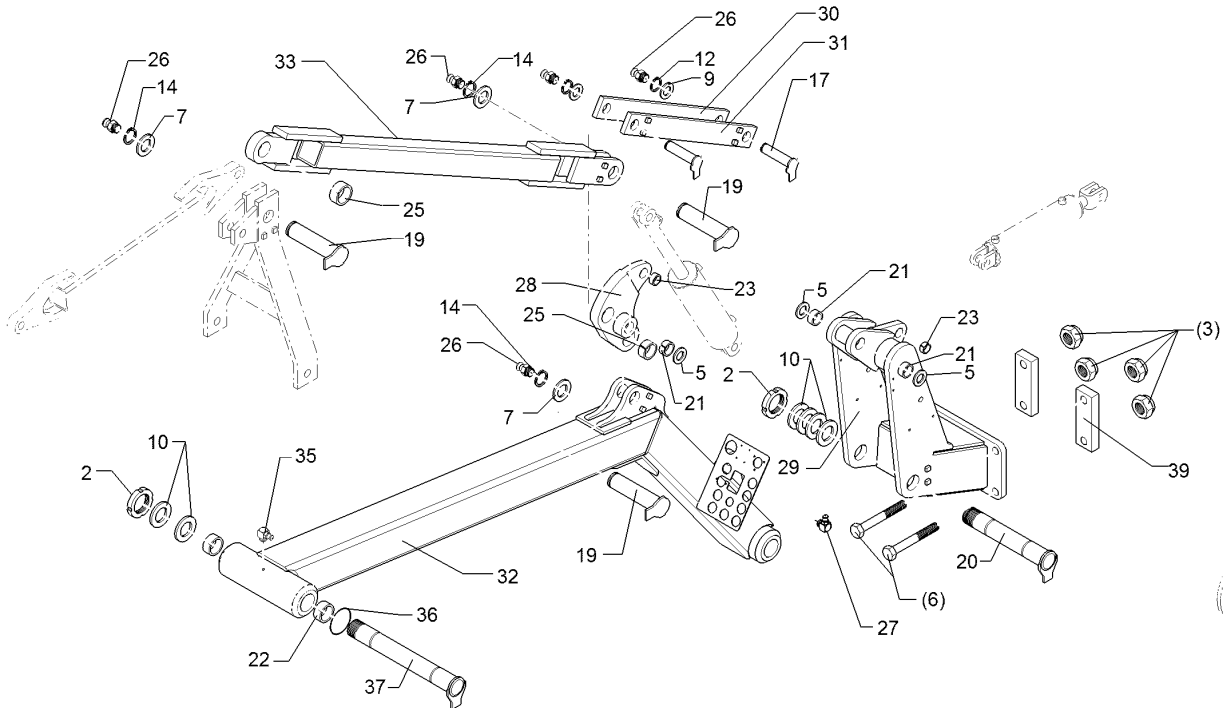
01.18

| Pos. | Art.Nr. | Stck. | Artikeltext / Description | | Abmessung |
|------|----------|-------|------------------------------|-------------------|-----------------------------------|
| 1 | 301 3997 | 1 | Sechskantschraube | Hexagon bolt | M16x100-8.8 Zn DIN931-A |
| 2 | 301 4873 | 4 | Sechskantschraube spz. | Hexagon bolt | M30x90-8.8 Zn |
| 3 | 301 4876 | 2 | Sechskantschraube gek. | Hexagon bolt | M30x120-10.9 Zn (160) DIN931-A |
| 4 | 301 4902 | 4 | Sechskantschraube | Hexagon bolt | M30x240-8.8 Zn DIN931-A |
| 5 | 303 0935 | 1 | Sicherungsmutter | Selflocking nut | NM16-8 Zn DIN985 |
| 6 | 303 0938 | 9 | Sicherungsmutter | Selflocking nut | NM30-8 Zn DIN985 |
| 7 | 305 2095 | 6 | Passscheibe | Shim | 40x50x1,0 DIN988 Zn |
| 8 | 305 2150 | 2 | Passscheibe | Shim | 50x62x1,0 DIN988 |
| 9 | 305 2250 | 2 | Stützscheibe | Supporting washer | S 40x50x2,5 DIN988 Zn |
| 10 | 305 6161 | 1 | Scheibe | Washer | 17/40x6 DIN7349 Zn |
| 11 | 305 6327 | 12 | Scheibe | Washer | 60x31x6 Zn 200HV |
| 12 | 305 8875 | 2 | Sicherungsring | Retaining ring | 40x2,5 DIN471 |
| 13 | 305 8877 | 2 | Sicherungsring | Retaining ring | 50x3 DIN471 |
| 14 | 313 4045 | 2 | Bolzen mit Verdrehsicherung | Pin with stop | D40x82/101 Zn |
| 15 | 313 5031 | 1 | Bolzen mit Verdrehsicherung | Pin with stop | D50x265/290-M10x1 Zn |
| 16 | 313 5033 | 1 | Bolzen mit Verdrehsicherung | Pin with stop | D50x254/279-M10x1 Zn |
| 17 | 317 2012 | 2 | Einspannbuchse mit Presssitz | Expansion bush | EG40/44x40 |
| 18 | 317 3360 | 2 | Einspannbuchse mit Presssitz | Expansion bush | EG30/38x25 |
| 19 | 317 3433 | 4 | Einspannbuchse | Expansion bush | EG50+0,05+0,15/60x40 |



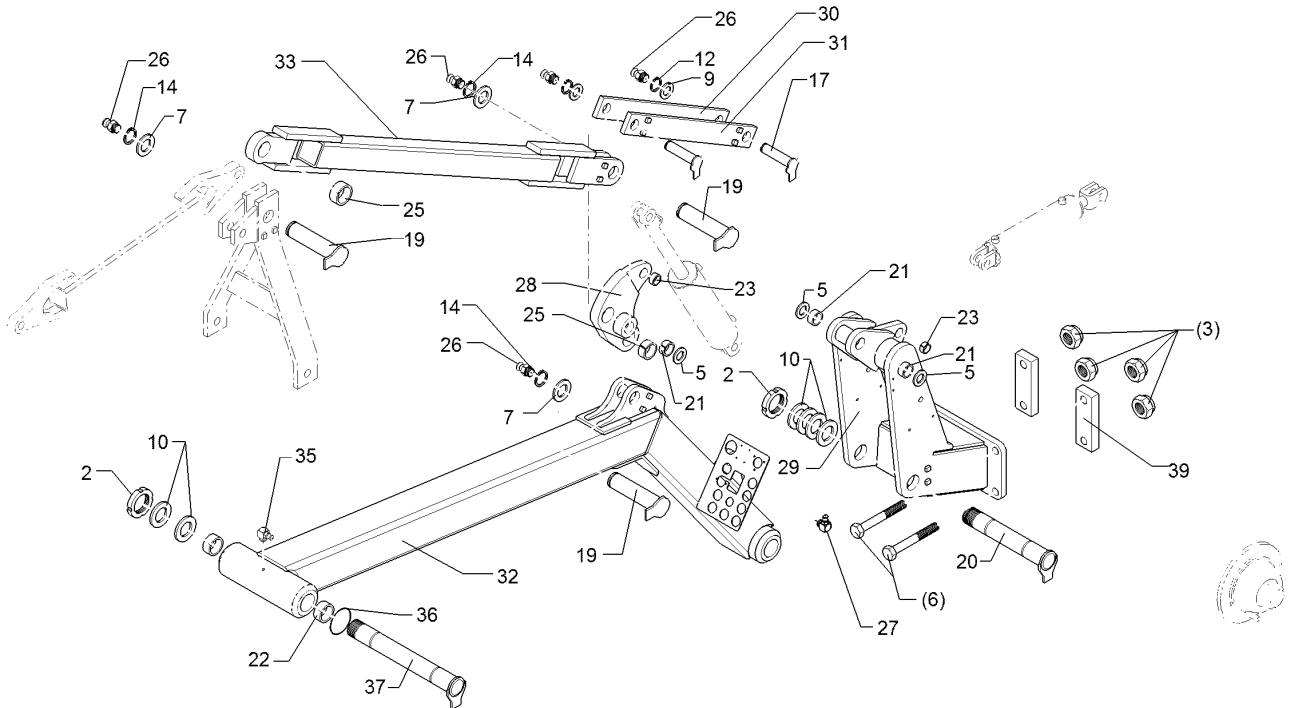
01.18

| Pos. | Art.Nr. | Stck. | Artikeltext / Description | | Abmessung |
|------|----------|-------|-----------------------------|-------------------|-----------------------------|
| 20 | 317 6889 | 1 | Röhrchen | Tube | D38x10x40 Zn |
| 21 | 323 6348 | 4 | Schmiernippel | Grease nipple | AM10x1 DIN71412 |
| 22 | 375 1295 | 4 | O-Ring | O-ring | 80x4-80Shore Viton83 |
| 23 | 450 8553 | 1 | Strebe | Strut | 90x90x2972 |
| 24 | 450 8559 | 1 | Ausleger | Arm | Rubin 9 KA |
| 25 | 450 8538 | 1 | Lenker | Link | 140x140x780 D50x200 |
| 26 | 450 8539 | 1 | Ausleger Sm 9/KA "B" | Boom | D50x200 |
| 27 | 450 8540 | 1 | Lenker | Link | 80x15x860 2xD40 2xD16,5 |
| 28 | 450 8541 | 1 | Lenker | Link | 80x15x860 2xD40 2xD16,5 |
| 29 | 459 1179 | 2 | Brücke | Clamp plate | 80x35x240 1x180-D31 |
| 30 | 459 6571 | 1 | Brücke | Clamp plate | 60x2x760 4xD32 |
| 31 | 303 0351 | 2 | Nutmutter | Grooved nut | M50x1,5 SI |
| 32 | 305 2255 | 2 | Stützscheibe | Supporting washer | S 50x62x3 DIN988 Zn |
| 33 | 313 5043 | 2 | Bolzen mit Verdrehsicherung | Pin with stop | D50x290-M50X1,5-M10x1 Zn |



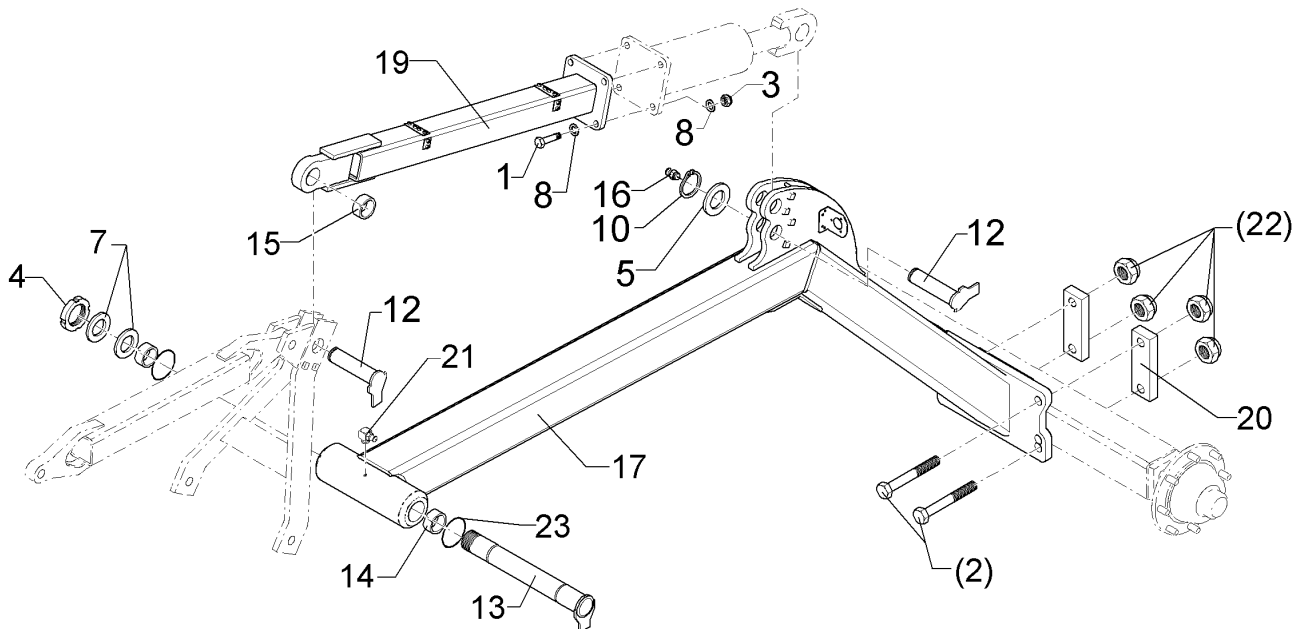
01.18

| Pos. | Art.Nr. | Stck. | Artikeltext / Description | | Abmessung |
|------|----------|-------|------------------------------|-------------------|----------------------------------|
| 2 | 303 0339 | 2 | Nutmutter | Grooved nut | M60x2 SI |
| 3 | 303 0938 | 4 | Sicherungsmutter | Selflocking nut | NM30-8 Zn DIN985 |
| 5 | 305 2095 | 4 | Passscheibe | Shim | 40x50x1,0 DIN988 Zn |
| 6 | 301 4906 | 4 | Sechskantschraube | Hexagon bolt | M30x260xb35-10.9 Zn |
| 7 | 305 2150 | 3 | Passscheibe | Shim | 50x62x1,0 DIN988 |
| 9 | 305 2250 | 2 | Stützscheibe | Supporting washer | S 40x50x2,5 DIN988 Zn |
| 10 | 305 2261 | 6 | Stützscheibe | Supporting washer | S 60x75x3 DIN988 Zn |
| 12 | 305 8875 | 2 | Sicherungsring | Retaining ring | 40x2,5 DIN471 |
| 14 | 305 8877 | 3 | Sicherungsring | Retaining ring | 50x3 DIN471 |
| 17 | 313 4047 | 2 | Bolzen mit Verdrehsicherung | Pin with stop | D40x162,5/182 Zn |
| 19 | 313 5041 | 3 | Bolzen mit Verdrehsicherung | Pin with stop | D50/55x85/110 |
| 20 | 313 6031 | 1 | Bolzen mit Verdrehsicherung | Pin with stop | M10x1 Zn D60x305/340 M60X2 Zn |
| 21 | 317 2009 | 4 | Einspannbuchse mit Presssitz | Expansion bush | EG40/45x25 |
| 22 | 317 3393 | 4 | Einspannbuchse | Expansion bush | EG60/70x50-DIN1498 |
| 23 | 317 3360 | 2 | Einspannbuchse mit Presssitz | Expansion bush | EG30/38x25 |
| 25 | 317 3434 | 3 | Einspannbuchse | Expansion bush | EG50/60x40-DIN1498 |
| 26 | 323 6348 | 8 | Schmiernippel | Grease nipple | AM10x1 DIN71412 |
| 27 | 323 6349 | 1 | Schmiernippel | Grease nipple | CM10x1 DIN71412-90 GRD |
| 28 | 450 0530 | 1 | Hebel | Lever | D40x121 Rubin B |



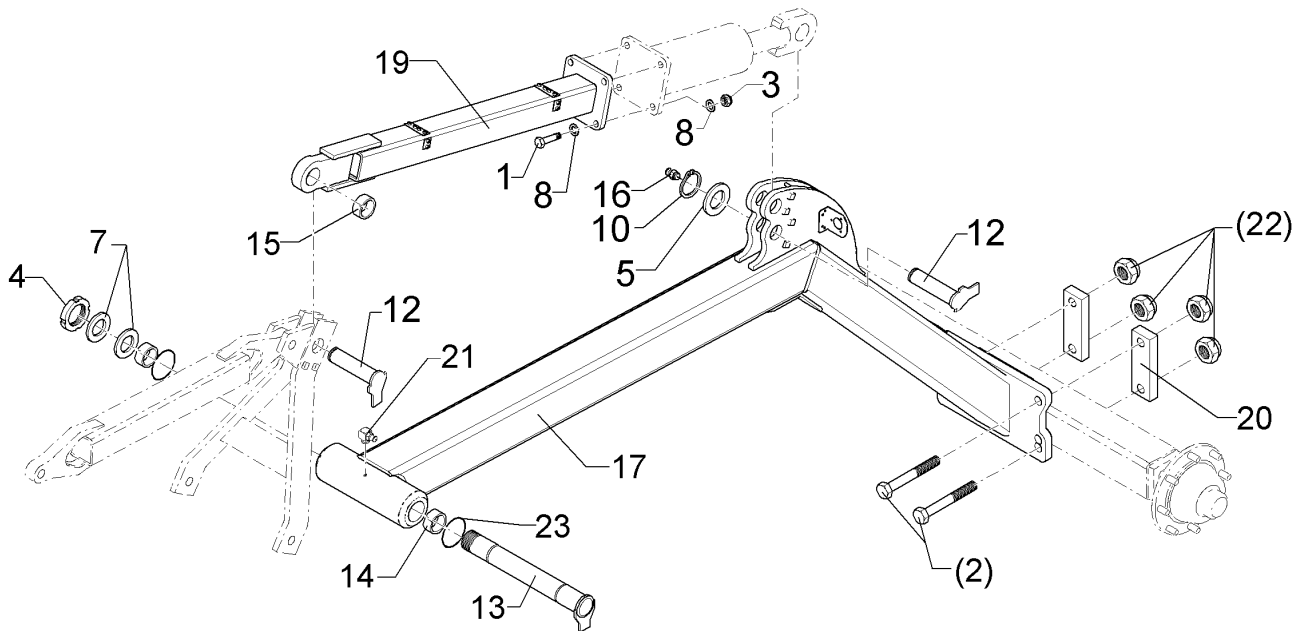
01.18

| Pos. | Art.Nr. | Stck. | Artikeltext / Description | | Abmessung |
|------|----------|-------|----------------------------|---------------|-----------------------------------|
| 29 | 450 8591 | 1 | Achsbock | Axle trestle | D60x240 |
| 30 | 450 8611 | 1 | Lenker | Link | 80x20x740 2xD40 1xD16 |
| 31 | 450 8612 | 1 | Lenker m. Verdrehsicherung | Link | 80x20x740 2xD40 |
| 32 | 450 8610 | 1 | Ausleger | Arm | 160x2500/940 2xD60x239/399 |
| 33 | 450 8613 | 1 | Strebe | Strut | 2x80x20-2000 Rubin "B" |
| 35 | 323 6350 | 1 | Schmiernippel | Grease nipple | BM10x1 DIN71412-4kt. 45 GRD |
| 36 | 375 1295 | 4 | O-Ring | O-ring | 80x4-80Shore Viton83 |
| 37 | 313 6043 | 1 | Bolzen | Pin | FM D60x465/500 M60X2 Zn |
| 39 | 459 1179 | 2 | Brücke | Clamp plate | 80x35x240 1x180-D31 |



01.18

| Pos. | Art.Nr. | Stck. | Artikeltext / Description | | Abmessung |
|------|----------|-------|-----------------------------|-------------------|------------------------------------|
| 1 | 301 5412 | 4 | Sechskantschraube | Hexagon bolt | M20x70-8.8 Zn |
| 2 | 301 4906 | 4 | Sechskantschraube | Hexagon bolt | DIN931-A M30x260xb35-10.9 Zn |
| 3 | 303 0936 | 4 | Sicherungsmutter | Selflocking nut | NM20-8 Zn DIN985 |
| 4 | 303 0339 | 1 | Nutmutter | Grooved nut | M60x2 SI |
| 5 | 305 2150 | 4 | Passscheibe | Shim | 50x62x1,0 DIN988 |
| 7 | 305 2261 | 2 | Stützscheibe | Supporting washer | S 60x75x3 DIN988 Zn |
| 8 | 305 6012 | 8 | Scheibe | Washer | 21 ISO7089 Zn |
| 10 | 305 8877 | 2 | Sicherungsring | Retaining ring | 50x3 DIN471 |
| 12 | 313 5041 | 2 | Bolzen mit Verdrehsicherung | Pin with stop | D50/55x85/110 M10x1 Zn |
| 13 | 313 6043 | 1 | Bolzen | Pin | FM D60x465/500 M60X2 Zn |
| 14 | 317 3393 | 2 | Einspannbuchse | Expansion bush | EG60/70x50-DIN1498 |
| 15 | 317 3434 | 1 | Einspannbuchse | Expansion bush | EG50/60x40-DIN1498 |
| 16 | 323 6348 | 2 | Schmiernippel | Grease nipple | AM10x1 DIN71412 |
| 17 | 450 8615 | 1 | Ausleger | Arm | 160x160 Rubin (B) |
| 19 | 450 8614 | 1 | Strebe | Strut | 100x100x1288 Rubin (B) |
| 20 | 459 1179 | 2 | Brücke | Clamp plate | 80x35x240 1x180-D31 |
| 21 | 323 6350 | 1 | Schmiernippel | Grease nipple | BM10x1 DIN71412-4kt. 45 |
| 22 | 303 0938 | 4 | Sicherungsmutter | Selflocking nut | GRD NM30-8 Zn DIN985 |

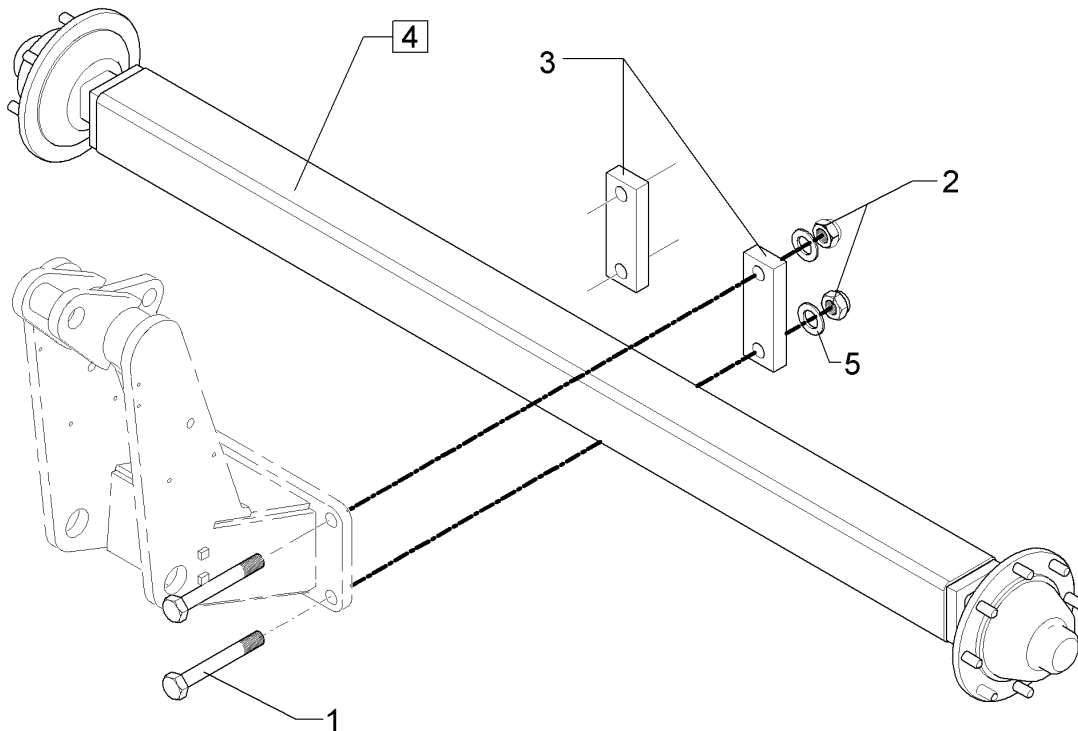


01.18

| Pos. | Art.Nr. | Stck. | Artikeltext / Description | Abmessung |
|------|----------|-------|---------------------------|----------------------|
| 23 | 375 1295 | 2 | O-Ring | 80x4-80Shore Viton83 |

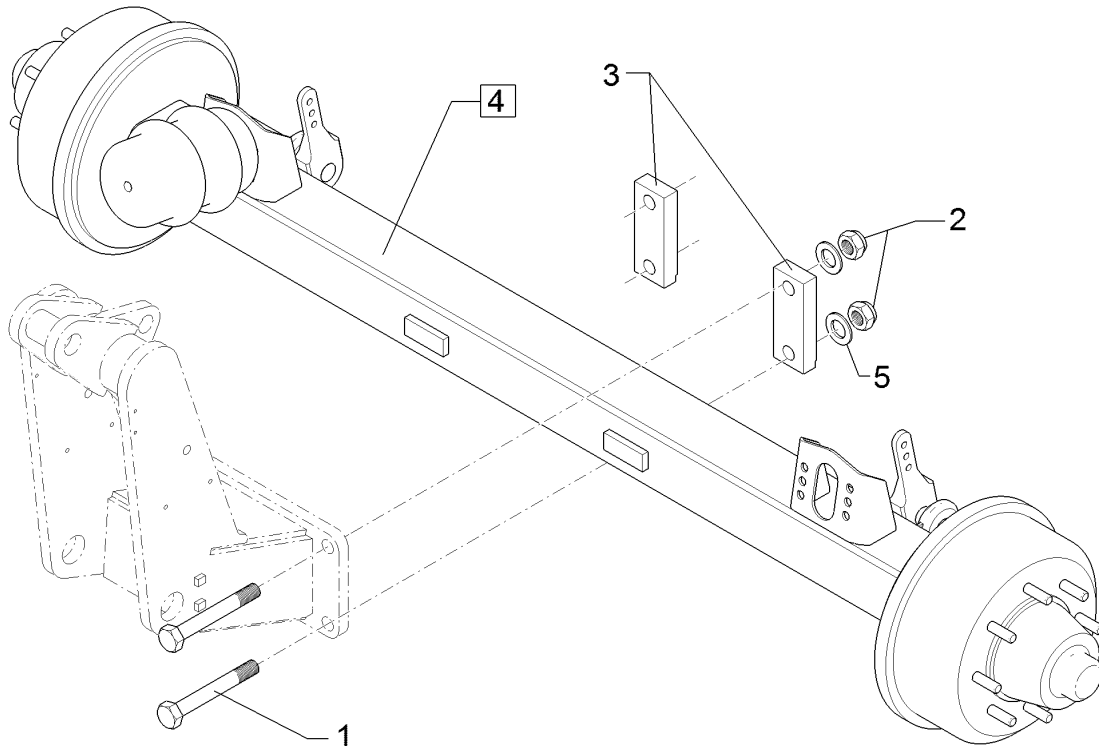
| | |
|-------------------------------|----------|
| Laufachse/Running axle | 1 |
|-------------------------------|----------|

| | |
|------------------------|-----------------|
| Rubin 9/400 KÜA | 65010019 |
|------------------------|-----------------|



01.18

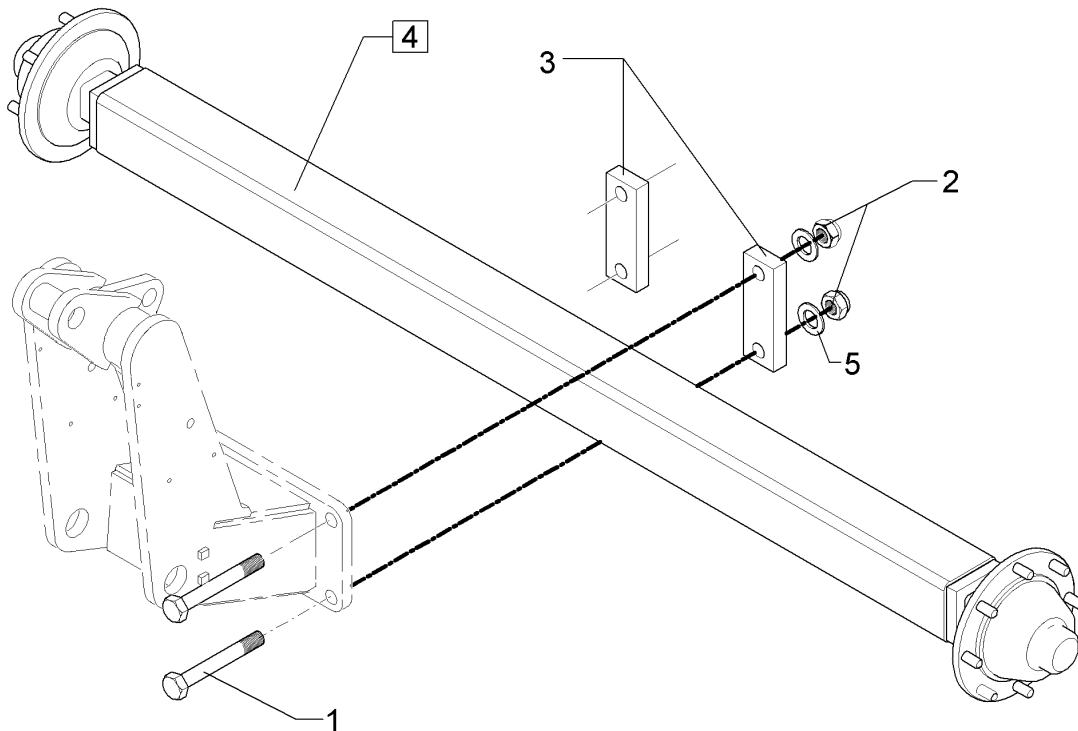
| Pos. | Art.Nr. | Stck. | Artikeltext / Description | | Abmessung |
|------|----------|-------|---------------------------|-----------------|--|
| 1 | 301 4906 | 4 | Sechskantschraube | Hexagon bolt | M30x260xb35-10.9 Zn |
| 2 | 303 0938 | 4 | Sicherungsmutter | Selflocking nut | NM30-8 Zn DIN985 |
| 3 | 459 1179 | 2 | Brücke | Clamp plate | 80x35x240 1x180-D31 |
| 4 | 55010025 | 1 | Laufachse | Running axle | 150x10x3230 |
| 5 | 305 6327 | 8 | Scheibe | Washer | 8xM20x1,5-D275/220 60x31x6 Zn 200HV |

Bremsachse/Braking axle**1****Rubin 9/400 KÜA****65010101**

01.18

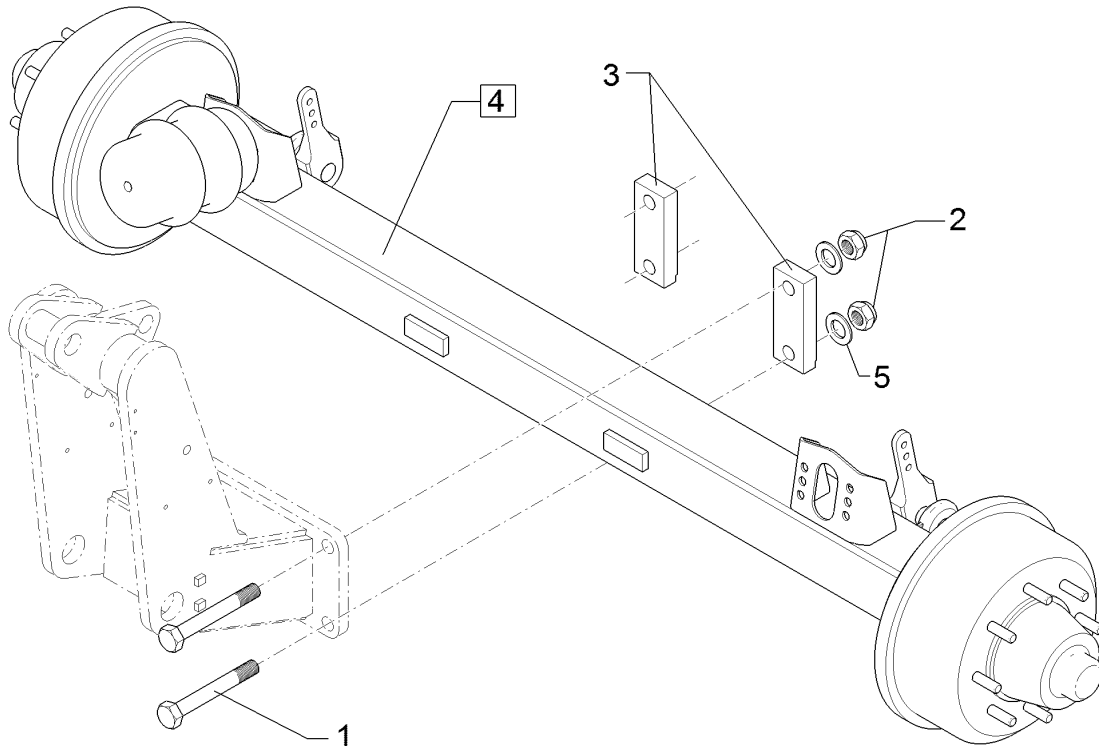
| Pos. | Art.Nr. | Stck. | Artikeltext / Description | | Abmessung |
|------|----------|-------|---------------------------|-----------------|------------------------|
| 1 | 301 4906 | 4 | Sechskantschraube | Hexagon bolt | M30x260xb35-10.9 Zn |
| 2 | 303 0938 | 4 | Sicherungsmutter | Selflocking nut | NM30-8 Zn DIN985 |
| 3 | 459 1179 | 2 | Brücke | Clamp plate | 80x35x240 1x180-D31 |
| 4 | 55010220 | 1 | Bremsachse | Braking axle | GS12010 150x16x2350 |
| 5 | 305 6327 | 8 | Scheibe | Washer | 60x31x6 Zn 200HV |

| | |
|------------------------|----------|
| Laufachse/Running axle | 1 |
| Rubin 9/400 KÜA | 65010102 |



01.18

| Pos. | Art.Nr. | Stck. | Artikeltext / Description | | Abmessung |
|------|----------|-------|---------------------------|-----------------|------------------------|
| 1 | 301 4906 | 4 | Sechskantschraube | Hexagon bolt | M30x260xb35-10.9 Zn |
| 2 | 303 0938 | 4 | Sicherungsmutter | Selflocking nut | NM30-8 Zn DIN985 |
| 3 | 459 1179 | 2 | Brücke | Clamp plate | 80x35x240 |
| 4 | 55010221 | 1 | Laufachse | Running axle | 1x180-D31 GS12010 |
| 5 | 305 6327 | 8 | Scheibe | Washer | 60x31x6 Zn 200HV |

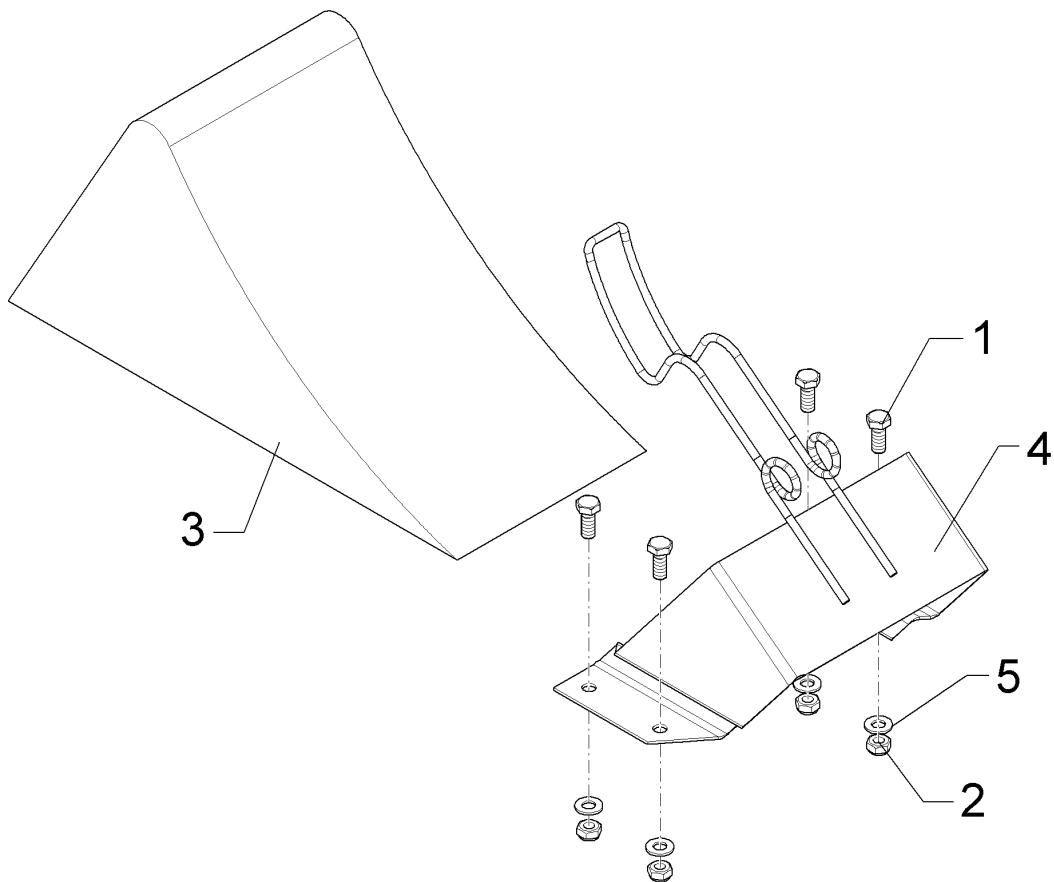


01.18

| Pos. | Art.Nr. | Stck. | Artikeltext / Description | | Abmessung |
|------|----------|-------|---------------------------|-----------------|-------------------------|
| 1 | 301 4906 | 4 | Sechskantschraube | Hexagon bolt | M30x260xb35-10.9 Zn |
| 2 | 303 0938 | 4 | Sicherungsmutter | Selflocking nut | NM30-8 Zn DIN985 |
| 3 | 459 1179 | 2 | Brücke | Clamp plate | 80x35x240 1x180-D31 |
| 4 | 55010248 | 1 | Bremsachse | Braking axle | GS 12008 150x16x2530 |
| 5 | 305 6327 | 8 | Scheibe | Washer | 60x31x6 Zn 200HV |

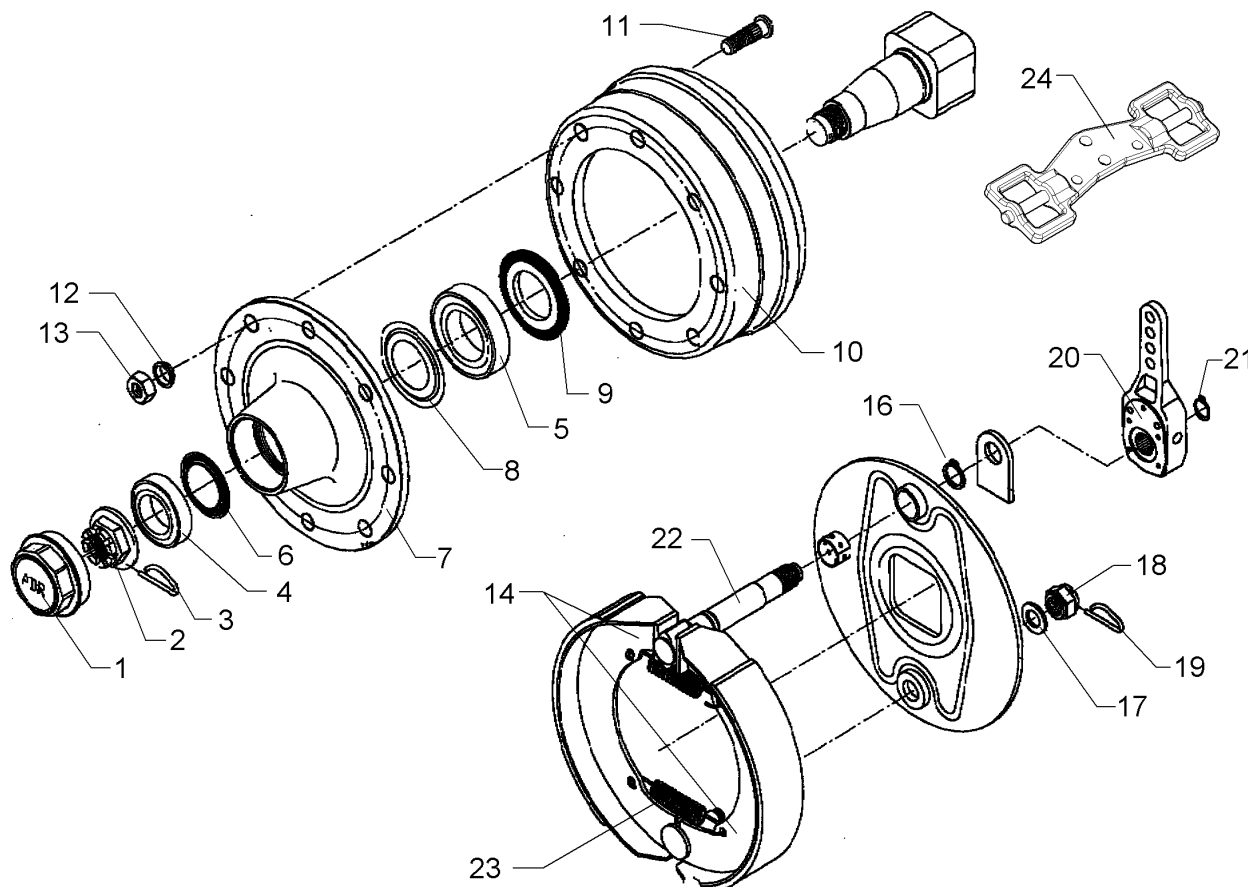
| | |
|---------------------------------|----------|
| Unterlegkeil/Wheel chock | 1 |
|---------------------------------|----------|

| | |
|------------------------|-----------------|
| Rubin 9/400 KÜA | 67010116 |
|------------------------|-----------------|



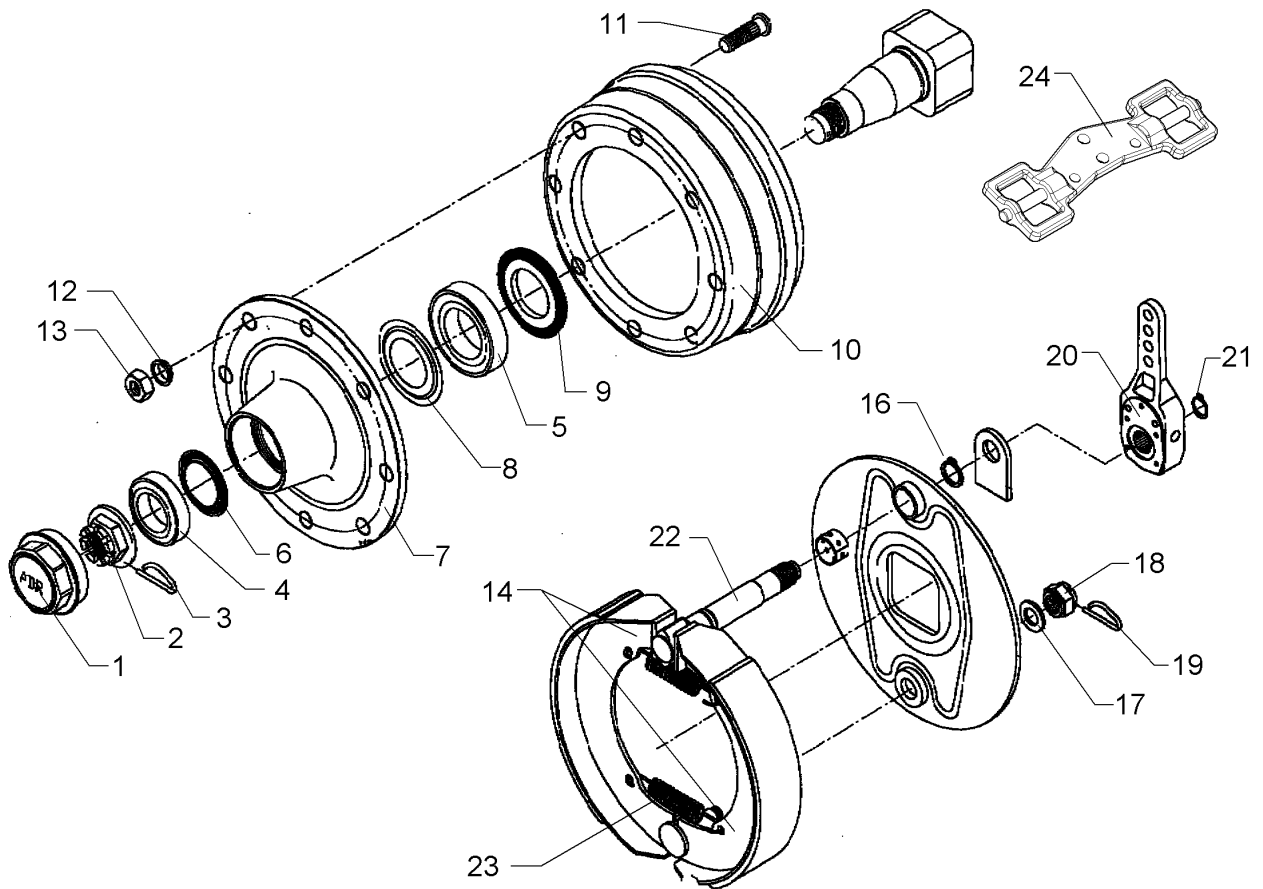
01.18

| Pos. | Art.Nr. | Stck. | Artikeltext / Description | | Abmessung |
|------|----------|-------|---------------------------|-------------------|------------------------|
| 1 | 301 7280 | 4 | Sechskantschraube | Hexagon bolt | M8x25-8.8 Zn DIN933 |
| 2 | 303 0932 | 4 | Sicherungsmutter | Selflocking nut | NM8-8 Zn DIN985 |
| 3 | 321 9942 | 1 | Unterlegkeil | Wheel chock | NG53 DIN76051 |
| 4 | 321 9943 | 1 | Halter zum Unterlegekeil | Carrier for wedge | NG53 122853.001 |
| 5 | 305 8694 | 8 | Scheibe | Washer | A8,4 DIN125-St Zn |



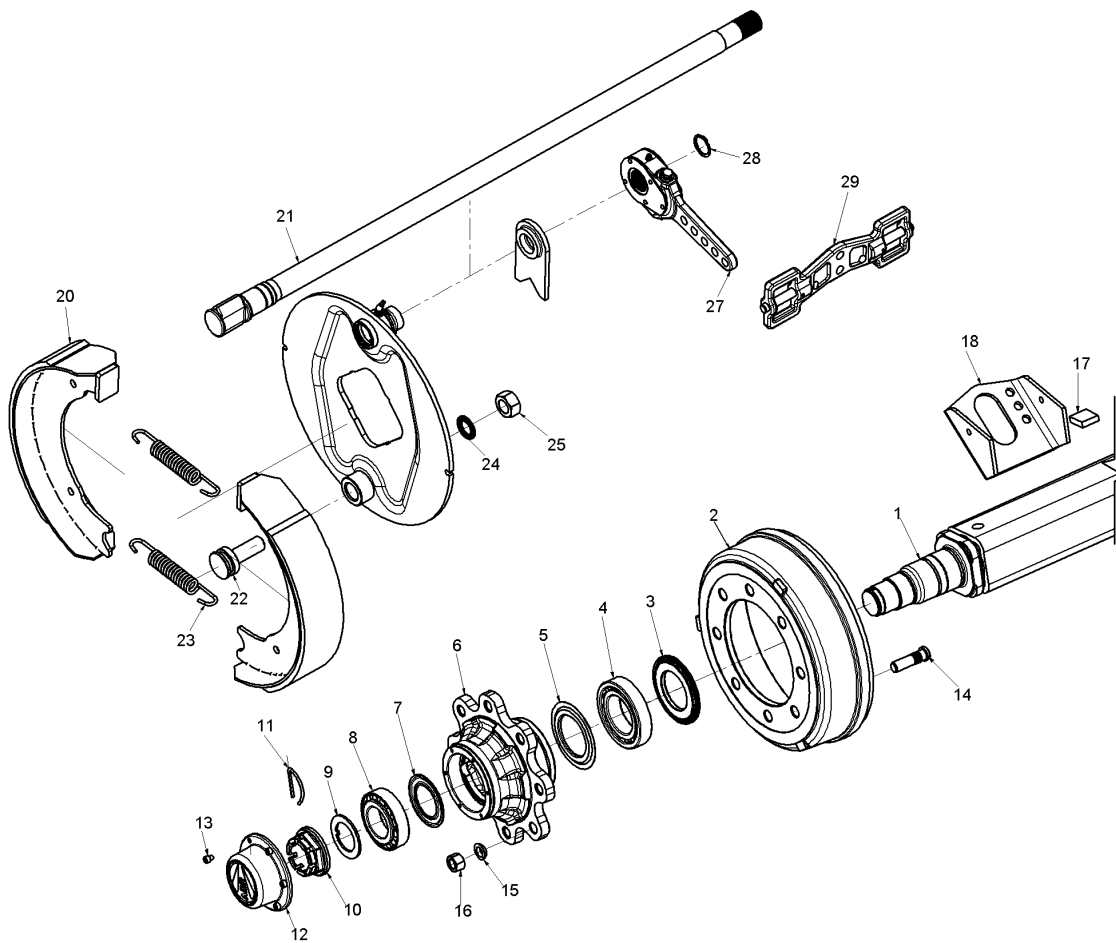
01.18

| Pos. | Art.Nr. | Stck. | Artikeltext / Description | | Abmessung |
|------|----------|-------|-----------------------------|-------------------------|------------------------|
| 1 | 323 1312 | 2 | Schlagkappe | Lug strap | ADR D100 |
| 2 | 303 0176 | 2 | Kronenmutter | Castle nut | M48x1,5 |
| 3 | 329 3543 | 2 | Sicherungsklammer | Safety clamp | 48 |
| 4 | 319 9158 | 2 | Kegelrollenlager | Tapered roller bearing | 32211. |
| 5 | 319 9168 | 2 | Kegelrollenlager | Tapered roller bearing | 33214 |
| 6 | 323 1806 | 2 | Nilos-Ring | Nilos ring | 915PA57 |
| 7 | 450 6912 | 2 | Radnabe | Wheel hub | 8/220/275 D100 ADR |
| 8 | 323 1807 | 2 | Nilos-Ring | Nilos ring | 32214 |
| 9 | 323 7629 | 2 | Dichtung zum Lager | Seal | 32214 |
| 10 | 450 6913 | 2 | Bremstrommel | Brake drum | D400x80 ADR |
| 11 | 301 6435 | 16 | Radschraube | Wheel bolt | M20x1,5 |
| 12 | 305 9932 | 16 | Federring mit Kugelbund | Spring ring | C20 DIN74361 |
| 13 | 303 6423 | 16 | Flachbundmutter | Flat collar nut | M20x1,5 Zn SW30 |
| 14 | 450 6804 | 2 | Bremsbacken mit Belag 1Satz | Brake-shoe with lining | D400x80 ADR |
| 15 | 317 9488 | 2 | Buchse für Bremswelle | Bush | ADR |
| 16 | 305 8871 | 2 | Sicherungsring | Retaining ring | 38x1,75 DIN471 Zn |
| 17 | 305 6254 | 2 | Scheibe | Washer | D25/44x4 Zn ISO7089 |
| 18 | 303 0177 | 2 | Kronenmutter | Castle nut | M24 |
| 19 | 329 3544 | 2 | Sicherungsklammer | Safety clamp | 24 |
| 20 | 450 6847 | 2 | Gestängesteller | Linkage control element | D32 ADR |
| 21 | 305 8861 | 2 | Sicherungsring | Retaining ring | 25x2 DIN471 Zn |
| 22 | 450 6854 | 2 | Bremsnockenwelle | Brake camshaft | D35x1050 |



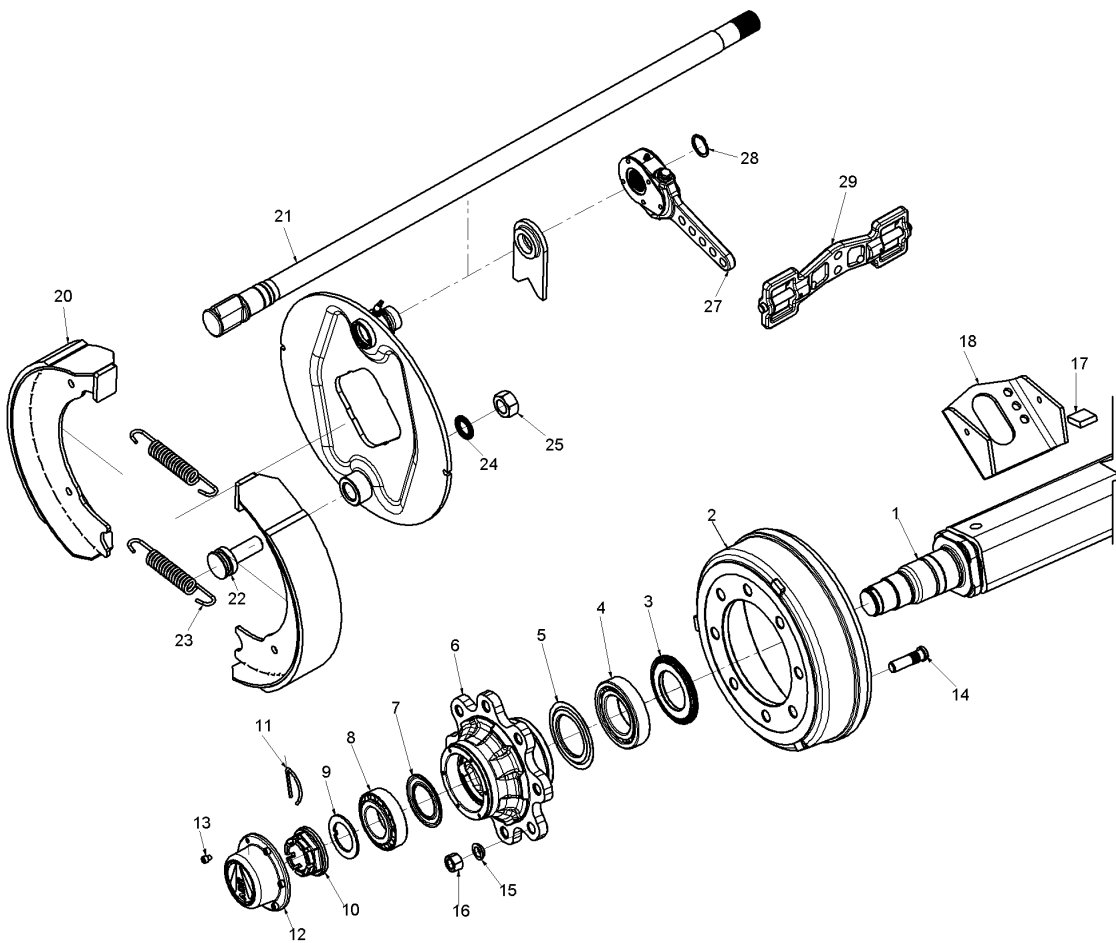
01.18

| Pos. | Art.Nr. | Stck. | Artikeltext / Description | Abmessung | |
|------|----------|-------|---------------------------|-------------------|-------------------------------------|
| 23 | 329 8559 | 2 | Zugfeder Bremsbacke | Spring | |
| 24 | 45010020 | 1 | Bremswaage | Brake balance bar | ADR 400x80 D14x290 ADR 768102 |



01.18

| Pos. | Art.Nr. | Stck. | Artikeltext / Description | Abmessung | |
|------|----------|-------|-----------------------------|-------------------------|---------------------|
| 2 | 45010077 | 2 | Bremstrommel | Brake drum | D400x80 8-Loch |
| 3 | 32310095 | 2 | Dichtung | Seal | - |
| 4 | 319 9175 | 2 | Kegelrollenlager | Tapered roller bearing | 32216 DIN720 |
| 5 | 323 1815 | 2 | Nilos-Ring | Nilos ring | 32216 AV |
| 6 | 45010076 | 2 | Radnabe | Wheel hub | 120-140 220-275 |
| 7 | 32310094 | 2 | Nilos-Ring | Nilos ring | 32213 AV |
| 8 | 319 9160 | 2 | Kegelrollenlager | Tapered roller bearing | 32213. |
| 9 | 30510098 | 2 | Scheibe mit Nasen | Washer | M58 |
| 10 | 30310053 | 2 | Kronenmutter | Castle nut | M58x1,5 |
| 11 | 32910033 | 2 | Sicherungsklammer | Safety clamp | M58 |
| 12 | 32310093 | 2 | Radkappe | Hub cap | D125 |
| 13 | 30110247 | 12 | Schraube | Screw | - |
| 15 | 305 9932 | 16 | Federring mit Kugelbund | Spring ring | C20 DIN74361 |
| 16 | 303 6423 | 16 | Flachbundmutter | Flat collar nut | M20x1,5 Zn SW30 |
| 17 | 30110246 | 16 | Radschraube | Wheel bolt | M20x1,5x80 |
| 20 | 45010074 | 2 | Bremsbacken mit Belag 1Satz | Brake-shoe with lining | D400x80 408E |
| 21 | 45010075 | 2 | Bremsnockenwelle | Brake camshaft | D35x1050 |
| 22 | 31310077 | 2 | Bolzen | Pin | 408E |
| 23 | 32910034 | 42 | Zugfeder Bremsbacke | Spring | D25x162 |
| 24 | 30510099 | 2 | Scheibe | Washer | für M24 |
| 25 | 303 0996 | 2 | Sechskantmutter | Hexagon nut | M24x1,5 DIN934-8 Zn |
| 27 | 450 6847 | 2 | Gestängesteller | Linkage control element | D32 ADR |
| 28 | 305 8868 | 2 | Sicherungsring | Retaining ring | 32x1,5 DIN471 Zn |

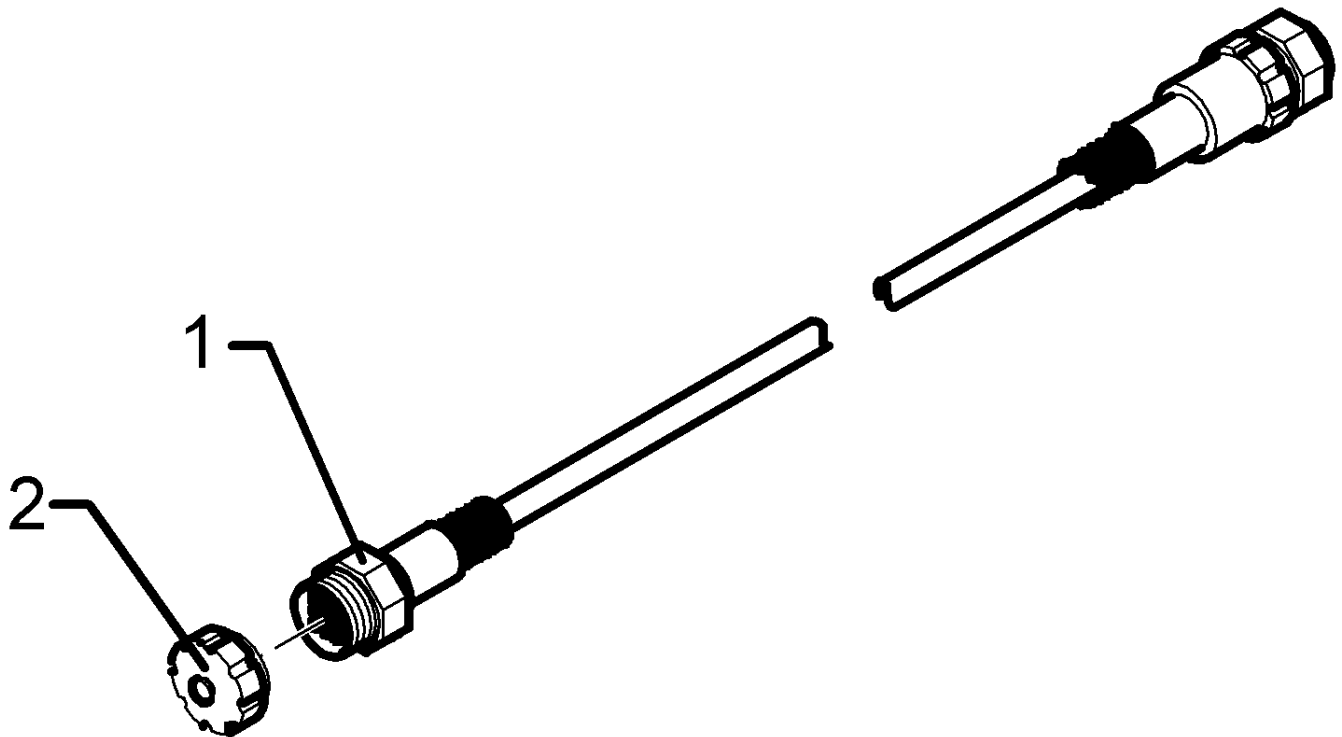


01.18

| Pos. | Art.Nr. | Stck. | Artikeltext / Description | Abmessung |
|------|----------|-------|---------------------------------|-----------------------|
| 29 | 45010020 | 1 | Bremswaage Brake balance bar | D14x290 ADR 768102 |

| | |
|------------------------------------|---|
| Verlängerungskabel/Extension cable | 2 |
|------------------------------------|---|

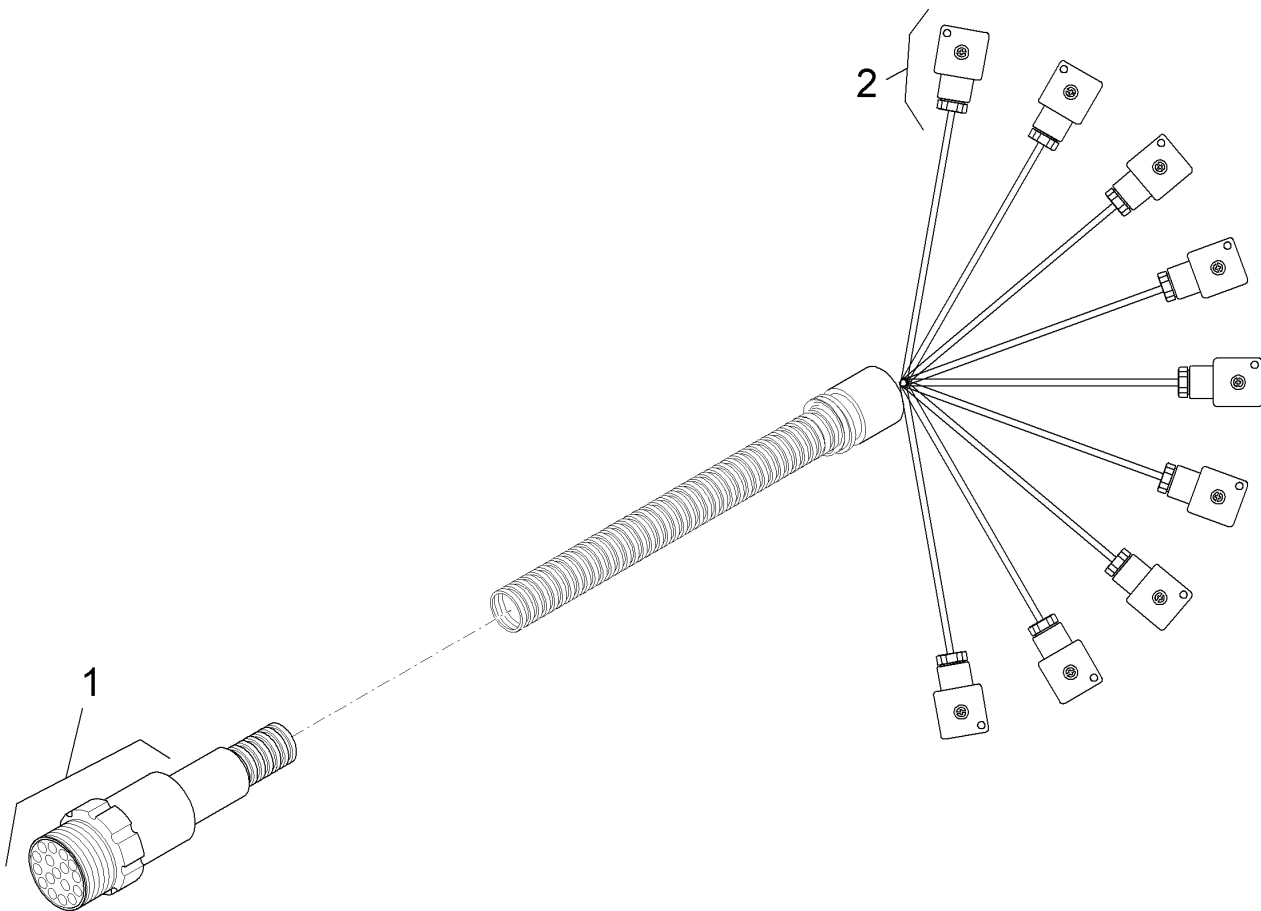
| | |
|-----------------|----------|
| Rubin 9/400 KÜA | 373 4306 |
|-----------------|----------|



01.18

| Pos. | Art.Nr. | Stck. | Artikeltext / Description | | Abmessung |
|------|----------|-------|---------------------------|------------|-----------------|
| 1 | 373 2153 | 1 | Buchse rund | Jack round | 22-polig LH5000 |
| 2 | 373 2163 | 1 | Staubschutzkappe | Dust cap | BG-23 AG |

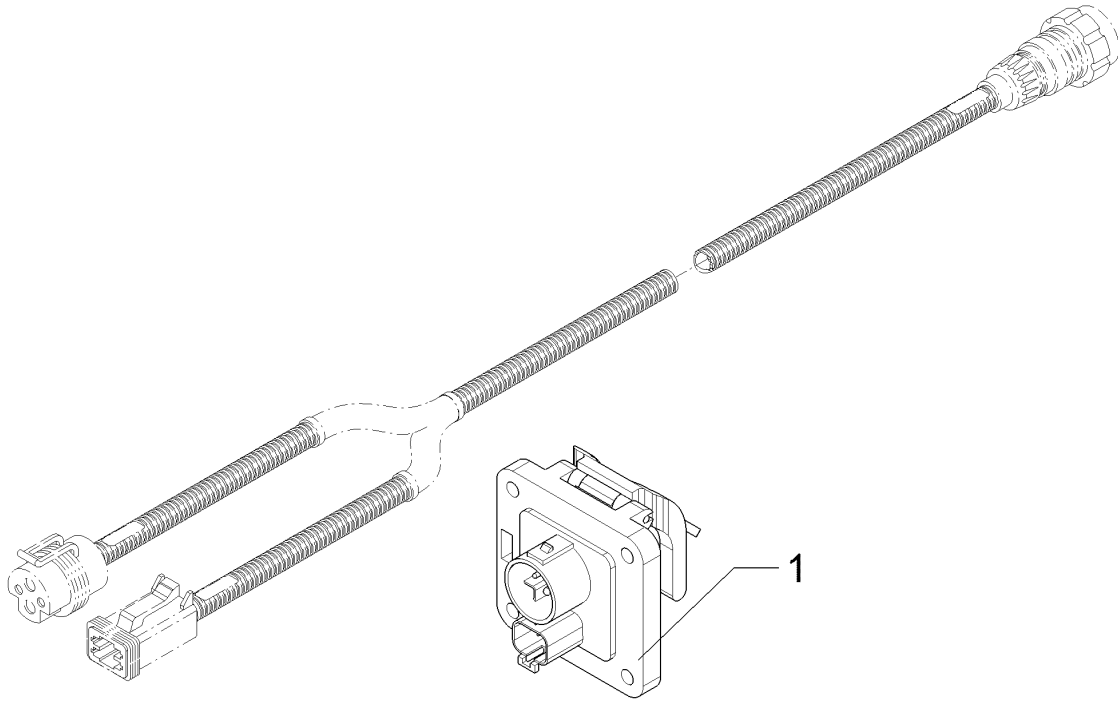
| | |
|----------------------|----------|
| Kabelbaum/Cable form | 2 |
| Rubin 9/400 KÜA | 573 5082 |



01.18

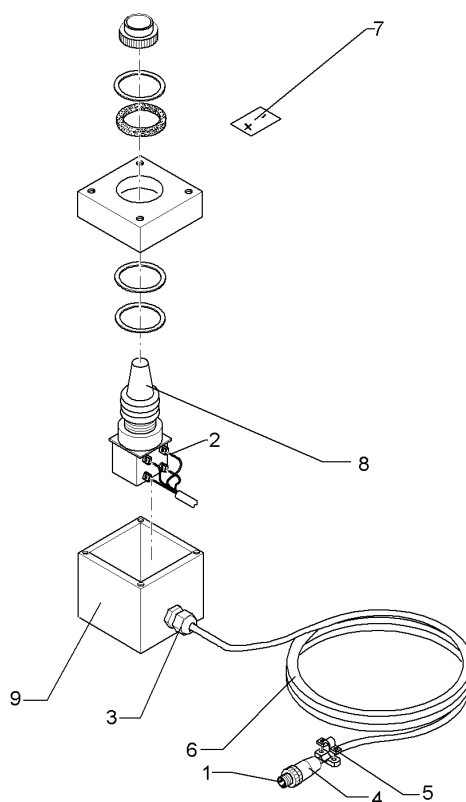
| Pos. | Art.Nr. | Stck. | Artikeltext / Description | | Abmessung |
|------|----------|-------|-----------------------------|----------------------------|-----------------|
| 1 | 573 5086 | 1 | Buchse 17-polig | Jack 17-poles | CM 06 EA 20-29S |
| 2 | 373 2158 | 9 | Magnetventil-Stecker +Diode | Electro valve plug + diode | 3-polig 27x27 |

| | |
|------------------------------------|----------|
| Verlängerungskabel/Extension cable | 2 |
| Rubin 9/400 KÜA | 57310152 |



01.18

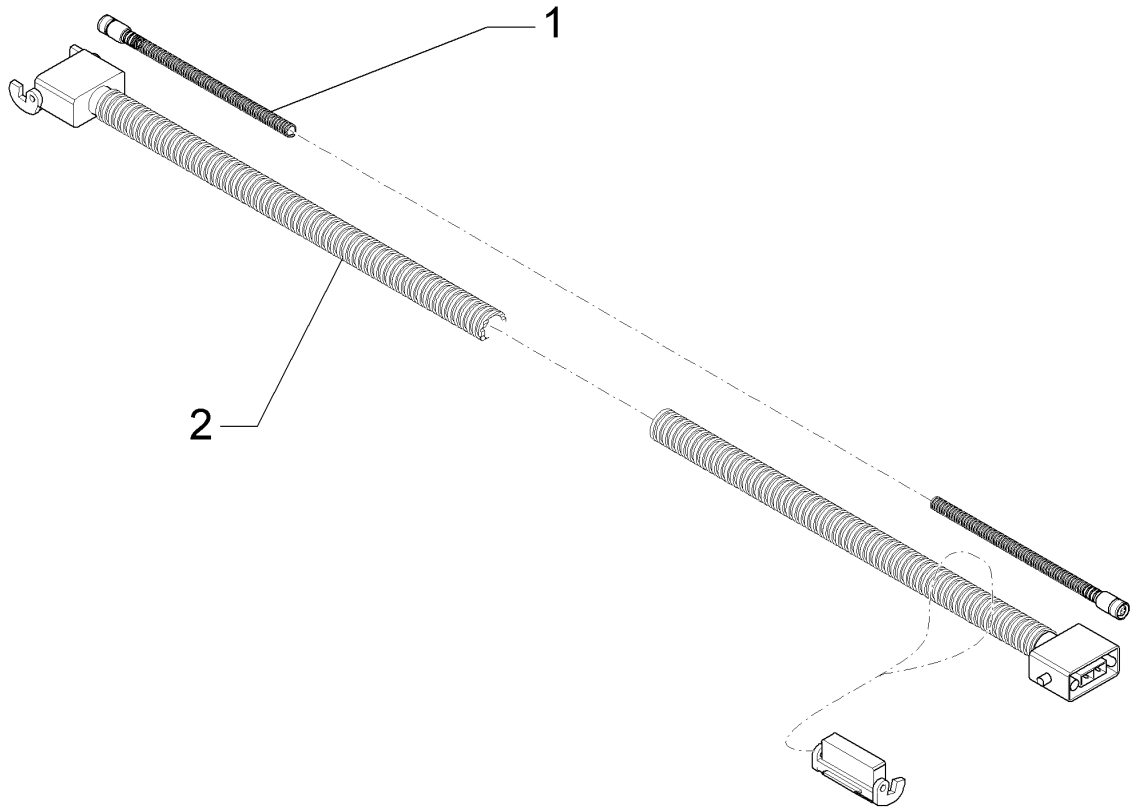
| Pos. | Art.Nr. | Stck. | Artikeltext / Description | | Abmessung |
|------|----------|-------|---------------------------|------|-------------|
| 1 | 37310087 | 1 | Buchse | Bush | ISOBUS IBBC |



01.18

| Pos. | Art.Nr. | Stck. | Artikeltext / Description | | Abmessung |
|------|----------|-------|-------------------------------|----------------------------|-----------------------|
| 1 | 373 0300 | 4 | Stiftkontakt | Pin contact | Typ III 0,75-1,5 |
| 2 | 373 0453 | 5 | Aderendhülse | Multicore cable end | 0,75x8 grau |
| 3 | 373 0766 | 1 | Kabelverschraubung | Screw-type conduit fitting | PG9 |
| 4 | 373 2170 | 1 | Stecker | Plug | 4-polig BG-11 IG |
| 5 | 373 2171 | 1 | Kabelklemme mit Zugentlastung | Clamp | BG-11 |
| 6 | 373 4136 | 1 | Kabel gelb | Cable, yellow | 4x0,75 |
| 7 | 390 9002 | 1 | Aufkleber | Label | Joystickbox |
| 8 | 573 4610 | 1 | Joystickschalter | Joystick-switch | 2-Schaltstellungen |
| 9 | 573 4611 | 1 | Gehäuse | Housing | 80x75x75,5 RAL5015 |

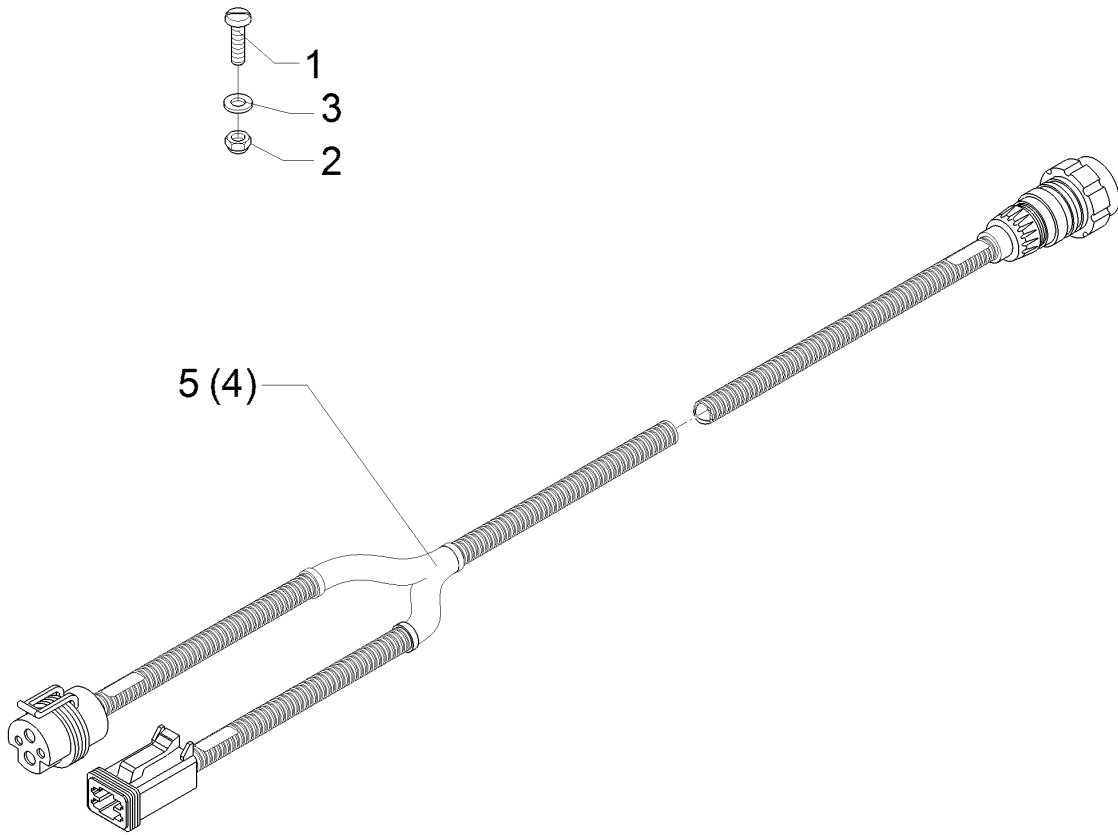
| | |
|-------------------------------|-----------------|
| Verlängerung/Extension | 2 |
| Rubin 9/400 KÜA | 673 6163 |



01.18

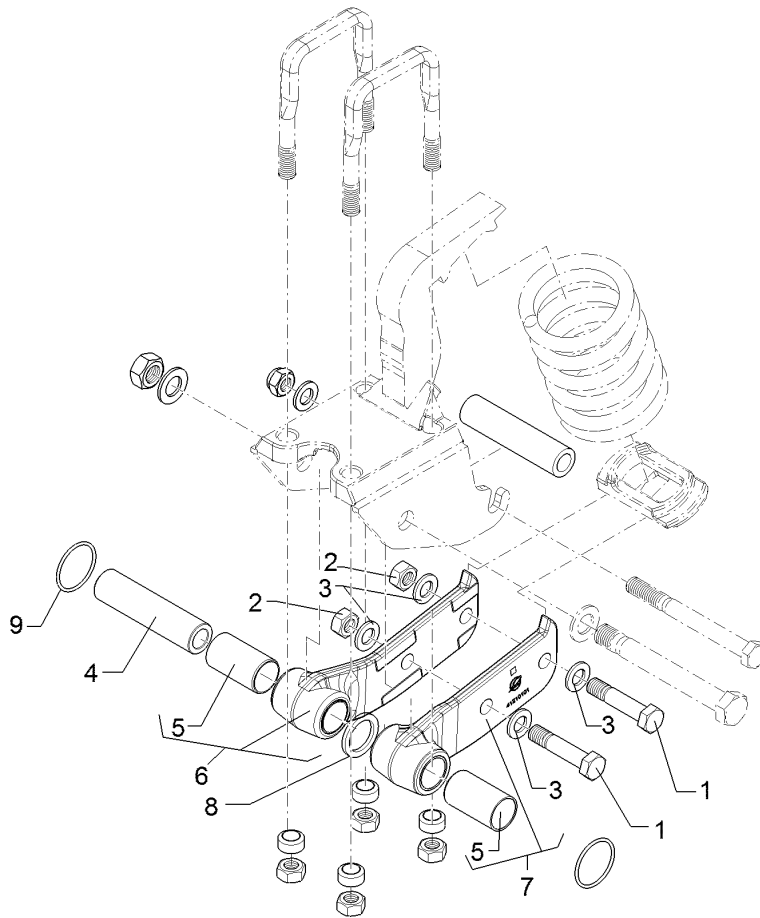
| Pos. | Art.Nr. | Stck. | Artikeltext / Description | | Abmessung |
|------|----------|-------|----------------------------|------------------|--|
| 1 | 573 6170 | 1 | Verbindungsleitung 8-polig | Connection cable | 10m mit Schutzkappen 8m Solitronic |
| 2 | 573 6163 | 1 | Spannungsverlängerung | Extension cable | |

| | |
|---|-----------------|
| Verlängerungskabel/Extension cable | 2 |
| Rubin 9/400 KÜA | 67310157 |



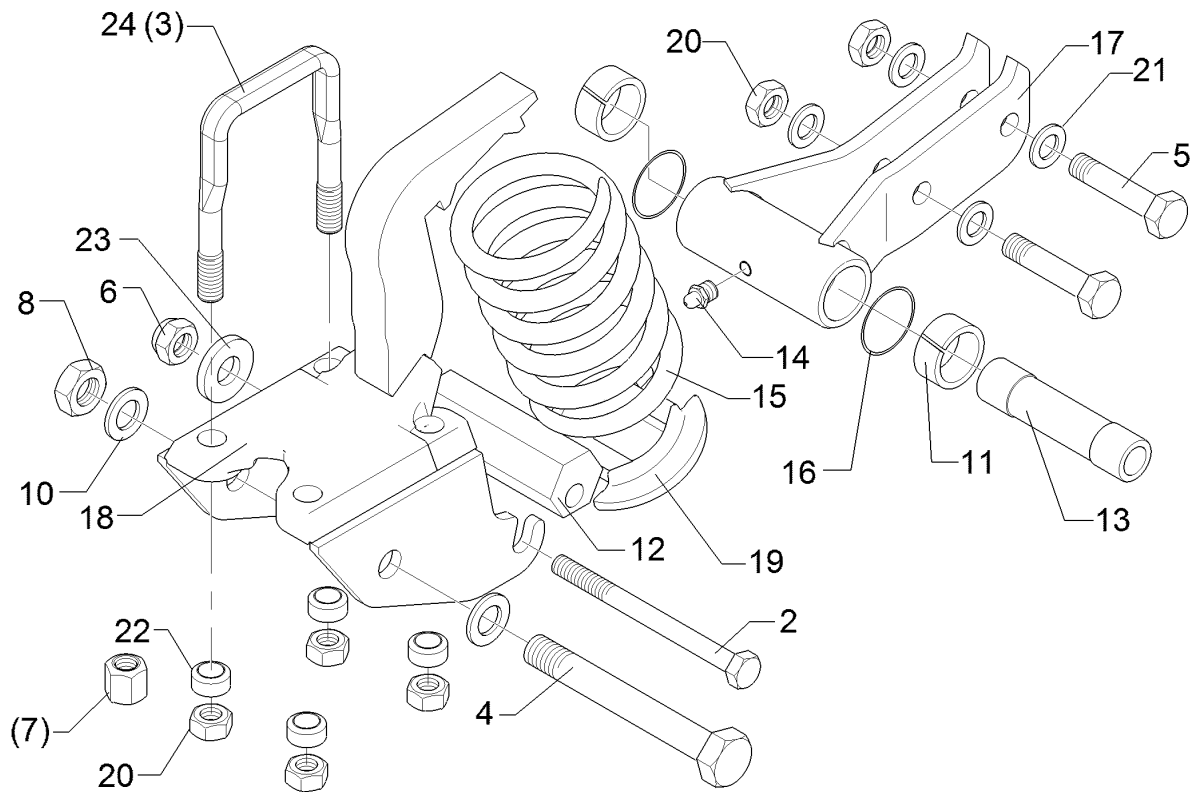
01.18

| Pos. | Art.Nr. | Stck. | Artikeltext / Description | | Abmessung |
|------|----------|-------|---------------------------|-----------------|-------------------------|
| 1 | 301 0301 | 4 | Linsenschraube | Oval head screw | M6x20-4,6 Zn DIN7985 |
| 2 | 303 0931 | 4 | Sicherungsmutter | Selflocking nut | NM6-8 Zn DIN985 |
| 3 | 305 8571 | 4 | Scheibe | Washer | 6,4 DIN125-A Zn |
| 4 | 57310152 | 1 | Verlängerungskabel | Extension cable | Isobus 10m |
| 5 | 57310480 | 1 | Verlängerungskabel | Extension cable | ISOBUS 10m 25qmm |



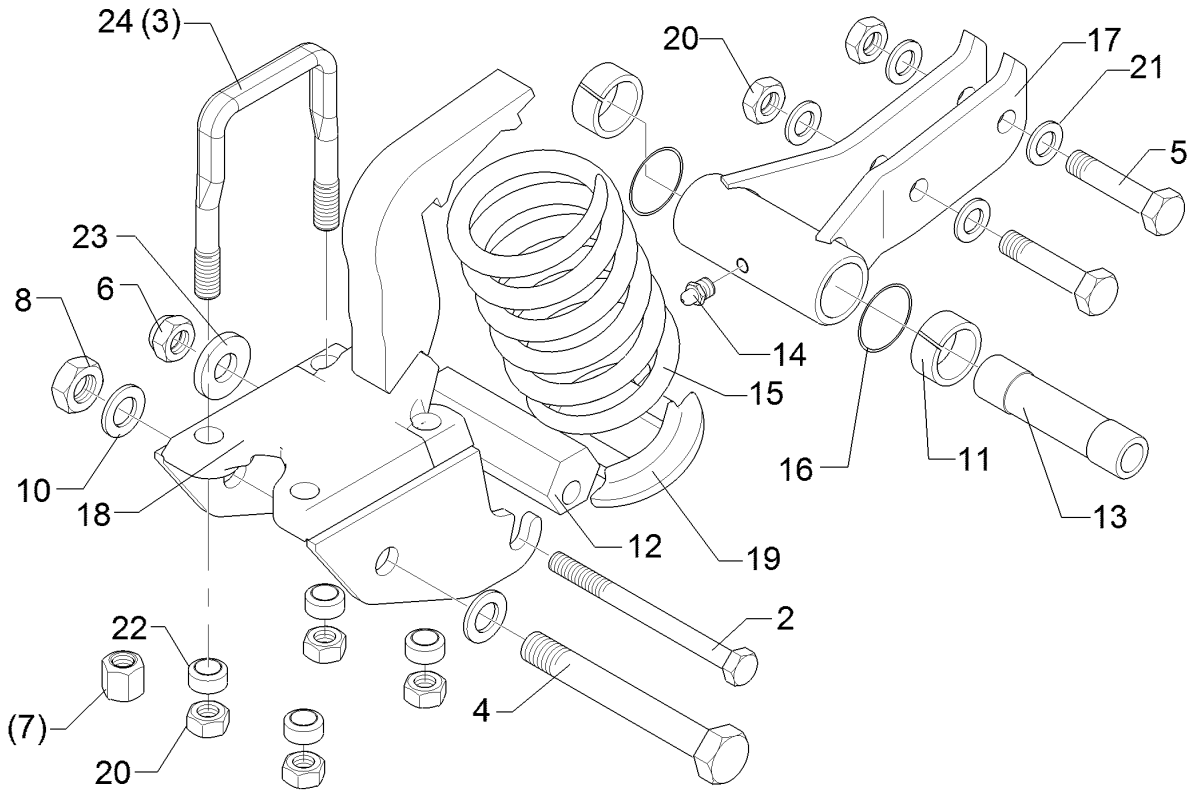
01.18

| Pos. | Art.Nr. | Stck. | Artikeltext / Description | | Abmessung |
|------|----------|-------|---------------------------|-----------------|-------------------------|
| 1 | 301 5361 | 2 | Sechskantschraube spz. | Hexagon bolt | M16x75-12.9 Zn |
| 2 | 303 0971 | 2 | Sechskantmutter | Hexagon nut | M16 DIN934-10 Zn |
| 3 | 305 6141 | 4 | Scheibe | Washer | 17/30x3 DIN/ISO-7089 |
| 4 | 31710080 | 1 | Buchse | Bush | D32/20,1x128 A2-V |
| 5 | 31710081 | 2 | Gleitlager | Sleeve bearing | D36/32x63 |
| 6 | 51210014 | 1 | Taschenlagerung | Bracket bearing | Rubin(D) RE |
| 7 | 51210015 | 1 | Taschenlagerung | Bracket bearing | Rubin(D) LI |
| 8 | 32310104 | 1 | Dichtung | Seal | D45/33x4 |
| 9 | 375 1226 | 2 | O-Ring | O-ring | 46x3-80Shore Viton83 |



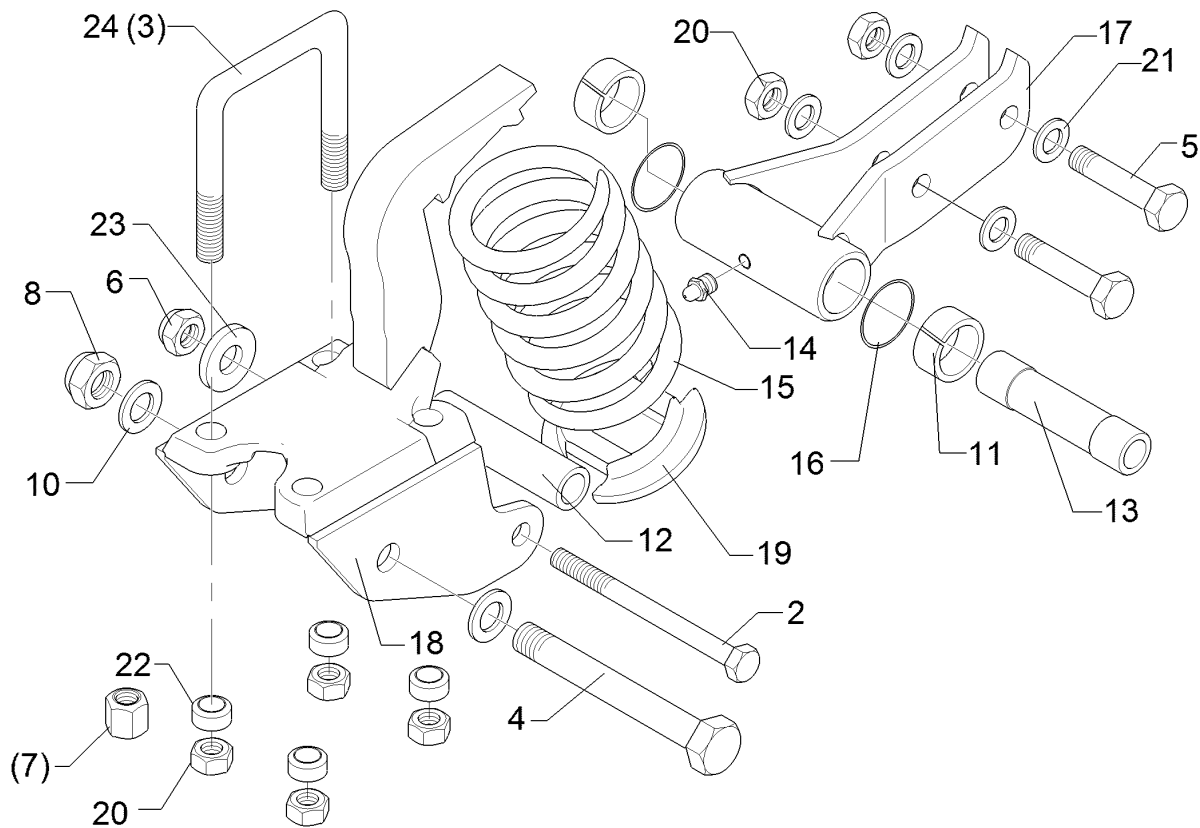
01.18

| Pos. | Art.Nr. | Stck. | Artikeltext / Description | | Abmessung |
|------|----------|-------|---------------------------|--------------------|------------------------------|
| 2 | 30110345 | 1 | Sechskantschraube spz. | Hexagon bolt | M16x165-10.9 Zn |
| 3 | 301 7795 | 2 | Bügelsschraube | U-bolt | M16/90/135 (382) Zn |
| 4 | 301 4523 | 1 | Sechskantschraube spezial | Hexagon bolt | M20x1,5x170s144xb23-10.9 Zn |
| 5 | 301 5361 | 2 | Sechskantschraube spz. | Hexagon bolt | M16x75-12.9 Zn |
| 6 | 303 0935 | 1 | Sicherungsmutter | Selflocking nut | NM16-8 Zn DIN985 |
| 7 | 303 0954 | 4 | Sechskantmutter | Hexagon nut | M16 DIN 6330-10 Form B |
| 8 | 303 0977 | 1 | Sechskantmutter | Hexagon nut | M20x1,5 DIN934-10 Zn |
| 10 | 305 6012 | 2 | Scheibe | Washer | 21 ISO7089 Zn |
| 11 | 317 3422 | 2 | Einspannbuchse | Expansion bush | EG30/38x25 |
| 12 | 317 7701 | 1 | Exzenter | Eccentric | SW41x125 D16,25 Zn |
| 13 | 317 7199 | 1 | Hülse | Bushing | D30/20,1x128-2xL25 |
| 14 | 323 6348 | 1 | Schmiernippel | Grease nipple | AM10x1 DIN71412 |
| 15 | 329 8467 | 1 | Druckfeder | Compression spring | 14x97x218 |
| 16 | 375 1226 | 2 | O-Ring | O-ring | 46x3-80Shore Viton83 |
| 17 | 412 8103 | 1 | Taschenlagerung | Bracket bearing | D51x128 60x25 Rubin 9 |
| 18 | 412 8091 | 1 | Halmtasche | Bracket | 90x90/D20x128-D18 Rubin-B HI |
| 19 | 427 8170 | 1 | Lager | Bearing | D110/27x83 Zn Rubin 9 |
| 20 | 303 0971 | 6 | Sechskantmutter | Hexagon nut | M16 DIN934-10 Zn |



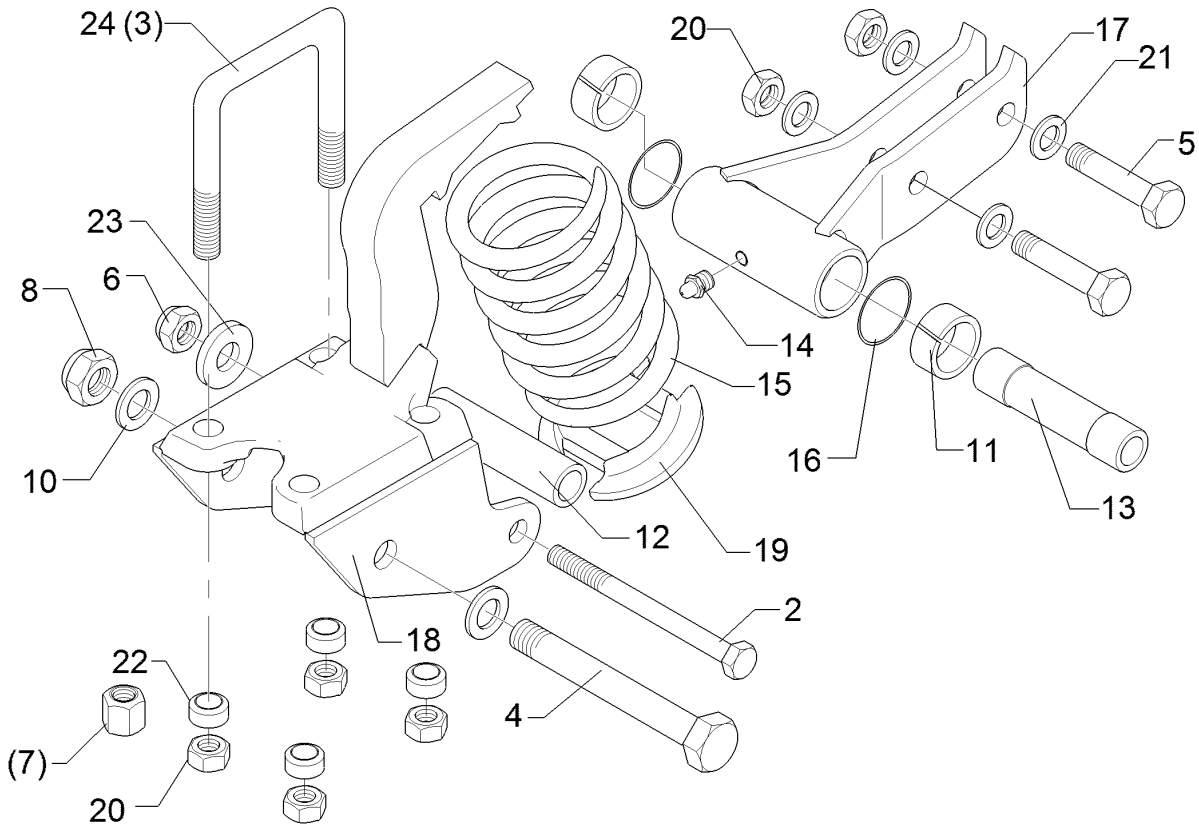
01.18

| Pos. | Art.Nr. | Stck. | Artikeltext / Description | Abmessung |
|------|----------|-------|---------------------------|-----------------------------------|
| 21 | 305 6141 | 6 | Scheibe | Washer 17/30x3 DIN/ISO-7089 |
| 22 | 30510101 | 4 | Scheibe | Washer D25/16,5x9 R22 Zn |
| 23 | 305 6161 | 1 | Scheibe | Washer 17/40x6 DIN7349 Zn |
| 24 | 30110069 | 2 | Bügelsschraube | U-bolt M16x135 U-91 Zn |



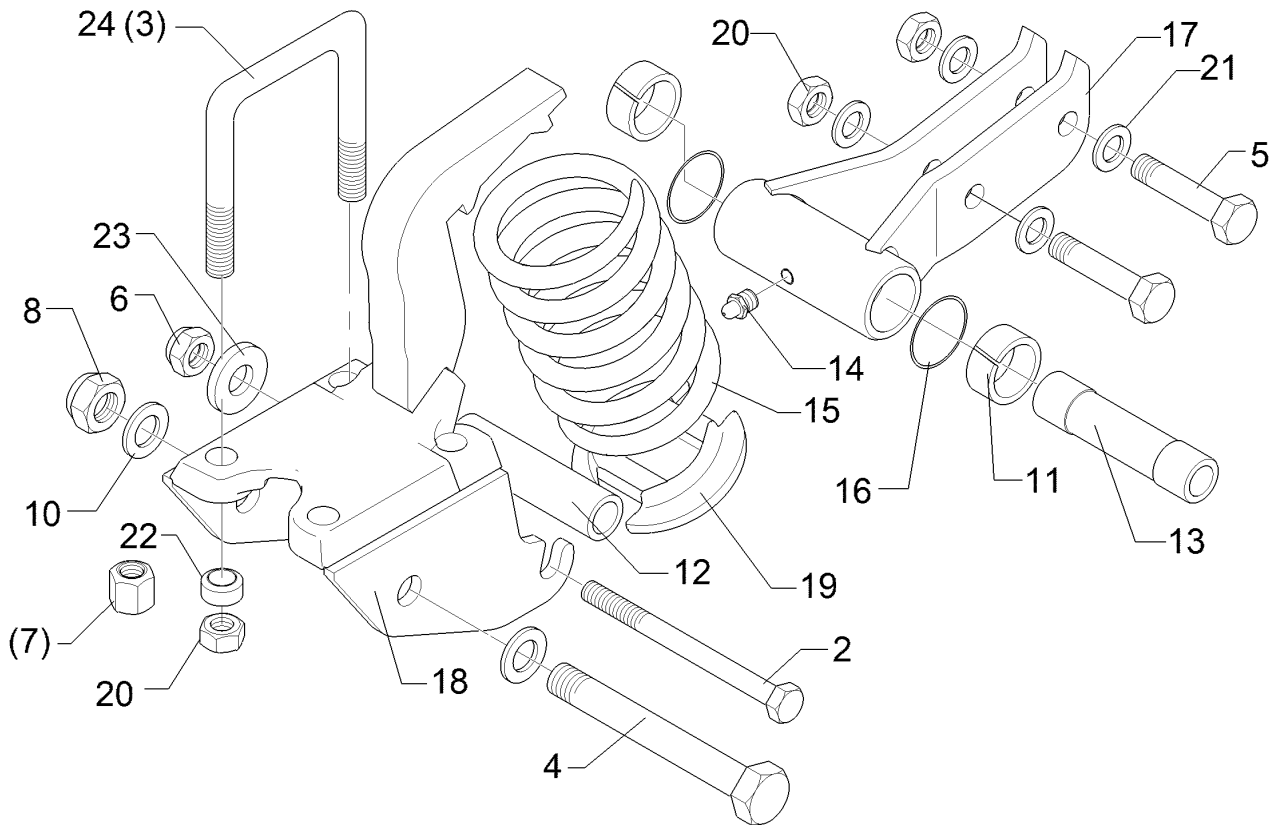
01.18

| Pos. | Art.Nr. | Stck. | Artikeltext / Description | Abmessung | |
|------|----------|-------|---------------------------|--------------------|------------------------------|
| 2 | 30110345 | 1 | Sechskantschraube spz. | Hexagon bolt | M16x165-10.9 Zn |
| 3 | 301 7795 | 2 | Bügelsschraube | U-bolt | M16/90/135 (382) Zn |
| 4 | 301 4523 | 1 | Sechskantschraube spezial | Hexagon bolt | M20x1,5x170ls144xb23-10.9 Zn |
| 5 | 301 5361 | 2 | Sechskantschraube spz. | Hexagon bolt | M16x75-12.9 Zn |
| 6 | 303 0935 | 1 | Sicherungsmutter | Selflocking nut | NM16-8 Zn DIN985 |
| 7 | 303 0954 | 4 | Sechskantmutter | Hexagon nut | M16 DIN 6330-10 Form B |
| 8 | 303 0977 | 1 | Sechskantmutter | Hexagon nut | M20x1,5 DIN934-10 Zn |
| 9 | 305 6141 | 6 | Scheibe | Washer | 17/30x3 DIN/ISO-7089 |
| 10 | 305 6012 | 2 | Scheibe | Washer | 21 ISO7089 Zn |
| 11 | 317 3422 | 2 | Einspannbuchse | Expansion bush | EG30/38x25 |
| 12 | 317 6826 | 1 | Rohr | Tube | D30x5,6x125 Zn |
| 13 | 317 7199 | 1 | Hülse | Bushing | D30/20,1x128-2xL25 |
| 14 | 323 6348 | 1 | Schmiernippel | Grease nipple | AM10x1 DIN71412 |
| 15 | 329 8467 | 1 | Druckfeder | Compression spring | 14x97x218 |
| 16 | 375 1226 | 2 | O-Ring | O-ring | 46x3-80Shore Viton83 |
| 17 | 412 8103 | 1 | Taschenlagerung | Bracket bearing | D51x128 60x25 Rubin 9 |
| 18 | 412 8110 | 1 | Halmtasche | Bracket | 90x90/D20x128-D18 Rubin-A |
| 19 | 427 8170 | 1 | Lager | Bearing | D110/27x83 Zn Rubin 9 |
| 20 | 303 0971 | 6 | Sechskantmutter | Hexagon nut | M16 DIN934-10 Zn |



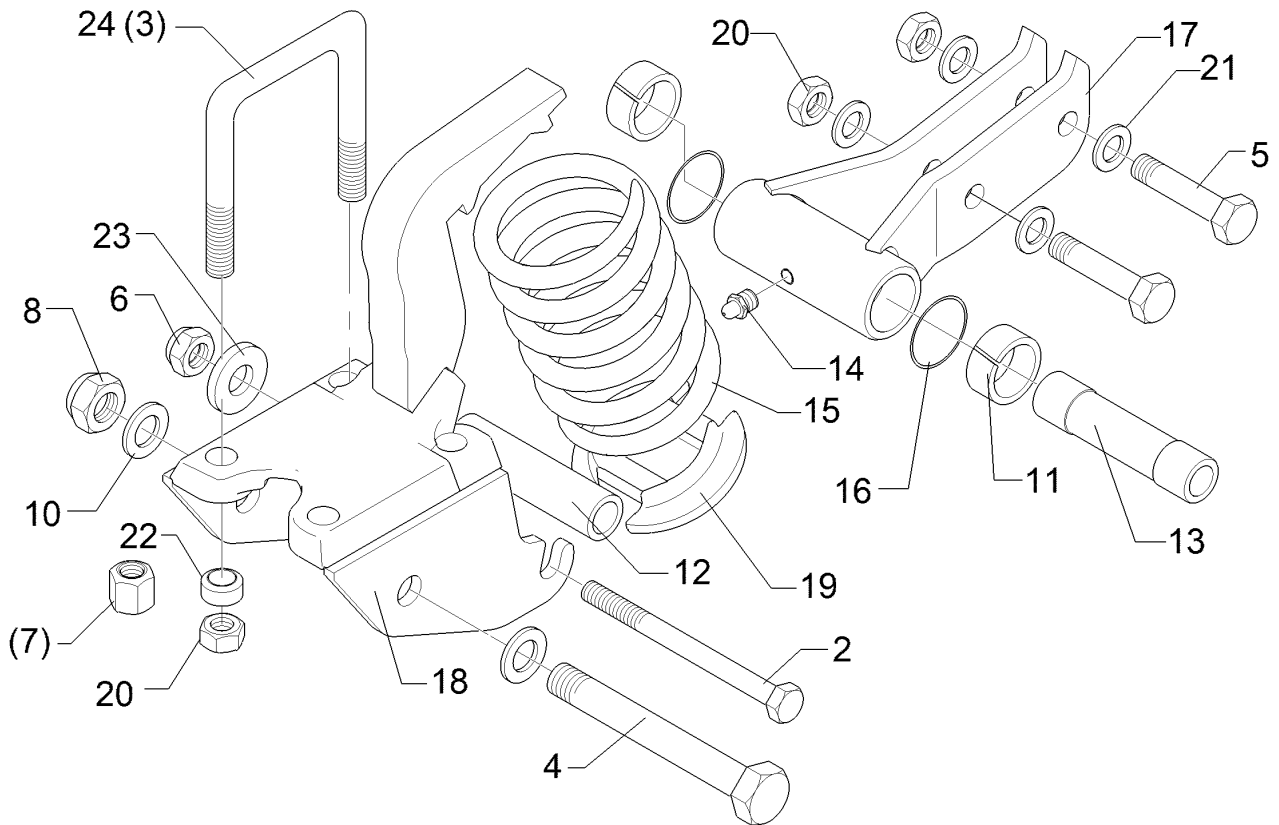
01.18

| Pos. | Art.Nr. | Stck. | Artikeltext / Description | Abmessung | |
|------|----------|-------|---------------------------|-----------|--------------------|
| 22 | 30510101 | 4 | Scheibe | Washer | D25/16,5x9 R22 Zn |
| 23 | 305 6161 | 1 | Scheibe | Washer | 17/40x6 DIN7349 Zn |
| 24 | 30110069 | 2 | Bügel schraube | U-bolt | M16x135 U-91 Zn |



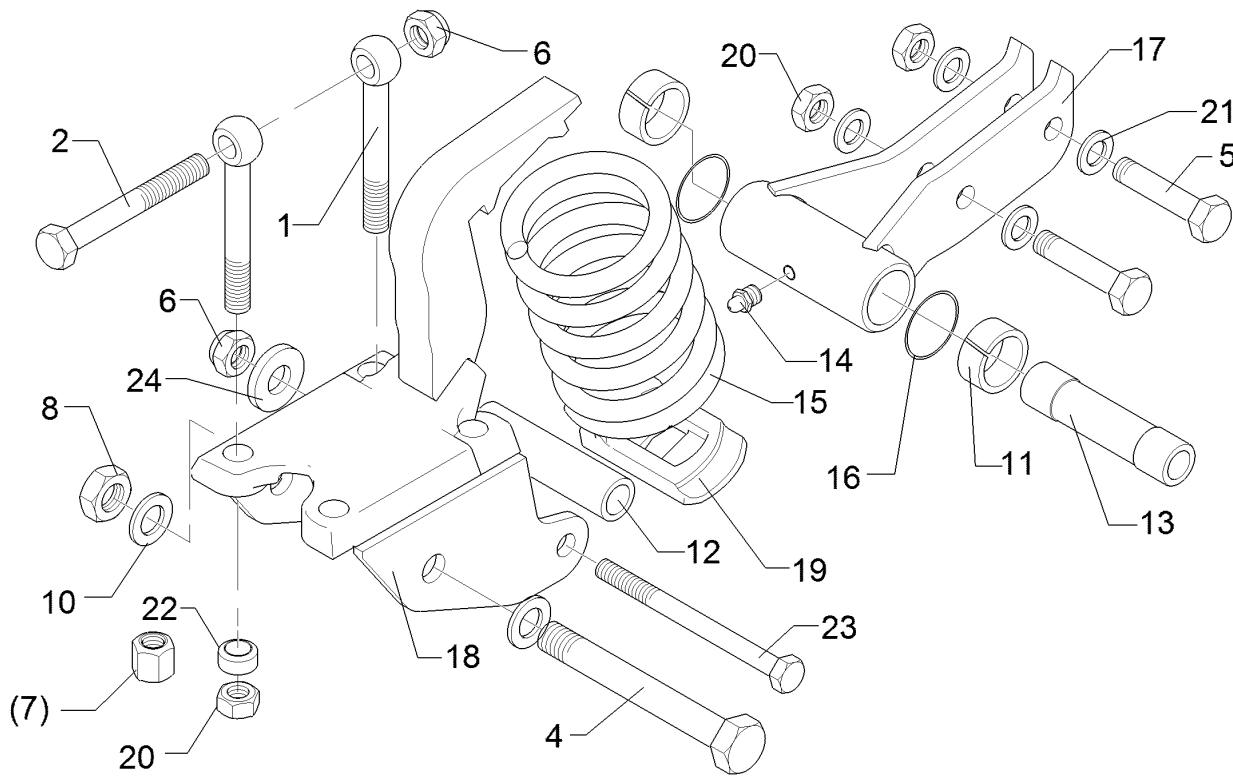
01.18

| Pos. | Art.Nr. | Stck. | Artikeltext / Description | Abmessung | |
|------|----------|-------|---------------------------|--------------------|------------------------------|
| 2 | 30110345 | 1 | Sechskantschraube spz. | Hexagon bolt | M16x165-10.9 Zn |
| 3 | 301 7795 | 2 | Bügelsschraube | U-bolt | M16/90/135 (382) Zn |
| 4 | 301 4523 | 1 | Sechskantschraube spezial | Hexagon bolt | M20x1,5x170ls144xb23-10.9 Zn |
| 5 | 301 5361 | 2 | Sechskantschraube spz. | Hexagon bolt | M16x75-12.9 Zn |
| 6 | 303 0935 | 1 | Sicherungsmutter | Selflocking nut | NM16-8 Zn DIN985 |
| 7 | 303 0954 | 4 | Sechskantmutter | Hexagon nut | M16 DIN 6330-10 Form B |
| 8 | 303 0977 | 1 | Sechskantmutter | Hexagon nut | M20x1,5 DIN934-10 Zn |
| 10 | 305 6012 | 2 | Scheibe | Washer | 21 ISO7089 Zn |
| 11 | 317 3422 | 2 | Einspannbuchse | Expansion bush | EG30/38x25 |
| 12 | 317 6826 | 1 | Rohr | Tube | D30x5,6x125 Zn |
| 13 | 317 7199 | 1 | Hülse | Bushing | D30/20,1x128-2xL25 |
| 14 | 323 6348 | 1 | Schmiernippel | Grease nipple | AM10x1 DIN71412 |
| 15 | 329 8467 | 1 | Druckfeder | Compression spring | 14x97x218 |
| 16 | 375 1226 | 2 | O-Ring | O-ring | 46x3-80Shore Viton83 |
| 17 | 412 8103 | 1 | Taschenlagerung | Bracket bearing | D51x128 60x25 |
| 18 | 412 8091 | 1 | Halmtasche | Bracket | Rubin 9 90x90/D20x128-D18 |
| 19 | 427 8170 | 1 | Lager | Bearing | Rubin-B HI D110/27x83 Zn |
| 20 | 303 0971 | 6 | Sechskantmutter | Hexagon nut | Rubin 9 M16 DIN934-10 Zn |



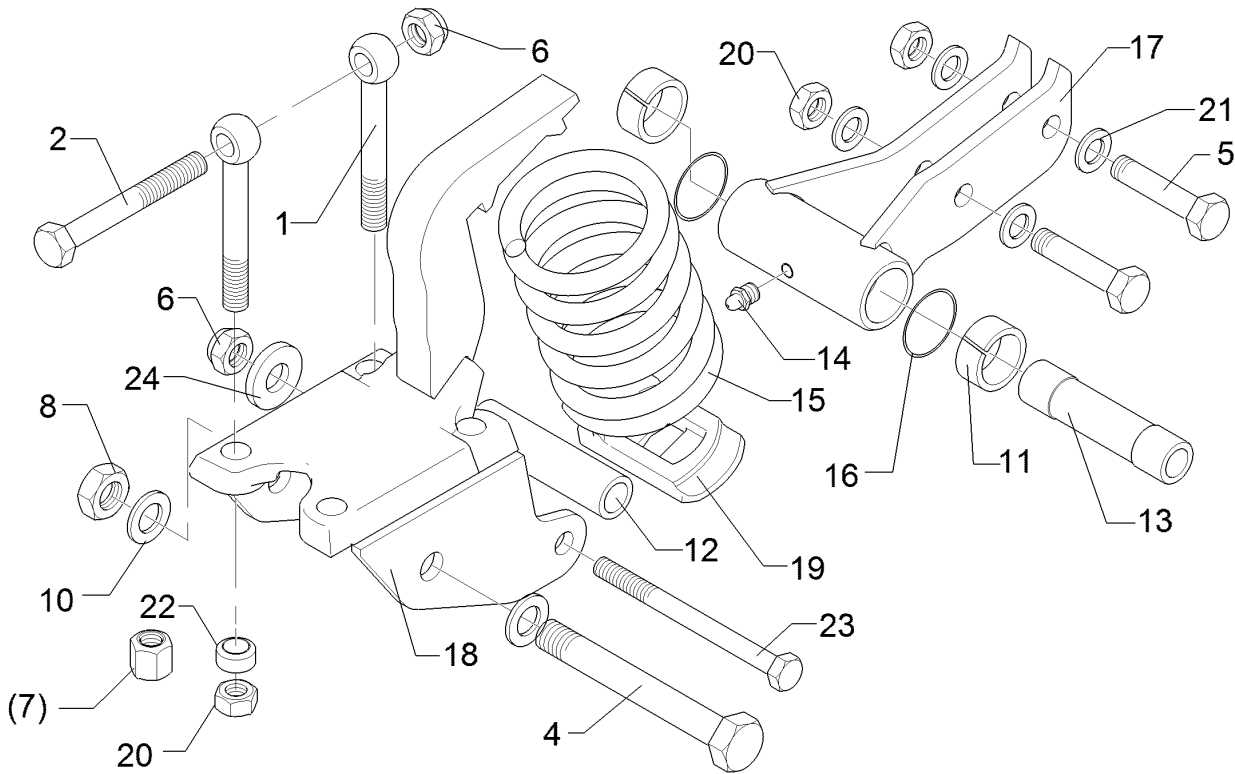
01.18

| Pos. | Art.Nr. | Stck. | Artikeltext / Description | Abmessung | |
|------|----------|-------|---------------------------|-----------|-------------------------|
| 21 | 305 6141 | 6 | Scheibe | Washer | 17/30x3 DIN/ISO-7089 |
| 22 | 30510101 | 4 | Scheibe | Washer | D25/16,5x9 R22 Zn |
| 23 | 305 6161 | 1 | Scheibe | Washer | 17/40x6 DIN7349 Zn |
| 24 | 30110069 | 2 | Bügelsschraube | U-bolt | M16x135 U-91 Zn |



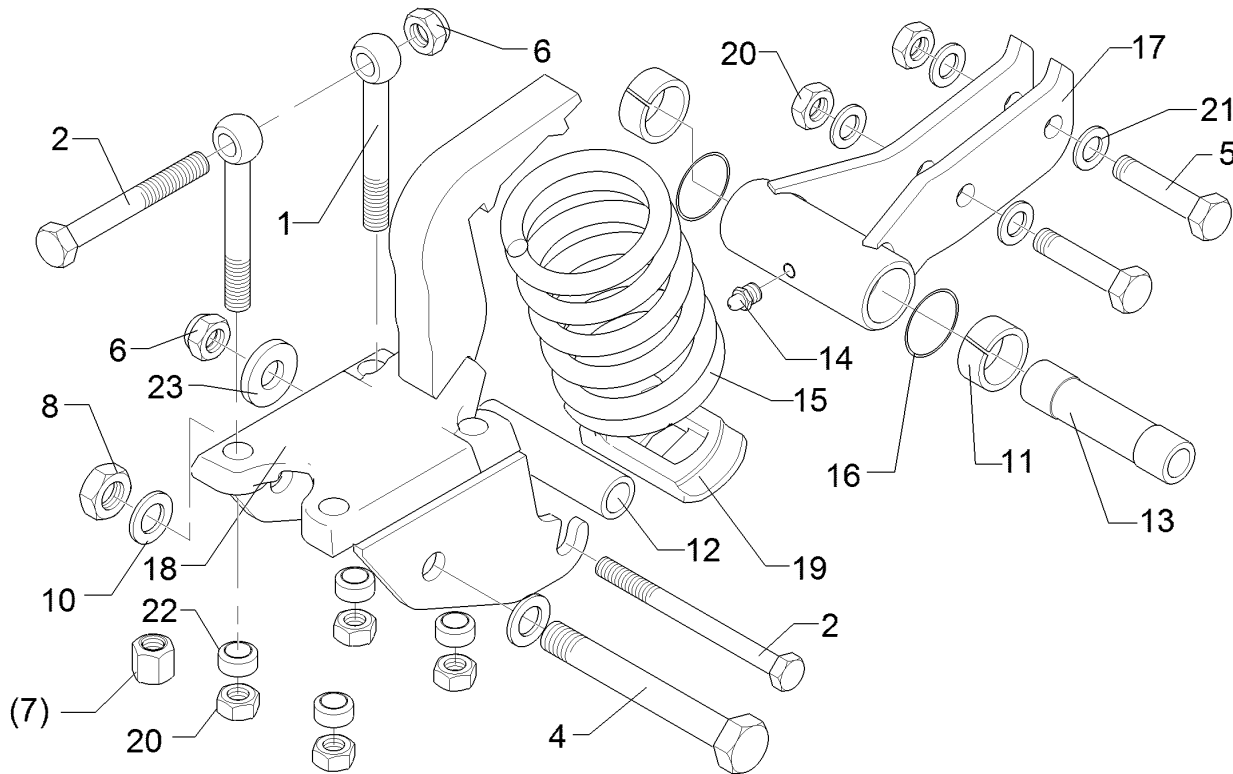
01.18

| Pos. | Art.Nr. | Stck. | Artikeltext / Description | | Abmessung |
|------|----------|-------|---------------------------|--------------------|---|
| 1 | 301 0860 | 4 | Augenschraube | Eye bolt | BM16x150-8.8 |
| 2 | 301 5410 | 3 | Sechskantschraube | Hexagon bolt | D2=16,1 Zn DIN444 M16x160-8.8 Zn |
| 4 | 301 4523 | 1 | Sechskantschraube spezial | Hexagon bolt | DIN931-A M20x1,5x170ls144xb23-10.9 Zn |
| 5 | 301 5361 | 2 | Sechskantschraube spz. | Hexagon bolt | M16x75-12.9 Zn |
| 6 | 303 0935 | 3 | Sicherungsmutter | Selflocking nut | NM16-8 Zn DIN985 |
| 7 | 303 0954 | 4 | Sechskantmutter | Hexagon nut | M16 DIN 6330-10 |
| 8 | 303 0977 | 1 | Sechskantmutter | Hexagon nut | Form B M20x1,5 DIN934-10 Zn |
| 10 | 305 6012 | 2 | Scheibe | Washer | 21 ISO7089 Zn |
| 11 | 317 3422 | 2 | Einspannbuchse | Expansion bush | EG30/38x25 |
| 12 | 317 6826 | 1 | Rohr | Tube | D30x5,6x125 Zn |
| 13 | 317 7199 | 1 | Hülse | Bushing | D30/20,1x128-2xL25 |
| 14 | 323 6348 | 1 | Schmiernippel | Grease nipple | AM10x1 DIN71412 |
| 15 | 329 8467 | 1 | Druckfeder | Compression spring | 14x97x218 |
| 16 | 375 1226 | 2 | O-Ring | O-ring | 46x3-80Shore Viton83 |
| 17 | 412 8103 | 1 | Taschenlagerung | Bracket bearing | D51x128 60x25 |
| 18 | 412 8111 | 1 | Halmtasche | Bracket | Rubin 9 90x110/D20x128-D18 |
| 19 | 427 8170 | 1 | Lager | Bearing | Rubin-A D110/27x83 Zn |
| 20 | 303 0971 | 6 | Sechskantmutter | Hexagon nut | Rubin 9 M16 DIN934-10 Zn |



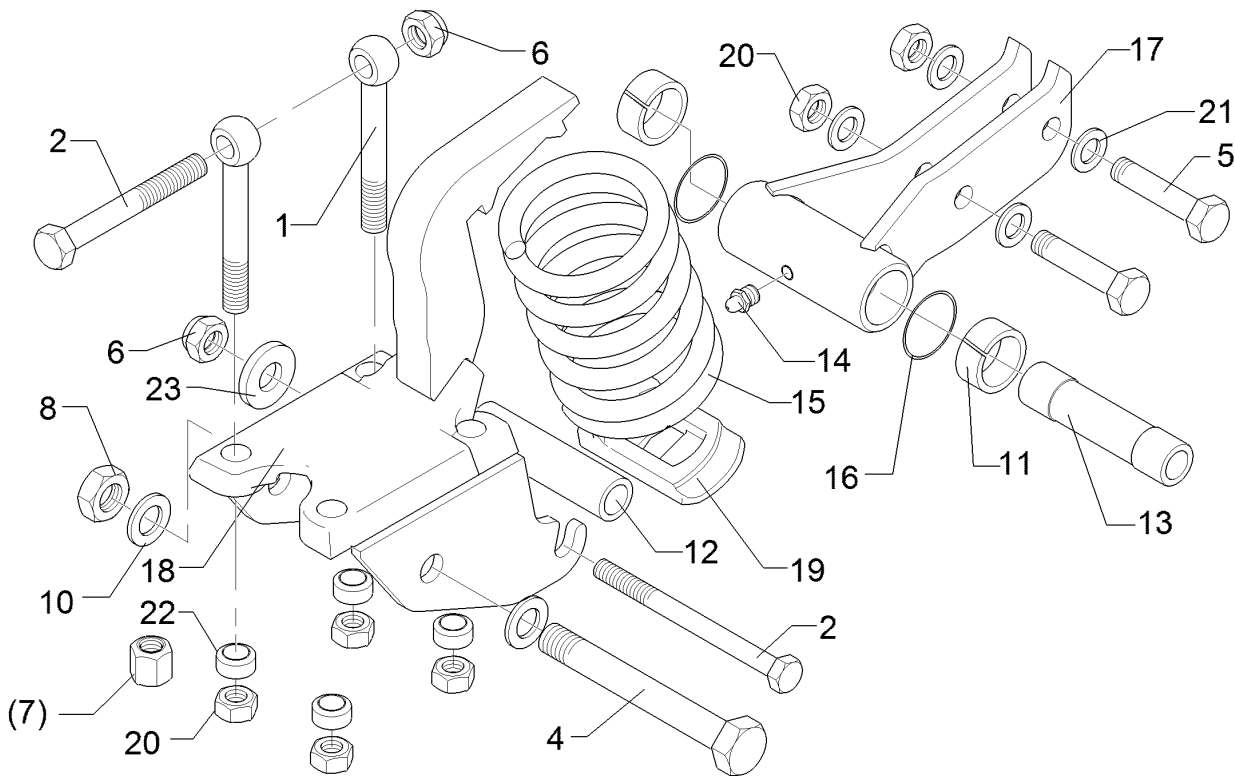
01.18

| Pos. | Art.Nr. | Stck. | Artikeltext / Description | Abmessung |
|------|----------|-------|--|-------------------------|
| 21 | 305 6141 | 4 | Scheibe Washer | 17/30x3 DIN/ISO-7089 |
| 22 | 30510101 | 4 | Scheibe Washer | D25/16,5x9 R22 Zn |
| 23 | 30110345 | 3 | Sechskantschraube spz. Hexagon bolt | M16x165-10.9 Zn |
| 24 | 305 6161 | 1 | Scheibe Washer | 17/40x6 DIN7349 Zn |



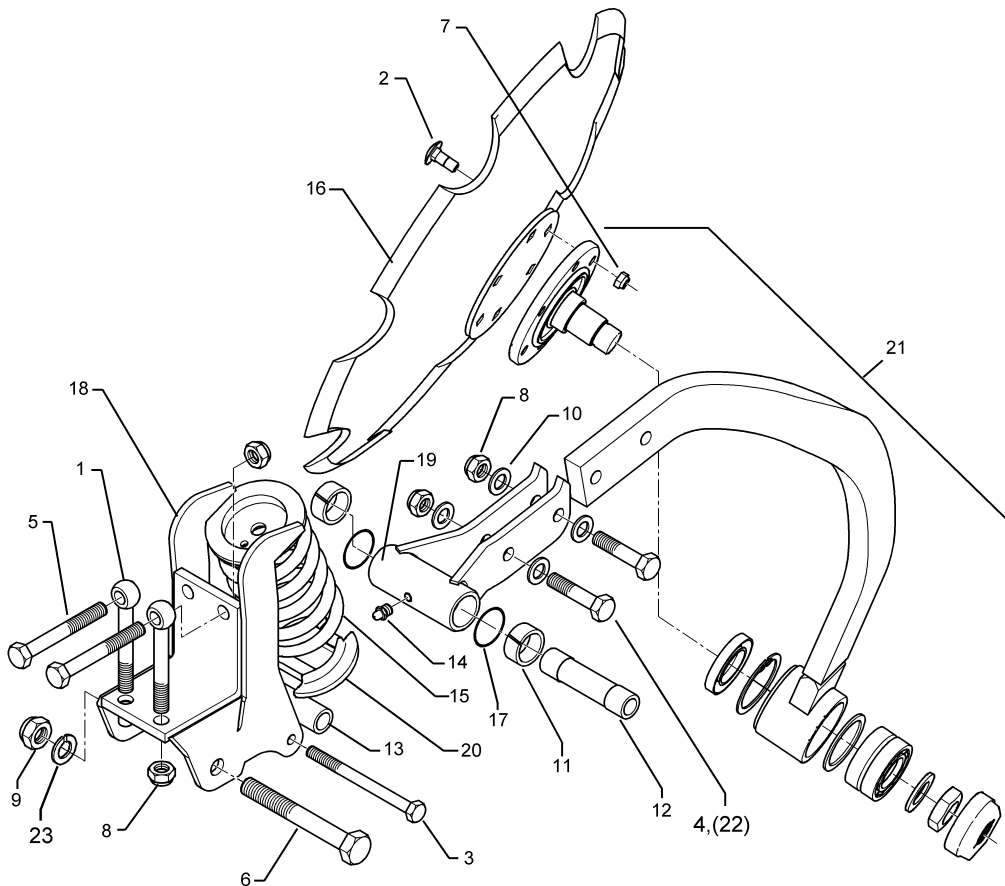
01.18

| Pos. | Art.Nr. | Stck. | Artikeltext / Description | | Abmessung |
|------|----------|-------|---------------------------|--------------------|--|
| 1 | 301 0860 | 4 | Augenschraube | Eye bolt | BM16x150-8.8 |
| 2 | 30110345 | 3 | Sechskantschraube spz. | Hexagon bolt | D2=16,1 Zn DIN444 |
| 4 | 301 4523 | 1 | Sechskantschraube spezial | Hexagon bolt | M16x165-10.9 Zn |
| 5 | 301 5361 | 2 | Sechskantschraube spz. | Hexagon bolt | M20x1,5x170s144xb23-10.9 Zn |
| 6 | 303 0935 | 3 | Sicherungsmutter | Selflocking nut | M16x75-12.9 Zn |
| 7 | 303 0954 | 4 | Sechskantmutter | Hexagon nut | NM16-8 Zn DIN985 |
| 8 | 303 0977 | 1 | Sechskantmutter | Hexagon nut | M16 DIN 6330-10 Form B |
| 10 | 305 6012 | 2 | Scheibe | Washer | M20x1,5 DIN934-10 Zn |
| 11 | 317 3422 | 2 | Einspannbuchse | Expansion bush | 21 ISO7089 Zn |
| 12 | 317 6826 | 1 | Rohr | Tube | EG30/38x25 |
| 13 | 317 7199 | 1 | Hülse | Bushing | D30x5,6x125 Zn |
| 14 | 323 6348 | 1 | Schmiernippel | Grease nipple | D30/20,1x128-2xL25 |
| 15 | 329 8467 | 1 | Druckfeder | Compression spring | AM10x1 DIN71412 |
| 16 | 375 1226 | 2 | O-Ring | O-ring | 14x97x218 |
| 17 | 412 8103 | 1 | Taschenlagerung | Bracket bearing | 46x3-80Shore Viton83 |
| 18 | 412 8093 | 1 | Halmtasche | Bracket | D51x128 60x25 Rubin 9 |
| 19 | 427 8170 | 1 | Lager | Bearing | 90x110/D20x128-D18 Rubin-B HI |
| 20 | 303 0971 | 6 | Sechskantmutter | Hexagon nut | D110/27x83 Zn Rubin 9 M16 DIN934-10 Zn |



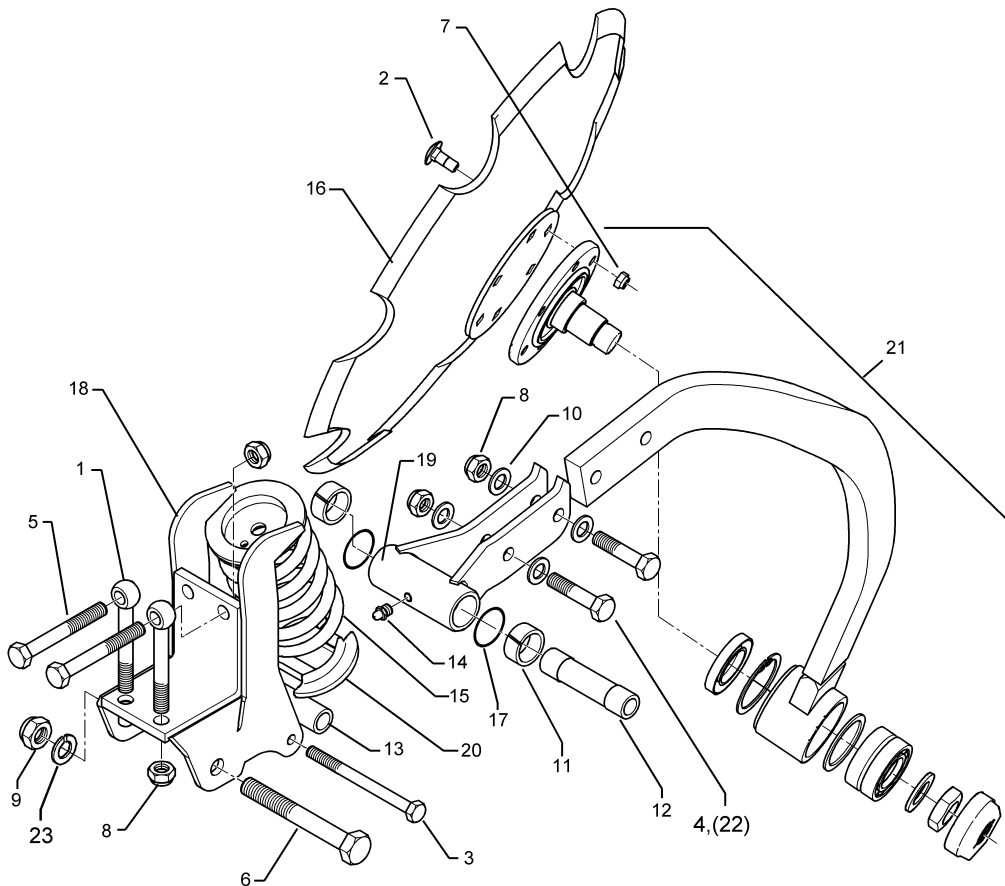
01.18

| Pos. | Art.Nr. | Stck. | Artikeltext / Description | Abmessung | |
|------|----------|-------|---------------------------|-----------|-------------------------|
| 21 | 305 6141 | 4 | Scheibe | Washer | 17/30x3 DIN/ISO-7089 |
| 22 | 30510101 | 4 | Scheibe | Washer | D25/16,5x9 R22 Zn |
| 23 | 305 6161 | 1 | Scheibe | Washer | 17/40x6 DIN7349 Zn |



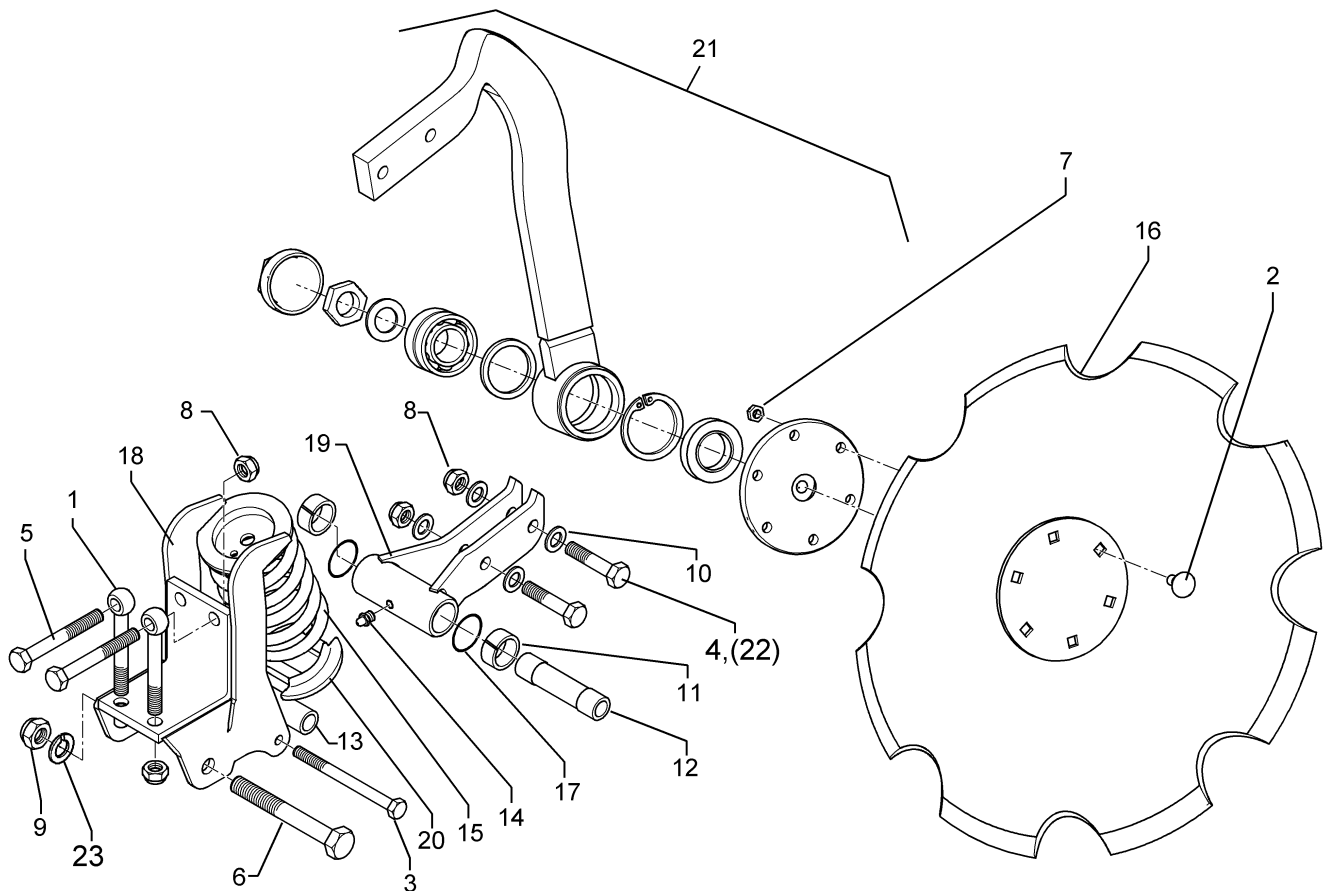
01.18

| Pos. | Art.Nr. | Stck. | Artikeltext / Description | | Abmessung |
|------|----------|-------|------------------------------|--------------------|---------------------------------|
| 1 | 301 0869 | 2 | Augenschraube | Eye bolt | BM16x130xb25-8.8 D2=16,1 Zn |
| 2 | 301 1806 | 6 | Flachrundschaube | Saucer-head screw | M12x30-10.9 ZN |
| 3 | 301 5015 | 1 | Sechskantschraube spz. | Hexagon bolt | M12x130-10.9 Zn |
| 4 | 301 5363 | 2 | Sechskantschraube spz. | Hexagon bolt | M16x70-12.9 Zn |
| 5 | 301 4080 | 2 | Sechskantschraube | Hexagon bolt | M16x140-8.8 Zn DIN931-A |
| 6 | 301 4523 | 1 | Sechskantschraube spezial | Hexagon bolt | M20x1,5x170ls144xb23-10.9 Zn |
| 7 | 303 0934 | 7 | Sicherungsmutter | Selflocking nut | NM12-8 Zn DIN985 |
| 8 | 303 0935 | 6 | Sicherungsmutter | Selflocking nut | NM16-8 Zn DIN985 |
| 9 | 303 0977 | 1 | Sechskantmutter | Hexagon nut | M20x1,5 DIN934-10 Zn |
| 10 | 305 6141 | 4 | Scheibe | Washer | 17/30x3 DIN/ISO-7089 |
| 11 | 317 3417 | 2 | Einspannbuchse mit Presssitz | Expansion bush | EG30/38x25 |
| 12 | 317 7199 | 1 | Hülse | Bushing | D30/20,1x128-2xL25 |
| 13 | 317 6835 | 1 | Röhrchen | Tube | 30x8x99 +-1,0 |
| 14 | 323 6348 | 1 | Schmiernippel | Grease nipple | AM10x1 DIN71412 |
| 15 | 329 8469 | 1 | Druckfeder | Compression spring | 14x97x202 |
| 16 | 349 0466 | 1 | Hohlscheibe, gezackt | Hollow disc | D620x6 |
| 17 | 375 1226 | 2 | O-Ring | O-ring | 46x3-80Shore Viton83 |
| 18 | 412 8102 | 1 | Halmtasche | Bracket | 90x90/D20x128 Rubin |



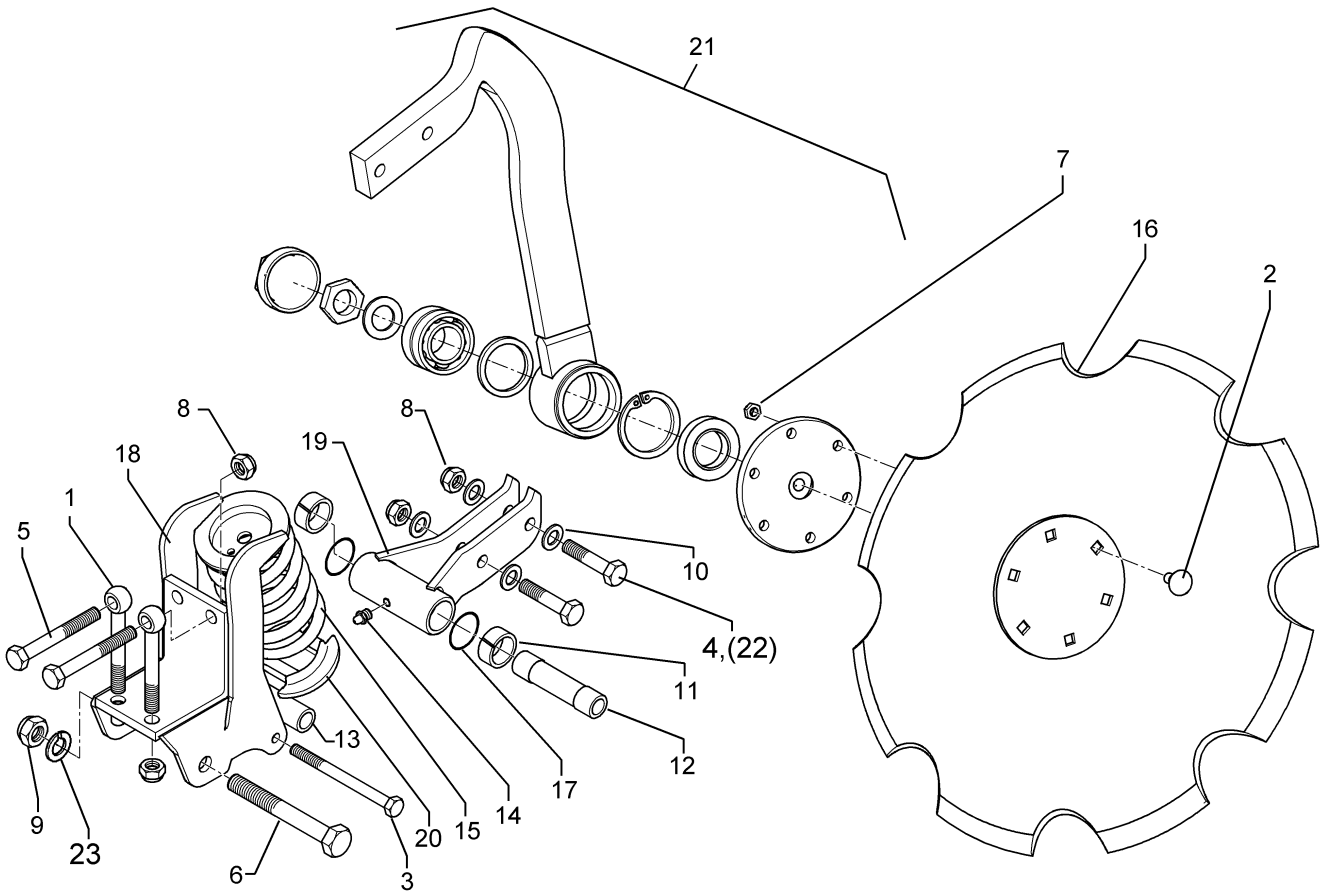
01.18

| Pos. | Art.Nr. | Stck. | Artikeltext / Description | | Abmessung |
|------|----------|-------|---------------------------|--------------------|--------------------------------|
| 19 | 412 8103 | 1 | Taschenlagerung | Bracket bearing | D51x128 60x25 Rubin 9 |
| 20 | 427 8169 | 1 | Federführung | Spring guiding | D110/20x83 Zn |
| 21 | 512 8100 | 1 | Halm mit Lagerung | Stalk with bearing | RE 60x25 D130 6xD12 Rubin 9 |
| 22 | 301 3870 | 2 | Sechskantschraube spz. | Hexagon bolt | M16x65-10.9 Zn |
| 23 | 305 6012 | 1 | Scheibe | Washer | 21 ISO7089 Zn |



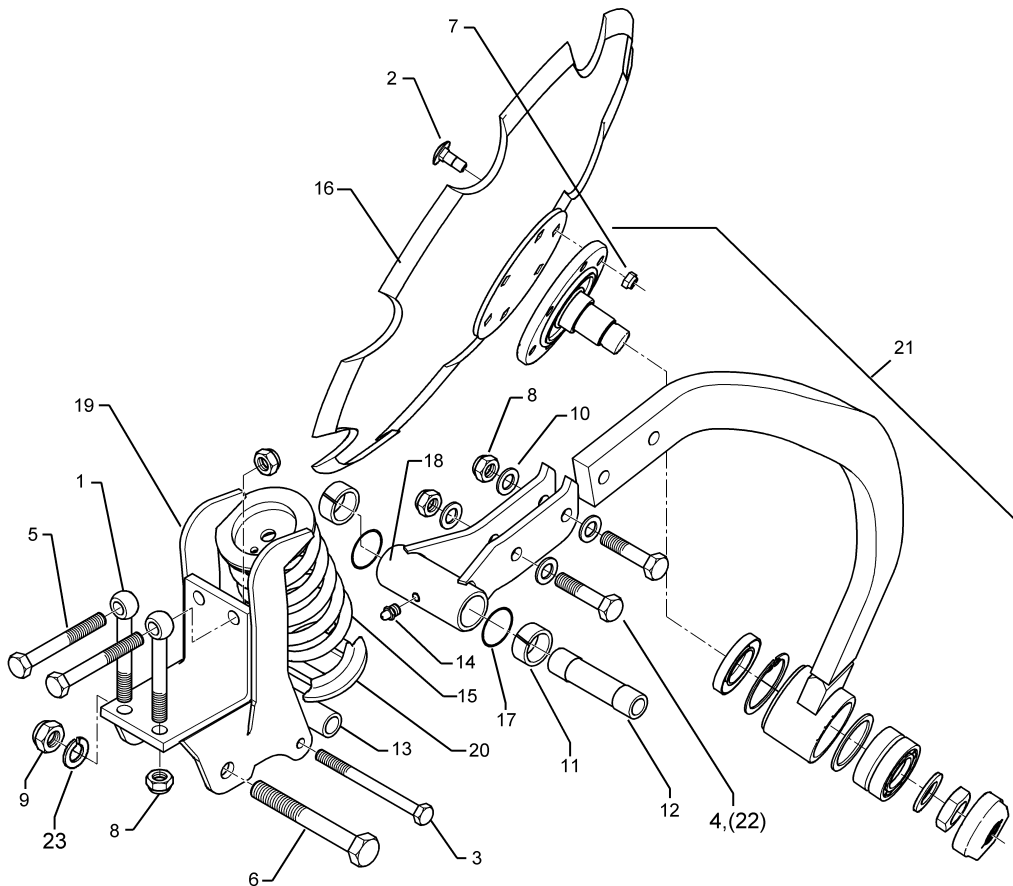
01.18

| Pos. | Art.Nr. | Stck. | Artikeltext / Description | | Abmessung |
|------|----------|-------|------------------------------|--------------------|---------------------------------|
| 1 | 301 0869 | 2 | Augenschraube | Eye bolt | BM16x130xb25-8.8 D2=16,1 Zn |
| 2 | 301 1806 | 6 | Flachrundschaube | Saucer-head screw | M12x30-10.9 ZN |
| 3 | 301 5015 | 1 | Sechskantschraube spz. | Hexagon bolt | M12x130-10.9 Zn |
| 4 | 301 5363 | 2 | Sechskantschraube spz. | Hexagon bolt | M16x70-12.9 Zn |
| 5 | 301 4080 | 2 | Sechskantschraube | Hexagon bolt | M16x140-8.8 Zn DIN931-A |
| 6 | 301 4523 | 1 | Sechskantschraube spezial | Hexagon bolt | M20x1,5x170ls144xb23-10.9 Zn |
| 7 | 303 0934 | 7 | Sicherungsmutter | Selflocking nut | NM12-8 Zn DIN985 |
| 8 | 303 0935 | 6 | Sicherungsmutter | Selflocking nut | NM16-8 Zn DIN985 |
| 9 | 303 0977 | 1 | Sechskantmutter | Hexagon nut | M20x1,5 DIN934-10 Zn |
| 10 | 305 6141 | 4 | Scheibe | Washer | 17/30x3 DIN/ISO-7089 |
| 11 | 317 3417 | 2 | Einspannbuchse mit Presssitz | Expansion bush | EG30/38x25 |
| 12 | 317 7199 | 1 | Hülse | Bushing | D30/20,1x128-2xL25 |
| 13 | 317 6835 | 1 | Röhrchen | Tube | 30x8x99 +-1,0 |
| 14 | 323 6348 | 1 | Schmiernippel | Grease nipple | AM10x1 DIN71412 |
| 15 | 329 8469 | 1 | Druckfeder | Compression spring | 14x97x202 |
| 16 | 349 0466 | 1 | Hohlscheibe, gezackt | Hollow disc | D620x6 |
| 17 | 375 1226 | 2 | O-Ring | O-ring | 46x3-80Shore Viton83 |
| 18 | 412 8102 | 1 | Halmtasche | Bracket | 90x90/D20x128 Rubin |



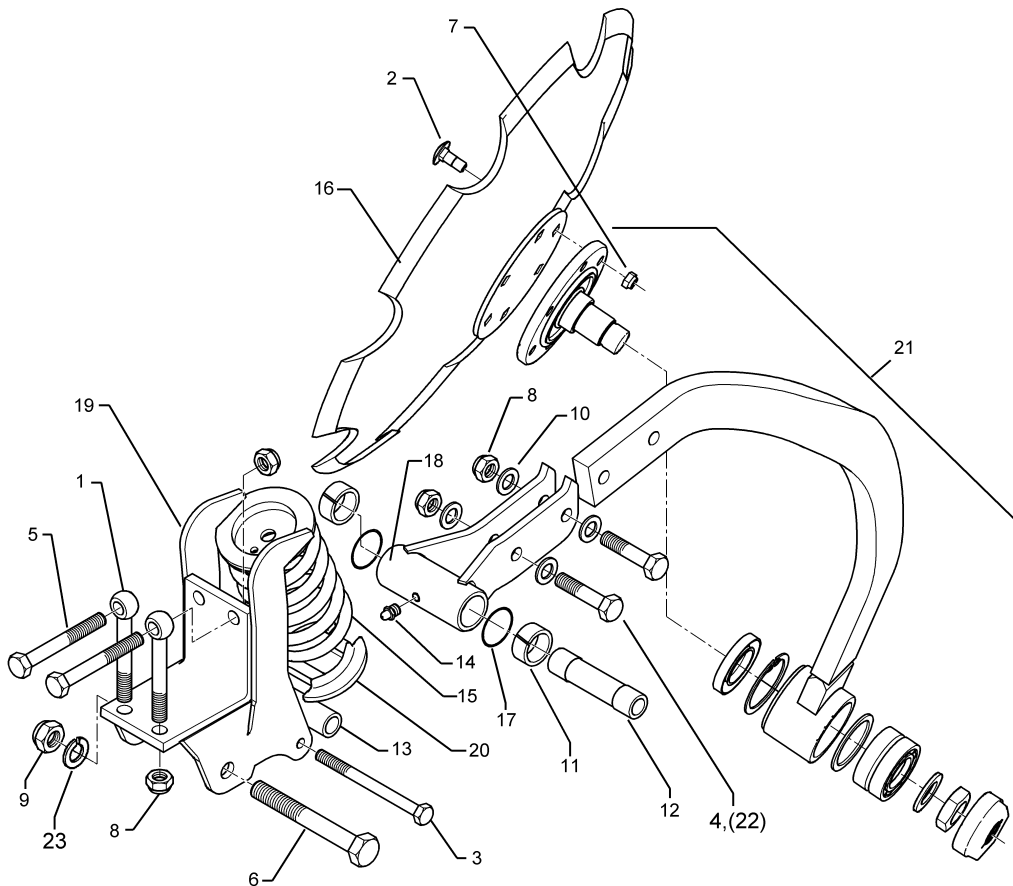
01.18

| Pos. | Art.Nr. | Stck. | Artikeltext / Description | | Abmessung |
|------|----------|-------|---------------------------|--------------------|---------------------------------|
| 19 | 412 8103 | 1 | Taschenlagerung | Bracket bearing | D51x128 60x25 Rubin 9 |
| 20 | 427 8169 | 1 | Federführung | Spring guiding | D110/20x83 Zn |
| 21 | 512 8101 | 1 | Halm mit Lagerung | Stalk with bearing | LI 60x25 D130 |
| 22 | 301 3870 | 2 | Sechskantschraube spz. | Hexagon bolt | 6xD12 Rubin 9 |
| 23 | 305 6012 | 1 | Scheibe | Washer | M16x65-10.9 Zn 21 ISO7089 Zn |



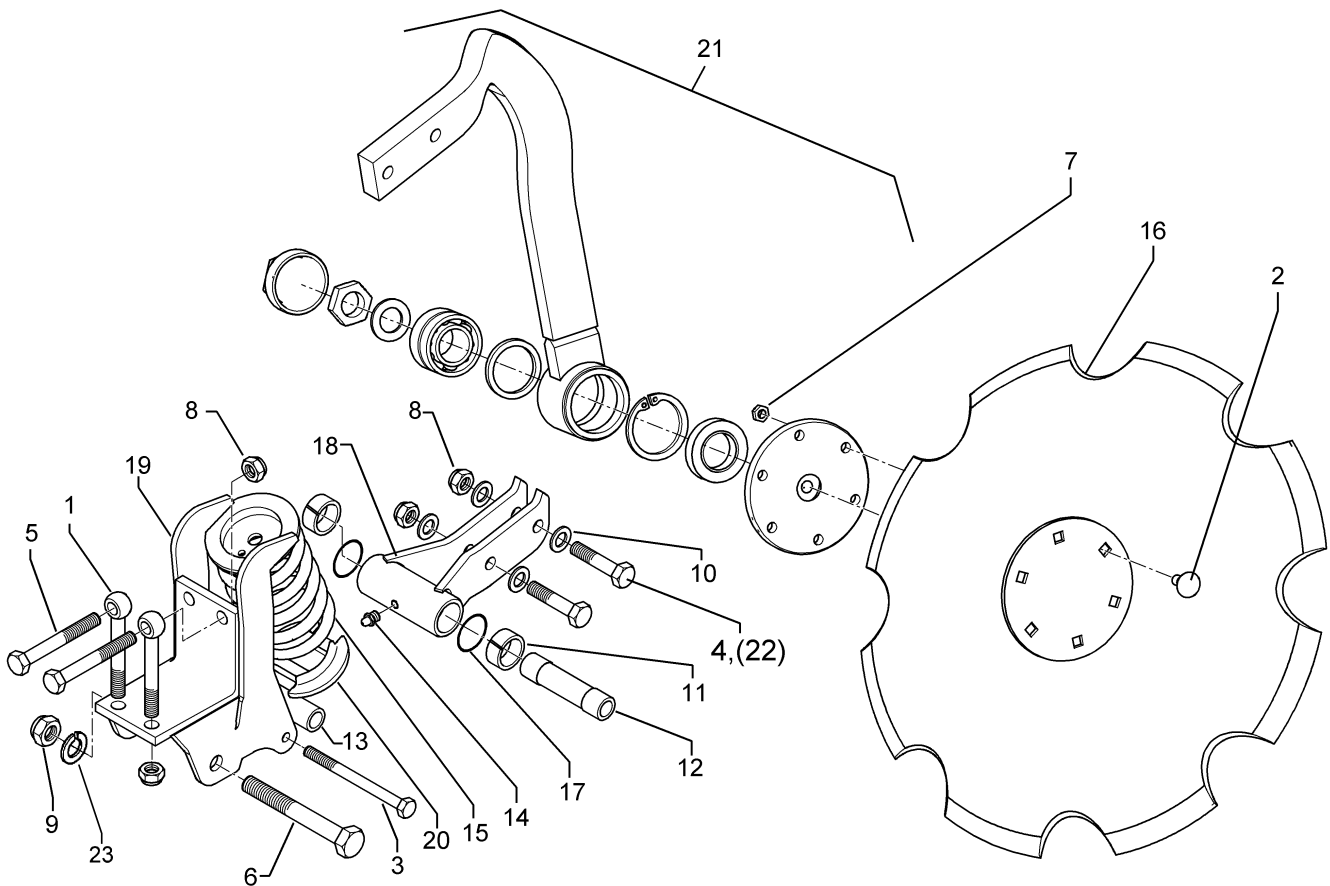
01.18

| Pos. | Art.Nr. | Stck. | Artikeltext / Description | | Abmessung |
|------|----------|-------|------------------------------|--------------------|---------------------------------|
| 1 | 301 0869 | 2 | Augenschraube | Eye bolt | BM16x130xb25-8.8 D2=16,1 Zn |
| 2 | 301 1806 | 6 | Flachrundschaube | Saucer-head screw | M12x30-10.9 ZN |
| 3 | 301 5015 | 1 | Sechskantschraube spz. | Hexagon bolt | M12x130-10.9 Zn |
| 4 | 301 5363 | 2 | Sechskantschraube spz. | Hexagon bolt | M16x70-12.9 Zn |
| 5 | 301 5410 | 2 | Sechskantschraube | Hexagon bolt | M16x160-8.8 Zn DIN931-A |
| 6 | 301 4523 | 1 | Sechskantschraube spezial | Hexagon bolt | M20x1,5x170ls144xb23-10.9 Zn |
| 7 | 303 0934 | 7 | Sicherungsmutter | Selflocking nut | NM12-8 Zn DIN985 |
| 8 | 303 0935 | 6 | Sicherungsmutter | Selflocking nut | NM16-8 Zn DIN985 |
| 9 | 303 0977 | 1 | Sechskantmutter | Hexagon nut | M20x1,5 DIN934-10 Zn |
| 10 | 305 6141 | 4 | Scheibe | Washer | 17/30x3 DIN/ISO-7089 |
| 11 | 317 3417 | 2 | Einspannbuchse mit Presssitz | Expansion bush | EG30/38x25 |
| 12 | 317 7199 | 1 | Hülse | Bushing | D30/20,1x128-2xL25 |
| 13 | 317 6835 | 1 | Röhrchen | Tube | 30x8x99 +-1,0 |
| 14 | 323 6348 | 1 | Schmiernippel | Grease nipple | AM10x1 DIN71412 |
| 15 | 329 8469 | 1 | Druckfeder | Compression spring | 14x97x202 |
| 16 | 349 0466 | 1 | Hohlscheibe, gezackt | Hollow disc | D620x6 |
| 17 | 375 1226 | 2 | O-Ring | O-ring | 46x3-80Shore Viton83 |
| 18 | 412 8103 | 1 | Taschenlagerung | Bracket bearing | D51x128 60x25 Rubin 9 |



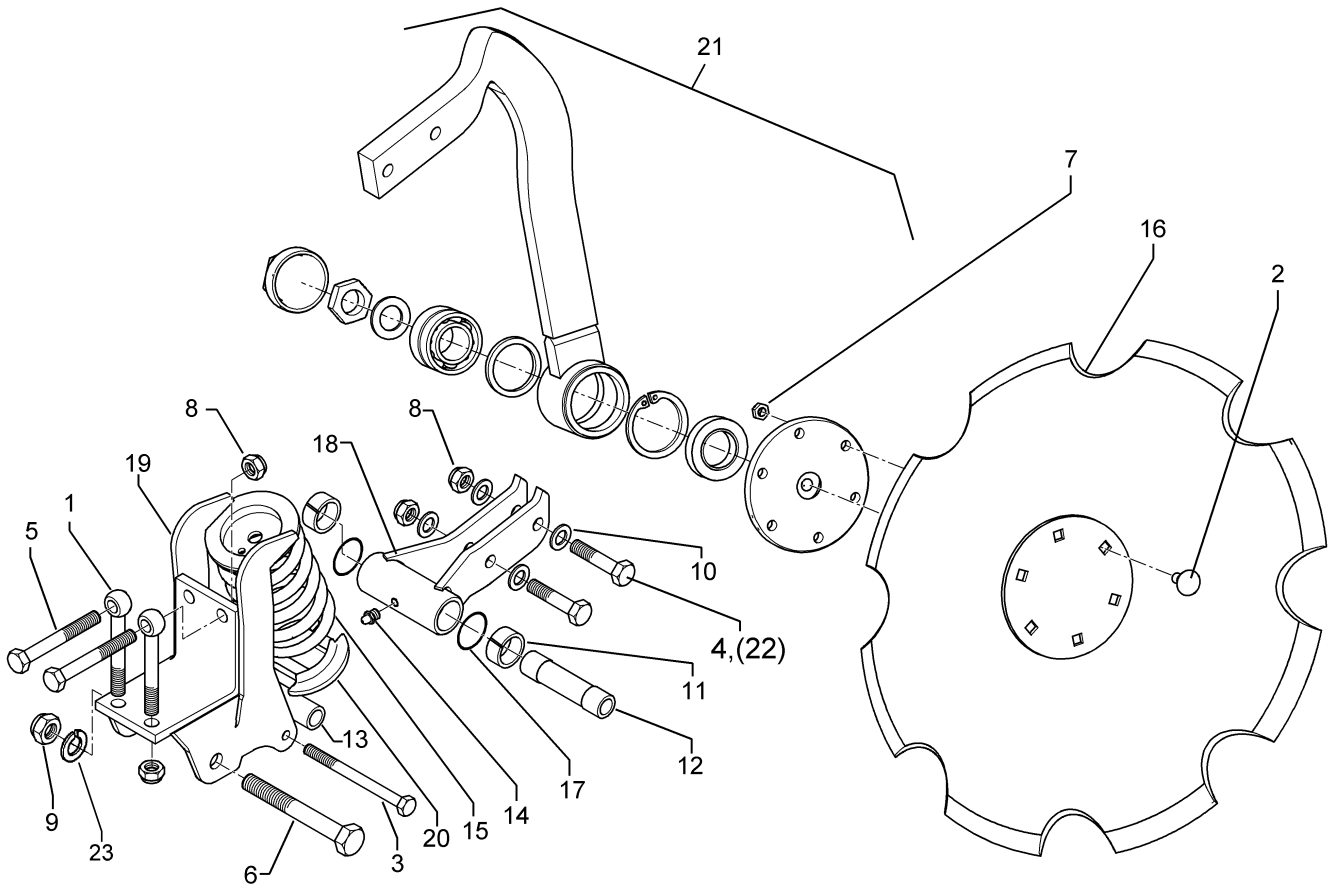
01.18

| Pos. | Art.Nr. | Stck. | Artikeltext / Description | | Abmessung |
|------|----------|-------|---------------------------|--------------------|--------------------------------|
| 19 | 412 8104 | 1 | Halmtasche | Bracket | 90x110/D20x128 Rubin |
| 20 | 427 8169 | 1 | Federführung | Spring guiding | D110/20x83 Zn |
| 21 | 512 8100 | 1 | Halm mit Lagerung | Stalk with bearing | RE 60x25 D130 6xD12 Rubin 9 |
| 22 | 301 3870 | 2 | Sechskantschraube spz. | Hexagon bolt | M16x65-10.9 Zn |
| 23 | 305 6012 | 1 | Scheibe | Washer | 21 ISO7089 Zn |



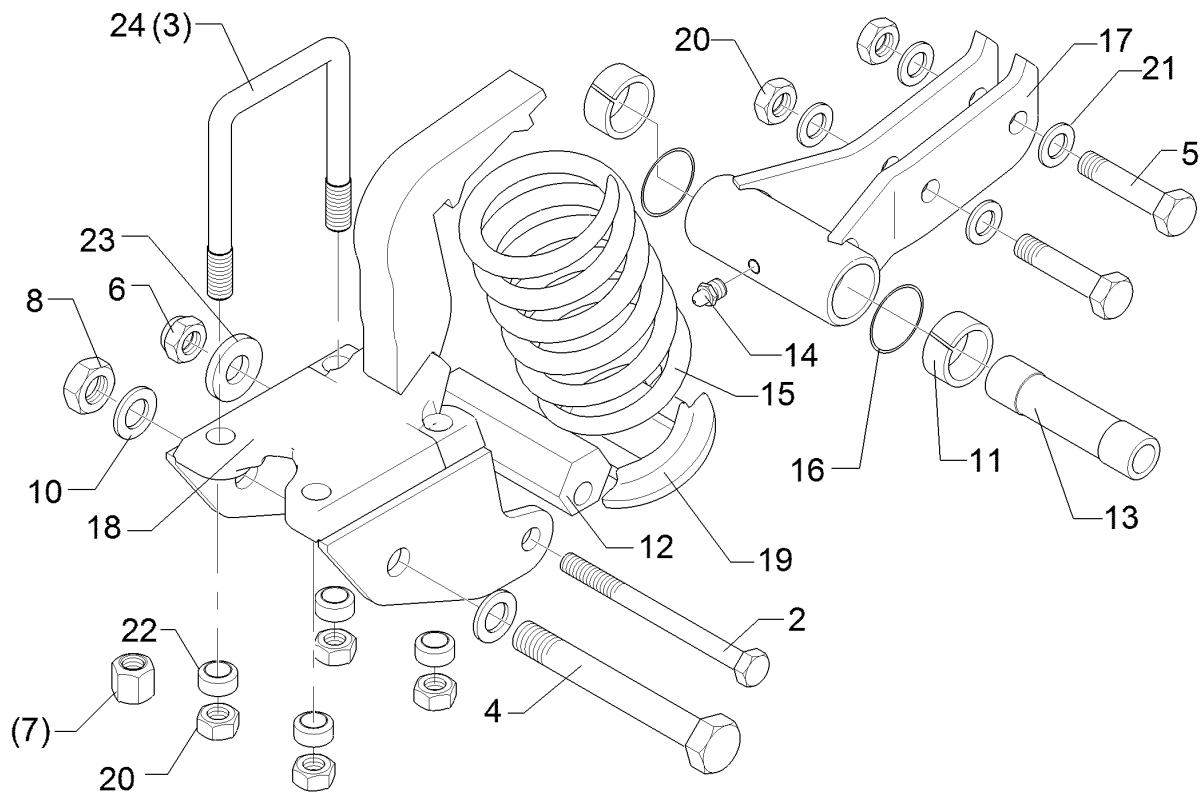
01.18

| Pos. | Art.Nr. | Stck. | Artikeltext / Description | | Abmessung |
|------|----------|-------|------------------------------|--------------------|---------------------------------|
| 1 | 301 0869 | 2 | Augenschraube | Eye bolt | BM16x130xb25-8.8 D2=16,1 Zn |
| 2 | 301 1806 | 6 | Flachrundschaube | Saucer-head screw | M12x30-10.9 ZN |
| 3 | 301 5015 | 1 | Sechskantschraube spz. | Hexagon bolt | M12x130-10.9 Zn |
| 4 | 301 5363 | 2 | Sechskantschraube spz. | Hexagon bolt | M16x70-12.9 Zn |
| 5 | 301 5410 | 2 | Sechskantschraube | Hexagon bolt | M16x160-8.8 Zn DIN931-A |
| 6 | 301 4523 | 1 | Sechskantschraube spezial | Hexagon bolt | M20x1,5x170ls144xb23-10.9 Zn |
| 7 | 303 0934 | 7 | Sicherungsmutter | Selflocking nut | NM12-8 Zn DIN985 |
| 8 | 303 0935 | 6 | Sicherungsmutter | Selflocking nut | NM16-8 Zn DIN985 |
| 9 | 303 0977 | 1 | Sechskantmutter | Hexagon nut | M20x1,5 DIN934-10 Zn |
| 10 | 305 6141 | 4 | Scheibe | Washer | 17/30x3 DIN/ISO-7089 |
| 11 | 317 3417 | 2 | Einspannbuchse mit Presssitz | Expansion bush | EG30/38x25 |
| 12 | 317 7199 | 1 | Hülse | Bushing | D30/20,1x128-2xL25 |
| 13 | 317 6835 | 1 | Röhrchen | Tube | 30x8x99 +-1,0 |
| 14 | 323 6348 | 1 | Schmiernippel | Grease nipple | AM10x1 DIN71412 |
| 15 | 329 8469 | 1 | Druckfeder | Compression spring | 14x97x202 |
| 16 | 349 0466 | 1 | Hohlscheibe, gezackt | Hollow disc | D620x6 |
| 17 | 375 1226 | 2 | O-Ring | O-ring | 46x3-80Shore Viton83 |
| 18 | 412 8103 | 1 | Taschenlagerung | Bracket bearing | D51x128 60x25 Rubin 9 |



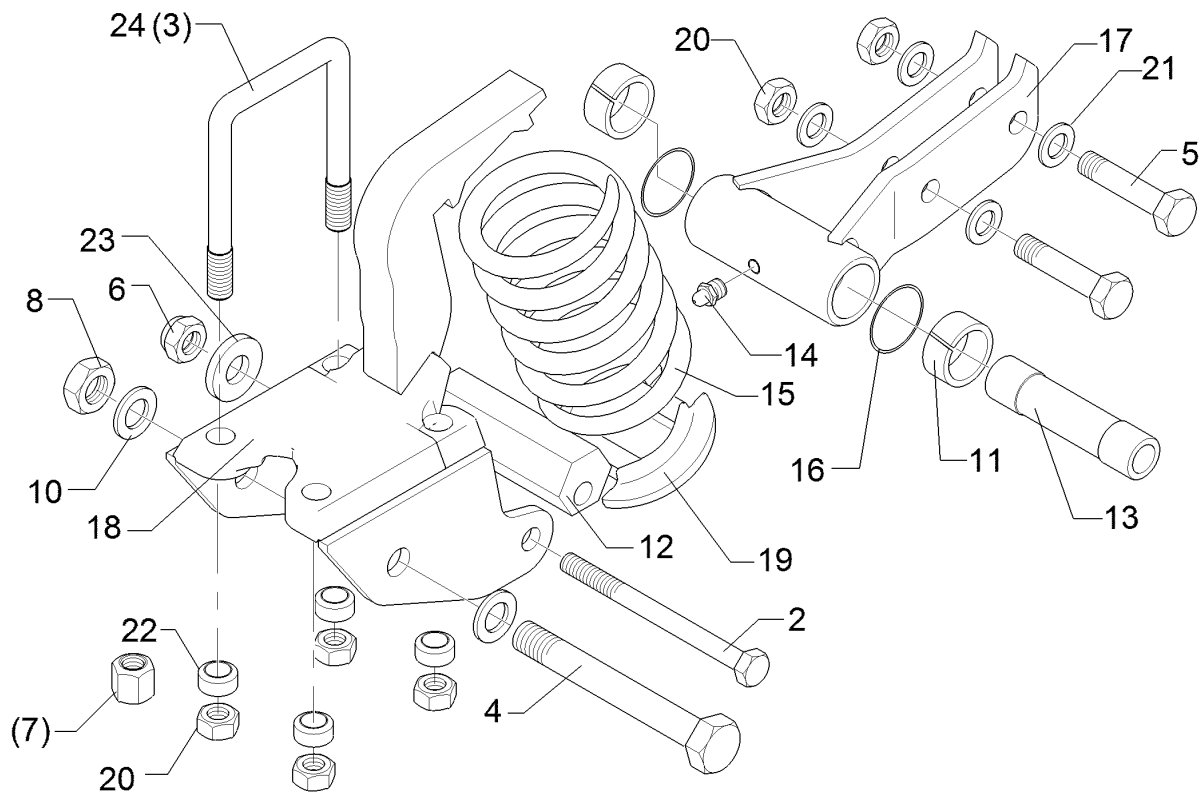
01.18

| Pos. | Art.Nr. | Stck. | Artikeltext / Description | | Abmessung |
|------|----------|-------|---------------------------|--------------------|---------------------------------|
| 19 | 412 8104 | 1 | Halmtasche | Bracket | 90x110/D20x128 Rubin |
| 20 | 427 8169 | 1 | Federführung | Spring guiding | D110/20x83 Zn |
| 21 | 512 8101 | 1 | Halm mit Lagerung | Stalk with bearing | LI 60x25 D130 |
| 22 | 301 3870 | 2 | Sechskantschraube spz. | Hexagon bolt | 6xD12 Rubin 9 |
| 23 | 305 6012 | 1 | Scheibe | Washer | M16x65-10.9 Zn 21 ISO7089 Zn |



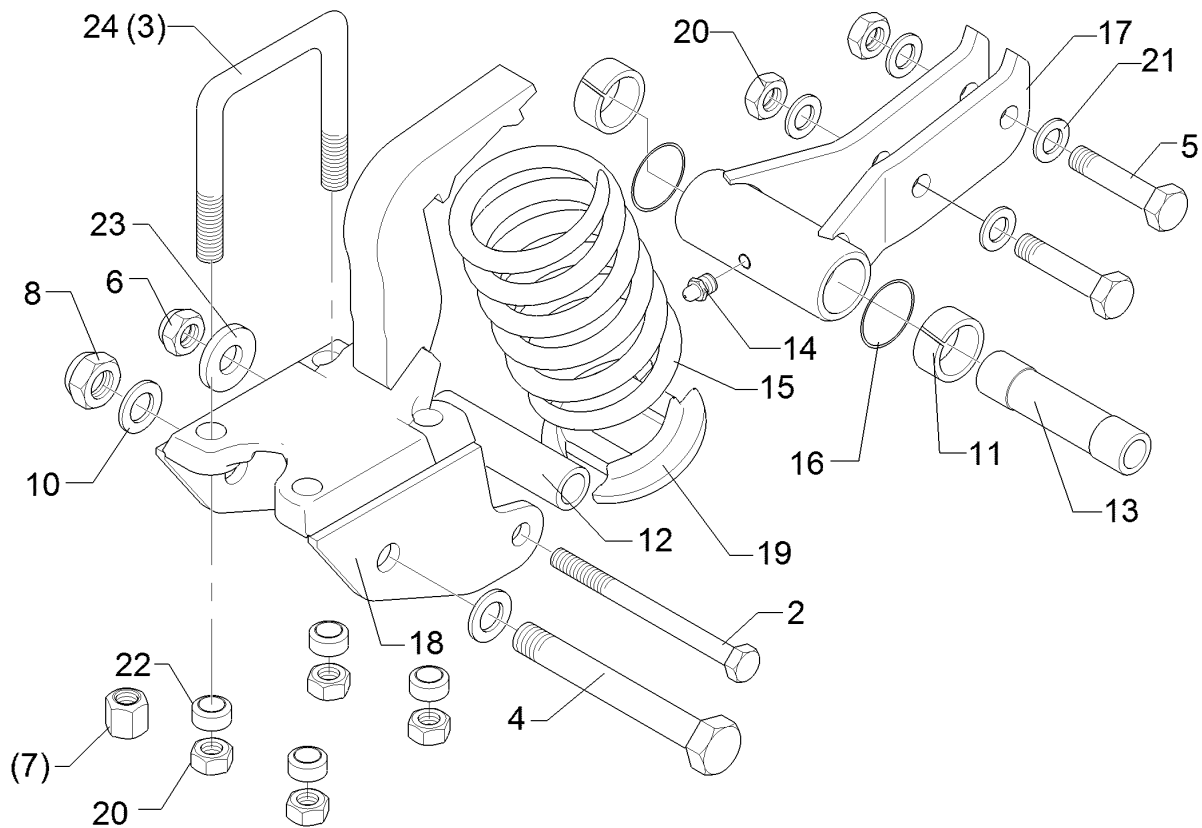
01.18

| Pos. | Art.Nr. | Stck. | Artikeltext / Description | Abmessung | |
|------|----------|-------|---------------------------|--------------------|-----------------------------|
| 2 | 30110345 | 1 | Sechskantschraube spz. | Hexagon bolt | M16x165-10.9 Zn |
| 3 | 301 7795 | 2 | Bügelschraube | U-bolt | M16/90/135 (382) Zn |
| 4 | 301 4523 | 1 | Sechskantschraube spezial | Hexagon bolt | M20x1,5x170s144xb23-10.9 Zn |
| 5 | 301 5361 | 2 | Sechskantschraube spz. | Hexagon bolt | M16x75-12.9 Zn |
| 6 | 303 0935 | 1 | Sicherungsmutter | Selflocking nut | NM16-8 Zn DIN985 |
| 7 | 303 0954 | 4 | Sechskantmutter | Hexagon nut | M16 DIN 6330-10 Form B |
| 8 | 303 0977 | 1 | Sechskantmutter | Hexagon nut | M20x1,5 DIN934-10 Zn |
| 10 | 305 6012 | 2 | Scheibe | Washer | 21 ISO7089 Zn |
| 11 | 317 3422 | 2 | Einspannbuchse | Expansion bush | EG30/38x25 |
| 12 | 317 7701 | 1 | Exzenter | Eccentric | SW41x125 D16,25 Zn |
| 13 | 317 7199 | 1 | Hülse | Bushing | D30/20,1x128-2xL25 |
| 14 | 323 6348 | 1 | Schmiernippel | Grease nipple | AM10x1 DIN71412 |
| 15 | 329 8469 | 1 | Druckfeder | Compression spring | 14x97x202 |
| 16 | 375 1226 | 2 | O-Ring | O-ring | 46x3-80Shore Viton83 |
| 17 | 412 8103 | 1 | Taschenlagerung | Bracket bearing | D51x128 60x25 Rubin 9 |
| 18 | 412 8110 | 1 | Halmtasche | Bracket | 90x90/D20x128-D18 Rubin-A |
| 19 | 427 8169 | 1 | Federführung | Spring guiding | D110/20x83 Zn |
| 20 | 303 0971 | 6 | Sechskantmutter | Hexagon nut | M16 DIN934-10 Zn |



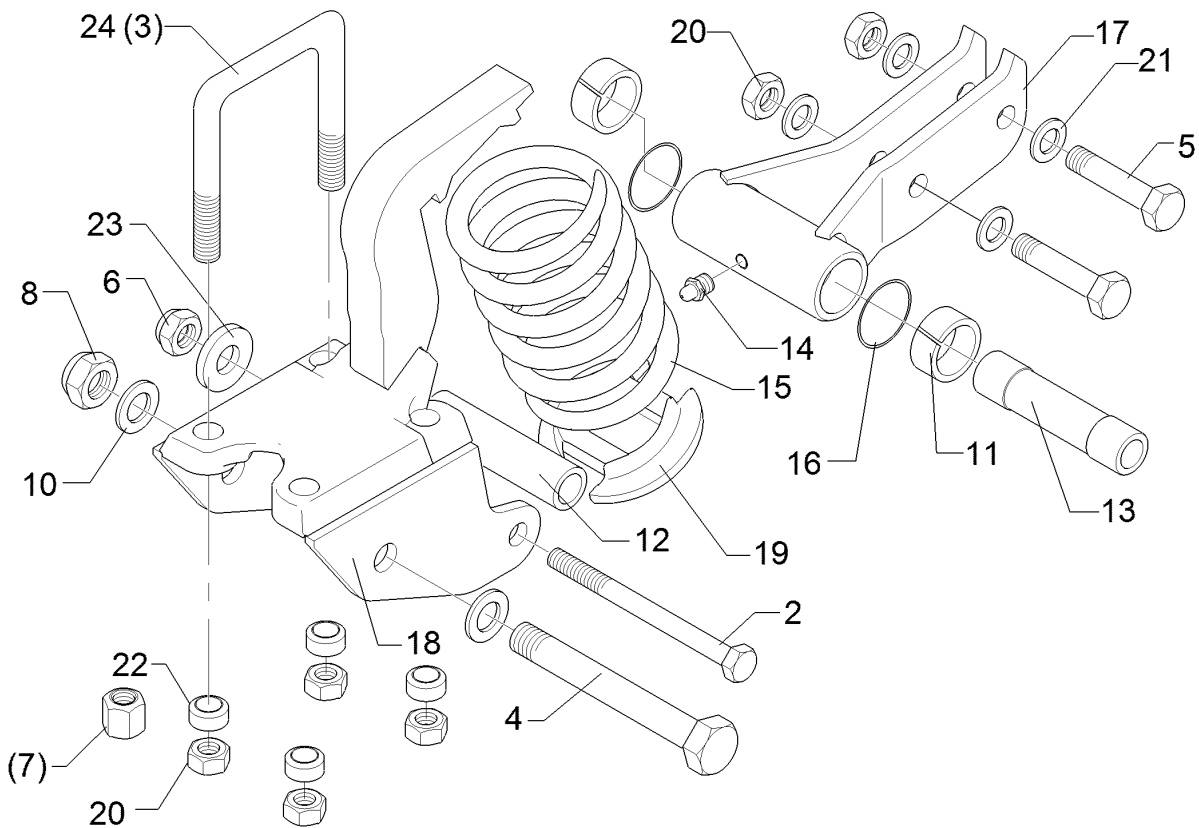
01.18

| Pos. | Art.Nr. | Stck. | Artikeltext / Description | Abmessung | |
|------|----------|-------|---------------------------|-----------|-------------------------|
| 21 | 305 6141 | 6 | Scheibe | Washer | 17/30x3 DIN/ISO-7089 |
| 22 | 30510101 | 4 | Scheibe | Washer | D25/16,5x9 R22 Zn |
| 23 | 305 6161 | 1 | Scheibe | Washer | 17/40x6 DIN7349 Zn |
| 24 | 30110069 | 2 | Bügelsschraube | U-bolt | M16x135 U-91 Zn |



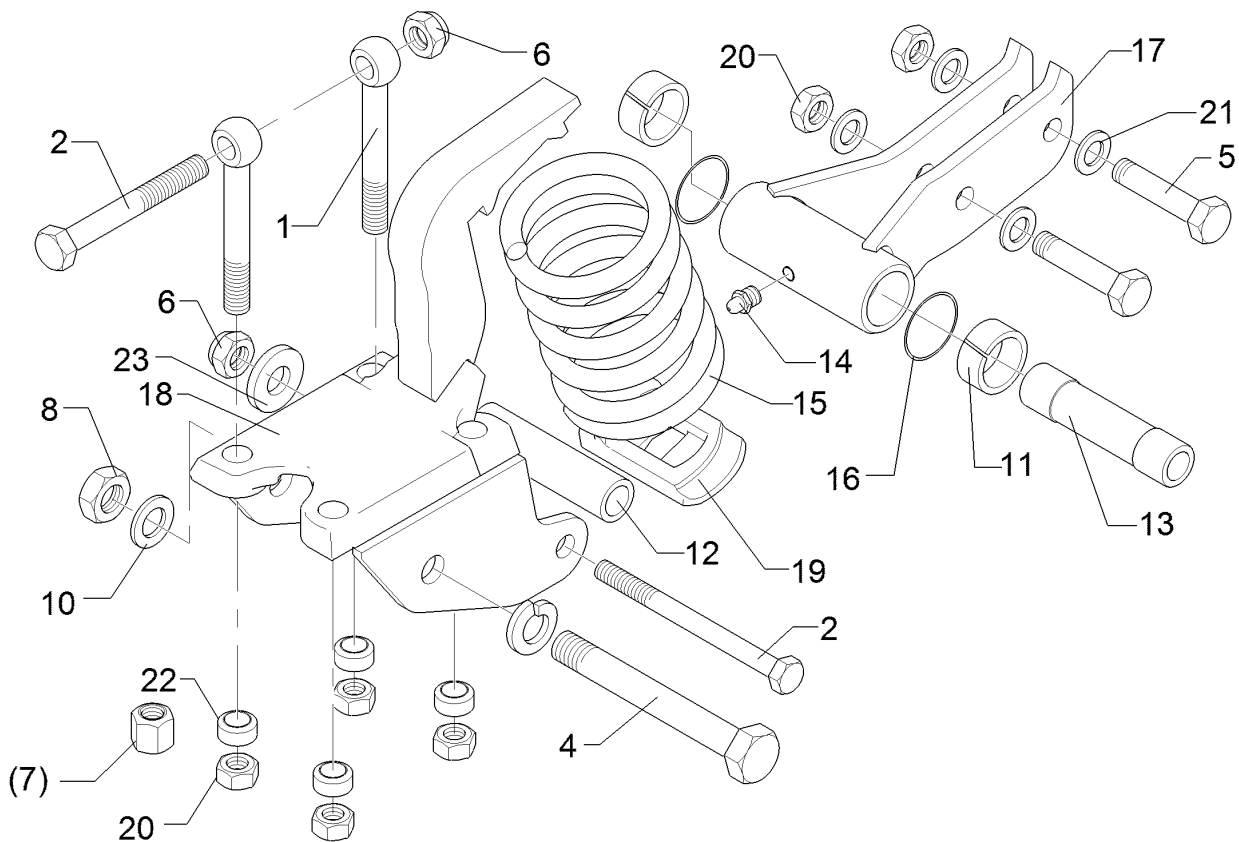
01.18

| Pos. | Art.Nr. | Stck. | Artikeltext / Description | Abmessung | |
|------|----------|-------|---------------------------|--------------------|------------------------------|
| 2 | 30110345 | 1 | Sechskantschraube spz. | Hexagon bolt | M16x165-10.9 Zn |
| 3 | 301 7795 | 2 | Bügelsschraube | U-bolt | M16/90/135 (382) Zn |
| 4 | 301 4523 | 1 | Sechskantschraube spezial | Hexagon bolt | M20x1,5x170ls144xb23-10.9 Zn |
| 5 | 301 5361 | 2 | Sechskantschraube spz. | Hexagon bolt | M16x75-12.9 Zn |
| 6 | 303 0935 | 1 | Sicherungsmutter | Selflocking nut | NM16-8 Zn DIN985 |
| 7 | 303 0954 | 4 | Sechskantmutter | Hexagon nut | M16 DIN 6330-10 Form B |
| 8 | 303 0977 | 1 | Sechskantmutter | Hexagon nut | M20x1,5 DIN934-10 Zn |
| 9 | 305 6143 | 5 | Scheibe | Washer | B17/30x3 ISO7089 200HV Zn |
| 10 | 305 6012 | 2 | Scheibe | Washer | 21 ISO7089 Zn |
| 11 | 317 3422 | 2 | Einspannbuchse | Expansion bush | EG30/38x25 |
| 12 | 317 6826 | 1 | Rohr | Tube | D30x5,6x125 Zn |
| 13 | 317 7199 | 1 | Hülse | Bushing | D30/20,1x128-2xL25 |
| 14 | 323 6348 | 1 | Schmiernippel | Grease nipple | AM10x1 DIN71412 |
| 15 | 329 8469 | 1 | Druckfeder | Compression spring | 14x97x202 |
| 16 | 375 1226 | 2 | O-Ring | O-ring | 46x3-80Shore Viton83 |
| 17 | 412 8103 | 1 | Taschenlagerung | Bracket bearing | D51x128 60x25 Rubin 9 |
| 18 | 412 8110 | 1 | Halmtasche | Bracket | 90x90/D20x128-D18 Rubin-A |
| 19 | 427 8169 | 1 | Federführung | Spring guiding | D110/20x83 Zn |
| 20 | 303 0971 | 6 | Sechskantmutter | Hexagon nut | M16 DIN934-10 Zn |



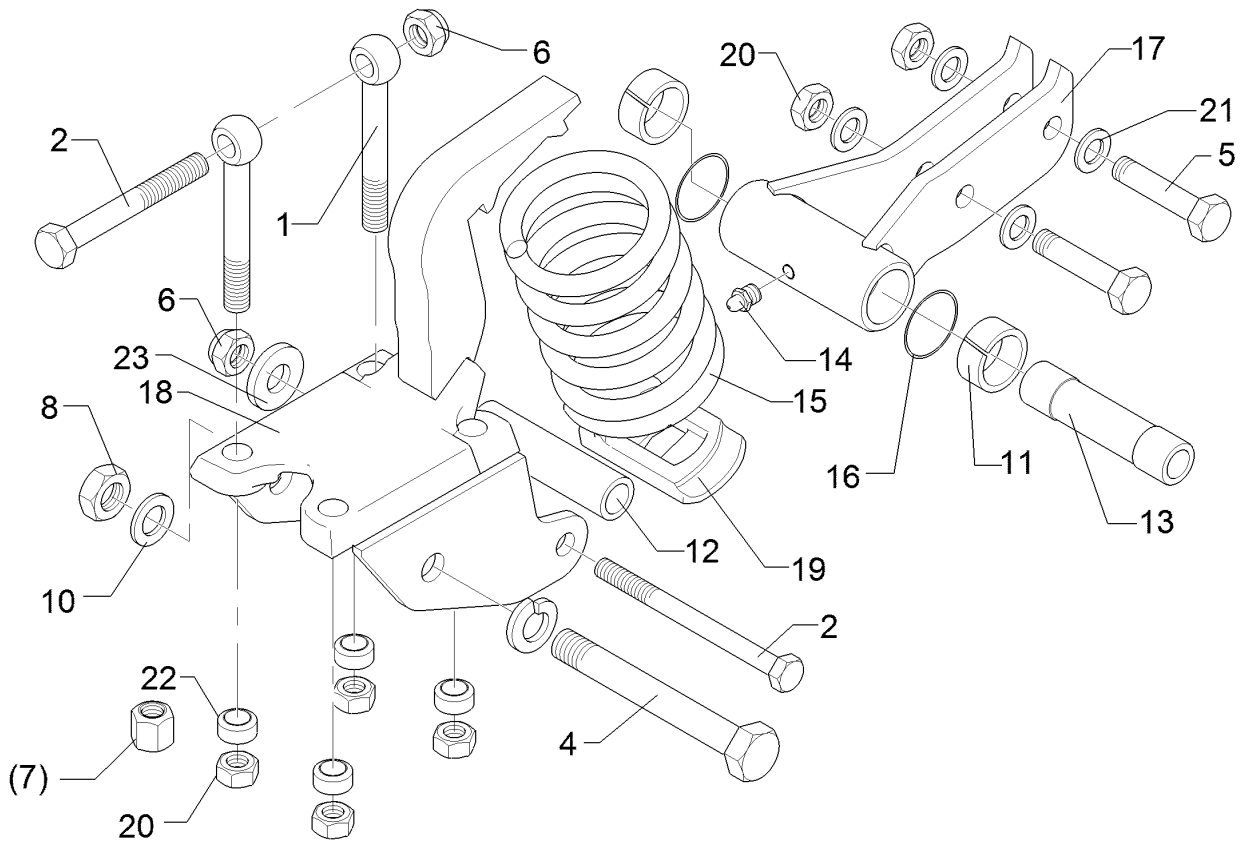
01.18

| Pos. | Art.Nr. | Stck. | Artikeltext / Description | Abmessung |
|------|----------|-------|---------------------------|-----------------------------------|
| 21 | 305 6141 | 6 | Scheibe | Washer 17/30x3 DIN/ISO-7089 |
| 22 | 30510101 | 4 | Scheibe | Washer D25/16,5x9 R22 Zn |
| 23 | 305 6161 | 1 | Scheibe | Washer 17/40x6 DIN7349 Zn |
| 24 | 30110069 | 2 | Bügelsschraube | U-bolt M16x135 U-91 Zn |



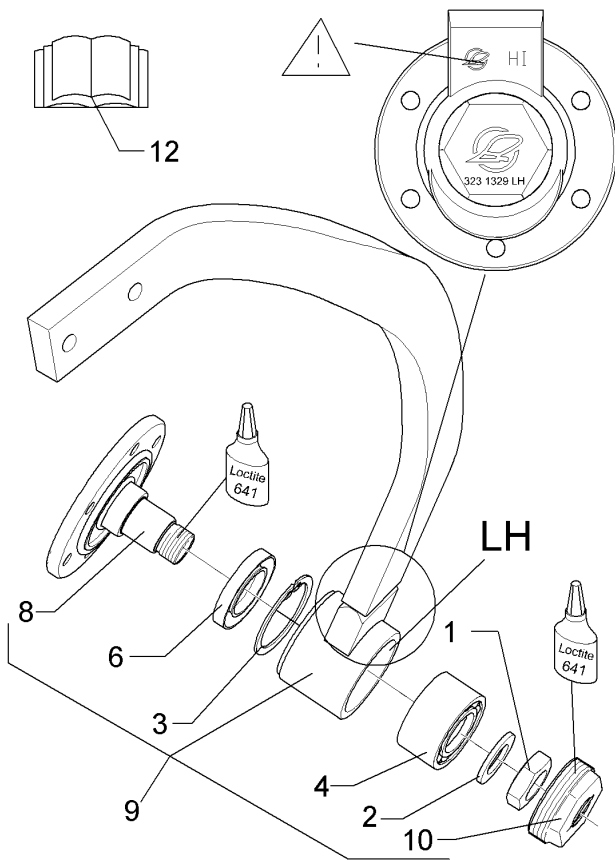
01.18

| Pos. | Art.Nr. | Stck. | Artikeltext / Description | | Abmessung |
|------|----------|-------|---------------------------|--------------------|--------------------------------|
| 1 | 301 0860 | 4 | Augenschraube | Eye bolt | BM16x150-8.8 |
| 2 | 30110345 | 3 | Sechskantschraube spz. | Hexagon bolt | D2=16,1 Zn DIN444 |
| 4 | 301 4523 | 1 | Sechskantschraube spezial | Hexagon bolt | M16x165-10.9 Zn |
| 5 | 301 5361 | 2 | Sechskantschraube spz. | Hexagon bolt | M20x1,5x170s144xb23-10.9 Zn |
| 6 | 303 0935 | 3 | Sicherungsmutter | Selflocking nut | M16x75-12.9 Zn |
| 7 | 303 0954 | 4 | Sechskantmutter | Hexagon nut | NM16-8 Zn DIN985 |
| 8 | 303 0977 | 1 | Sechskantmutter | Hexagon nut | M16 DIN 6330-10 Form B |
| 10 | 305 6012 | 2 | Scheibe | Washer | M20x1,5 DIN934-10 Zn |
| 11 | 317 3422 | 2 | Einspannbuchse | Expansion bush | 21 ISO7089 Zn |
| 12 | 317 6826 | 1 | Rohr | Tube | EG30/38x25 |
| 13 | 317 7199 | 1 | Hülse | Bushing | D30x5,6x125 Zn |
| 14 | 323 6348 | 1 | Schmiernippel | Grease nipple | D30/20,1x128-2xL25 |
| 15 | 329 8469 | 1 | Druckfeder | Compression spring | AM10x1 DIN71412 |
| 16 | 375 1226 | 2 | O-Ring | O-ring | 14x97x202 |
| 17 | 412 8103 | 1 | Taschenlagerung | Bracket bearing | 46x3-80Shore Viton83 |
| 18 | 412 8111 | 1 | Halmtasche | Bracket | D51x128 60x25 Rubin 9 |
| 19 | 427 8169 | 1 | Federführung | Spring guiding | 90x110/D20x128-D18 Rubin-A |
| 20 | 303 0971 | 6 | Sechskantmutter | Hexagon nut | D110/20x83 Zn M16 DIN934-10 Zn |

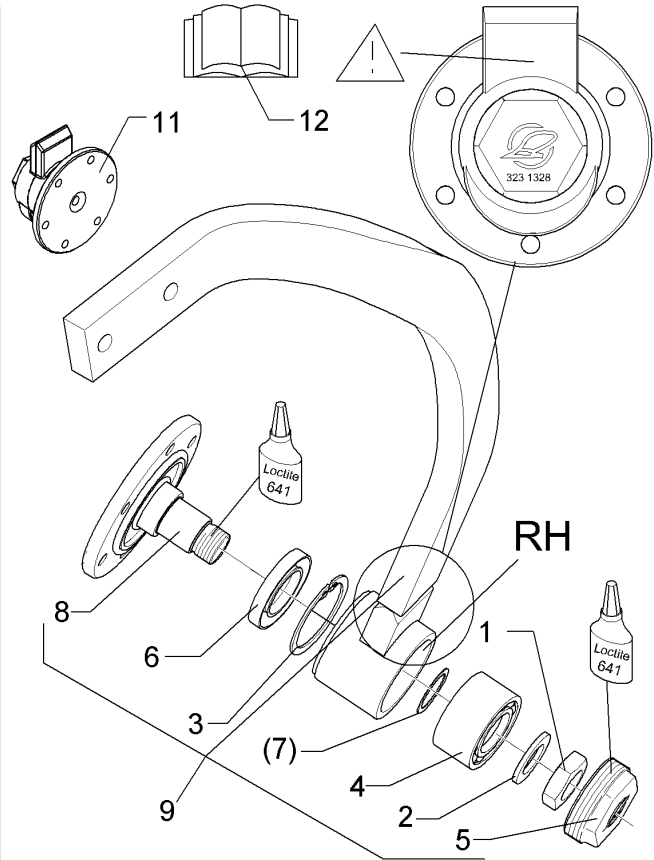


01.18

| Pos. | Art.Nr. | Stck. | Artikeltext / Description | Abmessung | |
|------|----------|-------|---------------------------|-----------|-------------------------|
| 21 | 305 6141 | 4 | Scheibe | Washer | 17/30x3 DIN/ISO-7089 |
| 22 | 30510101 | 4 | Scheibe | Washer | D25/16,5x9 R22 Zn |
| 23 | 305 6161 | 1 | Scheibe | Washer | 17/40x6 DIN7349 Zn |



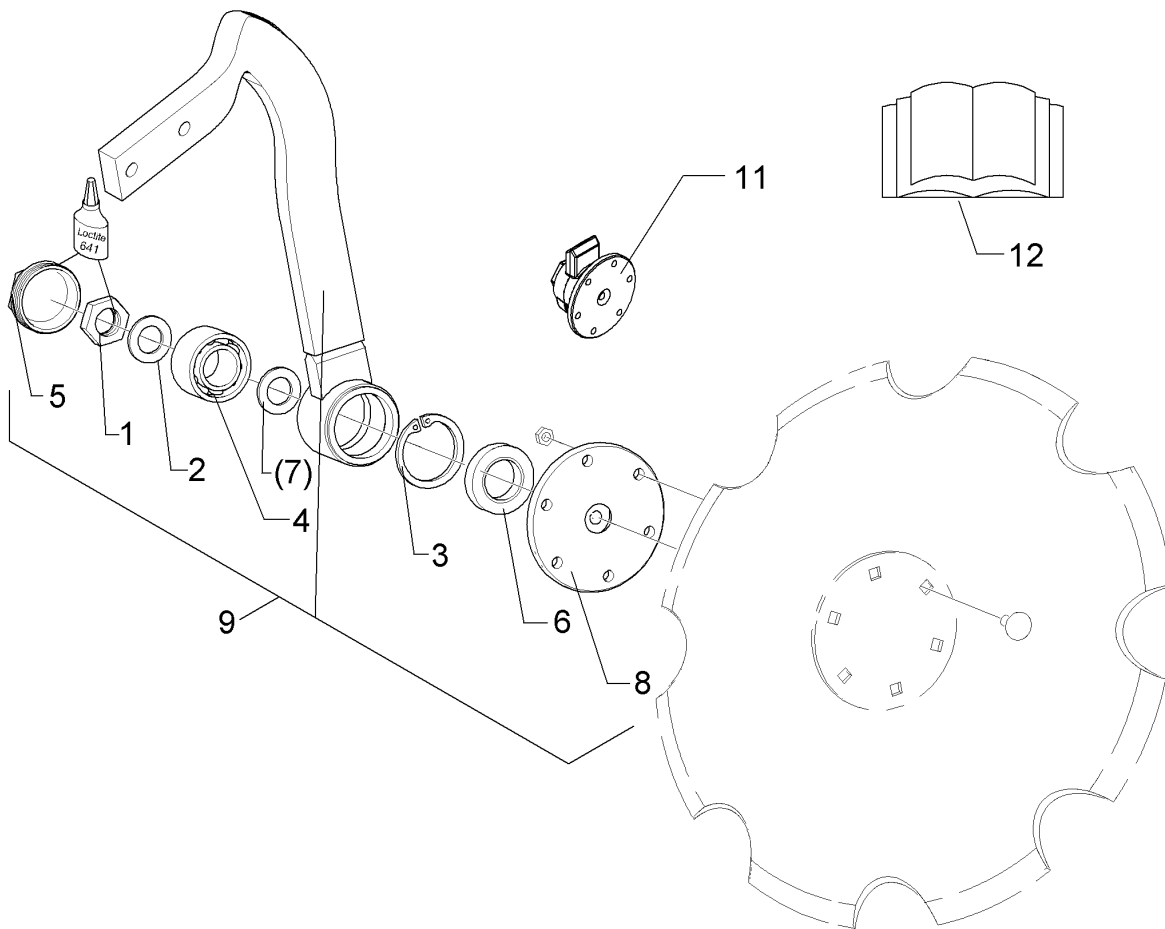
04.2004 →



2002 → 04.2004

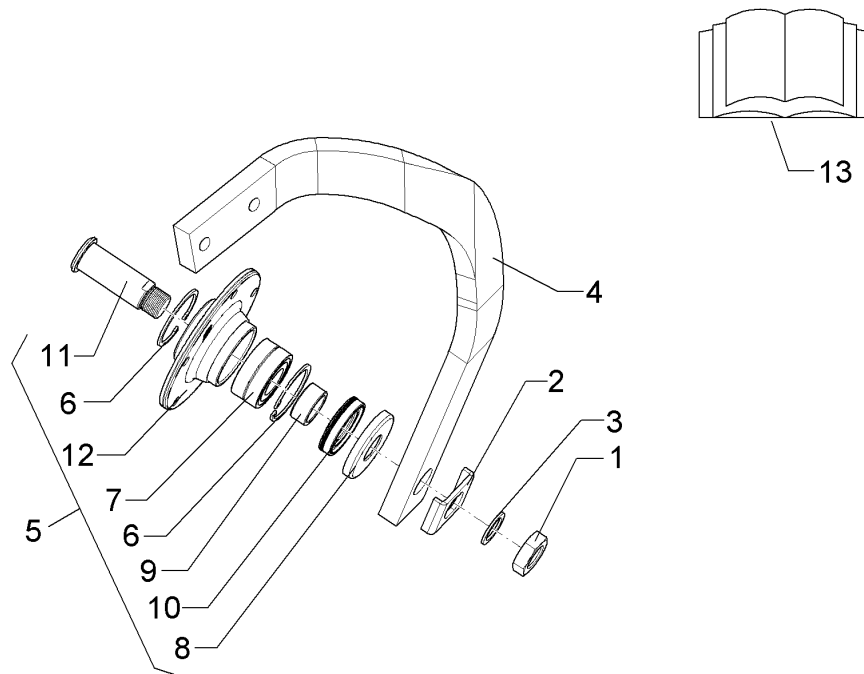
01.18

| Pos. | Art.Nr. | Stck. | Artikeltext / Description | Abmessung | |
|------|----------|-------|-------------------------------|-----------------------|--------------------------------|
| 1 | 303 0994 | 1 | Sechskantmutter | Hexagon nut | M30x1,5 DIN439-05 Zn |
| 2 | 305 2242 | 1 | Stützscheibe | Supporting washer | S 30/42x2,5 DIN988 Zn |
| 3 | 305 8938 | 1 | Sicherungsring | Retaining ring | 72x2,5 DIN472 |
| 4 | 319 8750 | 1 | Schrägkugellager doppelreihig | Bearing | 35/72 2RS |
| 5 | 323 1328 | 1 | Schraubkappe | Cap | M75x1,5-RH Zn |
| 6 | 323 8301 | 1 | Kassettdichtung | Sealing | RWDR 45x70x14 75 NBR 106200 |
| 7 | 305 2071 | 1 | Passscheibe | Shim | 35x45x0,5 DIN988 Zn |
| 8 | 455 0300 | 1 | Welle | Shaft | D160x88 M30x1,5 6xD12,1 Zn |
| 9 | 512 8100 | 1 | Halm mit Lagerung | Stalk with bearing | RE 60x25 D130 6xD12 Rubin 9 |
| 10 | 323 1329 | 1 | Schraubkappe | Cap | M75x1,5-LH Zn |
| 11 | 555 4500 | 1 | Lagerung | Bearing | HI D130 6xD12 Rubin 9 |
| 12 | 982 1220 | 1 | Montageanleitung | Mounting instructions | Kassettdichtung Rubin |



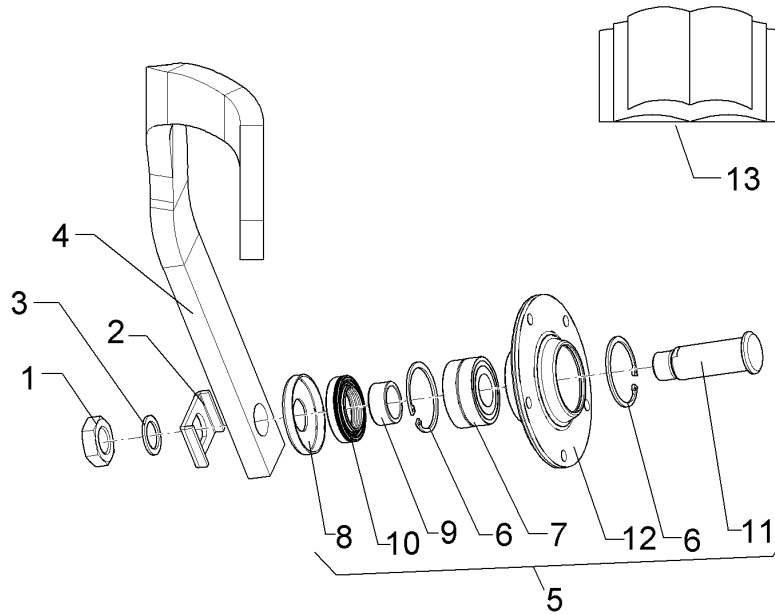
01.18

| Pos. | Art.Nr. | Stck. | Artikeltext / Description | | Abmessung |
|------|----------|-------|-------------------------------|-----------------------|-------------------------------------|
| 1 | 303 0995 | 1 | Sechskantmutter | Hexagon nut | M30x1,5-LH DIN439-05 Zn |
| 2 | 305 2242 | 1 | Stützscheibe | Supporting washer | S 30/42x2,5 DIN988 Zn |
| 3 | 305 8938 | 1 | Sicherungsring | Retaining ring | 72x2,5 DIN472 |
| 4 | 319 8750 | 1 | Schrägkugellager doppelreihig | Bearing | 35/72 2RS |
| 5 | 323 1328 | 1 | Schraubkappe | Cap | M75x1,5-RH Zn |
| 6 | 323 8301 | 1 | Kassettdichtung | Sealing | RWDR 45x70x14 75 NBR 106200 |
| 7 | 305 2071 | 1 | Passscheibe | Shim | 35x45x0,5 DIN988 Zn |
| 8 | 455 0301 | 1 | Welle | Shaft | D160x88 M30x1,5-LH 6xD12,1 Zn |
| 9 | 512 8101 | 1 | Halm mit Lagerung | Stalk with bearing | LI 60x25 D130 6xD12 Rubin 9 |
| 11 | 555 4501 | 1 | Lagerung | Bearing | VO D130 6xD12 Rubin 9 |
| 12 | 982 1220 | 1 | Montageanleitung | Mounting instructions | Kassettdichtung Rubin |



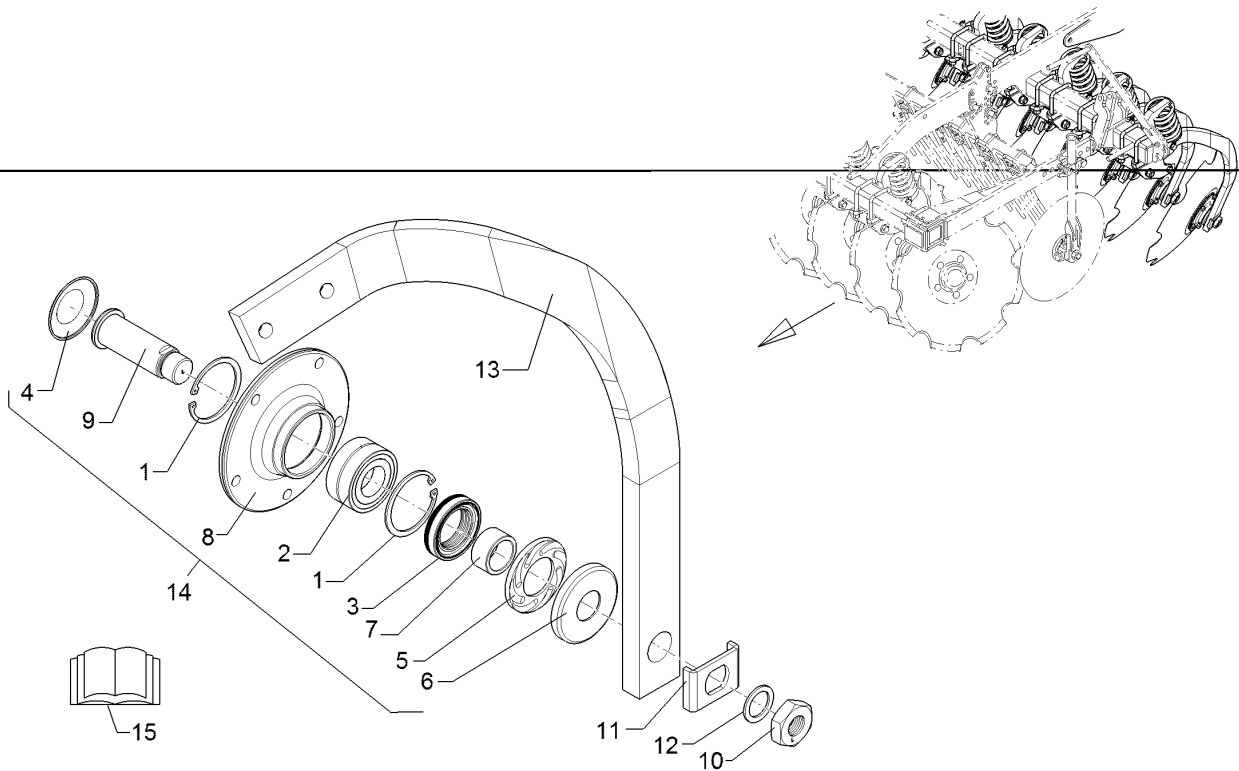
01.18

| Pos. | Art.Nr. | Stck. | Artikeltext / Description | | Abmessung |
|------|----------|-------|-------------------------------|-----------------------|--|
| 1 | 303 0995 | 1 | Sechskantmutter | Hexagon nut | M30x1,5-LH DIN439-05 Zn |
| 2 | 305 1327 | 1 | Verdrehsicherung | Locking | 50x5x86 SW30 D36 2xGEB90GRD Zn |
| 3 | 305 2242 | 1 | Stützscheibe | Supporting washer | S 30/42x2,5 DIN988 Zn |
| 4 | 412 8170 | 1 | Halm | Stalk | 60x25x900 Rubin 9 RE (B) |
| 5 | 555 4503 | 1 | Nabe komplett | Hub complete | DB= |
| 6 | 305 8938 | 2 | Sicherungsring | Retaining ring | 72x2,5 DIN472 |
| 7 | 319 8750 | 1 | Schräggugellager doppelreihig | Bearing | 35/72 2RS |
| 8 | 323 0417 | 1 | Schutzkappe | Cap | D84,7/80,7/35 11,5x2 Zn |
| 9 | 323 5006 | 1 | Lauftring | Race ring | D45/35x19,5 |
| 10 | 323 8301 | 1 | Kassettendichtung | Sealing | RWDR 45x70x14 75 NBR 106200 |
| 11 | 455 0303 | 1 | Achse | Axle | D45/35x113 |
| 12 | 455 5140 | 1 | Lagergehäuse | Bearing housing | M30x1,5 LH Zn D185/160x58,5 5xD12,1 Zn |
| 13 | 982 1393 | 1 | Montageanleitung | Mounting instructions | Lagerung Hohlscheiben |



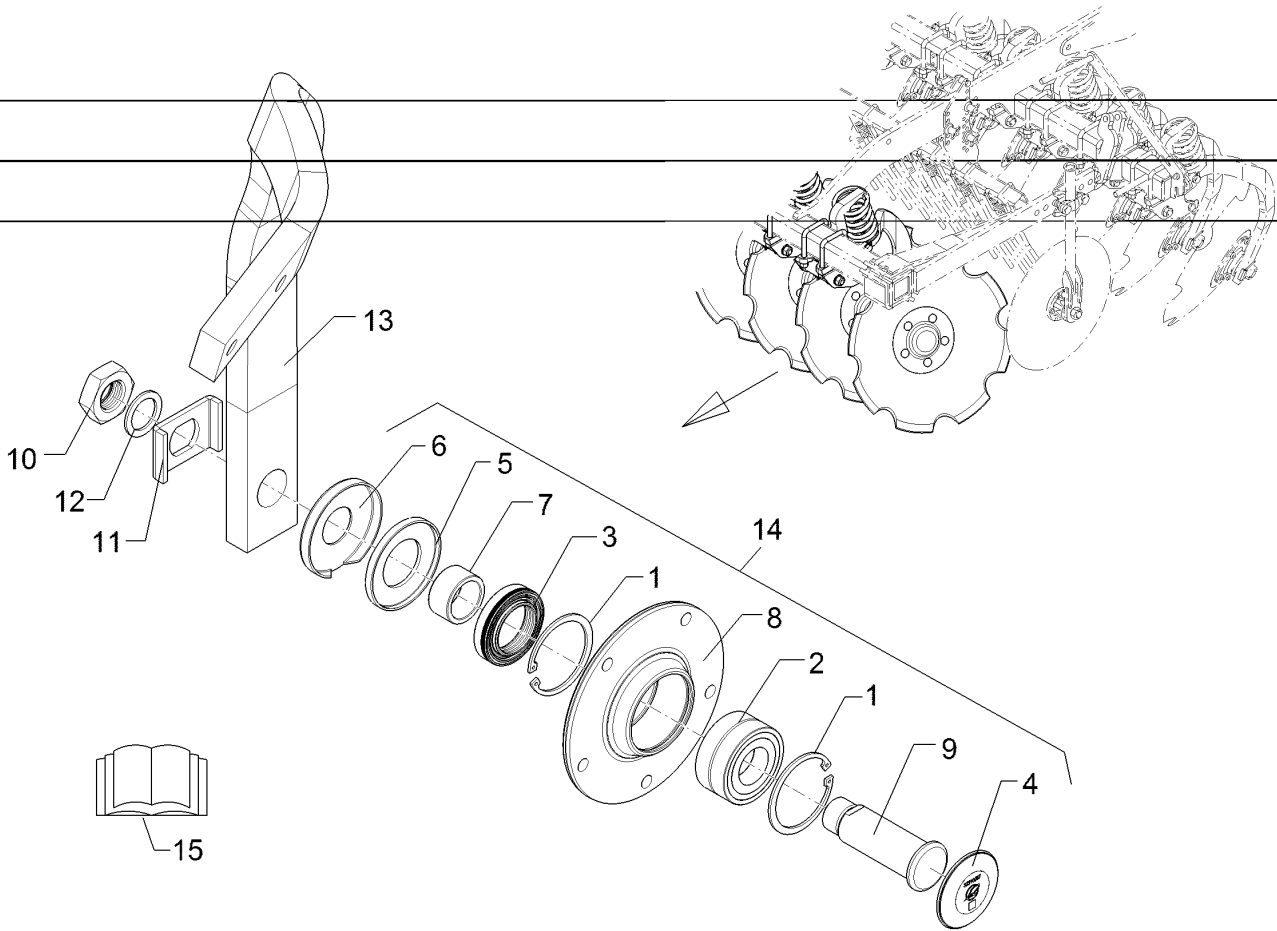
01.18

| Pos. | Art.Nr. | Stck. | Artikeltext / Description | | Abmessung |
|------|----------|-------|-------------------------------|-----------------------|--|
| 1 | 303 0994 | 1 | Sechskantmutter | Hexagon nut | M30x1,5 DIN439-05 Zn |
| 2 | 305 1327 | 1 | Verdrehsicherung | Locking | 50x5x86 SW30 D36 2xGEB90GRD Zn |
| 3 | 305 2242 | 1 | Stützscheibe | Supporting washer | S 30/42x2,5 DIN988 Zn |
| 4 | 412 8171 | 1 | Halm | Stalk | 60x25x900 Rubin 9 LI (B) |
| 5 | 555 4502 | 1 | Nabe komplett | Hub complete | DB= |
| 6 | 305 8938 | 2 | Sicherungsring | Retaining ring | 72x2,5 DIN472 |
| 7 | 319 8750 | 1 | Schrägkugellager doppelreihig | Bearing | 35/72 2RS |
| 8 | 323 0417 | 1 | Schutzkappe | Cap | D84,7/80,7/35 11,5x2 Zn |
| 9 | 323 5006 | 1 | Lauftring | Race ring | D45/35x19,5 |
| 10 | 323 8301 | 1 | Kassettendichtung | Sealing | RWDR 45x70x14 75 NBR 106200 |
| 11 | 455 0302 | 1 | Achse | Axle | D45/35x113 |
| 12 | 455 5140 | 1 | Lagergehäuse | Bearing housing | M30x1,5 Zn D185/160x58,5 |
| 13 | 982 1393 | 1 | Montageanleitung | Mounting instructions | 5xD12,1 Zn Lagerung Hohlscheiben |



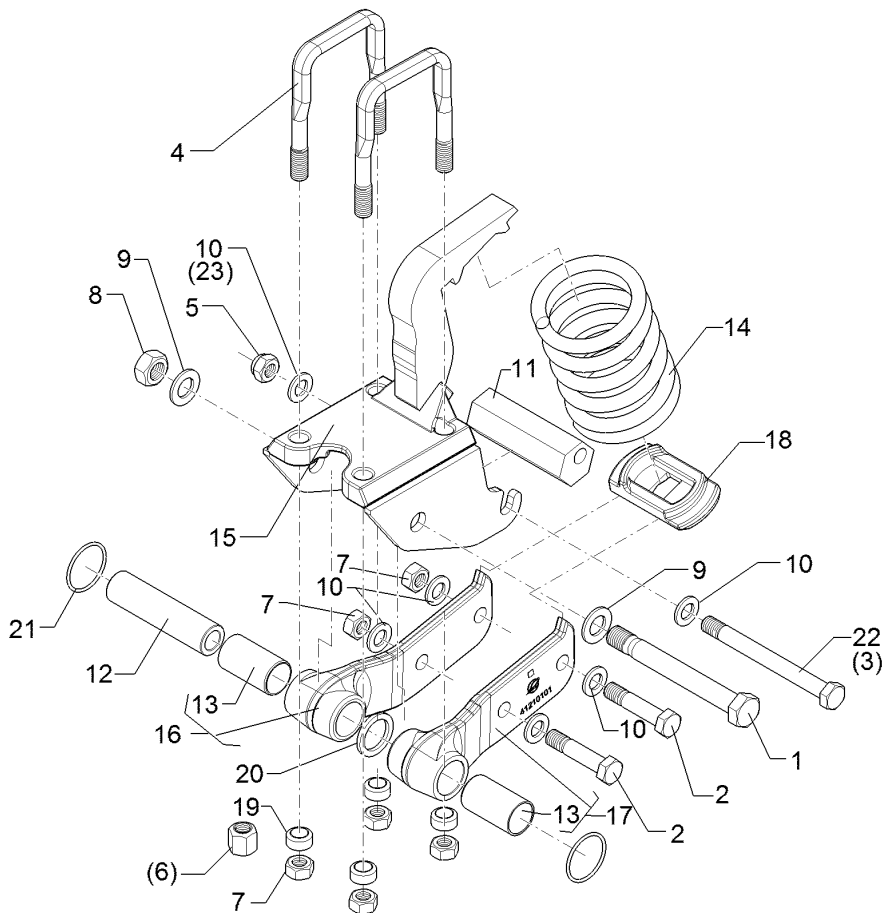
01.18

| Pos. | Art.Nr. | Stck. | Artikeltext / Description | | Abmessung |
|------|----------|-------|-------------------------------|-----------------------|-----------------------------------|
| 1 | 305 8938 | 2 | Sicherungsring | Retaining ring | 72x2,5 DIN472 |
| 2 | 319 8750 | 1 | Schrägkugellager doppelreihig | Bearing | 35/72 2RS |
| 3 | 323 8301 | 1 | Kassettdichtung | Sealing | RWDR 45x70x14 75 NBR 106200 |
| 4 | 32310057 | 1 | Schutzkappe | Cap | D72,5x7 |
| 5 | 32310062 | 1 | Förderscheibe | Conveyor disc | D83,8/45,2x8 RE Zn |
| 6 | 32310065 | 1 | Schutzkappe | Cap | D84,8/35,1x11,5 Zn |
| 7 | 32310067 | 1 | Lauftring | Race ring | D45/35x23 V |
| 8 | 455 5140 | 1 | Lagergehäuse | Bearing housing | D185/160x58,5 5xD12,1 Zn |
| 9 | 45510039 | 1 | Achse | Axle | D35x115 M30x1,5LH Zn |
| 10 | 303 0995 | 1 | Sechskantmutter | Hexagon nut | M30x1,5-LH DIN439-05 Zn |
| 11 | 305 1327 | 1 | Verdrehsicherung | Locking | 50x5x86 SW30 D36 2xGEB90GRD Zn |
| 12 | 305 2242 | 1 | Stützscheibe | Supporting washer | S 30/42x2,5 DIN988 Zn |
| 13 | 412 8170 | 1 | Halm | Stalk | 60x25x900 Rubin 9 RE (B) |
| 14 | 55510015 | 1 | Nabe | Hub | D35x185x160 M30x1,5 LH |
| 15 | 982 1394 | 1 | Montageanleitung | Mounting instructions | Lagerung Hohlscheiben |



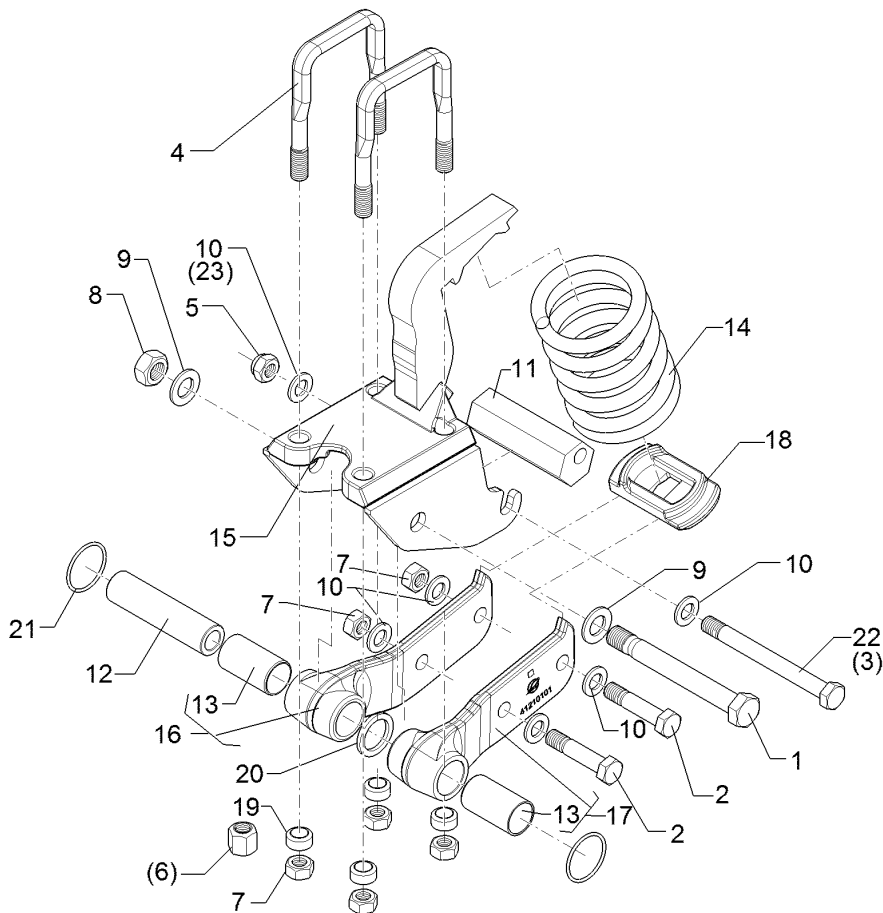
01.18

| Pos. | Art.Nr. | Stck. | Artikeltext / Description | | Abmessung |
|------|----------|-------|-------------------------------|-----------------------|-----------------------------------|
| 1 | 305 8938 | 2 | Sicherungsring | Retaining ring | 72x2,5 DIN472 |
| 2 | 319 8750 | 1 | Schrägkugellager doppelreihig | Bearing | 35/72 2RS |
| 3 | 323 8301 | 1 | Kassettdichtung | Sealing | RWDR 45x70x14 75 NBR 106200 |
| 4 | 32310057 | 1 | Schutzkappe | Cap | D72,5x7 |
| 5 | 32310063 | 1 | Förderscheibe | Conveyor disc | D83,8/45,2x8 LI Zn |
| 6 | 32310065 | 1 | Schutzkappe | Cap | D84,8/35,1x11,5 Zn |
| 7 | 32310067 | 1 | Lauftring | Race ring | D45/35x23 V |
| 8 | 455 5140 | 1 | Lagergehäuse | Bearing housing | D185/160x58,5 5xD12,1 Zn |
| 9 | 45510038 | 1 | Achse | Axle | D35x115 M30x1,5 Zn |
| 10 | 303 0994 | 1 | Sechskantmutter | Hexagon nut | M30x1,5 DIN439-05 Zn |
| 11 | 305 1327 | 1 | Verdrehsicherung | Locking | 50x5x86 SW30 D36 2xGEB90GRD Zn |
| 12 | 305 2242 | 1 | Stützscheibe | Supporting washer | S 30/42x2,5 DIN988 Zn |
| 13 | 412 8171 | 1 | Halm | Stalk | 60x25x900 Rubin 9 LI (B) |
| 14 | 55510014 | 1 | Nabe | Hub | 35x185x160 M30x1,5 |
| 15 | 982 1394 | 1 | Montageanleitung | Mounting instructions | Lagerung Hohlscheiben |



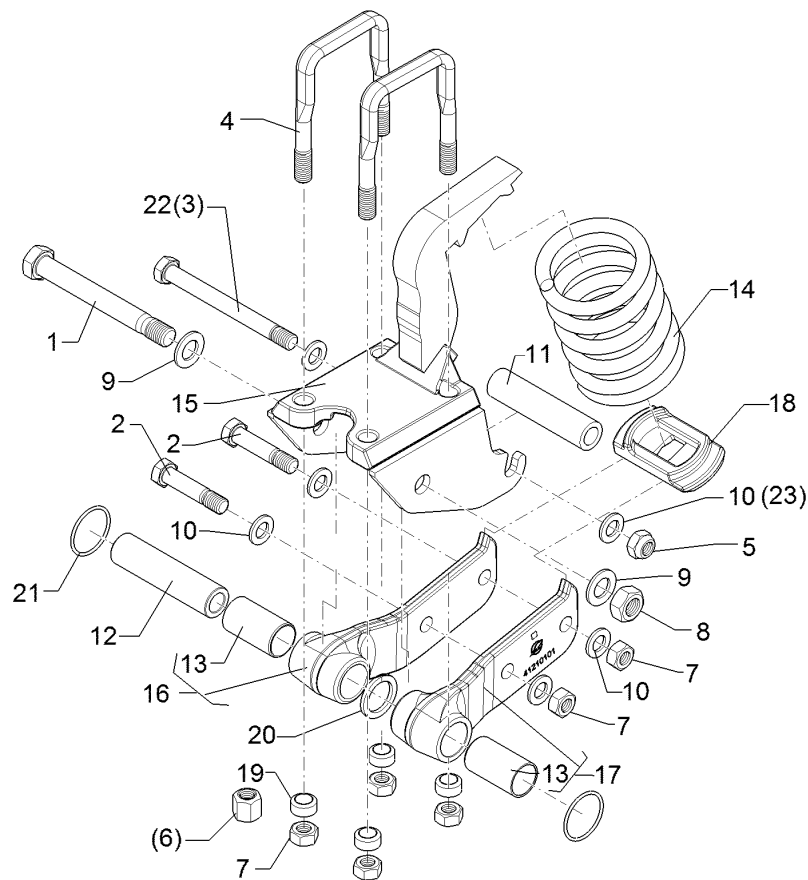
01.18

| Pos. | Art.Nr. | Stck. | Artikeltext / Description | | Abmessung |
|------|----------|-------|---------------------------|--------------------|---------------------------------|
| 1 | 301 4523 | 1 | Sechskantschraube spezial | Hexagon bolt | M20x1,5x170ls144xb23-10.9 Zn |
| 2 | 301 5361 | 2 | Sechskantschraube spz. | Hexagon bolt | M16x75-12.9 Zn |
| 3 | 301 5410 | 1 | Sechskantschraube | Hexagon bolt | M16x160-8.8 Zn DIN931-A |
| 4 | 30110069 | 2 | Bügelsschraube | U-bolt | M16x135 U-91 Zn |
| 5 | 303 0935 | 1 | Sicherungsmutter | Selflocking nut | NM16-8 Zn DIN985 |
| 6 | 303 0954 | 4 | Sechskantmutter | Hexagon nut | M16 DIN 6330-10 Form B |
| 7 | 303 0971 | 6 | Sechskantmutter | Hexagon nut | M16 DIN934-10 Zn |
| 8 | 303 0977 | 1 | Sechskantmutter | Hexagon nut | M20x1,5 DIN934-10 Zn |
| 9 | 305 6012 | 2 | Scheibe | Washer | 21 ISO7089 Zn |
| 10 | 305 6141 | 6 | Scheibe | Washer | 17/30x3 DIN/ISO-7089 |
| 11 | 317 7701 | 1 | Exzenter | Eccentric | SW41x125 D16,25 Zn |
| 12 | 31710080 | 1 | Buchse | Bush | D32/20,1x128 A2-V |
| 13 | 31710081 | 2 | Gleitlager | Sleeve bearing | D36/32x63 |
| 14 | 329 8467 | 1 | Druckfeder | Compression spring | 14x97x218 |
| 15 | 412 8091 | 1 | Halmtasche | Bracket | 90x90/D20x128-D18 Rubin-B HI |
| 16 | 51210014 | 1 | Taschenlagerung | Bracket bearing | Rubin(D) RE |
| 17 | 51210015 | 1 | Taschenlagerung | Bracket bearing | Rubin(D) LI |
| 18 | 427 8170 | 1 | Lager | Bearing | D110/27x83 Zn Rubin 9 |
| 19 | 30510101 | 4 | Scheibe | Washer | D25/16,5x9 R22 Zn |



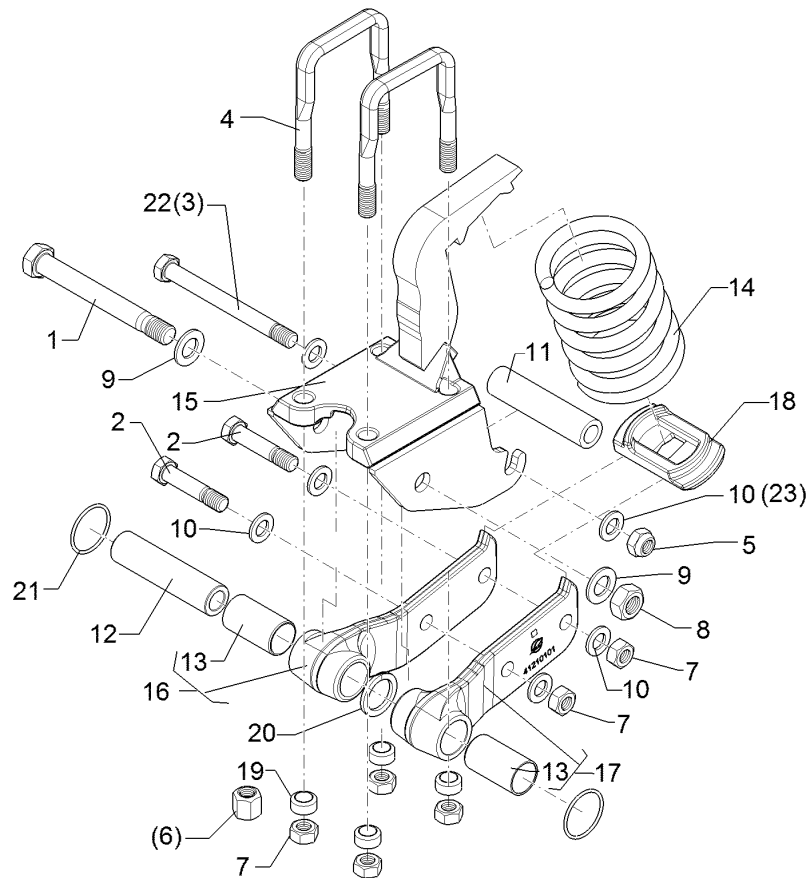
01.18

| Pos. | Art.Nr. | Stck. | Artikeltext / Description | | Abmessung |
|------|----------|-------|---------------------------|--------------|-------------------------|
| 20 | 32310104 | 1 | Dichtung | Seal | D45/33x4 |
| 21 | 375 1226 | 2 | O-Ring | O-ring | 46x3-80Shore Viton83 |
| 22 | 30110345 | 1 | Sechskantschraube spz. | Hexagon bolt | M16x165-10.9 Zn |
| 23 | 305 6161 | 1 | Scheibe | Washer | 17/40x6 DIN7349 Zn |



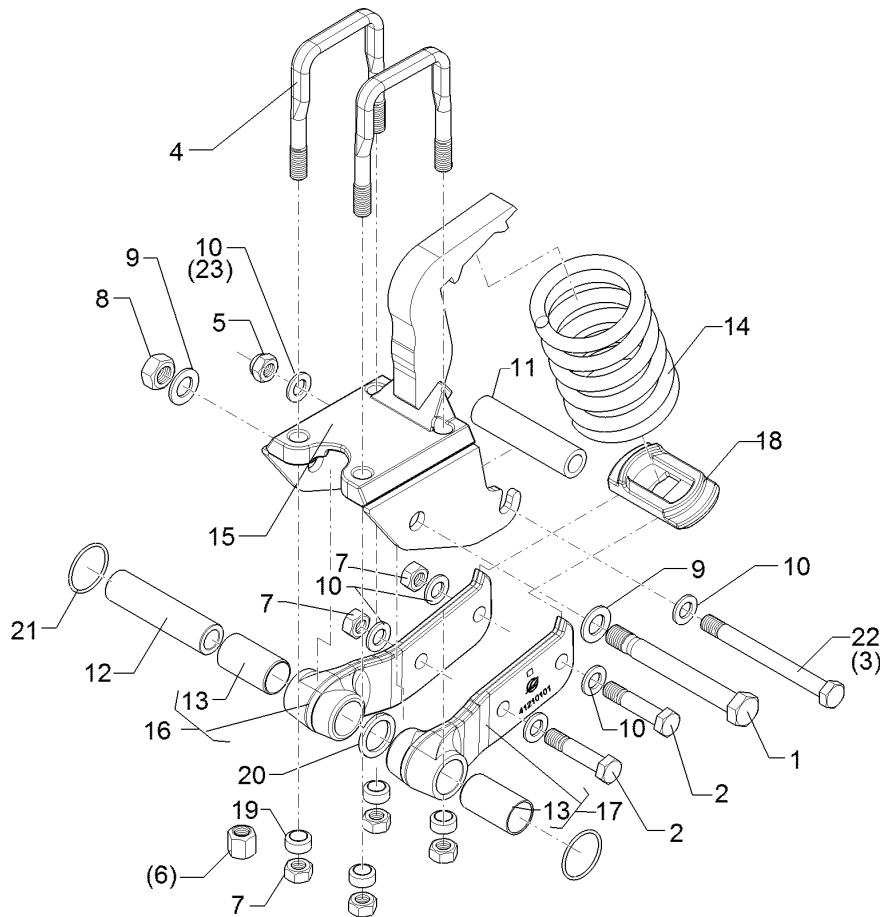
01.18

| Pos. | Art.Nr. | Stck. | Artikeltext / Description | | Abmessung |
|------|----------|-------|---------------------------|--------------------|------------------------------|
| 1 | 301 4523 | 1 | Sechskantschraube spezial | Hexagon bolt | M20x1,5x170ls144xb23-10.9 Zn |
| 2 | 301 5361 | 2 | Sechskantschraube spz. | Hexagon bolt | M16x75-12.9 Zn |
| 3 | 301 5410 | 1 | Sechskantschraube | Hexagon bolt | M16x160-8.8 Zn DIN931-A |
| 4 | 30110069 | 2 | Bügelschraube | U-bolt | M16x135 U-91 Zn |
| 5 | 303 0935 | 1 | Sicherungsmutter | Selflocking nut | NM16-8 Zn DIN985 |
| 6 | 303 0954 | 4 | Sechskantmutter | Hexagon nut | M16 DIN 6330-10 Form B |
| 7 | 303 0971 | 6 | Sechskantmutter | Hexagon nut | M16 DIN934-10 Zn |
| 8 | 303 0977 | 1 | Sechskantmutter | Hexagon nut | M20x1,5 DIN934-10 Zn |
| 9 | 305 6012 | 2 | Scheibe | Washer | 21 ISO7089 Zn |
| 10 | 305 6141 | 6 | Scheibe | Washer | 17/30x3 DIN/ISO-7089 |
| 11 | 317 6826 | 1 | Rohr | Tube | D30x5,6x125 Zn |
| 12 | 31710080 | 1 | Buchse | Bush | D32/20,1x128 A2-V |
| 13 | 31710081 | 2 | Gleitlager | Sleeve bearing | D36/32x63 |
| 14 | 329 8467 | 1 | Druckfeder | Compression spring | 14x97x218 |
| 15 | 412 8110 | 1 | Halmtasche | Bracket | 90x90/D20x128-D18 Rubin-A |
| 16 | 51210014 | 1 | Taschenlagerung | Bracket bearing | Rubin(D) RE |
| 17 | 51210015 | 1 | Taschenlagerung | Bracket bearing | Rubin(D) LI |
| 18 | 427 8170 | 1 | Lager | Bearing | D110/27x83 Zn Rubin 9 |
| 19 | 30510101 | 4 | Scheibe | Washer | D25/16,5x9 R22 Zn |



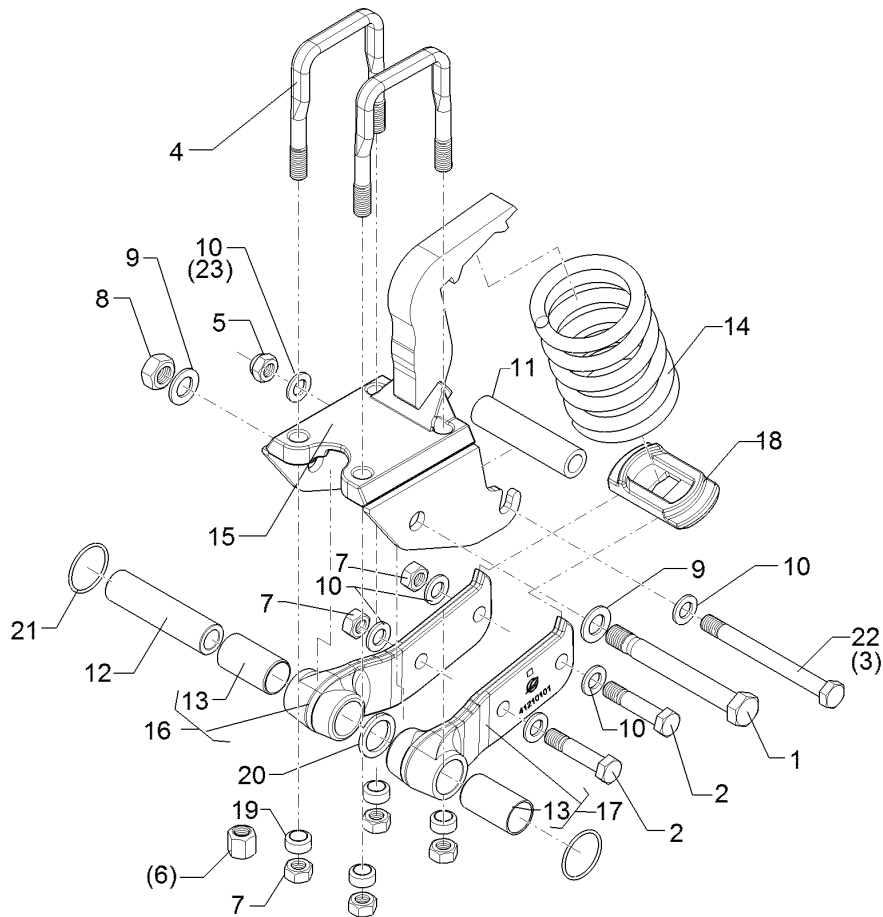
01.18

| Pos. | Art.Nr. | Stck. | Artikeltext / Description | | Abmessung |
|------|----------|-------|---------------------------|--------------|-------------------------|
| 20 | 32310104 | 1 | Dichtung | Seal | D45/33x4 |
| 21 | 375 1226 | 2 | O-Ring | O-ring | 46x3-80Shore Viton83 |
| 22 | 30110345 | 1 | Sechskantschraube spz. | Hexagon bolt | M16x165-10.9 Zn |
| 23 | 305 6161 | 1 | Scheibe | Washer | 17/40x6 DIN7349 Zn |



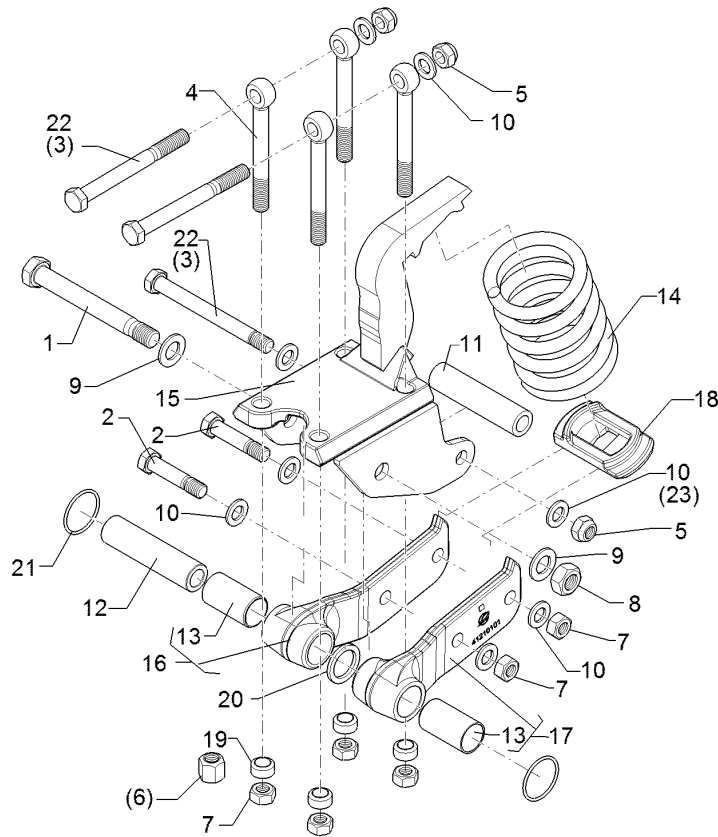
01.18

| Pos. | Art.Nr. | Stck. | Artikeltext / Description | | Abmessung |
|------|----------|-------|---------------------------|--------------------|---------------------------------|
| 1 | 301 4523 | 1 | Sechskantschraube spezial | Hexagon bolt | M20x1,5x170ls144xb23-10.9 Zn |
| 2 | 301 5361 | 2 | Sechskantschraube spz. | Hexagon bolt | M16x75-12.9 Zn |
| 3 | 301 5410 | 1 | Sechskantschraube | Hexagon bolt | M16x160-8.8 Zn DIN931-A |
| 4 | 30110069 | 2 | Bügelsschraube | U-bolt | M16x135 U-91 Zn |
| 5 | 303 0935 | 1 | Sicherungsmutter | Selflocking nut | NM16-8 Zn DIN985 |
| 6 | 303 0954 | 4 | Sechskantmutter | Hexagon nut | M16 DIN 6330-10 Form B |
| 7 | 303 0971 | 6 | Sechskantmutter | Hexagon nut | M16 DIN934-10 Zn |
| 8 | 303 0977 | 1 | Sechskantmutter | Hexagon nut | M20x1,5 DIN934-10 Zn |
| 9 | 305 6012 | 2 | Scheibe | Washer | 21 ISO7089 Zn |
| 10 | 305 6141 | 6 | Scheibe | Washer | 17/30x3 DIN/ISO-7089 |
| 11 | 317 6826 | 1 | Rohr | Tube | D30x5,6x125 Zn |
| 12 | 31710080 | 1 | Buchse | Bush | D32/20,1x128 A2-V |
| 13 | 31710081 | 2 | Gleitlager | Sleeve bearing | D36/32x63 |
| 14 | 329 8467 | 1 | Druckfeder | Compression spring | 14x97x218 |
| 15 | 412 8091 | 1 | Halmtasche | Bracket | 90x90/D20x128-D18 Rubin-B HI |
| 16 | 51210014 | 1 | Taschenlagerung | Bracket bearing | Rubin(D) RE |
| 17 | 51210015 | 1 | Taschenlagerung | Bracket bearing | Rubin(D) LI |
| 18 | 427 8170 | 1 | Lager | Bearing | D110/27x83 Zn Rubin 9 |
| 19 | 30510101 | 4 | Scheibe | Washer | D25/16,5x9 R22 Zn |



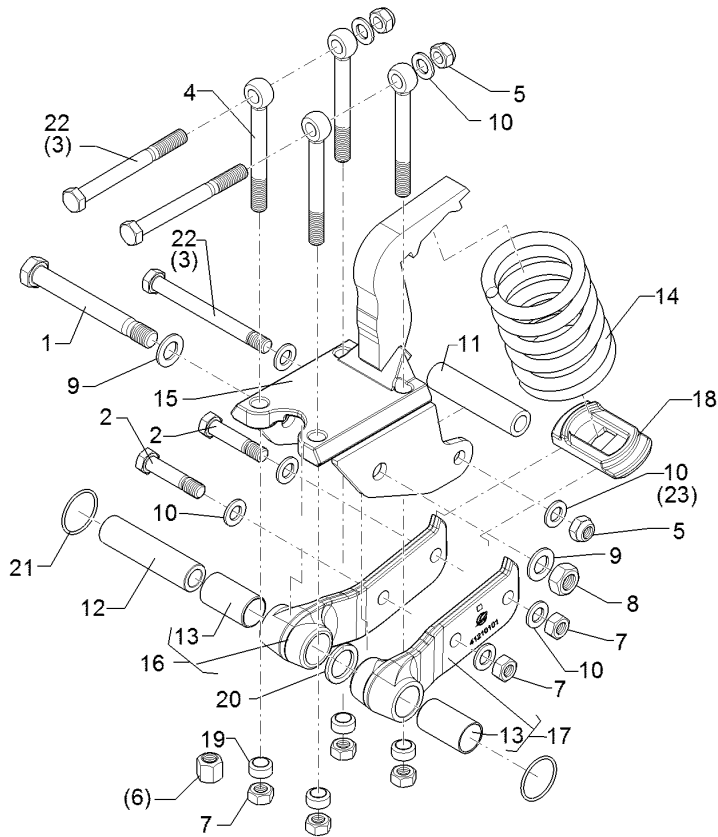
01.18

| Pos. | Art.Nr. | Stck. | Artikeltext / Description | | Abmessung |
|------|----------|-------|---------------------------|--------------|-------------------------|
| 20 | 32310104 | 1 | Dichtung | Seal | D45/33x4 |
| 21 | 375 1226 | 2 | O-Ring | O-ring | 46x3-80Shore Viton83 |
| 22 | 30110345 | 1 | Sechskantschraube spz. | Hexagon bolt | M16x165-10.9 Zn |
| 23 | 305 6161 | 1 | Scheibe | Washer | 17/40x6 DIN7349 Zn |



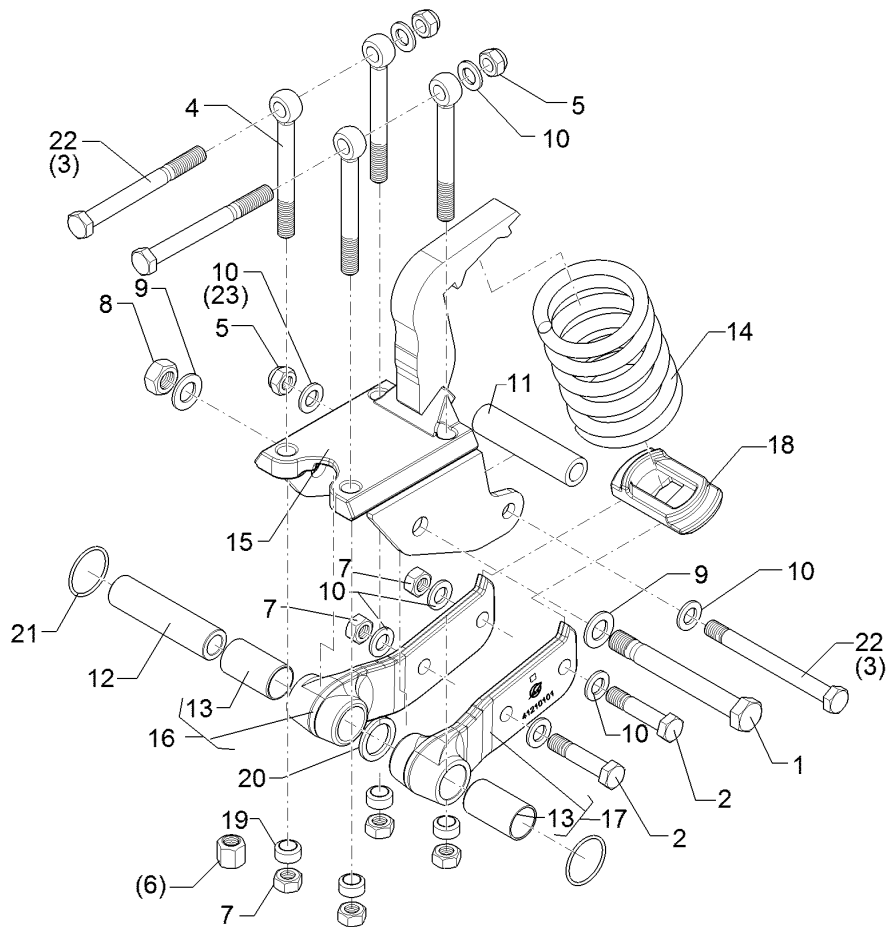
01.18

| Pos. | Art.Nr. | Stck. | Artikeltext / Description | | Abmessung |
|------|----------|-------|---------------------------|--------------------|-----------------------------------|
| 1 | 301 4523 | 1 | Sechskantschraube spezial | Hexagon bolt | M20x1,5x170ls144xb23-10.9 Zn |
| 2 | 301 5361 | 2 | Sechskantschraube spz. | Hexagon bolt | M16x75-12.9 Zn |
| 3 | 301 5410 | 3 | Sechskantschraube | Hexagon bolt | M16x160-8.8 Zn DIN931-A |
| 4 | 301 0860 | 4 | Augenschraube | Eye bolt | BM16x150-8.8 D2=16,1 Zn DIN444 |
| 5 | 303 0935 | 3 | Sicherungsmutter | Selflocking nut | NM16-8 Zn DIN985 |
| 6 | 303 0954 | 4 | Sechskantmutter | Hexagon nut | M16 DIN 6330-10 Form B |
| 7 | 303 0971 | 6 | Sechskantmutter | Hexagon nut | M16 DIN934-10 Zn |
| 8 | 303 0977 | 1 | Sechskantmutter | Hexagon nut | M20x1,5 DIN934-10 Zn |
| 9 | 305 6012 | 2 | Scheibe | Washer | 21 ISO7089 Zn |
| 10 | 305 6141 | 8 | Scheibe | Washer | 17/30x3 DIN/ISO-7089 |
| 11 | 317 6826 | 1 | Rohr | Tube | D30x5,6x125 Zn |
| 12 | 31710080 | 1 | Buchse | Bush | D32/20,1x128 A2-V |
| 13 | 31710081 | 2 | Gleitlager | Sleeve bearing | D36/32x63 |
| 14 | 329 8467 | 1 | Druckfeder | Compression spring | 14x97x218 |
| 15 | 412 8111 | 1 | Halmtasche | Bracket | 90x110/D20x128-D18 Rubin-A |
| 16 | 51210014 | 1 | Taschenlagerung | Bracket bearing | Rubin(D) RE |
| 17 | 51210015 | 1 | Taschenlagerung | Bracket bearing | Rubin(D) LI |
| 18 | 427 8170 | 1 | Lager | Bearing | D110/27x83 Zn Rubin 9 |
| 19 | 30510101 | 4 | Scheibe | Washer | D25/16,5x9 R22 Zn |



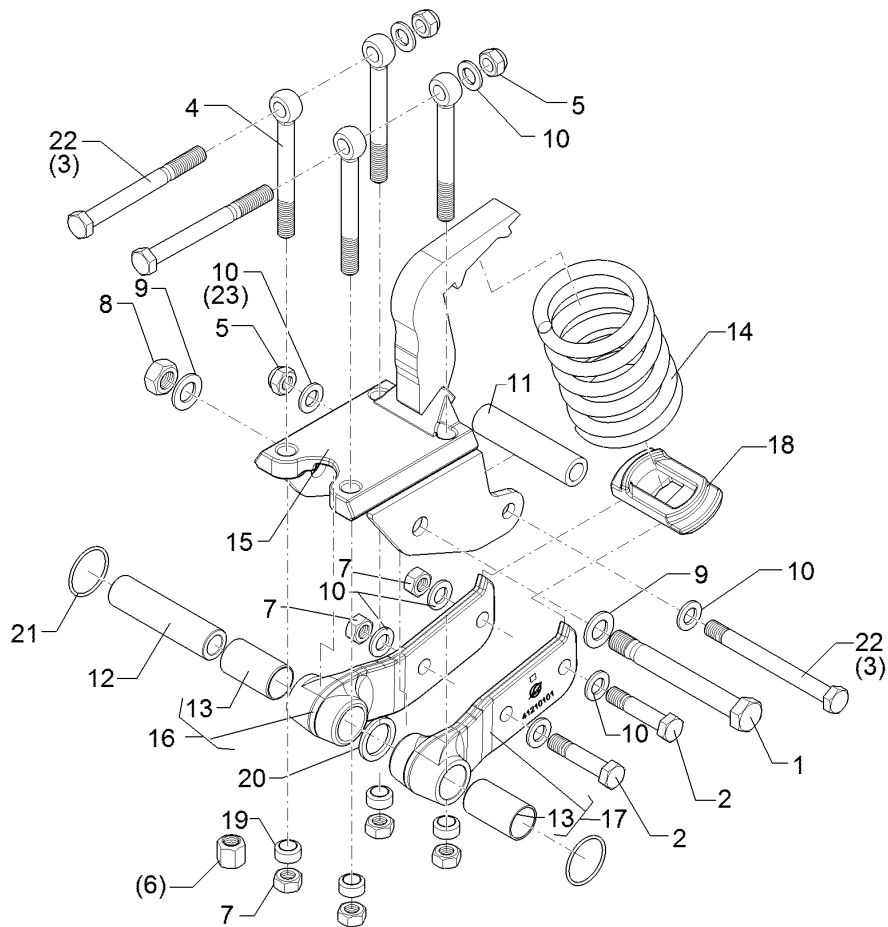
01.18

| Pos. | Art.Nr. | Stck. | Artikeltext / Description | | Abmessung |
|------|----------|-------|---------------------------|--------------|-------------------------|
| 20 | 32310104 | 1 | Dichtung | Seal | D45/33x4 |
| 21 | 375 1226 | 2 | O-Ring | O-ring | 46x3-80Shore Viton83 |
| 22 | 30110345 | 3 | Sechskantschraube spz. | Hexagon bolt | M16x165-10.9 Zn |
| 23 | 305 6161 | 1 | Scheibe | Washer | 17/40x6 DIN7349 Zn |



01.18

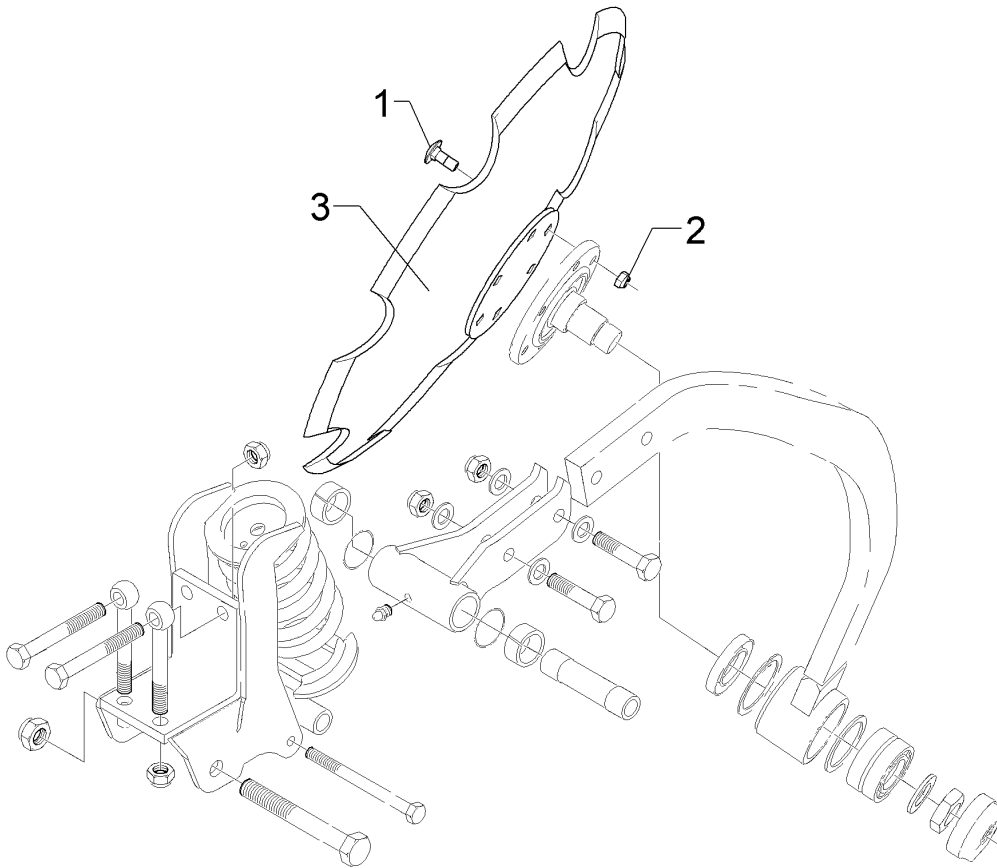
| Pos. | Art.Nr. | Stck. | Artikeltext / Description | | Abmessung |
|------|----------|-------|---------------------------|--------------------|-----------------------------------|
| 1 | 301 4523 | 1 | Sechskantschraube spezial | Hexagon bolt | M20x1,5x170ls144xb23-10.9 Zn |
| 2 | 301 5361 | 2 | Sechskantschraube spz. | Hexagon bolt | M16x75-12.9 Zn |
| 3 | 301 5410 | 3 | Sechskantschraube | Hexagon bolt | M16x160-8.8 Zn DIN931-A |
| 4 | 301 0860 | 4 | Augenschraube | Eye bolt | BM16x150-8.8 D2=16,1 Zn DIN444 |
| 5 | 303 0935 | 3 | Sicherungsmutter | Selflocking nut | NM16-8 Zn DIN985 |
| 6 | 303 0954 | 4 | Sechskantmutter | Hexagon nut | M16 DIN 6330-10 Form B |
| 7 | 303 0971 | 6 | Sechskantmutter | Hexagon nut | M16 DIN934-10 Zn |
| 8 | 303 0977 | 1 | Sechskantmutter | Hexagon nut | M20x1,5 DIN934-10 Zn |
| 9 | 305 6012 | 2 | Scheibe | Washer | 21 ISO7089 Zn |
| 10 | 305 6141 | 8 | Scheibe | Washer | 17/30x3 DIN/ISO-7089 |
| 11 | 317 6826 | 1 | Rohr | Tube | D30x5,6x125 Zn |
| 12 | 31710080 | 1 | Buchse | Bush | D32/20,1x128 A2-V |
| 13 | 31710081 | 2 | Gleitlager | Sleeve bearing | D36/32x63 |
| 14 | 329 8467 | 1 | Druckfeder | Compression spring | 14x97x218 |
| 15 | 412 8093 | 1 | Halmtasche | Bracket | 90x110/D20x128-D18 Rubin-B HI |
| 16 | 51210014 | 1 | Taschenlagerung | Bracket bearing | Rubin(D) RE |
| 17 | 51210015 | 1 | Taschenlagerung | Bracket bearing | Rubin(D) LI |
| 18 | 427 8170 | 1 | Lager | Bearing | D110/27x83 Zn Rubin 9 |
| 19 | 30510101 | 4 | Scheibe | Washer | D25/16,5x9 R22 Zn |



01.18

| Pos. | Art.Nr. | Stck. | Artikeltext / Description | Abmessung | |
|------|----------|-------|---------------------------|--------------|-------------------------|
| 20 | 32310104 | 1 | Dichtung | Seal | D45/33x4 |
| 21 | 375 1226 | 2 | O-Ring | O-ring | 46x3-80Shore Viton83 |
| 22 | 30110345 | 3 | Sechskantschraube spz. | Hexagon bolt | M16x165-10.9 Zn |
| 23 | 305 6161 | 1 | Scheibe | Washer | 17/40x6 DIN7349 Zn |

| | |
|----------------------------------|----------|
| Hohlscheibe, gezackt/Hollow disc | 3 |
| Rubin 9/400 KÜA | 657 9200 |

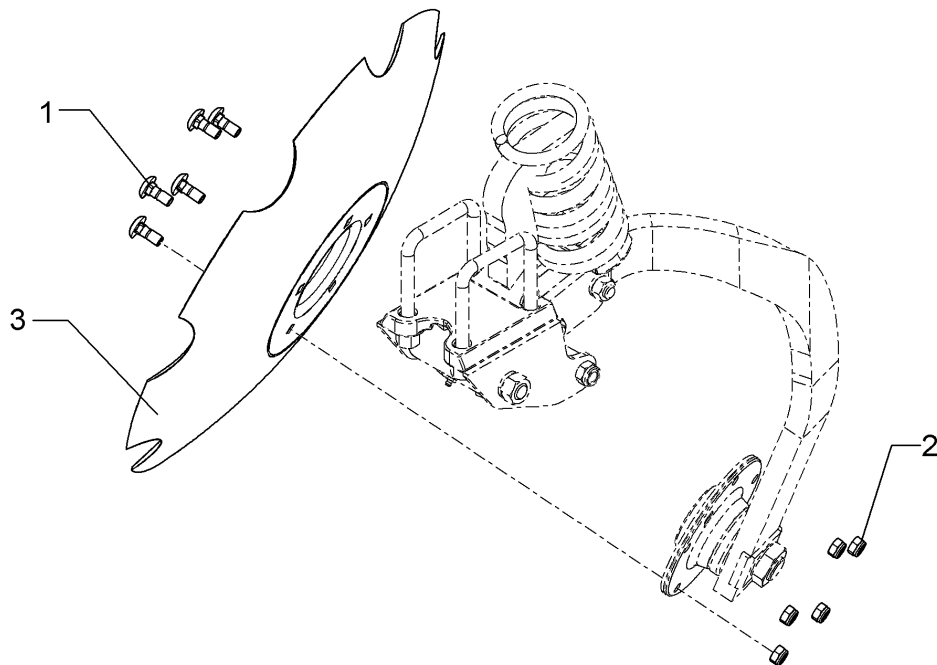


01.18

| Pos. | Art.Nr. | Stck. | Artikeltext / Description | | Abmessung |
|------|----------|-------|---------------------------|-------------------|------------------|
| 1 | 301 1806 | 6 | Flachrundschraube | Saucer-head screw | M12x30-10.9 ZN |
| 2 | 303 0934 | 6 | Sicherungsmutter | Selflocking nut | NM12-8 Zn DIN985 |
| 3 | 349 0466 | 1 | Hohlscheibe, gezackt | Hollow disc | D620x6 |

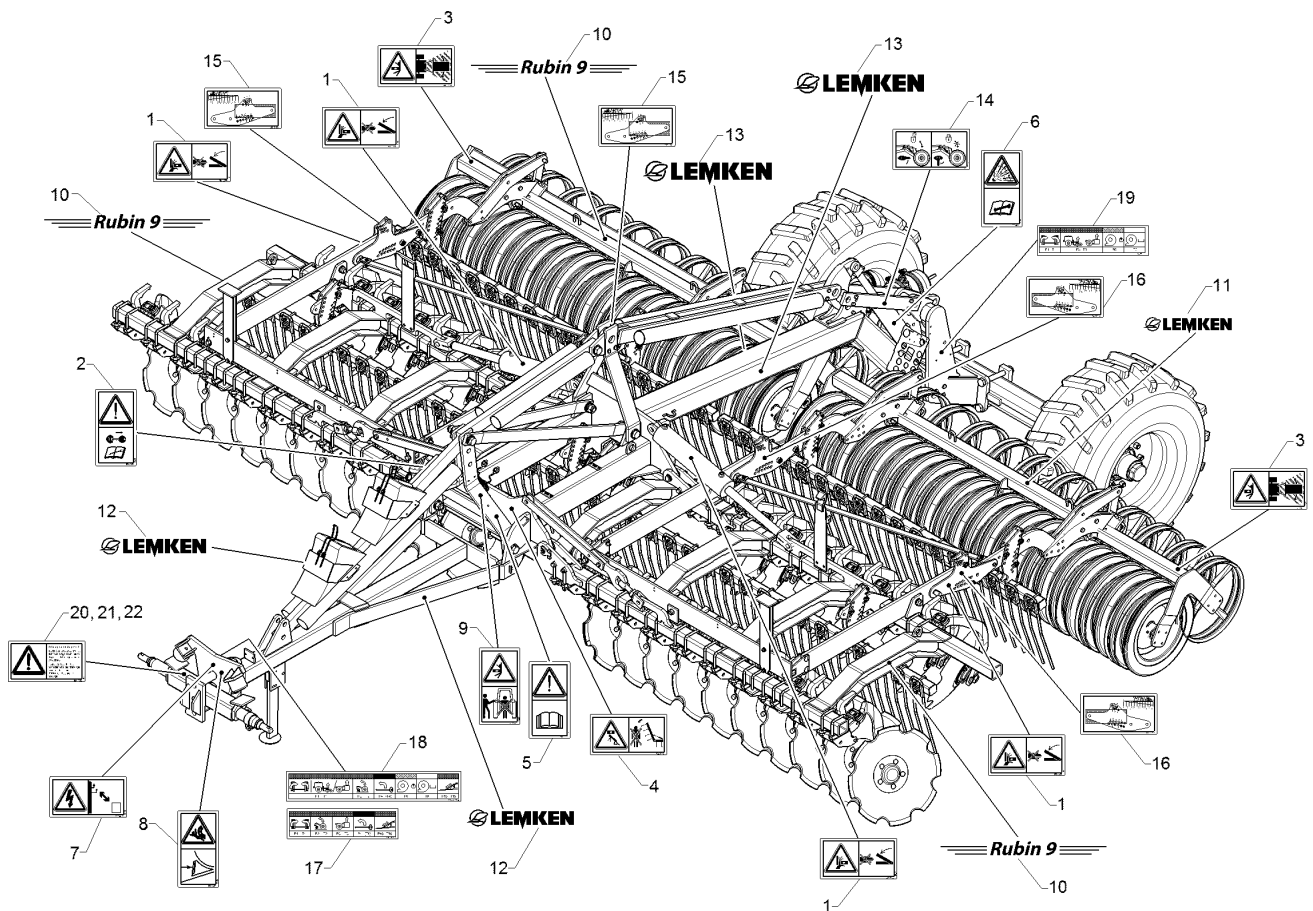
| | |
|---|----------|
| Hohlscheibe, gezackt/Hollow disc | 3 |
|---|----------|

| | |
|------------------------|-----------------|
| Rubin 9/400 KÜA | 657 9202 |
|------------------------|-----------------|



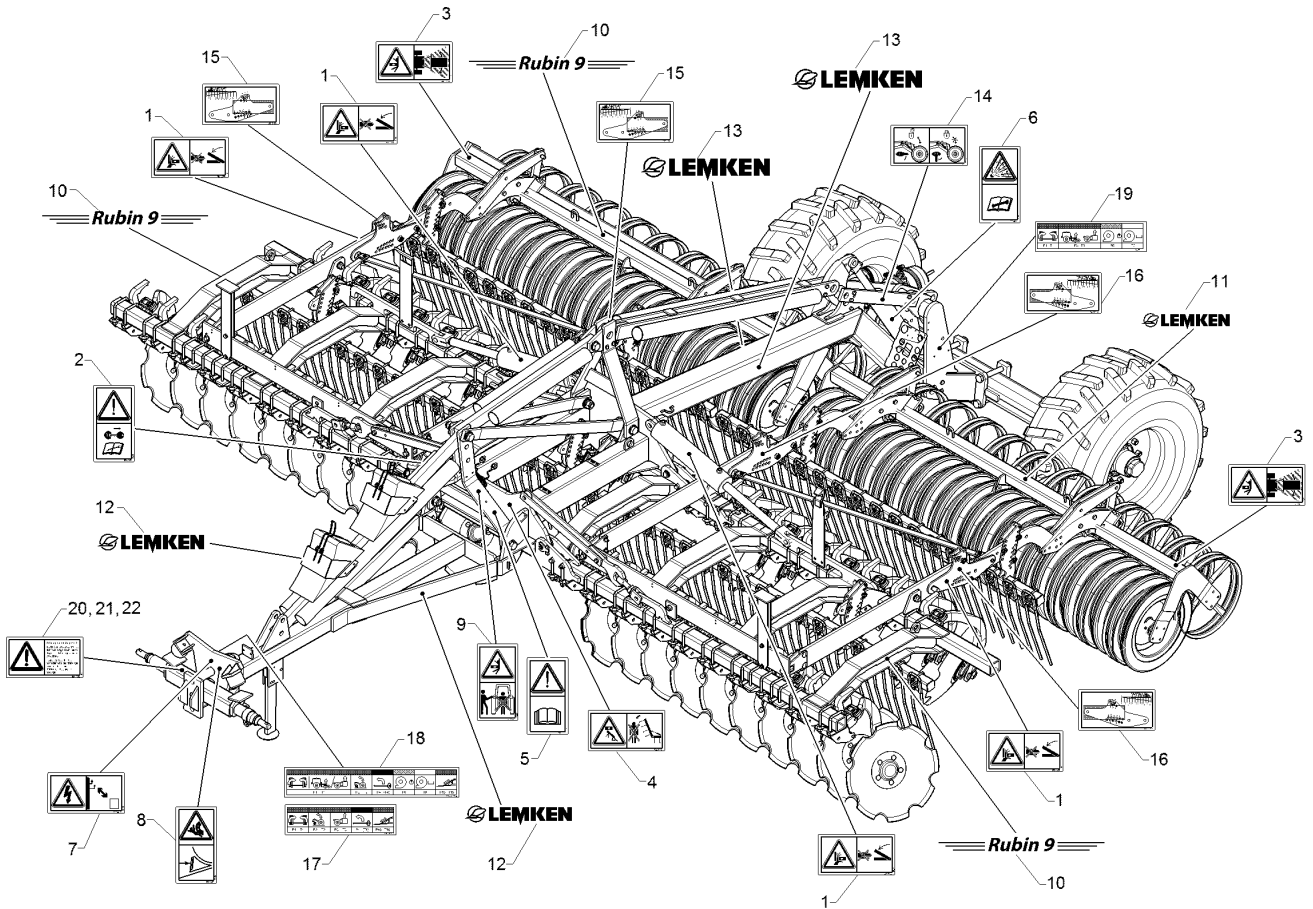
01.18

| Pos. | Art.Nr. | Stck. | Artikeltext / Description | | Abmessung |
|------|----------|-------|---------------------------|-------------------|------------------|
| 1 | 301 1806 | 5 | Flachrundschraube | Saucer-head screw | M12x30-10.9 ZN |
| 2 | 303 0934 | 5 | Sicherungsmutter | Selflocking nut | NM12-8 Zn DIN985 |
| 3 | 349 0467 | 1 | Hohlscheibe | Concave disc | GEZ D620x6 |



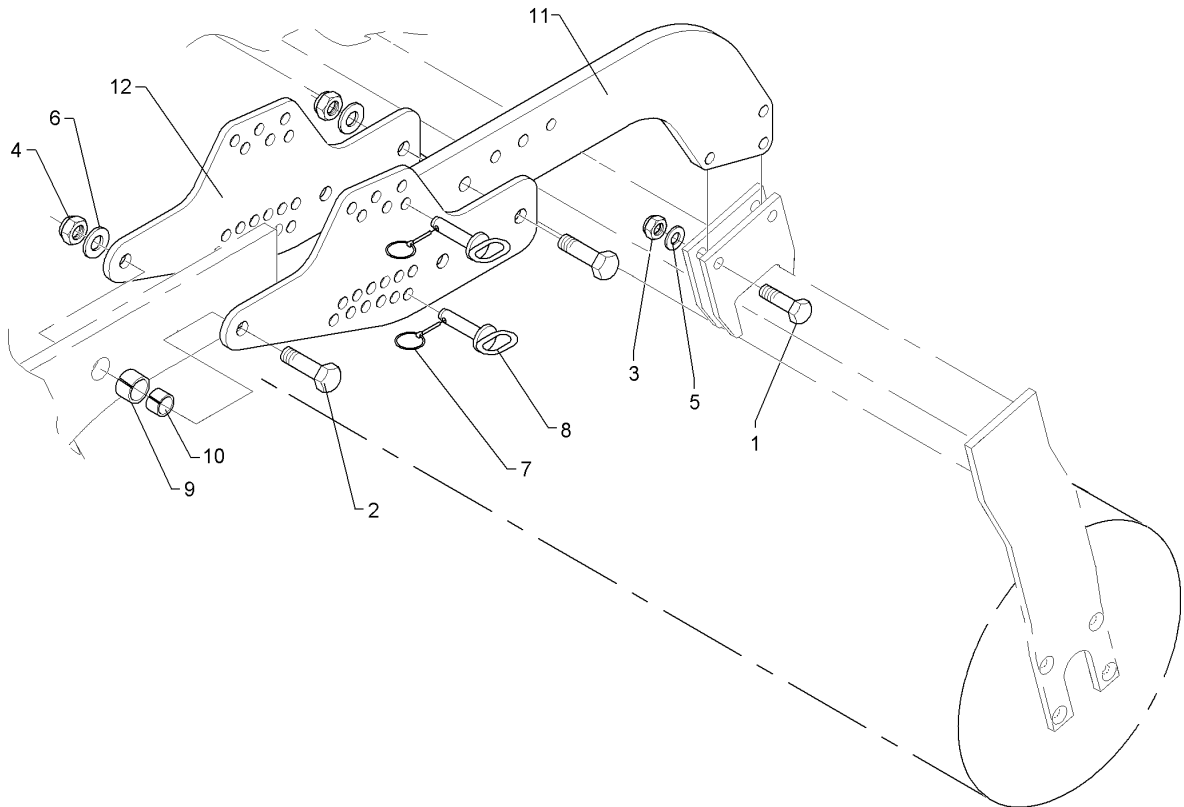
01.18

| Pos. | Art.Nr. | Stck. | Artikeltext / Description | Abmessung | |
|------|----------|-------|--------------------------------|----------------|--------------------------------|
| 1 | 390 0506 | 4 | Aufkleber Warnbildzeichen | Warning Label | Quetschgefahr QF |
| 2 | 390 0509 | 1 | Aufkleber Warnbildzeichen | Warning Label | Motor abstellen |
| 3 | 390 0510 | 2 | Aufkleber Warnbildzeichen | Warning Label | Schwenkbereich QF |
| 4 | 390 0540 | 1 | Aufkleber Warnbildzeichen | Warning Label | Klapprahmen QF |
| 5 | 390 0555 | 1 | Aufkleber Betriebsanl. lesen | Label Warning! | ISO HF 61 x 115 |
| 6 | 390 0591 | 1 | Aufkleber Druckspeicher | Label | - |
| 7 | 390 0616 | 1 | Aufkleber Hochspannungsleitung | Label | 60x116 H |
| 8 | 390 0627 | 1 | Aufkleber | Label | Unterlegkeil sichern |
| 9 | 390 0628 | 1 | Aufkleber | Label | HF 61 x 115 |
| 10 | 390 4304 | 3 | Aufkleber | Label | Rubin 9 (42x500) |
| 11 | 390 4311 | 1 | Aufkleber | Label | Logo+LEMKEN (50x267) |
| 12 | 390 4312 | 2 | Aufkleber | Label | Logo+LEMKEN (80x427) |
| 13 | 390 4341 | 2 | Aufkleber | Label | Logo+LEMKEN (656x123) |
| 14 | 39010029 | 1 | Aufkleber Transportrad | Label | Kristall 9 K(U)A |
| 15 | 39010118 | 2 | Aufkleber | Label | Tiefeneinstellung 115,5x61,5 R |
| 16 | 39010119 | 2 | Aufkleber | Label | Tiefeneinstellung 115,5x61,5 L |
| 17 | 39010122 | 1 | Aufkleber | Label | Schlauchmark. P1-T16 167x45 |
| 18 | 39010123 | 1 | Aufkleber | Label | Schlauchmark. P1-T16 263x45 |



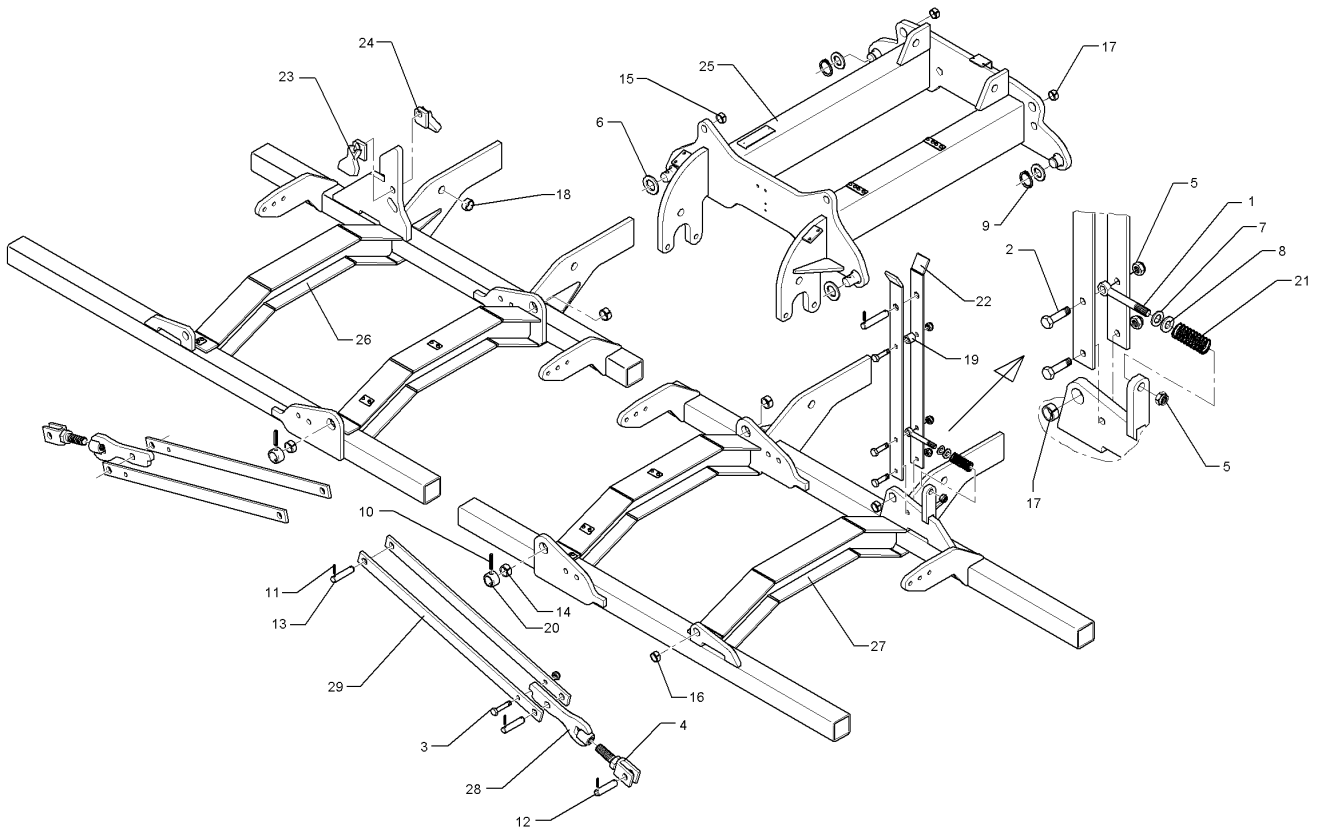
01.18

| Pos. | Art.Nr. | Stck. | Artikeltext / Description | Abmessung | |
|------|----------|-------|---------------------------|---------------|-------------------------------|
| 19 | 39010124 | 1 | Aufkleber | Label | Schlauchmark. P1-T6 167x45 |
| 20 | 39010030 | 1 | Aufkleber | Label | Kupplung Kat3 (fr) |
| 21 | 39010031 | 1 | Aufkleber | Label | Kupplung Kat4 (fr) |
| 22 | 39010032 | 1 | Aufkleber Klappung | Label folding | Kat2 (fr) |



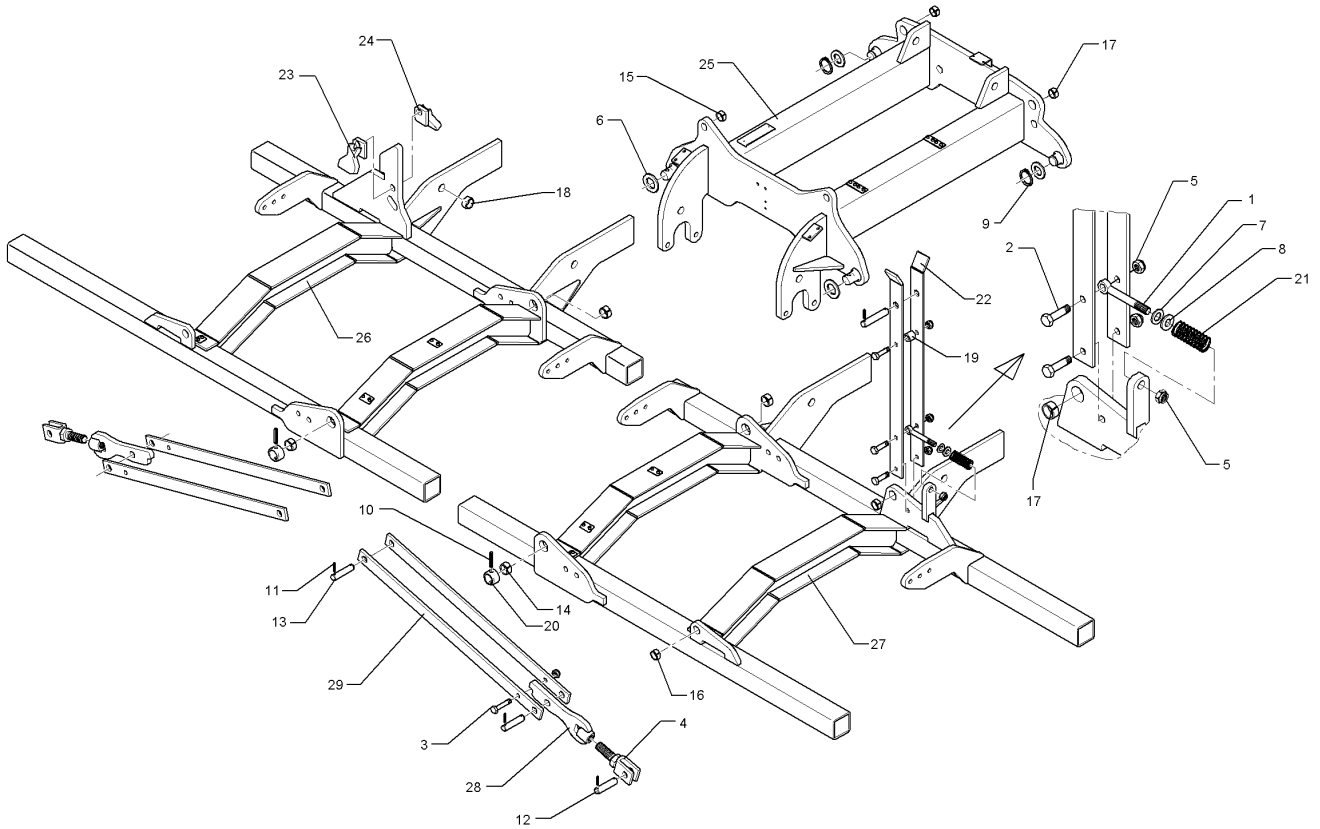
01.18

| Pos. | Art.Nr. | Stck. | Artikeltext / Description | | Abmessung |
|------|----------|-------|------------------------------|-----------------|--------------------------------|
| 1 | 301 5363 | 3 | Sechskantschraube spz. | Hexagon bolt | M16x70-12.9 Zn |
| 2 | 301 4601 | 3 | Sechskantschraube spz. | Hexagon bolt | M20x70-10.9 Zn |
| 3 | 303 0935 | 3 | Sicherungsmutter | Selflocking nut | NM16-8 Zn DIN985 |
| 4 | 303 0936 | 3 | Sicherungsmutter | Selflocking nut | NM20-8 Zn DIN985 |
| 5 | 305 6141 | 6 | Scheibe | Washer | 17/30x3 DIN/ISO-7089 |
| 6 | 305 6012 | 6 | Scheibe | Washer | 21 ISO7089 Zn |
| 7 | 311 9565 | 2 | Klappstift | Securing pin | 4,5 |
| 8 | 313 8152 | 2 | Bolzen | Pin | D16x51,7/112 V Zn |
| 9 | 317 3352 | 1 | Einspannbuchse mit Presssitz | Expansion bush | EG28/32x20 |
| 10 | 317 6657 | 1 | Buchse | Bush | D20/28x22 |
| 11 | 412 8120 | 1 | Träger | Carrier | 20x276x713 Rubin |
| 12 | 412 8121 | 2 | Verstellplatte | Adjuster plate | 10x237x560 18xD16,5 3xD20,1 |



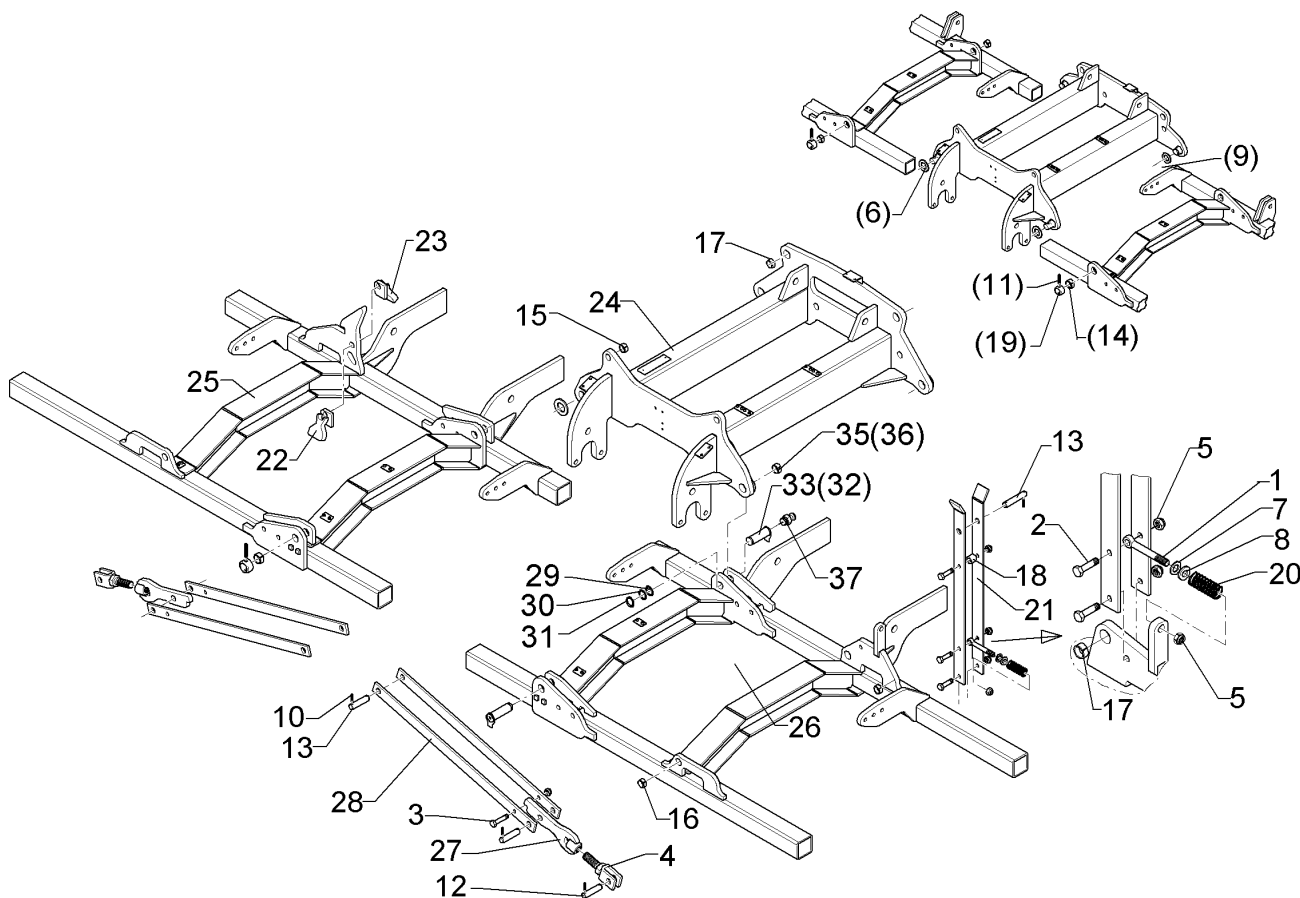
01.18

| Pos. | Art.Nr. | Stck. | Artikeltext / Description | | Abmessung |
|------|----------|-------|------------------------------|--------------------|-----------------------------------|
| 1 | 301 0860 | 1 | Augenschraube | Eye bolt | BM16x150-8.8 D2=16,1 Zn DIN444 |
| 2 | 301 3837 | 2 | Sechskantschraube | Hexagon bolt | M16x60-8.8 Zn DIN931-A |
| 3 | 301 5386 | 3 | Sechskantschraube spz. | Hexagon bolt | M16x70-8.8 |
| 4 | 302 8962 | 2 | Gabelstück | Forkpiece | M30x90-22-D25 |
| 5 | 303 0935 | 6 | Sicherungsmutter | Selflocking nut | NM16-8 Zn DIN985 |
| 6 | 305 2095 | 4 | Passscheibe | Shim | 40x50x1,0 DIN988 Zn |
| 7 | 305 6161 | 1 | Scheibe | Washer | 17/40x6 DIN7349 Zn |
| 8 | 305 6254 | 2 | Scheibe | Washer | D25/44x4 Zn ISO7089 |
| 9 | 305 8875 | 2 | Sicherungsring | Retaining ring | 40x2,5 DIN471 |
| 10 | 309 7000 | 16 | Spannhülse | Expansion bush | 8x50-DIN1481 Zn |
| 11 | 309 6211 | 2 | Spannhülse | Expansion bush | 12x60-DIN1481 |
| 12 | 313 7770 | 4 | Bolzen | Pin | D25x78 2xD8-56 Zn |
| 13 | 313 7772 | 4 | Bolzen | Pin | D25x90 2xD8-68 Zn |
| 14 | 317 2005 | 4 | Einspannbuchse mit Presssitz | Expansion bush | EG40/44x20 |
| 15 | 317 3345 | 2 | Einspannbuchse mit Presssitz | Expansion bush | EG25/29x25 |
| 16 | 317 3352 | 4 | Einspannbuchse mit Presssitz | Expansion bush | EG28/32x20 |
| 17 | 317 3408 | 2 | Einspannbuchse mit Presssitz | Expansion bush | EG25/32x20 |
| 18 | 317 3417 | 3 | Einspannbuchse mit Presssitz | Expansion bush | EG30/38x25 |
| 19 | 317 6944 | 1 | Buchse | Bush | D40/20,2x30,5 Zn |
| 20 | 317 8641 | 2 | Stelling | Adjusting ring | D54/38x30-D12 Zn |
| 21 | 329 8164 | 1 | Druckfeder | Compression spring | 4,5x32,5x80 |



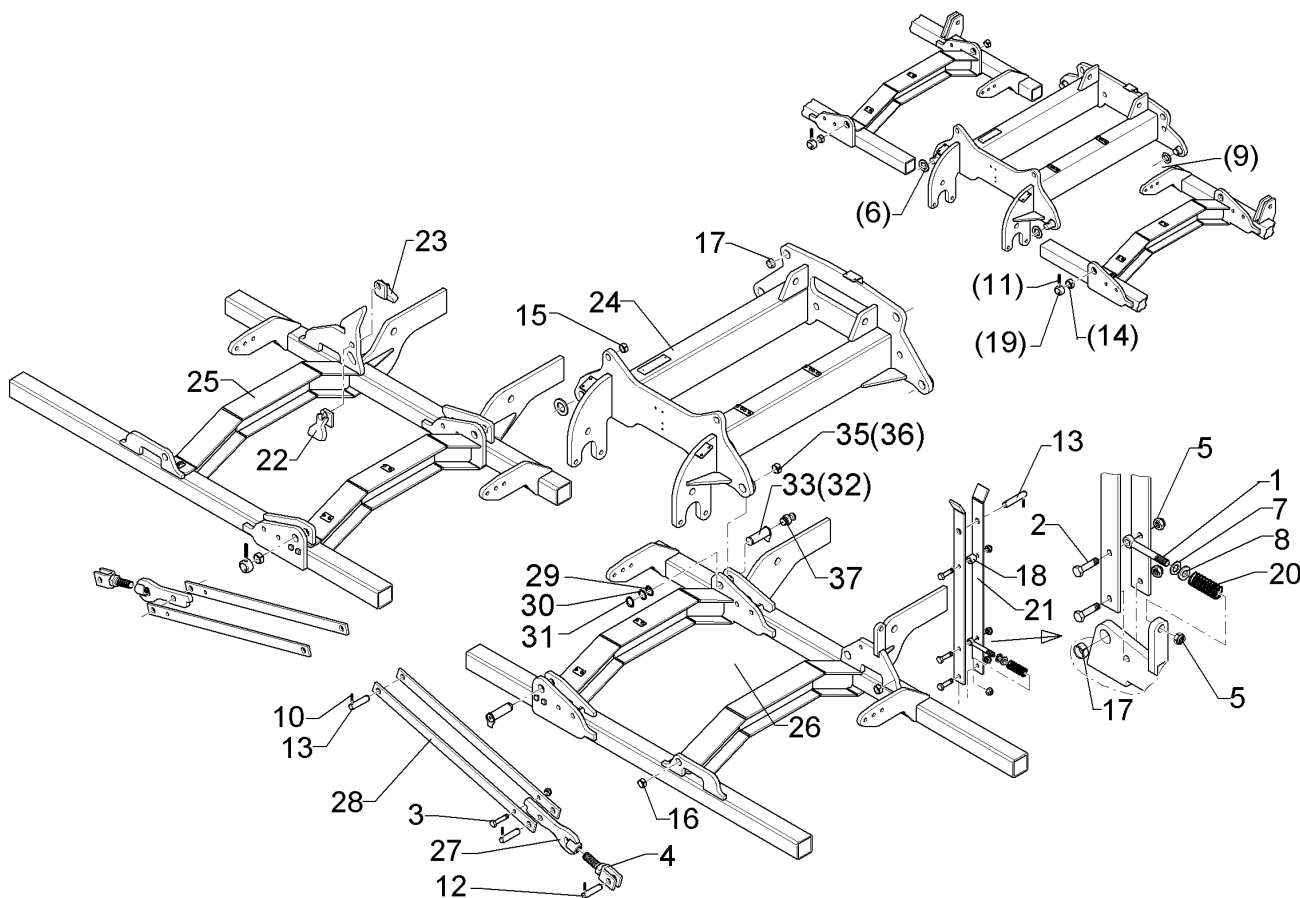
01.18

| Pos. | Art.Nr. | Stck. | Artikeltext / Description | | Abmessung |
|------|----------|-------|---------------------------|------------------|---------------------------|
| 22 | 412 8145 | 2 | Strebe | Strut | 60x10x930 30 GRD Rubin |
| 23 | 412 8146 | 1 | Riegel | Locking bar | 80x14x67 D25 VO |
| 24 | 412 8147 | 1 | Riegel | Locking bar | 90x14x67 D25 HI |
| 25 | 412 8208 | 1 | Mittelteil | Center section | Rubin 9/400 K |
| 26 | 412 8212 | 1 | Seitenteil | Lateral section | Rubin 9/400 RE |
| 27 | 412 8213 | 1 | Seitenteil | Lateral section | Rubin 9/400 LI |
| 28 | 417 8140 | 2 | Gelenkstück | Connecting piece | 20x130x315-M30 |
| 29 | 417 8142 | 4 | Zugstange | Connecting rod | 50x12x700 |



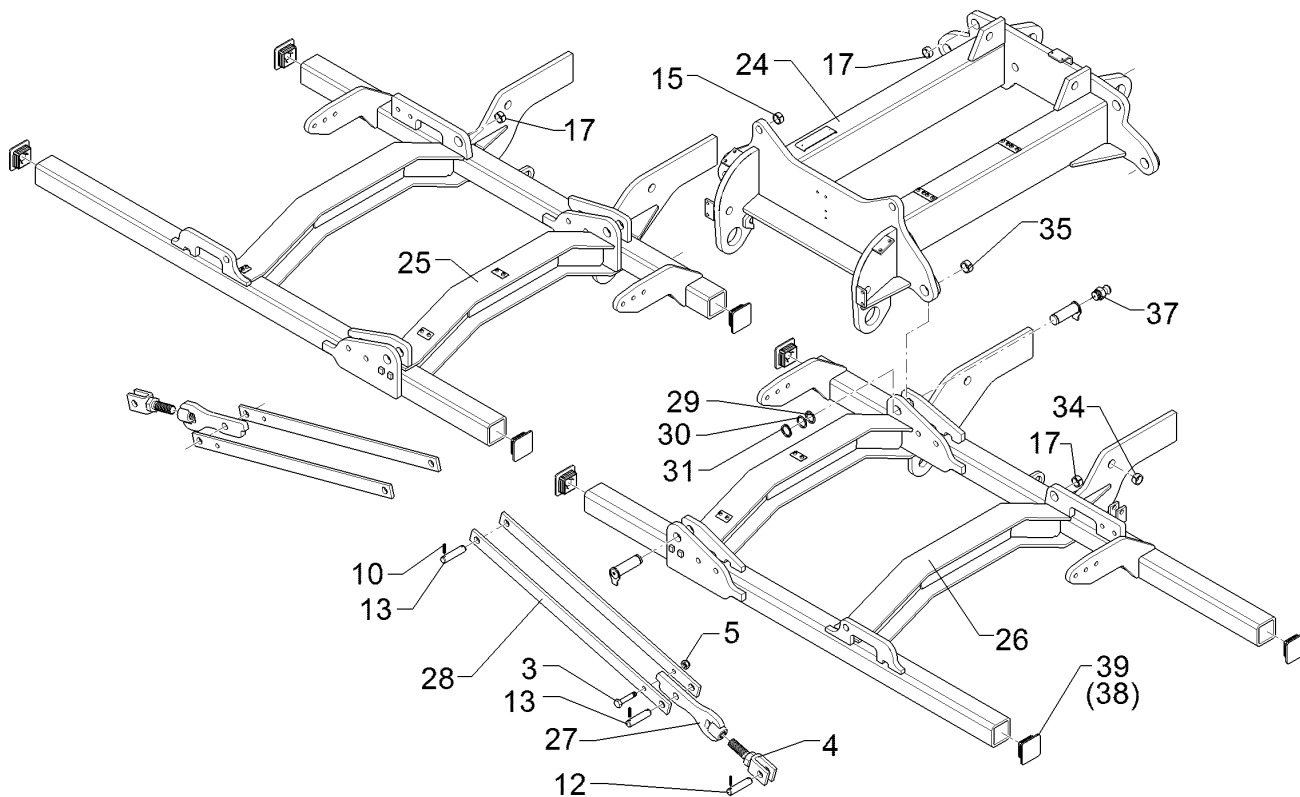
01.18

| Pos. | Art.Nr. | Stck. | Artikeltext / Description | | Abmessung |
|------|----------|-------|------------------------------|--------------------|-----------------------------------|
| 1 | 301 0860 | 1 | Augenschraube | Eye bolt | BM16x150-8.8 D2=16,1 Zn DIN444 |
| 2 | 301 3837 | 2 | Sechskantschraube | Hexagon bolt | M16x60-8.8 Zn DIN931-A |
| 3 | 301 5386 | 3 | Sechskantschraube spz. | Hexagon bolt | M16x70-8.8 |
| 4 | 302 8962 | 2 | Gabelstück | Forkpiece | M30x90-22-D25 |
| 5 | 303 0935 | 6 | Sicherungsmutter | Selflocking nut | NM16-8 Zn DIN985 |
| 6 | 305 2095 | 4 | Passscheibe | Shim | 40x50x1,0 DIN988 Zn |
| 7 | 305 6161 | 1 | Scheibe | Washer | 17/40x6 DIN7349 Zn |
| 8 | 305 6254 | 2 | Scheibe | Washer | D25/44x4 Zn ISO7089 |
| 9 | 305 8875 | 2 | Sicherungsring | Retaining ring | 40x2,5 DIN471 |
| 10 | 309 7000 | 16 | Spannhülse | Expansion bush | 8x50-DIN1481 Zn |
| 11 | 309 6211 | 2 | Spannhülse | Expansion bush | 12x60-DIN1481 |
| 12 | 313 7770 | 4 | Bolzen | Pin | D25x78 2xD8-56 Zn |
| 13 | 313 7772 | 4 | Bolzen | Pin | D25x90 2xD8-68 Zn |
| 14 | 317 2005 | 4 | Einspannbuchse mit Presssitz | Expansion bush | EG40/44x20 |
| 15 | 317 3345 | 2 | Einspannbuchse mit Presssitz | Expansion bush | EG25/29x25 |
| 16 | 317 3408 | 2 | Einspannbuchse mit Presssitz | Expansion bush | EG25/32x20 |
| 17 | 317 3417 | 3 | Einspannbuchse mit Presssitz | Expansion bush | EG30/38x25 |
| 18 | 317 6944 | 1 | Buchse | Bush | D40/20,2x30,5 Zn |
| 19 | 317 8641 | 2 | Stelling | Adjusting ring | D54/38x30-D12 Zn |
| 20 | 329 8164 | 1 | Druckfeder | Compression spring | 4,5x32,5x80 |



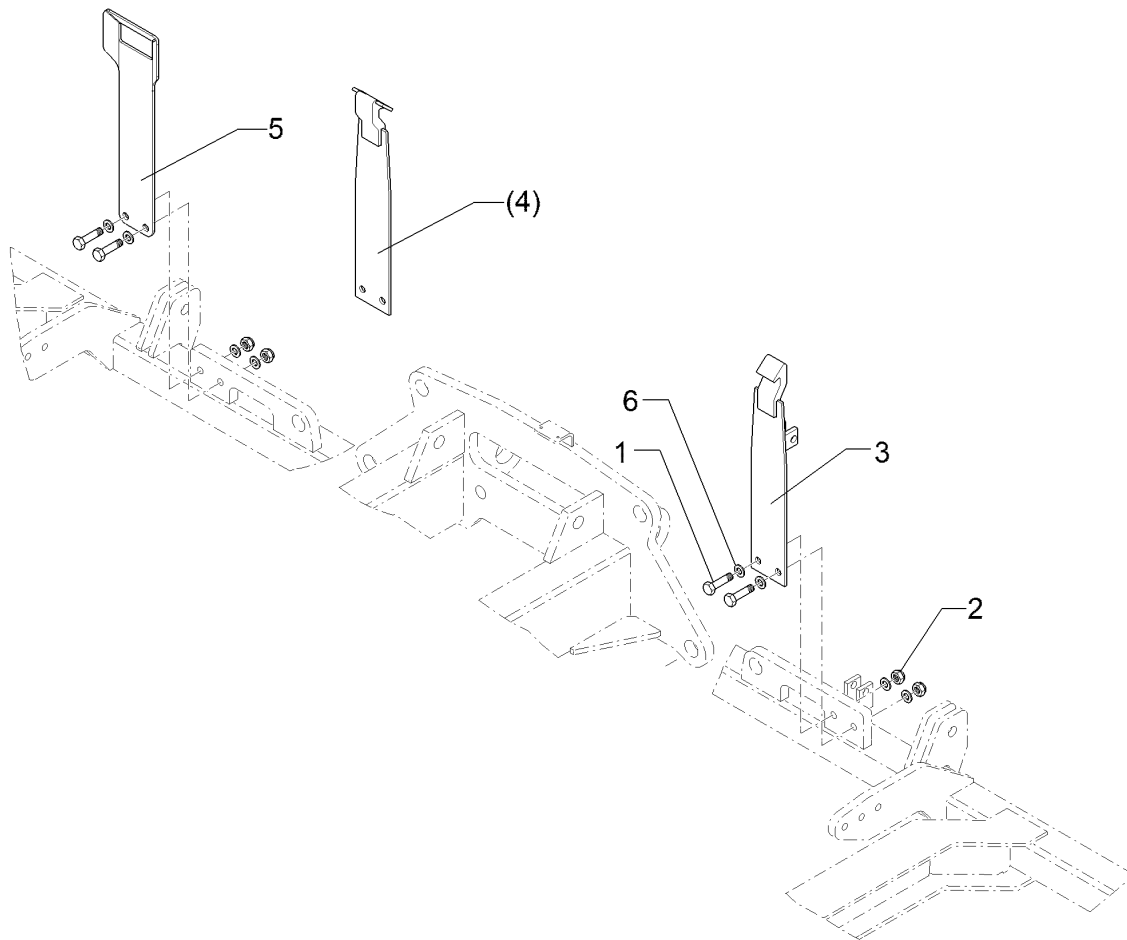
01.18

| Pos. | Art.Nr. | Stck. | Artikeltext / Description | Abmessung | |
|------|----------|-------|------------------------------|-------------------|---------------------------|
| 21 | 412 8145 | 2 | Strebe | Strut | 60x10x930 30 GRD |
| 22 | 412 8146 | 1 | Riegel | Locking bar | Rubin 80x14x67 D25 VO |
| 23 | 412 8147 | 1 | Riegel | Locking bar | 90x14x67 D25 HI |
| 24 | 412 8208 | 1 | Mittelteil | Center section | Rubin 9/400 K |
| 25 | 412 8220 | 1 | Seitenteil | Lateral section | Rubin 9/400(A) RE |
| 26 | 412 8221 | 1 | Seitenteil | Lateral section | Rubin 9/400(A) LI |
| 27 | 417 8140 | 2 | Gelenkstück | Connecting piece | 20x130x315-M30 |
| 28 | 305 2072 | 4 | Passscheibe | Shim | 35x45x1,0 DIN988 Zn |
| 29 | 417 8142 | 4 | Zugstange | Connecting rod | 50x12x700 |
| 30 | 305 2247 | 4 | Stützscheibe | Supporting washer | S 35x45x2,5 DIN988 Zn |
| 31 | 305 8873 | 4 | Sicherungsring | Retaining ring | 35x2,5 DIN471 |
| 32 | 313 3508 | 2 | Bolzen mit Verdrehsicherung | Pin with stop | D35/41x86/107-M10x1 Zn |
| 33 | 313 3509 | 2 | Bolzen mit Verdrehsicherung | Pin with stop | D35x86/107-M10x1 Zn |
| 34 | 317 3352 | 4 | Einspannbuchse mit Presssitz | Expansion bush | EG28/32x20 |
| 35 | 317 3368 | 4 | Einspannbuchse | Expansion bush | EG35/40x40-DIN1498 |
| 36 | 317 3421 | 2 | Einspannbuchse mit Presssitz | Expansion bush | EG35/40x22 |
| 37 | 323 6348 | 4 | Schmiernippel | Grease nipple | AM10x1 DIN71412 |



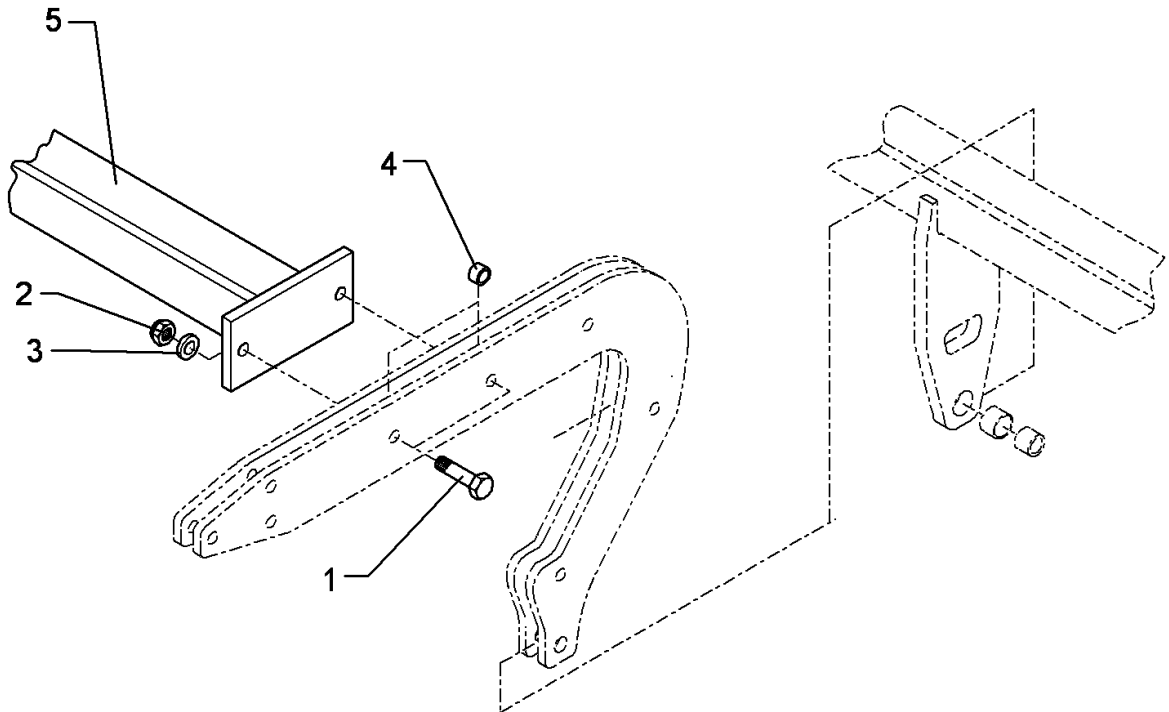
01.18

| Pos. | Art.Nr. | Stck. | Artikeltext / Description | | Abmessung |
|------|----------|-------|------------------------------|------------------|-------------------------|
| 3 | 301 5363 | 2 | Sechskantschraube spz. | Hexagon bolt | M16x70-12.9 Zn |
| 4 | 302 8962 | 2 | Gabelstück | Forkpiece | M30x90-22-D25 |
| 5 | 303 0935 | 2 | Sicherungsmutter | Selflocking nut | NM16-8 Zn DIN985 |
| 10 | 309 7000 | 12 | Spannhülse | Expansion bush | 8x50-DIN1481 Zn |
| 12 | 313 7770 | 4 | Bolzen | Pin | D25x78 2xD8-56 Zn |
| 13 | 313 7772 | 2 | Bolzen | Pin | D25x90 2xD8-68 Zn |
| 15 | 317 3345 | 2 | Einspannbuchse mit Presssitz | Expansion bush | EG25/29x25 |
| 24 | 412 8254 | 1 | Mittelteil | Center section | Rubin 9/400 K (B) |
| 25 | 412 8260 | 1 | Seitenteil | Lateral section | Rubin 9/400(B) RE |
| 26 | 412 8261 | 1 | Seitenteil | Lateral section | Rubin 9/400(B) LI |
| 27 | 417 8140 | 2 | Gelenkstück | Connecting piece | 20x130x315-M30 |
| 28 | 417 8142 | 4 | Zugstange | Connecting rod | 50x12x700 |
| 29 | 305 2072 | 4 | Passscheibe | Shim | 35x45x1,0 DIN988 Zn |
| 30 | 305 6141 | 2 | Scheibe | Washer | 17/30x3 DIN/ISO-7089 |
| 31 | 305 8873 | 4 | Sicherungsring | Retaining ring | 35x2,5 DIN471 |
| 33 | 313 3509 | 2 | Bolzen mit Verdrehsicherung | Pin with stop | D35x86/107-M10x1 Zn |
| 34 | 317 3352 | 4 | Einspannbuchse mit Presssitz | Expansion bush | EG28/32x20 |
| 35 | 317 3368 | 4 | Einspannbuchse | Expansion bush | EG35/40x40-DIN1498 |
| 37 | 323 6348 | 4 | Schmiernippel | Grease nipple | AM10x1 DIN71412 |
| 38 | F55 0193 | 8 | Stopfen | Plug | V80x80x2,9-5 SYN bk |
| 39 | 32310096 | 8 | Vierkantstopfen | Square plug | 90 Q-9090 10 |



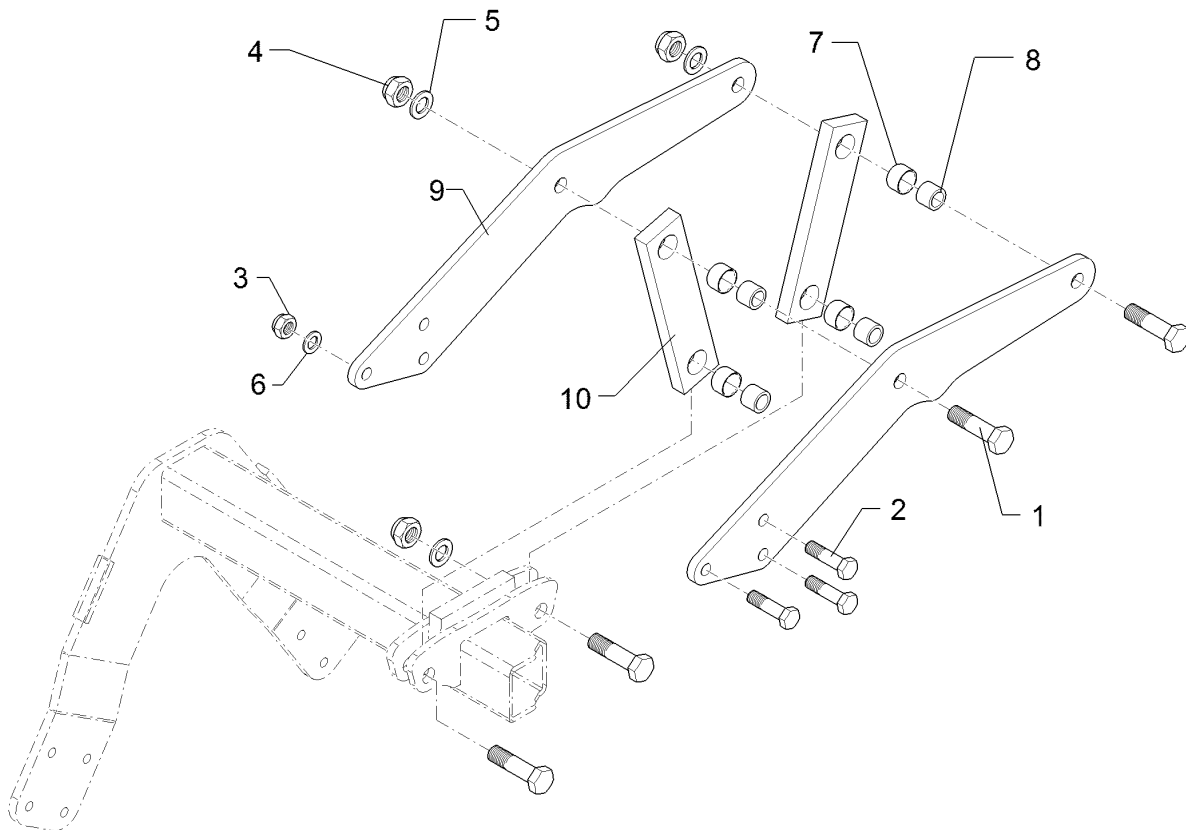
01.18

| Pos. | Art.Nr. | Stck. | Artikeltext / Description | | Abmessung |
|------|----------|-------|---------------------------|-----------------|-------------------------|
| 1 | 301 5409 | 4 | Sechskantschraube spz. | Hexagon bolt | M16x50-8.8 Zn |
| 2 | 303 0935 | 4 | Sicherungsmutter | Selflocking nut | NM16-8 Zn DIN985 |
| 3 | 417 8149 | 1 | Blattfeder | Leaf spring | 100x6 Rubin 9 K |
| 4 | 417 8146 | 1 | Blattfeder | Leaf spring | 100x6 Smaragd 9-K |
| 5 | 417 8141 | 1 | Blattfeder | Leaf spring | 6x160x549 2xD16,5 |
| 6 | 305 6141 | 8 | Scheibe | Washer | 17/30x3 DIN/ISO-7089 |



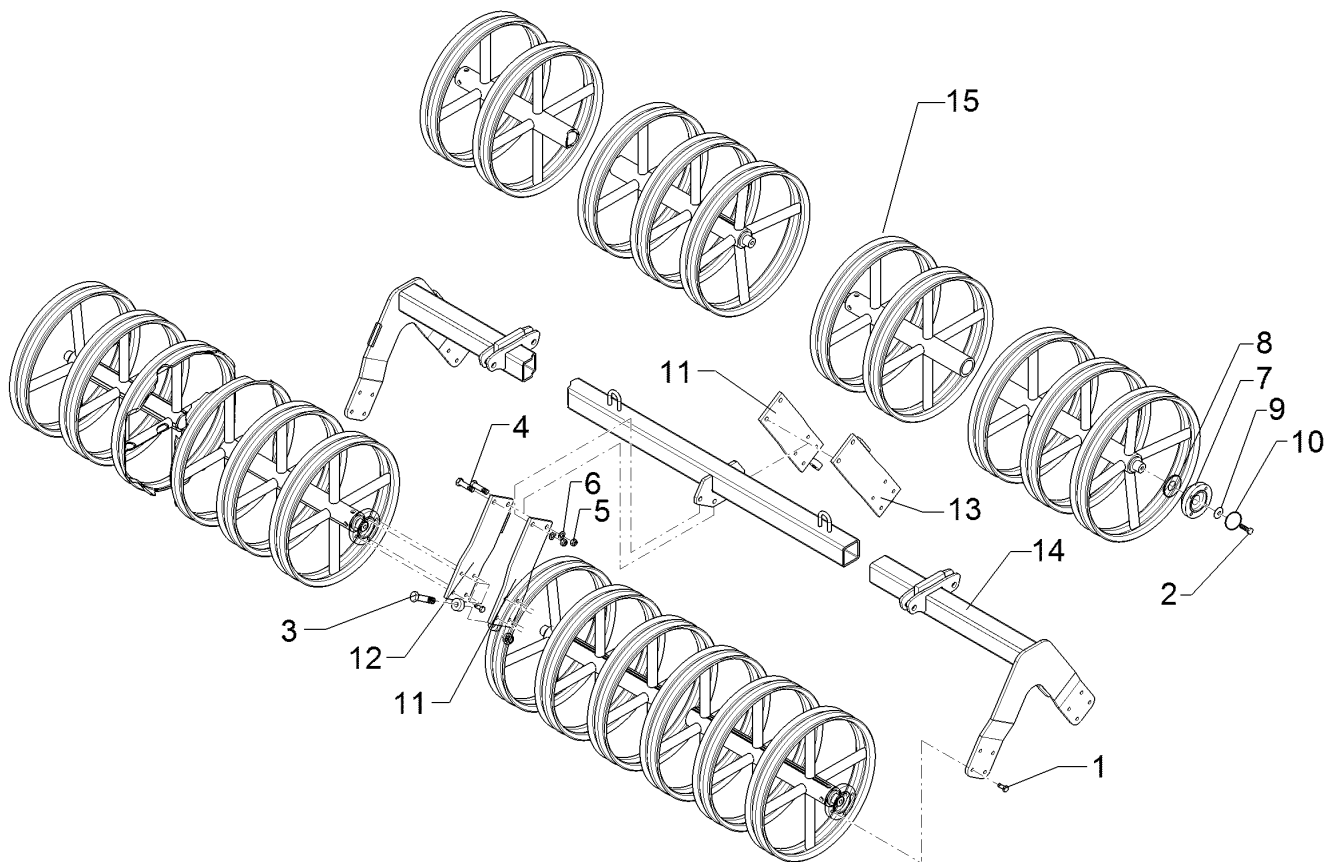
01.18

| Pos. | Art.Nr. | Stck. | Artikeltext / Description | | Abmessung |
|------|----------|-------|---------------------------|-----------------|----------------------------|
| 1 | 301 3978 | 4 | Sechskantschraube | Hexagon bolt | M16x90-10.9 Zn DIN931-A |
| 2 | 303 0935 | 4 | Sicherungsmutter | Selflocking nut | NM16-8 Zn DIN985 |
| 3 | 305 6161 | 4 | Scheibe | Washer | 17/40x6 DIN7349 Zn |
| 4 | 317 6681 | 4 | Röhrchen | Tube | D24x3x22+1 Zn |
| 5 | 422 6636 | 1 | Stabilisator | Stabilizer | 80x654 D540/400-2.00 |



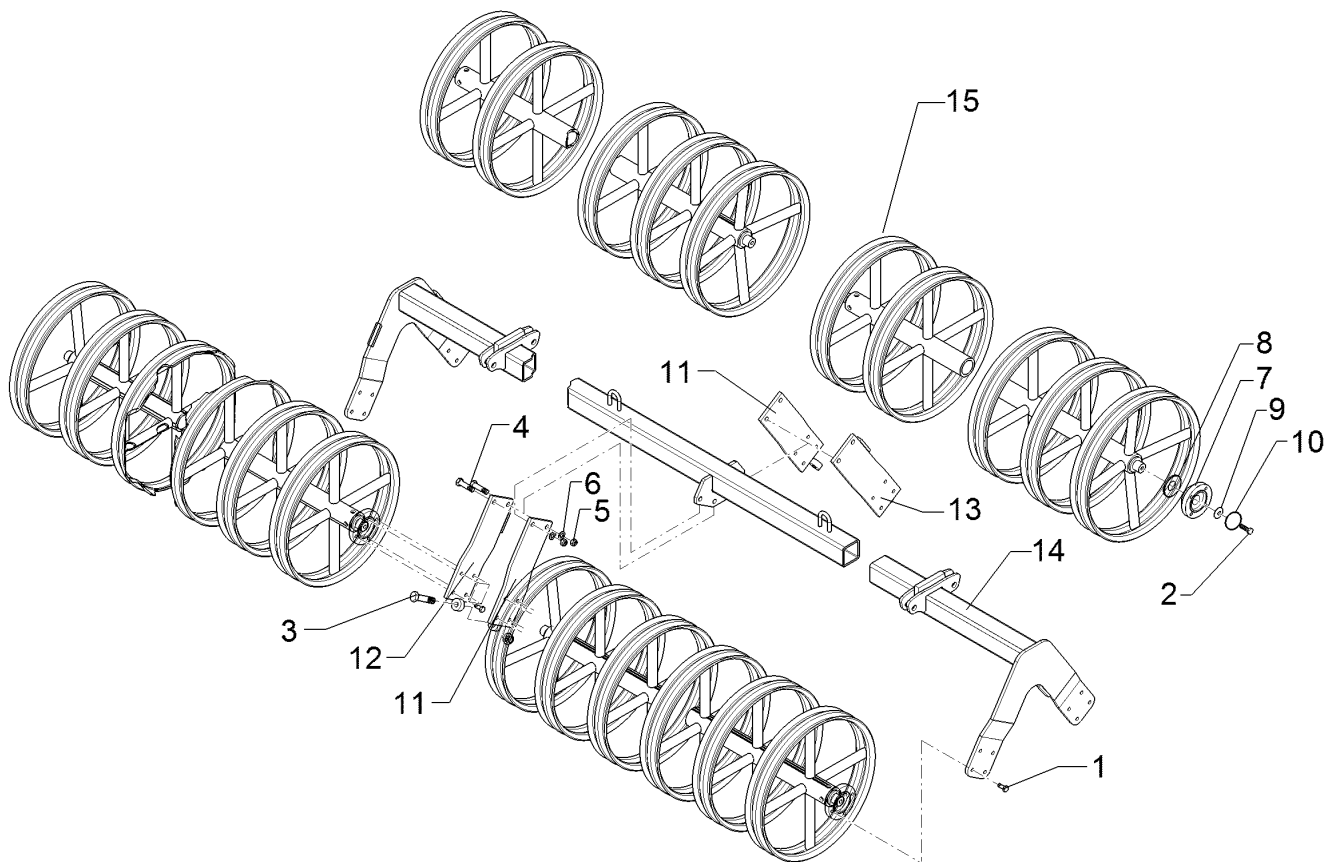
01.18

| Pos. | Art.Nr. | Stck. | Artikeltext / Description | | Abmessung |
|------|----------|-------|------------------------------|-----------------|-------------------------|
| 1 | 301 4603 | 4 | Sechskantschraube spz. | Hexagon bolt | M20x75-8.8 Zn |
| 2 | 301 5363 | 3 | Sechskantschraube spz. | Hexagon bolt | M16x70-12.9 Zn |
| 3 | 303 0935 | 3 | Sicherungsmutter | Selflocking nut | NM16-8 Zn DIN985 |
| 4 | 303 0936 | 4 | Sicherungsmutter | Selflocking nut | NM20-8 Zn DIN985 |
| 5 | 305 6012 | 8 | Scheibe | Washer | 21 ISO7089 Zn |
| 6 | 305 6141 | 6 | Scheibe | Washer | 17/30x3 DIN/ISO-7089 |
| 7 | 317 3352 | 4 | Einspannbuchse mit Presssitz | Expansion bush | EG28/32x20 |
| 8 | 317 6657 | 4 | Buchse | Bush | D20/28x22 |
| 9 | 422 7386 | 2 | Platte | Plate | 12x208x677 |
| 10 | 422 7388 | 2 | Lenker | Link | 60x20x260 2xD32-200 |



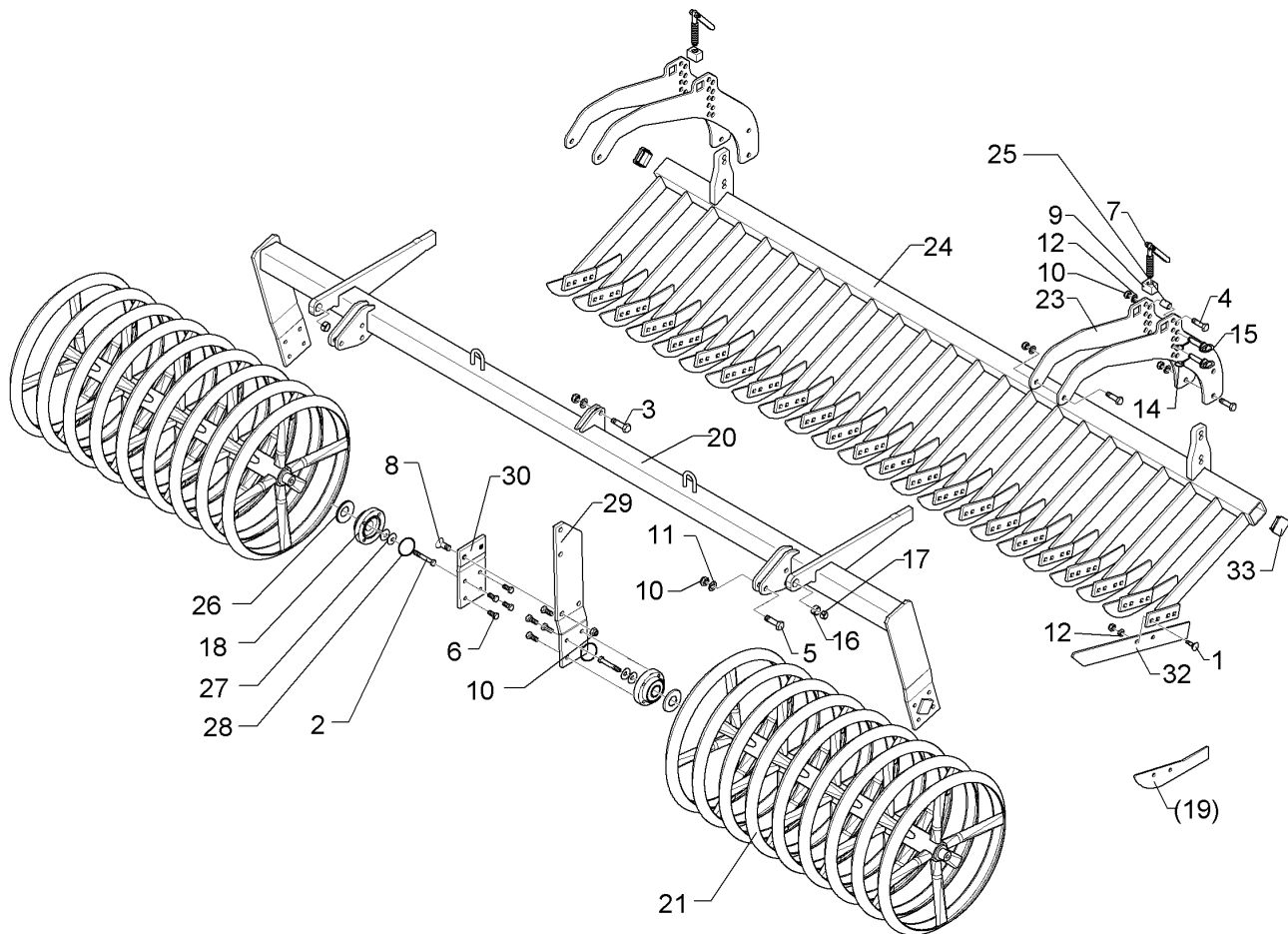
01.18

| Pos. | Art.Nr. | Stck. | Artikeltext / Description | | Abmessung |
|------|----------|-------|-----------------------------|----------------------------|-------------------------------------|
| 1 | 301 3324 | 32 | Sechskantschraube | Hexagon bolt | M12x30-8.8 Zn DIN933 |
| 2 | 301 3406 | 8 | Sechskantschraube | Hexagon bolt | M12x70-8.8 Zn DIN931-A |
| 3 | 301 3779 | 4 | Sechskantschraube spz. | Hexagon bolt | M16x60-10.9 Zn |
| 4 | 301 3870 | 2 | Sechskantschraube spz. | Hexagon bolt | M16x65-10.9 Zn |
| 5 | 303 0935 | 6 | Sicherungsmutter | Selflocking nut | NM16-8 Zn DIN985 |
| 6 | 305 6161 | 6 | Scheibe | Washer | 17/40x6 DIN7349 Zn |
| 7 | 319 9372 | 8 | Flanschlager-Gehäuseeinheit | Bearing cpl. | RCJ 35 35x118x39,9 4xM12 |
| 8 | 323 0411 | 8 | Schutzkappe | Cap | D80/d35 t=2x5,5 Zn |
| 9 | 329 6124 | 8 | Tellerfeder | Cup spring | 40x14,3x2 DIN2093 |
| 10 | 375 1277 | 8 | O-Ring | O-ring | 79x2 |
| 11 | 422 7383 | 2 | Platte | Plate | 120x12x386 |
| 12 | 422 7384 | 1 | Platte m. Abstreifer | Plate | 120x12x386 RE |
| 13 | 422 7385 | 1 | Platte m. Abstreifer LI | Plate | 120x12x386 |
| 14 | 422 7394 | 1 | Tragrohr | Carrier tube | 80x1970 |
| 15 | 42310040 | 4 | Doppelprofilringwalze | Double profile ring roller | DPW540-2.00-K RE -B D540-2.00-4R |



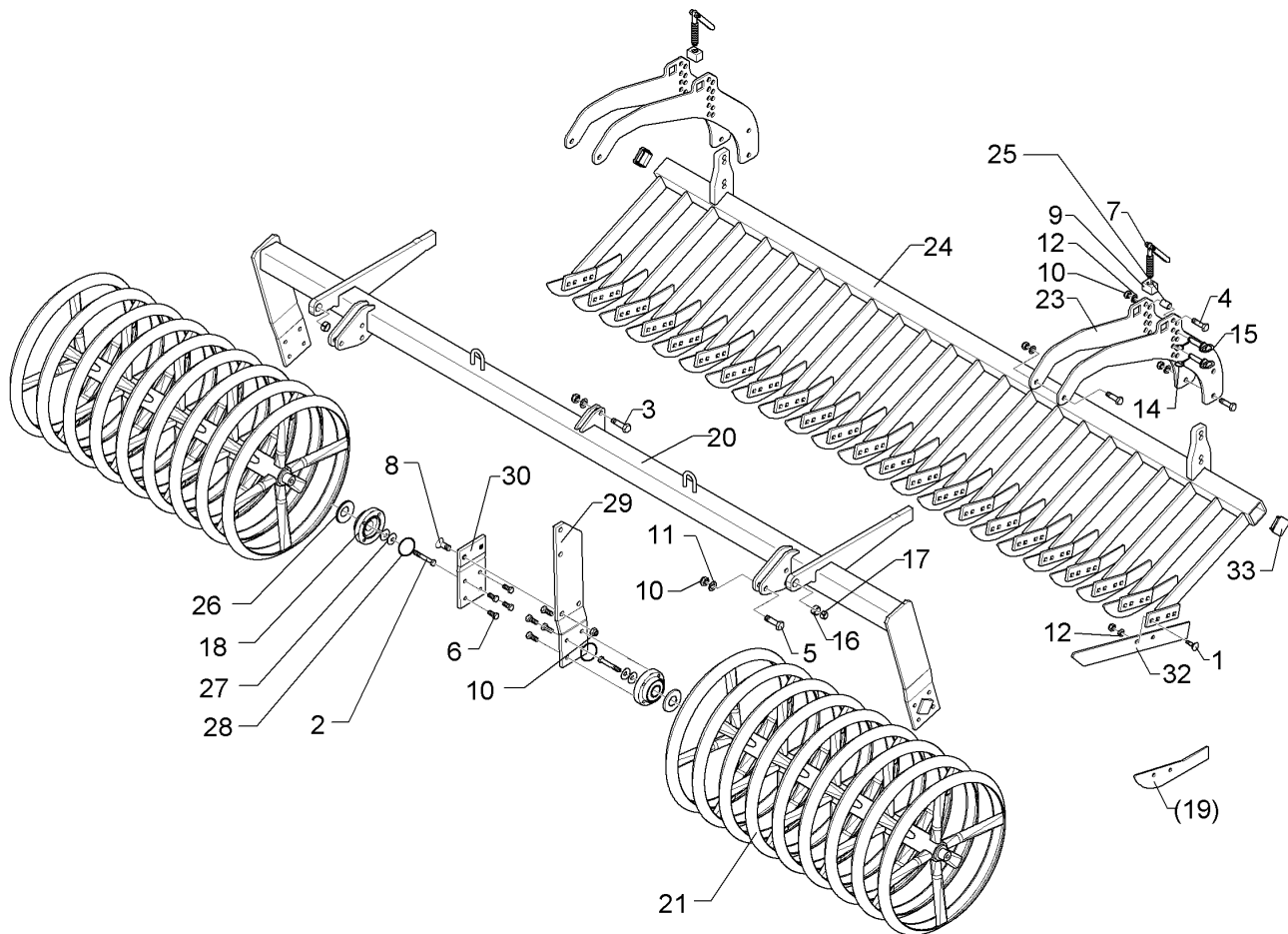
01.18

| Pos. | Art.Nr. | Stck. | Artikeltext / Description | | Abmessung |
|------|----------|-------|-----------------------------|----------------------------|-------------------------------------|
| 1 | 301 3324 | 32 | Sechskantschraube | Hexagon bolt | M12x30-8.8 Zn DIN933 |
| 2 | 301 3406 | 8 | Sechskantschraube | Hexagon bolt | M12x70-8.8 Zn DIN931-A |
| 3 | 301 3779 | 4 | Sechskantschraube spz. | Hexagon bolt | M16x60-10.9 Zn |
| 4 | 301 3870 | 2 | Sechskantschraube spz. | Hexagon bolt | M16x65-10.9 Zn |
| 5 | 303 0935 | 6 | Sicherungsmutter | Selflocking nut | NM16-8 Zn DIN985 |
| 6 | 305 6161 | 6 | Scheibe | Washer | 17/40x6 DIN7349 Zn |
| 7 | 319 9372 | 8 | Flanschlager-Gehäuseeinheit | Bearing cpl. | RCJ 35 35x118x39,9 4xM12 |
| 8 | 323 0411 | 8 | Schutzkappe | Cap | D80/d35 t=2x5,5 Zn |
| 9 | 329 6124 | 8 | Tellerfeder | Cup spring | 40x14,3x2 DIN2093 |
| 10 | 375 1277 | 8 | O-Ring | O-ring | 79x2 |
| 11 | 422 7383 | 2 | Platte | Plate | 120x12x386 |
| 12 | 422 7384 | 1 | Platte m. Abstreifer | Plate | 120x12x386 RE |
| 13 | 422 7385 | 1 | Platte m. Abstreifer LI | Plate | 120x12x386 |
| 14 | 422 7395 | 1 | Tragrohr | Carrier tube | 80x1970 |
| 15 | 42310040 | 4 | Doppelprofilringwalze | Double profile ring roller | DPW540-2.00-K LI -B D540-2.00-4R |



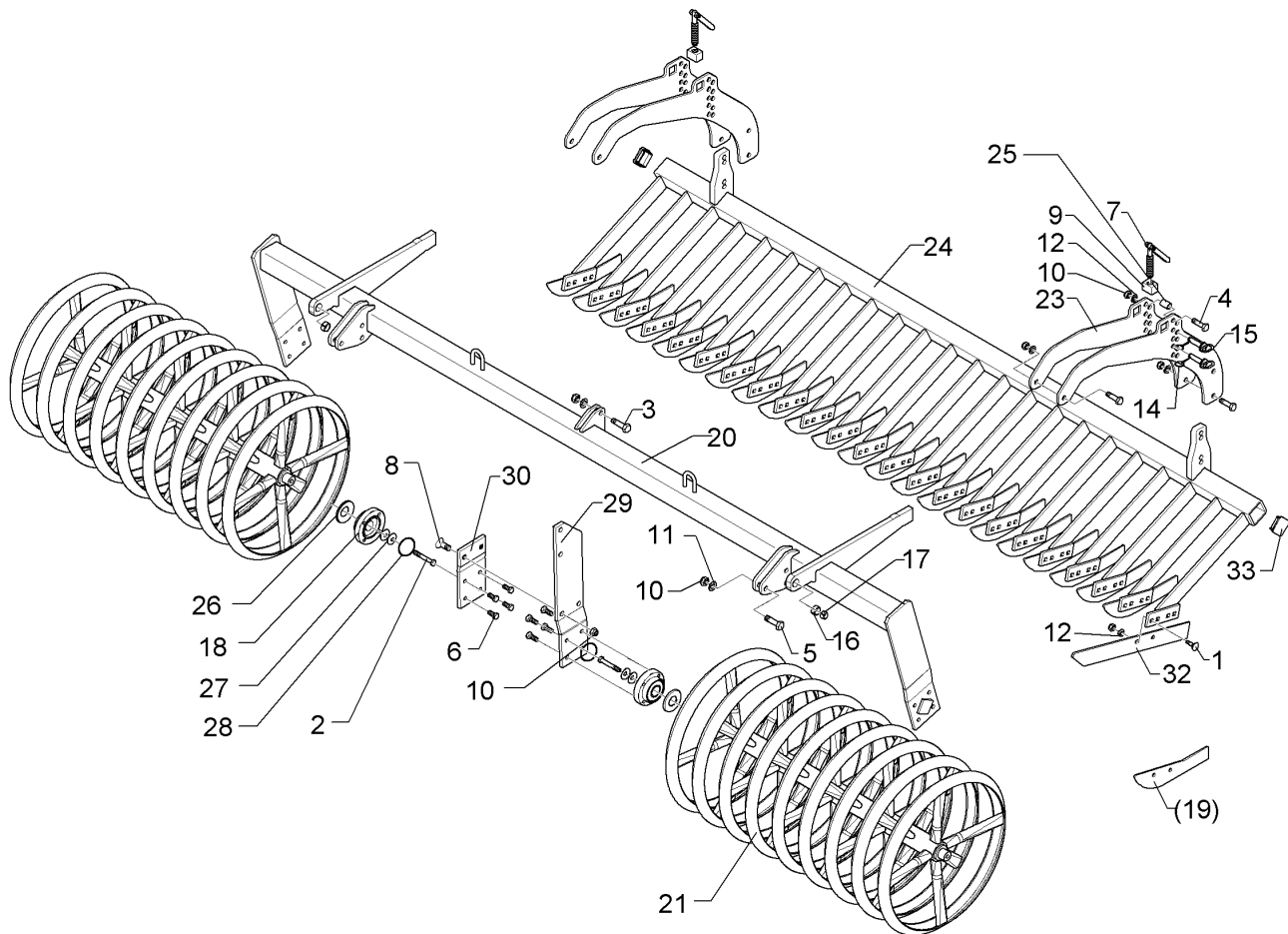
01.18

| Pos. | Art.Nr. | Stck. | Artikeltext / Description | | Abmessung |
|------|----------|-------|-----------------------------|-----------------------|-----------------------------|
| 1 | 301 1805 | 30 | Flachrundschaube mit Mutter | Bolt, cup square head | M12x30-10.9 MU Zn |
| 2 | 301 3406 | 4 | Sechskantschraube | Hexagon bolt | M12x70-8.8 Zn DIN931-A |
| 3 | 301 3779 | 2 | Sechskantschraube spz. | Hexagon bolt | M16x60-10.9 Zn |
| 4 | 301 3870 | 8 | Sechskantschraube spz. | Hexagon bolt | M16x65-10.9 Zn |
| 5 | 301 5363 | 6 | Sechskantschraube spz. | Hexagon bolt | M16x70-12.9 Zn |
| 6 | 301 3324 | 16 | Sechskantschraube | Hexagon bolt | M12x30-8.8 Zn DIN933 |
| 7 | 302 7933 | 2 | Spindel | Screw | KPL TR20x120-170 |
| 8 | 301 6141 | 2 | Senkschraube | Countersunk bolt | M16x40-10.9 Zn DIN7991-A |
| 9 | 303 8644 | 2 | Spindelmutter | Nut for screw | 30x30x44 TR 20 |
| 10 | 303 0935 | 18 | Sicherungsmutter | Selflocking nut | NM16-8 Zn DIN985 |
| 11 | 305 6141 | 32 | Scheibe | Washer | 17/30x3 DIN/ISO-7089 |
| 12 | 305 6137 | 30 | Scheibe | Washer | 13/25x3 DIN1441-St Zn |
| 14 | 311 9565 | 4 | Klappstift | Securing pin | 4,5 |
| 15 | 313 1530 | 4 | Bolzen mit Griff | Pin with grip | D15x47,5/106 Zn |
| 16 | 317 3341 | 2 | Einspannbuchse | Expansion bush | EG22/28x20-DIN1498 |
| 17 | 317 6658 | 2 | Buchse | Bush | D16/22x22 |
| 18 | 319 9372 | 4 | Flanschlager-Gehäuseeinheit | Bearing cpl. | RCJ 35 35x118x39,9 4xM12 |
| 20 | 422 6885 | 1 | Tragrahmen-R | Supporting frame - R | 80 MSW D600-200 LI SM9 |
| 21 | 42310051 | 2 | Messerwalze | Knife roller | D600-872-8R-125-R |



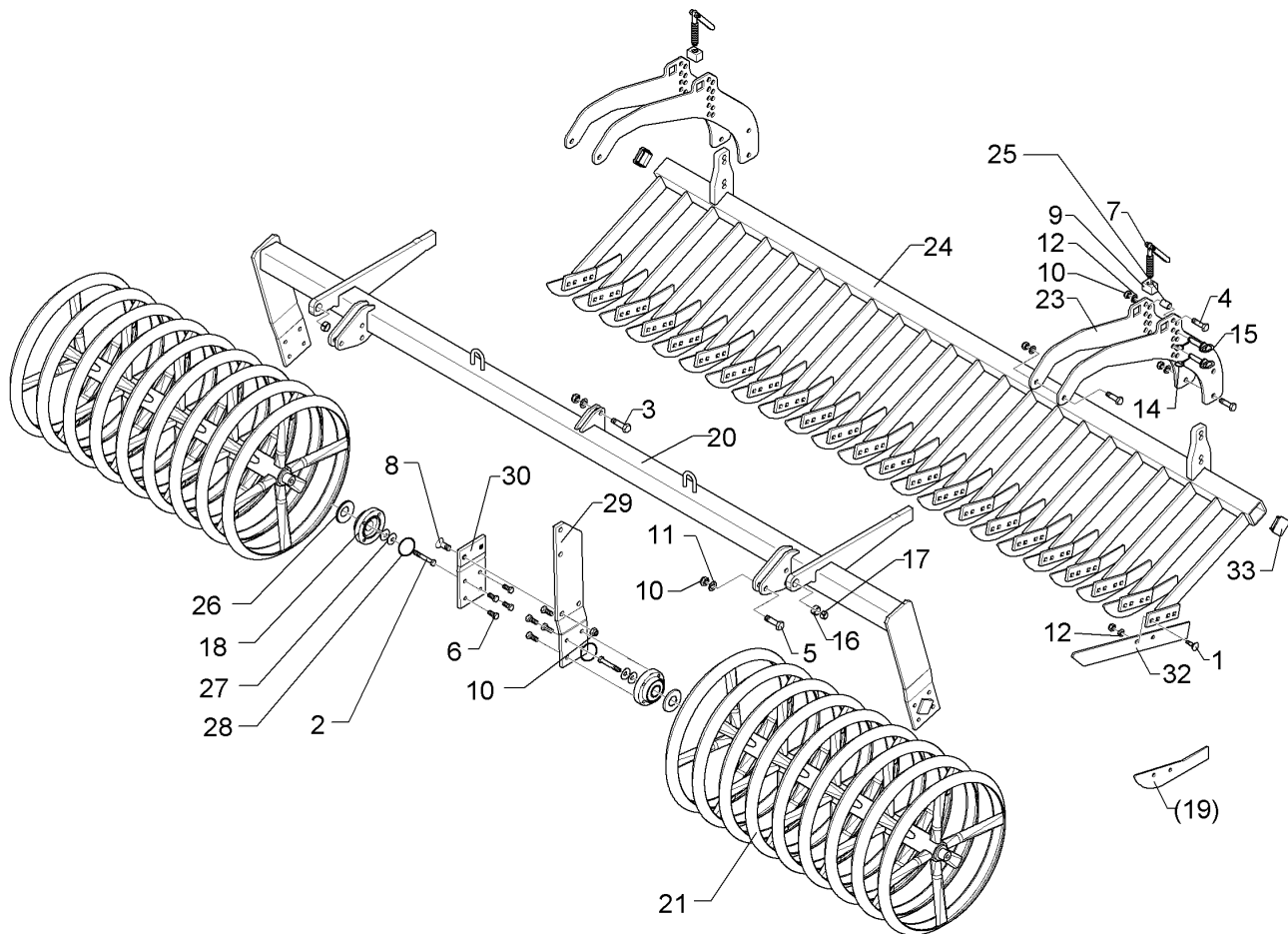
01.18

| Pos. | Art.Nr. | Stck. | Artikeltext / Description | Abmessung | |
|------|----------|-------|---------------------------|----------------------|-----------------------------------|
| 23 | 422 6813 | 4 | Verstellplatte | Adjuster plate | 8x464x775 13xD16 |
| 24 | 422 6816 | 1 | Messerbalken | Cutter bar | MSW D600 70x1800 15M |
| 25 | 317 6681 | 2 | Röhrchen | Tube | SM.9/400 RE |
| 26 | 323 0411 | 4 | Schutzkappe | Cap | D24x3x22+1 Zn |
| 27 | 329 6124 | 4 | Tellerfeder | Cup spring | D80/d35 t=2x5,5 Zn |
| 28 | 375 1277 | 4 | O-Ring | O-ring | 40x14,3x2 DIN2093 |
| 29 | 422 6878 | 1 | Tragplatte lang | Support plate, long | 79x2 |
| 30 | 422 6879 | 1 | Tragplatte kurz | Support plate, short | 120x12x573 5xD16,1 |
| 32 | 337 5005 | 15 | Messer | Knife | 120x12x225 |
| 33 | 32310090 | 2 | Vierkantstopfen | Square plug | 60x6x568 2xD8,5-80 Q-70x70x7,1 |



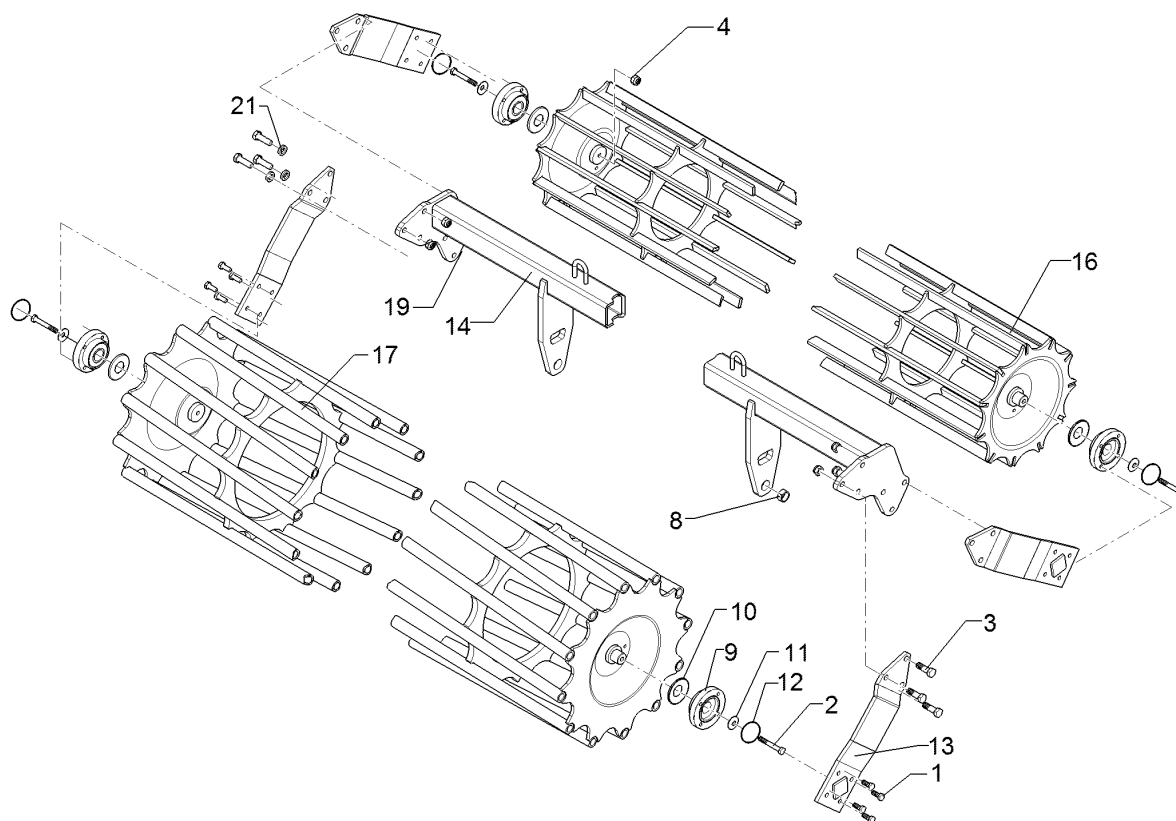
01.18

| Pos. | Art.Nr. | Stck. | Artikeltext / Description | | Abmessung |
|------|----------|-------|-----------------------------|-----------------------|-----------------------------|
| 1 | 301 1805 | 32 | Flachrundschaube mit Mutter | Bolt, cup square head | M12x30-10.9 MU Zn |
| 2 | 301 3406 | 4 | Sechskantschraube | Hexagon bolt | M12x70-8.8 Zn DIN931-A |
| 3 | 301 3779 | 2 | Sechskantschraube spz. | Hexagon bolt | M16x60-10.9 Zn |
| 4 | 301 3870 | 8 | Sechskantschraube spz. | Hexagon bolt | M16x65-10.9 Zn |
| 5 | 301 5363 | 6 | Sechskantschraube spz. | Hexagon bolt | M16x70-12.9 Zn |
| 6 | 301 3324 | 16 | Sechskantschraube | Hexagon bolt | M12x30-8.8 Zn DIN933 |
| 7 | 302 7933 | 2 | Spindel | Screw | KPL TR20x120-170 |
| 8 | 301 6141 | 2 | Senkschraube | Countersunk bolt | M16x40-10.9 Zn DIN7991-A |
| 9 | 303 8644 | 2 | Spindelmutter | Nut for screw | 30x30x44 TR 20 |
| 10 | 303 0935 | 18 | Sicherungsmutter | Selflocking nut | NM16-8 Zn DIN985 |
| 11 | 305 6141 | 32 | Scheibe | Washer | 17/30x3 DIN/ISO-7089 |
| 12 | 305 6137 | 32 | Scheibe | Washer | 13/25x3 DIN1441-St Zn |
| 14 | 311 9565 | 4 | Klappstift | Securing pin | 4,5 |
| 15 | 313 1530 | 4 | Bolzen mit Griff | Pin with grip | D15x47,5/106 Zn |
| 16 | 317 3341 | 2 | Einspannbuchse | Expansion bush | EG22/28x20-DIN1498 |
| 17 | 317 6658 | 2 | Buchse | Bush | D16/22x22 |
| 18 | 319 9372 | 4 | Flanschlager-Gehäuseeinheit | Bearing cpl. | RCJ 35 35x118x39,9 4xM12 |
| 20 | 422 6884 | 1 | Tragrahmen-R | Supporting frame - R | 80 MSW D600-200 RE SM9 |
| 21 | 42310051 | 2 | Messerwalze | Knife roller | D600-872-8R-125-R |



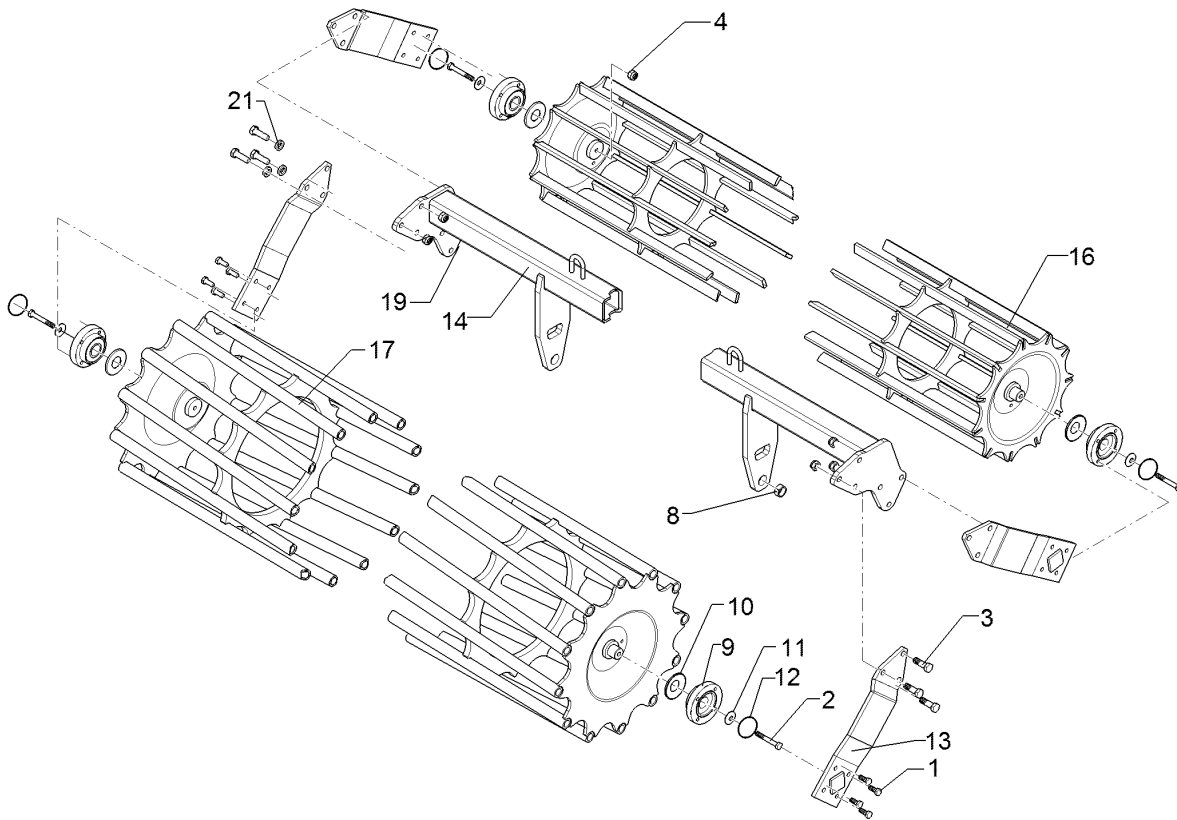
01.18

| Pos. | Art.Nr. | Stck. | Artikeltext / Description | Abmessung | |
|------|----------|-------|---------------------------|----------------------|-------------------------|
| 23 | 422 6813 | 4 | Verstellplatte | Adjuster plate | 8x464x775 13xD16 |
| 24 | 422 6817 | 1 | Messerbalken | Cutter bar | MSW D600 70x1915 16M |
| 25 | 317 6681 | 2 | Röhrchen | Tube | SM.9/400 LI |
| 26 | 323 0411 | 4 | Schutzkappe | Cap | D80/d35 t=2x5,5 Zn |
| 27 | 329 6124 | 4 | Tellerfeder | Cup spring | 40x14,3x2 DIN2093 |
| 28 | 375 1277 | 4 | O-Ring | O-ring | 79x2 |
| 29 | 422 6878 | 1 | Tragplatte lang | Support plate, long | 120x12x573 5xD16,1 |
| 30 | 422 6879 | 1 | Tragplatte kurz | Support plate, short | 120x12x225 |
| 32 | 337 5005 | 16 | Messer | Knife | 60x6x568 2xD8,5-80 |
| 33 | 32310090 | 2 | Vierkantstopfen | Square plug | Q-70x70x7,1 |



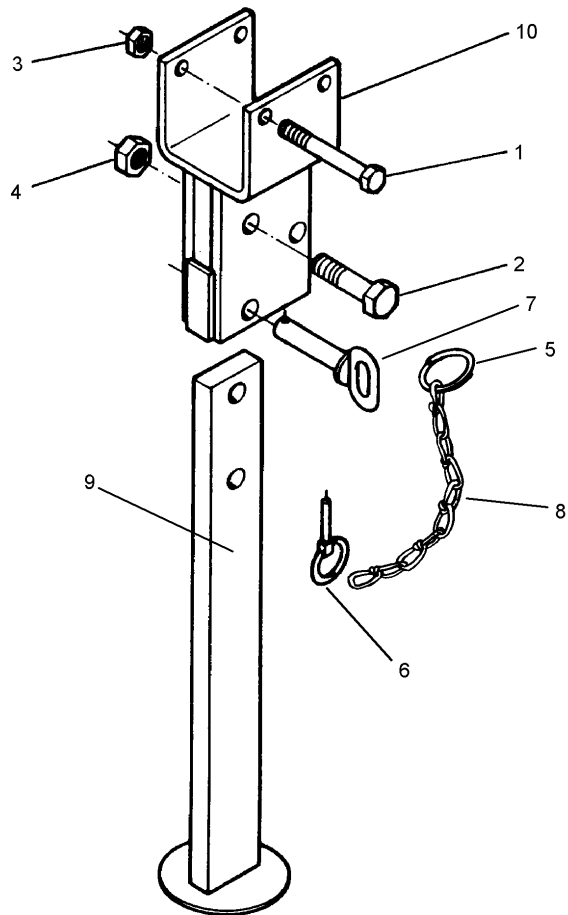
01.18

| Pos. | Art.Nr. | Stck. | Artikeltext / Description | | Abmessung |
|------|----------|-------|------------------------------|------------------|---|
| 1 | 301 3324 | 16 | Sechskantschraube | Hexagon bolt | M12x30-8.8 Zn DIN933 |
| 2 | 301 3432 | 4 | Sechskantschraube | Hexagon bolt | M12x80-8.8 Zn DIN931-A |
| 3 | 301 5409 | 12 | Sechskantschraube spz. | Hexagon bolt | M16x50-8.8 Zn |
| 4 | 303 0934 | 4 | Sicherungsmutter | Selflocking nut | NM12-8 Zn DIN985 |
| 8 | 317 3352 | 2 | Einspannbuchse mit Presssitz | Expansion bush | EG28/32x20 |
| 9 | 319 9372 | 4 | Flanschlager-Gehäuseeinheit | Bearing cpl. | RCJ 35 35x118x39,9 4xM12 |
| 10 | 323 0411 | 4 | Schutzkappe | Cap | D80/d35 t=2x5,5 Zn |
| 11 | 329 6124 | 4 | Tellerfeder | Cup spring | 40x14,3x2 DIN2093 |
| 12 | 375 1277 | 4 | O-Ring | O-ring | 79x2 |
| 13 | 422 2924 | 4 | Seitenplatte | Side plate | 120x12x494 |
| 14 | 422 8308 | 1 | Tragrahmen | Supporting frame | 80x1910 |
| 16 | 423 1020 | 1 | Flachstabwalze | Flat bar roller | D540/400-2.00 RE R D400x1954/11-2.00 |
| 17 | 423 1036 | 1 | Rohrstabwalze | Tube bar roller | D540x1954 RE 2.00 |
| 19 | 303 0935 | 12 | Sicherungsmutter | Selflocking nut | NM16-8 Zn DIN985 |
| 21 | 305 6141 | 12 | Scheibe | Washer | 17/30x3 DIN/ISO-7089 |



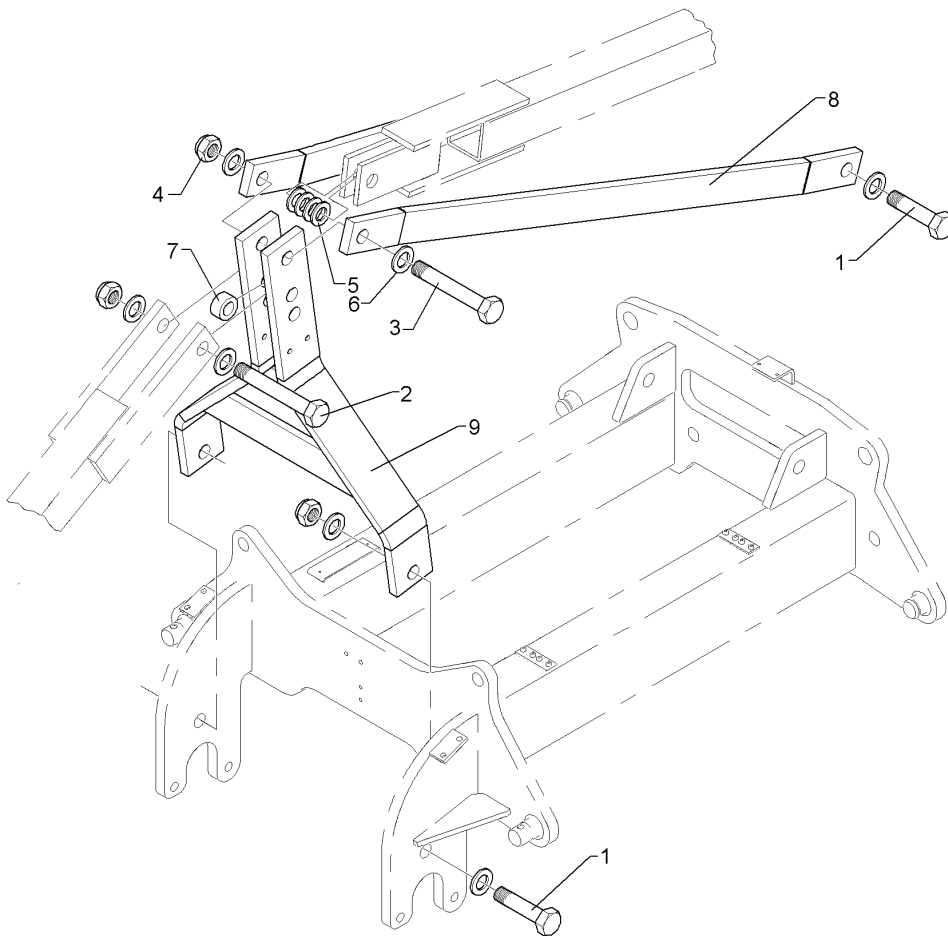
01.18

| Pos. | Art.Nr. | Stck. | Artikeltext / Description | | Abmessung |
|------|----------|-------|------------------------------|------------------|---|
| 1 | 301 3324 | 16 | Sechskantschraube | Hexagon bolt | M12x30-8.8 Zn DIN933 |
| 2 | 301 3432 | 4 | Sechskantschraube | Hexagon bolt | M12x80-8.8 Zn DIN931-A |
| 3 | 301 5409 | 12 | Sechskantschraube spz. | Hexagon bolt | M16x50-8.8 Zn |
| 4 | 303 0934 | 4 | Sicherungsmutter | Selflocking nut | NM12-8 Zn DIN985 |
| 8 | 317 3352 | 2 | Einspannbuchse mit Presssitz | Expansion bush | EG28/32x20 |
| 9 | 319 9372 | 4 | Flanschlager-Gehäuseeinheit | Bearing cpl. | RCJ 35 35x118x39,9 4xM12 |
| 10 | 323 0411 | 4 | Schutzkappe | Cap | D80/d35 t=2x5,5 Zn |
| 11 | 329 6124 | 4 | Tellerfeder | Cup spring | 40x14,3x2 DIN2093 |
| 12 | 375 1277 | 4 | O-Ring | O-ring | 79x2 |
| 13 | 422 2924 | 4 | Seitenplatte | Side plate | 120x12x494 |
| 14 | 422 8309 | 1 | Tragrahmen | Supporting frame | 80x1910 |
| 16 | 423 1020 | 1 | Flachstabwalze | Flat bar roller | D540/400-2.00 LI R D400x1954/11-2.00 |
| 17 | 423 1036 | 1 | Rohrstabwalze | Tube bar roller | D540x1954 RE 2.00 |
| 19 | 303 0935 | 12 | Sicherungsmutter | Selflocking nut | NM16-8 Zn DIN985 |
| 21 | 305 6141 | 12 | Scheibe | Washer | 17/30x3 DIN/ISO-7089 |



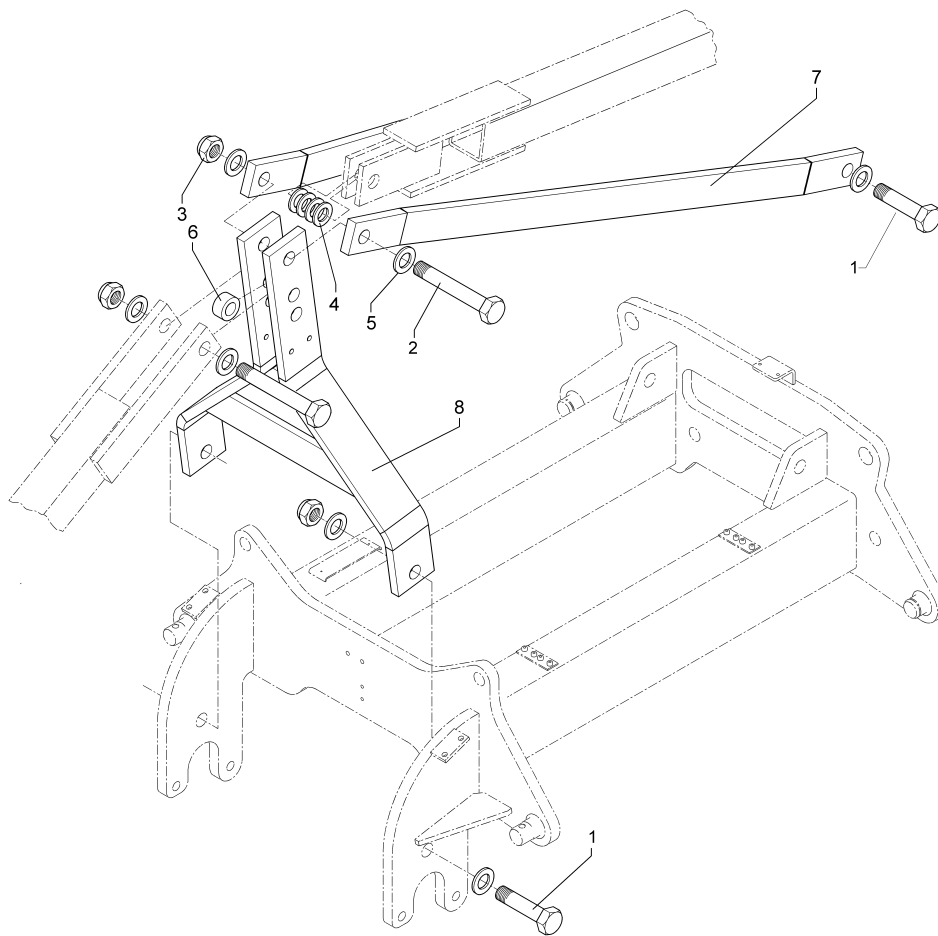
01.18

| Pos. | Art.Nr. | Stck. | Artikeltext / Description | | Abmessung |
|------|----------|-------|---------------------------|--------------------|----------------------------|
| 1 | 301 3551 | 2 | Sechskantschraube | Hexagon bolt | M12x150-8.8 Zn DIN931-A |
| 2 | 301 3870 | 1 | Sechskantschraube spz. | Hexagon bolt | M16x65-10.9 Zn |
| 3 | 303 0934 | 2 | Sicherungsmutter | Selflocking nut | NM12-8 Zn DIN985 |
| 4 | 303 0935 | 1 | Sicherungsmutter | Selflocking nut | NM16-8 Zn DIN985 |
| 5 | 305 8551 | 1 | Sicherungsring | Retaining ring | Di41x3 A2 |
| 6 | 311 9565 | 1 | Klappstift | Securing pin | 4,5 |
| 7 | 313 8152 | 1 | Bolzen | Pin | D16x51,7/112 V Zn |
| 8 | 331 6130 | 1 | Knotenkette | Knotted-link chain | D2x150 |
| 9 | 429 2800 | 1 | Abstellstütze | Stand | 70x22x600 |
| 10 | 429 2806 | 1 | Halter Abstellstütze | Holder for stand | 110x110 |



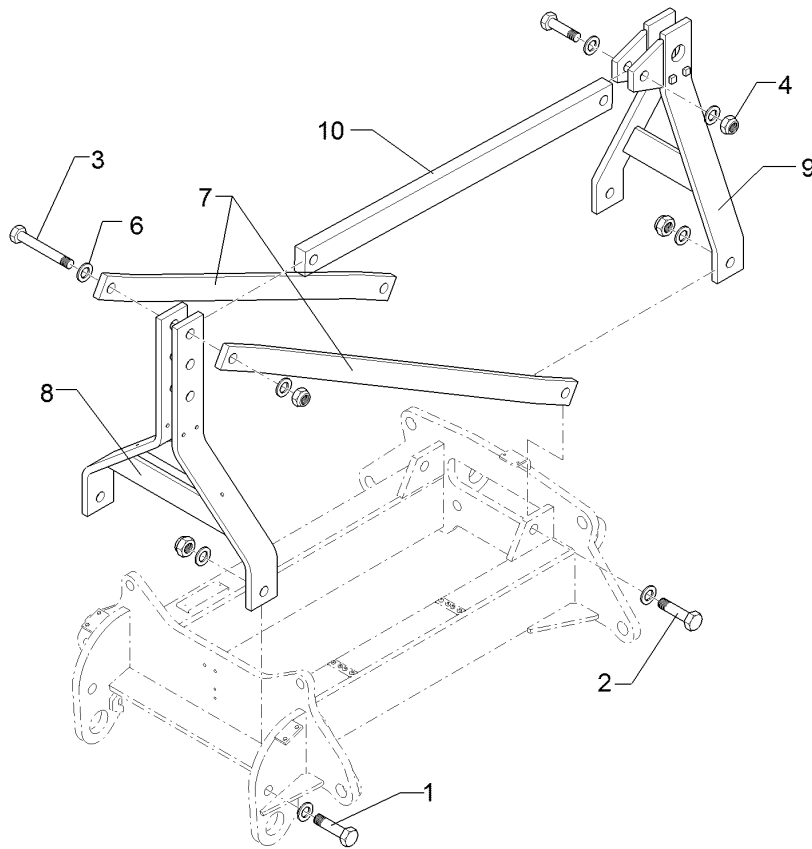
01.18

| Pos. | Art.Nr. | Stck. | Artikeltext / Description | | Abmessung |
|------|----------|-------|---------------------------|-----------------|----------------------------|
| 1 | 301 4873 | 4 | Sechskantschraube spz. | Hexagon bolt | M30x90-8.8 Zn |
| 2 | 301 4896 | 1 | Sechskantschraube spz. | Hexagon bolt | M30x190-8.8 Zn |
| 3 | 301 4897 | 1 | Sechskantschraube spz. | Hexagon bolt | M30x200-12.9 Zn |
| 4 | 303 0938 | 5 | Sicherungsmutter | Selflocking nut | NM30-8 Zn DIN985 |
| 5 | 305 6285 | 4 | Scheibe | Washer | 31/56x4 DIN/ISO-7089 Zn |
| 6 | 305 6327 | 12 | Scheibe | Washer | 60x31x6 Zn 200HV |
| 7 | 317 6883 | 1 | Röhrchen | Tube | 51x8,8x48 Zn |
| 8 | 440 3523 | 2 | Strebe | Strut | 70x22x1366 Rubin 9KA |
| 9 | 440 5235 | 1 | Turm | Headstock | 80x20x905 Rubin KA |



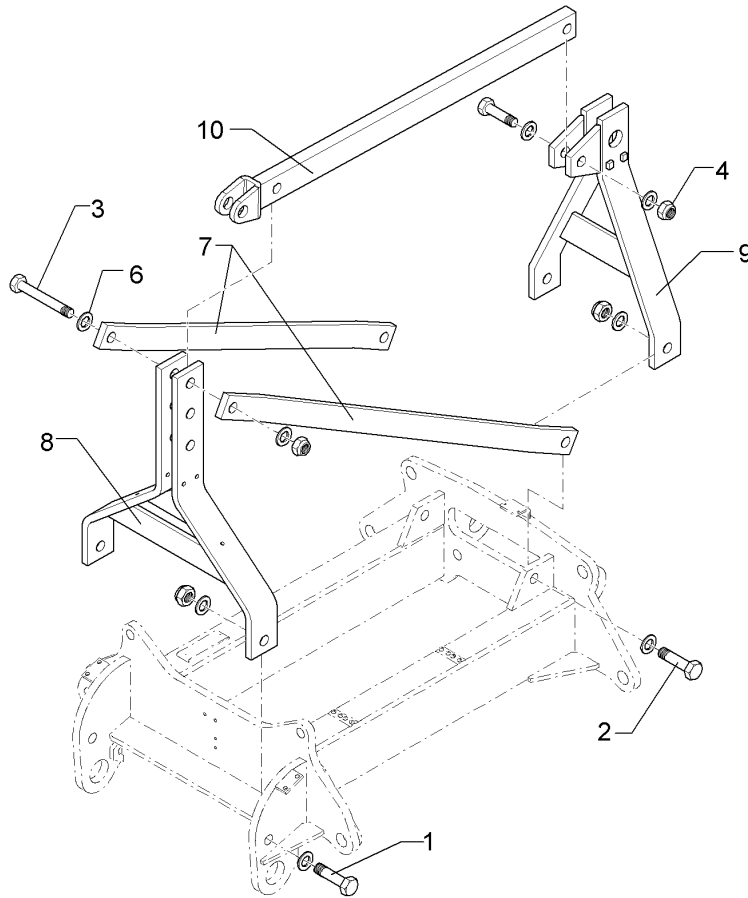
01.18

| Pos. | Art.Nr. | Stck. | Artikeltext / Description | | Abmessung |
|------|----------|-------|---------------------------|-----------------|----------------------------|
| 1 | 301 4873 | 4 | Sechskantschraube spz. | Hexagon bolt | M30x90-8.8 Zn |
| 2 | 301 4897 | 1 | Sechskantschraube spz. | Hexagon bolt | M30x200-12.9 Zn |
| 3 | 303 0938 | 5 | Sicherungsmutter | Selflocking nut | NM30-8 Zn DIN985 |
| 4 | 305 6285 | 4 | Scheibe | Washer | 31/56x4 DIN/ISO-7089 Zn |
| 5 | 305 6327 | 12 | Scheibe | Washer | 60x31x6 Zn 200HV |
| 6 | 317 6883 | 1 | Röhrchen | Tube | 51x8,8x48 Zn |
| 7 | 440 3524 | 2 | Strebe | Strut | 70x22x1390 Rubin 9KA |
| 8 | 440 5235 | 1 | Turm | Headstock | 80x20x905 Rubin KA |



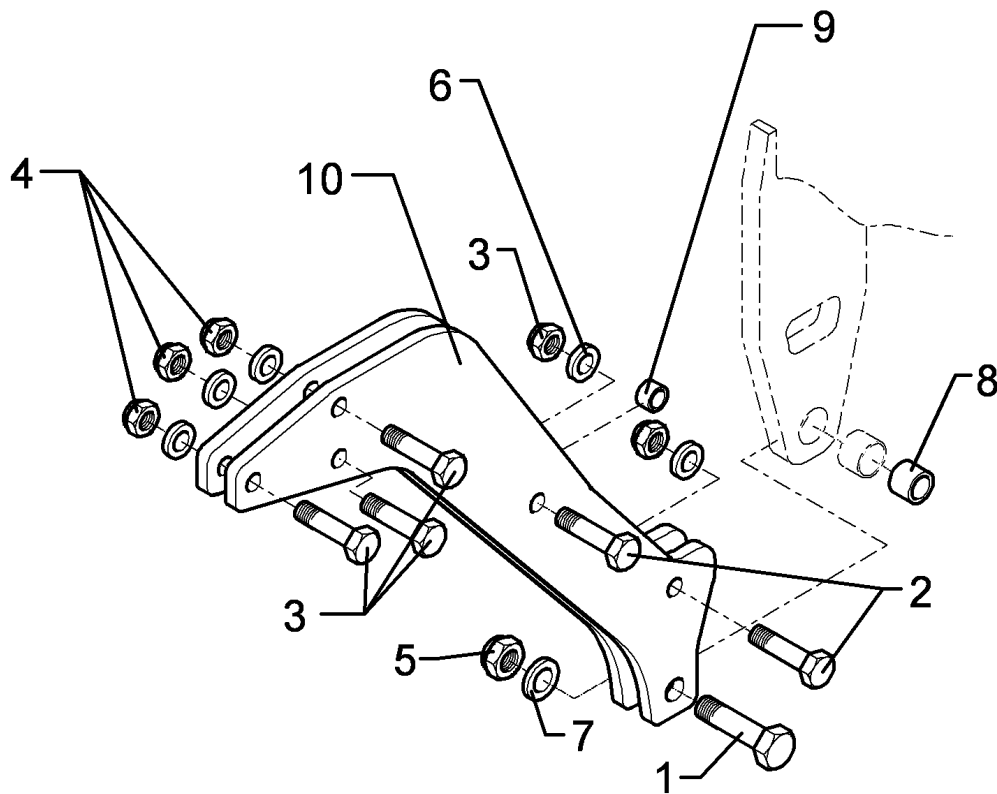
01.18

| Pos. | Art.Nr. | Stck. | Artikeltext / Description | | Abmessung |
|------|----------|-------|---------------------------|-----------------|-----------------------------------|
| 1 | 301 4873 | 2 | Sechskantschraube spz. | Hexagon bolt | M30x90-8.8 Zn |
| 2 | 301 4876 | 3 | Sechskantschraube gek. | Hexagon bolt | M30x120-10.9 Zn (160) DIN931-A |
| 3 | 301 4896 | 1 | Sechskantschraube spz. | Hexagon bolt | M30x190-8.8 Zn |
| 4 | 303 0938 | 6 | Sicherungsmutter | Selflocking nut | NM30-8 Zn DIN985 |
| 6 | 305 6327 | 18 | Scheibe | Washer | 60x31x6 Zn 200HV |
| 7 | 440 3524 | 2 | Strebe | Strut | 70x22x1390 Rubin 9KA |
| 8 | 440 5247 | 1 | Dreipunkturm | Headstock | 643x100x911 Rubin 9 KA (B) |
| 9 | 440 5246 | 1 | Dreipunkturm | Headstock | 478x100x762 Rubin 9 K (B) |
| 10 | 450 8617 | 1 | Strebe | Strut | 80x40x1169 |



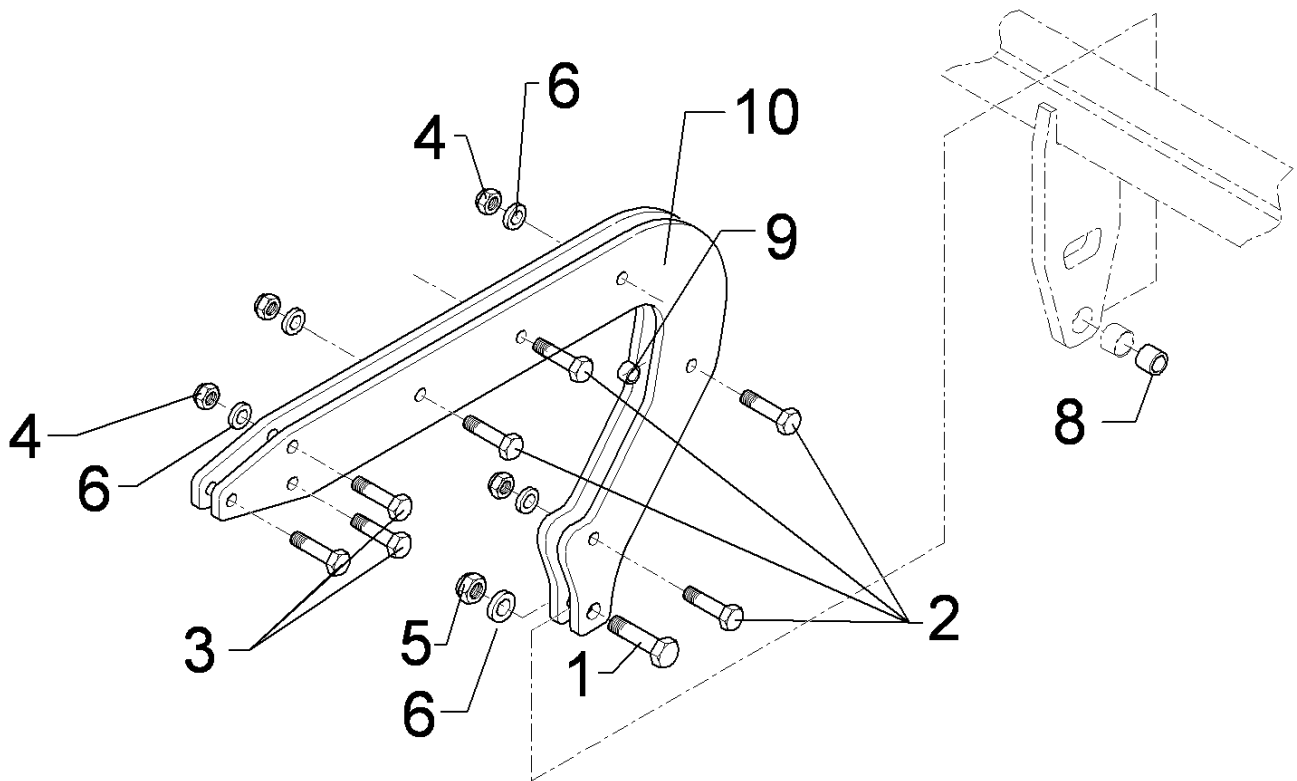
01.18

| Pos. | Art.Nr. | Stck. | Artikeltext / Description | | Abmessung |
|------|----------|-------|---------------------------|-----------------|-----------------------------------|
| 1 | 301 4873 | 2 | Sechskantschraube spz. | Hexagon bolt | M30x90-8.8 Zn |
| 2 | 301 4876 | 3 | Sechskantschraube gek. | Hexagon bolt | M30x120-10.9 Zn (160) DIN931-A |
| 3 | 301 4896 | 1 | Sechskantschraube spz. | Hexagon bolt | M30x190-8.8 Zn |
| 4 | 303 0938 | 6 | Sicherungsmutter | Selflocking nut | NM30-8 Zn DIN985 |
| 6 | 305 6327 | 18 | Scheibe | Washer | 60x31x6 Zn 200HV |
| 7 | 440 3524 | 2 | Strebe | Strut | 70x22x1390 Rubin 9KA |
| 8 | 440 5247 | 1 | Dreipunkturm | Headstock | 643x100x911 Rubin 9 KA (B) |
| 9 | 440 5246 | 1 | Dreipunkturm | Headstock | 478x100x762 Rubin 9 K (B) |
| 10 | 44010026 | 1 | Strebe | Strut | 80x40x1317 |



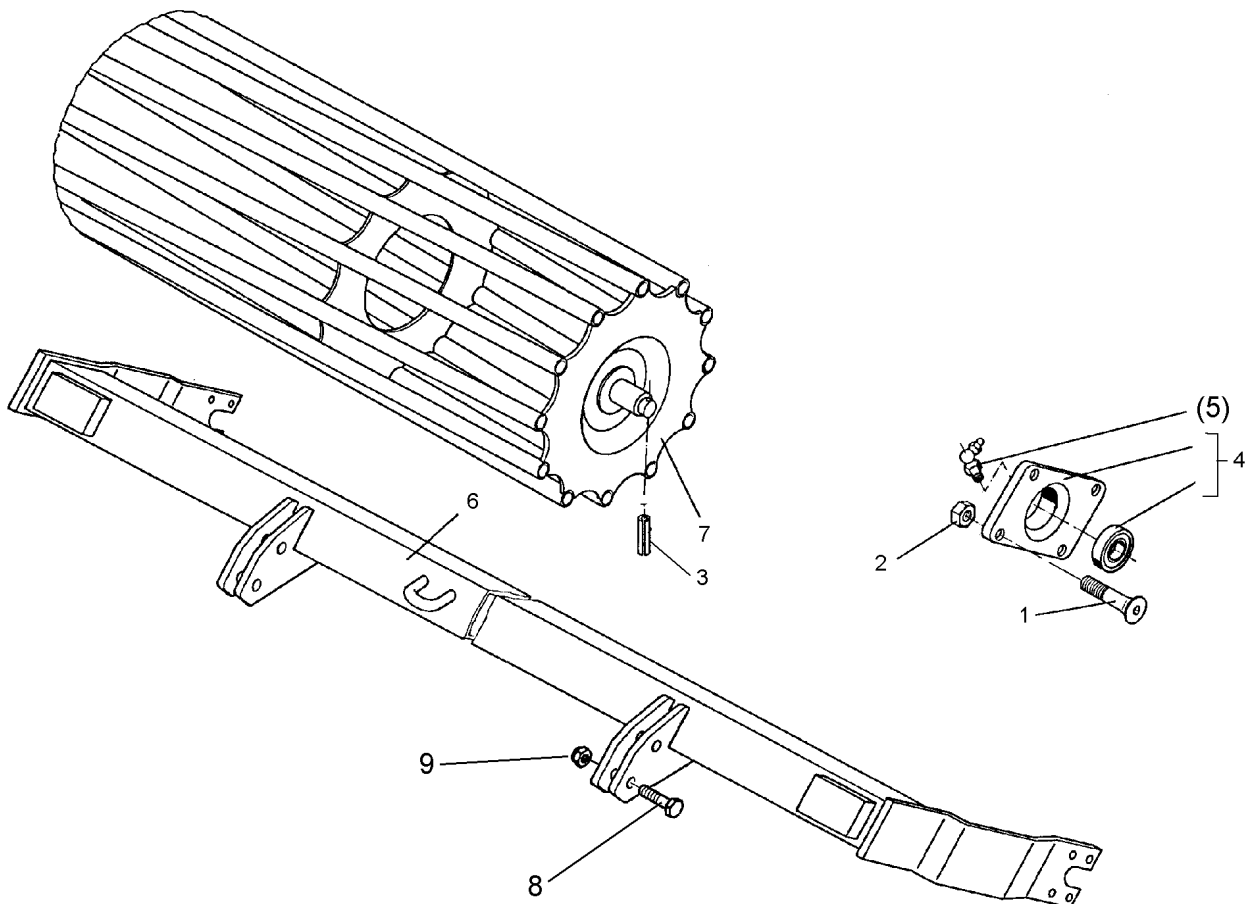
01.18

| Pos. | Art.Nr. | Stck. | Artikeltext / Description | | Abmessung |
|------|----------|-------|---------------------------|-----------------|-------------------------------|
| 1 | 301 4603 | 1 | Sechskantschraube spz. | Hexagon bolt | M20x75-8.8 Zn |
| 2 | 301 5066 | 2 | Sechskantschraube | Hexagon bolt | M16x70-8.8 Zn DIN933 |
| 3 | 301 5363 | 3 | Sechskantschraube spz. | Hexagon bolt | M16x70-12.9 Zn |
| 4 | 303 0935 | 5 | Sicherungsmutter | Selflocking nut | NM16-8 Zn DIN985 |
| 5 | 303 0936 | 1 | Sicherungsmutter | Selflocking nut | NM20-8 Zn DIN985 |
| 6 | 305 6141 | 10 | Scheibe | Washer | 17/30x3 DIN/ISO-7089 |
| 7 | 305 6015 | 2 | Scheibe | Washer | 21 DIN7349 |
| 8 | 317 6657 | 1 | Buchse | Bush | D20/28x22 |
| 9 | 317 6681 | 1 | Röhrchen | Tube | D24x3x22+1 Zn |
| 10 | 417 8114 | 2 | Platte | Plate | 12x510x540 1xD20,1 5xD16,1 |



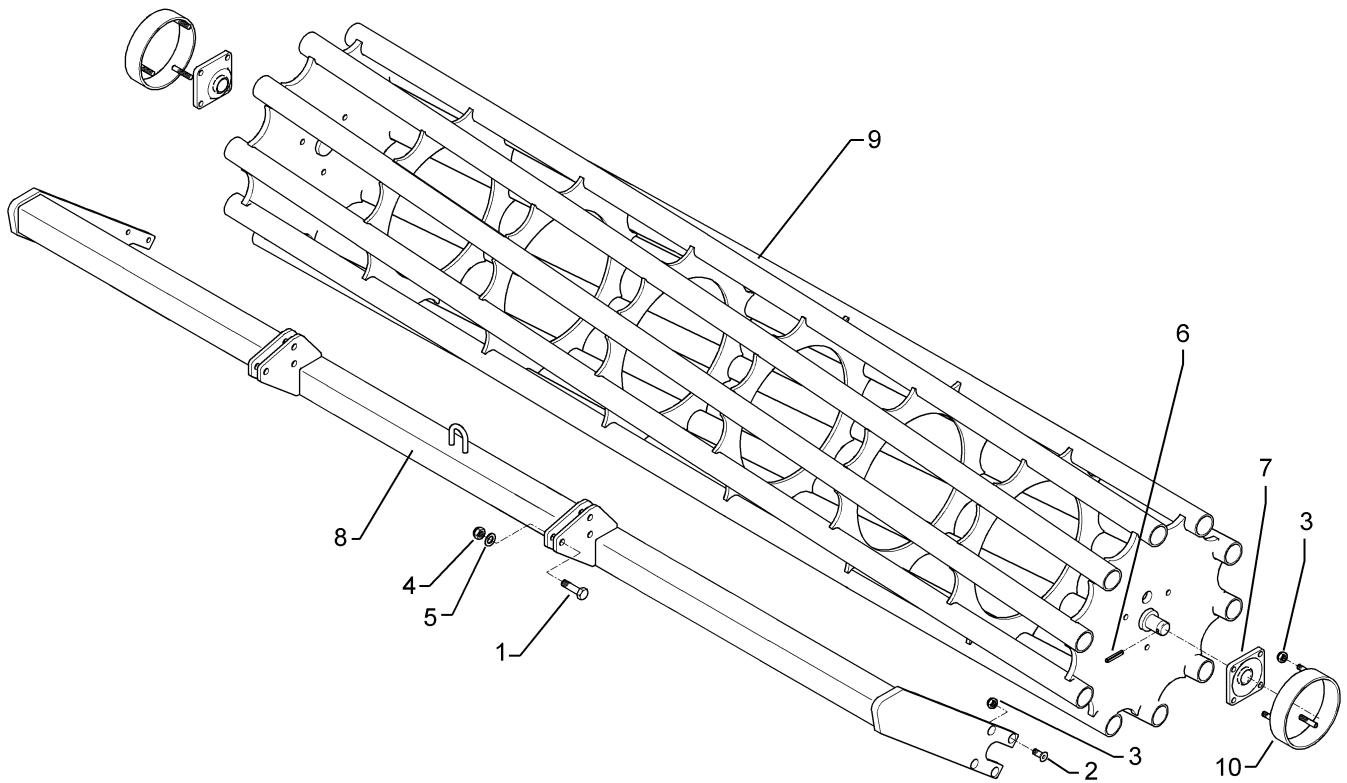
01.18

| Pos. | Art.Nr. | Stck. | Artikeltext / Description | | Abmessung |
|------|----------|-------|---------------------------|-----------------|-------------------------|
| 1 | 301 4603 | 1 | Sechskantschraube spz. | Hexagon bolt | M20x75-8.8 Zn |
| 2 | 301 5066 | 5 | Sechskantschraube | Hexagon bolt | M16x70-8.8 Zn DIN933 |
| 3 | 301 5363 | 3 | Sechskantschraube spz. | Hexagon bolt | M16x70-12.9 Zn |
| 4 | 303 0935 | 8 | Sicherungsmutter | Selflocking nut | NM16-8 Zn DIN985 |
| 5 | 303 0936 | 1 | Sicherungsmutter | Selflocking nut | NM20-8 Zn DIN985 |
| 6 | 305 6141 | 16 | Scheibe | Washer | 17/30x3 DIN/ISO-7089 |
| 7 | 305 6012 | 1 | Scheibe | Washer | 21 ISO7089 Zn |
| 8 | 317 6657 | 1 | Buchse | Bush | D20/28x22 |
| 9 | 317 6681 | 4 | Röhrchen | Tube | D24x3x22+1 Zn |
| 10 | 417 8112 | 2 | Platte | Plate | 12x520x806 D540/400 |



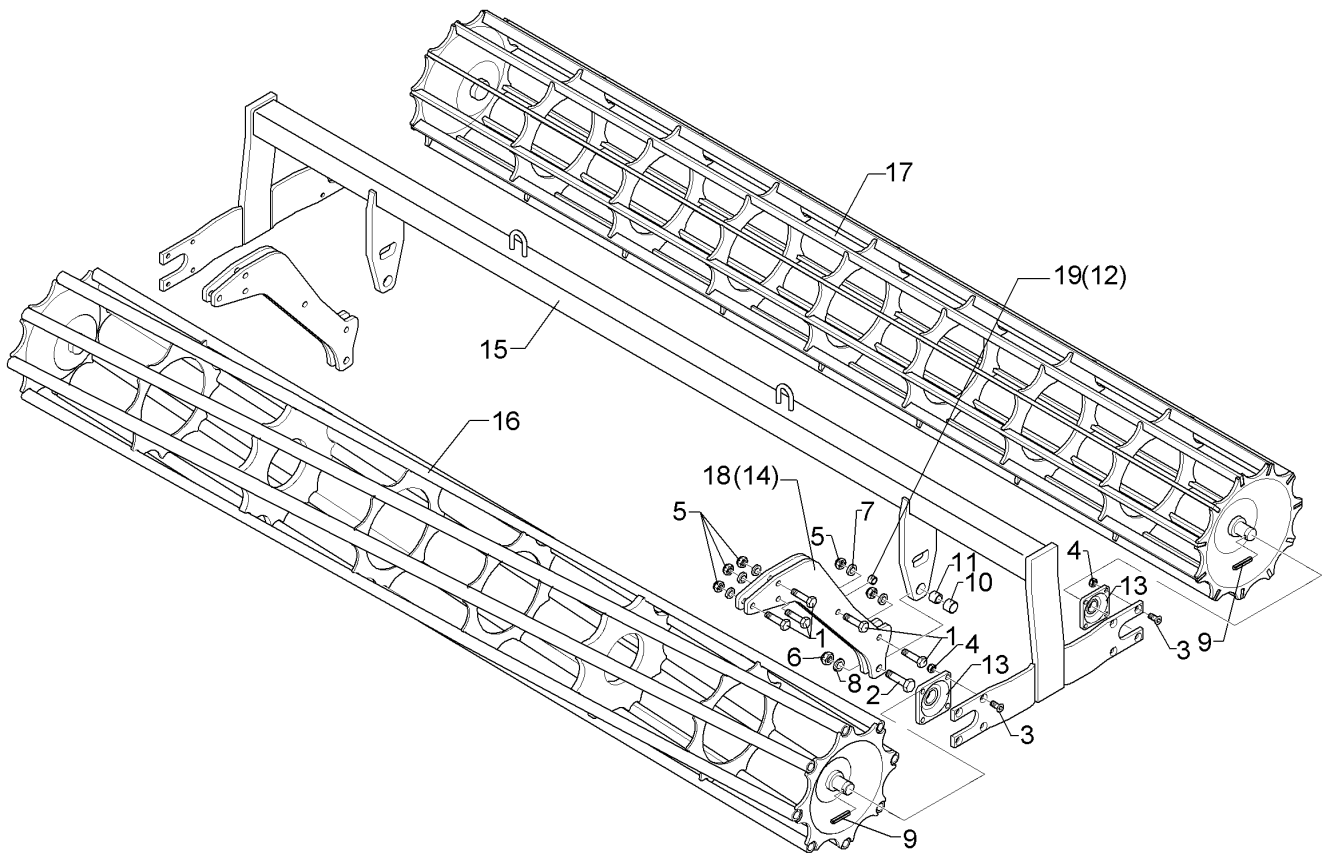
01.18

| Pos. | Art.Nr. | Stck. | Artikeltext / Description | | Abmessung |
|------|----------|-------|-----------------------------|------------------|-----------------------------|
| 1 | 301 6130 | 8 | Senkschraube | Countersunk bolt | M12x40-10.9 Zn DIN7991-A |
| 2 | 303 0934 | 8 | Sicherungsmutter | Selflocking nut | NM12-8 Zn DIN985 |
| 3 | 309 6072 | 2 | Spannhülse | Expansion bush | 8x40-DIN1481 Zn |
| 4 | 319 9365 | 2 | Flanschlager-Gehäuseeinheit | Bearing cpl. | RCJ 35 35x118x39,9 |
| 5 | 323 6360 | 2 | Schmiernippel | Grease nipple | R1/8" |
| 6 | 422 6604 | 1 | Tragrahmen | Supporting frame | 80x1910 D540-200-RE |
| 7 | 423 0956 | 1 | Rohrstabwalze | Tube bar roller | D540x1954 RE 2.00 |
| 8 | 301 3870 | 4 | Sechskantschraube spz. | Hexagon bolt | M16x65-10.9 Zn |
| 9 | 303 0935 | 4 | Sicherungsmutter | Selflocking nut | NM16-8 Zn DIN985 |
| 10 | 305 6161 | 4 | Scheibe | Washer | 17/40x6 DIN7349 Zn |



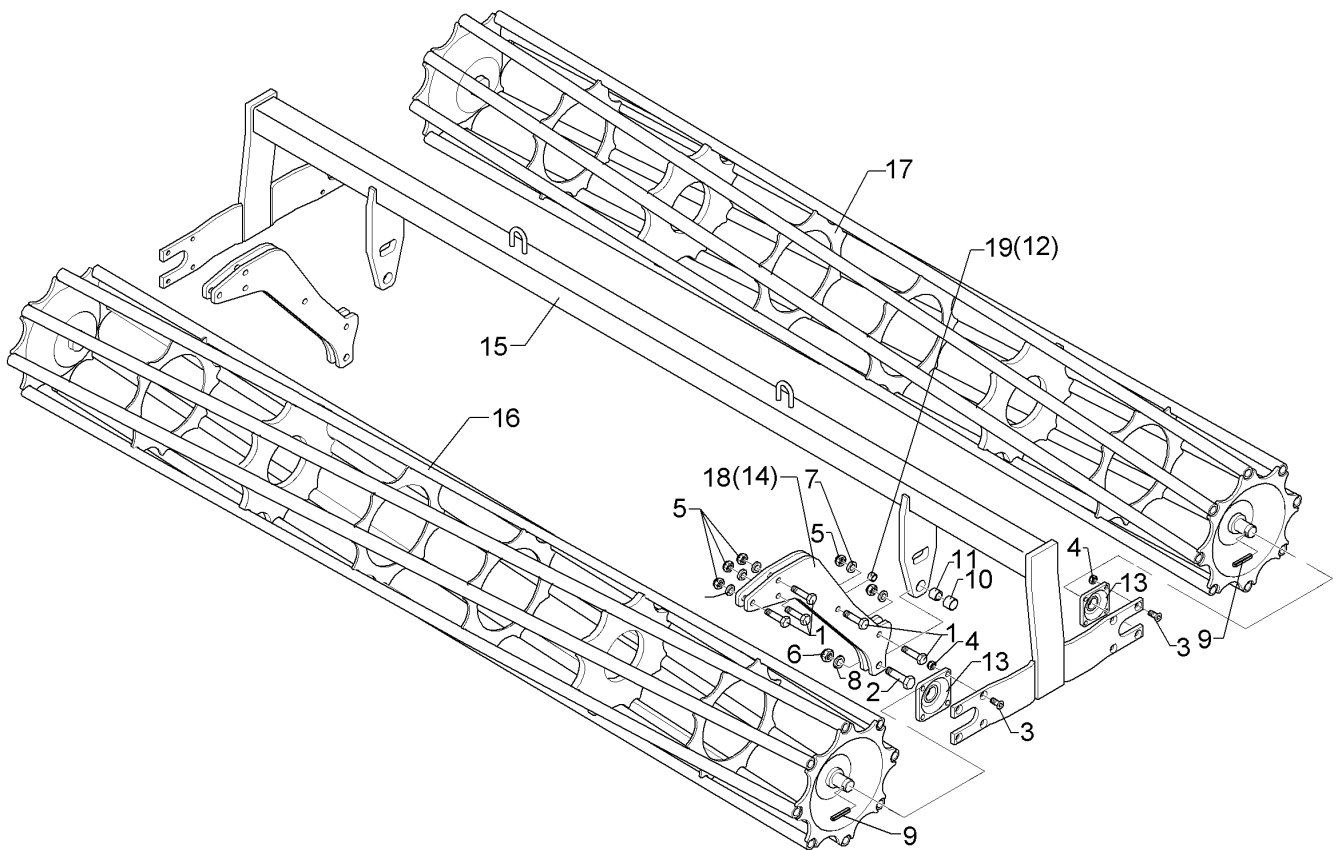
01.18

| Pos. | Art.Nr. | Stck. | Artikeltext / Description | | Abmessung |
|------|----------|-------|-----------------------------|------------------|----------------------------------|
| 1 | 301 3870 | 6 | Sechskantschraube spz. | Hexagon bolt | M16x65-10.9 Zn |
| 2 | 301 6132 | 8 | Senkschraube | Countersunk bolt | M12x50-10.9 Zn DIN7991-A |
| 3 | 303 0934 | 8 | Sicherungsmutter | Selflocking nut | NM12-8 Zn DIN985 |
| 4 | 303 0935 | 6 | Sicherungsmutter | Selflocking nut | NM16-8 Zn DIN985 |
| 5 | 305 6161 | 6 | Scheibe | Washer | 17/40x6 DIN7349 Zn |
| 6 | 309 6072 | 2 | Spannhülse | Expansion bush | 8x40-DIN1481 Zn |
| 7 | 319 9365 | 2 | Flanschlager-Gehäuseeinheit | Bearing cpl. | RCJ 35 35x118x39,9 |
| 8 | 422 6622 | 1 | Tragrahmen | Supporting frame | 80 D600-2.00 SM9 RE |
| 9 | 423 0976 | 1 | Rohrstabwalze | Tube bar roller | D600-2.00 SM9 |
| 10 | 423 5860 | 2 | Wickelschutz | Winding guard | RSW600 D193,7x6,3x48 3xM12 |



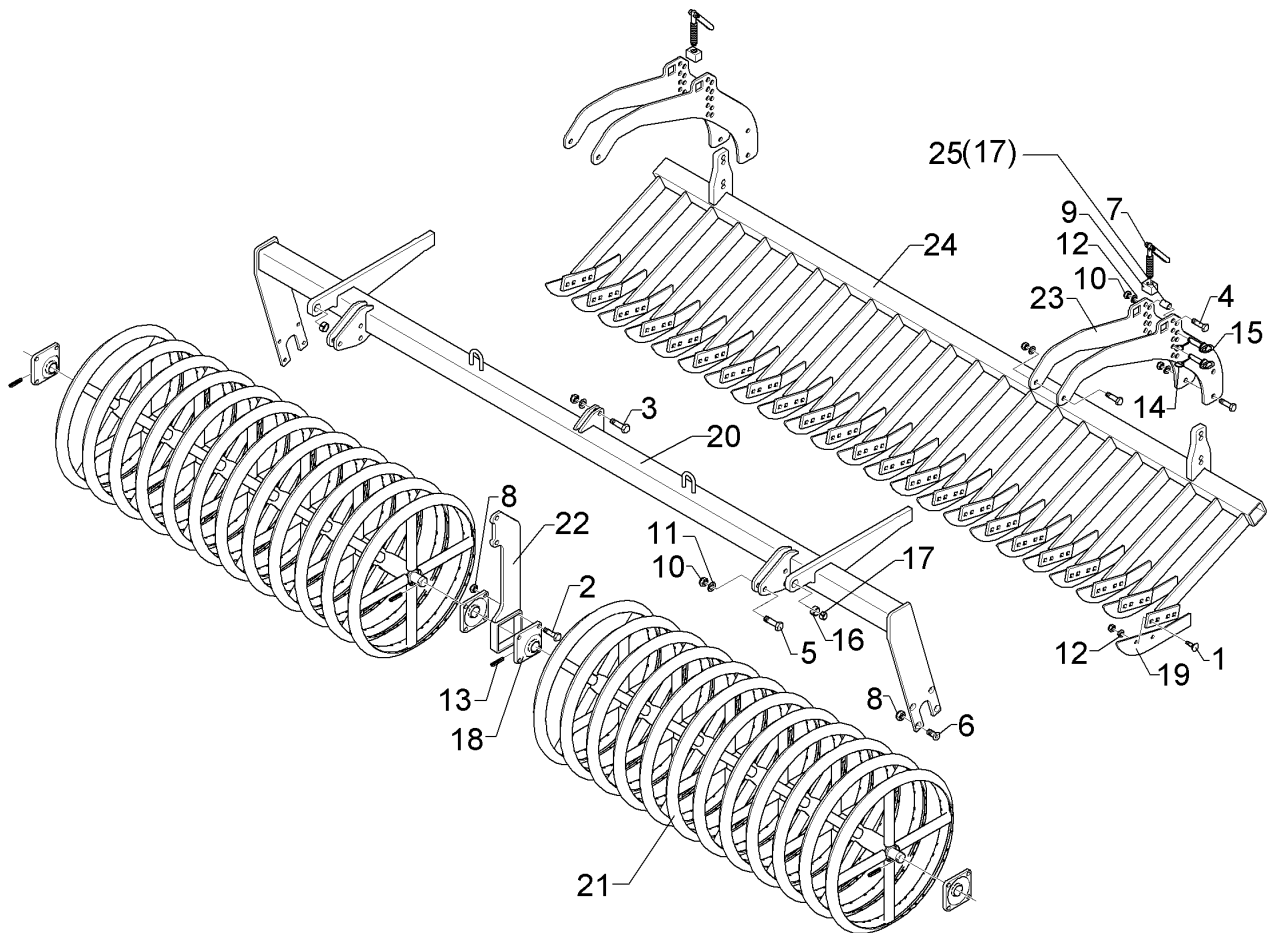
01.18

| Pos. | Art.Nr. | Stck. | Artikeltext / Description | | Abmessung |
|------|----------|-------|------------------------------|------------------|-------------------------------|
| 1 | 301 5363 | 10 | Sechskantschraube spz. | Hexagon bolt | M16x70-12.9 Zn |
| 2 | 301 4603 | 2 | Sechskantschraube spz. | Hexagon bolt | M20x75-8.8 Zn |
| 3 | 301 6130 | 16 | Senkschraube | Countersunk bolt | M12x40-10.9 Zn DIN7991-A |
| 4 | 303 0934 | 16 | Sicherungsmutter | Selflocking nut | NM12-8 Zn DIN985 |
| 5 | 303 0935 | 10 | Sicherungsmutter | Selflocking nut | NM16-8 Zn DIN985 |
| 6 | 303 0936 | 2 | Sicherungsmutter | Selflocking nut | NM20-8 Zn DIN985 |
| 7 | 305 6161 | 10 | Scheibe | Washer | 17/40x6 DIN7349 Zn |
| 8 | 305 6012 | 2 | Scheibe | Washer | 21 ISO7089 Zn |
| 9 | 309 6072 | 4 | Spannhülse | Expansion bush | 8x40-DIN1481 Zn |
| 10 | 317 3352 | 2 | Einspannbuchse mit Presssitz | Expansion bush | EG28/32x20 |
| 11 | 317 6657 | 2 | Buchse | Bush | D20/28x22 |
| 12 | 317 6658 | 2 | Buchse | Bush | D16/22x22 |
| 13 | 319 9365 | 4 | Flanschlager-Gehäuseeinheit | Bearing cpl. | RCJ 35 35x118x39,9 |
| 14 | 417 8114 | 4 | Platte | Plate | 12x510x540 1xD20,1 5xD16,1 |
| 15 | 422 6684 | 1 | Tragrahmen | Supporting frame | 80x1910 2xD400-200-K |
| 16 | 423 0955 | 1 | Rohrstabwalze | Tube bar roller | D400x1954 RE 2.00 |
| 17 | 423 1006 | 1 | Flachstabwalze | Flat bar roller | D400x1954/11-2.00 |
| 18 | 417 8113 | 4 | Platte | Plate | 12x490x510 |
| 19 | 317 6681 | 2 | Röhrchen | Tube | D24x3x22+1 Zn |



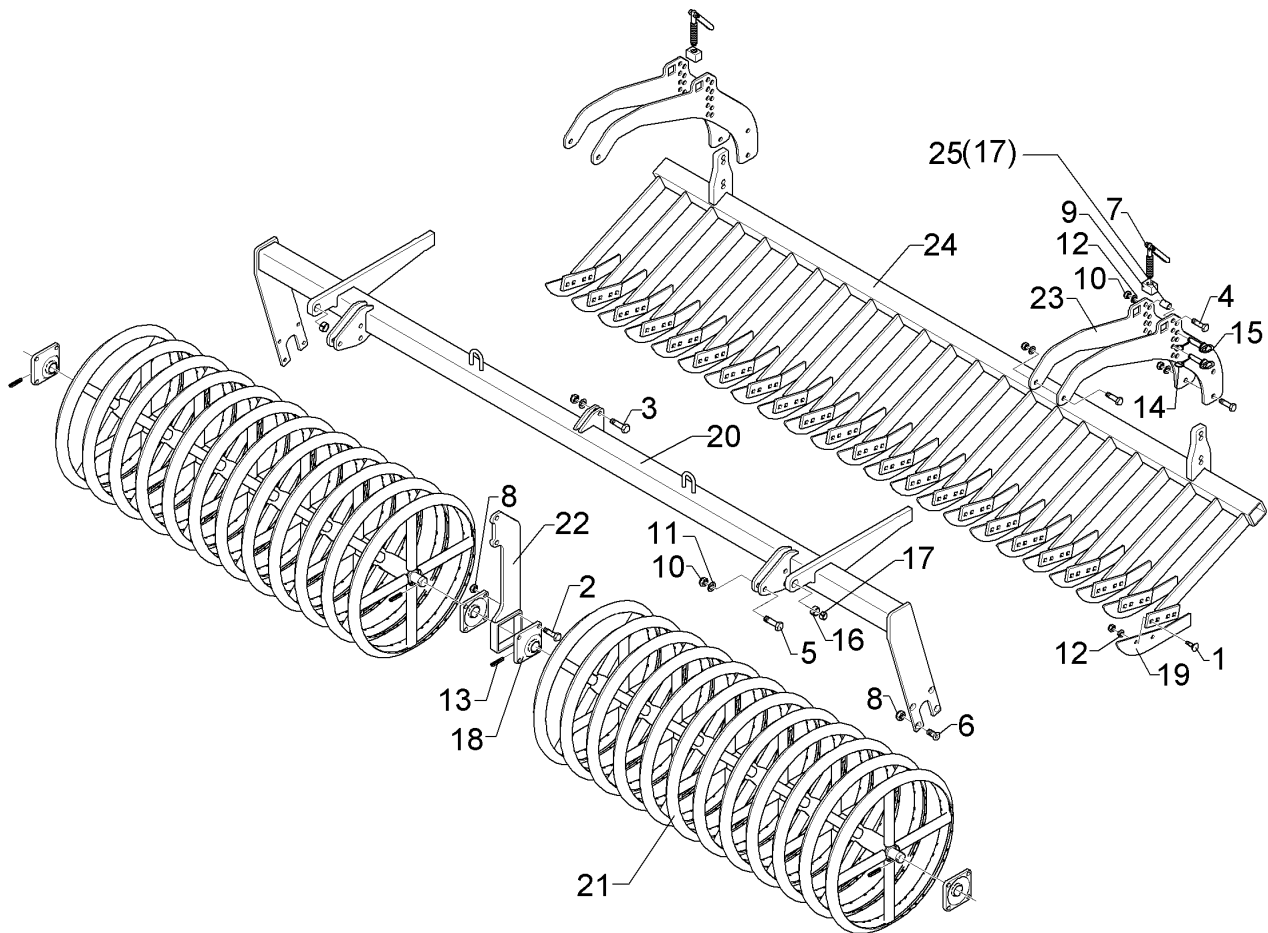
01.18

| Pos. | Art.Nr. | Stck. | Artikeltext / Description | | Abmessung |
|------|----------|-------|------------------------------|------------------|-------------------------------|
| 1 | 301 5363 | 10 | Sechskantschraube spz. | Hexagon bolt | M16x70-12.9 Zn |
| 2 | 301 4603 | 2 | Sechskantschraube spz. | Hexagon bolt | M20x75-8.8 Zn |
| 3 | 301 6130 | 16 | Senkschraube | Countersunk bolt | M12x40-10.9 Zn DIN7991-A |
| 4 | 303 0934 | 16 | Sicherungsmutter | Selflocking nut | NM12-8 Zn DIN985 |
| 5 | 303 0935 | 10 | Sicherungsmutter | Selflocking nut | NM16-8 Zn DIN985 |
| 6 | 303 0936 | 2 | Sicherungsmutter | Selflocking nut | NM20-8 Zn DIN985 |
| 7 | 305 6161 | 10 | Scheibe | Washer | 17/40x6 DIN7349 Zn |
| 8 | 305 6012 | 2 | Scheibe | Washer | 21 ISO7089 Zn |
| 9 | 309 6072 | 4 | Spannhülse | Expansion bush | 8x40-DIN1481 Zn |
| 10 | 317 3352 | 2 | Einspannbuchse mit Presssitz | Expansion bush | EG28/32x20 |
| 11 | 317 6657 | 2 | Buchse | Bush | D20/28x22 |
| 12 | 317 6658 | 2 | Buchse | Bush | D16/22x22 |
| 13 | 319 9365 | 4 | Flanschlager-Gehäuseeinheit | Bearing cpl. | RCJ 35 35x118x39,9 |
| 14 | 417 8113 | 4 | Platte | Plate | 12x490x510 |
| 15 | 422 6684 | 1 | Tragrahmen | Supporting frame | 80x1910 2xD400-200-K |
| 16 | 423 0955 | 1 | Rohrstabwalze | Tube bar roller | D400x1954 RE 2.00 |
| 17 | 423 0965 | 1 | Rohrstabwalze | Tube bar roller | D400x1954 LI 2.00 |
| 18 | 417 8114 | 4 | Platte | Plate | 12x510x540 1xD20,1 5xD16,1 |
| 19 | 317 6681 | 2 | Röhrchen | Tube | D24x3x22+1 Zn |



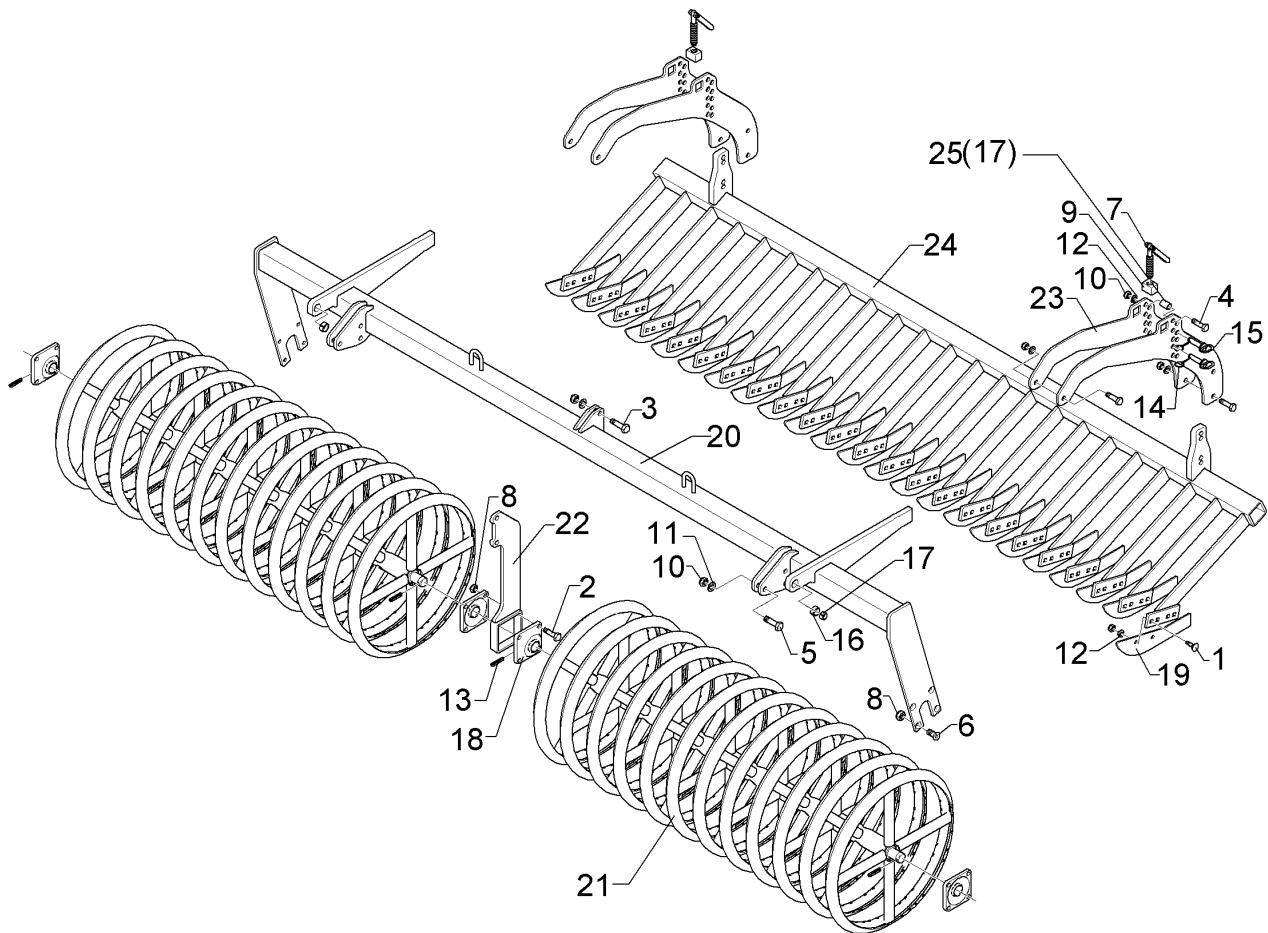
01.18

| Pos. | Art.Nr. | Stck. | Artikeltext / Description | | Abmessung |
|------|----------|-------|-----------------------------|-----------------------|-----------------------------|
| 1 | 301 1805 | 30 | Flachrundschaube mit Mutter | Bolt, cup square head | M12x30-10.9 MU Zn |
| 2 | 301 3406 | 4 | Sechskantschraube | Hexagon bolt | M12x70-8.8 Zn DIN931-A |
| 3 | 301 3779 | 2 | Sechskantschraube spz. | Hexagon bolt | M16x60-10.9 Zn |
| 4 | 301 3870 | 8 | Sechskantschraube spz. | Hexagon bolt | M16x65-10.9 Zn |
| 5 | 301 5363 | 6 | Sechskantschraube spz. | Hexagon bolt | M16x70-12.9 Zn |
| 6 | 301 6130 | 8 | Senkschraube | Countersunk bolt | M12x40-10.9 Zn DIN7991-A |
| 7 | 302 7933 | 2 | Spindel | Screw | KPL TR20x120-170 |
| 8 | 303 0934 | 12 | Sicherungsmutter | Selflocking nut | NM12-8 Zn DIN985 |
| 9 | 303 8644 | 2 | Spindelmutter | Nut for screw | 30x30x44 TR 20 |
| 10 | 303 0935 | 14 | Sicherungsmutter | Selflocking nut | NM16-8 Zn DIN985 |
| 11 | 305 6161 | 16 | Scheibe | Washer | 17/40x6 DIN7349 Zn |
| 12 | 305 6137 | 30 | Scheibe | Washer | 13/25x3 DIN1441-St Zn |
| 13 | 309 6072 | 2 | Spannhülse | Expansion bush | 8x40-DIN1481 Zn |
| 14 | 311 9565 | 4 | Klappstift | Securing pin | 4,5 |
| 15 | 313 1530 | 4 | Bolzen mit Griff | Pin with grip | D15x47,5/106 Zn |
| 16 | 317 3341 | 2 | Einspannbuchse | Expansion bush | EG22/28x20-DIN1498 |
| 17 | 317 6658 | 2 | Buchse | Bush | D16/22x22 |
| 18 | 319 9365 | 4 | Flanschlager-Gehäuseeinheit | Bearing cpl. | RCJ 35 35x118x39,9 |
| 19 | 337 5002 | 15 | Messer | Knife | 6x347/50 2xD8,5-80 |
| 20 | 422 6804 | 1 | Tragrahmen | Supporting frame | 80 MSW D600-200 RE SM9 |



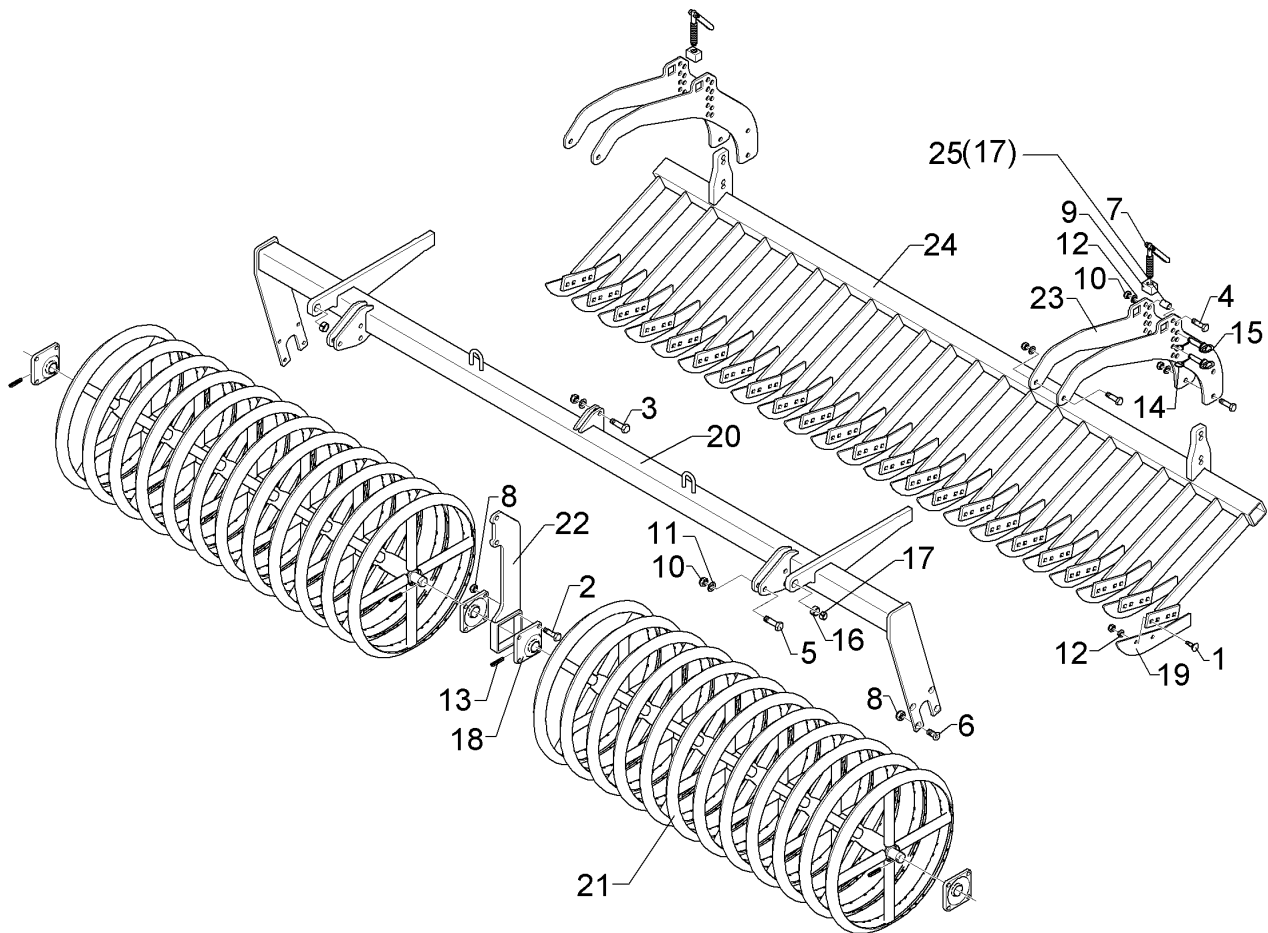
01.18

| Pos. | Art.Nr. | Stck. | Artikeltext / Description | | Abmessung |
|------|----------|-------|---------------------------|----------------|------------------------------|
| 21 | 423 2177 | 2 | Messerwalze | Knife roller | MSW D600-890-8R-125 |
| 22 | 422 6812 | 1 | Tragplatte | Support plate | 12x133x440 3xD16,1 |
| 23 | 422 6813 | 4 | Verstellplatte | Adjuster plate | 8x464x775 13xD16 |
| 24 | 422 6816 | 1 | Messerbalken | Cutter bar | MSW D600 70x1800 15M |
| 25 | 317 6681 | 2 | Röhrchen | Tube | SM.9/400 RE D24x3x22+1 Zn |



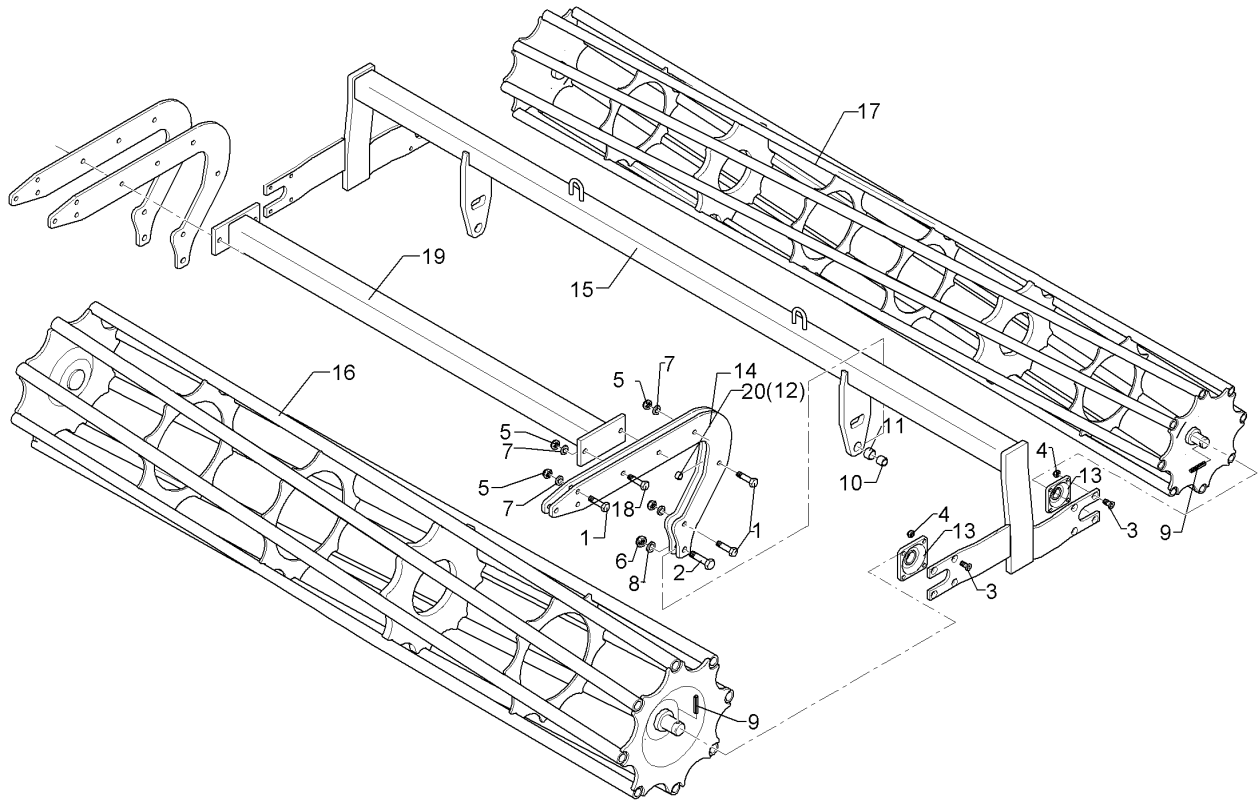
01.18

| Pos. | Art.Nr. | Stck. | Artikeltext / Description | | Abmessung |
|------|----------|-------|-----------------------------|-----------------------|---|
| 1 | 301 1805 | 30 | Flachrundschaube mit Mutter | Bolt, cup square head | M12x30-10.9 MU Zn |
| 2 | 301 3406 | 4 | Sechskantschraube | Hexagon bolt | M12x70-8.8 Zn DIN931-A |
| 3 | 301 3779 | 2 | Sechskantschraube spz. | Hexagon bolt | M16x60-10.9 Zn |
| 4 | 301 3870 | 8 | Sechskantschraube spz. | Hexagon bolt | M16x65-10.9 Zn |
| 5 | 301 5363 | 6 | Sechskantschraube spz. | Hexagon bolt | M16x70-12.9 Zn |
| 6 | 301 6130 | 8 | Senkschraube | Countersunk bolt | M12x40-10.9 Zn DIN7991-A |
| 7 | 302 7933 | 2 | Spindel | Screw | KPL TR20x120-170 |
| 8 | 303 0934 | 12 | Sicherungsmutter | Selflocking nut | NM12-8 Zn DIN985 |
| 9 | 303 8644 | 2 | Spindelmutter | Nut for screw | 30x30x44 TR 20 |
| 10 | 303 0935 | 14 | Sicherungsmutter | Selflocking nut | NM16-8 Zn DIN985 |
| 11 | 305 6161 | 16 | Scheibe | Washer | 17/40x6 DIN7349 Zn |
| 12 | 305 6137 | 30 | Scheibe | Washer | 13/25x3 DIN1441-St Zn |
| 13 | 309 6072 | 2 | Spannhülse | Expansion bush | 8x40-DIN1481 Zn |
| 14 | 311 9565 | 4 | Klappstift | Securing pin | 4,5 |
| 15 | 313 1530 | 4 | Bolzen mit Griff | Pin with grip | D15x47,5/106 Zn |
| 16 | 317 3341 | 2 | Einspannbuchse | Expansion bush | EG22/28x20-DIN1498 |
| 17 | 317 6658 | 2 | Buchse | Bush | D16/22x22 |
| 18 | 319 9365 | 4 | Flanschlager-Gehäuseeinheit | Bearing cpl. | RCJ 35 35x118x39,9 |
| 19 | 337 5003 | 15 | Messer-lang | Knife | 6x552,7/50 |
| 20 | 422 6804 | 1 | Tragrahmen | Supporting frame | 2xD12,5-80 80 MSW D600-200 RE SM9 |



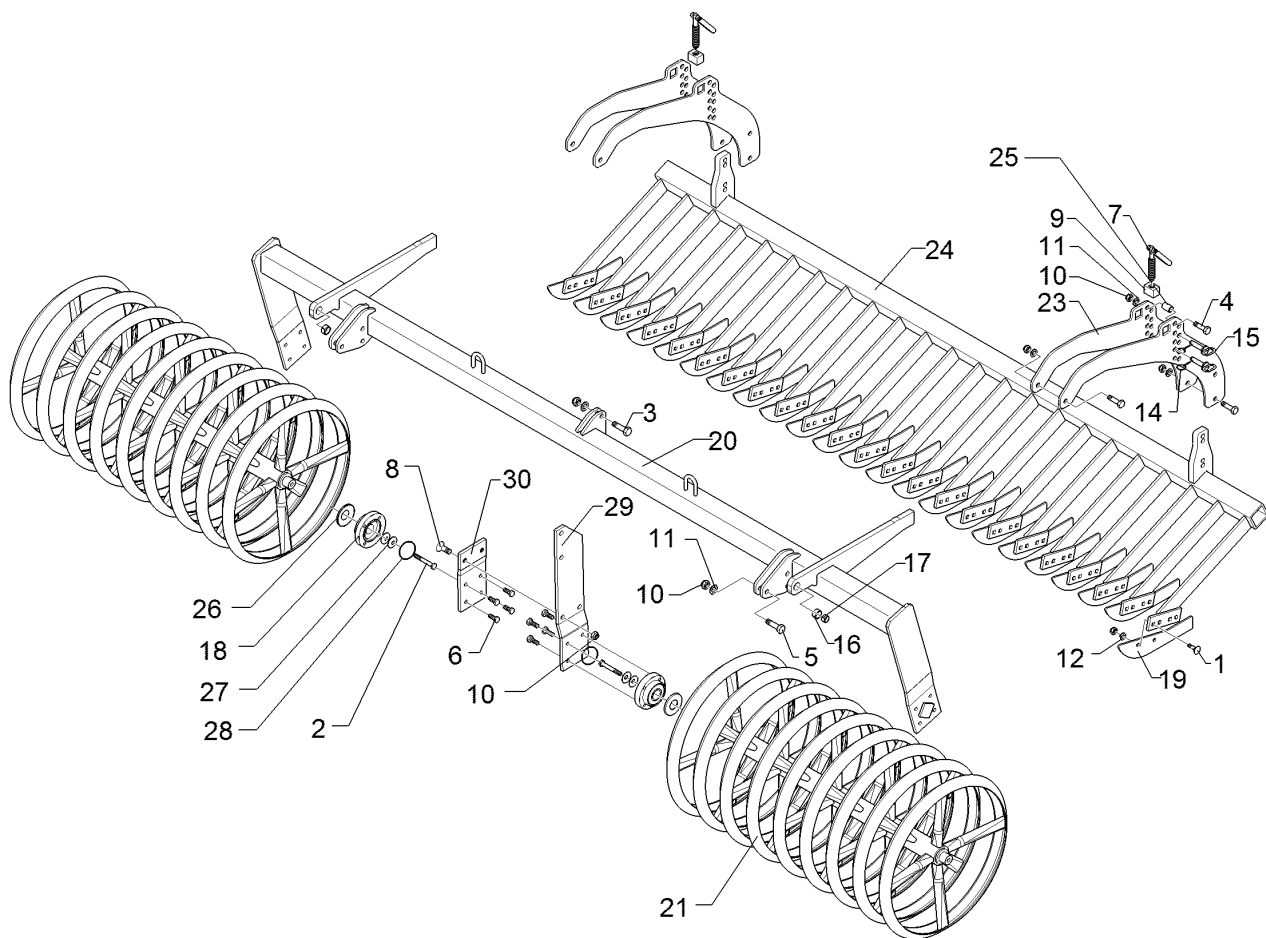
01.18

| Pos. | Art.Nr. | Stck. | Artikeltext / Description | | Abmessung |
|------|----------|-------|---------------------------|----------------|------------------------------|
| 21 | 423 2177 | 2 | Messerwalze | Knife roller | MSW D600-890-8R-125 |
| 22 | 422 6812 | 1 | Tragplatte | Support plate | 12x133x440 3xD16,1 |
| 23 | 422 6813 | 4 | Verstellplatte | Adjuster plate | 8x464x775 13xD16 MSW D600 |
| 24 | 422 6816 | 1 | Messerbalken | Cutter bar | 70x1800 15M SM.9/400 RE |
| 25 | 317 6681 | 2 | Röhrchen | Tube | D24x3x22+1 Zn |



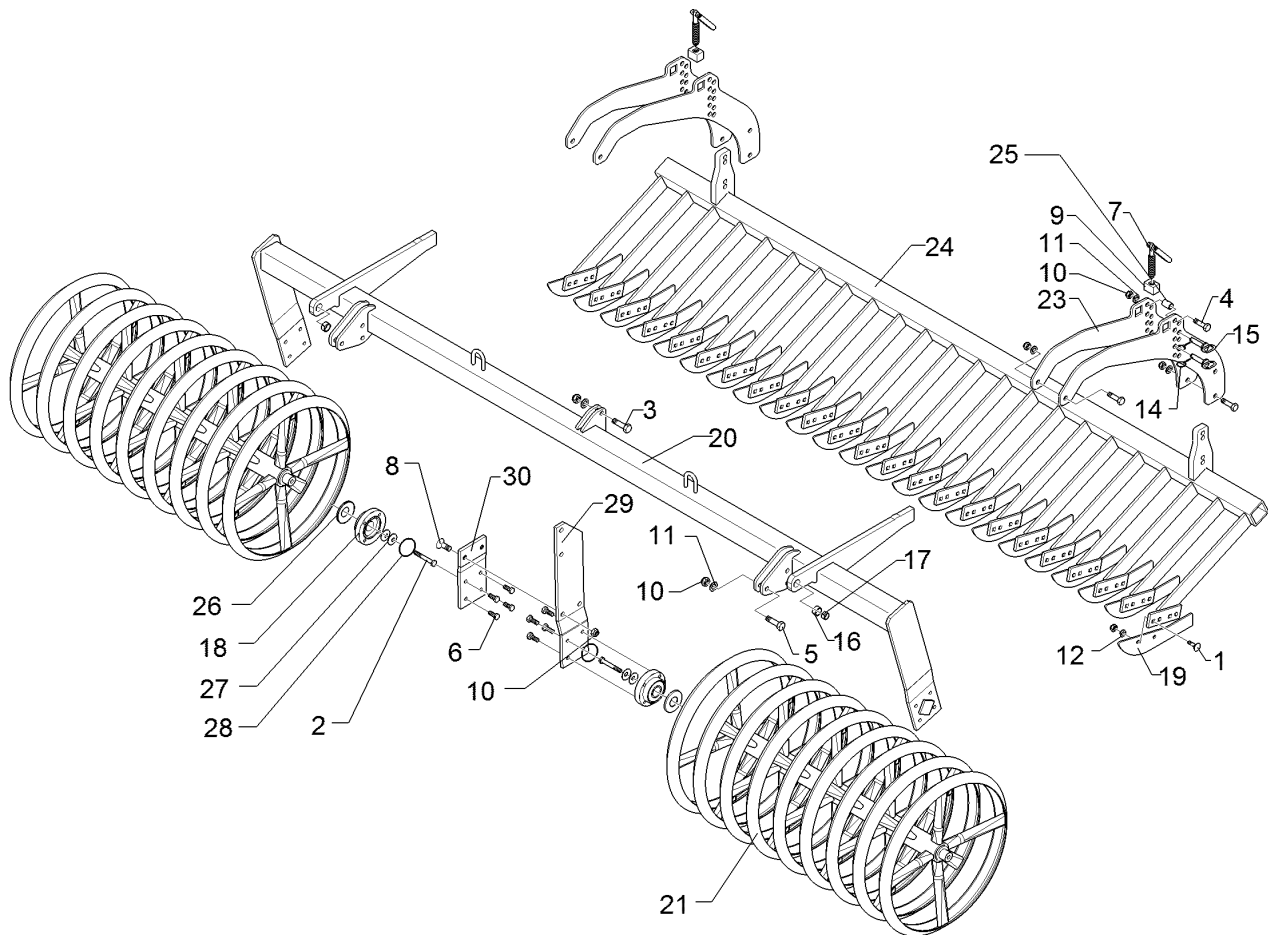
01.18

| Pos. | Art.Nr. | Stck. | Artikeltext / Description | | Abmessung |
|------|----------|-------|------------------------------|------------------|-----------------------------|
| 1 | 301 5363 | 8 | Sechskantschraube spz. | Hexagon bolt | M16x70-12.9 Zn |
| 2 | 301 4603 | 2 | Sechskantschraube spz. | Hexagon bolt | M20x75-8.8 Zn |
| 3 | 301 6130 | 16 | Senkschraube | Countersunk bolt | M12x40-10.9 Zn DIN7991-A |
| 4 | 303 0934 | 16 | Sicherungsmutter | Selflocking nut | NM12-8 Zn DIN985 |
| 5 | 303 0935 | 12 | Sicherungsmutter | Selflocking nut | NM16-8 Zn DIN985 |
| 6 | 303 0936 | 2 | Sicherungsmutter | Selflocking nut | NM20-8 Zn DIN985 |
| 7 | 305 6161 | 10 | Scheibe | Washer | 17/40x6 DIN7349 Zn |
| 8 | 305 6012 | 2 | Scheibe | Washer | 21 ISO7089 Zn |
| 9 | 309 6072 | 4 | Spannhülse | Expansion bush | 8x40-DIN1481 Zn |
| 10 | 317 3352 | 2 | Einspannbuchse mit Presssitz | Expansion bush | EG28/32x20 |
| 11 | 317 6657 | 8 | Buchse | Bush | D20/28x22 |
| 12 | 317 6658 | 2 | Buchse | Bush | D16/22x22 |
| 13 | 319 9365 | 4 | Flanschlager-Gehäuseeinheit | Bearing cpl. | RCJ 35 35x118x39,9 |
| 14 | 417 8112 | 4 | Platte | Plate | 12x520x806 D540/400 |
| 15 | 422 6852 | 1 | Tragrahmen | Supporting frame | 80x1910 D540/400-2.00 RE |
| 16 | 423 0956 | 1 | Rohrstabwalze | Tube bar roller | D540x1954 RE 2.00 |
| 17 | 423 0965 | 1 | Rohrstabwalze | Tube bar roller | D400x1954 LI 2.00 |
| 18 | 301 3959 | 4 | Sechskantschraube | Hexagon bolt | M16x85-8.8 DIN931-A Zn |
| 19 | 422 6636 | 1 | Stabilisator | Stabilizer | 80x654 D540/400-2.00 |
| 20 | 317 6681 | 2 | Röhrchen | Tube | D24x3x22+1 Zn |



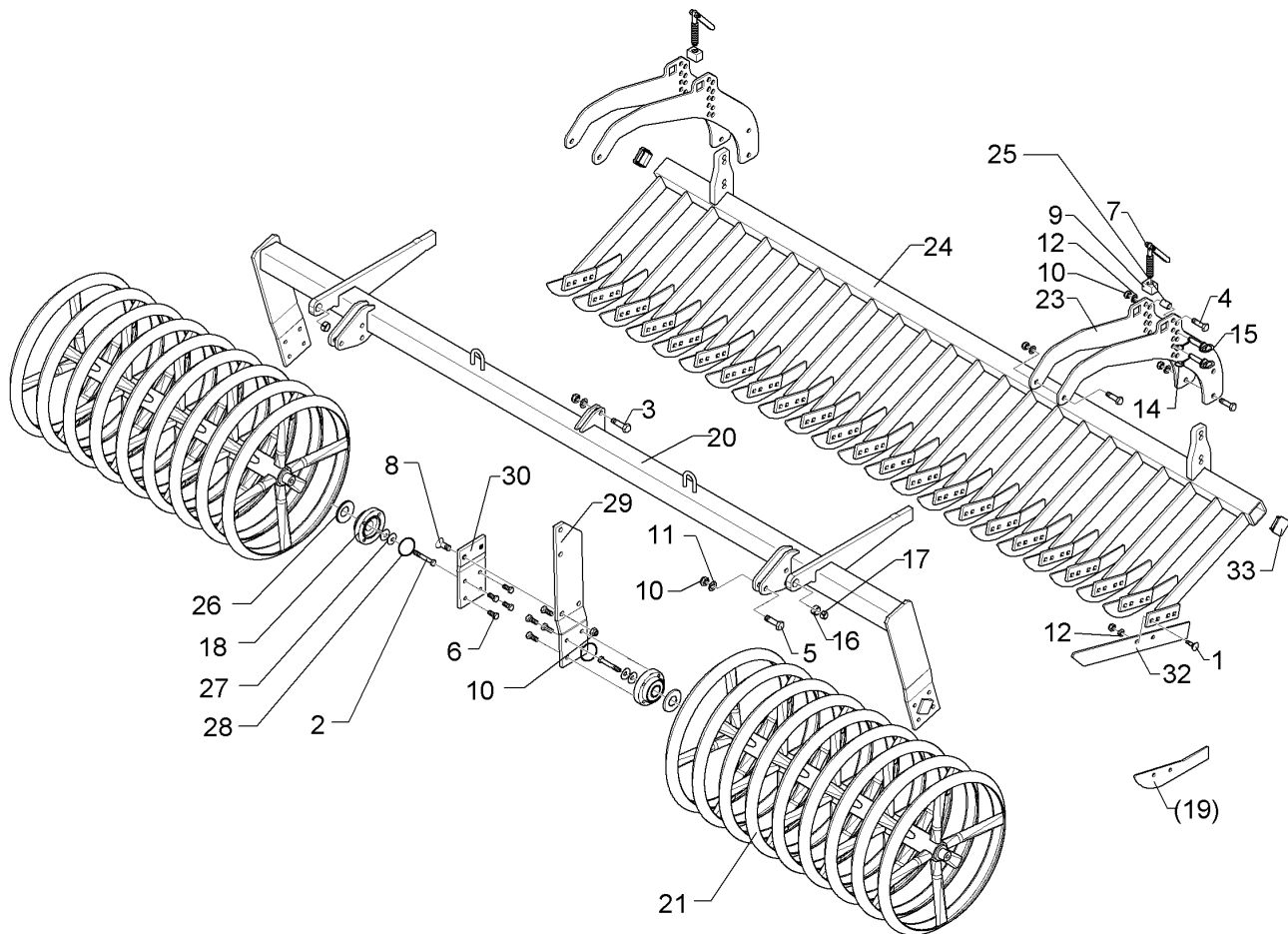
01.18

| Pos. | Art.Nr. | Stck. | Artikeltext / Description | | Abmessung |
|------|----------|-------|-----------------------------|-----------------------|-----------------------------|
| 1 | 301 1805 | 30 | Flachrundschaube mit Mutter | Bolt, cup square head | M12x30-10.9 MU Zn |
| 2 | 301 3406 | 4 | Sechskantschraube | Hexagon bolt | M12x70-8.8 Zn DIN931-A |
| 3 | 301 3779 | 2 | Sechskantschraube spz. | Hexagon bolt | M16x60-10.9 Zn |
| 4 | 301 3870 | 8 | Sechskantschraube spz. | Hexagon bolt | M16x65-10.9 Zn |
| 5 | 301 5363 | 6 | Sechskantschraube spz. | Hexagon bolt | M16x70-12.9 Zn |
| 6 | 301 3324 | 16 | Sechskantschraube | Hexagon bolt | M12x30-8.8 Zn DIN933 |
| 7 | 302 7933 | 2 | Spindel | Screw | KPL TR20x120-170 |
| 8 | 301 6141 | 2 | Senkschraube | Countersunk bolt | M16x40-10.9 Zn DIN7991-A |
| 9 | 303 8644 | 2 | Spindelmutter | Nut for screw | 30x30x44 TR 20 |
| 10 | 303 0935 | 18 | Sicherungsmutter | Selflocking nut | NM16-8 Zn DIN985 |
| 11 | 305 6161 | 16 | Scheibe | Washer | 17/40x6 DIN7349 Zn |
| 12 | 305 6137 | 30 | Scheibe | Washer | 13/25x3 DIN1441-St Zn |
| 14 | 311 9565 | 4 | Klappstift | Securing pin | 4,5 |
| 15 | 313 1530 | 4 | Bolzen mit Griff | Pin with grip | D15x47,5/106 Zn |
| 16 | 317 3341 | 2 | Einspannbuchse | Expansion bush | EG22/28x20-DIN1498 |
| 17 | 317 6658 | 2 | Buchse | Bush | D16/22x22 |
| 18 | 319 9372 | 4 | Flanschlager-Gehäuseeinheit | Bearing cpl. | RCJ 35 35x118x39,9 4xM12 |
| 19 | 337 5002 | 15 | Messer | Knife | 6x347/50 2xD8,5-80 |
| 20 | 422 6884 | 1 | Tragrahmen-R | Supporting frame - R | 80 MSW D600-200 RE SM9 |



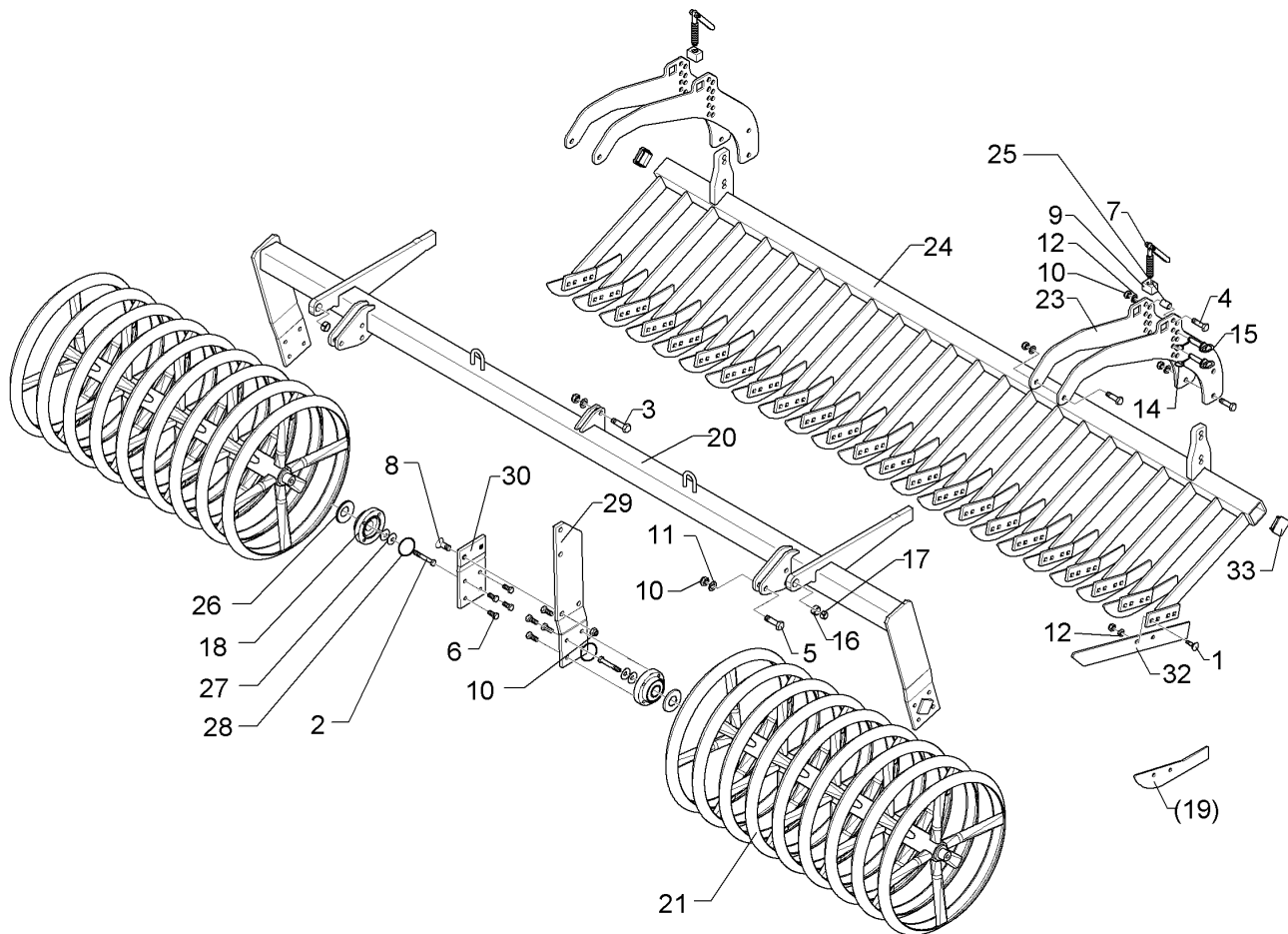
01.18

| Pos. | Art.Nr. | Stck. | Artikeltext / Description | | Abmessung |
|------|----------|-------|---------------------------|----------------------|------------------------------|
| 21 | 423 2182 | 2 | Messerwalze | Knife roller | MSW D600-872-8R-125-R |
| 23 | 422 6813 | 4 | Verstellplatte | Adjuster plate | 8x464x775 13xD16 |
| 24 | 422 6816 | 1 | Messerbalken | Cutter bar | MSW D600 70x1800 15M |
| 25 | 317 6681 | 2 | Röhrchen | Tube | SM.9/400 RE D24x3x22+1 Zn |
| 26 | 323 0411 | 4 | Schutzkappe | Cap | D80/d35 t=2x5,5 Zn |
| 27 | 329 6124 | 4 | Tellerfeder | Cup spring | 40x14,3x2 DIN2093 |
| 28 | 375 1277 | 4 | O-Ring | O-ring | 79x2 |
| 29 | 422 6878 | 1 | Tragplatte lang | Support plate, long | 120x12x573 5xD16,1 |
| 30 | 422 6879 | 1 | Tragplatte kurz | Support plate, short | 120x12x225 |



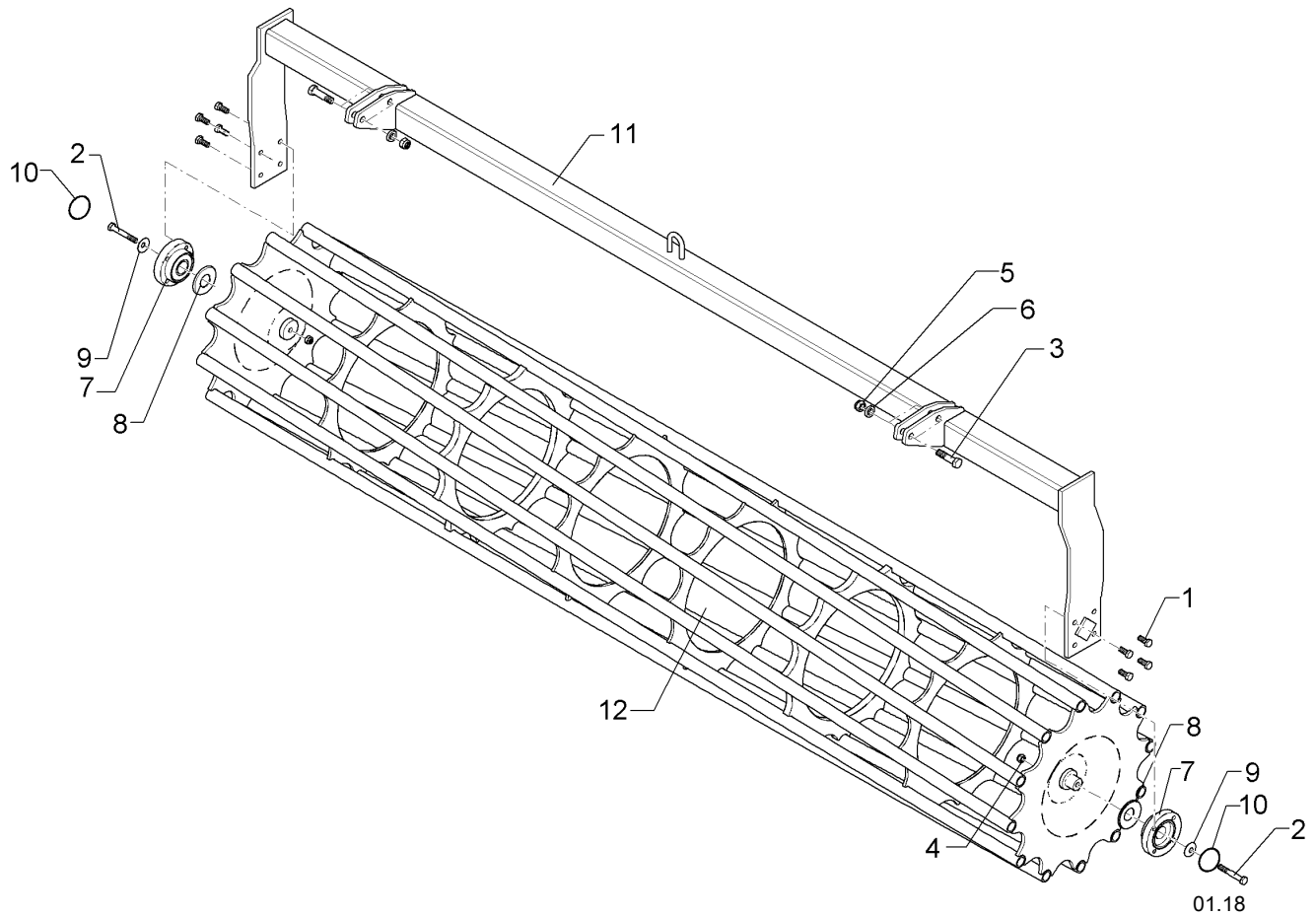
01.18

| Pos. | Art.Nr. | Stck. | Artikeltext / Description | | Abmessung |
|------|----------|-------|-----------------------------|-----------------------|-----------------------------|
| 1 | 301 1805 | 30 | Flachrundschaube mit Mutter | Bolt, cup square head | M12x30-10.9 MU Zn |
| 2 | 301 3406 | 4 | Sechskantschraube | Hexagon bolt | M12x70-8.8 Zn DIN931-A |
| 3 | 301 3779 | 2 | Sechskantschraube spz. | Hexagon bolt | M16x60-10.9 Zn |
| 4 | 301 3870 | 8 | Sechskantschraube spz. | Hexagon bolt | M16x65-10.9 Zn |
| 5 | 301 5363 | 6 | Sechskantschraube spz. | Hexagon bolt | M16x70-12.9 Zn |
| 6 | 301 3324 | 16 | Sechskantschraube | Hexagon bolt | M12x30-8.8 Zn DIN933 |
| 7 | 302 7933 | 2 | Spindel | Screw | KPL TR20x120-170 |
| 8 | 301 6141 | 2 | Senkschraube | Countersunk bolt | M16x40-10.9 Zn DIN7991-A |
| 9 | 303 8644 | 2 | Spindelmutter | Nut for screw | 30x30x44 TR 20 |
| 10 | 303 0935 | 18 | Sicherungsmutter | Selflocking nut | NM16-8 Zn DIN985 |
| 11 | 305 6161 | 16 | Scheibe | Washer | 17/40x6 DIN7349 Zn |
| 12 | 305 6137 | 30 | Scheibe | Washer | 13/25x3 DIN1441-St Zn |
| 14 | 311 9565 | 4 | Klappstift | Securing pin | 4,5 |
| 15 | 313 1530 | 4 | Bolzen mit Griff | Pin with grip | D15x47,5/106 Zn |
| 16 | 317 3341 | 2 | Einspannbuchse | Expansion bush | EG22/28x20-DIN1498 |
| 17 | 317 6658 | 2 | Buchse | Bush | D16/22x22 |
| 18 | 319 9372 | 4 | Flanschlager-Gehäuseeinheit | Bearing cpl. | RCJ 35 35x118x39,9 4xM12 |
| 19 | 337 5003 | 15 | Messer-lang | Knife | 6x552,7/50 2xD12,5-80 |
| 20 | 422 6884 | 1 | Tragrahmen-R | Supporting frame - R | 80 MSW D600-200 RE SM9 |



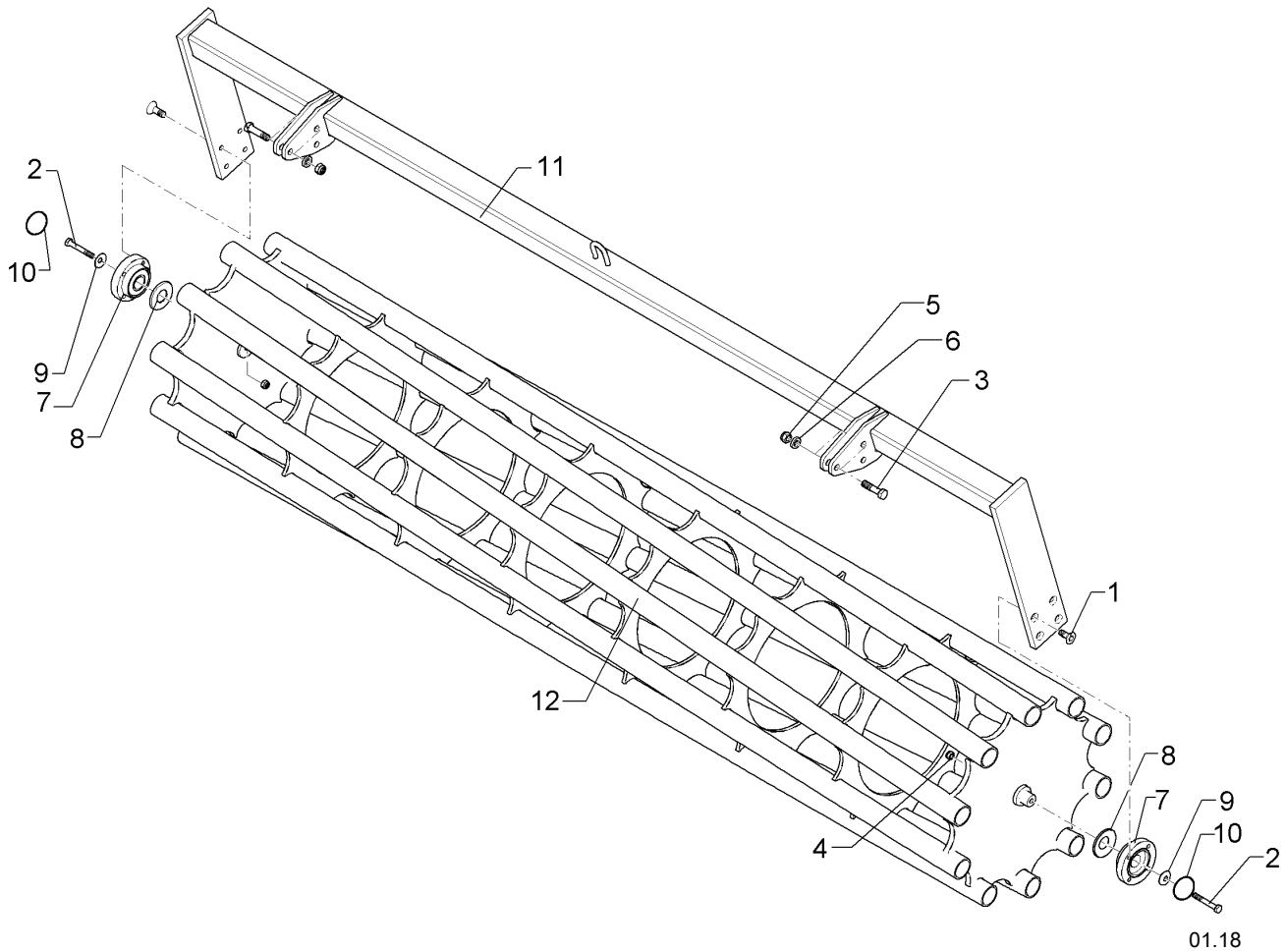
01.18

| Pos. | Art.Nr. | Stck. | Artikeltext / Description | | Abmessung |
|------|----------|-------|---------------------------|----------------------|------------------------------|
| 21 | 423 2182 | 2 | Messerwalze | Knife roller | MSW D600-872-8R-125-R |
| 23 | 422 6813 | 4 | Verstellplatte | Adjuster plate | 8x464x775 13xD16 |
| 24 | 422 6816 | 1 | Messerbalken | Cutter bar | MSW D600 70x1800 15M |
| 25 | 317 6681 | 2 | Röhrchen | Tube | SM.9/400 RE D24x3x22+1 Zn |
| 26 | 323 0411 | 4 | Schutzkappe | Cap | D80/d35 t=2x5,5 Zn |
| 27 | 329 6124 | 4 | Tellerfeder | Cup spring | 40x14,3x2 DIN2093 |
| 28 | 375 1277 | 4 | O-Ring | O-ring | 79x2 |
| 29 | 422 6878 | 1 | Tragplatte lang | Support plate, long | 120x12x573 5xD16,1 |
| 30 | 422 6879 | 1 | Tragplatte kurz | Support plate, short | 120x12x225 |
| 32 | 337 5005 | 15 | Messer | Knife | 60x6x568 2xD8,5-80 |
| 33 | 32310090 | 2 | Vierkantstopfen | Square plug | Q-70x70x7,1 |



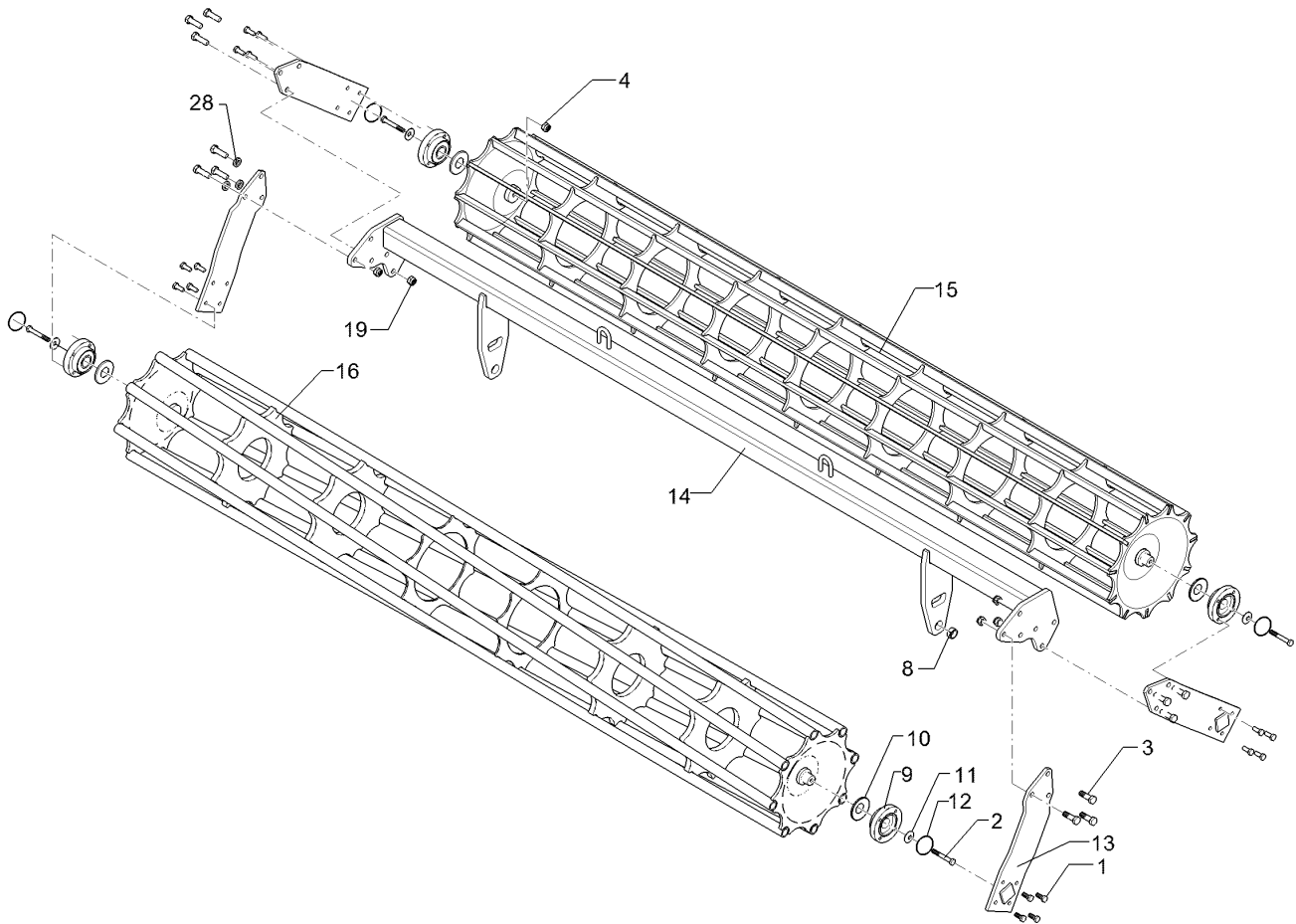
01.18

| Pos. | Art.Nr. | Stck. | Artikeltext / Description | | Abmessung |
|------|----------|-------|-----------------------------|------------------|---------------------------------------|
| 1 | 301 3324 | 8 | Sechskantschraube | Hexagon bolt | M12x30-8.8 Zn DIN933 |
| 2 | 301 3432 | 2 | Sechskantschraube | Hexagon bolt | M12x80-8.8 Zn DIN931-A |
| 3 | 301 3870 | 4 | Sechskantschraube spz. | Hexagon bolt | M16x65-10.9 Zn |
| 4 | 303 0934 | 2 | Sicherungsmutter | Selflocking nut | NM12-8 Zn DIN985 |
| 5 | 303 0935 | 4 | Sicherungsmutter | Selflocking nut | NM16-8 Zn DIN985 |
| 6 | 305 6161 | 4 | Scheibe | Washer | 17/40x6 DIN7349 Zn |
| 7 | 319 9372 | 2 | Flanschlager-Gehäuseeinheit | Bearing cpl. | RCJ 35 35x118x39,9 4xM12 |
| 8 | 323 0411 | 2 | Schutzkappe | Cap | D80/d35 t=2x5,5 Zn |
| 9 | 329 6124 | 2 | Tellerfeder | Cup spring | 40x14,3x2 DIN2093 |
| 10 | 375 1277 | 2 | O-Ring | O-ring | 79x2 |
| 11 | 422 7262 | 1 | Tragrahmen | Supporting frame | 80x1910 |
| 12 | 423 1036 | 1 | Rohrstabwalze | Tube bar roller | D540-200-RE D100 D540x1954 RE 2.00 |



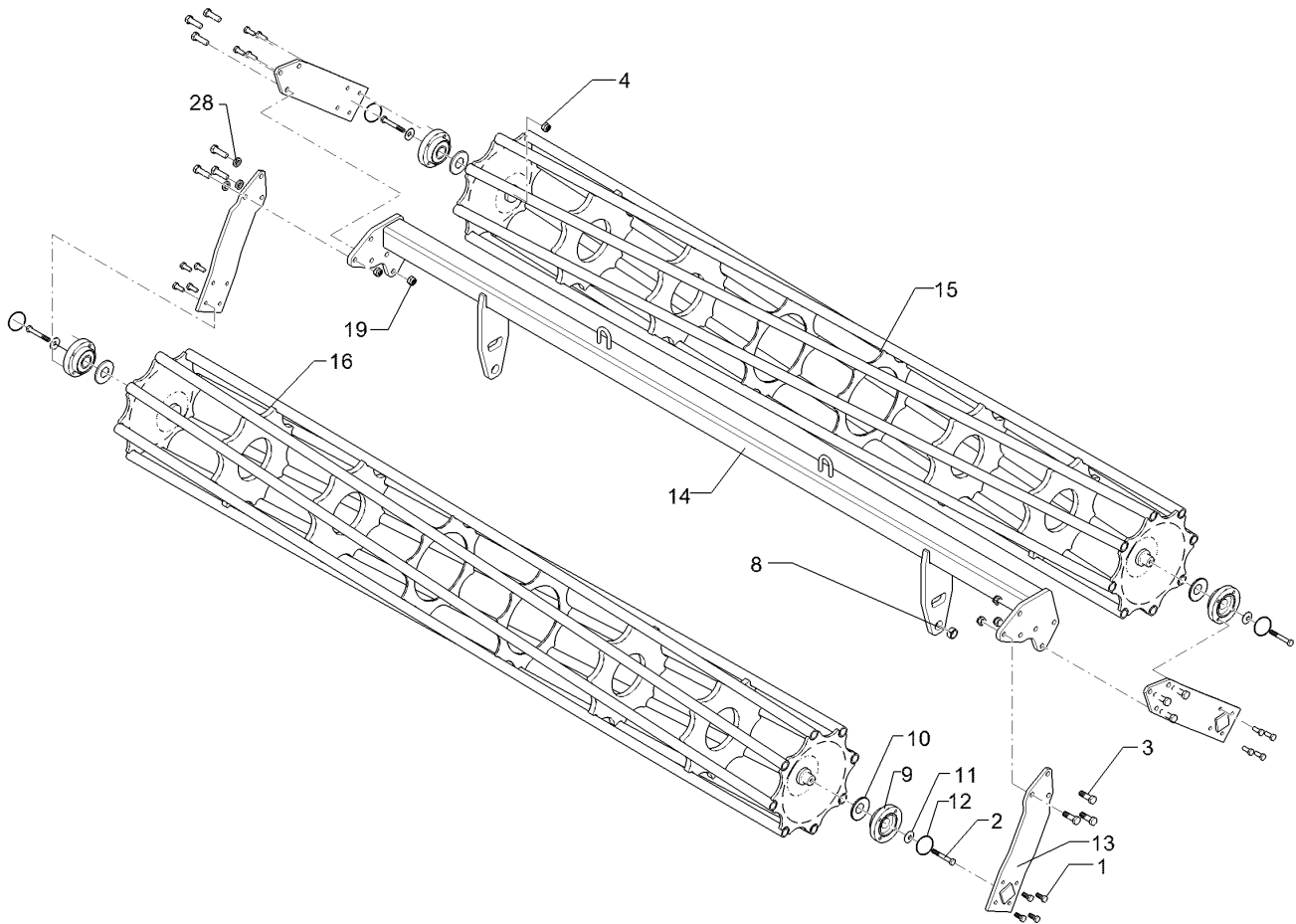
01.18

| Pos. | Art.Nr. | Stck. | Artikeltext / Description | | Abmessung |
|------|----------|-------|-----------------------------|------------------|-----------------------------|
| 1 | 301 6128 | 8 | Senkschraube | Countersunk bolt | M12x30-10.9 Zn DIN7991-A |
| 2 | 301 3422 | 2 | Sechskantschraube | Hexagon bolt | M12x75-8.8 Zn DIN931-A |
| 3 | 301 5363 | 6 | Sechskantschraube spz. | Hexagon bolt | M16x70-12.9 Zn |
| 4 | 303 0934 | 2 | Sicherungsmutter | Selflocking nut | NM12-8 Zn DIN985 |
| 5 | 303 0935 | 6 | Sicherungsmutter | Selflocking nut | NM16-8 Zn DIN985 |
| 6 | 305 6161 | 4 | Scheibe | Washer | 17/40x6 DIN7349 Zn |
| 7 | 319 9372 | 2 | Flanschlager-Gehäuseeinheit | Bearing cpl. | RCJ 35 35x118x39,9 4xM12 |
| 8 | 323 0411 | 2 | Schutzkappe | Cap | D80/d35 t=2x5,5 Zn |
| 9 | 329 6124 | 2 | Tellerfeder | Cup spring | 40x14,3x2 DIN2093 |
| 10 | 375 1277 | 2 | O-Ring | O-ring | 79x2 |
| 11 | 422 7278 | 1 | Tragrahmen | Supporting frame | 80 D600-2.00 SM9 RE D100 |
| 12 | 423 0981 | 1 | Rohrstabwalze | Tube bar roller | D600-2.00 SM9 R |



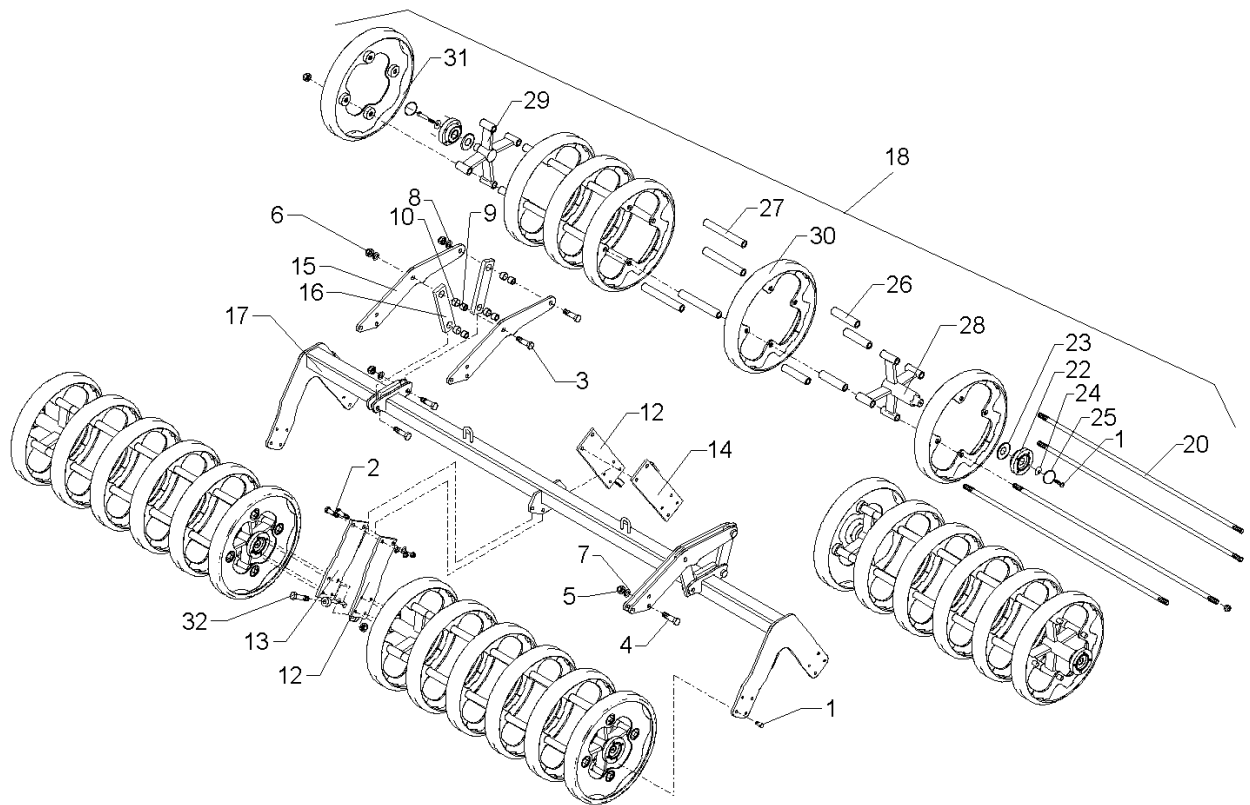
01.18

| Pos. | Art.Nr. | Stck. | Artikeltext / Description | | Abmessung |
|------|----------|-------|------------------------------|-----------------|--|
| 1 | 301 3324 | 16 | Sechskantschraube | Hexagon bolt | M12x30-8.8 Zn DIN933 |
| 2 | 301 3432 | 4 | Sechskantschraube | Hexagon bolt | M12x80-8.8 Zn DIN931-A |
| 3 | 301 5409 | 12 | Sechskantschraube spz. | Hexagon bolt | M16x50-8.8 Zn |
| 4 | 303 0934 | 4 | Sicherungsmutter | Selflocking nut | NM12-8 Zn DIN985 |
| 5 | 303 0935 | 12 | Sicherungsmutter | Selflocking nut | NM16-8 Zn DIN985 |
| 6 | 305 6141 | 12 | Scheibe | Washer | 17/30x3 DIN/ISO-7089 |
| 7 | 305 6012 | 2 | Scheibe | Washer | 21 ISO7089 Zn |
| 8 | 317 3352 | 2 | Einspannbuchse mit Presssitz | Expansion bush | EG28/32x20 |
| 9 | 319 9372 | 4 | Flanschlager-Gehäuseeinheit | Bearing cpl. | RCJ 35 35x118x39,9 4xM12 |
| 10 | 323 0411 | 4 | Schutzkappe | Cap | D80/d35 t=2x5,5 Zn |
| 11 | 329 6124 | 4 | Tellerfeder | Cup spring | 40x14,3x2 DIN2093 |
| 12 | 375 1277 | 4 | O-Ring | O-ring | 79x2 |
| 13 | 422 2924 | 4 | Seitenplatte | Side plate | 120x12x494 |
| 14 | 422 7308 | 1 | Tragrohr | Carrier tube | 80x1910 |
| 15 | 423 1020 | 1 | Flachstabwalze | Flat bar roller | 2xD400-200-K R RE |
| 16 | 423 1026 | 1 | Rohrstabwalze | Tube bar roller | D400x1954/11-2.00 D400x1954 RE 2.00 |



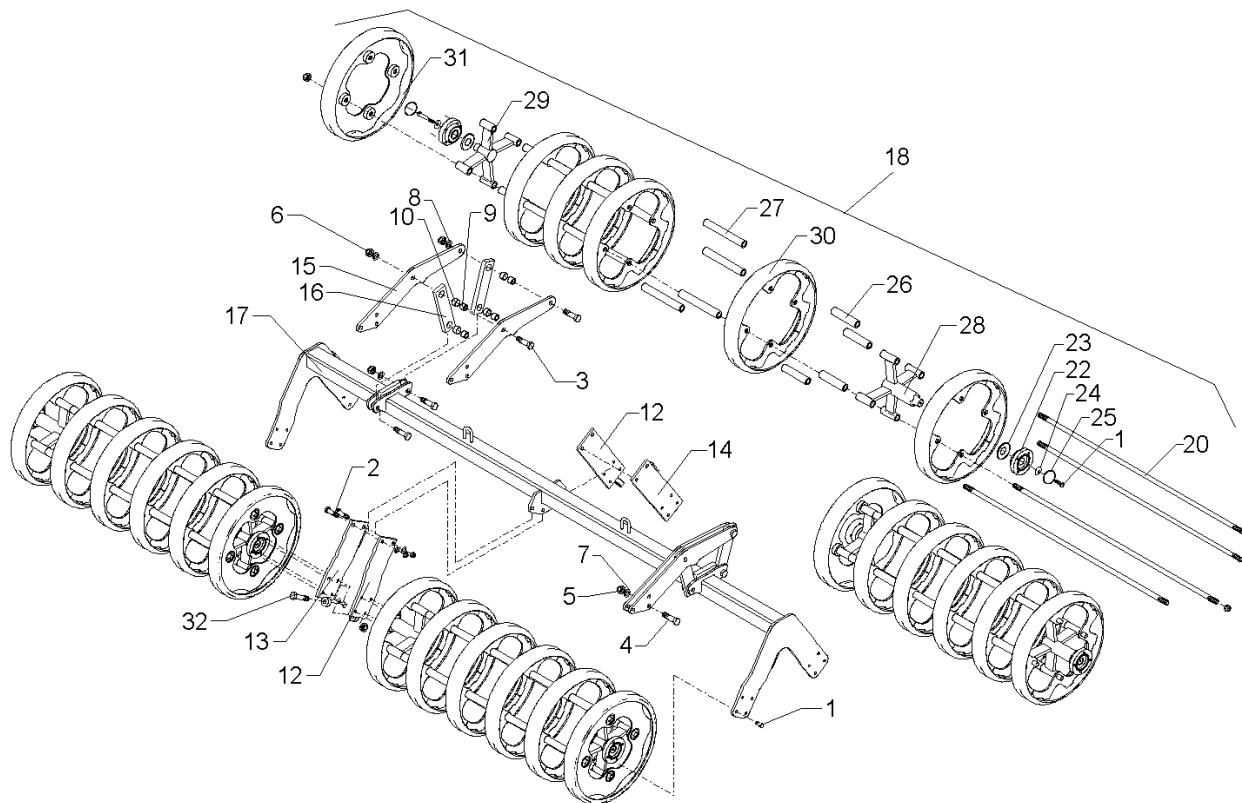
01.18

| Pos. | Art.Nr. | Stck. | Artikeltext / Description | | Abmessung |
|------|----------|-------|------------------------------|-----------------|--|
| 1 | 301 3324 | 16 | Sechskantschraube | Hexagon bolt | M12x30-8.8 Zn DIN933 |
| 2 | 301 3432 | 4 | Sechskantschraube | Hexagon bolt | M12x80-8.8 Zn DIN931-A |
| 3 | 301 5409 | 12 | Sechskantschraube spz. | Hexagon bolt | M16x50-8.8 Zn |
| 4 | 303 0934 | 4 | Sicherungsmutter | Selflocking nut | NM12-8 Zn DIN985 |
| 8 | 317 3352 | 2 | Einspannbuchse mit Presssitz | Expansion bush | EG28/32x20 |
| 9 | 319 9372 | 4 | Flanschlager-Gehäuseeinheit | Bearing cpl. | RCJ 35 35x118x39,9 4xM12 |
| 10 | 323 0411 | 4 | Schutzkappe | Cap | D80/d35 t=2x5,5 Zn |
| 11 | 329 6124 | 4 | Tellerfeder | Cup spring | 40x14,3x2 DIN2093 |
| 12 | 375 1277 | 4 | O-Ring | O-ring | 79x2 |
| 13 | 422 2924 | 4 | Seitenplatte | Side plate | 120x12x494 |
| 14 | 422 7308 | 1 | Tragrohr | Carrier tube | 80x1910 |
| 15 | 423 1027 | 1 | Rohrstabwalze | Tube bar roller | 2xD400-200-K R RE D400x1954 LI 2.00 |
| 16 | 423 1026 | 1 | Rohrstabwalze | Tube bar roller | D400x1954 RE 2.00 |
| 19 | 303 0935 | 12 | Sicherungsmutter | Selflocking nut | NM16-8 Zn DIN985 |
| 28 | 305 6141 | 12 | Scheibe | Washer | 17/30x3 DIN/ISO-7089 |



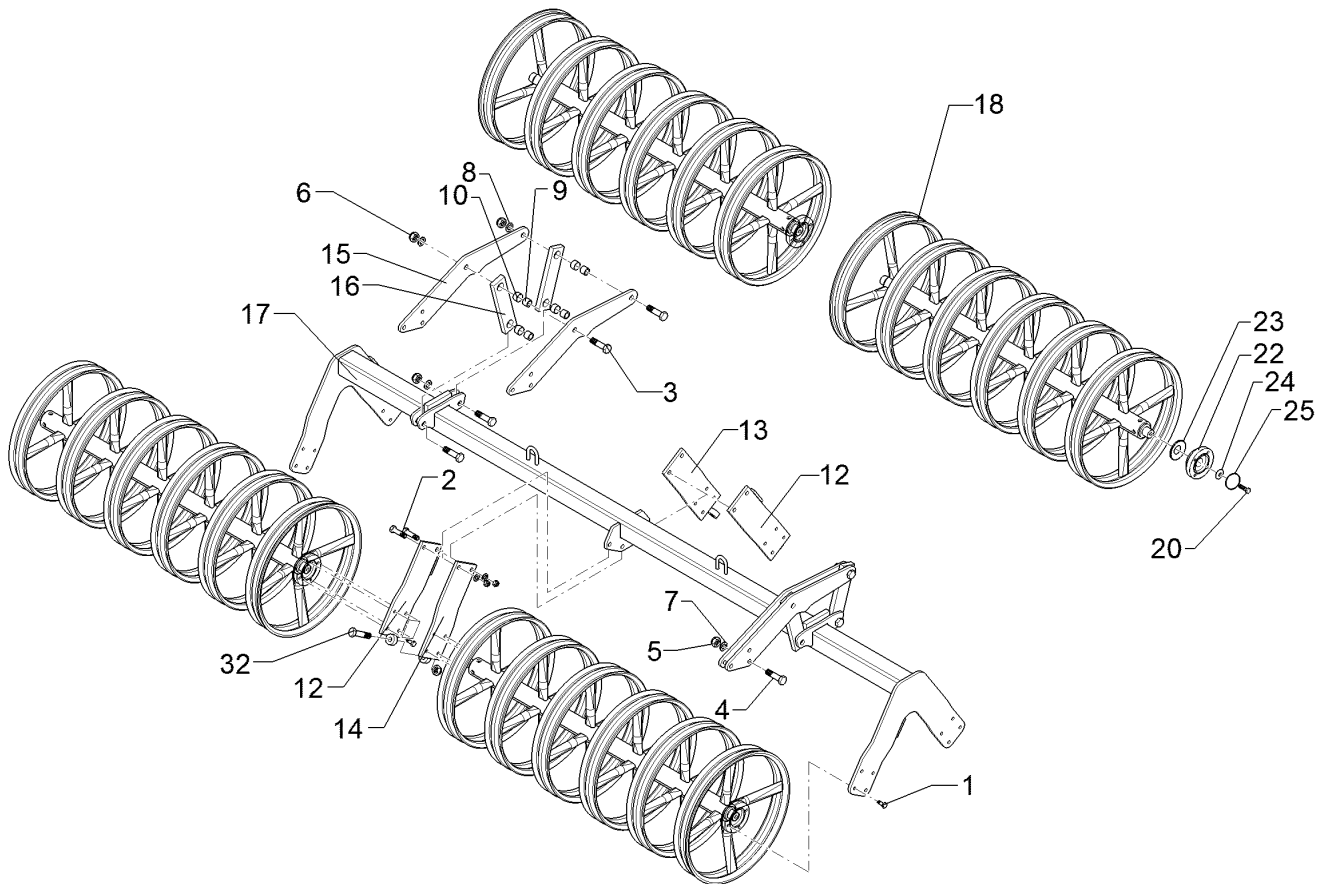
01.18

| Pos. | Art.Nr. | Stck. | Artikeltext / Description | | Abmessung |
|------|----------|-------|------------------------------|-------------------------------|-----------------------------|
| 1 | 301 3324 | 32 | Sechskantschraube | Hexagon bolt | M12x30-8.8 Zn DIN933 |
| 2 | 301 3779 | 4 | Sechskantschraube spz. | Hexagon bolt | M16x60-10.9 Zn |
| 3 | 301 4603 | 8 | Sechskantschraube spz. | Hexagon bolt | M20x75-8.8 Zn |
| 4 | 301 5363 | 6 | Sechskantschraube spz. | Hexagon bolt | M16x70-12.9 Zn |
| 5 | 303 0935 | 12 | Sicherungsmutter | Selflocking nut | NM16-8 Zn DIN985 |
| 6 | 303 0936 | 8 | Sicherungsmutter | Selflocking nut | NM20-8 Zn DIN985 |
| 7 | 305 6161 | 12 | Scheibe | Washer | 17/40x6 DIN7349 Zn |
| 8 | 305 6012 | 8 | Scheibe | Washer | 21 ISO7089 Zn |
| 9 | 317 3352 | 8 | Einspannbuchse mit Presssitz | Expansion bush | EG28/32x20 |
| 10 | 317 6657 | 8 | Buchse | Bush | D20/28x22 |
| 12 | 422 7383 | 2 | Platte | Plate | 120x12x386 |
| 13 | 422 7384 | 1 | Platte m. Abstreifer | Plate | 120x12x386 RE |
| 14 | 422 7385 | 1 | Platte m. Abstreifer LI | Plate | 120x12x386 |
| 15 | 422 7386 | 4 | Platte | Plate | 12x208x677 |
| 16 | 422 7388 | 4 | Lenker | Link | 60x20x260 2xD32-200 |
| 17 | 422 7395 | 1 | Tragrohr | Carrier tube | 80x1970 DPW540-2.00-K LI |
| 18 | 523 6902 | 4 | Profilingwalze (4 Ringe) | Profile ring roller (4 rings) | DPW 540x940 |
| 20 | 302 0170 | 4 | Zugstange | Connecting rod | D20x786-M20x52 |
| 22 | 319 9372 | 2 | Flanschlager-Gehäuseeinheit | Bearing cpl. | RCJ 35 35x118x39,9 4xM12 |
| 23 | 323 0411 | 2 | Schutzkappe | Cap | D80/d35 t=2x5,5 Zn |
| 24 | 329 6124 | 2 | Tellerfeder | Cup spring | 40x14,3x2 DIN2093 |



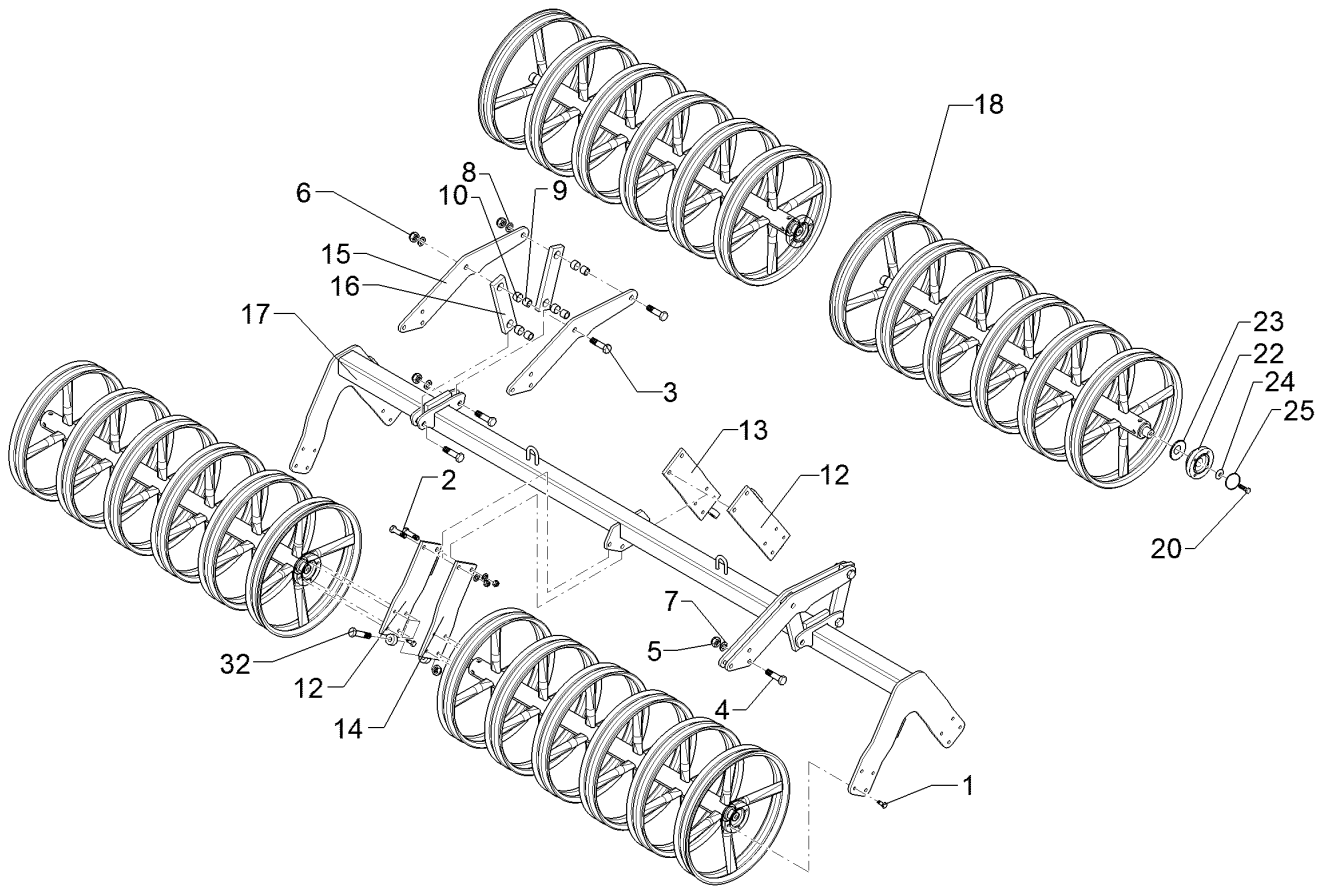
01.18

| Pos. | Art.Nr. | Stck. | Artikeltext / Description | | Abmessung |
|------|----------|-------|---------------------------|----------------|------------------------------|
| 25 | 375 1277 | 2 | O-Ring | O-ring | 79x2 |
| 26 | 423 8855 | 8 | Distanzrohr | Distance tube | 33,7x5,6x152 aufgepanzert |
| 27 | 423 8856 | 4 | Distanzrohr | Distance tube | 33,7x5,6x242 aufgepanzert |
| 28 | 423 8857 | 1 | Lagerstern lang | Hub star long | 310x238,5/D35x29 |
| 29 | 423 8894 | 1 | Lagerstern kurz | Hub star short | 310x114/D35x29 |
| 30 | 423 9048 | 3 | Profiling | Profile ring | 91x27x5 D540 |
| 31 | 423 9049 | 1 | Profiling außen | Profile ring | 77x28x5 D540 |
| 32 | 301 3870 | 2 | Sechskantschraube spz. | Hexagon bolt | M16x65-10.9 Zn |



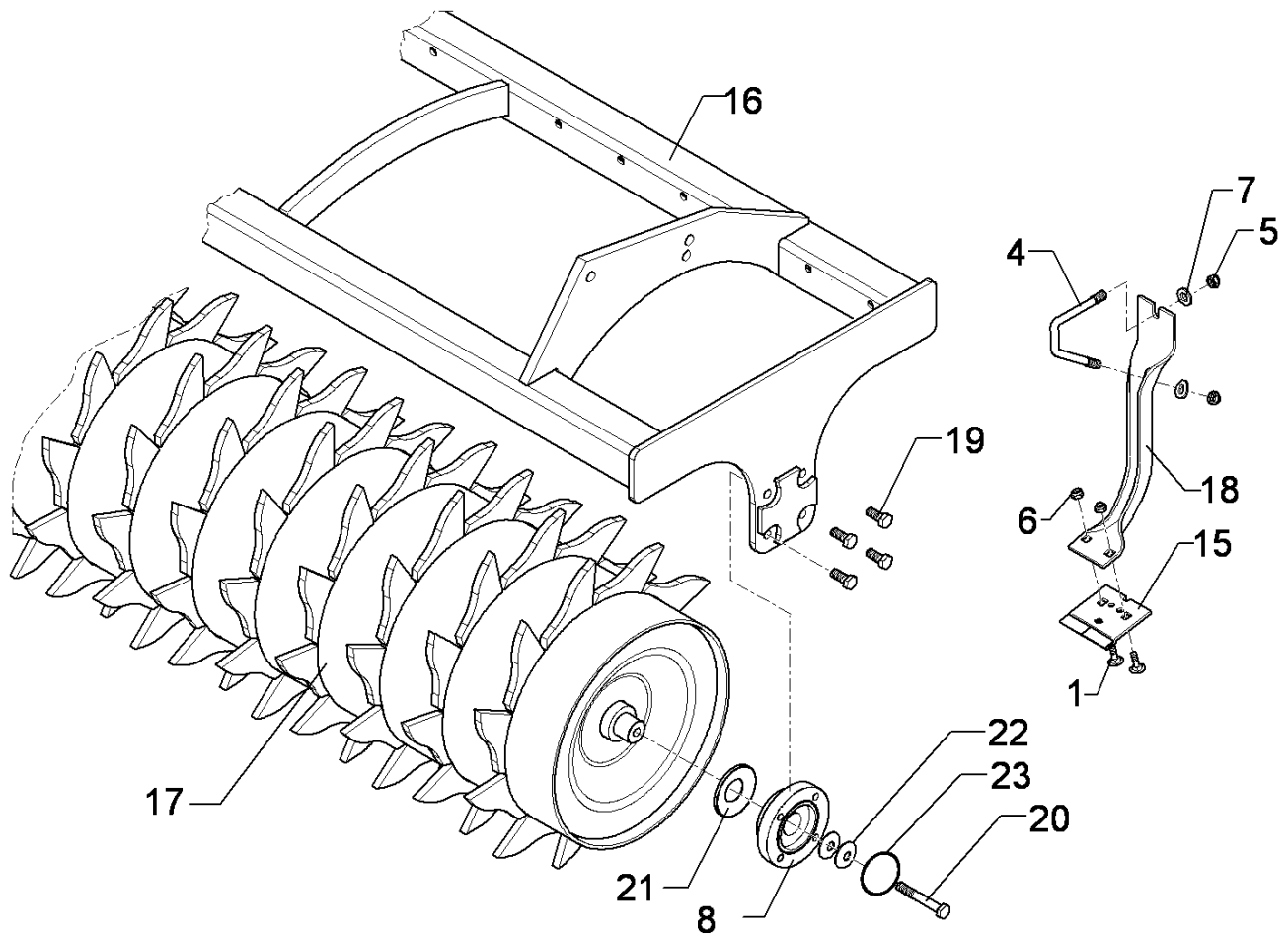
01.18

| Pos. | Art.Nr. | Stck. | Artikeltext / Description | | Abmessung |
|------|----------|-------|------------------------------|-----------------------|-----------------------------|
| 1 | 301 3324 | 32 | Sechskantschraube | Hexagon bolt | M12x30-8.8 Zn DIN933 |
| 2 | 301 3779 | 4 | Sechskantschraube spz. | Hexagon bolt | M16x60-10.9 Zn |
| 3 | 301 4603 | 8 | Sechskantschraube spz. | Hexagon bolt | M20x75-8.8 Zn |
| 4 | 301 5363 | 6 | Sechskantschraube spz. | Hexagon bolt | M16x70-12.9 Zn |
| 5 | 303 0935 | 12 | Sicherungsmutter | Selflocking nut | NM16-8 Zn DIN985 |
| 6 | 303 0936 | 8 | Sicherungsmutter | Selflocking nut | NM20-8 Zn DIN985 |
| 7 | 305 6161 | 12 | Scheibe | Washer | 17/40x6 DIN7349 Zn |
| 8 | 305 6012 | 8 | Scheibe | Washer | 21 ISO7089 Zn |
| 9 | 317 3352 | 8 | Einspannbuchse mit Presssitz | Expansion bush | EG28/32x20 |
| 10 | 317 6657 | 8 | Buchse | Bush | D20/28x22 |
| 12 | 422 7383 | 2 | Platte | Plate | 120x12x386 |
| 13 | 422 7384 | 1 | Platte m. Abstreifer | Plate | 120x12x386 RE |
| 14 | 422 7385 | 1 | Platte m. Abstreifer LI | Plate | 120x12x386 |
| 15 | 422 7386 | 4 | Platte | Plate | 12x208x677 |
| 16 | 422 7388 | 4 | Lenker | Link | 60x20x260 2xD32-200 |
| 17 | 422 7394 | 1 | Tragrohr | Carrier tube | 80x1970 DPW540-2.00-K RE |
| 18 | 423 2250 | 4 | Doppelprofilwalze | Double profile roller | DPW-A D540-2.00-4R |
| 20 | 301 3406 | 8 | Sechskantschraube | Hexagon bolt | M12x70-8.8 Zn DIN931-A |
| 22 | 319 9372 | 8 | Flanschlager-Gehäuseeinheit | Bearing cpl. | RCJ 35 35x118x39,9 4xM12 |
| 23 | 323 0411 | 8 | Schutzkappe | Cap | D80/d35 t=2x5,5 Zn |



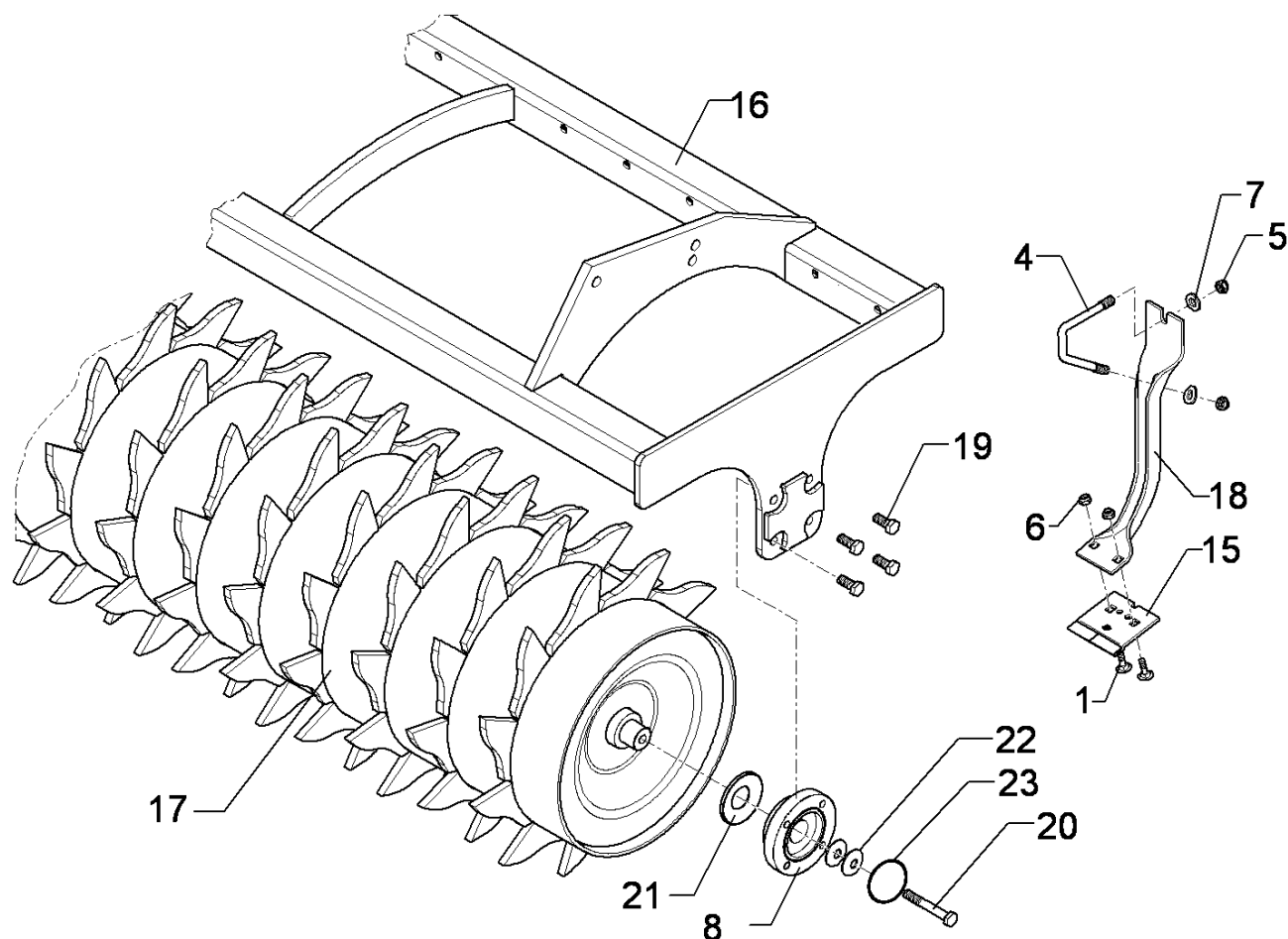
01.18

| Pos. | Art.Nr. | Stck. | Artikeltext / Description | | Abmessung |
|------|----------|-------|---------------------------|--------------|-------------------|
| 24 | 329 6124 | 8 | Tellerfeder | Cup spring | 40x14,3x2 DIN2093 |
| 25 | 375 1277 | 8 | O-Ring | O-ring | 79x2 |
| 32 | 301 3870 | 2 | Sechskantschraube spz. | Hexagon bolt | M16x65-10.9 Zn |



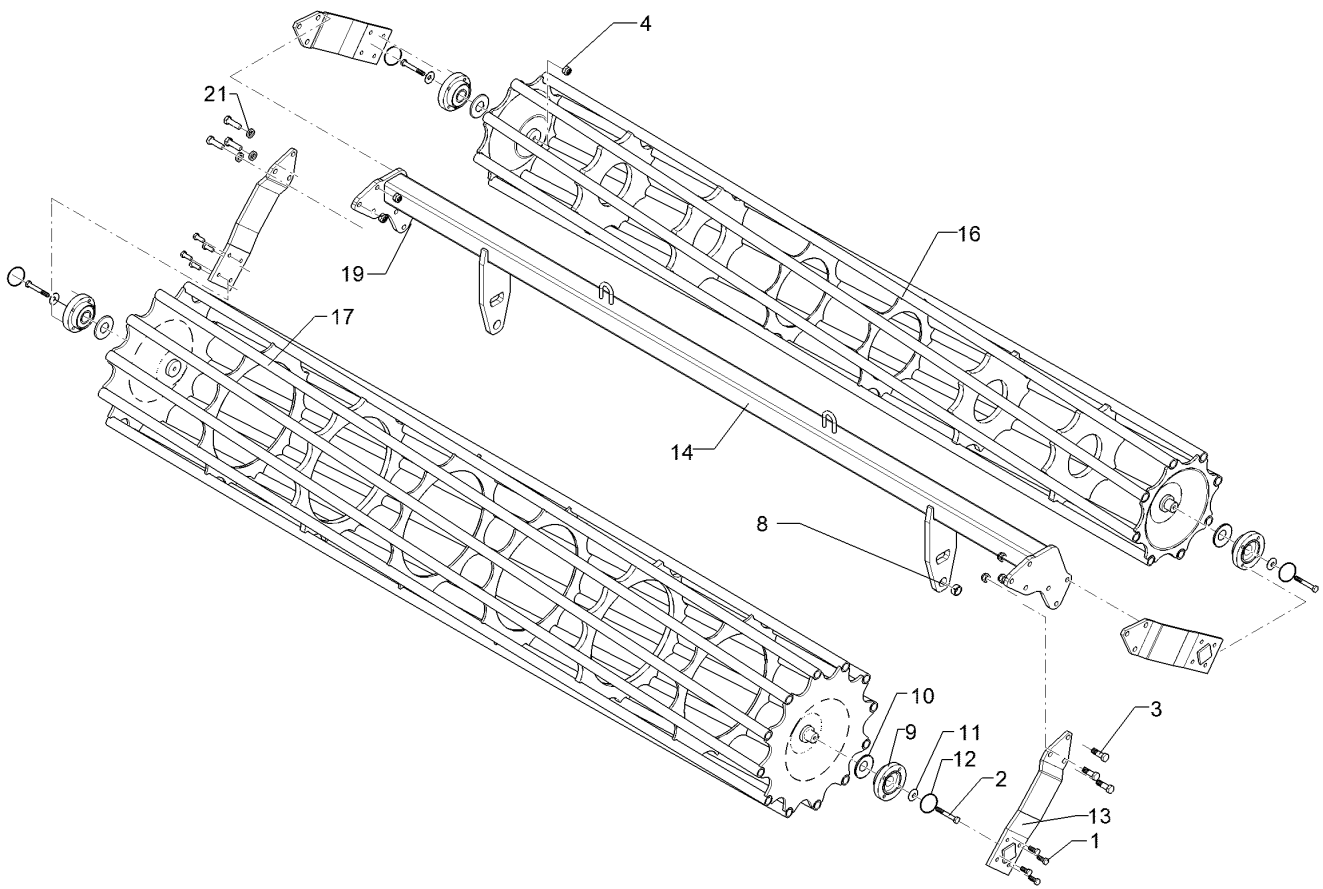
01.18

| Pos. | Art.Nr. | Stck. | Artikeltext / Description | | Abmessung |
|------|----------|-------|-----------------------------|-----------------------|-----------------------------|
| 1 | 301 1700 | 2 | Flachrundschaube | Saucer-head screw | M10x20-8.8 Zn DIN603 |
| 4 | 301 7788 | 16 | Bügelsschraube | U-bolt | M12/43/94/8.8 Zn |
| 5 | 303 0934 | 32 | Sicherungsmutter | Selflocking nut | NM12-8 Zn DIN985 |
| 6 | 303 0970 | 2 | Sechskantmutter | Hexagon nut | M10 DIN934-8 |
| 7 | 305 6137 | 48 | Scheibe | Washer | 13/25x3 DIN1441-St Zn |
| 8 | 319 9372 | 2 | Flanschlager-Gehäuseeinheit | Bearing cpl. | RCJ 35 35x118x39,9 4xM12 |
| 15 | 349 2004 | 1 | Hartmetallabstreifer | Scraper | 90x5x94 |
| 16 | 422 7430 | 1 | Tragrahmen | Supporting frame | ZPW-R D500-2.00 |
| 17 | 423 2210 | 1 | Zahnpackerwalze | Toothed packer roller | ZPW-R D500x1940 |
| 18 | 423 5905 | 1 | Abstreiferhalter | Carrier for scraper | 70x5x375-D500 |
| 19 | 301 3324 | 8 | Sechskantschraube | Hexagon bolt | M12x30-8.8 Zn DIN933 |
| 20 | 301 3406 | 2 | Sechskantschraube | Hexagon bolt | M12x70-8.8 Zn DIN931-A |
| 21 | 323 0411 | 2 | Schutzkappe | Cap | D80/d35 t=2x5,5 Zn |
| 22 | 329 6124 | 2 | Tellerfeder | Cup spring | 40x14,3x2 DIN2093 |
| 23 | 375 1277 | 2 | O-Ring | O-ring | 79x2 |



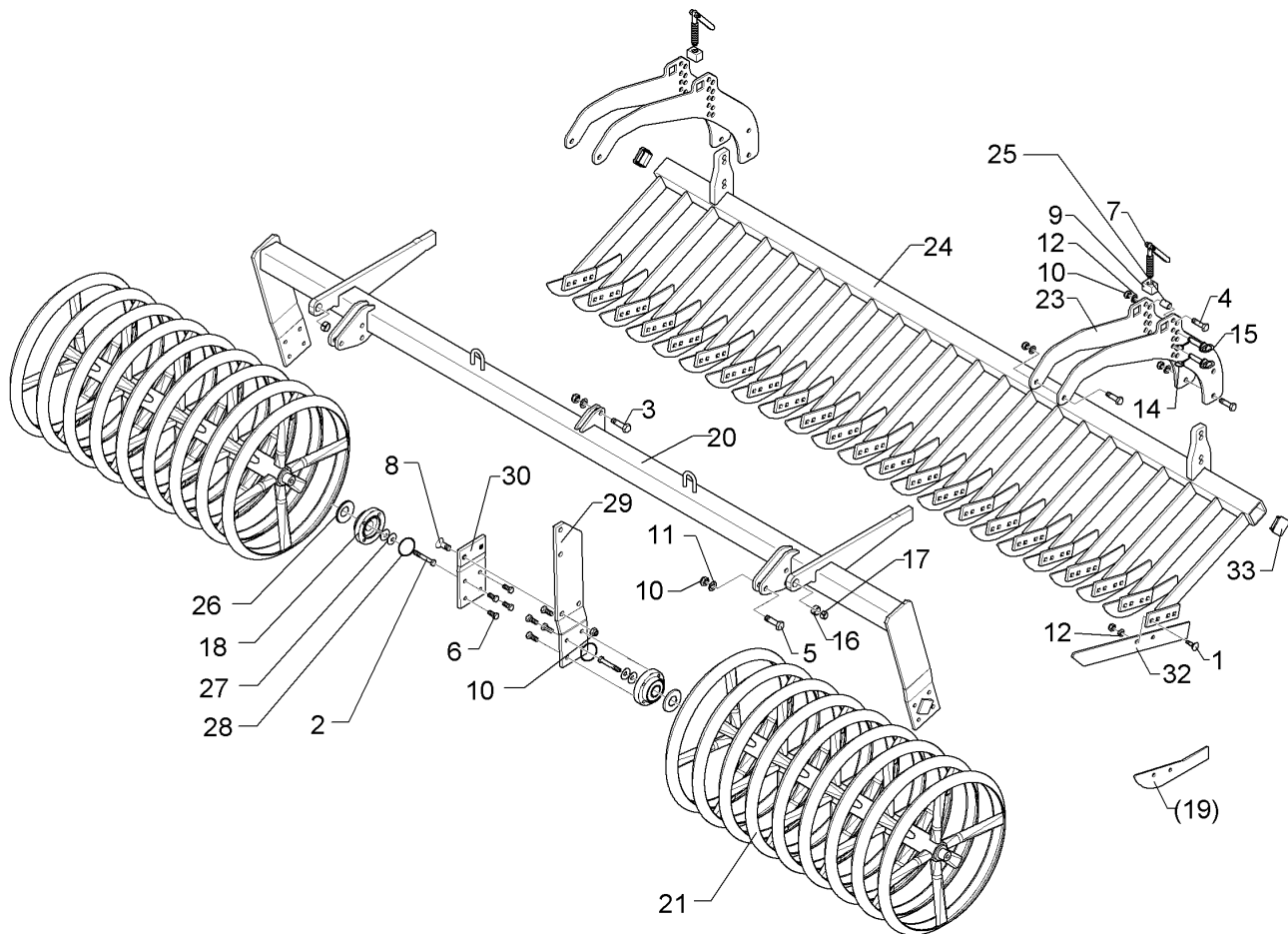
01.18

| Pos. | Art.Nr. | Stck. | Artikeltext / Description | | Abmessung |
|------|----------|-------|-----------------------------|-----------------------|-----------------------------|
| 1 | 301 1700 | 2 | Flachrundschraube | Saucer-head screw | M10x20-8.8 Zn DIN603 |
| 4 | 301 7788 | 16 | Bügelsschraube | U-bolt | M12/43/94/8.8 Zn |
| 5 | 303 0934 | 32 | Sicherungsmutter | Selflocking nut | NM12-8 Zn DIN985 |
| 6 | 303 0970 | 2 | Sechskantmutter | Hexagon nut | M10 DIN934-8 |
| 7 | 305 6137 | 48 | Scheibe | Washer | 13/25x3 DIN1441-St Zn |
| 8 | 319 9372 | 2 | Flanschlager-Gehäuseeinheit | Bearing cpl. | RCJ 35 35x118x39,9 4xM12 |
| 15 | 349 2004 | 1 | Hartmetallabstreifer | Scraper | 90x5x94 |
| 16 | 422 7430 | 1 | Tragrahmen | Supporting frame | ZPW-R D500-2.00 |
| 17 | 423 2210 | 1 | Zahnpackerwalze | Toothed packer roller | ZPW-R D500x1940 |
| 18 | 423 5901 | 1 | Abstreiferhalter | Carrier for scraper | 70x5x337-D420 |
| 19 | 301 3324 | 8 | Sechskantschraube | Hexagon bolt | M12x30-8.8 Zn DIN933 |
| 20 | 301 3406 | 2 | Sechskantschraube | Hexagon bolt | M12x70-8.8 Zn DIN931-A |
| 21 | 323 0411 | 2 | Schutzkappe | Cap | D80/d35 t=2x5,5 Zn |
| 22 | 329 6124 | 2 | Tellerfeder | Cup spring | 40x14,3x2 DIN2093 |
| 23 | 375 1277 | 2 | O-Ring | O-ring | 79x2 |



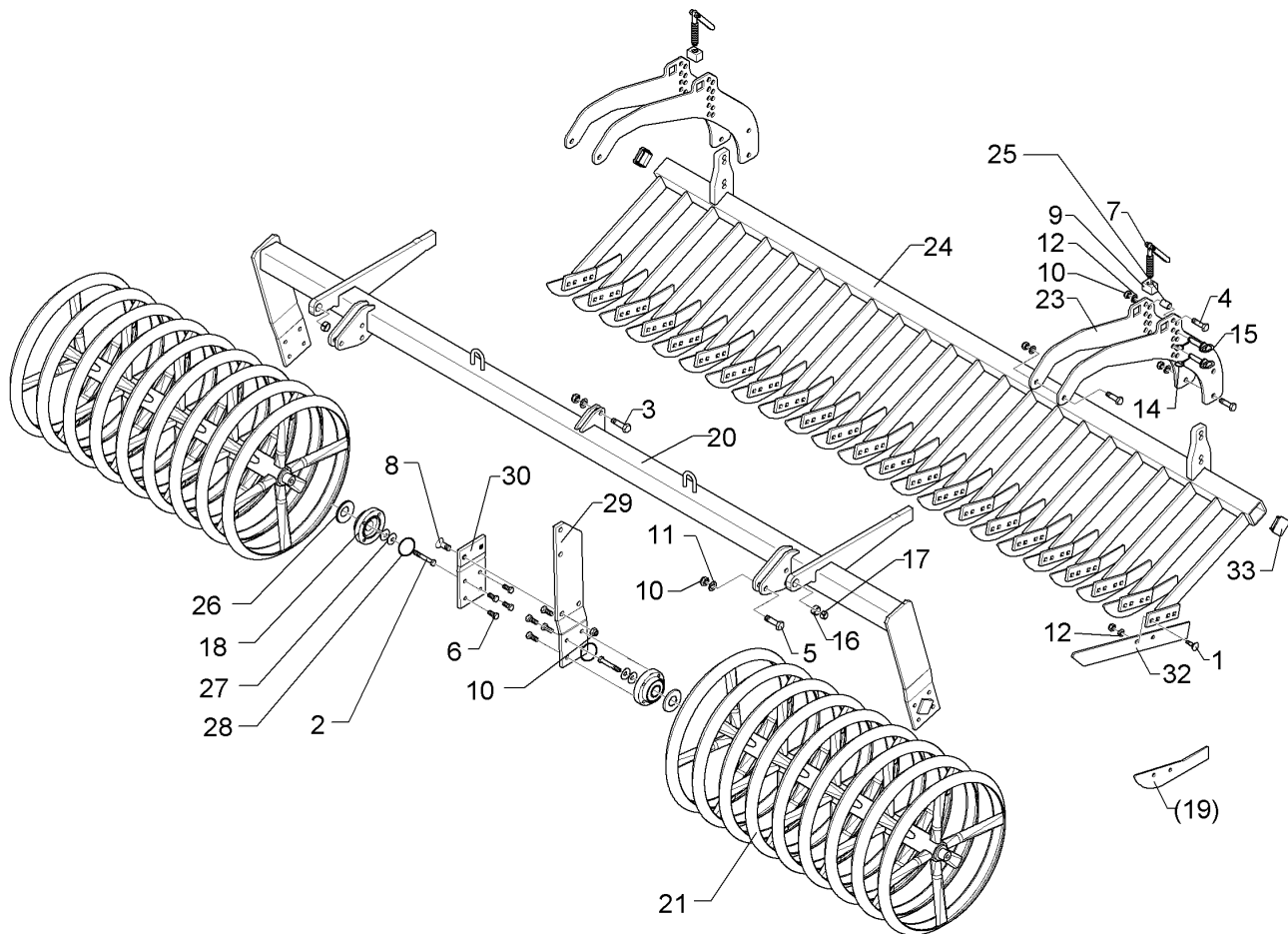
01.18

| Pos. | Art.Nr. | Stck. | Artikeltext / Description | | Abmessung |
|------|----------|-------|------------------------------|------------------|---|
| 1 | 301 3324 | 16 | Sechskantschraube | Hexagon bolt | M12x30-8.8 Zn DIN933 |
| 2 | 301 3432 | 4 | Sechskantschraube | Hexagon bolt | M12x80-8.8 Zn DIN931-A |
| 3 | 301 5409 | 12 | Sechskantschraube spz. | Hexagon bolt | M16x50-8.8 Zn |
| 4 | 303 0934 | 4 | Sicherungsmutter | Selflocking nut | NM12-8 Zn DIN985 |
| 8 | 317 3352 | 2 | Einspannbuchse mit Presssitz | Expansion bush | EG28/32x20 |
| 9 | 319 9372 | 4 | Flanschlager-Gehäuseeinheit | Bearing cpl. | RCJ 35 35x118x39,9 4xM12 |
| 10 | 323 0411 | 4 | Schutzkappe | Cap | D80/d35 t=2x5,5 Zn |
| 11 | 329 6124 | 4 | Tellerfeder | Cup spring | 40x14,3x2 DIN2093 |
| 12 | 375 1277 | 4 | O-Ring | O-ring | 79x2 |
| 13 | 422 2924 | 4 | Seitenplatte | Side plate | 120x12x494 |
| 14 | 422 8309 | 1 | Tragrahmen | Supporting frame | 80x1910 |
| 16 | 423 1027 | 1 | Rohrstabwalze | Tube bar roller | D540/400-2.00 LI R D400x1954 LI 2.00 |
| 17 | 423 1036 | 1 | Rohrstabwalze | Tube bar roller | D540x1954 RE 2.00 |
| 19 | 303 0935 | 4 | Sicherungsmutter | Selflocking nut | NM16-8 Zn DIN985 |
| 21 | 305 6141 | 12 | Scheibe | Washer | 17/30x3 DIN/ISO-7089 |



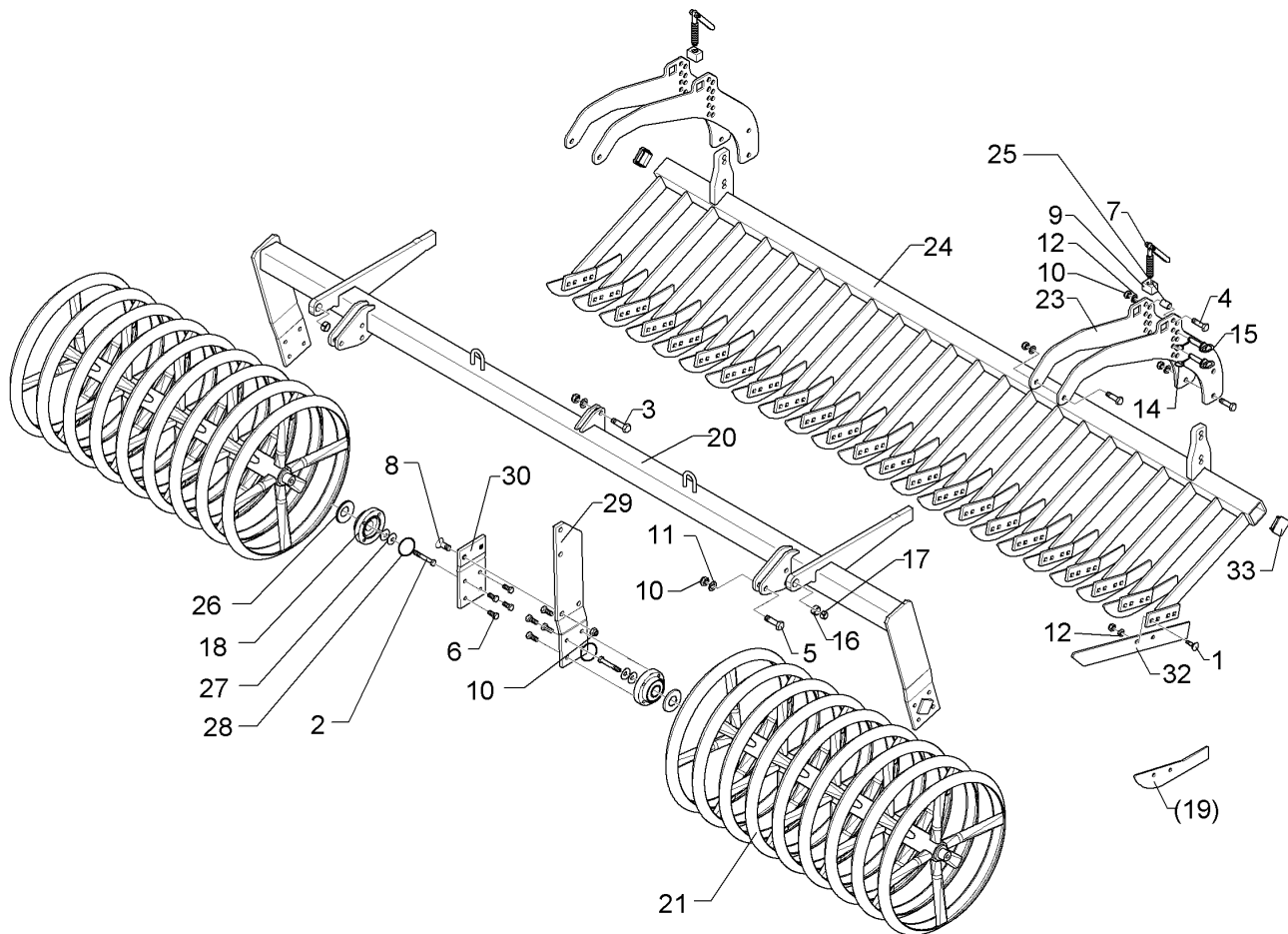
01.18

| Pos. | Art.Nr. | Stck. | Artikeltext / Description | | Abmessung |
|------|----------|-------|-----------------------------|-----------------------|-----------------------------|
| 1 | 301 1805 | 30 | Flachrundschaube mit Mutter | Bolt, cup square head | M12x30-10.9 MU Zn |
| 2 | 301 3406 | 4 | Sechskantschraube | Hexagon bolt | M12x70-8.8 Zn DIN931-A |
| 3 | 301 3779 | 2 | Sechskantschraube spz. | Hexagon bolt | M16x60-10.9 Zn |
| 4 | 301 3870 | 8 | Sechskantschraube spz. | Hexagon bolt | M16x65-10.9 Zn |
| 5 | 301 5363 | 6 | Sechskantschraube spz. | Hexagon bolt | M16x70-12.9 Zn |
| 6 | 301 3324 | 16 | Sechskantschraube | Hexagon bolt | M12x30-8.8 Zn DIN933 |
| 7 | 302 7933 | 2 | Spindel | Screw | KPL TR20x120-170 |
| 8 | 301 6141 | 2 | Senkschraube | Countersunk bolt | M16x40-10.9 Zn DIN7991-A |
| 9 | 303 8644 | 2 | Spindelmutter | Nut for screw | 30x30x44 TR 20 |
| 10 | 303 0935 | 18 | Sicherungsmutter | Selflocking nut | NM16-8 Zn DIN985 |
| 11 | 305 6161 | 16 | Scheibe | Washer | 17/40x6 DIN7349 Zn |
| 12 | 305 6137 | 30 | Scheibe | Washer | 13/25x3 DIN1441-St Zn |
| 14 | 311 9565 | 4 | Klappstift | Securing pin | 4,5 |
| 15 | 313 1530 | 4 | Bolzen mit Griff | Pin with grip | D15x47,5/106 Zn |
| 16 | 317 3341 | 2 | Einspannbuchse | Expansion bush | EG22/28x20-DIN1498 |
| 17 | 317 6658 | 2 | Buchse | Bush | D16/22x22 |
| 18 | 319 9372 | 4 | Flanschlager-Gehäuseeinheit | Bearing cpl. | RCJ 35 35x118x39,9 4xM12 |
| 20 | 422 6885 | 1 | Tragrahmen-R | Supporting frame - R | 80 MSW D600-200 LI SM9 |
| 21 | 423 2182 | 2 | Messerwalze | Knife roller | MSW D600-872-8R-125-R |



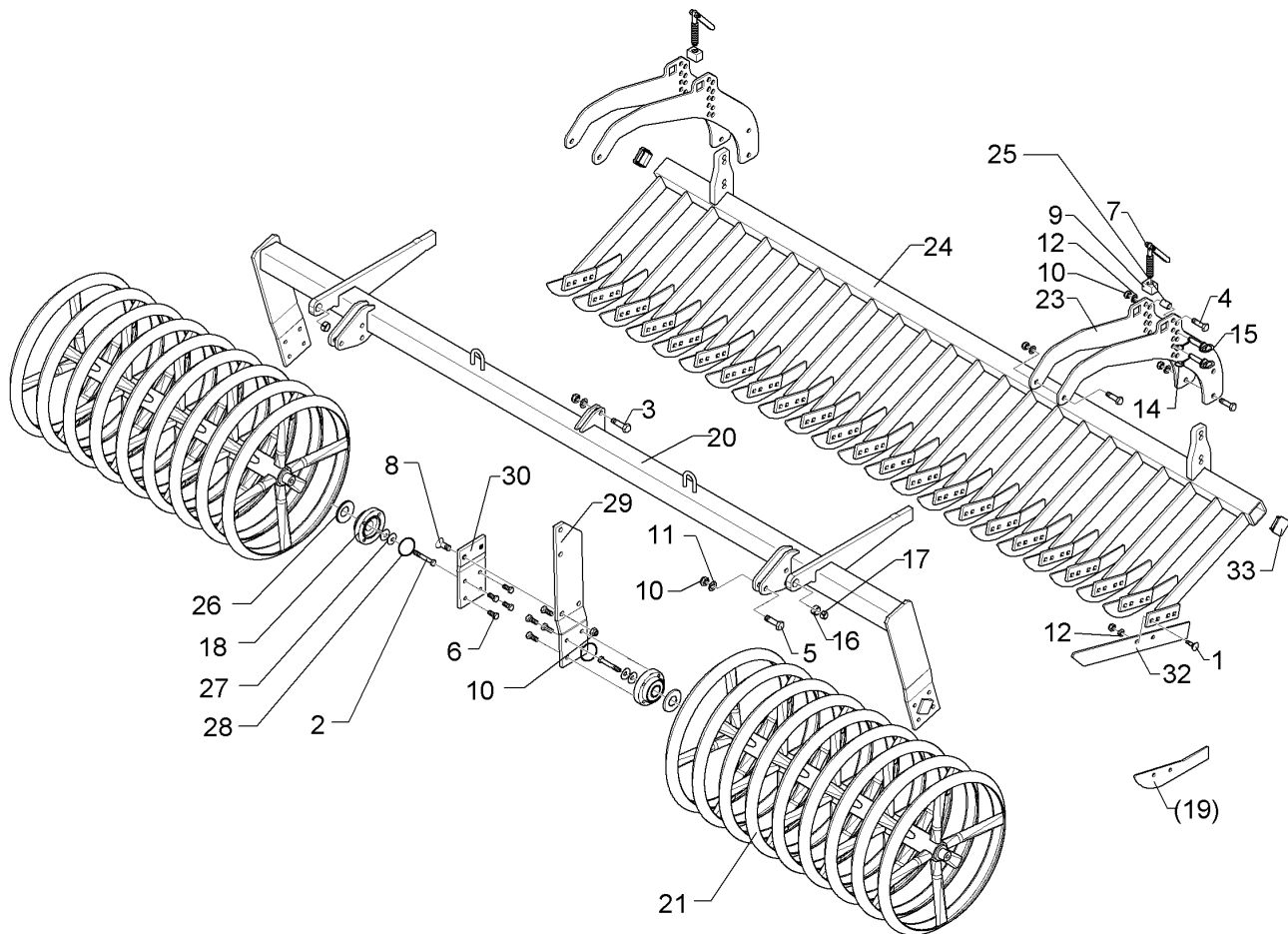
01.18

| Pos. | Art.Nr. | Stck. | Artikeltext / Description | | Abmessung |
|------|----------|-------|---------------------------|----------------------|-----------------------------------|
| 23 | 422 6813 | 4 | Verstellplatte | Adjuster plate | 8x464x775 13xD16 |
| 24 | 422 6816 | 1 | Messerbalken | Cutter bar | MSW D600 70x1800 15M |
| 25 | 317 6681 | 2 | Röhrchen | Tube | SM.9/400 RE |
| 26 | 323 0411 | 4 | Schutzkappe | Cap | D24x3x22+1 Zn |
| 27 | 329 6124 | 4 | Tellerfeder | Cup spring | D80/d35 t=2x5,5 Zn |
| 28 | 375 1277 | 4 | O-Ring | O-ring | 40x14,3x2 DIN2093 |
| 29 | 422 6878 | 1 | Tragplatte lang | Support plate, long | 79x2 |
| 30 | 422 6879 | 1 | Tragplatte kurz | Support plate, short | 120x12x573 5xD16,1 |
| 32 | 337 5005 | 15 | Messer | Knife | 120x12x225 |
| 33 | 32310090 | 2 | Vierkantstopfen | Square plug | 60x6x568 2xD8,5-80 Q-70x70x7,1 |



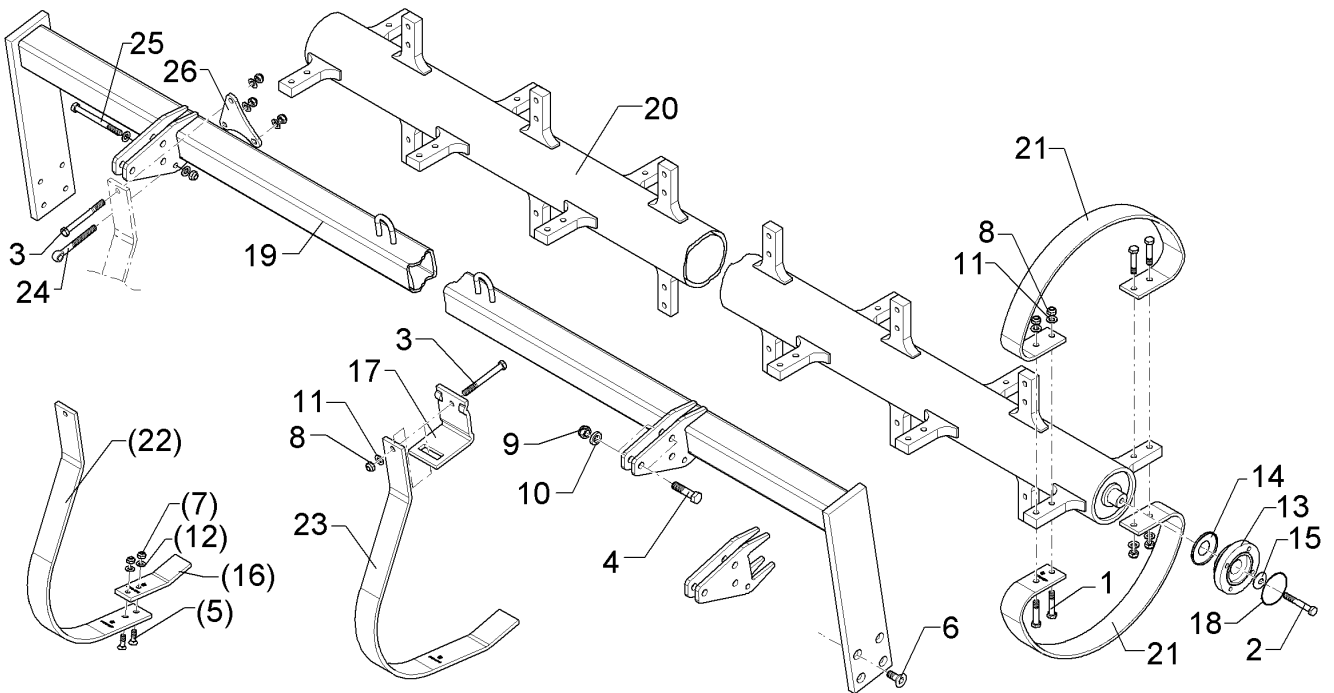
01.18

| Pos. | Art.Nr. | Stck. | Artikeltext / Description | | Abmessung |
|------|----------|-------|-----------------------------|-----------------------|-----------------------------|
| 1 | 301 1805 | 30 | Flachrundschaube mit Mutter | Bolt, cup square head | M12x30-10.9 MU Zn |
| 2 | 301 3406 | 4 | Sechskantschraube | Hexagon bolt | M12x70-8.8 Zn DIN931-A |
| 3 | 301 3779 | 2 | Sechskantschraube spz. | Hexagon bolt | M16x60-10.9 Zn |
| 4 | 301 3870 | 8 | Sechskantschraube spz. | Hexagon bolt | M16x65-10.9 Zn |
| 5 | 301 5363 | 6 | Sechskantschraube spz. | Hexagon bolt | M16x70-12.9 Zn |
| 6 | 301 3324 | 16 | Sechskantschraube | Hexagon bolt | M12x30-8.8 Zn DIN933 |
| 7 | 302 7933 | 2 | Spindel | Screw | KPL TR20x120-170 |
| 8 | 301 6141 | 2 | Senkschraube | Countersunk bolt | M16x40-10.9 Zn DIN7991-A |
| 9 | 303 8644 | 2 | Spindelmutter | Nut for screw | 30x30x44 TR 20 |
| 10 | 303 0935 | 18 | Sicherungsmutter | Selflocking nut | NM16-8 Zn DIN985 |
| 11 | 305 6161 | 16 | Scheibe | Washer | 17/40x6 DIN7349 Zn |
| 12 | 305 6137 | 30 | Scheibe | Washer | 13/25x3 DIN1441-St Zn |
| 14 | 311 9565 | 4 | Klappstift | Securing pin | 4,5 |
| 15 | 313 1530 | 4 | Bolzen mit Griff | Pin with grip | D15x47,5/106 Zn |
| 16 | 317 3341 | 2 | Einspannbuchse | Expansion bush | EG22/28x20-DIN1498 |
| 17 | 317 6658 | 2 | Buchse | Bush | D16/22x22 |
| 18 | 319 9372 | 4 | Flanschlager-Gehäuseeinheit | Bearing cpl. | RCJ 35 35x118x39,9 4xM12 |
| 20 | 422 6884 | 1 | Tragrahmen-R | Supporting frame - R | 80 MSW D600-200 RE SM9 |
| 21 | 423 2182 | 2 | Messerwalze | Knife roller | MSW D600-872-8R-125-R |



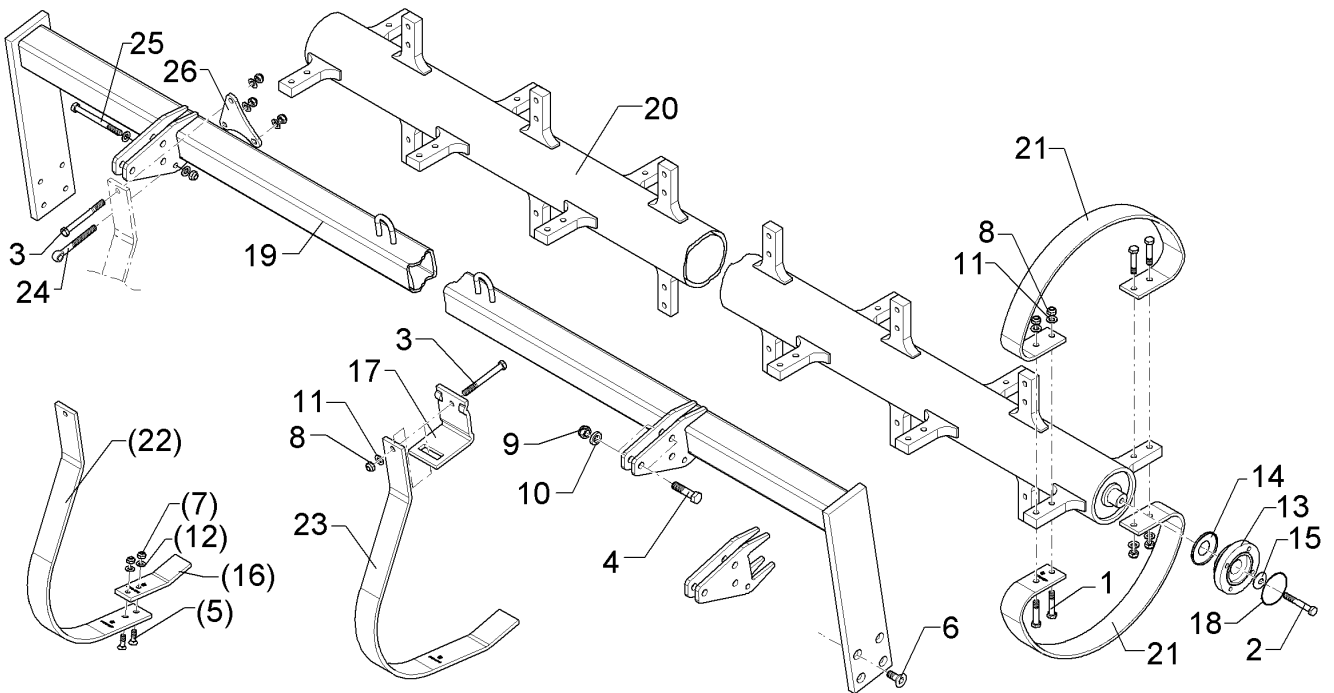
01.18

| Pos. | Art.Nr. | Stck. | Artikeltext / Description | Abmessung | |
|------|----------|-------|---------------------------|----------------------|-----------------------------------|
| 23 | 422 6813 | 4 | Verstellplatte | Adjuster plate | 8x464x775 13xD16 |
| 24 | 422 6817 | 1 | Messerbalken | Cutter bar | MSW D600 70x1915 16M |
| 25 | 317 6681 | 2 | Röhrchen | Tube | SM.9/400 LI |
| 26 | 323 0411 | 4 | Schutzkappe | Cap | D24x3x22+1 Zn |
| 27 | 329 6124 | 4 | Tellerfeder | Cup spring | D80/d35 t=2x5,5 Zn |
| 28 | 375 1277 | 4 | O-Ring | O-ring | 40x14,3x2 DIN2093 |
| 29 | 422 6878 | 1 | Tragplatte lang | Support plate, long | 79x2 |
| 30 | 422 6879 | 1 | Tragplatte kurz | Support plate, short | 120x12x573 5xD16,1 |
| 32 | 337 5005 | 15 | Messer | Knife | 120x12x225 |
| 33 | 32310090 | 2 | Vierkantstopfen | Square plug | 60x6x568 2xD8,5-80 Q-70x70x7,1 |



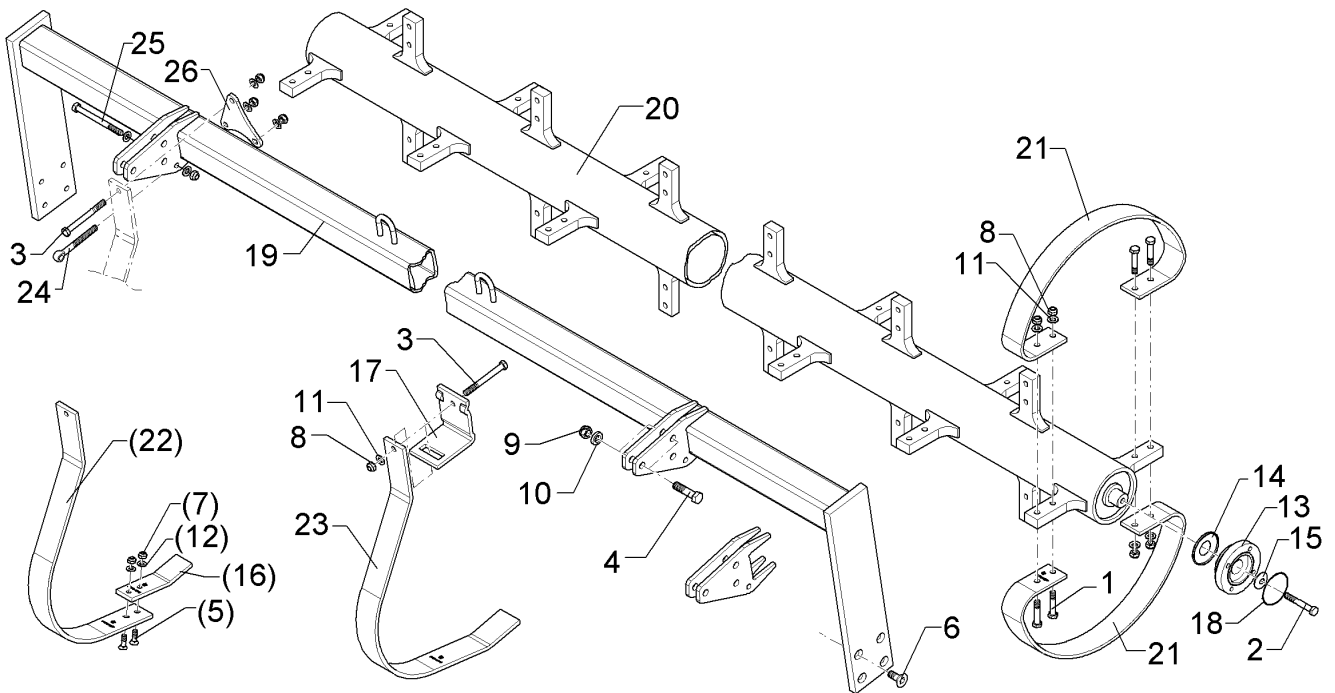
01.18

| Pos. | Art.Nr. | Stck. | Artikeltext / Description | | Abmessung |
|------|----------|-------|-----------------------------|------------------|-----------------------------|
| 1 | 301 3391 | 40 | Sechskantschraube spz. | Hexagon bolt | M12x60-10.9 Zn |
| 2 | 301 3406 | 2 | Sechskantschraube | Hexagon bolt | M12x70-8.8 Zn DIN931-A |
| 3 | 301 3498 | 9 | Sechskantschraube | Hexagon bolt | M12x120-8.8 Zn DIN931-A |
| 4 | 301 5363 | 6 | Sechskantschraube spz. | Hexagon bolt | M16x70-12.9 Zn |
| 5 | 301 5767 | 18 | Senkschraube | Countersunk bolt | M10x33-12.9-MU-10 Zn |
| 6 | 301 6128 | 8 | Senkschraube | Countersunk bolt | M12x30-10.9 Zn DIN7991-A |
| 7 | 303 0933 | 18 | Sicherungsmutter | Selflocking nut | NM10-8 DIN985 Zn |
| 8 | 303 0934 | 55 | Sicherungsmutter | Selflocking nut | NM12-8 Zn DIN985 |
| 9 | 303 0935 | 6 | Sicherungsmutter | Selflocking nut | NM16-8 Zn DIN985 |
| 10 | 305 6161 | 6 | Scheibe | Washer | 17/40x6 DIN7349 Zn |
| 11 | 305 8580 | 57 | Scheibe | Washer | 13/24x2,5 St-Zn DIN125 |
| 12 | 305 8696 | 18 | Scheibe | Washer | A10,5 DIN125-St Zn |
| 13 | 319 9372 | 2 | Flanschlager-Gehäuseeinheit | Bearing cpl. | RCJ 35 35x118x39,9 4xM12 |
| 14 | 323 0411 | 2 | Schutzkappe | Cap | D80/d35 t=2x5,5 Zn |
| 15 | 329 6124 | 2 | Tellerfeder | Cup spring | 40x14,3x2 DIN2093 |
| 16 | 34910002 | 9 | Abstreifer | Scraper | 50x10x195 2xD10,5 |
| 17 | 35310001 | 7 | Klemme | Clamp | 80x80-60x10 |
| 18 | 375 1277 | 2 | O-Ring | O-ring | 79x2 |
| 19 | 42210010 | 1 | Tragrohr | Carrier tube | FRW D540-2.00 RE RU |



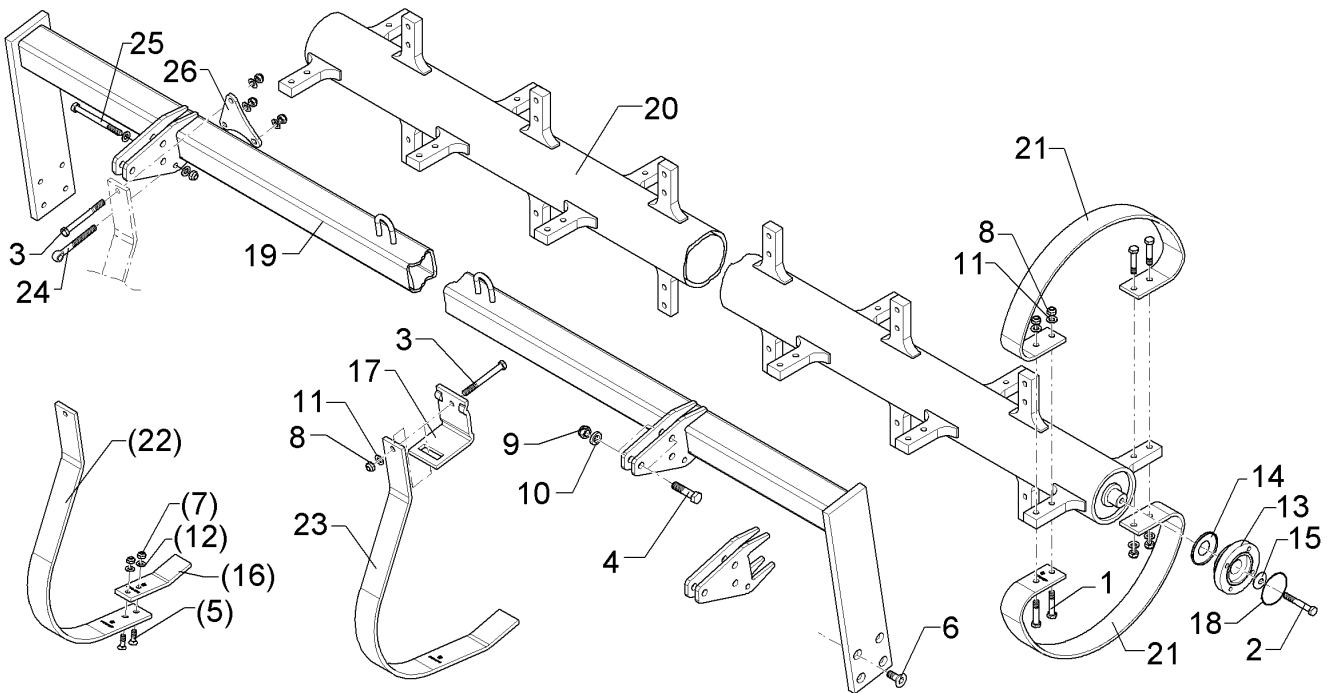
01.18

| Pos. | Art.Nr. | Stck. | Artikeltext / Description | | Abmessung |
|------|----------|-------|---------------------------|---------------------|-----------------------------------|
| 20 | 42310002 | 1 | Flexringwalze | Flexring roller | D127x10/35x1872 |
| 21 | 42310009 | 20 | Ringsegment | Tubing segment | 8,5x60x1046 4xD13 |
| 22 | 42310010 | 9 | Abstreiferhalter | Carrier for scraper | 10x60x925 |
| 23 | 34910007 | 9 | Abstreifer | Scraper | 10x60x1002 GEP |
| 24 | 301 0855 | 4 | Augenschraube | Eye bolt | BM12x120-8.8 D2=12,1 Zn DIN444 |
| 25 | 30110058 | 2 | Sechskantschraube spz. | Hexagon bolt | M12x140-8.8 Zn |
| 26 | 45910017 | 2 | Klemmplatte | Clamping plate | 8x123,5x125 2xD13 1xD13x26 |



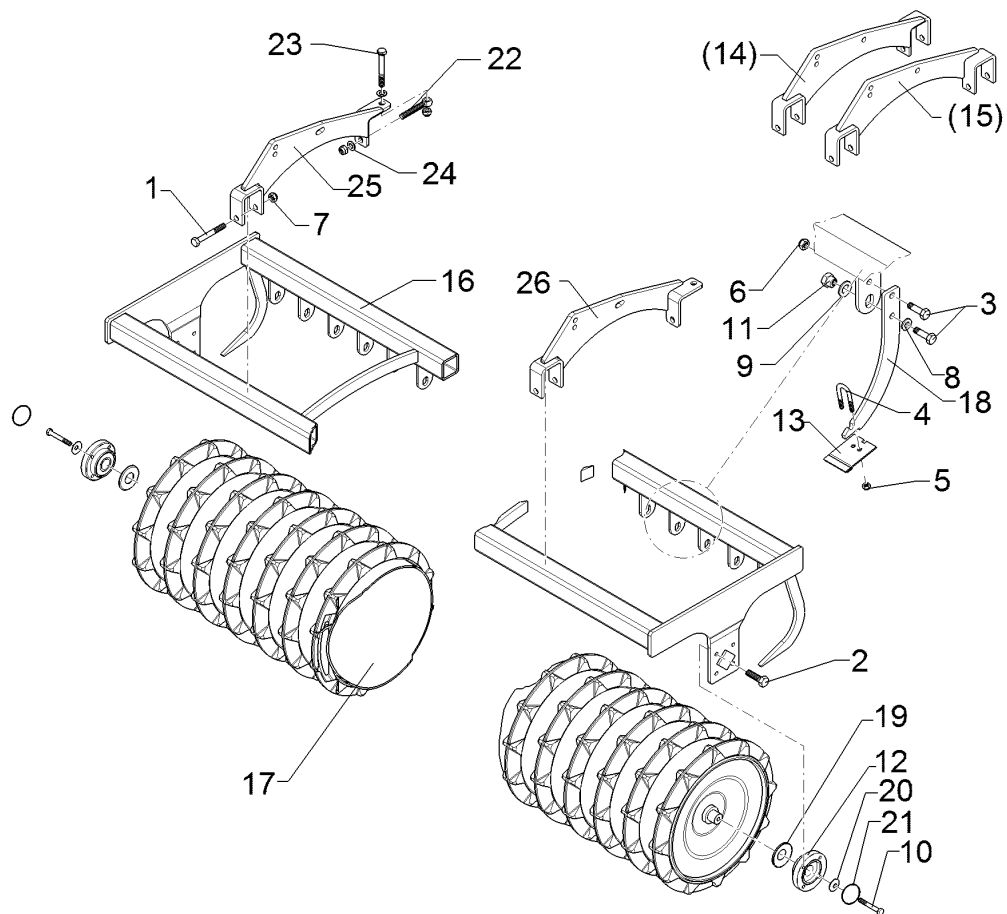
01.18

| Pos. | Art.Nr. | Stck. | Artikeltext / Description | | Abmessung |
|------|----------|-------|-----------------------------|------------------|-----------------------------|
| 1 | 301 3391 | 40 | Sechskantschraube spz. | Hexagon bolt | M12x60-10.9 Zn |
| 2 | 301 3406 | 2 | Sechskantschraube | Hexagon bolt | M12x70-8.8 Zn DIN931-A |
| 3 | 301 3498 | 9 | Sechskantschraube | Hexagon bolt | M12x120-8.8 Zn DIN931-A |
| 4 | 301 5363 | 6 | Sechskantschraube spz. | Hexagon bolt | M16x70-12.9 Zn |
| 5 | 301 5767 | 18 | Senkschraube | Countersunk bolt | M10x33-12.9-MU-10 Zn |
| 6 | 301 6128 | 8 | Senkschraube | Countersunk bolt | M12x30-10.9 Zn DIN7991-A |
| 7 | 303 0933 | 18 | Sicherungsmutter | Selflocking nut | NM10-8 DIN985 Zn |
| 8 | 303 0934 | 55 | Sicherungsmutter | Selflocking nut | NM12-8 Zn DIN985 |
| 9 | 303 0935 | 6 | Sicherungsmutter | Selflocking nut | NM16-8 Zn DIN985 |
| 10 | 305 6161 | 6 | Scheibe | Washer | 17/40x6 DIN7349 Zn |
| 11 | 305 8580 | 57 | Scheibe | Washer | 13/24x2,5 St-Zn DIN125 |
| 12 | 305 8696 | 18 | Scheibe | Washer | A10,5 DIN125-St Zn |
| 13 | 319 9372 | 2 | Flanschlager-Gehäuseeinheit | Bearing cpl. | RCJ 35 35x118x39,9 4xM12 |
| 14 | 323 0411 | 2 | Schutzkappe | Cap | D80/d35 t=2x5,5 Zn |
| 15 | 329 6124 | 2 | Tellerfeder | Cup spring | 40x14,3x2 DIN2093 |
| 16 | 34910002 | 9 | Abstreifer | Scraper | 50x10x195 2xD10,5 |
| 17 | 35310001 | 7 | Klemme | Clamp | 80x80-60x10 |
| 18 | 375 1277 | 2 | O-Ring | O-ring | 79x2 |
| 19 | 42210011 | 1 | Tragrohr | Carrier tube | FRW D540-2.00 LI RU |



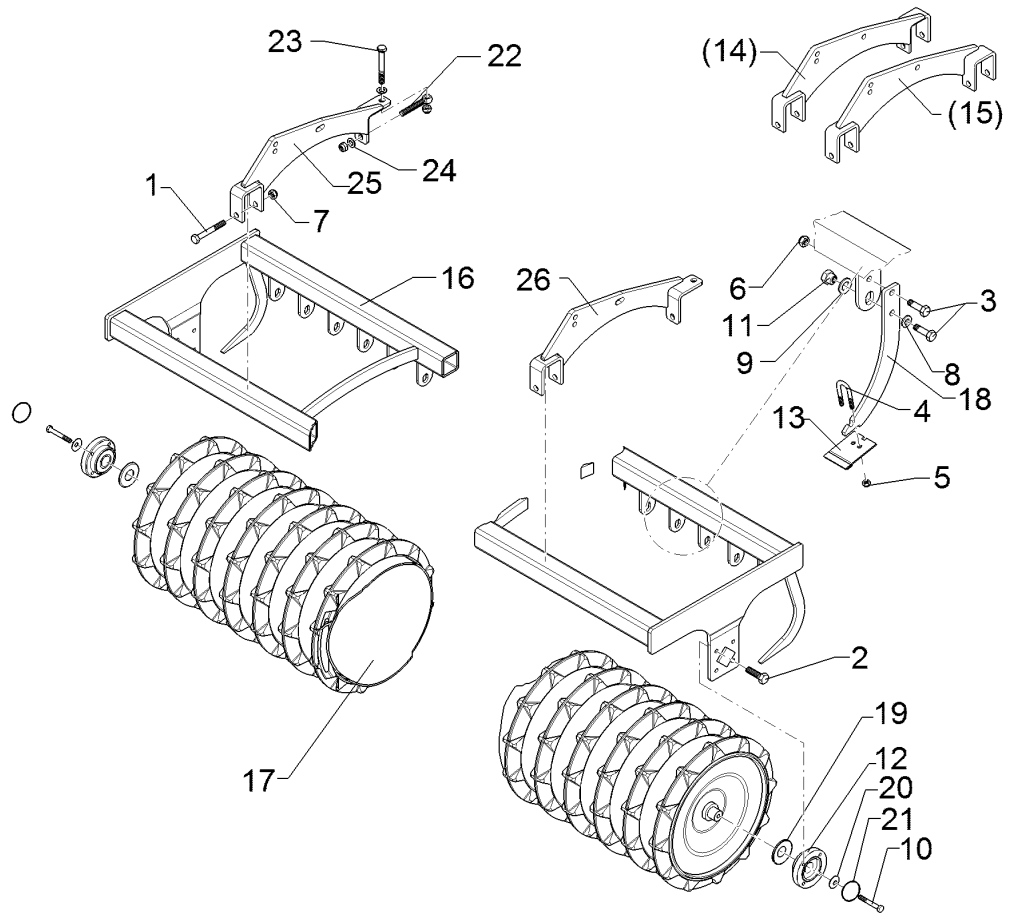
01.18

| Pos. | Art.Nr. | Stck. | Artikeltext / Description | | Abmessung |
|------|----------|-------|---------------------------|---------------------|-----------------------------------|
| 20 | 42310002 | 1 | Flexringwalze | Flexring roller | D127x10/35x1872 |
| 21 | 42310009 | 20 | Ringsegment | Tubing segment | 8,5x60x1046 4xD13 |
| 22 | 42310010 | 9 | Abstreiferhalter | Carrier for scraper | 10x60x925 |
| 23 | 34910007 | 9 | Abstreifer | Scraper | 10x60x1002 GEP |
| 24 | 301 0855 | 4 | Augenschraube | Eye bolt | BM12x120-8.8 D2=12,1 Zn DIN444 |
| 25 | 30110058 | 2 | Sechskantschraube spz. | Hexagon bolt | M12x140-8.8 Zn |
| 26 | 45910017 | 2 | Klemmplatte | Clamping plate | 8x123,5x125 2xD13 1xD13x26 |



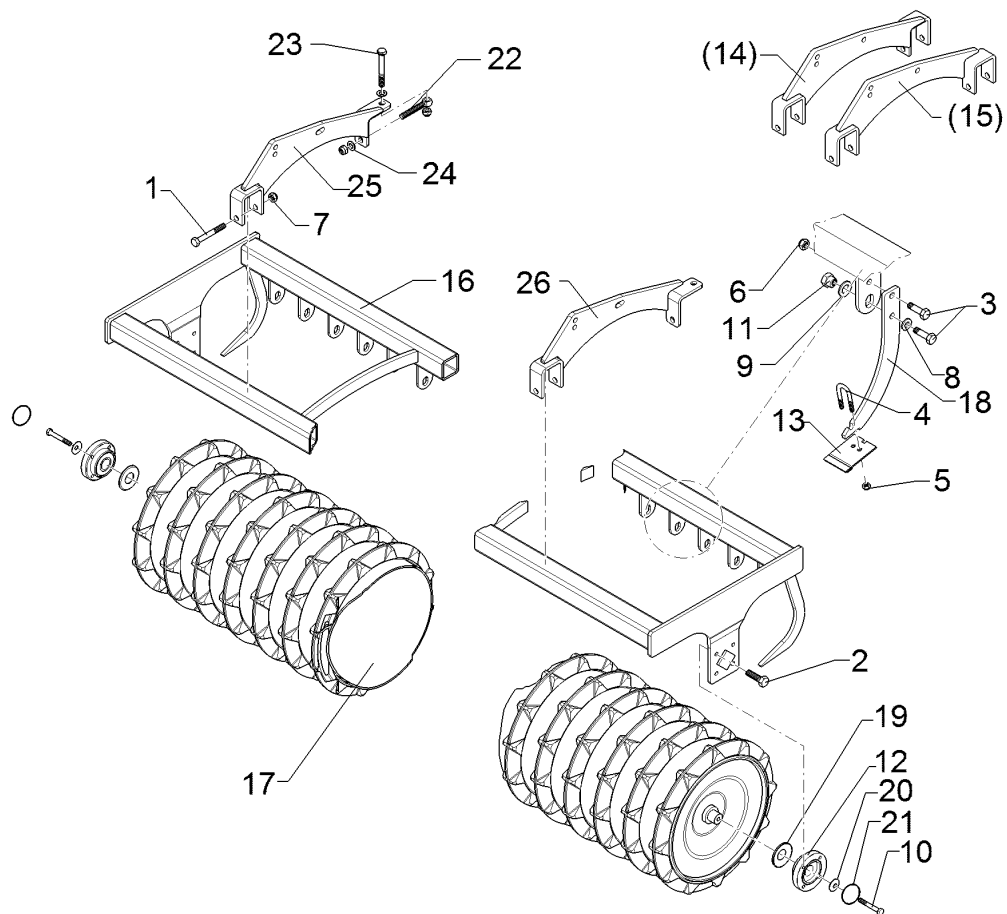
01.18

| Pos. | Art.Nr. | Stck. | Artikeltext / Description | Abmessung | |
|------|----------|-------|-----------------------------|-----------------------|-----------------------------|
| 1 | 301 4020 | 2 | Sechskantschraube | Hexagon bolt | M16x110-8.8 Zn DIN931-A |
| 2 | 301 3324 | 8 | Sechskantschraube | Hexagon bolt | M12x30-8.8 Zn DIN933 |
| 3 | 301 7334 | 30 | Sechskantschraube | Hexagon bolt | M12x35-8.8 Zn DIN933 |
| 4 | 301 7760 | 15 | Bügelschraube | U-bolt | M8/17/26/8.8 Zn |
| 5 | 303 0932 | 30 | Sicherungsmutter | Selflocking nut | NM8-8 Zn DIN985 |
| 6 | 303 0934 | 15 | Sicherungsmutter | Selflocking nut | NM12-8 Zn DIN985 |
| 7 | 303 0935 | 6 | Sicherungsmutter | Selflocking nut | NM16-8 Zn DIN985 |
| 8 | 305 6012 | 15 | Scheibe | Washer | 21 ISO7089 Zn |
| 9 | 305 6167 | 15 | Scheibe | Washer | 13/35x5 Zn DIN 6340 |
| 10 | 301 3406 | 2 | Sechskantschraube | Hexagon bolt | M12x70-8.8 Zn DIN931-A |
| 11 | 317 7699 | 15 | Exzenter | Eccentric | SW24/20-M12/E2 Zn |
| 12 | 319 9372 | 2 | Flanschlager-Gehäuseeinheit | Bearing cpl. | RCJ 35 35x118x39,9 4xM12 |
| 13 | 349 2005 | 15 | Hartmetallabstreifer | Scraper | 60x5x94 |
| 16 | 422 7440 | 1 | Tragrahmen | Supporting frame | TPW-R D500-2.00-16R125 |
| 17 | 423 2230 | 1 | Trapezpackerwalze | Trapeze packer roller | TPW-R D500-2.00-16R125 |
| 18 | 42310012 | 15 | Abstreiferhalter | Carrier for scraper | 8x94x260 2xD12,3 |
| 19 | 323 0411 | 2 | Schutzkappe | Cap | D80/d35 t=2x5,5 Zn |
| 20 | 329 6124 | 2 | Tellerfeder | Cup spring | 40x14,3x2 DIN2093 |
| 21 | 375 1277 | 2 | O-Ring | O-ring | 79x2 |



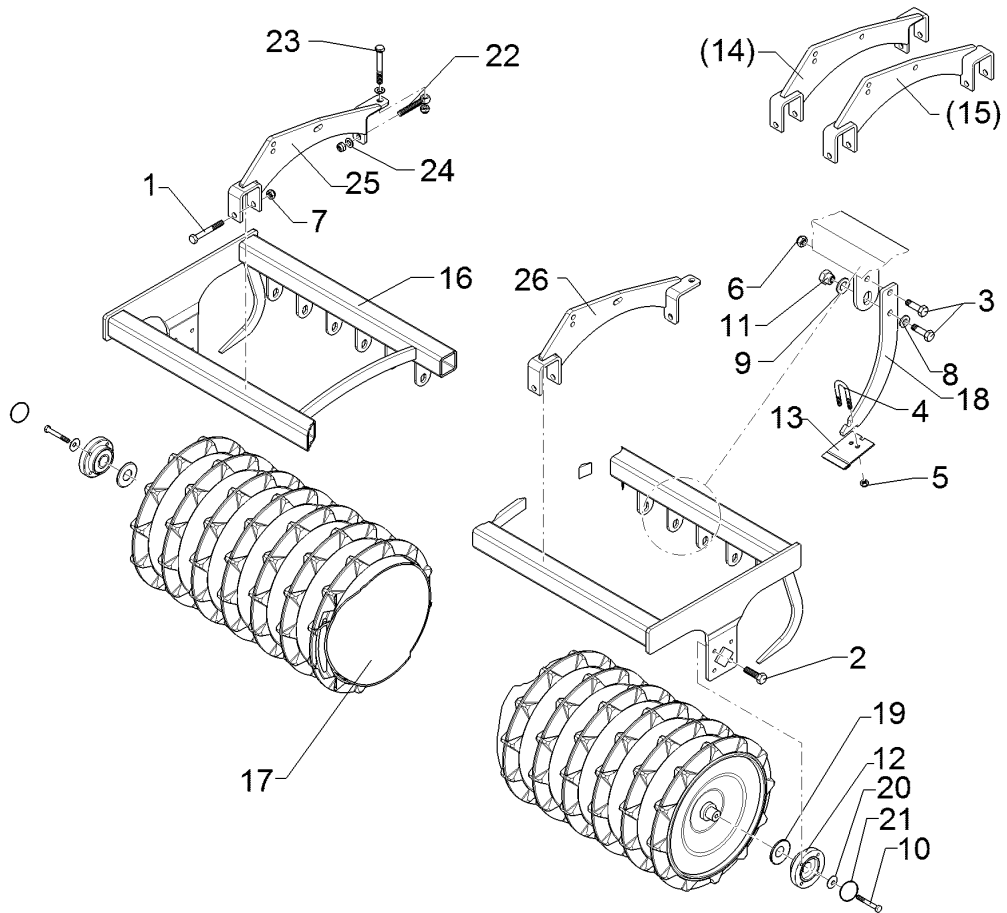
01.18

| Pos. | Art.Nr. | Stck. | Artikeltext / Description | | Abmessung |
|------|----------|-------|---------------------------|---------------|----------------------------|
| 22 | 301 0853 | 2 | Augenschraube | Eye bolt | BM16x110-8.8 |
| 23 | 301 4039 | 2 | Sechskantschraube | Hexagon bolt | D2=16H9 Zn DIN444 |
| 24 | 305 6141 | 4 | Scheibe | Washer | M16x120-8.8 Zn DIN931-A |
| 25 | 422 2932 | 1 | Tragplatte | Support plate | 17/30x3 DIN/ISO-7089 |
| 26 | 422 2933 | 1 | Tragplatte | Support plate | TPW RE TPW LI |



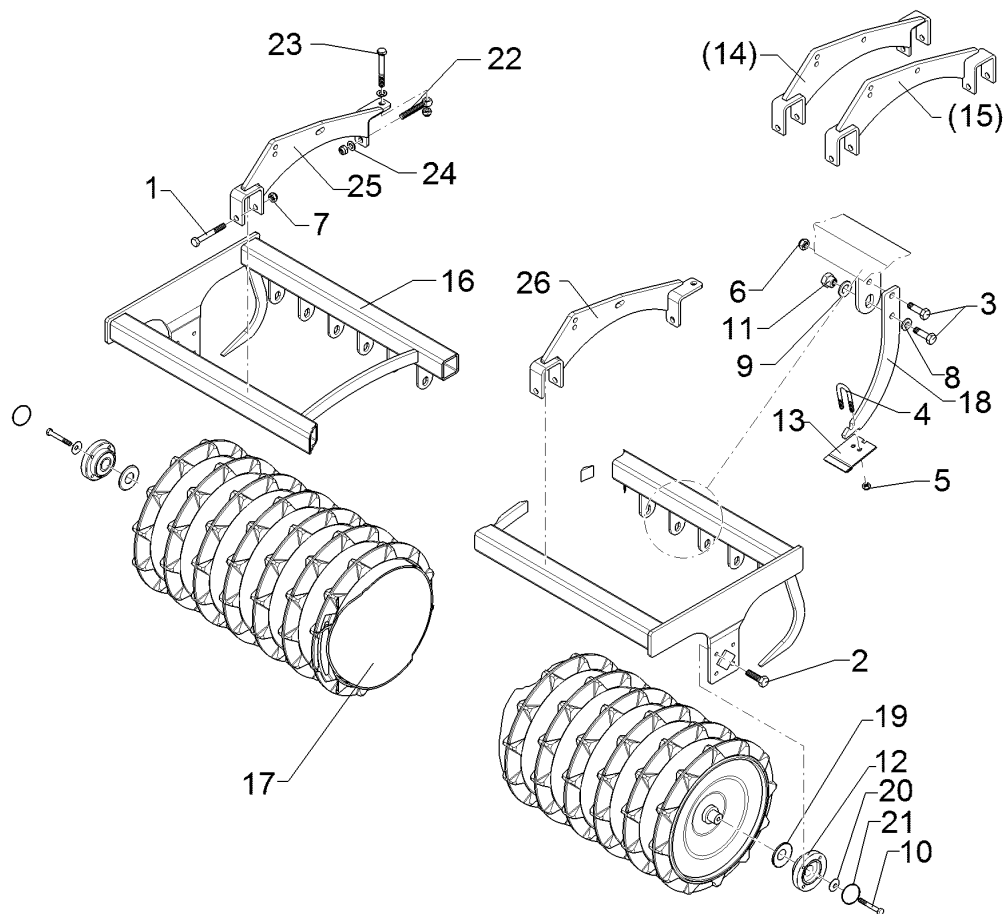
01.18

| Pos. | Art.Nr. | Stck. | Artikeltext / Description | Abmessung | |
|------|----------|-------|-----------------------------|-----------------------|-----------------------------|
| 1 | 301 4020 | 2 | Sechskantschraube | Hexagon bolt | M16x110-8.8 Zn DIN931-A |
| 2 | 301 3324 | 8 | Sechskantschraube | Hexagon bolt | M12x30-8.8 Zn DIN933 |
| 3 | 301 7334 | 24 | Sechskantschraube | Hexagon bolt | M12x35-8.8 Zn DIN933 |
| 4 | 301 7760 | 12 | Bügelschraube | U-bolt | M8/17/26/8.8 Zn |
| 5 | 303 0932 | 24 | Sicherungsmutter | Selflocking nut | NM8-8 Zn DIN985 |
| 6 | 303 0934 | 12 | Sicherungsmutter | Selflocking nut | NM12-8 Zn DIN985 |
| 7 | 303 0935 | 6 | Sicherungsmutter | Selflocking nut | NM16-8 Zn DIN985 |
| 8 | 305 6012 | 12 | Scheibe | Washer | 21 ISO7089 Zn |
| 9 | 305 6167 | 12 | Scheibe | Washer | 13/35x5 Zn DIN 6340 |
| 10 | 301 3406 | 2 | Sechskantschraube | Hexagon bolt | M12x70-8.8 Zn DIN931-A |
| 11 | 317 7699 | 12 | Exzenter | Eccentric | SW24/20-M12/E2 Zn |
| 12 | 319 9372 | 2 | Flanschlager-Gehäuseeinheit | Bearing cpl. | RCJ 35 35x118x39,9 4xM12 |
| 13 | 349 2004 | 12 | Hartmetallabstreifer | Scraper | 90x5x94 |
| 16 | 422 7444 | 1 | Tragrahmen | Supporting frame | TPW-R D500-2.00-13R150 |
| 17 | 423 2234 | 1 | Trapezpackerwalze | Trapeze packer roller | TPW-R D500-2.00-13R150 |
| 18 | 42310012 | 12 | Abstreiferhalter | Carrier for scraper | 8x94x260 2xD12,3 |
| 19 | 323 0411 | 2 | Schutzkappe | Cap | D80/d35 t=2x5,5 Zn |
| 20 | 329 6124 | 2 | Tellerfeder | Cup spring | 40x14,3x2 DIN2093 |
| 21 | 375 1277 | 2 | O-Ring | O-ring | 79x2 |



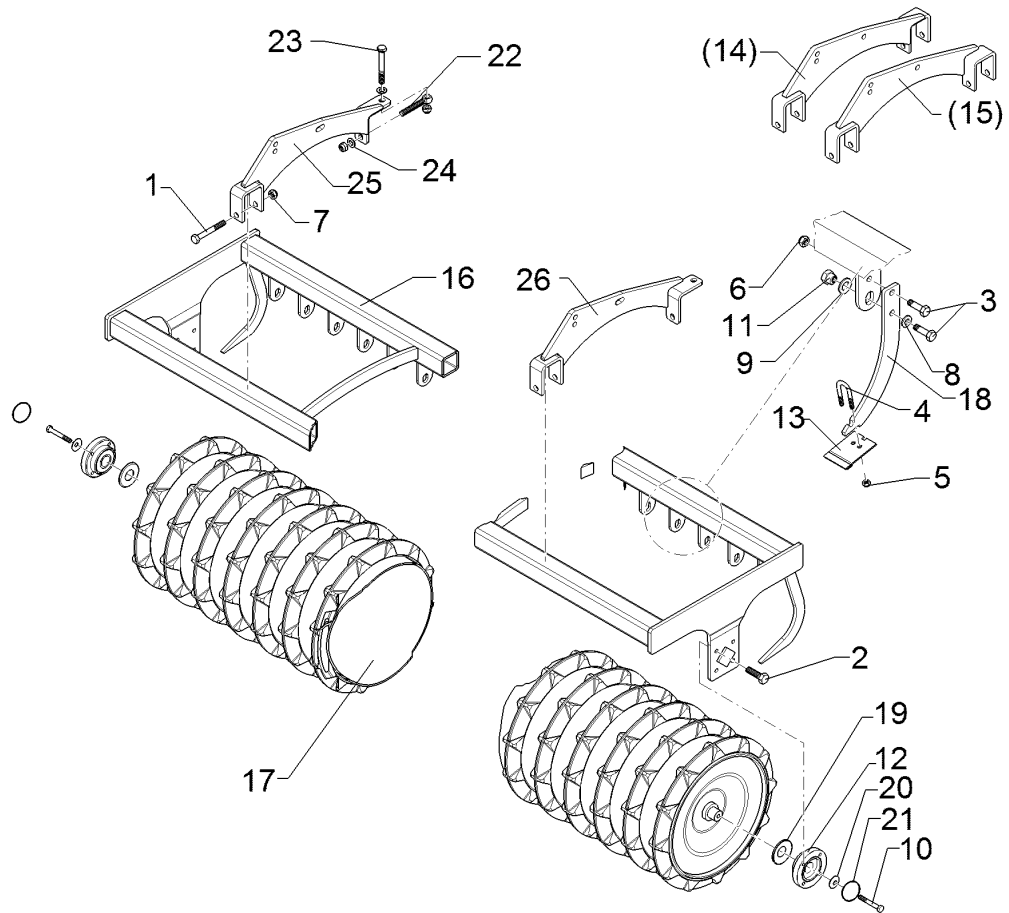
01.18

| Pos. | Art.Nr. | Stck. | Artikeltext / Description | | Abmessung |
|------|----------|-------|---------------------------|---------------|----------------------------|
| 22 | 301 0853 | 2 | Augenschraube | Eye bolt | BM16x110-8.8 |
| 23 | 301 4039 | 1 | Sechskantschraube | Hexagon bolt | D2=16H9 Zn DIN444 |
| 24 | 305 6141 | 4 | Scheibe | Washer | M16x120-8.8 Zn DIN931-A |
| 25 | 422 2932 | 1 | Tragplatte | Support plate | 17/30x3 DIN/ISO-7089 |
| 26 | 422 2933 | 1 | Tragplatte | Support plate | TPW RE TPW LI |



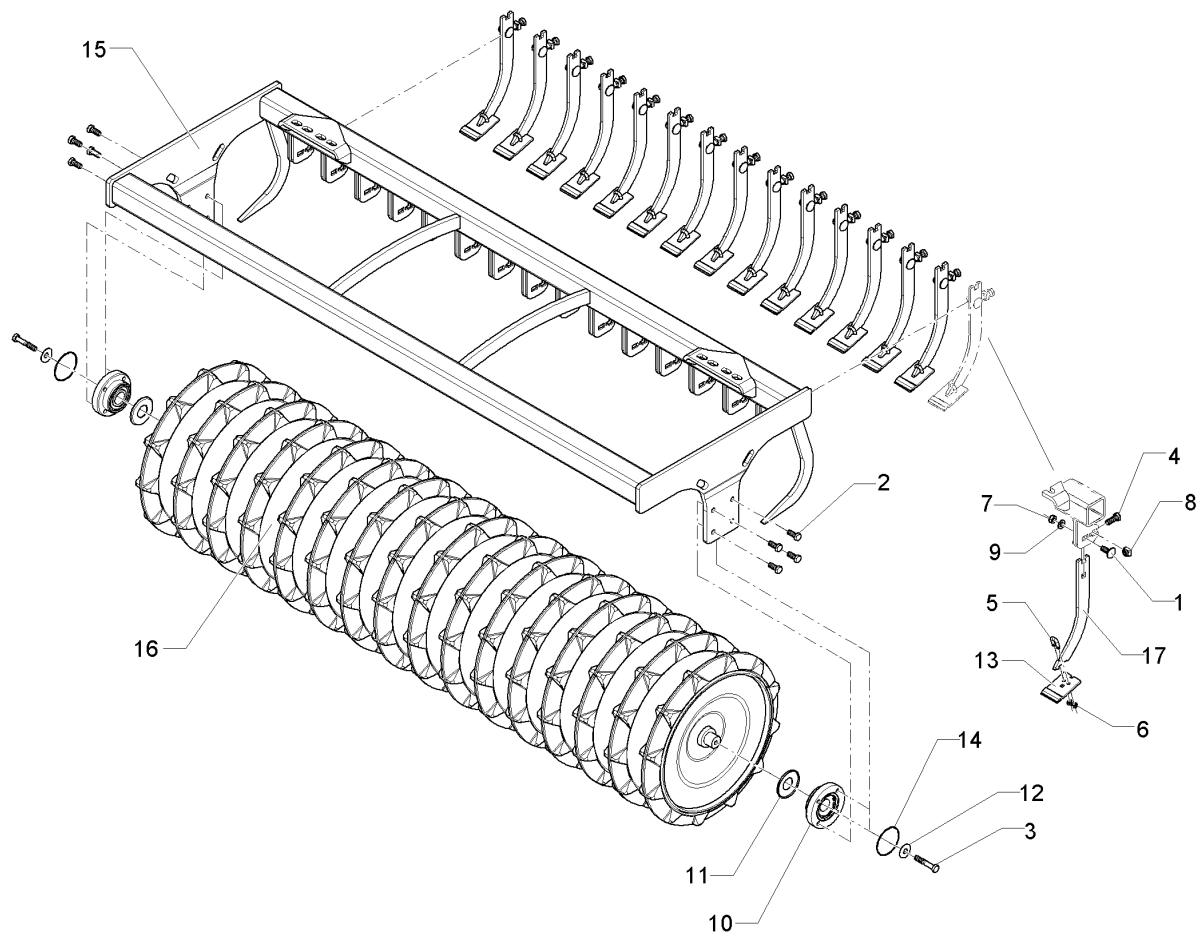
01.18

| Pos. | Art.Nr. | Stck. | Artikeltext / Description | Abmessung | |
|------|----------|-------|-----------------------------|-----------------------|-----------------------------|
| 1 | 301 4020 | 2 | Sechskantschraube | Hexagon bolt | M16x110-8.8 Zn DIN931-A |
| 2 | 301 3324 | 8 | Sechskantschraube | Hexagon bolt | M12x30-8.8 Zn DIN933 |
| 3 | 301 7334 | 26 | Sechskantschraube | Hexagon bolt | M12x35-8.8 Zn DIN933 |
| 4 | 301 7760 | 13 | Bügelschraube | U-bolt | M8/17/26/8.8 Zn |
| 5 | 303 0932 | 26 | Sicherungsmutter | Selflocking nut | NM8-8 Zn DIN985 |
| 6 | 303 0934 | 13 | Sicherungsmutter | Selflocking nut | NM12-8 Zn DIN985 |
| 7 | 303 0935 | 6 | Sicherungsmutter | Selflocking nut | NM16-8 Zn DIN985 |
| 8 | 305 6012 | 13 | Scheibe | Washer | 21 ISO7089 Zn |
| 9 | 305 6167 | 13 | Scheibe | Washer | 13/35x5 Zn DIN 6340 |
| 10 | 301 3406 | 2 | Sechskantschraube | Hexagon bolt | M12x70-8.8 Zn DIN931-A |
| 11 | 317 7699 | 13 | Exzenter | Eccentric | SW24/20-M12/E2 Zn |
| 12 | 319 9372 | 2 | Flanschlager-Gehäuseeinheit | Bearing cpl. | RCJ 35 35x118x39,9 4xM12 |
| 13 | 349 2004 | 13 | Hartmetallabstreifer | Scraper | 90x5x94 |
| 16 | 422 7445 | 1 | Tragrahmen | Supporting frame | TPW-R D500-2.00-14R150 |
| 17 | 423 2235 | 1 | Trapezpackerwalze | Trapeze packer roller | TPW-R D500-2.00-14R150 |
| 18 | 42310012 | 13 | Abstreiferhalter | Carrier for scraper | 8x94x260 2xD12,3 |
| 19 | 323 0411 | 2 | Schutzkappe | Cap | D80/d35 t=2x5,5 Zn |
| 20 | 329 6124 | 2 | Tellerfeder | Cup spring | 40x14,3x2 DIN2093 |
| 21 | 375 1277 | 2 | O-Ring | O-ring | 79x2 |



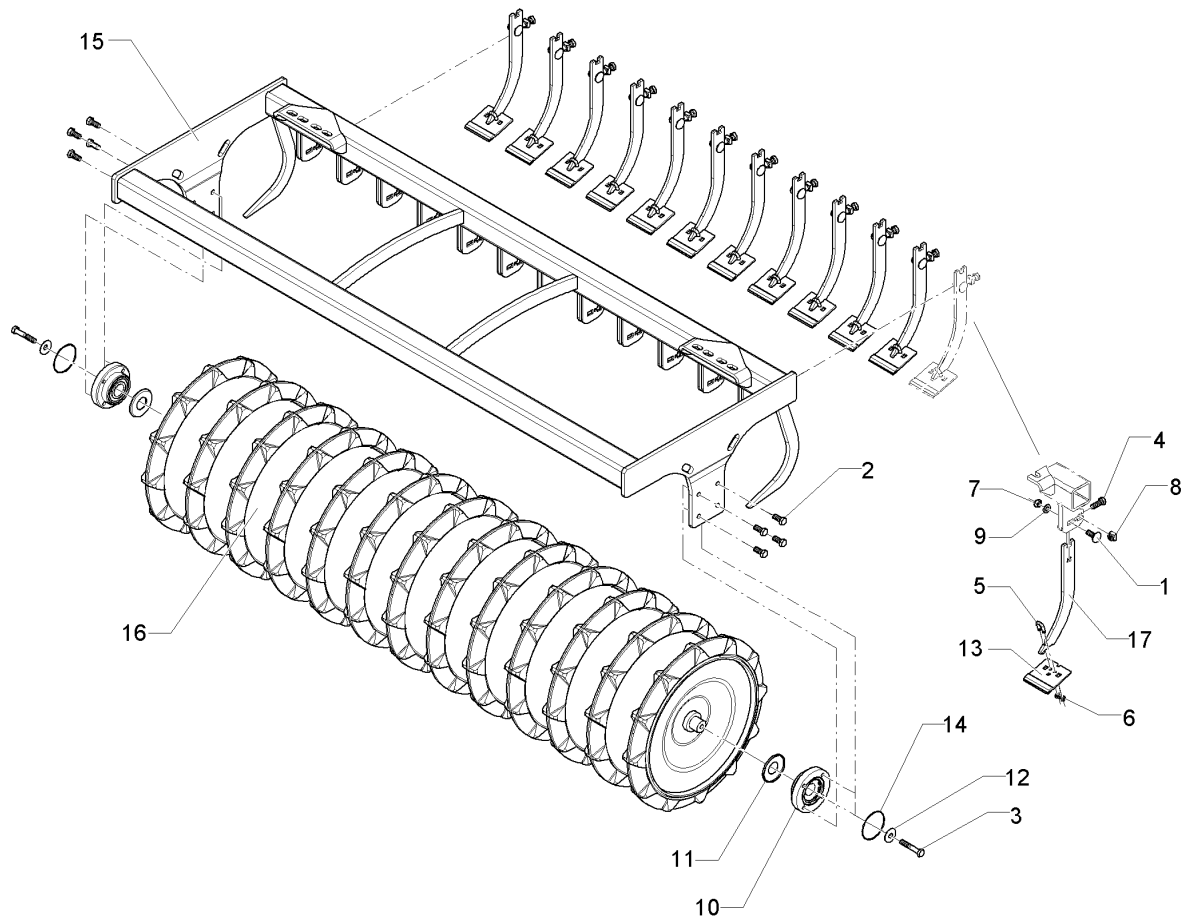
01.18

| Pos. | Art.Nr. | Stck. | Artikeltext / Description | | Abmessung |
|------|----------|-------|---------------------------|---------------|----------------------------|
| 22 | 301 0853 | 2 | Augenschraube | Eye bolt | BM16x110-8.8 |
| 23 | 301 4039 | 2 | Sechskantschraube | Hexagon bolt | D2=16H9 Zn DIN444 |
| 24 | 305 6141 | 4 | Scheibe | Washer | M16x120-8.8 Zn DIN931-A |
| 25 | 422 2932 | 1 | Tragplatte | Support plate | 17/30x3 DIN/ISO-7089 |
| 26 | 422 2933 | 1 | Tragplatte | Support plate | TPW RE TPW LI |



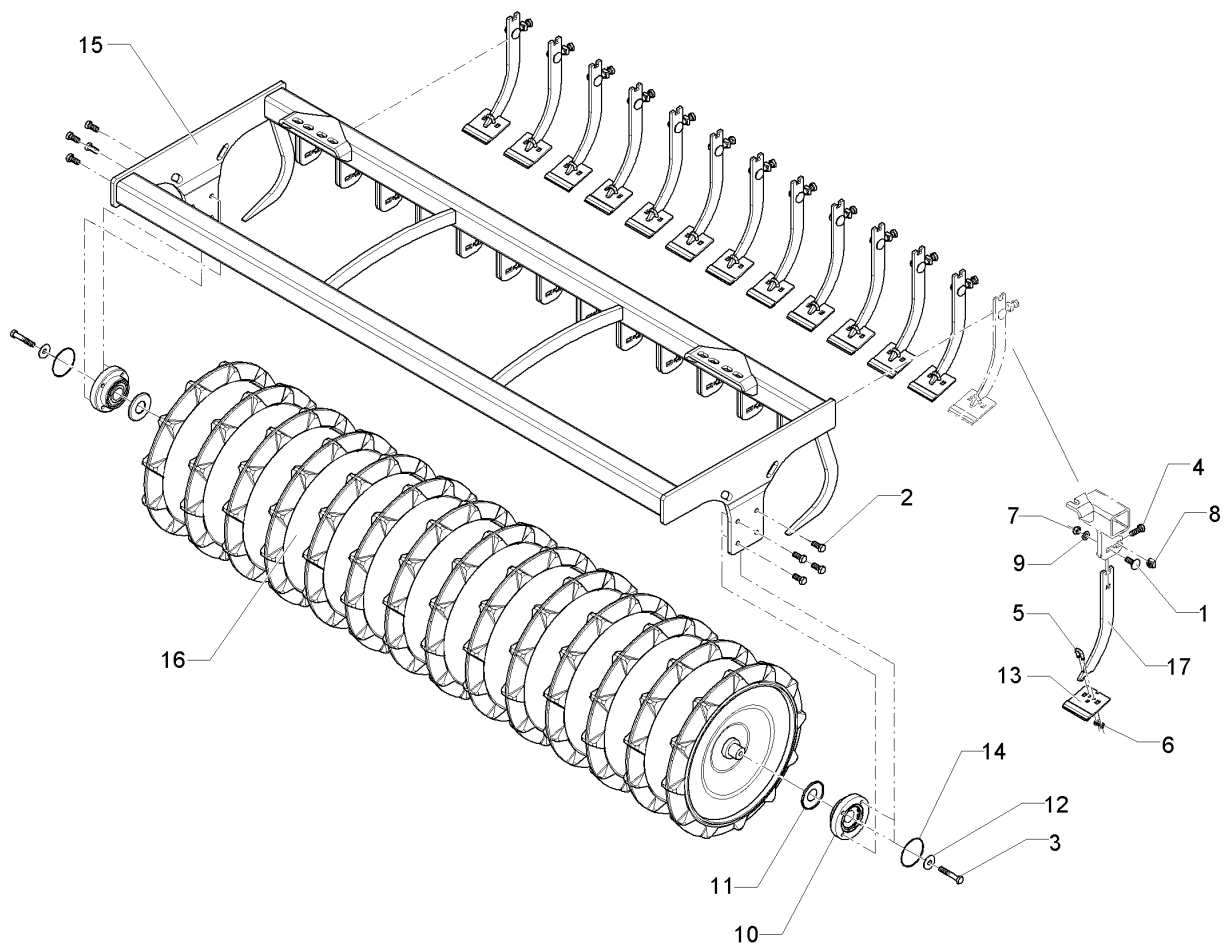
01.18

| Pos. | Art.Nr. | Stck. | Artikeltext / Description | | Abmessung |
|------|----------|-------|-----------------------------|-----------------------|-----------------------------|
| 1 | 301 1811 | 15 | Flachrundschraube | Saucer-head screw | M12x35-4.6 DIN608 |
| 2 | 301 3324 | 8 | Sechskantschraube | Hexagon bolt | M12x30-8.8 Zn DIN933 |
| 3 | 301 3406 | 2 | Sechskantschraube | Hexagon bolt | M12x70-8.8 Zn DIN931-A |
| 4 | 301 7334 | 15 | Sechskantschraube | Hexagon bolt | M12x35-8.8 Zn DIN933 |
| 5 | 301 7760 | 15 | Bügelsschraube | U-bolt | M8/17/26/8.8 Zn |
| 6 | 303 0932 | 30 | Sicherungsmutter | Selflocking nut | NM8-8 Zn DIN985 |
| 7 | 303 0934 | 15 | Sicherungsmutter | Selflocking nut | NM12-8 Zn DIN985 |
| 8 | 30310016 | 15 | Vierkantmutter | Nut | M12 mit Klemmteil |
| 9 | 305 8580 | 15 | Scheibe | Washer | 13/24x2,5 St-Zn DIN125 |
| 10 | 319 9372 | 2 | Flanschlager-Gehäuseeinheit | Bearing cpl. | RCJ 35 35x118x39,9 4xM12 |
| 11 | 323 0411 | 2 | Schutzkappe | Cap | D80/d35 t=2x5,5 Zn |
| 12 | 329 6124 | 2 | Tellerfeder | Cup spring | 40x14,3x2 DIN2093 |
| 13 | 34910018 | 15 | Abstreifer | Scraper | 60x5x94 |
| 14 | 375 1277 | 2 | O-Ring | O-ring | 79x2 |
| 15 | 42210142 | 1 | Tragrahmen | Supporting frame | TPW-R D500-2.00-16R125 |
| 16 | 423 2230 | 1 | Trapezpackerwalze | Trapeze packer roller | TPW-R D500-2.00-16R125 |
| 17 | 42310027 | 15 | Abstreiferhalter | Carrier for scraper | 8x40x307,5 |



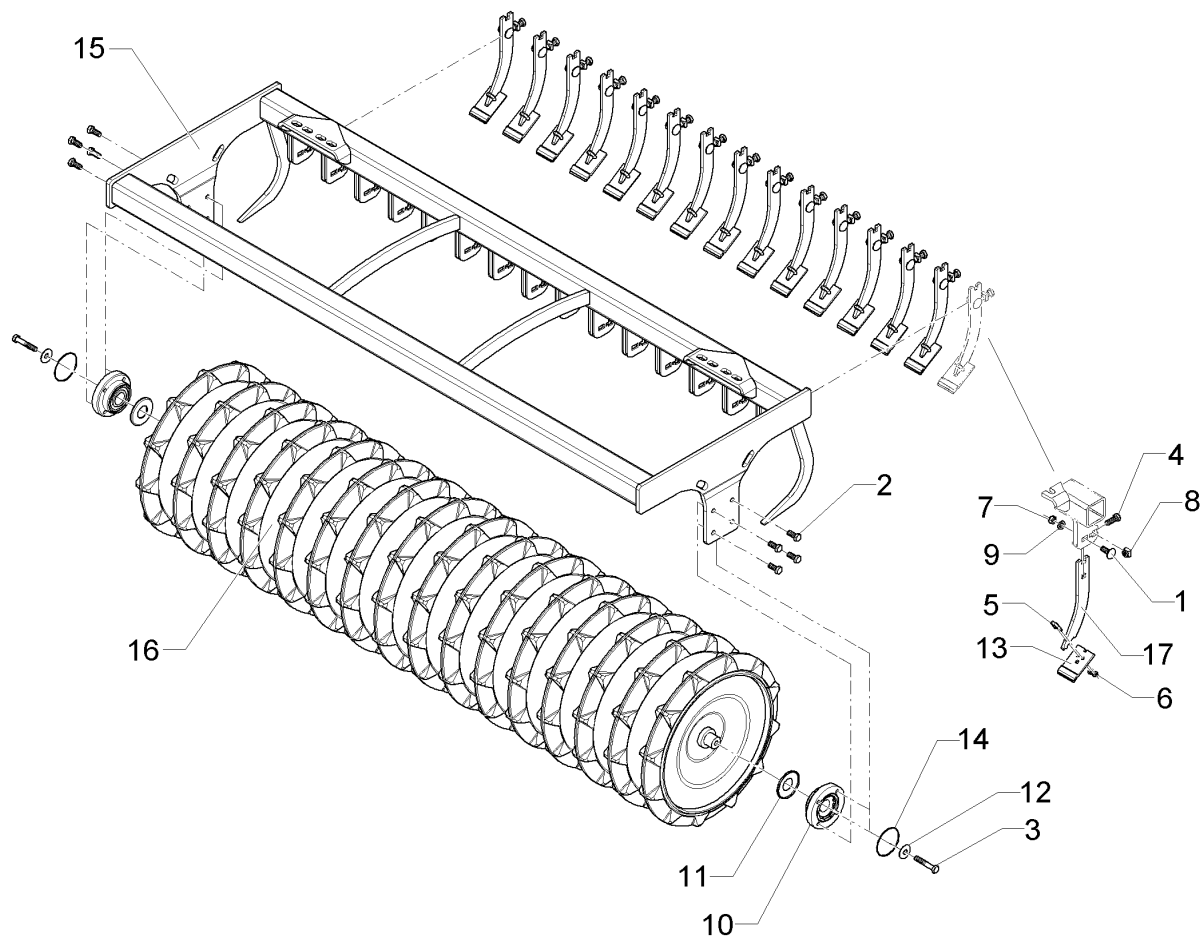
01.18

| Pos. | Art.Nr. | Stck. | Artikeltext / Description | | Abmessung |
|------|----------|-------|-----------------------------|-----------------------|-----------------------------|
| 1 | 301 1811 | 12 | Flachrundschraube | Saucer-head screw | M12x35-4.6 DIN608 |
| 2 | 301 3324 | 8 | Sechskantschraube | Hexagon bolt | M12x30-8.8 Zn DIN933 |
| 3 | 301 3406 | 2 | Sechskantschraube | Hexagon bolt | M12x70-8.8 Zn DIN931-A |
| 4 | 301 7334 | 12 | Sechskantschraube | Hexagon bolt | M12x35-8.8 Zn DIN933 |
| 5 | 301 7760 | 12 | Bügelsschraube | U-bolt | M8/17/26/8.8 Zn |
| 6 | 303 0932 | 24 | Sicherungsmutter | Selflocking nut | NM8-8 Zn DIN985 |
| 7 | 303 0934 | 12 | Sicherungsmutter | Selflocking nut | NM12-8 Zn DIN985 |
| 8 | 30310016 | 12 | Vierkantmutter | Nut | M12 mit Klemmteil |
| 9 | 305 8580 | 12 | Scheibe | Washer | 13/24x2,5 St-Zn DIN125 |
| 10 | 319 9372 | 2 | Flanschlager-Gehäuseeinheit | Bearing cpl. | RCJ 35 35x118x39,9 4xM12 |
| 11 | 323 0411 | 2 | Schutzkappe | Cap | D80/d35 t=2x5,5 Zn |
| 12 | 329 6124 | 2 | Tellerfeder | Cup spring | 40x14,3x2 DIN2093 |
| 13 | 34910019 | 12 | Abstreifer-Hartmetall | Scraper | 90x5x94 |
| 14 | 375 1277 | 2 | O-Ring | O-ring | 79x2 |
| 15 | 42210143 | 1 | Tragrahmen | Supporting frame | TPW-R D500-2.00-13R150 |
| 16 | 423 2234 | 1 | Trapezpackerwalze | Trapeze packer roller | TPW-R D500-2.00-13R150 |
| 17 | 42310027 | 12 | Abstreiferhalter | Carrier for scraper | 8x40x307,5 |



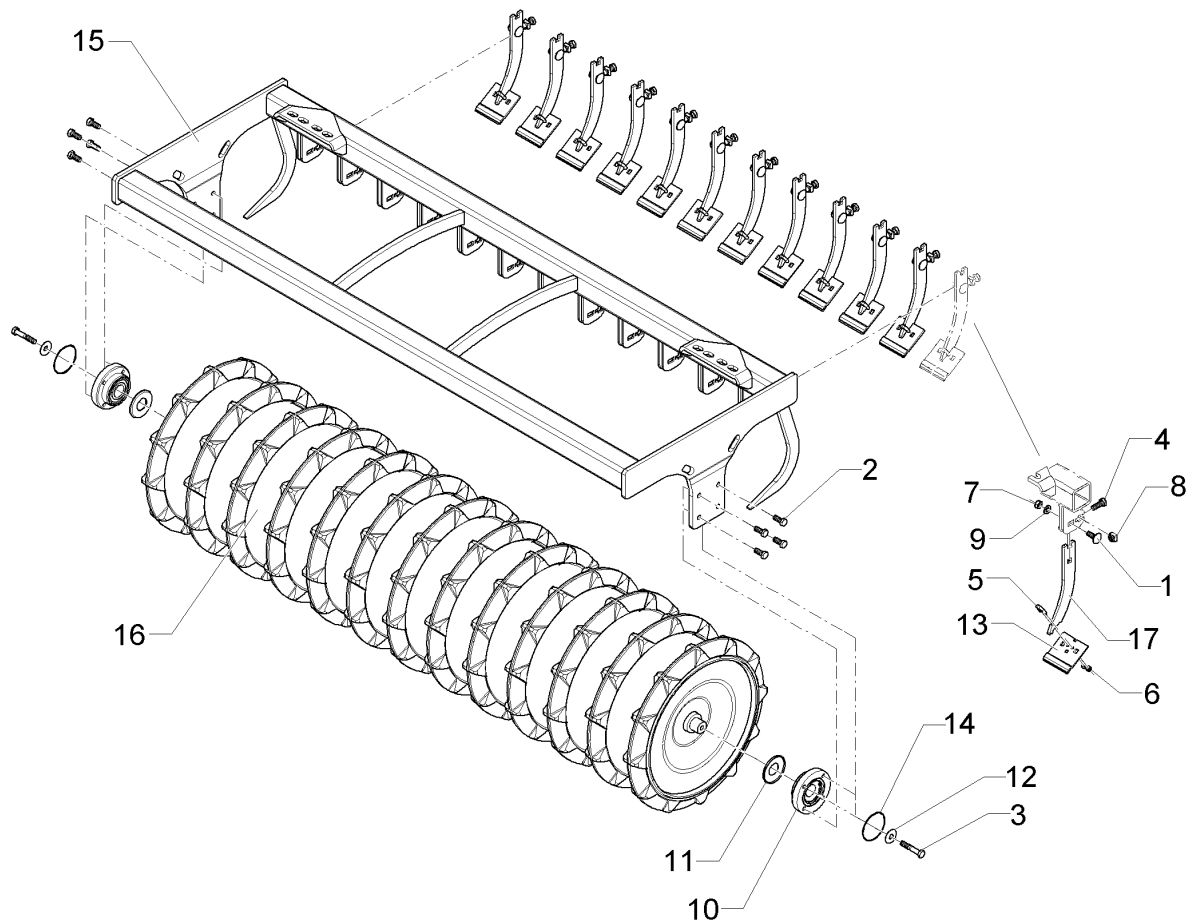
01.18

| Pos. | Art.Nr. | Stck. | Artikeltext / Description | | Abmessung |
|------|----------|-------|-----------------------------|-----------------------|-----------------------------|
| 1 | 301 1811 | 13 | Flachrundschraube | Saucer-head screw | M12x35-4.6 DIN608 |
| 2 | 301 3324 | 8 | Sechskantschraube | Hexagon bolt | M12x30-8.8 Zn DIN933 |
| 3 | 301 3406 | 2 | Sechskantschraube | Hexagon bolt | M12x70-8.8 Zn DIN931-A |
| 4 | 301 7334 | 13 | Sechskantschraube | Hexagon bolt | M12x35-8.8 Zn DIN933 |
| 5 | 301 7760 | 13 | Bügelschraube | U-bolt | M8/17/26/8.8 Zn |
| 6 | 303 0932 | 26 | Sicherungsmutter | Selflocking nut | NM8-8 Zn DIN985 |
| 7 | 303 0934 | 13 | Sicherungsmutter | Selflocking nut | NM12-8 Zn DIN985 |
| 8 | 30310016 | 13 | Vierkantmutter | Nut | M12 mit Klemmteil |
| 9 | 305 8580 | 13 | Scheibe | Washer | 13/24x2,5 St-Zn DIN125 |
| 10 | 319 9372 | 2 | Flanschlager-Gehäuseeinheit | Bearing cpl. | RCJ 35 35x118x39,9 4xM12 |
| 11 | 323 0411 | 2 | Schutzkappe | Cap | D80/d35 t=2x5,5 Zn |
| 12 | 329 6124 | 2 | Tellerfeder | Cup spring | 40x14,3x2 DIN2093 |
| 13 | 34910019 | 13 | Abstreifer-Hartmetall | Scraper | 90x5x94 |
| 14 | 375 1277 | 2 | O-Ring | O-ring | 79x2 |
| 15 | 42210144 | 1 | Tragrahmen | Supporting frame | TPW-R D500-2.00-14R150 |
| 16 | 423 2235 | 1 | Trapezpackerwalze | Trapeze packer roller | TPW-R D500-2.00-14R150 |
| 17 | 42310027 | 13 | Abstreiferhalter | Carrier for scraper | 8x40x307,5 |



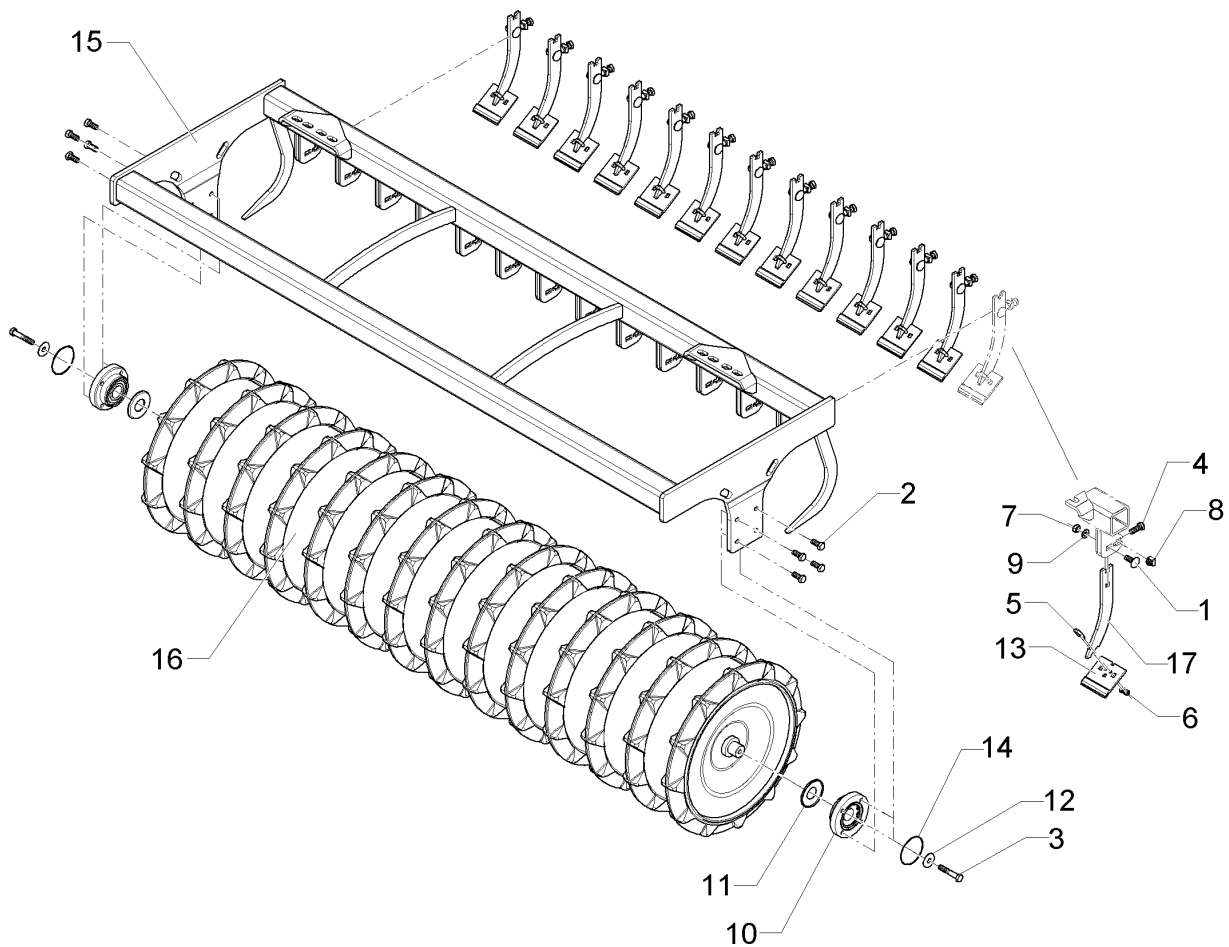
01.18

| Pos. | Art.Nr. | Stck. | Artikeltext / Description | | Abmessung |
|------|----------|-------|-----------------------------|-----------------------|-----------------------------|
| 1 | 301 1811 | 15 | Flachrundschraube | Saucer-head screw | M12x35-4.6 DIN608 |
| 2 | 301 3324 | 8 | Sechskantschraube | Hexagon bolt | M12x30-8.8 Zn DIN933 |
| 3 | 301 3406 | 2 | Sechskantschraube | Hexagon bolt | M12x70-8.8 Zn DIN931-A |
| 4 | 301 7334 | 15 | Sechskantschraube | Hexagon bolt | M12x35-8.8 Zn DIN933 |
| 5 | 301 7760 | 15 | Bügelschraube | U-bolt | M8/17/26/8.8 Zn |
| 6 | 303 0932 | 30 | Sicherungsmutter | Selflocking nut | NM8-8 Zn DIN985 |
| 7 | 303 0934 | 15 | Sicherungsmutter | Selflocking nut | NM12-8 Zn DIN985 |
| 8 | 30310016 | 15 | Vierkantmutter | Nut | M12 mit Klemmteil |
| 9 | 305 8580 | 15 | Scheibe | Washer | 13/24x2,5 St-Zn DIN125 |
| 10 | 319 9372 | 2 | Flanschlager-Gehäuseeinheit | Bearing cpl. | RCJ 35 35x118x39,9 4xM12 |
| 11 | 323 0411 | 2 | Schutzkappe | Cap | D80/d35 t=2x5,5 Zn |
| 12 | 329 6124 | 2 | Tellerfeder | Cup spring | 40x14,3x2 DIN2093 |
| 13 | 34910018 | 15 | Abstreifer | Scraper | 60x5x94 |
| 14 | 375 1277 | 2 | O-Ring | O-ring | 79x2 |
| 15 | 42210142 | 1 | Tragrahmen | Supporting frame | TPW-R D500-2.00-16R125 |
| 16 | 423 2230 | 1 | Trapezpackerwalze | Trapeze packer roller | TPW-R D500-2.00-16R125 |
| 17 | 42310026 | 15 | Abstreiferhalter | Carrier for scraper | 8x95x257 |



01.18

| Pos. | Art.Nr. | Stck. | Artikeltext / Description | | Abmessung |
|------|----------|-------|-----------------------------|-----------------------|-----------------------------|
| 1 | 301 1811 | 12 | Flachrundschraube | Saucer-head screw | M12x35-4.6 DIN608 |
| 2 | 301 3324 | 8 | Sechskantschraube | Hexagon bolt | M12x30-8.8 Zn DIN933 |
| 3 | 301 3406 | 2 | Sechskantschraube | Hexagon bolt | M12x70-8.8 Zn DIN931-A |
| 4 | 301 7334 | 12 | Sechskantschraube | Hexagon bolt | M12x35-8.8 Zn DIN933 |
| 5 | 301 7760 | 12 | Bügelschraube | U-bolt | M8/17/26/8.8 Zn |
| 6 | 303 0932 | 24 | Sicherungsmutter | Selflocking nut | NM8-8 Zn DIN985 |
| 7 | 303 0934 | 12 | Sicherungsmutter | Selflocking nut | NM12-8 Zn DIN985 |
| 8 | 30310016 | 12 | Vierkantmutter | Nut | M12 mit Klemmteil |
| 9 | 305 8580 | 12 | Scheibe | Washer | 13/24x2,5 St-Zn DIN125 |
| 10 | 319 9372 | 2 | Flanschlager-Gehäuseeinheit | Bearing cpl. | RCJ 35 35x118x39,9 4xM12 |
| 11 | 323 0411 | 2 | Schutzkappe | Cap | D80/d35 t=2x5,5 Zn |
| 12 | 329 6124 | 2 | Tellerfeder | Cup spring | 40x14,3x2 DIN2093 |
| 13 | 34910019 | 12 | Abstreifer-Hartmetall | Scraper | 90x5x94 |
| 14 | 375 1277 | 2 | O-Ring | O-ring | 79x2 |
| 15 | 42210143 | 1 | Tragrahmen | Supporting frame | TPW-R D500-2.00-13R150 |
| 16 | 423 2234 | 1 | Trapezpackerwalze | Trapeze packer roller | TPW-R D500-2.00-13R150 |
| 17 | 42310026 | 12 | Abstreiferhalter | Carrier for scraper | 8x95x257 |

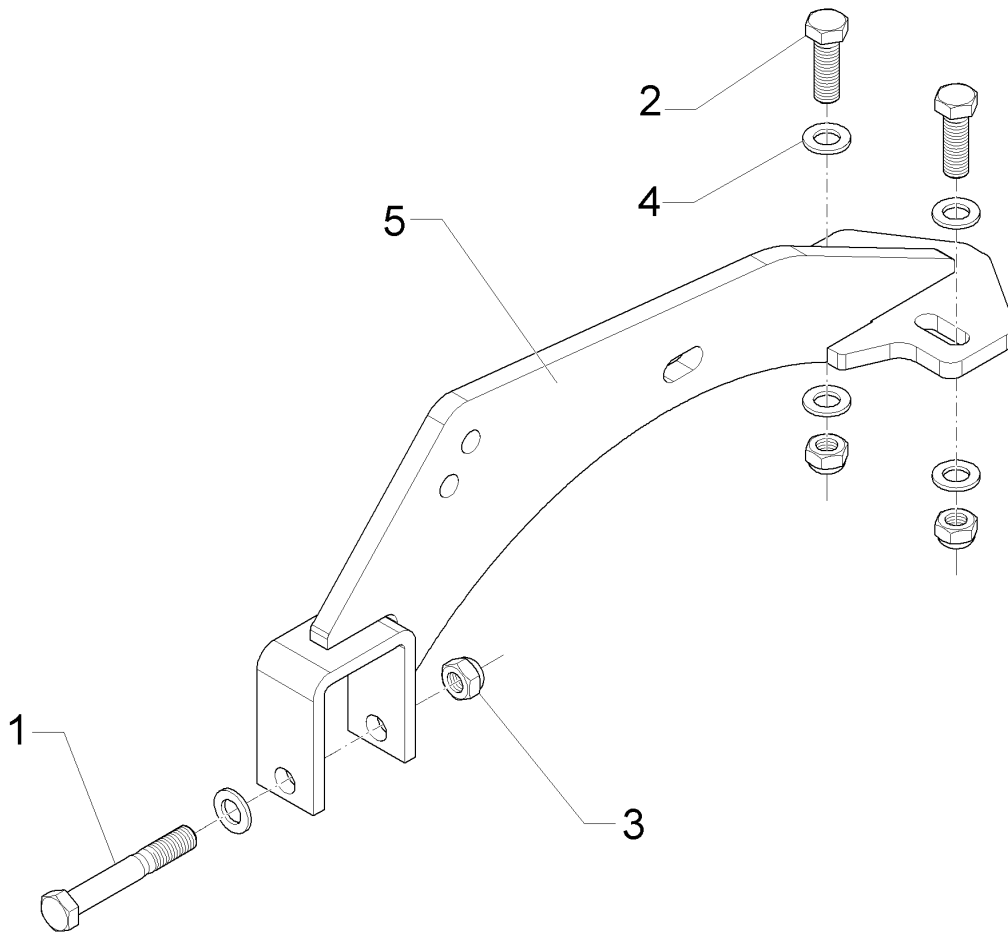


01.18

| Pos. | Art.Nr. | Stck. | Artikeltext / Description | | Abmessung |
|------|----------|-------|-----------------------------|-----------------------|-----------------------------|
| 1 | 301 1811 | 13 | Flachrundschraube | Saucer-head screw | M12x35-4.6 DIN608 |
| 2 | 301 3324 | 8 | Sechskantschraube | Hexagon bolt | M12x30-8.8 Zn DIN933 |
| 3 | 301 3406 | 2 | Sechskantschraube | Hexagon bolt | M12x70-8.8 Zn DIN931-A |
| 4 | 301 7334 | 13 | Sechskantschraube | Hexagon bolt | M12x35-8.8 Zn DIN933 |
| 5 | 301 7760 | 13 | Bügelschraube | U-bolt | M8/17/26/8.8 Zn |
| 6 | 303 0932 | 26 | Sicherungsmutter | Selflocking nut | NM8-8 Zn DIN985 |
| 7 | 303 0934 | 13 | Sicherungsmutter | Selflocking nut | NM12-8 Zn DIN985 |
| 8 | 30310016 | 13 | Vierkantmutter | Nut | M12 mit Klemmteil |
| 9 | 305 8580 | 13 | Scheibe | Washer | 13/24x2,5 St-Zn DIN125 |
| 10 | 319 9372 | 2 | Flanschlager-Gehäuseeinheit | Bearing cpl. | RCJ 35 35x118x39,9 4xM12 |
| 11 | 323 0411 | 2 | Schutzkappe | Cap | D80/d35 t=2x5,5 Zn |
| 12 | 329 6124 | 2 | Tellerfeder | Cup spring | 40x14,3x2 DIN2093 |
| 13 | 34910019 | 13 | Abstreifer-Hartmetall | Scraper | 90x5x94 |
| 14 | 375 1277 | 2 | O-Ring | O-ring | 79x2 |
| 15 | 42210144 | 1 | Tragrahmen | Supporting frame | TPW-R D500-2.00-14R150 |
| 16 | 423 2235 | 1 | Trapezpackerwalze | Trapeze packer roller | TPW-R D500-2.00-14R150 |
| 17 | 42310026 | 13 | Abstreiferhalter | Carrier for scraper | 8x95x257 |

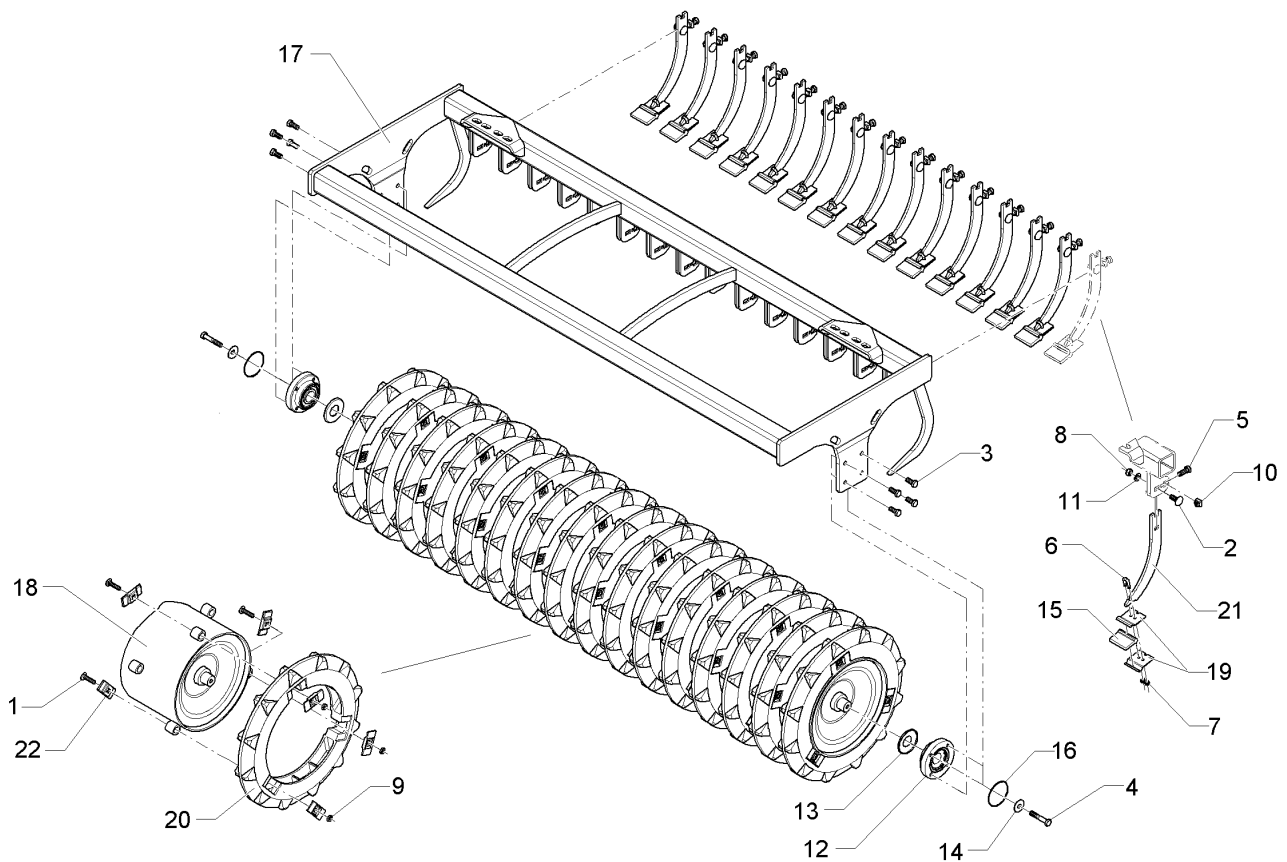
| | |
|----------------------|----------|
| Halter/Holder | 5 |
|----------------------|----------|

| | |
|------------------------|-----------------|
| Rubin 9/400 KÜA | 62210178 |
|------------------------|-----------------|



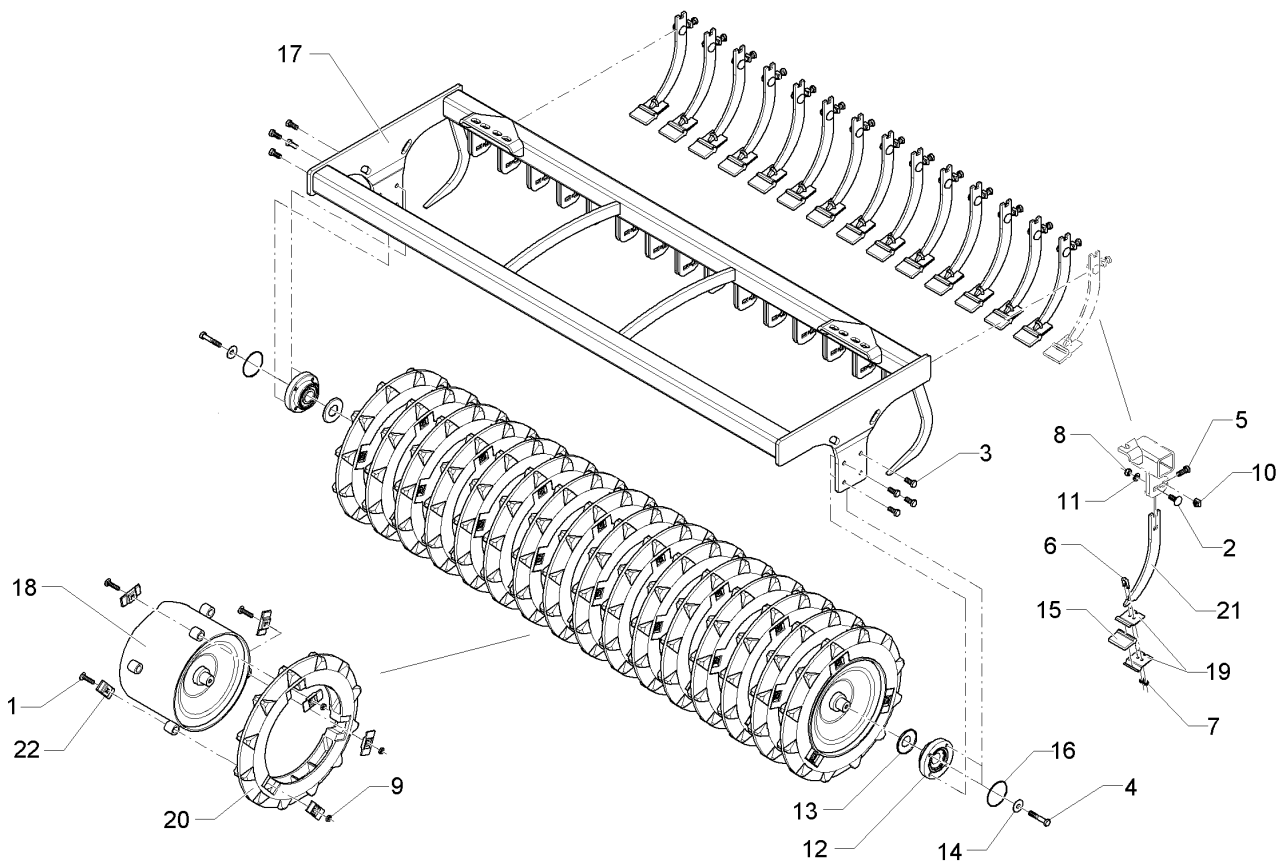
01.18

| Pos. | Art.Nr. | Stck. | Artikeltext / Description | | Abmessung |
|------|----------|-------|---------------------------|-----------------|----------------------------|
| 1 | 301 4020 | 1 | Sechskantschraube | Hexagon bolt | M16x110-8.8 Zn DIN931-A |
| 2 | 301 5406 | 2 | Sechskantschraube | Hexagon bolt | M16x50-8.8 Zn DIN933 |
| 3 | 303 0935 | 3 | Sicherungsmutter | Selflocking nut | NM16-8 Zn DIN985 |
| 4 | 305 6141 | 5 | Scheibe | Washer | 17/30x3 DIN/ISO-7089 |
| 5 | 42210165 | 1 | Halter | Holder | TPW D500 |



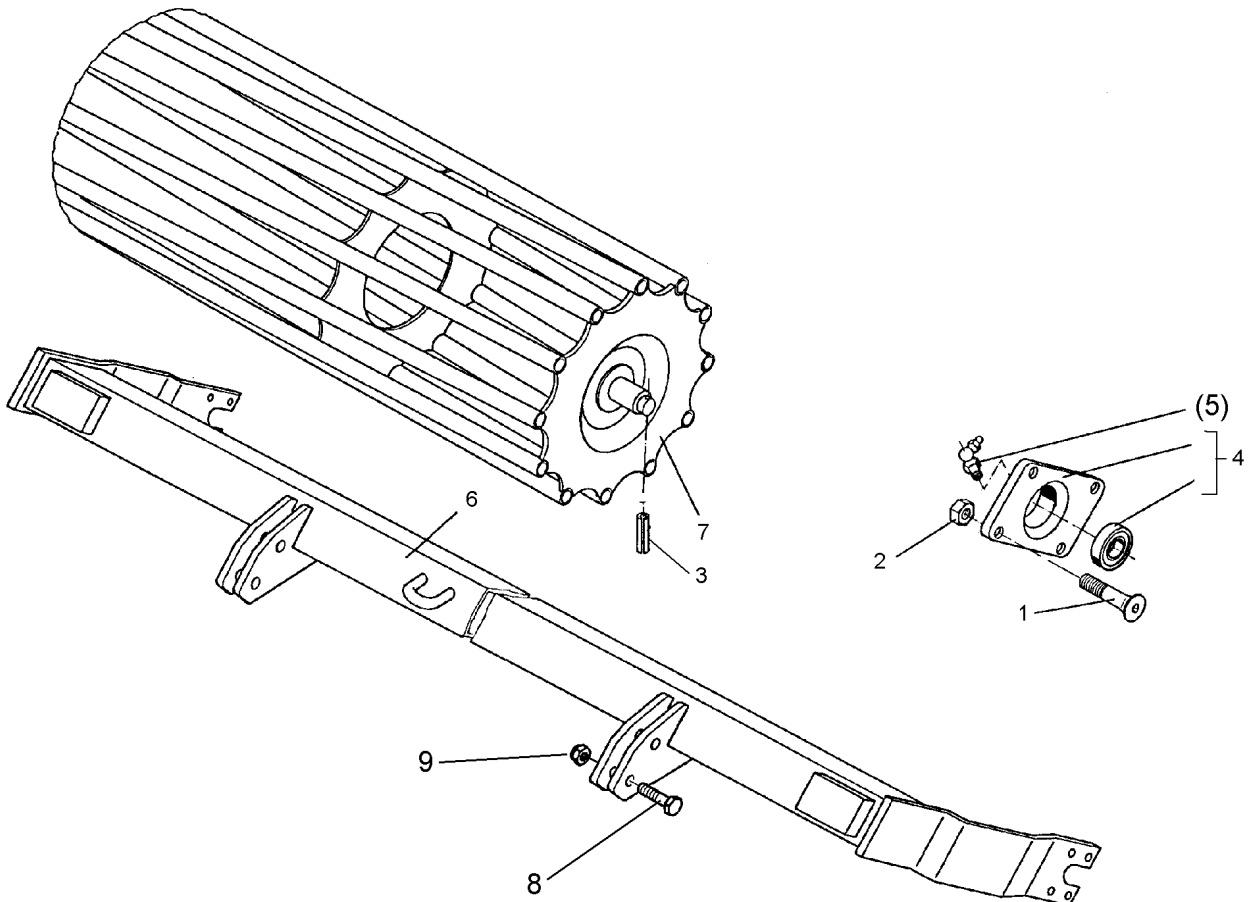
01.18

| Pos. | Art.Nr. | Stck. | Artikeltext / Description | | Abmessung |
|------|----------|-------|-----------------------------|---------------------|-----------------------------|
| 1 | 301 1719 | 48 | Flachrundschaube | Saucer-head screw | M10x47-8.8 Zn DIN603 |
| 2 | 301 1811 | 15 | Flachrundschaube | Saucer-head screw | M12x35-4.6 DIN608 |
| 3 | 301 3324 | 8 | Sechskantschraube | Hexagon bolt | M12x30-8.8 Zn DIN933 |
| 4 | 301 3406 | 2 | Sechskantschraube | Hexagon bolt | M12x70-8.8 Zn DIN931-A |
| 5 | 301 7334 | 15 | Sechskantschraube | Hexagon bolt | M12x35-8.8 Zn DIN933 |
| 6 | 301 7760 | 15 | Bügelsschraube | U-bolt | M8/17/26/8.8 Zn |
| 7 | 303 0932 | 30 | Sicherungsmutter | Selflocking nut | NM8-8 Zn DIN985 |
| 8 | 303 0934 | 15 | Sicherungsmutter | Selflocking nut | NM12-8 Zn DIN985 |
| 9 | 303 0951 | 48 | Sechskantmutter | Hexagon nut | BM10 DIN439-4 |
| 10 | 30310016 | 15 | Vierkantmutter | Nut | M12 mit Klemnteil |
| 11 | 305 8580 | 15 | Scheibe | Washer | 13/24x2,5 St-Zn DIN125 |
| 12 | 319 9372 | 2 | Flanschlager-Gehäuseeinheit | Bearing cpl. | RCJ 35 35x118x39,9 4xM12 |
| 13 | 323 0411 | 2 | Schutzkappe | Cap | D80/d35 t=2x5,5 Zn |
| 14 | 329 6124 | 2 | Tellerfeder | Cup spring | 40x14,3x2 DIN2093 |
| 15 | 349 2007 | 15 | Kunststoffabstreifer | Synthetic scraper | 68x53,5x10 TSW |
| 16 | 375 1277 | 2 | O-Ring | O-ring | 79x2 |
| 17 | 42210142 | 1 | Tragrahmen | Supporting frame | TPW-R D500-2.00-16R125 |
| 18 | 423 2190 | 1 | Trapezscheibenwalze | Trapeze disc roller | TSW-R D500-2.00-16R125 |
| 19 | 423 5908 | 30 | Klemmplatte | Clamping plate | 60x3x66 2xD8,5 |



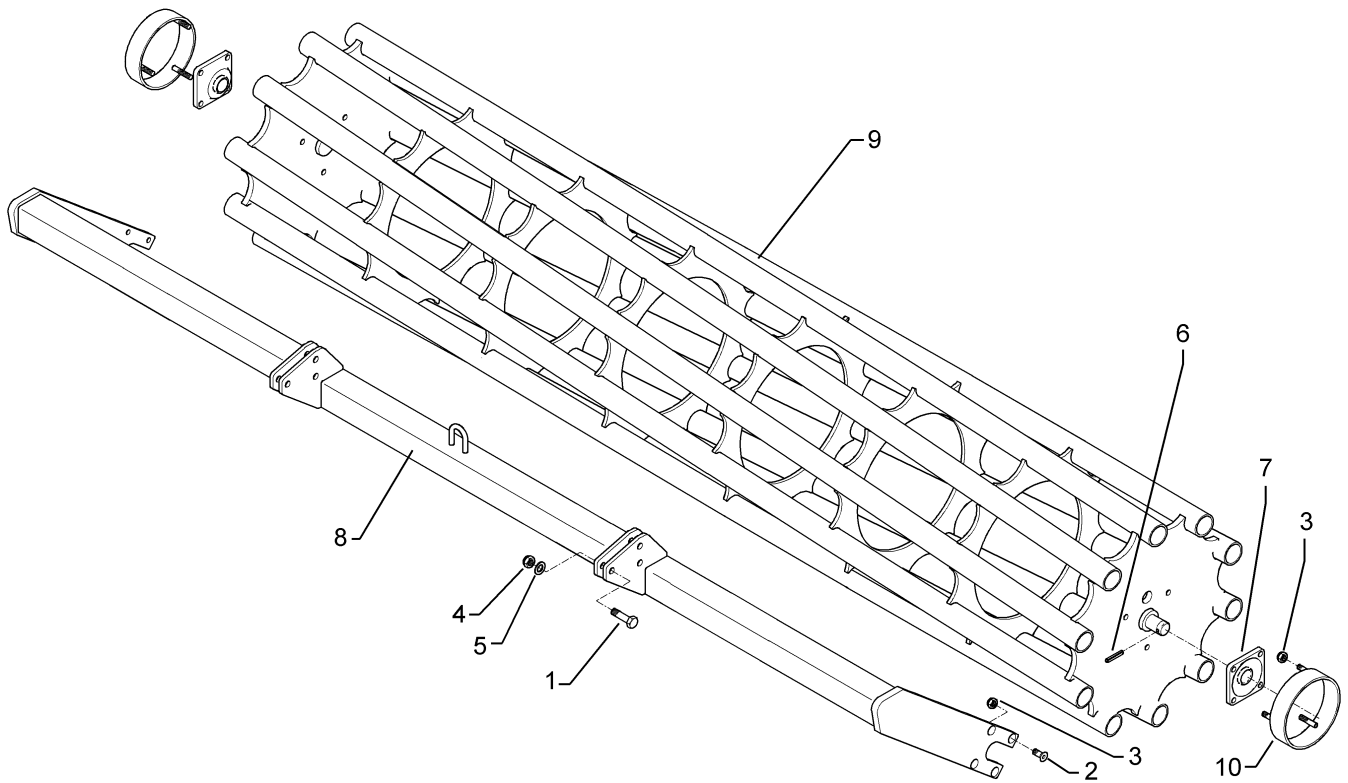
01.18

| Pos. | Art.Nr. | Stck. | Artikeltext / Description | Abmessung |
|------|----------|-------|---------------------------|----------------------|
| 20 | 423 9043 | 16 | Trapezring | D500x52 |
| 21 | 42310028 | 15 | Abstreiferhalter | 8x147x281 |
| 22 | 459 4550 | 48 | Klemmplatte | 35x5x78 4XVKL M10 Zn |



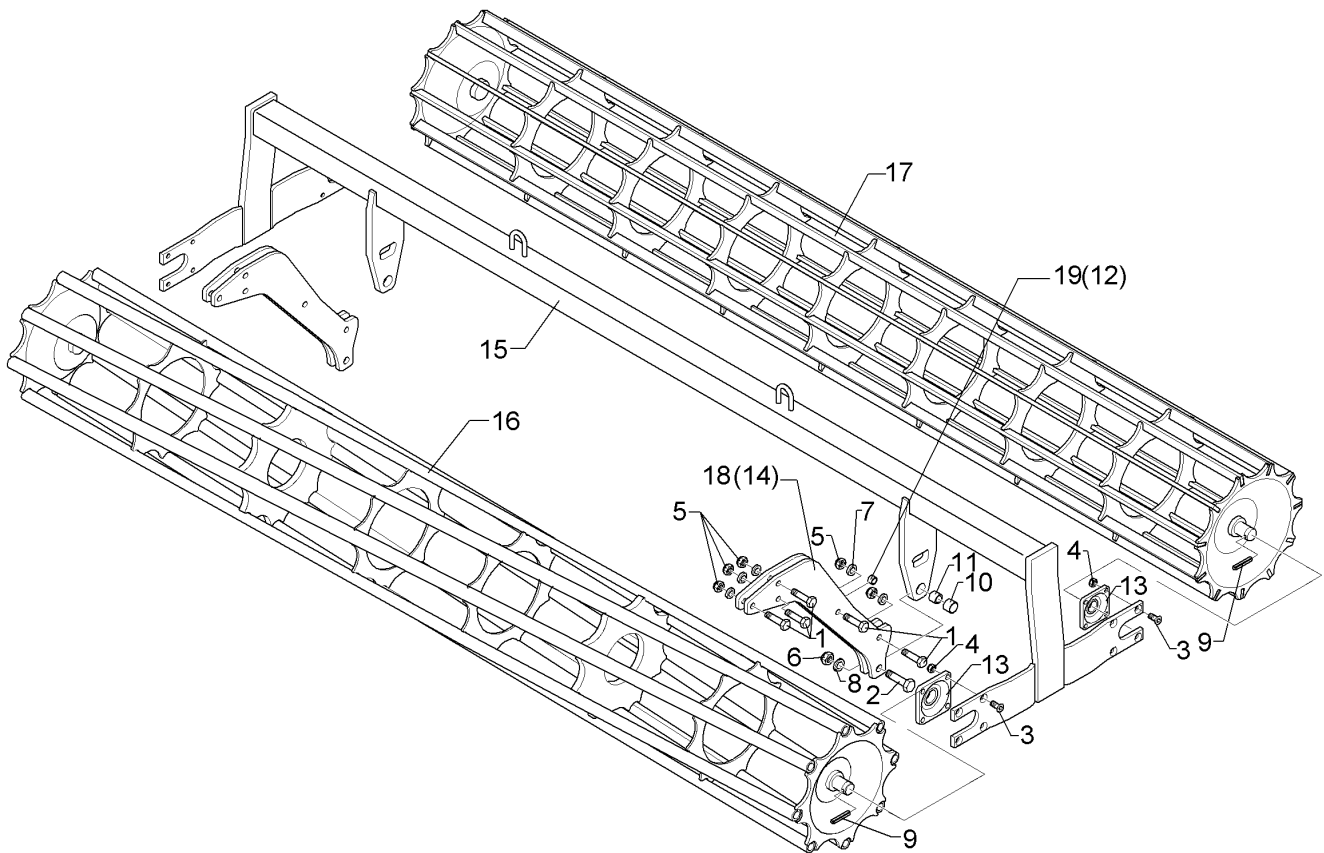
01.18

| Pos. | Art.Nr. | Stck. | Artikeltext / Description | | Abmessung |
|------|----------|-------|-----------------------------|------------------|-----------------------------|
| 1 | 301 6130 | 8 | Senkschraube | Countersunk bolt | M12x40-10.9 Zn DIN7991-A |
| 2 | 303 0934 | 8 | Sicherungsmutter | Selflocking nut | NM12-8 Zn DIN985 |
| 3 | 309 6072 | 2 | Spannhülse | Expansion bush | 8x40-DIN1481 Zn |
| 4 | 319 9365 | 2 | Flanschlager-Gehäuseeinheit | Bearing cpl. | RCJ 35 35x118x39,9 |
| 5 | 323 6360 | 2 | Schmiernippel | Grease nipple | R1/8" |
| 6 | 422 6605 | 1 | Tragrahmen | Supporting frame | 80x1910 D540-200-LI |
| 7 | 423 0956 | 1 | Rohrstabwalze | Tube bar roller | D540x1954 RE 2.00 |
| 8 | 301 3870 | 4 | Sechskantschraube spz. | Hexagon bolt | M16x65-10.9 Zn |
| 9 | 303 0935 | 4 | Sicherungsmutter | Selflocking nut | NM16-8 Zn DIN985 |
| 10 | 305 6161 | 4 | Scheibe | Washer | 17/40x6 DIN7349 Zn |



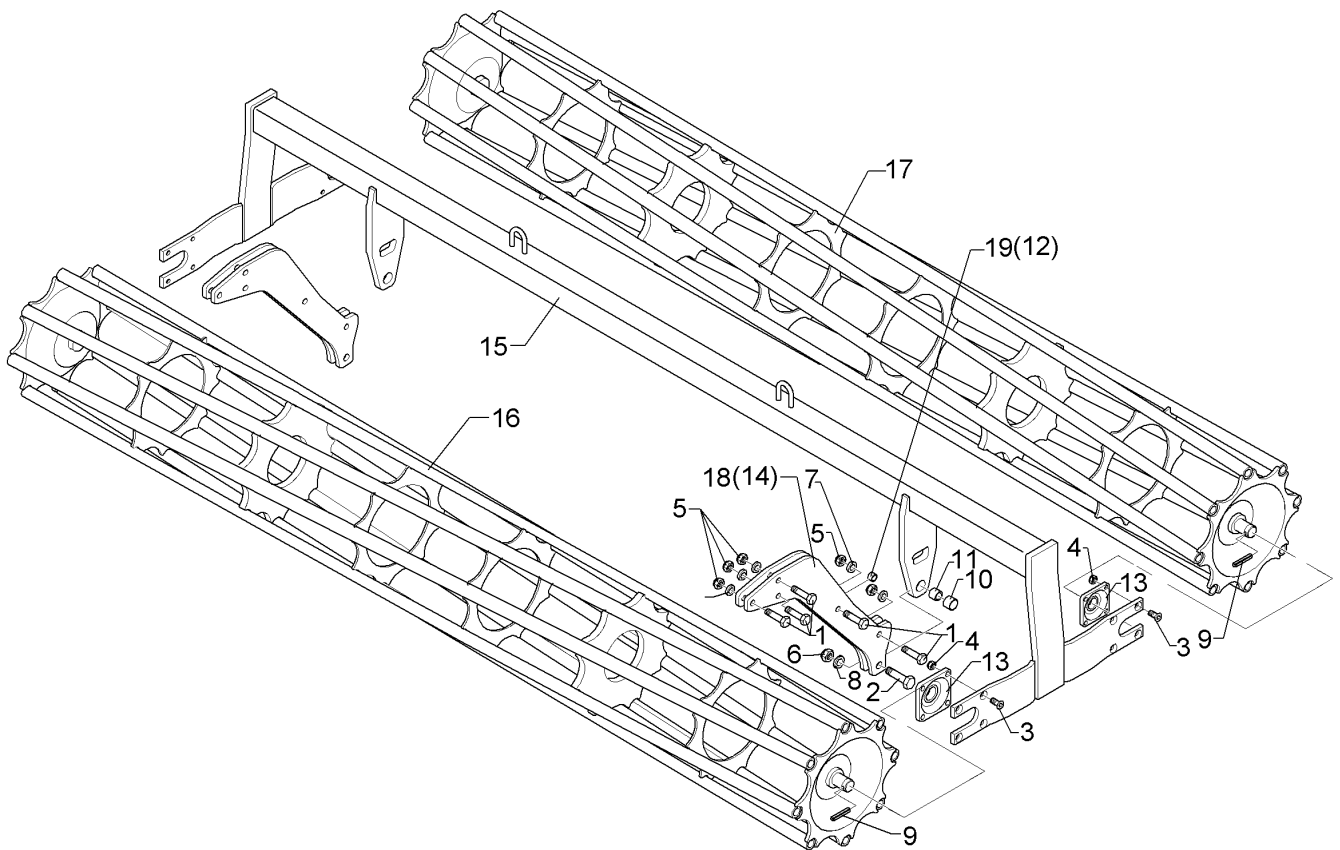
01.18

| Pos. | Art.Nr. | Stck. | Artikeltext / Description | | Abmessung |
|------|----------|-------|-----------------------------|------------------|----------------------------------|
| 1 | 301 3870 | 6 | Sechskantschraube spz. | Hexagon bolt | M16x65-10.9 Zn |
| 2 | 301 6132 | 8 | Senkschraube | Countersunk bolt | M12x50-10.9 Zn DIN7991-A |
| 3 | 303 0934 | 8 | Sicherungsmutter | Selflocking nut | NM12-8 Zn DIN985 |
| 4 | 303 0935 | 6 | Sicherungsmutter | Selflocking nut | NM16-8 Zn DIN985 |
| 5 | 305 6161 | 6 | Scheibe | Washer | 17/40x6 DIN7349 Zn |
| 6 | 309 6072 | 2 | Spannhülse | Expansion bush | 8x40-DIN1481 Zn |
| 7 | 319 9365 | 2 | Flanschlager-Gehäuseeinheit | Bearing cpl. | RCJ 35 35x118x39,9 |
| 8 | 422 6623 | 1 | Tragrahmen | Supporting frame | 80 D600-2.00 SM9 LI |
| 9 | 423 0976 | 1 | Rohrstabwalze | Tube bar roller | D600-2.00 SM9 |
| 10 | 423 5860 | 2 | Wickelschutz | Winding guard | RSW600 D193,7x6,3x48 3xM12 |



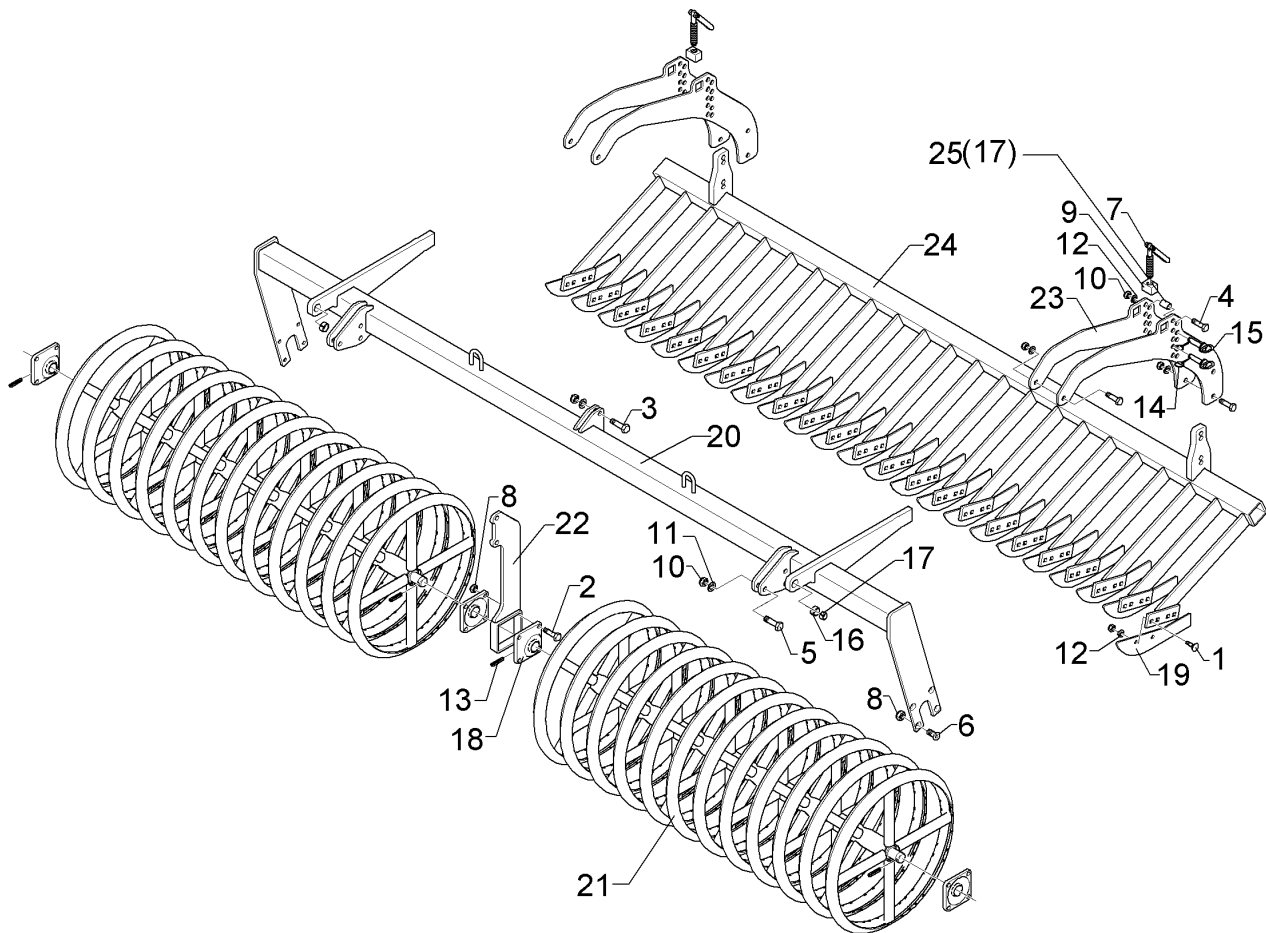
01.18

| Pos. | Art.Nr. | Stck. | Artikeltext / Description | | Abmessung |
|------|----------|-------|------------------------------|------------------|-------------------------------|
| 1 | 301 5363 | 10 | Sechskantschraube spz. | Hexagon bolt | M16x70-12.9 Zn |
| 2 | 301 4603 | 2 | Sechskantschraube spz. | Hexagon bolt | M20x75-8.8 Zn |
| 3 | 301 6130 | 16 | Senkschraube | Countersunk bolt | M12x40-10.9 Zn DIN7991-A |
| 4 | 303 0934 | 16 | Sicherungsmutter | Selflocking nut | NM12-8 Zn DIN985 |
| 5 | 303 0935 | 10 | Sicherungsmutter | Selflocking nut | NM16-8 Zn DIN985 |
| 6 | 303 0936 | 2 | Sicherungsmutter | Selflocking nut | NM20-8 Zn DIN985 |
| 7 | 305 6161 | 10 | Scheibe | Washer | 17/40x6 DIN7349 Zn |
| 8 | 305 6012 | 2 | Scheibe | Washer | 21 ISO7089 Zn |
| 9 | 309 6072 | 4 | Spannhülse | Expansion bush | 8x40-DIN1481 Zn |
| 10 | 317 3352 | 2 | Einspannbuchse mit Presssitz | Expansion bush | EG28/32x20 |
| 11 | 317 6657 | 2 | Buchse | Bush | D20/28x22 |
| 12 | 317 6658 | 2 | Buchse | Bush | D16/22x22 |
| 13 | 319 9365 | 4 | Flanschlager-Gehäuseeinheit | Bearing cpl. | RCJ 35 35x118x39,9 |
| 14 | 417 8113 | 4 | Platte | Plate | 12x490x510 |
| 15 | 422 6684 | 1 | Tragrahmen | Supporting frame | 80x1910 2xD400-200-K |
| 16 | 423 0955 | 1 | Rohrstabwalze | Tube bar roller | D400x1954 RE 2.00 |
| 17 | 423 1006 | 1 | Flachstabwalze | Flat bar roller | D400x1954/11-2.00 |
| 18 | 417 8114 | 4 | Platte | Plate | 12x510x540 1xD20,1 5xD16,1 |
| 19 | 317 6681 | 2 | Röhrchen | Tube | D24x3x22+1 Zn |



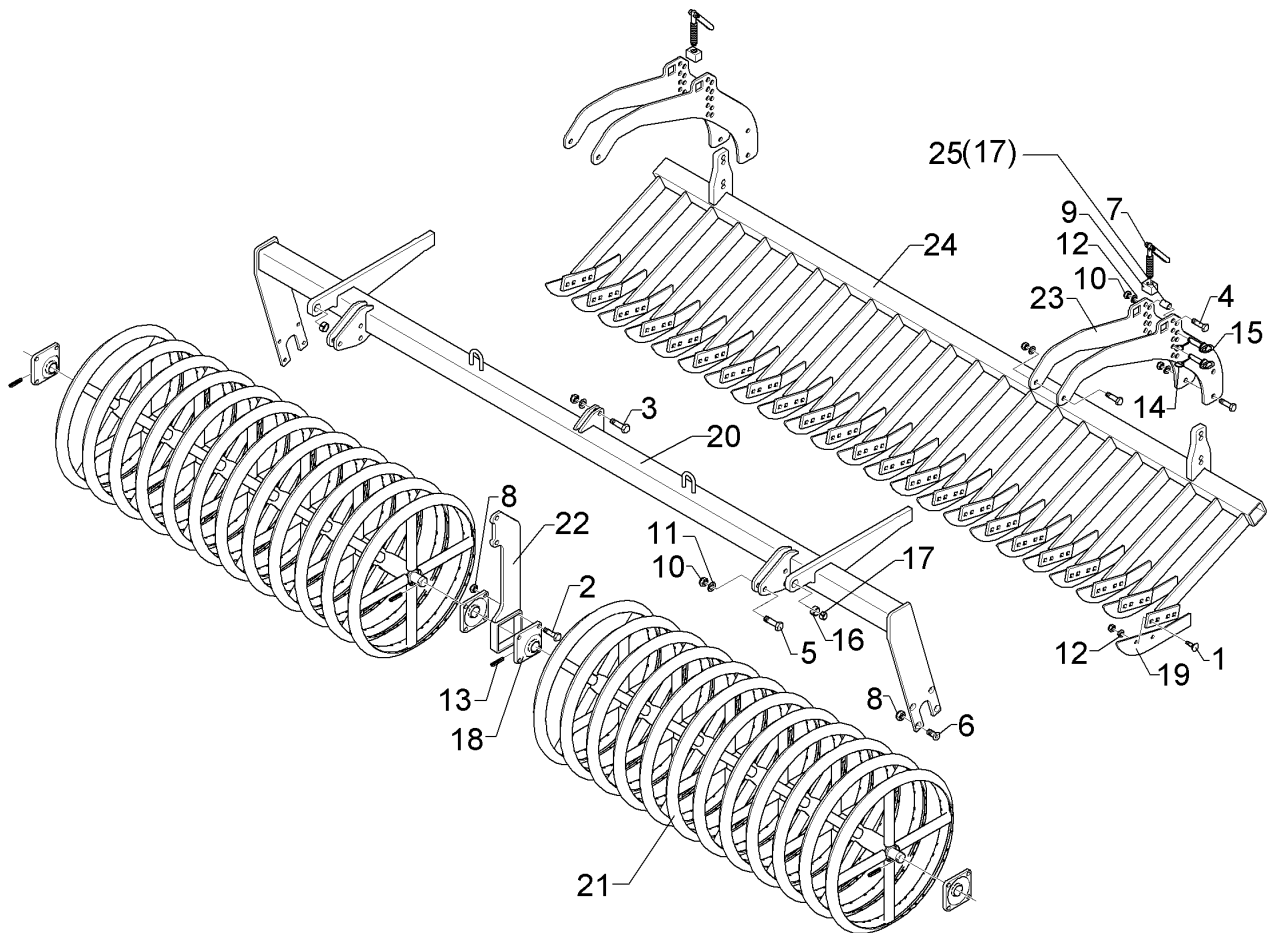
01.18

| Pos. | Art.Nr. | Stck. | Artikeltext / Description | | Abmessung |
|------|----------|-------|------------------------------|------------------|-------------------------------|
| 1 | 301 5363 | 10 | Sechskantschraube spz. | Hexagon bolt | M16x70-12.9 Zn |
| 2 | 301 4603 | 2 | Sechskantschraube spz. | Hexagon bolt | M20x75-8.8 Zn |
| 3 | 301 6130 | 16 | Senkschraube | Countersunk bolt | M12x40-10.9 Zn DIN7991-A |
| 4 | 303 0934 | 16 | Sicherungsmutter | Selflocking nut | NM12-8 Zn DIN985 |
| 5 | 303 0935 | 10 | Sicherungsmutter | Selflocking nut | NM16-8 Zn DIN985 |
| 6 | 303 0936 | 2 | Sicherungsmutter | Selflocking nut | NM20-8 Zn DIN985 |
| 7 | 305 6161 | 10 | Scheibe | Washer | 17/40x6 DIN7349 Zn |
| 8 | 305 6012 | 2 | Scheibe | Washer | 21 ISO7089 Zn |
| 9 | 309 6072 | 4 | Spannhülse | Expansion bush | 8x40-DIN1481 Zn |
| 10 | 317 3352 | 2 | Einspannbuchse mit Presssitz | Expansion bush | EG28/32x20 |
| 11 | 317 6657 | 2 | Buchse | Bush | D20/28x22 |
| 12 | 317 6658 | 2 | Buchse | Bush | D16/22x22 |
| 13 | 319 9365 | 4 | Flanschlager-Gehäuseeinheit | Bearing cpl. | RCJ 35 35x118x39,9 |
| 14 | 417 8113 | 4 | Platte | Plate | 12x490x510 |
| 15 | 422 6684 | 1 | Tragrahmen | Supporting frame | 80x1910 2xD400-200-K |
| 16 | 423 0955 | 1 | Rohrstabwalze | Tube bar roller | D400x1954 RE 2.00 |
| 17 | 423 0965 | 1 | Rohrstabwalze | Tube bar roller | D400x1954 LI 2.00 |
| 18 | 417 8114 | 4 | Platte | Plate | 12x510x540 1xD20,1 5xD16,1 |
| 19 | 317 6681 | 2 | Röhrchen | Tube | D24x3x22+1 Zn |



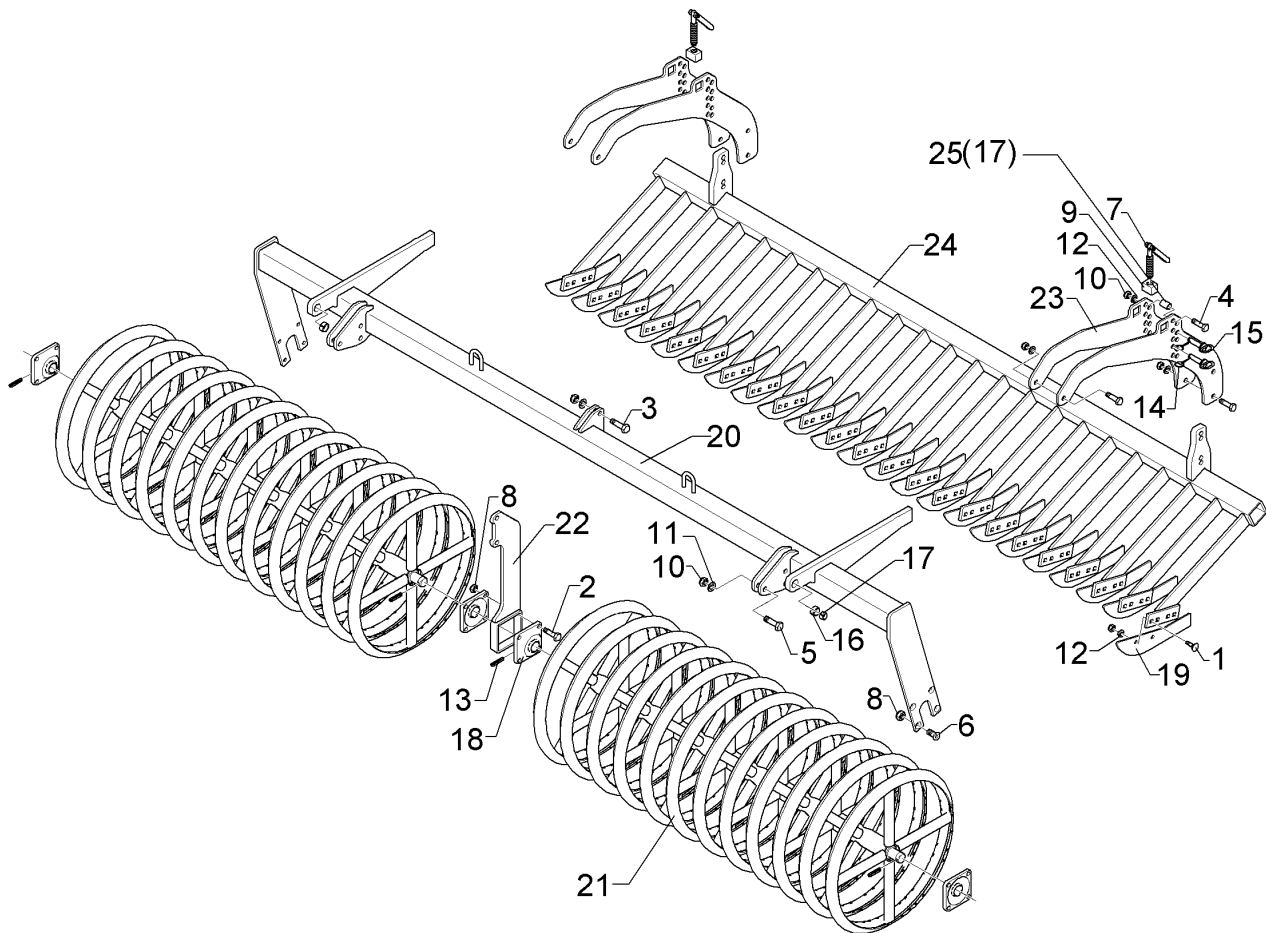
01.18

| Pos. | Art.Nr. | Stck. | Artikeltext / Description | | Abmessung |
|------|----------|-------|-----------------------------|-----------------------|-----------------------------|
| 1 | 301 1805 | 32 | Flachrundschaube mit Mutter | Bolt, cup square head | M12x30-10.9 MU Zn |
| 2 | 301 3406 | 4 | Sechskantschraube | Hexagon bolt | M12x70-8.8 Zn DIN931-A |
| 3 | 301 3779 | 2 | Sechskantschraube spz. | Hexagon bolt | M16x60-10.9 Zn |
| 4 | 301 3870 | 8 | Sechskantschraube spz. | Hexagon bolt | M16x65-10.9 Zn |
| 5 | 301 5363 | 6 | Sechskantschraube spz. | Hexagon bolt | M16x70-12.9 Zn |
| 6 | 301 6130 | 8 | Senkschraube | Countersunk bolt | M12x40-10.9 Zn DIN7991-A |
| 7 | 302 7933 | 2 | Spindel | Screw | KPL TR20x120-170 |
| 8 | 303 0934 | 12 | Sicherungsmutter | Selflocking nut | NM12-8 Zn DIN985 |
| 9 | 303 8644 | 2 | Spindelmutter | Nut for screw | 30x30x44 TR 20 |
| 10 | 303 0935 | 14 | Sicherungsmutter | Selflocking nut | NM16-8 Zn DIN985 |
| 11 | 305 6161 | 16 | Scheibe | Washer | 17/40x6 DIN7349 Zn |
| 12 | 305 6137 | 32 | Scheibe | Washer | 13/25x3 DIN1441-St Zn |
| 13 | 309 6072 | 2 | Spannhülse | Expansion bush | 8x40-DIN1481 Zn |
| 14 | 311 9565 | 4 | Klappstift | Securing pin | 4,5 |
| 15 | 313 1530 | 4 | Bolzen mit Griff | Pin with grip | D15x47,5/106 Zn |
| 16 | 317 3341 | 2 | Einspannbuchse | Expansion bush | EG22/28x20-DIN1498 |
| 17 | 317 6658 | 2 | Buchse | Bush | D16/22x22 |
| 18 | 319 9365 | 4 | Flanschlager-Gehäuseeinheit | Bearing cpl. | RCJ 35 35x118x39,9 |
| 19 | 337 5002 | 16 | Messer | Knife | 6x347/50 2xD8,5-80 |
| 20 | 422 6805 | 1 | Tragrahmen | Supporting frame | 80 MSW D600-200 LI SM9 |



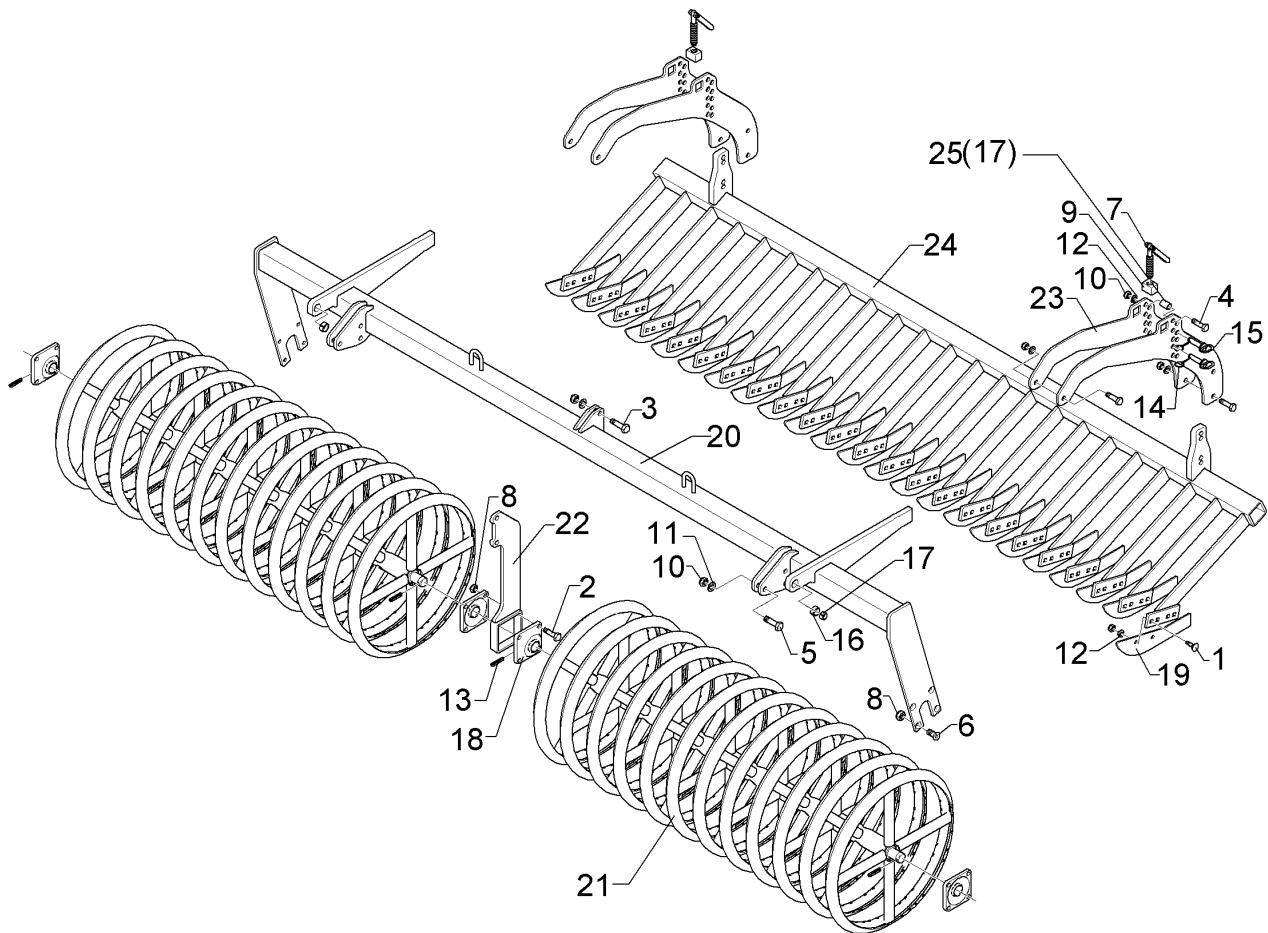
01.18

| Pos. | Art.Nr. | Stck. | Artikeltext / Description | | Abmessung |
|------|----------|-------|---------------------------|----------------|------------------------------|
| 21 | 423 2177 | 2 | Messerwalze | Knife roller | MSW D600-890-8R-125 |
| 22 | 422 6812 | 1 | Tragplatte | Support plate | 12x133x440 3xD16,1 |
| 23 | 422 6813 | 4 | Verstellplatte | Adjuster plate | 8x464x775 13xD16 |
| 24 | 422 6817 | 1 | Messerbalken | Cutter bar | MSW D600 70x1915 16M |
| 25 | 317 6681 | 2 | Röhrchen | Tube | SM.9/400 LI D24x3x22+1 Zn |



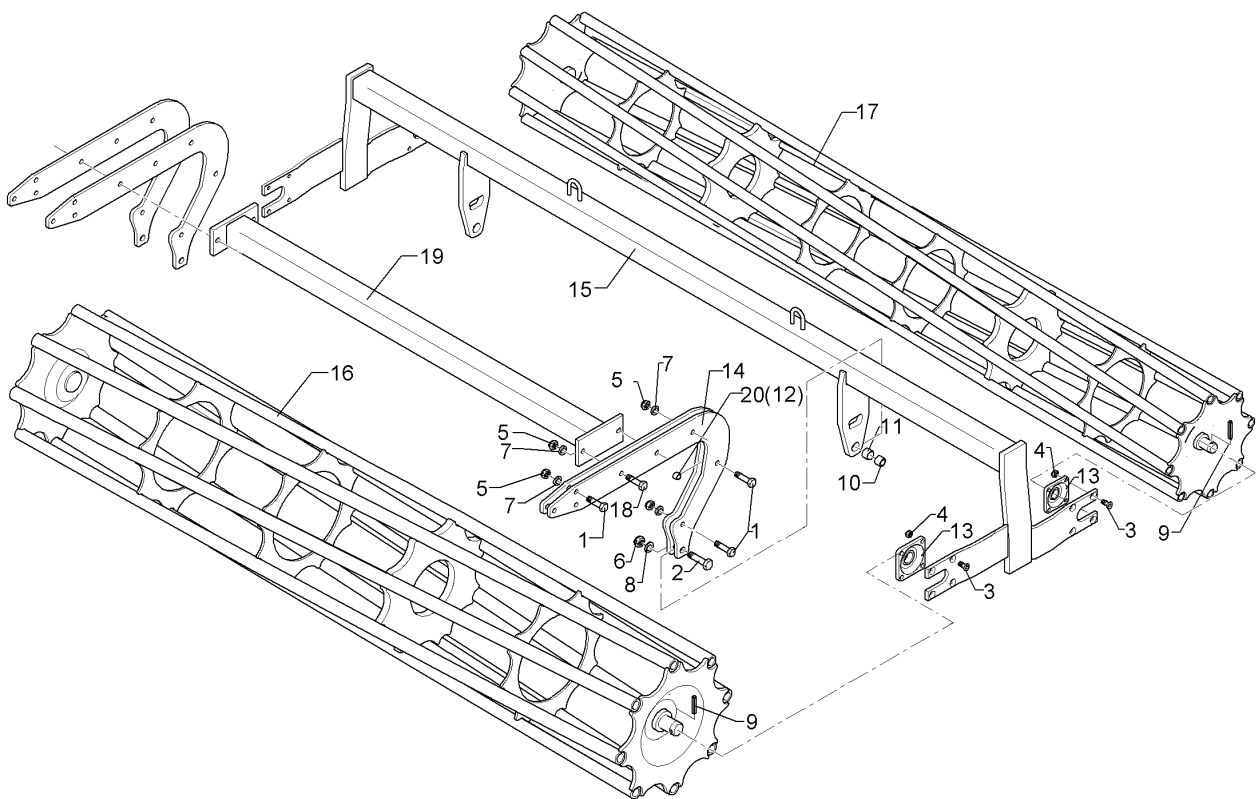
01.18

| Pos. | Art.Nr. | Stck. | Artikeltext / Description | | Abmessung |
|------|----------|-------|-----------------------------|-----------------------|-----------------------------|
| 1 | 301 1805 | 32 | Flachrundschaube mit Mutter | Bolt, cup square head | M12x30-10.9 MU Zn |
| 2 | 301 3406 | 4 | Sechskantschraube | Hexagon bolt | M12x70-8.8 Zn DIN931-A |
| 3 | 301 3779 | 2 | Sechskantschraube spz. | Hexagon bolt | M16x60-10.9 Zn |
| 4 | 301 3870 | 8 | Sechskantschraube spz. | Hexagon bolt | M16x65-10.9 Zn |
| 5 | 301 5363 | 6 | Sechskantschraube spz. | Hexagon bolt | M16x70-12.9 Zn |
| 6 | 301 6130 | 8 | Senkschraube | Countersunk bolt | M12x40-10.9 Zn DIN7991-A |
| 7 | 302 7933 | 2 | Spindel | Screw | KPL TR20x120-170 |
| 8 | 303 0934 | 12 | Sicherungsmutter | Selflocking nut | NM12-8 Zn DIN985 |
| 9 | 303 8644 | 2 | Spindelmutter | Nut for screw | 30x30x44 TR 20 |
| 10 | 303 0935 | 14 | Sicherungsmutter | Selflocking nut | NM16-8 Zn DIN985 |
| 11 | 305 6161 | 16 | Scheibe | Washer | 17/40x6 DIN7349 Zn |
| 12 | 305 6137 | 32 | Scheibe | Washer | 13/25x3 DIN1441-St Zn |
| 13 | 309 6072 | 2 | Spannhülse | Expansion bush | 8x40-DIN1481 Zn |
| 14 | 311 9565 | 4 | Klappstift | Securing pin | 4,5 |
| 15 | 313 1530 | 4 | Bolzen mit Griff | Pin with grip | D15x47,5/106 Zn |
| 16 | 317 3341 | 2 | Einspannbuchse | Expansion bush | EG22/28x20-DIN1498 |
| 17 | 317 6658 | 2 | Buchse | Bush | D16/22x22 |
| 18 | 319 9365 | 4 | Flanschlager-Gehäuseeinheit | Bearing cpl. | RCJ 35 35x118x39,9 |
| 19 | 337 5003 | 16 | Messer-lang | Knife | 6x552,7/50 2xD12,5-80 |
| 20 | 422 6805 | 1 | Tragrahmen | Supporting frame | 80 MSW D600-200 LI SM9 |



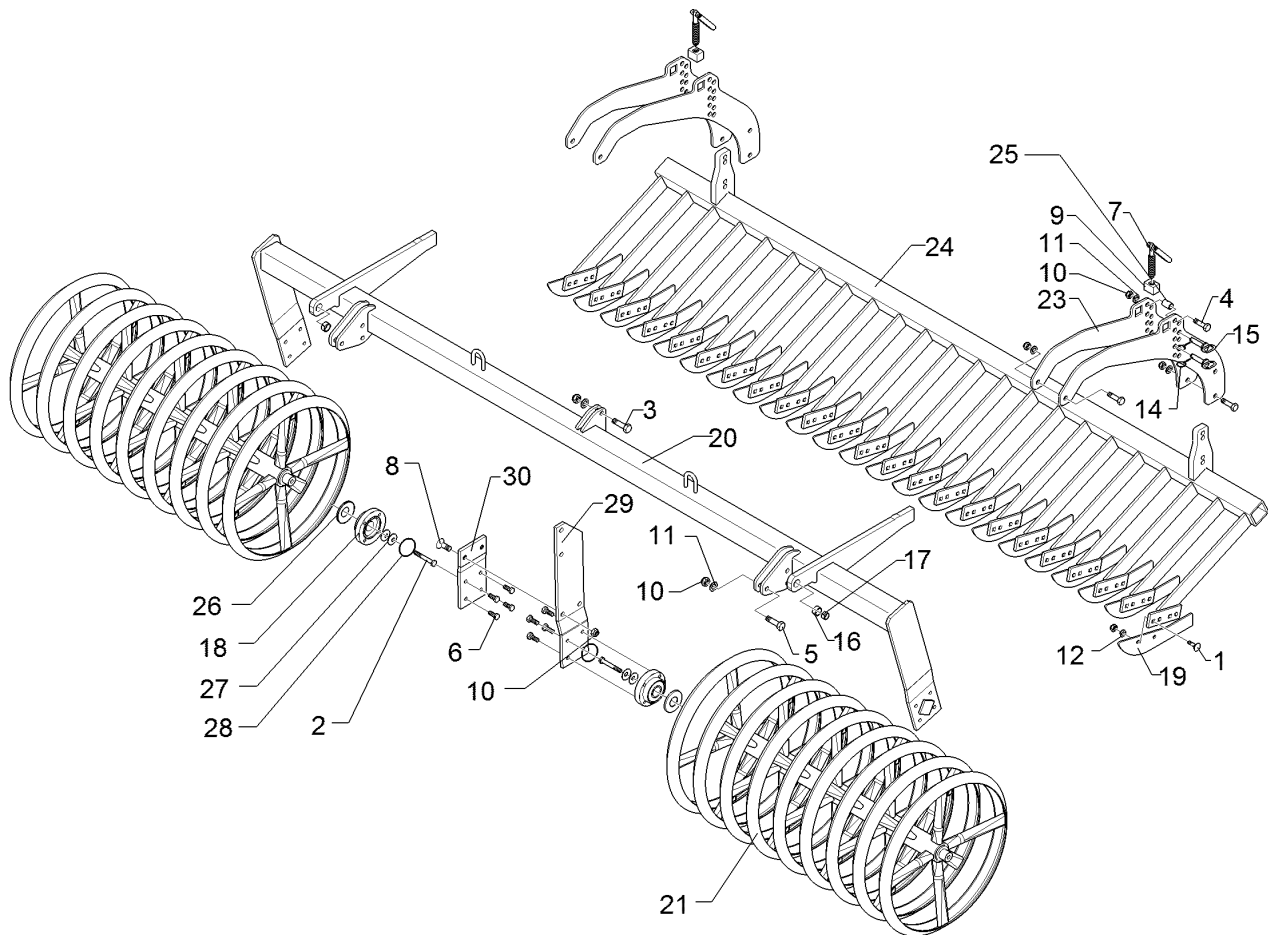
01.18

| Pos. | Art.Nr. | Stck. | Artikeltext / Description | | Abmessung |
|------|----------|-------|---------------------------|----------------|------------------------------|
| 21 | 423 2177 | 2 | Messerwalze | Knife roller | MSW D600-890-8R-125 |
| 22 | 422 6812 | 1 | Tragplatte | Support plate | 12x133x440 3xD16,1 |
| 23 | 422 6813 | 4 | Verstellplatte | Adjuster plate | 8x464x775 13xD16 |
| 24 | 422 6817 | 1 | Messerbalken | Cutter bar | MSW D600 70x1915 16M |
| 25 | 317 6681 | 2 | Röhrchen | Tube | SM.9/400 LI D24x3x22+1 Zn |



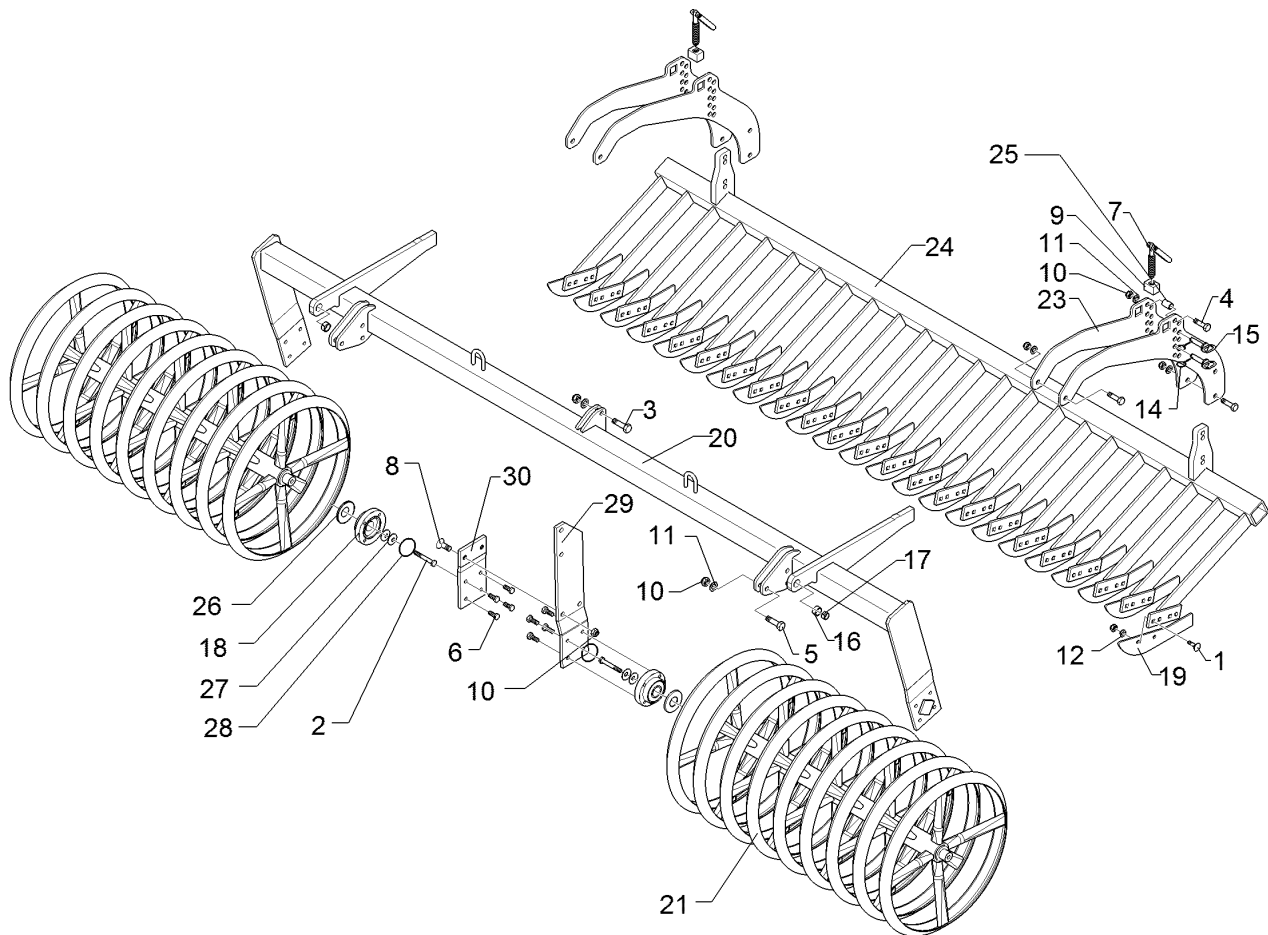
01.18

| Pos. | Art.Nr. | Stck. | Artikeltext / Description | | Abmessung |
|------|----------|-------|------------------------------|------------------|-----------------------------|
| 1 | 301 5363 | 8 | Sechskantschraube spz. | Hexagon bolt | M16x70-12.9 Zn |
| 2 | 301 4603 | 2 | Sechskantschraube spz. | Hexagon bolt | M20x75-8.8 Zn |
| 3 | 301 6130 | 16 | Senkschraube | Countersunk bolt | M12x40-10.9 Zn DIN7991-A |
| 4 | 303 0934 | 16 | Sicherungsmutter | Selflocking nut | NM12-8 Zn DIN985 |
| 5 | 303 0935 | 12 | Sicherungsmutter | Selflocking nut | NM16-8 Zn DIN985 |
| 6 | 303 0936 | 2 | Sicherungsmutter | Selflocking nut | NM20-8 Zn DIN985 |
| 7 | 305 6161 | 10 | Scheibe | Washer | 17/40x6 DIN7349 Zn |
| 8 | 305 6012 | 2 | Scheibe | Washer | 21 ISO7089 Zn |
| 9 | 309 6072 | 4 | Spannhülse | Expansion bush | 8x40-DIN1481 Zn |
| 10 | 317 3352 | 2 | Einspannbuchse mit Presssitz | Expansion bush | EG28/32x20 |
| 11 | 317 6657 | 8 | Buchse | Bush | D20/28x22 |
| 12 | 317 6658 | 2 | Buchse | Bush | D16/22x22 |
| 13 | 319 9365 | 4 | Flanschlager-Gehäuseeinheit | Bearing cpl. | RCJ 35 35x118x39,9 |
| 14 | 417 8112 | 4 | Platte | Plate | 12x520x806 D540/400 |
| 15 | 422 6853 | 1 | Tragrahmen | Supporting frame | 80x1910 D540/400-2.00 LI |
| 16 | 423 0956 | 1 | Rohrstabwalze | Tube bar roller | D540x1954 RE 2.00 |
| 17 | 423 0965 | 1 | Rohrstabwalze | Tube bar roller | D400x1954 LI 2.00 |
| 18 | 301 3959 | 4 | Sechskantschraube | Hexagon bolt | M16x85-8.8 DIN931-A Zn |
| 19 | 422 6636 | 1 | Stabilisator | Stabilizer | 80x654 D540/400-2.00 |
| 20 | 317 6681 | 2 | Röhrchen | Tube | D24x3x22+1 Zn |



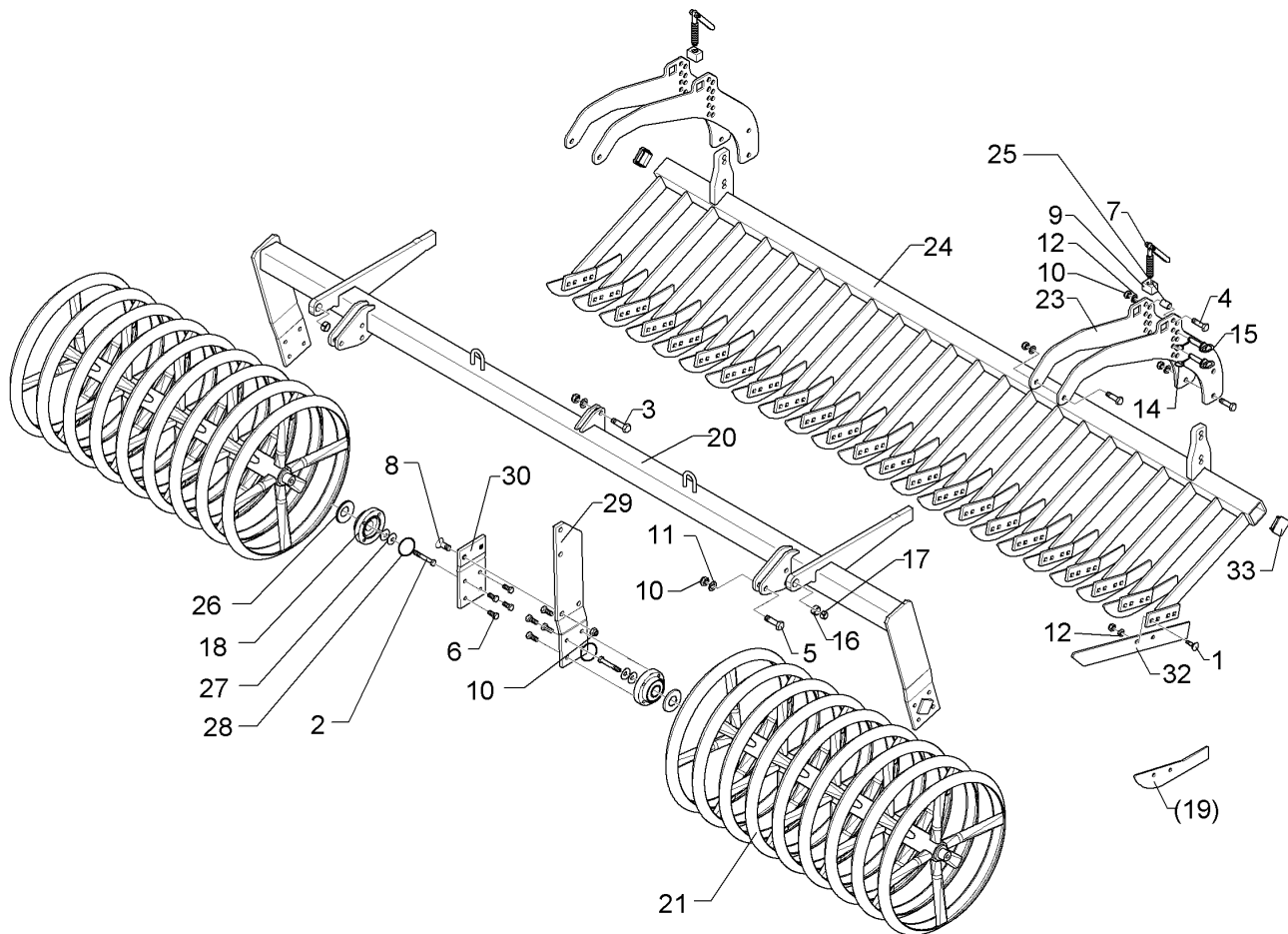
01.18

| Pos. | Art.Nr. | Stck. | Artikeltext / Description | | Abmessung |
|------|----------|-------|-----------------------------|-----------------------|-----------------------------|
| 1 | 301 1805 | 30 | Flachrundschaube mit Mutter | Bolt, cup square head | M12x30-10.9 MU Zn |
| 2 | 301 3406 | 4 | Sechskantschraube | Hexagon bolt | M12x70-8.8 Zn DIN931-A |
| 3 | 301 3779 | 2 | Sechskantschraube spz. | Hexagon bolt | M16x60-10.9 Zn |
| 4 | 301 3870 | 8 | Sechskantschraube spz. | Hexagon bolt | M16x65-10.9 Zn |
| 5 | 301 5363 | 6 | Sechskantschraube spz. | Hexagon bolt | M16x70-12.9 Zn |
| 6 | 301 3324 | 16 | Sechskantschraube | Hexagon bolt | M12x30-8.8 Zn DIN933 |
| 7 | 302 7933 | 2 | Spindel | Screw | KPL TR20x120-170 |
| 8 | 301 6141 | 2 | Senkschraube | Countersunk bolt | M16x40-10.9 Zn DIN7991-A |
| 9 | 303 8644 | 2 | Spindelmutter | Nut for screw | 30x30x44 TR 20 |
| 10 | 303 0935 | 18 | Sicherungsmutter | Selflocking nut | NM16-8 Zn DIN985 |
| 11 | 305 6161 | 16 | Scheibe | Washer | 17/40x6 DIN7349 Zn |
| 12 | 305 6137 | 30 | Scheibe | Washer | 13/25x3 DIN1441-St Zn |
| 14 | 311 9565 | 4 | Klappstift | Securing pin | 4,5 |
| 15 | 313 1530 | 4 | Bolzen mit Griff | Pin with grip | D15x47,5/106 Zn |
| 16 | 317 3341 | 2 | Einspannbuchse | Expansion bush | EG22/28x20-DIN1498 |
| 17 | 317 6658 | 2 | Buchse | Bush | D16/22x22 |
| 18 | 319 9372 | 4 | Flanschlager-Gehäuseeinheit | Bearing cpl. | RCJ 35 35x118x39,9 4xM12 |
| 19 | 337 5002 | 15 | Messer | Knife | 6x347/50 2xD8,5-80 |
| 20 | 422 6885 | 1 | Tragrahmen-R | Supporting frame - R | 80 MSW D600-200 LI SM9 |



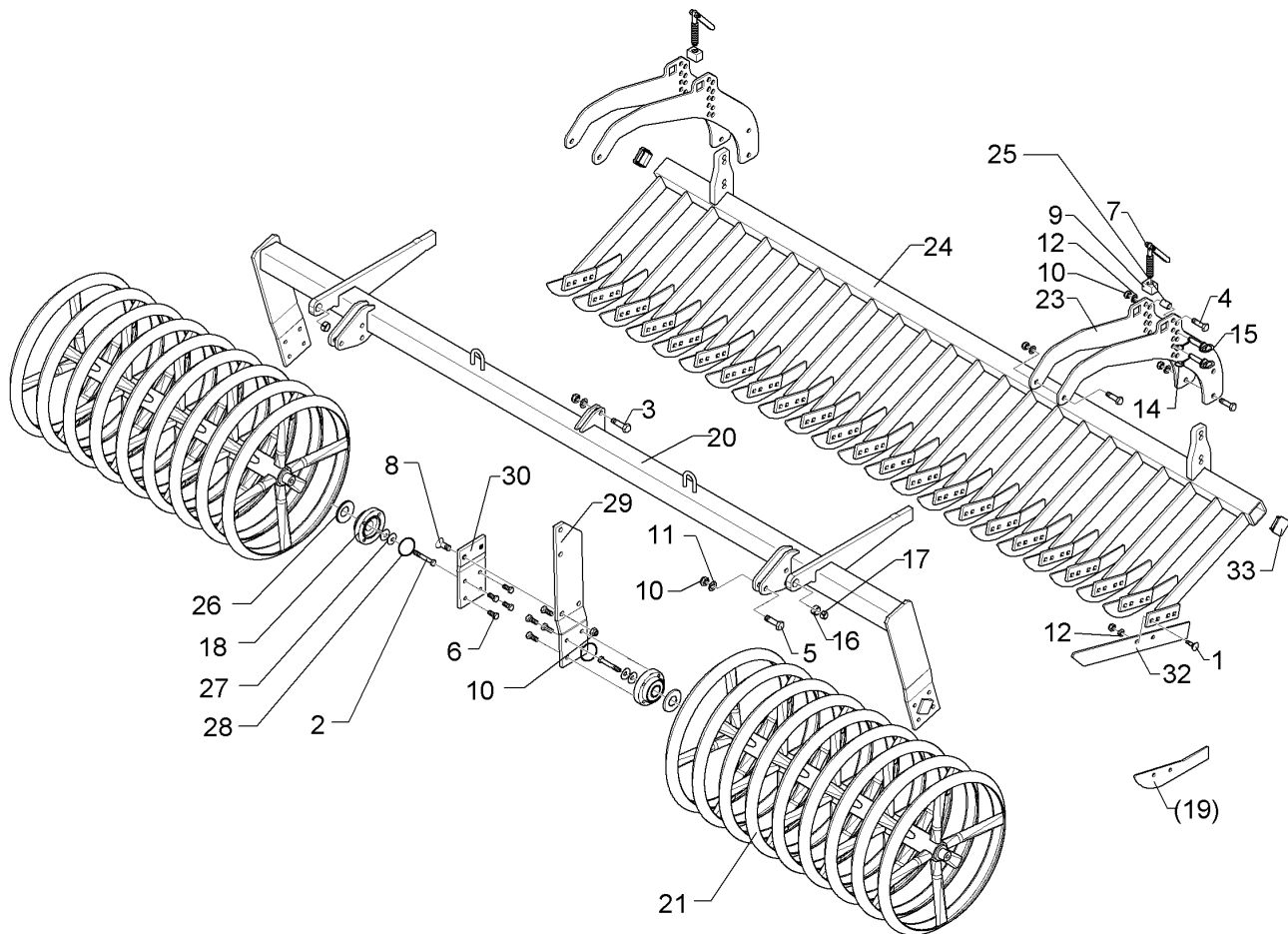
01.18

| Pos. | Art.Nr. | Stck. | Artikeltext / Description | | Abmessung |
|------|----------|-------|---------------------------|----------------------|------------------------------|
| 21 | 423 2182 | 2 | Messerwalze | Knife roller | MSW D600-872-8R-125-R |
| 23 | 422 6813 | 4 | Verstellplatte | Adjuster plate | 8x464x775 13xD16 MSW D600 |
| 24 | 422 6817 | 1 | Messerbalken | Cutter bar | 70x1915 16M SM.9/400 L1 |
| 25 | 317 6681 | 2 | Röhrchen | Tube | D24x3x22+1 Zn |
| 26 | 323 0411 | 4 | Schutzkappe | Cap | D80/d35 t=2x5,5 Zn |
| 27 | 329 6124 | 4 | Tellerfeder | Cup spring | 40x14,3x2 DIN2093 |
| 28 | 375 1277 | 4 | O-Ring | O-ring | 79x2 |
| 29 | 422 6878 | 1 | Tragplatte lang | Support plate, long | 120x12x573 5xD16,1 |
| 30 | 422 6879 | 1 | Tragplatte kurz | Support plate, short | 120x12x225 |



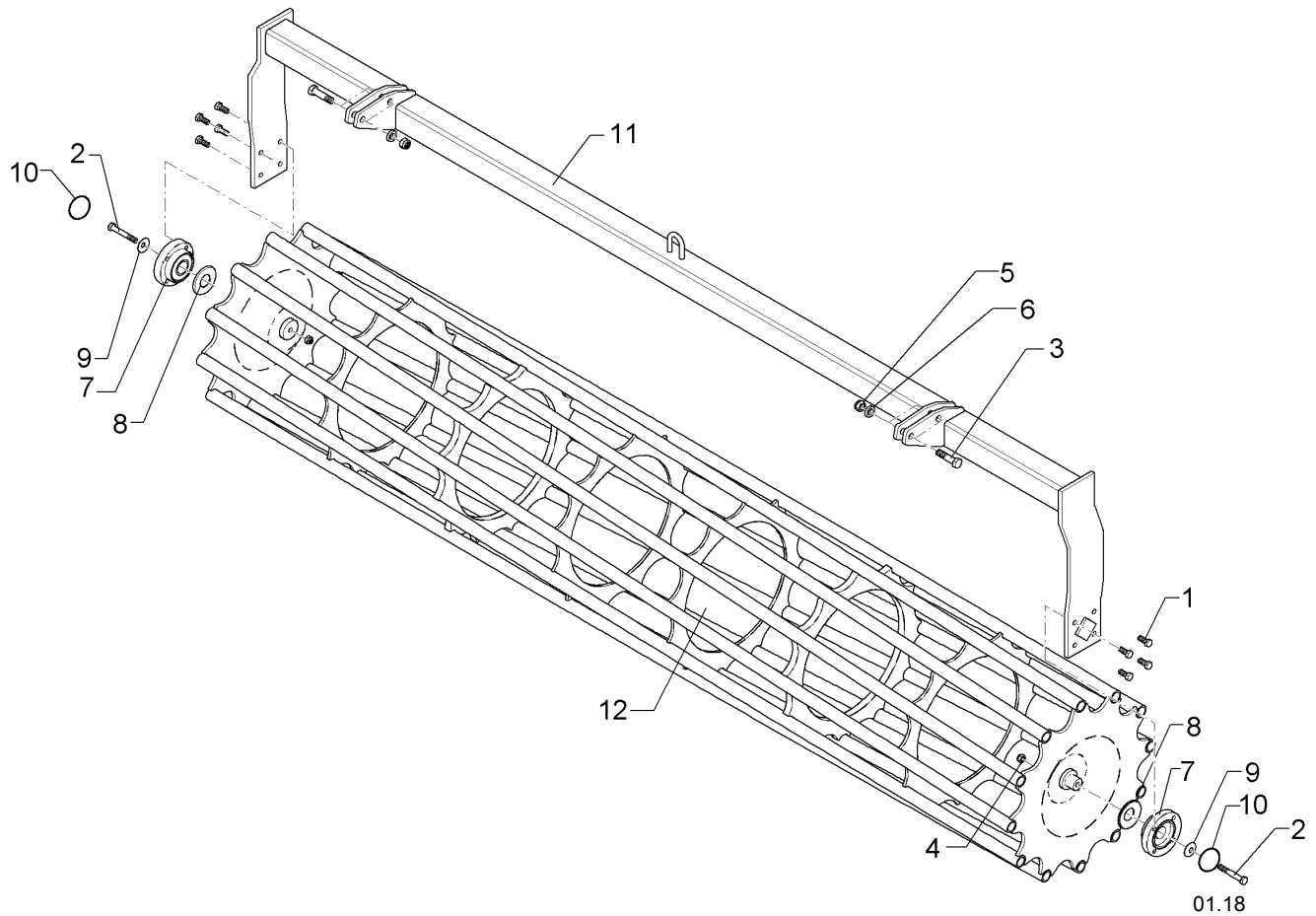
01.18

| Pos. | Art.Nr. | Stck. | Artikeltext / Description | | Abmessung |
|------|----------|-------|-----------------------------|-----------------------|-----------------------------|
| 1 | 301 1805 | 30 | Flachrundschaube mit Mutter | Bolt, cup square head | M12x30-10.9 MU Zn |
| 2 | 301 3406 | 4 | Sechskantschraube | Hexagon bolt | M12x70-8.8 Zn DIN931-A |
| 3 | 301 3779 | 2 | Sechskantschraube spz. | Hexagon bolt | M16x60-10.9 Zn |
| 4 | 301 3870 | 8 | Sechskantschraube spz. | Hexagon bolt | M16x65-10.9 Zn |
| 5 | 301 5363 | 6 | Sechskantschraube spz. | Hexagon bolt | M16x70-12.9 Zn |
| 6 | 301 3324 | 16 | Sechskantschraube | Hexagon bolt | M12x30-8.8 Zn DIN933 |
| 7 | 302 7933 | 2 | Spindel | Screw | KPL TR20x120-170 |
| 8 | 301 6141 | 2 | Senkschraube | Countersunk bolt | M16x40-10.9 Zn DIN7991-A |
| 9 | 303 8644 | 2 | Spindelmutter | Nut for screw | 30x30x44 TR 20 |
| 10 | 303 0935 | 18 | Sicherungsmutter | Selflocking nut | NM16-8 Zn DIN985 |
| 11 | 305 6161 | 16 | Scheibe | Washer | 17/40x6 DIN7349 Zn |
| 12 | 305 6137 | 30 | Scheibe | Washer | 13/25x3 DIN1441-St Zn |
| 14 | 311 9565 | 4 | Klappstift | Securing pin | 4,5 |
| 15 | 313 1530 | 4 | Bolzen mit Griff | Pin with grip | D15x47,5/106 Zn |
| 16 | 317 3341 | 2 | Einspannbuchse | Expansion bush | EG22/28x20-DIN1498 |
| 17 | 317 6658 | 2 | Buchse | Bush | D16/22x22 |
| 18 | 319 9372 | 4 | Flanschlager-Gehäuseeinheit | Bearing cpl. | RCJ 35 35x118x39,9 4xM12 |
| 19 | 337 5003 | 15 | Messer-lang | Knife | 6x552,7/50 2xD12,5-80 |
| 20 | 422 6885 | 1 | Tragrahmen-R | Supporting frame - R | 80 MSW D600-200 LI SM9 |



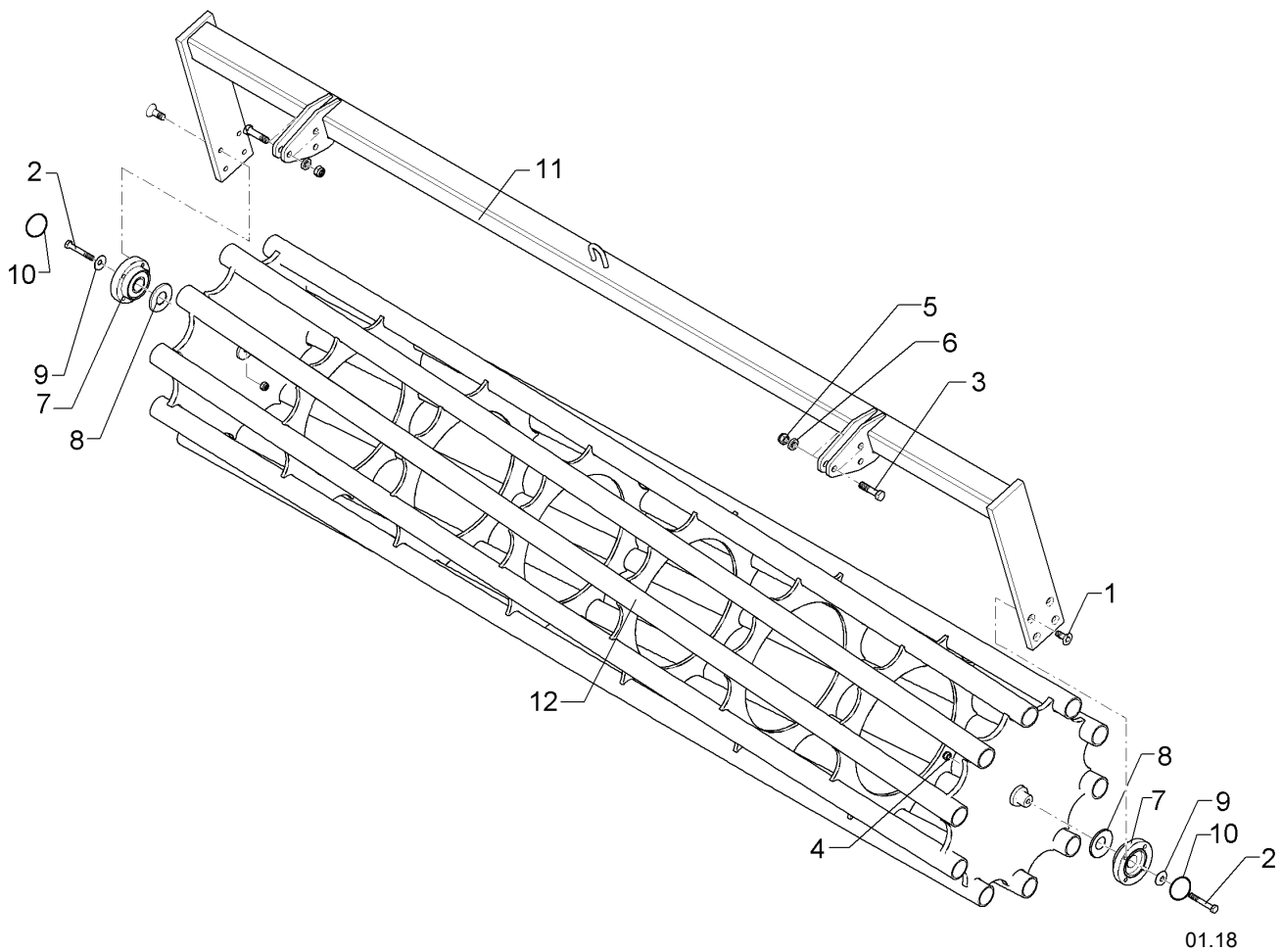
01.18

| Pos. | Art.Nr. | Stck. | Artikeltext / Description | | Abmessung |
|------|----------|-------|---------------------------|----------------------|------------------------------|
| 21 | 423 2182 | 2 | Messerwalze | Knife roller | MSW D600-872-8R-125-R |
| 23 | 422 6813 | 4 | Verstellplatte | Adjuster plate | 8x464x775 13xD16 |
| 24 | 422 6817 | 1 | Messerbalken | Cutter bar | MSW D600 70x1915 16M |
| 25 | 317 6681 | 2 | Röhrchen | Tube | SM.9/400 L1 D24x3x22+1 Zn |
| 26 | 323 0411 | 4 | Schutzkappe | Cap | D80/d35 t=2x5,5 Zn |
| 27 | 329 6124 | 4 | Tellerfeder | Cup spring | 40x14,3x2 DIN2093 |
| 28 | 375 1277 | 4 | O-Ring | O-ring | 79x2 |
| 29 | 422 6878 | 1 | Tragplatte lang | Support plate, long | 120x12x573 5xD16,1 |
| 30 | 422 6879 | 1 | Tragplatte kurz | Support plate, short | 120x12x225 |
| 32 | 337 5005 | 15 | Messer | Knife | 60x6x568 2xD8,5-80 |
| 33 | 32310090 | 2 | Vierkantstopfen | Square plug | Q-70x70x7,1 |



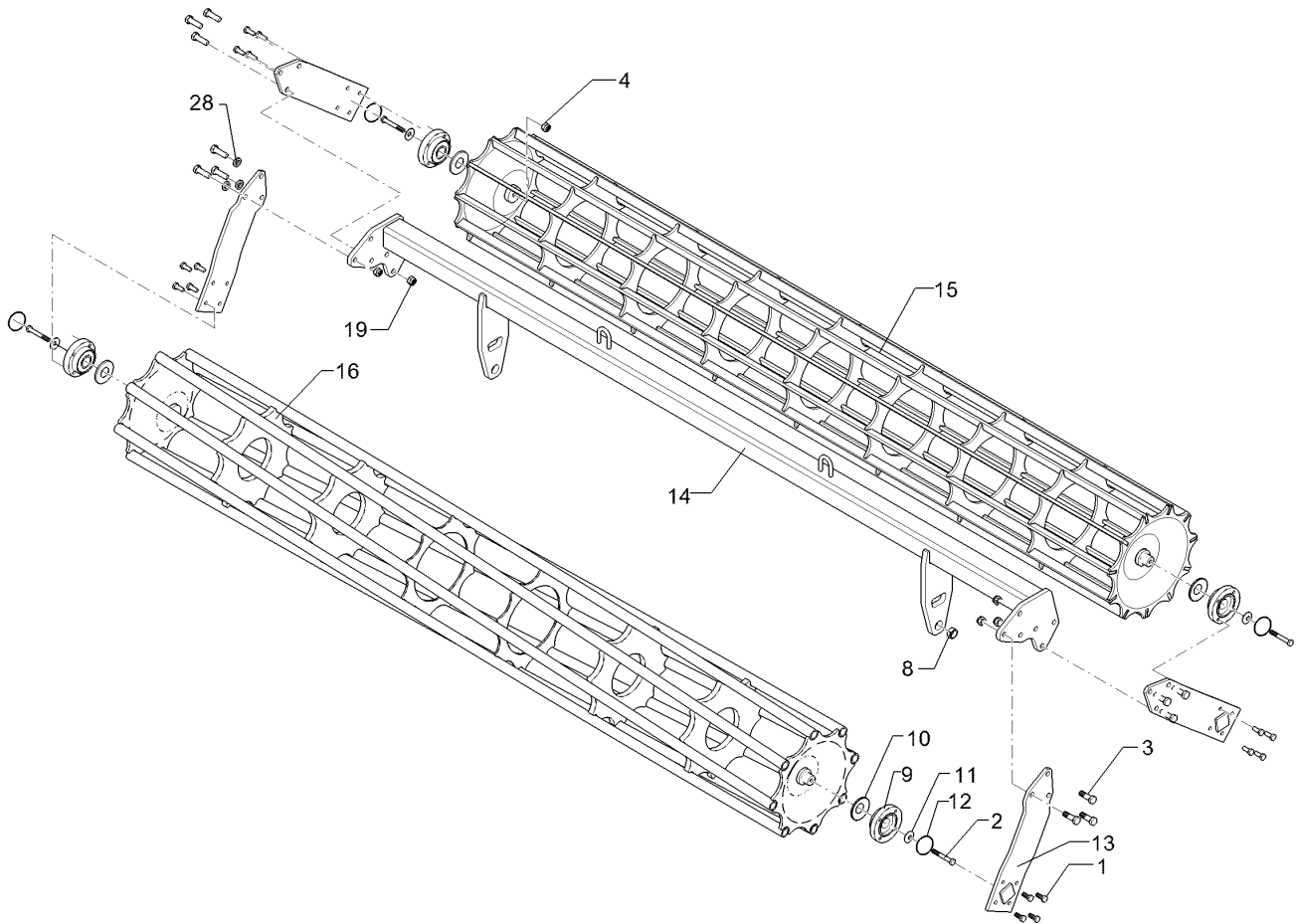
01.18

| Pos. | Art.Nr. | Stck. | Artikeltext / Description | | Abmessung |
|------|----------|-------|-----------------------------|------------------|--|
| 1 | 301 3324 | 8 | Sechskantschraube | Hexagon bolt | M12x30-8.8 Zn DIN933 |
| 2 | 301 3432 | 2 | Sechskantschraube | Hexagon bolt | M12x80-8.8 Zn DIN931-A |
| 3 | 301 3870 | 4 | Sechskantschraube spz. | Hexagon bolt | M16x65-10.9 Zn |
| 4 | 303 0934 | 2 | Sicherungsmutter | Selflocking nut | NM12-8 Zn DIN985 |
| 5 | 303 0935 | 4 | Sicherungsmutter | Selflocking nut | NM16-8 Zn DIN985 |
| 6 | 305 6161 | 4 | Scheibe | Washer | 17/40x6 DIN7349 Zn |
| 7 | 319 9372 | 2 | Flanschlager-Gehäuseeinheit | Bearing cpl. | RCJ 35 35x118x39,9 4xM12 |
| 8 | 323 0411 | 2 | Schutzkappe | Cap | D80/d35 t=2x5,5 Zn |
| 9 | 329 6124 | 2 | Tellerfeder | Cup spring | 40x14,3x2 DIN2093 |
| 10 | 375 1277 | 2 | O-Ring | O-ring | 79x2 |
| 11 | 422 7263 | 1 | Tragrahmen | Supporting frame | 80x1910 |
| 12 | 423 1036 | 1 | Rohrstabwalze | Tube bar roller | D540-2.00-LI D100 D540x1954 RE 2.00 |



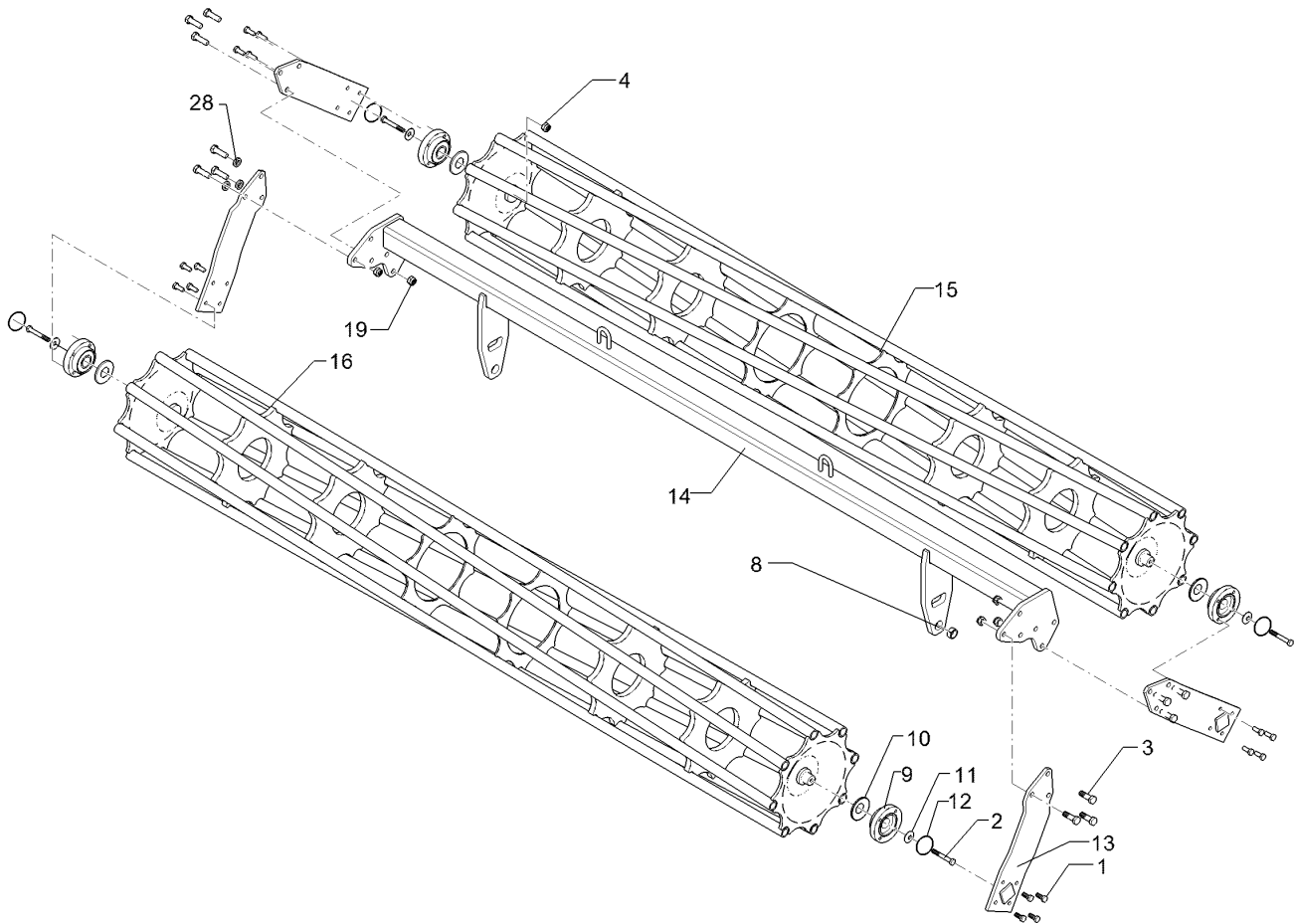
01.18

| Pos. | Art.Nr. | Stck. | Artikeltext / Description | | Abmessung |
|------|----------|-------|-----------------------------|------------------|-----------------------------|
| 1 | 301 6128 | 8 | Senkschraube | Countersunk bolt | M12x30-10.9 Zn DIN7991-A |
| 2 | 301 3422 | 2 | Sechskantschraube | Hexagon bolt | M12x75-8.8 Zn DIN931-A |
| 3 | 301 5363 | 6 | Sechskantschraube spz. | Hexagon bolt | M16x70-12.9 Zn |
| 4 | 303 0934 | 2 | Sicherungsmutter | Selflocking nut | NM12-8 Zn DIN985 |
| 5 | 303 0935 | 6 | Sicherungsmutter | Selflocking nut | NM16-8 Zn DIN985 |
| 6 | 305 6161 | 4 | Scheibe | Washer | 17/40x6 DIN7349 Zn |
| 7 | 319 9372 | 2 | Flanschlager-Gehäuseeinheit | Bearing cpl. | RCJ 35 35x118x39,9 4xM12 |
| 8 | 323 0411 | 2 | Schutzkappe | Cap | D80/d35 t=2x5,5 Zn |
| 9 | 329 6124 | 2 | Tellerfeder | Cup spring | 40x14,3x2 DIN2093 |
| 10 | 375 1277 | 2 | O-Ring | O-ring | 79x2 |
| 11 | 422 7279 | 1 | Tragrahmen | Supporting frame | 80 D600-2.00 SM9 LI D100 |
| 12 | 423 0981 | 1 | Rohrstabwalze | Tube bar roller | D600-2.00 SM9 R |



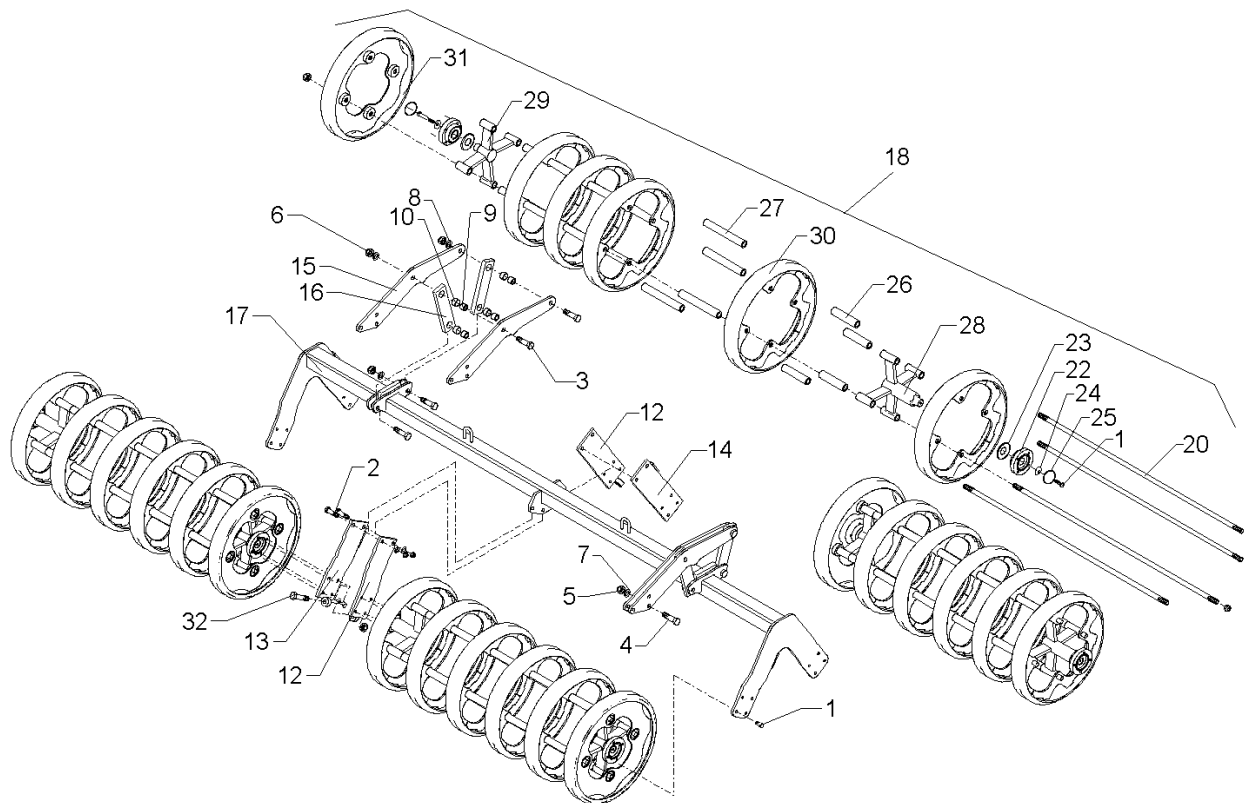
01.18

| Pos. | Art.Nr. | Stck. | Artikeltext / Description | | Abmessung |
|------|----------|-------|------------------------------|-----------------|--|
| 1 | 301 3324 | 16 | Sechskantschraube | Hexagon bolt | M12x30-8.8 Zn DIN933 |
| 2 | 301 3432 | 4 | Sechskantschraube | Hexagon bolt | M12x80-8.8 Zn DIN931-A |
| 3 | 301 5409 | 12 | Sechskantschraube spz. | Hexagon bolt | M16x50-8.8 Zn |
| 4 | 303 0934 | 4 | Sicherungsmutter | Selflocking nut | NM12-8 Zn DIN985 |
| 5 | 303 0935 | 12 | Sicherungsmutter | Selflocking nut | NM16-8 Zn DIN985 |
| 6 | 305 6141 | 12 | Scheibe | Washer | 17/30x3 DIN/ISO-7089 |
| 7 | 305 6012 | 2 | Scheibe | Washer | 21 ISO7089 Zn |
| 8 | 317 3352 | 2 | Einspannbuchse mit Presssitz | Expansion bush | EG28/32x20 |
| 9 | 319 9372 | 4 | Flanschlager-Gehäuseeinheit | Bearing cpl. | RCJ 35 35x118x39,9 4xM12 |
| 10 | 323 0411 | 4 | Schutzkappe | Cap | D80/d35 t=2x5,5 Zn |
| 11 | 329 6124 | 4 | Tellerfeder | Cup spring | 40x14,3x2 DIN2093 |
| 12 | 375 1277 | 4 | O-Ring | O-ring | 79x2 |
| 13 | 422 2924 | 4 | Seitenplatte | Side plate | 120x12x494 |
| 14 | 422 7309 | 1 | Tragrohr | Carrier tube | 80x1910 |
| 15 | 423 1020 | 1 | Flachstabwalze | Flat bar roller | 2xD400-200-K R LI |
| 16 | 423 1026 | 1 | Rohrstabwalze | Tube bar roller | D400x1954/11-2.00 D400x1954 RE 2.00 |



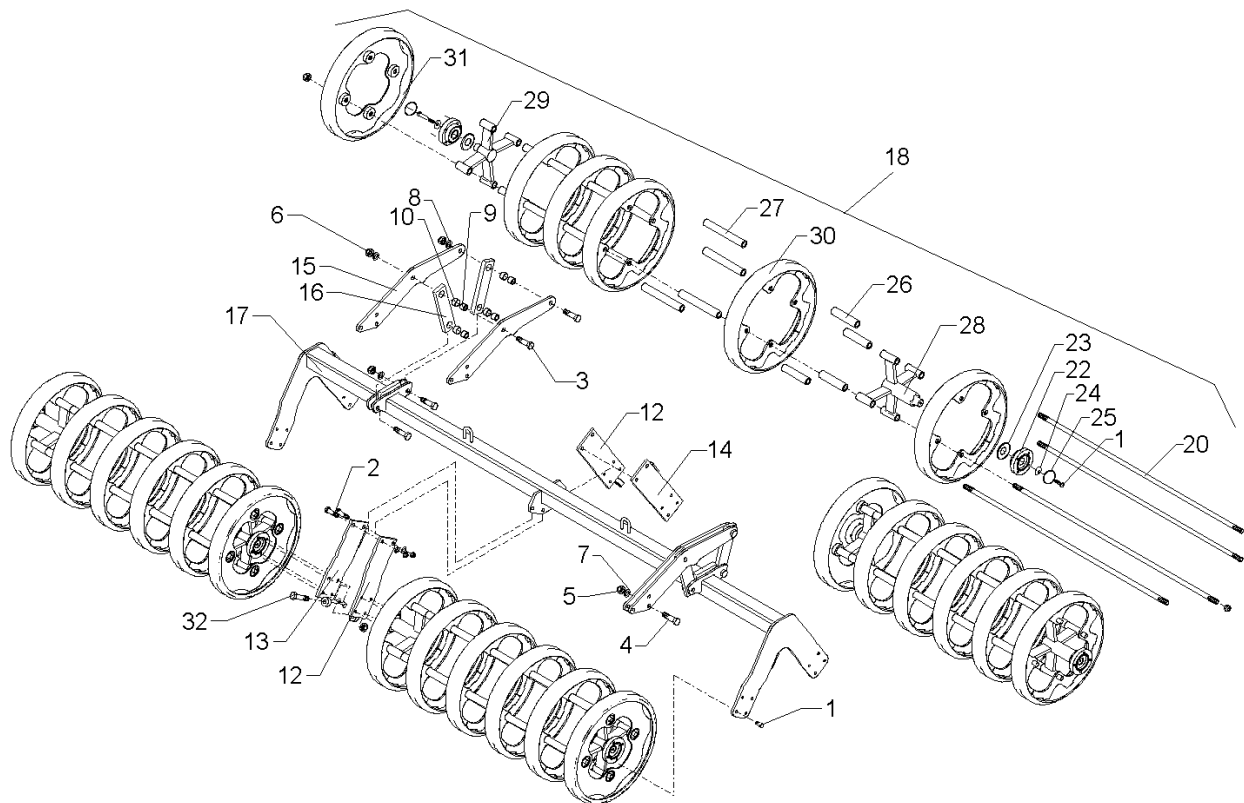
01.18

| Pos. | Art.Nr. | Stck. | Artikeltext / Description | | Abmessung |
|------|----------|-------|------------------------------|-----------------|--|
| 1 | 301 3324 | 16 | Sechskantschraube | Hexagon bolt | M12x30-8.8 Zn DIN933 |
| 2 | 301 3432 | 4 | Sechskantschraube | Hexagon bolt | M12x80-8.8 Zn DIN931-A |
| 3 | 301 5409 | 12 | Sechskantschraube spz. | Hexagon bolt | M16x50-8.8 Zn |
| 4 | 303 0934 | 4 | Sicherungsmutter | Selflocking nut | NM12-8 Zn DIN985 |
| 8 | 317 3352 | 2 | Einspannbuchse mit Presssitz | Expansion bush | EG28/32x20 |
| 9 | 319 9372 | 4 | Flanschlager-Gehäuseeinheit | Bearing cpl. | RCJ 35 35x118x39,9 4xM12 |
| 10 | 323 0411 | 4 | Schutzkappe | Cap | D80/d35 t=2x5,5 Zn |
| 11 | 329 6124 | 4 | Tellerfeder | Cup spring | 40x14,3x2 DIN2093 |
| 12 | 375 1277 | 4 | O-Ring | O-ring | 79x2 |
| 13 | 422 2924 | 4 | Seitenplatte | Side plate | 120x12x494 |
| 14 | 422 7309 | 1 | Tragrohr | Carrier tube | 80x1910 |
| 15 | 423 1027 | 1 | Rohrstabwalze | Tube bar roller | 2xD400-200-K R LI D400x1954 LI 2.00 |
| 16 | 423 1026 | 1 | Rohrstabwalze | Tube bar roller | D400x1954 RE 2.00 |
| 19 | 303 0935 | 12 | Sicherungsmutter | Selflocking nut | NM16-8 Zn DIN985 |
| 28 | 305 6141 | 12 | Scheibe | Washer | 17/30x3 DIN/ISO-7089 |



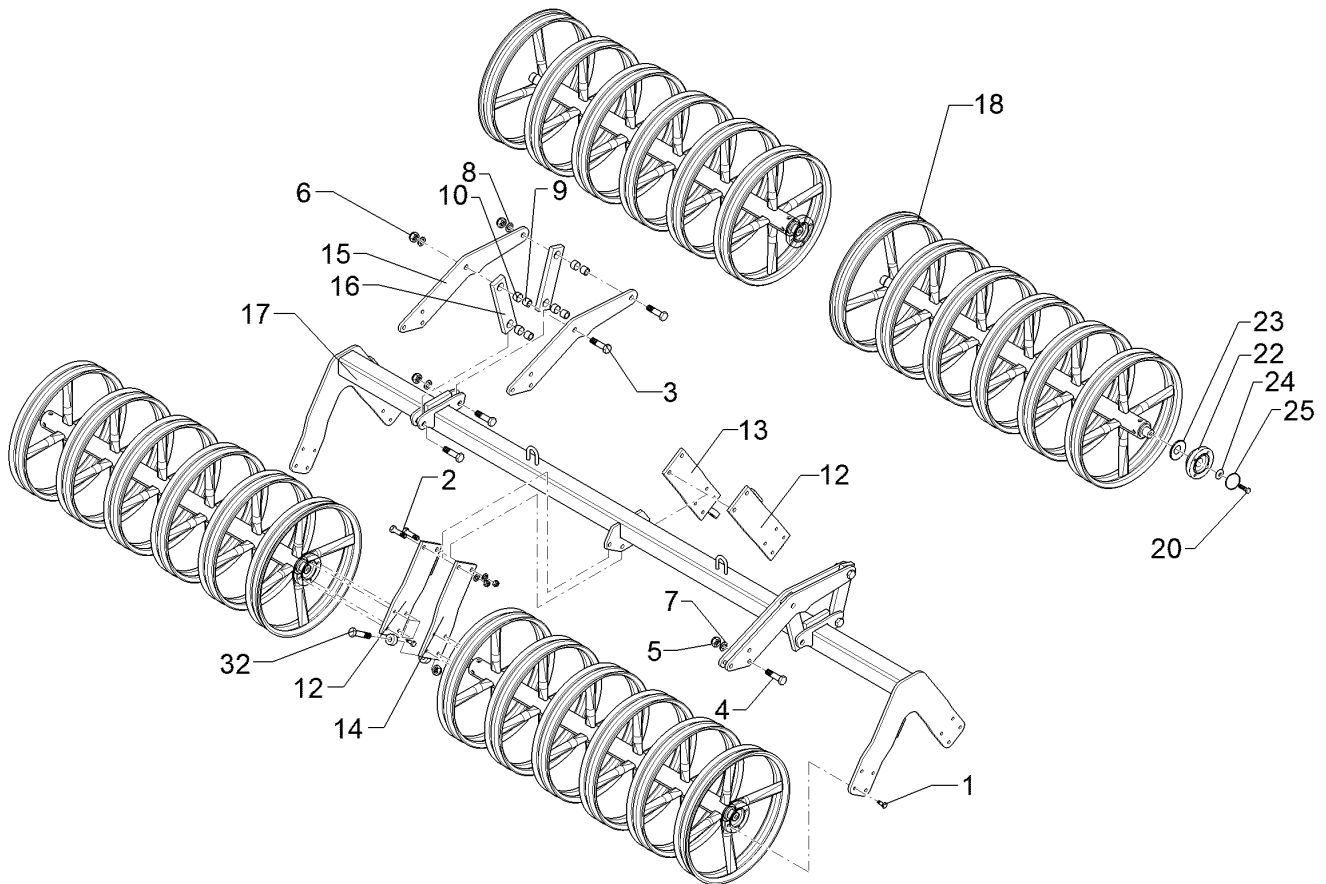
01.18

| Pos. | Art.Nr. | Stck. | Artikeltext / Description | | Abmessung |
|------|----------|-------|------------------------------|-------------------------------|-----------------------------|
| 1 | 301 3324 | 32 | Sechskantschraube | Hexagon bolt | M12x30-8.8 Zn DIN933 |
| 2 | 301 3779 | 4 | Sechskantschraube spz. | Hexagon bolt | M16x60-10.9 Zn |
| 3 | 301 4603 | 8 | Sechskantschraube spz. | Hexagon bolt | M20x75-8.8 Zn |
| 4 | 301 5363 | 6 | Sechskantschraube spz. | Hexagon bolt | M16x70-12.9 Zn |
| 5 | 303 0935 | 12 | Sicherungsmutter | Selflocking nut | NM16-8 Zn DIN985 |
| 6 | 303 0936 | 8 | Sicherungsmutter | Selflocking nut | NM20-8 Zn DIN985 |
| 7 | 305 6161 | 12 | Scheibe | Washer | 17/40x6 DIN7349 Zn |
| 8 | 305 6012 | 8 | Scheibe | Washer | 21 ISO7089 Zn |
| 9 | 317 3352 | 8 | Einspannbuchse mit Presssitz | Expansion bush | EG28/32x20 |
| 10 | 317 6657 | 8 | Buchse | Bush | D20/28x22 |
| 12 | 422 7383 | 2 | Platte | Plate | 120x12x386 |
| 13 | 422 7384 | 1 | Platte m. Abstreifer | Plate | 120x12x386 RE |
| 14 | 422 7385 | 1 | Platte m. Abstreifer LI | Plate | 120x12x386 |
| 15 | 422 7386 | 4 | Platte | Plate | 12x208x677 |
| 16 | 422 7388 | 4 | Lenker | Link | 60x20x260 2xD32-200 |
| 17 | 422 7394 | 1 | Tragrohr | Carrier tube | 80x1970 DPW540-2.00-K RE |
| 18 | 523 6902 | 4 | Profilingwalze (4 Ringe) | Profile ring roller (4 rings) | DPW 540x940 |
| 20 | 302 0170 | 4 | Zugstange | Connecting rod | D20x786-M20x52 |
| 22 | 319 9372 | 2 | Flanschlager-Gehäuseeinheit | Bearing cpl. | RCJ 35 35x118x39,9 4xM12 |
| 23 | 323 0411 | 2 | Schutzkappe | Cap | D80/d35 t=2x5,5 Zn |
| 24 | 329 6124 | 2 | Tellerfeder | Cup spring | 40x14,3x2 DIN2093 |



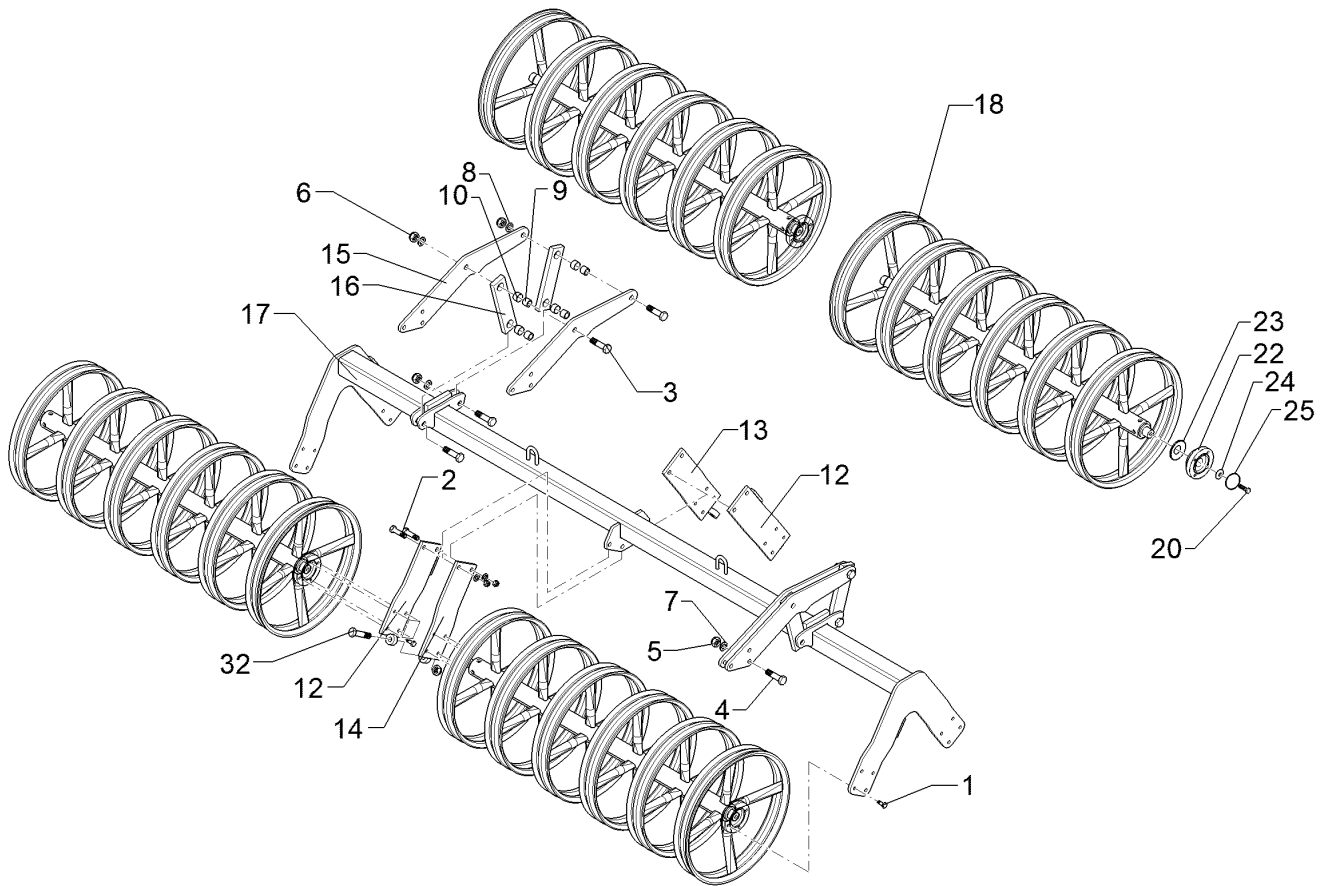
01.18

| Pos. | Art.Nr. | Stck. | Artikeltext / Description | | Abmessung |
|------|----------|-------|---------------------------|----------------|------------------------------|
| 25 | 375 1277 | 2 | O-Ring | O-ring | 79x2 |
| 26 | 423 8855 | 8 | Distanzrohr | Distance tube | 33,7x5,6x152 aufgepanzert |
| 27 | 423 8856 | 4 | Distanzrohr | Distance tube | 33,7x5,6x242 aufgepanzert |
| 28 | 423 8857 | 1 | Lagerstern lang | Hub star long | 310x238,5/D35x29 |
| 29 | 423 8894 | 1 | Lagerstern kurz | Hub star short | 310x114/D35x29 |
| 30 | 423 9048 | 3 | Profiling | Profile ring | 91x27x5 D540 |
| 31 | 423 9049 | 1 | Profiling außen | Profile ring | 77x28x5 D540 |
| 32 | 301 3870 | 2 | Sechskantschraube spz. | Hexagon bolt | M16x65-10.9 Zn |



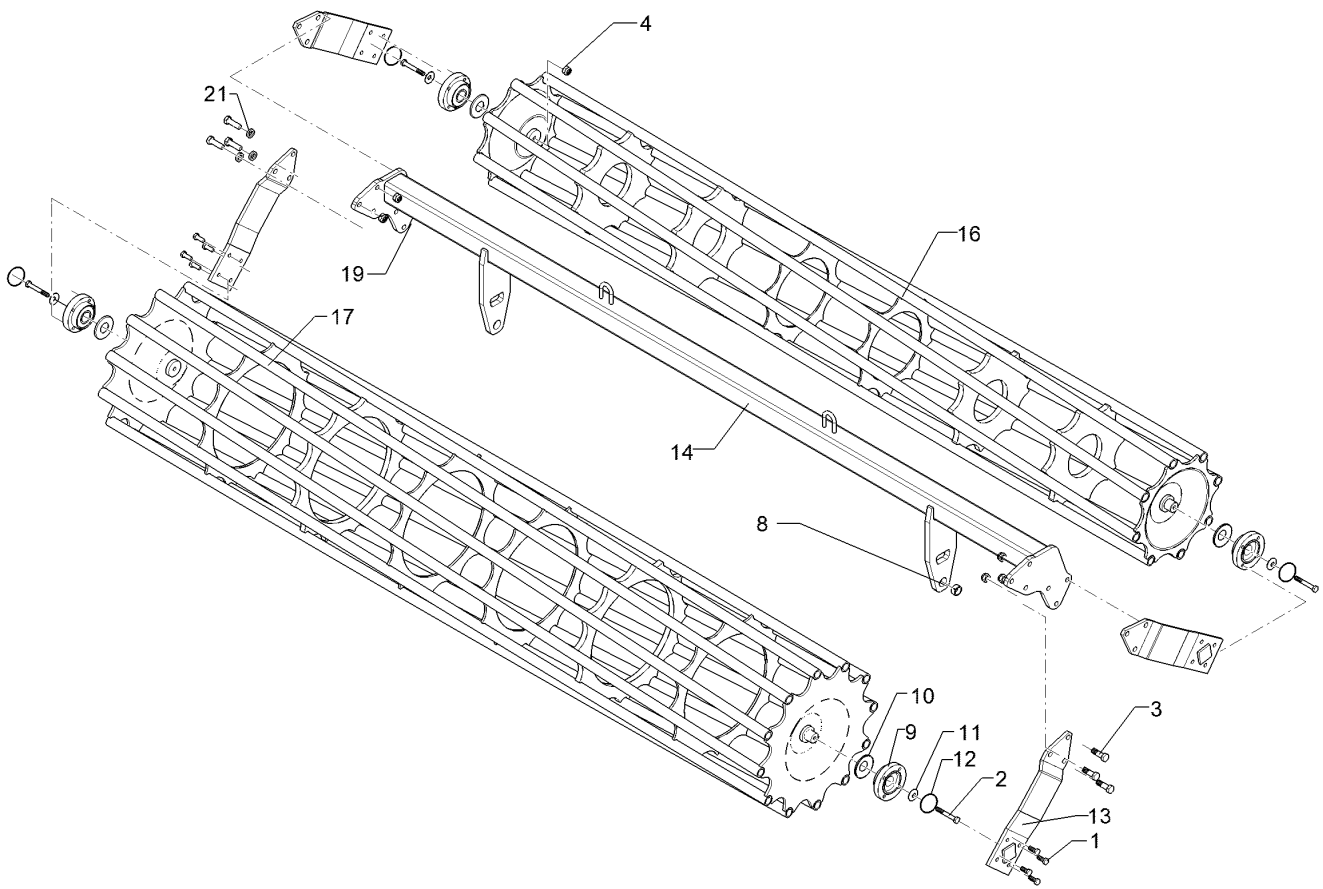
01.18

| Pos. | Art.Nr. | Stck. | Artikeltext / Description | | Abmessung |
|------|----------|-------|------------------------------|-----------------------|-----------------------------|
| 1 | 301 3324 | 32 | Sechskantschraube | Hexagon bolt | M12x30-8.8 Zn DIN933 |
| 2 | 301 3779 | 4 | Sechskantschraube spz. | Hexagon bolt | M16x60-10.9 Zn |
| 3 | 301 4603 | 8 | Sechskantschraube spz. | Hexagon bolt | M20x75-8.8 Zn |
| 4 | 301 5363 | 6 | Sechskantschraube spz. | Hexagon bolt | M16x70-12.9 Zn |
| 5 | 303 0935 | 12 | Sicherungsmutter | Selflocking nut | NM16-8 Zn DIN985 |
| 6 | 303 0936 | 8 | Sicherungsmutter | Selflocking nut | NM20-8 Zn DIN985 |
| 7 | 305 6161 | 12 | Scheibe | Washer | 17/40x6 DIN7349 Zn |
| 8 | 305 6012 | 8 | Scheibe | Washer | 21 ISO7089 Zn |
| 9 | 317 3352 | 8 | Einspannbuchse mit Presssitz | Expansion bush | EG28/32x20 |
| 10 | 317 6657 | 8 | Buchse | Bush | D20/28x22 |
| 12 | 422 7383 | 2 | Platte | Plate | 120x12x386 |
| 13 | 422 7384 | 1 | Platte m. Abstreifer | Plate | 120x12x386 RE |
| 14 | 422 7385 | 1 | Platte m. Abstreifer LI | Plate | 120x12x386 |
| 15 | 422 7386 | 4 | Platte | Plate | 12x208x677 |
| 16 | 422 7388 | 4 | Lenker | Link | 60x20x260 2xD32-200 |
| 17 | 422 7395 | 1 | Tragrohr | Carrier tube | 80x1970 DPW540-2.00-K LI |
| 18 | 423 2250 | 4 | Doppelprofilwalze | Double profile roller | DPW-A D540-2.00-4R |
| 20 | 301 3406 | 8 | Sechskantschraube | Hexagon bolt | M12x70-8.8 Zn DIN931-A |
| 22 | 319 9372 | 8 | Flanschlager-Gehäuseeinheit | Bearing cpl. | RCJ 35 35x118x39,9 4xM12 |
| 23 | 323 0411 | 8 | Schutzkappe | Cap | D80/d35 t=2x5,5 Zn |



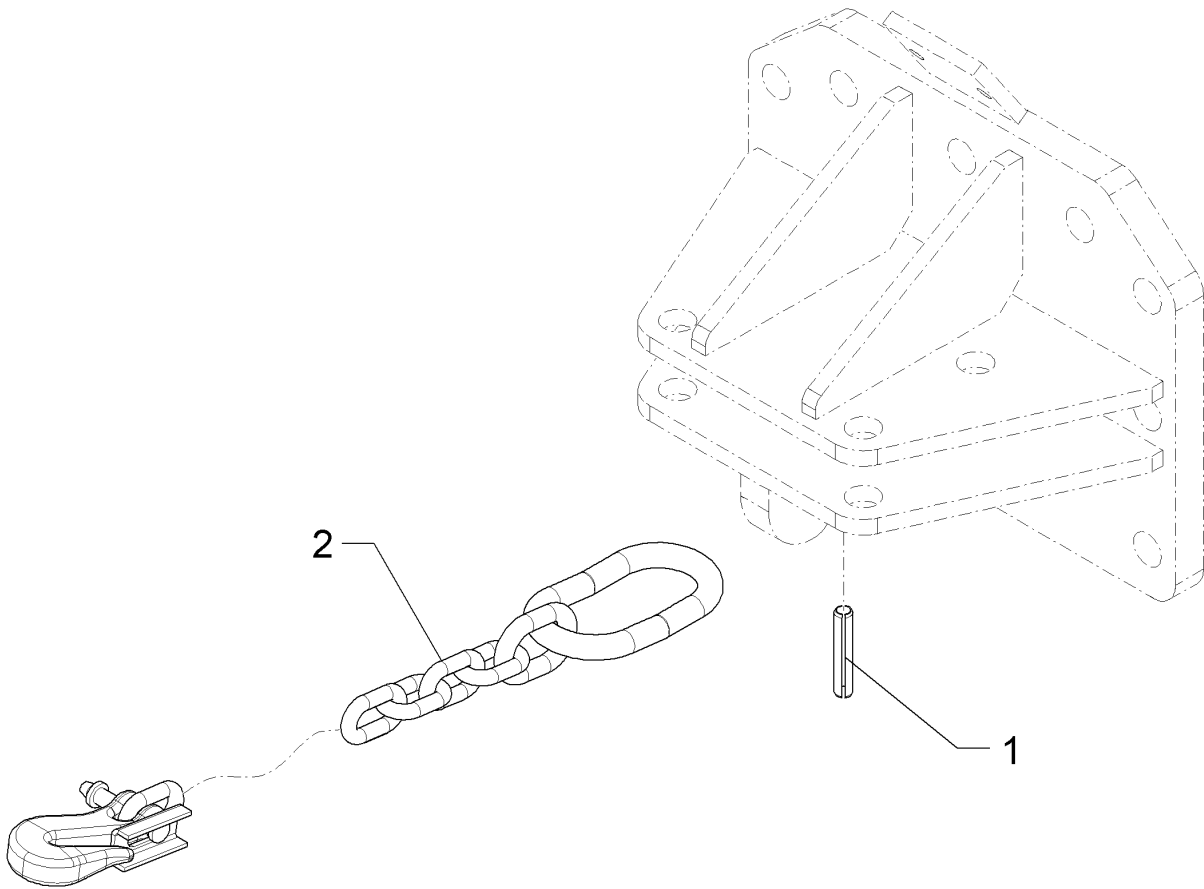
01.18

| Pos. | Art.Nr. | Stck. | Artikeltext / Description | Abmessung | |
|------|----------|-------|---------------------------|--------------|-------------------|
| 24 | 329 6124 | 8 | Tellerfeder | Cup spring | 40x14,3x2 DIN2093 |
| 25 | 375 1277 | 8 | O-Ring | O-ring | 79x2 |
| 32 | 301 3870 | 2 | Sechskantschraube spz. | Hexagon bolt | M16x65-10.9 Zn |



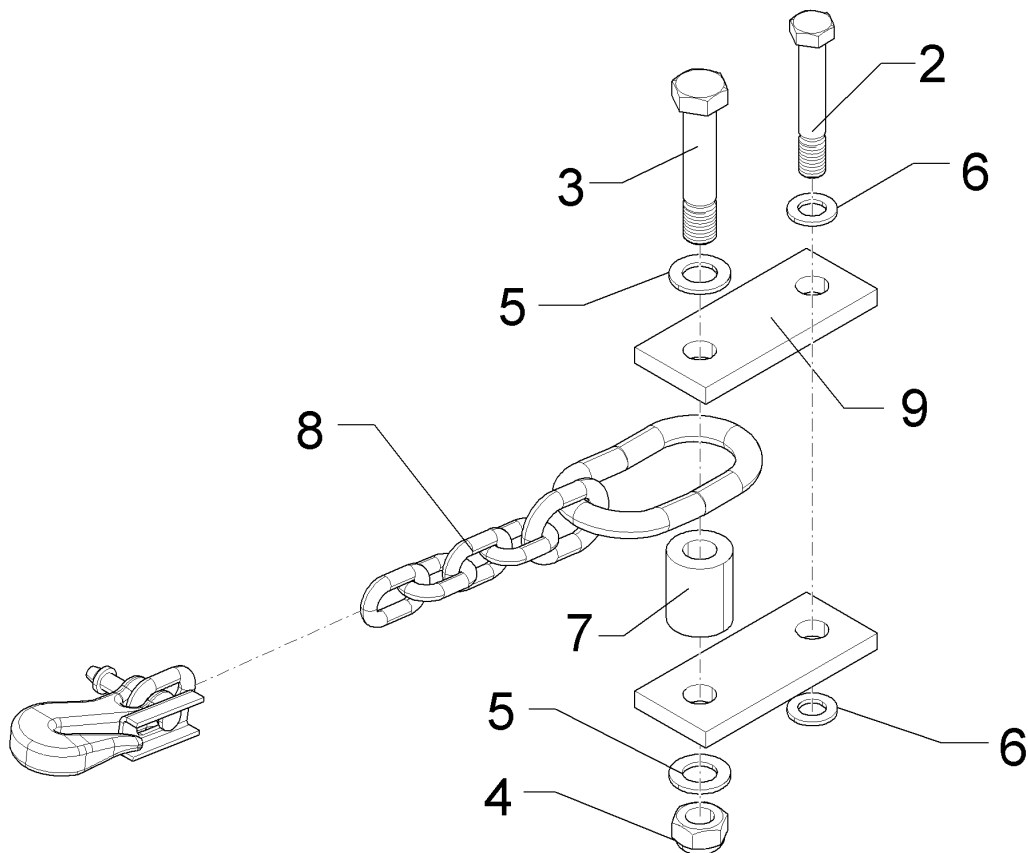
01.18

| Pos. | Art.Nr. | Stck. | Artikeltext / Description | | Abmessung |
|------|----------|-------|------------------------------|------------------|-----------------------------|
| 1 | 301 3324 | 16 | Sechskantschraube | Hexagon bolt | M12x30-8.8 Zn DIN933 |
| 2 | 301 3432 | 4 | Sechskantschraube | Hexagon bolt | M12x80-8.8 Zn DIN931-A |
| 3 | 301 5409 | 12 | Sechskantschraube spz. | Hexagon bolt | M16x50-8.8 Zn |
| 4 | 303 0934 | 4 | Sicherungsmutter | Selflocking nut | NM12-8 Zn DIN985 |
| 5 | 317 3352 | 2 | Einspannbuchse mit Presssitz | Expansion bush | EG28/32x20 |
| 9 | 319 9372 | 4 | Flanschlager-Gehäuseeinheit | Bearing cpl. | RCJ 35 35x118x39,9 4xM12 |
| 10 | 323 0411 | 4 | Schutzkappe | Cap | D80/d35 t=2x5,5 Zn |
| 11 | 329 6124 | 4 | Tellerfeder | Cup spring | 40x14,3x2 DIN2093 |
| 12 | 375 1277 | 4 | O-Ring | O-ring | 79x2 |
| 13 | 422 2924 | 4 | Seitenplatte | Side plate | 120x12x494 |
| 14 | 422 8308 | 1 | Tragrahmen | Supporting frame | 80x1910 |
| 16 | 423 1026 | 1 | Rohrstabwalze | Tube bar roller | D540/400-2.00 RE R |
| 17 | 423 1036 | 1 | Rohrstabwalze | Tube bar roller | D400x1954 RE 2.00 |
| 19 | 303 0935 | 4 | Sicherungsmutter | Selflocking nut | NM16-8 Zn DIN985 |
| 21 | 305 6141 | 12 | Scheibe | Washer | 17/30x3 DIN/ISO-7089 |



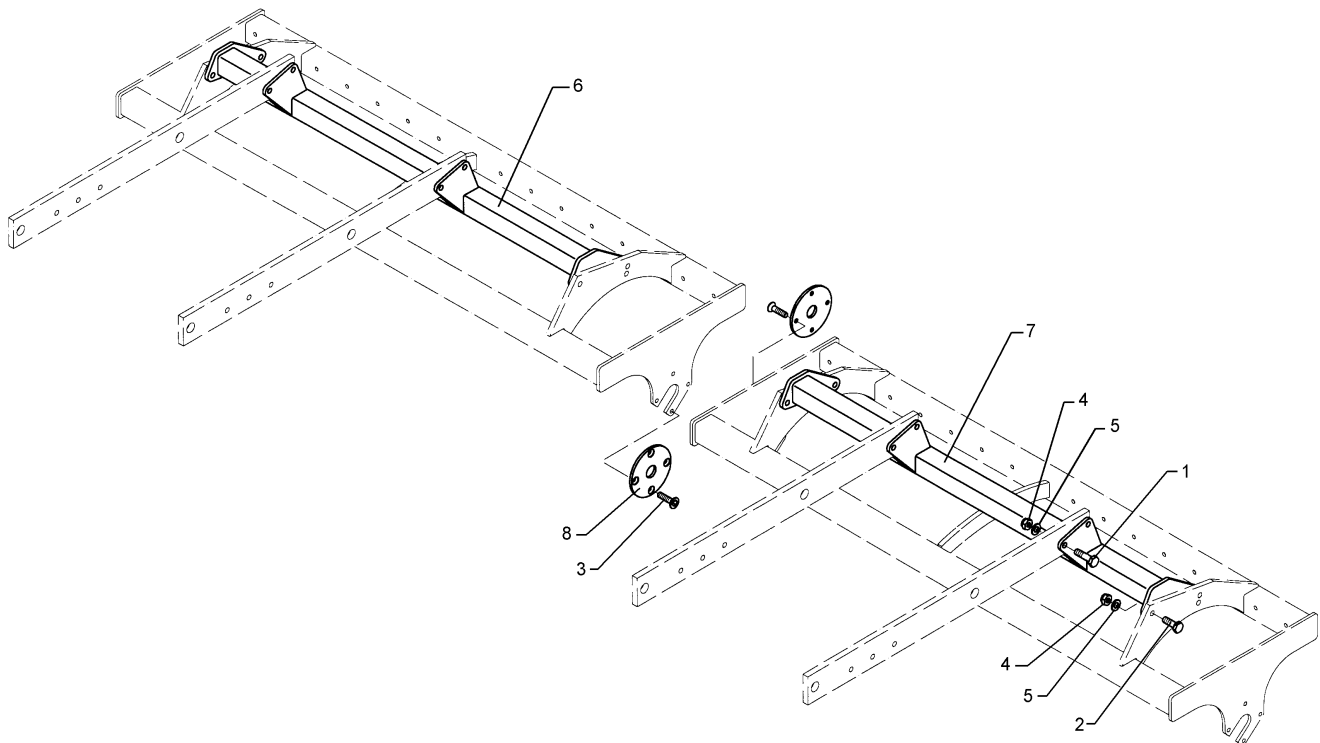
01.18

| Pos. | Art.Nr. | Stck. | Artikeltext / Description | Abmessung |
|------|----------|-------|---------------------------|---|
| 1 | 309 6172 | 1 | Spannhülse | Expansion bush |
| 2 | 33110010 | 1 | Sicherheitskette | Safety chain |
| | | | | 10x50-DIN1481 Zn ANSI/SAE S338.5 89kN |



01.18

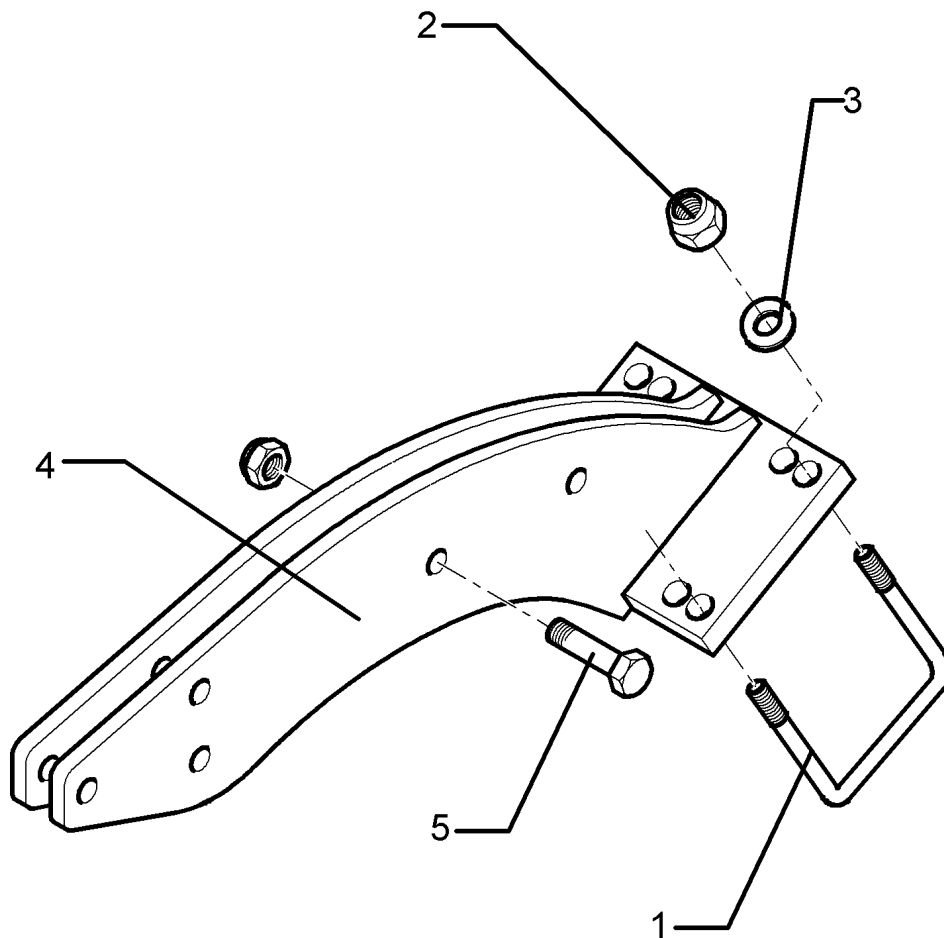
| Pos. | Art.Nr. | Stck. | Artikeltext / Description | | Abmessung |
|------|----------|-------|---------------------------|-----------------|-------------------------|
| 2 | 301 3994 | 1 | Sechskantschraube spz. | Hexagon bolt | M16x100-12.9 Zn |
| 3 | 301 4408 | 1 | Sechskantschraube spz. | Hexagon bolt | M20x100xb25-10.9 Zn |
| 4 | 303 0936 | 1 | Sicherungsmutter | Selflocking nut | NM20-8 Zn DIN985 |
| 5 | 305 6012 | 2 | Scheibe | Washer | 21 ISO7089 Zn |
| 6 | 305 6141 | 2 | Scheibe | Washer | 17/30x3 DIN/ISO-7089 |
| 7 | 317 6867 | 1 | Röhrchen | Tube | 40/20,5x50 |
| 8 | 33110010 | 1 | Sicherheitskette | Safety chain | ANSI/SAE S338.5 89kN |
| 9 | 459 1183 | 2 | Brücke | Clamp plate | 60x12x145 2xD20,1-95 |



01.18

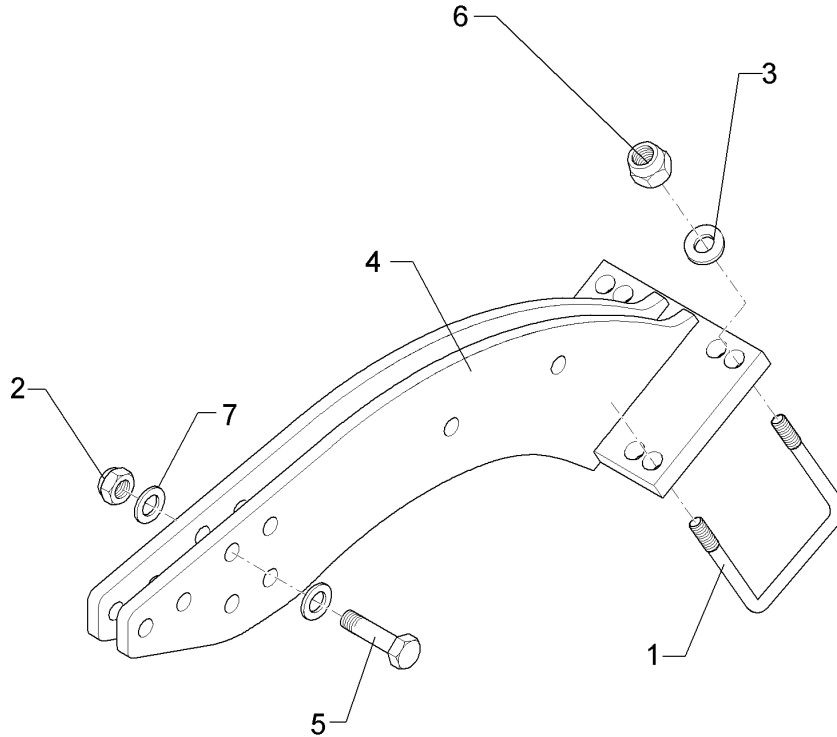
| Pos. | Art.Nr. | Stck. | Artikeltext / Description | | Abmessung |
|------|----------|-------|-----------------------------|---------------------------|-------------------------------|
| 1 | 301 5363 | 8 | Sechskantschraube spz. | Hexagon bolt | M16x70-12.9 Zn |
| 2 | 301 5388 | 8 | Sechskantschraube spz. | Hexagon bolt | M16x45-8.8 Zn |
| 3 | 301 6131 | 8 | Senkschraube | Countersunk bolt | M12x45-10.9 Zn |
| 4 | 303 0935 | 16 | Sicherungsmutter | Selflocking nut | DIN7991-A NM16-8 Zn DIN985 |
| 5 | 305 6161 | 8 | Scheibe | Washer | 17/40x6 DIN7349 Zn |
| 6 | 417 8182 | 1 | Adapter für Zahnpackerwalze | Adapter for packer roller | Smaragd 9/400 RE |
| 7 | 417 8183 | 1 | Adapter für Zahnpackerwalze | Adapter for packer roller | Smaragd 9/400 LI |
| 8 | 422 2920 | 2 | Scheibe | Washer | D163/40x8 4xD12,5 |

| | |
|-----------------|----------|
| Halter/Holder | 7 |
| Rubin 9/400 KÜA | 622 0184 |



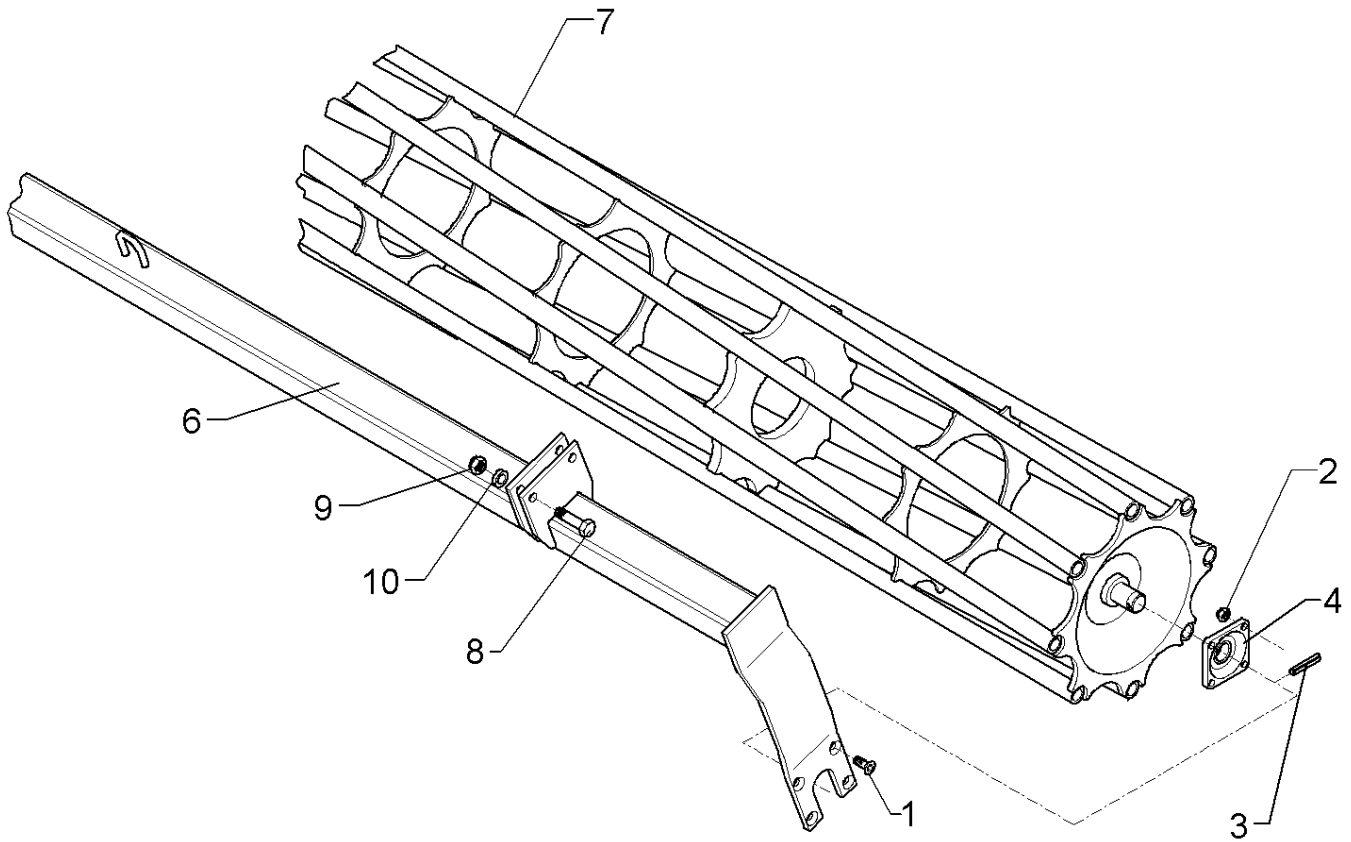
01.18

| Pos. | Art.Nr. | Stck. | Artikeltext / Description | | Abmessung |
|------|----------|-------|---------------------------|-----------------|---------------------------------|
| 1 | 30110069 | 2 | Bügelschraube | U-bolt | M16x135 U-91 Zn |
| 2 | 303 0935 | 6 | Sicherungsmutter | Selflocking nut | NM16-8 Zn DIN985 |
| 3 | 305 6141 | 4 | Scheibe | Washer | 17/30x3 DIN/ISO-7089 |
| 4 | 422 0184 | 1 | Halter | Holder | 140x177x20-90 GRW D590 8xD17 |
| 5 | 301 5363 | 2 | Sechskantschraube spz. | Hexagon bolt | M16x70-12.9 Zn |



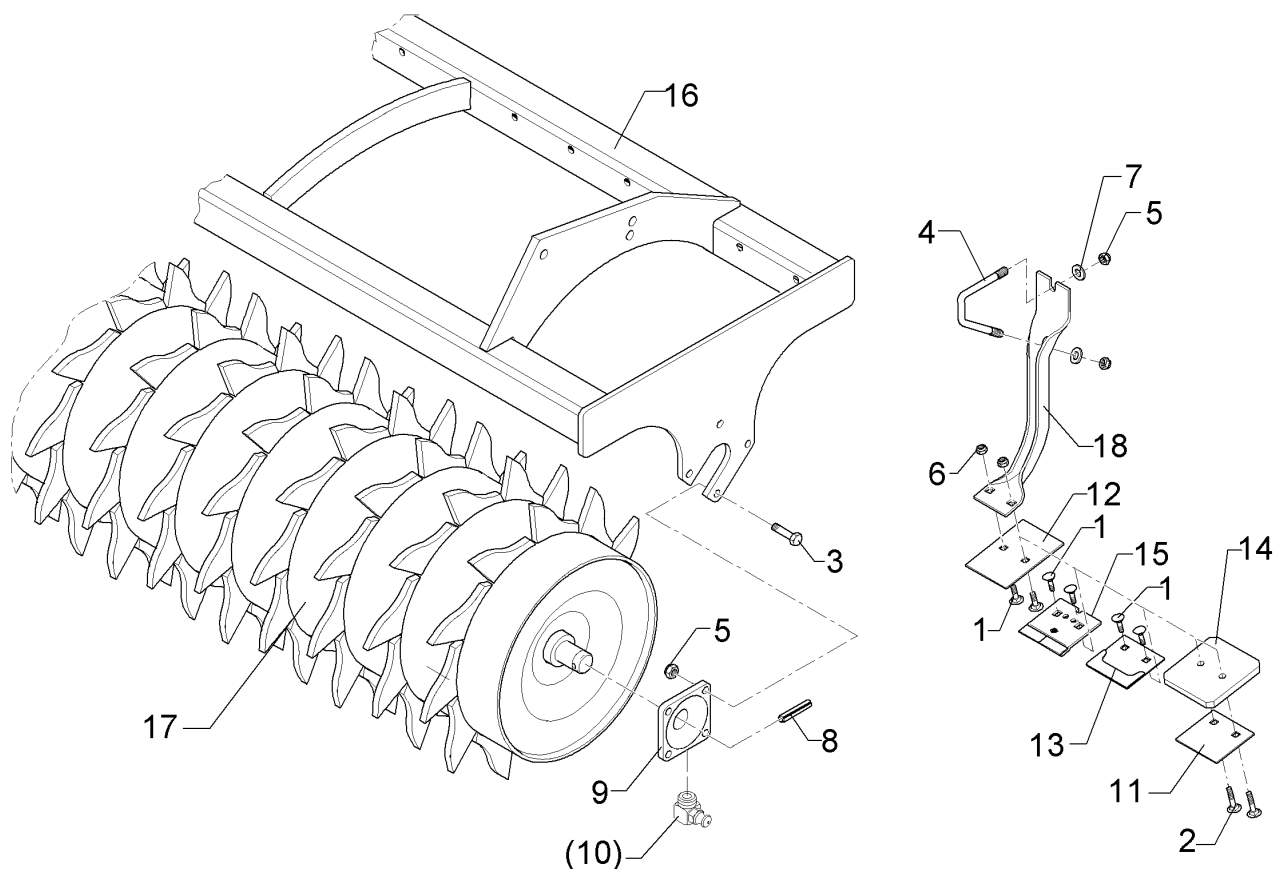
01.18

| Pos. | Art.Nr. | Stck. | Artikeltext / Description | | Abmessung |
|------|----------|-------|---------------------------|-----------------|---------------------------------|
| 1 | 301 7851 | 2 | Bügelschraube | U-bolt | M20/90/140 (358) Zn |
| 2 | 303 0935 | 1 | Sicherungsmutter | Selflocking nut | NM16-8 Zn DIN985 |
| 3 | 305 6012 | 4 | Scheibe | Washer | 21 ISO7089 Zn |
| 4 | 422 0188 | 1 | Halter | Holder | 140x196x20-90 GRW D590 8xD21 |
| 5 | 301 5363 | 1 | Sechskantschraube spz. | Hexagon bolt | M16x70-12.9 Zn |
| 6 | 303 0936 | 4 | Sicherungsmutter | Selflocking nut | NM20-8 Zn DIN985 |
| 7 | 305 6141 | 2 | Scheibe | Washer | 17/30x3 DIN/ISO-7089 |



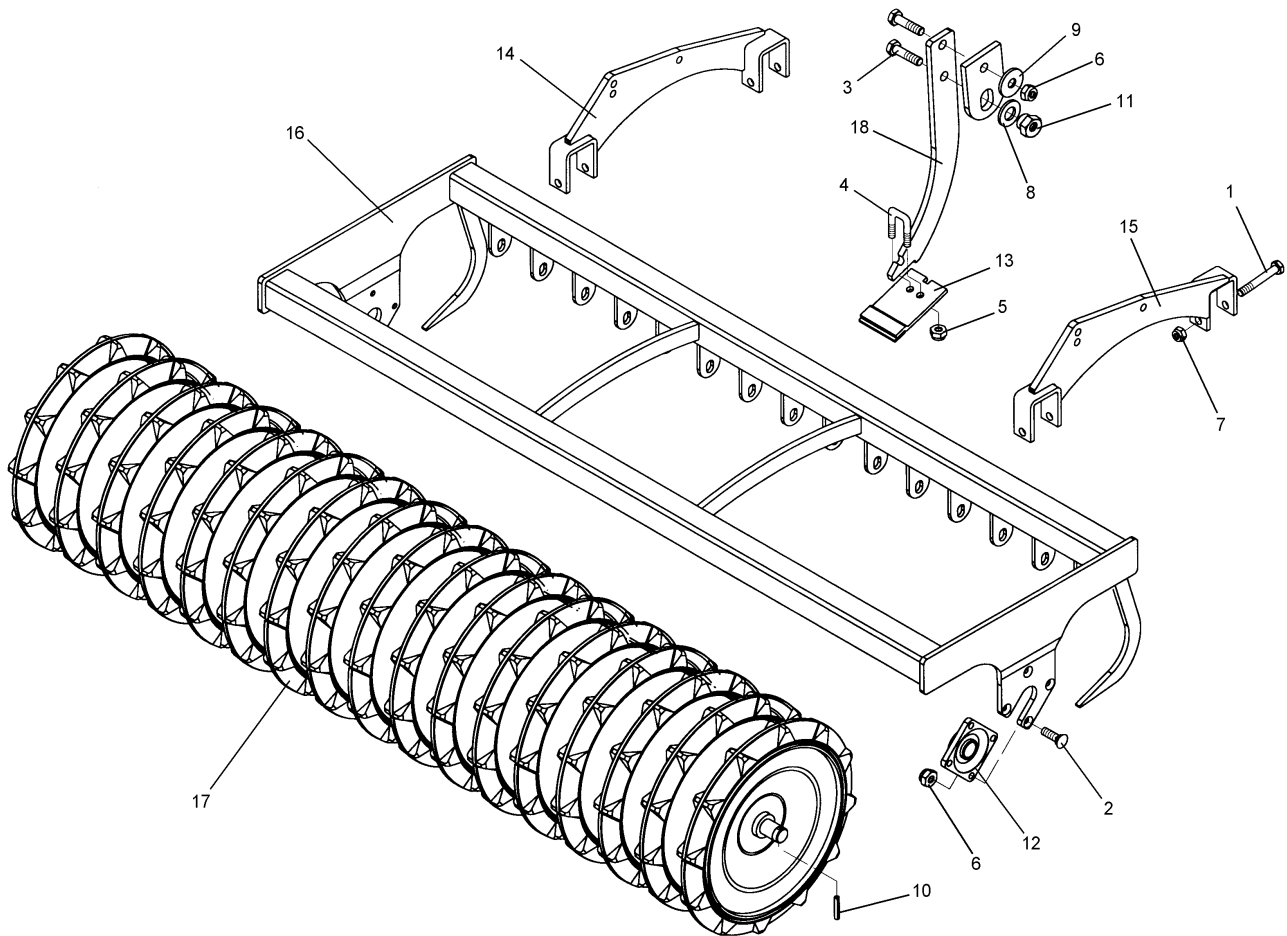
01.18

| Pos. | Art.Nr. | Stck. | Artikeltext / Description | | Abmessung |
|------|----------|-------|-----------------------------|------------------|--|
| 1 | 301 6130 | 8 | Senkschraube | Countersunk bolt | M12x40-10.9 Zn DIN7991-A |
| 2 | 303 0934 | 8 | Sicherungsmutter | Selflocking nut | NM12-8 Zn DIN985 |
| 3 | 309 6072 | 2 | Spannhülse | Expansion bush | 8x40-DIN1481 Zn |
| 4 | 319 9365 | 2 | Flanschlager-Gehäuseeinheit | Bearing cpl. | RCJ 35 35x118x39,9 |
| 6 | 422 6612 | 1 | Tragrahmen | Supporting frame | 80x1910 D400-200-K D400x1954 RE 2.00 |
| 7 | 423 0955 | 1 | Rohrstabwalze | Tube bar roller | |
| 8 | 301 3870 | 4 | Sechskantschraube spz. | Hexagon bolt | M16x65-10.9 Zn |
| 9 | 303 0935 | 4 | Sicherungsmutter | Selflocking nut | NM16-8 Zn DIN985 |
| 10 | 305 6161 | 4 | Scheibe | Washer | 17/40x6 DIN7349 Zn |



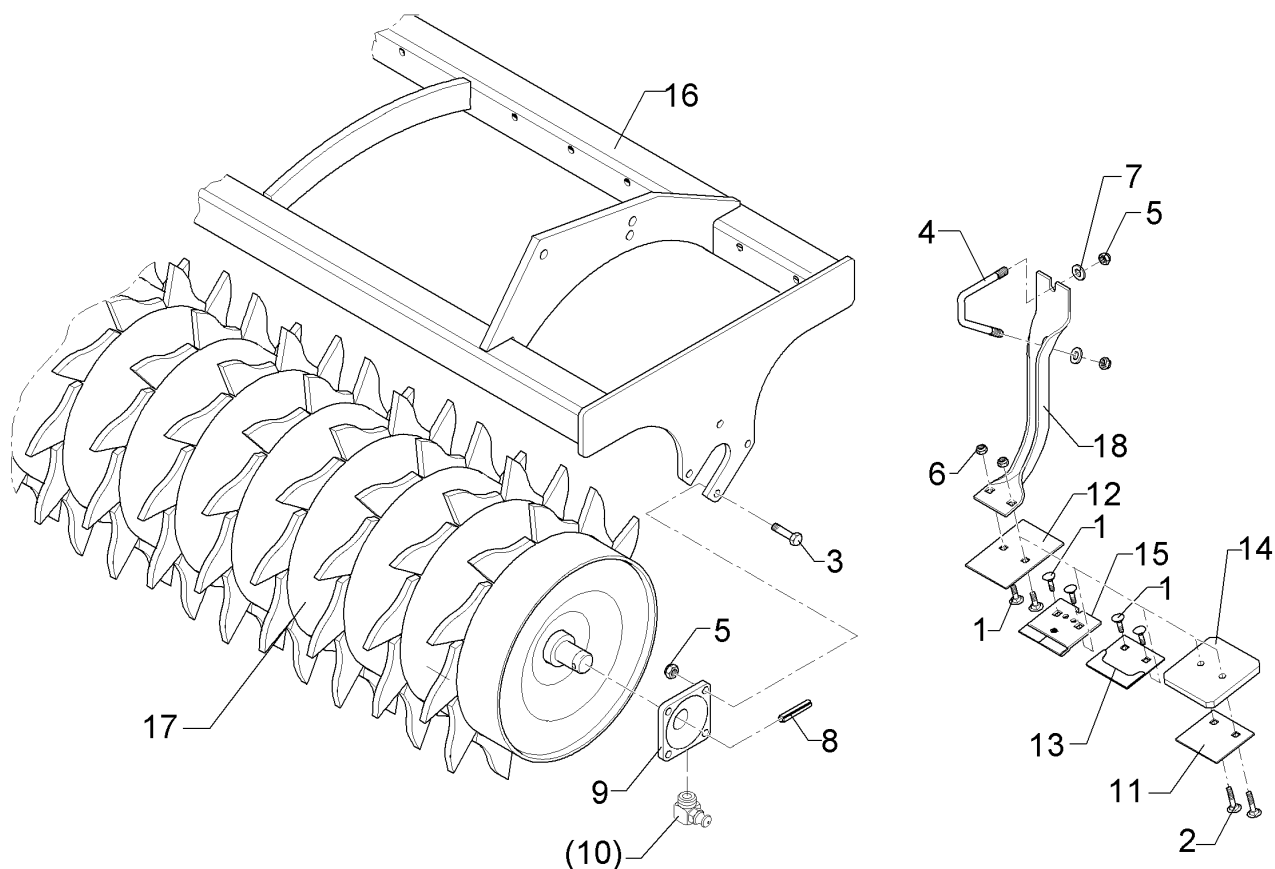
01.18

| Pos. | Art.Nr. | Stck. | Artikeltext / Description | | Abmessung |
|------|----------|-------|-----------------------------|-----------------------|--------------------------|
| 1 | 301 1700 | 2 | Flachrundschraube | Saucer-head screw | M10x20-8.8 Zn DIN603 |
| 2 | 301 1706 | 2 | Flachrundschraube | Saucer-head screw | M10x30-8.8 Zn DIN603 |
| 3 | 301 3347 | 8 | Sechskantschraube | Hexagon bolt | M12x40-8.8 Zn DIN933 |
| 4 | 301 7788 | 16 | Bügelsschraube | U-bolt | M12/43/94/8.8 Zn |
| 5 | 303 0934 | 40 | Sicherungsmutter | Selflocking nut | NM12-8 Zn DIN985 |
| 6 | 303 1012 | 2 | Sechskantmutter | Hexagon nut | M10 DIN934-8 Zn |
| 7 | 305 6137 | 48 | Scheibe | Washer | 13/25x3 DIN1441-St Zn |
| 8 | 309 6072 | 2 | Spannhülse | Expansion bush | 8x40-DIN1481 Zn |
| 9 | 319 9365 | 2 | Flanschlager-Gehäuseeinheit | Bearing cpl. | RCJ 35 35x118x39,9 |
| 10 | 323 6360 | 2 | Schmiernippel | Grease nipple | R1/8" |
| 11 | 349 2000 | 1 | Abstreifer-Stützplatte | Scraper plate | 90x3x85 |
| 12 | 349 2001 | 1 | Abstreifer | Scraper | 90x3x130 |
| 13 | 349 2002 | 1 | Abstreifer aufgepanzert | Scraper, hardfaced | 90x3x85 |
| 14 | 349 2003 | 1 | Kunststoffabstreifer | Synthetic scraper | 110x120x12 |
| 15 | 349 2004 | 1 | Hartmetallabstreifer | Scraper | 90x5x94 |
| 16 | 422 6720 | 1 | Tragrahmen | Supporting frame | ZPW D500-200 |
| 17 | 423 2133 | 1 | Zahnpackerwalze | Toothed packer roller | ZPW D500x1940 |
| 18 | 423 5905 | 1 | Abstreiferhalter | Carrier for scraper | 70x5x375-D500 |



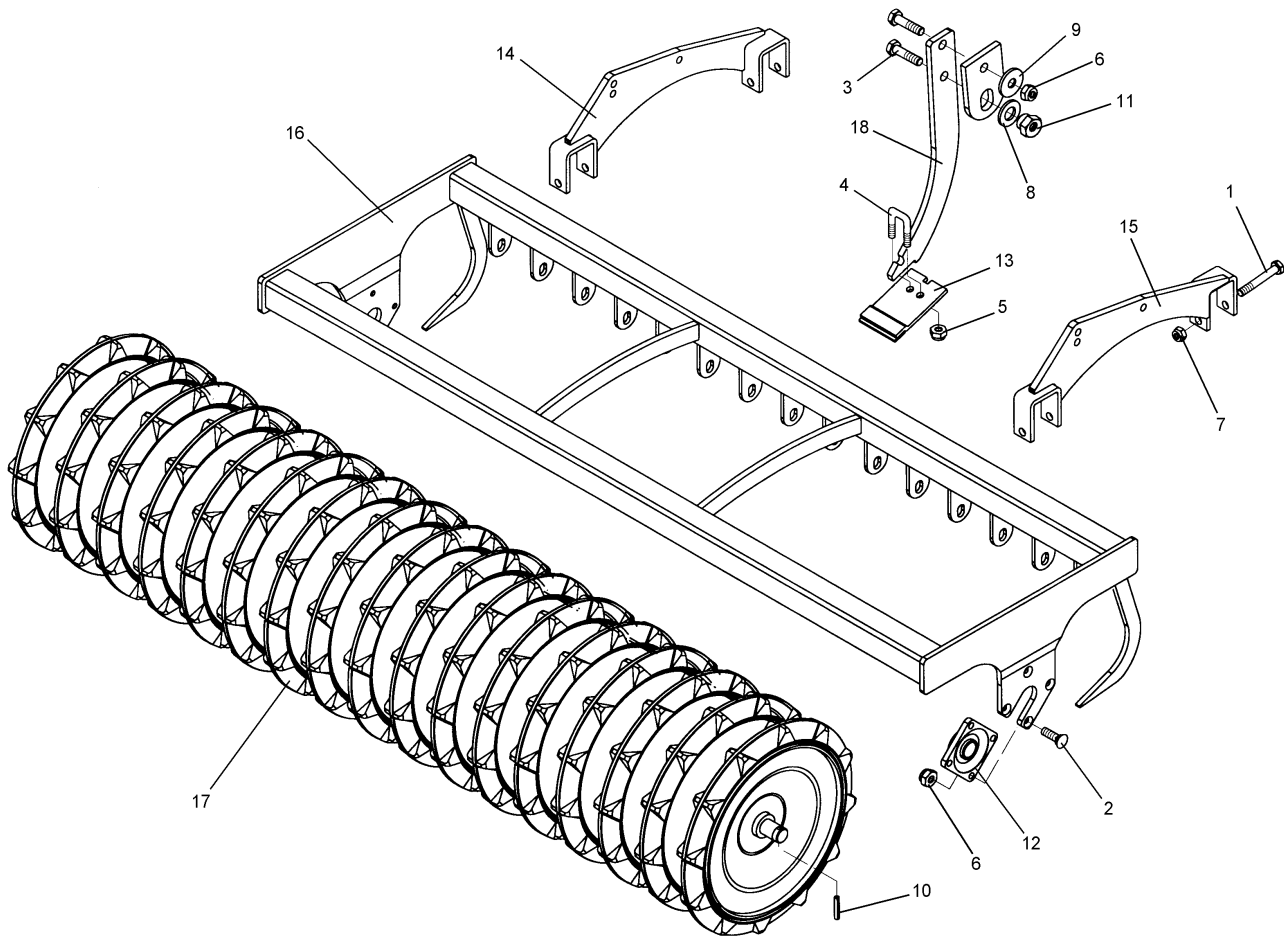
01.18

| Pos. | Art.Nr. | Stck. | Artikeltext / Description | | Abmessung |
|------|----------|-------|-----------------------------|-----------------------|-----------------------------|
| 1 | 301 4020 | 4 | Sechskantschraube | Hexagon bolt | M16x110-8.8 Zn DIN931-A |
| 2 | 301 6130 | 8 | Senkschraube | Countersunk bolt | M12x40-10.9 Zn DIN7991-A |
| 3 | 301 7334 | 15 | Sechskantschraube | Hexagon bolt | M12x35-8.8 Zn DIN933 |
| 4 | 301 7760 | 15 | Bügelsschraube | U-bolt | M8/17/26/8.8 Zn |
| 5 | 303 0932 | 30 | Sicherungsmutter | Selflocking nut | NM8-8 Zn DIN985 |
| 6 | 303 0934 | 23 | Sicherungsmutter | Selflocking nut | NM12-8 Zn DIN985 |
| 7 | 303 0935 | 4 | Sicherungsmutter | Selflocking nut | NM16-8 Zn DIN985 |
| 8 | 305 6012 | 15 | Scheibe | Washer | 21 ISO7089 Zn |
| 9 | 305 6167 | 15 | Scheibe | Washer | 13/35x5 Zn DIN 6340 |
| 10 | 309 6072 | 2 | Spannhülse | Expansion bush | 8x40-DIN1481 Zn |
| 11 | 317 7699 | 15 | Exzenter | Eccentric | SW24/20-M12/E2 Zn |
| 12 | 319 9365 | 2 | Flanschlager-Gehäuseeinheit | Bearing cpl. | RCJ 35 35x118x39,9 |
| 13 | 349 2005 | 15 | Hartmetallabstreifer | Scraper | 60x5x94 |
| 14 | 422 2916 | 1 | Tragplatte | Support plate | TRW RE |
| 15 | 422 2917 | 1 | Tragplatte | Support plate | TRW LI |
| 16 | 422 6736 | 1 | Tragrahmen | Supporting frame | TPW D500-200-16R125 |
| 17 | 423 2140 | 1 | Trapezpackerwalze | Trapeze packer roller | TPW D500-200-16R125 |
| 18 | 423 5906 | 15 | Abstreiferhalter | Carrier for scraper | 40x8x312 |



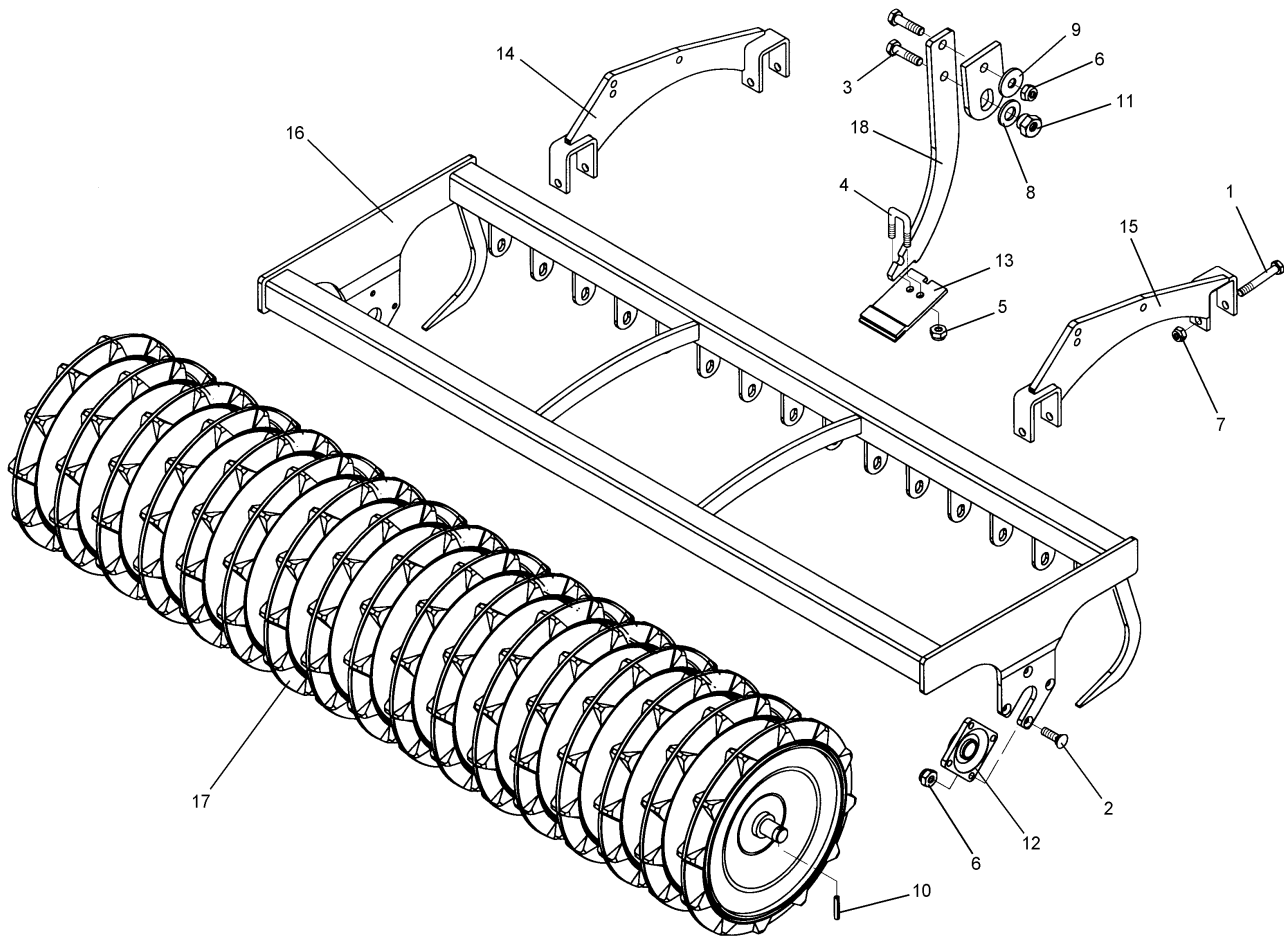
01.18

| Pos. | Art.Nr. | Stck. | Artikeltext / Description | | Abmessung |
|------|----------|-------|-----------------------------|-----------------------|--------------------------|
| 1 | 301 1700 | 2 | Flachrundschraube | Saucer-head screw | M10x20-8.8 Zn DIN603 |
| 2 | 301 1706 | 2 | Flachrundschraube | Saucer-head screw | M10x30-8.8 Zn DIN603 |
| 3 | 301 3347 | 8 | Sechskantschraube | Hexagon bolt | M12x40-8.8 Zn DIN933 |
| 4 | 301 7788 | 16 | Bügelsschraube | U-bolt | M12/43/94/8.8 Zn |
| 5 | 303 0934 | 40 | Sicherungsmutter | Selflocking nut | NM12-8 Zn DIN985 |
| 6 | 303 1012 | 2 | Sechskantmutter | Hexagon nut | M10 DIN934-8 Zn |
| 7 | 305 6137 | 48 | Scheibe | Washer | 13/25x3 DIN1441-St Zn |
| 8 | 309 6072 | 2 | Spannhülse | Expansion bush | 8x40-DIN1481 Zn |
| 9 | 319 9365 | 2 | Flanschlager-Gehäuseeinheit | Bearing cpl. | RCJ 35 35x118x39,9 |
| 11 | 349 2000 | 1 | Abstreifer-Stützplatte | Scraper plate | 90x3x85 |
| 12 | 349 2001 | 1 | Abstreifer | Scraper | 90x3x130 |
| 13 | 349 2002 | 1 | Abstreifer aufgepanzert | Scraper, hardfaced | 90x3x85 |
| 14 | 349 2003 | 1 | Kunststoffabstreifer | Synthetic scraper | 110x120x12 |
| 15 | 349 2004 | 1 | Hartmetallabstreifer | Scraper | 90x5x94 |
| 16 | 422 6720 | 1 | Tragrahmen | Supporting frame | ZPW D500-200 |
| 17 | 423 2133 | 1 | Zahnpackerwalze | Toothed packer roller | ZPW D500x1940 |
| 18 | 423 5901 | 1 | Abstreiferhalter | Carrier for scraper | 70x5x337-D420 |



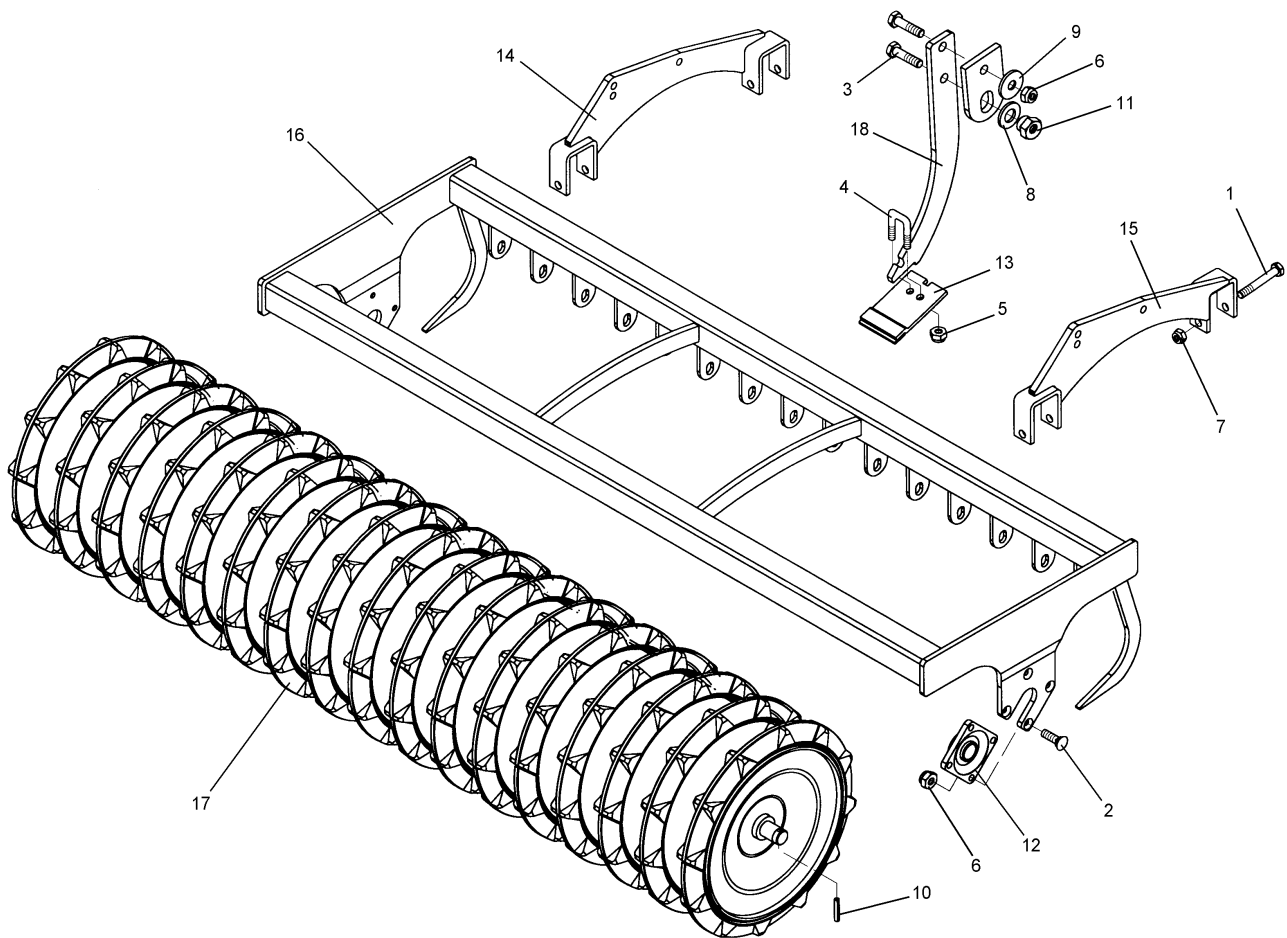
01.18

| Pos. | Art.Nr. | Stck. | Artikeltext / Description | | Abmessung |
|------|----------|-------|-----------------------------|-----------------------|-----------------------------|
| 1 | 301 4020 | 4 | Sechskantschraube | Hexagon bolt | M16x110-8.8 Zn DIN931-A |
| 2 | 301 6130 | 8 | Senkschraube | Countersunk bolt | M12x40-10.9 Zn DIN7991-A |
| 3 | 301 7334 | 12 | Sechskantschraube | Hexagon bolt | M12x35-8.8 Zn DIN933 |
| 4 | 301 7760 | 12 | Bügelschraube | U-bolt | M8/17/26/8.8 Zn |
| 5 | 303 0932 | 24 | Sicherungsmutter | Selflocking nut | NM8-8 Zn DIN985 |
| 6 | 303 0934 | 20 | Sicherungsmutter | Selflocking nut | NM12-8 Zn DIN985 |
| 7 | 303 0935 | 4 | Sicherungsmutter | Selflocking nut | NM16-8 Zn DIN985 |
| 8 | 305 6012 | 12 | Scheibe | Washer | 21 ISO7089 Zn |
| 9 | 305 6167 | 12 | Scheibe | Washer | 13/35x5 Zn DIN 6340 |
| 10 | 309 6072 | 2 | Spannhülse | Expansion bush | 8x40-DIN1481 Zn |
| 11 | 317 7699 | 12 | Exzenter | Eccentric | SW24/20-M12/E2 Zn |
| 12 | 319 9365 | 2 | Flanschlager-Gehäuseeinheit | Bearing cpl. | RCJ 35 35x118x39,9 |
| 13 | 349 2004 | 12 | Hartmetallabstreifer | Scraper | 90x5x94 |
| 14 | 422 2916 | 1 | Tragplatte | Support plate | TRW RE |
| 15 | 422 2917 | 1 | Tragplatte | Support plate | TRW LI |
| 16 | 422 6748 | 1 | Tragrahmen | Supporting frame | TPW D500-200-13R150 |
| 17 | 423 2146 | 1 | Trapezpackerwalze | Trapeze packer roller | TPW D500-200-13R150 |
| 18 | 423 5906 | 12 | Abstreiferhalter | Carrier for scraper | 40x8x312 |



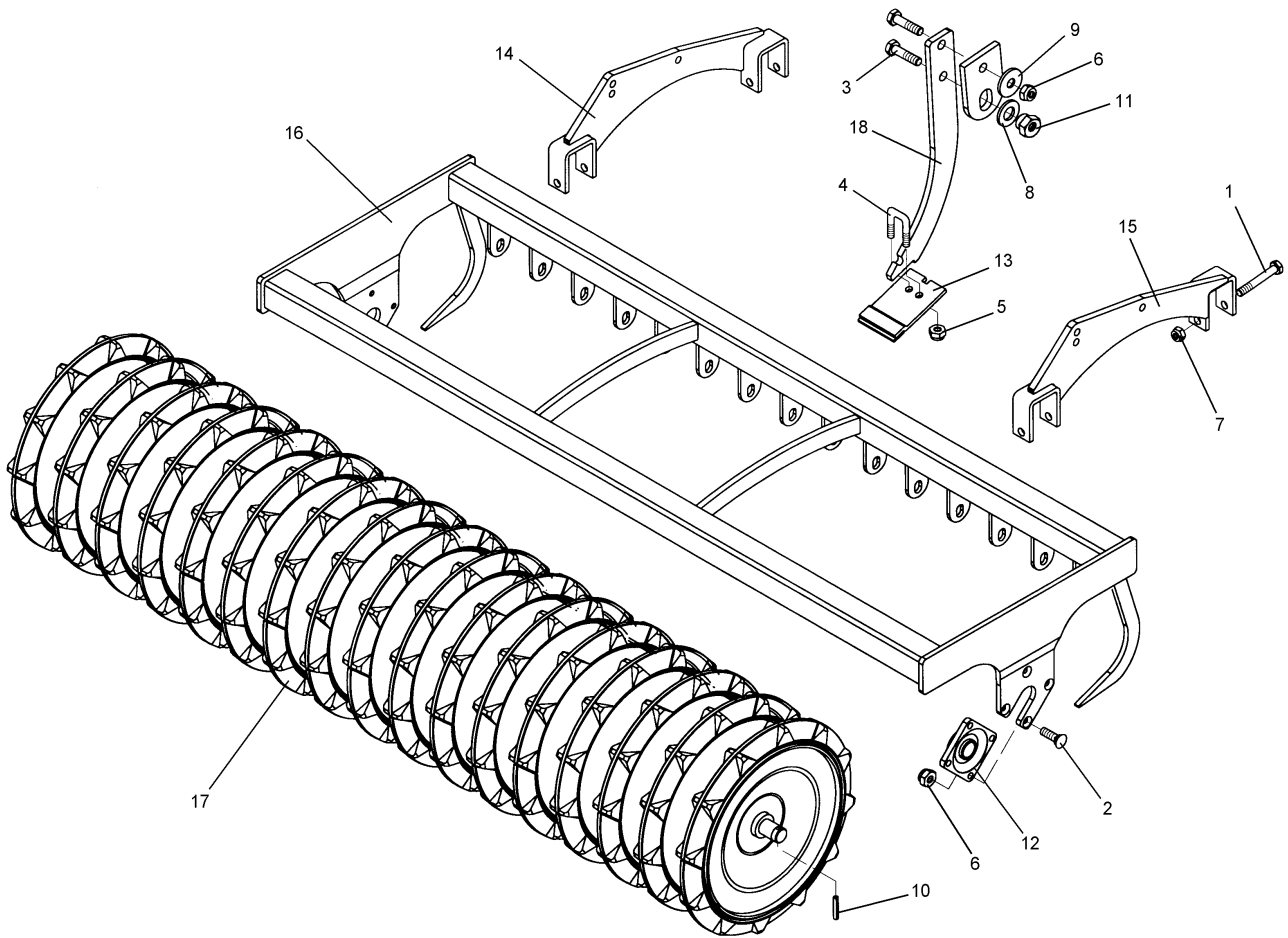
01.18

| Pos. | Art.Nr. | Stck. | Artikeltext / Description | | Abmessung |
|------|----------|-------|-----------------------------|-----------------------|-----------------------------|
| 1 | 301 4020 | 4 | Sechskantschraube | Hexagon bolt | M16x110-8.8 Zn DIN931-A |
| 2 | 301 6130 | 8 | Senkschraube | Countersunk bolt | M12x40-10.9 Zn DIN7991-A |
| 3 | 301 7334 | 13 | Sechskantschraube | Hexagon bolt | M12x35-8.8 Zn DIN933 |
| 4 | 301 7760 | 13 | Bügelschraube | U-bolt | M8/17/26/8.8 Zn |
| 5 | 303 0932 | 26 | Sicherungsmutter | Selflocking nut | NM8-8 Zn DIN985 |
| 6 | 303 0934 | 21 | Sicherungsmutter | Selflocking nut | NM12-8 Zn DIN985 |
| 7 | 303 0935 | 4 | Sicherungsmutter | Selflocking nut | NM16-8 Zn DIN985 |
| 8 | 305 6012 | 13 | Scheibe | Washer | 21 ISO7089 Zn |
| 9 | 305 6167 | 13 | Scheibe | Washer | 13/35x5 Zn DIN 6340 |
| 10 | 309 6072 | 2 | Spannhülse | Expansion bush | 8x40-DIN1481 Zn |
| 11 | 317 7699 | 13 | Exzenter | Eccentric | SW24/20-M12/E2 Zn |
| 12 | 319 9365 | 2 | Flanschlager-Gehäuseeinheit | Bearing cpl. | RCJ 35 35x118x39,9 |
| 13 | 349 2004 | 13 | Hartmetallabstreifer | Scraper | 90x5x94 |
| 14 | 422 2916 | 1 | Tragplatte | Support plate | TRW RE |
| 15 | 422 2917 | 1 | Tragplatte | Support plate | TRW LI |
| 16 | 422 6749 | 1 | Tragrahmen | Supporting frame | TPW D500-200-14R150 |
| 17 | 423 2147 | 1 | Trapezpackerwalze | Trapeze packer roller | TPW D500-200-14R150 |
| 18 | 423 5906 | 13 | Abstreiferhalter | Carrier for scraper | 40x8x312 |



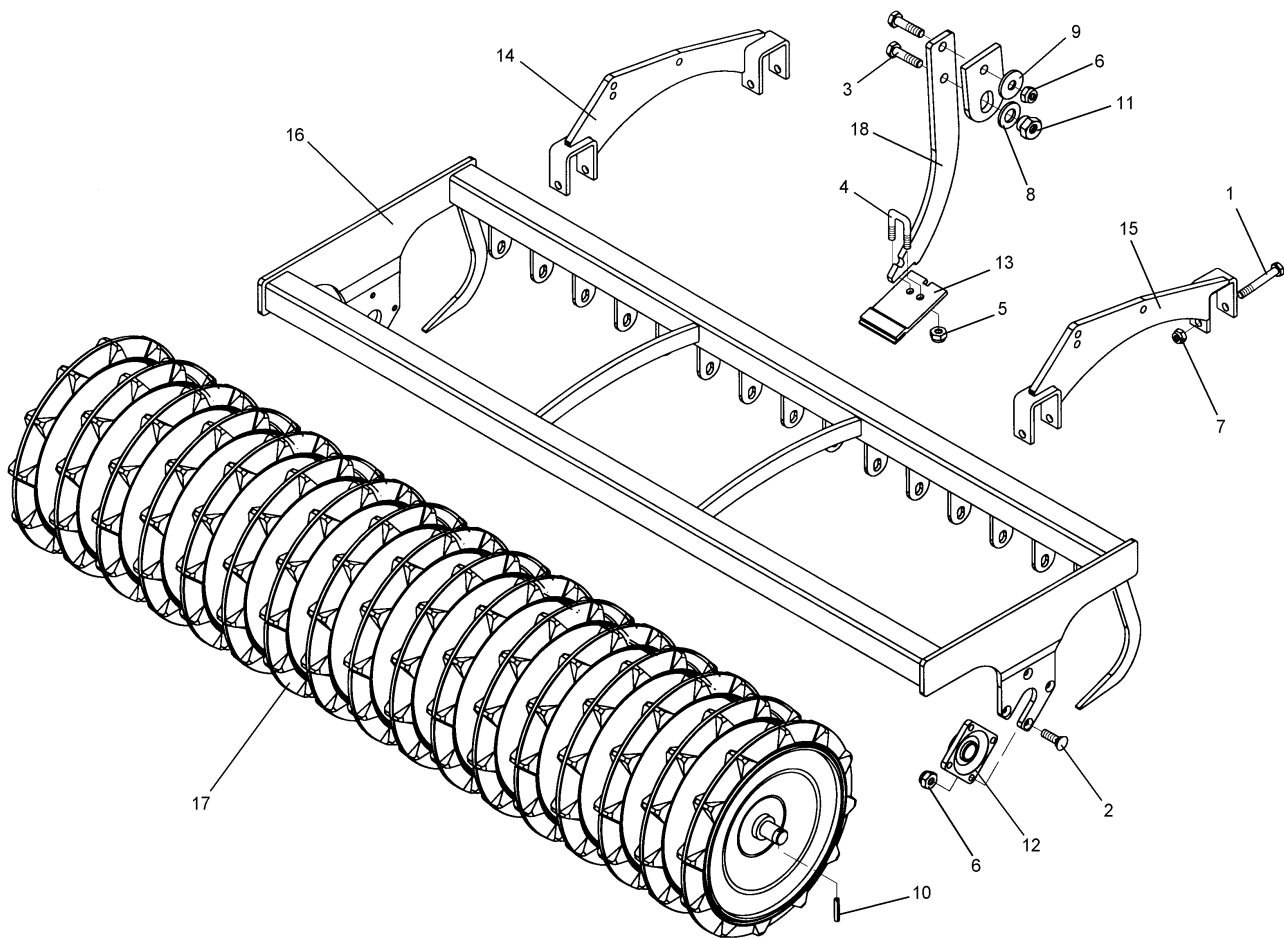
01.18

| Pos. | Art.Nr. | Stck. | Artikeltext / Description | | Abmessung |
|------|----------|-------|-----------------------------|-----------------------|-----------------------------------|
| 1 | 301 4020 | 2 | Sechskantschraube | Hexagon bolt | M16x110-8.8 Zn DIN931-A |
| 2 | 301 6130 | 8 | Senkschraube | Countersunk bolt | M12x40-10.9 Zn DIN7991-A |
| 3 | 301 7334 | 10 | Sechskantschraube | Hexagon bolt | M12x35-8.8 Zn DIN933 |
| 4 | 301 7760 | 10 | Bügelschraube | U-bolt | M8/17/26/8.8 Zn |
| 5 | 303 0932 | 20 | Sicherungsmutter | Selflocking nut | NM8-8 Zn DIN985 |
| 6 | 303 0934 | 18 | Sicherungsmutter | Selflocking nut | NM12-8 Zn DIN985 |
| 7 | 303 0935 | 6 | Sicherungsmutter | Selflocking nut | NM16-8 Zn DIN985 |
| 8 | 305 6012 | 10 | Scheibe | Washer | 21 ISO7089 Zn |
| 9 | 305 6167 | 10 | Scheibe | Washer | 13/35x5 Zn DIN 6340 |
| 10 | 309 6072 | 2 | Spannhülse | Expansion bush | 8x40-DIN1481 Zn |
| 11 | 317 7699 | 10 | Exzenter | Eccentric | SW24/20-M12/E2 Zn |
| 12 | 319 9365 | 2 | Flanschlager-Gehäuseeinheit | Bearing cpl. | RCJ 35 35x118x39,9 |
| 13 | 349 2006 | 10 | Hartmetallabstreifer | Scraper | 105x5x94 |
| 14 | 422 2916 | 1 | Tragplatte | Support plate | TRW RE |
| 15 | 422 2917 | 1 | Tragplatte | Support plate | TRW LI |
| 16 | 422 6755 | 1 | Tragrahmen | Supporting frame | TPW D500-200-11R175 |
| 17 | 423 2153 | 1 | Trapezpackerwalze | Trapeze packer roller | TPW D500-200-11R175 |
| 18 | 423 5906 | 10 | Abstreiferhalter | Carrier for scraper | 40x8x312 |
| 19 | 301 0853 | 2 | Augenschraube | Eye bolt | BM16x110-8.8 D2=16H9 Zn DIN444 |



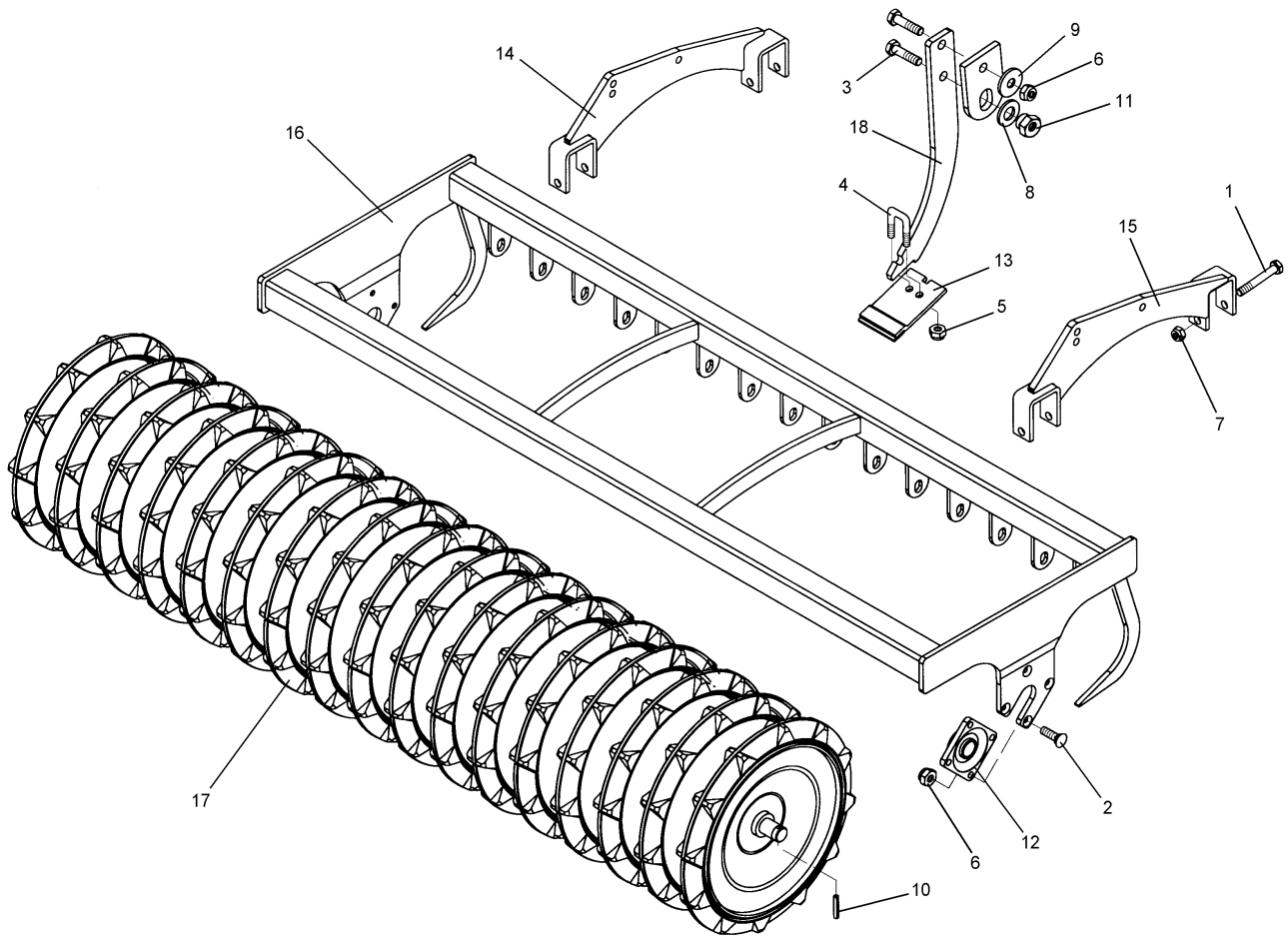
01.18

| Pos. | Art.Nr. | Stck. | Artikeltext / Description | | Abmessung |
|------|----------|-------|---------------------------|---------------|----------------|
| 20 | 301 4039 | 2 | Sechskantschraube | Hexagon bolt | M16x120-8.8 Zn |
| 21 | 305 6141 | 4 | Scheibe | Washer | DIN931-A |
| 22 | 422 2932 | 1 | Tragplatte | Support plate | 17/30x3 |
| 23 | 422 2933 | 1 | Tragplatte | Support plate | DIN/ISO-7089 |
| | | | | | TPW RE |
| | | | | | TPW LI |



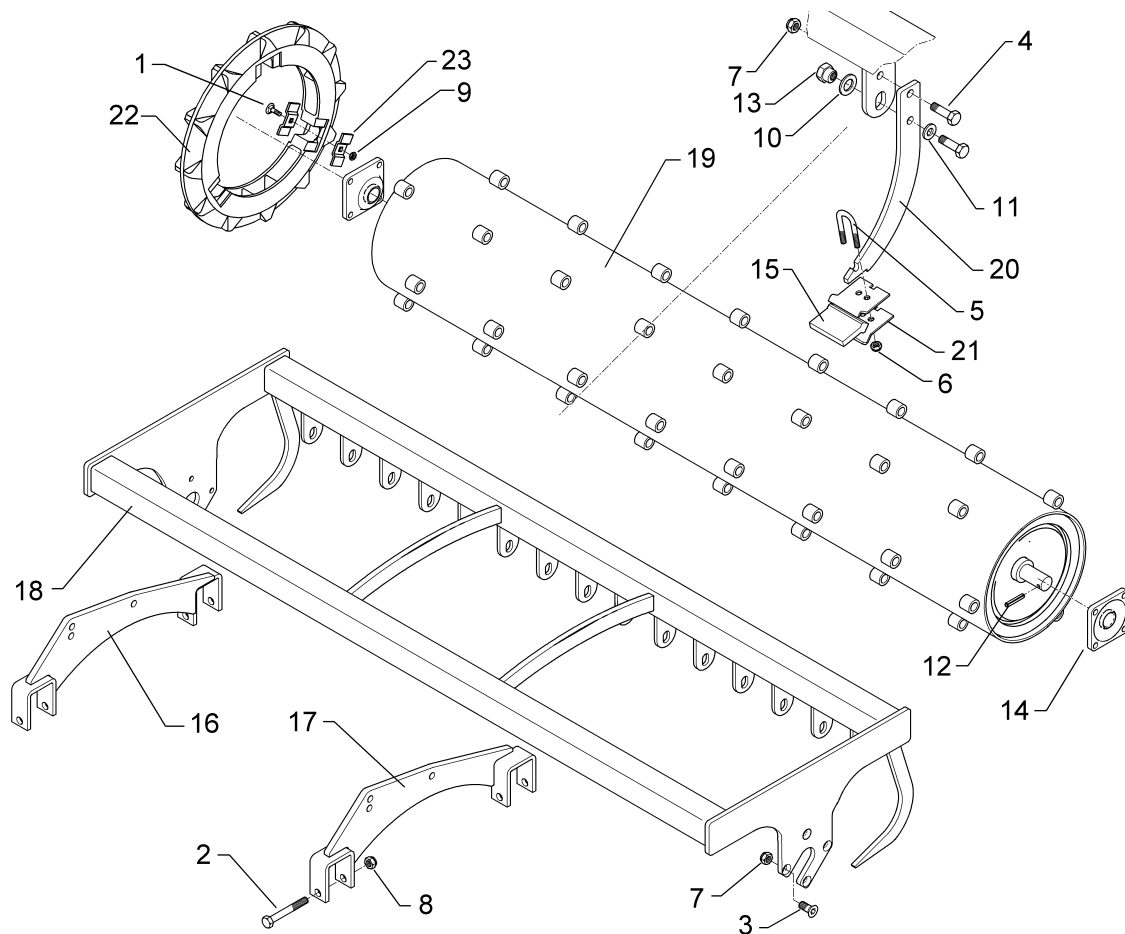
01.18

| Pos. | Art.Nr. | Stck. | Artikeltext / Description | | Abmessung |
|------|----------|-------|-----------------------------|-----------------------|-----------------------------------|
| 1 | 301 4020 | 2 | Sechskantschraube | Hexagon bolt | M16x110-8.8 Zn DIN931-A |
| 2 | 301 6130 | 8 | Senkschraube | Countersunk bolt | M12x40-10.9 Zn DIN7991-A |
| 3 | 301 7334 | 11 | Sechskantschraube | Hexagon bolt | M12x35-8.8 Zn DIN933 |
| 4 | 301 7760 | 11 | Bügelschraube | U-bolt | M8/17/26/8.8 Zn |
| 5 | 303 0932 | 22 | Sicherungsmutter | Selflocking nut | NM8-8 Zn DIN985 |
| 6 | 303 0934 | 19 | Sicherungsmutter | Selflocking nut | NM12-8 Zn DIN985 |
| 7 | 303 0935 | 6 | Sicherungsmutter | Selflocking nut | NM16-8 Zn DIN985 |
| 8 | 305 6012 | 11 | Scheibe | Washer | 21 ISO7089 Zn |
| 9 | 305 6167 | 11 | Scheibe | Washer | 13/35x5 Zn DIN 6340 |
| 10 | 309 6072 | 2 | Spannhülse | Expansion bush | 8x40-DIN1481 Zn |
| 11 | 317 7699 | 11 | Exzenter | Eccentric | SW24/20-M12/E2 Zn |
| 12 | 319 9365 | 2 | Flanschlager-Gehäuseeinheit | Bearing cpl. | RCJ 35 35x118x39,9 |
| 13 | 349 2006 | 11 | Hartmetallabstreifer | Scraper | 105x5x94 |
| 14 | 422 2916 | 1 | Tragplatte | Support plate | TRW RE |
| 15 | 422 2917 | 1 | Tragplatte | Support plate | TRW LI |
| 16 | 422 6756 | 1 | Tragrahmen | Supporting frame | TPW D500-200-12R175 |
| 17 | 423 2154 | 1 | Trapezpackerwalze | Trapeze packer roller | TPW D500-200-12R175 |
| 18 | 423 5906 | 11 | Abstreiferhalter | Carrier for scraper | 40x8x312 |
| 19 | 301 0853 | 2 | Augenschraube | Eye bolt | BM16x110-8.8 D2=16H9 Zn DIN444 |



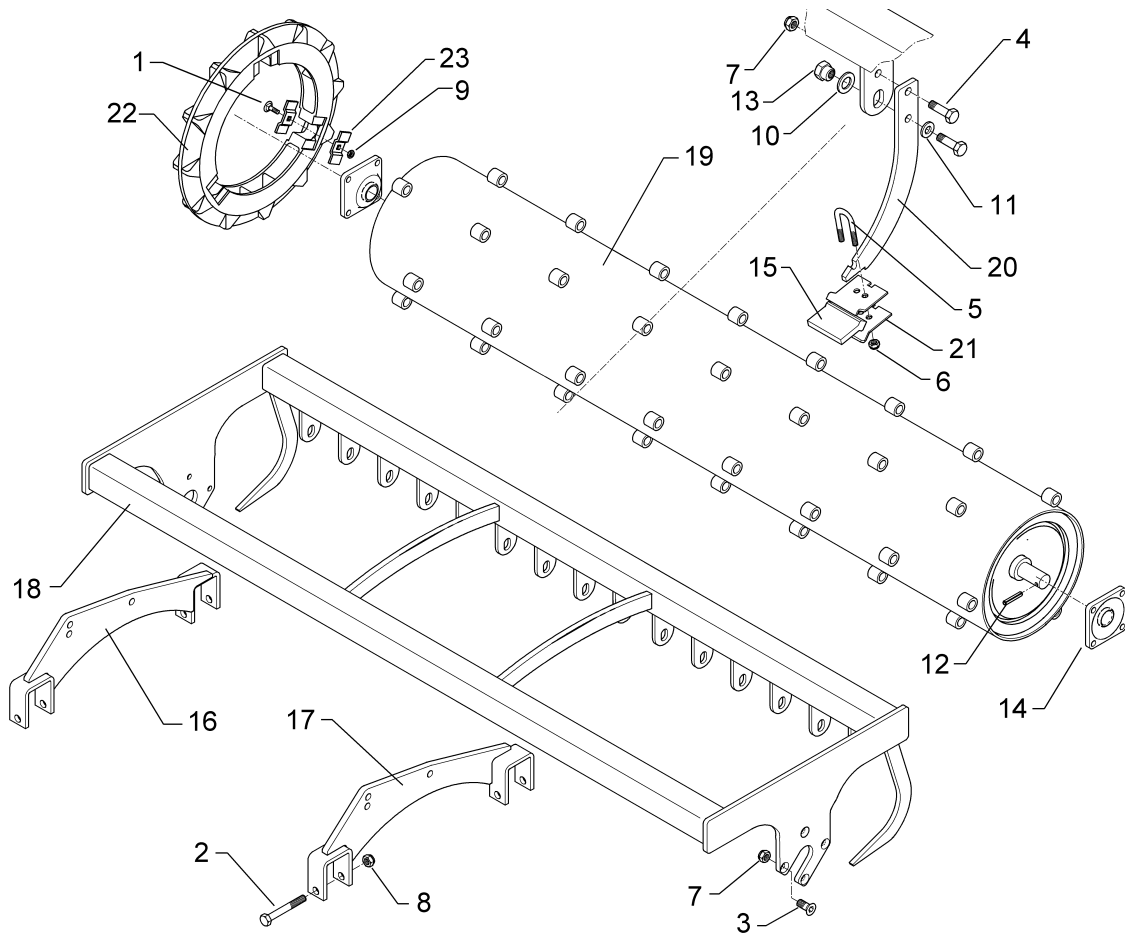
01.18

| Pos. | Art.Nr. | Stck. | Artikeltext / Description | | Abmessung |
|------|----------|-------|---------------------------|---------------|----------------|
| 20 | 301 4039 | 2 | Sechskantschraube | Hexagon bolt | M16x120-8.8 Zn |
| 21 | 305 6141 | 4 | Scheibe | Washer | DIN931-A |
| 22 | 422 2932 | 1 | Tragplatte | Support plate | 17/30x3 |
| 23 | 422 2933 | 1 | Tragplatte | Support plate | DIN/ISO-7089 |
| | | | | | TPW RE |
| | | | | | TPW LI |



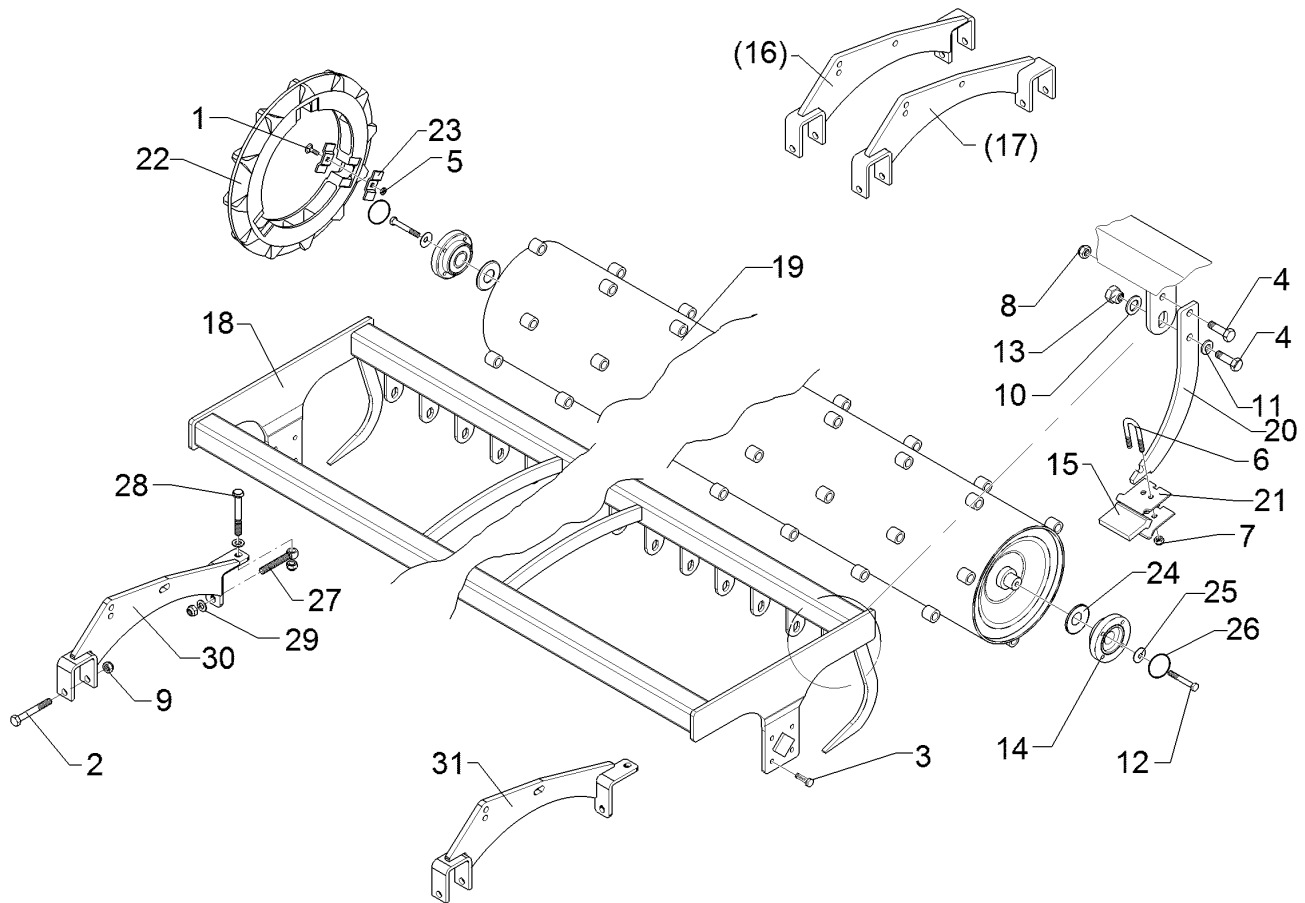
01.18

| Pos. | Art.Nr. | Stck. | Artikeltext / Description | | Abmessung |
|------|----------|-------|-----------------------------|---------------------|-----------------------------|
| 1 | 301 1719 | 48 | Flachrundschraube | Saucer-head screw | M10x47-8.8 Zn DIN603 |
| 2 | 301 4020 | 4 | Sechskantschraube | Hexagon bolt | M16x110-8.8 Zn DIN931-A |
| 3 | 301 6130 | 8 | Senkschraube | Countersunk bolt | M12x40-10.9 Zn DIN7991-A |
| 4 | 301 7334 | 15 | Sechskantschraube | Hexagon bolt | M12x35-8.8 Zn DIN933 |
| 5 | 301 7760 | 15 | Bügelsschraube | U-bolt | M8/17/26/8.8 Zn |
| 6 | 303 0932 | 30 | Sicherungsmutter | Selflocking nut | NM8-8 Zn DIN985 |
| 7 | 303 0934 | 23 | Sicherungsmutter | Selflocking nut | NM12-8 Zn DIN985 |
| 8 | 303 0935 | 4 | Sicherungsmutter | Selflocking nut | NM16-8 Zn DIN985 |
| 9 | 303 0951 | 48 | Sechskantmutter | Hexagon nut | BM10 DIN439-4 |
| 10 | 305 6012 | 15 | Scheibe | Washer | 21 ISO7089 Zn |
| 11 | 305 6167 | 15 | Scheibe | Washer | 13/35x5 Zn DIN 6340 |
| 12 | 309 6072 | 2 | Spannhülse | Expansion bush | 8x40-DIN1481 Zn |
| 13 | 317 7699 | 15 | Exzenter | Eccentric | SW24/20-M12/E2 Zn |
| 14 | 319 9365 | 2 | Flanschlager-Gehäuseeinheit | Bearing cpl. | RCJ 35 35x118x39,9 |
| 15 | 349 2007 | 15 | Kunststoffabstreifer | Synthetic scraper | 68x53,5x10 TSW |
| 16 | 422 2916 | 1 | Tragplatte | Support plate | TRW RE |
| 17 | 422 2917 | 1 | Tragplatte | Support plate | TRW LI |
| 18 | 422 6736 | 1 | Tragrahmen | Supporting frame | TPW D500-200-16R125 |
| 19 | 423 2161 | 1 | Trapezscheibenwalze | Trapeze disc roller | TSW D500-200-16R125 |



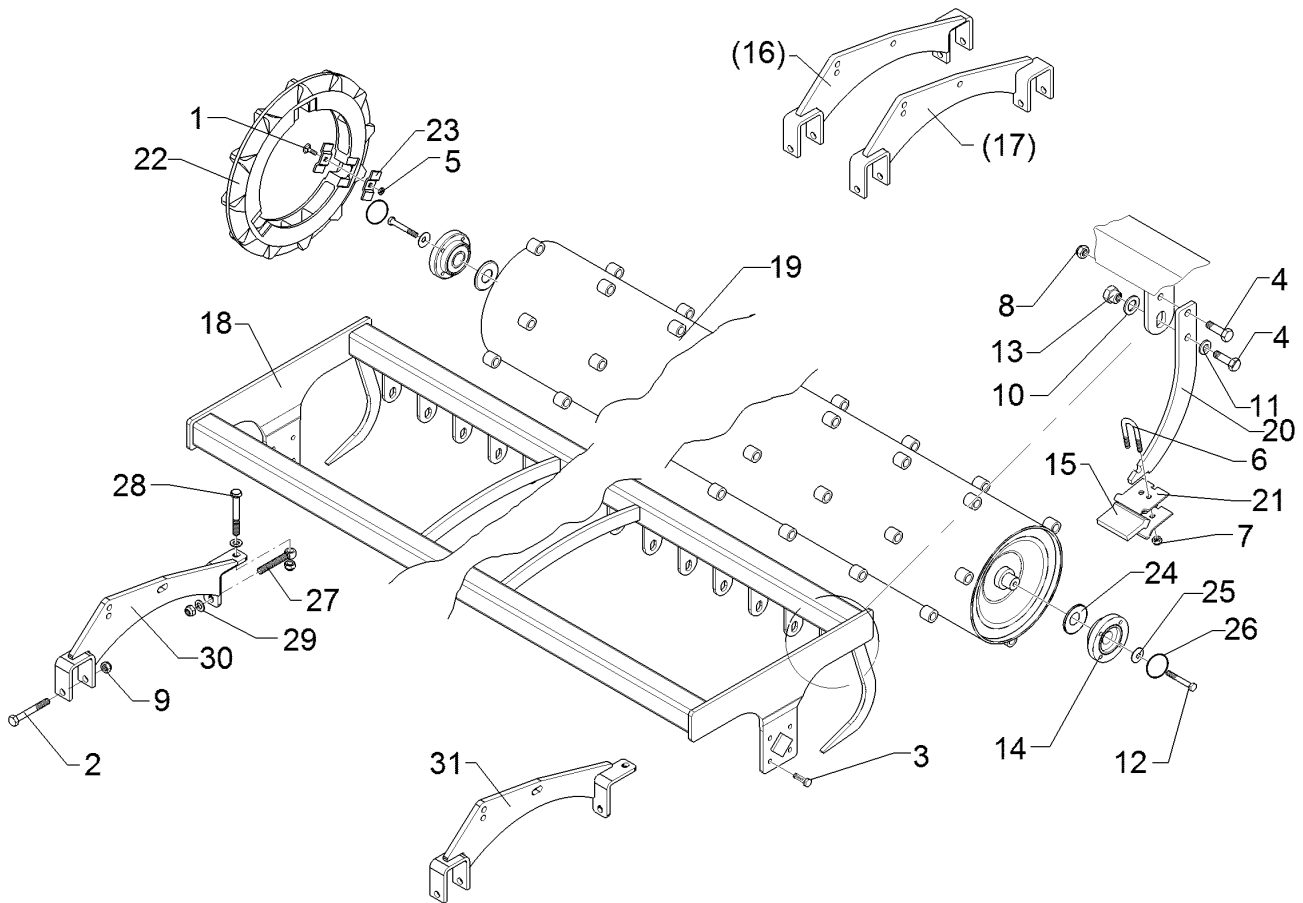
01.18

| Pos. | Art.Nr. | Stck. | Artikeltext / Description | | Abmessung |
|------|----------|-------|---------------------------|---------------------|----------------------|
| 20 | 423 5907 | 15 | Abstreiferhalter | Carrier for scraper | 40x8x287 |
| 21 | 423 5908 | 30 | Klemmplatte | Clamping plate | 60x3x66 2xD8,5 |
| 22 | 423 9043 | 16 | Trapezring | Trapezring | D500x52 |
| 23 | 459 4550 | 96 | Klemmplatte | Clamping plate | 35x5x78 4XVKL M10 Zn |



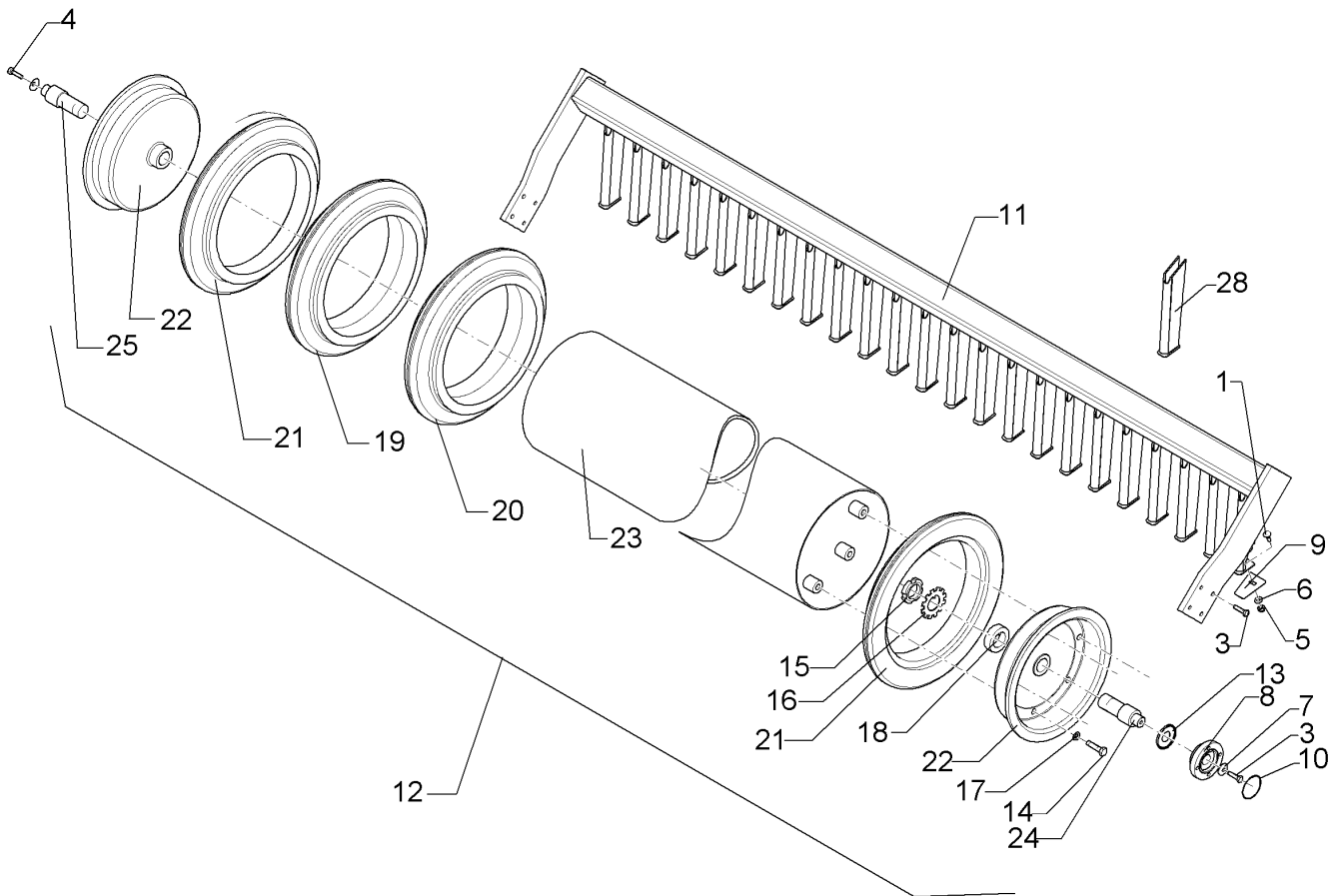
01.18

| Pos. | Art.Nr. | Stck. | Artikeltext / Description | | Abmessung |
|------|----------|-------|-----------------------------|-------------------|-----------------------------|
| 1 | 301 1719 | 48 | Flachrundschaube | Saucer-head screw | M10x47-8.8 Zn DIN603 |
| 2 | 301 4020 | 2 | Sechskantschraube | Hexagon bolt | M16x110-8.8 Zn DIN931-A |
| 3 | 301 3324 | 8 | Sechskantschraube | Hexagon bolt | M12x30-8.8 Zn DIN933 |
| 4 | 301 7334 | 30 | Sechskantschraube | Hexagon bolt | M12x35-8.8 Zn DIN933 |
| 5 | 303 0951 | 48 | Sechskantmutter | Hexagon nut | BM10 DIN439-4 |
| 6 | 301 7760 | 15 | Bügelsschraube | U-bolt | M8/17/26/8.8 Zn |
| 7 | 303 0932 | 30 | Sicherungsmutter | Selflocking nut | NM8-8 Zn DIN985 |
| 8 | 303 0934 | 15 | Sicherungsmutter | Selflocking nut | NM12-8 Zn DIN985 |
| 9 | 303 0935 | 6 | Sicherungsmutter | Selflocking nut | NM16-8 Zn DIN985 |
| 10 | 305 6012 | 15 | Scheibe | Washer | 21 ISO7089 Zn |
| 11 | 305 6167 | 15 | Scheibe | Washer | 13/35x5 Zn DIN 6340 |
| 12 | 301 3406 | 2 | Sechskantschraube | Hexagon bolt | M12x70-8.8 Zn DIN931-A |
| 13 | 317 7699 | 15 | Exzenter | Eccentric | SW24/20-M12/E2 Zn |
| 14 | 319 9372 | 2 | Flanschlager-Gehäuseeinheit | Bearing cpl. | RCJ 35 35x118x39,9 4xM12 |
| 15 | 349 2007 | 15 | Kunststoffabstreifer | Synthetic scraper | 68x53,5x10 TSW |
| 16 | 422 2916 | 1 | Tragplatte | Support plate | TRW RE |
| 17 | 422 2917 | 1 | Tragplatte | Support plate | TRW LI |
| 18 | 422 7440 | 1 | Tragrahmen | Supporting frame | TPW-R D500-2.00-16R125 |



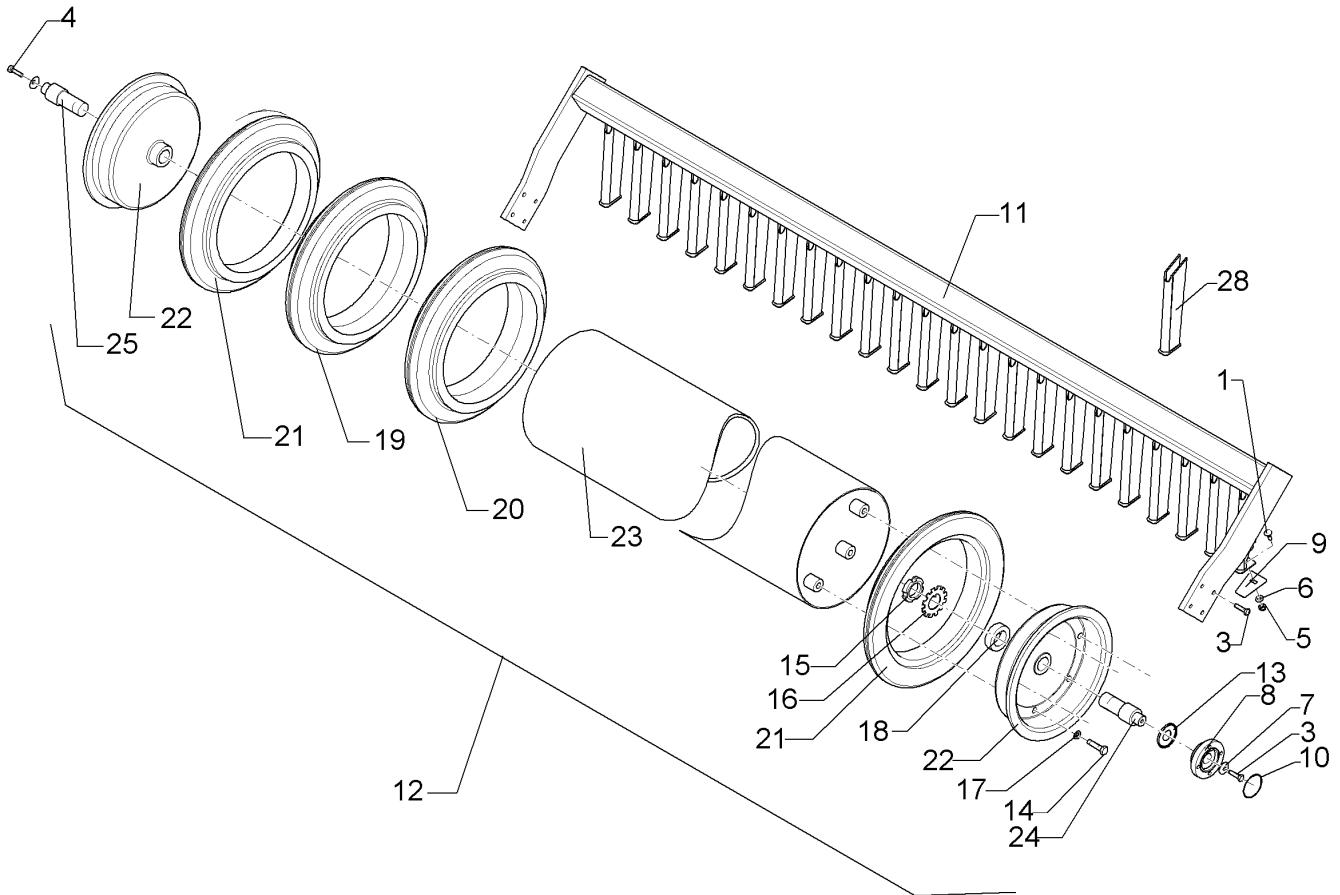
01.18

| Pos. | Art.Nr. | Stck. | Artikeltext / Description | | Abmessung |
|------|----------|-------|---------------------------|---------------------|-----------------------------------|
| 19 | 423 2190 | 1 | Trapezscheibenwalze | Trapeze disc roller | TSW-R D500-2.00-16R125 |
| 20 | 423 5907 | 15 | Abstreiferhalter | Carrier for scraper | 40x8x287 |
| 21 | 423 5908 | 30 | Klemmplatte | Clamping plate | 60x3x66 2xD8,5 |
| 22 | 423 9043 | 16 | Trapezring | Trapezring | D500x52 |
| 23 | 459 4550 | 96 | Klemmplatte | Clamping plate | 35x5x78 4XVKL M10 Zn |
| 24 | 323 0411 | 2 | Schutzkappe | Cap | D80/d35 t=2x5,5 Zn |
| 25 | 329 6124 | 2 | Tellerfeder | Cup spring | 40x14,3x2 DIN2093 |
| 26 | 375 1277 | 2 | O-Ring | O-ring | 79x2 |
| 27 | 301 0853 | 2 | Augenschraube | Eye bolt | BM16x110-8.8 D2=16H9 Zn DIN444 |
| 28 | 301 4039 | 2 | Sechskantschraube | Hexagon bolt | M16x120-8.8 Zn DIN931-A |
| 29 | 305 6141 | 4 | Scheibe | Washer | 17/30x3 DIN/ISO-7089 |
| 30 | 422 2932 | 1 | Tragplatte | Support plate | TPW RE |
| 31 | 422 2933 | 1 | Tragplatte | Support plate | TPW LI |



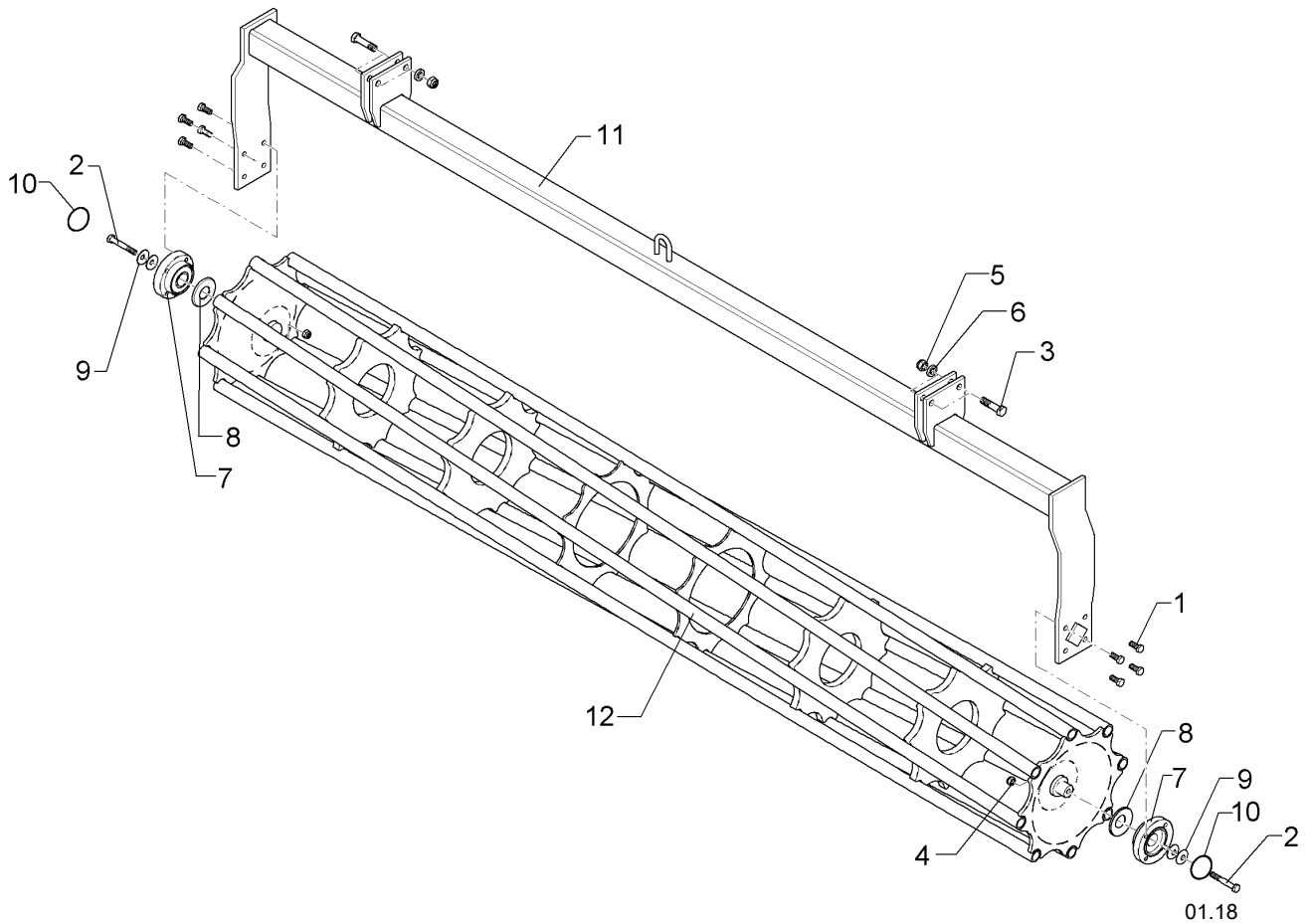
01.18

| Pos. | Art.Nr. | Stck. | Artikeltext / Description | | Abmessung |
|------|----------|-------|-----------------------------|--------------------|--|
| 1 | 301 1700 | 15 | Flachrundschraube | Saucer-head screw | M10x20-8.8 Zn DIN603 |
| 3 | 301 3347 | 9 | Sechskantschraube | Hexagon bolt | M12x40-8.8 Zn DIN933 |
| 4 | 301 3325 | 1 | Sechskantschraube | Hexagon bolt | M12LHx30-8.8 Zn DIN933-A |
| 5 | 303 0933 | 15 | Sicherungsmutter | Selflocking nut | NM10-8 DIN985 Zn |
| 6 | 305 6132 | 15 | Scheibe | Washer | D11/25x2,5 Zn |
| 7 | 329 6124 | 2 | Tellerfeder | Cup spring | 40x14,3x2 DIN2093 |
| 8 | 319 9372 | 2 | Flanschlager-Gehäuseeinheit | Bearing cpl. | RCJ 35 35x118x39,9 4xM12 72x3x90 P |
| 9 | 349 2009 | 15 | Abstreifer | Scraper | 72x3x90 P |
| 10 | 375 1278 | 2 | O-Ring | O-ring | 80x2 |
| 11 | 422 6870 | 1 | Tragrahmen | Supporting frame | 90 GRW D590-200-125 GRW |
| 12 | 523 6874 | 1 | Gummiringwalze | Rubber ring roller | D590-200-16R-125 GRW |
| 13 | 323 0411 | 2 | Schutzkappe | Cap | D80/d35 t=2x5,5 Zn |
| 14 | 301 3576 | 12 | Sechskantschraube | Hexagon bolt | M14x45 10.9 Zn DIN933 |
| 15 | 303 0335 | 2 | Nutmutter | Grooved nut | M40x1,5-KM8 |
| 16 | 305 1316 | 2 | Sicherungsblech | Locking plate | D40-MB8 |
| 17 | 305 6139 | 12 | Scheibe | Washer | 28x15x2,5 Zn DIN125 |
| 18 | 305 6454 | 2 | Scheibe mit Nase | Washer | GRW D600 |
| 19 | 357 6100 | 12 | Reifen Standard | Tyre | 586x131 |
| 20 | 357 6101 | 2 | Reifen Mitte | Tyre | 586x131 |



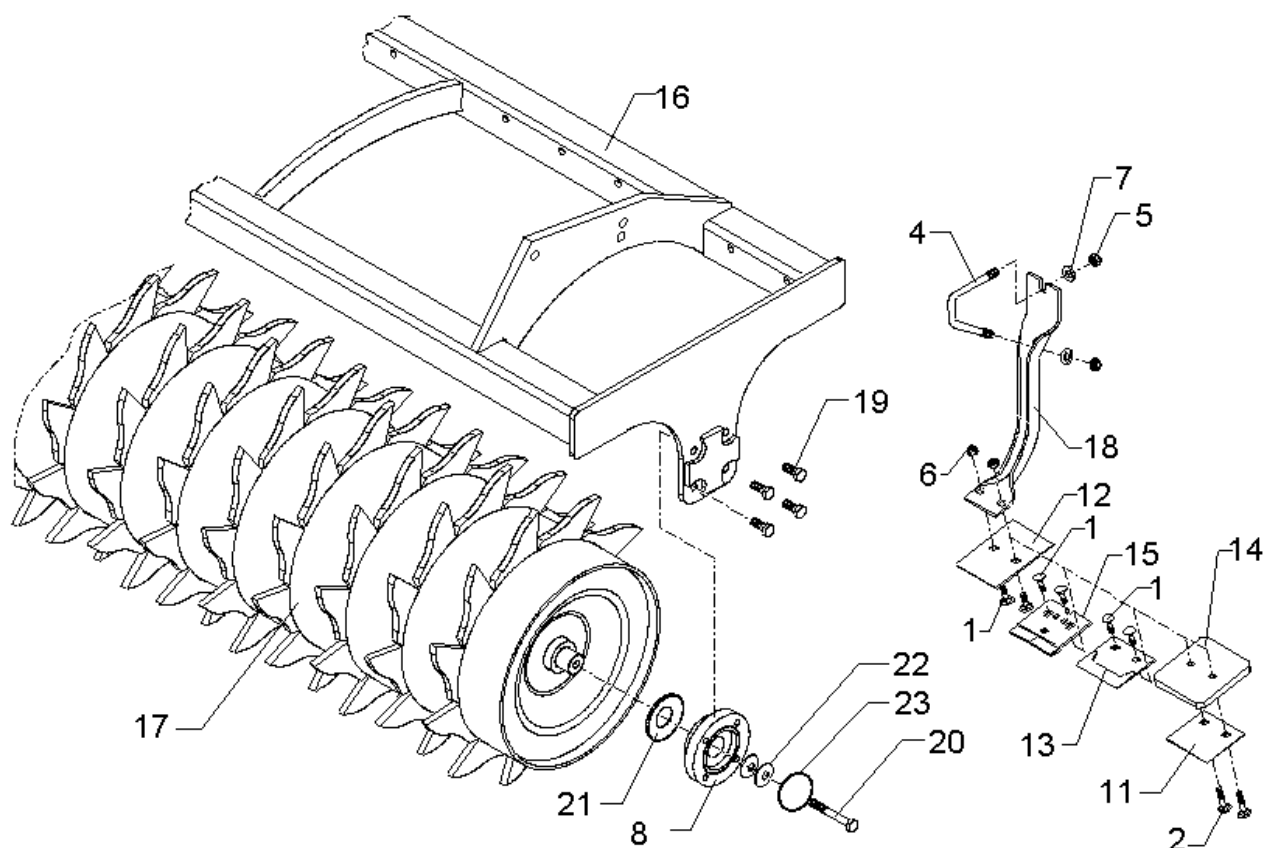
01.18

| Pos. | Art.Nr. | Stck. | Artikeltext / Description | | Abmessung |
|------|----------|-------|---------------------------|---------------------|-------------------------------|
| 21 | 357 6102 | 2 | Reifen Außen | Tyre | 586x80 |
| 22 | 423 2205 | 2 | Flansch | Flange | GRW-D600 |
| 23 | 423 2206 | 1 | Rohr Gummiringwalze | Tube | D406,4x5x1881 GRW-600-2.00 |
| 24 | 423 8800 | 1 | Zapfen | Pivot | D55/35x29 M12 |
| 25 | 423 8801 | 1 | Zapfen | Pivot | D55/35x29 M12-LH |
| 28 | 245 2059 | 15 | Abstreiferhalter | Carrier for scraper | GRW-D590 54x197x292 |



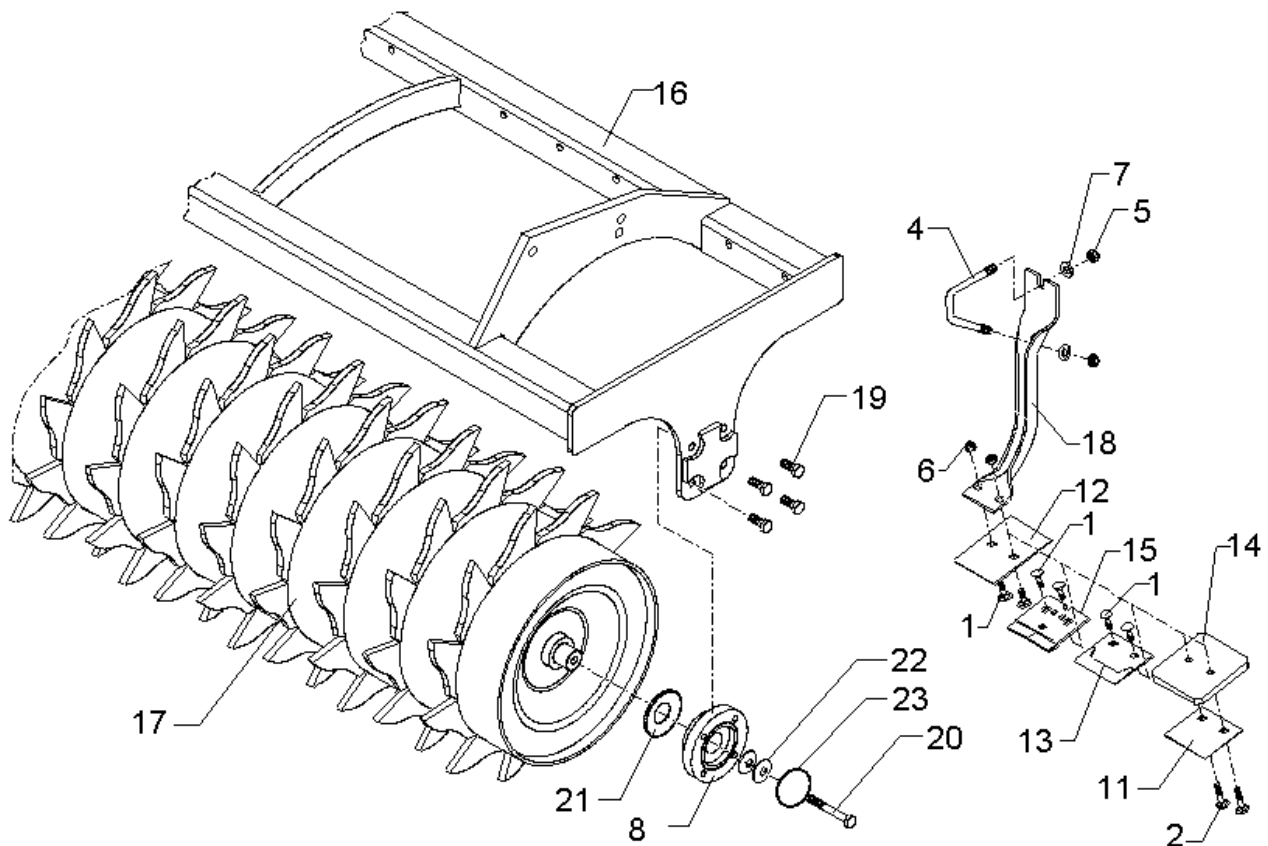
01.18

| Pos. | Art.Nr. | Stck. | Artikeltext / Description | | Abmessung |
|------|----------|-------|-----------------------------|------------------|--------------------------------------|
| 1 | 301 3324 | 8 | Sechskantschraube | Hexagon bolt | M12x30-8.8 Zn DIN933 |
| 2 | 301 3432 | 2 | Sechskantschraube | Hexagon bolt | M12x80-8.8 Zn DIN931-A |
| 3 | 301 3870 | 4 | Sechskantschraube spz. | Hexagon bolt | M16x65-10.9 Zn |
| 4 | 303 0934 | 2 | Sicherungsmutter | Selflocking nut | NM12-8 Zn DIN985 |
| 5 | 303 0935 | 4 | Sicherungsmutter | Selflocking nut | NM16-8 Zn DIN985 |
| 6 | 305 6161 | 4 | Scheibe | Washer | 17/40x6 DIN7349 Zn |
| 7 | 319 9372 | 2 | Flanschlager-Gehäuseeinheit | Bearing cpl. | RCJ 35 35x118x39,9 4xM12 |
| 8 | 323 0411 | 2 | Schutzkappe | Cap | D80/d35 t=2x5,5 Zn |
| 9 | 329 6124 | 2 | Tellerfeder | Cup spring | 40x14,3x2 DIN2093 |
| 10 | 375 1277 | 2 | O-Ring | O-ring | 79x2 |
| 11 | 422 7252 | 1 | Tragrahmen | Supporting frame | 80x1910 |
| 12 | 423 1026 | 1 | Rohrstabwalze | Tube bar roller | D400-200-K D100 D400x1954 RE 2.00 |



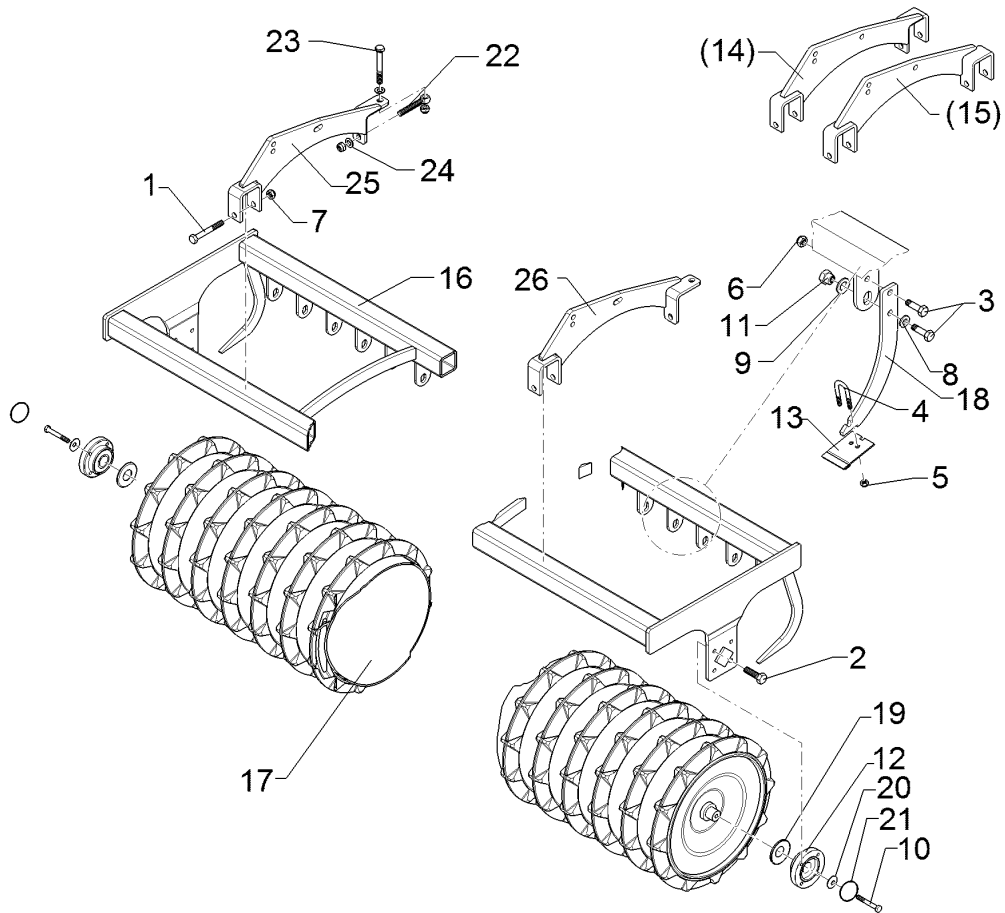
01.18

| Pos. | Art.Nr. | Stck. | Artikeltext / Description | | Abmessung |
|------|----------|-------|-----------------------------|-----------------------|-----------------------------|
| 1 | 301 1700 | 2 | Flachrundschraube | Saucer-head screw | M10x20-8.8 Zn DIN603 |
| 2 | 301 1706 | 2 | Flachrundschraube | Saucer-head screw | M10x30-8.8 Zn DIN603 |
| 4 | 301 7788 | 16 | Bügelschraube | U-bolt | M12/43/94/8.8 Zn |
| 5 | 303 0934 | 32 | Sicherungsmutter | Selflocking nut | NM12-8 Zn DIN985 |
| 6 | 303 1012 | 2 | Sechskantmutter | Hexagon nut | M10 DIN934-8 Zn |
| 7 | 305 6137 | 48 | Scheibe | Washer | 13/25x3 DIN1441-St Zn |
| 8 | 319 9372 | 2 | Flanschlager-Gehäuseeinheit | Bearing cpl. | RCJ 35 35x118x39,9 4xM12 |
| 11 | 349 2000 | 1 | Abstreifer-Stützplatte | Scraper plate | 90x3x85 |
| 12 | 349 2001 | 1 | Abstreifer | Scraper | 90x3x130 |
| 13 | 349 2002 | 1 | Abstreifer aufgepanzert | Scraper, hardfaced | 90x3x85 |
| 14 | 349 2003 | 1 | Kunststoffabstreifer | Synthetic scraper | 110x120x12 |
| 15 | 349 2004 | 1 | Hartmetallabstreifer | Scraper | 90x5x94 |
| 16 | 422 7430 | 1 | Tragrahmen | Supporting frame | ZPW-R D500-2.00 |
| 17 | 423 2210 | 1 | Zahnpackerwalze | Toothed packer roller | ZPW-R D500x1940 |
| 18 | 423 5905 | 1 | Abstreiferhalter | Carrier for scraper | 70x5x375-D500 |
| 19 | 301 3324 | 8 | Sechskantschraube | Hexagon bolt | M12x30-8.8 Zn DIN933 |
| 20 | 301 3406 | 2 | Sechskantschraube | Hexagon bolt | M12x70-8.8 Zn DIN931-A |
| 21 | 323 0411 | 2 | Schutzkappe | Cap | D80/d35 t=2x5,5 Zn |
| 22 | 329 6124 | 2 | Tellerfeder | Cup spring | 40x14,3x2 DIN2093 |
| 23 | 375 1277 | 2 | O-Ring | O-ring | 79x2 |



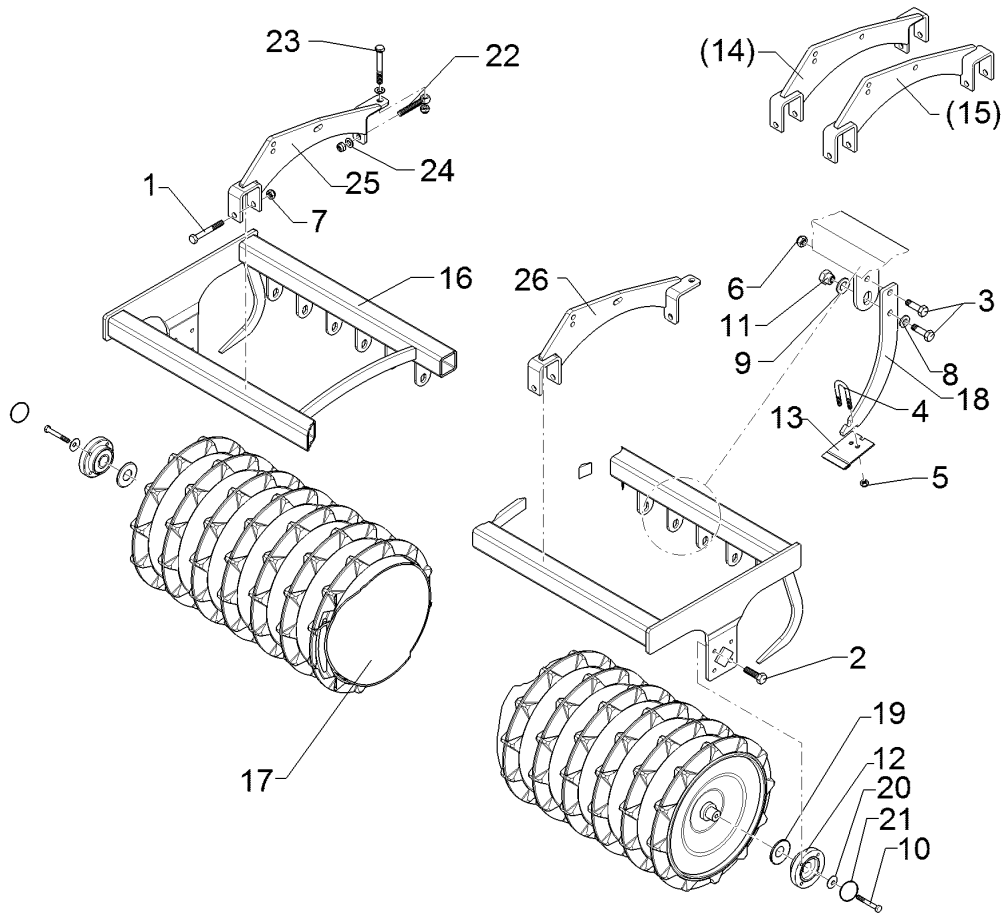
01.18

| Pos. | Art.Nr. | Stck. | Artikeltext / Description | | Abmessung |
|------|----------|-------|-----------------------------|-----------------------|-----------------------------|
| 1 | 301 1700 | 2 | Flachrundschraube | Saucer-head screw | M10x20-8.8 Zn DIN603 |
| 2 | 301 1706 | 2 | Flachrundschraube | Saucer-head screw | M10x30-8.8 Zn DIN603 |
| 4 | 301 7788 | 16 | Bügelschraube | U-bolt | M12/43/94/8.8 Zn |
| 5 | 303 0934 | 32 | Sicherungsmutter | Selflocking nut | NM12-8 Zn DIN985 |
| 6 | 303 1012 | 2 | Sechskantmutter | Hexagon nut | M10 DIN934-8 Zn |
| 7 | 305 6137 | 48 | Scheibe | Washer | 13/25x3 DIN1441-St Zn |
| 8 | 319 9372 | 2 | Flanschlager-Gehäuseeinheit | Bearing cpl. | RCJ 35 35x118x39,9 4xM12 |
| 11 | 349 2000 | 1 | Abstreifer-Stützplatte | Scraper plate | 90x3x85 |
| 12 | 349 2001 | 1 | Abstreifer | Scraper | 90x3x130 |
| 13 | 349 2002 | 1 | Abstreifer aufgepanzert | Scraper, hardfaced | 90x3x85 |
| 14 | 349 2003 | 1 | Kunststoffabstreifer | Synthetic scraper | 110x120x12 |
| 15 | 349 2004 | 1 | Hartmetallabstreifer | Scraper | 90x5x94 |
| 16 | 422 7430 | 1 | Tragrahmen | Supporting frame | ZPW-R D500-2.00 |
| 17 | 423 2210 | 1 | Zahnpackerwalze | Toothed packer roller | ZPW-R D500x1940 |
| 18 | 423 5901 | 1 | Abstreiferhalter | Carrier for scraper | 70x5x337-D420 |
| 19 | 301 3324 | 8 | Sechskantschraube | Hexagon bolt | M12x30-8.8 Zn DIN933 |
| 20 | 301 3406 | 2 | Sechskantschraube | Hexagon bolt | M12x70-8.8 Zn DIN931-A |
| 21 | 323 0411 | 2 | Schutzkappe | Cap | D80/d35 t=2x5,5 Zn |
| 22 | 329 6124 | 2 | Tellerfeder | Cup spring | 40x14,3x2 DIN2093 |
| 23 | 375 1277 | 2 | O-Ring | O-ring | 79x2 |



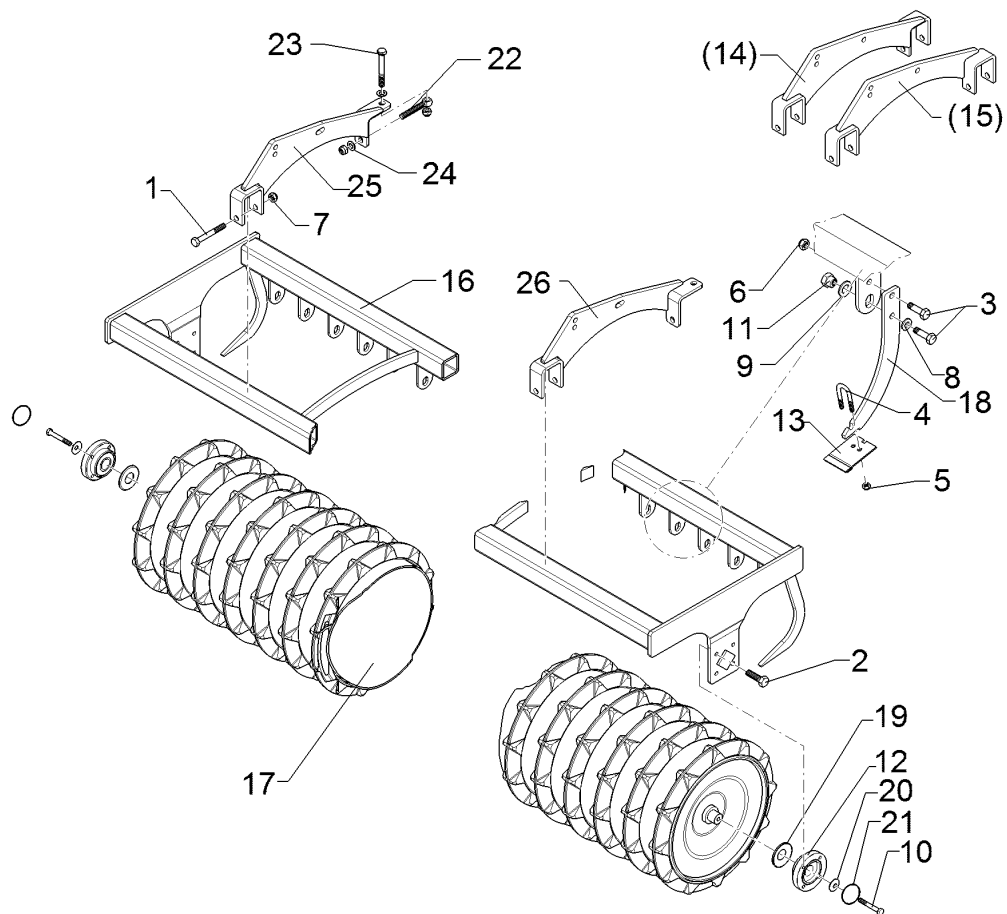
01.18

| Pos. | Art.Nr. | Stck. | Artikeltext / Description | | Abmessung |
|------|----------|-------|-----------------------------|-----------------------|------------------------------|
| 1 | 301 4020 | 2 | Sechskantschraube | Hexagon bolt | M16x110-8.8 Zn DIN931-A |
| 2 | 301 3324 | 8 | Sechskantschraube | Hexagon bolt | M12x30-8.8 Zn DIN933 |
| 3 | 301 7334 | 30 | Sechskantschraube | Hexagon bolt | M12x35-8.8 Zn DIN933 |
| 4 | 301 7760 | 15 | Bügelsschraube | U-bolt | M8/17/26/8.8 Zn |
| 5 | 303 0932 | 30 | Sicherungsmutter | Selflocking nut | NM8-8 Zn DIN985 |
| 6 | 303 0934 | 15 | Sicherungsmutter | Selflocking nut | NM12-8 Zn DIN985 |
| 7 | 303 0935 | 6 | Sicherungsmutter | Selflocking nut | NM16-8 Zn DIN985 |
| 8 | 305 6012 | 15 | Scheibe | Washer | 21 ISO7089 Zn |
| 9 | 305 6167 | 15 | Scheibe | Washer | 13/35x5 Zn DIN 6340 |
| 10 | 301 3406 | 2 | Sechskantschraube | Hexagon bolt | M12x70-8.8 Zn DIN931-A |
| 11 | 317 7699 | 15 | Exzenter | Eccentric | SW24/20-M12/E2 Zn |
| 12 | 319 9372 | 2 | Flanschlager-Gehäuseeinheit | Bearing cpl. | RCJ 35 35x118x39,9 4xM12 |
| 13 | 349 2005 | 15 | Hartmetallabstreifer | Scraper | 60x5x94 |
| 14 | 422 2916 | 1 | Tragplatte | Support plate | TRW RE |
| 15 | 422 2917 | 1 | Tragplatte | Support plate | TRW LI |
| 16 | 422 7440 | 1 | Tragrahmen | Supporting frame | TPW-R |
| 17 | 423 2230 | 1 | Trapezpackerwalze | Trapeze packer roller | D500-2.00-16R125 TPW-R |
| 18 | 423 5906 | 15 | Abstreiferhalter | Carrier for scraper | D500-2.00-16R125 40x8x312 |
| 19 | 323 0411 | 2 | Schutzkappe | Cap | D80/d35 t=2x5,5 Zn |



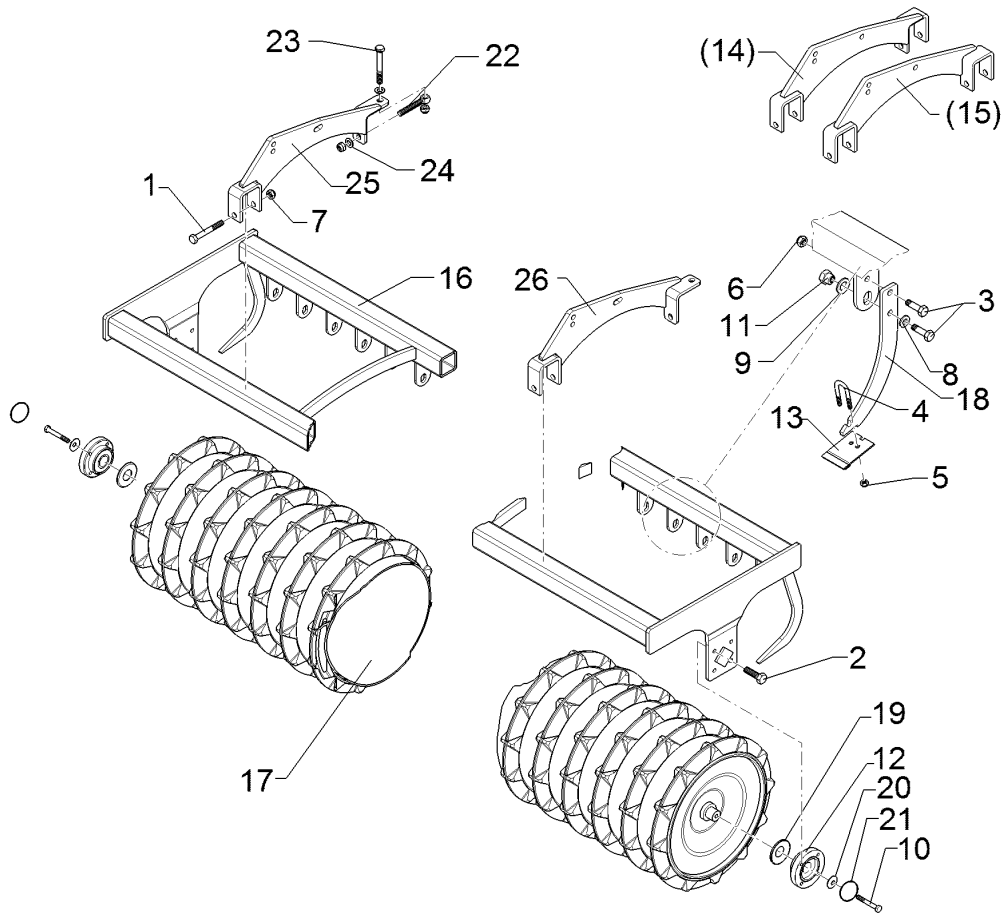
01.18

| Pos. | Art.Nr. | Stck. | Artikeltext / Description | | Abmessung |
|------|----------|-------|---------------------------|---------------|-----------------------------------|
| 20 | 329 6124 | 2 | Tellerfeder | Cup spring | 40x14,3x2 DIN2093 |
| 21 | 375 1277 | 2 | O-Ring | O-ring | 79x2 |
| 22 | 301 0853 | 2 | Augenschraube | Eye bolt | BM16x110-8.8 D2=16H9 Zn DIN444 |
| 23 | 301 4039 | 2 | Sechskantschraube | Hexagon bolt | M16x120-8.8 Zn |
| 24 | 305 6141 | 4 | Scheibe | Washer | DIN931-A 17/30x3 |
| 25 | 422 2932 | 1 | Tragplatte | Support plate | DIN/ISO-7089 TPW RE |
| 26 | 422 2933 | 1 | Tragplatte | Support plate | TPW LI |



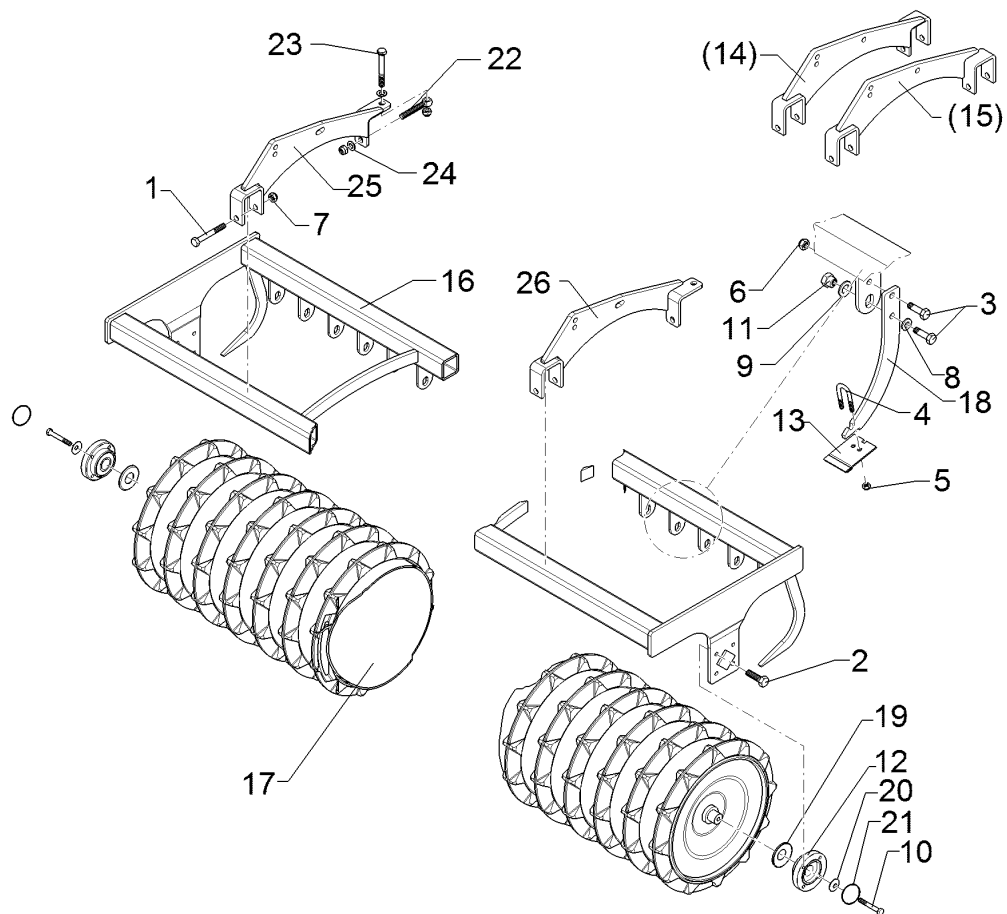
01.18

| Pos. | Art.Nr. | Stck. | Artikeltext / Description | | Abmessung |
|------|----------|-------|-----------------------------|---------------------|-----------------------------|
| 1 | 301 4020 | 2 | Sechskantschraube | Hexagon bolt | M16x110-8.8 Zn DIN931-A |
| 2 | 301 3324 | 8 | Sechskantschraube | Hexagon bolt | M12x30-8.8 Zn DIN933 |
| 3 | 301 7334 | 24 | Sechskantschraube | Hexagon bolt | M12x35-8.8 Zn DIN933 |
| 4 | 301 7760 | 12 | Bügelsschraube | U-bolt | M8/17/26/8.8 Zn |
| 5 | 303 0932 | 24 | Sicherungsmutter | Selflocking nut | NM8-8 Zn DIN985 |
| 7 | 303 0935 | 6 | Sicherungsmutter | Selflocking nut | NM16-8 Zn DIN985 |
| 8 | 305 6012 | 12 | Scheibe | Washer | 21 ISO7089 Zn |
| 9 | 305 6167 | 12 | Scheibe | Washer | 13/35x5 Zn DIN 6340 |
| 10 | 301 3406 | 2 | Sechskantschraube | Hexagon bolt | M12x70-8.8 Zn DIN931-A |
| 11 | 317 7699 | 12 | Exzenter | Eccentric | SW24/20-M12/E2 Zn |
| 12 | 319 9372 | 2 | Flanschlager-Gehäuseeinheit | Bearing cpl. | RCJ 35 35x118x39,9 4xM12 |
| 13 | 349 2004 | 12 | Hartmetallabstreifer | Scraper | 90x5x94 |
| 14 | 422 2916 | 1 | Tragplatte | Support plate | TRW RE |
| 15 | 422 2917 | 1 | Tragplatte | Support plate | TRW LI |
| 16 | 422 7444 | 1 | Tragrahmen | Supporting frame | TPW-R D500-2.00-13R150 |
| 18 | 423 5906 | 12 | Abstreiferhalter | Carrier for scraper | 40x8x312 |
| 19 | 323 0411 | 2 | Schutzkappe | Cap | D80/d35 t=2x5,5 Zn |
| 20 | 329 6124 | 2 | Tellerfeder | Cup spring | 40x14,3x2 DIN2093 |
| 21 | 375 1277 | 2 | O-Ring | O-ring | 79x2 |



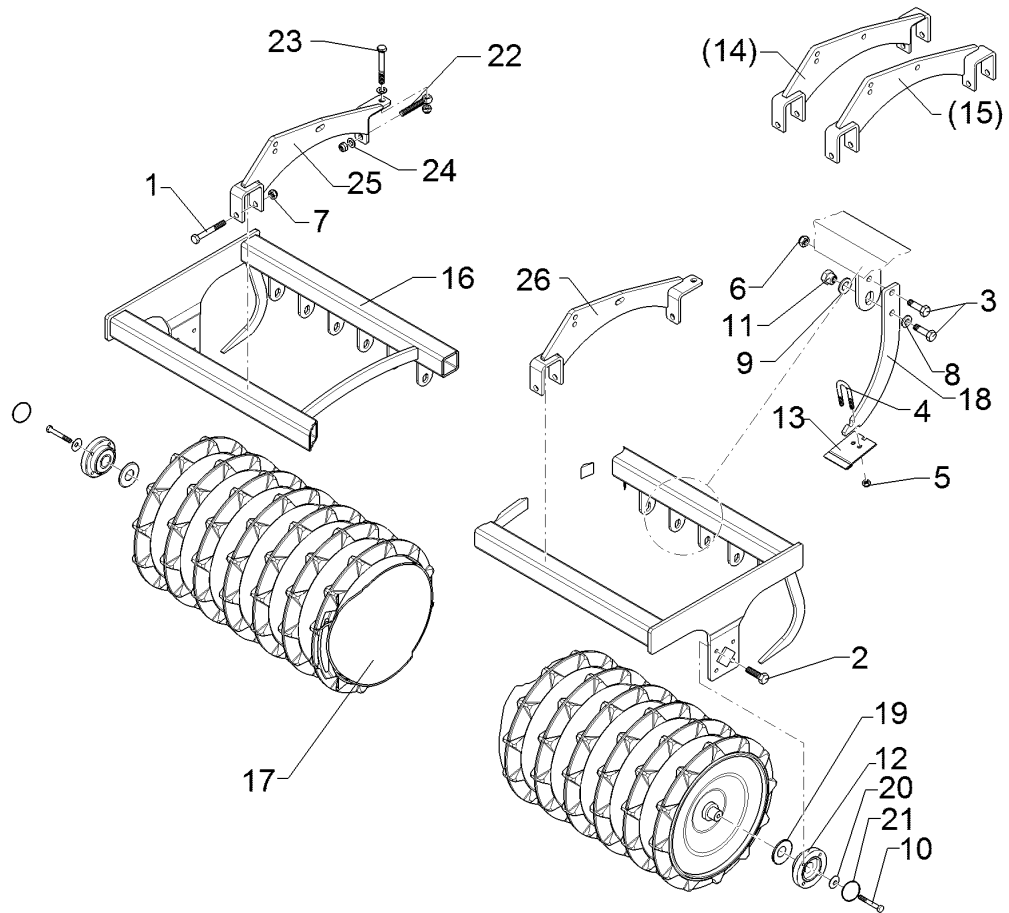
01.18

| Pos. | Art.Nr. | Stck. | Artikeltext / Description | | Abmessung |
|------|----------|-------|---------------------------|---------------|----------------------------|
| 22 | 301 0853 | 2 | Augenschraube | Eye bolt | BM16x110-8.8 |
| 23 | 301 4039 | 1 | Sechskantschraube | Hexagon bolt | D2=16H9 Zn DIN444 |
| 24 | 305 6141 | 4 | Scheibe | Washer | M16x120-8.8 Zn DIN931-A |
| 25 | 422 2932 | 1 | Tragplatte | Support plate | 17/30x3 DIN/ISO-7089 |
| 26 | 422 2933 | 1 | Tragplatte | Support plate | TPW RE TPW LI |



01.18

| Pos. | Art.Nr. | Stck. | Artikeltext / Description | | Abmessung |
|------|----------|-------|-----------------------------|-----------------------|--------------------------------|
| 1 | 301 4020 | 2 | Sechskantschraube | Hexagon bolt | M16x110-8.8 Zn DIN931-A |
| 2 | 301 3324 | 8 | Sechskantschraube | Hexagon bolt | M12x30-8.8 Zn DIN933 |
| 3 | 301 7334 | 26 | Sechskantschraube | Hexagon bolt | M12x35-8.8 Zn DIN933 |
| 4 | 301 7760 | 13 | Bügelsschraube | U-bolt | M8/17/26/8.8 Zn |
| 5 | 303 0932 | 26 | Sicherungsmutter | Selflocking nut | NM8-8 Zn DIN985 |
| 6 | 303 0934 | 13 | Sicherungsmutter | Selflocking nut | NM12-8 Zn DIN985 |
| 7 | 303 0935 | 6 | Sicherungsmutter | Selflocking nut | NM16-8 Zn DIN985 |
| 8 | 305 6012 | 13 | Scheibe | Washer | 21 ISO7089 Zn |
| 9 | 305 6167 | 13 | Scheibe | Washer | 13/35x5 Zn DIN 6340 |
| 10 | 301 3406 | 2 | Sechskantschraube | Hexagon bolt | M12x70-8.8 Zn DIN931-A |
| 11 | 317 7699 | 13 | Exzenter | Eccentric | SW24/20-M12/E2 Zn |
| 12 | 319 9372 | 2 | Flanschlager-Gehäuseeinheit | Bearing cpl. | RCJ 35 35x118x39,9 4xM12 |
| 13 | 349 2004 | 13 | Hartmetallabstreifer | Scraper | 90x5x94 |
| 14 | 422 2916 | 1 | Tragplatte | Support plate | TRW RE |
| 15 | 422 2917 | 1 | Tragplatte | Support plate | TRW LI |
| 16 | 422 7445 | 1 | Tragrahmen | Supporting frame | TPW-R |
| 17 | 423 2235 | 1 | Trapezpackerwalze | Trapeze packer roller | D500-2.00-14R150 TPW-R |
| 18 | 423 5906 | 13 | Abstreiferhalter | Carrier for scraper | D500-2.00-14R150 |
| 19 | 323 0411 | 2 | Schutzkappe | Cap | 40x8x312 D80/d35 t=2x5,5 Zn |



01.18

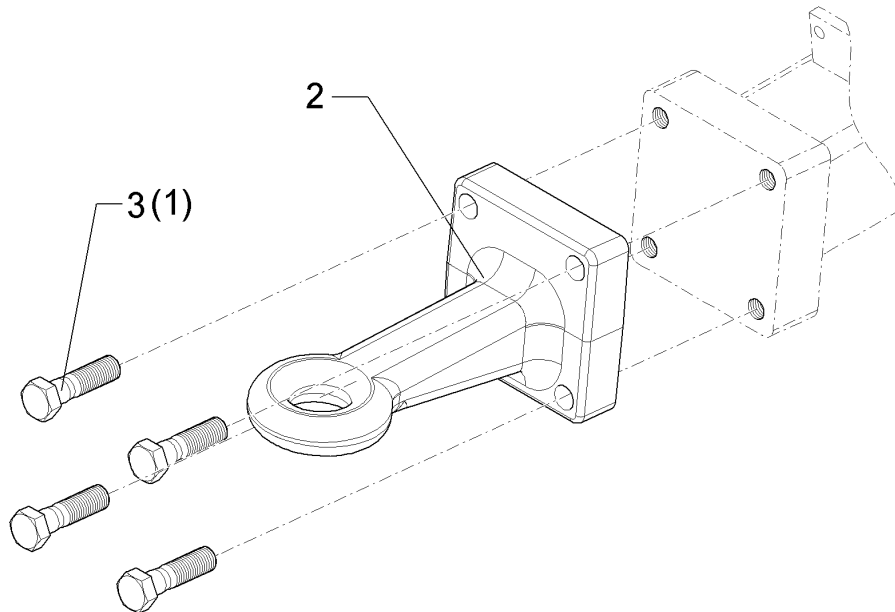
| Pos. | Art.Nr. | Stck. | Artikeltext / Description | Abmessung | |
|------|----------|-------|---------------------------|---------------|-----------------------------------|
| 20 | 329 6124 | 2 | Tellerfeder | Cup spring | 40x14,3x2 DIN2093 |
| 21 | 375 1277 | 2 | O-Ring | O-ring | 79x2 |
| 22 | 301 0853 | 2 | Augenschraube | Eye bolt | BM16x110-8.8 D2=16H9 Zn DIN444 |
| 23 | 301 4039 | 2 | Sechskantschraube | Hexagon bolt | M16x120-8.8 Zn |
| 24 | 305 6141 | 4 | Scheibe | Washer | DIN931-A 17/30x3 |
| 25 | 422 2932 | 1 | Tragplatte | Support plate | DIN/ISO-7089 TPW RE |
| 26 | 422 2933 | 1 | Tragplatte | Support plate | TPW LI |

Zugöse/Traction loop

7

Rubin 9/400 KÜA

640 8630



01.18

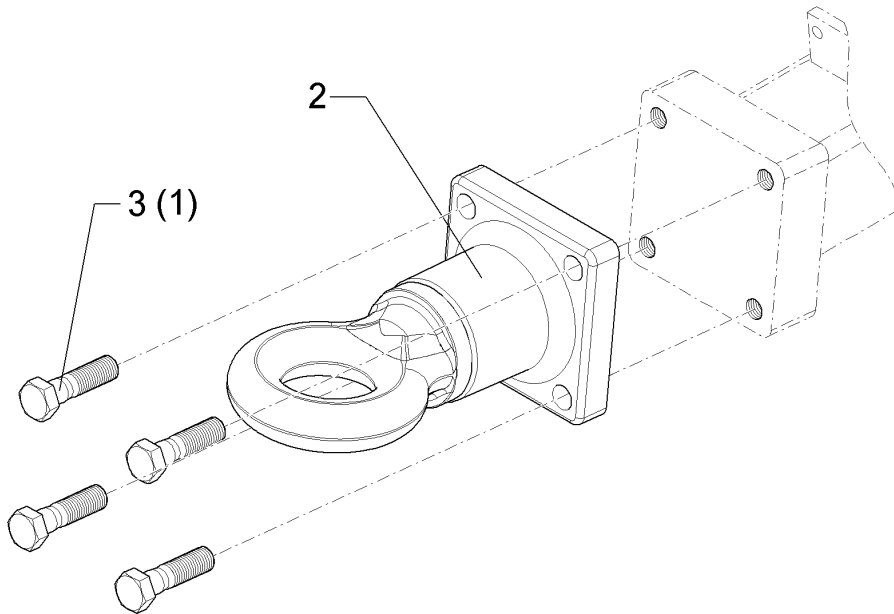
| Pos. | Art.Nr. | Stck. | Artikeltext / Description | | Abmessung |
|------|----------|-------|---------------------------|---------------|-------------------------|
| 1 | 301 4388 | 4 | Sechskantschraube | Hexagon bolt | M20x90-10.9 DIN931-A |
| 2 | 440 8630 | 1 | Zugöse | Traction loop | D50 |

Zugöse/Traction loop

7

Rubin 9/400 KÜA

640 8631



01.18

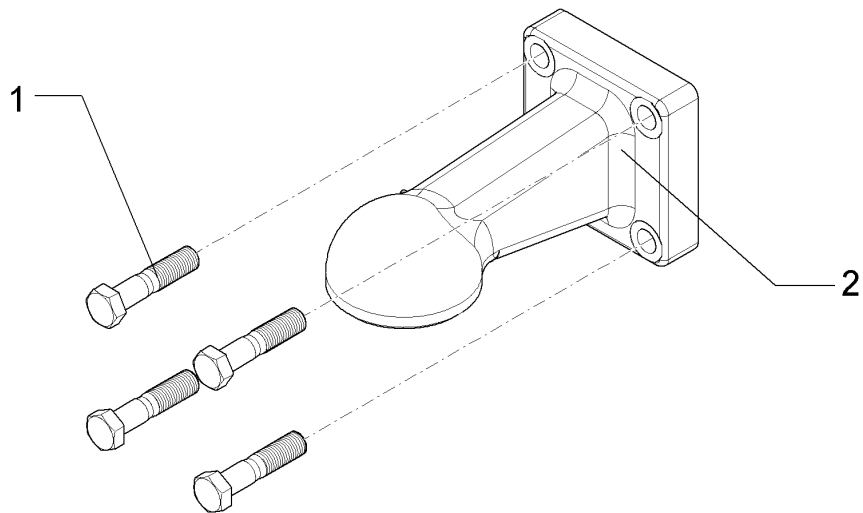
| Pos. | Art.Nr. | Stck. | Artikeltext / Description | | Abmessung |
|------|----------|-------|---------------------------|---------------|----------------------------|
| 1 | 301 4333 | 4 | Sechskantschraube | Hexagon bolt | M20x75-10.9 Zn DIN931-A |
| 2 | 440 8631 | 1 | Zugöse | Traction loop | D76-D |
| 3 | 301 4287 | 4 | Sechskantschraube | Hexagon bolt | M20x65-8.8 Zn DIN931-A |

Zugkugelkupplung/Ball-shaped coupling

7

Rubin 9/400 KÜA

640 8632



01.18

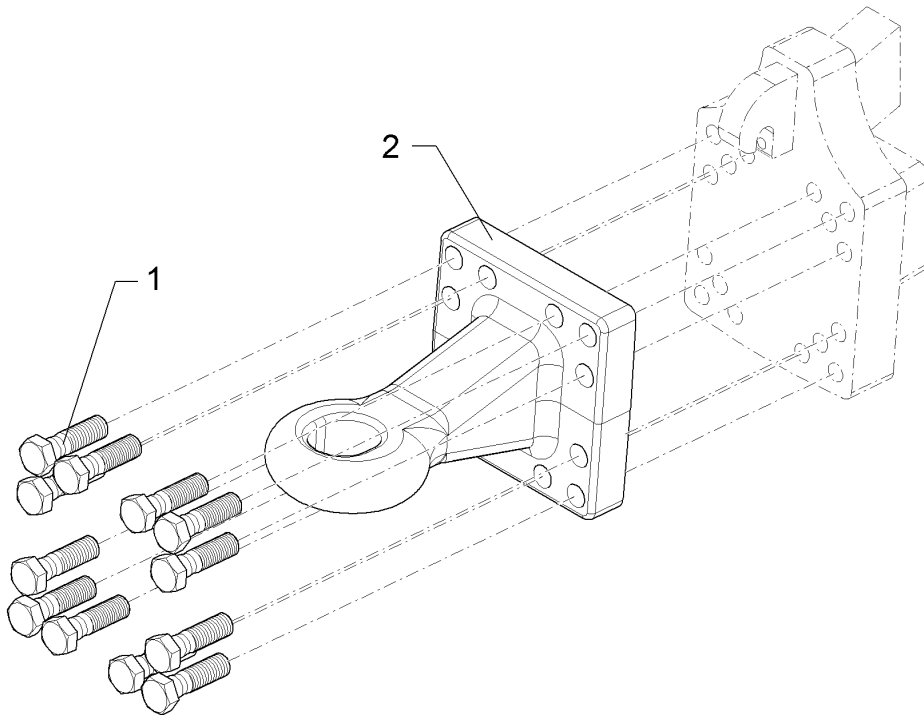
| Pos. | Art.Nr. | Stck. | Artikeltext / Description | | Abmessung |
|------|----------|-------|---------------------------|----------------------|---------------------------------|
| 1 | 301 4333 | 4 | Sechskantschraube | Hexagon bolt | M20x75-10.9 Zn DIN931-A |
| 2 | 440 8632 | 1 | Zugkugelkupplung | Ball-shaped coupling | K80 120x120-M20 gerade M9711 |

Zugöse/Traction loop

7

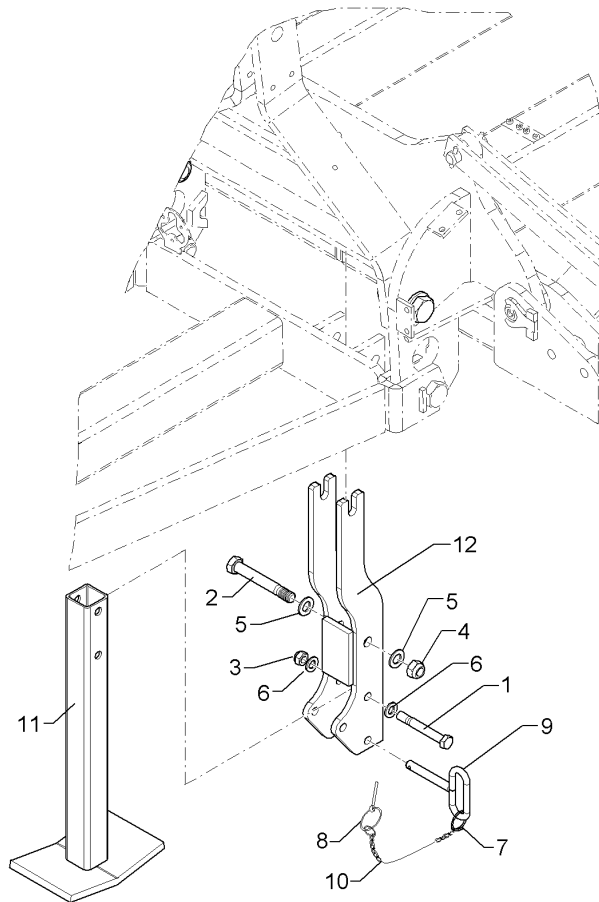
Rubin 9/400 KÜA

64010008



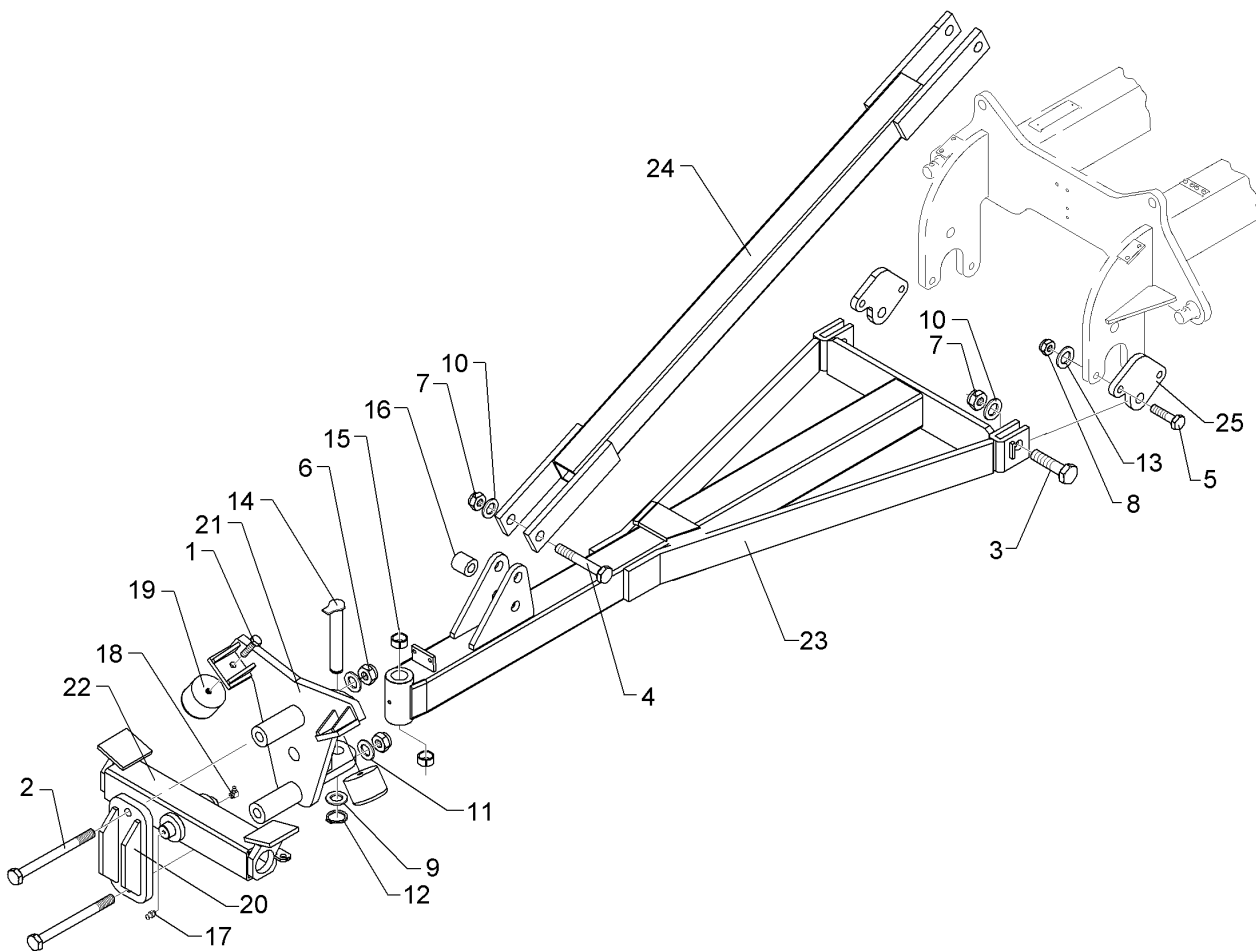
01.18

| Pos. | Art.Nr. | Stck. | Artikeltext / Description | | Abmessung |
|------|----------|-------|---------------------------|---------------|---------------------------|
| 1 | 301 5412 | 12 | Sechskantschraube | Hexagon bolt | M20x70-8.8 Zn DIN931-A |
| 2 | 44010008 | 1 | Zugöse | Traction loop | D55 |



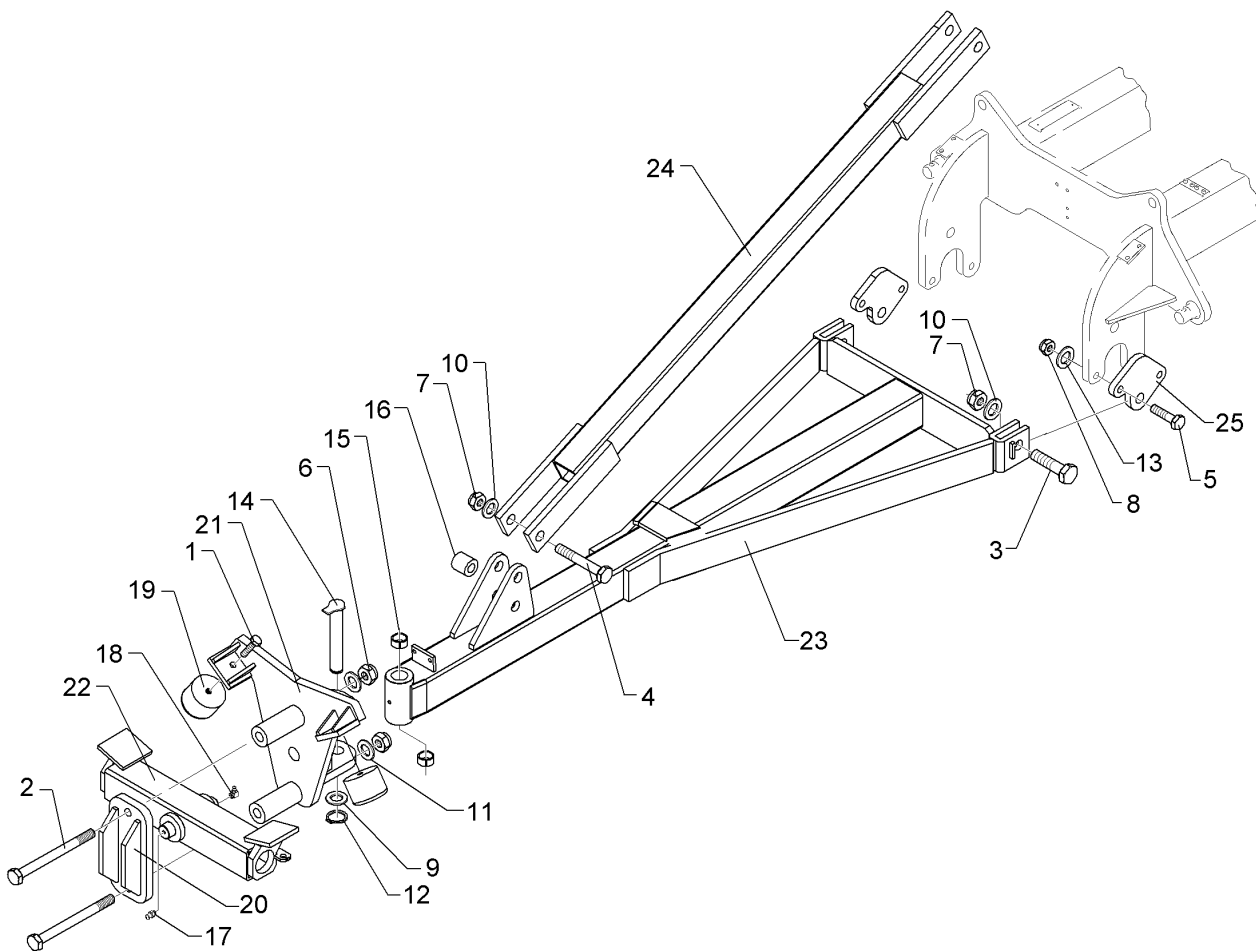
01.18

| Pos. | Art.Nr. | Stck. | Artikeltext / Description | | Abmessung |
|------|----------|-------|---------------------------|--------------------|--|
| 1 | 301 4040 | 1 | Sechskantschraube | Hexagon bolt | M16x120-8.8 (140) |
| 2 | 301 4492 | 1 | Sechskantschraube | Hexagon bolt | DIN931-A Zn M20x145-8.8 Zn (170gek.) |
| 3 | 303 0935 | 1 | Sicherungsmutter | Selflocking nut | NM16-8 Zn DIN985 |
| 4 | 303 0936 | 1 | Sicherungsmutter | Selflocking nut | NM20-8 Zn DIN985 |
| 5 | 305 6012 | 2 | Scheibe | Washer | 21 ISO7089 Zn |
| 6 | 305 6141 | 2 | Scheibe | Washer | 17/30x3 DIN/ISO-7089 |
| 7 | 305 8551 | 1 | Sicherungsring | Retaining ring | Di41x3 A2 |
| 8 | 311 9565 | 1 | Klappstift | Securing pin | 4,5 |
| 9 | 313 8144 | 1 | Bolzen mit Griff | Pin with grip | D16x97/110 Zn |
| 10 | 331 6125 | 1 | Knotenkette | Knotted-link chain | K22 Zn |
| 11 | 42910015 | 1 | Abstellstütze | Stand | 60x60x620 |
| 12 | 42910028 | 1 | Halter | Holder | 133x86x595 |



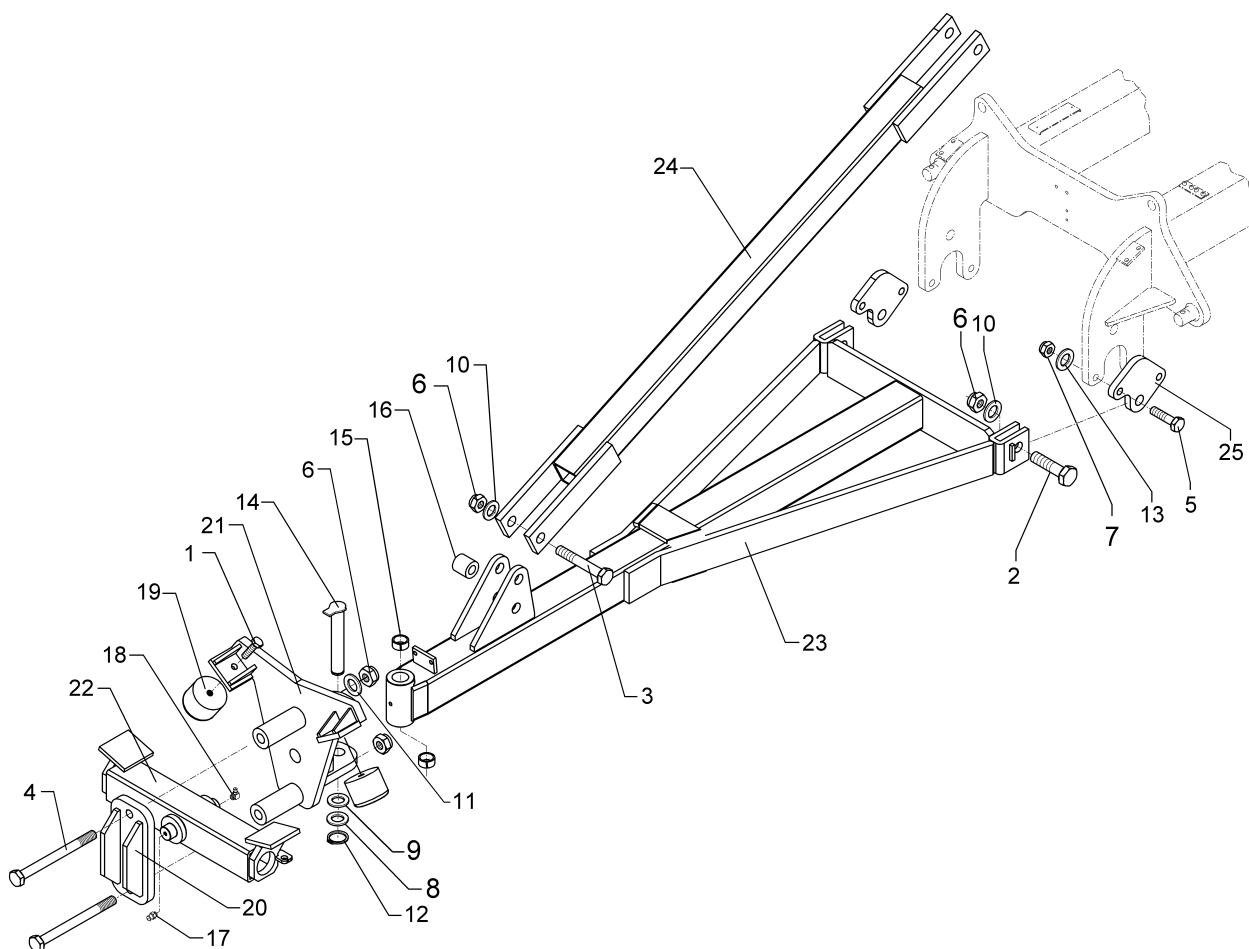
01.18

| Pos. | Art.Nr. | Stck. | Artikeltext / Description | | Abmessung |
|------|----------|-------|-----------------------------|-----------------|----------------------------|
| 1 | 301 3682 | 2 | Sechskantschraube | Hexagon bolt | M16x30-8.8 Zn DIN933 |
| 2 | 301 4826 | 2 | Sechskantschraube | Hexagon bolt | M24x220-8.8 Zn DIN931-A |
| 3 | 301 4873 | 2 | Sechskantschraube spz. | Hexagon bolt | M30x90-8.8 Zn |
| 4 | 301 4896 | 1 | Sechskantschraube spz. | Hexagon bolt | M30x190-8.8 Zn |
| 5 | 301 5390 | 4 | Sechskantschraube spz. | Hexagon bolt | M20x65-12.9 Zn |
| 6 | 303 0937 | 2 | Sicherungsmutter | Selflocking nut | NM24-8 Zn DIN985 |
| 7 | 303 0938 | 3 | Sicherungsmutter | Selflocking nut | NM30-8 Zn DIN985 |
| 8 | 303 0978 | 4 | Sechskantmutter | Hexagon nut | M20 DIN934-8 Zn |
| 9 | 305 2072 | 2 | Passscheibe | Shim | 35x45x1,0 DIN988 Zn |
| 10 | 305 6229 | 6 | Scheibe | Washer | 45x31x5 Zn DIN1441 |
| 11 | 305 6254 | 2 | Scheibe | Washer | D25/44x4 Zn ISO7089 |
| 12 | 305 8873 | 1 | Sicherungsring | Retaining ring | 35x2,5 DIN471 |
| 13 | 305 6012 | 4 | Scheibe | Washer | 21 ISO7089 Zn |
| 14 | 313 3517 | 1 | Bolzen mit Verdrehsicherung | Pin with stop | D35x197/215 Zn |
| 15 | 317 3353 | 2 | Einspannbuchse | Expansion bush | EG35/45x45-DIN1498 |
| 16 | 317 6881 | 1 | Röhrchen | Tube | D51x8,8x54 Zn |
| 17 | 323 6348 | 1 | Schmiernippel | Grease nipple | AM10x1 DIN71412 |
| 18 | 323 6349 | 2 | Schmiernippel | Grease nipple | CM10x1 DIN71412-90 GRD |
| 19 | 329 5020 | 2 | Gummipuffer | Rubber buffer | D100x75 M16 70Shore |
| 20 | 440 8583 | 1 | Brücke | Clamp plate | 140x25x340 D40/24 |



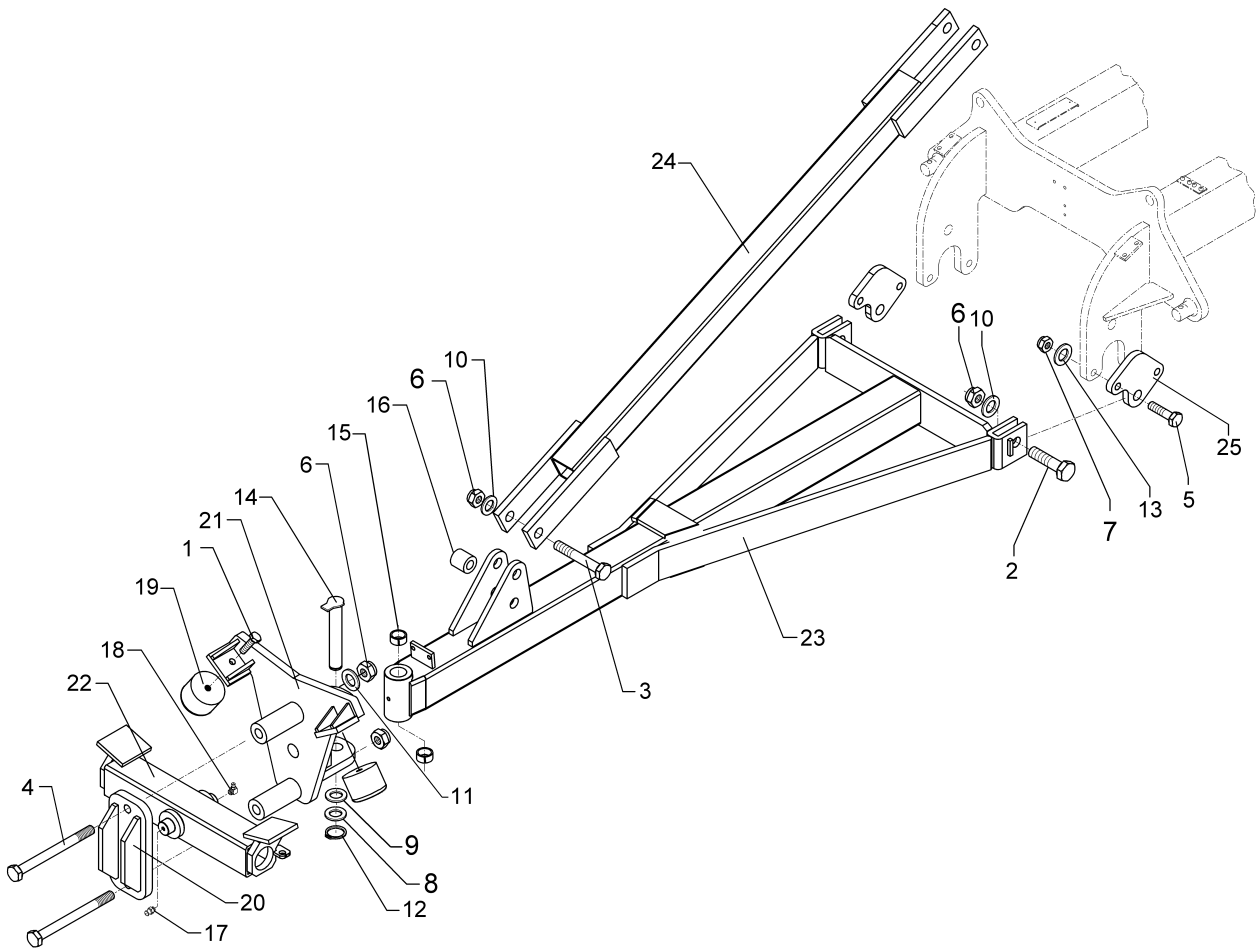
01.18

| Pos. | Art.Nr. | Stck. | Artikeltext / Description | | Abmessung |
|------|----------|-------|---------------------------|-------------|---------------------------|
| 21 | 440 8585 | 1 | Konsole | Bracket | 429x25x494 D40/24 |
| 22 | 440 8587 | 1 | Schienenträger | Bar carrier | 100x100x580 D69 |
| 23 | 440 9132 | 1 | Deichsel | Drawbar | Smaragd 9 KA-B |
| 24 | 450 8552 | 1 | Strebe | Strut | 90x90x1682 Achat 9 KA |
| 25 | 461 6059 | 2 | Platte | Plate | 20x173x198 1xD30 2xD20 |



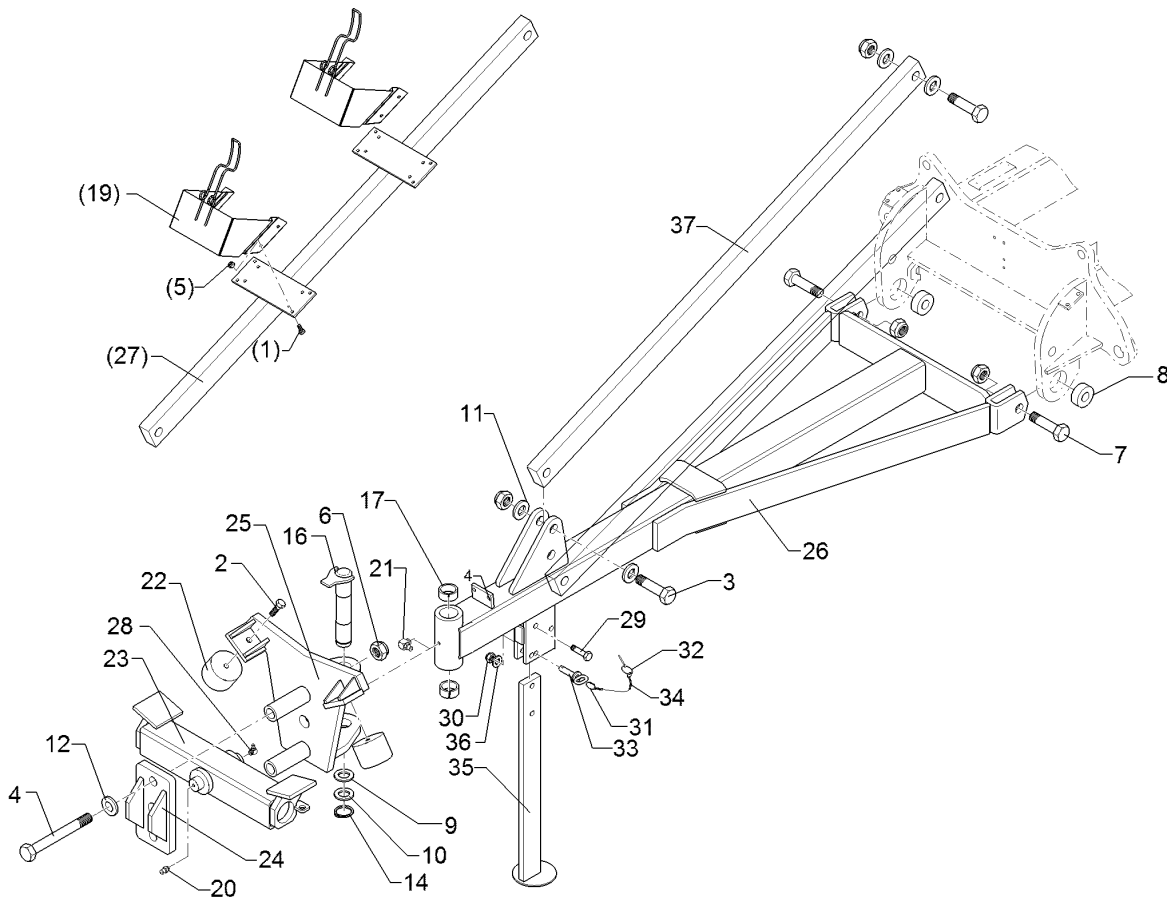
01.18

| Pos. | Art.Nr. | Stck. | Artikeltext / Description | | Abmessung |
|------|----------|-------|-----------------------------|-------------------|----------------------------|
| 1 | 301 3682 | 2 | Sechskantschraube | Hexagon bolt | M16x30-8.8 Zn DIN933 |
| 2 | 301 4873 | 2 | Sechskantschraube spz. | Hexagon bolt | M30x90-8.8 Zn |
| 3 | 301 4896 | 2 | Sechskantschraube spz. | Hexagon bolt | M30x190-8.8 Zn |
| 4 | 301 4902 | 2 | Sechskantschraube | Hexagon bolt | M30x240-8.8 Zn DIN931-A |
| 5 | 301 5390 | 4 | Sechskantschraube spz. | Hexagon bolt | M20x65-12.9 Zn |
| 6 | 303 0938 | 6 | Sicherungsmutter | Selflocking nut | NM30-8 Zn DIN985 |
| 7 | 303 0978 | 4 | Sechskantmutter | Hexagon nut | M20 DIN934-8 Zn |
| 8 | 305 2125 | 1 | Passscheibe | Shim | 45x55x1,0 DIN988 |
| 9 | 305 2252 | 1 | Stützscheibe | Supporting washer | S 45x55x3 DIN988 Zn |
| 10 | 305 6229 | 10 | Scheibe | Washer | 45x31x5 Zn DIN1441 |
| 11 | 305 6327 | 4 | Scheibe | Washer | 60x31x6 Zn 200HV |
| 12 | 305 8876 | 1 | Sicherungsring | Retaining ring | 45x2,5 DIN471 |
| 13 | 305 6012 | 4 | Scheibe | Washer | 21 ISO7089 Zn |
| 14 | 313 4524 | 1 | Bolzen mit Verdrehsicherung | Pin with stop | D45x235/259 Zn |
| 15 | 317 3430 | 2 | Einspannbuchse | Expansion bush | EG45/55x40-DIN1498 |
| 16 | 317 6881 | 1 | Röhrchen | Tube | D51x8,8x54 Zn |
| 17 | 323 6348 | 1 | Schmiernippel | Grease nipple | AM10x1 DIN71412 |
| 18 | 323 6349 | 2 | Schmiernippel | Grease nipple | CM10x1 DIN71412-90 GRD |
| 19 | 329 5020 | 2 | Gummipuffer | Rubber buffer | D100x75 M16 70Shore |
| 20 | 440 8588 | 1 | Brücke | Clamp plate | 140x25x270 D40/30 KG45 |



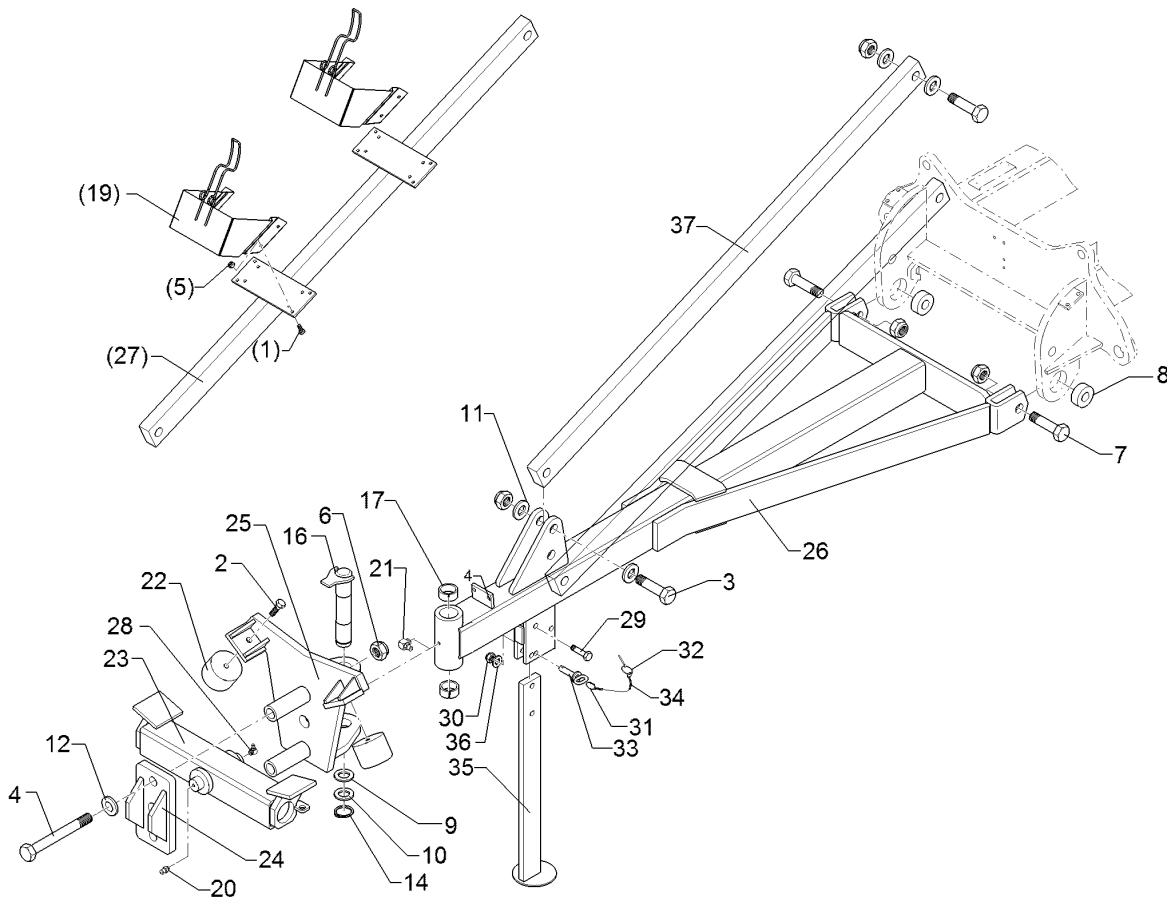
01.18

| Pos. | Art.Nr. | Stck. | Artikeltext / Description | | Abmessung |
|------|----------|-------|---------------------------|-------------|---------------------------|
| 21 | 440 8589 | 1 | Konsole | Bracket | 411x25x494 D40/30 KG45 |
| 22 | 440 8587 | 1 | Schienenträger | Bar carrier | 100x100x580 D69 |
| 23 | 440 9139 | 1 | Deichsel | Drawbar | Smaragd 9 KA-B KG45 |
| 24 | 450 8552 | 1 | Strebe | Strut | 90x90x1682 Achat 9 KA |
| 25 | 461 6059 | 2 | Platte | Plate | 20x173x198 1xD30 2xD20 |



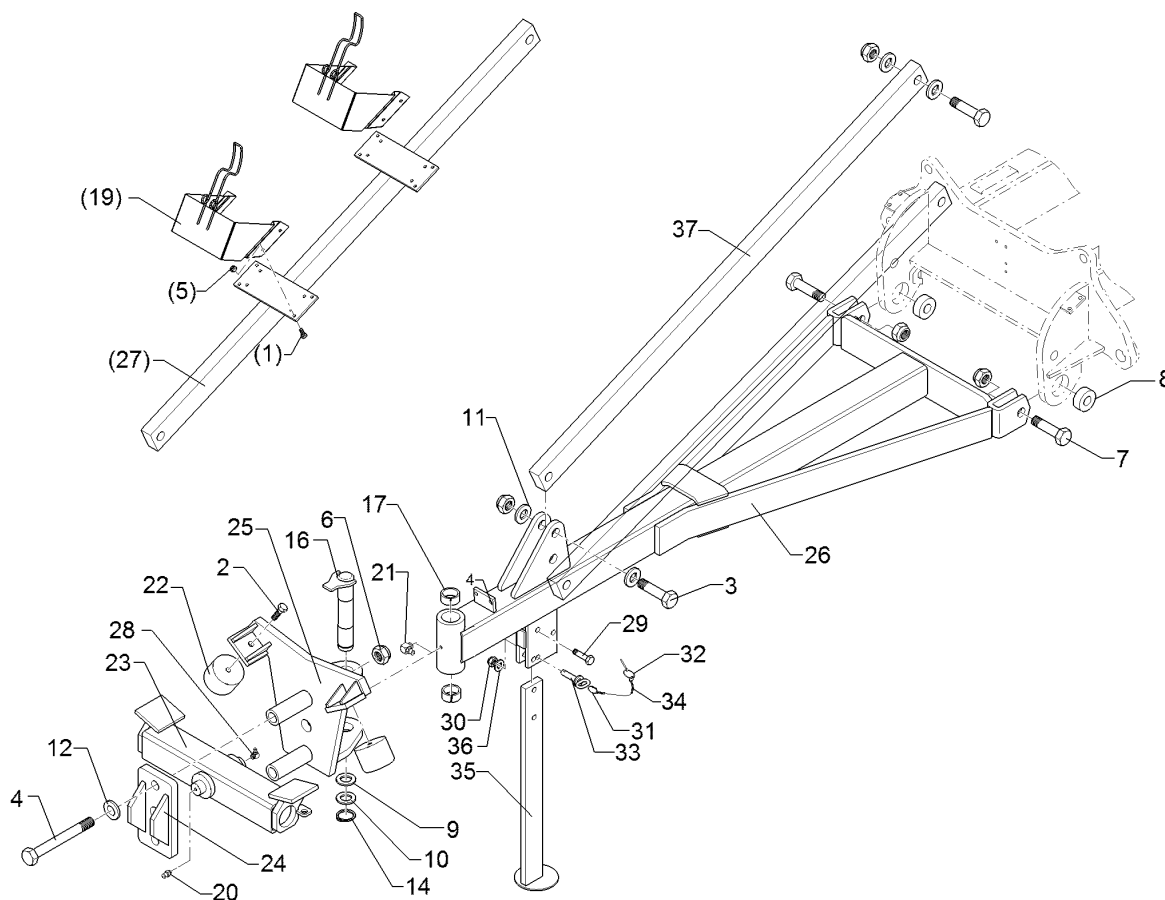
01.18

| Pos. | Art.Nr. | Stck. | Artikeltext / Description | | Abmessung |
|------|----------|-------|-----------------------------|-------------------|---|
| 1 | 301 6750 | 8 | Sechskantschraube | Hexagon bolt | M8x20-8.8 Zn DIN933 |
| 2 | 301 3682 | 2 | Sechskantschraube | Hexagon bolt | M16x30-8.8 Zn DIN933 |
| 3 | 301 4876 | 2 | Sechskantschraube gek. | Hexagon bolt | M30x120-10.9 Zn (160) DIN931-A DIN931-A |
| 4 | 301 4902 | 2 | Sechskantschraube | Hexagon bolt | M30x240-8.8 Zn DIN931-A |
| 5 | 303 0932 | 8 | Sicherungsmutter | Selflocking nut | NM8-8 Zn DIN985 |
| 6 | 303 0938 | 6 | Sicherungsmutter | Selflocking nut | NM30-8 Zn DIN985 |
| 7 | 301 4873 | 2 | Sechskantschraube spz. | Hexagon bolt | M30x90-8.8 Zn |
| 8 | 305 6905 | 2 | Scheibe | Washer | D68,5/30x26,0 |
| 9 | 305 2125 | 1 | Passscheibe | Shim | 45x55x1,0 DIN988 |
| 10 | 305 2252 | 2 | Stützscheibe | Supporting washer | S 45x55x3 DIN988 Zn |
| 11 | 305 6229 | 4 | Scheibe | Washer | 45x31x5 Zn DIN1441 |
| 12 | 305 6327 | 4 | Scheibe | Washer | 60x31x6 Zn 200HV |
| 14 | 305 8876 | 1 | Sicherungsring | Retaining ring | 45x2,5 DIN471 |
| 16 | 313 4524 | 1 | Bolzen mit Verdrehsicherung | Pin with stop | D45x235/259 Zn |
| 17 | 317 3430 | 2 | Einspannbuchse | Expansion bush | EG45/55x40-DIN1498 |
| 19 | 321 9943 | 2 | Halter zum Unterlegekeil | Carrier for wedge | NG53 122853.001 |
| 20 | 323 6348 | 1 | Schmiernippel | Grease nipple | AM10x1 DIN71412 |
| 21 | 323 6349 | 1 | Schmiernippel | Grease nipple | CM10x1 DIN71412-90 GRD |
| 22 | 329 5020 | 2 | Gummipuffer | Rubber buffer | D100x75 M16 70Shore |



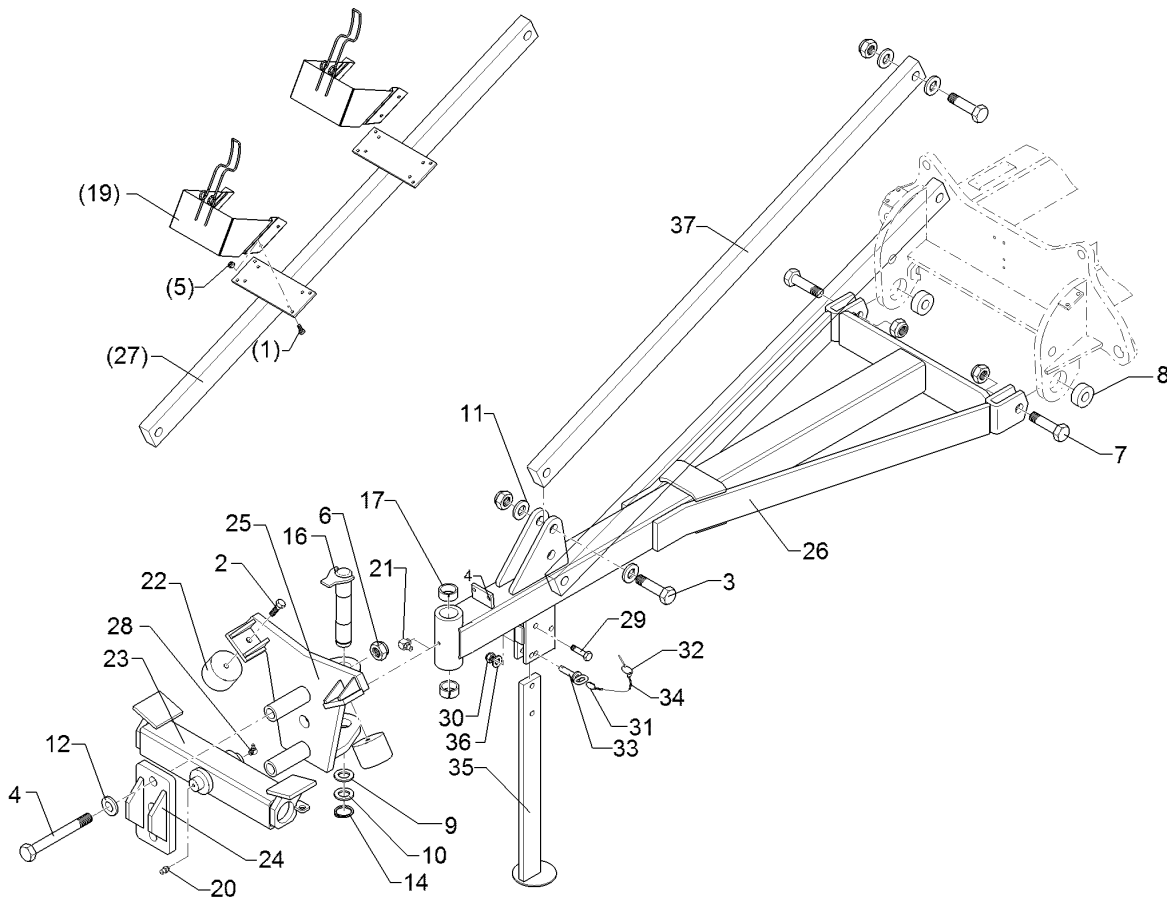
01.18

| Pos. | Art.Nr. | Stck. | Artikeltext / Description | | Abmessung |
|------|----------|-------|---------------------------|--------------------|-----------------------------------|
| 23 | 440 8587 | 1 | Schienträger | Bar carrier | 100x100x580 D69 |
| 24 | 440 8588 | 1 | Brücke | Clamp plate | 140x25x270 D40/30 KG45 |
| 25 | 440 8589 | 1 | Konsole | Bracket | 411x25x494 D40/30 KG45 |
| 26 | 440 9151 | 1 | Deichsel | Drawbar | Rubin 9"B" |
| 27 | 450 8616 | 1 | Strebe | Strut | 80x40x1682 |
| 28 | 323 6350 | 1 | Schmiernippel | Grease nipple | BM10x1 DIN71412-4kt. 45 GRD |
| 29 | 301 3870 | 1 | Sechskantschraube spz. | Hexagon bolt | M16x65-10.9 Zn |
| 30 | 303 0935 | 1 | Sicherungsmutter | Selflocking nut | NM16-8 Zn DIN985 |
| 31 | 305 8551 | 1 | Sicherungsring | Retaining ring | Di41x3 A2 |
| 32 | 311 9565 | 1 | Klappstift | Securing pin | 4,5 |
| 33 | 313 8152 | 1 | Bolzen | Pin | D16x51,7/112 V Zn |
| 34 | 331 6125 | 0 | Knotenkette | Knotted-link chain | K22 Zn |
| 35 | 429 2800 | 1 | Abstellstütze | Stand | 70x22x600 |
| 36 | 305 6141 | 2 | Scheibe | Washer | 17/30x3 DIN/ISO-7089 |
| 37 | 45010089 | 1 | Strebe | Strut | 80x40x1742 2xD30,1 |



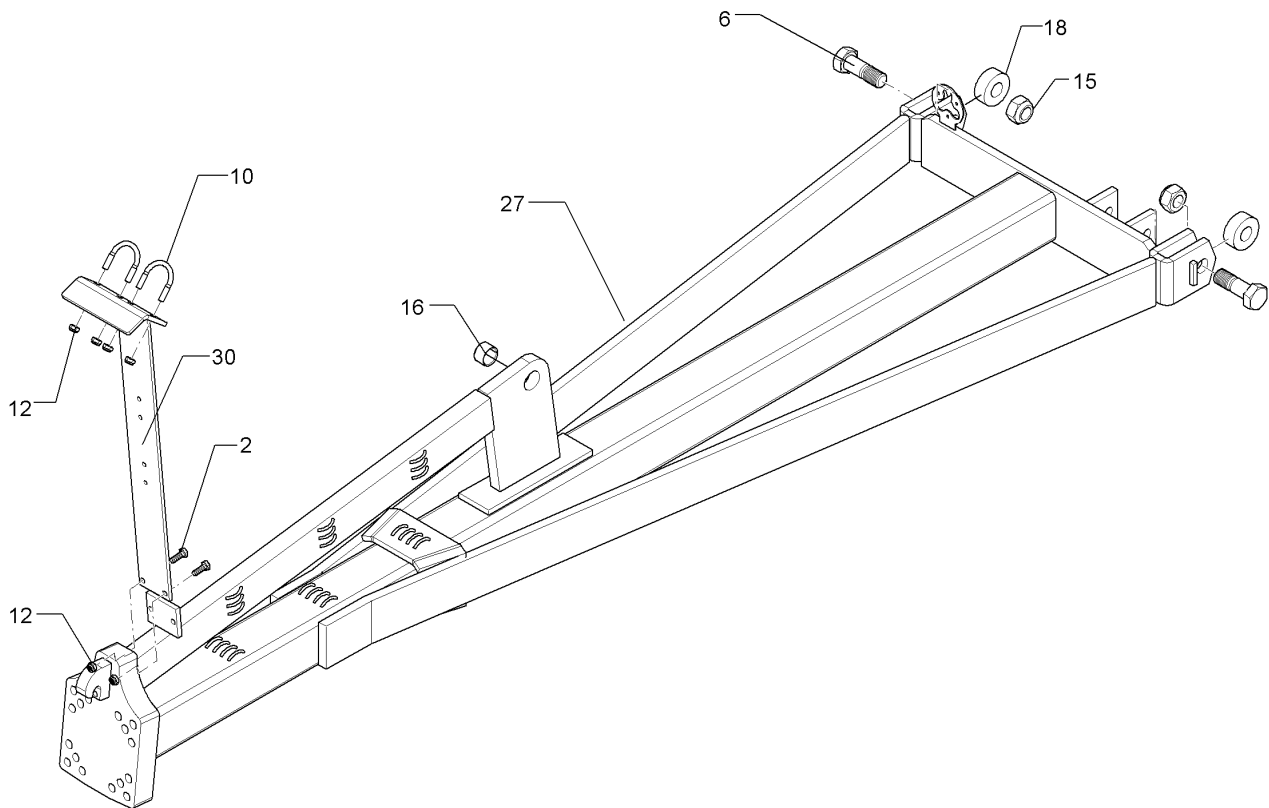
01.18

| Pos. | Art.Nr. | Stck. | Artikeltext / Description | | Abmessung |
|------|----------|-------|-----------------------------|-------------------|---|
| 1 | 301 6750 | 8 | Sechskantschraube | Hexagon bolt | M8x20-8.8 Zn DIN933 |
| 2 | 301 3682 | 2 | Sechskantschraube | Hexagon bolt | M16x30-8.8 Zn DIN933 |
| 3 | 301 4876 | 2 | Sechskantschraube gek. | Hexagon bolt | M30x120-10.9 Zn (160) DIN931-A DIN931-A |
| 4 | 301 4902 | 2 | Sechskantschraube | Hexagon bolt | M30x240-8.8 Zn DIN931-A |
| 5 | 303 0932 | 8 | Sicherungsmutter | Selflocking nut | NM8-8 Zn DIN985 |
| 6 | 303 0938 | 6 | Sicherungsmutter | Selflocking nut | NM30-8 Zn DIN985 |
| 7 | 301 4873 | 2 | Sechskantschraube spz. | Hexagon bolt | M30x90-8.8 Zn |
| 8 | 305 6905 | 2 | Scheibe | Washer | D68,5/30x26,0 |
| 9 | 305 2125 | 1 | Passscheibe | Shim | 45x55x1,0 DIN988 |
| 10 | 305 2252 | 2 | Stützscheibe | Supporting washer | S 45x55x3 DIN988 Zn |
| 11 | 305 6229 | 4 | Scheibe | Washer | 45x31x5 Zn DIN1441 |
| 12 | 305 6327 | 4 | Scheibe | Washer | 60x31x6 Zn 200HV |
| 14 | 305 8876 | 1 | Sicherungsring | Retaining ring | 45x2,5 DIN471 |
| 16 | 313 4524 | 1 | Bolzen mit Verdrehsicherung | Pin with stop | D45x235/259 Zn |
| 17 | 317 3430 | 2 | Einspannbuchse | Expansion bush | EG45/55x40-DIN1498 |
| 19 | 321 9943 | 2 | Halter zum Unterlegekeil | Carrier for wedge | NG53 122853.001 |
| 20 | 323 6348 | 1 | Schmiernippel | Grease nipple | AM10x1 DIN71412 |
| 21 | 323 6349 | 1 | Schmiernippel | Grease nipple | CM10x1 DIN71412-90 GRD |
| 22 | 329 5020 | 2 | Gummipuffer | Rubber buffer | D100x75 M16 70Shore |



01.18

| Pos. | Art.Nr. | Stck. | Artikeltext / Description | | Abmessung |
|------|----------|-------|---------------------------|--------------------|-----------------------------------|
| 23 | 440 8587 | 1 | Schienenträger | Bar carrier | 100x100x580 D69 |
| 24 | 440 8588 | 1 | Brücke | Clamp plate | 140x25x270 D40/30 KG45 |
| 25 | 440 8589 | 1 | Konsole | Bracket | 411x25x494 D40/30 KG45 |
| 26 | 440 9153 | 1 | Deichsel | Drawbar | Rubin 9(B) 2500 |
| 27 | 450 8616 | 1 | Strebe | Strut | 80x40x1682 |
| 28 | 323 6350 | 1 | Schmiernippel | Grease nipple | BM10x1 DIN71412-4kt. 45 GRD |
| 29 | 301 3870 | 1 | Sechskantschraube spz. | Hexagon bolt | M16x65-10.9 Zn |
| 30 | 303 0935 | 1 | Sicherungsmutter | Selflocking nut | NM16-8 Zn DIN985 |
| 31 | 305 8551 | 1 | Sicherungsring | Retaining ring | Di41x3 A2 |
| 32 | 311 9565 | 1 | Klappstift | Securing pin | 4,5 |
| 33 | 313 8152 | 1 | Bolzen | Pin | D16x51,7/112 V Zn |
| 34 | 331 6125 | 0 | Knotenkette | Knotted-link chain | K22 Zn |
| 35 | 429 2800 | 1 | Abstellstütze | Stand | 70x22x600 |
| 37 | 45010089 | 1 | Strebe | Strut | 80x40x1742 2xD30,1 |



01.18

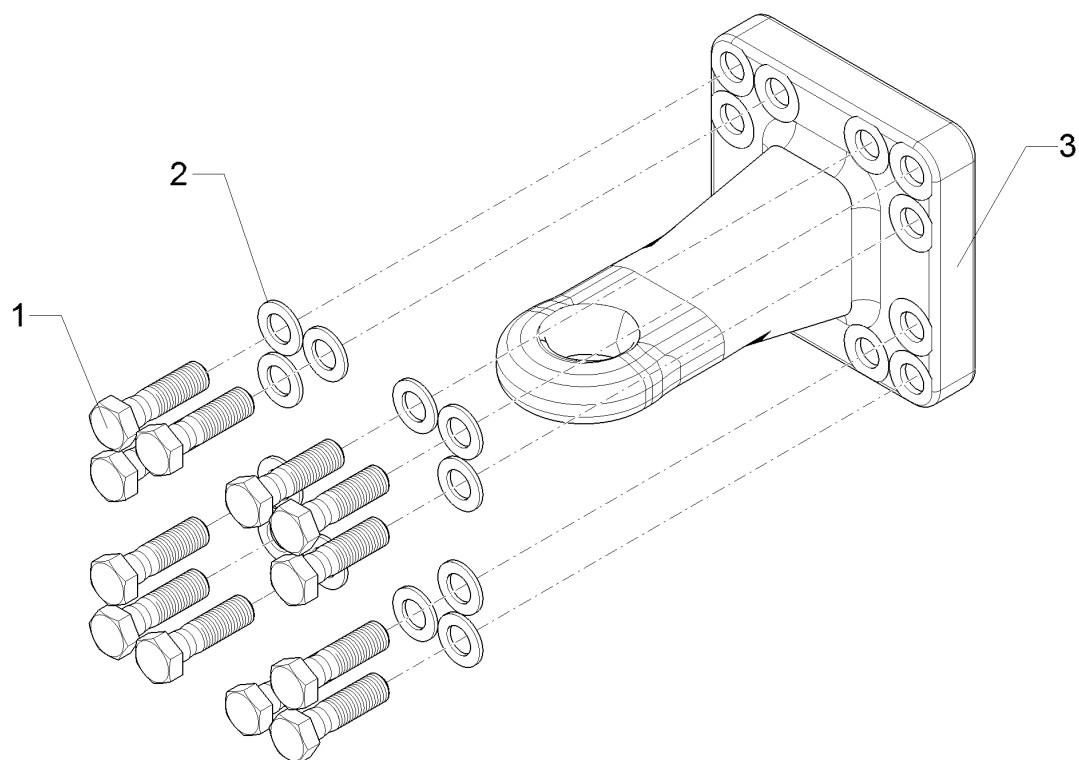
| Pos. | Art.Nr. | Stck. | Artikeltext / Description | | Abmessung |
|------|----------|-------|---------------------------|-----------------|-------------------------|
| 2 | 301 5004 | 2 | Sechskantschraube | Hexagon bolt | M10x30-8.8 Zn DIN933 |
| 6 | 301 4873 | 2 | Sechskantschraube spz. | Hexagon bolt | M30x90-8.8 Zn |
| 10 | 301 7782 | 2 | Bügelschraube | U-bolt | M10x62x60 Zn |
| 12 | 303 0933 | 6 | Sicherungsmutter | Selflocking nut | NM10-8 DIN985 Zn |
| 15 | 303 0938 | 2 | Sicherungsmutter | Selflocking nut | NM30-8 Zn DIN985 |
| 16 | 317 3367 | 1 | Einspannbuchse | Expansion bush | EG35/40x25-DIN1498 |
| 18 | 305 6905 | 2 | Scheibe | Washer | D68,5/30x26,0 |
| 27 | 44010027 | 1 | Deichsel | Drawbar | hyd. Rubin 9 KUA |
| 30 | 475 4361 | 1 | Schlauchhalter | Hose carrier | 80x8x700 4xD12 |

Zugöse/Traction loop

9

Rubin 9/400 KÜA

64010091



01.18

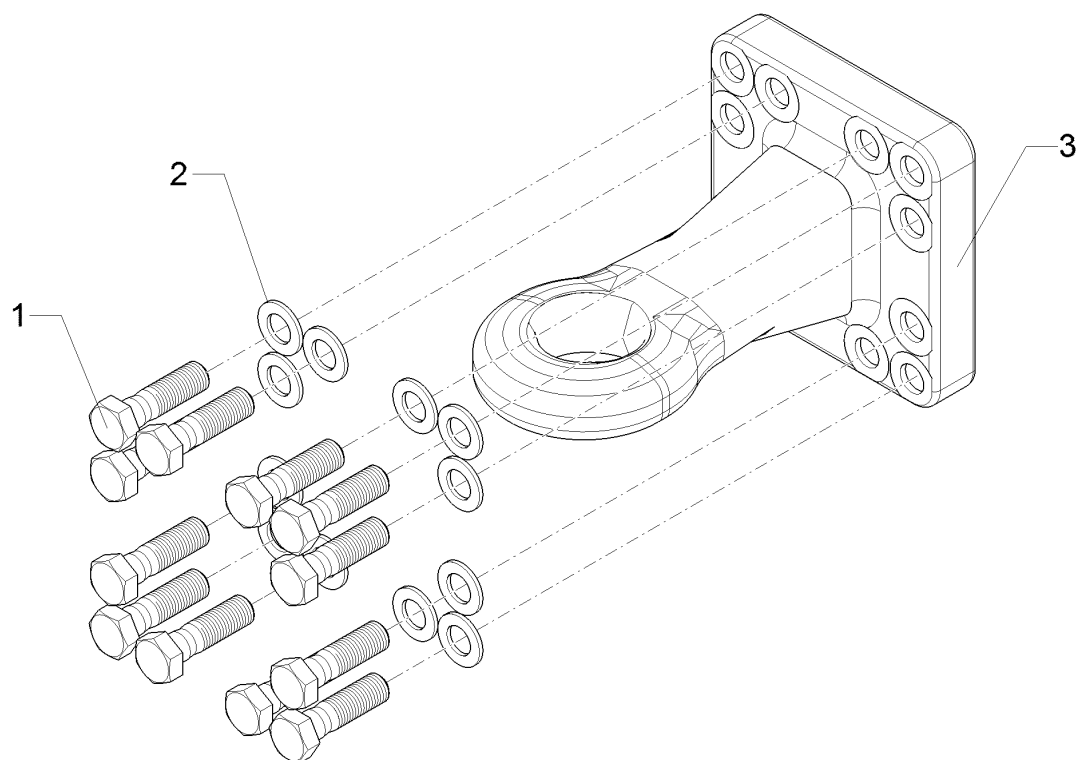
| Pos. | Art.Nr. | Stck. | Artikeltext / Description | | Abmessung |
|------|----------|-------|---------------------------|---------------|--------------------------|
| 1 | 30110551 | 12 | Sechskantschraube | Hexagon bolt | M20x70-10.9 DIN931 Zn |
| 2 | 305 6012 | 12 | Scheibe | Washer | 21 ISO7089 Zn |
| 3 | 44010096 | 1 | Zugöse | Traction loop | Cat.3 D46 160x160-M20 |

Zugöse/Traction loop

9

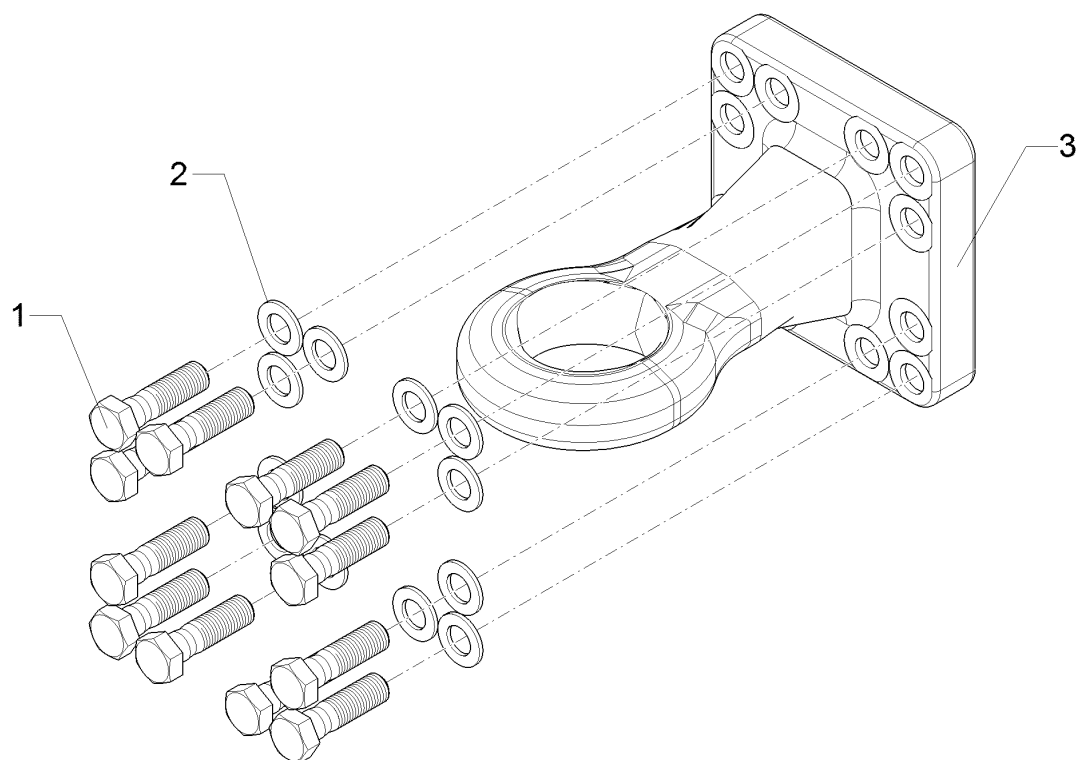
Rubin 9/400 KÜA

64010092



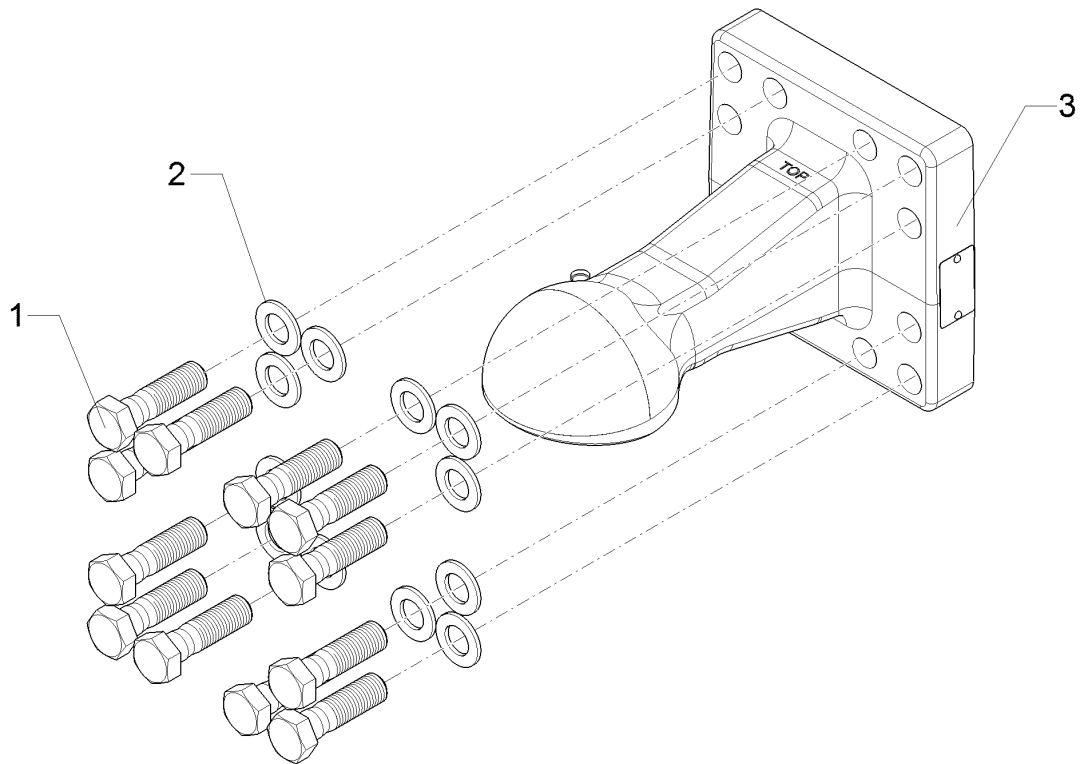
01.18

| Pos. | Art.Nr. | Stck. | Artikeltext / Description | | Abmessung |
|------|----------|-------|---------------------------|---------------|--------------------------|
| 1 | 30110551 | 12 | Sechskantschraube | Hexagon bolt | M20x70-10.9 DIN931 Zn |
| 2 | 305 6012 | 12 | Scheibe | Washer | 21 ISO7089 Zn |
| 3 | 44010097 | 1 | Zugöse | Traction loop | Cat.4 D58 160x160-M20 |



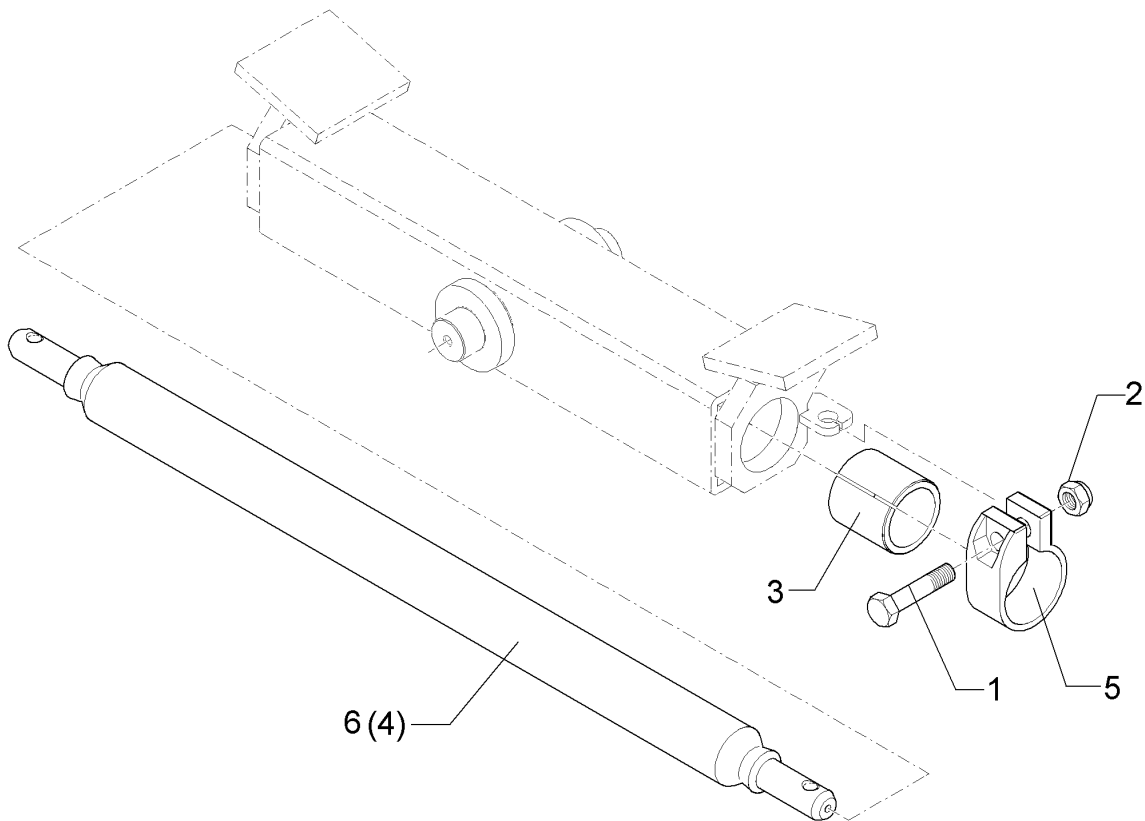
01.18

| Pos. | Art.Nr. | Stck. | Artikeltext / Description | | Abmessung |
|------|----------|-------|---------------------------|---------------|--------------------------|
| 1 | 30110551 | 12 | Sechskantschraube | Hexagon bolt | M20x70-10.9 DIN931 Zn |
| 2 | 305 6012 | 12 | Scheibe | Washer | 21 ISO7089 Zn |
| 3 | 44010098 | 1 | Zugöse | Traction loop | Cat.5 D79 160x160-M20 |



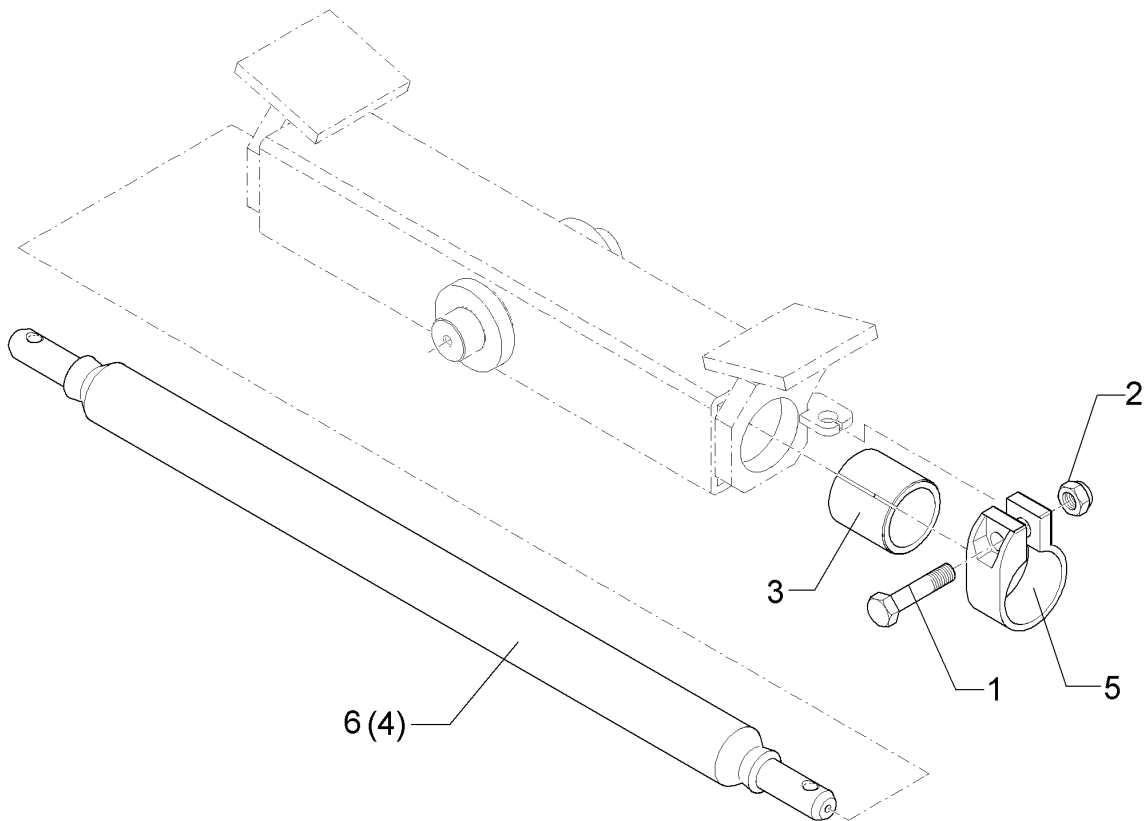
01.18

| Pos. | Art.Nr. | Stck. | Artikeltext / Description | | Abmessung |
|------|----------|-------|---------------------------|----------------------|--------------------------|
| 1 | 30110551 | 12 | Sechskantschraube | Hexagon bolt | M20x70-10.9 DIN931 Zn |
| 2 | 305 6012 | 12 | Scheibe | Washer | 21 ISO7089 Zn |
| 3 | 44010099 | 1 | Zugkugelkupplung | Ball-shaped coupling | K80 160x160-M20 |



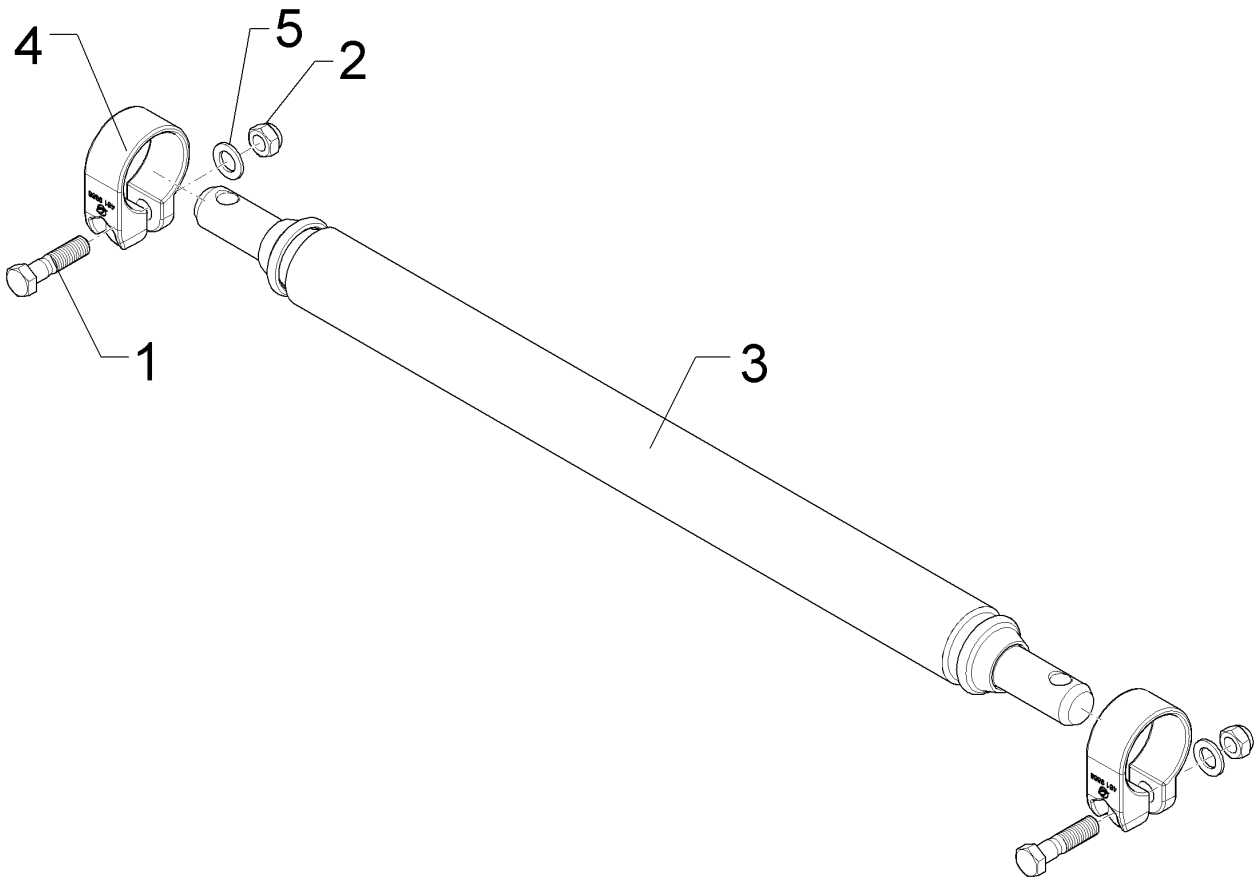
01.18

| Pos. | Art.Nr. | Stck. | Artikeltext / Description | | Abmessung |
|------|----------|-------|---------------------------|-----------------|---------------------------|
| 1 | 301 3868 | 2 | Sechskantschraube | Hexagon bolt | M16x65-8.8 Zn DIN931-A |
| 2 | 303 0935 | 2 | Sicherungsmutter | Selflocking nut | NM16-8 Zn DIN985 |
| 3 | 317 6961 | 2 | Buchse | Bush | D69/56x65-3 |
| 4 | 461 7917 | 1 | Schienenwelle | Drawbar | D55x970 L2 Z2 |
| 5 | 461 9868 | 2 | Klemme | Clamp | D68x40 |
| 6 | 46110013 | 1 | Zugschiene | Cross shaft | D55x970 L2 Z2 HÜ |



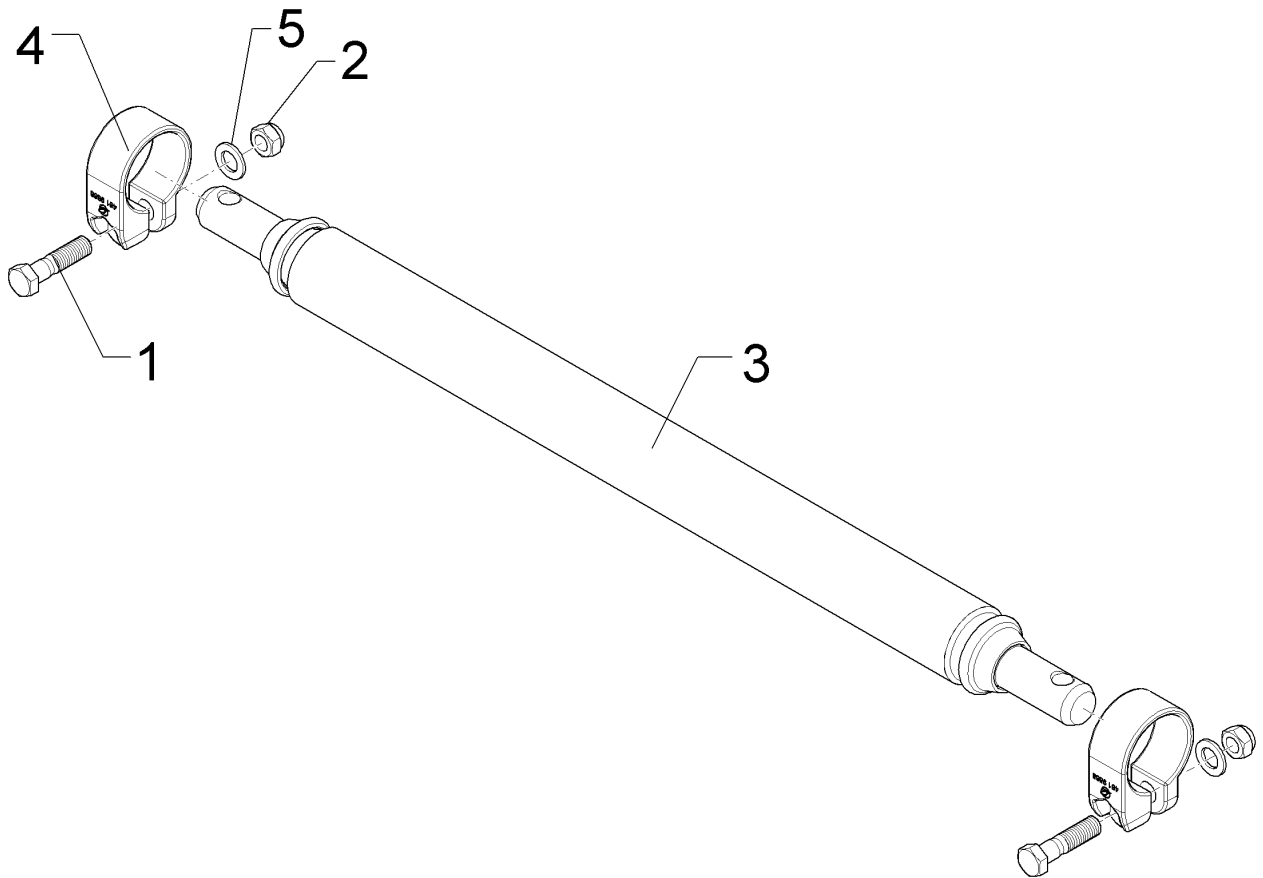
01.18

| Pos. | Art.Nr. | Stck. | Artikeltext / Description | | Abmessung |
|------|----------|-------|---------------------------|-----------------|---------------------------|
| 1 | 301 3868 | 2 | Sechskantschraube | Hexagon bolt | M16x65-8.8 Zn DIN931-A |
| 2 | 303 0935 | 2 | Sicherungsmutter | Selflocking nut | NM16-8 Zn DIN985 |
| 3 | 317 6961 | 2 | Buchse | Bush | D69/56x65-3 |
| 4 | 461 7924 | 1 | Schienenwelle | Drawbar | D55x1110 L3 Z2 |
| 5 | 461 9868 | 2 | Klemme | Clamp | D68x40 |
| 6 | 46110015 | 1 | Schienenwelle | Drawbar | D55x1110 L3 Z2 HÜ |



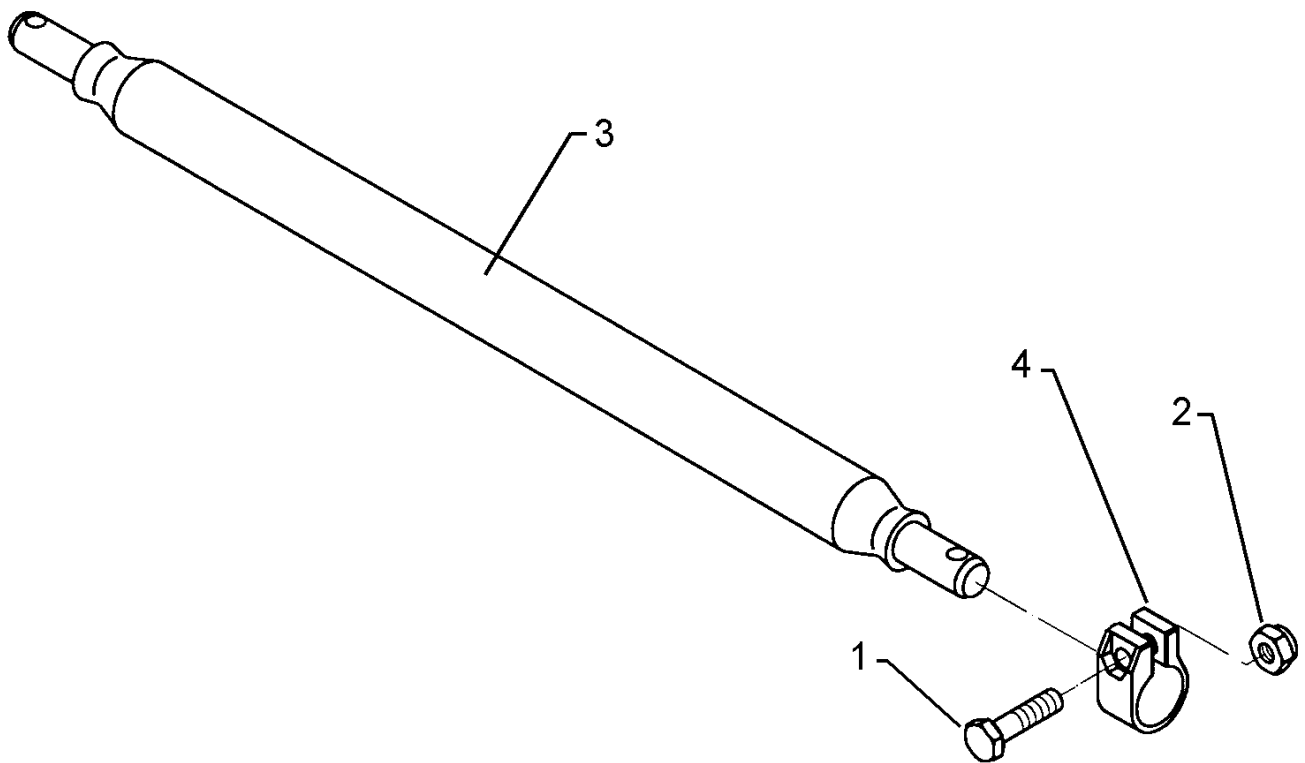
01.18

| Pos. | Art.Nr. | Stck. | Artikeltext / Description | | Abmessung |
|------|----------|-------|---------------------------|-----------------|------------------------------|
| 1 | 301 3868 | 2 | Sechskantschraube | Hexagon bolt | M16x65-8.8 Zn DIN931-A |
| 2 | 303 0935 | 2 | Sicherungsmutter | Selflocking nut | NM16-8 Zn DIN985 |
| 3 | 461 7905 | 1 | Zugschiene | Cross shaft | D68x980 L2 Z3 HÜ (Kat.3N) |
| 4 | 461 9868 | 2 | Klemme | Clamp | D68x40 |
| 5 | 305 6141 | 2 | Scheibe | Washer | 17/30x3 DIN/ISO-7089 |



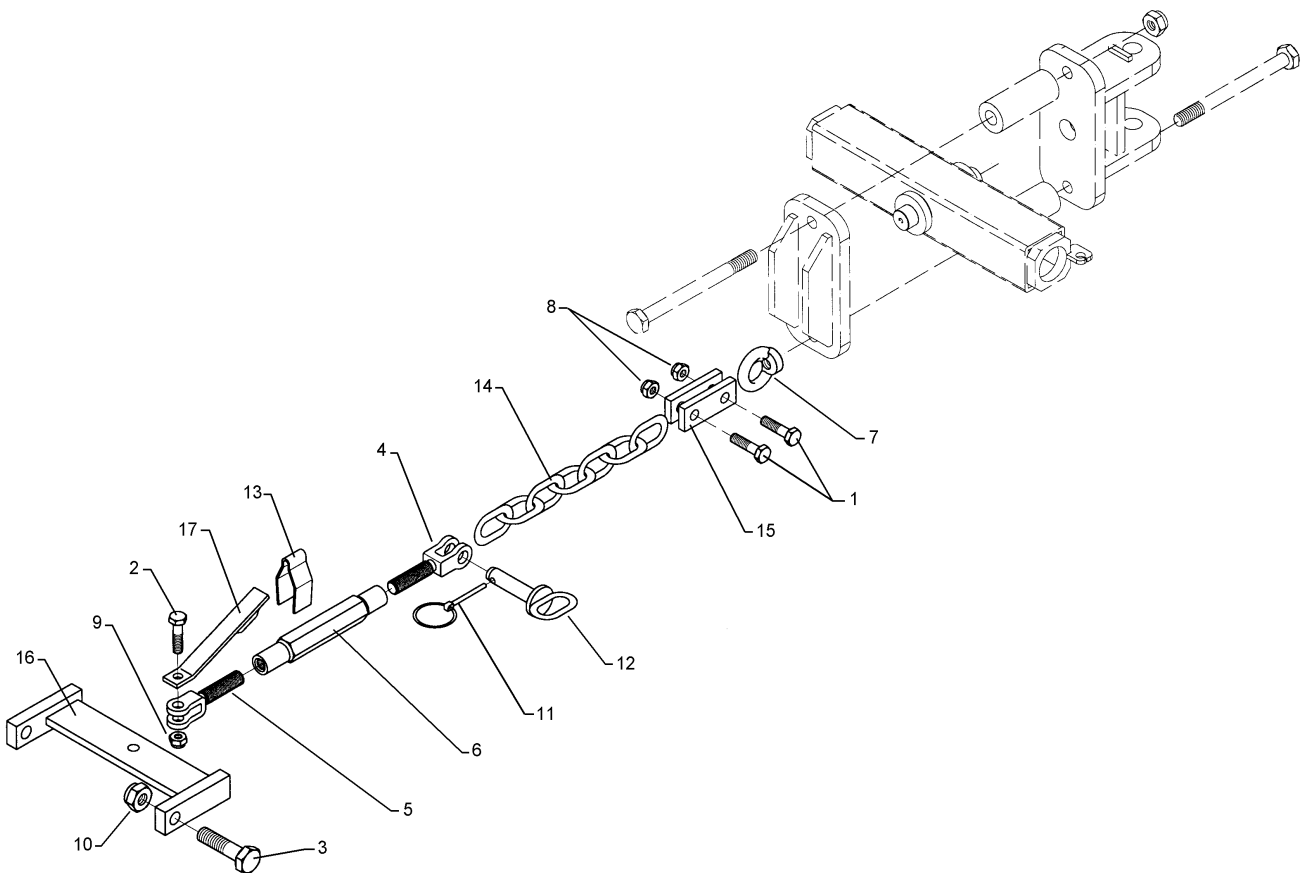
01.18

| Pos. | Art.Nr. | Stck. | Artikeltext / Description | | Abmessung |
|------|----------|-------|---------------------------|-----------------|---------------------------|
| 1 | 301 3868 | 2 | Sechskantschraube | Hexagon bolt | M16x65-8.8 Zn DIN931-A |
| 2 | 303 0935 | 2 | Sicherungsmutter | Selflocking nut | NM16-8 Zn DIN985 |
| 3 | 461 7925 | 1 | Zugschiene | Cross shaft | D68x1120 L3 Z3 HÜ |
| 4 | 461 9868 | 2 | Klemme | Clamp | D68x40 |
| 5 | 305 6141 | 2 | Scheibe | Washer | 17/30x3 DIN/ISO-7089 |



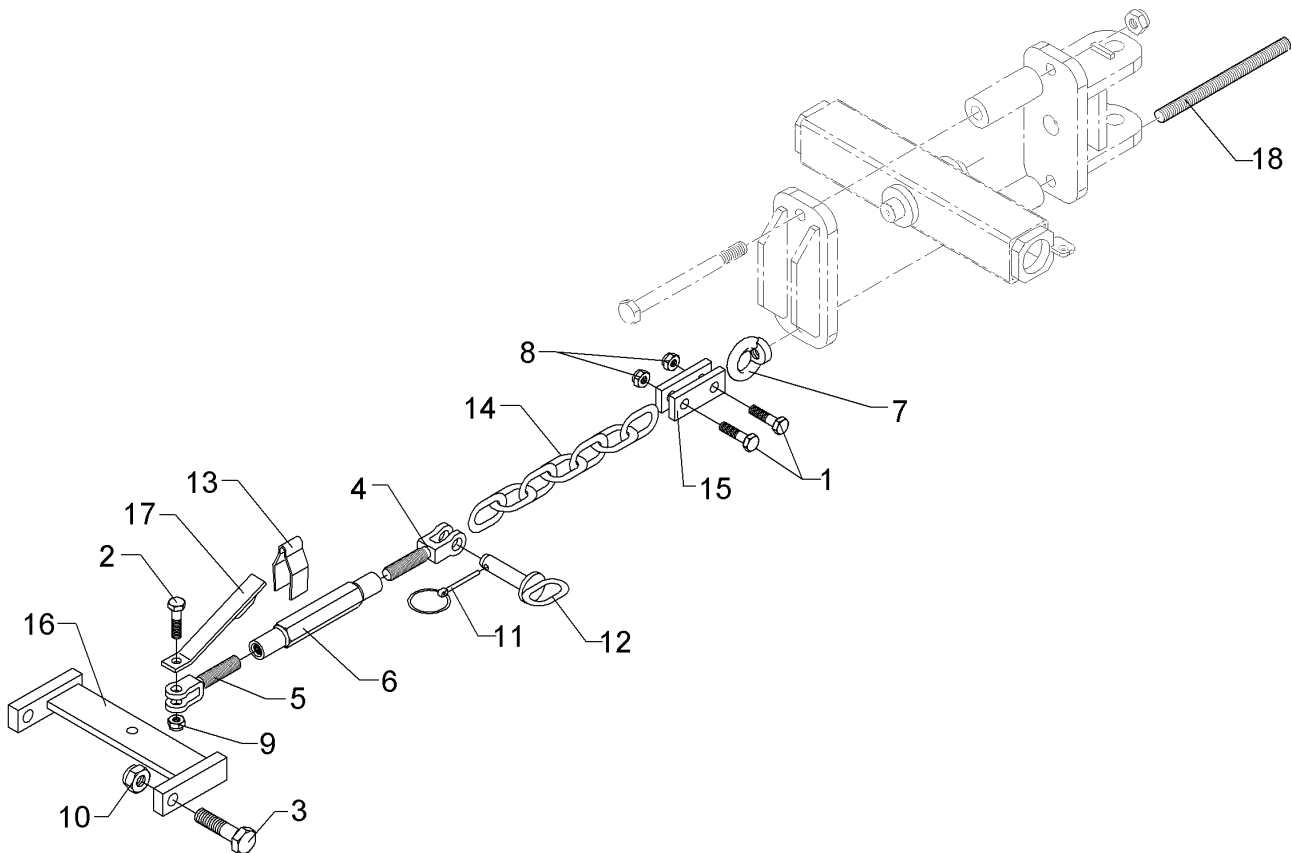
01.18

| Pos. | Art.Nr. | Stck. | Artikeltext / Description | | Abmessung |
|------|----------|-------|---------------------------|-----------------|----------------------------|
| 1 | 301 3868 | 2 | Sechskantschraube | Hexagon bolt | M16x65-8.8 Zn DIN931-A |
| 2 | 303 0935 | 2 | Sicherungsmutter | Selflocking nut | NM16-8 Zn DIN985 |
| 3 | 461 7928 | 1 | Schienenwelle | Drawbar | D68x1340 L1100 Z58 K700 |
| 4 | 461 9868 | 2 | Klemme | Clamp | D68x40 |



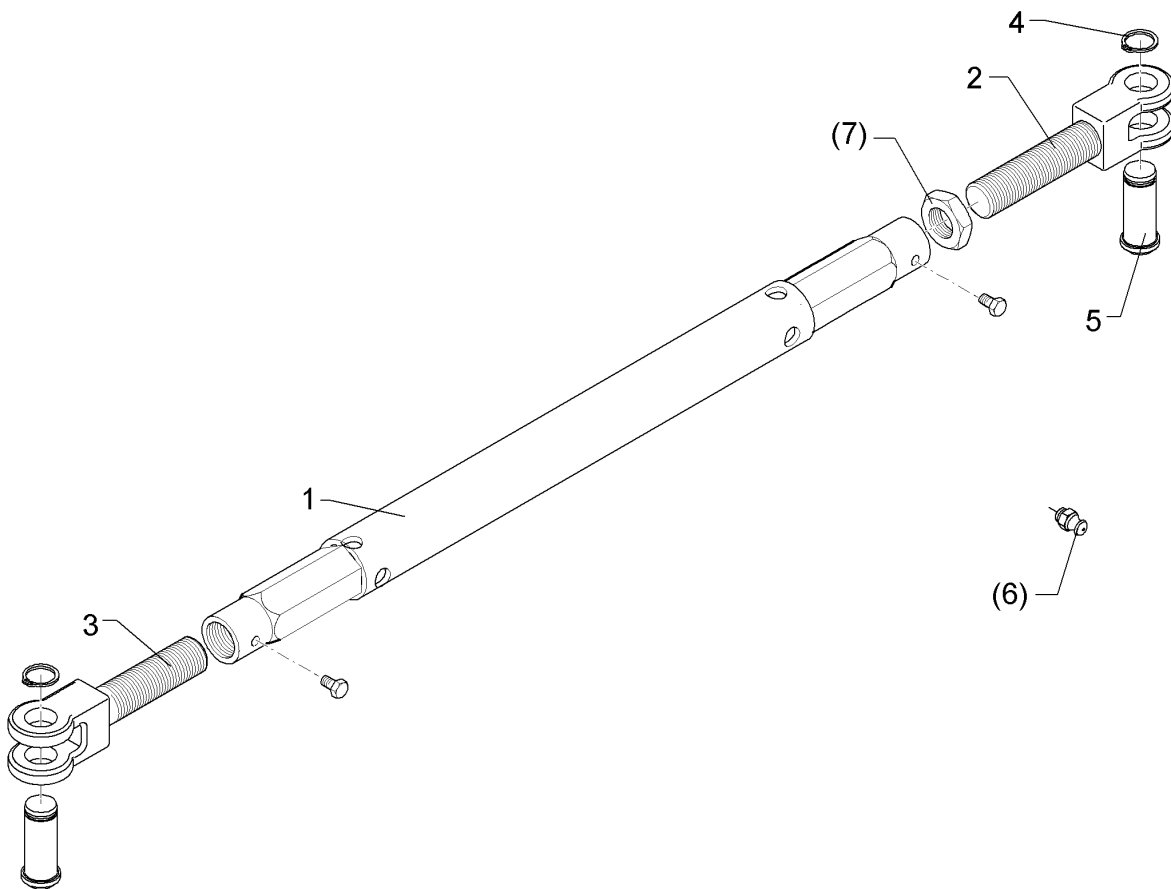
01.18

| Pos. | Art.Nr. | Stck. | Artikeltext / Description | | Abmessung |
|------|----------|-------|---------------------------|-----------------|----------------------------|
| 1 | 301 3837 | 2 | Sechskantschraube | Hexagon bolt | M16x60-8.8 Zn DIN931-A |
| 2 | 301 4603 | 1 | Sechskantschraube spz. | Hexagon bolt | M20x75-8.8 Zn |
| 3 | 301 4661 | 2 | Sechskantschraube spz. | Hexagon bolt | M24x100ls70xb25-10.9 Zn |
| 4 | 302 8980 | 1 | Gabelstück | Forkpiece | TR24x3x90/177 D20 Zn |
| 5 | 302 8981 | 1 | Gabelstück | Forkpiece | TR24x3LHx90/177 D20 Zn |
| 6 | 302 8892 | 1 | Spannschlossmutter | Threaded sleeve | TR24x3x250 |
| 7 | 303 0332 | 1 | Ringmutter | Eye nut | M24 DIN582 |
| 8 | 303 0935 | 2 | Sicherungsmutter | Selflocking nut | NM16-8 Zn DIN985 |
| 9 | 303 0936 | 1 | Sicherungsmutter | Selflocking nut | NM20-8 Zn DIN985 |
| 10 | 303 0937 | 2 | Sicherungsmutter | Selflocking nut | NM24-8 Zn DIN985 |
| 11 | 311 9565 | 1 | Klappstift | Securing pin | 4,5 |
| 12 | 313 8147 | 1 | Bolzen mit Griff | Pin with grip | D20x80/68 Zn |
| 13 | 329 1792 | 1 | Flachformfeder | U-spring | 40x4x230 für SW46 |
| 14 | 331 6584 | 1 | Kette DIN762 | Chain | 13x65 7GL ST35.2H Zn |
| 15 | 459 1001 | 2 | Brücke | Clamp plate | 40x10x100 1x70-D16,5 |
| 16 | 461 6172 | 1 | Zugschiene | Cross shaft | 350x165 2xD25 D20,25 |
| 17 | 461 6173 | 1 | Halter | Holder | 35x8x250 D21 |



01.18

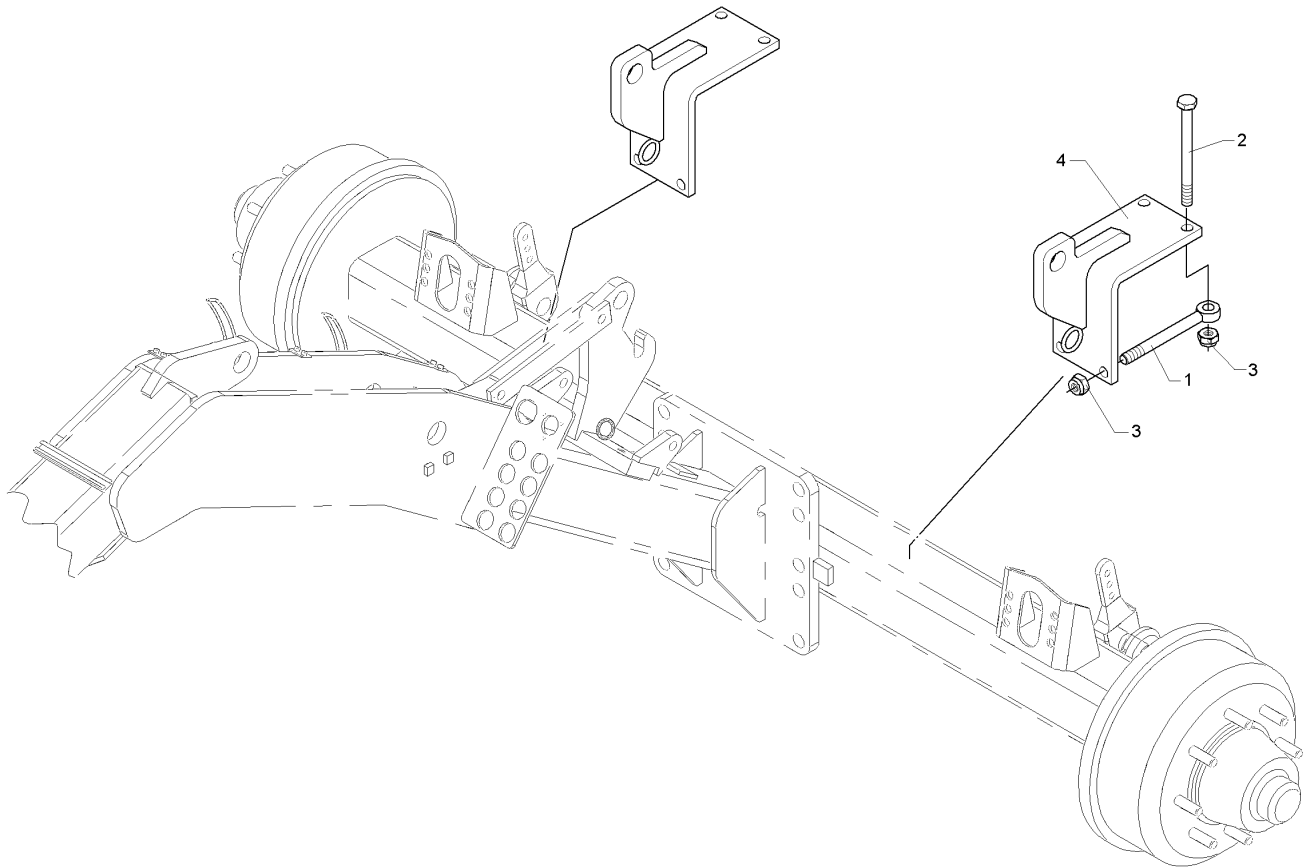
| Pos. | Art.Nr. | Stck. | Artikeltext / Description | | Abmessung |
|------|----------|-------|---------------------------|-----------------|-------------------------|
| 1 | 301 3837 | 2 | Sechskantschraube | Hexagon bolt | M16x60-8.8 Zn |
| 2 | 301 4603 | 1 | Sechskantschraube spz. | Hexagon bolt | DIN931-A |
| 3 | 301 4661 | 2 | Sechskantschraube spz. | Hexagon bolt | M20x75-8.8 Zn |
| 4 | 302 8980 | 1 | Gabelstück | Forkpiece | M24x100ls70xb25-10.9 Zn |
| 5 | 302 8981 | 1 | Gabelstück | Forkpiece | TR24x3x90/177 D20 Zn |
| 6 | 302 8892 | 1 | Spannschlossmutter | Threaded sleeve | TR24x3x250 |
| 7 | 303 0331 | 1 | Ringmutter | Eye nut | M30 DIN582 |
| 8 | 303 0935 | 2 | Sicherungsmutter | Selflocking nut | NM16-8 Zn DIN985 |
| 9 | 303 0936 | 1 | Sicherungsmutter | Selflocking nut | NM20-8 Zn DIN985 |
| 10 | 303 0937 | 2 | Sicherungsmutter | Selflocking nut | NM24-8 Zn DIN985 |
| 11 | 311 9565 | 1 | Klappstift | Securing pin | 4,5 |
| 12 | 313 8147 | 1 | Bolzen mit Griff | Pin with grip | D20x80/68 Zn |
| 13 | 329 1792 | 1 | Flachformfeder | U-spring | 40x4x230 für SW46 |
| 14 | 331 6584 | 1 | Kette DIN762 | Chain | 13x65 7GL ST35.2H Zn |
| 15 | 459 1001 | 2 | Brücke | Clamp plate | 40x10x100 |
| 16 | 461 6172 | 1 | Zugschiene | Cross shaft | 1x70-D16,5 |
| 17 | 461 6173 | 1 | Halter | Holder | 350x165 2xD25 |
| 18 | 302 0123 | 1 | Gewindestange | Threaded rod | D20,25 |
| | | | | | 35x8x250 D21 |
| | | | | | M30x270 Zn |



01.18

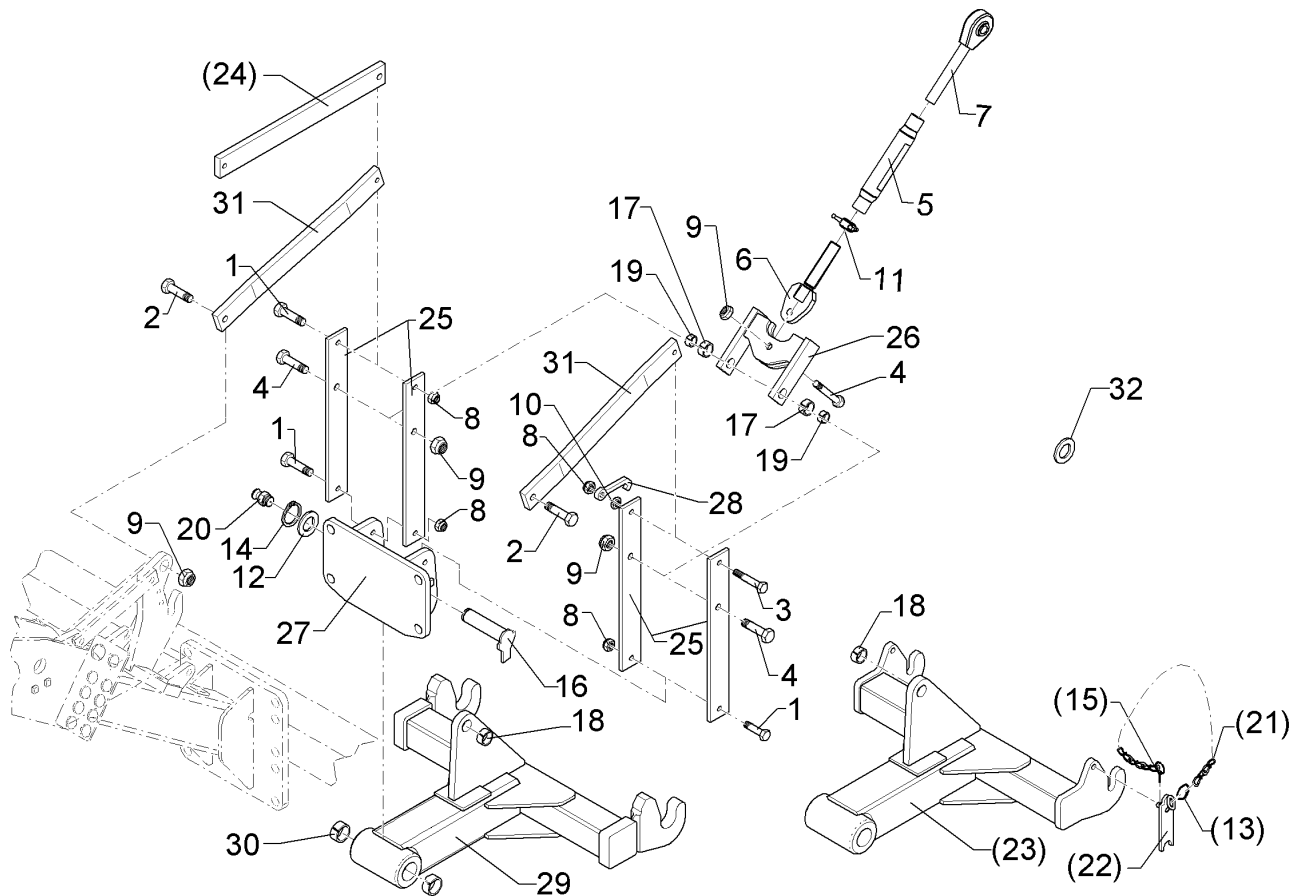
| Pos. | Art.Nr. | Stck. | Artikeltext / Description | | Abmessung |
|------|----------|-------|---------------------------|-----------------|-----------------------------|
| 1 | 302 8933 | 1 | Spannschlossmutter | Threaded sleeve | TR36x3x630-SW60 |
| 2 | 302 9010 | 1 | Gabelstück | Forkpiece | TR36x3x120/235 D30 Zn |
| 3 | 302 9011 | 1 | Gabelstück | Forkpiece | TR36x3LHx120/235 D30 Zn |
| 4 | 305 8867 | 2 | Sicherungsring | Retaining ring | 30x2 DIN471 Zn |
| 5 | 313 7802 | 2 | Bolzen mit Kopf | Pin with collar | D30/35x63/80 Zn |
| 6 | 323 6348 | 2 | Schmiernippel | Grease nipple | AM10x1 DIN71412 |
| 7 | 303 3050 | 1 | Mutter | Nut | TR 36x3 SW 50 |
| 8 | 30110019 | 2 | Sechskantschraube | Hexagon bolt | M10x1x20-8.8 Zn DIN961-A |

| | |
|-----------------------|----------|
| Kupplungsteil/Fitting | 10 |
| Rubin 9/400 KÜA | 661 8369 |



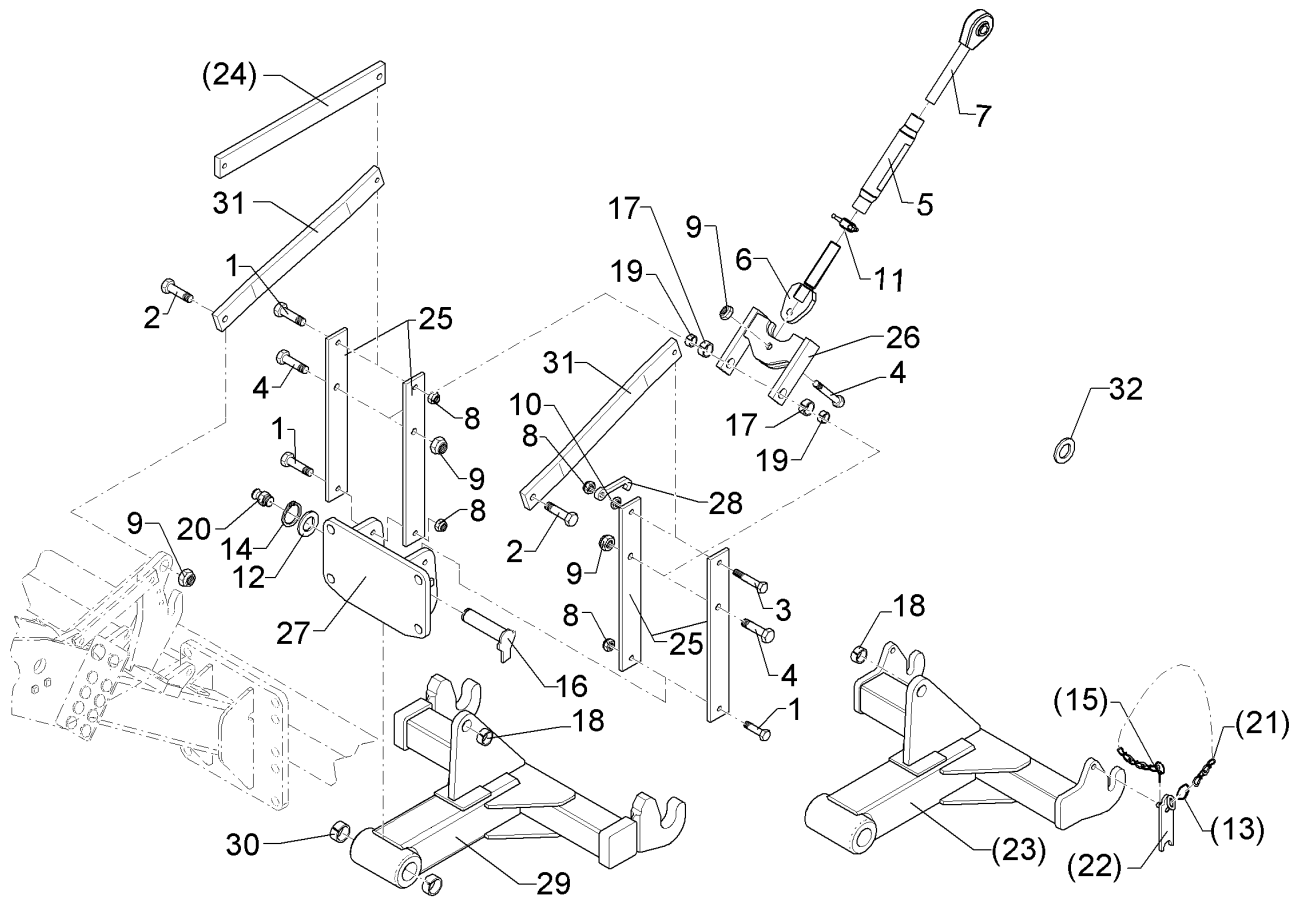
01.18

| Pos. | Art.Nr. | Stck. | Artikeltext / Description | | Abmessung |
|------|----------|-------|---------------------------|-----------------|-------------------------------------|
| 1 | 301 0864 | 4 | Augenschraube | Eye bolt | BM16x200xb100-8.8 D2=16,1 Zn |
| 2 | 301 4133 | 4 | Sechskantschraube | Hexagon bolt | M16x200-8.8 Zn |
| 3 | 303 0935 | 8 | Sicherungsmutter | Selflocking nut | DIN931-A |
| 4 | 461 8369 | 2 | Anbaukonsole | Bracket | NM16-8 Zn DIN985 150x150x120 D32 |



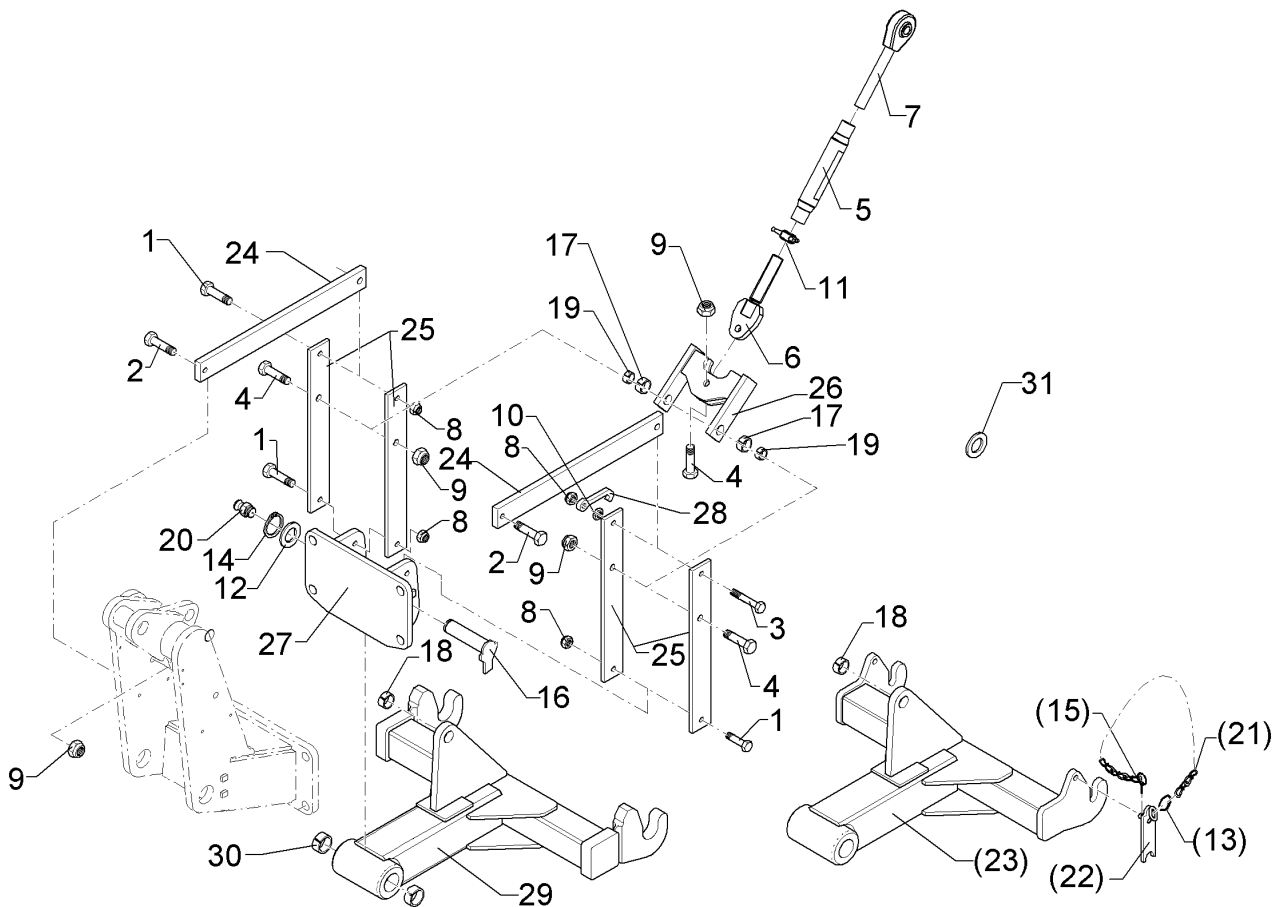
01.18

| Pos. | Art.Nr. | Stck. | Artikeltext / Description | | Abmessung |
|------|----------|-------|------------------------------|--------------------|---------------------------|
| 1 | 301 3868 | 3 | Sechskantschraube | Hexagon bolt | M16x65-8.8 Zn DIN931-A |
| 2 | 301 4332 | 2 | Sechskantschraube | Hexagon bolt | M20x75-8.8 Zn DIN931-A |
| 3 | 301 5085 | 1 | Sechskantschraube | Hexagon bolt | M16x100-8.8 DIN933 |
| 4 | 301 5390 | 3 | Sechskantschraube spz. | Hexagon bolt | M20x65-12.9 Zn |
| 5 | 302 8937 | 1 | Spannschlossmutter | Threaded sleeve | M36x3x330 SW46 |
| 6 | 302 9019 | 1 | Gelenkstück | Connecting piece | M36x3x190 D20 |
| 7 | 302 9033 | 1 | Gelenkauge | Joint | KAT2 M36x3x270 LI |
| 8 | 303 0935 | 4 | Sicherungsmutter | Selflocking nut | NM16-8 Zn DIN985 |
| 9 | 303 0936 | 5 | Sicherungsmutter | Selflocking nut | NM20-8 Zn DIN985 |
| 10 | 303 1015 | 1 | Sechskantmutter | Hexagon nut | M16 DIN934-8 Zn |
| 11 | 303 3110 | 1 | Schlagmutter | Impact nut | M36x3 65-5 |
| 12 | 305 2150 | 1 | Passscheibe | Shim | 50x62x1,0 DIN988 |
| 13 | 305 8545 | 4 | Sicherungsring | Retaining ring | 3x30-35x1,25 Zn |
| 14 | 305 8877 | 1 | Sicherungsring | Retaining ring | 50x3 DIN471 |
| 15 | 311 9565 | 2 | Klappstift | Securing pin | 4,5 |
| 16 | 313 5037 | 1 | Bolzen mit Verdrehsicherung | Pin with stop | D50x243/268 Zn |
| 17 | 317 3352 | 2 | Einspannbuchse mit Presssitz | Expansion bush | EG28/32x20 |
| 18 | 317 3417 | 1 | Einspannbuchse mit Presssitz | Expansion bush | EG30/38x25 |
| 19 | 317 6657 | 2 | Buchse | Bush | D20/28x22 |
| 20 | 323 6348 | 1 | Schmiernippel | Grease nipple | AM10x1 DIN71412 |
| 21 | 331 6130 | 2 | Knotenkette | Knotted-link chain | D2x150 |
| 22 | 461 8345 | 2 | Riegel | Locking bar | KAT2 |



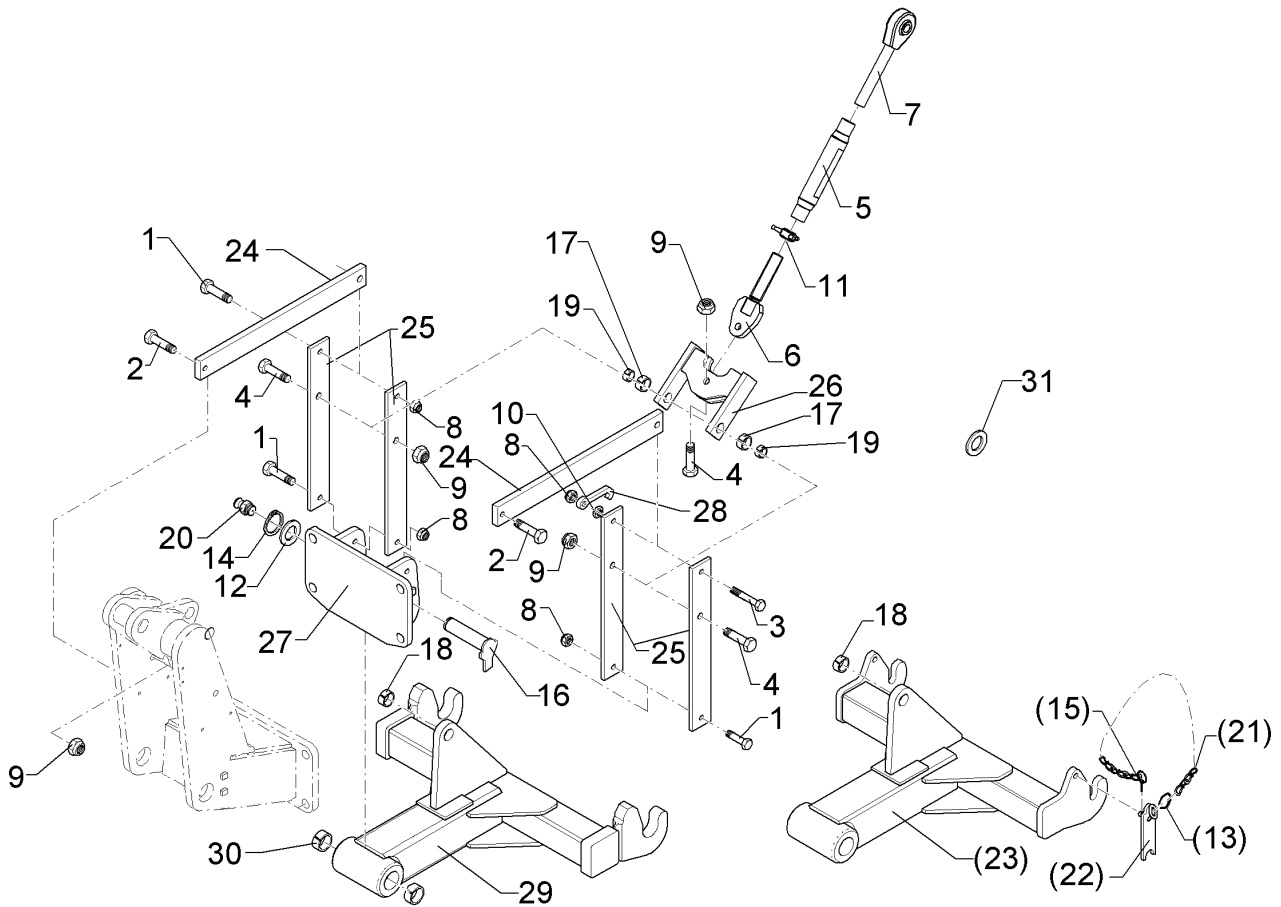
01.18

| Pos. | Art.Nr. | Stck. | Artikeltext / Description | | Abmessung |
|------|----------|-------|---------------------------|----------------|--------------------------|
| 23 | 461 8510 | 1 | Unterlenker | Lower link | D50x200 L2/Z2 |
| 24 | 461 8511 | 2 | Lenker | Link | 70x22x700 1xD16 1xD20 |
| 25 | 461 8512 | 4 | Lenker | Link | 80x12x595 2xD16 1xD20 |
| 26 | 461 8513 | 1 | Lenker | Link | 60x20x208 2xD32 1xD20 |
| 27 | 461 8514 | 1 | Konsole | Bracket | 430x260x20 D50x200 |
| 28 | 461 8515 | 1 | Haken | Hook | 144x56x14 1xD16,5 |
| 29 | 461 8517 | 1 | Unterlenker | Lower link | D50x200 L2/Z3 |
| 30 | 317 3433 | 2 | Einspannbuchse | Expansion bush | EG50+0,05+0,15/60x40 |
| 31 | 461 8516 | 2 | Lenker, gebogen | Link | 70x22x700 1xD16 1xD20 |
| 32 | 305 6327 | 12 | Scheibe | Washer | 60x31x6 Zn 200HV |



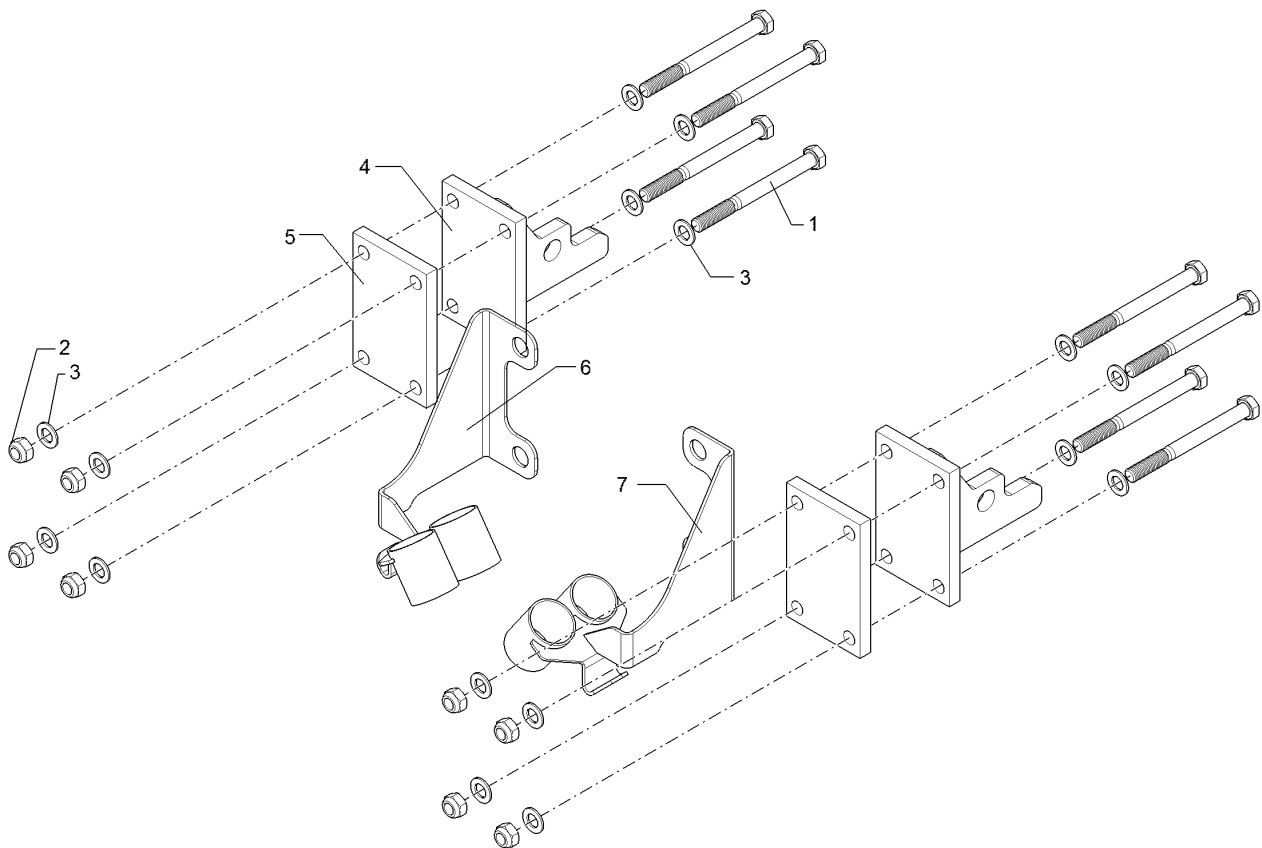
01.18

| Pos. | Art.Nr. | Stck. | Artikeltext / Description | | Abmessung |
|------|----------|-------|------------------------------|--------------------|---------------------------|
| 1 | 301 3868 | 3 | Sechskantschraube | Hexagon bolt | M16x65-8.8 Zn DIN931-A |
| 2 | 301 4332 | 2 | Sechskantschraube | Hexagon bolt | M20x75-8.8 Zn DIN931-A |
| 3 | 301 5085 | 1 | Sechskantschraube | Hexagon bolt | M16x100-8.8 DIN933 |
| 4 | 301 5390 | 3 | Sechskantschraube spz. | Hexagon bolt | M20x65-12.9 Zn |
| 5 | 302 8937 | 1 | Spannschlossmutter | Threaded sleeve | M36x3x330 SW46 |
| 6 | 302 9019 | 1 | Gelenkstück | Connecting piece | M36x3x190 D20 |
| 7 | 302 9033 | 1 | Gelenkauge | Joint | KAT2 M36x3x270 LI |
| 8 | 303 0935 | 4 | Sicherungsmutter | Selflocking nut | NM16-8 Zn DIN985 |
| 9 | 303 0936 | 5 | Sicherungsmutter | Selflocking nut | NM20-8 Zn DIN985 |
| 10 | 303 1015 | 1 | Sechskantmutter | Hexagon nut | M16 DIN934-8 Zn |
| 11 | 303 3110 | 1 | Schlagmutter | Impact nut | M36x3 65-5 |
| 12 | 305 2150 | 1 | Passscheibe | Shim | 50x62x1,0 DIN988 |
| 13 | 305 8545 | 4 | Sicherungsring | Retaining ring | 3x30-35x1,25 Zn |
| 14 | 305 8877 | 1 | Sicherungsring | Retaining ring | 50x3 DIN471 |
| 15 | 311 9565 | 2 | Klappstift | Securing pin | 4,5 |
| 16 | 313 5037 | 1 | Bolzen mit Verdrehsicherung | Pin with stop | D50x243/268 Zn |
| 17 | 317 3352 | 2 | Einspannbuchse mit Presssitz | Expansion bush | EG28/32x20 |
| 18 | 317 3417 | 1 | Einspannbuchse mit Presssitz | Expansion bush | EG30/38x25 |
| 19 | 317 6657 | 2 | Buchse | Bush | D20/28x22 |
| 20 | 323 6348 | 1 | Schmiernippel | Grease nipple | AM10x1 DIN71412 |
| 21 | 331 6130 | 2 | Knotenkette | Knotted-link chain | D2x150 |
| 22 | 461 8345 | 2 | Riegel | Locking bar | KAT2 |



01.18

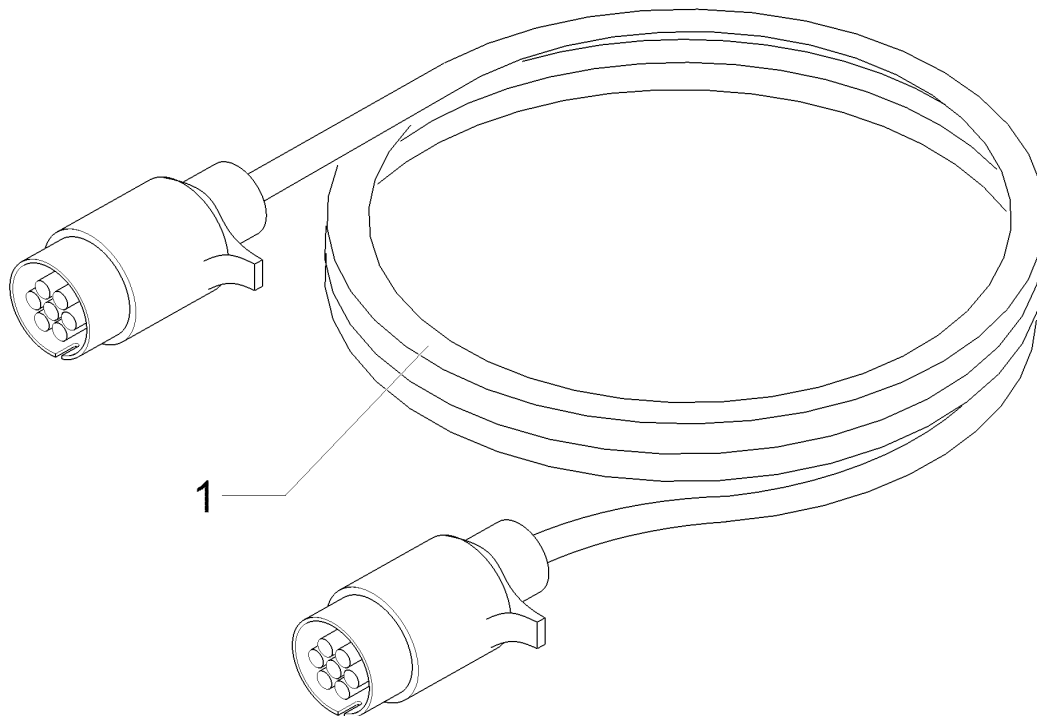
| Pos. | Art.Nr. | Stck. | Artikeltext / Description | | Abmessung |
|------|----------|-------|---------------------------|----------------|--|
| 23 | 461 8510 | 1 | Unterenker | Lower link | D50x200 L2/Z2 |
| 24 | 461 8511 | 2 | Lenker | Link | 70x22x700 1xD16 1xD20 |
| 25 | 461 8512 | 4 | Lenker | Link | 80x12x595 2xD16 1xD20 |
| 26 | 461 8513 | 1 | Lenker | Link | 60x20x208 2xD32 1xD20 |
| 27 | 461 8514 | 1 | Konsole | Bracket | 430x260x20 |
| 28 | 461 8515 | 1 | Haken | Hook | D50x200 |
| 29 | 461 8517 | 1 | Unterenker | Lower link | 144x56x14 1xD16,5 |
| 30 | 317 3433 | 2 | Einspannbuchse | Expansion bush | D50x200 L2/Z3 |
| 31 | 305 6327 | 12 | Scheibe | Washer | EG50+0,05+0,15/60x40 60x31x6 Zn 200HV |



01.18

| Pos. | Art.Nr. | Stck. | Artikeltext / Description | | Abmessung |
|------|----------|-------|---------------------------|-----------------|----------------------------|
| 1 | 301 4556 | 8 | Sechskantschraube | Hexagon bolt | M20x220-8.8 Zn DIN931-A |
| 2 | 303 0936 | 8 | Sicherungsmutter | Selflocking nut | NM20-8 Zn DIN985 |
| 3 | 305 6012 | 16 | Scheibe | Washer | 21 ISO7089 Zn |
| 4 | 46110057 | 2 | Anbaukonsole | Bracket | Solitair 25 KA |
| 5 | 46110058 | 2 | Flach | Flat steel | 140x20x220 4xD21 |
| 6 | 48210666 | 1 | Halter | Holder | Solitair 25 KA RE |
| 7 | 48210667 | 1 | Halter | Holder | Solitair 25 KA LI |

| | |
|-----------------|----------|
| Kabel/Cable | 11 |
| Rubin 9/400 KÜA | 373 4261 |

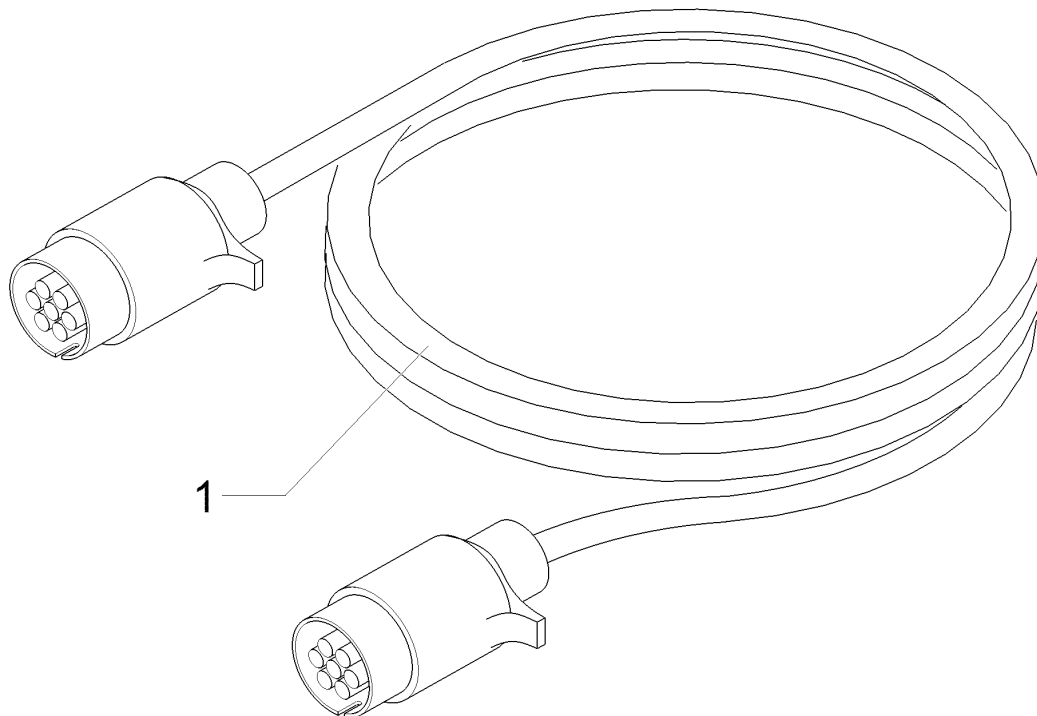


01.18

| Pos. | Art.Nr. | Stck. | Artikeltext / Description | | Abmessung |
|------|----------|-------|---------------------------|-------|------------|
| 1 | 373 4261 | 1 | Kabel | Cable | 7x1,5x5000 |

| | |
|-------------|----|
| Kabel/Cable | 11 |
|-------------|----|

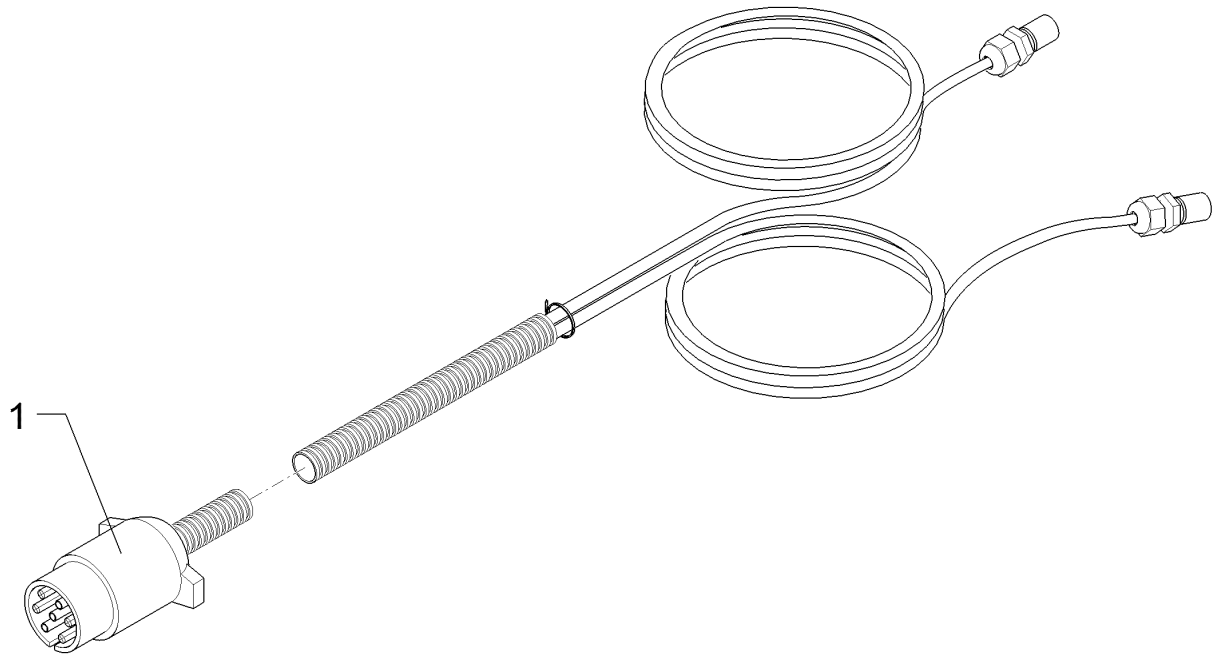
| | |
|-----------------|----------|
| Rubin 9/400 KÜA | 373 4270 |
|-----------------|----------|



01.18

| Pos. | Art.Nr. | Stck. | Artikeltext / Description | | Abmessung |
|------|----------|-------|---------------------------|-------|------------|
| 1 | 373 4270 | 1 | Kabel | Cable | 7x1,5x9000 |

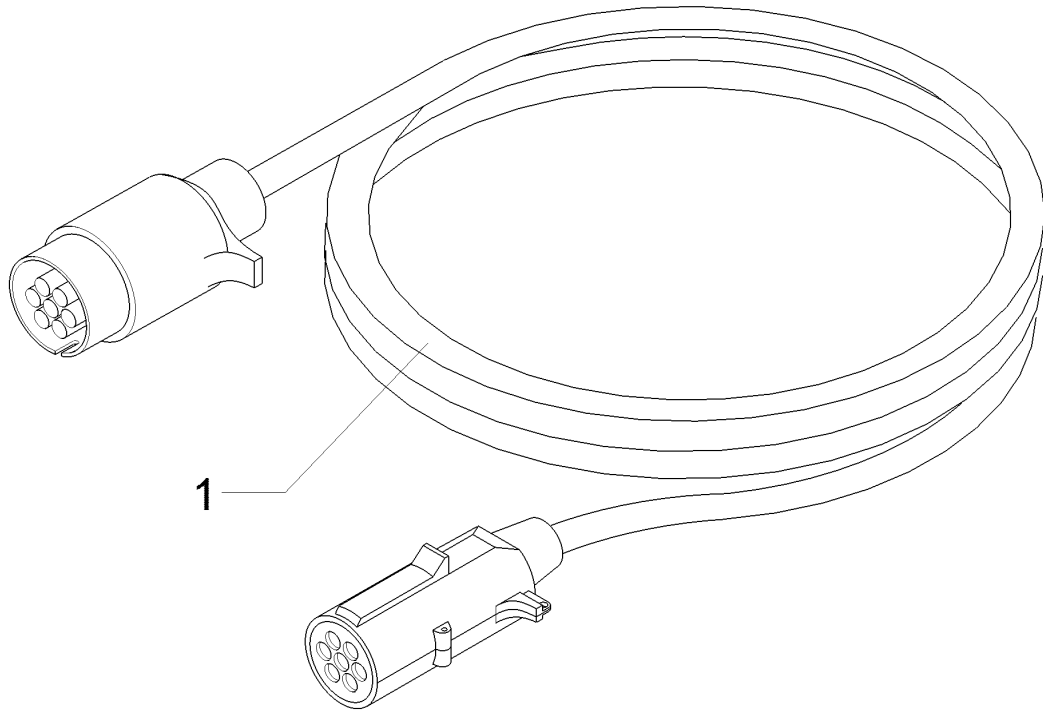
| | |
|------------------------|----------|
| Grundkabel/Basic cable | 11 |
| Rubin 9/400 KÜA | 37310075 |



01.18

| Pos. | Art.Nr. | Stck. | Artikeltext / Description | | Abmessung |
|------|----------|-------|---------------------------|-------------|-----------------------------|
| 1 | 37310075 | 1 | Grundkabel | Basic cable | 1x7pol 2x4pol 13/11m SAE |

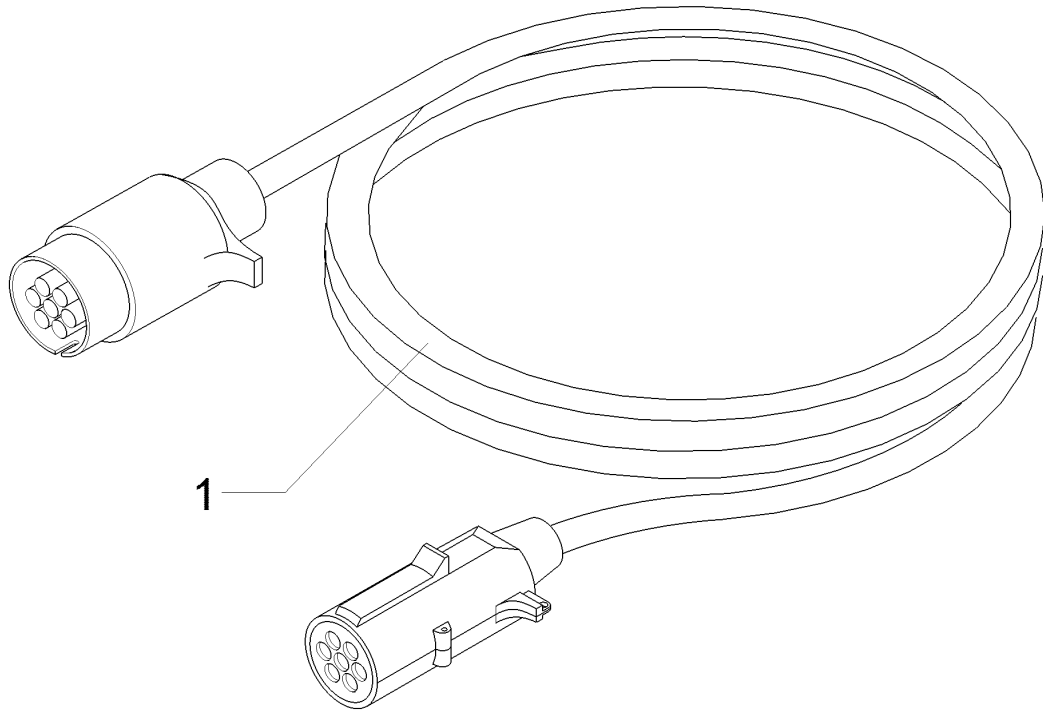
| | |
|------------------------|----------|
| Grundkabel/Basic cable | 11 |
| Rubin 9/400 KÜA | 37310160 |



01.18

| Pos. | Art.Nr. | Stck. | Artikeltext / Description | | Abmessung |
|------|----------|-------|---------------------------|-------------|--------------------------------|
| 1 | 37310160 | 1 | Grundkabel | Basic cable | 6x1/1x2,5x5000 ISO1724/1185 |

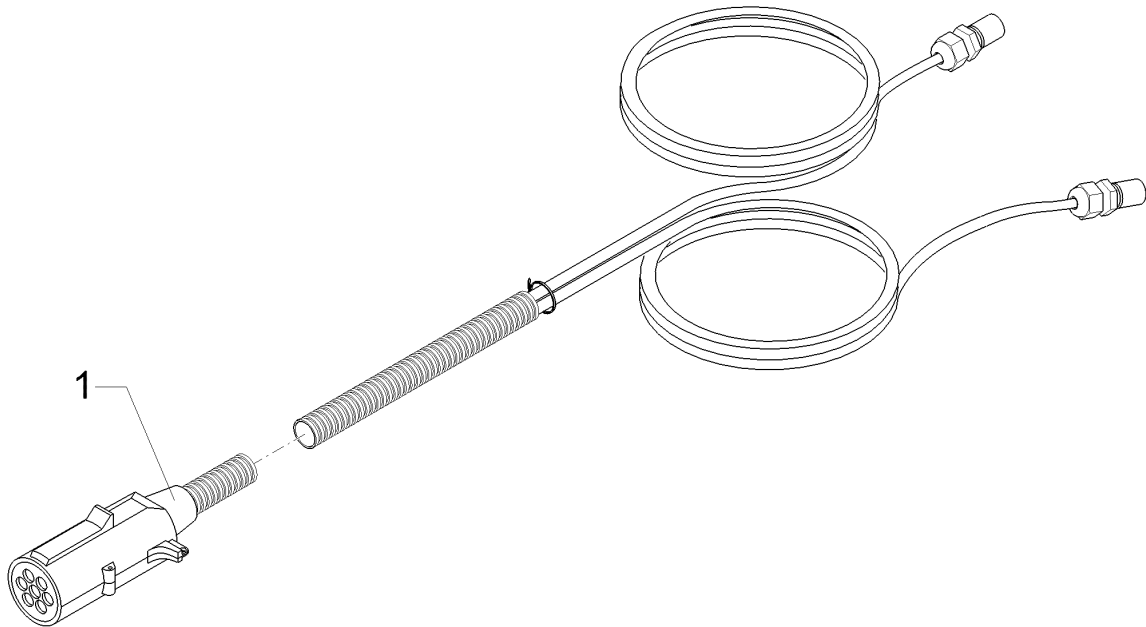
| | |
|------------------------|----------|
| Grundkabel/Basic cable | 11 |
| Rubin 9/400 KÜA | 37310162 |



01.18

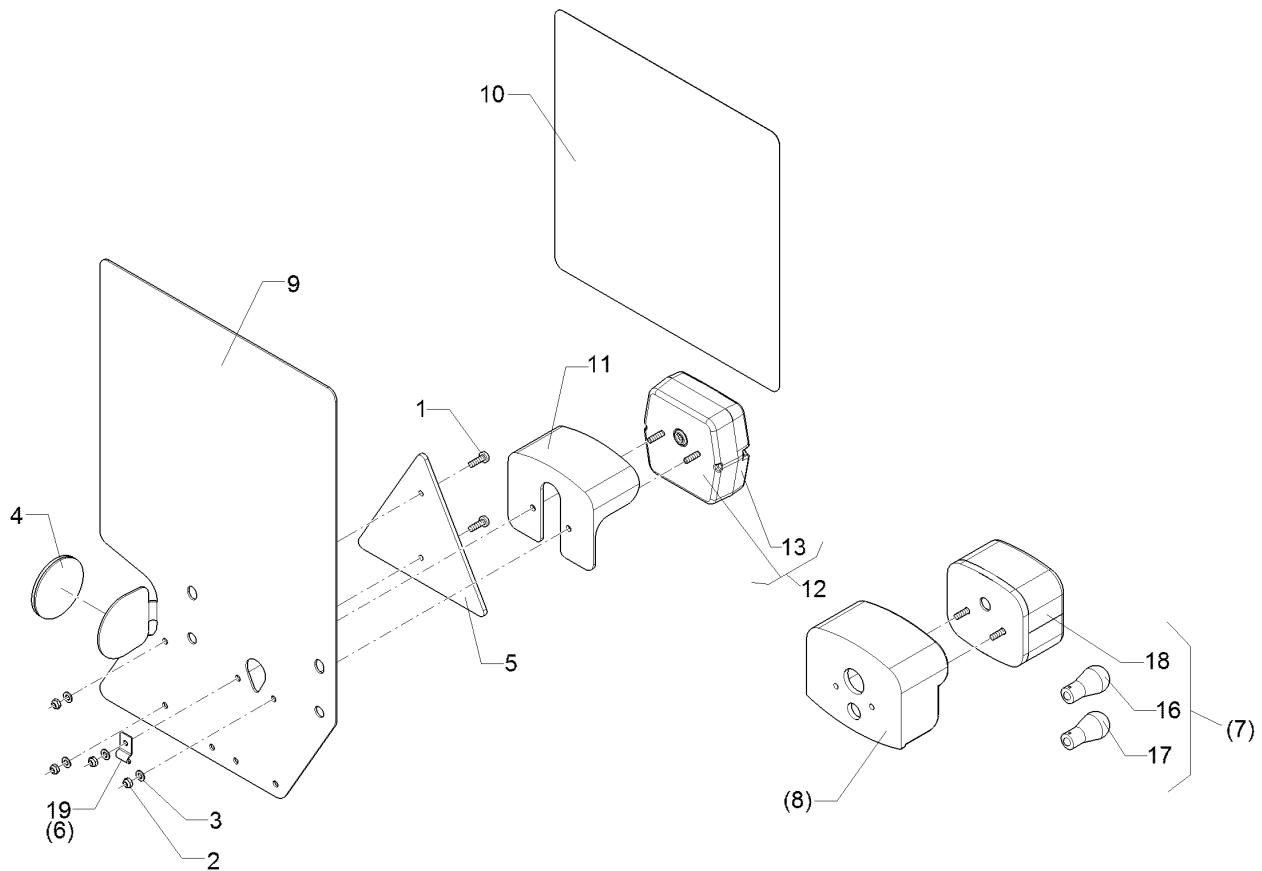
| Pos. | Art.Nr. | Stck. | Artikeltext / Description | | Abmessung |
|------|----------|-------|---------------------------|-------------|--------------------------------|
| 1 | 37310162 | 1 | Grundkabel | Basic cable | 6x1/1x2,5x9000 ISO1724/1185 |

| | |
|------------------------|----------|
| Grundkabel/Basic cable | 11 |
| Rubin 9/400 KÜA | 37310173 |



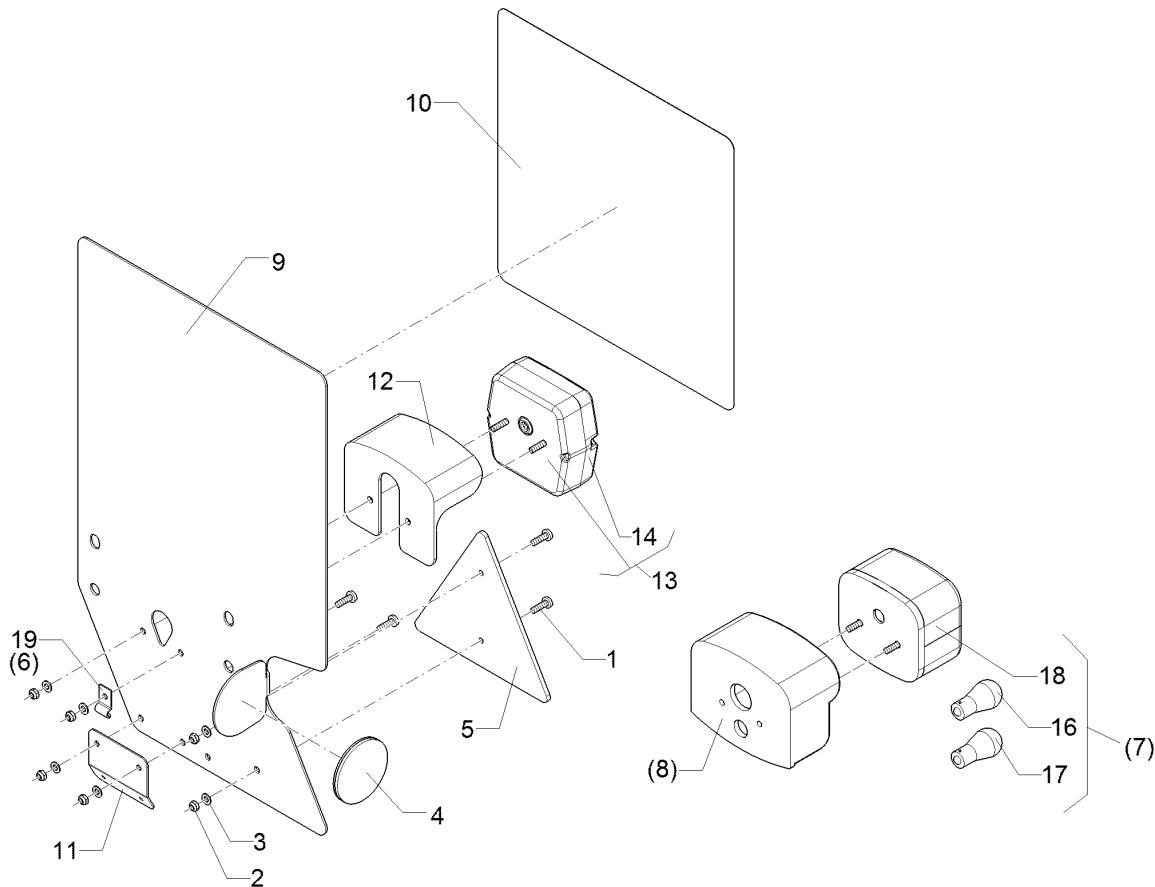
01.18

| Pos. | Art.Nr. | Stck. | Artikeltext / Description | | Abmessung |
|------|----------|-------|---------------------------|-------------|---------------------------------|
| 1 | 37310173 | 1 | Grundkabel | Basic cable | 2x4x0,75x13000 7pol. ISO1185 |



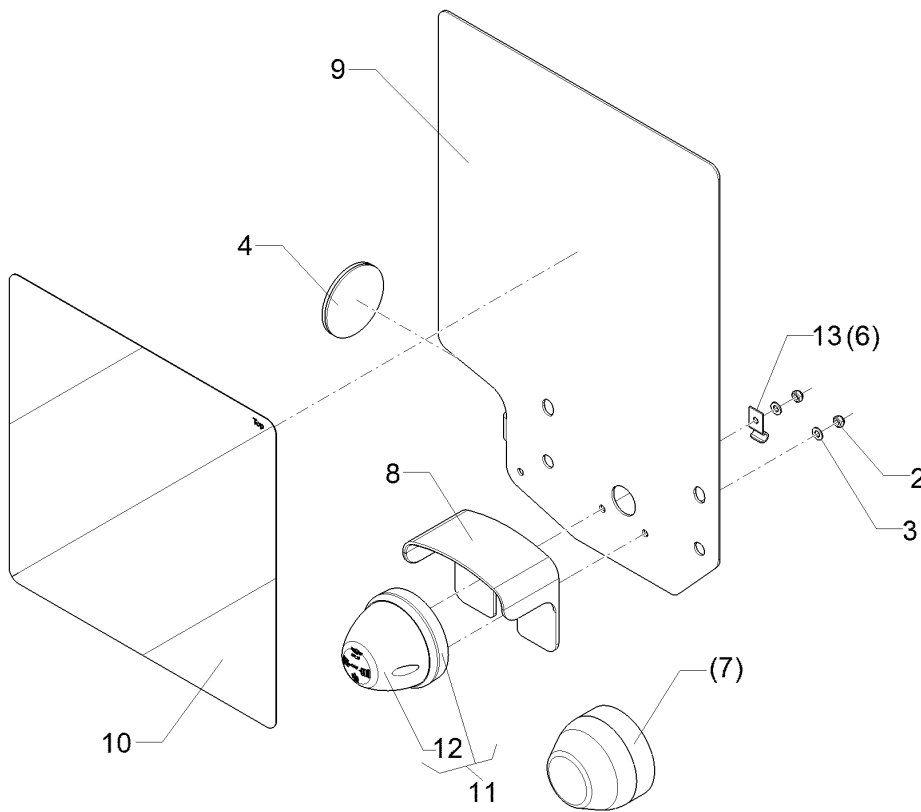
01.18

| Pos. | Art.Nr. | Stck. | Artikeltext / Description | | Abmessung |
|------|----------|-------|-----------------------------|-----------------------------|------------------------------|
| 1 | 30110003 | 2 | Linsenschraube | Oval head screw | M5x16-4,6 Zn DIN7985 |
| 2 | 303 0929 | 4 | Sicherungsmutter | Selflocking nut | NM5-8 Zn DIN985 |
| 3 | 305 8569 | 4 | Scheibe | Washer | 5,3 DIN125 Zn |
| 4 | 321 9919 | 1 | Rückstrahler gelb selbstkl. | Self-adh. reflector, yellow | 6200GK |
| 5 | 321 9931 | 1 | Rückstrahler dreieckig | Reflector | 177S |
| 6 | 325 5142 | 1 | Schelle | Clamp | 96/8 |
| 7 | 373 3140 | 1 | Rückleuchte | Rear light | 95RGE0,1HD |
| 8 | 373 3801 | 1 | Schutzhaube hinten | Rear cover | SH95 |
| 9 | 470 1758 | 1 | Grundplatte | Basic plate | 2x296x478 RE 3Eck Zn |
| 10 | 321 9912 | 1 | Warntafel-Klebefolie | Bonding sheet-warning board | 282x282 TP-ESC-B 08225 RE |
| 11 | 373 3802 | 1 | Schutzhaube | Cover | VO SH86 |
| 12 | 37310126 | 1 | Rückleuchte | Rear light | BI.Br.S. ML |
| 13 | 37310123 | 1 | Lichtscheibe | Light glas | BBS/BBSK |
| 16 | 373 1101 | 1 | Kugelbirnen | Lamp | 12V 10W Heavy Duty |
| 17 | 373 1102 | 2 | Kugelbirnen | Lamp | 12V 21W Heavy Duty |
| 18 | 373 3526 | 1 | Lichtscheibe | Light glas | RE E95 |
| 19 | 373 1157 | 1 | Kabelschelle | Cable clip | 6mm |



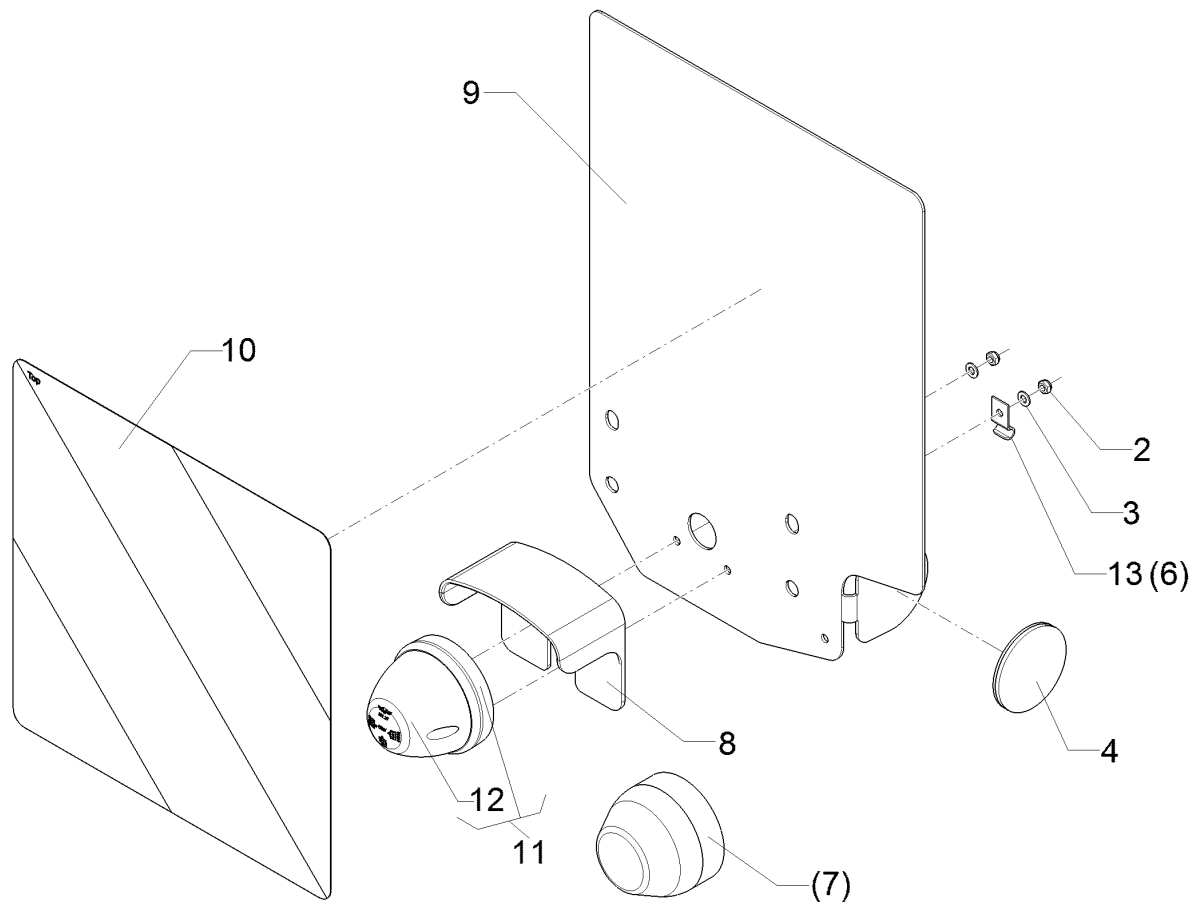
01.18

| Pos. | Art.Nr. | Stck. | Artikeltext / Description | | Abmessung |
|------|----------|-------|-----------------------------|-------------------------------|------------------------------|
| 1 | 30110003 | 4 | Linsenschraube | Oval head screw | M5x16-4,6 Zn DIN7985 |
| 2 | 303 0929 | 6 | Sicherungsmutter | Selflocking nut | NM5-8 Zn DIN985 |
| 3 | 305 8569 | 6 | Scheibe | Washer | 5,3 DIN125 Zn |
| 4 | 321 9919 | 1 | Rückstrahler gelb selbstkl. | Self-adh. reflector, yellow | 6200GK |
| 5 | 321 9931 | 1 | Rückstrahler dreieckig | Reflector | 177S |
| 6 | 325 5142 | 1 | Schelle | Clamp | 96/8 |
| 7 | 373 3141 | 1 | Rückleuchte | Rear light | 95KLGE0,1HD |
| 8 | 373 3801 | 1 | Schutzhaube hinten | Rear cover | SH95 |
| 9 | 470 1759 | 1 | Grundplatte | Basic plate | 2x296x478 LI 3Eck Zn |
| 10 | 321 9913 | 1 | Warntafel-Klebefolie | Bonding sheet-warning board | 282x282 TP-ESC-B 08225 LI |
| 11 | 321 9987 | 1 | Kennzeichenhalter | Holder for registration plate | 1,5x58,9x70 GEB28° Zn |
| 12 | 373 3802 | 1 | Schutzhaube | Cover | VO SH86 |
| 13 | 37310127 | 1 | Rückleuchte | Rear light | Bl.Br.S.K. ML |
| 14 | 37310123 | 1 | Lichtscheibe | Light glas | BBS/BBSK |
| 16 | 373 1101 | 1 | Kugelbirnen | Lamp | 12V 10W Heavy Duty |
| 17 | 373 1102 | 2 | Kugelbirnen | Lamp | 12V 21W Heavy Duty |
| 18 | 373 3527 | 1 | Lichtscheibe | Light glas | LI EK95 |
| 19 | 373 1157 | 1 | Kabelschelle | Cable clip | 6mm |



01.18

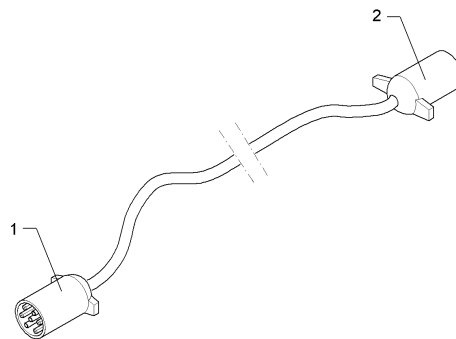
| Pos. | Art.Nr. | Stck. | Artikeltext / Description | Abmessung | |
|------|----------|-------|-----------------------------|-----------------------------|------------------|
| 2 | 303 0929 | 2 | Sicherungsmutter | Selflocking nut | NM5-8 Zn DIN985 |
| 3 | 305 8569 | 8 | Scheibe | Washer | 5,3 DIN125 Zn |
| 4 | 321 9919 | 1 | Rückstrahler gelb selbstkl. | Self-adh. reflector, yellow | 6200GK |
| 6 | 325 5142 | 1 | Schelle | Clamp | 96/8 |
| 7 | 373 3432 | 1 | Positionsleuchte | Position light | - |
| 8 | 373 3802 | 1 | Schutzhaube | Cover | VO SH86 |
| 9 | 470 1762 | 1 | Grundplatte | Basic plate | 2x296x414 RE |
| 10 | 321 9913 | 1 | Warntafel-Klebefolie | Bonding sheet-warning board | 282x282 TP-ESC-B |
| 11 | 37310130 | 1 | Positionsleuchte | Position light | 08225 LI |
| 12 | 37310124 | 1 | Lichtscheibe | Light glas | weiß ML |
| 13 | 373 1157 | 1 | Kabelschelle | Cable clip | P weiß 6mm |



01.18

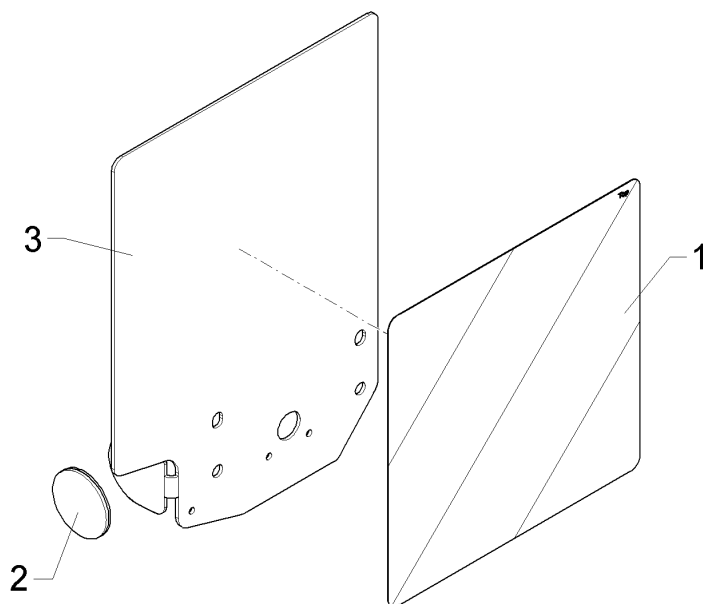
| Pos. | Art.Nr. | Stck. | Artikeltext / Description | Abmessung | |
|------|----------|-------|-----------------------------|-----------------------------|------------------------------|
| 2 | 303 0929 | 2 | Sicherungsmutter | Selflocking nut | NM5-8 Zn DIN985 |
| 3 | 305 8569 | 2 | Scheibe | Washer | 5,3 DIN125 Zn |
| 4 | 321 9919 | 1 | Rückstrahler gelb selbstkl. | Self-adh. reflector, yellow | 6200GK |
| 6 | 325 5142 | 1 | Schelle | Clamp | 96/8 |
| 7 | 373 3432 | 1 | Positionsleuchte | Position light | - |
| 8 | 373 3802 | 1 | Schutzhaube | Cover | VO SH86 |
| 9 | 470 1763 | 1 | Grundplatte | Basic plate | 2x296x414 LI |
| 10 | 321 9912 | 1 | Warntafel-Klebefolie | Bonding sheet-warning board | 282x282 TP-ESC-B 08225 RE |
| 11 | 37310130 | 1 | Positionsleuchte | Position light | weiß ML |
| 12 | 37310124 | 1 | Lichtscheibe | Light glas | P weiß |
| 13 | 373 1157 | 1 | Kabelschelle | Cable clip | 6mm |

| | |
|--------------------|----------|
| Adapterkabel/Cable | 11 |
| Rubin 9/400 KÜA | 570 2070 |



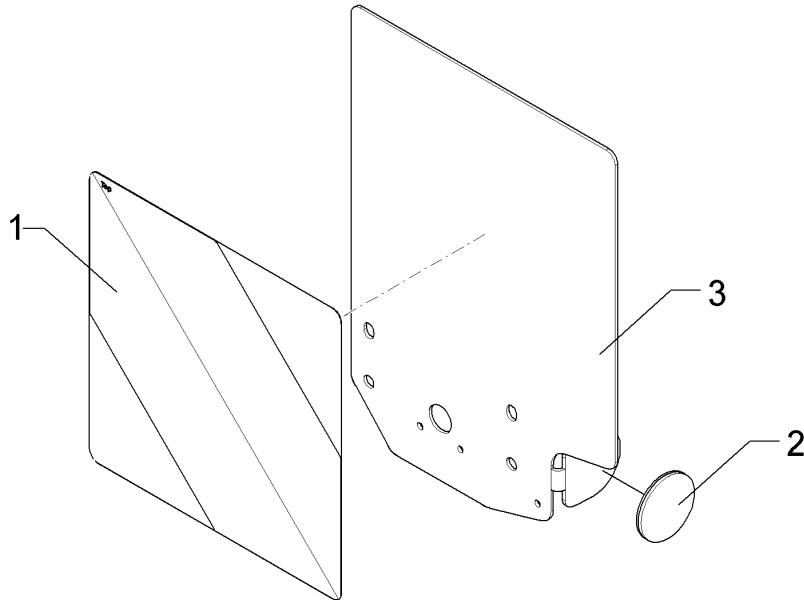
01.18

| Pos. | Art.Nr. | Stck. | Artikeltext / Description | | Abmessung |
|------|----------|-------|-----------------------------|--------|---------------------------------------|
| 1 | 373 2129 | 1 | Beleuchtungsstecker 7-polig | Plug | US 7-polig Typ Pollak 11-700 7P |
| 2 | 37310077 | 1 | Steckdose | Socket | |



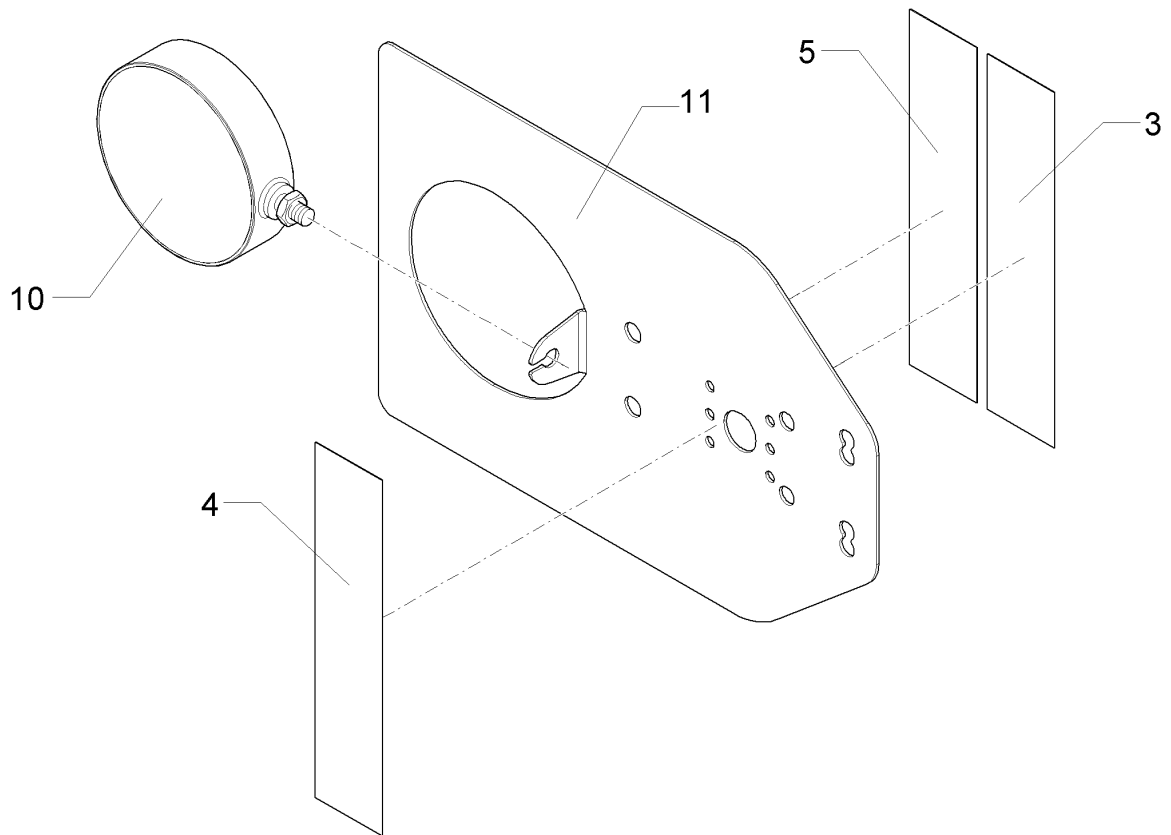
01.18

| Pos. | Art.Nr. | Stck. | Artikeltext / Description | | Abmessung |
|------|----------|-------|-----------------------------|-----------------------------|------------------------|
| 1 | 321 9913 | 1 | Warntafel-Klebefolie | Bonding sheet-warning board | 282x282 TP-ESC-B |
| 2 | 321 9919 | 1 | Rückstrahler gelb selbstkl. | Self-adh. reflector, yellow | 08225 LI |
| 3 | 470 1762 | 1 | Grundplatte | Basic plate | 6200GK 2x296x414 RE |



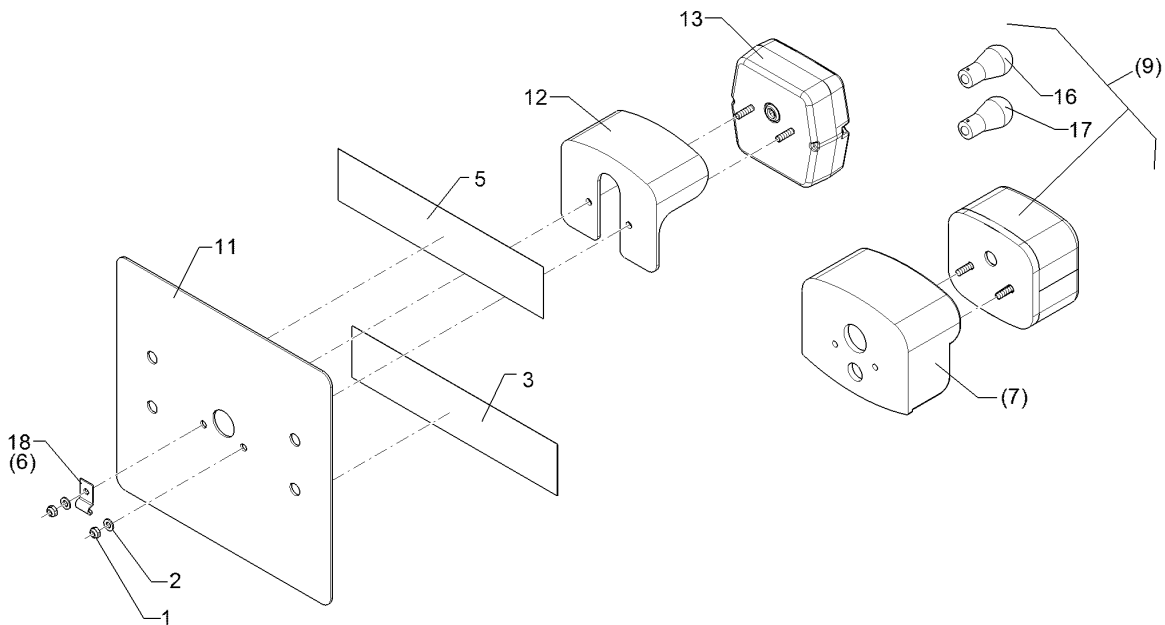
01.18

| Pos. | Art.Nr. | Stck. | Artikeltext / Description | | Abmessung |
|------|----------|-------|-----------------------------|-----------------------------|------------------------------|
| 1 | 321 9912 | 1 | Warntafel-Klebefolie | Bonding sheet-warning board | 282x282 TP-ESC-B 08225 RE |
| 2 | 321 9919 | 1 | Rückstrahler gelb selbstkl. | Self-adh. reflector, yellow | 6200GK |
| 3 | 470 1763 | 1 | Grundplatte | Basic plate | 2x296x414 LI |



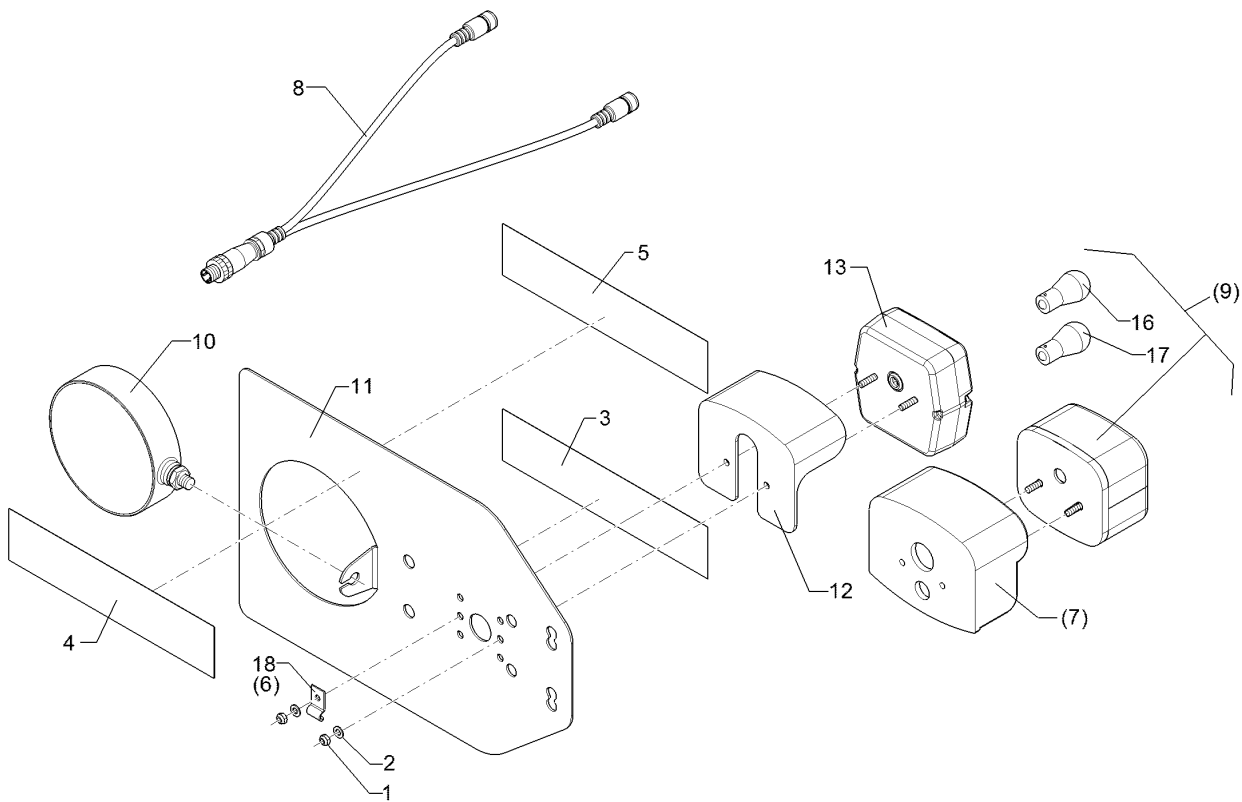
01.18

| Pos. | Art.Nr. | Stck. | Artikeltext / Description | Abmessung | |
|------|----------|-------|---------------------------|---------------|----------------------|
| 3 | 32110024 | 1 | Warnfolie | Warning sheet | 50x230 rot refl. |
| 4 | 32110025 | 1 | Warnfolie | Warning sheet | 50x230 gelb refl. |
| 5 | 32110026 | 1 | Warnfolie | Warning sheet | 50x230 orange fluor. |
| 10 | 37310069 | 1 | Warnblinklicht | Warning light | NE |
| 11 | 47010043 | 1 | Grundplatte | Basic plate | 2x240x372 Zn |



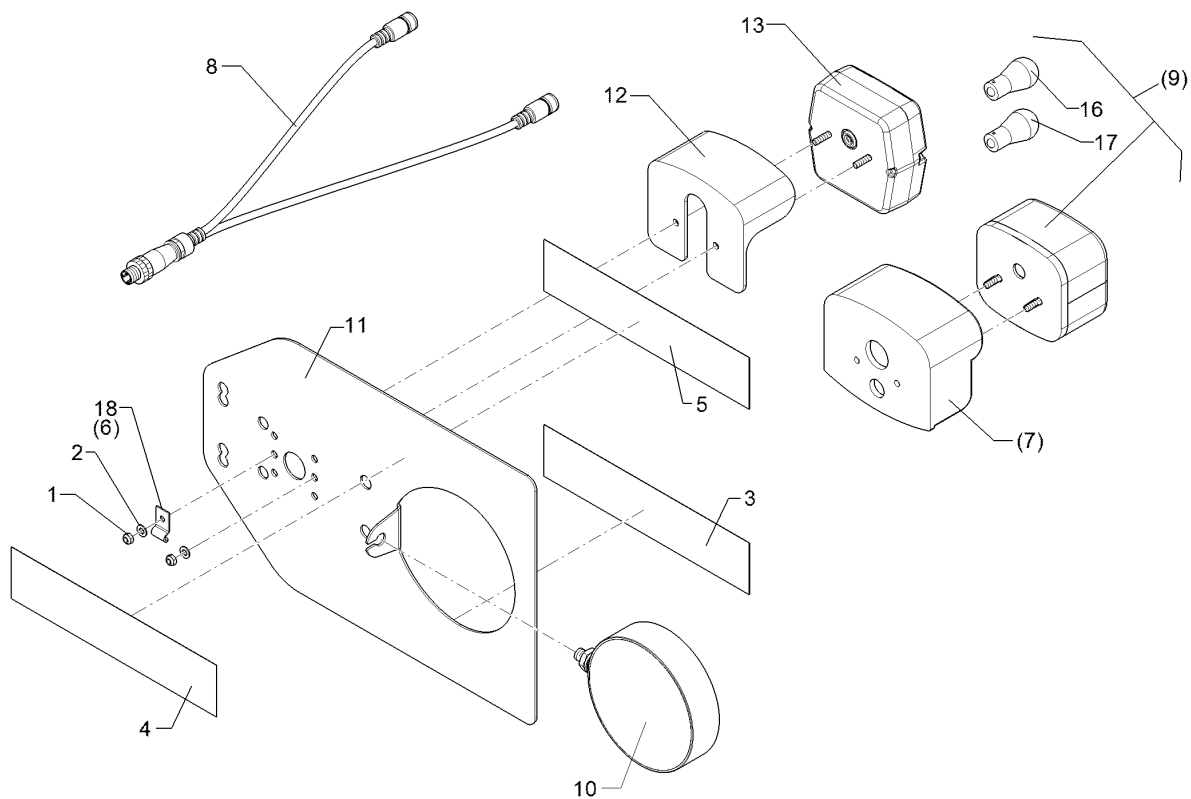
01.18

| Pos. | Art.Nr. | Stck. | Artikeltext / Description | Abmessung | |
|------|----------|-------|---------------------------|-----------------------------|----------------------|
| 1 | 303 0929 | 2 | Sicherungsmutter | Selflocking nut | NM5-8 Zn DIN985 |
| 2 | 305 8569 | 2 | Scheibe | Washer | 5,3 DIN125 Zn |
| 3 | 32110024 | 1 | Warnfolie | Warning sheet | 50x230 rot refl. |
| 5 | 32110026 | 1 | Warnfolie | Warning sheet | 50x230 orange fluor. |
| 6 | 325 5142 | 1 | Schelle | Clamp | 96/8 |
| 7 | 373 3801 | 1 | Schutzhaube hinten | Rear cover | SH95 |
| 9 | 37310067 | 1 | Brems-Schlussleuchte | Combined stop and tail lamp | BS95GE0,1HD |
| 11 | 47010046 | 1 | Grundplatte | Basic plate | 2x225x240 Zn |
| 12 | 373 3802 | 1 | Schutzhaube | Cover | VO SH86 |
| 13 | 37310133 | 1 | Rückleuchte | Rear light | Br.S ML |
| 16 | 373 1101 | 1 | Kugelbirnen | Lamp | 12V 10W Heavy Duty |
| 17 | 373 1102 | 1 | Kugelbirnen | Lamp | 12V 21W Heavy Duty |
| 18 | 373 1157 | 1 | Kabelschelle | Cable clip | 6mm |



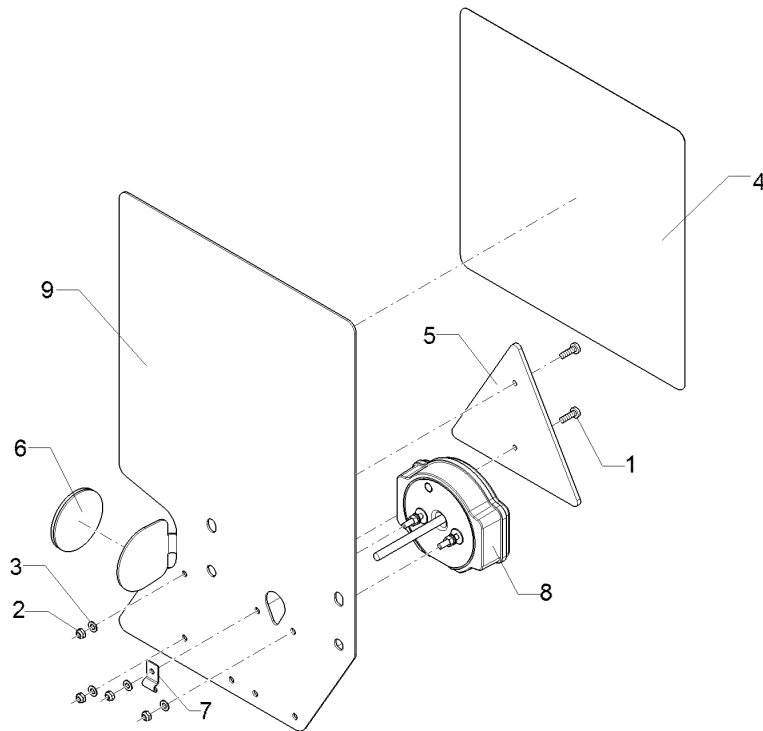
01.18

| Pos. | Art.Nr. | Stck. | Artikeltext / Description | | Abmessung |
|------|----------|-------|---------------------------|-----------------------------|----------------------|
| 1 | 303 0929 | 2 | Sicherungsmutter | Selflocking nut | NM5-8 Zn DIN985 |
| 2 | 305 8569 | 2 | Scheibe | Washer | 5,3 DIN125 Zn |
| 3 | 32110024 | 1 | Warnfolie | Warning sheet | 50x230 rot refl. |
| 4 | 32110025 | 1 | Warnfolie | Warning sheet | 50x230 gelb refl. |
| 5 | 32110026 | 1 | Warnfolie | Warning sheet | 50x230 orange fluor. |
| 6 | 325 5142 | 1 | Schelle | Clamp | 96/8 |
| 7 | 373 3801 | 1 | Schutzhaube hinten | Rear cover | SH95 |
| 8 | 37310030 | 1 | Grundkabel | Basic cable | 1x4pol. 2x4pol. RE |
| 9 | 37310067 | 1 | Brems-Schlussleuchte | Combined stop and tail lamp | BS95GE0,1HD |
| 10 | 37310069 | 1 | Warnblinklicht | Warning light | NE |
| 11 | 47010043 | 1 | Grundplatte | Basic plate | 2x240x372 Zn |
| 12 | 373 3802 | 1 | Schutzhaube | Cover | VO SH86 |
| 13 | 37310133 | 1 | Rückleuchte | Rear light | Br.S ML |
| 16 | 373 1101 | 1 | Kugelbirnen | Lamp | 12V 10W Heavy Duty |
| 17 | 373 1102 | 1 | Kugelbirnen | Lamp | 12V 21W Heavy Duty |
| 18 | 373 1157 | 1 | Kabelschelle | Cable clip | 6mm |



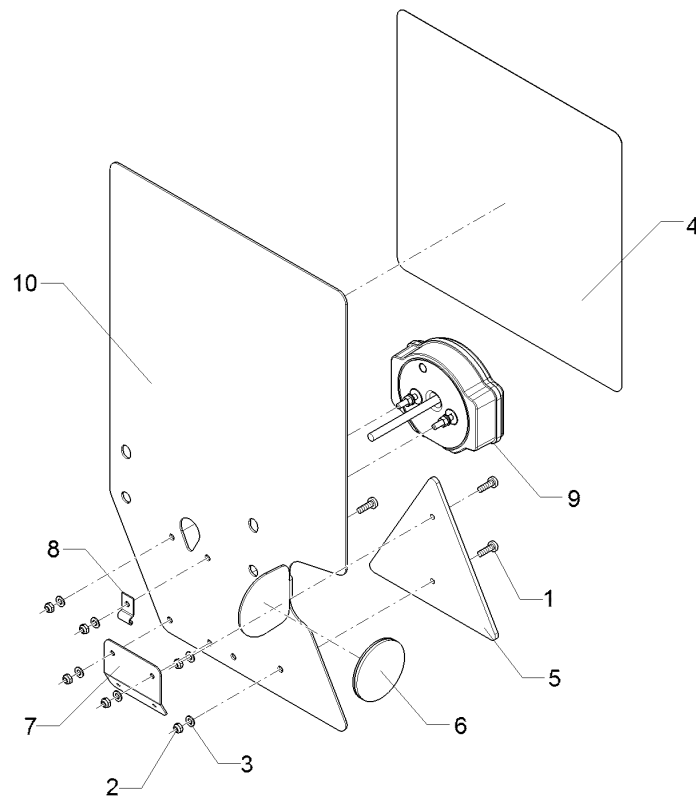
01.18

| Pos. | Art.Nr. | Stck. | Artikeltext / Description | | Abmessung |
|------|----------|-------|---------------------------|-----------------------------|----------------------|
| 1 | 303 0929 | 2 | Sicherungsmutter | Selflocking nut | NM5-8 Zn DIN985 |
| 2 | 305 8569 | 2 | Scheibe | Washer | 5,3 DIN125 Zn |
| 3 | 32110024 | 1 | Warnfolie | Warning sheet | 50x230 rot refl. |
| 4 | 32110025 | 1 | Warnfolie | Warning sheet | 50x230 gelb refl. |
| 5 | 32110026 | 1 | Warnfolie | Warning sheet | 50x230 orange fluor. |
| 6 | 325 5142 | 1 | Schelle | Clamp | 96/8 |
| 7 | 373 3801 | 1 | Schutzhaube hinten | Rear cover | SH95 |
| 8 | 37310031 | 1 | Grundkabel | Basic cable | 1x4pol. 2x4pol. LI |
| 9 | 37310067 | 1 | Brems-Schlussleuchte | Combined stop and tail lamp | BS95GE0,1HD |
| 10 | 37310069 | 1 | Warnblinklicht | Warning light | NE |
| 11 | 47010043 | 1 | Grundplatte | Basic plate | 2x240x372 Zn |
| 12 | 373 3802 | 1 | Schutzhaube | Cover | VO SH86 |
| 13 | 37310133 | 1 | Rückleuchte | Rear light | Br.S ML |
| 16 | 373 1101 | 1 | Kugelbirnen | Lamp | 12V 10W Heavy Duty |
| 17 | 373 1102 | 1 | Kugelbirnen | Lamp | 12V 21W Heavy Duty |
| 18 | 373 1157 | 1 | Kabelschelle | Cable clip | 6mm |



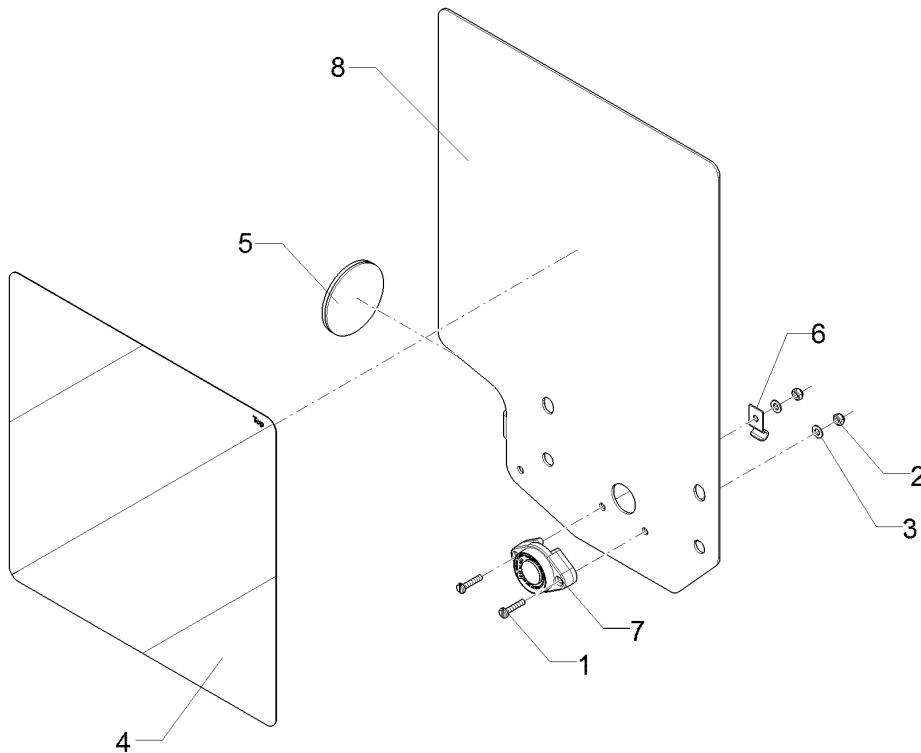
01.18

| Pos. | Art.Nr. | Stck. | Artikeltext / Description | | Abmessung |
|------|----------|-------|-----------------------------|-----------------------------|------------------------------|
| 1 | 30110003 | 2 | Linsenschraube | Oval head screw | M5x16-4,6 Zn DIN7985 |
| 2 | 303 0929 | 4 | Sicherungsmutter | Selflocking nut | NM5-8 Zn DIN985 |
| 3 | 305 8569 | 4 | Scheibe | Washer | 5,3 DIN125 Zn |
| 4 | 321 9912 | 1 | Warntafel-Klebefolie | Bonding sheet-warning board | 282x282 TP-ESC-B 08225 RE |
| 5 | 321 9931 | 1 | Rückstrahler dreieckig | Reflector | 177S |
| 6 | 321 9919 | 1 | Rückstrahler gelb selbstkl. | Self-adh. reflector, yellow | 6200GK |
| 7 | 373 1157 | 1 | Kabelschelle | Cable clip | 6mm |
| 8 | 37310212 | 1 | Rückleuchte | Rear light | Bl.Br.S LED ML RE |
| 9 | 470 1758 | 1 | Grundplatte | Basic plate | 2x296x478 RE 3Eck Zn |



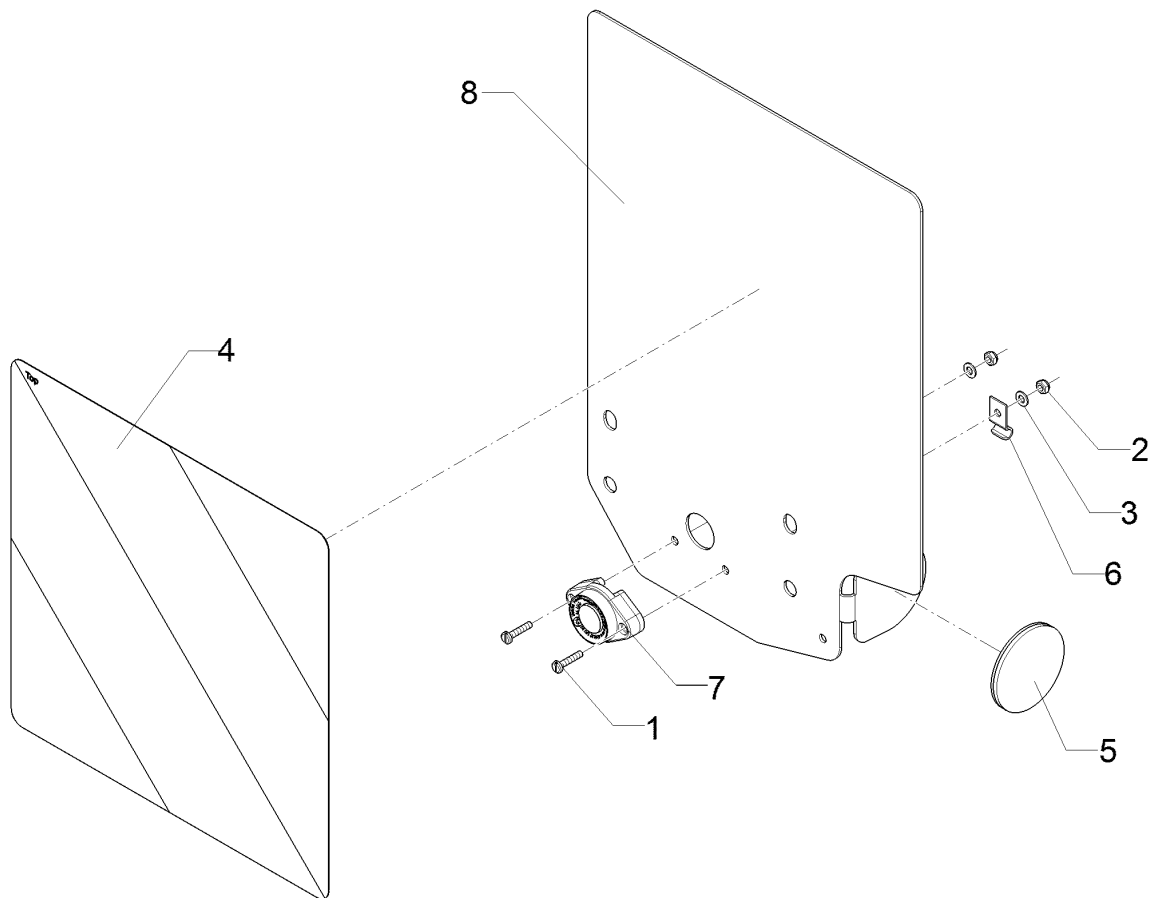
01.18

| Pos. | Art.Nr. | Stck. | Artikeltext / Description | | Abmessung |
|------|----------|-------|-----------------------------|-------------------------------|--------------------------------------|
| 1 | 30110003 | 4 | Linsenschraube | Oval head screw | M5x16-4,6 Zn DIN7985 |
| 2 | 303 0929 | 6 | Sicherungsmutter | Selflocking nut | NM5-8 Zn DIN985 |
| 3 | 305 8569 | 6 | Scheibe | Washer | 5,3 DIN125 Zn |
| 4 | 321 9913 | 1 | Warntafel-Klebefolie | Bonding sheet-warning board | 282x282 TP-ESC-B 08225 LI 177S |
| 5 | 321 9931 | 1 | Rückstrahler dreieckig | Reflector | 6200GK |
| 6 | 321 9919 | 1 | Rückstrahler gelb selbstkl. | Self-adh. reflector, yellow | |
| 7 | 321 9987 | 1 | Kennzeichenhalter | Holder for registration plate | 1,5x58,9x70 GEB28° Zn |
| 8 | 373 1157 | 1 | Kabelschelle | Cable clip | 6mm |
| 9 | 37310213 | 1 | Rückleuchte | Rear light | Bl.Br.S.K LED ML LI |
| 10 | 470 1759 | 1 | Grundplatte | Basic plate | 2x296x478 LI 3Eck Zn |



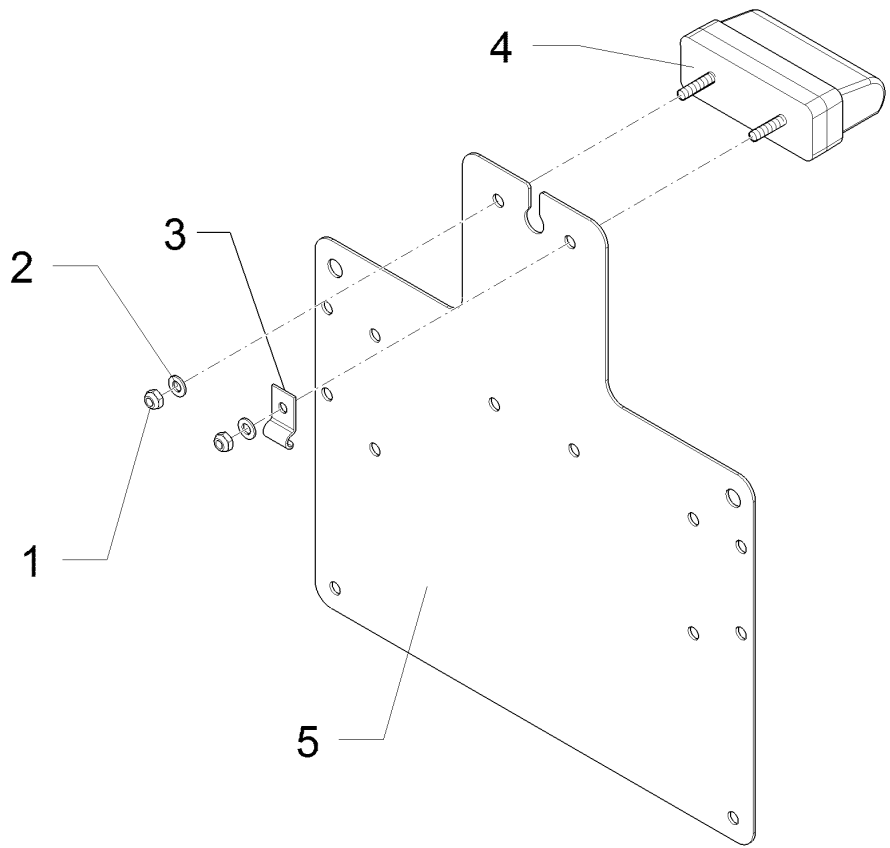
01.18

| Pos. | Art.Nr. | Stck. | Artikeltext / Description | | Abmessung |
|------|----------|-------|-----------------------------|-----------------------------|------------------------------|
| 1 | 301 0281 | 2 | Flachkopfschraube | Flatheaded bolt | M4x20-4.8 Zn DIN85 |
| 2 | 303 0928 | 2 | Sicherungsmutter | Selflocking nut | NM4-8 Zn DIN985 |
| 3 | 305 8567 | 2 | Scheibe | Washer | 4,3 DIN125 Zn |
| 4 | 321 9913 | 1 | Warntafel-Klebefolie | Bonding sheet-warning board | 282x282 TP-ESC-B 08225 LI |
| 5 | 321 9919 | 1 | Rückstrahler gelb selbstkl. | Self-adh. reflector, yellow | 6200GK |
| 6 | 373 1157 | 1 | Kabelschelle | Cable clip | 6mm |
| 7 | 37310240 | 1 | Positionsleuchte | Position light | LED ML weiss |
| 8 | 470 1762 | 1 | Grundplatte | Basic plate | 2x296x414 RE |



01.18

| Pos. | Art.Nr. | Stck. | Artikeltext / Description | | Abmessung |
|------|----------|-------|-----------------------------|-----------------------------|------------------------------|
| 1 | 301 0281 | 2 | Flachkopfschraube | Flatheaded bolt | M4x20-4.8 Zn DIN85 |
| 2 | 303 0928 | 2 | Sicherungsmutter | Selflocking nut | NM4-8 Zn DIN985 |
| 3 | 305 8567 | 2 | Scheibe | Washer | 4,3 DIN125 Zn |
| 4 | 321 9912 | 1 | Warntafel-Klebefolie | Bonding sheet-warning board | 282x282 TP-ESC-B 08225 RE |
| 5 | 321 9919 | 1 | Rückstrahler gelb selbstkl. | Self-adh. reflector, yellow | 6200GK |
| 6 | 373 1157 | 1 | Kabelschelle | Cable clip | 6mm |
| 7 | 37310240 | 1 | Positionsluchte | Position light | LED ML weiss |
| 8 | 470 1763 | 1 | Grundplatte | Basic plate | 2x296x414 LI |

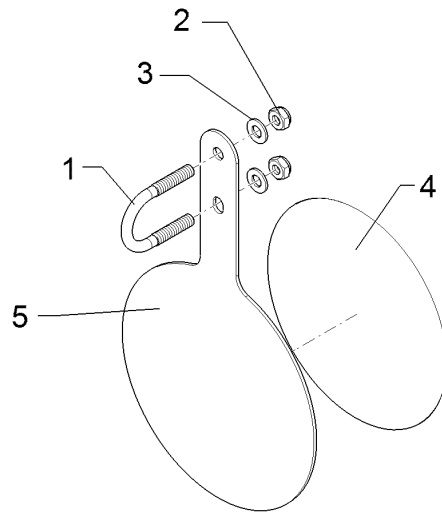


01.18

| Pos. | Art.Nr. | Stck. | Artikeltext / Description | | Abmessung |
|------|----------|-------|---------------------------|---------------------|-----------------|
| 1 | 303 0929 | 2 | Sicherungsmutter | Selflocking nut | NM5-8 Zn DIN985 |
| 2 | 305 8569 | 3 | Scheibe | Washer | 5,3 DIN125 Zn |
| 3 | 373 1157 | 1 | Kabelschelle | Cable clip | 6mm |
| 4 | 37310246 | 1 | Kennzeichenleuchte | License plate light | LED ML |
| 5 | 47010191 | 1 | Trägerblech | Carrier plate | 1,5x275x292 |

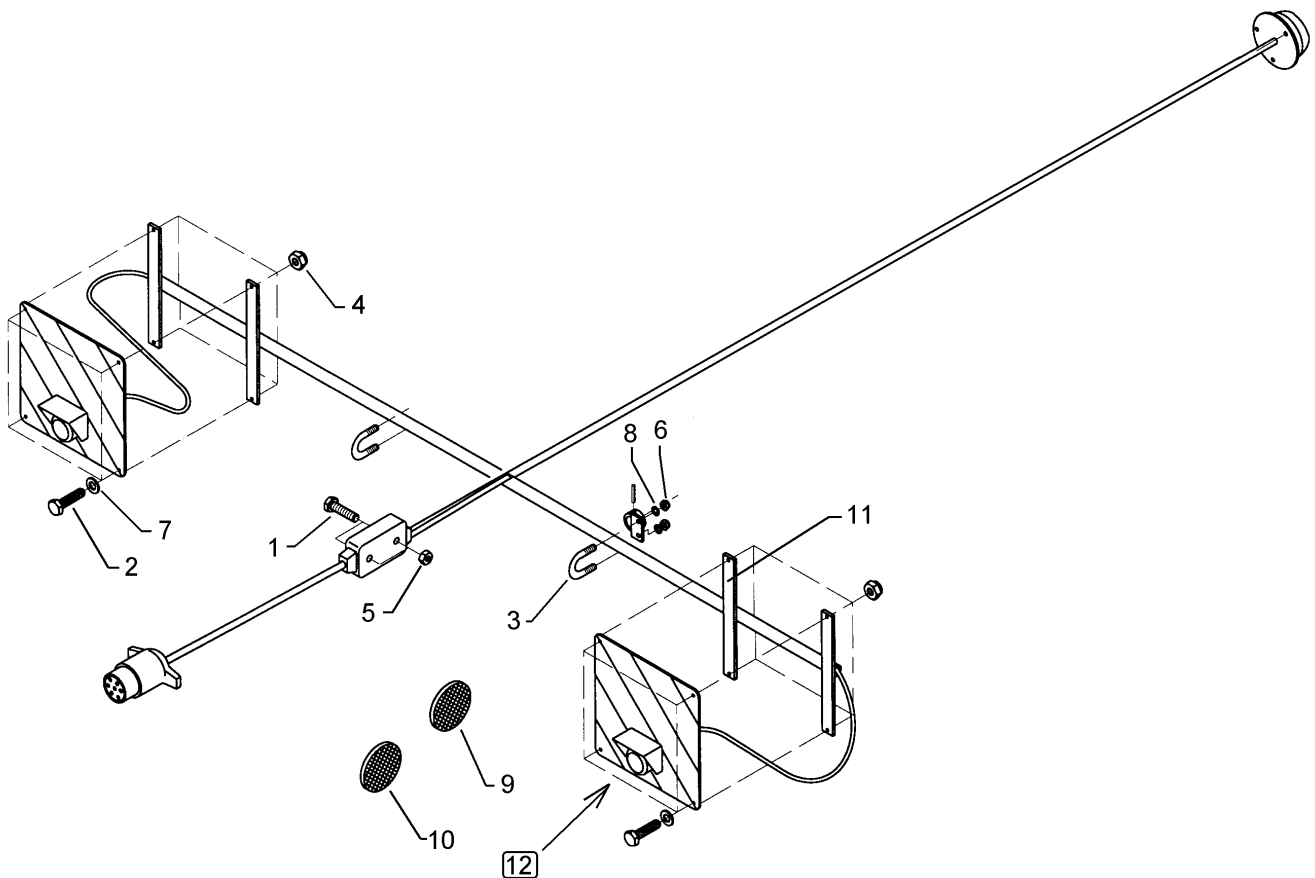
| | |
|--------------|----|
| Schild/Board | 11 |
|--------------|----|

| | |
|-----------------|----------|
| Rubin 9/400 KÜA | 670 0647 |
|-----------------|----------|



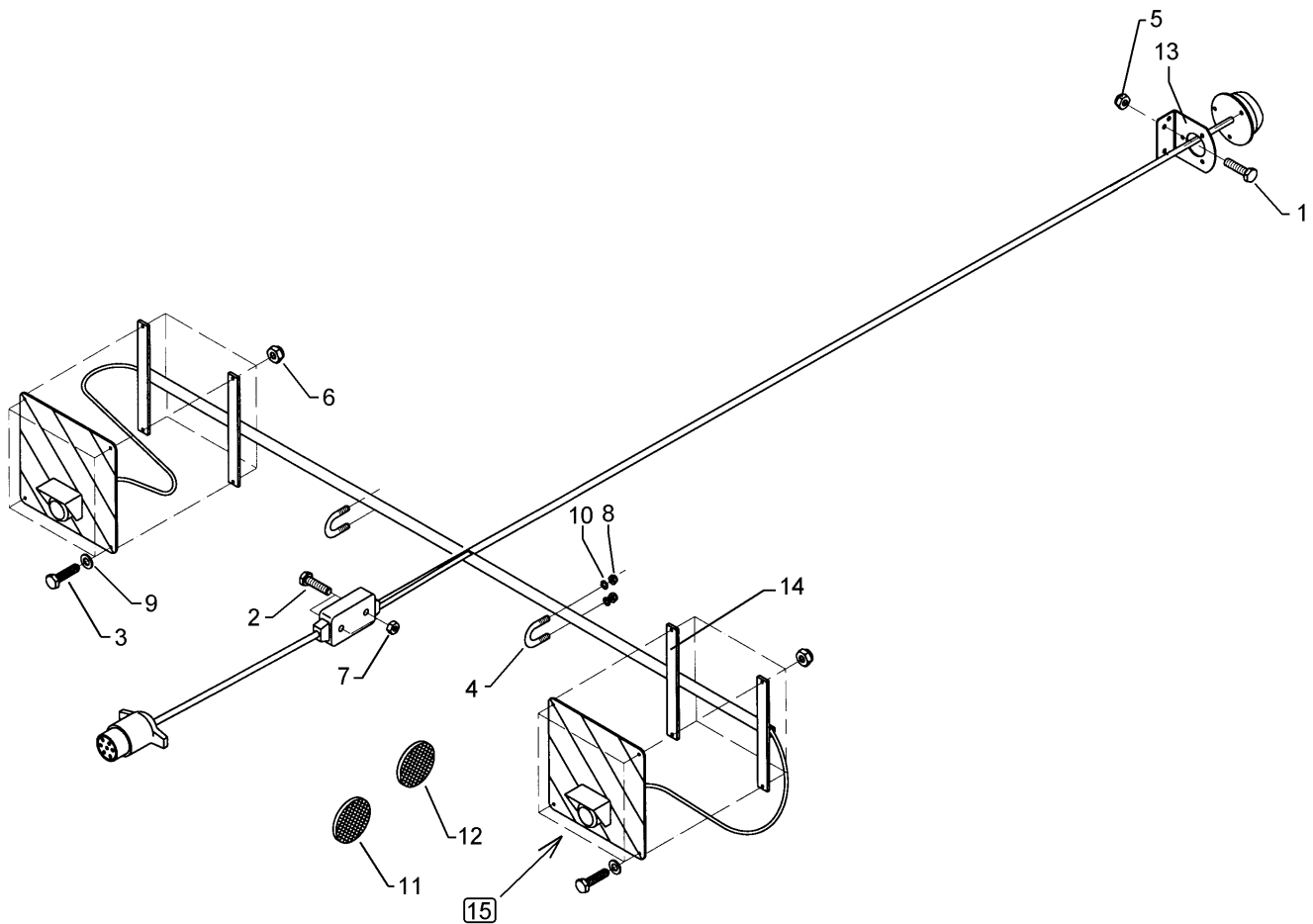
01.18

| Pos. | Art.Nr. | Stck. | Artikeltext / Description | | Abmessung |
|------|----------|-------|---------------------------|-----------------|--------------------------|
| 1 | 301 7781 | 1 | Bügelsschraube | U-bolt | M10x48x76 Zn DIN3570A |
| 2 | 303 0933 | 2 | Sicherungsmutter | Selflocking nut | NM10-8 DIN985 Zn |
| 3 | 305 8696 | 2 | Scheibe | Washer | A10,5 DIN125-St Zn |
| 4 | 390 0647 | 1 | Aufkleber | Label | 25 D200 |
| 5 | 470 1729 | 1 | Grundplatte | Basic plate | 3x215x354 |



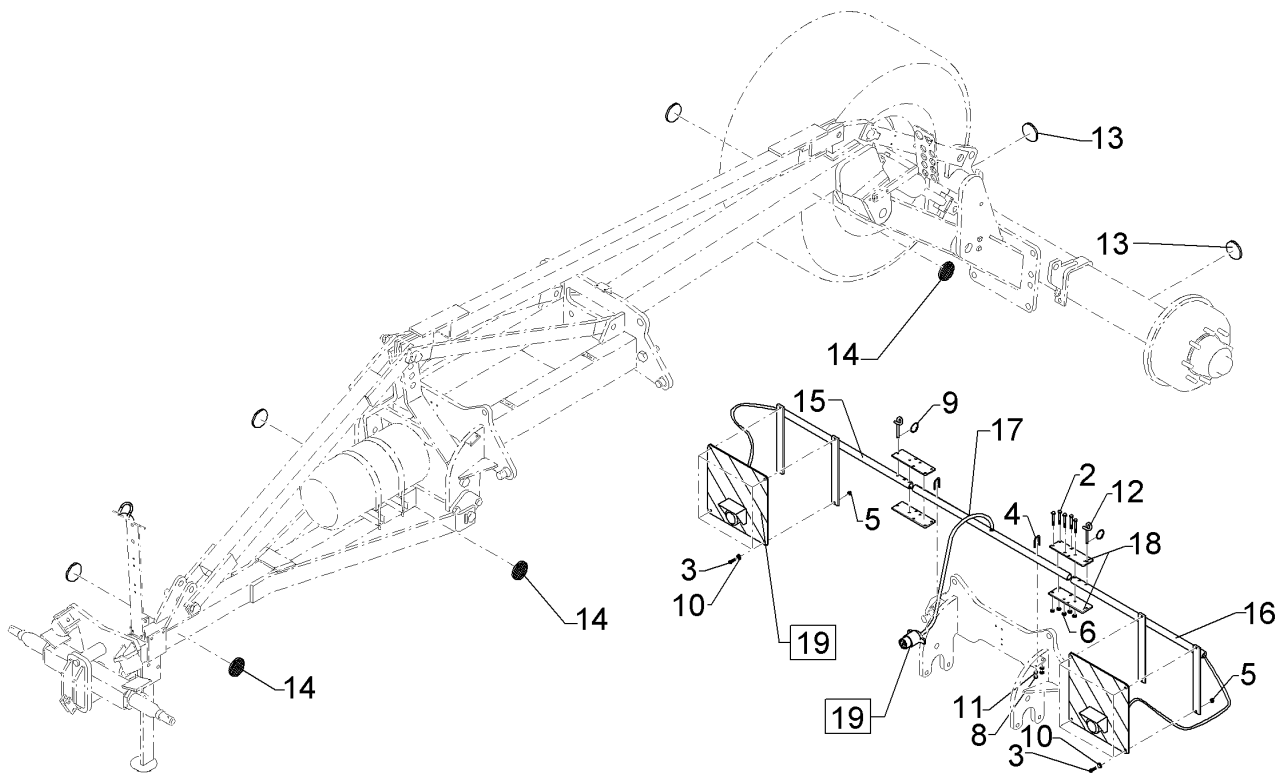
01.18

| Pos. | Art.Nr. | Stck. | Artikeltext / Description | | Abmessung |
|------|----------|-------|-----------------------------|-----------------------------|--------------------------|
| 1 | 301 2996 | 2 | Sechskantschraube | Hexagon bolt | M5x30-8.8 Zn DIN933 |
| 2 | 301 7280 | 8 | Sechskantschraube | Hexagon bolt | M8x25-8.8 Zn DIN933 |
| 3 | 301 7781 | 2 | Bügelschraube | U-bolt | M10x48x76 Zn DIN3570A |
| 4 | 303 0932 | 8 | Sicherungsmutter | Selflocking nut | NM8-8 Zn DIN985 |
| 5 | 303 0967 | 2 | Sechskantmutter | Hexagon nut | M5 DIN934-8 Zn |
| 6 | 303 0970 | 4 | Sechskantmutter | Hexagon nut | M10 DIN934-8 |
| 7 | 305 8694 | 8 | Scheibe | Washer | A8,4 DIN125-St Zn |
| 8 | 305 9900 | 4 | Federring | Spring ring | 10 DIN127 Zn |
| 9 | 321 9918 | 2 | Rückstrahler rot selbstkl. | Self-adh. reflector, red | 8200K |
| 10 | 321 9919 | 6 | Rückstrahler gelb selbstkl. | Self-adh. reflector, yellow | 6200GK |
| 11 | 470 1649 | 1 | Leuchtenhalter | Lamp holder | D33,7x4,5x2900 |
| 12 | 570 1903 | 1 | Beleuchtungsanlage vorne | Lighting equipment, front | Achat 9 KA |



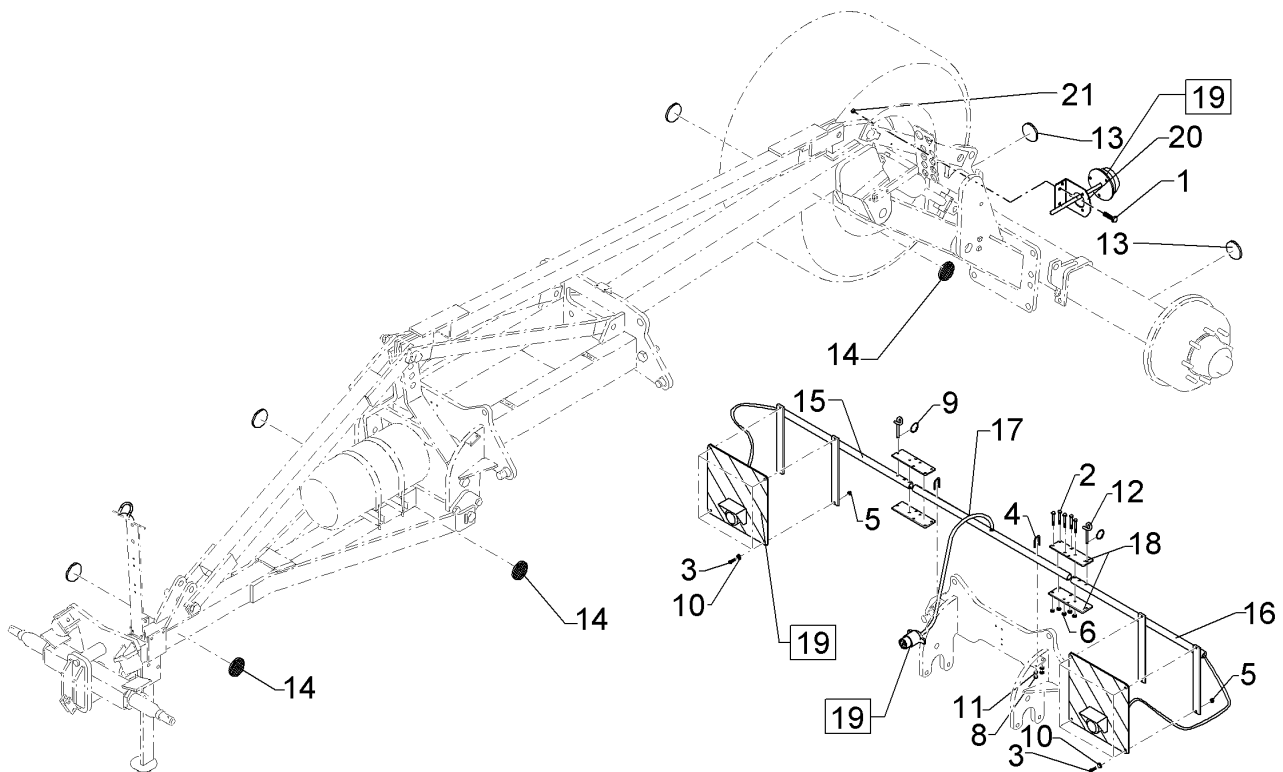
01.18

| Pos. | Art.Nr. | Stck. | Artikeltext / Description | | Abmessung |
|------|----------|-------|-----------------------------|-----------------------------|--------------------------|
| 1 | 301 0302 | 2 | Linsenschraube | Oval head screw | M6x25-4,6 Zn DIN7985 |
| 2 | 301 2996 | 2 | Sechskantschraube | Hexagon bolt | M5x30-8.8 Zn DIN933 |
| 3 | 301 7280 | 8 | Sechskantschraube | Hexagon bolt | M8x25-8.8 Zn DIN933 |
| 4 | 301 7781 | 2 | Bügelsschraube | U-bolt | M10x48x76 Zn DIN3570A |
| 5 | 303 0931 | 2 | Sicherungsmutter | Selflocking nut | NM6-8 Zn DIN985 |
| 6 | 303 0932 | 8 | Sicherungsmutter | Selflocking nut | NM8-8 Zn DIN985 |
| 7 | 303 0967 | 2 | Sechskantmutter | Hexagon nut | M5 DIN934-8 Zn |
| 8 | 303 0970 | 4 | Sechskantmutter | Hexagon nut | M10 DIN934-8 |
| 9 | 305 8694 | 8 | Scheibe | Washer | A8,4 DIN125-St Zn |
| 10 | 305 9900 | 4 | Federring | Spring ring | 10 DIN127 Zn |
| 11 | 321 9918 | 2 | Rückstrahler rot selbstkl. | Self-adh. reflector, red | 8200K |
| 12 | 321 9919 | 6 | Rückstrahler gelb selbstkl. | Self-adh. reflector, yellow | 6200GK |
| 13 | 373 2130 | 1 | Steckdosenhalter | Holder for socket | H 71 |
| 14 | 470 1649 | 1 | Leuchtenhalter | Lamp holder | D33,7x4,5x2900 |
| 15 | 570 1903 | 1 | Beleuchtungsanlage vorne | Lighting equipment, front | Achat 9 KA |



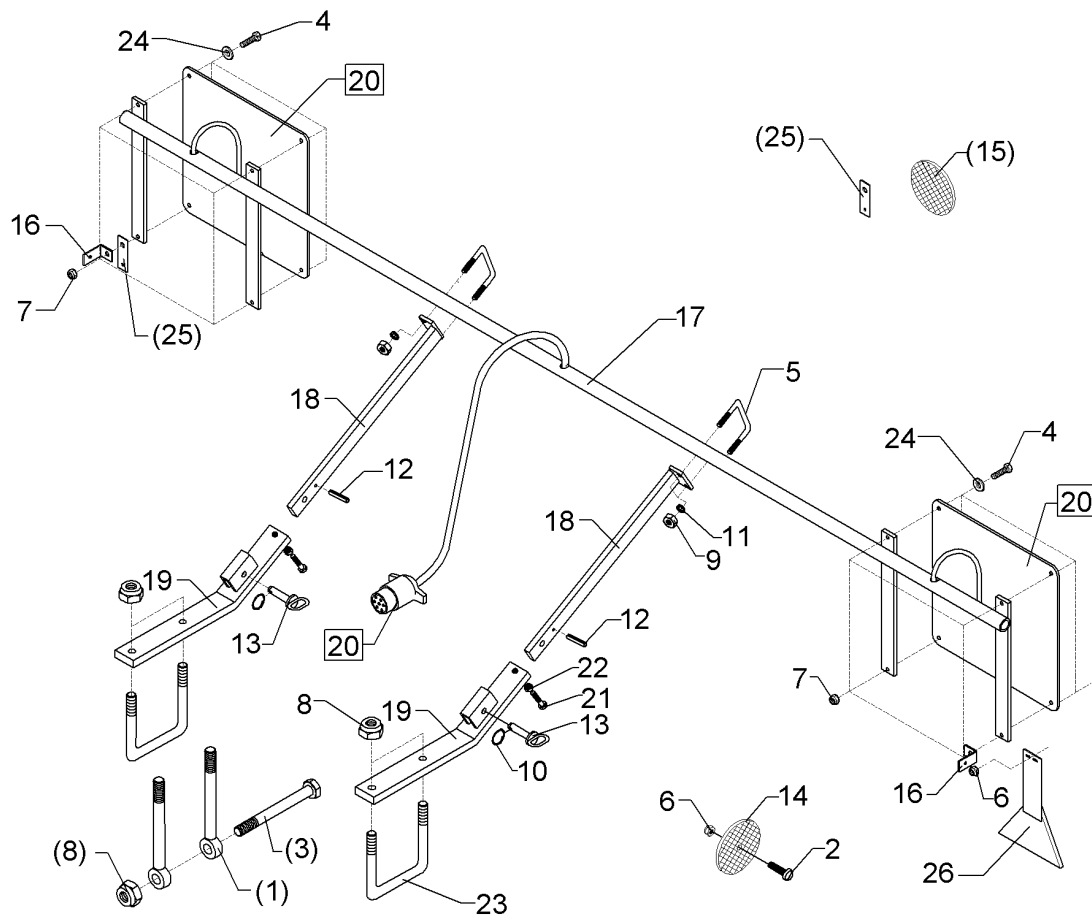
01.18

| Pos. | Art.Nr. | Stck. | Artikeltext / Description | | Abmessung |
|------|----------|-------|-----------------------------|-----------------------------|---------------------------|
| 2 | 301 3253 | 10 | Sechskantschraube | Hexagon bolt | M10x60-8.8 Zn DIN931-A |
| 3 | 301 7280 | 8 | Sechskantschraube | Hexagon bolt | M8x25-8.8 Zn DIN933 |
| 4 | 301 7781 | 2 | Bügelsschraube | U-bolt | M10x48x76 Zn DIN3570A |
| 5 | 303 0932 | 8 | Sicherungsmutter | Selflocking nut | NM8-8 Zn DIN985 |
| 6 | 303 0933 | 10 | Sicherungsmutter | Selflocking nut | NM10-8 DIN985 Zn |
| 8 | 303 1012 | 4 | Sechskantmutter | Hexagon nut | M10 DIN934-8 Zn |
| 9 | 305 8551 | 2 | Sicherungsring | Retaining ring | Di41x3 A2 |
| 10 | 305 8694 | 8 | Scheibe | Washer | A8,4 DIN125-St Zn |
| 11 | 305 9900 | 4 | Federring | Spring ring | 10 DIN127 Zn |
| 12 | 313 8610 | 2 | Bolzen | Pin | D10x85 Zn (10x210) |
| 13 | 321 9918 | 2 | Rückstrahler rot selbstkl. | Self-adh. reflector, red | 8200K |
| 14 | 321 9919 | 6 | Rückstrahler gelb selbstkl. | Self-adh. reflector, yellow | 6200GK |
| 15 | 470 1698 | 1 | Leuchtenhalter | Lamp holder | D33,7x4,5x900 RE |
| 16 | 470 1699 | 1 | Leuchtenhalter | Lamp holder | D33,7x4,5x900 LI |
| 17 | 470 1700 | 1 | Rohr | Tube | 33,7x4,5x1060 1xD20 |
| 18 | 470 1701 | 4 | Platte | Plate | 70x8x230 7xD10,2 |
| 19 | 570 1903 | 1 | Beleuchtungsanlage vorne | Lighting equipment, front | Achat 9 KA |



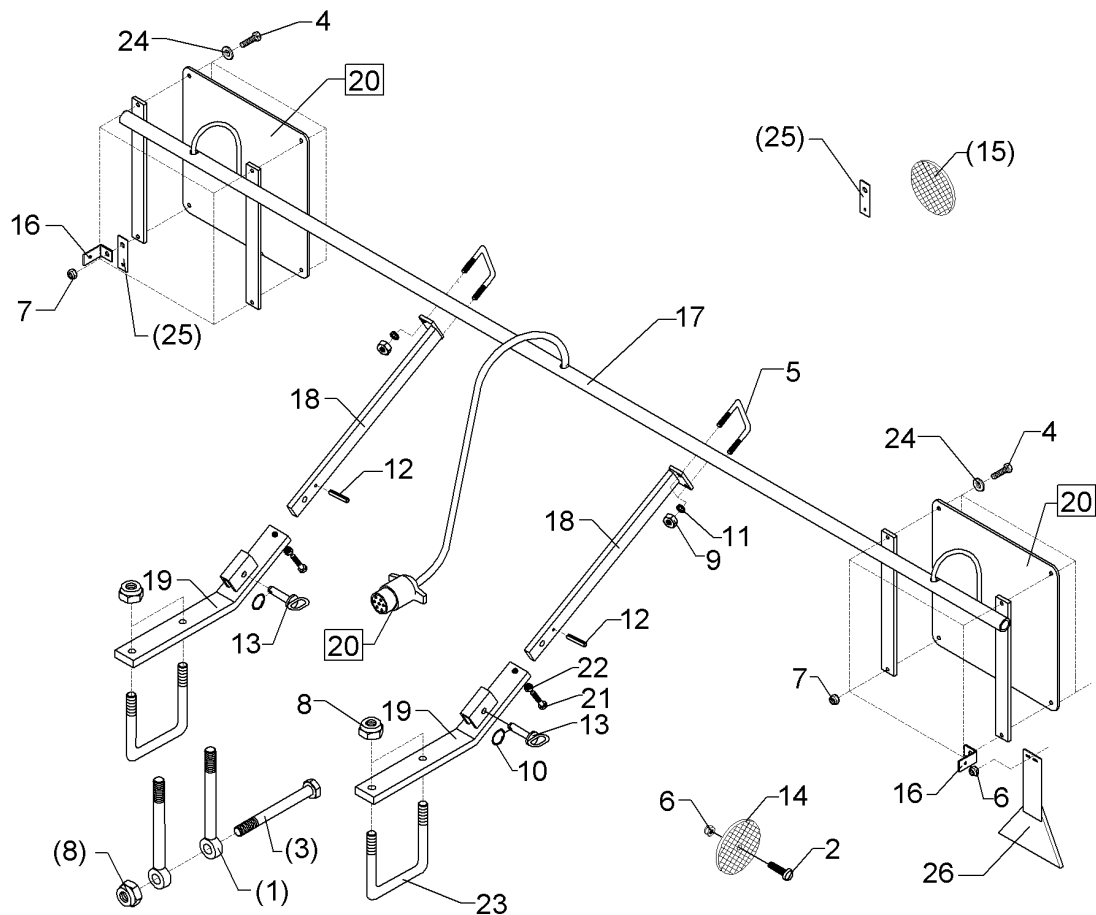
01.18

| Pos. | Art.Nr. | Stck. | Artikeltext / Description | | Abmessung |
|------|----------|-------|-----------------------------|-----------------------------|---------------------------|
| 1 | 301 0302 | 2 | Linsenschraube | Oval head screw | M6x25-4,6 Zn DIN7985 |
| 2 | 301 3253 | 10 | Sechskantschraube | Hexagon bolt | M10x60-8.8 Zn DIN931-A |
| 3 | 301 7280 | 8 | Sechskantschraube | Hexagon bolt | M8x25-8.8 Zn DIN933 |
| 4 | 301 7781 | 2 | Bügel schraube | U-bolt | M10x48x76 Zn DIN3570A |
| 5 | 303 0932 | 8 | Sicherungsmutter | Selflocking nut | NM8-8 Zn DIN985 |
| 6 | 303 0933 | 10 | Sicherungsmutter | Selflocking nut | NM10-8 DIN985 Zn |
| 8 | 303 1012 | 4 | Sechskantmutter | Hexagon nut | M10 DIN934-8 Zn |
| 9 | 305 8551 | 2 | Sicherungsring | Retaining ring | Di41x3 A2 |
| 10 | 305 8694 | 8 | Scheibe | Washer | A8,4 DIN125-St Zn |
| 11 | 305 9900 | 4 | Federring | Spring ring | 10 DIN127 Zn |
| 12 | 313 8610 | 2 | Bolzen | Pin | D10x85 Zn (10x210) |
| 13 | 321 9918 | 2 | Rückstrahler rot selbstkl. | Self-adh. reflector, red | 8200K |
| 14 | 321 9919 | 6 | Rückstrahler gelb selbstkl. | Self-adh. reflector, yellow | 6200GK |
| 15 | 470 1698 | 1 | Leuchtenhalter | Lamp holder | D33,7x4,5x900 RE |
| 16 | 470 1699 | 1 | Leuchtenhalter | Lamp holder | D33,7x4,5x900 LI |
| 17 | 470 1700 | 1 | Rohr | Tube | 33,7x4,5x1060 1xD20 |
| 18 | 470 1701 | 4 | Platte | Plate | 70x8x230 7xD10,2 |
| 19 | 570 1903 | 1 | Beleuchtungsanlage vorne | Lighting equipment, front | Achat 9 KA |
| 20 | 373 2130 | 1 | Steckdosenhalter | Holder for socket | H 71 |
| 21 | 303 0931 | 2 | Sicherungsmutter | Selflocking nut | NM6-8 Zn DIN985 |



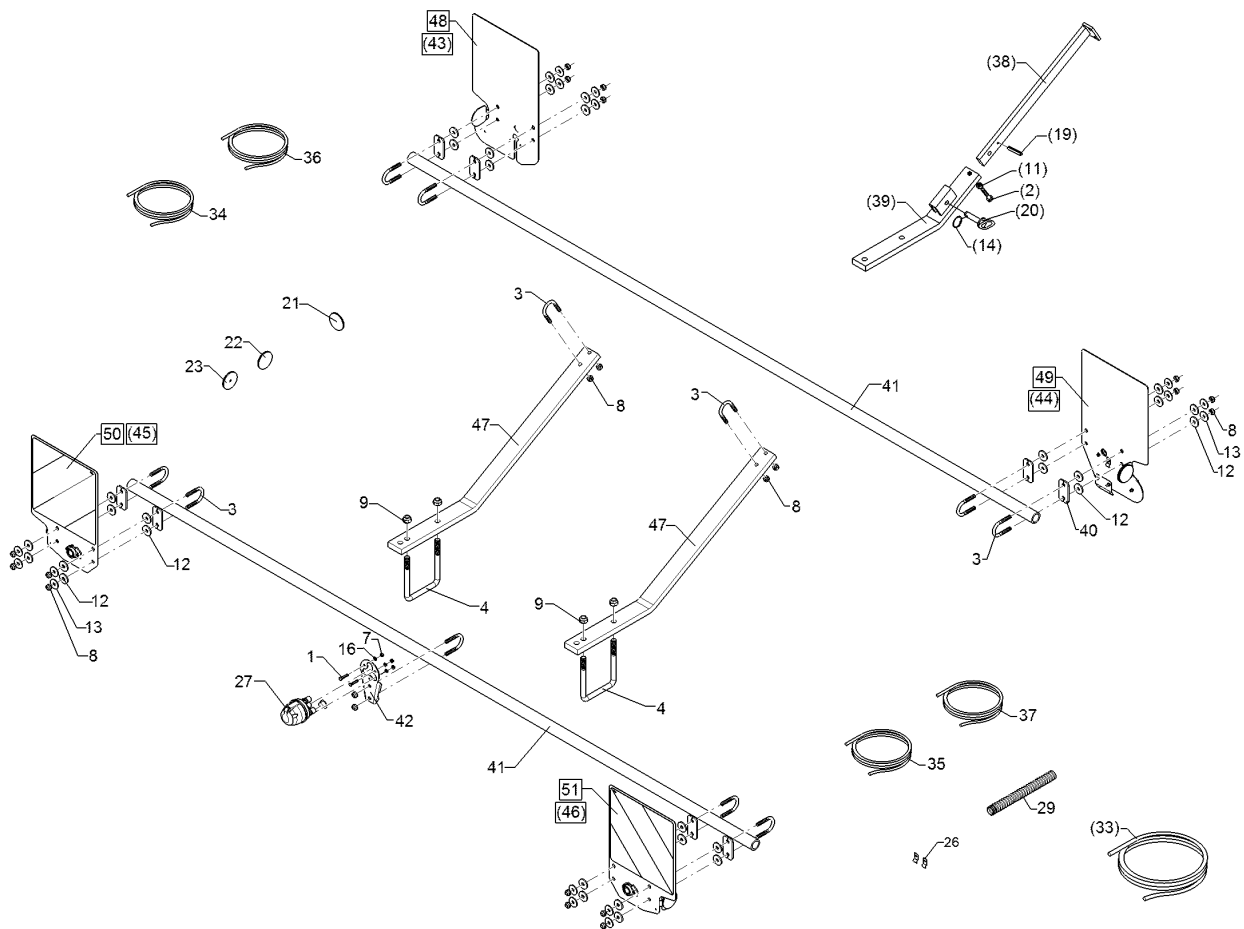
01.18

| Pos. | Art.Nr. | Stck. | Artikeltext / Description | | Abmessung |
|------|----------|-------|---------------------------|--------------------------|---------------------------------|
| 1 | 301 0864 | 4 | Augenschraube | Eye bolt | BM16x200xb100-8.8 D2=16,1 Zn |
| 2 | 301 0301 | 4 | Linsenschraube | Oval head screw | M6x20-4,6 Zn DIN7985 |
| 3 | 301 4133 | 2 | Sechskantschraube | Hexagon bolt | M16x200-8.8 Zn DIN931-A |
| 4 | 301 7280 | 8 | Sechskantschraube | Hexagon bolt | M8x25-8.8 Zn DIN933 |
| 5 | 301 7781 | 2 | Bügelsschraube | U-bolt | M10x48x76 Zn DIN3570A |
| 6 | 303 0931 | 4 | Sicherungsmutter | Selflocking nut | NM6-8 Zn DIN985 |
| 7 | 303 0932 | 8 | Sicherungsmutter | Selflocking nut | NM8-8 Zn DIN985 |
| 8 | 303 0935 | 4 | Sicherungsmutter | Selflocking nut | NM16-8 Zn DIN985 |
| 9 | 303 1012 | 4 | Sechskantmutter | Hexagon nut | M10 DIN934-8 Zn |
| 10 | 305 8551 | 2 | Sicherungsring | Retaining ring | Di41x3 A2 |
| 11 | 305 9900 | 4 | Federring | Spring ring | 10 DIN127 Zn |
| 12 | 309 6054 | 2 | Spannhülse | Expansion bush | 6x40-DIN1481 Zn |
| 13 | 313 7807 | 2 | Bolzen | Pin | D12x59/117,5 V Zn |
| 14 | 321 9921 | 2 | Rückstrahler gelb m. Loch | Reflector, yellow | D60 |
| 15 | 321 9922 | 2 | Rückstrahler rot | Reflector, red | 8 RA 002 016-111 |
| 16 | 470 1199 | 2 | Halter | Holder | 3x62x101 geb.Zn |
| 17 | 470 1649 | 1 | Leuchtenhalter | Lamp holder | D33,7x4,5x2900 |
| 18 | 470 1664 | 2 | Halter | Holder | 40x15x550 |
| 19 | 470 1665 | 2 | Halter | Holder | 60x20x520 30GRD |
| 20 | 570 2007 | 1 | Beleuchtungsanlage hinten | Lighting equipment, rear | 7 P/4x0,75/L=3600mm |



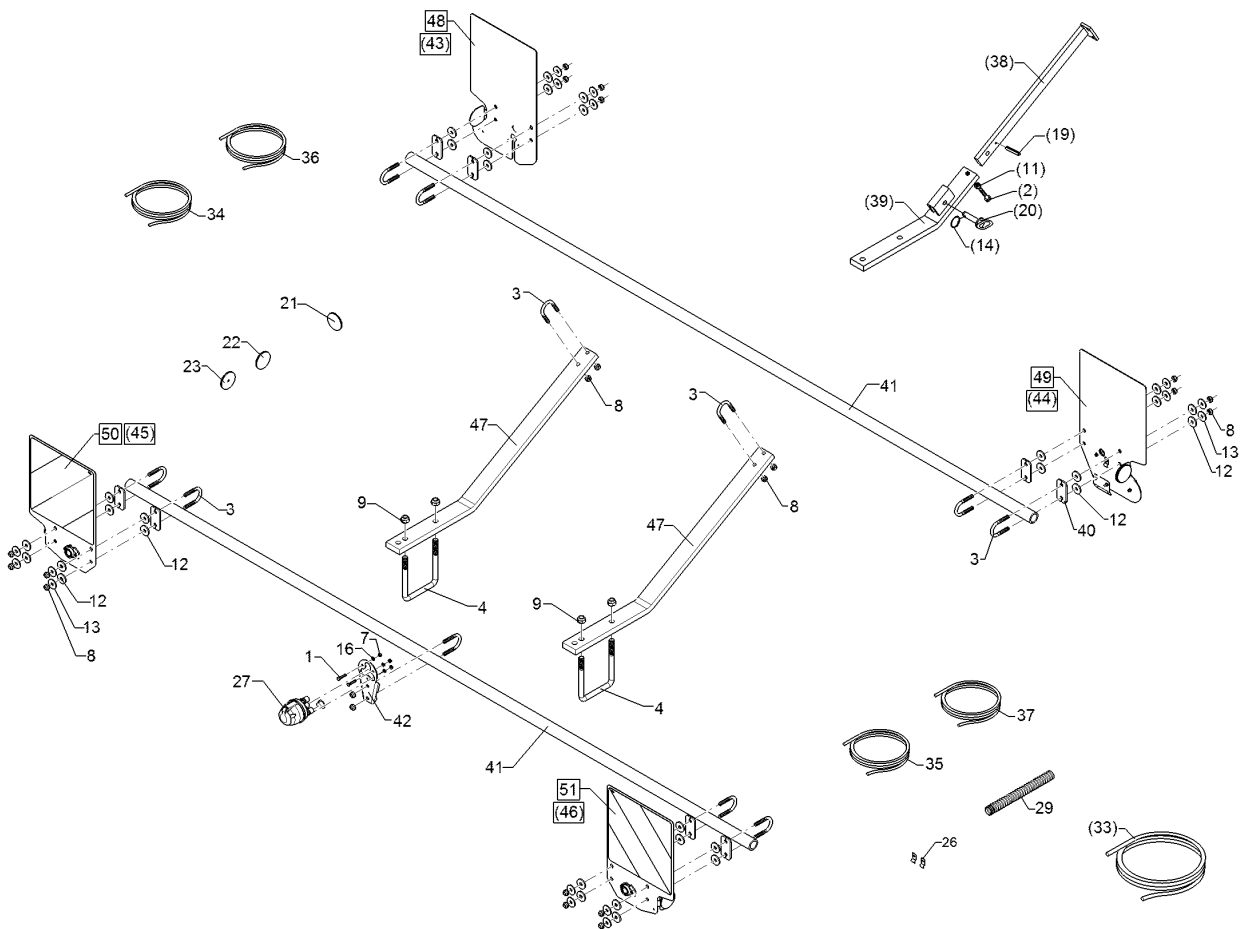
01.18

| Pos. | Art.Nr. | Stck. | Artikeltext / Description | | Abmessung |
|------|----------|-------|--------------------------------|----------------|-------------------------|
| 21 | 301 3350 | 2 | Sechskantschraube | Hexagon bolt | M12x50-8.8 Zn DIN933 |
| 22 | 303 1013 | 2 | Sechskantmutter | Hexagon nut | M12 DIN934-8 Zn |
| 23 | 301 7806 | 2 | Bügelsschraube | U-bolt | M16/150/195 Zn |
| 24 | 305 8694 | 9 | Scheibe | Washer | A8,4 DIN125-St Zn |
| 25 | 459 0940 | 2 | Halter | Holder | 30x3x90 |
| 26 | 321 9914 | 2 | Rückstrahler rot m.Pendelhalt. | Reflector, red | 1x50-D10+7 Zn - |



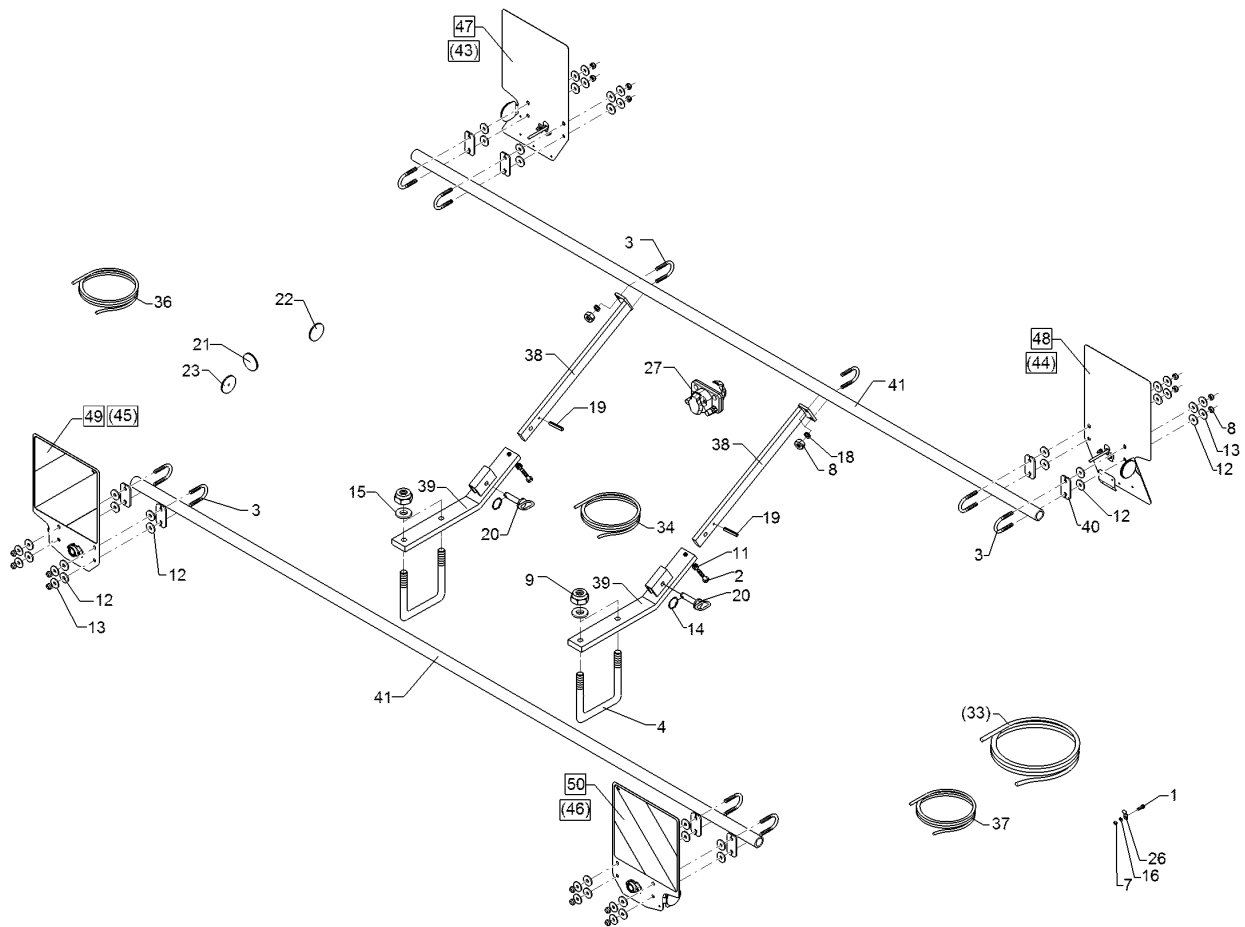
01.18

| Pos. | Art.Nr. | Stck. | Artikeltext / Description | | Abmessung |
|------|----------|-------|-----------------------------|-----------------------------|--------------------------|
| 1 | 301 0301 | 2 | Linsenschraube | Oval head screw | M6x20-4,6 Zn DIN7985 |
| 2 | 301 3350 | 2 | Sechskantschraube | Hexagon bolt | M12x50-8.8 Zn DIN933 |
| 3 | 301 7781 | 13 | Bügelschraube | U-bolt | M10x48x76 Zn DIN3570A |
| 4 | 301 7806 | 2 | Bügelschraube | U-bolt | M16/150/195 Zn |
| 6 | 303 0929 | 3 | Sicherungsmutter | Selflocking nut | NM5-8 Zn DIN985 |
| 7 | 303 0931 | 2 | Sicherungsmutter | Selflocking nut | NM6-8 Zn DIN985 |
| 8 | 303 0933 | 26 | Sicherungsmutter | Selflocking nut | NM10-8 DIN985 Zn |
| 9 | 303 0935 | 4 | Sicherungsmutter | Selflocking nut | NM16-8 Zn DIN985 |
| 10 | 303 1012 | 10 | Sechskantmutter | Hexagon nut | M10 DIN934-8 Zn |
| 12 | 305 6129 | 32 | Scheibe | Washer | D11/35x4 PU |
| 13 | 305 6976 | 16 | Scheibe | Washer | R11/34x3 DIN440-St Zn |
| 14 | 305 8551 | 2 | Sicherungsring | Retaining ring | Di41x3 A2 |
| 15 | 305 8569 | 3 | Scheibe | Washer | 5,3 DIN125 Zn |
| 16 | 305 8571 | 2 | Scheibe | Washer | 6,4 DIN125-A Zn |
| 18 | 305 9900 | 10 | Federring | Spring ring | 10 DIN127 Zn |
| 19 | 309 6054 | 2 | Spannhülse | Expansion bush | 6x40-DIN1481 Zn |
| 20 | 313 7807 | 2 | Bolzen | Pin | D12x59/117,5 V Zn |
| 21 | 321 9918 | 2 | Rückstrahler rot selbstkl. | Self-adh. reflector, red | 8200K |
| 22 | 321 9919 | 4 | Rückstrahler gelb selbstkl. | Self-adh. reflector, yellow | 6200GK |
| 23 | 321 9921 | 2 | Rückstrahler gelb m. Loch | Reflector, yellow | D60 |
| 26 | 325 5142 | 4 | Schelle | Clamp | 96/8 |



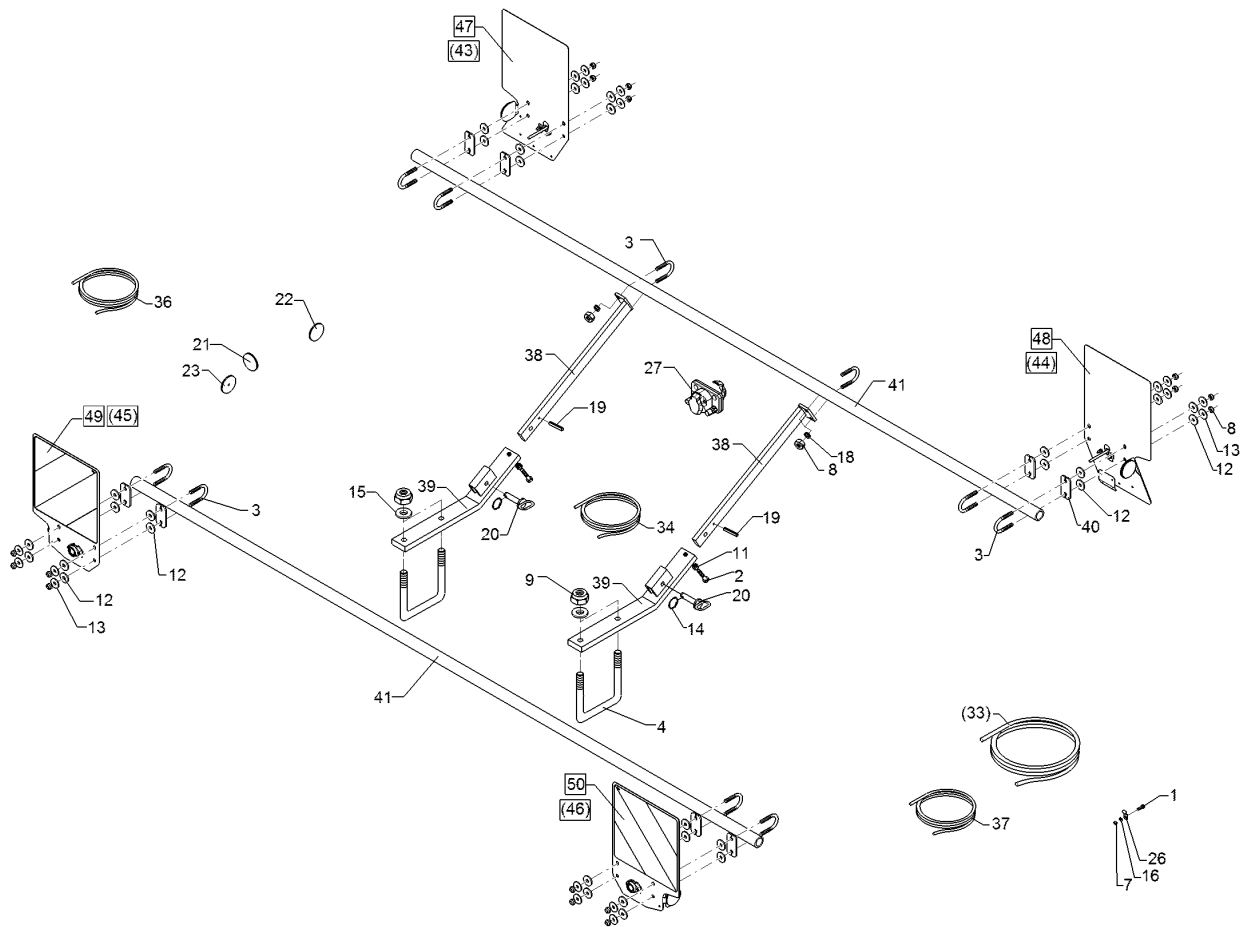
01.18

| Pos. | Art.Nr. | Stck. | Artikeltext / Description | Abmessung |
|------|----------|-------|---------------------------|-----------------|
| 27 | 373 2023 | 1 | Verteilerdose | Junction box |
| 29 | 325 5530 | 2 | Wellrohr | Corrugated tube |
| 33 | 373 4261 | 1 | Kabel | Cable |
| 34 | 373 4268 | 1 | Kabel | Cable |
| 35 | 373 4269 | 1 | Kabel | Cable |
| 36 | 37310004 | 1 | Grundkabel | Basic cable |
| 37 | 37310005 | 1 | Grundkabel | Basic cable |
| 38 | 470 1664 | 2 | Halter | Holder |
| 39 | 470 1665 | 2 | Halter | Holder |
| 40 | 470 1776 | 8 | Klemmplatte | Clamping plate |
| 41 | 470 1785 | 2 | Rohr | Tube |
| 42 | 470 1786 | 1 | Trägerblech | Carrier plate |
| 43 | 570 1758 | 1 | Beleuchtungseinheit | Lighting unit |
| 44 | 570 1759 | 1 | Beleuchtungseinheit | Lighting unit |
| 45 | 570 1762 | 1 | Beleuchtungseinheit | Lighting unit |
| 46 | 570 1763 | 1 | Beleuchtungseinheit | Lighting unit |
| 47 | 47010023 | 2 | Halter | Holder |
| 48 | 57010100 | 1 | Beleuchtungseinheit | Lighting unit |
| 49 | 57010101 | 1 | Beleuchtungseinheit | Lighting unit |
| 50 | 57010102 | 1 | Beleuchtungseinheit | Lighting unit |
| 51 | 57010103 | 1 | Beleuchtungseinheit | Lighting unit |



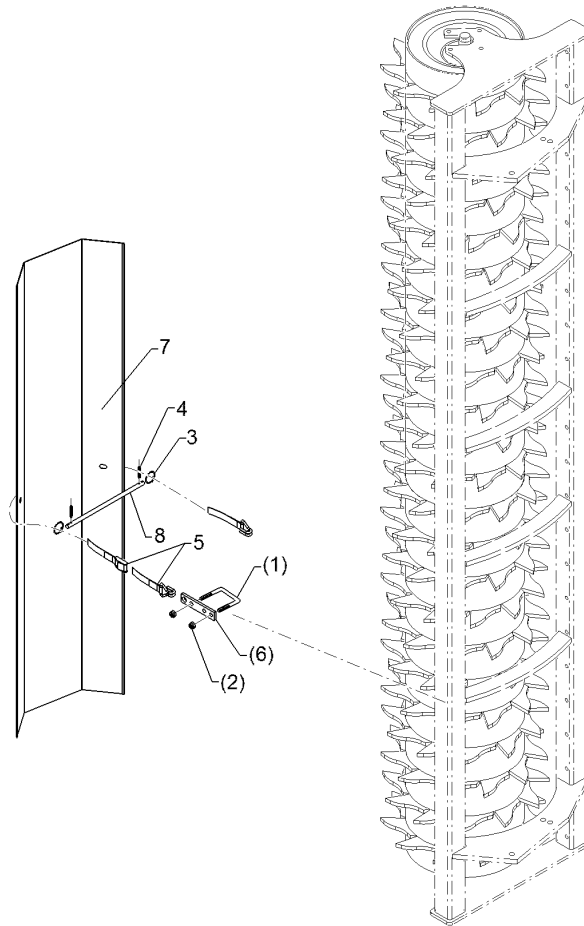
01.18

| Pos. | Art.Nr. | Stck. | Artikeltext / Description | | Abmessung |
|------|----------|-------|-----------------------------|-----------------------------|--------------------------|
| 1 | 301 0301 | 4 | Linsenschraube | Oval head screw | M6x20-4,6 Zn DIN7985 |
| 2 | 301 3350 | 2 | Sechskantschraube | Hexagon bolt | M12x50-8.8 Zn DIN933 |
| 3 | 301 7781 | 12 | Bügelsschraube | U-bolt | M10x48x76 Zn DIN3570A |
| 4 | 301 7806 | 2 | Bügelsschraube | U-bolt | M16/150/195 Zn |
| 7 | 303 0931 | 4 | Sicherungsmutter | Selflocking nut | NM6-8 Zn DIN985 |
| 8 | 303 0933 | 24 | Sicherungsmutter | Selflocking nut | NM10-8 DIN985 Zn |
| 9 | 303 0935 | 4 | Sicherungsmutter | Selflocking nut | NM16-8 Zn DIN985 |
| 12 | 305 6129 | 32 | Scheibe | Washer | D11/35x4 PU |
| 13 | 305 6976 | 16 | Scheibe | Washer | R11/34x3 DIN440-St Zn |
| 14 | 305 8551 | 2 | Sicherungsring | Retaining ring | Di41x3 A2 |
| 15 | 305 6141 | 4 | Scheibe | Washer | 17/30x3 DIN/ISO-7089 |
| 16 | 305 8571 | 4 | Scheibe | Washer | 6,4 DIN125-A Zn |
| 18 | 305 8696 | 8 | Scheibe | Washer | A10,5 DIN125-St Zn |
| 19 | 309 6054 | 2 | Spannhülse | Expansion bush | 6x40-DIN1481 Zn |
| 20 | 313 7807 | 2 | Bolzen | Pin | D12x59/117,5 V Zn |
| 21 | 321 9918 | 2 | Rückstrahler rot selbstkl. | Self-adh. reflector, red | 8200K |
| 22 | 321 9919 | 2 | Rückstrahler gelb selbstkl. | Self-adh. reflector, yellow | 6200GK |
| 23 | 321 9921 | 2 | Rückstrahler gelb m. Loch | Reflector, yellow | D60 |
| 26 | 325 5142 | 4 | Schelle | Clamp | 96/8 |
| 27 | 373 2025 | 1 | Verteilerdose | Junction box | DISCON7/7/2 |



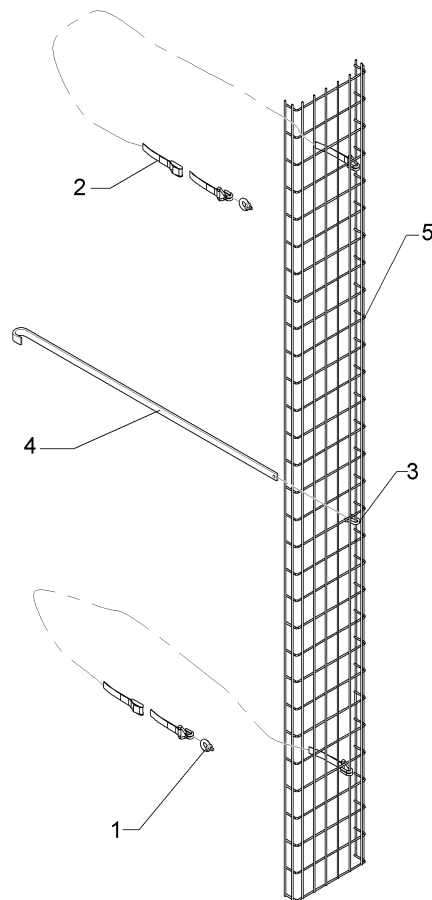
01.18

| Pos. | Art.Nr. | Stck. | Artikeltext / Description | | Abmessung |
|------|----------|-------|---------------------------|----------------|-----------------------|
| 33 | 373 4270 | 1 | Kabel | Cable | 7x1,5x9000 |
| 34 | 373 4271 | 1 | Kabel | Cable | 1x7pol. 2x4pol. 4m |
| 36 | 373 4264 | 1 | Kabel | Cable | gr 4x0,75x6000 |
| 37 | 373 4265 | 1 | Kabel | Cable | ye 4x0,75x6000 |
| 38 | 470 1664 | 2 | Halter | Holder | 40x15x550 |
| 39 | 470 1665 | 2 | Halter | Holder | 60x20x520 30GRD |
| 40 | 470 1776 | 8 | Klemmplatte | Clamping plate | 6x40x80 2x11-48/52 Zn |
| 41 | 470 1785 | 2 | Rohr | Tube | D38x5x2800 |
| 42 | 470 1790 | 1 | Trägerblech | Carrier plate | 3x82x156 |
| 43 | 570 1758 | 1 | Beleuchtungseinheit | Lighting unit | 3eck HI RE |
| 44 | 570 1759 | 1 | Beleuchtungseinheit | Lighting unit | 3eck HI LI |
| 45 | 570 1762 | 1 | Beleuchtungseinheit | Lighting unit | 2x296x414 VO RE |
| 46 | 570 1763 | 1 | Beleuchtungseinheit | Lighting unit | 2x296x414 VO LI |
| 47 | 57010100 | 1 | Beleuchtungseinheit | Lighting unit | 3eck HI RE |
| 48 | 57010101 | 1 | Beleuchtungseinheit | Lighting unit | 3eck HI LI |
| 49 | 57010102 | 1 | Beleuchtungseinheit | Lighting unit | 2x296x414 VO RE |
| 50 | 57010103 | 1 | Beleuchtungseinheit | Lighting unit | 2x296x414 VO LI |



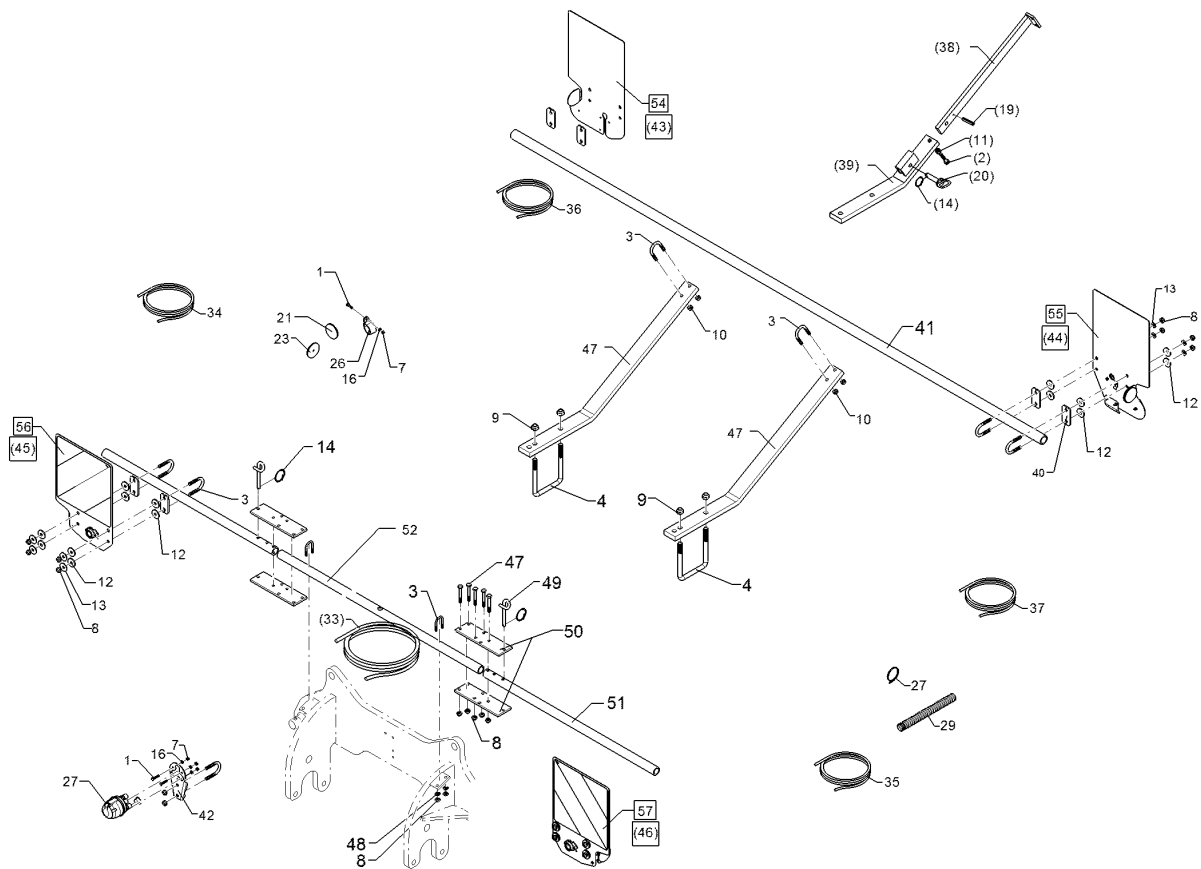
01.18

| Pos. | Art.Nr. | Stck. | Artikeltext / Description | | Abmessung |
|------|----------|-------|---------------------------|-----------------|-----------------------------|
| 1 | 301 7789 | 1 | Bügelschraube | U-bolt | M12/71x101 (284) Zn |
| 2 | 303 0934 | 2 | Sicherungsmutter | Selflocking nut | NM12-8 Zn DIN985 |
| 3 | 305 8551 | 2 | Sicherungsring | Retaining ring | Di41x3 A2 |
| 4 | 309 6038 | 2 | Spannhülse | Expansion bush | 5x30-DIN1481 Chrom 8 |
| 5 | 331 4902 | 1 | Zurrgurt mit Haken | Lashing strap | 0,5/0,9m reine Bandlänge |
| 6 | 459 6576 | 1 | Brücke | Clamp plate | 30x8x138,5 Zn |
| 7 | 470 5070 | 1 | Schutzblech | Guard | 1,5x486x1650 2x45 GRD |
| 8 | 470 5072 | 1 | Stange | Rod | D12x322 4xD5 Zn |



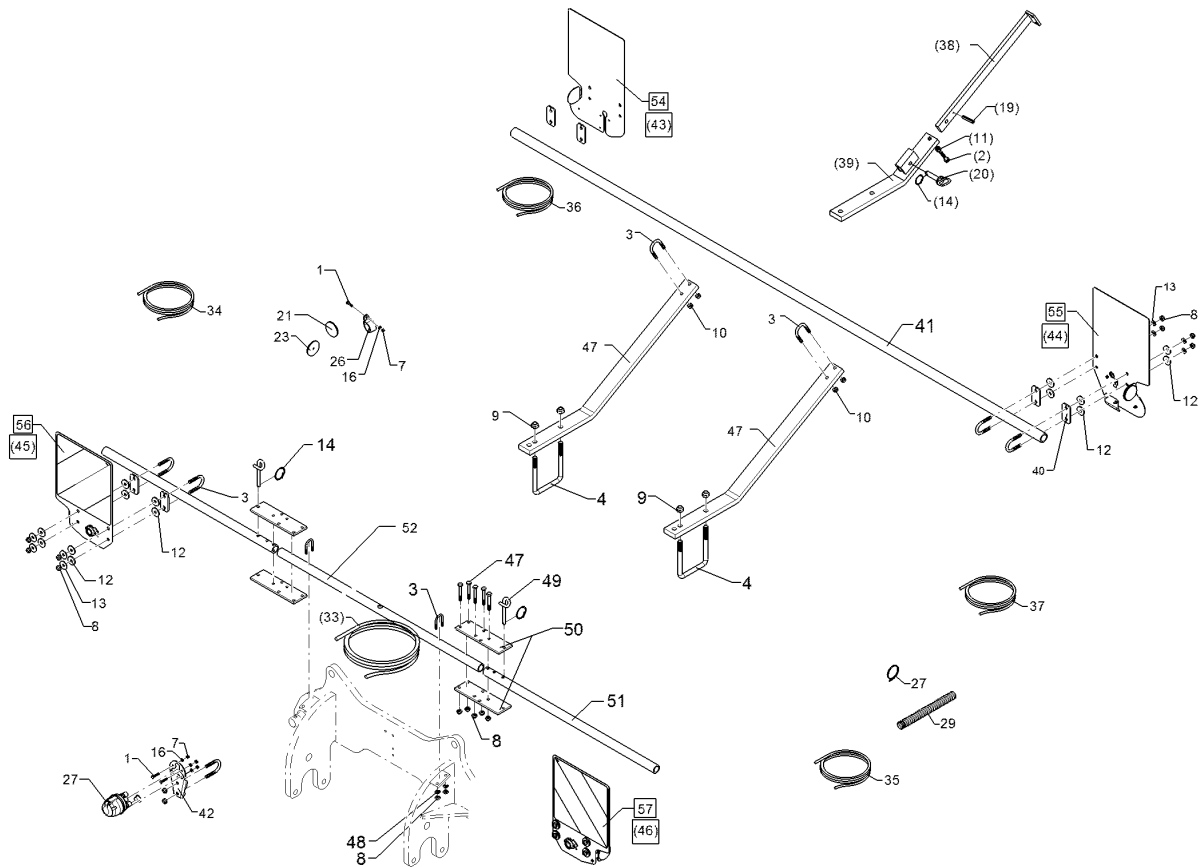
01.18

| Pos. | Art.Nr. | Stck. | Artikeltext / Description | | Abmessung |
|------|----------|-------|---------------------------|--------------------|------------------------------|
| 1 | 303 0330 | 2 | Ringmutter | Eye nut | M12 DIN582 |
| 2 | 331 4902 | 2 | Zurrgurt mit Haken | Lashing strap | 0,5/0,9m reine Bandlaenge |
| 3 | 331 8402 | 1 | Schäkel | Shackle | SL3G 5/16"/8mm Zn |
| 4 | 470 5077 | 1 | Halter | Holder | 35x8x686 U-33 1xD10 |
| 5 | 470 5078 | 1 | Schutzgitter | Protective grating | 400x50x1400 D5/50x100 |



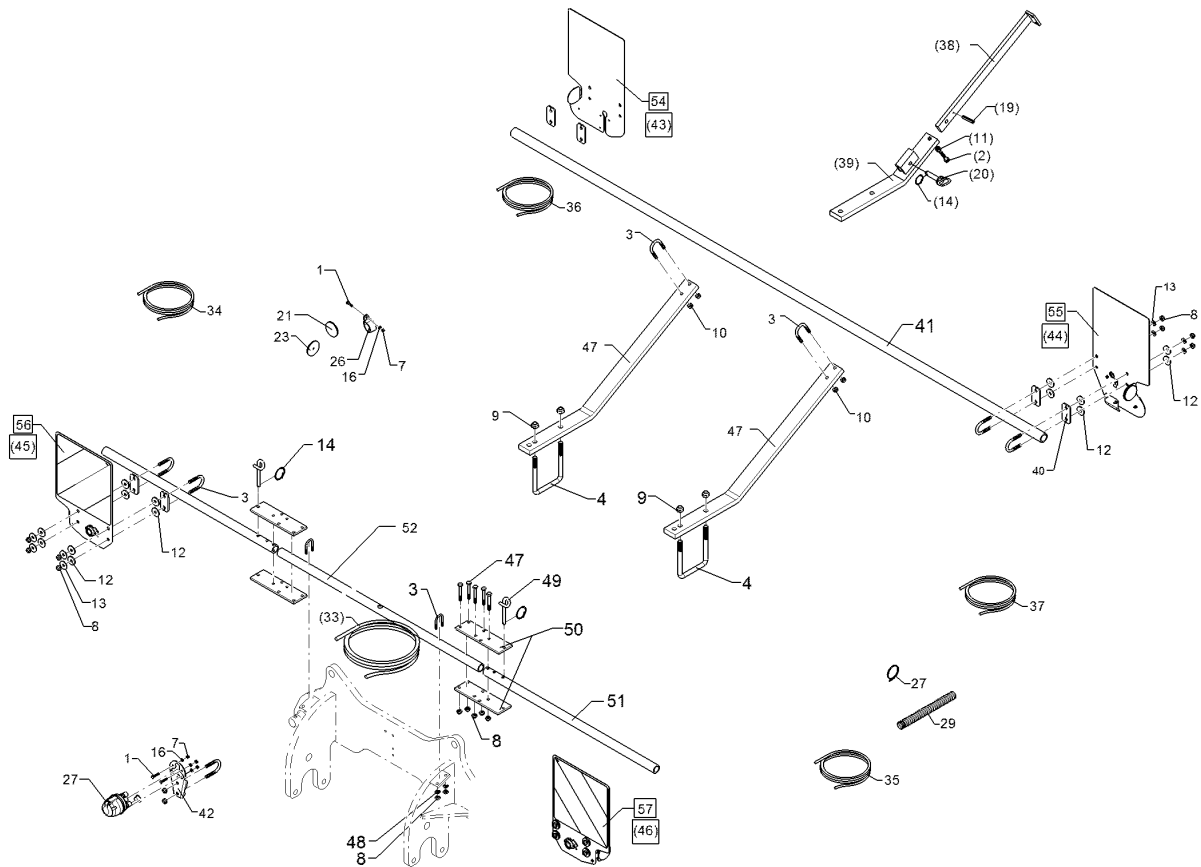
01.18

| Pos. | Art.Nr. | Stck. | Artikeltext / Description | | Abmessung |
|------|----------|-------|-----------------------------|-----------------------------|--------------------------|
| 1 | 301 0301 | 2 | Linsenschraube | Oval head screw | M6x20-4,6 Zn DIN7985 |
| 2 | 301 3350 | 2 | Sechskantschraube | Hexagon bolt | M12x50-8.8 Zn DIN933 |
| 3 | 301 7781 | 13 | Bügelsschraube | U-bolt | M10x48x76 Zn DIN3570A |
| 4 | 301 7806 | 2 | Bügelsschraube | U-bolt | M16/150/195 Zn |
| 6 | 303 0929 | 3 | Sicherungsmutter | Selflocking nut | NM5-8 Zn DIN985 |
| 7 | 303 0931 | 2 | Sicherungsmutter | Selflocking nut | NM6-8 Zn DIN985 |
| 8 | 303 0933 | 26 | Sicherungsmutter | Selflocking nut | NM10-8 DIN985 Zn |
| 9 | 303 0935 | 4 | Sicherungsmutter | Selflocking nut | NM16-8 Zn DIN985 |
| 10 | 303 1012 | 4 | Sechskantmutter | Hexagon nut | M10 DIN934-8 Zn |
| 12 | 305 6129 | 32 | Scheibe | Washer | D11/35x4 PU |
| 13 | 305 6976 | 16 | Scheibe | Washer | R11/34x3 DIN440-St Zn |
| 14 | 305 8551 | 4 | Sicherungsring | Retaining ring | Di41x3 A2 |
| 15 | 305 8569 | 3 | Scheibe | Washer | 5,3 DIN125 Zn |
| 16 | 305 8571 | 2 | Scheibe | Washer | 6,4 DIN125-A Zn |
| 18 | 305 9900 | 4 | Federring | Spring ring | 10 DIN127 Zn |
| 19 | 309 6054 | 2 | Spannhülse | Expansion bush | 6x40-DIN1481 Zn |
| 20 | 313 7807 | 2 | Bolzen | Pin | D12x59/117,5 V Zn |
| 21 | 321 9918 | 2 | Rückstrahler rot selbstkl. | Self-adh. reflector, red | 8200K |
| 22 | 321 9919 | 4 | Rückstrahler gelb selbstkl. | Self-adh. reflector, yellow | 6200GK |
| 23 | 321 9921 | 2 | Rückstrahler gelb m. Loch | Reflector, yellow | D60 |
| 26 | 325 5142 | 4 | Schelle | Clamp | 96/8 |



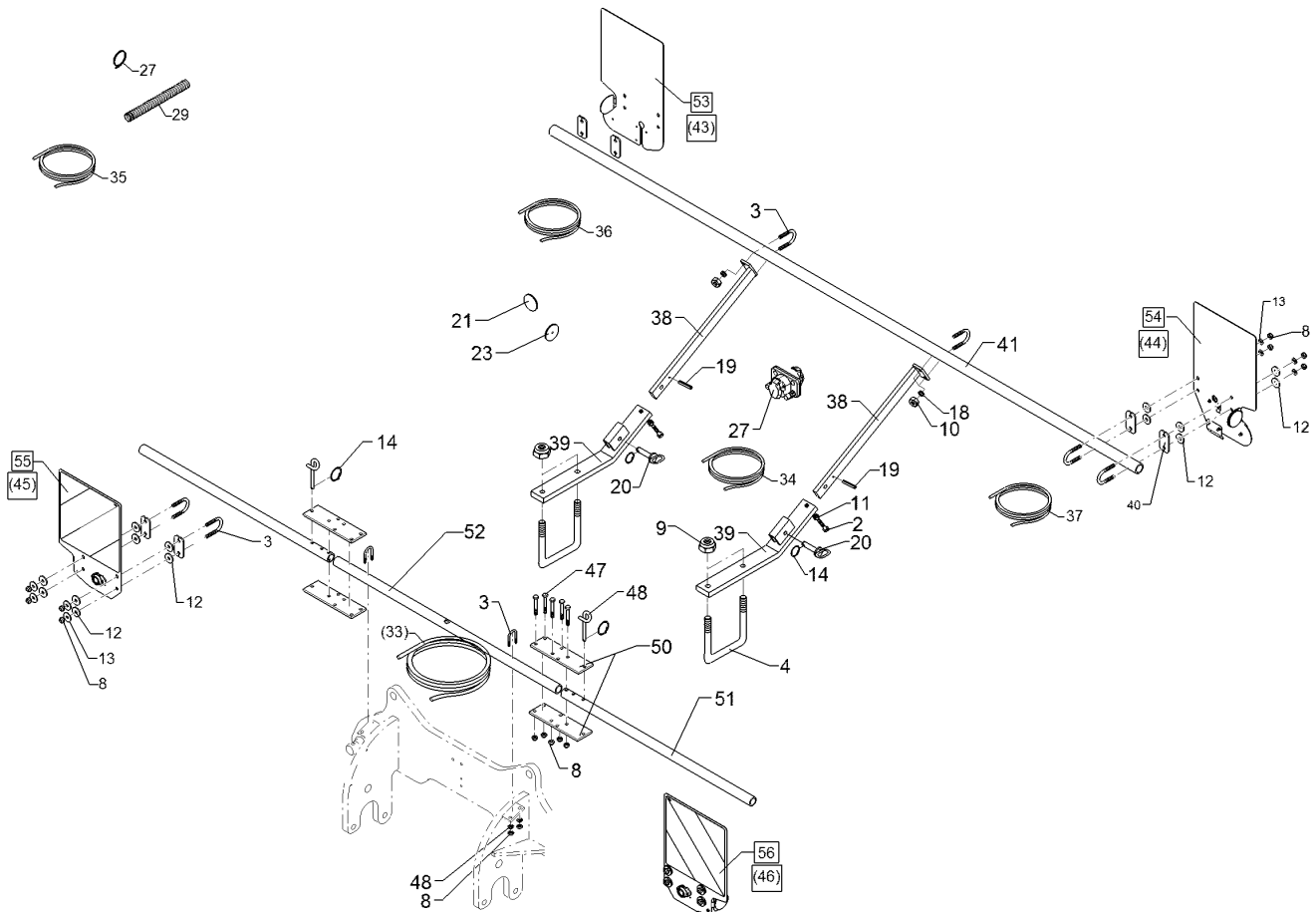
01.18

| Pos. | Art.Nr. | Stck. | Artikeltext / Description | Abmessung | |
|------|----------|-------|---------------------------|----------------|---------------------------|
| 27 | 373 2023 | 1 | Verteilerdose | Junction box | DISCON7/4 |
| 33 | 373 4261 | 1 | Kabel | Cable | 7x1,5x5000 |
| 34 | 373 4268 | 1 | Kabel | Cable | 4x0,75x1700 grün |
| 35 | 373 4269 | 1 | Kabel | Cable | 4x0,75x1700 gelb |
| 36 | 373 4274 | 1 | Kabel | Cable | gr 4x0,75x7000 |
| 37 | 373 4275 | 1 | Kabel | Cable | ye 4x0,75x7000 |
| 38 | 470 1664 | 2 | Halter | Holder | 40x15x550 |
| 39 | 470 1665 | 2 | Halter | Holder | 60x20x520 30GRD |
| 40 | 470 1776 | 8 | Klemmplatte | Clamping plate | 6x40x80 2x11-48/52 Zn |
| 41 | 470 1785 | 1 | Rohr | Tube | D38x5x2800 |
| 42 | 470 1786 | 1 | Trägerblech | Carrier plate | 3x95x156 2xGEB90GRD |
| 43 | 570 1758 | 1 | Beleuchtungseinheit | Lighting unit | 3eck HI RE |
| 44 | 570 1759 | 1 | Beleuchtungseinheit | Lighting unit | 3eck HI LI |
| 45 | 570 1762 | 1 | Beleuchtungseinheit | Lighting unit | 2x296x414 VO RE |
| 46 | 570 1763 | 1 | Beleuchtungseinheit | Lighting unit | 2x296x414 VO LI |
| 47 | 301 3253 | 10 | Sechskantschraube | Hexagon bolt | M10x60-8.8 Zn DIN931-A |
| 48 | 305 8696 | 10 | Scheibe | Washer | A10,5 DIN125-St Zn |
| 49 | 313 8610 | 2 | Bolzen | Pin | D10x85 Zn (10x210) |
| 50 | 470 1701 | 4 | Platte | Plate | 70x8x230 7xD10,2 |
| 51 | 47010010 | 2 | Rohr | Tube | 33,7x4,5x840 6xD10,5 |



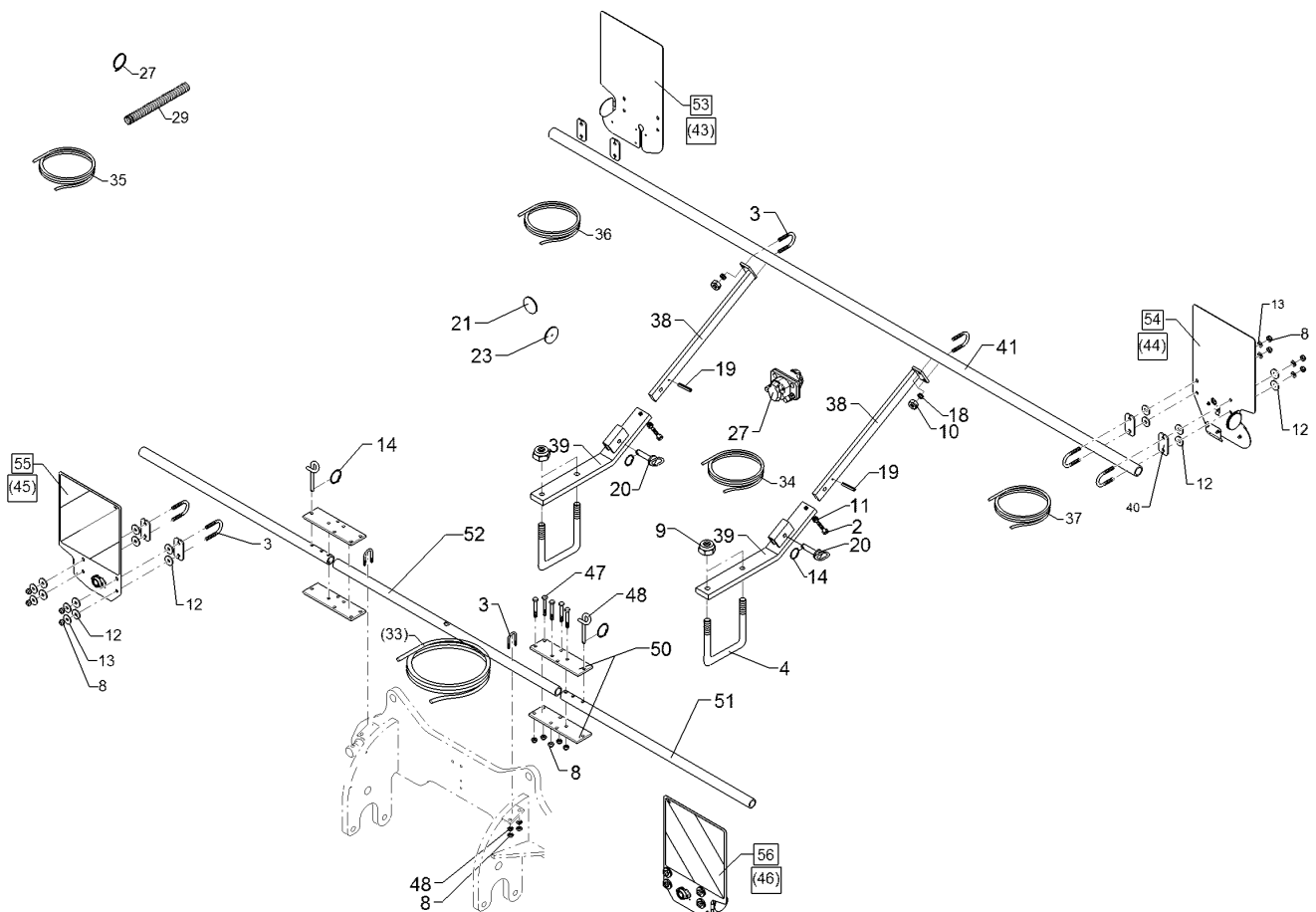
01.18

| Pos. | Art.Nr. | Stck. | Artikeltext / Description | Abmessung | |
|------|----------|-------|---------------------------|---------------|--------------------|
| 52 | 470 1700 | 1 | Rohr | Tube | 33,7x4,5x1060 |
| 53 | 47010023 | 2 | Halter | Holder | 1xD20 60x20x972 |
| 54 | 57010100 | 1 | Beleuchtungseinheit | Lighting unit | 1xGEB30GRD |
| 55 | 57010101 | 1 | Beleuchtungseinheit | Lighting unit | 3eck HI RE |
| 56 | 57010102 | 1 | Beleuchtungseinheit | Lighting unit | 3eck HI LI |
| 57 | 57010103 | 1 | Beleuchtungseinheit | Lighting unit | 2x296x414 VO RE |
| | | | | | 2x296x414 VO LI |



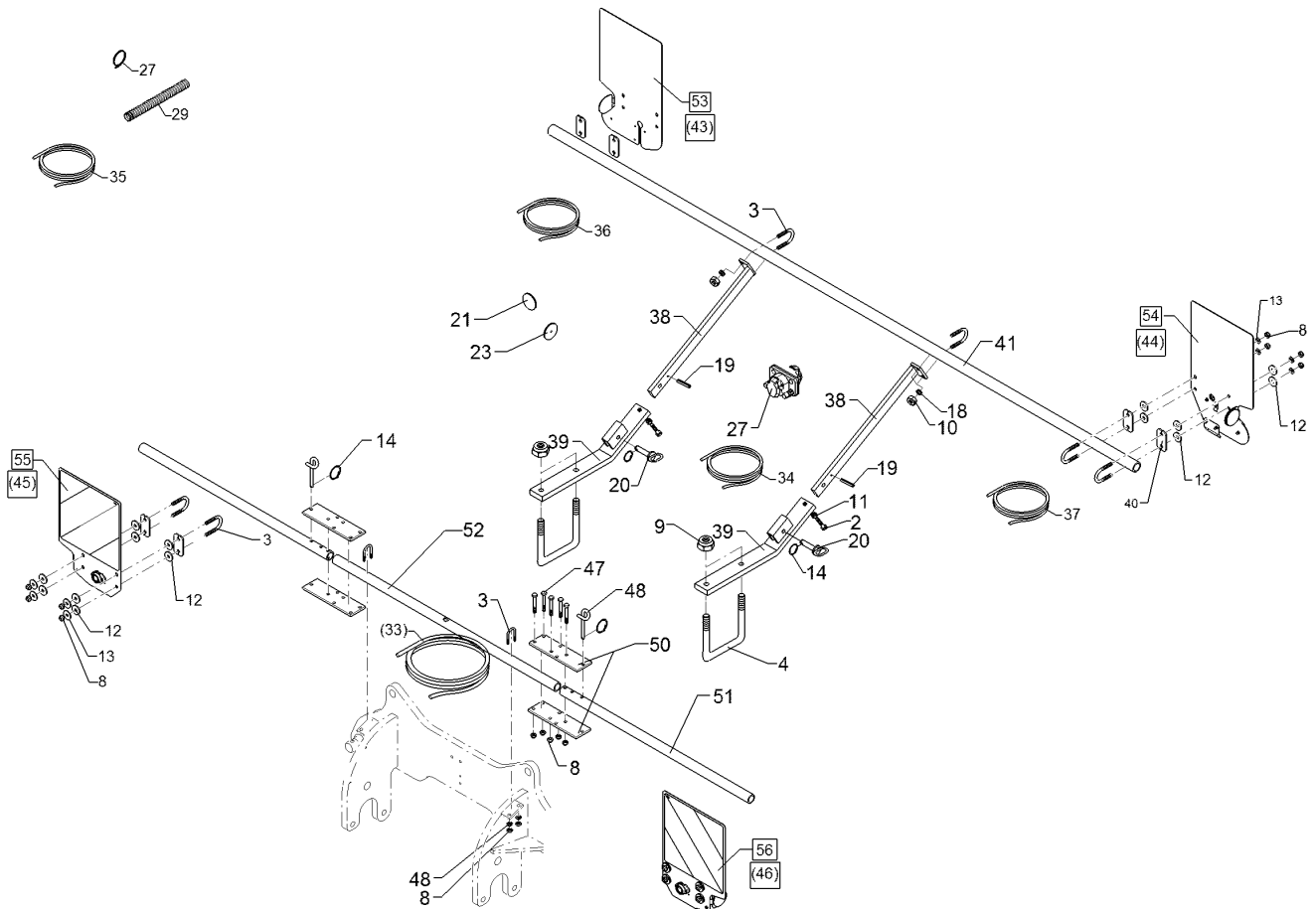
01.18

| Pos. | Art.Nr. | Stck. | Artikeltext / Description | | Abmessung |
|------|----------|-------|-----------------------------|-----------------------------|--------------------------|
| 1 | 301 0301 | 2 | Linsenschraube | Oval head screw | M6x20-4,6 Zn DIN7985 |
| 2 | 301 3350 | 2 | Sechskantschraube | Hexagon bolt | M12x50-8.8 Zn DIN933 |
| 3 | 301 7781 | 12 | Bügelschraube | U-bolt | M10x48x76 Zn DIN3570A |
| 4 | 301 7806 | 2 | Bügelschraube | U-bolt | M16/150/195 Zn |
| 6 | 303 0929 | 3 | Sicherungsmutter | Selflocking nut | NM5-8 Zn DIN985 |
| 7 | 303 0931 | 8 | Sicherungsmutter | Selflocking nut | NM6-8 Zn DIN985 |
| 8 | 303 0933 | 24 | Sicherungsmutter | Selflocking nut | NM10-8 DIN985 Zn |
| 9 | 303 0935 | 4 | Sicherungsmutter | Selflocking nut | NM16-8 Zn DIN985 |
| 10 | 303 1012 | 4 | Sechskantmutter | Hexagon nut | M10 DIN934-8 Zn |
| 11 | 303 1013 | 2 | Sechskantmutter | Hexagon nut | M12 DIN934-8 Zn |
| 12 | 305 6129 | 32 | Scheibe | Washer | D11/35x4 PU |
| 13 | 305 6976 | 16 | Scheibe | Washer | R11/34x3 DIN440-St Zn |
| 14 | 305 8551 | 4 | Sicherungsring | Retaining ring | Di41x3 A2 |
| 15 | 305 8569 | 3 | Scheibe | Washer | 5,3 DIN125 Zn |
| 16 | 305 8571 | 8 | Scheibe | Washer | 6,4 DIN125-A Zn |
| 18 | 305 9900 | 4 | Federring | Spring ring | 10 DIN127 Zn |
| 19 | 309 6054 | 2 | Spannhülse | Expansion bush | 6x40-DIN1481 Zn |
| 20 | 313 7807 | 2 | Bolzen | Pin | D12x59/117,5 V Zn |
| 21 | 321 9918 | 2 | Rückstrahler rot selbstkl. | Self-adh. reflector, red | 8200K |
| 22 | 321 9919 | 4 | Rückstrahler gelb selbstkl. | Self-adh. reflector, yellow | 6200GK |
| 23 | 321 9921 | 2 | Rückstrahler gelb m. Loch | Reflector, yellow | D60 |



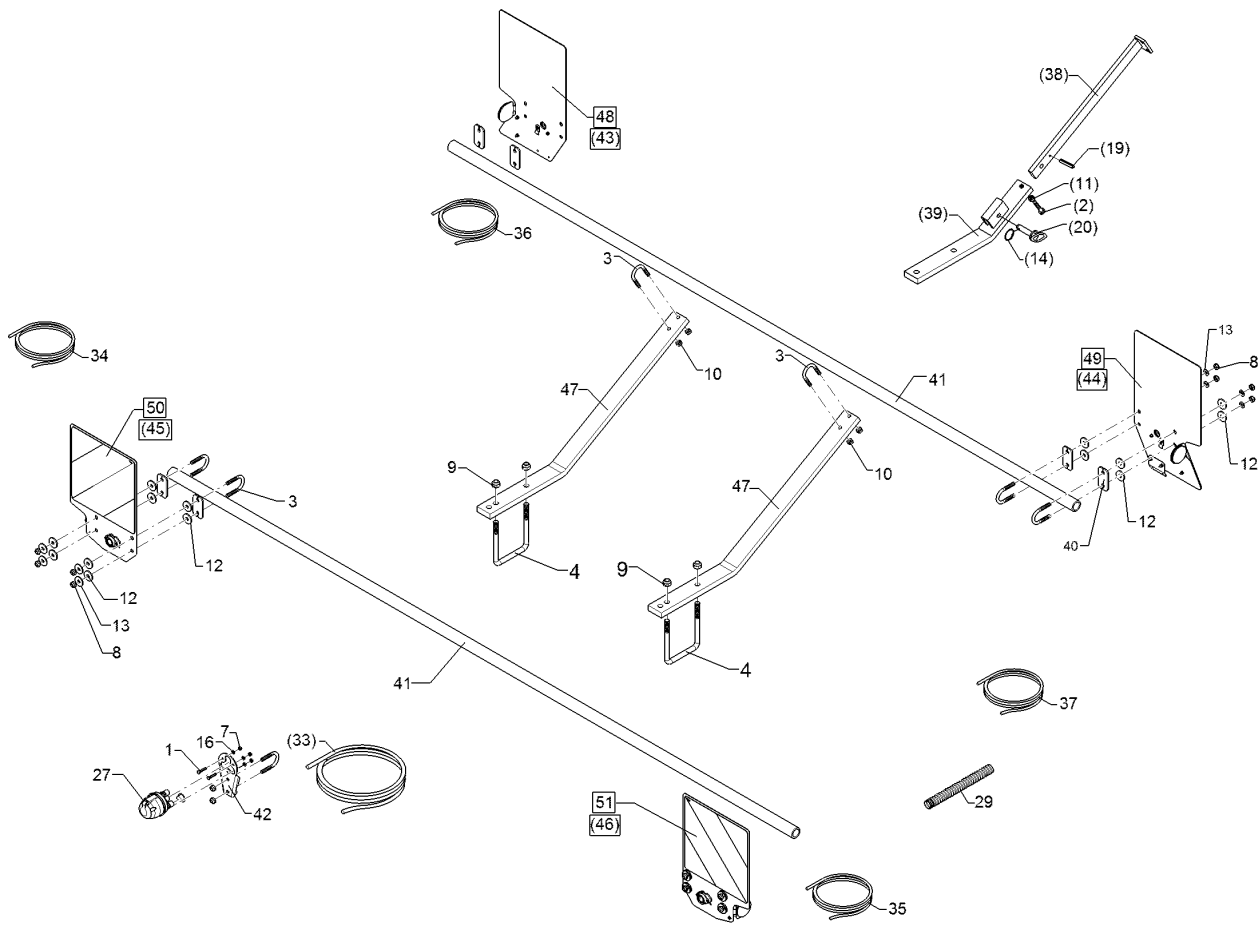
01.18

| Pos. | Art.Nr. | Stck. | Artikeltext / Description | | Abmessung |
|------|----------|-------|---------------------------|----------------|---------------------------|
| 26 | 325 5142 | 4 | Schelle | Clamp | 96/8 |
| 27 | 373 2025 | 1 | Verteilerdose | Junction box | DISCON7/7/2 |
| 33 | 373 4270 | 1 | Kabel | Cable | 7x1,5x9000 |
| 34 | 373 4271 | 1 | Kabel | Cable | 1x7pol. 2x4pol. 4m |
| 36 | 373 4264 | 1 | Kabel | Cable | gr 4x0,75x6000 |
| 37 | 373 4265 | 1 | Kabel | Cable | ye 4x0,75x6000 |
| 38 | 470 1664 | 2 | Halter | Holder | 40x15x550 |
| 39 | 470 1665 | 2 | Halter | Holder | 60x20x520 30GRD |
| 40 | 470 1776 | 8 | Klemmplatte | Clamping plate | 6x40x80 2x11-48/52 Zn |
| 41 | 470 1785 | 1 | Rohr | Tube | D38x5x2800 |
| 43 | 570 1758 | 1 | Beleuchtungseinheit | Lighting unit | 3eck HI RE |
| 44 | 570 1759 | 1 | Beleuchtungseinheit | Lighting unit | 3eck HI LI |
| 45 | 570 1762 | 1 | Beleuchtungseinheit | Lighting unit | 2x296x414 VO RE |
| 46 | 570 1763 | 1 | Beleuchtungseinheit | Lighting unit | 2x296x414 VO LI |
| 47 | 301 3253 | 10 | Sechskantschraube | Hexagon bolt | M10x60-8.8 Zn DIN931-A |
| 48 | 305 8696 | 10 | Scheibe | Washer | A10,5 DIN125-St Zn |
| 49 | 313 8610 | 2 | Bolzen | Pin | D10x85 Zn (10x210) |
| 50 | 470 1701 | 4 | Platte | Plate | 70x8x230 7xD10,2 |
| 51 | 47010010 | 2 | Rohr | Tube | 33,7x4,5x840 6xD10,5 |
| 52 | 470 1700 | 1 | Rohr | Tube | 33,7x4,5x1060 1xD20 |
| 53 | 57010100 | 1 | Beleuchtungseinheit | Lighting unit | 3eck HI RE |



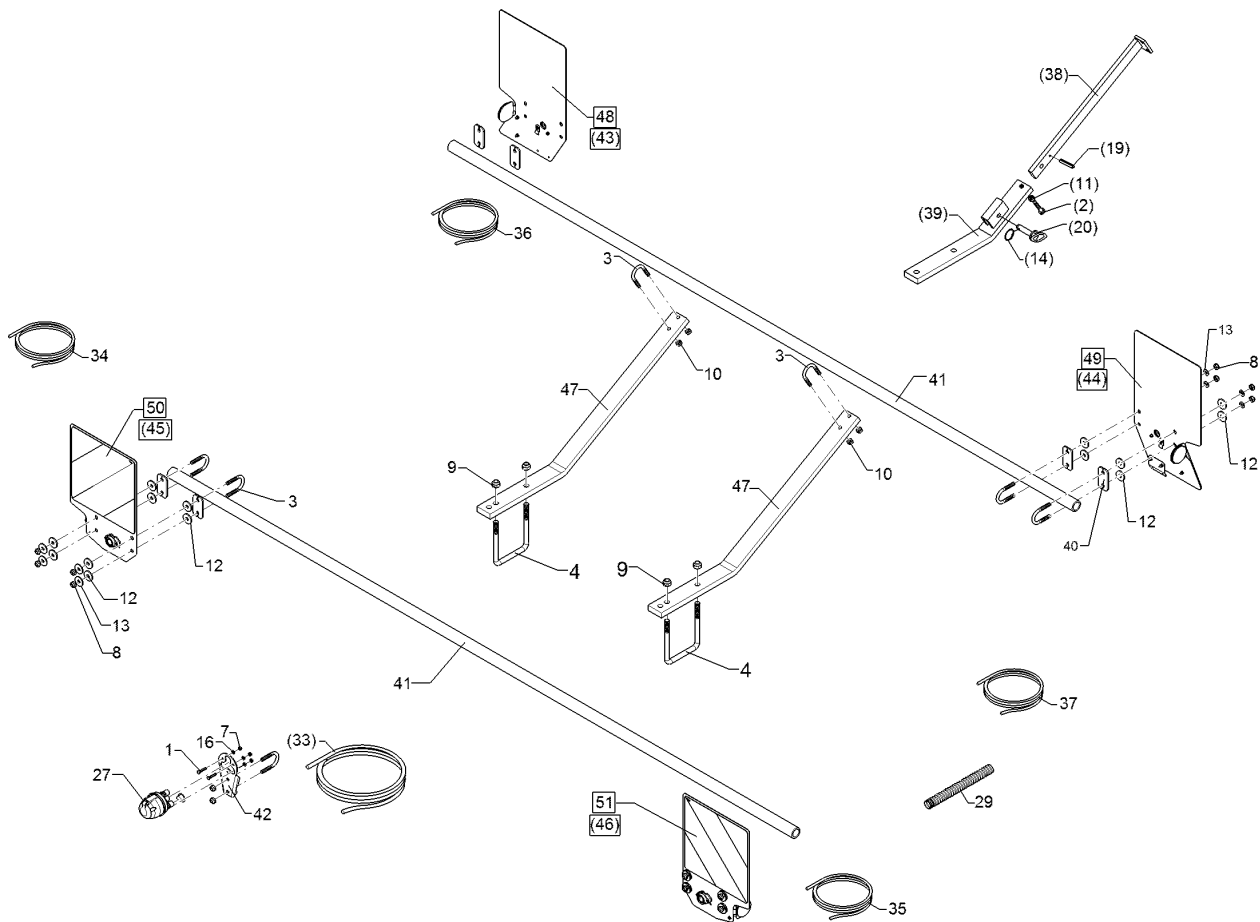
01.18

| Pos. | Art.Nr. | Stck. | Artikeltext / Description | | Abmessung |
|------|----------|-------|---------------------------|---------------|-----------------|
| 54 | 57010101 | 1 | Beleuchtungseinheit | Lighting unit | 3eck HI LI |
| 55 | 57010102 | 1 | Beleuchtungseinheit | Lighting unit | 2x296x414 VO RE |
| 56 | 57010103 | 1 | Beleuchtungseinheit | Lighting unit | 2x296x414 VO LI |



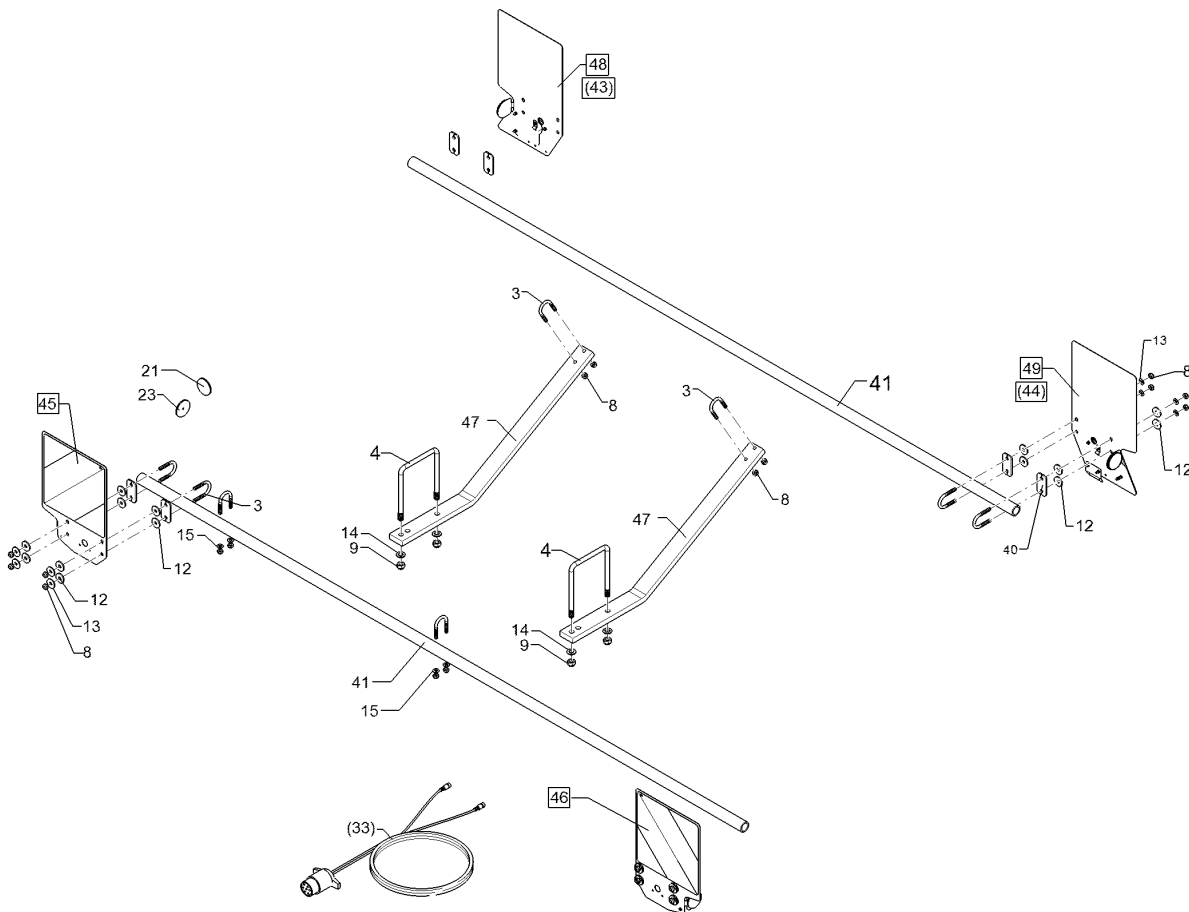
01.18

| Pos. | Art.Nr. | Stck. | Artikeltext / Description | | Abmessung |
|------|----------|-------|-----------------------------|-----------------------------|--------------------------|
| 1 | 301 0301 | 2 | Linsenschraube | Oval head screw | M6x20-4,6 Zn DIN7985 |
| 2 | 301 3350 | 2 | Sechskantschraube | Hexagon bolt | M12x50-8.8 Zn DIN933 |
| 3 | 301 7781 | 13 | Bügelschraube | U-bolt | M10x48x76 Zn DIN3570A |
| 4 | 301 7821 | 2 | Bügelschraube | U-bolt | M16/120/160 Zn |
| 6 | 303 0929 | 3 | Sicherungsmutter | Selflocking nut | NM5-8 Zn DIN985 |
| 7 | 303 0931 | 2 | Sicherungsmutter | Selflocking nut | NM6-8 Zn DIN985 |
| 8 | 303 0933 | 26 | Sicherungsmutter | Selflocking nut | NM10-8 DIN985 Zn |
| 9 | 303 0935 | 4 | Sicherungsmutter | Selflocking nut | NM16-8 Zn DIN985 |
| 10 | 303 1012 | 10 | Sechskantmutter | Hexagon nut | M10 DIN934-8 Zn |
| 11 | 303 1013 | 2 | Sechskantmutter | Hexagon nut | M12 DIN934-8 Zn |
| 12 | 305 6129 | 32 | Scheibe | Washer | D11/35x4 PU |
| 13 | 305 6976 | 16 | Scheibe | Washer | R11/34x3 DIN440-St Zn |
| 14 | 305 8551 | 2 | Sicherungsring | Retaining ring | Di41x3 A2 |
| 15 | 305 8569 | 3 | Scheibe | Washer | 5,3 DIN125 Zn |
| 16 | 305 8571 | 2 | Scheibe | Washer | 6,4 DIN125-A Zn |
| 19 | 309 6054 | 2 | Spannhülse | Expansion bush | 6x40-DIN1481 Zn |
| 20 | 313 7807 | 2 | Bolzen | Pin | D12x59/117,5 V Zn |
| 21 | 321 9918 | 2 | Rückstrahler rot selbstkl. | Self-adh. reflector, red | 8200K |
| 22 | 321 9919 | 4 | Rückstrahler gelb selbstkl. | Self-adh. reflector, yellow | 6200GK |
| 23 | 321 9921 | 2 | Rückstrahler gelb m. Loch | Reflector, yellow | D60 |
| 26 | 325 5142 | 4 | Schelle | Clamp | 96/8 |



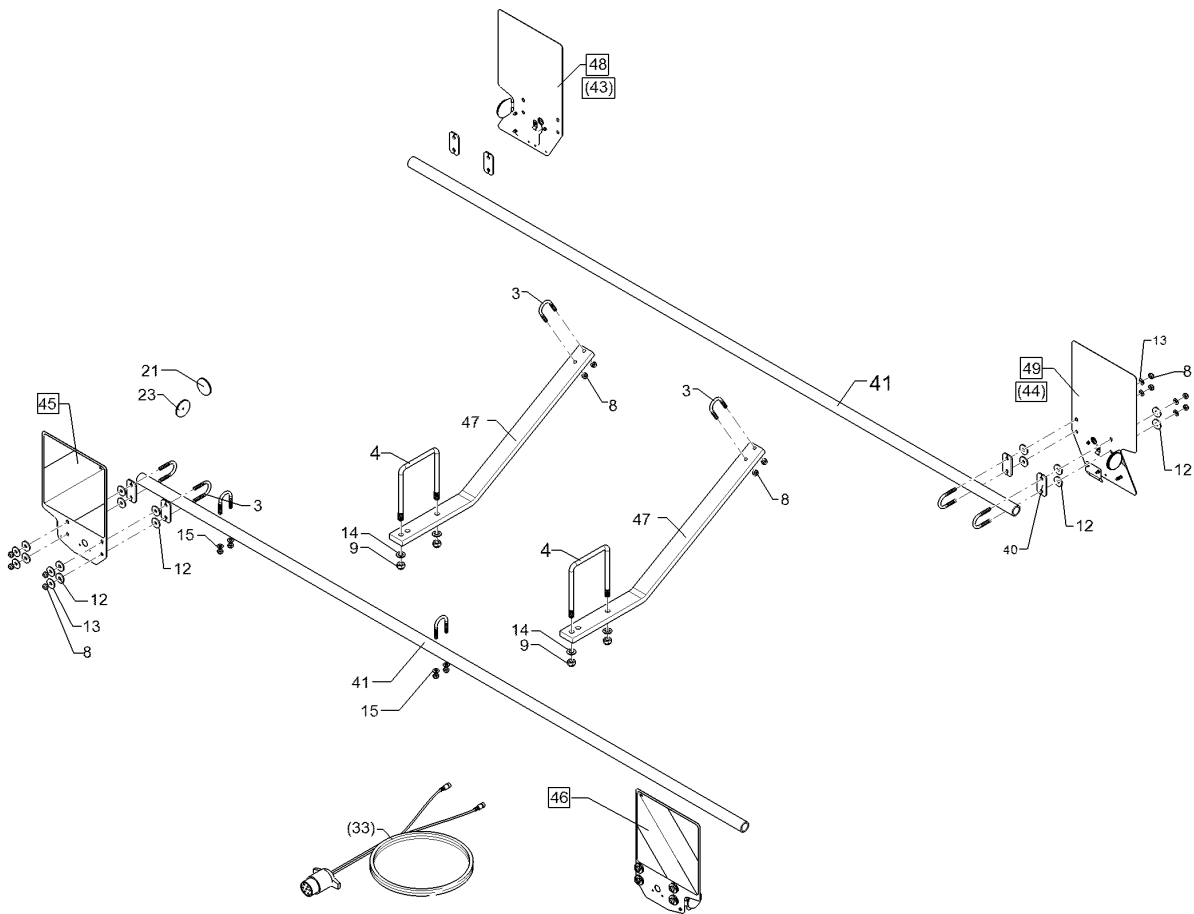
01.18

| Pos. | Art.Nr. | Stck. | Artikeltext / Description | | Abmessung |
|------|----------|-------|---------------------------|-----------------|-------------------------|
| 27 | 373 2023 | 1 | Verteilerdose | Junction box | DISCON7/4 |
| 29 | 325 5516 | 1 | Wellrohr | Corrugated tube | Di=36 |
| 33 | 373 4261 | 1 | Kabel | Cable | 7x1,5x5000 |
| 34 | 373 4268 | 1 | Kabel | Cable | 4x0,75x1700 grün |
| 35 | 373 4269 | 1 | Kabel | Cable | 4x0,75x1700 gelb |
| 36 | 37310004 | 1 | Grundkabel | Basic cable | 4x0,75x8000 gr |
| 37 | 37310005 | 1 | Grundkabel | Basic cable | 4x0,75x8000 ye |
| 38 | 470 1664 | 2 | Halter | Holder | 40x15x550 |
| 39 | 470 1665 | 2 | Halter | Holder | 60x20x520 30GRD |
| 40 | 470 1776 | 8 | Klemmplatte | Clamping plate | 6x40x80 2x11-48/52 Zn |
| 41 | 470 1785 | 2 | Rohr | Tube | D38x5x2800 |
| 42 | 470 1786 | 1 | Trägerblech | Carrier plate | 3x95x156 2xGEB90GRD |
| 43 | 570 1758 | 1 | Beleuchtungseinheit | Lighting unit | 3eck HI RE |
| 44 | 570 1759 | 1 | Beleuchtungseinheit | Lighting unit | 3eck HI LI |
| 45 | 570 1762 | 1 | Beleuchtungseinheit | Lighting unit | 2x296x414 VO RE |
| 46 | 570 1763 | 1 | Beleuchtungseinheit | Lighting unit | 2x296x414 VO LI |
| 47 | 47010023 | 2 | Halter | Holder | 60x20x972 1xGEB30GRD |
| 48 | 57010100 | 1 | Beleuchtungseinheit | Lighting unit | 3eck HI RE |
| 49 | 57010101 | 1 | Beleuchtungseinheit | Lighting unit | 3eck HI LI |
| 50 | 57010102 | 1 | Beleuchtungseinheit | Lighting unit | 2x296x414 VO RE |
| 51 | 57010103 | 1 | Beleuchtungseinheit | Lighting unit | 2x296x414 VO LI |



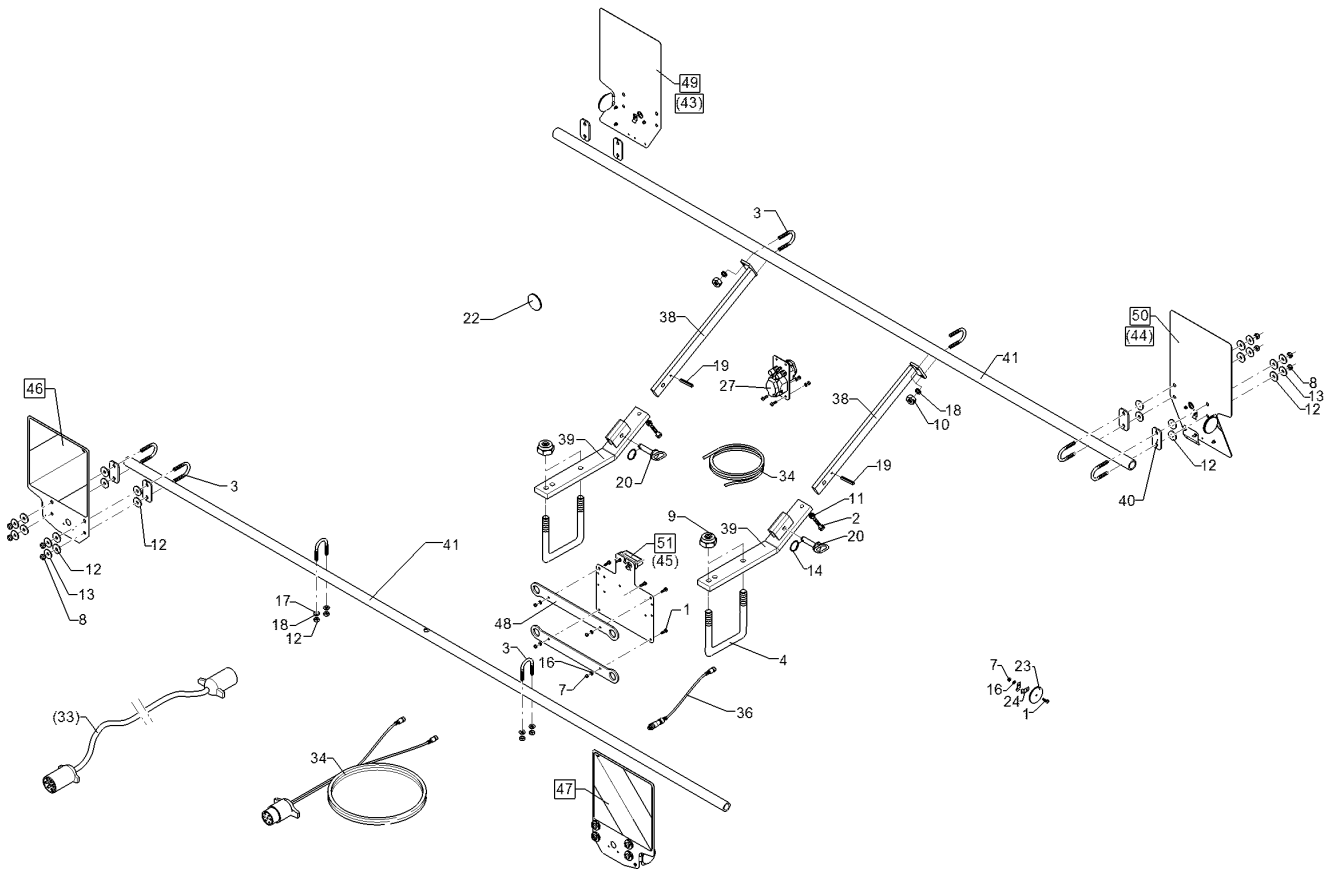
01.18

| Pos. | Art.Nr. | Stck. | Artikeltext / Description | | Abmessung |
|------|----------|-------|-----------------------------|-----------------------------|-----------------------------|
| 1 | 301 0301 | 2 | Linsenschraube | Oval head screw | M6x20-4,6 Zn DIN7985 |
| 3 | 301 7781 | 12 | Bügelsschraube | U-bolt | M10x48x76 Zn DIN3570A |
| 4 | 301 7806 | 2 | Bügelsschraube | U-bolt | M16/150/195 Zn |
| 7 | 303 0931 | 2 | Sicherungsmutter | Selflocking nut | NM6-8 Zn DIN985 |
| 8 | 303 0933 | 24 | Sicherungsmutter | Selflocking nut | NM10-8 DIN985 Zn |
| 9 | 303 0935 | 4 | Sicherungsmutter | Selflocking nut | NM16-8 Zn DIN985 |
| 12 | 305 6129 | 32 | Scheibe | Washer | D11/35x4 PU |
| 13 | 305 6976 | 16 | Scheibe | Washer | R11/34x3 DIN440-St Zn |
| 14 | 305 6141 | 4 | Scheibe | Washer | 17/30x3 DIN/ISO-7089 |
| 15 | 305 8696 | 4 | Scheibe | Washer | A10,5 DIN125-St Zn |
| 16 | 305 8571 | 2 | Scheibe | Washer | 6,4 DIN125-A Zn |
| 22 | 321 9919 | 4 | Rückstrahler gelb selbstkl. | Self-adh. reflector, yellow | 6200GK |
| 23 | 321 9921 | 2 | Rückstrahler gelb m. Loch | Reflector, yellow | D60 |
| 26 | 325 5142 | 4 | Schelle | Clamp | 96/8 |
| 33 | 37310075 | 1 | Grundkabel | Basic cable | 1x7pol 2x4pol 13/11m SAE |
| 40 | 470 1776 | 8 | Klemmplatte | Clamping plate | 6x40x80 2x11-48/52 Zn |
| 41 | 470 1785 | 2 | Rohr | Tube | D38x5x2800 |
| 43 | 570 1758 | 1 | Beleuchtungseinheit | Lighting unit | 3eck HI RE |
| 44 | 570 1759 | 1 | Beleuchtungseinheit | Lighting unit | 3eck HI LI |
| 45 | 57010014 | 1 | Warntafel | Warning board | 2x296x414VO RE |



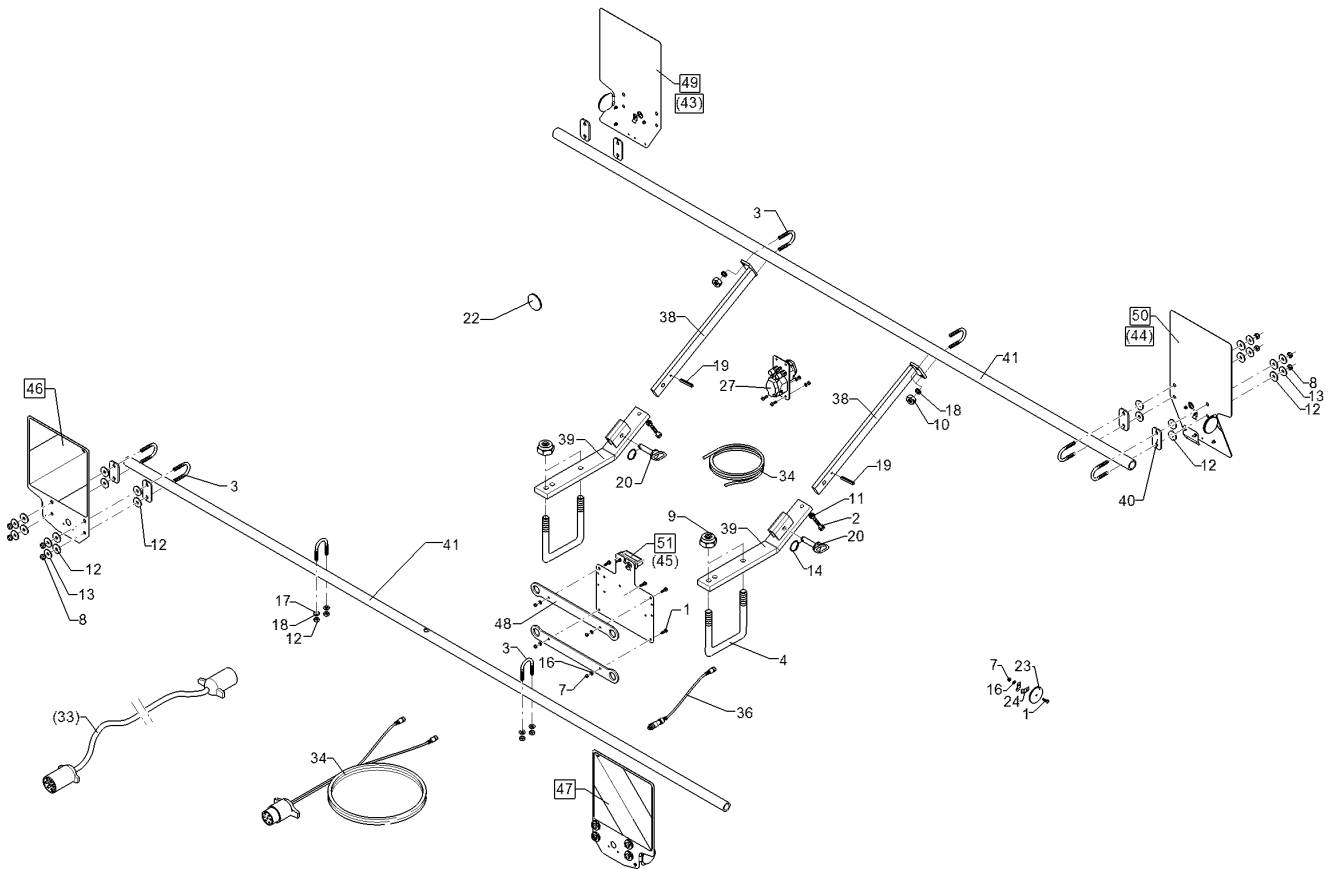
01.18

| Pos. | Art.Nr. | Stck. | Artikeltext / Description | | Abmessung |
|------|----------|-------|---------------------------|---------------|-------------------------|
| 46 | 57010015 | 1 | Warntafel | Warning board | 2x296x414VO LI |
| 47 | 47010023 | 2 | Halter | Holder | 60x20x972 1xGEB30GRD |
| 48 | 57010100 | 1 | Beleuchtungseinheit | Lighting unit | 3eck HI RE |
| 49 | 57010101 | 1 | Beleuchtungseinheit | Lighting unit | 3eck HI LI |



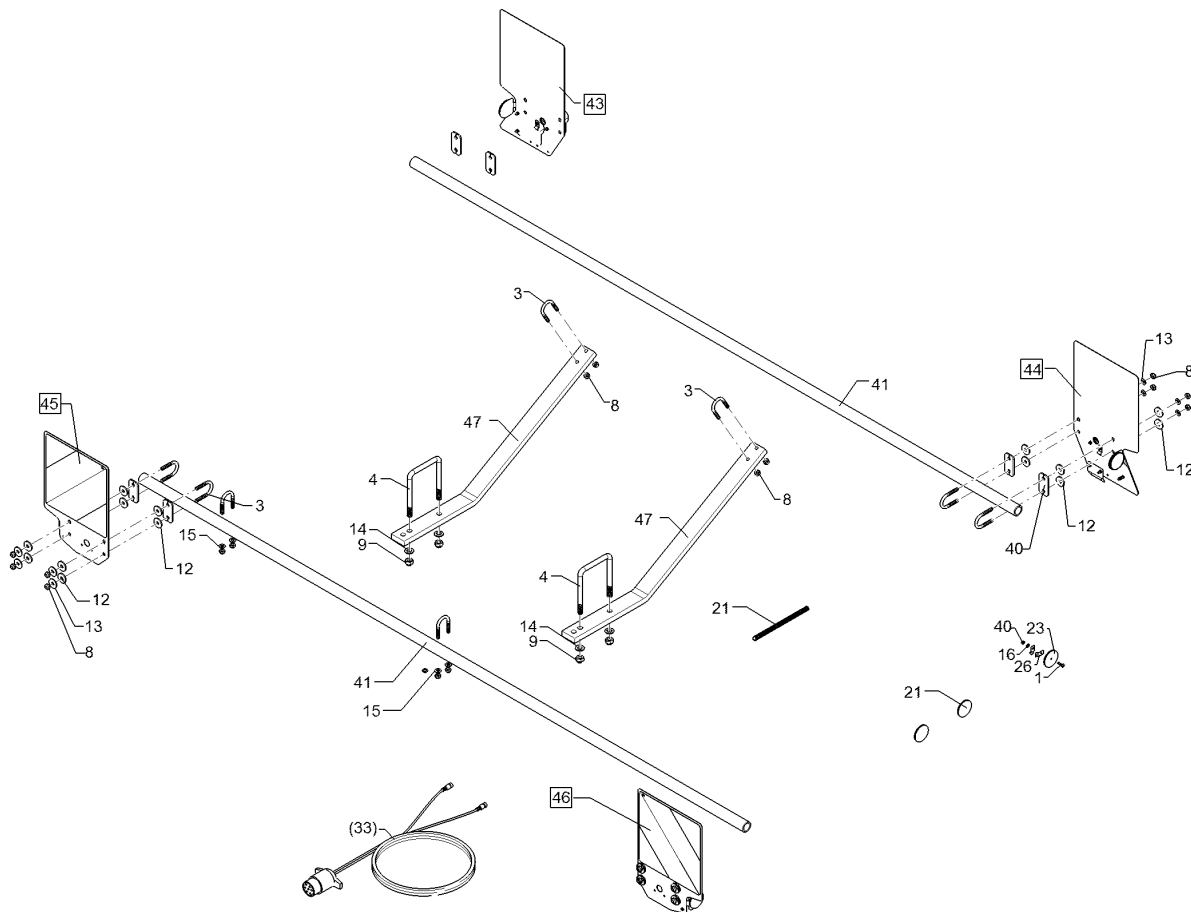
01.18

| Pos. | Art.Nr. | Stck. | Artikeltext / Description | | Abmessung |
|------|----------|-------|-----------------------------|-----------------------------|--------------------------|
| 1 | 301 0301 | 6 | Linsenschraube | Oval head screw | M6x20-4,6 Zn DIN7985 |
| 2 | 301 3350 | 2 | Sechskantschraube | Hexagon bolt | M12x50-8.8 Zn DIN933 |
| 3 | 301 7781 | 12 | Bügelschraube | U-bolt | M10x48x76 Zn DIN3570A |
| 4 | 301 7806 | 2 | Bügelschraube | U-bolt | M16/150/195 Zn |
| 7 | 303 0931 | 8 | Sicherungsmutter | Selflocking nut | NM6-8 Zn DIN985 |
| 8 | 303 0933 | 14 | Sicherungsmutter | Selflocking nut | NM10-8 DIN985 Zn |
| 9 | 303 0935 | 4 | Sicherungsmutter | Selflocking nut | NM16-8 Zn DIN985 |
| 10 | 303 1012 | 8 | Sechskantmutter | Hexagon nut | M10 DIN934-8 Zn |
| 11 | 303 1013 | 2 | Sechskantmutter | Hexagon nut | M12 DIN934-8 Zn |
| 12 | 305 6129 | 32 | Scheibe | Washer | D11/35x4 PU |
| 13 | 305 6976 | 16 | Scheibe | Washer | R11/34x3 DIN440-St Zn |
| 14 | 305 8551 | 2 | Sicherungsring | Retaining ring | Di41x3 A2 |
| 15 | 305 6141 | 4 | Scheibe | Washer | 17/30x3 DIN/ISO-7089 |
| 16 | 305 8571 | 6 | Scheibe | Washer | 6,4 DIN125-A Zn |
| 17 | 305 8696 | 8 | Scheibe | Washer | A10,5 DIN125-St Zn |
| 18 | 305 9900 | 8 | Federring | Spring ring | 10 DIN127 Zn |
| 19 | 309 6054 | 2 | Spannhülse | Expansion bush | 6x40-DIN1481 Zn |
| 20 | 313 7807 | 2 | Bolzen | Pin | D12x59/117,5 V Zn |
| 22 | 321 9919 | 4 | Rückstrahler gelb selbstkl. | Self-adh. reflector, yellow | 6200GK |
| 23 | 321 9921 | 2 | Rückstrahler gelb m. Loch | Reflector, yellow | D60 |



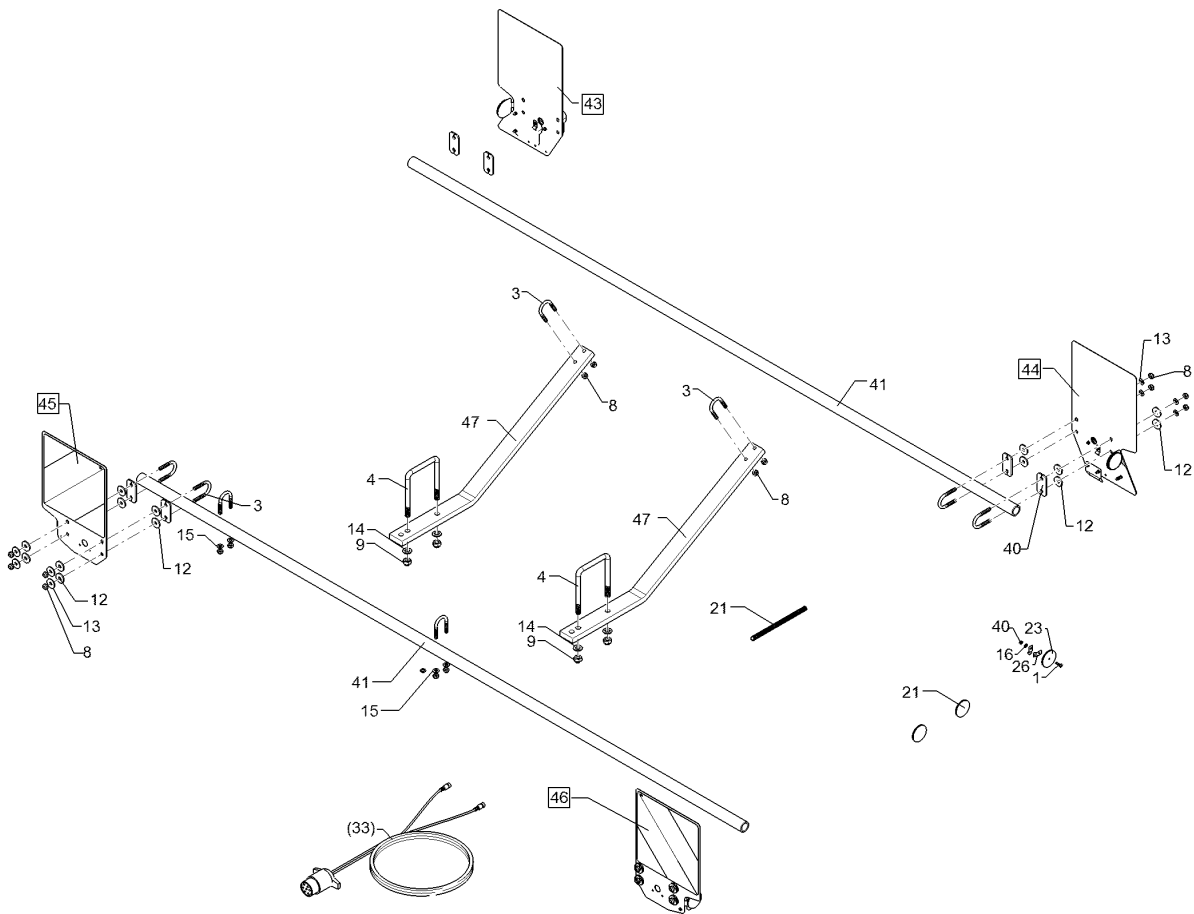
01.18

| Pos. | Art.Nr. | Stck. | Artikeltext / Description | Abmessung | |
|------|----------|-------|---------------------------|-------------------------------|-----------------------|
| 24 | 325 5142 | 4 | Schelle | Clamp | 96/8 |
| 27 | 373 2025 | 1 | Verteilerdose | Junction box | DISCON7/7/2 |
| 33 | 373 4270 | 1 | Kabel | Cable | 7x1,5x9000 |
| 34 | 373 4271 | 1 | Kabel | Cable | 1x7pol. 2x4pol. 4m |
| 36 | 373 4268 | 1 | Kabel | Cable | 4x0,75x1700 grün |
| 38 | 470 1664 | 2 | Halter | Holder | 40x15x550 |
| 39 | 470 1665 | 2 | Halter | Holder | 60x20x520 30GRD |
| 40 | 470 1776 | 8 | Klemmplatte | Clamping plate | 6x40x80 2x11-48/52 Zn |
| 41 | 470 1785 | 2 | Rohr | Tube | D38x5x2800 |
| 43 | 570 1758 | 1 | Beleuchtungseinheit | Lighting unit | 3eck HI RE |
| 44 | 570 1759 | 1 | Beleuchtungseinheit | Lighting unit | 3eck HI LI |
| 45 | 57010012 | 1 | Kennzeichenhalter | Holder for registration plate | 1,5x275x304 BEL |
| 46 | 57010014 | 1 | Warntafel | Warning board | 2x296x414VO RE |
| 47 | 57010015 | 1 | Warntafel | Warning board | 2x296x414VO LI |
| 48 | 47010039 | 1 | Halter | Holder | 5x125x420 2xD30,5 |
| 49 | 57010100 | 1 | Beleuchtungseinheit | Lighting unit | 3eck HI RE |
| 50 | 57010101 | 1 | Beleuchtungseinheit | Lighting unit | 3eck HI LI |
| 51 | 57010114 | 1 | Kennzeichenhalter | Holder for registration plate | 1,5x275x292 |



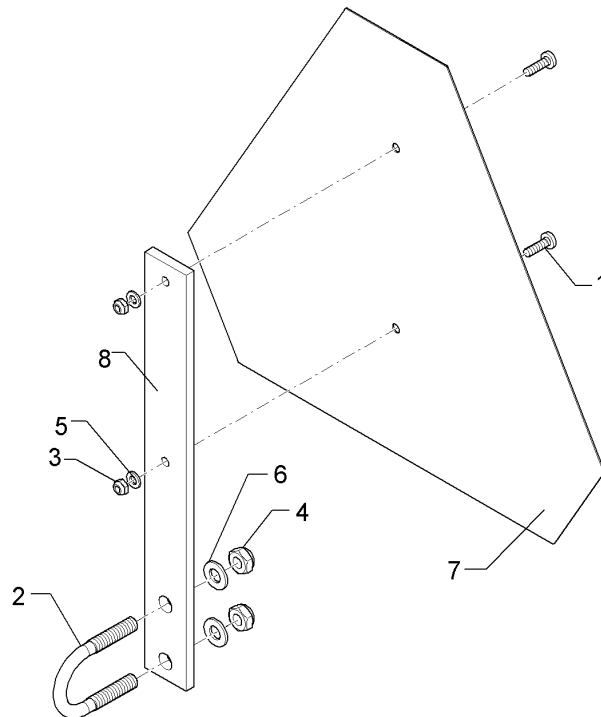
01.18

| Pos. | Art.Nr. | Stck. | Artikeltext / Description | Abmessung | |
|------|----------|-------|-----------------------------|-----------------------------|-----------------------------|
| 1 | 301 0301 | 2 | Linsenschraube | Oval head screw | M6x20-4,6 Zn DIN7985 |
| 3 | 301 7781 | 12 | Bügelsschraube | U-bolt | M10x48x76 Zn DIN3570A |
| 4 | 301 7821 | 2 | Bügelsschraube | U-bolt | M16/120/160 Zn |
| 7 | 303 0931 | 2 | Sicherungsmutter | Selflocking nut | NM6-8 Zn DIN985 |
| 8 | 303 0933 | 20 | Sicherungsmutter | Selflocking nut | NM10-8 DIN985 Zn |
| 9 | 303 0935 | 4 | Sicherungsmutter | Selflocking nut | NM16-8 Zn DIN985 |
| 10 | 303 1012 | 4 | Sechskantmutter | Hexagon nut | M10 DIN934-8 Zn |
| 12 | 305 6129 | 32 | Scheibe | Washer | D11/35x4 PU |
| 13 | 305 6976 | 16 | Scheibe | Washer | R11/34x3 DIN440-St Zn |
| 14 | 305 6141 | 4 | Scheibe | Washer | 17/30x3 DIN/ISO-7089 |
| 15 | 305 9900 | 4 | Federring | Spring ring | 10 DIN127 Zn |
| 16 | 305 8571 | 2 | Scheibe | Washer | 6,4 DIN125-A Zn |
| 17 | 305 8696 | 4 | Scheibe | Washer | A10,5 DIN125-St Zn |
| 22 | 321 9919 | 4 | Rückstrahler gelb selbstkl. | Self-adh. reflector, yellow | 6200GK |
| 23 | 321 9921 | 2 | Rückstrahler gelb m. Loch | Reflector, yellow | D60 |
| 26 | 325 5142 | 4 | Schelle | Clamp | 96/8 |
| 27 | 325 5516 | 2 | Wellrohr | Corrugated tube | Di=36 |
| 33 | 37310075 | 1 | Grundkabel | Basic cable | 1x7pol 2x4pol 13/11m SAE |
| 40 | 470 1776 | 8 | Klemmplatte | Clamping plate | 6x40x80 2x11-48/52 Zn |
| 41 | 470 1785 | 2 | Rohr | Tube | D38x5x2800 |



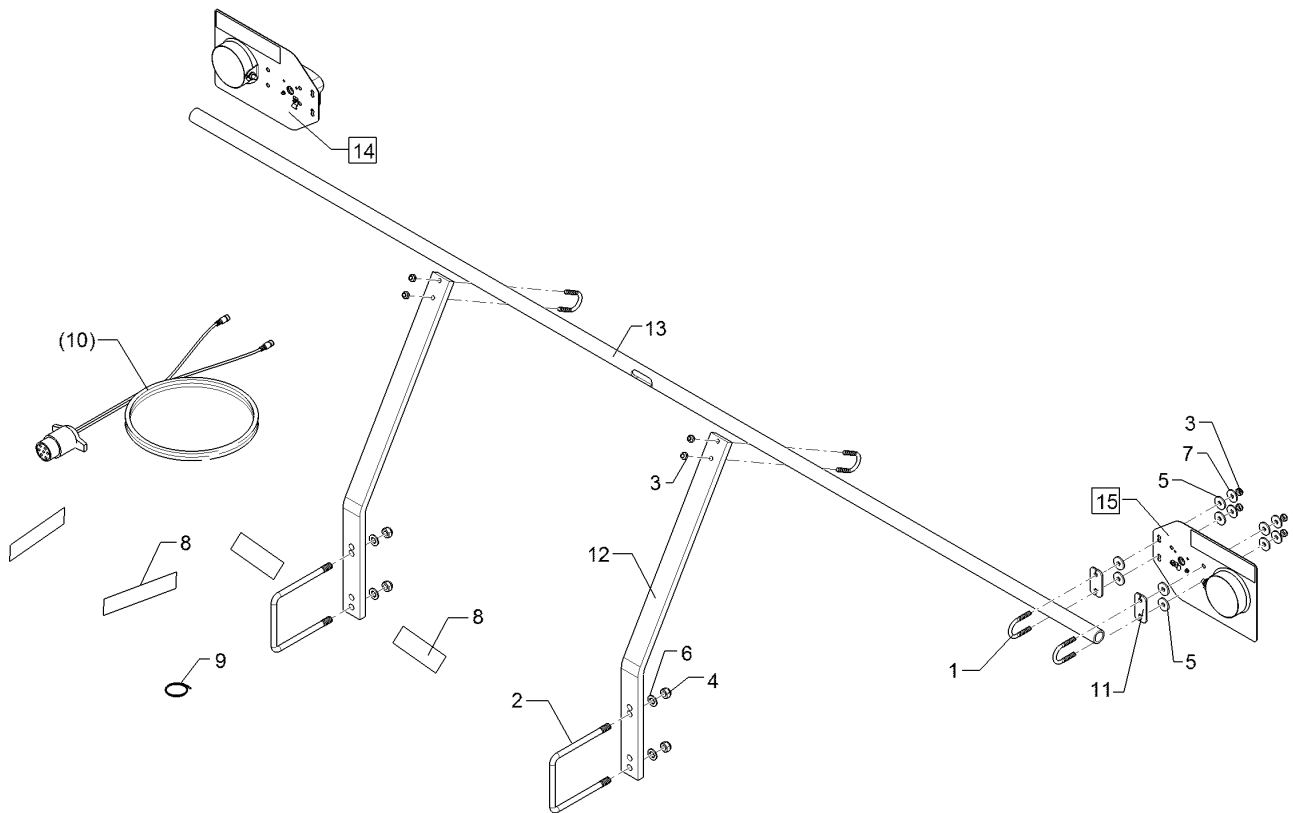
01.18

| Pos. | Art.Nr. | Stck. | Artikeltext / Description | | Abmessung |
|------|----------|-------|---------------------------|---------------|-------------------------|
| 43 | 570 1758 | 1 | Beleuchtungseinheit | Lighting unit | 3eck HI RE |
| 44 | 570 1759 | 1 | Beleuchtungseinheit | Lighting unit | 3eck HI LI |
| 45 | 57010014 | 1 | Warntafel | Warning board | 2x296x414VO RE |
| 46 | 57010015 | 1 | Warntafel | Warning board | 2x296x414VO LI |
| 47 | 47010023 | 2 | Halter | Holder | 60x20x972 1xGEB30GRD |
| 48 | 57010100 | 1 | Beleuchtungseinheit | Lighting unit | 3eck HI RE |
| 49 | 57010101 | 1 | Beleuchtungseinheit | Lighting unit | 3eck HI LI |



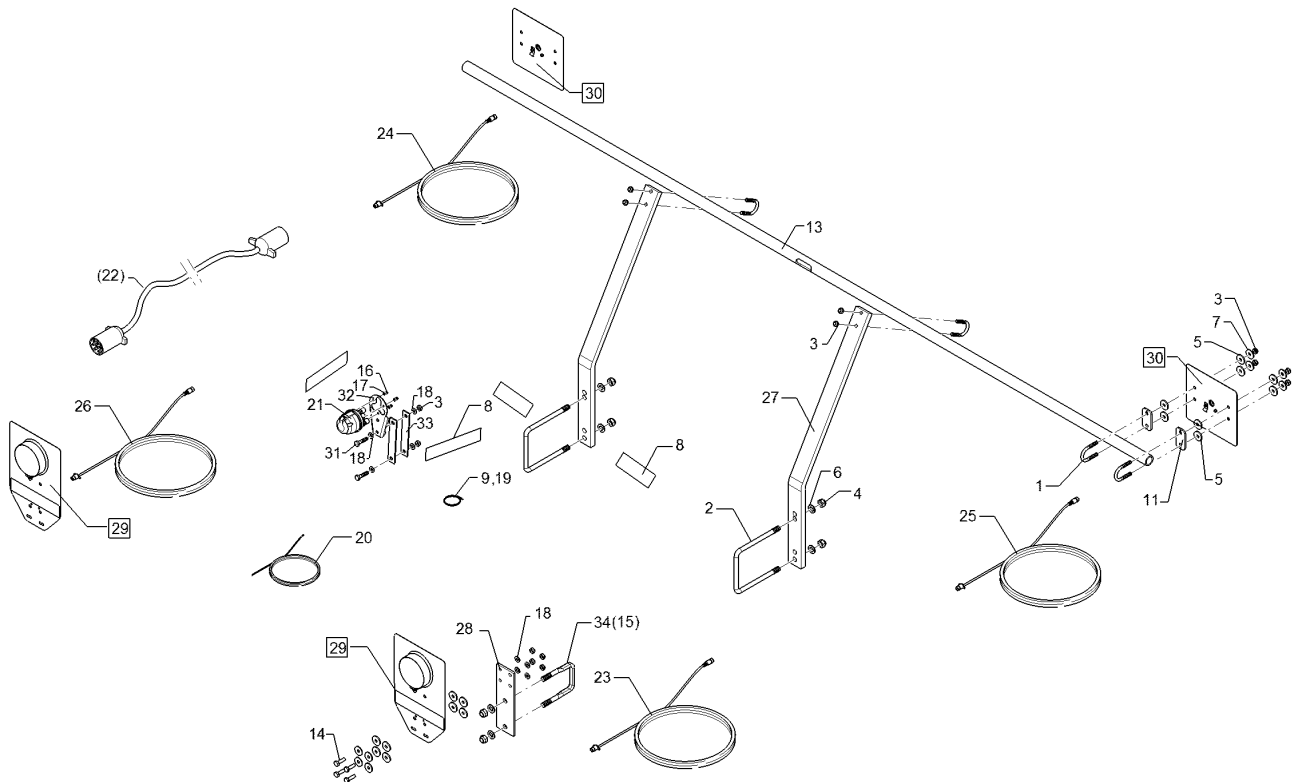
01.18

| Pos. | Art.Nr. | Stck. | Artikeltext / Description | | Abmessung |
|------|----------|-------|--------------------------------|-----------------|--------------------------|
| 1 | 301 0301 | 2 | Linsenschraube | Oval head screw | M6x20-4,6 Zn DIN7985 |
| 2 | 301 7781 | 1 | Bügelsschraube | U-bolt | M10x48x76 Zn DIN3570A |
| 3 | 303 0931 | 2 | Sicherungsmutter | Selflocking nut | NM6-8 Zn DIN985 |
| 4 | 303 0933 | 2 | Sicherungsmutter | Selflocking nut | NM10-8 DIN985 Zn |
| 5 | 305 8571 | 2 | Scheibe | Washer | 6,4 DIN125-A Zn |
| 6 | 305 8696 | 2 | Scheibe | Washer | A10,5 DIN125-St Zn |
| 7 | 32110016 | 1 | Schild langsamfahrend.Fahrzeug | Board | WT 69 |
| 8 | 47010044 | 1 | Flach | Flat steel | 40x8x350 2xD12,5 2xD7 |



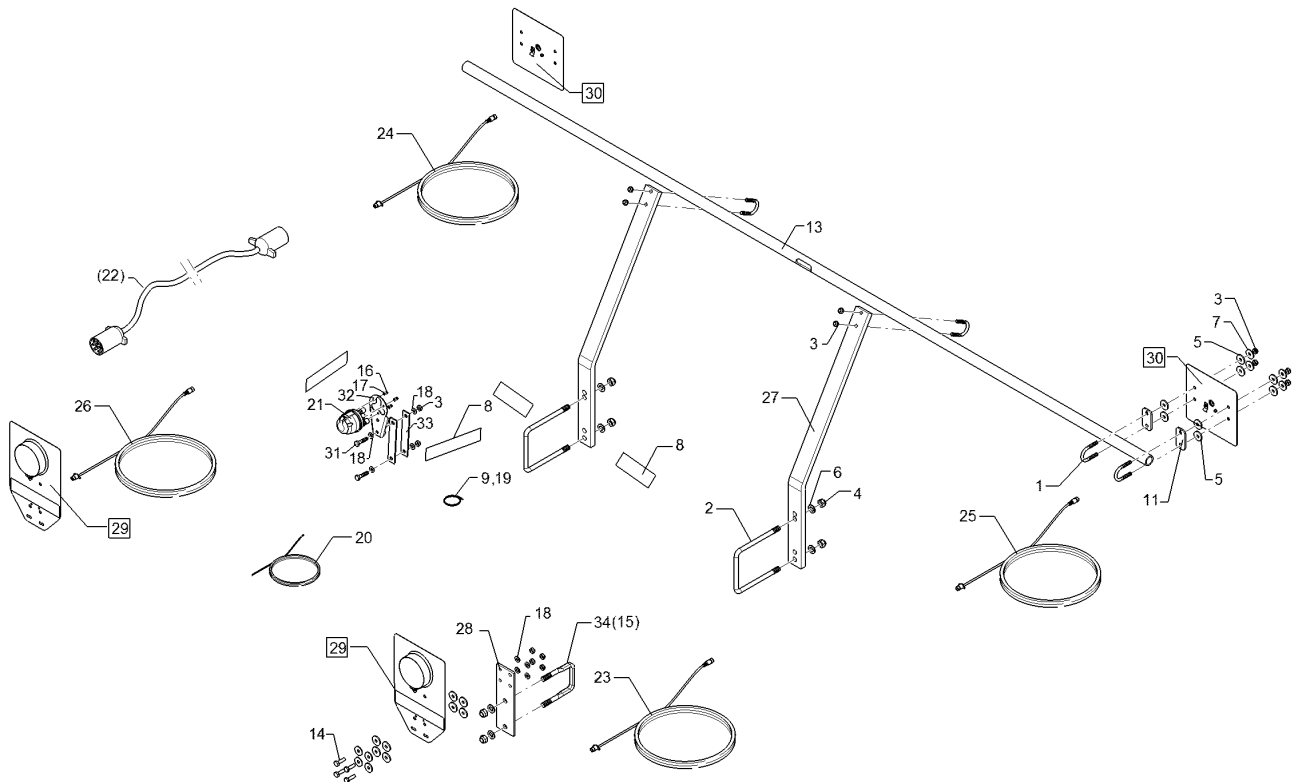
01.18

| Pos. | Art.Nr. | Stck. | Artikeltext / Description | | Abmessung |
|------|----------|-------|---------------------------|-----------------|-----------------------------|
| 1 | 301 7781 | 6 | Bügelschraube | U-bolt | M10x48x76 Zn DIN3570A |
| 2 | 301 7806 | 2 | Bügelschraube | U-bolt | M16/150/195 Zn |
| 3 | 303 0933 | 12 | Sicherungsmutter | Selflocking nut | NM10-8 DIN985 Zn |
| 4 | 303 0935 | 4 | Sicherungsmutter | Selflocking nut | NM16-8 Zn DIN985 |
| 5 | 305 6129 | 16 | Scheibe | Washer | D11/35x4 PU |
| 6 | 305 6141 | 4 | Scheibe | Washer | 17/30x3 DIN/ISO-7089 |
| 7 | 305 6976 | 8 | Scheibe | Washer | R11/34x3 DIN440-St Zn |
| 8 | 32110025 | 4 | Warnfolie | Warning sheet | 50x230 gelb refl. |
| 9 | 325 1325 | 10 | Kabelbinder | Cable clip | 179x4mm T40R |
| 10 | 37310075 | 1 | Grundkabel | Basic cable | 1x7pol 2x4pol 13/11m SAE |
| 11 | 470 1776 | 4 | Klemmplatte | Clamping plate | 6x40x80 2x11-48/52 Zn |
| 12 | 47010023 | 2 | Halter | Holder | 60x20x972 1xGEB30GRD |
| 13 | 47010047 | 1 | Rohr | Tube | D38x5x3250 1xD25x75 |
| 14 | 57010022 | 1 | Beleuchtungseinheit | Lighting unit | HI+VO RE NE |
| 15 | 57010023 | 1 | Beleuchtungseinheit | Lighting unit | HI+VO LI NE |



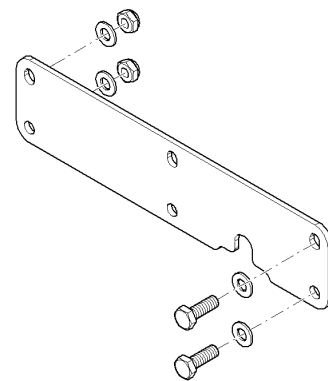
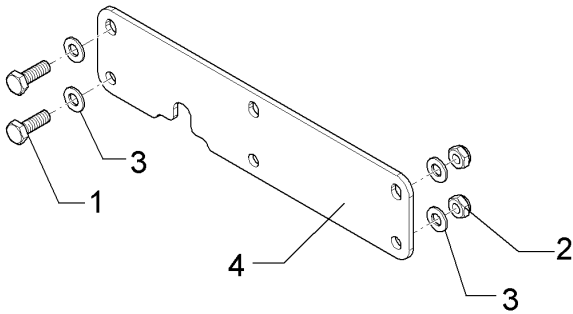
01.18

| Pos. | Art.Nr. | Stck. | Artikeltext / Description | | Abmessung |
|------|----------|-------|---------------------------|-----------------|--------------------------|
| 1 | 301 7781 | 6 | Bügelsschraube | U-bolt | M10x48x76 Zn DIN3570A |
| 2 | 301 7806 | 2 | Bügelsschraube | U-bolt | M16/150/195 Zn |
| 3 | 303 0933 | 22 | Sicherungsmutter | Selflocking nut | NM10-8 DIN985 Zn |
| 4 | 303 0935 | 8 | Sicherungsmutter | Selflocking nut | NM16-8 Zn DIN985 |
| 5 | 305 6129 | 32 | Scheibe | Washer | D11/35x4 PU |
| 6 | 305 6141 | 8 | Scheibe | Washer | 17/30x3 DIN/ISO-7089 |
| 7 | 305 6976 | 16 | Scheibe | Washer | R11/34x3 DIN440-St Zn |
| 8 | 32110025 | 4 | Warnfolie | Warning sheet | 50x230 gelb refl. |
| 9 | 325 1330 | 4 | Kabelbinder | Cable clip | 7,6x365 |
| 11 | 470 1776 | 4 | Klemmplatte | Clamping plate | 6x40x80 2x11-48/52 Zn |
| 13 | 470 1785 | 1 | Rohr | Tube | D38x5x2800 |
| 14 | 301 7308 | 8 | Sechskantschraube | Hexagon bolt | M10x35-8.8 Zn DIN933 |
| 15 | 301 7795 | 2 | Bügelsschraube | U-bolt | M16/90/135 (382) Zn |
| 16 | 303 0929 | 3 | Sicherungsmutter | Selflocking nut | NM5-8 Zn DIN985 |
| 17 | 305 8569 | 3 | Scheibe | Washer | 5,3 DIN125 Zn |
| 18 | 305 8696 | 12 | Scheibe | Washer | A10,5 DIN125-St Zn |
| 19 | 325 1325 | 12 | Kabelbinder | Cable clip | 179x4mm T40R |
| 20 | 325 5530 | 3 | Wellrohr | Corrugated tube | DN-PA06 bk |
| 21 | 373 2023 | 1 | Verteilerdose | Junction box | DISCON7/4 |
| 22 | 373 4261 | 1 | Kabel | Cable | 7x1,5x5000 |



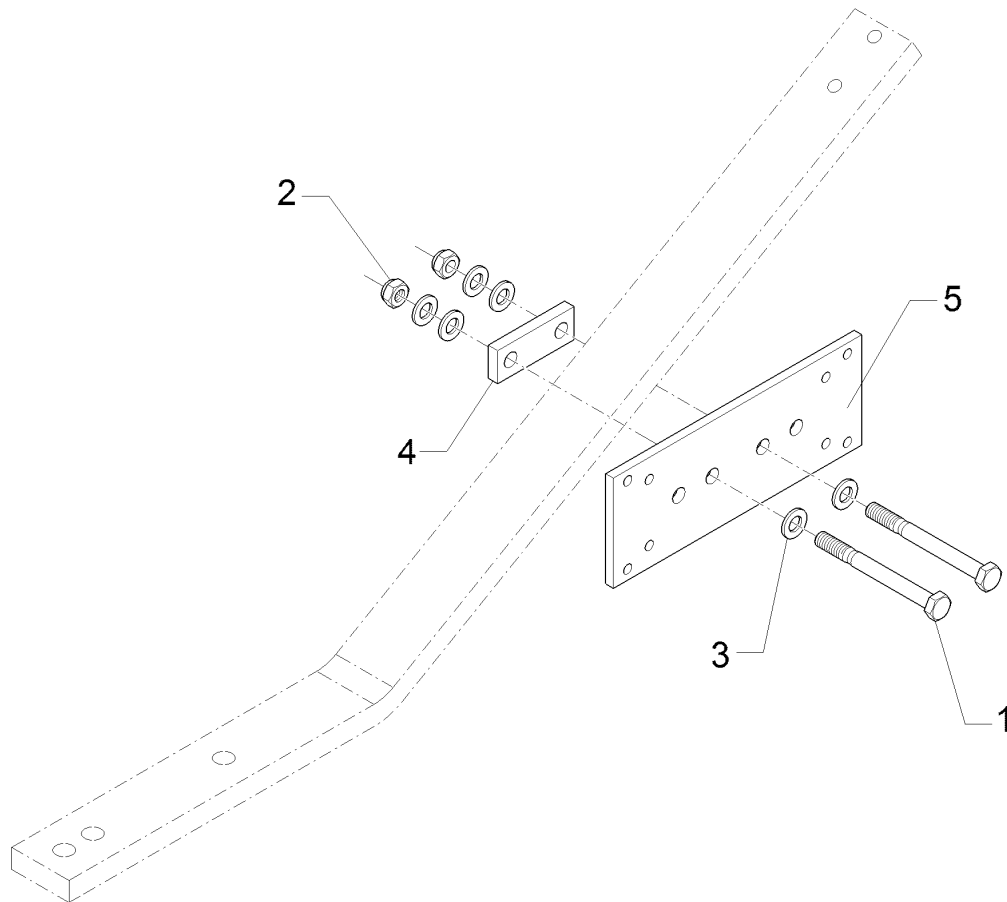
01.18

| Pos. | Art.Nr. | Stck. | Artikeltext / Description | | Abmessung |
|------|----------|-------|---------------------------|---------------|---------------------------|
| 23 | 373 4273 | 1 | Kabel | Cable | ye 4x0,75x5000 |
| 24 | 37310004 | 1 | Grundkabel | Basic cable | 4x0,75x8000 gr |
| 25 | 37310005 | 1 | Grundkabel | Basic cable | 4x0,75x8000 ye |
| 26 | 37310012 | 1 | Grundkabel | Basic cable | 4x0,75x4000 |
| 27 | 47010023 | 2 | Halter | Holder | 60x20x972 1xGEB30GRD |
| 28 | 47010045 | 2 | Flach | Flat steel | 80x8x260 2xD17 4xD11 |
| 29 | 57010020 | 2 | Beleuchtungseinheit | Lighting unit | HI+VO NE |
| 30 | 57010021 | 2 | Beleuchtungseinheit | Lighting unit | HI NE |
| 31 | 301 5424 | 2 | Sechskantschraube | Hexagon bolt | M10x45-8.8 Zn DIN931-A |
| 32 | 470 1786 | 10 | Trägerblech | Carrier plate | 3x95x156 2xGEB90GRD |
| 33 | 477 1216 | 2 | Brücke | Clamp plate | 30x4x172 2xD12,2-142 |
| 34 | 30110069 | 2 | Bügelschraube | U-bolt | M16x135 U-91 Zn |



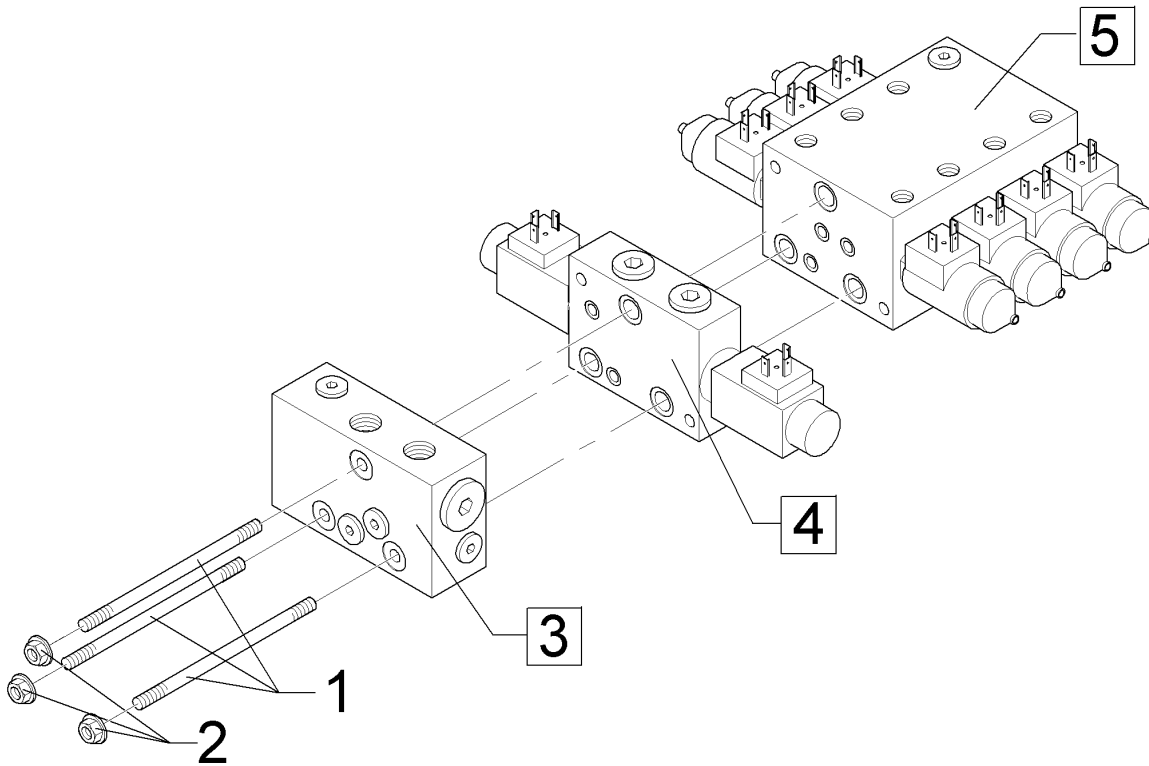
01.18

| Pos. | Art.Nr. | Stck. | Artikeltext / Description | | Abmessung |
|------|----------|-------|---------------------------|-----------------|---------------------------|
| 1 | 301 5004 | 4 | Sechskantschraube | Hexagon bolt | M10x30-8.8 Zn DIN933 |
| 2 | 303 0933 | 4 | Sicherungsmutter | Selflocking nut | NM10-8 DIN985 Zn |
| 3 | 305 8696 | 8 | Scheibe | Washer | A10,5 DIN125-St Zn |
| 4 | 47010064 | 2 | Verbreiterung | Enlargement | 5x80x349 3x11x14 3xD11 |



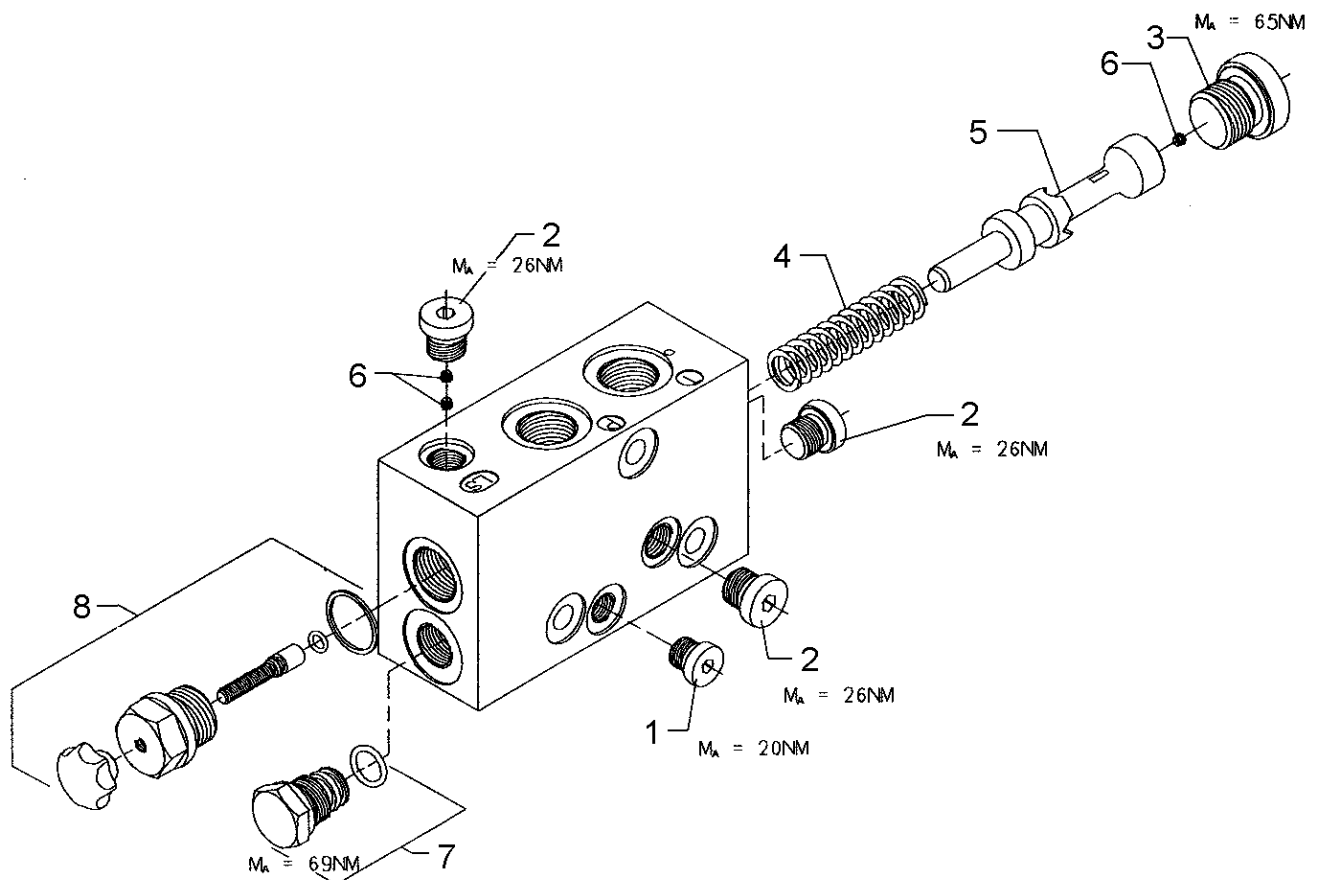
01.18

| Pos. | Art.Nr. | Stck. | Artikeltext / Description | | Abmessung |
|------|----------|-------|---------------------------|-----------------|----------------------------|
| 1 | 301 3498 | 2 | Sechskantschraube | Hexagon bolt | M12x120-8.8 Zn DIN931-A |
| 2 | 303 0934 | 2 | Sicherungsmutter | Selflocking nut | NM12-8 Zn DIN985 |
| 3 | 305 8580 | 6 | Scheibe | Washer | 13/24x2,5 St-Zn DIN125 |
| 4 | 45910014 | 1 | Brücke | Clamp plate | 30x10x80 2xD13-53 |
| 5 | 47010140 | 1 | Platte | Plate | 100x8x260 8xD8,5 4xD13 |



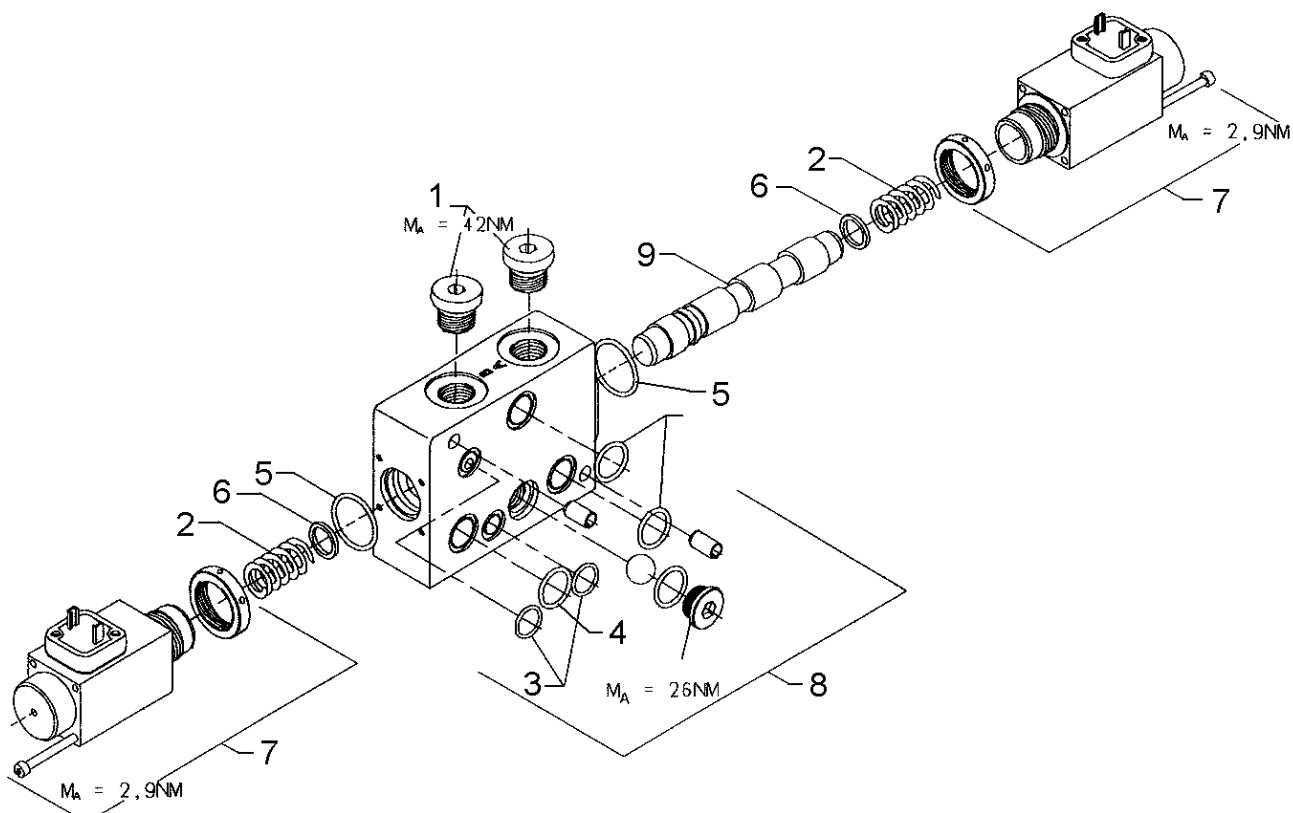
01.18

| Pos. | Art.Nr. | Stck. | Artikeltext / Description | | Abmessung |
|------|----------|-------|---------------------------|----------------------------|---------------------|
| 1 | 301 9915 | 3 | Schaftschraube | Bolt | M8x120 100022943 |
| 2 | 303 0113 | 3 | Dichtmutter | Nut | M8 100280470 |
| 3 | 575 2200 | 1 | Dreiwegedruckwaage | Three-way pressure balance | LU8SSCK-QM22/04 |
| 4 | 575 2201 | 1 | Wegeventil | Directional valve | 6/3 LD8SE4D2525 |
| 5 | 575 2211 | 1 | Sitzventil | Seat valve | SVH04M878SA-OM14G12 |



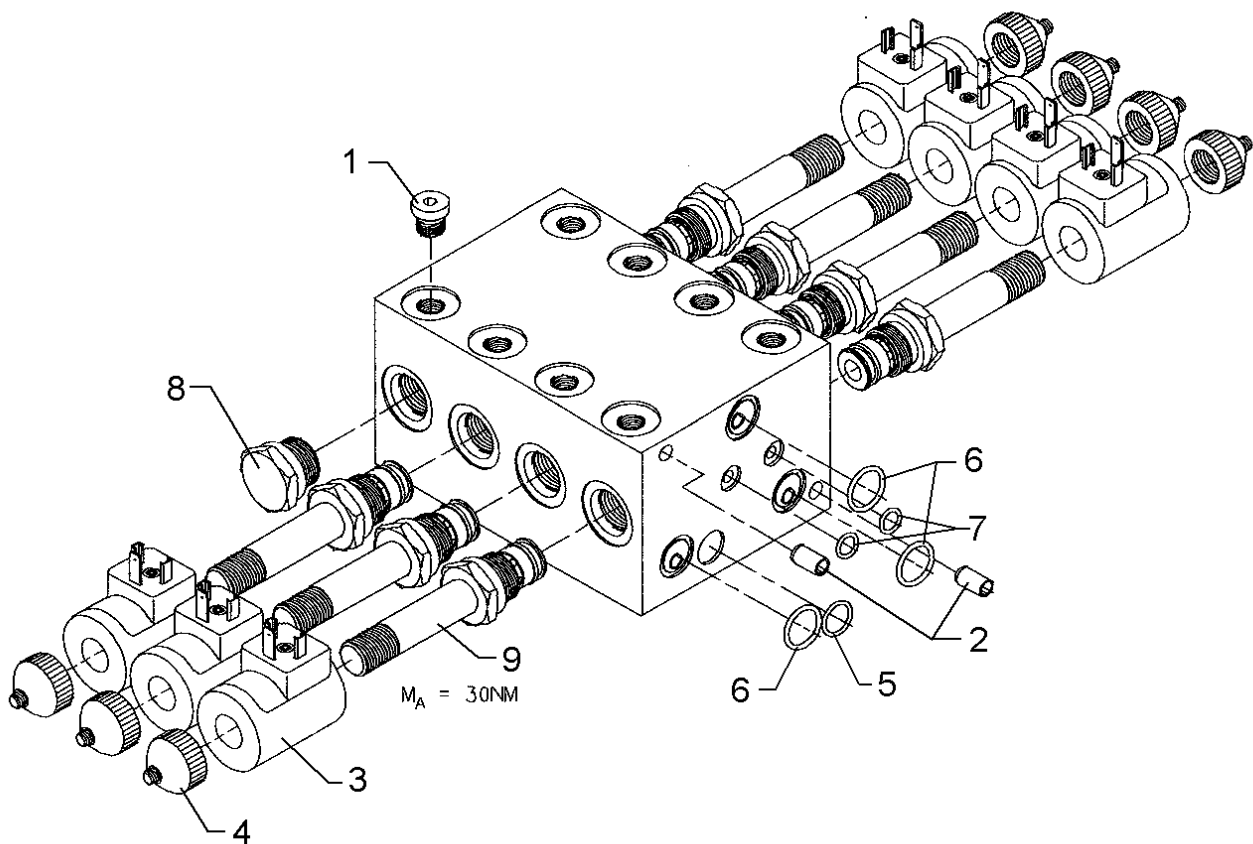
01.18

| Pos. | Art.Nr. | Stck. | Artikeltext / Description | | Abmessung |
|------|----------|-------|-------------------------------|--------------------|-------------------|
| 1 | 301 9707 | 1 | Verschlusschraube m.Dichtring | Plug | M12x1,5 |
| 2 | 301 9708 | 3 | Verschlusschraube m.Dichtring | Plug | M14x1,5 |
| 3 | 301 9711 | 1 | Verschlusschraube m.Dichtring | Plug | M22x1,5 |
| 4 | 329 8020 | 1 | Druckfeder | Compression spring | LU08 Bucher |
| 5 | 475 6068 | 1 | Kolben | Piston | LU08 |
| 6 | 575 1127 | 3 | Einschraubdüse | Nozzle | B M040,8 D D5x3,5 |
| 7 | 575 1128 | 1 | Verschlusschraube, kpl. | Plug, cpl | - |
| 8 | 575 1129 | 1 | Verschlusschraube, kpl. | Plug, cpl | - |



01.18

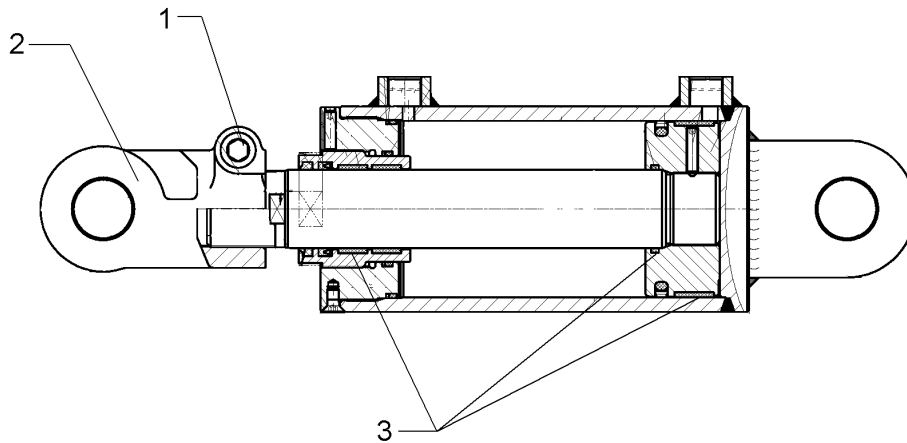
| Pos. | Art.Nr. | Stck. | Artikeltext / Description | | Abmessung |
|------|----------|-------|-------------------------------|--------------------|-------------------|
| 1 | 301 9710 | 2 | Verschlusschraube m.Dichtring | Plug | M18x1,5 |
| 2 | 329 8019 | 2 | Druckfeder | Compression spring | LD8SE Bucher |
| 3 | 375 1138 | 2 | O-Ring | O-ring | 12x2 |
| 4 | 375 1149 | 3 | O-Ring | O-ring | 16,56x1,78 |
| 5 | 375 1188 | 2 | O-Ring | O-ring | 24x2,0 |
| 6 | 375 1325 | 2 | Scheibe | Washer | LMX08 |
| 7 | 573 4700 | 2 | Schaltmagnet | Magnet | Bucher |
| 8 | 575 1130 | 1 | Einbauteile | Mounting parts | L.8SE/02 |
| 9 | 575 1131 | 1 | Steuerschieber | Servo spool valve | LD08.4D D17x111,4 |



01.18

| Pos. | Art.Nr. | Stck. | Artikeltext / Description | | Abmessung |
|------|----------|-------|-------------------------------|--------------------|--------------|
| 1 | 301 9708 | 1 | Verschlusschraube m.Dichtring | Plug | M14x1,5 |
| 2 | 309 3301 | 2 | Spannhülse | Expansion bush | 8x12-DIN7346 |
| 3 | 373 4701 | 7 | Magnetspule | Magnet coil | D3612DC27WH |
| 4 | 373 4702 | 7 | Handnotverstellung Arret. | Hand control, stop | K4-6908 |
| 5 | 375 1118 | 2 | O-Ring | O-ring | 8x2 |
| 6 | 375 1138 | 1 | O-Ring | O-ring | 12x2 |
| 7 | 375 1149 | 3 | O-Ring | O-ring | 16,56x1,78 |
| 8 | 375 5151 | 1 | Verschlusschraube | Plug | MHW-90-2-9 |
| 9 | 575 1132 | 7 | Wegesitzventil | Valve | 2/2 |

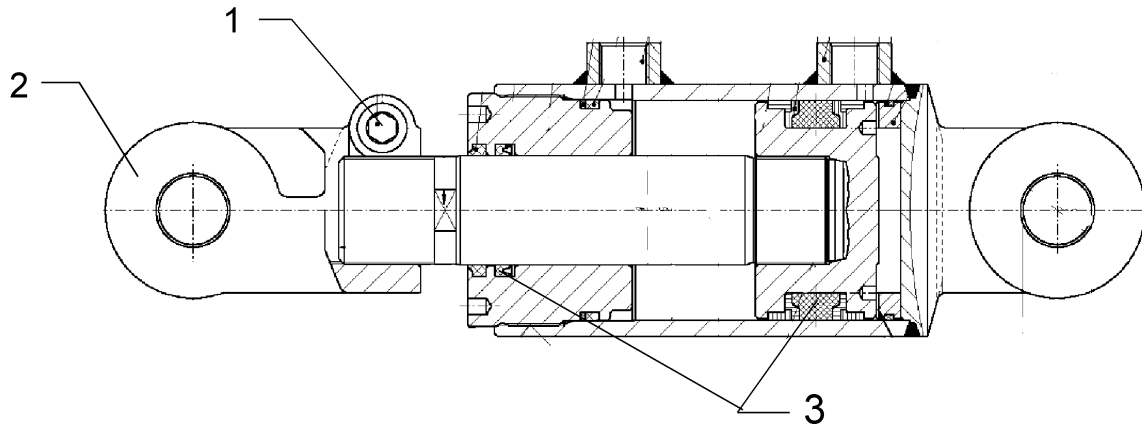
| | |
|---------------------------------|----------|
| Hydraulikzylinder/Hydraulic ram | 12 |
| Rubin 9/400 KÜA | 575 2262 |



01.18

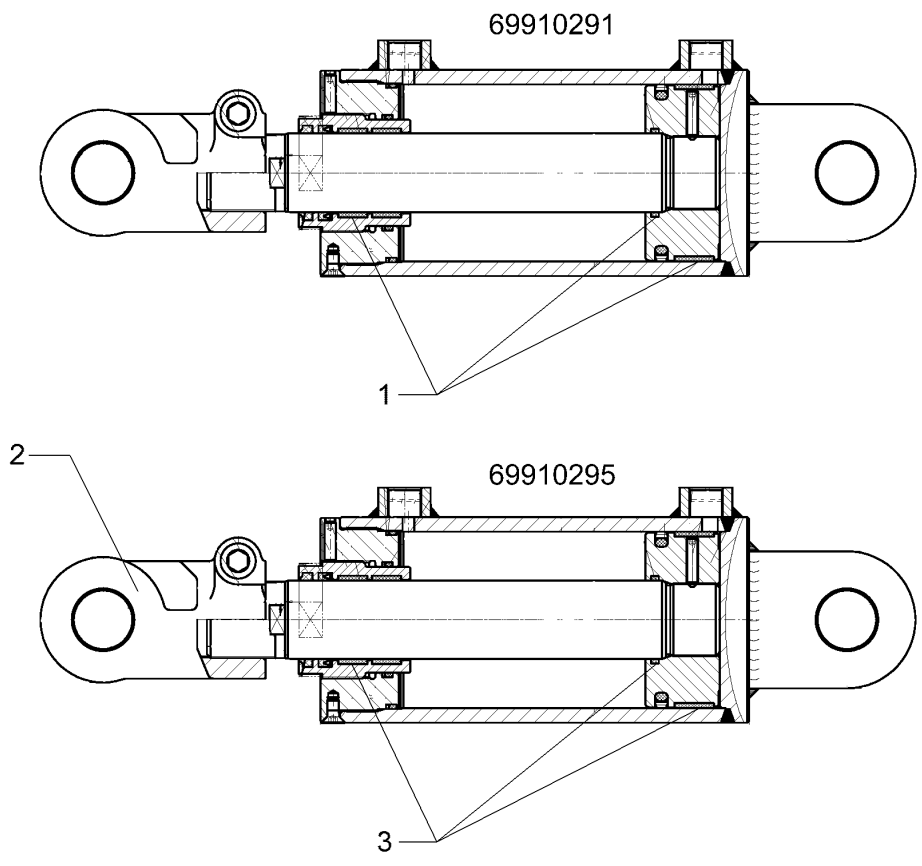
| Pos. | Art.Nr. | Stck. | Artikeltext / Description | | Abmessung |
|------|----------|-------|---------------------------|-----------------|-----------------------|
| 1 | 301 5832 | 1 | Zylinderschraube | Allen screw | M12x40-12.9 DIN912 |
| 2 | 302 9107 | 1 | Gelenkgabel | Fork-type joint | D30-83 M39x1,5 |
| 3 | 57510125 | 1 | Dichtungssatz | Seal set | D40/90 |

| | |
|---------------------------------|----------|
| Hydraulikzylinder/Hydraulic ram | 12 |
| Rubin 9/400 KÜA | 575 2268 |



01.18

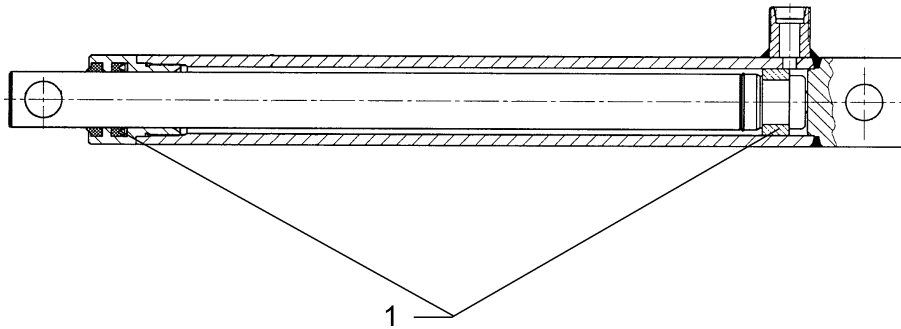
| Pos. | Art.Nr. | Stck. | Artikeltext / Description | | Abmessung |
|------|----------|-------|---------------------------|-----------------|-----------------------|
| 1 | 301 5832 | 1 | Zylinderschraube | Allen screw | M12x40-12.9 DIN912 |
| 2 | 302 9103 | 1 | Gelenkgabel | Fork-type joint | D30-83 M39x1,5 |
| 3 | 575 9197 | 1 | Dichtungssatz | Seal set | D40/90 |



01.18

| Pos. | Art.Nr. | Stck. | Artikeltext / Description | Abmessung |
|------|----------|-------|---------------------------|-----------------|
| 1 | 57510753 | 1 | Dichtungssatz | Seal set |
| 2 | 302 9107 | 1 | Gelenkgabel | Fork-type joint |
| 3 | 575 9274 | 1 | Dichtungssatz | Seal set |
| | | | | 45/100 |
| | | | | D30-83 M39x1,5 |
| | | | | D45/100 |

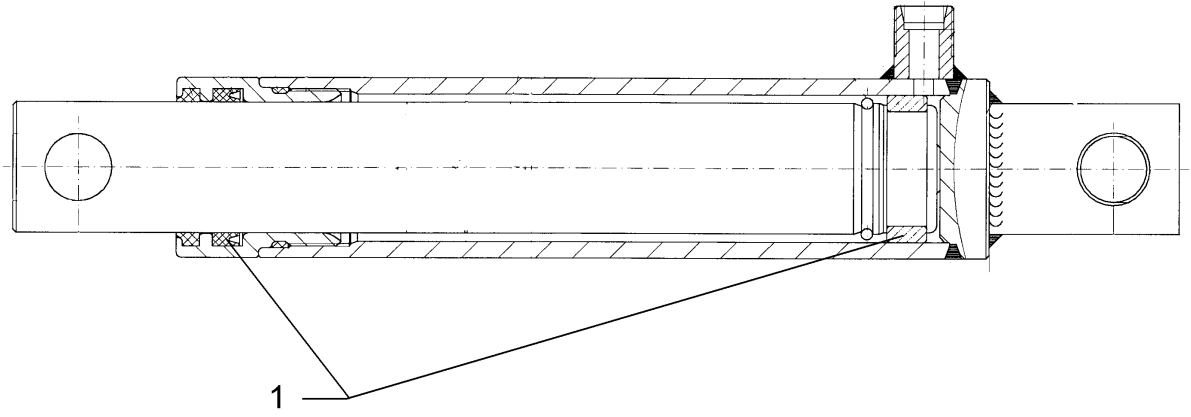
| | |
|------------------------------|----------|
| Plunger-Zylinder/Plunger-ram | 12 |
| Rubin 9/400 KÜA | 575 2310 |



01.18

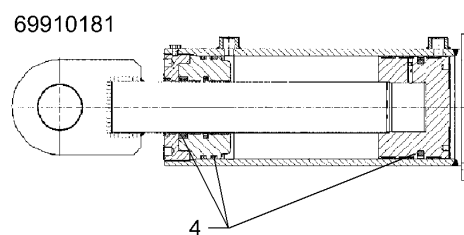
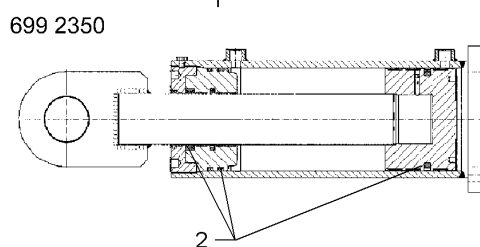
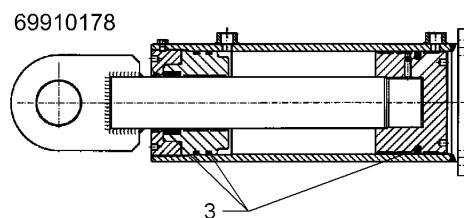
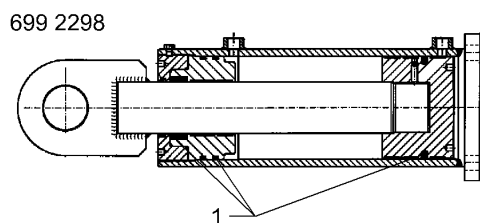
| Pos. | Art.Nr. | Stck. | Artikeltext / Description | | Abmessung |
|------|----------|-------|---------------------------|----------|-----------|
| 1 | 575 9166 | 1 | Dichtungssatz | Seal set | D25 |

| | |
|------------------------------|----------|
| Plunger-Zylinder/Plunger-ram | 12 |
| Rubin 9/400 KÜA | 575 2312 |



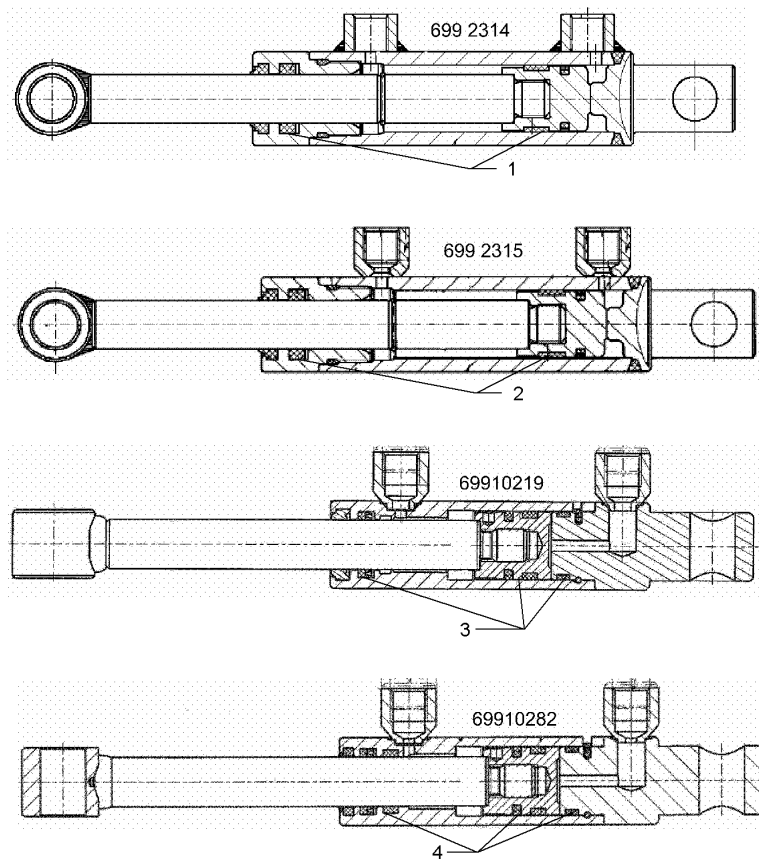
01.18

| Pos. | Art.Nr. | Stck. | Artikeltext / Description | | Abmessung |
|------|----------|-------|---------------------------|----------|-----------|
| 1 | 575 9253 | 1 | Dichtungssatz | Seal set | D40 |



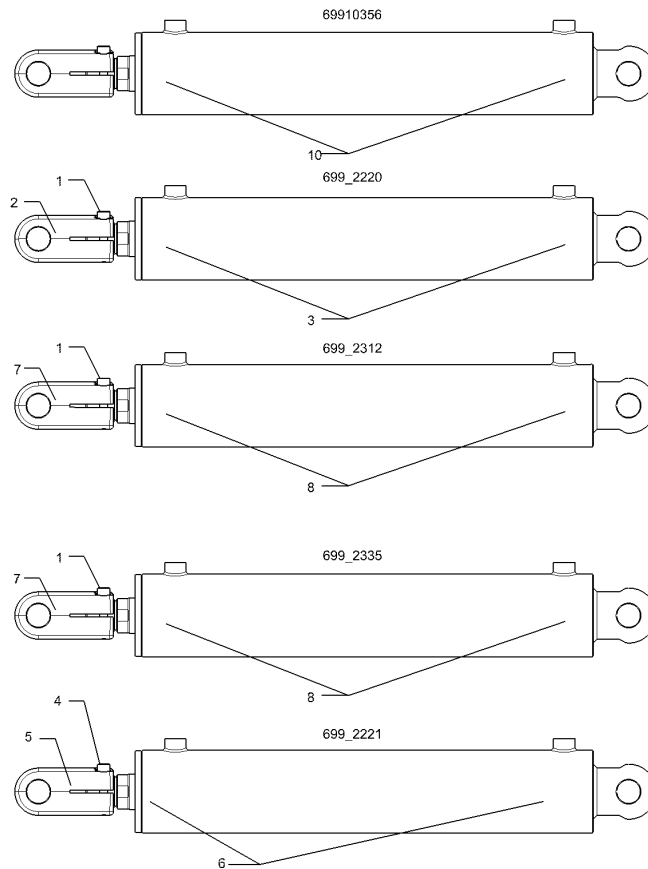
01.18

| Pos. | Art.Nr. | Stck. | Artikeltext / Description | | Abmessung |
|------|----------|-------|---------------------------|----------|-----------|
| 1 | 575 9267 | 1 | Dichtungssatz | Seal set | D70/140 |
| 2 | 575 9295 | 1 | Dichtungssatz | Seal set | D70/140 |
| 3 | 57510656 | 1 | Dichtungssatz | Seal set | 70/140 |
| 4 | 57510657 | 1 | Dichtungssatz | Seal set | 30/70 |



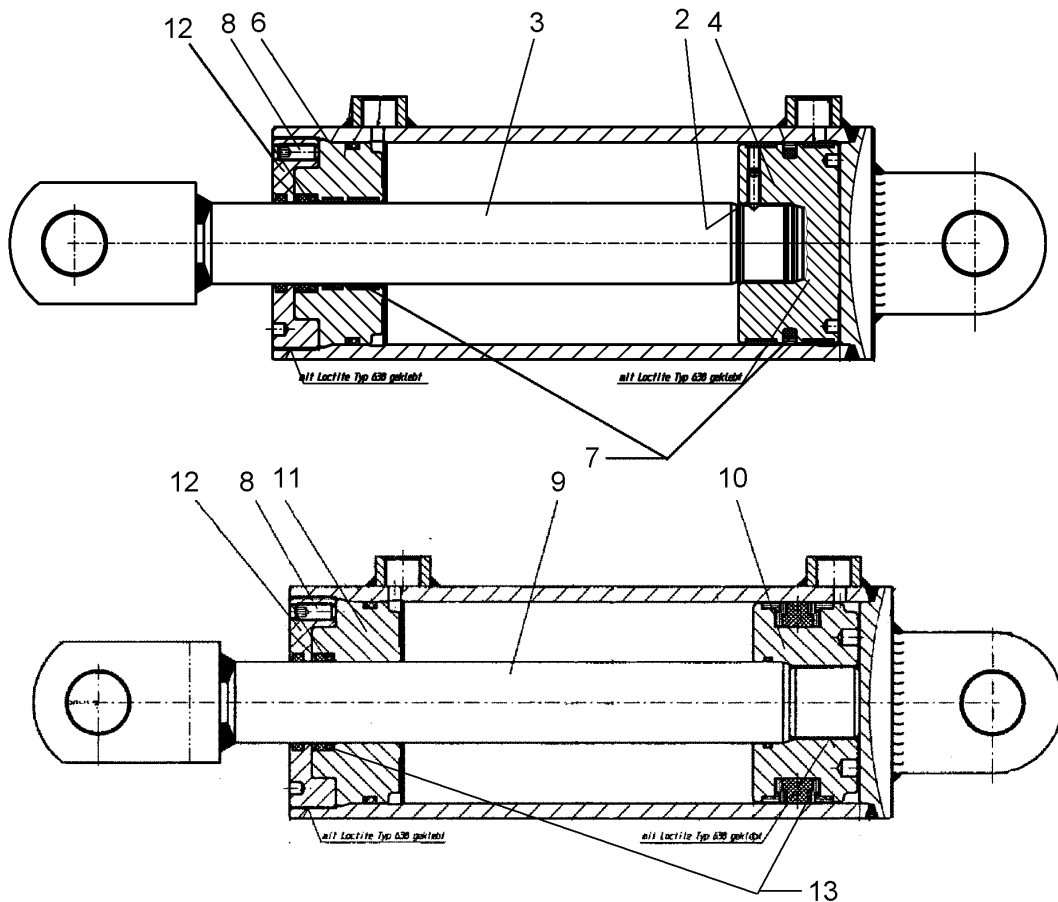
01.18

| Pos. | Art.Nr. | Stck. | Artikeltext / Description | | Abmessung |
|------|----------|-------|---------------------------|----------|-----------|
| 1 | 575 9243 | 1 | Dichtungssatz | Seal set | D18/25 |
| 2 | 575 9272 | 1 | Dichtungssatz | Seal set | D18/25 |
| 3 | 57510621 | 1 | Dichtungssatz | Seal set | D18/25 |
| 4 | 57510622 | 1 | Dichtungssatz | Seal set | D18/25 |



01.18

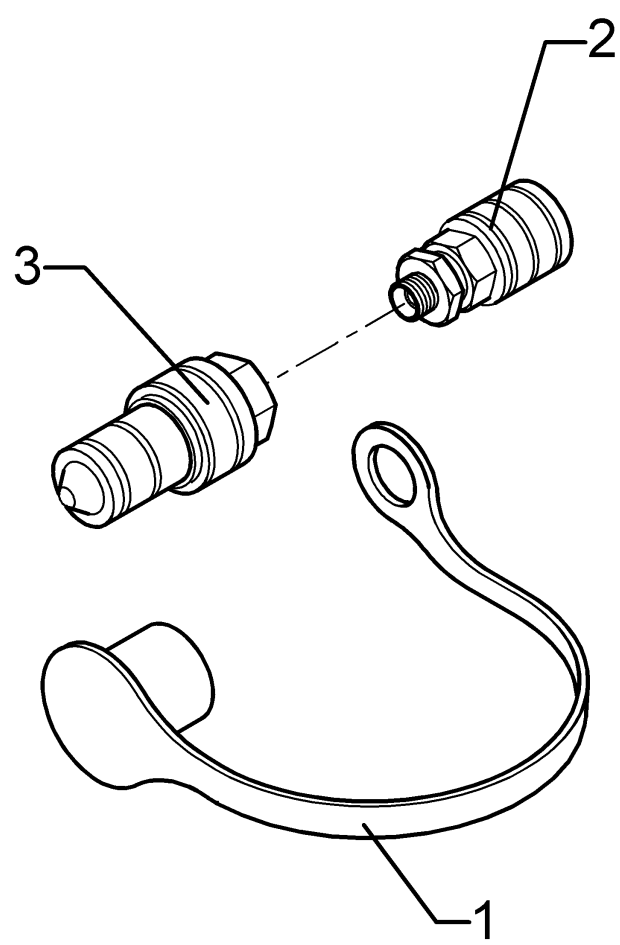
| Pos. | Art.Nr. | Stck. | Artikeltext / Description | Abmessung | |
|------|----------|-------|---------------------------|-----------------|---------------------------|
| 1 | 301 5814 | 2 | Zylinderschraube | Allen screw | M10x50-8.8 DIN912 |
| 2 | 302 9099 | 1 | Gelenkgabel | Fork-type joint | M40x2-D30-95 70x60x125 |
| 3 | 575 9230 | 1 | Dichtungssatz | Seal set | D45/90 |
| 4 | 301 5815 | 2 | Zylinderschraube | Allen screw | M10x60-10.9 DIN912 |
| 5 | 302 9101 | 1 | Gelenkgabel | Fork-type joint | M40x2-D30-95 70x60x125 |
| 6 | 575 9233 | 1 | Dichtungssatz | Seal set | D45/90 |
| 7 | 302 9112 | 1 | Gelenkgabel | Fork-type joint | M27x2,5-D30-69x60x28x93 |
| 8 | 57510687 | 1 | Dichtungssatz | Seal set | 45/90 |
| 9 | 57510688 | 1 | Dichtungssatz | Seal set | 45/90 |
| 10 | 57510762 | 1 | Dichtungssatz | Seal set | D45/90 |



01.18

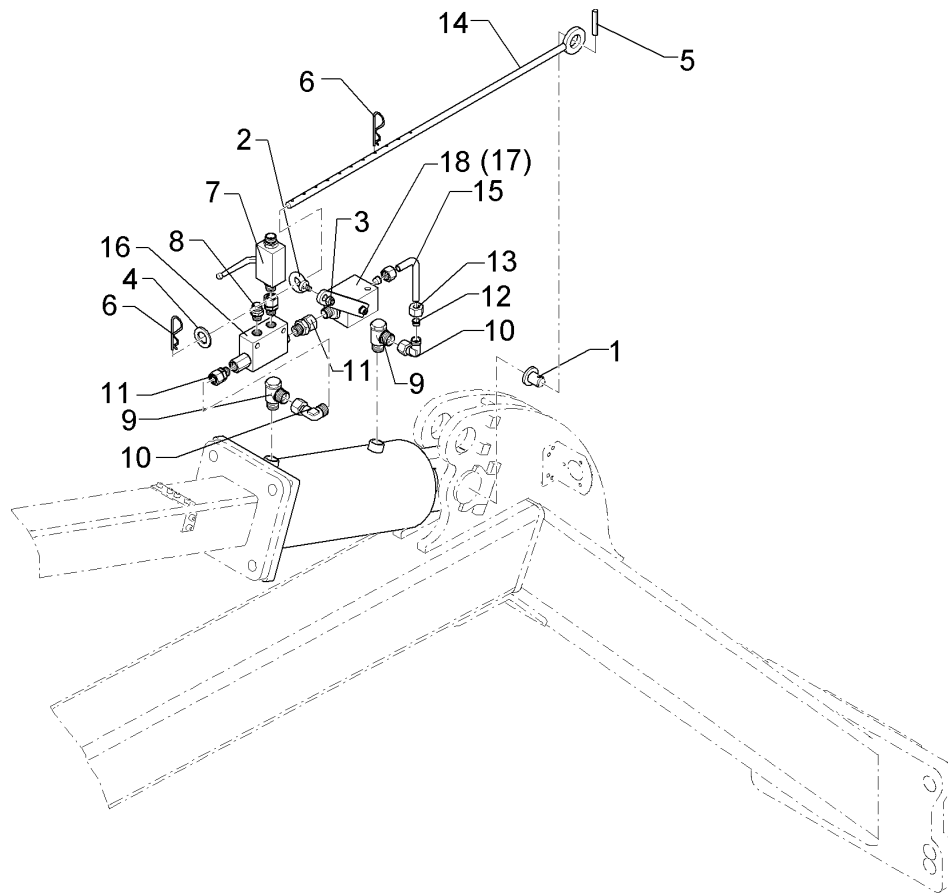
| Pos. | Art.Nr. | Stck. | Artikeltext / Description | | Abmessung |
|------|----------|-------|---------------------------|----------------------|------------------|
| 2 | 301 0138 | 1 | Gewindestift | Threaded pin | M6x20-45H DIN914 |
| 3 | 475 5254 | 1 | Kolbenstange mit Gabel | Piston rod with fork | D40 zum 699 2276 |
| 4 | 475 6056 | 1 | Kolben | Piston | 100/40 |
| 6 | 475 6383 | 1 | Führungsstück | Guiding | 100/40 |
| 7 | 575 9196 | 1 | Dichtungssatz | Seal set | D40/100 |
| 8 | 301 0137 | 1 | Gewindestift | Threaded pin | M8x20-DIN916-45H |
| 9 | 475 5253 | 1 | Kolbenstange mit Gabel | Piston rod with fork | D40 (245HUB) |
| 10 | 475 6057 | 1 | Kolben | Piston | 100/40 |
| 11 | 475 6380 | 1 | Führungsstück | Guiding | 100/40 |
| 12 | 475 6381 | 1 | Führungsstück | Guiding | 100/40 |
| 13 | 575 9183 | 1 | Dichtungssatz | Seal set | D40/100 |

| | |
|-----------------|----------|
| Adapter/Adapter | 12 |
| Rubin 9/400 KÜA | 575 6601 |



01.18

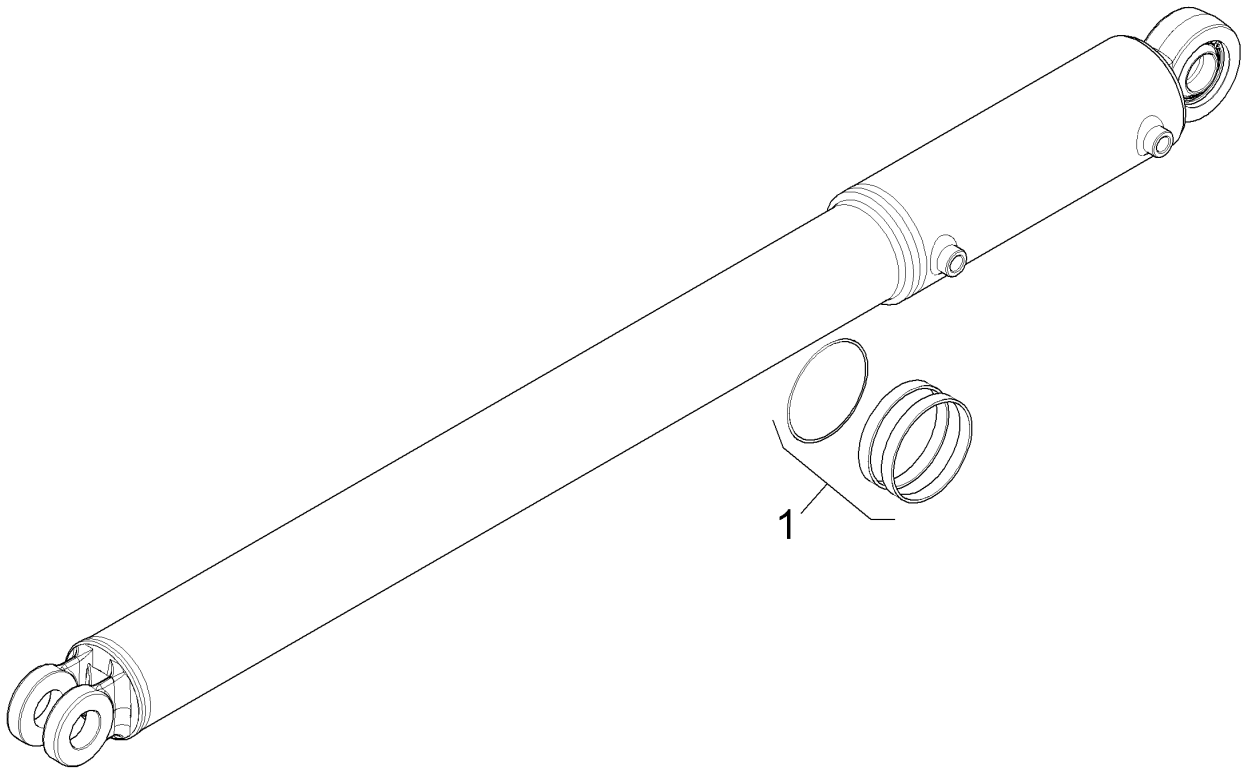
| Pos. | Art.Nr. | Stck. | Artikeltext / Description | Abmessung |
|------|----------|-------|---------------------------|-----------------------|
| 1 | 375 2165 | 1 | Staubstecker rot | - |
| 2 | 375 2737 | 1 | SVK-Muffe | BG-3 CEL15 M22x1,5 |
| 3 | 375 2741 | 1 | Steckkupplung Kugel | K700 12LM18x1,5 |



01.18

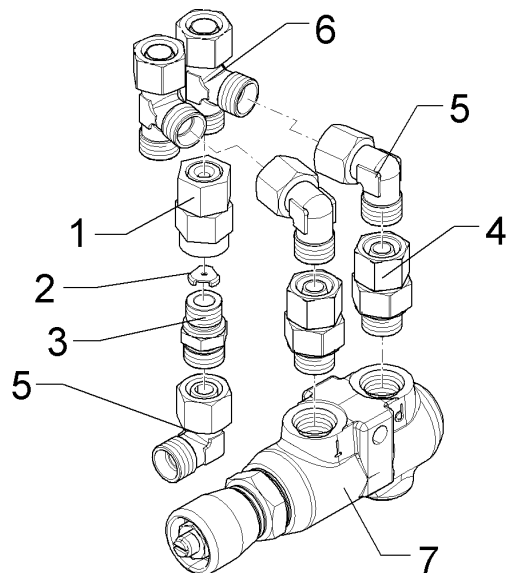
| Pos. | Art.Nr. | Stck. | Artikeltext / Description | | Abmessung |
|------|----------|-------|------------------------------|------------------------|------------------------------|
| 1 | 215 1699 | 1 | Zapfen | Pivot | D35/20x32 |
| 2 | 301 0815 | 1 | Ringschraube | Eye bolt | M8 DIN580 Zn |
| 3 | 303 0932 | 1 | Sicherungsmutter | Selflocking nut | NM8-8 Zn DIN985 |
| 4 | 305 6137 | 10 | Scheibe | Washer | 13/25x3 DIN1441-St Zn |
| 5 | 309 6054 | 1 | Spannhülse | Expansion bush | 6x40-DIN1481 Zn |
| 6 | 311 8604 | 2 | Federstecker | Spring pin | 4 Zn DIN11024 |
| 7 | 375 2199 | 1 | Kugelhahn | Ball valve | BKH 12L-M18x1,5 Zn |
| 8 | 375 4038 | 1 | Einschraubverschraubung | Nipple | GE 12-LR 1/4 ZL ED |
| 9 | 375 4311 | 2 | Schwenkverschraubung | Union, swivel | x-SWVE12-LM M18x1,5 Zn |
| 10 | 375 4500 | 2 | Einstellbare W-Verschraubung | Adjustable angle union | EW12-LM DKO24 GRD M18x1,5 |
| 11 | 375 4711 | 3 | Stutzen | Stud | x-evGE-12-ED 1/4" DKO 24 GRD |
| 12 | 375 5110 | 2 | Schneidring | Cutting ring | 12-L/S Zn/ZnNi WD |
| 13 | 375 5310 | 2 | Überwurfmutter | Union nut | 12L M18x1,5 Zn/ZnNi |
| 14 | 475 3612 | 1 | Steuerstange | Control rod | D12x700 |
| 15 | 475 9837 | 1 | Hydraulikrohr | Hydraulic tube | 12x2x166 GEB105GRD |
| 16 | 575 2165 | 1 | Rückschlagventil | Nonreturn valve | RPI 06/05-G |
| 17 | 575 2146 | 1 | Hubbegrenzer Hebel rechts | Raise limiter | HBS12L M18x1,5 Zn |

| | |
|---------------------------------|----------|
| Hydraulikzylinder/Hydraulic ram | 12 |
| Rubin 9/400 KÜA | 57510292 |



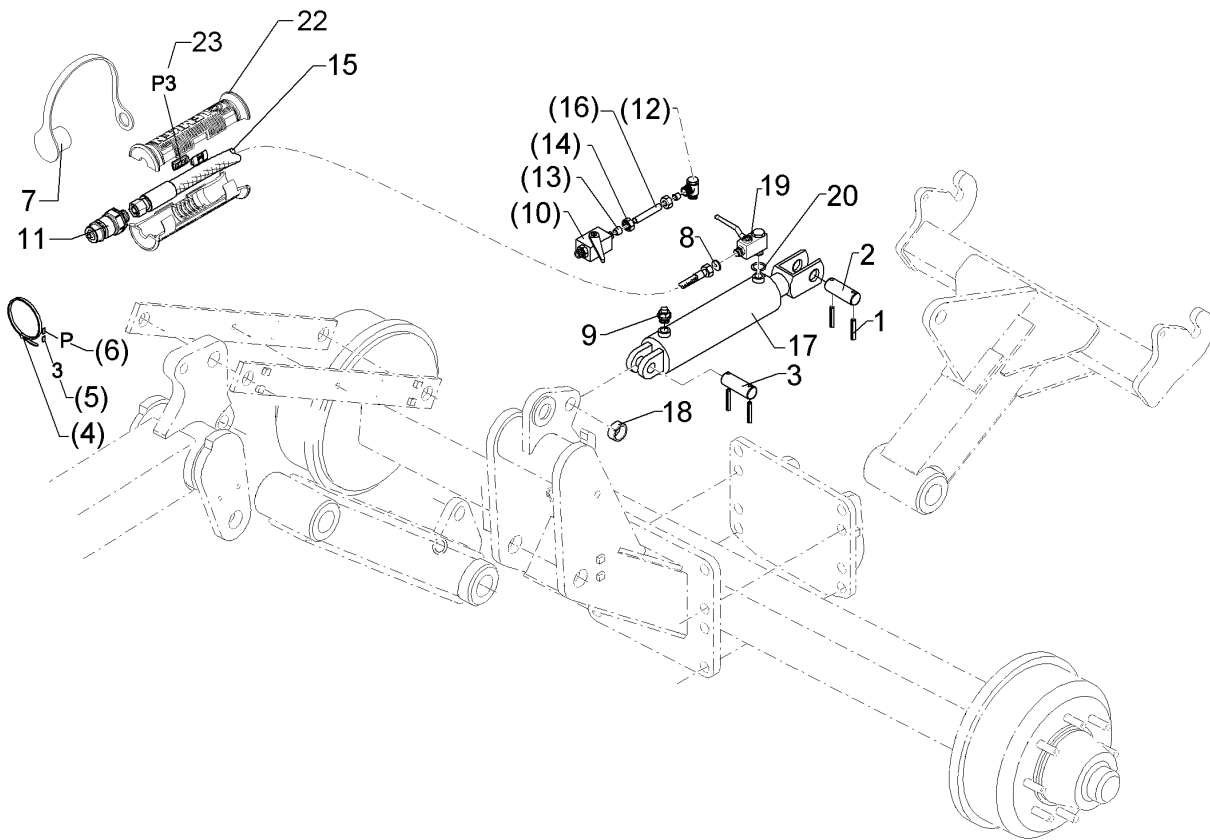
01.18

| Pos. | Art.Nr. | Stck. | Artikeltext / Description | | Abmessung |
|------|----------|-------|---------------------------|----------|-----------|
| 1 | 575 9279 | 1 | Dichtungssatz | Seal set | 45/90 |



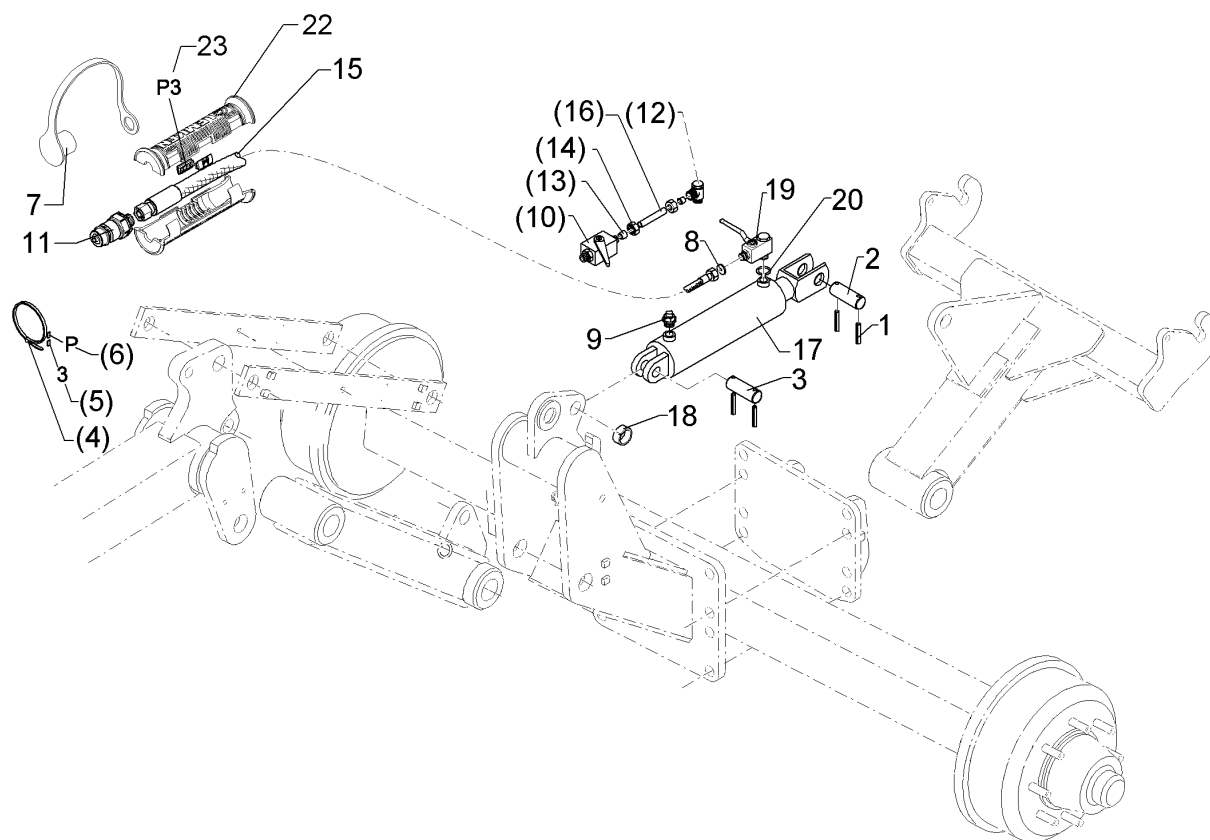
01.18

| Pos. | Art.Nr. | Stck. | Artikeltext / Description | | Abmessung |
|------|----------|-------|------------------------------|-------------------------|------------------------------|
| 1 | 375 2205 | 1 | Verbindung | Connection | DKOL12/IGM 16x1,5 |
| 2 | 375 2515 | 1 | Drosselscheibe Dreibein | Restrictor washer | Dreibein 2,5 |
| 3 | 375 4010 | 1 | Einschraubverschraubung | Nipple | x-GE12-LM M16x1,5 Zn |
| 4 | 375 4043 | 2 | Einschraubverschraubung | Nipple | evGE 12-LM M18x1,5 |
| 5 | 375 4500 | 3 | Einstellbare W-Verschraubung | Adjustable angle union | EW12-LM DKO24 GRD M18x1,5 |
| 6 | 375 4550 | 2 | Einstellbare L-Verschraubung | Adjustable L-union | EL12-L M18x1,5 |
| 7 | 575 2050 | 1 | Druckbegrenzungsventil | Pressure limiting valve | 5-80 bar M18x1,5 30l/min |



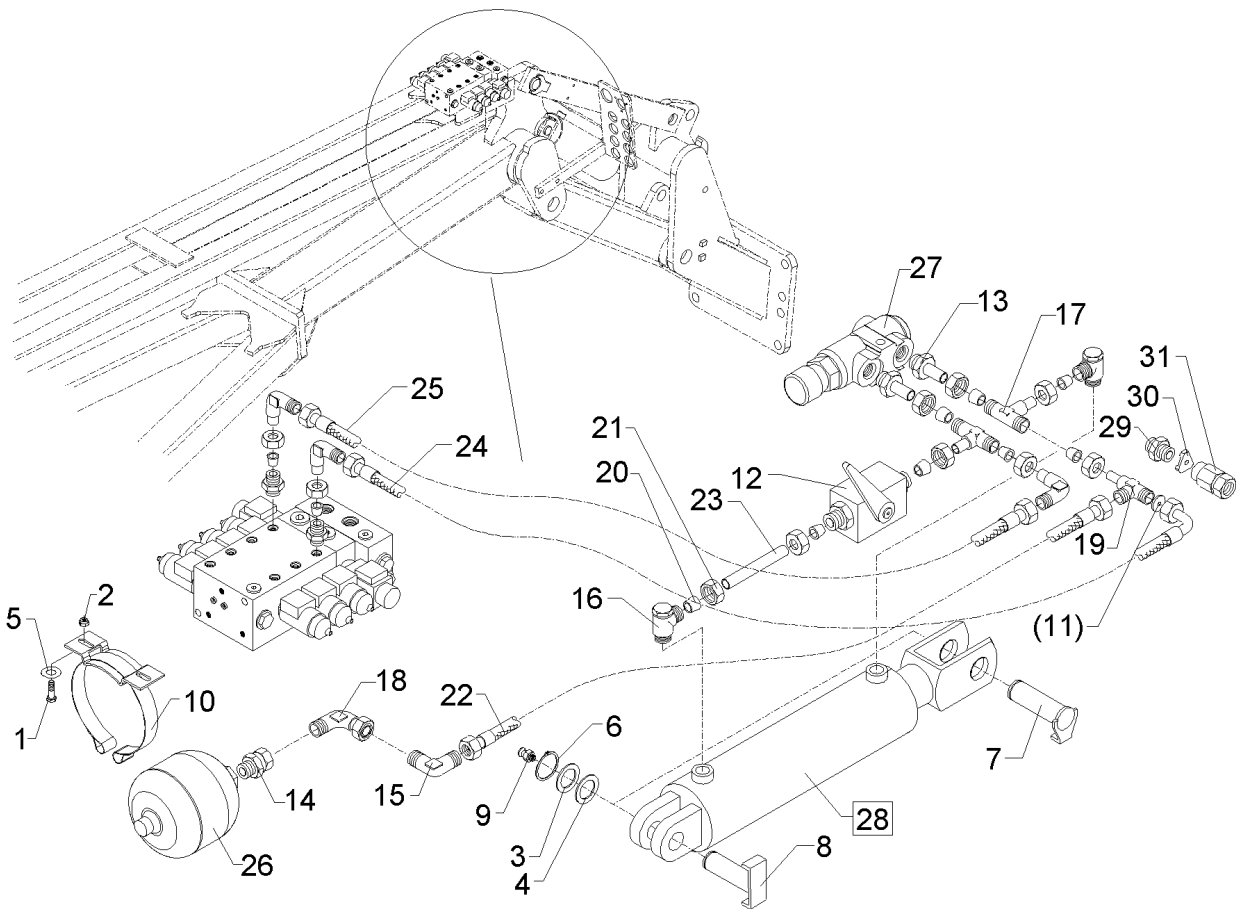
01.18

| Pos. | Art.Nr. | Stck. | Artikeltext / Description | Abmessung | |
|------|----------|-------|------------------------------|--------------------|-------------------------------|
| 1 | 309 7000 | 4 | Spannhülse | Expansion bush | 8x50-DIN1481 Zn |
| 2 | 313 3011 | 1 | Bolzen | Pin | D30x72/102 Zn |
| 3 | 313 3012 | 1 | Bolzen | Pin | D30x92 2xd8 Zn |
| 4 | 325 1350 | 1 | Spannband | Strap | 6,3x254 VA |
| 5 | 325 1503 | 1 | EASY-READ Zeichen | EASY-READ sign | "3" |
| 6 | 325 1511 | 1 | EASY-READ Zeichen | EASY-READ sign | "P" |
| 7 | 375 2121 | 1 | Staubkappe | Dust cap | D26,5 Bg.3 |
| 8 | 375 2173 | 1 | Drosselscheibe | Restrictor washer | D12x1,5 BO 1,5 |
| 9 | 375 2196 | 1 | Be- und Entlüftungsschraube | Vent plug | M18x1,5 |
| 10 | 375 2199 | 1 | Kugelhahn | Ball valve | BKH 12L-M18x1,5 Zn |
| 11 | 375 2718 | 1 | SVK-Stecker | Hydraulic coupling | BG-3 12L M18x1,5 |
| 12 | 375 4311 | 1 | Schwenkverschraubung | Union, swivel | x-SWVE12-LM M18x1,5 Zn |
| 13 | 375 5110 | 2 | Schneidring | Cutting ring | 12-L/S Zn/ZnNi WD |
| 14 | 375 5310 | 2 | Überwurfmutter | Union nut | 12L M18x1,5 Zn/ZnNi |
| 15 | 475 2615 | 1 | Hydraulikschlauch | Hydraulic hose | 2SN10-1200 DKOL12/DKOL12 0/0° |
| 16 | 475 9900 | 1 | Hydraulikrohr | Hydraulic tube | 12x2x135 |
| 17 | 575 2355 | 1 | Hydraulikzylinder | Hydraulic ram | DZ090/45x0450-0750 D30 D30 |
| 18 | 317 3417 | 1 | Einspannbuchse mit Presssitz | Expansion bush | EG30/38x25 |
| 19 | 375 2206 | 1 | Kugelhahn | Ball valve | HBPA 0602 M18x1,5 Zn DN6 |



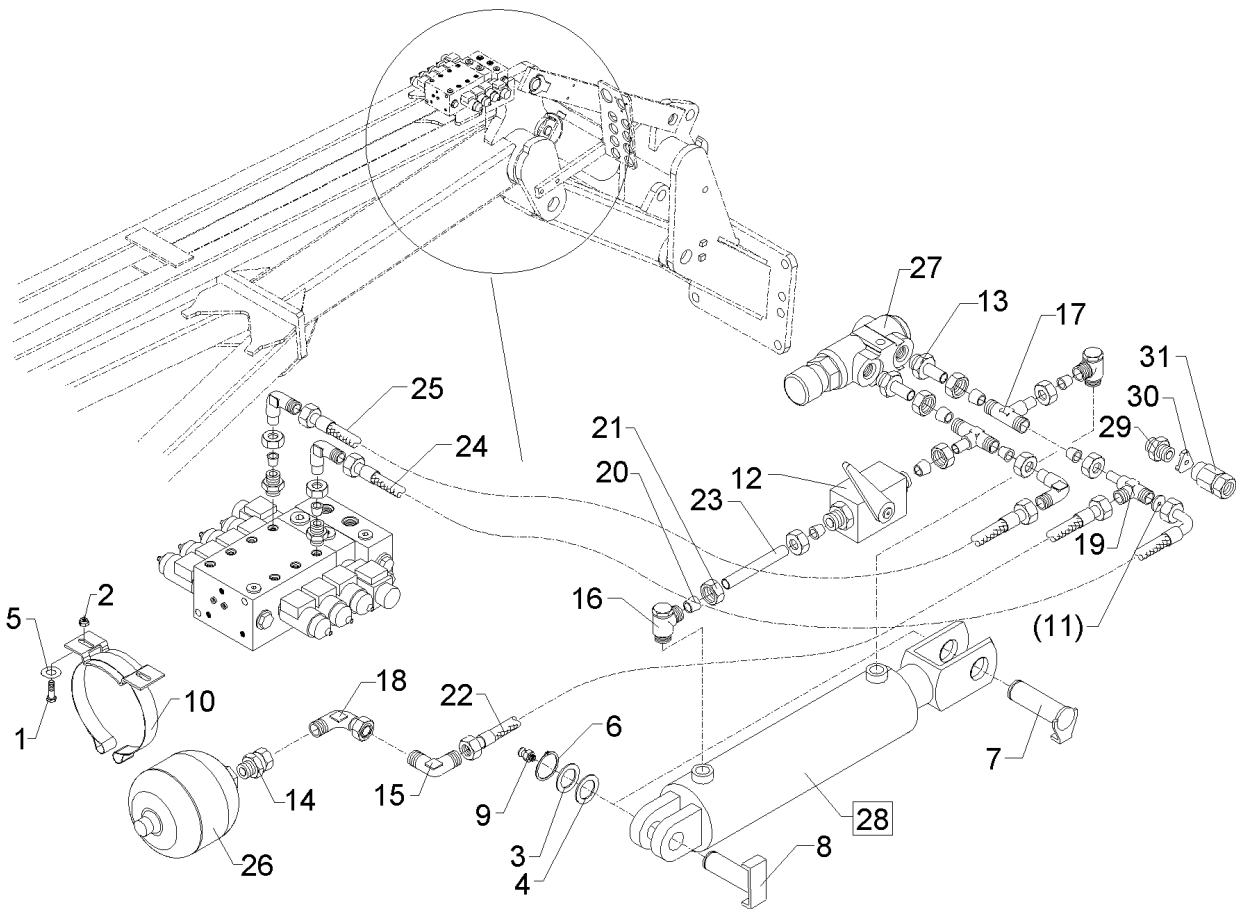
01.18

| Pos. | Art.Nr. | Stck. | Artikeltext / Description | | Abmessung |
|------|----------|-------|---------------------------|-----------|-------------|
| 20 | 375 5081 | 1 | Dichtkantenring | Seal ring | 18,2x25,1x5 |
| 21 | 375 2607 | 2 | Griff Halbschale | Handle | - |
| 22 | 325 1603 | 2 | Kennzeichnung | Marking | P3 |



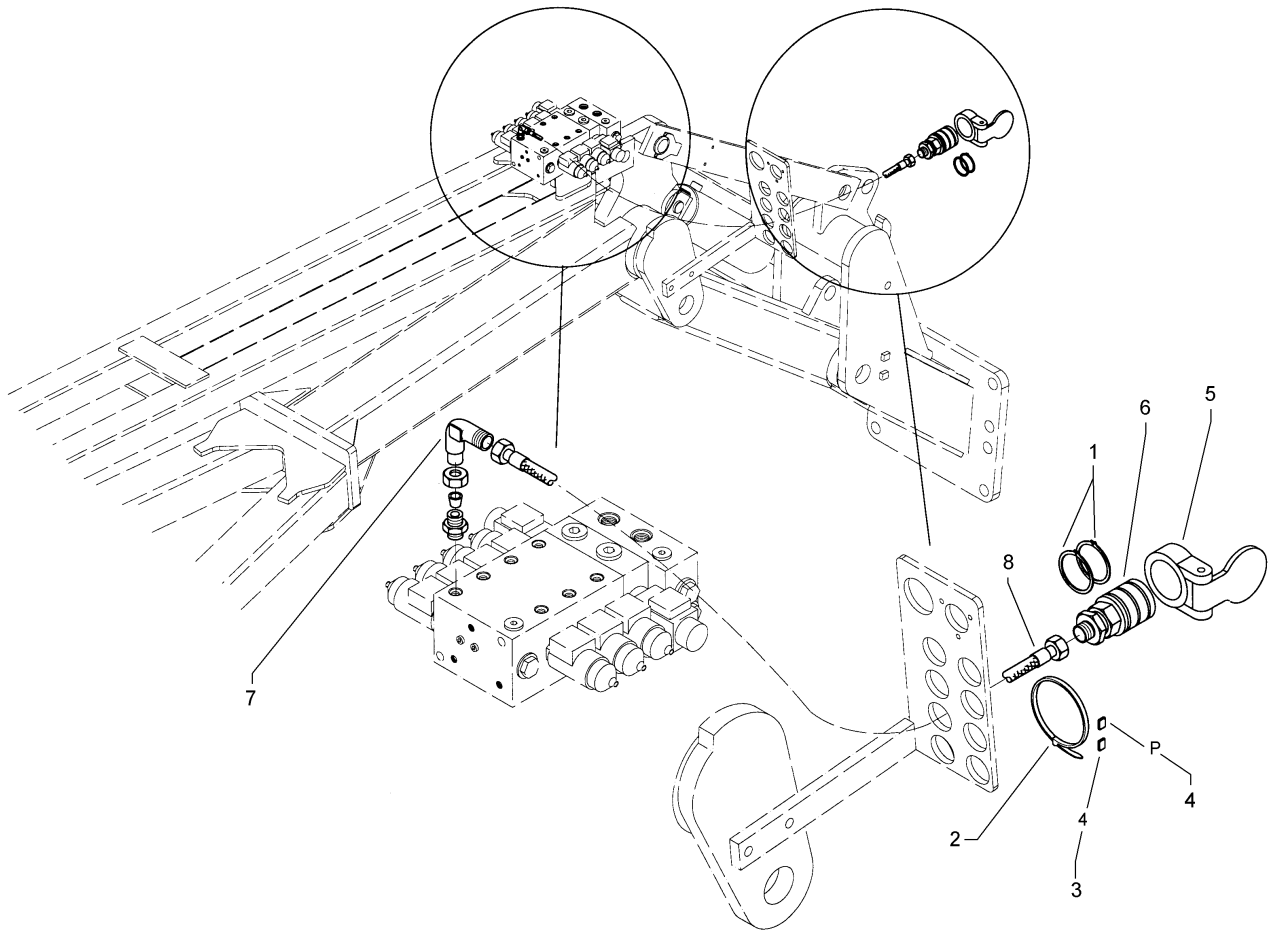
01.18

| Pos. | Art.Nr. | Stck. | Artikeltext / Description | | Abmessung |
|------|----------|-------|------------------------------|------------------------|---------------------------------|
| 1 | 301 3073 | 2 | Sechskantschraube | Hexagon bolt | M8x45-8.8 Zn DIN931-A |
| 2 | 303 0932 | 2 | Sicherungsmutter | Selflocking nut | NM8-8 Zn DIN985 |
| 3 | 305 2051 | 6 | Passscheibe | Shim | 30x42x1,0 DIN988 Zn |
| 5 | 305 8694 | 4 | Scheibe | Washer | A8,4 DIN125-St Zn |
| 6 | 305 8867 | 2 | Sicherungsring | Retaining ring | 30x2 DIN471 Zn |
| 7 | 313 3017 | 1 | Bolzen mit Verdrehsicherung | Pin with stop | D30/31x62/84 Zn |
| 8 | 313 3023 | 1 | Bolzen mit Verdrehsicherung | Pin with stop | D30/72x62/84-M10x1 Zn |
| 9 | 323 6348 | 2 | Schmiernippel | Grease nipple | AM10x1 DIN71412 |
| 10 | 325 5128 | 1 | Konsolenscheibe | Bracket clip | TYP 142 D137-145 |
| 11 | 375 2176 | 1 | Drosselscheibe | Restrictor washer | D12x1,5 BO 2,5 |
| 12 | 375 2199 | 1 | Kugelhahn | Ball valve | BKH 12L-M18x1,5 Zn |
| 13 | 375 4711 | 4 | Stutzen | Stud | x-evGE-12-ED 1/4" DKO 24 GRD |
| 14 | 375 4039 | 1 | Einschraubverschraubung | Nipple | GE 12-LR 1/2ZL |
| 16 | 375 4311 | 2 | Schwenkverschraubung | Union, swivel | x-SWVE12-LM M18x1,5 Zn |
| 17 | 375 4490 | 2 | Einstellbare T-Verschraubung | Adjustable T-union | ET12-LM DKO24 GRD M18x1,5 |
| 18 | 375 4500 | 4 | Einstellbare W-Verschraubung | Adjustable angle union | EW12-LM DKO24 GRD M18x1,5 |
| 19 | 375 4550 | 1 | Einstellbare L-Verschraubung | Adjustable L-union | EL12-L M18x1,5 |
| 20 | 375 5110 | 2 | Schneidring | Cutting ring | 12-L/S Zn/ZnNi WD |



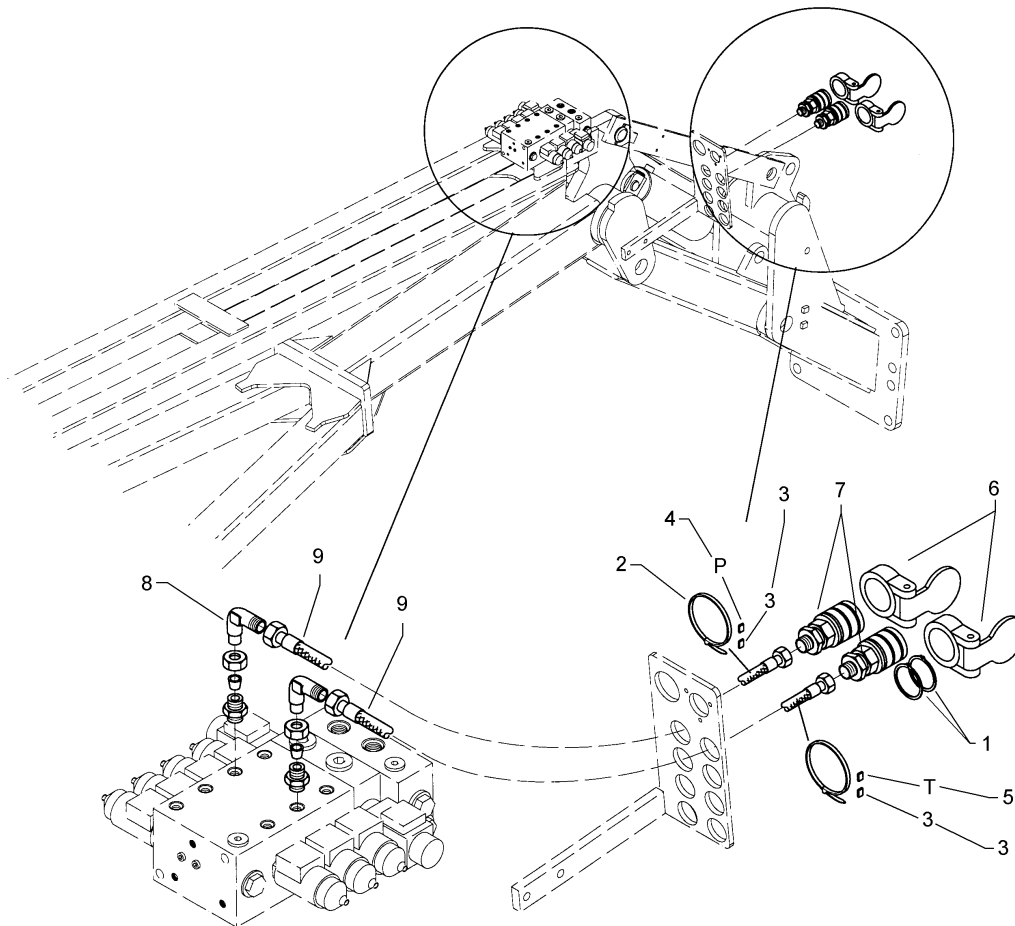
01.18

| Pos. | Art.Nr. | Stck. | Artikeltext / Description | | Abmessung |
|------|----------|-------|-----------------------------|-------------------------|-------------------------------------|
| 21 | 375 5310 | 2 | Überwurfmutter | Union nut | 12L M18x1,5 Zn/ZnNi |
| 22 | 475 2696 | 1 | Hydraulikschlauch | Hydraulic hose | 2SN08-1000-DKOL12 0/90 GRD |
| 23 | 475 2223 | 1 | Hydraulikrohr | Hydraulic tube | 12x2x85 |
| 24 | 475 2597 | 1 | Hydraulikschlauch | Hydraulic hose | 2SN10-700 DKOL12/DKOL12 |
| 25 | 475 2615 | 1 | Hydraulikschlauch | Hydraulic hose | 2SN10-1200 DKOL12/DKOL12 0/0° |
| 26 | 575 2192 | 1 | Druckspeicher | Pressure accumulator | Typ 1,40l 140-050bar G1/2ZL |
| 27 | 575 2050 | 1 | Druckbegrenzungsventil | Pressure limiting valve | 5-80 bar M18x1,5 30l/min |
| 28 | 575 2359 | 1 | Hydraulikzylinder mit Gabel | Ram | 100/40-245-515-D30 |
| 29 | 375 4010 | 1 | Einschraubverschraubung | Nipple | x-GE12-LM M16x1,5 Zn |
| 30 | 375 2515 | 1 | Drosselscheibe Dreibein | Restrictor washer | Dreibein 2,5 |
| 31 | 375 2205 | 1 | Verbindung | Connection | DKOL12/IGM 16x1,5 |



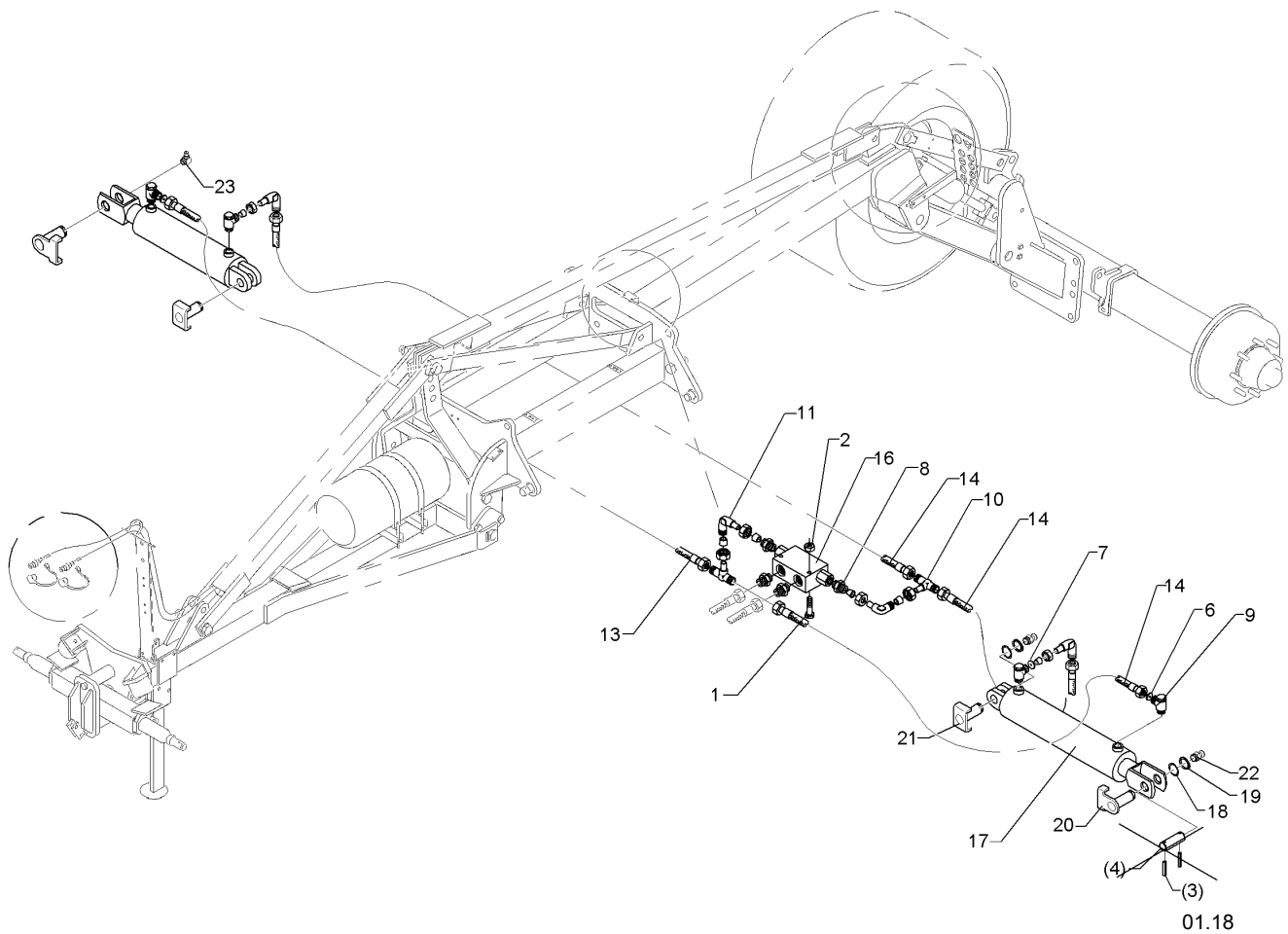
01.18

| Pos. | Art.Nr. | Stck. | Artikeltext / Description | | Abmessung |
|------|----------|-------|------------------------------|------------------------|-------------------------------|
| 1 | 305 8871 | 2 | Sicherungsring | Retaining ring | 38x1,75 DIN471 Zn |
| 2 | 325 1350 | 1 | Spannband | Strap | 6,3x254 VA |
| 3 | 325 1504 | 1 | EASY-READ Zeichen | EASY-READ sign | "4" |
| 4 | 325 1511 | 1 | EASY-READ Zeichen | EASY-READ sign | "P" |
| 5 | 375 2102 | 1 | Staubschutzklappe schwarz | Dust protection flap | BG 3 D38 |
| 6 | 375 2735 | 1 | SVK-Muffe | SVK-socket | CEL12 M18x1,5 BG3 |
| 7 | 375 4500 | 1 | Einstellbare W-Verschraubung | Adjustable angle union | EW12-LM DKO24 GRD M18x1,5 |
| 8 | 475 2696 | 1 | Hydraulikschlauch | Hydraulic hose | 2SN08-1000-DKOL12 0/90 GRD |



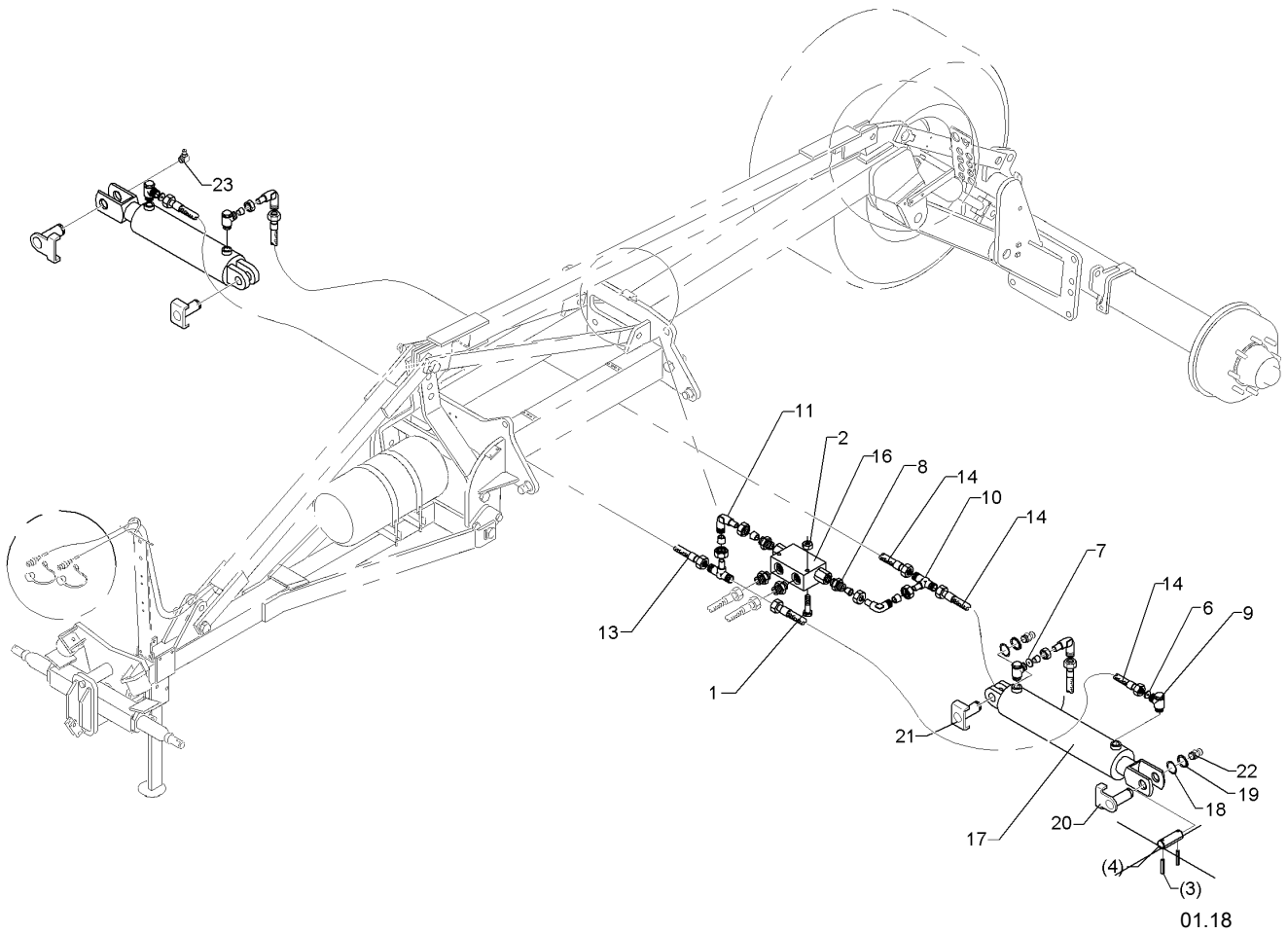
01.18

| Pos. | Art.Nr. | Stck. | Artikeltext / Description | Abmessung | |
|------|----------|-------|------------------------------|------------------------|-------------------------------------|
| 1 | 305 8871 | 4 | Sicherungsring | Retaining ring | 38x1,75 DIN471 Zn |
| 2 | 325 1350 | 2 | Spannband | Strap | 6,3x254 VA |
| 4 | 325 1523 | 1 | Kennzeichnung | Marking | P3 29X8 |
| 5 | 325 1530 | 1 | Kennzeichnung | Marking | T3 29X8 |
| 6 | 375 2101 | 2 | Staubschutzklappe blau | Dust protection flap | BG 3 D38 |
| 7 | 375 2735 | 2 | SVK-Muffe | SVK-socket | CEL12 M18x1,5 BG3 |
| 8 | 375 4500 | 2 | Einstellbare W-Verschraubung | Adjustable angle union | EW12-LM DKO24 GRD M18x1,5 |
| 9 | 475 2615 | 2 | Hydraulikschlauch | Hydraulic hose | 2SN10-1200 DKOL12/DKOL12 0/0° |



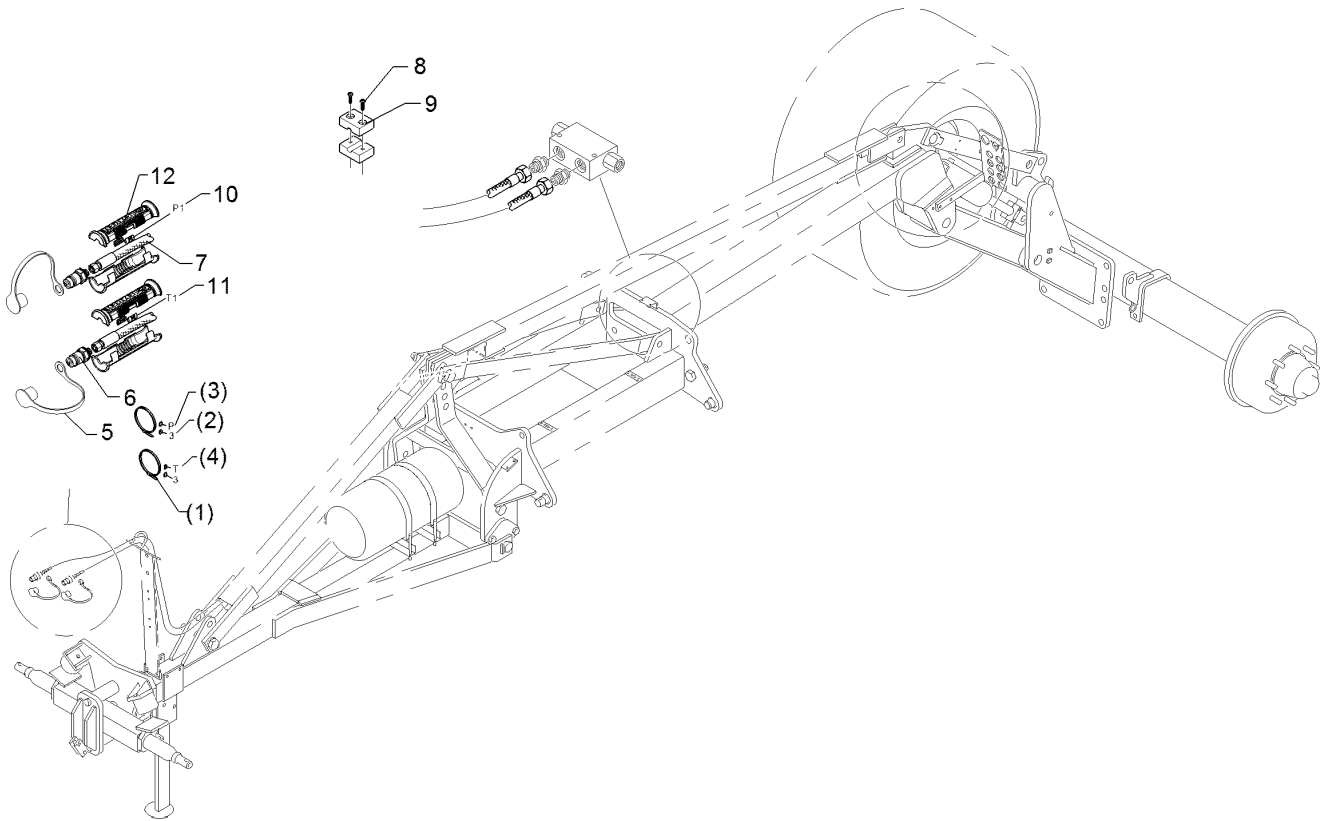
01.18

| Pos. | Art.Nr. | Stck. | Artikeltext / Description | | Abmessung |
|------|----------|-------|------------------------------|------------------------|---|
| 1 | 301 2998 | 2 | Sechskantschraube | Hexagon bolt | M5x40-8.8 Zn DIN931-A |
| 2 | 303 0967 | 2 | Sechskantmutter | Hexagon nut | M5 DIN934-8 Zn |
| 3 | 309 7000 | 8 | Spannhülse | Expansion bush | 8x50-DIN1481 Zn |
| 4 | 313 3011 | 4 | Bolzen | Pin | D30x72/102 Zn |
| 6 | 375 2172 | 2 | Drosselscheibe | Restrictor washer | D12x1,5 BO 1,0 |
| 7 | 375 2175 | 2 | Drosselscheibe | Restrictor washer | D12x1,5 BO 1,8 |
| 8 | 375 4038 | 4 | Einschraubverschraubung | Nipple | GE 12-LR 1/4 ZL ED |
| 9 | 375 4311 | 4 | Schwenkverschraubung | Union, swivel | x-SWVE12-LM M18x1,5 Zn |
| 10 | 375 4490 | 2 | Einstellbare T-Verschraubung | Adjustable T-union | ET12-LM DKO24 GRD M18x1,5 |
| 11 | 375 4500 | 4 | Einstellbare W-Verschraubung | Adjustable angle union | EW12-LM DKO24 GRD M18x1,5 |
| 13 | 475 2614 | 1 | Hydraulikschlauch | Hydraulic hose | 2SN10-1000 |
| 14 | 475 2598 | 3 | Hydraulikschlauch | Hydraulic hose | DKOL12/DKOL12 2SN10-600 DKOL12/DKOL12 |
| 16 | 575 2161 | 1 | Rückschlagventil | Nonreturn valve | 0/0° RDP 06 1/4 |
| 17 | 575 2268 | 2 | Hydraulikzylinder | Hydraulic ram | DZ90/40x320-580+-5 |
| 18 | 305 2051 | 4 | Passscheibe | Shim | 30x42x1,0 DIN988 Zn |
| 19 | 305 8867 | 4 | Sicherungsring | Retaining ring | 30x2 DIN471 Zn |
| 20 | 313 3009 | 2 | Bolzen mit Verdrehsicherung | Pin with stop | D30x71/79-72 Zn |
| 21 | 313 3023 | 2 | Bolzen mit Verdrehsicherung | Pin with stop | D30/72x62/84-M10x1 Zn |



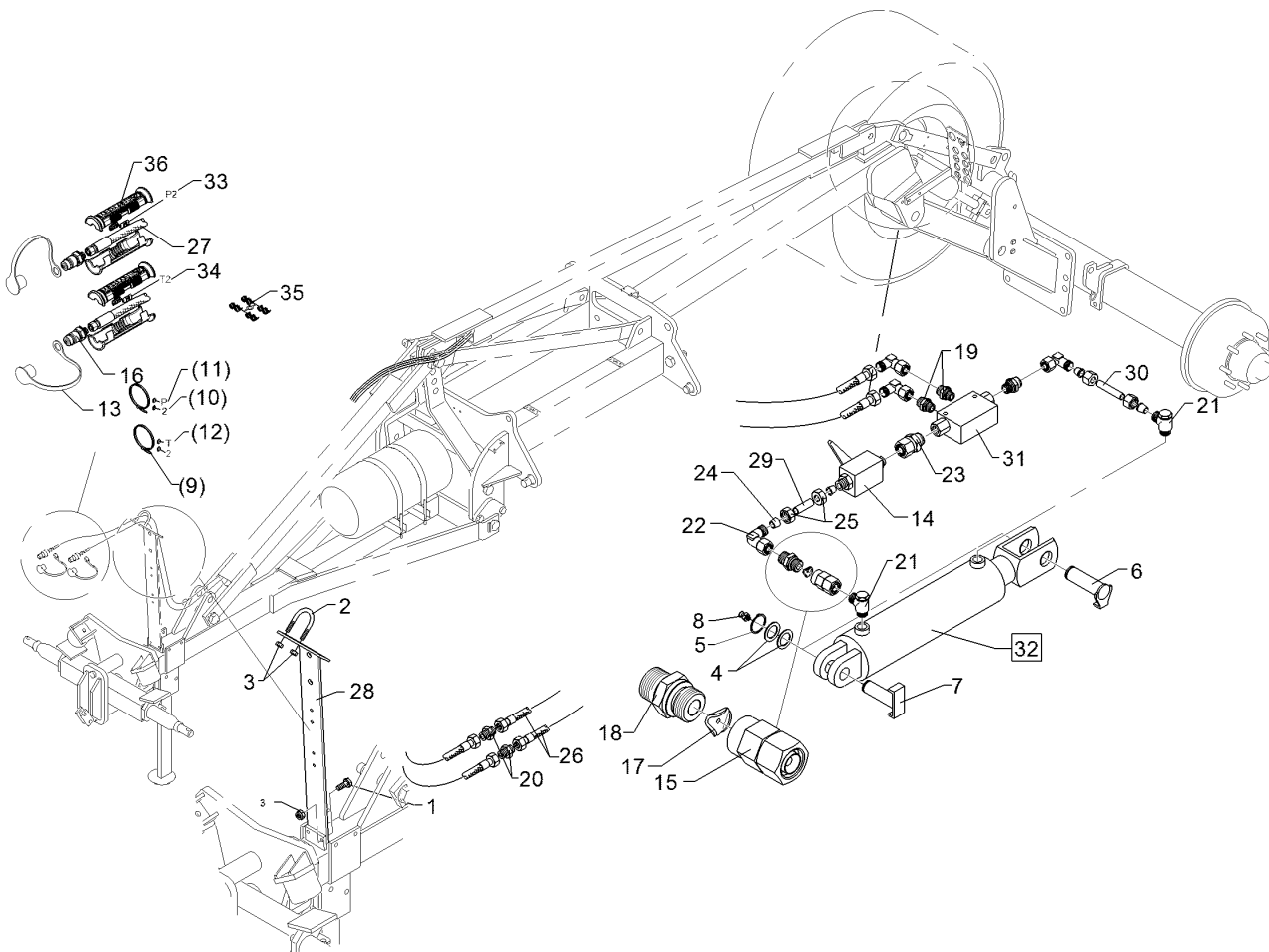
01.18

| Pos. | Art.Nr. | Stck. | Artikeltext / Description | | Abmessung |
|------|----------|-------|---------------------------|---------------|-----------------------------------|
| 22 | 323 6348 | 3 | Schmiernippel | Grease nipple | AM10x1 DIN71412 |
| 23 | 323 6350 | 1 | Schmiernippel | Grease nipple | BM10x1 DIN71412-4kt. 45 GRD |



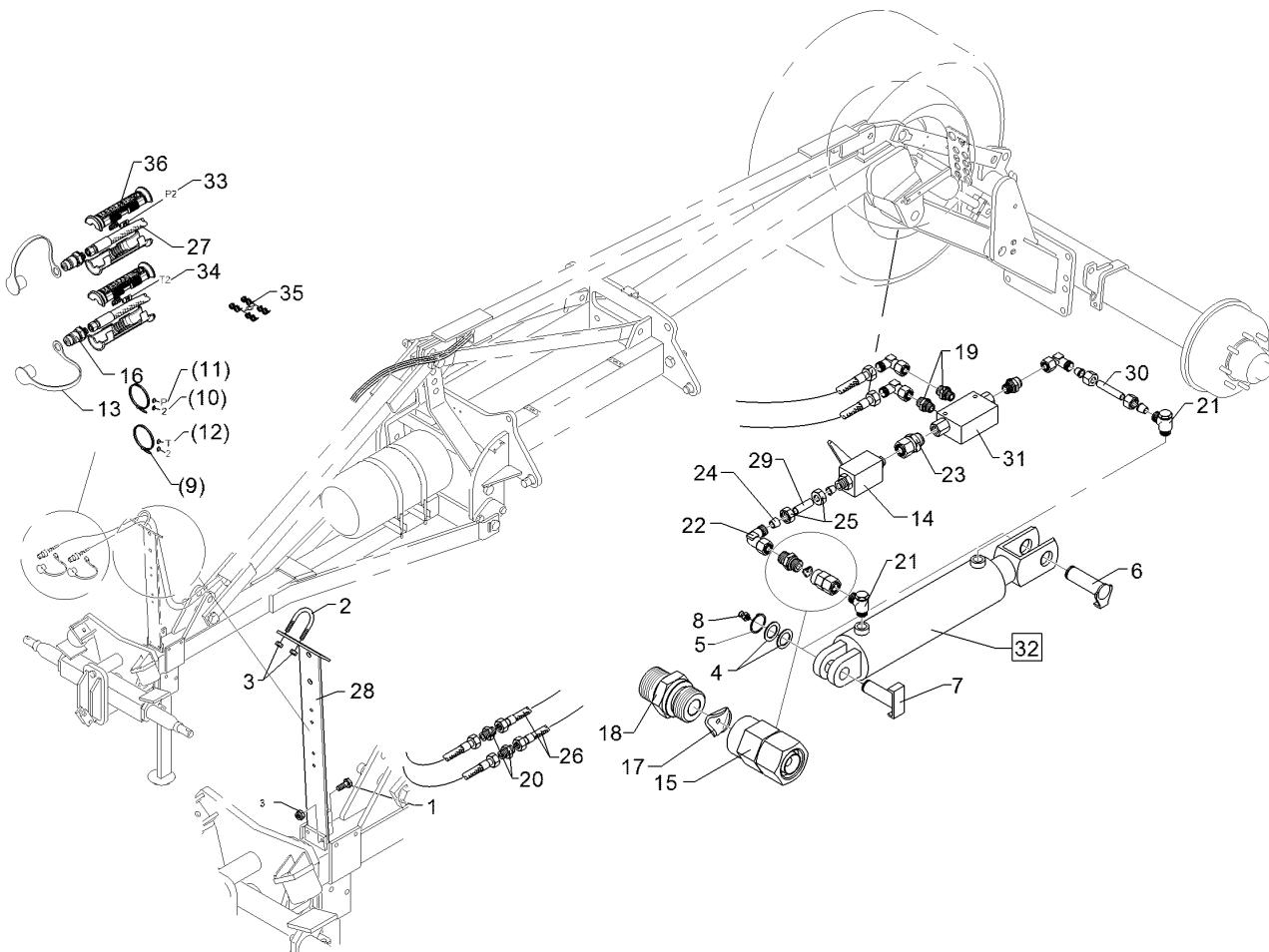
01.18

| Pos. | Art.Nr. | Stck. | Artikeltext / Description | | Abmessung |
|------|----------|-------|---------------------------|--------------------|-------------------------|
| 1 | 325 1350 | 2 | Spannband | Strap | 6,3x254 VA |
| 2 | 325 1501 | 2 | EASY-READ Zeichen | EASY-READ sign | "1" |
| 3 | 325 1511 | 1 | EASY-READ Zeichen | EASY-READ sign | "P" |
| 4 | 325 1512 | 1 | EASY-READ Zeichen | EASY-READ sign | "T" |
| 5 | 375 2166 | 2 | Staubkappe, rot | Cap, red | D26,5 |
| 6 | 375 2718 | 2 | SVK-Stecker | Hydraulic coupling | BG-3 12L M18x1,5 |
| 7 | 475 2414 | 2 | Hydraulikschlauch | Hydraulic hose | 2SN10 M18x1,5x5600 |
| 8 | 301 0302 | 8 | Linsenschraube | Oval head screw | M6x25-4,6 Zn DIN7985 |
| 9 | 375 9962 | 8 | Schellenkörper | Clamp | 1/2x218 PP |
| 10 | 325 1601 | 2 | Kennzeichnung | Marking | P1 20x9 |
| 11 | 325 1608 | 2 | Kennzeichnung | Marking | T1 20x9 |
| 12 | 375 2607 | 4 | Griff Halbschale | Handle | - |



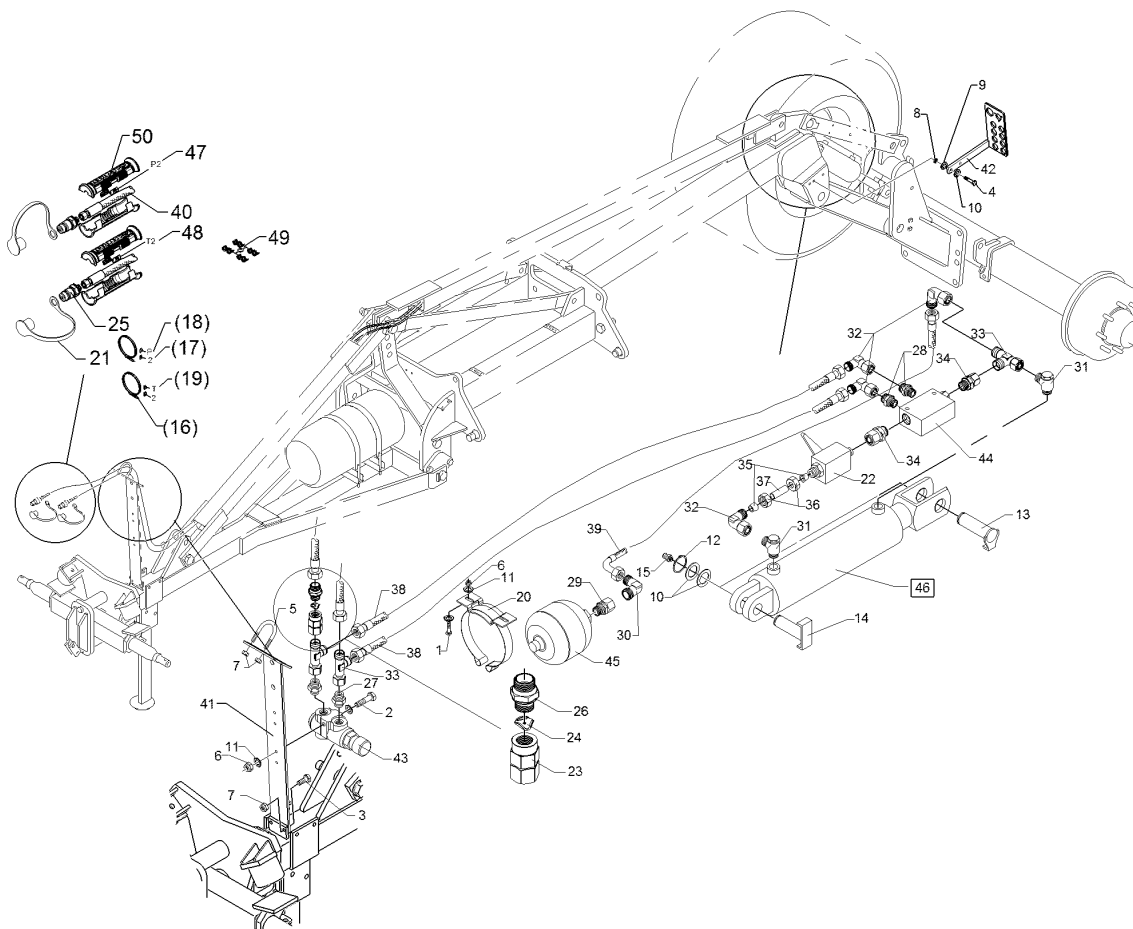
01.18

| Pos. | Art.Nr. | Stck. | Artikeltext / Description | | Abmessung |
|------|----------|-------|-----------------------------|--------------------|--------------------------|
| 1 | 301 5004 | 2 | Sechskantschraube | Hexagon bolt | M10x30-8.8 Zn DIN933 |
| 2 | 301 7782 | 1 | Bügelschraube | U-bolt | M10x62x60 Zn |
| 3 | 303 0933 | 4 | Sicherungsmutter | Selflocking nut | NM10-8 DIN985 Zn |
| 4 | 305 2051 | 6 | Passscheibe | Shim | 30x42x1,0 DIN988 Zn |
| 5 | 305 8867 | 2 | Sicherungsring | Retaining ring | 30x2 DIN471 Zn |
| 6 | 313 3017 | 1 | Bolzen mit Verdrehsicherung | Pin with stop | D30/31x62/84 Zn |
| 7 | 313 3023 | 1 | Bolzen mit Verdrehsicherung | Pin with stop | D30/72x62/84-M10x1 Zn |
| 8 | 323 6348 | 2 | Schmiernippel | Grease nipple | AM10x1 DIN71412 |
| 9 | 325 1350 | 2 | Spannband | Strap | 6,3x254 VA |
| 10 | 325 1502 | 2 | EASY-READ Zeichen | EASY-READ sign | "2" |
| 11 | 325 1511 | 1 | EASY-READ Zeichen | EASY-READ sign | "P" |
| 12 | 325 1512 | 1 | EASY-READ Zeichen | EASY-READ sign | "T" |
| 13 | 375 2120 | 2 | Staubkappe, grün | Cap | D26,5 Bg.3 |
| 14 | 375 2199 | 1 | Kugelhahn | Ball valve | BKH 12L-M18x1,5 Zn |
| 15 | 375 2205 | 1 | Verbindung | Connection | DKOL12/IGM 16x1,5 |
| 16 | 375 2718 | 2 | SVK-Stecker | Hydraulic coupling | BG-3 12L M18x1,5 |
| 17 | 375 2509 | 1 | Drosselscheibe Dreibein | Restrictor washer | 1,7 |
| 18 | 375 4010 | 1 | Einschraubverschraubung | Nipple | x-GE12-LM M16x1,5 Zn |
| 19 | 375 4038 | 3 | Einschraubverschraubung | Nipple | GE 12-LR 1/4 ZL ED |
| 20 | 375 4110 | 2 | Gerade Verschraubung | Nipple | x-G12-L M18x1,5 |



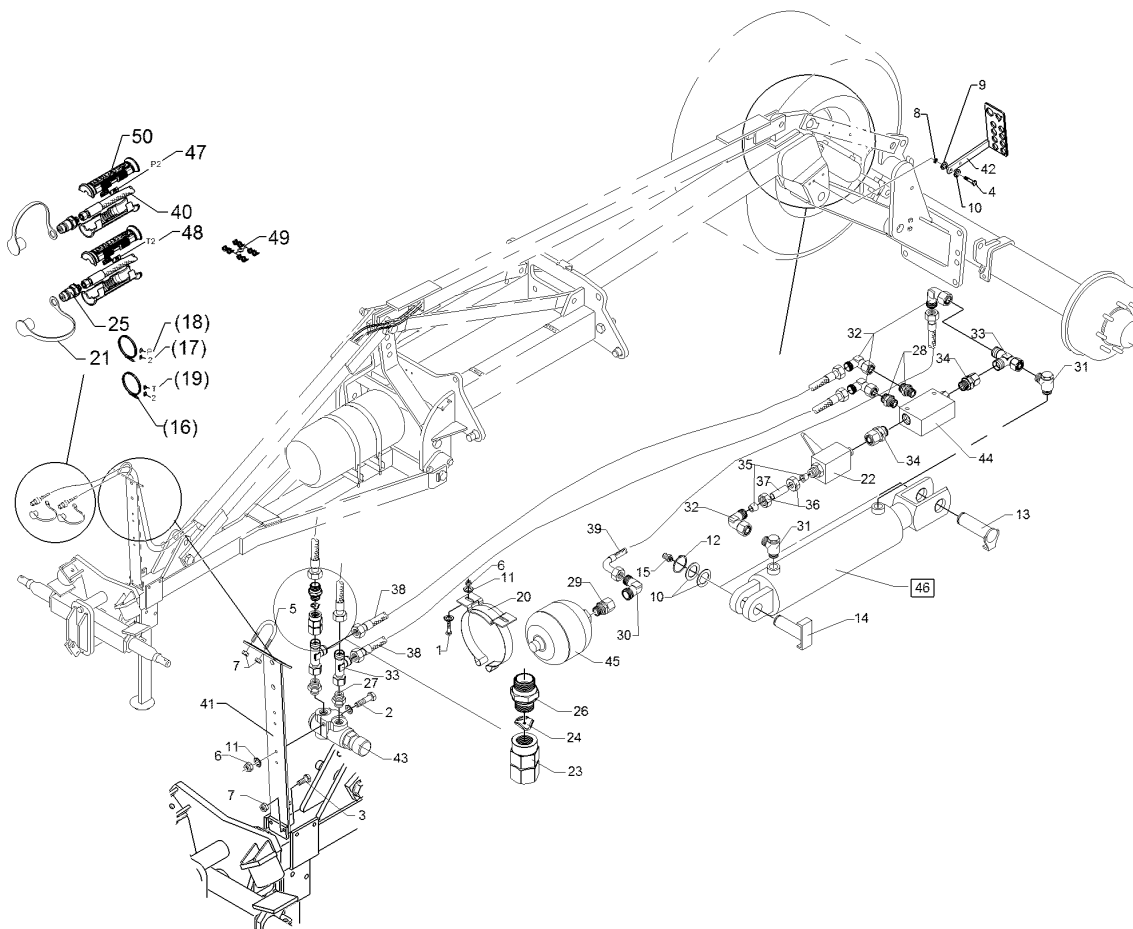
01.18

| Pos. | Art.Nr. | Stck. | Artikeltext / Description | | Abmessung |
|------|----------|-------|------------------------------|------------------------|---------------------------------|
| 21 | 375 4311 | 2 | Schwenkverschraubung | Union, swivel | x-SWVE12-LM M18x1,5 Zn |
| 22 | 375 4500 | 4 | Einstellbare W-Verschraubung | Adjustable angle union | EW12-LM DKO24 GRD M18x1,5 |
| 23 | 375 4711 | 1 | Stutzen | Stud | x-evGE-12-ED 1/4" DKO 24 GRD |
| 26 | 475 2502 | 2 | Hydraulikschlauch | Hydraulic hose | 1SN08-6100-DKOL12 |
| 27 | 475 2656 | 2 | Hydraulikschlauch | Hydraulic hose | 1SN08-1800 12-DKOL |
| 28 | 475 4361 | 1 | Schlauchhalter | Hose carrier | 80x8x700 4xD12 |
| 29 | 475 8914 | 1 | Hydraulikrohr | Hydraulic tube | 12x2x35 |
| 30 | 475 9907 | 1 | Hydraulikrohr | Hydraulic tube | 12x2x60 |
| 31 | 575 2161 | 1 | Rückschlagventil | Nonreturn valve | RDP 06 1/4 |
| 32 | 575 2359 | 1 | Hydraulikzylinder mit Gabel | Ram | 100/40-245-515-D30 |
| 33 | 325 1602 | 2 | Kennzeichnung | Marking | P2 |
| 34 | 325 1609 | 2 | Kennzeichnung | Marking | T2 |
| 35 | 375 2606 | 2 | Einleger | Insert | DN6 DN8 |
| 36 | 375 2607 | 4 | Griff Halbschale | Handle | - |



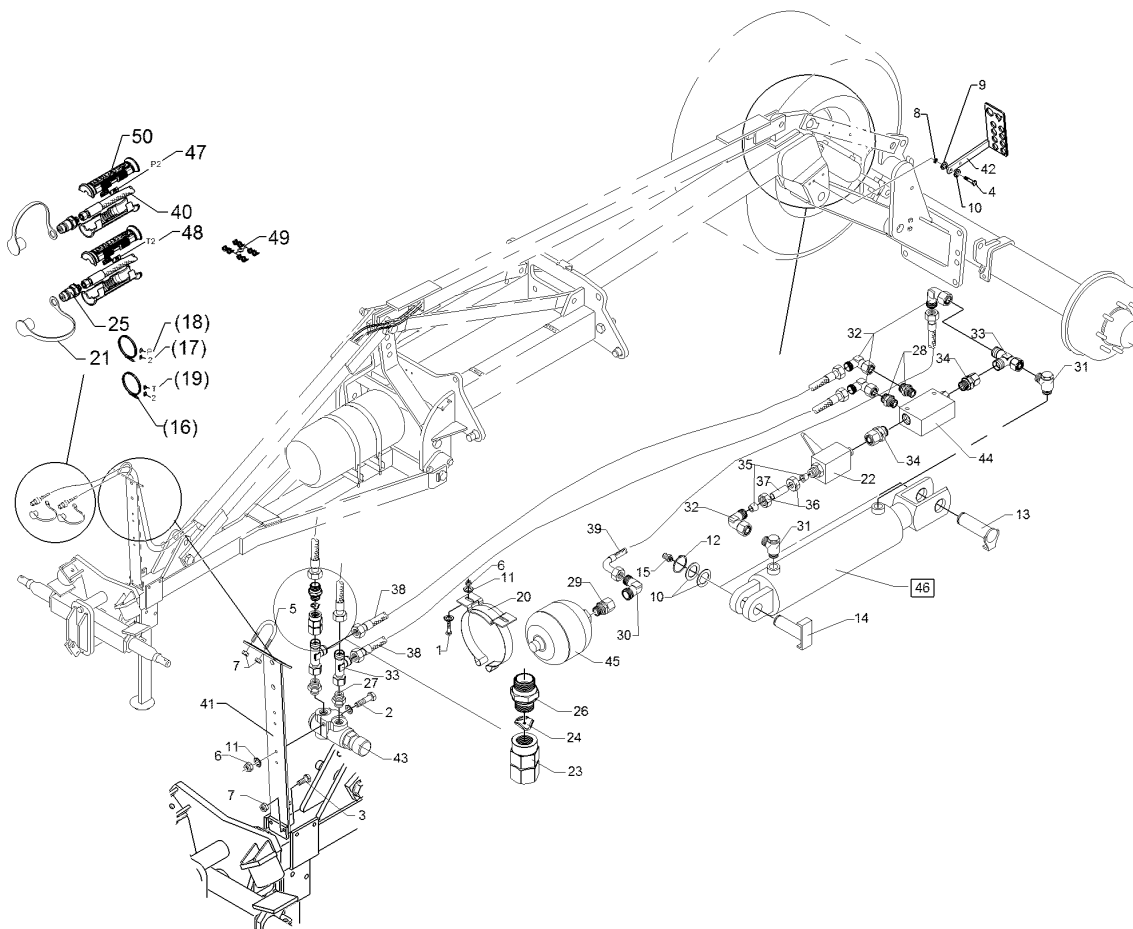
01.18

| Pos. | Art.Nr. | Stck. | Artikeltext / Description | | Abmessung |
|------|----------|-------|-----------------------------|-----------------|---------------------------|
| 1 | 301 3073 | 2 | Sechskantschraube | Hexagon bolt | M8x45-8.8 Zn DIN931-A |
| 2 | 301 3081 | 1 | Sechskantschraube | Hexagon bolt | M8x60-8.8 Zn DIN931-A |
| 3 | 301 5004 | 2 | Sechskantschraube | Hexagon bolt | M10x30-8.8 Zn DIN933 |
| 4 | 301 7341 | 2 | Sechskantschraube | Hexagon bolt | M12x65-8.8 Zn DIN931-A |
| 5 | 301 7782 | 1 | Bügelsschraube | U-bolt | M10x62x60 Zn |
| 6 | 303 0932 | 3 | Sicherungsmutter | Selflocking nut | NM8-8 Zn DIN985 |
| 7 | 303 0933 | 4 | Sicherungsmutter | Selflocking nut | NM10-8 DIN985 Zn |
| 8 | 303 0934 | 2 | Sicherungsmutter | Selflocking nut | NM12-8 Zn DIN985 |
| 9 | 305 8580 | 2 | Scheibe | Washer | 13/24x2,5 St-Zn DIN125 |
| 10 | 305 2051 | 8 | Passscheibe | Shim | 30x42x1,0 DIN988 Zn |
| 11 | 305 8694 | 6 | Scheibe | Washer | A8,4 DIN125-St Zn |
| 12 | 305 8867 | 2 | Sicherungsring | Retaining ring | 30x2 DIN471 Zn |
| 13 | 313 3017 | 1 | Bolzen mit Verdrehsicherung | Pin with stop | D30/31x62/84 Zn |
| 14 | 313 3023 | 1 | Bolzen mit Verdrehsicherung | Pin with stop | D30/72x62/84-M10x1 Zn |
| 15 | 323 6348 | 2 | Schmiernippel | Grease nipple | AM10x1 DIN71412 |
| 16 | 325 1350 | 2 | Spannband | Strap | 6,3x254 VA |
| 17 | 325 1502 | 2 | EASY-READ Zeichen | EASY-READ sign | "2" |
| 18 | 325 1511 | 1 | EASY-READ Zeichen | EASY-READ sign | "P" |
| 19 | 325 1512 | 1 | EASY-READ Zeichen | EASY-READ sign | "T" |



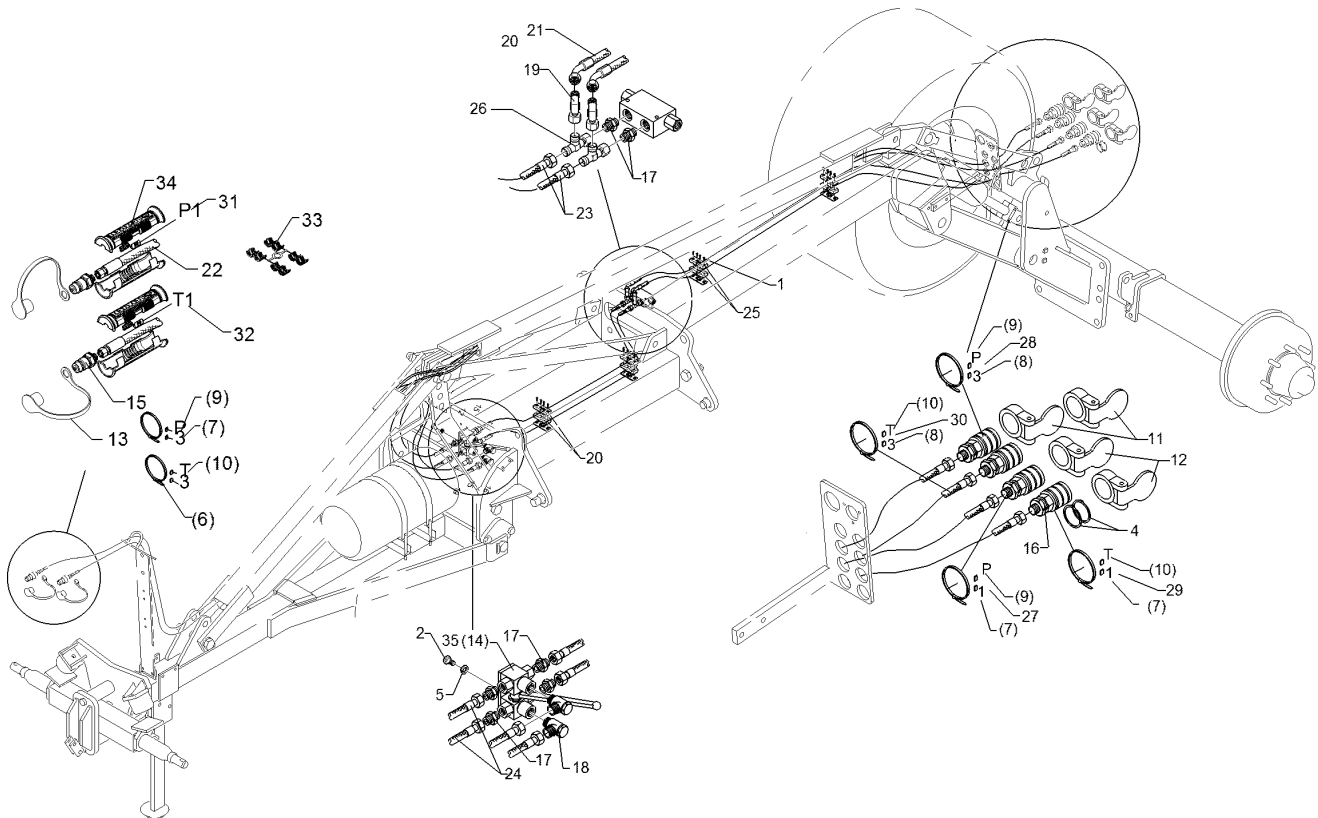
01.18

| Pos. | Art.Nr. | Stck. | Artikeltext / Description | | Abmessung |
|------|----------|-------|-------------------------------|------------------------|---------------------------------|
| 20 | 325 5128 | 1 | Konsolenschele | Bracket clip | TYP 142 D137-145 |
| 21 | 375 2120 | 2 | Staubkappe, grün | Cap | D26,5 Bg.3 |
| 22 | 375 2199 | 1 | Kugelhahn | Ball valve | BKH 12L-M18x1,5 Zn |
| 23 | 375 2205 | 1 | Verbindung | Connection | DKOL12/IGM 16x1,5 |
| 24 | 375 2515 | 1 | Drosselscheibe Dreibein | Restrictor washer | Dreibein 2,5 |
| 25 | 375 2718 | 2 | SVK-Stecker | Hydraulic coupling | BG-3 12L M18x1,5 |
| 26 | 375 4010 | 1 | Einschraubverschraubung | Nipple | x-GE12-LM M16x1,5 Zn |
| 27 | 375 4020 | 2 | Einschraubverschraubung | Nipple | x-GE12-LM M18x1,5 Zn |
| 28 | 375 4038 | 2 | Einschraubverschraubung | Nipple | GE 12-LR 1/4 ZL ED |
| 29 | 375 4049 | 1 | Einstellbare GE-Verschraubung | Nipple | evGE 12-LR 1/2"-ED DKO |
| 30 | 375 4210 | 1 | Winkelverschraubung | Elbow union | x-W12-L M18x1,5 |
| 31 | 375 4311 | 2 | Schwenkverschraubung | Union, swivel | x-SWVE12-LM M18x1,5 Zn |
| 32 | 375 4500 | 4 | Einstellbare W-Verschraubung | Adjustable angle union | EW12-LM DKO24 GRD M18x1,5 |
| 33 | 375 4550 | 3 | Einstellbare L-Verschraubung | Adjustable L-union | EL12-L M18x1,5 |
| 34 | 375 4711 | 2 | Stutzen | Stud | x-evGE-12-ED 1/4" DKO 24 GRD |
| 35 | 375 5110 | 2 | Schneidring | Cutting ring | 12-L/S Zn/ZnNi WD |
| 36 | 375 5310 | 2 | Überwurfmutter | Union nut | 12L M18x1,5 Zn/ZnNi |
| 37 | 475 2219 | 1 | Hydraulikrohr | Hydraulic tube | 12x2x47 |
| 38 | 475 2502 | 2 | Hydraulikschlauch | Hydraulic hose | 1SN08-6100-DKOL12 |



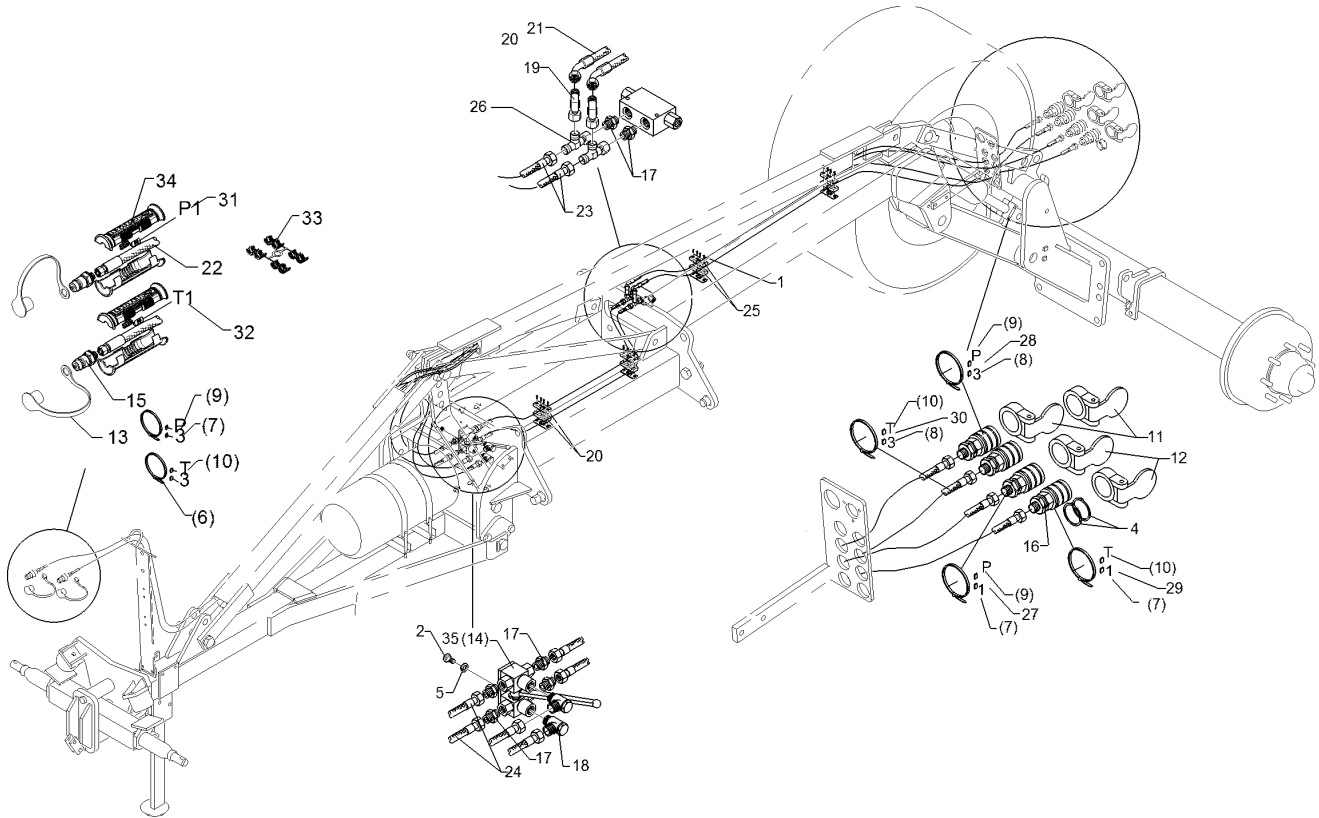
01.18

| Pos. | Art.Nr. | Stck. | Artikeltext / Description | | Abmessung |
|------|----------|-------|-----------------------------|-------------------------|------------------------------------|
| 39 | 475 2598 | 1 | Hydraulikschlauch | Hydraulic hose | 2SN10-600 DKOL12/DKOL12 0/0° |
| 40 | 475 2656 | 2 | Hydraulikschlauch | Hydraulic hose | 1SN08-1800 12-DKOL |
| 41 | 475 4361 | 1 | Schlauchhalter | Hose carrier | 80x8x700 4xD12 |
| 42 | 475 4362 | 1 | Kupplungshalter | Coupling holder | 210x295 |
| 43 | 575 2050 | 1 | Druckbegrenzungsventil | Pressure limiting valve | 5-80 bar M18x1,5 30l/min |
| 44 | 575 2165 | 1 | Rückschlagventil | Nonreturn valve | RPI 06/05-G |
| 45 | 575 2192 | 1 | Druckspeicher | Pressure accumulator | Typ 1,40l 140-050bar G1/2ZL |
| 46 | 575 2359 | 1 | Hydraulikzylinder mit Gabel | Ram | 100/40-245-515-D30 |
| 47 | 325 1602 | 2 | Kennzeichnung | Marking | P2 |
| 48 | 325 1609 | 2 | Kennzeichnung | Marking | T2 |
| 49 | 375 2606 | 2 | Einleger | Insert | DN6 DN8 |
| 50 | 375 2607 | 4 | Griff Halbschale | Handle | - |



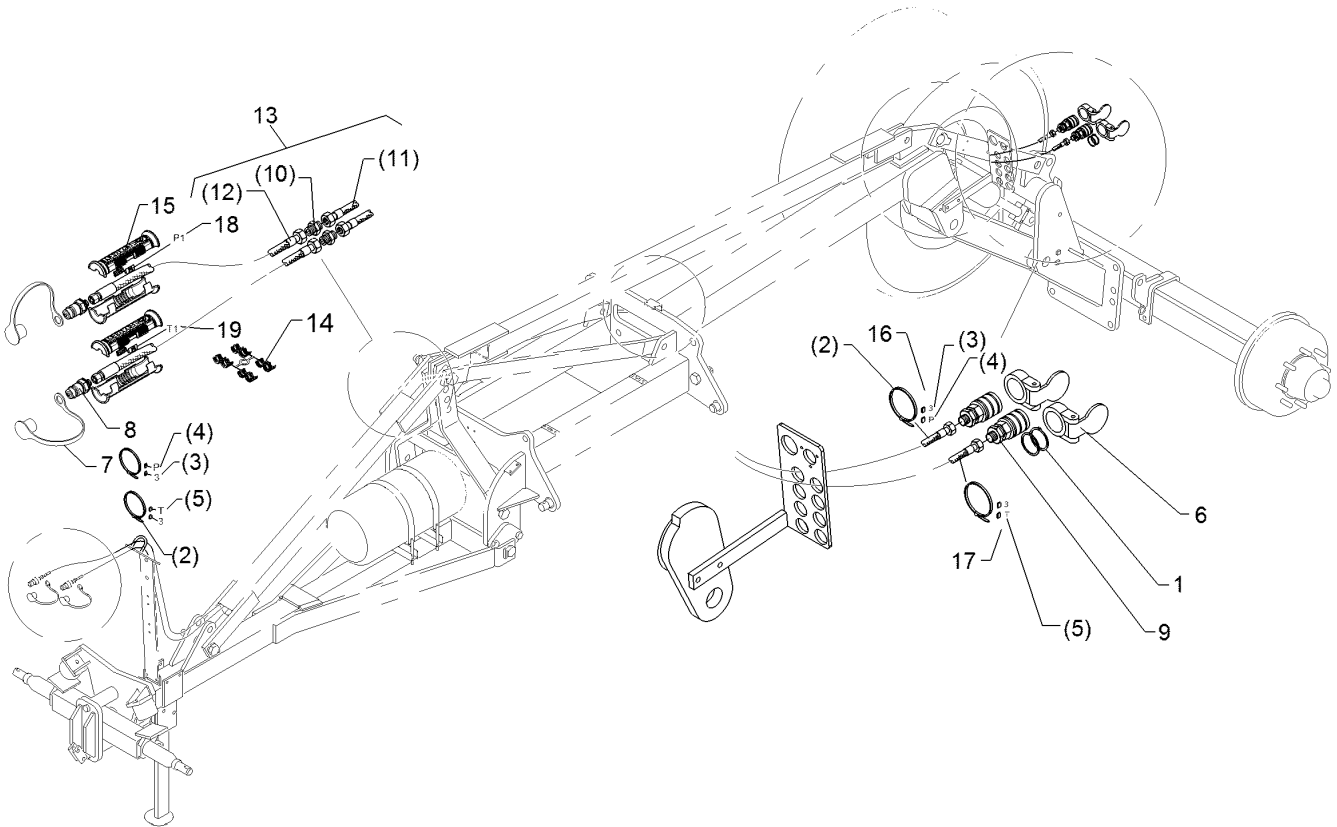
01.18

| Pos. | Art.Nr. | Stck. | Artikeltext / Description | | Abmessung |
|------|----------|-------|------------------------------|------------------------|-------------------------------|
| 1 | 301 0302 | 16 | Linsenschraube | Oval head screw | M6x25-4,6 Zn DIN7985 |
| 2 | 301 3068 | 1 | Sechskantschraube | Hexagon bolt | M8x35-8.8 Zn DIN933 |
| 4 | 305 8871 | 8 | Sicherungsring | Retaining ring | 38x1,75 DIN471 Zn |
| 5 | 305 9898 | 1 | Federring | Spring ring | 8 A DIN127 Zn |
| 6 | 325 1350 | 4 | Spannband | Strap | 6,3x254 VA |
| 7 | 325 1501 | 2 | EASY-READ Zeichen | EASY-READ sign | "1" |
| 8 | 325 1503 | 2 | EASY-READ Zeichen | EASY-READ sign | "3" |
| 9 | 325 1511 | 2 | EASY-READ Zeichen | EASY-READ sign | "P" |
| 10 | 325 1512 | 2 | EASY-READ Zeichen | EASY-READ sign | "T" |
| 11 | 375 2101 | 2 | Staubschutzklappe blau | Dust protection flap | BG 3 D38 |
| 12 | 375 2105 | 2 | Staubschutzklappe rot | Dust protection flap | BG 3 D38 |
| 13 | 375 2166 | 2 | Staubkappe, rot | Cap, red | D26,5 |
| 14 | 375 2200 | 1 | Wegeventil | Directional valve | 6/2-L M16x1,5 |
| 15 | 375 2718 | 2 | SVK-Stecker | Hydraulic coupling | BG-3 12L M18x1,5 |
| 16 | 375 2735 | 4 | SVK-Muffe | SVK-socket | CEL12 M18x1,5 BG3 |
| 17 | 375 4010 | 4 | Einschraubverschraubung | Nipple | x-GE12-LM M16x1,5 Zn |
| 18 | 375 4310 | 2 | Schwenkverschraubung | Union, swivel | x-SWVE12-LM M16x1,5 |
| 19 | 375 4500 | 2 | Einstellbare W-Verschraubung | Adjustable angle union | EW12-LM DKO24 GRD M18x1,5 |
| 20 | 375 9961 | 8 | Schellenkörper | Clamp | 1/2x215 PP |
| 21 | 475 2389 | 2 | Hydraulikschlauch | Hydraulic hose | 2SN10-2300 DKOL12/R-45 GRD |



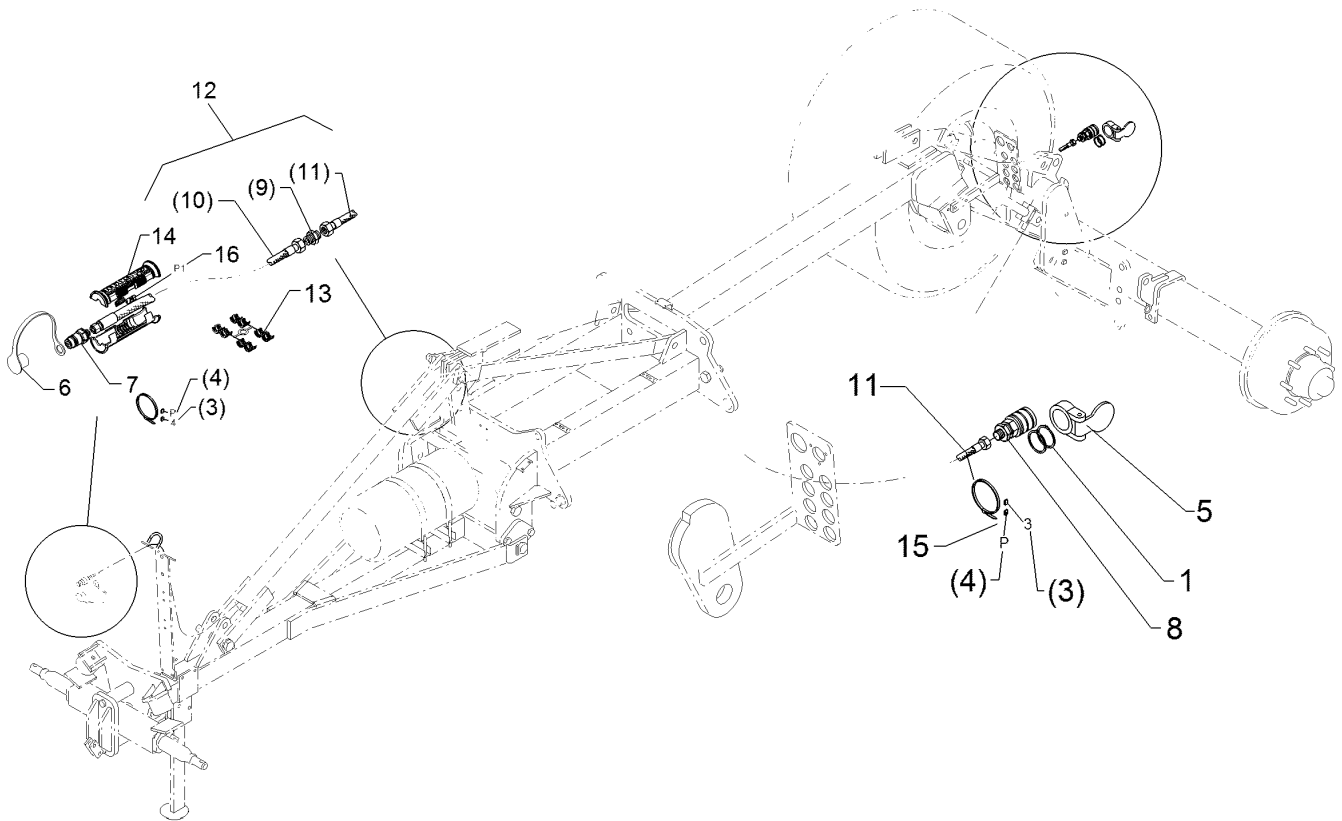
01.18

| Pos. | Art.Nr. | Stck. | Artikeltext / Description | | Abmessung |
|------|----------|-------|------------------------------|--------------------|-------------------------------|
| 22 | 475 2500 | 2 | Hydraulikschlauch | Hydraulic hose | 1SN08-4400-DKOL12 |
| 23 | 475 2610 | 2 | Hochdruckschlauch | High-pressure hose | 2SN08-1250 M18x1,5-R45 GRD |
| 24 | 475 2624 | 2 | Hydraulikschlauch | Hydraulic hose | 2SN10-4100 DKOL12 00°/00° |
| 25 | 375 9962 | 8 | Schellenkörper | Clamp | 1/2x218 PP |
| 26 | 375 4550 | 2 | Einstellbare L-Verschraubung | Adjustable L-union | EL12-L M18x1,5 |
| 27 | 325 1521 | 1 | Kennzeichnung | Marking | P1 29x8 |
| 28 | 325 1523 | 1 | Kennzeichnung | Marking | P3 29x8 |
| 29 | 325 1528 | 1 | Kennzeichnung | Marking | T1 29x8 |
| 30 | 325 1530 | 1 | Kennzeichnung | Marking | T3 29x8 |
| 31 | 325 1601 | 2 | Kennzeichnung | Marking | P1 20x9 |
| 32 | 325 1608 | 2 | Kennzeichnung | Marking | T1 20x9 |
| 33 | 375 2606 | 2 | Einleger | Insert | DN6 DN8 |
| 34 | 375 2607 | 4 | Griff Halbschale | Handle | - |



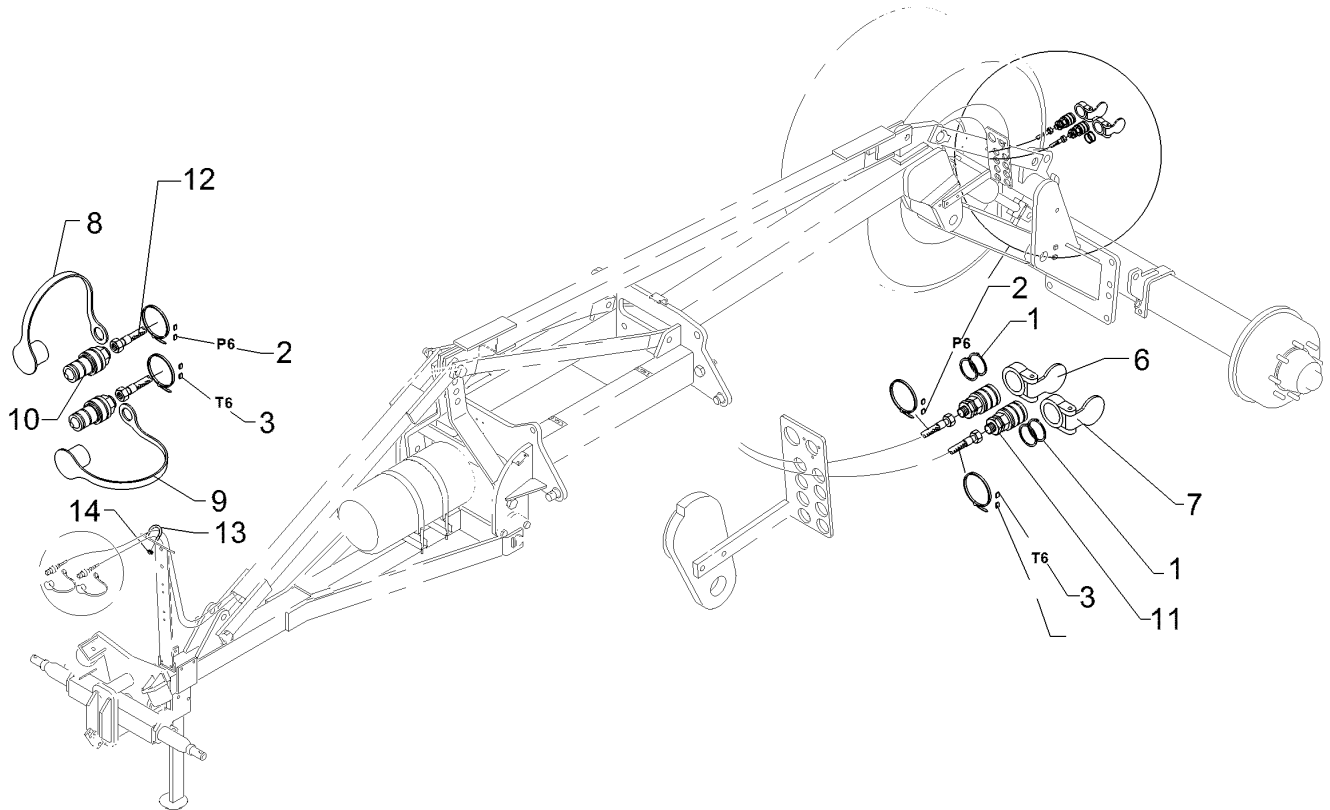
01.18

| Pos. | Art.Nr. | Stck. | Artikeltext / Description | | Abmessung |
|------|----------|-------|---------------------------|----------------------|------------------------------|
| 1 | 305 8871 | 4 | Sicherungsring | Retaining ring | 38x1,75 DIN471 Zn |
| 2 | 325 1350 | 2 | Spannband | Strap | 6,3x254 VA |
| 3 | 325 1503 | 2 | EASY-READ Zeichen | EASY-READ sign | "3" |
| 4 | 325 1511 | 1 | EASY-READ Zeichen | EASY-READ sign | "P" |
| 5 | 325 1512 | 1 | EASY-READ Zeichen | EASY-READ sign | "T" |
| 6 | 375 2101 | 2 | Staubschutzklappe blau | Dust protection flap | BG 3 D38 |
| 7 | 375 2121 | 2 | Staubkappe | Dust cap | D26,5 Bg.3 |
| 8 | 375 2718 | 2 | SVK-Stecker | Hydraulic coupling | BG-3 12L M18x1,5 |
| 9 | 375 2735 | 2 | SVK-Muffe | SVK-socket | CEL12 M18x1,5 BG3 |
| 10 | 375 4110 | 2 | Gerade Verschraubung | Nipple | x-G12-L M18x1,5 |
| 11 | 475 2624 | 2 | Hydraulikschlauch | Hydraulic hose | 2SN10-4100 DKOL12 00°/00° |
| 12 | 475 2642 | 2 | Hydraulikschlauch | Hydraulic hose | 1SN08-3900 DKOL-12L |
| 13 | 475 3143 | 2 | Hydraulikschlauch | Hydraulic hose | 1SN08-8100-DKOL12 |
| 14 | 375 2606 | 2 | Einleger | Insert | DN6 DN8 |
| 15 | 375 2607 | 4 | Griff Halbschale | Handle | - |
| 16 | 325 1523 | 1 | Kennzeichnung | Marking | P3 29X8 |
| 17 | 325 1530 | 1 | Kennzeichnung | Marking | T3 29X8 |
| 18 | 325 1603 | 2 | Kennzeichnung | Marking | P3 |
| 19 | 325 1610 | 2 | Kennzeichnung | Marking | T3 |



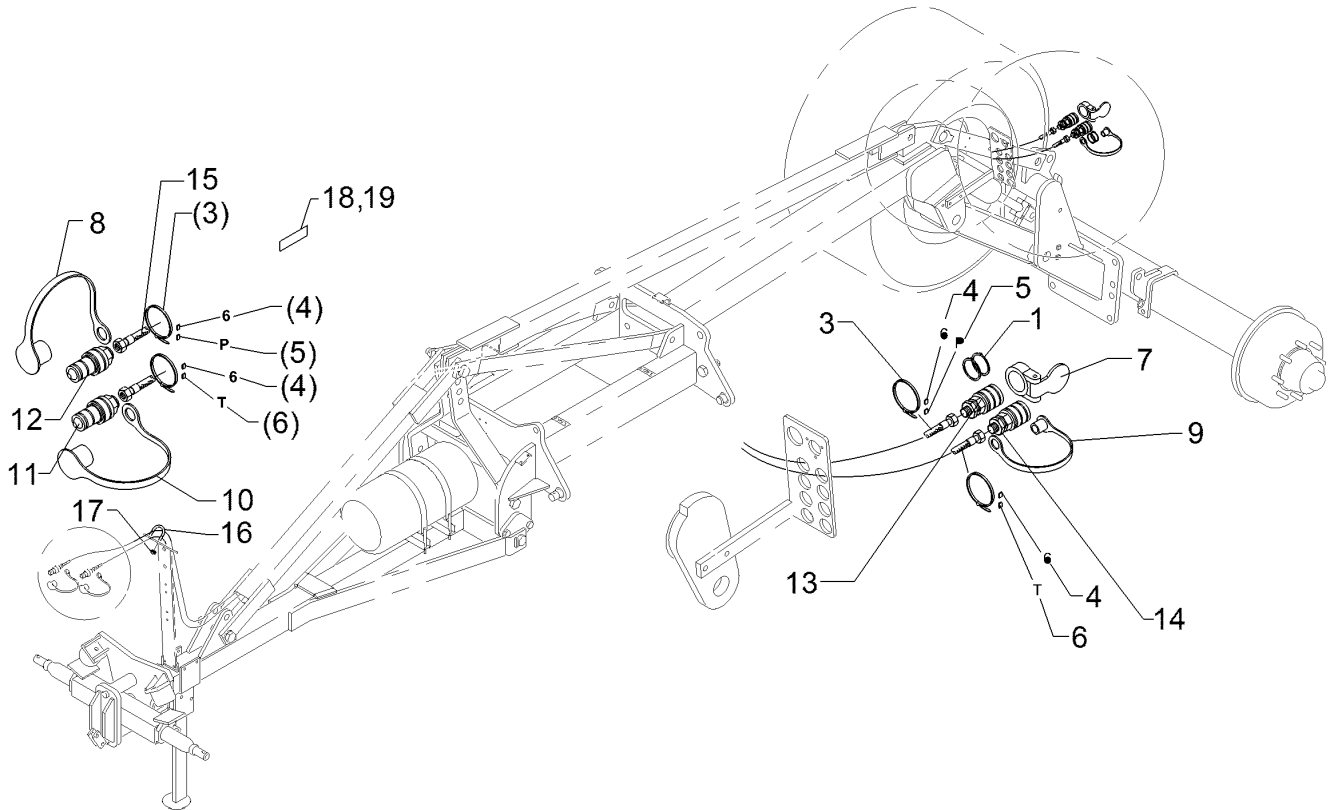
01.18

| Pos. | Art.Nr. | Stck. | Artikeltext / Description | | Abmessung |
|------|----------|-------|---------------------------|----------------------|------------------------------|
| 1 | 305 8871 | 2 | Sicherungsring | Retaining ring | 38x1,75 DIN471 Zn |
| 2 | 325 1350 | 1 | Spannband | Strap | 6,3x254 VA |
| 3 | 325 1504 | 1 | EASY-READ Zeichen | EASY-READ sign | "4" |
| 4 | 325 1511 | 1 | EASY-READ Zeichen | EASY-READ sign | "P" |
| 5 | 375 2102 | 1 | Staubschutzklappe schwarz | Dust protection flap | BG 3 D38 |
| 6 | 375 2122 | 1 | Staubkappe, schwarz | Cap, black | D26,5 Bg.3 |
| 7 | 375 2718 | 1 | SVK-Stecker | Hydraulic coupling | BG-3 12L M18x1,5 |
| 8 | 375 2735 | 1 | SVK-Muffe | SVK-socket | CEL12 M18x1,5 BG3 |
| 9 | 375 4110 | 1 | Gerade Verschraubung | Nipple | x-G12-L M18x1,5 |
| 10 | 475 2624 | 1 | Hydraulikschlauch | Hydraulic hose | 2SN10-4100 DKOL12 00°/00° |
| 11 | 475 2642 | 1 | Hydraulikschlauch | Hydraulic hose | 1SN08-3900 DKOL-12L |
| 12 | 475 3143 | 1 | Hydraulikschlauch | Hydraulic hose | 1SN08-8100-DKOL12 |
| 13 | 375 2606 | 1 | Einleger | Insert | DN6 DN8 |
| 14 | 375 2607 | 2 | Griff Halbschale | Handle | - |
| 15 | 325 1524 | 1 | Kennzeichnung | Marking | P4 29X8 |
| 16 | 325 1604 | 2 | Kennzeichnung | Marking | P4 |



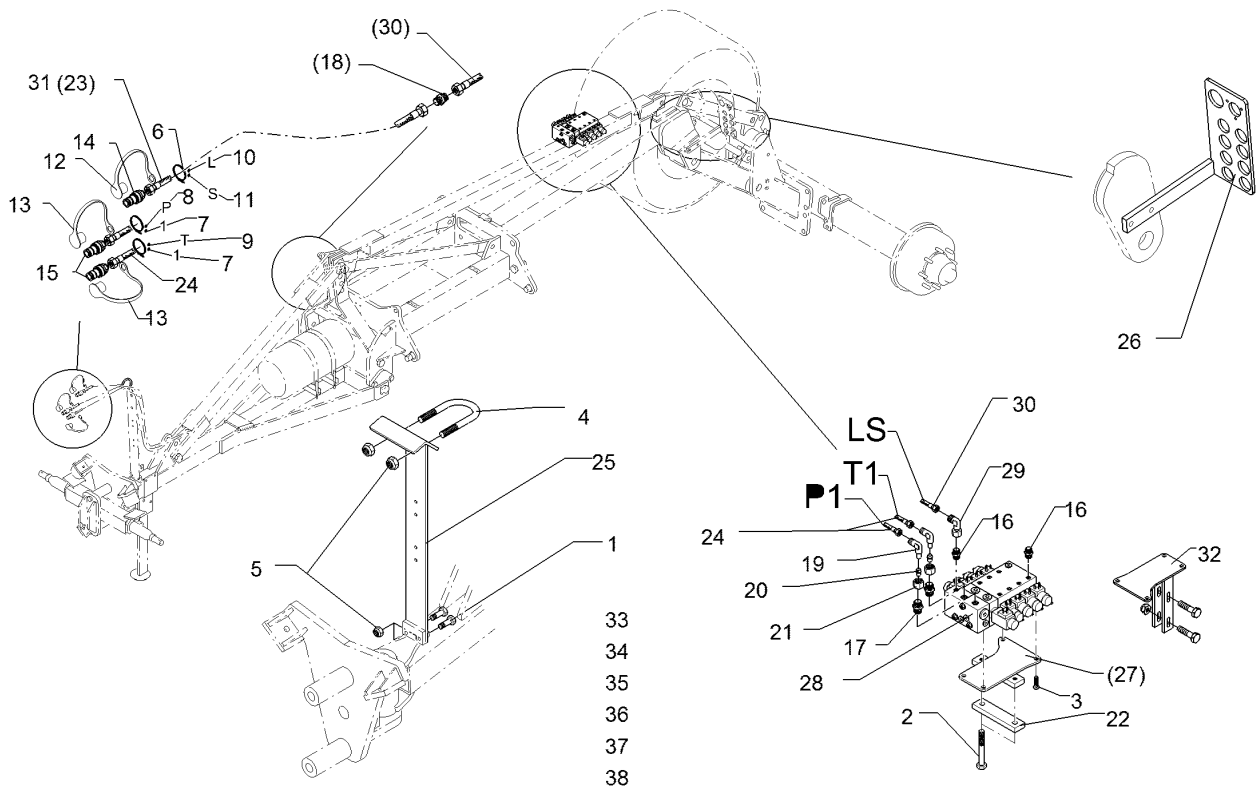
01.18

| Pos. | Art.Nr. | Stck. | Artikeltext / Description | | Abmessung |
|------|----------|-------|---------------------------|----------------------|-------------------------------|
| 1 | 305 8871 | 4 | Sicherungsring | Retaining ring | 38x1,75 DIN471 Zn |
| 2 | 325 1526 | 2 | Kennzeichnung | Marking | P6 29X8 |
| 3 | 325 1533 | 2 | Kennzeichnung | Marking | T6 29X8 |
| 6 | 375 2103 | 1 | Staubschutzklappe gelb | Dust protection flap | BG 3 D38 |
| 7 | 375 2104 | 1 | Staubschutzklappe weiss | Dust protection flap | BG 3 D38 |
| 8 | 375 2123 | 1 | Staubkappe, gelb | Cap | D26,5 Bg.3 |
| 9 | 375 2124 | 1 | Staubkappe, weiss | Cap, white | D26,5 Bg.3 |
| 10 | 375 2736 | 2 | SVK-Stecker | Hydraulic coupling | BG-3 15L CEL M22x1,5 SW-27 |
| 11 | 375 2737 | 2 | SVK-Muffe | SVK-socket | BG-3 CEL15 M22x1,5 |
| 12 | 475 2669 | 2 | Hydraulikschlauch | Hydraulic hose | 2SN12-7900 M22x1,5 |
| 13 | 301 7782 | 1 | Bügel schraube | U-bolt | M10x62x60 Zn |
| 14 | 303 0933 | 1 | Sicherungsmutter | Selflocking nut | NM10-8 DIN985 Zn |



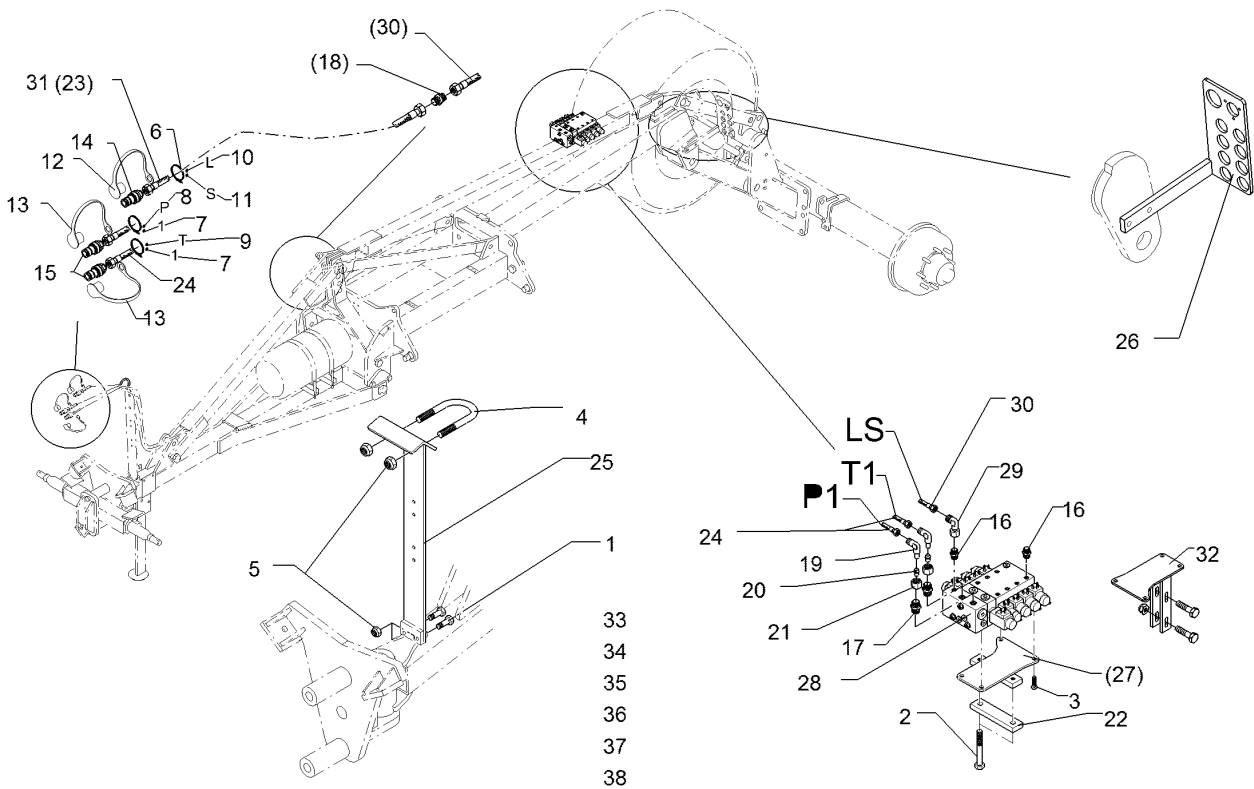
01.18

| Pos. | Art.Nr. | Stck. | Artikeltext / Description | | Abmessung |
|------|----------|-------|---------------------------|----------------------|-------------------------------|
| 1 | 305 8871 | 2 | Sicherungsring | Retaining ring | 38x1,75 DIN471 Zn |
| 3 | 325 1350 | 4 | Spannband | Strap | 6,3x254 VA |
| 4 | 325 1506 | 4 | EASY-READ Zeichen | EASY-READ sign | "6" |
| 5 | 325 1511 | 2 | EASY-READ Zeichen | EASY-READ sign | "P" |
| 6 | 325 1512 | 2 | EASY-READ Zeichen | EASY-READ sign | "T" |
| 7 | 375 2103 | 1 | Staubschutzklappe gelb | Dust protection flap | BG 3 D38 |
| 8 | 375 2123 | 1 | Staubkappe, gelb | Cap | D26,5 Bg.3 |
| 9 | 375 2162 | 1 | Staubstecker rot | Plastic male probe | BG.6 |
| 10 | 375 2168 | 1 | Staubkappe | Dust cap | BG.6 rot |
| 11 | 375 2720 | 1 | SVK-Stecker | Hydraulic coupling | SVK-BG 6 M22x1,5 |
| 12 | 375 2736 | 1 | SVK-Stecker | Hydraulic coupling | BG-3 15L CEL M22x1,5 SW-27 |
| 13 | 375 2737 | 1 | SVK-Muffe | SVK-socket | BG-3 CEL15 M22x1,5 |
| 14 | 375 2738 | 1 | SVK-Muffe | SVK-socket | BG.6 M22x1,5 |
| 15 | 475 2669 | 2 | Hydraulikschlauch | Hydraulic hose | 2SN12-7900 M22x1,5 |
| 16 | 301 7782 | 1 | Bügel schraube | U-bolt | M10x62x60 Zn |
| 17 | 303 0933 | 2 | Sicherungsmutter | Selflocking nut | NM10-8 DIN985 Zn |
| 18 | 325 1526 | 2 | Kennzeichnung | Marking | P6 29X8 |
| 19 | 325 1533 | 2 | Kennzeichnung | Marking | T6 29X8 |



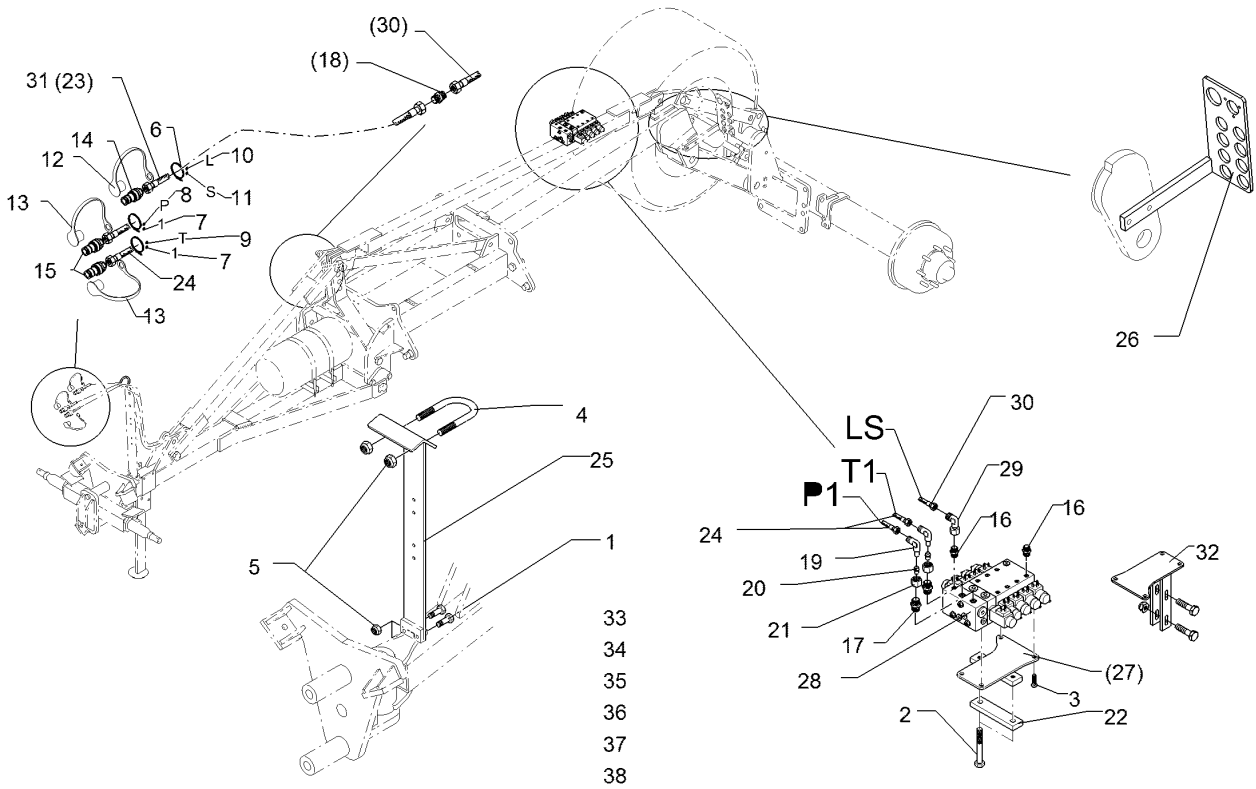
01.18

| Pos. | Art.Nr. | Stck. | Artikeltext / Description | | Abmessung |
|------|----------|-------|--------------------------------|------------------------|--|
| 1 | 301 5004 | 2 | Sechskantschraube | Hexagon bolt | M10x30-8.8 Zn DIN933 |
| 2 | 301 5438 | 2 | Sechskantschraube | Hexagon bolt | M10x150-8.8 Zn DIN931-A |
| 3 | 301 7280 | 3 | Sechskantschraube | Hexagon bolt | M8x25-8.8 Zn DIN933 |
| 4 | 301 7782 | 1 | Bügelschraube | U-bolt | M10x62x60 Zn |
| 5 | 303 0933 | 4 | Sicherungsmutter | Selflocking nut | NM10-8 DIN985 Zn |
| 6 | 325 1350 | 3 | Spannband | Strap | 6,3x254 VA |
| 7 | 325 1501 | 2 | EASY-READ Zeichen | EASY-READ sign | "1" |
| 8 | 325 1511 | 1 | EASY-READ Zeichen | EASY-READ sign | "P" |
| 9 | 325 1512 | 1 | EASY-READ Zeichen | EASY-READ sign | "T" |
| 10 | 325 1513 | 1 | EASY-READ Zeichen | EASY-READ sign | "L" |
| 11 | 325 1514 | 1 | EASY-READ Zeichen | EASY-READ sign | "S" |
| 12 | 375 2164 | 1 | Staubkappe | Dust cap | rd BG.2 |
| 13 | 375 2166 | 2 | Staubkappe, rot | Cap, red | D26,5 |
| 14 | 375 2777 | 1 | SVK-Stecker | Hydraulic coupling | Bg.2 12L |
| 15 | 375 2736 | 2 | SVK-Stecker | Hydraulic coupling | BG-3 15L CEL M22x1,5 SW-27 x-GE12-LM M14x1,5 Zn |
| 16 | 375 4009 | 8 | Einschraubverschraubung | Nipple | x-GE15-LM 22x1,5-ED |
| 17 | 375 4032 | 2 | Gerade Einschraubverschraubung | Nipple | x-G12-L M18x1,5 |
| 18 | 375 4110 | 1 | Gerade Verschraubung | Nipple | x-G12-L M18x1,5 |
| 19 | 375 4503 | 2 | Einstellbare W-Verschraubung | Adjustable angle union | EW15-L-DKO24 GRD O-Ring |



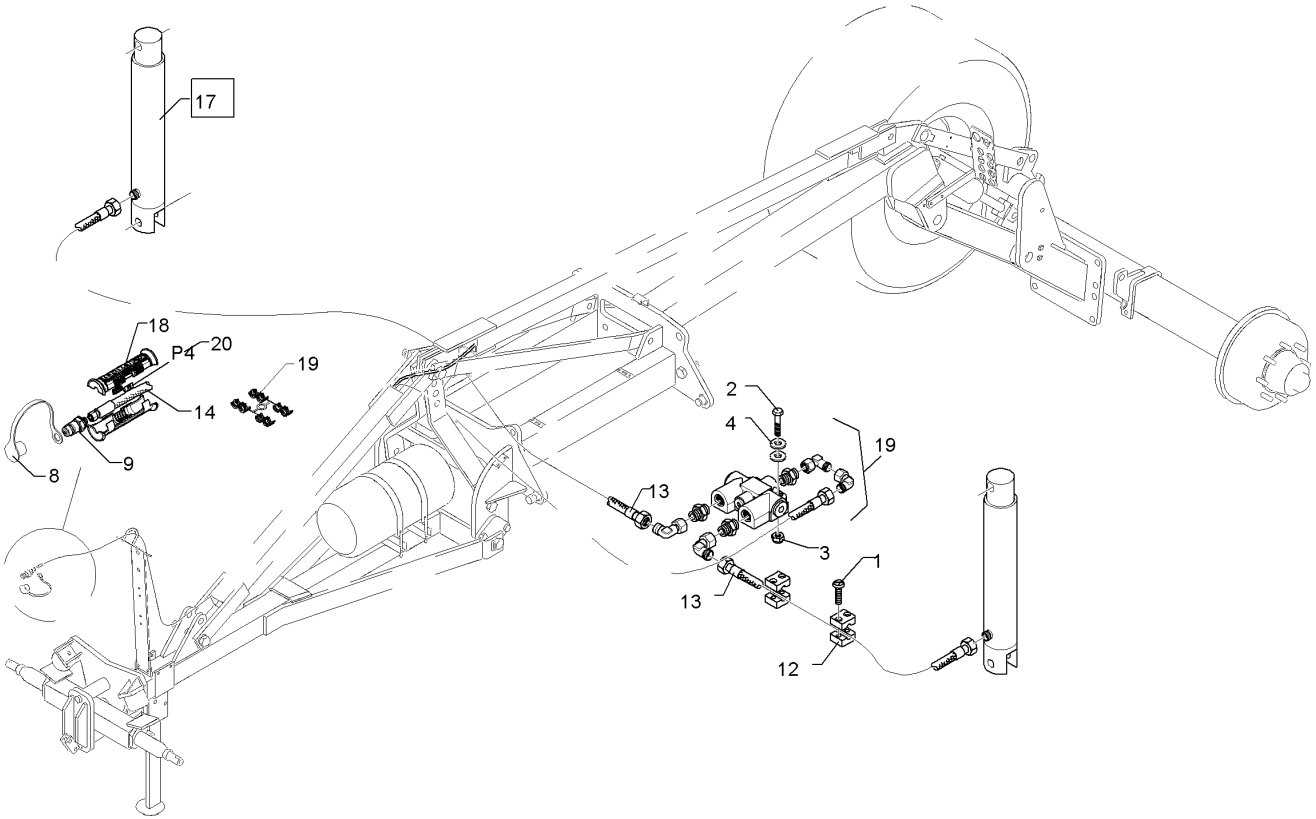
01.18

| Pos. | Art.Nr. | Stck. | Artikeltext / Description | Abmessung | |
|------|----------|-------|------------------------------|------------------------|-------------------------------------|
| 20 | 375 5120 | 2 | Schneidring | Cutting ring | S 15 L WD |
| 21 | 375 5320 | 2 | Überwurfmutter | Union nut | 15L M22x1,5 Zn |
| 22 | 459 1058 | 1 | Brücke | Clamp plate | 30x12x130 1x100-D11 |
| 23 | 475 2657 | 1 | Hydraulikschlauch | Hydraulic hose | 1SN08-3000 DKOL12/DKOL12 |
| 24 | 475 2669 | 2 | Hydraulikschlauch | Hydraulic hose | 2SN12-7900 M22x1,5 |
| 25 | 475 4361 | 1 | Schlauchhalter | Hose carrier | 80x8x700 4xD12 |
| 26 | 475 4362 | 1 | Kupplungshalter | Coupling holder | 210x295 |
| 27 | 475 4376 | 1 | Halter | Holder | 175x122x5 M10 1x100 |
| 28 | 575 2193 | 1 | Steuerblock | Control valve | L8S-3D/1E |
| 29 | 375 4500 | 3 | Einstellbare W-Verschraubung | Adjustable angle union | EW12-LM DKO24 GRD M18x1,5 |
| 30 | 475 2501 | 1 | Hydraulikschlauch | Hydraulic hose | 1SN8-5000 DKOL12/DKOL12 |
| 31 | 475 2493 | 1 | Hydraulikschlauch | Hydraulic hose | 0/0° 2SC08-7900 DKOL12/DKOL12 |
| 32 | 475 4363 | 1 | Halter | Holder | 0/0° 175x122x5 25 |
| 33 | 325 1521 | 2 | Kennzeichnung | Marking | P1 29x8 |
| 34 | 325 1528 | 2 | Kennzeichnung | Marking | T1 29x8 |
| 35 | 325 1534 | 1 | Kennzeichnung | Marking | LS 29x8 |
| 36 | 375 4132 | 1 | Verbindung gerade | Connection | DKOL12/DKOL12 M18x1,5 |



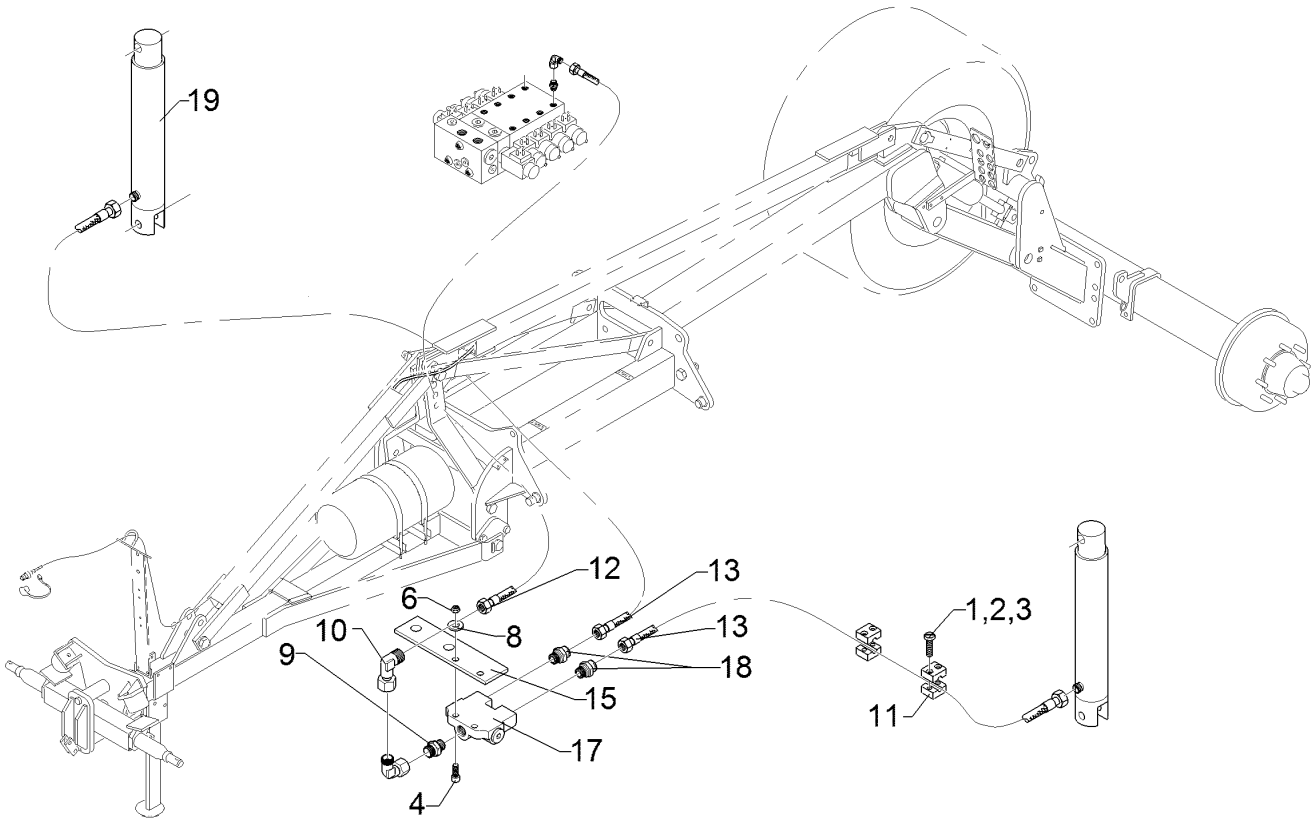
01.18

| Pos. | Art.Nr. | Stck. | Artikeltext / Description | | Abmessung |
|------|----------|-------|------------------------------|--------------------|-----------------|
| 37 | 375 4210 | 1 | Winkelverschraubung | Elbow union | x-W12-L M18x1,5 |
| 38 | 375 4550 | 3 | Einstellbare L-Verschraubung | Adjustable L-union | EL12-L M18x1,5 |



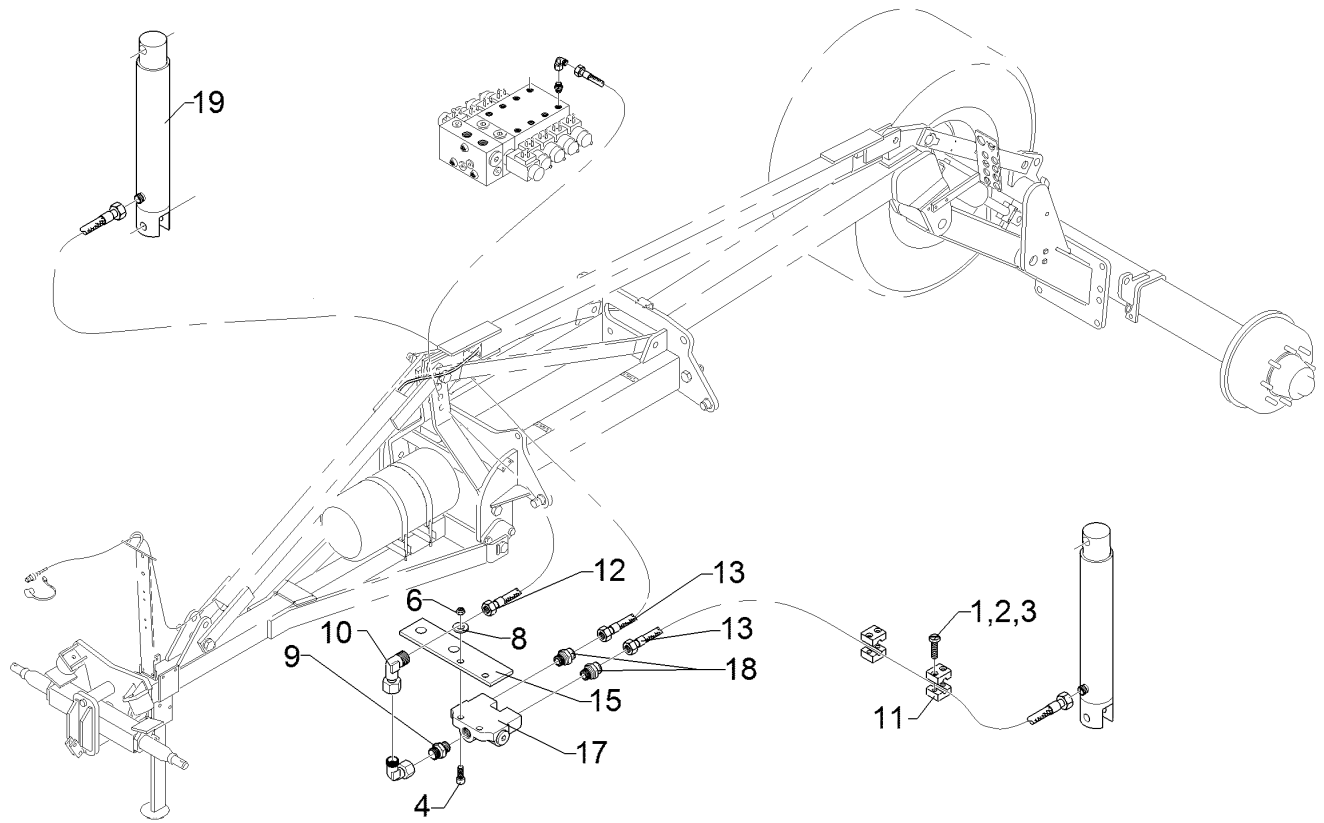
01.18

| Pos. | Art.Nr. | Stck. | Artikeltext / Description | | Abmessung |
|------|----------|-------|---------------------------|--------------------|-------------------------------------|
| 1 | 301 0306 | 16 | Linsenschraube | Oval head screw | M6x45-4,6 Zn DIN7985 |
| 2 | 301 3081 | 2 | Sechskantschraube | Hexagon bolt | M8x60-8.8 Zn DIN931-A |
| 3 | 303 0932 | 2 | Sicherungsmutter | Selflocking nut | NM8-8 Zn DIN985 |
| 4 | 305 8694 | 4 | Scheibe | Washer | A8,4 DIN125-St Zn |
| 8 | 375 2122 | 1 | Staubkappe, schwarz | Cap, black | D26,5 Bg.3 |
| 9 | 375 2718 | 1 | SVK-Stecker | Hydraulic coupling | BG-3 12L M18x1,5 |
| 12 | 375 9960 | 16 | Schellenkörper | Clamp | 1/2x112A PP |
| 13 | 475 2500 | 1 | Hydraulikschlauch | Hydraulic hose | 1SN08-4400-DKOL12 |
| 14 | 475 3050 | 2 | Hydraulikschlauch | Hydraulic hose | MTH06-2500 DKOL12/DKOL12 0/0° |
| 17 | 575 2312 | 2 | Plunger-Zylinder | Plunger-ram | 40-210-378 2xD20,25 |
| 18 | 375 2607 | 2 | Griff Halbschale | Handle | - |
| 19 | 375 2606 | 1 | Einleger | Insert | DN6 DN8 |
| 20 | 325 1604 | 2 | Kennzeichnung | Marking | P4 |
| 21 | 57510097 | 1 | Montage-BG. Spuranreißer | Assembly group | Rubin 9 KA |



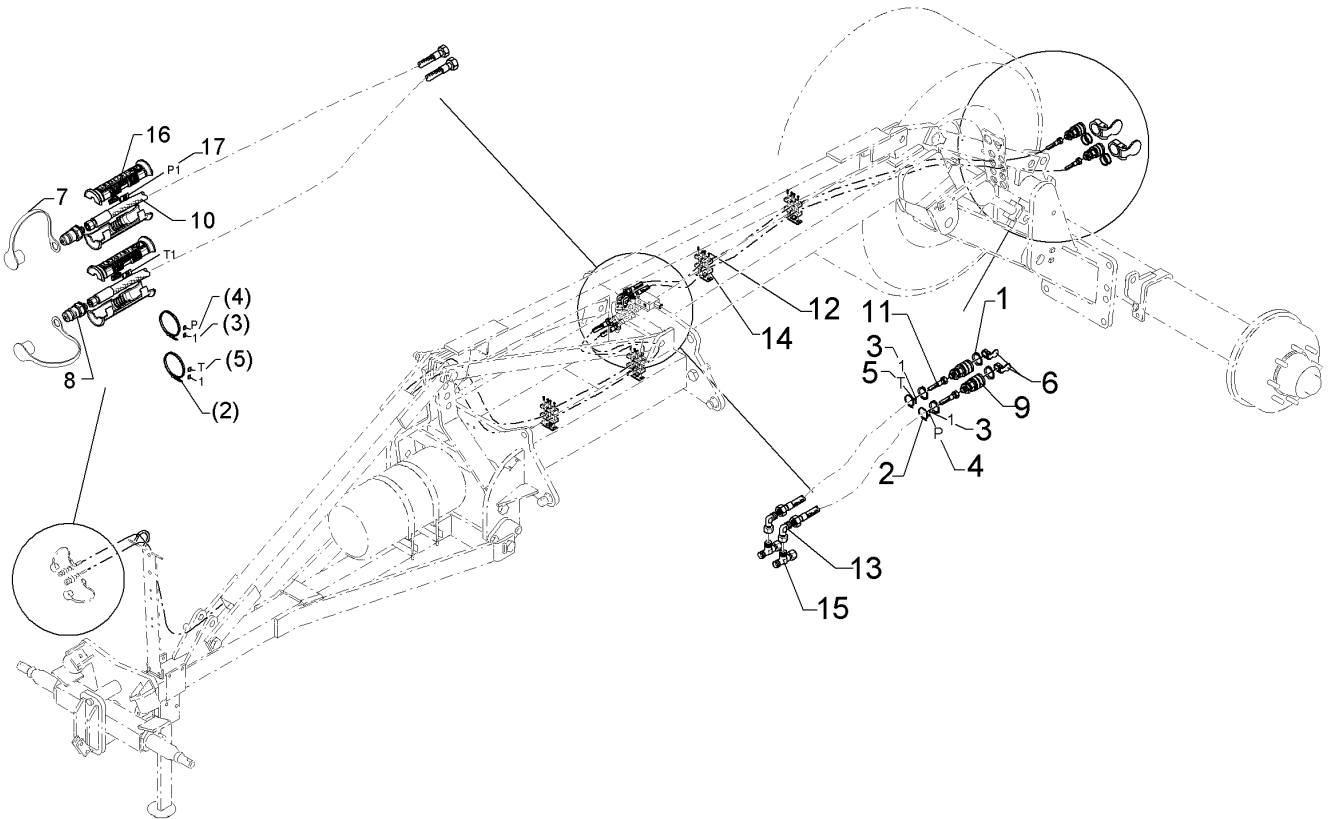
01.18

| Pos. | Art.Nr. | Stck. | Artikeltext / Description | | Abmessung |
|------|----------|-------|-------------------------------|--------------------------|------------------------------------|
| 1 | 301 0306 | 2 | Linsenschraube | Oval head screw | M6x45-4,6 Zn DIN7985 |
| 2 | 301 0308 | 4 | Linsenschraube | Oval head screw | M6x55-4,6 Zn DIN7985 |
| 3 | 301 0312 | 4 | Linsenschraube | Oval head screw | M6x75-4,6 Zn DIN7985 |
| 4 | 301 6068 | 2 | Zylinderschraube | Allen screw | M8x30-8.8 Zn DIN912 |
| 6 | 303 0932 | 2 | Sicherungsmutter | Selflocking nut | NM8-8 Zn DIN985 |
| 8 | 305 6124 | 2 | Scheibe | Washer | 8,4/25x2 DIN9021-St Zn |
| 9 | 375 4020 | 1 | Einschraubverschraubung | Nipple | x-GE12-LM M18x1,5 Zn |
| 10 | 375 4500 | 8 | Einstellbare W-Verschraubung | Adjustable angle union | EW12-LM DKO24 GRD M18x1,5 |
| 11 | 375 9964 | 13 | Schellenkörper | Clamp | 1/2x319PP |
| 12 | 475 2413 | 1 | Hydraulikschlauch | Hydraulic hose | NW10 M18x4800 |
| 13 | 475 2501 | 1 | Hydraulikschlauch | Hydraulic hose | 1SN8-5000 DKOL12/DKOL12 0/0° |
| 14 | 475 2624 | 1 | Hydraulikschlauch | Hydraulic hose | 2SN10-4100 DKOL12 00°/00° |
| 15 | 475 4355 | 1 | Halter für Umschaltblock | Holder | 50x6x190 D20 3xD10 |
| 17 | 575 2141 | 1 | Ventil m.Drossel Spuranreißer | Valve | M18x1,5 |
| 18 | 575 2186 | 2 | Drosselrückschlagventil | Throttle nonreturn valve | 7Liter SW24 M18x1,5 |



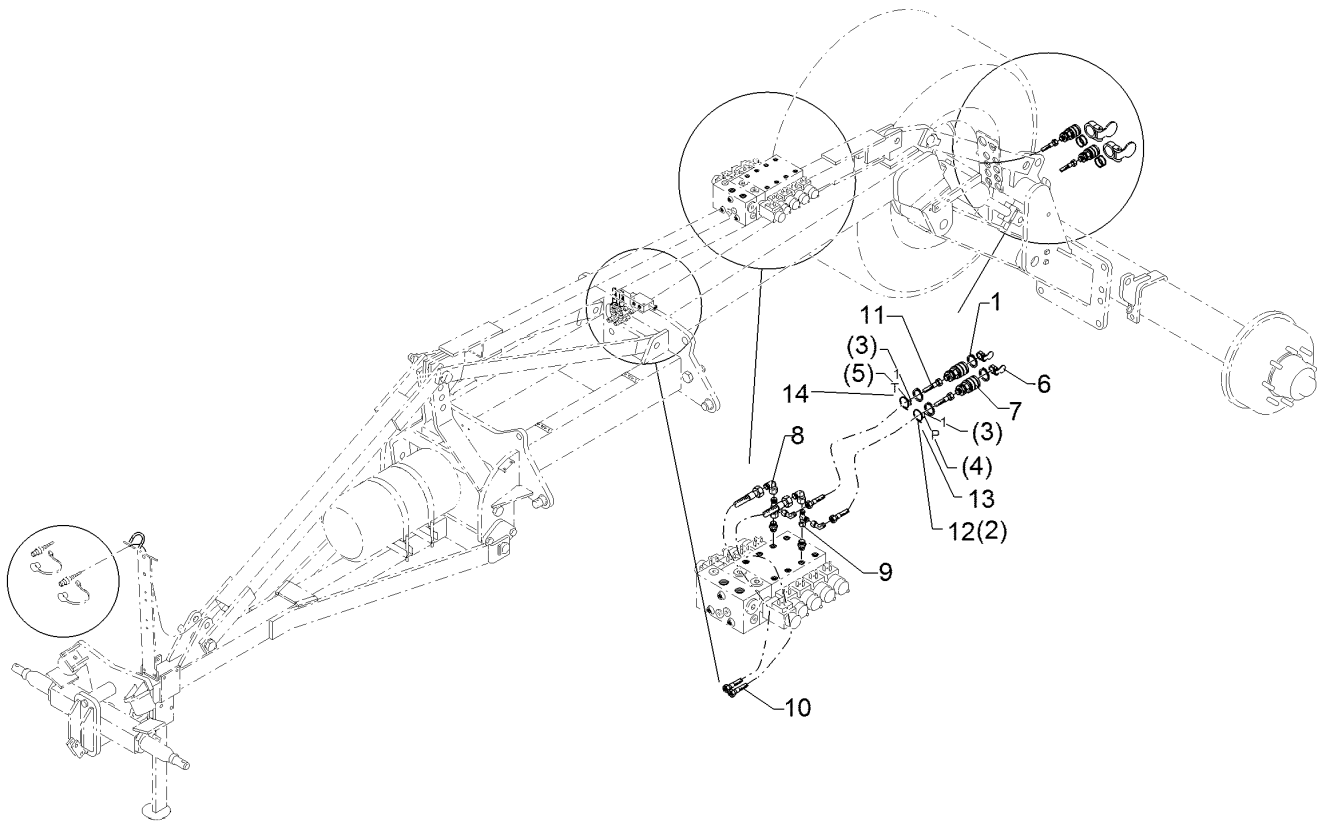
01.18

| Pos. | Art.Nr. | Stck. | Artikeltext / Description | Abmessung |
|------|----------|-------|---------------------------|---------------------------------------|
| 19 | 575 2310 | 2 | Plunger-Zylinder | Plunger-ram 25-250-365 2xD16,25 |



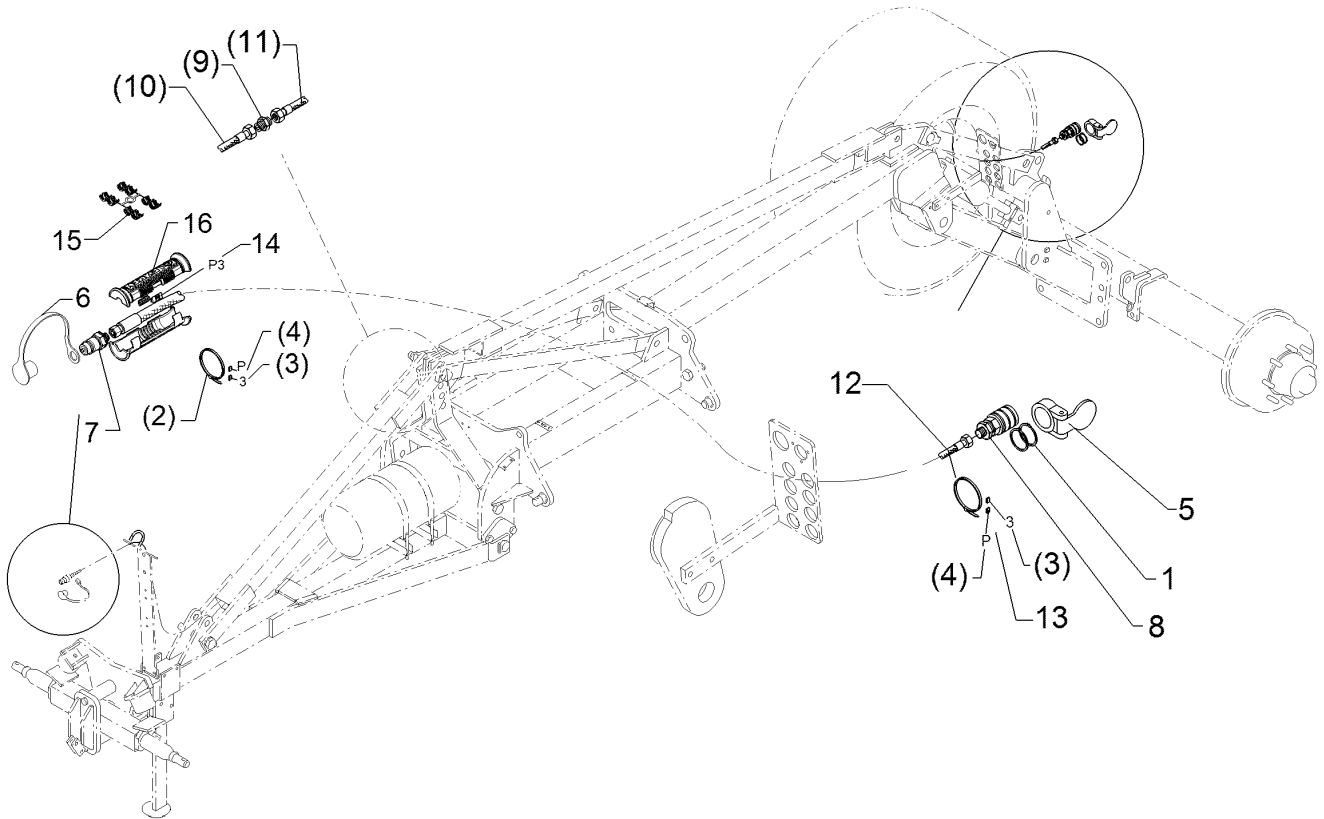
01.18

| Pos. | Art.Nr. | Stck. | Artikeltext / Description | | Abmessung |
|------|----------|-------|------------------------------|------------------------|--|
| 1 | 305 8871 | 4 | Sicherungsring | Retaining ring | 38x1,75 DIN471 Zn |
| 2 | 325 1350 | 2 | Spannband | Strap | 6,3x254 VA |
| 3 | 325 1501 | 2 | EASY-READ Zeichen | EASY-READ sign | "1" |
| 4 | 325 1511 | 1 | EASY-READ Zeichen | EASY-READ sign | "P" |
| 5 | 325 1512 | 1 | EASY-READ Zeichen | EASY-READ sign | "T" |
| 6 | 375 2105 | 2 | Staubschutzklappe rot | Dust protection flap | BG 3 D38 |
| 7 | 375 2166 | 2 | Staubkappe, rot | Cap, red | D26,5 |
| 8 | 375 2718 | 2 | SVK-Stecker | Hydraulic coupling | BG-3 12L M18x1,5 |
| 9 | 375 2735 | 2 | SVK-Muffe | SVK-socket | CEL12 M18x1,5 BG3 |
| 10 | 475 2417 | 2 | Hydraulikschlauch | Hydraulic hose | 1SN08-3500 |
| 11 | 475 3126 | 2 | Hydraulikschlauch | Hydraulic hose | DKOL12/DKOL12 2SN10-5200 DKOL12/DKOL12 |
| 12 | 301 0302 | 16 | Linsenschraube | Oval head screw | M6x25-4,6 Zn DIN7985 |
| 13 | 375 4500 | 2 | Einstellbare W-Verschraubung | Adjustable angle union | EW12-LM DKO24 GRD M18x1,5 |
| 14 | 375 9962 | 16 | Schellenkörper | Clamp | 1/2x218 PP |
| 15 | 375 4550 | 2 | Einstellbare L-Verschraubung | Adjustable L-union | EL12-L M18x1,5 |
| 16 | 375 2601 | 4 | Griff Halbschale | Handle | DN10 |
| 17 | 375 2603 | 1 | Griffkennzeichnung | Handle marking | P1-P5 T1-T5 |



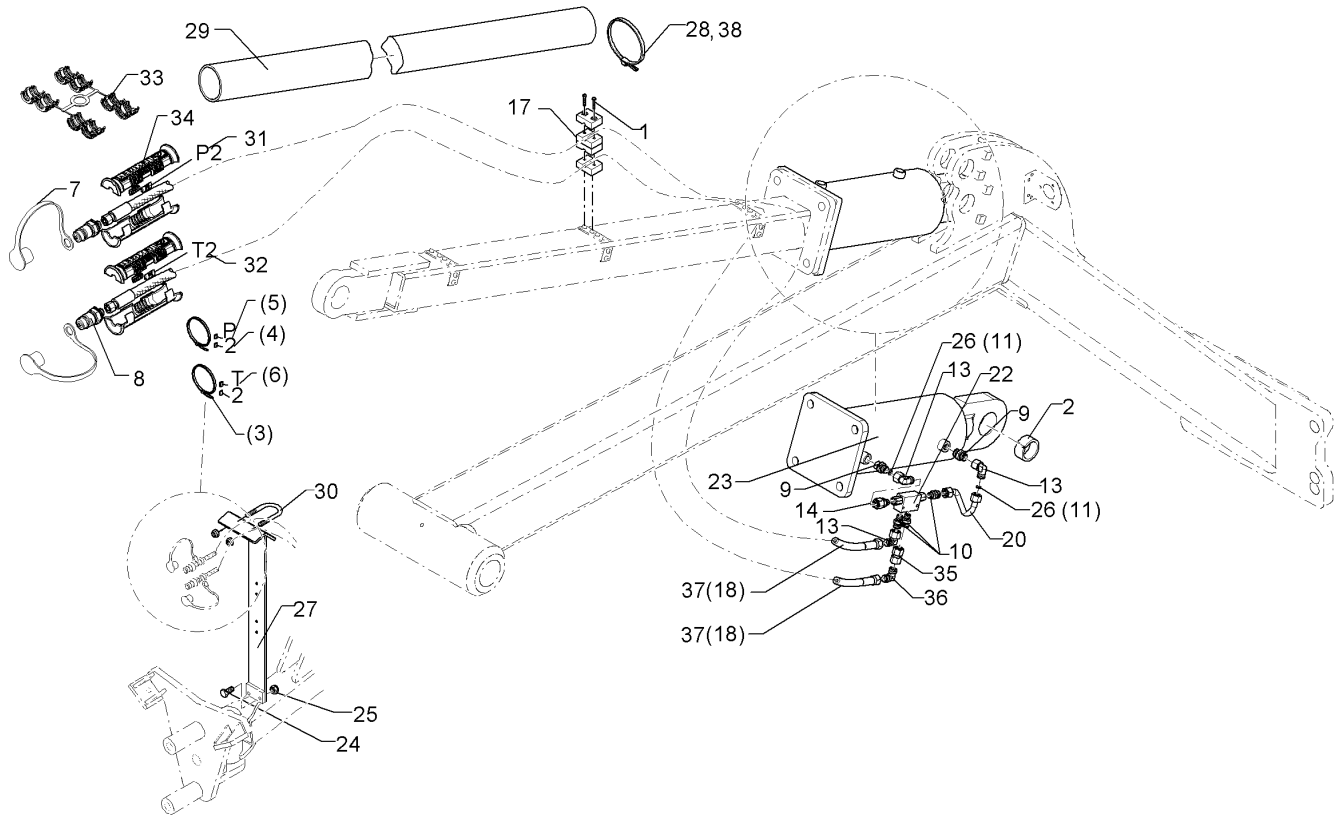
01.18

| Pos. | Art.Nr. | Stck. | Artikeltext / Description | | Abmessung |
|------|----------|-------|------------------------------|------------------------|------------------------------|
| 1 | 305 8871 | 4 | Sicherungsring | Retaining ring | 38x1,75 DIN471 Zn |
| 2 | 325 1350 | 2 | Spannband | Strap | 6,3x254 VA |
| 3 | 325 1501 | 2 | EASY-READ Zeichen | EASY-READ sign | "1" |
| 4 | 325 1511 | 1 | EASY-READ Zeichen | EASY-READ sign | "P" |
| 5 | 325 1512 | 1 | EASY-READ Zeichen | EASY-READ sign | "T" |
| 6 | 375 2105 | 2 | Staubschutzklappe rot | Dust protection flap | BG 3 D38 |
| 7 | 375 2735 | 2 | SVK-Muffe | SVK-socket | CEL12 M18x1,5 BG3 |
| 8 | 375 4500 | 4 | Einstellbare W-Verschraubung | Adjustable angle union | EW12-LM DKO24 GRD M18x1,5 |
| 9 | 375 4550 | 2 | Einstellbare L-Verschraubung | Adjustable L-union | EL12-L M18x1,5 |
| 10 | 475 2417 | 2 | Hydraulikschlauch | Hydraulic hose | 1SN08-3500 DKOL12/DKOL12 |
| 11 | 475 2616 | 2 | Hydraulikschlauch | Hydraulic hose | 2SN10-1500 DKOL12/DKOL12 |
| 12 | 325 1331 | 2 | Kabelbinder | Cable clip | 4,7x186 |
| 13 | 325 1521 | 1 | Kennzeichnung | Marking | P1 29x8 |
| 14 | 325 1528 | 1 | Kennzeichnung | Marking | T1 29x8 |



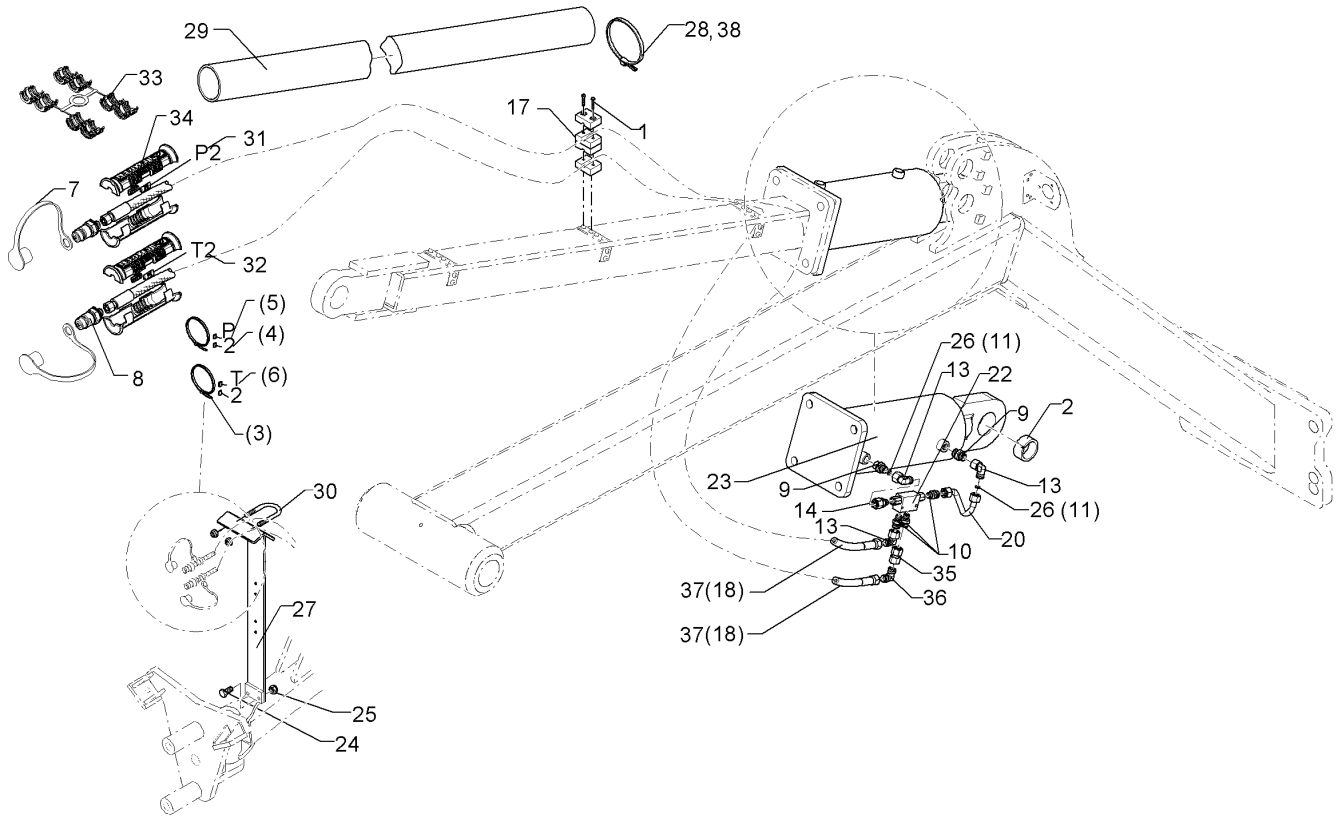
01.18

| Pos. | Art.Nr. | Stck. | Artikeltext / Description | | Abmessung |
|------|----------|-------|---------------------------|----------------------|------------------------------|
| 1 | 305 8871 | 2 | Sicherungsring | Retaining ring | 38x1,75 DIN471 Zn |
| 2 | 325 1350 | 1 | Spannband | Strap | 6,3x254 VA |
| 3 | 325 1503 | 1 | EASY-READ Zeichen | EASY-READ sign | "3" |
| 4 | 325 1511 | 1 | EASY-READ Zeichen | EASY-READ sign | "P" |
| 5 | 375 2101 | 1 | Staubschutzklappe blau | Dust protection flap | BG 3 D38 |
| 6 | 375 2121 | 1 | Staubkappe | Dust cap | D26,5 Bg.3 |
| 7 | 375 2718 | 1 | SVK-Stecker | Hydraulic coupling | BG-3 12L M18x1,5 |
| 8 | 375 2735 | 1 | SVK-Muffe | SVK-socket | CEL12 M18x1,5 BG3 |
| 9 | 375 4110 | 1 | Gerade Verschraubung | Nipple | x-G12-L M18x1,5 |
| 10 | 475 2624 | 1 | Hydraulikschlauch | Hydraulic hose | 2SN10-4100 DKOL12 00°/00° |
| 11 | 475 2642 | 1 | Hydraulikschlauch | Hydraulic hose | 1SN08-3900 DKOL-12L |
| 12 | 475 3143 | 1 | Hydraulikschlauch | Hydraulic hose | 1SN08-8100-DKOL12 |
| 13 | 325 1523 | 1 | Kennzeichnung | Marking | P3 29X8 |
| 14 | 325 1603 | 2 | Kennzeichnung | Marking | P3 |
| 15 | 375 2606 | 1 | Einleger | Insert | DN6 DN8 |
| 16 | 375 2607 | 2 | Griff Halbschale | Handle | - |



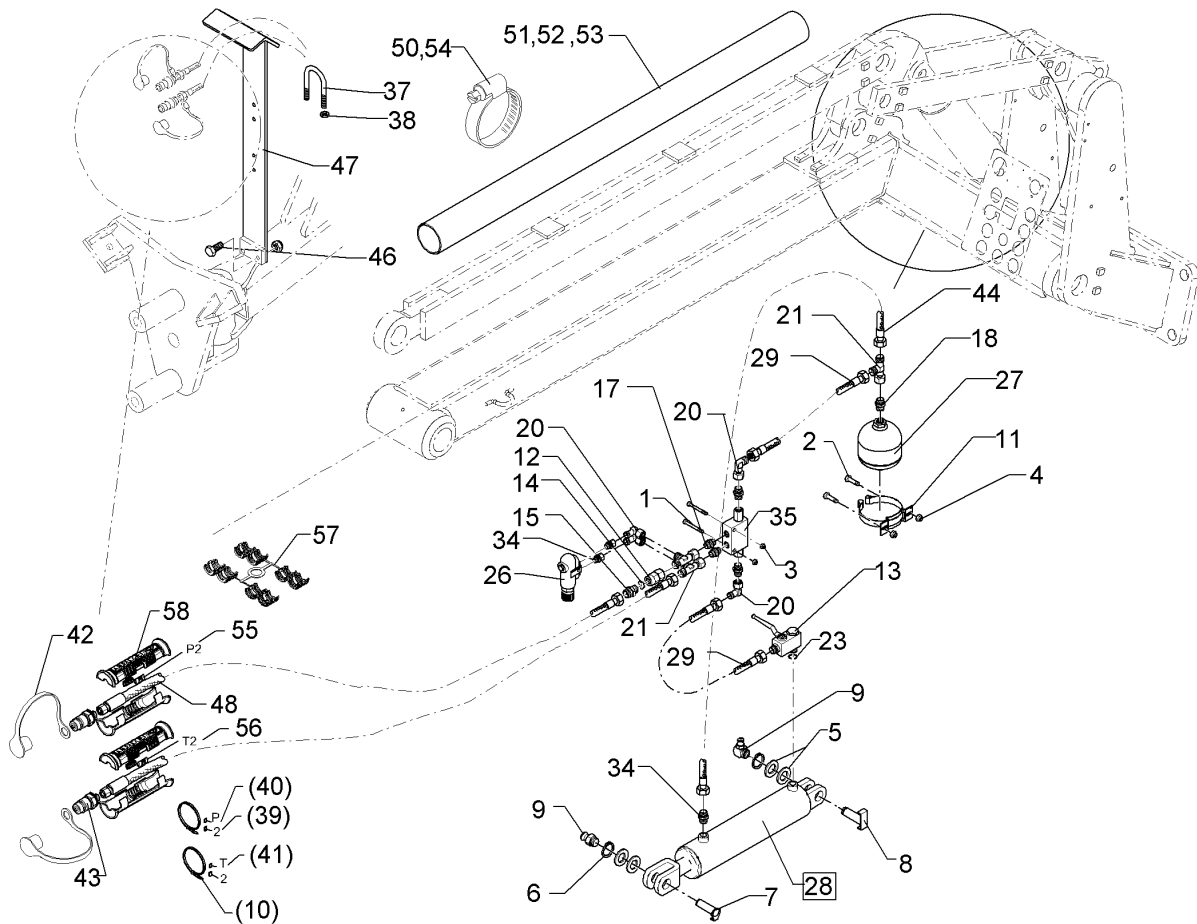
01.18

| Pos. | Art.Nr. | Stck. | Artikeltext / Description | | Abmessung |
|------|----------|-------|------------------------------|------------------------|---------------------------------------|
| 1 | 301 0302 | 8 | Linsenschraube | Oval head screw | M6x25-4,6 Zn DIN7985 |
| 2 | 317 3434 | 1 | Einspannbuchse | Expansion bush | EG50/60x40-DIN1498 |
| 3 | 325 1350 | 2 | Spannband | Strap | 6,3x254 VA |
| 4 | 325 1502 | 2 | EASY-READ Zeichen | EASY-READ sign | "2" |
| 5 | 325 1511 | 1 | EASY-READ Zeichen | EASY-READ sign | "P" |
| 6 | 325 1512 | 1 | EASY-READ Zeichen | EASY-READ sign | "T" |
| 7 | 375 2120 | 2 | Staubkappe, grün | Cap | D26,5 Bg.3 |
| 8 | 375 2718 | 2 | SVK-Stecker | Hydraulic coupling | BG-3 12L M18x1,5 |
| 9 | 375 4020 | 2 | Einschraubverschraubung | Nipple | x-GE12-LM M18x1,5 Zn |
| 10 | 375 4038 | 3 | Einschraubverschraubung | Nipple | GE 12-LR 1/4 ZL ED |
| 11 | 375 2175 | 2 | Drosselscheibe | Restrictor washer | D12x1,5 BO 1,8 |
| 13 | 375 4500 | 3 | Einstellbare W-Verschraubung | Adjustable angle union | EW12-LM DKO24 GRD M18x1,5 |
| 14 | 375 4711 | 1 | Stutzen | Stud | x-evGE-12-ED 1/4" DKO 24 GRD |
| 17 | 375 9961 | 8 | Schellenkörper | Clamp | 1/2x215 PP |
| 18 | 475 2492 | 2 | Hydraulikschlauch | Hydraulic hose | 2SC08-6900 DKOL12/DKOL12 |
| 20 | 57510127 | 1 | Hydraulikrohr | Hydraulic tube | 0/0° 12x2x185 2xGEB140/50° 1xDR |
| 22 | 575 2161 | 1 | Rückschlagventil | Nonreturn valve | RDP 06 1/4 |
| 23 | 575 2318 | 1 | Hydraulikzylinder | Hydraulic ram | DZ140/70x0200-0565 D60 FLA |



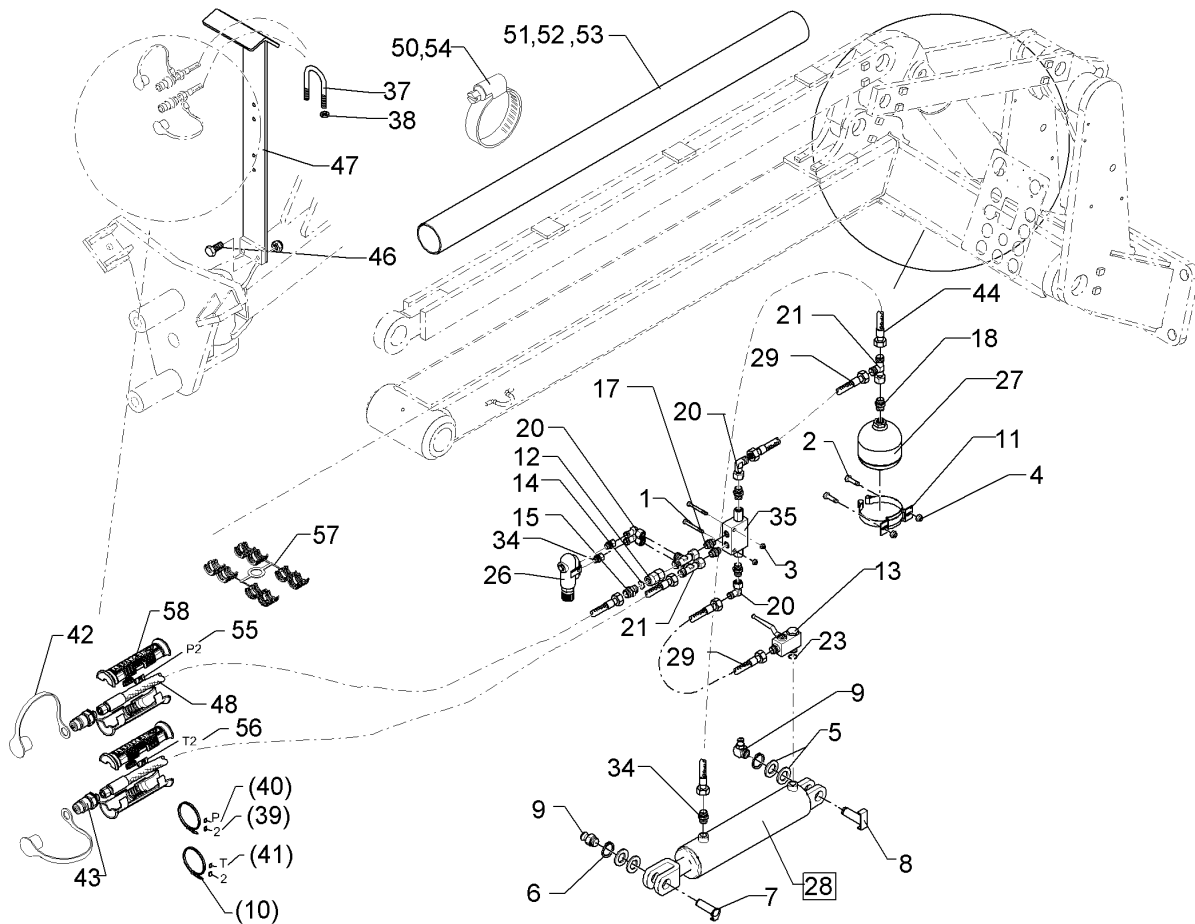
01.18

| Pos. | Art.Nr. | Stck. | Artikeltext / Description | | Abmessung |
|------|----------|-------|---------------------------|-------------------|-------------------------------------|
| 24 | 301 3226 | 2 | Sechskantschraube | Hexagon bolt | M10x30-10.9 Zn DIN933 |
| 25 | 303 0933 | 2 | Sicherungsmutter | Selflocking nut | NM10-8 DIN985 Zn |
| 26 | 375 2176 | 2 | Drosselscheibe | Restrictor washer | D12x1,5 BO 2,5 |
| 27 | 475 4361 | 1 | Schlauchhalter | Hose carrier | 80x8x700 4xD12 |
| 28 | 325 1185 | 4 | Schlauchklemme | Hose clamp | 110-130 Zn Norma |
| 29 | 377 4401 | 2 | Kunststoffrohr | Synthetic tube | D90x4,1x800 |
| 30 | 301 7782 | 1 | Bügel schraube | U-bolt | M10x62x60 Zn |
| 31 | 325 1602 | 2 | Kennzeichnung | Marking | P2 |
| 32 | 325 1609 | 2 | Kennzeichnung | Marking | T2 |
| 33 | 375 2606 | 2 | Einleger | Insert | DN6 DN8 |
| 34 | 375 2607 | 4 | Griff Halbschale | Handle | - |
| 35 | 375 4132 | 1 | Verbindung gerade | Connection | DKOL12/DKOL12 M18x1,5 |
| 36 | 375 4210 | 1 | Winkelverschraubung | Elbow union | x-W12-L M18x1,5 |
| 37 | 47510136 | 2 | Hydraulikschlauch | Hydraulic hose | 2SC08-6300 DKOL12/DKOL12 0/0° |



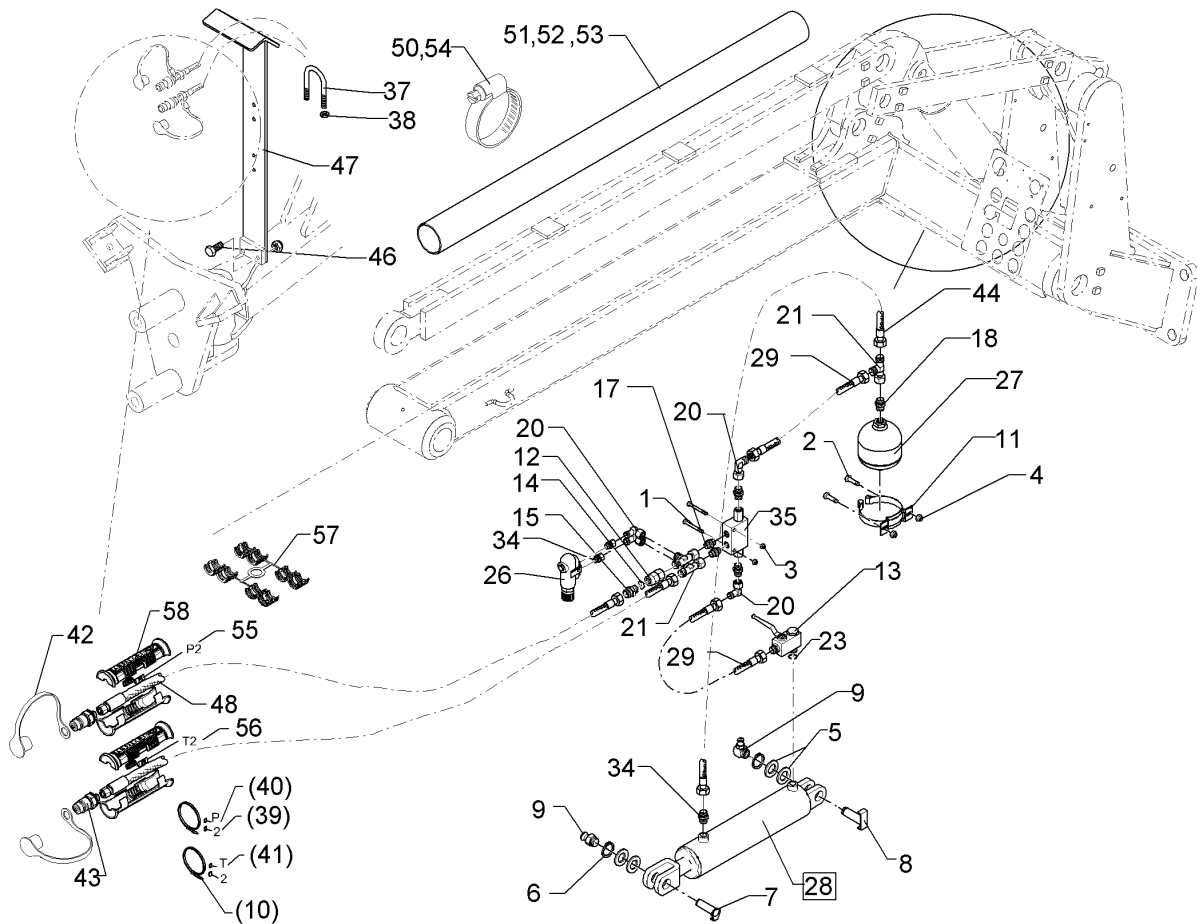
01.18

| Pos. | Art.Nr. | Stck. | Artikeltext / Description | | Abmessung |
|------|----------|-------|------------------------------|------------------------|------------------------------|
| 1 | 301 2997 | 2 | Sechskantschraube | Hexagon bolt | M5x60-8.8 Zn DIN931 |
| 2 | 301 3070 | 2 | Sechskantschraube | Hexagon bolt | M8x40-8.8 Zn DIN931-A |
| 3 | 303 0929 | 2 | Sicherungsmutter | Selflocking nut | NM5-8 Zn DIN985 |
| 4 | 303 0932 | 2 | Sicherungsmutter | Selflocking nut | NM8-8 Zn DIN985 |
| 5 | 305 2051 | 4 | Passscheibe | Shim | 30x42x1,0 DIN988 Zn |
| 6 | 305 8867 | 2 | Sicherungsring | Retaining ring | 30x2 DIN471 Zn |
| 7 | 313 3003 | 1 | Bolzen mit Verdrehsicherung | Pin with stop | D30x71/79 U-61 Zn |
| 8 | 313 3025 | 1 | Bolzen mit Verdrehsicherung | Pin with stop | D30x71/89 U-72 Zn |
| 9 | 323 6348 | 2 | Schmiernippel | Grease nipple | AM10x1 DIN71412 |
| 10 | 325 1350 | 2 | Spannband | Strap | 6,3x254 VA |
| 11 | 325 5128 | 1 | Konsolenschelle | Bracket clip | TYP 142 D137-145 |
| 12 | 375 2205 | 1 | Verbindung | Connection | DKOL12/IGM 16x1,5 |
| 13 | 375 2206 | 1 | Kugelhahn | Ball valve | HBPA 0602 M18x1,5 Zn DN6 |
| 14 | 375 2515 | 1 | Drosselscheibe Dreibein | Restrictor washer | Dreibein 2,5 |
| 15 | 375 4010 | 1 | Einschraubverschraubung | Nipple | x-GE12-LM M16x1,5 Zn |
| 16 | 375 4020 | 1 | Einschraubverschraubung | Nipple | x-GE12-LM M18x1,5 Zn |
| 17 | 375 4038 | 4 | Einschraubverschraubung | Nipple | GE 12-LR 1/4 ZL ED |
| 18 | 375 4039 | 1 | Einschraubverschraubung | Nipple | GE 12-LR 1/2ZL |
| 20 | 375 4500 | 1 | Einstellbare W-Verschraubung | Adjustable angle union | EW12-LM DKO24 GRD M18x1,5 |



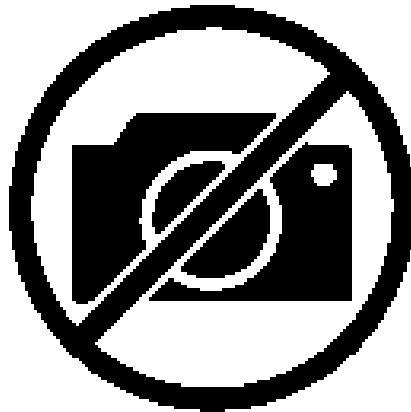
01.18

| Pos. | Art.Nr. | Stck. | Artikeltext / Description | | Abmessung |
|------|----------|-------|------------------------------|-------------------------|---|
| 21 | 375 4550 | 1 | Einstellbare L-Verschraubung | Adjustable L-union | EL12-L M18x1,5 |
| 23 | 375 5081 | 1 | Dichtkantenring | Seal ring | 18,2x25,1x5 |
| 26 | 575 2050 | 1 | Druckbegrenzungsventil | Pressure limiting valve | 5-80 bar M18x1,5 30l/min |
| 27 | 575 2192 | 1 | Druckspeicher | Pressure accumulator | Typ 1,40l 140-050bar G1/2ZL |
| 28 | 575 2269 | 1 | Hydraulikzylinder | Hydraulic ram | DZ100/45x0320-0580 |
| 29 | 475 2598 | 2 | Hydraulikschlauch | Hydraulic hose | D30 D30 2SN10-600 DKOL12/DKOL12 0/0° |
| 34 | 375 4043 | 2 | Einschraubverschraubung | Nipple | evGE 12-LM M18x1,5 |
| 35 | 575 2165 | 1 | Rückschlagventil | Nonreturn valve | RPI 06/05-G |
| 36 | 301 5004 | 2 | Sechskantschraube | Hexagon bolt | M10x30-8.8 Zn DIN933 |
| 37 | 301 7782 | 1 | Bügelverschraubung | U-bolt | M10x62x60 Zn |
| 38 | 303 0933 | 6 | Sicherungsmutter | Selflocking nut | NM10-8 DIN985 Zn |
| 39 | 325 1502 | 2 | EASY-READ Zeichen | EASY-READ sign | "2" |
| 40 | 325 1511 | 1 | EASY-READ Zeichen | EASY-READ sign | "P" |
| 41 | 325 1512 | 1 | EASY-READ Zeichen | EASY-READ sign | "T" |
| 42 | 375 2120 | 2 | Staubkappe, grün | Cap | D26,5 Bg.3 |
| 43 | 375 2718 | 2 | SVK-Stecker | Hydraulic coupling | BG-3 12L M18x1,5 |
| 44 | 475 2596 | 1 | Hydraulikschlauch | Hydraulic hose | 2SC10-0900 DKO L12/L12 00/00° |
| 46 | 301 3226 | 2 | Sechskantschraube | Hexagon bolt | M10x30-10.9 Zn DIN933 |



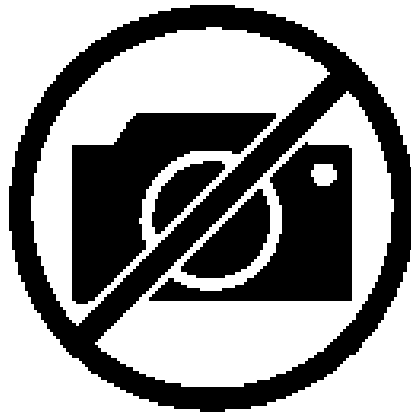
01.18

| Pos. | Art.Nr. | Stck. | Artikeltext / Description | | Abmessung |
|------|----------|-------|---------------------------|----------------|-------------------|
| 47 | 475 4361 | 1 | Schlauchhalter | Hose carrier | 80x8x700 4xD12 |
| 48 | 475 3143 | 2 | Hydraulikschlauch | Hydraulic hose | 1SN08-8100-DKOL12 |
| 50 | 325 1190 | 4 | Schlauchklemme | Hose clamp | 160-180 V2A |
| 51 | 377 4401 | 2 | Kunststoffrohr | Synthetic tube | D90x4,1x800 |
| 52 | 377 4402 | 2 | Kunststoffrohr | Synthetic tube | D90x4,1x1400 |
| 53 | 377 4403 | 2 | Kunststoffrohr | Synthetic tube | D90x4,1x1600 |
| 54 | 325 1192 | 2 | Schlauchklemme | Hose clamp | 190-210 V2A |
| 55 | 325 1602 | 2 | Kennzeichnung | Marking | P2 |
| 56 | 325 1609 | 2 | Kennzeichnung | Marking | T2 |
| 57 | 375 2606 | 2 | Einleger | Insert | DN6 DN8 |
| 58 | 375 2607 | 4 | Griff Halbschale | Handle | - |



01.18

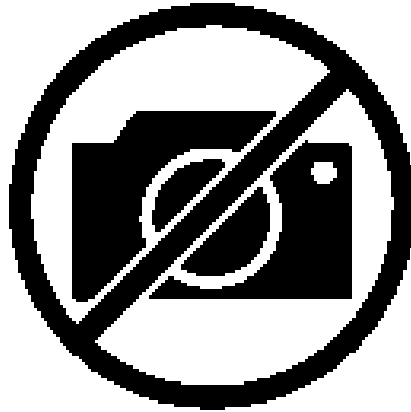
| Pos. | Art.Nr. | Stck. | Artikeltext / Description | | Abmessung |
|------|----------|-------|------------------------------|-------------------------|-----------------------------------|
| 2 | 301 3073 | 2 | Sechskantschraube | Hexagon bolt | M8x45-8.8 Zn DIN931-A |
| 4 | 303 0932 | 2 | Sicherungsmutter | Selflocking nut | NM8-8 Zn DIN985 |
| 5 | 305 2051 | 6 | Passscheibe | Shim | 30x42x1,0 DIN988 Zn |
| 6 | 305 8867 | 2 | Sicherungsring | Retaining ring | 30x2 DIN471 Zn |
| 7 | 313 3017 | 1 | Bolzen mit Verdrehsicherung | Pin with stop | D30/31x62/84 Zn |
| 8 | 313 3023 | 1 | Bolzen mit Verdrehsicherung | Pin with stop | D30/72x62/84-M10x1 Zn |
| 9 | 323 6348 | 1 | Schmiernippel | Grease nipple | AM10x1 DIN71412 |
| 10 | 323 6350 | 1 | Schmiernippel | Grease nipple | BM10x1 DIN71412-4kt. 45 GRD |
| 11 | 325 5128 | 1 | Konsolenschelle | Bracket clip | TYP 142 D137-145 |
| 12 | 375 2205 | 1 | Verbindung | Connection | DKOL12/IGM 16x1,5 |
| 13 | 375 2206 | 1 | Kugelhahn | Ball valve | HBPA 0602 M18x1,5 Zn DN6 |
| 14 | 375 2515 | 1 | Drosselscheibe Dreibein | Restrictor washer | Dreibein 2,5 |
| 15 | 375 4010 | 1 | Einschraubverschraubung | Nipple | x-GE12-LM M16x1,5 Zn |
| 18 | 375 4039 | 1 | Einschraubverschraubung | Nipple | GE 12-LR 1/2ZL |
| 20 | 375 4500 | 4 | Einstellbare W-Verschraubung | Adjustable angle union | EW12-LM DKO24 GRD M18x1,5 |
| 21 | 375 4550 | 3 | Einstellbare L-Verschraubung | Adjustable L-union | EL12-L M18x1,5 |
| 26 | 575 2050 | 1 | Druckbegrenzungsventil | Pressure limiting valve | 5-80 bar M18x1,5 30l/min |



01.18

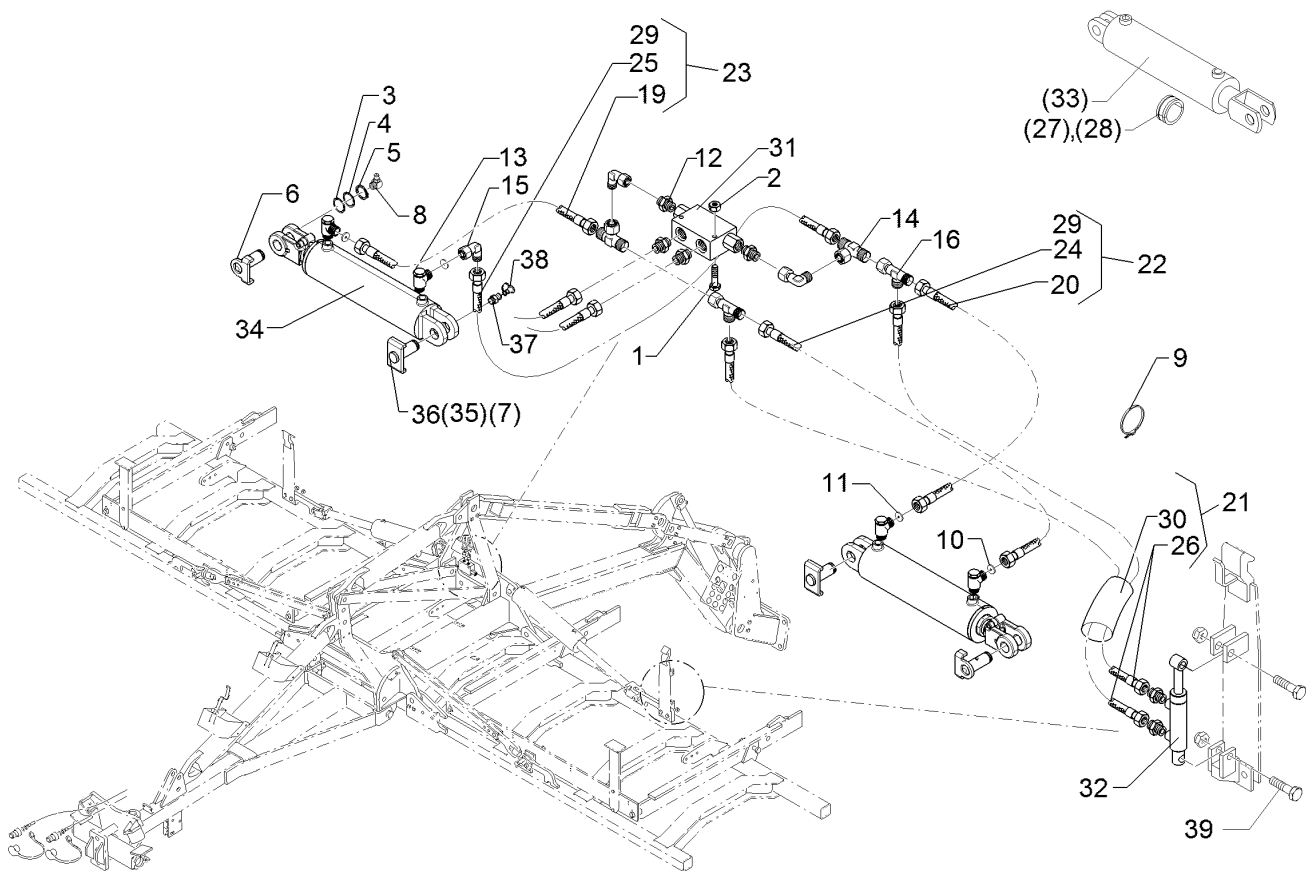
| Pos. | Art.Nr. | Stck. | Artikeltext / Description | | Abmessung |
|------|----------|-------|------------------------------|----------------------|--------------------|
| 27 | 575 2192 | 1 | Druckspeicher | Pressure accumulator | Typ 1,40l |
| 28 | 575 2269 | 1 | Hydraulikzylinder | Hydraulic ram | 140-050bar G1/2ZL |
| 34 | 375 4043 | 2 | Einschraubverschraubung | Nipple | DZ100/45x0320-0580 |
| 40 | 305 8694 | 4 | Scheibe | Washer | D30 D30 |
| 41 | 375 4311 | 2 | Schwenkverschraubung | Union, swivel | evGE 12-LM |
| 42 | 375 4490 | 2 | Einstellbare T-Verschraubung | Adjustable T-union | M18x1,5 |
| 45 | 475 2223 | 1 | Hydraulikrohr | Hydraulic tube | A8,4 DIN125-St Zn |
| 46 | 475 2597 | 1 | Hydraulikschlauch | Hydraulic hose | x-SWVE12-LM |
| 47 | 475 2615 | 1 | Hydraulikschlauch | Hydraulic hose | M18x1,5 Zn |
| 48 | 475 2596 | 1 | Hydraulikschlauch | Hydraulic hose | ET12-LM DKO24 |
| 49 | 475 2696 | 1 | Hydraulikschlauch | Hydraulic hose | GRD M18x1,5 |
| 50 | 475 2598 | 1 | Hydraulikschlauch | Hydraulic hose | 12x2x85 |
| 51 | 475 2616 | 2 | Hydraulikschlauch | Hydraulic hose | 2SN10-700 |
| 52 | 475 2673 | 1 | Hydraulikschlauch | Hydraulic hose | DKOL12/DKOL12 |
| 53 | 325 1190 | 6 | Schlauchklemme | Hose clamp | 2SN10-1200 |
| | | | | | DKOL12/DKOL12 |
| | | | | | 0/0° |
| | | | | | 2SC10-0900 DKO |
| | | | | | L12/L12 00/00° |
| | | | | | 2SN08-1000-DKOL12 |
| | | | | | 0/90 GRD |
| | | | | | 2SN10-600 |
| | | | | | DKOL12/DKOL12 |
| | | | | | 0/0° |
| | | | | | 2SN10-1500 |
| | | | | | DKOL12/DKOL12 |
| | | | | | 2SN 10-400 |
| | | | | | 2xDKOL12L |
| | | | | | 160-180 V2A |

| | |
|---|----------|
| Hydraulische Aufsattelung/Hydraulic trailer | 12 |
| Rubin 9/400 KÜA | 675 5578 |



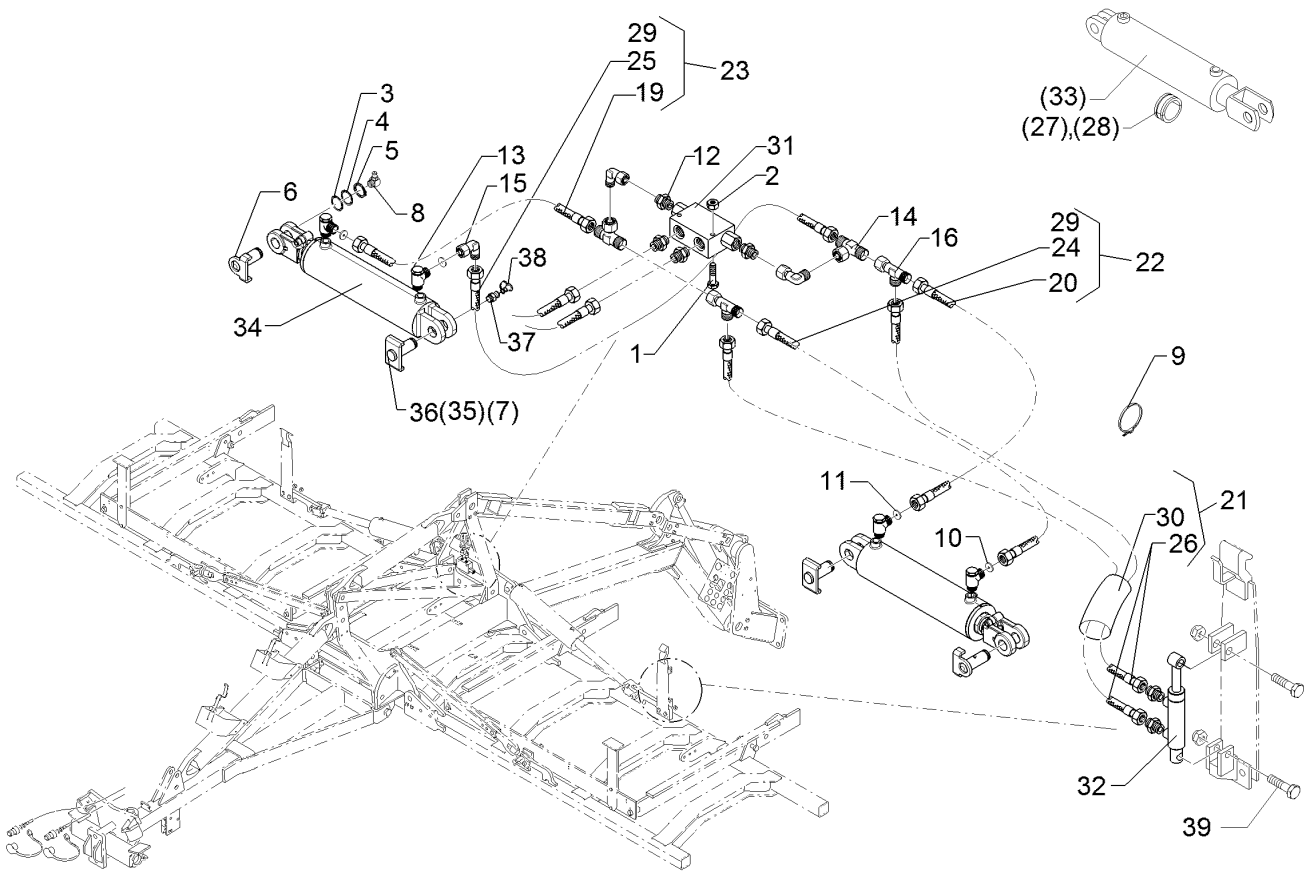
01.18

| Pos. | Art.Nr. | Stck. | Artikeltext / Description | | Abmessung |
|------|----------|-------|---------------------------|----------------|--------------|
| 54 | 377 4401 | 2 | Kunststoffrohr | Synthetic tube | D90x4,1x800 |
| 55 | 377 4402 | 2 | Kunststoffrohr | Synthetic tube | D90x4,1x1400 |
| 56 | 377 4403 | 2 | Kunststoffrohr | Synthetic tube | D90x4,1x1600 |



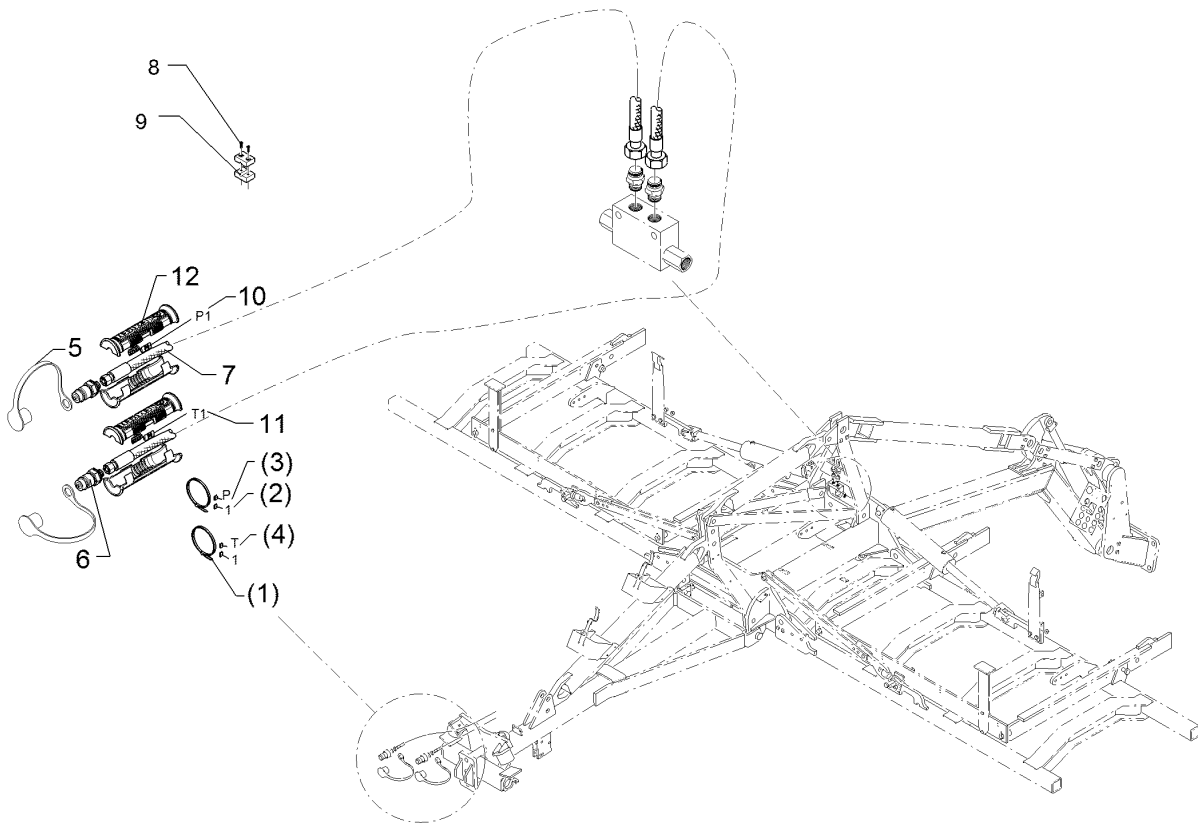
01.18

| Pos. | Art.Nr. | Stck. | Artikeltext / Description | | Abmessung |
|------|----------|-------|------------------------------|------------------------|----------------------------------|
| 1 | 301 0370 | 2 | Sechskantschraube | Hexagon bolt | M5x45-8.8 Zn DIN931 |
| 2 | 303 0967 | 2 | Sechskantmutter | Hexagon nut | M5 DIN934-8 Zn |
| 3 | 305 2051 | 2 | Passscheibe | Shim | 30x42x1,0 DIN988 Zn |
| 4 | 305 2242 | 4 | Stützscheibe | Supporting washer | S 30/42x2,5 DIN988 Zn |
| 5 | 305 8867 | 4 | Sicherungsring | Retaining ring | 30x2 DIN471 Zn |
| 6 | 313 3003 | 2 | Bolzen mit Verdrehsicherung | Pin with stop | D30x71/79 U-61 Zn |
| 7 | 313 3023 | 2 | Bolzen mit Verdrehsicherung | Pin with stop | D30/72x62/84-M10x1 Zn |
| 8 | 323 6348 | 2 | Schmiernippel | Grease nipple | AM10x1 DIN71412 |
| 9 | 325 1170 | 2 | Schlauchschelle | Hose clip | 50-101 S 5600 |
| 10 | 375 2172 | 2 | Drosselscheibe | Restrictor washer | D12x1,5 BO 1,0 |
| 11 | 375 2175 | 2 | Drosselscheibe | Restrictor washer | D12x1,5 BO 1,8 |
| 12 | 375 4038 | 2 | Einschraubverschraubung | Nipple | GE 12-LR 1/4 ZL ED |
| 13 | 375 4311 | 4 | Schwenkverschraubung | Union, swivel | x-SWVE12-LM M18x1,5 Zn |
| 14 | 375 4490 | 1 | Einstellbare T-Verschraubung | Adjustable T-union | ET12-LM DKO24 GRD M18x1,5 |
| 15 | 375 4500 | 1 | Einstellbare W-Verschraubung | Adjustable angle union | EW12-LM DKO24 GRD M18x1,5 |
| 16 | 375 4550 | 2 | Einstellbare L-Verschraubung | Adjustable L-union | EL12-L M18x1,5 |
| 19 | 475 2614 | 1 | Hydraulikschlauch | Hydraulic hose | 2SN10-1000 DKOL12/DKOL12 |
| 20 | 475 2654 | 1 | Hydraulikschlauch | Hydraulic hose | 2SC08-0800 DKO L12/L12 00/00° |



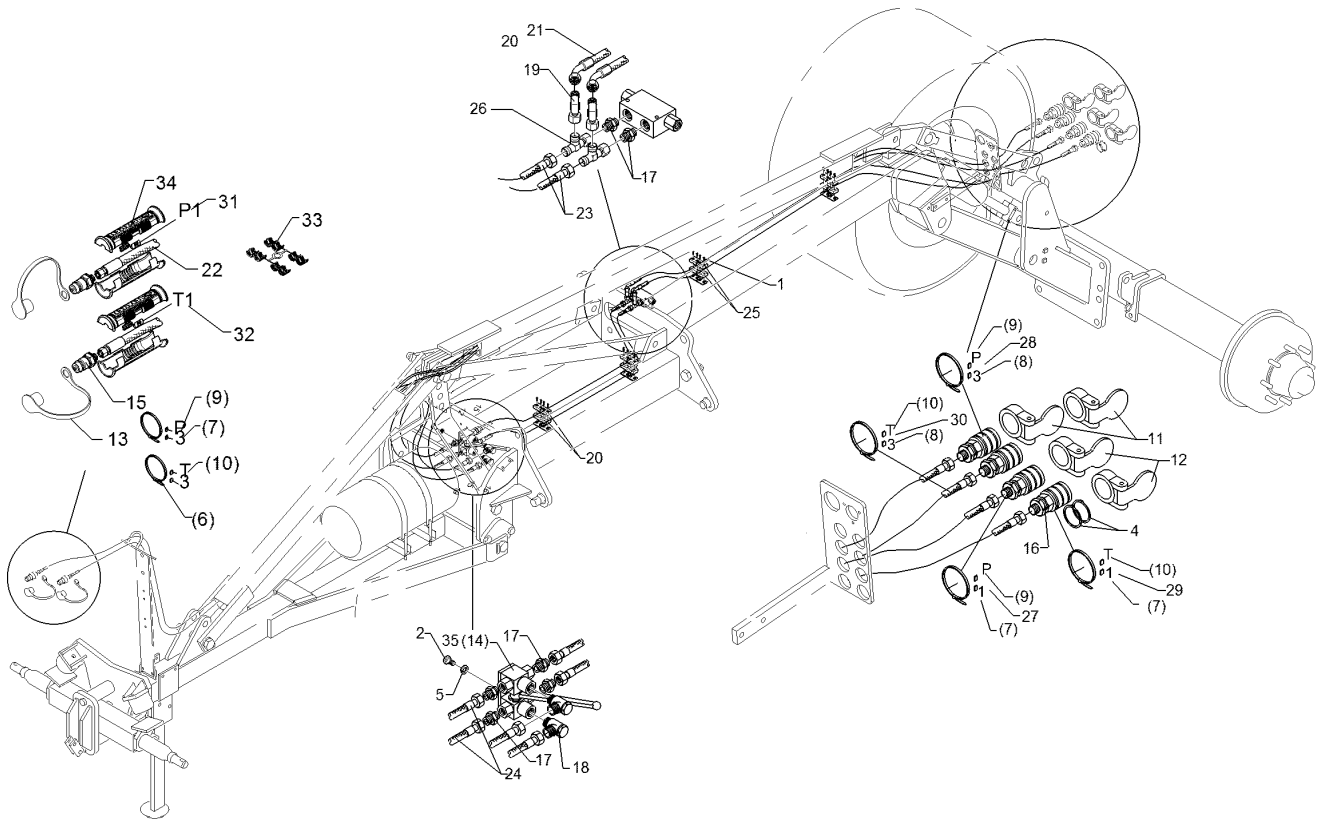
01.18

| Pos. | Art.Nr. | Stck. | Artikeltext / Description | Abmessung | |
|------|----------|-------|---------------------------|-----------------|--------------------------------|
| 21 | 475 2782 | 1 | Schlauchpaket | Hose-assembly | 2x1SN08-1600 1x45 GRD |
| 22 | 475 2850 | 2 | Schlauchpaket | Hose-assembly | 1x800/1x1000 M18x1,5 S38x550 |
| 23 | 475 2853 | 1 | Schlauchpaket | Hose-assembly | 1x700/1x900 M18x1,5 S38x400 |
| 24 | 475 2596 | 1 | Hydraulikschlauch | Hydraulic hose | 2SC10-0900 DKO L12/L 12 00/00° |
| 25 | 475 2597 | 1 | Hydraulikschlauch | Hydraulic hose | 2SN10-700 DKOL12/DKOL12 |
| 27 | 475 6106 | 2 | Distanzblock | Spacer block | D100/48,5x22 RE |
| 28 | 475 6107 | 2 | Distanzblock | Spacer block | D100/48,5x22 LI |
| 29 | 475 7206 | 2 | Schutzschlauch | Guard for hoses | 38x2x550 |
| 30 | 475 7207 | 1 | Schutzschlauch | Guard for hoses | 38x2x1600 |
| 31 | 575 2161 | 1 | Rückschlagventil | Nonreturn valve | RDP 06 1/4 |
| 32 | 575 2336 | 1 | Hydraulikzylinder | Hydraulic ram | DZ025/18x10-240D16,4D16,5 |
| 33 | 575 2268 | 2 | Hydraulikzylinder | Hydraulic ram | DZ90/40x320-580+-5 |
| 34 | 575 2262 | 2 | Hydraulikzylinder | Hydraulic ram | DZ090/40x0320-0580 D30 D30 |
| 37 | 301 3868 | 2 | Sechskantschraube | Hexagon bolt | M16x65-8.8 Zn DIN931-A |
| 38 | 323 6350 | 2 | Schmiernippel | Grease nipple | BM10x1 DIN71412-4kt. 45 |
| 39 | 323 6401 | 4 | Schutzkappe | Cap | GRD M6-M10 |



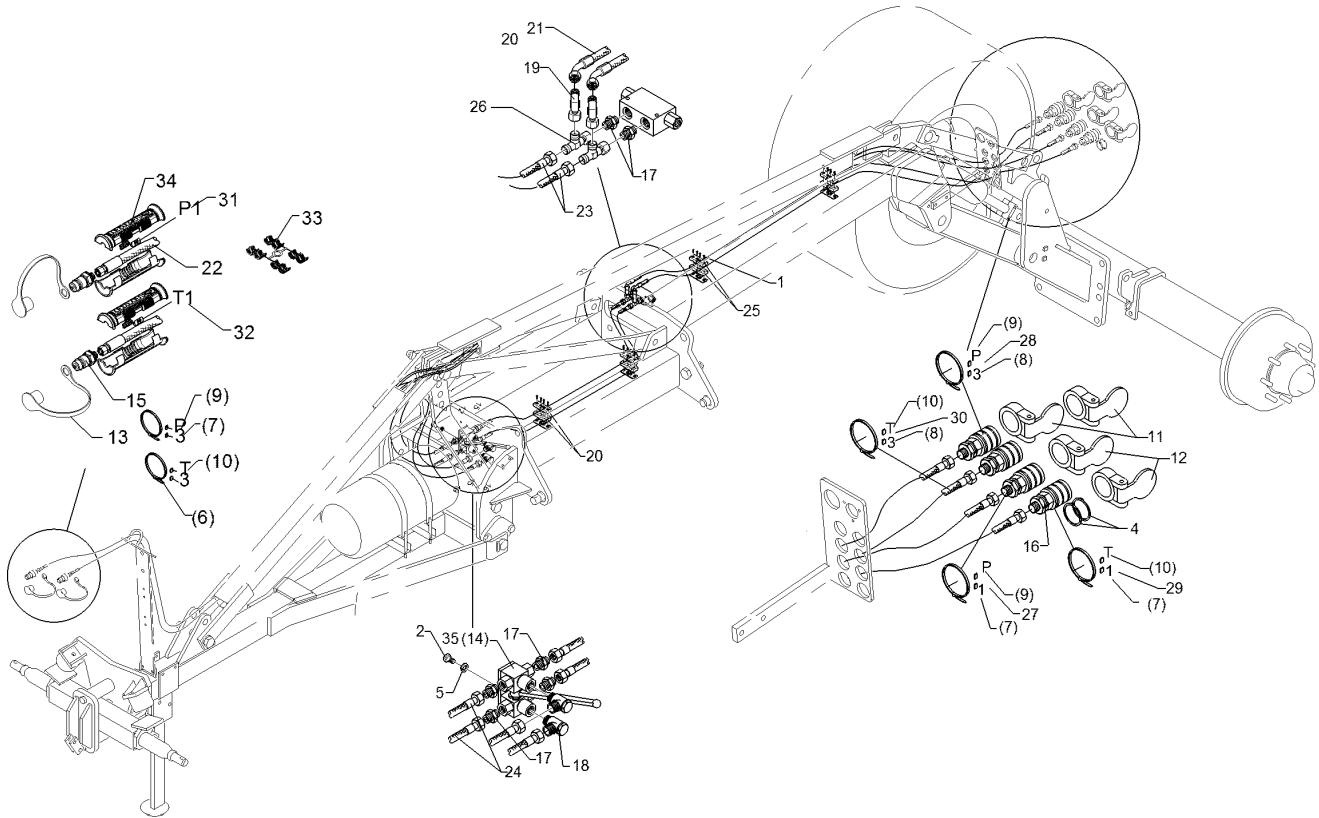
01.18

| Pos. | Art.Nr. | Stck. | Artikeltext / Description | | Abmessung |
|------|----------|-------|---------------------------|--------------------|-----------------------------|
| 1 | 325 1350 | 2 | Spannband | Strap | 6,3x254 VA |
| 2 | 325 1501 | 2 | EASY-READ Zeichen | EASY-READ sign | "1" |
| 3 | 325 1511 | 1 | EASY-READ Zeichen | EASY-READ sign | "P" |
| 4 | 325 1512 | 1 | EASY-READ Zeichen | EASY-READ sign | "T" |
| 5 | 375 2166 | 2 | Staubkappe, rot | Cap, red | D26,5 |
| 6 | 375 2718 | 2 | SVK-Stecker | Hydraulic coupling | BG-3 12L M18x1,5 |
| 7 | 475 3126 | 2 | Hydraulikschlauch | Hydraulic hose | 2SN10-5200 DKOL12/DKOL12 |
| 8 | 301 0302 | 8 | Linsenschraube | Oval head screw | M6x25-4,6 Zn DIN7985 |
| 9 | 375 9962 | 8 | Schellenkörper | Clamp | 1/2x218 PP |
| 10 | 325 1601 | 2 | Kennzeichnung | Marking | P1 20x9 |
| 11 | 325 1608 | 2 | Kennzeichnung | Marking | T1 20x9 |
| 12 | 375 2607 | 4 | Griff Halbschale | Handle | - |



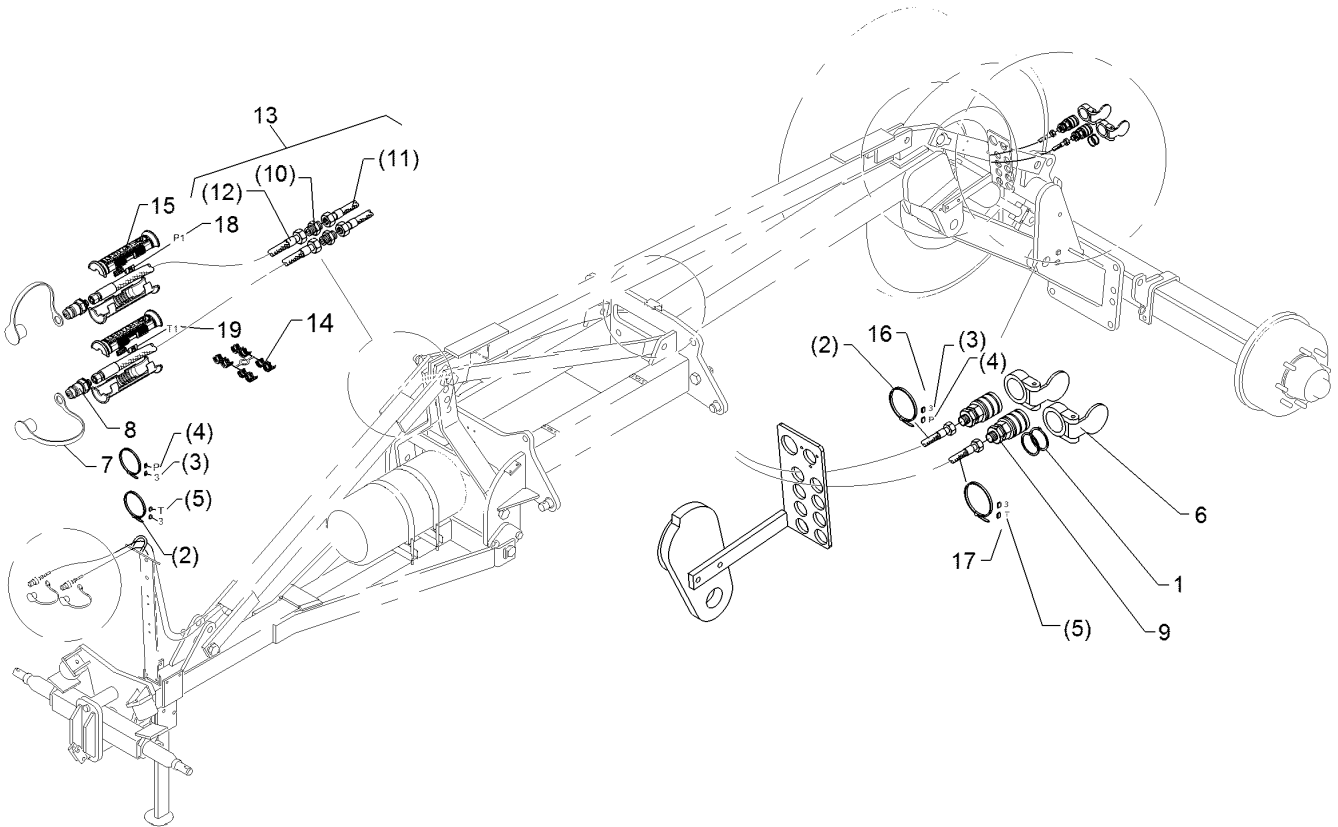
01.18

| Pos. | Art.Nr. | Stck. | Artikeltext / Description | | Abmessung |
|------|----------|-------|---------------------------|----------------------|-----------------------------|
| 1 | 301 0302 | 8 | Linsenschraube | Oval head screw | M6x25-4,6 Zn DIN7985 |
| 2 | 301 3068 | 1 | Sechskantschraube | Hexagon bolt | M8x35-8.8 Zn |
| 3 | 305 8871 | 8 | Sicherungsring | Retaining ring | DIN933 38x1,75 DIN471 Zn |
| 4 | 305 9898 | 1 | Federring | Spring ring | 8 A DIN127 Zn |
| 5 | 305 6124 | 1 | Scheibe | Washer | 8,4/25x2 DIN9021-St Zn |
| 6 | 325 1350 | 4 | Spannband | Strap | 6,3x254 VA |
| 7 | 325 1501 | 2 | EASY-READ Zeichen | EASY-READ sign | "1" |
| 8 | 325 1503 | 2 | EASY-READ Zeichen | EASY-READ sign | "3" |
| 9 | 325 1511 | 2 | EASY-READ Zeichen | EASY-READ sign | "P" |
| 10 | 325 1512 | 2 | EASY-READ Zeichen | EASY-READ sign | "T" |
| 11 | 375 2101 | 2 | Staubschutzklappe blau | Dust protection flap | BG 3 D38 |
| 12 | 375 2105 | 2 | Staubschutzklappe rot | Dust protection flap | BG 3 D38 |
| 13 | 375 2166 | 2 | Staubkappe, rot | Cap, red | D26,5 |
| 14 | 375 2200 | 1 | Wegeventil | Directional valve | 6/2-L M16x1,5 |
| 15 | 375 2718 | 2 | SVK-Stecker | Hydraulic coupling | BG-3 12L M18x1,5 |
| 16 | 375 2735 | 4 | SVK-Muffe | SVK-socket | CEL12 M18x1,5 BG3 |
| 17 | 375 4010 | 4 | Einschraubverschraubung | Nipple | x-GE12-LM M16x1,5 Zn |
| 18 | 375 4310 | 2 | Schwenkverschraubung | Union, swivel | x-SWVE12-LM M16x1,5 |
| 20 | 375 9961 | 8 | Schellenkörper | Clamp | 1/2x215 PP |
| 21 | 475 2417 | 2 | Hydraulikschlauch | Hydraulic hose | 1SN08-3500 DKOL12/DKOL12 |



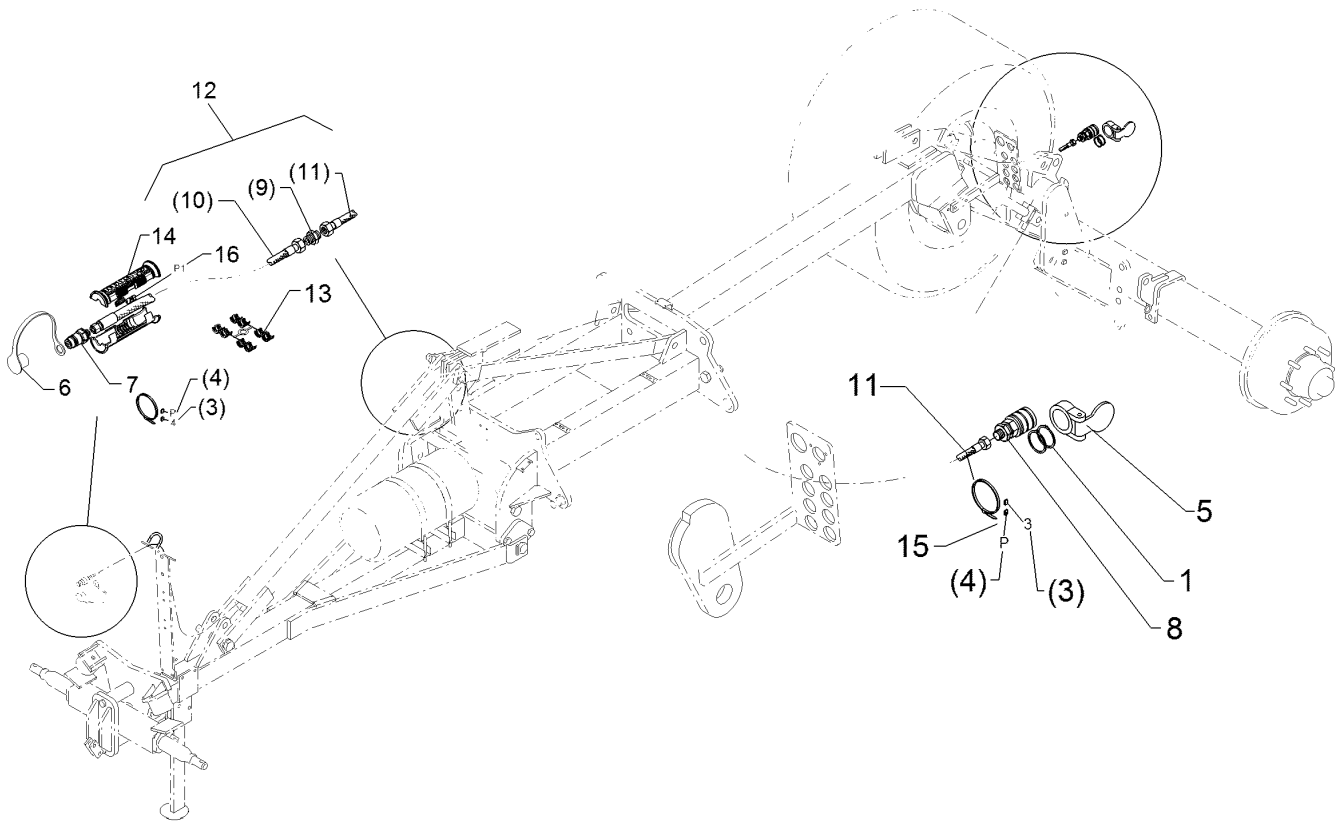
01.18

| Pos. | Art.Nr. | Stck. | Artikeltext / Description | | Abmessung |
|------|----------|-------|---------------------------|--------------------|------------------------------------|
| 22 | 475 2501 | 2 | Hydraulikschlauch | Hydraulic hose | 1SN8-5000 DKOL12/DKOL12 0/0° |
| 23 | 475 2610 | 2 | Hochdruckschlauch | High-pressure hose | 2SN08-1250 M18x1,5-R45 GRD |
| 24 | 475 2624 | 2 | Hydraulikschlauch | Hydraulic hose | 2SN10-4100 DKOL12 00°/00° |
| 27 | 325 1521 | 1 | Kennzeichnung | Marking | P1 29x8 |
| 28 | 325 1523 | 1 | Kennzeichnung | Marking | P3 29x8 |
| 29 | 325 1528 | 1 | Kennzeichnung | Marking | T1 29x8 |
| 30 | 325 1530 | 1 | Kennzeichnung | Marking | T3 29x8 |
| 31 | 325 1601 | 2 | Kennzeichnung | Marking | P1 20x9 |
| 32 | 325 1608 | 2 | Kennzeichnung | Marking | T1 20x9 |
| 33 | 375 2606 | 2 | Einleger | Insert | DN6 DN8 |
| 34 | 375 2607 | 4 | Griff Halbschale | Handle | - |
| 35 | 37510106 | 1 | Wegeventil | Directional valve | 6/2-L M16x1,5 M8 Zn |



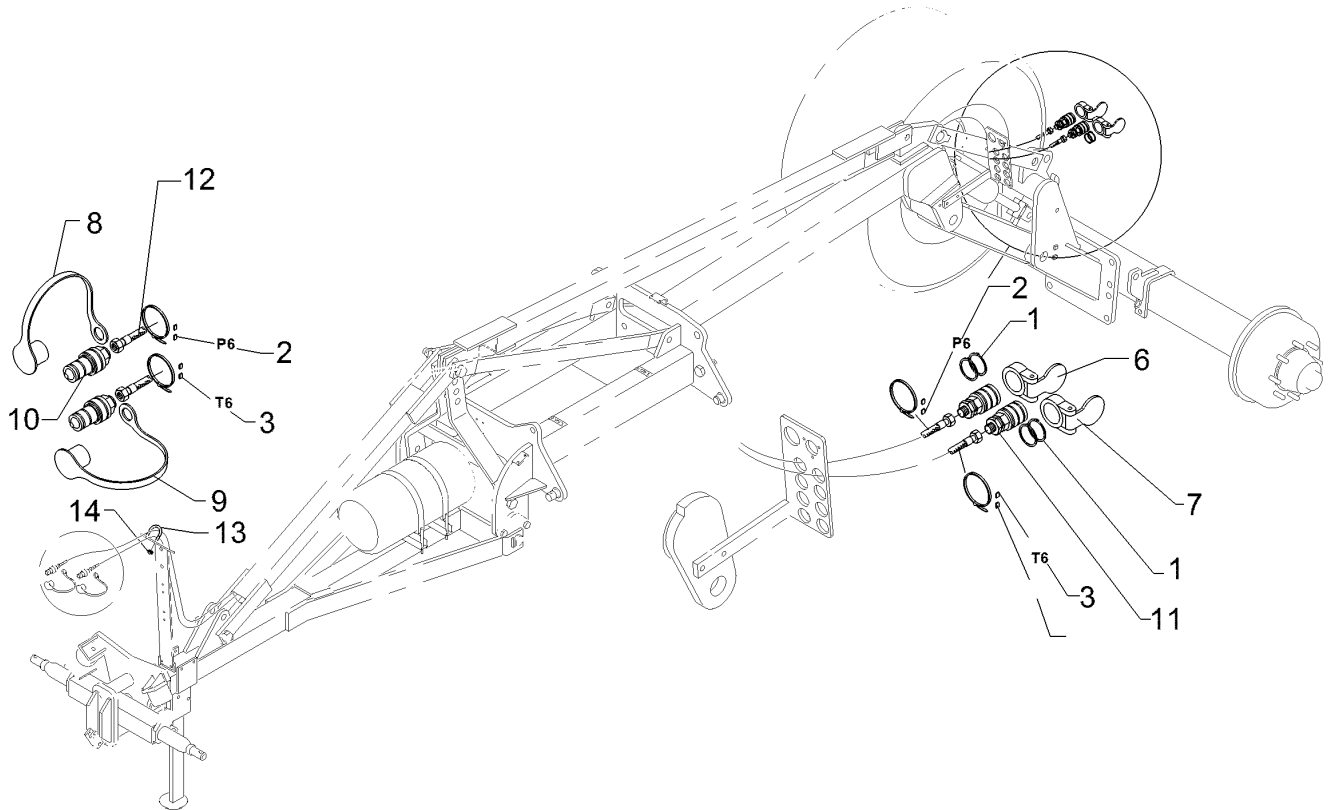
01.18

| Pos. | Art.Nr. | Stck. | Artikeltext / Description | | Abmessung |
|------|----------|-------|---------------------------|----------------------|-------------------------------------|
| 1 | 305 8871 | 4 | Sicherungsring | Retaining ring | 38x1,75 DIN471 Zn |
| 2 | 325 1350 | 2 | Spannband | Strap | 6,3x254 VA |
| 3 | 325 1503 | 2 | EASY-READ Zeichen | EASY-READ sign | "3" |
| 4 | 325 1511 | 1 | EASY-READ Zeichen | EASY-READ sign | "P" |
| 5 | 325 1512 | 1 | EASY-READ Zeichen | EASY-READ sign | "T" |
| 6 | 375 2101 | 2 | Staubschutzklappe blau | Dust protection flap | BG 3 D38 |
| 7 | 375 2121 | 2 | Staubkappe | Dust cap | D26,5 Bg.3 |
| 8 | 375 2718 | 2 | SVK-Stecker | Hydraulic coupling | BG-3 12L M18x1,5 |
| 9 | 375 2735 | 2 | SVK-Muffe | SVK-socket | CEL12 M18x1,5 BG3 |
| 10 | 375 4110 | 2 | Gerade Verschraubung | Nipple | x-G12-L M18x1,5 |
| 11 | 475 2624 | 2 | Hydraulikschlauch | Hydraulic hose | 2SN10-4100 DKOL12 00°/00° |
| 12 | 475 2642 | 2 | Hydraulikschlauch | Hydraulic hose | 1SN08-3900 DKOL-12L |
| 13 | 47510027 | 2 | Hydraulikschlauch | Hydraulic hose | 2SC08-8600 DKOL12/DKOL12 0/0° |
| 14 | 375 2606 | 2 | Einleger | Insert | DN6 DN8 |
| 15 | 375 2607 | 4 | Griff Halbschale | Handle | - |
| 16 | 325 1523 | 1 | Kennzeichnung | Marking | P3 29X8 |
| 17 | 325 1530 | 1 | Kennzeichnung | Marking | T3 29X8 |
| 18 | 325 1603 | 2 | Kennzeichnung | Marking | P3 |
| 19 | 325 1610 | 2 | Kennzeichnung | Marking | T3 |



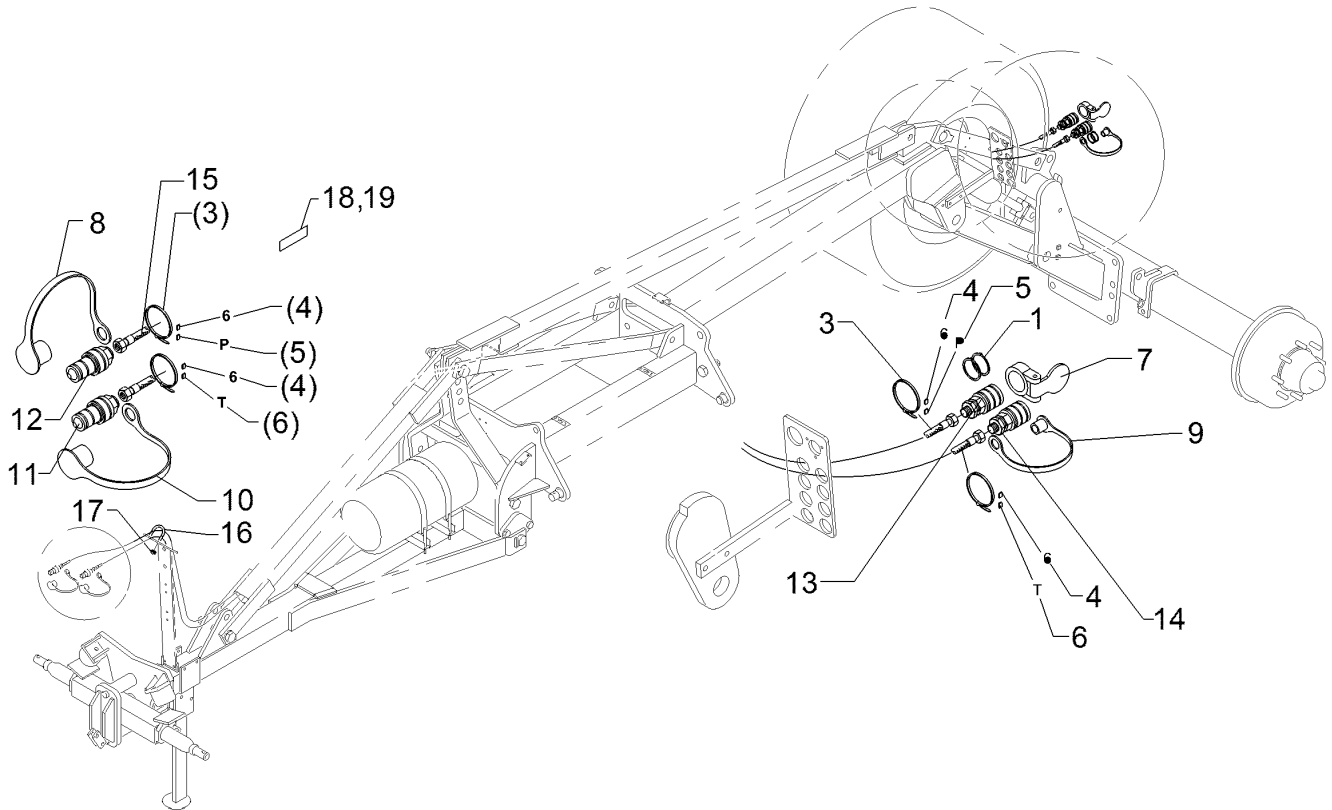
01.18

| Pos. | Art.Nr. | Stck. | Artikeltext / Description | | Abmessung |
|------|----------|-------|---------------------------|----------------------|-------------------------------------|
| 1 | 305 8871 | 2 | Sicherungsring | Retaining ring | 38x1,75 DIN471 Zn |
| 2 | 325 1350 | 1 | Spannband | Strap | 6,3x254 VA |
| 3 | 325 1504 | 1 | EASY-READ Zeichen | EASY-READ sign | "4" |
| 4 | 325 1511 | 1 | EASY-READ Zeichen | EASY-READ sign | "P" |
| 5 | 375 2102 | 1 | Staubschutzklappe schwarz | Dust protection flap | BG 3 D38 |
| 6 | 375 2122 | 1 | Staubkappe, schwarz | Cap, black | D26,5 Bg.3 |
| 7 | 375 2718 | 1 | SVK-Stecker | Hydraulic coupling | BG-3 12L M18x1,5 |
| 8 | 375 2735 | 1 | SVK-Muffe | SVK-socket | CEL12 M18x1,5 BG3 |
| 9 | 375 4110 | 1 | Gerade Verschraubung | Nipple | x-G12-L M18x1,5 |
| 10 | 475 2624 | 1 | Hydraulikschlauch | Hydraulic hose | 2SN10-4100 DKOL12 00°/00° |
| 11 | 475 2642 | 1 | Hydraulikschlauch | Hydraulic hose | 1SN08-3900 DKOL-12L |
| 12 | 47510027 | 1 | Hydraulikschlauch | Hydraulic hose | 2SC08-8600 DKOL12/DKOL12 0/0° |
| 13 | 375 2606 | 1 | Einleger | Insert | DN6 DN8 |
| 14 | 375 2607 | 2 | Griff Halbschale | Handle | - |
| 15 | 325 1524 | 1 | Kennzeichnung | Marking | P4 29X8 |
| 16 | 325 1604 | 2 | Kennzeichnung | Marking | P4 |



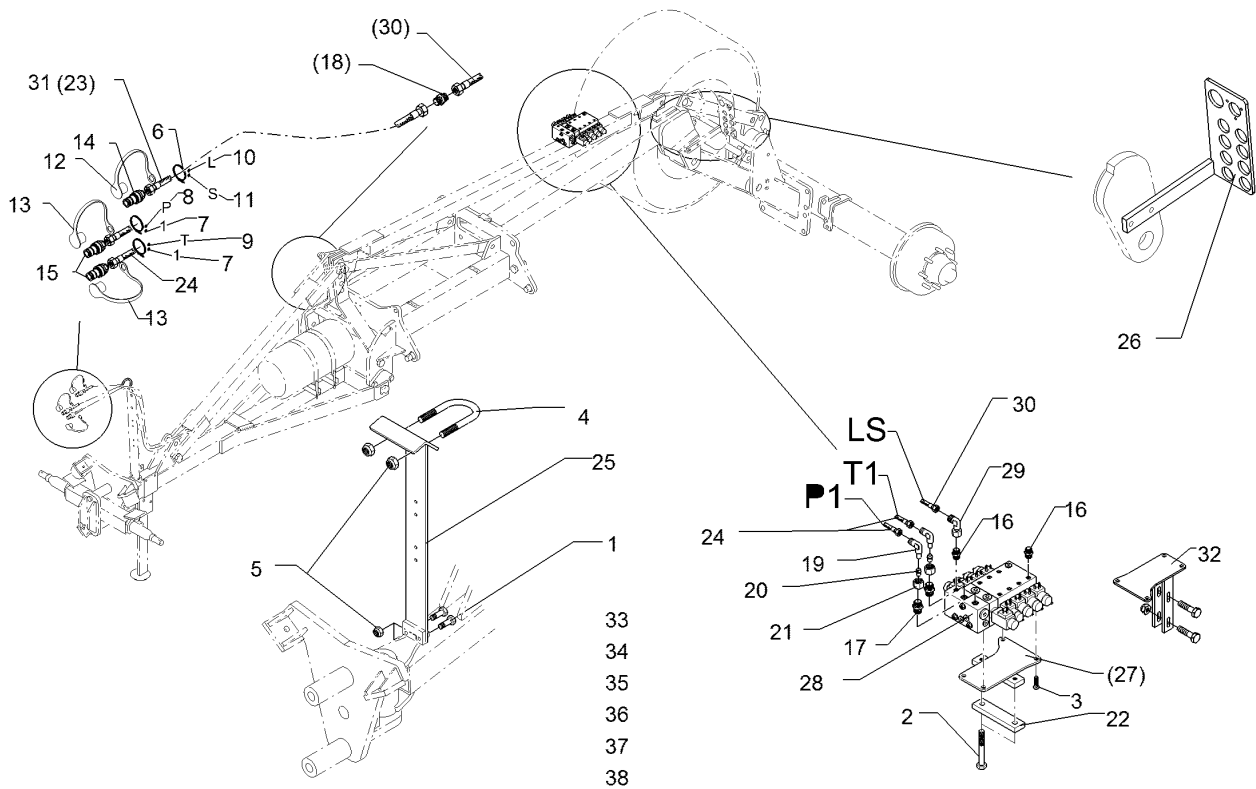
01.18

| Pos. | Art.Nr. | Stck. | Artikeltext / Description | | Abmessung |
|------|----------|-------|---------------------------|----------------------|-------------------------------|
| 1 | 305 8871 | 4 | Sicherungsring | Retaining ring | 38x1,75 DIN471 Zn |
| 2 | 325 1526 | 2 | Kennzeichnung | Marking | P6 29X8 |
| 3 | 325 1533 | 2 | Kennzeichnung | Marking | T6 29X8 |
| 6 | 375 2103 | 1 | Staubschutzklappe gelb | Dust protection flap | BG 3 D38 |
| 7 | 375 2104 | 1 | Staubschutzklappe weiss | Dust protection flap | BG 3 D38 |
| 8 | 375 2123 | 1 | Staubkappe, gelb | Cap | D26,5 Bg.3 |
| 9 | 375 2124 | 1 | Staubkappe, weiss | Cap, white | D26,5 Bg.3 |
| 10 | 375 2736 | 2 | SVK-Stecker | Hydraulic coupling | BG-3 15L CEL M22x1,5 SW-27 |
| 11 | 375 2737 | 2 | SVK-Muffe | SVK-socket | BG-3 CEL15 M22x1,5 |
| 12 | 47510028 | 2 | Hydraulikschlauch | Hydraulic hose | 2SN12-8400 M22x1,5 |
| 13 | 301 7782 | 1 | Bügel schraube | U-bolt | M10x62x60 Zn |
| 14 | 303 0933 | 1 | Sicherungsmutter | Selflocking nut | NM10-8 DIN985 Zn |



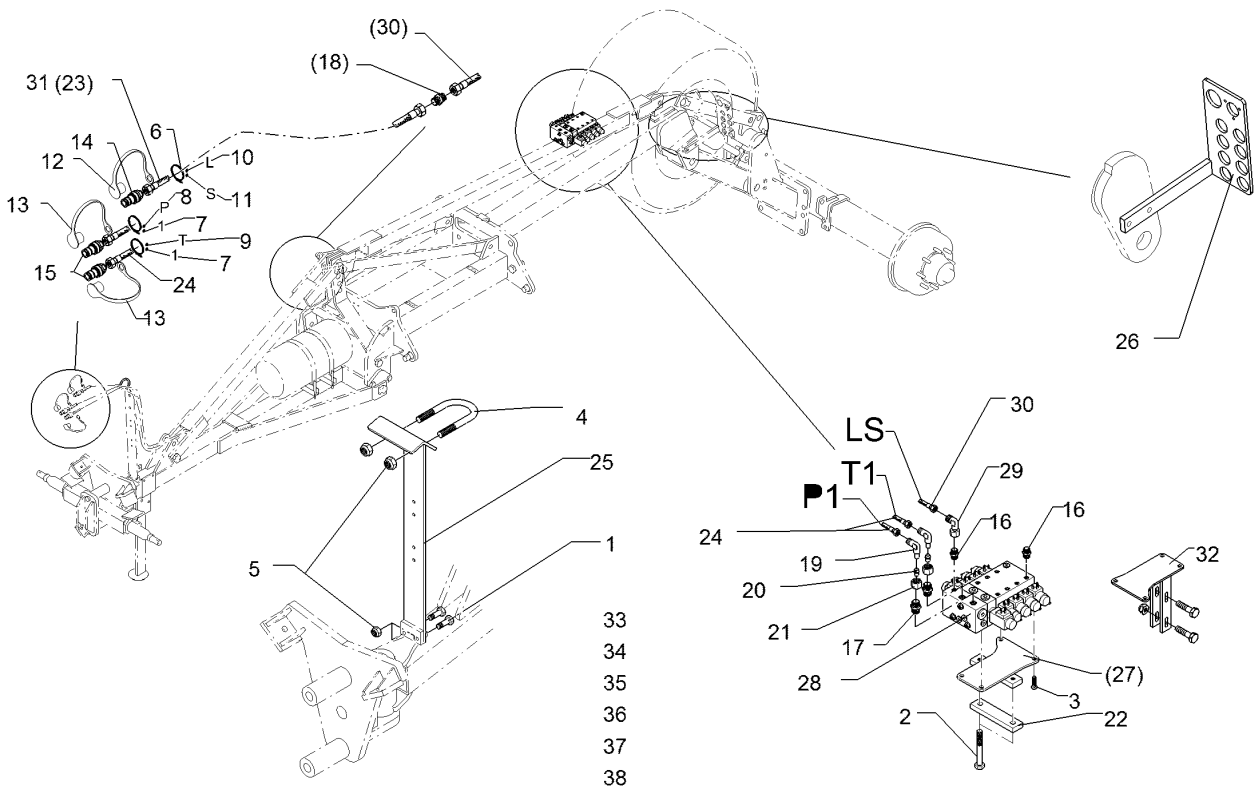
01.18

| Pos. | Art.Nr. | Stck. | Artikeltext / Description | | Abmessung |
|------|----------|-------|---------------------------|----------------------|-------------------------------|
| 1 | 305 8871 | 2 | Sicherungsring | Retaining ring | 38x1,75 DIN471 Zn |
| 3 | 325 1350 | 4 | Spannband | Strap | 6,3x254 VA |
| 4 | 325 1506 | 4 | EASY-READ Zeichen | EASY-READ sign | "6" |
| 5 | 325 1511 | 2 | EASY-READ Zeichen | EASY-READ sign | "P" |
| 6 | 325 1512 | 2 | EASY-READ Zeichen | EASY-READ sign | "T" |
| 7 | 375 2103 | 1 | Staubschutzklappe gelb | Dust protection flap | BG 3 D38 |
| 8 | 375 2123 | 1 | Staubkappe, gelb | Cap | D26,5 Bg.3 |
| 9 | 375 2162 | 1 | Staubstecker rot | Plastic male probe | BG.6 |
| 10 | 375 2168 | 1 | Staubkappe | Dust cap | BG.6 rot |
| 11 | 375 2720 | 1 | SVK-Stecker | Hydraulic coupling | SVK-BG 6 M22x1,5 |
| 12 | 375 2736 | 1 | SVK-Stecker | Hydraulic coupling | BG-3 15L CEL M22x1,5 SW-27 |
| 13 | 375 2737 | 1 | SVK-Muffe | SVK-socket | BG-3 CEL15 M22x1,5 |
| 14 | 375 2738 | 1 | SVK-Muffe | SVK-socket | BG.6 M22x1,5 |
| 15 | 47510028 | 2 | Hydraulikschlauch | Hydraulic hose | 2SN12-8400 M22x1,5 |
| 16 | 301 7782 | 1 | Bügel schraube | U-bolt | M10x62x60 Zn |
| 17 | 303 0933 | 2 | Sicherungsmutter | Selflocking nut | NM10-8 DIN985 Zn |
| 18 | 325 1526 | 2 | Kennzeichnung | Marking | P6 29X8 |
| 19 | 325 1533 | 2 | Kennzeichnung | Marking | T6 29X8 |



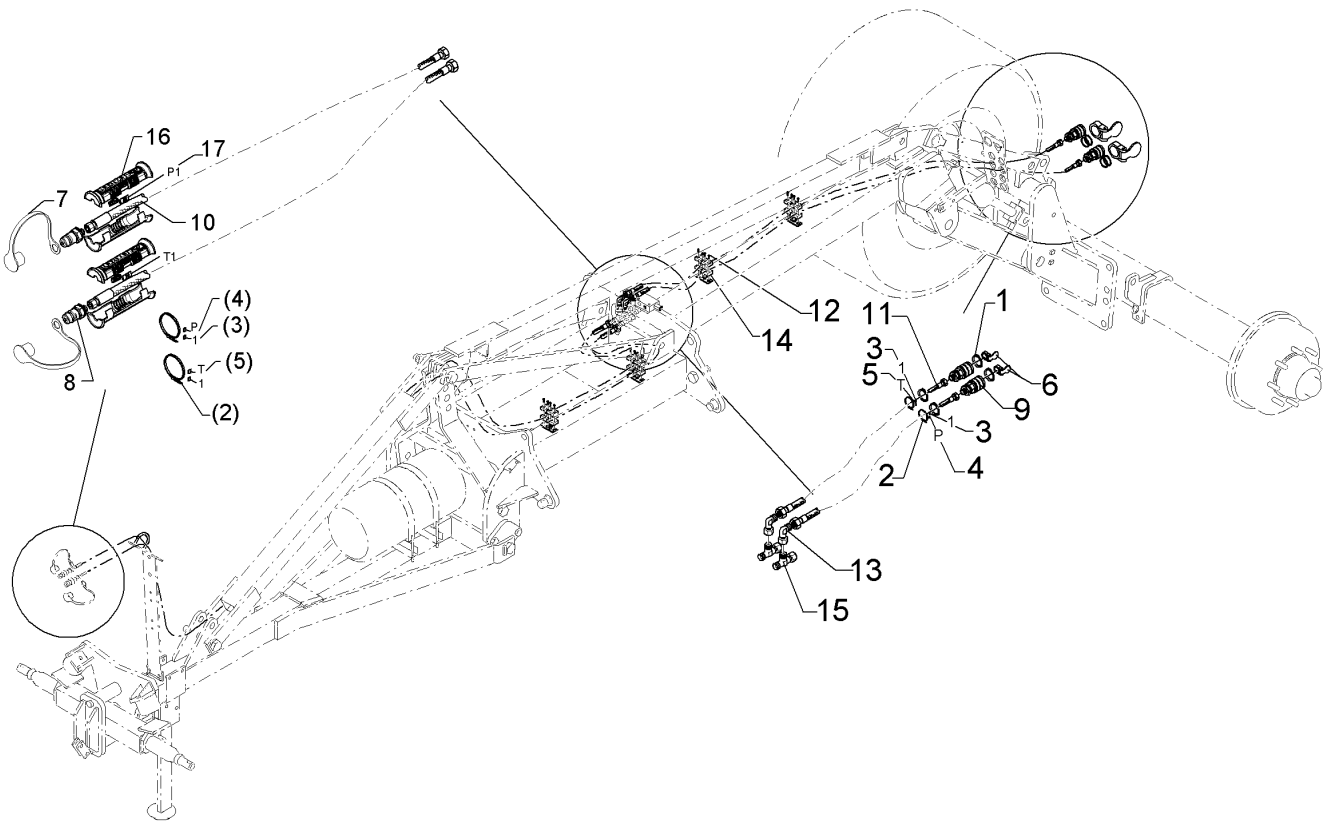
01.18

| Pos. | Art.Nr. | Stck. | Artikeltext / Description | | Abmessung |
|------|----------|-------|--------------------------------|------------------------|--|
| 1 | 301 5004 | 2 | Sechskantschraube | Hexagon bolt | M10x30-8.8 Zn DIN933 |
| 2 | 301 5438 | 2 | Sechskantschraube | Hexagon bolt | M10x150-8.8 Zn DIN931-A |
| 3 | 301 7280 | 3 | Sechskantschraube | Hexagon bolt | M8x25-8.8 Zn DIN933 |
| 4 | 301 7782 | 1 | Bügelschraube | U-bolt | M10x62x60 Zn |
| 5 | 303 0933 | 4 | Sicherungsmutter | Selflocking nut | NM10-8 DIN985 Zn |
| 6 | 325 1350 | 3 | Spannband | Strap | 6,3x254 VA |
| 7 | 325 1501 | 2 | EASY-READ Zeichen | EASY-READ sign | "1" |
| 8 | 325 1511 | 1 | EASY-READ Zeichen | EASY-READ sign | "P" |
| 9 | 325 1512 | 1 | EASY-READ Zeichen | EASY-READ sign | "T" |
| 10 | 325 1513 | 1 | EASY-READ Zeichen | EASY-READ sign | "L" |
| 11 | 325 1514 | 1 | EASY-READ Zeichen | EASY-READ sign | "S" |
| 12 | 375 2164 | 1 | Staubkappe | Dust cap | rd BG.2 |
| 13 | 375 2166 | 2 | Staubkappe, rot | Cap, red | D26,5 |
| 14 | 375 2716 | 1 | SVK-Stecker | Hydraulic coupling | BG-2 10LM16x1,5 |
| 15 | 375 2736 | 2 | SVK-Stecker | Hydraulic coupling | BG-3 15L CEL M22x1,5 SW-27 x-GE12-LM M14x1,5 Zn |
| 16 | 375 4009 | 8 | Einschraubverschraubung | Nipple | x-GE15-LM 22x1,5-ED |
| 17 | 375 4032 | 2 | Gerade Einschraubverschraubung | Nipple | x-G12-L M18x1,5 |
| 18 | 375 4110 | 1 | Gerade Verschraubung | Nipple | x-G12-L M18x1,5 |
| 19 | 375 4503 | 2 | Einstellbare W-Verschraubung | Adjustable angle union | EW15-L-DKO24 GRD O-Ring |



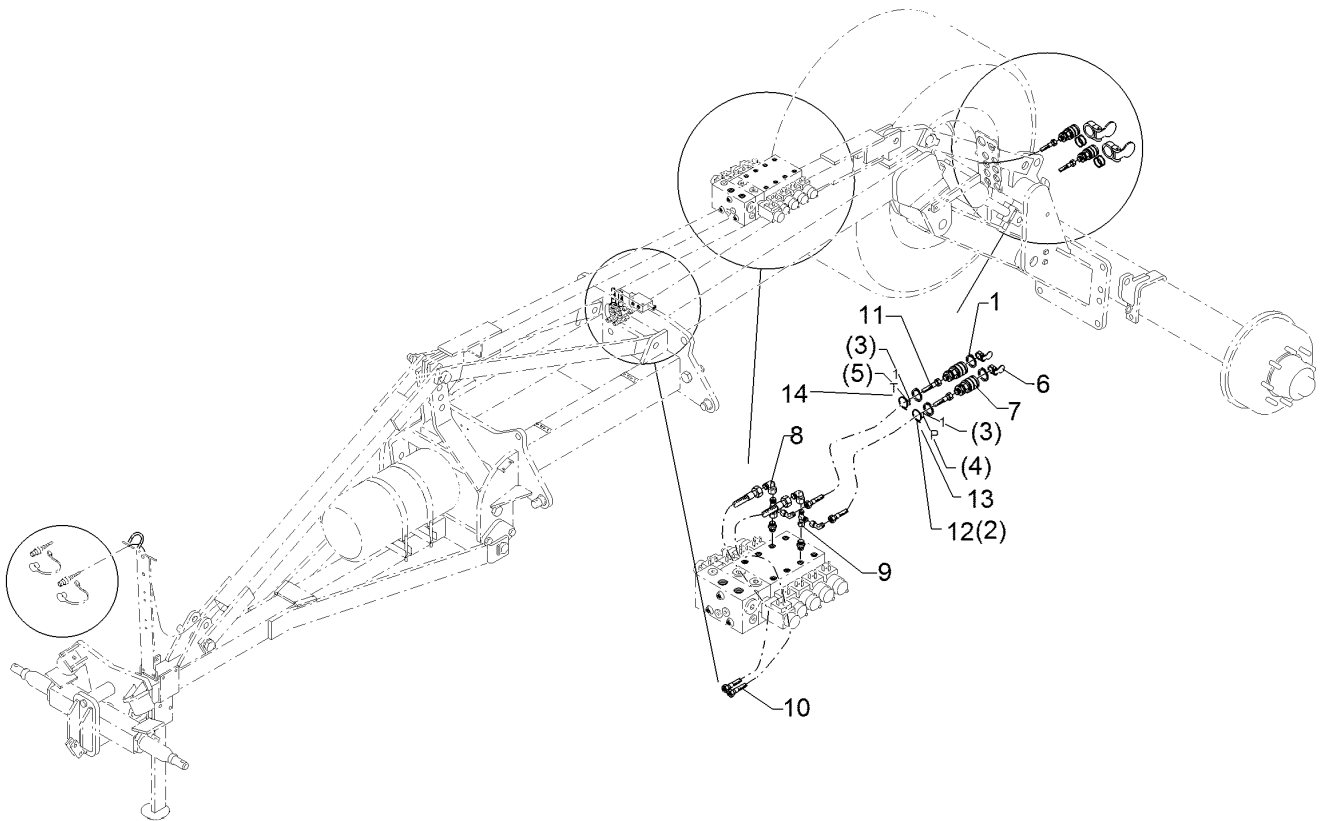
01.18

| Pos. | Art.Nr. | Stck. | Artikeltext / Description | Abmessung | |
|------|----------|-------|------------------------------|------------------------|-------------------------------------|
| 20 | 375 5120 | 2 | Schneidring | Cutting ring | S 15 L WD |
| 21 | 375 5320 | 2 | Überwurfmutter | Union nut | 15L M22x1,5 Zn |
| 22 | 459 1058 | 1 | Brücke | Clamp plate | 30x12x130 1x100-D11 |
| 23 | 475 2657 | 1 | Hydraulikschlauch | Hydraulic hose | 1SN08-3000 DKOL12/DKOL12 |
| 25 | 475 4361 | 1 | Schlauchhalter | Hose carrier | 80x8x700 4xD12 |
| 26 | 475 4362 | 1 | Kupplungshalter | Coupling holder | 210x295 |
| 27 | 475 4376 | 1 | Halter | Holder | 175x122x5 M10 1x100 |
| 28 | 575 2193 | 1 | Steuerblock | Control valve | L8S-3D/1E |
| 29 | 375 4500 | 3 | Einstellbare W-Verschraubung | Adjustable angle union | EW12-LM DKO24 GRD M18x1,5 |
| 30 | 475 2501 | 1 | Hydraulikschlauch | Hydraulic hose | 1SN8-5000 DKOL12/DKOL12 |
| 31 | 475 2493 | 1 | Hydraulikschlauch | Hydraulic hose | 0/0° 2SC08-7900 DKOL12/DKOL12 |
| 32 | 475 4363 | 1 | Halter | Holder | 0/0° 175x122x5 25 |
| 33 | 325 1521 | 2 | Kennzeichnung | Marking | P1 29x8 |
| 34 | 325 1528 | 2 | Kennzeichnung | Marking | T1 29x8 |
| 35 | 325 1534 | 1 | Kennzeichnung | Marking | LS 29x8 |
| 36 | 375 4132 | 1 | Verbindung gerade | Connection | DKOL12/DKOL12 M18x1,5 |
| 37 | 375 4210 | 1 | Winkelverschraubung | Elbow union | x-W12-L M18x1,5 |
| 38 | 375 4550 | 3 | Einstellbare L-Verschraubung | Adjustable L-union | EL12-L M18x1,5 |



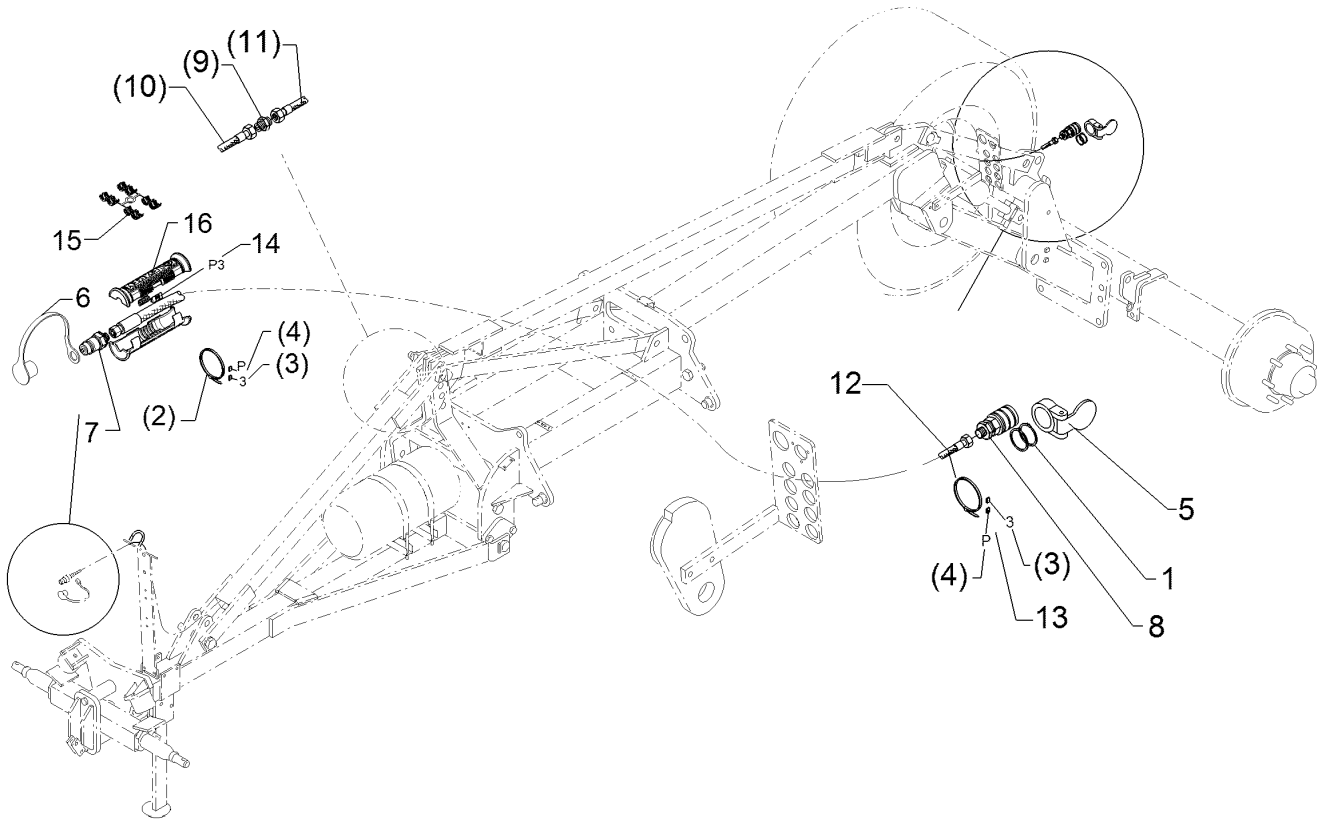
01.18

| Pos. | Art.Nr. | Stck. | Artikeltext / Description | | Abmessung |
|------|----------|-------|------------------------------|------------------------|--|
| 1 | 305 8871 | 4 | Sicherungsring | Retaining ring | 38x1,75 DIN471 Zn |
| 2 | 325 1350 | 2 | Spannband | Strap | 6,3x254 VA |
| 3 | 325 1501 | 2 | EASY-READ Zeichen | EASY-READ sign | "1" |
| 4 | 325 1511 | 1 | EASY-READ Zeichen | EASY-READ sign | "P" |
| 5 | 325 1512 | 1 | EASY-READ Zeichen | EASY-READ sign | "T" |
| 6 | 375 2105 | 2 | Staubschutzklappe rot | Dust protection flap | BG 3 D38 |
| 7 | 375 2166 | 2 | Staubkappe, rot | Cap, red | D26,5 |
| 8 | 375 2718 | 2 | SVK-Stecker | Hydraulic coupling | BG-3 12L M18x1,5 |
| 9 | 375 2735 | 2 | SVK-Muffe | SVK-socket | CEL12 M18x1,5 BG3 |
| 10 | 475 3123 | 2 | Hydraulikschlauch | Hydraulic hose | 2SN08-3500 |
| 11 | 47510032 | 2 | Hydraulikschlauch | Hydraulic hose | DKOL12/DKOL12 2SN10-5700 DKOL12/DKOL12 |
| 12 | 301 0302 | 16 | Linsenschraube | Oval head screw | M6x25-4,6 Zn DIN7985 |
| 13 | 375 4500 | 2 | Einstellbare W-Verschraubung | Adjustable angle union | EW12-LM DKO24 GRD M18x1,5 |
| 14 | 375 9962 | 16 | Schellenkörper | Clamp | 1/2x218 PP |
| 15 | 375 4550 | 2 | Einstellbare L-Verschraubung | Adjustable L-union | EL12-L M18x1,5 |
| 16 | 375 2607 | 4 | Griff Halbschale | Handle | - |
| 17 | 325 1601 | 2 | Kennzeichnung | Marking | P1 20x9 |
| 18 | 325 1608 | 2 | Kennzeichnung | Marking | T1 20x9 |
| 19 | 375 2606 | 2 | Einleger | Insert | DN6 DN8 |



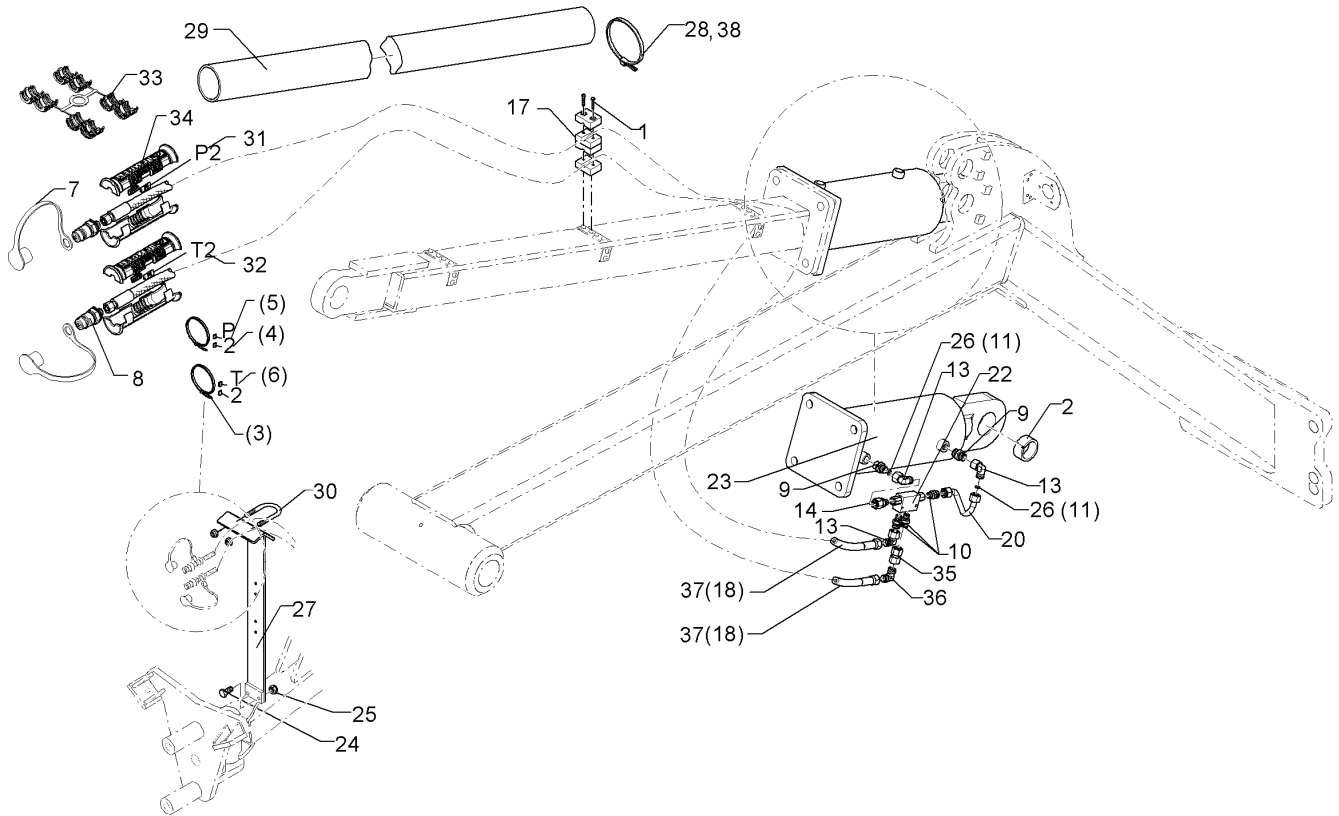
01.18

| Pos. | Art.Nr. | Stck. | Artikeltext / Description | | Abmessung |
|------|----------|-------|------------------------------|------------------------|------------------------------|
| 1 | 305 8871 | 4 | Sicherungsring | Retaining ring | 38x1,75 DIN471 Zn |
| 2 | 325 1350 | 2 | Spannband | Strap | 6,3x254 VA |
| 3 | 325 1501 | 2 | EASY-READ Zeichen | EASY-READ sign | "1" |
| 4 | 325 1511 | 1 | EASY-READ Zeichen | EASY-READ sign | "P" |
| 5 | 325 1512 | 1 | EASY-READ Zeichen | EASY-READ sign | "T" |
| 6 | 375 2105 | 2 | Staubschutzklappe rot | Dust protection flap | BG 3 D38 |
| 7 | 375 2735 | 2 | SVK-Muffe | SVK-socket | CEL12 M18x1,5 BG3 |
| 8 | 375 4500 | 4 | Einstellbare W-Verschraubung | Adjustable angle union | EW12-LM DKO24 GRD M18x1,5 |
| 9 | 375 4550 | 2 | Einstellbare L-Verschraubung | Adjustable L-union | EL12-L M18x1,5 |
| 10 | 475 2616 | 2 | Hydraulikschlauch | Hydraulic hose | 2SN10-1500 DKOL12/DKOL12 |
| 11 | 47510003 | 2 | Hydraulikschlauch | Hydraulic hose | 2SN08-4000 DKOL12 00°/00° |
| 12 | 325 1331 | 2 | Kabelbinder | Cable clip | 4,7x186 |
| 13 | 325 1521 | 1 | Kennzeichnung | Marking | P1 29x8 |
| 14 | 325 1528 | 1 | Kennzeichnung | Marking | T1 29x8 |



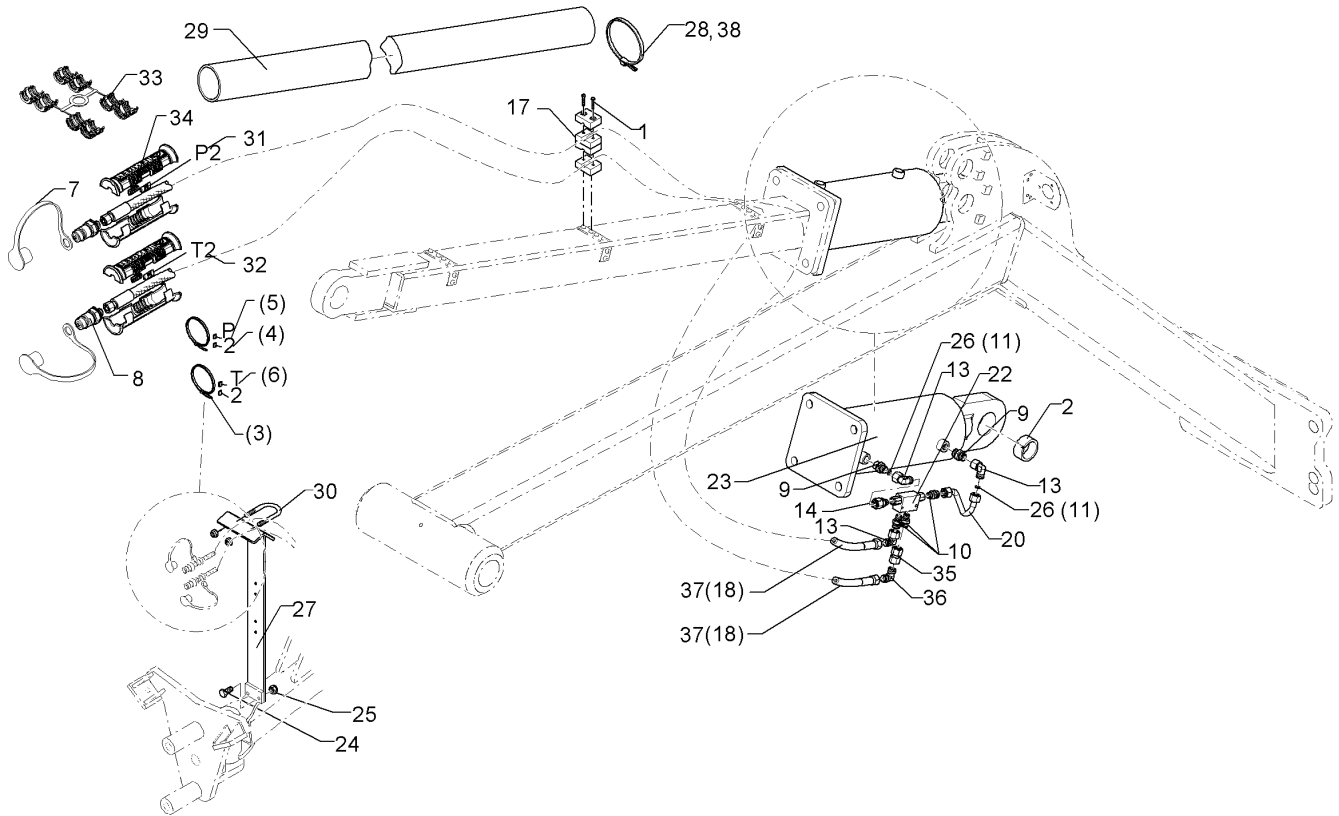
01.18

| Pos. | Art.Nr. | Stck. | Artikeltext / Description | | Abmessung |
|------|----------|-------|---------------------------|----------------------|-------------------------------------|
| 1 | 305 8871 | 2 | Sicherungsring | Retaining ring | 38x1,75 DIN471 Zn |
| 2 | 325 1350 | 1 | Spannband | Strap | 6,3x254 VA |
| 3 | 325 1503 | 1 | EASY-READ Zeichen | EASY-READ sign | "3" |
| 4 | 325 1511 | 1 | EASY-READ Zeichen | EASY-READ sign | "P" |
| 5 | 375 2101 | 1 | Staubschutzklappe blau | Dust protection flap | BG 3 D38 |
| 6 | 375 2121 | 1 | Staubkappe | Dust cap | D26,5 Bg.3 |
| 7 | 375 2718 | 1 | SVK-Stecker | Hydraulic coupling | BG-3 12L M18x1,5 |
| 8 | 375 2735 | 1 | SVK-Muffe | SVK-socket | CEL12 M18x1,5 BG3 |
| 9 | 375 4110 | 1 | Gerade Verschraubung | Nipple | x-G12-L M18x1,5 |
| 10 | 475 2624 | 1 | Hydraulikschlauch | Hydraulic hose | 2SN10-4100 DKOL12 00°/00° |
| 11 | 475 2642 | 1 | Hydraulikschlauch | Hydraulic hose | 1SN08-3900 DKOL-12L |
| 12 | 47510027 | 1 | Hydraulikschlauch | Hydraulic hose | 2SC08-8600 DKOL12/DKOL12 0/0° |
| 13 | 325 1523 | 1 | Kennzeichnung | Marking | P3 29X8 |
| 14 | 325 1603 | 2 | Kennzeichnung | Marking | P3 |
| 15 | 375 2606 | 1 | Einleger | Insert | DN6 DN8 |
| 16 | 375 2607 | 2 | Griff Halbschale | Handle | - |



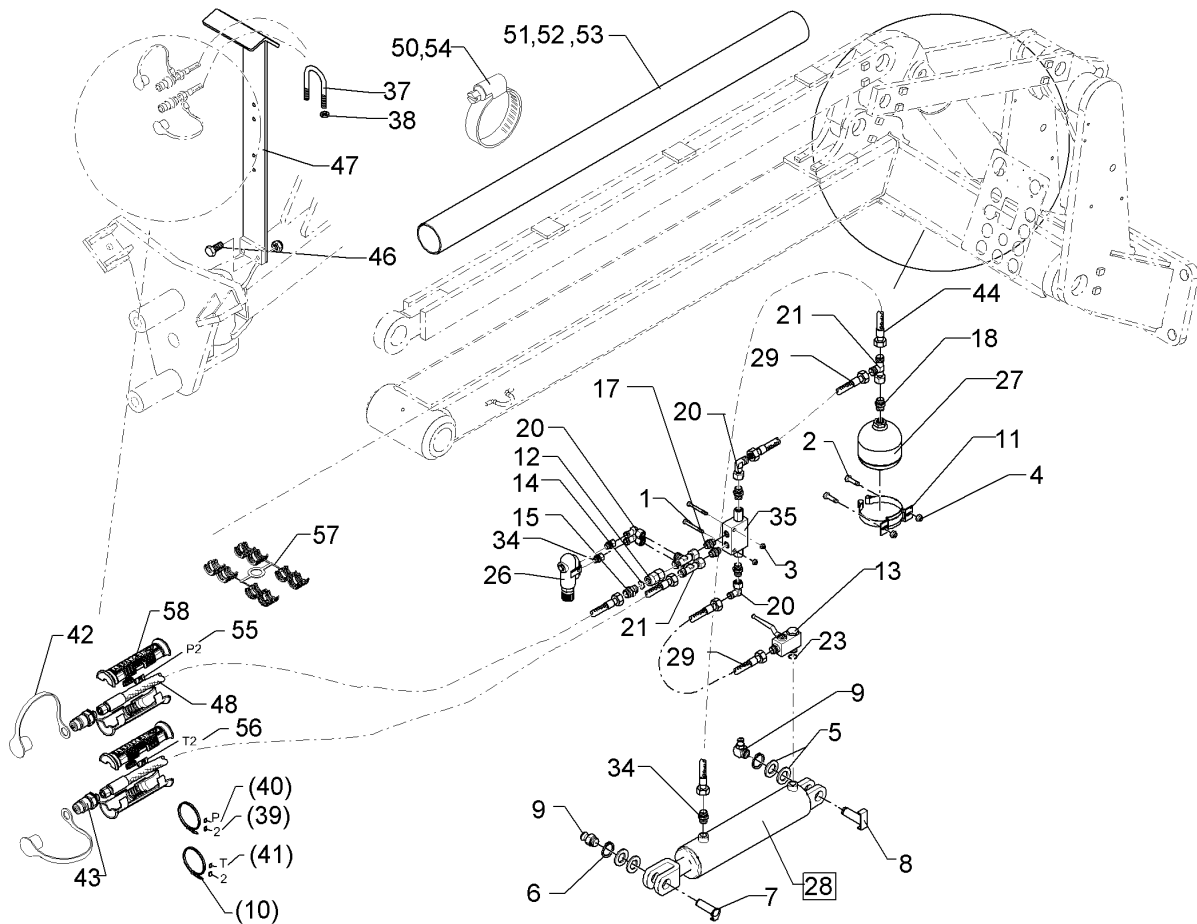
01.18

| Pos. | Art.Nr. | Stck. | Artikeltext / Description | | Abmessung |
|------|----------|-------|------------------------------|------------------------|-------------------------------------|
| 1 | 301 0302 | 8 | Linsenschraube | Oval head screw | M6x25-4,6 Zn DIN7985 |
| 2 | 317 3434 | 1 | Einspannbuchse | Expansion bush | EG50/60x40-DIN1498 |
| 3 | 325 1350 | 2 | Spannband | Strap | 6,3x254 VA |
| 4 | 325 1502 | 2 | EASY-READ Zeichen | EASY-READ sign | "2" |
| 5 | 325 1511 | 1 | EASY-READ Zeichen | EASY-READ sign | "P" |
| 6 | 325 1512 | 1 | EASY-READ Zeichen | EASY-READ sign | "T" |
| 7 | 375 2120 | 2 | Staubkappe, grün | Cap | D26,5 Bg.3 |
| 8 | 375 2718 | 2 | SVK-Stecker | Hydraulic coupling | BG-3 12L M18x1,5 |
| 9 | 375 4020 | 2 | Einschraubverschraubung | Nipple | x-GE12-LM M18x1,5 Zn |
| 10 | 375 4038 | 3 | Einschraubverschraubung | Nipple | GE 12-LR 1/4 ZL ED |
| 11 | 375 2175 | 2 | Drosselscheibe | Restrictor washer | D12x1,5 BO 1,8 |
| 13 | 375 4500 | 3 | Einstellbare W-Verschraubung | Adjustable angle union | EW12-LM DKO24 GRD M18x1,5 |
| 14 | 375 4711 | 1 | Stutzen | Stud | x-evGE-12-ED 1/4" DKO 24 GRD |
| 17 | 375 9961 | 8 | Schellenkörper | Clamp | 1/2x215 PP |
| 18 | 47510031 | 2 | Hydraulikschlauch | Hydraulic hose | 2SC08-7400 DKOL12/DKOL12 0/0° |
| 20 | 57510127 | 1 | Hydraulikrohr | Hydraulic tube | 12x2x185 2xGEB140/50° 1xDR |
| 22 | 575 2161 | 1 | Rückschlagventil | Nonreturn valve | RDP 06 1/4 |
| 23 | 575 2318 | 1 | Hydraulikzylinder | Hydraulic ram | DZ140/70x0200-0565 D60 FLA |



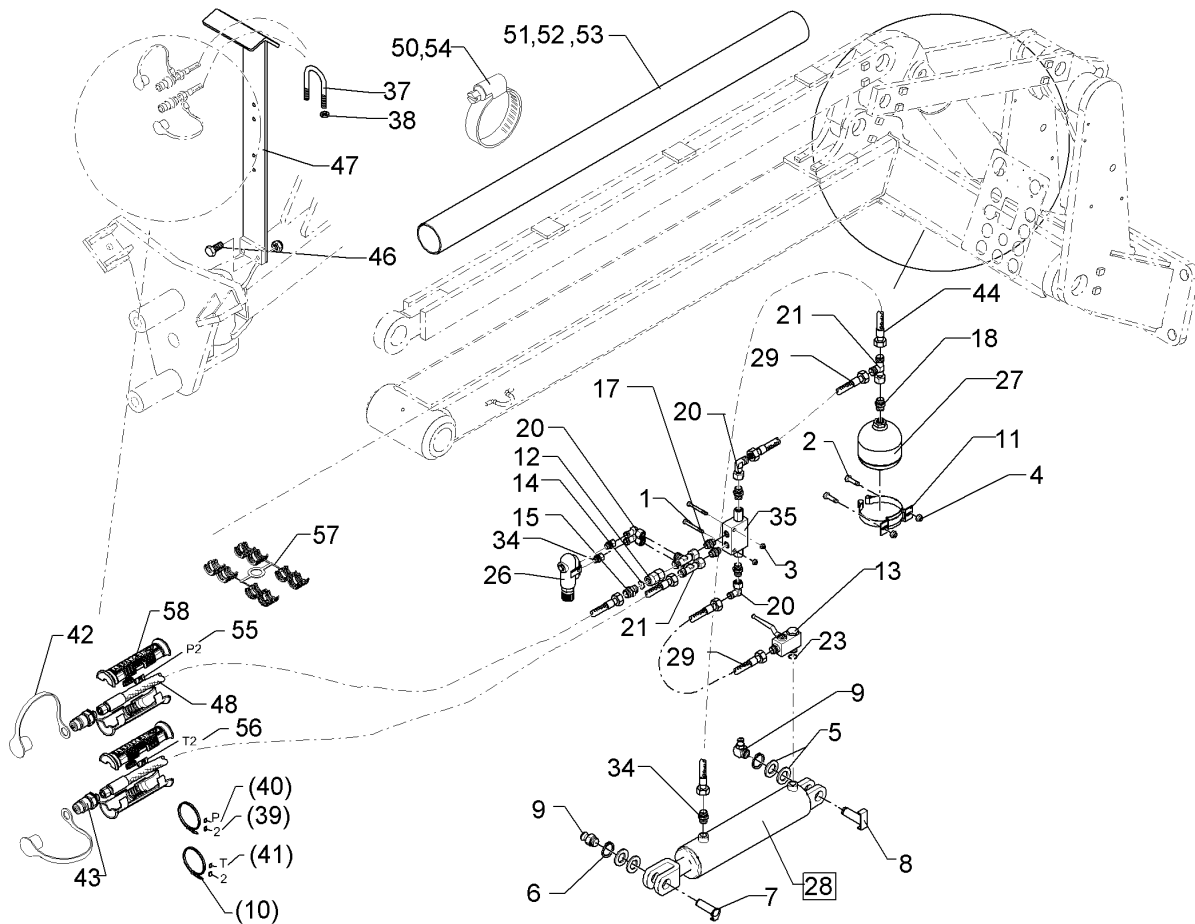
01.18

| Pos. | Art.Nr. | Stck. | Artikeltext / Description | | Abmessung |
|------|----------|-------|---------------------------|-------------------|--------------------------|
| 24 | 301 3226 | 2 | Sechskantschraube | Hexagon bolt | M10x30-10.9 Zn DIN933 |
| 25 | 303 0933 | 2 | Sicherungsmutter | Selflocking nut | NM10-8 DIN985 Zn |
| 26 | 375 2176 | 2 | Drosselscheibe | Restrictor washer | D12x1,5 BO 2,5 |
| 27 | 475 4361 | 1 | Schlauchhalter | Hose carrier | 80x8x700 4xD12 |
| 28 | 325 1185 | 4 | Schlauchklemme | Hose clamp | 110-130 Zn Norma |
| 29 | 377 4401 | 2 | Kunststoffrohr | Synthetic tube | D90x4,1x800 |
| 30 | 301 7782 | 1 | Bügelschraube | U-bolt | M10x62x60 Zn |
| 31 | 325 1602 | 2 | Kennzeichnung | Marking | P2 |
| 32 | 325 1609 | 2 | Kennzeichnung | Marking | T2 |
| 33 | 375 2606 | 2 | Einleger | Insert | DN6 DN8 |
| 34 | 375 2607 | 4 | Griff Halbschale | Handle | - |
| 35 | 375 4132 | 1 | Verbindung gerade | Connection | DKOL12/DKOL12 M18x1,5 |
| 36 | 375 4210 | 1 | Winkelverschraubung | Elbow union | x-W12-L M18x1,5 |
| 37 | 47510153 | 2 | Hydraulikschlauch | Hydraulic hose | 2SC08-6800-DKOL12 |
| 38 | 325 1190 | 2 | Schlauchklemme | Hose clamp | 160-180 V2A |



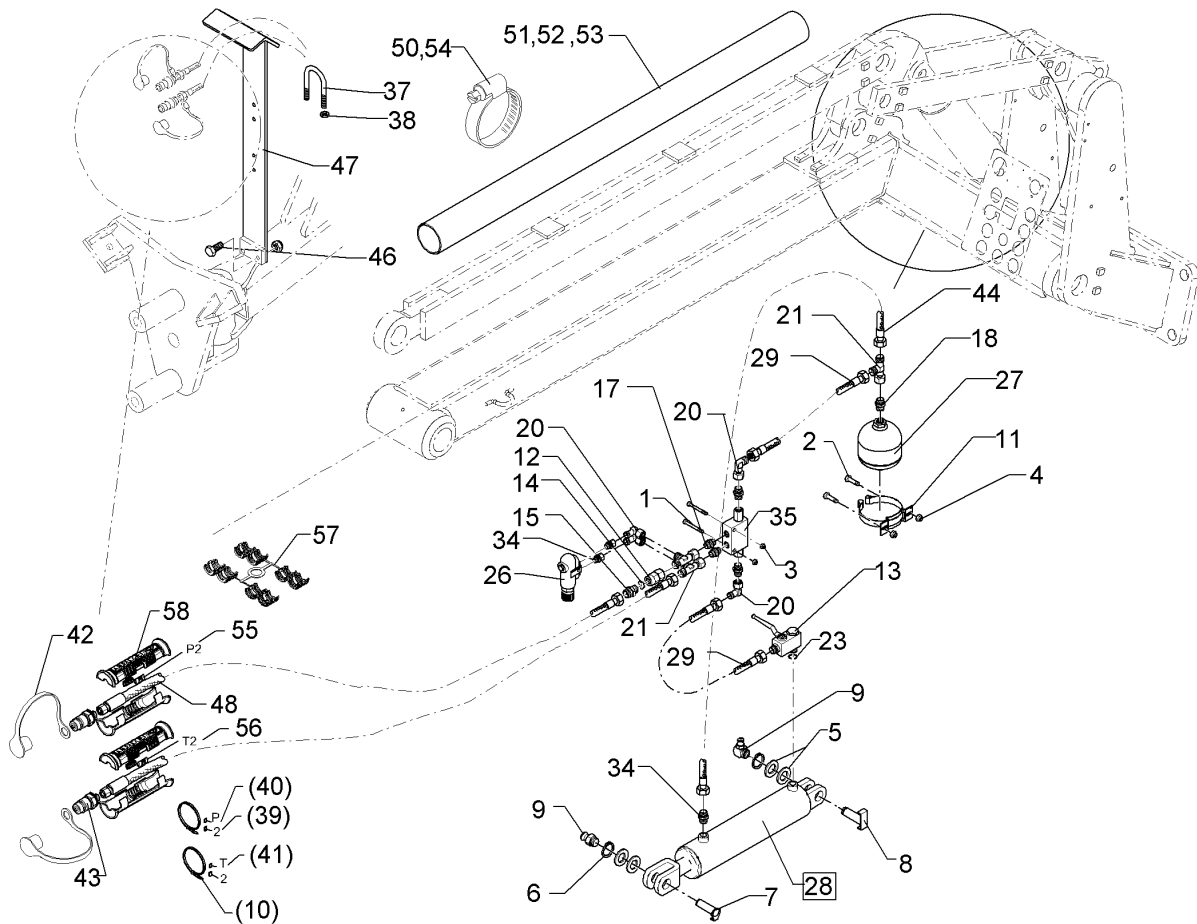
01.18

| Pos. | Art.Nr. | Stck. | Artikeltext / Description | | Abmessung |
|------|----------|-------|------------------------------|------------------------|------------------------------|
| 1 | 301 2997 | 2 | Sechskantschraube | Hexagon bolt | M5x60-8.8 Zn DIN931 |
| 2 | 301 3070 | 2 | Sechskantschraube | Hexagon bolt | M8x40-8.8 Zn DIN931-A |
| 3 | 303 0929 | 2 | Sicherungsmutter | Selflocking nut | NM5-8 Zn DIN985 |
| 4 | 303 0932 | 2 | Sicherungsmutter | Selflocking nut | NM8-8 Zn DIN985 |
| 5 | 305 2051 | 4 | Passscheibe | Shim | 30x42x1,0 DIN988 Zn |
| 6 | 305 8867 | 2 | Sicherungsring | Retaining ring | 30x2 DIN471 Zn |
| 7 | 313 3003 | 1 | Bolzen mit Verdrehsicherung | Pin with stop | D30x71/79 U-61 Zn |
| 8 | 313 3025 | 1 | Bolzen mit Verdrehsicherung | Pin with stop | D30x71/89 U-72 Zn |
| 9 | 323 6348 | 2 | Schmiernippel | Grease nipple | AM10x1 DIN71412 |
| 10 | 325 1350 | 2 | Spannband | Strap | 6,3x254 VA |
| 11 | 325 5128 | 1 | Konsolenschelle | Bracket clip | TYP 142 D137-145 |
| 12 | 375 2205 | 1 | Verbindung | Connection | DKOL12/IGM 16x1,5 |
| 13 | 375 2206 | 1 | Kugelhahn | Ball valve | HBPA 0602 M18x1,5 Zn DN6 |
| 14 | 375 2515 | 1 | Drosselscheibe Dreibein | Restrictor washer | Dreibein 2,5 |
| 15 | 375 4010 | 1 | Einschraubverschraubung | Nipple | x-GE12-LM M16x1,5 Zn |
| 16 | 375 4020 | 1 | Einschraubverschraubung | Nipple | x-GE12-LM M18x1,5 Zn |
| 17 | 375 4038 | 4 | Einschraubverschraubung | Nipple | GE 12-LR 1/4 ZL ED |
| 18 | 375 4039 | 1 | Einschraubverschraubung | Nipple | GE 12-LR 1/2ZL |
| 20 | 375 4500 | 5 | Einstellbare W-Verschraubung | Adjustable angle union | EW12-LM DKO24 GRD M18x1,5 |



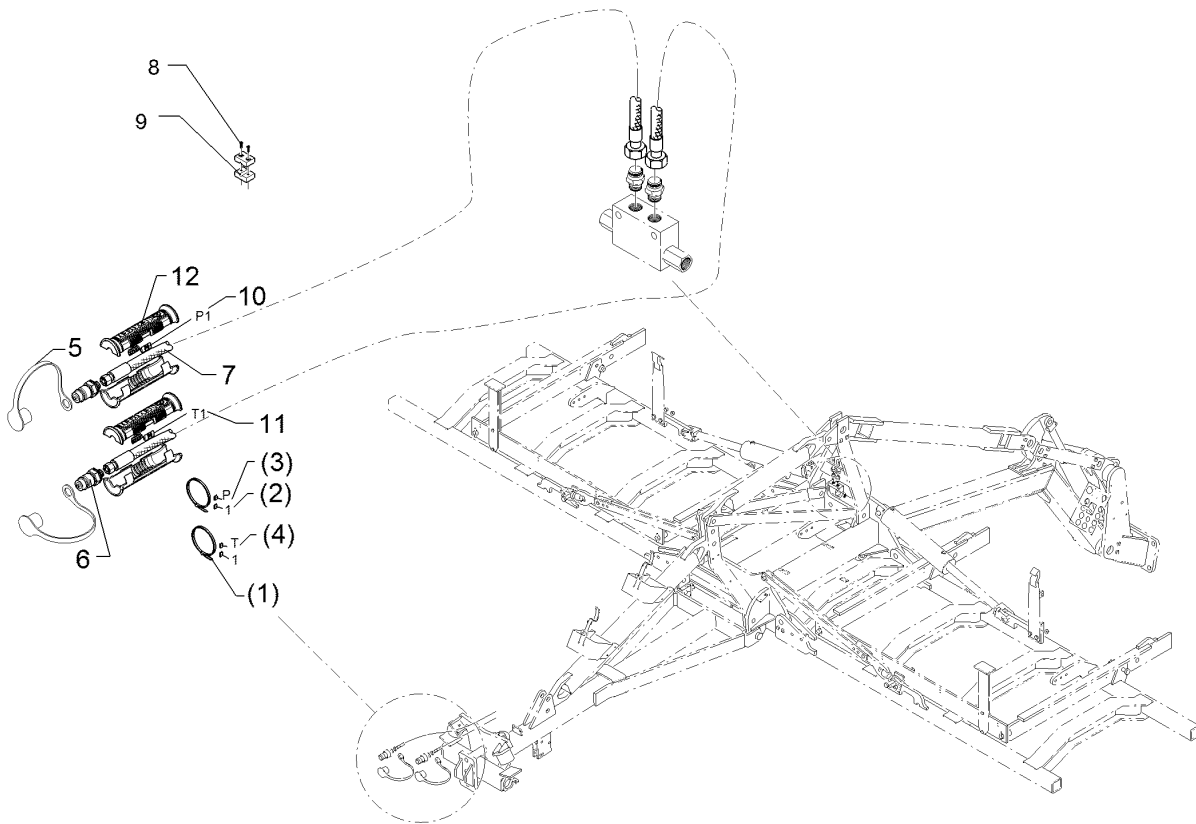
01.18

| Pos. | Art.Nr. | Stck. | Artikeltext / Description | | Abmessung |
|------|----------|-------|------------------------------|-------------------------|---|
| 21 | 375 4550 | 3 | Einstellbare L-Verschraubung | Adjustable L-union | EL12-L M18x1,5 |
| 23 | 375 5081 | 1 | Dichtkantenring | Seal ring | 18,2x25,1x5 |
| 26 | 575 2050 | 1 | Druckbegrenzungsventil | Pressure limiting valve | 5-80 bar M18x1,5 30l/min |
| 27 | 575 2192 | 1 | Druckspeicher | Pressure accumulator | Typ 1,40l 140-050bar G1/2ZL |
| 28 | 575 2269 | 1 | Hydraulikzylinder | Hydraulic ram | DZ100/45x0320-0580 |
| 29 | 475 2598 | 2 | Hydraulikschlauch | Hydraulic hose | D30 D30 2SN10-600 DKOL12/DKOL12 0/0° |
| 34 | 375 4043 | 2 | Einschraubverschraubung | Nipple | evGE 12-LM M18x1,5 |
| 35 | 575 2165 | 1 | Rückschlagventil | Nonreturn valve | RPI 06/05-G |
| 36 | 301 5004 | 2 | Sechskantschraube | Hexagon bolt | M10x30-8.8 Zn DIN933 |
| 37 | 301 7782 | 1 | Bügelverschraubung | U-bolt | M10x62x60 Zn |
| 38 | 303 0933 | 6 | Sicherungsmutter | Selflocking nut | NM10-8 DIN985 Zn |
| 39 | 325 1502 | 2 | EASY-READ Zeichen | EASY-READ sign | "2" |
| 40 | 325 1511 | 1 | EASY-READ Zeichen | EASY-READ sign | "P" |
| 41 | 325 1512 | 1 | EASY-READ Zeichen | EASY-READ sign | "T" |
| 42 | 375 2120 | 2 | Staubkappe, grün | Cap | D26,5 Bg.3 |
| 43 | 375 2718 | 2 | SVK-Stecker | Hydraulic coupling | BG-3 12L M18x1,5 |
| 44 | 475 2596 | 1 | Hydraulikschlauch | Hydraulic hose | 2SC10-0900 DKO L12/L12 00/00° |



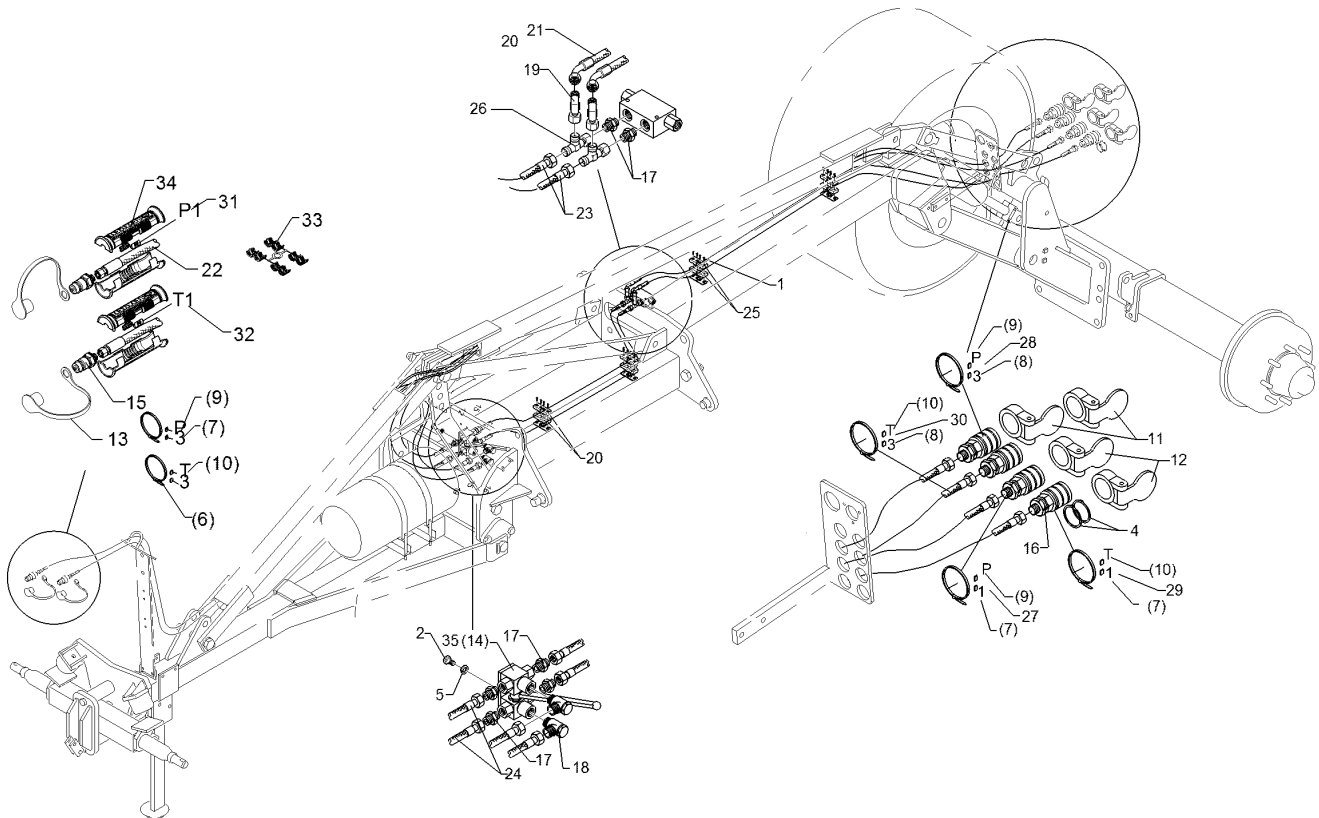
01.18

| Pos. | Art.Nr. | Stck. | Artikeltext / Description | | Abmessung |
|------|----------|-------|---------------------------|----------------|-------------------------------------|
| 45 | 47510027 | 2 | Hydraulikschlauch | Hydraulic hose | 2SC08-8600 DKOL12/DKOL12 0/0° |
| 46 | 301 3226 | 2 | Sechskantschraube | Hexagon bolt | M10x30-10.9 Zn DIN933 |
| 47 | 475 4361 | 1 | Schlauchhalter | Hose carrier | 80x8x700 4xD12 |
| 50 | 325 1190 | 4 | Schlauchklemme | Hose clamp | 160-180 V2A |
| 51 | 377 4401 | 2 | Kunststoffrohr | Synthetic tube | D90x4,1x800 |
| 52 | 377 4402 | 2 | Kunststoffrohr | Synthetic tube | D90x4,1x1400 |
| 53 | 377 4403 | 2 | Kunststoffrohr | Synthetic tube | D90x4,1x1600 |
| 54 | 325 1192 | 2 | Schlauchklemme | Hose clamp | 190-210 V2A |
| 55 | 325 1602 | 2 | Kennzeichnung | Marking | P2 |
| 56 | 325 1609 | 2 | Kennzeichnung | Marking | T2 |
| 57 | 375 2606 | 2 | Einleger | Insert | DN6 DN8 |
| 58 | 375 2607 | 4 | Griff Halbschale | Handle | - |



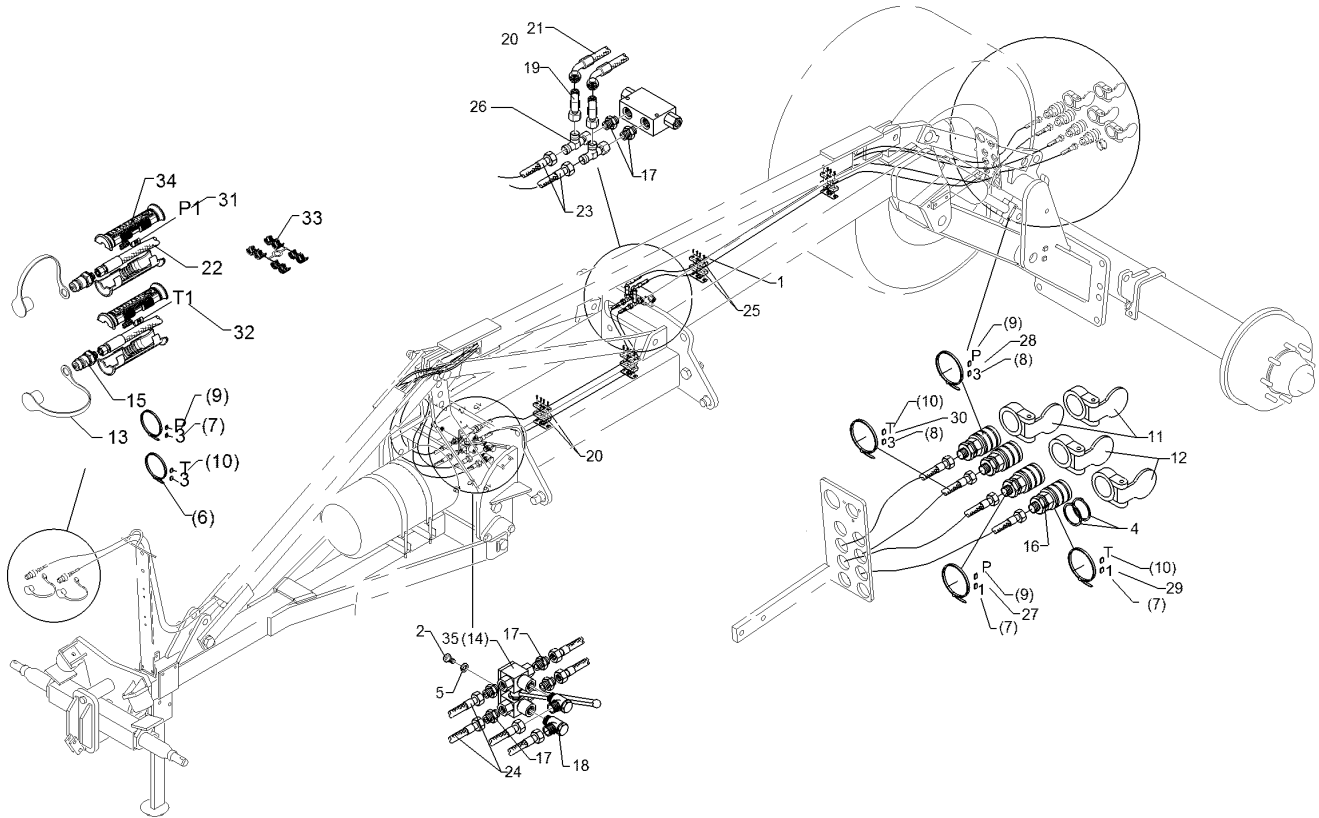
01.18

| Pos. | Art.Nr. | Stck. | Artikeltext / Description | | Abmessung |
|------|----------|-------|---------------------------|--------------------|--|
| 1 | 325 1350 | 2 | Spannband | Strap | 6,3x254 VA |
| 2 | 325 1501 | 2 | EASY-READ Zeichen | EASY-READ sign | "1" |
| 3 | 325 1511 | 1 | EASY-READ Zeichen | EASY-READ sign | "P" |
| 4 | 325 1512 | 1 | EASY-READ Zeichen | EASY-READ sign | "T" |
| 5 | 375 2166 | 2 | Staubkappe, rot | Cap, red | D26,5 |
| 6 | 375 2718 | 2 | SVK-Stecker | Hydraulic coupling | BG-3 12L M18x1,5 |
| 7 | 47510032 | 2 | Hydraulikschlauch | Hydraulic hose | 2SN10-5700 |
| 8 | 301 0302 | 8 | Linsenschraube | Oval head screw | DKOL12/DKOL12 M6x25-4,6 Zn DIN7985 |
| 9 | 375 9962 | 8 | Schellenkörper | Clamp | 1/2x218 PP |
| 10 | 325 1601 | 2 | Kennzeichnung | Marking | P1 20x9 |
| 11 | 325 1608 | 2 | Kennzeichnung | Marking | T1 20x9 |
| 12 | 375 2607 | 4 | Griff Halbschale | Handle | - |



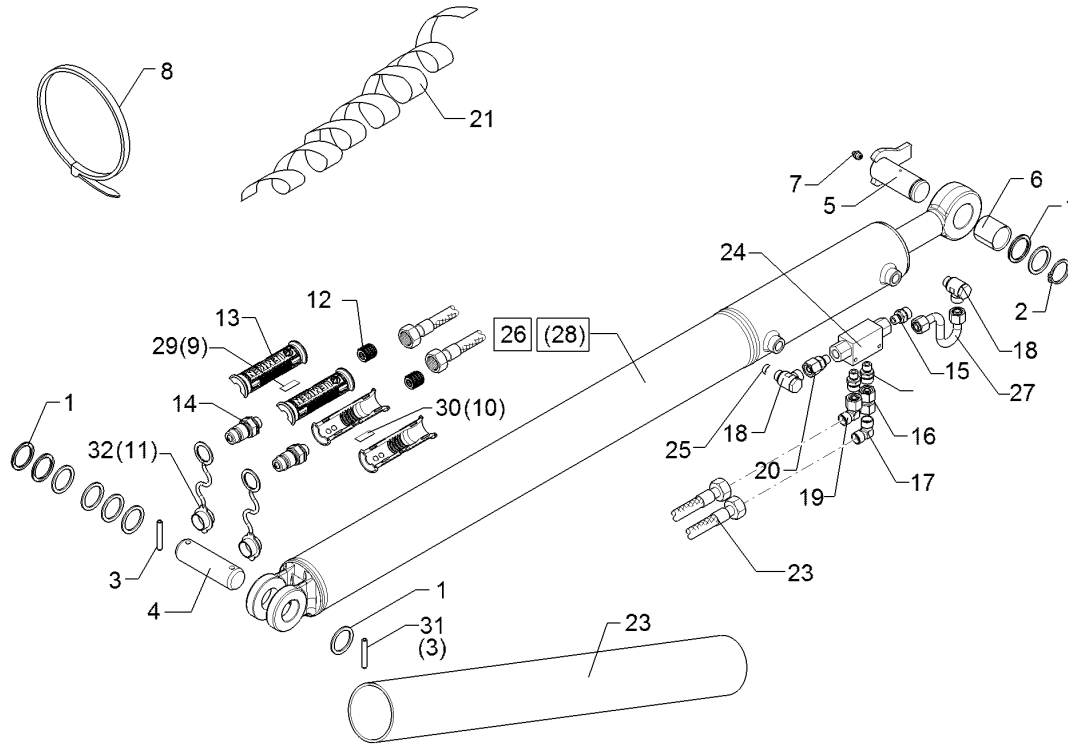
01.18

| Pos. | Art.Nr. | Stck. | Artikeltext / Description | | Abmessung |
|------|----------|-------|---------------------------|----------------------|-----------------------------|
| 1 | 301 0302 | 8 | Linsenschraube | Oval head screw | M6x25-4,6 Zn DIN7985 |
| 2 | 301 3068 | 1 | Sechskantschraube | Hexagon bolt | M8x35-8.8 Zn |
| 3 | 305 8871 | 8 | Sicherungsring | Retaining ring | DIN933 38x1,75 DIN471 Zn |
| 4 | 305 6124 | 1 | Scheibe | Washer | 8,4/25x2 DIN9021-St Zn |
| 6 | 325 1350 | 4 | Spannband | Strap | 6,3x254 VA |
| 7 | 325 1501 | 2 | EASY-READ Zeichen | EASY-READ sign | "1" |
| 8 | 325 1503 | 2 | EASY-READ Zeichen | EASY-READ sign | "3" |
| 9 | 325 1511 | 2 | EASY-READ Zeichen | EASY-READ sign | "P" |
| 10 | 325 1512 | 2 | EASY-READ Zeichen | EASY-READ sign | "T" |
| 11 | 375 2101 | 2 | Staubschutzklappe blau | Dust protection flap | BG 3 D38 |
| 12 | 375 2105 | 2 | Staubschutzklappe rot | Dust protection flap | BG 3 D38 |
| 13 | 375 2166 | 2 | Staubkappe, rot | Cap, red | D26,5 |
| 14 | 37510106 | 1 | Wegeventil | Directional valve | 6/2-L M16x1,5 M8 Zn |
| 15 | 375 2718 | 2 | SVK-Stecker | Hydraulic coupling | BG-3 12L M18x1,5 |
| 16 | 375 2735 | 4 | SVK-Muffe | SVK-socket | CEL12 M18x1,5 BG3 |
| 17 | 375 4010 | 4 | Einschraubverschraubung | Nipple | x-GE12-LM M16x1,5 Zn |
| 18 | 375 4310 | 2 | Schwenkverschraubung | Union, swivel | x-SWVE12-LM M16x1,5 |
| 20 | 375 9961 | 8 | Schellenkörper | Clamp | 1/2x215 PP |
| 21 | 475 2417 | 2 | Hydraulikschlauch | Hydraulic hose | 1SN08-3500 DKOL12/DKOL12 |



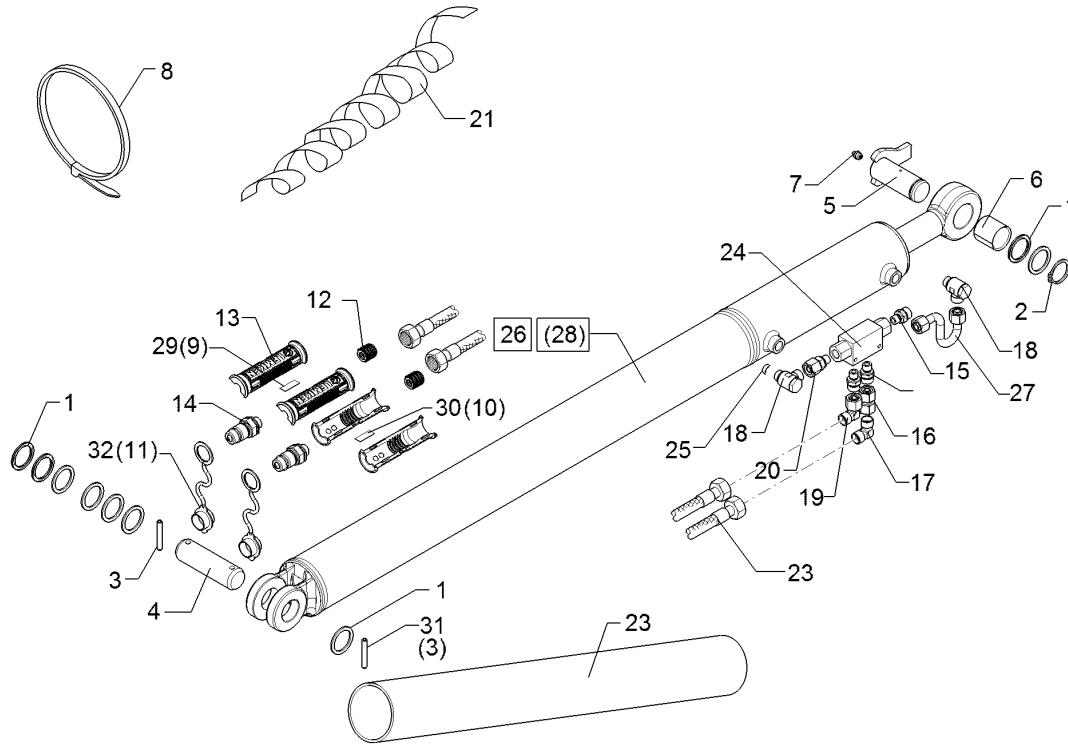
01.18

| Pos. | Art.Nr. | Stck. | Artikeltext / Description | | Abmessung |
|------|----------|-------|---------------------------|--------------------|------------------------------------|
| 22 | 475 2501 | 2 | Hydraulikschlauch | Hydraulic hose | 1SN8-5000 DKOL12/DKOL12 0/0° |
| 23 | 475 2610 | 2 | Hochdruckschlauch | High-pressure hose | 2SN08-1250 M18x1,5-R45 GRD |
| 24 | 475 2626 | 2 | Hydraulikschlauch | Hydraulic hose | 2SN10-4600 M18x,5 |
| 27 | 325 1521 | 1 | Kennzeichnung | Marking | P1 29x8 |
| 28 | 325 1523 | 1 | Kennzeichnung | Marking | P3 29X8 |
| 29 | 325 1528 | 1 | Kennzeichnung | Marking | T1 29x8 |
| 30 | 325 1530 | 1 | Kennzeichnung | Marking | T3 29X8 |
| 31 | 325 1601 | 2 | Kennzeichnung | Marking | P1 20x9 |
| 32 | 325 1608 | 2 | Kennzeichnung | Marking | T1 20x9 |
| 33 | 375 2606 | 2 | Einleger | Insert | DN6 DN8 |
| 34 | 375 2607 | 4 | Griff Halbschale | Handle | - |



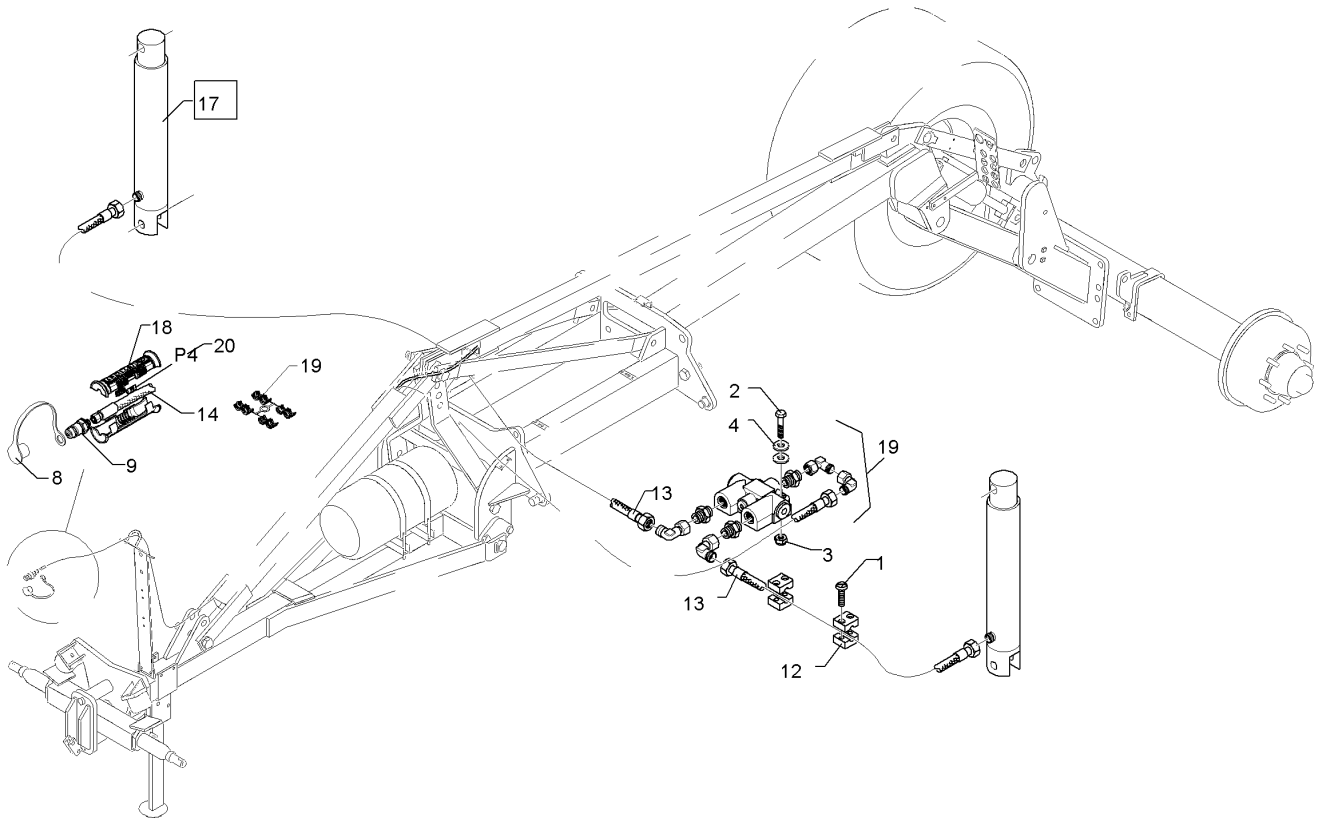
01.18

| Pos. | Art.Nr. | Stck. | Artikeltext / Description | Abmessung | |
|------|----------|-------|------------------------------|------------------------|---------------------------------|
| 1 | 305 2247 | 9 | Stützscheibe | Supporting washer | S 35x45x2,5 DIN988 Zn |
| 2 | 305 8873 | 1 | Sicherungsring | Retaining ring | 35x2,5 DIN471 |
| 3 | 309 6073 | 2 | Spannhülse | Expansion bush | 8x50-DIN1481 |
| 4 | 313 3512 | 1 | Bolzen | Pin | D35x117 2xD8-93 Zn |
| 5 | 313 8120 | 1 | Bolzen mit Verdrehsicherung | Pin with stop | D35x77/95 Zn |
| 6 | 317 3368 | 1 | Einspannbuchse | Expansion bush | EG35/40x40-DIN1498 |
| 7 | 323 6348 | 1 | Schmiernippel | Grease nipple | AM10x1 DIN71412 |
| 8 | 325 1185 | 2 | Schlauchklemme | Hose clamp | 110-130 Zn Norma |
| 9 | 325 1605 | 2 | Kennzeichnung | Marking | P5 |
| 10 | 325 1612 | 2 | Kennzeichnung | Marking | T5 |
| 11 | 375 2122 | 2 | Staubkappe, schwarz | Cap, black | D26,5 Bg.3 |
| 12 | 375 2606 | 2 | Einleger | Insert | DN6 DN8 |
| 13 | 375 2607 | 4 | Griff Halbschale | Handle | - |
| 14 | 375 2718 | 2 | SVK-Stecker | Hydraulic coupling | BG-3 12L M18x1,5 |
| 15 | 375 4038 | 3 | Einschraubverschraubung | Nipple | GE 12-LR 1/4 ZL ED |
| 16 | 375 4132 | 1 | Verbindung gerade | Connection | DKOL12/DKOL12 M18x1,5 |
| 17 | 375 4210 | 1 | Winkelverschraubung | Elbow union | x-W12-L M18x1,5 |
| 18 | 375 4310 | 2 | Schwenkverschraubung | Union, swivel | x-SWVE12-LM M16x1,5 |
| 19 | 375 4500 | 1 | Einstellbare W-Verschraubung | Adjustable angle union | EW12-LM DKO24 GRD M18x1,5 |
| 20 | 375 4711 | 1 | Stutzen | Stud | x-evGE-12-ED 1/4" DKO 24 GRD |



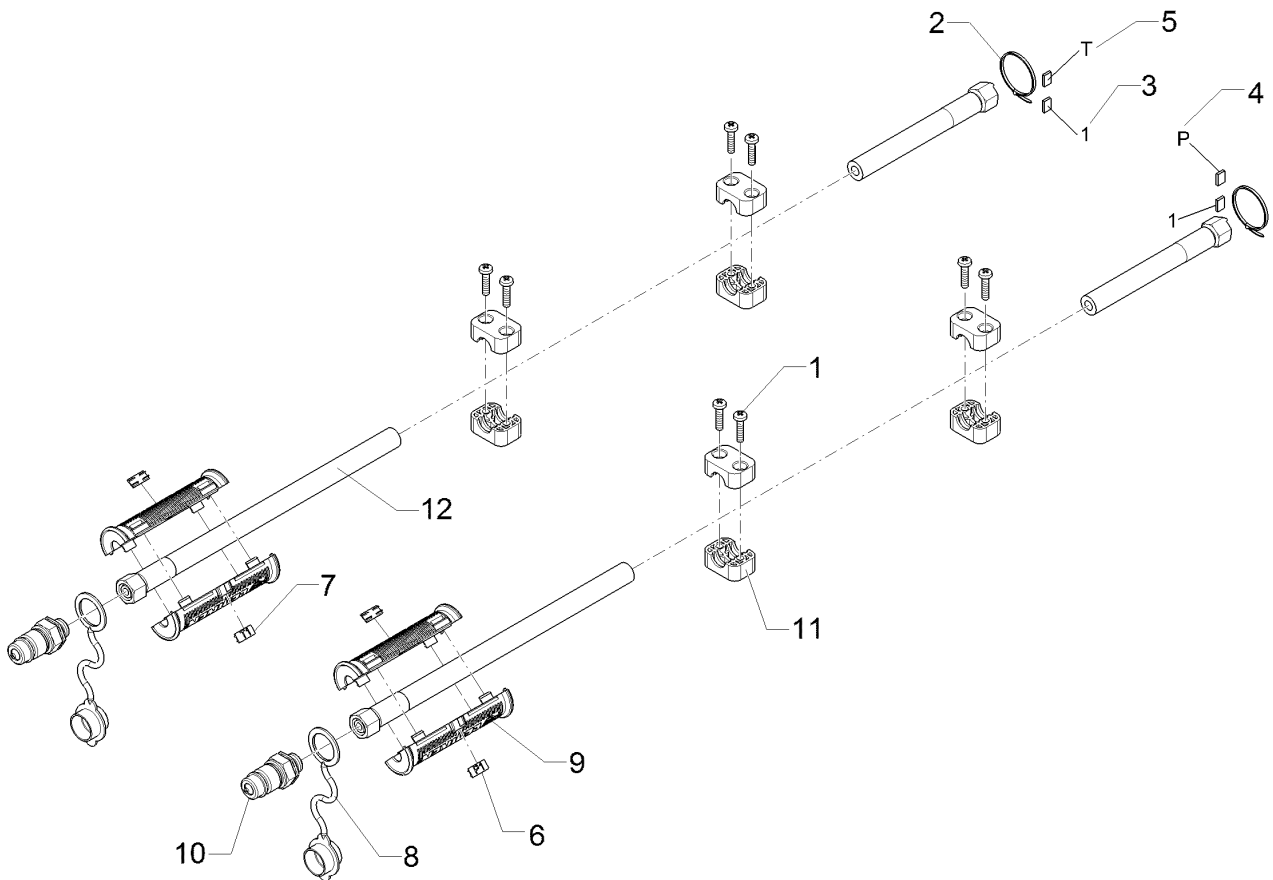
01.18

| Pos. | Art.Nr. | Stck. | Artikeltext / Description | | Abmessung |
|------|----------|-------|---------------------------|--------------------------|--|
| 21 | 377 4301 | 2 | Spiralschlauch | Spiral hose | SPF50 PP schwarz |
| 22 | 377 4401 | 1 | Kunststoffrohr | Synthetic tube | D90x4,1x800 |
| 23 | 475 2624 | 2 | Hydraulikschlauch | Hydraulic hose | 2SN10-4100 DKOL12 00°/00° RDP 06 1/4 |
| 24 | 575 2161 | 1 | Rückschlagventil | Nonreturn valve | D14,3/1,5 |
| 25 | 575 2176 | 1 | Drosselrückschlagventil | Throttle nonreturn valve | DZ90/45x200-1348 |
| 26 | 57510292 | 1 | Hydraulikzylinder | Hydraulic ram | 12x2x185 2xGEB180/90GRD |
| 27 | 57510267 | 1 | Hydraulikrohr | Hydraulic tube | DZ100/40x200-1348 |
| 28 | 57510423 | 1 | Hydraulikzylinder | Hydraulic ram | P16 UC-EM 20X9 |
| 29 | 32510040 | 2 | Kennzeichnung | Marking | T16 UC-EM 20X9 |
| 30 | 32510041 | 2 | Kennzeichnung | Marking | 8x50-DIN1481 Zn |
| 31 | 309 7000 | 2 | Spannhülse | Expansion bush | D26,5 Bg.3 |
| 32 | 375 2120 | 2 | Staubkappe, grün | Cap | |



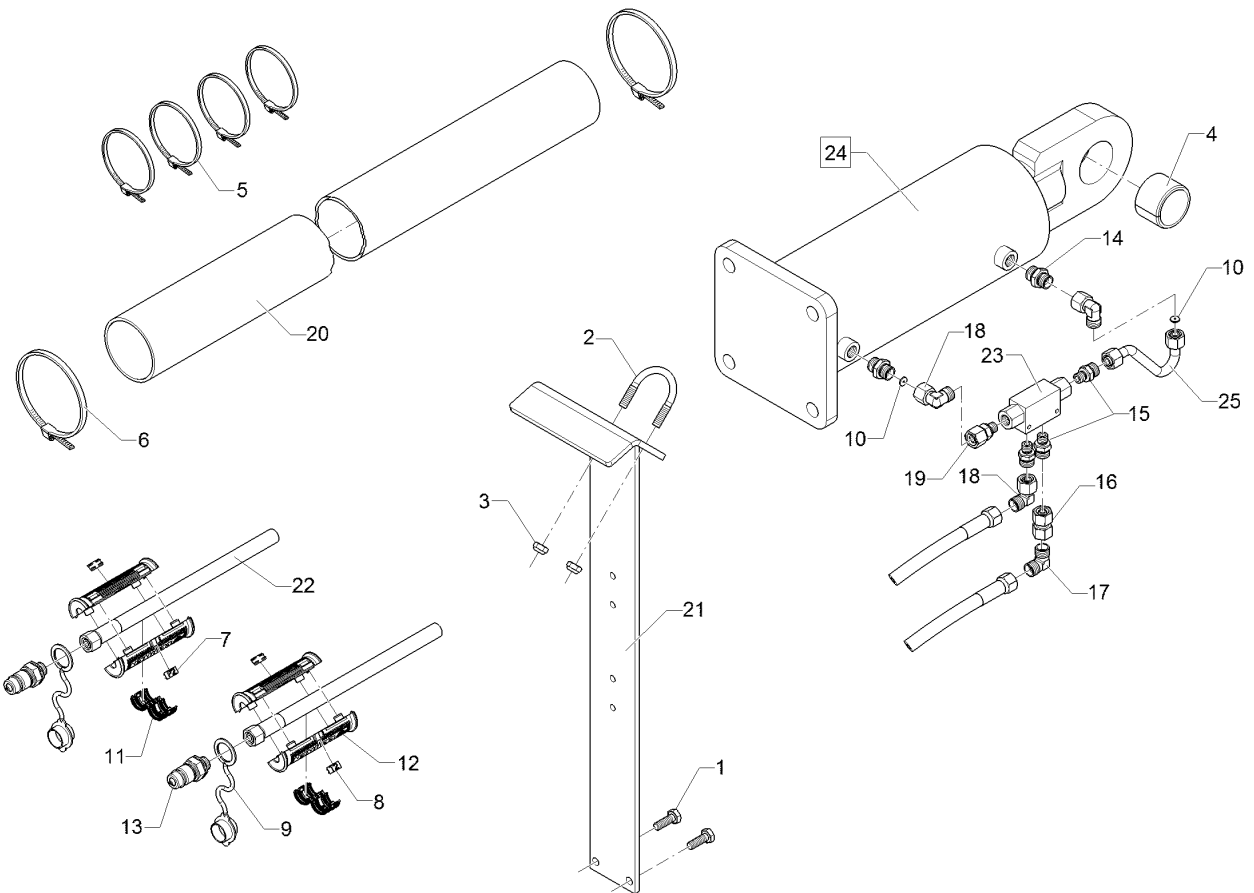
01.18

| Pos. | Art.Nr. | Stck. | Artikeltext / Description | | Abmessung |
|------|----------|-------|-------------------------------|--------------------------|-------------------------------------|
| 1 | 301 0306 | 16 | Linsenschraube | Oval head screw | M6x45-4,6 Zn DIN7985 |
| 2 | 301 3081 | 2 | Sechskantschraube | Hexagon bolt | M8x60-8.8 Zn DIN931-A |
| 3 | 303 0932 | 2 | Sicherungsmutter | Selflocking nut | NM8-8 Zn DIN985 |
| 4 | 305 8694 | 4 | Scheibe | Washer | A8,4 DIN125-St Zn |
| 8 | 375 2122 | 1 | Staubkappe, schwarz | Cap, black | D26,5 Bg.3 |
| 9 | 375 2718 | 1 | SVK-Stecker | Hydraulic coupling | BG-3 12L M18x1,5 |
| 10 | 375 4020 | 1 | Einschraubverschraubung | Nipple | x-GE12-LM M18x1,5 Zn |
| 11 | 375 4500 | 4 | Einstellbare W-Verschraubung | Adjustable angle union | EW12-LM DKO24 GRD M18x1,5 |
| 12 | 375 9960 | 16 | Schellenkörper | Clamp | 1/2x112A PP |
| 13 | 475 3050 | 2 | Hydraulikschlauch | Hydraulic hose | MTH06-2500 DKOL12/DKOL12 0/0° |
| 14 | 47510029 | 1 | Hydraulikschlauch | Hydraulic hose | 2SN8-4900 DKOL12/DKOL12 0/0° |
| 15 | 575 2141 | 1 | Ventil m.Drossel Spuranreißer | Valve | M18x1,5 |
| 16 | 575 2186 | 2 | Drosselrückschlagventil | Throttle nonreturn valve | 7Liter SW24 M18x1,5 |
| 17 | 575 2312 | 2 | Plunger-Zylinder | Plunger-ram | 40-210-378 2xD20,25 |
| 18 | 375 2607 | 2 | Griff Halbschale | Handle | - |
| 19 | 375 2606 | 1 | Einleger | Insert | DN6 DN8 |
| 20 | 325 1604 | 2 | Kennzeichnung | Marking | P4 |



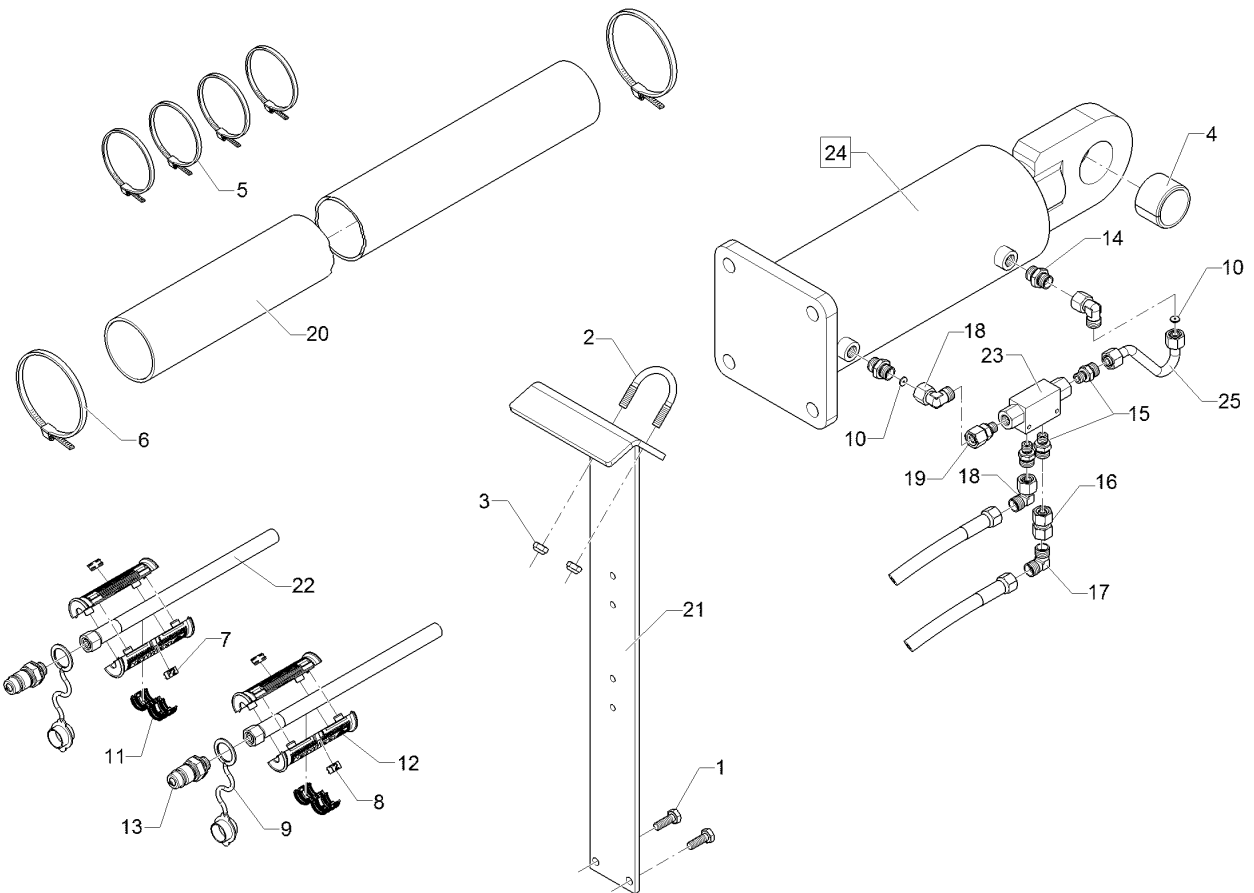
01.18

| Pos. | Art.Nr. | Stck. | Artikeltext / Description | | Abmessung |
|------|----------|-------|---------------------------|--------------------|-----------------------------------|
| 1 | 301 0302 | 8 | Linsenschraube | Oval head screw | M6x25-4,6 Zn DIN7985 |
| 2 | 325 1350 | 2 | Spannband | Strap | 6,3x254 VA |
| 3 | 325 1501 | 2 | EASY-READ Zeichen | EASY-READ sign | "1" |
| 4 | 325 1511 | 1 | EASY-READ Zeichen | EASY-READ sign | "P" |
| 5 | 325 1512 | 1 | EASY-READ Zeichen | EASY-READ sign | "T" |
| 6 | 325 1601 | 2 | Kennzeichnung | Marking | P1 20x9 |
| 7 | 325 1608 | 2 | Kennzeichnung | Marking | T1 20x9 |
| 8 | 375 2166 | 2 | Staubkappe, rot | Cap, red | D26,5 |
| 9 | 375 2607 | 4 | Griff Halbschale | Handle | - |
| 10 | 375 2718 | 2 | SVK-Stecker | Hydraulic coupling | BG-3 12L M18x1,5 |
| 11 | 375 9962 | 8 | Schellenkörper | Clamp | 1/2x218 PP |
| 12 | 475 2423 | 2 | Hydraulikschlauch | Hydraulic hose | 2SC10-6100 DKO L12/L12 00°/00° |



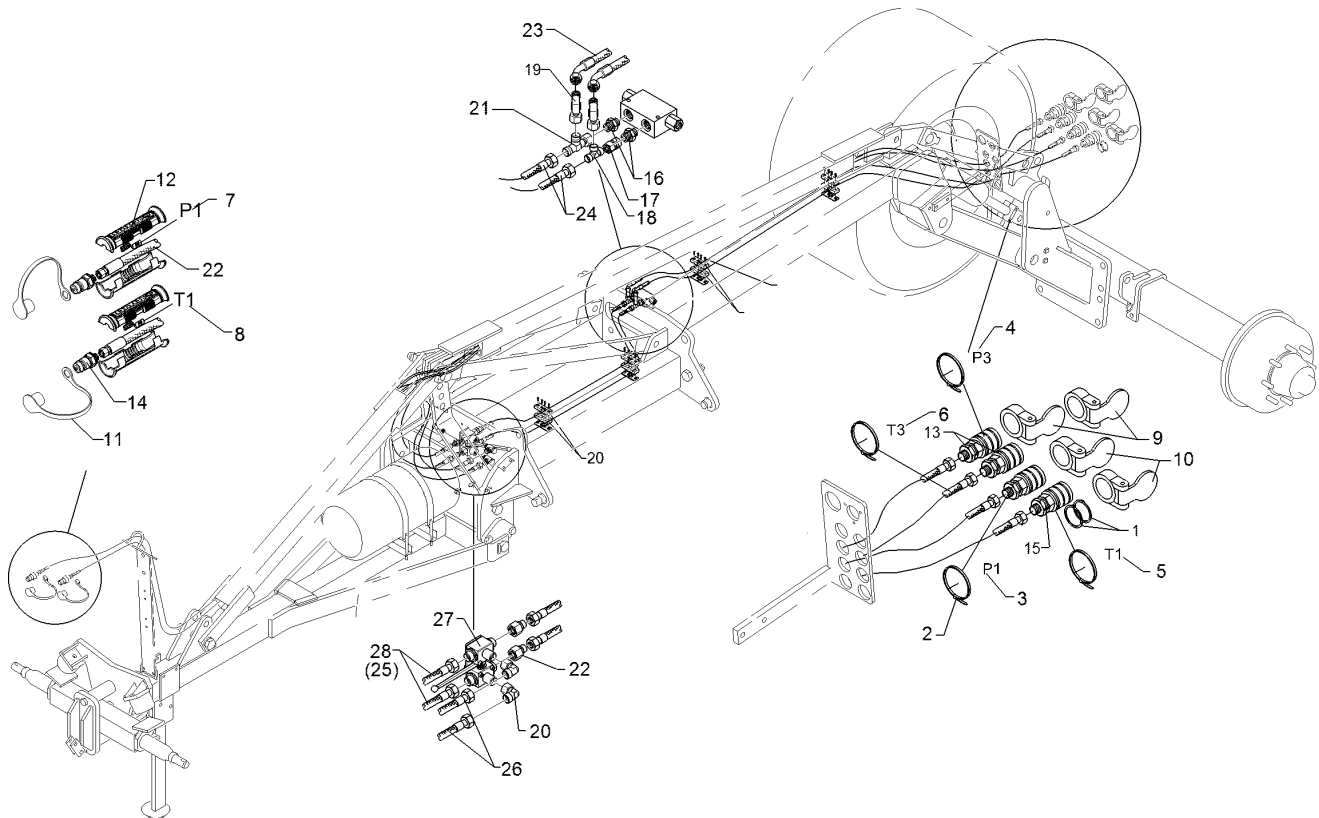
01.18

| Pos. | Art.Nr. | Stck. | Artikeltext / Description | | Abmessung |
|------|----------|-------|------------------------------|------------------------|---------------------------------|
| 1 | 301 3226 | 2 | Sechskantschraube | Hexagon bolt | M10x30-10.9 Zn DIN933 |
| 2 | 301 7782 | 1 | Bügelsschraube | U-bolt | M10x62x60 Zn |
| 3 | 303 0933 | 2 | Sicherungsmutter | Selflocking nut | NM10-8 DIN985 Zn |
| 4 | 317 3434 | 1 | Einspannbuchse | Expansion bush | EG50/60x40-DIN1498 |
| 5 | 325 1185 | 4 | Schlauchklemme | Hose clamp | 110-130 Zn Norma |
| 6 | 325 1190 | 2 | Schlauchklemme | Hose clamp | 160-180 V2A |
| 7 | 325 1602 | 2 | Kennzeichnung | Marking | P2 |
| 8 | 325 1609 | 2 | Kennzeichnung | Marking | T2 |
| 9 | 375 2120 | 2 | Staubkappe, grün | Cap | D26,5 Bg.3 |
| 10 | 375 2176 | 2 | Drosselscheibe | Restrictor washer | D12x1,5 BO 2,5 |
| 11 | 375 2606 | 2 | Einleger | Insert | DN6 DN8 |
| 12 | 375 2607 | 4 | Griff Halbschale | Handle | - |
| 13 | 375 2718 | 2 | SVK-Stecker | Hydraulic coupling | BG-3 12L M18x1,5 |
| 14 | 375 4020 | 2 | Einschraubverschraubung | Nipple | x-GE12-LM M18x1,5 Zn |
| 15 | 375 4038 | 3 | Einschraubverschraubung | Nipple | GE 12-LR 1/4 ZL ED |
| 16 | 375 4132 | 1 | Verbindung gerade | Connection | DKOL12/DKOL12 M18x1,5 |
| 17 | 375 4210 | 1 | Winkelverschraubung | Elbow union | x-W12-L M18x1,5 |
| 18 | 375 4500 | 3 | Einstellbare W-Verschraubung | Adjustable angle union | EW12-LM DKO24 GRD M18x1,5 |
| 19 | 375 4711 | 1 | Stutzen | Stud | x-evGE-12-ED 1/4" DKO 24 GRD |
| 20 | 377 4402 | 1 | Kunststoffrohr | Synthetic tube | D90x4,1x1400 |



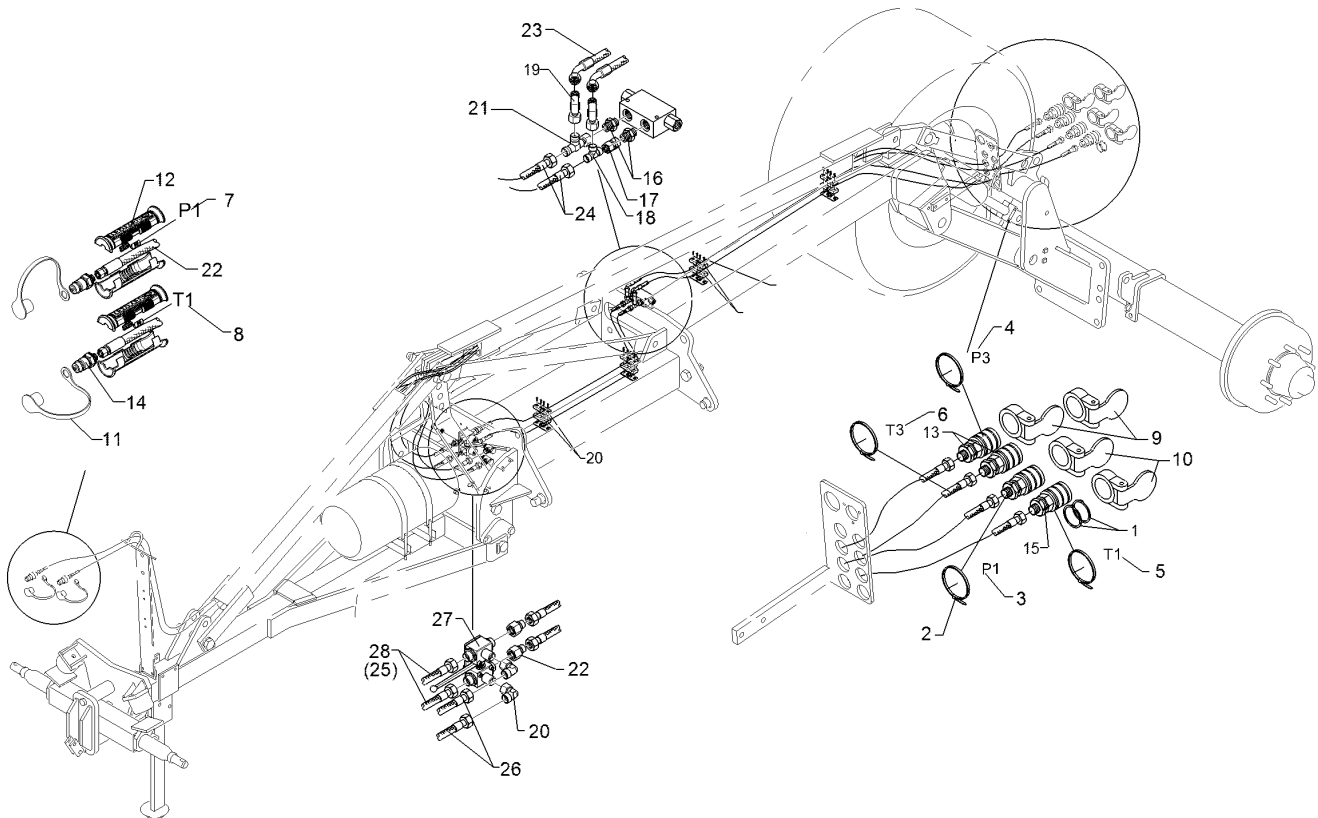
01.18

| Pos. | Art.Nr. | Stck. | Artikeltext / Description | | Abmessung |
|------|----------|-------|---------------------------|-----------------|--|
| 21 | 475 4361 | 1 | Schlauchhalter | Hose carrier | 80x8x700 4xD12 |
| 22 | 47510118 | 2 | Hydraulikschlauch | Hydraulic hose | 2SC08-7800 DKOL12 00°/00° |
| 23 | 575 2161 | 1 | Rückschlagventil | Nonreturn valve | RDP 06 1/4 |
| 24 | 575 2318 | 1 | Hydraulikzylinder | Hydraulic ram | DZ140/70x0200-0565 |
| 25 | 57510127 | 1 | Hydraulikrohr | Hydraulic tube | D60 FLA 12x2x185 2xGEB140/50° 1xDR |



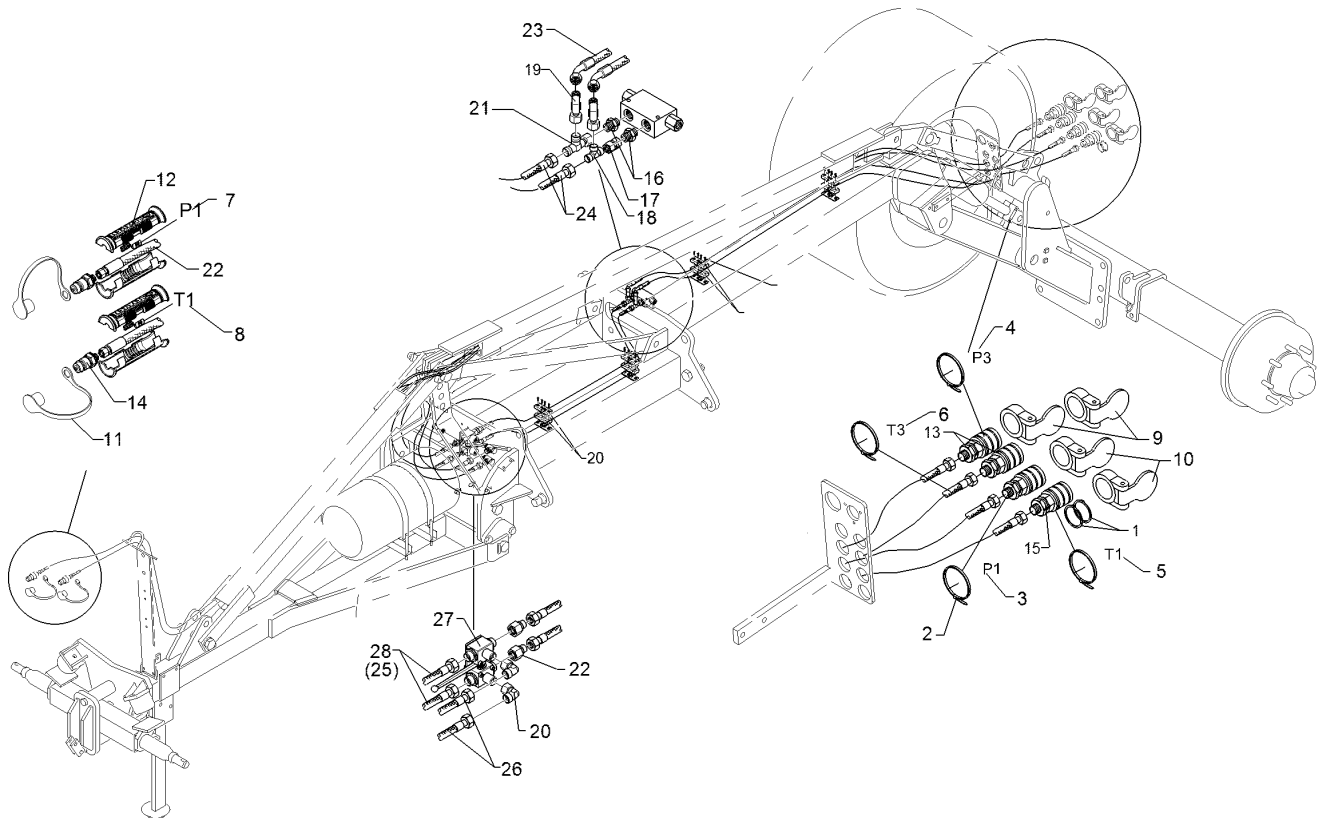
01.18

| Pos. | Art.Nr. | Stck. | Artikeltext / Description | | Abmessung |
|------|----------|-------|------------------------------|------------------------|---|
| 1 | 305 8871 | 8 | Sicherungsring | Retaining ring | 38x1,75 DIN471 Zn |
| 2 | 325 1331 | 4 | Kabelbinder | Cable clip | 4,7x186 |
| 3 | 325 1521 | 1 | Kennzeichnung | Marking | P1 29x8 |
| 4 | 325 1523 | 1 | Kennzeichnung | Marking | P3 29x8 |
| 5 | 325 1528 | 1 | Kennzeichnung | Marking | T1 29x8 |
| 6 | 325 1530 | 1 | Kennzeichnung | Marking | T3 29x8 |
| 7 | 325 1601 | 2 | Kennzeichnung | Marking | P1 20x9 |
| 8 | 325 1608 | 2 | Kennzeichnung | Marking | T1 20x9 |
| 9 | 375 2101 | 2 | Staubschutzklappe blau | Dust protection flap | BG 3 D38 |
| 10 | 375 2105 | 2 | Staubschutzklappe rot | Dust protection flap | BG 3 D38 |
| 11 | 375 2166 | 2 | Staubkappe, rot | Cap, red | D26,5 |
| 12 | 375 2607 | 4 | Griff Halbschale | Handle | - |
| 13 | 375 2735 | 2 | SVK-Muffe | SVK-socket | CEL12 M18x1,5 BG3 |
| 14 | 375 2736 | 2 | SVK-Stecker | Hydraulic coupling | BG-3 15L CEL M22x1,5 SW-27 |
| 15 | 375 2737 | 2 | SVK-Muffe | SVK-socket | BG-3 CEL15 M22x1,5 |
| 16 | 375 4038 | 2 | Einschraubverschraubung | Nipple | GE 12-LR 1/4 ZL ED |
| 17 | 375 4132 | 1 | Verbindung gerade | Connection | DKOL12/DKOL12 M18x1,5 |
| 18 | 375 4480 | 1 | T-Verschraubung | T-union | x-T12-L M18x1,5 Zn |
| 19 | 375 4500 | 2 | Einstellbare W-Verschraubung | Adjustable angle union | EW12-LM DKO24 |
| 20 | 375 4503 | 2 | Einstellbare W-Verschraubung | Adjustable angle union | GRD M18x1,5 EW15-L-DKO24 GRD O-Ring |



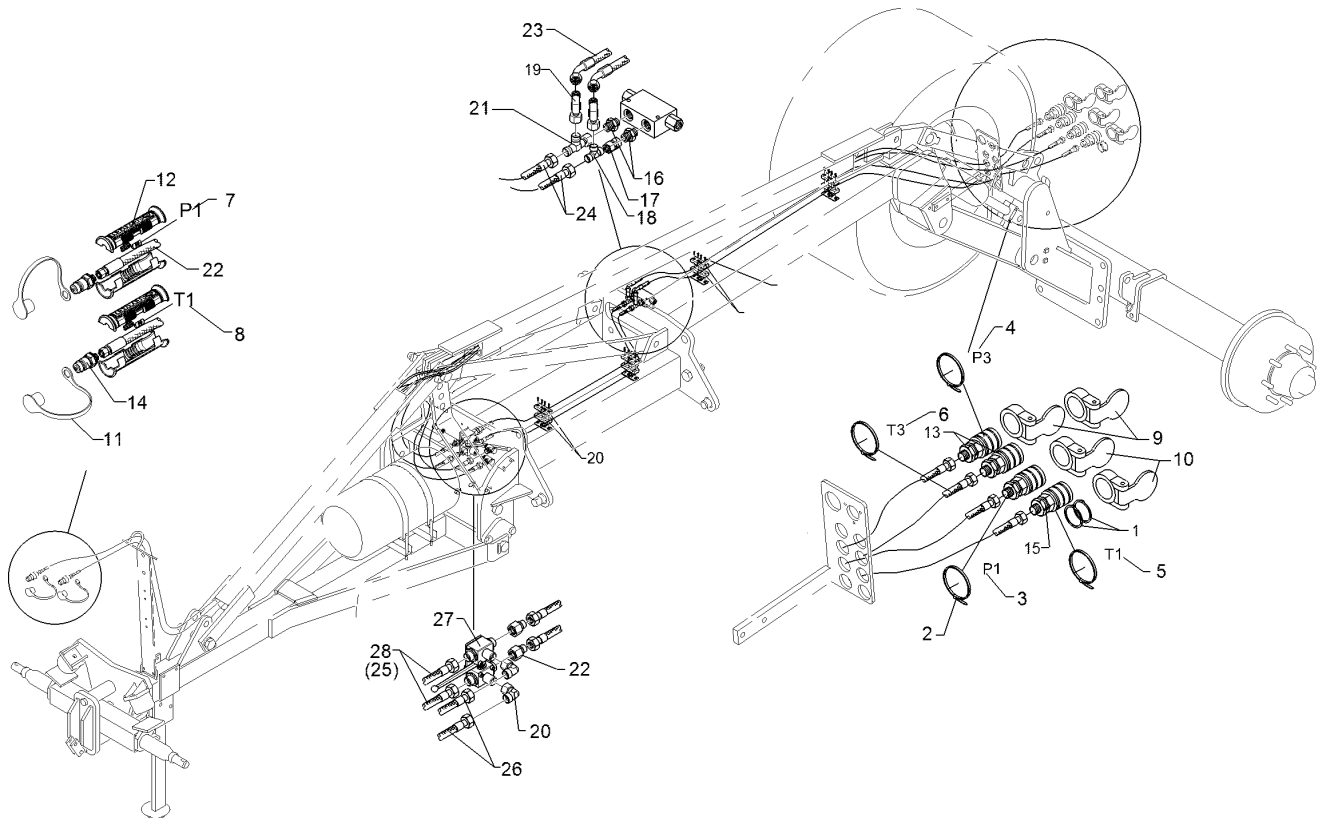
01.18

| Pos. | Art.Nr. | Stck. | Artikeltext / Description | | Abmessung |
|------|----------|-------|------------------------------|--------------------|---|
| 21 | 375 4550 | 1 | Einstellbare L-Verschraubung | Adjustable L-union | EL12-L M18x1,5 |
| 22 | 375 4653 | 2 | Konus-Reduzieranschluss | Reduction joint | x-KOR15/12-L DKO24 GRD |
| 23 | 475 2594 | 2 | Hydraulikschlauch | Hydraulic hose | 2SN10-3400 |
| 24 | 475 2610 | 2 | Hochdruckschlauch | High-pressure hose | DKOL12 00/00GRD 2SN08-1250 |
| 25 | 475 3162 | 2 | Hydraulikschlauch | Hydraulic hose | M18x1,5-R45 GRD 2SN12-4300-DKOL15/DKOL15 |
| 26 | 475 3239 | 2 | Hydraulikschlauch | Hydraulic hose | 2SN12-4600 DKOL15/DKOL15 |
| 27 | 57511081 | 1 | Wegeventil | Directional valve | 0/0° 6/2 15L M22x1,5 Zn |
| 28 | 47511378 | 2 | Hydraulikschlauch | Hydraulic hose | 2SC12-4300 DKOL15/DKOL15 0/0° |



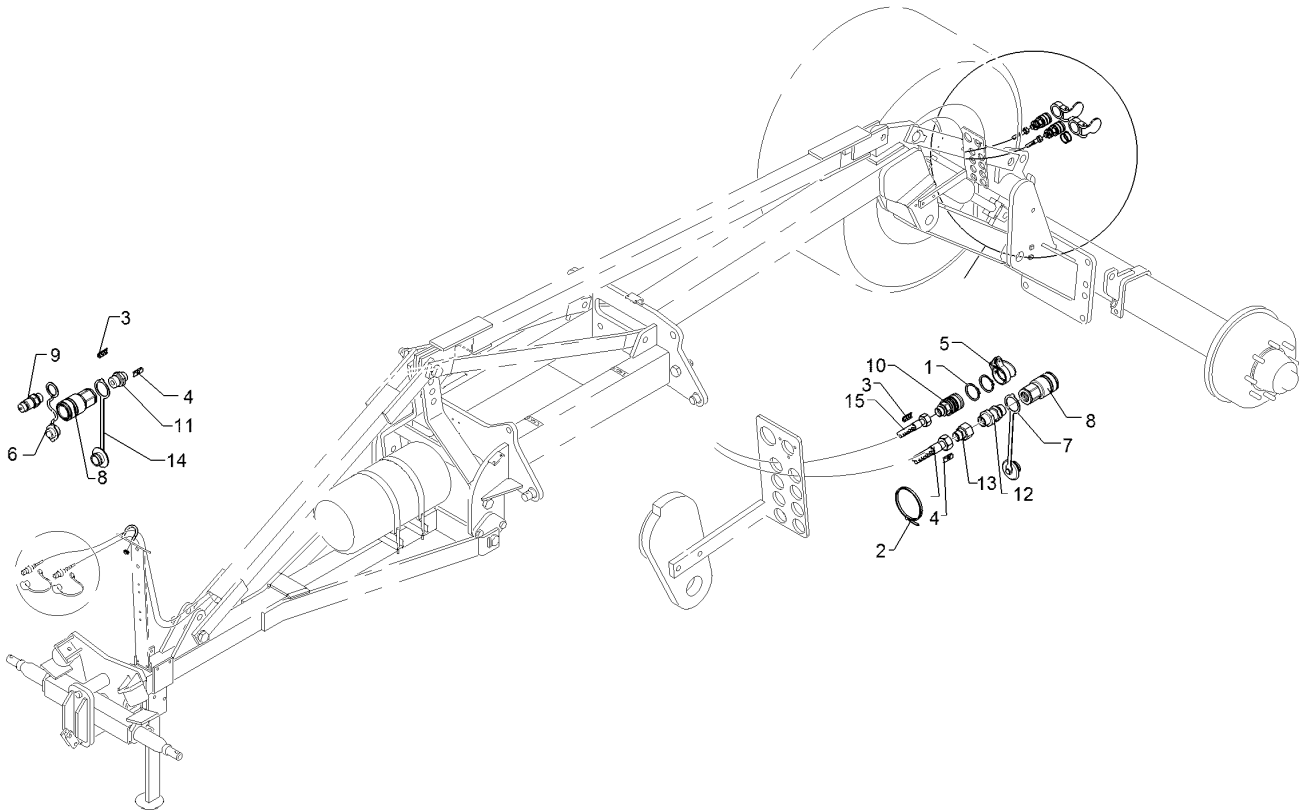
01.18

| Pos. | Art.Nr. | Stck. | Artikeltext / Description | Abmessung | |
|------|----------|-------|------------------------------|------------------------|---|
| 1 | 305 8871 | 8 | Sicherungsring | Retaining ring | 38x1,75 DIN471 Zn |
| 2 | 325 1331 | 4 | Kabelbinder | Cable clip | 4,7x186 |
| 3 | 325 1521 | 1 | Kennzeichnung | Marking | P1 29x8 |
| 4 | 325 1523 | 1 | Kennzeichnung | Marking | P3 29x8 |
| 5 | 325 1528 | 1 | Kennzeichnung | Marking | T1 29x8 |
| 6 | 325 1530 | 1 | Kennzeichnung | Marking | T3 29x8 |
| 7 | 325 1601 | 2 | Kennzeichnung | Marking | P1 20x9 |
| 8 | 325 1608 | 2 | Kennzeichnung | Marking | T1 20x9 |
| 9 | 375 2101 | 2 | Staubschutzklappe blau | Dust protection flap | BG 3 D38 |
| 10 | 375 2105 | 2 | Staubschutzklappe rot | Dust protection flap | BG 3 D38 |
| 11 | 375 2166 | 2 | Staubkappe, rot | Cap, red | D26,5 |
| 12 | 375 2607 | 4 | Griff Halbschale | Handle | - |
| 13 | 375 2735 | 2 | SVK-Muffe | SVK-socket | CEL12 M18x1,5 BG3 |
| 14 | 375 2736 | 2 | SVK-Stecker | Hydraulic coupling | BG-3 15L CEL M22x1,5 SW-27 |
| 15 | 375 2737 | 2 | SVK-Muffe | SVK-socket | BG-3 CEL15 M22x1,5 |
| 16 | 375 4038 | 2 | Einschraubverschraubung | Nipple | GE 12-LR 1/4 ZL ED |
| 17 | 375 4132 | 1 | Verbindung gerade | Connection | DKOL12/DKOL12 M18x1,5 |
| 18 | 375 4480 | 1 | T-Verschraubung | T-union | x-T12-L M18x1,5 Zn |
| 19 | 375 4500 | 2 | Einstellbare W-Verschraubung | Adjustable angle union | EW12-LM DKO24 |
| 20 | 375 4503 | 2 | Einstellbare W-Verschraubung | Adjustable angle union | GRD M18x1,5 EW15-L-DKO24 GRD O-Ring |



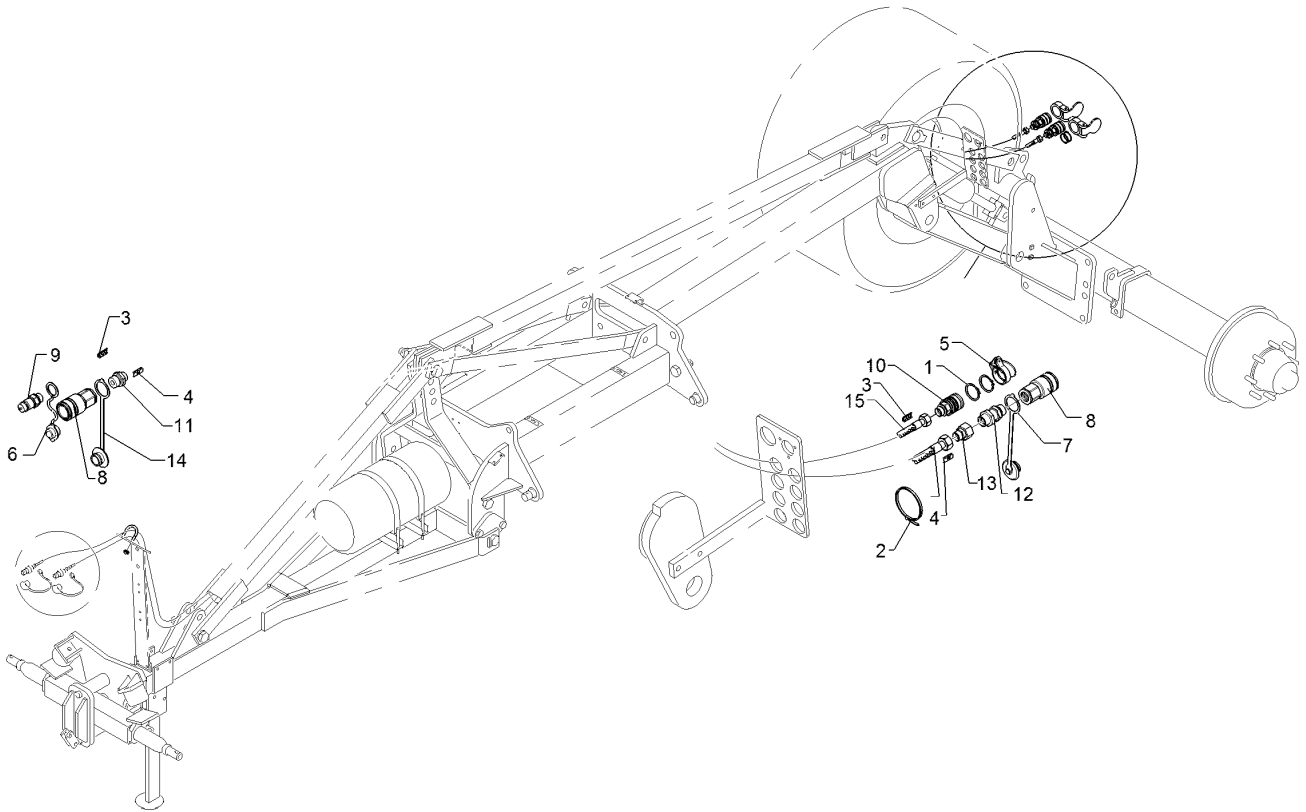
01.18

| Pos. | Art.Nr. | Stck. | Artikeltext / Description | | Abmessung |
|------|----------|-------|------------------------------|--------------------|---|
| 21 | 375 4550 | 1 | Einstellbare L-Verschraubung | Adjustable L-union | EL12-L M18x1,5 |
| 22 | 375 4653 | 2 | Konus-Reduzieranschluss | Reduction joint | x-KOR15/12-L DKO24 GRD |
| 23 | 475 2594 | 2 | Hydraulikschlauch | Hydraulic hose | 2SN10-3400 |
| 24 | 475 2610 | 2 | Hochdruckschlauch | High-pressure hose | DKOL12 00/00GRD 2SN08-1250 |
| 25 | 475 3162 | 2 | Hydraulikschlauch | Hydraulic hose | M18x1,5-R45 GRD 2SN12-4300-DKOL15/DKOL15 |
| 26 | 475 2625 | 2 | Hydraulikschlauch | Hydraulic hose | 2SN12-5000-DKOL15/DKOL15 |
| 27 | 57511081 | 1 | Wegeventil | Directional valve | 6/2 15L M22x1,5 Zn |
| 28 | 47511378 | 2 | Hydraulikschlauch | Hydraulic hose | 2SC12-4300 DKOL15/DKOL15 0/0° |



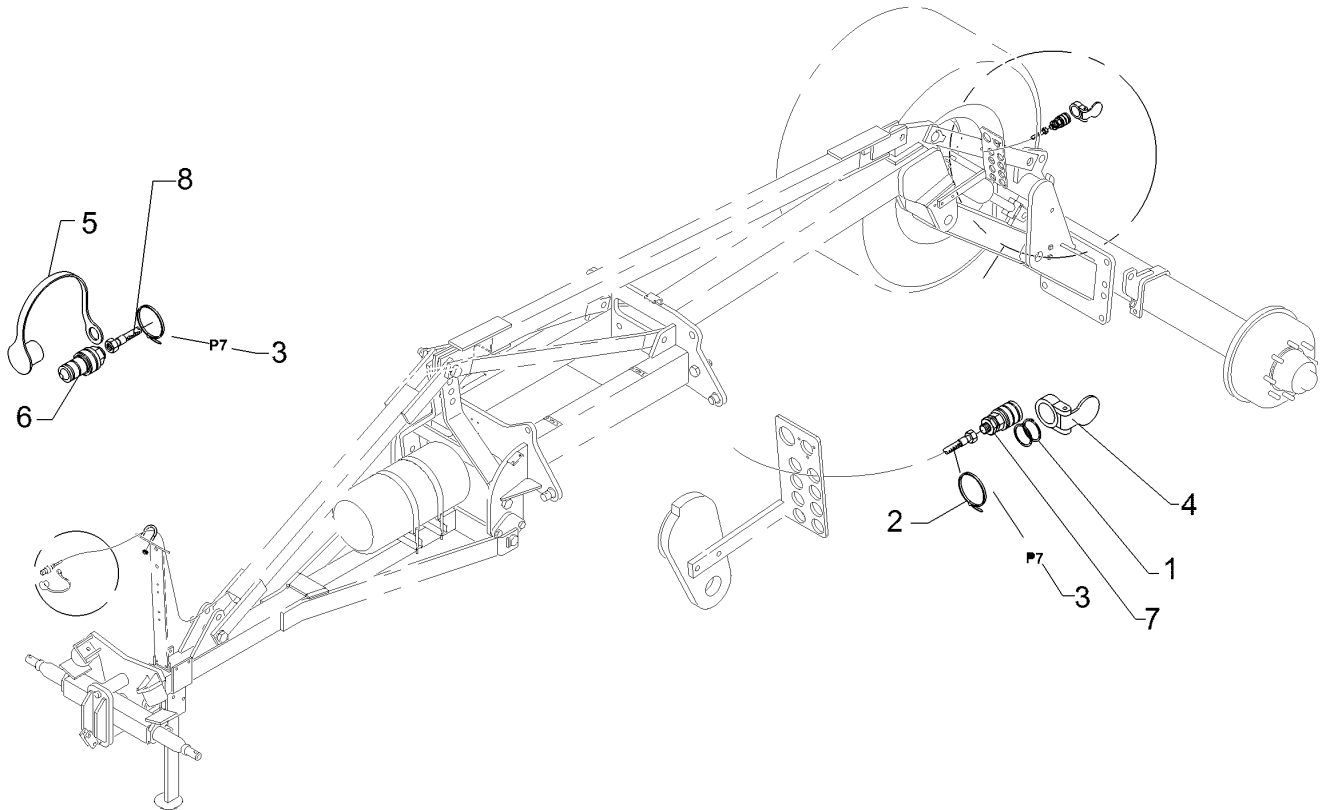
01.18

| Pos. | Art.Nr. | Stck. | Artikeltext / Description | | Abmessung |
|------|----------|-------|--------------------------------|-------------------------|-------------------------------|
| 1 | 305 8871 | 2 | Sicherungsring | Retaining ring | 38x1,75 DIN471 Zn |
| 2 | 325 1331 | 8 | Kabelbinder | Cable clip | 4,7x186 |
| 3 | 325 1526 | 2 | Kennzeichnung | Marking | P6 29X8 |
| 4 | 325 1533 | 2 | Kennzeichnung | Marking | T6 29X8 |
| 5 | 375 2103 | 1 | Staubschutzklappe gelb | Dust protection flap | BG 3 D38 |
| 6 | 375 2123 | 1 | Staubkappe, gelb | Cap | D26,5 Bg.3 |
| 7 | 375 2169 | 1 | Staubstecker | Plastic male probe | BG.4 |
| 8 | 375 2732 | 2 | SVK-Muffe | SVK-socket | BG.4 IG 3/4" |
| 9 | 375 2736 | 1 | SVK-Stecker | Hydraulic coupling | BG-3 15L CEL M22x1,5 SW-27 |
| 10 | 375 2737 | 1 | SVK-Muffe | SVK-socket | BG-3 CEL15 M22x1,5 |
| 11 | 375 4045 | 1 | Gerade Einschraubverschraubung | Nipple | x-GE15-LR 3/4"-ED |
| 12 | 375 4397 | 1 | Gerade Schottverschraubung | Straight bulkhead screw | x-SV18-LR 3/4" Zn |
| 13 | 375 4648 | 1 | Konus-Reduzieranschluss | Reduction joint | x-KOR18/15-L DKO24 GRD |
| 14 | 37510040 | 1 | Staubstecker weiß | Plastic male probe | BG4 |
| 15 | 475 2669 | 2 | Hydraulikschlauch | Hydraulic hose | 2SN12-7900 M22x1,5 |



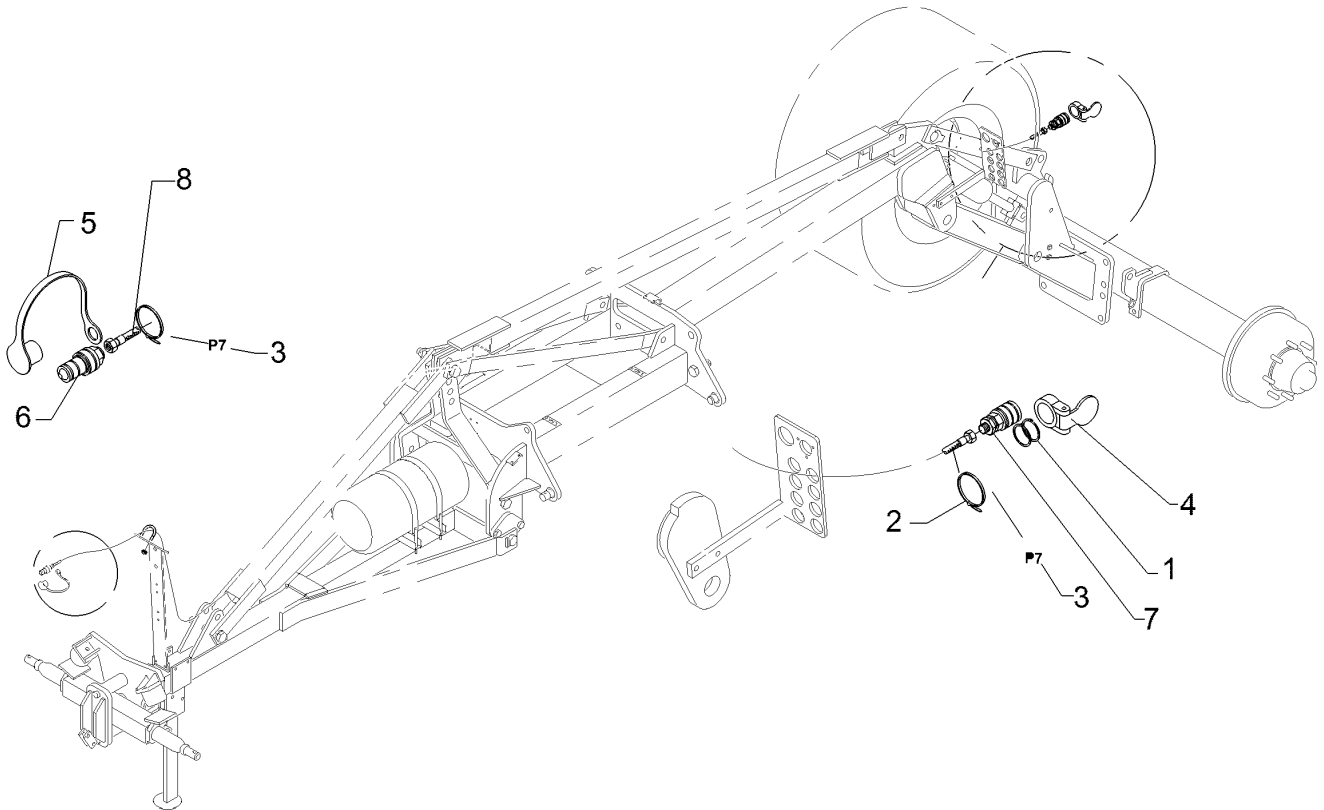
01.18

| Pos. | Art.Nr. | Stck. | Artikeltext / Description | Abmessung | |
|------|----------|-------|--------------------------------|-------------------------|-------------------------------|
| 1 | 305 8871 | 2 | Sicherungsring | Retaining ring | 38x1,75 DIN471 Zn |
| 2 | 325 1331 | 8 | Kabelbinder | Cable clip | 4,7x186 |
| 3 | 325 1526 | 2 | Kennzeichnung | Marking | P6 29X8 |
| 4 | 325 1533 | 2 | Kennzeichnung | Marking | T6 29X8 |
| 5 | 375 2103 | 1 | Staubschutzklappe gelb | Dust protection flap | BG 3 D38 |
| 6 | 375 2123 | 1 | Staubkappe, gelb | Cap | D26,5 Bg.3 |
| 7 | 375 2169 | 1 | Staubstecker | Plastic male probe | BG.4 |
| 8 | 375 2732 | 2 | SVK-Muffe | SVK-socket | BG.4 IG 3/4" |
| 9 | 375 2736 | 1 | SVK-Stecker | Hydraulic coupling | BG-3 15L CEL M22x1,5 SW-27 |
| 10 | 375 2737 | 1 | SVK-Muffe | SVK-socket | BG-3 CEL15 M22x1,5 |
| 11 | 375 4045 | 1 | Gerade Einschraubverschraubung | Nipple | x-GE15-LR 3/4"-ED |
| 12 | 375 4397 | 1 | Gerade Schottverschraubung | Straight bulkhead screw | x-SV18-LR 3/4" Zn |
| 13 | 375 4648 | 1 | Konus-Reduzieranschluss | Reduction joint | x-KOR18/15-L DKO24 GRD |
| 14 | 37510040 | 1 | Staubstecker weiß | Plastic male probe | BG4 |
| 15 | 47510028 | 2 | Hydraulikschlauch | Hydraulic hose | 2SN12-8400 M22x1,5 |



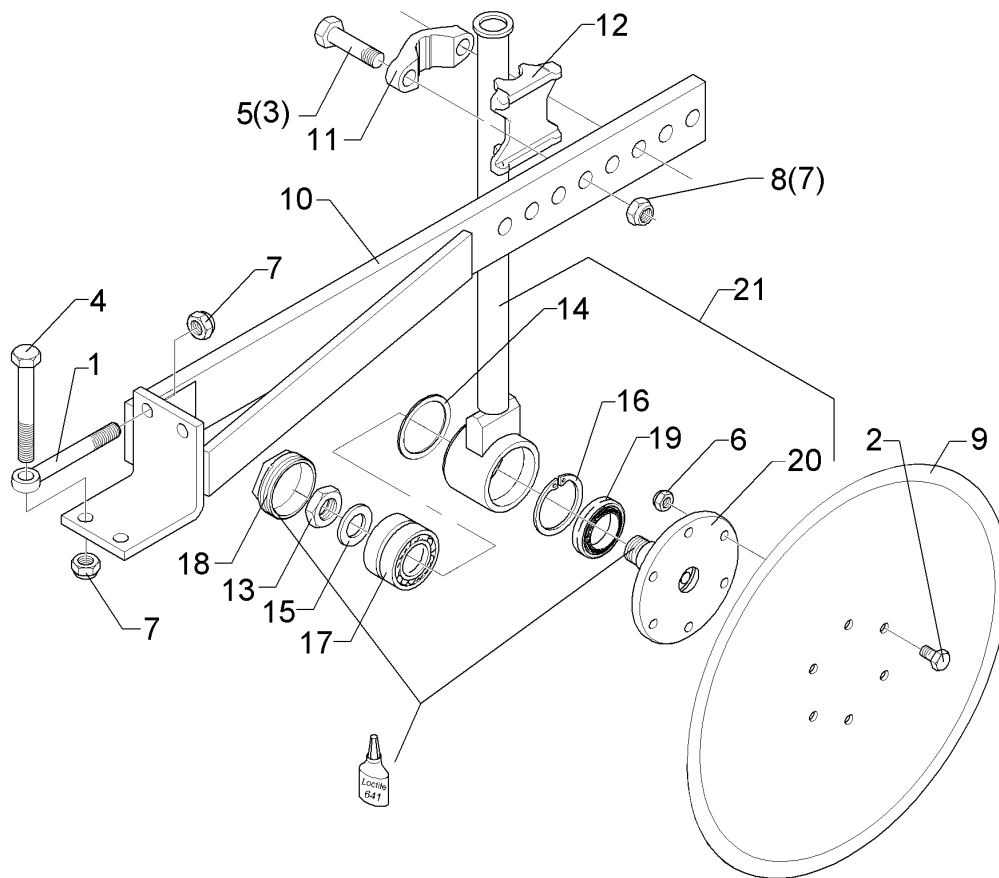
01.18

| Pos. | Art.Nr. | Stck. | Artikeltext / Description | | Abmessung |
|------|----------|-------|---------------------------|----------------------|-------------------------------|
| 1 | 305 8871 | 2 | Sicherungsring | Retaining ring | 38x1,75 DIN471 Zn |
| 2 | 325 1331 | 8 | Kabelbinder | Cable clip | 4,7x186 |
| 3 | 32510020 | 2 | Kennzeichnung | Marking | P7 UC-WMTBA 29X8 |
| 4 | 375 2103 | 1 | Staubschutzklappe gelb | Dust protection flap | BG 3 D38 |
| 5 | 375 2123 | 1 | Staubkappe, gelb | Cap | D26,5 Bg.3 |
| 6 | 375 2736 | 1 | SVK-Stecker | Hydraulic coupling | BG-3 15L CEL M22x1,5 SW-27 |
| 7 | 375 2737 | 1 | SVK-Muffe | SVK-socket | BG-3 CEL15 M22x1,5 |
| 8 | 475 2669 | 1 | Hydraulikschlauch | Hydraulic hose | 2SN12-7900 M22x1,5 |



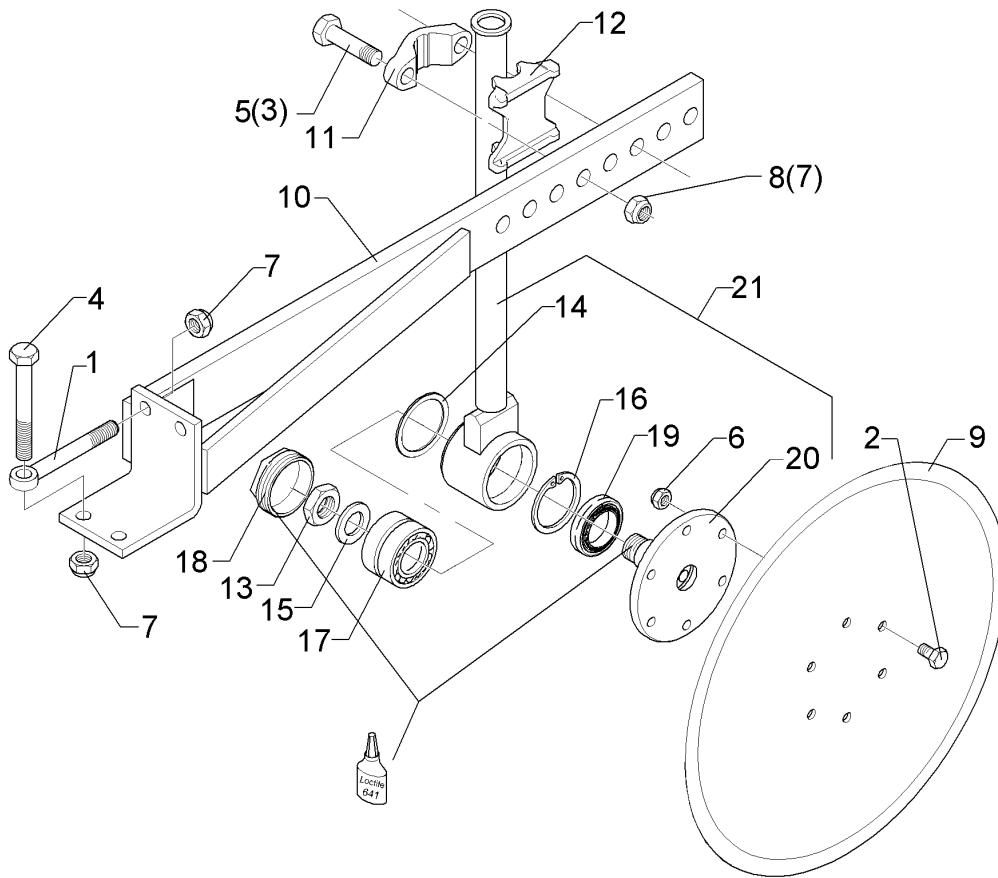
01.18

| Pos. | Art.Nr. | Stck. | Artikeltext / Description | | Abmessung |
|------|----------|-------|---------------------------|----------------------|-------------------------------|
| 1 | 305 8871 | 2 | Sicherungsring | Retaining ring | 38x1,75 DIN471 Zn |
| 2 | 325 1331 | 8 | Kabelbinder | Cable clip | 4,7x186 |
| 3 | 32510020 | 2 | Kennzeichnung | Marking | P7 UC-WMTBA 29X8 |
| 4 | 375 2103 | 1 | Staubschutzklappe gelb | Dust protection flap | BG 3 D38 |
| 5 | 375 2123 | 1 | Staubkappe, gelb | Cap | D26,5 Bg.3 |
| 6 | 375 2736 | 1 | SVK-Stecker | Hydraulic coupling | BG-3 15L CEL M22x1,5 SW-27 |
| 7 | 375 2737 | 1 | SVK-Muffe | SVK-socket | BG-3 CEL15 M22x1,5 |
| 8 | 47510028 | 1 | Hydraulikschlauch | Hydraulic hose | 2SN12-8400 M22x1,5 |



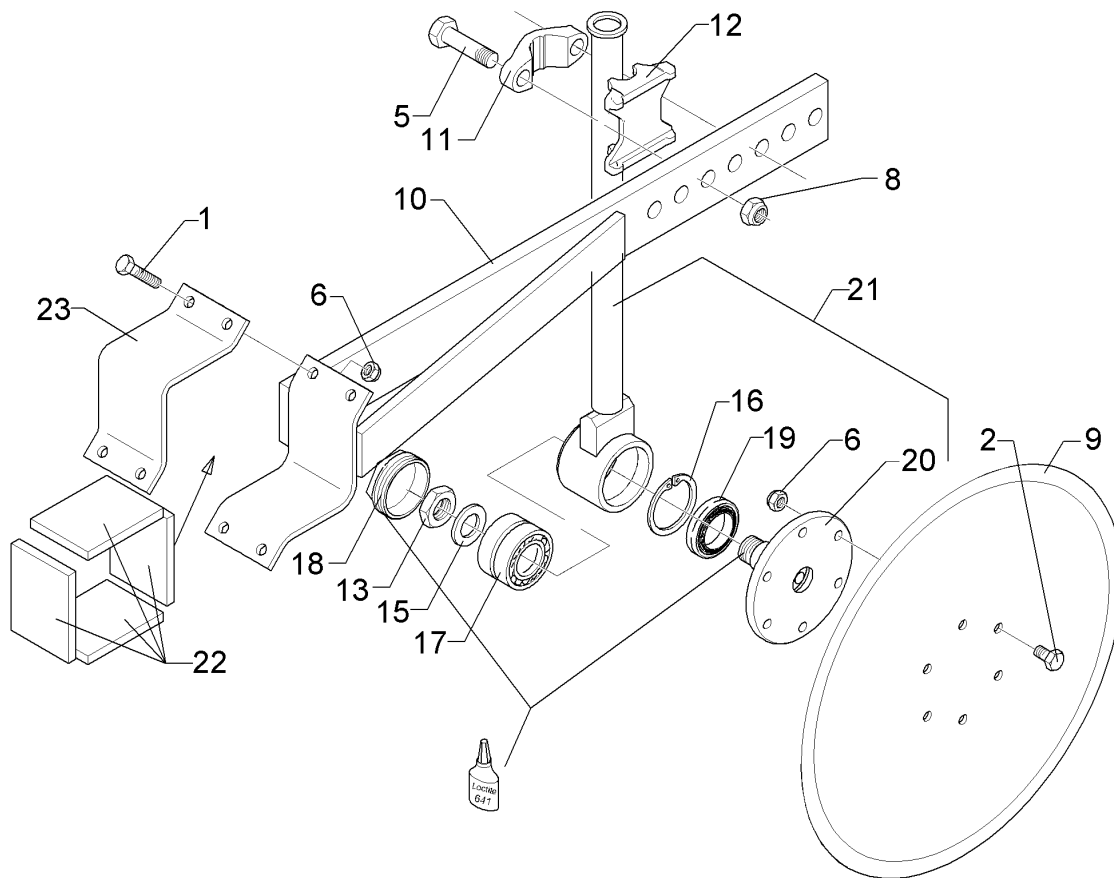
01.18

| Pos. | Art.Nr. | Stck. | Artikeltext / Description | | Abmessung |
|------|----------|-------|-------------------------------|-------------------|---------------------------------------|
| 1 | 301 0869 | 2 | Augenschraube | Eye bolt | BM16x130xb25-8.8 |
| 2 | 301 3324 | 6 | Sechskantschraube | Hexagon bolt | D2=16,1 Zn M12x30-8.8 Zn DIN933 |
| 3 | 301 3959 | 2 | Sechskantschraube | Hexagon bolt | M16x85-8.8 DIN931-A Zn |
| 4 | 301 4080 | 2 | Sechskantschraube | Hexagon bolt | M16x140-8.8 Zn DIN931-A |
| 5 | 301 4387 | 2 | Sechskantschraube | Hexagon bolt | M20x90-8.8 DIN931-A Zn3 |
| 6 | 303 0934 | 6 | Sicherungsmutter | Selflocking nut | NM12-8 Zn DIN985 |
| 7 | 303 0935 | 4 | Sicherungsmutter | Selflocking nut | NM16-8 Zn DIN985 |
| 8 | 303 0936 | 2 | Sicherungsmutter | Selflocking nut | NM20-8 Zn DIN985 |
| 9 | 349 0028 | 1 | Sechscheibe | Disc | D500/130x5 |
| 10 | 457 9302 | 1 | Konsole | Bracket | 90x90/80x20x850 |
| 11 | 459 9009 | 1 | Klemme | Clamp | 45x35x120 2xD20,1-85 Zn |
| 12 | 459 9013 | 1 | Klemmplatte | Clamping plate | 35/80 Opal 90 |
| 13 | 303 0994 | 1 | Sechskantmutter | Hexagon nut | M30x1,5 DIN439-05 Zn |
| 14 | 305 2071 | 1 | Passscheibe | Shim | 35x45x0,5 DIN988 Zn |
| 15 | 305 2242 | 1 | Stützscheibe | Supporting washer | S 30/42x2,5 DIN988 Zn |
| 16 | 305 8938 | 1 | Sicherungsring | Retaining ring | 72x2,5 DIN472 |
| 17 | 319 8750 | 1 | Schrägkugellager doppelreihig | Bearing | 35/72 2RS |
| 18 | 323 1329 | 1 | Schraubkappe | Cap | M75x1,5-LH Zn |



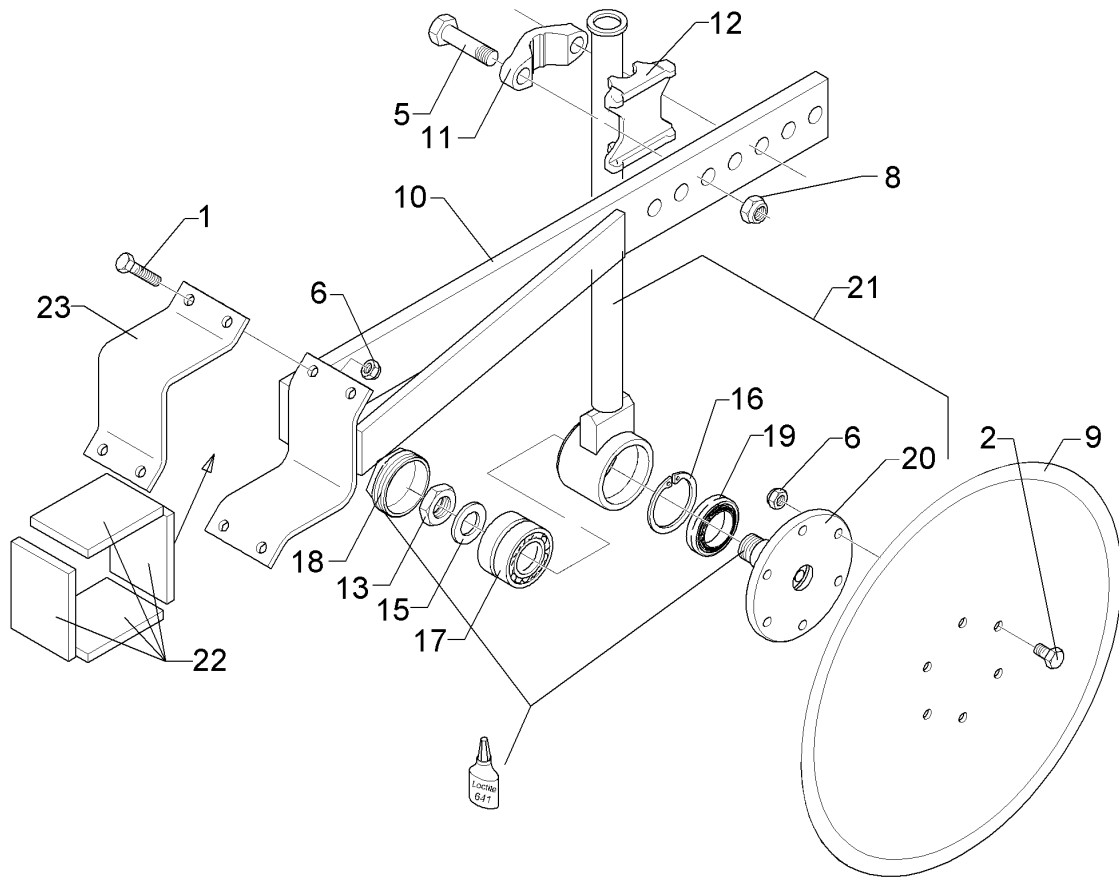
01.18

| Pos. | Art.Nr. | Stck. | Artikeltext / Description | | Abmessung |
|------|----------|-------|-----------------------------|---------------|--------------------------------|
| 19 | 323 8301 | 1 | Kassettdichtung | Sealing | RWDR 45x70x14 75 NBR 106200 |
| 20 | 455 0300 | 1 | Welle | Shaft | D160x88 M30x1,5 6xD12,1 Zn |
| 21 | 557 9303 | 1 | Secharm mit Lagerung kompl. | Disc arm cpl. | D35x520 D130/6xD12 |



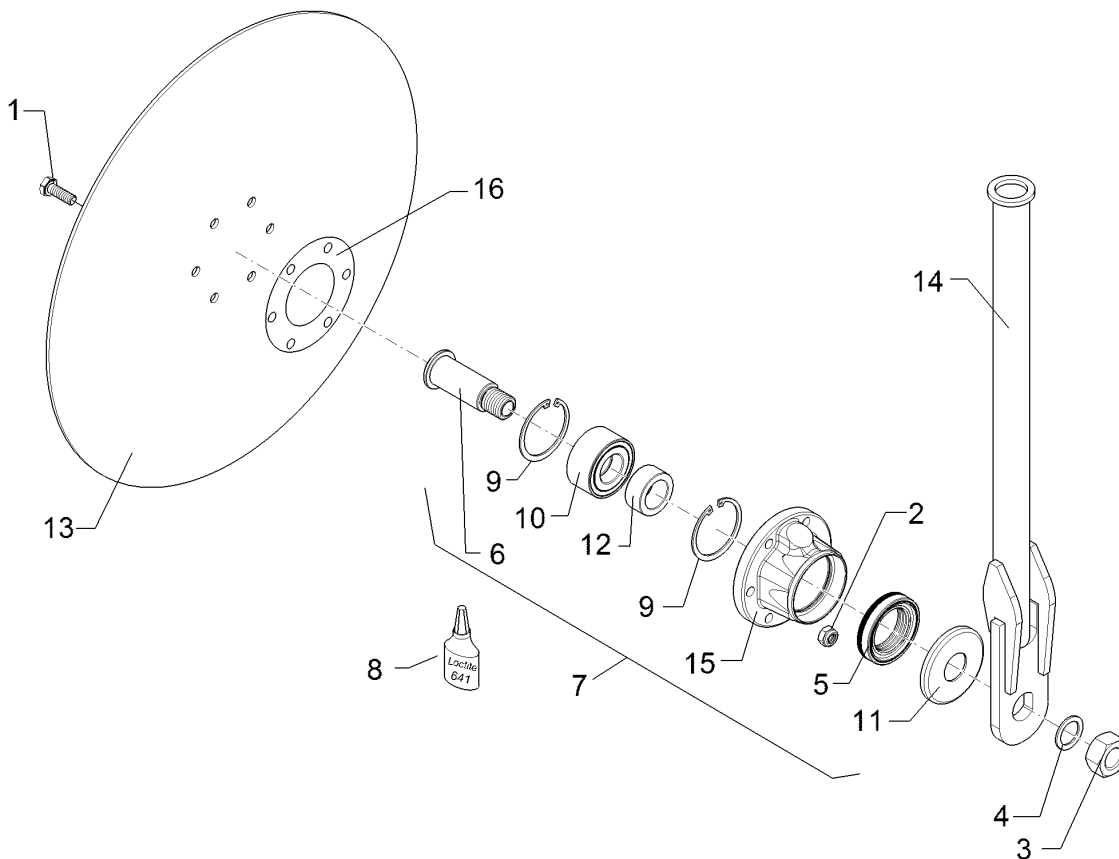
01.18

| Pos. | Art.Nr. | Stck. | Artikeltext / Description | | Abmessung |
|------|----------|-------|-------------------------------|-------------------|--------------------------------|
| 1 | 301 5452 | 4 | Sechskantschraube | Hexagon bolt | M12x60-8.8 Zn DIN931-A |
| 2 | 301 3324 | 6 | Sechskantschraube | Hexagon bolt | M12x30-8.8 Zn DIN933 |
| 5 | 301 4387 | 2 | Sechskantschraube | Hexagon bolt | M20x90-8.8 DIN931-A Zn3 |
| 6 | 303 0934 | 10 | Sicherungsmutter | Selflocking nut | NM12-8 Zn DIN985 |
| 8 | 303 0936 | 2 | Sicherungsmutter | Selflocking nut | NM20-8 Zn DIN985 |
| 9 | 349 0028 | 1 | Sechscheibe | Disc | D500/130x5 |
| 10 | 457 9304 | 1 | Konsole | Bracket | 100x12/80x20x850 |
| 11 | 459 9009 | 1 | Klemme | Clamp | 45x35x120 |
| 12 | 459 9013 | 1 | Klemmplatte | Clamping plate | 2xD20,1-85 Zn 35/80 Opal 90 |
| 13 | 303 0994 | 1 | Sechskantmutter | Hexagon nut | M30x1,5 DIN439-05 Zn |
| 15 | 305 2242 | 1 | Stützscheibe | Supporting washer | S 30/42x2,5 DIN988 Zn |
| 16 | 305 8938 | 1 | Sicherungsring | Retaining ring | 72x2,5 DIN472 |
| 17 | 319 8750 | 1 | Schrägkugellager doppelreihig | Bearing | 35/72 2RS |
| 18 | 323 1329 | 1 | Schraubkappe | Cap | M75x1,5-LH Zn |
| 19 | 323 8301 | 1 | Kassettdichtung | Sealing | RWDR 45x70x14 75 NBR 106200 |
| 20 | 455 0300 | 1 | Welle | Shaft | D160x88 M30x1,5 6xD12,1 Zn |
| 21 | 557 9303 | 1 | Secharm mit Lagerung kompl. | Disc arm cpl. | D35x520 |
| 22 | 331 4980 | 4 | Gummiband | Rubber tape | D130/6xD12 90x12x120 |



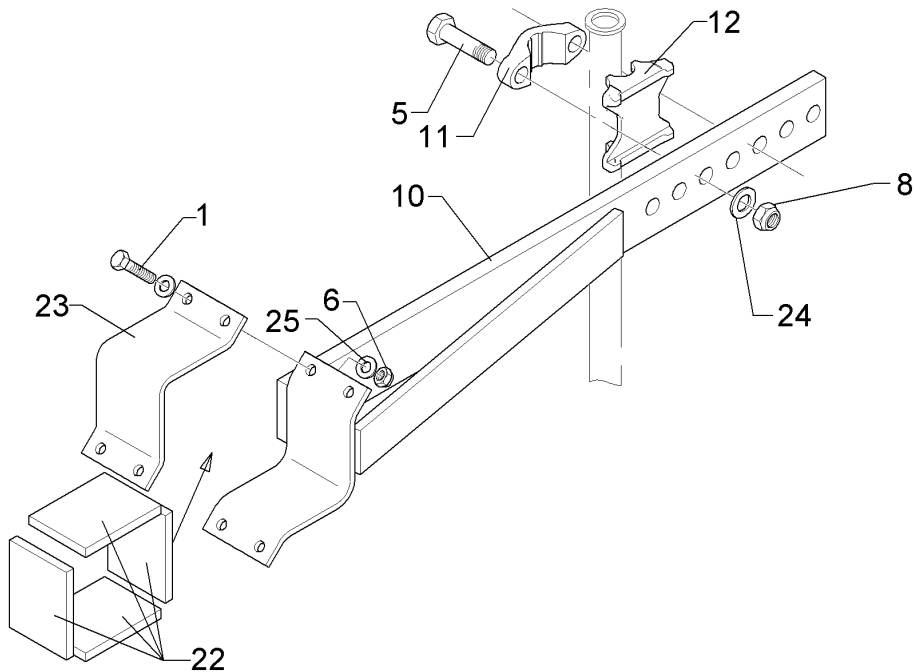
01.18

| Pos. | Art.Nr. | Stck. | Artikeltext / Description | | Abmessung |
|------|----------|-------|---------------------------|-------------|------------------|
| 23 | 459 9346 | 1 | Winkelplatte | Angle plate | 12x100x270 4xD14 |



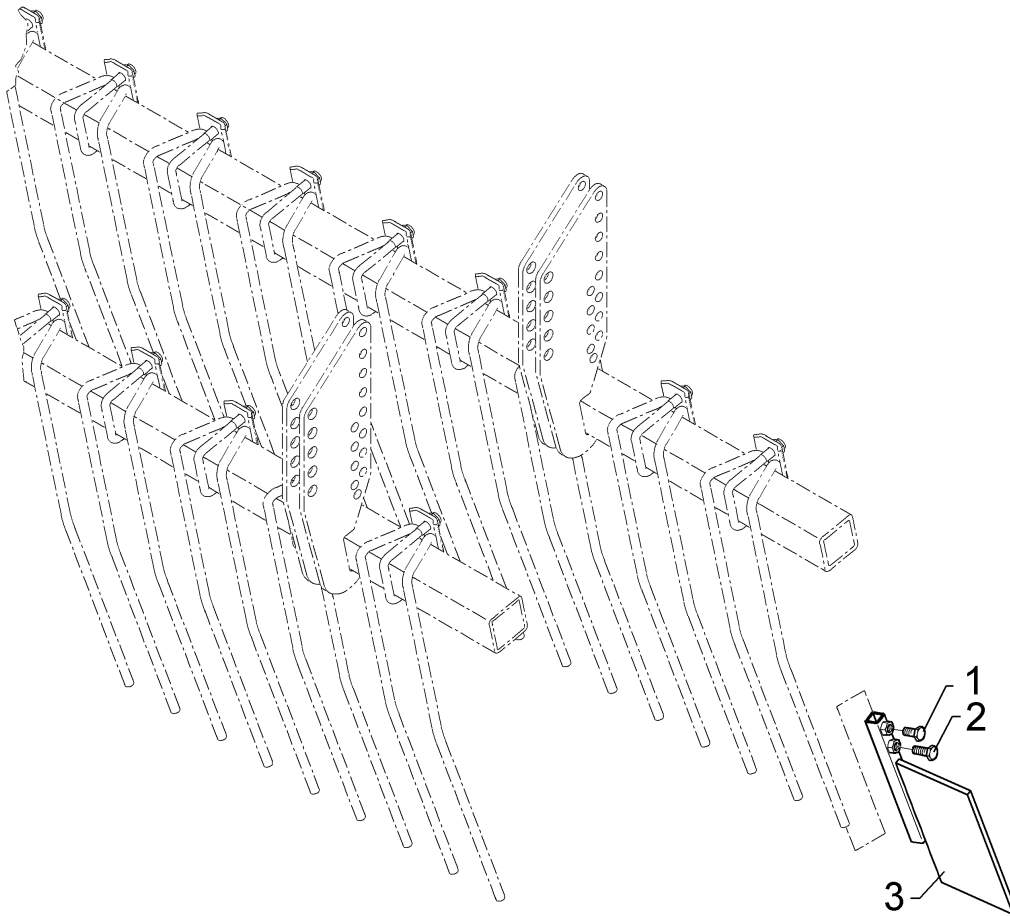
01.18

| Pos. | Art.Nr. | Stck. | Artikeltext / Description | | Abmessung |
|------|----------|-------|-------------------------------|-------------------|--------------------------------|
| 1 | 301 5004 | 6 | Sechskantschraube | Hexagon bolt | M10x30-8.8 Zn DIN933 |
| 2 | 303 0933 | 6 | Sicherungsmutter | Selflocking nut | NM10-8 DIN985 Zn |
| 3 | 303 0996 | 1 | Sechskantmutter | Hexagon nut | M24x1,5 DIN934-8 Zn |
| 4 | 305 2230 | 1 | Stützscheibe | Supporting washer | S 25x35x2,0 DIN988 Zn |
| 5 | 323 8301 | 1 | Kassettendichtung | Sealing | RWDR 45x70x14 75 NBR 106200 |
| 6 | 455 0310 | 1 | Achse | Axle | D30x95 M24x1,5 Zn |
| 7 | 555 4512 | 1 | Lagereinheit | Bearing unit | 30x120x100 M24x1,5 |
| 8 | 886 3005 | 0 | Loctite | Loctite | Nr.641 50ml |
| 9 | 305 8924 | 2 | Sicherungsring | Retaining ring | 62x2 DIN472 |
| 10 | 319 8760 | 1 | Schräggugellager doppelreihig | Bearing | 30/62/30 RSR |
| 11 | 323 0418 | 1 | Schutzkappe | Cap | D79/75/30x8 Zn |
| 12 | 323 5011 | 1 | Lauftring | Race ring | D45/30x20,5 |
| 13 | 349 0027 | 1 | Sechsscheibe | Disc | D495/100x4 |
| 14 | 457 9305 | 1 | Secharm | Swinging arm | D35x590 Zn |
| 15 | 455 5145 | 1 | Lagergehäuse | Bearing housing | D120/62x56,4/100 6xD10,2 |
| 16 | 323 7641 | 1 | Dichtung | Seal | D120/65x1,6 |



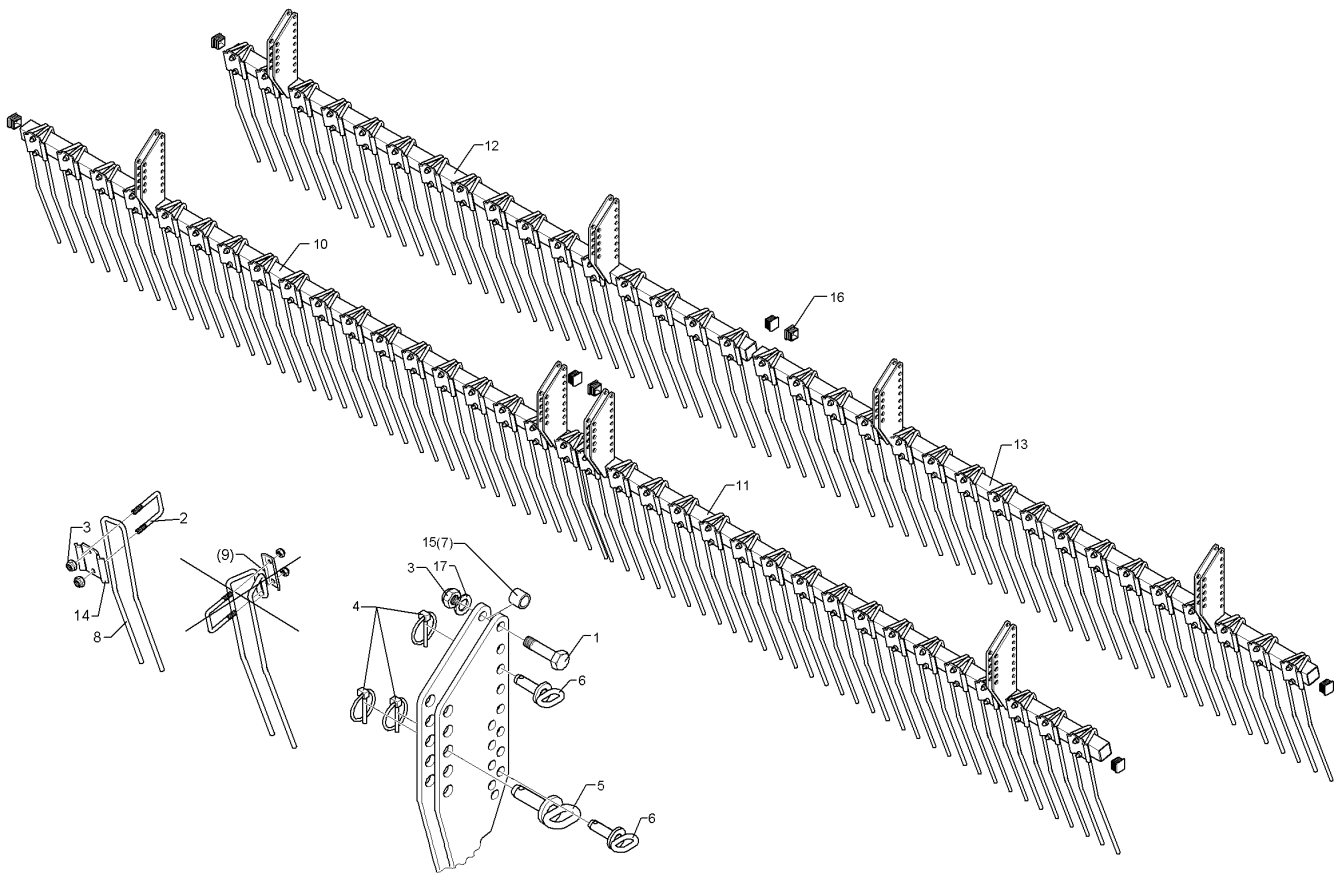
01.18

| Pos. | Art.Nr. | Stck. | Artikeltext / Description | | Abmessung |
|------|----------|-------|---------------------------|-----------------|----------------------------|
| 1 | 301 5452 | 4 | Sechskantschraube | Hexagon bolt | M12x60-8.8 Zn DIN931-A |
| 5 | 301 4387 | 2 | Sechskantschraube | Hexagon bolt | M20x90-8.8 DIN931-A Zn3 |
| 6 | 303 0934 | 4 | Sicherungsmutter | Selflocking nut | NM12-8 Zn DIN985 |
| 8 | 303 0936 | 2 | Sicherungsmutter | Selflocking nut | NM20-8 Zn DIN985 |
| 10 | 457 9304 | 1 | Konsole | Bracket | 100x12/80x20x850 |
| 11 | 459 9009 | 1 | Klemme | Clamp | 45x35x120 2xD20,1-85 Zn |
| 12 | 459 9013 | 1 | Klemmplatte | Clamping plate | 35/80 Opal 90 |
| 22 | 331 4980 | 4 | Gummiband | Rubber tape | 90x12x120 |
| 23 | 459 9346 | 1 | Winkelplatte | Angle plate | 12x100x270 4xD14 |
| 24 | 305 6012 | 2 | Scheibe | Washer | 21 ISO7089 Zn |
| 25 | 305 8580 | 8 | Scheibe | Washer | 13/24x2,5 St-Zn DIN125 |



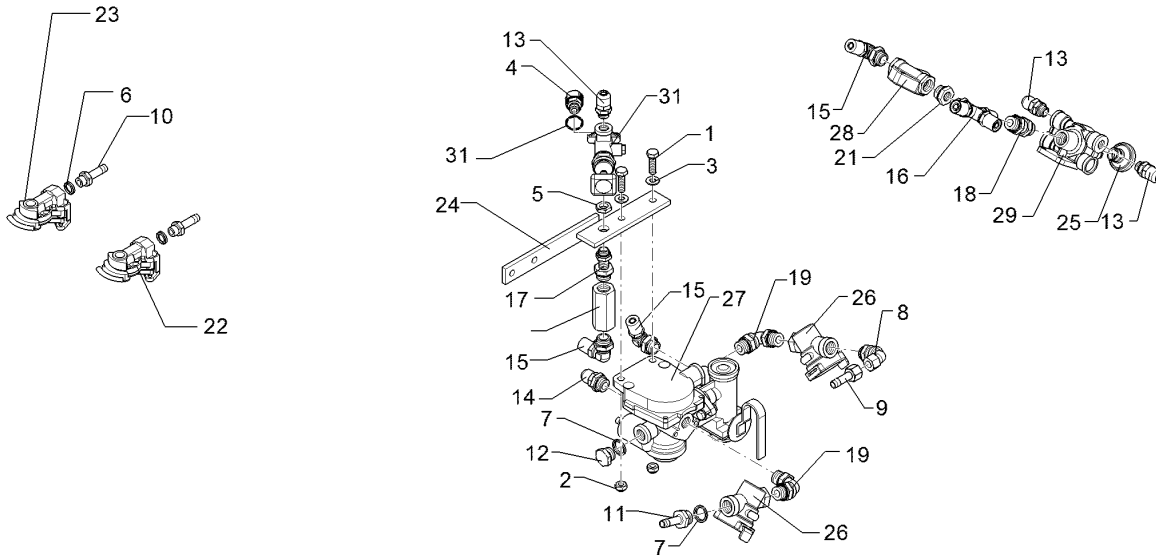
01.18

| Pos. | Art.Nr. | Stck. | Artikeltext / Description | | Abmessung |
|------|----------|-------|---------------------------|--------------|-------------------------|
| 1 | 301 3199 | 1 | Sechskantschraube | Hexagon bolt | M10x20-8.8 Zn DIN933 |
| 2 | 301 3212 | 1 | Sechskantschraube | Hexagon bolt | M10x25-8.8 Zn DIN933 |
| 3 | 337 5491 | 1 | Zustreicher | Leveller | 100x8x200 2xM10 |



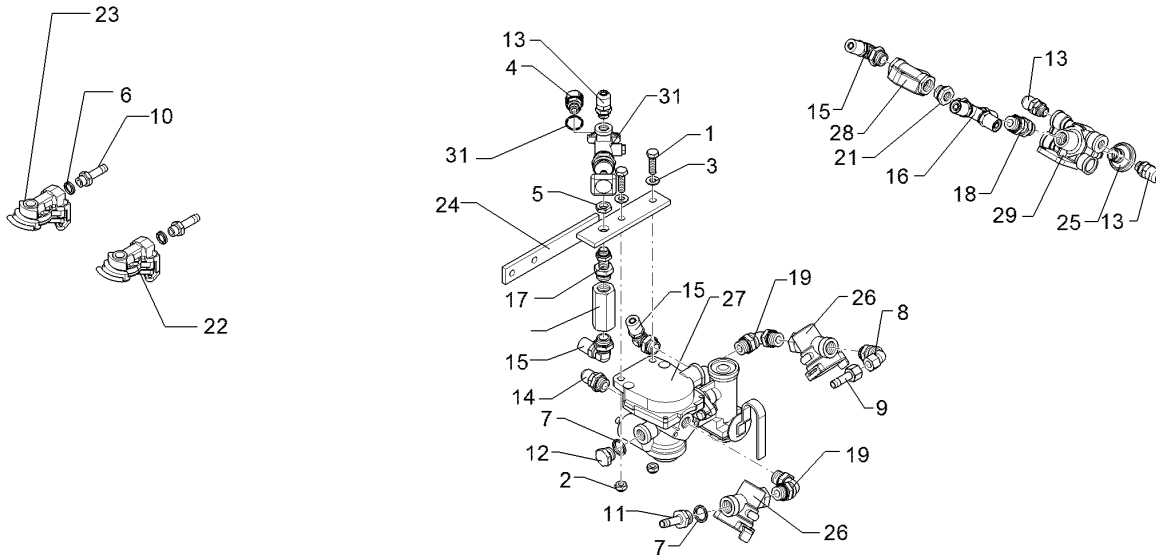
01.18

| Pos. | Art.Nr. | Stck. | Artikeltext / Description | | Abmessung |
|------|----------|-------|---------------------------|-----------------|----------------------------------|
| 1 | 301 7341 | 8 | Sechskantschraube | Hexagon bolt | M12x65-8.8 Zn DIN931-A |
| 2 | 301 7787 | 46 | Bügelschraube | U-bolt | M12/60/84x254 8.8 Zn |
| 3 | 303 0934 | 100 | Sicherungsmutter | Selflocking nut | NM12-8 Zn DIN985 |
| 4 | 311 9565 | 24 | Klappstift | Securing pin | 4,5 |
| 5 | 313 1530 | 8 | Bolzen mit Griff | Pin with grip | D15x47,5/106 Zn |
| 6 | 313 7807 | 16 | Bolzen | Pin | D12x59/117,5 V Zn |
| 7 | 317 6658 | 8 | Buchse | Bush | D16/22x22 |
| 8 | 353 8802 | 46 | Striegelzinken | Harrow tine | 84x539 D14 |
| 9 | 459 4562 | 46 | Klemmplatte | Clamping plate | 50x5x110 1x73-D13 |
| 10 | 422 6408 | 1 | Tragrohr für Striegel | Carrier tube | 60x60x5x1930 VO-RE RU-9/400 K |
| 11 | 422 6409 | 1 | Tragrohr für Striegel | Carrier tube | 60x60x5x1730 VO-LI RU-9/400 K |
| 12 | 422 6410 | 1 | Tragrohr für Striegel | Carrier tube | 60x60x5x1730 VO-HI RU-9/400 K |
| 13 | 422 6411 | 1 | Tragrohr für Striegel | Carrier tube | 60x60x5x1930 HI-LI RU-9/400 K |
| 14 | 459 4566 | 46 | Klemmplatte | Clamping plate | 6x100x118,6 2xD13,4 -73 Zn |
| 15 | 31710082 | 8 | Röhrchen | Tube | D24x3x25 Zn |
| 16 | 305 8580 | 8 | Scheibe | Washer | 13/24x2,5 St-Zn DIN125 |
| 17 | 32310033 | 8 | Vierkantstopfen | Square plug | 60 Q-6060 5 |



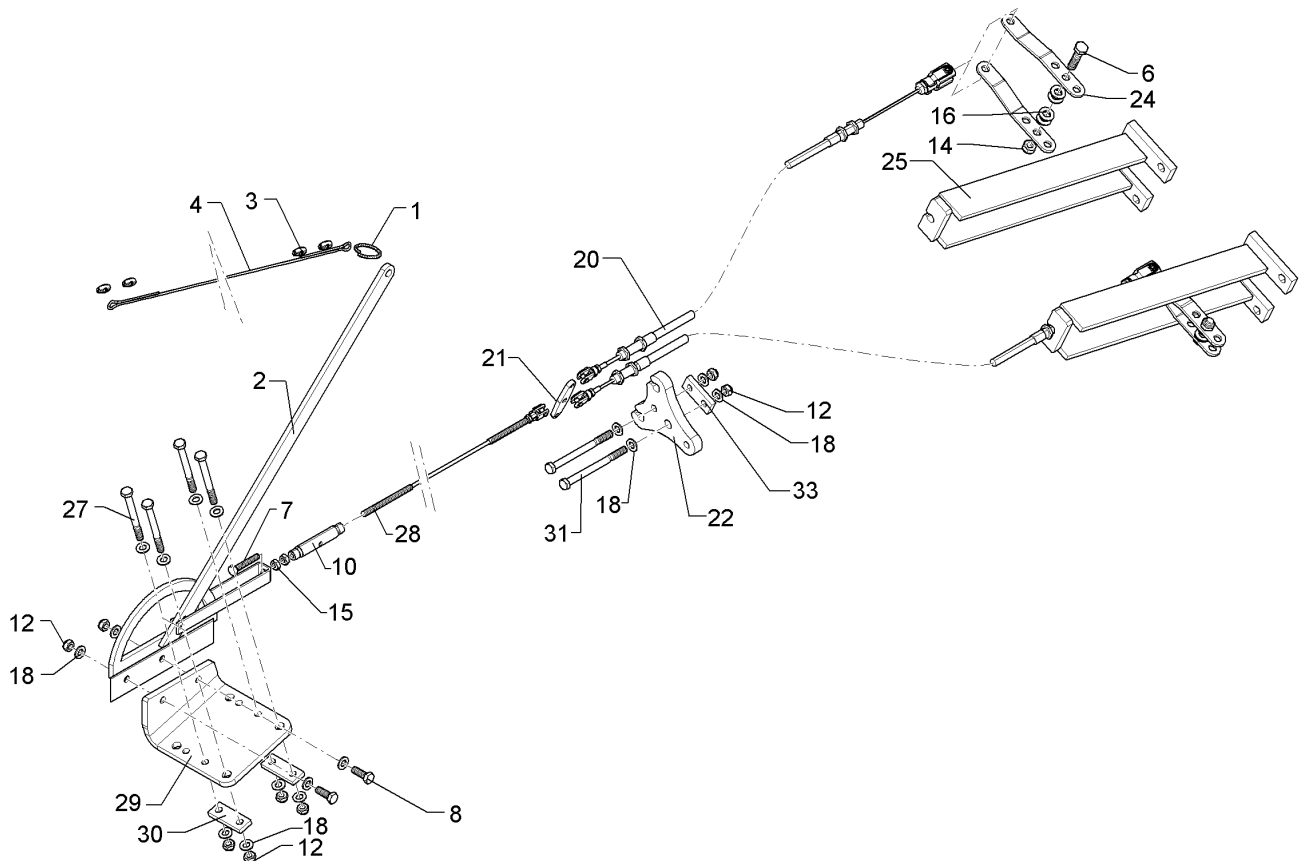
01.18

| Pos. | Art.Nr. | Stck. | Artikeltext / Description | | Abmessung |
|------|----------|-------|--------------------------------|-------------------------|-----------------------------|
| 1 | 301 7308 | 2 | Sechskantschraube | Hexagon bolt | M10x35-8.8 Zn DIN933 |
| 2 | 303 0933 | 2 | Sicherungsmutter | Selflocking nut | NM10-8 DIN985 Zn |
| 3 | 305 8696 | 2 | Scheibe | Washer | A10,5 DIN125-St Zn |
| 4 | 375 2190 | 1 | Be- und Entlüftungsschraube | Vent plug | M16x1,5 |
| 5 | 375 5698 | 1 | Sechskantmutter | Hexagon nut | M16x1,5 SW22 Zn |
| 6 | 377 1180 | 2 | Druckring mit O-Ring | Thrust ring with O-ring | DR/R16x21-RU/14,3x2,4 |
| 7 | 377 1181 | 3 | Druckring mit O-Ring | Thrust ring with O-ring | DR/R22x27-RU/20,3x2,4 |
| 8 | 377 1260 | 1 | Winkel-Einschraubverschraubung | Angle union | 15/1-26/112 M22x1,5 |
| 9 | 377 1300 | 1 | Schlauchstutzen | Hose nipple | S/FL12-11 M12L D12L |
| 10 | 377 1301 | 2 | Schlauchstutzen | Hose nipple | ES/BM 16x1,5-11 |
| 11 | 377 1302 | 1 | Schlauchstutzen | Hose nipple | ES/B15-11 M22x1,5 |
| 12 | 377 1350 | 1 | Verschlusschraube | Plug | VS/BM 22x1,5 |
| 13 | 377 1400 | 3 | Einschraubsteckverbindung | Push-in connection | 00° M16x1,5 12x1,5 |
| 14 | 377 1401 | 1 | Einschraubsteckverbindung | Push-in connection | 00° M22x1,5 12x1,5 |
| 15 | 377 1410 | 3 | Einschraubsteckverbindung | Push-in connection | M22x1,5 12x1,5 |
| 16 | 377 1440 | 1 | Einschraubsteckverbindung | Push-in connection | 90/00/90° M16x1,5 12x1,5 |
| 17 | 377 1460 | 1 | Einschraubstutzen | Screwed socket | 00° M22x1,5 M16x1,5 |
| 18 | 377 1461 | 1 | Einschraubstutzen | Screwed socket | 00° M22x1,5 M22x1,5 |
| 19 | 377 1472 | 2 | Einschraubstutzen | Screwed socket | 90° M22x1,5 M22x1,5 |



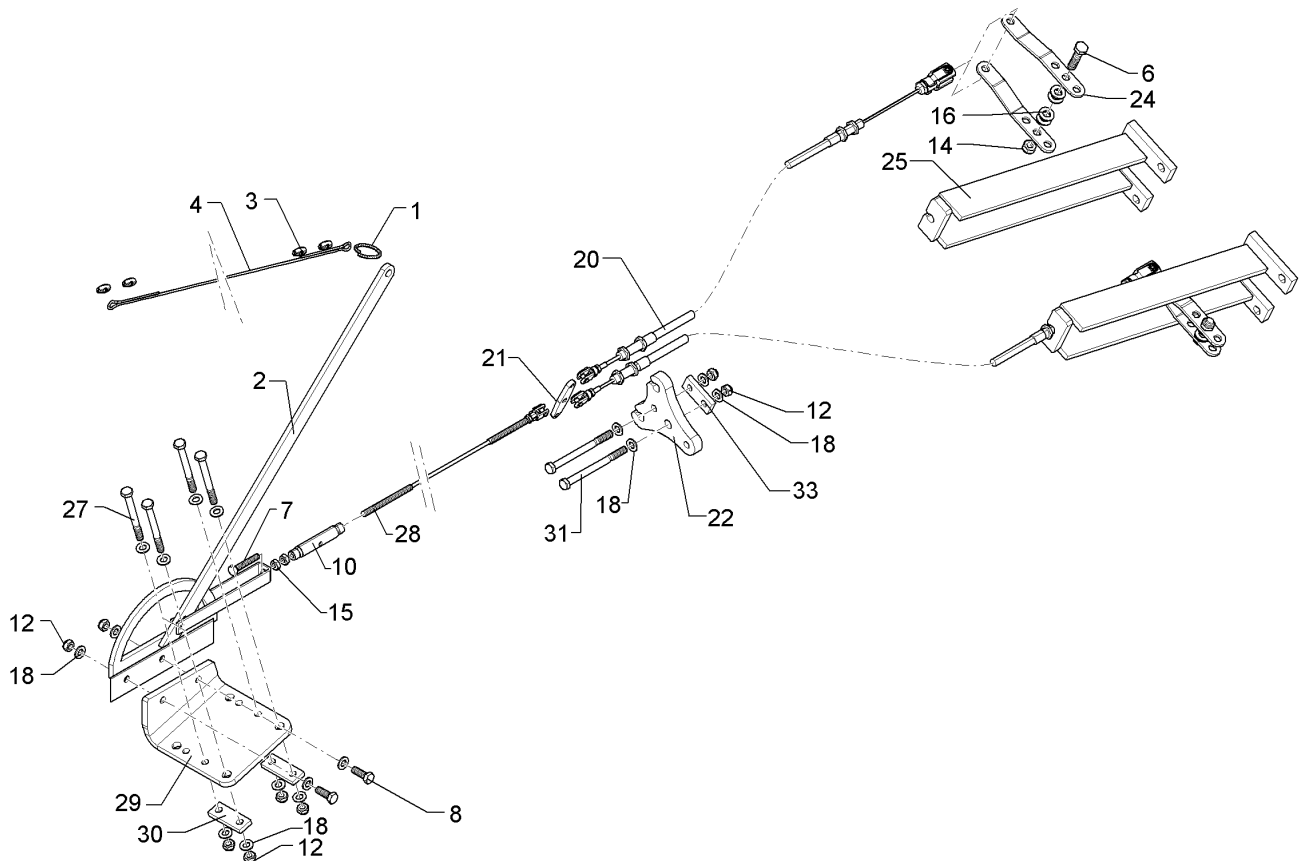
01.18

| Pos. | Art.Nr. | Stck. | Artikeltext / Description | | Abmessung |
|------|----------|-------|---------------------------|----------------------|------------------------|
| 20 | 377 1473 | 1 | Einschraubstutzen | Screwed socket | 90° M22x1,5 M16x1,5 |
| 21 | 377 1482 | 1 | Reduzierstück | Reducing fitting | M22x1,5 M16x1,5 |
| 22 | 377 2540 | 1 | Kupplungskopf Vorrat rot | Hose coupling | M16x1,5 ISO1728 |
| 23 | 377 2541 | 1 | Kupplungskopf Bremse gelb | Hose coupling | M16x1,5 ISO1728 |
| 24 | 477 1125 | 1 | Halter | Holder | 30x8x330 |
| 25 | 577 2570 | 1 | Entlüftungsfilter | Venting filter | M22x1,5 031 000 909 |
| 26 | 577 2580 | 2 | Rohrleitungsfilter | Filter | M22x1,5 DIN74347 |
| 27 | 577 2591 | 1 | Anhängerbremsventil | Trailer brake valve | 350 027 002 |
| 28 | 577 2660 | 1 | 2-Wege-Ventil | 2-port control valve | M22x1,5 333 001 201 |
| 29 | 577 2671 | 1 | Schnelllöseventil | Quick release valve | M16x1,5 356 023 011 |
| 30 | 577 2680 | 1 | Rückschlagventil | Nonreturn valve | M22x1,5 |
| 31 | 577 2690 | 1 | Parkventil | Parking valve | M16x1,5 |



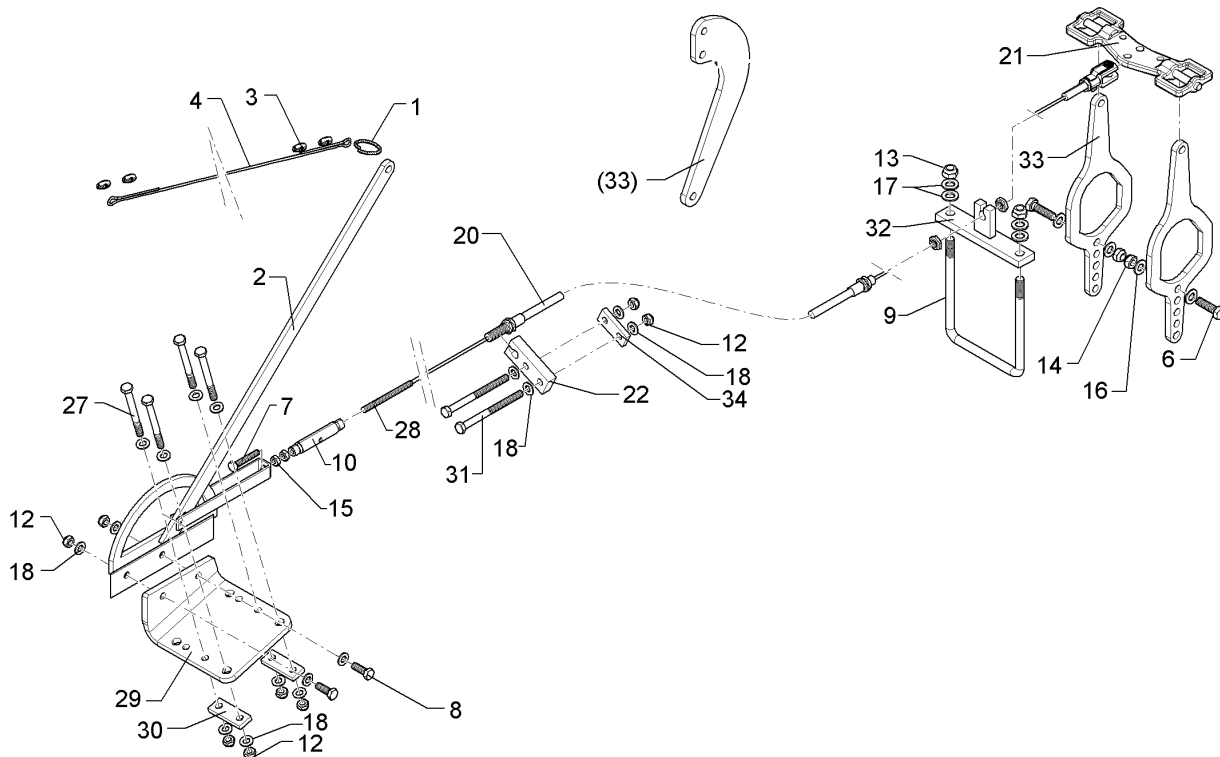
01.18

| Pos. | Art.Nr. | Stck. | Artikeltext / Description | Abmessung | |
|------|----------|-------|---------------------------|----------------------|-----------------------------|
| 1 | F11 0121 | 1 | Abreißöse | Contact breaking lug | (f) |
| 2 | F12 0053 | 1 | Hebel | Lever | KPL ET |
| 3 | F25 0386 | 4 | Drahtseilklemme | Wire rope clamp | D=3mm |
| 4 | F25 0718 | 1 | Bremsseil | Brake cable | D=3 mm L=4m |
| 6 | 301 3585 | 2 | Sechskantschraube | Hexagon bolt | M14x55-8.8 Zn DIN931-A |
| 7 | 30110068 | 1 | Sechskantschraube | Hexagon bolt | M10x130-8.8 Zn DIN933 |
| 8 | 301 7334 | 2 | Sechskantschraube | Hexagon bolt | M12x35-8.8 Zn DIN933 |
| 10 | 302 8851 | 1 | Spannschloßmutter | Turnbuckle sleeve | M10x125 ZN |
| 12 | 303 0934 | 8 | Sicherungsmutter | Selflocking nut | NM12-8 Zn DIN985 |
| 14 | 303 0941 | 2 | Sicherungsmutter | Selflocking nut | NM14-8 Zn DIN985 |
| 15 | 303 1012 | 2 | Sechskantmutter | Hexagon nut | M10 DIN934-8 Zn |
| 16 | 305 6139 | 8 | Scheibe | Washer | 28x15x2,5 Zn DIN125 |
| 18 | 305 8580 | 16 | Scheibe | Washer | 13/24x2,5 St-Zn DIN125 |
| 20 | 33110026 | 2 | Bremszug | Brake lever | D5x4100/3700 |
| 21 | 45010002 | 1 | Waage | Balance | 8x25x109 D10,5 2xD8,5 |
| 22 | 45010044 | 1 | Gegenhalter | Holder-up | 20x140x147 2xD13 3xD17 |
| 24 | 45010045 | 4 | Hebel | Lever | 30x6x210,9 4xD14,5 GEK12 |
| 25 | 45010046 | 2 | Halter | Holder | 149x193x432 |



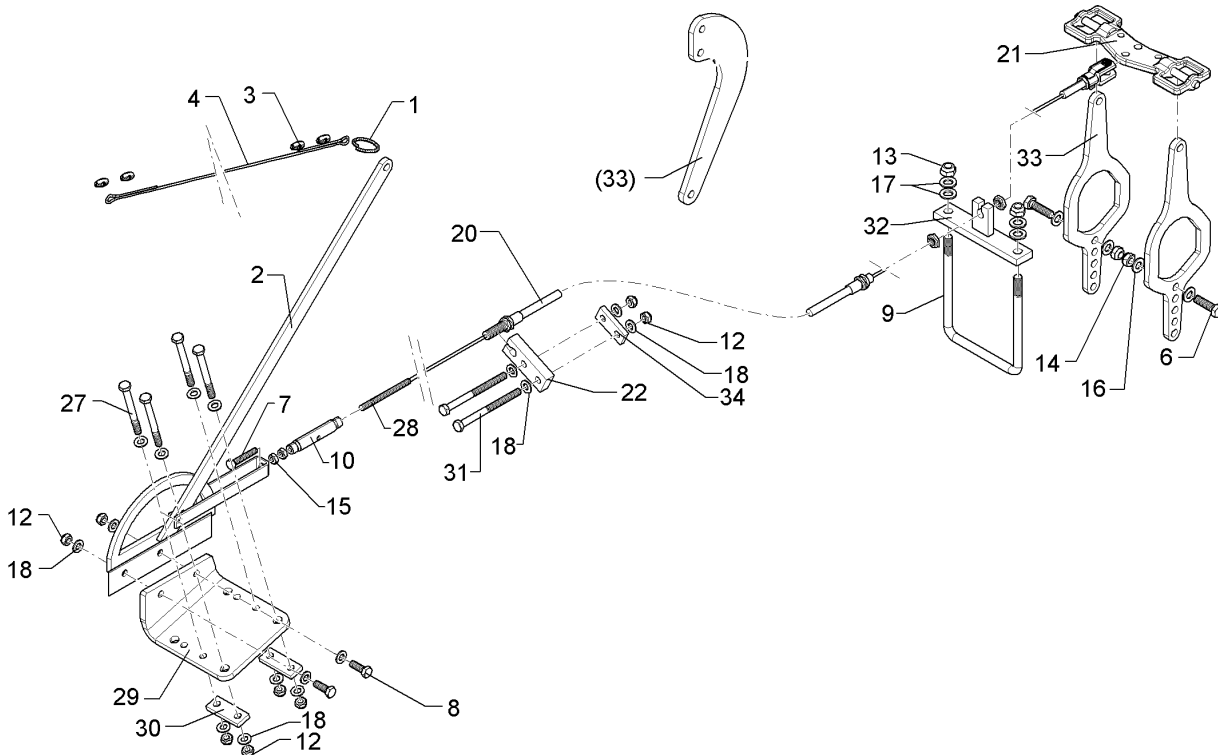
01.18

| Pos. | Art.Nr. | Stck. | Artikeltext / Description | | Abmessung |
|------|----------|-------|---------------------------|---------------|---------------------------------|
| 27 | 301 3498 | 4 | Sechskantschraube | Hexagon bolt | M12x120-8.8 Zn DIN931-A |
| 28 | 33110029 | 1 | Zugseil | Traction robe | D6x1300 M8/M10LH |
| 29 | 450 8664 | 1 | Flanschplatte | Flange plate | 10x180x288,9 4xD17 6xD13 GEB |
| 30 | 45910014 | 2 | Brücke | Clamp plate | 30x10x80 2xD13-53 |
| 31 | 301 3551 | 2 | Sechskantschraube | Hexagon bolt | M12x150-8.8 Zn DIN931-A |
| 33 | 459 1050 | 1 | Brücke | Clamp plate | 30x10x70 2xD12,1-40 |



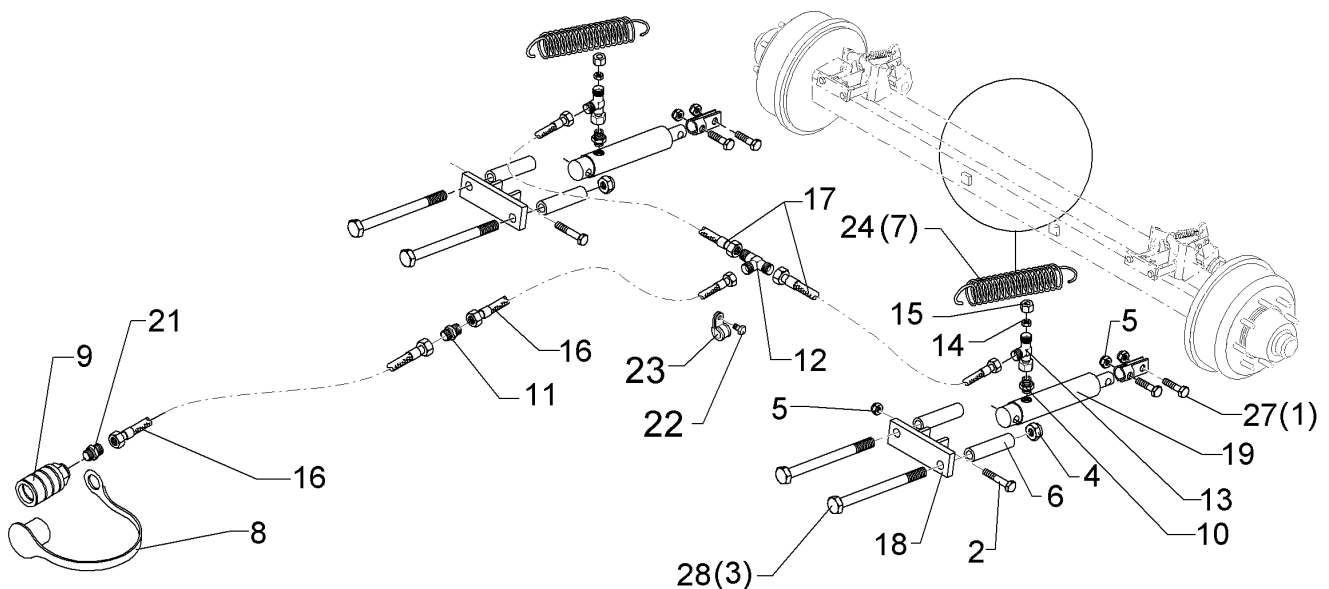
01.18

| Pos. | Art.Nr. | Stck. | Artikeltext / Description | Abmessung | |
|------|----------|-------|---------------------------|----------------------|---------------------------|
| 1 | F11 0121 | 1 | Abreißöse | Contact breaking lug | (f) |
| 2 | F12 0053 | 1 | Hebel | Lever | KPL ET |
| 3 | F25 0386 | 4 | Drahtseilklemme | Wire rope clamp | D=3mm |
| 4 | F25 0718 | 1 | Bremsseil | Brake cable | D=3 mm L=4m |
| 6 | 301 3581 | 2 | Sechskantschraube | Hexagon bolt | M14x50-8.8 Zn DIN933 |
| 7 | 30110068 | 1 | Sechskantschraube | Hexagon bolt | M10x130-8.8 Zn DIN933 |
| 8 | 301 7334 | 2 | Sechskantschraube | Hexagon bolt | M12x35-8.8 Zn DIN933 |
| 9 | 301 7803 | 1 | Bügelschraube | U-bolt | M16/160 Zn |
| 10 | 302 8851 | 1 | Spannschloßmutter | Turnbuckle sleeve | M10x125 Zn |
| 12 | 303 0934 | 8 | Sicherungsmutter | Selflocking nut | NM12-8 Zn DIN985 |
| 13 | 303 0935 | 2 | Sicherungsmutter | Selflocking nut | NM16-8 Zn DIN985 |
| 14 | 303 0941 | 2 | Sicherungsmutter | Selflocking nut | NM14-8 Zn DIN985 |
| 15 | 303 1012 | 2 | Sechskantmutter | Hexagon nut | M10 DIN934-8 Zn |
| 16 | 305 6139 | 4 | Scheibe | Washer | 28x15x2,5 Zn DIN125 |
| 17 | 305 6141 | 4 | Scheibe | Washer | 17/30x3 DIN/ISO-7089 |
| 18 | 305 8580 | 16 | Scheibe | Washer | 13/24x2,5 St-Zn DIN125 |
| 20 | 33110025 | 1 | Bremszug | Brake lever | D5x5000/3250 |
| 21 | 45010020 | 1 | Bremswaage | Brake balance bar | D14x290 ADR 768102 |



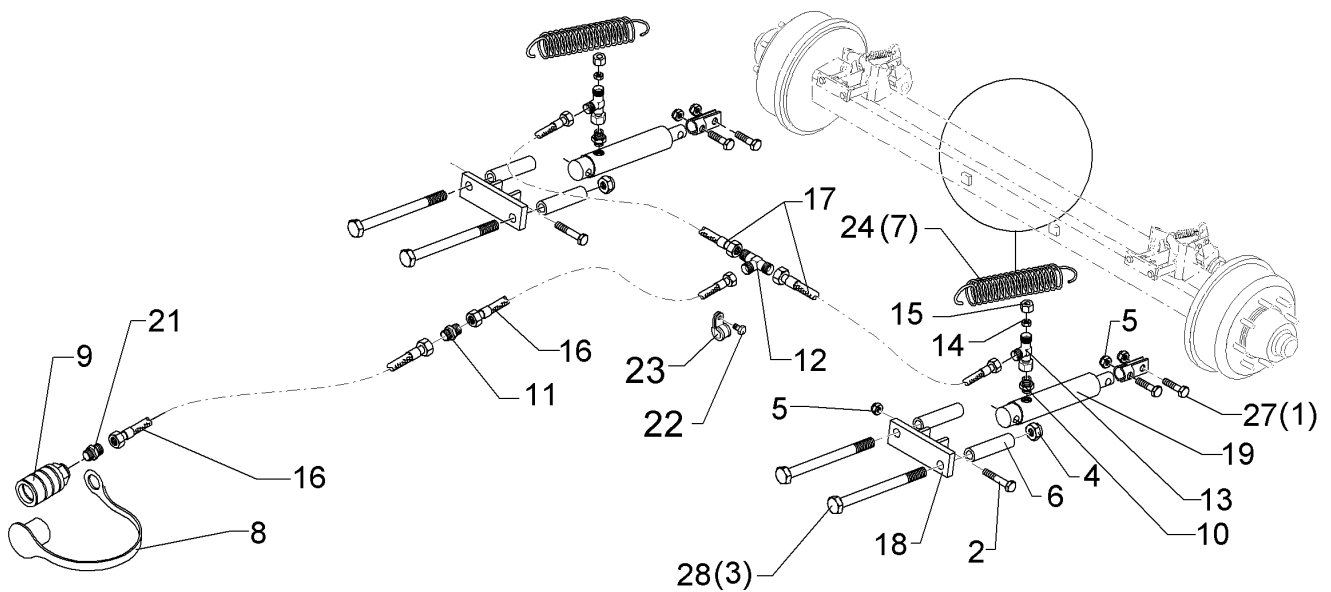
01.18

| Pos. | Art.Nr. | Stck. | Artikeltext / Description | | Abmessung |
|------|----------|-------|---------------------------|--------------|---------------------------------|
| 22 | 45010049 | 1 | Gegenhalter | Holder-up | 40x20x105 2xD13 D17 |
| 27 | 301 3498 | 4 | Sechskantschraube | Hexagon bolt | M12x120-8.8 Zn DIN931-A |
| 29 | 450 8664 | 1 | Flanschplatte | Flange plate | 10x180x288,9 4xD17 6xD13 GEB |
| 30 | 45910014 | 2 | Brücke | Clamp plate | 30x10x80 2xD13-53 |
| 31 | 301 3551 | 2 | Sechskantschraube | Hexagon bolt | M12x150-8.8 Zn DIN931-A |
| 32 | 45010048 | 1 | Halter | Holder | 40x76x210 |
| 33 | 45010050 | 2 | Hebel | Lever | 12x155x430 6xD14,5 |
| 34 | 459 1050 | 1 | Brücke | Clamp plate | 30x10x70 2xD12,1-40 |



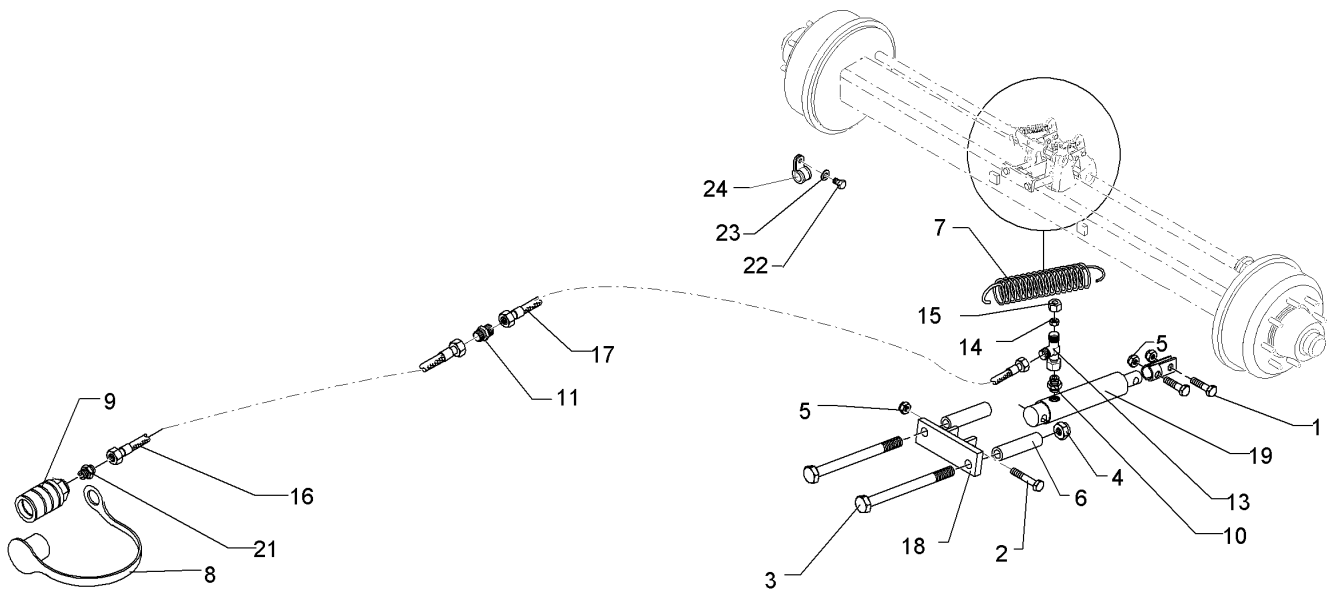
01.18

| Pos. | Art.Nr. | Stck. | Artikeltext / Description | | Abmessung |
|------|----------|-------|--------------------------------|--------------------------------|-------------------------------|
| 1 | 301 3575 | 4 | Sechskantschraube | Hexagon bolt | M14x40 8.8 Zn DIN933 |
| 2 | 301 3596 | 2 | Sechskantschraube spz. | Hexagon bolt | M14x75-8.8 Zn |
| 3 | 301 5410 | 4 | Sechskantschraube | Hexagon bolt | M16x160-8.8 Zn DIN931-A |
| 4 | 303 0935 | 4 | Sicherungsmutter | Selflocking nut | NM16-8 Zn DIN985 |
| 5 | 303 0941 | 6 | Sicherungsmutter | Selflocking nut | NM14-8 Zn DIN985 |
| 6 | 317 6802 | 4 | Röhrchen | Tube | 26,9x4,5x110 Zn |
| 7 | 329 8511 | 2 | Zugfeder | Spring | 4x28x160 |
| 8 | 375 2161 | 1 | SVBK-Staubstecker rot m.Kette | SVBK-male probe red with chain | BG 3 |
| 9 | 375 2739 | 1 | SBVK-Muffe | Socket | BG3 M18x1,5 |
| 10 | 375 4044 | 2 | Gerade Einschraubverschraubung | Nipple | x-GE12-LR 3/8" |
| 11 | 375 4110 | 1 | Gerade Verschraubung | Nipple | x-G12-L M18x1,5 |
| 12 | 375 4480 | 1 | T-Verschraubung | T-union | x-T12-L M18x1,5 Zn |
| 13 | 375 4550 | 2 | Einstellbare L-Verschraubung | Adjustable L-union | EL12-L M18x1,5 |
| 14 | 375 4660 | 2 | Blindstopfen | Blind plug | BUZ12-L |
| 15 | 375 5310 | 2 | Überwurfmutter | Union nut | 12L M18x1,5 Zn/ZnNi |
| 16 | 475 2659 | 2 | Hydraulikschlauch | Hydraulic hose | 1SN08-4500 M18x1,5 DKL |
| 17 | 475 2696 | 2 | Hydraulikschlauch | Hydraulic hose | 2SN08-1000-DKOL12 0/90 GRD |
| 18 | 475 4360 | 2 | Zylinderhalter | Carrier for ram | 50x15x160 2xD17 2xD14,5 |
| 19 | 575 2249 | 2 | Hydraulikzylinder EW | Hydraulic ram SA | EZ30-110/320 |



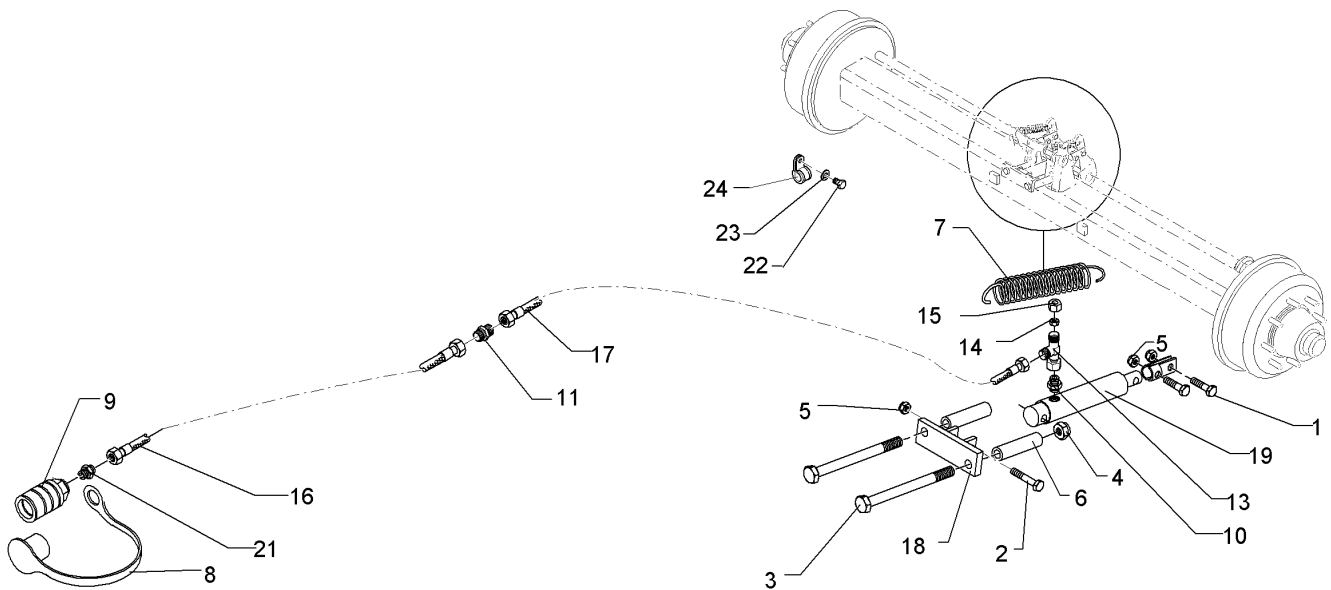
01.18

| Pos. | Art.Nr. | Stck. | Artikeltext / Description | | Abmessung |
|------|----------|-------|---------------------------|--------------|---------------------------|
| 21 | 375 4020 | 1 | Einschraubverschraubung | Nipple | x-GE12-LM M18x1,5 Zn |
| 22 | 301 3054 | 1 | Sechskantschraube | Hexagon bolt | M8x10-8.8 Zn |
| 23 | 325 1124 | 1 | Schlauchklemme | Hose clamp | DIN933 RSGU 1.15/20 W1 |



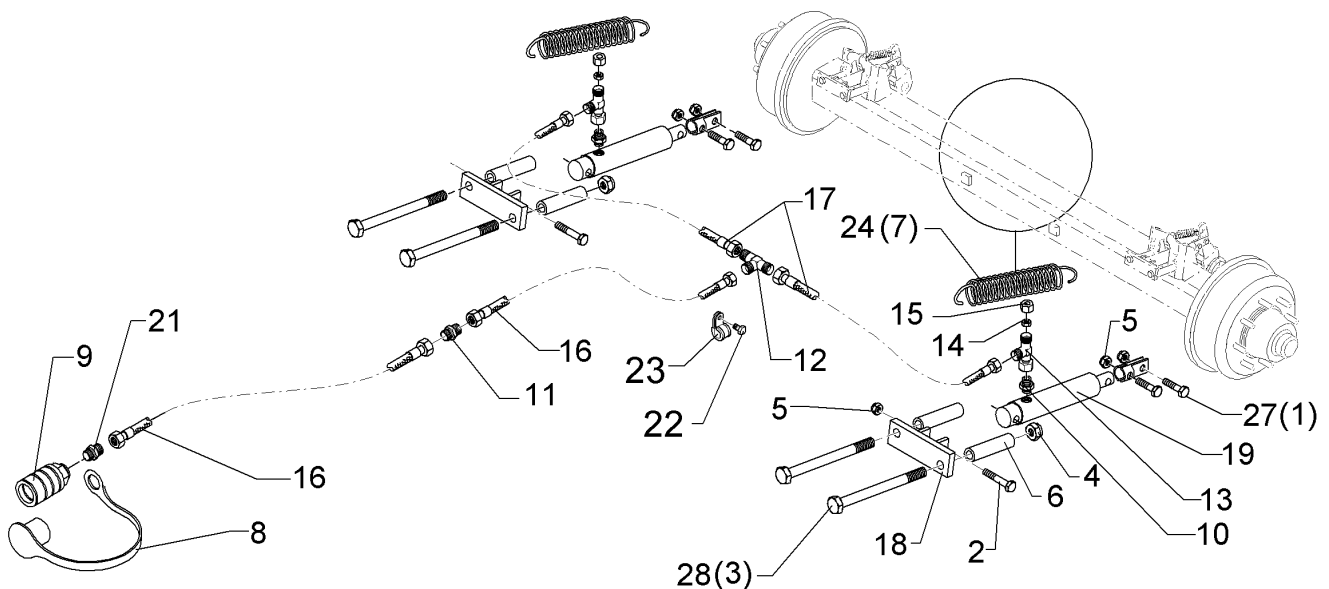
01.18

| Pos. | Art.Nr. | Stck. | Artikeltext / Description | Abmessung | |
|------|----------|-------|--------------------------------|--------------------------------|---|
| 1 | 301 3575 | 1 | Sechskantschraube | Hexagon bolt | M14x40 8.8 Zn DIN933 |
| 2 | 301 3596 | 1 | Sechskantschraube spz. | Hexagon bolt | M14x75-8.8 Zn |
| 3 | 301 5410 | 2 | Sechskantschraube | Hexagon bolt | M16x160-8.8 Zn DIN931-A |
| 4 | 303 0935 | 2 | Sicherungsmutter | Selflocking nut | NM16-8 Zn DIN985 |
| 5 | 303 0941 | 2 | Sicherungsmutter | Selflocking nut | NM14-8 Zn DIN985 |
| 6 | 317 6802 | 2 | Röhrchen | Tube | 26,9x4,5x110 Zn |
| 7 | 329 8511 | 2 | Zugfeder | Spring | 4x28x160 |
| 8 | 375 2161 | 1 | SVBK-Staubstecker rot m.Kette | SVBK-male probe red with chain | BG 3 |
| 9 | 375 2739 | 1 | SBVK-Muffe | Socket | BG3 M18x1,5 |
| 10 | 375 4044 | 1 | Gerade Einschraubverschraubung | Nipple | x-GE12-LR 3/8" |
| 11 | 375 4110 | 1 | Gerade Verschraubung | Nipple | x-G12-L M18x1,5 |
| 13 | 375 4550 | 1 | Einstellbare L-Verschraubung | Adjustable L-union | EL12-L M18x1,5 |
| 14 | 375 4660 | 1 | Blindstopfen | Blind plug | BUZ12-L |
| 15 | 375 5310 | 1 | Überwurfmutter | Union nut | 12L M18x1,5 Zn/ZnNi |
| 16 | 475 2642 | 1 | Hydraulikschlauch | Hydraulic hose | 1SN08-3900 DKOL-12L |
| 17 | 475 2659 | 1 | Hydraulikschlauch | Hydraulic hose | 1SN08-4500 |
| 18 | 475 4360 | 1 | Zylinderhalter | Carrier for ram | M18x1,5 DKL 50x15x160 2xD17 2xD14,5 |
| 19 | 575 2249 | 1 | Hydraulikzylinder EW | Hydraulic ram SA | EZ30-110/320 |
| 21 | 375 4020 | 1 | Einschraubverschraubung | Nipple | x-GE12-LM M18x1,5 Zn |



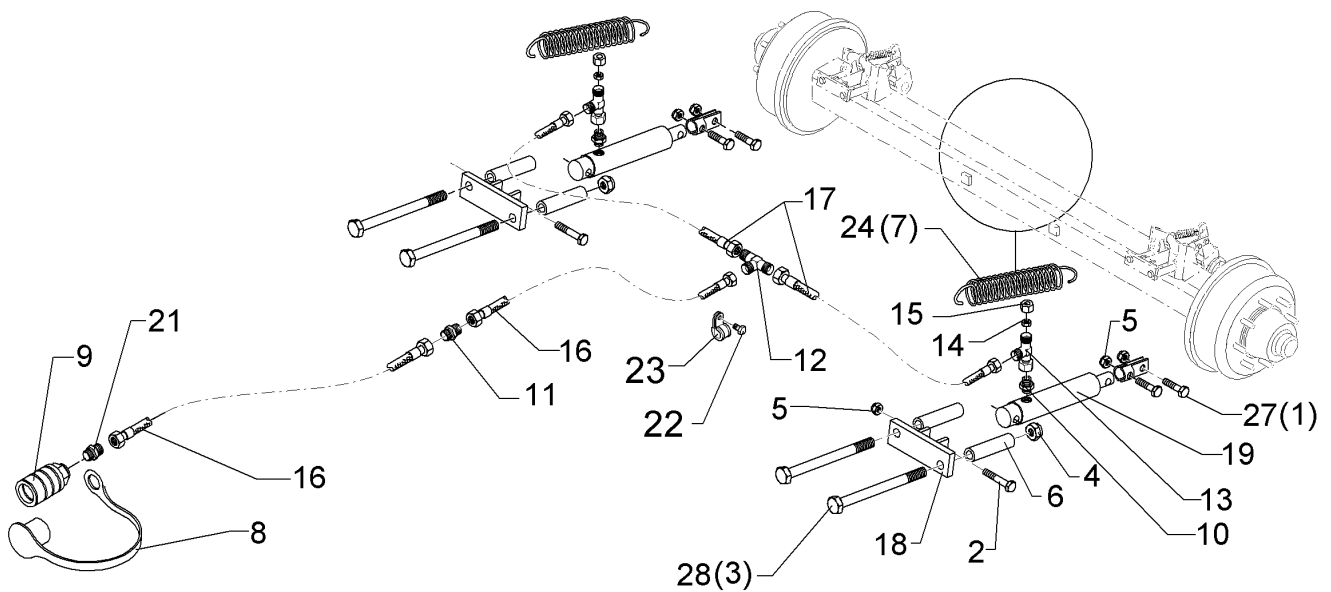
01.18

| Pos. | Art.Nr. | Stck. | Artikeltext / Description | | Abmessung |
|------|----------|-------|---------------------------|--------------|------------------------|
| 22 | 301 7260 | 1 | Sechskantschraube | Hexagon bolt | M8x16-8.8 Zn DIN933 |
| 23 | 305 8694 | 1 | Scheibe | Washer | A8,4 DIN125-St Zn |
| 24 | 325 1124 | 1 | Schlauchklemme | Hose clamp | RSGU 1.15/20 W1 |



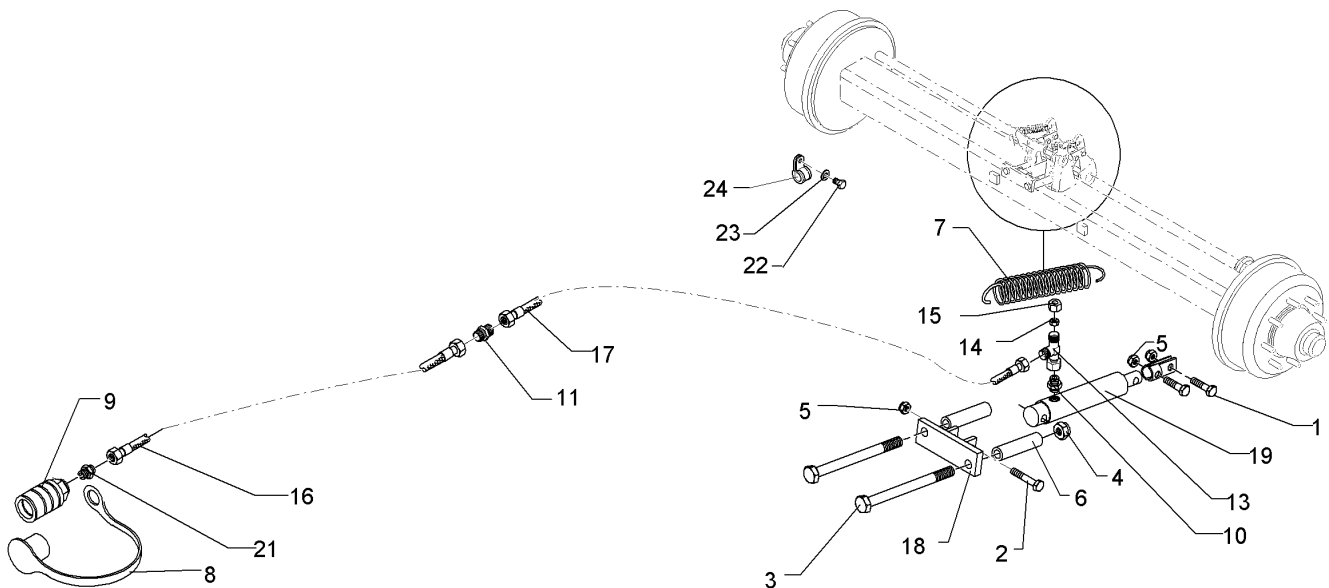
01.18

| Pos. | Art.Nr. | Stck. | Artikeltext / Description | | Abmessung |
|------|----------|-------|--------------------------------|--------------------------------|-------------------------------|
| 1 | 301 3575 | 2 | Sechskantschraube | Hexagon bolt | M14x40 8.8 Zn DIN933 |
| 2 | 301 3596 | 2 | Sechskantschraube spz. | Hexagon bolt | M14x75-8.8 Zn |
| 3 | 301 4125 | 4 | Sechskantschraube | Hexagon bolt | M16x190-8.8 Zn DIN931-A |
| 4 | 303 0935 | 4 | Sicherungsmutter | Selflocking nut | NM16-8 Zn DIN985 |
| 5 | 303 0941 | 4 | Sicherungsmutter | Selflocking nut | NM14-8 Zn DIN985 |
| 6 | 317 6861 | 4 | Röhrchen | Tube | 26,9/16,9x139 Zn |
| 7 | 329 8516 | 2 | Zugfeder | Spring | d=5 Dm=33 Lo=162 90 GRD Zn |
| 8 | 375 2161 | 1 | SVBK-Staubstecker rot m.Kette | SVBK-male probe red with chain | BG 3 |
| 9 | 375 2739 | 1 | SBVK-Muffe | Socket | BG3 M18x1,5 |
| 10 | 375 4044 | 2 | Gerade Einschraubverschraubung | Nipple | x-GE12-LR 3/8" |
| 11 | 375 4110 | 1 | Gerade Verschraubung | Nipple | x-G12-L M18x1,5 |
| 12 | 375 4480 | 1 | T-Verschraubung | T-union | x-T12-L M18x1,5 Zn |
| 13 | 375 4550 | 2 | Einstellbare L-Verschraubung | Adjustable L-union | EL12-L M18x1,5 |
| 14 | 375 4660 | 2 | Blindstopfen | Blind plug | BUZ12-L |
| 15 | 375 5310 | 2 | Überwurfmutter | Union nut | 12L M18x1,5 Zn/ZnNi |
| 16 | 475 2659 | 2 | Hydraulikschlauch | Hydraulic hose | 1SN08-4500 M18x1,5 DKL |
| 17 | 475 2696 | 2 | Hydraulikschlauch | Hydraulic hose | 2SN08-1000-DKOL12 0/90 GRD |
| 18 | 475 4360 | 2 | Zylinderhalter | Carrier for ram | 50x15x160 2xD17 2xD14,5 |
| 19 | 575 2249 | 2 | Hydraulikzylinder EW | Hydraulic ram SA | EZ30-110/320 |



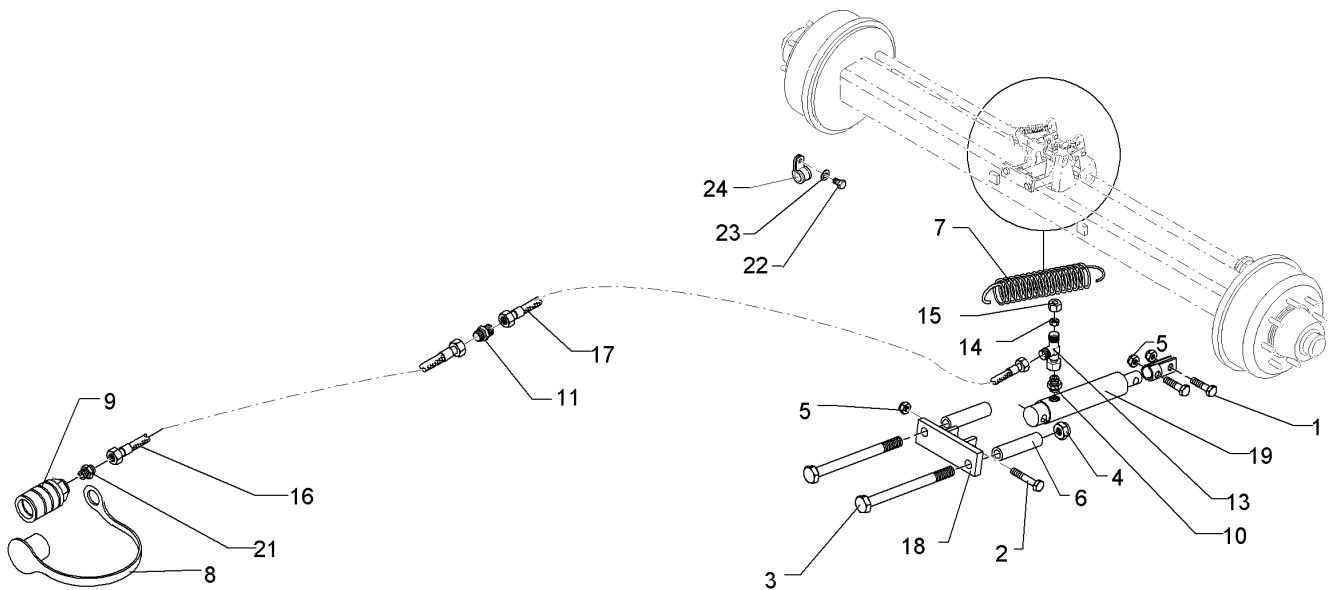
01.18

| Pos. | Art.Nr. | Stck. | Artikeltext / Description | | Abmessung |
|------|----------|-------|---------------------------|--------------|----------------------------|
| 21 | 375 4020 | 1 | Einschraubverschraubung | Nipple | x-GE12-LM M18x1,5 Zn |
| 22 | 301 3054 | 1 | Sechskantschraube | Hexagon bolt | M8x10-8.8 Zn DIN933 |
| 23 | 325 1124 | 1 | Schlauchklemme | Hose clamp | RSGU 1.15/20 W1 |
| 27 | 301 3585 | 2 | Sechskantschraube | Hexagon bolt | M14x55-8.8 Zn DIN931-A |
| 28 | 301 4133 | 4 | Sechskantschraube | Hexagon bolt | M16x200-8.8 Zn DIN931-A |



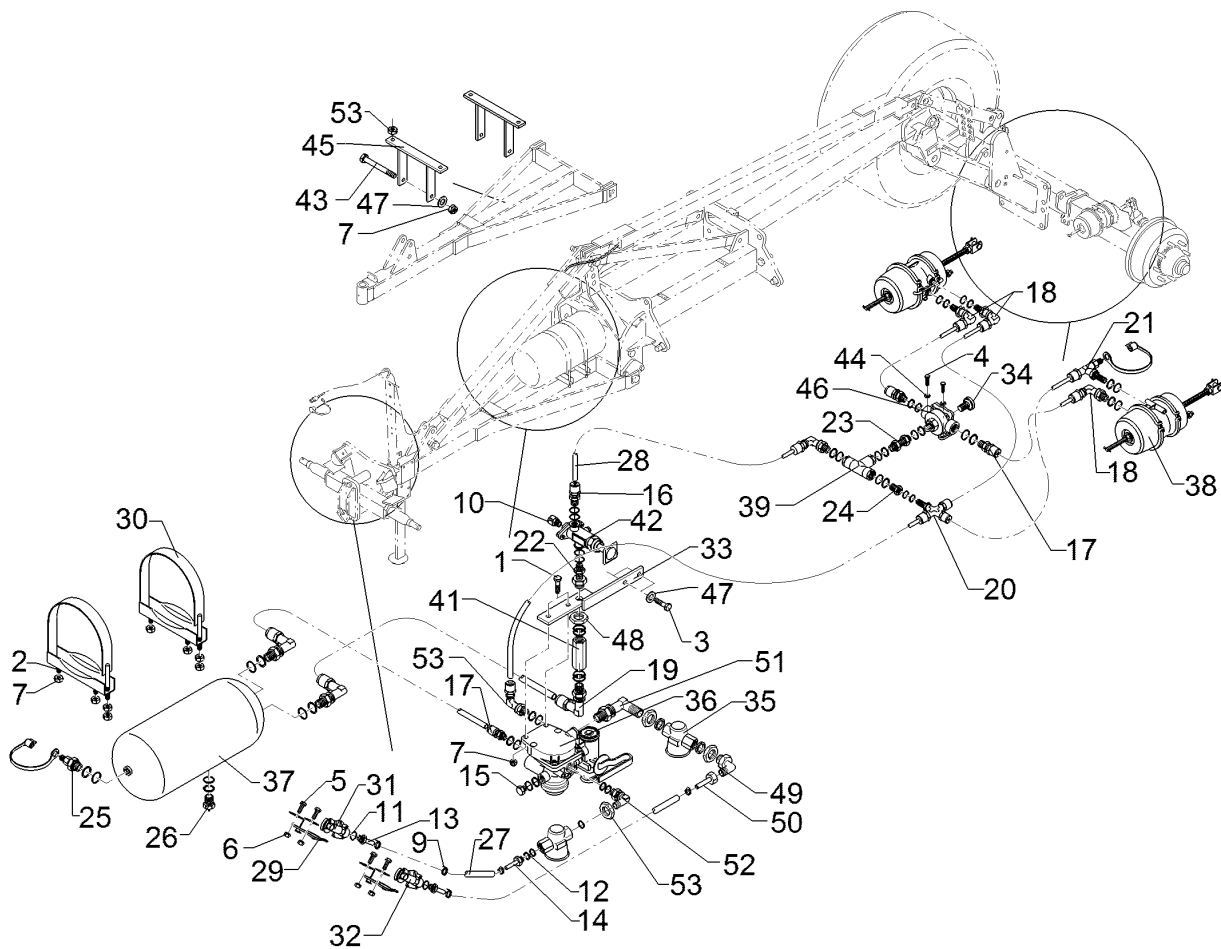
01.18

| Pos. | Art.Nr. | Stck. | Artikeltext / Description | | Abmessung |
|------|----------|-------|--------------------------------|--------------------------------|----------------------------|
| 1 | 301 3575 | 1 | Sechskantschraube | Hexagon bolt | M14x40 8.8 Zn DIN933 |
| 2 | 301 3596 | 1 | Sechskantschraube spz. | Hexagon bolt | M14x75-8.8 Zn |
| 3 | 301 5410 | 2 | Sechskantschraube | Hexagon bolt | M16x160-8.8 Zn DIN931-A |
| 4 | 303 0935 | 2 | Sicherungsmutter | Selflocking nut | NM16-8 Zn DIN985 |
| 5 | 303 0941 | 2 | Sicherungsmutter | Selflocking nut | NM14-8 Zn DIN985 |
| 6 | 317 6802 | 2 | Röhrchen | Tube | 26,9x4,5x110 Zn |
| 7 | 329 8511 | 2 | Zugfeder | Spring | 4x28x160 |
| 8 | 375 2161 | 1 | SVBK-Staubstecker rot m.Kette | SVBK-male probe red with chain | BG 3 |
| 9 | 375 2739 | 1 | SBVK-Muffe | Socket | BG3 M18x1,5 |
| 10 | 375 4044 | 1 | Gerade Einschraubverschraubung | Nipple | x-GE12-LR 3/8" |
| 11 | 375 4110 | 1 | Gerade Verschraubung | Nipple | x-G12-L M18x1,5 |
| 13 | 375 4550 | 1 | Einstellbare L-Verschraubung | Adjustable L-union | EL12-L M18x1,5 |
| 14 | 375 4660 | 1 | Blindstopfen | Blind plug | BUZ12-L |
| 15 | 375 5310 | 1 | Überwurfmutter | Union nut | 12L M18x1,5 Zn/ZnNi |
| 16 | 475 2642 | 1 | Hydraulikschlauch | Hydraulic hose | 1SN08-3900 DKOL-12L |
| 17 | 475 2501 | 1 | Hydraulikschlauch | Hydraulic hose | 1SN8-5000 DKOL12/DKOL12 |
| 18 | 475 4360 | 1 | Zylinderhalter | Carrier for ram | 0/0° 50x15x160 2xD17 |
| 19 | 575 2249 | 1 | Hydraulikzylinder EW | Hydraulic ram SA | 2xD14,5 EZ30-110/320 |



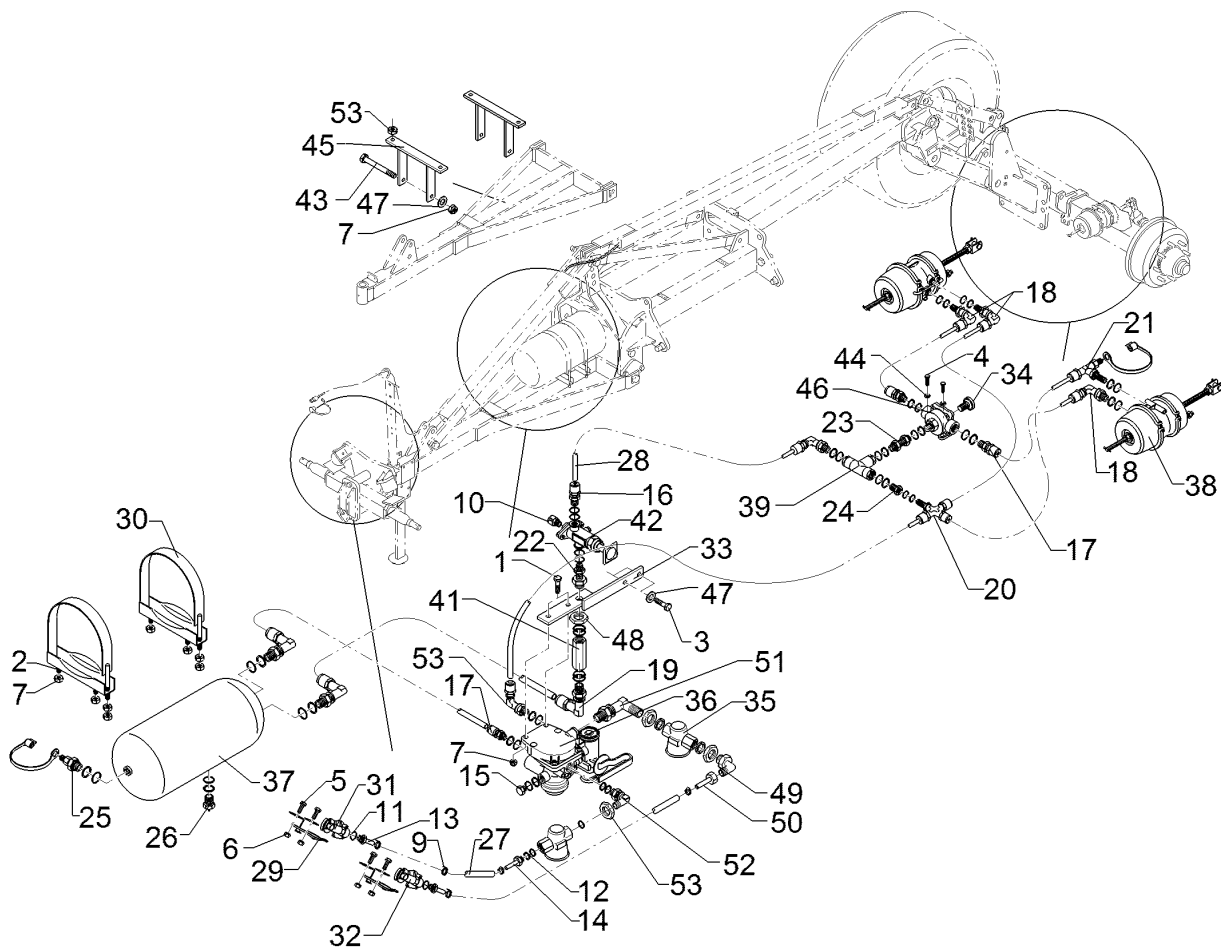
01.18

| Pos. | Art.Nr. | Stck. | Artikeltext / Description | | Abmessung |
|------|----------|-------|---------------------------|--------------|--------------------------------------|
| 21 | 375 4020 | 1 | Einschraubverschraubung | Nipple | x-GE12-LM M18x1,5 Zn |
| 22 | 301 7260 | 1 | Sechskantschraube | Hexagon bolt | M8x16-8.8 Zn |
| 23 | 305 8694 | 1 | Scheibe | Washer | DIN933 |
| 24 | 325 1124 | 1 | Schlauchklemme | Hose clamp | A8,4 DIN125-St Zn RSGU 1.15/20 W1 |



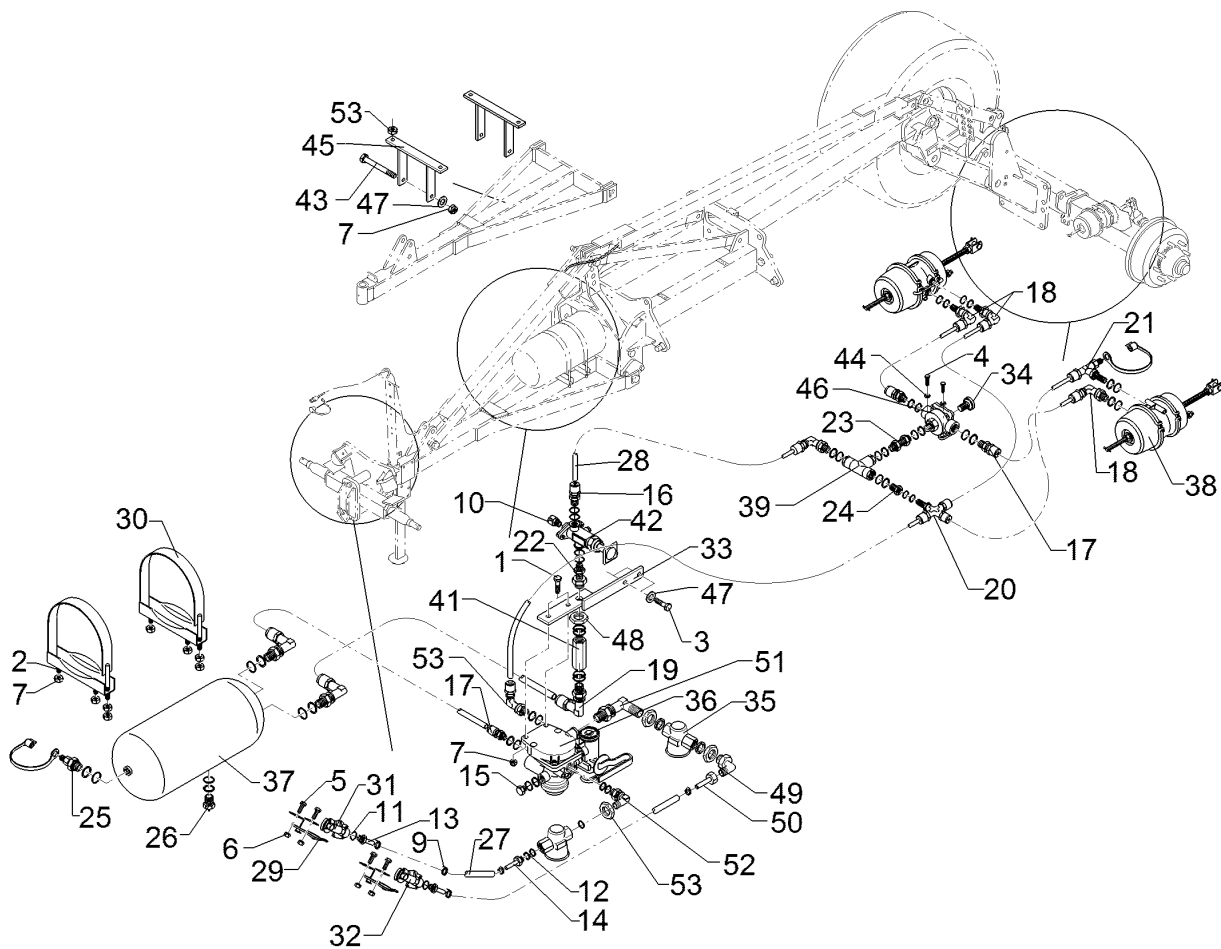
01.18

| Pos. | Art.Nr. | Stck. | Artikeltext / Description | | Abmessung |
|------|----------|-------|-----------------------------|-------------------------|-----------------------------|
| 1 | 301 7308 | 2 | Sechskantschraube | Hexagon bolt | M10x35-8.8 Zn DIN933 |
| 2 | 301 3226 | 4 | Sechskantschraube | Hexagon bolt | M10x30-10.9 Zn DIN933 |
| 3 | 301 5424 | 2 | Sechskantschraube | Hexagon bolt | M10x45-8.8 Zn DIN931-A |
| 4 | 301 7260 | 2 | Sechskantschraube | Hexagon bolt | M8x16-8.8 Zn DIN933 |
| 5 | 301 7280 | 4 | Sechskantschraube | Hexagon bolt | M8x25-8.8 Zn DIN933 |
| 6 | 303 0932 | 4 | Sicherungsmutter | Selflocking nut | NM8-8 Zn DIN985 |
| 7 | 303 0933 | 8 | Sicherungsmutter | Selflocking nut | NM10-8 DIN985 Zn |
| 8 | 305 8694 | 2 | Scheibe | Washer | A8,4 DIN125-St Zn |
| 9 | 325 1145 | 4 | Schlauchschelle | Hose clip | 12/20 |
| 10 | 375 2190 | 1 | Be- und Entlüftungsschraube | Vent plug | M16x1,5 |
| 12 | 377 1181 | 2 | Druckring mit O-Ring | Thrust ring with O-ring | DR/R22x27-RU/20,3x2,4 |
| 13 | 377 1301 | 2 | Schlauchstutzen | Hose nipple | ES/BM 16x1,5-11 |
| 14 | 377 1302 | 1 | Schlauchstutzen | Hose nipple | ES/B15-11 M22x1,5 |
| 15 | 377 1350 | 1 | Verschlusschraube | Plug | VS/BM 22x1,5 |
| 16 | 377 1400 | 2 | Einschraubsteckverbindung | Push-in connection | 00° M16x1,5 12x1,5 |
| 17 | 377 1401 | 5 | Einschraubsteckverbindung | Push-in connection | 00° M22x1,5 12x1,5 |
| 18 | 377 1409 | 3 | Einschraubsteckverbindung | Push-in connection | M16x1,5 12x1,5 |
| 19 | 377 1410 | 2 | Einschraubsteckverbindung | Push-in connection | M22x1,5 12x1,5 |
| 20 | 377 1440 | 1 | Einschraubsteckverbindung | Push-in connection | 90/00/90° M16x1,5 12x1,5 |



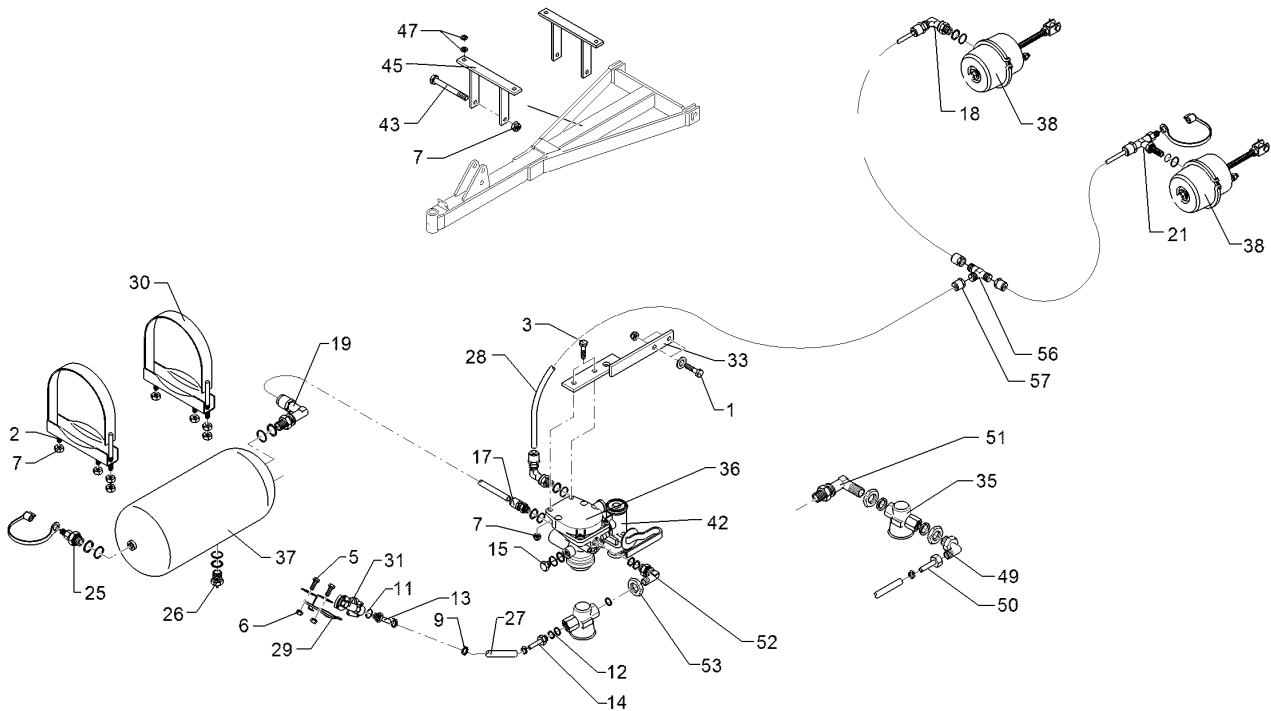
01.18

| Pos. | Art.Nr. | Stck. | Artikeltext / Description | | Abmessung |
|------|----------|-------|---------------------------|--------------------------|-----------------------------|
| 21 | 377 1450 | 1 | Einschraubsteckverbindung | Push-in connection | 90° M16x1,5 12x1,5 m.Pr |
| 22 | 377 1460 | 1 | Einschraubstutzen | Screwed socket | 00° M22x1,5 M16x1,5 |
| 23 | 377 1461 | 1 | Einschraubstutzen | Screwed socket | 00° M22x1,5 M22x1,5 |
| 24 | 377 1482 | 2 | Reduzierstück | Reducing fitting | M22x1,5 M16x1,5 |
| 25 | 377 1341 | 1 | Prüfanschluss | Test coupling | 318 040 001 M22x1,5 |
| 26 | 377 1380 | 1 | Entwässerungsventil | Dewatering valve | M22x1,5 315 019 001 |
| 27 | 377 2025 | 2 | Bremsschlauch | Brake hose | 11,5x3,5-4x4200 |
| 28 | 377 2070 | 18 | Kunststoffrohr Meter-Ware | Synthetic tube | 12x1,5 DIN 74324 |
| 29 | 377 2520 | 2 | Leerkupplung | Hose coupling | 334 028 001 |
| 30 | 377 2532 | 2 | Spannband | Strap | D310 030 200 409 |
| 31 | 377 2540 | 1 | Kupplungskopf Vorrat rot | Hose coupling | M16x1,5 ISO1728 |
| 32 | 377 2541 | 1 | Kupplungskopf Bremse gelb | Hose coupling | M16x1,5 ISO1728 |
| 33 | 477 1125 | 1 | Halter | Holder | 30x8x330 |
| 34 | 577 2570 | 1 | Entlüftungsfilter | Venting filter | M22x1,5 031 000 909 |
| 35 | 577 2580 | 2 | Rohrleitungsfilter | Filter | M22x1,5 DIN74347 |
| 36 | 577 2591 | 1 | Anhängerbremsventil | Trailer brake valve | 350 027 002 |
| 37 | 577 2622 | 1 | Druckluftbehälter | Compressed-air container | D310x600 40Ltr. |
| 38 | 577 2641 | 2 | Membranzylinder | Membrane-cylinder | 24/30 M16x1,5 1362430001 |



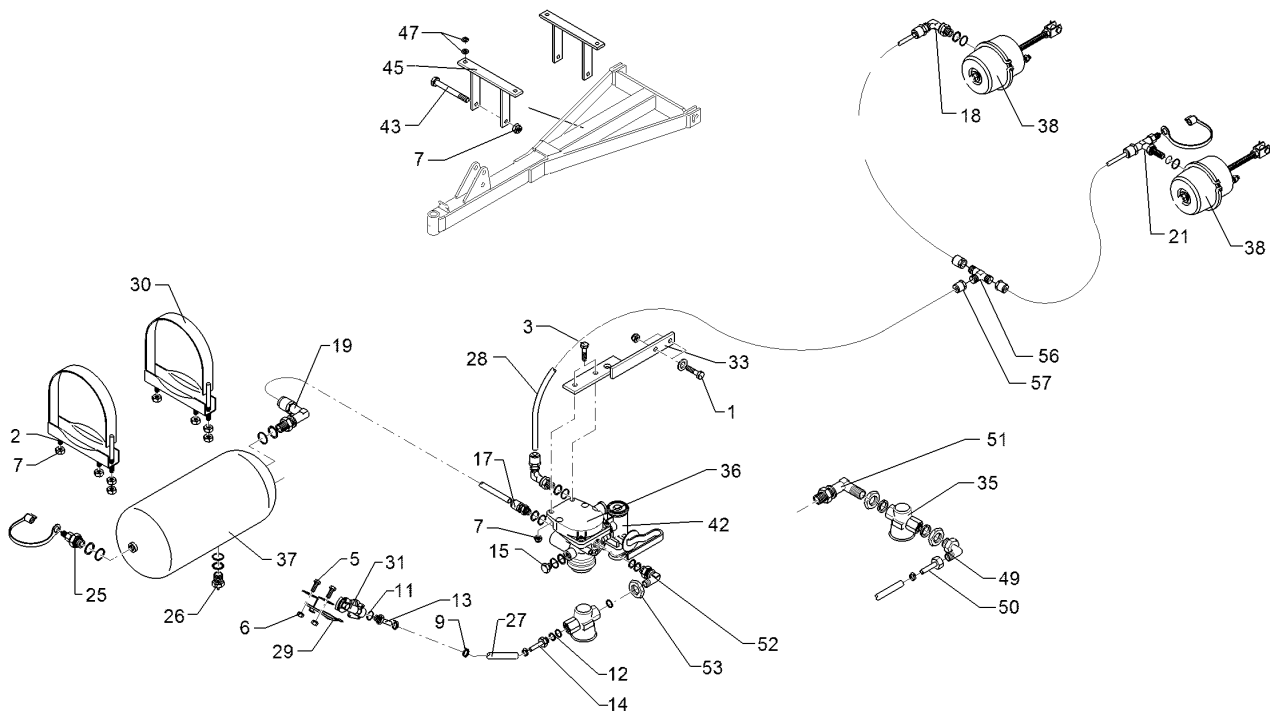
01.18

| Pos. | Art.Nr. | Stck. | Artikeltext / Description | | Abmessung |
|------|----------|-------|--------------------------------|----------------------|----------------------------|
| 39 | 577 2660 | 1 | 2-Wege-Ventil | 2-port control valve | M22x1,5 333 001 201 |
| 41 | 577 2680 | 1 | Rückschlagventil | Nonreturn valve | M22x1,5 |
| 42 | 577 2690 | 1 | Parkventil | Parking valve | M16x1,5 |
| 43 | 301 5438 | 2 | Sechskantschraube | Hexagon bolt | M10x150-8.8 Zn DIN931-A |
| 44 | 305 9898 | 2 | Federring | Spring ring | 8 A DIN127 Zn |
| 46 | 577 2671 | 1 | Schnellöseventil | Quick release valve | M16x1,5 356 023 011 |
| 47 | 305 8696 | 8 | Scheibe | Washer | A10,5 DIN125-St Zn |
| 48 | 375 5698 | 1 | Sechskantmutter | Hexagon nut | M16x1,5 SW22 Zn |
| 49 | 377 1260 | 1 | Winkel-Einschraubverschraubung | Angle union | 15/1-26/112 M22x1,5 |
| 50 | 377 1300 | 1 | Schlauchstutzen | Hose nipple | S/FL12-11 M12L D12L |
| 51 | 377 1472 | 1 | Einschraubstutzen | Screwed socket | 90° M22x1,5 M22x1,5 |
| 52 | 377 1473 | 1 | Einschraubstutzen | Screwed socket | 90° M22x1,5 M16x1,5 |
| 53 | 303 1013 | 4 | Sechskantmutter | Hexagon nut | M12 DIN934-8 Zn |



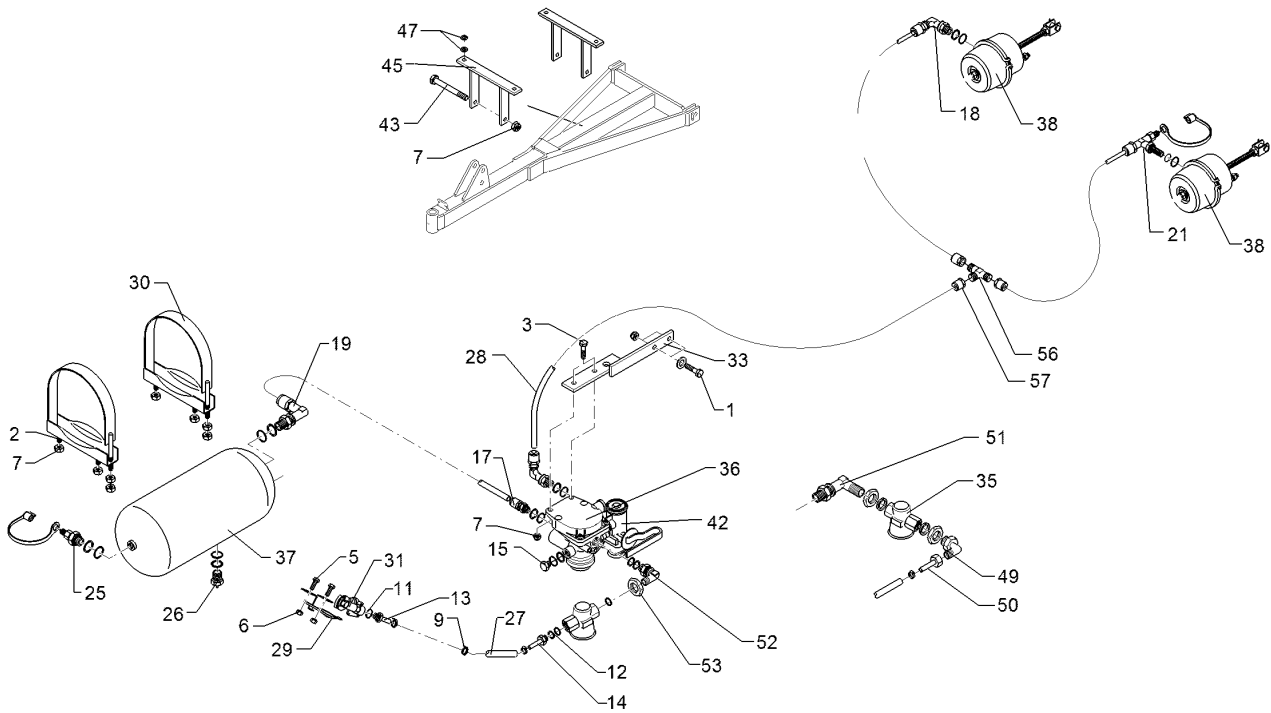
01.18

| Pos. | Art.Nr. | Stck. | Artikeltext / Description | | Abmessung |
|------|----------|-------|---------------------------|-------------------------|--------------------------------|
| 1 | 301 5424 | 2 | Sechskantschraube | Hexagon bolt | M10x45-8.8 Zn |
| 2 | 301 3226 | 4 | Sechskantschraube | Hexagon bolt | DIN931-A M10x30-10.9 Zn |
| 3 | 301 5009 | 2 | Sechskantschraube | Hexagon bolt | DIN933 M10x40-8.8 Zn |
| 5 | 301 7280 | 4 | Sechskantschraube | Hexagon bolt | DIN933 M8x25-8.8 Zn |
| 6 | 303 0932 | 4 | Sicherungsmutter | Selflocking nut | DIN933 NM8-8 Zn DIN985 |
| 7 | 303 0933 | 8 | Sicherungsmutter | Selflocking nut | NM10-8 DIN985 Zn |
| 8 | 305 8694 | 4 | Scheibe | Washer | A8,4 DIN125-St Zn |
| 9 | 325 1145 | 4 | Schlauchschelle | Hose clip | 12/20 |
| 11 | 377 1180 | 2 | Druckring mit O-Ring | Thrust ring with O-ring | DR/R16x21-RU/14,3x2,4 |
| 12 | 377 1181 | 5 | Druckring mit O-Ring | Thrust ring with O-ring | DR/R22x27-RU/20,3x2,4 |
| 13 | 377 1301 | 2 | Schlauchstutzen | Hose nipple | ES/BM 16x1,5-11 |
| 14 | 377 1302 | 1 | Schlauchstutzen | Hose nipple | ES/B15-11 M22x1,5 |
| 15 | 377 1350 | 1 | Verschlusschraube | Plug | VS/BM 22x1,5 |
| 16 | 377 1400 | 2 | Einschraubsteckverbindung | Push-in connection | 00° M16x1,5 12x1,5 |
| 17 | 377 1401 | 2 | Einschraubsteckverbindung | Push-in connection | 00° M22x1,5 12x1,5 |
| 18 | 377 1409 | 4 | Einschraubsteckverbindung | Push-in connection | M16x1,5 12x1,5 |
| 19 | 377 1410 | 4 | Einschraubsteckverbindung | Push-in connection | M22x1,5 12x1,5 |
| 21 | 377 1450 | 1 | Einschraubsteckverbindung | Push-in connection | 90° M16x1,5 12x1,5 |
| 25 | 377 1341 | 1 | Prüfanschluss | Test coupling | m.Pr 318 040 001 M22x1,5 |



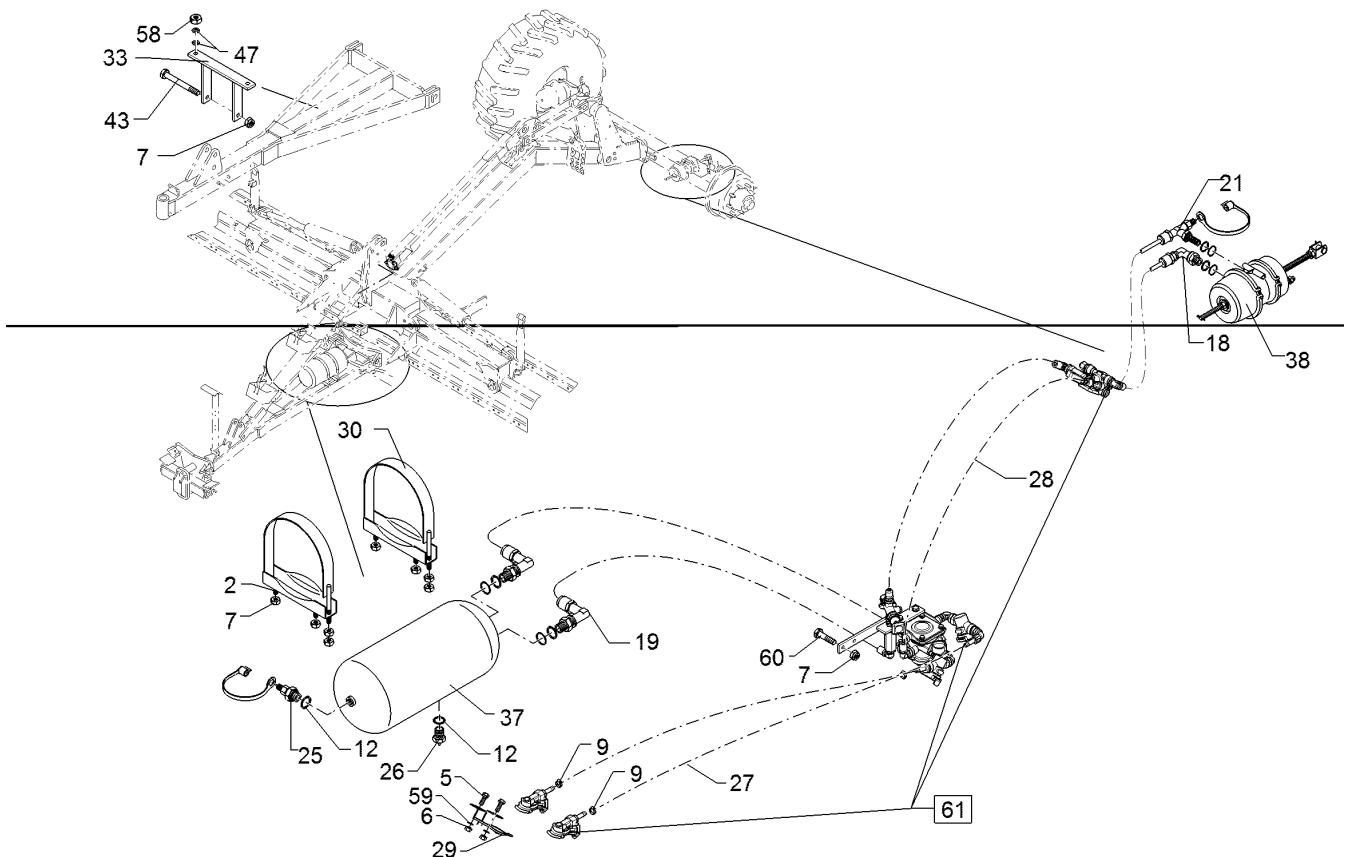
01.18

| Pos. | Art.Nr. | Stck. | Artikeltext / Description | | Abmessung |
|------|----------|-------|---------------------------------|--------------------------|----------------------------|
| 26 | 377 1380 | 1 | Entwässerungsventil | Dewatering valve | M22x1,5 315 019 001 |
| 27 | 377 2025 | 1 | Bremsschlauch | Brake hose | 11,5x3,5-4x4200 |
| 28 | 377 2070 | 18 | Kunststoffrohr Meter-Ware | Synthetic tube | 12x1,5 DIN 74324 |
| 30 | 377 2532 | 2 | Spannband | Strap | D310 030 200 409 |
| 31 | 377 2542 | 1 | Kupplungskopf Einleitung Stift | Hose coupling | M22x1,5 334 007 001 |
| 33 | 477 1125 | 1 | Halter | Holder | 30x8x330 |
| 35 | 577 2580 | 1 | Rohrleitungsfilter | Filter | M22x1,5 DIN74347 |
| 36 | 577 2592 | 1 | Anhängerbremssventil Einleitung | Valve | 351 006 001 |
| 37 | 577 2622 | 1 | Druckluftbehälter | Compressed-air container | D310x600 40Ltr. |
| 38 | 577 2643 | 2 | Membranzylinder | Membrane-cylinder | 24" M16x1,5 120351101 |
| 42 | 577 2595 | 1 | Regler Einl. mit Lösestellung | Regulator | 352 011 101 |
| 43 | 301 5438 | 2 | Sechskantschraube | Hexagon bolt | M10x150-8.8 Zn DIN931-A |
| 45 | 477 1126 | 2 | Halter | Holder | 30x8x230/111 |
| 47 | 305 8696 | 8 | Scheibe | Washer | A10,5 DIN125-St Zn |
| 48 | 375 5698 | 1 | Sechskantmutter | Hexagon nut | M16x1,5 SW22 Zn |
| 52 | 377 1473 | 1 | Einschraubstutzen | Screwed socket | 90° M22x1,5 M16x1,5 |
| 53 | 375 5710 | 1 | Sechskantmutter | Hexagon nut | M22x1,5 SW27x7 |
| 54 | 377 1126 | 1 | Dichtring | Seal ring | DI/D20x28 |
| 55 | 377 2502 | 2 | Gabelkopf | Forkhead | M16x1,5 003 561 409 |
| 56 | 375 4480 | 1 | T-Verschraubung | T-union | x-T12-L M18x1,5 Zn |



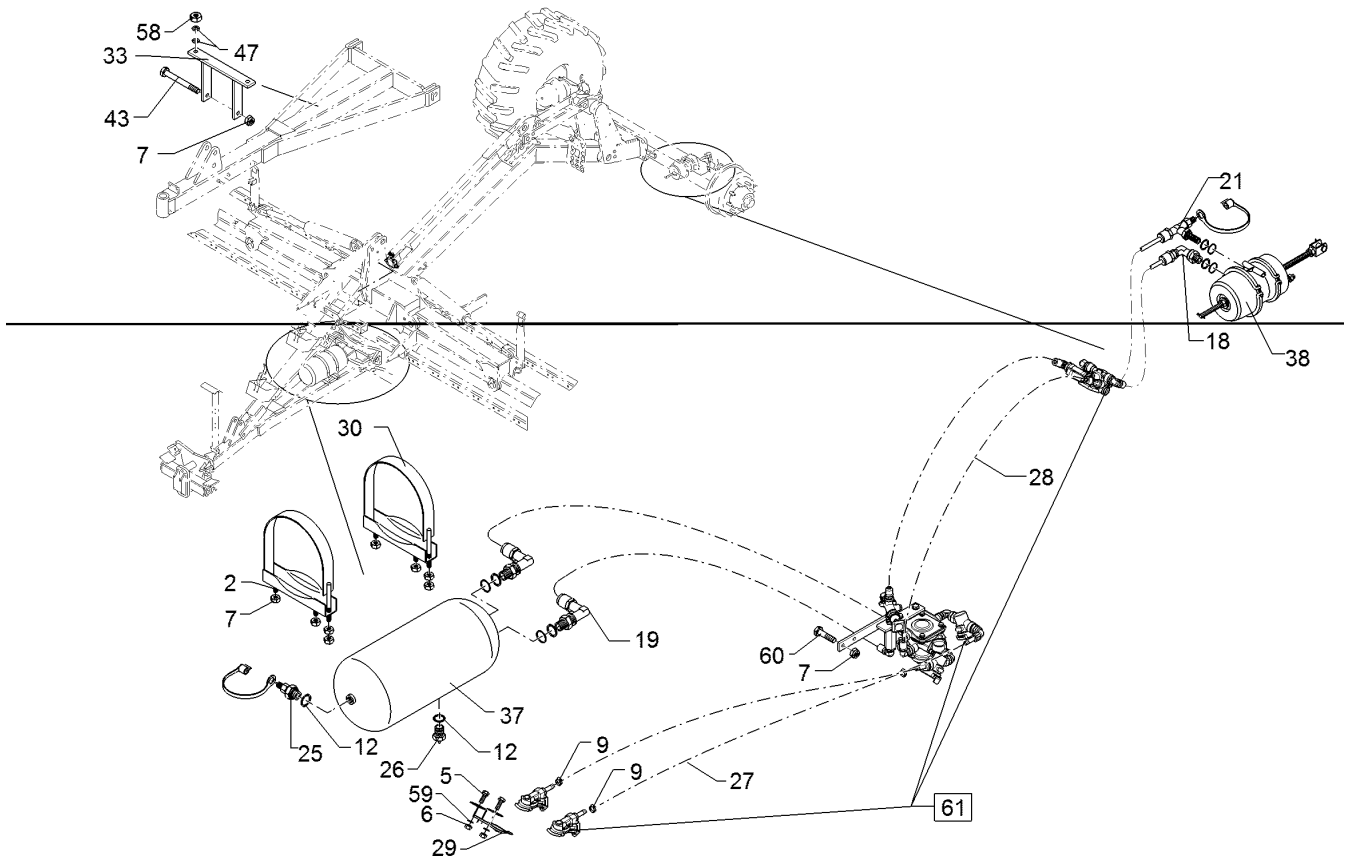
01.18

| Pos. | Art.Nr. | Stck. | Artikeltext / Description | | Abmessung |
|------|----------|-------|---------------------------|-----------|----------------|
| 57 | 377 1399 | 3 | Überwurfmutter | Union nut | M18x1,5 12x1,5 |



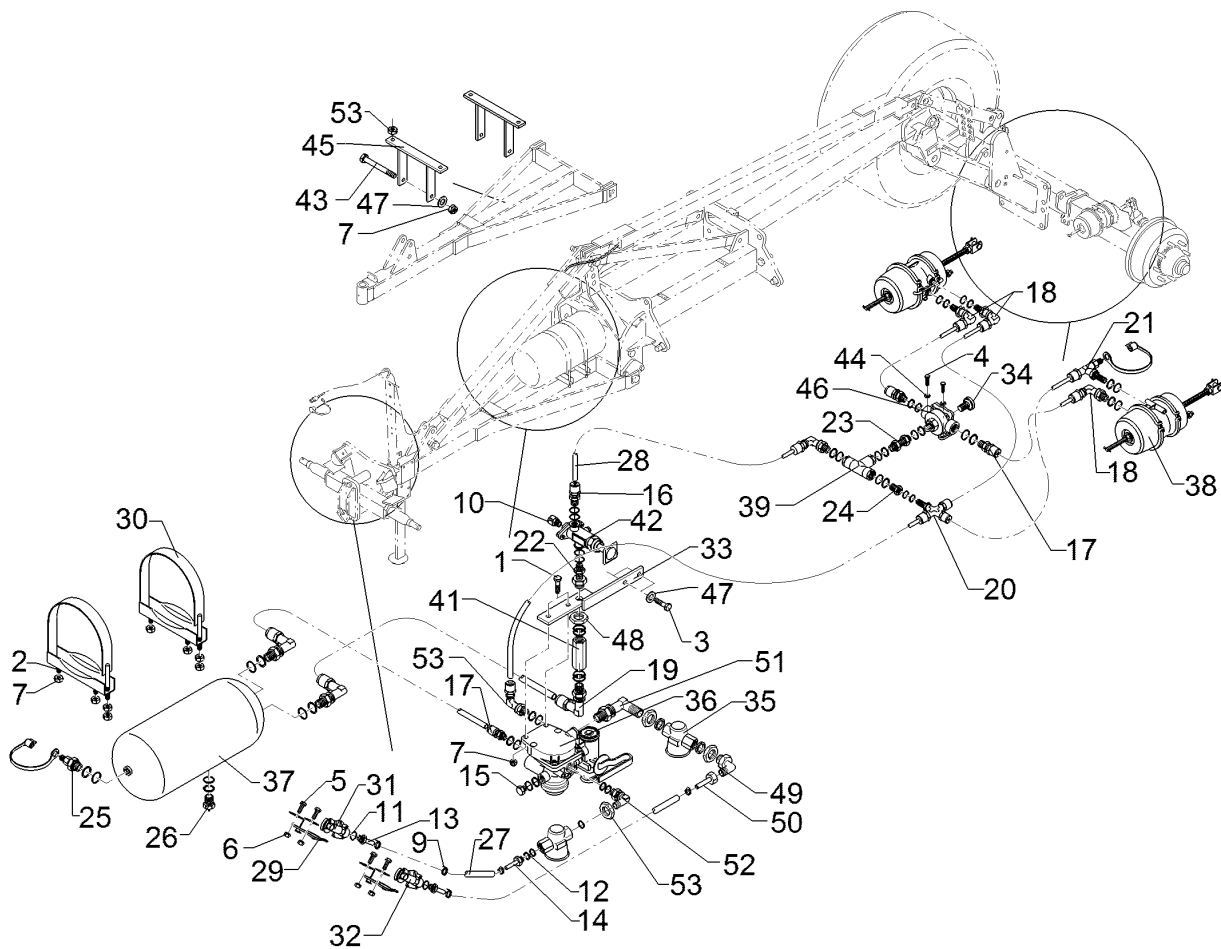
01.18

| Pos. | Art.Nr. | Stck. | Artikeltext / Description | | Abmessung |
|------|----------|-------|---------------------------|--------------------------|-----------------------------|
| 2 | 301 3226 | 4 | Sechskantschraube | Hexagon bolt | M10x30-10.9 Zn DIN933 |
| 4 | 301 7260 | 2 | Sechskantschraube | Hexagon bolt | M8x16-8.8 Zn DIN933 |
| 5 | 301 7280 | 4 | Sechskantschraube | Hexagon bolt | M8x25-8.8 Zn DIN933 |
| 6 | 303 0932 | 4 | Sicherungsmutter | Selflocking nut | NM8-8 Zn DIN985 |
| 7 | 303 0933 | 8 | Sicherungsmutter | Selflocking nut | NM10-8 DIN985 Zn |
| 9 | 325 1145 | 4 | Schlauchschelle | Hose clip | 12/20 |
| 12 | 377 1181 | 2 | Druckring mit O-Ring | Thrust ring with O-ring | DR/R22x27-RU/20,3x2,4 |
| 18 | 377 1409 | 1 | Einschraubsteckverbindung | Push-in connection | M16x1,5 12x1,5 |
| 19 | 377 1410 | 2 | Einschraubsteckverbindung | Push-in connection | M22x1,5 12x1,5 |
| 21 | 377 1450 | 1 | Einschraubsteckverbindung | Push-in connection | 90° M16x1,5 12x1,5 m.Pr |
| 25 | 377 1341 | 1 | Prüfanschluss | Test coupling | 318 040 001 M22x1,5 |
| 26 | 377 1380 | 1 | Entwässerungsventil | Dewatering valve | M22x1,5 315 019 001 |
| 27 | 377 2025 | 2 | Bremsschlauch | Brake hose | 11,5x3,5-4x4200 |
| 28 | 377 2070 | 21 | Kunststoffrohr Meter-Ware | Synthetic tube | 12x1,5 DIN 74324 |
| 29 | 377 2520 | 2 | Leerkupplung | Hose coupling | 334 028 001 |
| 30 | 377 2532 | 2 | Spannband | Strap | D310 030 200 409 |
| 33 | 477 1126 | 2 | Halter | Holder | 30x8x230/111 |
| 37 | 577 2622 | 1 | Druckluftbehälter | Compressed-air container | D310x600 40Ltr. |
| 38 | 577 2641 | 1 | Membranzyylinder | Membrane-cylinder | 24/30 M16x1,5 1362430001 |



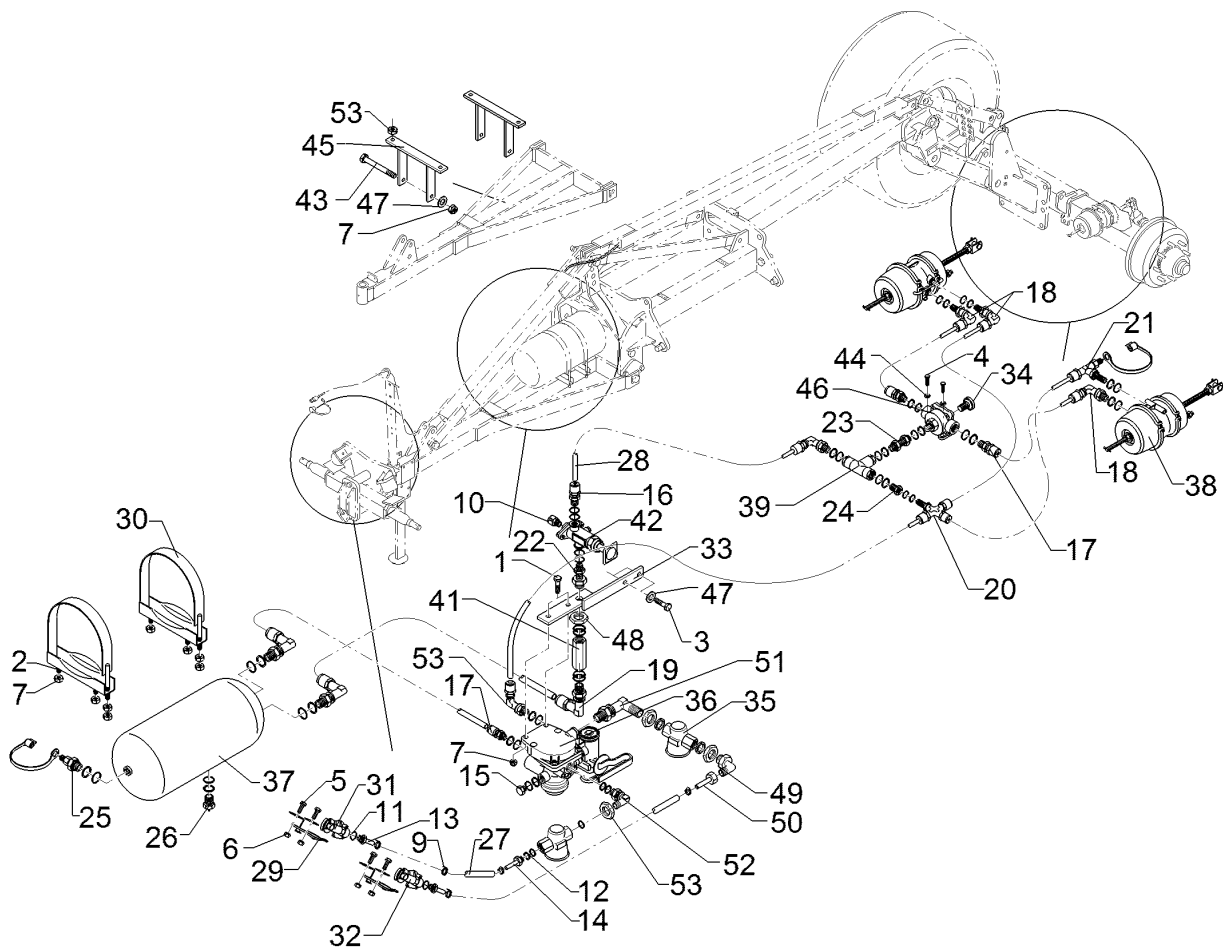
01.18

| Pos. | Art.Nr. | Stck. | Artikeltext / Description | | Abmessung |
|------|----------|-------|-----------------------------|----------------|----------------------------|
| 43 | 301 5438 | 2 | Sechskantschraube | Hexagon bolt | M10x150-8.8 Zn DIN931-A |
| 47 | 305 8696 | 8 | Scheibe | Washer | A10,5 DIN125-St Zn |
| 58 | 303 1013 | 4 | Sechskantmutter | Hexagon nut | M12 DIN934-8 Zn |
| 59 | 305 8694 | 2 | Scheibe | Washer | A8,4 DIN125-St Zn |
| 60 | 301 5424 | 2 | Sechskantschraube | Hexagon bolt | M10x45-8.8 Zn DIN931-A |
| 61 | 57710012 | 1 | Mont.-BG.Drulubrems.Transp. | Assembly Group | Rubin 9 KA |



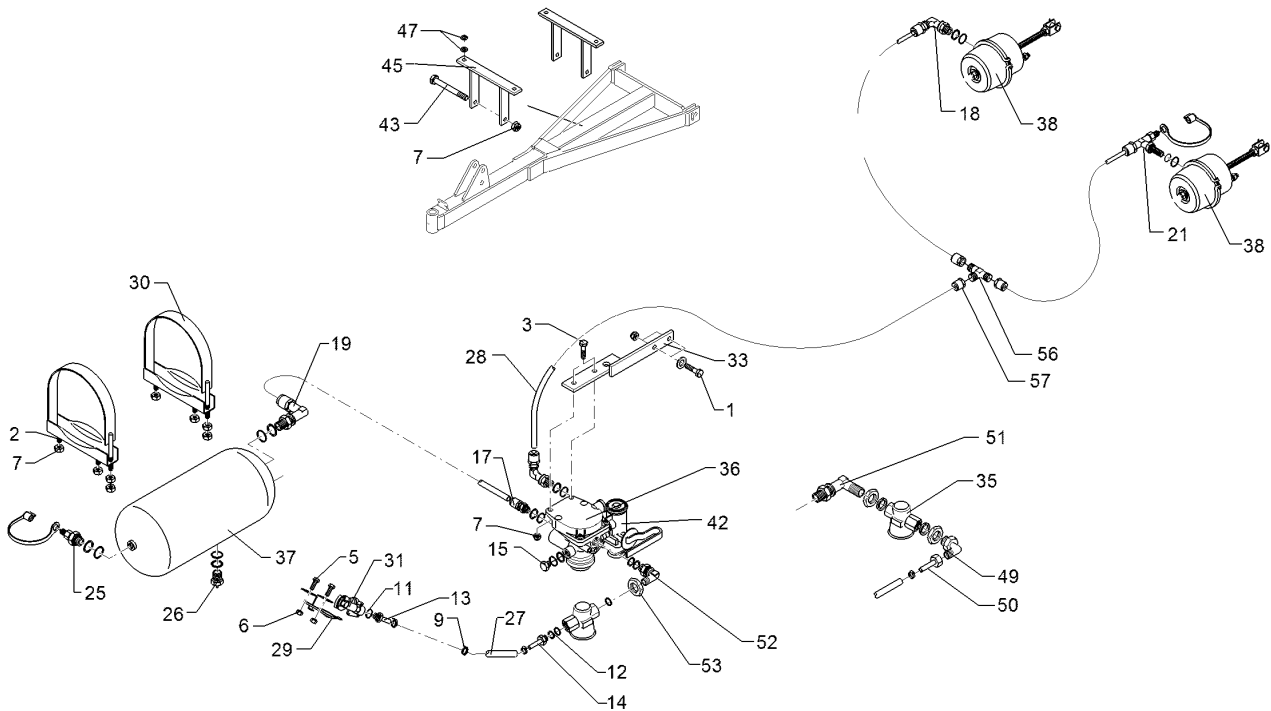
01.18

| Pos. | Art.Nr. | Stck. | Artikeltext / Description | | Abmessung |
|------|----------|-------|---------------------------|-------------------------|----------------------------|
| 2 | 301 3226 | 4 | Sechskantschraube | Hexagon bolt | M10x30-10.9 Zn DIN933 |
| 3 | 301 5424 | 2 | Sechskantschraube | Hexagon bolt | M10x45-8.8 Zn DIN931-A |
| 4 | 301 7260 | 2 | Sechskantschraube | Hexagon bolt | M8x16-8.8 Zn DIN933 |
| 5 | 301 7280 | 4 | Sechskantschraube | Hexagon bolt | M8x25-8.8 Zn DIN933 |
| 6 | 303 0932 | 4 | Sicherungsmutter | Selflocking nut | NM8-8 Zn DIN985 |
| 7 | 303 0933 | 8 | Sicherungsmutter | Selflocking nut | NM10-8 DIN985 Zn |
| 8 | 305 8694 | 2 | Scheibe | Washer | A8,4 DIN125-St Zn |
| 9 | 325 1145 | 2 | Schlauchschelle | Hose clip | 12/20 |
| 11 | 377 1180 | 2 | Druckring mit O-Ring | Thrust ring with O-ring | DR/R16x21-RU/14,3x2,4 |
| 12 | 377 1181 | 2 | Druckring mit O-Ring | Thrust ring with O-ring | DR/R22x27-RU/20,3x2,4 |
| 18 | 377 1409 | 3 | Einschraubsteckverbindung | Push-in connection | M16x1,5 12x1,5 |
| 19 | 377 1410 | 2 | Einschraubsteckverbindung | Push-in connection | M22x1,5 12x1,5 |
| 21 | 377 1450 | 1 | Einschraubsteckverbindung | Push-in connection | 90° M16x1,5 12x1,5 m.Pr |
| 25 | 377 1341 | 1 | Prüfanschluss | Test coupling | 318 040 001 M22x1,5 |
| 26 | 377 1380 | 1 | Entwässerungsventil | Dewatering valve | M22x1,5 315 019 001 |
| 27 | 37710001 | 2 | Bremsschlauch | Brake hose | 11,5x3,5-4x4700 |
| 28 | 377 2070 | 18 | Kunststoffrohr Meter-Ware | Synthetic tube | 12x1,5 DIN 74324 |
| 29 | 377 2520 | 2 | Leerkupplung | Hose coupling | 334 028 001 |
| 30 | 377 2532 | 2 | Spannband | Strap | D310 030 200 409 |



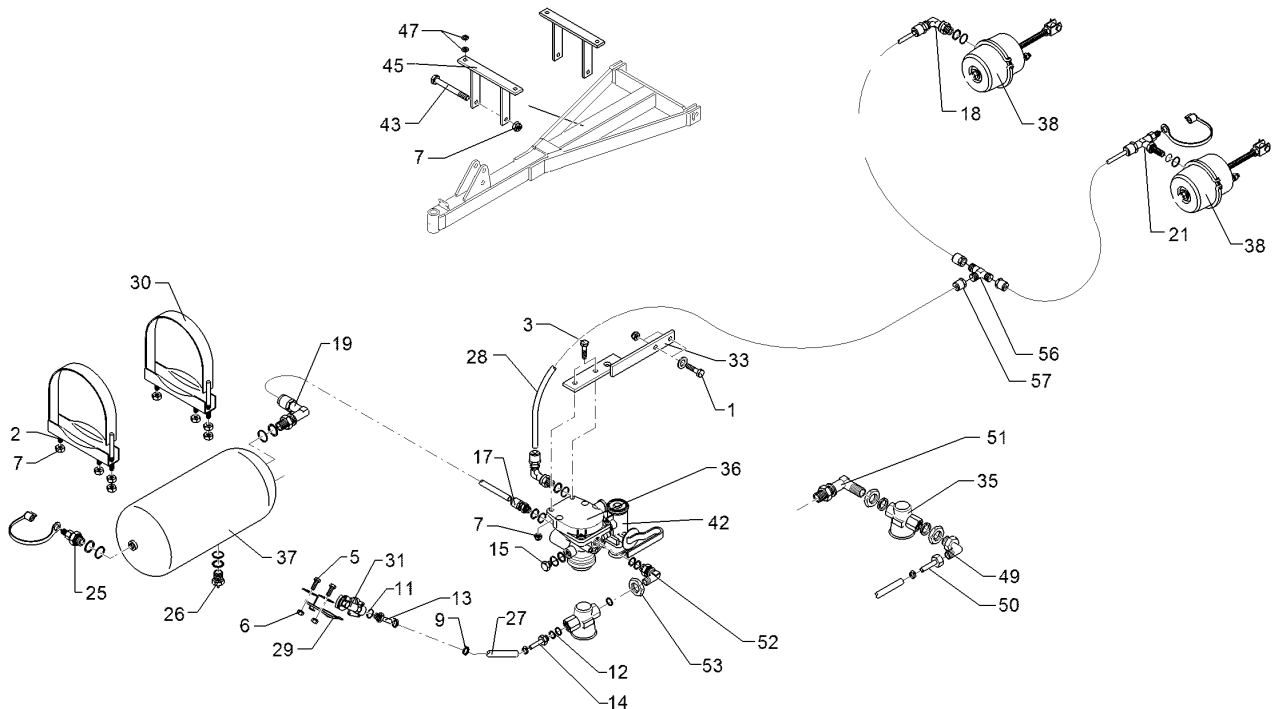
01.18

| Pos. | Art.Nr. | Stck. | Artikeltext / Description | | Abmessung |
|------|----------|-------|---------------------------|--------------------------|-----------------------------|
| 37 | 577 2622 | 1 | Druckluftbehälter | Compressed-air container | D310x600 40Ltr. |
| 38 | 577 2641 | 2 | Membranzylinder | Membrane-cylinder | 24/30 M16x1,5 1362430001 |
| 43 | 301 5438 | 2 | Sechskantschraube | Hexagon bolt | M10x150-8.8 Zn DIN931-A |
| 44 | 305 9898 | 2 | Federring | Spring ring | 8 A DIN127 Zn |
| 45 | 477 1126 | 2 | Halter | Holder | 30x8x230/111 |
| 47 | 305 8696 | 8 | Scheibe | Washer | A10,5 DIN125-St Zn |
| 53 | 303 1013 | 4 | Sechskantmutter | Hexagon nut | M12 DIN934-8 Zn |



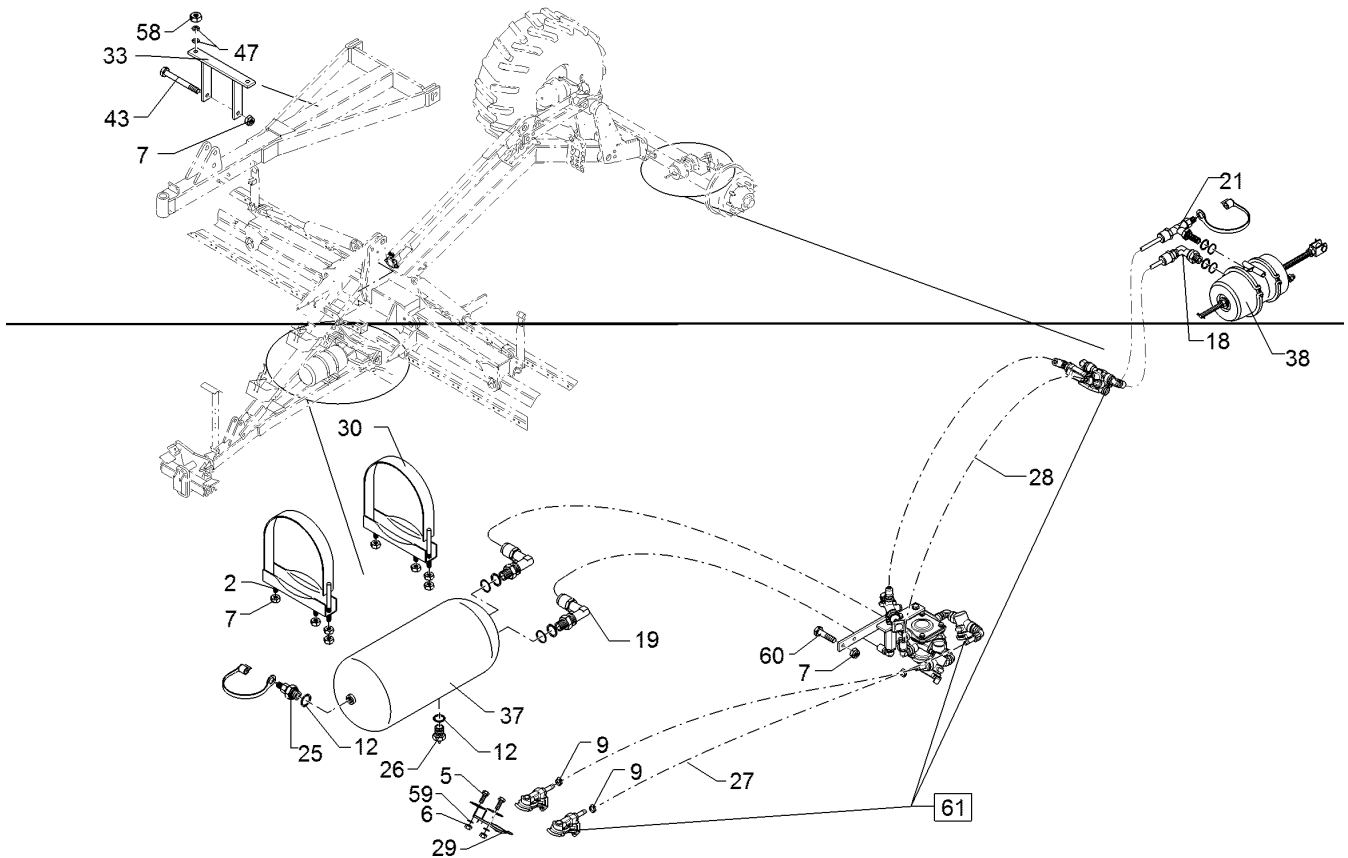
01.18

| Pos. | Art.Nr. | Stck. | Artikeltext / Description | | Abmessung |
|------|----------|-------|---------------------------|-------------------------|----------------------------|
| 1 | 301 5424 | 2 | Sechskantschraube | Hexagon bolt | M10x45-8.8 Zn DIN931-A |
| 2 | 301 3226 | 4 | Sechskantschraube | Hexagon bolt | M10x30-10.9 Zn DIN933 |
| 3 | 301 5009 | 2 | Sechskantschraube | Hexagon bolt | M10x40-8.8 Zn DIN933 |
| 5 | 301 7280 | 4 | Sechskantschraube | Hexagon bolt | M8x25-8.8 Zn DIN933 |
| 6 | 303 0932 | 4 | Sicherungsmutter | Selflocking nut | NM8-8 Zn DIN985 |
| 7 | 303 0933 | 8 | Sicherungsmutter | Selflocking nut | NM10-8 DIN985 Zn |
| 8 | 305 8694 | 4 | Scheibe | Washer | A8,4 DIN125-St Zn |
| 9 | 325 1145 | 4 | Schlauchschelle | Hose clip | 12/20 |
| 11 | 377 1180 | 2 | Druckring mit O-Ring | Thrust ring with O-ring | DR/R16x21-RU/14,3x2,4 |
| 12 | 377 1181 | 5 | Druckring mit O-Ring | Thrust ring with O-ring | DR/R22x27-RU/20,3x2,4 |
| 13 | 377 1301 | 2 | Schlauchstutzen | Hose nipple | ES/BM 16x1,5-11 |
| 14 | 377 1302 | 1 | Schlauchstutzen | Hose nipple | ES/B15-11 M22x1,5 |
| 15 | 377 1350 | 1 | Verschlusschraube | Plug | VS/BM 22x1,5 |
| 16 | 377 1400 | 2 | Einschraubsteckverbindung | Push-in connection | 00° M16x1,5 12x1,5 |
| 17 | 377 1401 | 2 | Einschraubsteckverbindung | Push-in connection | 00° M22x1,5 12x1,5 |
| 18 | 377 1409 | 4 | Einschraubsteckverbindung | Push-in connection | M16x1,5 12x1,5 |
| 19 | 377 1410 | 4 | Einschraubsteckverbindung | Push-in connection | M22x1,5 12x1,5 |
| 21 | 377 1450 | 1 | Einschraubsteckverbindung | Push-in connection | 90° M16x1,5 12x1,5 m.Pr |
| 25 | 377 1341 | 1 | Prüfanschluss | Test coupling | 318 040 001 M22x1,5 |



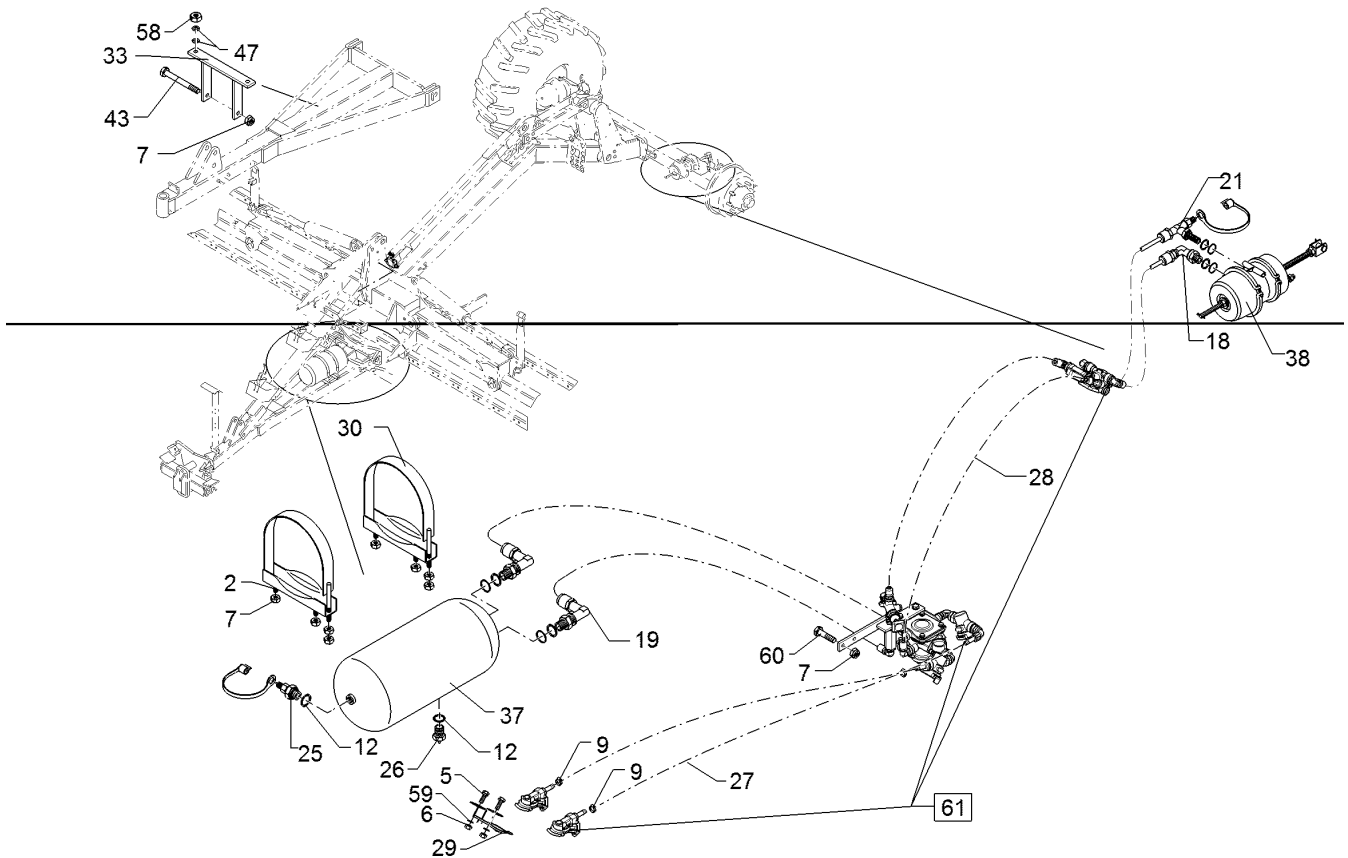
01.18

| Pos. | Art.Nr. | Stck. | Artikeltext / Description | | Abmessung |
|------|----------|-------|---------------------------------|--------------------------|----------------------------|
| 26 | 377 1380 | 1 | Entwässerungsventil | Dewatering valve | M22x1,5 315 019 001 |
| 27 | 37710001 | 2 | Bremsschlauch | Brake hose | 11,5x3,5-4x4700 |
| 28 | 377 2070 | 18 | Kunststoffrohr Meter-Ware | Synthetic tube | 12x1,5 DIN 74324 |
| 30 | 377 2532 | 2 | Spannband | Strap | D310 030 200 409 |
| 31 | 377 2542 | 1 | Kupplungskopf Einleitung Stift | Hose coupling | M22x1,5 334 007 001 |
| 33 | 477 1125 | 1 | Halter | Holder | 30x8x330 |
| 35 | 577 2580 | 1 | Rohrleitungsfilter | Filter | M22x1,5 DIN74347 |
| 36 | 577 2592 | 1 | Anhängerbremssventil Einleitung | Valve | 351 006 001 |
| 37 | 577 2622 | 1 | Druckluftbehälter | Compressed-air container | D310x600 40Ltr. |
| 38 | 577 2643 | 2 | Membranzylinder | Membrane-cylinder | 24" M16x1,5 120351101 |
| 42 | 577 2595 | 1 | Regler Einl. mit Lösestellung | Regulator | 352 011 101 |
| 43 | 301 5438 | 2 | Sechskantschraube | Hexagon bolt | M10x150-8.8 Zn DIN931-A |
| 47 | 305 8696 | 8 | Scheibe | Washer | A10,5 DIN125-St Zn |
| 48 | 375 5698 | 1 | Sechskantmutter | Hexagon nut | M16x1,5 SW22 Zn |
| 52 | 377 1473 | 1 | Einschraubstutzen | Screwed socket | 90° M22x1,5 M16x1,5 |
| 53 | 375 5710 | 1 | Sechskantmutter | Hexagon nut | M22x1,5 SW27x7 |
| 54 | 377 1126 | 1 | Dichtring | Seal ring | DI/D20x28 |
| 55 | 377 2502 | 2 | Gabelkopf | Forkhead | M16x1,5 003 561 409 |
| 56 | 375 4480 | 1 | T-Verschraubung | T-union | x-T12-L M18x1,5 Zn |
| 57 | 377 1399 | 3 | Überwurfmutter | Union nut | M18x1,5 12x1,5 |



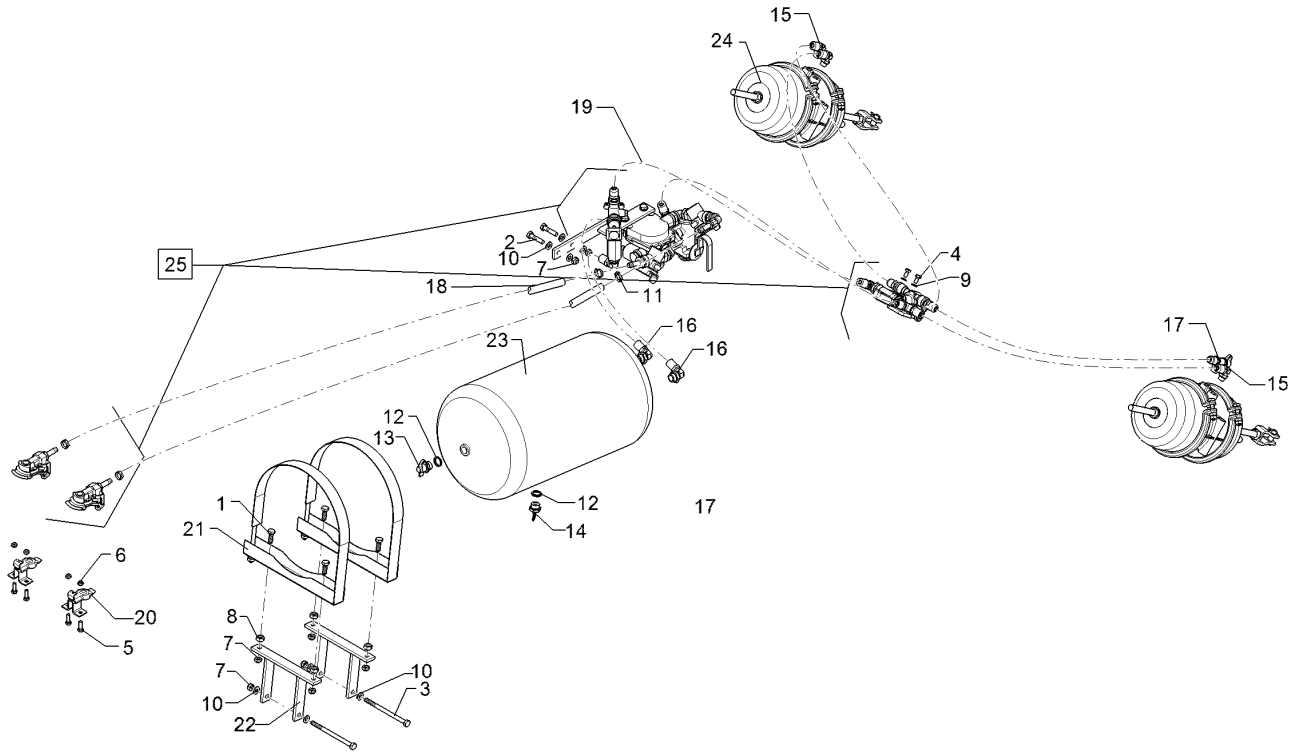
01.18

| Pos. | Art.Nr. | Stck. | Artikeltext / Description | | Abmessung |
|------|----------|-------|---------------------------|--------------------------|-----------------------------------|
| 2 | 301 3226 | 4 | Sechskantschraube | Hexagon bolt | M10x30-10.9 Zn DIN933 |
| 4 | 301 7260 | 2 | Sechskantschraube | Hexagon bolt | M8x16-8.8 Zn DIN933 |
| 5 | 301 7280 | 4 | Sechskantschraube | Hexagon bolt | M8x25-8.8 Zn DIN933 |
| 6 | 303 0932 | 4 | Sicherungsmutter | Selflocking nut | NM8-8 Zn DIN985 |
| 7 | 303 0933 | 8 | Sicherungsmutter | Selflocking nut | NM10-8 DIN985 Zn |
| 9 | 325 1145 | 4 | Schlauchschelle | Hose clip | 12/20 |
| 12 | 377 1181 | 2 | Druckring mit O-Ring | Thrust ring with O-ring | DR/R22x27-RU/20,3x2,4 |
| 18 | 377 1409 | 1 | Einschraubsteckverbindung | Push-in connection | M16x1,5 12x1,5 |
| 19 | 377 1410 | 2 | Einschraubsteckverbindung | Push-in connection | M22x1,5 12x1,5 |
| 21 | 377 1450 | 1 | Einschraubsteckverbindung | Push-in connection | 90° M16x1,5 12x1,5 m.Pr |
| 25 | 377 1341 | 1 | Prüfanschluss | Test coupling | 318 040 001 |
| 26 | 377 1380 | 1 | Entwässerungsventil | Dewatering valve | M22x1,5 M22x1,5 315 019 001 |
| 27 | 37710001 | 2 | Bremsschlauch | Brake hose | 11,5x3,5-4x4700 |
| 28 | 377 2070 | 21 | Kunststoffrohr Meter-Ware | Synthetic tube | 12x1,5 DIN 74324 |
| 29 | 377 2520 | 2 | Leerkupplung | Hose coupling | 334 028 001 |
| 30 | 377 2532 | 2 | Spannband | Strap | D310 030 200 409 |
| 37 | 577 2622 | 1 | Druckluftbehälter | Compressed-air container | D310x600 40Ltr. |
| 38 | 577 2641 | 1 | Membranzylinder | Membrane-cylinder | 24/30 M16x1,5 1362430001 |



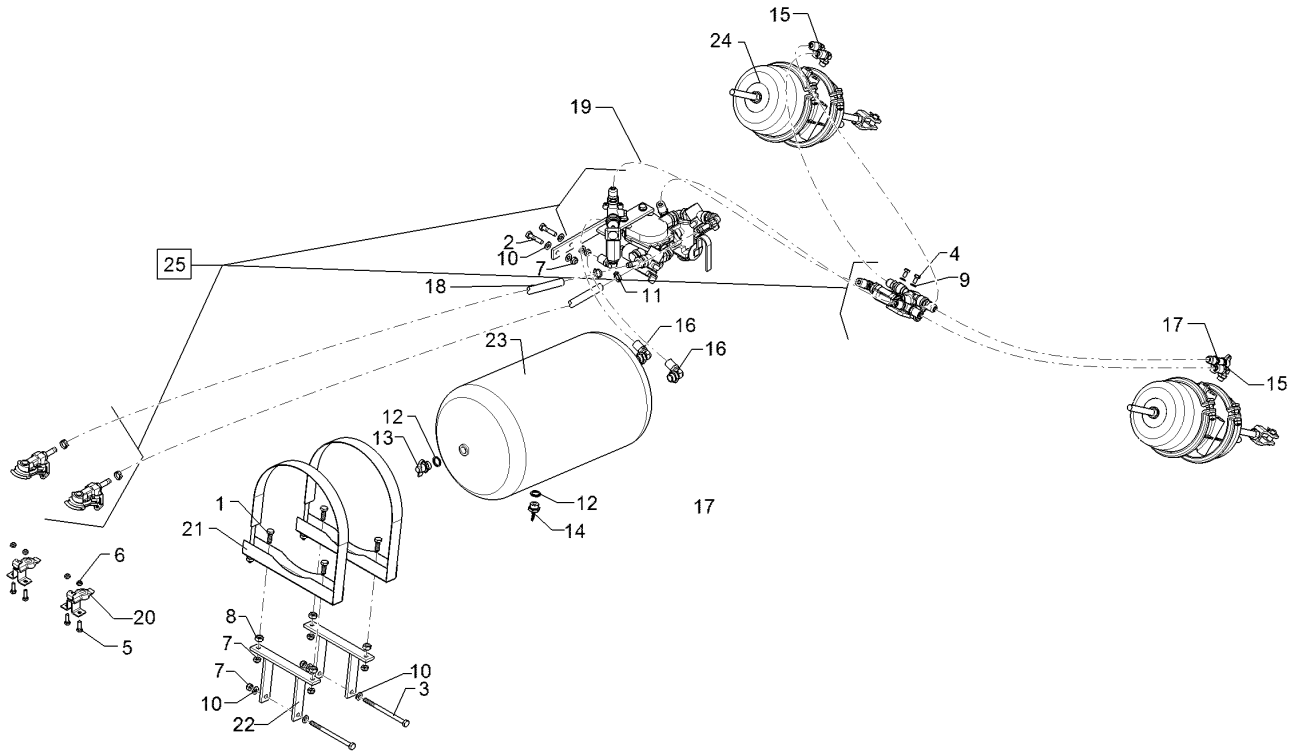
01.18

| Pos. | Art.Nr. | Stck. | Artikeltext / Description | | Abmessung |
|------|----------|-------|------------------------------|----------------|----------------------------|
| 43 | 301 5438 | 2 | Sechskantschraube | Hexagon bolt | M10x150-8.8 Zn DIN931-A |
| 45 | 477 1126 | 2 | Halter | Holder | 30x8x230/111 |
| 47 | 305 8696 | 8 | Scheibe | Washer | A10,5 DIN125-St Zn |
| 58 | 303 1013 | 4 | Sechskantmutter | Hexagon nut | M12 DIN934-8 Zn |
| 59 | 305 8694 | 2 | Scheibe | Washer | A8,4 DIN125-St Zn |
| 60 | 301 5424 | 2 | Sechskantschraube | Hexagon bolt | M10x45-8.8 Zn DIN931-A |
| 61 | 57710012 | 1 | Mont.-BG.Drulukbrems.Transp. | Assembly Group | Rubin 9 KA |



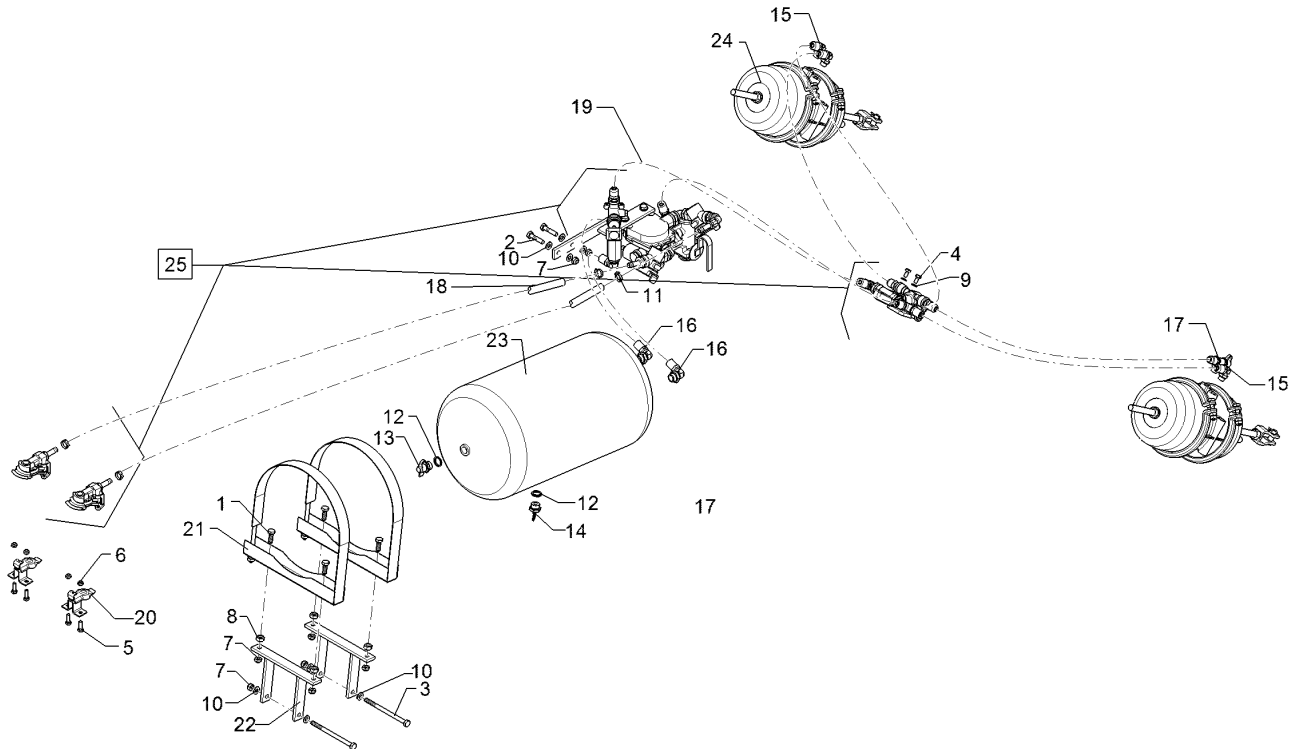
01.18

| Pos. | Art.Nr. | Stck. | Artikeltext / Description | | Abmessung |
|------|----------|-------|---------------------------|-------------------------|----------------------------|
| 1 | 301 3226 | 4 | Sechskantschraube | Hexagon bolt | M10x30-10.9 Zn DIN933 |
| 2 | 301 5424 | 2 | Sechskantschraube | Hexagon bolt | M10x45-8.8 Zn DIN931-A |
| 3 | 301 5438 | 2 | Sechskantschraube | Hexagon bolt | M10x150-8.8 Zn DIN931-A |
| 4 | 301 7260 | 2 | Sechskantschraube | Hexagon bolt | M8x16-8.8 Zn DIN933 |
| 5 | 301 7280 | 4 | Sechskantschraube | Hexagon bolt | M8x25-8.8 Zn DIN933 |
| 6 | 303 0932 | 4 | Sicherungsmutter | Selflocking nut | NM8-8 Zn DIN985 |
| 7 | 303 0933 | 8 | Sicherungsmutter | Selflocking nut | NM10-8 DIN985 Zn |
| 8 | 303 1013 | 4 | Sechskantmutter | Hexagon nut | M12 DIN934-8 Zn |
| 9 | 305 8694 | 2 | Scheibe | Washer | A8,4 DIN125-St Zn |
| 10 | 305 8696 | 8 | Scheibe | Washer | A10,5 DIN125-St Zn |
| 11 | 325 1145 | 4 | Schlauchschelle | Hose clip | 12/20 |
| 12 | 377 1181 | 2 | Druckring mit O-Ring | Thrust ring with O-ring | DR/R22x27-RU/20,3x2,4 |
| 13 | 377 1341 | 1 | Prüfanschluss | Test coupling | 318 040 001 M22x1,5 |
| 14 | 377 1380 | 1 | Entwässerungsventil | Dewatering valve | M22x1,5 315 019 001 |
| 15 | 377 1409 | 3 | Einschraubsteckverbindung | Push-in connection | M16x1,5 12x1,5 |
| 16 | 377 1410 | 2 | Einschraubsteckverbindung | Push-in connection | M22x1,5 12x1,5 |
| 17 | 377 1450 | 1 | Einschraubsteckverbindung | Push-in connection | 90° M16x1,5 12x1,5 m.Pr |
| 18 | 377 2025 | 2 | Bremsschlauch | Brake hose | 11,5x3,5-4x4200 |
| 19 | 377 2070 | 18 | Kunststoffrohr Meter-Ware | Synthetic tube | 12x1,5 DIN 74324 |



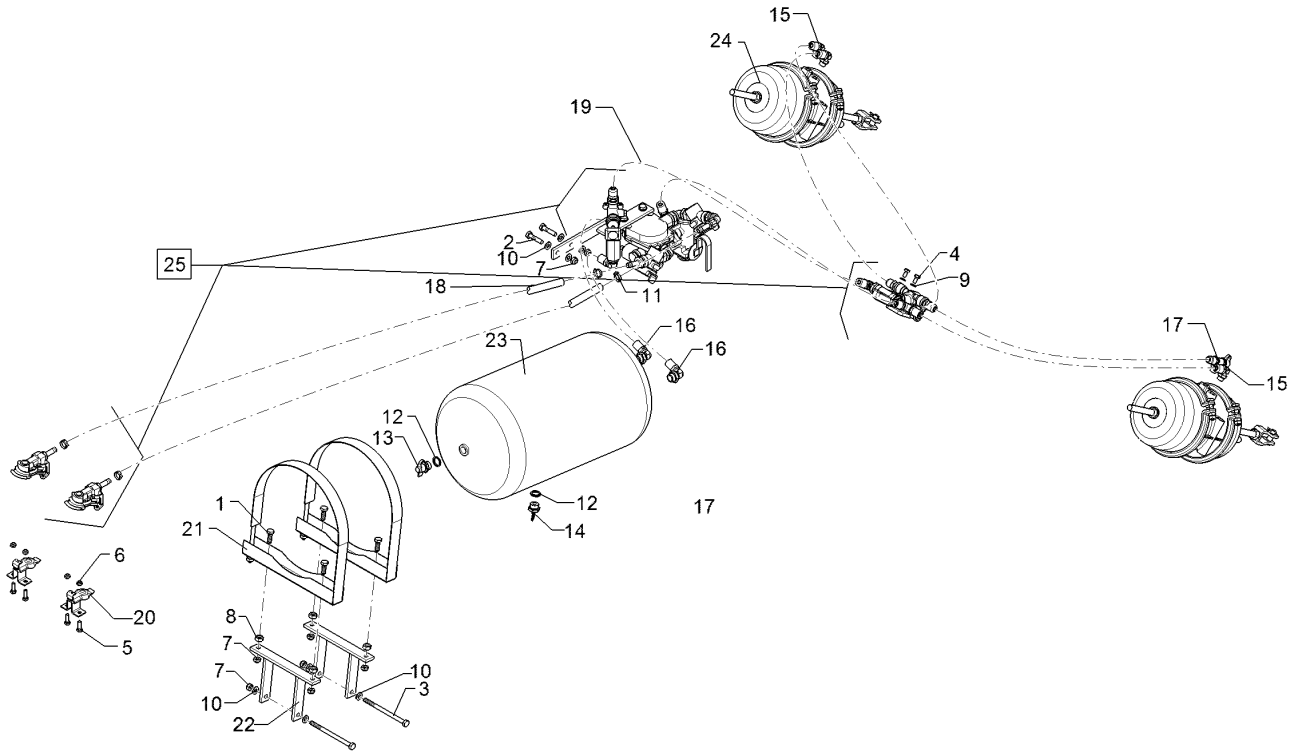
01.18

| Pos. | Art.Nr. | Stck. | Artikeltext / Description | Abmessung | |
|------|----------|-------|-----------------------------|--------------------------|------------------------------|
| 20 | 377 2520 | 2 | Leerkupplung | Hose coupling | 334 028 001 |
| 21 | 377 2532 | 2 | Spannband | Strap | D310 030 200 409 |
| 22 | 477 1126 | 2 | Halter | Holder | 30x8x230/111 |
| 23 | 577 2622 | 1 | Druckluftbehälter | Compressed-air container | D310x600 40Ltr. |
| 24 | 577 2642 | 2 | Membranzylinder | Membrane-cylinder | 30/30 M16x1,5 346 182 001 |
| 25 | 57710011 | 1 | Mont.-BG.Drulubrems.Kombin. | Assembly Group | Rubin 9 KA |



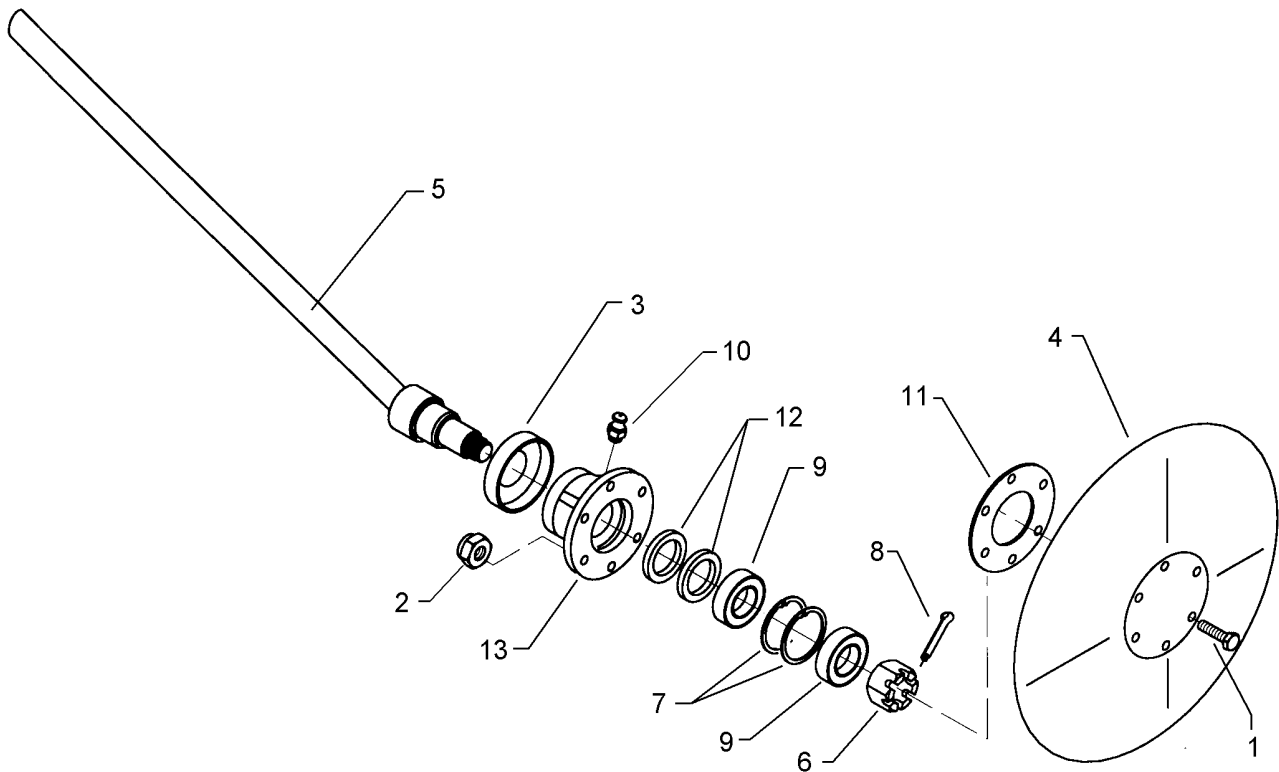
01.18

| Pos. | Art.Nr. | Stck. | Artikeltext / Description | | Abmessung |
|------|----------|-------|---------------------------|-------------------------|----------------------------|
| 1 | 301 3226 | 4 | Sechskantschraube | Hexagon bolt | M10x30-10.9 Zn DIN933 |
| 2 | 301 5424 | 2 | Sechskantschraube | Hexagon bolt | M10x45-8.8 Zn DIN931-A |
| 3 | 301 5438 | 2 | Sechskantschraube | Hexagon bolt | M10x150-8.8 Zn DIN931-A |
| 4 | 301 7260 | 2 | Sechskantschraube | Hexagon bolt | M8x16-8.8 Zn DIN933 |
| 5 | 301 7280 | 4 | Sechskantschraube | Hexagon bolt | M8x25-8.8 Zn DIN933 |
| 6 | 303 0932 | 4 | Sicherungsmutter | Selflocking nut | NM8-8 Zn DIN985 |
| 7 | 303 0933 | 8 | Sicherungsmutter | Selflocking nut | NM10-8 DIN985 Zn |
| 8 | 303 1013 | 4 | Sechskantmutter | Hexagon nut | M12 DIN934-8 Zn |
| 9 | 305 8694 | 2 | Scheibe | Washer | A8,4 DIN125-St Zn |
| 10 | 305 8696 | 8 | Scheibe | Washer | A10,5 DIN125-St Zn |
| 11 | 325 1145 | 4 | Schlauchschelle | Hose clip | 12/20 |
| 12 | 377 1181 | 2 | Druckring mit O-Ring | Thrust ring with O-ring | DR/R22x27-RU/20,3x2,4 |
| 13 | 377 1341 | 1 | Prüfanschluss | Test coupling | 318 040 001 M22x1,5 |
| 14 | 377 1380 | 1 | Entwässerungsventil | Dewatering valve | M22x1,5 315 019 001 |
| 15 | 377 1409 | 3 | Einschraubsteckverbindung | Push-in connection | M16x1,5 12x1,5 |
| 16 | 377 1410 | 2 | Einschraubsteckverbindung | Push-in connection | M22x1,5 12x1,5 |
| 17 | 377 1450 | 1 | Einschraubsteckverbindung | Push-in connection | 90° M16x1,5 12x1,5 m.Pr |
| 18 | 37710001 | 2 | Bremsschlauch | Brake hose | 11,5x3,5-4x4700 |
| 19 | 377 2070 | 18 | Kunststoffrohr Meter-Ware | Synthetic tube | 12x1,5 DIN 74324 |



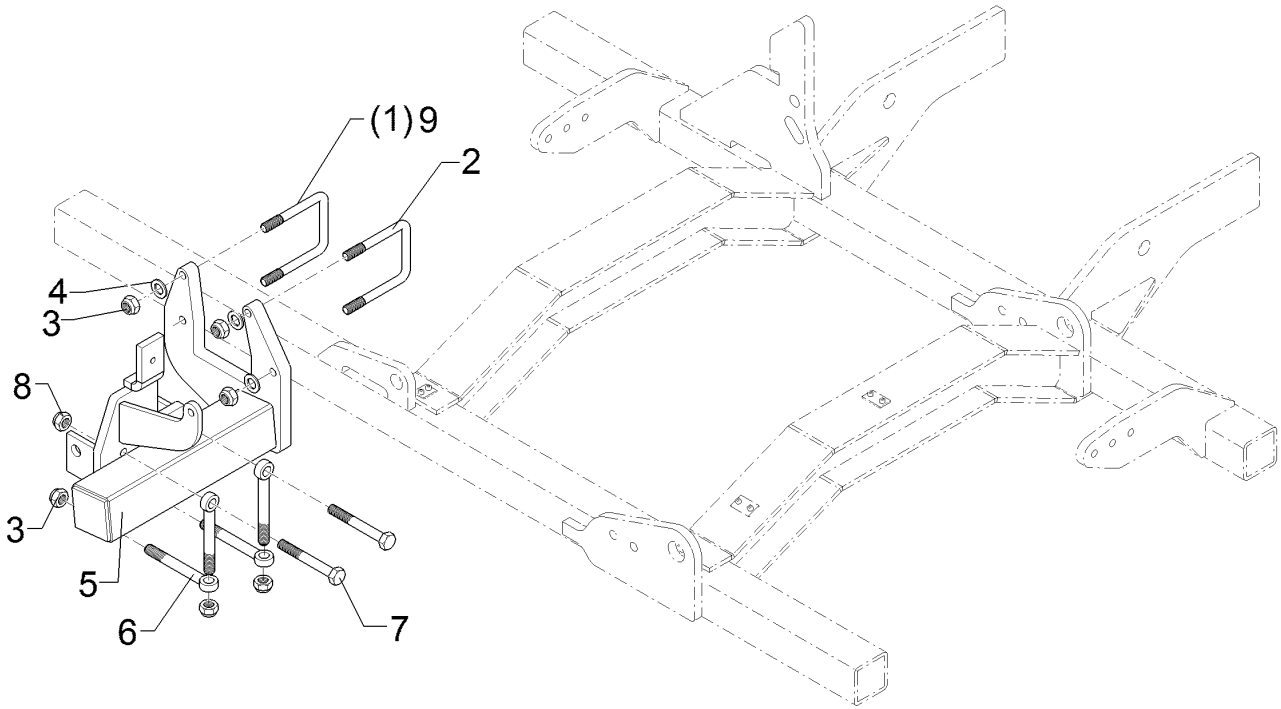
01.18

| Pos. | Art.Nr. | Stck. | Artikeltext / Description | Abmessung | |
|------|----------|-------|-----------------------------|--------------------------|------------------------------|
| 20 | 377 2520 | 2 | Leerkupplung | Hose coupling | 334 028 001 |
| 21 | 377 2532 | 2 | Spannband | Strap | D310 030 200 409 |
| 22 | 477 1126 | 2 | Halter | Holder | 30x8x230/111 |
| 23 | 577 2622 | 1 | Druckluftbehälter | Compressed-air container | D310x600 40Ltr. |
| 24 | 577 2642 | 2 | Membranzylinder | Membrane-cylinder | 30/30 M16x1,5 346 182 001 |
| 25 | 57710011 | 1 | Mont.-BG.Drulubrems.Kombin. | Assembly Group | Rubin 9 KA |



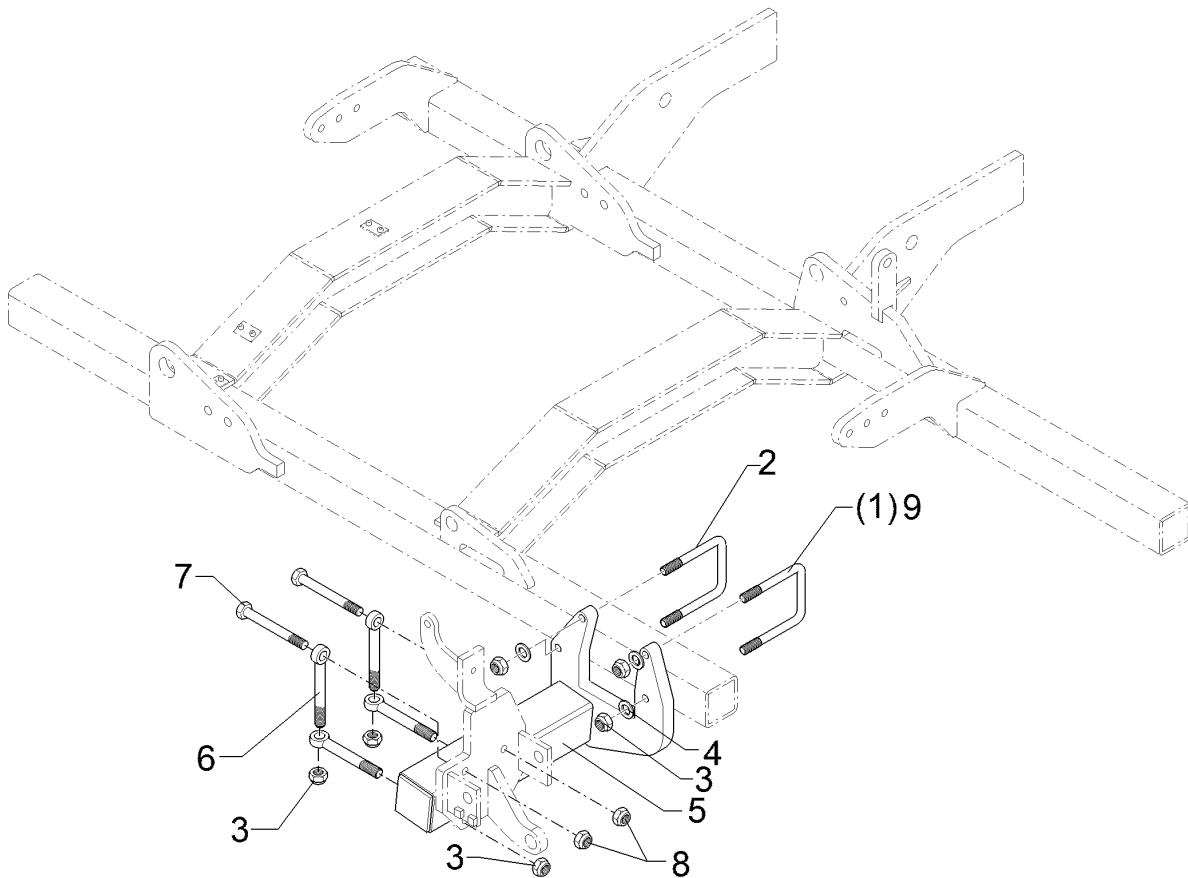
01.18

| Pos. | Art.Nr. | Stck. | Artikeltext / Description | | Abmessung |
|------|----------|-------|---------------------------|------------------------|-------------------------|
| 1 | 301 5004 | 6 | Sechskantschraube | Hexagon bolt | M10x30-8.8 Zn DIN933 |
| 2 | 303 0933 | 6 | Sicherungsmutter | Selflocking nut | NM10-8 DIN985 Zn |
| 3 | 323 0410 | 1 | Schutzkappe | Cap | D81/77/40x18x2 Zn |
| 4 | 349 0460 | 1 | Hohlscheibe | Concave disc | D380/100 |
| 5 | 482 1248 | 1 | Achse | Axle | D30x595 |
| 6 | 303 0193 | 1 | Kronenmutter | Castle nut | DIN937-M24x1,5-22H |
| 7 | 305 8924 | 2 | Sicherungsring | Retaining ring | 62x2 DIN472 |
| 8 | 311 7613 | 1 | Splint | Peg | 3,2x40 DIN94-St Zn |
| 9 | 319 9116 | 2 | Kegelrollenlager | Tapered roller bearing | 30206. |
| 10 | 323 6345 | 1 | Schmiernippel gerade | Grease nipple | LAM 6 DIN71412 |
| 11 | 323 7641 | 1 | Dichtung | Seal | D120/65x1,6 |
| 12 | 323 8032 | 2 | Wellendichtring | Oil seal | 40x55x7 BA |
| 13 | 447 8882 | 1 | Nabe | Hub | 668 A |



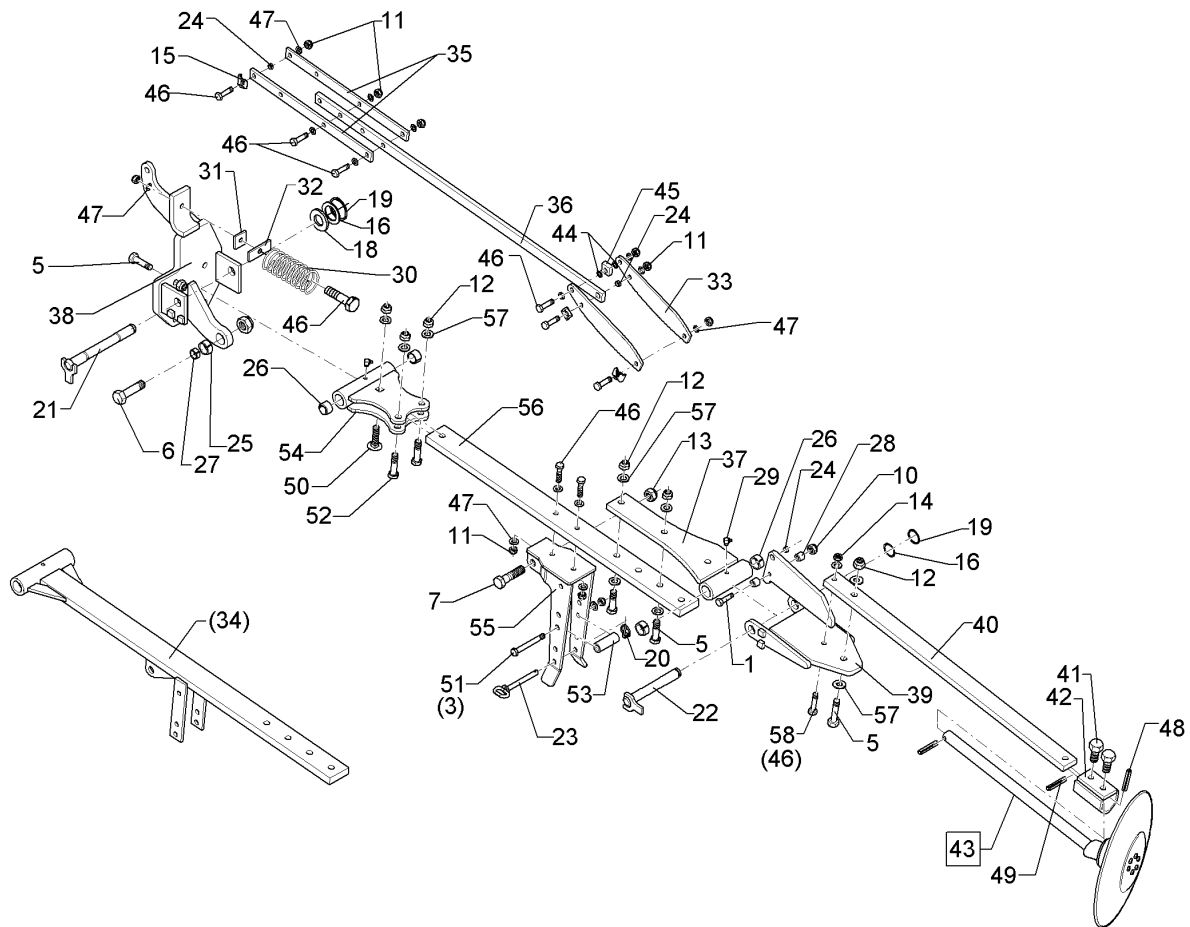
01.18

| Pos. | Art.Nr. | Stck. | Artikeltext / Description | | Abmessung |
|------|----------|-------|---------------------------|--------------------------|---|
| 1 | 301 7795 | 1 | Bügelschraube | U-bolt | M16/90/135 (382) Zn |
| 2 | 301 7798 | 1 | Bügelschraube | U-bolt | M16/110/155 Zn |
| 3 | 303 0935 | 8 | Sicherungsmutter | Selflocking nut | NM16-8 Zn DIN985 |
| 4 | 305 6161 | 4 | Scheibe | Washer | 17/40x6 DIN7349 Zn |
| 5 | 482 1296 | 1 | Konsole Spuranreißer | Bracket for track marker | Rubin 9/400 KA RE |
| 6 | 301 0860 | 4 | Augenschraube | Eye bolt | BM16x150-8.8 |
| 7 | 301 4118 | 2 | Sechskantschraube | Hexagon bolt | D2=16,1 Zn DIN444 M16x1,5x162s140xb19-10.9 Zn |
| 8 | 303 0990 | 2 | Sechskantmutter | Hexagon nut | M16x1,5 DIN934-10 Zn |
| 9 | 30110069 | 1 | Bügelschraube | U-bolt | M16x135 U-91 Zn |



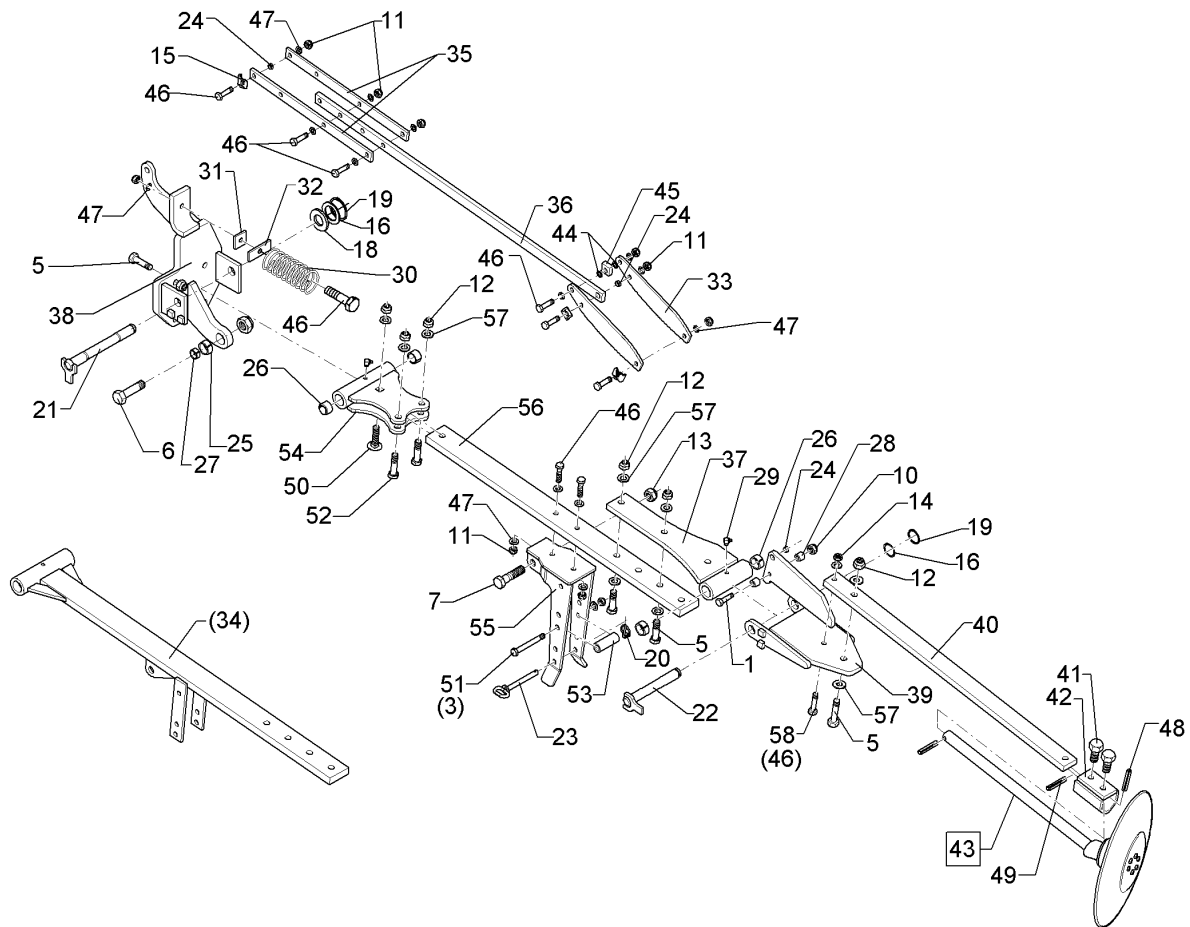
01.18

| Pos. | Art.Nr. | Stck. | Artikeltext / Description | | Abmessung |
|------|----------|-------|---------------------------|--------------------------|-----------------------------------|
| 1 | 301 7795 | 1 | Bügelschraube | U-bolt | M16/90/135 (382) Zn |
| 2 | 301 7798 | 1 | Bügelschraube | U-bolt | M16/110/155 Zn |
| 3 | 303 0935 | 8 | Sicherungsmutter | Selflocking nut | NM16-8 Zn DIN985 |
| 4 | 305 6161 | 4 | Scheibe | Washer | 17/40x6 DIN7349 Zn |
| 5 | 482 1297 | 1 | Konsole Spuranreißer | Bracket for track marker | Rubin 9/400 KA LI |
| 6 | 301 0860 | 4 | Augenschraube | Eye bolt | BM16x150-8.8 D2=16,1 Zn DIN444 |
| 7 | 301 4118 | 2 | Sechskantschraube | Hexagon bolt | M16x1,5x162s140xb19-10.9 Zn |
| 8 | 303 0990 | 2 | Sechskantmutter | Hexagon nut | M16x1,5 DIN934-10 Zn |
| 9 | 30110069 | 1 | Bügelschraube | U-bolt | M16x135 U-91 Zn |



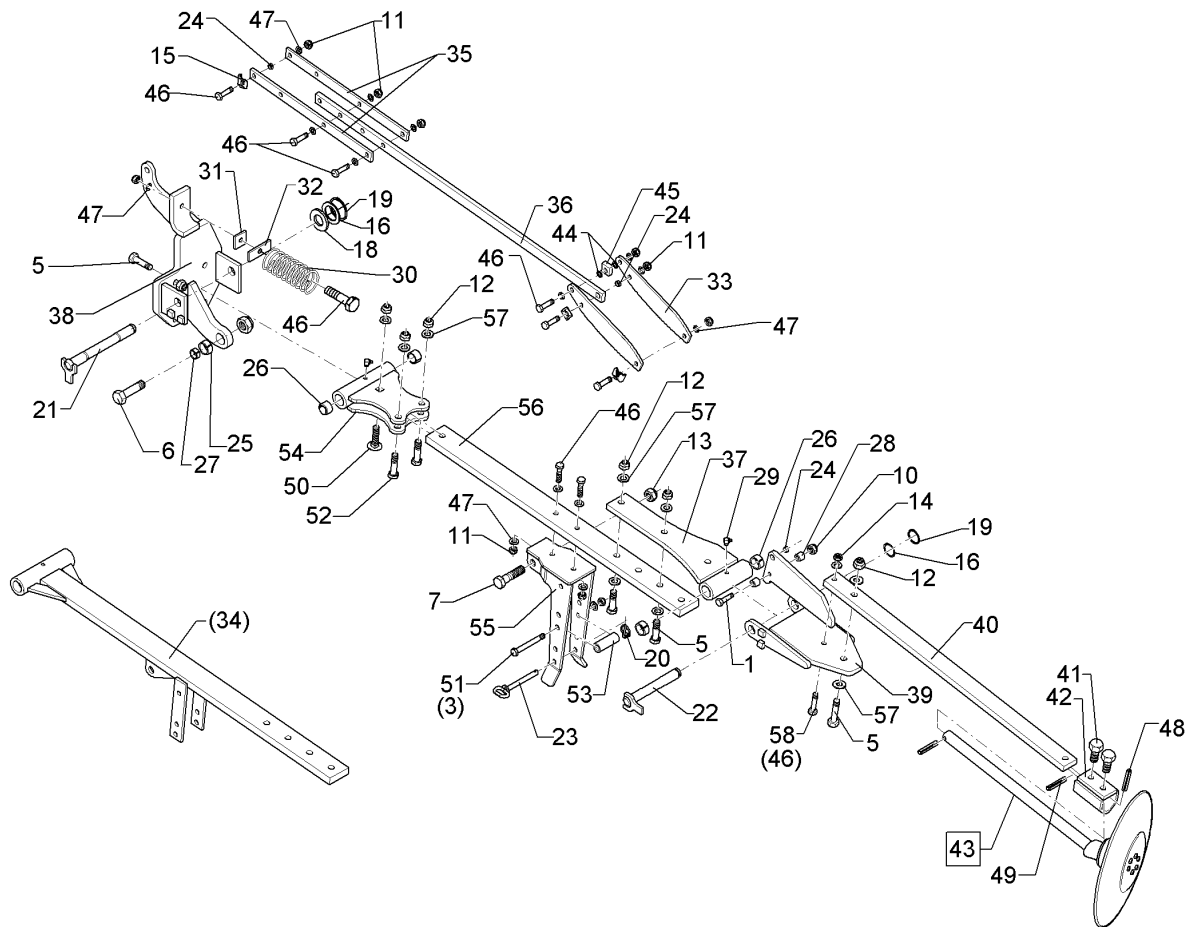
01.18

| Pos. | Art.Nr. | Stck. | Artikeltext / Description | | Abmessung |
|------|----------|-------|-----------------------------|-------------------|----------------------------|
| 1 | 301 3253 | 1 | Sechskantschraube | Hexagon bolt | M10x60-8.8 Zn DIN931-A |
| 2 | 301 3367 | 2 | Sechskantschraube spz. | Hexagon bolt | M12x45-8.8 Zn |
| 3 | 301 3462 | 1 | Sechskantschraube | Hexagon bolt | M12x100-8.8 Zn DIN931-A |
| 5 | 301 3780 | 3 | Sechskantschraube spz. | Hexagon bolt | M16x60-10.9 Zn |
| 6 | 301 4287 | 1 | Sechskantschraube | Hexagon bolt | M20x65-8.8 Zn DIN931-A |
| 7 | 301 4350 | 1 | Sechskantschraube | Hexagon bolt | M20x80-8.8 Zn DIN931-A |
| 10 | 303 0933 | 1 | Sicherungsmutter | Selflocking nut | NM10-8 DIN985 Zn |
| 11 | 303 0934 | 8 | Sicherungsmutter | Selflocking nut | NM12-8 Zn DIN985 |
| 12 | 303 0935 | 7 | Sicherungsmutter | Selflocking nut | NM16-8 Zn DIN985 |
| 13 | 303 0936 | 2 | Sicherungsmutter | Selflocking nut | NM20-8 Zn DIN985 |
| 14 | 303 1013 | 1 | Sechskantmutter | Hexagon nut | M12 DIN934-8 Zn |
| 15 | 305 1402 | 3 | Sicherungsblech | Locking plate | SW19-15 28x3 Zn |
| 16 | 305 2230 | 3 | Stützscheibe | Supporting washer | S 25x35x2,0 DIN988 Zn |
| 18 | 305 6252 | 1 | Scheibe | Washer | 25 ISO7349 Zn |
| 19 | 305 8861 | 2 | Sicherungsring | Retaining ring | 25x2 DIN471 Zn |
| 20 | 311 9565 | 1 | Klappstift | Securing pin | 4,5 |
| 21 | 313 2527 | 1 | Bolzen mit Verdrehsicherung | Pin with stop | D25x226/243 Zn |
| 22 | 313 2535 | 1 | Bolzen mit Verdrehsicherung | Pin with stop | D25/55x176/193 Zn |
| 23 | 313 8137 | 1 | Bolzen mit Griff | Pin with grip | D12x103,5/118 Zn |
| 24 | 317 3302 | 3 | Einspannbuchse | Expansion bush | EG12/16x12-DIN1498 |



01.18

| Pos. | Art.Nr. | Stck. | Artikeltext / Description | | Abmessung |
|------|----------|-------|------------------------------|-----------------------|--------------------------------|
| 25 | 317 3352 | 1 | Einspannbuchse mit Presssitz | Expansion bush | EG28/32x20 |
| 26 | 317 3413 | 4 | Einspannbuchse | Expansion bush | EG25/32x20 DIN 1498 |
| 27 | 317 6657 | 1 | Buchse | Bush | D20/28x22 |
| 28 | 317 6791 | 2 | Röhrchen | Tube | 20/10x16,5 Zn |
| 29 | 323 6349 | 2 | Schmiernippel | Grease nipple | CM10x1 DIN71412-90 GRD |
| 30 | 329 8461 | 1 | Druckfeder | Compression spring | 10x69x145 |
| 31 | 459 4875 | 1 | Scheibe | Washer | D12/40x40x6 |
| 32 | 459 4876 | 1 | Lasche | Lashing | 30x6x80 1xD12 |
| 33 | 482 1326 | 2 | Lenker | Link | 60x8x298 3xD12 |
| 34 | 482 1327 | 1 | Schwenkarm | Swinging arm | D51/25x189-70x22x1002 |
| 35 | 482 1276 | 2 | Flach | Flat steel | 30x8x454 4xD12,25 |
| 36 | 482 1328 | 1 | Steuerstange | Control rod | 30x12x958 4xD12+D16 |
| 37 | 482 1278 | 1 | Schwenklager | Swivel bearing | D25x149-16x388 |
| 38 | 482 1279 | 1 | Konsole | Bracket | D25x190 4xD16,5 |
| 39 | 482 1280 | 1 | Konsole | Bracket | D25x150 |
| 40 | 482 1313 | 1 | Flach | Flat steel | 50x18x910 |
| 41 | 301 3662 | 2 | Sechskantschraube | Hexagon bolt | M16x1,5x25-10.9-Zn DIN961-A |
| 42 | 482 1250 | 1 | Klemme | Clamp | D30-50x15 100lg. |
| 43 | 582 1248 | 1 | Achse zum Spuranreißer | Axle for track marker | D30x595 668A |
| 44 | 305 2008 | 2 | Passscheibe | Shim | 12/18x1,0 DIN988 Zn |



01.18

| Pos. | Art.Nr. | Stck. | Artikeltext / Description | | Abmessung |
|------|----------|-------|---------------------------|-------------------|---------------------------|
| 45 | 482 1355 | 1 | Einstellstück | Adjusting piece | 28x28x12 1xD12,5 |
| 46 | 301 3380 | 7 | Sechskantschraube | Hexagon bolt | M12x50-8.8 Zn DIN931-A |
| 47 | 305 8580 | 10 | Scheibe | Washer | 13/24x2,5 St-Zn DIN125 |
| 48 | 309 6068 | 1 | Spannhülse | Expansion bush | 8x30-DIN1481 Zn |
| 49 | 309 6072 | 2 | Spannhülse | Expansion bush | 8x40-DIN1481 Zn |
| 50 | 301 2242 | 1 | Flachrundschaube | Saucer-head screw | M16x65-10.9 Zn |
| 51 | 301 3470 | 1 | Sechskantschraube spz. | Hexagon bolt | M12x105-10.9 Zn |
| 52 | 301 3870 | 2 | Sechskantschraube spz. | Hexagon bolt | M16x65-10.9 Zn |
| 53 | 317 6844 | 1 | Röhrchen | Tube | 26,9x5x70 Zn |
| 54 | 48210364 | 1 | Schwenklager | Swivel bearing | Zirkon 12 K |
| 55 | 48210365 | 1 | Konsole | Bracket | Zirkon 12 K |
| 56 | 48210368 | 1 | Flach | Flat steel | 70x22x955 |
| 57 | 305 6141 | 6 | Scheibe | Washer | 17/30x3 DIN/ISO-7089 |
| 58 | 301 3351 | 1 | Sechskantschraube spz. | Hexagon bolt | M12x50-8.8 Zn |