



Ersatzteilliste

Parts list

Kurzscheibeneggen

Compact Disc Harrows

Rubin 12/500 KUA (A)

Art.Nr. 17511609

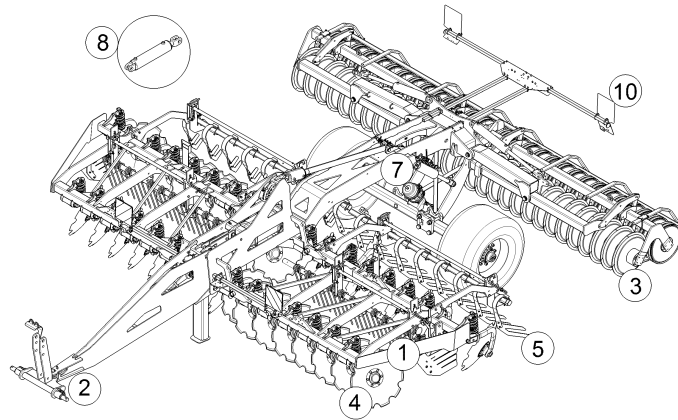
01.18

LEMKEN GmbH & Co. KG

Weseler Straße 5, D-46519 Alpen / Postfach 11 60, D-46515 Alpen

Telefon (0 28 02) 81-0, Telefax (0 28 02) 81-220

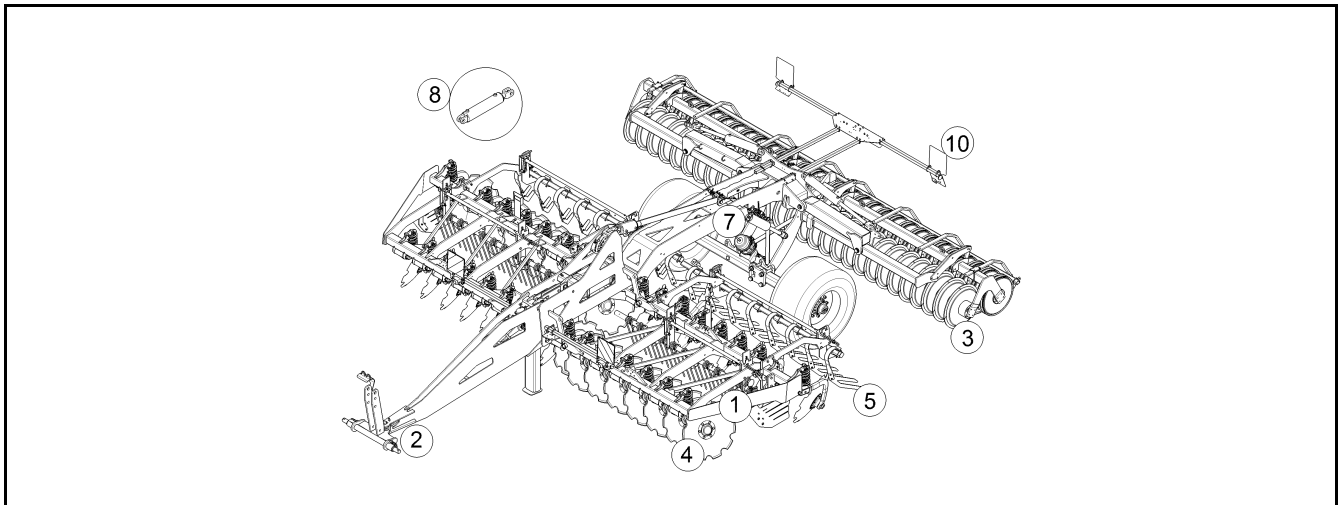
eMail: lemken@lemken.com, Internet: <http://www.lemken.com>

INHALTSVERZEICHNIS / CONTENTS
Rubin 12/500 KUA (A)


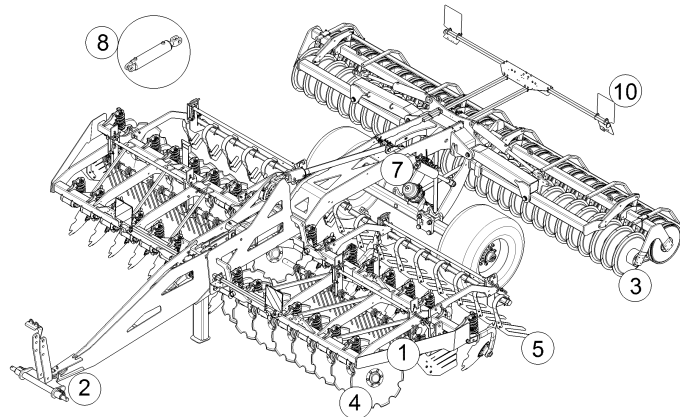
| Pos. | Art.Nr. | Artikeltext / Description | Abmessung | |
|------|----------|----------------------------|--------------------------|--------------------------|
| 1 | 30210039 | Spannschloß | Turnbuckle | TR36x3/1280/1100 |
| 1 | 32110049 | Tiefenanzeige | Depth indicator | Rubin 12 KUA |
| 1 | 32110050 | Hebel | Lever | Rubin 12 KUA |
| 1 | 32110122 | Dokumentenbehälter | Documents box | D140x363 t<=20 |
| 1 | 32110144 | Tiefenanzeige | Depth indicator | Rubin 12 KUA-155 |
| 1 | 32110203 | Tiefenanzeige | Depth indicator | Rubin 12 KUA-130 |
| 1 | 59010060 | Aufkleber | Label | Rubin 12 KUA |
| 1 | 61210201 | Grundrahmen | Basic frame | Rubin 12/500 KUA (B) |
| 1 | 61210233 | Grundrahmen | Basic frame | Rubin 12/500 KUA-155 |
| 1 | 617 8148 | Verriegelung hydraulisch | Hydraulic locking device | Rubin 9/400K-600K "B" |
| 1 | 61710011 | Verriegelung | Locking device | Rubin 12/400KUA-700KUA |
| 2 | 313 7927 | Oberlenkerbolzen mit Kette | Top link pin with chain | K700 D40/44,5x228 |
| 2 | 313 7929 | Oberlenkerbolzen mit Kette | Top link pin with chain | KAT3GK700 31,7x228 |
| 2 | 33110011 | Sicherheitskette | Safety chain | 89kN kpl. |
| 2 | 62910012 | Abstellstütze | Stand | Rubin 12 KUA |
| 2 | 62910023 | Abstellstütze | Stand | Rubin 12 KUA 155 |
| 2 | 640 8630 | Zugöse | Traction loop | D50 |
| 2 | 640 8631 | Zugöse | Traction loop | D76-D |
| 2 | 640 8632 | Zugkugelumkupplung | Ball-shaped coupling | K80 M9711 |
| 2 | 64010008 | Zugöse | Traction loop | D55 |
| 2 | 64010032 | Dreipunktturm | Headstock | Karat/Rubin/Kristall |
| 2 | 64010037 | Deichselstrebe | Drawbar support | Rubin 12 KUA |
| 2 | 64010060 | Zugkugelumkupplung | Ball-shaped coupling | K110 E1 55R-01 2166 |
| 2 | 64010069 | Deichsel | Drawbar | Heliodor 9 hydr. |
| 2 | 64010070 | Deichsel | Drawbar | Heliodor 9 KA export |
| 2 | 64010083 | Deichsel | Drawbar | -N |
| 2 | 64010085 | Deichsel | Drawbar | -L Helidor 9 |
| 2 | 64010091 | Zugöse | Traction loop | Cat.3 D46 160x160-M20x70 |
| 2 | 64010092 | Zugöse | Traction loop | Cat.4 D58 160x160-M20x70 |
| 2 | 64010093 | Zugöse | Traction loop | Cat.5 D79 160x160-M20x70 |
| 2 | 64010094 | Zugkugelumkupplung | Ball-shaped coupling | K80 160x160-M20x70 |
| 2 | 64010095 | Zugkugelumkupplung | Ball-shaped coupling | K110 160x160-M20x70 |
| 2 | 64010107 | Dreipunktturm | Headstock | Karat 12 KUA |
| 2 | 64010111 | Deichsel hydraulisch | Drawbar | Heliodor 9 KA Typ. (B) |
| 2 | 64010112 | Deichsel hydraulisch | Drawbar | Heliodor 9 KA Export (B) |
| 2 | 661 1369 | Unterlenkeranschluss | Lower link connection | AD10 D68 L3 Z4 |

INHALTSVERZEICHNIS / CONTENTS

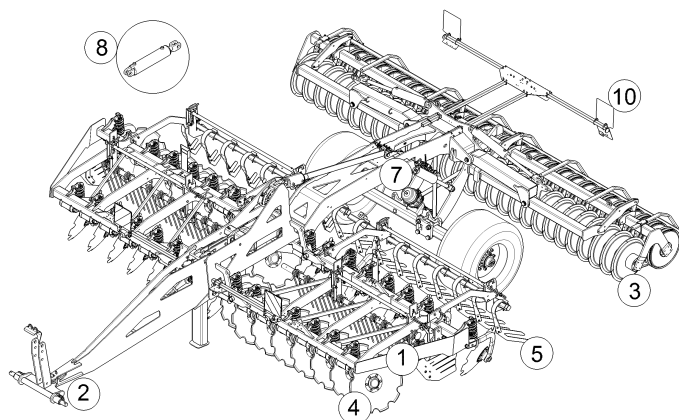
Rubin 12/500 KUA (A)



| Pos. | Art.Nr. | Artikeltext / Description | | Abmessung |
|------|----------|----------------------------|----------------------------|-------------------------|
| 2 | 661 1371 | Unterlenkeranschluss | Lower link connection | AD10 D68 L4 Z4 |
| 2 | 661 1413 | Unterlenkeranschluss | Lower link connection | ED68 L2 Z3 |
| 2 | 661 1414 | Unterlenkeranschluss | Lower link connection | ED68 L3 Z3 |
| 2 | 661 1417 | Unterlenkeranschluss | Lower link connection | ED68 L1100 Z58 K700 |
| 2 | 67510692 | Verbindungsblech | Connecting plate | Hydraulik |
| 3 | 622 0150 | Halter zur Doppelwalze | Holder | DRF-DRR 400/400 |
| 3 | 622 0152 | Halter zur Doppelwalze | Holder | DRR 540/400 |
| 3 | 622 0188 | Halter zur Gummiringwalze | Holder | GRW-GR D590-90 M20 |
| 3 | 622 6872 | Gummiringwalze | Rubber ring roller | GRW D590-250-20R-125 |
| 3 | 622 6939 | Messerwalze lange Messer | Knife roller, long knives | MSW-R D600-250 RE HE8 |
| 3 | 622 6943 | Messerwalze lange Messer | Knife roller, long knives | MSW-R D600-250 LI HE8 |
| 3 | 622 7274 | Rohrstabwalze | Tube bar roller | RSW-R 540-2.50-HE |
| 3 | 622 7293 | Rohrstabwalze | Tube bar roller | RSW-R D600-2.50 HE |
| 3 | 622 7337 | Doppelwalze Rohr-Flachstab | Double roller | DRF-R 400/400-2.50 HE |
| 3 | 622 7387 | Doppelwalze Rohr-Rohr | Double roller | DRR-R 400/400-2.50 HE |
| 3 | 622 7481 | Doppelprofilwalze | Double profile roller | DPW-A 540-2.50 HE |
| 3 | 622 7562 | Packerprofilwalze | Packer profile roller | PPW (A) 600/540-2.50 RE |
| 3 | 622 7563 | Packerprofilwalze | Packer profile roller | PPW (A) 600/540-2.50 LI |
| 3 | 622 7592 | Packerdoppelwalze | Packer double roller | PDW 600/600-2.50 RE |
| 3 | 622 7593 | Packerdoppelwalze | Packer double roller | PDW 600/600-2.50 LI |
| 3 | 622 8333 | Doppelwalze Rohr-Rohr | Double roller | DRR-R 540/400-2.50 HE |
| 3 | 62210008 | Flexringwalze | Flexring roller | FRW D540-2.50 |
| 3 | 62210022 | Pendelsperre | Lock | Karat 9/500 KA RE |
| 3 | 62210023 | Pendelsperre | Lock | Karat 9/500 KA LI |
| 3 | 62210327 | Halter | Holder | DPW 540/540 |
| 3 | 62210333 | Halter | Holder | PPW/PDW |
| 3 | 62210375 | Doppelprofilringwalze | Double profile ring roller | -B 540-2.50 |
| 3 | 62210378 | Packerprofilwalze | Packer profile roller | PPW (B) 600/540-2.50 RE |
| 3 | 62210379 | Packerprofilwalze | Packer profile roller | PPW (B) 600/540-2.50 LI |
| 3 | 62210386 | Packerdoppelwalze | Packer double roller | PDW (B) 600/600-2.50 RE |
| 3 | 62210387 | Packerdoppelwalze | Packer double roller | PDW (B) 600/600-2.50 LI |
| 3 | 62210408 | Messerwalze | Knife roller | MSW-R D600-250 RE (A) |
| 3 | 62210409 | Messerwalze lange Messer | Knife roller, long knives | MSW-R D600-250 LI (A) |
| 3 | 62210430 | Walze | Roller | DRF-R 540/400-2.50 |
| 4 | 55510016 | Nabe | Hub | D40x235x195 M36x1,5 |

INHALTSVERZEICHNIS / CONTENTS
Rubin 12/500 KUA (A)


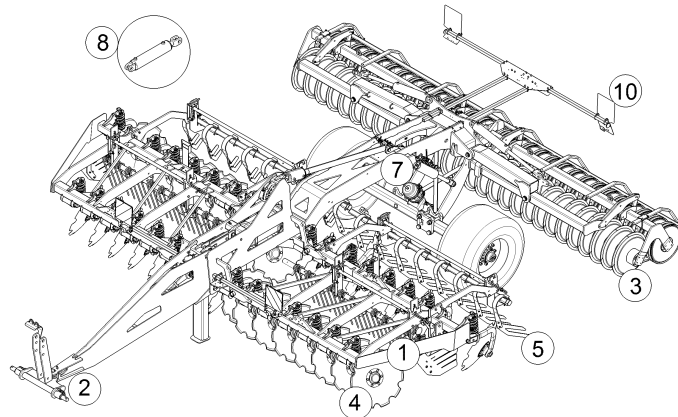
| Pos. | Art.Nr. | Artikeltext / Description | Abmessung | |
|------|----------|---------------------------|--------------------|-----------------------|
| 4 | 55510017 | Nabe | Hub | D40x235x195 M36x1,5LH |
| 4 | 55510038 | Lagerung | Bearing | D40x235x195 M36x1,5LH |
| 4 | 55510039 | Lagerung | Bearing | D40x235x195 M36x1,5 |
| 4 | 55510040 | Lagerung | Bearing | D40x235x195 M36x1,5LH |
| 4 | 55510041 | Lagerung | Bearing | D40x225x195 M36x1,5 |
| 4 | 61210106 | Halm | Stalk | Rubin 12 VO MI (B) |
| 4 | 61210175 | Halmtasche | Bracket | Rubin 12 VO/MI(B) |
| 4 | 61210178 | Halm | Stalk | Rubin 12 RE |
| 4 | 61210179 | Halm | Stalk | Rubin 12 LI |
| 4 | 61210180 | Halm | Stalk | Rubin 12 HI MI |
| 4 | 61210186 | Halm | Stalk | Rubin 12 VO MI (B) |
| 4 | 61210188 | Halmtasche | Bracket | Rubin 12 RE 16GRD |
| 4 | 61210189 | Halmtasche | Bracket | Rubin 12 LI 16GRD |
| 4 | 61210190 | Halmtasche | Bracket | Rubin 12 RE 14GRD |
| 4 | 61210191 | Halmtasche | Bracket | Rubin 12 LI 14GRD |
| 4 | 61210194 | Halmtasche | Bracket | Rubin 12 HIMI |
| 4 | 61210210 | Halmtasche | Bracket | Rubin 12 RE 14°SW24 |
| 4 | 61210211 | Halmtasche | Bracket | Rubin 12 LI 14° SW24 |
| 4 | 61210216 | Halm mit Lagerung | Stalk with bearing | Rubin 12 RE (B) |
| 4 | 61210217 | Halm mit Lagerung | Stalk with bearing | Rubin 12 LI (B) |
| 4 | 61210218 | Halm mit Lagerung | Stalk with bearing | Rubin 12 HIMI (B) |
| 4 | 62710003 | Halmtasche | Bracket | Rubin 12 HIMI(A) |
| 4 | 62710004 | Halmtasche | Bracket | Rubin 12 RE 14°SW30 |
| 4 | 62710005 | Halmtasche | Bracket | Rubin 12 LI 14°SW30 |
| 4 | 65710048 | Hohlscheibe | Concave disc | D736x6 Rubin 12 |
| 4 | 65710075 | Hohlscheibe | Concave disc | D736x6 Rubin 12 |
| 4 | 65710082 | Seitenschild | Side shield | Rubin 12 KUA NE RE |
| 4 | 65710083 | Seitenschild | Side shield | Rubin 12 KUA NE LI |
| 4 | 65710144 | Seitenschild | Side shield | Rubin 12 KUA 155 RE |
| 4 | 65710145 | Seitenschild | Side shield | Rubin 12 KUA 155 LI |
| 5 | 55710002 | Spiralzinken | Spiral tine | A13 RE |
| 5 | 55710003 | Spiralzinken | Spiral tine | A13 LI |
| 5 | 55710005 | Halter | Holder | Karat 9/500 KA +600 |
| 5 | 62210108 | Nivellierstriegel | Levelling harrow | Rubin 12/500 KUA RE |
| 5 | 62210109 | Nivellierstriegel | Levelling harrow | Rubin 12/500 KUA LI |
| 5 | 62210270 | Striegeleinstellung | Harrow adjustment | Rubin 12/500 KUA |



| Pos. | Art.Nr. | Artikeltext / Description | Abmessung |
|------|-----------------|------------------------------|-------------------------------|
| 5 | 62210300 | Striegel | Levelling harrow |
| 5 | 62210330 | Nivellierstriegeleinstellung | Levelling harrow adjustment |
| 5 | 62210454 | Striegeleinstellung | Harrow adjustment |
| 5 | 62210455 | Striegeleinstellung | Harrow adjustment |
| 5 | 62210456 | Nivellierstriegeleinstellung | Levelling harrow adjustment |
| 5 | 62210457 | Nivellierstriegeleinstellung | Levelling harrow adjustment |
| 7 | 550 1124 | Befestigungssatz Laufachse | Set of fittings running axle |
| 7 | 550 1125 | Befestigungssatz | Set of fittings |
| 7 | 550 8516 | Laufachse | Running axle |
| 7 | 550 8524 | Bremsachse | Braking axle |
| 7 | 550 8912 | Rad 8/221/275 M20x1,5 | Wheel 8/221/275 M20x1,5 |
| 7 | 550 8913 | Rad 8/221/275 M20x1,5 | Wheel 8/221/275 M20x1,5 |
| 7 | 61210207 | Fahrwerksausleger | Outrigger/trailer |
| 7 | 61210236 | Fahrwerksausleger | Outrigger/trailer |
| 7 | 65010028 | Standbremse | Parking brake |
| 7 | 67010116 | Unterlegkeil | Wheel chock |
| 7 | 67710026 | Druckluftbremsanlage | Compressed-air brake |
| 7 | 67710027 | Druckluftbremsanlage | Compressed-air brake |
| 7 | 69910274 | Bremsachse | Braking axle |
| 7 | 69910275 | Bremsachse | Braking axle |
| 8 | 575 2260 | Hydraulikzylinder | Hydraulic ram |
| 8 | 575 2268 | Hydraulikzylinder | Hydraulic ram |
| 8 | 575 2269 | Hydraulikzylinder | Hydraulic ram |
| 8 | 575 2336 | Hydraulikzylinder | Hydraulic ram |
| 8 | 57510289 | Hydraulikzylinder | Hydraulic ram |
| 8 | 57510510 | Montage-BG.Tiefenverstellung | Assembly group |
| 8 | 57510513 | Hydraulikanlage | Hydraulic assembly |
| 8 | 57510516 | Rückschlagventil | Nonreturn valve |
| 8 | 57510544 | Hydraulikzylinder | Hydraulic ram |
| 8 | 57510605 | Hy-anl. Aushub | HY-assembly lifting |
| 8 | 57510610 | Montage-BG.Hydr.Deichs | Montage-BG.Hydr.Deichs |
| 8 | 57510953 | Hydraulikverteiler | Distributor |
| 8 | 57510955 | Hy-anl. Aushub | HY-assembly lifting |
| 8 | 57510983 | Wegeventil | Directional valve |
| 8 | 57511159 | Hy-anl. Aushub | HY-assembly lifting |
| | | | Rubin 12/500 KUA |
| | | | Rubin 12/500 KUA (A) |
| | | | Rubin 12/500 KUA RE |
| | | | Rubin 12/500 KUA LI |
| | | | Rubin 12/500 KUA RE |
| | | | Rubin 12/500 KUA LI |
| | | | Karat 9/400-500 KA |
| | | | Bremsachse Karat 9/400+500 KA |
| | | | GS12008 CO-55.72.001.007 |
| | | | 120x14x2530 400X80 ADR |
| | | | 550/45-22.5 16PR RE (Mefro) |
| | | | 550/45-22.5 16PR LI (Mefro) |
| | | | Rubin 12/500 KUA (A) |
| | | | Rubin 12/500 (B) |
| | | | Rubin 12 KUA |
| | | | NG53 kpl. |
| | | | Rubin 12 KUA |
| | | | Rubin 12 KUA L-Deichsel |
| | | | 120x14x2530 400x80 ADR |
| | | | 120x14x2530 400x80 ADR |
| | | | DZ70/40x450-750 Hub +/- 5 |
| | | | DZ90/40x320-580+-5 |
| | | | DZ100/45x0320-0580 D30 D30 |
| | | | DZ025/18x10-240D16,4D16,5 |
| | | | DZ120/70x120-383 |
| | | | Rubin 12 KUA |
| | | | Rubin 12/500 KUA +600 |
| | | | Rubin 12 KUA |
| | | | DZ120/70-120/1745 |
| | | | Rubin 12 KUA |
| | | | Rubin 12 KUA |
| | | | Rubin 12 KUA |
| | | | Rubin 12 KUA155 |
| | | | Rubin 12KUA 155 |
| | | | BKH 12L-M18x1,5 Zn |
| | | | Rubin 12 KUA |

INHALTSVERZEICHNIS / CONTENTS

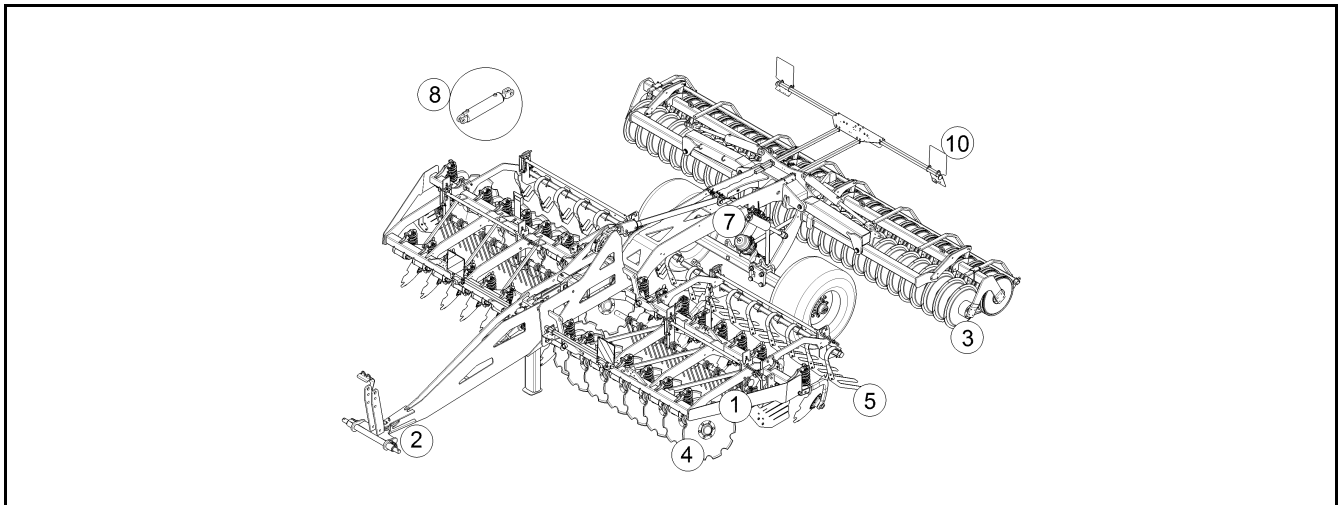
Rubin 12/500 KUA (A)



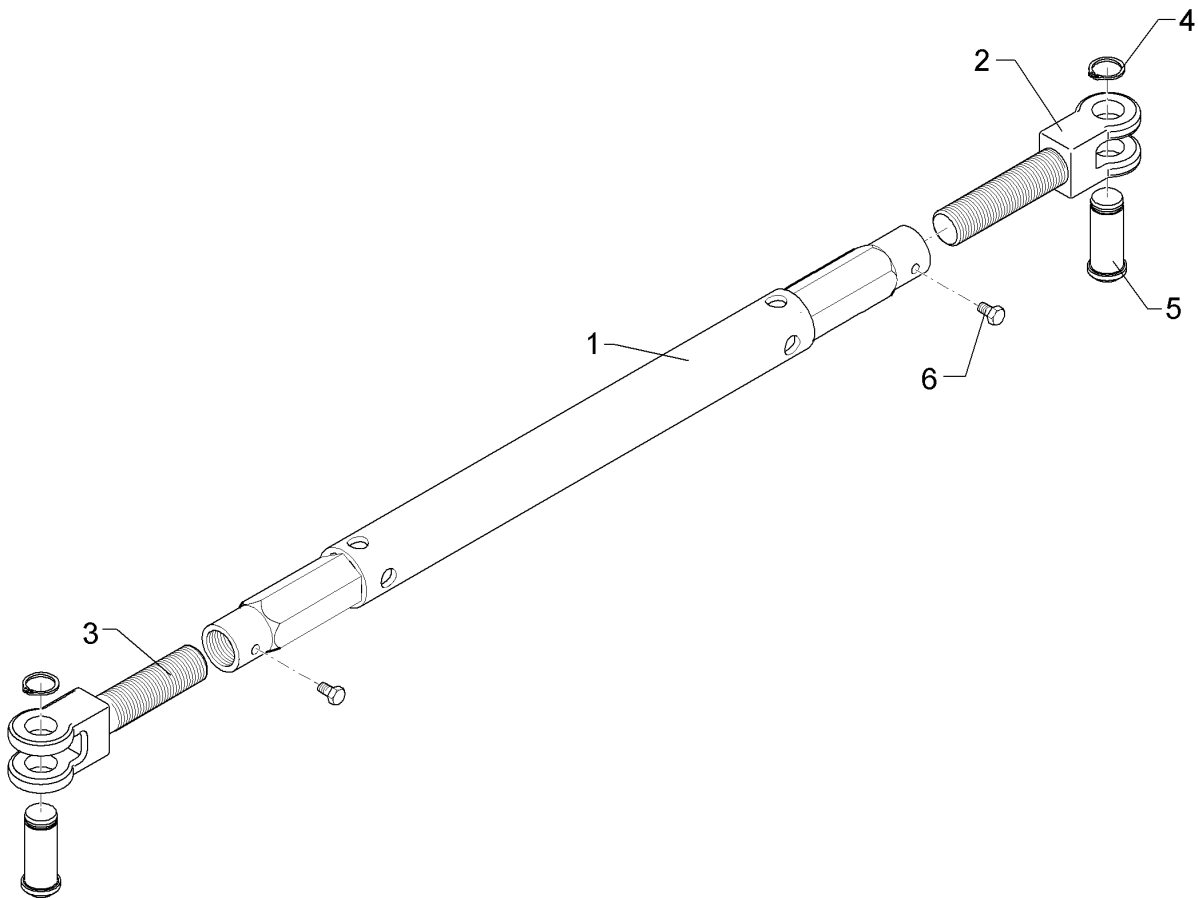
| Pos. | Art.Nr. | Artikeltext / Description | Abmessung |
|------|----------|--------------------------------|-------------------------------|
| 8 | 67510293 | Hubbegrenzung | Rubin 12 KUA |
| 8 | 67510306 | Hydr. Bremsanlage | Rubin 12 KUA |
| 8 | 67510307 | Hydraulikanlage | Rubin 12 KUA L |
| 8 | 67510309 | Einklapp.Walze Rubin 12/400 KU | Rubin 12/400 KA +500 |
| 8 | 67510661 | Hy-anl. Tiefeneinstellung | Rubin 12 KUA-155 |
| 8 | 67510666 | Hy-anl. Aushub | Rubin 12 KUA 155 |
| 8 | 67510667 | Hydraulikanlage Deichsel | Rubin 12/700 KUA 155 |
| 8 | 67510683 | Hydraulikleitung Tiefeneinst. | Rubin 12/700 KUA P17/T17-N |
| 8 | 67510684 | Hy.Zufühdl. Deichsel | P16/T16 -L |
| 8 | 67510685 | Hydraulikleitung Tiefeneinst. | Rubin 12/700 KUA P17/T17-L |
| 8 | 67510686 | Hy.Zufühdl. Klappung | P1/T1 -N |
| 8 | 67510687 | Hydraulikleitung Aushub | P2/T2-L15-3800 |
| 8 | 67510688 | Schlauchpaket | P1/T1-L15-4600 |
| 8 | 67510689 | Hydraulikleitung | P2/T2-L15-4600 |
| 8 | 67510690 | Hydraulikleitung | P14-3800 |
| 8 | 67510691 | Hydraulikleitung | P14-L12-4300 |
| 8 | 67510738 | Hydraulikanlage Deichsel | Rubin 12/400-600 KUA(A) |
| 8 | 67510740 | Hydraulikanlage Einklappung | Rubin 12/500 KUA (A) |
| 8 | 67510745 | Hydraulikanlage Deichsel | Rubin 12/400-600 KUA(A) |
| 8 | 67510746 | Hy-anl. Aushub | Rubin 12 KUA |
| 8 | 67510747 | Hy-anl. Tiefeneinstellung | Rubin 12 KUA |
| 8 | 67510749 | Hydraulikanlage | Bremsanl.Rubin 12 KUA |
| 8 | 67510921 | Schlauchhalter | Karat 12 KUA LI |
| 8 | 67510939 | Hy.Zufühdl. Fahrwerk | Karat 12 KUA-P2/T2 |
| 8 | 67510942 | Hy.Zufühdl. Klappung | Karat 12 KUA-P1/T1-kurz |
| 8 | 67510945 | Hy.Zufühdl. Fahrwerk | Karat 12 KUA-P2/T2-L |
| 8 | 67510946 | Hy.Zufühdl. Klappung | Karat 12 KUA-P1/T1-L |
| 8 | 67510951 | Hy.Zufühdl. Bremse | P14/T14 - Karat 12 KUA |
| 8 | 67510952 | Hy.Zufühdl. Bremse | P14/T14-L-Karat 12 KUA |
| 8 | 67510959 | Hydraulikanlage | Klappung Rubin 12/500 KUA 155 |
| 8 | 67510963 | Hy-anl. Aushub | Rubin 12 KUA-155 |
| 8 | 67510965 | Hy-anl. Aushub | Rubin 12 KUA (B) |
| 8 | 67511098 | Hydraulische Bremsanlage | Rubin 12/400-500KUA |
| 10 | 373 4261 | Kabel | 7x1,5x5000 |
| 10 | 37310160 | Grundkabel | 6x1/1x2,5x5000 ISO1724/1185 |
| 10 | 570 1758 | Beleuchtungseinheit | 3eck HI RE |

INHALTSVERZEICHNIS / CONTENTS

Rubin 12/500 KUA (A)

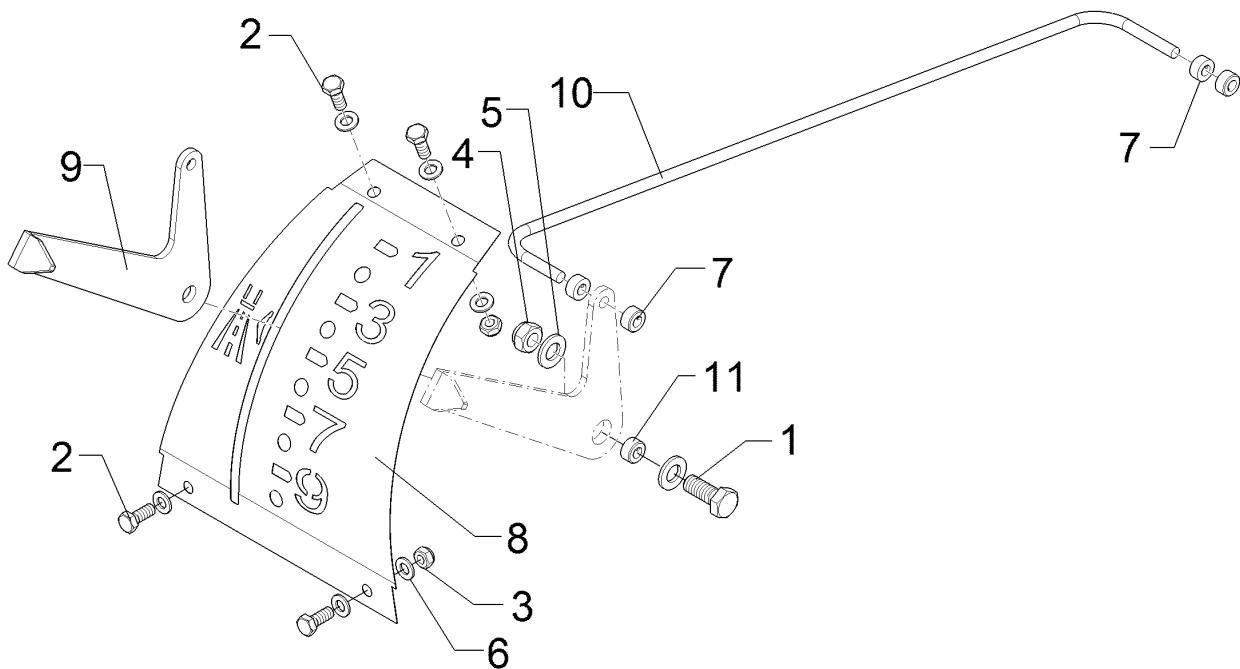


| Pos. | Art.Nr. | Artikeltext / Description | Abmessung | |
|------|----------|-----------------------------------|----------------------|-----------------------|
| 10 | 570 1759 | Beleuchtungseinheit | Lighting unit | 3eck HI LI |
| 10 | 570 1762 | Beleuchtungseinheit | Lighting unit | 2x296x414 VO RE |
| 10 | 570 1763 | Beleuchtungseinheit | Lighting unit | 2x296x414 VO LI |
| 10 | 57010014 | Warntafel | Warning board | 2x296x414VO RE |
| 10 | 57010015 | Warntafel | Warning board | 2x296x414VO LI |
| 10 | 57010016 | Beleuchtungseinheit | Lighting unit | 3eck Pendel HI RE |
| 10 | 57010017 | Beleuchtungseinheit | Lighting unit | 3eck Pendel HI LI |
| 10 | 57010022 | Beleuchtungseinheit | Lighting unit | HI+VO RE NE |
| 10 | 57010023 | Beleuchtungseinheit | Lighting unit | HI+VO LI NE |
| 10 | 57010100 | Beleuchtungseinheit | Lighting unit | 3eck HI RE |
| 10 | 57010101 | Beleuchtungseinheit | Lighting unit | 3eck HI LI |
| 10 | 57010102 | Beleuchtungseinheit | Lighting unit | 2x296x414 VO RE |
| 10 | 57010103 | Beleuchtungseinheit | Lighting unit | 2x296x414 VO LI |
| 10 | 57010108 | Beleuchtungseinheit | Lighting unit | 3eck Pendel HI RE |
| 10 | 57010109 | Beleuchtungseinheit | Lighting unit | 3eck Pendel HI LI |
| 10 | 670 0648 | Schild | Board | Q40 25km (F) |
| 10 | 67010063 | Schild langsamfahrend.Fahrzeug | Board | Rubin 9 |
| 10 | 67010092 | Transportschutz | Transport protection | Rubin 12 KUA |
| 10 | 67010193 | Beleuchtungsanlage | Lighting equipment | ML Rubin 12 KUA 155 |
| 10 | 67010194 | Verteilerdose | Junction box | Rubin 12 |
| 10 | 67010195 | Beleuchtungsanlage | Lighting equipment | ML Rubin 12 KUA 155 F |
| 10 | 67010196 | Beleuchtungsanlage | Lighting equipment | ML Rubin 12 KUA NE |

Spannschloß/Turnbuckle**1****Rubin 12/500 KUA (A)****30210039**

01.18

| Pos. | Art.Nr. | Stck. | Artikeltext / Description | | Abmessung |
|------|----------|-------|---------------------------|-----------------|-----------------------------|
| 1 | 302 8932 | 1 | Spannschlossmutter | Threaded sleeve | TR36x3x930-SW60 |
| 2 | 302 9010 | 1 | Gabelstück | Forkpiece | TR36x3x120/235 D30 Zn |
| 3 | 302 9011 | 1 | Gabelstück | Forkpiece | TR36x3LHx120/235 D30 Zn |
| 4 | 305 8867 | 2 | Sicherungsring | Retaining ring | 30x2 DIN471 Zn |
| 5 | 313 7802 | 2 | Bolzen mit Kopf | Pin with collar | D30/35x63/80 Zn |
| 6 | 30110019 | 2 | Sechskantschraube | Hexagon bolt | M10x1x20-8.8 Zn DIN961-A |

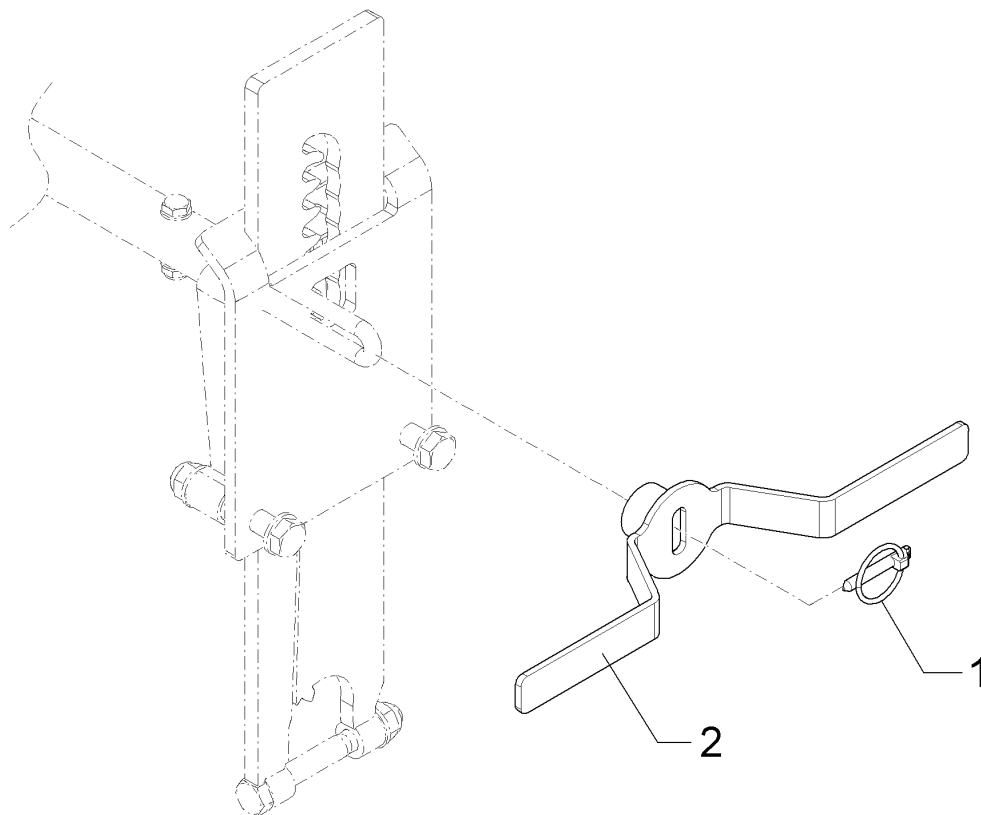


01.18

| Pos. | Art.Nr. | Stck. | Artikeltext / Description | | Abmessung |
|------|----------|-------|---------------------------|-----------------|---------------------------|
| 1 | 301 3347 | 1 | Sechskantschraube | Hexagon bolt | M12x40-8.8 Zn DIN933 |
| 2 | 301 6750 | 4 | Sechskantschraube | Hexagon bolt | M8x20-8.8 Zn DIN933 |
| 3 | 303 0932 | 4 | Sicherungsmutter | Selflocking nut | NM8-8 Zn DIN985 |
| 4 | 303 0934 | 1 | Sicherungsmutter | Selflocking nut | NM12-8 Zn DIN985 |
| 5 | 305 8580 | 2 | Scheibe | Washer | 13/24x2,5 St-Zn DIN125 |
| 6 | 305 8694 | 8 | Scheibe | Washer | A8,4 DIN125-St Zn |
| 7 | 31710128 | 4 | Stelling | Adjusting ring | A9 Zn |
| 8 | 32110046 | 1 | Anzeigetafel | Indicator plate | 0,5x227x292 4xD9 A2 |
| 9 | 32110047 | 1 | Zeiger | Pointer | 5x148x253 GEB90GRD |
| 10 | 32110048 | 1 | Verbindungsst. | Connecting rod | D8x675 2xGEB87GRD |
| 11 | 317 7668 | 1 | Buchse | Bush | D16x2x7 Zn |

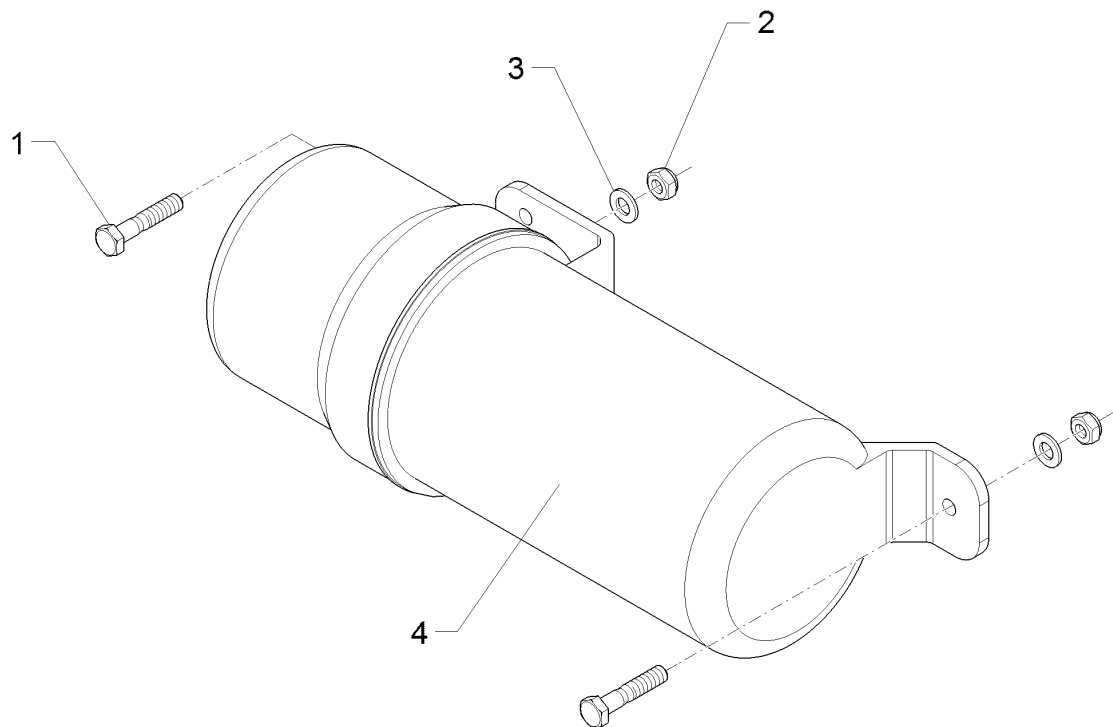
| | |
|-------------|---|
| Hebel/Lever | 1 |
|-------------|---|

| | |
|----------------------|----------|
| Rubin 12/500 KUA (A) | 32110050 |
|----------------------|----------|



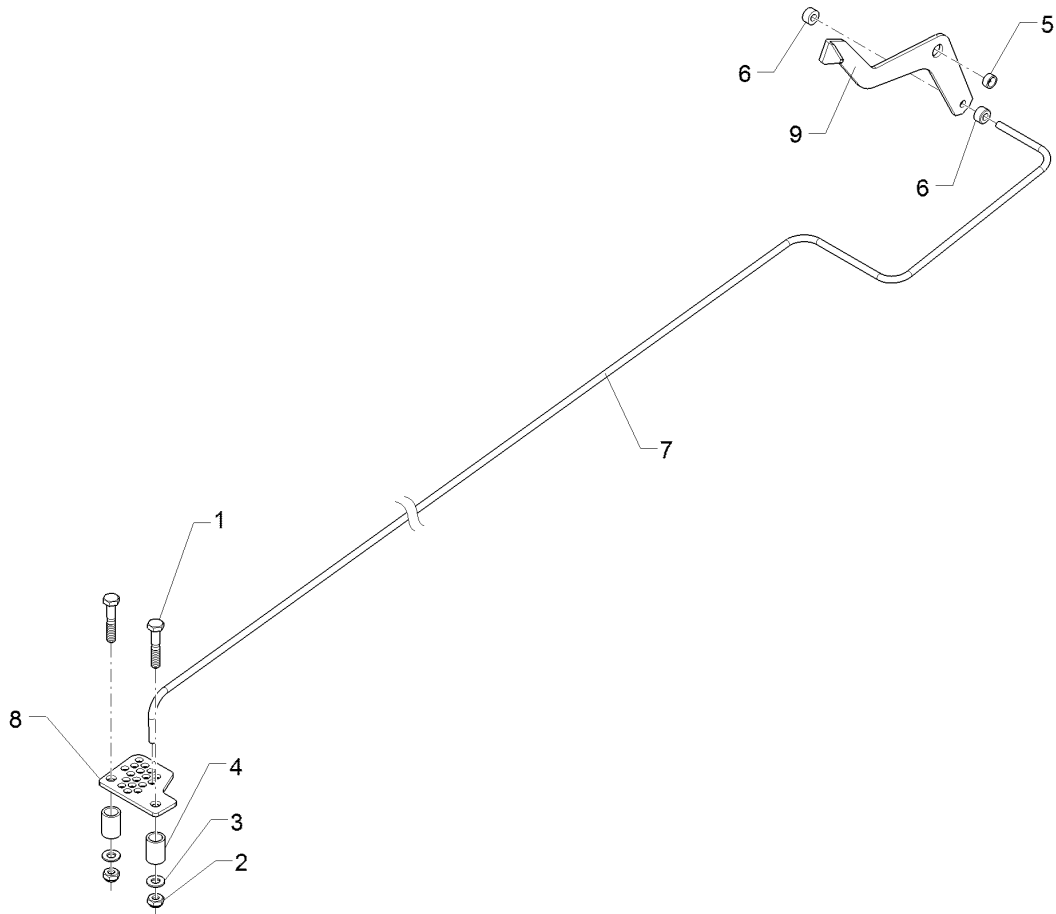
01.18

| Pos. | Art.Nr. | Stck. | Artikeltext / Description | | Abmessung |
|------|----------|-------|---------------------------|--------------|---------------|
| 1 | 311 9315 | 1 | Klappstift mit Bohrung | Securing pin | 8x42 DIN11023 |
| 2 | 32110045 | 1 | Hebel | Lever | 5x97x426 |



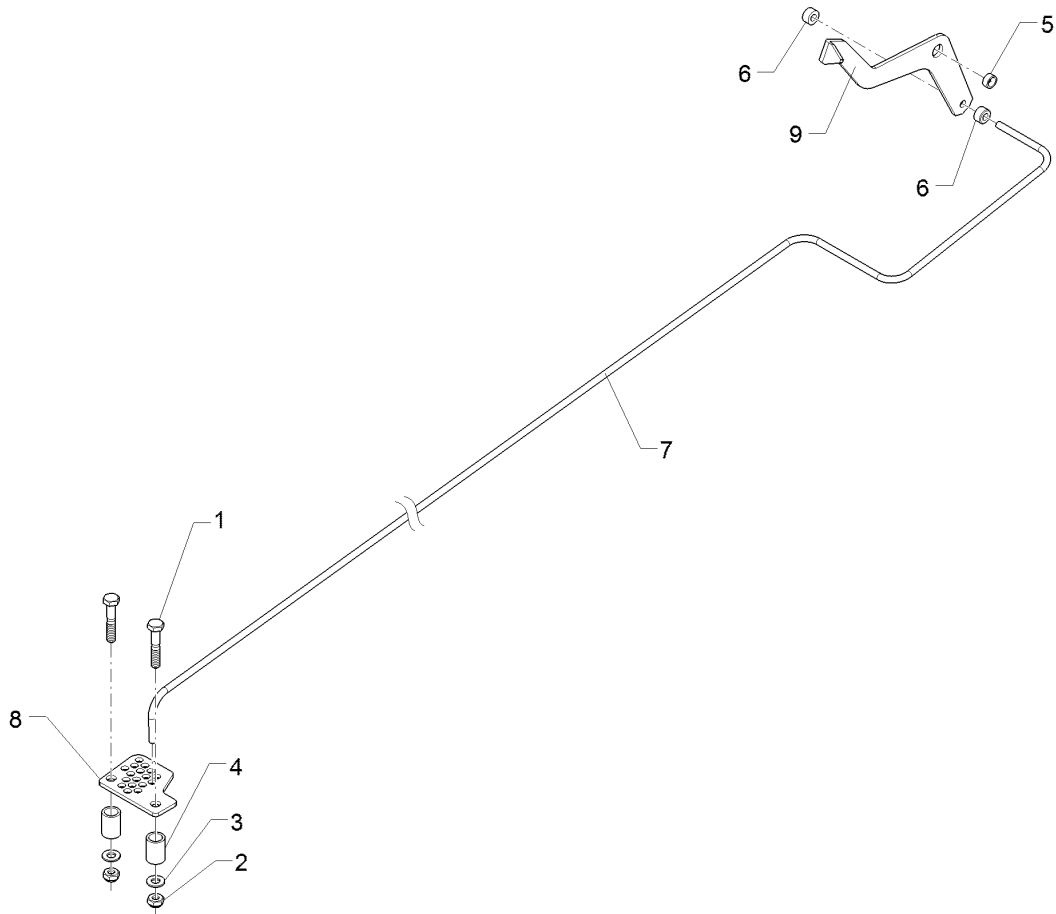
01.18

| Pos. | Art.Nr. | Stck. | Artikeltext / Description | | Abmessung |
|------|----------|-------|---------------------------|-----------------|--------------------------|
| 1 | 301 3070 | 2 | Sechskantschraube | Hexagon bolt | M8x40-8.8 Zn DIN931-A |
| 2 | 303 0932 | 2 | Sicherungsmutter | Selflocking nut | NM8-8 Zn DIN985 |
| 3 | 305 8694 | 2 | Scheibe | Washer | A8,4 DIN125-St Zn |
| 4 | 32110127 | 1 | Dokumentenbehälter | Documents box | D140x363 |



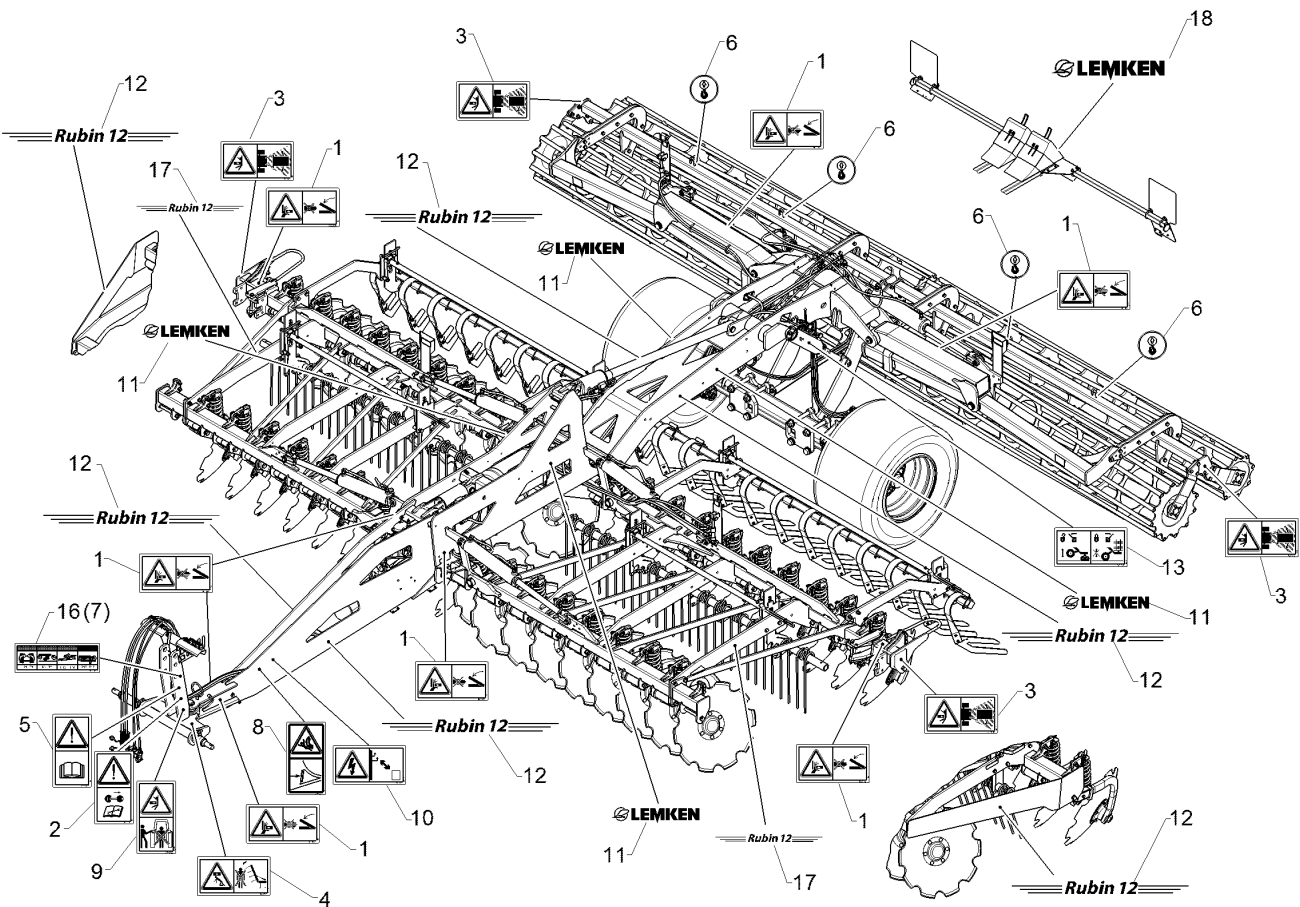
01.18

| Pos. | Art.Nr. | Stck. | Artikeltext / Description | | Abmessung |
|------|----------|-------|---------------------------|-----------------|---------------------------|
| 1 | 301 3248 | 2 | Sechskantschraube | Hexagon bolt | M10x55-8.8 Zn DIN931-A |
| 2 | 303 0933 | 2 | Sicherungsmutter | Selflocking nut | NM10-8 DIN985 Zn |
| 3 | 305 8696 | 2 | Scheibe | Washer | A10,5 DIN125-St Zn |
| 4 | 317 6792 | 2 | Röhrchen | Tube | 22/16x30,5 Zn |
| 5 | 317 7668 | 1 | Buchse | Bush | D16x2x7 Zn |
| 6 | 31710128 | 2 | Stelling | Adjusting ring | A9 Zn |
| 7 | 32110142 | 1 | Verbindungsstange | Connecting rod | D8x1938 5xGEB Zn |
| 8 | 32110080 | 1 | Platte | Plate | 5x74x103 2xD12 Zn |
| 9 | 32110081 | 1 | Zeiger | Pointer | 5x102x333 GEB90GRD |



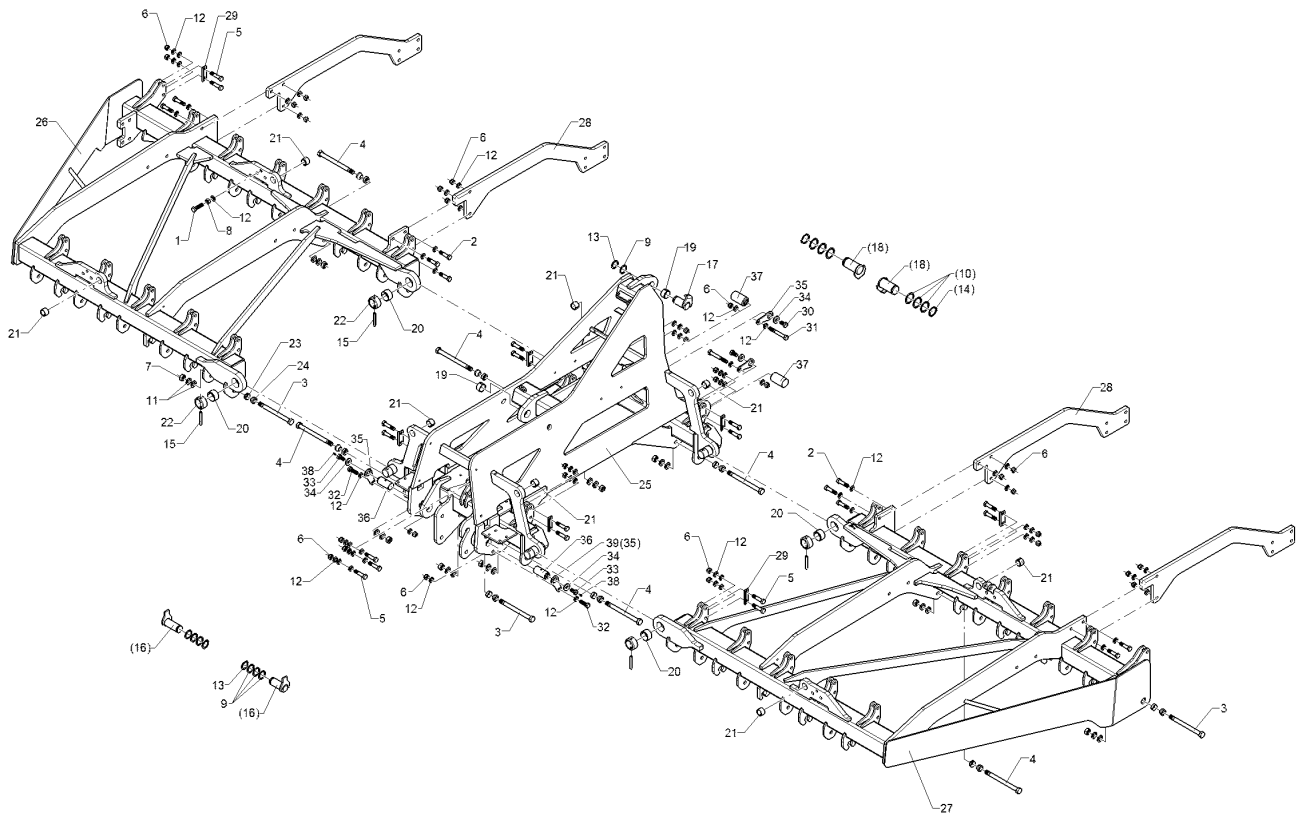
01.18

| Pos. | Art.Nr. | Stck. | Artikeltext / Description | | Abmessung |
|------|----------|-------|---------------------------|-----------------|---------------------------|
| 1 | 301 3248 | 2 | Sechskantschraube | Hexagon bolt | M10x55-8.8 Zn DIN931-A |
| 2 | 303 0933 | 2 | Sicherungsmutter | Selflocking nut | NM10-8 DIN985 Zn |
| 3 | 305 8696 | 2 | Scheibe | Washer | A10,5 DIN125-St Zn |
| 4 | 317 6792 | 2 | Röhrchen | Tube | 22/16x30,5 Zn |
| 5 | 317 7668 | 1 | Buchse | Bush | D16x2x7 Zn |
| 6 | 31710128 | 2 | Stelling | Adjusting ring | A9 Zn |
| 7 | 32110077 | 1 | Verbindungsstange | Connecting rod | D8x1667 5xGEB Zn |
| 8 | 32110080 | 1 | Platte | Plate | 5x74x103 2xD12 Zn |
| 9 | 32110081 | 1 | Zeiger | Pointer | 5x102x333 GEB90GRD |



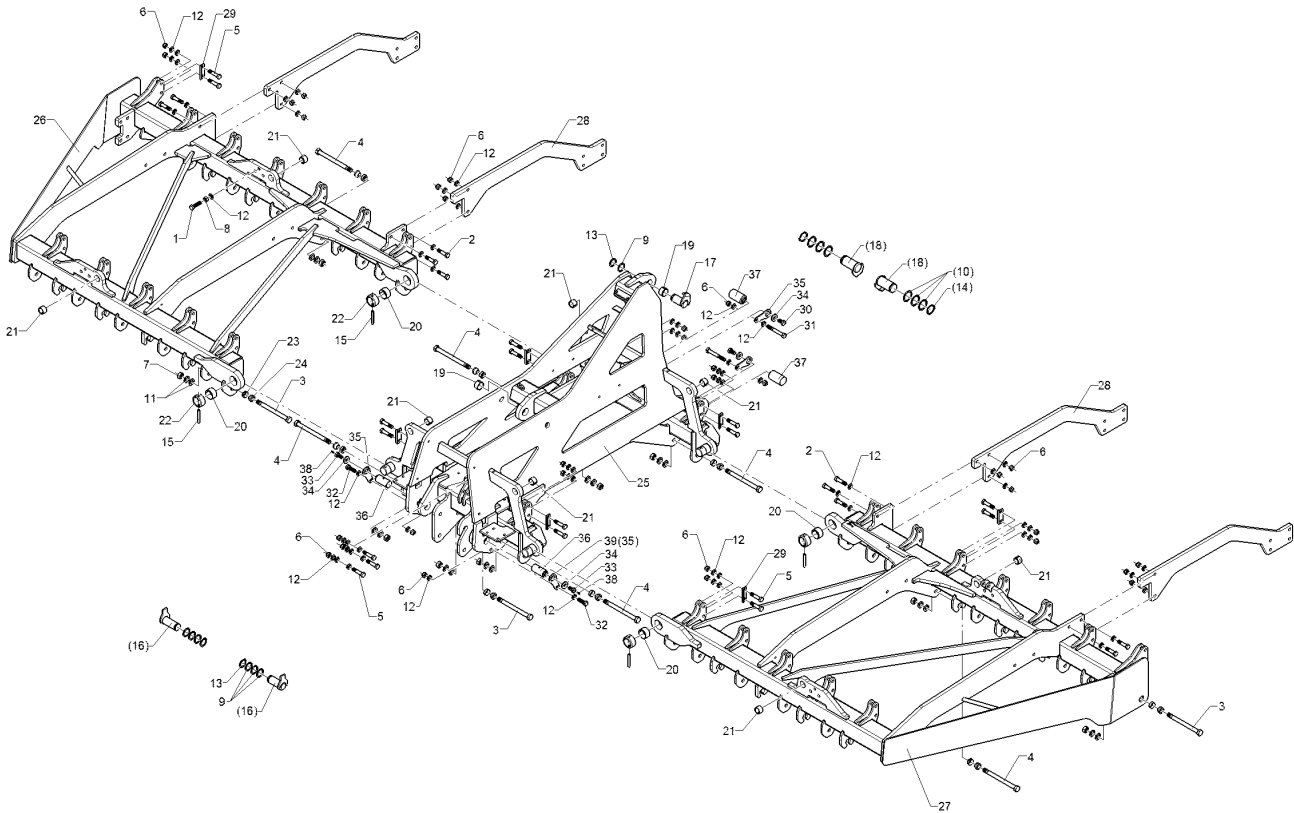
01.18

| Pos. | Art.Nr. | Stck. | Artikeltext / Description | Abmessung | |
|------|----------|-------|--------------------------------|----------------|-------------------------------|
| 1 | 390 0506 | 8 | Aufkleber Warnbildzeichen | Warning Label | Quetschgefahr QF |
| 2 | 390 0509 | 1 | Aufkleber Warnbildzeichen | Warning Label | Motor abstellen |
| 3 | 390 0510 | 4 | Aufkleber Warnbildzeichen | Warning Label | Schwenkbereich QF |
| 4 | 390 0540 | 1 | Aufkleber Warnbildzeichen | Warning Label | Klapprahmen QF |
| 5 | 390 0555 | 1 | Aufkleber Betriebsanl. lesen | Label Warning! | ISO HF 61 x 115 |
| 6 | 390 0588 | 4 | Aufkleber Anschlagpunkt | Label | D45 |
| 7 | 390 0618 | 1 | Aufkleber-HY-Anschlüsse | Label | Karat 9 KA P1T1-P2T2 P3T3 |
| 8 | 390 0627 | 1 | Aufkleber | Label | Unterlegkeil sichern |
| 9 | 390 0628 | 1 | Aufkleber | Label | HF 61 x 115 |
| 10 | 390 0616 | 1 | Aufkleber Hochspannungsleitung | Label | 60x116 H |
| 11 | 390 4312 | 4 | Aufkleber | Label | Logo+LEMKEN (80x427) |
| 12 | 39010053 | 6 | Aufkleber | Label | Rubin 12 58x700 |
| 13 | 39010092 | 1 | Aufkleber Fahrwerk | Label trailer | Rubin 12KUA |
| 14 | 39010030 | 1 | Aufkleber | Label | Kupplung Kat3 (fr) |
| 15 | 39010031 | 1 | Aufkleber | Label | Kupplung Kat4 (fr) |
| 16 | 39010167 | 1 | Aufkleber Schlauchkennzeichn. | Label | Rubin 12 KUA P1-T17 135x45 |
| 17 | 39010054 | 2 | Aufkleber | Label | Rubin 12 37x500 |
| 18 | 39010021 | 1 | Aufkleber Logo+LEMKEN (322x60) | Label | - |



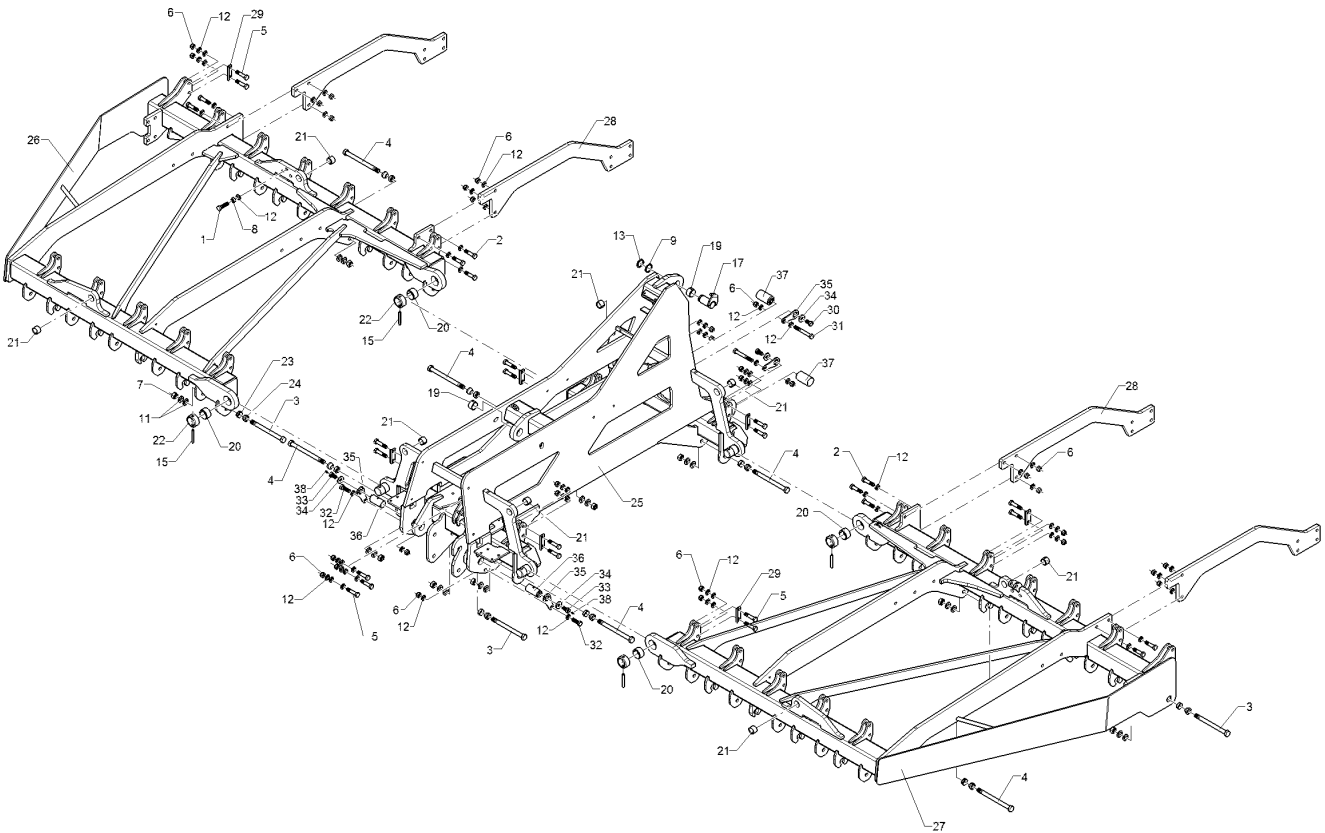
01.18

| Pos. | Art.Nr. | Stck. | Artikeltext / Description | | Abmessung |
|------|----------|-------|------------------------------|-----------------|------------------------------|
| 1 | 301 3839 | 1 | Sechskantschraube | Hexagon bolt | M16x60-8.8 DIN933 |
| 2 | 301 3870 | 12 | Sechskantschraube spz. | Hexagon bolt | M16x65-10.9 Zn |
| 3 | 301 4545 | 23 | Sechskantschraube spezial | Hexagon bolt | M20x1,5x230ls204xb23-10.9 Zn |
| 4 | 301 4546 | 6 | Sechskantschraube spezial | Hexagon bolt | M20x1,5x240ls214xb23-10.9 Zn |
| 5 | 301 5363 | 59 | Sechskantschraube spz. | Hexagon bolt | M16x70-12.9 Zn |
| 6 | 303 0935 | 75 | Sicherungsmutter | Selflocking nut | NM16-8 Zn DIN985 |
| 7 | 303 0977 | 29 | Sechskantmutter | Hexagon nut | M20x1,5 DIN934-10 Zn |
| 8 | 303 1015 | 1 | Sechskantmutter | Hexagon nut | M16 DIN934-8 Zn |
| 9 | 305 2100 | 1 | Passscheibe | Shim | 40x50x2,0 DIN988 |
| 10 | 305 2150 | 6 | Passscheibe | Shim | 50x62x1,0 DIN988 |
| 11 | 305 6012 | 57 | Scheibe | Washer | 21 ISO7089 Zn |
| 12 | 305 6141 | 154 | Scheibe | Washer | 17/30x3 DIN/ISO-7089 |
| 13 | 305 8875 | 1 | Sicherungsring | Retaining ring | 40x2,5 DIN471 |
| 14 | 305 8877 | 2 | Sicherungsring | Retaining ring | 50x3 DIN471 |
| 15 | 30910006 | 4 | Spannhülse | Expansion bush | 12x70 DIN1481 Zn |
| 16 | 313 4056 | 2 | Bolzen mit Verdrehsicherung | Pin with stop | D40x103 Zn |
| 17 | 31310067 | 1 | Bolzen mit Verdrehsicherung | Pin with stop | D40x71/90 Zn |
| 18 | 31310072 | 2 | Bolzen mit Verdrehsicherung | Pin with stop | D50/55x110 Zn |
| 19 | 317 2009 | 2 | Einspannbuchse mit Presssitz | Expansion bush | EG40/45x25 |
| 20 | 317 2025 | 4 | Einspannbuchse mit Presssitz | Expansion bush | EG50/55x30 |
| 21 | 317 3417 | 8 | Einspannbuchse mit Presssitz | Expansion bush | EG30/38x25 |



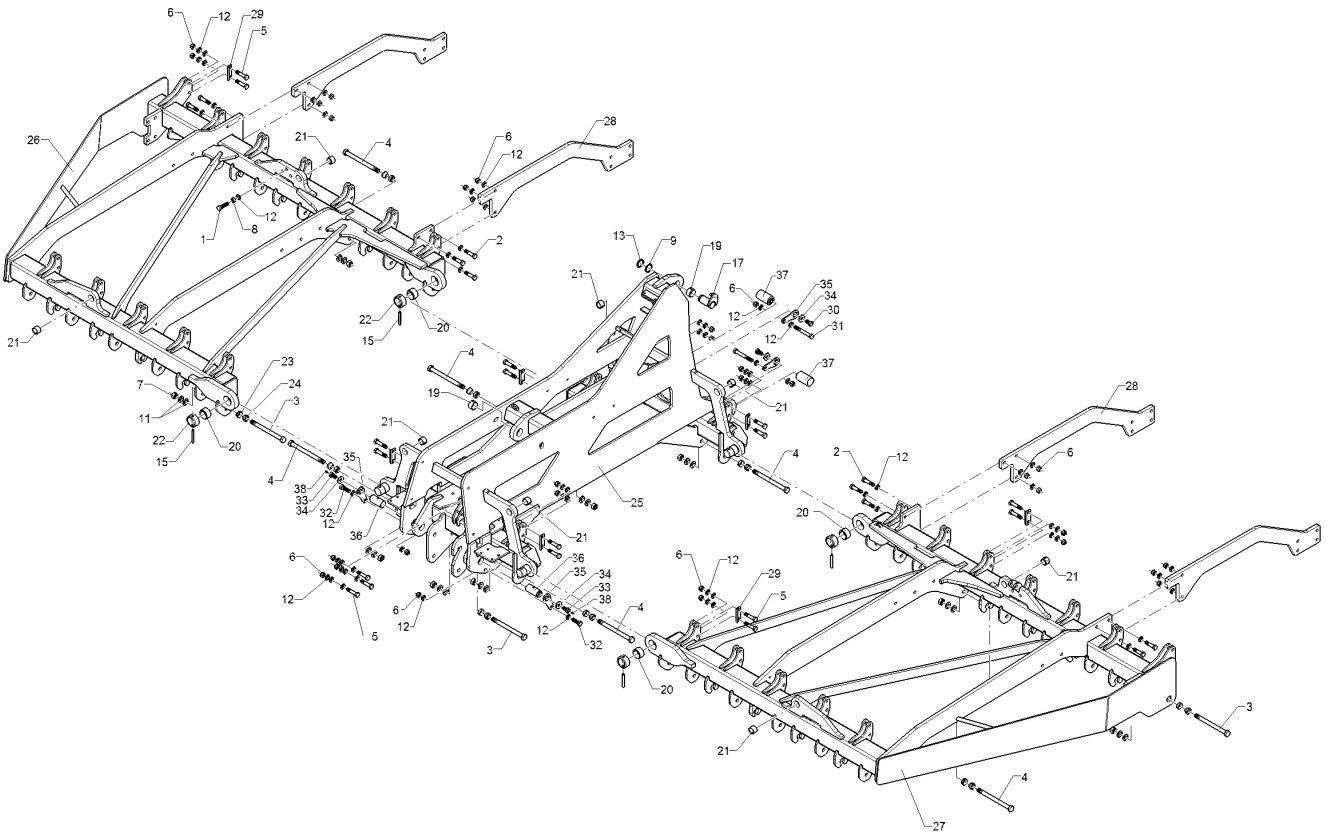
01.18

| Pos. | Art.Nr. | Stck. | Artikeltext / Description | | Abmessung |
|------|----------|-------|---------------------------|----------------------|--------------------------------|
| 22 | 31710060 | 4 | Stelling | Adjusting ring | D65/48x30 D12 Zn |
| 23 | 31710143 | 29 | Spannring Aussen | Clamping ring, outer | D35/20x12 |
| 24 | 31710144 | 29 | Spannring | Clamping ring | D20/35x19 |
| 25 | 41210229 | 1 | Mittelteil | Center section | Rubin 12 KUA (A) |
| 26 | 41210236 | 1 | Seitenteil | Lateral section | Rubin 12/500 KUA-130 RE (B) |
| 27 | 41210237 | 1 | Seitenteil | Lateral section | Rubin 12/500 KUA-130 LI (B) |
| 28 | 42210099 | 4 | Träger | Carrier | 20x320x1141 7xD16,2 |
| 29 | 30510180 | 28 | Sicherungsblech | Locking plate | 3x30x88 2xD16,5 Zn |
| 30 | 301 3682 | 2 | Sechskantschraube | Hexagon bolt | M16x30-8.8 Zn DIN933 |
| 31 | 301 4039 | 2 | Sechskantschraube | Hexagon bolt | M16x120-8.8 Zn DIN931-A |
| 32 | 301 5406 | 2 | Sechskantschraube | Hexagon bolt | M16x50-8.8 Zn DIN933 |
| 33 | 30110588 | 2 | Sechskantschraube spezial | Hexagon bolt | M16x30-8.8 Zn M6 |
| 34 | 305 6161 | 4 | Scheibe | Washer | 17/40x6 DIN7349 Zn |
| 35 | 30510254 | 4 | Verdrehsicherung | Locking | 6x50x120 D16,5 Zn |
| 36 | 31310154 | 2 | Bolzen | Pin | D40x83/90 Zn |
| 37 | 31310155 | 2 | Bolzen | Pin | D50x85/92 Zn |
| 38 | 323 6345 | 2 | Schmiernippel gerade | Grease nipple | LAM 6 DIN71412 |
| 39 | 30510274 | 4 | Verdrehsicherung | Locking | 8x60x125 D16,5 Zn |



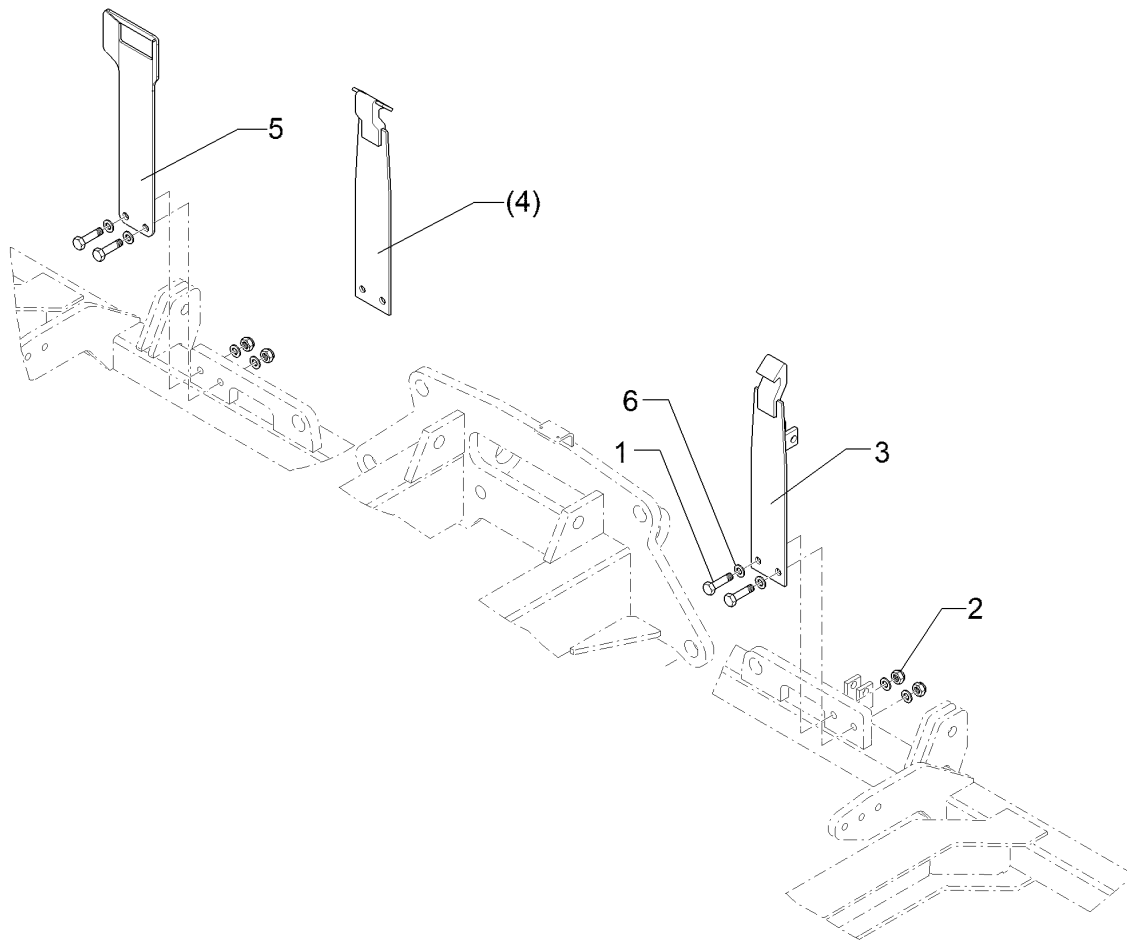
01.18

| Pos. | Art.Nr. | Stck. | Artikeltext / Description | | Abmessung |
|------|----------|-------|------------------------------|----------------------|------------------------------|
| 1 | 301 3839 | 1 | Sechskantschraube | Hexagon bolt | M16x60-8.8 DIN933 |
| 2 | 301 3870 | 12 | Sechskantschraube spz. | Hexagon bolt | M16x65-10.9 Zn |
| 3 | 301 4545 | 23 | Sechskantschraube spezial | Hexagon bolt | M20x1,5x230ls204xb23-10.9 Zn |
| 4 | 301 4546 | 6 | Sechskantschraube spezial | Hexagon bolt | M20x1,5x240ls214xb23-10.9 Zn |
| 5 | 301 5363 | 59 | Sechskantschraube spz. | Hexagon bolt | M16x70-12.9 Zn |
| 6 | 303 0935 | 75 | Sicherungsmutter | Selflocking nut | NM16-8 Zn DIN985 |
| 7 | 303 0977 | 29 | Sechskantmutter | Hexagon nut | M20x1,5 DIN934-10 Zn |
| 8 | 303 1015 | 1 | Sechskantmutter | Hexagon nut | M16 DIN934-8 Zn |
| 9 | 305 2100 | 1 | Passscheibe | Shim | 40x50x2,0 DIN988 |
| 11 | 305 6012 | 57 | Scheibe | Washer | 21 ISO7089 Zn |
| 12 | 305 6141 | 154 | Scheibe | Washer | 17/30x3 DIN/ISO-7089 |
| 13 | 305 8875 | 1 | Sicherungsring | Retaining ring | 40x2,5 DIN471 |
| 15 | 30910006 | 4 | Spannhülse | Expansion bush | 12x70 DIN1481 Zn |
| 17 | 31310067 | 1 | Bolzen mit Verdrehsicherung | Pin with stop | D40x71/90 Zn |
| 19 | 317 2009 | 2 | Einspannbuchse mit Presssitz | Expansion bush | EG40/45x25 |
| 20 | 317 2025 | 4 | Einspannbuchse mit Presssitz | Expansion bush | EG50/55x30 |
| 21 | 317 3417 | 8 | Einspannbuchse mit Presssitz | Expansion bush | EG30/38x25 |
| 22 | 31710060 | 4 | Stelling | Adjusting ring | D65/48x30 D12 Zn |
| 23 | 31710143 | 29 | Spannring Aussen | Clamping ring, outer | D35/20x12 |
| 24 | 31710144 | 29 | Spannring | Clamping ring | D20/35x19 |
| 25 | 41210194 | 1 | Mittelteil | Center section | Rubin 12 KUA 155 |



01.18

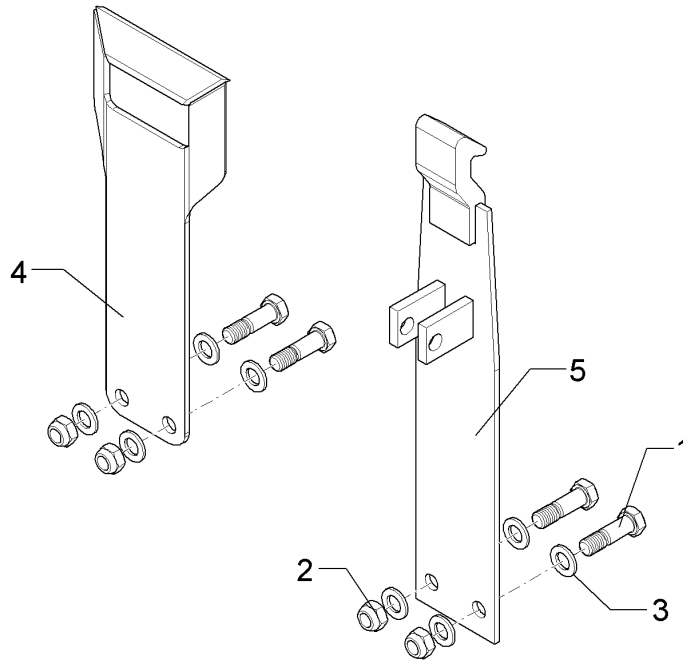
| Pos. | Art.Nr. | Stck. | Artikeltext / Description | | Abmessung |
|------|----------|-------|---------------------------|-----------------|----------------------------|
| 26 | 41210274 | 1 | Seitenteil | Lateral section | Rubin12/500KUA155RE |
| 27 | 41210275 | 1 | Seitenteil | Lateral section | Rubin 12/500 KUA 155 LI |
| 28 | 42210099 | 4 | Träger | Carrier | 20x320x1141 7xD16,2 |
| 29 | 30510180 | 28 | Sicherungsblech | Locking plate | 3x30x88 2xD16,5 Zn |
| 30 | 301 3682 | 2 | Sechskantschraube | Hexagon bolt | M16x30-8.8 Zn DIN933 |
| 31 | 301 4039 | 2 | Sechskantschraube | Hexagon bolt | M16x120-8.8 Zn DIN931-A |
| 32 | 301 5406 | 2 | Sechskantschraube | Hexagon bolt | M16x50-8.8 Zn DIN933 |
| 33 | 30110588 | 2 | Sechskantschraube spezial | Hexagon bolt | M16x30-8.8 Zn M6 |
| 34 | 305 6161 | 4 | Scheibe | Washer | 17/40x6 DIN7349 Zn |
| 35 | 30510274 | 4 | Verdrehsicherung | Locking | 8x60x125 D16,5 Zn |
| 36 | 31310154 | 2 | Bolzen | Pin | D40x83/90 Zn |
| 37 | 31310155 | 2 | Bolzen | Pin | D50x85/92 Zn |
| 38 | 323 6345 | 2 | Schmiernippel gerade | Grease nipple | LAM 6 DIN71412 |



01.18

| Pos. | Art.Nr. | Stck. | Artikeltext / Description | | Abmessung |
|------|----------|-------|---------------------------|-----------------|-------------------------|
| 1 | 301 5409 | 4 | Sechskantschraube spz. | Hexagon bolt | M16x50-8.8 Zn |
| 2 | 303 0935 | 4 | Sicherungsmutter | Selflocking nut | NM16-8 Zn DIN985 |
| 3 | 417 8149 | 1 | Blattfeder | Leaf spring | 100x6 Rubin 9 K |
| 4 | 417 8146 | 1 | Blattfeder | Leaf spring | 100x6 Smaragd 9-K |
| 5 | 417 8141 | 1 | Blattfeder | Leaf spring | 6x160x549 2xD16,5 |
| 6 | 305 6141 | 8 | Scheibe | Washer | 17/30x3 DIN/ISO-7089 |

| | |
|------------------------------------|-----------------|
| Verriegelung/Locking device | 1 |
| Rubin 12/500 KUA (A) | 61710011 |

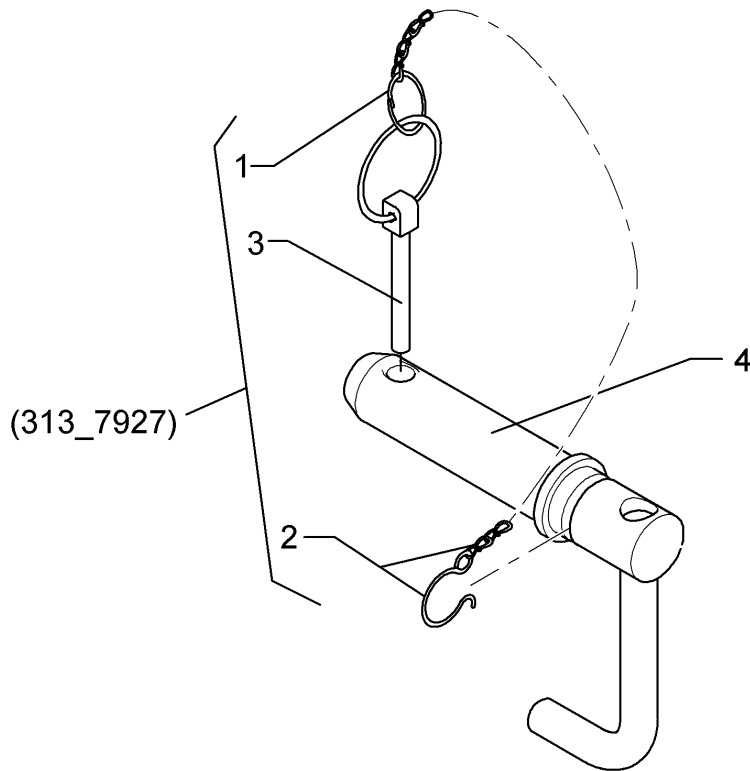


01.18

| Pos. | Art.Nr. | Stck. | Artikeltext / Description | | Abmessung |
|------|----------|-------|---------------------------|-----------------|-------------------------|
| 1 | 301 5385 | 4 | Sechskantschraube spz. | Hexagon bolt | M16x55-10.9 Zn |
| 2 | 303 0935 | 4 | Sicherungsmutter | Selflocking nut | NM16-8 Zn DIN985 |
| 3 | 305 6141 | 8 | Scheibe | Washer | 17/30x3 DIN/ISO-7089 |
| 4 | 41210042 | 1 | Blattfeder | Leaf spring | 6x160x417 2xD16,5 |
| 5 | 417 8149 | 1 | Blattfeder | Leaf spring | 100x6 Rubin 9 K |

| | |
|---|----------|
| Oberlenkerbolzen mit Kette/Top link pin with chain | 2 |
|---|----------|

| | |
|-----------------------------|-----------------|
| Rubin 12/500 KUA (A) | 313 7927 |
|-----------------------------|-----------------|

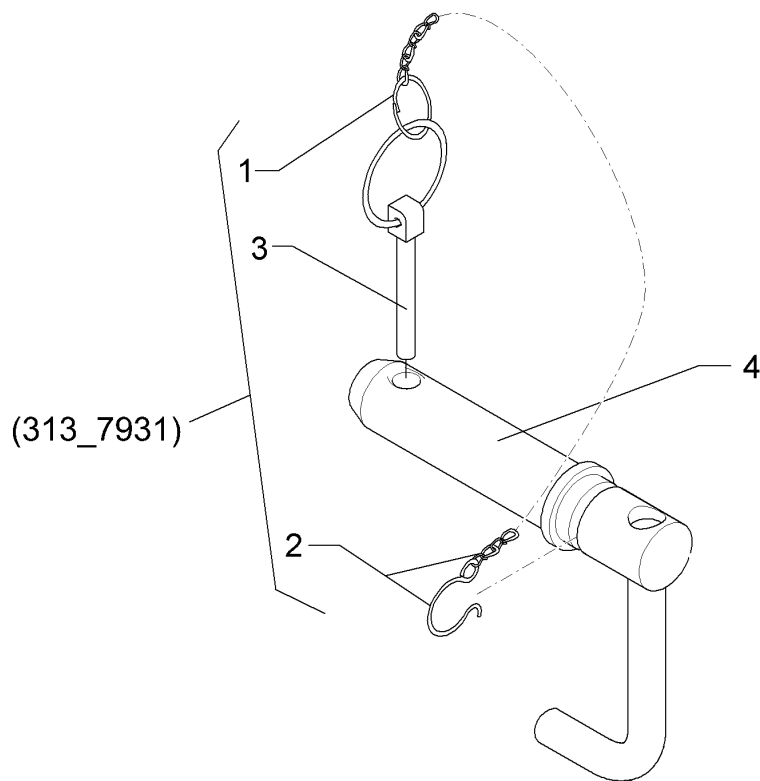


01.18

| Pos. | Art.Nr. | Stck. | Artikeltext / Description | | Abmessung |
|------|----------|-------|---------------------------|----------------|-------------------------|
| 1 | 305 8545 | 1 | Sicherungsring | Retaining ring | 3x30-35x1,25 Zn |
| 2 | 305 8560 | 1 | Federsicherung | Securing clip | D3,6/D21-460mm-Zn |
| 3 | 311 9302 | 1 | Klappstift | Securing pin | 12x60 |
| 4 | 313 7926 | 1 | Oberlenkerbolzen | Top link pin | K700 D40/44,5x228 Zn |

| | |
|--|---|
| Oberlenkerbolzen mit Kette/Top link pin with chain | 2 |
|--|---|

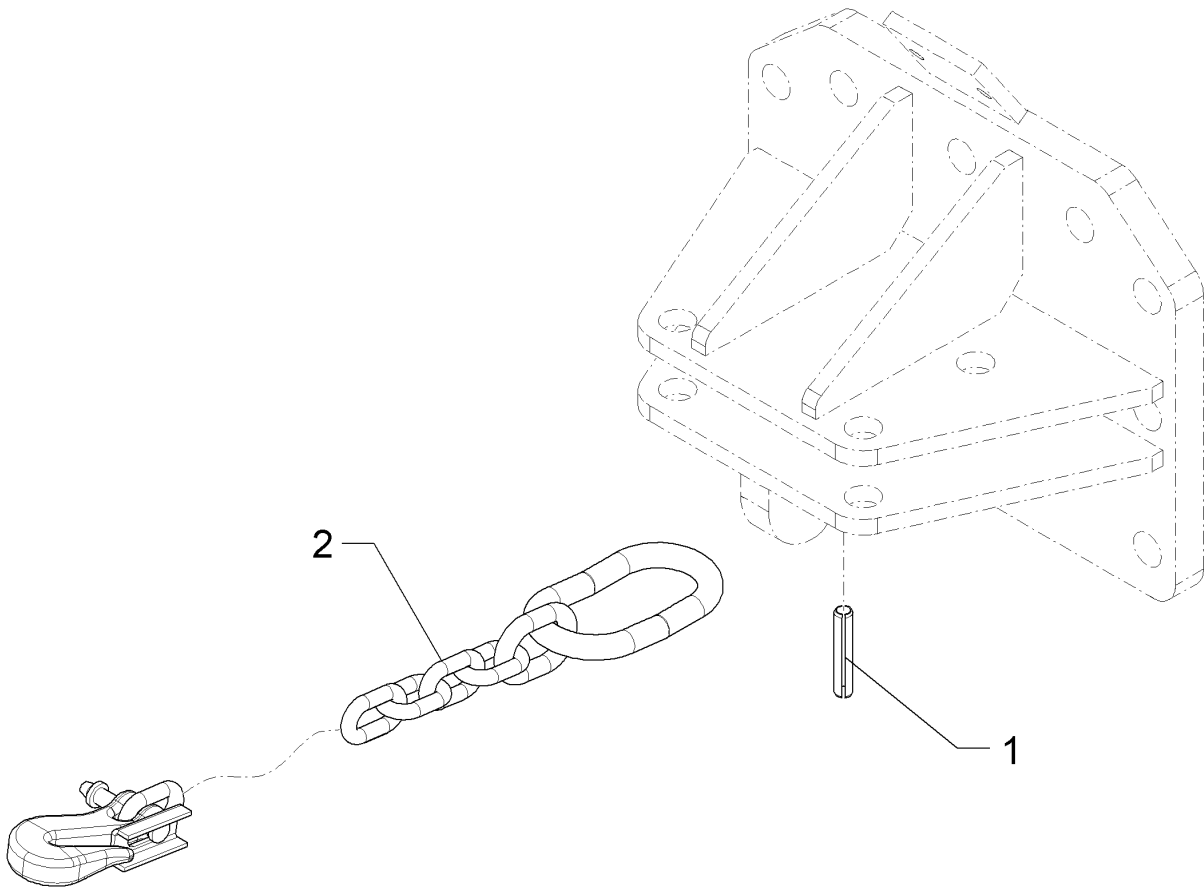
| | |
|----------------------|----------|
| Rubin 12/500 KUA (A) | 313 7929 |
|----------------------|----------|



01.18

| Pos. | Art.Nr. | Stck. | Artikeltext / Description | | Abmessung |
|------|----------|-------|---------------------------|----------------|-----------------------------|
| 1 | 305 8545 | 1 | Sicherungsring | Retaining ring | 3x30-35x1,25 Zn |
| 2 | 305 8560 | 1 | Federsicherung | Securing clip | D3,6/D21-460mm-Zn |
| 3 | 311 9302 | 1 | Klappstift | Securing pin | 12x60 |
| 4 | 313 7928 | 1 | Oberlenkerbolzen | Top link pin | KAT3GK700 31,7/39x228 Zn |

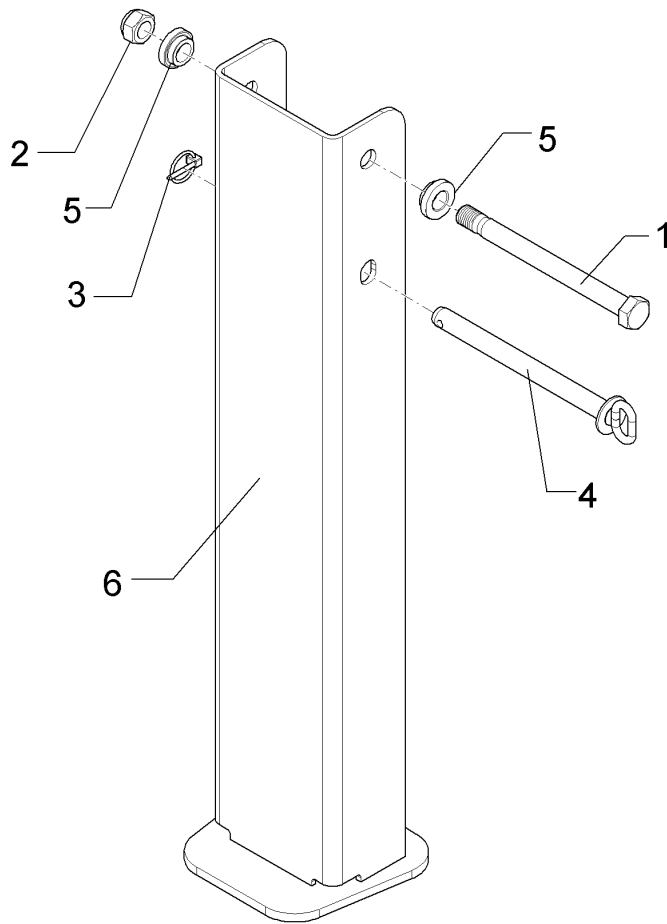
| | |
|-------------------------------|----------|
| Sicherheitskette/Safety chain | 2 |
| Rubin 12/500 KUA (A) | 33110011 |



01.18

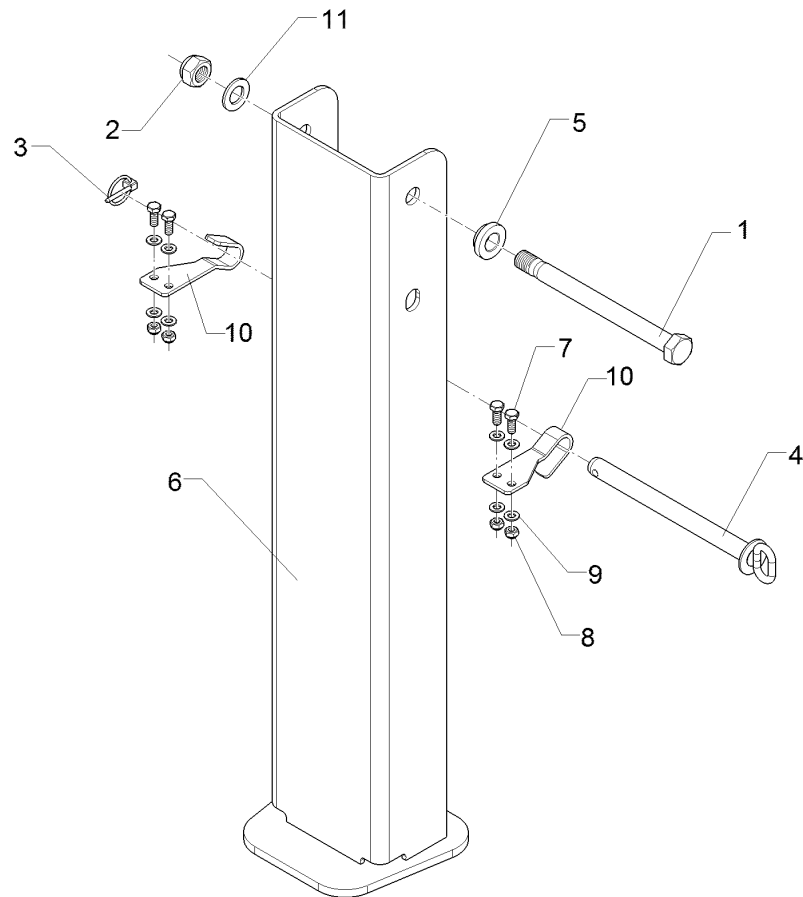
| Pos. | Art.Nr. | Stck. | Artikeltext / Description | | Abmessung |
|------|----------|-------|---------------------------|----------------|---|
| 1 | 309 6172 | 1 | Spannhülse | Expansion bush | 10x50-DIN1481 Zn ANSI/SAE S338.5 89kN |
| 2 | 33110010 | 1 | Sicherheitskette | Safety chain | |

| | |
|-----------------------------|-----------------|
| Abstellstütze/Stand | 2 |
| Rubin 12/500 KUA (A) | 62910012 |



01.18

| Pos. | Art.Nr. | Stck. | Artikeltext / Description | | Abmessung |
|------|----------|-------|---------------------------|-----------------|---------------------------------|
| 1 | 301 4545 | 1 | Sechskantschraube spezial | Hexagon bolt | M20x1,5x230ls204xb23-10.9 Zn |
| 2 | 303 0939 | 1 | Sicherungsmutter | Selflocking nut | NM20x1,5-8 Zn DIN985 |
| 3 | 311 9565 | 1 | Klappstift | Securing pin | 4,5 |
| 4 | 313 2018 | 1 | Bolzen mit Griff | Pin with grip | D20x221/240 Zn |
| 5 | 31710063 | 2 | Bundbuchse | Flange bushing | D40/30/20,1x14 Zn |
| 6 | 42910018 | 1 | Stütze | Support | 210x190x911 |



01.18

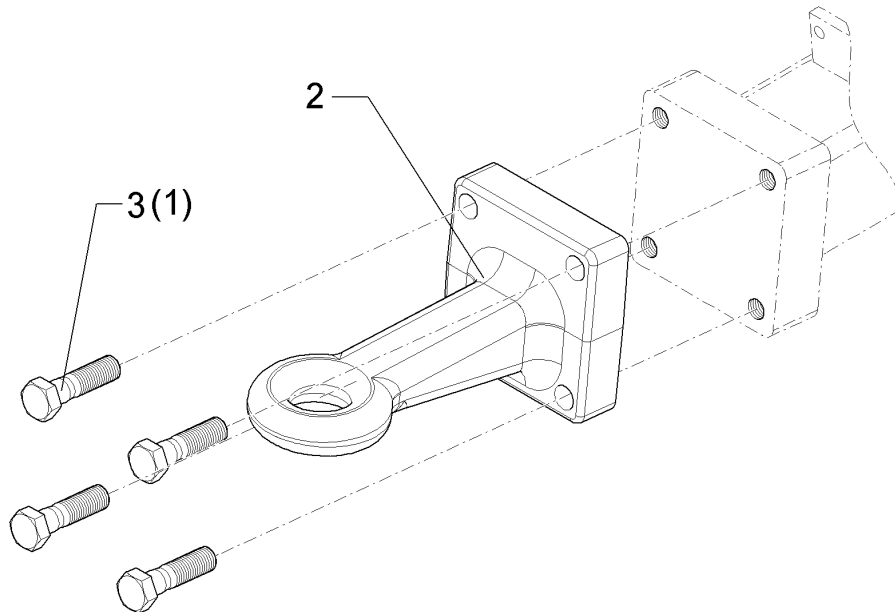
| Pos. | Art.Nr. | Stck. | Artikeltext / Description | | Abmessung |
|------|----------|-------|---------------------------|-----------------|---------------------------------|
| 1 | 301 4545 | 1 | Sechskantschraube spezial | Hexagon bolt | M20x1,5x230ls204xb23-10.9 Zn |
| 2 | 303 0939 | 1 | Sicherungsmutter | Selflocking nut | NM20x1,5-8 Zn DIN985 |
| 3 | 311 9565 | 1 | Klappstift | Securing pin | 4,5 |
| 4 | 313 2018 | 1 | Bolzen mit Griff | Pin with grip | D20x221/240 Zn |
| 5 | 31710063 | 1 | Bundbuchse | Flange bushing | D40/30/20,1x14 Zn |
| 6 | 42910018 | 1 | Stütze | Support | 210x190x911 |
| 7 | 301 6750 | 4 | Sechskantschraube | Hexagon bolt | M8x20-8.8 Zn DIN933 |
| 8 | 303 0932 | 4 | Sicherungsmutter | Selflocking nut | NM8-8 Zn DIN985 |
| 9 | 305 8694 | 8 | Scheibe | Washer | A8,4 DIN125-St Zn |
| 10 | 47510992 | 2 | Halter | Holder | 4x40x174 2xD9 |
| 11 | 305 6012 | 1 | Scheibe | Washer | 21 ISO7089 Zn |

Zugöse/Traction loop

2

Rubin 12/500 KUA (A)

640 8630



01.18

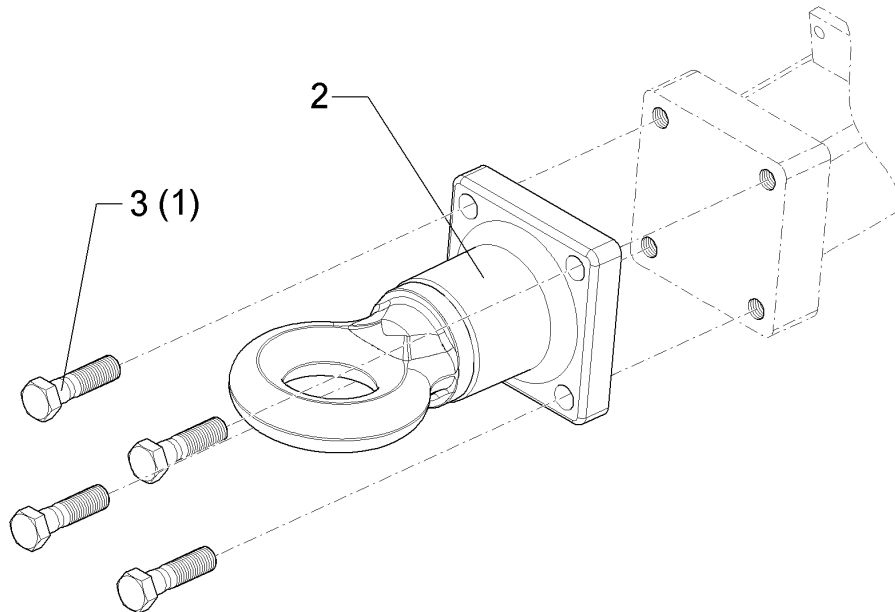
| Pos. | Art.Nr. | Stck. | Artikeltext / Description | | Abmessung |
|------|----------|-------|---------------------------|---------------|-------------------------|
| 1 | 301 4388 | 4 | Sechskantschraube | Hexagon bolt | M20x90-10.9 DIN931-A |
| 2 | 440 8630 | 1 | Zugöse | Traction loop | D50 |

Zugöse/Traction loop

2

Rubin 12/500 KUA (A)

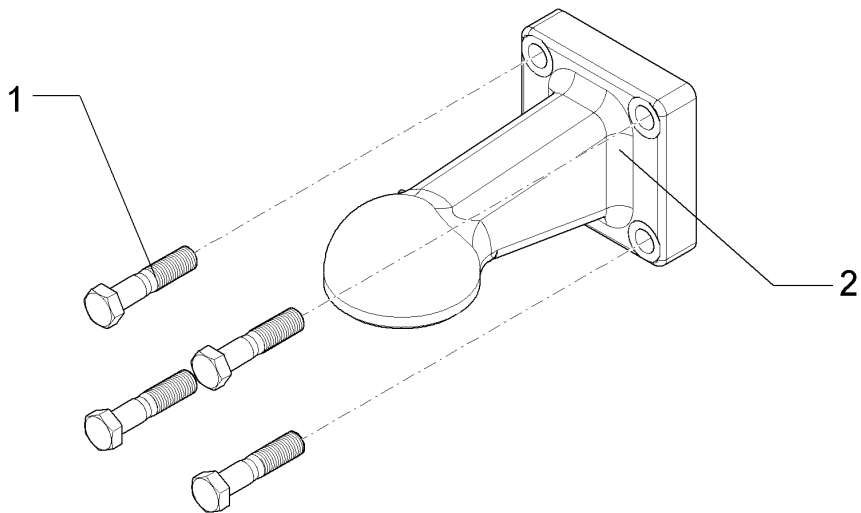
640 8631



01.18

| Pos. | Art.Nr. | Stck. | Artikeltext / Description | | Abmessung |
|------|----------|-------|---------------------------|---------------|----------------------------|
| 1 | 301 4333 | 4 | Sechskantschraube | Hexagon bolt | M20x75-10.9 Zn DIN931-A |
| 2 | 440 8631 | 1 | Zugöse | Traction loop | D76-D |
| 3 | 301 4287 | 4 | Sechskantschraube | Hexagon bolt | M20x65-8.8 Zn DIN931-A |

| | |
|---------------------------------------|----------|
| Zugkugelkupplung/Ball-shaped coupling | 2 |
| Rubin 12/500 KUA (A) | 640 8632 |



01.18

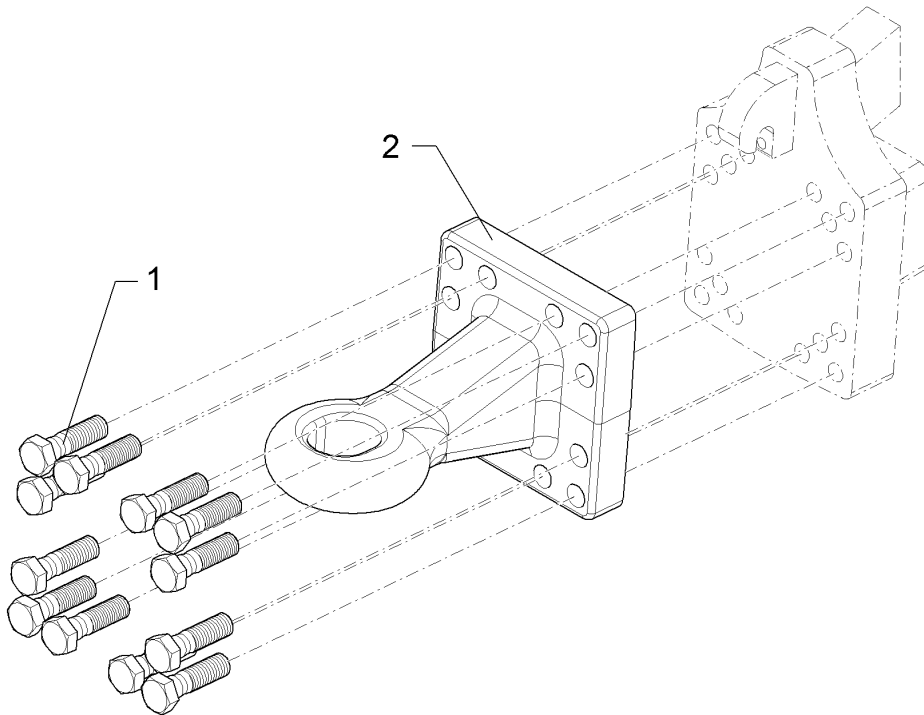
| Pos. | Art.Nr. | Stck. | Artikeltext / Description | | Abmessung |
|------|----------|-------|---------------------------|----------------------|---------------------------------|
| 1 | 301 4333 | 4 | Sechskantschraube | Hexagon bolt | M20x75-10.9 Zn DIN931-A |
| 2 | 440 8632 | 1 | Zugkugelkupplung | Ball-shaped coupling | K80 120x120-M20 gerade M9711 |

Zugöse/Traction loop

2

Rubin 12/500 KUA (A)

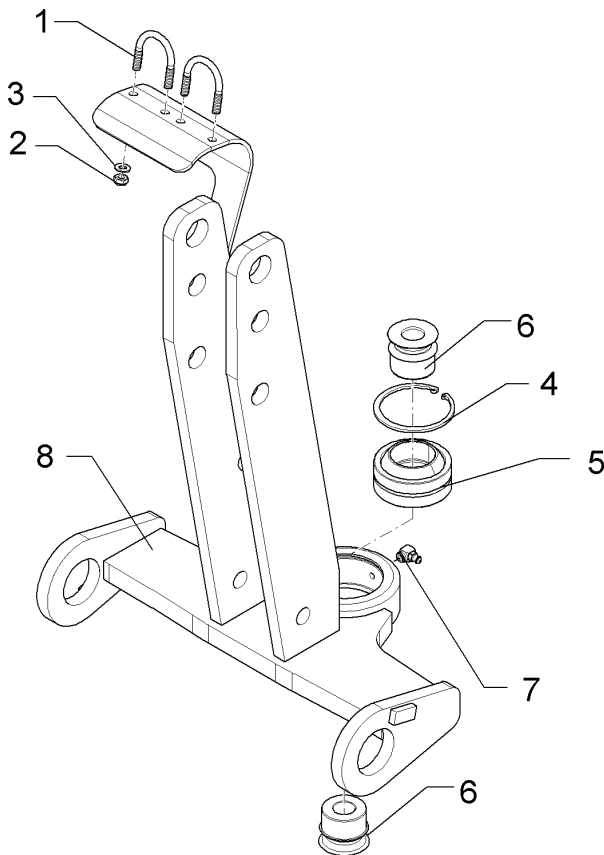
64010008



01.18

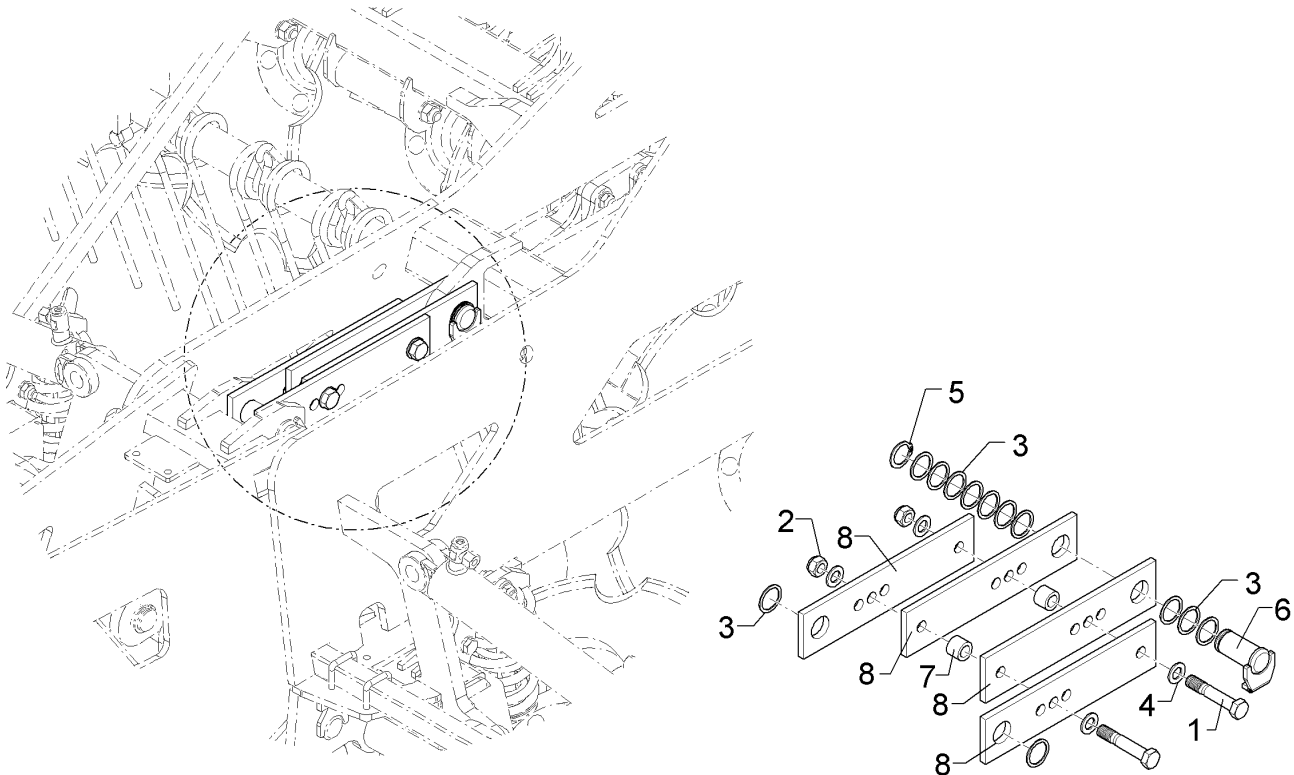
| Pos. | Art.Nr. | Stck. | Artikeltext / Description | | Abmessung |
|------|----------|-------|---------------------------|---------------|-----------------|
| 1 | 301 5412 | 12 | Sechskantschraube | Hexagon bolt | M20x70-8.8 Zn |
| 2 | 44010008 | 1 | Zugöse | Traction loop | DIN931-A D55 |

| | |
|------------------------|----------|
| Dreipunkturm/Headstock | 2 |
| Rubin 12/500 KUA (A) | 64010032 |



01.18

| Pos. | Art.Nr. | Stck. | Artikeltext / Description | | Abmessung |
|------|----------|-------|---------------------------|---------------------|---------------------------|
| 1 | 301 7782 | 2 | Bügelsschraube | U-bolt | M10x62x60 Zn |
| 2 | 303 0933 | 4 | Sicherungsmutter | Selflocking nut | NM10-8 DIN985 Zn |
| 3 | 305 8696 | 4 | Scheibe | Washer | A10,5 DIN125-St Zn |
| 4 | 305 8950 | 1 | Sicherungsring | Retaining ring | 105x4 DIN472 |
| 5 | 317 3461 | 1 | Gelenklager | Articulated bearing | GEG 60ES-2RS |
| 6 | 317 7210 | 2 | Hülse | Bushing | D68/50x55 D30 BK45oS |
| 7 | 323 6349 | 1 | Schmiernippel | Grease nipple | CM10x1 DIN71412-90 GRD |
| 8 | 44010044 | 1 | Dreipunkturm | Headstock | Rubin 12 KUA |



01.18

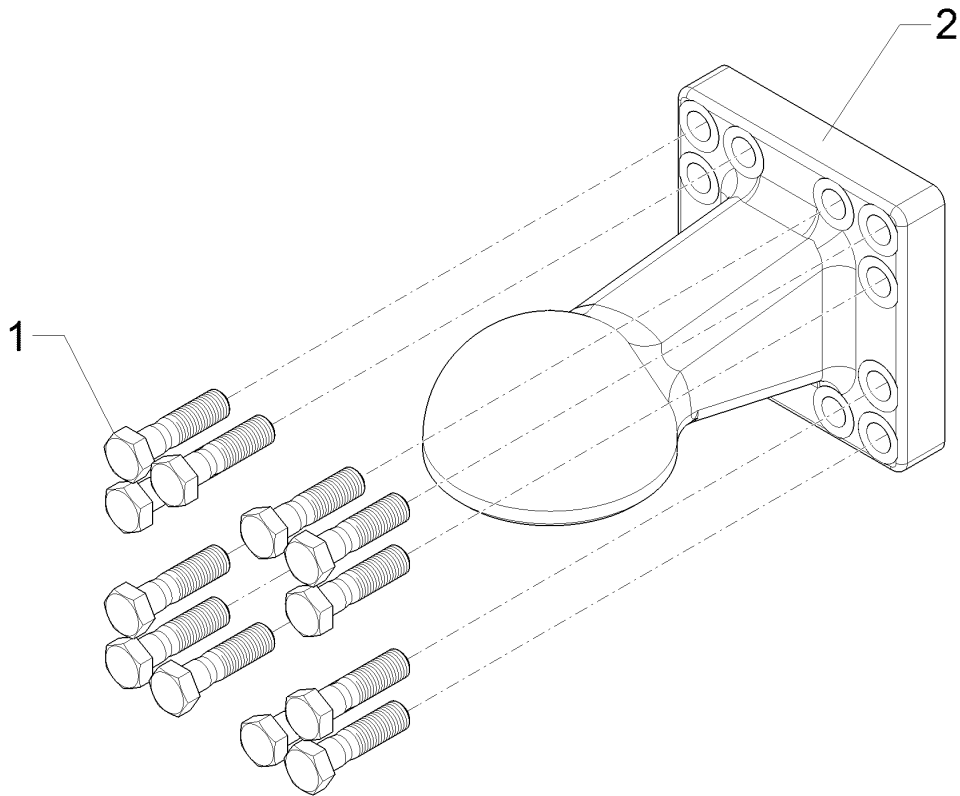
| Pos. | Art.Nr. | Stck. | Artikeltext / Description | | Abmessung |
|------|----------|-------|-----------------------------|------------------|----------------------------|
| 1 | 301 5393 | 2 | Sechskantschraube gekürzt | Hexagon bolt | M20x110-8.8 Zn (130) |
| 2 | 303 0936 | 2 | Sicherungsmutter | Selflocking nut | NM20-8 Zn DIN985 |
| 3 | 305 2100 | 12 | Passscheibe | Shim | 40x50x2,0 DIN988 |
| 4 | 305 6012 | 4 | Scheibe | Washer | 21 ISO7089 Zn |
| 5 | 305 8875 | 1 | Sicherungsring | Retaining ring | 40x2,5 DIN471 |
| 6 | 31310067 | 1 | Bolzen mit Verdrehsicherung | Pin with stop | D40x71/90 Zn |
| 7 | 317 6853 | 2 | Röhrchen | Tube | 33,7x6,3x26 Zn |
| 8 | 44010045 | 4 | Verstellstrebe | Adjuster support | 90x12x396 D40,1 4xD20,1 |

Zugkugelkupplung/Ball-shaped coupling

2

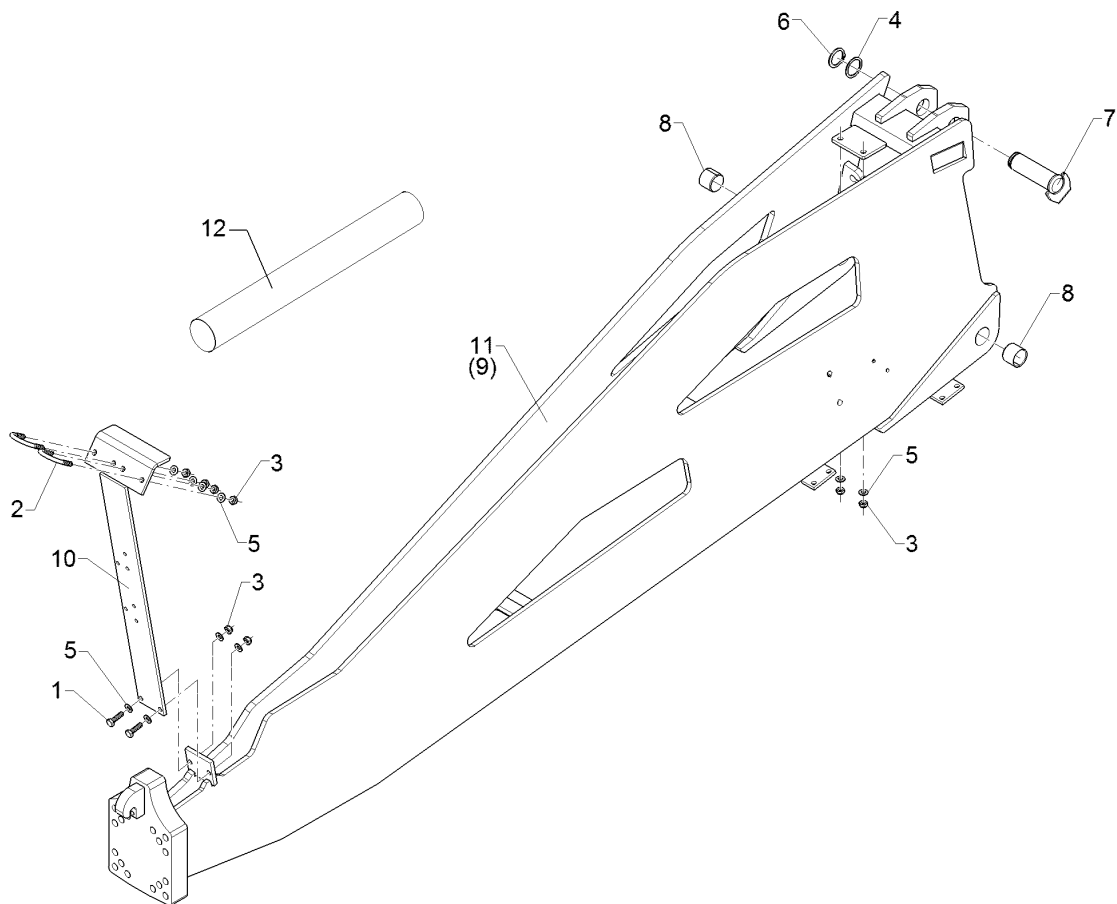
Rubin 12/500 KUA (A)

64010060



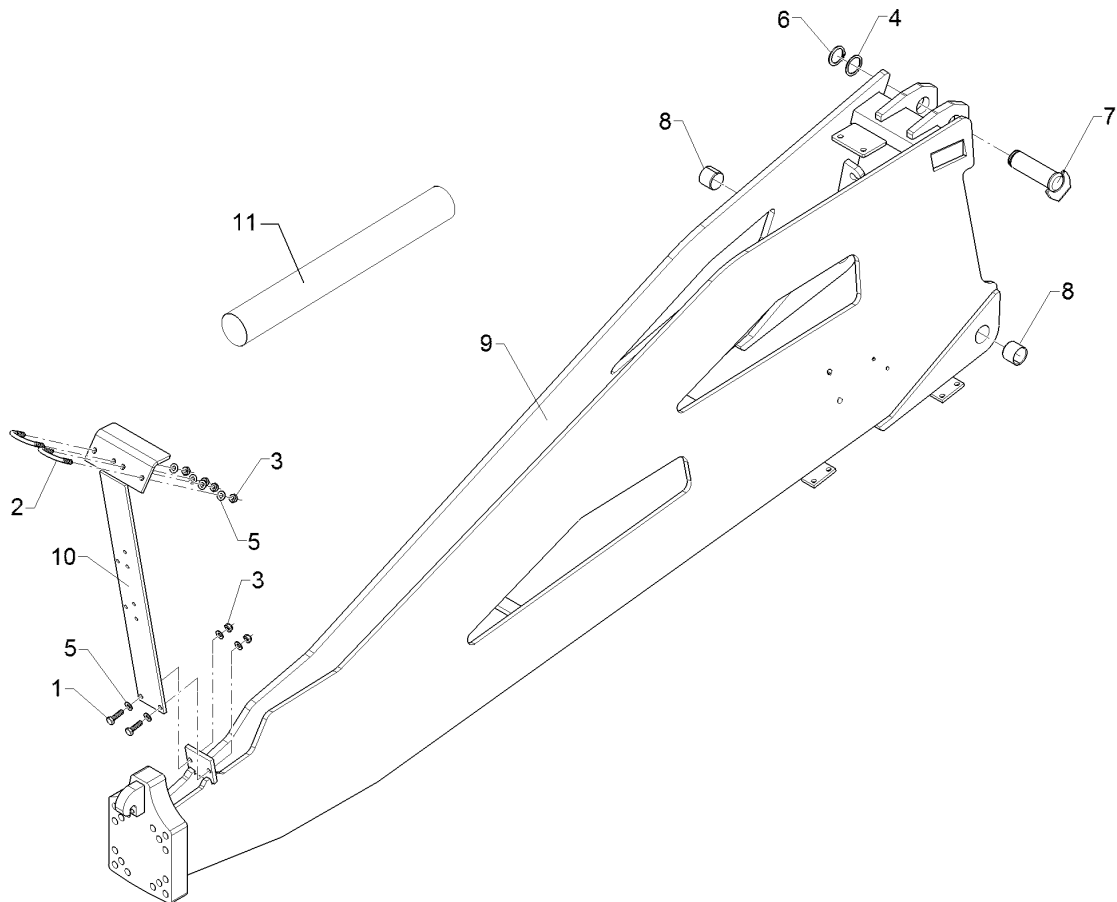
01.18

| Pos. | Art.Nr. | Stck. | Artikeltext / Description | | Abmessung |
|------|----------|-------|---------------------------|----------------------|-----------------------------------|
| 1 | 301 4333 | 12 | Sechskantschraube | Hexagon bolt | M20x75-10.9 Zn DIN931-A |
| 2 | 44010066 | 1 | Zugkugelkupplung | Ball-shaped coupling | K110 160x160-M20 E1 55R-01 216 |



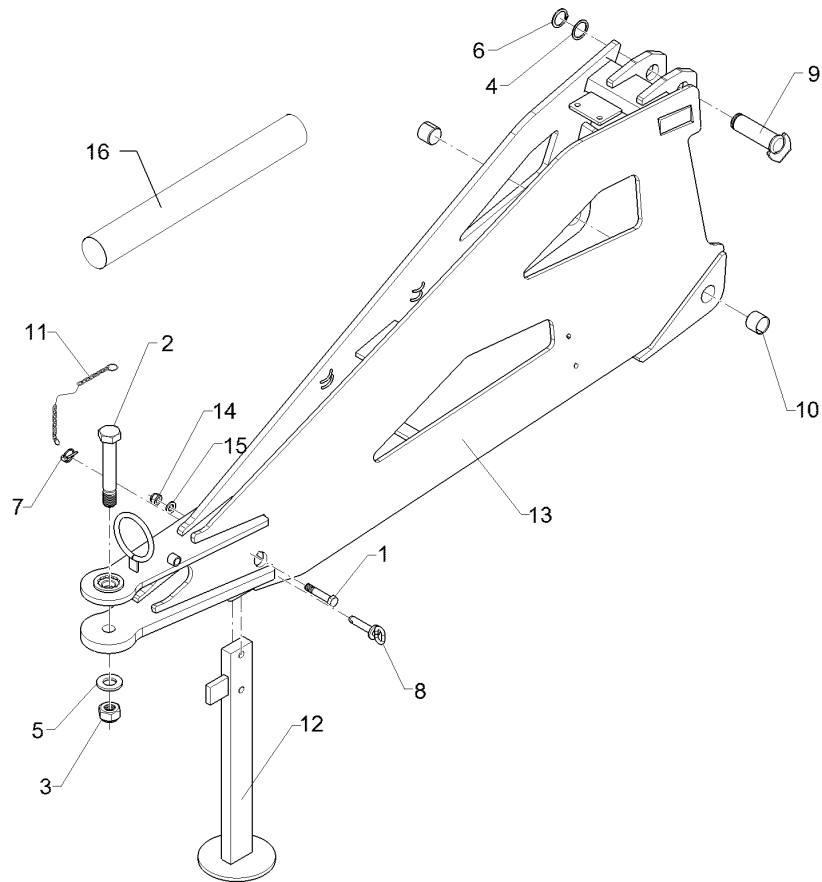
01.18

| Pos. | Art.Nr. | Stck. | Artikeltext / Description | | Abmessung |
|------|----------|-------|------------------------------|-----------------|--------------------------|
| 1 | 301 7308 | 2 | Sechskantschraube | Hexagon bolt | M10x35-8.8 Zn DIN933 |
| 2 | 301 7782 | 2 | Bügelschraube | U-bolt | M10x62x60 Zn |
| 3 | 303 0933 | 8 | Sicherungsmutter | Selflocking nut | NM10-8 DIN985 Zn |
| 4 | 305 2100 | 1 | Passscheibe | Shim | 40x50x2,0 DIN988 |
| 5 | 305 8696 | 10 | Scheibe | Washer | A10,5 DIN125-St Zn |
| 6 | 305 8875 | 1 | Sicherungsring | Retaining ring | 40x2,5 DIN471 |
| 7 | 31310068 | 1 | Bolzen mit Verdrehsicherung | Pin with stop | D40x120/138 Zn |
| 8 | 317 2007 | 2 | Einspannbuchse mit Presssitz | Expansion bush | EG40/44x35 |
| 9 | 44010086 | 1 | Deichsel | Drawbar | Heliodor 9 KA |
| 10 | 475 4361 | 1 | Schlauchhalter | Hose carrier | 80x8x700 4xD12 |
| 11 | 44010087 | 1 | Deichsel | Drawbar | Deichsel hy.KA typgep |
| 12 | 375 9450 | 0 | Schutzschlauch Meterware | Guard for hoses | Protectoflex 76 |



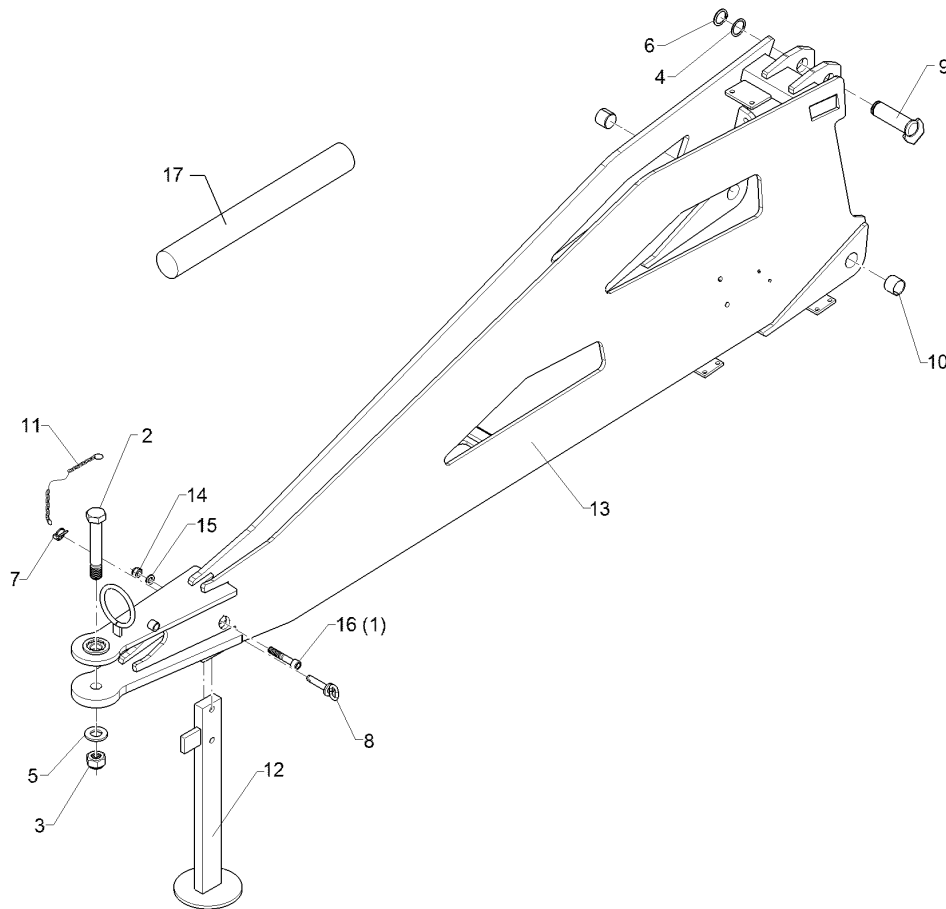
01.18

| Pos. | Art.Nr. | Stck. | Artikeltext / Description | | Abmessung |
|------|----------|-------|------------------------------|-----------------|-------------------------|
| 1 | 301 7308 | 2 | Sechskantschraube | Hexagon bolt | M10x35-8.8 Zn DIN933 |
| 2 | 301 7782 | 2 | Bügelschraube | U-bolt | M10x62x60 Zn |
| 3 | 303 0933 | 6 | Sicherungsmutter | Selflocking nut | NM10-8 DIN985 Zn |
| 4 | 305 2100 | 1 | Passscheibe | Shim | 40x50x2,0 DIN988 |
| 5 | 305 8696 | 8 | Scheibe | Washer | A10,5 DIN125-St Zn |
| 6 | 305 8875 | 1 | Sicherungsring | Retaining ring | 40x2,5 DIN471 |
| 7 | 31310068 | 1 | Bolzen mit Verdrehsicherung | Pin with stop | D40x120/138 Zn |
| 8 | 317 2007 | 2 | Einspannbuchse mit Presssitz | Expansion bush | EG40/44x35 |
| 9 | 44010088 | 1 | Deichsel | Drawbar | HY Heliodor 9 KA |
| 10 | 475 4361 | 1 | Schlauchhalter | Hose carrier | 80x8x700 4xD12 |
| 11 | 375 9450 | 0 | Schutzschlauch Meterware | Guard for hoses | Protectoflex 76 |



01.18

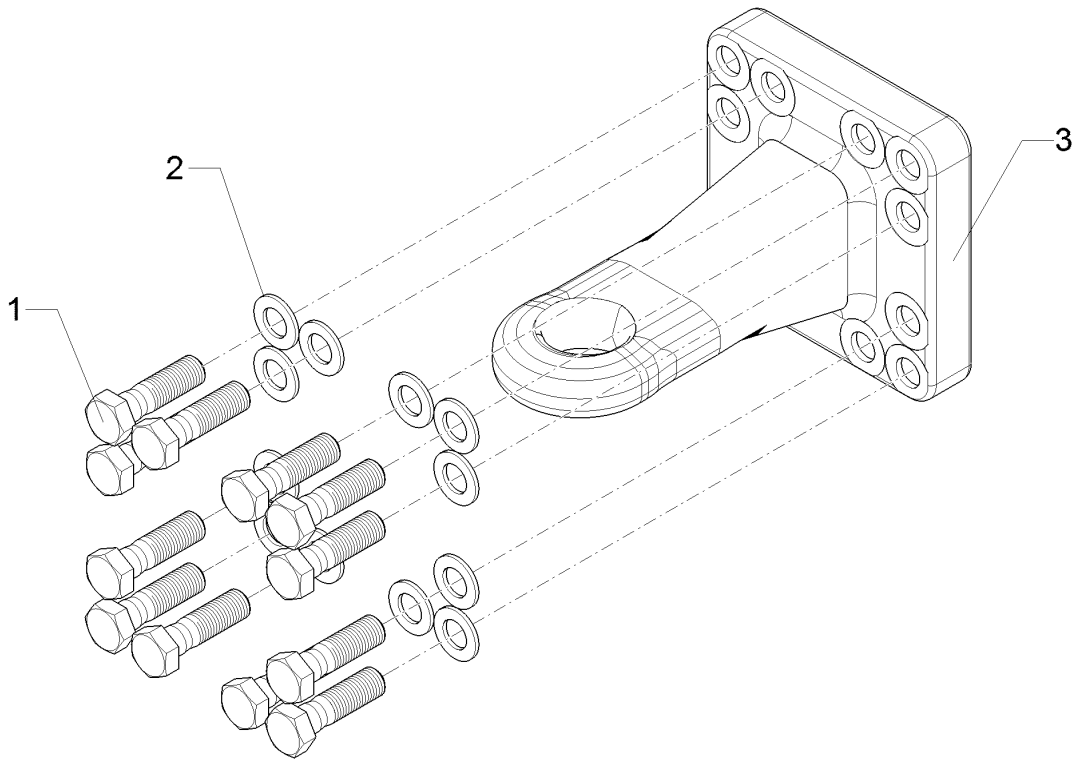
| Pos. | Art.Nr. | Stck. | Artikeltext / Description | | Abmessung |
|------|----------|-------|------------------------------|--------------------|--------------------------|
| 1 | 301 3920 | 1 | Sechskantschraube spz. | Hexagon bolt | M16x80ls55xb20-8.8 Zn |
| 2 | 301 4896 | 1 | Sechskantschraube spz. | Hexagon bolt | M30x190-8.8 Zn |
| 3 | 303 0938 | 1 | Sicherungsmutter | Selflocking nut | NM30-8 Zn DIN985 |
| 4 | 305 2100 | 1 | Passscheibe | Shim | 40x50x2,0 DIN988 |
| 5 | 305 6327 | 1 | Scheibe | Washer | 60x31x6 Zn 200HV |
| 6 | 305 8875 | 1 | Sicherungsring | Retaining ring | 40x2,5 DIN471 |
| 7 | 311 9565 | 1 | Klappstift | Securing pin | 4,5 |
| 8 | 313 8151 | 1 | Bolzen mit Griff | Pin with grip | D16x61,25/75 Zn |
| 9 | 31310068 | 1 | Bolzen mit Verdrehsicherung | Pin with stop | D40x120/138 Zn |
| 10 | 317 2007 | 2 | Einspannbuchse mit Presssitz | Expansion bush | EG40/44x35 |
| 11 | 331 6125 | 1 | Knotenkette | Knotted-link chain | K22 Zn |
| 12 | 42910043 | 1 | Abstellstütze | Stand | 70x30x610 |
| 13 | 44010094 | 1 | Deichsel | Drawbar | -N Rubin 12 KUA |
| 14 | 303 0935 | 1 | Sicherungsmutter | Selflocking nut | NM16-8 Zn DIN985 |
| 15 | 305 6141 | 1 | Scheibe | Washer | 17/30x3 DIN/ISO-7089 |
| 16 | 375 9450 | 1 | Schutzschlauch Meterware | Guard for hoses | Protectoflex 76 |



01.18

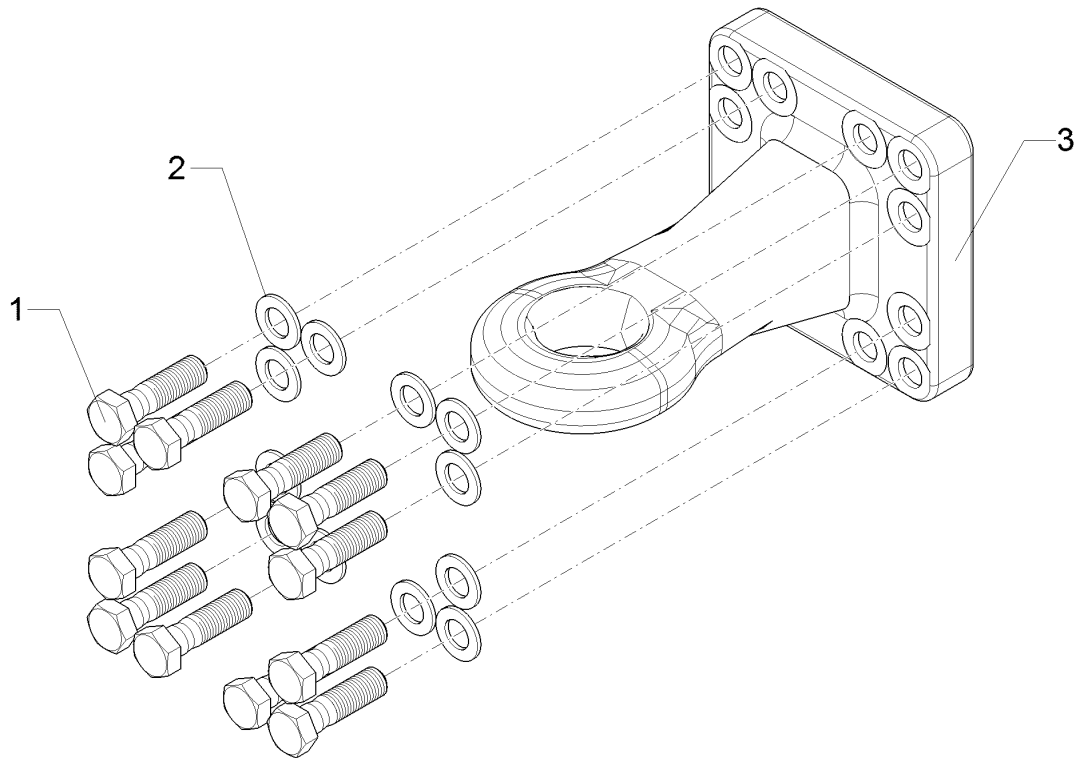
| Pos. | Art.Nr. | Stck. | Artikeltext / Description | | Abmessung |
|------|----------|-------|------------------------------|--------------------|--------------------------|
| 1 | 301 3920 | 1 | Sechskantschraube spz. | Hexagon bolt | M16x80ls55xb20-8.8 Zn |
| 2 | 301 4896 | 1 | Sechskantschraube spz. | Hexagon bolt | M30x190-8.8 Zn |
| 3 | 303 0938 | 1 | Sicherungsmutter | Selflocking nut | NM30-8 Zn DIN985 |
| 4 | 305 2100 | 1 | Passscheibe | Shim | 40x50x2,0 DIN988 |
| 5 | 305 6327 | 1 | Scheibe | Washer | 60x31x6 Zn 200HV |
| 6 | 305 8875 | 1 | Sicherungsring | Retaining ring | 40x2,5 DIN471 |
| 7 | 311 9565 | 1 | Klappstift | Securing pin | 4,5 |
| 8 | 313 8151 | 1 | Bolzen mit Griff | Pin with grip | D16x61,25/75 Zn |
| 9 | 31310068 | 1 | Bolzen mit Verdrehsicherung | Pin with stop | D40x120/138 Zn |
| 10 | 317 2007 | 2 | Einspannbuchse mit Presssitz | Expansion bush | EG40/44x35 |
| 11 | 331 6125 | 1 | Knotenkette | Knotted-link chain | K22 Zn |
| 12 | 42910043 | 1 | Abstellstütze | Stand | 70x30x610 |
| 13 | 44010085 | 1 | Deichsel | Drawbar | Heliodor 9 KA |
| 14 | 303 0935 | 1 | Sicherungsmutter | Selflocking nut | NM16-8 Zn DIN985 |
| 15 | 305 6141 | 1 | Scheibe | Washer | 17/30x3 DIN/ISO-7089 |
| 16 | 301 6033 | 1 | Zylinderschraube | Allen screw | M16x90-8.8 Zn DIN912 |
| 17 | 375 9450 | 0 | Schutzschlauch Meterware | Guard for hoses | Protectoflex 76 |

| | |
|----------------------|----------|
| Zugöse/Traction loop | 2 |
| Rubin 12/500 KUA (A) | 64010091 |



01.18

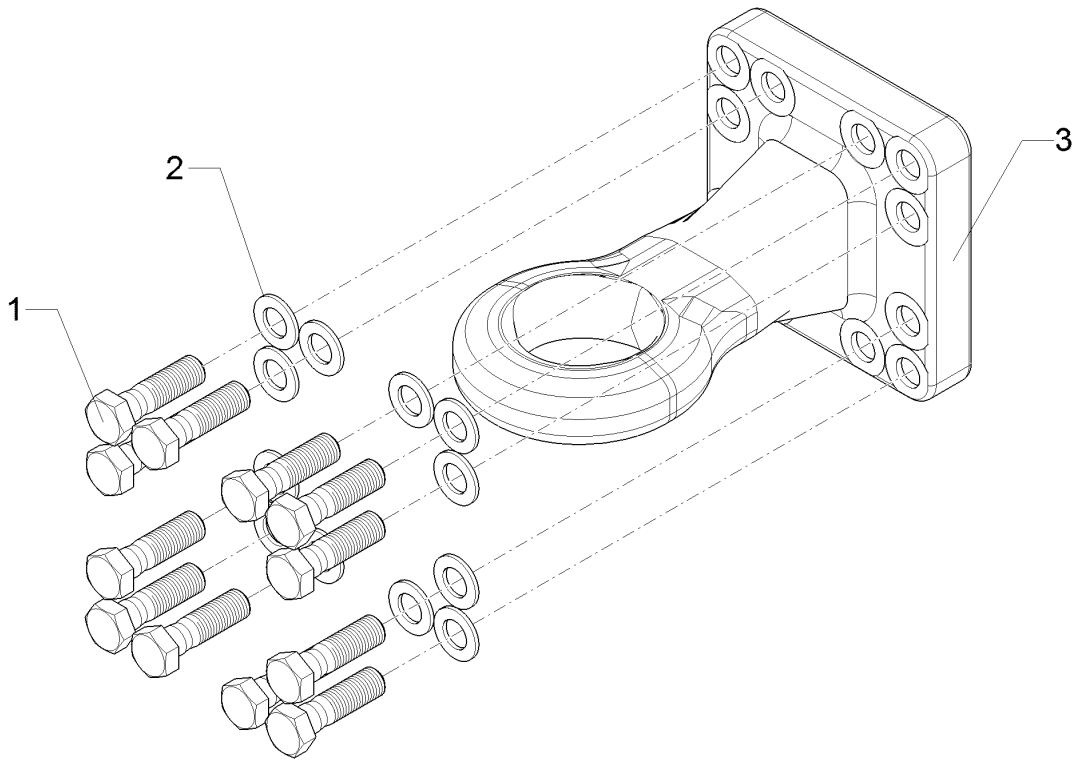
| Pos. | Art.Nr. | Stck. | Artikeltext / Description | | Abmessung |
|------|----------|-------|---------------------------|---------------|--------------------------|
| 1 | 30110551 | 12 | Sechskantschraube | Hexagon bolt | M20x70-10.9 DIN931 Zn |
| 2 | 305 6012 | 12 | Scheibe | Washer | 21 ISO7089 Zn |
| 3 | 44010096 | 1 | Zugöse | Traction loop | Cat.3 D46 160x160-M20 |

Zugöse/Traction loop**2****Rubin 12/500 KUA (A)****64010092**

01.18

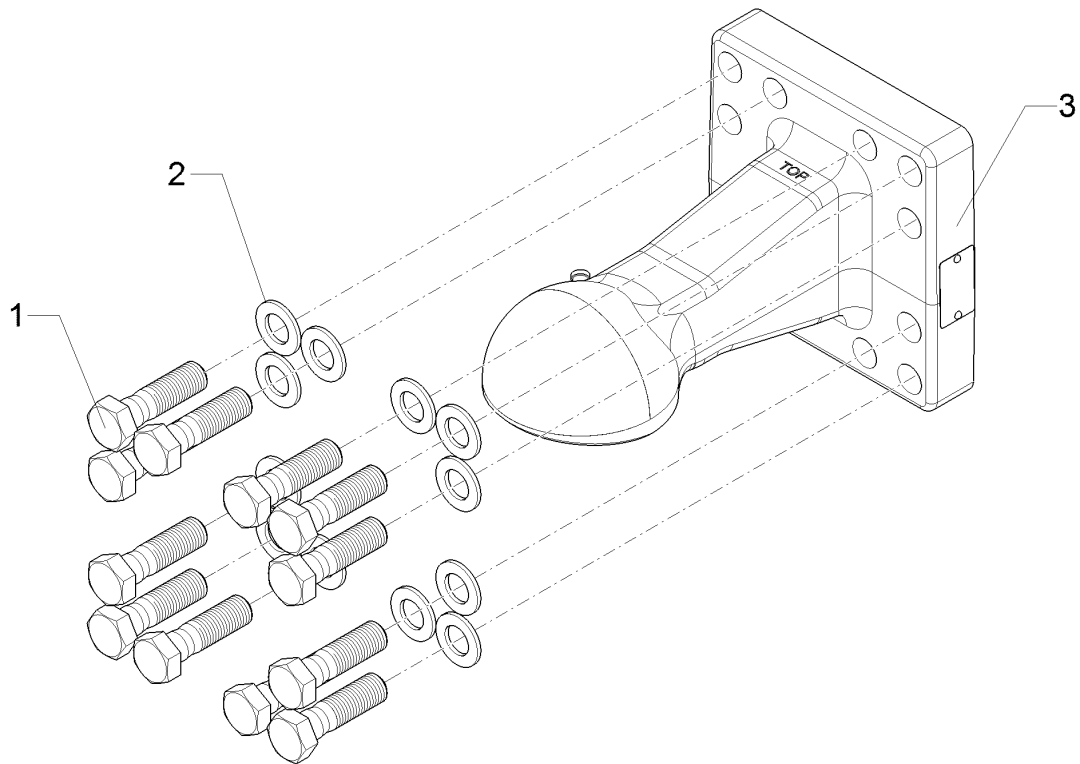
| Pos. | Art.Nr. | Stck. | Artikeltext / Description | | Abmessung |
|------|----------|-------|---------------------------|---------------|--------------------------|
| 1 | 30110551 | 12 | Sechskantschraube | Hexagon bolt | M20x70-10.9 DIN931 Zn |
| 2 | 305 6012 | 12 | Scheibe | Washer | 21 ISO7089 Zn |
| 3 | 44010097 | 1 | Zugöse | Traction loop | Cat.4 D58 160x160-M20 |

| | |
|----------------------|----------|
| Zugöse/Traction loop | 2 |
| Rubin 12/500 KUA (A) | 64010093 |



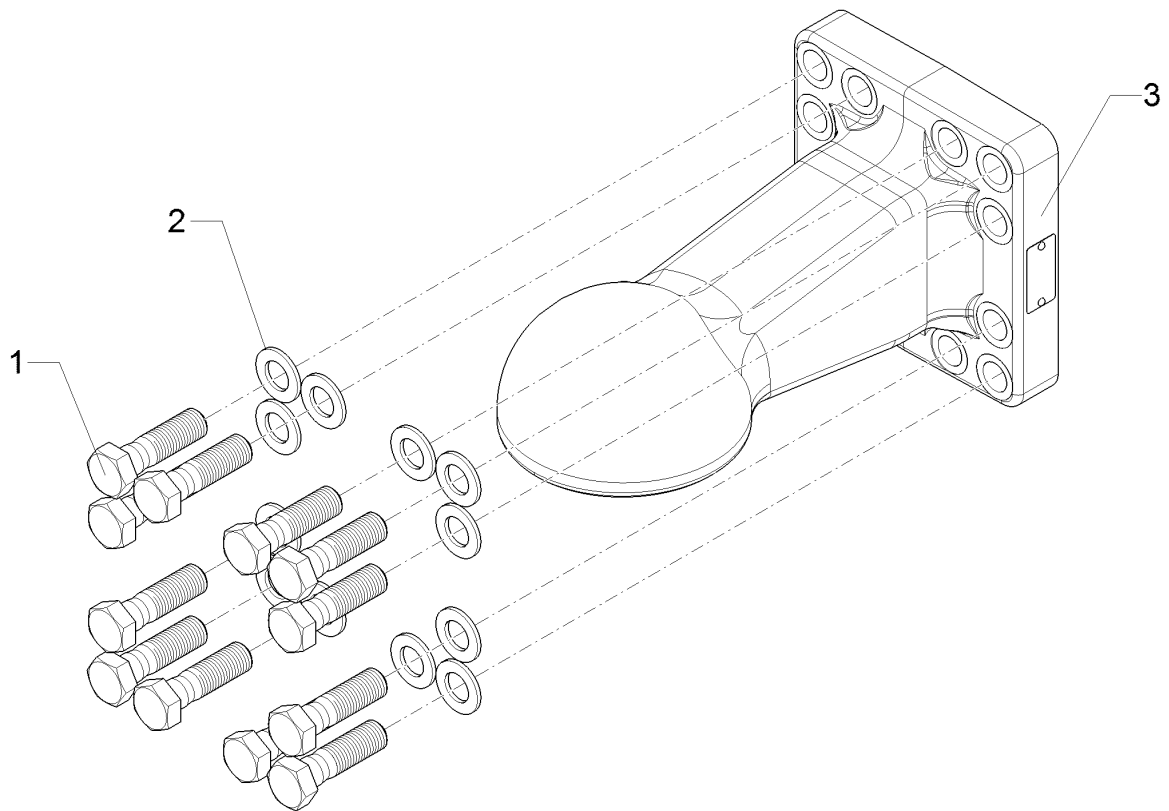
01.18

| Pos. | Art.Nr. | Stck. | Artikeltext / Description | | Abmessung |
|------|----------|-------|---------------------------|---------------|--------------------------|
| 1 | 30110551 | 12 | Sechskantschraube | Hexagon bolt | M20x70-10.9 DIN931 Zn |
| 2 | 305 6012 | 12 | Scheibe | Washer | 21 ISO7089 Zn |
| 3 | 44010098 | 1 | Zugöse | Traction loop | Cat.5 D79 160x160-M20 |



01.18

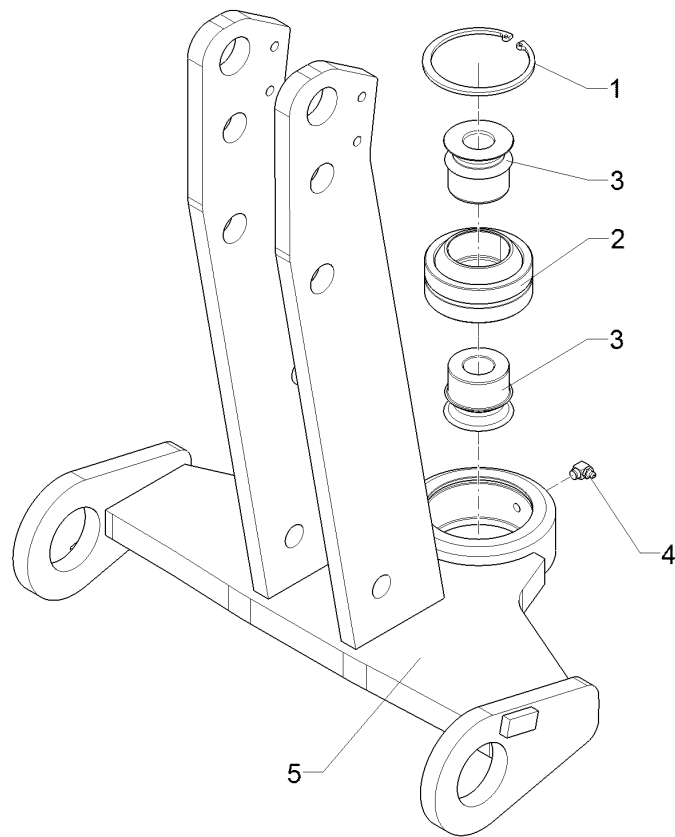
| Pos. | Art.Nr. | Stck. | Artikeltext / Description | | Abmessung |
|------|----------|-------|---------------------------|----------------------|--------------------------|
| 1 | 30110551 | 12 | Sechskantschraube | Hexagon bolt | M20x70-10.9 DIN931 Zn |
| 2 | 305 6012 | 12 | Scheibe | Washer | 21 ISO7089 Zn |
| 3 | 44010099 | 1 | Zugkugelkupplung | Ball-shaped coupling | K80 160x160-M20 |



01.18

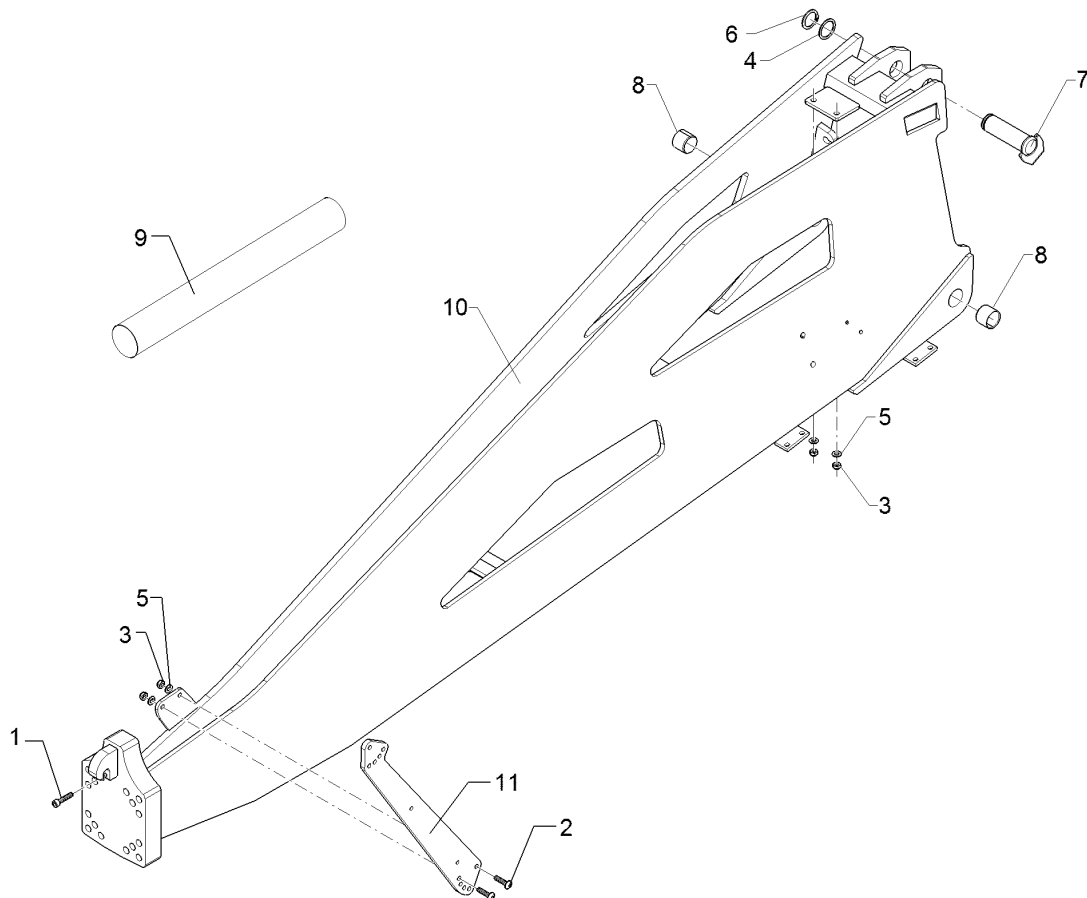
| Pos. | Art.Nr. | Stck. | Artikeltext / Description | | Abmessung |
|------|----------|-------|---------------------------|----------------------|--------------------------|
| 1 | 30110551 | 12 | Sechskantschraube | Hexagon bolt | M20x70-10.9 DIN931 Zn |
| 2 | 305 6012 | 12 | Scheibe | Washer | 21 ISO7089 Zn |
| 3 | 44010100 | 1 | Zugkugelkupplung | Ball-shaped coupling | K110 160x160-M20 |

| | |
|------------------------|----------|
| Dreipunkturm/Headstock | 2 |
| Rubin 12/500 KUA (A) | 64010107 |



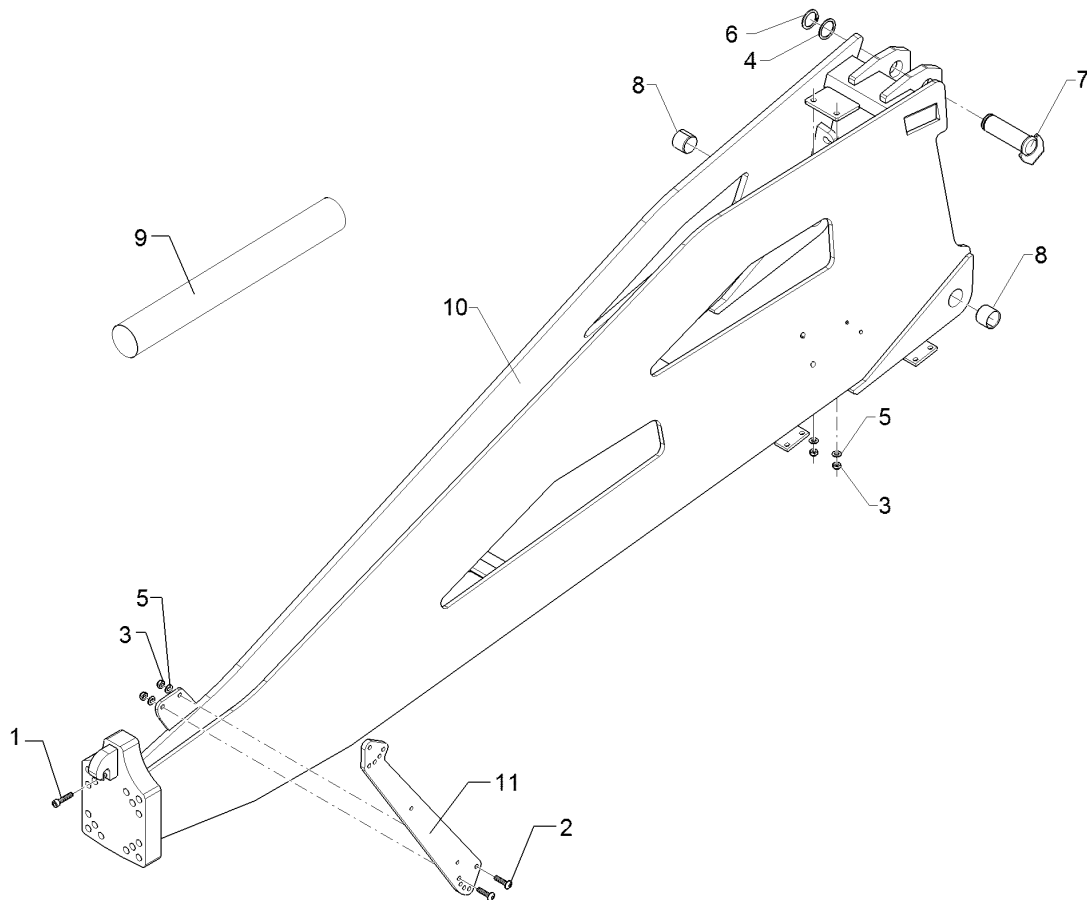
01.18

| Pos. | Art.Nr. | Stck. | Artikeltext / Description | | Abmessung |
|------|----------|-------|---------------------------|---------------------|--|
| 1 | 305 8950 | 1 | Sicherungsring | Retaining ring | 105x4 DIN472 |
| 2 | 317 3461 | 1 | Gelenklager | Articulated bearing | GEG 60ES-2RS |
| 3 | 317 7210 | 2 | Hülse | Bushing | D68/50x55 D30 BK45oS |
| 4 | 323 6349 | 1 | Schmiernippel | Grease nipple | CM10x1 |
| 5 | 44010113 | 1 | Dreipunkturm | Headstock | DIN71412-90 GRD ohne Traktionsverstärker |



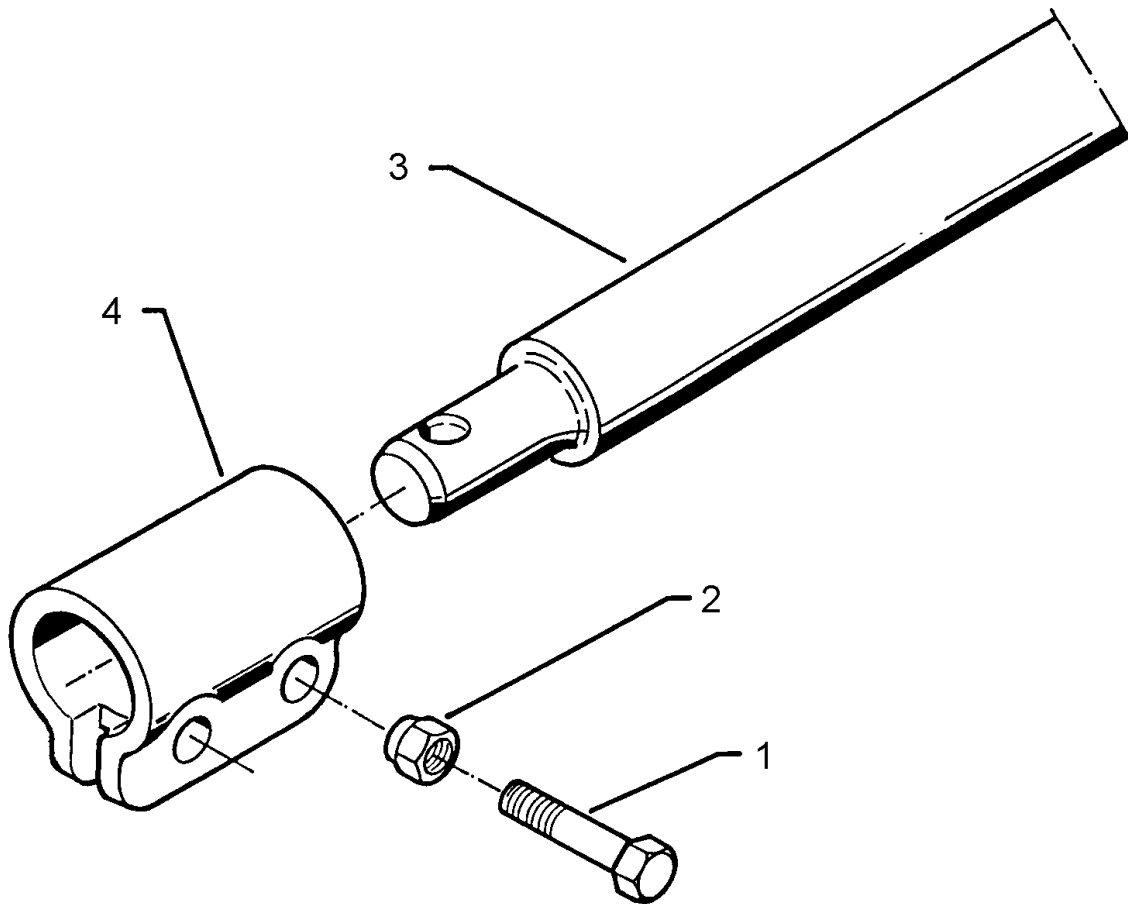
01.18

| Pos. | Art.Nr. | Stck. | Artikeltext / Description | | Abmessung |
|------|----------|-------|------------------------------|-----------------|-------------------------------|
| 1 | 301 5812 | 1 | Zylinderschraube | Allen screw | M10x45-8.8 DIN912 |
| 2 | 30110666 | 2 | Flachkopfschraube | Flatheaded bolt | M10x40-10.9-Zn DIN7380-2 |
| 3 | 303 0933 | 4 | Sicherungsmutter | Selflocking nut | NM10-8 DIN985 Zn |
| 4 | 305 2100 | 1 | Passscheibe | Shim | 40x50x2,0 DIN988 |
| 5 | 305 8696 | 4 | Scheibe | Washer | A10,5 DIN125-St Zn |
| 6 | 305 8875 | 1 | Sicherungsring | Retaining ring | 40x2,5 DIN471 |
| 7 | 31310068 | 1 | Bolzen mit Verdrehsicherung | Pin with stop | D40x120/138 Zn |
| 8 | 317 2007 | 2 | Einspannbuchse mit Presssitz | Expansion bush | EG40/44x35 |
| 9 | 375 9450 | 1 | Schutzschlauch Meterware | Guard for hoses | Protectoflex 76 |
| 10 | 44010125 | 1 | Deichsel hydraulisch | Drawbar | Heliodor 9 KA Typ. (A) |
| 11 | 47511302 | 1 | Halter | Holder | 12x115x657,5 2xD9 10xD10,5 |



01.18

| Pos. | Art.Nr. | Stck. | Artikeltext / Description | | Abmessung |
|------|----------|-------|------------------------------|-----------------|-------------------------------|
| 1 | 301 5812 | 1 | Zylinderschraube | Allen screw | M10x45-8.8 DIN912 |
| 2 | 30110666 | 2 | Flachkopfschraube | Flatheaded bolt | M10x40-10.9-Zn DIN7380-2 |
| 3 | 303 0933 | 4 | Sicherungsmutter | Selflocking nut | NM10-8 DIN985 Zn |
| 4 | 305 2100 | 1 | Passscheibe | Shim | 40x50x2,0 DIN988 |
| 5 | 305 8696 | 4 | Scheibe | Washer | A10,5 DIN125-St Zn |
| 6 | 305 8875 | 1 | Sicherungsring | Retaining ring | 40x2,5 DIN471 |
| 7 | 31310068 | 1 | Bolzen mit Verdrehsicherung | Pin with stop | D40x120/138 Zn |
| 8 | 317 2007 | 2 | Einspannbuchse mit Presssitz | Expansion bush | EG40/44x35 |
| 9 | 375 9450 | 1 | Schutzschlauch Meterware | Guard for hoses | Protectoflex 76 |
| 10 | 44010126 | 1 | Deichsel | Drawbar | Heliodor 9 KA Export |
| 11 | 47511302 | 1 | Halter | Holder | 12x115x657,5 2xD9 10xD10,5 |

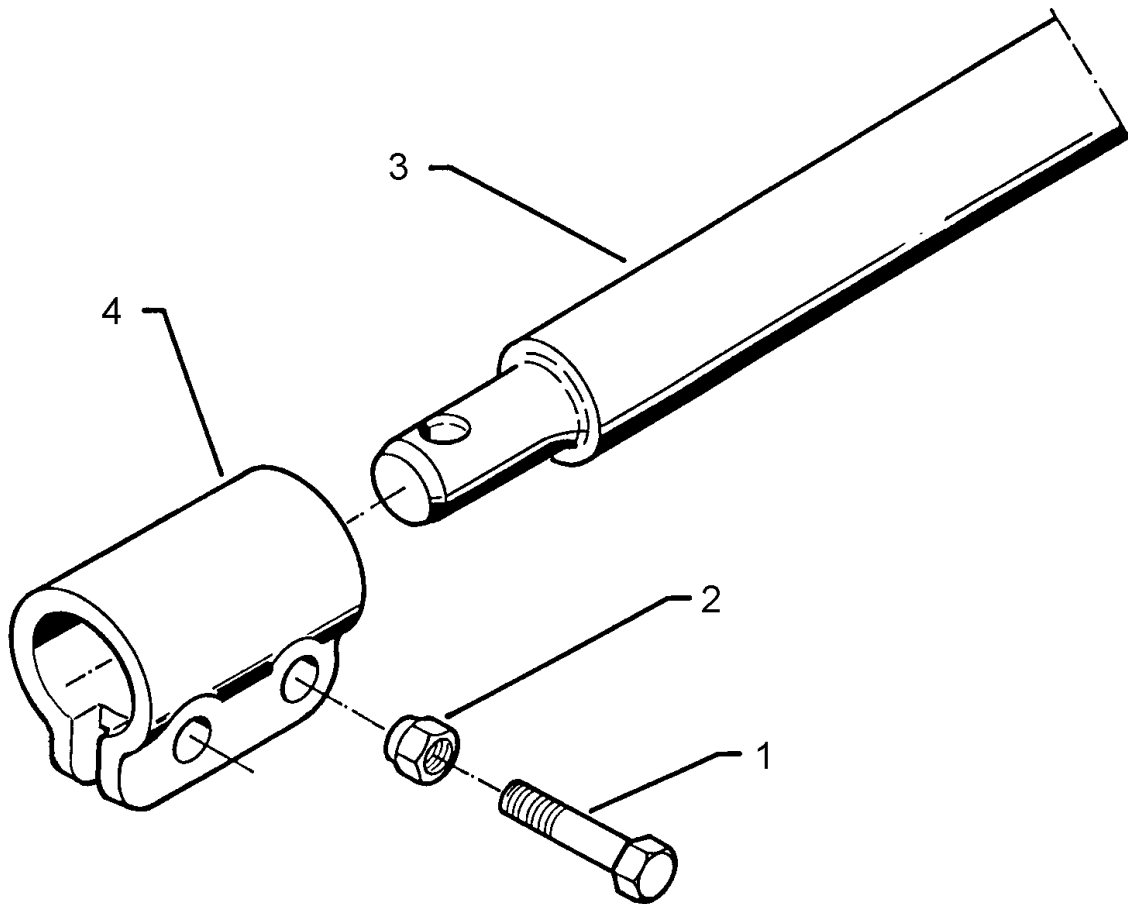


01.18

| Pos. | Art.Nr. | Stck. | Artikeltext / Description | | Abmessung |
|------|----------|-------|---------------------------|-----------------|---------------------------|
| 1 | 301 3868 | 4 | Sechskantschraube | Hexagon bolt | M16x65-8.8 Zn DIN931-A |
| 2 | 303 0935 | 4 | Sicherungsmutter | Selflocking nut | NM16-8 Zn DIN985 |
| 3 | 461 7907 | 1 | Zugschiene | Cross shaft | D68x1142 L3 Z4 |
| 4 | 461 9893 | 2 | Sperrstück | Stop | D68x100 2xD18 |

| | |
|---|----------|
| Unterlenkeranschluss/Lower link connection | 2 |
|---|----------|

| | |
|-----------------------------|-----------------|
| Rubin 12/500 KUA (A) | 661 1371 |
|-----------------------------|-----------------|

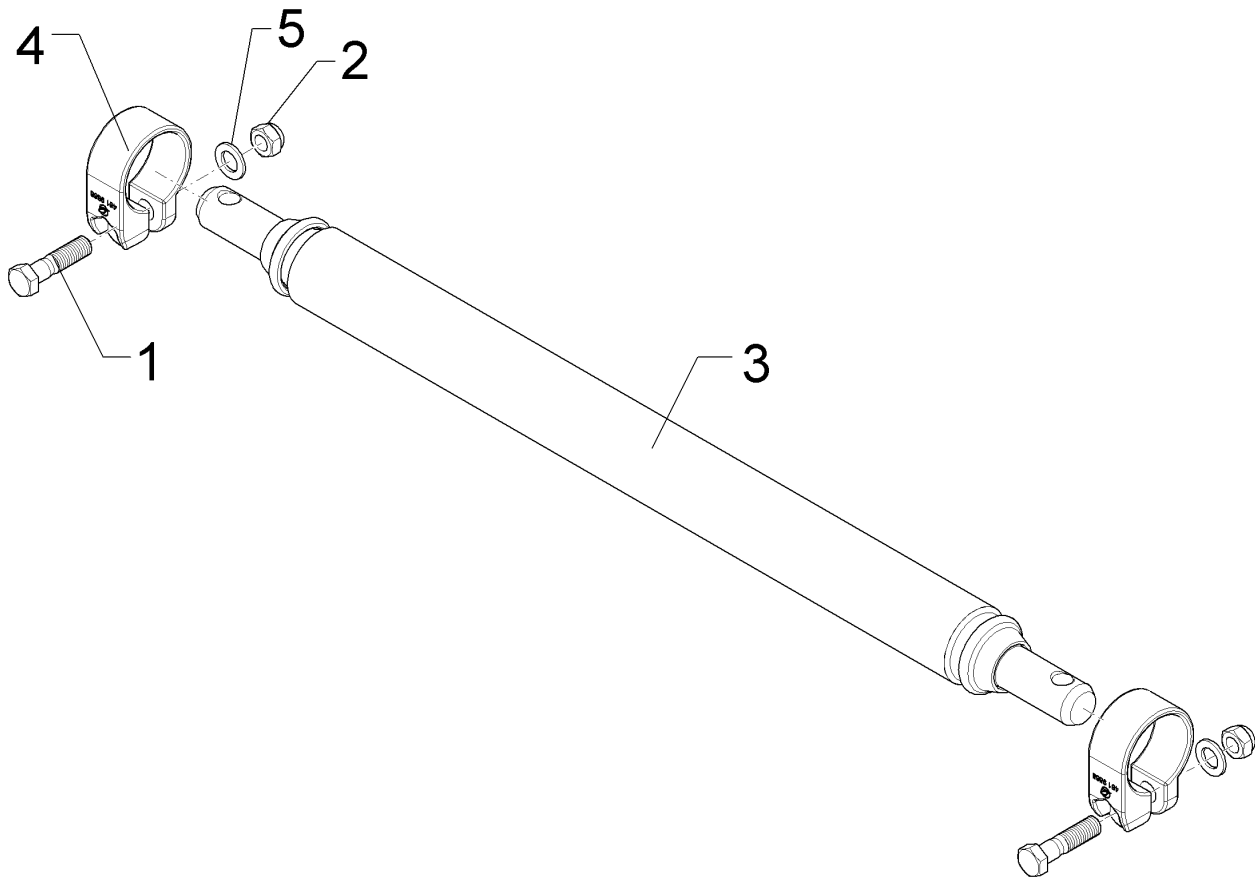


01.18

| Pos. | Art.Nr. | Stck. | Artikeltext / Description | | Abmessung |
|------|----------|-------|---------------------------|-----------------|---------------------------|
| 1 | 301 3868 | 4 | Sechskantschraube | Hexagon bolt | M16x65-8.8 Zn DIN931-A |
| 2 | 303 0935 | 4 | Sicherungsmutter | Selflocking nut | NM16-8 Zn DIN985 |
| 3 | 461 7908 | 1 | Zugschiene | Cross shaft | D68X1342 L4 Z4 |
| 4 | 461 9893 | 2 | Sperrstück | Stop | D68x100 2xD18 |

| | |
|---|----------|
| Unterenkeranschluss/Lower link connection | 2 |
|---|----------|

| | |
|-----------------------------|-----------------|
| Rubin 12/500 KUA (A) | 661 1413 |
|-----------------------------|-----------------|

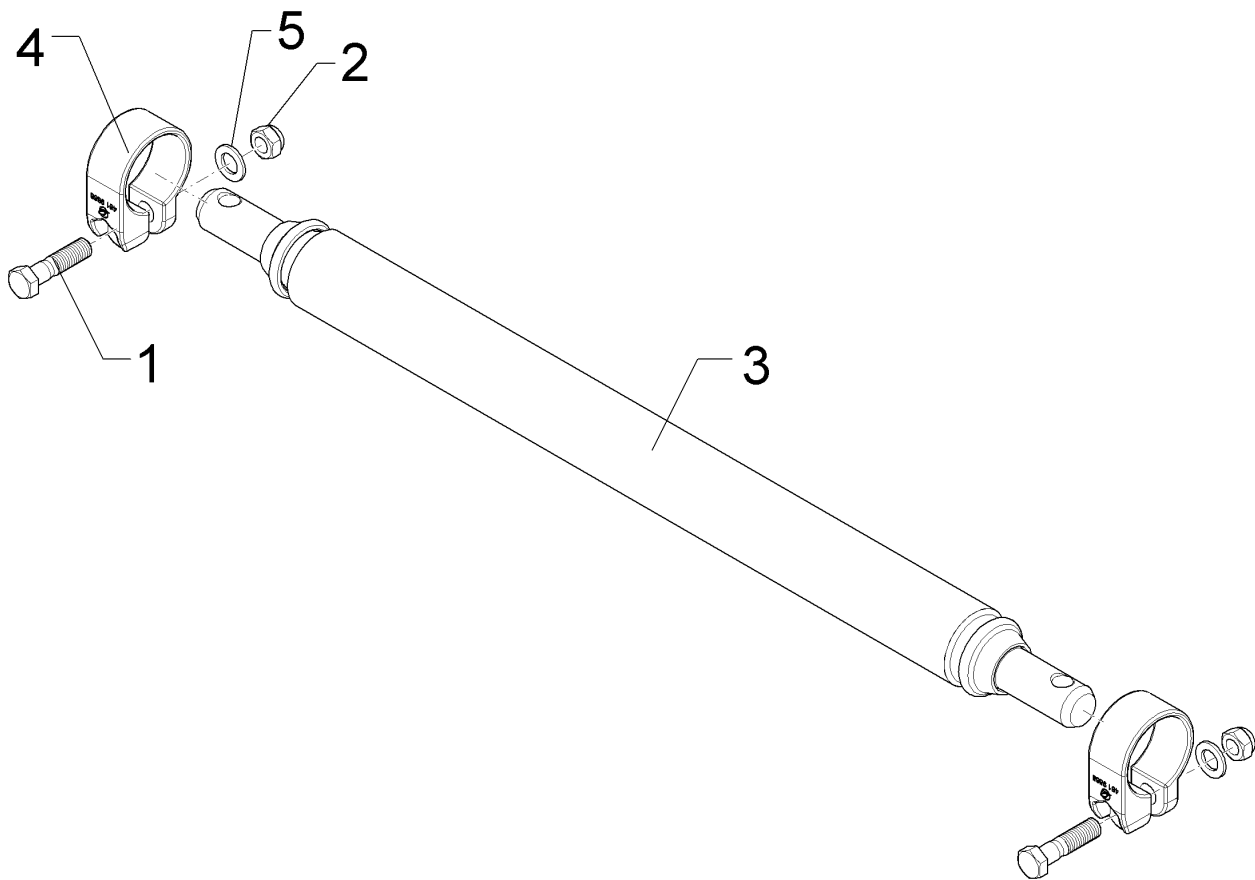


01.18

| Pos. | Art.Nr. | Stck. | Artikeltext / Description | | Abmessung |
|------|----------|-------|---------------------------|-----------------|------------------------------|
| 1 | 301 3868 | 2 | Sechskantschraube | Hexagon bolt | M16x65-8.8 Zn DIN931-A |
| 2 | 303 0935 | 2 | Sicherungsmutter | Selflocking nut | NM16-8 Zn DIN985 |
| 3 | 461 7905 | 1 | Zugschiene | Cross shaft | D68x980 L2 Z3 HÜ (Kat.3N) |
| 4 | 461 9868 | 2 | Klemme | Clamp | D68x40 |
| 5 | 305 6141 | 2 | Scheibe | Washer | 17/30x3 DIN/ISO-7089 |

| | |
|--|----------|
| Unterlenkeranschluss/Lower link connection | 2 |
|--|----------|

| | |
|-----------------------------|-----------------|
| Rubin 12/500 KUA (A) | 661 1414 |
|-----------------------------|-----------------|

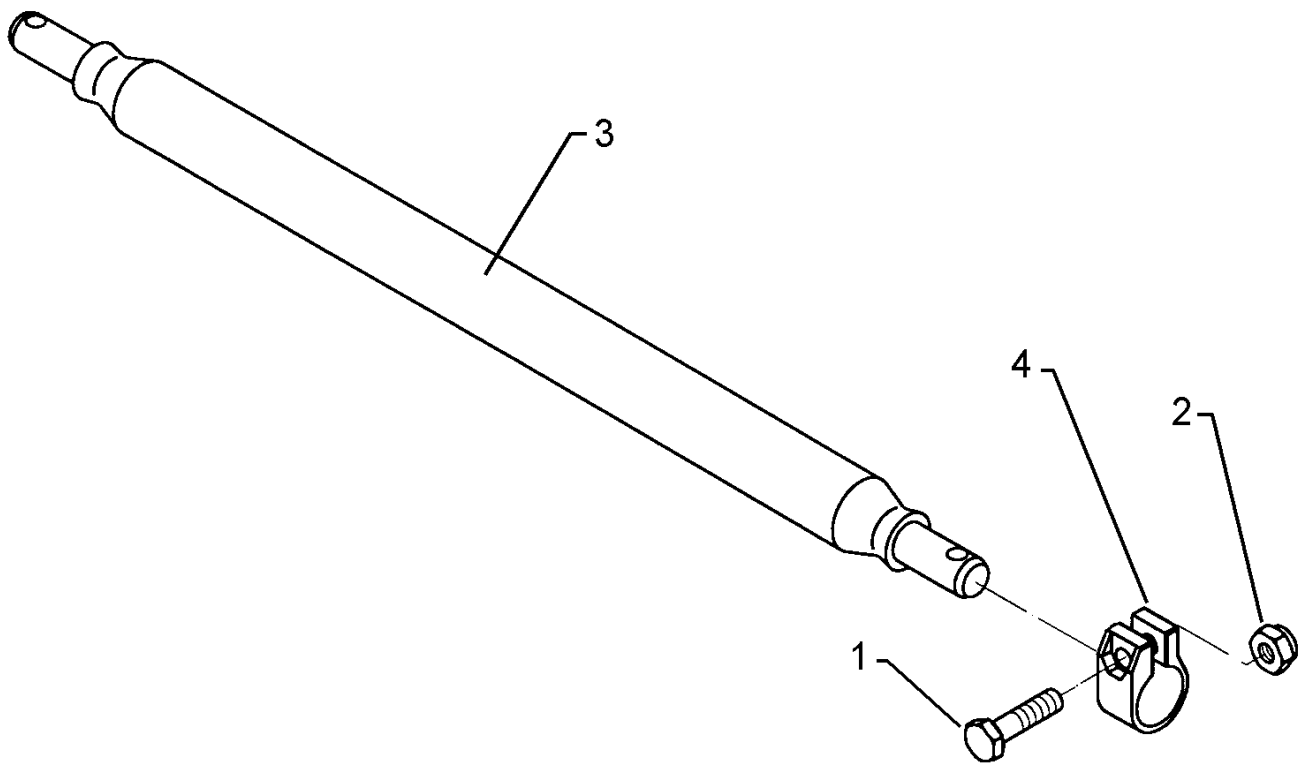


01.18

| Pos. | Art.Nr. | Stck. | Artikeltext / Description | | Abmessung |
|------|----------|-------|---------------------------|-----------------|---------------------------|
| 1 | 301 3868 | 2 | Sechskantschraube | Hexagon bolt | M16x65-8.8 Zn DIN931-A |
| 2 | 303 0935 | 2 | Sicherungsmutter | Selflocking nut | NM16-8 Zn DIN985 |
| 3 | 461 7925 | 1 | Zugschiene | Cross shaft | D68x1120 L3 Z3 HÜ |
| 4 | 461 9868 | 2 | Klemme | Clamp | D68x40 |
| 5 | 305 6141 | 2 | Scheibe | Washer | 17/30x3 DIN/ISO-7089 |

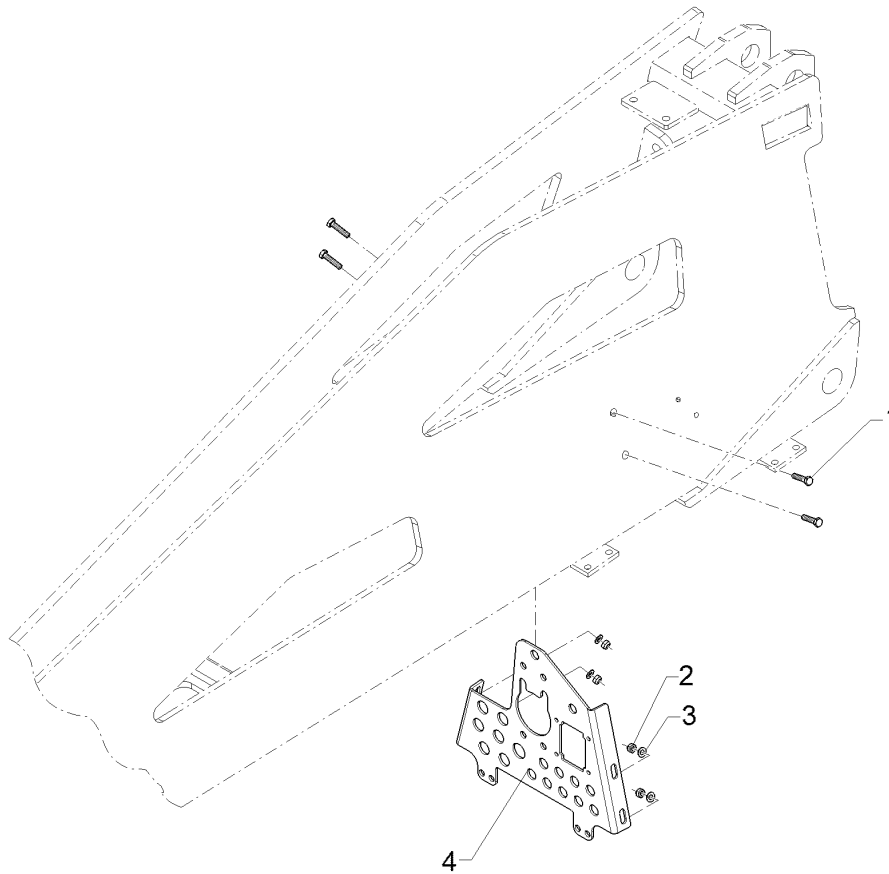
| | |
|--|---|
| Unterlenkeranschluss/Lower link connection | 2 |
|--|---|

| | |
|----------------------|----------|
| Rubin 12/500 KUA (A) | 661 1417 |
|----------------------|----------|



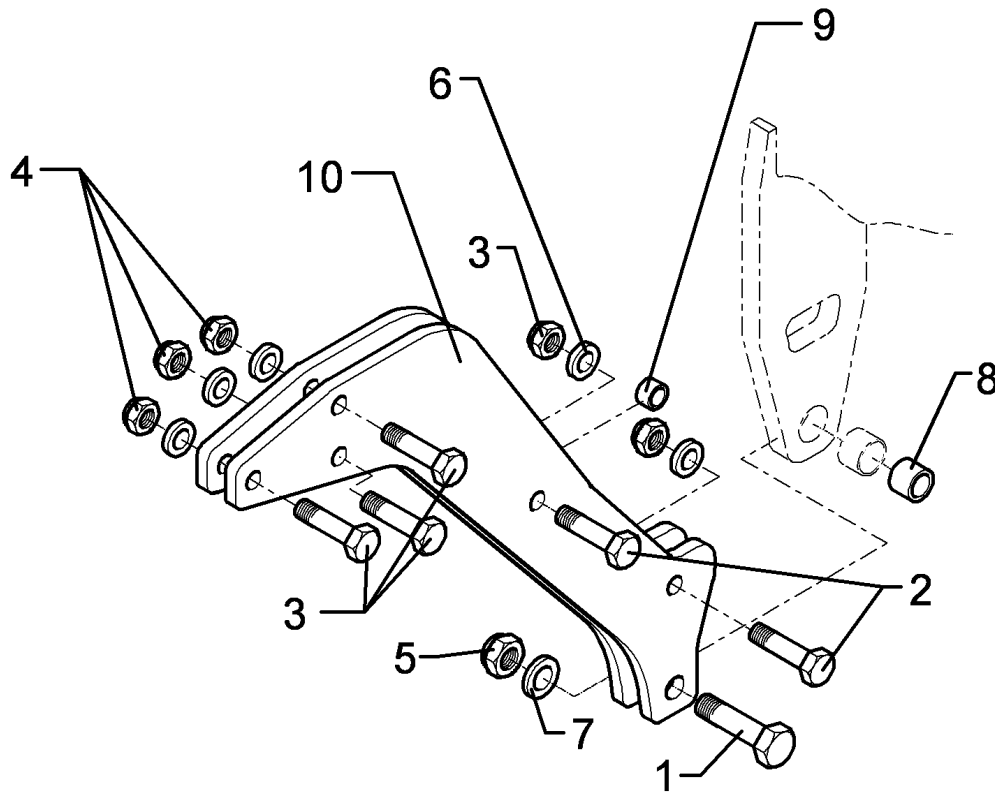
01.18

| Pos. | Art.Nr. | Stck. | Artikeltext / Description | | Abmessung |
|------|----------|-------|---------------------------|-----------------|----------------------------|
| 1 | 301 3868 | 2 | Sechskantschraube | Hexagon bolt | M16x65-8.8 Zn DIN931-A |
| 2 | 303 0935 | 2 | Sicherungsmutter | Selflocking nut | NM16-8 Zn DIN985 |
| 3 | 461 7928 | 1 | Schienenwelle | Drawbar | D68x1340 L1100 Z58 K700 |
| 4 | 461 9868 | 2 | Klemme | Clamp | D68x40 |



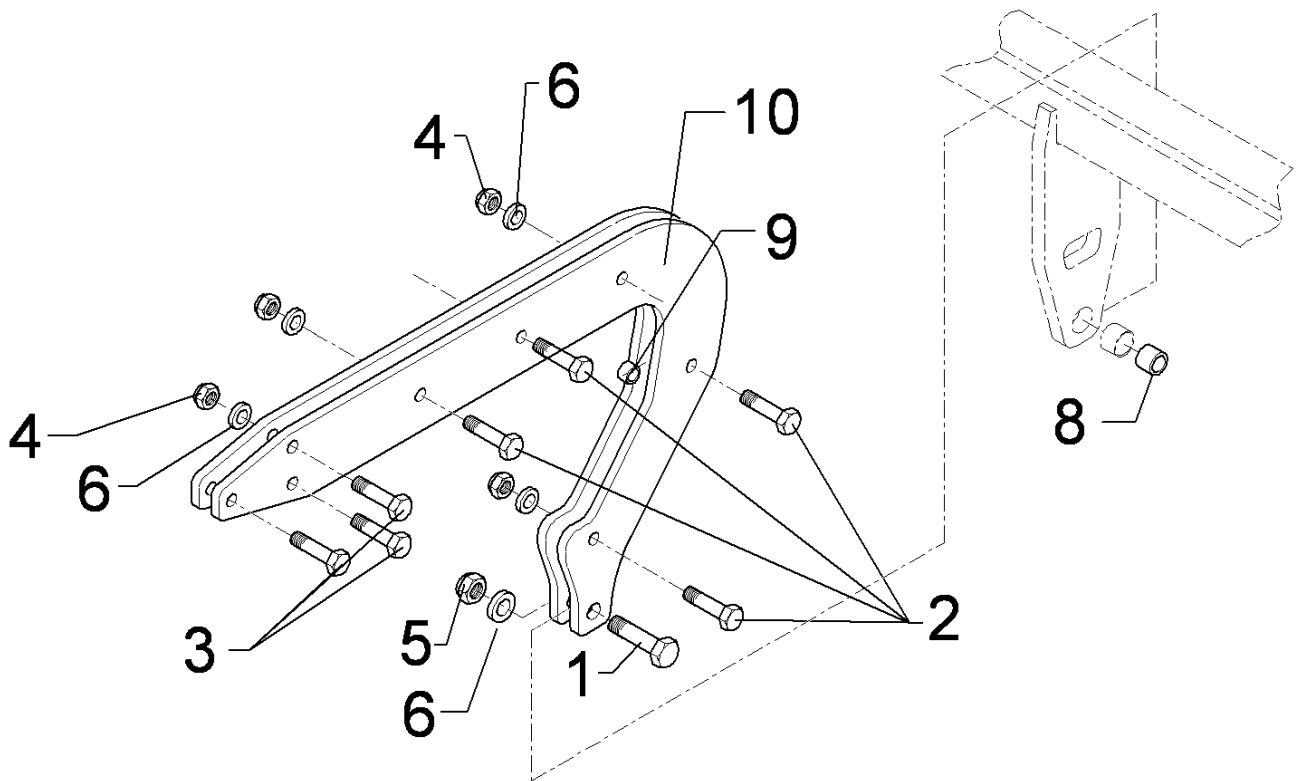
01.18

| Pos. | Art.Nr. | Stck. | Artikeltext / Description | | Abmessung |
|------|----------|-------|---------------------------|------------------|-------------------------|
| 1 | 301 7308 | 4 | Sechskantschraube | Hexagon bolt | M10x35-8.8 Zn DIN933 |
| 2 | 303 0933 | 4 | Sicherungsmutter | Selflocking nut | NM10-8 DIN985 Zn |
| 3 | 305 8696 | 4 | Scheibe | Washer | A10,5 DIN125-St Zn |
| 4 | 47510994 | 1 | Verbindungsblech | Connecting plate | 4x315x411 |



01.18

| Pos. | Art.Nr. | Stck. | Artikeltext / Description | | Abmessung |
|------|----------|-------|---------------------------|-----------------|-------------------------------|
| 1 | 301 4603 | 1 | Sechskantschraube spz. | Hexagon bolt | M20x75-8.8 Zn |
| 2 | 301 5066 | 2 | Sechskantschraube | Hexagon bolt | M16x70-8.8 Zn DIN933 |
| 3 | 301 5363 | 3 | Sechskantschraube spz. | Hexagon bolt | M16x70-12.9 Zn |
| 4 | 303 0935 | 5 | Sicherungsmutter | Selflocking nut | NM16-8 Zn DIN985 |
| 5 | 303 0936 | 1 | Sicherungsmutter | Selflocking nut | NM20-8 Zn DIN985 |
| 6 | 305 6141 | 10 | Scheibe | Washer | 17/30x3 DIN/ISO-7089 |
| 7 | 305 6015 | 2 | Scheibe | Washer | 21 DIN7349 |
| 8 | 317 6657 | 1 | Buchse | Bush | D20/28x22 |
| 9 | 317 6681 | 1 | Röhrchen | Tube | D24x3x22+1 Zn |
| 10 | 417 8114 | 2 | Platte | Plate | 12x510x540 1xD20,1 5xD16,1 |

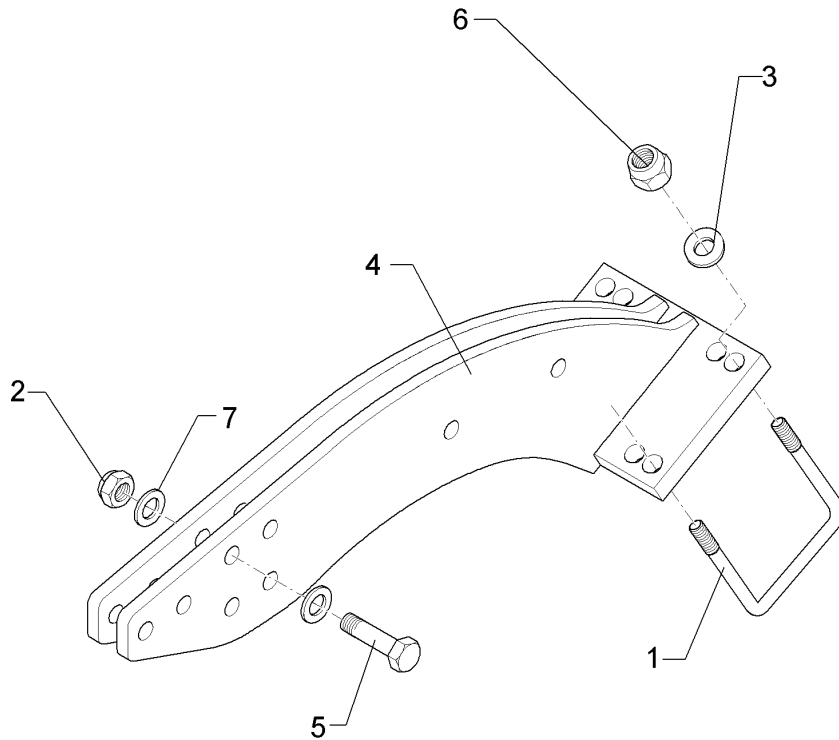


01.18

| Pos. | Art.Nr. | Stck. | Artikeltext / Description | | Abmessung |
|------|----------|-------|---------------------------|-----------------|-------------------------|
| 1 | 301 4603 | 1 | Sechskantschraube spz. | Hexagon bolt | M20x75-8.8 Zn |
| 2 | 301 5066 | 5 | Sechskantschraube | Hexagon bolt | M16x70-8.8 Zn DIN933 |
| 3 | 301 5363 | 3 | Sechskantschraube spz. | Hexagon bolt | M16x70-12.9 Zn |
| 4 | 303 0935 | 8 | Sicherungsmutter | Selflocking nut | NM16-8 Zn DIN985 |
| 5 | 303 0936 | 1 | Sicherungsmutter | Selflocking nut | NM20-8 Zn DIN985 |
| 6 | 305 6141 | 16 | Scheibe | Washer | 17/30x3 DIN/ISO-7089 |
| 7 | 305 6012 | 1 | Scheibe | Washer | 21 ISO7089 Zn |
| 8 | 317 6657 | 1 | Buchse | Bush | D20/28x22 |
| 9 | 317 6681 | 4 | Röhrchen | Tube | D24x3x22+1 Zn |
| 10 | 417 8112 | 2 | Platte | Plate | 12x520x806 D540/400 |

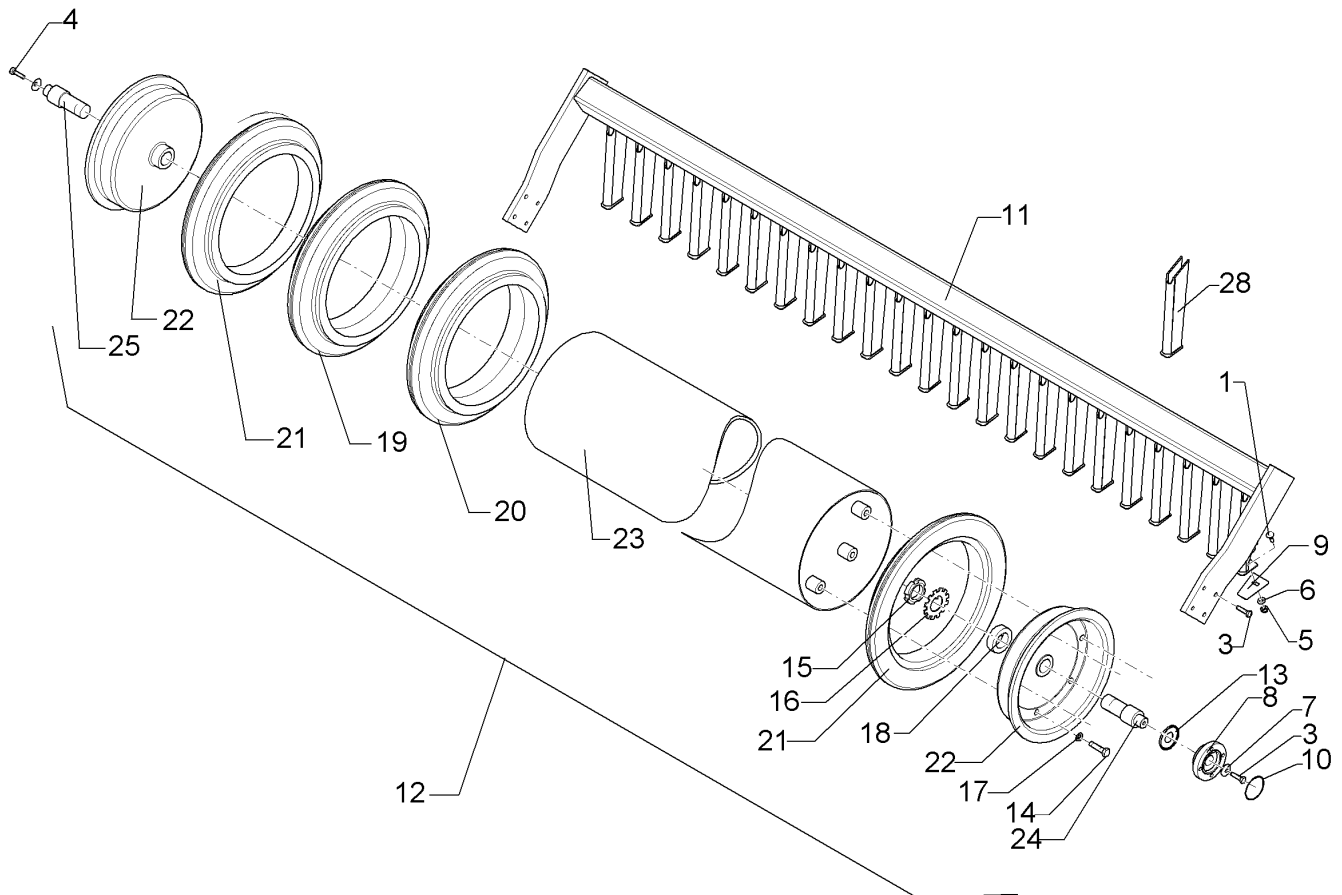
| | |
|---|----------|
| Halter zur Gummiringwalze/Holder | 3 |
|---|----------|

| | |
|-----------------------------|-----------------|
| Rubin 12/500 KUA (A) | 622 0188 |
|-----------------------------|-----------------|



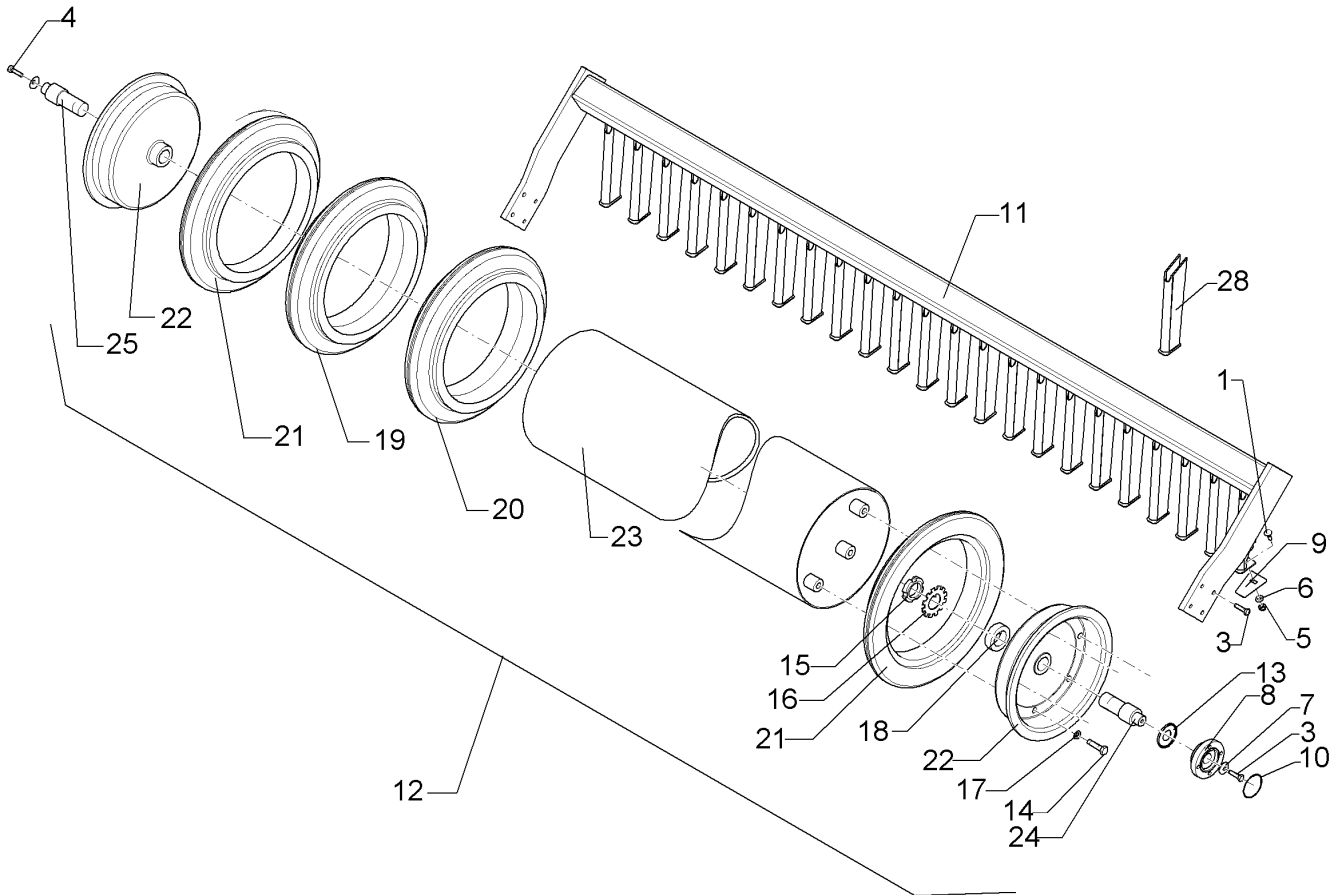
01.18

| Pos. | Art.Nr. | Stck. | Artikeltext / Description | | Abmessung |
|------|----------|-------|---------------------------|-----------------|---------------------------------|
| 1 | 301 7851 | 2 | Bügelschraube | U-bolt | M20/90/140 (358) Zn |
| 2 | 303 0935 | 1 | Sicherungsmutter | Selflocking nut | NM16-8 Zn DIN985 |
| 3 | 305 6012 | 4 | Scheibe | Washer | 21 ISO7089 Zn |
| 4 | 422 0188 | 1 | Halter | Holder | 140x196x20-90 GRW D590 8xD21 |
| 5 | 301 5363 | 1 | Sechskantschraube spz. | Hexagon bolt | M16x70-12.9 Zn |
| 6 | 303 0936 | 4 | Sicherungsmutter | Selflocking nut | NM20-8 Zn DIN985 |
| 7 | 305 6141 | 2 | Scheibe | Washer | 17/30x3 DIN/ISO-7089 |



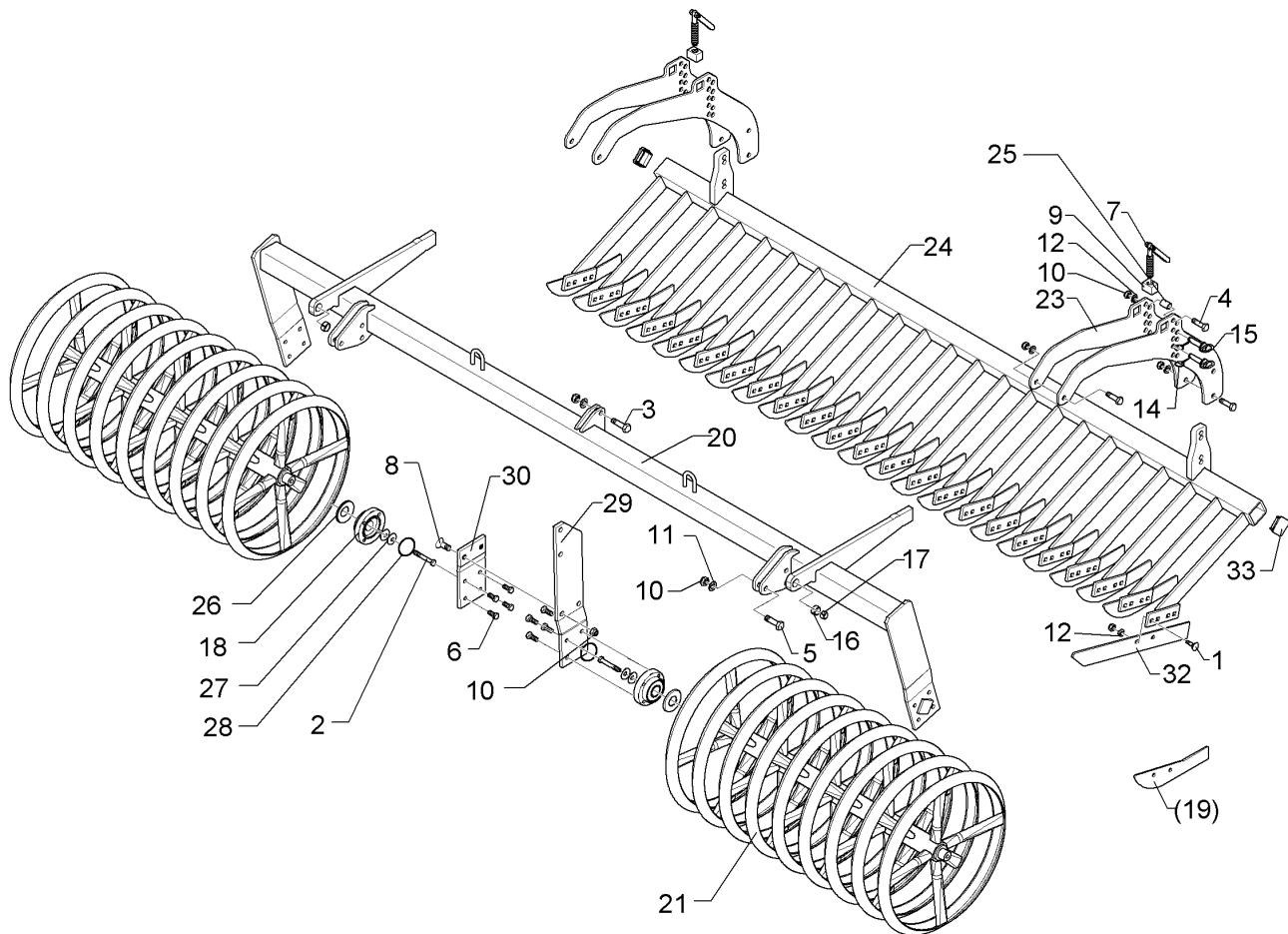
01.18

| Pos. | Art.Nr. | Stck. | Artikeltext / Description | | Abmessung |
|------|----------|-------|-----------------------------|--------------------|--|
| 1 | 301 1701 | 19 | Flachrundschraube | Saucer-head screw | M10x20-4.6 Zn DIN603 |
| 3 | 301 3347 | 9 | Sechskantschraube | Hexagon bolt | M12x40-8.8 Zn DIN933 |
| 4 | 301 3325 | 1 | Sechskantschraube | Hexagon bolt | M12LHx30-8.8 Zn DIN933-A |
| 5 | 303 0933 | 19 | Sicherungsmutter | Selflocking nut | NM10-8 DIN985 Zn |
| 6 | 305 6132 | 19 | Scheibe | Washer | D11/25x2,5 Zn |
| 7 | 329 6124 | 2 | Tellerfeder | Cup spring | 40x14,3x2 DIN2093 |
| 8 | 319 9372 | 2 | Flanschlager-Gehäuseeinheit | Bearing cpl. | RCJ 35 35x118x39,9 4xM12 72x3x90 P |
| 9 | 349 2009 | 19 | Abstreifer | Scraper | 72x3x90 P |
| 10 | 375 1278 | 2 | O-Ring | O-ring | 80x2 |
| 11 | 422 6872 | 1 | Tragrahmen | Supporting frame | 90 GRW D590-250-125 GRW |
| 12 | 523 6870 | 1 | Gummiringwalze | Rubber ring roller | D590-250-20R-125 GRW |
| 13 | 323 0411 | 2 | Schutzkappe | Cap | D80/d35 t=2x5,5 Zn |
| 14 | 301 3576 | 12 | Sechskantschraube | Hexagon bolt | M14x45 10.9 Zn DIN933 |
| 15 | 303 0335 | 2 | Nutmutter | Grooved nut | M40x1,5-KM8 |
| 16 | 305 1316 | 2 | Sicherungsblech | Locking plate | D40-MB8 |
| 17 | 305 6139 | 12 | Scheibe | Washer | 28x15x2,5 Zn DIN125 |
| 18 | 305 6454 | 2 | Scheibe mit Nase | Washer | GRW D600 |
| 19 | 357 6100 | 16 | Reifen Standard | Tyre | 586x131 |
| 20 | 357 6101 | 2 | Reifen Mitte | Tyre | 586x131 |



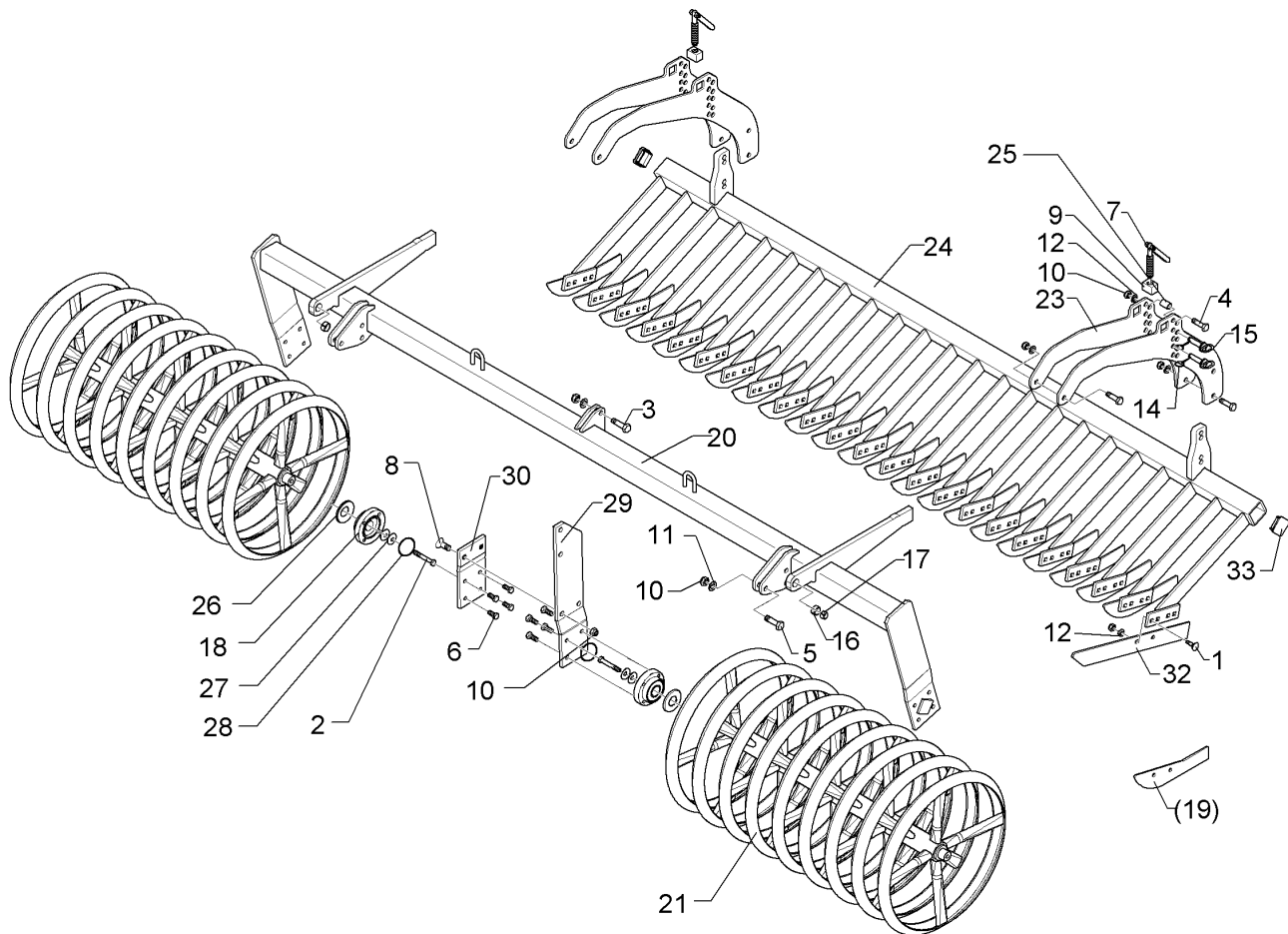
01.18

| Pos. | Art.Nr. | Stck. | Artikeltext / Description | | Abmessung |
|------|----------|-------|---------------------------|---------------------|-------------------------------|
| 21 | 357 6102 | 2 | Reifen Außen | Tyre | 586x80 |
| 22 | 423 2205 | 2 | Flansch | Flange | GRW-D600 |
| 23 | 423 2208 | 1 | Rohr Gummiringwalze | Tube | D406,4x5x2381 GRW-600-2.50 |
| 24 | 423 8800 | 1 | Zapfen | Pivot | D55/35x29 M12 |
| 25 | 423 8801 | 1 | Zapfen | Pivot | D55/35x29 M12-LH |
| 28 | 245 2059 | 19 | Abstreiferhalter | Carrier for scraper | GRW-D590 54x197x292 |



01.18

| Pos. | Art.Nr. | Stck. | Artikeltext / Description | | Abmessung |
|------|----------|-------|-----------------------------|-----------------------|-----------------------------|
| 1 | 301 1805 | 38 | Flachrundschaube mit Mutter | Bolt, cup square head | M12x30-10.9 MU Zn |
| 2 | 301 3406 | 4 | Sechskantschraube | Hexagon bolt | M12x70-8.8 Zn DIN931-A |
| 3 | 301 3779 | 2 | Sechskantschraube spz. | Hexagon bolt | M16x60-10.9 Zn |
| 4 | 301 3870 | 8 | Sechskantschraube spz. | Hexagon bolt | M16x65-10.9 Zn |
| 5 | 301 5363 | 6 | Sechskantschraube spz. | Hexagon bolt | M16x70-12.9 Zn |
| 6 | 301 3324 | 16 | Sechskantschraube | Hexagon bolt | M12x30-8.8 Zn DIN933 |
| 7 | 302 7933 | 2 | Spindel | Screw | KPL TR20x120-170 |
| 8 | 301 6141 | 2 | Senkschraube | Countersunk bolt | M16x40-10.9 Zn DIN7991-A |
| 9 | 303 8644 | 2 | Spindelmutter | Nut for screw | 30x30x44 TR 20 |
| 10 | 303 0935 | 18 | Sicherungsmutter | Selflocking nut | NM16-8 Zn DIN985 |
| 11 | 305 6161 | 16 | Scheibe | Washer | 17/40x6 DIN7349 Zn |
| 12 | 305 6137 | 38 | Scheibe | Washer | 13/25x3 DIN1441-St Zn |
| 14 | 311 9565 | 4 | Klappstift | Securing pin | 4,5 |
| 15 | 313 1530 | 4 | Bolzen mit Griff | Pin with grip | D15x47,5/106 Zn |
| 16 | 317 3341 | 2 | Einspannbuchse | Expansion bush | EG22/28x20-DIN1498 |
| 17 | 317 6658 | 2 | Buchse | Bush | D16/22x22 |
| 18 | 319 9372 | 4 | Flanschlager-Gehäuseeinheit | Bearing cpl. | RCJ 35 35x118x39,9 4xM12 |
| 19 | 337 5003 | 19 | Messer-lang | Knife | 6x552,7/50 2xD12,5-80 |
| 20 | 422 6892 | 1 | Tragrahmen-R | Supporting frame - R | 80 MSW D600-250 HE |



01.18

| Pos. | Art.Nr. | Stck. | Artikeltext / Description | | Abmessung |
|------|----------|-------|---------------------------|----------------------|------------------------------|
| 21 | 423 2184 | 2 | Messerwalze | Knife roller | MSW D600-1122-10R-125-R |
| 23 | 422 6813 | 4 | Verstellplatte | Adjuster plate | 8x464x775 13xD16 |
| 24 | 422 6820 | 1 | Messerbalken | Cutter bar | MSW D600 70x2300 19M |
| 25 | 317 6681 | 2 | Röhrchen | Tube | SM.9/500 RE D24x3x22+1 Zn |
| 26 | 323 0411 | 4 | Schutzkappe | Cap | D80/d35 t=2x5,5 Zn |
| 27 | 329 6124 | 4 | Tellerfeder | Cup spring | 40x14,3x2 DIN2093 |
| 28 | 375 1277 | 4 | O-Ring | O-ring | 79x2 |
| 29 | 422 6878 | 1 | Tragplatte lang | Support plate, long | 120x12x573 5xD16,1 |
| 30 | 422 6879 | 1 | Tragplatte kurz | Support plate, short | 120x12x225 |
| 32 | 337 5005 | 19 | Messer | Knife | 60x6x568 2xD8,5-80 |
| 33 | 32310090 | 2 | Vierkantstopfen | Square plug | Q-70x70x7,1 |



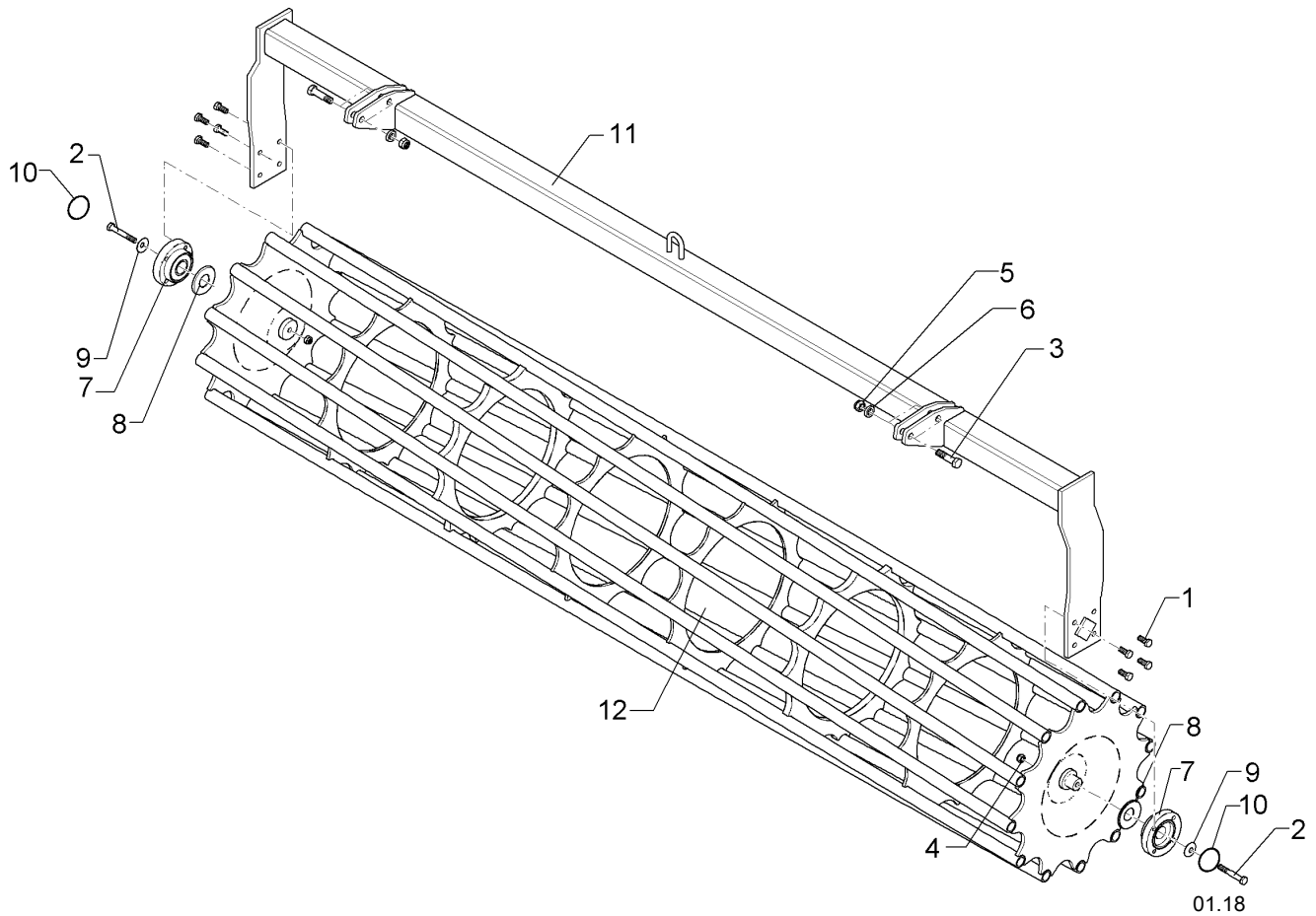
01.18

| Pos. | Art.Nr. | Stck. | Artikeltext / Description | | Abmessung |
|------|----------|-------|-----------------------------|-----------------------|-----------------------------|
| 1 | 301 1805 | 40 | Flachrundschaube mit Mutter | Bolt, cup square head | M12x30-10.9 MU Zn |
| 2 | 301 3406 | 4 | Sechskantschraube | Hexagon bolt | M12x70-8.8 Zn DIN931-A |
| 3 | 301 3779 | 2 | Sechskantschraube spz. | Hexagon bolt | M16x60-10.9 Zn |
| 4 | 301 3870 | 8 | Sechskantschraube spz. | Hexagon bolt | M16x65-10.9 Zn |
| 5 | 301 5363 | 6 | Sechskantschraube spz. | Hexagon bolt | M16x70-12.9 Zn |
| 6 | 301 3324 | 16 | Sechskantschraube | Hexagon bolt | M12x30-8.8 Zn DIN933 |
| 7 | 302 7933 | 2 | Spindel | Screw | KPL TR20x120-170 |
| 8 | 301 6141 | 2 | Senkschraube | Countersunk bolt | M16x40-10.9 Zn DIN7991-A |
| 9 | 303 8644 | 2 | Spindelmutter | Nut for screw | 30x30x44 TR 20 |
| 10 | 303 0935 | 18 | Sicherungsmutter | Selflocking nut | NM16-8 Zn DIN985 |
| 11 | 305 6161 | 16 | Scheibe | Washer | 17/40x6 DIN7349 Zn |
| 12 | 305 6137 | 40 | Scheibe | Washer | 13/25x3 DIN1441-St Zn |
| 14 | 311 9565 | 4 | Klappstift | Securing pin | 4,5 |
| 15 | 313 1530 | 4 | Bolzen mit Griff | Pin with grip | D15x47,5/106 Zn |
| 16 | 317 3341 | 2 | Einspannbuchse | Expansion bush | EG22/28x20-DIN1498 |
| 17 | 317 6658 | 2 | Buchse | Bush | D16/22x22 |
| 18 | 319 9372 | 4 | Flanschlager-Gehäuseeinheit | Bearing cpl. | RCJ 35 35x118x39,9 4xM12 |
| 19 | 337 5005 | 20 | Messer | Knife | 60x6x568 2xD8,5-80 |
| 20 | 422 6892 | 1 | Tragrahmen-R | Supporting frame - R | 80 MSW D600-250 HE |



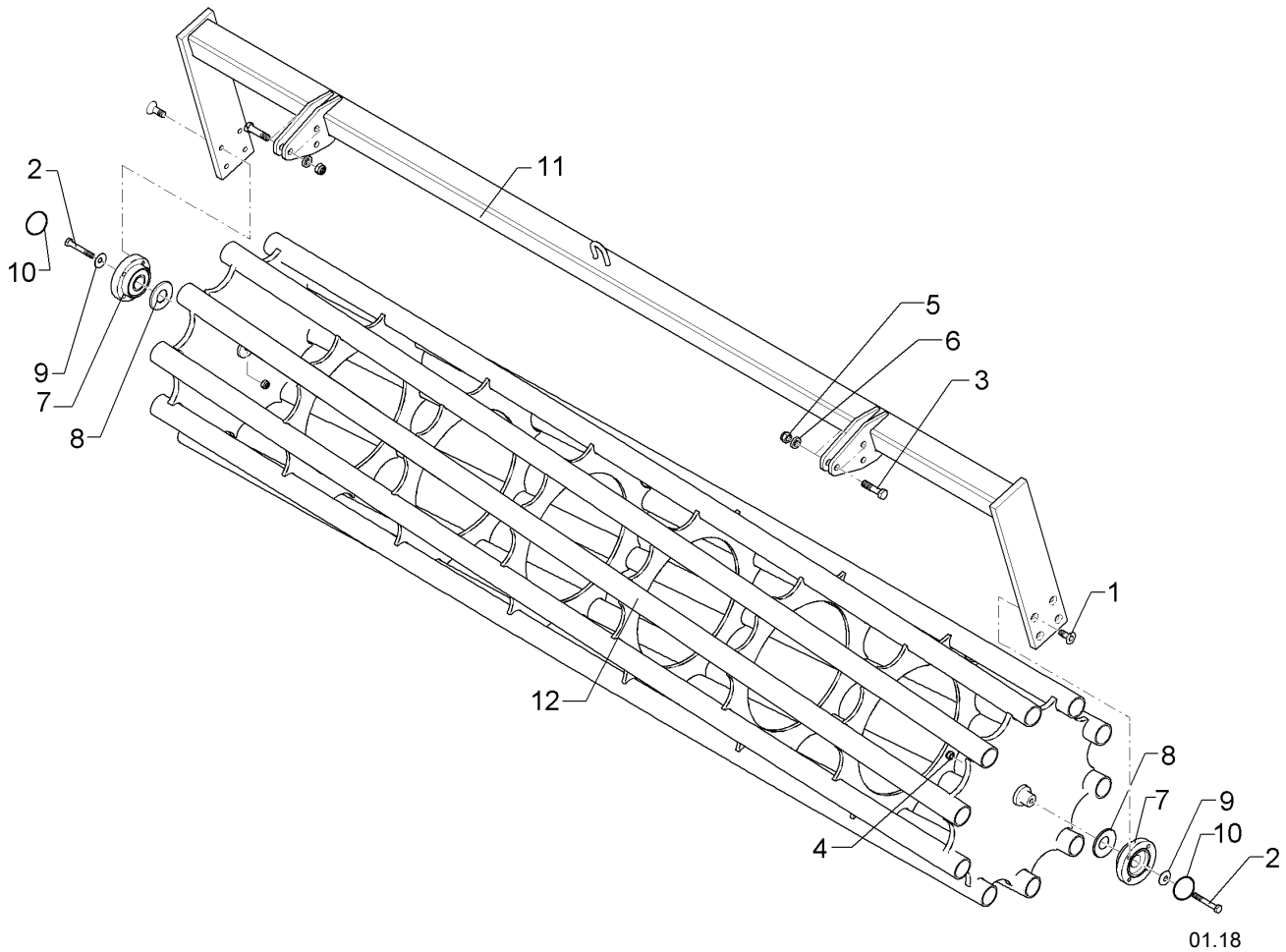
01.18

| Pos. | Art.Nr. | Stck. | Artikeltext / Description | | Abmessung |
|------|----------|-------|---------------------------|----------------------|------------------------------|
| 21 | 423 2184 | 2 | Messerwalze | Knife roller | MSW D600-1122-10R-125-R |
| 23 | 422 6813 | 4 | Verstellplatte | Adjuster plate | 8x464x775 13xD16 |
| 24 | 422 6821 | 1 | Messerbalken | Cutter bar | MSW D600 70x2425 20M |
| 25 | 317 6681 | 2 | Röhrchen | Tube | SM.9/500 L1 D24x3x22+1 Zn |
| 26 | 323 0411 | 4 | Schutzkappe | Cap | D80/d35 t=2x5,5 Zn |
| 27 | 329 6124 | 4 | Tellerfeder | Cup spring | 40x14,3x2 DIN2093 |
| 28 | 375 1277 | 4 | O-Ring | O-ring | 79x2 |
| 29 | 422 6878 | 1 | Tragplatte lang | Support plate, long | 120x12x573 5xD16,1 |
| 30 | 422 6879 | 1 | Tragplatte kurz | Support plate, short | 120x12x225 |
| 33 | 32310090 | 2 | Vierkantstopfen | Square plug | Q-70x70x7,1 |



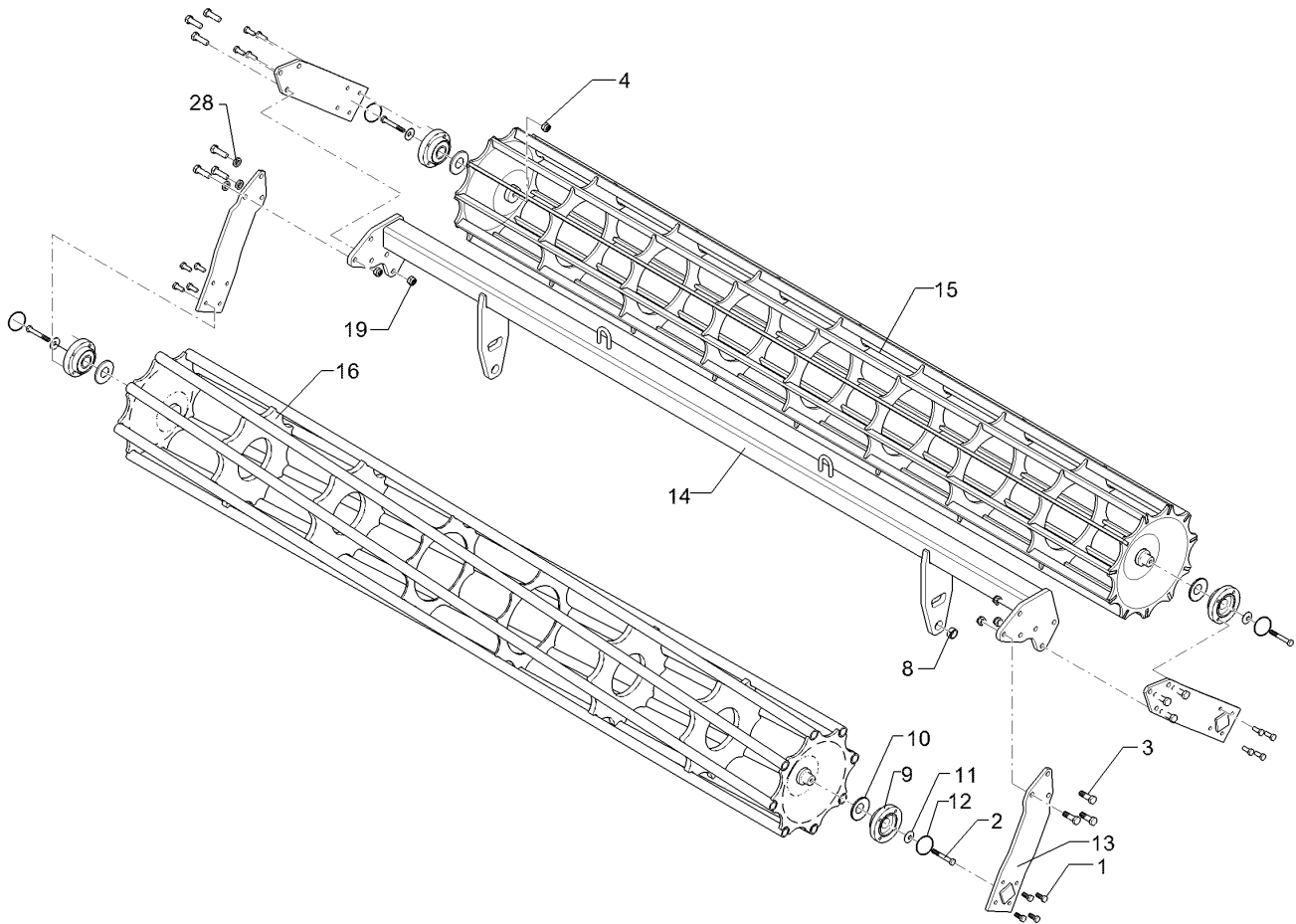
01.18

| Pos. | Art.Nr. | Stck. | Artikeltext / Description | | Abmessung |
|------|----------|-------|-----------------------------|------------------|---------------------------------------|
| 1 | 301 3324 | 8 | Sechskantschraube | Hexagon bolt | M12x30-8.8 Zn DIN933 |
| 2 | 301 3432 | 2 | Sechskantschraube | Hexagon bolt | M12x80-8.8 Zn DIN931-A |
| 3 | 301 3870 | 4 | Sechskantschraube spz. | Hexagon bolt | M16x65-10.9 Zn |
| 4 | 303 0934 | 2 | Sicherungsmutter | Selflocking nut | NM12-8 Zn DIN985 |
| 5 | 303 0935 | 4 | Sicherungsmutter | Selflocking nut | NM16-8 Zn DIN985 |
| 6 | 305 6161 | 4 | Scheibe | Washer | 17/40x6 DIN7349 Zn |
| 7 | 319 9372 | 2 | Flanschlager-Gehäuseeinheit | Bearing cpl. | RCJ 35 35x118x39,9 4xM12 |
| 8 | 323 0411 | 2 | Schutzkappe | Cap | D80/d35 t=2x5,5 Zn |
| 9 | 329 6124 | 2 | Tellerfeder | Cup spring | 40x14,3x2 DIN2093 |
| 10 | 375 1277 | 2 | O-Ring | O-ring | 79x2 |
| 11 | 422 7274 | 1 | Tragrahmen | Supporting frame | 80x2410 |
| 12 | 423 1040 | 1 | Rohrstabwalze | Tube bar roller | D540-250-HE D100 D540x2454 RE 2.50 |



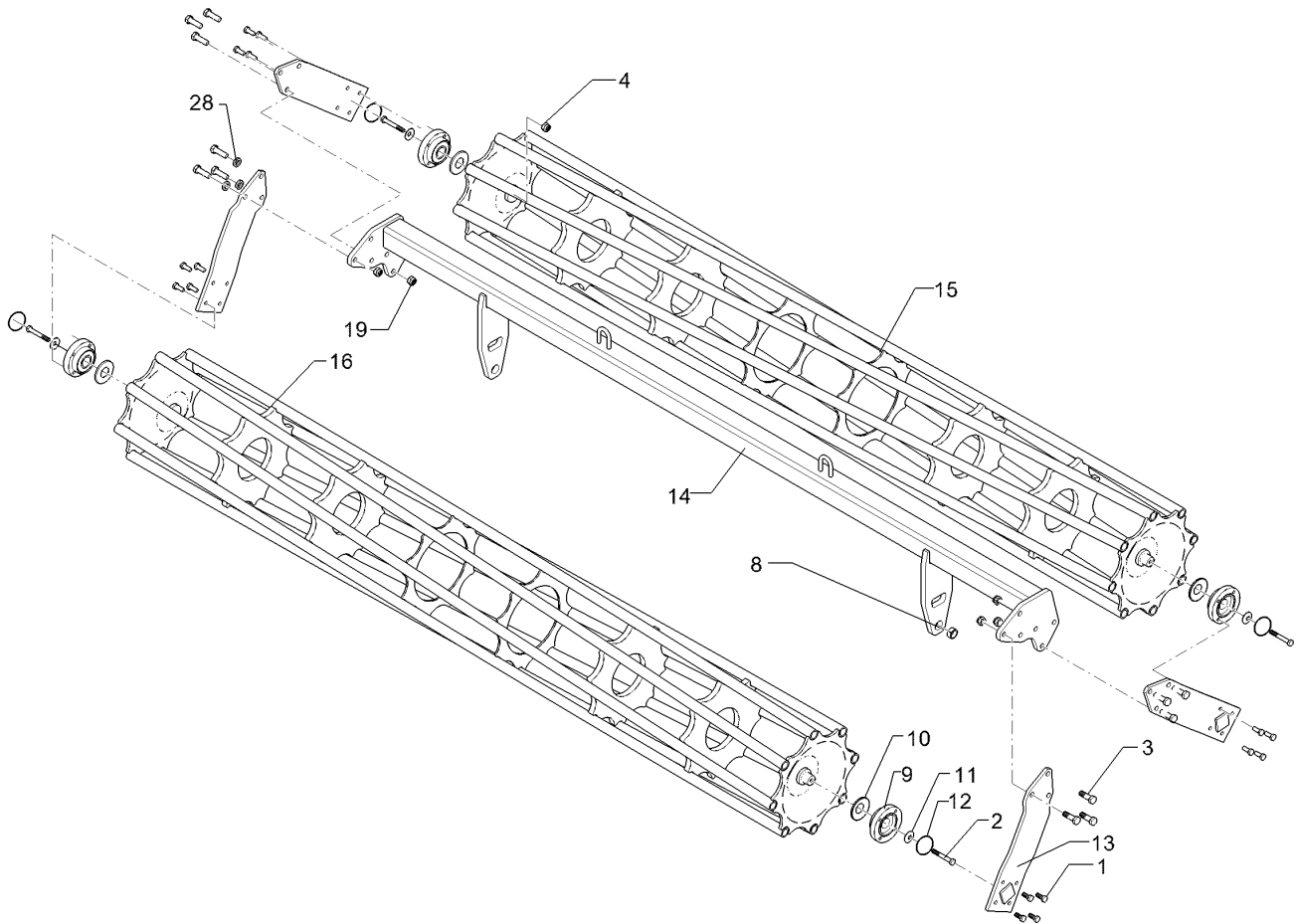
01.18

| Pos. | Art.Nr. | Stck. | Artikeltext / Description | | Abmessung |
|------|----------|-------|-----------------------------|------------------|-----------------------------|
| 1 | 301 6128 | 8 | Senkschraube | Countersunk bolt | M12x30-10.9 Zn DIN7991-A |
| 2 | 301 3422 | 2 | Sechskantschraube | Hexagon bolt | M12x75-8.8 Zn DIN931-A |
| 3 | 301 5363 | 6 | Sechskantschraube spz. | Hexagon bolt | M16x70-12.9 Zn |
| 4 | 303 0934 | 2 | Sicherungsmutter | Selflocking nut | NM12-8 Zn DIN985 |
| 5 | 303 0935 | 6 | Sicherungsmutter | Selflocking nut | NM16-8 Zn DIN985 |
| 6 | 305 6161 | 4 | Scheibe | Washer | 17/40x6 DIN7349 Zn |
| 7 | 319 9372 | 2 | Flanschlager-Gehäuseeinheit | Bearing cpl. | RCJ 35 35x118x39,9 4xM12 |
| 8 | 323 0411 | 2 | Schutzkappe | Cap | D80/d35 t=2x5,5 Zn |
| 9 | 329 6124 | 2 | Tellerfeder | Cup spring | 40x14,3x2 DIN2093 |
| 10 | 375 1277 | 2 | O-Ring | O-ring | 79x2 |
| 11 | 422 7293 | 1 | Tragrahmen | Supporting frame | 80 D600-2.50 HE D100 |
| 12 | 423 0983 | 1 | Rohrstabwalze | Tube bar roller | D600-2.50 SM9 R |



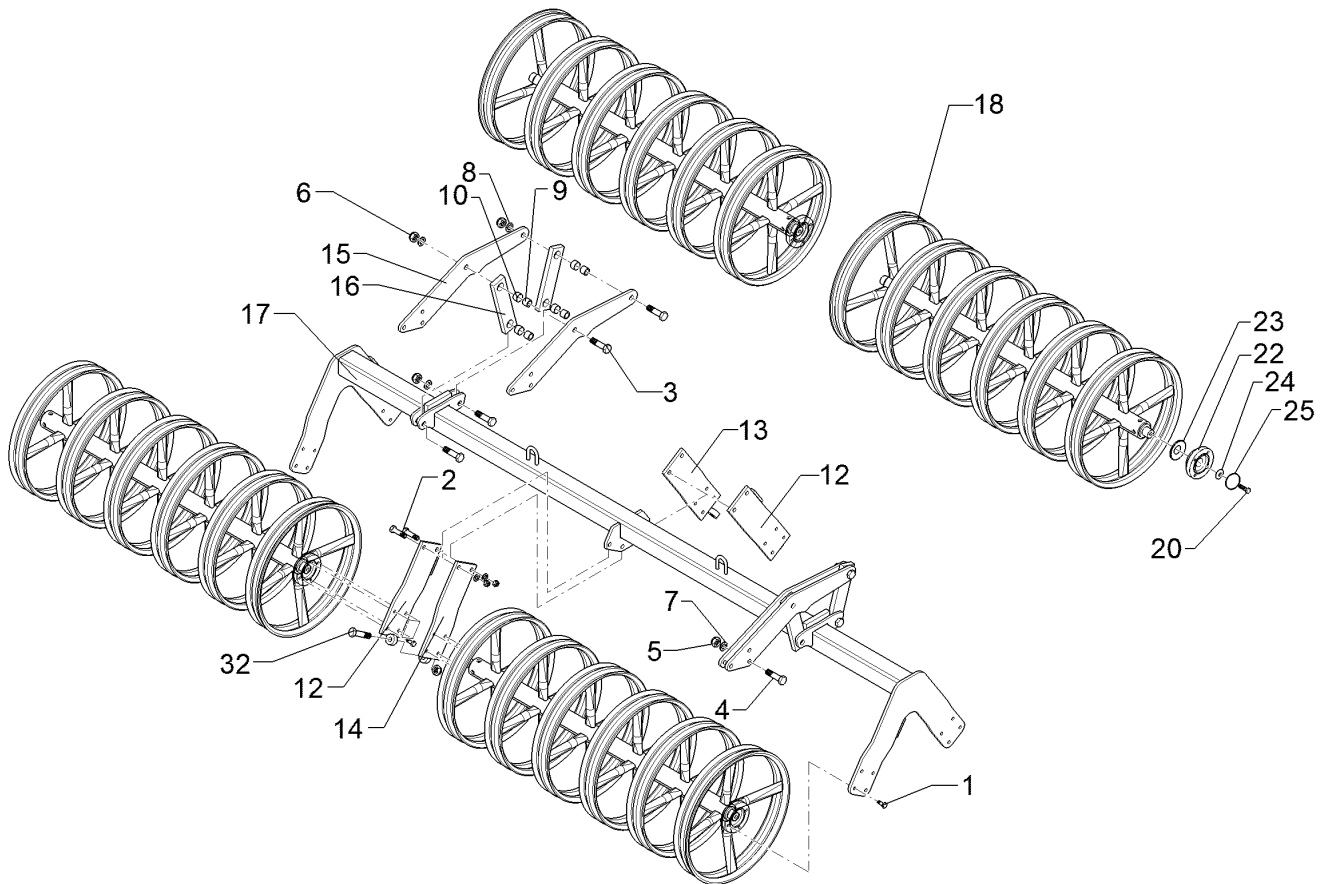
01.18

| Pos. | Art.Nr. | Stck. | Artikeltext / Description | | Abmessung |
|------|----------|-------|------------------------------|------------------|-------------------------------------|
| 1 | 301 3324 | 16 | Sechskantschraube | Hexagon bolt | M12x30-8.8 Zn DIN933 |
| 2 | 301 3432 | 4 | Sechskantschraube | Hexagon bolt | M12x80-8.8 Zn DIN931-A |
| 3 | 301 5409 | 12 | Sechskantschraube spz. | Hexagon bolt | M16x50-8.8 Zn |
| 4 | 303 0934 | 4 | Sicherungsmutter | Selflocking nut | NM12-8 Zn DIN985 |
| 5 | 303 0935 | 12 | Sicherungsmutter | Selflocking nut | NM16-8 Zn DIN985 |
| 6 | 305 6141 | 12 | Scheibe | Washer | 17/30x3 DIN/ISO-7089 |
| 7 | 305 6012 | 2 | Scheibe | Washer | 21 ISO7089 Zn |
| 8 | 317 3352 | 2 | Einspannbuchse mit Presssitz | Expansion bush | EG28/32x20 |
| 9 | 319 9372 | 4 | Flanschlager-Gehäuseeinheit | Bearing cpl. | RCJ 35 35x118x39,9 4xM12 |
| 10 | 323 0411 | 4 | Schutzkappe | Cap | D80/d35 t=2x5,5 Zn |
| 11 | 329 6124 | 4 | Tellerfeder | Cup spring | 40x14,3x2 DIN2093 |
| 12 | 375 1277 | 4 | O-Ring | O-ring | 79x2 |
| 13 | 422 2924 | 4 | Seitenplatte | Side plate | 120x12x494 |
| 14 | 422 7337 | 1 | Tragrahmen | Supporting frame | 80x2410 |
| 15 | 423 1022 | 1 | Flachstabwalze | Flat bar roller | 2xD400-250-HE |
| 16 | 423 1030 | 1 | Rohrstabwalze | Tube bar roller | D400x2454 2.50 D400x2454 RE 2.50 |



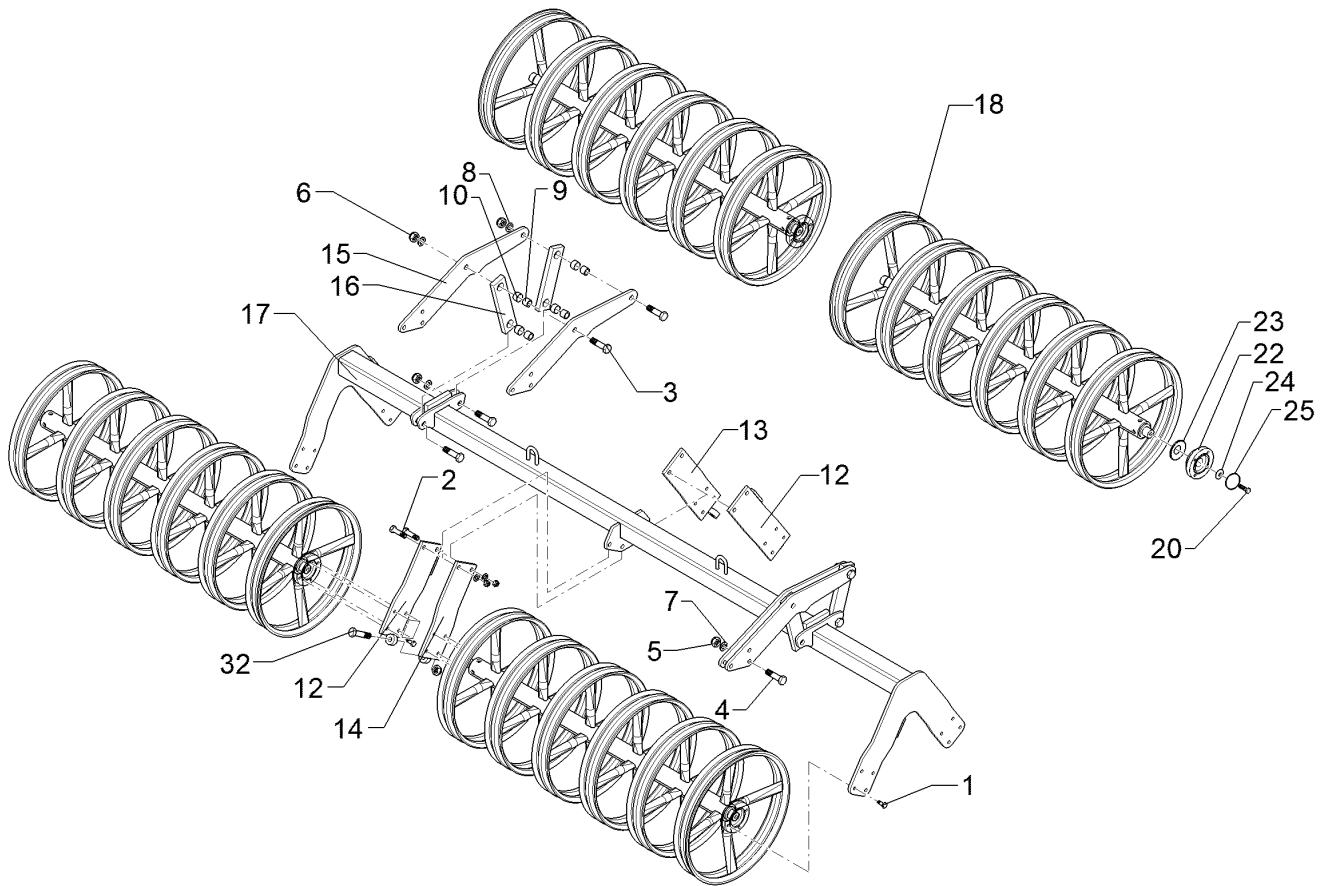
01.18

| Pos. | Art.Nr. | Stck. | Artikeltext / Description | | Abmessung |
|------|----------|-------|------------------------------|------------------|------------------------------------|
| 1 | 301 3324 | 16 | Sechskantschraube | Hexagon bolt | M12x30-8.8 Zn DIN933 |
| 2 | 301 3432 | 4 | Sechskantschraube | Hexagon bolt | M12x80-8.8 Zn DIN931-A |
| 3 | 301 5409 | 12 | Sechskantschraube spz. | Hexagon bolt | M16x50-8.8 Zn |
| 4 | 303 0934 | 4 | Sicherungsmutter | Selflocking nut | NM12-8 Zn DIN985 |
| 8 | 317 3352 | 2 | Einspannbuchse mit Presssitz | Expansion bush | EG28/32x20 |
| 9 | 319 9372 | 4 | Flanschlager-Gehäuseeinheit | Bearing cpl. | RCJ 35 35x118x39,9 4xM12 |
| 10 | 323 0411 | 4 | Schutzkappe | Cap | D80/d35 t=2x5,5 Zn |
| 11 | 329 6124 | 4 | Tellerfeder | Cup spring | 40x14,3x2 DIN2093 |
| 12 | 375 1277 | 4 | O-Ring | O-ring | 79x2 |
| 13 | 422 2924 | 4 | Seitenplatte | Side plate | 120x12x494 |
| 14 | 422 7337 | 1 | Tragrahmen | Supporting frame | 80x2410 |
| 15 | 423 1031 | 1 | Rohrstabwalze | Tube bar roller | 2xD400-250-HE D400x2454 LI 2.50 |
| 16 | 423 1030 | 1 | Rohrstabwalze | Tube bar roller | D400x2454 RE 2.50 |
| 19 | 303 0935 | 12 | Sicherungsmutter | Selflocking nut | NM16-8 Zn DIN985 |
| 28 | 305 6141 | 12 | Scheibe | Washer | 17/30x3 DIN/ISO-7089 |



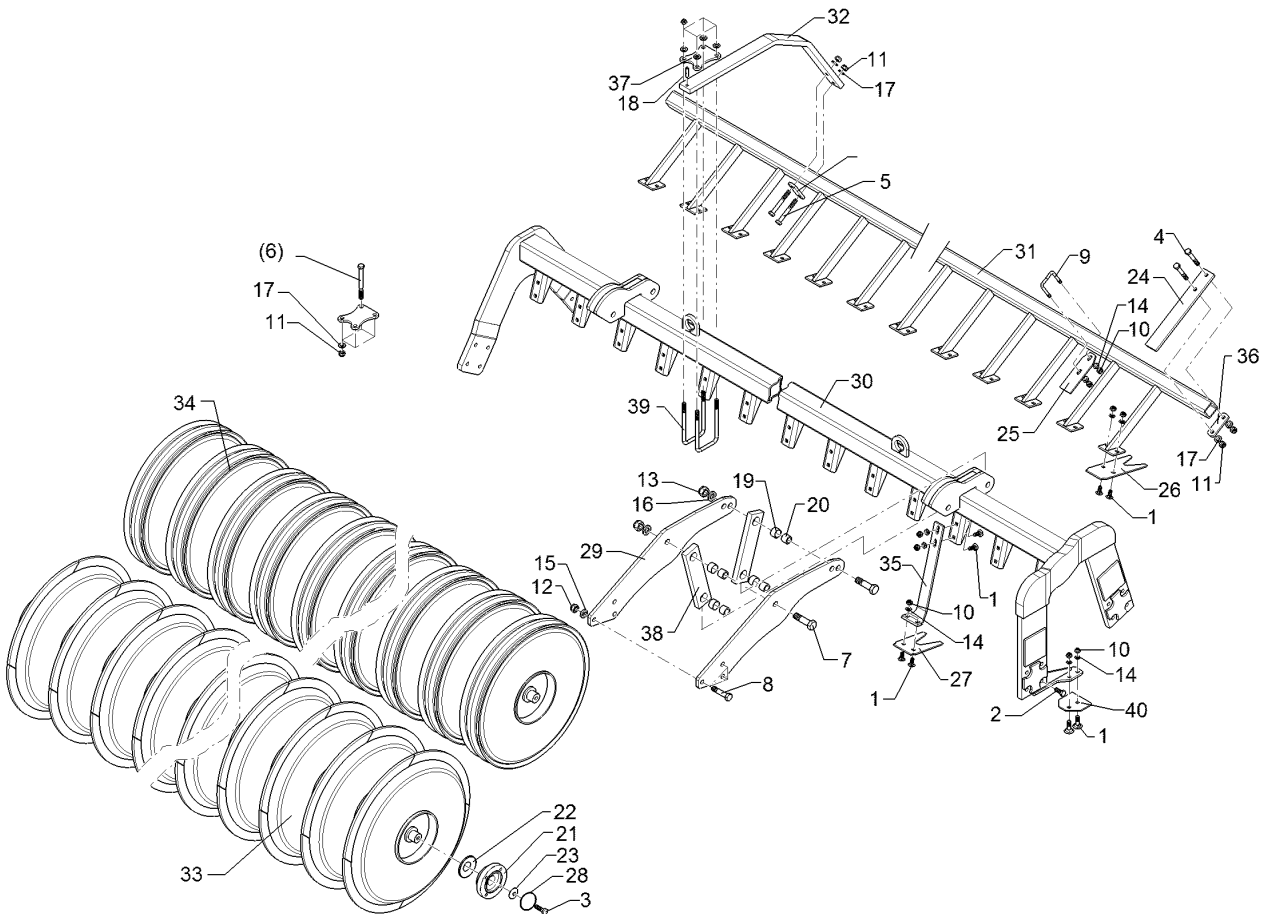
01.18

| Pos. | Art.Nr. | Stck. | Artikeltext / Description | | Abmessung |
|------|----------|-------|------------------------------|-----------------------|---|
| 1 | 301 3324 | 32 | Sechskantschraube | Hexagon bolt | M12x30-8.8 Zn DIN933 |
| 2 | 301 3779 | 4 | Sechskantschraube spz. | Hexagon bolt | M16x60-10.9 Zn |
| 3 | 301 4603 | 8 | Sechskantschraube spz. | Hexagon bolt | M20x75-8.8 Zn |
| 4 | 301 5363 | 6 | Sechskantschraube spz. | Hexagon bolt | M16x70-12.9 Zn |
| 5 | 303 0935 | 12 | Sicherungsmutter | Selflocking nut | NM16-8 Zn DIN985 |
| 6 | 303 0936 | 8 | Sicherungsmutter | Selflocking nut | NM20-8 Zn DIN985 |
| 7 | 305 6161 | 12 | Scheibe | Washer | 17/40x6 DIN7349 Zn |
| 8 | 305 6012 | 8 | Scheibe | Washer | 21 ISO7089 Zn |
| 9 | 317 3352 | 8 | Einspannbuchse mit Presssitz | Expansion bush | EG28/32x20 |
| 10 | 317 6657 | 8 | Buchse | Bush | D20/28x22 |
| 12 | 422 7383 | 2 | Platte | Plate | 120x12x386 |
| 13 | 422 7384 | 1 | Platte m. Abstreifer | Plate | 120x12x386 RE |
| 14 | 422 7385 | 1 | Platte m. Abstreifer LI | Plate | 120x12x386 |
| 15 | 422 7386 | 4 | Platte | Plate | 12x208x677 |
| 16 | 422 7388 | 4 | Lenker | Link | 60x20x260 2xD32-200 |
| 17 | 422 7425 | 1 | Tragrahmen | Supporting frame | 80x2470 |
| 18 | 423 2253 | 4 | Doppelprofilwalze | Double profile roller | DPW540-2.50-HE DPW-A D540-2.50-5R |
| 20 | 301 3406 | 8 | Sechskantschraube | Hexagon bolt | M12x70-8.8 Zn DIN931-A |
| 22 | 319 9372 | 8 | Flanschlager-Gehäuseeinheit | Bearing cpl. | RCJ 35 35x118x39,9 4xM12 |
| 23 | 323 0411 | 8 | Schutzkappe | Cap | D80/d35 t=2x5,5 Zn |



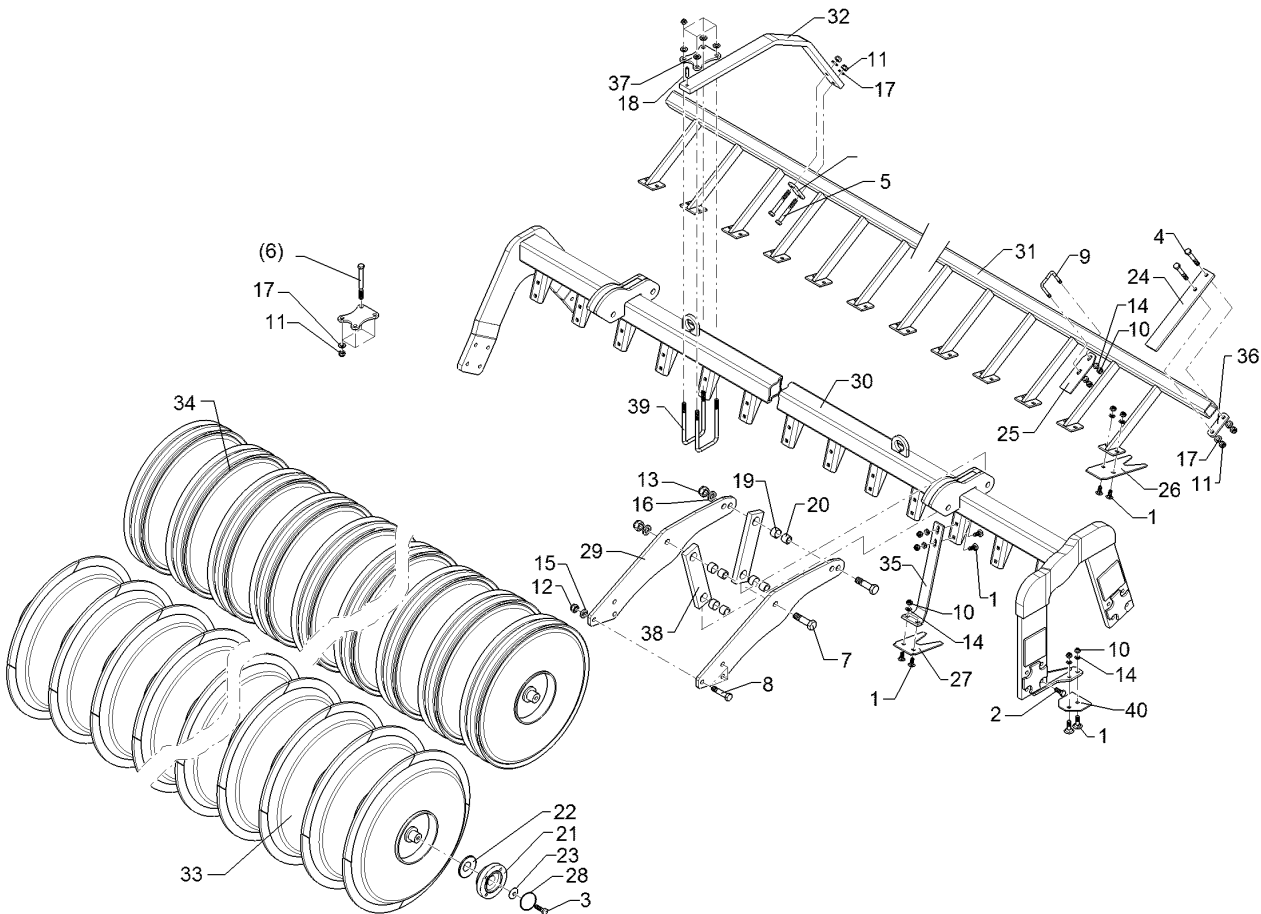
01.18

| Pos. | Art.Nr. | Stck. | Artikeltext / Description | | Abmessung |
|------|----------|-------|---------------------------|--------------|-------------------|
| 24 | 329 6124 | 8 | Tellerfeder | Cup spring | 40x14,3x2 DIN2093 |
| 25 | 375 1277 | 8 | O-Ring | O-ring | 79x2 |
| 32 | 301 3870 | 2 | Sechskantschraube spz. | Hexagon bolt | M16x65-10.9 Zn |



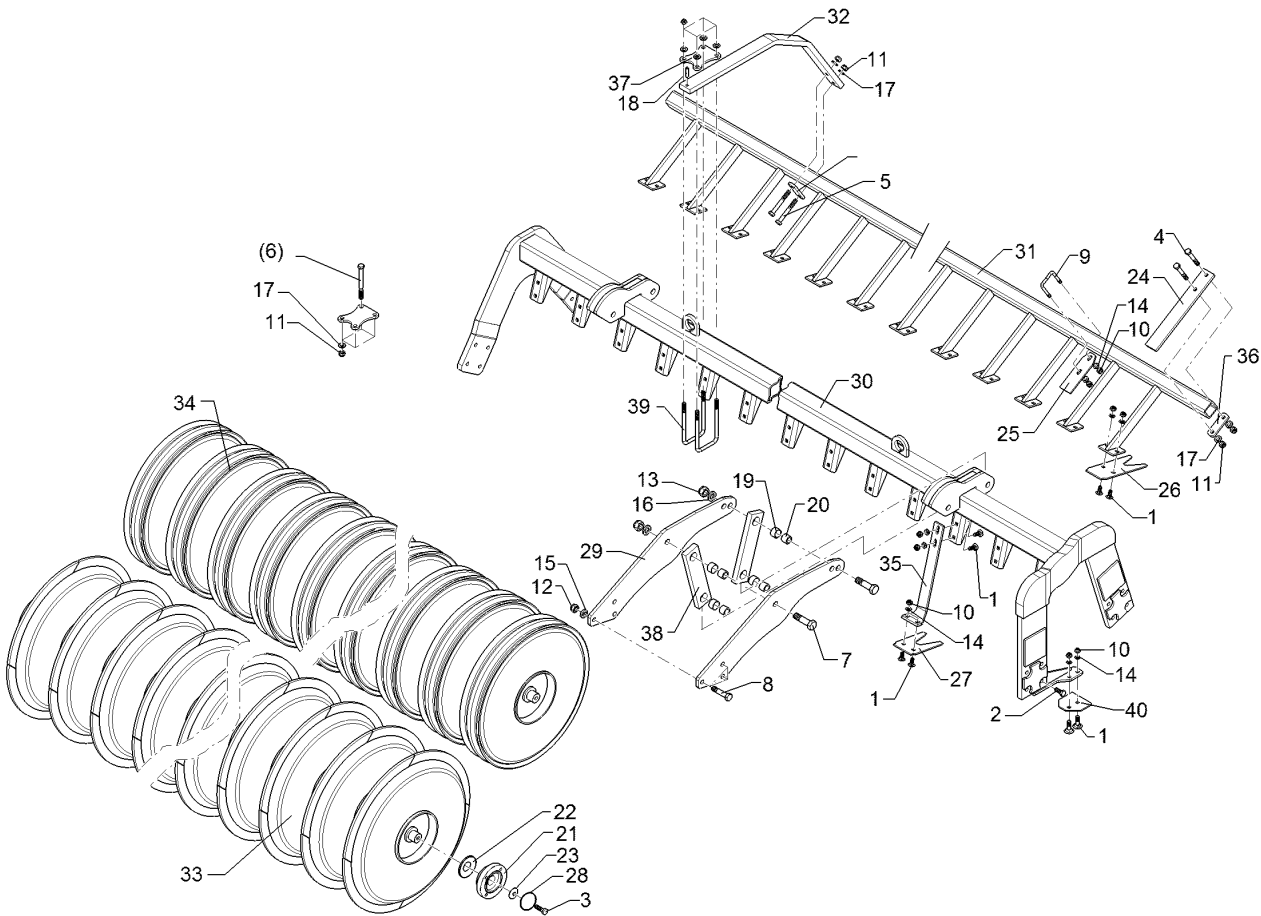
01.18

| Pos. | Art.Nr. | Stck. | Artikeltext / Description | | Abmessung |
|------|----------|-------|------------------------------|-------------------|----------------------------|
| 1 | 301 1706 | 74 | Flachrundschaube | Saucer-head screw | M10x30-8.8 Zn DIN603 |
| 2 | 301 3324 | 16 | Sechskantschraube | Hexagon bolt | M12x30-8.8 Zn DIN933 |
| 3 | 301 3406 | 4 | Sechskantschraube | Hexagon bolt | M12x70-8.8 Zn DIN931-A |
| 4 | 301 3434 | 2 | Sechskantschraube | Hexagon bolt | M12x85-8.8 Zn DIN931-A |
| 5 | 301 3459 | 6 | Sechskantschraube | Hexagon bolt | M12x95-8.8 Zn DIN931-A |
| 6 | 301 3519 | 12 | Sechskantschraube | Hexagon bolt | M12x130-8.8 Zn DIN931-A |
| 7 | 301 4603 | 8 | Sechskantschraube spz. | Hexagon bolt | M20x75-8.8 Zn |
| 8 | 301 5363 | 6 | Sechskantschraube spz. | Hexagon bolt | M16x70-12.9 Zn |
| 9 | 301 7761 | 13 | Bügelschraube | U-bolt | M10x51/73 Zn |
| 10 | 303 0933 | 100 | Sicherungsmutter | Selflocking nut | NM10-8 DIN985 Zn |
| 11 | 303 0934 | 20 | Sicherungsmutter | Selflocking nut | NM12-8 Zn DIN985 |
| 12 | 303 0935 | 6 | Sicherungsmutter | Selflocking nut | NM16-8 Zn DIN985 |
| 13 | 303 0936 | 8 | Sicherungsmutter | Selflocking nut | NM20-8 Zn DIN985 |
| 14 | 305 6110 | 100 | Scheibe | Washer | 11/20x2,5 DIN1441-St Zn |
| 15 | 305 6156 | 6 | Scheibe | Washer | D30/17x6 Zn |
| 16 | 305 6012 | 8 | Scheibe | Washer | 21 ISO7089 Zn |
| 17 | 305 8580 | 26 | Scheibe | Washer | 13/24x2,5 St-Zn DIN125 |
| 18 | 309 6163 | 3 | Spannhülse | Expansion bush | 10x36-DIN1481 Zn |
| 19 | 317 3352 | 8 | Einspannbuchse mit Presssitz | Expansion bush | EG28/32x20 |



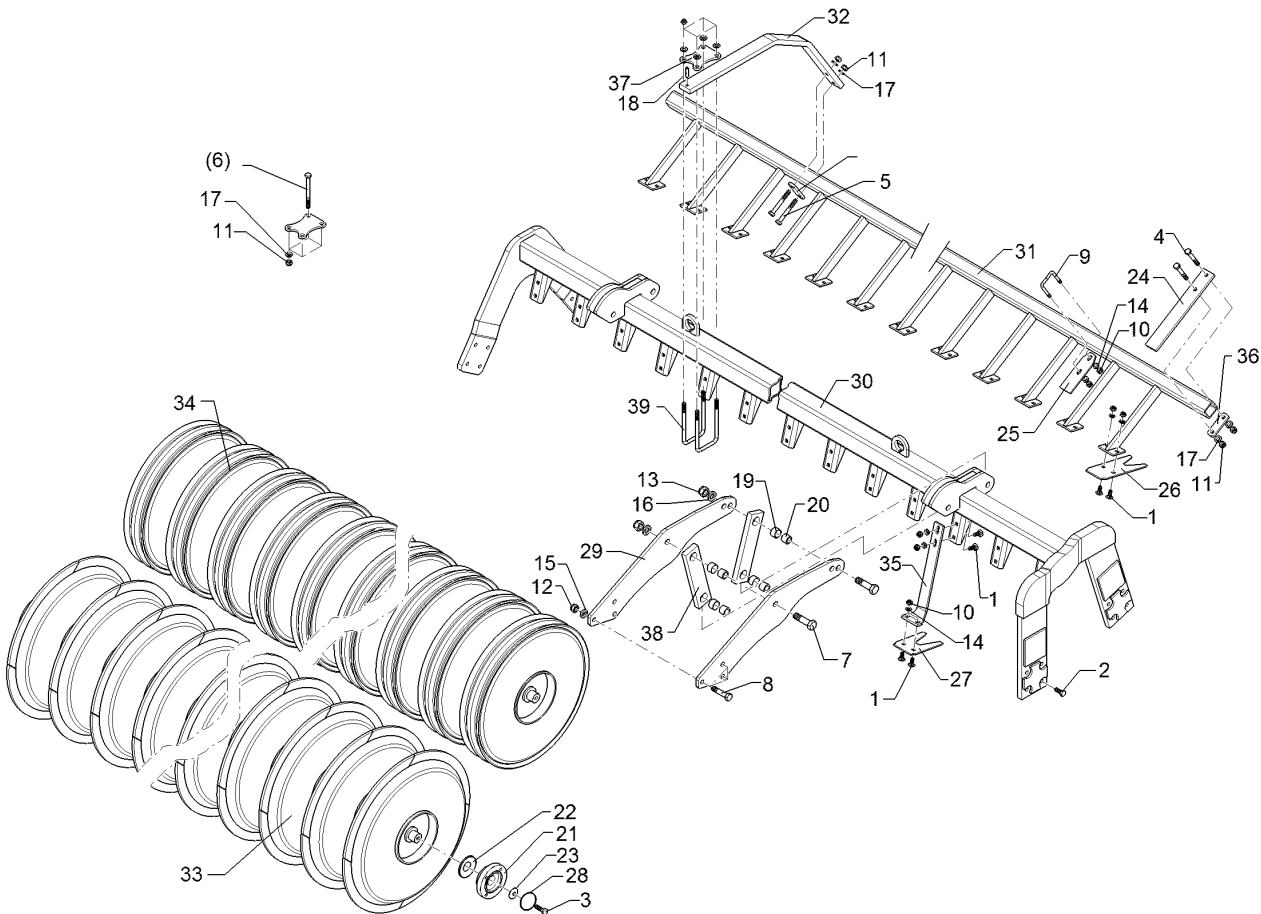
01.18

| Pos. | Art.Nr. | Stck. | Artikeltext / Description | | Abmessung |
|------|----------|-------|-----------------------------|---------------------|-------------------------------|
| 20 | 317 6657 | 8 | Buchse | Bush | D20/28x22 |
| 21 | 319 9372 | 4 | Flanschlager-Gehäuseeinheit | Bearing cpl. | RCJ 35 35x118x39,9 4xM12 |
| 22 | 323 0411 | 4 | Schutzkappe | Cap | D80/d35 t=2x5,5 Zn |
| 23 | 329 6124 | 4 | Tellerfeder | Cup spring | 40x14,3x2 DIN2093 |
| 24 | 349 2015 | 1 | Abstreifer | Scraper | PPW(A)-M 50x10x330 |
| 25 | 349 2016 | 13 | Abstreifer | Scraper | 6x80/50x181 GEP |
| 26 | 349 2017 | 12 | Abstreifer | Scraper | PPW(A)-H 5x85x220 |
| 27 | 349 2018 | 12 | Abstreifer | Scraper | PPW(A)-V 4x95x190 |
| 28 | 375 1277 | 4 | O-Ring | O-ring | 79x2 |
| 29 | 422 7520 | 4 | Platte | Plate | 698x12x241 3xD20,1 3xD16,1 |
| 30 | 422 7562 | 1 | Tragrohr | Carrier tube | PPW(A)600/540-2.50 RE |
| 31 | 422 7572 | 1 | Abstreiferbalken | Scraper | PPW(A) 2.50 RE |
| 32 | 422 7580 | 3 | Träger | Carrier | 50x18x1010 2xGEB 4xD12,5 |
| 33 | 423 2262 | 1 | Profilwalze | Profile roller | PPW-Y D600-2.50-12R |
| 34 | 423 2273 | 1 | Profilwalze | Profile roller | PPW-M D540-2.50-13R |
| 35 | 423 5914 | 12 | Abstreiferhalter vorne | Carrier for scraper | PPW 8x75/40x393 |
| 36 | 459 0944 | 4 | Brücke | Clamp plate | 30x8x93 1x63-D12,5 |
| 37 | 459 4567 | 3 | Klemmplatte | Clamping plate | 90x8x120 |



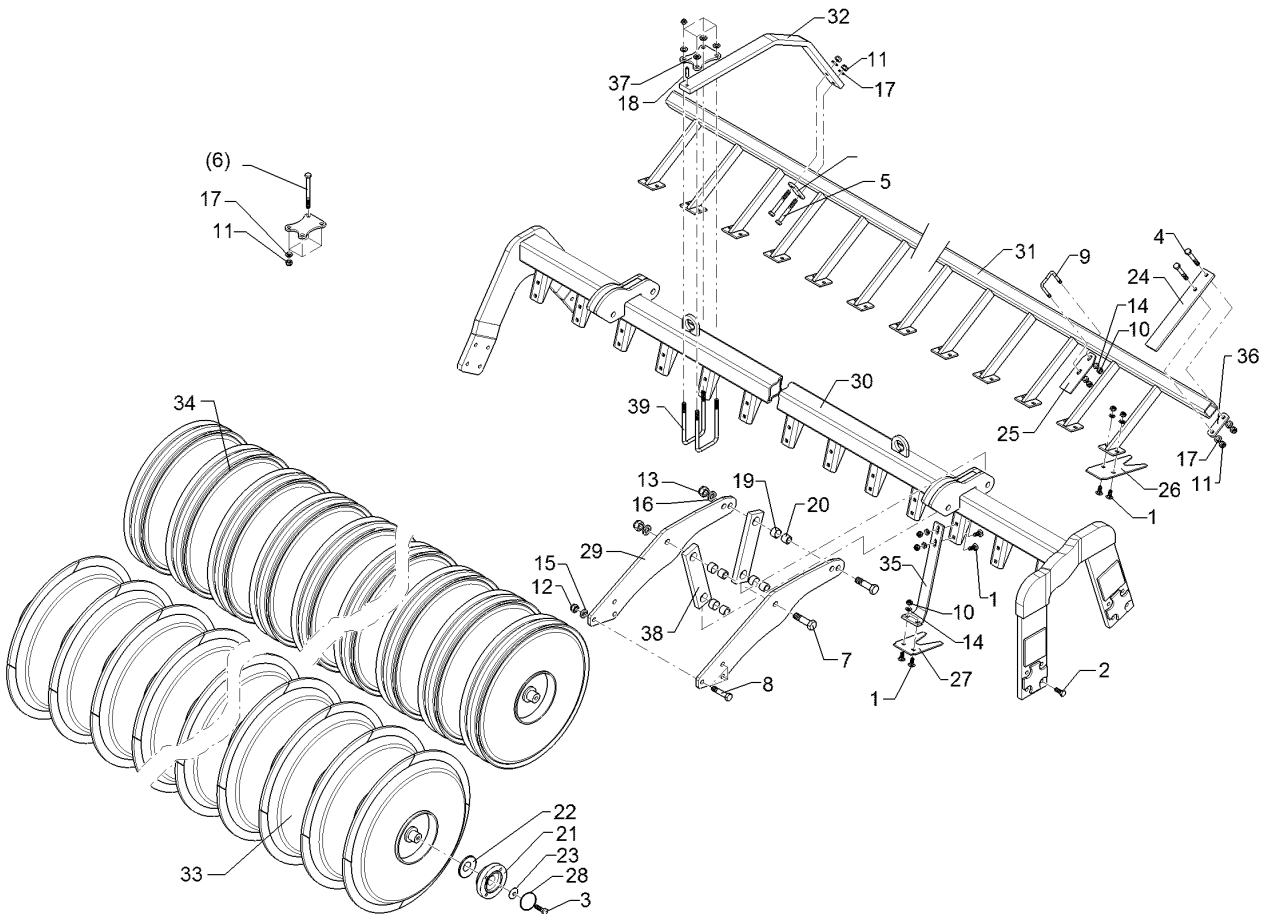
01.18

| Pos. | Art.Nr. | Stck. | Artikeltext / Description | | Abmessung |
|------|----------|-------|---------------------------|---------|------------------------------------|
| 38 | 422 7388 | 4 | Lenker | Link | 60x20x260 |
| 39 | 30110001 | 6 | Bügelsschraube | U-bolt | 2xD32-200 |
| 40 | 349 2019 | 1 | Abstreifer | Scraper | M12x81x125 Zn PPW(A)-RV 5x90x95 |



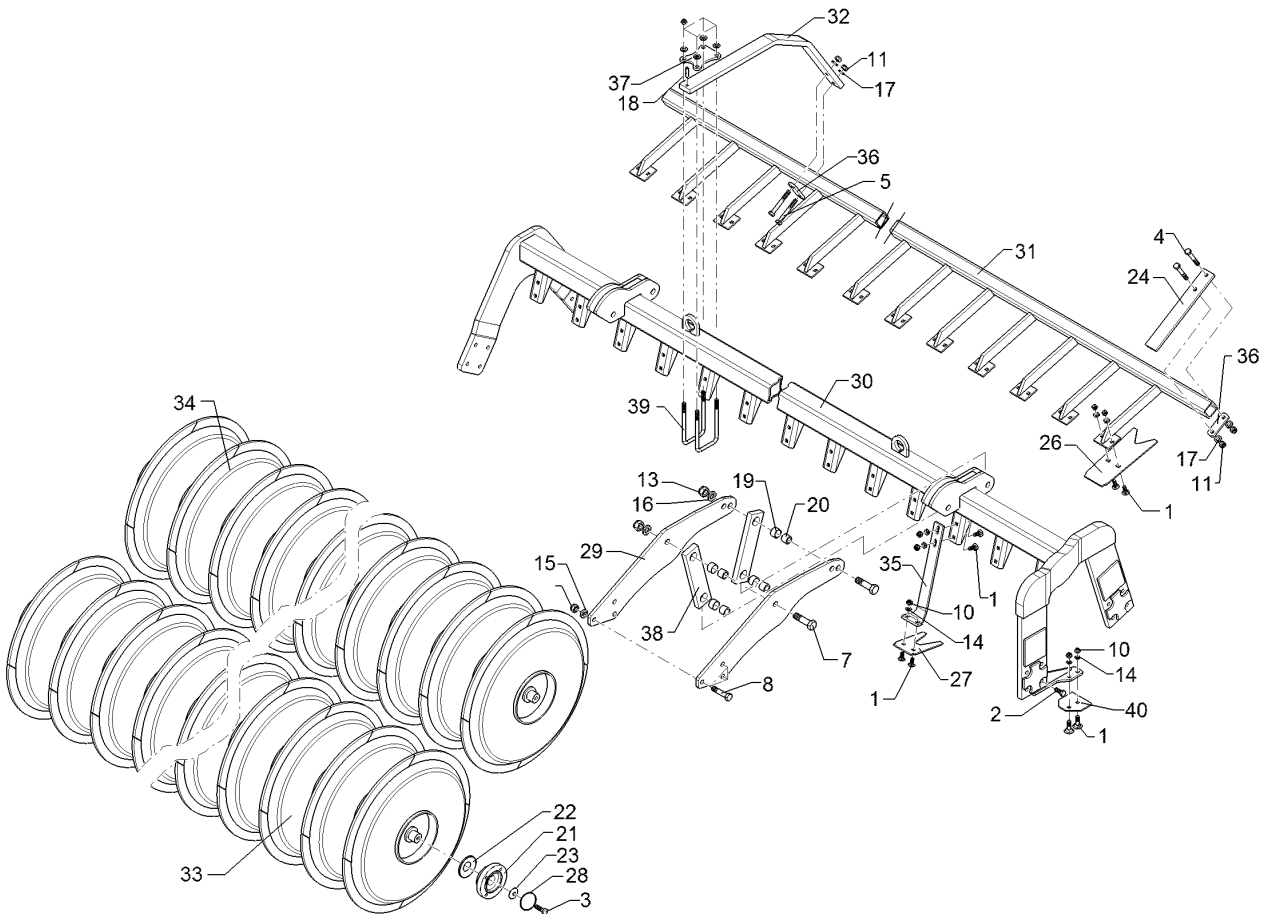
01.18

| Pos. | Art.Nr. | Stck. | Artikeltext / Description | | Abmessung |
|------|----------|-------|------------------------------|-------------------|----------------------------|
| 1 | 301 1706 | 70 | Flachrundschaube | Saucer-head screw | M10x30-8.8 Zn DIN603 |
| 2 | 301 3348 | 16 | Sechskantschraube | Hexagon bolt | M12x40-8.8 DIN933 |
| 3 | 301 3406 | 4 | Sechskantschraube | Hexagon bolt | M12x70-8.8 Zn DIN931-A |
| 4 | 301 3459 | 6 | Sechskantschraube | Hexagon bolt | M12x95-8.8 Zn DIN931-A |
| 6 | 301 3519 | 12 | Sechskantschraube | Hexagon bolt | M12x130-8.8 Zn DIN931-A |
| 7 | 301 4603 | 8 | Sechskantschraube spz. | Hexagon bolt | M20x75-8.8 Zn |
| 8 | 301 5363 | 6 | Sechskantschraube spz. | Hexagon bolt | M16x70-12.9 Zn |
| 9 | 301 7761 | 12 | Bügelsschraube | U-bolt | M10x51/73 Zn |
| 10 | 303 0933 | 94 | Sicherungsmutter | Selflocking nut | NM10-8 DIN985 Zn |
| 11 | 303 0934 | 18 | Sicherungsmutter | Selflocking nut | NM12-8 Zn DIN985 |
| 12 | 303 0935 | 6 | Sicherungsmutter | Selflocking nut | NM16-8 Zn DIN985 |
| 13 | 303 0936 | 8 | Sicherungsmutter | Selflocking nut | NM20-8 Zn DIN985 |
| 14 | 305 8696 | 94 | Scheibe | Washer | A10,5 DIN125-St Zn |
| 15 | 305 6141 | 6 | Scheibe | Washer | 17/30x3 DIN/ISO-7089 |
| 16 | 305 6012 | 8 | Scheibe | Washer | 21 ISO7089 Zn |
| 17 | 305 8580 | 24 | Scheibe | Washer | 13/24x2,5 St-Zn DIN125 |
| 18 | 309 6163 | 3 | Spannhülse | Expansion bush | 10x36-DIN1481 Zn |
| 19 | 317 3352 | 8 | Einspannbuchse mit Presssitz | Expansion bush | EG28/32x20 |
| 20 | 317 6657 | 8 | Buchse | Bush | D20/28x22 |



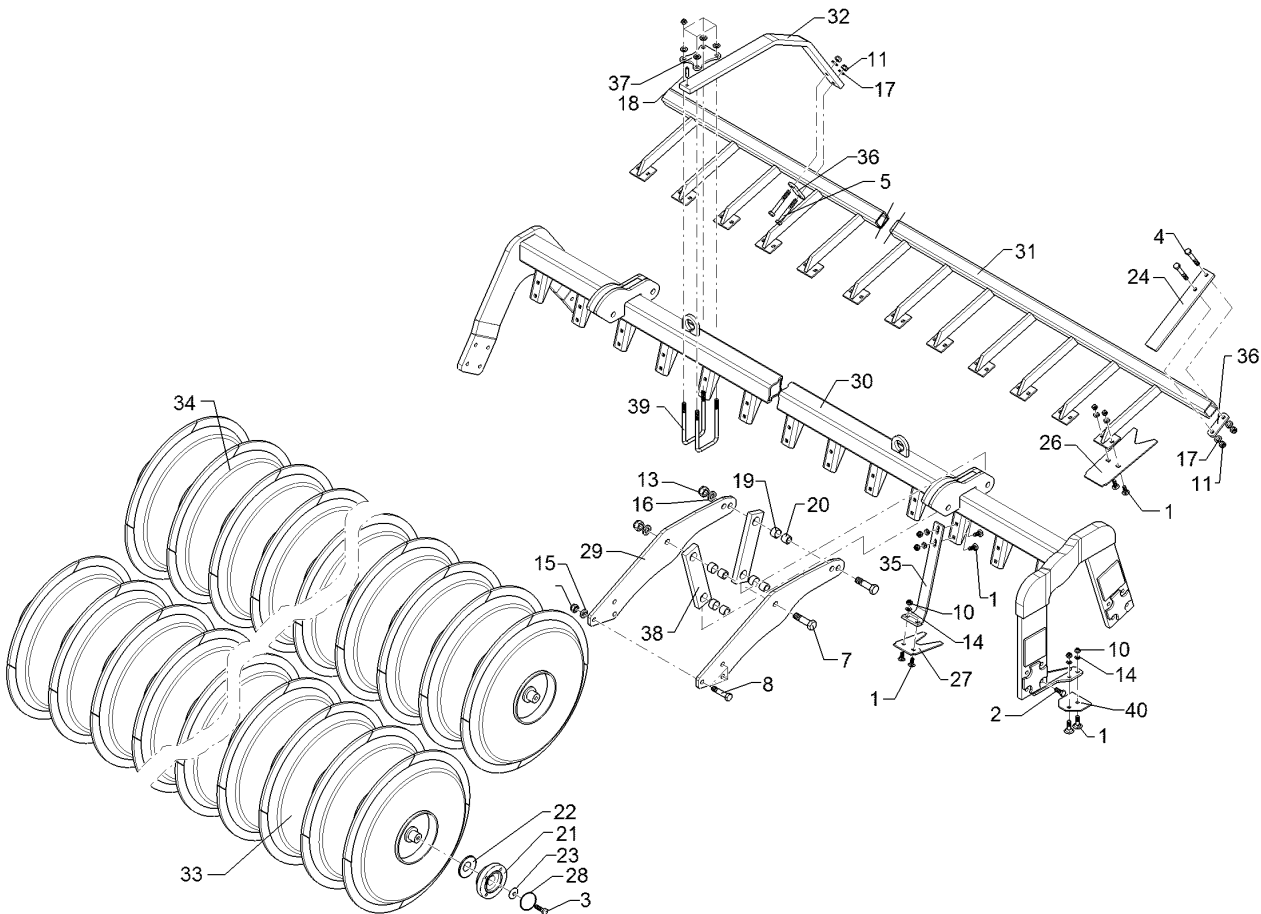
01.18

| Pos. | Art.Nr. | Stck. | Artikeltext / Description | | Abmessung |
|------|----------|-------|-----------------------------|---------------------|-------------------------------|
| 21 | 319 9372 | 4 | Flanschlager-Gehäuseeinheit | Bearing cpl. | RCJ 35 35x118x39,9 4xM12 |
| 22 | 323 0411 | 4 | Schutzkappe | Cap | D80/d35 t=2x5,5 Zn |
| 23 | 329 6124 | 4 | Tellerfeder | Cup spring | 40x14,3x2 DIN2093 |
| 25 | 349 2016 | 12 | Abstreifer | Scraper | 6x80/50x181 GEP |
| 26 | 349 2017 | 11 | Abstreifer | Scraper | PPW(A)-H 5x85x220 |
| 27 | 349 2018 | 12 | Abstreifer | Scraper | PPW(A)-V 4x95x190 |
| 28 | 375 1277 | 4 | O-Ring | O-ring | 79x2 |
| 29 | 422 7520 | 4 | Platte | Plate | 698x12x241 3xD20,1 3xD16,1 |
| 30 | 422 7563 | 1 | Tragrohr | Carrier tube | PPW(A)600/540-2.50 LI |
| 31 | 422 7573 | 1 | Abstreiferbalken | Scraper | PPW(A) 2.50 LI |
| 32 | 422 7580 | 3 | Träger | Carrier | 50x18x1010 2xGEB 4xD12,5 |
| 33 | 423 2262 | 1 | Profilwalze | Profile roller | PPW-Y D600-2.50-12R |
| 34 | 423 2272 | 1 | Profilwalze | Profile roller | PPW-M D540-2.50-12R |
| 35 | 423 5914 | 12 | Abstreiferhalter vorne | Carrier for scraper | PPW 8x75/40x393 |
| 36 | 459 0944 | 3 | Brücke | Clamp plate | 30x8x93 1x63-D12,5 |
| 37 | 459 4567 | 3 | Klemmplatte | Clamping plate | 90x8x120 |
| 38 | 422 7388 | 4 | Lenker | Link | 60x20x260 2xD32-200 |
| 39 | 30110001 | 6 | Bügelschraube | U-bolt | M12x81x125 Zn |



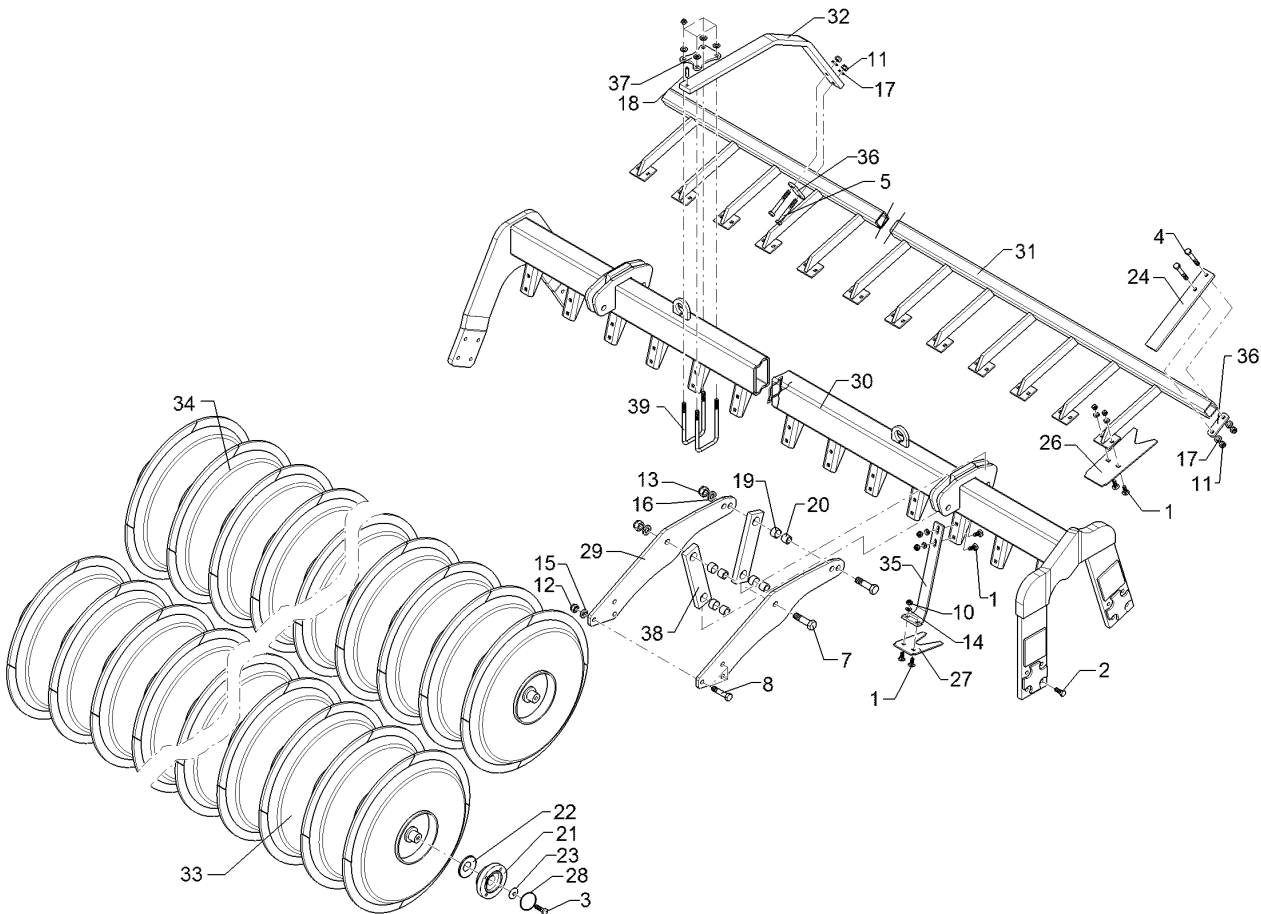
01.18

| Pos. | Art.Nr. | Stck. | Artikeltext / Description | | Abmessung |
|------|----------|-------|------------------------------|-------------------|-----------------------------|
| 1 | 301 1706 | 74 | Flachrundschraube | Saucer-head screw | M10x30-8.8 Zn DIN603 |
| 2 | 301 3324 | 16 | Sechskantschraube | Hexagon bolt | M12x30-8.8 Zn DIN933 |
| 3 | 301 3406 | 4 | Sechskantschraube | Hexagon bolt | M12x70-8.8 Zn DIN931-A |
| 4 | 301 3434 | 2 | Sechskantschraube | Hexagon bolt | M12x85-8.8 Zn DIN931-A |
| 5 | 301 3459 | 6 | Sechskantschraube | Hexagon bolt | M12x95-8.8 Zn DIN931-A |
| 7 | 301 4603 | 8 | Sechskantschraube spz. | Hexagon bolt | M20x75-8.8 Zn |
| 8 | 301 5363 | 6 | Sechskantschraube spz. | Hexagon bolt | M16x70-12.9 Zn |
| 10 | 303 0933 | 76 | Sicherungsmutter | Selflocking nut | NM10-8 DIN985 Zn |
| 11 | 303 0934 | 20 | Sicherungsmutter | Selflocking nut | NM12-8 Zn DIN985 |
| 12 | 303 0935 | 6 | Sicherungsmutter | Selflocking nut | NM16-8 Zn DIN985 |
| 13 | 303 0936 | 8 | Sicherungsmutter | Selflocking nut | NM20-8 Zn DIN985 |
| 14 | 305 6156 | 6 | Scheibe | Washer | D30/17x6 Zn |
| 15 | 305 8696 | 76 | Scheibe | Washer | A10,5 DIN125-St Zn |
| 16 | 305 6012 | 8 | Scheibe | Washer | 21 ISO7089 Zn |
| 17 | 305 8580 | 26 | Scheibe | Washer | 13/24x2,5 St-Zn DIN125 |
| 18 | 309 6163 | 3 | Spannhülse | Expansion bush | 10x36-DIN1481 Zn |
| 19 | 317 3352 | 8 | Einspannbuchse mit Presssitz | Expansion bush | EG28/32x20 |
| 20 | 317 6657 | 8 | Buchse | Bush | D20/28x22 |
| 21 | 319 9372 | 4 | Flanschlager-Gehäuseeinheit | Bearing cpl. | RCJ 35 35x118x39,9 4xM12 |



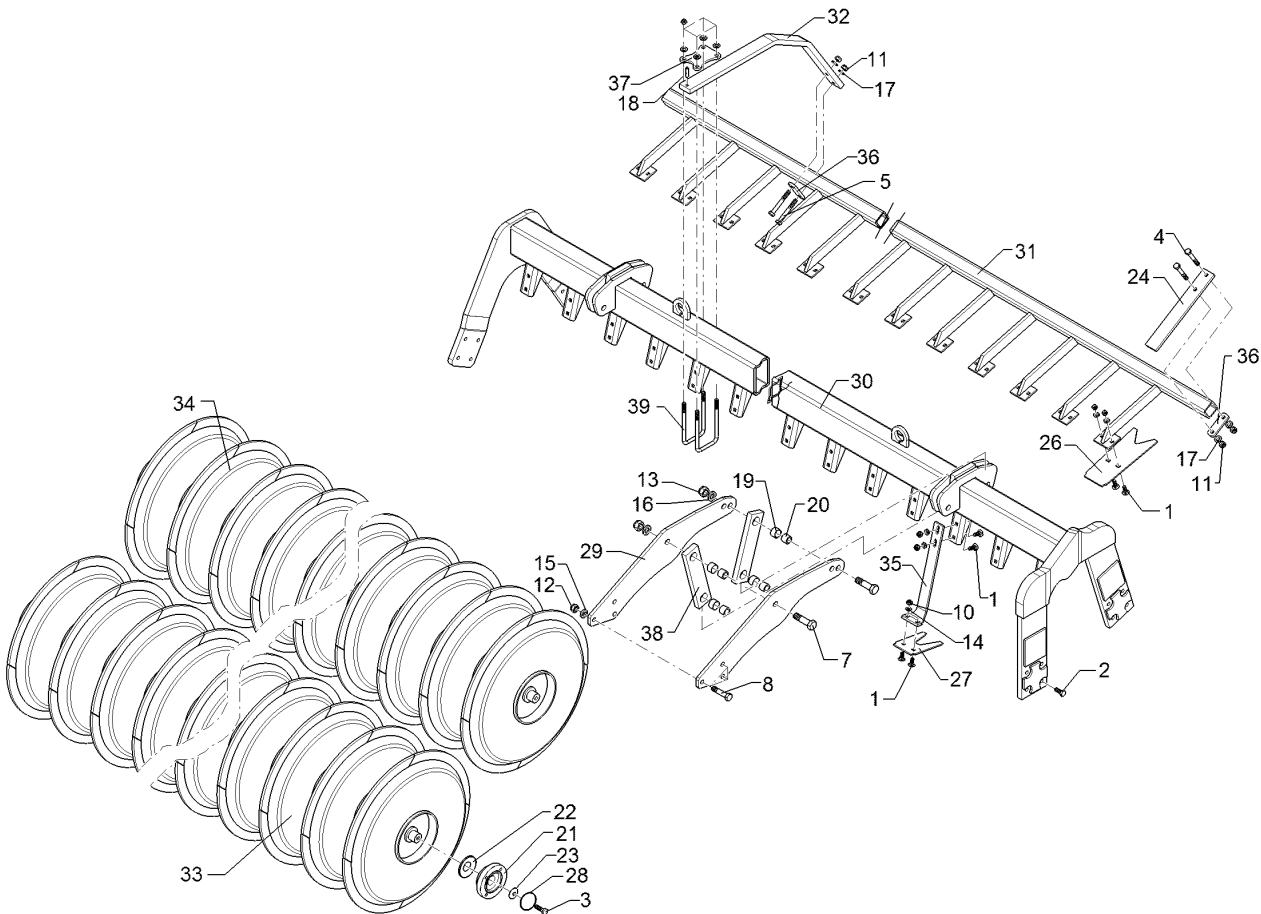
01.18

| Pos. | Art.Nr. | Stck. | Artikeltext / Description | | Abmessung |
|------|----------|-------|---------------------------|---------------------|-------------------------------|
| 22 | 323 0411 | 4 | Schutzkappe | Cap | D80/d35 t=2x5,5 Zn |
| 23 | 329 6124 | 4 | Tellerfeder | Cup spring | 40x14,3x2 DIN2093 |
| 24 | 349 2015 | 1 | Abstreifer | Scraper | PPW(A)-M 50x10x330 |
| 25 | 349 2019 | 1 | Abstreifer | Scraper | PPW(A)-RV 5x90x95 |
| 26 | 349 2033 | 12 | Abstreifer | Scraper | PPW(A)-H 5x85x220 |
| 27 | 349 2018 | 12 | Abstreifer | Scraper | PPW(A)-V 4x95x190 |
| 28 | 375 1277 | 4 | O-Ring | O-ring | 79x2 |
| 29 | 422 7520 | 4 | Platte | Plate | 698x12x241 3xD20,1 3xD16,1 |
| 30 | 422 7562 | 1 | Tragrohr | Carrier tube | PPW(A)600/540-2.50 RE |
| 31 | 422 7592 | 1 | Abstreiferbalken | Scraper | PDW 2.50 RE |
| 32 | 422 7580 | 3 | Träger | Carrier | 50x18x1010 2xGEB 4xD12,5 |
| 33 | 423 2262 | 1 | Profilwalze | Profile roller | PPW-Y D600-2.50-12R |
| 34 | 423 2283 | 1 | Profilwalze | Profile roller | PDW D600-2.50-13R |
| 35 | 423 5914 | 12 | Abstreiferhalter vorne | Carrier for scraper | PPW 8x75/40x393 |
| 36 | 459 0944 | 4 | Brücke | Clamp plate | 30x8x93 1x63-D12,5 |
| 37 | 459 4567 | 3 | Klemmplatte | Clamping plate | 90x8x120 |
| 38 | 422 7388 | 4 | Lenker | Link | 60x20x260 2xD32-200 |
| 39 | 30110001 | 6 | Bügelsschraube | U-bolt | M12x81x125 Zn |



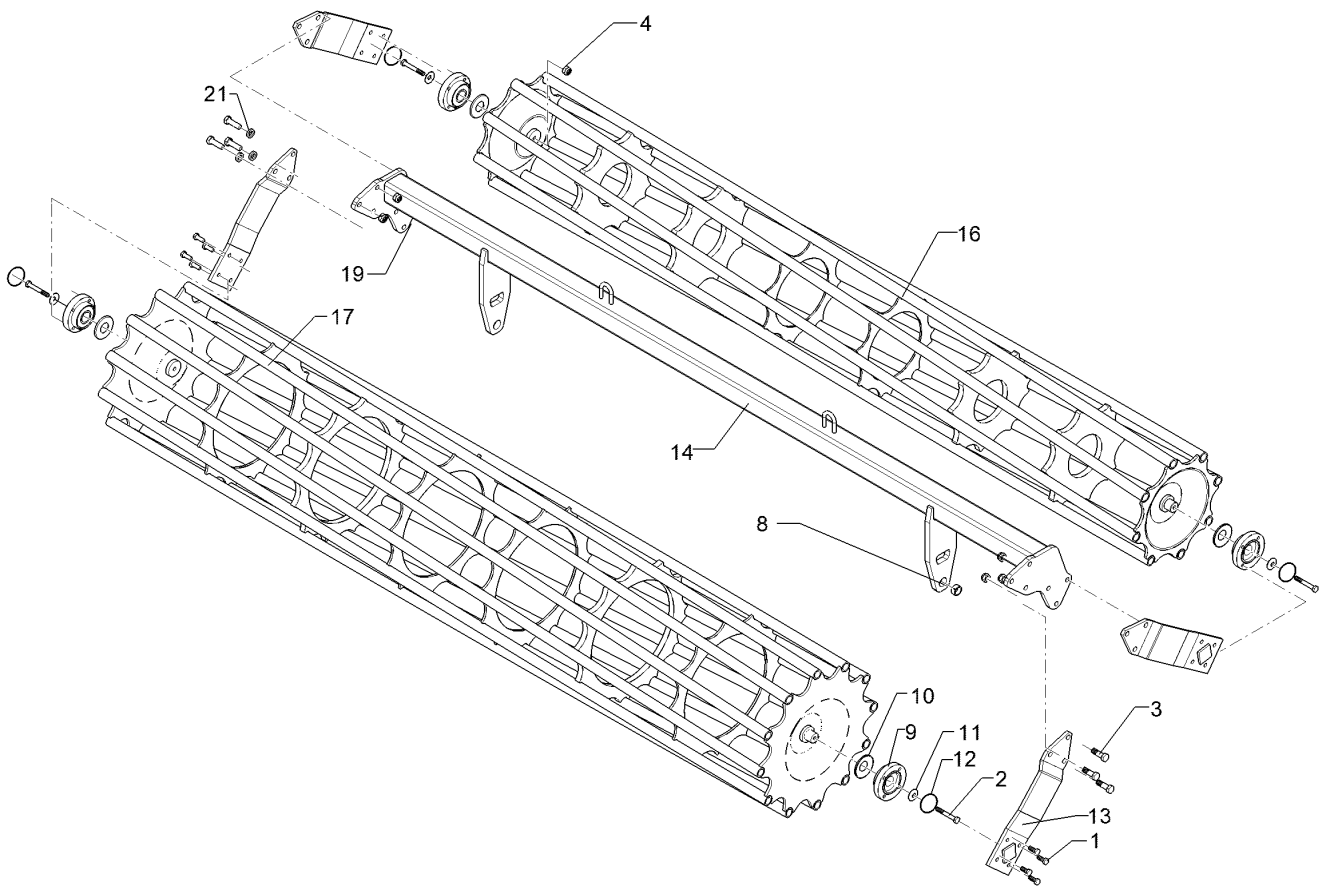
01.18

| Pos. | Art.Nr. | Stck. | Artikeltext / Description | | Abmessung |
|------|----------|-------|------------------------------|-------------------|-----------------------------|
| 1 | 301 1706 | 70 | Flachrundschaube | Saucer-head screw | M10x30-8.8 Zn DIN603 |
| 2 | 301 3348 | 16 | Sechskantschraube | Hexagon bolt | M12x40-8.8 DIN933 |
| 3 | 301 3406 | 4 | Sechskantschraube | Hexagon bolt | M12x70-8.8 Zn DIN931-A |
| 5 | 301 3459 | 6 | Sechskantschraube | Hexagon bolt | M12x95-8.8 Zn DIN931-A |
| 7 | 301 4603 | 8 | Sechskantschraube spz. | Hexagon bolt | M20x75-8.8 Zn |
| 8 | 301 5363 | 6 | Sechskantschraube spz. | Hexagon bolt | M16x70-12.9 Zn |
| 10 | 303 0933 | 70 | Sicherungsmutter | Selflocking nut | NM10-8 DIN985 Zn |
| 11 | 303 0934 | 18 | Sicherungsmutter | Selflocking nut | NM12-8 Zn DIN985 |
| 12 | 303 0935 | 6 | Sicherungsmutter | Selflocking nut | NM16-8 Zn DIN985 |
| 13 | 303 0936 | 8 | Sicherungsmutter | Selflocking nut | NM20-8 Zn DIN985 |
| 14 | 305 6141 | 6 | Scheibe | Washer | 17/30x3 DIN/ISO-7089 |
| 15 | 305 8696 | 70 | Scheibe | Washer | A10,5 DIN125-St Zn |
| 16 | 305 6012 | 8 | Scheibe | Washer | 21 ISO7089 Zn |
| 17 | 305 8580 | 24 | Scheibe | Washer | 13/24x2,5 St-Zn DIN125 |
| 18 | 309 6163 | 3 | Spannhülse | Expansion bush | 10x36-DIN1481 Zn |
| 19 | 317 3352 | 8 | Einspannbuchse mit Presssitz | Expansion bush | EG28/32x20 |
| 20 | 317 6657 | 8 | Buchse | Bush | D20/28x22 |
| 21 | 319 9372 | 4 | Flanschlager-Gehäuseeinheit | Bearing cpl. | RCJ 35 35x118x39,9 4xM12 |
| 22 | 323 0411 | 4 | Schutzkappe | Cap | D80/d35 t=2x5,5 Zn |
| 23 | 329 6124 | 4 | Tellerfeder | Cup spring | 40x14,3x2 DIN2093 |



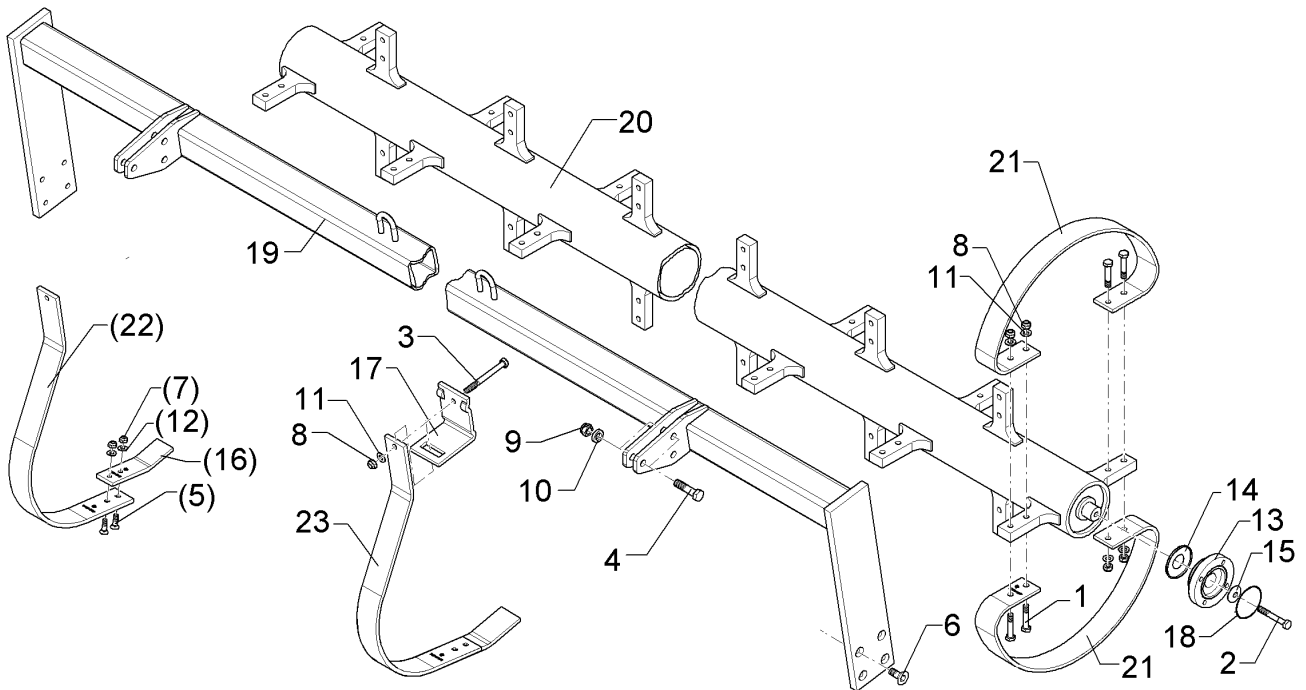
01.18

| Pos. | Art.Nr. | Stck. | Artikeltext / Description | | Abmessung |
|------|----------|-------|---------------------------|---------------------|-------------------------------|
| 26 | 349 2033 | 11 | Abstreifer | Scraper | PPW(A)-H 5x85x220 |
| 27 | 349 2018 | 12 | Abstreifer | Scraper | PPW(A)-V 4x95x190 |
| 28 | 375 1277 | 4 | O-Ring | O-ring | 79x2 |
| 29 | 422 7520 | 4 | Platte | Plate | 698x12x241 3xD20,1 3xD16,1 |
| 30 | 422 7563 | 1 | Tragrrohr | Carrier tube | PPW(A)600/540-2.50 LI |
| 31 | 422 7593 | 1 | Abstreiferbalken | Scraper | PDW 2.50 LI |
| 32 | 422 7580 | 3 | Träger | Carrier | 50x18x1010 2xGEB 4xD12,5 |
| 33 | 423 2262 | 1 | Profilwalze | Profile roller | PPW-Y D600-2.50-12R |
| 34 | 423 2282 | 1 | Profilwalze | Profile roller | PDW D600-2.50-12R |
| 35 | 423 5914 | 12 | Abstreiferhalter vorne | Carrier for scraper | PPW 8x75/40x393 |
| 36 | 459 0944 | 3 | Brücke | Clamp plate | 30x8x93 1x63-D12,5 |
| 37 | 459 4567 | 3 | Klemmplatte | Clamping plate | 90x8x120 |
| 38 | 422 7388 | 4 | Lenker | Link | 60x20x260 2xD32-200 |
| 39 | 30110001 | 6 | Bügelschraube | U-bolt | M12x81x125 Zn |



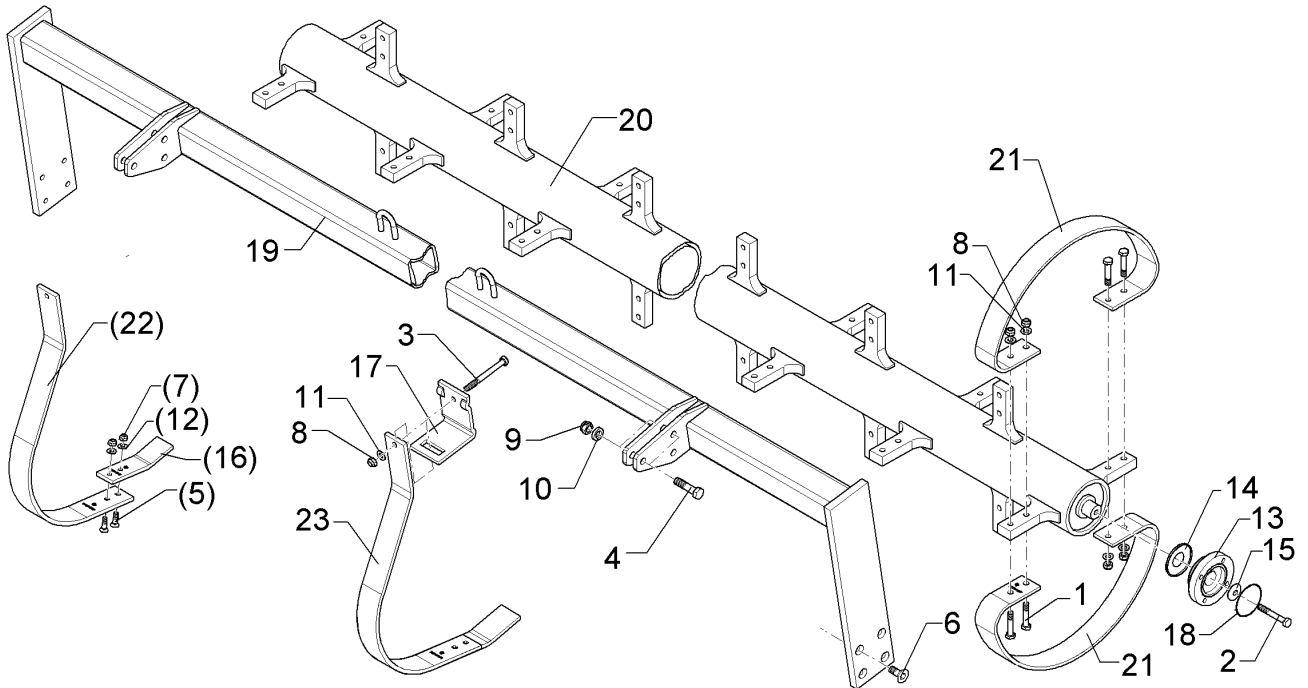
01.18

| Pos. | Art.Nr. | Stck. | Artikeltext / Description | | Abmessung |
|------|----------|-------|------------------------------|------------------|------------------------------|
| 1 | 301 3324 | 16 | Sechskantschraube | Hexagon bolt | M12x30-8.8 Zn DIN933 |
| 2 | 301 3432 | 4 | Sechskantschraube | Hexagon bolt | M12x80-8.8 Zn DIN931-A |
| 3 | 301 5409 | 12 | Sechskantschraube spz. | Hexagon bolt | M16x50-8.8 Zn |
| 4 | 303 0934 | 4 | Sicherungsmutter | Selflocking nut | NM12-8 Zn DIN985 |
| 8 | 317 3352 | 2 | Einspannbuchse mit Presssitz | Expansion bush | EG28/32x20 |
| 9 | 319 9372 | 4 | Flanschlager-Gehäuseeinheit | Bearing cpl. | RCJ 35 35x118x39,9 4xM12 |
| 10 | 323 0411 | 4 | Schutzkappe | Cap | D80/d35 t=2x5,5 Zn |
| 11 | 329 6124 | 4 | Tellerfeder | Cup spring | 40x14,3x2 DIN2093 |
| 12 | 375 1277 | 4 | O-Ring | O-ring | 79x2 |
| 13 | 422 2924 | 4 | Seitenplatte | Side plate | 120x12x494 |
| 14 | 422 8333 | 1 | Tragrahmen | Supporting frame | 80x2410 540/400-250-HE |
| 16 | 423 1031 | 1 | Rohrstabwalze | Tube bar roller | D400x2454 LI 2.50 |
| 17 | 423 1040 | 1 | Rohrstabwalze | Tube bar roller | D540x2454 RE 2.50 |
| 19 | 303 0935 | 12 | Sicherungsmutter | Selflocking nut | NM16-8 Zn DIN985 |
| 21 | 305 6141 | 12 | Scheibe | Washer | 17/30x3 DIN/ISO-7089 |
| 28 | 305 6143 | 12 | Scheibe | Washer | B17/30x3 ISO7089 200HV Zn |



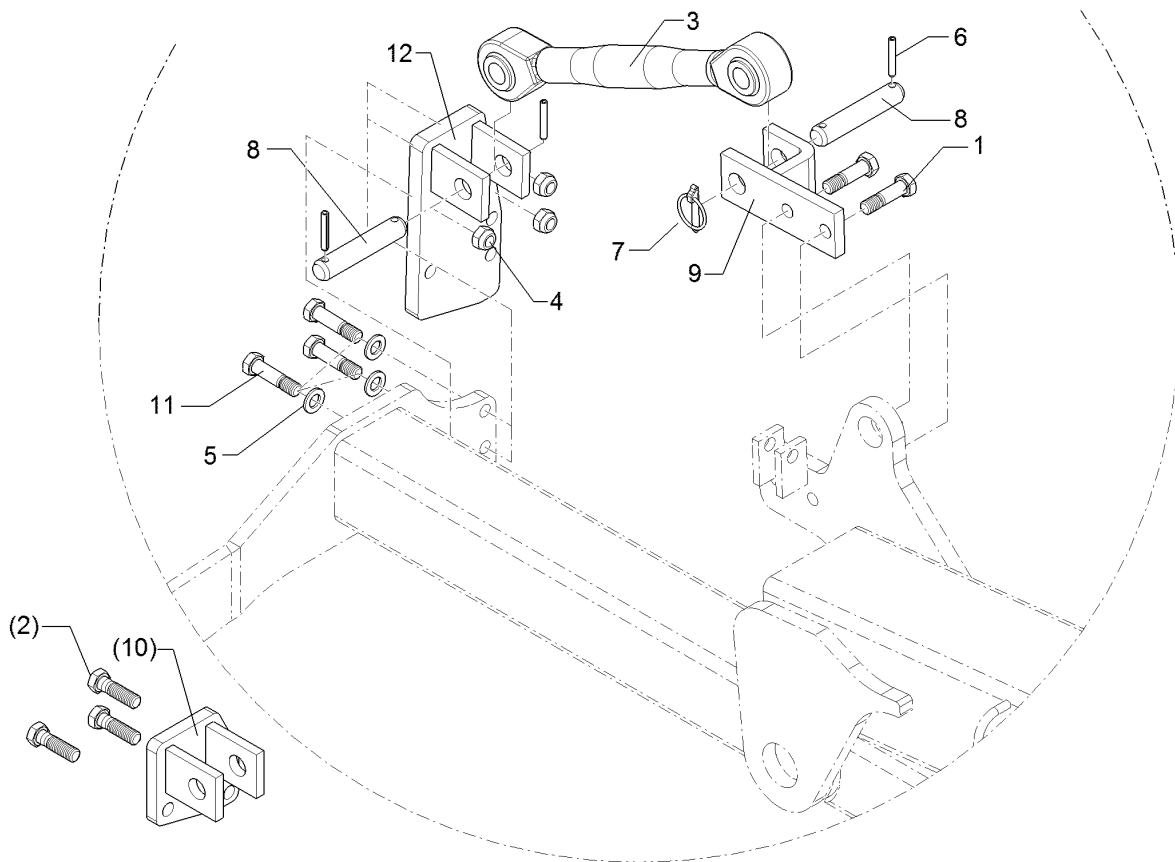
01.18

| Pos. | Art.Nr. | Stck. | Artikeltext / Description | | Abmessung |
|------|----------|-------|-----------------------------|------------------|-----------------------------|
| 1 | 301 3391 | 48 | Sechskantschraube spz. | Hexagon bolt | M12x60-10.9 Zn |
| 2 | 301 3406 | 2 | Sechskantschraube | Hexagon bolt | M12x70-8.8 Zn DIN931-A |
| 3 | 301 3498 | 11 | Sechskantschraube | Hexagon bolt | M12x120-8.8 Zn DIN931-A |
| 4 | 301 5363 | 6 | Sechskantschraube spz. | Hexagon bolt | M16x70-12.9 Zn |
| 5 | 301 5767 | 22 | Senkschraube | Countersunk bolt | M10x33-12.9-MU-10 Zn |
| 6 | 301 6128 | 8 | Senkschraube | Countersunk bolt | M12x30-10.9 Zn DIN7991-A |
| 7 | 303 0933 | 22 | Sicherungsmutter | Selflocking nut | NM10-8 DIN985 Zn |
| 8 | 303 0934 | 59 | Sicherungsmutter | Selflocking nut | NM12-8 Zn DIN985 |
| 9 | 303 0935 | 6 | Sicherungsmutter | Selflocking nut | NM16-8 Zn DIN985 |
| 10 | 305 6161 | 6 | Scheibe | Washer | 17/40x6 DIN7349 Zn |
| 11 | 305 8580 | 59 | Scheibe | Washer | 13/24x2,5 St-Zn DIN125 |
| 12 | 305 8696 | 22 | Scheibe | Washer | A10,5 DIN125-St Zn |
| 13 | 319 9372 | 2 | Flanschlager-Gehäuseeinheit | Bearing cpl. | RCJ 35 35x118x39,9 4xM12 |
| 14 | 323 0411 | 2 | Schutzkappe | Cap | D80/d35 t=2x5,5 Zn |
| 15 | 329 6124 | 2 | Tellerfeder | Cup spring | 40x14,3x2 DIN2093 |
| 16 | 34910002 | 11 | Abstreifer | Scraper | 50x10x195 2xD10,5 |
| 17 | 35310001 | 11 | Klemme | Clamp | 80x80-60x10 |
| 18 | 375 1277 | 2 | O-Ring | O-ring | 79x2 |
| 19 | 42210004 | 1 | Tragrohr | Carrier tube | FRW D540-2.50 |
| 20 | 42310004 | 1 | Flexringwalze | Flexring roller | D127x10/35x2372 |



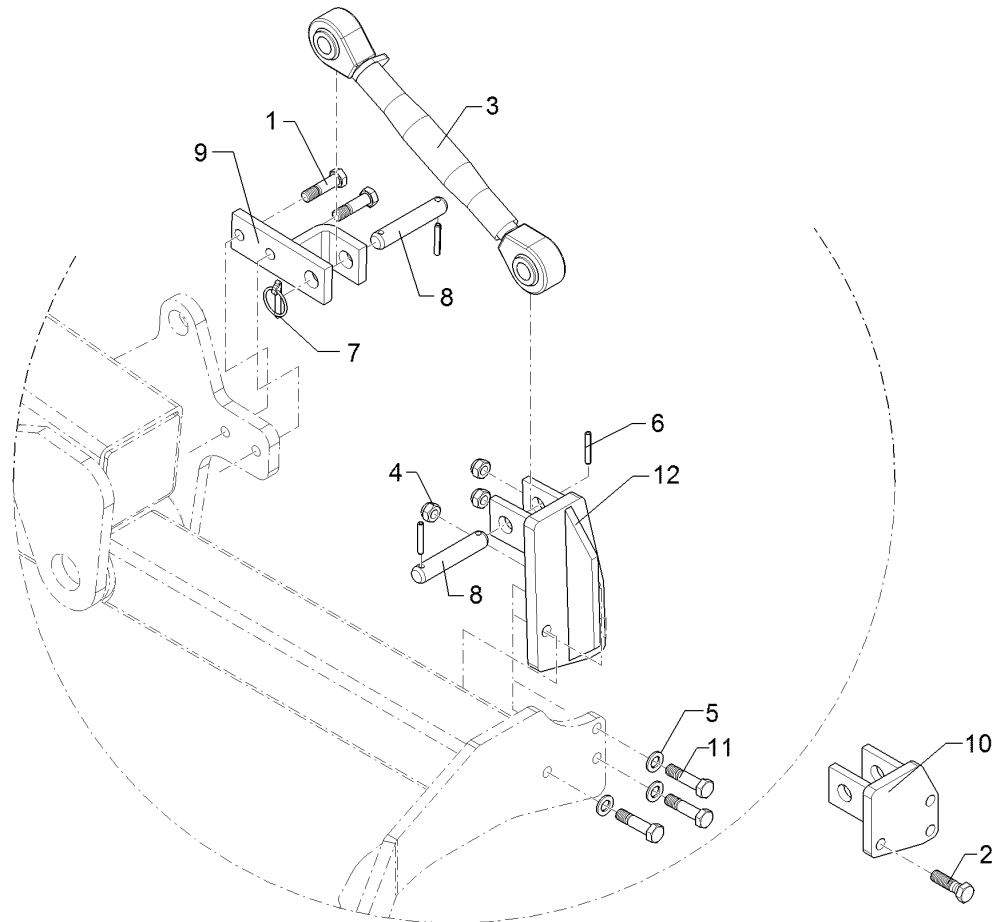
01.18

| Pos. | Art.Nr. | Stck. | Artikeltext / Description | Abmessung | |
|------|----------|-------|---------------------------|---------------------|-------------------|
| 21 | 42310009 | 24 | Ringsegment | Tubing segment | 8,5x60x1046 4xD13 |
| 22 | 42310010 | 11 | Abstreiferhalter | Carrier for scraper | 10x60x925 |
| 23 | 34910007 | 11 | Abstreifer | Scraper | 10x60x1002 GEP |



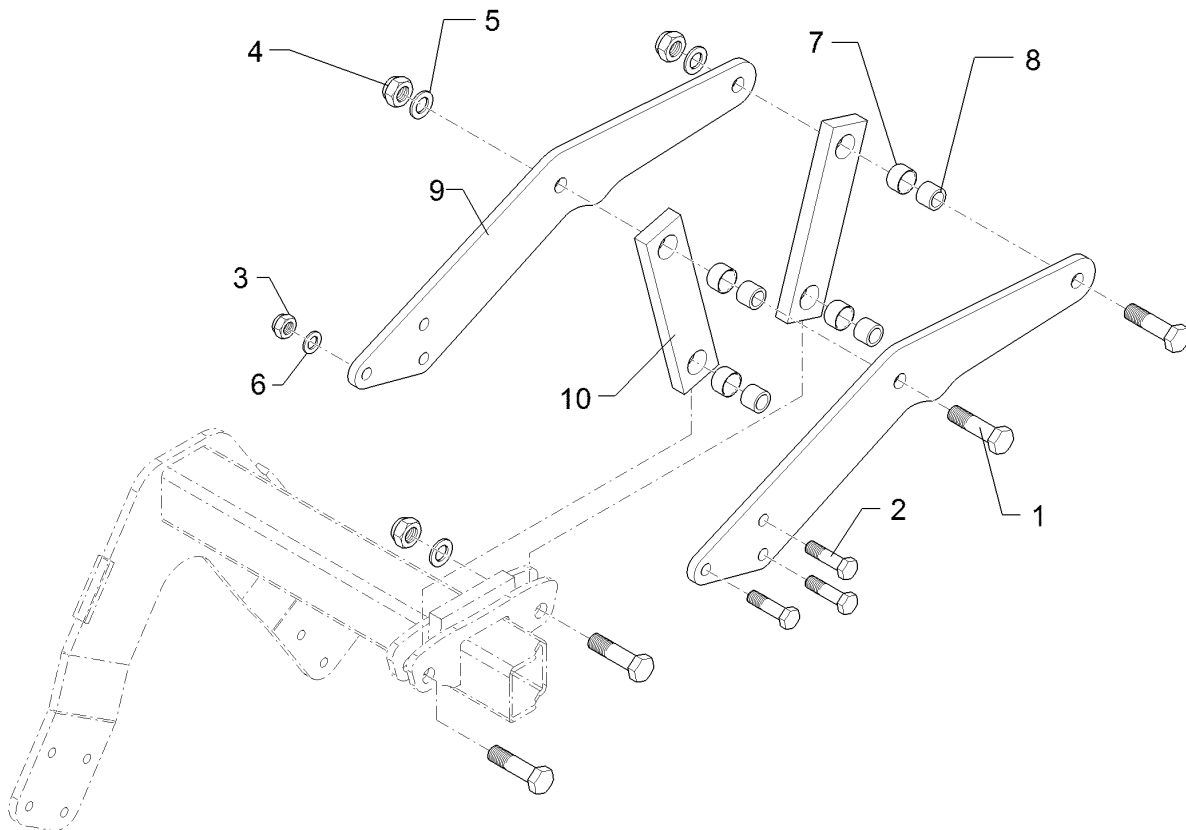
01.18

| Pos. | Art.Nr. | Stck. | Artikeltext / Description | | Abmessung |
|------|----------|-------|----------------------------|-----------------|------------------------------|
| 1 | 301 3779 | 2 | Sechskantschraube spz. | Hexagon bolt | M16x60-10.9 Zn |
| 2 | 301 5408 | 3 | Sechskantschraube | Hexagon bolt | M16x55-8.8 Zn DIN931-A |
| 3 | 302 8570 | 1 | Oberlenker mit Griffmutter | Top link | KAT2 M30x3,5 430-630 |
| 4 | 303 0935 | 3 | Sicherungsmutter | Selflocking nut | NM16-8 Zn DIN985 |
| 5 | 305 6141 | 6 | Scheibe | Washer | 17/30x3 DIN/ISO-7089 |
| 6 | 309 7000 | 3 | Spannhülse | Expansion bush | 8x50-DIN1481 Zn |
| 7 | 311 9315 | 1 | Klappstift mit Bohrung | Securing pin | 8x42 DIN11023 |
| 8 | 313 7771 | 2 | Bolzen | Pin | D25x130 2xD8-110 Zn |
| 9 | 422 4032 | 1 | Halter | Holder | 60x82x180 Karat 9 KA |
| 10 | 42210020 | 1 | Halter | Holder | 95x130x135 Karat 9 KA RE |
| 11 | 301 3870 | 3 | Sechskantschraube spz. | Hexagon bolt | M16x65-10.9 Zn |
| 12 | 42210288 | 1 | Halter | Holder | 130x151x270 Karat 9 KA RE |



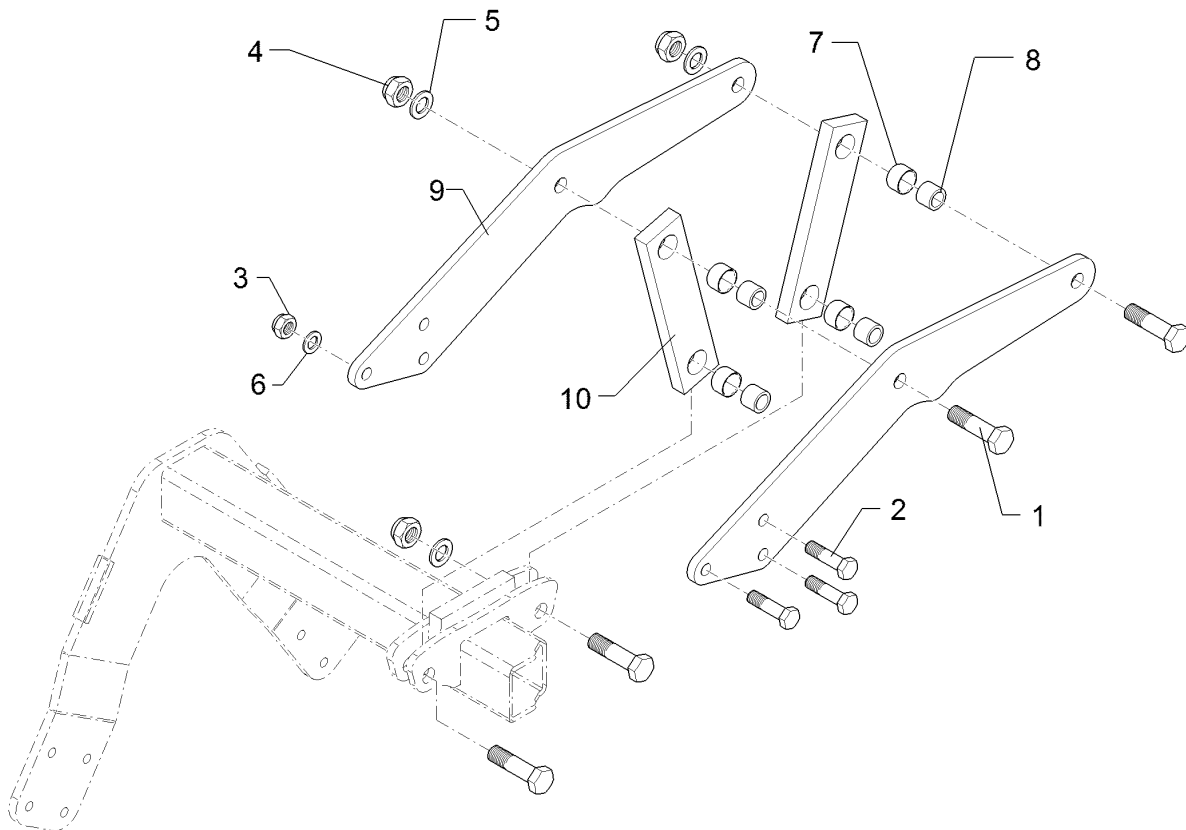
01.18

| Pos. | Art.Nr. | Stck. | Artikeltext / Description | | Abmessung |
|------|----------|-------|----------------------------|-----------------|------------------------------|
| 1 | 301 3779 | 2 | Sechskantschraube spz. | Hexagon bolt | M16x60-10.9 Zn |
| 2 | 301 5408 | 3 | Sechskantschraube | Hexagon bolt | M16x55-8.8 Zn DIN931-A |
| 3 | 302 8570 | 1 | Oberlenker mit Griffmutter | Top link | KAT2 M30x3,5 430-630 |
| 4 | 303 0935 | 3 | Sicherungsmutter | Selflocking nut | NM16-8 Zn DIN985 |
| 5 | 305 6141 | 6 | Scheibe | Washer | 17/30x3 DIN/ISO-7089 |
| 6 | 309 7000 | 3 | Spannhülse | Expansion bush | 8x50-DIN1481 Zn |
| 7 | 311 9315 | 1 | Klappstift mit Bohrung | Securing pin | 8x42 DIN11023 |
| 8 | 313 7771 | 2 | Bolzen | Pin | D25x130 2xD8-110 Zn |
| 9 | 422 4032 | 1 | Halter | Holder | 60x82x180 Karat 9 KA |
| 10 | 42210021 | 1 | Halter | Holder | 95x130x135 Karat 9 KA LI |
| 11 | 301 3870 | 3 | Sechskantschraube spz. | Hexagon bolt | M16x65-10.9 Zn |
| 12 | 42210289 | 1 | Halter | Holder | 130x151x270 Karat 9 KA LI |



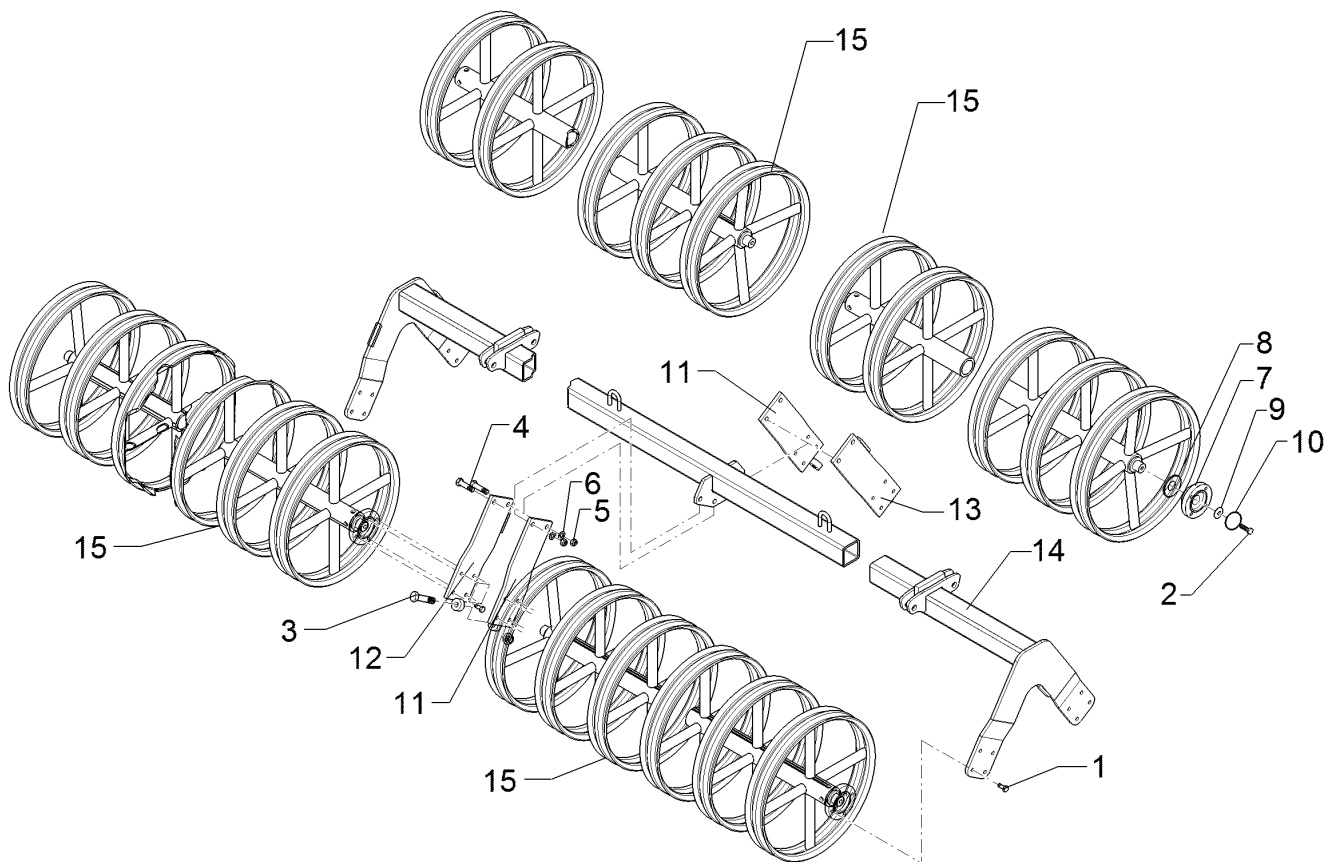
01.18

| Pos. | Art.Nr. | Stck. | Artikeltext / Description | | Abmessung |
|------|----------|-------|------------------------------|-----------------|-------------------------|
| 1 | 301 4603 | 4 | Sechskantschraube spz. | Hexagon bolt | M20x75-8.8 Zn |
| 2 | 301 5363 | 3 | Sechskantschraube spz. | Hexagon bolt | M16x70-12.9 Zn |
| 3 | 303 0935 | 3 | Sicherungsmutter | Selflocking nut | NM16-8 Zn DIN985 |
| 4 | 303 0936 | 4 | Sicherungsmutter | Selflocking nut | NM20-8 Zn DIN985 |
| 5 | 305 6012 | 8 | Scheibe | Washer | 21 ISO7089 Zn |
| 6 | 305 6141 | 6 | Scheibe | Washer | 17/30x3 DIN/ISO-7089 |
| 7 | 317 3352 | 4 | Einspannbuchse mit Presssitz | Expansion bush | EG28/32x20 |
| 8 | 317 6657 | 4 | Buchse | Bush | D20/28x22 |
| 9 | 422 7386 | 2 | Platte | Plate | 12x208x677 |
| 10 | 422 7388 | 2 | Lenker | Link | 60x20x260 2xD32-200 |



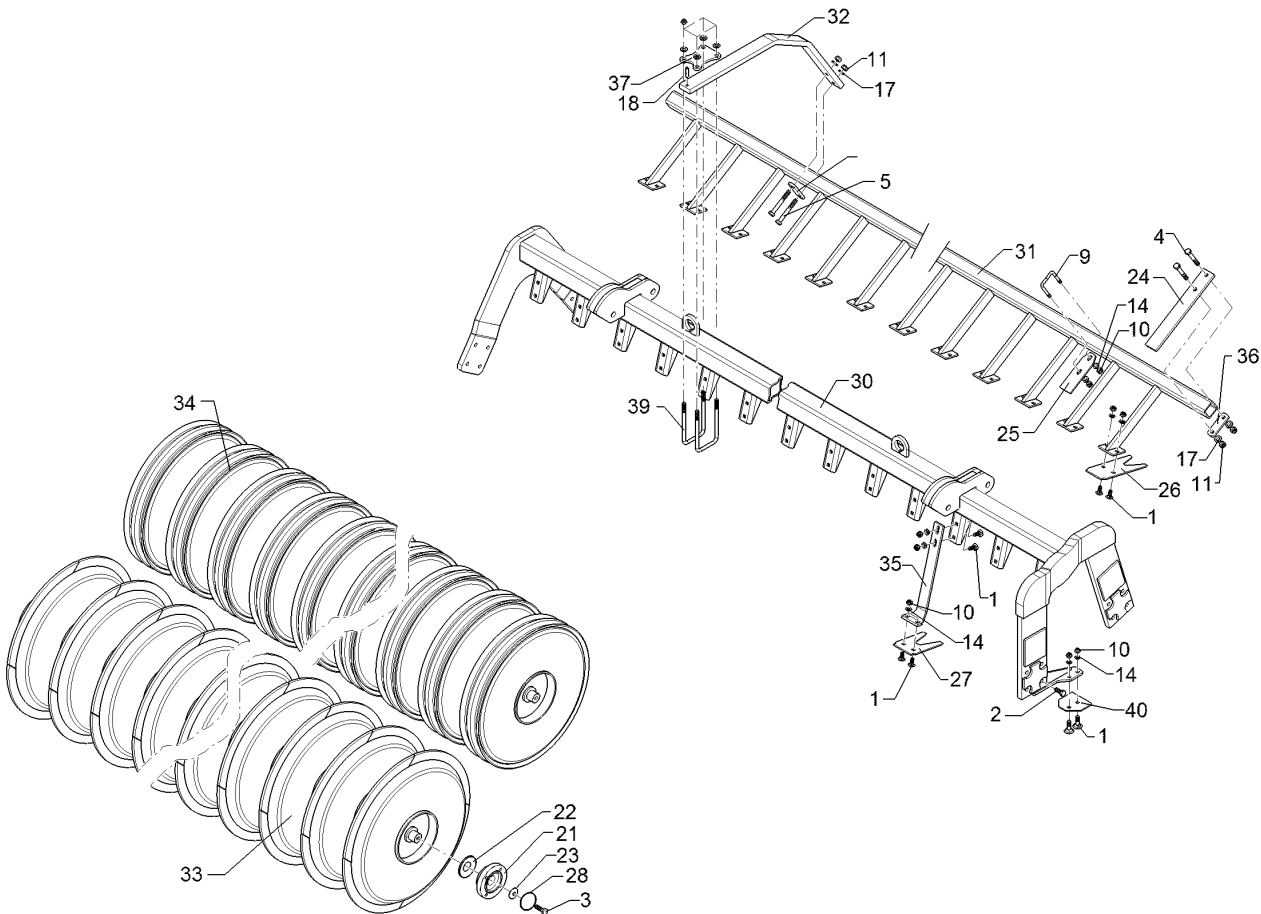
01.18

| Pos. | Art.Nr. | Stck. | Artikeltext / Description | | Abmessung |
|------|----------|-------|------------------------------|-----------------|-------------------------------|
| 1 | 301 4603 | 4 | Sechskantschraube spz. | Hexagon bolt | M20x75-8.8 Zn |
| 2 | 301 5363 | 3 | Sechskantschraube spz. | Hexagon bolt | M16x70-12.9 Zn |
| 3 | 303 0935 | 3 | Sicherungsmutter | Selflocking nut | NM16-8 Zn DIN985 |
| 4 | 303 0936 | 4 | Sicherungsmutter | Selflocking nut | NM20-8 Zn DIN985 |
| 5 | 305 6012 | 8 | Scheibe | Washer | 21 ISO7089 Zn |
| 6 | 305 6141 | 6 | Scheibe | Washer | 17/30x3 DIN/ISO-7089 |
| 7 | 317 3352 | 4 | Einspannbuchse mit Presssitz | Expansion bush | EG28/32x20 |
| 8 | 317 6657 | 4 | Buchse | Bush | D20/28x22 |
| 9 | 422 7520 | 2 | Platte | Plate | 698x12x241 3xD20,1 3xD16,1 |
| 10 | 422 7388 | 2 | Lenker | Link | 60x20x260 2xD32-200 |



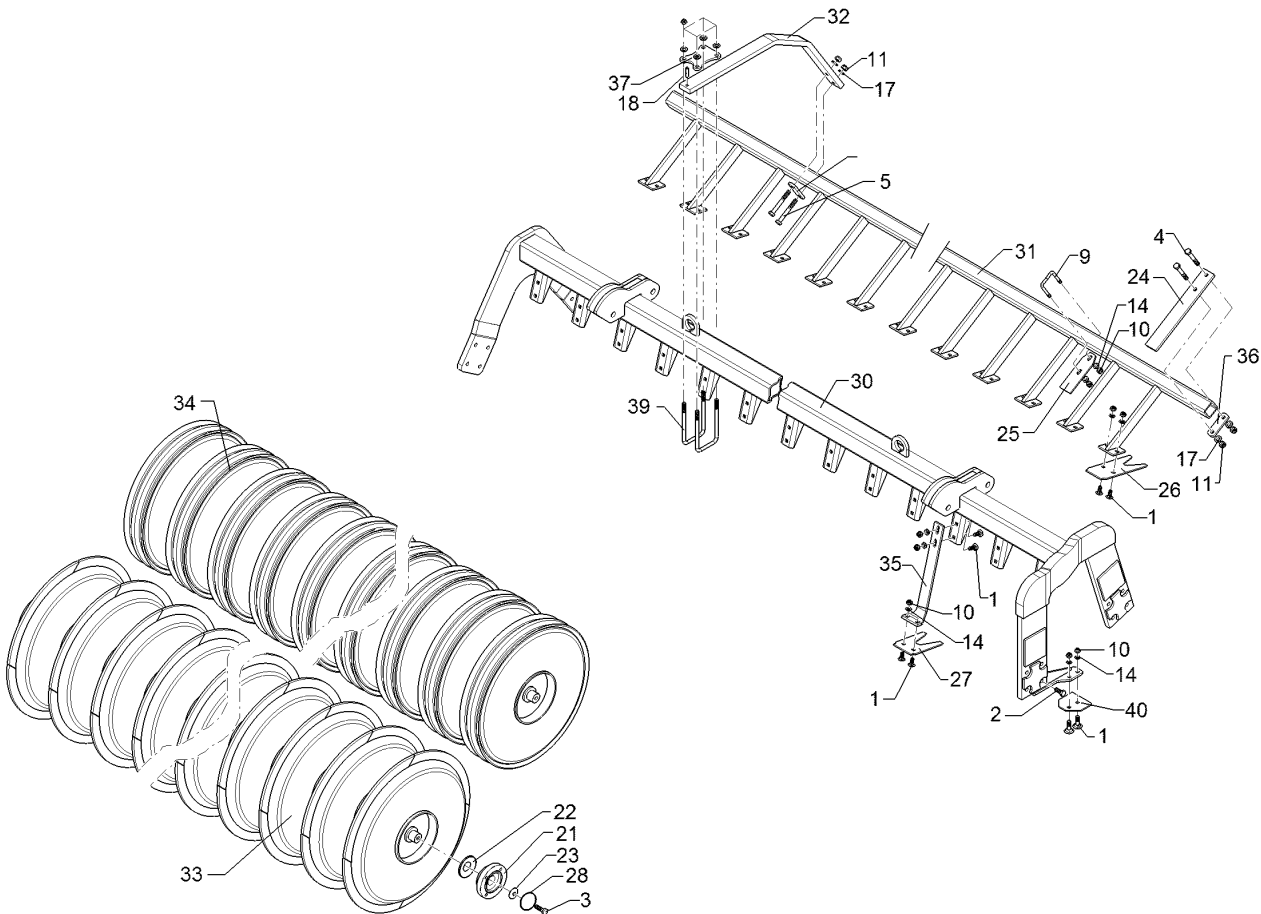
01.18

| Pos. | Art.Nr. | Stck. | Artikeltext / Description | | Abmessung |
|------|----------|-------|-----------------------------|----------------------------|-----------------------------------|
| 1 | 301 3324 | 32 | Sechskantschraube | Hexagon bolt | M12x30-8.8 Zn DIN933 |
| 2 | 301 3406 | 8 | Sechskantschraube | Hexagon bolt | M12x70-8.8 Zn DIN931-A |
| 3 | 301 3779 | 4 | Sechskantschraube spz. | Hexagon bolt | M16x60-10.9 Zn |
| 4 | 301 3870 | 2 | Sechskantschraube spz. | Hexagon bolt | M16x65-10.9 Zn |
| 5 | 303 0935 | 6 | Sicherungsmutter | Selflocking nut | NM16-8 Zn DIN985 |
| 6 | 305 6161 | 4 | Scheibe | Washer | 17/40x6 DIN7349 Zn |
| 7 | 319 9372 | 8 | Flanschlager-Gehäuseeinheit | Bearing cpl. | RCJ 35 35x118x39,9 4xM12 |
| 8 | 323 0411 | 8 | Schutzkappe | Cap | D80/d35 t=2x5,5 Zn |
| 9 | 329 6124 | 8 | Tellerfeder | Cup spring | 40x14,3x2 DIN2093 |
| 10 | 375 1277 | 8 | O-Ring | O-ring | 79x2 |
| 11 | 422 7383 | 2 | Platte | Plate | 120x12x386 |
| 12 | 422 7384 | 1 | Platte m. Abstreifer | Plate | 120x12x386 RE |
| 13 | 422 7385 | 1 | Platte m. Abstreifer LI | Plate | 120x12x386 |
| 14 | 422 7425 | 1 | Tragrahmen | Supporting frame | 80x2470 |
| 15 | 42310043 | 4 | Doppelprofilringwalze | Double profile ring roller | DPW540-2.50-HE -B D540-2.50-5R |



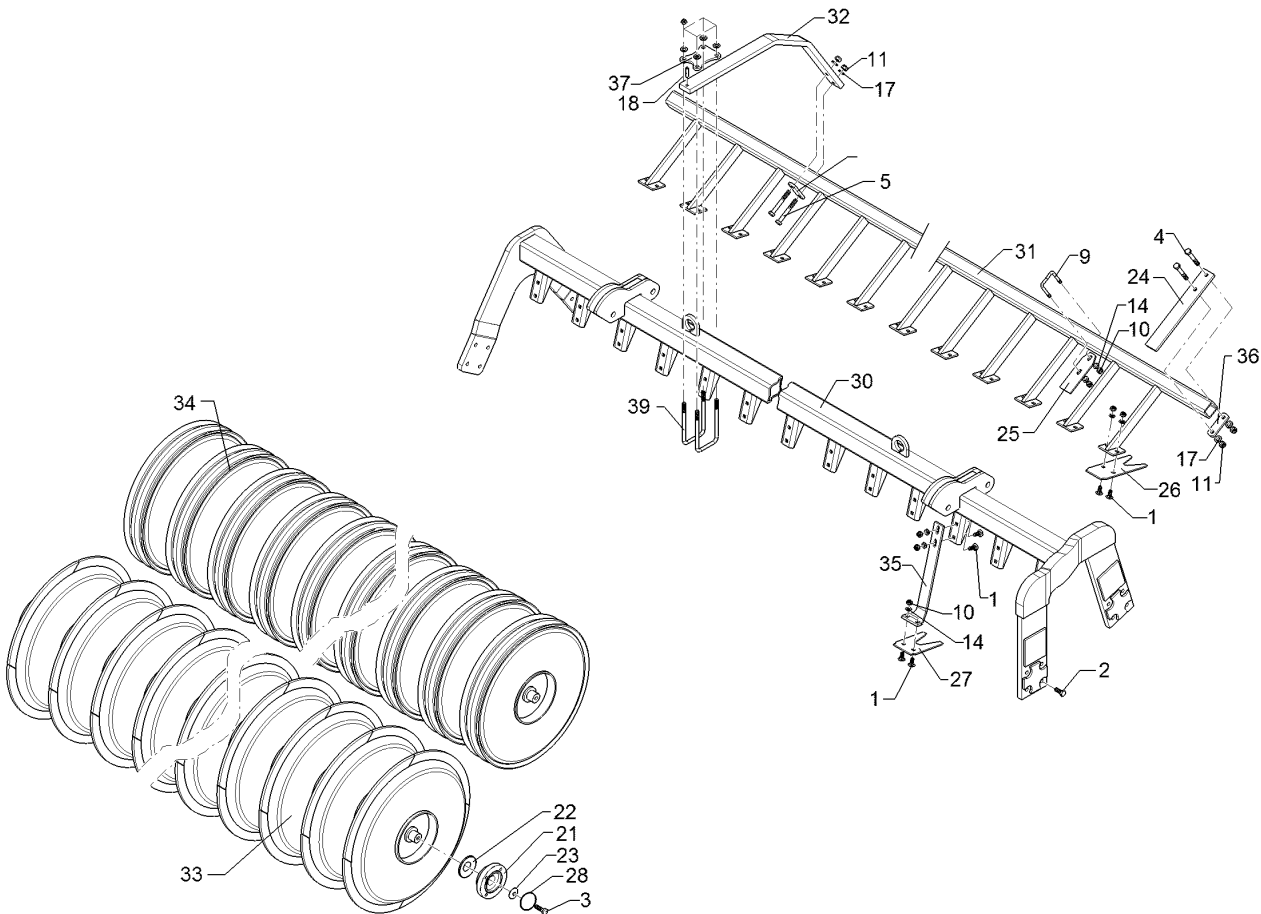
01.18

| Pos. | Art.Nr. | Stck. | Artikeltext / Description | | Abmessung |
|------|----------|-------|-----------------------------|-------------------|-----------------------------|
| 1 | 301 1706 | 74 | Flachrundschraube | Saucer-head screw | M10x30-8.8 Zn DIN603 |
| 2 | 301 3348 | 16 | Sechskantschraube | Hexagon bolt | M12x40-8.8 DIN933 |
| 3 | 301 3406 | 4 | Sechskantschraube | Hexagon bolt | M12x70-8.8 Zn DIN931-A |
| 4 | 301 3434 | 2 | Sechskantschraube | Hexagon bolt | M12x85-8.8 Zn DIN931-A |
| 5 | 301 3459 | 6 | Sechskantschraube | Hexagon bolt | M12x95-8.8 Zn DIN931-A |
| 9 | 301 7761 | 13 | Bügelsschraube | U-bolt | M10x51/73 Zn |
| 10 | 303 0933 | 100 | Sicherungsmutter | Selflocking nut | NM10-8 DIN985 Zn |
| 11 | 303 0934 | 20 | Sicherungsmutter | Selflocking nut | NM12-8 Zn DIN985 |
| 14 | 305 8696 | 100 | Scheibe | Washer | A10,5 DIN125-St Zn |
| 17 | 305 8580 | 20 | Scheibe | Washer | 13/24x2,5 St-Zn DIN125 |
| 18 | 309 6163 | 3 | Spannhülse | Expansion bush | 10x36-DIN1481 Zn |
| 21 | 319 9372 | 4 | Flanschlager-Gehäuseeinheit | Bearing cpl. | RCJ 35 35x118x39,9 4xM12 |
| 22 | 323 0411 | 4 | Schutzkappe | Cap | D80/d35 t=2x5,5 Zn |
| 23 | 329 6124 | 4 | Tellerfeder | Cup spring | 40x14,3x2 DIN2093 |
| 24 | 349 2015 | 1 | Abstreifer | Scraper | PPW(A)-M 50x10x330 |
| 25 | 349 2016 | 13 | Abstreifer | Scraper | 6x80/50x181 GEP |
| 26 | 349 2017 | 12 | Abstreifer | Scraper | PPW(A)-H 5x85x220 |
| 27 | 349 2018 | 12 | Abstreifer | Scraper | PPW(A)-V 4x95x190 |
| 28 | 375 1277 | 4 | O-Ring | O-ring | 79x2 |



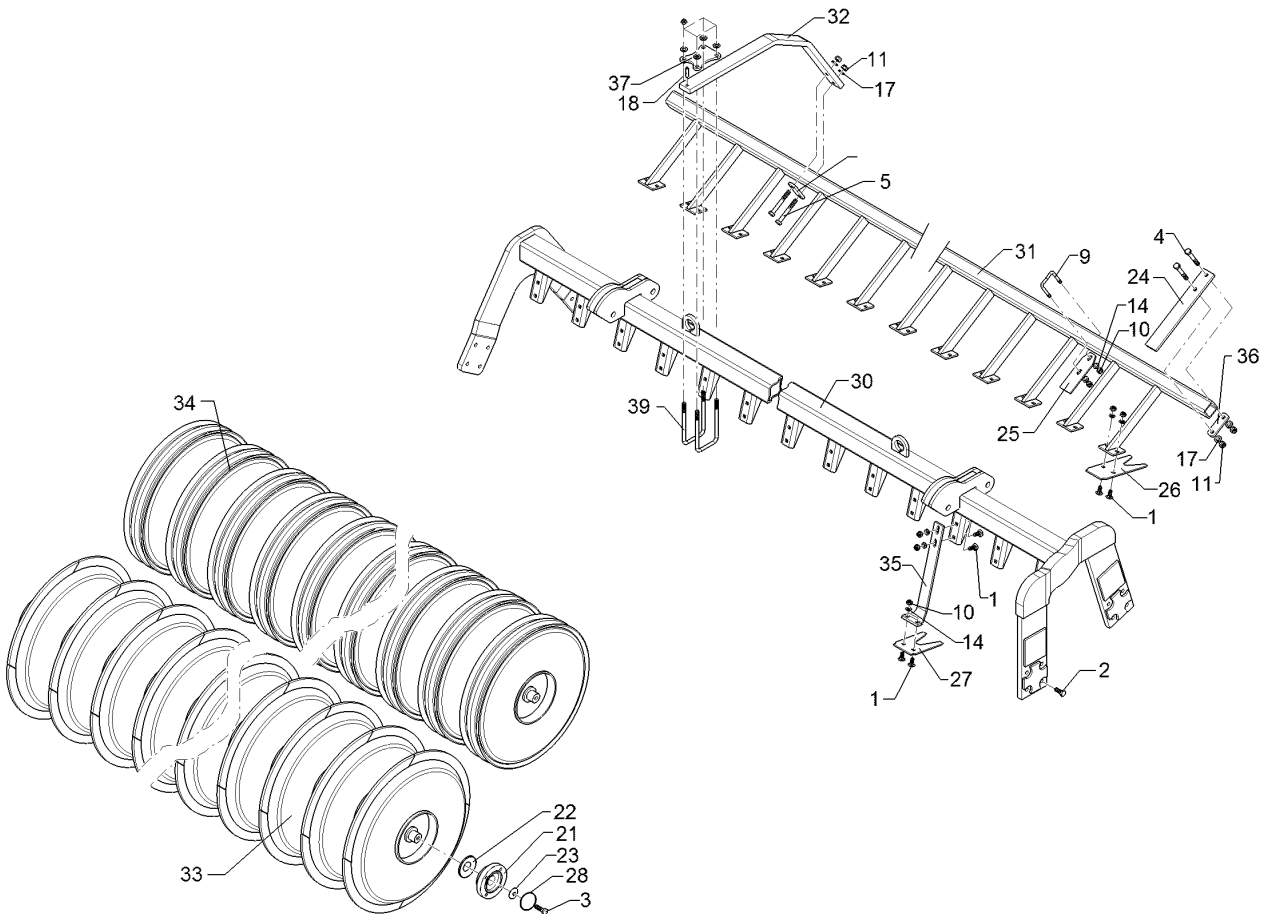
01.18

| Pos. | Art.Nr. | Stck. | Artikeltext / Description | | Abmessung |
|------|----------|-------|---------------------------|---------------------|-----------------------------|
| 30 | 422 7562 | 1 | Tragrohr | Carrier tube | PPW(A)600/540-2.50 RE |
| 31 | 422 7572 | 1 | Abstreiferbalken | Scraper | PPW(A) 2.50 RE |
| 32 | 422 7580 | 3 | Träger | Carrier | 50x18x1010 2xGEB 4xD12,5 |
| 33 | 423 2262 | 1 | Profilwalze | Profile roller | PPW-Y D600-2.50-12R |
| 34 | 423 2273 | 1 | Profilwalze | Profile roller | PPW-M D540-2.50-13R |
| 35 | 423 5914 | 12 | Abstreiferhalter vorne | Carrier for scraper | PPW 8x75/40x393 |
| 36 | 459 0944 | 4 | Brücke | Clamp plate | 30x8x93 1x63-D12,5 |
| 37 | 459 4567 | 3 | Klemmplatte | Clamping plate | 90x8x120 |
| 39 | 30110001 | 6 | Bügel schraube | U-bolt | M12x81x125 Zn |
| 40 | 349 2019 | 1 | Abstreifer | Scraper | PPW(A)-RV 5x90x95 |



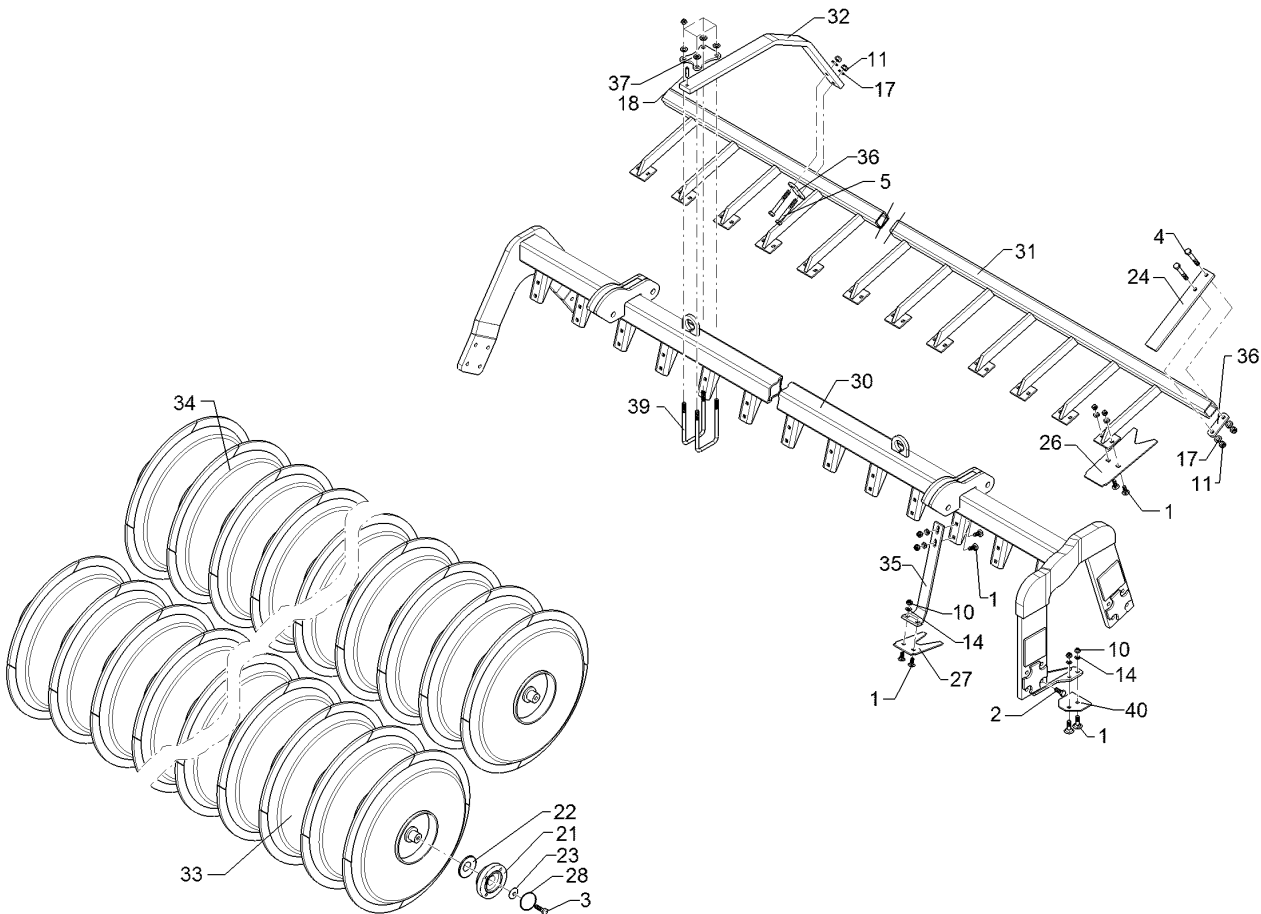
01.18

| Pos. | Art.Nr. | Stck. | Artikeltext / Description | | Abmessung |
|------|----------|-------|-----------------------------|-------------------|-----------------------------|
| 1 | 301 1706 | 66 | Flachrundschraube | Saucer-head screw | M10x30-8.8 Zn DIN603 |
| 2 | 301 3348 | 16 | Sechskantschraube | Hexagon bolt | M12x40-8.8 DIN933 |
| 3 | 301 3406 | 4 | Sechskantschraube | Hexagon bolt | M12x70-8.8 Zn DIN931-A |
| 5 | 301 3459 | 6 | Sechskantschraube | Hexagon bolt | M12x95-8.8 Zn DIN931-A |
| 9 | 301 7761 | 12 | Bügelsschraube | U-bolt | M10x51/73 Zn |
| 10 | 303 0933 | 90 | Sicherungsmutter | Selflocking nut | NM10-8 DIN985 Zn |
| 11 | 303 0934 | 18 | Sicherungsmutter | Selflocking nut | NM12-8 Zn DIN985 |
| 13 | 305 8696 | 90 | Scheibe | Washer | A10,5 DIN125-St Zn |
| 17 | 305 8580 | 18 | Scheibe | Washer | 13/24x2,5 St-Zn DIN125 |
| 18 | 309 6163 | 3 | Spannhülse | Expansion bush | 10x36-DIN1481 Zn |
| 21 | 319 9372 | 4 | Flanschlager-Gehäuseeinheit | Bearing cpl. | RCJ 35 35x118x39,9 4xM12 |
| 22 | 323 0411 | 4 | Schutzkappe | Cap | D80/d35 t=2x5,5 Zn |
| 23 | 329 6124 | 4 | Tellerfeder | Cup spring | 40x14,3x2 DIN2093 |
| 25 | 349 2016 | 12 | Abstreifer | Scraper | 6x80/50x181 GEP |
| 26 | 349 2017 | 9 | Abstreifer | Scraper | PPW(A)-H 5x85x220 |
| 27 | 349 2018 | 12 | Abstreifer | Scraper | PPW(A)-V 4x95x190 |
| 28 | 375 1277 | 4 | O-Ring | O-ring | 79x2 |
| 30 | 422 7563 | 1 | Tragrohr | Carrier tube | PPW(A)600/540-2.50 LI |
| 31 | 422 7573 | 1 | Abstreiferbalken | Scraper | PPW(A) 2.50 LI |



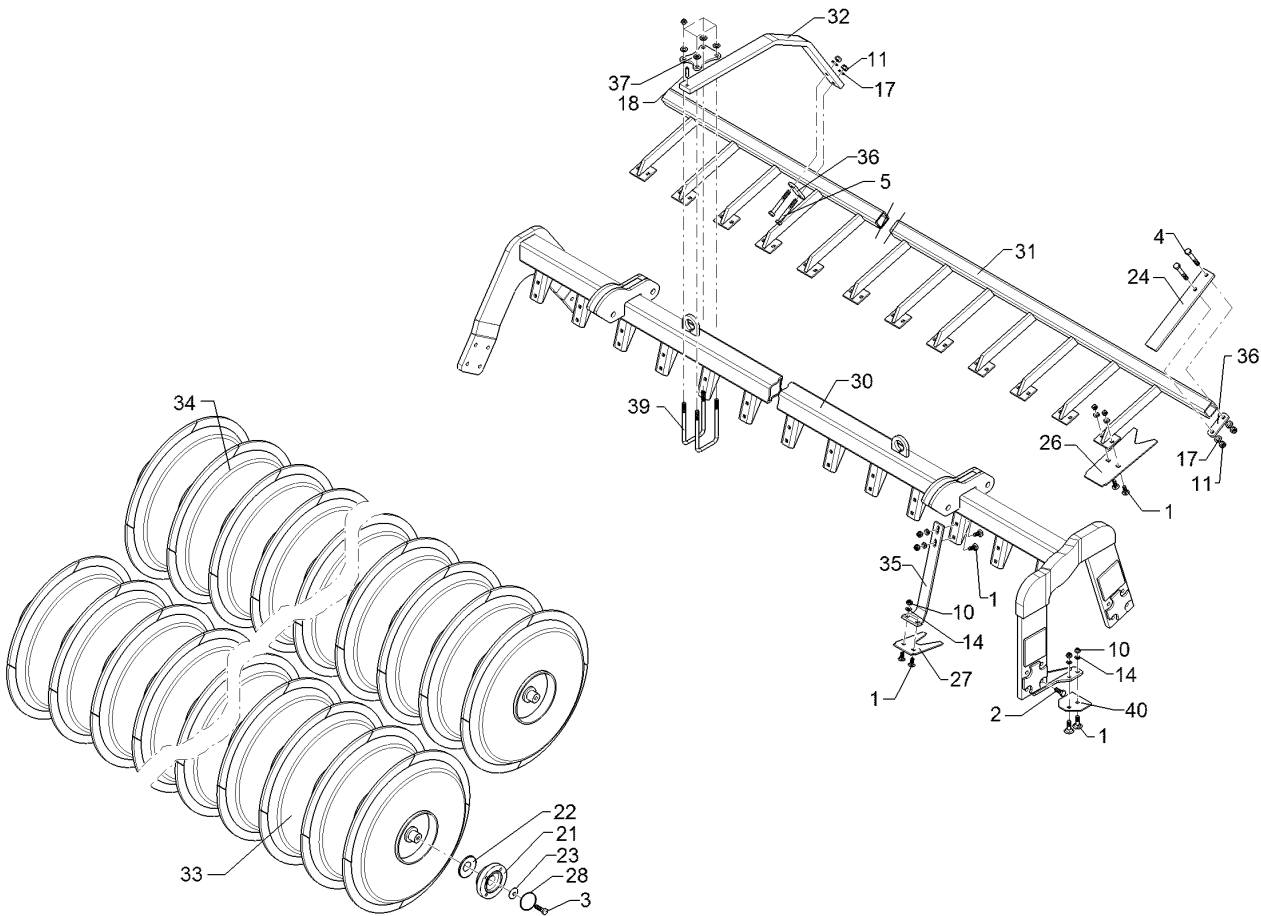
01.18

| Pos. | Art.Nr. | Stck. | Artikeltext / Description | Abmessung | |
|------|----------|-------|---------------------------|---------------------|-----------------------------|
| 32 | 422 7580 | 3 | Träger | Carrier | 50x18x1010 2xGEB 4xD12,5 |
| 33 | 423 2262 | 1 | Profilwalze | Profile roller | PPW-Y D600-2.50-12R |
| 34 | 423 2272 | 1 | Profilwalze | Profile roller | PPW-M D540-2.50-12R |
| 35 | 423 5914 | 12 | Abstreiferhalter vorne | Carrier for scraper | PPW 8x75/40x393 |
| 36 | 459 0944 | 3 | Brücke | Clamp plate | 30x8x93 1x63-D12,5 |
| 37 | 459 4567 | 3 | Klemmplatte | Clamping plate | 90x8x120 |
| 39 | 30110001 | 6 | Bügelschraube | U-bolt | M12x81x125 Zn |



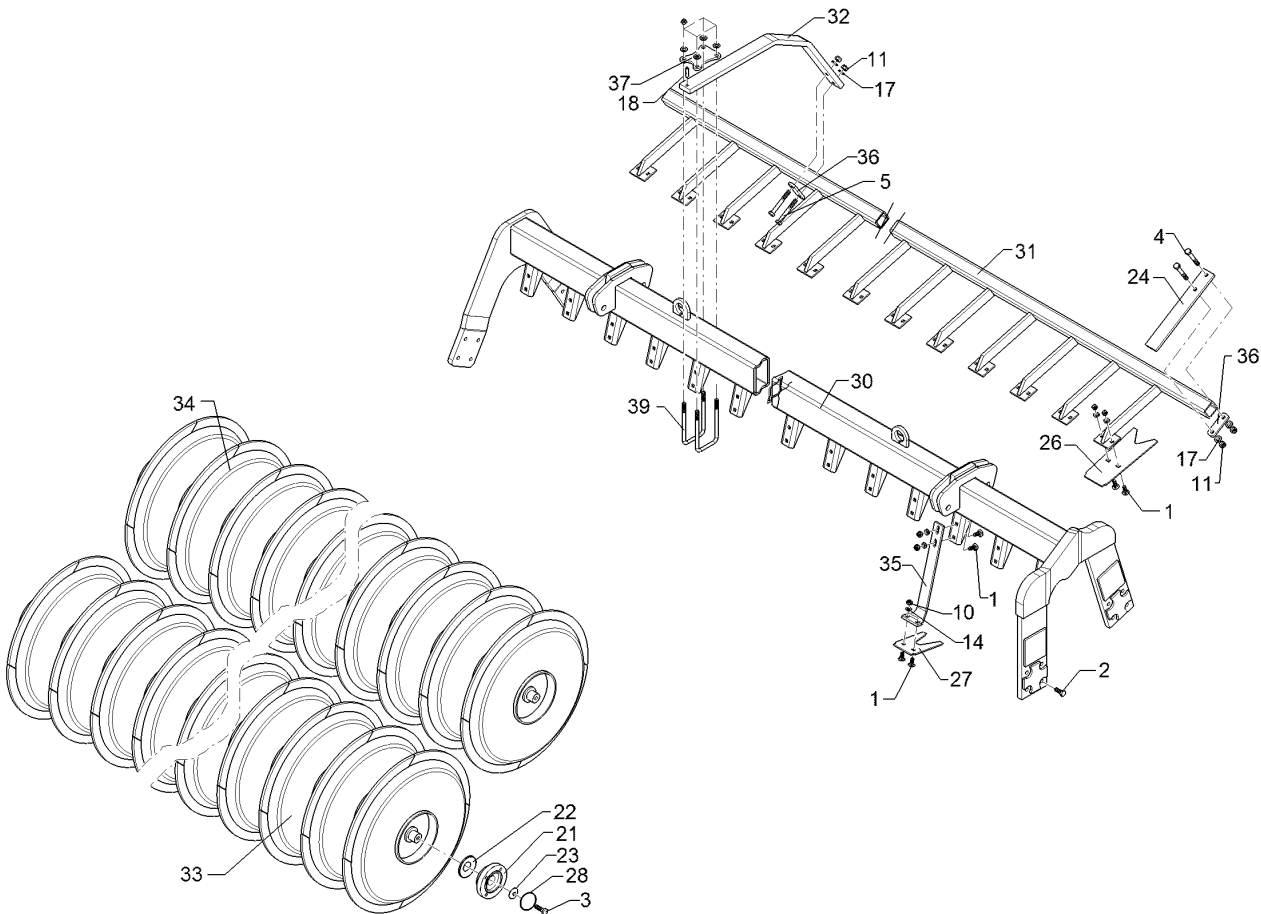
01.18

| Pos. | Art.Nr. | Stck. | Artikeltext / Description | | Abmessung |
|------|----------|-------|-----------------------------|-------------------|-----------------------------|
| 1 | 301 1706 | 74 | Flachrundschraube | Saucer-head screw | M10x30-8.8 Zn DIN603 |
| 2 | 301 3348 | 16 | Sechskantschraube | Hexagon bolt | M12x40-8.8 DIN933 |
| 3 | 301 3406 | 4 | Sechskantschraube | Hexagon bolt | M12x70-8.8 Zn DIN931-A |
| 5 | 301 3459 | 6 | Sechskantschraube | Hexagon bolt | M12x95-8.8 Zn DIN931-A |
| 10 | 303 0933 | 74 | Sicherungsmutter | Selflocking nut | NM10-8 DIN985 Zn |
| 11 | 303 0934 | 18 | Sicherungsmutter | Selflocking nut | NM12-8 Zn DIN985 |
| 15 | 305 8696 | 74 | Scheibe | Washer | A10,5 DIN125-St Zn |
| 17 | 305 8580 | 18 | Scheibe | Washer | 13/24x2,5 St-Zn DIN125 |
| 18 | 309 6163 | 3 | Spannhülse | Expansion bush | 10x36-DIN1481 Zn |
| 21 | 319 9372 | 4 | Flanschlager-Gehäuseeinheit | Bearing cpl. | RCJ 35 35x118x39,9 4xM12 |
| 22 | 323 0411 | 4 | Schutzkappe | Cap | D80/d35 t=2x5,5 Zn |
| 23 | 329 6124 | 4 | Tellerfeder | Cup spring | 40x14,3x2 DIN2093 |
| 25 | 349 2019 | 1 | Abstreifer | Scraper | PPW(A)-RV 5x90x95 |
| 26 | 349 2033 | 12 | Abstreifer | Scraper | PPW(A)-H 5x85x220 |
| 27 | 349 2018 | 12 | Abstreifer | Scraper | PPW(A)-V 4x95x190 |
| 28 | 375 1277 | 4 | O-Ring | O-ring | 79x2 |
| 30 | 422 7562 | 1 | Tragrohr | Carrier tube | PPW(A)600/540-2.50 RE |
| 31 | 422 7592 | 1 | Abstreiferbalken | Scraper | PDW 2.50 RE |
| 32 | 422 7580 | 3 | Träger | Carrier | 50x18x1010 2xGEB 4xD12,5 |



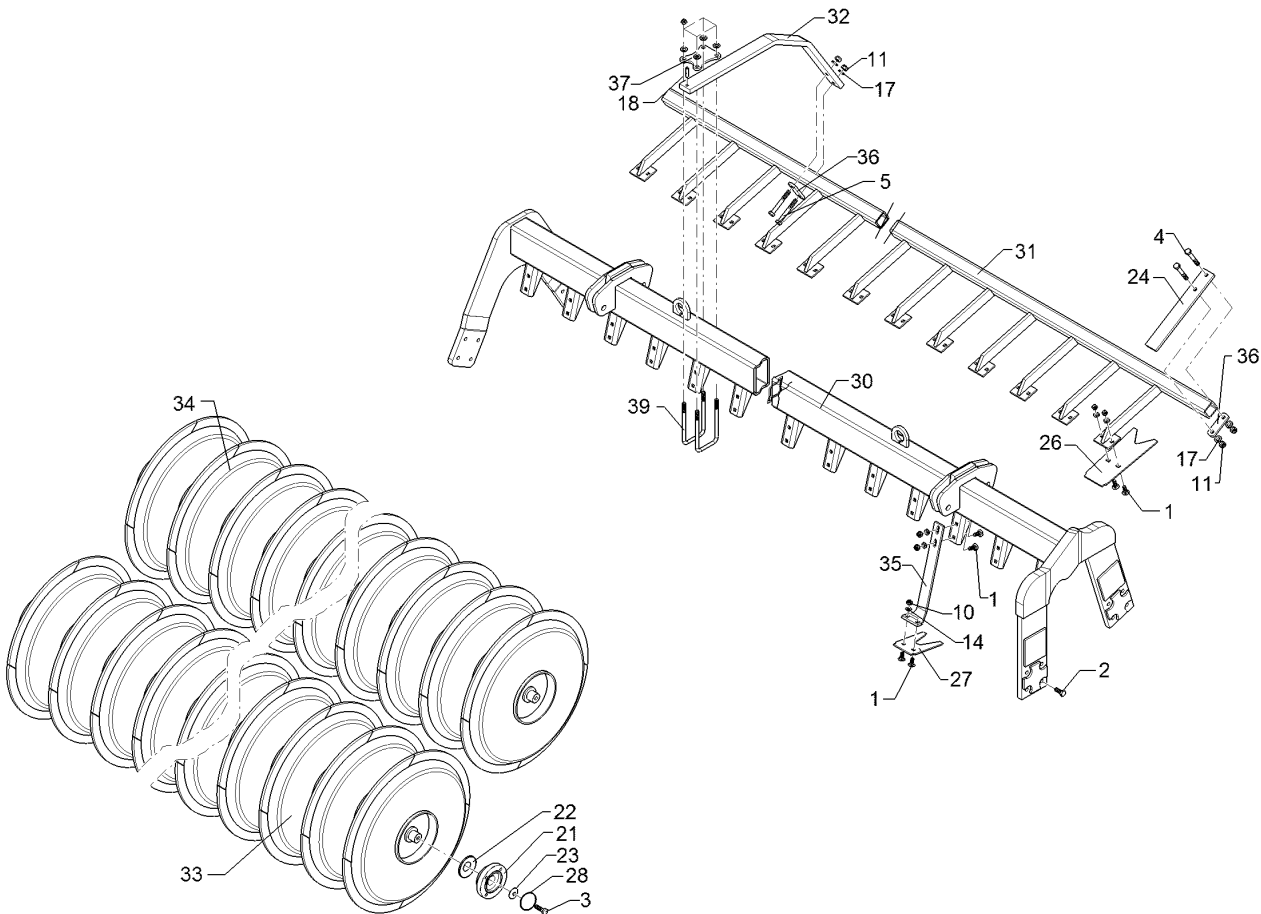
01.18

| Pos. | Art.Nr. | Stck. | Artikeltext / Description | | Abmessung |
|------|----------|-------|---------------------------|---------------------|------------------------|
| 33 | 423 2262 | 1 | Profilwalze | Profile roller | PPW-Y D600-2.50-12R |
| 34 | 423 2283 | 1 | Profilwalze | Profile roller | PDW D600-2.50-13R |
| 35 | 423 5914 | 12 | Abstreiferhalter vorne | Carrier for scraper | PPW 8x75/40x393 |
| 36 | 459 0944 | 3 | Brücke | Clamp plate | 30x8x93 1x63-D12,5 |
| 37 | 459 4567 | 3 | Klemmplatte | Clamping plate | 90x8x120 |
| 39 | 30110001 | 6 | Bügelsschraube | U-bolt | M12x81x125 Zn |



01.18

| Pos. | Art.Nr. | Stck. | Artikeltext / Description | | Abmessung |
|------|----------|-------|-----------------------------|-------------------|-----------------------------|
| 1 | 301 1706 | 70 | Flachrundschaube | Saucer-head screw | M10x30-8.8 Zn DIN603 |
| 2 | 301 3348 | 16 | Sechskantschraube | Hexagon bolt | M12x40-8.8 DIN933 |
| 3 | 301 3406 | 4 | Sechskantschraube | Hexagon bolt | M12x70-8.8 Zn DIN931-A |
| 4 | 301 3434 | 2 | Sechskantschraube | Hexagon bolt | M12x85-8.8 Zn DIN931-A |
| 5 | 301 3459 | 6 | Sechskantschraube | Hexagon bolt | M12x95-8.8 Zn DIN931-A |
| 10 | 303 0933 | 70 | Sicherungsmutter | Selflocking nut | NM10-8 DIN985 Zn |
| 11 | 303 0934 | 20 | Sicherungsmutter | Selflocking nut | NM12-8 Zn DIN985 |
| 13 | 305 8696 | 70 | Scheibe | Washer | A10,5 DIN125-St Zn |
| 17 | 305 8580 | 20 | Scheibe | Washer | 13/24x2,5 St-Zn DIN125 |
| 18 | 309 6163 | 3 | Spannhülse | Expansion bush | 10x36-DIN1481 Zn |
| 21 | 319 9372 | 4 | Flanschlager-Gehäuseeinheit | Bearing cpl. | RCJ 35 35x118x39,9 4xM12 |
| 22 | 323 0411 | 4 | Schutzkappe | Cap | D80/d35 t=2x5,5 Zn |
| 23 | 329 6124 | 4 | Tellerfeder | Cup spring | 40x14,3x2 DIN2093 |
| 26 | 349 2033 | 11 | Abstreifer | Scraper | PPW(A)-H 5x85x220 |
| 27 | 349 2018 | 12 | Abstreifer | Scraper | PPW(A)-V 4x95x190 |
| 28 | 375 1277 | 4 | O-Ring | O-ring | 79x2 |
| 30 | 422 7563 | 1 | Tragrohr | Carrier tube | PPW(A)600/540-2.50 LI |
| 31 | 422 7593 | 1 | Abstreiferbalken | Scraper | PDW 2.50 LI |



01.18

| Pos. | Art.Nr. | Stck. | Artikeltext / Description | | Abmessung |
|------|----------|-------|---------------------------|---------------------|-----------------------------|
| 32 | 422 7580 | 3 | Träger | Carrier | 50x18x1010 2xGEB 4xD12,5 |
| 33 | 423 2262 | 1 | Profilwalze | Profile roller | PPW-Y D600-2.50-12R |
| 34 | 423 2282 | 1 | Profilwalze | Profile roller | PDW D600-2.50-12R |
| 35 | 423 5914 | 12 | Abstreiferhalter vorne | Carrier for scraper | PPW 8x75/40x393 |
| 36 | 459 0944 | 4 | Brücke | Clamp plate | 30x8x93 1x63-D12,5 |
| 37 | 459 4567 | 3 | Klemmplatte | Clamping plate | 90x8x120 |
| 39 | 30110001 | 6 | Bügelerschraube | U-bolt | M12x81x125 Zn |
| 40 | 349 2015 | 1 | Abstreifer | Scraper | PPW(A)-M 50x10x330 |



01.18

| Pos. | Art.Nr. | Stck. | Artikeltext / Description | | Abmessung |
|------|----------|-------|-----------------------------|-----------------------|-----------------------------|
| 1 | 301 1805 | 38 | Flachrundschaube mit Mutter | Bolt, cup square head | M12x30-10.9 MU Zn |
| 2 | 301 3406 | 4 | Sechskantschraube | Hexagon bolt | M12x70-8.8 Zn DIN931-A |
| 3 | 301 3779 | 2 | Sechskantschraube spz. | Hexagon bolt | M16x60-10.9 Zn |
| 4 | 301 3870 | 8 | Sechskantschraube spz. | Hexagon bolt | M16x65-10.9 Zn |
| 5 | 301 5363 | 6 | Sechskantschraube spz. | Hexagon bolt | M16x70-12.9 Zn |
| 6 | 301 3324 | 16 | Sechskantschraube | Hexagon bolt | M12x30-8.8 Zn DIN933 |
| 7 | 302 7933 | 2 | Spindel | Screw | KPL TR20x120-170 |
| 8 | 301 6141 | 2 | Senkschraube | Countersunk bolt | M16x40-10.9 Zn DIN7991-A |
| 9 | 303 8644 | 2 | Spindelmutter | Nut for screw | 30x30x44 TR 20 |
| 10 | 303 0935 | 18 | Sicherungsmutter | Selflocking nut | NM16-8 Zn DIN985 |
| 11 | 305 6141 | 32 | Scheibe | Washer | 17/30x3 DIN/ISO-7089 |
| 12 | 305 6137 | 38 | Scheibe | Washer | 13/25x3 DIN1441-St Zn |
| 14 | 311 9565 | 4 | Klappstift | Securing pin | 4,5 |
| 15 | 313 1530 | 4 | Bolzen mit Griff | Pin with grip | D15x47,5/106 Zn |
| 16 | 317 3341 | 2 | Einspannbuchse | Expansion bush | EG22/28x20-DIN1498 |
| 17 | 317 6658 | 2 | Buchse | Bush | D16/22x22 |
| 18 | 319 9372 | 4 | Flanschlager-Gehäuseeinheit | Bearing cpl. | RCJ 35 35x118x39,9 4xM12 |
| 20 | 422 6892 | 1 | Tragrahmen-R | Supporting frame - R | 80 MSW D600-250 HE |



01.18

| Pos. | Art.Nr. | Stck. | Artikeltext / Description | | Abmessung |
|------|----------|-------|---------------------------|----------------------|------------------------------|
| 21 | 42310053 | 2 | Messerwalze | Knife roller | MSW D600-1122-10R-125-R |
| 23 | 422 6813 | 4 | Verstellplatte | Adjuster plate | 8x464x775 13xD16 |
| 24 | 422 6820 | 1 | Messerbalken | Cutter bar | MSW D600 70x2300 19M |
| 25 | 317 6681 | 2 | Röhrchen | Tube | SM.9/500 RE D24x3x22+1 Zn |
| 26 | 323 0411 | 4 | Schutzkappe | Cap | D80/d35 t=2x5,5 Zn |
| 27 | 329 6124 | 4 | Tellerfeder | Cup spring | 40x14,3x2 DIN2093 |
| 28 | 375 1277 | 4 | O-Ring | O-ring | 79x2 |
| 29 | 422 6878 | 1 | Tragplatte lang | Support plate, long | 120x12x573 5xD16,1 |
| 30 | 422 6879 | 1 | Tragplatte kurz | Support plate, short | 120x12x225 |
| 32 | 337 5005 | 19 | Messer | Knife | 60x6x568 2xD8,5-80 |
| 33 | 32310090 | 2 | Vierkantstopfen | Square plug | Q-70x70x7,1 |



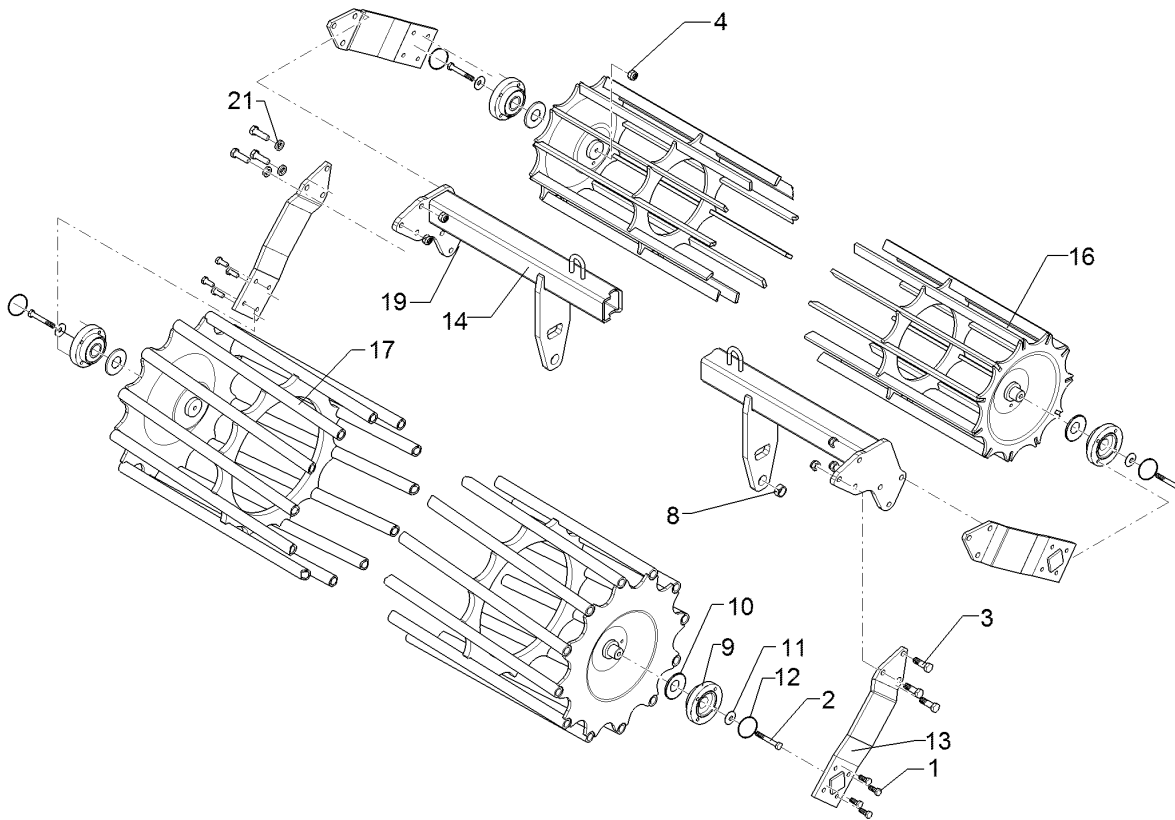
01.18

| Pos. | Art.Nr. | Stck. | Artikeltext / Description | | Abmessung |
|------|----------|-------|-----------------------------|-----------------------|-----------------------------|
| 1 | 301 1805 | 40 | Flachrundschaube mit Mutter | Bolt, cup square head | M12x30-10.9 MU Zn |
| 2 | 301 3406 | 4 | Sechskantschraube | Hexagon bolt | M12x70-8.8 Zn DIN931-A |
| 3 | 301 3779 | 2 | Sechskantschraube spz. | Hexagon bolt | M16x60-10.9 Zn |
| 4 | 301 3870 | 8 | Sechskantschraube spz. | Hexagon bolt | M16x65-10.9 Zn |
| 5 | 301 5363 | 6 | Sechskantschraube spz. | Hexagon bolt | M16x70-12.9 Zn |
| 6 | 301 3324 | 16 | Sechskantschraube | Hexagon bolt | M12x30-8.8 Zn DIN933 |
| 7 | 302 7933 | 2 | Spindel | Screw | KPL TR20x120-170 |
| 8 | 301 6141 | 2 | Senkschraube | Countersunk bolt | M16x40-10.9 Zn DIN7991-A |
| 9 | 303 8644 | 2 | Spindelmutter | Nut for screw | 30x30x44 TR 20 |
| 10 | 303 0935 | 18 | Sicherungsmutter | Selflocking nut | NM16-8 Zn DIN985 |
| 11 | 305 6141 | 32 | Scheibe | Washer | 17/30x3 DIN/ISO-7089 |
| 12 | 305 6137 | 40 | Scheibe | Washer | 13/25x3 DIN1441-St Zn |
| 14 | 311 9565 | 4 | Klappstift | Securing pin | 4,5 |
| 15 | 313 1530 | 4 | Bolzen mit Griff | Pin with grip | D15x47,5/106 Zn |
| 16 | 317 3341 | 2 | Einspannbuchse | Expansion bush | EG22/28x20-DIN1498 |
| 17 | 317 6658 | 2 | Buchse | Bush | D16/22x22 |
| 18 | 319 9372 | 4 | Flanschlager-Gehäuseeinheit | Bearing cpl. | RCJ 35 35x118x39,9 4xM12 |
| 20 | 422 6892 | 1 | Tragrahmen-R | Supporting frame - R | 80 MSW D600-250 HE |



01.18

| Pos. | Art.Nr. | Stck. | Artikeltext / Description | | Abmessung |
|------|----------|-------|---------------------------|----------------------|-------------------------------|
| 21 | 42310053 | 2 | Messerwalze | Knife roller | MSW D600-1122-10R-125-R |
| 23 | 422 6813 | 4 | Verstellplatte | Adjuster plate | 8x464x775 13xD16 |
| 24 | 422 6821 | 1 | Messerbalken | Cutter bar | MSW D600 70x2425 20M |
| 25 | 317 6681 | 2 | Röhrchen | Tube | SM.9/500 L I D24x3x22+1 Zn |
| 26 | 323 0411 | 4 | Schutzkappe | Cap | D80/d35 t=2x5,5 Zn |
| 27 | 329 6124 | 4 | Tellerfeder | Cup spring | 40x14,3x2 DIN2093 |
| 28 | 375 1277 | 4 | O-Ring | O-ring | 79x2 |
| 29 | 422 6878 | 1 | Tragplatte lang | Support plate, long | 120x12x573 5xD16,1 |
| 30 | 422 6879 | 1 | Tragplatte kurz | Support plate, short | 120x12x225 |
| 32 | 337 5005 | 20 | Messer | Knife | 60x6x568 2xD8,5-80 |
| 33 | 32310090 | 2 | Vierkantstopfen | Square plug | Q-70x70x7,1 |

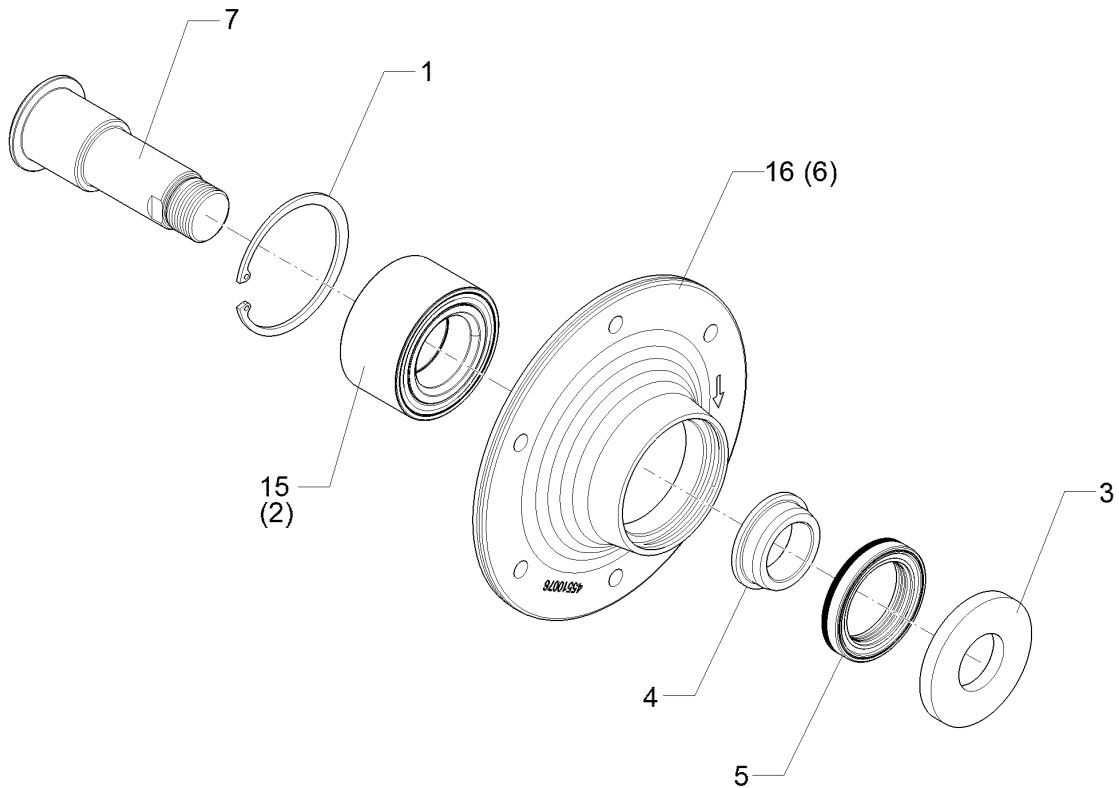


01.18

| Pos. | Art.Nr. | Stck. | Artikeltext / Description | | Abmessung |
|------|----------|-------|------------------------------|------------------|----------------------------------|
| 1 | 301 3324 | 16 | Sechskantschraube | Hexagon bolt | M12x30-8.8 Zn DIN933 |
| 2 | 301 3432 | 4 | Sechskantschraube | Hexagon bolt | M12x80-8.8 Zn DIN931-A |
| 3 | 301 5409 | 12 | Sechskantschraube spz. | Hexagon bolt | M16x50-8.8 Zn |
| 4 | 303 0934 | 4 | Sicherungsmutter | Selflocking nut | NM12-8 Zn DIN985 |
| 8 | 317 3352 | 2 | Einspannbuchse mit Presssitz | Expansion bush | EG28/32x20 |
| 9 | 319 9372 | 4 | Flanschlager-Gehäuseeinheit | Bearing cpl. | RCJ 35 35x118x39,9 4xM12 |
| 10 | 323 0411 | 4 | Schutzkappe | Cap | D80/d35 t=2x5,5 Zn |
| 11 | 329 6124 | 4 | Tellerfeder | Cup spring | 40x14,3x2 DIN2093 |
| 12 | 375 1277 | 4 | O-Ring | O-ring | 79x2 |
| 13 | 422 2924 | 4 | Seitenplatte | Side plate | 120x12x494 |
| 14 | 422 8333 | 1 | Tragrahmen | Supporting frame | 80x2410 |
| 16 | 423 1022 | 1 | Flachstabwalze | Flat bar roller | 540/400-250-HE D400x2454 2.50 |
| 17 | 423 1040 | 1 | Rohrstabwalze | Tube bar roller | D540x2454 RE 2.50 |
| 19 | 303 0935 | 12 | Sicherungsmutter | Selflocking nut | NM16-8 Zn DIN985 |
| 21 | 305 6141 | 12 | Scheibe | Washer | 17/30x3 DIN/ISO-7089 |

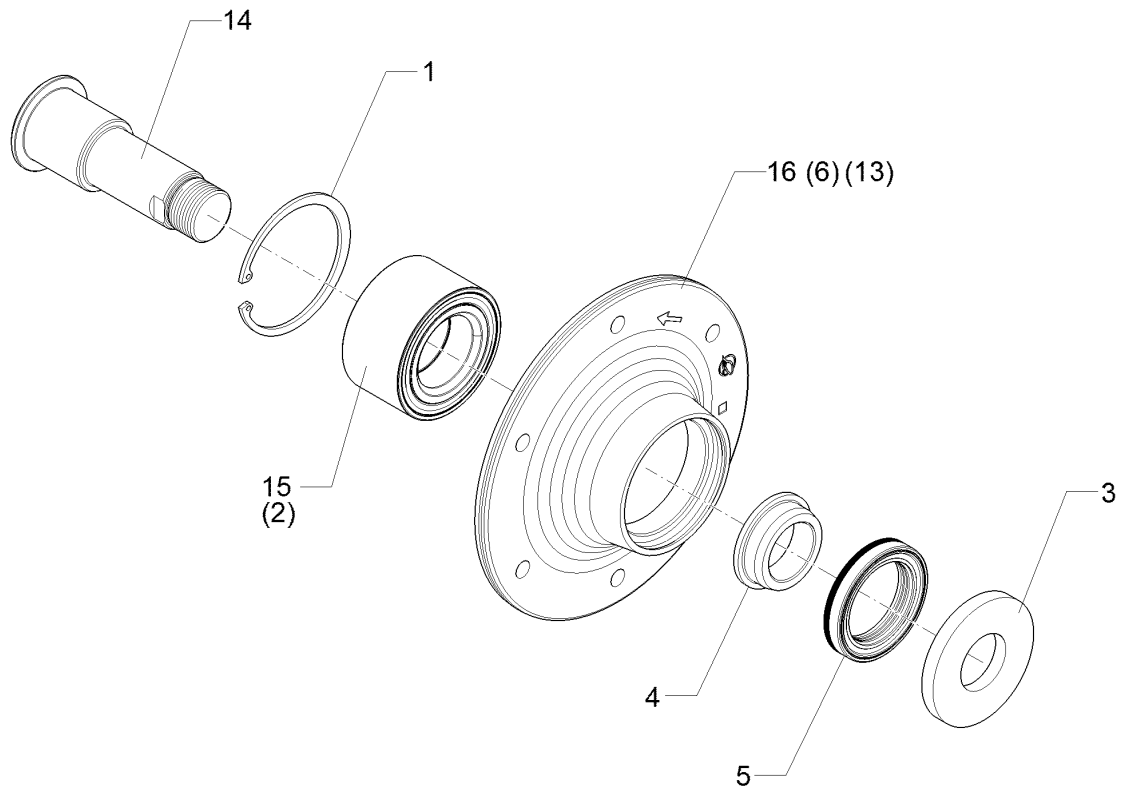
| | |
|----------|----------|
| Nabe/Hub | 4 |
|----------|----------|

| | |
|-----------------------------|-----------------|
| Rubin 12/500 KUA (A) | 55510016 |
|-----------------------------|-----------------|



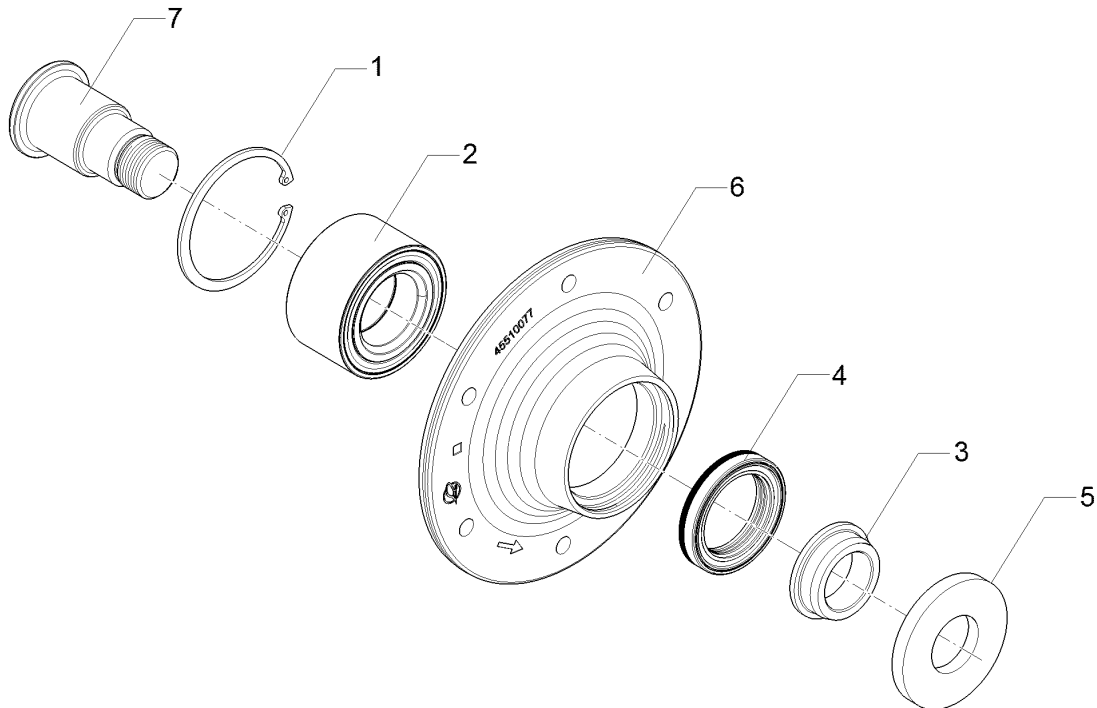
01.18

| Pos. | Art.Nr. | Stck. | Artikeltext / Description | | Abmessung |
|------|----------|-------|---------------------------|----------------------|--------------------------|
| 1 | 30510056 | 1 | Sicherungsring | Retaining ring | 92x3,0 DIN472 |
| 2 | 31910020 | 1 | Schrägkugellager | Angular ball bearing | D92/50x50 |
| 3 | 32310111 | 1 | Scheibe | Washer | D40/89,6x10 Zn |
| 4 | 32310070 | 1 | Lauftring | Race ring | D65/56/40x19,5 V |
| 5 | 32310071 | 1 | Kassettendichtung | Sealing | S3 56-80-13/14,5 NBR |
| 6 | 45510046 | 1 | Lagergehäuse | Bearing housing | D235/195x85(A) RE Zn |
| 7 | 45510040 | 1 | Achse | Axle | D65/50x149 M36x1,5 Zn |
| 15 | 31910033 | 1 | Schrägkugellager | Angular ball bearing | D92/50x50 |
| 16 | 45510076 | 1 | Lagergehäuse | Bearing housing | D235/195x85(C) RE Zn |



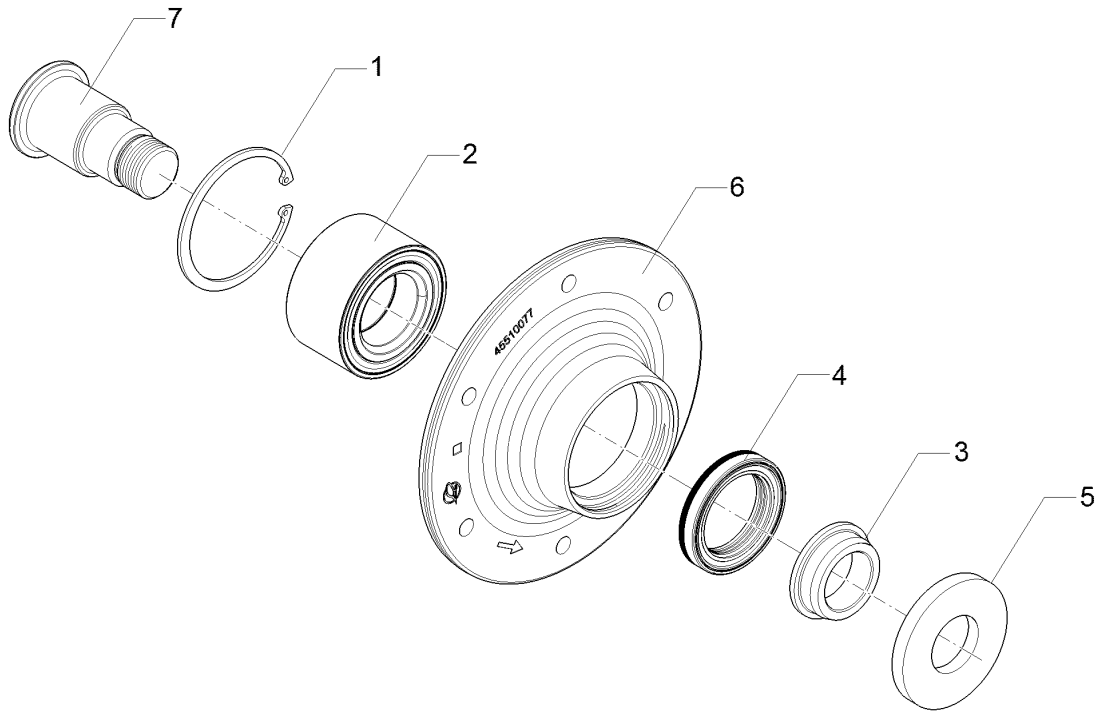
01.18

| Pos. | Art.Nr. | Stck. | Artikeltext / Description | | Abmessung |
|------|----------|-------|---------------------------|----------------------|---------------------------|
| 1 | 30510056 | 1 | Sicherungsring | Retaining ring | 92x3,0 DIN472 |
| 2 | 31910020 | 1 | Schrägkugellager | Angular ball bearing | D92/50x50 |
| 3 | 32310111 | 1 | Scheibe | Washer | D40/89,6x10 Zn |
| 4 | 32310070 | 1 | Lauftring | Race ring | D65/56/40x19,5 V |
| 5 | 32310071 | 1 | Kassettdichtung | Sealing | S3 56-80-13/14,5 NBR |
| 6 | 45510033 | 1 | Lagergehäuse | Bearing housing | D225/195x85 LI Zn |
| 13 | 45510047 | 1 | Lagergehäuse | Bearing housing | D235/195x85(A) LI Zn |
| 14 | 45510041 | 1 | Achse | Axle | D65/50x149 |
| 15 | 31910033 | 1 | Schrägkugellager | Angular ball bearing | M36x1,5LH Zn D92/50x50 |
| 16 | 45510077 | 1 | Lagergehäuse | Bearing housing | D235/195x85(C) LI Zn |



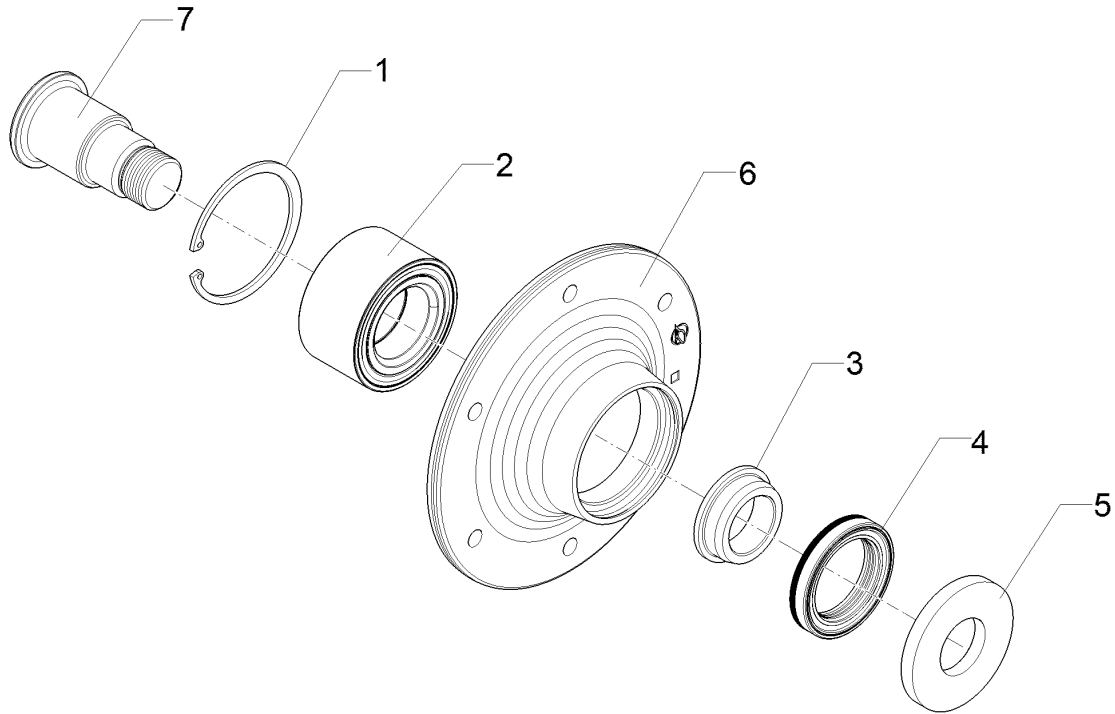
01.18

| Pos. | Art.Nr. | Stck. | Artikeltext / Description | | Abmessung |
|------|----------|-------|---------------------------|----------------------|-------------------------|
| 1 | 30510056 | 1 | Sicherungsring | Retaining ring | 92x3,0 DIN472 |
| 2 | 31910033 | 1 | Schrägkugellager | Angular ball bearing | D92/50x50 |
| 3 | 32310070 | 1 | Lauftring | Race ring | D65/56/40x19,5 V |
| 4 | 32310071 | 1 | Kassettdichtung | Sealing | S3 56-80-13/14,5 NBR |
| 5 | 32310111 | 1 | Scheibe | Washer | D40/89,6x10 Zn |
| 6 | 45510076 | 1 | Lagergehäuse | Bearing housing | D235/195x85(C) RE Zn |
| 7 | 45510081 | 1 | Achse | Axle | D65/50x118 M36x1,5LH |



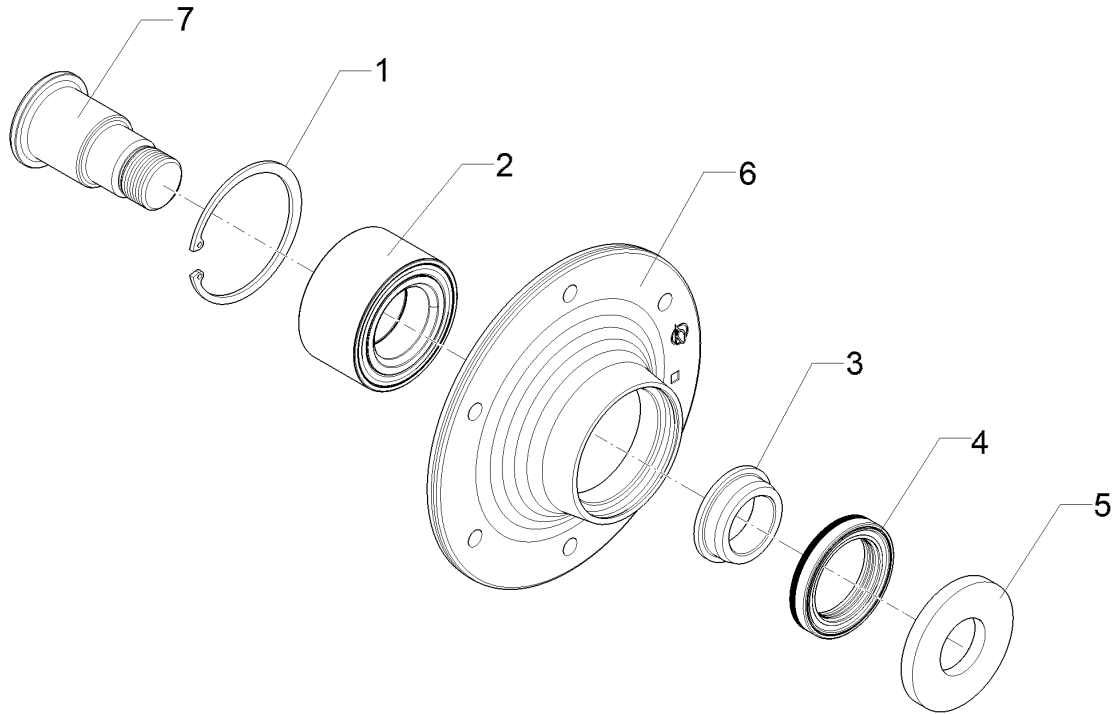
01.18

| Pos. | Art.Nr. | Stck. | Artikeltext / Description | | Abmessung |
|------|----------|-------|---------------------------|----------------------|-------------------------|
| 1 | 30510056 | 1 | Sicherungsring | Retaining ring | 92x3,0 DIN472 |
| 2 | 31910033 | 1 | Schrägkugellager | Angular ball bearing | D92/50x50 |
| 3 | 32310070 | 1 | Lauftring | Race ring | D65/56/40x19,5 V |
| 4 | 32310071 | 1 | Kassettdichtung | Sealing | S3 56-80-13/14,5 NBR |
| 5 | 32310111 | 1 | Scheibe | Washer | D40/89,6x10 Zn |
| 6 | 45510077 | 1 | Lagergehäuse | Bearing housing | D235/195x85(C) LI Zn |
| 7 | 45510080 | 1 | Achse | Axle | D65/50x118 M36x1,5 |



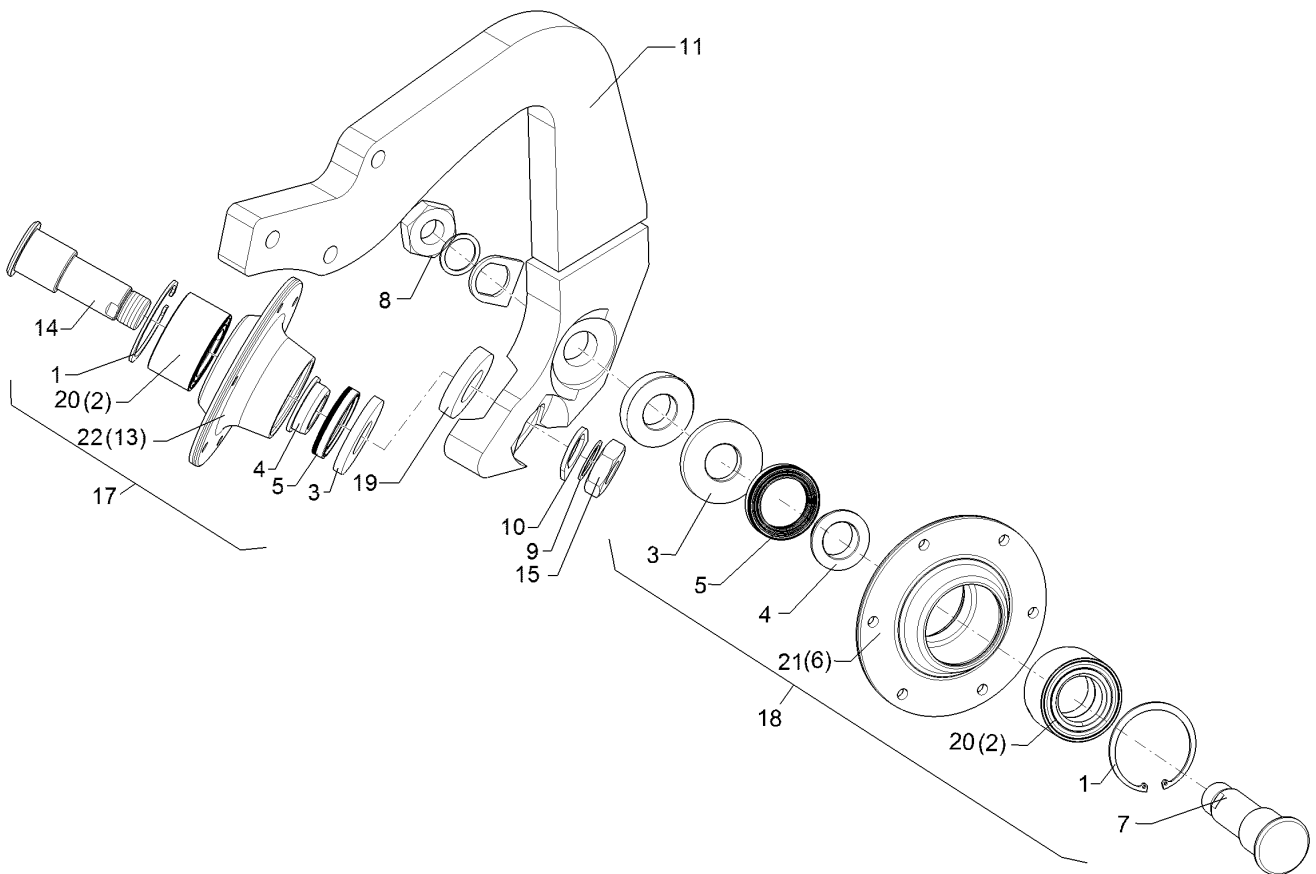
01.18

| Pos. | Art.Nr. | Stck. | Artikeltext / Description | | Abmessung |
|------|----------|-------|---------------------------|----------------------|-------------------------|
| 1 | 30510056 | 1 | Sicherungsring | Retaining ring | 92x3,0 DIN472 |
| 2 | 31910033 | 1 | Schrägkugellager | Angular ball bearing | D92/50x50 |
| 3 | 32310070 | 1 | Lauftring | Race ring | D65/56/40x19,5 V |
| 4 | 32310071 | 1 | Kassettdichtung | Sealing | S3 56-80-13/14,5 NBR |
| 5 | 32310111 | 1 | Scheibe | Washer | D40/89,6x10 Zn |
| 6 | 45510076 | 1 | Lagergehäuse | Bearing housing | D235/195x85(C) RE Zn |
| 7 | 45510083 | 1 | Achse | Axle | D65/50x105 M36x1,5LH |



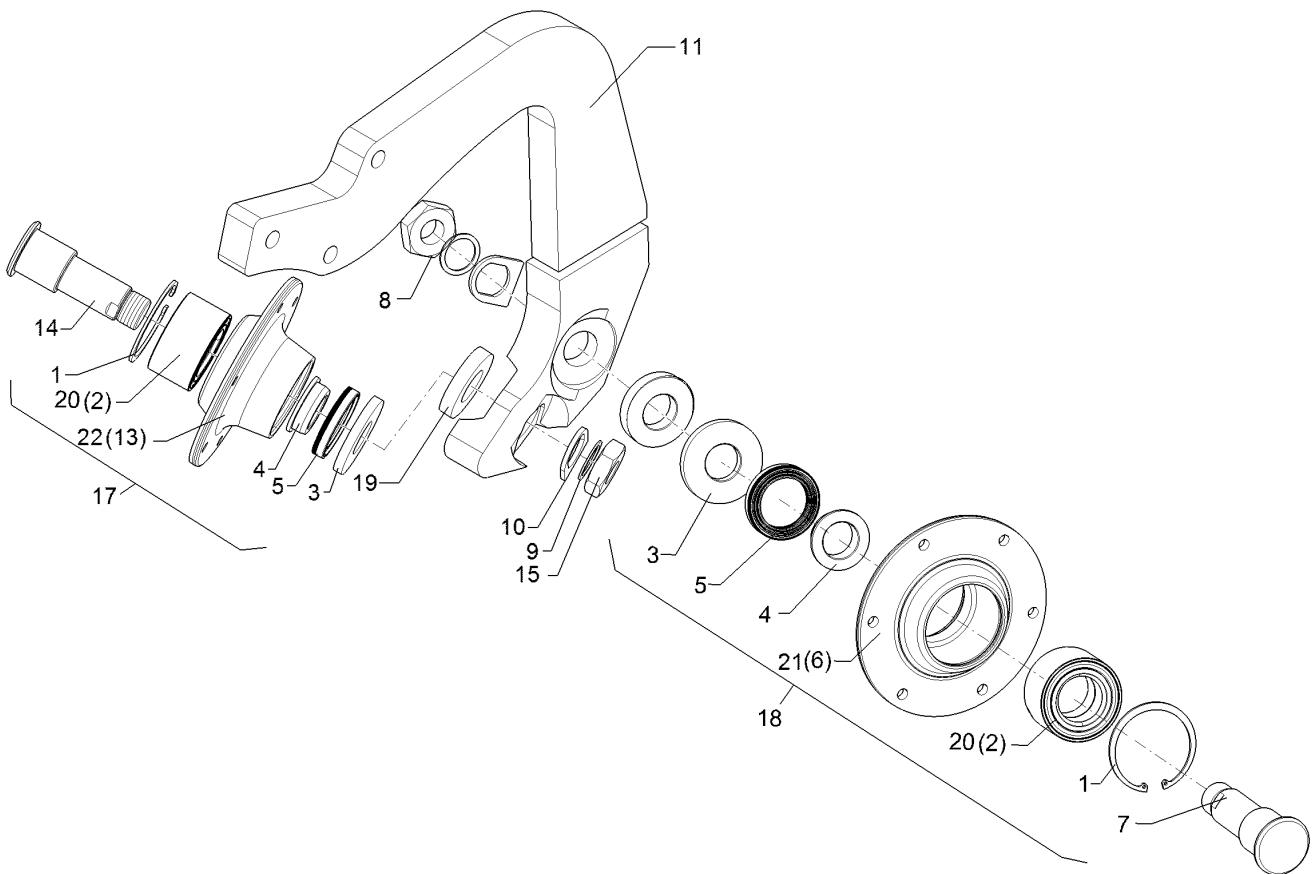
01.18

| Pos. | Art.Nr. | Stck. | Artikeltext / Description | Abmessung |
|------|----------|-------|---------------------------|----------------------|
| 1 | 30510056 | 1 | Sicherungsring | Retaining ring |
| 2 | 31910033 | 1 | Schrägkugellager | Angular ball bearing |
| 3 | 32310070 | 1 | Lauftring | Race ring |
| 4 | 32310071 | 1 | Kassettdichtung | Sealing |
| 5 | 32310111 | 1 | Scheibe | Washer |
| 6 | 45510077 | 1 | Lagergehäuse | Bearing housing |
| 7 | 45510082 | 1 | Achse | Axle |
| | | | | 92x3,0 DIN472 |
| | | | | D92/50x50 |
| | | | | D65/56/40x19,5 V |
| | | | | S3 56-80-13/14,5 |
| | | | | NBR |
| | | | | D40/89,6x10 Zn |
| | | | | D235/195x85(C) LI |
| | | | | Zn |
| | | | | D65/50x105 |
| | | | | M36x1,5 |



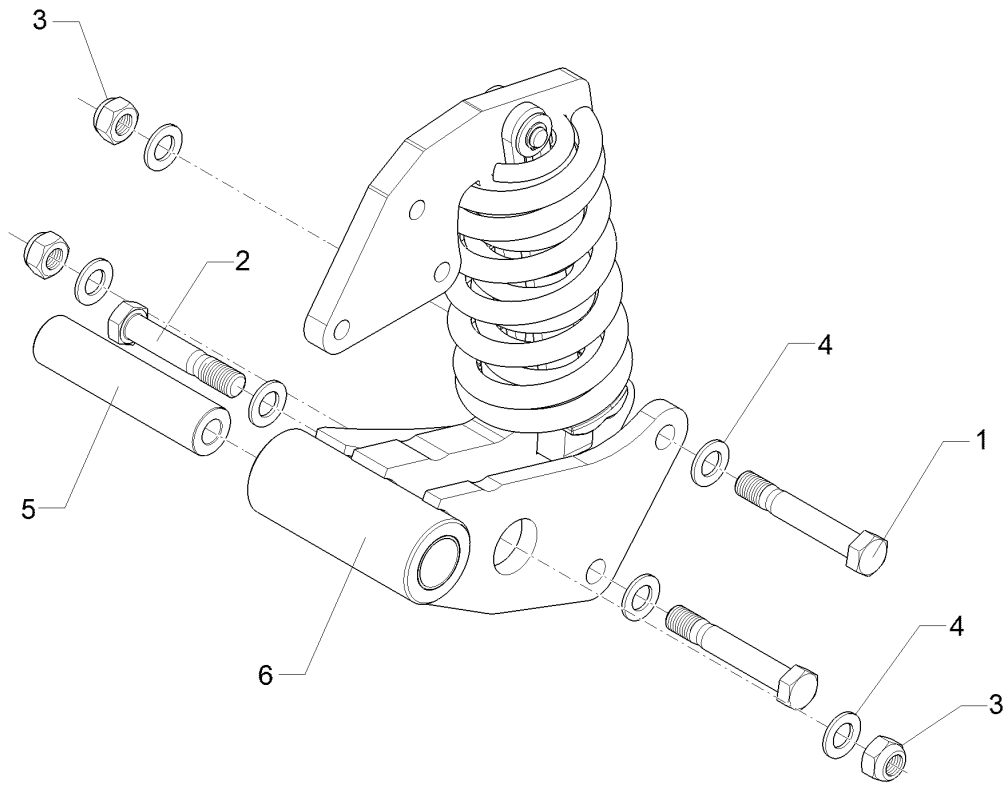
01.18

| Pos. | Art.Nr. | Stck. | Artikeltext / Description | | Abmessung |
|------|----------|-------|---------------------------|----------------------|----------------------------------|
| 1 | 30510056 | 1 | Sicherungsring | Retaining ring | 92x3,0 DIN472 |
| 2 | 31910020 | 1 | Schrägkugellager | Angular ball bearing | D92/50x50 |
| 3 | 32310111 | 1 | Scheibe | Washer | D40/89,6x10 Zn |
| 4 | 32310070 | 1 | Lauftring | Race ring | D65/56/40x19,5 V |
| 5 | 32310071 | 1 | Kassettendichtung | Sealing | S3 56-80-13/14,5 NBR |
| 6 | 45510046 | 1 | Lagergehäuse | Bearing housing | D235/195x85(A) RE Zn |
| 7 | 45510040 | 1 | Achse | Axle | D65/50x149 |
| 8 | 30310014 | 1 | Sechskantmutter | Hexagon nut | M36x1,5 Zn M36x1,5 DIN439-5 |
| 9 | 30510057 | 2 | Scheibe | Washer | 37x47x2,0 DIN988 Zn |
| 10 | 30510151 | 2 | Verdrehsicherung | Locking | 5x52x56 D41 |
| 11 | 41210120 | 1 | Halm | Stalk | Rubin 12 50 3xD20,1 |
| 13 | 45510047 | 1 | Lagergehäuse | Bearing housing | D235/195x85(A) LI Zn |
| 14 | 45510041 | 1 | Achse | Axle | D65/50x149 |
| 15 | 30310015 | 1 | Sechskantmutter | Hexagon nut | M36x1,5LH Zn M36x1,5 DIN439-5 |
| 17 | 55510017 | 1 | Nabe | Hub | Zn LH D40x235x195 |
| 18 | 55510016 | 1 | Nabe | Hub | M36x1,5LH D40x235x195 |
| 19 | 30510152 | 2 | Scheibe | Washer | M36x1,5 D80/40x15 |



01.18

| Pos. | Art.Nr. | Stck. | Artikeltext / Description | | Abmessung |
|------|----------|-------|---------------------------|----------------------|-------------------------|
| 20 | 31910033 | 1 | Schrägkugellager | Angular ball bearing | D92/50x50 |
| 21 | 45510076 | 1 | Lagergehäuse | Bearing housing | D235/195x85(C) RE Zn |
| 22 | 45510077 | 1 | Lagergehäuse | Bearing housing | D235/195x85(C) LI Zn |

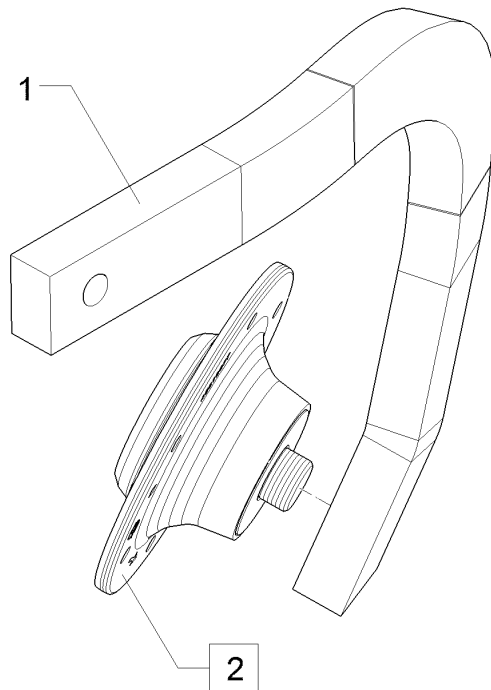


01.18

| Pos. | Art.Nr. | Stck. | Artikeltext / Description | | Abmessung |
|------|----------|-------|---------------------------|-----------------|-----------------------------|
| 1 | 301 4467 | 2 | Sechskantschraube gek. | Hexagon bolt | M20x125-8.8 Zn (150gek.) |
| 2 | 301 5393 | 1 | Sechskantschraube gekürzt | Hexagon bolt | M20x110-8.8 Zn (130) |
| 3 | 303 0936 | 3 | Sicherungsmutter | Selflocking nut | NM20-8 Zn DIN985 |
| 4 | 305 6012 | 6 | Scheibe | Washer | 21 ISO7089 Zn |
| 5 | 31710066 | 1 | Buchse | Bush | D40/20,1x169,7 A2-V |
| 6 | 51210053 | 1 | Halmtasche | Bracket | Rubin12 VO/MI(B) |

| | |
|------------|----------|
| Halm/Stalk | 4 |
|------------|----------|

| | |
|-----------------------------|-----------------|
| Rubin 12/500 KUA (A) | 61210178 |
|-----------------------------|-----------------|

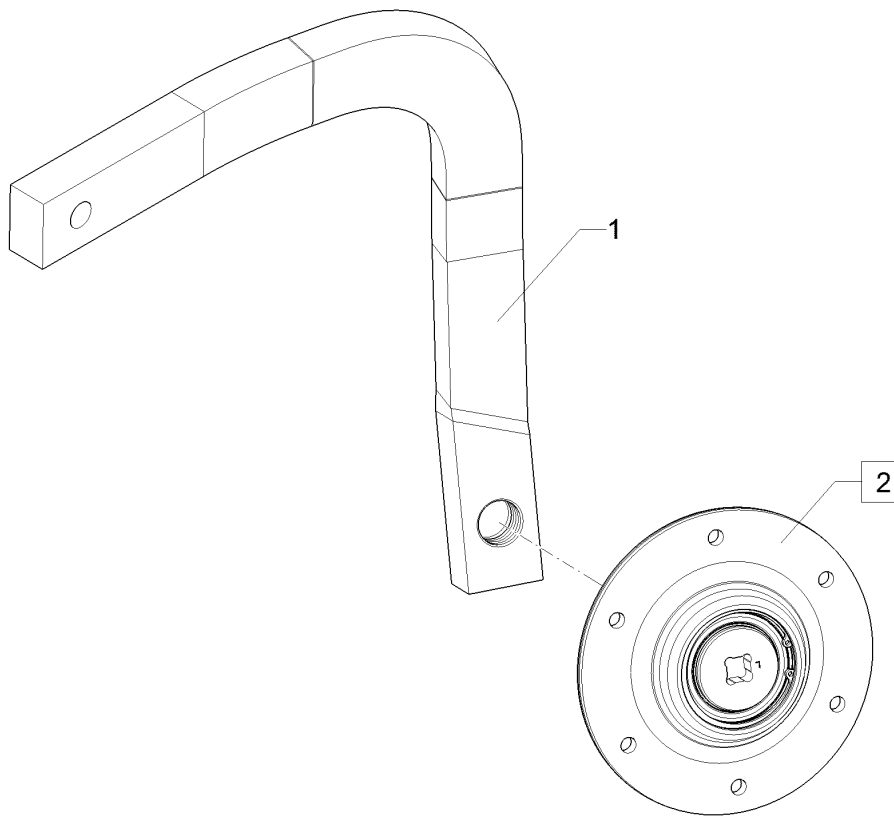


01.18

| Pos. | Art.Nr. | Stck. | Artikeltext / Description | | Abmessung |
|------|----------|-------|---------------------------|---------|-------------------------|
| 1 | 41210210 | 1 | Halm | Stalk | 60x35x857 RE M36x1,5 |
| 2 | 55510041 | 1 | Lagerung | Bearing | D40x225x195 M36x1,5 |

| | |
|------------|----------|
| Halm/Stalk | 4 |
|------------|----------|

| | |
|-----------------------------|-----------------|
| Rubin 12/500 KUA (A) | 61210179 |
|-----------------------------|-----------------|

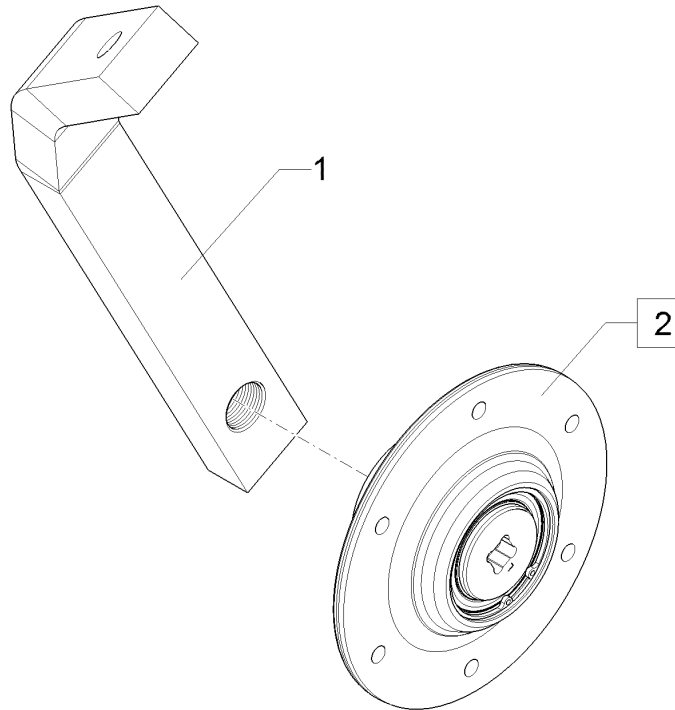


01.18

| Pos. | Art.Nr. | Stck. | Artikeltext / Description | | Abmessung |
|------|----------|-------|---------------------------|---------|--|
| 1 | 41210211 | 1 | Halm | Stalk | 60x35x857 LI |
| 2 | 55510040 | 1 | Lagerung | Bearing | M36x1,5 LH D40x235x195 M36x1,5LH |

| | |
|------------|----------|
| Halm/Stalk | 4 |
|------------|----------|

| | |
|-----------------------------|-----------------|
| Rubin 12/500 KUA (A) | 61210180 |
|-----------------------------|-----------------|

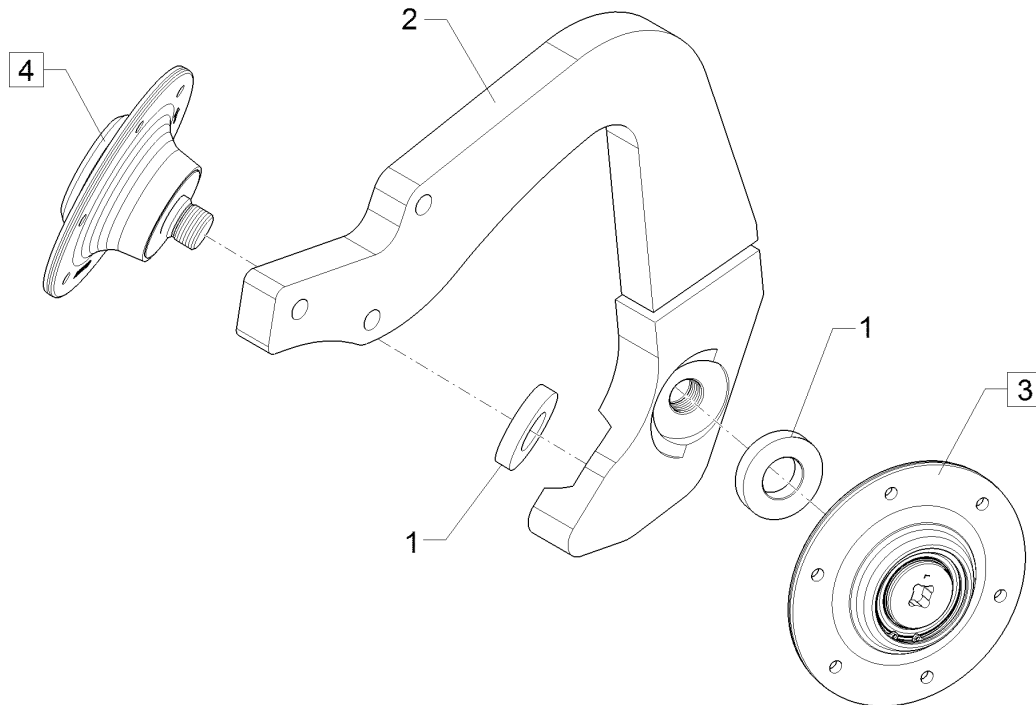


01.18

| Pos. | Art.Nr. | Stck. | Artikeltext / Description | | Abmessung |
|------|----------|-------|---------------------------|---------|--------------------------|
| 1 | 41210213 | 1 | Halm | Stalk | 60x35x669 M36x1,5LH |
| 2 | 55510040 | 1 | Lagerung | Bearing | D40x235x195 M36x1,5LH |

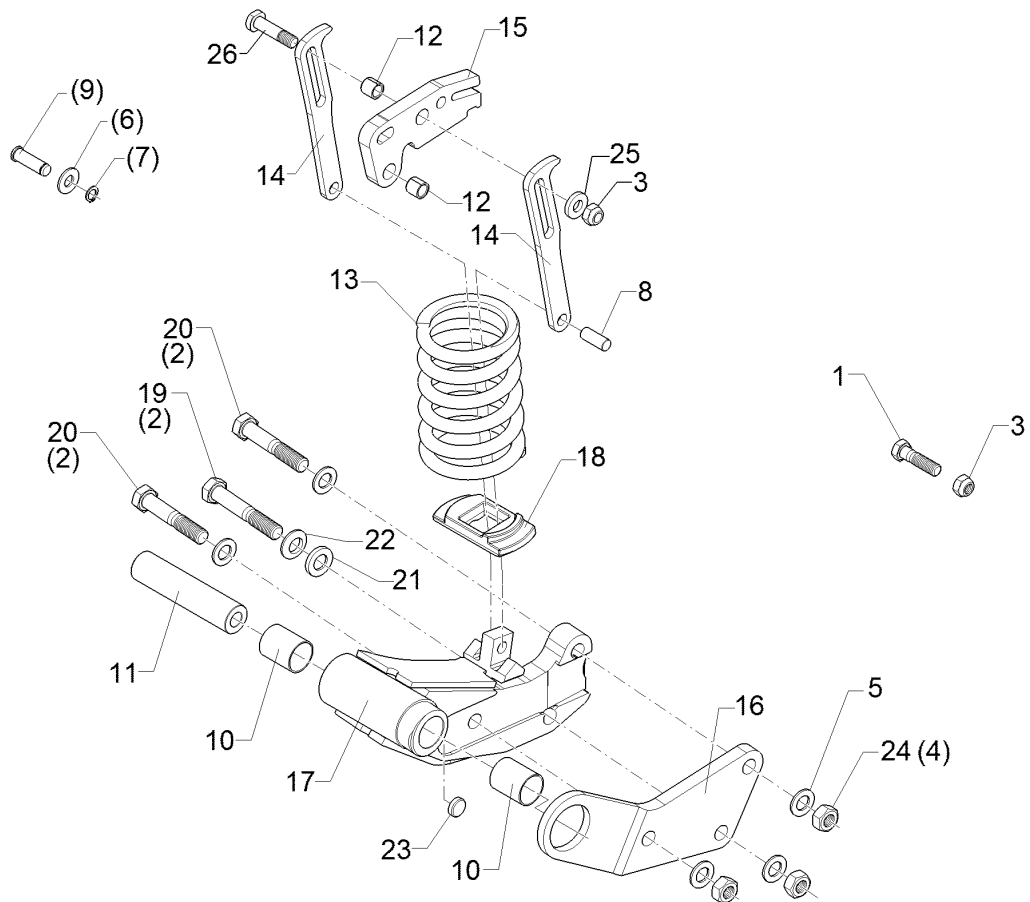
| | |
|------------|----------|
| Halm/Stalk | 4 |
|------------|----------|

| | |
|-----------------------------|-----------------|
| Rubin 12/500 KUA (A) | 61210186 |
|-----------------------------|-----------------|



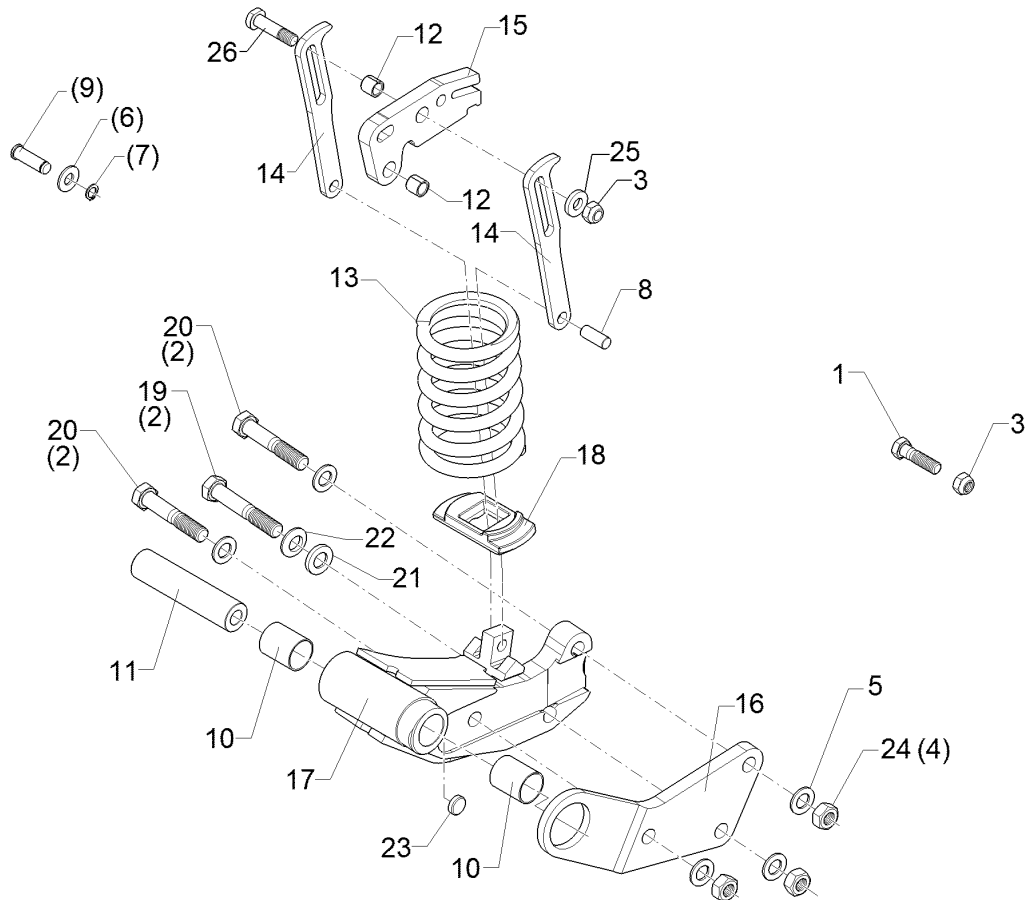
01.18

| Pos. | Art.Nr. | Stck. | Artikeltext / Description | | Abmessung |
|------|----------|-------|---------------------------|---------|--------------------------|
| 1 | 30510152 | 2 | Scheibe | Washer | D80/40x15 |
| 2 | 41210212 | 1 | Halm | Stalk | Rubin 12 50 2xM36x1,5 |
| 3 | 55510038 | 1 | Lagerung | Bearing | D40x235x195 M36x1,5LH |
| 4 | 55510039 | 1 | Lagerung | Bearing | D40x235x195 M36x1,5 |



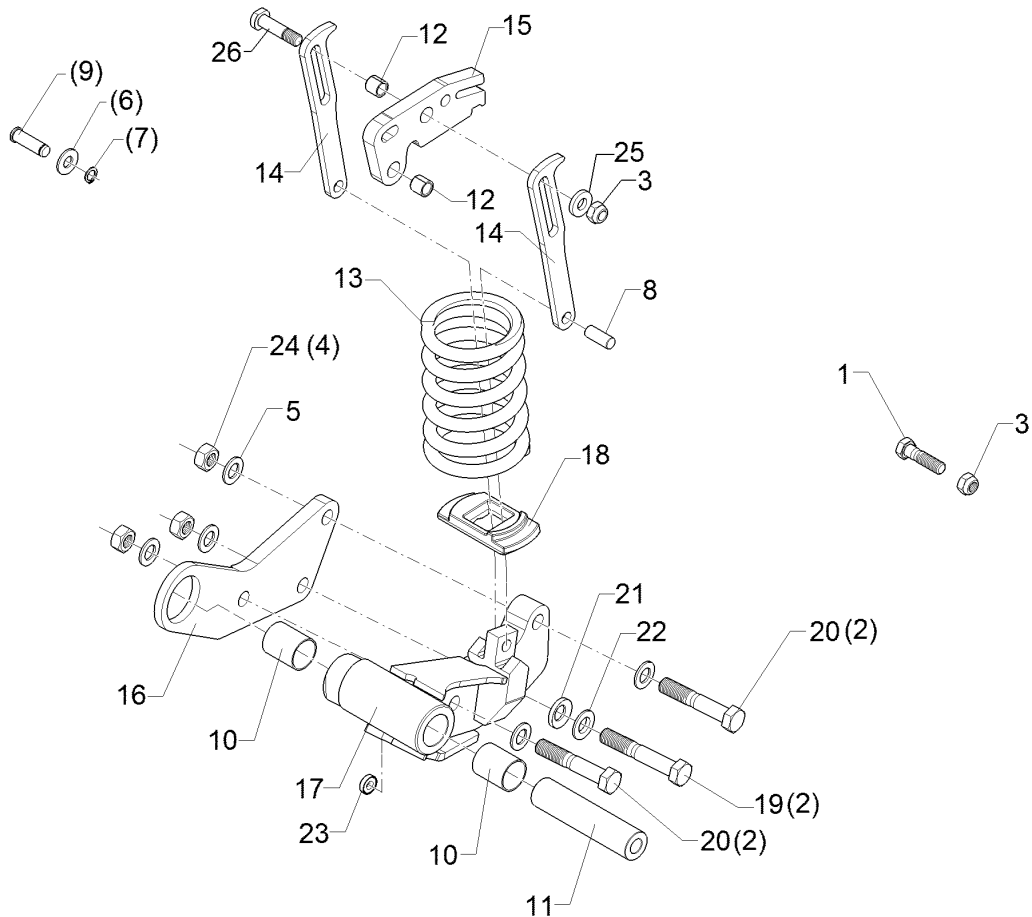
01.18

| Pos. | Art.Nr. | Stck. | Artikeltext / Description | | Abmessung |
|------|----------|-------|---------------------------|--------------------|-------------------------------|
| 1 | 301 3837 | 1 | Sechskantschraube | Hexagon bolt | M16x60-8.8 Zn DIN931-A |
| 2 | 30110529 | 3 | Sechskantschraube | Hexagon bolt | M20x1,5x110-10.9 Zn DIN960 |
| 3 | 303 0935 | 1 | Sicherungsmutter | Selflocking nut | NM16-8 Zn DIN985 |
| 4 | 303 0977 | 3 | Sechskantmutter | Hexagon nut | M20x1,5 DIN934-10 Zn |
| 5 | 305 6012 | 6 | Scheibe | Washer | 21 ISO7089 Zn |
| 6 | 30510184 | 2 | Scheibe | Washer | D35/16,3x3 VA |
| 7 | 30510185 | 1 | Sicherungsring | Retaining ring | 16x1,5 Zn DIN471 |
| 8 | 30910019 | 1 | Stift | Pin | 16x40 |
| 9 | 31310131 | 1 | Bolzen | Pin | KN D16/20x47,1/55 Zn |
| 10 | 317 3435 | 2 | Einspannbuchse Kunststoff | Expansion bush | EG40/44x52,5 S GSM |
| 11 | 31710066 | 1 | Buchse | Bush | D40/20,1x169,7 A2-V |
| 12 | 31710202 | 2 | Einspannbuchse | Expansion bush | EGP 16/22x20 C |
| 13 | 32910054 | 1 | Druckfeder | Compression spring | 17,25x115,8x295 |
| 14 | 41210218 | 2 | Führung | Guiding | 10x59x274 1xD16,1 |
| 15 | 41210219 | 1 | Federhalter | Holder | 20x102x194 2xD22 |
| 16 | 41210220 | 1 | Klemmplatte | Clamping plate | 20x134x355 3xD21 RE |
| 17 | 41210222 | 1 | Taschenlagerung | Bracket bearing | Rubin 12 RE 16GRD(A) |
| 18 | 42710006 | 1 | Federführung | Spring guiding | 27x66x136 Zn |



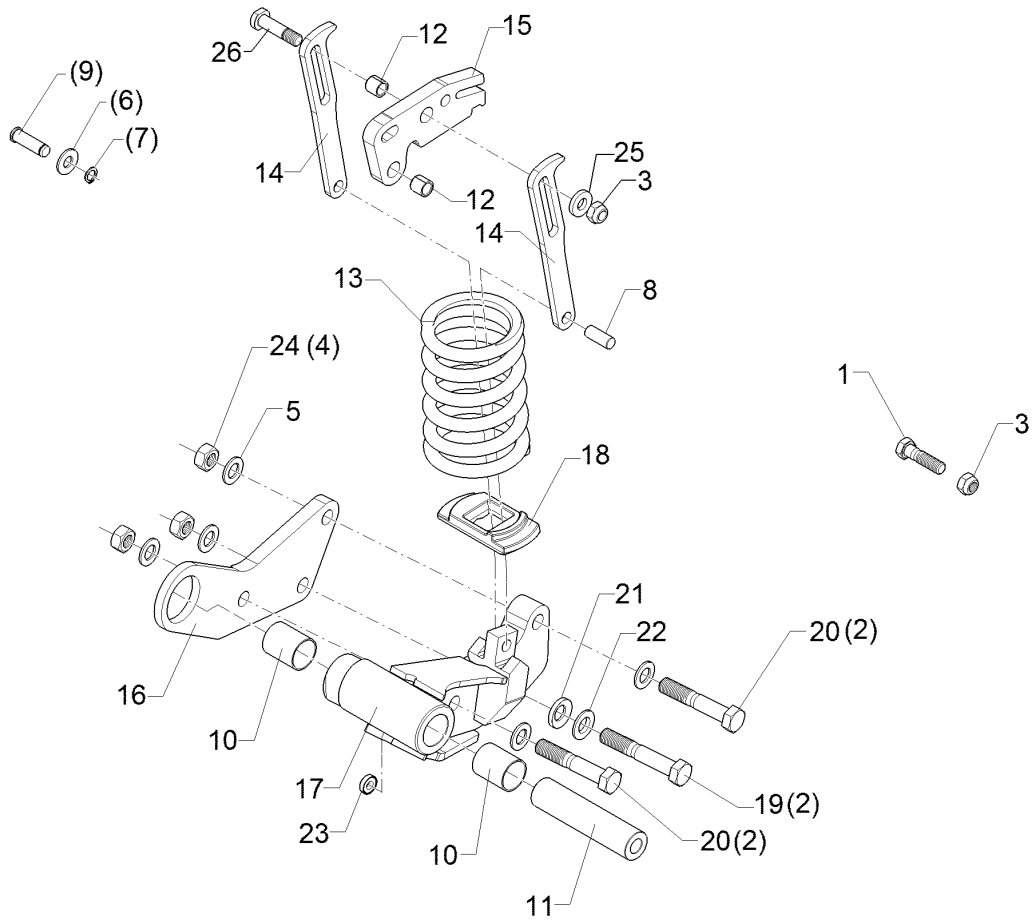
01.18

| Pos. | Art.Nr. | Stck. | Artikeltext / Description | | Abmessung |
|------|----------|-------|---------------------------|----------------|---------------------------|
| 19 | 30110524 | 1 | Sechskantschraube | Hexagon bolt | M20x120-10.9 Zn DIN931 |
| 20 | 30110538 | 2 | Sechskantschraube | Hexagon bolt | M20x110-10.9 DIN931 Zn |
| 21 | 30510186 | 1 | Kugelpfanne | Ball socket | 40x22x6 Zn |
| 22 | 30510187 | 1 | Kugelscheibe | Spherical disk | 40x22x6 Zn |
| 23 | 32110148 | 1 | Magnet | Magnet | D25x7 D5,5 |
| 24 | 30310110 | 3 | Sechskantmutter | Hexagon nut | M20 DIN934-10 Zn |
| 25 | 30510209 | 1 | Scheibe | Washer | D35/16,2x6 Zn |
| 26 | 31310156 | 1 | Bolzen | Pin | D16/28x42,5/73 M16 Zn |



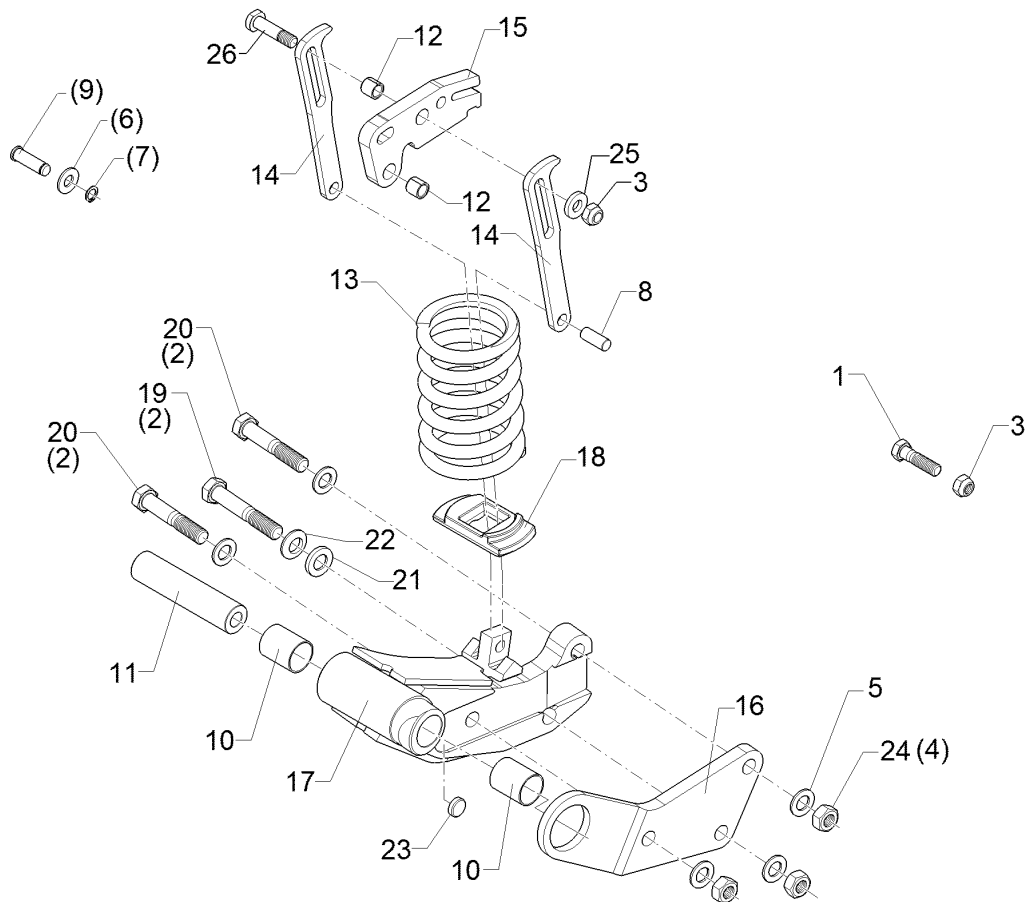
01.18

| Pos. | Art.Nr. | Stck. | Artikeltext / Description | | Abmessung |
|------|----------|-------|---------------------------|--------------------|-------------------------------|
| 1 | 301 3837 | 1 | Sechskantschraube | Hexagon bolt | M16x60-8.8 Zn DIN931-A |
| 2 | 30110529 | 3 | Sechskantschraube | Hexagon bolt | M20x1,5x110-10.9 Zn DIN960 |
| 3 | 303 0935 | 1 | Sicherungsmutter | Selflocking nut | NM16-8 Zn DIN985 |
| 4 | 303 0977 | 3 | Sechskantmutter | Hexagon nut | M20x1,5 DIN934-10 Zn |
| 5 | 305 6012 | 6 | Scheibe | Washer | 21 ISO7089 Zn |
| 6 | 30510184 | 2 | Scheibe | Washer | D35/16,3x3 VA |
| 7 | 30510185 | 1 | Sicherungsring | Retaining ring | 16x1,5 Zn DIN471 |
| 8 | 30910019 | 1 | Stift | Pin | 16x40 |
| 9 | 31310131 | 1 | Bolzen | Pin | KN D16/20x47,1/55 Zn |
| 10 | 317 3435 | 2 | Einspannbuchse Kunststoff | Expansion bush | EG40/44x52,5 S GSM |
| 11 | 31710066 | 1 | Buchse | Bush | D40/20,1x169,7 A2-V |
| 12 | 317 3395 | 2 | Einspannbuchse | Expansion bush | EG16/22x20 |
| 13 | 32910054 | 1 | Druckfeder | Compression spring | 17,25x115,8x295 |
| 14 | 41210218 | 2 | Führung | Guiding | 10x59x274 1xD16,1 |
| 15 | 41210219 | 1 | Federhalter | Holder | 20x102x194 2xD22 |
| 16 | 41210221 | 1 | Klemmplatte | Clamping plate | 20x134x355 3xD21 LI |
| 17 | 41210223 | 1 | Taschenlagerung | Bracket bearing | Rubin 12 LI 16GRD(A) |
| 18 | 42710006 | 1 | Federführung | Spring guiding | 27x66x136 Zn |



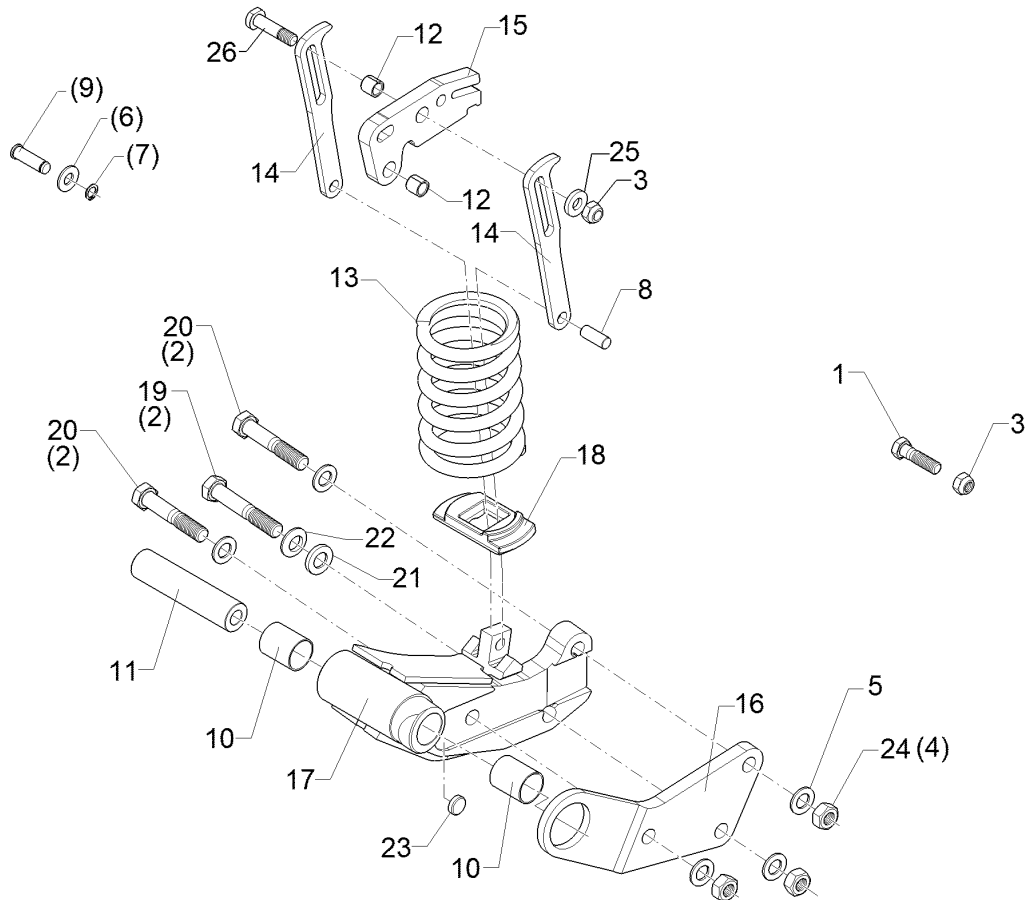
01.18

| Pos. | Art.Nr. | Stck. | Artikeltext / Description | | Abmessung |
|------|----------|-------|---------------------------|----------------|---------------------------|
| 19 | 30110524 | 1 | Sechskantschraube | Hexagon bolt | M20x120-10.9 Zn DIN931 |
| 20 | 30110538 | 2 | Sechskantschraube | Hexagon bolt | M20x110-10.9 DIN931 Zn |
| 21 | 30510186 | 1 | Kugelpfanne | Ball socket | 40x22x6 Zn |
| 22 | 30510187 | 1 | Kugelscheibe | Spherical disk | 40x22x6 Zn |
| 23 | 32110148 | 1 | Magnet | Magnet | D25x7 D5,5 |
| 24 | 30310110 | 3 | Sechskantmutter | Hexagon nut | M20 DIN934-10 Zn |
| 25 | 30510209 | 1 | Scheibe | Washer | D35/16,2x6 Zn |
| 26 | 31310156 | 1 | Bolzen | Pin | D16/28x42,5/73 M16 Zn |



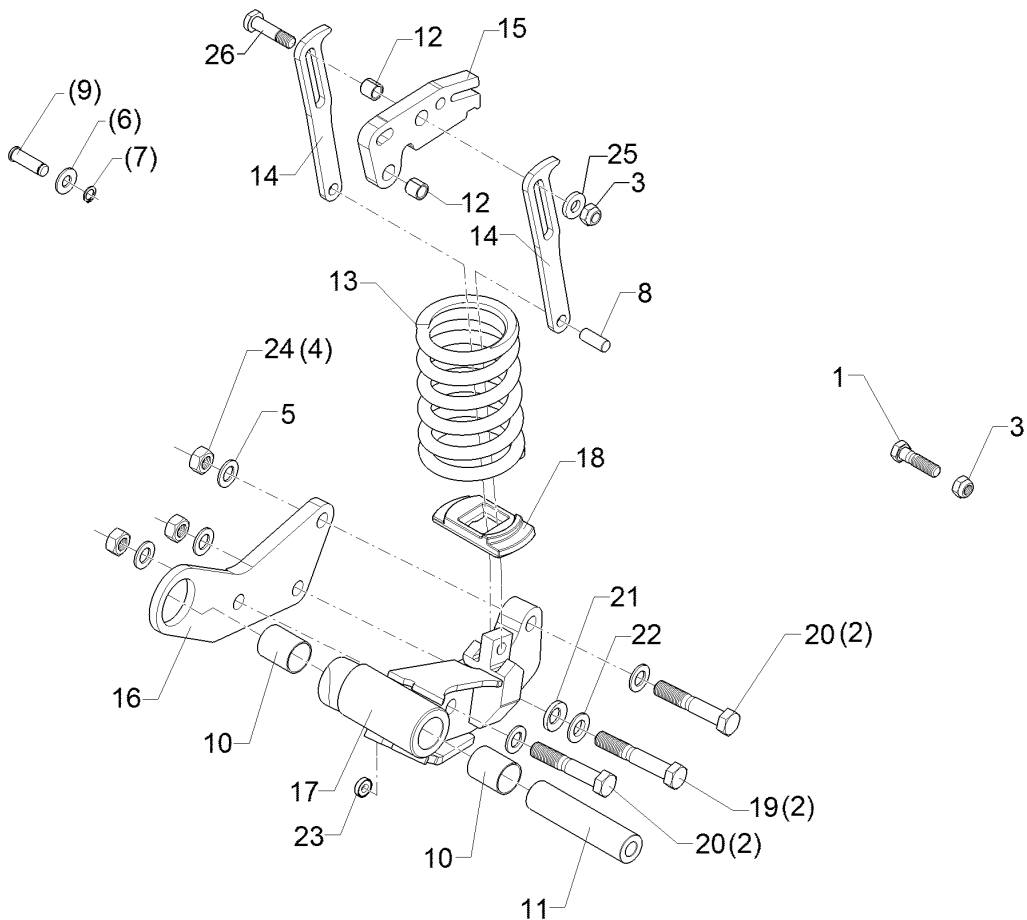
01.18

| Pos. | Art.Nr. | Stck. | Artikeltext / Description | | Abmessung |
|------|----------|-------|---------------------------|--------------------|-------------------------------|
| 1 | 301 3837 | 1 | Sechskantschraube | Hexagon bolt | M16x60-8.8 Zn DIN931-A |
| 2 | 30110529 | 3 | Sechskantschraube | Hexagon bolt | M20x1,5x110-10.9 Zn DIN960 |
| 3 | 303 0935 | 1 | Sicherungsmutter | Selflocking nut | NM16-8 Zn DIN985 |
| 4 | 303 0977 | 3 | Sechskantmutter | Hexagon nut | M20x1,5 DIN934-10 Zn |
| 5 | 305 6012 | 6 | Scheibe | Washer | 21 ISO7089 Zn |
| 6 | 30510184 | 2 | Scheibe | Washer | D35/16,3x3 VA |
| 7 | 30510185 | 1 | Sicherungsring | Retaining ring | 16x1,5 Zn DIN471 |
| 8 | 30910019 | 1 | Stift | Pin | 16x40 |
| 9 | 31310131 | 1 | Bolzen | Pin | KN D16/20x47,1/55 Zn |
| 10 | 317 3435 | 2 | Einspannbuchse Kunststoff | Expansion bush | EG40/44x52,5 S GSM |
| 11 | 31710066 | 1 | Buchse | Bush | D40/20,1x169,7 A2-V |
| 12 | 317 3395 | 2 | Einspannbuchse | Expansion bush | EG16/22x20 |
| 13 | 32910054 | 1 | Druckfeder | Compression spring | 17,25x115,8x295 |
| 14 | 41210218 | 2 | Führung | Guiding | 10x59x274 1xD16,1 |
| 15 | 41210219 | 1 | Federhalter | Holder | 20x102x194 2xD22 |
| 16 | 41210220 | 1 | Klemmplatte | Clamping plate | 20x134x355 3xD21 RE |
| 17 | 41210224 | 1 | Taschenlagerung | Bracket bearing | Rubin 12 RE 14GRD(A) |
| 18 | 42710006 | 1 | Federführung | Spring guiding | 27x66x136 Zn |



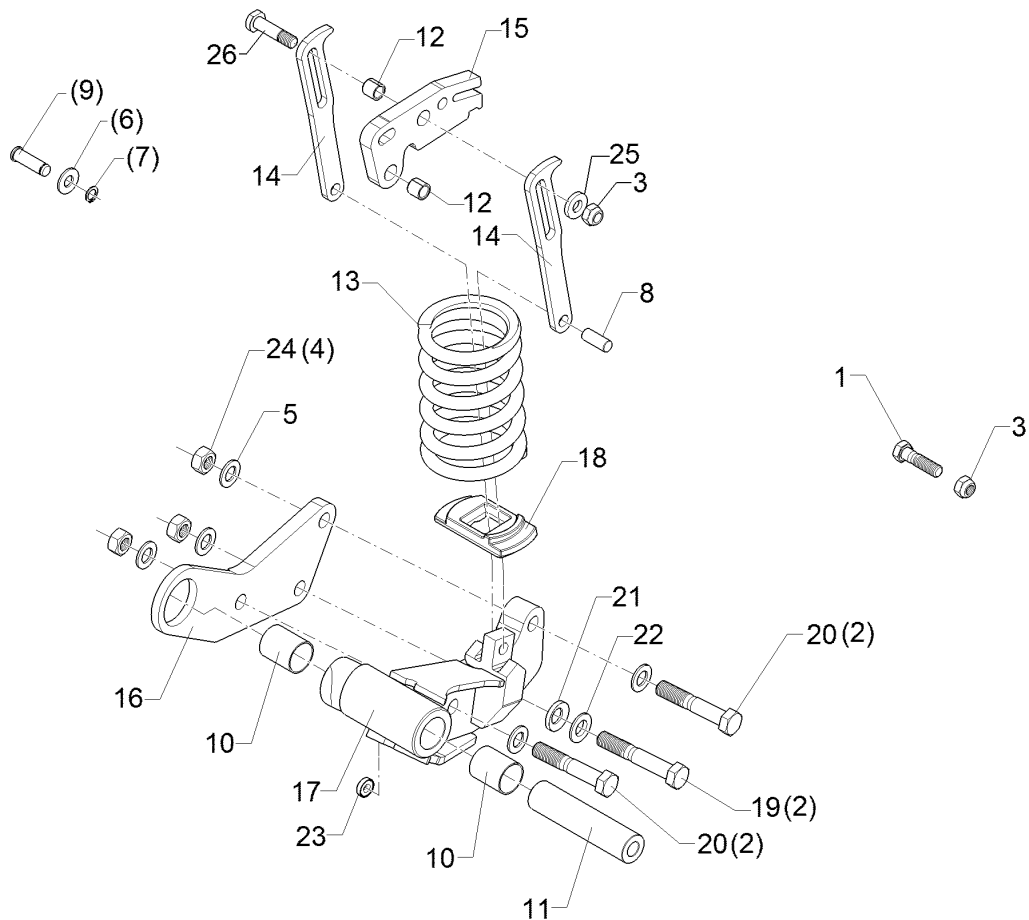
01.18

| Pos. | Art.Nr. | Stck. | Artikeltext / Description | | Abmessung |
|------|----------|-------|---------------------------|----------------|---------------------------|
| 19 | 30110524 | 1 | Sechskantschraube | Hexagon bolt | M20x120-10.9 Zn DIN931 |
| 20 | 30110538 | 2 | Sechskantschraube | Hexagon bolt | M20x110-10.9 DIN931 Zn |
| 21 | 30510186 | 1 | Kugelpfanne | Ball socket | 40x22x6 Zn |
| 22 | 30510187 | 1 | Kugelscheibe | Spherical disk | 40x22x6 Zn |
| 23 | 32110148 | 1 | Magnet | Magnet | D25x7 D5,5 |
| 24 | 30310110 | 3 | Sechskantmutter | Hexagon nut | M20 DIN934-10 Zn |
| 25 | 30510209 | 1 | Scheibe | Washer | D35/16,2x6 Zn |
| 26 | 31310156 | 1 | Bolzen | Pin | D16/28x42,5/73 M16 Zn |



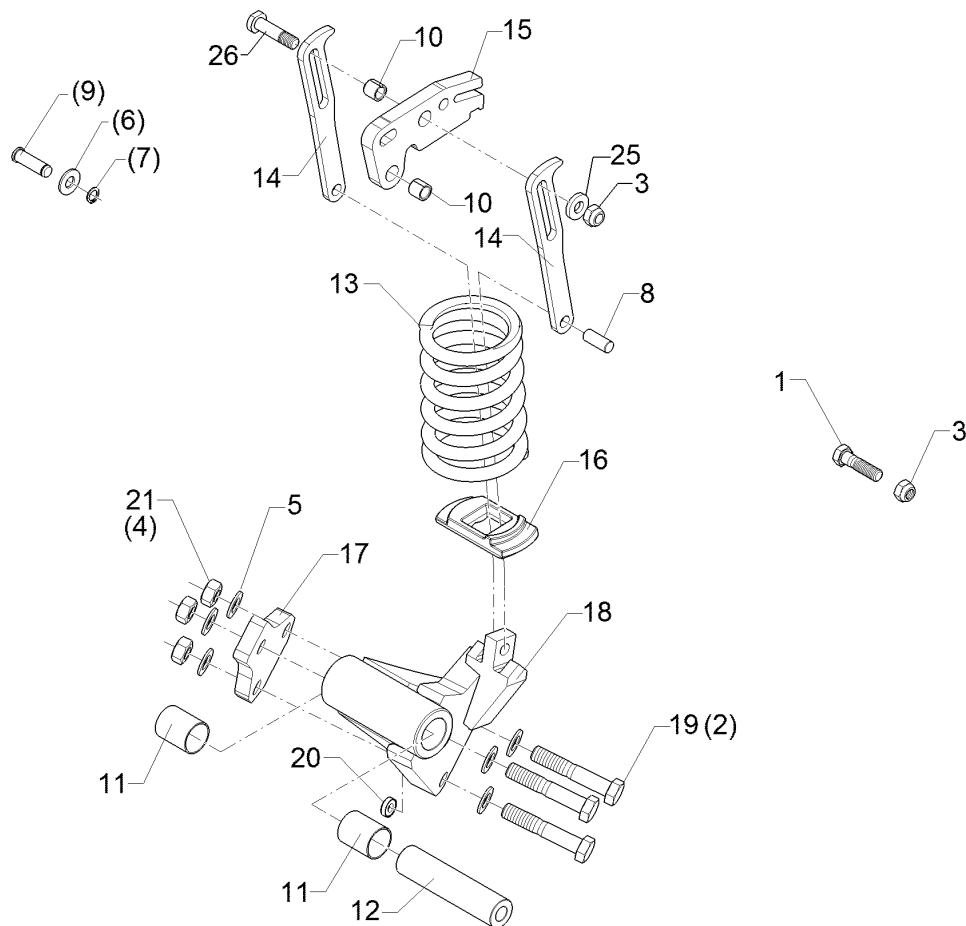
01.18

| Pos. | Art.Nr. | Stck. | Artikeltext / Description | | Abmessung |
|------|----------|-------|---------------------------|--------------------|-------------------------------|
| 1 | 301 3837 | 1 | Sechskantschraube | Hexagon bolt | M16x60-8.8 Zn DIN931-A |
| 2 | 30110529 | 3 | Sechskantschraube | Hexagon bolt | M20x1,5x110-10.9 Zn DIN960 |
| 3 | 303 0935 | 1 | Sicherungsmutter | Selflocking nut | NM16-8 Zn DIN985 |
| 4 | 303 0977 | 3 | Sechskantmutter | Hexagon nut | M20x1,5 DIN934-10 Zn |
| 5 | 305 6012 | 6 | Scheibe | Washer | 21 ISO7089 Zn |
| 6 | 30510184 | 2 | Scheibe | Washer | D35/16,3x3 VA |
| 7 | 30510185 | 1 | Sicherungsring | Retaining ring | 16x1,5 Zn DIN471 |
| 8 | 30910019 | 1 | Stift | Pin | 16x40 |
| 9 | 31310131 | 1 | Bolzen | Pin | KN D16/20x47,1/55 Zn |
| 10 | 317 3435 | 2 | Einspannbuchse Kunststoff | Expansion bush | EG40/44x52,5 S GSM |
| 11 | 31710066 | 1 | Buchse | Bush | D40/20,1x169,7 A2-V |
| 12 | 317 3395 | 2 | Einspannbuchse | Expansion bush | EG16/22x20 |
| 13 | 32910054 | 1 | Druckfeder | Compression spring | 17,25x115,8x295 |
| 14 | 41210218 | 2 | Führung | Guiding | 10x59x274 1xD16,1 |
| 15 | 41210219 | 1 | Federhalter | Holder | 20x102x194 2xD22 |
| 16 | 41210221 | 1 | Klemmplatte | Clamping plate | 20x134x355 3xD21 LI |
| 17 | 41210225 | 1 | Taschenlagerung | Bracket bearing | Rubin 12 LI 14GRD(A) |
| 18 | 42710006 | 1 | Federführung | Spring guiding | 27x66x136 Zn |



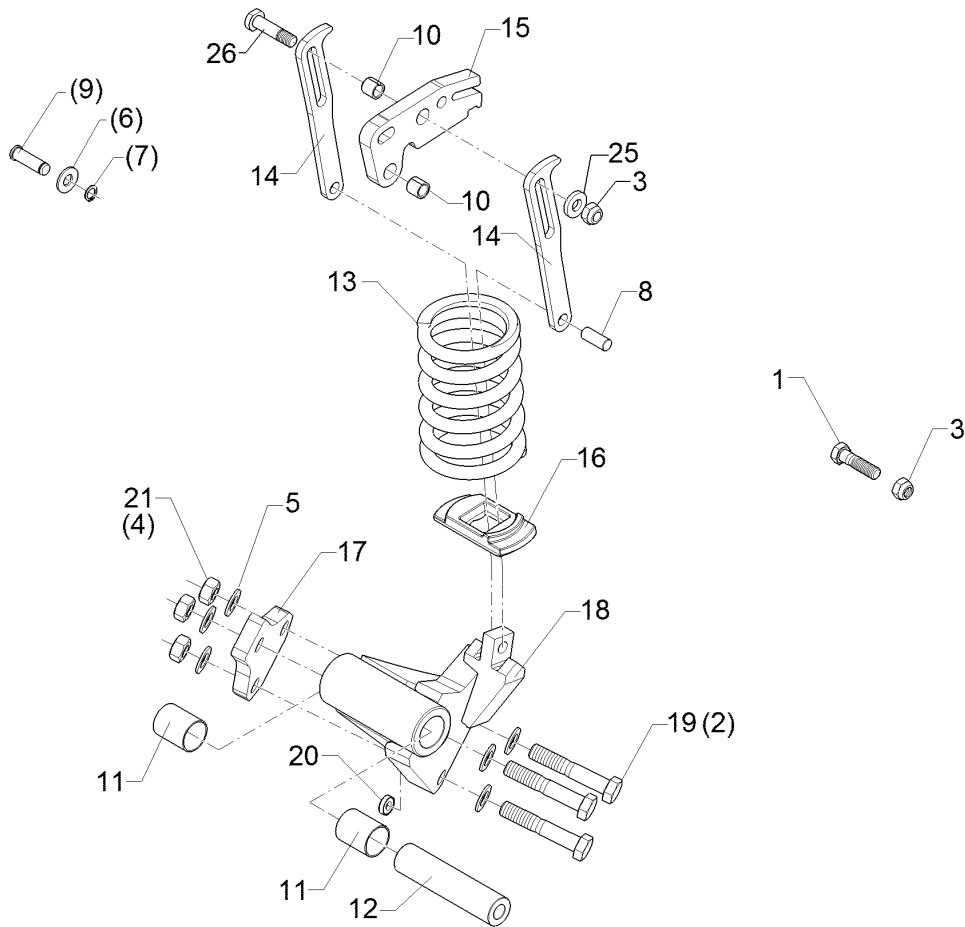
01.18

| Pos. | Art.Nr. | Stck. | Artikeltext / Description | | Abmessung |
|------|----------|-------|---------------------------|----------------|---------------------------|
| 19 | 30110524 | 1 | Sechskantschraube | Hexagon bolt | M20x120-10.9 Zn DIN931 |
| 20 | 30110538 | 2 | Sechskantschraube | Hexagon bolt | M20x110-10.9 DIN931 Zn |
| 21 | 30510186 | 1 | Kugelpfanne | Ball socket | 40x22x6 Zn |
| 22 | 30510187 | 1 | Kugelscheibe | Spherical disk | 40x22x6 Zn |
| 23 | 32110148 | 1 | Magnet | Magnet | D25x7 D5,5 |
| 24 | 30310110 | 3 | Sechskantmutter | Hexagon nut | M20 DIN934-10 Zn |
| 25 | 30510209 | 1 | Scheibe | Washer | D35/16,2x6 Zn |
| 26 | 31310156 | 1 | Bolzen | Pin | D16/28x42,5/73 M16 Zn |



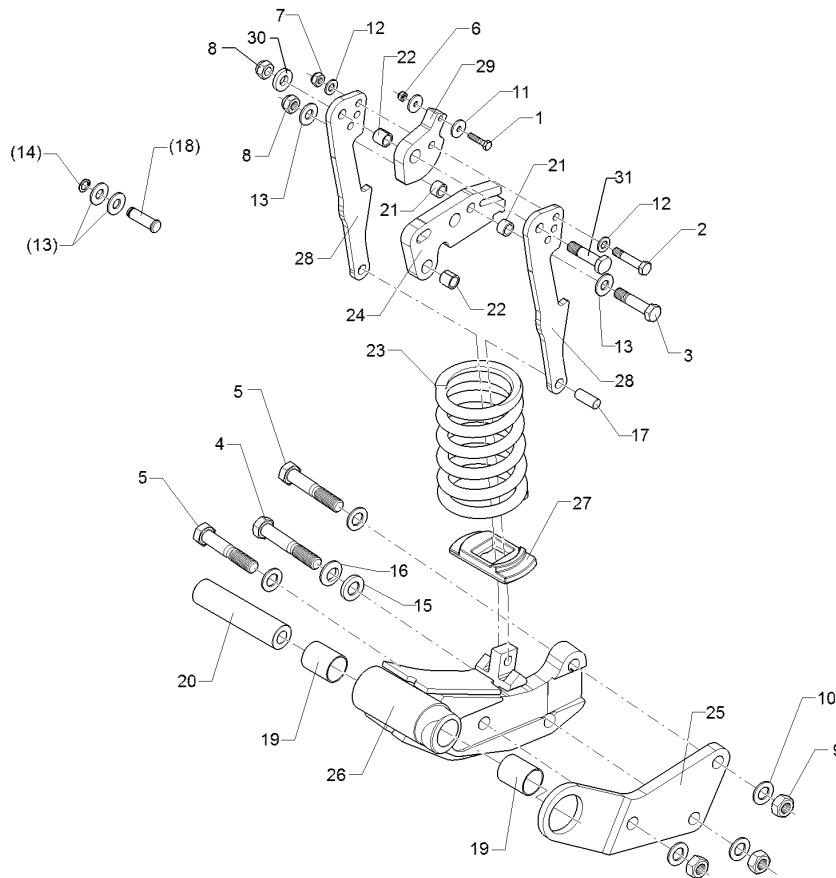
01.18

| Pos. | Art.Nr. | Stck. | Artikeltext / Description | | Abmessung |
|------|----------|-------|---------------------------|--------------------|-------------------------------|
| 1 | 301 3837 | 1 | Sechskantschraube | Hexagon bolt | M16x60-8.8 Zn DIN931-A |
| 2 | 30110529 | 3 | Sechskantschraube | Hexagon bolt | M20x1,5x110-10.9 Zn DIN960 |
| 3 | 303 0935 | 1 | Sicherungsmutter | Selflocking nut | NM16-8 Zn DIN985 |
| 4 | 303 0977 | 3 | Sechskantmutter | Hexagon nut | M20x1,5 DIN934-10 Zn |
| 5 | 305 6012 | 6 | Scheibe | Washer | 21 ISO7089 Zn |
| 6 | 30510184 | 2 | Scheibe | Washer | D35/16,3x3 VA |
| 7 | 30510185 | 1 | Sicherungsring | Retaining ring | 16x1,5 Zn DIN471 |
| 8 | 30910019 | 1 | Stift | Pin | 16x40 |
| 9 | 31310131 | 1 | Bolzen | Pin | KN D16/20x47,1/55 Zn |
| 10 | 317 3395 | 2 | Einspannbuchse | Expansion bush | EG16/22x20 |
| 11 | 317 3435 | 2 | Einspannbuchse Kunststoff | Expansion bush | EG40/44x52,5 S GSM |
| 12 | 31710066 | 1 | Buchse | Bush | D40/20,1x169,7 A2-V |
| 13 | 32910054 | 1 | Druckfeder | Compression spring | 17,25x115,8x295 |
| 14 | 41210218 | 2 | Führung | Guiding | 10x59x274 1xD16,1 |
| 15 | 41210219 | 1 | Federhalter | Holder | 20x102x194 2xD22 |
| 16 | 42710006 | 1 | Federführung | Spring guiding | 27x66x136 Zn |
| 17 | 42710007 | 1 | Klemmplatte | Clamping plate | 122x20x185 |
| 18 | 42710008 | 1 | Taschenlagerung | Bracket bearing | Rubin 12 HIMI |
| 19 | 30110538 | 3 | Sechskantschraube | Hexagon bolt | M20x110-10.9 DIN931 Zn |



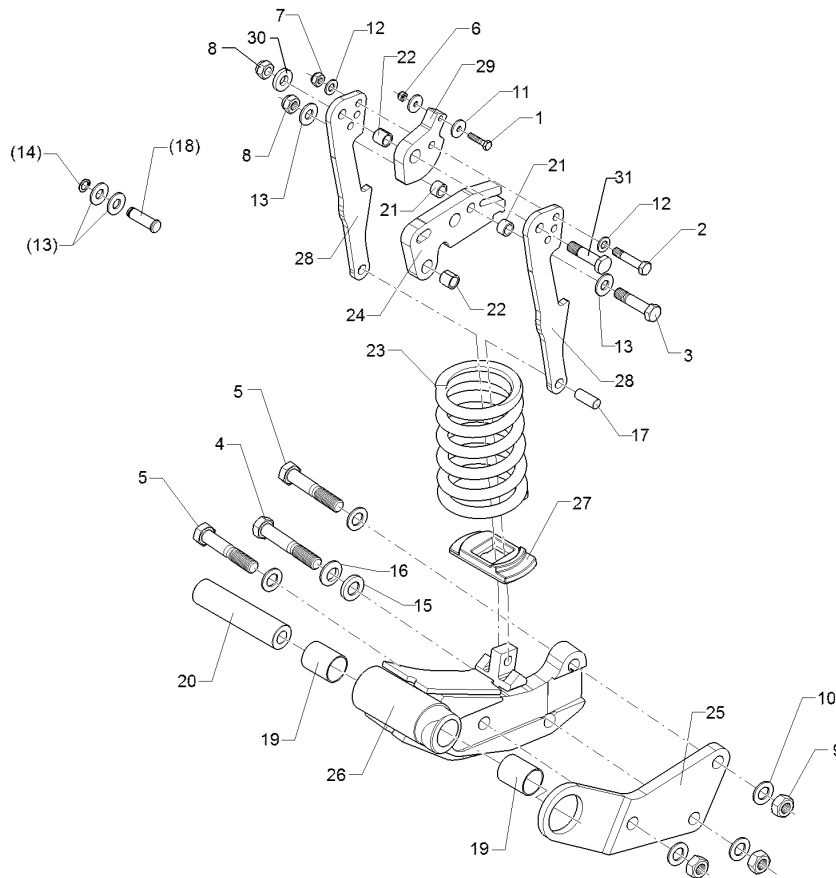
01.18

| Pos. | Art.Nr. | Stck. | Artikeltext / Description | Abmessung |
|------|----------|-------|---------------------------|---------------------------------|
| 20 | 32110148 | 1 | Magnet | Magnet D25x7 D5,5 |
| 21 | 30310110 | 3 | Sechskantmutter | Hexagon nut M20 DIN934-10 Zn |
| 25 | 30510209 | 1 | Scheibe | Washer D35/16,2x6 Zn |
| 26 | 31310156 | 1 | Bolzen | Pin D16/28x42,5/73 M16 Zn |



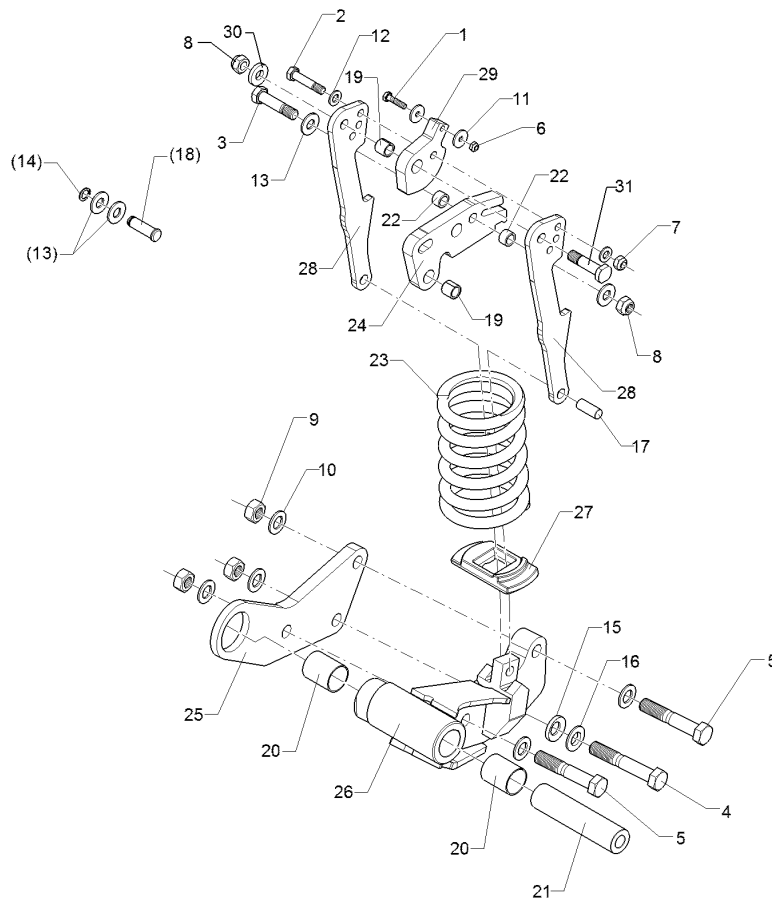
01.18

| Pos. | Art.Nr. | Stck. | Artikeltext / Description | | Abmessung |
|------|----------|-------|---------------------------|-----------------|-------------------------------------|
| 1 | 301 3067 | 1 | Sechskantschraube | Hexagon bolt | M8x35-8.8 Zn DIN931-A |
| 2 | 301 3391 | 1 | Sechskantschraube spz. | Hexagon bolt | M12x60-10.9 Zn |
| 3 | 301 5363 | 1 | Sechskantschraube spz. | Hexagon bolt | M16x70-12.9 Zn |
| 4 | 30110524 | 1 | Sechskantschraube | Hexagon bolt | M20x120-10.9 Zn |
| 5 | 30110538 | 2 | Sechskantschraube | Hexagon bolt | DIN931 M20x110-10.9 DIN931 Zn |
| 6 | 303 0932 | 1 | Sicherungsmutter | Selflocking nut | NM8-8 Zn DIN985 |
| 7 | 303 0934 | 1 | Sicherungsmutter | Selflocking nut | NM12-8 Zn DIN985 |
| 8 | 303 0935 | 2 | Sicherungsmutter | Selflocking nut | NM16-8 Zn DIN985 |
| 9 | 30310110 | 3 | Sechskantmutter | Hexagon nut | M20 DIN934-10 Zn |
| 10 | 305 6012 | 5 | Scheibe | Washer | 21 ISO7089 Zn |
| 11 | 305 6974 | 2 | Scheibe | Washer | R9/28x3 DIN440-St Zn |
| 12 | 305 8580 | 2 | Scheibe | Washer | 13/24x2,5 St-Zn DIN125 |
| 13 | 305 6141 | 2 | Scheibe | Washer | 17/30x3 DIN/ISO-7089 |
| 14 | 30510185 | 1 | Sicherungsring | Retaining ring | 16x1,5 Zn DIN471 |
| 15 | 30510186 | 1 | Kugelpfanne | Ball socket | 40x22x6 Zn |
| 16 | 30510187 | 1 | Kugelscheibe | Spherical disk | 40x22x6 Zn |
| 17 | 30910019 | 1 | Stift | Pin | 16x40 |
| 18 | 31310131 | 1 | Bolzen | Pin | KN D16/20x47,1/55 Zn |



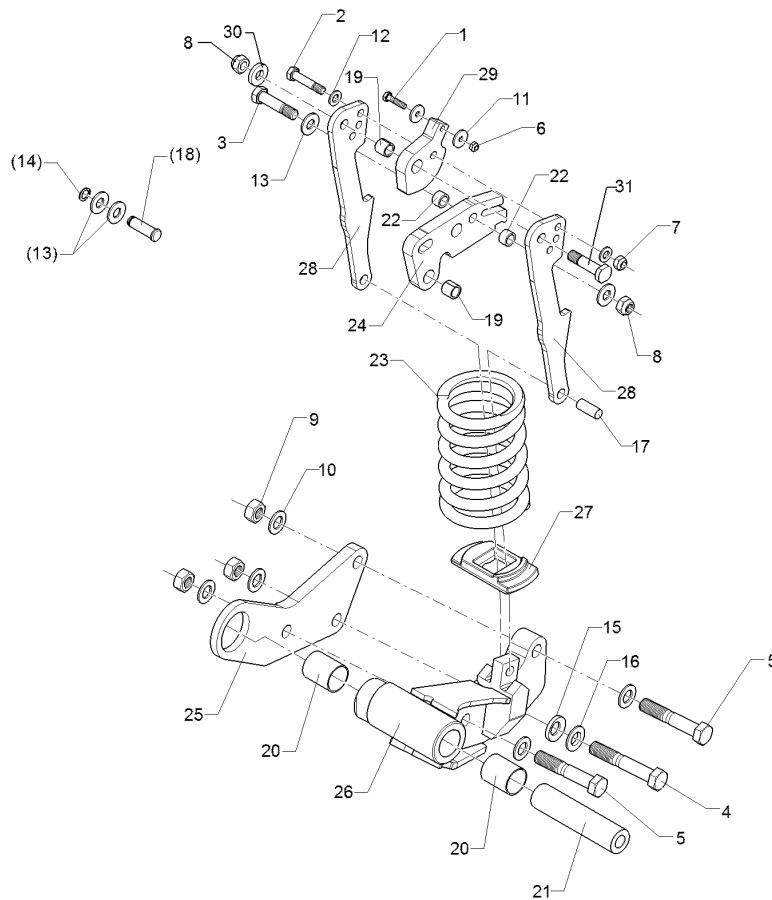
01.18

| Pos. | Art.Nr. | Stck. | Artikeltext / Description | | Abmessung |
|------|----------|-------|---------------------------|--------------------|--------------------------|
| 19 | 317 3435 | 2 | Einspannbuchse Kunststoff | Expansion bush | EG40/44x52,5 S GSM |
| 20 | 31710066 | 1 | Buchse | Bush | D40/20,1x169,7 A2-V |
| 21 | 31710195 | 2 | Buchse | Bush | D16/22x13 |
| 22 | 31710202 | 2 | Einspannbuchse | Expansion bush | EGP 16/22x20 C |
| 23 | 32910054 | 1 | Druckfeder | Compression spring | 17,25x115,8x295 |
| 24 | 41210219 | 1 | Federhalter | Holder | 20x102x194 2xD22 |
| 25 | 41210220 | 1 | Klemmplatte | Clamping plate | 20x134x355 3xD21 RE |
| 26 | 41210224 | 1 | Taschenlagerung | Bracket bearing | Rubin 12 RE 14GRD(A) |
| 27 | 42710006 | 1 | Federführung | Spring guiding | 27x66x136 Zn |
| 28 | 42710010 | 2 | Führung | Guiding | 10x77x350 2xD16,1 |
| 29 | 42710011 | 1 | Anschlagplatte | Stop plate | 20x96x98 1xD22 |
| 30 | 30510209 | 1 | Scheibe | Washer | D35/16,2x6 Zn |
| 31 | 31310156 | 1 | Bolzen | Pin | D16/28x42,5/73 M16 Zn |



01.18

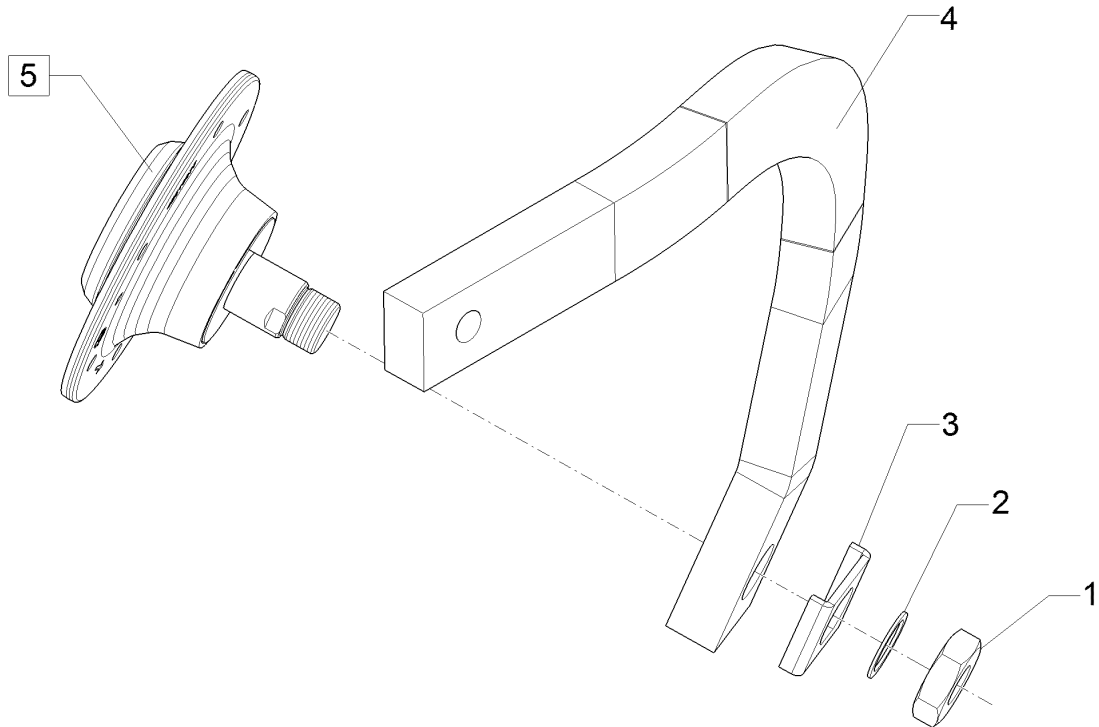
| Pos. | Art.Nr. | Stck. | Artikeltext / Description | | Abmessung |
|------|----------|-------|---------------------------|-----------------|-------------------------------------|
| 1 | 301 3067 | 1 | Sechskantschraube | Hexagon bolt | M8x35-8.8 Zn DIN931-A |
| 2 | 301 3391 | 1 | Sechskantschraube spz. | Hexagon bolt | M12x60-10.9 Zn |
| 3 | 301 5363 | 1 | Sechskantschraube spz. | Hexagon bolt | M16x70-12.9 Zn |
| 4 | 30110524 | 1 | Sechskantschraube | Hexagon bolt | M20x120-10.9 Zn |
| 5 | 30110538 | 2 | Sechskantschraube | Hexagon bolt | DIN931 M20x110-10.9 DIN931 Zn |
| 6 | 303 0932 | 1 | Sicherungsmutter | Selflocking nut | NM8-8 Zn DIN985 |
| 7 | 303 0934 | 1 | Sicherungsmutter | Selflocking nut | NM12-8 Zn DIN985 |
| 8 | 303 0935 | 2 | Sicherungsmutter | Selflocking nut | NM16-8 Zn DIN985 |
| 9 | 30310110 | 3 | Sechskantmutter | Hexagon nut | M20 DIN934-10 Zn |
| 10 | 305 6012 | 5 | Scheibe | Washer | 21 ISO7089 Zn |
| 11 | 305 6974 | 2 | Scheibe | Washer | R9/28x3 DIN440-St Zn |
| 12 | 305 8580 | 2 | Scheibe | Washer | 13/24x2,5 St-Zn DIN125 |
| 13 | 305 6141 | 2 | Scheibe | Washer | 17/30x3 DIN/ISO-7089 |
| 14 | 30510185 | 1 | Sicherungsring | Retaining ring | 16x1,5 Zn DIN471 |
| 15 | 30510186 | 1 | Kugelpfanne | Ball socket | 40x22x6 Zn |
| 16 | 30510187 | 1 | Kugelscheibe | Spherical disk | 40x22x6 Zn |
| 17 | 30910019 | 1 | Stift | Pin | 16x40 |
| 18 | 31310131 | 1 | Bolzen | Pin | KN D16/20x47,1/55 Zn |
| 19 | 317 3395 | 2 | Einspannbuchse | Expansion bush | EG16/22x20 |



01.18

| Pos. | Art.Nr. | Stck. | Artikeltext / Description | | Abmessung |
|------|----------|-------|---------------------------|--------------------|--------------------------|
| 20 | 317 3435 | 2 | Einspannbuchse Kunststoff | Expansion bush | EG40/44x52,5 S GSM |
| 21 | 31710066 | 1 | Buchse | Bush | D40/20,1x169,7 A2-V |
| 22 | 31710195 | 2 | Buchse | Bush | D16/22x13 |
| 23 | 32910054 | 1 | Druckfeder | Compression spring | 17,25x115,8x295 |
| 24 | 41210219 | 1 | Federhalter | Holder | 20x102x194 2xD22 |
| 25 | 41210221 | 1 | Klemmplatte | Clamping plate | 20x134x355 3xD21 LI |
| 26 | 41210225 | 1 | Taschenlagerung | Bracket bearing | Rubin 12 LI 14GRD(A) |
| 27 | 42710006 | 1 | Federführung | Spring guiding | 27x66x136 Zn |
| 28 | 42710010 | 2 | Führung | Guiding | 10x77x350 2xD16,1 |
| 29 | 42710011 | 1 | Anschlagplatte | Stop plate | 20x96x98 1xD22 |
| 30 | 30510209 | 1 | Scheibe | Washer | D35/16,2x6 Zn |
| 31 | 31310156 | 1 | Bolzen | Pin | D16/28x42,5/73 M16 Zn |

| | |
|--------------------------------------|----------|
| Halm mit Lagerung/Stalk with bearing | 4 |
| Rubin 12/500 KUA (A) | 61210216 |

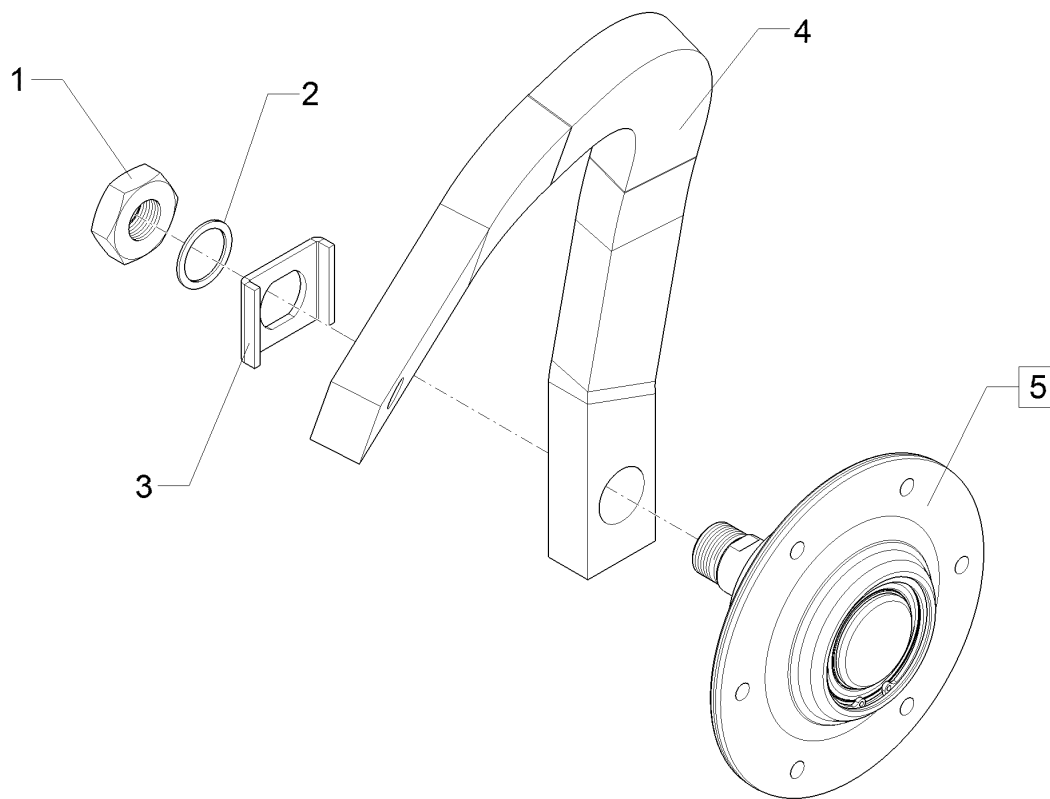


01.18

| Pos. | Art.Nr. | Stck. | Artikeltext / Description | | Abmessung |
|------|----------|-------|---------------------------|-------------|--------------------------------|
| 1 | 30310015 | 1 | Sechskantmutter | Hexagon nut | M36x1,5 DIN439-5 Zn LH |
| 2 | 30510057 | 1 | Scheibe | Washer | 37x47x2,0 DIN988 Zn |
| 3 | 30510058 | 1 | Verdrehsicherung | Locking | 60x5x86 SW36/D41 2xGEB90GRD |
| 4 | 41210248 | 1 | Halm | Stalk | 60x35x857 1xD22 RE |
| 5 | 55510017 | 1 | Nabe | Hub | D40x235x195 M36x1,5LH |

| | |
|---|----------|
| Halm mit Lagerung/Stalk with bearing | 4 |
|---|----------|

| | |
|-----------------------------|-----------------|
| Rubin 12/500 KUA (A) | 61210217 |
|-----------------------------|-----------------|

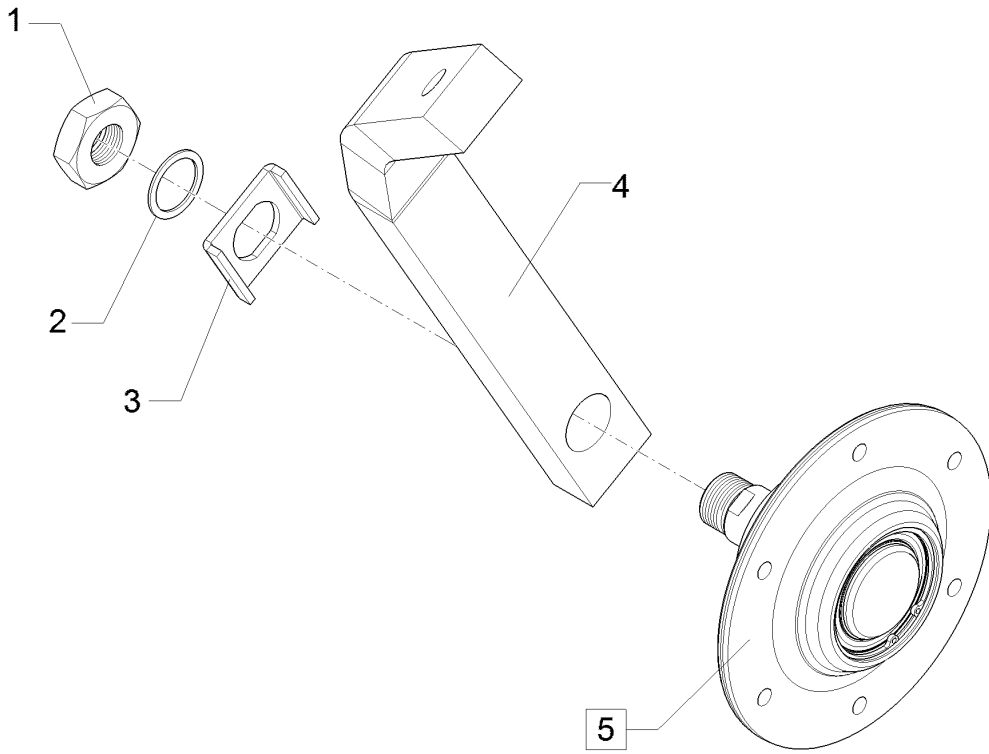


01.18

| Pos. | Art.Nr. | Stck. | Artikeltext / Description | | Abmessung |
|------|----------|-------|---------------------------|-------------|--------------------------------|
| 1 | 30310014 | 1 | Sechskantmutter | Hexagon nut | M36x1,5 DIN439-5 Zn |
| 2 | 30510057 | 1 | Scheibe | Washer | 37x47x2,0 DIN988 Zn |
| 3 | 30510058 | 1 | Verdrehsicherung | Locking | 60x5x86 SW36/D41 2xGEB90GRD |
| 4 | 41210249 | 1 | Halm | Stalk | 60x35x857 1xD22 LI |
| 5 | 55510016 | 1 | Nabe | Hub | D40x235x195 M36x1,5 |

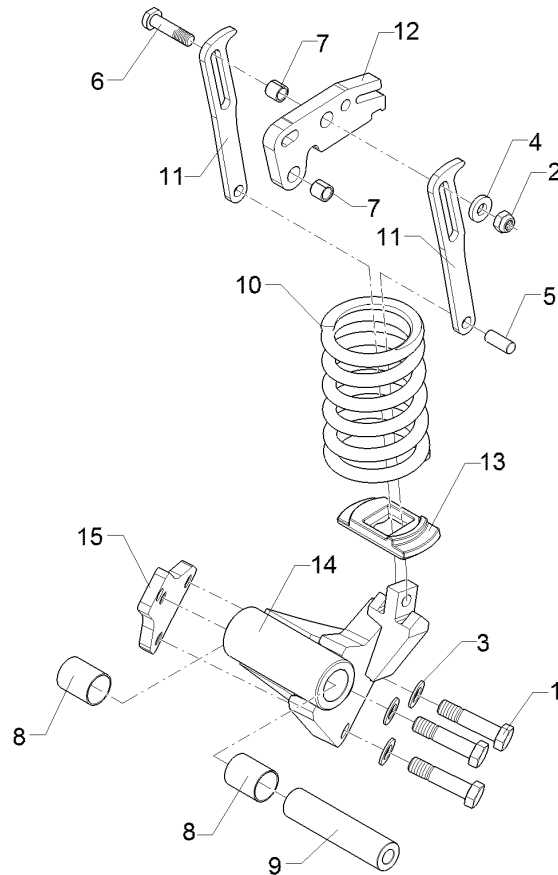
| | |
|---|----------|
| Halm mit Lagerung/Stalk with bearing | 4 |
|---|----------|

| | |
|-----------------------------|-----------------|
| Rubin 12/500 KUA (A) | 61210218 |
|-----------------------------|-----------------|



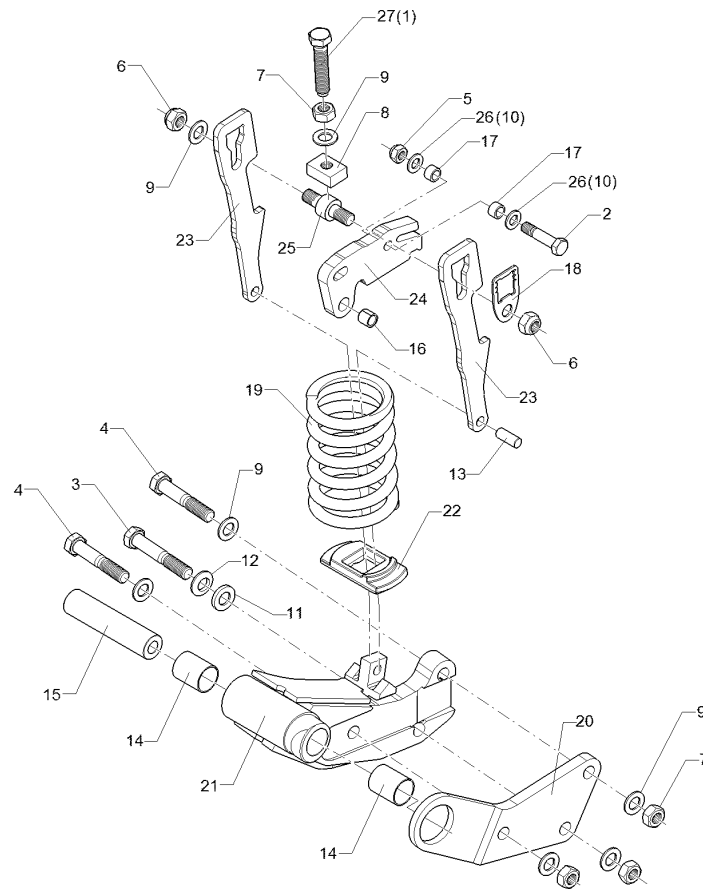
01.18

| Pos. | Art.Nr. | Stck. | Artikeltext / Description | | Abmessung |
|------|----------|-------|---------------------------|-------------|--------------------------------|
| 1 | 30310014 | 1 | Sechskantmutter | Hexagon nut | M36x1,5 DIN439-5 Zn |
| 2 | 30510057 | 1 | Scheibe | Washer | 37x47x2,0 DIN988 Zn |
| 3 | 30510058 | 1 | Verdrehsicherung | Locking | 60x5x86 SW36/D41 2xGEB90GRD |
| 4 | 41210250 | 1 | Halm | Stalk | 60x35x669 D40 D22 |
| 5 | 55510016 | 1 | Nabe | Hub | D40x235x195 M36x1,5 |



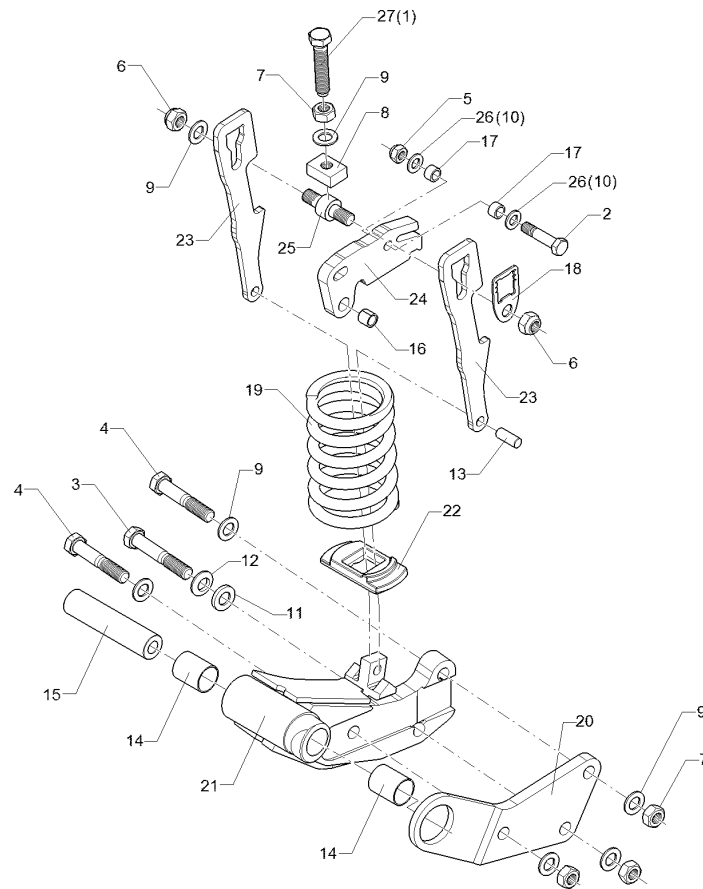
01.18

| Pos. | Art.Nr. | Stck. | Artikeltext / Description | | Abmessung |
|------|----------|-------|---------------------------|--------------------|-----------------------|
| 1 | 301 4370 | 3 | Sechskantschraube spz. | Hexagon bolt | M20x85-10.9 Zn |
| 2 | 303 0935 | 1 | Sicherungsmutter | Selflocking nut | NM16-8 Zn DIN985 |
| 3 | 305 6012 | 3 | Scheibe | Washer | 21 ISO7089 Zn |
| 4 | 30510209 | 1 | Scheibe | Washer | D35/16,2x6 Zn |
| 5 | 30910019 | 1 | Stift | Pin | 16x40 |
| 6 | 31310156 | 1 | Bolzen | Pin | D16/28x42,5/73 M16 Zn |
| 7 | 317 3395 | 2 | Einspannbuchse | Expansion bush | EG16/22x20 |
| 8 | 317 3435 | 2 | Einspannbuchse Kunststoff | Expansion bush | EG40/44x52,5 S GSM |
| 9 | 31710066 | 1 | Buchse | Bush | D40/20,1x169,7 A2-V |
| 10 | 32910054 | 1 | Druckfeder | Compression spring | 17,25x115,8x295 |
| 11 | 41210218 | 2 | Führung | Guiding | 10x59x274 1xD16,1 |
| 12 | 41210219 | 1 | Federhalter | Holder | 20x102x194 2xD22 |
| 13 | 42710006 | 1 | Federführung | Spring guiding | 27x66x136 Zn |
| 14 | 42710008 | 1 | Taschenlagerung | Bracket bearing | Rubin 12 HIMI |
| 15 | 42710014 | 1 | Klemmplatte | Clamping plate | 16x122x165 3xM20 |



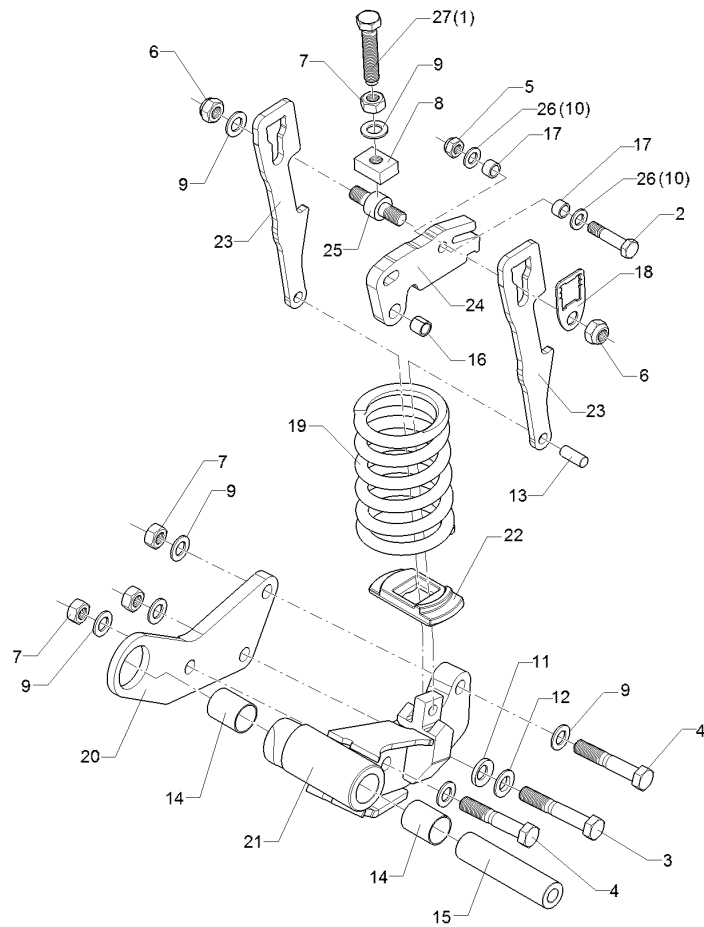
01.18

| Pos. | Art.Nr. | Stck. | Artikeltext / Description | | Abmessung |
|------|----------|-------|---------------------------|--------------------|---------------------------|
| 1 | 301 5171 | 1 | Sechskantschraube | Hexagon bolt | M20x100-8.8 DIN933 |
| 2 | 301 5363 | 1 | Sechskantschraube spz. | Hexagon bolt | M16x70-12.9 Zn |
| 3 | 30110524 | 1 | Sechskantschraube | Hexagon bolt | M20x120-10.9 Zn DIN931 |
| 4 | 30110538 | 2 | Sechskantschraube | Hexagon bolt | M20x110-10.9 DIN931 Zn |
| 5 | 303 0935 | 1 | Sicherungsmutter | Selflocking nut | NM16-8 Zn DIN985 |
| 6 | 303 0936 | 2 | Sicherungsmutter | Selflocking nut | NM20-8 Zn DIN985 |
| 7 | 30310110 | 4 | Sechskantmutter | Hexagon nut | M20 DIN934-10 Zn |
| 8 | 30310115 | 1 | Spindelmutter | Nut for screw | 35x20x50 M20 Zn |
| 9 | 305 6012 | 7 | Scheibe | Washer | 21 ISO7089 Zn |
| 10 | 30510184 | 2 | Scheibe | Washer | D35/16,3x3 VA |
| 11 | 30510186 | 1 | Kugelpfanne | Ball socket | 40x22x6 Zn |
| 12 | 30510187 | 1 | Kugelscheibe | Spherical disk | 40x22x6 Zn |
| 13 | 30910019 | 1 | Stift | Pin | 16x40 |
| 14 | 317 3435 | 2 | Einspannbuchse Kunststoff | Expansion bush | EG40/44x52,5 S GSM |
| 15 | 31710066 | 1 | Buchse | Bush | D40/20,1x169,7 A2-V |
| 16 | 31710202 | 1 | Einspannbuchse | Expansion bush | EGP 16/22x20 C |
| 17 | 31710267 | 2 | Buchse | Bush | D16/22x16 |
| 18 | 32110178 | 1 | Anzeige | Display | 3x52x91,5 Zn |
| 19 | 32910054 | 1 | Druckfeder | Compression spring | 17,25x115,8x295 |
| 20 | 41210220 | 1 | Klemmplatte | Clamping plate | 20x134x355 3xD21 RE |



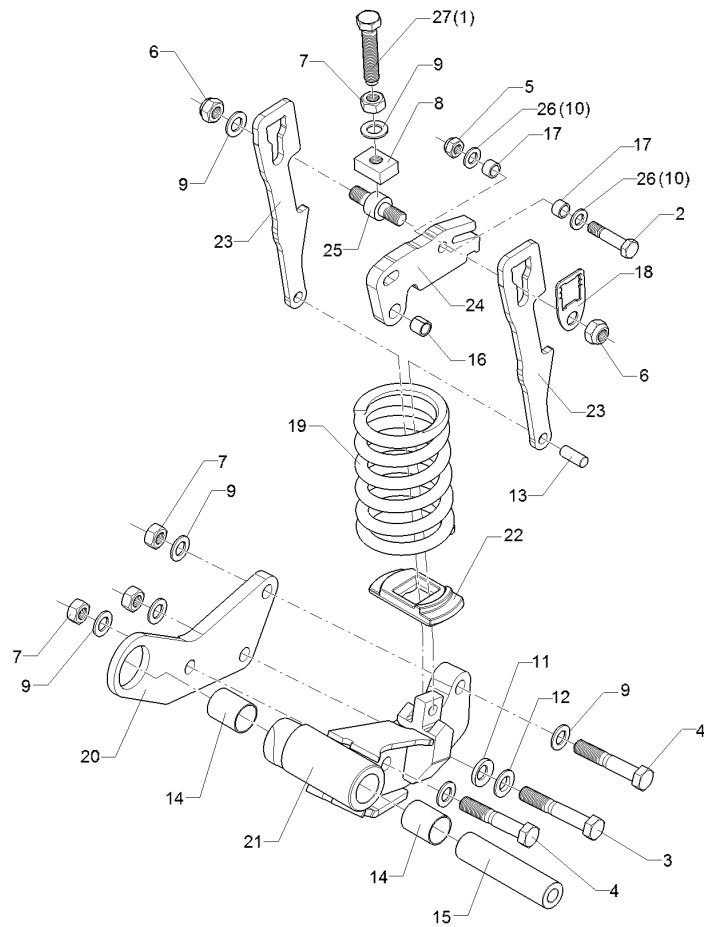
01.18

| Pos. | Art.Nr. | Stck. | Artikeltext / Description | | Abmessung |
|------|----------|-------|---------------------------|-----------------|-------------------------|
| 21 | 41210224 | 1 | Taschenlagerung | Bracket bearing | Rubin 12 RE 14GRD(A) |
| 22 | 42710006 | 1 | Federführung | Spring guiding | 27x66x136 Zn |
| 23 | 42710012 | 2 | Führung | Guiding | 10x88x356 D16,1 Zn |
| 24 | 42710013 | 1 | Federhalter | Holder | 20x105x192 1xD22 |
| 25 | 42710016 | 1 | Rolle | Roller | D20/35x93 2xM20 Zn |
| 26 | 305 6141 | 2 | Scheibe | Washer | 17/30x3 DIN/ISO-7089 |
| 27 | 30110591 | 1 | Einstellschraube | Adjuster screw | M20x100-12.9 Zn |



01.18

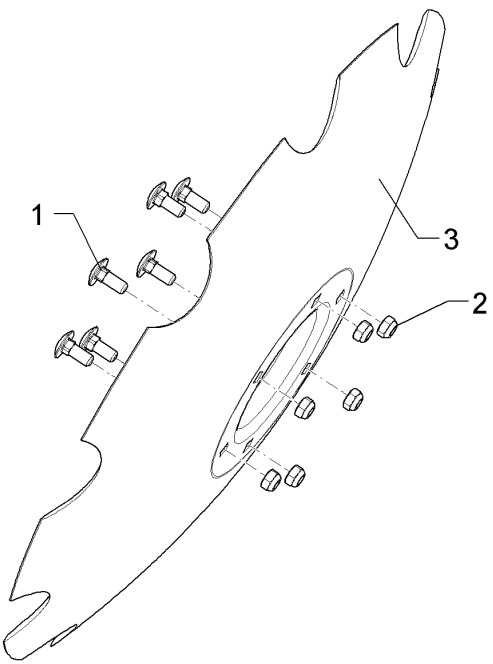
| Pos. | Art.Nr. | Stck. | Artikeltext / Description | | Abmessung |
|------|----------|-------|---------------------------|--------------------|---------------------------|
| 1 | 301 5171 | 1 | Sechskantschraube | Hexagon bolt | M20x100-8.8 DIN933 |
| 2 | 301 5363 | 1 | Sechskantschraube spz. | Hexagon bolt | M16x70-12.9 Zn |
| 3 | 30110524 | 1 | Sechskantschraube | Hexagon bolt | M20x120-10.9 Zn DIN931 |
| 4 | 30110538 | 2 | Sechskantschraube | Hexagon bolt | M20x110-10.9 DIN931 Zn |
| 5 | 303 0935 | 1 | Sicherungsmutter | Selflocking nut | NM16-8 Zn DIN985 |
| 6 | 303 0936 | 2 | Sicherungsmutter | Selflocking nut | NM20-8 Zn DIN985 |
| 7 | 30310110 | 4 | Sechskantmutter | Hexagon nut | M20 DIN934-10 Zn |
| 8 | 30310115 | 1 | Spindelmutter | Nut for screw | 35x20x50 M20 Zn |
| 9 | 305 6012 | 7 | Scheibe | Washer | 21 ISO7089 Zn |
| 10 | 30510184 | 2 | Scheibe | Washer | D35/16,3x3 VA |
| 11 | 30510186 | 1 | Kugelpfanne | Ball socket | 40x22x6 Zn |
| 12 | 30510187 | 1 | Kugelscheibe | Spherical disk | 40x22x6 Zn |
| 13 | 30910019 | 1 | Stift | Pin | 16x40 |
| 14 | 317 3435 | 2 | Einspannbuchse Kunststoff | Expansion bush | EG40/44x52,5 S GSM |
| 15 | 31710066 | 1 | Buchse | Bush | D40/20,1x169,7 A2-V |
| 16 | 31710202 | 1 | Einspannbuchse | Expansion bush | EGP 16/22x20 C |
| 17 | 31710267 | 2 | Buchse | Bush | D16/22x16 |
| 18 | 32110178 | 1 | Anzeige | Display | 3x52x91,5 Zn |
| 19 | 32910054 | 1 | Druckfeder | Compression spring | 17,25x115,8x295 |
| 20 | 41210221 | 1 | Klemmplatte | Clamping plate | 20x134x355 3xD21 LI |



01.18

| Pos. | Art.Nr. | Stck. | Artikeltext / Description | | Abmessung |
|------|----------|-------|---------------------------|-----------------|-------------------------|
| 21 | 41210225 | 1 | Taschenlagerung | Bracket bearing | Rubin 12 LI 14GRD(A) |
| 22 | 42710006 | 1 | Federführung | Spring guiding | 27x66x136 Zn |
| 23 | 42710012 | 2 | Führung | Guiding | 10x88x356 D16,1 Zn |
| 24 | 42710013 | 1 | Federhalter | Holder | 20x105x192 1xD22 |
| 25 | 42710016 | 1 | Rolle | Roller | D20/35x93 2xM20 Zn |
| 26 | 305 6141 | 2 | Scheibe | Washer | 17/30x3 DIN/ISO-7089 |
| 27 | 30110591 | 1 | Einstellschraube | Adjuster screw | M20x100-12.9 Zn |

| | |
|--------------------------|----------|
| Hohlscheibe/Concave disc | 4 |
| Rubin 12/500 KUA (A) | 65710048 |



01.18

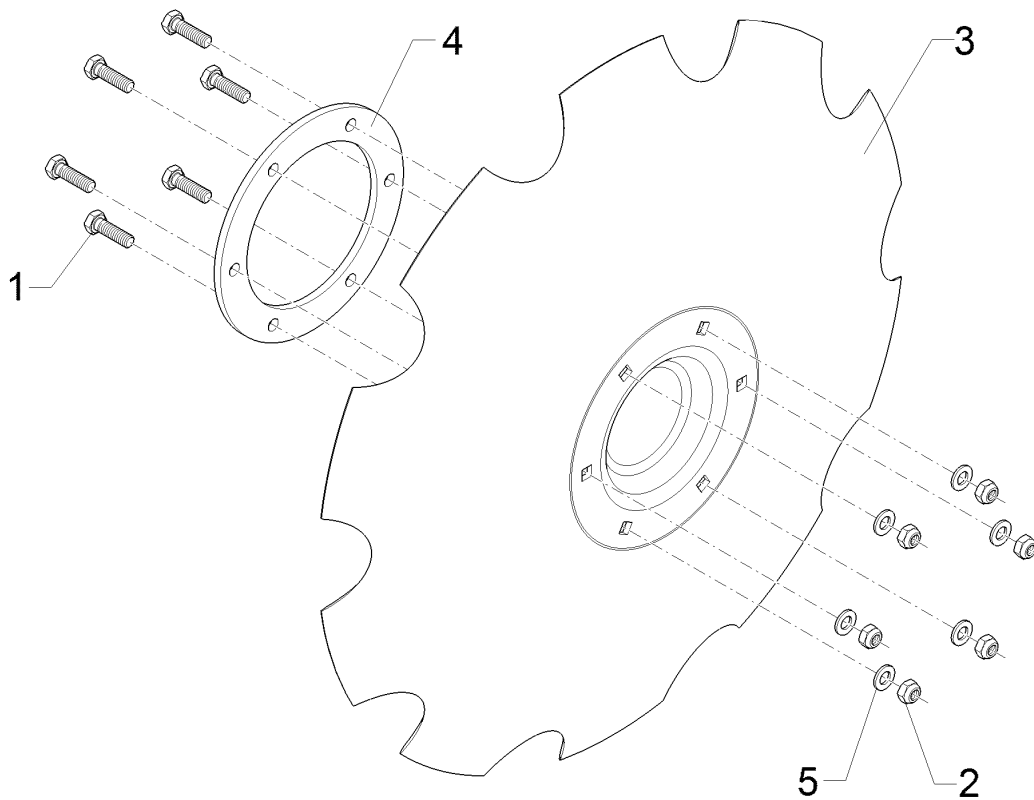
| Pos. | Art.Nr. | Stck. | Artikeltext / Description | | Abmessung |
|------|----------|-------|---------------------------|-------------------|------------------|
| 1 | 301 1806 | 6 | Flachrundschaube | Saucer-head screw | M12x30-10.9 ZN |
| 2 | 303 0934 | 6 | Sicherungsmutter | Selflocking nut | NM12-8 Zn DIN985 |
| 3 | 34910017 | 1 | Hohlscheibe | Concave disc | D736/195x6 GEZ |

Hohlscheibe/Concave disc

4

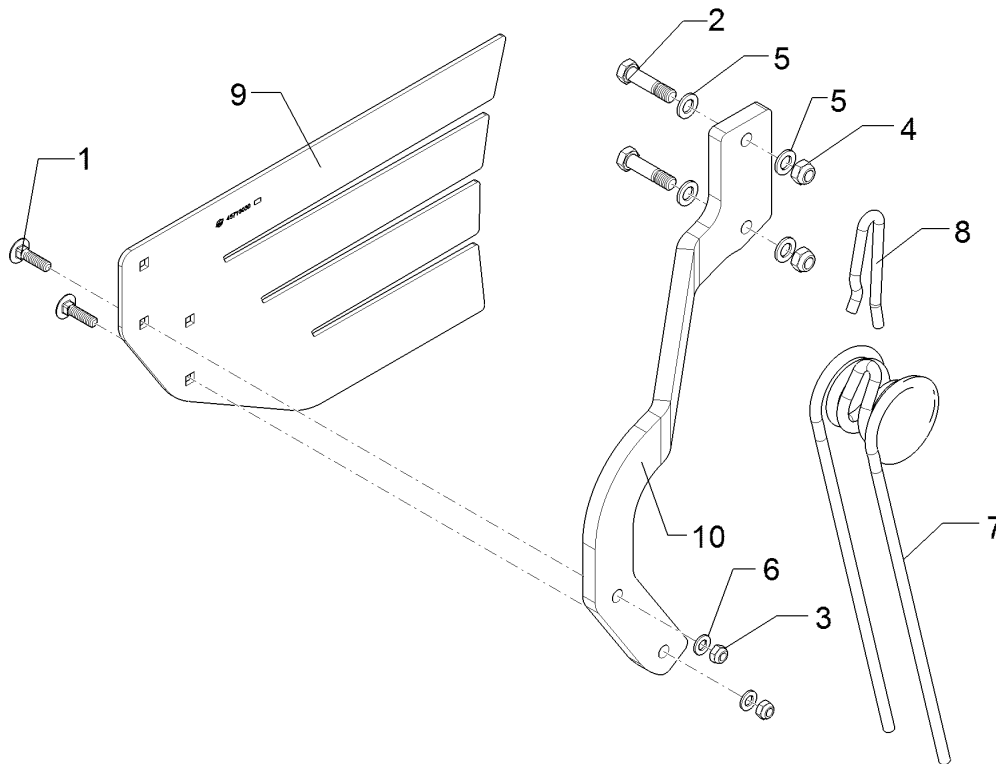
Rubin 12/500 KUA (A)

65710075



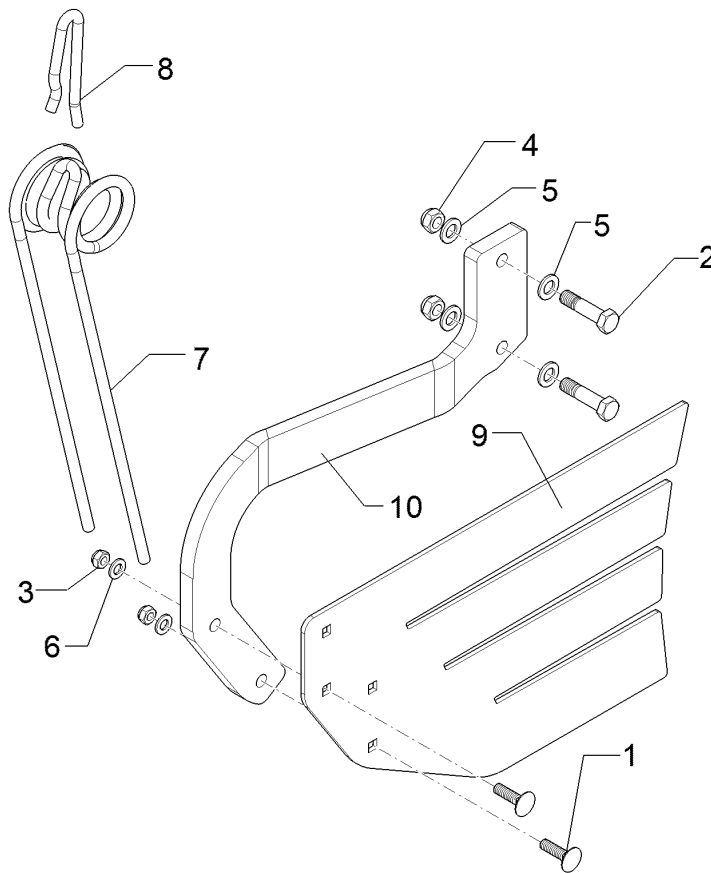
01.18

| Pos. | Art.Nr. | Stck. | Artikeltext / Description | | Abmessung |
|------|----------|-------|---------------------------|-----------------|---------------------------|
| 1 | 30110088 | 6 | Sechskantschraube | Hexagon bolt | M12x40-10.9 Zn DIN933 |
| 2 | 303 0934 | 6 | Sicherungsmutter | Selflocking nut | NM12-8 Zn DIN985 |
| 3 | 34910017 | 1 | Hohlscheibe | Concave disc | D736/195x6 GEZ |
| 4 | 30510154 | 1 | Scheibe | Washer | D230/164x8 6xD12,5 |
| 5 | 305 8580 | 6 | Scheibe | Washer | 13/24x2,5 St-Zn DIN125 |



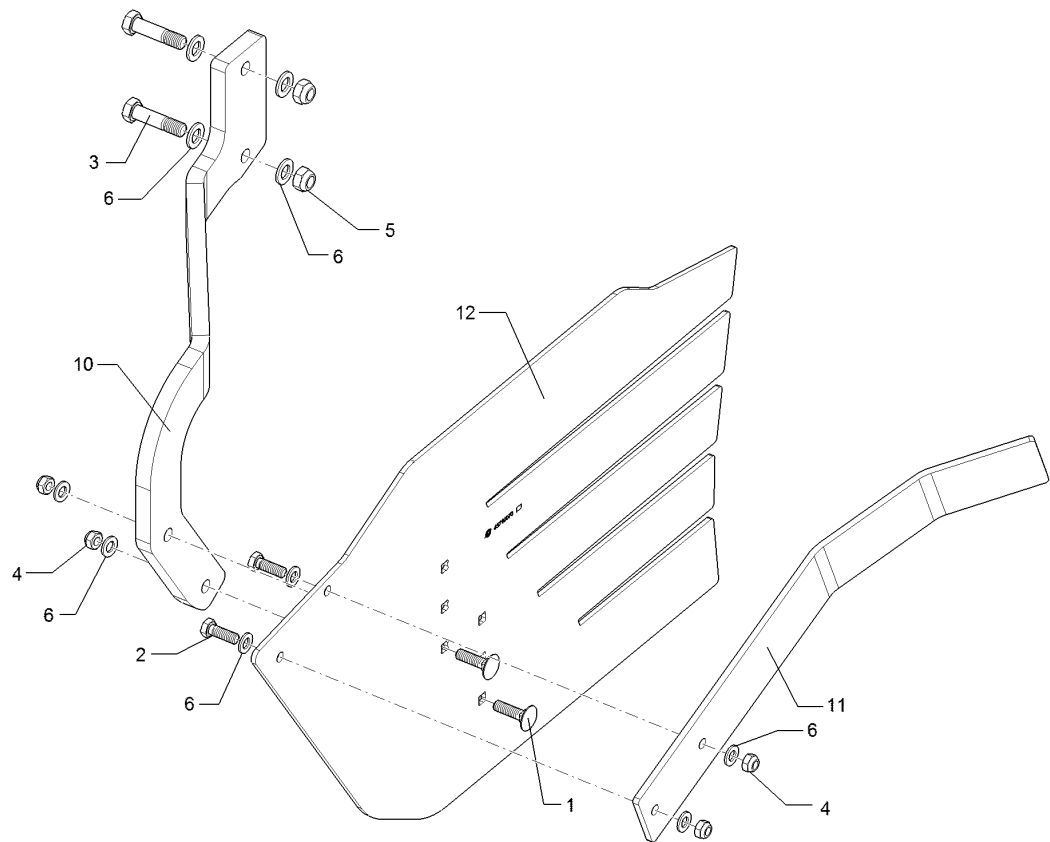
01.18

| Pos. | Art.Nr. | Stck. | Artikeltext / Description | | Abmessung |
|------|----------|-------|---------------------------|-------------------|---------------------------|
| 1 | 301 1816 | 2 | Flachrundschraube | Saucer-head screw | M12x45-8.8 Zn DIN603 |
| 2 | 301 3870 | 2 | Sechskantschraube spz. | Hexagon bolt | M16x65-10.9 Zn |
| 3 | 303 0934 | 2 | Sicherungsmutter | Selflocking nut | NM12-8 Zn DIN985 |
| 4 | 303 0935 | 2 | Sicherungsmutter | Selflocking nut | NM16-8 Zn DIN985 |
| 5 | 305 6141 | 4 | Scheibe | Washer | 17/30x3 DIN/ISO-7089 |
| 6 | 305 8580 | 2 | Scheibe | Washer | 13/24x2,5 St-Zn DIN125 |
| 7 | 35310025 | 1 | Striegelzinken | Harrow tine | D13x420x88 DI=61,2 |
| 8 | 42210072 | 1 | Formfeder | Spring | D12x255 4xGEB |
| 9 | 45710030 | 1 | Schild | Board | 6x475x786 |
| 10 | 45710035 | 1 | Halm | Stalk | 20x441x568 GEK125 LI |



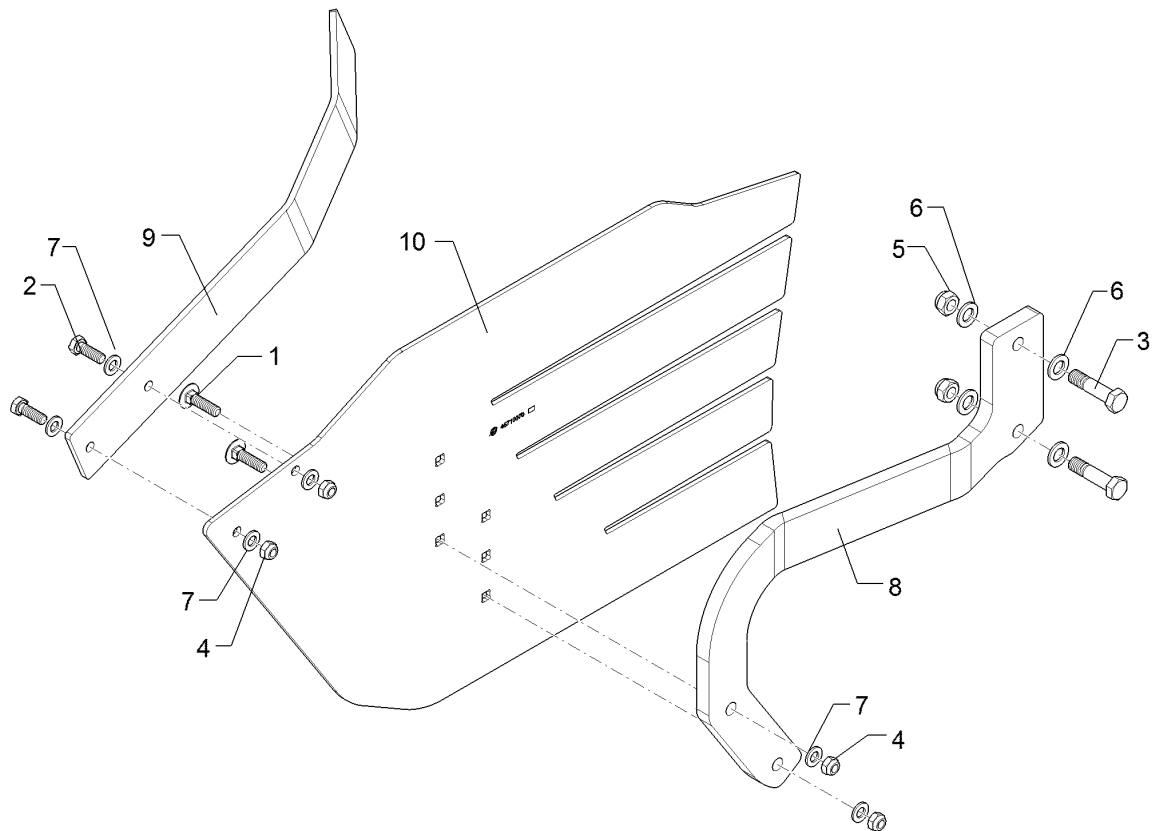
01.18

| Pos. | Art.Nr. | Stck. | Artikeltext / Description | | Abmessung |
|------|----------|-------|---------------------------|-------------------|---------------------------|
| 1 | 301 1816 | 2 | Flachrundschraube | Saucer-head screw | M12x45-8.8 Zn DIN603 |
| 2 | 301 3870 | 2 | Sechskantschraube spz. | Hexagon bolt | M16x65-10.9 Zn |
| 3 | 303 0934 | 2 | Sicherungsmutter | Selflocking nut | NM12-8 Zn DIN985 |
| 4 | 303 0935 | 2 | Sicherungsmutter | Selflocking nut | NM16-8 Zn DIN985 |
| 5 | 305 6141 | 4 | Scheibe | Washer | 17/30x3 DIN/ISO-7089 |
| 6 | 305 8580 | 2 | Scheibe | Washer | 13/24x2,5 St-Zn DIN125 |
| 7 | 35310025 | 1 | Striegelzinken | Harrow tine | D13x420x88 DI=61,2 |
| 8 | 42210072 | 1 | Formfeder | Spring | D12x255 4xGEB |
| 9 | 45710030 | 1 | Schild | Board | 6x475x786 |
| 10 | 45710034 | 1 | Halm | Stalk | 20x441x568 GEK125 RE |



01.18

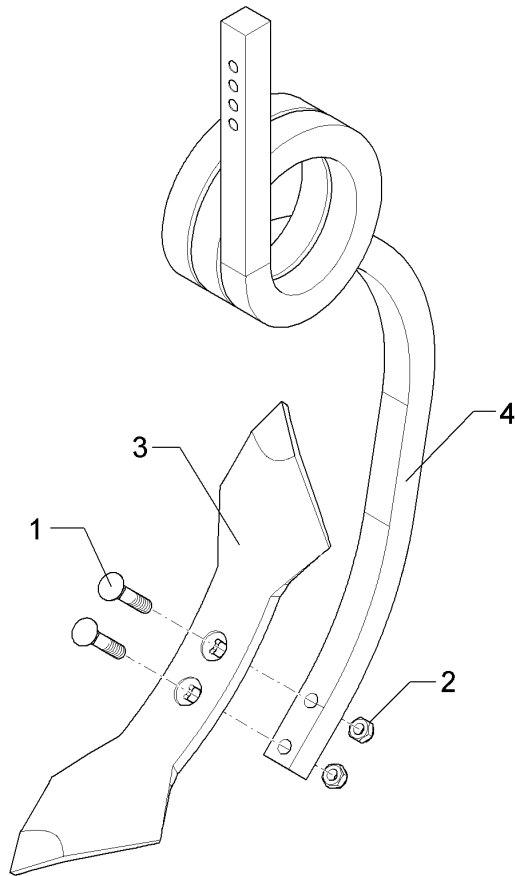
| Pos. | Art.Nr. | Stck. | Artikeltext / Description | | Abmessung |
|------|----------|-------|---------------------------|-------------------|---------------------------|
| 1 | 301 1816 | 2 | Flachrundschrabe | Saucer-head screw | M12x45-8.8 Zn DIN603 |
| 2 | 301 3335 | 2 | Sechskantschraube | Hexagon bolt | M12x35-10.9 Zn DIN933 |
| 3 | 301 3870 | 2 | Sechskantschraube spz. | Hexagon bolt | M16x65-10.9 Zn |
| 4 | 303 0934 | 4 | Sicherungsmutter | Selflocking nut | NM12-8 Zn DIN985 |
| 5 | 303 0935 | 2 | Sicherungsmutter | Selflocking nut | NM16-8 Zn DIN985 |
| 6 | 305 6141 | 4 | Scheibe | Washer | 17/30x3 DIN/ISO-7089 |
| 7 | 305 8580 | 6 | Scheibe | Washer | 13/24x2,5 St-Zn DIN125 |
| 10 | 45710035 | 1 | Halm | Stalk | 20x441x568 GEK125 LI |
| 11 | 45710049 | 1 | Leitblech | Guideboard | 8x80x660 2x22° |
| 12 | 45710070 | 1 | Seitenschild | Side shield | 6x510x941 |



01.18

| Pos. | Art.Nr. | Stck. | Artikeltext / Description | | Abmessung |
|------|----------|-------|---------------------------|-------------------|---------------------------|
| 1 | 301 1816 | 2 | Flachrundschaube | Saucer-head screw | M12x45-8.8 Zn DIN603 |
| 2 | 301 3335 | 2 | Sechskantschraube | Hexagon bolt | M12x35-10.9 Zn DIN933 |
| 3 | 301 3870 | 2 | Sechskantschraube spz. | Hexagon bolt | M16x65-10.9 Zn |
| 4 | 303 0934 | 4 | Sicherungsmutter | Selflocking nut | NM12-8 Zn DIN985 |
| 5 | 303 0935 | 2 | Sicherungsmutter | Selflocking nut | NM16-8 Zn DIN985 |
| 6 | 305 6141 | 4 | Scheibe | Washer | 17/30x3 DIN/ISO-7089 |
| 7 | 305 8580 | 6 | Scheibe | Washer | 13/24x2,5 St-Zn DIN125 |
| 8 | 45710034 | 1 | Halm | Stalk | 20x441x568 GEK125 RE |
| 9 | 45710049 | 1 | Leitblech | Guideboard | 8x80x660 2x22° |
| 10 | 45710070 | 1 | Seitenschild | Side shield | 6x510x941 |

| | |
|---------------------------------|-----------------|
| Spiralzinken/Spiral tine | 5 |
| Rubin 12/500 KUA (A) | 55710002 |

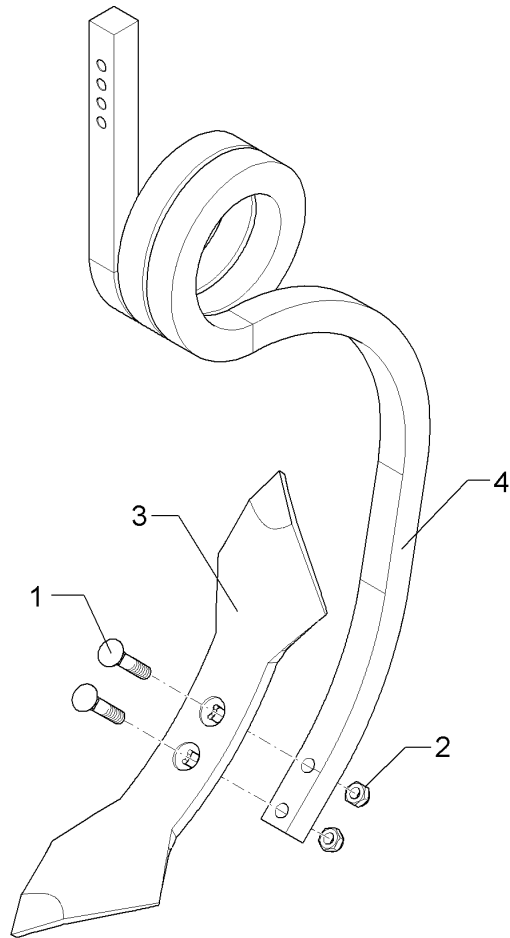


01.18

| Pos. | Art.Nr. | Stck. | Artikeltext / Description | | Abmessung |
|------|----------|-------|---------------------------|--------------------|----------------------------|
| 1 | 301 5796 | 2 | Senkschraube | Countersunk bolt | M12x60-8.8-MU Zn DIN608 |
| 2 | 303 0934 | 2 | Sicherungsmutter | Selflocking nut | NM12-8 Zn DIN985 |
| 3 | 337 0467 | 1 | Doppelherzschar A13 | Double-heart share | A13 |
| 4 | 35310006 | 1 | Spiralzinken | Spiral tine | 30x30x875 RE |

| | |
|---------------------------------|----------|
| Spiralzinken/Spiral tine | 5 |
|---------------------------------|----------|

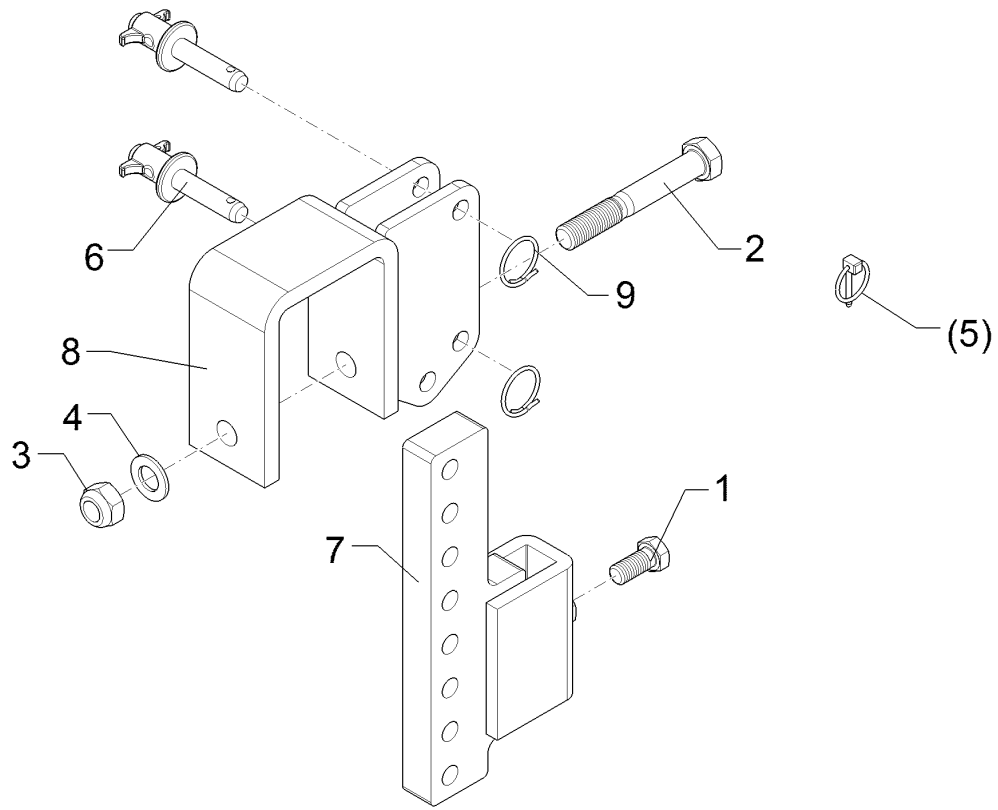
| | |
|-----------------------------|-----------------|
| Rubin 12/500 KUA (A) | 55710003 |
|-----------------------------|-----------------|



01.18

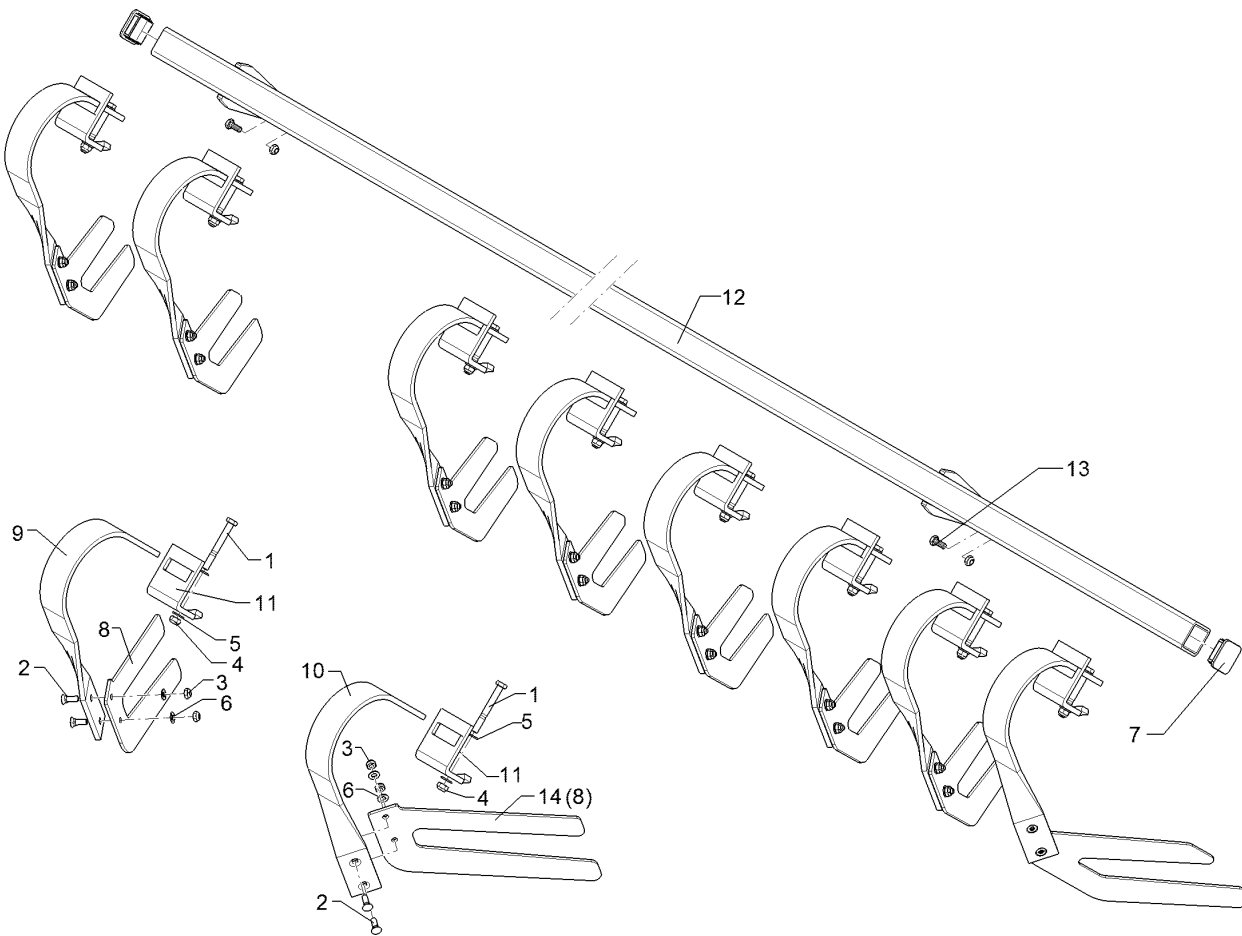
| Pos. | Art.Nr. | Stck. | Artikeltext / Description | | Abmessung |
|------|----------|-------|---------------------------|--------------------|----------------------------|
| 1 | 301 5796 | 2 | Senkschraube | Countersunk bolt | M12x60-8.8-MU Zn DIN608 |
| 2 | 303 0934 | 2 | Sicherungsmutter | Selflocking nut | NM12-8 Zn DIN985 |
| 3 | 337 0467 | 1 | Doppelherzschar A13 | Double-heart share | A13 |
| 4 | 35310007 | 1 | Spiralzinken | Spiral tine | 30x30x875 LI |

| | |
|-----------------------------|-----------------|
| Halter/Holder | 5 |
| Rubin 12/500 KUA (A) | 55710005 |



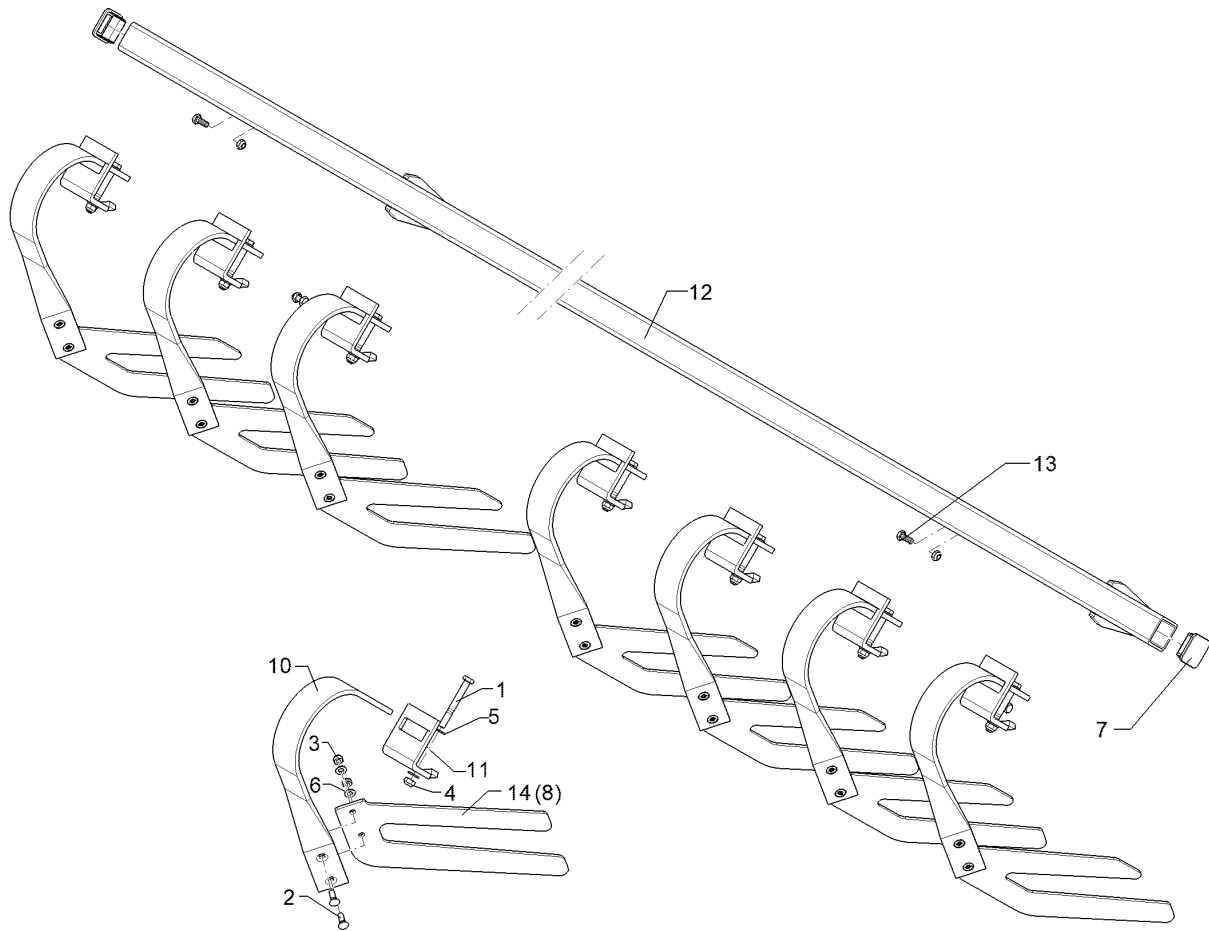
01.18

| Pos. | Art.Nr. | Stck. | Artikeltext / Description | | Abmessung |
|------|----------|-------|---------------------------|-----------------|--------------------------------|
| 1 | 301 3666 | 1 | Sechskantschraube spezial | Hexagon bolt | M16x1,5x35-10.9 DIN961-A Zn |
| 2 | 301 4520 | 1 | Sechskantschraube | Hexagon bolt | M20x170-8.8 Zn DIN931-A |
| 3 | 303 0936 | 1 | Sicherungsmutter | Selflocking nut | NM20-8 Zn DIN985 |
| 4 | 305 6012 | 1 | Scheibe | Washer | 21 ISO7089 Zn |
| 5 | 311 9565 | 2 | Klappstift | Securing pin | 4,5 |
| 6 | 313 8152 | 2 | Bolzen | Pin | D16x51,7/112 V Zn |
| 7 | 45710015 | 1 | Verstellhalm | Adjusting leg | 30x320-32x32 |
| 8 | 45710017 | 1 | Halter | Holder | Karat 9/500 KA +600 |
| 9 | 305 8551 | 2 | Sicherungsring | Retaining ring | Di41x3 A2 |



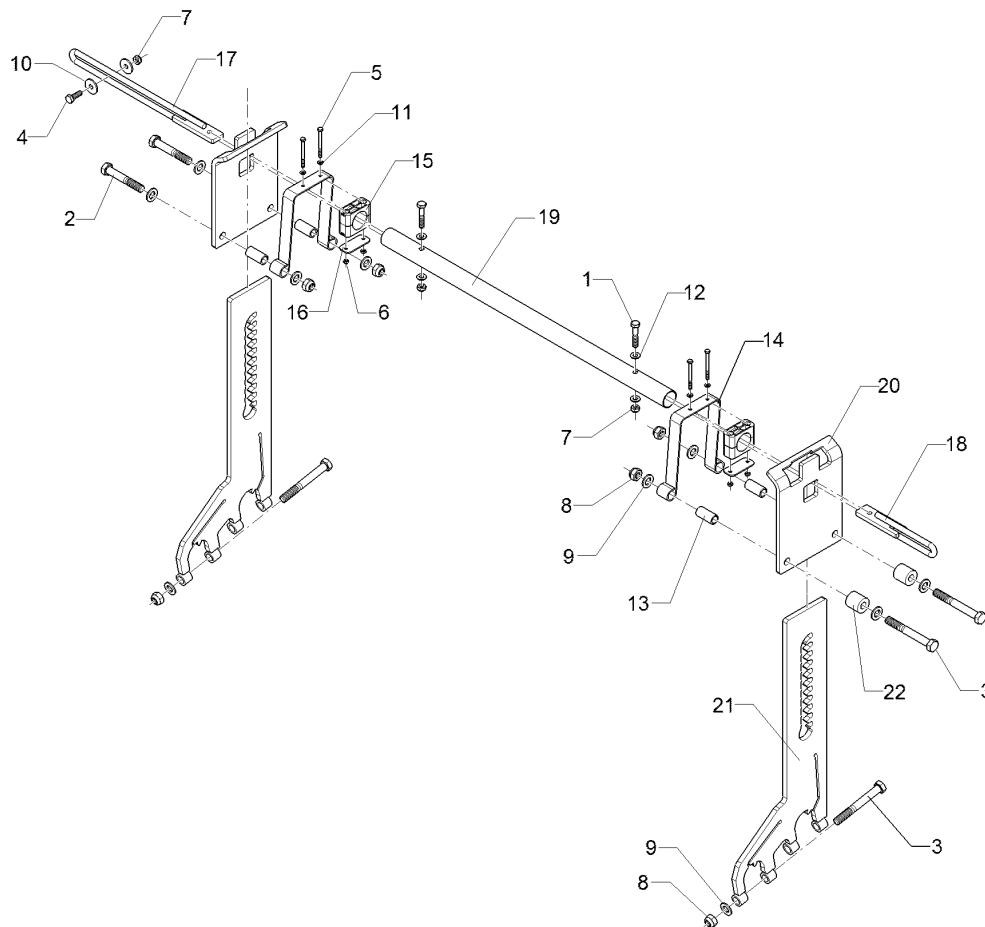
01.18

| Pos. | Art.Nr. | Stck. | Artikeltext / Description | | Abmessung |
|------|----------|-------|---------------------------|------------------|----------------------------|
| 1 | 301 3462 | 8 | Sechskantschraube | Hexagon bolt | M12x100-8.8 Zn DIN931-A |
| 2 | 30110249 | 16 | Senkschraube | Countersunk bolt | M10x33-12.9 Zn |
| 3 | 303 0933 | 18 | Sicherungsmutter | Selflocking nut | NM10-8 DIN985 Zn |
| 4 | 303 0934 | 8 | Sicherungsmutter | Selflocking nut | NM12-8 Zn DIN985 |
| 5 | 305 8580 | 16 | Scheibe | Washer | 13/24x2,5 St-Zn DIN125 |
| 6 | 305 8696 | 16 | Scheibe | Washer | A10,5 DIN125-St Zn |
| 7 | 32310033 | 2 | Vierkantstopfen | Square plug | 60 Q-6060 5 |
| 8 | 33710007 | 8 | Nivellierfuß | Levelling foot | 6x360x425 2xD11,5 |
| 9 | 35310010 | 7 | Blattfeder | Leaf spring | 60x10 GED55° RE |
| 10 | 35310011 | 1 | Blattfeder | Leaf spring | 60x10 GED55° LI |
| 11 | 35310013 | 8 | Klemme | Clamp | 60x60-60x10 |
| 12 | 42210105 | 1 | Tragrohr | Carrier tube | 60x60x2314-1425 |
| 13 | 301 3212 | 2 | Sechskantschraube | Hexagon bolt | M10x25-8.8 Zn DIN933 |
| 14 | 33710029 | 8 | Nivellierfuß | Levelling foot | 6x304x392 2xD11,5 |



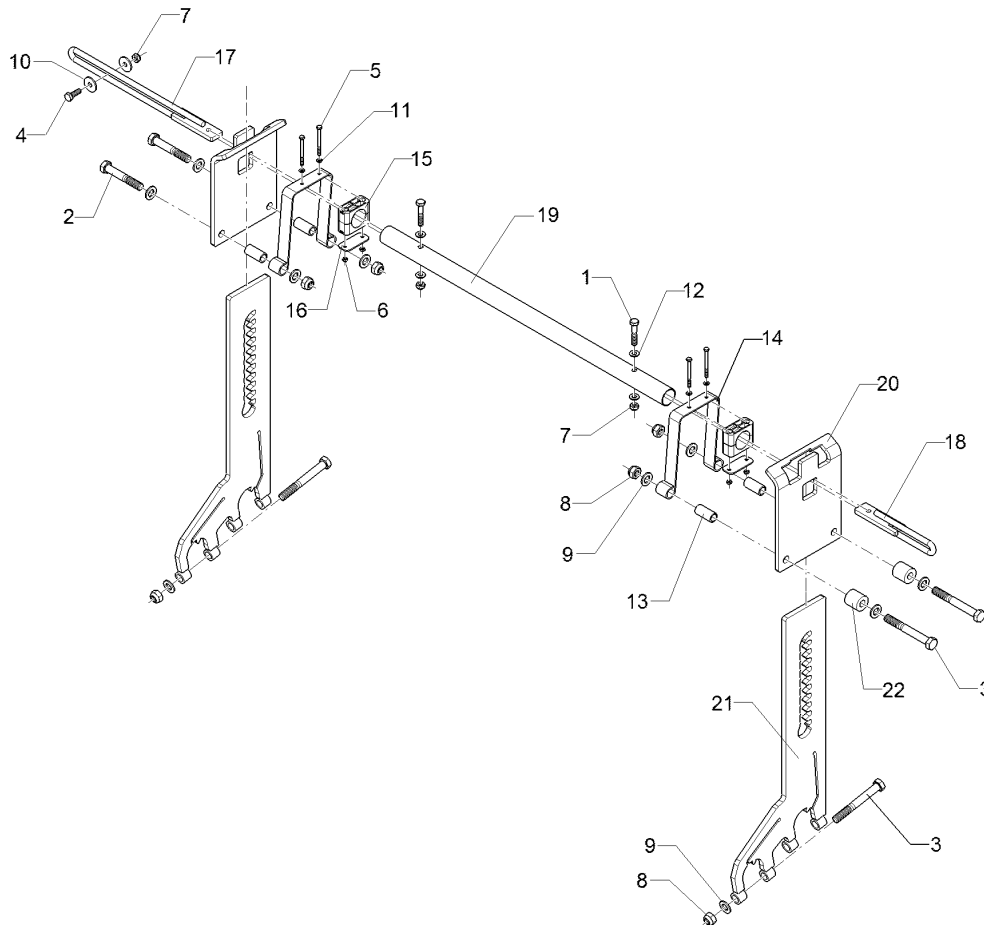
01.18

| Pos. | Art.Nr. | Stck. | Artikeltext / Description | | Abmessung |
|------|----------|-------|---------------------------|------------------|----------------------------|
| 1 | 301 3462 | 7 | Sechskantschraube | Hexagon bolt | M12x100-8.8 Zn DIN931-A |
| 2 | 30110249 | 14 | Senkschraube | Countersunk bolt | M10x33-12.9 Zn |
| 3 | 303 0933 | 16 | Sicherungsmutter | Selflocking nut | NM10-8 DIN985 Zn |
| 4 | 303 0934 | 7 | Sicherungsmutter | Selflocking nut | NM12-8 Zn DIN985 |
| 5 | 305 8580 | 14 | Scheibe | Washer | 13/24x2,5 St-Zn DIN125 |
| 6 | 305 8696 | 14 | Scheibe | Washer | A10,5 DIN125-St Zn |
| 7 | 32310033 | 2 | Vierkantstopfen | Square plug | 60 Q-6060 5 |
| 8 | 33710007 | 7 | Nivellierfuß | Levelling foot | 6x360x425 2xD11,5 |
| 10 | 35310011 | 7 | Blattfeder | Leaf spring | 60x10 GED55° LI |
| 11 | 35310013 | 7 | Klemme | Clamp | 60x60-60x10 |
| 12 | 42210105 | 1 | Tragrohr | Carrier tube | 60x60x2314-1425 |
| 13 | 301 3212 | 2 | Sechskantschraube | Hexagon bolt | M10x25-8.8 Zn DIN933 |
| 14 | 33710029 | 7 | Nivellierfuß | Levelling foot | 6x304x392 2xD11,5 |



01.18

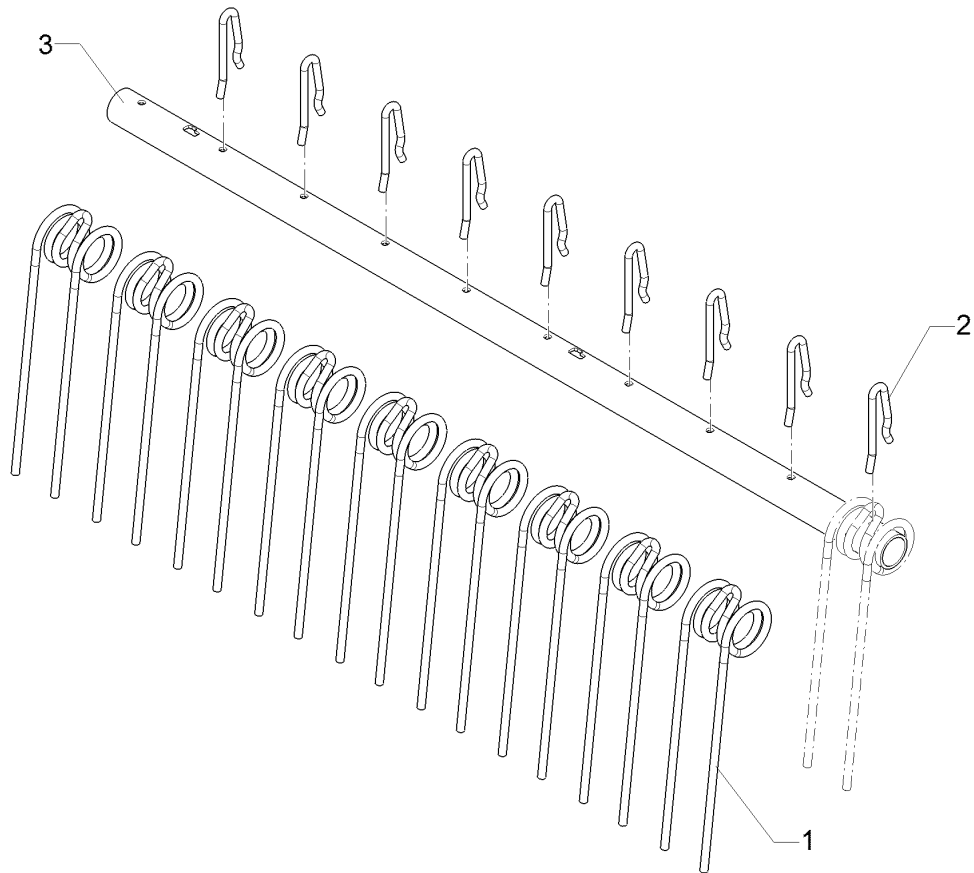
| Pos. | Art.Nr. | Stck. | Artikeltext / Description | | Abmessung |
|------|----------|-------|---------------------------|-----------------|----------------------------|
| 1 | 301 3248 | 2 | Sechskantschraube | Hexagon bolt | M10x55-8.8 Zn DIN931-A |
| 2 | 301 3997 | 2 | Sechskantschraube | Hexagon bolt | M16x100-8.8 Zn DIN931-A |
| 3 | 301 4057 | 4 | Sechskantschraube | Hexagon bolt | M16x130-8.8 Zn DIN931-A |
| 4 | 301 5004 | 1 | Sechskantschraube | Hexagon bolt | M10x30-8.8 Zn DIN933 |
| 5 | 30110398 | 4 | Sechskantschraube | Hexagon bolt | M6x75-8.8 Zn DIN931 |
| 6 | 303 0931 | 4 | Sicherungsmutter | Selflocking nut | NM6-8 Zn DIN985 |
| 7 | 303 0933 | 3 | Sicherungsmutter | Selflocking nut | NM10-8 DIN985 Zn |
| 8 | 303 0935 | 6 | Sicherungsmutter | Selflocking nut | NM16-8 Zn DIN985 |
| 9 | 305 6141 | 10 | Scheibe | Washer | 17/30x3 DIN/ISO-7089 |
| 10 | 305 6976 | 2 | Scheibe | Washer | R11/34x3 DIN440-St Zn |
| 11 | 305 8571 | 4 | Scheibe | Washer | 6,4 DIN125-A Zn |
| 12 | 305 8696 | 4 | Scheibe | Washer | A10,5 DIN125-St Zn |
| 13 | 31710061 | 4 | Buchse | Bush | D22/16,1x45 Zn |
| 14 | 32910026 | 2 | Flachformfeder | U-spring | 3x30x60 2xD7 |
| 15 | 37510093 | 4 | Schellenkörper | Clamp | 542PAH |
| 16 | 37510094 | 4 | Deckplatte | Cover plate | DP 5 W3 |
| 17 | 42210067 | 1 | Zahnsegment | Toothed segment | D12 10x34,2 lg=442,5 Zn |
| 18 | 42210071 | 1 | Zahnsegment | Toothed segment | D12 10x34,2 Zn |
| 19 | 42210079 | 1 | Rohr | Tube | D40x2x843 4xD11 |



01.18

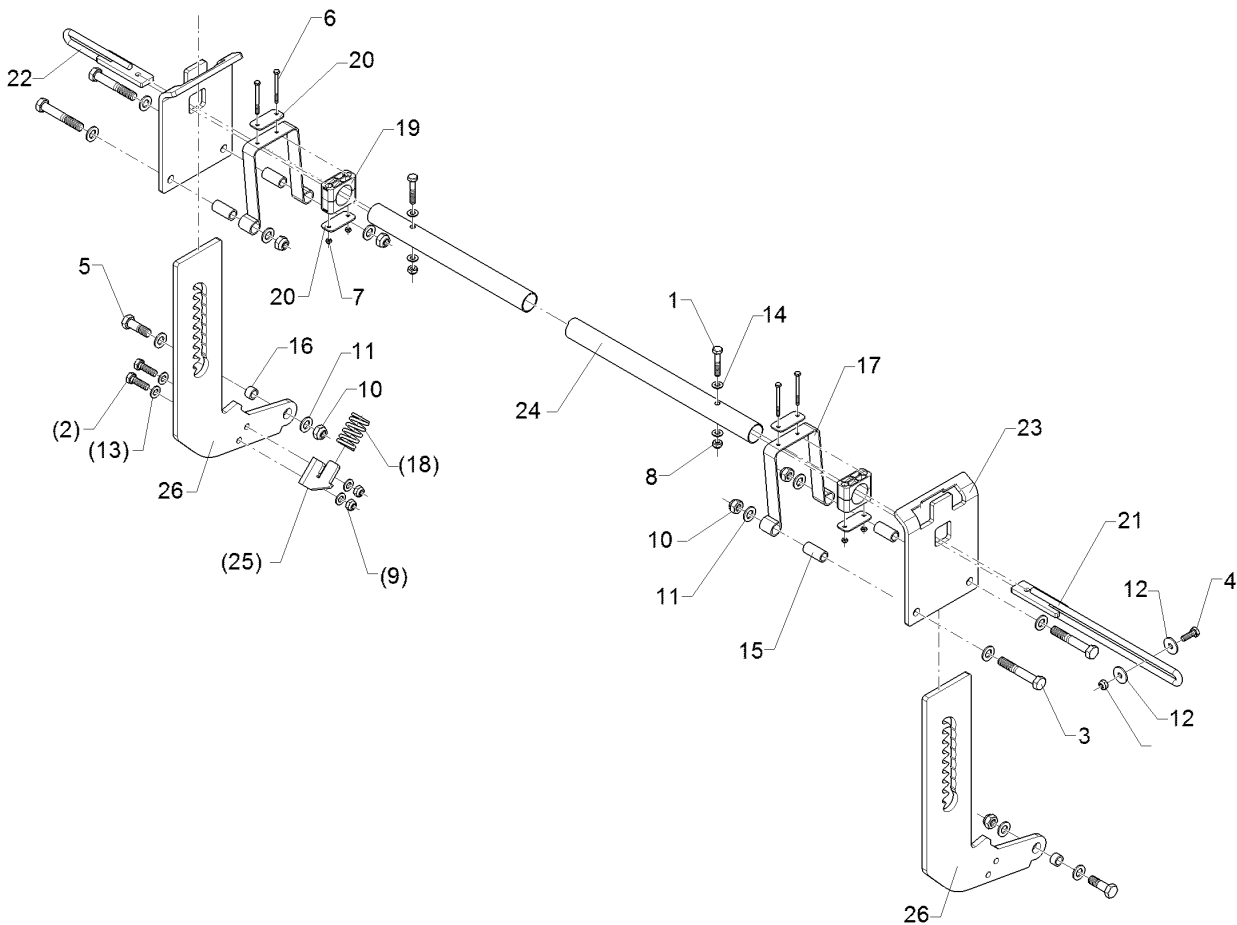
| Pos. | Art.Nr. | Stck. | Artikeltext / Description | Abmessung | |
|------|----------|-------|---------------------------|-------------|--------------------------|
| 20 | 42210080 | 2 | Platte | Plate | 10x187x263,5 GEB55GRD |
| 21 | 42210227 | 2 | Zahnstange | Toothed bar | 12x120 2Pos. Zn |
| 22 | 317 7504 | 2 | Buchse | Bush | D35/16x35,5 |

| | |
|----------------------------------|-----------------|
| Striegel/Levelling harrow | 5 |
| Rubin 12/500 KUA (A) | 62210300 |



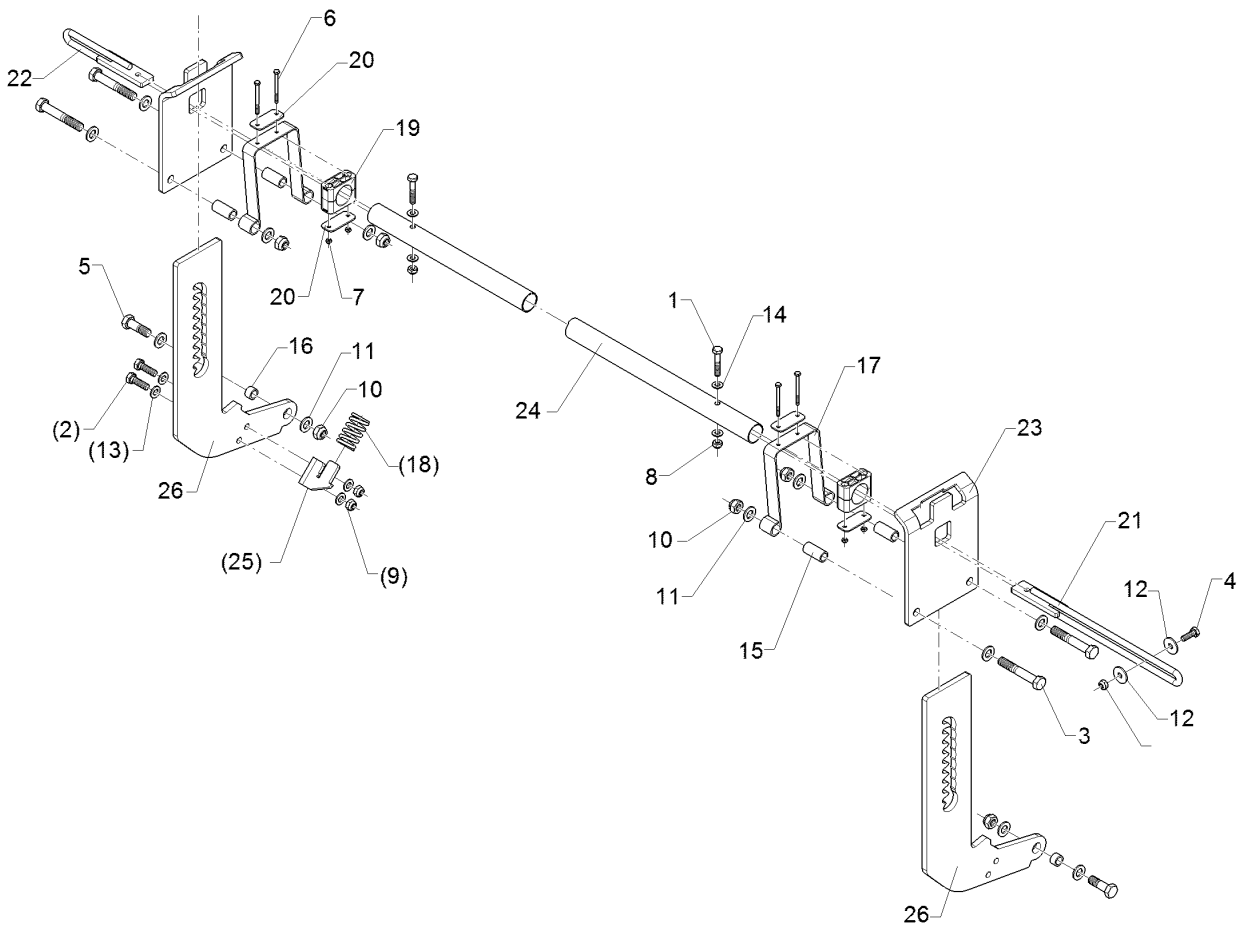
01.18

| Pos. | Art.Nr. | Stck. | Artikeltext / Description | | Abmessung |
|------|----------|-------|---------------------------|-------------|--------------------------|
| 1 | 35310025 | 9 | Striegelzinken | Harrow tine | D13x420x88 DI=61,2 |
| 2 | 42210072 | 9 | Formfeder | Spring | D12x255 4xGEB |
| 3 | 42210078 | 1 | Rohr | Tube | D60,3x5x1734 20xD12,5 |



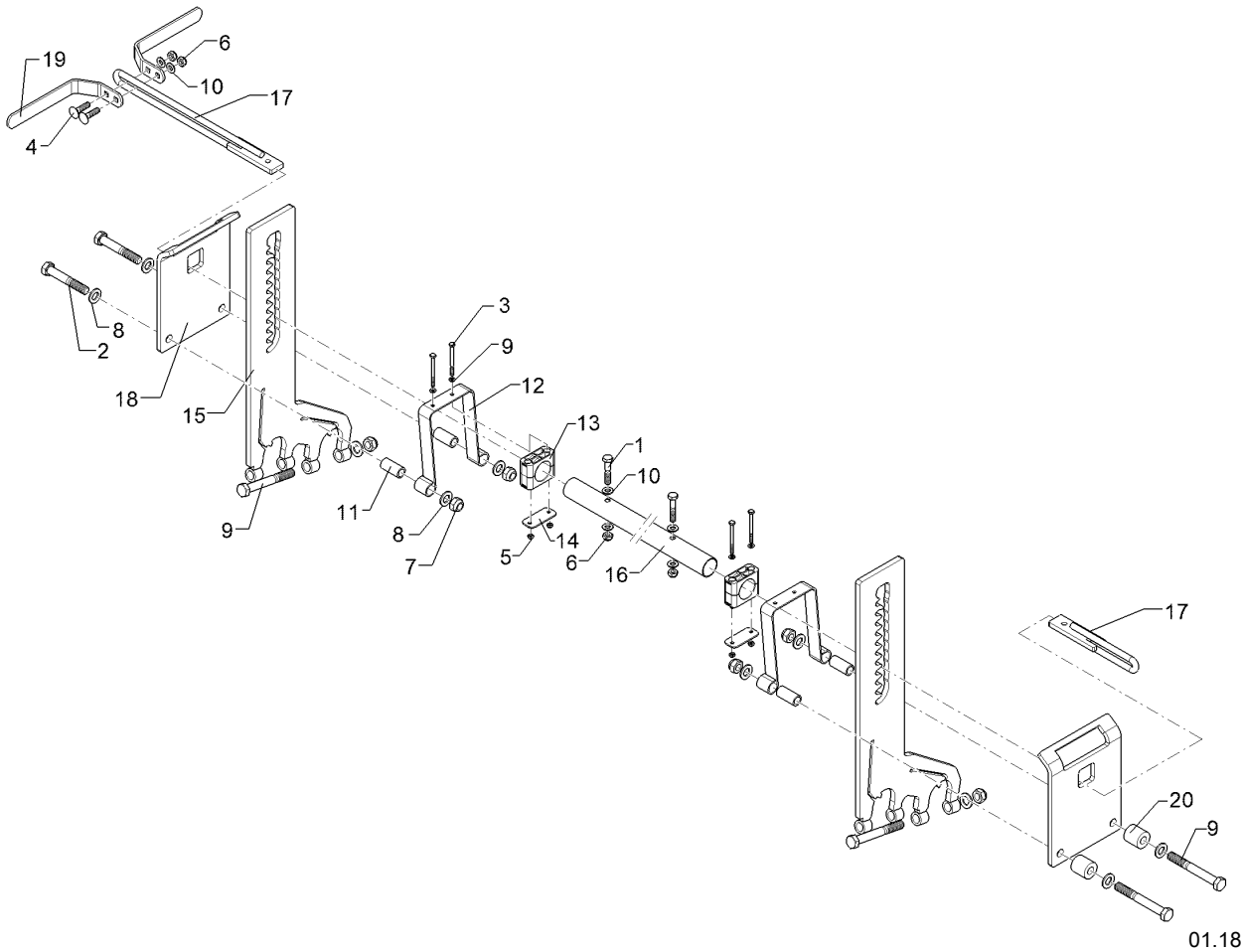
01.18

| Pos. | Art.Nr. | Stck. | Artikeltext / Description | | Abmessung |
|------|----------|-------|---------------------------|--------------------|----------------------------|
| 1 | 301 3248 | 2 | Sechskantschraube | Hexagon bolt | M10x55-8.8 Zn DIN931-A |
| 2 | 301 3347 | 2 | Sechskantschraube | Hexagon bolt | M12x40-8.8 Zn DIN933 |
| 3 | 301 3997 | 4 | Sechskantschraube | Hexagon bolt | M16x100-8.8 Zn DIN931-A |
| 4 | 301 5004 | 1 | Sechskantschraube | Hexagon bolt | M10x30-8.8 Zn DIN933 |
| 5 | 301 5409 | 2 | Sechskantschraube spz. | Hexagon bolt | M16x50-8.8 Zn |
| 6 | 30110398 | 4 | Sechskantschraube | Hexagon bolt | M6x75-8.8 Zn DIN931 |
| 7 | 303 0931 | 4 | Sicherungsmutter | Selflocking nut | NM6-8 Zn DIN985 |
| 8 | 303 0933 | 3 | Sicherungsmutter | Selflocking nut | NM10-8 DIN985 Zn |
| 9 | 303 0934 | 2 | Sicherungsmutter | Selflocking nut | NM12-8 Zn DIN985 |
| 10 | 303 0935 | 6 | Sicherungsmutter | Selflocking nut | NM16-8 Zn DIN985 |
| 11 | 305 6141 | 12 | Scheibe | Washer | 17/30x3 DIN/ISO-7089 |
| 12 | 305 6976 | 2 | Scheibe | Washer | R11/34x3 DIN440-St Zn |
| 13 | 305 8580 | 4 | Scheibe | Washer | 13/24x2,5 St-Zn DIN125 |
| 14 | 305 8696 | 4 | Scheibe | Washer | A10,5 DIN125-St Zn |
| 15 | 31710061 | 4 | Buchse | Bush | D22/16,1x45 Zn |
| 16 | 31710195 | 2 | Buchse | Bush | D16/22x13 |
| 17 | 32910026 | 2 | Flachformfeder | U-spring | 3x30x60 2xD7 |
| 18 | 32910052 | 1 | Druckfeder | Compression spring | 5,8x33,2x76 Zn |
| 19 | 37510093 | 2 | Schellenkörper | Clamp | 542PAH |



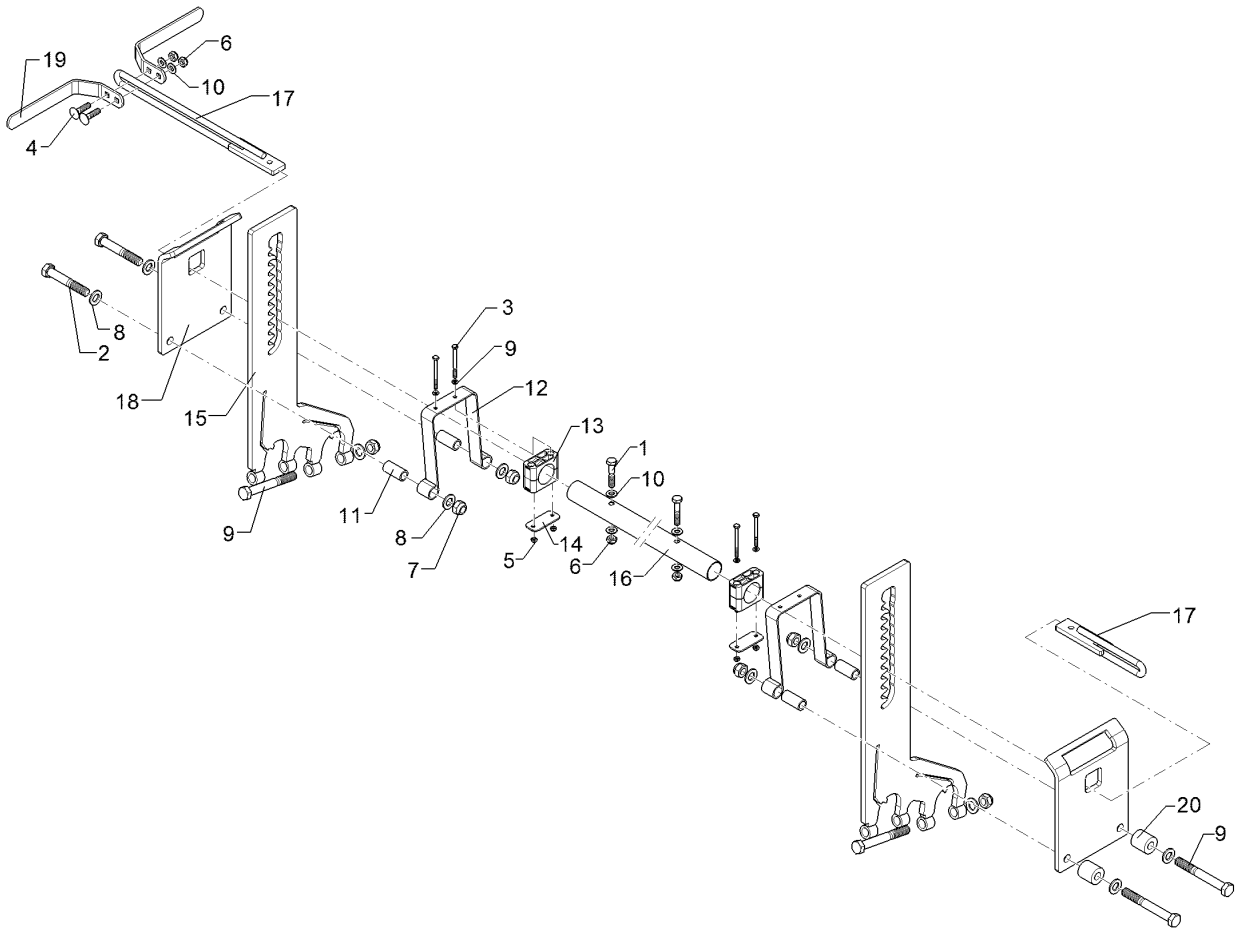
01.18

| Pos. | Art.Nr. | Stck. | Artikeltext / Description | Abmessung | |
|------|----------|-------|---------------------------|-----------------|---------------------------------------|
| 20 | 37510094 | 4 | Deckplatte | Cover plate | |
| 21 | 42210067 | 1 | Zahnsegment | Toothed segment | DP 5 W3 D12 10x34,2 lg=442,5 Zn |
| 22 | 42210071 | 1 | Zahnsegment | Toothed segment | D12 10x34,2 Zn |
| 23 | 42210080 | 2 | Platte | Plate | 10x187x263,5 GEB55GRD |
| 24 | 42210104 | 1 | Rohr | Tube | D40x2x1391 4xD11 |
| 25 | 42210256 | 1 | Federhalter | Holder | 8x67x111 2xD12,5 RE Zn |
| 26 | 42210258 | 2 | Zahnstange | Toothed bar | 12x321x529 2xD12,5 Zn |



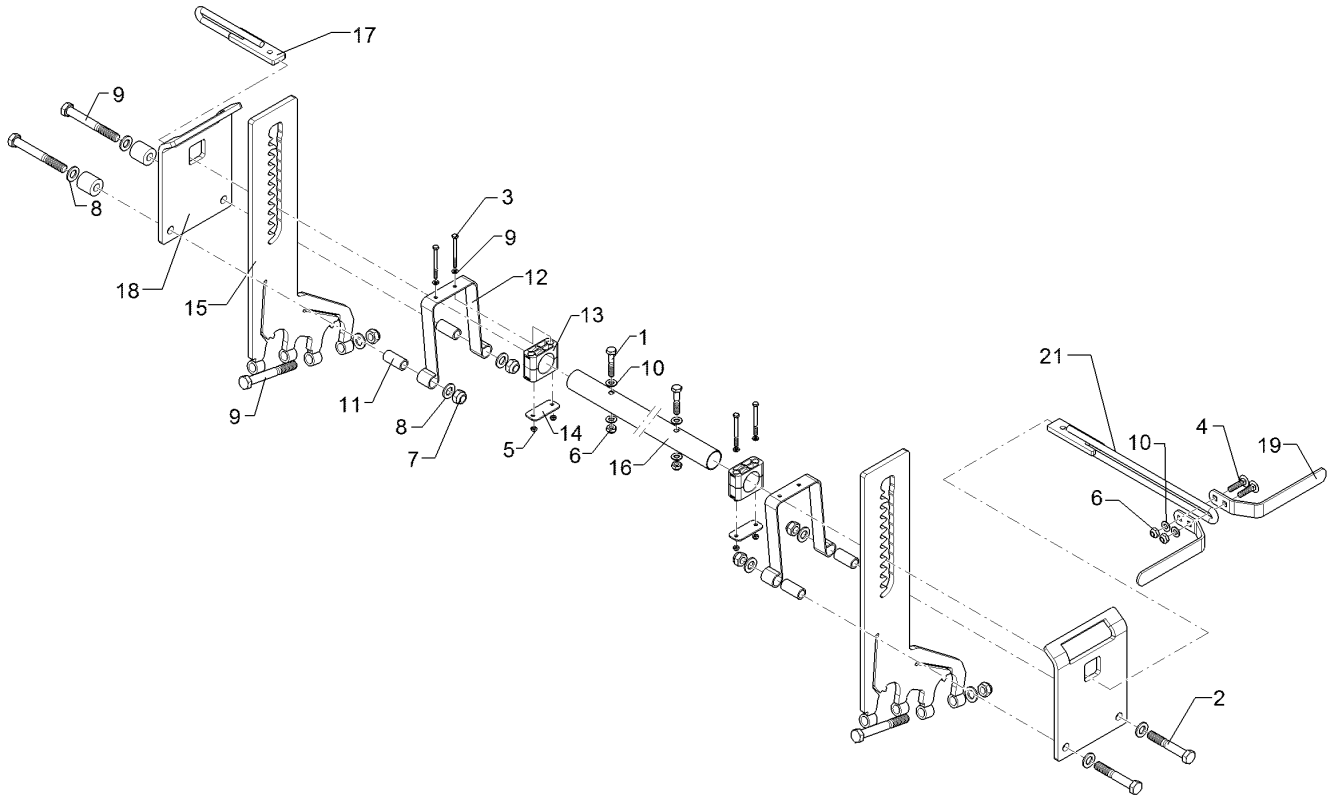
01.18

| Pos. | Art.Nr. | Stck. | Artikeltext / Description | | Abmessung |
|------|----------|-------|---------------------------|-------------------|----------------------------|
| 1 | 301 3248 | 2 | Sechskantschraube | Hexagon bolt | M10x55-8.8 Zn DIN931-A |
| 2 | 301 3997 | 2 | Sechskantschraube | Hexagon bolt | M16x100-8.8 Zn DIN931-A |
| 3 | 30110398 | 4 | Sechskantschraube | Hexagon bolt | M6x75-8.8 Zn DIN931 |
| 4 | 301 1710 | 2 | Flachrundschrabe | Saucer-head screw | M10x40-8.8 Zn DIN603 |
| 5 | 303 0931 | 4 | Sicherungsmutter | Selflocking nut | NM6-8 Zn DIN985 |
| 6 | 303 0933 | 4 | Sicherungsmutter | Selflocking nut | NM10-8 DIN985 Zn |
| 7 | 303 0935 | 6 | Sicherungsmutter | Selflocking nut | NM16-8 Zn DIN985 |
| 8 | 305 6141 | 10 | Scheibe | Washer | 17/30x3 DIN/ISO-7089 |
| 9 | 301 4057 | 4 | Sechskantschraube | Hexagon bolt | M16x130-8.8 Zn DIN931-A |
| 10 | 305 8696 | 6 | Scheibe | Washer | A10,5 DIN125-St Zn |
| 11 | 31710061 | 4 | Buchse | Bush | D22/16,1x45 Zn |
| 12 | 32910026 | 2 | Flachformfeder | U-spring | 3x30x60 2xD7 |
| 13 | 37510093 | 2 | Schellenkörper | Clamp | 542PAH |
| 14 | 37510094 | 4 | Deckplatte | Cover plate | DP 5 W3 |
| 15 | 42210227 | 2 | Zahnstange | Toothed bar | 12x120 2Pos. Zn |
| 16 | 42210079 | 1 | Rohr | Tube | D40x2x843 4xD11 |
| 17 | 42210071 | 1 | Zahnsegment | Toothed segment | D12 10x34,2 Zn |
| 18 | 42210080 | 2 | Platte | Plate | 10x187x263,5 GEB55GRD |
| 19 | 42210304 | 2 | Hebel | Lever | 5x30x289 2xGEB |



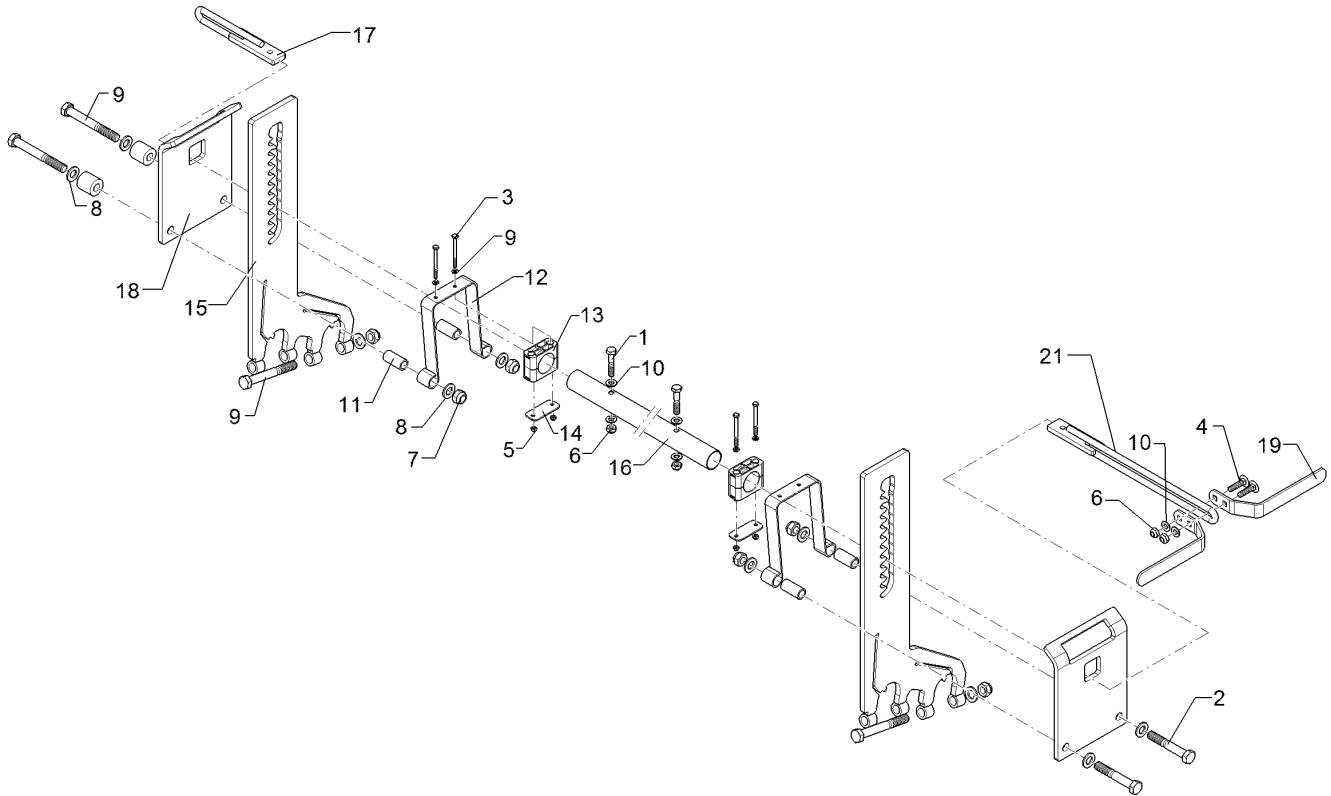
01.18

| Pos. | Art.Nr. | Stck. | Artikeltext / Description | | Abmessung |
|------|----------|-------|---------------------------|-----------------|----------------------------|
| 20 | 317 7504 | 2 | Buchse | Bush | D35/16x35,5 |
| 21 | 42210067 | 1 | Zahnsegment | Toothed segment | D12 10x34,2 lg=442,5 Zn |



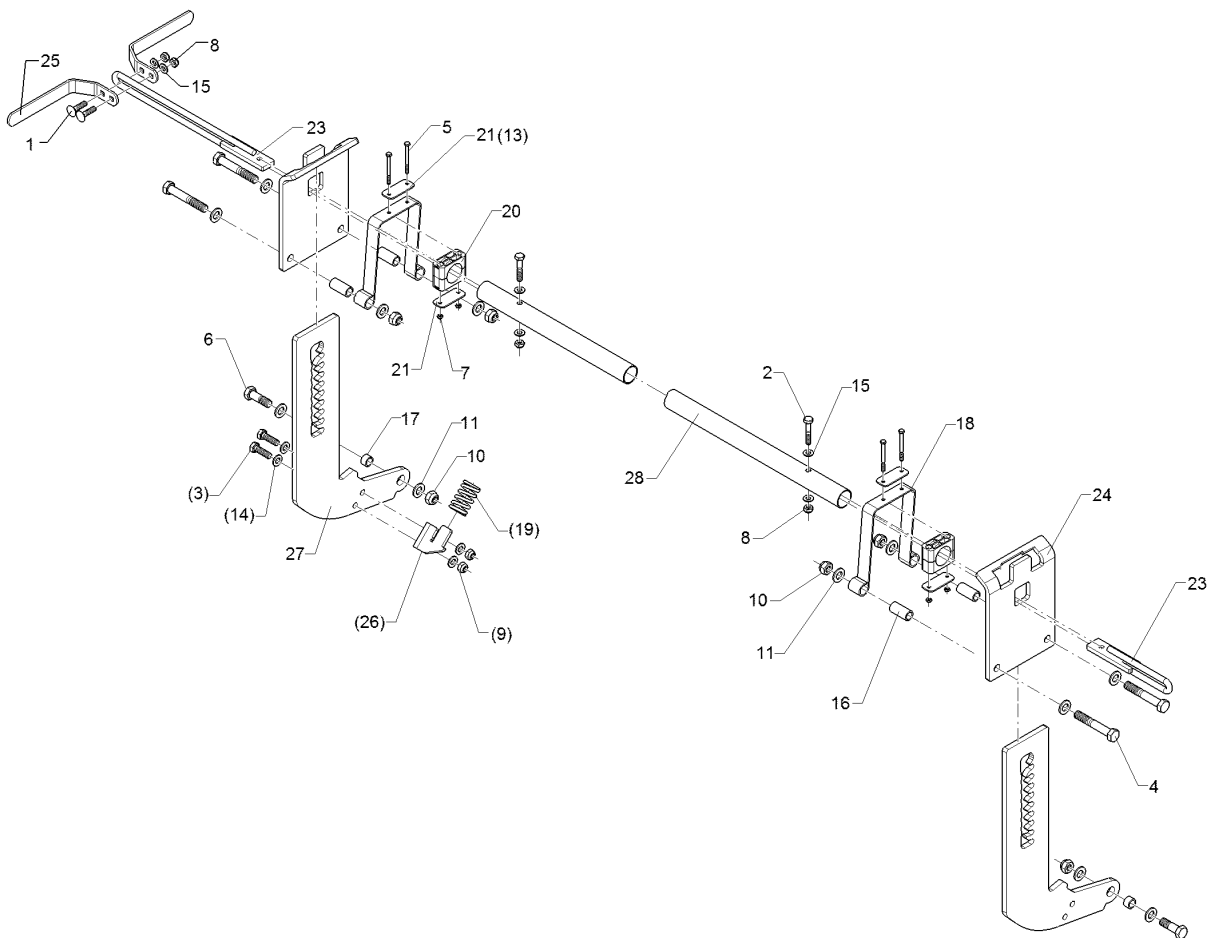
01.18

| Pos. | Art.Nr. | Stck. | Artikeltext / Description | | Abmessung |
|------|----------|-------|---------------------------|-------------------|----------------------------|
| 1 | 301 3248 | 2 | Sechskantschraube | Hexagon bolt | M10x55-8.8 Zn DIN931-A |
| 2 | 301 3997 | 2 | Sechskantschraube | Hexagon bolt | M16x100-8.8 Zn DIN931-A |
| 3 | 30110398 | 4 | Sechskantschraube | Hexagon bolt | M6x75-8.8 Zn DIN931 |
| 4 | 301 1710 | 2 | Flachrundschrabe | Saucer-head screw | M10x40-8.8 Zn DIN603 |
| 5 | 303 0931 | 4 | Sicherungsmutter | Selflocking nut | NM6-8 Zn DIN985 |
| 6 | 303 0933 | 4 | Sicherungsmutter | Selflocking nut | NM10-8 DIN985 Zn |
| 7 | 303 0935 | 6 | Sicherungsmutter | Selflocking nut | NM16-8 Zn DIN985 |
| 8 | 305 6141 | 10 | Scheibe | Washer | 17/30x3 DIN/ISO-7089 |
| 9 | 301 4057 | 4 | Sechskantschraube | Hexagon bolt | M16x130-8.8 Zn DIN931-A |
| 10 | 305 8696 | 6 | Scheibe | Washer | A10,5 DIN125-St Zn |
| 11 | 31710061 | 4 | Buchse | Bush | D22/16,1x45 Zn |
| 12 | 32910026 | 2 | Flachformfeder | U-spring | 3x30x60 2xD7 |
| 13 | 37510093 | 2 | Schellenkörper | Clamp | 542PAH |
| 14 | 37510094 | 4 | Deckplatte | Cover plate | DP 5 W3 |
| 15 | 42210227 | 2 | Zahnstange | Toothed bar | 12x120 2Pos. Zn |
| 16 | 42210079 | 1 | Rohr | Tube | D40x2x843 4xD11 |
| 17 | 42210071 | 1 | Zahnsegment | Toothed segment | D12 10x34,2 Zn |
| 18 | 42210080 | 2 | Platte | Plate | 10x187x263,5 GEB55GRD |
| 19 | 42210304 | 2 | Hebel | Lever | 5x30x289 2xGEB |



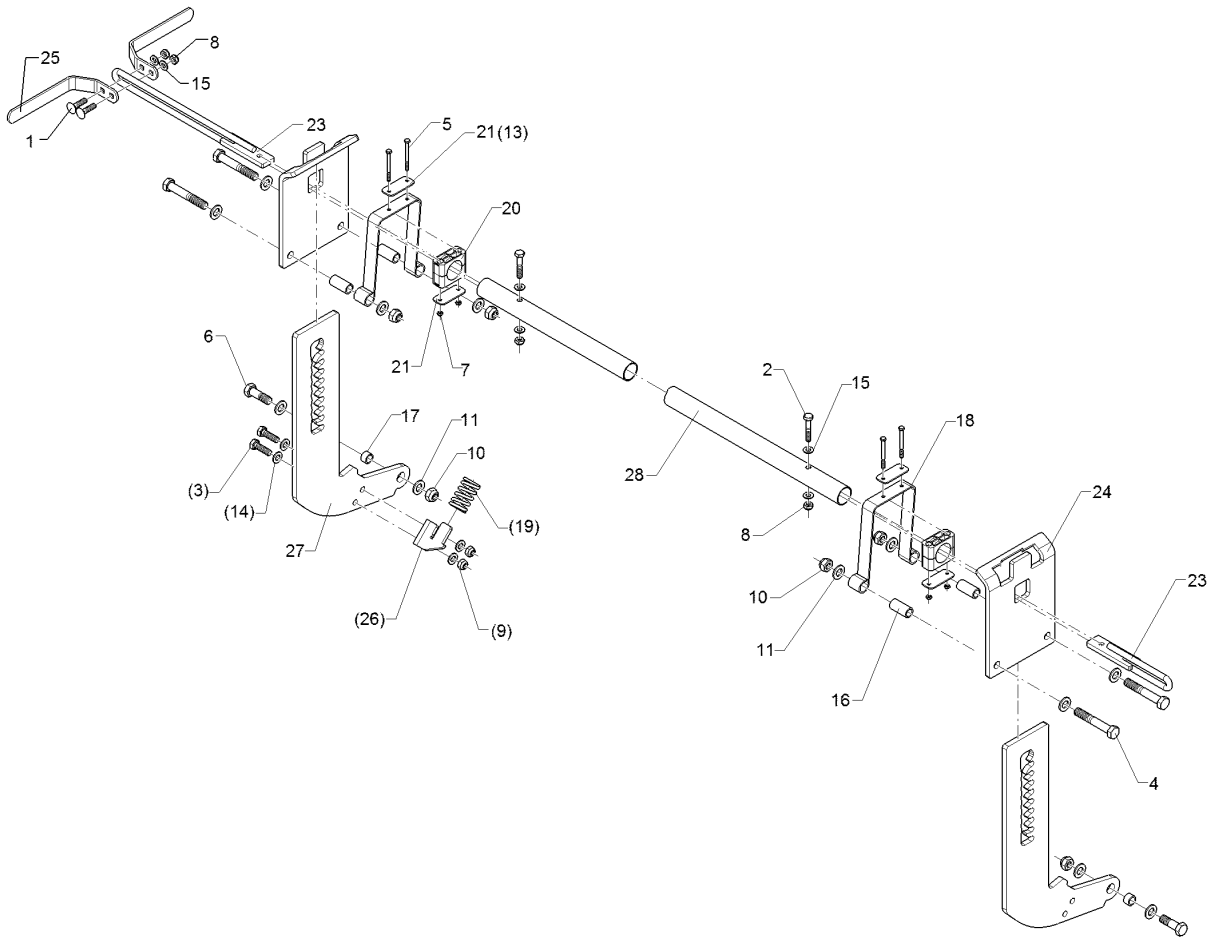
01.18

| Pos. | Art.Nr. | Stck. | Artikeltext / Description | | Abmessung |
|------|----------|-------|---------------------------|-----------------|----------------------------|
| 20 | 317 7504 | 2 | Buchse | Bush | D35/16x35,5 |
| 21 | 42210067 | 1 | Zahnsegment | Toothed segment | D12 10x34,2 lg=442,5 Zn |



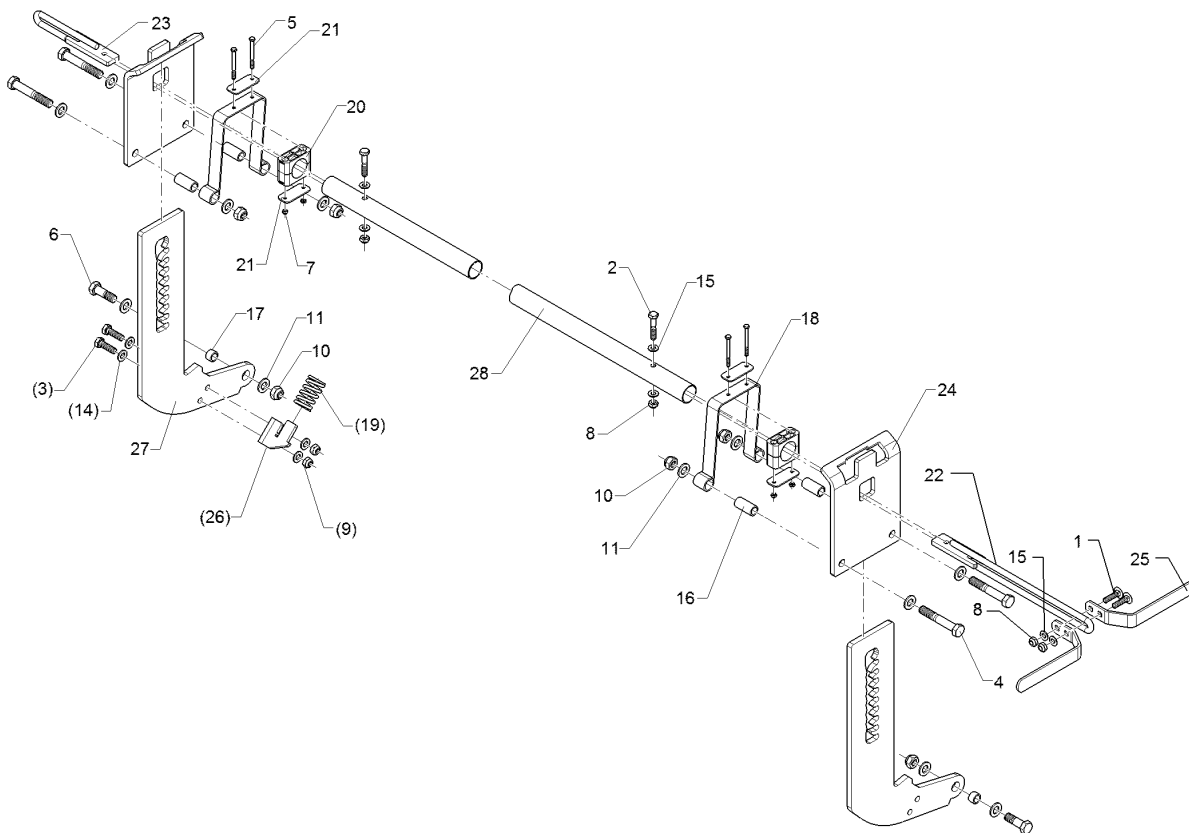
01.18

| Pos. | Art.Nr. | Stck. | Artikeltext / Description | | Abmessung |
|------|----------|-------|---------------------------|--------------------|----------------------------|
| 1 | 301 1710 | 2 | Flachrundschraube | Saucer-head screw | M10x40-8.8 Zn DIN603 |
| 2 | 301 3248 | 2 | Sechskantschraube | Hexagon bolt | M10x55-8.8 Zn DIN931-A |
| 3 | 301 3347 | 2 | Sechskantschraube | Hexagon bolt | M12x40-8.8 Zn DIN933 |
| 4 | 301 3997 | 4 | Sechskantschraube | Hexagon bolt | M16x100-8.8 Zn DIN931-A |
| 5 | 30110398 | 4 | Sechskantschraube | Hexagon bolt | M6x75-8.8 Zn DIN931 |
| 6 | 301 5409 | 2 | Sechskantschraube spz. | Hexagon bolt | M16x50-8.8 Zn |
| 7 | 303 0931 | 4 | Sicherungsmutter | Selflocking nut | NM6-8 Zn DIN985 |
| 8 | 303 0933 | 4 | Sicherungsmutter | Selflocking nut | NM10-8 DIN985 Zn |
| 9 | 303 0934 | 2 | Sicherungsmutter | Selflocking nut | NM12-8 Zn DIN985 |
| 10 | 303 0935 | 6 | Sicherungsmutter | Selflocking nut | NM16-8 Zn DIN985 |
| 11 | 305 6141 | 12 | Scheibe | Washer | 17/30x3 DIN/ISO-7089 |
| 14 | 305 8580 | 4 | Scheibe | Washer | 13/24x2,5 St-Zn DIN125 |
| 15 | 305 8696 | 6 | Scheibe | Washer | A10,5 DIN125-St Zn |
| 16 | 31710061 | 4 | Buchse | Bush | D22/16,1x45 Zn |
| 17 | 31710195 | 2 | Buchse | Bush | D16/22x13 |
| 18 | 32910026 | 2 | Flachformfeder | U-spring | 3x30x60 2xD7 |
| 19 | 32910052 | 1 | Druckfeder | Compression spring | 5,8x33,2x76 Zn |
| 20 | 37510093 | 2 | Schellenkörper | Clamp | 542PAH |
| 21 | 37510094 | 4 | Deckplatte | Cover plate | DP 5 W3 |



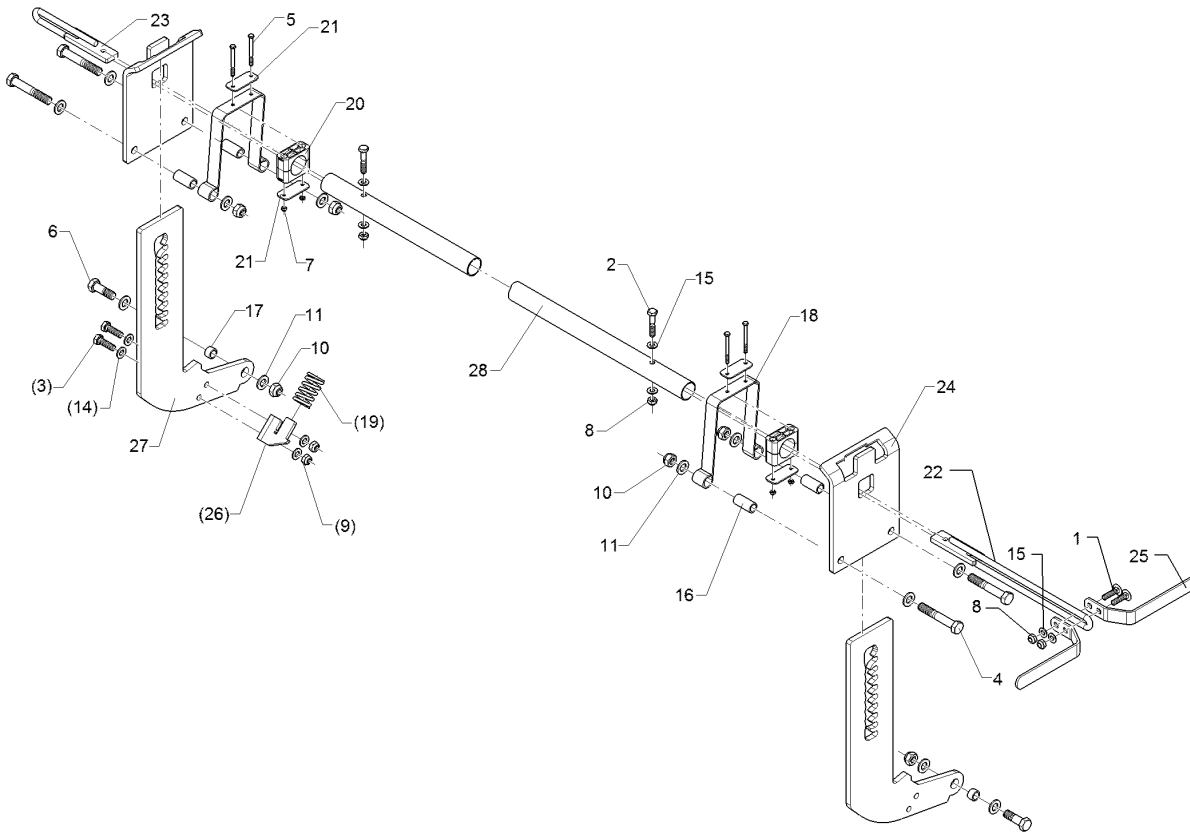
01.18

| Pos. | Art.Nr. | Stck. | Artikeltext / Description | Abmessung |
|------|----------|-------|--------------------------------|----------------------------|
| 22 | 42210067 | 1 | Zahnsegment Toothed segment | D12 10x34,2 lg=442,5 Zn |
| 23 | 42210071 | 1 | Zahnsegment Toothed segment | D12 10x34,2 Zn |
| 24 | 42210080 | 2 | Platte Plate | 10x187x263,5 GEB55GRD |
| 25 | 42210304 | 2 | Hebel Lever | 5x30x289 2xGEB |
| 26 | 42210256 | 1 | Federhalter Holder | 8x67x111 2xD12,5 RE Zn |
| 27 | 42210301 | 2 | Zahnstange Toothed bar | 12x321x529 2xD12,5 Zn |
| 28 | 42210104 | 1 | Rohr Tube | D40x2x1391 4xD11 |



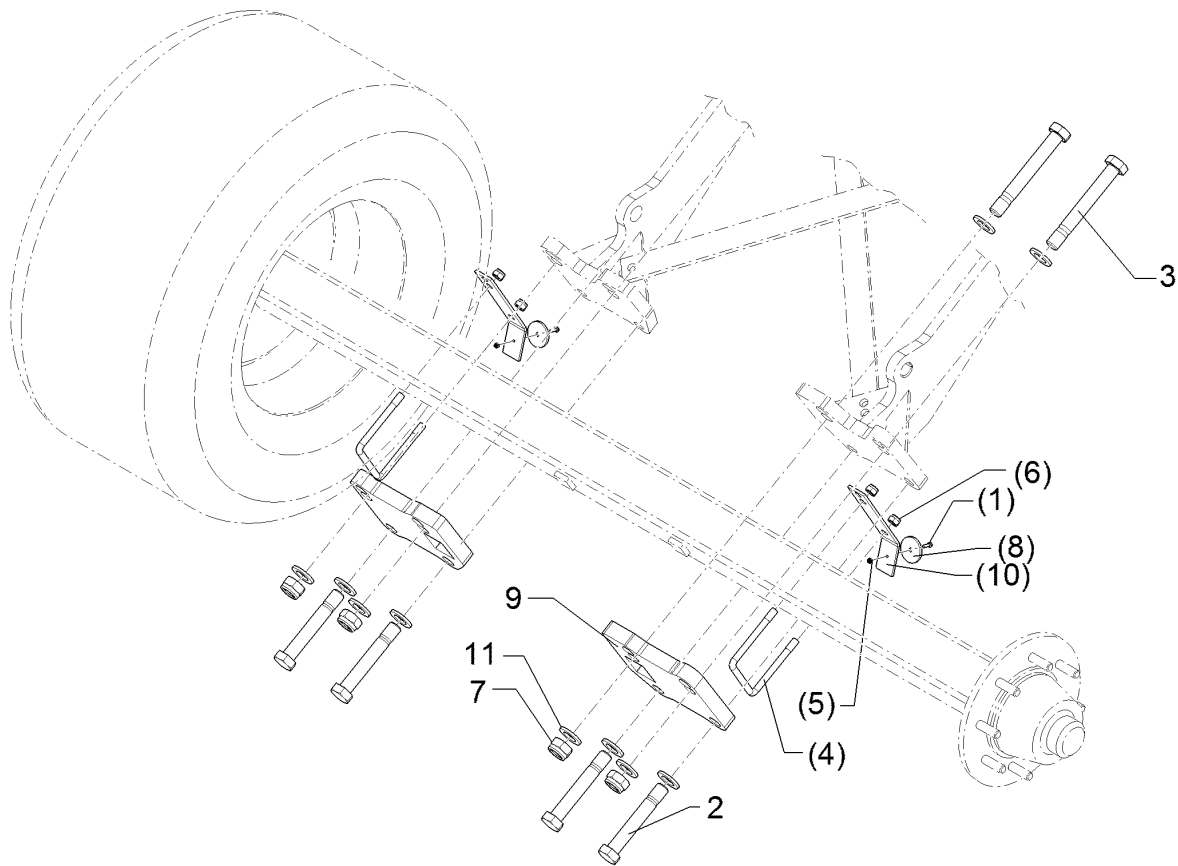
01.18

| Pos. | Art.Nr. | Stck. | Artikeltext / Description | | Abmessung |
|------|----------|-------|---------------------------|--------------------|----------------------------|
| 1 | 301 1710 | 2 | Flachrundschraube | Saucer-head screw | M10x40-8.8 Zn DIN603 |
| 2 | 301 3248 | 2 | Sechskantschraube | Hexagon bolt | M10x55-8.8 Zn DIN931-A |
| 3 | 301 3347 | 2 | Sechskantschraube | Hexagon bolt | M12x40-8.8 Zn DIN933 |
| 4 | 301 3997 | 4 | Sechskantschraube | Hexagon bolt | M16x100-8.8 Zn DIN931-A |
| 5 | 30110398 | 4 | Sechskantschraube | Hexagon bolt | M6x75-8.8 Zn DIN931 |
| 6 | 301 5409 | 2 | Sechskantschraube spz. | Hexagon bolt | M16x50-8.8 Zn |
| 7 | 303 0931 | 4 | Sicherungsmutter | Selflocking nut | NM6-8 Zn DIN985 |
| 8 | 303 0933 | 4 | Sicherungsmutter | Selflocking nut | NM10-8 DIN985 Zn |
| 9 | 303 0934 | 2 | Sicherungsmutter | Selflocking nut | NM12-8 Zn DIN985 |
| 10 | 303 0935 | 6 | Sicherungsmutter | Selflocking nut | NM16-8 Zn DIN985 |
| 11 | 305 6141 | 12 | Scheibe | Washer | 17/30x3 DIN/ISO-7089 |
| 14 | 305 8580 | 4 | Scheibe | Washer | 13/24x2,5 St-Zn DIN125 |
| 15 | 305 8696 | 6 | Scheibe | Washer | A10,5 DIN125-St Zn |
| 16 | 31710061 | 4 | Buchse | Bush | D22/16,1x45 Zn |
| 17 | 31710195 | 2 | Buchse | Bush | D16/22x13 |
| 18 | 32910026 | 2 | Flachformfeder | U-spring | 3x30x60 2xD7 |
| 19 | 32910052 | 1 | Druckfeder | Compression spring | 5,8x33,2x76 Zn |
| 20 | 37510093 | 2 | Schellenkörper | Clamp | 542PAH |
| 21 | 37510094 | 4 | Deckplatte | Cover plate | DP 5 W3 |



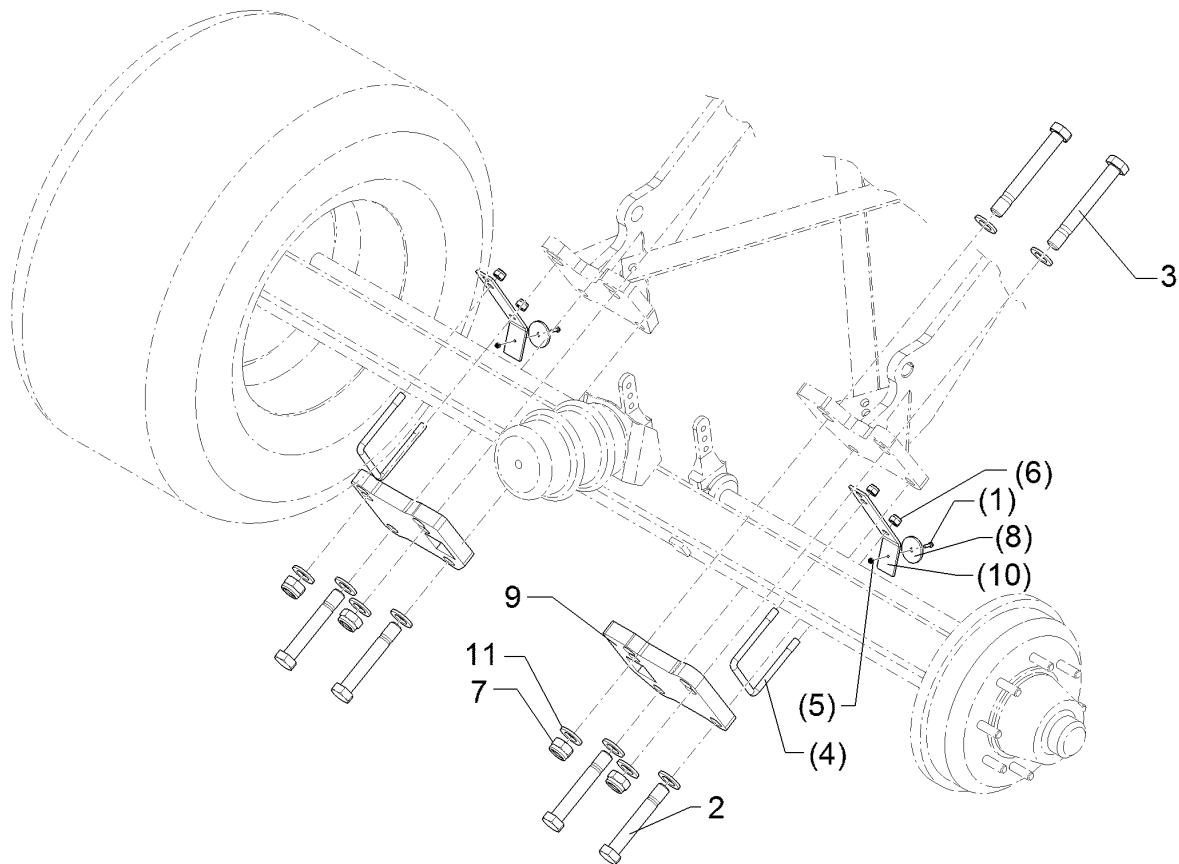
01.18

| Pos. | Art.Nr. | Stck. | Artikeltext / Description | | Abmessung |
|------|----------|-------|---------------------------|-----------------|----------------------------|
| 22 | 42210067 | 1 | Zahnsegment | Toothed segment | D12 10x34,2 lg=442,5 Zn |
| 23 | 42210071 | 1 | Zahnsegment | Toothed segment | D12 10x34,2 Zn |
| 24 | 42210080 | 2 | Platte | Plate | 10x187x263,5 GEB55GRD |
| 25 | 42210304 | 2 | Hebel | Lever | 5x30x289 2xGEB |
| 26 | 42210256 | 1 | Federhalter | Holder | 8x67x111 2xD12,5 RE Zn |
| 27 | 42210301 | 2 | Zahnstange | Toothed bar | 12x321x529 2xD12,5 Zn |
| 28 | 42210104 | 1 | Rohr | Tube | D40x2x1391 4xD11 |



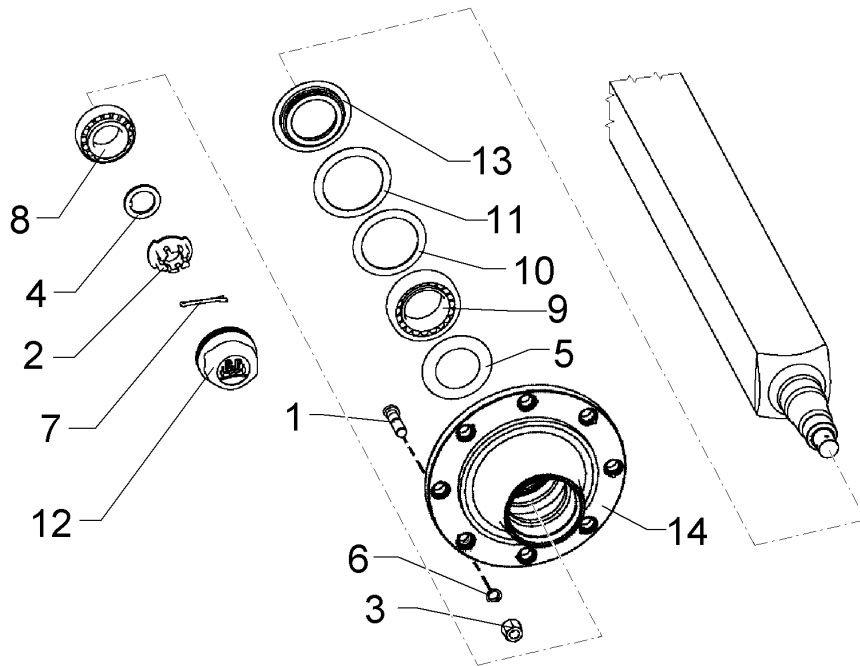
01.18

| Pos. | Art.Nr. | Stck. | Artikeltext / Description | | Abmessung |
|------|----------|-------|---------------------------|-----------------|-------------------------|
| 1 | 301 0301 | 2 | Linsenschraube | Oval head screw | M6x20-4,6 Zn DIN7985 |
| 2 | 301 4901 | 4 | Sechskantschraube gek. | Hexagon bolt | M30x230-8.8 Zn (280) |
| 3 | 301 4906 | 4 | Sechskantschraube | Hexagon bolt | M30x260xb35-10.9 Zn |
| 4 | 301 7806 | 2 | Bügelsschraube | U-bolt | M16/150/195 Zn |
| 5 | 303 0931 | 2 | Sicherungsmutter | Selflocking nut | NM6-8 Zn DIN985 |
| 6 | 303 0935 | 4 | Sicherungsmutter | Selflocking nut | NM16-8 Zn DIN985 |
| 7 | 303 0938 | 4 | Sicherungsmutter | Selflocking nut | NM30-8 Zn DIN985 |
| 8 | 321 9922 | 2 | Rückstrahler rot | Reflector, red | 8 RA 002 016-111 |
| 9 | 459 9354 | 2 | Klemmplatte | Clamping plate | 35x241x280 6xD31 |
| 10 | 470 1727 | 2 | Halter für Rückstrahler | Holder | 50x6x300 |
| 11 | 305 6327 | 12 | Scheibe | Washer | 60x31x6 Zn 200HV |



01.18

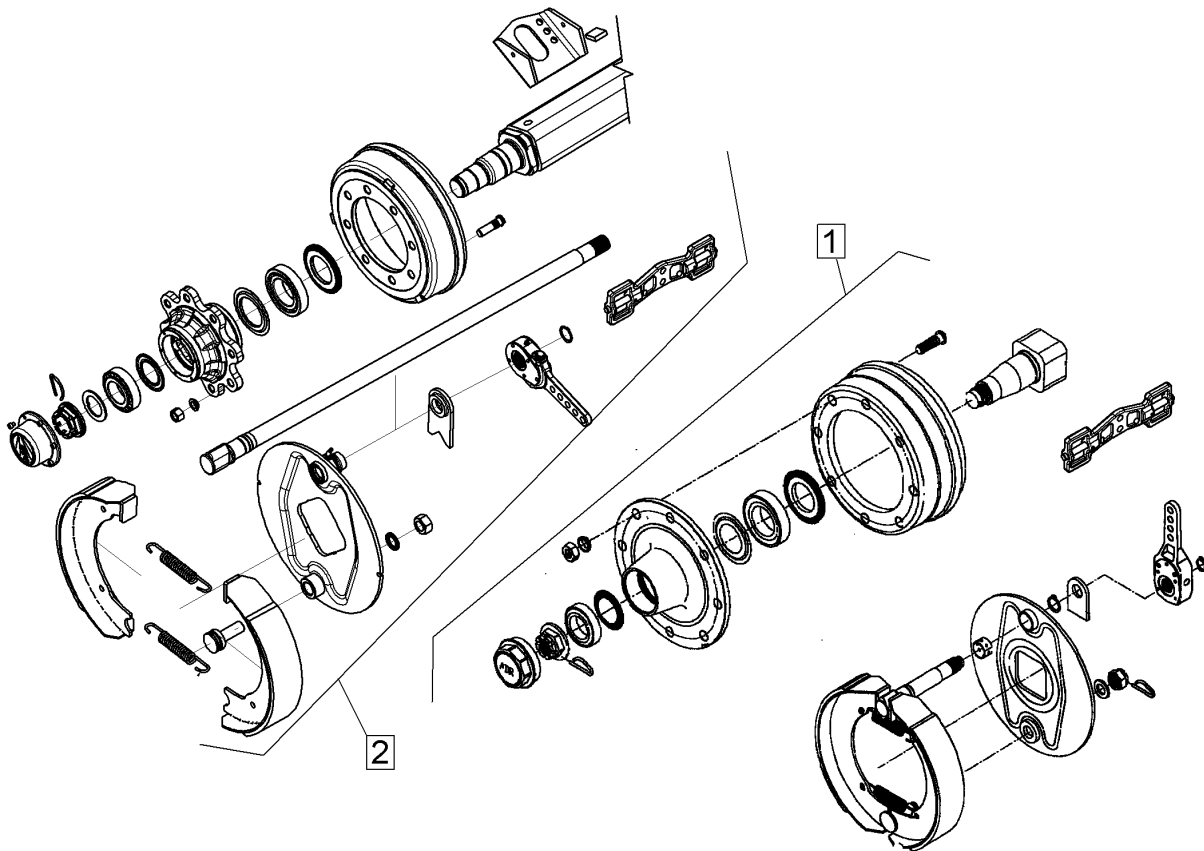
| Pos. | Art.Nr. | Stck. | Artikeltext / Description | | Abmessung |
|------|----------|-------|---------------------------|-----------------|-------------------------|
| 1 | 301 0301 | 2 | Linsenschraube | Oval head screw | M6x20-4,6 Zn DIN7985 |
| 2 | 301 4896 | 4 | Sechskantschraube spz. | Hexagon bolt | M30x190-8.8 Zn |
| 3 | 301 4901 | 4 | Sechskantschraube gek. | Hexagon bolt | M30x230-8.8 Zn (280) |
| 4 | 301 7821 | 2 | Bügelschraube | U-bolt | M16/120/160 Zn |
| 5 | 303 0931 | 2 | Sicherungsmutter | Selflocking nut | NM6-8 Zn DIN985 |
| 6 | 303 0935 | 4 | Sicherungsmutter | Selflocking nut | NM16-8 Zn DIN985 |
| 7 | 303 0938 | 4 | Sicherungsmutter | Selflocking nut | NM30-8 Zn DIN985 |
| 8 | 321 9922 | 2 | Rückstrahler rot | Reflector, red | 8 RA 002 016-111 |
| 9 | 459 9354 | 2 | Klemmplatte | Clamping plate | 35x241x280 6xD31 |
| 10 | 470 1727 | 2 | Halter für Rückstrahler | Holder | 50x6x300 |
| 11 | 305 6327 | 12 | Scheibe | Washer | 60x31x6 Zn 200HV |



01.18

| Pos. | Art.Nr. | Stck. | Artikeltext / Description | | Abmessung |
|------|----------|-------|---------------------------|------------------------|-------------------------|
| 1 | 301 6429 | 16 | Radbolzen | Wheel bolt | M20x1,5x60 |
| 2 | 303 0260 | 2 | Kronenmutter | Castle nut | M52x2 |
| 3 | 303 6421 | 16 | Flachbundmutter | Flat collar nut | M20x1,5 Zn SW27 |
| 4 | 305 6451 | 2 | Scheibe mit Nase | Washer | D76/53x6 |
| 5 | 305 6455 | 2 | Abdeckblech | Cover | - |
| 6 | 305 9932 | 16 | Federring mit Kugelbund | Spring ring | C20 DIN74361 |
| 7 | 311 7667 | 2 | Splint | Peg | 8x80 DIN94-St Zn |
| 8 | 319 9207 | 2 | Kegelrollenlager | Tapered roller bearing | 33118 |
| 9 | 319 9210 | 2 | Kegelrollenlager | Tapered roller bearing | 33213. |
| 10 | 323 0218 | 2 | Dichtscheibe Kunststoff | Seal washer | D155/120x3 |
| 11 | 323 0217 | 2 | Dichtscheibe Kunststoff | Seal washer | D160/120x3 |
| 12 | 323 1326 | 2 | Schraubkappe | Cap | M125x2 BPW |
| 13 | 323 1682 | 2 | Stoßring | Thrust washer | D160/120x1,5 |
| 14 | 450 6914 | 2 | Radnabe Laufachse | Wheel hub | 8/220/275 D20 M125x2 |

| | |
|--------------------------------|-----------------|
| Bremsachse/Braking axle | 7 |
| Rubin 12/500 KUA (A) | 550 8524 |

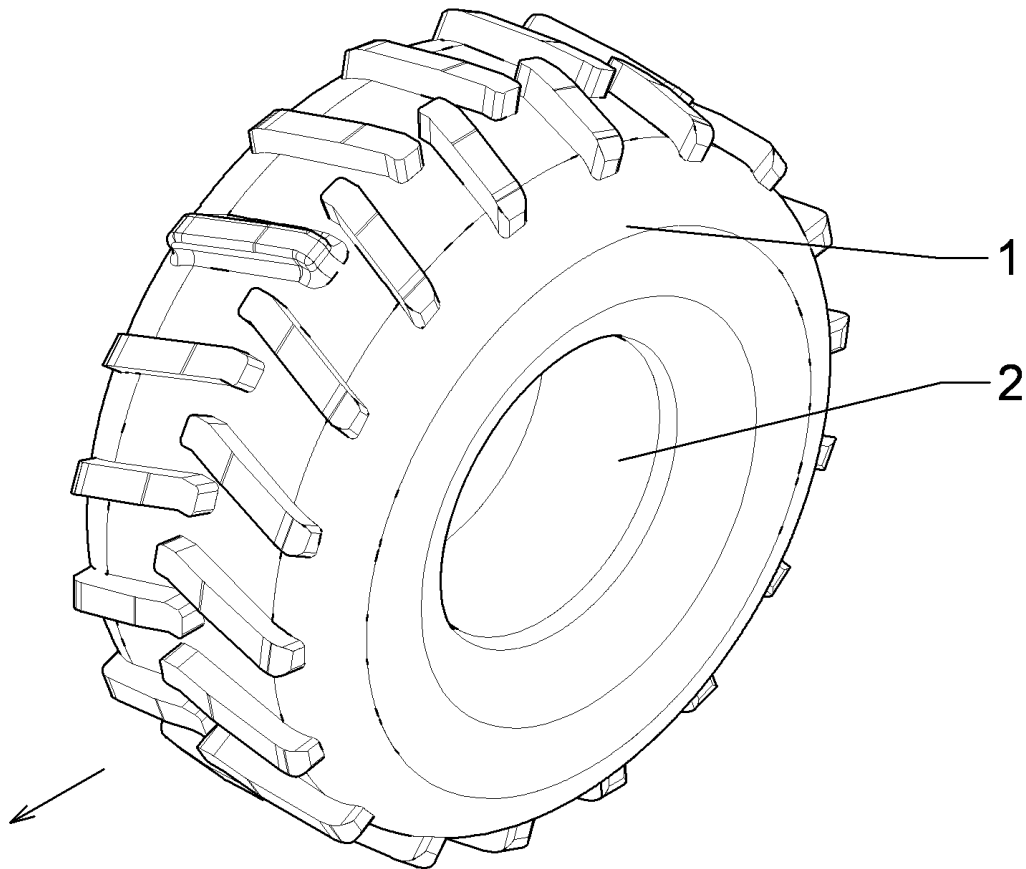


01.18

| Pos. | Art.Nr. | Stck. | Artikeltext / Description | | Abmessung |
|------|----------|-------|---------------------------|--------------|---------------------------|
| 1 | 69910274 | 16 | Bremsachse | Braking axle | 120x14x2530 400x80 ADR |
| 2 | 69910275 | 2 | Bremsachse | Braking axle | 120x14x2530 400x80 ADR |

| | |
|---|----------|
| Rad 8/221/275 M20x1,5/Wheel 8/221/275 M20x1,5 | 7 |
|---|----------|

| | |
|-----------------------------|-----------------|
| Rubin 12/500 KUA (A) | 550 8912 |
|-----------------------------|-----------------|

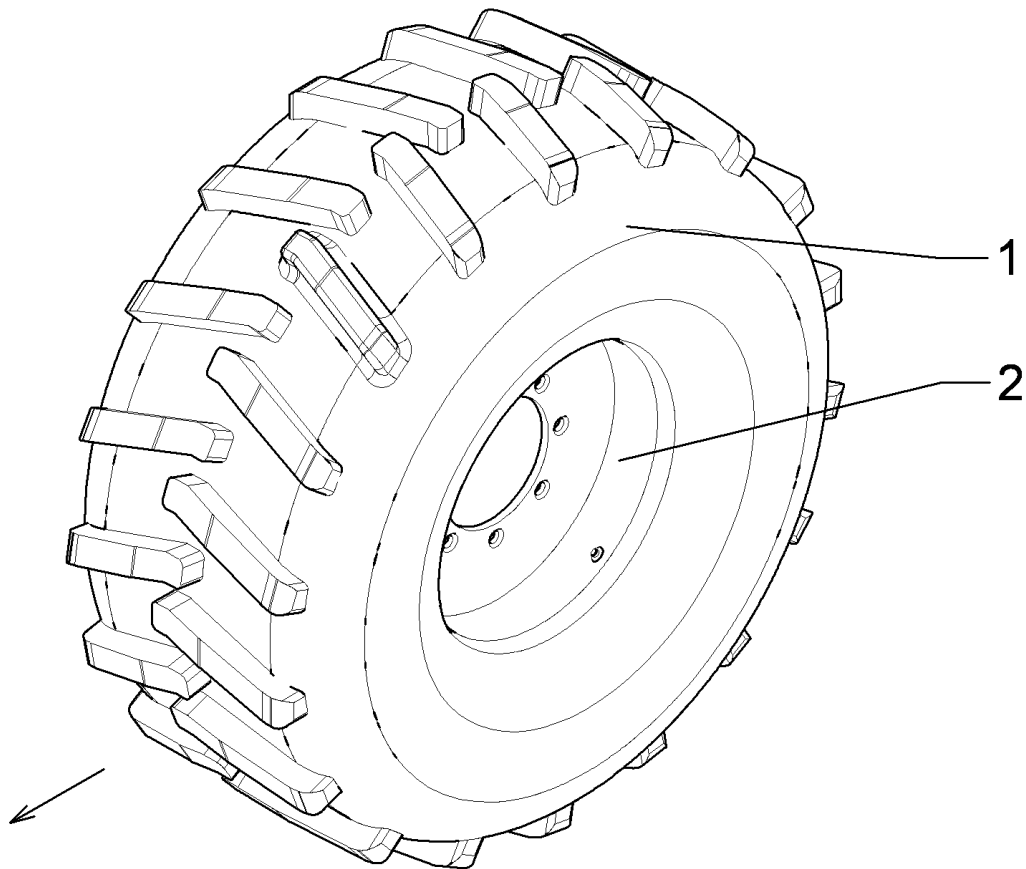


01.18

| Pos. | Art.Nr. | Stck. | Artikeltext / Description | | Abmessung |
|------|----------|-------|---------------------------|------|--------------------------------|
| 1 | 357 7087 | 1 | Reifen | Tyre | 550/45-22.5 I-328 16 PR |
| 2 | 357 8876 | 1 | Felge | Rim | 16.00x22.5 8/221/275 ET-100 |

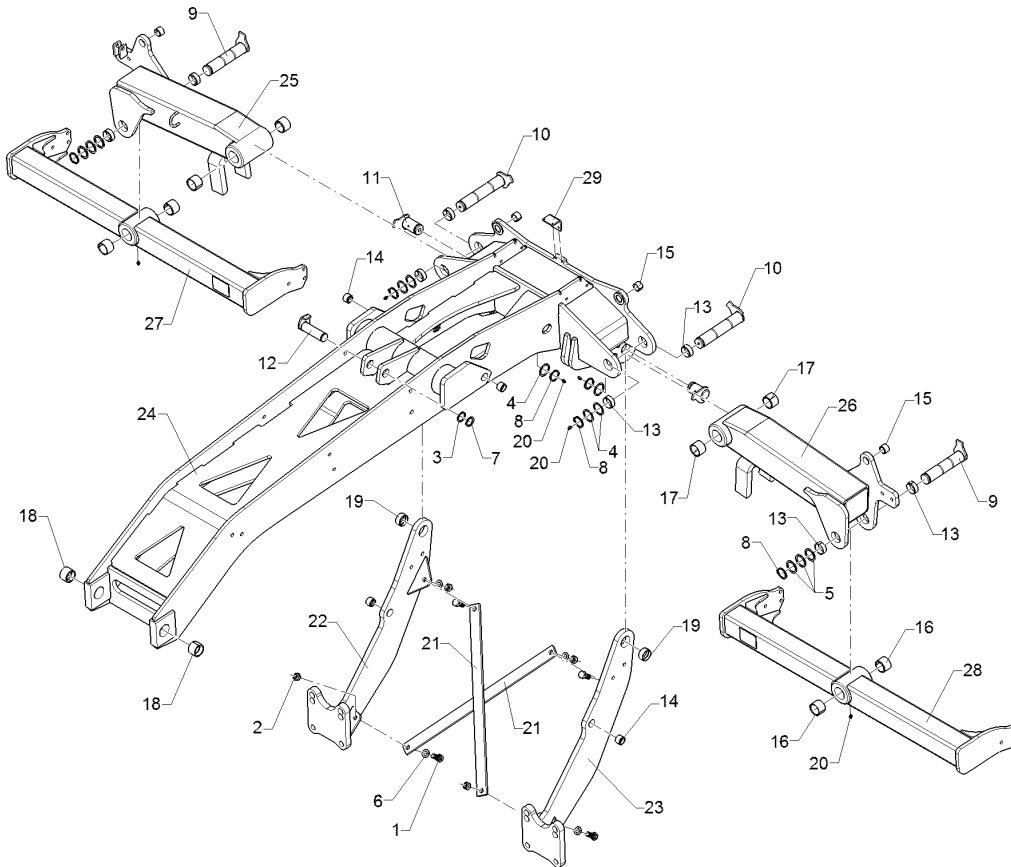
| | |
|---|----------|
| Rad 8/221/275 M20x1,5/Wheel 8/221/275 M20x1,5 | 7 |
|---|----------|

| | |
|-----------------------------|-----------------|
| Rubin 12/500 KUA (A) | 550 8913 |
|-----------------------------|-----------------|



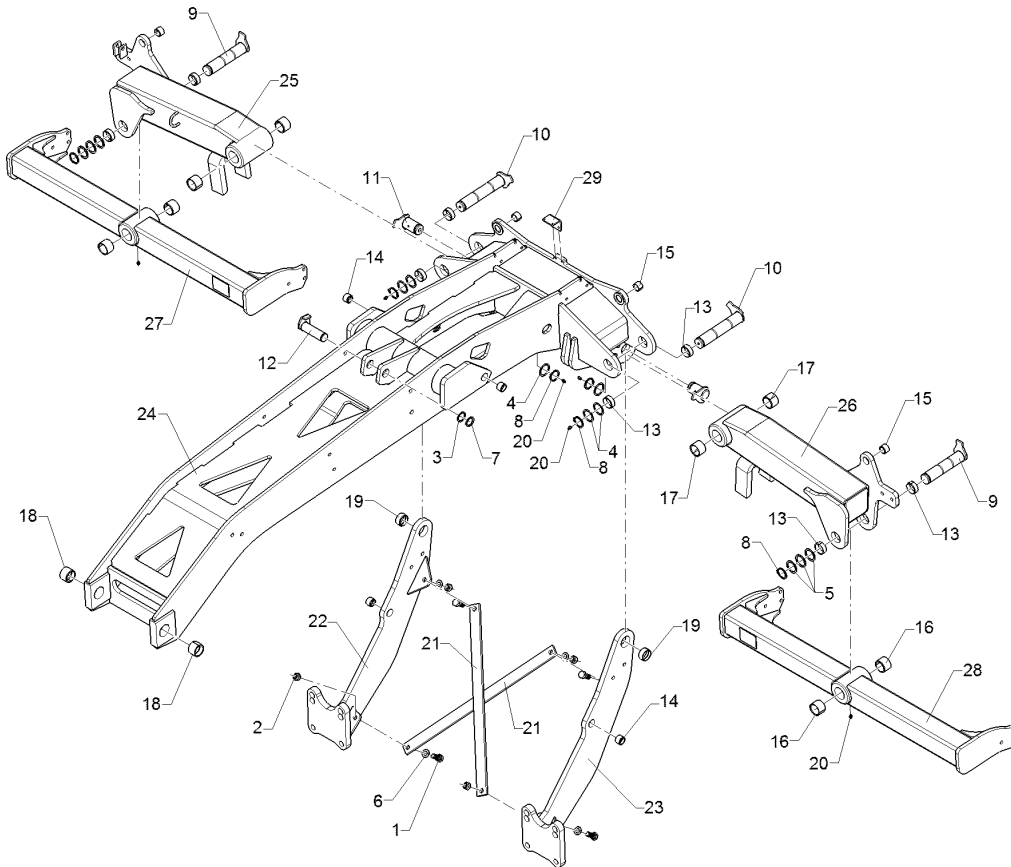
01.18

| Pos. | Art.Nr. | Stck. | Artikeltext / Description | Abmessung |
|---|----------|-------|---------------------------|-----------|
| 1 | 357 7087 | 1 | Reifen | Tyre |
| 2 | 357 8876 | 1 | Felge | Rim |
| <div style="display: flex; justify-content: space-between;"> 550/45-22.5 I-328 16 PR </div> <div style="display: flex; justify-content: space-between;"> 16.00x22.5 8/221/275 ET-100 </div> | | | | |



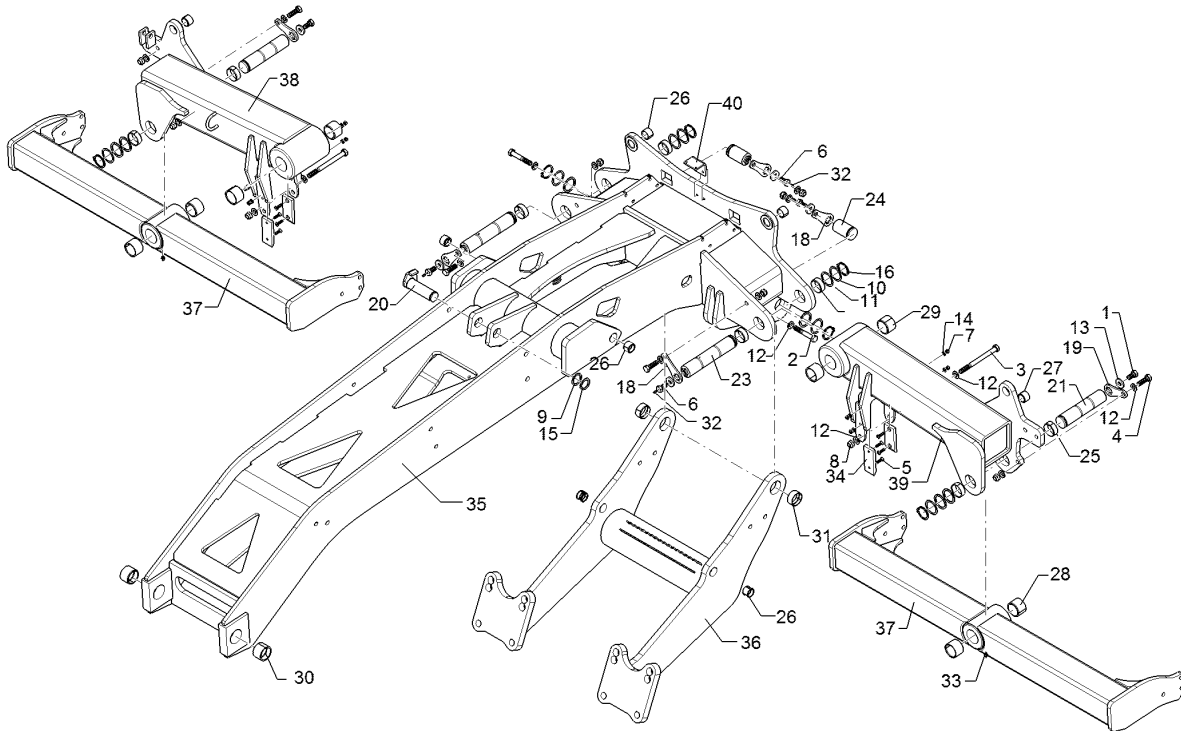
01.18

| Pos. | Art.Nr. | Stck. | Artikeltext / Description | | Abmessung |
|------|----------|-------|------------------------------|-------------------|--------------------------|
| 1 | 301 4231 | 4 | Sechskantschraube | Hexagon bolt | M20x50-8.8 Zn DIN933 |
| 2 | 303 0936 | 4 | Sicherungsmutter | Selflocking nut | NM20-8 Zn DIN985 |
| 3 | 305 2100 | 1 | Passscheibe | Shim | 40x50x2,0 DIN988 |
| 4 | 305 2150 | 6 | Passscheibe | Shim | 50x62x1,0 DIN988 |
| 5 | 305 2255 | 6 | Stützscheibe | Supporting washer | S 50x62x3 DIN988 Zn |
| 6 | 305 6012 | 4 | Scheibe | Washer | 21 ISO7089 Zn |
| 7 | 305 8875 | 1 | Sicherungsring | Retaining ring | 40x2,5 DIN471 |
| 8 | 305 8877 | 6 | Sicherungsring | Retaining ring | 50x3 DIN471 |
| 9 | 313 5035 | 2 | Bolzen mit Verdrehsicherung | Pin with stop | D50x211/236 Zn |
| 10 | 313 5037 | 2 | Bolzen mit Verdrehsicherung | Pin with stop | D50x243/268 Zn |
| 11 | 313 5046 | 2 | Bolzen mit Verdrehsicherung | Pin with stop | D50x68/93 Zn |
| 12 | 31310068 | 1 | Bolzen mit Verdrehsicherung | Pin with stop | D40x120/138 Zn |
| 13 | 317 2024 | 8 | Einspannbuchse mit Presssitz | Expansion bush | EG50/55x20 |
| 14 | 317 3360 | 4 | Einspannbuchse mit Presssitz | Expansion bush | EG30/38x25 |
| 15 | 317 3417 | 4 | Einspannbuchse mit Presssitz | Expansion bush | EG30/38x25 |
| 16 | 317 3433 | 4 | Einspannbuchse | Expansion bush | EG50+0,05+0,15/60x40 |
| 17 | 317 3434 | 4 | Einspannbuchse | Expansion bush | EG50/60x40-DIN1498 |
| 18 | 31710181 | 2 | Einspannbuchse mit Presssitz | Expansion bush | EG50/60x40 |
| 19 | 31710182 | 2 | Einspannbuchse mit Presssitz | Expansion bush | EG50/55x25 |
| 20 | 323 6348 | 6 | Schmiernippel | Grease nipple | AM10x1 DIN17142 |
| 21 | 41210043 | 2 | Zugstab | Tension rod | 50x12x885 2xD20,2-845 |



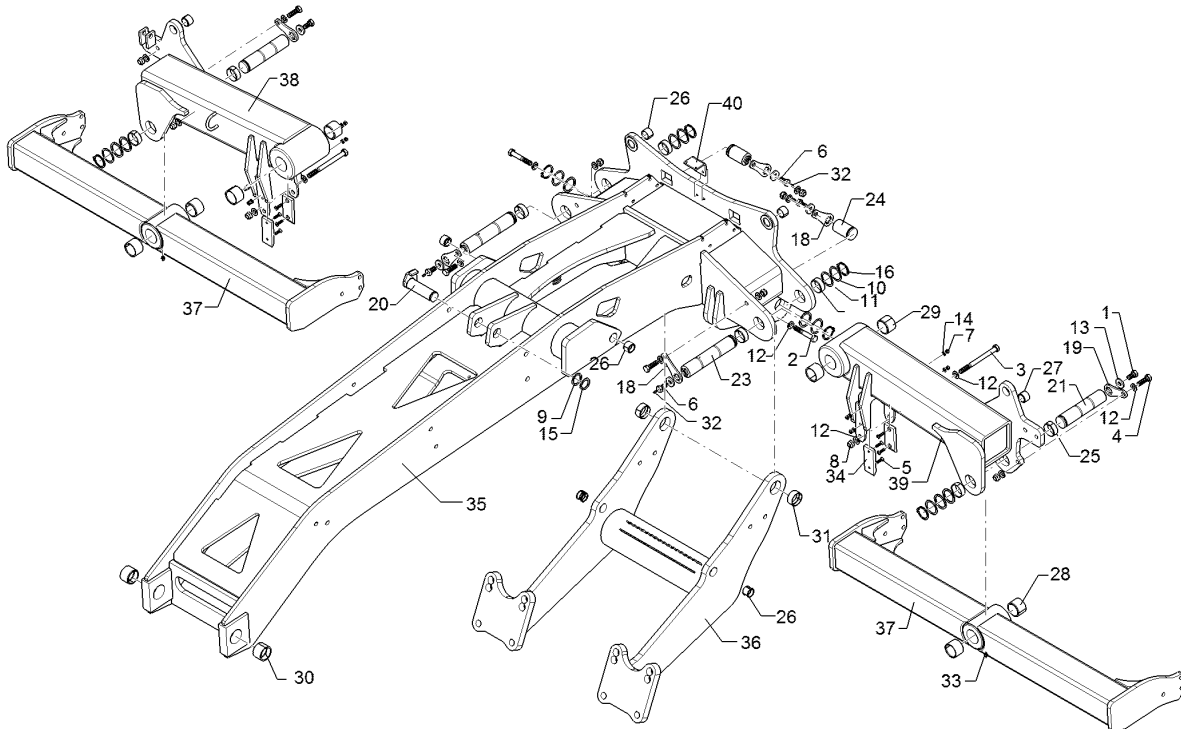
01.18

| Pos. | Art.Nr. | Stck. | Artikeltext / Description | | Abmessung |
|------|----------|-------|---------------------------|-----------------------|-----------------------------|
| 22 | 41210200 | 1 | Schwinge | Rocker arm | Rubin 12 KUA (B) RE |
| 23 | 41210201 | 1 | Schwinge | Rocker arm | Rubin 12 KUA (B) LI |
| 24 | 41210242 | 1 | Ausleger | Arm | Rubin 12/400 KUA (A) |
| 25 | 422 4012 | 1 | Walzenseitenteil | Lateral part - roller | Karat 9/500 KA RE |
| 26 | 422 4013 | 1 | Walzenseitenteil | Lateral part - roller | Karat 9/500 KA LI |
| 27 | 42210264 | 1 | Waagebalken | Balance bar | Rubin 12/500 KUA RE |
| 28 | 42210265 | 1 | Waagebalken | Balance bar | Rubin 12/500 KUA LI |
| 29 | 47510335 | 1 | Winkelplatte | Angle plate | 6x65x109 2xD9-38 2xD7-50 |



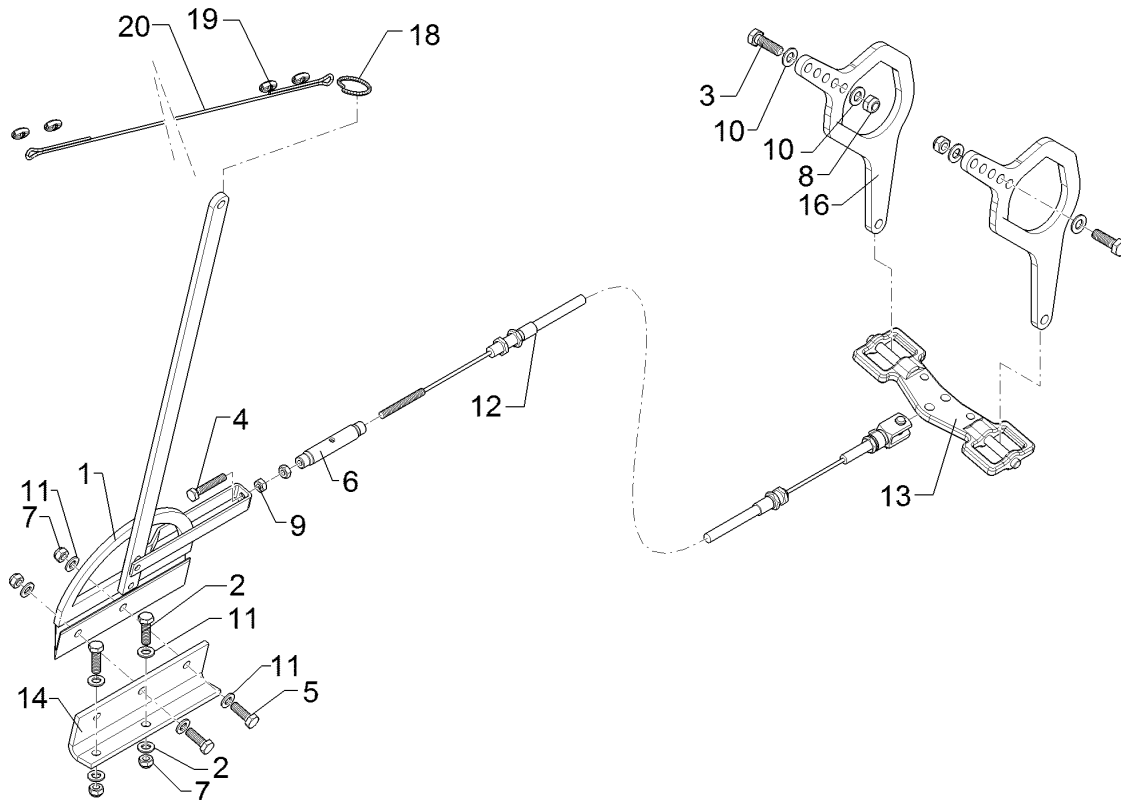
01.18

| Pos. | Art.Nr. | Stck. | Artikeltext / Description | | Abmessung |
|------|----------|-------|-----------------------------|-------------------|----------------------------|
| 1 | 301 3682 | 2 | Sechskantschraube | Hexagon bolt | M16x30-8.8 Zn DIN933 |
| 2 | 301 3997 | 2 | Sechskantschraube | Hexagon bolt | M16x100-8.8 Zn DIN931-A |
| 3 | 301 4125 | 2 | Sechskantschraube | Hexagon bolt | M16x190-8.8 Zn DIN931-A |
| 4 | 301 5406 | 4 | Sechskantschraube | Hexagon bolt | M16x50-8.8 Zn DIN933 |
| 5 | 301 6104 | 8 | Senkschraube | Countersunk bolt | M8x30-8.8 Zn DIN7991-A |
| 6 | 30110588 | 4 | Sechskantschraube spezial | Hexagon bolt | M16x30-8.8 Zn M6 |
| 7 | 303 0932 | 8 | Sicherungsmutter | Selflocking nut | NM8-8 Zn DIN985 |
| 8 | 303 0935 | 8 | Sicherungsmutter | Selflocking nut | NM16-8 Zn DIN985 |
| 9 | 305 2100 | 1 | Passscheibe | Shim | 40x50x2,0 DIN988 |
| 10 | 305 2150 | 8 | Passscheibe | Shim | 50x62x1,0 DIN988 |
| 11 | 305 2255 | 83 | Stützscheibe | Supporting washer | S 50x62x3 DIN988 Zn |
| 12 | 305 6141 | 16 | Scheibe | Washer | 17/30x3 DIN/ISO-7089 |
| 13 | 305 6161 | 6 | Scheibe | Washer | 17/40x6 DIN7349 Zn |
| 14 | 305 8694 | 8 | Scheibe | Washer | A8,4 DIN125-St Zn |
| 15 | 305 8875 | 1 | Sicherungsring | Retaining ring | 40x2,5 DIN471 |
| 16 | 305 8877 | 6 | Sicherungsring | Retaining ring | 50x3 DIN471 |
| 18 | 30510256 | 4 | Verdrehsicherung | Locking | 8x60x135 D16,5 Zn |
| 19 | 30510274 | 2 | Verdrehsicherung | Locking | 8x60x125 D16,5 Zn |
| 20 | 31310068 | 1 | Bolzen mit Verdrehsicherung | Pin with stop | D40x120/138 Zn |



01.18

| Pos. | Art.Nr. | Stck. | Artikeltext / Description | | Abmessung |
|------|----------|-------|------------------------------|-----------------------|--------------------------|
| 21 | 31310161 | 2 | Bolzen | Pin | D50x211/231 Zn |
| 23 | 31310164 | 2 | Bolzen | Pin | D50x243/262 Zn |
| 24 | 31310186 | 2 | Bolzen | Pin | Bolzen D50x73/92 V Zn |
| 25 | 317 2024 | 8 | Einspannbuchse mit Presssitz | Expansion bush | EG50/55x20 |
| 26 | 317 3360 | 4 | Einspannbuchse mit Presssitz | Expansion bush | EG30/38x25 |
| 27 | 317 3417 | 4 | Einspannbuchse mit Presssitz | Expansion bush | EG30/38x25 |
| 28 | 317 3433 | 4 | Einspannbuchse | Expansion bush | EG50+0,05+0,15/60x40 |
| 29 | 317 3434 | 4 | Einspannbuchse | Expansion bush | EG50/60x40-DIN1498 |
| 30 | 31710181 | 2 | Einspannbuchse mit Presssitz | Expansion bush | EG50/60x40 |
| 31 | 31710182 | 2 | Einspannbuchse mit Presssitz | Expansion bush | EG50/55x25 |
| 32 | 323 6345 | 4 | Schmiernippel gerade | Grease nipple | LAM 6 DIN71412 |
| 33 | 323 6348 | 1 | Schmiernippel | Grease nipple | AM10x1 DIN71412 |
| 34 | 34910030 | 4 | Verschleißplatte | Wear plate | 50x12x120 2xD8,2 |
| 35 | 41210278 | 1 | Ausleger | Arm | Rubin 12/400-500 KUA (B) |
| 36 | 41210283 | 1 | Schwinge | Rocker arm | Rubin 12 KUA (C) |
| 37 | 42210308 | 2 | Waagebalken | Balance bar | Rubin 12/500 KUA Q120 |
| 38 | 42210314 | 1 | Walzenseitenteil | Lateral part - roller | 500 KA RE |
| 39 | 42210315 | 1 | Walzenseitenteil | Lateral part - roller | 500 KA LI |
| 40 | 47510335 | 1 | Winkelplatte | Angle plate | 6x65x109 2xD9-38 2xD7-50 |

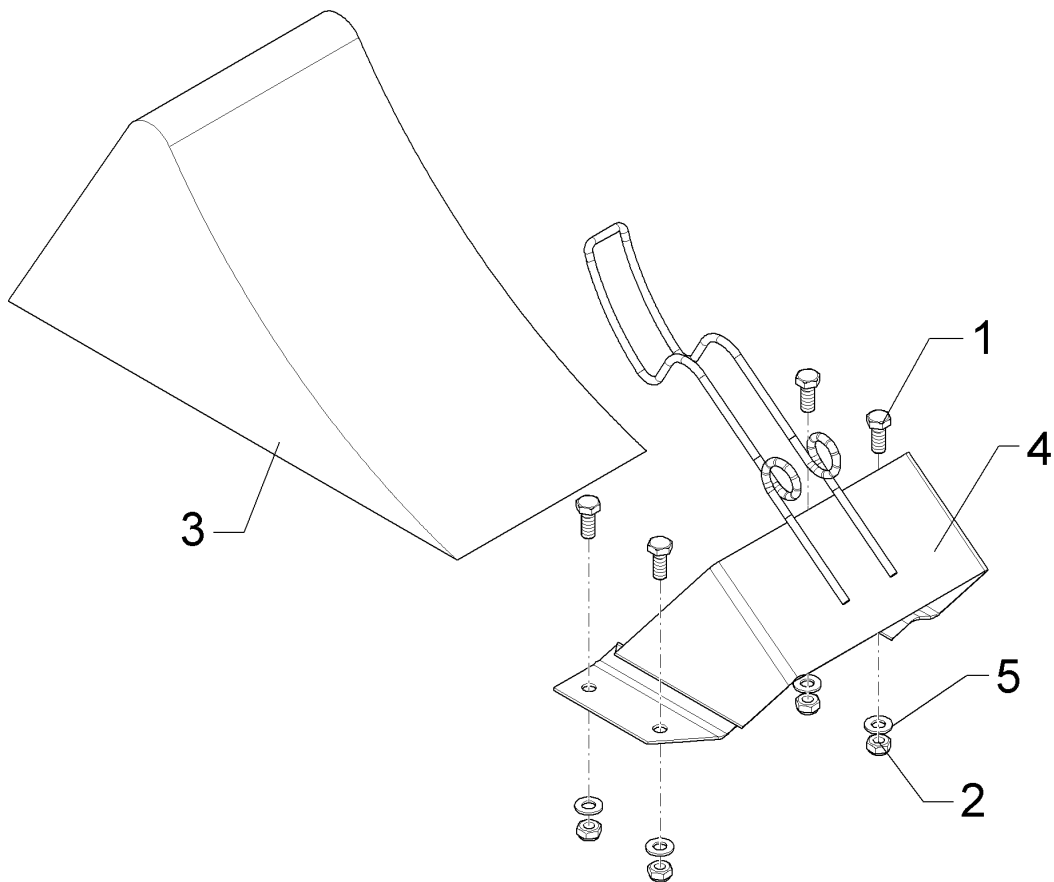


01.18

| Pos. | Art.Nr. | Stck. | Artikeltext / Description | | Abmessung |
|------|----------|-------|---------------------------|----------------------|-----------------------------------|
| 1 | F12 0053 | 1 | Hebel | Lever | KPL ET |
| 2 | 301 3347 | 2 | Sechskantschraube | Hexagon bolt | M12x40-8.8 Zn DIN933 |
| 3 | 301 3581 | 2 | Sechskantschraube | Hexagon bolt | M14x50-8.8 Zn DIN933 |
| 4 | 301 5012 | 1 | Sechskantschraube | Hexagon bolt | M10x60-8.8 Zn DIN933 |
| 5 | 301 7334 | 2 | Sechskantschraube | Hexagon bolt | M12x35-8.8 Zn DIN933 |
| 6 | 302 8851 | 1 | Spannschloßmutter | Turnbuckle sleeve | M10x125 ZN |
| 7 | 303 0934 | 4 | Sicherungsmutter | Selflocking nut | NM12-8 Zn DIN985 |
| 8 | 303 0941 | 2 | Sicherungsmutter | Selflocking nut | NM14-8 Zn DIN985 |
| 9 | 303 1012 | 2 | Sechskantmutter | Hexagon nut | M10 DIN934-8 Zn |
| 10 | 305 6139 | 8 | Scheibe | Washer | 28x15x2,5 Zn DIN125 |
| 11 | 305 8580 | 8 | Scheibe | Washer | 13/24x2,5 St-Zn DIN125 |
| 12 | 33110041 | 1 | Bremszug | Brake lever | D5x6650/6100 |
| 13 | 45010020 | 1 | Bremswaage | Brake balance bar | D14x290 ADR 768102 |
| 14 | 45010059 | 1 | Halter | Holder | 8x108x260 GEB103,5GRD 5xD13 |
| 16 | 45010061 | 2 | Hebel | Lever | 12x242x372 6xD14,5 |
| 18 | F11 0121 | 1 | Abreiböse | Contact breaking lug | (f) |
| 19 | F25 0386 | 4 | Drahtseilklemme | Wire rope clamp | D=3mm |
| 20 | F25 0718 | 1 | Bremsseil | Brake cable | D=3 mm L=4m |

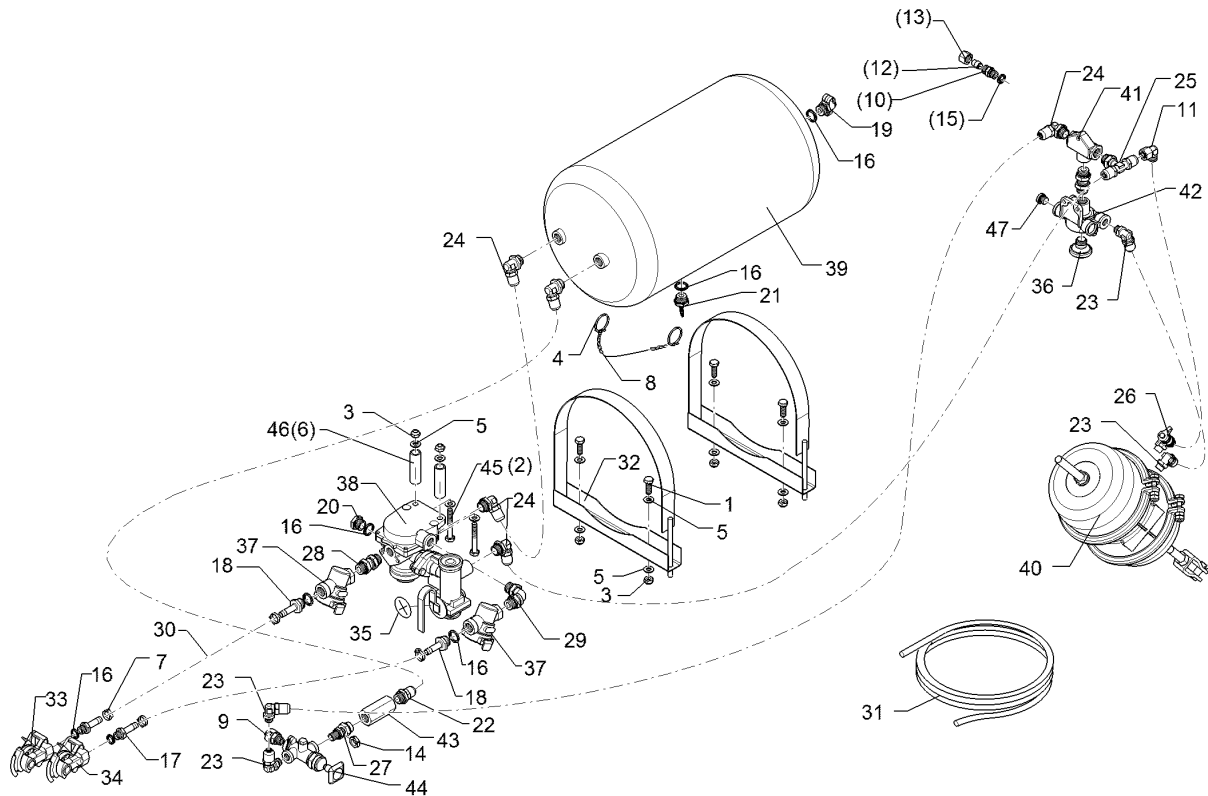
| | |
|---------------------------------|----------|
| Unterlegkeil/Wheel chock | 7 |
|---------------------------------|----------|

| | |
|-----------------------------|-----------------|
| Rubin 12/500 KUA (A) | 67010116 |
|-----------------------------|-----------------|



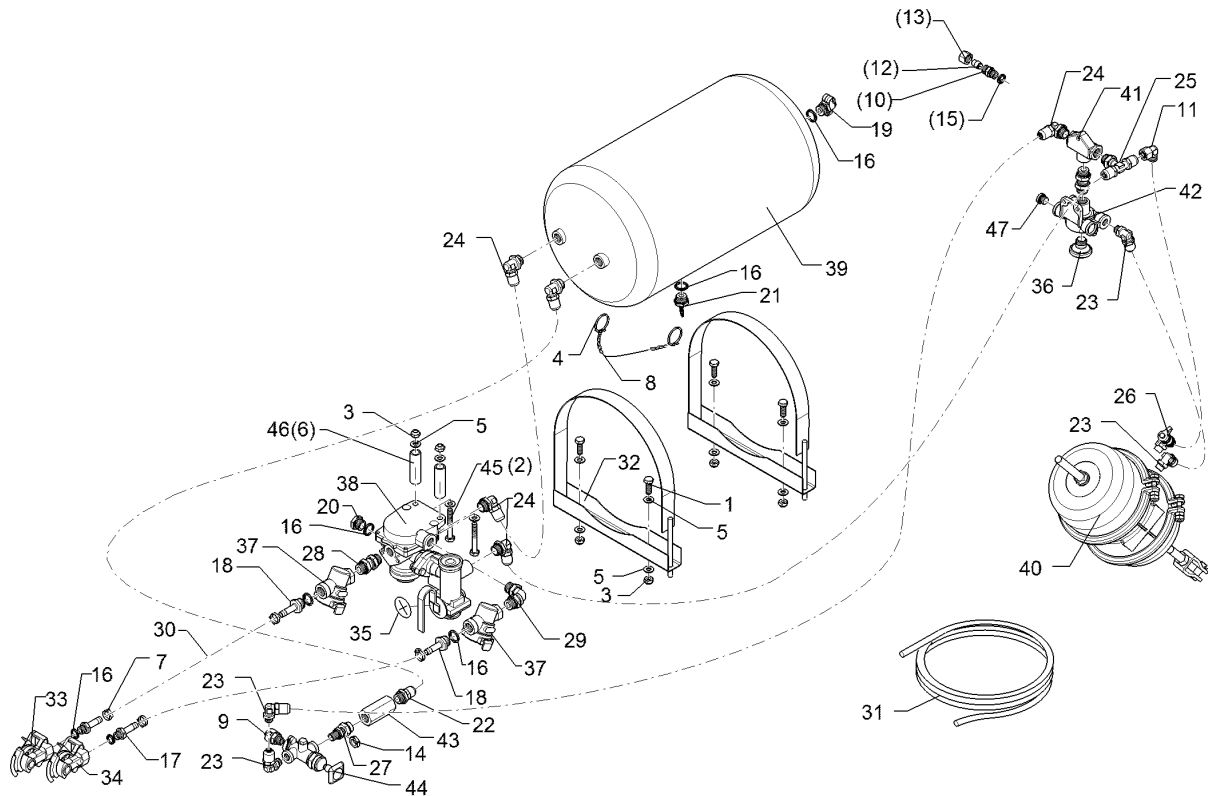
01.18

| Pos. | Art.Nr. | Stck. | Artikeltext / Description | | Abmessung |
|------|----------|-------|---------------------------|-------------------|------------------------|
| 1 | 301 7280 | 4 | Sechskantschraube | Hexagon bolt | M8x25-8.8 Zn DIN933 |
| 2 | 303 0932 | 4 | Sicherungsmutter | Selflocking nut | NM8-8 Zn DIN985 |
| 3 | 321 9942 | 1 | Unterlegkeil | Wheel chock | NG53 DIN76051 |
| 4 | 321 9943 | 1 | Halter zum Unterlegekeil | Carrier for wedge | NG53 122853.001 |
| 5 | 305 8694 | 8 | Scheibe | Washer | A8,4 DIN125-St Zn |



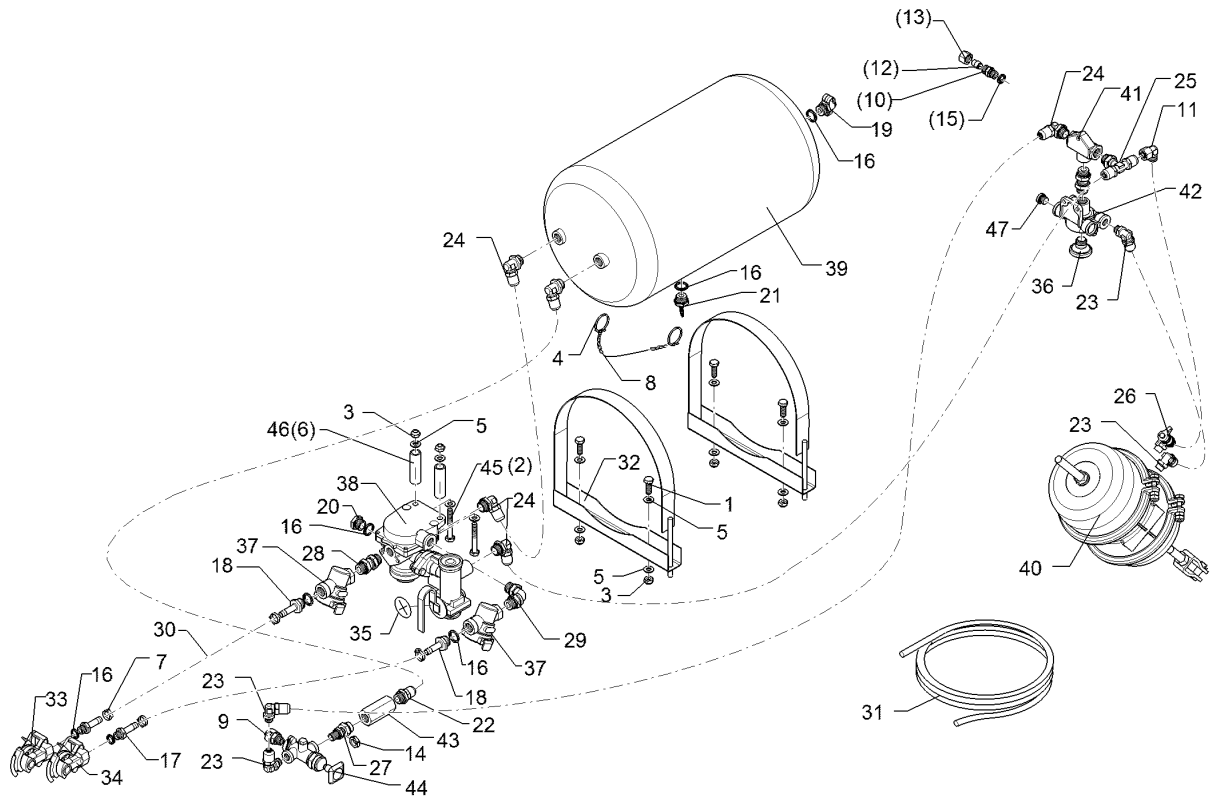
01.18

| Pos. | Art.Nr. | Stck. | Artikeltext / Description | | Abmessung |
|------|----------|-------|------------------------------|-------------------------|------------------------------|
| 1 | 301 3226 | 4 | Sechskantschraube | Hexagon bolt | M10x30-10.9 Zn DIN933 |
| 2 | 301 3262 | 2 | Sechskantschraube | Hexagon bolt | M10x70-8.8 Zn DIN931-A |
| 3 | 303 0933 | 6 | Sicherungsmutter | Selflocking nut | NM10-8 DIN985 Zn |
| 4 | 305 8551 | 2 | Sicherungsring | Retaining ring | Di41x3 A2 |
| 5 | 305 8696 | 12 | Scheibe | Washer | A10,5 DIN125-St Zn |
| 6 | 317 6792 | 2 | Röhrchen | Tube | 22/16x30,5 Zn |
| 7 | 325 1145 | 4 | Schlauchschelle | Hose clip | 12/20 |
| 8 | 33110049 | 1 | Knotenkette | Knotted-link chain | D2x1100 |
| 9 | 375 2190 | 1 | Be- und Entlüftungsschraube | Vent plug | M16x1,5 |
| 10 | 375 4011 | 1 | Einschraubverschraubung | Nipple | x-GE12-LM-ED M16x1,5 Zn |
| 11 | 375 4500 | 1 | Einstellbare W-Verschraubung | Adjustable angle union | EW12-LM DKO24 GRD M18x1,5 |
| 12 | 375 4660 | 1 | Blindstopfen | Blind plug | BUZ12-L |
| 13 | 375 5310 | 1 | Überwurfmutter | Union nut | 12L M18x1,5 Zn/ZnNi |
| 14 | 375 5698 | 1 | Sechskantmutter | Hexagon nut | M16x1,5 SW22 Zn |
| 15 | 377 1180 | 2 | Druckring mit O-Ring | Thrust ring with O-ring | DR/R16x21-RU/14,3x2,4 |
| 16 | 377 1181 | 5 | Druckring mit O-Ring | Thrust ring with O-ring | DR/R22x27-RU/20,3x2,4 |
| 17 | 377 1301 | 2 | Schlauchstutzen | Hose nipple | ES/BM 16x1,5-11 |
| 18 | 377 1302 | 2 | Schlauchstutzen | Hose nipple | ES/B15-11 M22x1,5 |
| 19 | 377 1341 | 1 | Prüfanschluss | Test coupling | 318 040 001 M22x1,5 |
| 20 | 377 1350 | 1 | Verschlusschraube | Plug | VS/BM 22x1,5 |



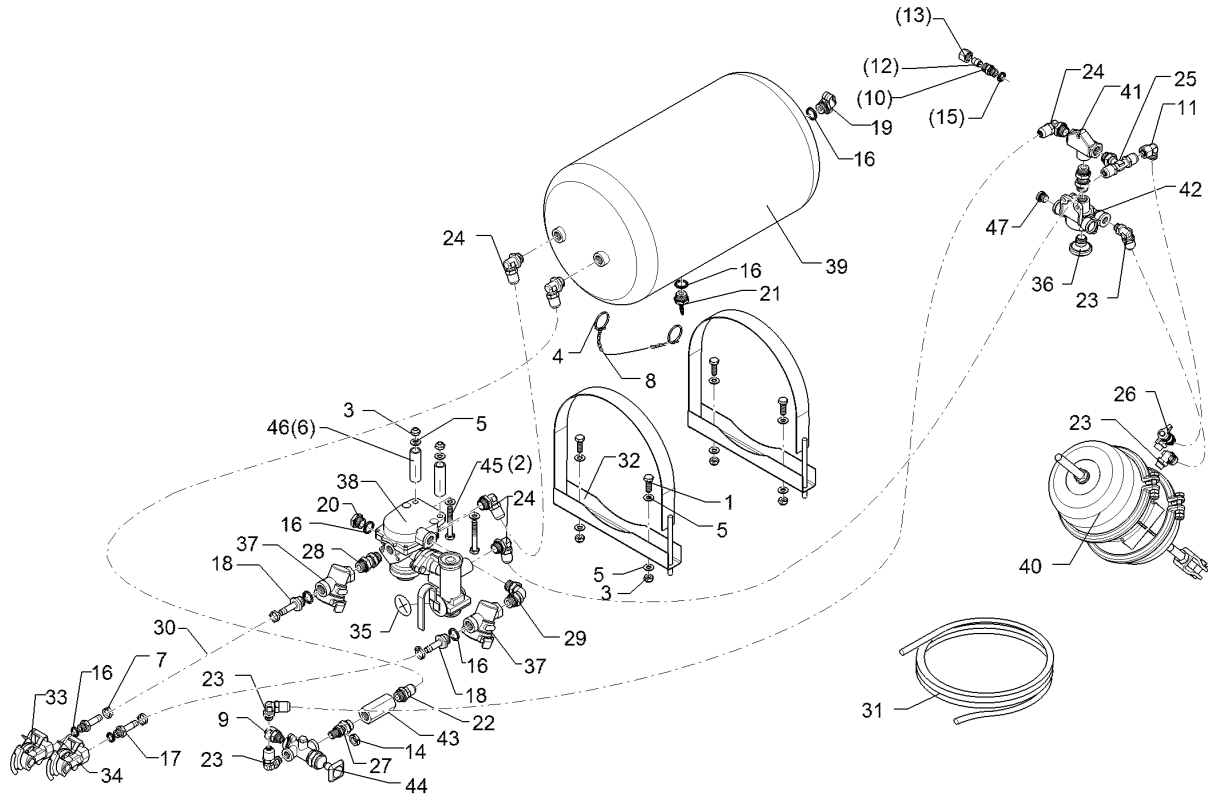
01.18

| Pos. | Art.Nr. | Stck. | Artikeltext / Description | | Abmessung |
|------|----------|-------|---------------------------|--------------------------|------------------------------|
| 21 | 377 1380 | 1 | Entwässerungsventil | Dewatering valve | M22x1,5 315 019 001 |
| 22 | 377 1401 | 1 | Einschraubsteckverbindung | Push-in connection | 00° M22x1,5 12x1,5 |
| 23 | 377 1409 | 3 | Einschraubsteckverbindung | Push-in connection | M16x1,5 12x1,5 |
| 24 | 377 1410 | 6 | Einschraubsteckverbindung | Push-in connection | M22x1,5 12x1,5 |
| 25 | 377 1430 | 1 | Einschraubsteckverbindung | Push-in connection | 90/90° M22x1,5 12x1,5 12x1,5 |
| 26 | 377 1450 | 1 | Einschraubsteckverbindung | Push-in connection | 90° M16x1,5 12x1,5 m.Pr |
| 27 | 377 1460 | 1 | Einschraubstutzen | Screwed socket | 00° M22x1,5 M16x1,5 |
| 28 | 377 1461 | 2 | Einschraubstutzen | Screwed socket | 00° M22x1,5 M22x1,5 |
| 29 | 377 1472 | 1 | Einschraubstutzen | Screwed socket | 90° M22x1,5 M22x1,5 |
| 30 | 377 2025 | 2 | Bremsschlauch | Brake hose | 11,5x3,5-4x4200 |
| 31 | 377 2070 | 20 | Kunststoffrohr Meter-Ware | Synthetic tube | 12x1,5 DIN 74324 |
| 32 | 377 2532 | 2 | Spannband | Strap | D310 030 200 409 |
| 33 | 377 2540 | 1 | Kupplungskopf Vorrat rot | Hose coupling | M16x1,5 ISO1728 |
| 34 | 377 2541 | 1 | Kupplungskopf Bremse gelb | Hose coupling | M16x1,5 ISO1728 |
| 35 | 39010055 | 1 | Aufkleber | Label | Sperrstellung |
| 36 | 577 2570 | 1 | EntlüftungsfILTER | Venting filter | M22x1,5 031 000 909 |
| 37 | 577 2580 | 2 | RohrleitungsfILTER | Filter | M22x1,5 DIN74347 |
| 38 | 577 2591 | 1 | Anhängerbremsventil | Trailer brake valve | 350 027 002 |
| 39 | 577 2622 | 1 | Druckluftbehälter | Compressed-air container | D310x600 40Ltr. |



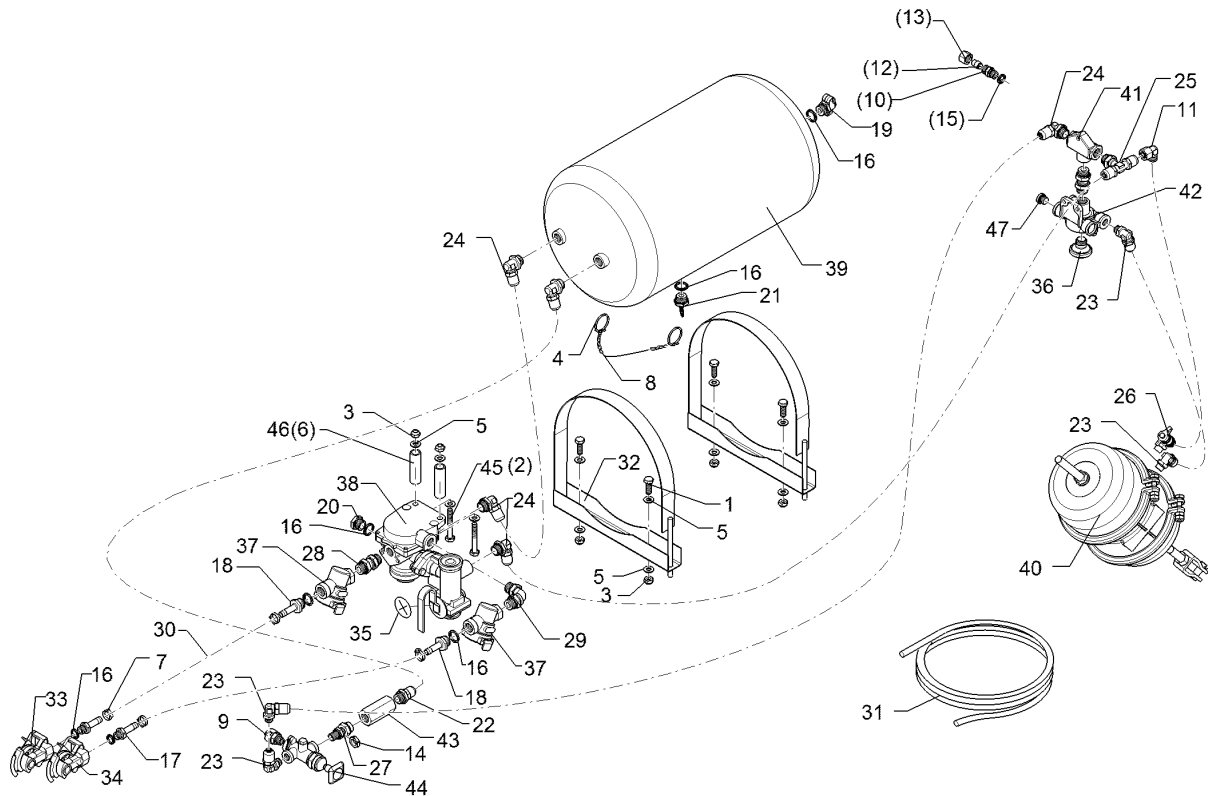
01.18

| Pos. | Art.Nr. | Stck. | Artikeltext / Description | | Abmessung |
|------|----------|-------|---------------------------|----------------------|------------------------------|
| 40 | 577 2642 | 1 | Membranzylinder | Membrane-cylinder | 30/30 M16x1,5 346 182 001 |
| 41 | 577 2660 | 1 | 2-Wege-Ventil | 2-port control valve | M22x1,5 333 001 201 |
| 42 | 577 2671 | 1 | Schnelllöseventil | Quick release valve | M16x1,5 356 023 011 |
| 43 | 577 2680 | 1 | Rückschlagventil | Nonreturn valve | M22x1,5 |
| 44 | 577 2690 | 1 | Parkventil | Parking valve | M16x1,5 |
| 45 | 301 3269 | 2 | Sechskantschraube | Hexagon bolt | M10x100-8.8 Zn DIN931-A |
| 46 | 475 9976 | 2 | Hydraulikrohr | Hydraulic tube | 15x2x63 |
| 47 | 375 5165 | 1 | Verschlusschraube | Plug | VSTI M16x1,5 |



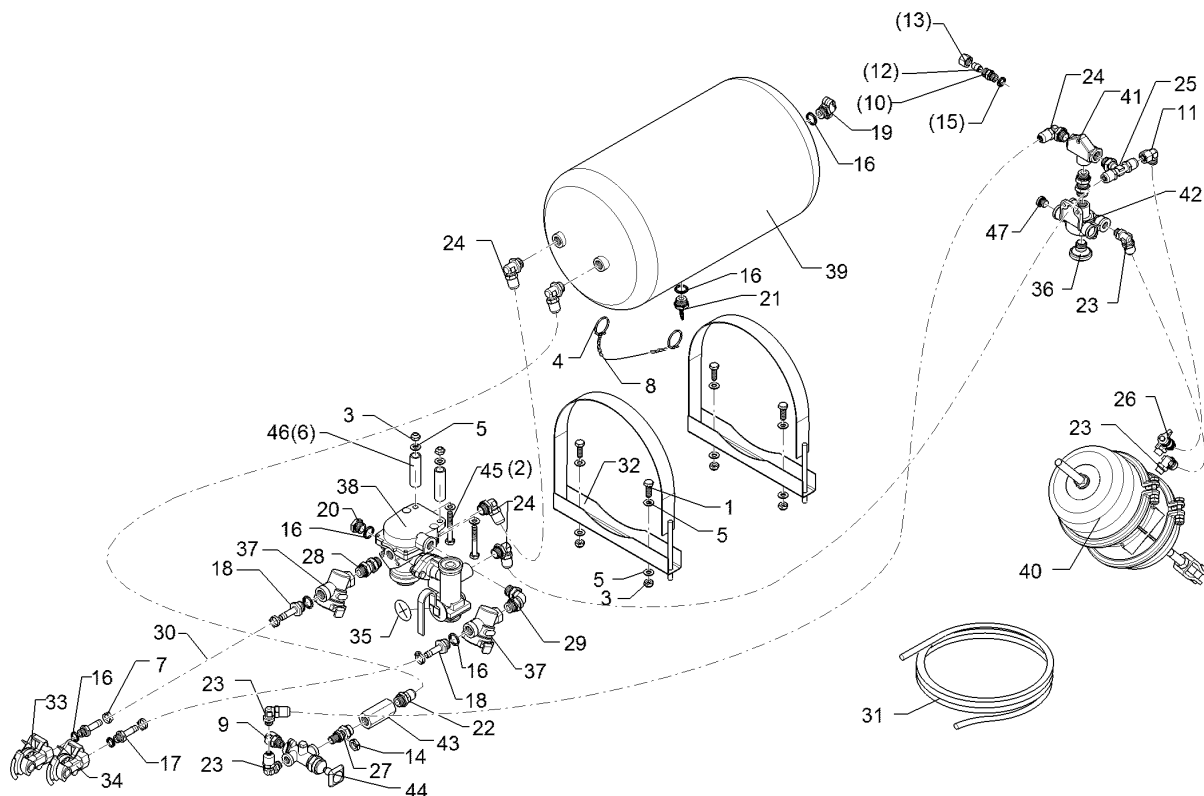
01.18

| Pos. | Art.Nr. | Stck. | Artikeltext / Description | | Abmessung |
|------|----------|-------|------------------------------|-------------------------|------------------------------|
| 1 | 301 3226 | 4 | Sechskantschraube | Hexagon bolt | M10x30-10.9 Zn DIN933 |
| 2 | 301 3262 | 2 | Sechskantschraube | Hexagon bolt | M10x70-8.8 Zn DIN931-A |
| 3 | 303 0933 | 6 | Sicherungsmutter | Selflocking nut | NM10-8 DIN985 Zn |
| 4 | 305 8551 | 2 | Sicherungsring | Retaining ring | Di41x3 A2 |
| 5 | 305 8696 | 12 | Scheibe | Washer | A10,5 DIN125-St Zn |
| 6 | 317 6792 | 2 | Röhrchen | Tube | 22/16x30,5 Zn |
| 7 | 325 1145 | 4 | Schlauchschelle | Hose clip | 12/20 |
| 8 | 33110049 | 1 | Knotenkette | Knotted-link chain | D2x1100 |
| 9 | 375 2190 | 1 | Be- und Entlüftungsschraube | Vent plug | M16x1,5 |
| 10 | 375 4011 | 1 | Einschraubverschraubung | Nipple | x-GE12-LM-ED M16x1,5 Zn |
| 11 | 375 4500 | 1 | Einstellbare W-Verschraubung | Adjustable angle union | EW12-LM DKO24 GRD M18x1,5 |
| 12 | 375 4660 | 1 | Blindstopfen | Blind plug | BUZ12-L |
| 13 | 375 5310 | 1 | Überwurfmutter | Union nut | 12L M18x1,5 Zn/ZnNi |
| 14 | 375 5698 | 1 | Sechskantmutter | Hexagon nut | M16x1,5 SW22 Zn |
| 15 | 377 1180 | 2 | Druckring mit O-Ring | Thrust ring with O-ring | DR/R16x21-RU/14,3x2,4 |
| 16 | 377 1181 | 5 | Druckring mit O-Ring | Thrust ring with O-ring | DR/R22x27-RU/20,3x2,4 |
| 17 | 377 1301 | 2 | Schlauchstutzen | Hose nipple | ES/BM 16x1,5-11 |
| 18 | 377 1302 | 2 | Schlauchstutzen | Hose nipple | ES/B15-11 M22x1,5 |
| 19 | 377 1341 | 1 | Prüfanschluss | Test coupling | 318 040 001 M22x1,5 |
| 20 | 377 1350 | 1 | Verschlusschraube | Plug | VS/BM 22x1,5 |



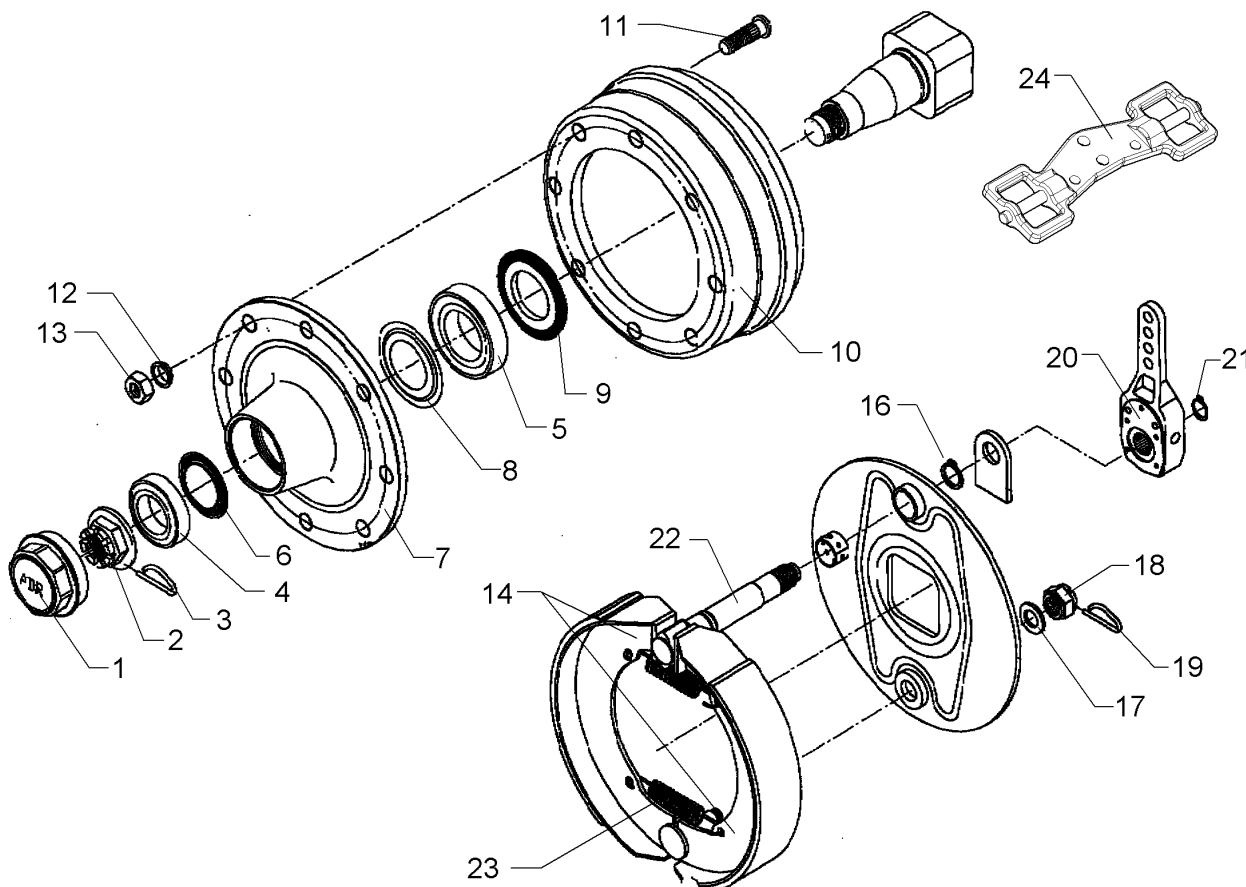
01.18

| Pos. | Art.Nr. | Stck. | Artikeltext / Description | | Abmessung |
|------|----------|-------|---------------------------|--------------------------|------------------------------|
| 21 | 377 1380 | 1 | Entwässerungsventil | Dewatering valve | M22x1,5 315 019 001 |
| 22 | 377 1401 | 1 | Einschraubsteckverbindung | Push-in connection | 00° M22x1,5 12x1,5 |
| 23 | 377 1409 | 3 | Einschraubsteckverbindung | Push-in connection | M16x1,5 12x1,5 |
| 24 | 377 1410 | 6 | Einschraubsteckverbindung | Push-in connection | M22x1,5 12x1,5 |
| 25 | 377 1430 | 1 | Einschraubsteckverbindung | Push-in connection | 90/90° M22x1,5 12x1,5 12x1,5 |
| 26 | 377 1450 | 1 | Einschraubsteckverbindung | Push-in connection | 90° M16x1,5 12x1,5 m.Pr |
| 27 | 377 1460 | 1 | Einschraubstutzen | Screwed socket | 00° M22x1,5 M16x1,5 |
| 28 | 377 1461 | 2 | Einschraubstutzen | Screwed socket | 00° M22x1,5 M22x1,5 |
| 29 | 377 1472 | 1 | Einschraubstutzen | Screwed socket | 90° M22x1,5 M22x1,5 |
| 30 | 37710042 | 2 | Bremsschlauch | Brake hose | 11,5x3,5-4x5000 |
| 31 | 377 2070 | 20 | Kunststoffrohr Meter-Ware | Synthetic tube | 12x1,5 DIN 74324 |
| 32 | 377 2532 | 2 | Spannband | Strap | D310 030 200 409 |
| 33 | 377 2540 | 1 | Kupplungskopf Vorrat rot | Hose coupling | M16x1,5 ISO1728 |
| 34 | 377 2541 | 1 | Kupplungskopf Bremse gelb | Hose coupling | M16x1,5 ISO1728 |
| 35 | 39010055 | 1 | Aufkleber | Label | Sperrstellung |
| 36 | 577 2570 | 1 | EntlüftungsfILTER | Venting filter | M22x1,5 031 000 909 |
| 37 | 577 2580 | 2 | RohrleitungsfILTER | Filter | M22x1,5 DIN74347 |
| 38 | 577 2591 | 1 | Anhängerbremsventil | Trailer brake valve | 350 027 002 |
| 39 | 577 2622 | 1 | Druckluftbehälter | Compressed-air container | D310x600 40Ltr. |



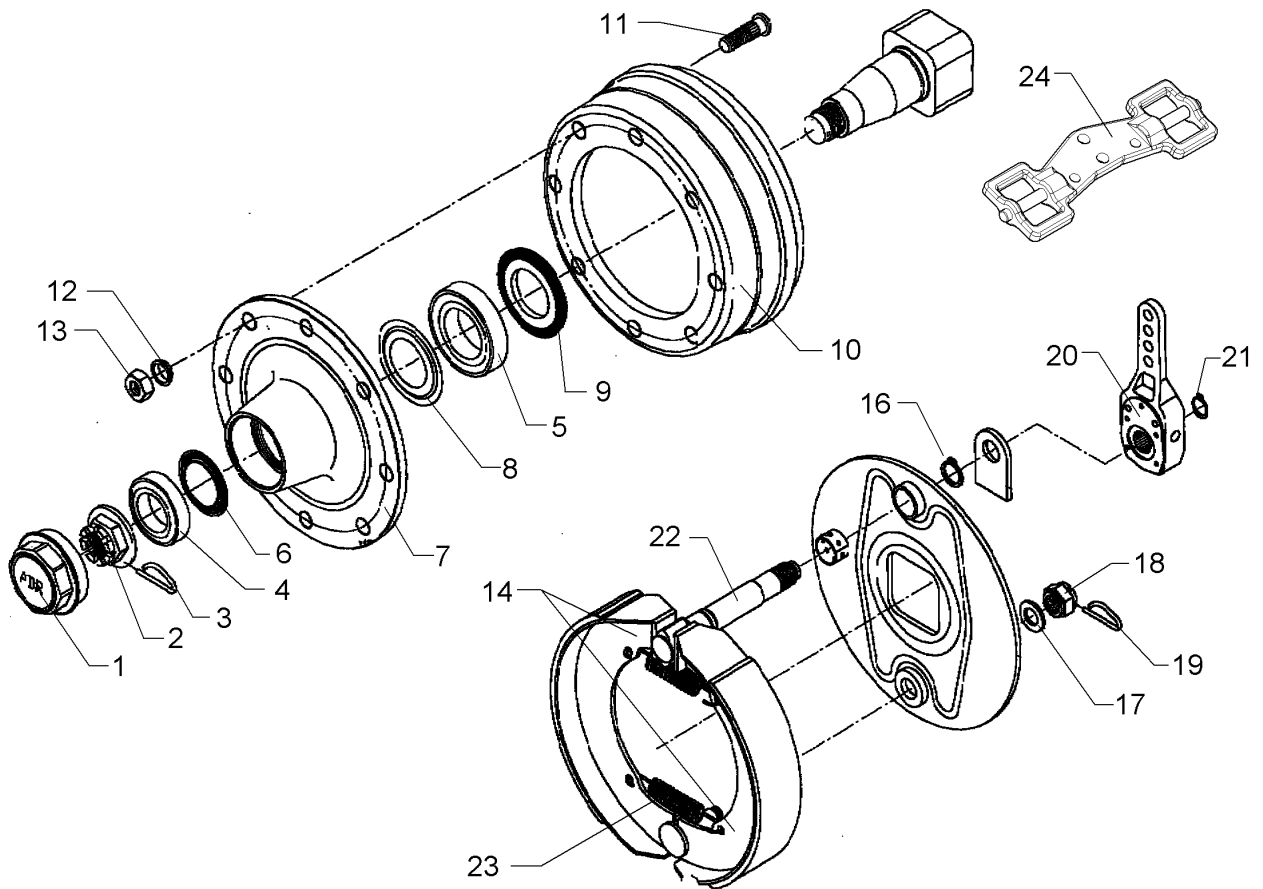
01.18

| Pos. | Art.Nr. | Stck. | Artikeltext / Description | | Abmessung |
|------|----------|-------|---------------------------|----------------------|---------------------------|
| 40 | 577 2642 | 1 | Membranzylinder | Membrane-cylinder | 30/30 M16x1,5 346 182 001 |
| 41 | 577 2660 | 1 | 2-Wege-Ventil | 2-port control valve | M22x1,5 333 001 201 |
| 42 | 577 2671 | 1 | Schnelllöseventil | Quick release valve | M16x1,5 356 023 011 |
| 43 | 577 2680 | 1 | Rückschlagventil | Nonreturn valve | M22x1,5 |
| 44 | 577 2690 | 1 | Parkventil | Parking valve | M16x1,5 |
| 45 | 301 3269 | 2 | Sechskantschraube | Hexagon bolt | M10x100-8.8 Zn DIN931-A |
| 46 | 475 9976 | 2 | Hydraulikrohr | Hydraulic tube | 15x2x63 |
| 47 | 375 5165 | 1 | Verschlusschraube | Plug | VSTI M16x1,5 |



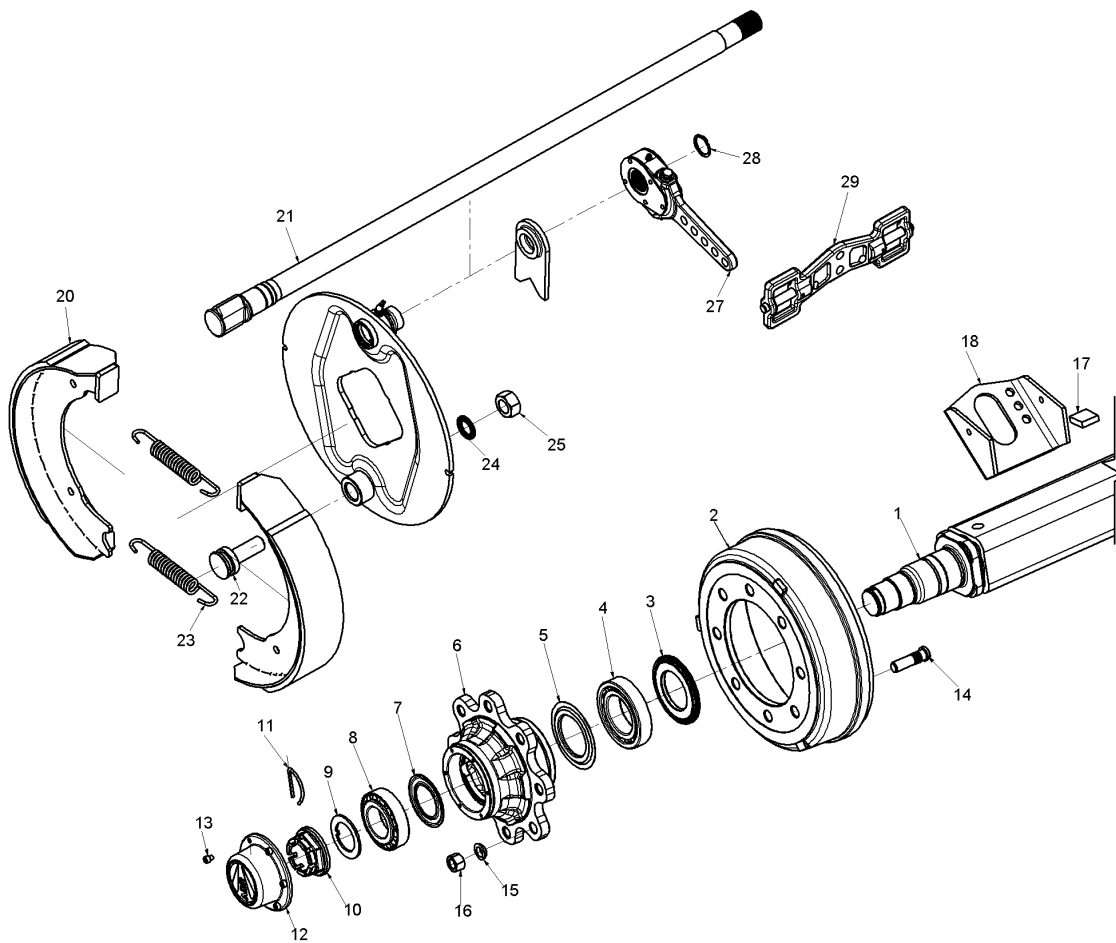
01.18

| Pos. | Art.Nr. | Stck. | Artikeltext / Description | Abmessung | |
|------|----------|-------|-----------------------------|-------------------------|------------------------|
| 1 | 323 1312 | 2 | Schlagkappe | Lug strap | ADR D100 |
| 2 | 303 0176 | 2 | Kronenmutter | Castle nut | M48x1,5 |
| 3 | 329 3543 | 2 | Sicherungsklammer | Safety clamp | 48 |
| 4 | 319 9158 | 2 | Kegelrollenlager | Tapered roller bearing | 32211. |
| 5 | 319 9168 | 2 | Kegelrollenlager | Tapered roller bearing | 33214 |
| 6 | 323 1806 | 2 | Nilos-Ring | Nilos ring | 915PA57 |
| 7 | 450 6912 | 2 | Radnabe | Wheel hub | 8/220/275 D100 ADR |
| 8 | 323 1807 | 2 | Nilos-Ring | Nilos ring | 32214 |
| 9 | 323 7629 | 2 | Dichtung zum Lager | Seal | 32214 |
| 10 | 450 6913 | 2 | Bremstrommel | Brake drum | D400x80 ADR |
| 11 | 301 6435 | 16 | Radschraube | Wheel bolt | M20x1,5 |
| 12 | 305 9932 | 16 | Federring mit Kugelbund | Spring ring | C20 DIN74361 |
| 13 | 303 6423 | 16 | Flachbundmutter | Flat collar nut | M20x1,5 Zn SW30 |
| 14 | 450 6804 | 2 | Bremsbacken mit Belag 1Satz | Brake-shoe with lining | D400x80 ADR |
| 15 | 317 9488 | 2 | Buchse für Bremswelle | Bush | ADR |
| 16 | 305 8871 | 2 | Sicherungsring | Retaining ring | 38x1,75 DIN471 Zn |
| 17 | 305 6254 | 2 | Scheibe | Washer | D25/44x4 Zn ISO7089 |
| 18 | 303 0177 | 2 | Kronenmutter | Castle nut | M24 |
| 19 | 329 3544 | 2 | Sicherungsklammer | Safety clamp | 24 |
| 20 | 450 6847 | 2 | Gestängesteller | Linkage control element | D32 ADR |
| 21 | 305 8861 | 2 | Sicherungsring | Retaining ring | 25x2 DIN471 Zn |
| 22 | 450 6854 | 2 | Bremsnockenwelle | Brake camshaft | D35x1050 |



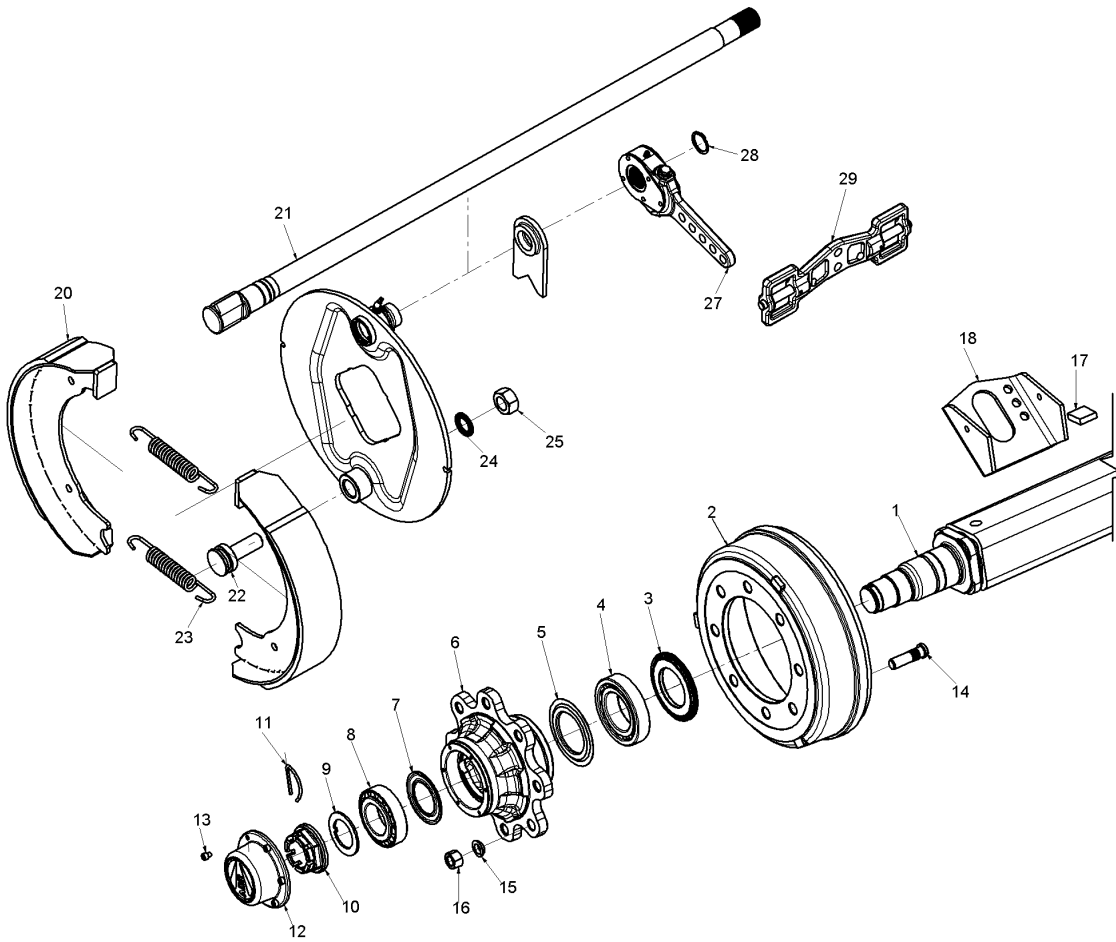
01.18

| Pos. | Art.Nr. | Stck. | Artikeltext / Description | Abmessung | |
|------|----------|-------|---------------------------|-------------------|-------------------------------------|
| 23 | 329 8559 | 2 | Zugfeder Bremsbacke | Spring | |
| 24 | 45010020 | 1 | Bremswaage | Brake balance bar | ADR 400x80 D14x290 ADR 768102 |



01.18

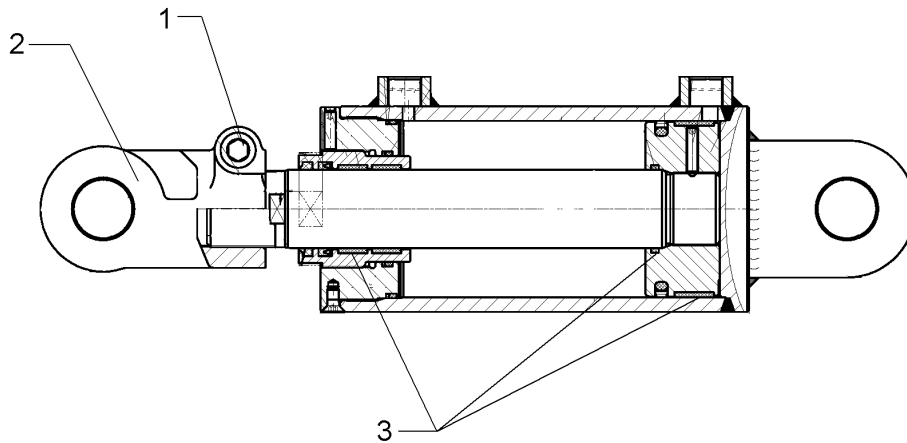
| Pos. | Art.Nr. | Stck. | Artikeltext / Description | Abmessung | |
|------|----------|-------|-----------------------------|-------------------------|---------------------|
| 2 | 45010077 | 2 | Bremstrommel | Brake drum | D400x80 8-Loch |
| 3 | 32310095 | 2 | Dichtung | Seal | - |
| 4 | 319 9175 | 2 | Kegelrollenlager | Tapered roller bearing | 32216 DIN720 |
| 5 | 323 1815 | 2 | Nilos-Ring | Nilos ring | 32216 AV |
| 6 | 45010076 | 2 | Radnabe | Wheel hub | 120-140 220-275 |
| 7 | 32310094 | 2 | Nilos-Ring | Nilos ring | 32213 AV |
| 8 | 319 9160 | 2 | Kegelrollenlager | Tapered roller bearing | 32213. |
| 9 | 30510098 | 2 | Scheibe mit Nasen | Washer | M58 |
| 10 | 30310053 | 2 | Kronenmutter | Castle nut | M58x1,5 |
| 11 | 32910033 | 2 | Sicherungsklammer | Safety clamp | M58 |
| 12 | 32310093 | 2 | Radkappe | Hub cap | D125 |
| 13 | 30110247 | 12 | Schraube | Screw | - |
| 15 | 305 9932 | 16 | Federring mit Kugelbund | Spring ring | C20 DIN74361 |
| 16 | 303 6423 | 16 | Flachbundmutter | Flat collar nut | M20x1,5 Zn SW30 |
| 17 | 30110246 | 16 | Radschraube | Wheel bolt | M20x1,5x80 |
| 20 | 45010074 | 2 | Bremsbacken mit Belag 1Satz | Brake-shoe with lining | D400x80 408E |
| 21 | 45010075 | 2 | Bremsnockenwelle | Brake camshaft | D35x1050 |
| 22 | 31310077 | 2 | Bolzen | Pin | 408E |
| 23 | 32910034 | 42 | Zugfeder Bremsbacke | Spring | D25x162 |
| 24 | 30510099 | 2 | Scheibe | Washer | für M24 |
| 25 | 303 0996 | 2 | Sechskantmutter | Hexagon nut | M24x1,5 DIN934-8 Zn |
| 27 | 450 6847 | 2 | Gestängesteller | Linkage control element | D32 ADR |
| 28 | 305 8868 | 2 | Sicherungsring | Retaining ring | 32x1,5 DIN471 Zn |



01.18

| Pos. | Art.Nr. | Stck. | Artikeltext / Description | Abmessung |
|------|----------|-------|---------------------------------|-----------------------|
| 29 | 45010020 | 1 | Bremswaage Brake balance bar | D14x290 ADR 768102 |

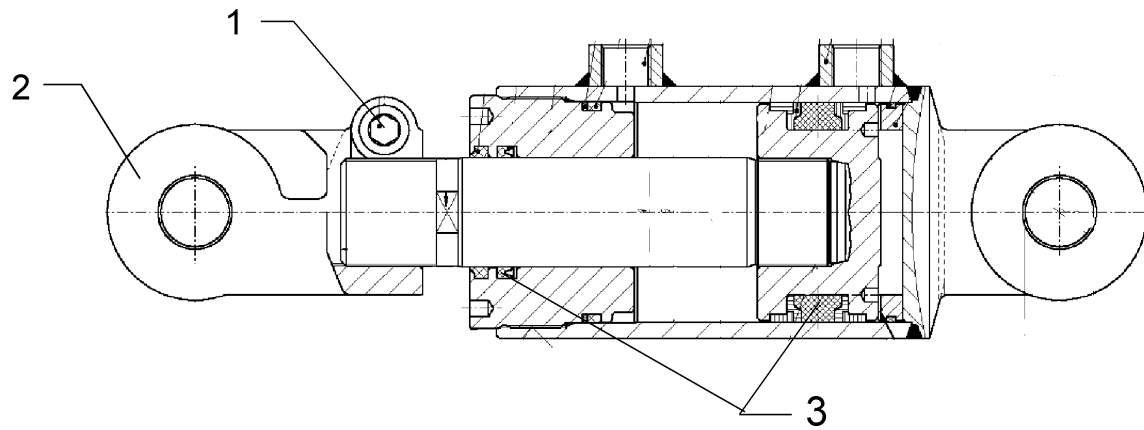
| | |
|---------------------------------|----------|
| Hydraulikzylinder/Hydraulic ram | 8 |
| Rubin 12/500 KUA (A) | 575 2260 |



01.18

| Pos. | Art.Nr. | Stck. | Artikeltext / Description | | Abmessung |
|------|----------|-------|---------------------------|-----------------|-----------------------|
| 1 | 301 5832 | 1 | Zylinderschraube | Allen screw | M12x40-12.9 DIN912 |
| 2 | 302 9107 | 1 | Gelenkgabel | Fork-type joint | D30-83 M39x1,5 |
| 3 | 57510149 | 1 | Dichtungssatz | Seal set | D40/70 |

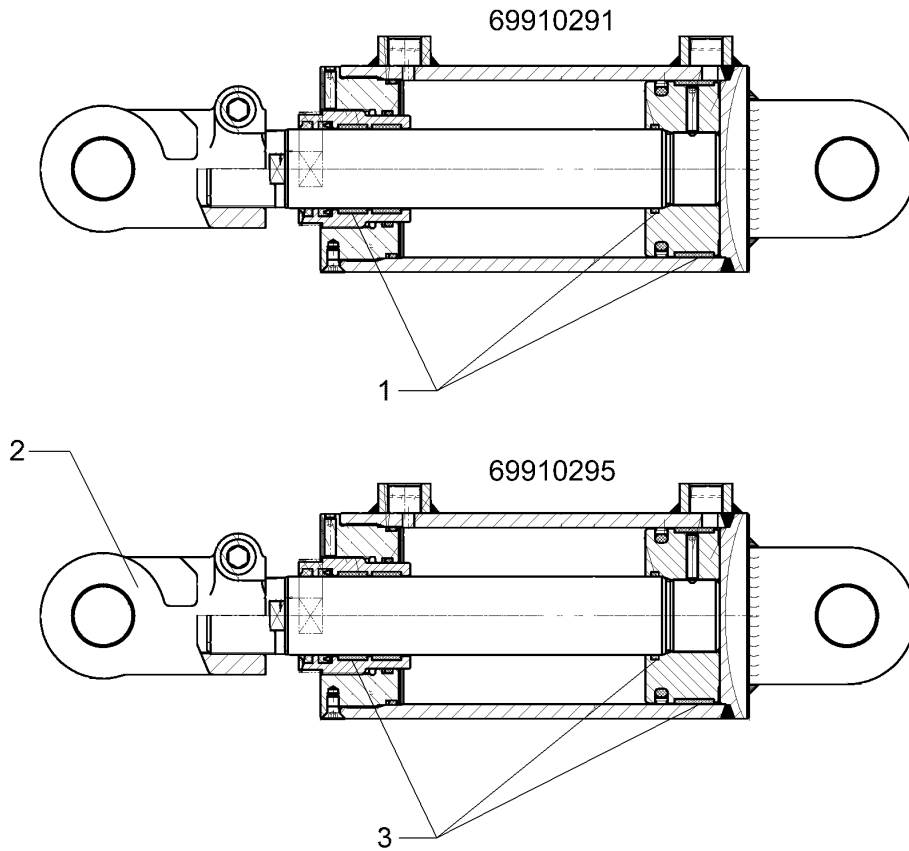
| | |
|---------------------------------|----------|
| Hydraulikzylinder/Hydraulic ram | 8 |
| Rubin 12/500 KUA (A) | 575 2268 |



01.18

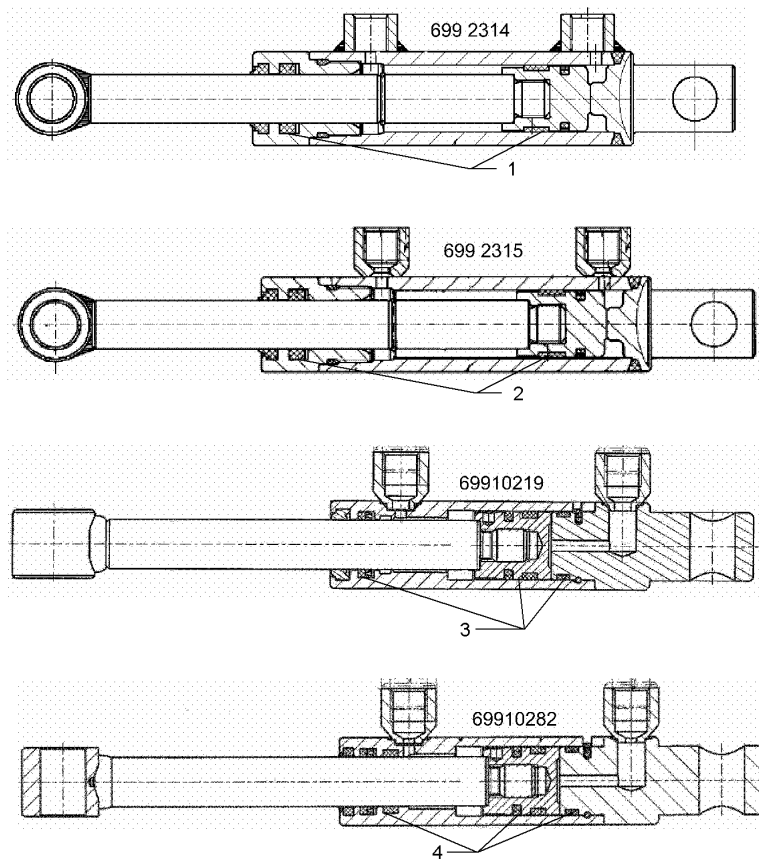
| Pos. | Art.Nr. | Stck. | Artikeltext / Description | | Abmessung |
|------|----------|-------|---------------------------|-----------------|-----------------------|
| 1 | 301 5832 | 1 | Zylinderschraube | Allen screw | M12x40-12.9 DIN912 |
| 2 | 302 9103 | 1 | Gelenkgabel | Fork-type joint | D30-83 M39x1,5 |
| 3 | 575 9197 | 1 | Dichtungssatz | Seal set | D40/90 |

| | |
|---------------------------------|----------|
| Hydraulikzylinder/Hydraulic ram | 8 |
| Rubin 12/500 KUA (A) | 575 2269 |



01.18

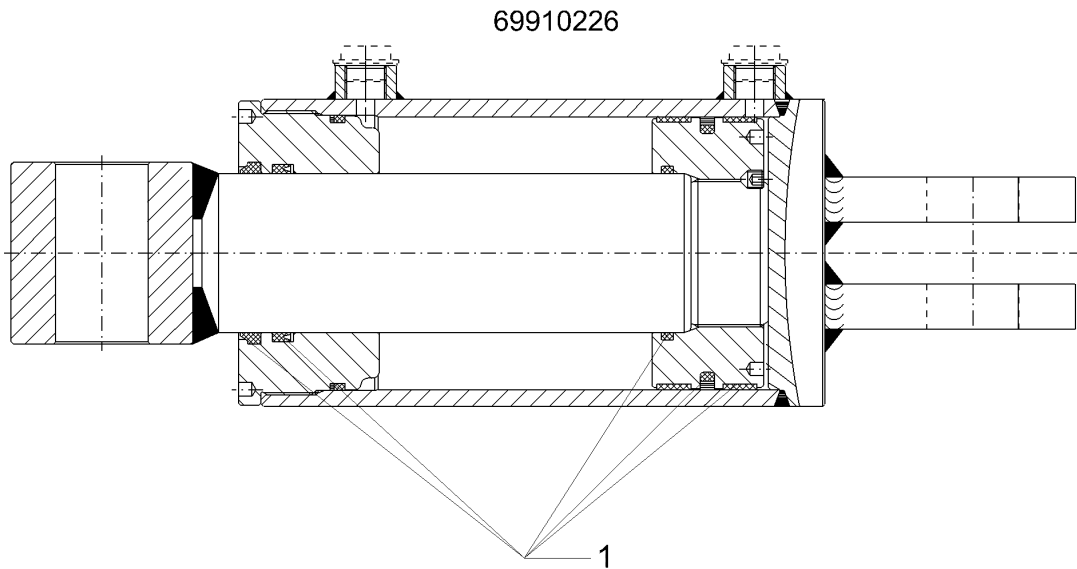
| Pos. | Art.Nr. | Stck. | Artikeltext / Description | | Abmessung |
|------|----------|-------|---------------------------|-----------------|----------------|
| 1 | 57510753 | 1 | Dichtungssatz | Seal set | 45/100 |
| 2 | 302 9107 | 1 | Gelenkgabel | Fork-type joint | D30-83 M39x1,5 |
| 3 | 575 9274 | 1 | Dichtungssatz | Seal set | D45/100 |



01.18

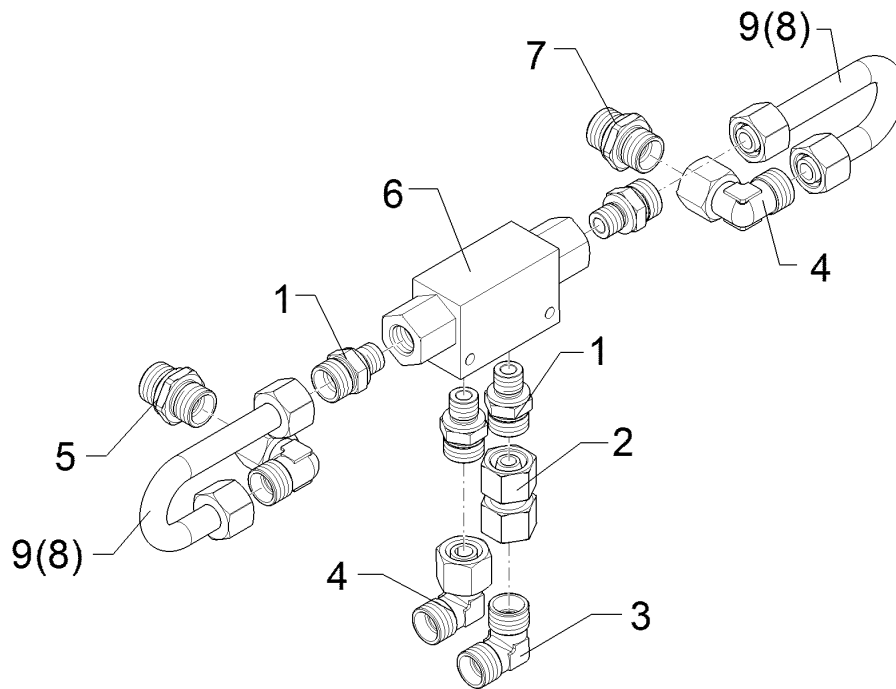
| Pos. | Art.Nr. | Stck. | Artikeltext / Description | | Abmessung |
|------|----------|-------|---------------------------|----------|-----------|
| 1 | 575 9243 | 1 | Dichtungssatz | Seal set | D18/25 |
| 2 | 575 9272 | 1 | Dichtungssatz | Seal set | D18/25 |
| 3 | 57510621 | 1 | Dichtungssatz | Seal set | D18/25 |
| 4 | 57510622 | 1 | Dichtungssatz | Seal set | D18/25 |

| | |
|---------------------------------|----------|
| Hydraulikzylinder/Hydraulic ram | 8 |
| Rubin 12/500 KUA (A) | 57510289 |



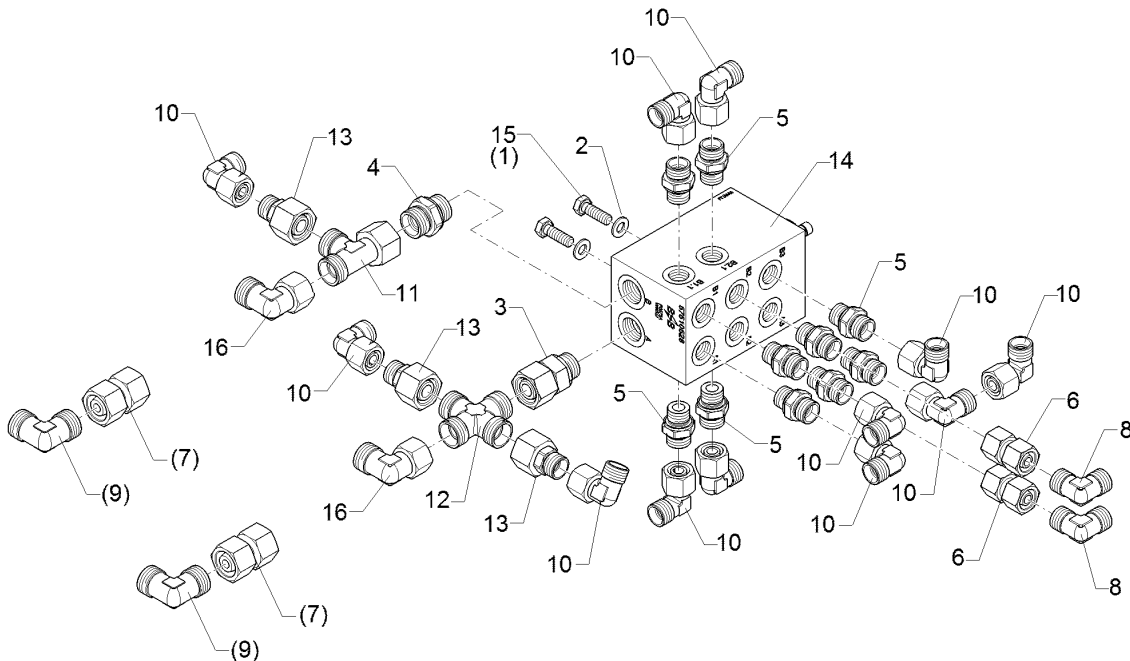
01.18

| Pos. | Art.Nr. | Stck. | Artikeltext / Description | | Abmessung |
|------|----------|-------|---------------------------|----------|-----------|
| 1 | 57510291 | 1 | Dichtungssatz | Seal set | D70/120 |



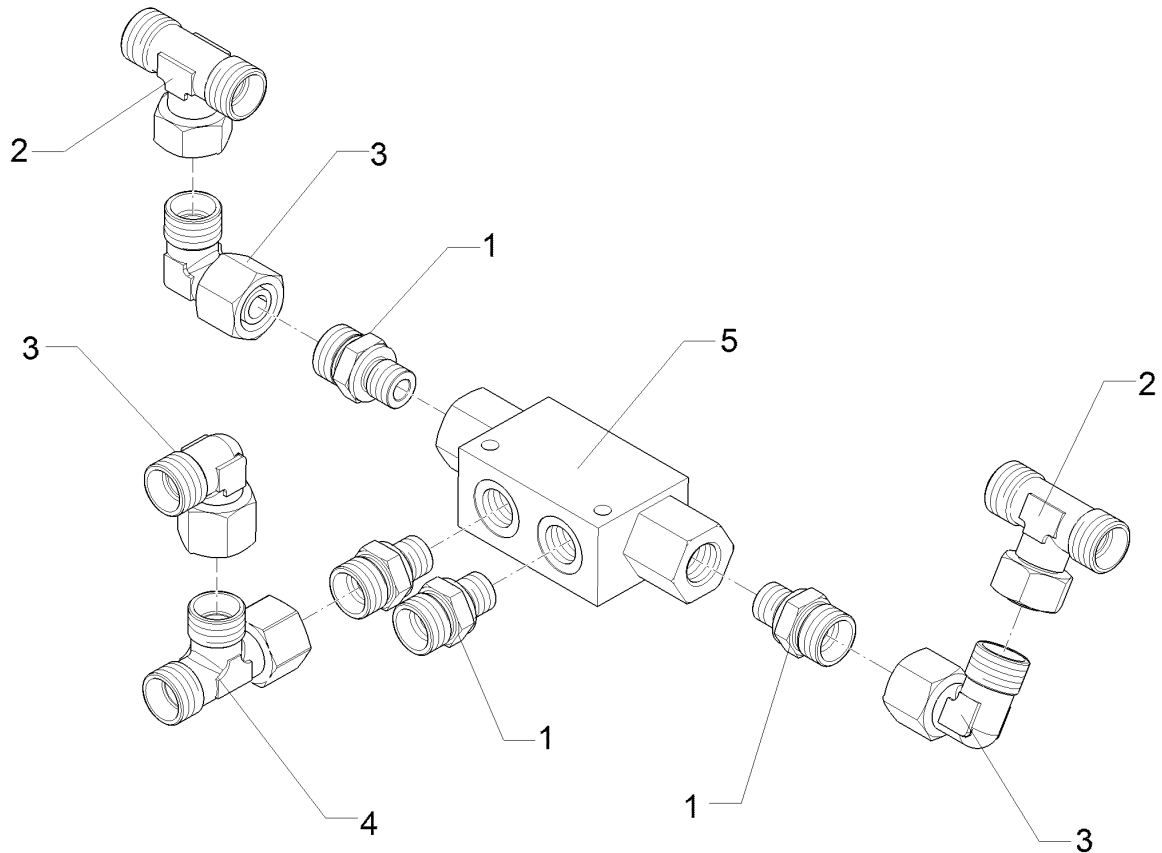
01.18

| Pos. | Art.Nr. | Stck. | Artikeltext / Description | | Abmessung |
|------|----------|-------|------------------------------|--------------------------|------------------------------|
| 1 | 375 4038 | 4 | Einschraubverschraubung | Nipple | GE 12-LR 1/4 ZL ED |
| 2 | 375 4132 | 1 | Verbindung gerade | Connection | DKOL12/DKOL12 M18x1,5 |
| 3 | 375 4210 | 1 | Winkelverschraubung | Elbow union | x-W12-L M18x1,5 |
| 4 | 375 4500 | 3 | Einstellbare W-Verschraubung | Adjustable angle union | EW12-LM DKO24 GRD M18x1,5 |
| 5 | 575 2092 | 1 | Drosselrückschlagventil | Throttle nonreturn valve | 9Liter SW24 M18x1,5 |
| 6 | 575 2161 | 1 | Rückschlagventil | Nonreturn valve | RDP 06 1/4 |
| 7 | 575 2186 | 1 | Drosselrückschlagventil | Throttle nonreturn valve | 7Liter SW24 M18x1,5 |
| 8 | 57510193 | 2 | Hydraulikrohr | Hydraulic tube | 12x2x159 1xGEB180GRD |
| 9 | 57510609 | 2 | Hydraulikrohr | Hydraulic tube | 12x2x164 1xGEB180GRD |



01.18

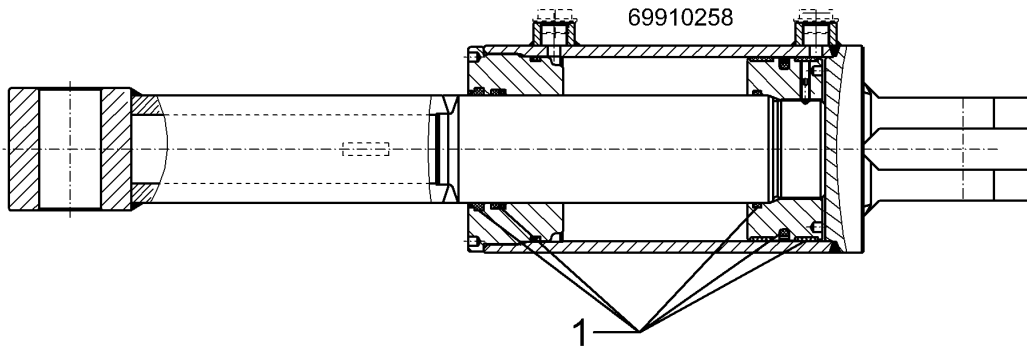
| Pos. | Art.Nr. | Stck. | Artikeltext / Description | | Abmessung |
|------|----------|-------|--------------------------------|------------------------|------------------------------|
| 1 | 301 5001 | 2 | Sechskantschraube | Hexagon bolt | M8x25-8.8 Zn DIN933 |
| 2 | 305 8694 | 2 | Scheibe | Washer | A8,4 DIN125-St Zn |
| 3 | 375 4002 | 1 | Einschraubverschraubung | Nipple | evGE 15-LR-ED 1/2" |
| 4 | 375 4046 | 1 | Gerade Einschraubverschraubung | Nipple | x-GE15-LR-ED 1/2" |
| 5 | 375 4057 | 10 | Gerade Einschraubverschraubung | Nipple | x-GE12-LR 3/8"-ED |
| 6 | 375 4132 | 2 | Verbindung gerade | Connection | DKOL12/DKOL12 M18x1,5 |
| 7 | 375 4136 | 2 | Verbindung gerade | Connection | DKO L15/L15 |
| 8 | 375 4210 | 2 | Winkelverschraubung | Elbow union | x-W12-L M18x1,5 |
| 9 | 375 4220 | 2 | Winkelverschraubung | Elbow union | W15-L M22x1,5 |
| 10 | 375 4500 | 12 | Einstellbare W-Verschraubung | Adjustable angle union | EW12-LM DKO24 GRD M18x1,5 |
| 11 | 375 4553 | 1 | Einstellbare L-Verschraubung | Adjustable L-union | EL15-L-DKO24 GRD |
| 12 | 375 4602 | 1 | Kreuzverschraubung | Cross union | x-K15-L |
| 13 | 375 4653 | 3 | Konus-Reduzieranschluss | Reduction joint | x-KOR15/12-L DKO24 GRD |
| 14 | 57510528 | 1 | Ventilkombination | Valve combination | F0573A |
| 15 | 301 7280 | 2 | Sechskantschraube | Hexagon bolt | M8x25-8.8 Zn DIN933 |
| 16 | 375 4503 | 2 | Einstellbare W-Verschraubung | Adjustable angle union | EW15-L-DKO24 GRD O-Ring |



01.18

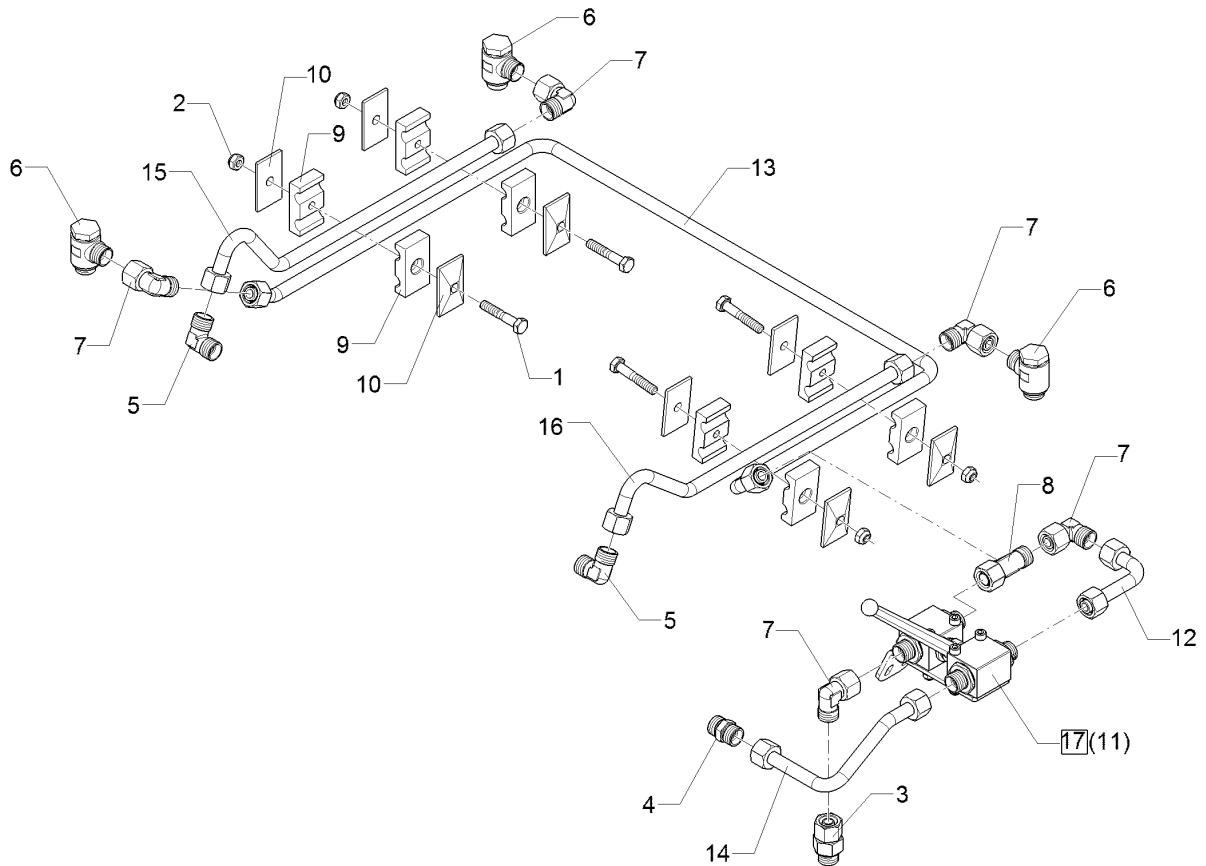
| Pos. | Art.Nr. | Stck. | Artikeltext / Description | | Abmessung |
|------|----------|-------|------------------------------|------------------------|------------------------------|
| 1 | 375 4038 | 4 | Einschraubverschraubung | Nipple | GE 12-LR 1/4 ZL ED |
| 2 | 375 4490 | 2 | Einstellbare T-Verschraubung | Adjustable T-union | ET12-LM DKO24 GRD M18x1,5 |
| 3 | 375 4500 | 3 | Einstellbare W-Verschraubung | Adjustable angle union | EW12-LM DKO24 GRD M18x1,5 |
| 4 | 375 4550 | 1 | Einstellbare L-Verschraubung | Adjustable L-union | EL12-L M18x1,5 |
| 5 | 575 2161 | 1 | Rückschlagventil | Nonreturn valve | RDP 06 1/4 |

| | |
|---------------------------------|----------|
| Hydraulikzylinder/Hydraulic ram | 8 |
| Rubin 12/500 KUA (A) | 57510544 |



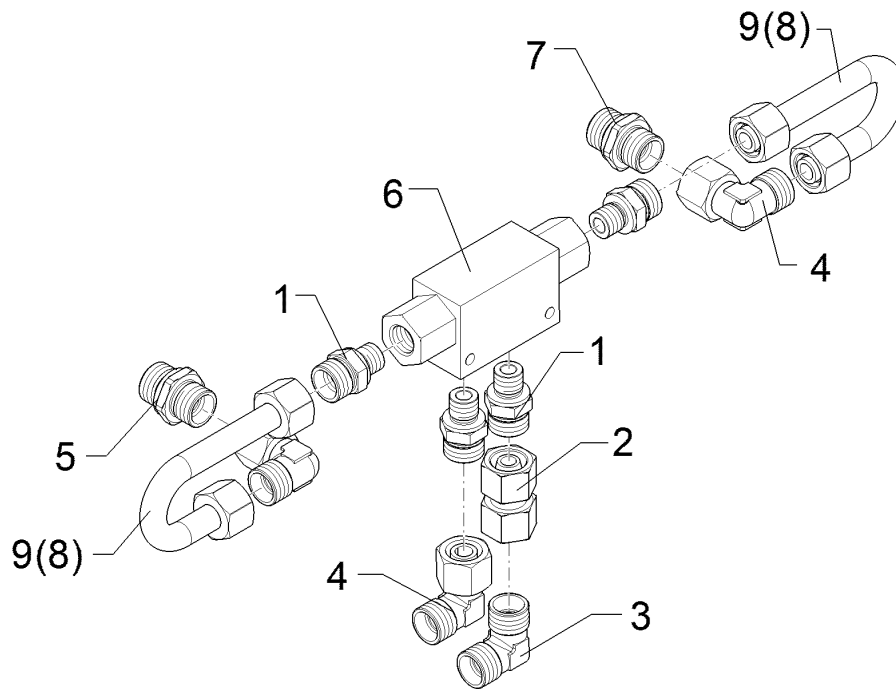
01.18

| Pos. | Art.Nr. | Stck. | Artikeltext / Description | | Abmessung |
|------|----------|-------|---------------------------|----------|-----------|
| 1 | 57510291 | 1 | Dichtungssatz | Seal set | D70/120 |



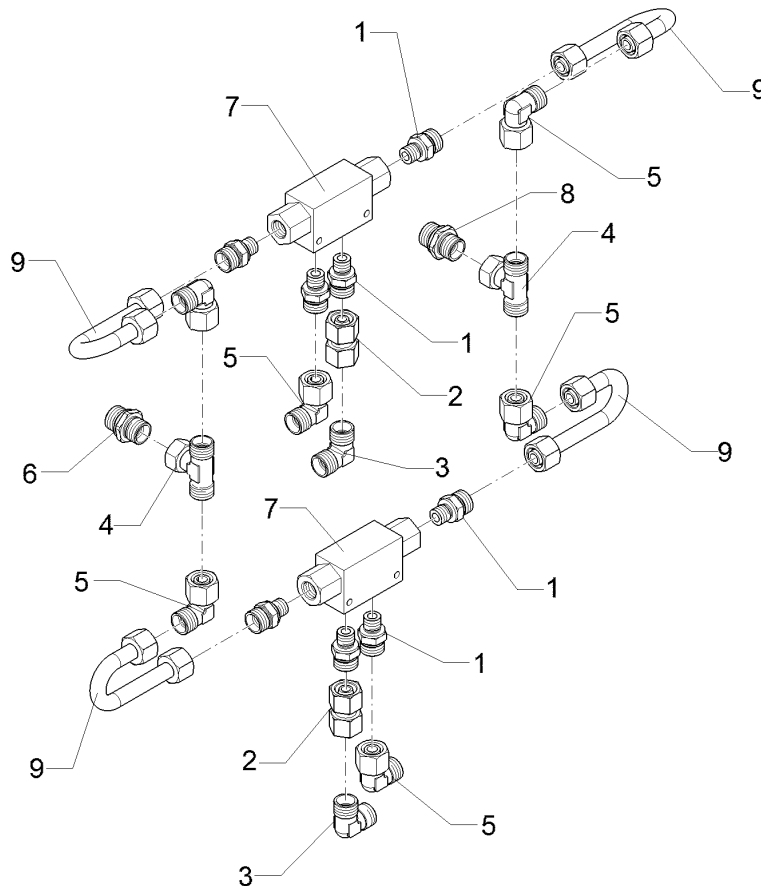
01.18

| Pos. | Art.Nr. | Stck. | Artikeltext / Description | | Abmessung |
|------|----------|-------|------------------------------|------------------------|-----------------------------------|
| 1 | 301 3073 | 4 | Sechskantschraube | Hexagon bolt | M8x45-8.8 Zn DIN931-A |
| 2 | 303 0932 | 4 | Sicherungsmutter | Selflocking nut | NM8-8 Zn DIN985 |
| 3 | 375 4043 | 1 | Einschraubverschraubung | Nipple | evGE 12-LM M18x1,5 |
| 4 | 375 4110 | 1 | Gerade Verschraubung | Nipple | x-G12-L M18x1,5 |
| 5 | 375 4210 | 2 | Winkelverschraubung | Elbow union | x-W12-L M18x1,5 |
| 6 | 375 4311 | 3 | Schwenkverschraubung | Union, swivel | x-SWVE12-LM M18x1,5 Zn |
| 7 | 375 4500 | 5 | Einstellbare W-Verschraubung | Adjustable angle union | EW12-LM DKO24 GRD M18x1,5 |
| 8 | 375 4550 | 1 | Einstellbare L-Verschraubung | Adjustable L-union | EL12-L M18x1,5 |
| 9 | 375 9906 | 8 | Schellenkörper | Clamp | 1/2 212/12 PP |
| 10 | 375 9986 | 8 | Platte | Plate | GD 2D |
| 11 | 37510100 | 1 | Kugelhahn | Ball valve | BKH 12L-M18x1,5 Zn mit Bohrung |
| 12 | 57510570 | 1 | Hydraulikrohr | Hydraulic tube | 12x2x116 1xGEB90° |
| 13 | 57510571 | 1 | Hydraulikrohr | Hydraulic tube | 12x2x1165 4xGEB |
| 14 | 57510572 | 1 | Hydraulikrohr | Hydraulic tube | 12x2x209 2xGEB90/30° |
| 15 | 57510613 | 1 | Hydraulikrohr | Hydraulic tube | 12x2x422 2xGEB120/55° |
| 16 | 57510614 | 1 | Hydraulikrohr | Hydraulic tube | 12x2x407 2xGEB105/40° |
| 17 | 57510983 | 1 | Wegeventil | Directional valve | BKH 12L-M18x1,5 Zn |



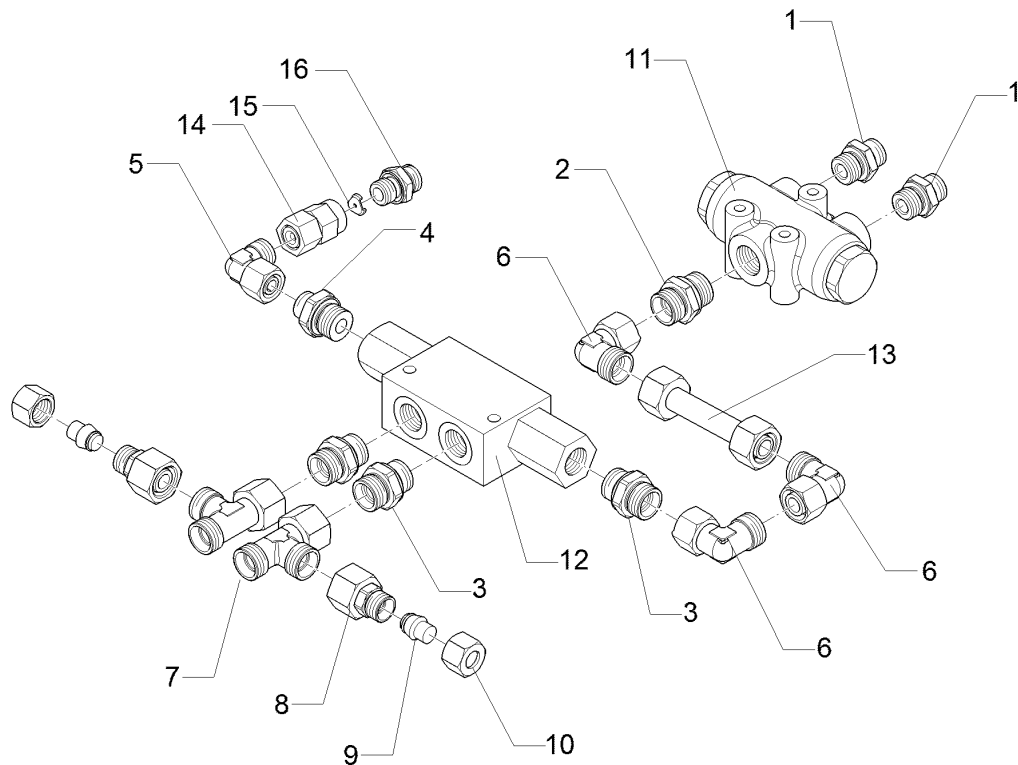
01.18

| Pos. | Art.Nr. | Stck. | Artikeltext / Description | | Abmessung |
|------|----------|-------|------------------------------|--------------------------|------------------------------|
| 1 | 375 4038 | 4 | Einschraubverschraubung | Nipple | GE 12-LR 1/4 ZL ED |
| 2 | 375 4132 | 1 | Verbindung gerade | Connection | DKOL12/DKOL12 M18x1,5 |
| 3 | 375 4210 | 1 | Winkelverschraubung | Elbow union | x-W12-L M18x1,5 |
| 4 | 375 4500 | 3 | Einstellbare W-Verschraubung | Adjustable angle union | EW12-LM DKO24 GRD M18x1,5 |
| 5 | 575 2092 | 1 | Drosselrückschlagventil | Throttle nonreturn valve | 9Liter SW24 M18x1,5 |
| 6 | 575 2161 | 1 | Rückschlagventil | Nonreturn valve | RDP 06 1/4 |
| 7 | 575 2186 | 1 | Drosselrückschlagventil | Throttle nonreturn valve | 7Liter SW24 M18x1,5 |
| 9 | 57510609 | 2 | Hydraulikrohr | Hydraulic tube | 12x2x164 1xGEB180GRD |



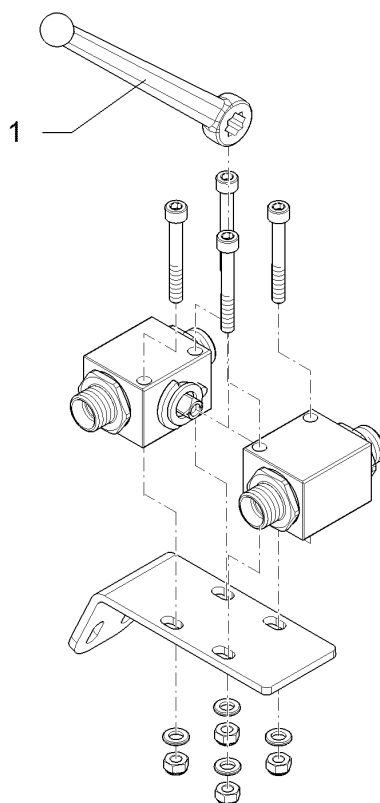
01.18

| Pos. | Art.Nr. | Stck. | Artikeltext / Description | | Abmessung |
|------|----------|-------|------------------------------|--------------------------|------------------------------------|
| 1 | 375 4038 | 8 | Einschraubverschraubung | Nipple | GE 12-LR 1/4 ZL ED |
| 2 | 375 4132 | 2 | Verbindung gerade | Connection | DKOL12/DKOL12 M18x1,5 |
| 3 | 375 4210 | 2 | Winkelverschraubung | Elbow union | x-W12-L M18x1,5 |
| 4 | 375 4490 | 2 | Einstellbare T-Verschraubung | Adjustable T-union | ET12-LM DKO24 |
| 5 | 375 4500 | 6 | Einstellbare W-Verschraubung | Adjustable angle union | GRD M18x1,5 EW12-LM DKO24 |
| 6 | 575 2092 | 1 | Drosselrückschlagventil | Throttle nonreturn valve | GRD M18x1,5 9Liter SW24 |
| 7 | 575 2161 | 2 | Rückschlagventil | Nonreturn valve | M18x1,5 RDP 06 1/4 |
| 8 | 575 2186 | 1 | Drosselrückschlagventil | Throttle nonreturn valve | 7Liter SW24 |
| 9 | 57510609 | 4 | Hydraulikrohr | Hydraulic tube | M18x1,5 12x2x164 1xGEB180GRD |



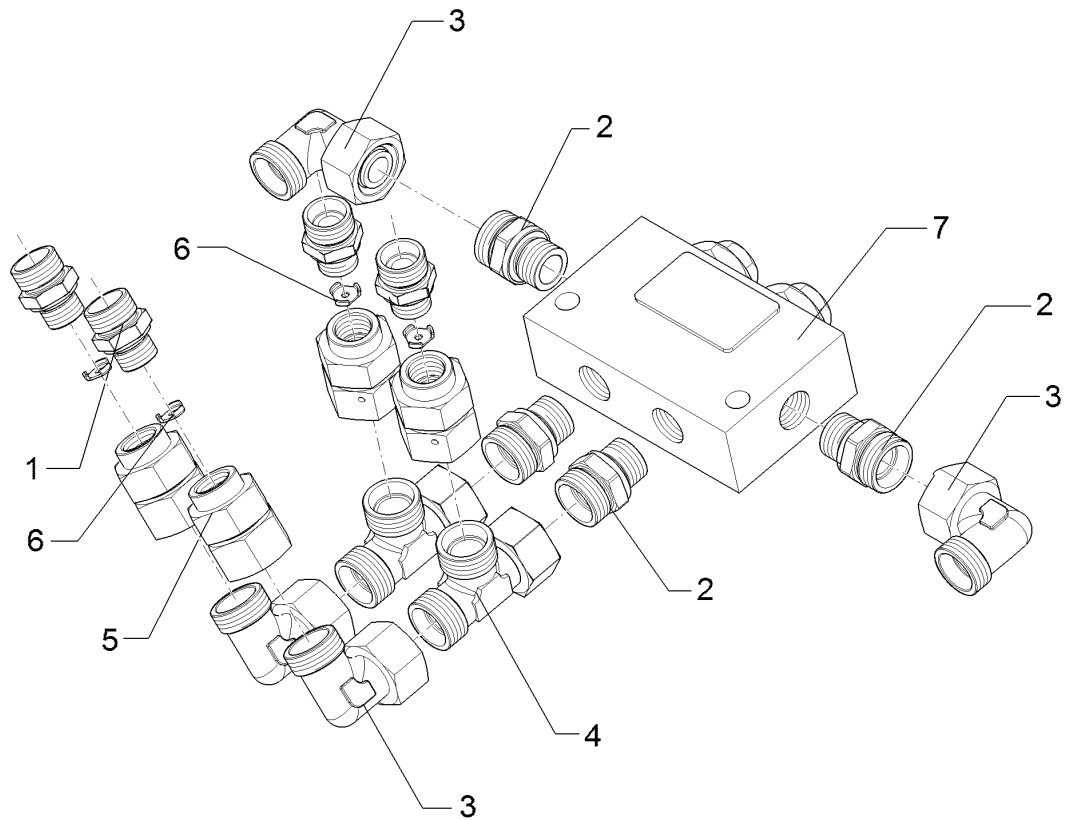
01.18

| Pos. | Art.Nr. | Stck. | Artikeltext / Description | | Abmessung |
|------|----------|-------|--------------------------------|------------------------|--------------------------------|
| 1 | 375 4020 | 2 | Einschraubverschraubung | Nipple | x-GE12-LM M18x1,5 Zn |
| 2 | 375 4032 | 1 | Gerade Einschraubverschraubung | Nipple | x-GE15-LM 22x1,5-ED |
| 3 | 375 4046 | 3 | Gerade Einschraubverschraubung | Nipple | x-GE15-LR-ED 1/2" |
| 4 | 375 4058 | 1 | Einschraubverschraubung | Nipple | GE 12-LR 1/2" ED |
| 5 | 375 4500 | 1 | Einstellbare W-Verschraubung | Adjustable angle union | EW12-LM DKO24 GRD M18x1,5 |
| 6 | 375 4503 | 3 | Einstellbare W-Verschraubung | Adjustable angle union | EW15-L-DKO24 GRD O-Ring |
| 7 | 375 4553 | 2 | Einstellbare L-Verschraubung | Adjustable L-union | EL15-L-DKO24 GRD |
| 8 | 375 4653 | 2 | Konus-Reduzieranschluss | Reduction joint | x-KOR15/12-L DKO24 GRD |
| 9 | 375 4660 | 2 | Blindstopfen | Blind plug | BUZ12-L |
| 10 | 375 5310 | 2 | Überwurfmutter | Union nut | 12L M18x1,5 Zn/ZnNi |
| 11 | 575 2237 | 1 | Stromteilerventil | Flow divider valve | Bucher MT D A 08-050 M/ZnNi |
| 12 | 575 2238 | 1 | Rückschlagventil | Nonreturn valve | 1/2" KOHU 10-001 |
| 13 | 57510283 | 1 | Hydraulikrohr | Hydraulic tube | 15x2x98 |
| 14 | 375 2205 | 1 | Verbindung | Connection | DKOL12/IGM 16x1,5 |
| 15 | 375 2515 | 1 | Drosselscheibe Dreibein | Restrictor washer | Dreibein 2,5 |
| 16 | 375 4010 | 1 | Einschraubverschraubung | Nipple | x-GE12-LM M16x1,5 Zn |



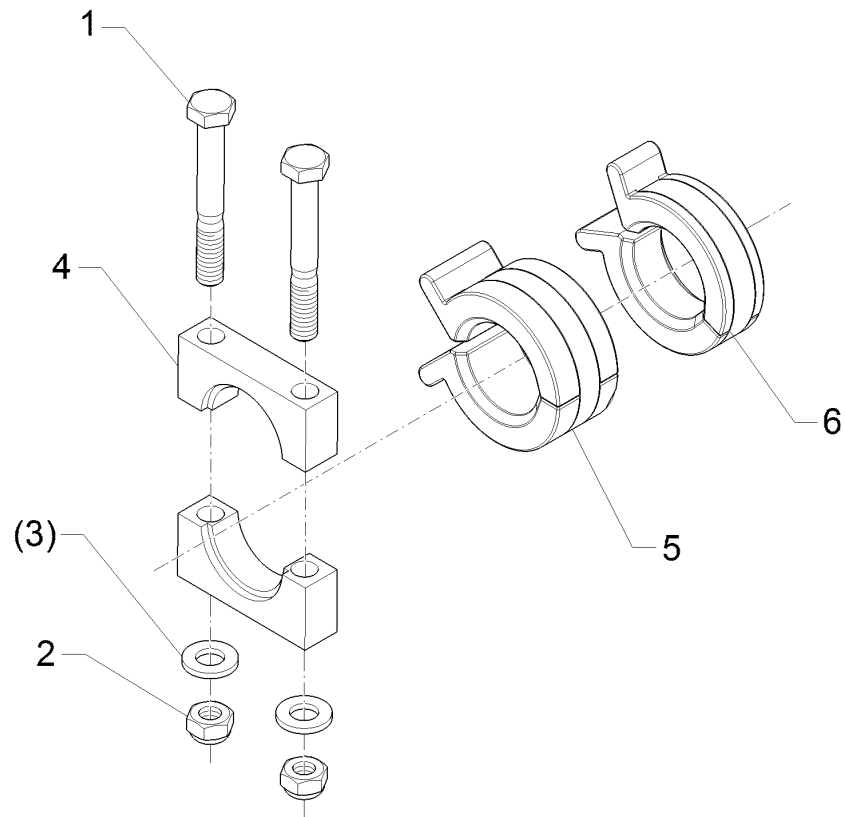
01.18

| Pos. | Art.Nr. | Stck. | Artikeltext / Description | | Abmessung |
|------|----------|-------|----------------------------|--------|-----------|
| 1 | 321 6881 | 1 | Griff gerade Zinkdruckguss | Handle | SW09 |



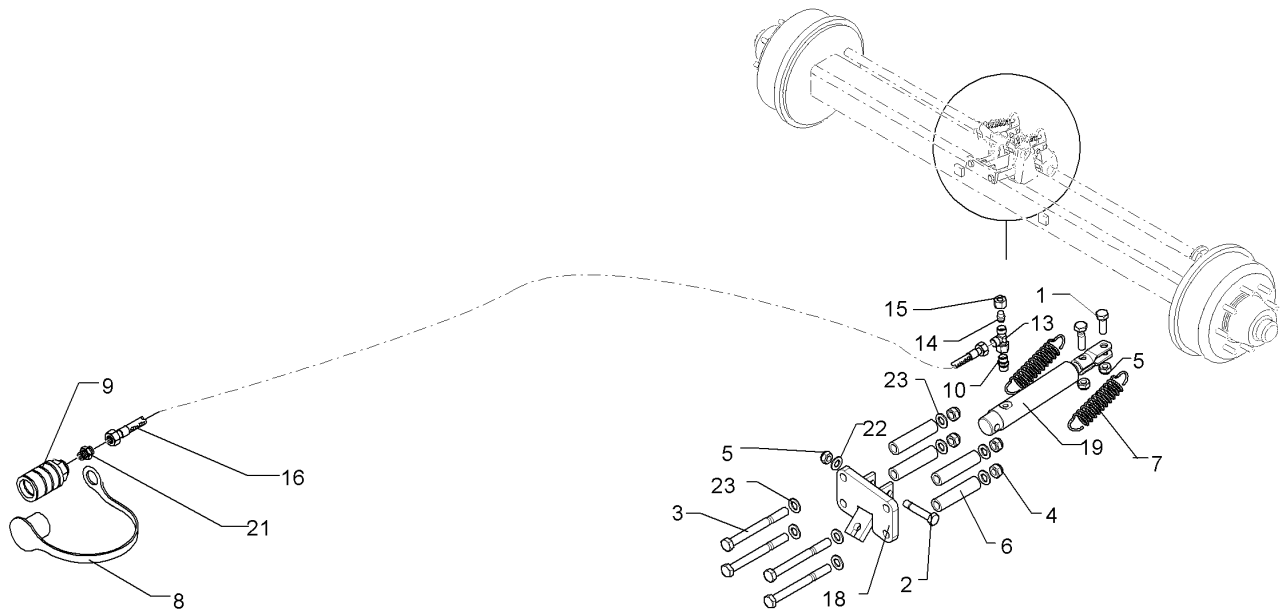
01.18

| Pos. | Art.Nr. | Stck. | Artikeltext / Description | | Abmessung |
|------|----------|-------|--------------------------------|--------------------------------|-------------------------------|
| 1 | 375 4031 | 4 | Gerade Einschraubverschraubung | Nipple | x-GE15-LM-ED 18x1,5-B |
| 2 | 375 4062 | 4 | Gerade Einschraubverschraubung | Nipple | x-GE18-L R1/2" ED |
| 3 | 375 4510 | 4 | Einstellbare W-Verschraubung | Adjustable angle union | EW18-L-DKO24 GRD O-Ring |
| 4 | 375 4555 | 2 | Einstellbare L-Verschraubung | Adjustable L-union | EL18-L-DKO24 GRD |
| 5 | 37510315 | 4 | Verbindung | Connection | DKOL18/IGM 18x1,5 |
| 6 | 37510325 | 4 | Drosselscheibe Dreibein | Restrictor washer | Dreibein d=3,5 |
| 7 | 57511148 | 1 | Rückschlagventil hy.entsperrb. | Nonreturn valve hy.unblockable | G1/2, P=250bar, Q=100l/min |



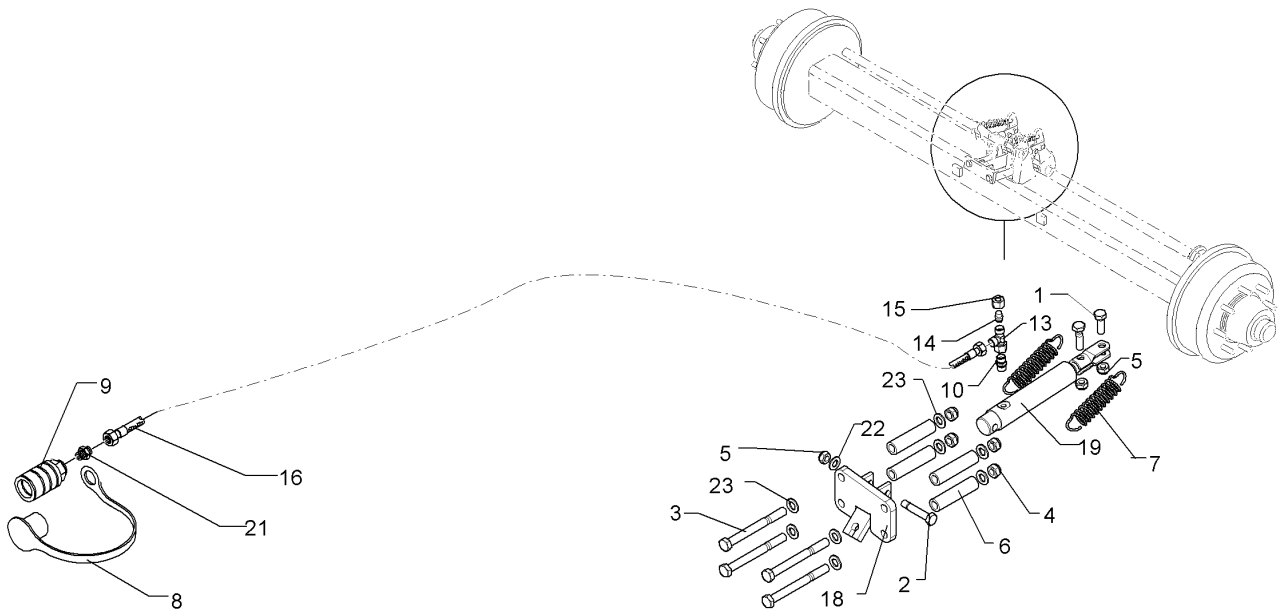
01.18

| Pos. | Art.Nr. | Stck. | Artikeltext / Description | | Abmessung |
|------|----------|-------|---------------------------|-----------------|---------------------------|
| 1 | 301 3457 | 2 | Sechskantschraube | Hexagon bolt | M12x90-8.8 Zn DIN931-A |
| 2 | 303 0934 | 2 | Sicherungsmutter | Selflocking nut | NM12-8 Zn DIN985 |
| 3 | 305 6137 | 2 | Scheibe | Washer | 13/25x3 DIN1441-St Zn |
| 4 | 47510344 | 2 | Klemme | Clamp | 80x34x20 D45 |
| 5 | 47510349 | 1 | Hydro-Clip | Hydroclip | D45/50x38,1 |
| 6 | 47510350 | 1 | Hydro-Clip | Hydroclip | D45/50x25,4 |



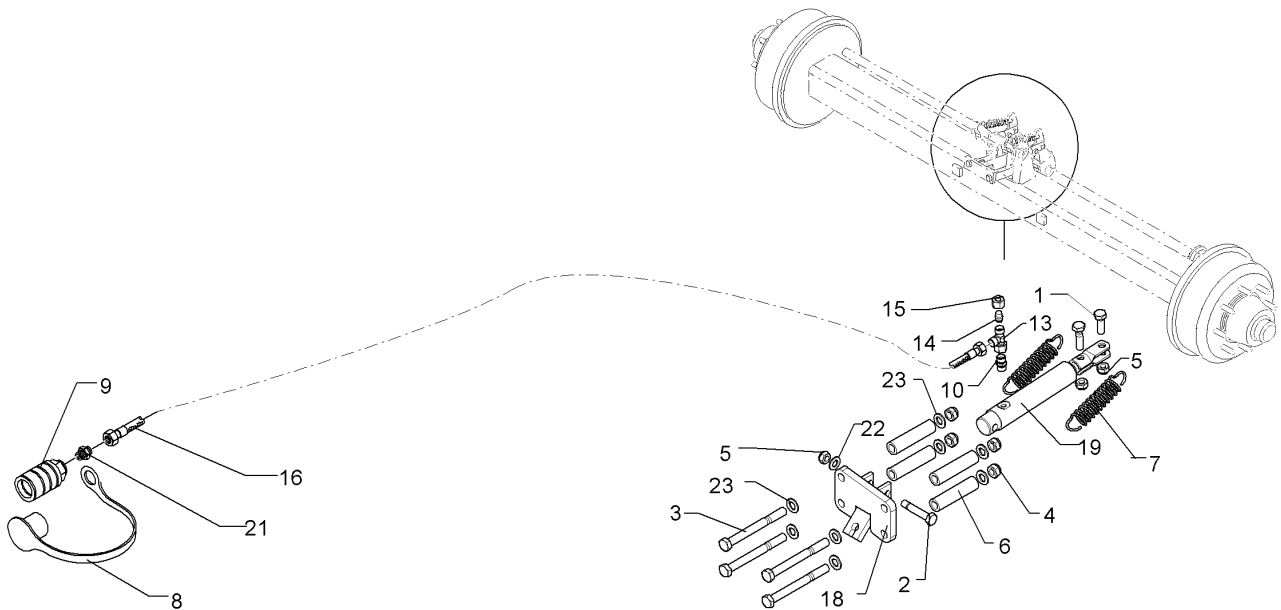
01.18

| Pos. | Art.Nr. | Stck. | Artikeltext / Description | Abmessung | |
|------|----------|-------|--------------------------------|--------------------------------|-------------------------------------|
| 1 | 301 3575 | 1 | Sechskantschraube | Hexagon bolt | M14x40 8.8 Zn DIN933 |
| 2 | 301 3596 | 1 | Sechskantschraube spz. | Hexagon bolt | M14x75-8.8 Zn |
| 3 | 301 5410 | 4 | Sechskantschraube | Hexagon bolt | M16x160-8.8 Zn DIN931-A |
| 4 | 303 0935 | 4 | Sicherungsmutter | Selflocking nut | NM16-8 Zn DIN985 |
| 5 | 303 0941 | 2 | Sicherungsmutter | Selflocking nut | NM14-8 Zn DIN985 |
| 6 | 317 6802 | 4 | Röhrchen | Tube | 26,9x4,5x110 Zn |
| 7 | 329 8511 | 2 | Zugfeder | Spring | 4x28x160 |
| 8 | 375 2161 | 1 | SVBK-Staubstecker rot m.Kette | SVBK-male probe red with chain | BG 3 |
| 9 | 375 2739 | 1 | SBVK-Muffe | Socket | BG3 M18x1,5 |
| 10 | 375 4044 | 1 | Gerade Einschraubverschraubung | Nipple | x-GE12-LR 3/8" |
| 13 | 375 4550 | 1 | Einstellbare L-Verschraubung | Adjustable L-union | EL12-L M18x1,5 |
| 14 | 375 4660 | 1 | Blindstopfen | Blind plug | BUZ12-L |
| 15 | 375 5310 | 1 | Überwurfmutter | Union nut | 12L M18x1,5 Zn/ZnNi |
| 16 | 475 2427 | 1 | Hydraulikschlauch | Hydraulic hose | 2SC08-9500 DKOL12/DKOL12 0/0° |
| 18 | 47510444 | 1 | Halter | Holder | 87x121x155 |
| 19 | 575 2249 | 1 | Hydraulikzylinder EW | Hydraulic ram SA | EZ30-110/320 |
| 21 | 375 4020 | 1 | Einschraubverschraubung | Nipple | x-GE12-LM M18x1,5 Zn |
| 22 | 305 6139 | 1 | Scheibe | Washer | 28x15x2,5 Zn DIN125 |



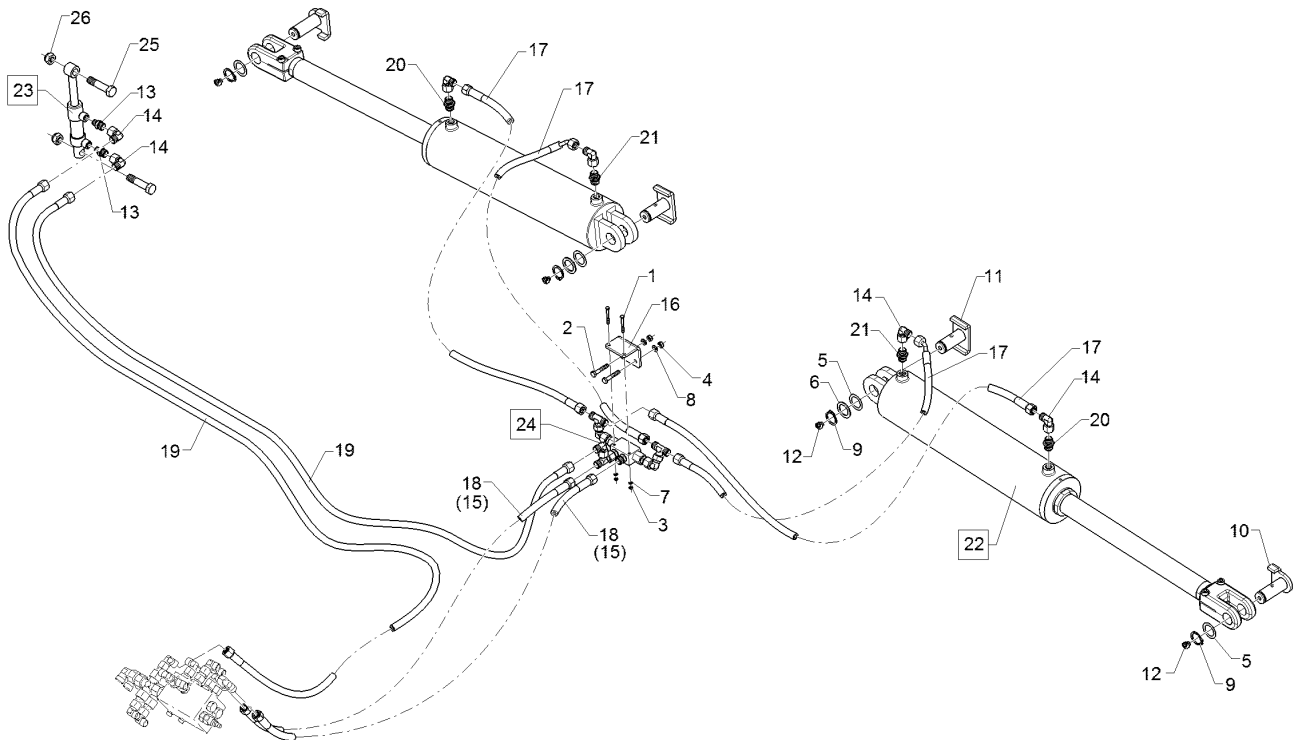
01.18

| Pos. | Art.Nr. | Stck. | Artikeltext / Description | Abmessung |
|------|----------|-------|---------------------------|-------------------------|
| 23 | 305 6141 | 8 | Scheibe Washer | 17/30x3 DIN/ISO-7089 |



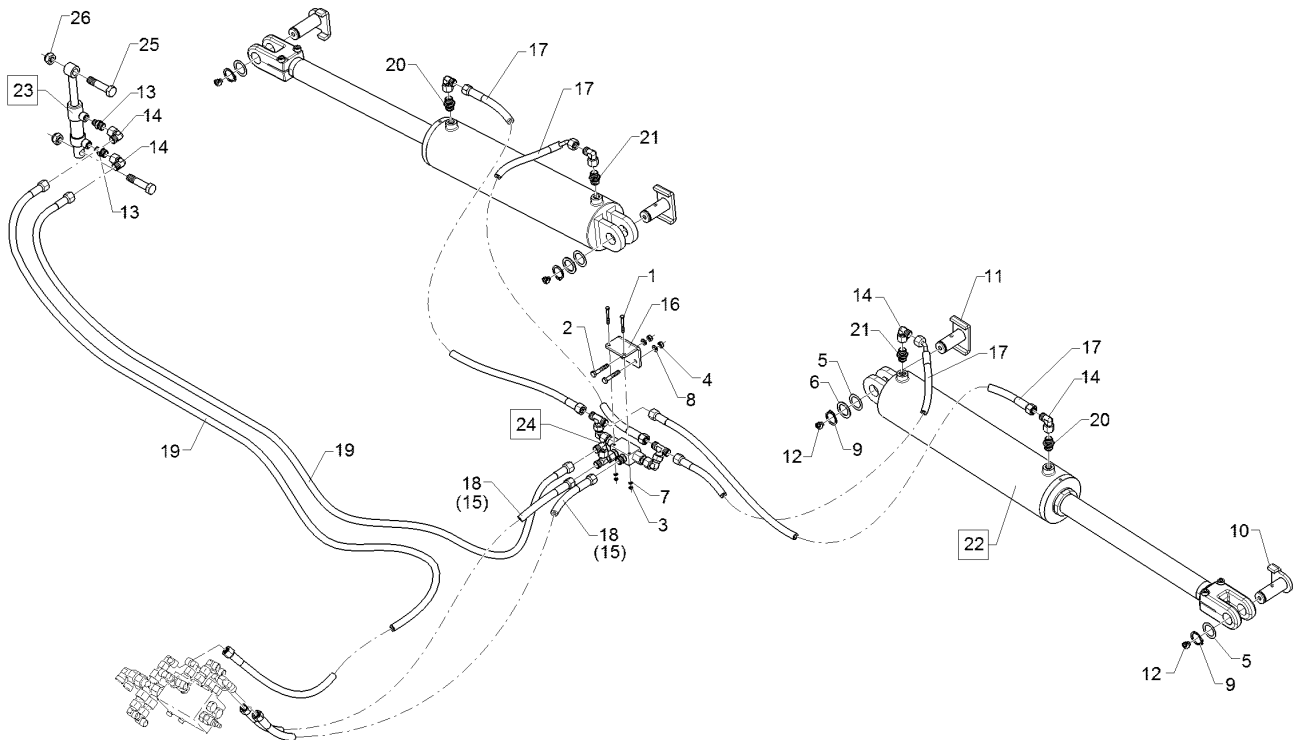
01.18

| Pos. | Art.Nr. | Stck. | Artikeltext / Description | | Abmessung |
|------|----------|-------|--------------------------------|--------------------------------|----------------------------------|
| 1 | 301 3575 | 1 | Sechskantschraube | Hexagon bolt | M14x40 8.8 Zn DIN933 |
| 2 | 301 3596 | 1 | Sechskantschraube spz. | Hexagon bolt | M14x75-8.8 Zn |
| 3 | 301 5410 | 4 | Sechskantschraube | Hexagon bolt | M16x160-8.8 Zn DIN931-A |
| 4 | 303 0935 | 4 | Sicherungsmutter | Selflocking nut | NM16-8 Zn DIN985 |
| 5 | 303 0941 | 2 | Sicherungsmutter | Selflocking nut | NM14-8 Zn DIN985 |
| 6 | 317 6802 | 4 | Röhrchen | Tube | 26,9x4,5x110 Zn |
| 7 | 329 8511 | 2 | Zugfeder | Spring | 4x28x160 |
| 8 | 375 2161 | 1 | SVBK-Staubstecker rot m.Kette | SVBK-male probe red with chain | BG 3 |
| 9 | 375 2739 | 1 | SBVK-Muffe | Socket | BG3 M18x1,5 |
| 10 | 375 4044 | 1 | Gerade Einschraubverschraubung | Nipple | x-GE12-LR 3/8" |
| 13 | 375 4550 | 1 | Einstellbare L-Verschraubung | Adjustable L-union | EL12-L M18x1,5 |
| 14 | 375 4660 | 1 | Blindstopfen | Blind plug | BUZ12-L |
| 15 | 375 5310 | 1 | Überwurfmutter | Union nut | 12L M18x1,5 Zn/ZnNi |
| 16 | 475 2428 | 1 | Hydraulikschlauch | Hydraulic hose | 2SC08-10500DKOL12/DKOL12 0/0° |
| 18 | 47510444 | 1 | Halter | Holder | 87x121x155 |
| 19 | 575 2249 | 1 | Hydraulikzylinder EW | Hydraulic ram SA | EZ30-110/320 |
| 21 | 375 4020 | 1 | Einschraubverschraubung | Nipple | x-GE12-LM M18x1,5 Zn |
| 22 | 305 6139 | 1 | Scheibe | Washer | 28x15x2,5 Zn DIN125 |
| 23 | 305 6141 | 8 | Scheibe | Washer | 17/30x3 DIN/ISO-7089 |



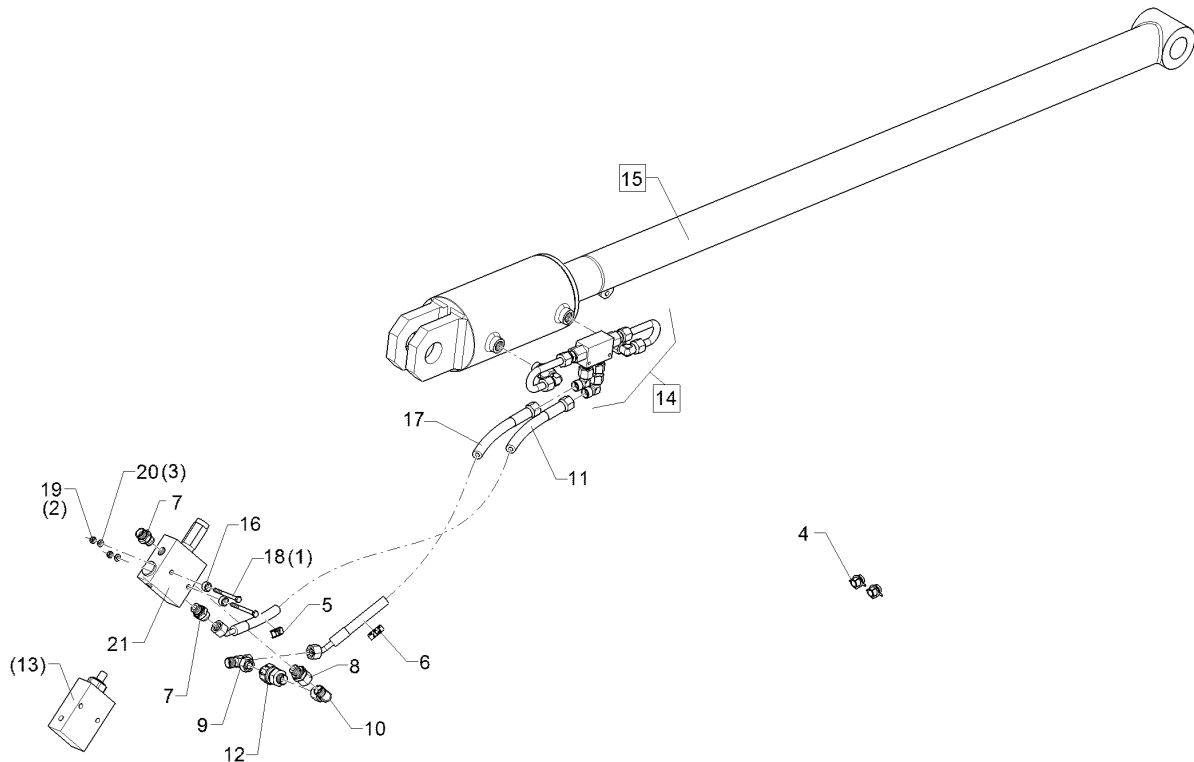
01.18

| Pos. | Art.Nr. | Stck. | Artikeltext / Description | | Abmessung |
|------|----------|-------|------------------------------|------------------------|-----------------------------------|
| 1 | 301 0370 | 2 | Sechskantschraube | Hexagon bolt | M5x45-8.8 Zn DIN931 |
| 2 | 301 3073 | 2 | Sechskantschraube | Hexagon bolt | M8x45-8.8 Zn DIN931-A |
| 3 | 303 0929 | 2 | Sicherungsmutter | Selflocking nut | NM5-8 Zn DIN985 |
| 4 | 303 0932 | 2 | Sicherungsmutter | Selflocking nut | NM8-8 Zn DIN985 |
| 5 | 305 2051 | 4 | Passscheibe | Shim | 30x42x1,0 DIN988 Zn |
| 6 | 305 2242 | 4 | Stützscheibe | Supporting washer | S 30/42x2,5 DIN988 Zn |
| 7 | 305 6108 | 4 | Scheibe | Washer | 5,5/10x0,8 DIN1441-St Zn |
| 8 | 305 8694 | 2 | Scheibe | Washer | A8,4 DIN125-St Zn |
| 9 | 305 8867 | 4 | Sicherungsring | Retaining ring | 30x2 DIN471 Zn |
| 10 | 313 3003 | 2 | Bolzen mit Verdrehsicherung | Pin with stop | D30x71/79 U-61 Zn |
| 11 | 313 3023 | 2 | Bolzen mit Verdrehsicherung | Pin with stop | D30/72x62/84-M10x1 Zn |
| 12 | 323 6350 | 4 | Schmiernippel | Grease nipple | BM10x1 DIN71412-4kt. 45 GRD |
| 13 | 375 4038 | 2 | Einschraubverschraubung | Nipple | GE 12-LR 1/4 ZL ED |
| 14 | 375 4500 | 6 | Einstellbare W-Verschraubung | Adjustable angle union | EW12-LM DKO24 GRD M18x1,5 |
| 15 | 47510384 | 2 | Hydraulikschlauch | Hydraulic hose | 2SN10-3100-DKOL12-00°-00° |
| 16 | 47510335 | 1 | Winkelplatte | Angle plate | 6x65x109 2xD9-38 2xD7-50 |



01.18

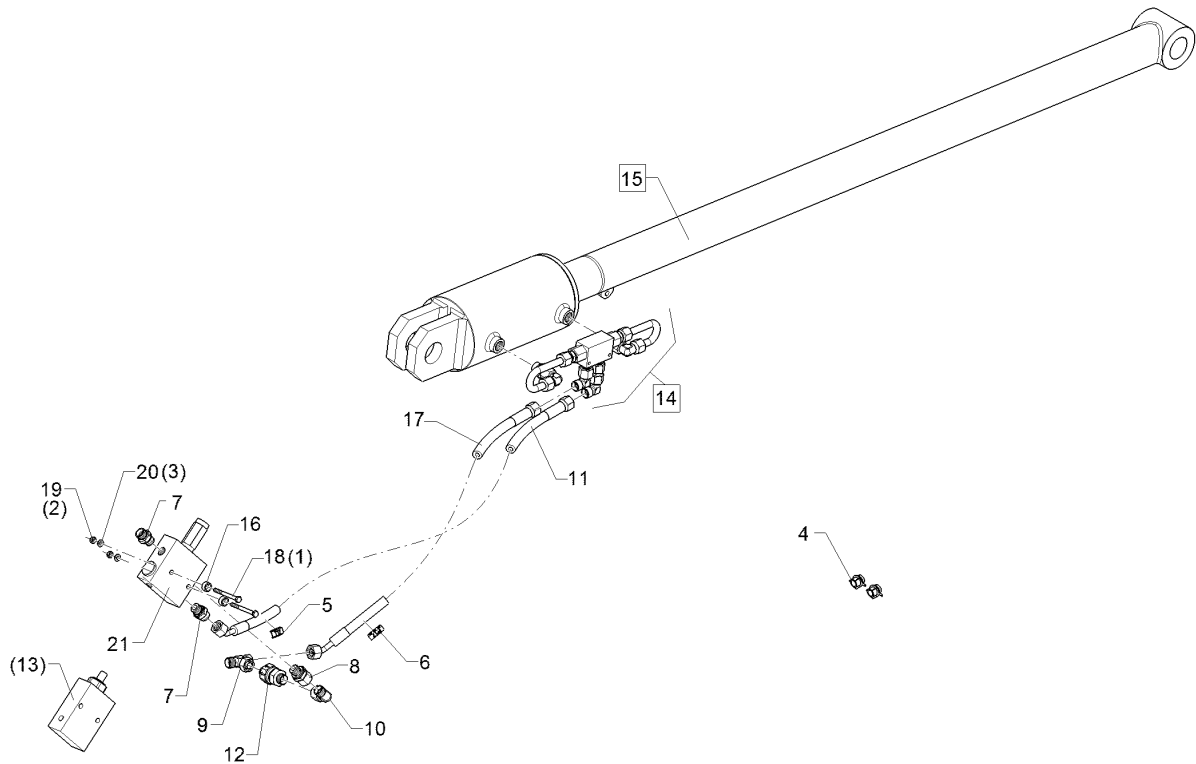
| Pos. | Art.Nr. | Stck. | Artikeltext / Description | Abmessung | |
|------|----------|-------|---------------------------|--------------------------|---------------------------------|
| 17 | 475 2850 | 2 | Schlauchpaket | Hose-assembly | 1x800/1x1000 M18x1,5 S38x550 |
| 18 | 475 2622 | 2 | Hydraulikschlauch | Hydraulic hose | 2SN10-3100 M18x1,5 |
| 19 | 47510341 | 1 | Schlauchpaket | Hose-assembly | 1x2SC08-4150 DKOL12 00/00 |
| 20 | 575 2092 | 2 | Drosselrückschlagventil | Throttle nonreturn valve | 9Liter SW24 M18x1,5 |
| 21 | 575 2094 | 2 | Drosselrückschlagventil | Throttle nonreturn valve | 15Liter SW24 M18x1,5 |
| 22 | 575 2268 | 2 | Hydraulikzylinder | Hydraulic ram | DZ90/40x320-580+-5 |
| 23 | 575 2336 | 1 | Hydraulikzylinder | Hydraulic ram | DZ025/18x10-240D16,4D16,5 |
| 24 | 57510516 | 1 | Rückschlagventil | Nonreturn valve | Rubin 12 KUA |



01.18

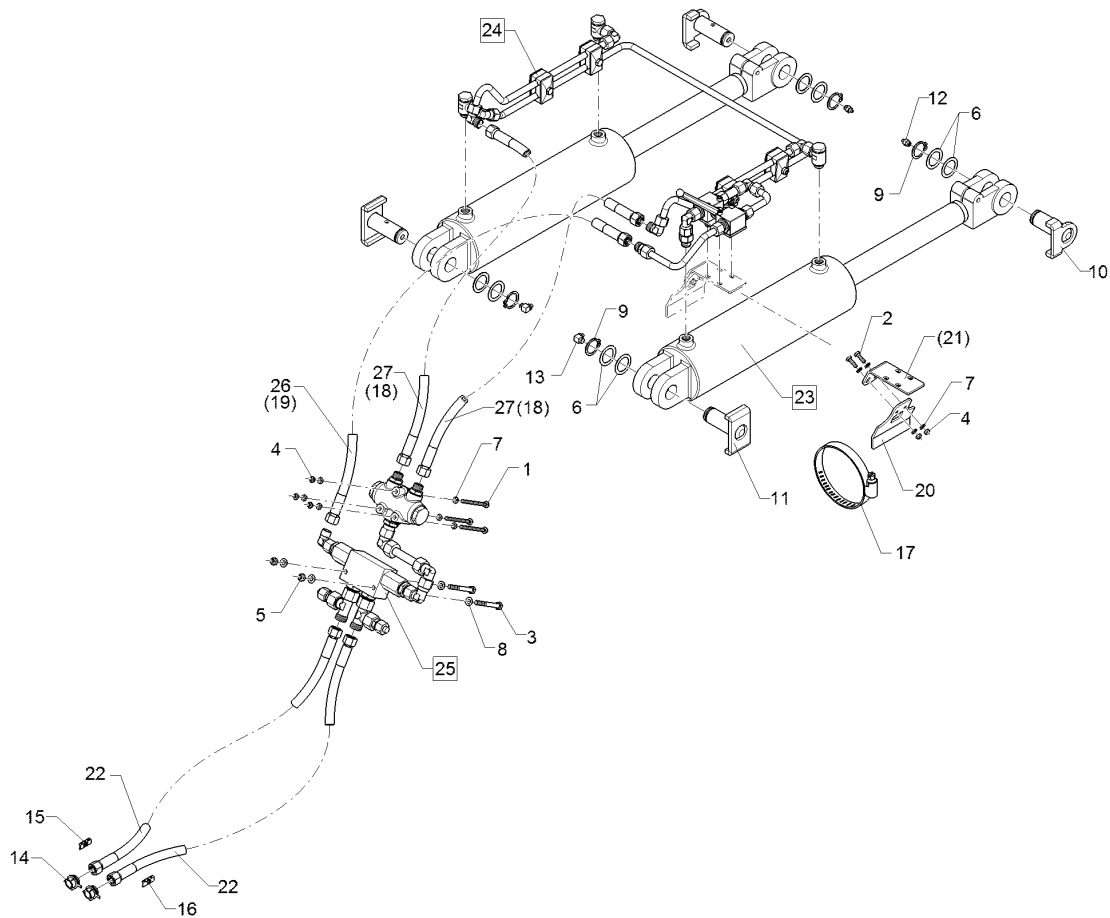
| Pos. | Art.Nr. | Stck. | Artikeltext / Description | | Abmessung |
|------|----------|-------|--------------------------------|-------------------------|--|
| 1 | 301 3084 | 2 | Sechskantschraube | Hexagon bolt | M8x70-8.8 Zn DIN931-A |
| 2 | 303 1011 | 2 | Sechskantmutter | Hexagon nut | M8 DIN934-8 Zn |
| 3 | 305 8694 | 2 | Scheibe | Washer | A8,4 DIN125-St Zn |
| 4 | 323 7403 | 2 | Schraubstopfen | Cap | GPN335 M18x1,5 |
| 5 | 32510047 | 2 | Kennzeichnung | Marking | T17 |
| 6 | 32510048 | 2 | Kennzeichnung | Marking | P17 |
| 7 | 375 4057 | 2 | Gerade Einschraubverschraubung | Nipple | x-GE12-LR 3/8"-ED |
| 8 | 375 4042 | 1 | Einstellbare GE-Verschraubung | Nipple | evGE 12-LR 3/8" ED |
| 9 | 375 4490 | 1 | Einstellbare T-Verschraubung | Adjustable T-union | ET12-LM DKO24 GRD M18x1,5 |
| 10 | 375 4500 | 1 | Einstellbare W-Verschraubung | Adjustable angle union | EW12-LM DKO24 GRD M18x1,5 |
| 11 | 47510492 | 1 | Hydraulikschlauch | Hydraulic hose | 2SC08-2700 DKOL12/DKOL12 0/45° RHD12L |
| 12 | 575 2099 | 1 | Rückschlagventil | Nonreturn valve | |
| 13 | 575 2229 | 1 | Druckminderventil | Pressure reducing valve | 20/80bar |
| 14 | 57510510 | 1 | Montage-BG.Tiefenverstellung | Assembly group | Rubin 12 KUA |
| 15 | 57510544 | 1 | Hydraulikzylinder | Hydraulic ram | DZ120/70-120/1745 |
| 16 | 317 7668 | 2 | Buchse | Bush | D16x2x7 Zn |
| 17 | 47510705 | 1 | Hydraulikschlauch | Hydraulic hose | 2SC08-2650 DKOL12/DKOL12 0/45° |
| 18 | 301 3038 | 2 | Sechskantschraube | Hexagon bolt | M6x65-8.8 Zn DIN931-A |

| | |
|--|----------|
| Hy-anl. Tiefeneinstellung/HY-assembly depth adjustment | 8 |
| Rubin 12/500 KUA (A) | 67510661 |



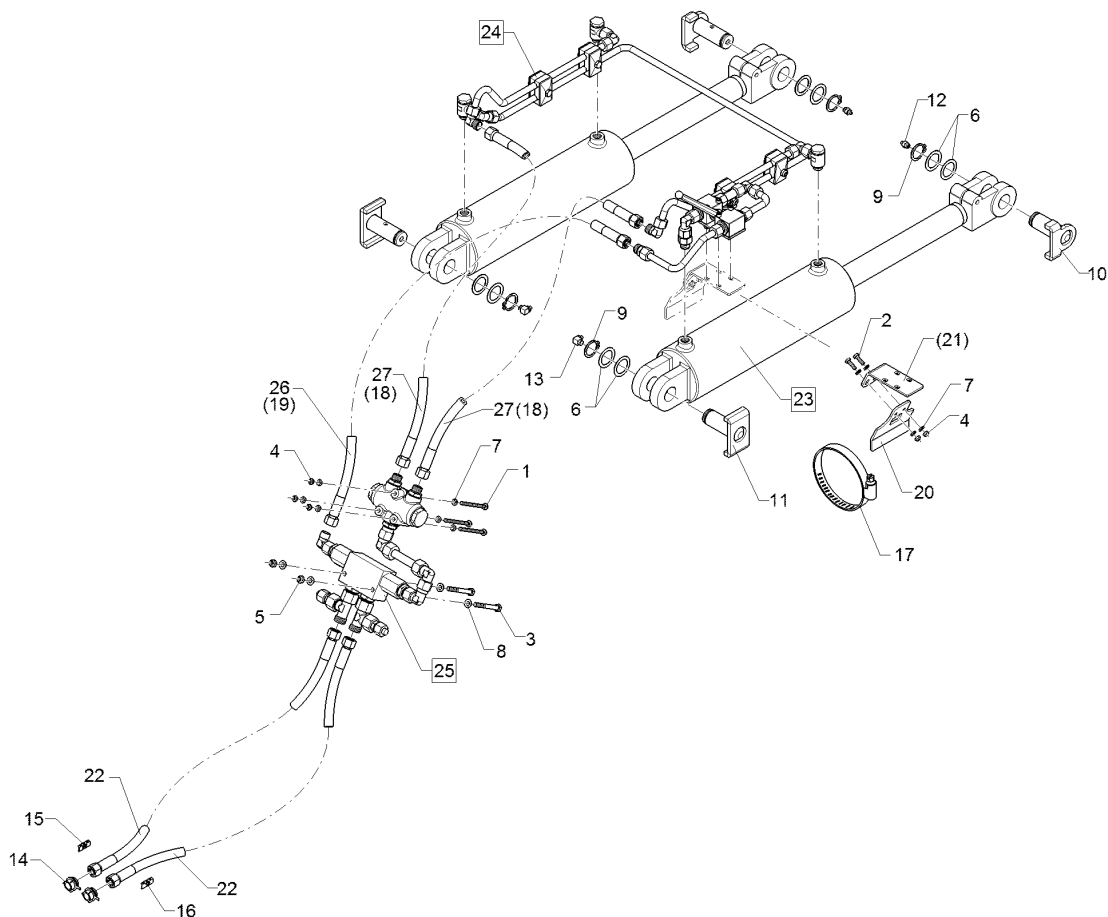
01.18

| Pos. | Art.Nr. | Stck. | Artikeltext / Description | | Abmessung |
|------|----------|-------|---------------------------|-------------------------|-----------------|
| 19 | 303 0931 | 2 | Sicherungsmutter | Selflocking nut | NM6-8 Zn DIN985 |
| 20 | 305 8571 | 2 | Scheibe | Washer | 6,4 DIN125-A Zn |
| 21 | 57511164 | 1 | Druckminderventil | Pressure reducing valve | 20/80bar |



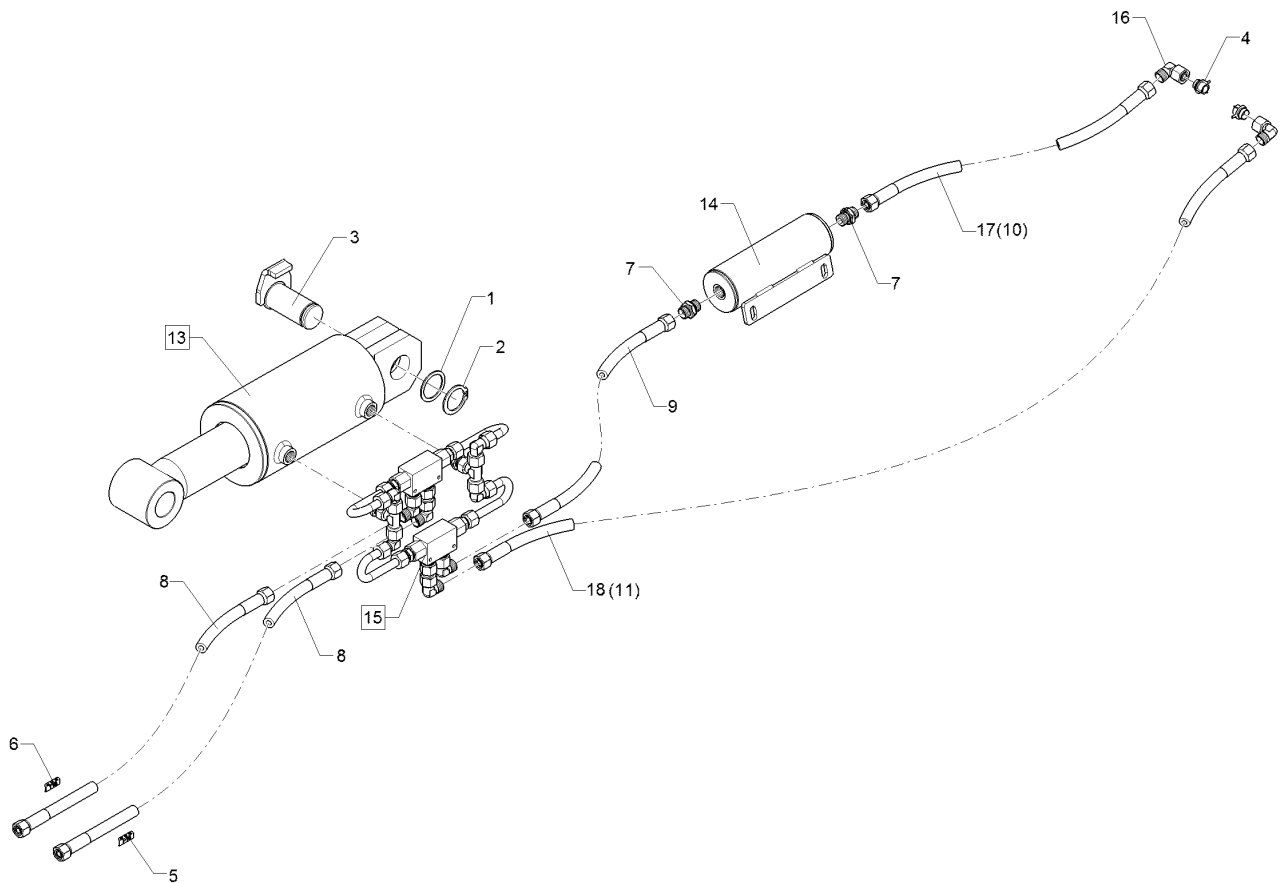
01.18

| Pos. | Art.Nr. | Stck. | Artikeltext / Description | | Abmessung |
|------|----------|-------|-----------------------------|-----------------|-----------------------------|
| 1 | 301 0312 | 3 | Linsenschraube | Oval head screw | M6x75-4,6 Zn DIN7985 |
| 2 | 301 3004 | 2 | Sechskantschraube | Hexagon bolt | M6x20-8.8 Zn DIN933 |
| 3 | 301 3084 | 2 | Sechskantschraube | Hexagon bolt | M8x70-8.8 Zn DIN931-A |
| 4 | 303 0931 | 5 | Sicherungsmutter | Selflocking nut | NM6-8 Zn DIN985 |
| 5 | 303 0932 | 2 | Sicherungsmutter | Selflocking nut | NM8-8 Zn DIN985 |
| 6 | 305 2051 | 8 | Passscheibe | Shim | 30x42x1,0 DIN988 Zn |
| 7 | 305 8571 | 10 | Scheibe | Washer | 6,4 DIN125-A Zn |
| 8 | 305 8694 | 4 | Scheibe | Washer | A8,4 DIN125-St Zn |
| 9 | 305 8867 | 4 | Sicherungsring | Retaining ring | 30x2 DIN471 Zn |
| 10 | 313 3003 | 2 | Bolzen mit Verdrehsicherung | Pin with stop | D30x71/79 U-61 Zn |
| 11 | 313 3025 | 2 | Bolzen mit Verdrehsicherung | Pin with stop | D30x71/89 U-72 Zn |
| 12 | 323 6348 | 2 | Schmiernippel | Grease nipple | AM10x1 DIN71412 |
| 13 | 323 6349 | 2 | Schmiernippel | Grease nipple | CM10x1 DIN71412-90 GRD |
| 14 | 323 7405 | 2 | Schraubstopfen | Cap | GPN335 M22x1,5 |
| 15 | 325 1522 | 1 | Kennzeichnung | Marking | P2 29X8 |
| 16 | 325 1529 | 1 | Kennzeichnung | Marking | T2 29X8 |
| 17 | 32510029 | 1 | Schlauchschelle | Hose clip | 112-121x25 |
| 18 | 475 2436 | 2 | Hydraulikschlauch | Hydraulic hose | 2SC10-380 DKOL12 00°/45° |



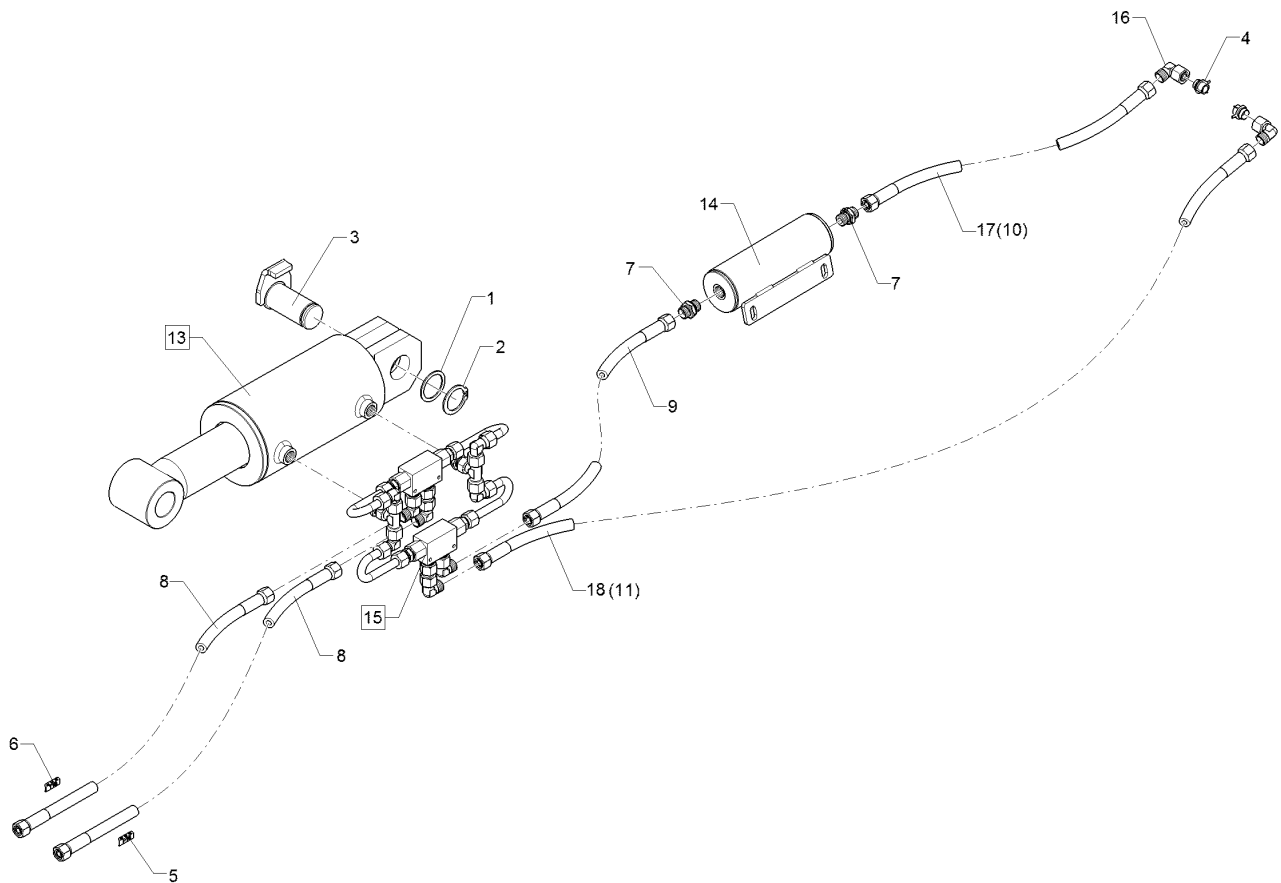
01.18

| Pos. | Art.Nr. | Stck. | Artikeltext / Description | | Abmessung |
|------|----------|-------|---------------------------|---------------------|------------------------------------|
| 19 | 475 2598 | 1 | Hydraulikschlauch | Hydraulic hose | 2SN10-600 DKOL12/DKOL12 0/0° |
| 20 | 47510904 | 1 | Halter | Holder | 99x4x109,4 |
| 21 | 47510905 | 1 | Halter | Holder | 45x4x155,6 |
| 22 | 47510989 | 2 | Hydraulikschlauch | Hydraulic hose | 2SC12-4000 DKOL15 00°/00° |
| 23 | 575 2269 | 2 | Hydraulikzylinder | Hydraulic ram | DZ100/45x0320-0580 D30 D30 |
| 24 | 57510605 | 1 | Hy-anl. Aushub | HY-assembly lifting | Rubin 12 KUA |
| 25 | 57510955 | 1 | Hy-anl. Aushub | HY-assembly lifting | Rubin 12KUA 155 |
| 26 | 475 3242 | 2 | Hydraulikschlauch | Hydraulic hose | 2SC10-0900 DKO L12/L12 00/45° |
| 27 | 47511005 | 1 | Hydraulikschlauch | Hydraulic hose | 2SC10-1250 DKO L12/L12 00°/45° |



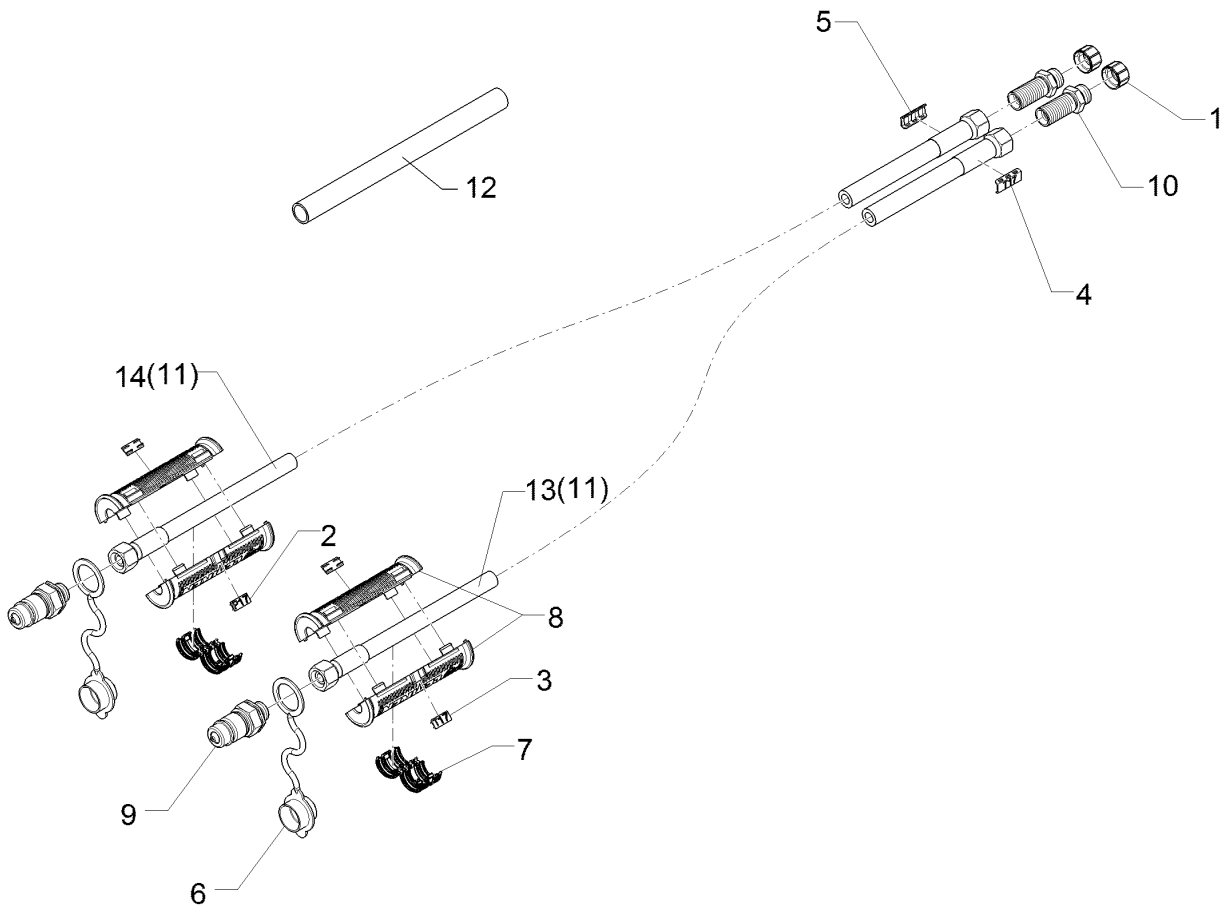
01.18

| Pos. | Art.Nr. | Stck. | Artikeltext / Description | | Abmessung |
|------|----------|-------|------------------------------|------------------------|-----------------------------------|
| 1 | 305 2100 | 1 | Passscheibe | Shim | 40x50x2,0 DIN988 |
| 2 | 305 8875 | 1 | Sicherungsring | Retaining ring | 40x2,5 DIN471 |
| 3 | 31310067 | 1 | Bolzen mit Verdrehsicherung | Pin with stop | D40x71/90 Zn |
| 4 | 323 7403 | 2 | Schraubstopfen | Cap | GPN335 M18x1,5 |
| 5 | 32510042 | 1 | Kennzeichnung | Marking | P16 UC-WMTBA 29X8 |
| 6 | 32510043 | 1 | Kennzeichnung | Marking | T16 UC-WMTBA 29X8 |
| 7 | 375 4021 | 2 | Einschraubverschraubung | Nipple | x-GE12-LM M18x1,5 ED Zn |
| 8 | 475 3125 | 2 | Hydraulikschlauch | Hydraulic hose | 2SN8-900 DKOL12/DKOL12 0/0° |
| 9 | 47510729 | 1 | Hydraulikschlauch | Hydraulic hose | 2SC06-0550 DKO L12/L12 00°/00° |
| 10 | 47510990 | 1 | Hydraulikschlauch | Hydraulic hose | 2SC10-2700 DKOL12 00°/90° |
| 11 | 47510991 | 1 | Hydraulikschlauch | Hydraulic hose | 2SC10-3300 DKOL12 00°/90° |
| 13 | 57510289 | 1 | Hydraulikzylinder | Hydraulic ram | DZ120/70x120-383 |
| 14 | 57510946 | 1 | Steuerzylinder | Master cylinder | HY 0,35l |
| 15 | 57510953 | 1 | Hydraulikverteiler | Distributor | Rubin12 KUA155 |
| 16 | 375 4500 | 2 | Einstellbare W-Verschraubung | Adjustable angle union | EW12-LM DKO24 GRD M18x1,5 |
| 17 | 475 3258 | 1 | Hydraulikschlauch | Hydraulic hose | 2SN10-2500 DKOL12 00/00 GRD |



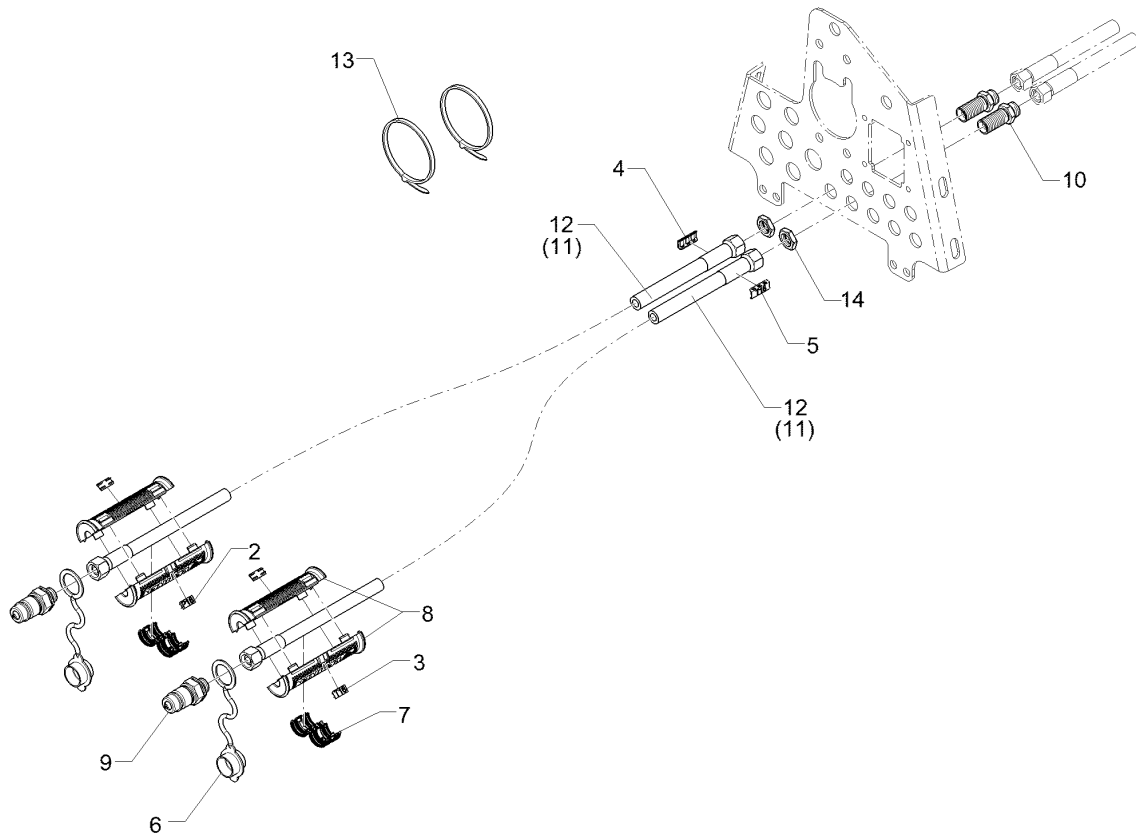
01.18

| Pos. | Art.Nr. | Stck. | Artikeltext / Description | Abmessung |
|------|----------|-------|-------------------------------------|-----------------------|
| 18 | 475 3274 | 1 | Hydraulikschlauch Hydraulic hose | 2SN10-3200 M18x1,5 |



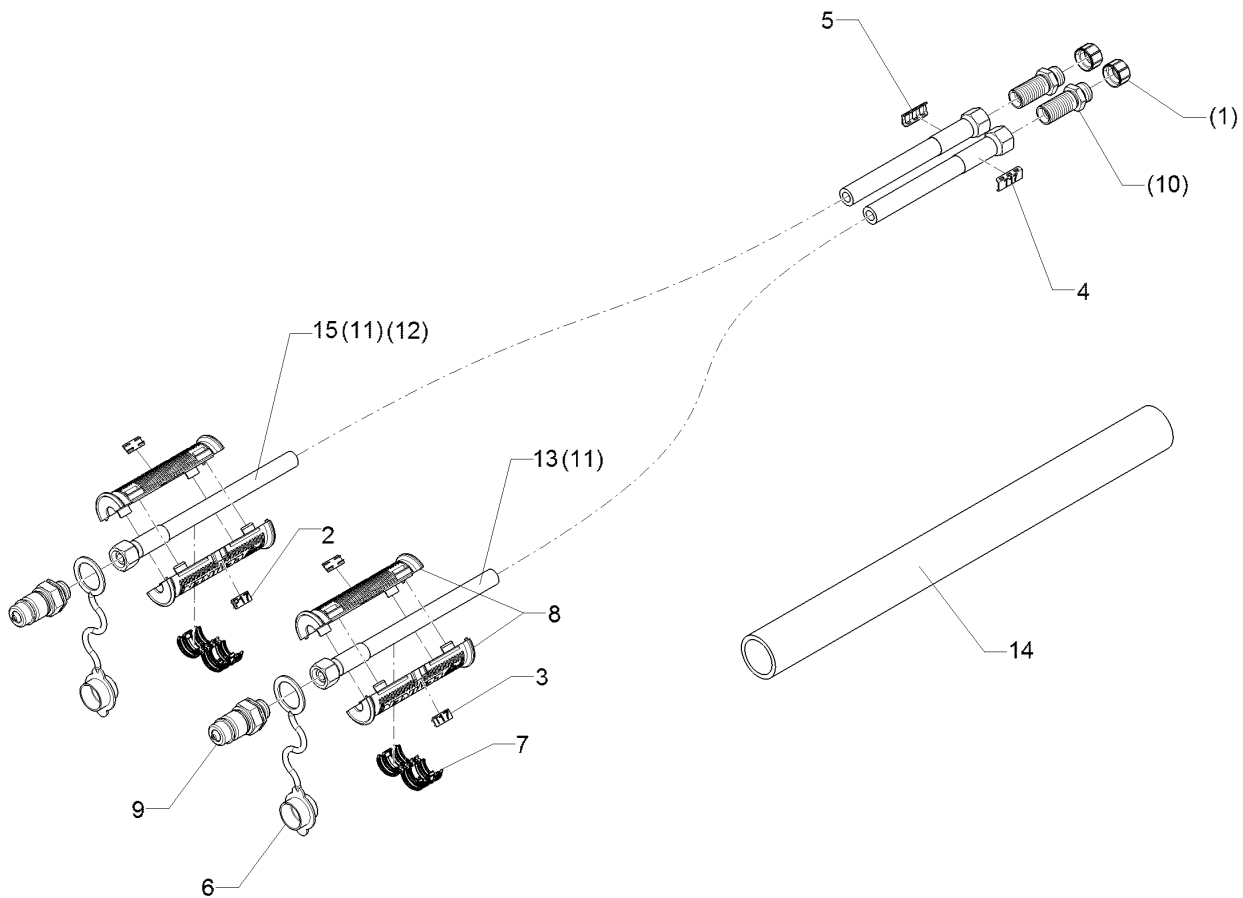
01.18

| Pos. | Art.Nr. | Stck. | Artikeltext / Description | | Abmessung |
|------|----------|-------|----------------------------|-------------------------|--------------------------------------|
| 1 | 323 8070 | 2 | Schraubkappe | Cap | GPN 800 M18x1,5 |
| 2 | 32510045 | 2 | Kennzeichnung | Marking | P17 |
| 3 | 32510046 | 2 | Kennzeichnung | Marking | T17 |
| 4 | 32510047 | 1 | Kennzeichnung | Marking | T17 |
| 5 | 32510048 | 1 | Kennzeichnung | Marking | P17 |
| 6 | 375 2122 | 2 | Staubkappe, schwarz | Cap, black | D26,5 Bg.3 |
| 7 | 375 2606 | 2 | Einleger | Insert | DN6 DN8 |
| 8 | 375 2607 | 4 | Griff Halbschale | Handle | - |
| 9 | 375 2718 | 2 | SVK-Stecker | Hydraulic coupling | BG-3 12L M18x1,5 |
| 10 | 375 4398 | 2 | Gerade Schottverschraubung | Straight bulkhead screw | x-SV12-L M18x1,5 Zn |
| 11 | 47510610 | 2 | Hydraulikschlauch | Hydraulic hose | 2SN10-3800 DKO L12/L12 00°/00° |
| 12 | 47510801 | 1 | Schutzschlauch | Guard for hoses | di36x0500 |
| 13 | 47511088 | 1 | Hydraulikschlauch | Hydraulic hose | 2SC08-3950 DKOL12/DKOL12 0/45° |
| 14 | 47511089 | 1 | Hydraulikschlauch | Hydraulic hose | 2SC08-4050 DKOL12/DKOL12 0/0° |



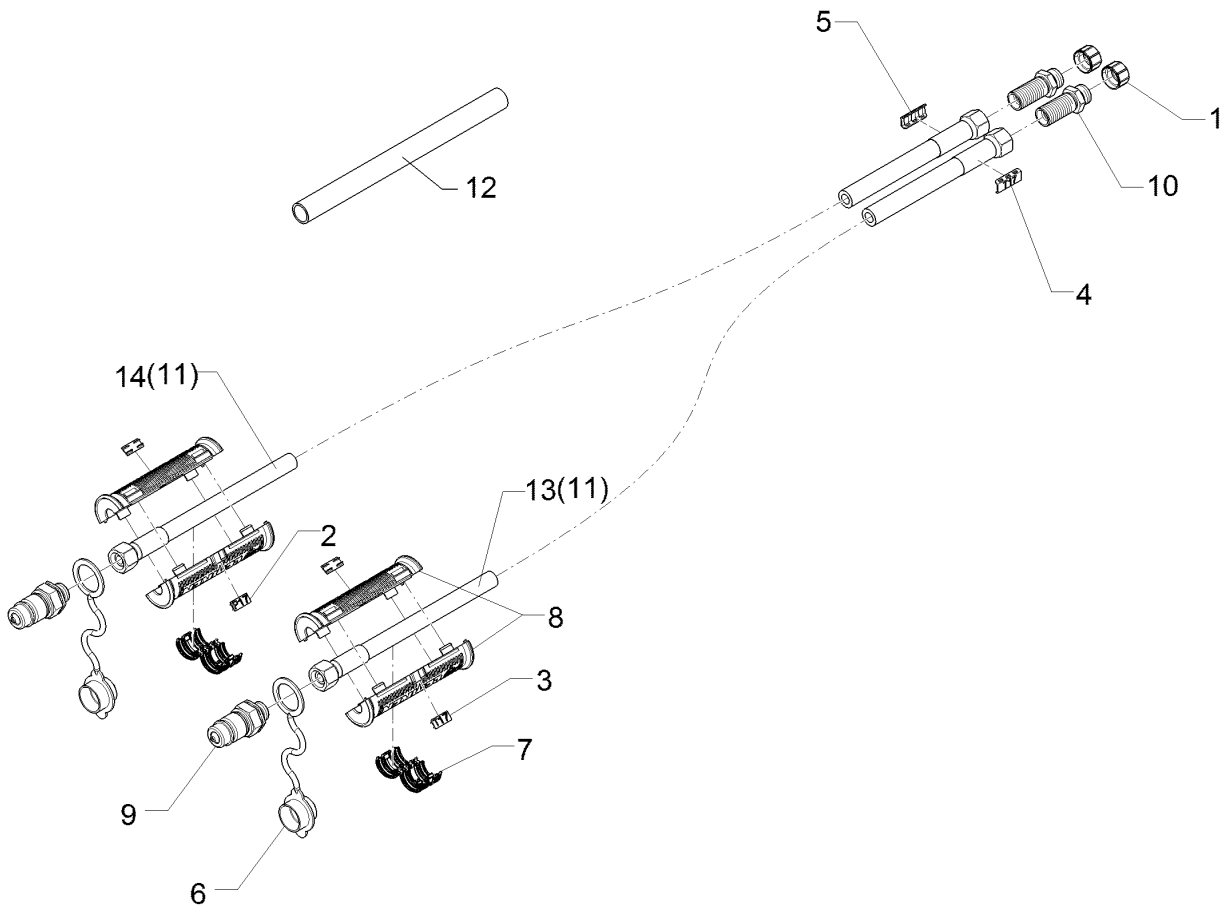
01.18

| Pos. | Art.Nr. | Stck. | Artikeltext / Description | | Abmessung |
|------|----------|-------|----------------------------|-------------------------|-----------------------------------|
| 1 | 323 8070 | 2 | Schraubkappe | Cap | GPN 800 M18x1,5 |
| 2 | 32510040 | 2 | Kennzeichnung | Marking | P16 UC-EM 20X9 |
| 3 | 32510041 | 2 | Kennzeichnung | Marking | T16 UC-EM 20X9 |
| 4 | 32510042 | 1 | Kennzeichnung | Marking | P16 UC-WMTBA 29X8 |
| 5 | 32510043 | 1 | Kennzeichnung | Marking | T16 UC-WMTBA 29X8 |
| 6 | 375 2120 | 2 | Staubkappe, grün | Cap | D26,5 Bg.3 |
| 7 | 375 2606 | 2 | Einleger | Insert | DN6 DN8 |
| 8 | 375 2607 | 4 | Griff Halbschale | Handle | - |
| 9 | 375 2718 | 2 | SVK-Stecker | Hydraulic coupling | BG-3 12L M18x1,5 |
| 10 | 375 4398 | 2 | Gerade Schottverschraubung | Straight bulkhead screw | x-SV12-L M18x1,5 Zn |
| 11 | 475 3133 | 2 | Hydraulikschlauch | Hydraulic hose | 2SN10-4300 DKOL12/DKOL12 |
| 12 | 47511000 | 2 | Hydraulikschlauch | Hydraulic hose | 2SC10-4600 DKO L12/L12 00°/00° |
| 13 | 325 1331 | 2 | Kabelbinder | Cable clip | 4,7x186 |
| 14 | 375 5700 | 2 | Mutter | Nut | M18x1,5 SW24x6 |



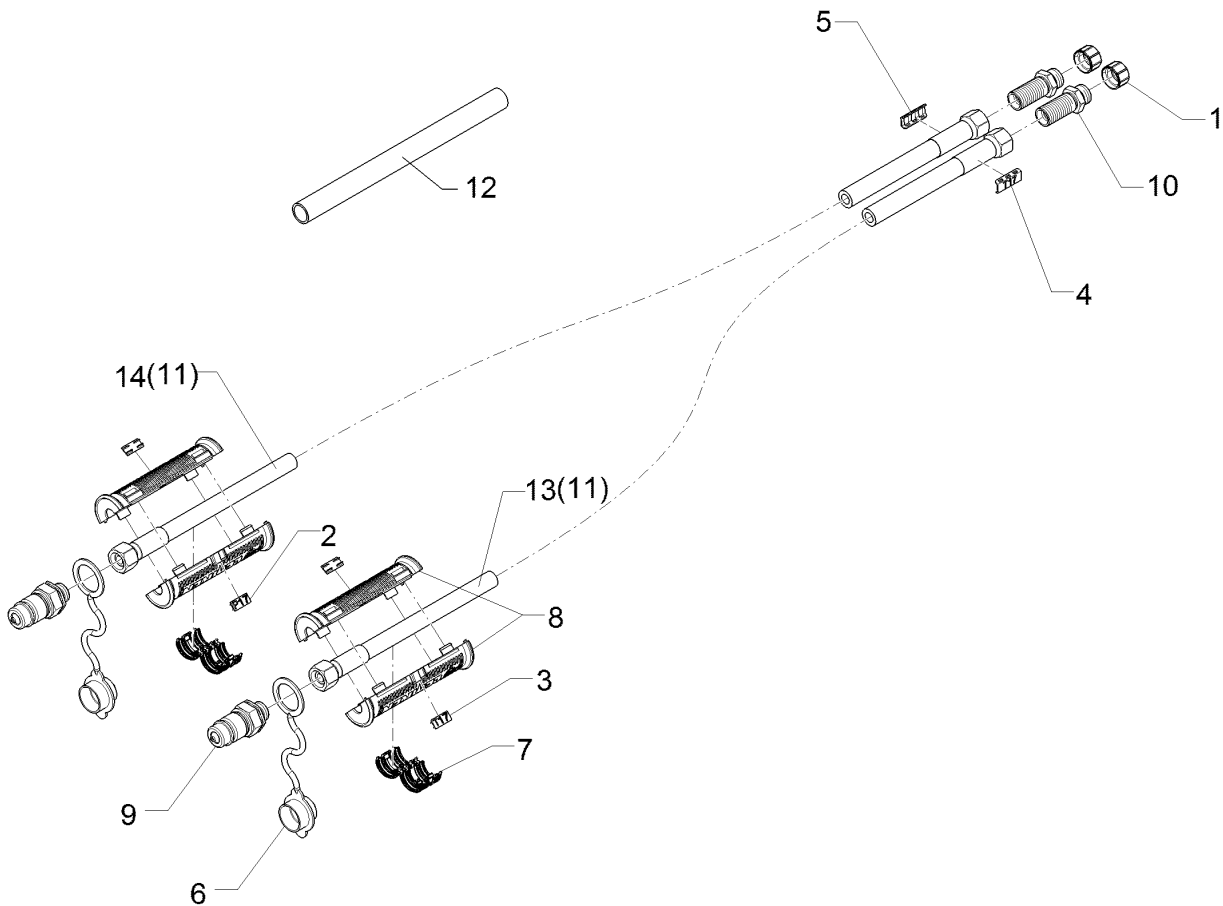
01.18

| Pos. | Art.Nr. | Stck. | Artikeltext / Description | | Abmessung |
|------|----------|-------|----------------------------|-------------------------|------------------------------------|
| 1 | 323 8070 | 2 | Schraubkappe | Cap | GPN 800 M18x1,5 |
| 2 | 32510045 | 2 | Kennzeichnung | Marking | P17 |
| 3 | 32510046 | 2 | Kennzeichnung | Marking | T17 |
| 4 | 32510047 | 1 | Kennzeichnung | Marking | T17 |
| 5 | 32510048 | 1 | Kennzeichnung | Marking | P17 |
| 6 | 375 2122 | 2 | Staubkappe, schwarz | Cap, black | D26,5 Bg.3 |
| 7 | 375 2606 | 2 | Einleger | Insert | DN6 DN8 |
| 8 | 375 2607 | 4 | Griff Halbschale | Handle | - |
| 9 | 375 2718 | 2 | SVK-Stecker | Hydraulic coupling | BG-3 12L M18x1,5 |
| 10 | 375 4398 | 2 | Gerade Schottverschraubung | Straight bulkhead screw | x-SV12-L M18x1,5 Zn |
| 11 | 475 3133 | 2 | Hydraulikschlauch | Hydraulic hose | 2SN10-4300 DKOL12/DKOL12 |
| 12 | 475 2490 | 1 | Hydraulikschlauch | Hydraulic hose | 2SC08-4600 DKOL12/DKOL12 |
| 13 | 47510029 | 1 | Hydraulikschlauch | Hydraulic hose | 0/0° 2SN8-4900 DKOL12/DKOL12 |
| 14 | 47510801 | 1 | Schutzschlauch | Guard for hoses | 0/0° di36x0500 |
| 15 | 47511077 | 1 | Hydraulikschlauch | Hydraulic hose | 2SC08-4800 DKOL12/DKOL12 |
| | | | | | 0/45° |



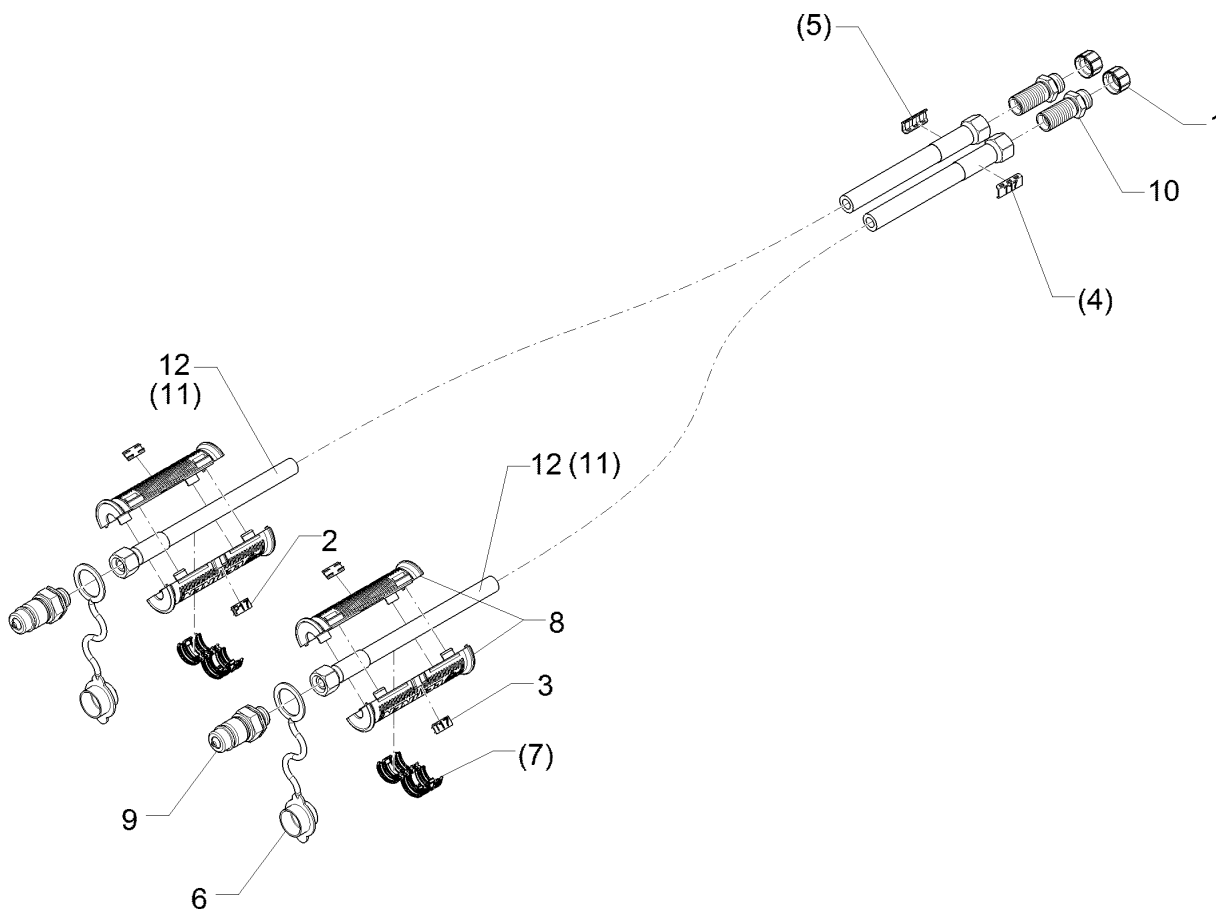
01.18

| Pos. | Art.Nr. | Stck. | Artikeltext / Description | | Abmessung |
|------|----------|-------|----------------------------|-------------------------|--|
| 1 | 323 7401 | 2 | Schraubkappe | Cap | M22x1,5 |
| 2 | 325 1601 | 2 | Kennzeichnung | Marking | P1 20x9 |
| 3 | 325 1608 | 2 | Kennzeichnung | Marking | T1 20x9 |
| 4 | 325 1528 | 2 | Kennzeichnung | Marking | T1 29x8 |
| 5 | 325 1521 | 2 | Kennzeichnung | Marking | P1 29x8 |
| 6 | 375 2166 | 2 | Staubkappe, rot | Cap, red | D26,5 |
| 7 | 375 2606 | 2 | Einleger | Insert | DN6 DN8 |
| 8 | 375 2607 | 4 | Griff Halbschale | Handle | - |
| 9 | 375 2736 | 2 | SVK-Stecker | Hydraulic coupling | BG-3 15L CEL |
| 10 | 375 4332 | 2 | Gerade Schottverschraubung | Straight bulkhead screw | M22x1,5 SW-27 |
| 11 | 475 3165 | 2 | Hydraulikschlauch | Hydraulic hose | SV15-L M22x1,5 Zn 2SN12-3800 DKOL15/DKOL15 0/0° |



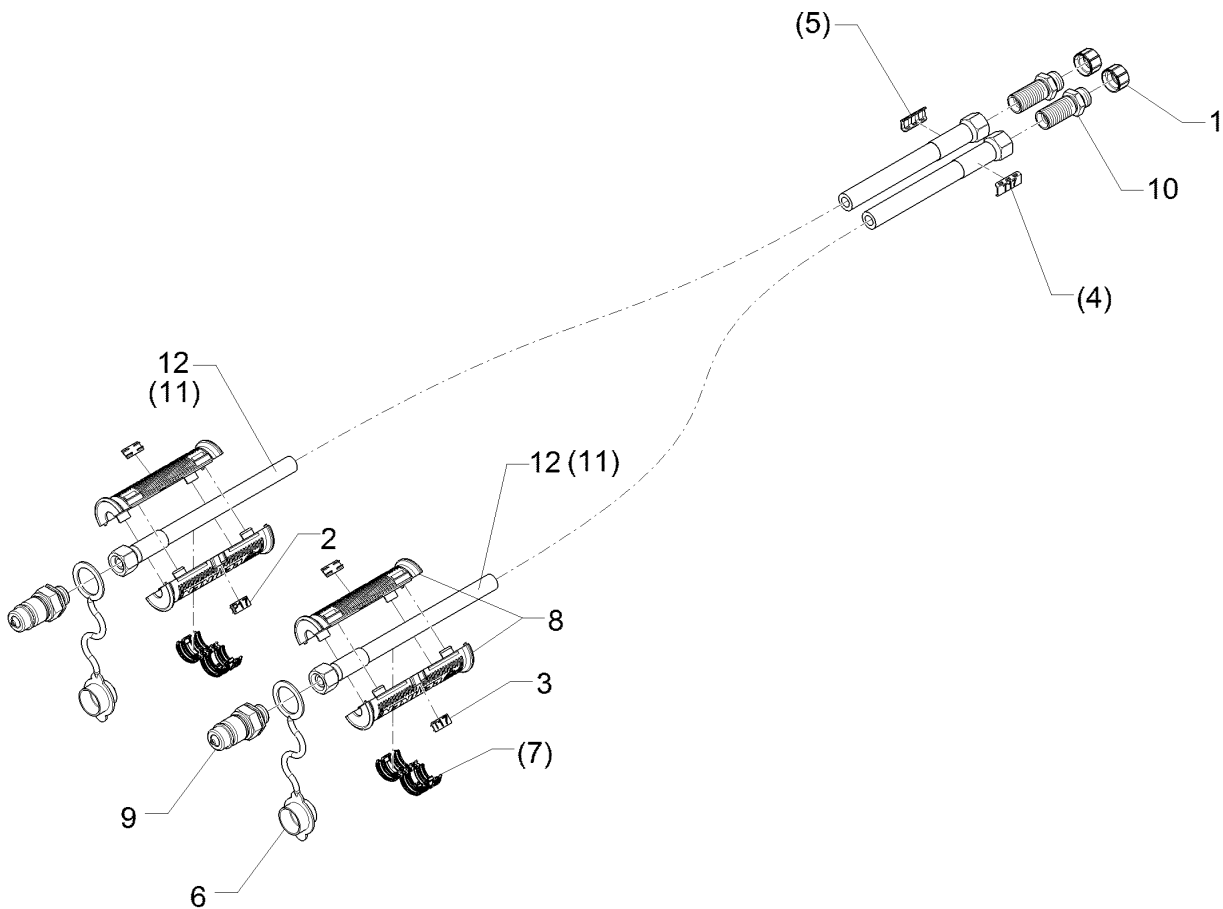
01.18

| Pos. | Art.Nr. | Stck. | Artikeltext / Description | | Abmessung |
|------|----------|-------|----------------------------|-------------------------|--|
| 1 | 323 7401 | 2 | Schraubkappe | Cap | M22x1,5 |
| 2 | 325 1522 | 2 | Kennzeichnung | Marking | P2 29X8 |
| 3 | 325 1529 | 2 | Kennzeichnung | Marking | T2 29X8 |
| 4 | 325 1609 | 2 | Kennzeichnung | Marking | T2 |
| 5 | 325 1602 | 2 | Kennzeichnung | Marking | P2 |
| 6 | 375 2120 | 2 | Staubkappe, grün | Cap | D26,5 Bg.3 |
| 7 | 375 2606 | 2 | Einleger | Insert | DN6 DN8 |
| 8 | 375 2607 | 4 | Griff Halbschale | Handle | - |
| 9 | 375 2736 | 2 | SVK-Stecker | Hydraulic coupling | BG-3 15L CEL |
| 10 | 375 4332 | 2 | Gerade Schottverschraubung | Straight bulkhead screw | M22x1,5 SW-27 |
| 11 | 475 3165 | 2 | Hydraulikschlauch | Hydraulic hose | SV15-L M22x1,5 Zn 2SN12-3800 DKOL15/DKOL15 0/0° |



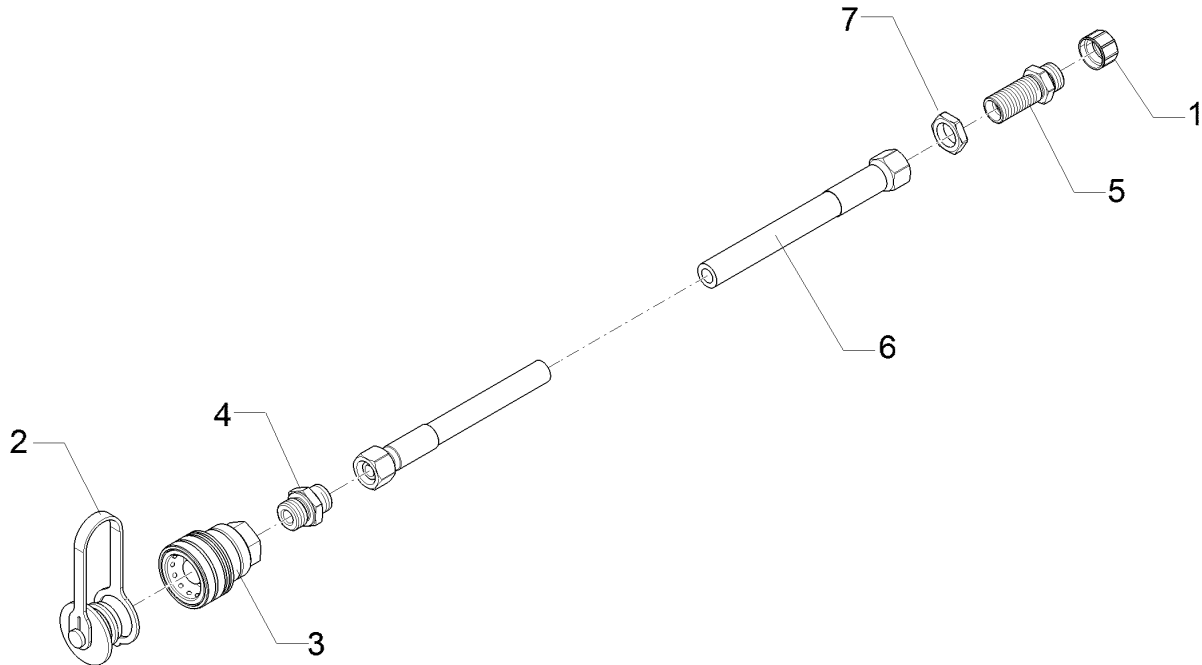
01.18

| Pos. | Art.Nr. | Stck. | Artikeltext / Description | | Abmessung |
|------|----------|-------|----------------------------|-------------------------|---|
| 1 | 323 7401 | 2 | Schraubkappe | Cap | M22x1,5 |
| 2 | 325 1521 | 2 | Kennzeichnung | Marking | P1 29x8 |
| 3 | 325 1528 | 2 | Kennzeichnung | Marking | T1 29x8 |
| 4 | 325 1608 | 2 | Kennzeichnung | Marking | T1 20x9 |
| 5 | 325 1601 | 2 | Kennzeichnung | Marking | P1 20x9 |
| 6 | 375 2166 | 2 | Staubkappe, rot | Cap, red | D26,5 |
| 7 | 375 2606 | 2 | Einleger | Insert | DN6 DN8 |
| 8 | 375 2607 | 4 | Griff Halbschale | Handle | - |
| 9 | 375 2736 | 2 | SVK-Stecker | Hydraulic coupling | BG-3 15L CEL |
| 10 | 375 4332 | 2 | Gerade Schottverschraubung | Straight bulkhead screw | M22x1,5 SW-27 |
| 11 | 475 3162 | 2 | Hydraulikschlauch | Hydraulic hose | SV15-L M22x1,5 Zn |
| 12 | 475 3239 | 2 | Hydraulikschlauch | Hydraulic hose | 2SN12-4300-DKOL15/DKOL15 2SN12-4600 DKOL15/DKOL15 0/0° |



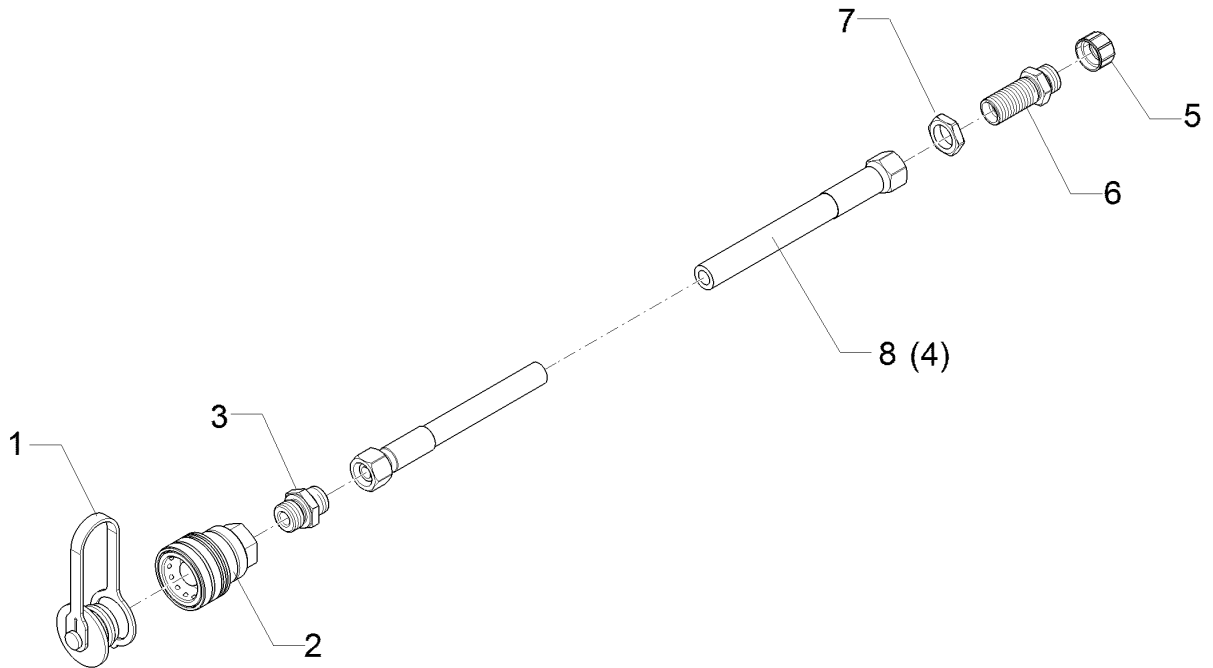
01.18

| Pos. | Art.Nr. | Stck. | Artikeltext / Description | | Abmessung |
|------|----------|-------|----------------------------|-------------------------|--|
| 1 | 323 7401 | 2 | Schraubkappe | Cap | M22x1,5 |
| 2 | 325 1522 | 2 | Kennzeichnung | Marking | P2 29X8 |
| 3 | 325 1529 | 2 | Kennzeichnung | Marking | T2 29X8 |
| 4 | 325 1609 | 2 | Kennzeichnung | Marking | T2 |
| 5 | 325 1602 | 2 | Kennzeichnung | Marking | P2 |
| 6 | 375 2120 | 2 | Staubkappe, grün | Cap | D26,5 Bg.3 |
| 7 | 375 2606 | 2 | Einleger | Insert | DN6 DN8 |
| 8 | 375 2607 | 4 | Griff Halbschale | Handle | - |
| 9 | 375 2736 | 2 | SVK-Stecker | Hydraulic coupling | BG-3 15L CEL |
| 10 | 375 4332 | 2 | Gerade Schottverschraubung | Straight bulkhead screw | M22x1,5 SW-27 |
| 11 | 475 3165 | 2 | Hydraulikschlauch | Hydraulic hose | SV15-L M22x1,5 Zn 2SN12-3800 DKOL15/DKOL15 |
| 12 | 475 3239 | 2 | Hydraulikschlauch | Hydraulic hose | 0/0° 2SN12-4600 DKOL15/DKOL15 0/0° |



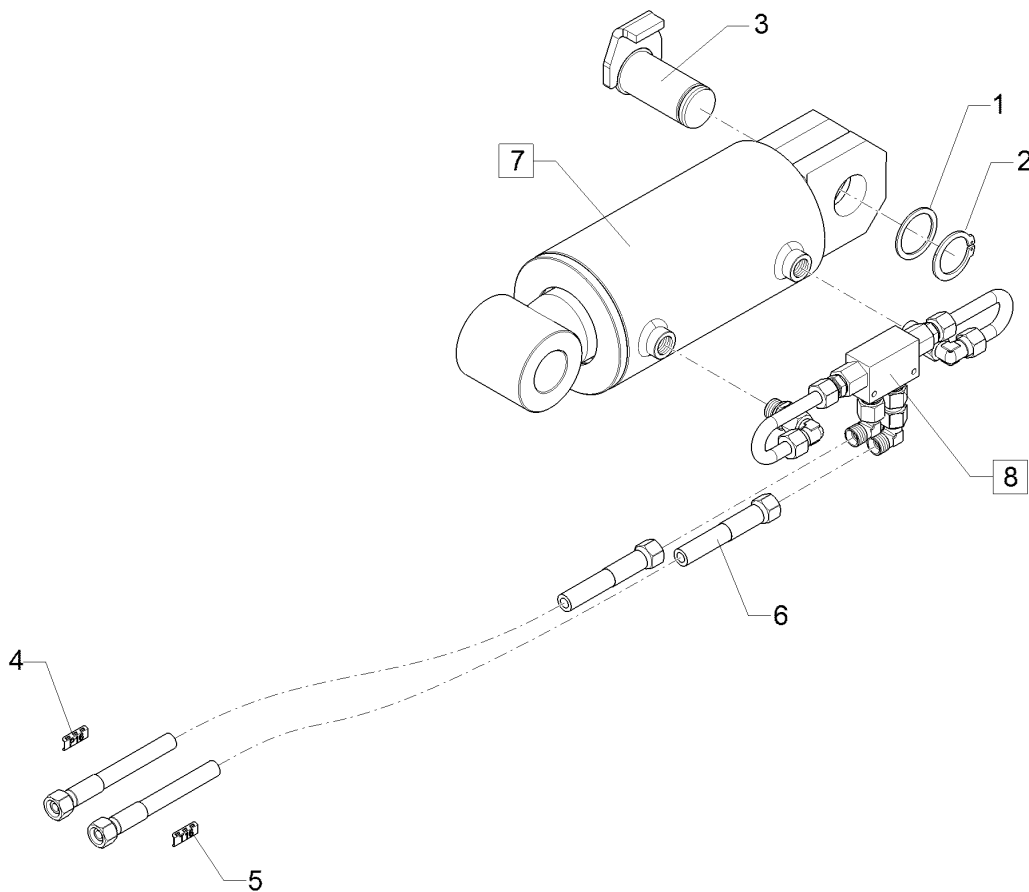
01.18

| Pos. | Art.Nr. | Stck. | Artikeltext / Description | | Abmessung |
|------|----------|-------|-------------------------------|--------------------------------|-----------------------------------|
| 1 | 323 8070 | 1 | Schraubkappe | Cap | GPN 800 M18x1,5 |
| 2 | 375 2161 | 1 | SVBK-Staubstecker rot m.Kette | SVBK-male probe red with chain | BG 3 |
| 3 | 375 2739 | 1 | SBVK-Muffe | Socket | BG3 M18x1,5 |
| 4 | 375 4020 | 1 | Einschraubverschraubung | Nipple | x-GE12-LM M18x1,5 Zn |
| 5 | 375 4398 | 1 | Gerade Schottverschraubung | Straight bulkhead screw | x-SV12-L M18x1,5 Zn |
| 6 | 47510610 | 1 | Hydraulikschlauch | Hydraulic hose | 2SN10-3800 DKO L12/L12 00°/00° |
| 7 | 375 5700 | 1 | Mutter | Nut | M18x1,5 SW24x6 |



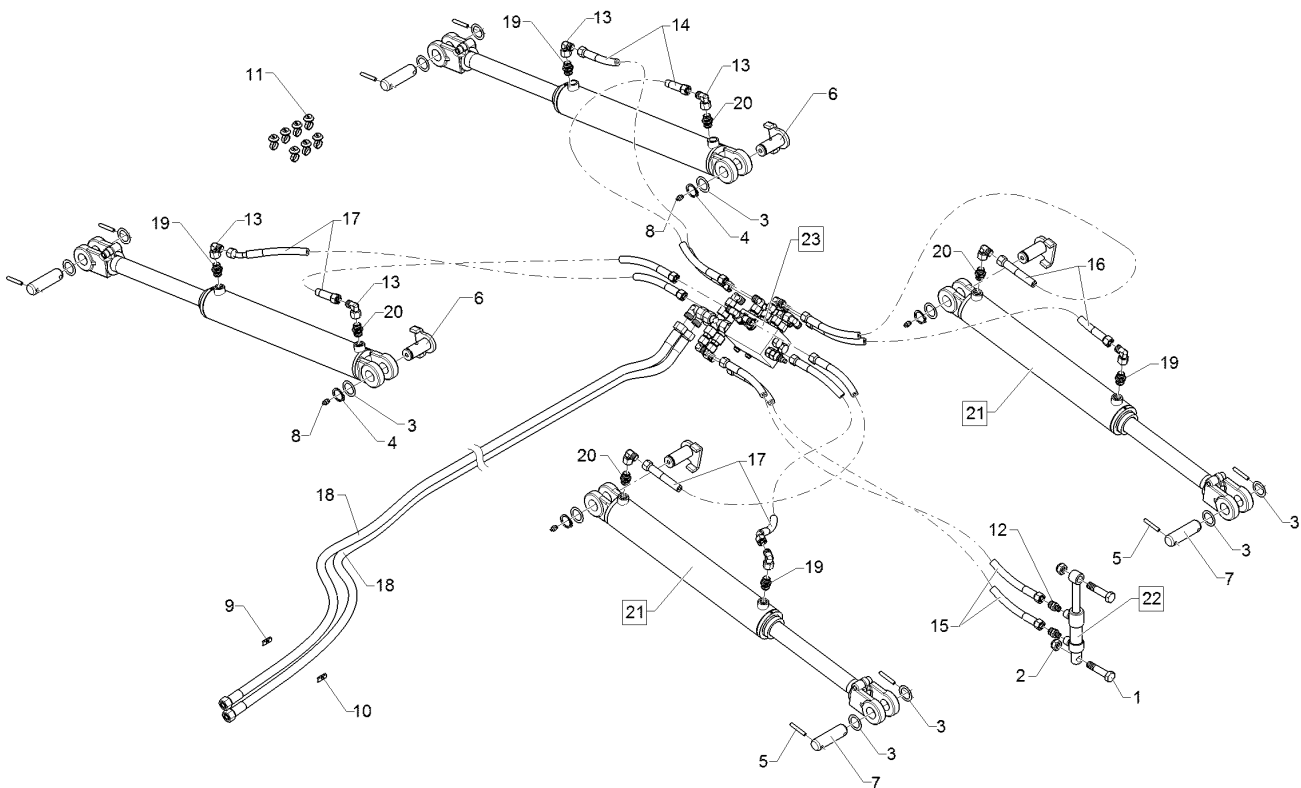
01.18

| Pos. | Art.Nr. | Stck. | Artikeltext / Description | | Abmessung |
|------|----------|-------|-------------------------------|--------------------------------|-------------------------------------|
| 1 | 375 2161 | 1 | SVBK-Staubstecker rot m.Kette | SVBK-male probe red with chain | BG 3 |
| 2 | 375 2739 | 1 | SBVK-Muffe | Socket | BG3 M18x1,5 |
| 3 | 375 4020 | 1 | Einschraubverschraubung | Nipple | x-GE12-LM M18x1,5 Zn |
| 4 | 475 3165 | 1 | Hydraulikschlauch | Hydraulic hose | 2SN12-3800 DKOL15/DKOL15 0/0° |
| 5 | 323 8070 | 1 | Schraubkappe | Cap | GPN 800 M18x1,5 |
| 6 | 375 4398 | 1 | Gerade Schottverschraubung | Straight bulkhead screw | x-SV12-L M18x1,5 Zn |
| 7 | 375 5700 | 1 | Mutter | Nut | M18x1,5 SW24x6 |
| 8 | 47511000 | 1 | Hydraulikschlauch | Hydraulic hose | 2SC10-4600 DKO L12/L12 00°/00° |



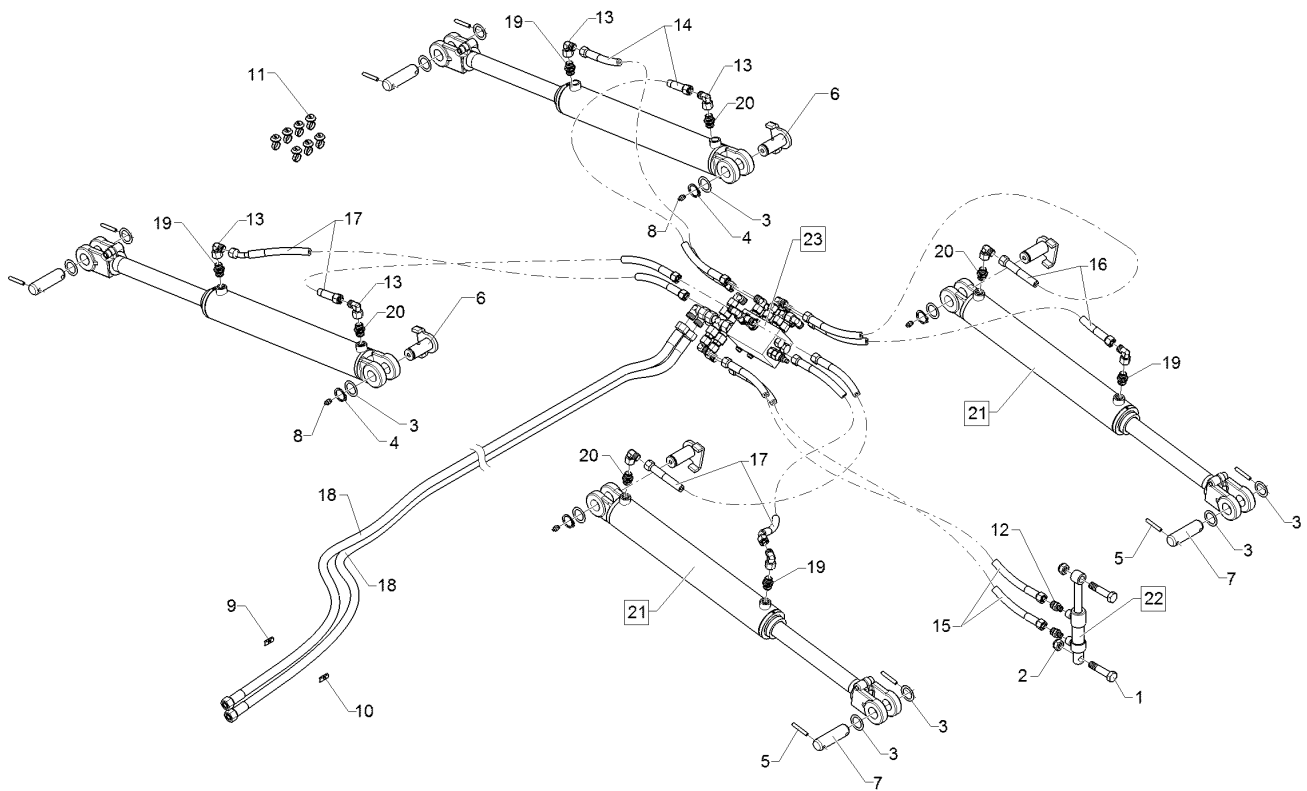
01.18

| Pos. | Art.Nr. | Stck. | Artikeltext / Description | | Abmessung |
|------|----------|-------|------------------------------|----------------|---------------------------|
| 1 | 305 2100 | 1 | Passscheibe | Shim | 40x50x2,0 DIN988 |
| 2 | 305 8875 | 1 | Sicherungsring | Retaining ring | 40x2,5 DIN471 |
| 3 | 31310067 | 1 | Bolzen mit Verdrehsicherung | Pin with stop | D40x71/90 Zn |
| 4 | 32510042 | 1 | Kennzeichnung | Marking | P16 UC-WMTBA 29X8 |
| 5 | 32510043 | 1 | Kennzeichnung | Marking | T16 UC-WMTBA 29X8 |
| 6 | 475 3125 | 2 | Hydraulikschlauch | Hydraulic hose | 2SN8-900 DKOL12/DKOL12 |
| 7 | 57510289 | 1 | Hydraulikzylinder | Hydraulic ram | 0/0° DZ120/70x120-383 |
| 8 | 57510510 | 1 | Montage-BG.Tiefenverstellung | Assembly group | Rubin 12 KUA |



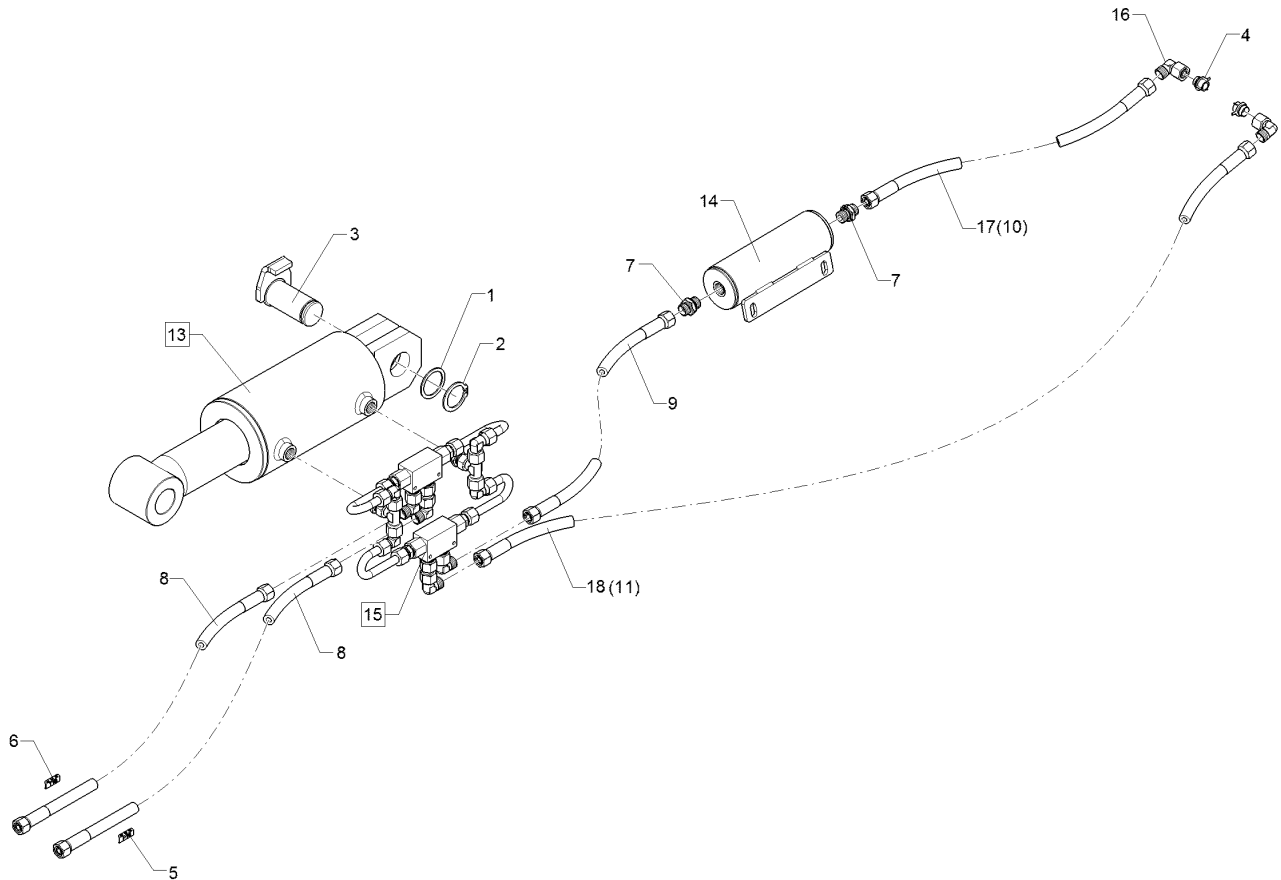
01.18

| Pos. | Art.Nr. | Stck. | Artikeltext / Description | | Abmessung |
|------|----------|-------|------------------------------|--------------------------|-----------------------------------|
| 1 | 301 5363 | 2 | Sechskantschraube spz. | Hexagon bolt | M16x70-12.9 Zn |
| 2 | 303 0935 | 2 | Sicherungsmutter | Selflocking nut | NM16-8 Zn DIN985 |
| 3 | 305 2051 | 12 | Passscheibe | Shim | 30x42x1,0 DIN988 Zn |
| 4 | 305 8867 | 4 | Sicherungsring | Retaining ring | 30x2 DIN471 Zn |
| 5 | 309 7000 | 8 | Spannhülse | Expansion bush | 8x50-DIN1481 Zn |
| 6 | 313 3003 | 4 | Bolzen mit Verdrehsicherung | Pin with stop | D30x71/79 U-61 Zn |
| 7 | 313 3011 | 4 | Bolzen | Pin | D30x72/102 Zn |
| 8 | 323 6348 | 4 | Schmiernippel | Grease nipple | AM10x1 DIN171412 |
| 9 | 325 1521 | 1 | Kennzeichnung | Marking | P1 29x8 |
| 10 | 325 1528 | 1 | Kennzeichnung | Marking | T1 29x8 |
| 11 | 32510007 | 7 | Einlochkabelbinder | Clip | 7,6x375 |
| 12 | 375 4038 | 2 | Einschraubverschraubung | Nipple | GE 12-LR 1/4 ZL ED |
| 13 | 375 4500 | 8 | Einstellbare W-Verschraubung | Adjustable angle union | EW12-LM DKO24 GRD M18x1,5 |
| 14 | 475 2850 | 1 | Schlauchpaket | Hose-assembly | 1x800/1x1000 M18x1,5 S38x550 |
| 15 | 475 2867 | 1 | Schlauchpaket | Hose-assembly | 2x2SN08x1800 DKOL12 00°-00° |
| 16 | 47510351 | 1 | Schlauchpaket | Hose-assembly | Rubin 12 |
| 17 | 47510352 | 2 | Schlauchpaket | Hose-assembly | 1x2350/1x2200-DKO L12/L12 |
| 18 | 47511048 | 2 | Hydraulikschlauch | Hydraulic hose | 2SC12-1900 DKO L15/L15 00°/00° |
| 19 | 575 2092 | 4 | Drosselrückschlagventil | Throttle nonreturn valve | 9Liter SW24 M18x1,5 |



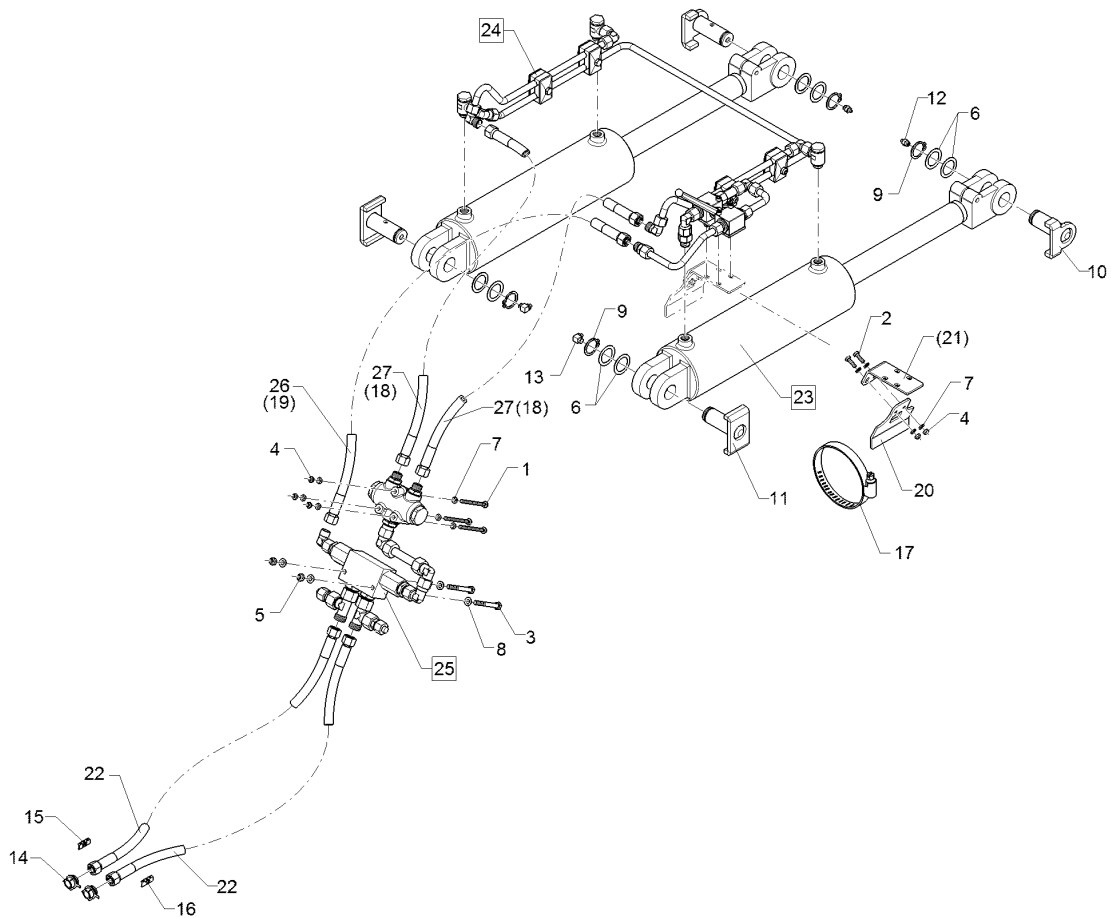
01.18

| Pos. | Art.Nr. | Stck. | Artikeltext / Description | | Abmessung |
|------|----------|-------|---------------------------|--------------------------|------------------------------|
| 20 | 575 2094 | 4 | Drosselrückschlagventil | Throttle nonreturn valve | 15Liter SW24 M18x1,5 |
| 21 | 575 2260 | 4 | Hydraulikzylinder | Hydraulic ram | DZ70/40x450-750 Hub +/- 5 |
| 22 | 575 2336 | 1 | Hydraulikzylinder | Hydraulic ram | DZ025/18x10-240D16,4D16,5 |
| 23 | 57510513 | 1 | Hydraulikanlage | Hydraulic assembly | Rubin 12/500 KUA +600 |



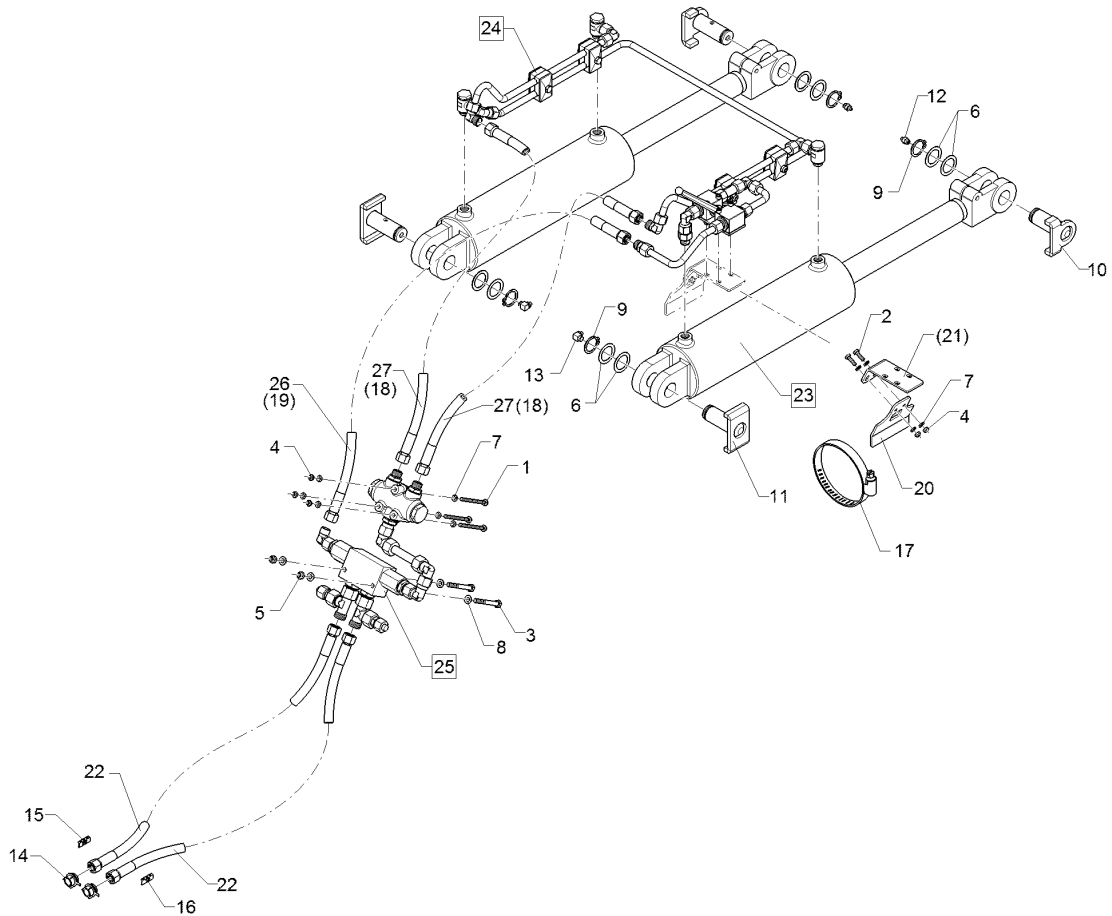
01.18

| Pos. | Art.Nr. | Stck. | Artikeltext / Description | | Abmessung |
|------|----------|-------|------------------------------|------------------------|------------------------------------|
| 1 | 305 2100 | 1 | Passscheibe | Shim | 40x50x2,0 DIN988 |
| 2 | 305 8875 | 1 | Sicherungsring | Retaining ring | 40x2,5 DIN471 |
| 3 | 31310067 | 1 | Bolzen mit Verdrehsicherung | Pin with stop | D40x71/90 Zn |
| 4 | 323 7403 | 2 | Schraubstopfen | Cap | GPN335 M18x1,5 |
| 5 | 32510042 | 1 | Kennzeichnung | Marking | P16 UC-WMTBA 29X8 |
| 6 | 32510043 | 1 | Kennzeichnung | Marking | T16 UC-WMTBA 29X8 |
| 7 | 375 4021 | 2 | Einschraubverschraubung | Nipple | x-GE12-LM M18x1,5 ED Zn |
| 8 | 475 3125 | 2 | Hydraulikschlauch | Hydraulic hose | 2SN8-900 DKOL12/DKOL12 0/0° |
| 9 | 47510729 | 1 | Hydraulikschlauch | Hydraulic hose | 2SC06-0550 DKO L12/L12 00°/00° |
| 13 | 57510289 | 1 | Hydraulikzylinder | Hydraulic ram | DZ120/70x120-383 |
| 14 | 57510946 | 1 | Steuerzylinder | Master cylinder | HY 0,35l |
| 15 | 57510953 | 1 | Hydraulikverteiler | Distributor | Rubin12 KUA155 |
| 16 | 375 4500 | 2 | Einstellbare W-Verschraubung | Adjustable angle union | EW12-LM DKO24 GRD M18x1,5 |
| 17 | 47510853 | 1 | Hydraulikschlauch | Hydraulic hose | 2SC010-2450 DKO L12/L12 00°/00° |
| 18 | 47510384 | 1 | Hydraulikschlauch | Hydraulic hose | 2SN10-3100-DKOL12-00°-00° |



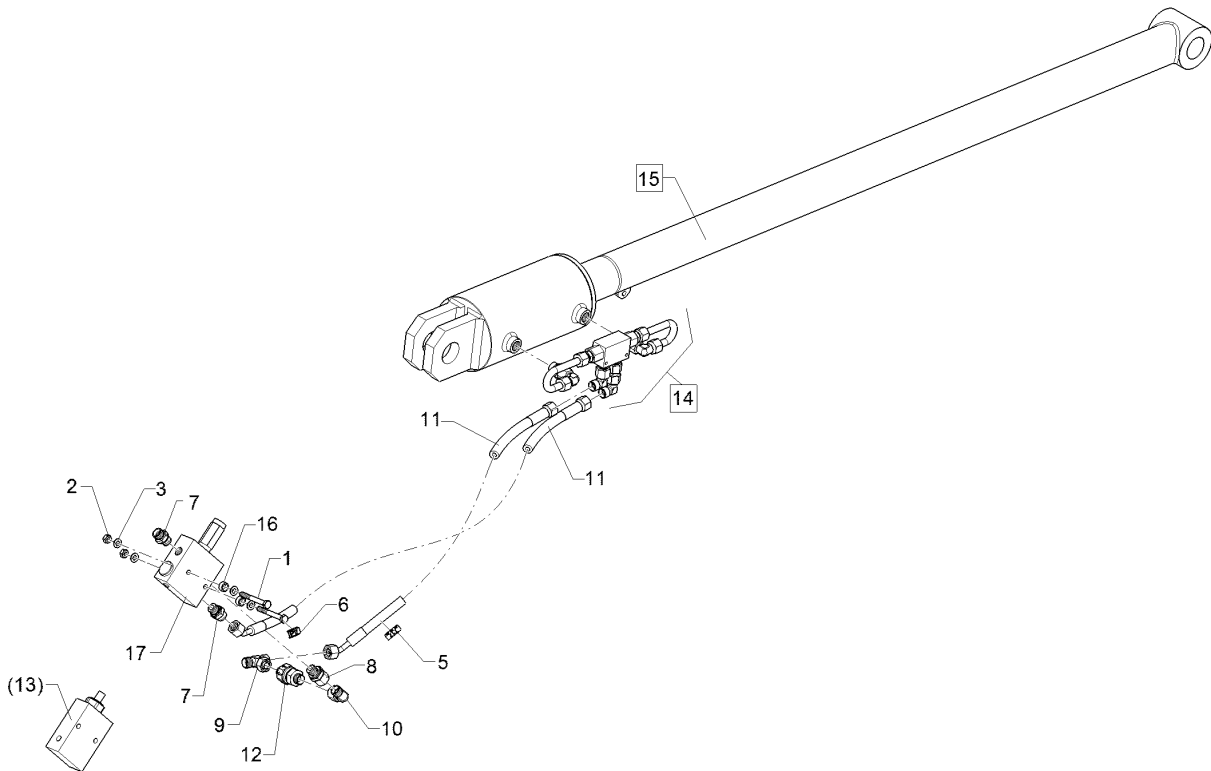
01.18

| Pos. | Art.Nr. | Stck. | Artikeltext / Description | | Abmessung |
|------|----------|-------|-----------------------------|-----------------|---------------------------|
| 1 | 301 0312 | 3 | Linsenschraube | Oval head screw | M6x75-4,6 Zn DIN7985 |
| 2 | 301 3004 | 2 | Sechskantschraube | Hexagon bolt | M6x20-8.8 Zn DIN933 |
| 3 | 301 3084 | 2 | Sechskantschraube | Hexagon bolt | M8x70-8.8 Zn DIN931-A |
| 4 | 303 0931 | 5 | Sicherungsmutter | Selflocking nut | NM6-8 Zn DIN985 |
| 5 | 303 0932 | 2 | Sicherungsmutter | Selflocking nut | NM8-8 Zn DIN985 |
| 6 | 305 2051 | 8 | Passscheibe | Shim | 30x42x1,0 DIN988 Zn |
| 7 | 305 8571 | 10 | Scheibe | Washer | 6,4 DIN125-A Zn |
| 8 | 305 8694 | 4 | Scheibe | Washer | A8,4 DIN125-St Zn |
| 9 | 305 8867 | 4 | Sicherungsring | Retaining ring | 30x2 DIN471 Zn |
| 10 | 313 3003 | 2 | Bolzen mit Verdrehsicherung | Pin with stop | D30x71/79 U-61 Zn |
| 11 | 313 3025 | 2 | Bolzen mit Verdrehsicherung | Pin with stop | D30x71/89 U-72 Zn |
| 12 | 323 6348 | 2 | Schmiernippel | Grease nipple | AM10x1 DIN71412 |
| 13 | 323 6349 | 2 | Schmiernippel | Grease nipple | CM10x1 DIN71412-90 GRD |
| 14 | 323 7405 | 2 | Schraubstopfen | Cap | GPN335 M22x1,5 |
| 15 | 325 1522 | 1 | Kennzeichnung | Marking | P2 29X8 |
| 16 | 325 1529 | 1 | Kennzeichnung | Marking | T2 29X8 |
| 17 | 32510029 | 1 | Schlauchschelle | Hose clip | 112-121x25 |
| 20 | 47510904 | 1 | Halter | Holder | 99x4x109,4 |
| 21 | 47510905 | 1 | Halter | Holder | 45x4x155,6 |



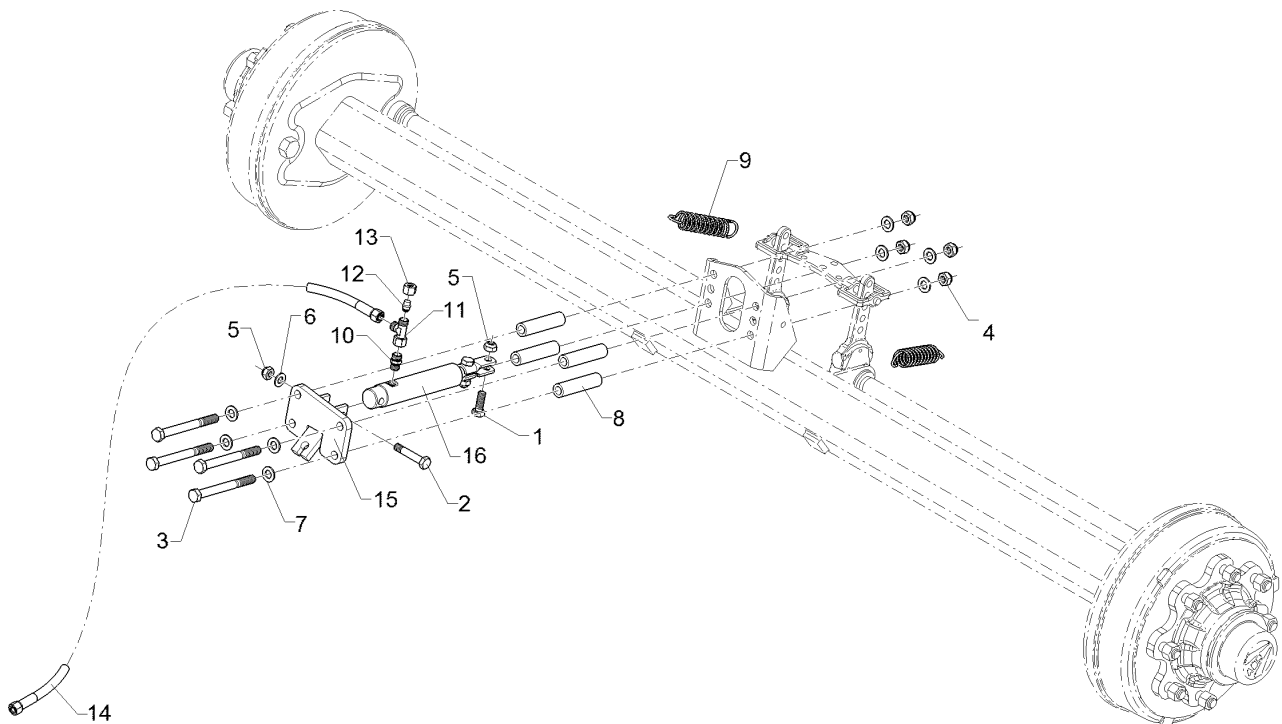
01.18

| Pos. | Art.Nr. | Stck. | Artikeltext / Description | | Abmessung |
|------|----------|-------|---------------------------|---------------------|-------------------------------------|
| 22 | 475 3165 | 2 | Hydraulikschlauch | Hydraulic hose | 2SN12-3800 DKOL15/DKOL15 0/0° |
| 23 | 575 2269 | 2 | Hydraulikzylinder | Hydraulic ram | DZ100/45x0320-0580 D30 D30 |
| 24 | 57510605 | 1 | Hy-anl. Aushub | HY-assembly lifting | Rubin 12 KUA |
| 25 | 57510955 | 1 | Hy-anl. Aushub | HY-assembly lifting | Rubin 12KUA 155 |
| 26 | 475 3242 | 2 | Hydraulikschlauch | Hydraulic hose | 2SC10-0900 DKO L12/L12 00/45° |
| 27 | 47511005 | 1 | Hydraulikschlauch | Hydraulic hose | 2SC10-1250 DKO L12/L12 00°/45° |



01.18

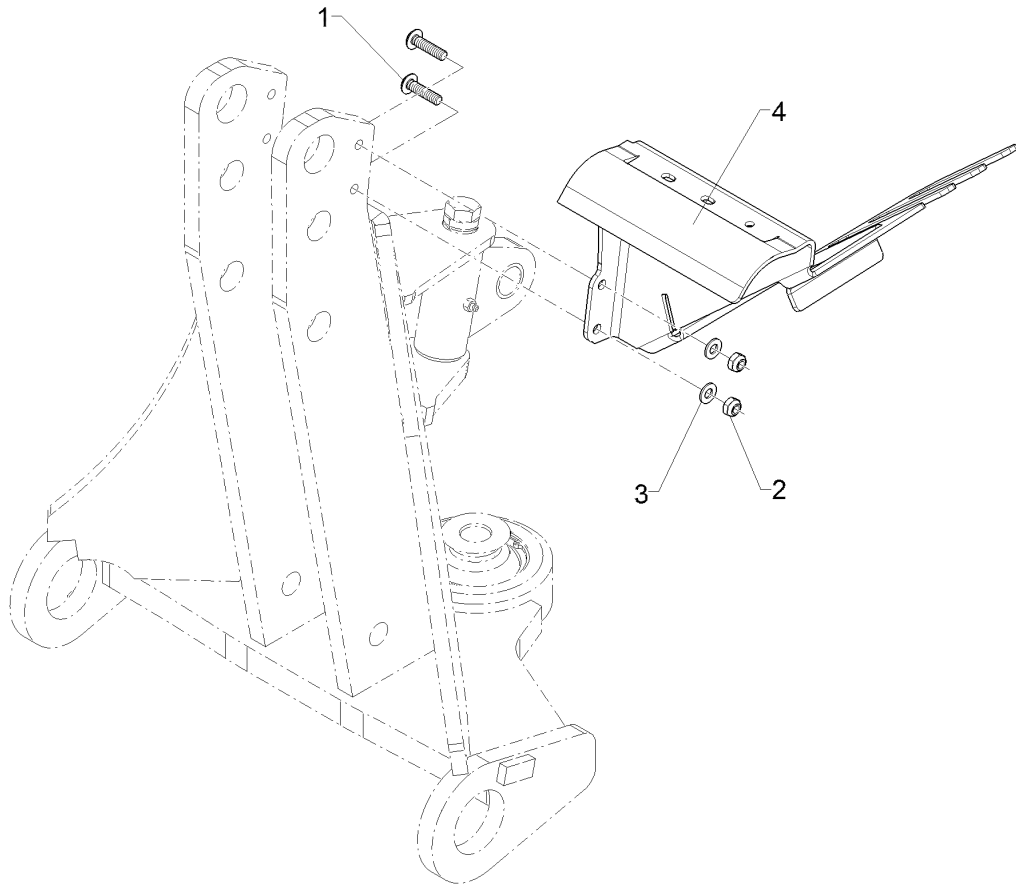
| Pos. | Art.Nr. | Stck. | Artikeltext / Description | | Abmessung |
|------|----------|-------|--------------------------------|-------------------------|--|
| 1 | 30110398 | 2 | Sechskantschraube | Hexagon bolt | M6x75-8.8 Zn DIN931 |
| 2 | 303 1011 | 2 | Sechskantmutter | Hexagon nut | M8 DIN934-8 Zn |
| 3 | 305 8694 | 4 | Scheibe | Washer | A8,4 DIN125-St Zn |
| 5 | 32510047 | 1 | Kennzeichnung | Marking | T17 |
| 6 | 32510048 | 1 | Kennzeichnung | Marking | P17 |
| 7 | 375 4057 | 2 | Gerade Einschraubverschraubung | Nipple | x-GE12-LR 3/8"-ED |
| 8 | 375 4042 | 1 | Einstellbare GE-Verschraubung | Nipple | evGE 12-LR 3/8" ED |
| 9 | 375 4490 | 1 | Einstellbare T-Verschraubung | Adjustable T-union | ET12-LM DKO24 |
| 10 | 375 4500 | 1 | Einstellbare W-Verschraubung | Adjustable angle union | GRD M18x1,5 EW12-LM DKO24 |
| 11 | 47510714 | 2 | Hydraulikschlauch | Hydraulic hose | GRD M18x1,5 2SC08-2450 DKOL12/DKOL12 |
| 12 | 575 2099 | 1 | Rückschlagventil | Nonreturn valve | 0/45° RHD12L |
| 13 | 575 2229 | 1 | Druckminderventil | Pressure reducing valve | 20l/80bar |
| 14 | 57510510 | 1 | Montage-BG.Tiefenverstellung | Assembly group | Rubin 12 KUA |
| 15 | 57510544 | 1 | Hydraulikzylinder | Hydraulic ram | DZ120/70-120/1745 |
| 16 | 317 7668 | 2 | Buchse | Bush | D16x2x7 Zn |
| 17 | 57511164 | 1 | Druckminderventil | Pressure reducing valve | 20l/80bar |



01.18

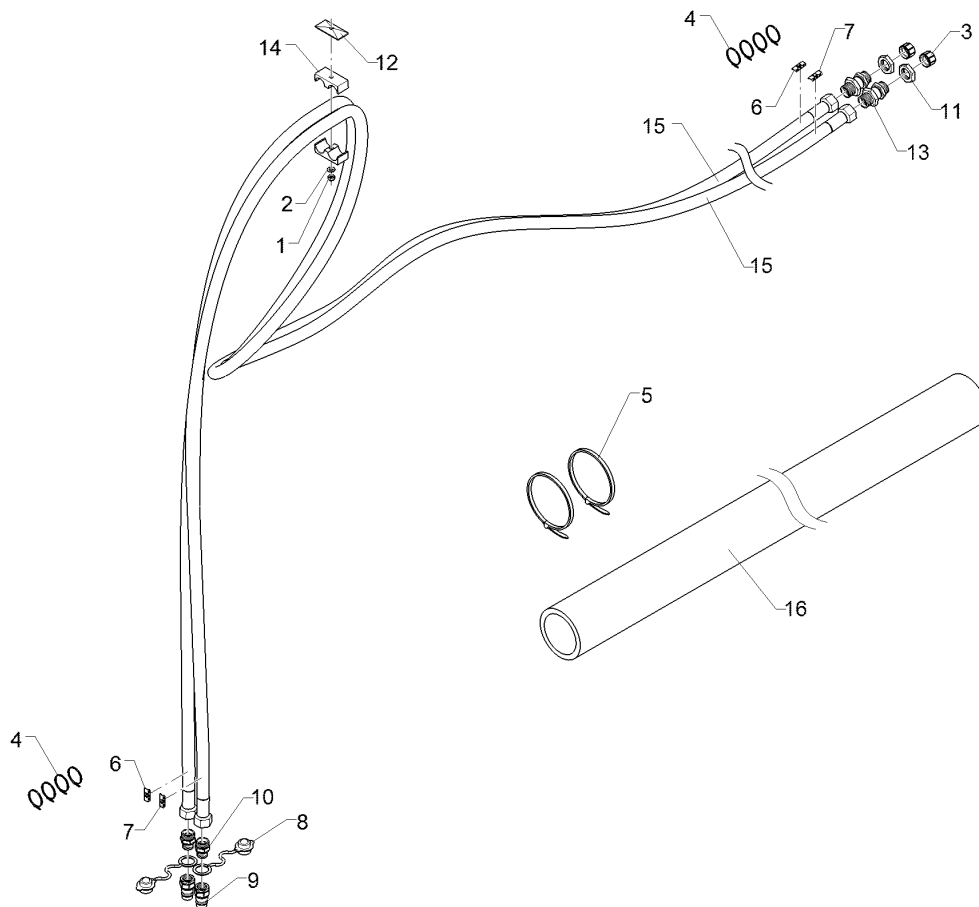
| Pos. | Art.Nr. | Stck. | Artikeltext / Description | | Abmessung |
|------|----------|-------|--------------------------------|--------------------|-------------------------------------|
| 1 | 301 3575 | 1 | Sechskantschraube | Hexagon bolt | M14x40 8.8 Zn DIN933 |
| 2 | 301 3596 | 1 | Sechskantschraube spz. | Hexagon bolt | M14x75-8.8 Zn |
| 3 | 301 5410 | 4 | Sechskantschraube | Hexagon bolt | M16x160-8.8 Zn DIN931-A |
| 4 | 303 0935 | 4 | Sicherungsmutter | Selflocking nut | NM16-8 Zn DIN985 |
| 5 | 303 0941 | 2 | Sicherungsmutter | Selflocking nut | NM14-8 Zn DIN985 |
| 6 | 305 6139 | 1 | Scheibe | Washer | 28x15x2,5 Zn DIN125 |
| 7 | 305 6141 | 8 | Scheibe | Washer | 17/30x3 DIN/ISO-7089 |
| 8 | 317 6802 | 4 | Röhrchen | Tube | 26,9x4,5x110 Zn |
| 9 | 329 8511 | 2 | Zugfeder | Spring | 4x28x160 |
| 10 | 375 4044 | 1 | Gerade Einschraubverschraubung | Nipple | x-GE12-LR 3/8" |
| 11 | 375 4550 | 1 | Einstellbare L-Verschraubung | Adjustable L-union | EL12-L M18x1,5 |
| 12 | 375 4660 | 1 | Blindstopfen | Blind plug | BUZ12-L |
| 13 | 375 5310 | 1 | Überwurfmutter | Union nut | 12L M18x1,5 Zn/ZnNi |
| 14 | 47510136 | 1 | Hydraulikschlauch | Hydraulic hose | 2SC08-6300 DKOL12/DKOL12 0/0° |
| 15 | 47510444 | 1 | Halter | Holder | 87x121x155 |
| 16 | 575 2249 | 1 | Hydraulikzylinder EW | Hydraulic ram SA | EZ30-110/320 |

| | |
|-----------------------------|----------|
| Schlauchhalter/Hose carrier | 8 |
| Rubin 12/500 KUA (A) | 67510921 |



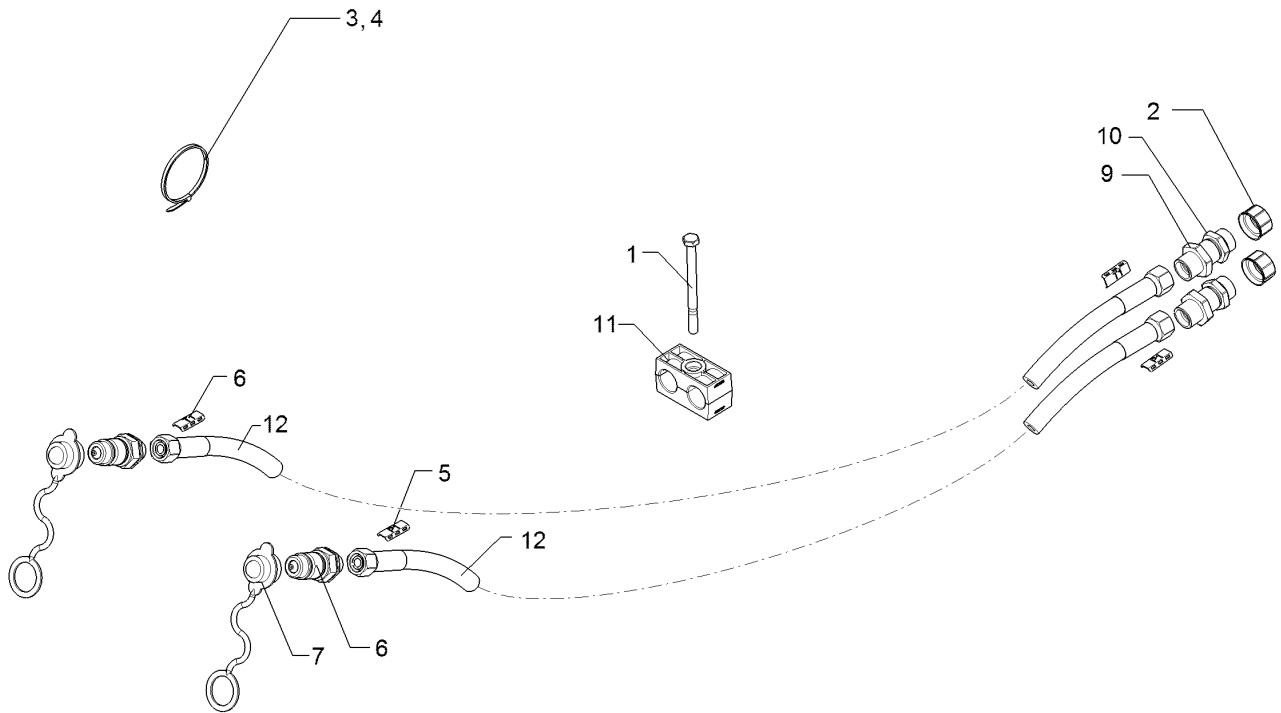
01.18

| Pos. | Art.Nr. | Stck. | Artikeltext / Description | | Abmessung |
|------|----------|-------|---------------------------|-----------------|-----------------------------|
| 1 | 30110666 | 2 | Flachkopfschraube | Flatheaded bolt | M10x40-10.9-Zn DIN7380-2 |
| 2 | 303 0933 | 2 | Sicherungsmutter | Selflocking nut | NM10-8 DIN985 Zn |
| 3 | 305 8696 | 2 | Scheibe | Washer | A10,5 DIN125-St Zn |
| 4 | 47511307 | 1 | Schlauchhalter | Hose carrier | 223x247x442 GEB LI |



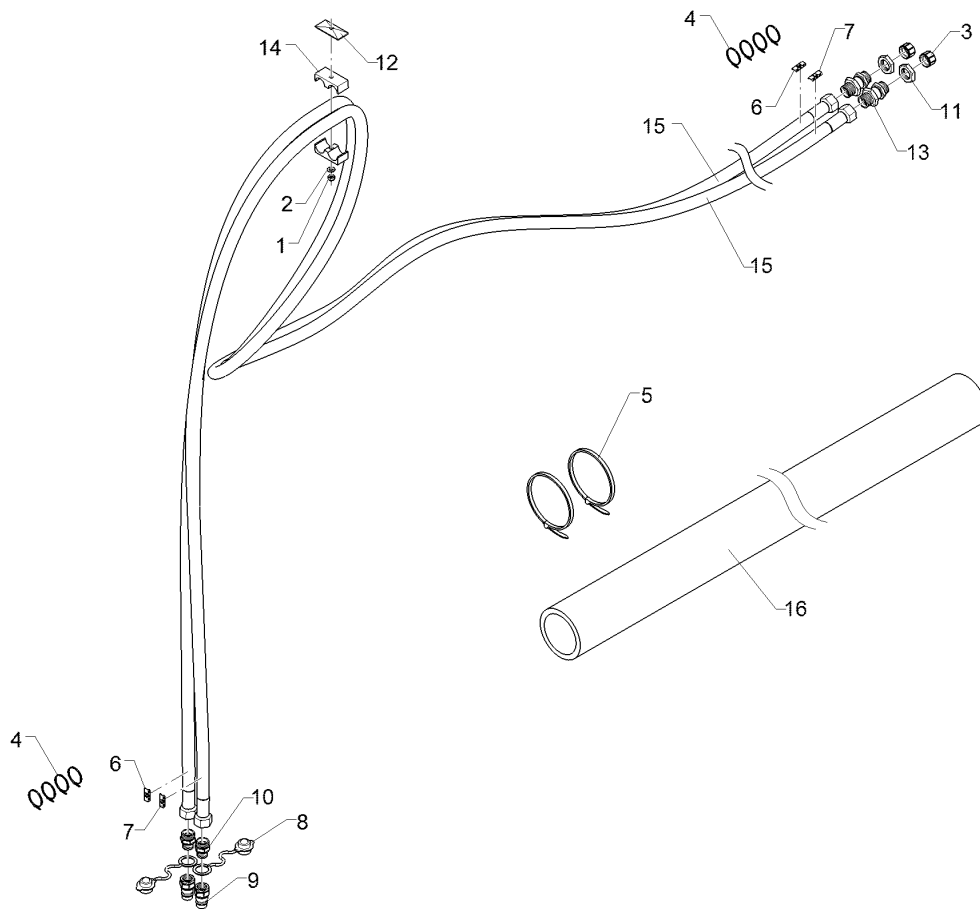
01.18

| Pos. | Art.Nr. | Stck. | Artikeltext / Description | | Abmessung |
|------|----------|-------|--------------------------------|-------------------------|-------------------------------------|
| 1 | 303 0932 | 1 | Sicherungsmutter | Selflocking nut | NM8-8 Zn DIN985 |
| 2 | 305 8694 | 1 | Scheibe | Washer | A8,4 DIN125-St Zn |
| 3 | 323 8084 | 1 | Schraubkappe | Cap | GPN800 M26x1,5 |
| 4 | 325 1220 | 8 | Kabelbinder | Cable clip | 100x2,5 EKB 91S |
| 5 | 325 1330 | 2 | Kabelbinder | Cable clip | 7,6x365 |
| 6 | 325 1522 | 2 | Kennzeichnung | Marking | P2 29X8 |
| 7 | 325 1529 | 2 | Kennzeichnung | Marking | T2 29X8 |
| 8 | 375 2120 | 2 | Staubkappe, grün | Cap | D26,5 Bg.3 |
| 9 | 375 2754 | 2 | SVK-Stecker | Hydraulic coupling | BG-3 IG G1/2" |
| 10 | 375 4062 | 2 | Gerade Einschraubverschraubung | Nipple | x-GE18-L R1/2" ED |
| 11 | 375 5712 | 2 | Sechskantmutter | Hexagon nut | M26x1,5 SW32 Zn |
| 12 | 375 9998 | 1 | Deckplatte | Cover plate | GD 3D W3 |
| 13 | 37510001 | 2 | Schottverschraubung | Straight bulkhead screw | SV18-L M26x1,5 Zn |
| 14 | 37510324 | 2 | Schellenkörper | Clamp | 30x67x37 2xD25 |
| 15 | 47511376 | 2 | Hydraulikschlauch | Hydraulic hose | 2SC16-4300 DKOL18/DKOL18 0/0° |
| 16 | 37510335 | 1 | Schutzschlauch Meterware | Guard for hoses | Protectoflex 90 |



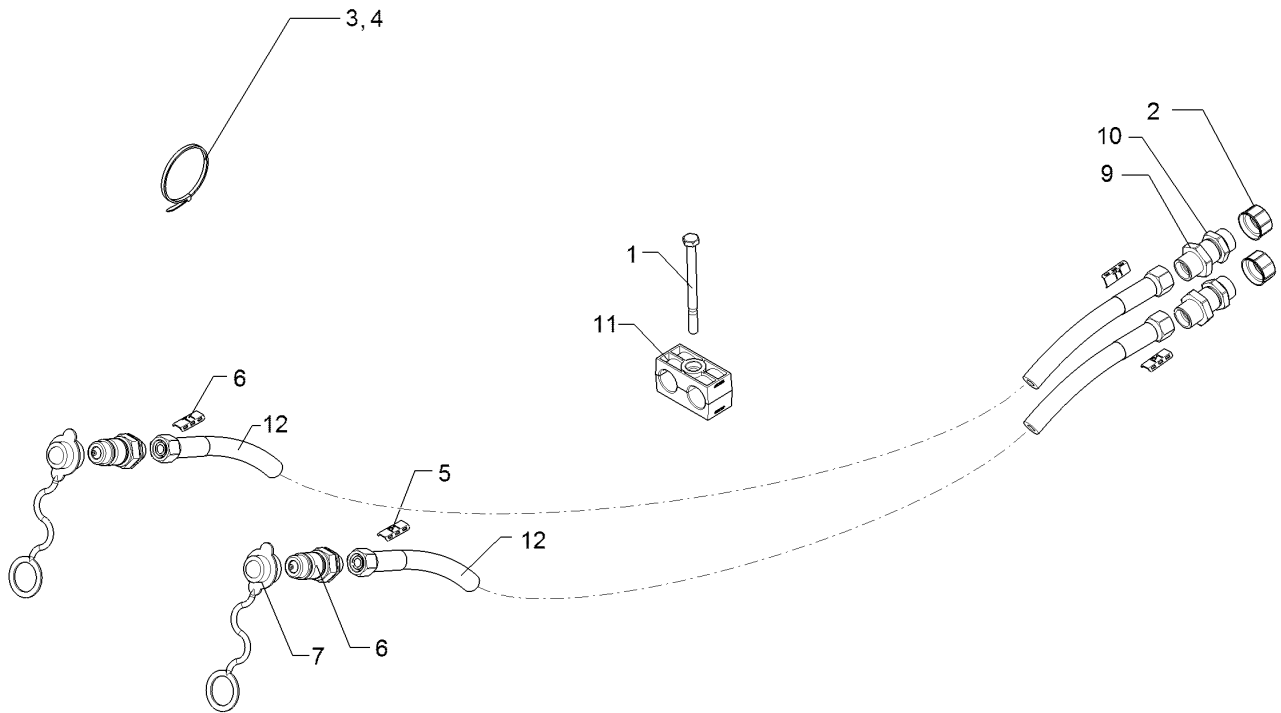
01.18

| Pos. | Art.Nr. | Stck. | Artikeltext / Description | | Abmessung |
|------|----------|-------|----------------------------|-------------------------|-------------------------------------|
| 1 | 30110402 | 1 | Sechskantschraube | Hexagon bolt | M8x100-8.8 Zn DIN931 |
| 2 | 323 7401 | 2 | Schraubkappe | Cap | M22x1,5 |
| 3 | 325 1220 | 8 | Kabelbinder | Cable clip | 100x2,5 EKB 91S |
| 4 | 325 1330 | 2 | Kabelbinder | Cable clip | 7,6x365 |
| 5 | 325 1521 | 2 | Kennzeichnung | Marking | P1 29x8 |
| 6 | 325 1528 | 2 | Kennzeichnung | Marking | T1 29x8 |
| 7 | 375 2166 | 2 | Staubkappe, rot | Cap, red | D26,5 |
| 8 | 375 2736 | 2 | SVK-Stecker | Hydraulic coupling | BG-3 15L CEL M22x1,5 SW-27 |
| 9 | 375 4332 | 2 | Gerade Schottverschraubung | Straight bulkhead screw | SV15-L M22x1,5 Zn |
| 10 | 375 5710 | 2 | Sechskantmutter | Hexagon nut | M22x1,5 SW27x7 |
| 11 | 37510218 | 1 | Schellenkörper | Clamp | 30x67x37 2xD22 |
| 12 | 47511378 | 2 | Hydraulikschlauch | Hydraulic hose | 2SC12-4300 DKOL15/DKOL15 0/0° |



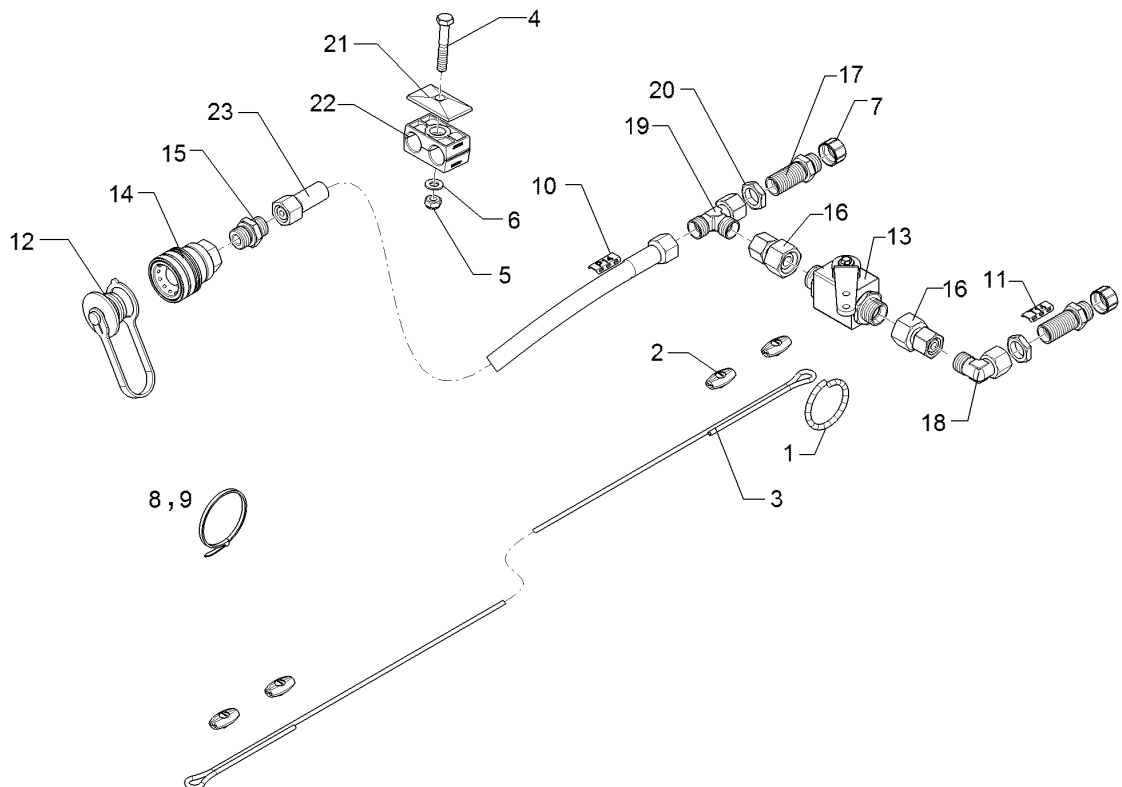
01.18

| Pos. | Art.Nr. | Stck. | Artikeltext / Description | | Abmessung |
|------|----------|-------|--------------------------------|-------------------------|-------------------------------------|
| 1 | 303 0932 | 1 | Sicherungsmutter | Selflocking nut | NM8-8 Zn DIN985 |
| 2 | 305 8694 | 1 | Scheibe | Washer | A8,4 DIN125-St Zn |
| 3 | 323 8084 | 1 | Schraubkappe | Cap | GPN800 M26x1,5 |
| 4 | 325 1220 | 8 | Kabelbinder | Cable clip | 100x2,5 EKB 91S |
| 5 | 325 1330 | 2 | Kabelbinder | Cable clip | 7,6x365 |
| 6 | 325 1522 | 2 | Kennzeichnung | Marking | P2 29X8 |
| 7 | 325 1529 | 2 | Kennzeichnung | Marking | T2 29X8 |
| 8 | 375 2120 | 2 | Staubkappe, grün | Cap | D26,5 Bg.3 |
| 9 | 375 2754 | 2 | SVK-Stecker | Hydraulic coupling | BG-3 IG G1/2" |
| 10 | 375 4062 | 2 | Gerade Einschraubverschraubung | Nipple | x-GE18-L R1/2" ED |
| 11 | 375 5712 | 2 | Sechskantmutter | Hexagon nut | M26x1,5 SW32 Zn |
| 12 | 375 9998 | 1 | Deckplatte | Cover plate | GD 3D W3 |
| 13 | 37510001 | 2 | Schottverschraubung | Straight bulkhead screw | SV18-L M26x1,5 Zn |
| 14 | 37510324 | 2 | Schellenkörper | Clamp | 30x67x37 2xD25 |
| 15 | 475 3135 | 2 | Hydraulikschlauch | Hydraulic hose | 2SC16-5100 DKOL18/DKOL18 0/0° |
| 16 | 37510335 | 1 | Schutzschlauch Meterware | Guard for hoses | Protectoflex 90 |



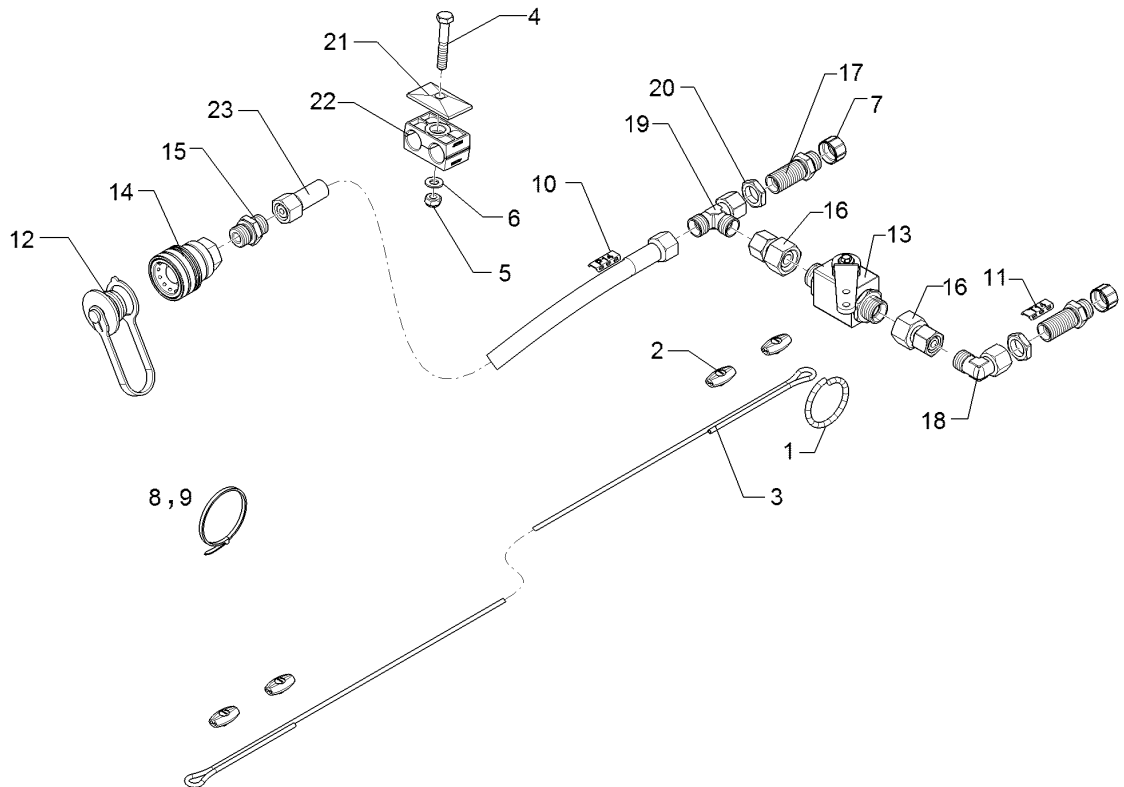
01.18

| Pos. | Art.Nr. | Stck. | Artikeltext / Description | | Abmessung |
|------|----------|-------|----------------------------|-------------------------|-------------------------------------|
| 1 | 30110402 | 1 | Sechskantschraube | Hexagon bolt | M8x100-8.8 Zn DIN931 |
| 2 | 323 7401 | 2 | Schraubkappe | Cap | M22x1,5 |
| 3 | 325 1220 | 8 | Kabelbinder | Cable clip | 100x2,5 EKB 91S |
| 4 | 325 1330 | 2 | Kabelbinder | Cable clip | 7,6x365 |
| 5 | 325 1521 | 2 | Kennzeichnung | Marking | P1 29x8 |
| 6 | 325 1528 | 2 | Kennzeichnung | Marking | T1 29x8 |
| 7 | 375 2166 | 2 | Staubkappe, rot | Cap, red | D26,5 |
| 8 | 375 2736 | 2 | SVK-Stecker | Hydraulic coupling | BG-3 15L CEL M22x1,5 SW-27 |
| 9 | 375 4332 | 2 | Gerade Schottverschraubung | Straight bulkhead screw | SV15-L M22x1,5 Zn |
| 10 | 375 5710 | 2 | Sechskantmutter | Hexagon nut | M22x1,5 SW27x7 |
| 11 | 37510218 | 1 | Schellenkörper | Clamp | 30x67x37 2xD22 |
| 12 | 47511381 | 2 | Hydraulikschlauch | Hydraulic hose | 2SC12-5100 DKOL15/DKOL15 0/0° |



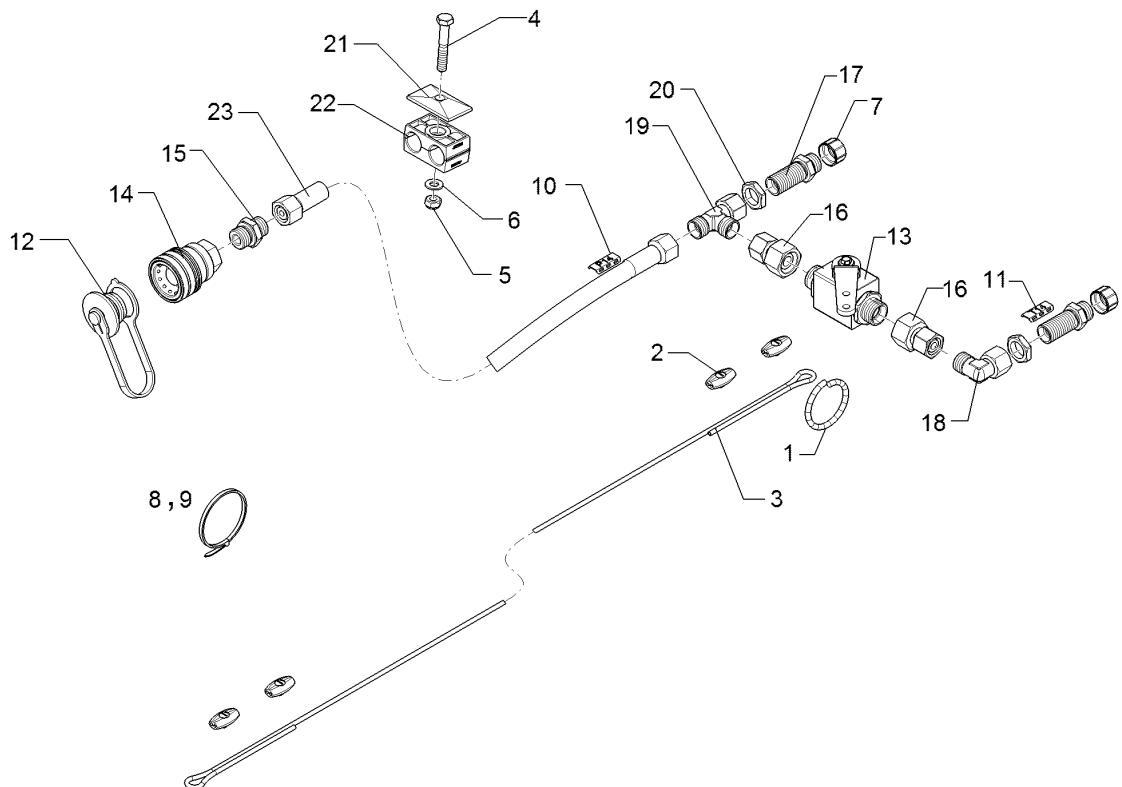
01.18

| Pos. | Art.Nr. | Stck. | Artikeltext / Description | Abmessung | |
|------|----------|-------|-------------------------------|--------------------------------|------------------------------|
| 1 | F11 0121 | 1 | Abreise | Contact breaking lug | (f) |
| 2 | F25 0386 | 4 | Drahtseilklemme | Wire rope clamp | D=3mm |
| 3 | F25 0718 | 1 | Bremsseil | Brake cable | D=3 mm L=4m |
| 4 | 301 5418 | 1 | Sechskantschraube | Hexagon bolt | M8x50-8.8 Zn DIN931-A |
| 5 | 303 0932 | 1 | Sicherungsmutter | Selflocking nut | NM8-8 Zn DIN985 |
| 6 | 305 8694 | 1 | Scheibe | Washer | A8,4 DIN125-St Zn |
| 7 | 323 8070 | 2 | Schraubkappe | Cap | GPN 800 M18x1,5 |
| 8 | 325 1220 | 4 | Kabelbinder | Cable clip | 100x2,5 EKB 91S |
| 9 | 325 1330 | 3 | Kabelbinder | Cable clip | 7,6x365 |
| 10 | 32510068 | 1 | Kennzeichnung | Marking | P14 UC-WMTBA 29X8 |
| 11 | 32510069 | 1 | Kennzeichnung | Marking | T14 UC-WMTBA 29X8 |
| 12 | 375 2161 | 1 | SVBK-Staubstecker rot m.Kette | SVBK-male probe red with chain | BG 3 |
| 13 | 375 2213 | 1 | Ventil | Valve | BKHU 15L Zn |
| 14 | 375 2739 | 1 | SBVK-Muffe | Socket | BG3 M18x1,5 |
| 15 | 375 4020 | 1 | Einschraubverschraubung | Nipple | x-GE12-LM M18x1,5 Zn |
| 16 | 375 4135 | 2 | Verbindung gerade | Connection | GVO-12L/15L |
| 17 | 375 4398 | 2 | Gerade Schottverschraubung | Straight bulkhead screw | x-SV12-L M18x1,5 Zn |
| 18 | 375 4500 | 1 | Einstellbare W-Verschraubung | Adjustable angle union | EW12-LM DKO24 GRD M18x1,5 |
| 19 | 375 4550 | 1 | Einstellbare L-Verschraubung | Adjustable L-union | EL12-L M18x1,5 |
| 20 | 375 5700 | 2 | Mutter | Nut | M18x1,5 SW24x6 |



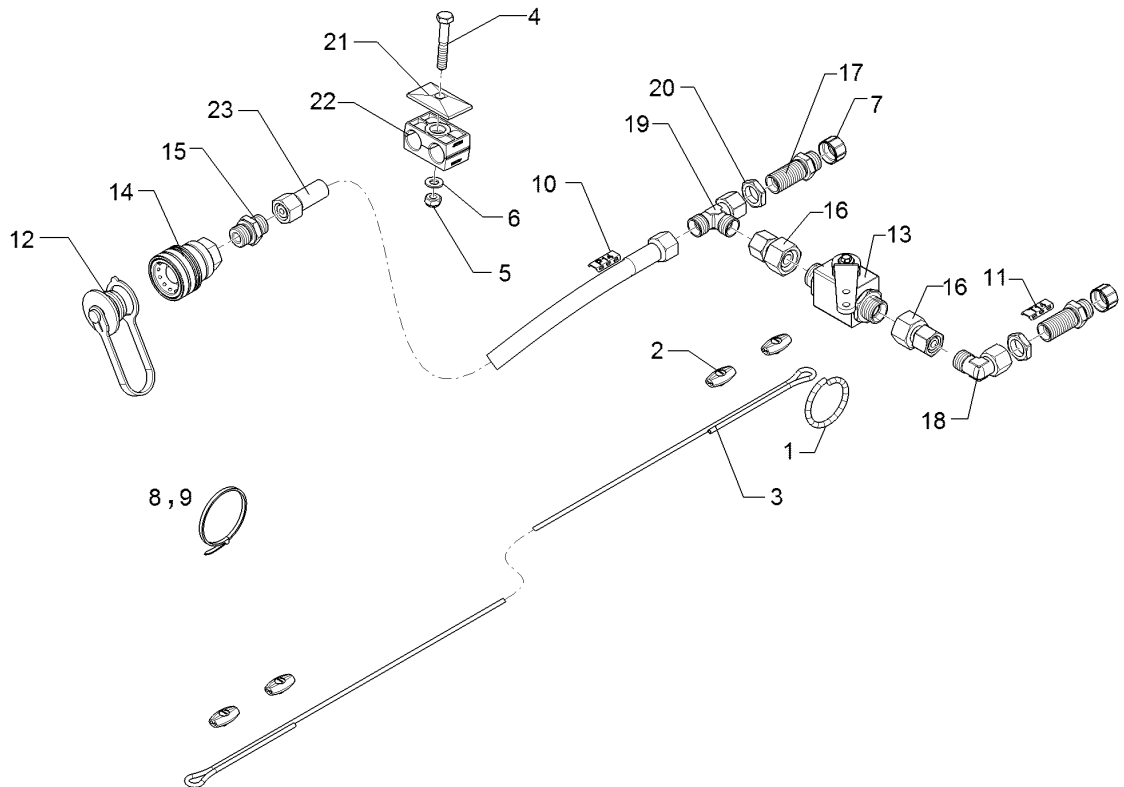
01.18

| Pos. | Art.Nr. | Stck. | Artikeltext / Description | Abmessung | |
|------|----------|-------|---------------------------|----------------|-------------------------------------|
| 21 | 375 9986 | 1 | Platte | Plate | GD 2D |
| 22 | 37510217 | 1 | Schellenkörper | Clamp | 30x53x27 2xD18 |
| 23 | 47511379 | 1 | Hydraulikschlauch | Hydraulic hose | 2SC08-4300 DKOL12/DKOL12 0/0° |



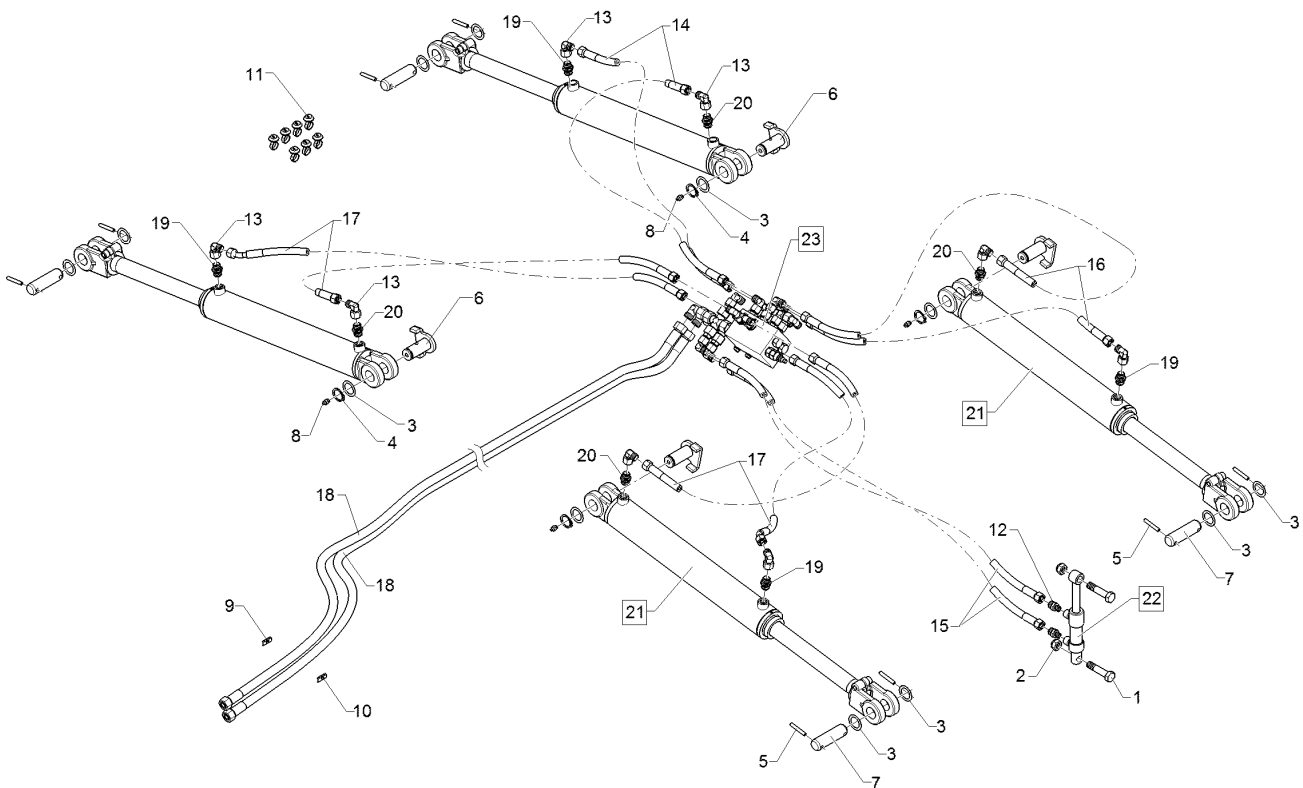
01.18

| Pos. | Art.Nr. | Stck. | Artikeltext / Description | Abmessung | |
|------|----------|-------|-------------------------------|--------------------------------|------------------------------|
| 1 | F11 0121 | 1 | Abreise | Contact breaking lug | (f) |
| 2 | F25 0386 | 4 | Drahtseilklemme | Wire rope clamp | D=3mm |
| 3 | F25 0718 | 1 | Bremsseil | Brake cable | D=3 mm L=4m |
| 4 | 301 5418 | 1 | Sechskantschraube | Hexagon bolt | M8x50-8.8 Zn DIN931-A |
| 5 | 303 0932 | 1 | Sicherungsmutter | Selflocking nut | NM8-8 Zn DIN985 |
| 6 | 305 8694 | 1 | Scheibe | Washer | A8,4 DIN125-St Zn |
| 7 | 323 8070 | 2 | Schraubkappe | Cap | GPN 800 M18x1,5 |
| 8 | 325 1220 | 4 | Kabelbinder | Cable clip | 100x2,5 EKB 91S |
| 9 | 325 1330 | 4 | Kabelbinder | Cable clip | 7,6x365 |
| 10 | 32510068 | 1 | Kennzeichnung | Marking | P14 UC-WMTBA 29X8 |
| 11 | 32510069 | 1 | Kennzeichnung | Marking | T14 UC-WMTBA 29X8 |
| 12 | 375 2161 | 1 | SVBK-Staubstecker rot m.Kette | SVBK-male probe red with chain | BG 3 |
| 13 | 375 2213 | 1 | Ventil | Valve | BKHU 15L Zn |
| 14 | 375 2739 | 1 | SBVK-Muffe | Socket | BG3 M18x1,5 |
| 15 | 375 4020 | 1 | Einschraubverschraubung | Nipple | x-GE12-LM M18x1,5 Zn |
| 16 | 375 4135 | 2 | Verbindung gerade | Connection | GVO-12L/15L |
| 17 | 375 4398 | 2 | Gerade Schottverschraubung | Straight bulkhead screw | x-SV12-L M18x1,5 Zn |
| 18 | 375 4500 | 1 | Einstellbare W-Verschraubung | Adjustable angle union | EW12-LM DKO24 GRD M18x1,5 |
| 19 | 375 4550 | 1 | Einstellbare L-Verschraubung | Adjustable L-union | EL12-L M18x1,5 |
| 20 | 375 5700 | 2 | Mutter | Nut | M18x1,5 SW24x6 |



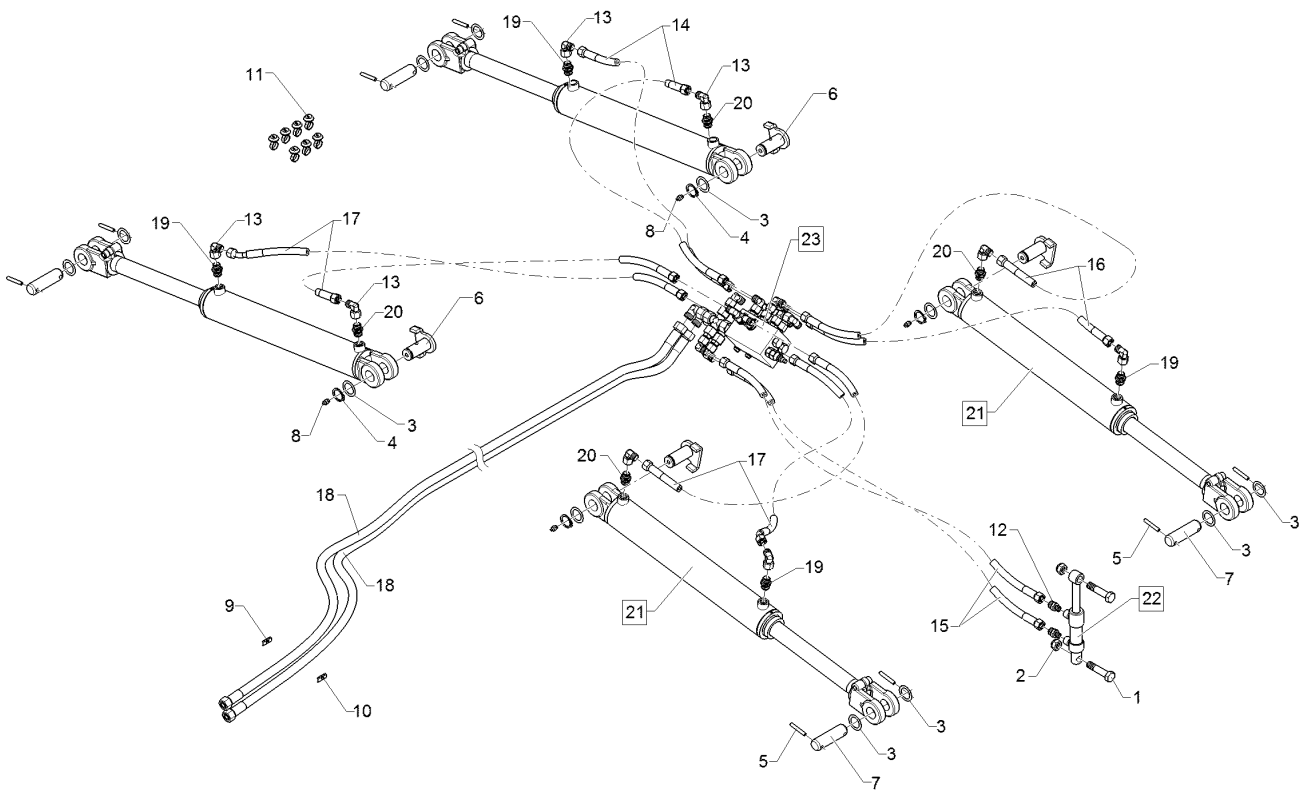
01.18

| Pos. | Art.Nr. | Stck. | Artikeltext / Description | Abmessung |
|------|----------|-------|---------------------------|--|
| 21 | 375 9986 | 1 | Platte | Plate |
| 22 | 37510217 | 1 | Schellenkörper | Clamp |
| 23 | 47511353 | 1 | Hydraulikschlauch | Hydraulic hose |
| | | | | GD 2D 30x53x27 2xD18 2SC08-5100 DKOL12/DKOL12 0/0° |



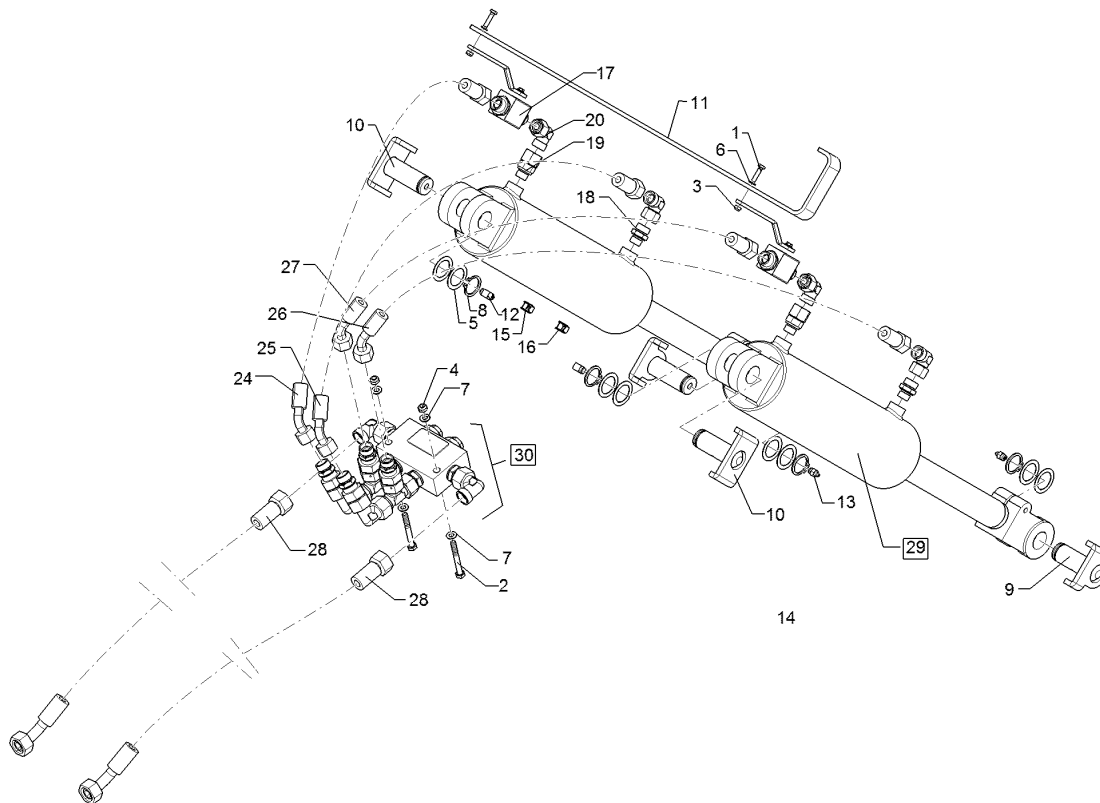
01.18

| Pos. | Art.Nr. | Stck. | Artikeltext / Description | | Abmessung |
|------|----------|-------|------------------------------|------------------------|-------------------------------------|
| 1 | 301 5363 | 2 | Sechskantschraube spz. | Hexagon bolt | M16x70-12.9 Zn |
| 2 | 303 0935 | 2 | Sicherungsmutter | Selflocking nut | NM16-8 Zn DIN985 |
| 3 | 305 2051 | 12 | Passscheibe | Shim | 30x42x1,0 DIN988 Zn |
| 4 | 305 8867 | 4 | Sicherungsring | Retaining ring | 30x2 DIN471 Zn |
| 5 | 309 7000 | 8 | Spannhülse | Expansion bush | 8x50-DIN1481 Zn |
| 6 | 313 3003 | 4 | Bolzen mit Verdrehsicherung | Pin with stop | D30x71/79 U-61 Zn |
| 7 | 313 3011 | 4 | Bolzen | Pin | D30x72/102 Zn |
| 8 | 323 6348 | 4 | Schmiernippel | Grease nipple | AM10x1 DIN171412 |
| 9 | 325 1521 | 1 | Kennzeichnung | Marking | P1 29x8 |
| 10 | 325 1528 | 1 | Kennzeichnung | Marking | T1 29x8 |
| 11 | 32510007 | 7 | Einlochkabelbinder | Clip | 7,6x375 |
| 12 | 375 4038 | 2 | Einschraubverschraubung | Nipple | GE 12-LR 1/4 ZL ED |
| 13 | 375 4500 | 8 | Einstellbare W-Verschraubung | Adjustable angle union | EW12-LM DKO24 GRD M18x1,5 |
| 14 | 475 2850 | 1 | Schlauchpaket | Hose-assembly | 1x800/1x1000 M18x1,5 S38x550 |
| 15 | 475 2867 | 1 | Schlauchpaket | Hose-assembly | 2x2SN08x1800 DKOL12 00°-00° |
| 16 | 47510351 | 1 | Schlauchpaket | Hose-assembly | Rubin 12 |
| 17 | 47510352 | 2 | Schlauchpaket | Hose-assembly | 1x2350/1x2200-DKO L12/L12 |
| 18 | 475 3098 | 2 | Hydraulikschlauch | Hydraulic hose | 2SN12-2200 DKOL15/DKOL15 0/0° |



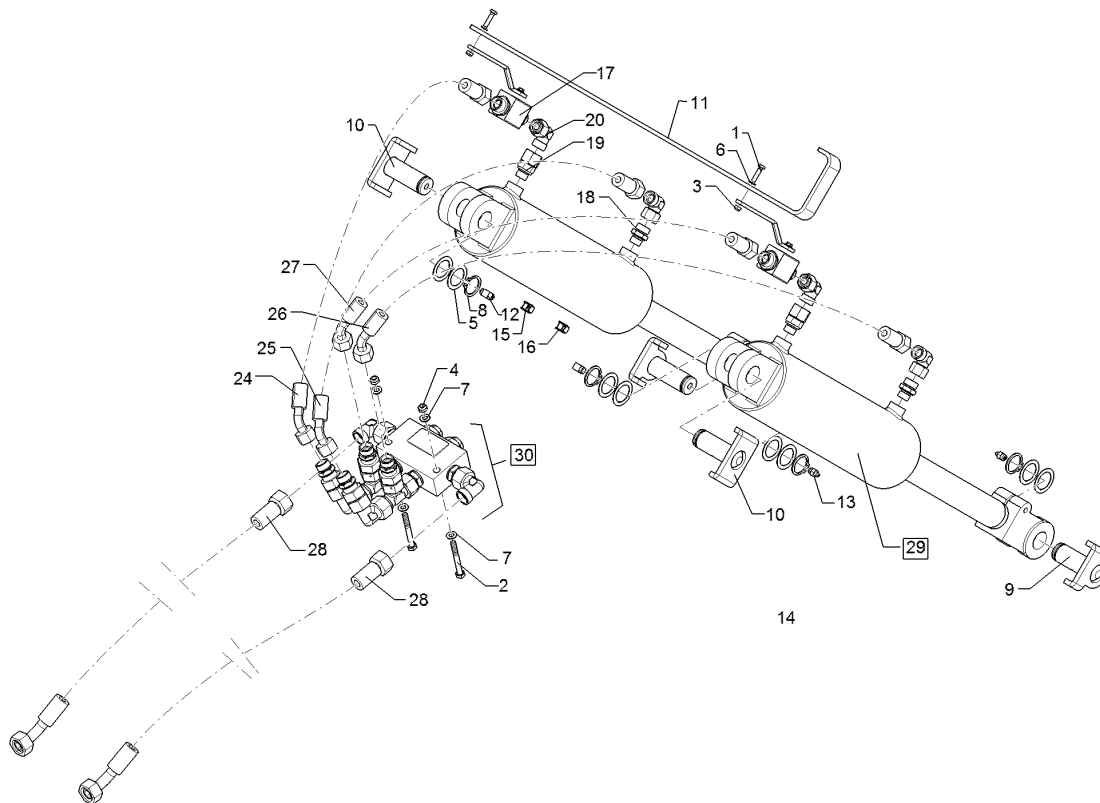
01.18

| Pos. | Art.Nr. | Stck. | Artikeltext / Description | | Abmessung |
|------|----------|-------|---------------------------|--------------------------|------------------------------|
| 19 | 575 2092 | 4 | Drosselrückschlagventil | Throttle nonreturn valve | 9Liter SW24 M18x1,5 |
| 20 | 575 2094 | 4 | Drosselrückschlagventil | Throttle nonreturn valve | 15Liter SW24 M18x1,5 |
| 21 | 575 2260 | 4 | Hydraulikzylinder | Hydraulic ram | DZ70/40x450-750 Hub +/- 5 |
| 22 | 575 2336 | 1 | Hydraulikzylinder | Hydraulic ram | DZ025/18x10-240D16,4D16,5 |
| 23 | 57510513 | 1 | Hydraulikanlage | Hydraulic assembly | Rubin 12/500 KUA +600 |



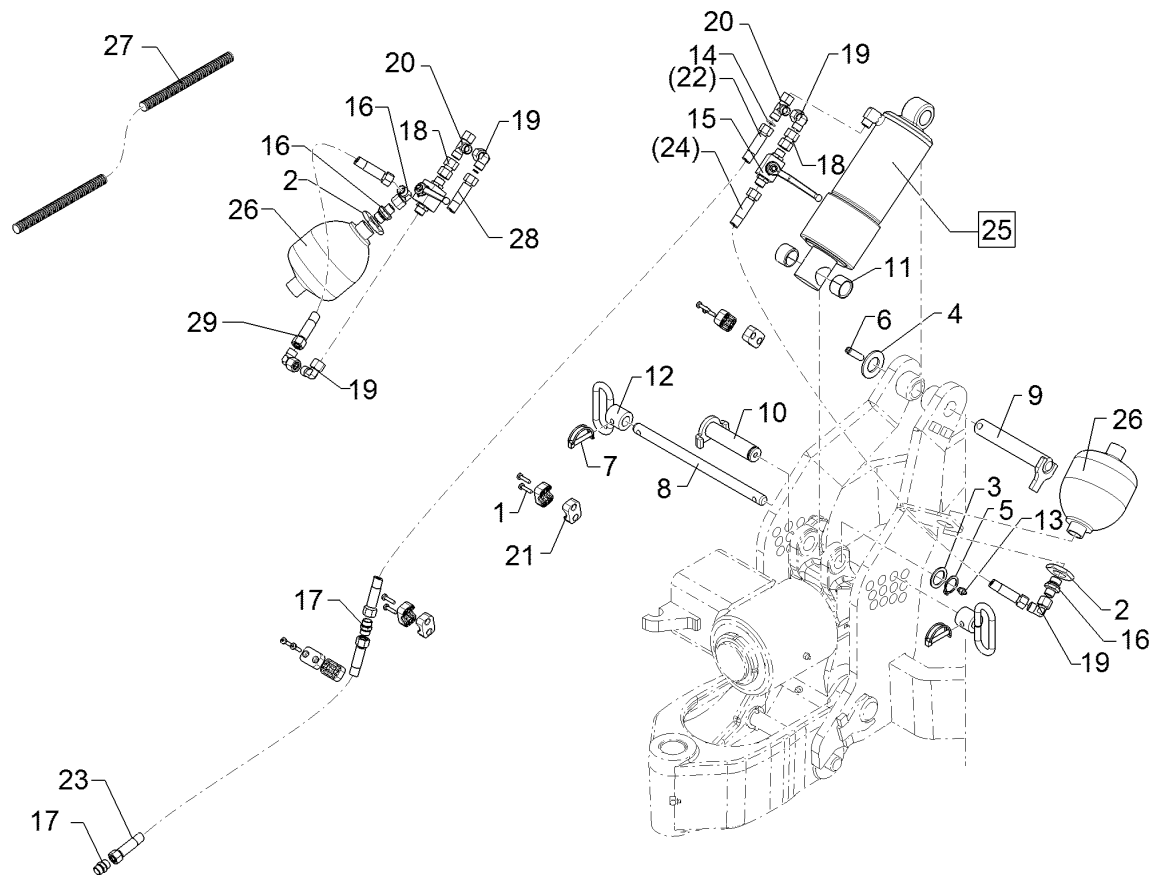
01.18

| Pos. | Art.Nr. | Stck. | Artikeltext / Description | | Abmessung |
|------|----------|-------|--------------------------------|-----------------|---------------------------|
| 1 | 301 3006 | 2 | Sechskantschraube | Hexagon bolt | M6x25-8.8 Zn DIN933 |
| 2 | 301 3084 | 2 | Sechskantschraube | Hexagon bolt | M8x70-8.8 Zn DIN931-A |
| 3 | 303 0931 | 2 | Sicherungsmutter | Selflocking nut | NM6-8 Zn DIN985 |
| 4 | 303 0932 | 2 | Sicherungsmutter | Selflocking nut | NM8-8 Zn DIN985 |
| 5 | 305 2051 | 8 | Passscheibe | Shim | 30x42x1,0 DIN988 Zn |
| 6 | 305 8571 | 2 | Scheibe | Washer | 6,4 DIN125-A Zn |
| 7 | 305 8694 | 4 | Scheibe | Washer | A8,4 DIN125-St Zn |
| 8 | 305 8867 | 4 | Sicherungsring | Retaining ring | 30x2 DIN471 Zn |
| 9 | 313 3003 | 2 | Bolzen mit Verdrehsicherung | Pin with stop | D30x71/79 U-61 Zn |
| 10 | 313 3025 | 2 | Bolzen mit Verdrehsicherung | Pin with stop | D30x71/89 U-72 Zn |
| 11 | 32110190 | 1 | Hebel | Lever | 6x30x854 2xD7 Zn |
| 12 | 323 6348 | 2 | Schmiernippel | Grease nipple | AM10x1 DIN71412 |
| 13 | 323 6349 | 2 | Schmiernippel | Grease nipple | CM10x1 DIN71412-90 GRD |
| 14 | 323 7405 | 2 | Schraubstopfen | Cap | GPN335 M22x1,5 |
| 15 | 325 1522 | 1 | Kennzeichnung | Marking | P2 29X8 |
| 16 | 325 1529 | 1 | Kennzeichnung | Marking | T2 29X8 |
| 17 | 375 2213 | 2 | Ventil | Valve | BKHU 15L Zn |
| 18 | 375 4031 | 2 | Gerade Einschraubverschraubung | Nipple | x-GE15-LM-ED 18x1,5-B |
| 19 | 375 4037 | 2 | Einschraubverschraubung | Nipple | evGE 15-LM M18x1,5 |



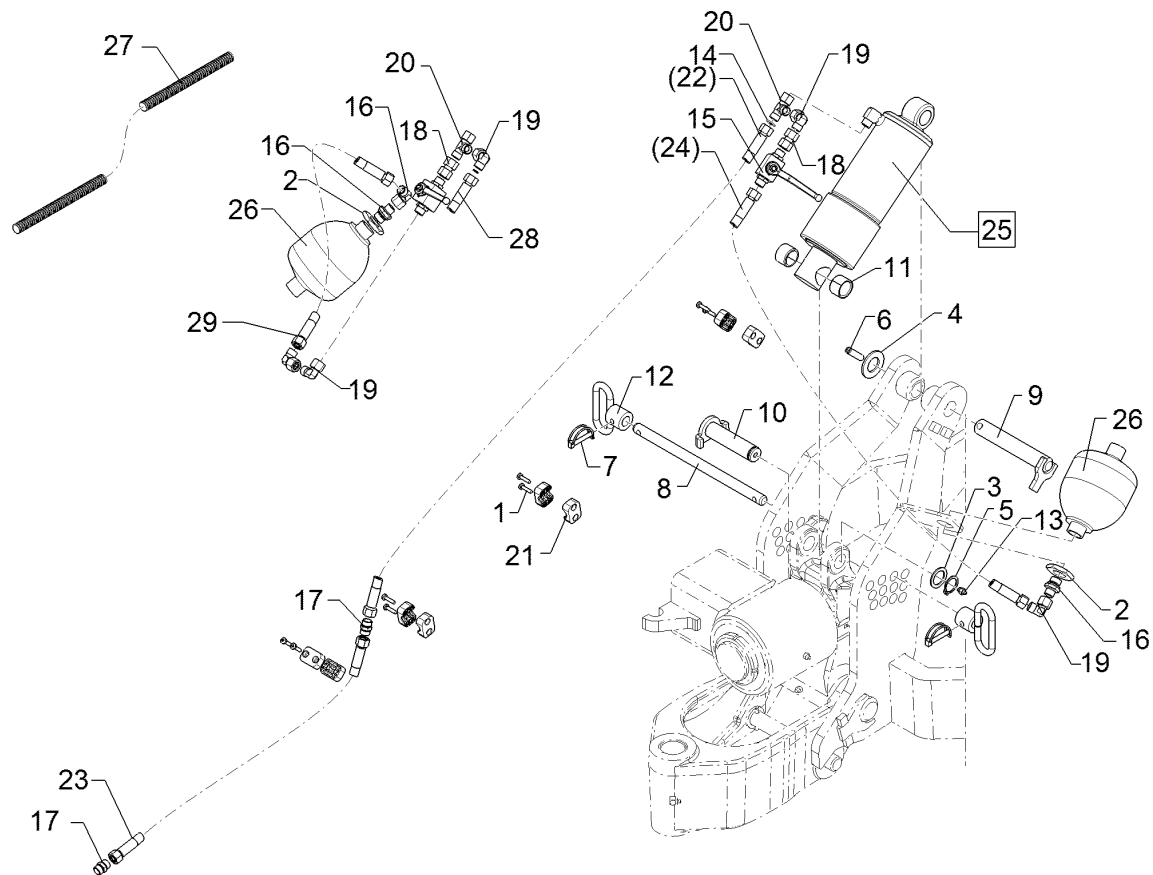
01.18

| Pos. | Art.Nr. | Stck. | Artikeltext / Description | | Abmessung |
|------|----------|-------|------------------------------|------------------------|--|
| 20 | 375 4503 | 4 | Einstellbare W-Verschraubung | Adjustable angle union | EW15-L-DKO24 |
| 24 | 47511202 | 1 | Hydraulikschlauch | Hydraulic hose | GRD O-Ring 2SC12-950 DKOL15/DKOL15 0°/45° |
| 25 | 47511204 | 1 | Hydraulikschlauch | Hydraulic hose | 2SC12-1400 DKOL15/DKOL15 0/45° |
| 26 | 47511441 | 1 | Hydraulikschlauch | Hydraulic hose | 2SC12-1250 DKOL15/DKOL15 0/45° |
| 27 | 47511442 | 1 | Hydraulikschlauch | Hydraulic hose | 2SC12-850 DKOL15/DKOL15 0/45° |
| 28 | 47511444 | 2 | Hydraulikschlauch | Hydraulic hose | 2SC16-3950 DKOL18/DKOL18 0/45° |
| 29 | 575 2269 | 2 | Hydraulikzylinder | Hydraulic ram | DZ100/45x0320-0580 |
| 30 | 57511159 | 1 | Hy-anl. Aushub | HY-assembly lifting | D30 D30 Rubin 12 KUA |



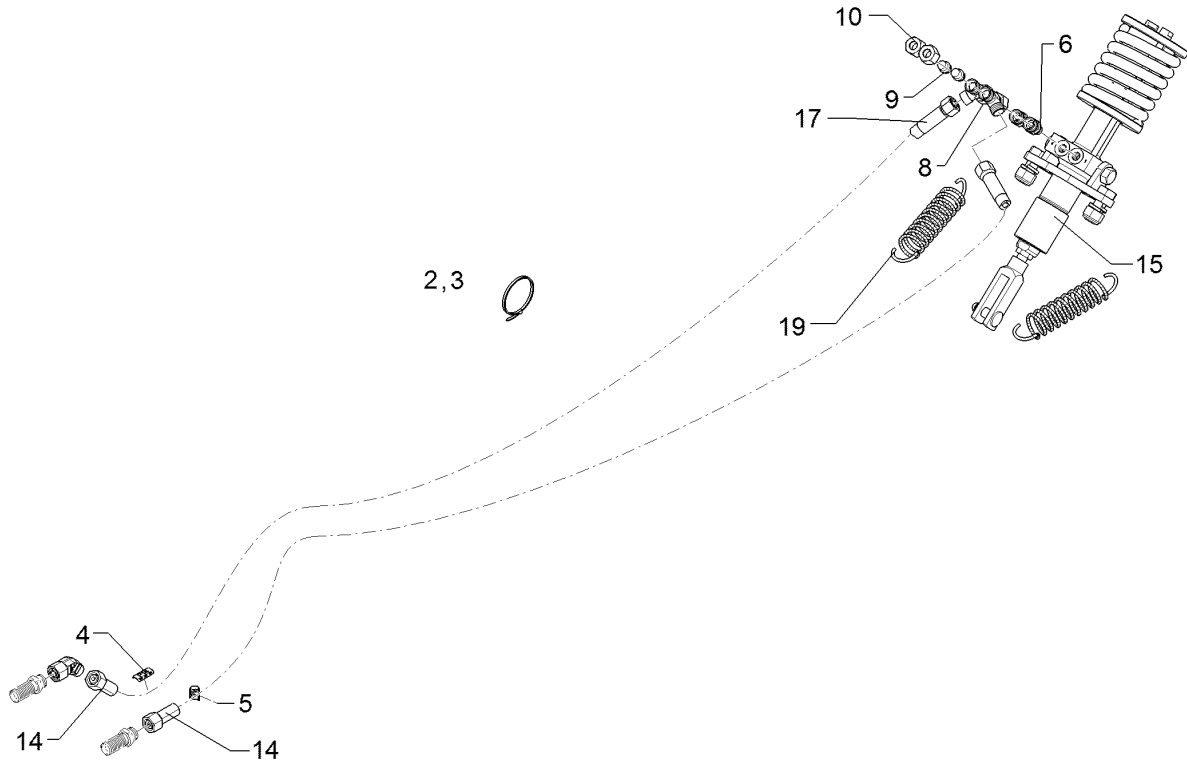
01.18

| Pos. | Art.Nr. | Stck. | Artikeltext / Description | | Abmessung |
|------|----------|-------|--------------------------------|-----------------|---------------------------|
| 1 | 301 3006 | 2 | Sechskantschraube | Hexagon bolt | M6x25-8.8 Zn DIN933 |
| 2 | 301 3084 | 2 | Sechskantschraube | Hexagon bolt | M8x70-8.8 Zn DIN931-A |
| 3 | 303 0931 | 2 | Sicherungsmutter | Selflocking nut | NM6-8 Zn DIN985 |
| 4 | 303 0932 | 2 | Sicherungsmutter | Selflocking nut | NM8-8 Zn DIN985 |
| 5 | 305 2051 | 8 | Passscheibe | Shim | 30x42x1,0 DIN988 Zn |
| 6 | 305 8571 | 2 | Scheibe | Washer | 6,4 DIN125-A Zn |
| 7 | 305 8694 | 4 | Scheibe | Washer | A8,4 DIN125-St Zn |
| 8 | 305 8867 | 4 | Sicherungsring | Retaining ring | 30x2 DIN471 Zn |
| 9 | 313 3003 | 2 | Bolzen mit Verdrehsicherung | Pin with stop | D30x71/79 U-61 Zn |
| 10 | 313 3025 | 2 | Bolzen mit Verdrehsicherung | Pin with stop | D30x71/89 U-72 Zn |
| 11 | 32110190 | 1 | Hebel | Lever | 6x30x854 2xD7 Zn |
| 12 | 323 6348 | 2 | Schmiernippel | Grease nipple | AM10x1 DIN71412 |
| 13 | 323 6349 | 2 | Schmiernippel | Grease nipple | CM10x1 DIN71412-90 GRD |
| 14 | 323 7405 | 2 | Schraubstopfen | Cap | GPN335 M22x1,5 |
| 15 | 325 1522 | 1 | Kennzeichnung | Marking | P2 29X8 |
| 16 | 325 1529 | 1 | Kennzeichnung | Marking | T2 29X8 |
| 17 | 375 2213 | 2 | Ventil | Valve | BKHU 15L Zn |
| 18 | 375 4031 | 2 | Gerade Einschraubverschraubung | Nipple | x-GE15-LM-ED 18x1,5-B |
| 19 | 375 4037 | 2 | Einschraubverschraubung | Nipple | evGE 15-LM M18x1,5 |



01.18

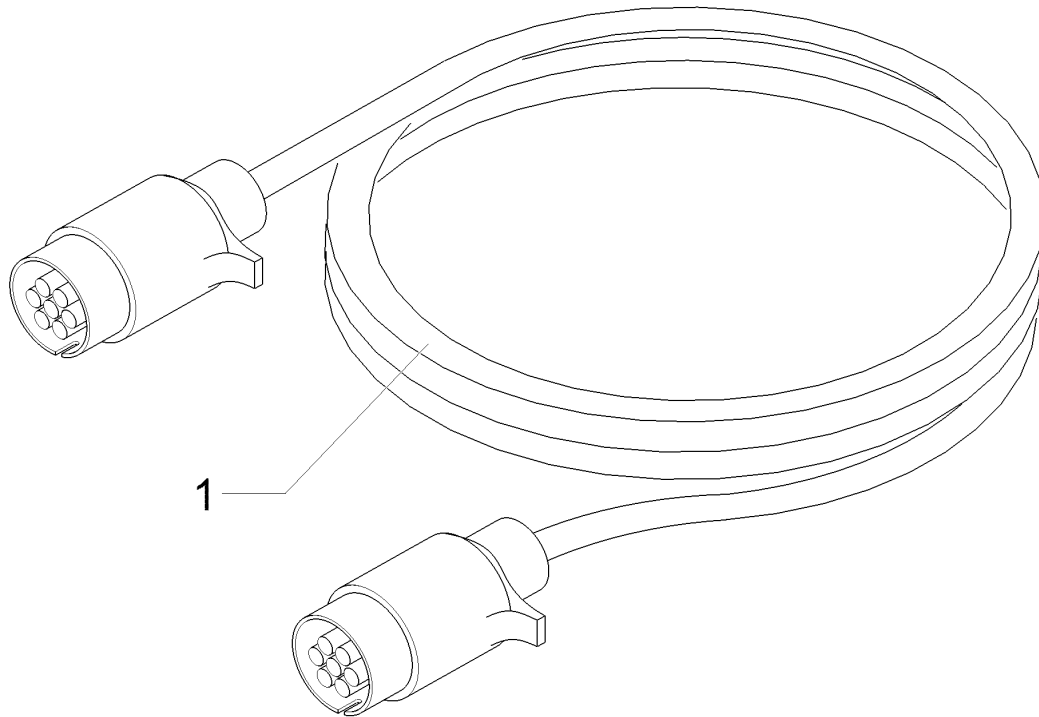
| Pos. | Art.Nr. | Stck. | Artikeltext / Description | | Abmessung |
|------|----------|-------|------------------------------|------------------------|--|
| 20 | 375 4503 | 4 | Einstellbare W-Verschraubung | Adjustable angle union | EW15-L-DKO24 |
| 24 | 47511202 | 1 | Hydraulikschlauch | Hydraulic hose | GRD O-Ring 2SC12-950 DKOL15/DKOL15 0°/45° |
| 25 | 47511204 | 1 | Hydraulikschlauch | Hydraulic hose | 2SC12-1400 DKOL15/DKOL15 0/45° |
| 26 | 47511441 | 1 | Hydraulikschlauch | Hydraulic hose | 2SC12-1250 DKOL15/DKOL15 0/45° |
| 27 | 47511442 | 1 | Hydraulikschlauch | Hydraulic hose | 2SC12-850 DKOL15/DKOL15 0/45° |
| 28 | 47511443 | 2 | Hydraulikschlauch | Hydraulic hose | 2SC16-3700 DKOL18/DKOL18 0/45° |
| 29 | 575 2269 | 2 | Hydraulikzylinder | Hydraulic ram | DZ100/45x0320-0580 |
| 30 | 57511159 | 1 | Hy-anl. Aushub | HY-assembly lifting | D30 D30 Rubin 12 KUA |



01.18

| Pos. | Art.Nr. | Stck. | Artikeltext / Description | | Abmessung |
|------|----------|-------|------------------------------|------------------------|------------------------------------|
| 2 | 325 1220 | 12 | Kabelbinder | Cable clip | 100x2,5 EKB 91S |
| 3 | 325 1330 | 20 | Kabelbinder | Cable clip | 7,6x365 |
| 4 | 32510068 | 1 | Kennzeichnung | Marking | P14 UC-WMTBA 29X8 |
| 5 | 32510069 | 1 | Kennzeichnung | Marking | T14 UC-WMTBA 29X8 |
| 6 | 375 4038 | 2 | Einschraubverschraubung | Nipple | GE 12-LR 1/4 ZL ED |
| 8 | 375 4550 | 2 | Einstellbare L-Verschraubung | Adjustable L-union | EL12-L M18x1,5 |
| 9 | 375 4660 | 2 | Blindstopfen | Blind plug | BUZ12-L |
| 10 | 375 5310 | 2 | Überwurfmutter | Union nut | 12L M18x1,5 Zn/ZnNi |
| 11 | 37510346 | 1 | Einstellbare W-Verschraubung | Adjustable angle union | 24-SW0E45-L12 |
| 15 | 57511149 | 1 | Kombi-Bremszylinder | Combi - brake cylinder | ED032/--x50,0-0206 D13,5 |
| 17 | 47511365 | 2 | Hydraulikschlauch | Hydraulic hose | 2SC08-650 DKOL12/DKOL12 0/0° |
| 19 | 329 8511 | 2 | Zugfeder | Spring | 4x28x160 |

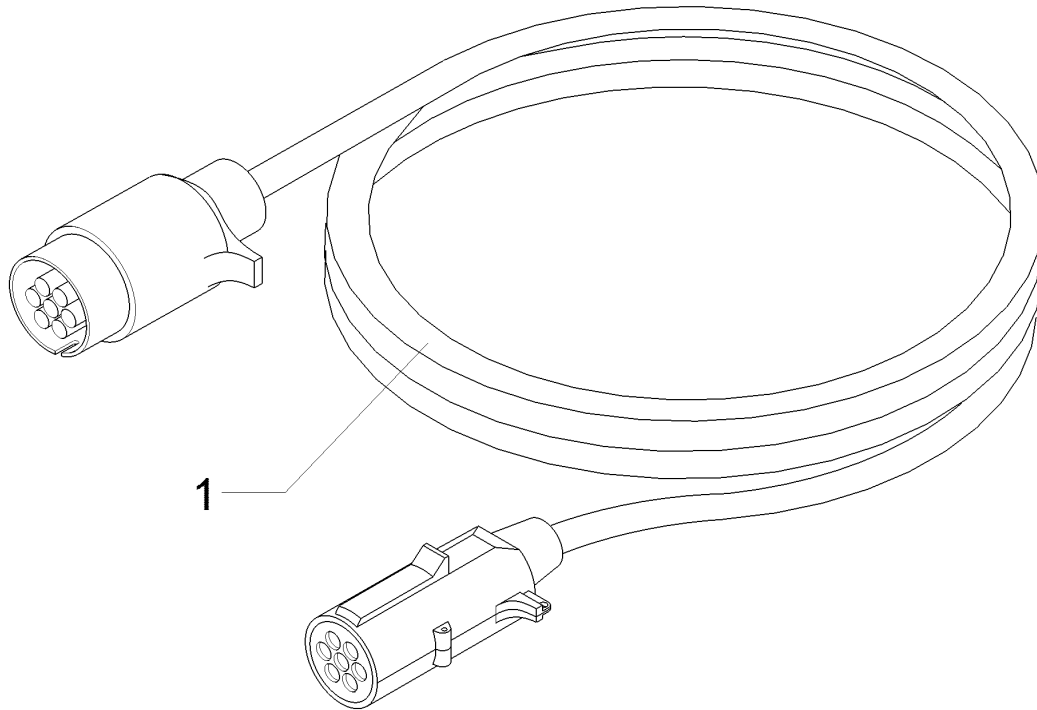
| | |
|----------------------|----------|
| Kabel/Cable | 10 |
| Rubin 12/500 KUA (A) | 373 4261 |



01.18

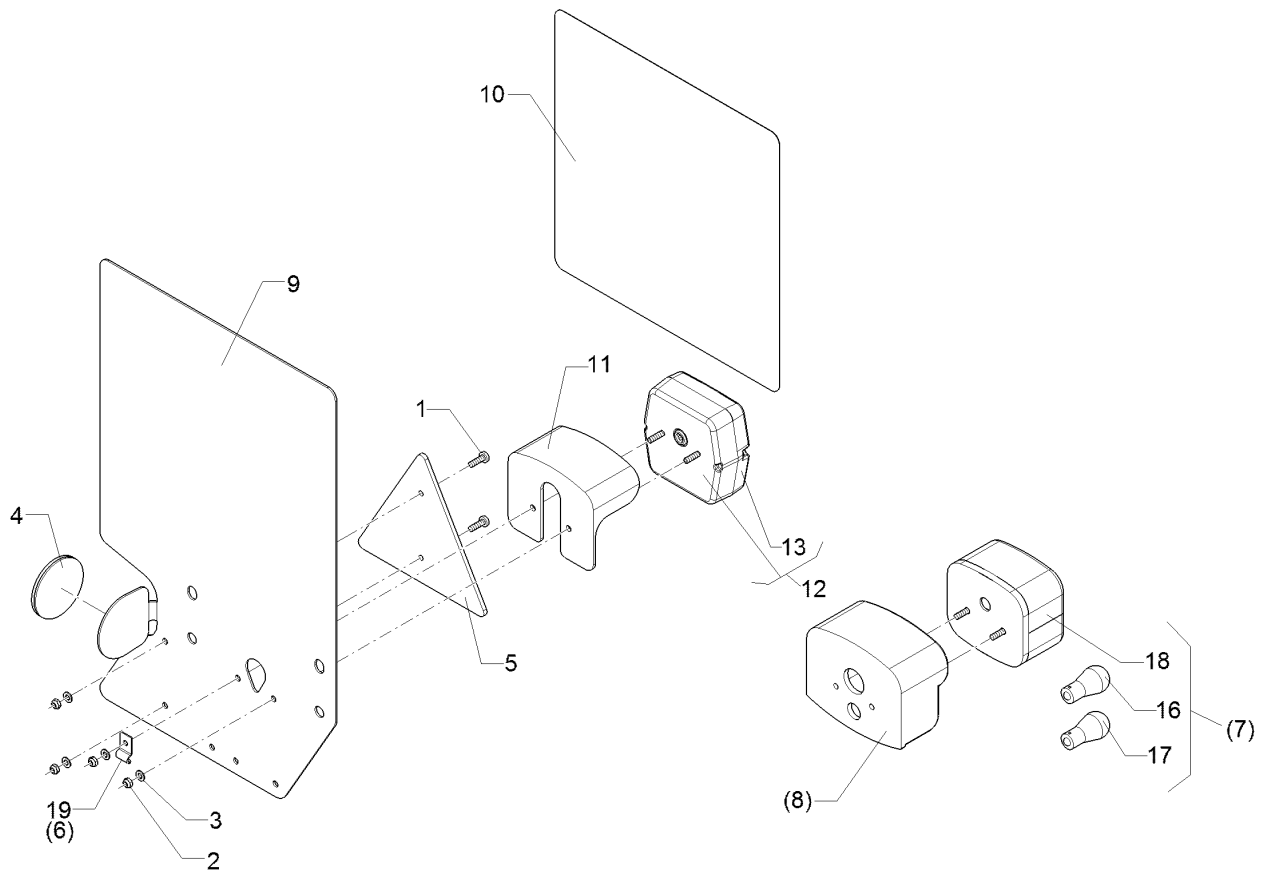
| Pos. | Art.Nr. | Stck. | Artikeltext / Description | | Abmessung |
|------|----------|-------|---------------------------|-------|------------|
| 1 | 373 4261 | 1 | Kabel | Cable | 7x1,5x5000 |

| | |
|-------------------------------|-----------------|
| Grundkabel/Basic cable | 10 |
| Rubin 12/500 KUA (A) | 37310160 |



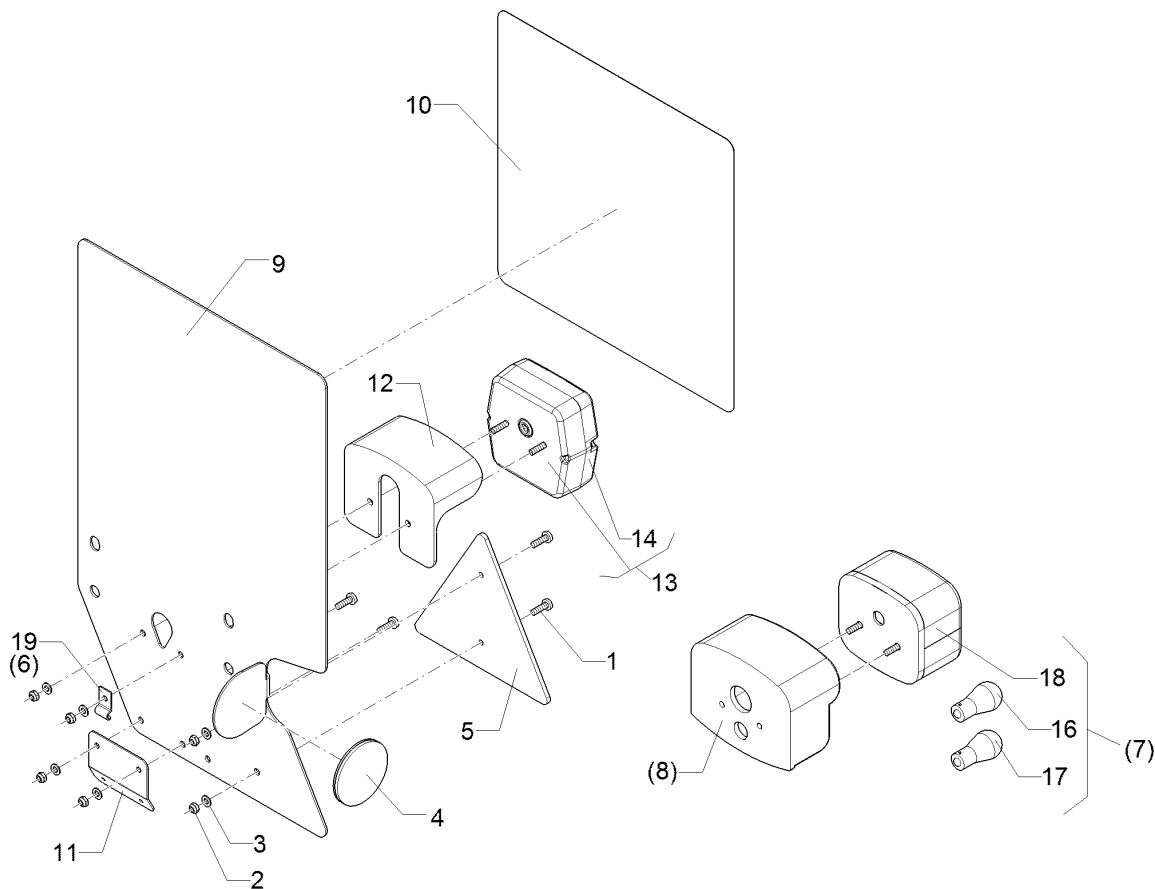
01.18

| Pos. | Art.Nr. | Stck. | Artikeltext / Description | | Abmessung |
|------|----------|-------|---------------------------|-------------|--------------------------------|
| 1 | 37310160 | 1 | Grundkabel | Basic cable | 6x1/1x2,5x5000 ISO1724/1185 |



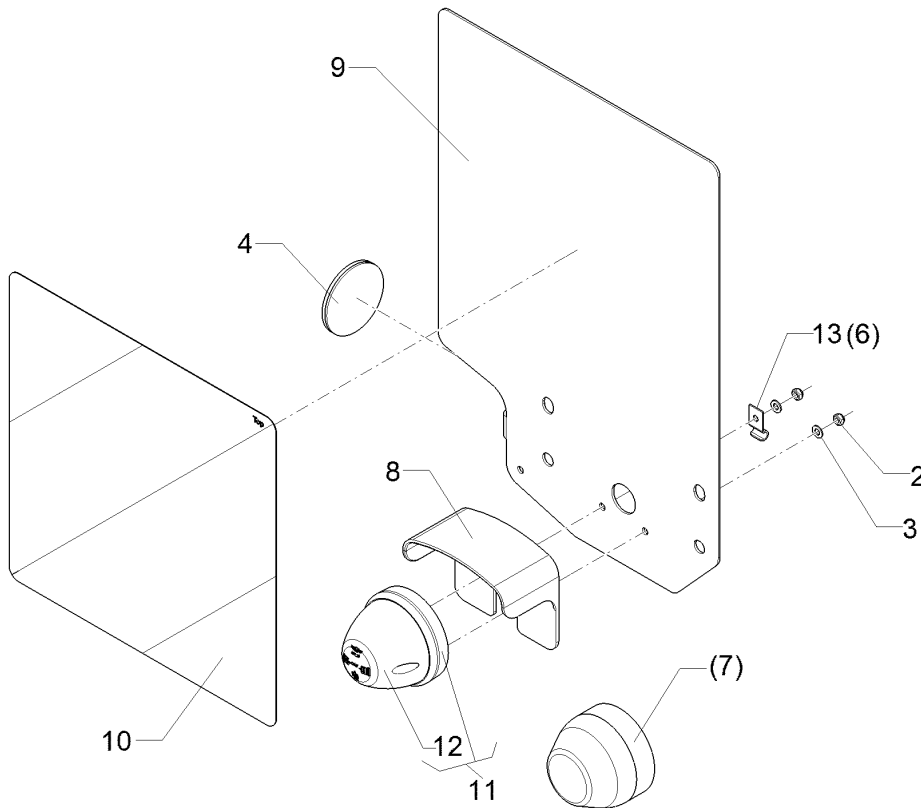
01.18

| Pos. | Art.Nr. | Stck. | Artikeltext / Description | | Abmessung |
|------|----------|-------|-----------------------------|-----------------------------|------------------------------|
| 1 | 30110003 | 2 | Linsenschraube | Oval head screw | M5x16-4,6 Zn DIN7985 |
| 2 | 303 0929 | 4 | Sicherungsmutter | Selflocking nut | NM5-8 Zn DIN985 |
| 3 | 305 8569 | 4 | Scheibe | Washer | 5,3 DIN125 Zn |
| 4 | 321 9919 | 1 | Rückstrahler gelb selbstkl. | Self-adh. reflector, yellow | 6200GK |
| 5 | 321 9931 | 1 | Rückstrahler dreieckig | Reflector | 177S |
| 6 | 325 5142 | 1 | Schelle | Clamp | 96/8 |
| 7 | 373 3140 | 1 | Rückleuchte | Rear light | 95RGE0,1HD |
| 8 | 373 3801 | 1 | Schutzhaube hinten | Rear cover | SH95 |
| 9 | 470 1758 | 1 | Grundplatte | Basic plate | 2x296x478 RE 3Eck Zn |
| 10 | 321 9912 | 1 | Warntafel-Klebefolie | Bonding sheet-warning board | 282x282 TP-ESC-B 08225 RE |
| 11 | 373 3802 | 1 | Schutzhaube | Cover | VO SH86 |
| 12 | 37310126 | 1 | Rückleuchte | Rear light | BI.Br.S. ML |
| 13 | 37310123 | 1 | Lichtscheibe | Light glas | BBS/BBSK |
| 16 | 373 1101 | 1 | Kugelbirnen | Lamp | 12V 10W Heavy Duty |
| 17 | 373 1102 | 2 | Kugelbirnen | Lamp | 12V 21W Heavy Duty |
| 18 | 373 3526 | 1 | Lichtscheibe | Light glas | RE E95 |
| 19 | 373 1157 | 1 | Kabelschelle | Cable clip | 6mm |



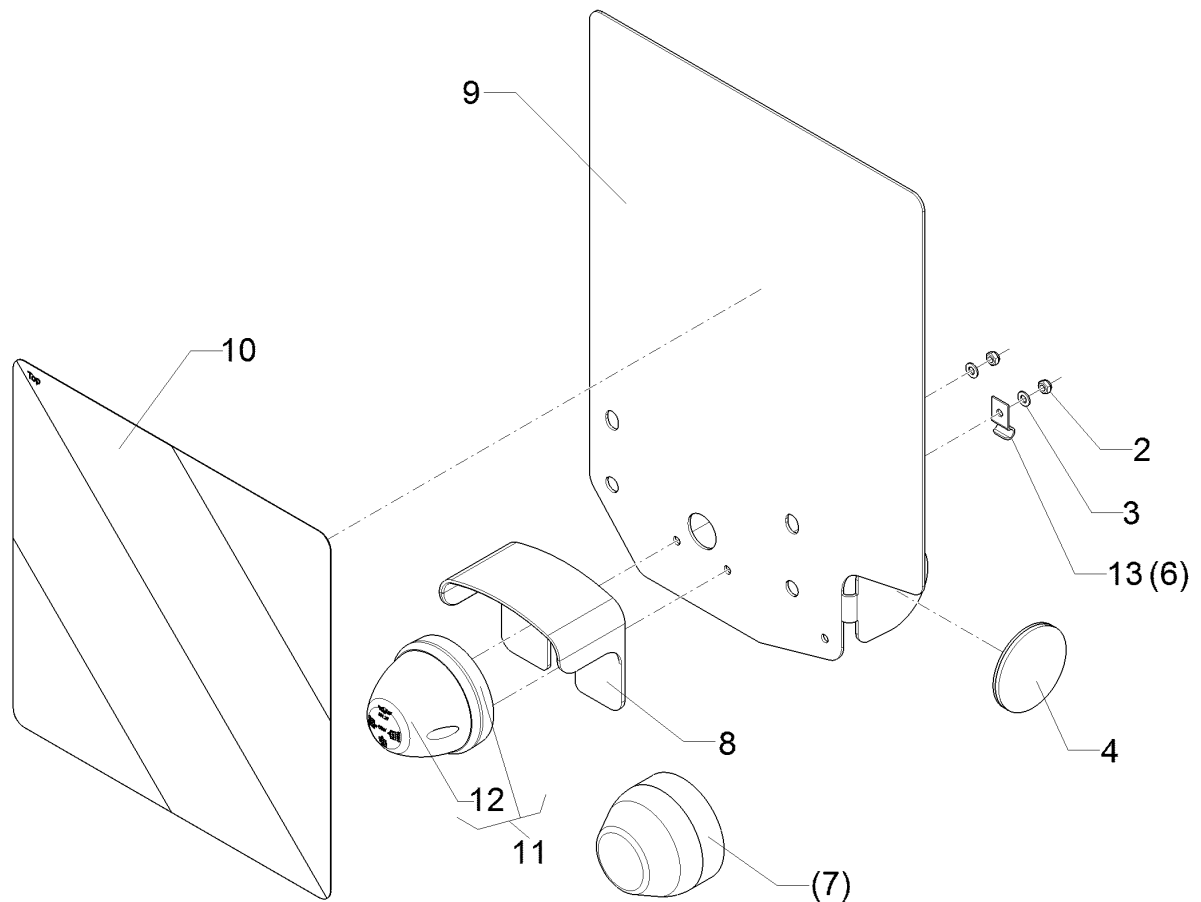
01.18

| Pos. | Art.Nr. | Stck. | Artikeltext / Description | | Abmessung |
|------|----------|-------|-----------------------------|-------------------------------|------------------------------|
| 1 | 30110003 | 4 | Linsenschraube | Oval head screw | M5x16-4,6 Zn DIN7985 |
| 2 | 303 0929 | 6 | Sicherungsmutter | Selflocking nut | NM5-8 Zn DIN985 |
| 3 | 305 8569 | 6 | Scheibe | Washer | 5,3 DIN125 Zn |
| 4 | 321 9919 | 1 | Rückstrahler gelb selbstkl. | Self-adh. reflector, yellow | 6200GK |
| 5 | 321 9931 | 1 | Rückstrahler dreieckig | Reflector | 177S |
| 6 | 325 5142 | 1 | Schelle | Clamp | 96/8 |
| 7 | 373 3141 | 1 | Rückleuchte | Rear light | 95KLGE0,1HD |
| 8 | 373 3801 | 1 | Schutzhaube hinten | Rear cover | SH95 |
| 9 | 470 1759 | 1 | Grundplatte | Basic plate | 2x296x478 LI 3Eck Zn |
| 10 | 321 9913 | 1 | Warntafel-Klebefolie | Bonding sheet-warning board | 282x282 TP-ESC-B 08225 LI |
| 11 | 321 9987 | 1 | Kennzeichenhalter | Holder for registration plate | 1,5x58,9x70 GEB28° Zn |
| 12 | 373 3802 | 1 | Schutzhaube | Cover | VO SH86 |
| 13 | 37310127 | 1 | Rückleuchte | Rear light | Bl.Br.S.K. ML |
| 14 | 37310123 | 1 | Lichtscheibe | Light glas | BBS/BBSK |
| 16 | 373 1101 | 1 | Kugelbirnen | Lamp | 12V 10W Heavy Duty |
| 17 | 373 1102 | 2 | Kugelbirnen | Lamp | 12V 21W Heavy Duty |
| 18 | 373 3527 | 1 | Lichtscheibe | Light glas | LI EK95 |
| 19 | 373 1157 | 1 | Kabelschelle | Cable clip | 6mm |



01.18

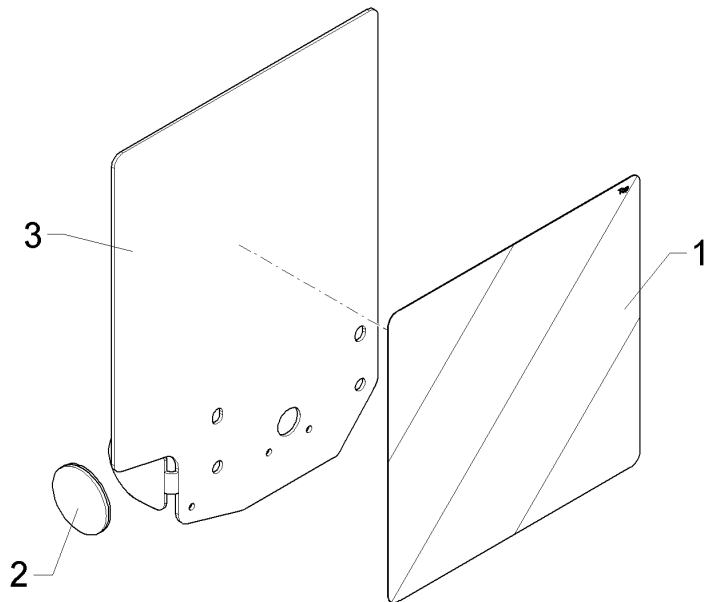
| Pos. | Art.Nr. | Stck. | Artikeltext / Description | Abmessung | |
|------|----------|-------|-----------------------------|-----------------------------|------------------|
| 2 | 303 0929 | 2 | Sicherungsmutter | Selflocking nut | NM5-8 Zn DIN985 |
| 3 | 305 8569 | 8 | Scheibe | Washer | 5,3 DIN125 Zn |
| 4 | 321 9919 | 1 | Rückstrahler gelb selbstkl. | Self-adh. reflector, yellow | 6200GK |
| 6 | 325 5142 | 1 | Schelle | Clamp | 96/8 |
| 7 | 373 3432 | 1 | Positionsleuchte | Position light | - |
| 8 | 373 3802 | 1 | Schutzhaube | Cover | VO SH86 |
| 9 | 470 1762 | 1 | Grundplatte | Basic plate | 2x296x414 RE |
| 10 | 321 9913 | 1 | Warntafel-Klebefolie | Bonding sheet-warning board | 282x282 TP-ESC-B |
| 11 | 37310130 | 1 | Positionsleuchte | Position light | 08225 LI |
| 12 | 37310124 | 1 | Lichtscheibe | Light glas | weiß ML |
| 13 | 373 1157 | 1 | Kabelschelle | Cable clip | P weiß 6mm |



01.18

| Pos. | Art.Nr. | Stck. | Artikeltext / Description | Abmessung | |
|------|----------|-------|-----------------------------|-----------------------------|------------------------------|
| 2 | 303 0929 | 2 | Sicherungsmutter | Selflocking nut | NM5-8 Zn DIN985 |
| 3 | 305 8569 | 2 | Scheibe | Washer | 5,3 DIN125 Zn |
| 4 | 321 9919 | 1 | Rückstrahler gelb selbstkl. | Self-adh. reflector, yellow | 6200GK |
| 6 | 325 5142 | 1 | Schelle | Clamp | 96/8 |
| 7 | 373 3432 | 1 | Positionsleuchte | Position light | - |
| 8 | 373 3802 | 1 | Schutzhaube | Cover | VO SH86 |
| 9 | 470 1763 | 1 | Grundplatte | Basic plate | 2x296x414 LI |
| 10 | 321 9912 | 1 | Warntafel-Klebefolie | Bonding sheet-warning board | 282x282 TP-ESC-B 08225 RE |
| 11 | 37310130 | 1 | Positionsleuchte | Position light | weiß ML |
| 12 | 37310124 | 1 | Lichtscheibe | Light glas | P weiß |
| 13 | 373 1157 | 1 | Kabelschelle | Cable clip | 6mm |

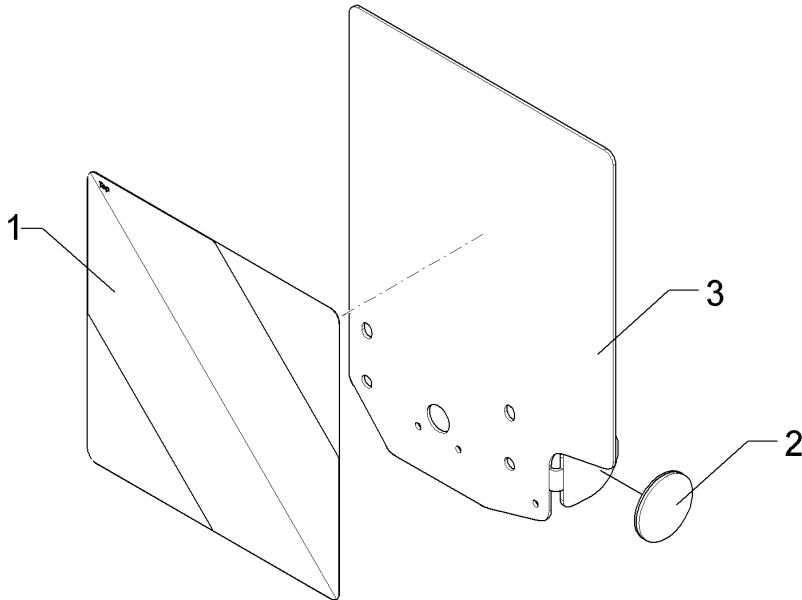
| | |
|--------------------------------|-----------------|
| Warntafel/Warning board | 10 |
| Rubin 12/500 KUA (A) | 57010014 |



01.18

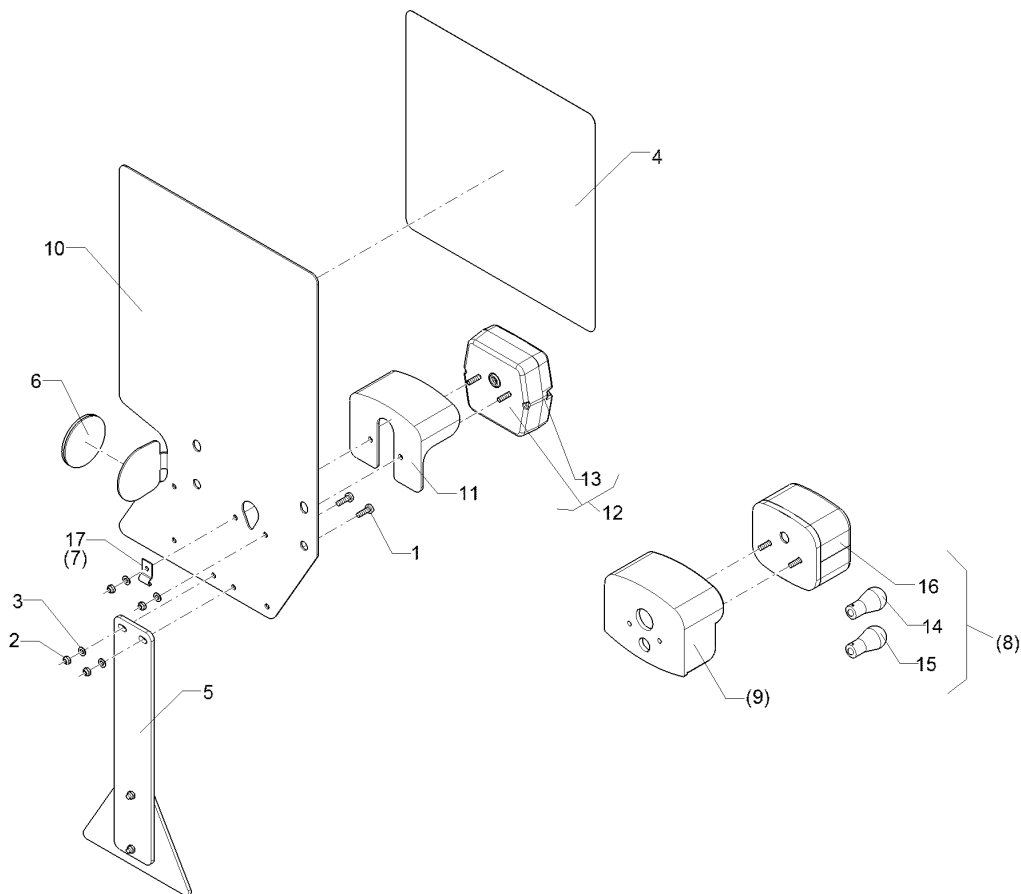
| Pos. | Art.Nr. | Stck. | Artikeltext / Description | | Abmessung |
|------|----------|-------|-----------------------------|-----------------------------|------------------------------|
| 1 | 321 9913 | 1 | Warntafel-Klebefolie | Bonding sheet-warning board | 282x282 TP-ESC-B 08225 LI |
| 2 | 321 9919 | 1 | Rückstrahler gelb selbstkl. | Self-adh. reflector, yellow | 6200GK |
| 3 | 470 1762 | 1 | Grundplatte | Basic plate | 2x296x414 RE |

| | |
|--------------------------------|-----------------|
| Warntafel/Warning board | 10 |
| Rubin 12/500 KUA (A) | 57010015 |



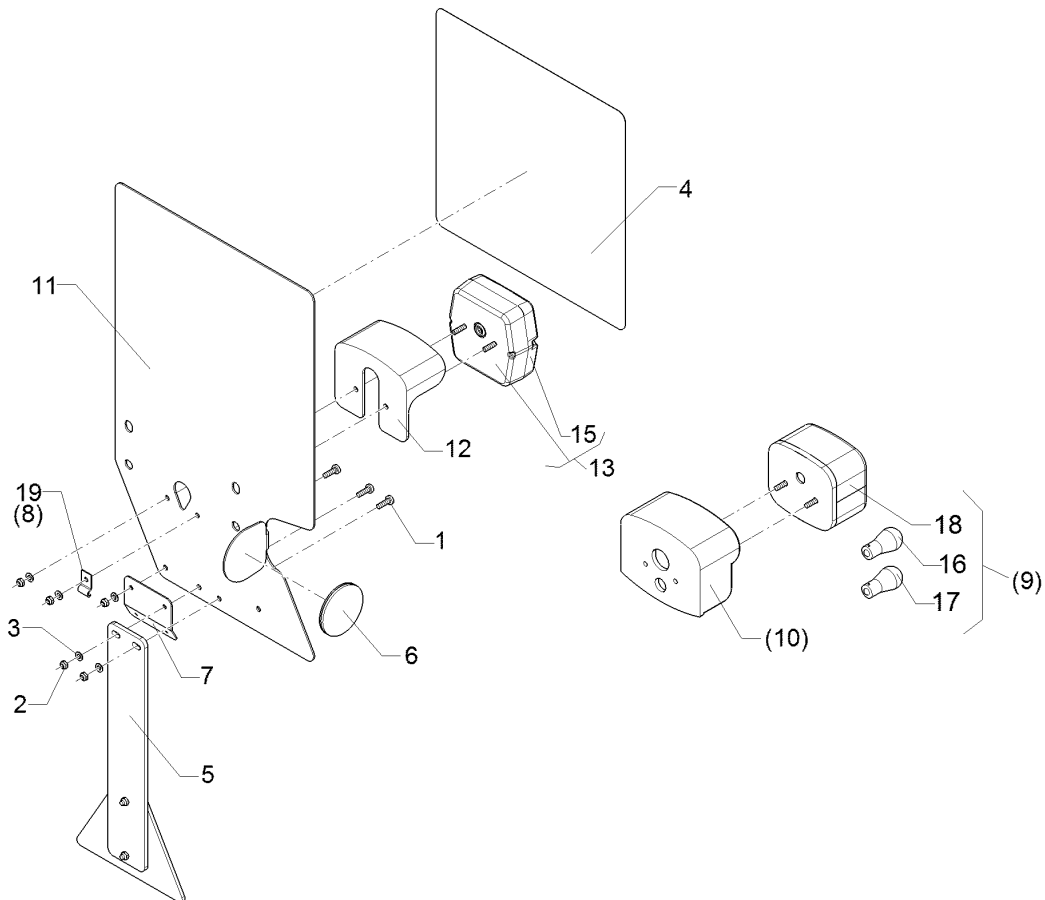
01.18

| Pos. | Art.Nr. | Stck. | Artikeltext / Description | | Abmessung |
|------|----------|-------|-----------------------------|-----------------------------|------------------------------|
| 1 | 321 9912 | 1 | Warntafel-Klebefolie | Bonding sheet-warning board | 282x282 TP-ESC-B 08225 RE |
| 2 | 321 9919 | 1 | Rückstrahler gelb selbstkl. | Self-adh. reflector, yellow | 6200GK |
| 3 | 470 1763 | 1 | Grundplatte | Basic plate | 2x296x414 LI |



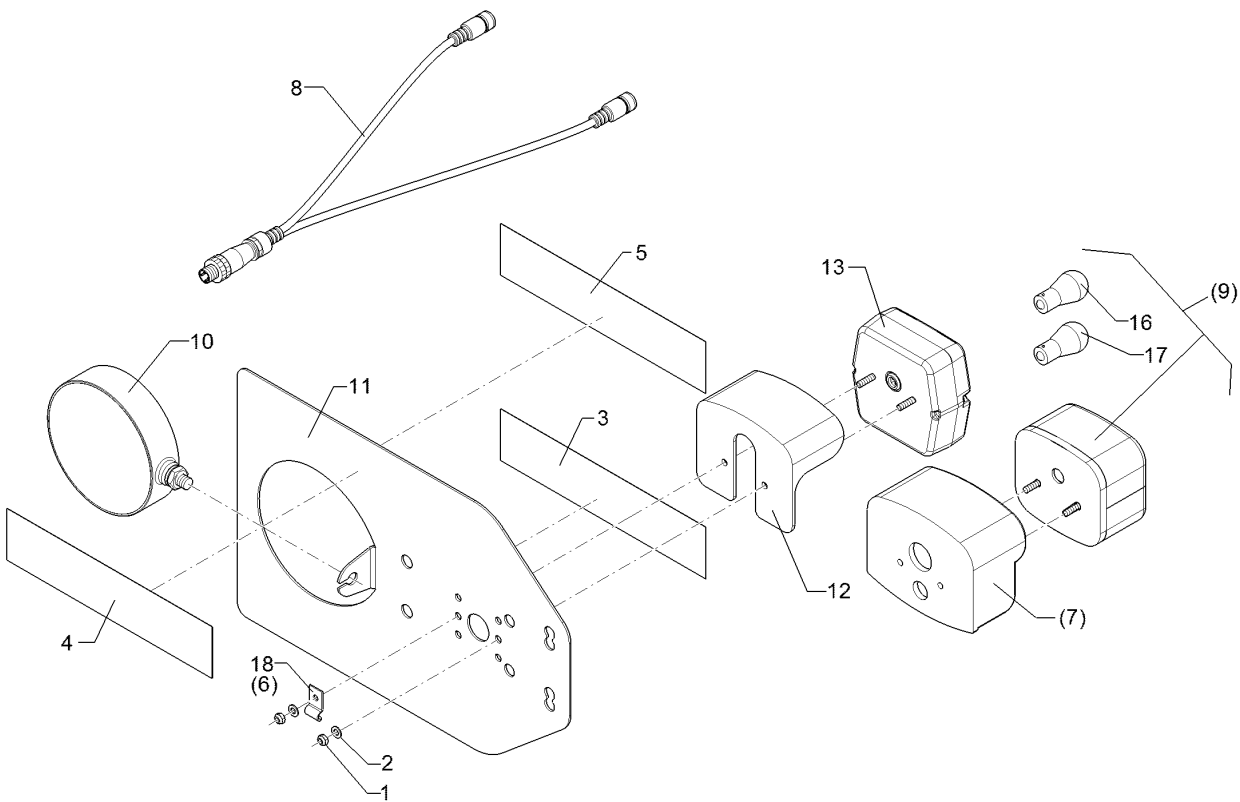
01.18

| Pos. | Art.Nr. | Stck. | Artikeltext / Description | | Abmessung |
|------|----------|-------|--------------------------------|-----------------------------|------------------------------|
| 1 | 30110003 | 2 | Linsenschraube | Oval head screw | M5x16-4,6 Zn DIN7985 |
| 2 | 303 0929 | 4 | Sicherungsmutter | Selflocking nut | NM5-8 Zn DIN985 |
| 3 | 305 8569 | 4 | Scheibe | Washer | 5,3 DIN125 Zn |
| 4 | 321 9912 | 1 | Warntafel-Klebefolie | Bonding sheet-warning board | 282x282 TP-ESC-B 08225 RE |
| 5 | 321 9914 | 1 | Rückstrahler rot m.Pendelhalt. | Reflector, red | - |
| 6 | 321 9919 | 1 | Rückstrahler gelb selbstkl. | Self-adh. reflector, yellow | 6200GK |
| 7 | 325 5142 | 1 | Schelle | Clamp | 96/8 |
| 8 | 373 3140 | 1 | Rückleuchte | Rear light | 95RGE0,1HD |
| 9 | 373 3801 | 1 | Schutzhaube hinten | Rear cover | SH95 |
| 10 | 470 1758 | 1 | Grundplatte | Basic plate | 2x296x478 RE 3Eck Zn |
| 11 | 373 3802 | 1 | Schutzhaube | Cover | VO SH86 |
| 12 | 37310126 | 1 | Rückleuchte | Rear light | Bl.Br.S. ML |
| 13 | 37310123 | 1 | Lichtscheibe | Light glas | BBS/BBSK |
| 14 | 373 1101 | 1 | Kugelbirnen | Lamp | 12V 10W Heavy Duty |
| 15 | 373 1102 | 2 | Kugelbirnen | Lamp | 12V 21W Heavy Duty |
| 16 | 373 3526 | 1 | Lichtscheibe | Light glas | RE E95 |
| 17 | 373 1157 | 1 | Kabelschelle | Cable clip | 6mm |



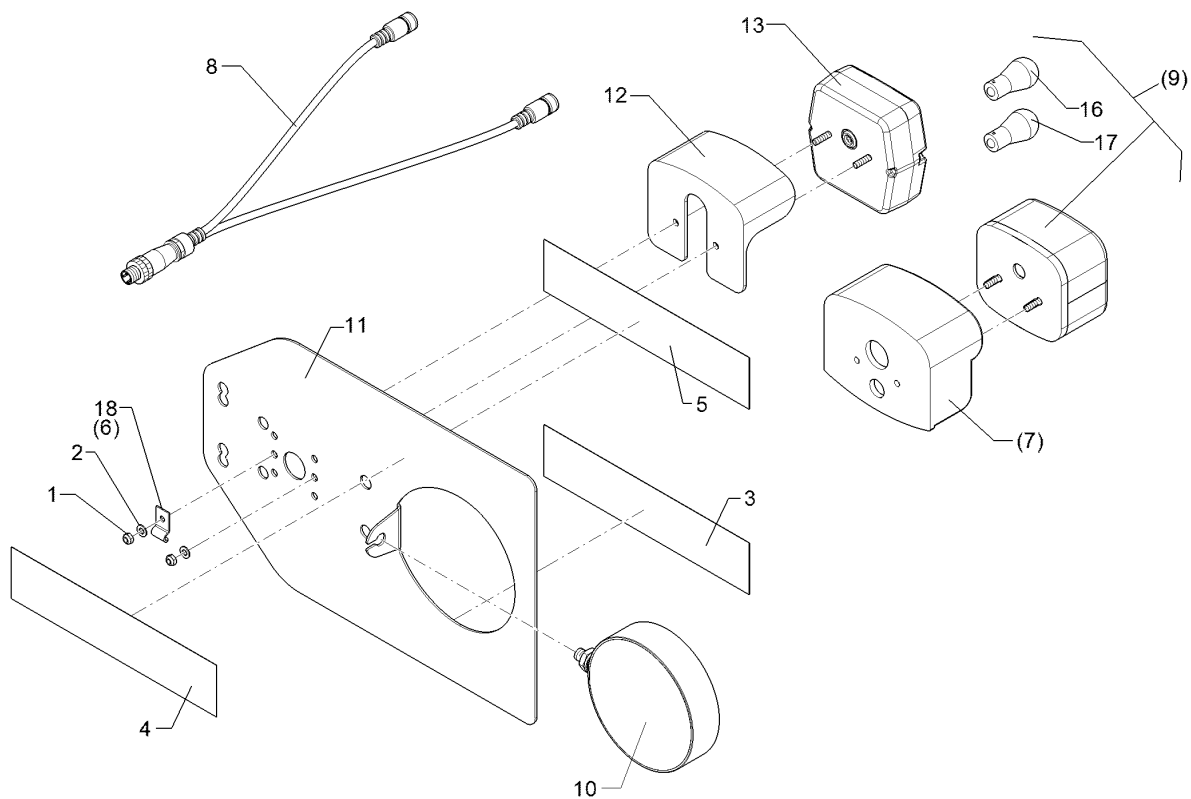
01.18

| Pos. | Art.Nr. | Stck. | Artikeltext / Description | | Abmessung |
|------|----------|-------|--------------------------------|-------------------------------|------------------------------|
| 1 | 30110003 | 3 | Linsenschraube | Oval head screw | M5x16-4,6 Zn DIN7985 |
| 2 | 303 0929 | 5 | Sicherungsmutter | Selflocking nut | NM5-8 Zn DIN985 |
| 3 | 305 8569 | 5 | Scheibe | Washer | 5,3 DIN125 Zn |
| 4 | 321 9913 | 1 | Warntafel-Klebefolie | Bonding sheet-warning board | 282x282 TP-ESC-B 08225 LI |
| 5 | 321 9914 | 1 | Rückstrahler rot m.Pendelhalt. | Reflector, red | - |
| 6 | 321 9919 | 1 | Rückstrahler gelb selbstkl. | Self-adh. reflector, yellow | 6200GK |
| 7 | 321 9987 | 1 | Kennzeichenhalter | Holder for registration plate | 1,5x58,9x70 GEB28° Zn |
| 8 | 325 5142 | 1 | Schelle | Clamp | 96/8 |
| 9 | 373 3141 | 1 | Rückleuchte | Rear light | 95KLGE0,1HD |
| 10 | 373 3801 | 1 | Schutzhaube hinten | Rear cover | SH95 |
| 11 | 470 1759 | 1 | Grundplatte | Basic plate | 2x296x478 LI 3Eck Zn |
| 12 | 373 3802 | 1 | Schutzhaube | Cover | VO SH86 |
| 13 | 37310127 | 1 | Rückleuchte | Rear light | Bl.Br.S.K. ML |
| 15 | 37310123 | 1 | Lichtscheibe | Light glas | BBS/BBSK |
| 16 | 373 1101 | 1 | Kugelbirnen | Lamp | 12V 10W Heavy Duty |
| 17 | 373 1102 | 2 | Kugelbirnen | Lamp | 12V 21W Heavy Duty |
| 18 | 373 3527 | 1 | Lichtscheibe | Light glas | LI EK95 |
| 19 | 373 1157 | 1 | Kabelschelle | Cable clip | 6mm |



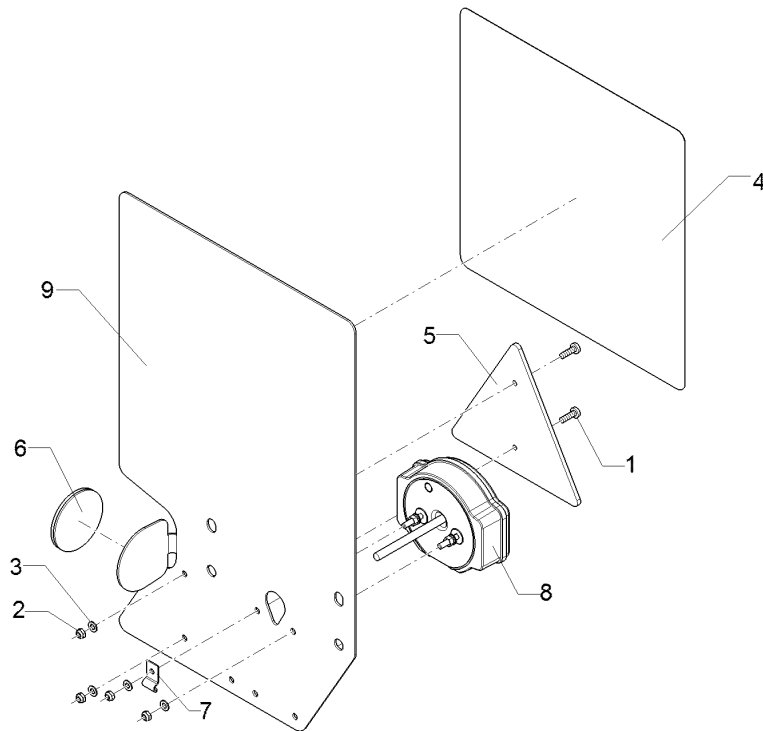
01.18

| Pos. | Art.Nr. | Stck. | Artikeltext / Description | | Abmessung |
|------|----------|-------|---------------------------|-----------------------------|----------------------|
| 1 | 303 0929 | 2 | Sicherungsmutter | Selflocking nut | NM5-8 Zn DIN985 |
| 2 | 305 8569 | 2 | Scheibe | Washer | 5,3 DIN125 Zn |
| 3 | 32110024 | 1 | Warnfolie | Warning sheet | 50x230 rot refl. |
| 4 | 32110025 | 1 | Warnfolie | Warning sheet | 50x230 gelb refl. |
| 5 | 32110026 | 1 | Warnfolie | Warning sheet | 50x230 orange fluor. |
| 6 | 325 5142 | 1 | Schelle | Clamp | 96/8 |
| 7 | 373 3801 | 1 | Schutzhaube hinten | Rear cover | SH95 |
| 8 | 37310030 | 1 | Grundkabel | Basic cable | 1x4pol. 2x4pol. RE |
| 9 | 37310067 | 1 | Brems-Schlussleuchte | Combined stop and tail lamp | BS95GE0,1HD |
| 10 | 37310069 | 1 | Warnblinklicht | Warning light | NE |
| 11 | 47010043 | 1 | Grundplatte | Basic plate | 2x240x372 Zn |
| 12 | 373 3802 | 1 | Schutzhaube | Cover | VO SH86 |
| 13 | 37310133 | 1 | Rückleuchte | Rear light | Br.S ML |
| 16 | 373 1101 | 1 | Kugelbirnen | Lamp | 12V 10W Heavy Duty |
| 17 | 373 1102 | 1 | Kugelbirnen | Lamp | 12V 21W Heavy Duty |
| 18 | 373 1157 | 1 | Kabelschelle | Cable clip | 6mm |



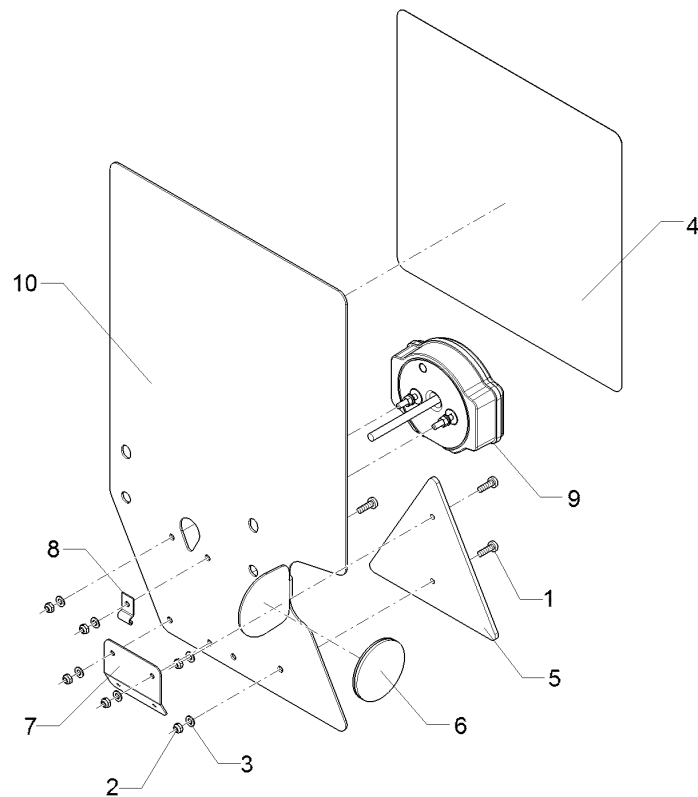
01.18

| Pos. | Art.Nr. | Stck. | Artikeltext / Description | | Abmessung |
|------|----------|-------|---------------------------|-----------------------------|----------------------|
| 1 | 303 0929 | 2 | Sicherungsmutter | Selflocking nut | NM5-8 Zn DIN985 |
| 2 | 305 8569 | 2 | Scheibe | Washer | 5,3 DIN125 Zn |
| 3 | 32110024 | 1 | Warnfolie | Warning sheet | 50x230 rot refl. |
| 4 | 32110025 | 1 | Warnfolie | Warning sheet | 50x230 gelb refl. |
| 5 | 32110026 | 1 | Warnfolie | Warning sheet | 50x230 orange fluor. |
| 6 | 325 5142 | 1 | Schelle | Clamp | 96/8 |
| 7 | 373 3801 | 1 | Schutzhaube hinten | Rear cover | SH95 |
| 8 | 37310031 | 1 | Grundkabel | Basic cable | 1x4pol. 2x4pol. LI |
| 9 | 37310067 | 1 | Brems-Schlussleuchte | Combined stop and tail lamp | BS95GE0,1HD |
| 10 | 37310069 | 1 | Warnblinklicht | Warning light | NE |
| 11 | 47010043 | 1 | Grundplatte | Basic plate | 2x240x372 Zn |
| 12 | 373 3802 | 1 | Schutzhaube | Cover | VO SH86 |
| 13 | 37310133 | 1 | Rückleuchte | Rear light | Br.S ML |
| 16 | 373 1101 | 1 | Kugelbirnen | Lamp | 12V 10W Heavy Duty |
| 17 | 373 1102 | 1 | Kugelbirnen | Lamp | 12V 21W Heavy Duty |
| 18 | 373 1157 | 1 | Kabelschelle | Cable clip | 6mm |



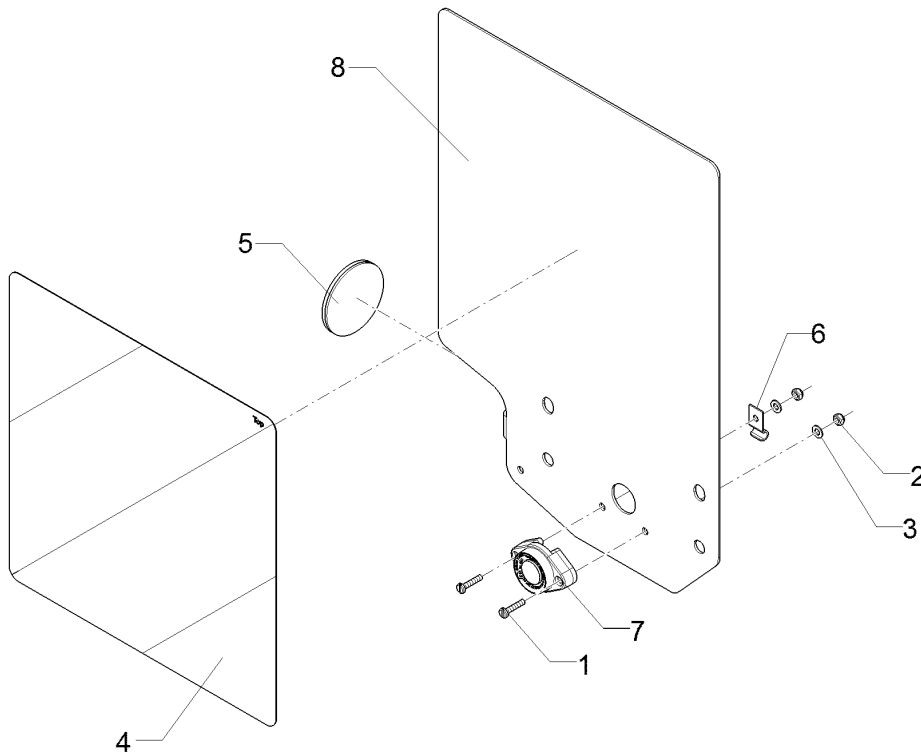
01.18

| Pos. | Art.Nr. | Stck. | Artikeltext / Description | | Abmessung |
|------|----------|-------|-----------------------------|-----------------------------|------------------------------|
| 1 | 30110003 | 2 | Linsenschraube | Oval head screw | M5x16-4,6 Zn DIN7985 |
| 2 | 303 0929 | 4 | Sicherungsmutter | Selflocking nut | NM5-8 Zn DIN985 |
| 3 | 305 8569 | 4 | Scheibe | Washer | 5,3 DIN125 Zn |
| 4 | 321 9912 | 1 | Warntafel-Klebefolie | Bonding sheet-warning board | 282x282 TP-ESC-B 08225 RE |
| 5 | 321 9931 | 1 | Rückstrahler dreieckig | Reflector | 177S |
| 6 | 321 9919 | 1 | Rückstrahler gelb selbstkl. | Self-adh. reflector, yellow | 6200GK |
| 7 | 373 1157 | 1 | Kabelschelle | Cable clip | 6mm |
| 8 | 37310212 | 1 | Rückleuchte | Rear light | Bl.Br.S LED ML RE |
| 9 | 470 1758 | 1 | Grundplatte | Basic plate | 2x296x478 RE 3Eck Zn |



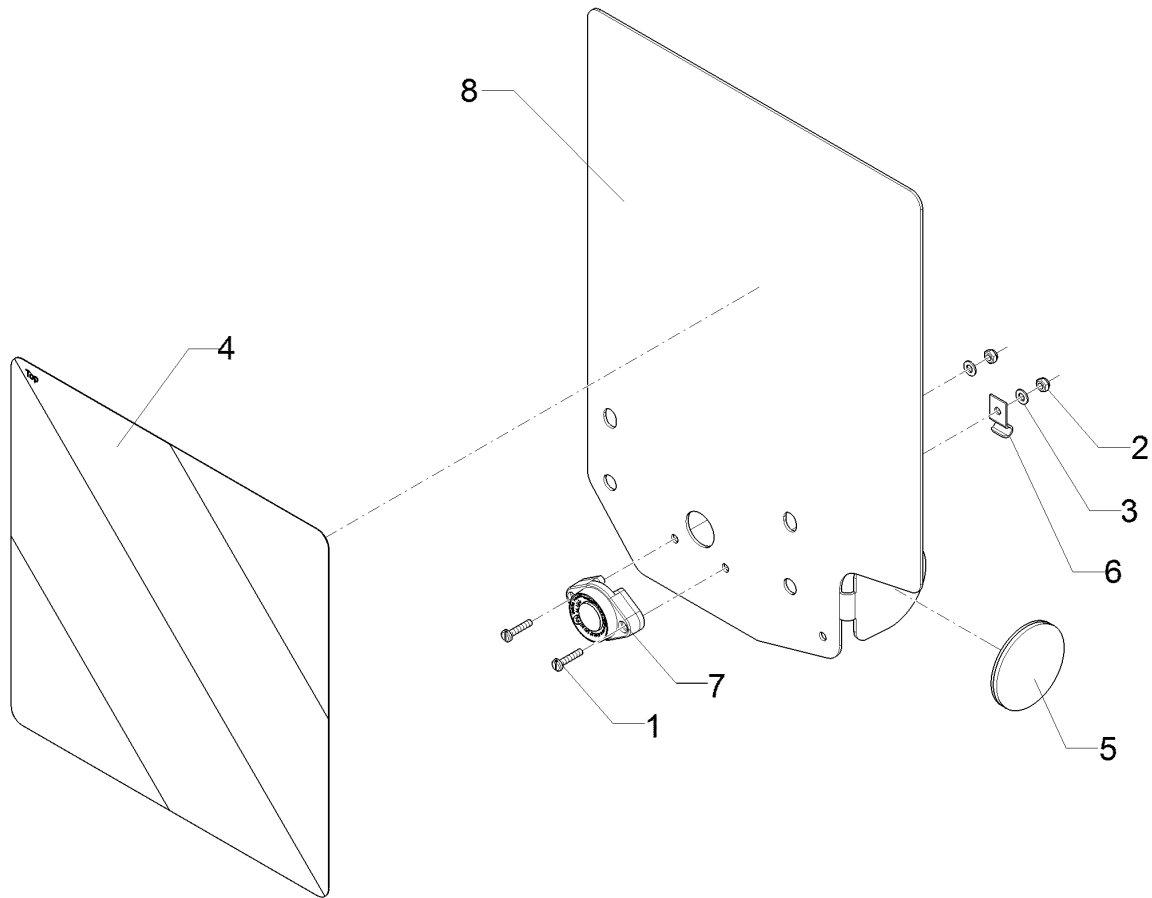
01.18

| Pos. | Art.Nr. | Stck. | Artikeltext / Description | | Abmessung |
|------|----------|-------|-----------------------------|-------------------------------|------------------------------|
| 1 | 30110003 | 4 | Linsenschraube | Oval head screw | M5x16-4,6 Zn DIN7985 |
| 2 | 303 0929 | 6 | Sicherungsmutter | Selflocking nut | NM5-8 Zn DIN985 |
| 3 | 305 8569 | 6 | Scheibe | Washer | 5,3 DIN125 Zn |
| 4 | 321 9913 | 1 | Warntafel-Klebefolie | Bonding sheet-warning board | 282x282 TP-ESC-B 08225 LI |
| 5 | 321 9931 | 1 | Rückstrahler dreieckig | Reflector | 177S |
| 6 | 321 9919 | 1 | Rückstrahler gelb selbstkl. | Self-adh. reflector, yellow | 6200GK |
| 7 | 321 9987 | 1 | Kennzeichenhalter | Holder for registration plate | 1,5x58,9x70 GEB28° Zn |
| 8 | 373 1157 | 1 | Kabelschelle | Cable clip | 6mm |
| 9 | 37310213 | 1 | Rückleuchte | Rear light | Bl.Br.S.K LED ML LI |
| 10 | 470 1759 | 1 | Grundplatte | Basic plate | 2x296x478 LI 3Eck Zn |



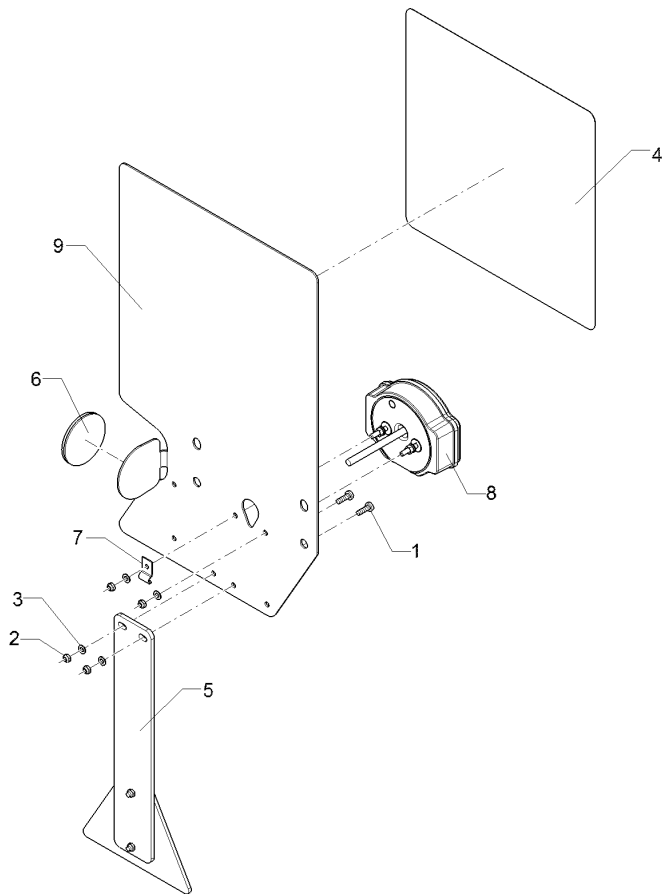
01.18

| Pos. | Art.Nr. | Stck. | Artikeltext / Description | | Abmessung |
|------|----------|-------|-----------------------------|-----------------------------|--|
| 1 | 301 0281 | 2 | Flachkopfschraube | Flatheaded bolt | M4x20-4.8 Zn DIN85 |
| 2 | 303 0928 | 2 | Sicherungsmutter | Selflocking nut | NM4-8 Zn DIN985 |
| 3 | 305 8567 | 2 | Scheibe | Washer | 4,3 DIN125 Zn |
| 4 | 321 9913 | 1 | Warntafel-Klebefolie | Bonding sheet-warning board | 282x282 TP-ESC-B 08225 LI 6200GK |
| 5 | 321 9919 | 1 | Rückstrahler gelb selbstkl. | Self-adh. reflector, yellow | 6200GK |
| 6 | 373 1157 | 1 | Kabelschelle | Cable clip | 6mm |
| 7 | 37310240 | 1 | Positionsleuchte | Position light | LED ML weiss |
| 8 | 470 1762 | 1 | Grundplatte | Basic plate | 2x296x414 RE |



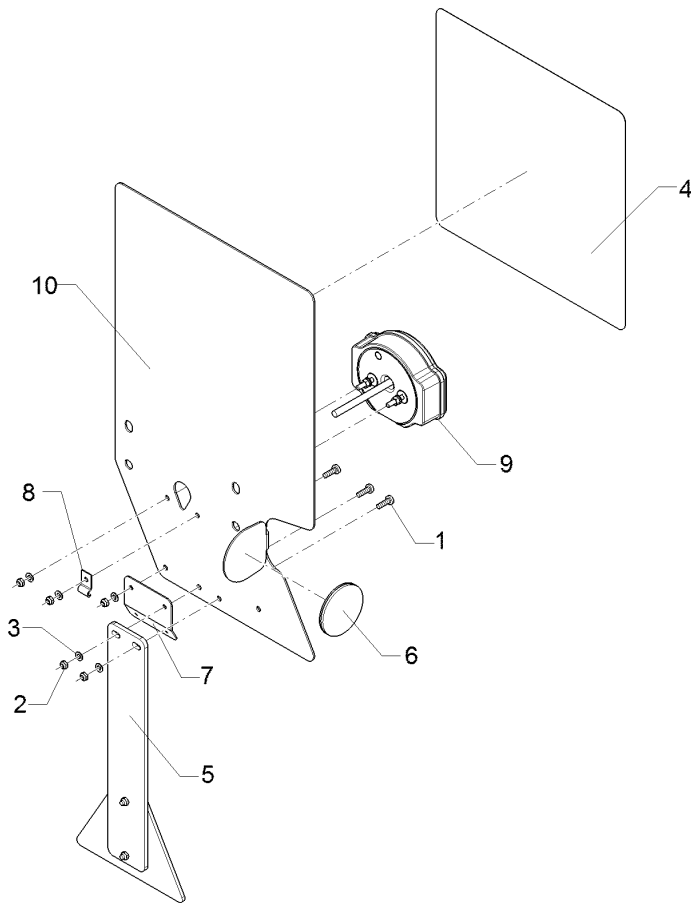
01.18

| Pos. | Art.Nr. | Stck. | Artikeltext / Description | | Abmessung |
|------|----------|-------|-----------------------------|-----------------------------|------------------------------|
| 1 | 301 0281 | 2 | Flachkopfschraube | Flatheaded bolt | M4x20-4.8 Zn DIN85 |
| 2 | 303 0928 | 2 | Sicherungsmutter | Selflocking nut | NM4-8 Zn DIN985 |
| 3 | 305 8567 | 2 | Scheibe | Washer | 4,3 DIN125 Zn |
| 4 | 321 9912 | 1 | Warntafel-Klebefolie | Bonding sheet-warning board | 282x282 TP-ESC-B 08225 RE |
| 5 | 321 9919 | 1 | Rückstrahler gelb selbstkl. | Self-adh. reflector, yellow | 6200GK |
| 6 | 373 1157 | 1 | Kabelschelle | Cable clip | 6mm |
| 7 | 37310240 | 1 | Positionsluchte | Position light | LED ML weiss |
| 8 | 470 1763 | 1 | Grundplatte | Basic plate | 2x296x414 LI |



01.18

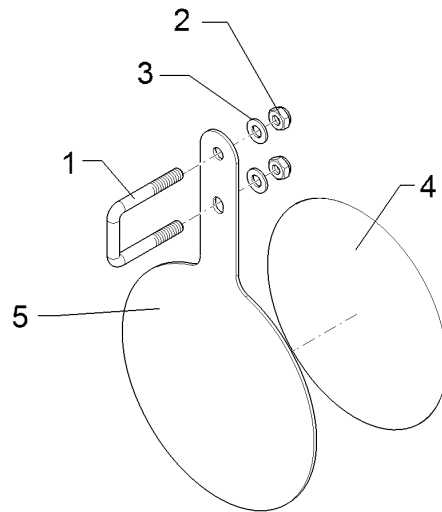
| Pos. | Art.Nr. | Stck. | Artikeltext / Description | | Abmessung |
|------|----------|-------|--------------------------------|-----------------------------|------------------------------|
| 1 | 30110003 | 2 | Linsenschraube | Oval head screw | M5x16-4,6 Zn DIN7985 |
| 2 | 303 0929 | 2 | Sicherungsmutter | Selflocking nut | NM5-8 Zn DIN985 |
| 3 | 305 8569 | 2 | Scheibe | Washer | 5,3 DIN125 Zn |
| 4 | 321 9912 | 1 | Warntafel-Klebefolie | Bonding sheet-warning board | 282x282 TP-ESC-B 08225 RE |
| 5 | 321 9914 | 1 | Rückstrahler rot m.Pendelhalt. | Reflector, red | - |
| 6 | 321 9919 | 1 | Rückstrahler gelb selbstkl. | Self-adh. reflector, yellow | 6200GK |
| 7 | 373 1157 | 1 | Kabelschelle | Cable clip | 6mm |
| 8 | 37310212 | 1 | Rückleuchte | Rear light | Bl.Br.S LED ML RE |
| 9 | 470 1758 | 1 | Grundplatte | Basic plate | 2x296x478 RE 3Eck Zn |



01.18

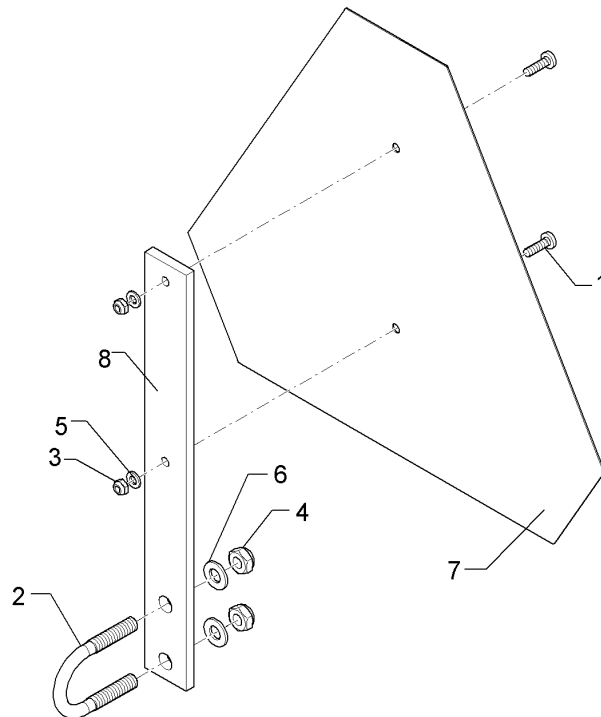
| Pos. | Art.Nr. | Stck. | Artikeltext / Description | | Abmessung |
|------|----------|-------|--------------------------------|-------------------------------|------------------------------|
| 1 | 30110003 | 3 | Linsenschraube | Oval head screw | M5x16-4,6 Zn DIN7985 |
| 2 | 303 0929 | 3 | Sicherungsmutter | Selflocking nut | NM5-8 Zn DIN985 |
| 3 | 305 8569 | 3 | Scheibe | Washer | 5,3 DIN125 Zn |
| 4 | 321 9913 | 1 | Warntafel-Klebefolie | Bonding sheet-warning board | 282x282 TP-ESC-B 08225 LI |
| 5 | 321 9914 | 1 | Rückstrahler rot m.Pendelhalt. | Reflector, red | - |
| 6 | 321 9919 | 1 | Rückstrahler gelb selbstkl. | Self-adh. reflector, yellow | 6200GK |
| 7 | 321 9987 | 1 | Kennzeichenhalter | Holder for registration plate | 1,5x58,9x70 GEB28° Zn |
| 8 | 373 1157 | 1 | Kabelschelle | Cable clip | 6mm |
| 9 | 37310213 | 1 | Rückleuchte | Rear light | Bl.Br.S.K LED ML LI |
| 10 | 470 1759 | 1 | Grundplatte | Basic plate | 2x296x478 LI 3Eck Zn |

| | |
|-----------------------------|-----------------|
| Schild/Board | 10 |
| Rubin 12/500 KUA (A) | 670 0648 |



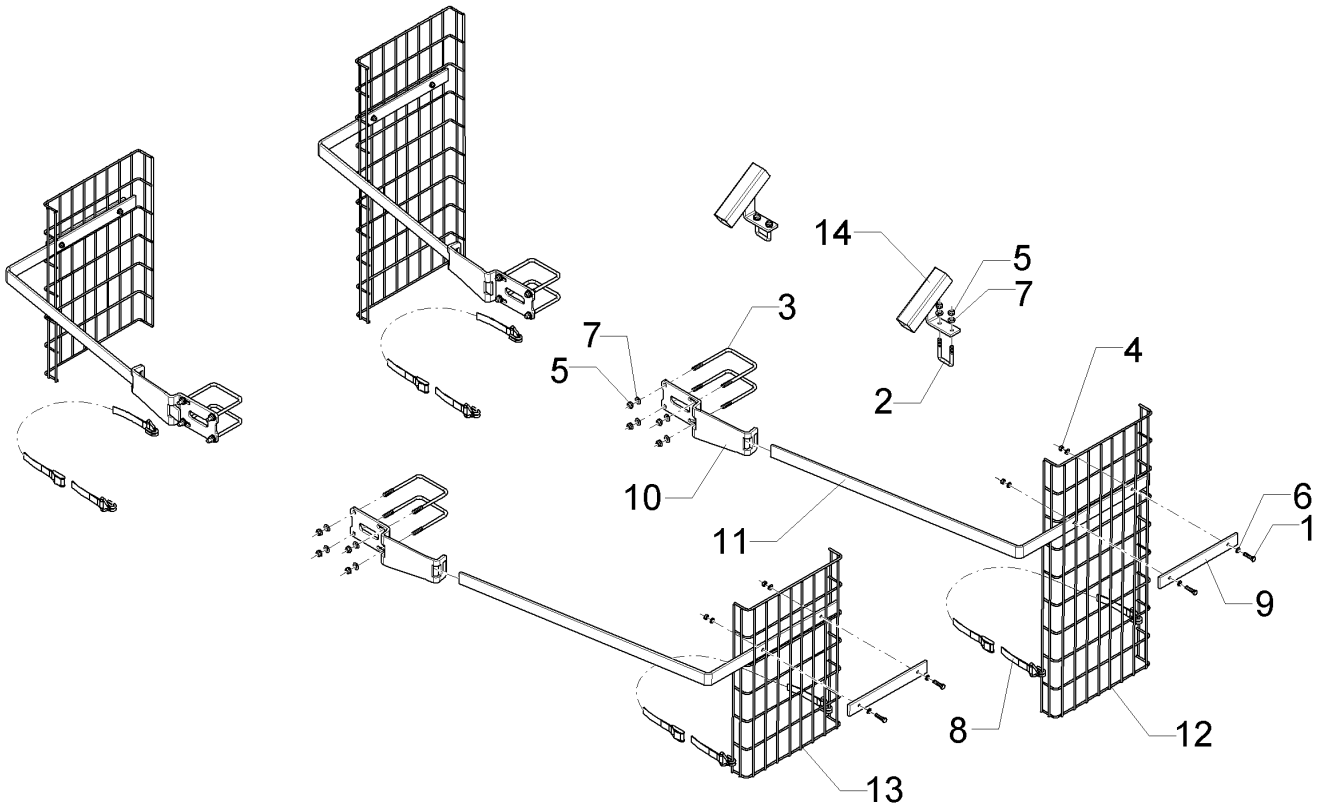
01.18

| Pos. | Art.Nr. | Stck. | Artikeltext / Description | | Abmessung |
|------|----------|-------|---------------------------|-----------------|--------------------|
| 1 | 301 7784 | 1 | Bügelsschraube | U-bolt | M10x41x70 Zn |
| 2 | 303 0933 | 2 | Sicherungsmutter | Selflocking nut | NM10-8 DIN985 Zn |
| 3 | 305 8696 | 2 | Scheibe | Washer | A10,5 DIN125-St Zn |
| 4 | 390 0647 | 1 | Aufkleber | Label | 25 D200 |
| 5 | 470 1729 | 1 | Grundplatte | Basic plate | 3x215x354 |



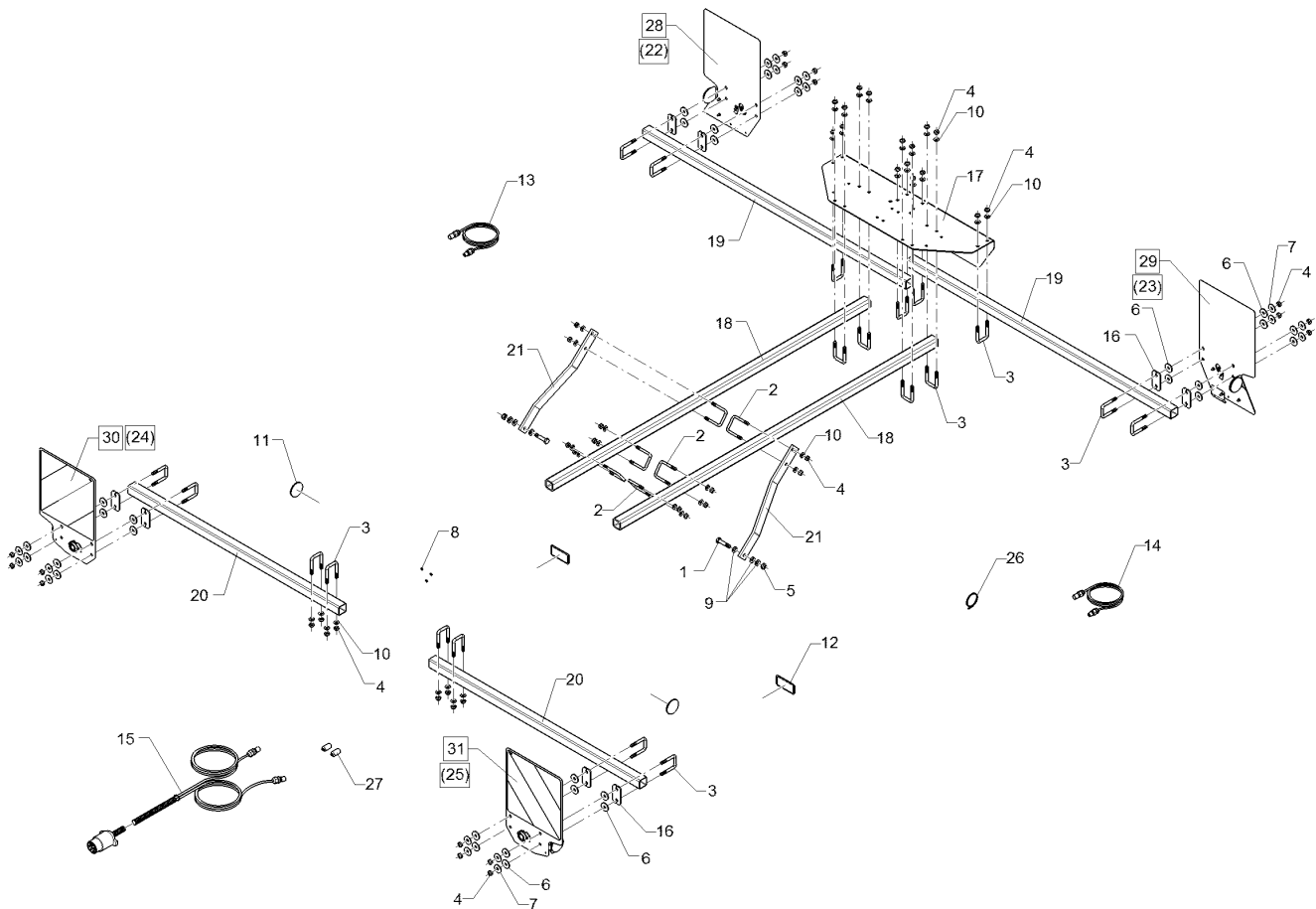
01.18

| Pos. | Art.Nr. | Stck. | Artikeltext / Description | | Abmessung |
|------|----------|-------|--------------------------------|-----------------|--------------------------|
| 1 | 301 0301 | 2 | Linsenschraube | Oval head screw | M6x20-4,6 Zn DIN7985 |
| 2 | 301 7781 | 1 | Bügelschraube | U-bolt | M10x48x76 Zn DIN3570A |
| 3 | 303 0931 | 2 | Sicherungsmutter | Selflocking nut | NM6-8 Zn DIN985 |
| 4 | 303 0933 | 2 | Sicherungsmutter | Selflocking nut | NM10-8 DIN985 Zn |
| 5 | 305 8571 | 2 | Scheibe | Washer | 6,4 DIN125-A Zn |
| 6 | 305 8696 | 2 | Scheibe | Washer | A10,5 DIN125-St Zn |
| 7 | 32110016 | 1 | Schild langsamfahrend.Fahrzeug | Board | WT 69 |
| 8 | 47010044 | 1 | Flach | Flat steel | 40x8x350 2xD12,5 2xD7 |



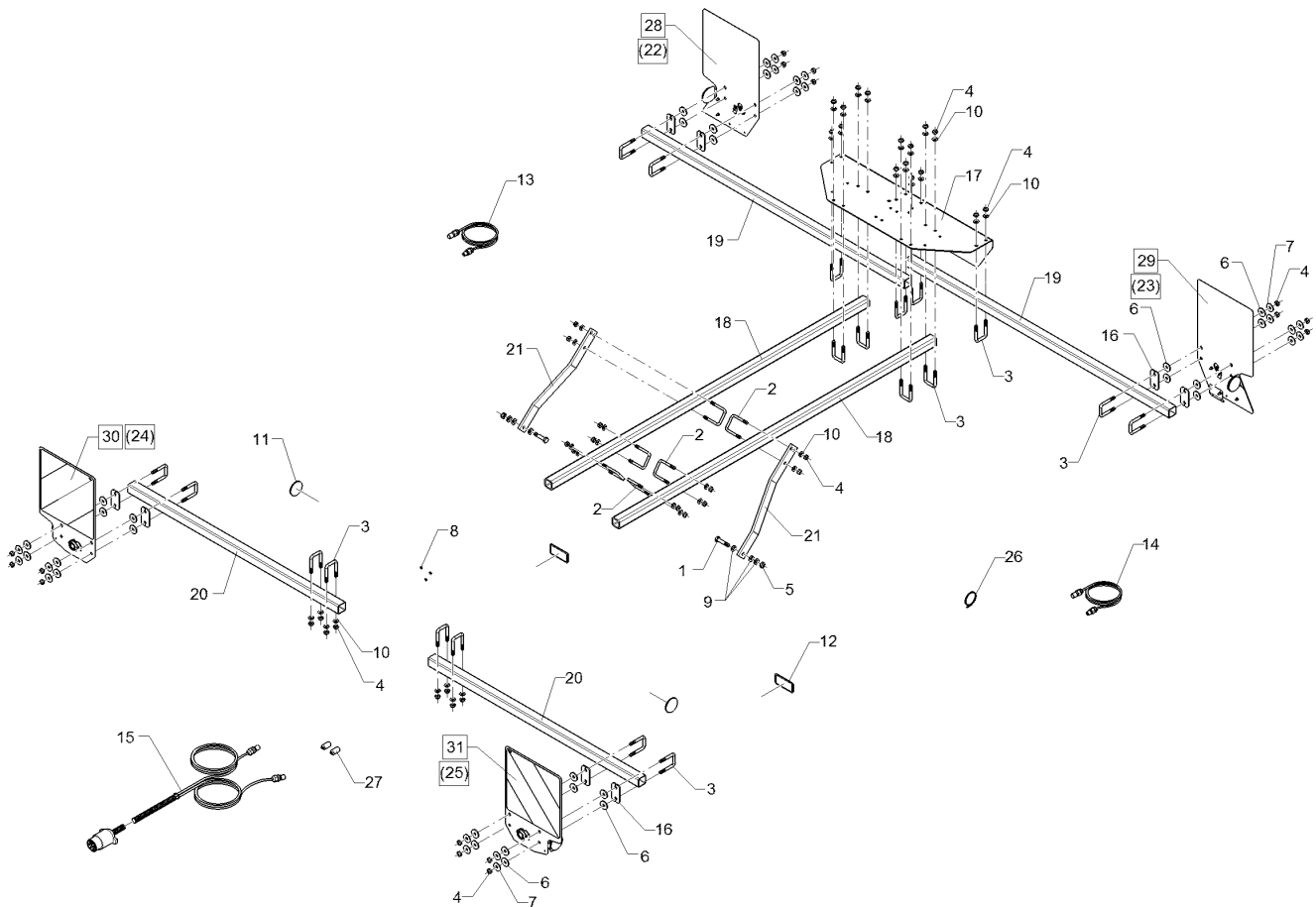
01.18

| Pos. | Art.Nr. | Stck. | Artikeltext / Description | | Abmessung |
|------|----------|-------|---------------------------|--------------------|------------------------------|
| 1 | 301 3068 | 8 | Sechskantschraube | Hexagon bolt | M8x35-8.8 Zn DIN933 |
| 2 | 301 7784 | 2 | Bügelsschraube | U-bolt | M10x41x70 Zn |
| 3 | 30110073 | 8 | Bügelsschraube | U-bolt | M10/110/150 Zn |
| 4 | 303 0932 | 8 | Sicherungsmutter | Selflocking nut | NM8-8 Zn DIN985 |
| 5 | 303 0933 | 20 | Sicherungsmutter | Selflocking nut | NM10-8 DIN985 Zn |
| 6 | 305 8694 | 16 | Scheibe | Washer | A8,4 DIN125-St Zn |
| 7 | 305 8696 | 20 | Scheibe | Washer | A10,5 DIN125-St Zn |
| 8 | 331 4902 | 4 | Zurrgrurt mit Haken | Lashing strap | 0,5/0,9m reine Bandlaenge |
| 9 | 470 5083 | 4 | Flach | Flat steel | 40x8x340 2xD8,5 |
| 10 | 47010082 | 4 | Halter | Holder | 8x100x417 3xGEB |
| 11 | 47010083 | 4 | Flacheisen | Flat steel | 40x8x1409 GEB80GRD |
| 12 | 47010084 | 2 | Schutzgitter | Protective grating | 2xD8,5-220 400x50x905 |
| 13 | 47010085 | 2 | Schutzgitter | Protective grating | D5/50x100 400x50x605 |
| 14 | 47010087 | 2 | Halter | Holder | D5/50x100 50x50x190 |



01.18

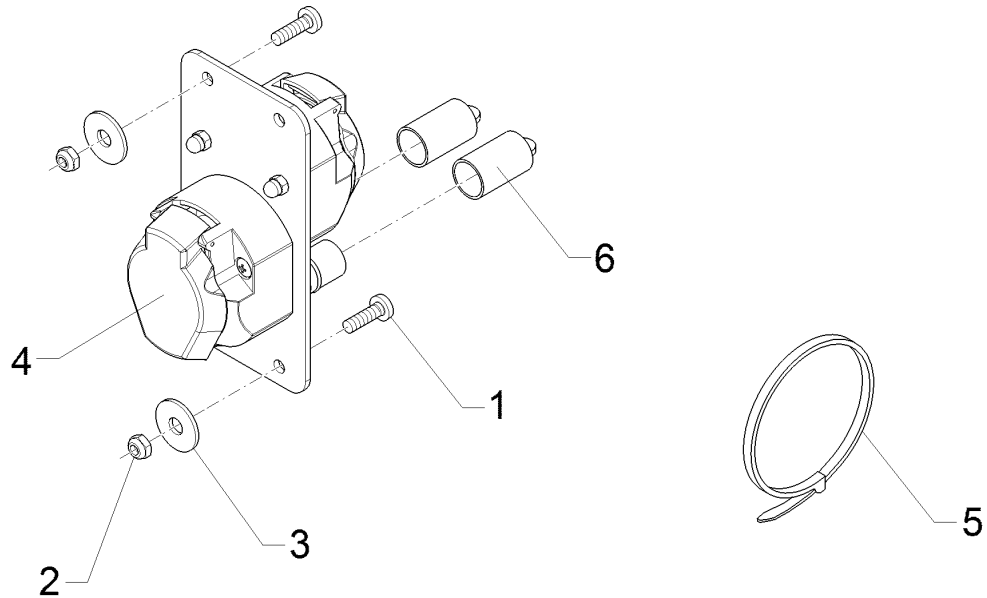
| Pos. | Art.Nr. | Stck. | Artikeltext / Description | | Abmessung |
|------|----------|-------|-----------------------------|-----------------------------|--------------------------|
| 1 | 301 3384 | 2 | Sechskantschraube spz. | Hexagon bolt | M12x55-10.9 Zn |
| 2 | 301 7761 | 6 | Bügelschraube | U-bolt | M10x51/73 Zn |
| 3 | 301 7784 | 20 | Bügelschraube | U-bolt | M10x41x70 Zn |
| 4 | 303 0933 | 52 | Sicherungsmutter | Selflocking nut | NM10-8 DIN985 Zn |
| 5 | 303 0934 | 2 | Sicherungsmutter | Selflocking nut | NM12-8 Zn DIN985 |
| 6 | 305 6129 | 32 | Scheibe | Washer | D11/35x4 PU |
| 7 | 305 6976 | 16 | Scheibe | Washer | R11/34x3 DIN440-St Zn |
| 8 | 305 8569 | 3 | Scheibe | Washer | 5,3 DIN125 Zn |
| 9 | 305 8580 | 6 | Scheibe | Washer | 13/24x2,5 St-Zn DIN125 |
| 10 | 305 8696 | 36 | Scheibe | Washer | A10,5 DIN125-St Zn |
| 11 | 321 9919 | 2 | Rückstrahler gelb selbstkl. | Self-adh. reflector, yellow | 6200GK |
| 12 | 32110010 | 2 | Rückstrahler rot | Reflector, red | 94x44 |
| 13 | 373 4262 | 1 | Kabel | Cable | gr 4x0,75x2500 |
| 14 | 373 4263 | 1 | Kabel | Cable | ye 4x0,75x2500 |
| 15 | 37310048 | 1 | Grundkabel | Basic cable | 1x7pol 2x4pol 9/6,5m SAE |
| 16 | 470 1776 | 8 | Klemmplatte | Clamping plate | 6x40x80 2x11-48/52 Zn |
| 17 | 47010070 | 1 | Halter | Holder | 4x420x800 GEB90GRD |
| 18 | 47010071 | 2 | Tragrohr | Carrier tube | 40x40x5x1690 |
| 19 | 47010072 | 2 | Tragrohr | Carrier tube | 40x40x2,9x1400 |
| 20 | 47010073 | 2 | Tragrohr | Carrier tube | 40x40x2,9x1120 |



01.18

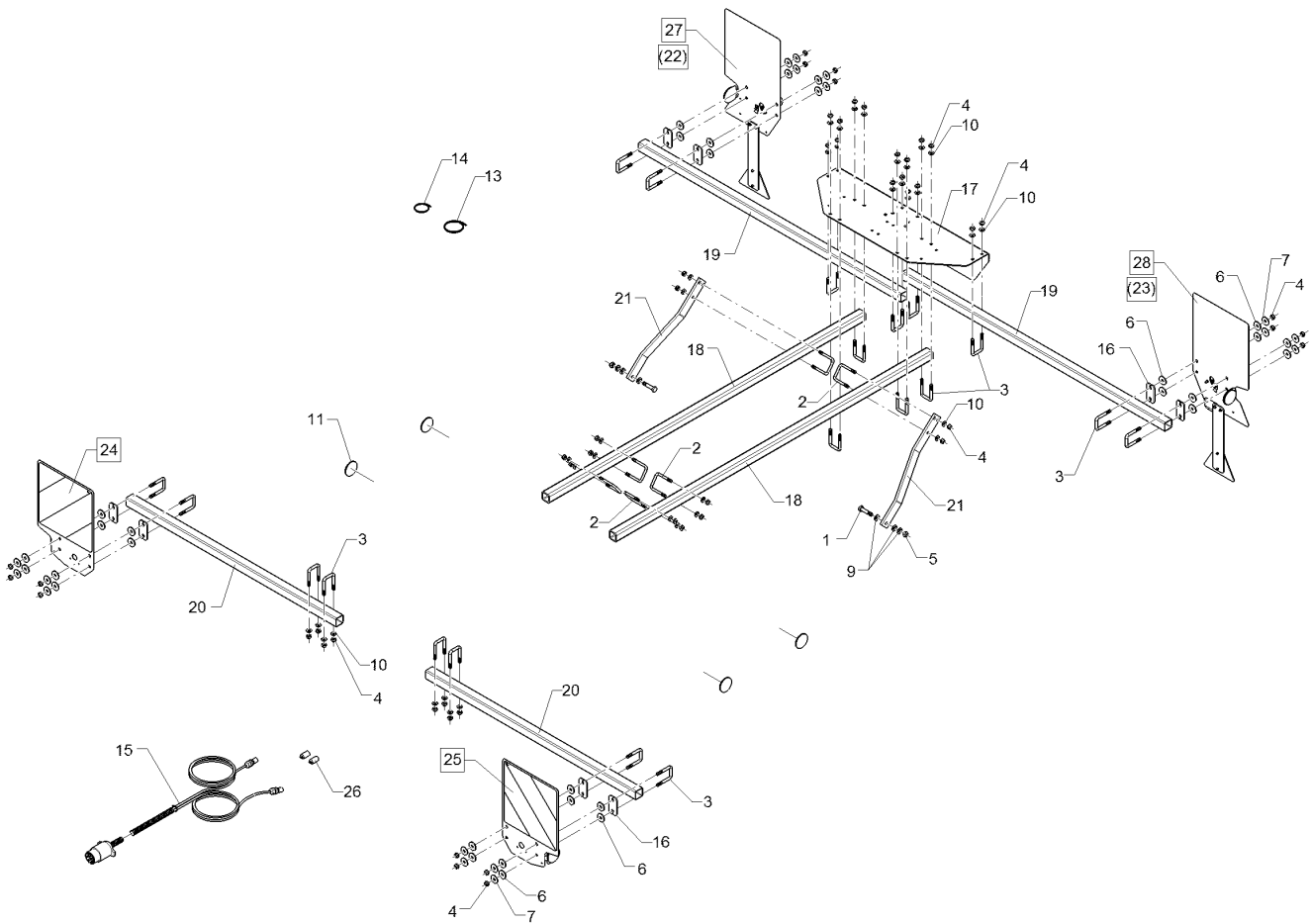
| Pos. | Art.Nr. | Stck. | Artikeltext / Description | | Abmessung |
|------|----------|-------|---------------------------|---------------|------------------|
| 21 | 47010134 | 2 | Halter | Holder | 40x10x470 GEK14° |
| 22 | 570 1758 | 1 | Beleuchtungseinheit | Lighting unit | 3eck HI RE |
| 23 | 570 1759 | 1 | Beleuchtungseinheit | Lighting unit | 3eck HI LI |
| 24 | 570 1762 | 1 | Beleuchtungseinheit | Lighting unit | 2x296x414 VO RE |
| 25 | 570 1763 | 1 | Beleuchtungseinheit | Lighting unit | 2x296x414 VO LI |
| 26 | 32510007 | 1 | Einlochkabelbinder | Clip | 7,6x375 |
| 27 | 373 2024 | 2 | Blindstopfen | Blind plug | KAPPEGE |
| 28 | 57010100 | 1 | Beleuchtungseinheit | Lighting unit | 3eck HI RE |
| 29 | 57010101 | 1 | Beleuchtungseinheit | Lighting unit | 3eck HI LI |
| 30 | 57010102 | 1 | Beleuchtungseinheit | Lighting unit | 2x296x414 VO RE |
| 31 | 57010103 | 1 | Beleuchtungseinheit | Lighting unit | 2x296x414 VO LI |

| | |
|-----------------------------------|-----------------|
| Verteilerdose/Junction box | 10 |
| Rubin 12/500 KUA (A) | 67010194 |



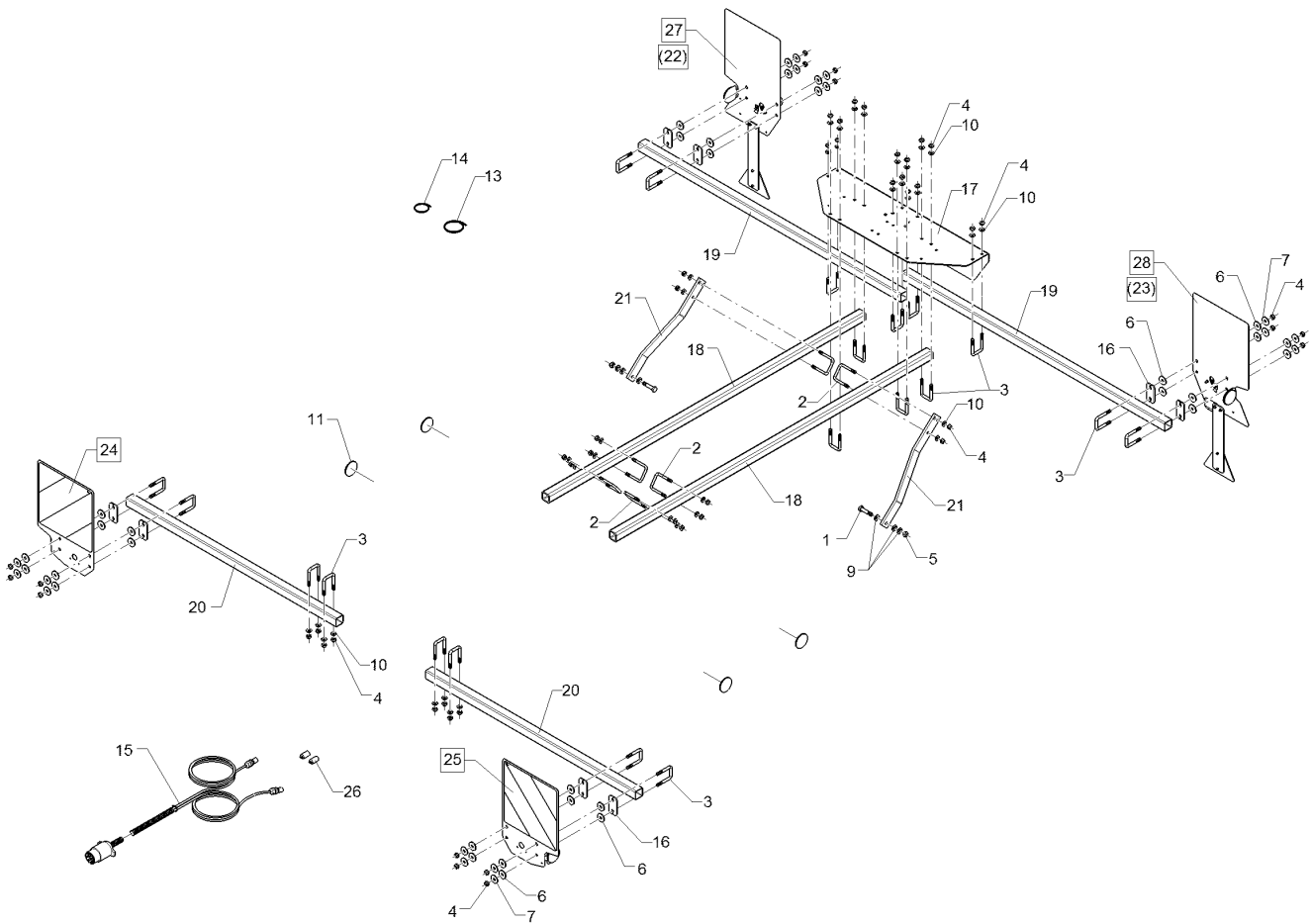
01.18

| Pos. | Art.Nr. | Stck. | Artikeltext / Description | | Abmessung |
|------|----------|-------|---------------------------|-----------------|---------------------------|
| 1 | 301 0301 | 2 | Linsenschraube | Oval head screw | M6x20-4,6 Zn DIN7985 |
| 2 | 303 0931 | 2 | Sicherungsmutter | Selflocking nut | NM6-8 Zn DIN985 |
| 3 | 305 6124 | 2 | Scheibe | Washer | 8,4/25x2 DIN9021-St Zn |
| 4 | 373 2025 | 1 | Verteilerdose | Junction box | DISCON7/7/2 |
| 5 | 325 1330 | 1 | Kabelbinder | Cable clip | 7,6x365 |
| 6 | 373 2024 | 2 | Blindstopfen | Blind plug | KAPPEGE |



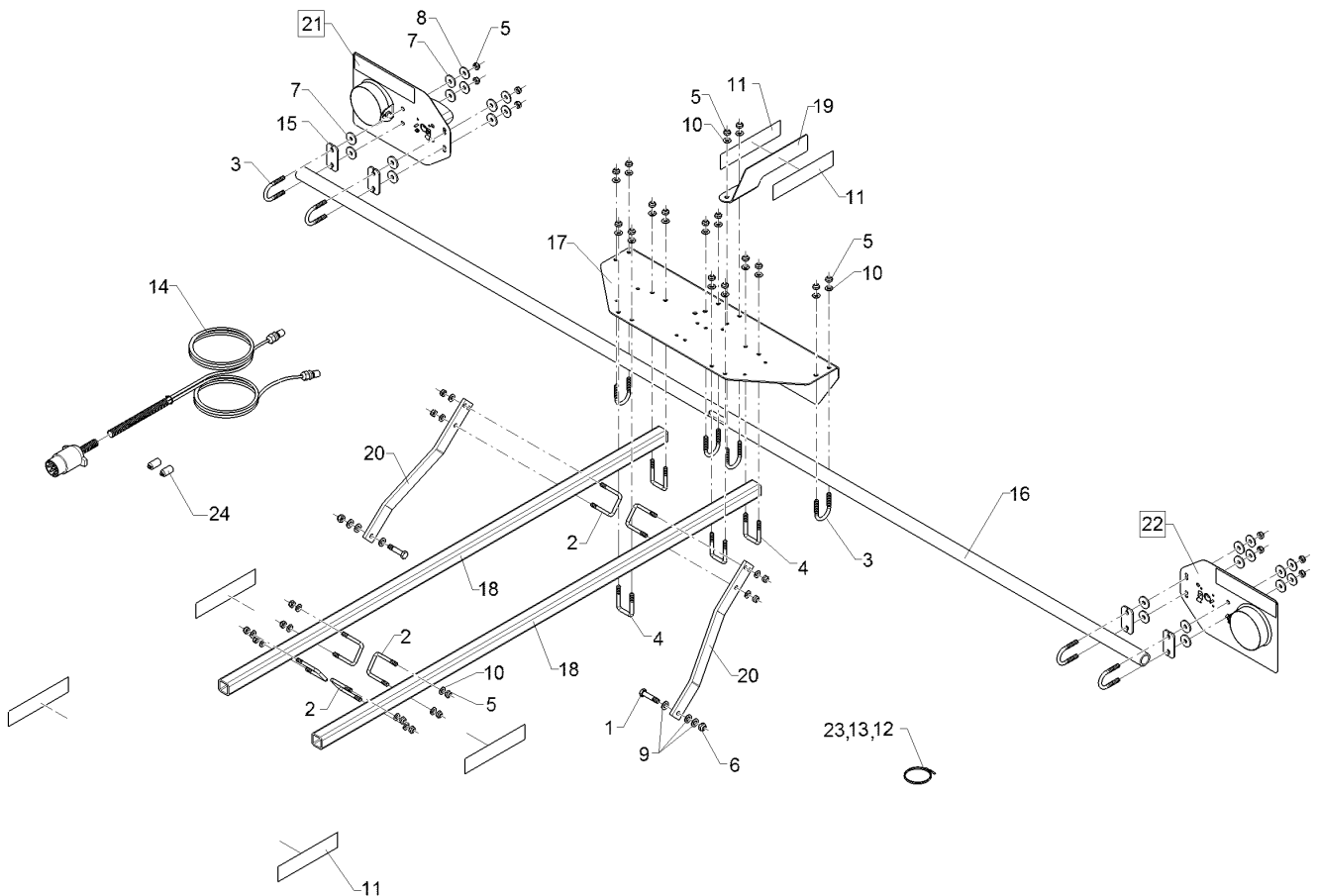
01.18

| Pos. | Art.Nr. | Stck. | Artikeltext / Description | | Abmessung |
|------|----------|-------|-----------------------------|-----------------------------|-----------------------------|
| 1 | 301 3384 | 2 | Sechskantschraube spz. | Hexagon bolt | M12x55-10.9 Zn |
| 2 | 301 7761 | 6 | Bügelsschraube | U-bolt | M10x51/73 Zn |
| 3 | 301 7784 | 20 | Bügelsschraube | U-bolt | M10x41x70 Zn |
| 4 | 303 0933 | 52 | Sicherungsmutter | Selflocking nut | NM10-8 DIN985 Zn |
| 5 | 303 0934 | 2 | Sicherungsmutter | Selflocking nut | NM12-8 Zn DIN985 |
| 6 | 305 6129 | 32 | Scheibe | Washer | D11/35x4 PU |
| 7 | 305 6976 | 16 | Scheibe | Washer | R11/34x3 DIN440-St Zn |
| 9 | 305 8580 | 6 | Scheibe | Washer | 13/24x2,5 St-Zn DIN125 |
| 10 | 305 8696 | 36 | Scheibe | Washer | A10,5 DIN125-St Zn |
| 11 | 321 9919 | 4 | Rückstrahler gelb selbstkl. | Self-adh. reflector, yellow | 6200GK |
| 13 | 325 1255 | 10 | Kabelbinder | Cable clip | 465x7,8mm T120M |
| 14 | 325 1330 | 10 | Kabelbinder | Cable clip | 7,6x365 |
| 15 | 37310048 | 1 | Grundkabel | Basic cable | 1x7pol 2x4pol 9/6,5m SAE |
| 16 | 470 1776 | 8 | Klemmplatte | Clamping plate | 6x40x80 2x11-48/52 Zn |
| 17 | 47010070 | 1 | Halter | Holder | 4x420x800 GEB90GRD |
| 18 | 47010071 | 2 | Tragrohr | Carrier tube | 40x40x5x1690 |
| 19 | 47010072 | 2 | Tragrohr | Carrier tube | 40x40x2,9x1400 |
| 20 | 47010073 | 2 | Tragrohr | Carrier tube | 40x40x2,9x1120 |
| 21 | 47010134 | 2 | Halter | Holder | 40x10x470 GEK14° |
| 22 | 57010016 | 1 | Beleuchtungseinheit | Lighting unit | 3eck Pendel HI RE |



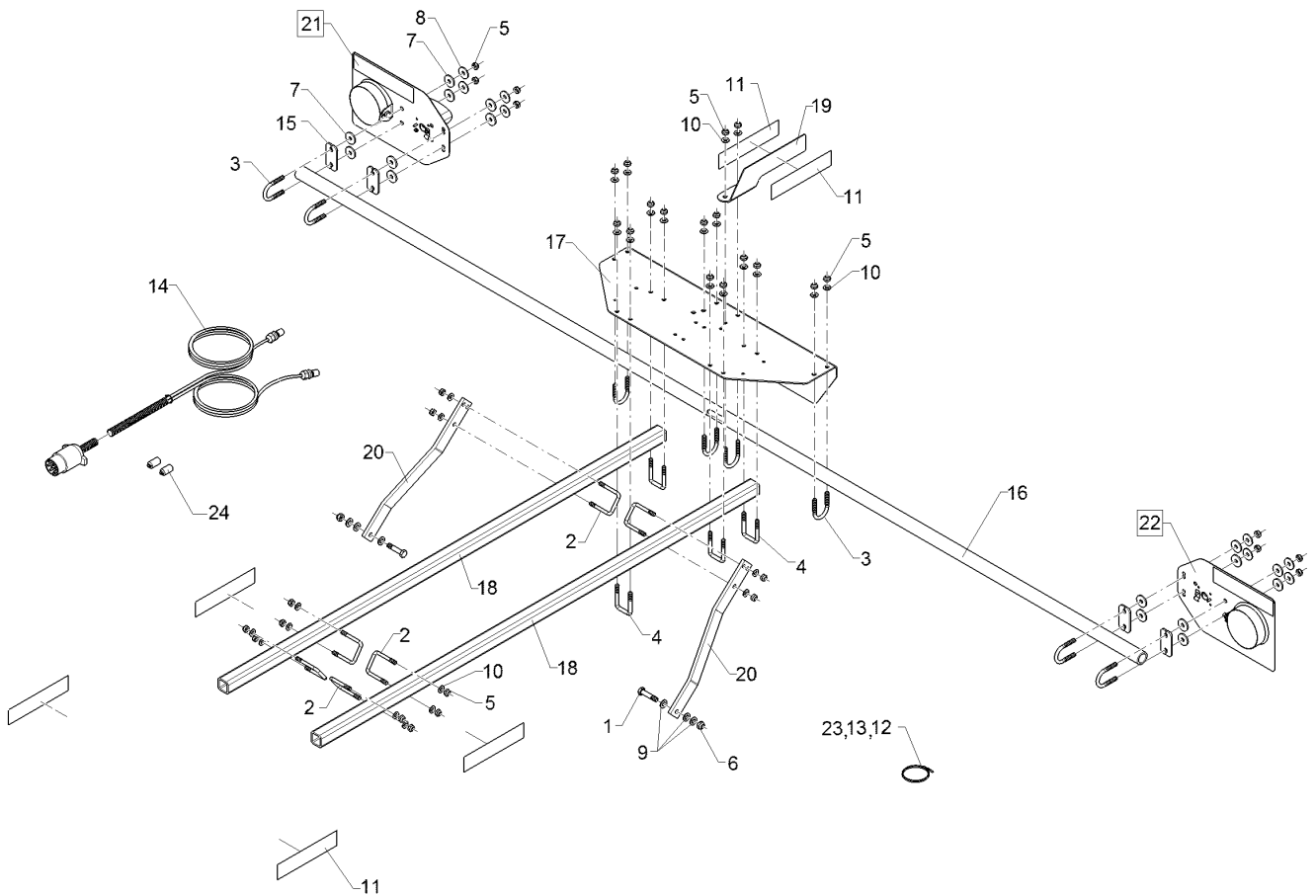
01.18

| Pos. | Art.Nr. | Stck. | Artikeltext / Description | | Abmessung |
|------|----------|-------|---------------------------|---------------|-------------------|
| 23 | 57010017 | 1 | Beleuchtungseinheit | Lighting unit | 3eck Pendel HI LI |
| 24 | 57010014 | 1 | Warntafel | Warning board | 2x296x414VO RE |
| 25 | 57010015 | 1 | Warntafel | Warning board | 2x296x414VO LI |
| 26 | 373 2024 | 2 | Blindstopfen | Blind plug | KAPPEGE |
| 27 | 57010108 | 1 | Beleuchtungseinheit | Lighting unit | 3eck Pendel HI RE |
| 28 | 57010109 | 1 | Beleuchtungseinheit | Lighting unit | 3eck Pendel HI LI |



01.18

| Pos. | Art.Nr. | Stck. | Artikeltext / Description | | Abmessung |
|------|----------|-------|---------------------------|-----------------|-----------------------------|
| 1 | 301 3384 | 2 | Sechskantschraube spz. | Hexagon bolt | M12x55-10.9 Zn |
| 2 | 301 7761 | 6 | Bügelsschraube | U-bolt | M10x51/73 Zn |
| 3 | 301 7781 | 8 | Bügelsschraube | U-bolt | M10x48x76 Zn DIN3570A |
| 4 | 301 7784 | 4 | Bügelsschraube | U-bolt | M10x41x70 Zn |
| 5 | 303 0933 | 36 | Sicherungsmutter | Selflocking nut | NM10-8 DIN985 Zn |
| 6 | 303 0934 | 2 | Sicherungsmutter | Selflocking nut | NM12-8 Zn DIN985 |
| 7 | 305 6129 | 16 | Scheibe | Washer | D11/35x4 PU |
| 8 | 305 6976 | 8 | Scheibe | Washer | R11/34x3 DIN440-St Zn |
| 9 | 305 8580 | 6 | Scheibe | Washer | 13/24x2,5 St-Zn DIN125 |
| 10 | 305 8696 | 28 | Scheibe | Washer | A10,5 DIN125-St Zn |
| 11 | 32110025 | 6 | Warnfolie | Warning sheet | 50x230 gelb refl. |
| 12 | 325 1255 | 10 | Kabelbinder | Cable clip | 465x7,8mm T120M |
| 13 | 325 1330 | 10 | Kabelbinder | Cable clip | 7,6x365 |
| 14 | 37310048 | 1 | Grundkabel | Basic cable | 1x7pol 2x4pol 9/6,5m SAE |
| 15 | 470 1776 | 4 | Klemmplatte | Clamping plate | 6x40x80 2x11-48/52 Zn |
| 16 | 47010047 | 1 | Rohr | Tube | D38x5x3250 1xD25x75 |
| 17 | 47010070 | 1 | Halter | Holder | 4x420x800 GEB90GRD |
| 18 | 47010071 | 2 | Tragrohr | Carrier tube | 40x40x5x1690 |



01.18

| Pos. | Art.Nr. | Stck. | Artikeltext / Description | | Abmessung |
|------|----------|-------|---------------------------|---------------|-----------------------|
| 19 | 47010080 | 1 | Halter | Holder | 3x125x305 GEB90GRD |
| 20 | 47010134 | 2 | Halter | Holder | 40x10x470 GEK14° |
| 21 | 57010022 | 1 | Beleuchtungseinheit | Lighting unit | HI+VO RE NE |
| 22 | 57010023 | 1 | Beleuchtungseinheit | Lighting unit | HI+VO LI NE |
| 23 | 32510007 | 1 | Einlochkabelbinder | Clip | 7,6x375 |
| 24 | 373 2024 | 2 | Blindstopfen | Blind plug | KAPPEGE |