

Ersatzteilliste

Parts list

Anbaupflüge

Mounted Ploughs

Juwel 7 T

Art.Nr. 17510442

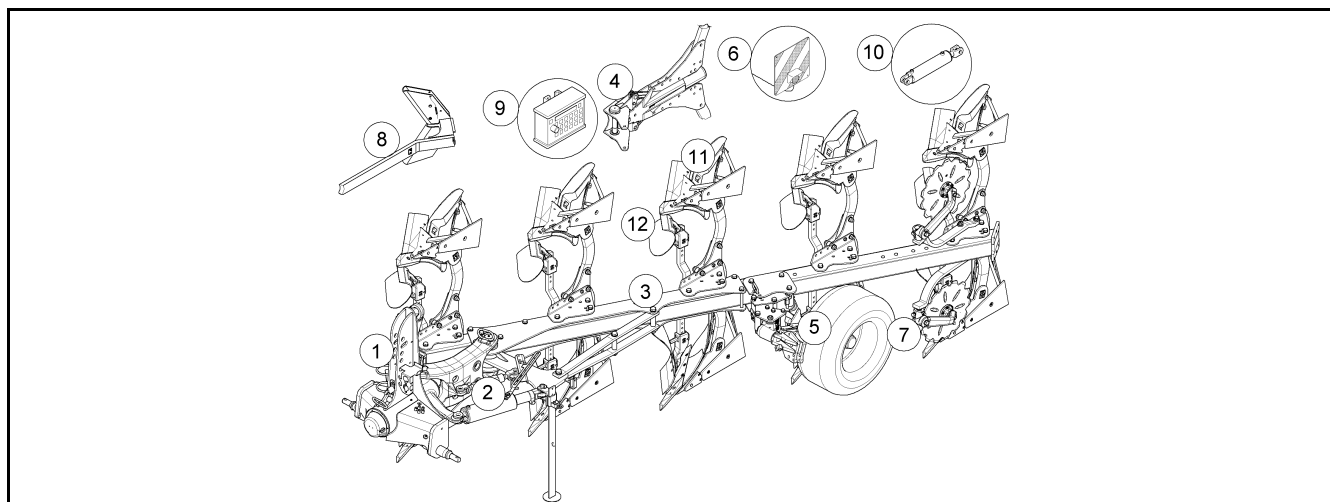
01.18

LEMKEN GmbH & Co. KG

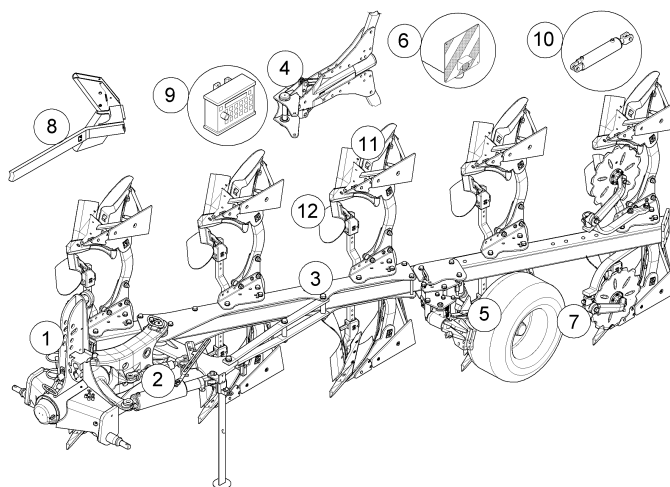
Weseler Straße 5, D-46519 Alpen / Postfach 11 60, D-46515 Alpen

Telefon (0 28 02) 81-0, Telefax (0 28 02) 81-220

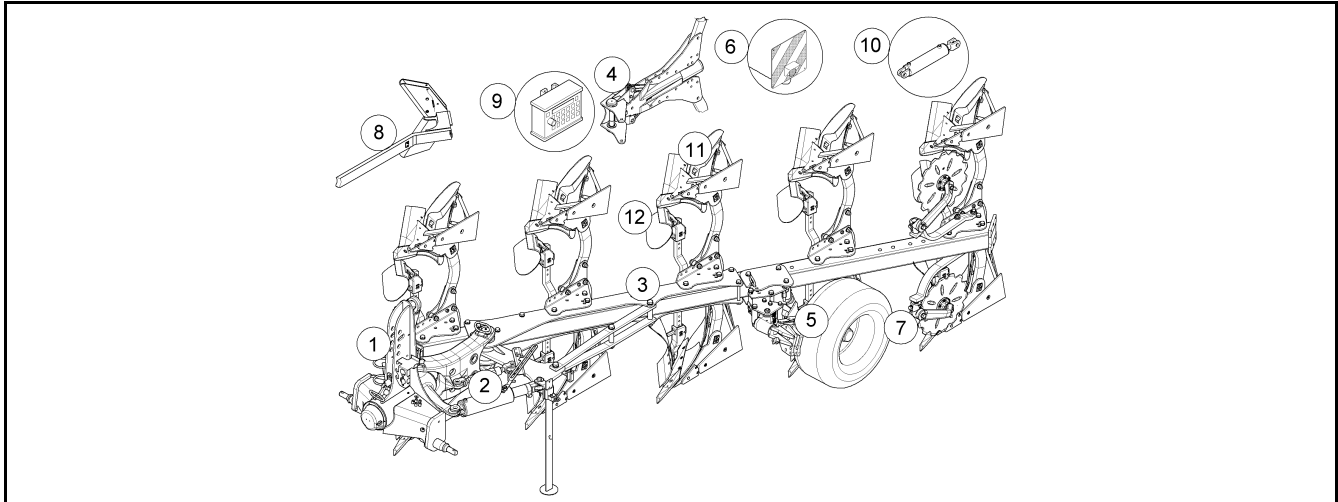
eMail: lemken@lemken.com, Internet: <http://www.lemken.com>



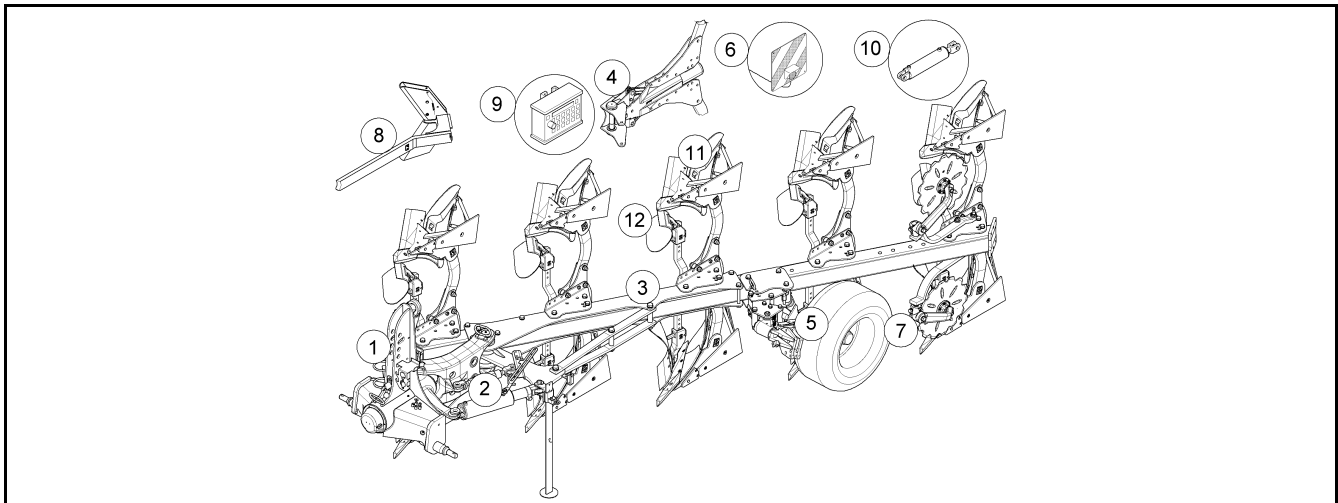
| Pos. | Art.Nr. | Artikeltext / Description | Abmessung |
|------|----------|------------------------------|------------------------|
| 1 | 313 7911 | Oberlenkerbolzen kpl. | Top link pin, cpl. |
| 1 | 313 7921 | Oberlenkerbolzen kpl. | Top link pin, cpl. |
| 1 | 32110014 | Werkzeugsatz | Tool set |
| 1 | 32110062 | Neigungsanzeige | Indicator |
| 1 | 59010041 | Aufkleber | Label |
| 1 | 633 7431 | Verriegelung | Locking device |
| 1 | 63310004 | Drehwerk | Turnover mechanism |
| 1 | 63310016 | Verriegelung | Locking device |
| 1 | 63310025 | Drehwerk | Turnover mechanism |
| 1 | 661 1443 | Unterlenkeranschluss | Lower link connection |
| 1 | 661 1444 | Unterlenkeranschluss | Lower link connection |
| 1 | 66110011 | Unterlenkeranschluss | Lower link connection |
| 1 | 66110012 | Unterlenkeranschluss | Lower link connection |
| 2 | 629 2510 | Abstellstütze | Stand |
| 2 | 629 2511 | Abstellstütze | Stand |
| 2 | 62910007 | Abstellstütze | Stand |
| 2 | 62910018 | Abstellstütze | Stand |
| 2 | 63410001 | Zugpunkt+ Breiteneinstellung | Adjustment centre |
| 2 | 63410002 | Zugpunkt+ Breiteneinstellung | Adjustment centre |
| 2 | 63410003 | Zugpunkt+ Breiteneinstellung | Adjustment centre |
| 2 | 63410004 | Zugpunkt+ Breiteneinstellung | Adjustment centre |
| 2 | 63410009 | Zugpunkteinstellung | Pull point adjustment |
| 2 | 63410010 | Zugpunkteinstellung | Pull point adjustment |
| 3 | 60210020 | Grundrahmen | Basic frame |
| 3 | 60210021 | Grundrahmen | Basic frame |
| 3 | 60210022 | Grundrahmen | Basic frame |
| 3 | 60210023 | Grundrahmen | Basic frame |
| 3 | 60210030 | Anbauteil | Frame extension |
| 3 | 60210031 | Anbauteil | Frame extension |
| 3 | 60210066 | Grundrahmen | Basic frame |
| 3 | 60210067 | Grundrahmen | Basic frame |
| 4 | 626 8305 | Überlastsicherung | Overload safety device |
| 4 | 62610004 | Überlastsicherung | Overload safety device |
| 4 | 62610005 | Überlastsicherung | Overload safety device |



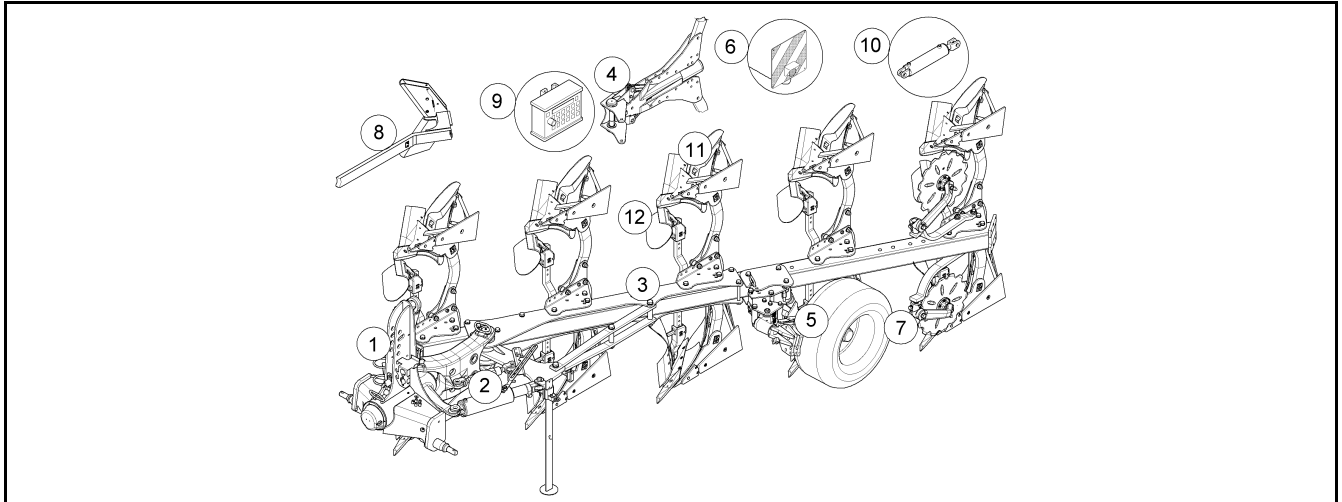
| Pos. | Art.Nr. | Artikeltext / Description | Abmessung | |
|------|----------|---------------------------|--------------------------|--------------------------------|
| 4 | 62610006 | Überlastsicherung | Overload safety device | Juwel 7/8 142 für Sech |
| 5 | 548 2620 | Pendelrad-Halm | Wheel stalk | kpl. 5/94/140-L |
| 5 | 548 2621 | Pendelrad-Halm | Wheel stalk | kpl. 5/94/140 K |
| 5 | 548 2652 | Pendelrad-Konsole | Wheel bracket | EurOpal 7 |
| 5 | 54810008 | Radhalm mit Lagerung | Wheel stalk with bearing | 60x25x553 |
| 5 | 549 8849 | Rad | Wheel | 5/94/140 D14 |
| 5 | 549 8858 | Rad 5/94/140 D14 | Wheel 5/94/140 D14 | 195R15 D650x198 4PR ET-0 |
| 5 | 549 8893 | Lagerung | Bearing | 5/93,5/140 M14 50x50 |
| 5 | 549 8904 | Flanschlager | Flange-type bearing | 6/160/205 D18 2xD20 |
| 5 | 54910004 | Radhalm | Wheel stalk | Juwel 7 Uni-Rad hydr. |
| 5 | 54910005 | Radkonsole | Wheel bracket | Unirad J7(M) |
| 5 | 54910006 | Dämpferzylinder | Ram | Juwel D50/25x210 |
| 5 | 54910007 | Radhalm | Wheel stalk | Juwel 7 Uni-Rad Däm. 6/161/205 |
| 5 | 54910024 | Schutzblech | Guard | Uni-Rad gedämpft |
| 5 | 54910025 | Abstreifer | Scraper | Unirad GEB 90° |
| 5 | 550 8862 | Rad | Wheel | 10.0/75-15.3 10PR AW ET-32 |
| 5 | 550 8863 | Rad | Wheel | 10.0/75-15.3 12PR AW ET-25 |
| 5 | 550 8864 | Rad | Wheel | 340/55-16TL 6/161/205/B2 |
| 5 | 55010332 | Rad | Wheel | 6/161/205 10.0/75-15.3 AW ET-2 |
| 5 | 648 4182 | Pendelstützrad | Depth wheel | E7 5/94/140 |
| 5 | 648 4213 | Pendelstützrad | Depth wheel | E7 5/94/140-10.0/75 |
| 5 | 64810010 | Pendelrad gedämpft | Depth wheel dampened | Juwel 7 6/161/205 |
| 5 | 64910001 | Uni-Rad | Uni-wheel | gedämpft J7 6/161/205 |
| 5 | 64910003 | Uni-Rad | Uni-wheel | hydr. J7 6/161/205 |
| 6 | 570 1764 | Beleuchtungseinheit | Lighting unit | 2x296x478 Rd. HI RE |
| 6 | 570 1765 | Beleuchtungseinheit | Lighting unit | 2x296x478 Rd. HI LI |
| 6 | 570 2086 | Beleuchtungsanlage | Lighting equipment | Pflug |
| 6 | 57010104 | Beleuchtungseinheit | Lighting unit | 2x296x478 Rd.HI RE |
| 6 | 57010105 | Beleuchtungseinheit | Lighting unit | 2x296x478 Rd.HI LI |
| 6 | 670 1674 | Beleuchtungsanlage | Lighting equipment | BLA-1 PF/UNI 33,7x1580 |
| 6 | 670 1677 | Beleuchtungsanlage | Lighting equipment | BLA-3 PF |
| 6 | 670 1708 | seitl. Warntafel | Lateral warning board | SWT-1 |
| 6 | 67010192 | Beleuchtungsanlage | Lighting equipment | BLA-4 PF/UNI |
| 7 | 555 4512 | Lagereinheit | Bearing unit | 30x120x100 M24x1,5 |



| Pos. | Art.Nr. | Artikeltext / Description | Abmessung | |
|------|----------|-------------------------------|-----------------------------------|---------------------|
| 7 | 657 8011 | Vorwerkzeughalm | Skim stalk | 8 T VD Hydromatic |
| 7 | 657 9371 | Secharm | Swinging arm | D500-Z 250 |
| 7 | 657 9390 | Secharm | Swinging arm | D500-G 371 F RE |
| 7 | 657 9391 | Secharm | Swinging arm | D500-G 371-F LI |
| 7 | 657 9392 | Secharm | Swinging arm | D500-Z 371-F RE |
| 7 | 657 9393 | Secharm | Swinging arm | D500-Z 371 F LI |
| 7 | 65710032 | Vorwerkzeughalm | Skim stalk | J 7 T VD Hydromatic |
| 7 | 65710160 | Secharm | Swinging arm | D500-G 348 F RE |
| 7 | 65710161 | Secharm | Swinging arm | D500-G 348 F LI |
| 7 | 65710162 | Secharm | Swinging arm | D500-Z 348 F RE |
| 7 | 65710163 | Secharm | Swinging arm | D500-Z 348 F LI |
| 7 | 65710164 | Konsole Scheibensech | Bracket disc coulter | Juwel 7T v.DE |
| 7 | 65710165 | Konsole Scheibensech | Bracket disc coulter | Juwel 7/8T v.DE |
| 8 | 622 2659 | Mitnehmerarm | Attachment arm | E3V-HY |
| 9 | 573 6043 | Kabelb. TurnCtrl. Schlepper A | Cable form | TurnControl |
| 9 | 573 6045 | Kabelb. TurnCtrl. Schlepper B | Cable form | TurnControl |
| 9 | 573 6048 | Kabelbaum | Cable form | TurnControl |
| 9 | 573 6052 | Kabelb. TurnCtrl. Schlepper C | Cable form | TurnControl |
| 9 | 57310087 | Kabelbaum | Cable form | Drehzylinder |
| 9 | 673 4604 | Taster | Switch | bu, LED wh, DT04 |
| 9 | 673 4607 | Taster | Switch | ye, LED rd, DT04 |
| 9 | 673 6052 | Sensorhalter Steuerstange | Sensor holder | - |
| 9 | 67310025 | Elektronik | Electronics | Juwel Turn Control |
| 9 | 67310155 | Winkelsensor | Angle sensor | 240° |
| 10 | 47510178 | Schlauchpaket | Hose-assembly | Juwel T |
| 10 | 47510179 | Schlauchpaket | Hose-assembly | Juwel T Pa |
| 10 | 47510180 | Schlauchpaket | Hose-assembly | Juwel T Ra,Pa |
| 10 | 47510181 | Schlauchpaket | Hose-assembly | Juwel T Pa,St |
| 10 | 47510182 | Schlauchpaket | Hose-assembly | Juwel T Ra,Pa,St |
| 10 | 47510183 | Schlauchpaket | Hose-assembly | Juwel T St |
| 10 | 47510184 | Schlauchpaket | Hose-assembly | Juwel T Ra,St |
| 10 | 47510185 | Schlauchpaket | Hose-assembly | Juwel T Ra |
| 10 | 575 1153 | Montage-BG | Assembly group | Uni-RAD Juwel |
| 10 | 575 1155 | Hy-anl. Unirad | HY-assembly depth+transp.wheel | Juwel 8 |



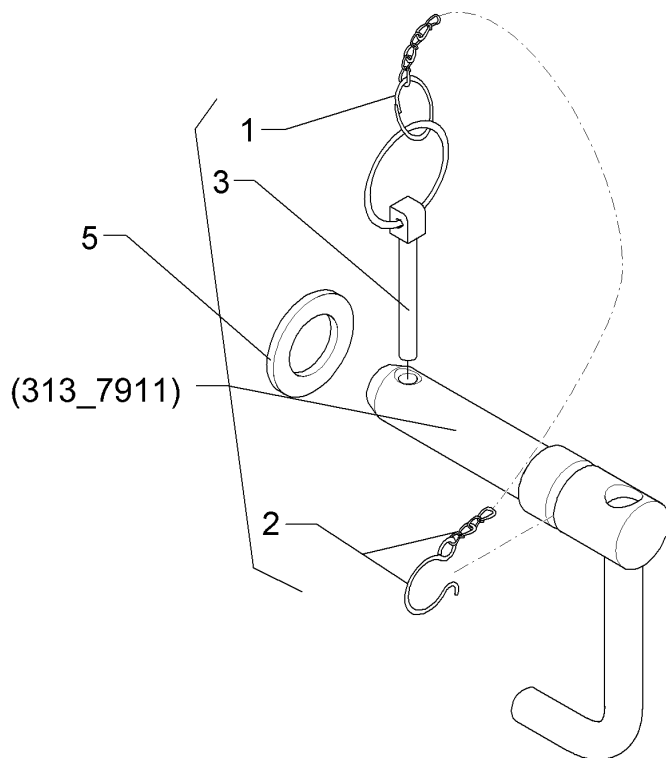
| Pos. | Art.Nr. | Artikeltext / Description | Abmessung | |
|------|----------|------------------------------|-----------------------------------|------------------------------|
| 10 | 575 1157 | Mont.-BG Rohr Uni-Rad | Assembly group | Uni-Rad J (5-f.) J 5-100 |
| 10 | 575 1159 | Mont.-BG Rohr Uni-Rad | Assembly group | Uni-Rad J (5-f.) J 5-90 |
| 10 | 575 2082 | Steuerblock | Control valve | Q=25l M16x1,5 12Volt |
| 10 | 575 2315 | Hydraulikzylinder | Hydraulic ram | 50/25-250-150 |
| 10 | 575 2577 | Dämpferzylinder | Ram | D50/25x210 |
| 10 | 575 9039 | Hydraulikblock | Hydraulic unit | Juwel T 50-200 bar |
| 10 | 57510057 | Einschwenkzylinder | Swing-in ram | DZ80/40x220/680 D30 |
| 10 | 57510113 | Hydraulikzylinder | Hydraulic ram | ED 80/105-208 4xD16 |
| 10 | 57510126 | Hydraulikzylinder | Hydraulic ram | DZ80/40x245-460+MGV |
| 10 | 57510254 | Einschwenkzylinder | Swing-in ram | DZ90/45x220/680 D30 |
| 10 | 57510255 | Hydraulikzylinder | Hydraulic ram | DZ90/45x220/680 D30 |
| 10 | 57510525 | Hydraulikzylinder | Hydraulic ram | 50/25-250-150 |
| 10 | 57510679 | Dämpferzylinder | Ram | 50/20x250/95 D20 |
| 10 | 57511051 | Montagesatz | Mounting set | Juwel 7 T Drcksp. 3x120bar |
| 10 | 57511085 | Hydraulikzylinder | Hydraulic ram | DZ090/45x0220-0660 D30D30 |
| 10 | 57511094 | Hy-anl. Unirad | HY-assembly depth+transp.wheel | Juwel 7(T) 3+1/4-090 |
| 10 | 57511095 | Hydraulikanlage | Hydraulic assembly | Unirad Juwel 7(T) 4+1/5-090 |
| 10 | 57511096 | Hydraulikanlage | Hydraulic assembly | Unirad Juwel 7 (T) 3+1/4-100 |
| 10 | 57511097 | Hydraulikanlage | Hydraulic assembly | Unirad Juwel 7 (T) 4+1/5-100 |
| 10 | 57511117 | Hy-anl. Unirad | HY-assembly depth+transp.wheel | Juwel 7 |
| 10 | 675 1172 | Hy-anl. Absperrhahn | HY-assembly stop valve | Juwel (V) T |
| 10 | 675 1173 | Hy-anl. Komfortventil | HY-assembly valve | Juwel (V) T |
| 10 | 67510183 | Pflugdrehung | Plough turning | D80 mech/el |
| 10 | 67510184 | Hy-anl. Rahmeneinschwenkung | HY-assembly frame swing-in | D90 HY/mech Juwel 7 V (T) |
| 10 | 67510185 | Hy-anl. Vorderf.+Rahmenschw. | HY-ass.fr.furr.+frame swing-in | D90 Hy/el J7 V (T) |
| 10 | 67510186 | Hydraulikanlage | Hydraulic assembly | Uni-Rad J 90 (3/4-furchig) |
| 10 | 67510187 | Hydraulikanlage | Hydraulic assembly | Uni-Rad J 100 (3/4-furchig) |
| 10 | 67510188 | Hydraulikanlage | Hydraulic assembly | Uni-Rad J 90 (4+1-furchig) |
| 10 | 67510189 | Hydraulikanlage | Hydraulic assembly | Uni-Rad J 100 (4+1-furchig) |
| 10 | 67510191 | Hydraulikanlage Mitnehmer | HY-assembly attachment arm | PA-J |
| 10 | 67510192 | Hydraulikanlage | Hydraulic assembly | Juwel 7 T 3JG-900 |
| 10 | 67510193 | Hydraulikanlage | Hydraulic assembly | Juwel 7 T 4JG-900 |
| 10 | 67510194 | Hydraulikanlage | Hydraulic assembly | Juwel 7 T 3JG-1000 |
| 10 | 67510195 | Hydraulikanlage | Hydraulic assembly | Juwel 7 T 4JG-1000 |
| 10 | 67510196 | Hydraulikanlage | Hydraulic assembly | T-HY 1JA-900 |
| 10 | 67510197 | Hydraulikanlage | Hydraulic assembly | T-HY 1JA-1000 |



| Pos. | Art.Nr. | Artikeltext / Description | | Abmessung |
|------|----------|--------------------------------|--------------------------------|--------------------------------|
| 10 | 67510329 | Hy-anl. Rahmeneinschwenkung | HY-assembly frame swing-in | D90 HY/mech Juwel 7 (T) |
| 10 | 67510330 | Hy-anl. Vorderf.+Rahmenschw. | HY-ass.fr.furr.+frame swing-in | D90 Hy/el J7 (T) |
| 10 | 67510842 | Hydraulikanlage | Hydraulic assembly | Juwel 7(M)T 3+1/4-090 |
| 10 | 67510843 | Hydraulikanlage | Hydraulic assembly | Juwel 7(M) T 4-090 Rad Hi |
| 10 | 67510844 | Hydraulikanlage | Hydraulic assembly | Juwel 7(M) T 4+1/5-090 |
| 10 | 67510845 | Hydraulikanlage | Hydraulic assembly | Juwel 7(M) T-HY 3-100 |
| 10 | 67510846 | Hydraulikanlage | Hydraulic assembly | Juwel 7(M) T-HY 3+1/4-100 |
| 10 | 67510847 | Hydraulikanlage | Hydraulic assembly | Juwel 7(M) T 4-100 Rad Hi |
| 10 | 67510848 | Hydraulikanlage | Hydraulic assembly | Juwel 7(M) T-HY 4+1/5-100 |
| 10 | 67510855 | Hydraulikanlage | Hydraulic assembly | Juwel 7(M) T-HY 3 L090 |
| 10 | 67510871 | Hy-anl. Unirad | HY-assembly depth+transp.wheel | Juwel 7 (T) 3+1/4-090 |
| 10 | 67510872 | Hy-anl. Unirad | HY-assembly depth+transp.wheel | Juwel 7 (T) 4+1/5-090 |
| 10 | 67510873 | Hy-anl. Unirad | HY-assembly depth+transp.wheel | Juwel 7 (T) 3+1/4-100 |
| 10 | 67510874 | Hy-anl. Unirad | HY-assembly depth+transp.wheel | Juwel 7 (T) 4+1/5-100 |
| 10 | 67510883 | Hy-anl. Mitnehmerarm | HY-assembly attachment arm | Juwel 7 PA-J |
| 10 | 67510908 | Hy-anl. Rahmeneinschwenkung | HY-assembly frame swing-in | Hy/mech Juwel 7V L |
| 10 | 67510909 | Hy-anl. Vorderf.+Rahmenschw. | HY-ass.fr.furr.+frame swing-in | D90 Hy/el Juwel 7 V L |
| 11 | 464 5006 | Körperhalm | Leg | 80x30x690-R800 3xD20 1xD14,25 |
| 11 | 464 5007 | Körperhalm | Leg | 80x30x745-R850 3xD20,1 1xD14,2 |
| 11 | 699 6000 | Körperhalmsschrauben | Bolts for leg | Dural |
| 12 | 56710002 | Stützplatte | Buck plate | 183x162x10 M16 RE |
| 12 | 56710003 | Stützplatte | Buck plate | 183x162x10 M16 LI |
| 12 | 663 8740 | Düngereinlegerhalm | Skim stalk | K--T |
| 12 | 66310001 | Düngereinlegerhalm | Skim stalk | JT2 50x30 H850 |
| 12 | 66310002 | Düngereinlegerhalm | Skim stalk | JT3 50x30 H800 |
| 12 | 66310011 | Düngereinlegerhalm | Skim stalk | M--T |
| 12 | 699 5520 | Düngereinleger | Skimmer | FL50x30-10 |
| 12 | 699 5522 | Düngereinleger Wurfwinkelverst | Skimmer | FL50x30 |
| 12 | 69910389 | Düngereinleger | Skimmer | FL50x30-G |

| | |
|---|----------|
| Oberlenkerbolzen kpl./Top link pin, cpl. | 1 |
|---|----------|

| | |
|------------------|-----------------|
| Juwel 7 T | 313 7911 |
|------------------|-----------------|

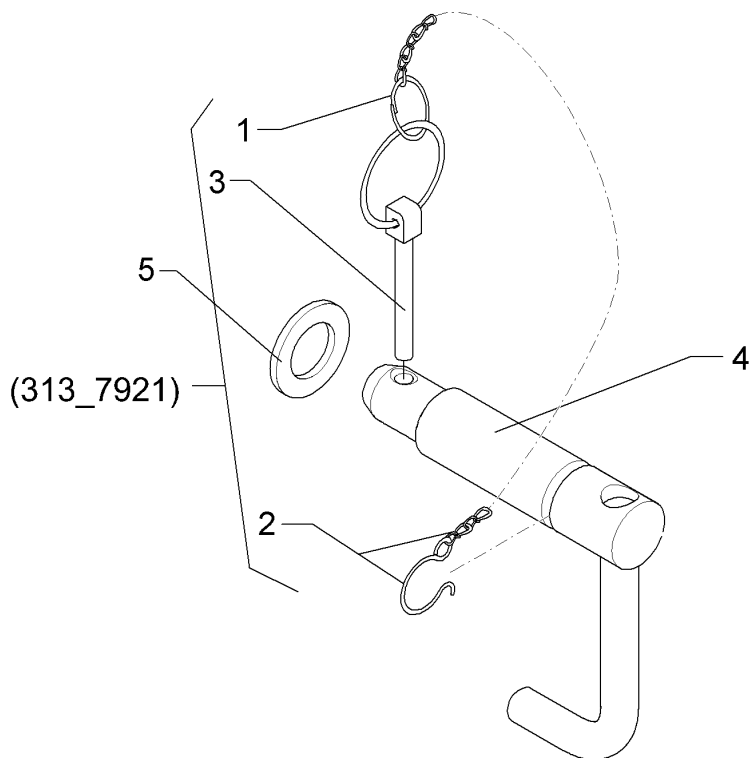


01.18

| Pos. | Art.Nr. | Stck. | Artikeltext / Description | Abmessung | |
|------|----------|-------|---------------------------|----------------|----------------------------|
| 1 | 305 8545 | 1 | Sicherungsring | Retaining ring | 3x30-35x1,25 Zn |
| 2 | 305 8560 | 1 | Federsicherung | Securing clip | D3,6/D21-460mm-Zn |
| 3 | 311 9315 | 1 | Klappstift mit Bohrung | Securing pin | 8x42 DIN11023 |
| 4 | 313 7910 | 1 | Oberlenkerbolzen | Top link pin | KAT2G D25,4/31,7x158 Zn |
| 5 | 305 6283 | 1 | Scheibe | Washer | B28 DIN125 |

| | |
|---|----------|
| Oberlenkerbolzen kpl./Top link pin, cpl. | 1 |
|---|----------|

| | |
|------------------|-----------------|
| Juwel 7 T | 313 7921 |
|------------------|-----------------|

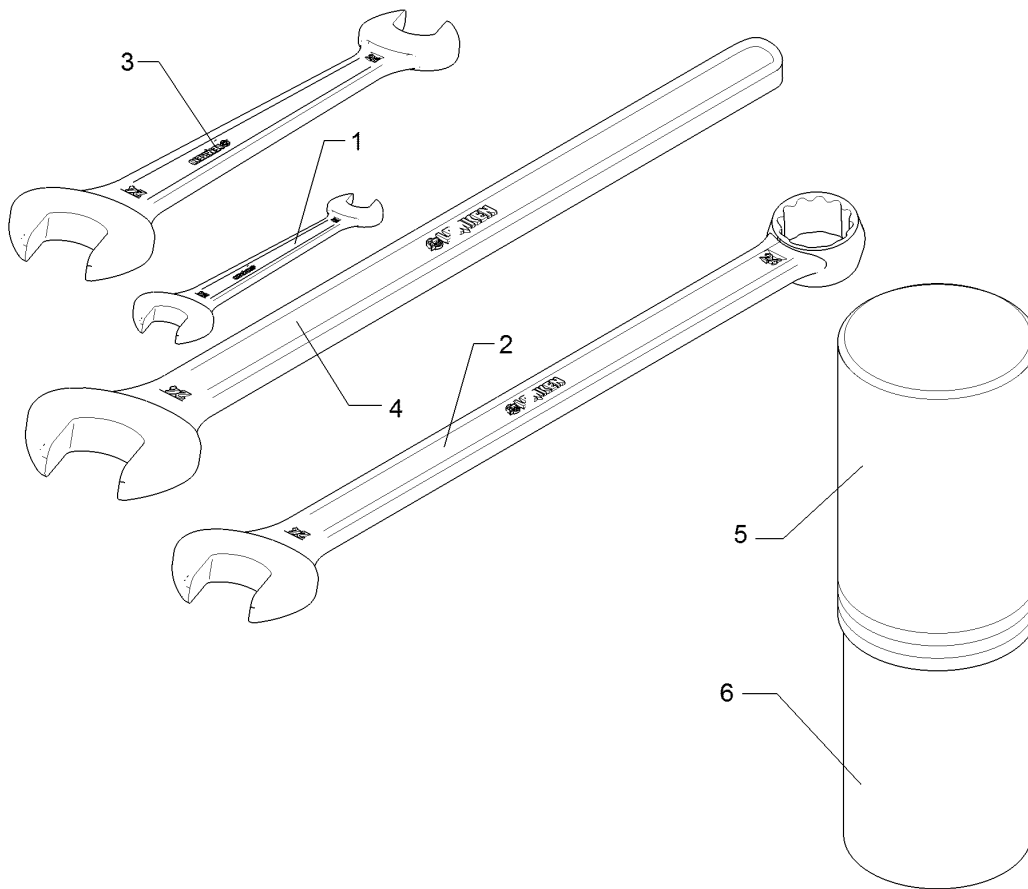


01.18

| Pos. | Art.Nr. | Stck. | Artikeltext / Description | Abmessung |
|------|----------|-------|---------------------------|-------------------|
| 1 | 305 8545 | 1 | Sicherungsring | Retaining ring |
| 2 | 305 8560 | 1 | Federsicherung | Securing clip |
| 3 | 311 9315 | 1 | Klappstift mit Bohrung | Securing pin |
| 4 | 313 7920 | 1 | Oberlenkerbolzen | Top link pin |
| 5 | 305 6283 | 1 | Scheibe | Washer |
| | | | | 3x30-35x1,25 Zn |
| | | | | D3,6/D21-460mm-Zn |
| | | | | 8x42 DIN11023 |
| | | | | KAT3G |
| | | | | D31,7/25,4x160 Zn |
| | | | | B28 DIN125 |

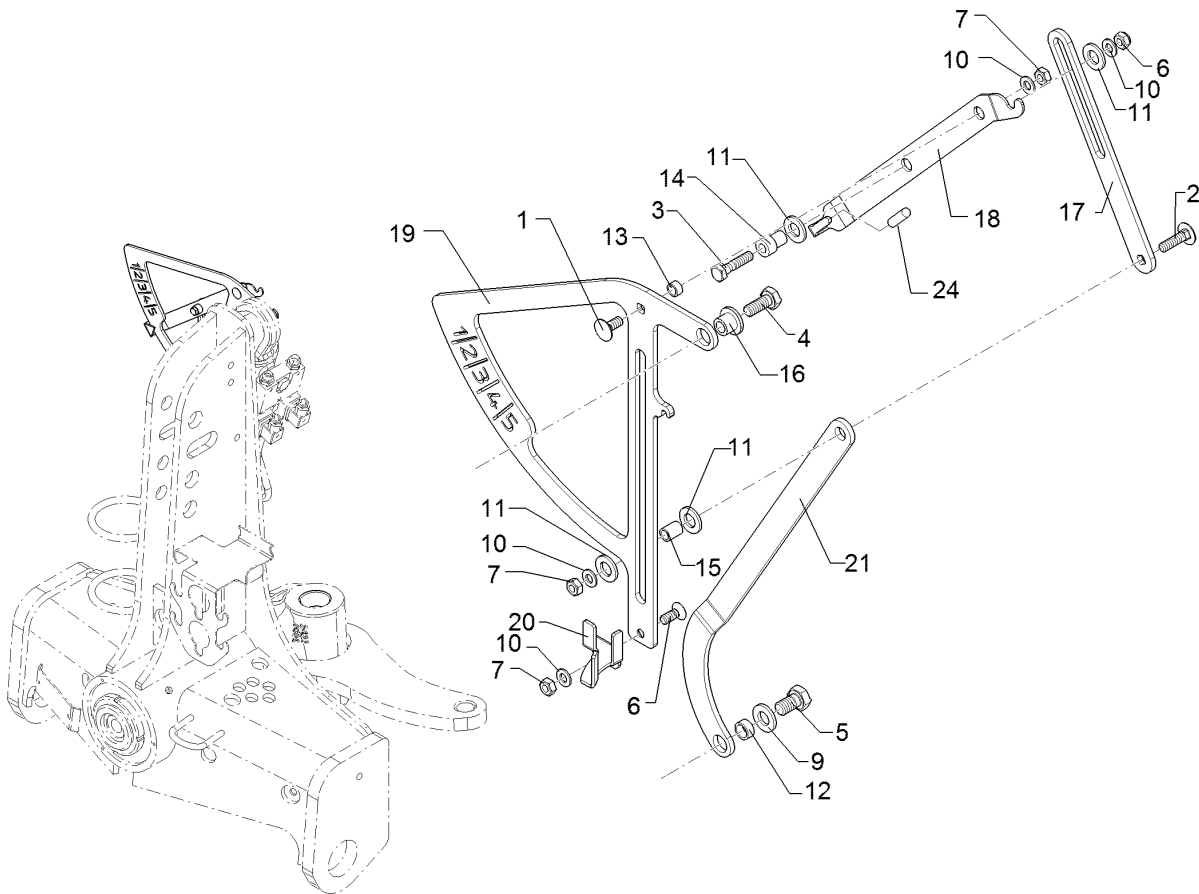
| | |
|------------------------------|----------|
| Werkzeugsatz/Tool set | 1 |
|------------------------------|----------|

| | |
|------------------|-----------------|
| Juwel 7 T | 32110014 |
|------------------|-----------------|



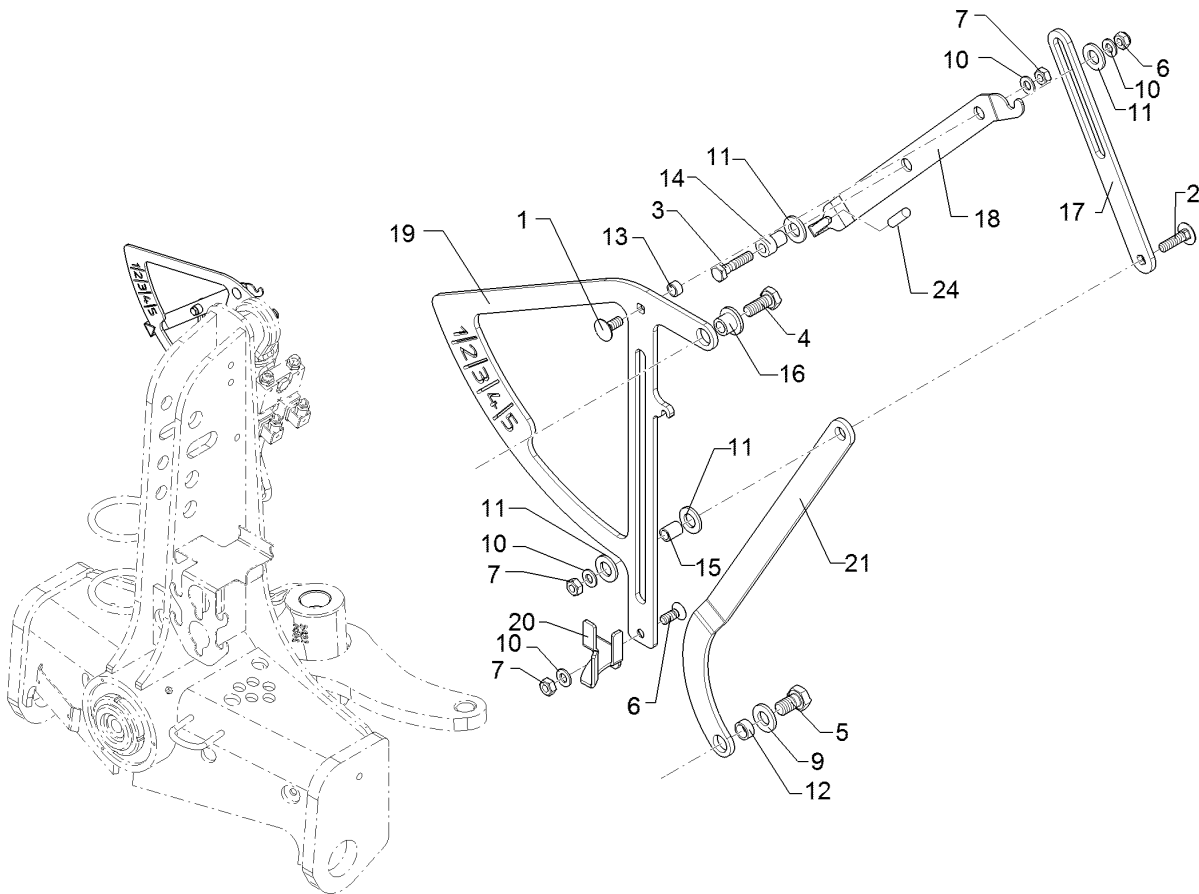
01.18

| Pos. | Art.Nr. | Stck. | Artikeltext / Description | Abmessung | |
|------|----------|-------|---------------------------|---------------------------|--------------------------|
| 1 | 321 9815 | 1 | Schlüssel | Spanner | Gabel 19/22 |
| 2 | 321 9820 | 1 | Schlüssel | Spanner | Gabel 24 Ring 30 |
| 3 | 321 9838 | 1 | Schlüssel | Spanner | Gabel 30/24 DIN895 Zn |
| 4 | 321 9855 | 1 | Schlüssel | Spanner | Gabel 50 DIN894 Zn |
| 5 | 886 4553 | 1 | Gewindepack Oberteil | Winding bundle upper part | GP 90 055 A |
| 6 | 886 4554 | 1 | Gewindepack Unterteil | Winding bundle lower part | GP 90 245 |



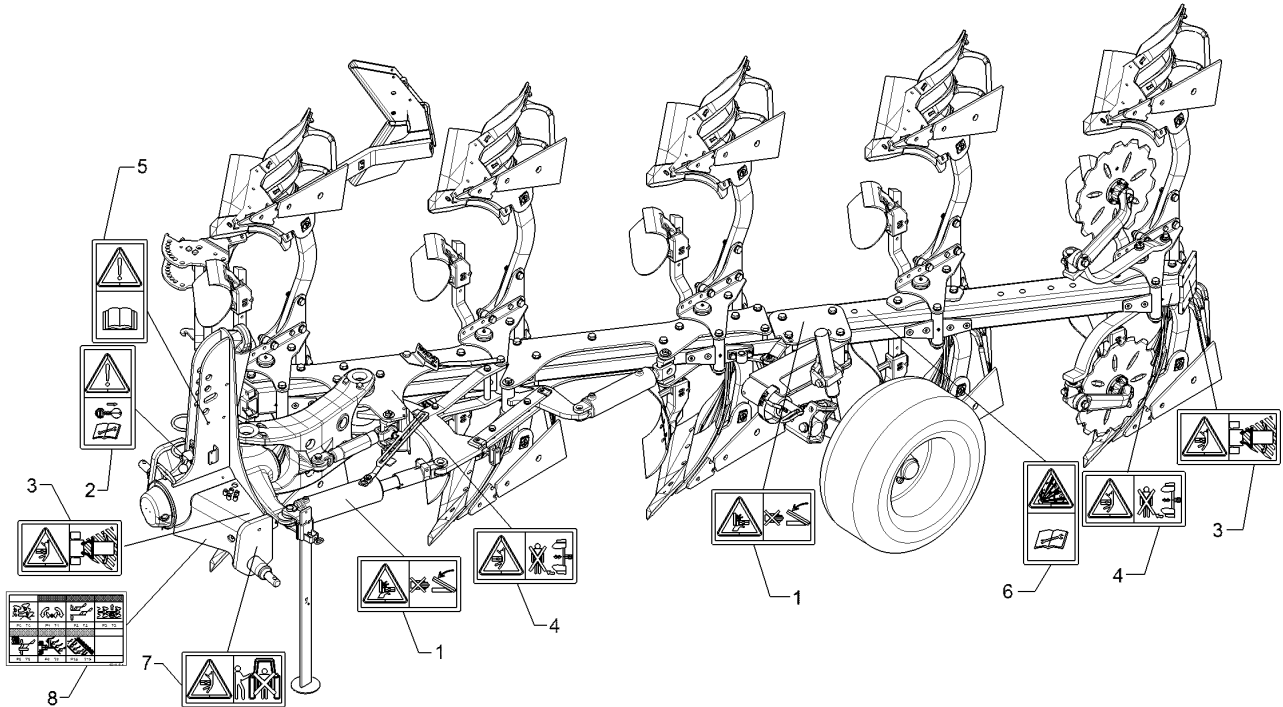
01.18

| Pos. | Art.Nr. | Stck. | Artikeltext / Description | | Abmessung |
|------|----------|-------|---------------------------|-------------------|----------------------------|
| 1 | 301 1123 | 1 | Flachrundschraube | Saucer-head screw | M8x20-4.6 Zn DIN603 |
| 2 | 301 1127 | 1 | Flachrundschraube | Saucer-head screw | M8x30-4.6 Zn DIN603 |
| 3 | 301 3067 | 1 | Sechskantschraube | Hexagon bolt | M8x35-8.8 Zn DIN931-A |
| 4 | 301 3212 | 1 | Sechskantschraube | Hexagon bolt | M10x25-8.8 Zn DIN933 |
| 5 | 301 3310 | 1 | Sechskantschraube | Hexagon bolt | M12x20-8.8 Zn DIN933 |
| 6 | 301 6101 | 1 | Senkschraube | Countersunk bolt | M8x20-10.9 Zn DIN7991-A |
| 7 | 303 0932 | 1 | Sicherungsmutter | Selflocking nut | NM8-8 Zn DIN985 |
| 8 | 303 1011 | 3 | Sechskantmutter | Hexagon nut | M8 DIN934-8 Zn |
| 9 | 305 6137 | 1 | Scheibe | Washer | 13/25x3 DIN1441-St Zn |
| 10 | 305 8694 | 4 | Scheibe | Washer | A8,4 DIN125-St Zn |
| 11 | 30510051 | 4 | Scheibe | Washer | D13/24x2,5 KU |
| 12 | 317 7668 | 1 | Buchse | Bush | D16x2x7 Zn |
| 13 | 317 9468 | 1 | Buchse | Bush | 12x1,5x6,2 |
| 14 | 31710051 | 1 | Buchse | Bush | D16/8,5x23,5 Zn |
| 15 | 31710052 | 1 | Hülse | Bushing | D12/8,5x15,5 Zn |
| 16 | 31710079 | 1 | Bundbuchse | Flange bushing | D25/16/10,2x15 Zn |
| 17 | 32110057 | 1 | Stange | Rod | 25x5x225 Zn |
| 18 | 32110058 | 1 | Zeiger | Pointer | 3x34x372 5xGEB |
| 19 | 32110059 | 1 | Skala | Scale | 5x264x367 Zn |



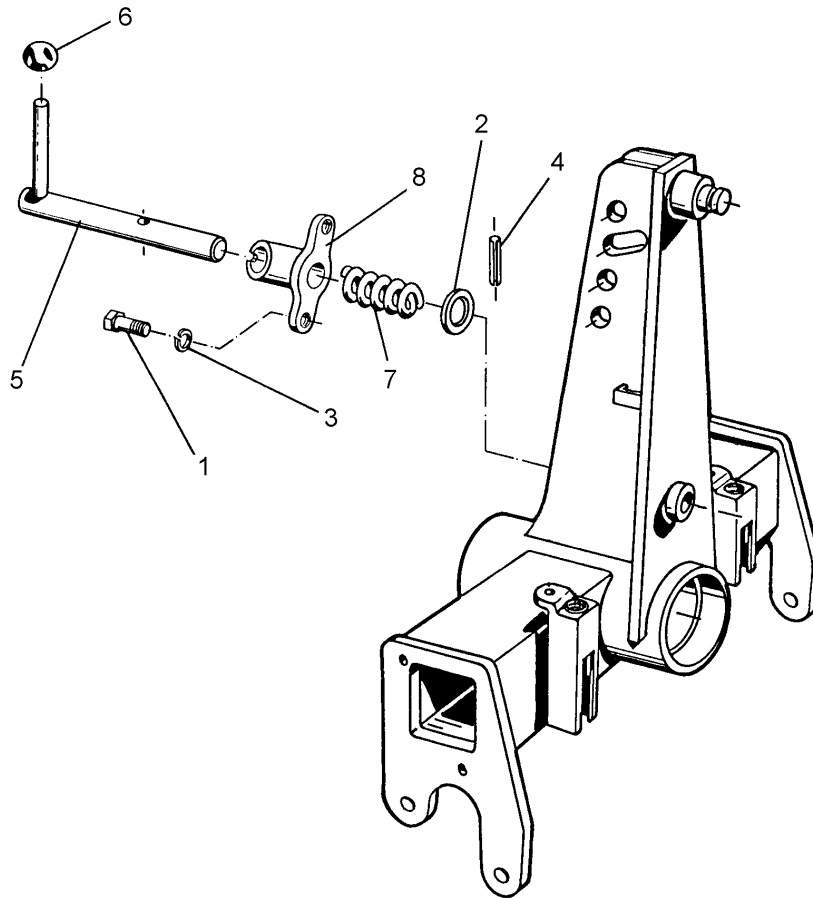
01.18

| Pos. | Art.Nr. | Stck. | Artikeltext / Description | | Abmessung |
|------|----------|-------|---------------------------|-----------|--------------------------|
| 20 | 32110060 | 1 | Halter | Holder | 3x75x75 D8,1 4xGEB Zn |
| 21 | 32110061 | 1 | Stange | Rod | 5x100x427,5 GEK7,8 Zn |
| 22 | 32510039 | 1 | Schlauchschelle | Hose clip | 091-097x25 |
| 23 | 329 8553 | 1 | Zugfeder | Spring | Dm13,5x1,5x65,5 A2 |
| 24 | 32310160 | 1 | Schutzkappe | Cap | GPN 255/5 RAL3000 |



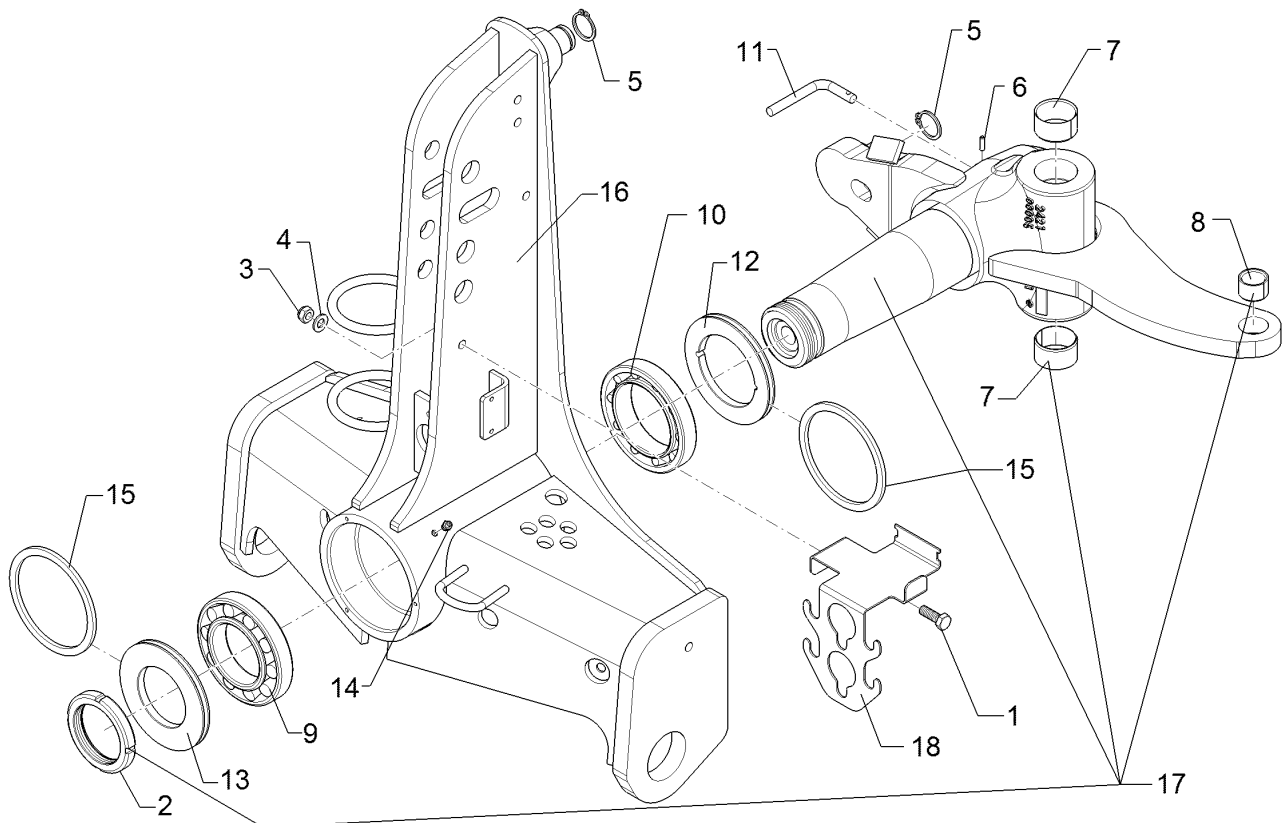
01.18

| Pos. | Art.Nr. | Stck. | Artikeltext / Description | | Abmessung |
|------|----------|-------|------------------------------|----------------|------------------------|
| 1 | 390 0506 | 2 | Aufkleber Warnbildzeichen | Warning Label | Quetschgefahr QF |
| 2 | 390 0509 | 1 | Aufkleber Warnbildzeichen | Warning Label | Motor abstellen |
| 3 | 390 0510 | 2 | Aufkleber Warnbildzeichen | Warning Label | Schwenkbereich QF |
| 4 | 390 0520 | 2 | Aufkleber Warnbildzeichen | Warning Label | Arbeitsbereich QF |
| 5 | 390 0555 | 1 | Aufkleber Betriebsanl. lesen | Label Warning! | ISO HF 61 x 115 |
| 6 | 390 0591 | 1 | Aufkleber Druckspeicher | Label | - |
| 7 | 390 0629 | 1 | Aufkleber Hubbereich | Label | QF 115 x 61 |
| 8 | 39010115 | 1 | Aufkleber HY-Anschlüsse | Label | Juwel 135x83 P0-P15 |



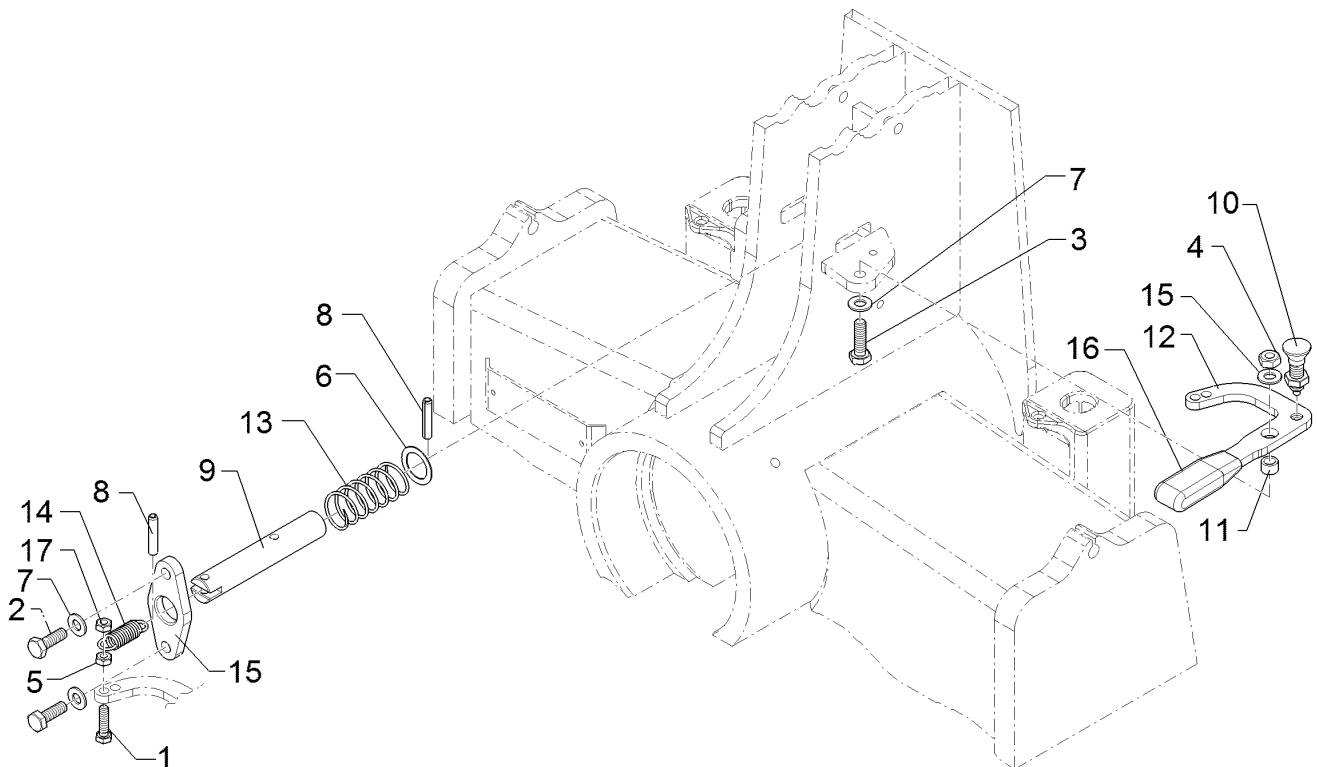
01.18

| Pos. | Art.Nr. | Stck. | Artikeltext / Description | | Abmessung |
|------|----------|-------|---------------------------|--------------------|-------------------------|
| 1 | 301 5004 | 2 | Sechskantschraube | Hexagon bolt | M10x30-8.8 Zn DIN933 |
| 2 | 305 6222 | 1 | Passscheibe | Shim | 26x37x1,0 DIN988 Zn |
| 3 | 305 8696 | 2 | Scheibe | Washer | A10,5 DIN125-St Zn |
| 4 | 309 6072 | 1 | Spannhülse | Expansion bush | 8x40-DIN1481 Zn |
| 5 | 313 8290 | 1 | Verriegelungsbolzen | Locking pin | D25x260 Zn |
| 6 | 321 2575 | 1 | Kugel konisch | Ball | D40 D12 |
| 7 | 329 8176 | 1 | Druckfeder | Compression spring | 2,5x32x110 DIN2098 |
| 8 | 433 9146 | 1 | Konsole | Bracket | D26/45x70 |



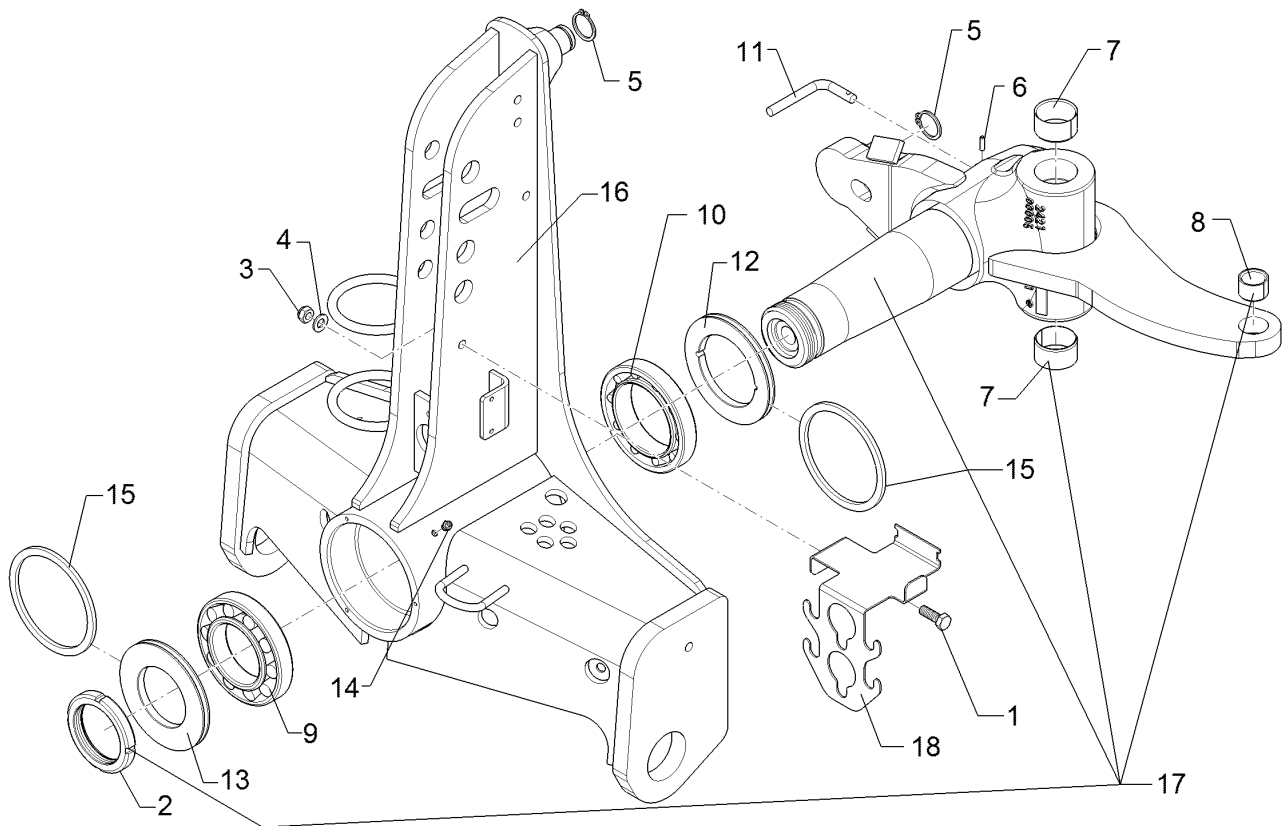
01.18

| Pos. | Art.Nr. | Stck. | Artikeltext / Description | | Abmessung |
|------|----------|-------|------------------------------|------------------------|-----------------------------------|
| 1 | 301 7334 | 1 | Sechskantschraube | Hexagon bolt | M12x35-8.8 Zn DIN933 |
| 2 | 303 0346 | 1 | Nutmutter | Grooved nut | M85x2 MK17 Zn |
| 3 | 303 0934 | 1 | Sicherungsmutter | Selflocking nut | NM12-8 Zn DIN985 |
| 4 | 305 8580 | 1 | Scheibe | Washer | 13/24x2,5 St-Zn DIN125 |
| 5 | 305 8873 | 2 | Sicherungsring | Retaining ring | 35x2,5 DIN471 |
| 6 | 309 6046 | 1 | Spannhülse | Expansion bush | 6x20-DIN1481 Zn |
| 7 | 317 2025 | 2 | Einspannbuchse mit Presssitz | Expansion bush | EG50/55x30 |
| 8 | 317 3417 | 1 | Einspannbuchse mit Presssitz | Expansion bush | EG30/38x25 |
| 9 | 319 9095 | 1 | Kegelrollenlager | Tapered roller bearing | 30217 D150/85x30,5 |
| 10 | 319 9219 | 1 | Kegelrollenlager | Tapered roller bearing | 32020X D150/100x32 |
| 11 | 32110018 | 1 | Hebel | Lever | D12x173 1xD6 GEB2x90GRD Zn |
| 12 | 323 0060 | 1 | Dichtscheibe | Seal washer | D149,5/100x12 2xd8 Zn |
| 13 | 323 0062 | 1 | Dichtscheibe mit Nut | Seal washer | D149,5/85x12 Zn |
| 14 | 323 6348 | 1 | Schmiernippel | Grease nipple | AM10x1 DIN71412 |
| 15 | 323 7970 | 2 | Filzring | Felt ring | D150/130x6 |
| 16 | 43310004 | 1 | Turm | Headstock | G100 |
| 17 | 53310005 | 1 | Wendeachse | Turning axle | G100 |
| 18 | 475 4421 | 1 | Schlauchhalter | Hose carrier | S6 2,5x213x322,5 4xGEB90GRD Zn |



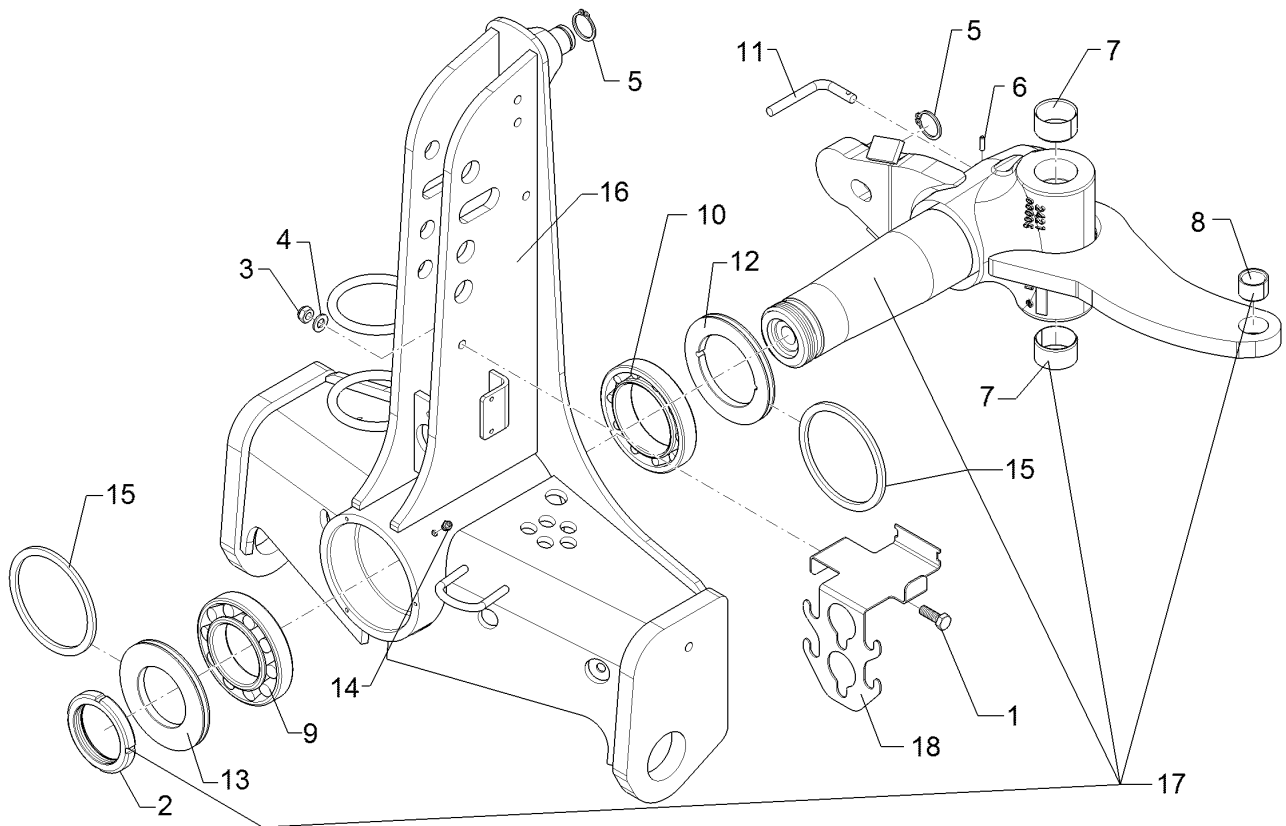
01.18

| Pos. | Art.Nr. | Stck. | Artikeltext / Description | | Abmessung |
|------|----------|-------|---------------------------|--------------------|---------------------------------|
| 1 | 301 3066 | 1 | Sechskantschraube | Hexagon bolt | M8x30-8.8 Zn DIN933 |
| 2 | 301 5004 | 2 | Sechskantschraube | Hexagon bolt | M10x30-8.8 Zn DIN933 |
| 3 | 301 7308 | 1 | Sechskantschraube | Hexagon bolt | M10x35-8.8 Zn DIN933 |
| 4 | 303 0933 | 1 | Sicherungsmutter | Selflocking nut | NM10-8 DIN985 Zn |
| 5 | 303 1011 | 1 | Sechskantmutter | Hexagon nut | M8 DIN934-8 Zn |
| 6 | 305 6222 | 1 | Passscheibe | Shim | 26x37x1,0 DIN988 Zn |
| 7 | 305 8696 | 4 | Scheibe | Washer | A10,5 DIN125-St Zn |
| 8 | 309 6072 | 2 | Spannhülse | Expansion bush | 8x40-DIN1481 Zn |
| 9 | 31310121 | 1 | Bolzen | Pin | D25x142 2xD8 |
| 10 | 31310122 | 1 | Rastbolzen | Stop bolt | M12x1,5 D6 |
| 11 | 31710116 | 1 | Buchse | Bush | D15/10,2x9,5 Zn |
| 12 | 32110126 | 1 | Handgriff | Handle | GN910.5-440 rd |
| 13 | 329 8176 | 1 | Druckfeder | Compression spring | 2,5x32x110 DIN2098 |
| 14 | 329 8495 | 1 | Zugfeder | Spring | 2,5x12x75 |
| 15 | 43310020 | 1 | Blech | Plate | D26/45x105 2xD11 |
| 16 | 43310021 | 1 | Verriegelungshebel | Locking lever | 8x107x160 M12x1,5 D15,2 2xD9 |
| 17 | 303 0932 | 1 | Sicherungsmutter | Selflocking nut | NM8-8 Zn DIN985 |



01.18

| Pos. | Art.Nr. | Stck. | Artikeltext / Description | | Abmessung |
|------|----------|-------|------------------------------|------------------------|-------------------------------|
| 1 | 301 1120 | 2 | Flachrundschraube | Saucer-head screw | M8x16-4.6 Zn DIN603 |
| 2 | 301 3066 | 2 | Sechskantschraube | Hexagon bolt | M8x30-8.8 Zn DIN933 |
| 3 | 301 7280 | 2 | Sechskantschraube | Hexagon bolt | M8x25-8.8 Zn DIN933 |
| 4 | 303 0346 | 1 | Nutmutter | Grooved nut | M85x2 MK17 Zn |
| 5 | 303 0932 | 6 | Sicherungsmutter | Selflocking nut | NM8-8 Zn DIN985 |
| 7 | 305 8694 | 10 | Scheibe | Washer | A8,4 DIN125-St Zn |
| 8 | 305 8873 | 2 | Sicherungsring | Retaining ring | 35x2,5 DIN471 |
| 9 | 309 6046 | 1 | Spannhülse | Expansion bush | 6x20-DIN1481 Zn |
| 10 | 317 2025 | 2 | Einspannbuchse mit Presssitz | Expansion bush | EG50/55x30 |
| 11 | 317 3417 | 1 | Einspannbuchse mit Presssitz | Expansion bush | EG30/38x25 |
| 12 | 319 9095 | 1 | Kegelrollenlager | Tapered roller bearing | 30217 D150/85x30,5 |
| 13 | 319 9219 | 1 | Kegelrollenlager | Tapered roller bearing | 32020X D150/100x32 |
| 14 | 32110018 | 1 | Hebel | Lever | D12x173 1xD6 GEB2x90GRD Zn |
| 15 | 32110127 | 1 | Dokumentenbehälter | Documents box | D140x363 |
| 16 | 323 0060 | 1 | Dichtscheibe | Seal washer | D149,5/100x12 2xd8 Zn |
| 17 | 323 0062 | 1 | Dichtscheibe mit Nut | Seal washer | D149,5/85x12 Zn |
| 18 | 323 6348 | 1 | Schmiernippel | Grease nipple | AM10x1 DIN71412 |
| 19 | 323 7970 | 2 | Filzring | Felt ring | D150/130x6 |
| 22 | 43310031 | 1 | Pflugturm | Headstock | G100 |
| 23 | 47510863 | 1 | Schlauchführung | Hose guiding | 171x93x70,8 2xD9 |

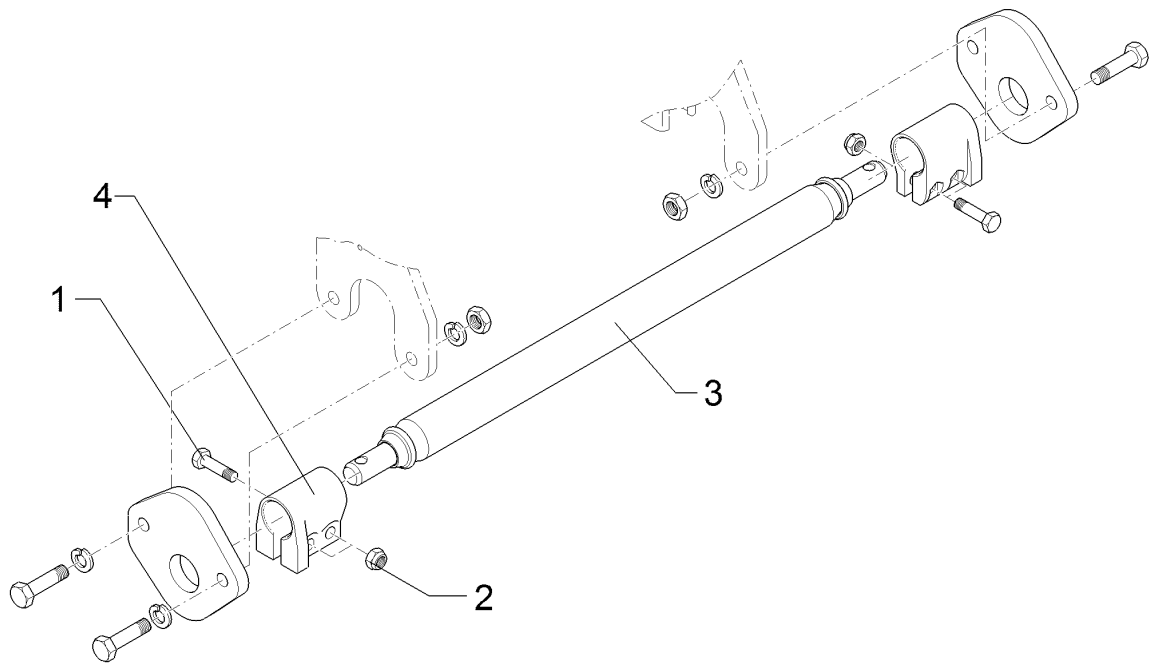


01.18

| Pos. | Art.Nr. | Stck. | Artikeltext / Description | Abmessung |
|------|----------|-------|---------------------------|--------------|
| 24 | 47510864 | 1 | Schlauchhalter | Hose carrier |
| 25 | 53310005 | 1 | Wendeachse | Turning axle |
| | | | | 193x85x66 |
| | | | | G100 |

| | |
|---|----------|
| Unterlenkeranschluss/Lower link connection | 1 |
|---|----------|

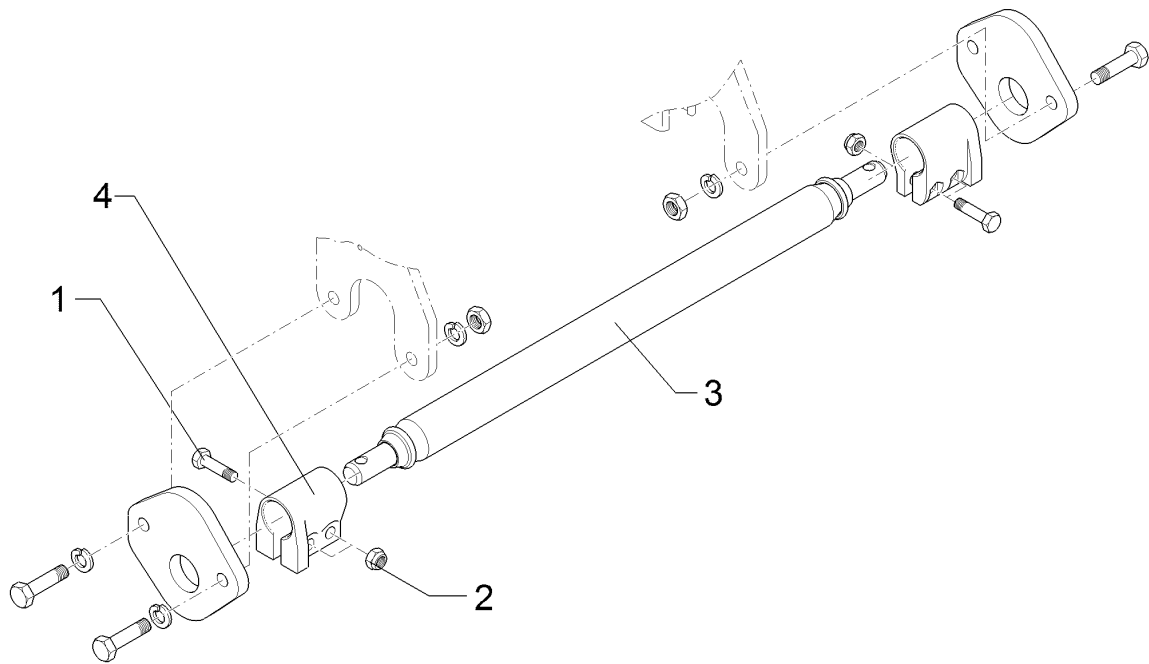
| | |
|------------------|-----------------|
| Juwel 7 T | 661 1443 |
|------------------|-----------------|



01.18

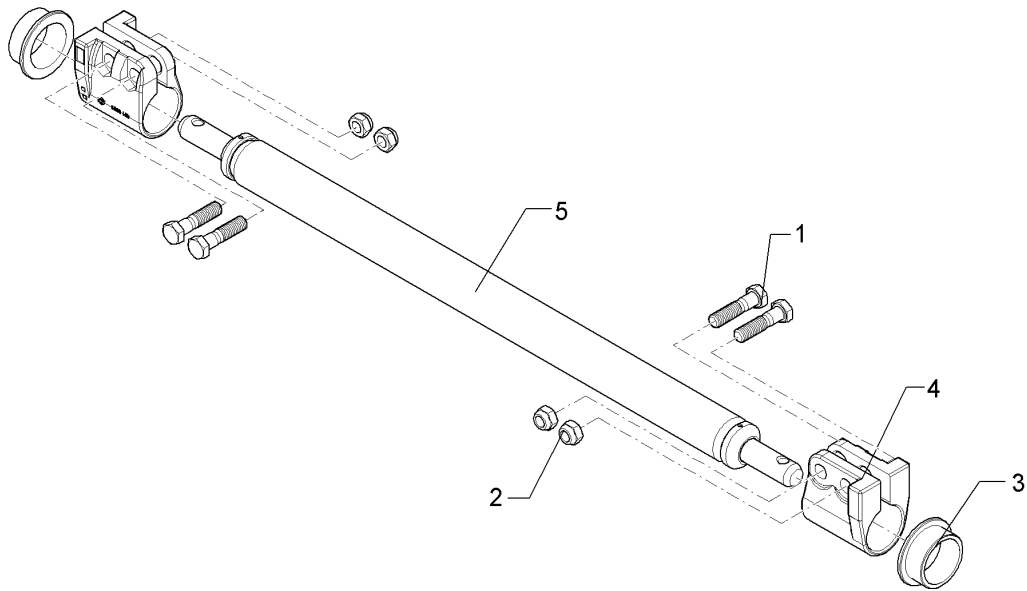
| Pos. | Art.Nr. | Stck. | Artikeltext / Description | | Abmessung |
|------|----------|-------|---------------------------|-----------------|------------------------------|
| 1 | 301 3868 | 4 | Sechskantschraube | Hexagon bolt | M16x65-8.8 Zn DIN931-A |
| 2 | 303 0935 | 4 | Sicherungsmutter | Selflocking nut | NM16-8 Zn DIN985 |
| 3 | 461 7905 | 1 | Zugschiene | Cross shaft | D68x980 L2 Z3 HÜ (Kat.3N) |
| 4 | 461 9893 | 2 | Sperrstück | Stop | D68x100 2xD18 |

| | |
|---|-----------------|
| Unterlenkeranschluss/Lower link connection | 1 |
| Juwel 7 T | 661 1444 |



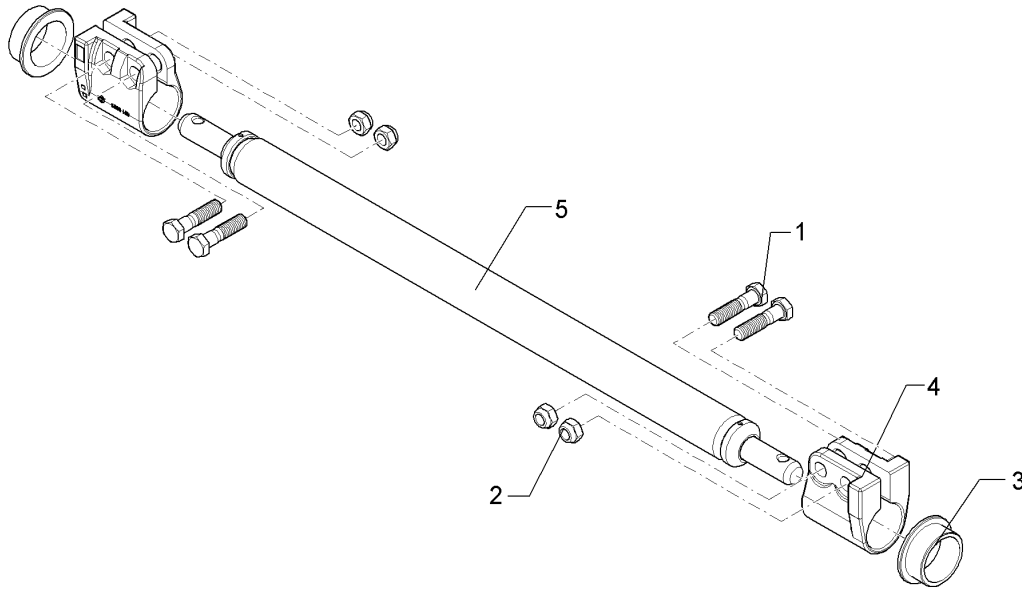
01.18

| Pos. | Art.Nr. | Stck. | Artikeltext / Description | | Abmessung |
|------|----------|-------|---------------------------|-----------------|---------------------------|
| 1 | 301 3868 | 4 | Sechskantschraube | Hexagon bolt | M16x65-8.8 Zn DIN931-A |
| 2 | 303 0935 | 4 | Sicherungsmutter | Selflocking nut | NM16-8 Zn DIN985 |
| 3 | 461 7925 | 1 | Zugschiene | Cross shaft | D68x1120 L3 Z3 HÜ |
| 4 | 461 9893 | 2 | Sperrstück | Stop | D68x100 2xD18 |



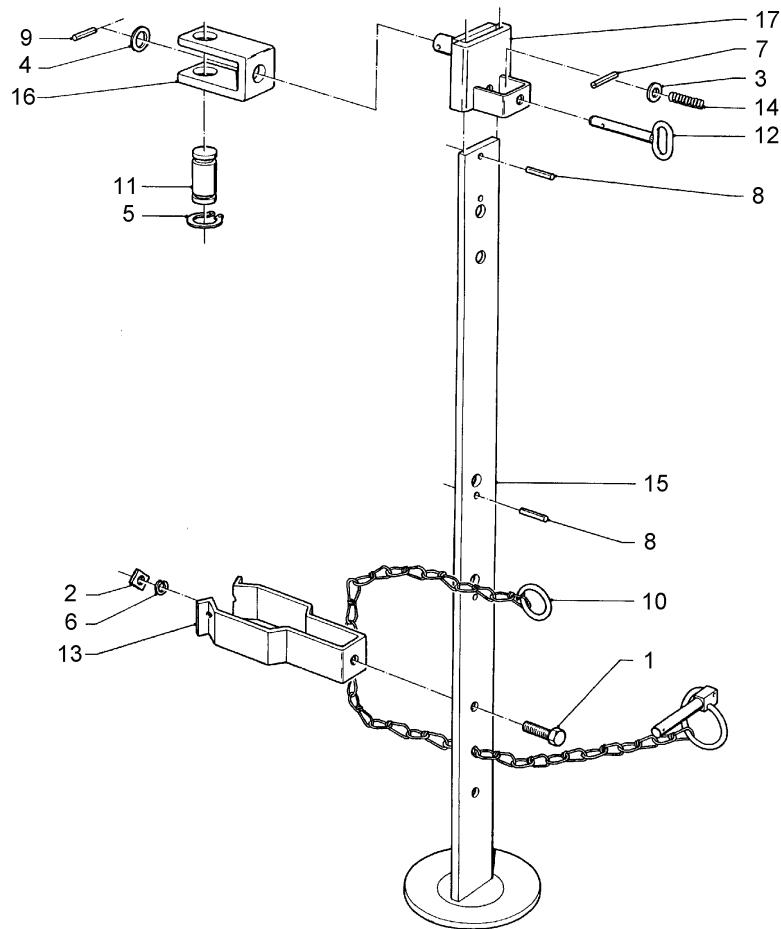
01.18

| Pos. | Art.Nr. | Stck. | Artikeltext / Description | | Abmessung |
|------|----------|-------|---------------------------|-----------------|---------------------------|
| 1 | 301 3868 | 4 | Sechskantschraube | Hexagon bolt | M16x65-8.8 Zn DIN931-A |
| 2 | 303 0935 | 4 | Sicherungsmutter | Selflocking nut | NM16-8 Zn DIN985 |
| 3 | 317 9478 | 2 | Bundbuchse | Flange bushing | 56/67/82,5x30 |
| 4 | 461 9892 | 2 | Sperrstück | Stop | D55x100 2xD18 |
| 5 | 46110013 | 1 | Zugschiene | Cross shaft | D55x970 L2 Z2 HÜ |



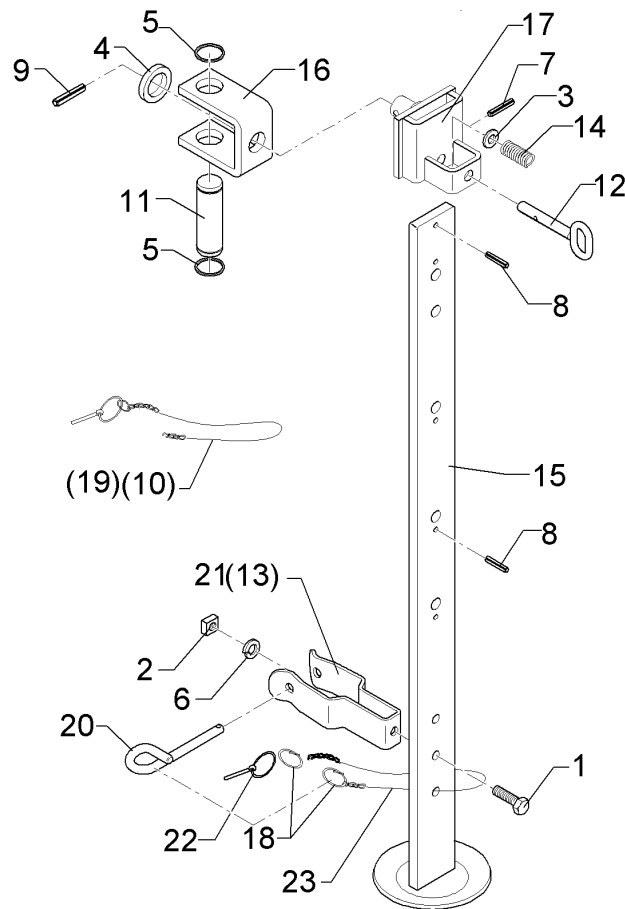
01.18

| Pos. | Art.Nr. | Stck. | Artikeltext / Description | | Abmessung |
|------|----------|-------|---------------------------|-----------------|---------------------------|
| 1 | 301 3868 | 4 | Sechskantschraube | Hexagon bolt | M16x65-8.8 Zn DIN931-A |
| 2 | 303 0935 | 4 | Sicherungsmutter | Selflocking nut | NM16-8 Zn DIN985 |
| 3 | 317 9478 | 2 | Bundbuchse | Flange bushing | 56/67/82,5x30 |
| 4 | 461 9892 | 2 | Sperrstück | Stop | D55x100 2xD18 |
| 5 | 46110015 | 1 | Schienenwelle | Drawbar | D55x1110 L3 Z2 HÜ |



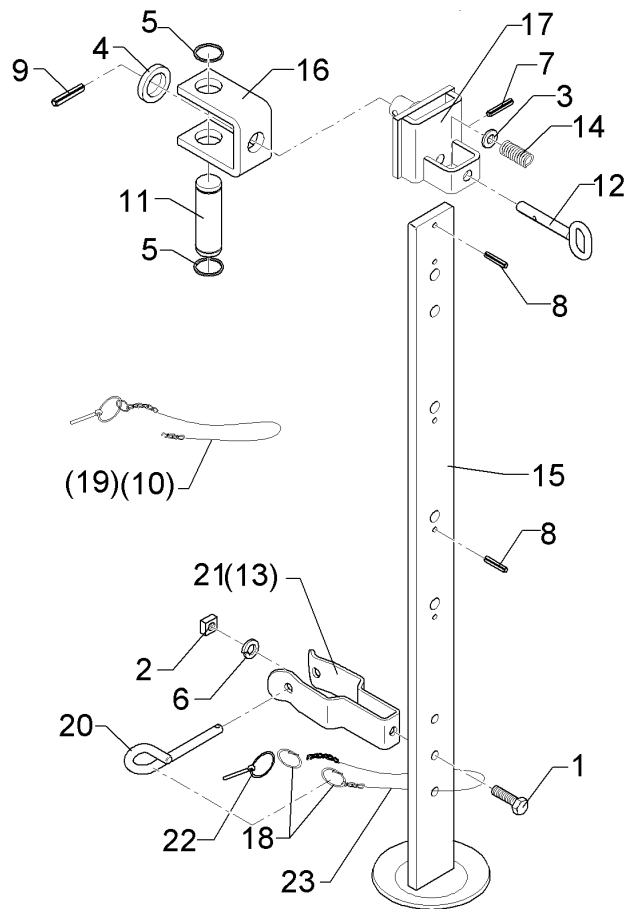
01.18

| Pos. | Art.Nr. | Stck. | Artikeltext / Description | | Abmessung |
|------|----------|-------|---------------------------|--------------------|---------------------------|
| 1 | 301 5004 | 1 | Sechskantschraube | Hexagon bolt | M10x30-8.8 Zn DIN933 |
| 2 | 303 1100 | 1 | Vierkantsmutter | Nut | M10 DIN557-5 |
| 3 | 305 8580 | 1 | Scheibe | Washer | 13/24x2,5 St-Zn DIN125 |
| 4 | 305 6254 | 1 | Scheibe | Washer | D25/44x4 Zn ISO7089 |
| 5 | 305 8867 | 2 | Sicherungsring | Retaining ring | 30x2 DIN471 Zn |
| 6 | 305 9900 | 1 | Federring | Spring ring | 10 DIN127 Zn |
| 7 | 309 6038 | 1 | Spannhülse | Expansion bush | 5x30-DIN1481 Chrom 8 |
| 8 | 309 6052 | 2 | Spannhülse | Expansion bush | 6x32-DIN1481 |
| 9 | 309 6072 | 1 | Spannhülse | Expansion bush | 8x40-DIN1481 Zn |
| 10 | 311 9320 | 1 | Klappstift mit Kette | Securing pin | 10x80 |
| 11 | 313 7803 | 1 | Bolzen | Pin | D30x81,7/100 Zn |
| 12 | 313 8136 | 1 | Bolzen mit Griff | Pin with grip | D12x48,5/80 Zn |
| 13 | 329 1798 | 1 | Flachformfeder | U-spring | 40x4x230 SW46 |
| 14 | 329 8106 | 1 | Druckfeder | Compression spring | 1,6x16x51,5 |
| 15 | 429 2510 | 1 | Abstellstütze | Stand | V-R750-800 |
| 16 | 429 4585 | 1 | Halter | Holder | 60/65/90 D30/D25 |
| 17 | 429 4600 | 1 | Führung | Guiding | 62/14x80 D25 |



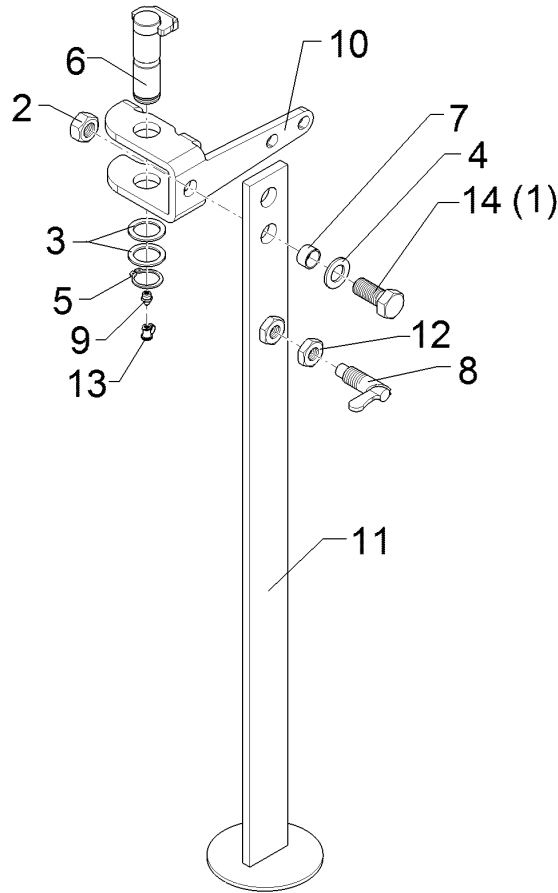
01.18

| Pos. | Art.Nr. | Stck. | Artikeltext / Description | | Abmessung |
|------|----------|-------|---------------------------|--------------------|---------------------------|
| 1 | 301 5004 | 1 | Sechskantschraube | Hexagon bolt | M10x30-8.8 Zn DIN933 |
| 2 | 303 1100 | 1 | Vierkantsmutter | Nut | M10 DIN557-5 |
| 3 | 305 8580 | 1 | Scheibe | Washer | 13/24x2,5 St-Zn DIN125 |
| 4 | 305 6254 | 1 | Scheibe | Washer | D25/44x4 Zn ISO7089 |
| 5 | 305 8867 | 2 | Sicherungsring | Retaining ring | 30x2 DIN471 Zn |
| 6 | 305 9900 | 1 | Federring | Spring ring | 10 DIN127 Zn |
| 7 | 309 6038 | 1 | Spannhülse | Expansion bush | 5x30-DIN1481 Chrom 8 |
| 8 | 309 6052 | 2 | Spannhülse | Expansion bush | 6x32-DIN1481 |
| 9 | 309 6072 | 1 | Spannhülse | Expansion bush | 8x40-DIN1481 Zn |
| 10 | 311 9320 | 1 | Klappstift mit Kette | Securing pin | 10x80 |
| 11 | 313 7803 | 1 | Bolzen | Pin | D30x81,7/100 Zn |
| 12 | 313 8136 | 1 | Bolzen mit Griff | Pin with grip | D12x48,5/80 Zn |
| 13 | 329 1798 | 1 | Flachformfeder | U-spring | 40x4x230 SW46 |
| 14 | 329 8106 | 1 | Druckfeder | Compression spring | 1,6x16x51,5 |
| 15 | 429 2511 | 1 | Abstellstütze | Stand | V-R900 60x12x1000 |
| 16 | 429 4585 | 1 | Halter | Holder | 60/65/90 D30/D25 |
| 17 | 429 4600 | 1 | Führung | Guiding | 62/14x80 D25 |
| 18 | 305 8551 | 2 | Sicherungsring | Retaining ring | Di41x3 A2 |
| 19 | 311 9566 | 1 | Klappstift mit Kette | Securing pin | 4,5 23GL |
| 20 | 313 8610 | 1 | Bolzen | Pin | D10x85 Zn (10x210) |
| 21 | 329 1802 | 1 | Flachformfeder | U-spring | 40x4x370 SW60 |



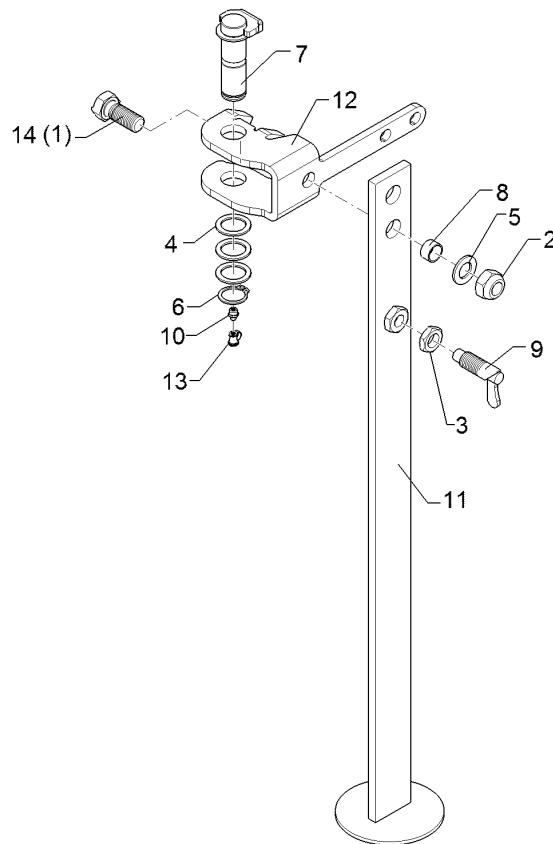
01.18

| Pos. | Art.Nr. | Stck. | Artikeltext / Description | Abmessung |
|------|----------|-------|---------------------------|--------------------|
| 22 | 311 9565 | 1 | Klappstift | Securing pin |
| 23 | 33110043 | 1 | Knotenkette | Knotted-link chain |
| | | | | 4,5 K22x580 Zn |



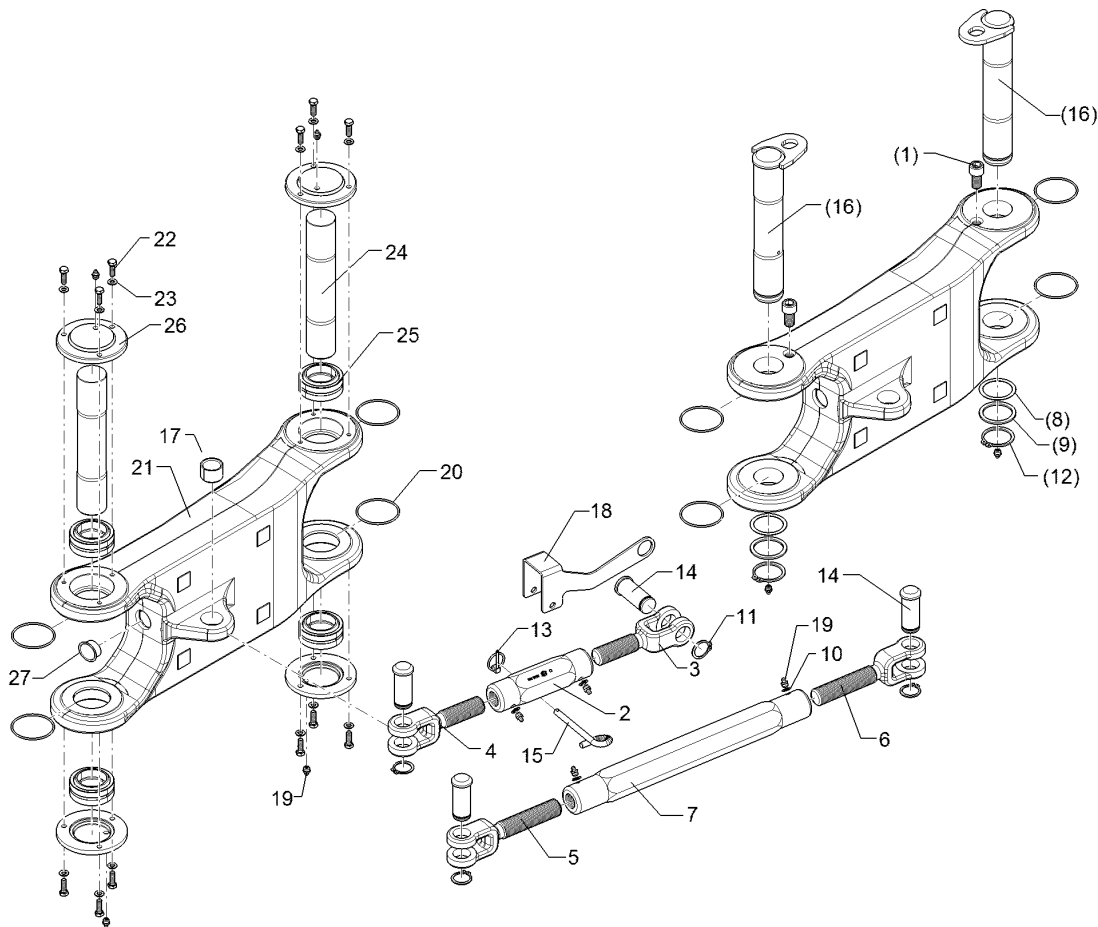
01.18

| Pos. | Art.Nr. | Stck. | Artikeltext / Description | | Abmessung |
|------|----------|-------|-----------------------------|-------------------|--------------------------------|
| 1 | 301 4213 | 1 | Sechskantschraube | Hexagon bolt | M20x45-8.8 Zn DIN933 |
| 2 | 303 0936 | 1 | Sicherungsmutter | Selflocking nut | NM20-8 Zn DIN985 |
| 3 | 305 2242 | 2 | Stützscheibe | Supporting washer | S 30/42x2,5 DIN988 Zn |
| 4 | 305 6012 | 1 | Scheibe | Washer | 21 ISO7089 Zn |
| 5 | 305 8867 | 1 | Sicherungsring | Retaining ring | 30x2 DIN471 Zn |
| 6 | 313 3008 | 1 | Bolzen mit Verdrehsicherung | Pin with stop | D30x87/108 Zn |
| 7 | 31710040 | 1 | Röhrchen | Tube | D24/20,5x13 Zn |
| 8 | 321 2601 | 1 | Federriegel | Locking bar | D15 Hub14 Zn |
| 9 | 323 6348 | 1 | Schmiernippel | Grease nipple | AM10x1 DIN71412 |
| 10 | 42910012 | 1 | Halter | Holder | 10x295x331 2xD30,5 4xGEB Zn |
| 11 | 42910013 | 1 | Abstellstütze | Stand | R800-850 Juwel |
| 12 | 303 0965 | 1 | Sechskantmutter | Hexagon nut | M20x1,5 DIN936-17H Zn |
| 13 | 323 6401 | 1 | Schutzkappe | Cap | M6-M10 |
| 14 | 301 4231 | 1 | Sechskantschraube | Hexagon bolt | M20x50-8.8 Zn DIN933 |



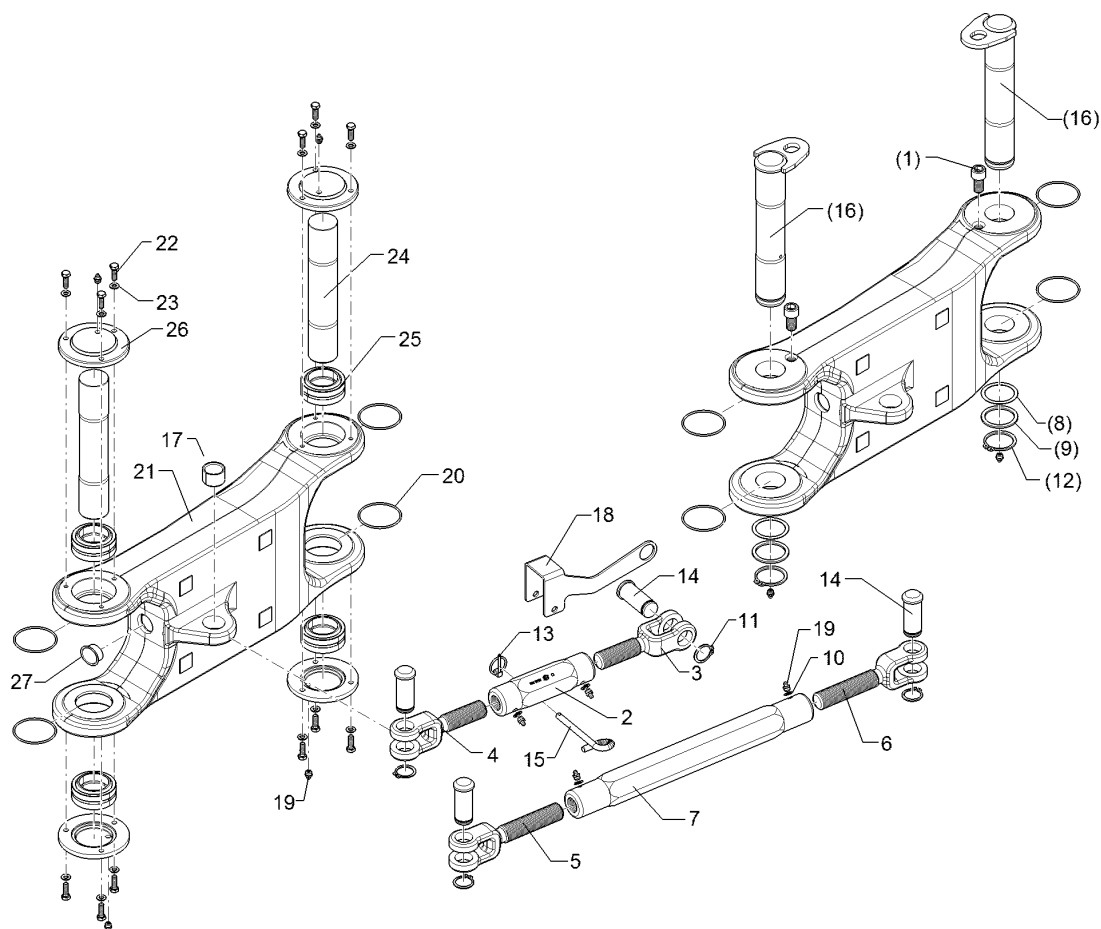
01.18

| Pos. | Art.Nr. | Stck. | Artikeltext / Description | | Abmessung |
|------|----------|-------|-----------------------------|-------------------|--------------------------|
| 1 | 301 4213 | 1 | Sechskantschraube | Hexagon bolt | M20x45-8.8 Zn DIN933 |
| 2 | 303 0936 | 1 | Sicherungsmutter | Selflocking nut | NM20-8 Zn DIN985 |
| 3 | 303 0965 | 1 | Sechskantmutter | Hexagon nut | M20x1,5 DIN936-17H Zn |
| 4 | 305 2242 | 4 | Stützscheibe | Supporting washer | S 30/42x2,5 DIN988 Zn |
| 5 | 305 6012 | 1 | Scheibe | Washer | 21 ISO7089 Zn |
| 6 | 305 8867 | 1 | Sicherungsring | Retaining ring | 30x2 DIN471 Zn |
| 7 | 313 3008 | 1 | Bolzen mit Verdrehsicherung | Pin with stop | D30x87/108 Zn |
| 8 | 31710040 | 1 | Röhrchen | Tube | D24/20,5x13 Zn |
| 9 | 321 2601 | 1 | Federriegel | Locking bar | D15 Hub14 Zn |
| 10 | 323 6348 | 1 | Schmiernippel | Grease nipple | AM10x1 DIN17142 |
| 11 | 42910013 | 1 | Abstellstütze | Stand | R800-850 Juwel |
| 12 | 42910031 | 1 | Halter | Holder | 10x295x329 J7M Zn |
| 14 | 301 4231 | 1 | Sechskantschraube | Hexagon bolt | M20x50-8.8 Zn DIN933 |



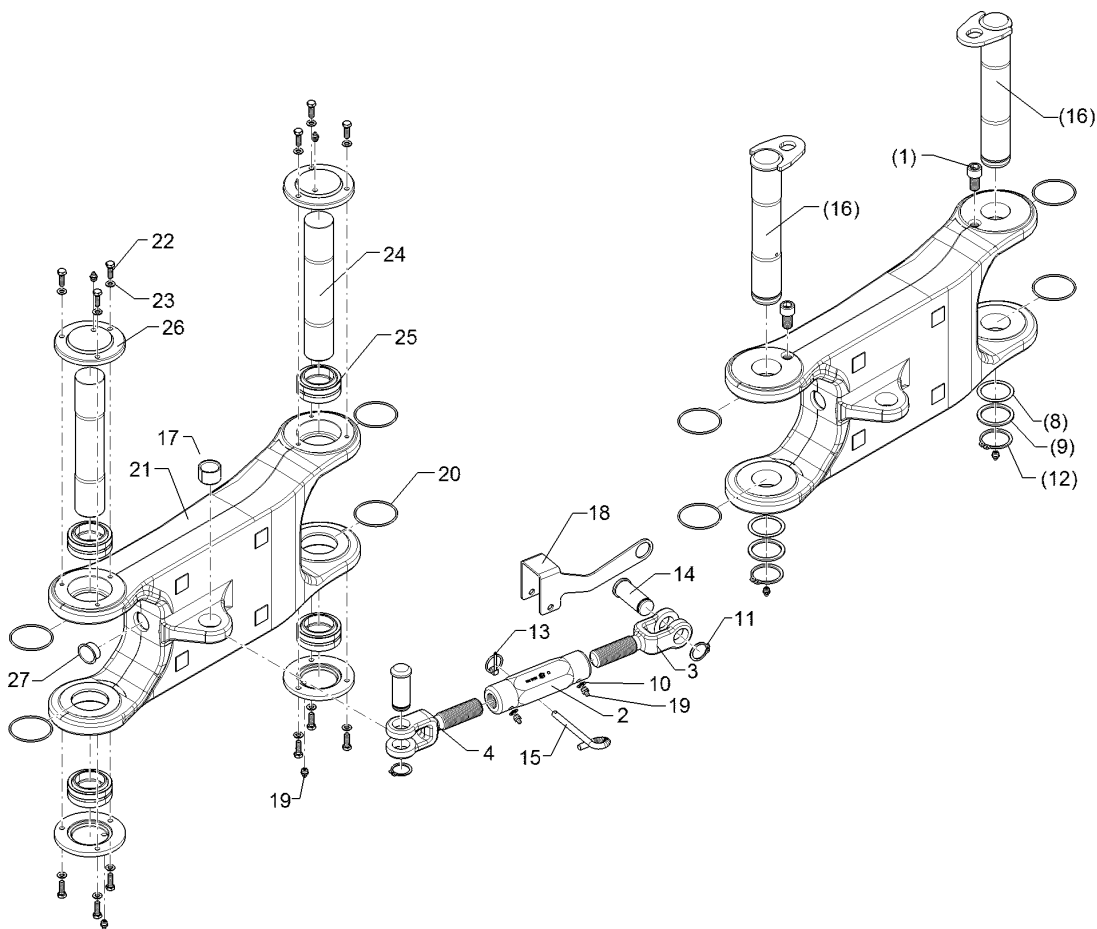
01.18

| Pos. | Art.Nr. | Stck. | Artikeltext / Description | | Abmessung |
|------|----------|-------|------------------------------|-------------------|-------------------------|
| 1 | 301 6004 | 2 | Zylinderschraube | Allen screw | M16x30-8.8 DIN912 |
| 2 | 302 8785 | 1 | Spannschlossmutter | Threaded sleeve | TR30x3x190-SW50 |
| 3 | 302 8998 | 1 | Gabelstück | Forkpiece | TR30x3x80/185 D30 Zn |
| 4 | 302 8999 | 1 | Gabelstück | Forkpiece | TR30x3LHx80/185 D30 Zn |
| 5 | 302 9000 | 1 | Gabelstück | Forkpiece | TR30x3x120x225 D30 Zn |
| 6 | 302 9001 | 1 | Gabelstück | Forkpiece | TR30x3LHx120/225 D30 Zn |
| 7 | 30210025 | 1 | Spannschlossmutter | Threaded sleeve | TR30x3x490-SW50 |
| 8 | 305 2150 | 2 | Passscheibe | Shim | 50x62x1,0 DIN988 |
| 9 | 305 2255 | 2 | Stützscheibe | Supporting washer | S 50x62x3 DIN988 Zn |
| 10 | 305 6130 | 4 | Scheibe | Washer | D10/16x1 Zn |
| 11 | 305 8867 | 3 | Sicherungsring | Retaining ring | 30x2 DIN471 Zn |
| 12 | 305 8877 | 2 | Sicherungsring | Retaining ring | 50x3 DIN471 |
| 13 | 311 9565 | 1 | Klappstift | Securing pin | 4,5 |
| 14 | 313 7802 | 3 | Bolzen mit Kopf | Pin with collar | D30/35x63/80 Zn |
| 15 | 313 8610 | 1 | Bolzen | Pin | D10x85 Zn (10x210) |
| 16 | 31310043 | 2 | Bolzen mit Verdrehsicherung | Pin with stop | D50x265/290-M10x1 Zn |
| 17 | 317 3417 | 1 | Einspannbuchse mit Presssitz | Expansion bush | EG30/38x25 |
| 18 | 32110019 | 1 | Verdrehsicherung | Locking | 4x231x208,1 D30 U-51 Zn |
| 19 | 323 6348 | 8 | Schmiernippel | Grease nipple | AM10x1 DIN71412 |



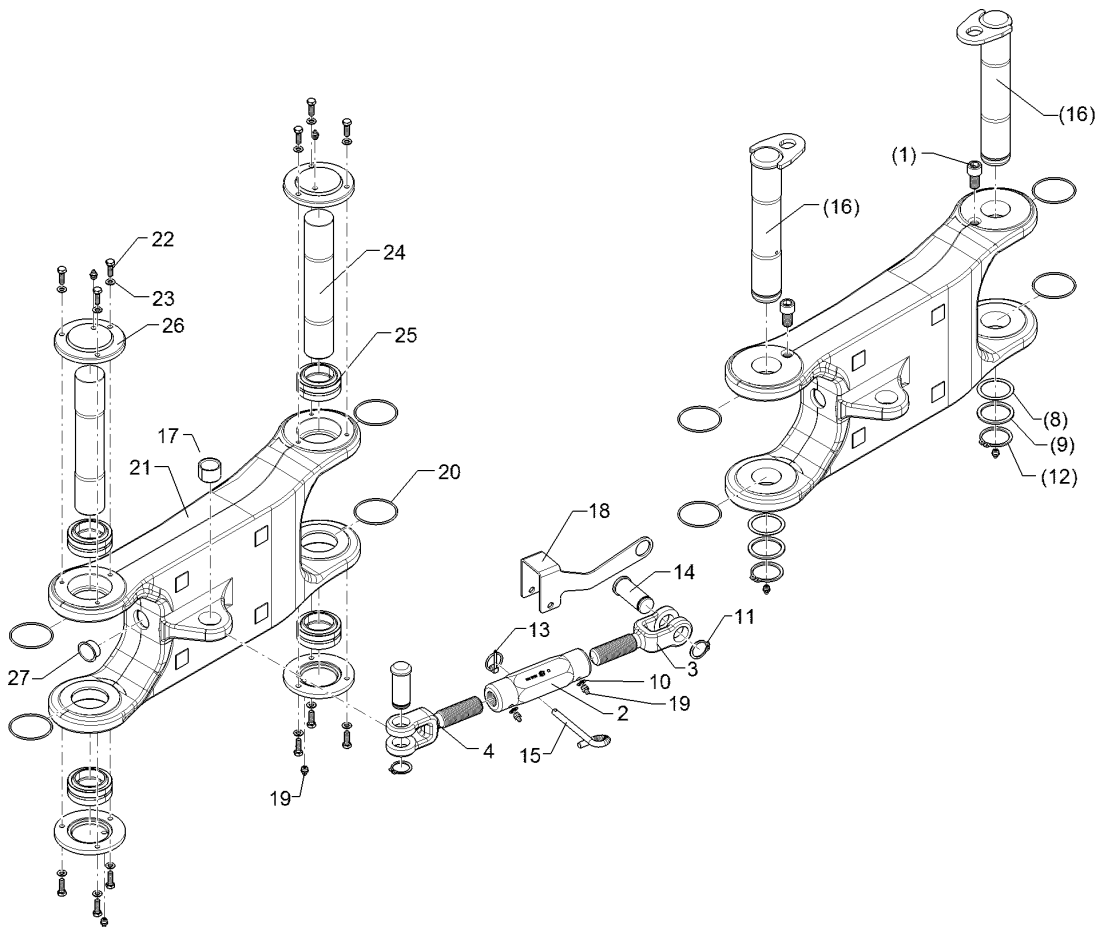
01.18

| Pos. | Art.Nr. | Stck. | Artikeltext / Description | Abmessung | |
|------|----------|-------|---------------------------|---------------------|--------------------------|
| 20 | 375 1255 | 4 | O-Ring | O-ring | 68x3-80Shore Viton83 |
| 21 | 43410001 | 1 | Lenker | Link | 75-600 J7 GEB |
| 22 | 301 7280 | 12 | Sechskantschraube | Hexagon bolt | M8x25-8.8 Zn DIN933 |
| 23 | 305 8694 | 12 | Scheibe | Washer | A8,4 DIN125-St Zn |
| 24 | 31310061 | 2 | Bolzen | Pin | D50/48x275 1xM8 |
| 25 | 31710056 | 4 | Gelenklager | Articulated bearing | GE 50 ES |
| 26 | 32310053 | 4 | Deckel | Cover | D120x15 3xD8,5-98 Zn |
| 27 | 32310031 | 3 | Lamellenstopfen | Lamellar cap | GPN 320 GL 40 RAL5015 |



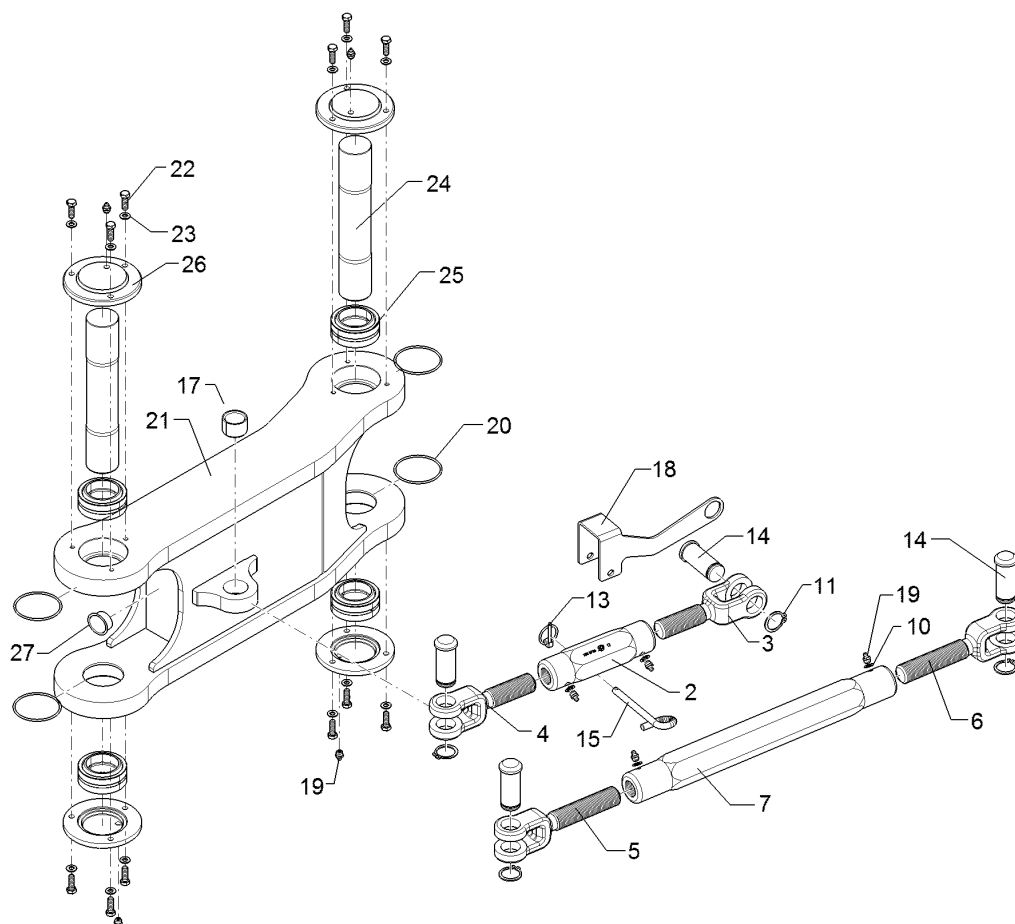
01.18

| Pos. | Art.Nr. | Stck. | Artikeltext / Description | Abmessung | |
|------|----------|-------|------------------------------|-------------------|-------------------------|
| 1 | 301 6004 | 2 | Zylinderschraube | Allen screw | M16x30-8.8 DIN912 |
| 2 | 302 8785 | 1 | Spannschlossmutter | Threaded sleeve | TR30x3x190-SW50 |
| 3 | 302 8998 | 1 | Gabelstück | Forkpiece | TR30x3x80/185 D30 Zn |
| 4 | 302 8999 | 1 | Gabelstück | Forkpiece | TR30x3LHx80/185 D30 Zn |
| 8 | 305 2150 | 2 | Passscheibe | Shim | 50x62x1,0 DIN988 |
| 9 | 305 2255 | 2 | Stützscheibe | Supporting washer | S 50x62x3 DIN988 Zn |
| 10 | 305 6130 | 2 | Scheibe | Washer | D10/16x1 Zn |
| 11 | 305 8867 | 2 | Sicherungsring | Retaining ring | 30x2 DIN471 Zn |
| 12 | 305 8877 | 2 | Sicherungsring | Retaining ring | 50x3 DIN471 |
| 13 | 311 9565 | 1 | Klappstift | Securing pin | 4,5 |
| 14 | 313 7802 | 2 | Bolzen mit Kopf | Pin with collar | D30/35x63/80 Zn |
| 15 | 313 8610 | 1 | Bolzen | Pin | D10x85 Zn (10x210) |
| 16 | 31310043 | 2 | Bolzen mit Verdrehsicherung | Pin with stop | D50x265/290-M10x1 Zn |
| 17 | 317 3417 | 1 | Einspannbuchse mit Presssitz | Expansion bush | EG30/38x25 |
| 18 | 32110019 | 1 | Verdrehsicherung | Locking | 4x231x208,1 D30 U-51 Zn |
| 19 | 323 6348 | 6 | Schmiernippel | Grease nipple | AM10x1 DIN71412 |
| 20 | 375 1255 | 4 | O-Ring | O-ring | 68x3-80Shore Viton83 |
| 21 | 43410001 | 1 | Lenker | Link | 75-600 J7 GEB |
| 22 | 301 7280 | 12 | Sechskantschraube | Hexagon bolt | M8x25-8.8 Zn DIN933 |



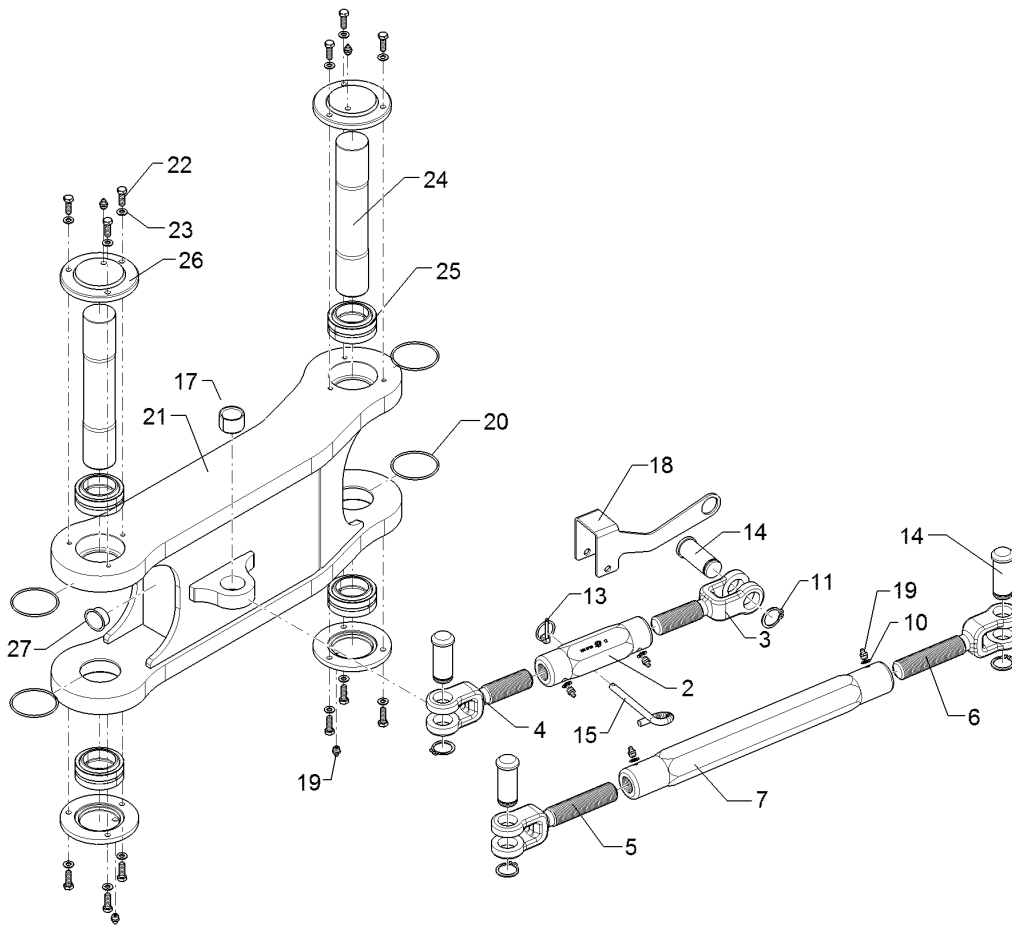
01.18

| Pos. | Art.Nr. | Stck. | Artikeltext / Description | Abmessung | |
|------|----------|-------|---------------------------|---------------------|--------------------------|
| 23 | 305 8694 | 12 | Scheibe | Washer | A8,4 DIN125-St Zn |
| 24 | 31310061 | 2 | Bolzen | Pin | D50/48x275 1xM8 |
| 25 | 31710056 | 4 | Gelenklager | Articulated bearing | GE 50 ES |
| 26 | 32310053 | 4 | Deckel | Cover | D120x15 3xD8,5-98 Zn |
| 27 | 32310031 | 3 | Lamellenstopfen | Lamellar cap | GPN 320 GL 40 RAL5015 |



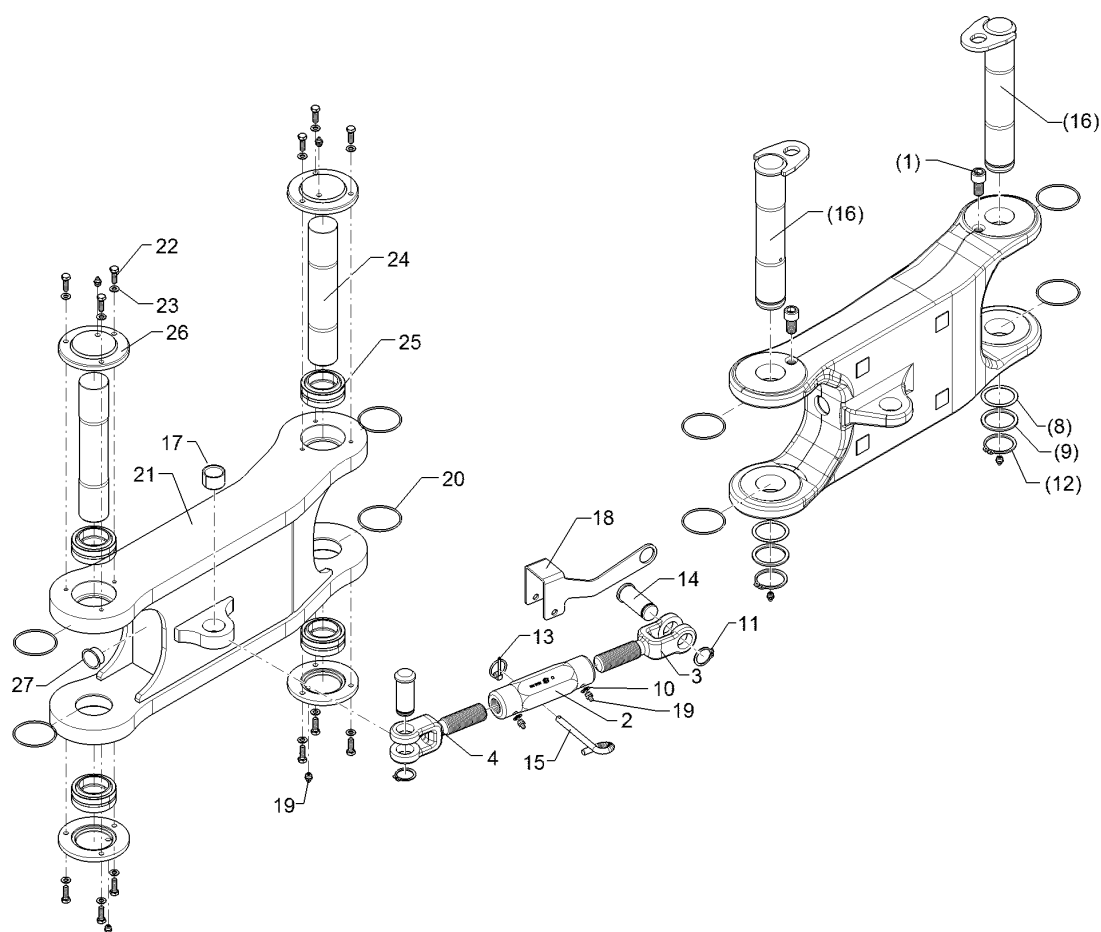
01.18

| Pos. | Art.Nr. | Stck. | Artikeltext / Description | Abmessung | |
|------|----------|-------|------------------------------|-----------------|-------------------------|
| 2 | 302 8785 | 1 | Spannschlossmutter | Threaded sleeve | TR30x3x190-SW50 |
| 3 | 302 8998 | 1 | Gabelstück | Forkpiece | TR30x3x80/185 D30 Zn |
| 4 | 302 8999 | 1 | Gabelstück | Forkpiece | TR30x3LHx80/185 D30 Zn |
| 5 | 302 9000 | 1 | Gabelstück | Forkpiece | TR30x3x120x225 D30 Zn |
| 6 | 302 9001 | 1 | Gabelstück | Forkpiece | TR30x3LHx120/225 D30 Zn |
| 7 | 30210025 | 1 | Spannschlossmutter | Threaded sleeve | TR30x3x490-SW50 |
| 10 | 305 6130 | 4 | Scheibe | Washer | D10/16x1 Zn |
| 11 | 305 8867 | 4 | Sicherungsring | Retaining ring | 30x2 DIN471 Zn |
| 13 | 311 9565 | 1 | Klappstift | Securing pin | 4,5 |
| 14 | 313 7802 | 4 | Bolzen mit Kopf | Pin with collar | D30/35x63/80 Zn |
| 15 | 313 8610 | 1 | Bolzen | Pin | D10x85 Zn (10x210) |
| 17 | 317 3417 | 1 | Einspannbuchse mit Presssitz | Expansion bush | EG30/38x25 |
| 18 | 32110019 | 1 | Verdrehsicherung | Locking | 4x231x208,1 D30 U-51 Zn |
| 19 | 323 6348 | 8 | Schmiernippel | Grease nipple | AM10x1 DIN71412 |
| 20 | 375 1255 | 4 | O-Ring | O-ring | 68x3-80Shore Viton83 |
| 21 | 43410005 | 1 | Lenker | Link | 75-600 Juwel 7 |
| 22 | 301 7280 | 12 | Sechskantschraube | Hexagon bolt | M8x25-8.8 Zn DIN933 |
| 23 | 305 8694 | 12 | Scheibe | Washer | A8,4 DIN125-St Zn |
| 24 | 31310061 | 2 | Bolzen | Pin | D50/48x275 1xM8 |



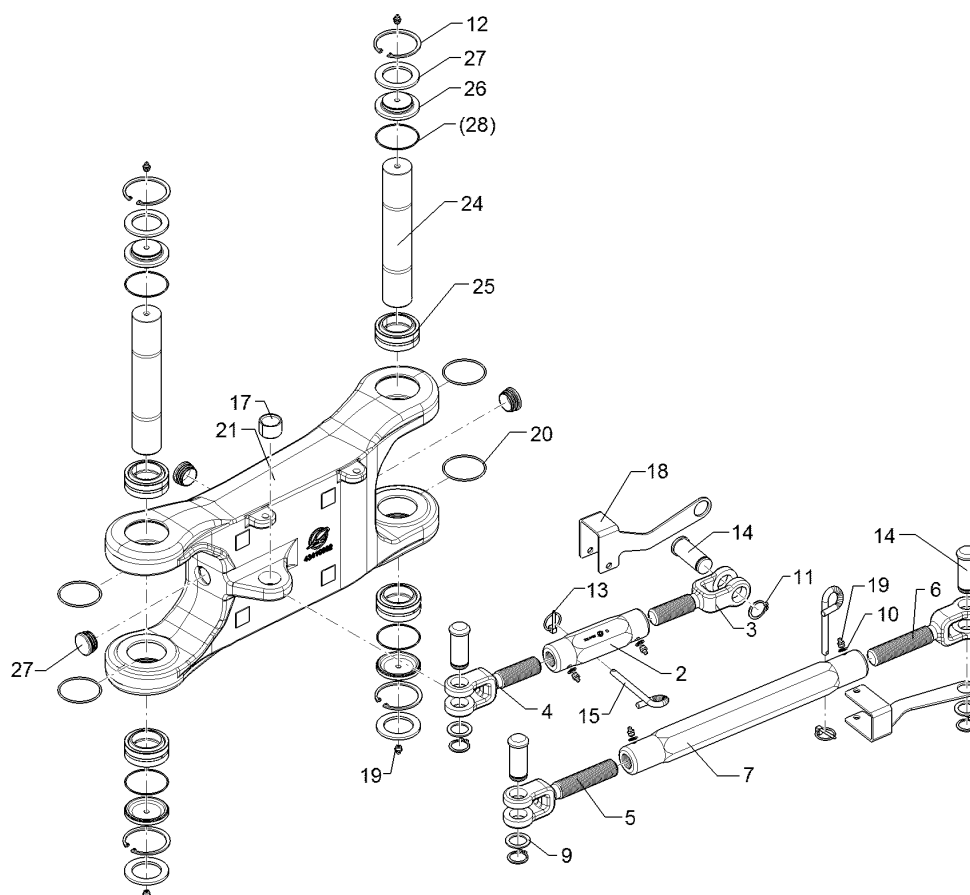
01.18

| Pos. | Art.Nr. | Stck. | Artikeltext / Description | Abmessung |
|------|----------|-------|---------------------------|--|
| 25 | 31710056 | 4 | Gelenklager | Articulated bearing |
| 26 | 32310053 | 4 | Deckel | Cover GE 50 ES D120x15 3xD8,5-98 Zn |



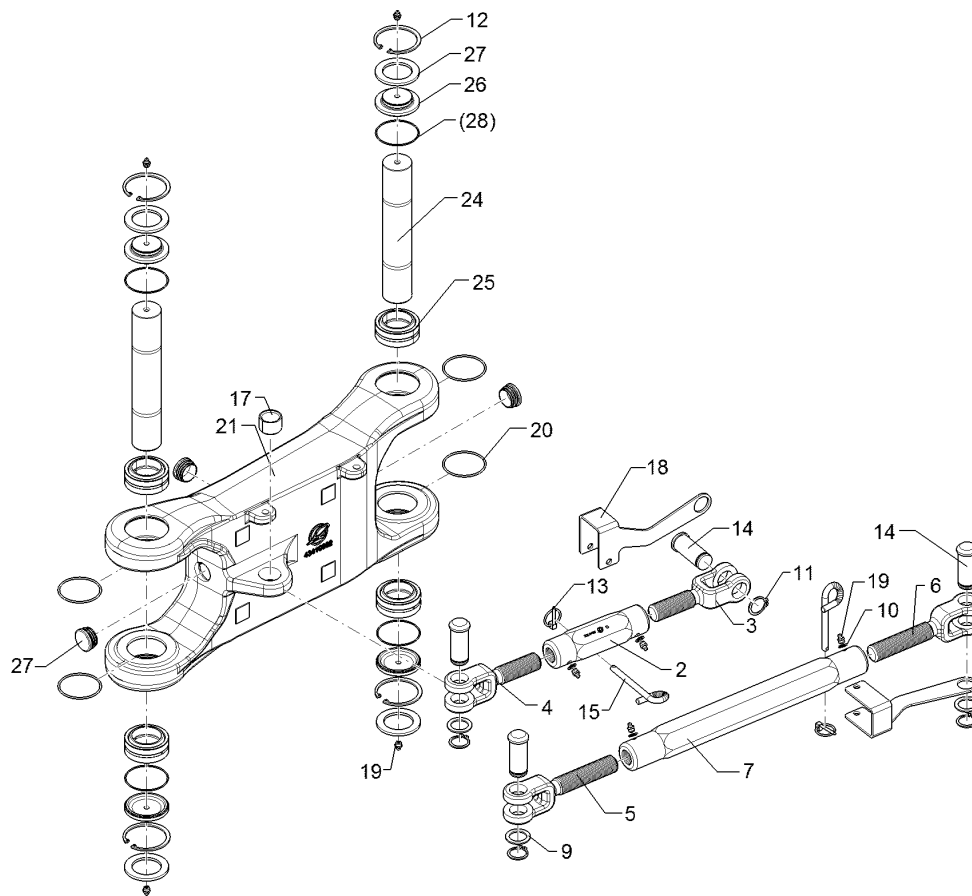
01.18

| Pos. | Art.Nr. | Stck. | Artikeltext / Description | | Abmessung |
|------|----------|-------|------------------------------|---------------------|-------------------------|
| 2 | 302 8785 | 1 | Spannschlossmutter | Threaded sleeve | TR30x3x190-SW50 |
| 3 | 302 8998 | 1 | Gabelstück | Forkpiece | TR30x3x80/185 D30 Zn |
| 4 | 302 8999 | 1 | Gabelstück | Forkpiece | TR30x3LHx80/185 D30 Zn |
| 10 | 305 6130 | 2 | Scheibe | Washer | D10/16x1 Zn |
| 11 | 305 8867 | 2 | Sicherungsring | Retaining ring | 30x2 DIN471 Zn |
| 13 | 311 9565 | 1 | Klappstift | Securing pin | 4,5 |
| 14 | 313 7802 | 2 | Bolzen mit Kopf | Pin with collar | D30/35x63/80 Zn |
| 15 | 313 8610 | 1 | Bolzen | Pin | D10x85 Zn (10x210) |
| 17 | 317 3417 | 1 | Einspannbuchse mit Presssitz | Expansion bush | EG30/38x25 |
| 18 | 32110019 | 1 | Verdrehsicherung | Locking | 4x231x208,1 D30 U-51 Zn |
| 19 | 323 6348 | 6 | Schmiernippel | Grease nipple | AM10x1 DIN71412 |
| 20 | 375 1255 | 4 | O-Ring | O-ring | 68x3-80Shore Viton83 |
| 21 | 43410005 | 1 | Lenker | Link | 75-600 Juwel 7 |
| 22 | 301 7280 | 12 | Sechskantschraube | Hexagon bolt | M8x25-8.8 Zn DIN933 |
| 23 | 305 8694 | 12 | Scheibe | Washer | A8,4 DIN125-St Zn |
| 24 | 31310061 | 2 | Bolzen | Pin | D50/48x275 1xM8 |
| 25 | 31710056 | 4 | Gelenklager | Articulated bearing | GE 50 ES |
| 26 | 32310053 | 4 | Deckel | Cover | D120x15 3xD8,5-98 Zn |



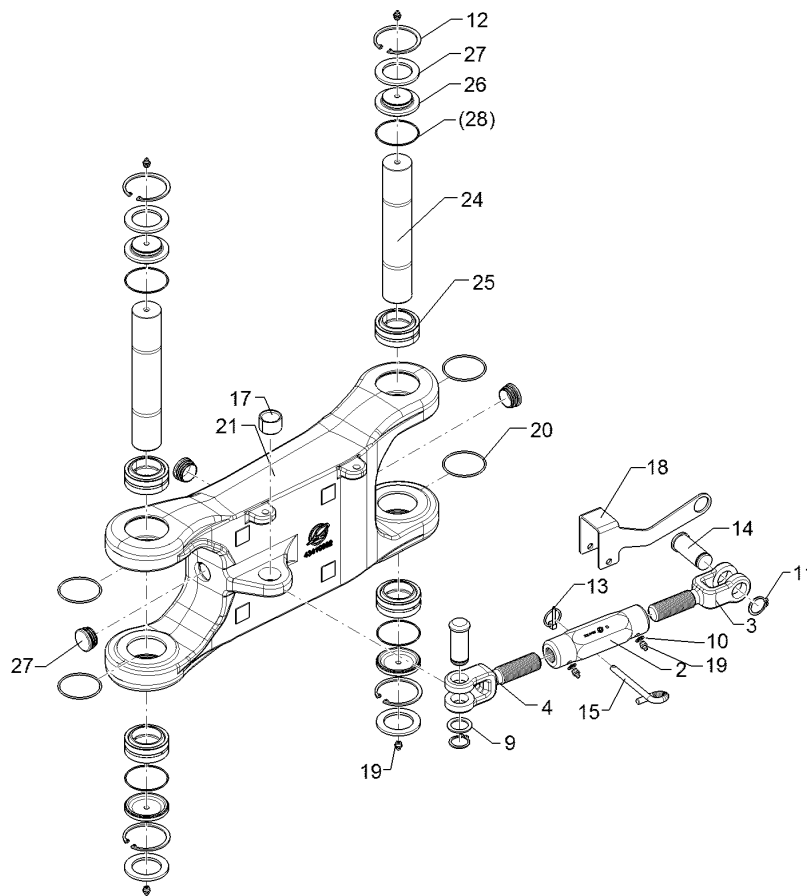
01.18

| Pos. | Art.Nr. | Stck. | Artikeltext / Description | Abmessung | |
|------|----------|-------|------------------------------|-------------------|-------------------------|
| 2 | 302 8785 | 1 | Spannschlossmutter | Threaded sleeve | TR30x3x190-SW50 |
| 3 | 302 8998 | 1 | Gabelstück | Forkpiece | TR30x3x80/185 D30 Zn |
| 4 | 302 8999 | 1 | Gabelstück | Forkpiece | TR30x3LHx80/185 D30 Zn |
| 5 | 302 9000 | 1 | Gabelstück | Forkpiece | TR30x3x120x225 D30 Zn |
| 6 | 302 9001 | 1 | Gabelstück | Forkpiece | TR30x3LHx120/225 D30 Zn |
| 7 | 30210025 | 1 | Spannschlossmutter | Threaded sleeve | TR30x3x490-SW50 |
| 9 | 305 2242 | 1 | Stützscheibe | Supporting washer | S 30/42x2,5 DIN988 Zn |
| 10 | 305 6130 | 4 | Scheibe | Washer | D10/16x1 Zn |
| 11 | 305 8867 | 3 | Sicherungsring | Retaining ring | 30x2 DIN471 Zn |
| 12 | 30510166 | 4 | Sicherungsring | Retaining ring | 75x3/JS75 DIN472 |
| 13 | 311 9565 | 2 | Klappstift | Securing pin | 4,5 |
| 14 | 313 7802 | 3 | Bolzen mit Kopf | Pin with collar | D30/35x63/80 Zn |
| 15 | 313 8610 | 2 | Bolzen | Pin | D10x85 Zn (10x210) |
| 16 | 31310061 | 2 | Bolzen | Pin | D50/48x275 1xM8 |
| 17 | 317 3417 | 1 | Einspannbuchse mit Presssitz | Expansion bush | EG30/38x25 |
| 18 | 32110019 | 2 | Verdrehsicherung | Locking | 4x231x208,1 D30 U-51 Zn |
| 19 | 323 6348 | 8 | Schmiernippel | Grease nipple | AM10x1 DIN71412 |
| 20 | 375 1255 | 4 | O-Ring | O-ring | 68x3-80Shore Viton83 |
| 21 | 43410002 | 1 | Lenker | Link | 75/50-600 RGL J7 |



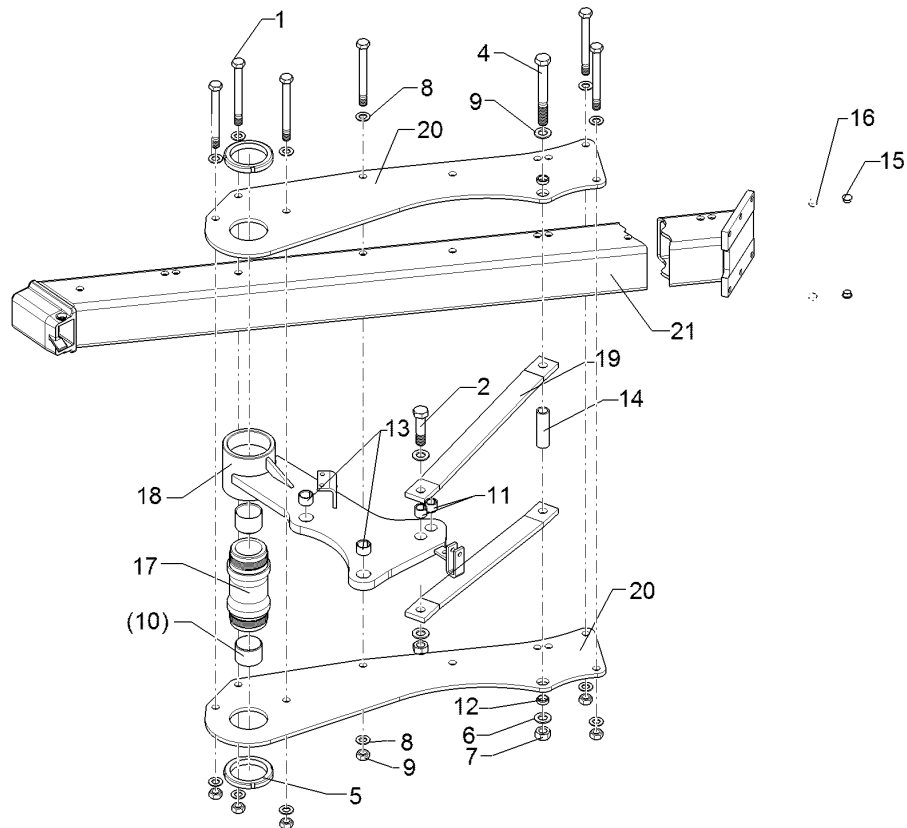
01.18

| Pos. | Art.Nr. | Stck. | Artikeltext / Description | Abmessung |
|------|----------|-------|---------------------------|---------------------|
| 25 | 31710056 | 4 | Gelenklager | Articulated bearing |
| 26 | 32310151 | 4 | Deckel | Cover |
| 27 | 32310152 | 4 | Scheibe | Washer |
| 28 | 375 1258 | 4 | O-Ring | O-ring |
| | | | | GE 50 ES |
| | | | | D75x17,5 1xM10x1,5 |
| | | | | D75/50x5 |
| | | | | 70x2 |



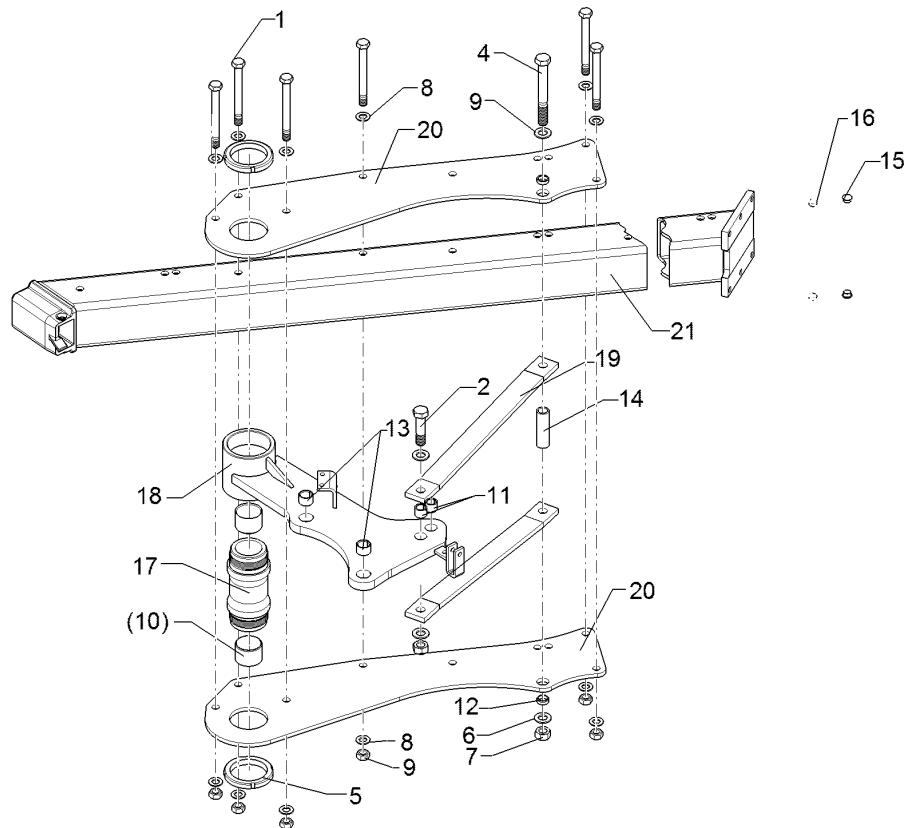
01.18

| Pos. | Art.Nr. | Stck. | Artikeltext / Description | Abmessung | |
|------|----------|-------|------------------------------|---------------------|-------------------------|
| 2 | 302 8785 | 1 | Spannschlossmutter | Threaded sleeve | TR30x3x190-SW50 |
| 3 | 302 8998 | 1 | Gabelstück | Forkpiece | TR30x3x80/185 D30 Zn |
| 4 | 302 8999 | 1 | Gabelstück | Forkpiece | TR30x3LHx80/185 D30 Zn |
| 9 | 305 2242 | 1 | Stützscheibe | Supporting washer | S 30/42x2,5 DIN988 Zn |
| 10 | 305 6130 | 2 | Scheibe | Washer | D10/16x1 Zn |
| 11 | 305 8867 | 2 | Sicherungsring | Retaining ring | 30x2 DIN471 Zn |
| 12 | 30510166 | 4 | Sicherungsring | Retaining ring | 75x3/JS75 DIN472 |
| 13 | 311 9565 | 1 | Klappstift | Securing pin | 4,5 |
| 14 | 313 7802 | 2 | Bolzen mit Kopf | Pin with collar | D30/35x63/80 Zn |
| 15 | 313 8610 | 1 | Bolzen | Pin | D10x85 Zn (10x210) |
| 17 | 317 3417 | 1 | Einspannbuchse mit Presssitz | Expansion bush | EG30/38x25 |
| 18 | 32110019 | 1 | Verdrehsicherung | Locking | 4x231x208,1 D30 U-51 Zn |
| 19 | 323 6348 | 6 | Schmiernippel | Grease nipple | AM10x1 DIN71412 |
| 20 | 375 1255 | 4 | O-Ring | O-ring | 68x3-80Shore Viton83 |
| 21 | 43410002 | 1 | Lenker | Link | 75/50-600 RGL J7 |
| 24 | 31310061 | 2 | Bolzen | Pin | D50/48x275 1xM8 |
| 25 | 31710056 | 4 | Gelenklager | Articulated bearing | GE 50 ES |
| 26 | 32310151 | 4 | Deckel | Cover | D75x17,5 1xM10x1,5 |
| 27 | 32310152 | 4 | Scheibe | Washer | D75/50x5 |
| 28 | 375 1258 | 4 | O-Ring | O-ring | 70x2 |



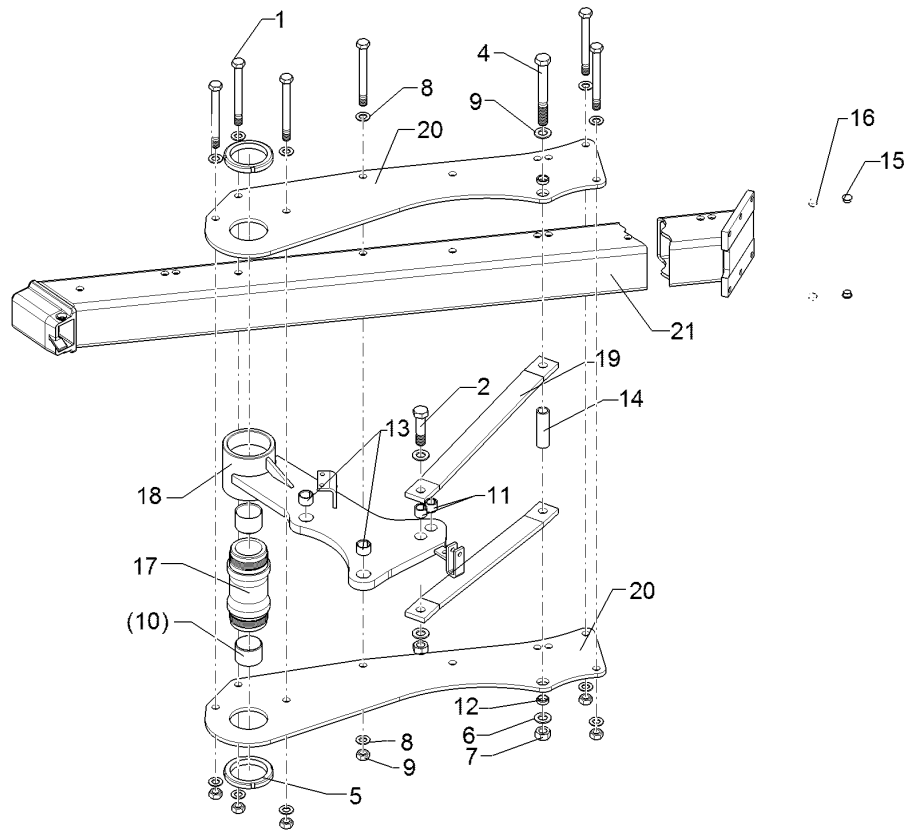
01.18

| Pos. | Art.Nr. | Stck. | Artikeltext / Description | | Abmessung |
|------|----------|-------|------------------------------|----------------|-------------------------------|
| 1 | 301 4523 | 5 | Sechskantschraube spezial | Hexagon bolt | M20x1,5x170ls144xb23-10.9 Zn |
| 2 | 301 4646 | 1 | Sechskantschraube spz. | Hexagon bolt | M24x95-8.8 Zn |
| 4 | 301 4802 | 1 | Sechskantschraube spz. | Hexagon bolt | M24x180-10.9 Zn |
| 5 | 303 0341 | 2 | Nutmutter | Grooved nut | M80x2 KM16 Zn |
| 6 | 303 0977 | 5 | Sechskantmutter | Hexagon nut | M20x1,5 DIN934-10 Zn |
| 7 | 303 1019 | 2 | Sechskantmutter | Hexagon nut | M24 DIN934-8 Zn |
| 8 | 305 6012 | 10 | Scheibe | Washer | 21 ISO7089 Zn |
| 9 | 305 6254 | 4 | Scheibe | Washer | D25/44x4 Zn ISO7089 |
| 10 | 317 2025 | 2 | Einspannbuchse mit Presssitz | Expansion bush | EG50/55x30 |
| 11 | 317 3404 | 1 | Einspannbuchse mit Presssitz | Expansion bush | EG24/32x25 |
| 12 | 317 3406 | 2 | Einspannbuchse mit Presssitz | Expansion bush | EG24/32x10 |
| 13 | 317 3417 | 2 | Einspannbuchse mit Presssitz | Expansion bush | EG30/38x25 |
| 14 | 317 6655 | 1 | Röhrchen | Tube | 33,7x4,5x90 Zn |
| 16 | 323 8071 | 8 | Schutzkappe | Cap | GPN 300V19 - D20 RAL5015 |
| 17 | 402 1282 | 1 | Lagerrohr | Bearing tube | D50/M80/93x119x199,5 Zn |
| 18 | 40210020 | 1 | Schwinge | Rocker arm | D93,5x118 J7 |
| 19 | 40210035 | 2 | Strebe | Strut | 50x15x618 2xD24,1 Juwel 7 090 |
| 20 | 40210021 | 2 | Lagerplatte | Bearing plate | J7-90 |
| 21 | 40210010 | 1 | Grundrahmen | Basic frame | 10x325,5x1355 Juwel 7(T) 3-90 |



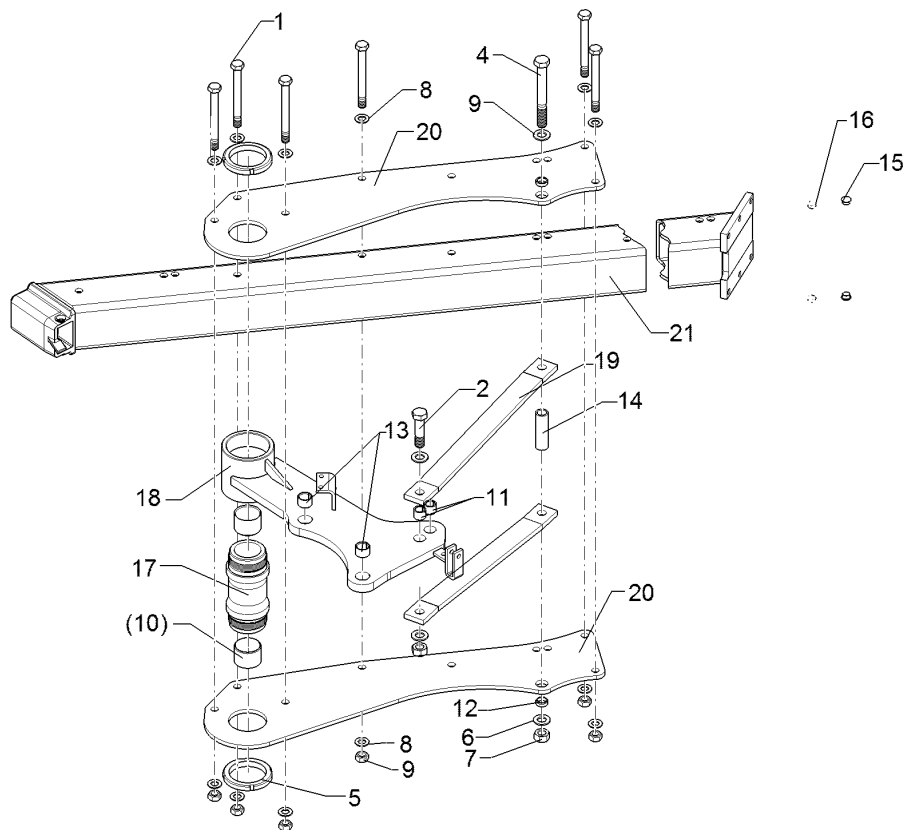
01.18

| Pos. | Art.Nr. | Stck. | Artikeltext / Description | | Abmessung |
|------|----------|-------|------------------------------|----------------|-------------------------------|
| 1 | 301 4523 | 5 | Sechskantschraube spezial | Hexagon bolt | M20x1,5x170ls144xb23-10.9 Zn |
| 2 | 301 4646 | 1 | Sechskantschraube spz. | Hexagon bolt | M24x95-8.8 Zn |
| 4 | 301 4802 | 1 | Sechskantschraube spz. | Hexagon bolt | M24x180-10.9 Zn |
| 5 | 303 0341 | 2 | Nutmutter | Grooved nut | M80x2 KM16 Zn |
| 6 | 303 0977 | 5 | Sechskantmutter | Hexagon nut | M20x1,5 DIN934-10 Zn |
| 7 | 303 1019 | 2 | Sechskantmutter | Hexagon nut | M24 DIN934-8 Zn |
| 8 | 305 6012 | 10 | Scheibe | Washer | 21 ISO7089 Zn |
| 9 | 305 6254 | 4 | Scheibe | Washer | D25/44x4 Zn ISO7089 |
| 10 | 317 2025 | 2 | Einspannbuchse mit Presssitz | Expansion bush | EG50/55x30 |
| 11 | 317 3404 | 1 | Einspannbuchse mit Presssitz | Expansion bush | EG24/32x25 |
| 12 | 317 3406 | 2 | Einspannbuchse mit Presssitz | Expansion bush | EG24/32x10 |
| 13 | 317 3417 | 2 | Einspannbuchse mit Presssitz | Expansion bush | EG30/38x25 |
| 14 | 317 6655 | 1 | Röhrchen | Tube | 33,7x4,5x90 Zn |
| 15 | 323 8053 | 6 | Schutzkappe | Cap | GPN 300 F 19 RAL5015 |
| 16 | 323 8071 | 10 | Schutzkappe | Cap | GPN 300V19 - D20 RAL5015 |
| 17 | 402 1282 | 1 | Lagerrohr | Bearing tube | D50/M80/93x119x199,5 Zn |
| 18 | 40210020 | 1 | Schwinge | Rocker arm | D93,5x118 J7 |
| 19 | 40210035 | 2 | Strebe | Strut | 50x15x618 2xD24,1 Juwel 7 090 |



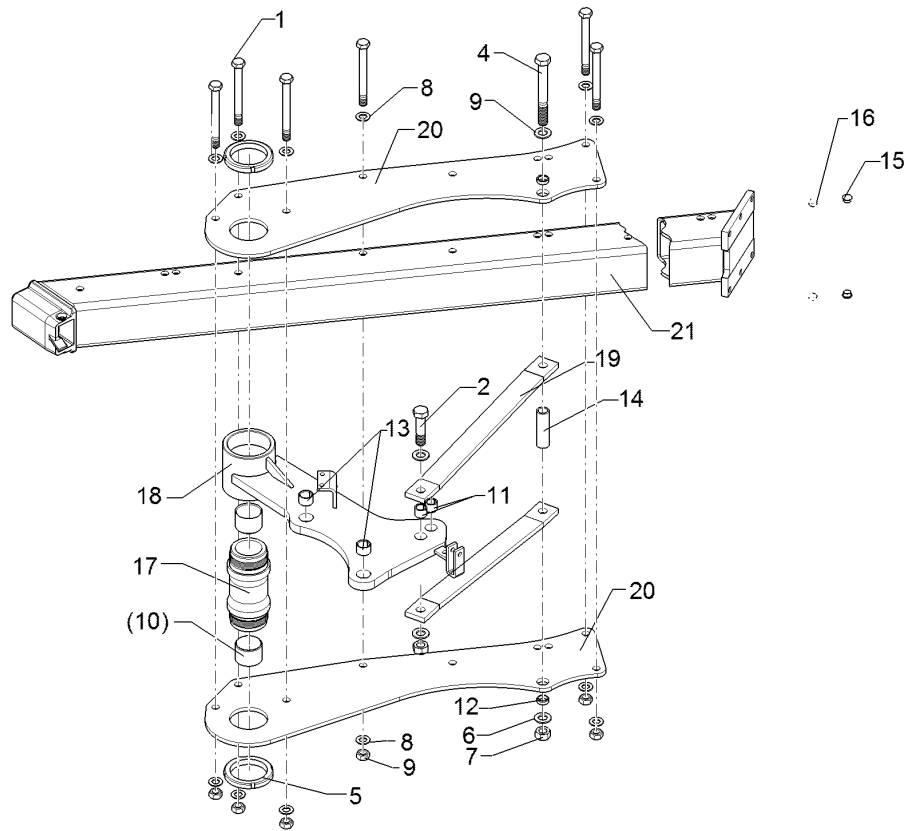
01.18

| Pos. | Art.Nr. | Stck. | Artikeltext / Description | | Abmessung |
|------|----------|-------|---------------------------|---------------|------------------------|
| 20 | 40210021 | 2 | Lagerplatte | Bearing plate | J7-90 10x325,5x1355 |
| 21 | 40210011 | 1 | Grundrahmen | Basic frame | Juwel 7(T) 4-90 |



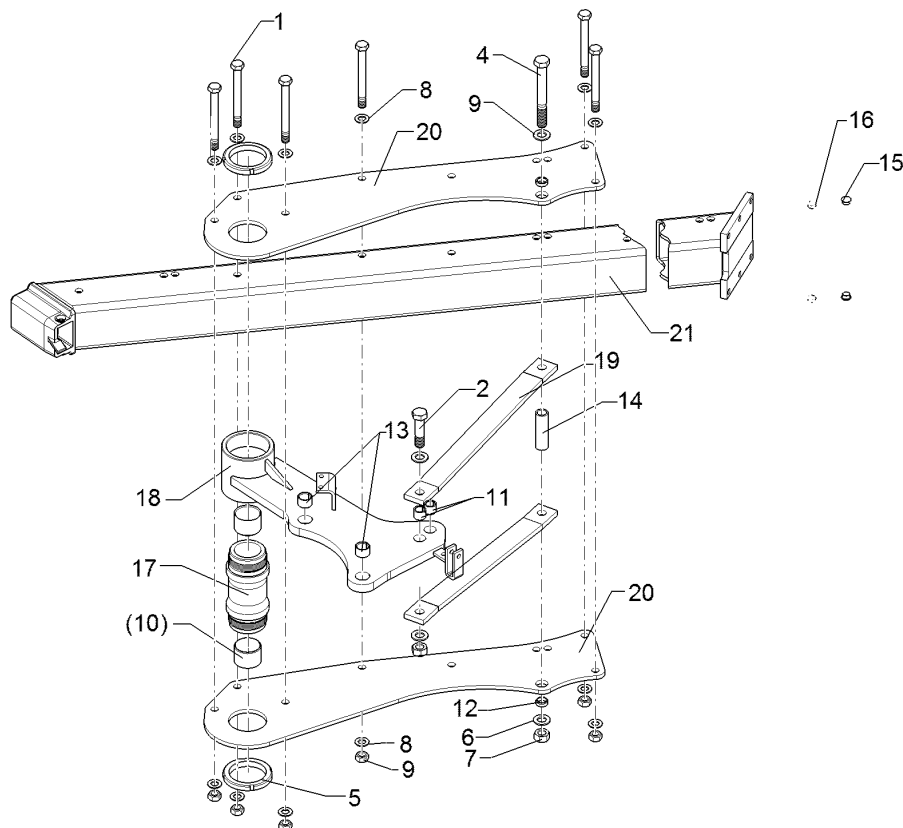
01.18

| Pos. | Art.Nr. | Stck. | Artikeltext / Description | | Abmessung |
|------|----------|-------|------------------------------|----------------|------------------------------|
| 1 | 301 4523 | 5 | Sechskantschraube spezial | Hexagon bolt | M20x1,5x170ls144xb23-10.9 Zn |
| 2 | 301 4646 | 1 | Sechskantschraube spz. | Hexagon bolt | M24x95-8.8 Zn |
| 4 | 301 4802 | 1 | Sechskantschraube spz. | Hexagon bolt | M24x180-10.9 Zn |
| 5 | 303 0341 | 2 | Nutmutter | Grooved nut | M80x2 KM16 Zn |
| 6 | 303 0977 | 5 | Sechskantmutter | Hexagon nut | M20x1,5 DIN934-10 Zn |
| 7 | 303 1019 | 2 | Sechskantmutter | Hexagon nut | M24 DIN934-8 Zn |
| 8 | 305 6012 | 10 | Scheibe | Washer | 21 ISO7089 Zn |
| 9 | 305 6254 | 4 | Scheibe | Washer | D25/44x4 Zn ISO7089 |
| 10 | 317 2025 | 2 | Einspannbuchse mit Presssitz | Expansion bush | EG50/55x30 |
| 11 | 317 3404 | 1 | Einspannbuchse mit Presssitz | Expansion bush | EG24/32x25 |
| 12 | 317 3406 | 2 | Einspannbuchse mit Presssitz | Expansion bush | EG24/32x10 |
| 13 | 317 3417 | 2 | Einspannbuchse mit Presssitz | Expansion bush | EG30/38x25 |
| 14 | 317 6655 | 1 | Röhrchen | Tube | 33,7x4,5x90 Zn |
| 15 | 323 8071 | 8 | Schutzkappe | Cap | GPN 300V19 - D20 RAL5015 |
| 17 | 402 1282 | 1 | Lagerrohr | Bearing tube | D50/M80/93x119x199,5 Zn |
| 18 | 40210020 | 1 | Schwinge | Rocker arm | D93,5x118 J7 |
| 19 | 402 1800 | 2 | Strebe | Strut | 50x15x705 2xD24,1-655 |
| 20 | 40210022 | 2 | Lagerplatte | Bearing plate | GEK32,5 J7-100 10x325,5x1455 |



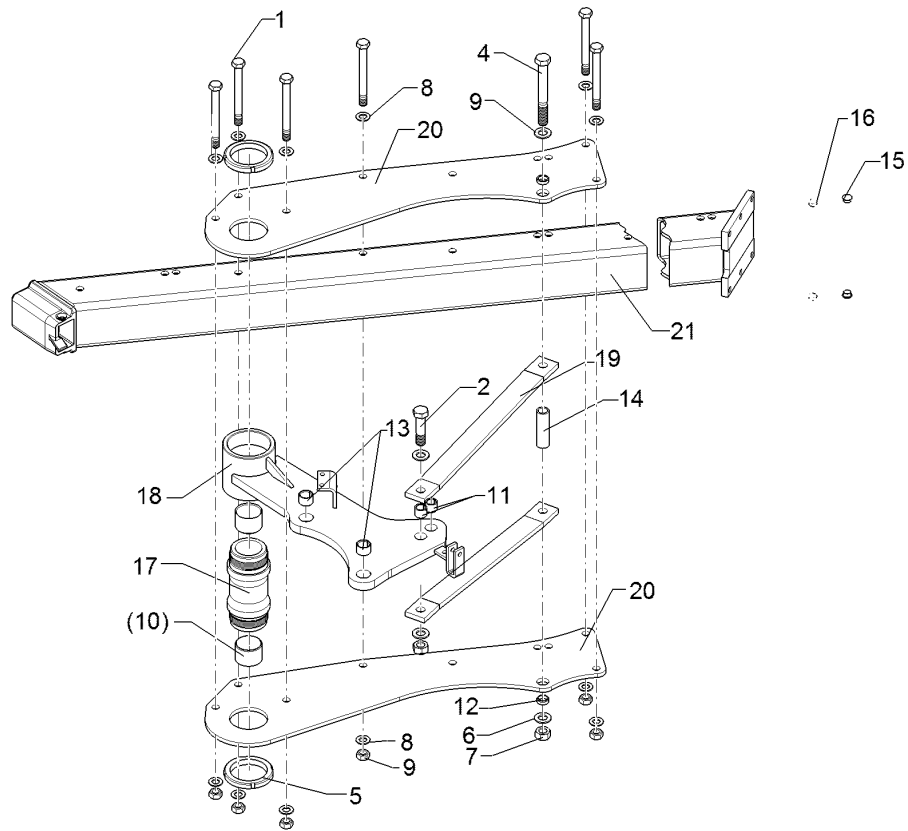
01.18

| Pos. | Art.Nr. | Stck. | Artikeltext / Description | | Abmessung |
|------|----------|-------|---------------------------|-------------|------------------|
| 21 | 40210012 | 1 | Grundrahmen | Basic frame | Juwel 7(T) 3-100 |



01.18

| Pos. | Art.Nr. | Stck. | Artikeltext / Description | | Abmessung |
|------|----------|-------|------------------------------|----------------|-------------------------------------|
| 1 | 301 4523 | 5 | Sechskantschraube spezial | Hexagon bolt | M20x1,5x170ls144xb23-10.9 Zn |
| 2 | 301 4646 | 1 | Sechskantschraube spz. | Hexagon bolt | M24x95-8.8 Zn |
| 4 | 301 4802 | 1 | Sechskantschraube spz. | Hexagon bolt | M24x180-10.9 Zn |
| 5 | 303 0341 | 2 | Nutmutter | Grooved nut | M80x2 KM16 Zn |
| 6 | 303 0977 | 5 | Sechskantmutter | Hexagon nut | M20x1,5 DIN934-10 Zn |
| 7 | 303 1019 | 2 | Sechskantmutter | Hexagon nut | M24 DIN934-8 Zn |
| 8 | 305 6012 | 10 | Scheibe | Washer | 21 ISO7089 Zn |
| 9 | 305 6254 | 4 | Scheibe | Washer | D25/44x4 Zn ISO7089 |
| 10 | 317 2025 | 2 | Einspannbuchse mit Presssitz | Expansion bush | EG50/55x30 |
| 11 | 317 3404 | 1 | Einspannbuchse mit Presssitz | Expansion bush | EG24/32x25 |
| 12 | 317 3406 | 2 | Einspannbuchse mit Presssitz | Expansion bush | EG24/32x10 |
| 13 | 317 3417 | 2 | Einspannbuchse mit Presssitz | Expansion bush | EG30/38x25 |
| 14 | 317 6655 | 1 | Röhrchen | Tube | 33,7x4,5x90 Zn |
| 15 | 323 8053 | 6 | Schutzkappe | Cap | GPN 300 F 19 RAL5015 |
| 16 | 323 8071 | 10 | Schutzkappe | Cap | GPN 300V19 - D20 RAL5015 |
| 17 | 402 1282 | 1 | Lagerrohr | Bearing tube | D50/M80/93x119x199,5 Zn |
| 18 | 40210020 | 1 | Schwinge | Rocker arm | D93,5x118 J7 |
| 19 | 402 1800 | 2 | Strebe | Strut | 50x15x705 2xD24,1-655 GEK32,5 |

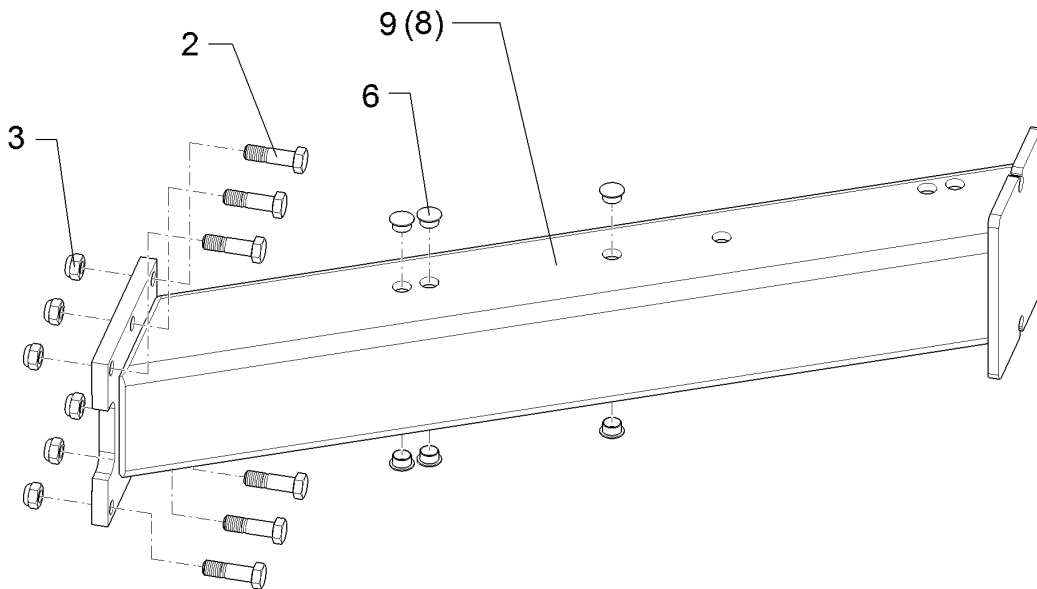


01.18

| Pos. | Art.Nr. | Stck. | Artikeltext / Description | | Abmessung |
|------|----------|-------|---------------------------|---------------|-------------------------|
| 20 | 40210022 | 2 | Lagerplatte | Bearing plate | J7-100 10x325,5x1455 |
| 21 | 40210013 | 1 | Grundrahmen | Basic frame | Juwel 7(T) 4-100 |

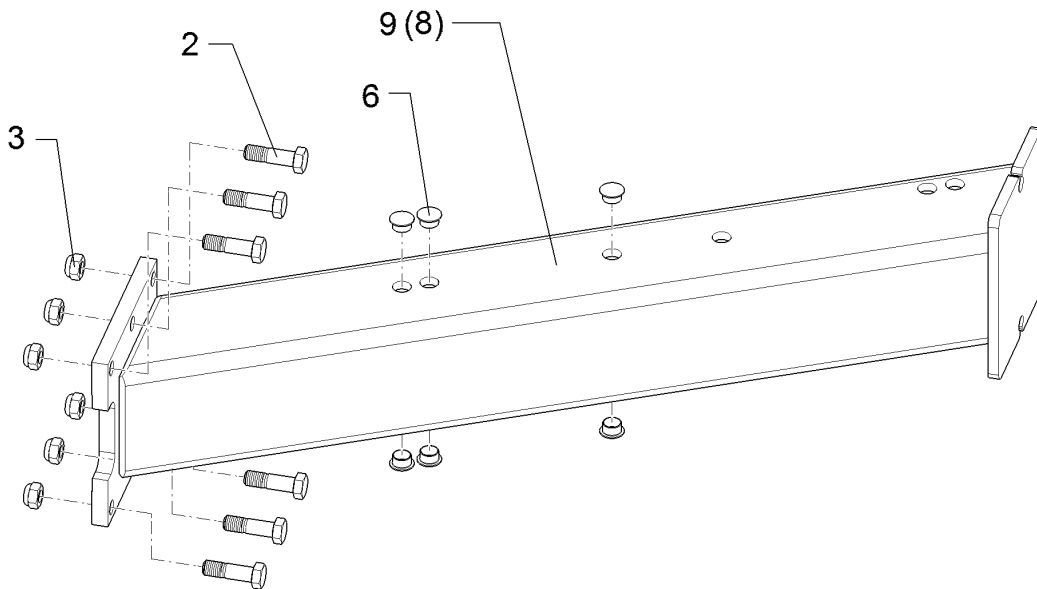
| | |
|----------------------------------|----------|
| Anbauteil/Frame extension | 3 |
|----------------------------------|----------|

| | |
|------------------|-----------------|
| Juwel 7 T | 60210030 |
|------------------|-----------------|



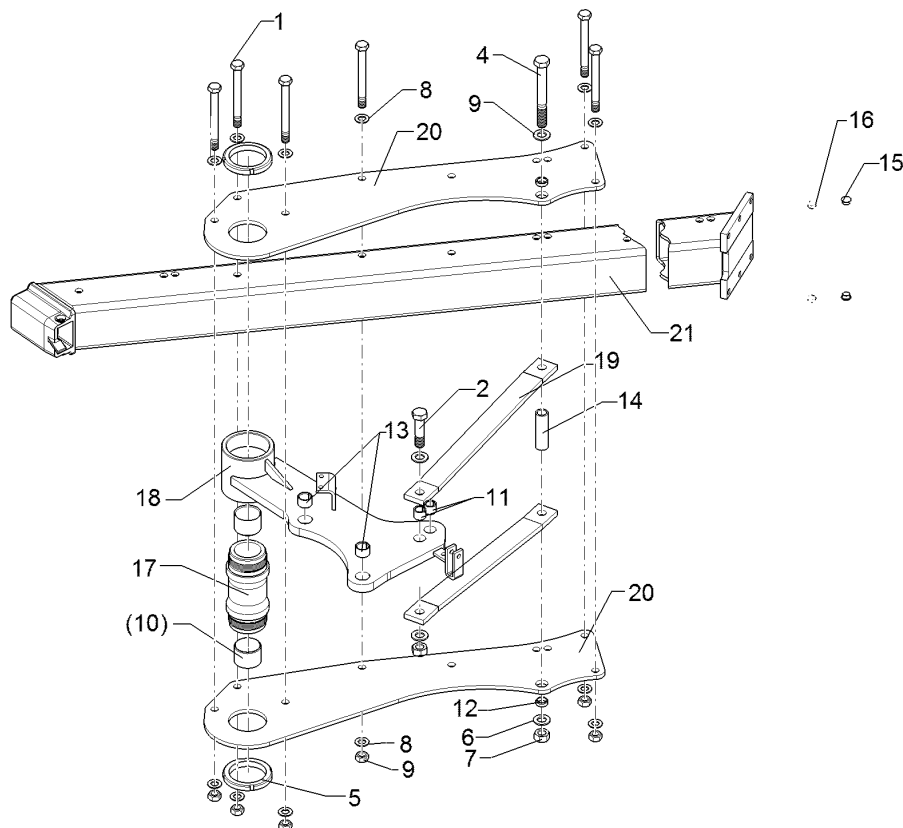
01.18

| Pos. | Art.Nr. | Stck. | Artikeltext / Description | | Abmessung |
|------|----------|-------|---------------------------|-----------------|-------------------------|
| 2 | 301 5385 | 6 | Sechskantschraube spz. | Hexagon bolt | M16x55-10.9 Zn |
| 3 | 303 0935 | 6 | Sicherungsmutter | Selflocking nut | NM16-8 Zn DIN985 |
| 6 | 323 8053 | 6 | Schutzkappe | Cap | GPN 300 F 19 RAL5015 |
| 8 | 402 8245 | 1 | Anbauteil | Frame extension | EurOpal 7 90 |
| 9 | 40210073 | 1 | Anbauteil | Frame extension | Juwel 7-90 |



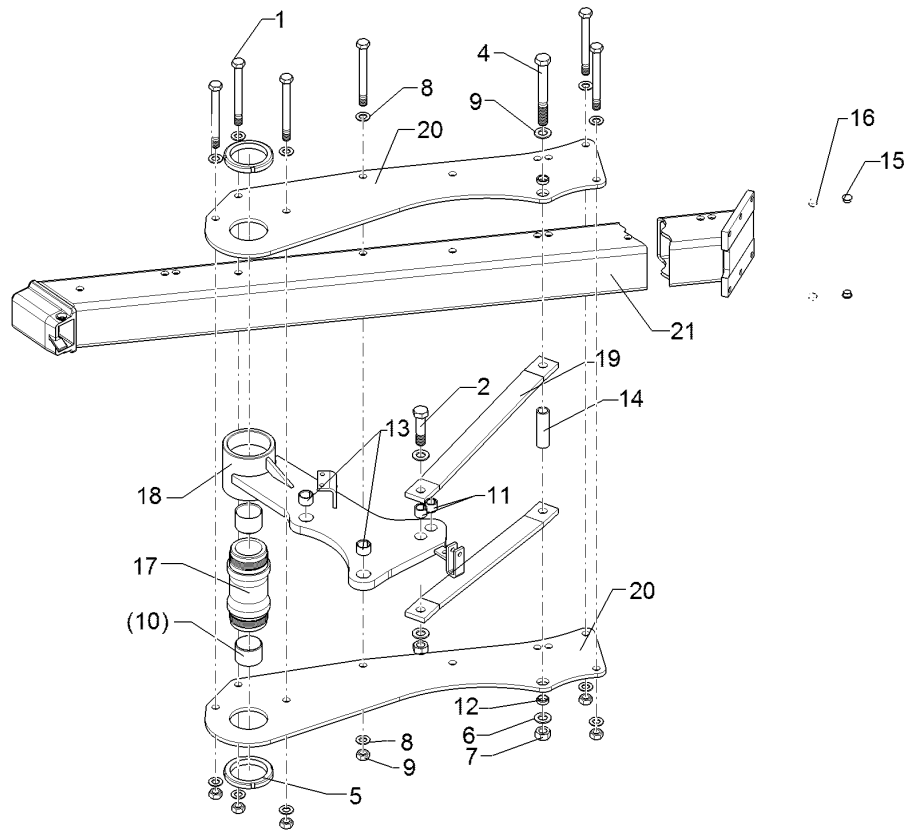
01.18

| Pos. | Art.Nr. | Stck. | Artikeltext / Description | | Abmessung |
|------|----------|-------|---------------------------|-----------------|-------------------------|
| 2 | 301 5385 | 6 | Sechskantschraube spz. | Hexagon bolt | M16x55-10.9 Zn |
| 3 | 303 0935 | 6 | Sicherungsmutter | Selflocking nut | NM16-8 Zn DIN985 |
| 6 | 323 8053 | 12 | Schutzkappe | Cap | GPN 300 F 19 RAL5015 |
| 8 | 402 8242 | 1 | Anbauteil | Frame extension | EurOpal 7 100 |
| 9 | 40210074 | 1 | Anbauteil | Frame extension | Juwel 7 120-100 |



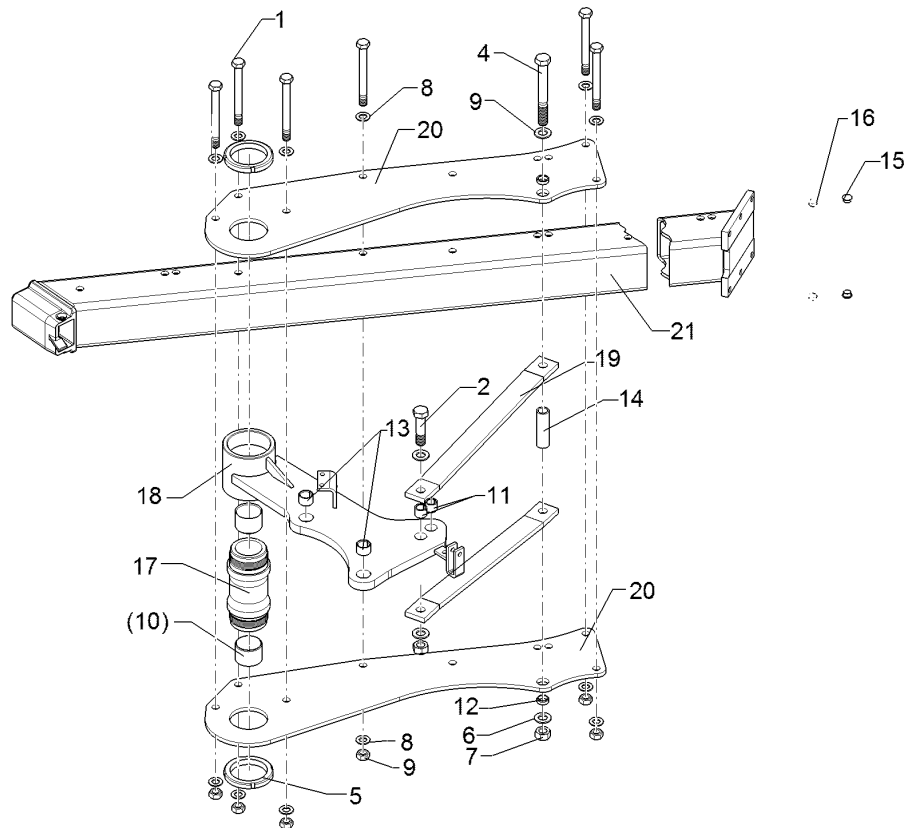
01.18

| Pos. | Art.Nr. | Stck. | Artikeltext / Description | | Abmessung |
|------|----------|-------|------------------------------|----------------|-------------------------------|
| 1 | 301 4523 | 5 | Sechskantschraube spezial | Hexagon bolt | M20x1,5x170ls144xb23-10.9 Zn |
| 2 | 301 4646 | 1 | Sechskantschraube spz. | Hexagon bolt | M24x95-8.8 Zn |
| 4 | 301 4802 | 1 | Sechskantschraube spz. | Hexagon bolt | M24x180-10.9 Zn |
| 5 | 303 0341 | 2 | Nutmutter | Grooved nut | M80x2 KM16 Zn |
| 6 | 303 0977 | 5 | Sechskantmutter | Hexagon nut | M20x1,5 DIN934-10 Zn |
| 7 | 303 1019 | 2 | Sechskantmutter | Hexagon nut | M24 DIN934-8 Zn |
| 8 | 305 6012 | 10 | Scheibe | Washer | 21 ISO7089 Zn |
| 9 | 305 6254 | 4 | Scheibe | Washer | D25/44x4 Zn ISO7089 |
| 10 | 317 2025 | 2 | Einspannbuchse mit Presssitz | Expansion bush | EG50/55x30 |
| 11 | 317 3404 | 1 | Einspannbuchse mit Presssitz | Expansion bush | EG24/32x25 |
| 12 | 317 3406 | 2 | Einspannbuchse mit Presssitz | Expansion bush | EG24/32x10 |
| 13 | 317 3417 | 2 | Einspannbuchse mit Presssitz | Expansion bush | EG30/38x25 |
| 14 | 317 6655 | 1 | Röhrchen | Tube | 33,7x4,5x90 Zn |
| 15 | 323 8053 | 6 | Schutzkappe | Cap | GPN 300 F 19 RAL5015 |
| 16 | 323 8071 | 12 | Schutzkappe | Cap | GPN 300V19 - D20 RAL5015 |
| 17 | 402 1282 | 1 | Lagerrohr | Bearing tube | D50/M80/93x119x199,5 Zn |
| 18 | 40210020 | 1 | Schwinge | Rocker arm | D93,5x118 J7 |
| 19 | 40210035 | 2 | Strebe | Strut | 50x15x618 2xD24,1 Juwel 7 090 |



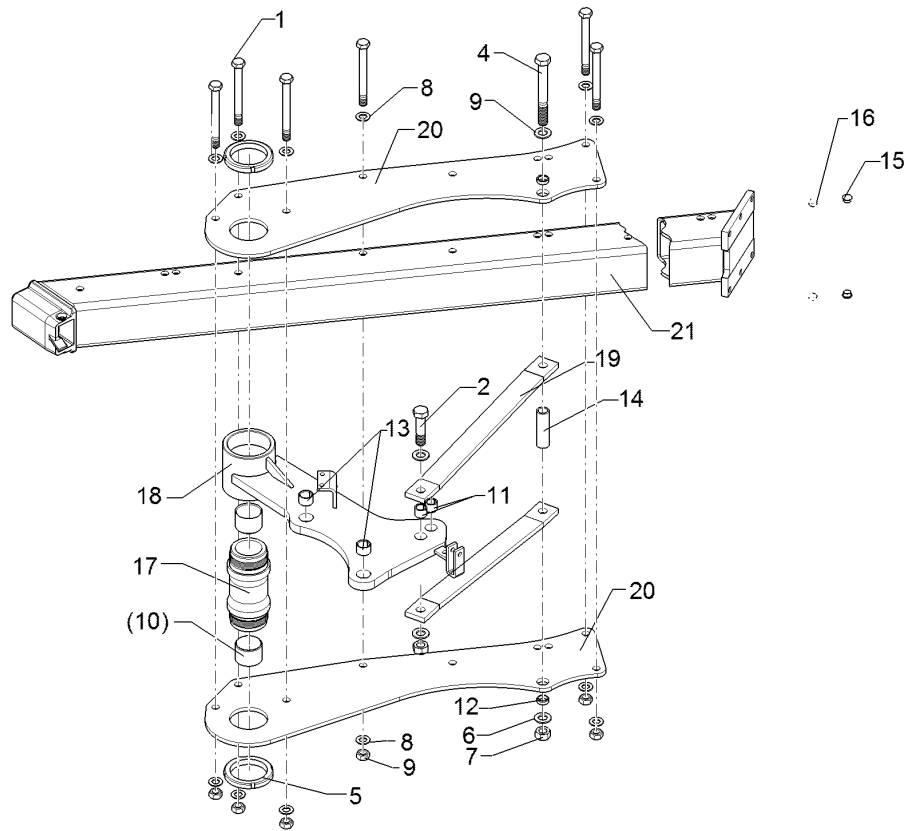
01.18

| Pos. | Art.Nr. | Stck. | Artikeltext / Description | | Abmessung |
|------|----------|-------|---------------------------|---------------|------------------------|
| 20 | 40210021 | 2 | Lagerplatte | Bearing plate | J7-90 10x325,5x1355 |
| 21 | 40210050 | 1 | Grundrahmen | Basic frame | Juwel 7 T 5-90 |



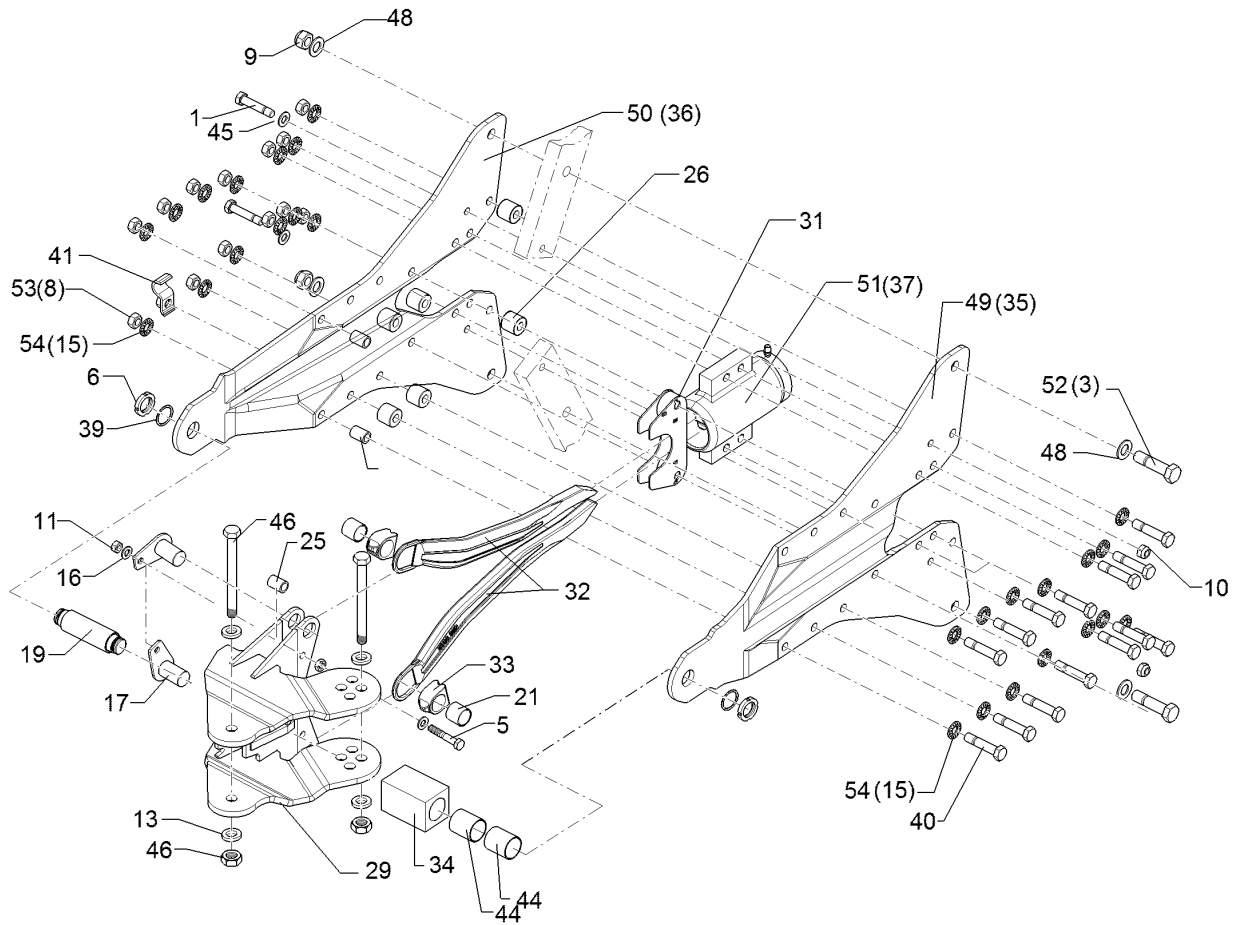
01.18

| Pos. | Art.Nr. | Stck. | Artikeltext / Description | | Abmessung |
|------|----------|-------|------------------------------|----------------|-------------------------------------|
| 1 | 301 4523 | 5 | Sechskantschraube spezial | Hexagon bolt | M20x1,5x170ls144xb23-10.9 Zn |
| 2 | 301 4646 | 1 | Sechskantschraube spz. | Hexagon bolt | M24x95-8.8 Zn |
| 3 | 301 4802 | 1 | Sechskantschraube spz. | Hexagon bolt | M24x180-10.9 Zn |
| 5 | 303 0341 | 2 | Nutmutter | Grooved nut | M80x2 KM16 Zn |
| 6 | 303 0977 | 5 | Sechskantmutter | Hexagon nut | M20x1,5 DIN934-10 Zn |
| 7 | 303 1019 | 2 | Sechskantmutter | Hexagon nut | M24 DIN934-8 Zn |
| 8 | 305 6012 | 10 | Scheibe | Washer | 21 ISO7089 Zn |
| 9 | 305 6254 | 4 | Scheibe | Washer | D25/44x4 Zn ISO7089 |
| 10 | 317 2025 | 2 | Einspannbuchse mit Presssitz | Expansion bush | EG50/55x30 |
| 11 | 317 3404 | 1 | Einspannbuchse mit Presssitz | Expansion bush | EG24/32x25 |
| 12 | 317 3406 | 2 | Einspannbuchse mit Presssitz | Expansion bush | EG24/32x10 |
| 13 | 317 3417 | 2 | Einspannbuchse mit Presssitz | Expansion bush | EG30/38x25 |
| 14 | 317 6655 | 1 | Röhrchen | Tube | 33,7x4,5x90 Zn |
| 15 | 323 8053 | 6 | Schutzkappe | Cap | GPN 300 F 19 RAL5015 |
| 16 | 323 8071 | 12 | Schutzkappe | Cap | GPN 300V19 - D20 RAL5015 |
| 17 | 402 1282 | 1 | Lagerrohr | Bearing tube | D50/M80/93x119x199,5 Zn |
| 18 | 40210020 | 1 | Schwinge | Rocker arm | D93,5x118 J7 |
| 19 | 402 1800 | 2 | Strebe | Strut | 50x15x705 2xD24,1-655 GEK32,5 |



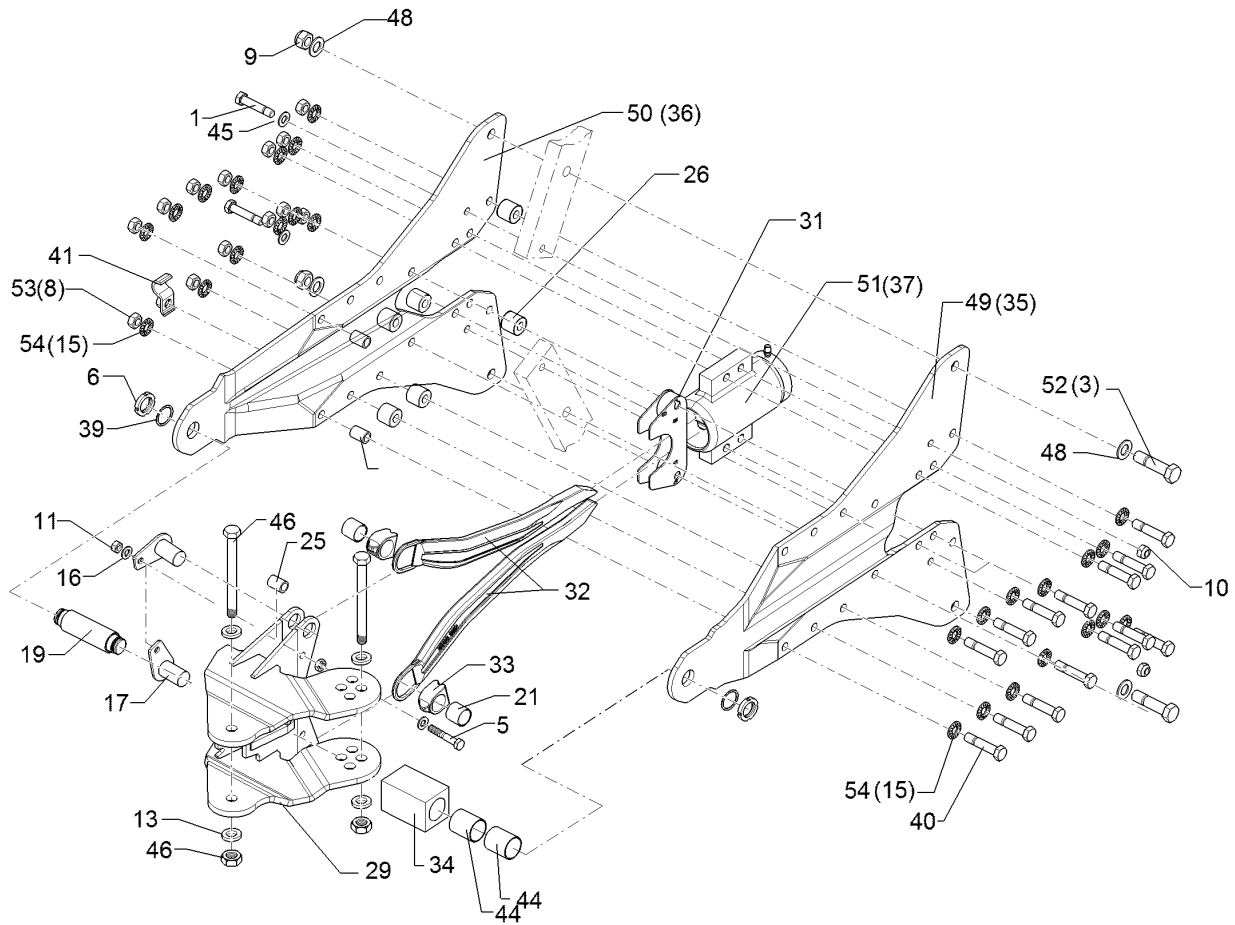
01.18

| Pos. | Art.Nr. | Stck. | Artikeltext / Description | | Abmessung |
|------|----------|-------|---------------------------|---------------|-------------------------|
| 20 | 40210022 | 2 | Lagerplatte | Bearing plate | J7-100 10x325,5x1455 |
| 21 | 40210049 | 1 | Grundrahmen | Basic frame | Juwel 7 T 5-100 |



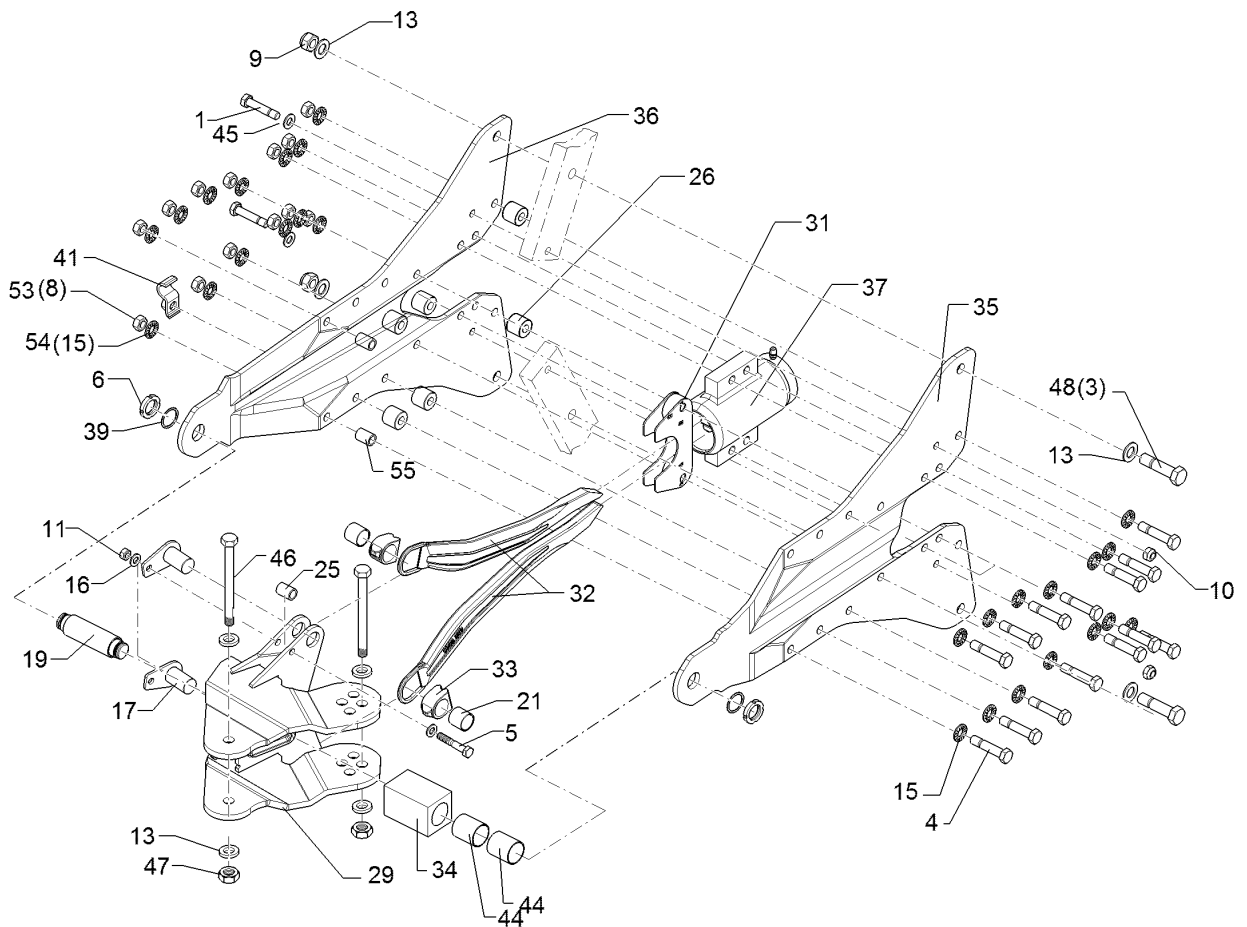
01.18

| Pos. | Art.Nr. | Stck. | Artikeltext / Description | | Abmessung |
|------|----------|-------|---------------------------|------------------|----------------------------|
| 1 | 301 3595 | 2 | Sechskantschraube spz. | Hexagon bolt | M14x70-10.9 Zn |
| 3 | 301 4370 | 2 | Sechskantschraube spz. | Hexagon bolt | M20x85-10.9 Zn |
| 5 | 301 3406 | 2 | Sechskantschraube | Hexagon bolt | M12x70-8.8 Zn DIN931-A |
| 6 | 303 0338 | 2 | Nutmutter | Grooved nut | M30x1,5 |
| 8 | 30310033 | 14 | Sicherungsmutter | Selflocking nut | NM16 DIN985-10 Zn |
| 9 | 303 0936 | 2 | Sicherungsmutter | Selflocking nut | NM20-8 Zn DIN985 |
| 10 | 303 0941 | 2 | Sicherungsmutter | Selflocking nut | NM14-8 Zn DIN985 |
| 11 | 303 1013 | 2 | Sechskantmutter | Hexagon nut | M12 DIN934-8 Zn |
| 13 | 305 6012 | 10 | Scheibe | Washer | 21 ISO7089 Zn |
| 15 | 305 6141 | 27 | Scheibe | Washer | 17/30x3 DIN/ISO-7089 |
| 16 | 305 8580 | 4 | Scheibe | Washer | 13/24x2,5 St-Zn DIN125 |
| 17 | 303 0977 | 2 | Sechskantmutter | Hexagon nut | M20x1,5 DIN934-10 Zn |
| 19 | 313 4014 | 1 | Bolzen | Pin | D40/32x147,5 M30x1,5 Cr |
| 21 | 317 3030 | 2 | Gleitlager ohne Bund | Sleeve bearing | D34/30x30 |
| 25 | 31710196 | 2 | Röhrchen | Tube | 22/16x30,5 |
| 26 | 317 7502 | 6 | Buchse | Bush | D35/16,2x30,5 Zn |
| 29 | 402 2595 | 1 | Verstelltasche | Adjuster bracket | Juwel 8/7 T 142 |
| 31 | 426 0016 | 1 | Führungsblech | Guiding plate | 180x120x3 D51 |
| 32 | 426 0040 | 2 | Druckstange | Pressure rod | 20x86x568 Zn |
| 33 | 426 0041 | 2 | Kreuzgelenk | Cross union | D34/30x50 Zn |



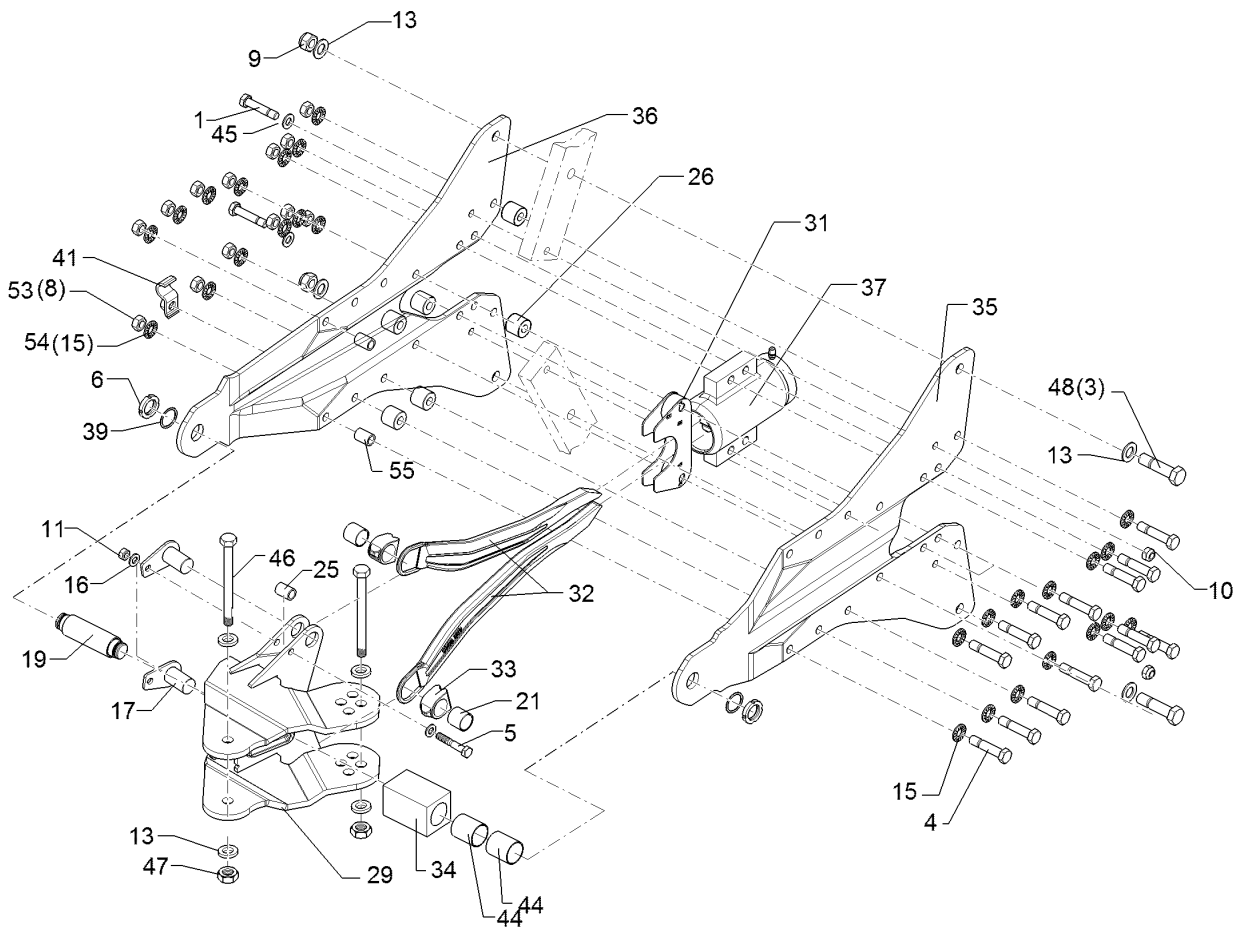
01.18

| Pos. | Art.Nr. | Stck. | Artikeltext / Description | | Abmessung |
|------|----------|-------|---------------------------|-------------------|--------------------------------|
| 34 | 426 0042 | 1 | Vierkantlager | Square bearing | 65x65x105 D44 BK30 |
| 35 | 426 8201 | 1 | Halmplatte | Plate | T-Form D40/90 t10 |
| 36 | 426 8202 | 1 | Halmplatte | Plate | 45mm gepresst 10x586x851 |
| 37 | 575 2538 | 1 | Hydraulikzylinder | Hydraulic ram | ED 80/100-208 4xD16 |
| 39 | 305 2241 | 2 | Stützscheibe | Supporting washer | S 32x45x1,5 DIN988 Zn |
| 40 | 301 5361 | 14 | Sechskantschraube spz. | Hexagon bolt | M16x75-12.9 Zn |
| 41 | 325 5124 | 1 | Rohrschelle | Pipe clamp | D20-23 Zn Bohrung D17 |
| 44 | 317 3435 | 2 | Einspannbuchse Kunststoff | Expansion bush | EG40/44x52,5 S GSM |
| 45 | 305 6139 | 0 | Scheibe | Washer | 28x15x2,5 Zn DIN125 |
| 46 | 301 4539 | 2 | Sechskantschraube spezial | Hexagon bolt | M20x1,5x190s164xb23-10.9 Zn |
| 49 | 42610003 | 1 | Halmplatte | Plate | T/10 D40 GEK30 |
| 50 | 42610004 | 1 | Halmplatte | Plate | T/10 D40 GEK45 |
| 51 | 57510113 | 1 | Hydraulikzylinder | Hydraulic ram | ED 80/105-208 4xD16 |
| 52 | 301 4606 | 2 | Sechskantschraube spz. | Hexagon bolt | M20x80-10.9 Zn |
| 53 | 30310069 | 14 | Sechskantmutter | Hexagon nut | M16 DIN934-12 Zn5 |
| 54 | 30510119 | 27 | Sperrkantscheibe | Washer | 16,4/32,5x2,5 Zn5 |
| 55 | 31710189 | 2 | Röhrchen | Tube | 20/14,2x30,5 Zn |



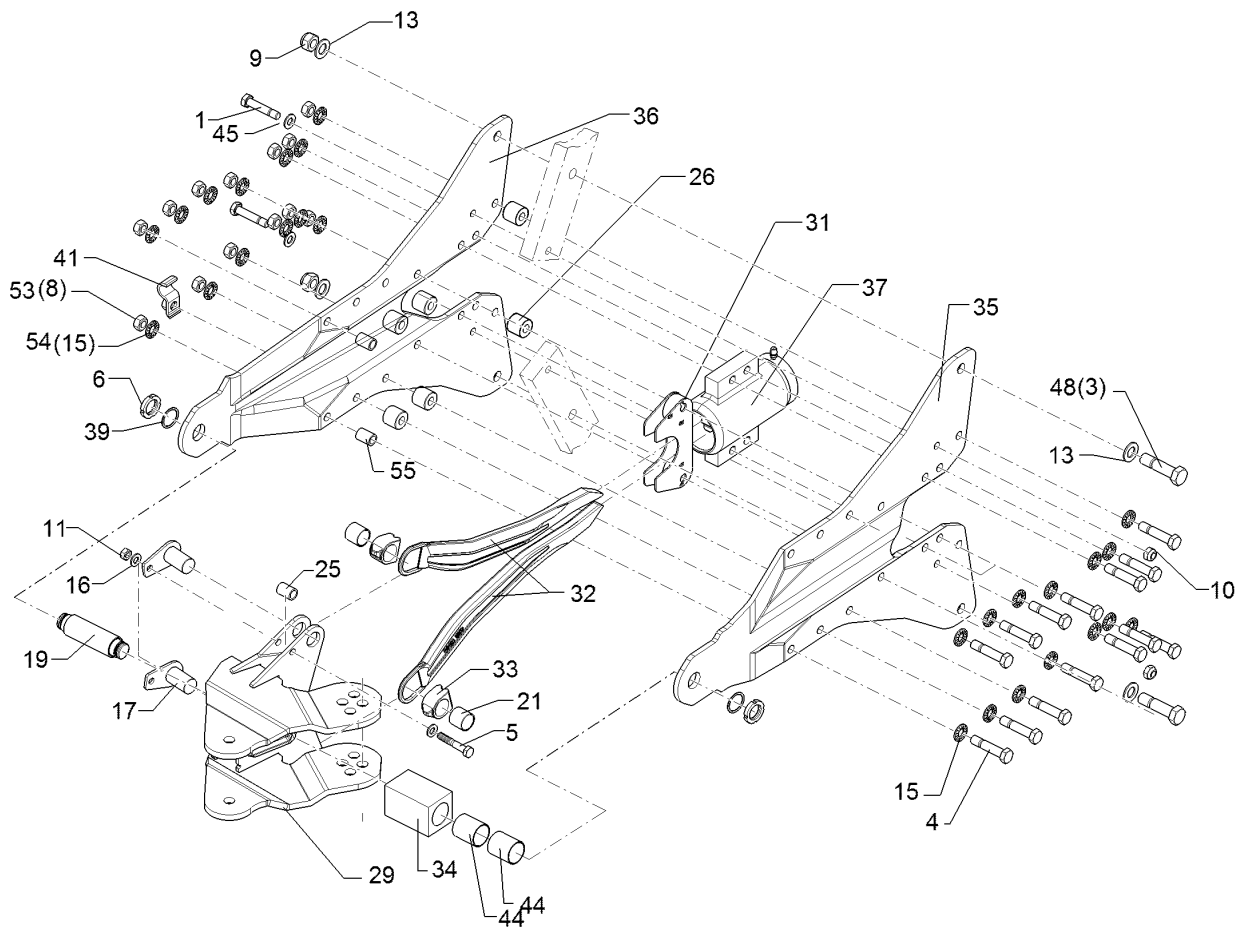
01.18

| Pos. | Art.Nr. | Stck. | Artikeltext / Description | | Abmessung |
|------|----------|-------|-----------------------------|------------------|----------------------------|
| 1 | 301 3595 | 2 | Sechskantschraube spz. | Hexagon bolt | M14x70-10.9 Zn |
| 3 | 301 4370 | 2 | Sechskantschraube spz. | Hexagon bolt | M20x85-10.9 Zn |
| 4 | 301 5361 | 14 | Sechskantschraube spz. | Hexagon bolt | M16x75-12.9 Zn |
| 5 | 301 3406 | 2 | Sechskantschraube | Hexagon bolt | M12x70-8.8 Zn DIN931-A |
| 6 | 303 0338 | 2 | Nutmutter | Grooved nut | M30x1,5 |
| 8 | 30310033 | 14 | Sicherungsmutter | Selflocking nut | NM16 DIN985-10 Zn |
| 9 | 303 0936 | 2 | Sicherungsmutter | Selflocking nut | NM20-8 Zn DIN985 |
| 10 | 303 0941 | 2 | Sicherungsmutter | Selflocking nut | NM14-8 Zn DIN985 |
| 11 | 303 1013 | 2 | Sechskantmutter | Hexagon nut | M12 DIN934-8 Zn |
| 13 | 305 6012 | 8 | Scheibe | Washer | 21 ISO7089 Zn |
| 15 | 305 6141 | 27 | Scheibe | Washer | 17/30x3 DIN/ISO-7089 |
| 16 | 305 8580 | 4 | Scheibe | Washer | 13/24x2,5 St-Zn DIN125 |
| 17 | 313 3058 | 2 | Bolzen mit Verdrehsicherung | Pin with stop | D30x50,0 Cr/5015 |
| 19 | 313 4014 | 1 | Bolzen | Pin | D40/32x147,5 M30x1,5 Cr |
| 21 | 317 3030 | 2 | Gleitlager ohne Bund | Sleeve bearing | D34/30x30 |
| 25 | 31710196 | 2 | Röhrchen | Tube | 22/16x30,5 |
| 26 | 317 7502 | 6 | Buchse | Bush | D35/16,2x30,5 Zn |
| 29 | 40210029 | 1 | Verstelltasche | Adjuster bracket | Juwel 7 T 122 |
| 31 | 426 0016 | 1 | Führungsblech | Guiding plate | 180x120x3 D51 |
| 32 | 426 0040 | 2 | Druckstange | Pressure rod | 20x86x568 Zn |
| 33 | 426 0041 | 2 | Kreuzgelenk | Cross union | D34/30x50 Zn |



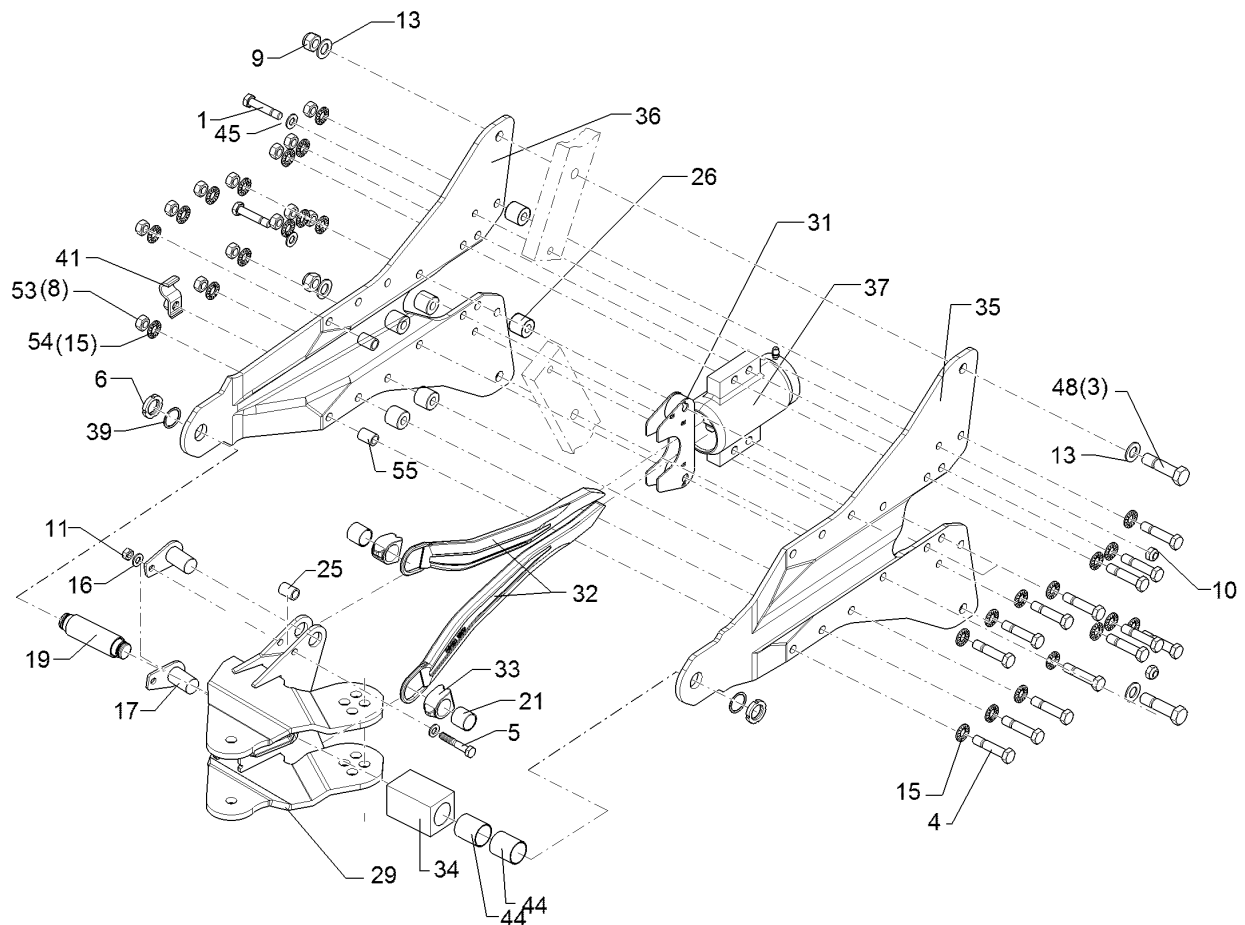
01.18

| Pos. | Art.Nr. | Stck. | Artikeltext / Description | Abmessung | |
|------|----------|-------|---------------------------|-------------------|---------------------------------|
| 34 | 426 0042 | 1 | Vierkantlager | Square bearing | 65x65x105 D44 BK30 |
| 35 | 42610003 | 1 | Halmsplatte | Plate | T/10 D40 GEK30 |
| 36 | 42610004 | 1 | Halmsplatte | Plate | T/10 D40 GEK45 |
| 37 | 57510113 | 1 | Hydraulikzylinder | Hydraulic ram | ED 80/105-208 4xD16 |
| 39 | 305 2241 | 2 | Stützscheibe | Supporting washer | S 32x45x1,5 DIN988 Zn |
| 41 | 325 5124 | 1 | Rohrschelle | Pipe clamp | D20-23 Zn Bohrung D17 |
| 44 | 317 3435 | 2 | Einspannbuchse Kunststoff | Expansion bush | EG40/44x52,5 S GSM |
| 45 | 305 6139 | 2 | Scheibe | Washer | 28x15x2,5 Zn DIN125 |
| 46 | 301 4523 | 2 | Sechskantschraube spezial | Hexagon bolt | M20x1,5x170ls144xb23-10.9 Zn |
| 47 | 303 0977 | 2 | Sechskantmutter | Hexagon nut | M20x1,5 DIN934-10 Zn |
| 48 | 301 4606 | 2 | Sechskantschraube spz. | Hexagon bolt | M20x80-10.9 Zn |
| 53 | 30310069 | 14 | Sechskantmutter | Hexagon nut | M16 DIN934-12 Zn5 |
| 54 | 30510119 | 27 | Sperrkantscheibe | Washer | 16,4/32,5x2,5 Zn5 |
| 55 | 31710189 | 2 | Röhrchen | Tube | 20/14,2x30,5 Zn |



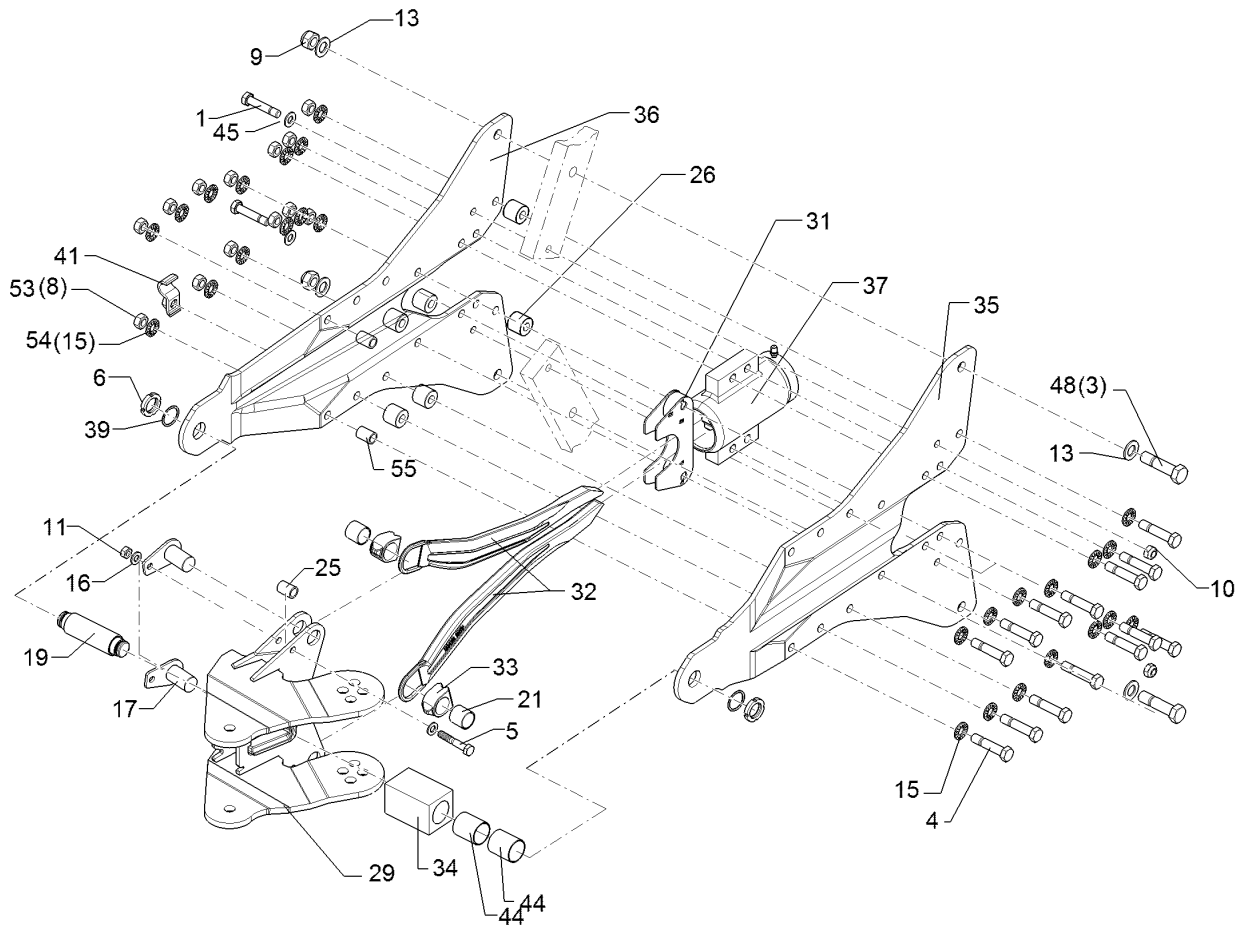
01.18

| Pos. | Art.Nr. | Stck. | Artikeltext / Description | | Abmessung |
|------|----------|-------|-----------------------------|------------------|----------------------------|
| 1 | 301 3595 | 2 | Sechskantschraube spz. | Hexagon bolt | M14x70-10.9 Zn |
| 3 | 301 4370 | 2 | Sechskantschraube spz. | Hexagon bolt | M20x85-10.9 Zn |
| 4 | 301 5361 | 14 | Sechskantschraube spz. | Hexagon bolt | M16x75-12.9 Zn |
| 5 | 301 3406 | 2 | Sechskantschraube | Hexagon bolt | M12x70-8.8 Zn DIN931-A |
| 6 | 303 0338 | 2 | Nutmutter | Grooved nut | M30x1,5 |
| 8 | 30310033 | 14 | Sicherungsmutter | Selflocking nut | NM16 DIN985-10 Zn |
| 9 | 303 0936 | 2 | Sicherungsmutter | Selflocking nut | NM20-8 Zn DIN985 |
| 10 | 303 0941 | 2 | Sicherungsmutter | Selflocking nut | NM14-8 Zn DIN985 |
| 11 | 303 1013 | 2 | Sechskantmutter | Hexagon nut | M12 DIN934-8 Zn |
| 13 | 305 6012 | 4 | Scheibe | Washer | 21 ISO7089 Zn |
| 15 | 305 6141 | 27 | Scheibe | Washer | 17/30x3 DIN/ISO-7089 |
| 16 | 305 8580 | 4 | Scheibe | Washer | 13/24x2,5 St-Zn DIN125 |
| 17 | 313 3058 | 2 | Bolzen mit Verdrehsicherung | Pin with stop | D30x50,0 Cr/5015 |
| 19 | 313 4014 | 1 | Bolzen | Pin | D40/32x147,5 M30x1,5 Cr |
| 21 | 317 3030 | 2 | Gleitlager ohne Bund | Sleeve bearing | D34/30x30 |
| 25 | 31710196 | 2 | Röhrchen | Tube | 22/16x30,5 |
| 26 | 317 7502 | 6 | Buchse | Bush | D35/16,2x30,5 Zn |
| 29 | 40210029 | 1 | Verstelltasche | Adjuster bracket | Juwel 7 T 122 |
| 31 | 426 0016 | 1 | Führungsblech | Guiding plate | 180x120x3 D51 |
| 32 | 426 0040 | 2 | Druckstange | Pressure rod | 20x86x568 Zn |
| 33 | 426 0041 | 2 | Kreuzgelenk | Cross union | D34/30x50 Zn |



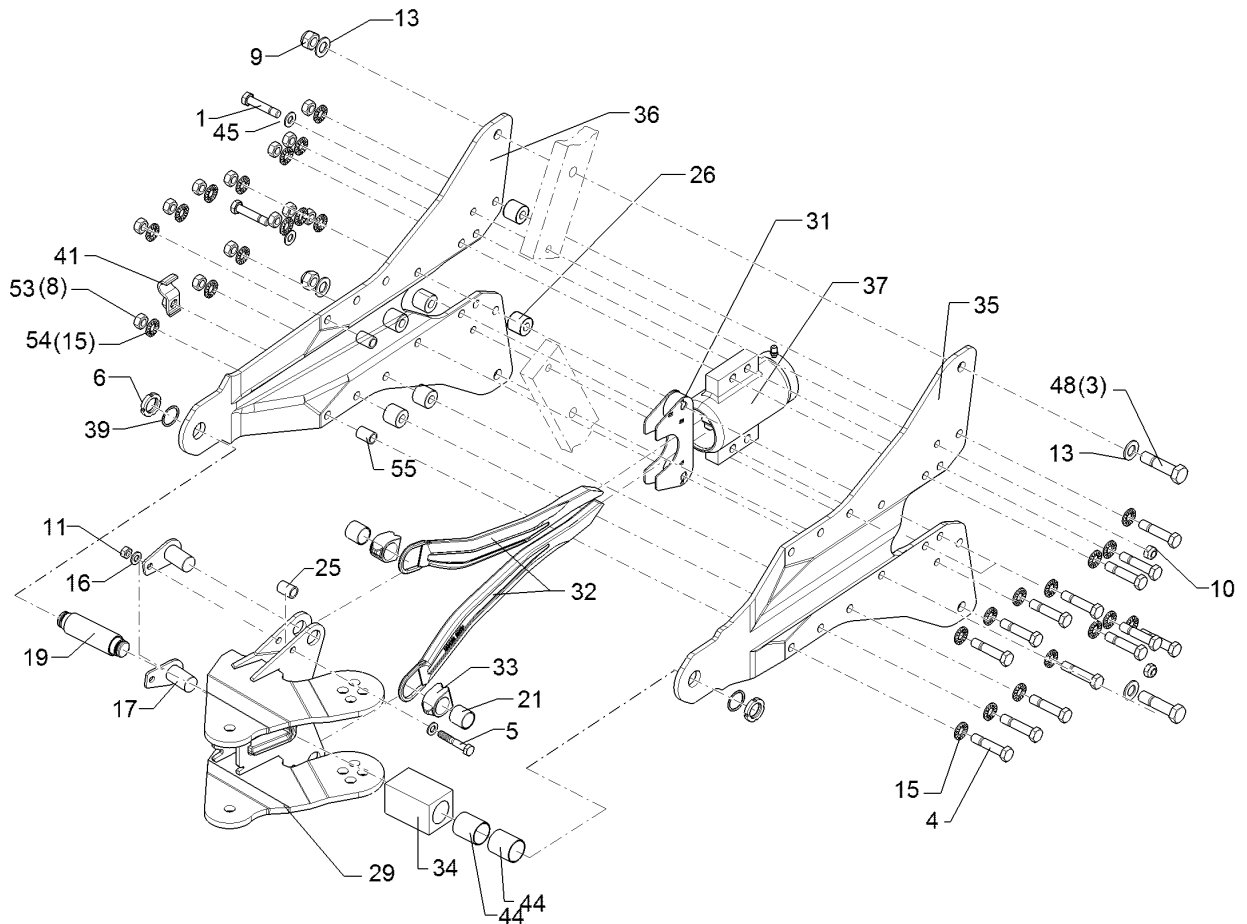
01.18

| Pos. | Art.Nr. | Stck. | Artikeltext / Description | | Abmessung |
|------|----------|-------|---------------------------|-------------------|-----------------------------------|
| 34 | 426 0042 | 1 | Vierkantlager | Square bearing | 65x65x105 D44 BK30 |
| 35 | 42610003 | 1 | Halmpatte | Plate | T/10 D40 GEK30 |
| 36 | 42610004 | 1 | Halmpatte | Plate | T/10 D40 GEK45 |
| 37 | 57510113 | 1 | Hydraulikzylinder | Hydraulic ram | ED 80/105-208 |
| 39 | 305 2241 | 2 | Stützscheibe | Supporting washer | 4xD16 S 32x45x1,5 DIN988 Zn |
| 41 | 325 5124 | 1 | Rohrschelle | Pipe clamp | D20-23 Zn Bohrung D17 |
| 44 | 317 3435 | 2 | Einspannbuchse Kunststoff | Expansion bush | EG40/44x52,5 S GSM |
| 45 | 305 6139 | 2 | Scheibe | Washer | 28x15x2,5 Zn DIN125 |
| 48 | 301 4606 | 2 | Sechskantschraube spz. | Hexagon bolt | M20x80-10.9 Zn |
| 53 | 30310069 | 14 | Sechskantmutter | Hexagon nut | M16 DIN934-12 Zn5 |
| 54 | 30510119 | 27 | Sperrkantscheibe | Washer | 16,4/32,5x2,5 Zn5 |
| 55 | 31710189 | 2 | Röhrchen | Tube | 20/14,2x30,5 Zn |



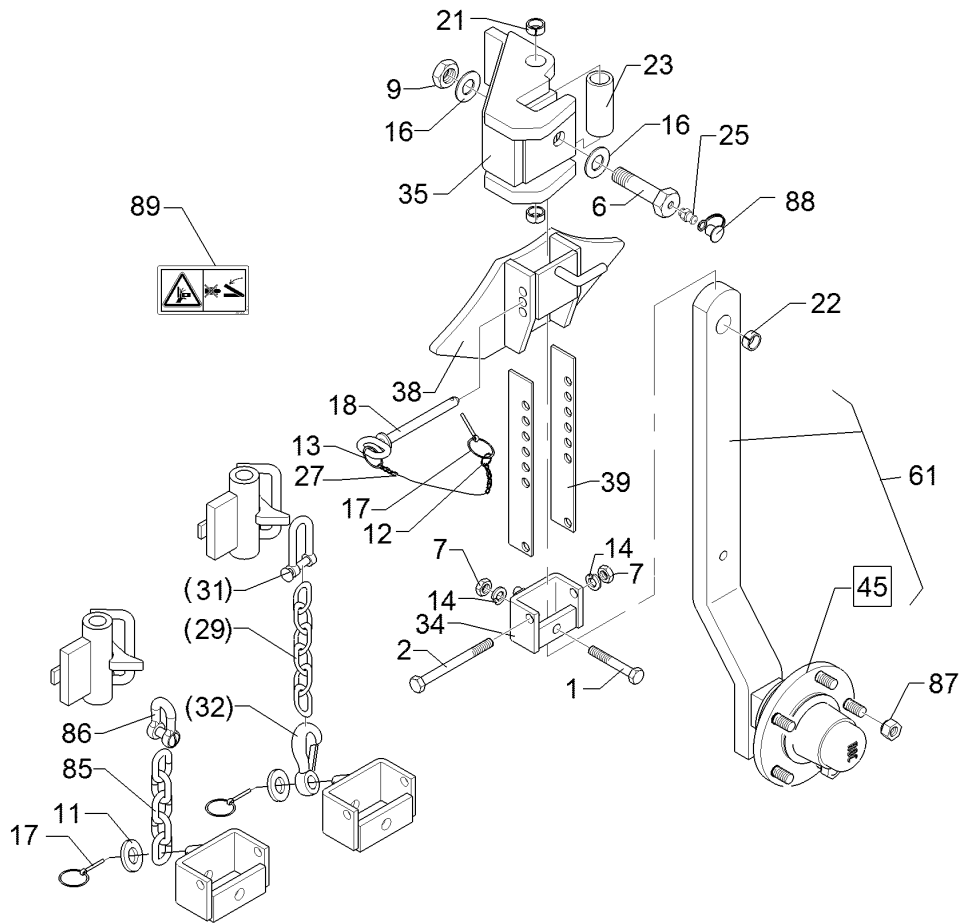
01.18

| Pos. | Art.Nr. | Stck. | Artikeltext / Description | | Abmessung |
|------|----------|-------|-----------------------------|------------------|----------------------------|
| 1 | 301 3595 | 2 | Sechskantschraube spz. | Hexagon bolt | M14x70-10.9 Zn |
| 3 | 301 4370 | 2 | Sechskantschraube spz. | Hexagon bolt | M20x85-10.9 Zn |
| 4 | 301 5361 | 14 | Sechskantschraube spz. | Hexagon bolt | M16x75-12.9 Zn |
| 5 | 301 3406 | 2 | Sechskantschraube | Hexagon bolt | M12x70-8.8 Zn DIN931-A |
| 6 | 303 0338 | 2 | Nutmutter | Grooved nut | M30x1,5 |
| 8 | 30310033 | 14 | Sicherungsmutter | Selflocking nut | NM16 DIN985-10 Zn |
| 9 | 303 0936 | 2 | Sicherungsmutter | Selflocking nut | NM20-8 Zn DIN985 |
| 10 | 303 0941 | 2 | Sicherungsmutter | Selflocking nut | NM14-8 Zn DIN985 |
| 11 | 303 1013 | 2 | Sechskantmutter | Hexagon nut | M12 DIN934-8 Zn |
| 13 | 305 6012 | 4 | Scheibe | Washer | 21 ISO7089 Zn |
| 15 | 305 6141 | 27 | Scheibe | Washer | 17/30x3 DIN/ISO-7089 |
| 16 | 305 8580 | 4 | Scheibe | Washer | 13/24x2,5 St-Zn DIN125 |
| 17 | 313 3058 | 2 | Bolzen mit Verdrehsicherung | Pin with stop | D30x50,0 Cr/5015 |
| 19 | 313 4014 | 1 | Bolzen | Pin | D40/32x147,5 M30x1,5 Cr |
| 21 | 317 3030 | 2 | Gleitlager ohne Bund | Sleeve bearing | D34/30x30 |
| 25 | 31710196 | 2 | Röhrchen | Tube | 22/16x30,5 |
| 26 | 317 7502 | 6 | Buchse | Bush | D35/16,2x30,5 Zn |
| 29 | 402 2596 | 1 | Verstelltasche | Adjuster bracket | Juwel 8 T 162 |
| 31 | 426 0016 | 1 | Führungsblech | Guiding plate | 180x120x3 D51 |
| 32 | 426 0040 | 2 | Druckstange | Pressure rod | 20x86x568 Zn |
| 33 | 426 0041 | 2 | Kreuzgelenk | Cross union | D34/30x50 Zn |



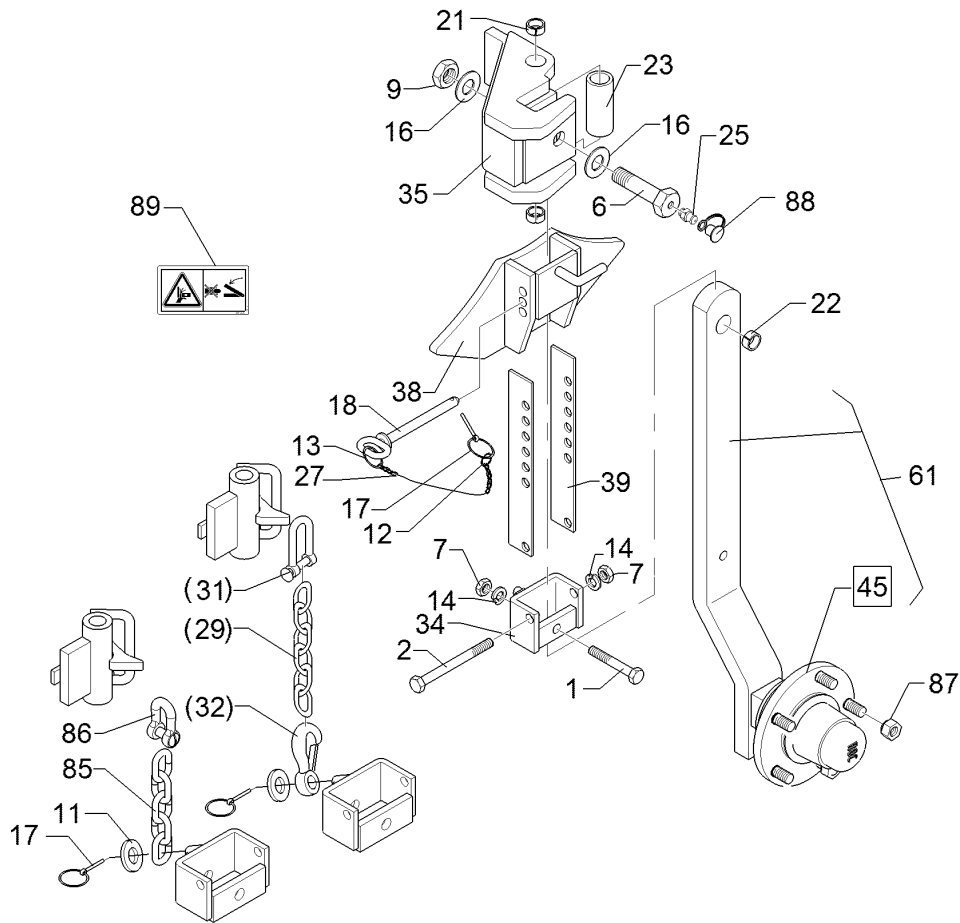
01.18

| Pos. | Art.Nr. | Stck. | Artikeltext / Description | Abmessung | |
|------|----------|-------|---------------------------|-------------------|-----------------------------------|
| 34 | 426 0042 | 1 | Vierkantlager | Square bearing | 65x65x105 D44 BK30 |
| 35 | 42610003 | 1 | Halmsplatte | Plate | T/10 D40 GEK30 |
| 36 | 42610004 | 1 | Halmsplatte | Plate | T/10 D40 GEK45 |
| 37 | 57510113 | 1 | Hydraulikzylinder | Hydraulic ram | ED 80/105-208 |
| 39 | 305 2241 | 2 | Stützscheibe | Supporting washer | 4xD16 S 32x45x1,5 DIN988 Zn |
| 41 | 325 5124 | 1 | Rohrschelle | Pipe clamp | D20-23 Zn Bohrung D17 |
| 44 | 317 3435 | 2 | Einspannbuchse Kunststoff | Expansion bush | EG40/44x52,5 S GSM |
| 45 | 305 6139 | 2 | Scheibe | Washer | 28x15x2,5 Zn DIN125 |
| 48 | 301 4606 | 2 | Sechskantschraube spz. | Hexagon bolt | M20x80-10.9 Zn |
| 53 | 30310069 | 14 | Sechskantmutter | Hexagon nut | M16 DIN934-12 Zn5 |
| 54 | 30510119 | 27 | Sperrkantscheibe | Washer | 16,4/32,5x2,5 Zn5 |
| 55 | 31710189 | 2 | Röhrchen | Tube | 20/14,2x30,5 Zn |



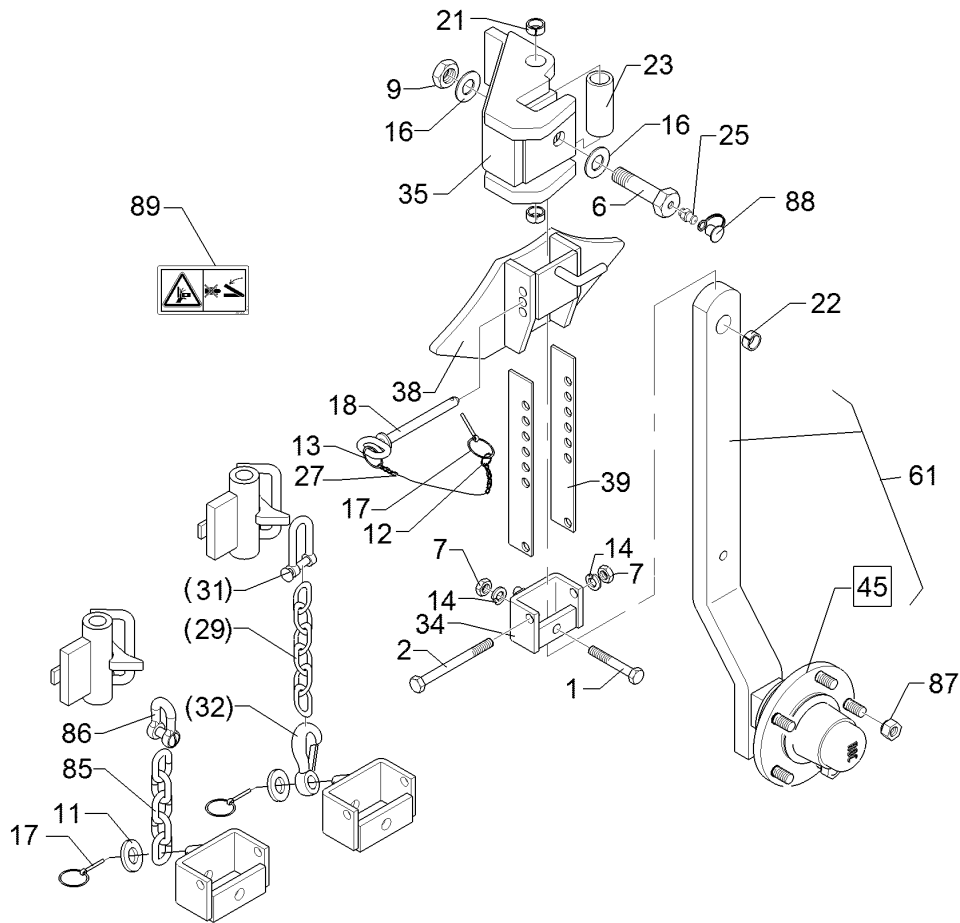
01.18

| Pos. | Art.Nr. | Stck. | Artikeltext / Description | | Abmessung |
|------|----------|-------|---------------------------|--------------------|---------------------------------|
| 1 | 301 3391 | 1 | Sechskantschraube spz. | Hexagon bolt | M12x60-10.9 Zn |
| 2 | 301 3462 | 1 | Sechskantschraube | Hexagon bolt | M12x100-8.8 Zn DIN931-A |
| 6 | 301 4604 | 1 | Sechskantschraube | Hexagon bolt | M20x75 MSB Zn |
| 7 | 303 1013 | 2 | Sechskantmutter | Hexagon nut | M12 DIN934-8 Zn |
| 9 | 303 0978 | 1 | Sechskantmutter | Hexagon nut | M20 DIN934-8 Zn |
| 11 | 305 6141 | 1 | Scheibe | Washer | 17/30x3 DIN/ISO-7089 |
| 12 | 305 8545 | 1 | Sicherungsring | Retaining ring | 3x30-35x1,25 Zn |
| 13 | 305 8551 | 1 | Sicherungsring | Retaining ring | Di41x3 A2 |
| 14 | 305 8580 | 2 | Scheibe | Washer | 13/24x2,5 St-Zn DIN125 |
| 16 | 305 6012 | 2 | Scheibe | Washer | 21 ISO7089 Zn |
| 17 | 311 9565 | 2 | Klappstift | Securing pin | 4,5 |
| 18 | 313 8137 | 1 | Bolzen mit Griff | Pin with grip | D12x103,5/118 Zn |
| 21 | 317 3358 | 2 | Einspannbuchse DIN 1498 | Expansion bush | EG20/26x16 |
| 22 | 317 3394 | 1 | Einspannbuchse | Expansion bush | EG20/26x25-DIN1498 |
| 23 | 317 6664 | 1 | Röhrchen | Tube | 33,7x4,5x79 Zn |
| 25 | 323 6348 | 1 | Schmiernippel | Grease nipple | AM10x1 DIN71412 |
| 27 | 331 6130 | 1 | Knotenkette | Knotted-link chain | D2x150 |
| 29 | 331 6246 | 1 | Kette | Chain | G8x32 DIN5685 6GL 21MN4 Zn-V |
| 31 | 331 8381 | 1 | Kettenschäkel hochfest | Chain shackle | 8x13x27 LA0302 |
| 32 | 331 9012 | 1 | Haken | Hook | D16x90 |
| 34 | 448 2599 | 1 | Halter mit Zapfen | Holder with pivot | 27x71 |



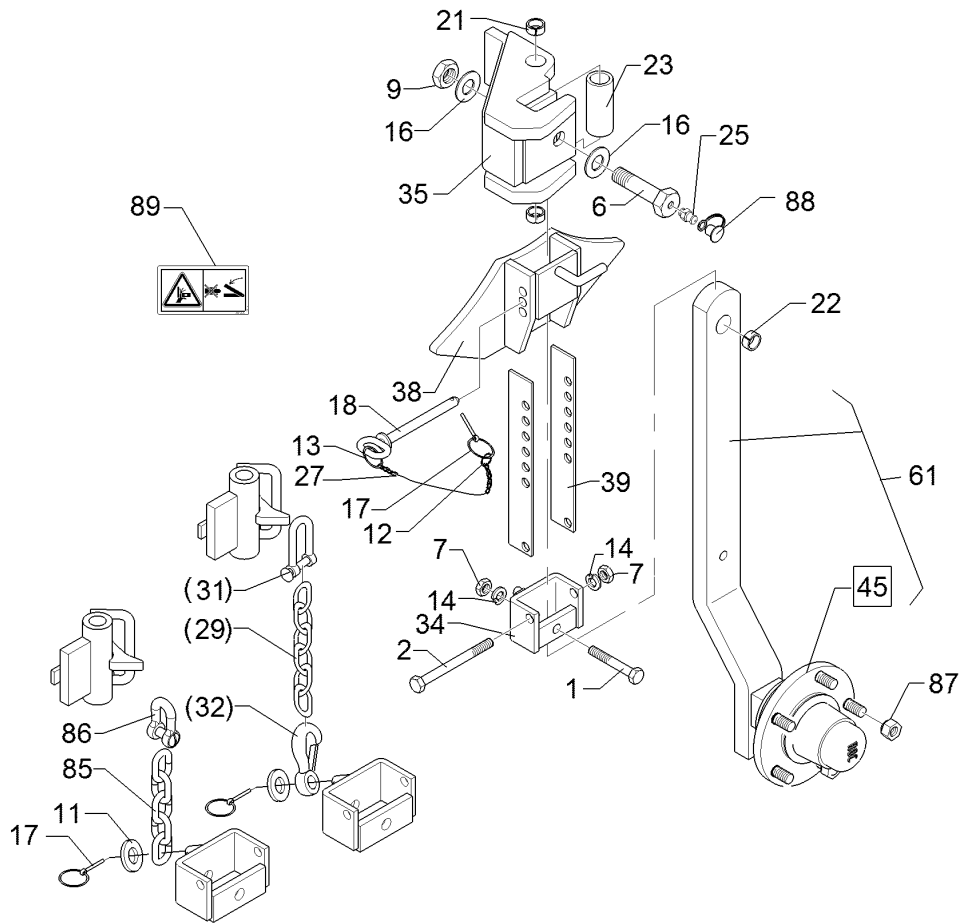
01.18

| Pos. | Art.Nr. | Stck. | Artikeltext / Description | Abmessung | |
|------|----------|-------|---------------------------|----------------|----------------------------|
| 35 | 448 2601 | 1 | Kreuzgelenk | Cross union | D20x119 E7 |
| 38 | 448 2602 | 1 | Anschlag | Stop | 70x42 E7 |
| 39 | 448 2607 | 2 | Verstelleiste | Adjuster plate | 40x4x270 7xD13 |
| 45 | 549 8893 | 1 | Lagerung | Bearing | 5/93,5/140 M14 50x50 |
| 61 | 548 2608 | 1 | Radhalm | Wheel stalk | 60x25x735/615 Pendelrad |
| 85 | 331 6277 | 1 | Kette | Chain | G10x50 5 Gl. DIN 5685 |
| 86 | 331 8406 | 1 | Schäkel | Shackle | B 0,6 DIN 82101 Zn |
| 87 | 303 6413 | 5 | Kugelbundmutter | Wheel nut | M14x1,5-8 Zn DIN74361 |
| 88 | 323 6401 | 2 | Schutzkappe | Cap | M6-M10 |
| 89 | 390 0506 | 1 | Aufkleber Warnbildzeichen | Warning Label | Quetschgefahr QF |



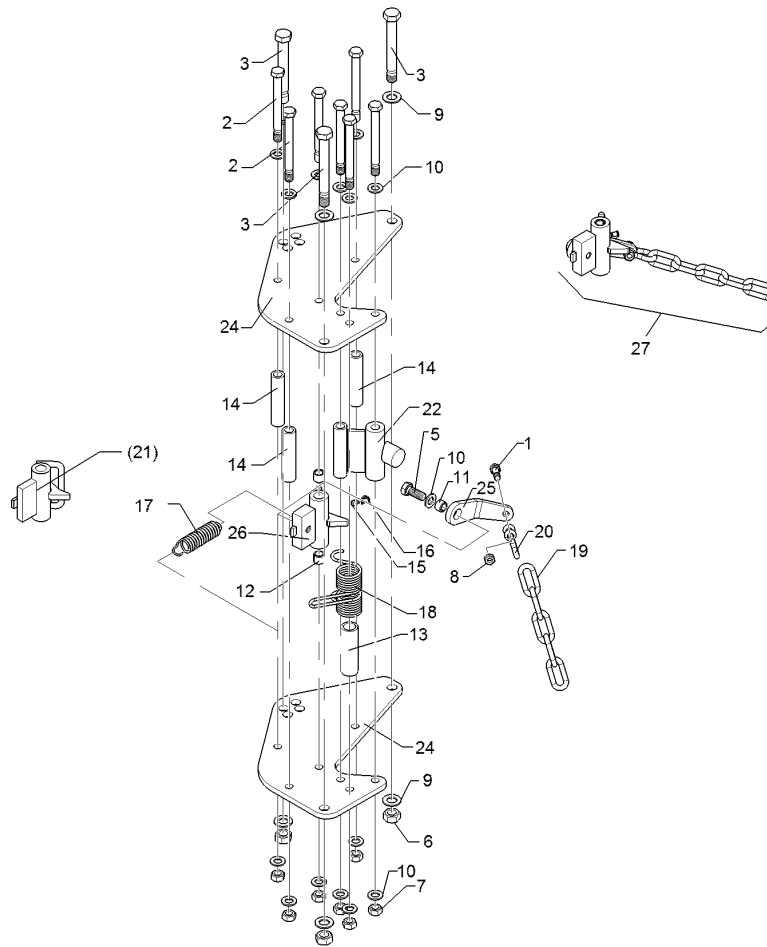
01.18

| Pos. | Art.Nr. | Stck. | Artikeltext / Description | | Abmessung |
|------|----------|-------|---------------------------|--------------------|---------------------------------|
| 1 | 301 3391 | 1 | Sechskantschraube spz. | Hexagon bolt | M12x60-10.9 Zn |
| 2 | 301 3462 | 1 | Sechskantschraube | Hexagon bolt | M12x100-8.8 Zn DIN931-A |
| 6 | 301 4604 | 1 | Sechskantschraube | Hexagon bolt | M20x75 MSB Zn |
| 7 | 303 1013 | 2 | Sechskantmutter | Hexagon nut | M12 DIN934-8 Zn |
| 9 | 303 0978 | 1 | Sechskantmutter | Hexagon nut | M20 DIN934-8 Zn |
| 11 | 305 6141 | 1 | Scheibe | Washer | 17/30x3 DIN/ISO-7089 |
| 12 | 305 8545 | 1 | Sicherungsring | Retaining ring | 3x30-35x1,25 Zn |
| 13 | 305 8551 | 1 | Sicherungsring | Retaining ring | Di41x3 A2 |
| 14 | 305 8580 | 2 | Scheibe | Washer | 13/24x2,5 St-Zn DIN125 |
| 16 | 305 6012 | 2 | Scheibe | Washer | 21 ISO7089 Zn |
| 17 | 311 9565 | 2 | Klappstift | Securing pin | 4,5 |
| 18 | 313 8137 | 1 | Bolzen mit Griff | Pin with grip | D12x103,5/118 Zn |
| 21 | 317 3358 | 2 | Einspannbuchse DIN 1498 | Expansion bush | EG20/26x16 |
| 22 | 317 3394 | 1 | Einspannbuchse | Expansion bush | EG20/26x25-DIN1498 |
| 23 | 317 6664 | 1 | Röhrchen | Tube | 33,7x4,5x79 Zn |
| 25 | 323 6348 | 1 | Schmiernippel | Grease nipple | AM10x1 DIN71412 |
| 27 | 331 6130 | 1 | Knotenkette | Knotted-link chain | D2x150 |
| 29 | 331 6246 | 1 | Kette | Chain | G8x32 DIN5685 6GL 21MN4 Zn-V |
| 31 | 331 8381 | 1 | Kettenschäkel hochfest | Chain shackle | 8x13x27 LA0302 |
| 32 | 331 9012 | 1 | Haken | Hook | D16x90 |
| 34 | 448 2599 | 1 | Halter mit Zapfen | Holder with pivot | 27x71 |



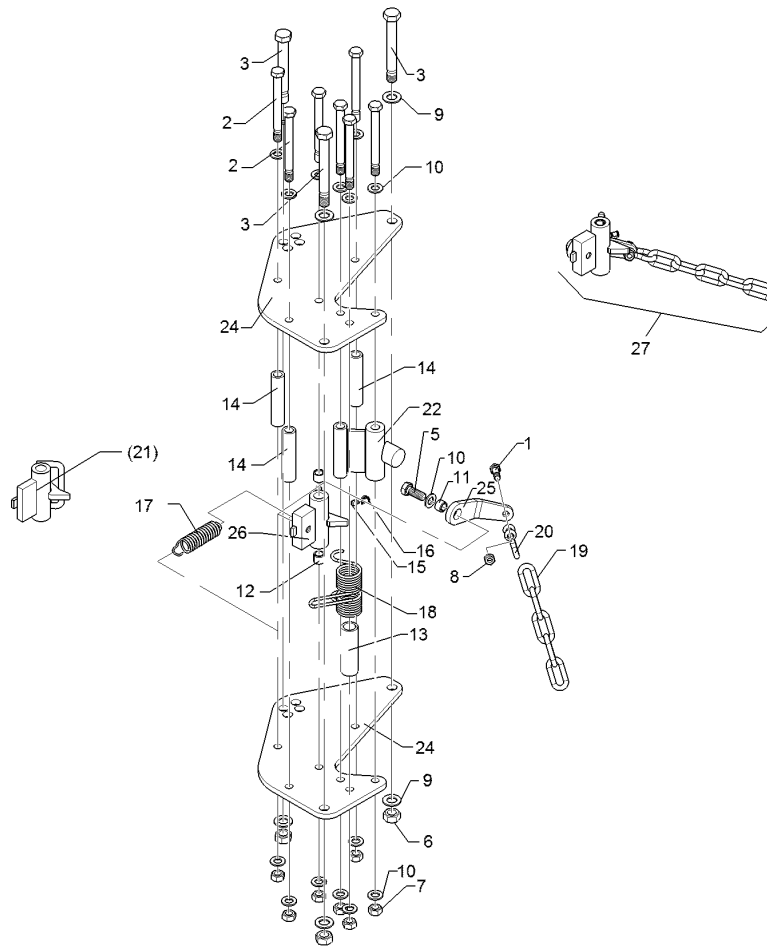
01.18

| Pos. | Art.Nr. | Stck. | Artikeltext / Description | Abmessung | |
|------|----------|-------|---------------------------|----------------|----------------------------|
| 35 | 448 2601 | 1 | Kreuzgelenk | Cross union | D20x119 E7 |
| 38 | 448 2602 | 1 | Anschlag | Stop | 70x42 E7 |
| 39 | 448 2607 | 2 | Verstelleiste | Adjuster plate | 40x4x270 7xD13 |
| 45 | 549 8893 | 1 | Lagerung | Bearing | 5/93,5/140 M14 50x50 |
| 61 | 548 2607 | 1 | Radhalm | Wheel stalk | 60x25x675/550 Pendelrad |
| 85 | 331 6277 | 1 | Kette | Chain | G10x50 5 Gl. DIN 5685 |
| 86 | 331 8406 | 1 | Schäkel | Shackle | B 0,6 DIN 82101 Zn |
| 87 | 303 6413 | 5 | Kugelbundmutter | Wheel nut | M14x1,5-8 Zn DIN74361 |
| 88 | 323 6401 | 2 | Schutzkappe | Cap | M6-M10 |
| 89 | 390 0506 | 1 | Aufkleber Warnbildzeichen | Warning Label | Quetschgefahr QF |



01.18

| Pos. | Art.Nr. | Stck. | Artikeltext / Description | Abmessung |
|------|----------|-------|---------------------------|--|
| 1 | 301 3367 | 1 | Sechskantschraube spz. | Hexagon bolt M12x45-8.8 Zn |
| 2 | 301 4118 | 7 | Sechskantschraube | Hexagon bolt M16x1,5x162ls140xb19-10.9 Zn |
| 3 | 301 4523 | 3 | Sechskantschraube spezial | Hexagon bolt M20x1,5x170ls144xb23-10.9 Zn |
| 5 | 301 5404 | 1 | Sechskantschraube | Hexagon bolt M16x40-8.8 Zn |
| 6 | 303 0977 | 3 | Sechskantmutter | Hexagon nut DIN933 M20x1,5 DIN934-10 Zn |
| 7 | 303 0990 | 7 | Sechskantmutter | Hexagon nut M16x1,5 DIN934-10 Zn |
| 8 | 303 1013 | 1 | Sechskantmutter | Hexagon nut M12 DIN934-8 Zn |
| 9 | 305 6012 | 6 | Scheibe | Washer 21 ISO7089 Zn |
| 10 | 305 6141 | 15 | Scheibe | Washer 17/30x3 DIN/ISO-7089 |
| 11 | 317 3334 | 1 | Einspannbuchse | Expansion bush EG16/22x14-DIN1498 |
| 12 | 317 3336 | 2 | Einspannbuchse | Expansion bush EG16/22x18-DIN1498 |
| 13 | 317 6660 | 1 | Röhrchen | Tube 33,7x4,5x110 Zn |
| 14 | 317 6859 | 3 | Röhrchen | Tube D26,9x4,5x119,3 Zn |
| 15 | 323 6348 | 1 | Schmiernippel | Grease nipple AM10x1 DIN71412 |
| 16 | 323 6401 | 1 | Schutzkappe | Cap M6-M10 |
| 17 | 329 8496 | 1 | Zugfeder | Spring 2,8x27,2x91 D35/12 |
| 18 | 329 9041 | 1 | Drehfeder | Torsion spring d=5,5 Dm=46 |
| 19 | 331 6277 | 1 | Kette | Chain 2-Schenkel Zn G10x50 5 Gl. DIN 5685 |
| 20 | 331 8380 | 1 | Malotte ohne Gewinde | Shackle D13 |

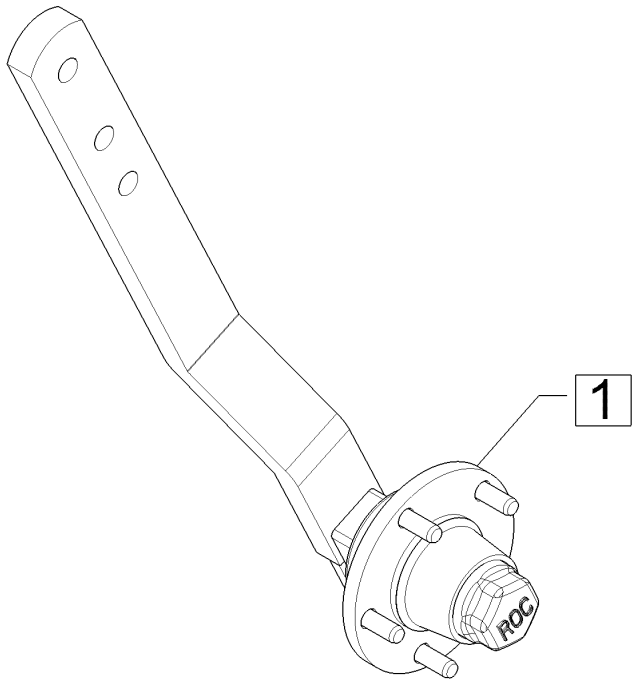


01.18

| Pos. | Art.Nr. | Stck. | Artikeltext / Description | Abmessung |
|------|----------|-------|---------------------------|------------------|
| 21 | 448 2598 | 1 | Verriegelung mit Bügel | Locking device |
| 22 | 448 2605 | 1 | Anschlag | Stop |
| 24 | 448 2604 | 2 | Platte | Plate |
| 25 | 44810015 | 1 | Hebel | Lever |
| 26 | 44810016 | 1 | Verriegelung | Locking device |
| 27 | 54810007 | 1 | Montagesatz | Mounting set |
| | | | | D38/22x117,5 |
| | | | | 60x30 2xD16x119 |
| | | | | 12x358x434 E7 |
| | | | | 12x46x163 GEB45° |
| | | | | D23 D13 V |
| | | | | D38/22x117,5 |
| | | | | Stützrad |

| | |
|---|---|
| Radhalm mit Lagerung/Wheel stalk with bearing | 5 |
|---|---|

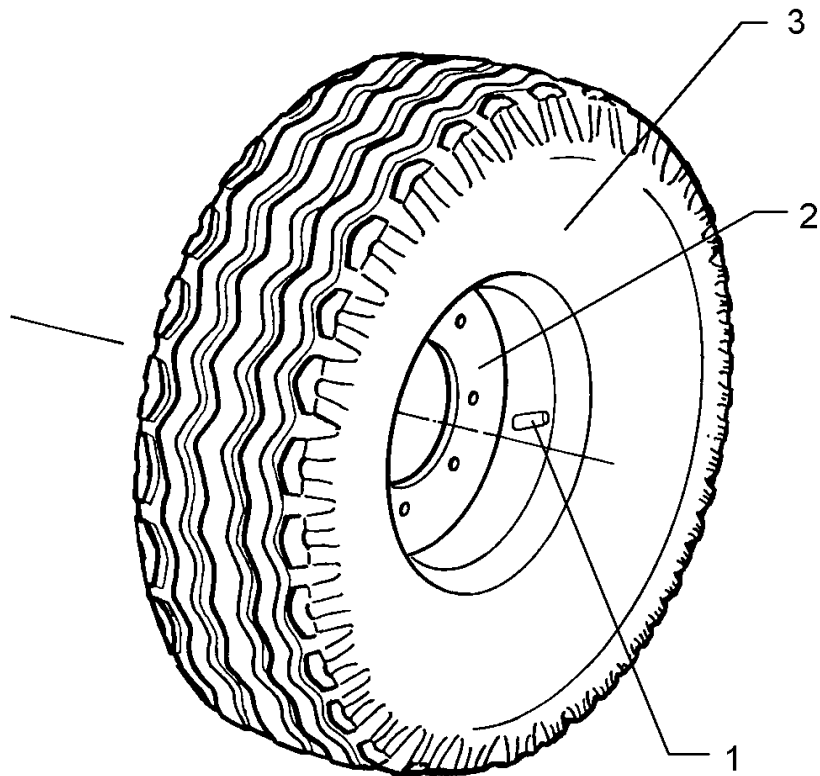
| | |
|-----------|----------|
| Juwel 7 T | 54810008 |
|-----------|----------|



01.18

| Pos. | Art.Nr. | Stck. | Artikeltext / Description | | Abmessung |
|------|----------|-------|---------------------------|---------|-------------------------|
| 1 | 549 8893 | 1 | Lagerung | Bearing | 5/93,5/140 M14 50x50 |

| | |
|-----------|----------|
| Rad/Wheel | 5 |
| Juwel 7 T | 549 8849 |

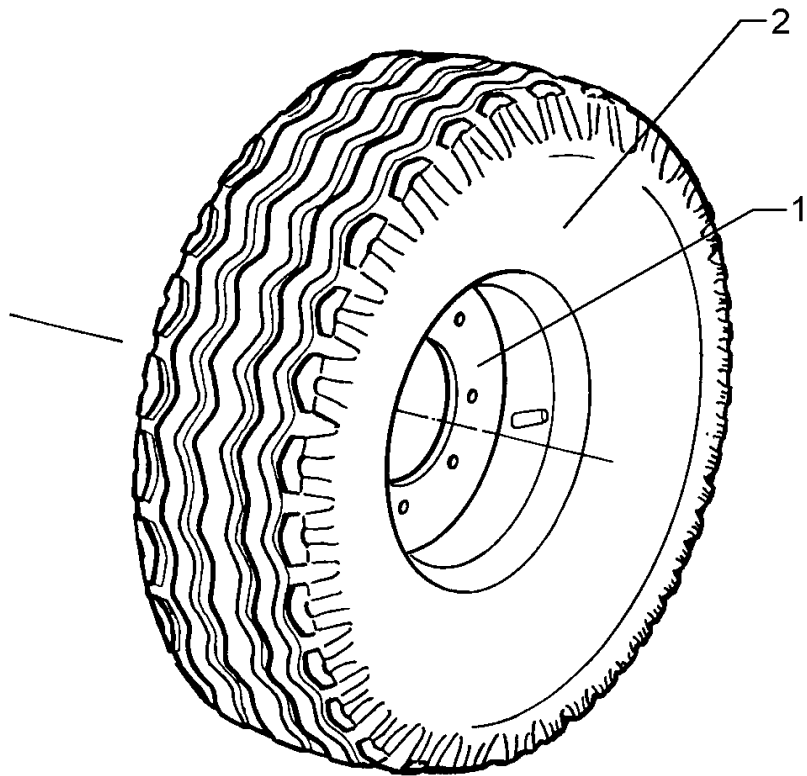


01.18

| Pos. | Art.Nr. | Stck. | Artikeltext / Description | | Abmessung |
|------|----------|-------|---------------------------|------|--------------------------|
| 1 | 357 3422 | 1 | Schlauch | Hose | 10.0/80-12 TR15 |
| 2 | 357 7069 | 1 | Felge | Rim | 7.00x12ET-25 5/94/140 |
| 3 | 357 8856 | 1 | Reifen | Tyre | 10.0/80-12 8 PR AW |

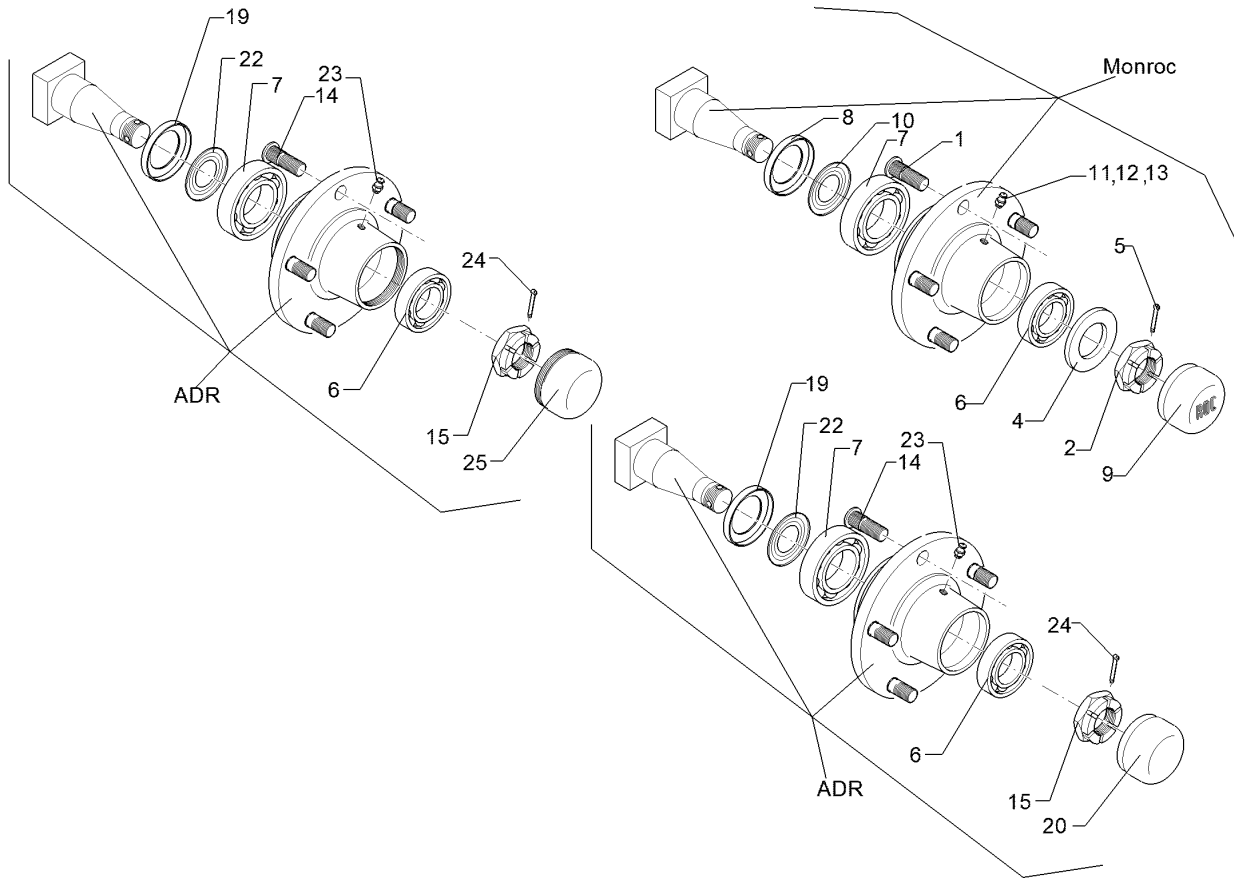
| | |
|-------------------------------------|----------|
| Rad 5/94/140 D14/Wheel 5/94/140 D14 | 5 |
|-------------------------------------|----------|

| | |
|------------------|-----------------|
| Juwel 7 T | 549 8858 |
|------------------|-----------------|



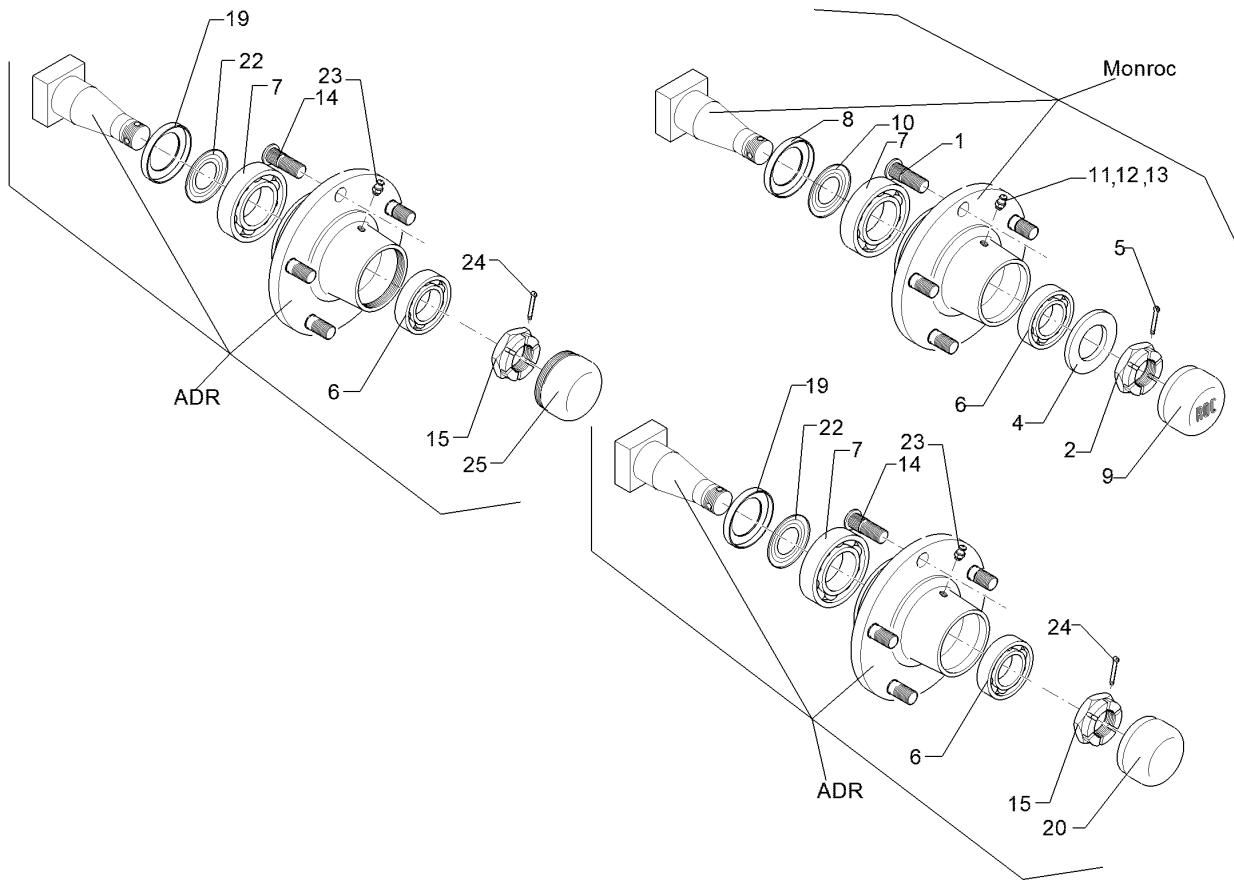
01.18

| Pos. | Art.Nr. | Stck. | Artikeltext / Description | | Abmessung |
|------|----------|-------|---------------------------|------|--------------------------|
| 1 | 357 7029 | 1 | Felge | Rim | 5Jx15 H2 ET0 5/94/140 |
| 2 | 357 8837 | 1 | Reifen | Tyre | 195/65x15 D650x198 |



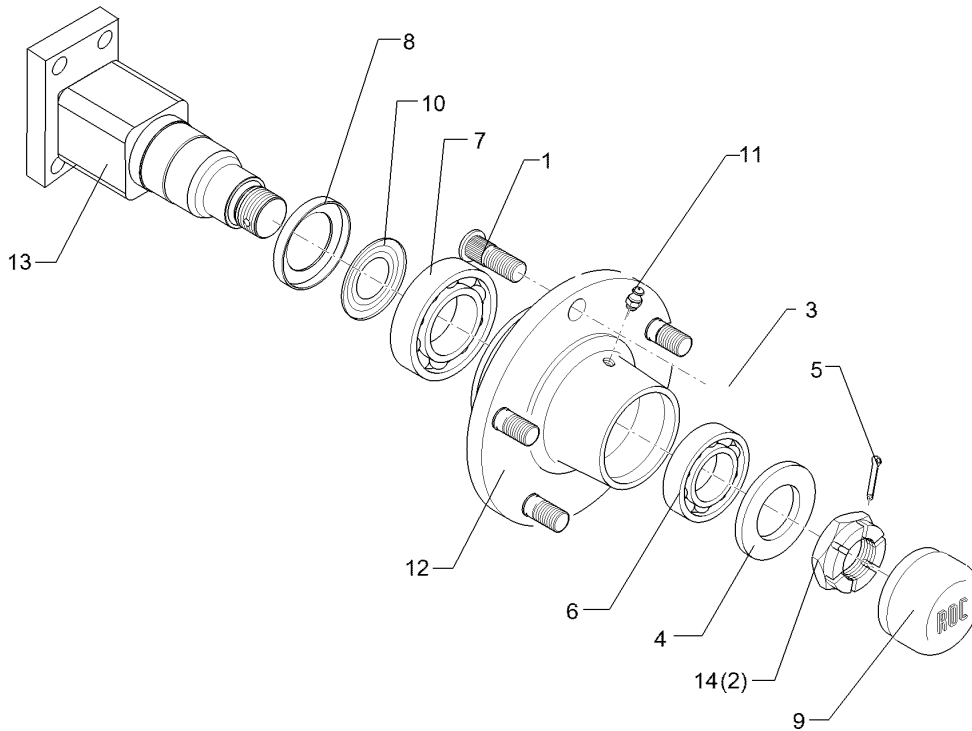
01.18

| Pos. | Art.Nr. | Stck. | Artikeltext / Description | Abmessung | |
|------|----------|-------|---------------------------|------------------------|-------------------------------------|
| 1 | 301 6414 | 5 | Radbolzen | Wheel bolt | M14x1,5x45 Zn |
| 2 | 303 0139 | 1 | Kronenmutter | Castle nut | DIN937-M24x2 |
| 3 | 303 6413 | 5 | Kugelbundmutter | Wheel nut | M14x1,5-8 Zn |
| 4 | 305 6254 | 1 | Scheibe | Washer | DIN74361 D25/44x4 Zn |
| 5 | 311 7617 | 1 | Splint | Peg | ISO7089 4x40 DIN94-St Zn |
| 6 | 319 9116 | 1 | Kegelrollenlager | Tapered roller bearing | 30206. |
| 7 | 319 9151 | 1 | Kegelrollenlager | Tapered roller bearing | 30209. |
| 8 | 323 0413 | 1 | Hüllscheibe | Cover washer | D100/45x12 |
| 9 | 323 1321 | 1 | Schraubkappe | Cap | D63,5x40 |
| 10 | 323 1802 | 1 | Nilos-Ring | Nilos ring | 30209 AV |
| 11 | 323 6345 | 1 | Schmiernippel gerade | Grease nipple | LAM 6 DIN71412 |
| 12 | 323 6353 | 1 | Schmiernippel | Grease nipple | BM8x1,25 DIN71412-6kt. 65 GRD |
| 13 | 323 6363 | 1 | Schmiernippel | Grease nipple | 1/4" SAE |
| 14 | 301 6416 | 5 | Radschraube | Wheel bolt | M14x1,5x41/45 |
| 15 | 303 0174 | 1 | Kronenmutter | Castle nut | M27x1,5 |
| 19 | 323 7628 | 1 | Dichtung zum Lager | Seal | 30209 |
| 20 | 323 1315 | 1 | Schlagkappe | Lug strap | ADR D62x21 |
| 21 | 323 1841 | 1 | Nilos-Ring | Nilos ring | 30206 JV |
| 22 | 323 1844 | 1 | Nilos-Ring | Nilos ring | 30209 JV |



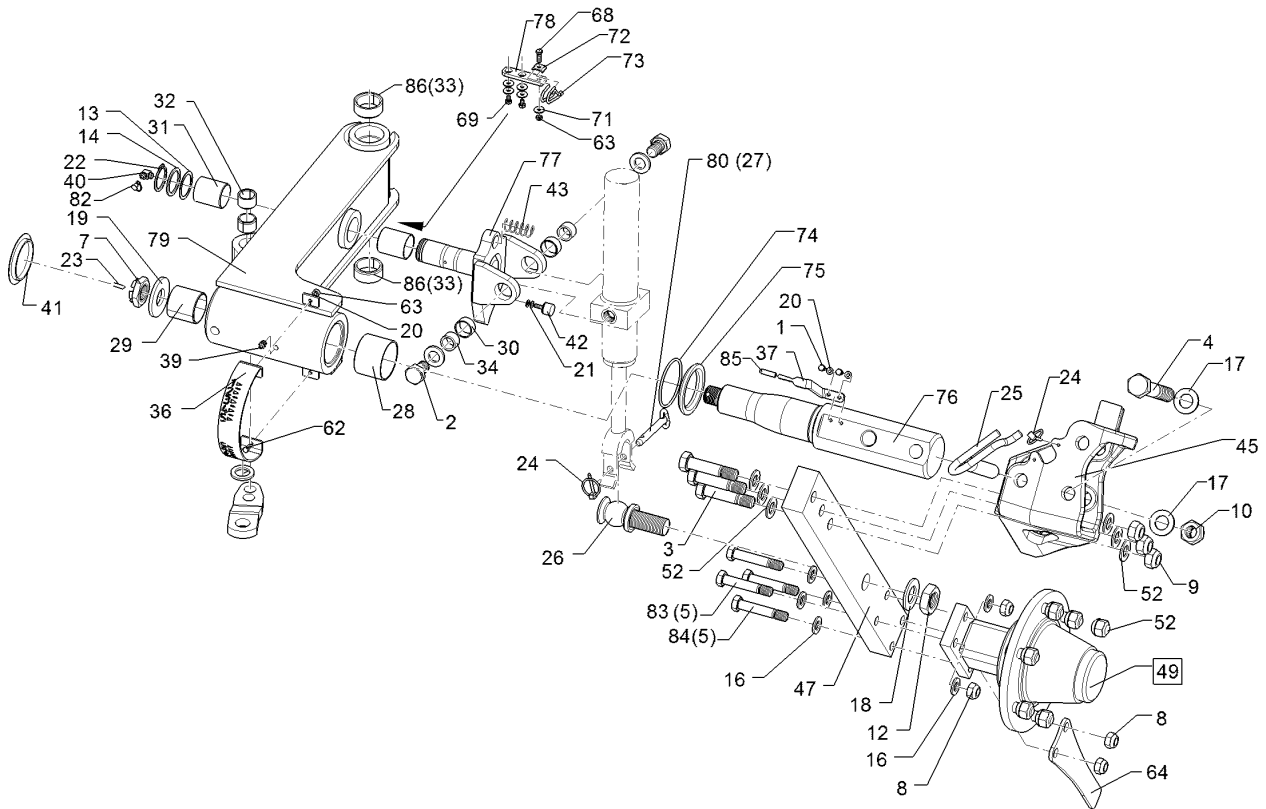
01.18

| Pos. | Art.Nr. | Stck. | Artikeltext / Description | | Abmessung |
|------|----------|-------|---------------------------|---------------|---------------------------|
| 23 | 323 6354 | 1 | Schmiernippel | Grease nipple | BM8x1 DIN71412-6kt. 45 |
| 24 | 329 3541 | 1 | Sicherungsklammer | Safety clamp | GRD D5x50 |
| 25 | 323 1314 | 1 | Schraubkappe | Cap | M64x2 (D62) |



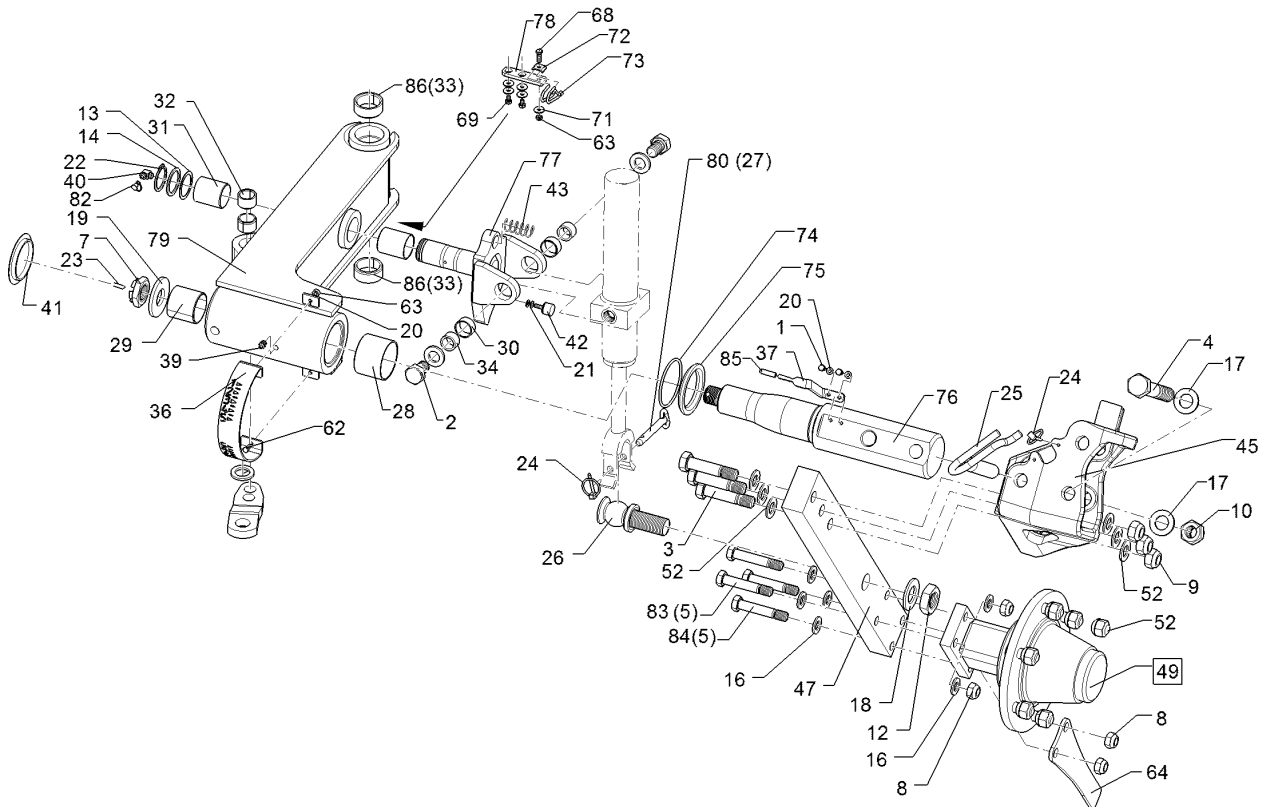
01.18

| Pos. | Art.Nr. | Stck. | Artikeltext / Description | | Abmessung |
|------|----------|-------|---------------------------|------------------------|-----------------------------|
| 1 | 30110079 | 6 | Radschraube | Wheel bolt | M18x1,5x54 |
| 2 | 303 0141 | 1 | Kronenmutter | Castle nut | DIN935-M30x1,5 |
| 4 | 305 6285 | 1 | Scheibe | Washer | 31/56x4 DIN/ISO-7089 Zn |
| 5 | 311 7635 | 1 | Splint | Peg | 5x45 DIN94-St Zn |
| 6 | 319 9015 | 1 | Kegelrollenlager | Tapered roller bearing | 30207 |
| 7 | 319 9019 | 1 | Kegelrollenlager | Tapered roller bearing | 30211. |
| 8 | 323 0414 | 1 | Schutzkappe | Cap | D110x10 |
| 9 | 323 1322 | 1 | Schraubkappe | Cap | D73x40 |
| 10 | 323 1803 | 1 | Nilos-Ring | Nilos ring | 30211 AV |
| 11 | 323 6345 | 1 | Schmiernippel gerade | Grease nipple | LAM 6 DIN71412 |
| 12 | 449 8893 | 1 | Nabe | Hub | 6/205 ROC |
| 13 | 44910021 | 1 | Flanschachse | Flange axle | 70x70x234 4xD16,3 110x50 |
| 14 | 30310017 | 1 | Kronenmutter | Castle nut | M30x2 h=18 |



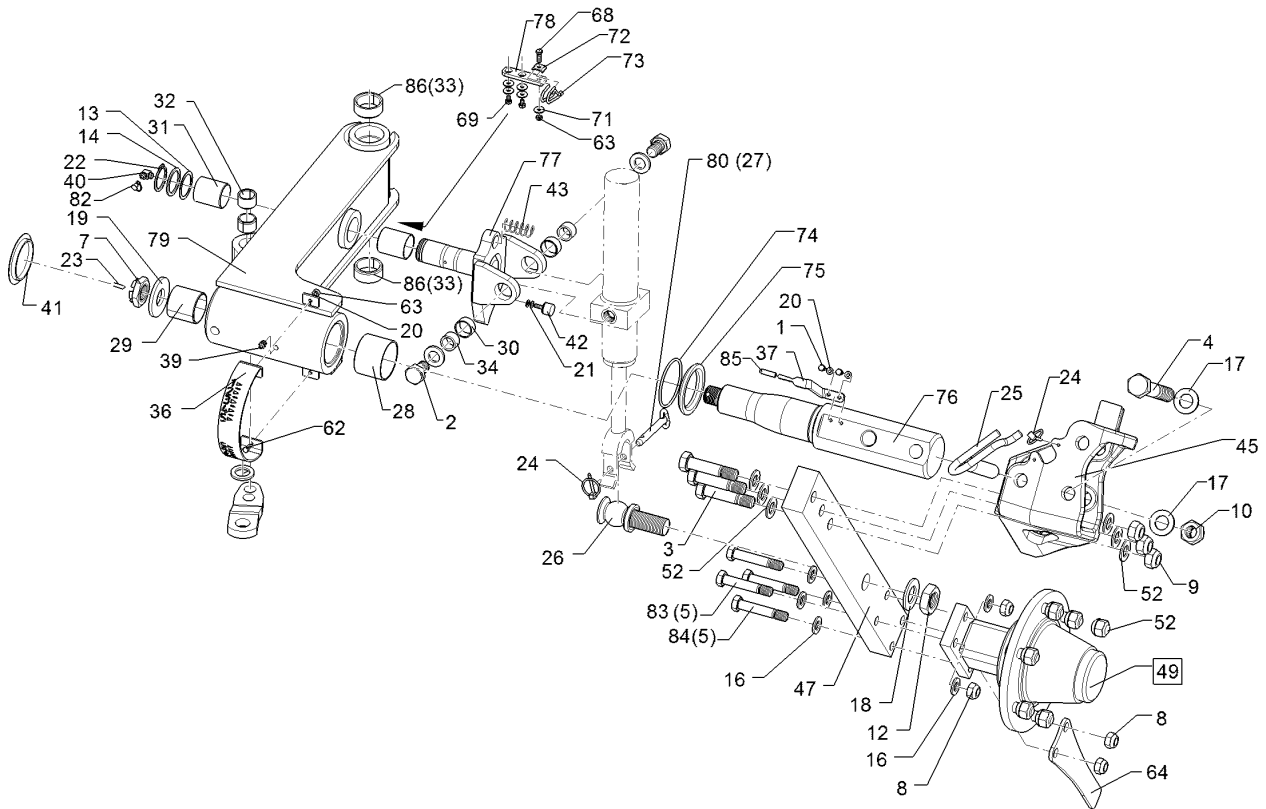
01.18

| Pos. | Art.Nr. | Stck. | Artikeltext / Description | | Abmessung |
|------|----------|-------|---------------------------|-------------------|----------------------------|
| 1 | 301 3001 | 2 | Sechskantschraube | Hexagon bolt | M6x12-8.8 Zn DIN933 |
| 2 | 301 4238 | 2 | Sechskantschraube | Hexagon bolt | M20x1,5x30 Zn DIN961 |
| 3 | 301 4607 | 3 | Sechskantschraube spz. | Hexagon bolt | M20x90-12.9 Zn |
| 4 | 301 4700 | 1 | Sechskantschraube | Hexagon bolt | M24x140-8.8 DIN931-A |
| 5 | 301 5370 | 4 | Sechskantschraube spz. | Hexagon bolt | M16x90-12.9 Zn |
| 7 | 303 0142 | 1 | Kronenmutter | Castle nut | DIN937-M30x1,5 |
| 8 | 303 0935 | 4 | Sicherungsmutter | Selflocking nut | NM16-8 Zn DIN985 |
| 9 | 303 0936 | 3 | Sicherungsmutter | Selflocking nut | NM20-8 Zn DIN985 |
| 10 | 303 0937 | 1 | Sicherungsmutter | Selflocking nut | NM24-8 Zn DIN985 |
| 12 | 303 0994 | 1 | Sechskantmutter | Hexagon nut | M30x1,5 DIN439-05 Zn |
| 13 | 305 2095 | 1 | Passscheibe | Shim | 40x50x1,0 DIN988 Zn |
| 14 | 305 2250 | 1 | Stützscheibe | Supporting washer | S 40x50x2,5 DIN988 Zn |
| 16 | 305 6141 | 6 | Scheibe | Washer | 17/30x3 DIN/ISO-7089 |
| 17 | 305 6254 | 2 | Scheibe | Washer | D25/44x4 Zn ISO7089 |
| 18 | 305 6285 | 1 | Scheibe | Washer | 31/56x4 DIN/ISO-7089 Zn |
| 19 | 305 6425 | 1 | Scheibe | Washer | D70/31x6 Zn |
| 20 | 305 8571 | 4 | Scheibe | Washer | 6,4 DIN125-A Zn |
| 21 | 305 8573 | 2 | Scheibe | Washer | 6,5/13x1,25 St-Zn |



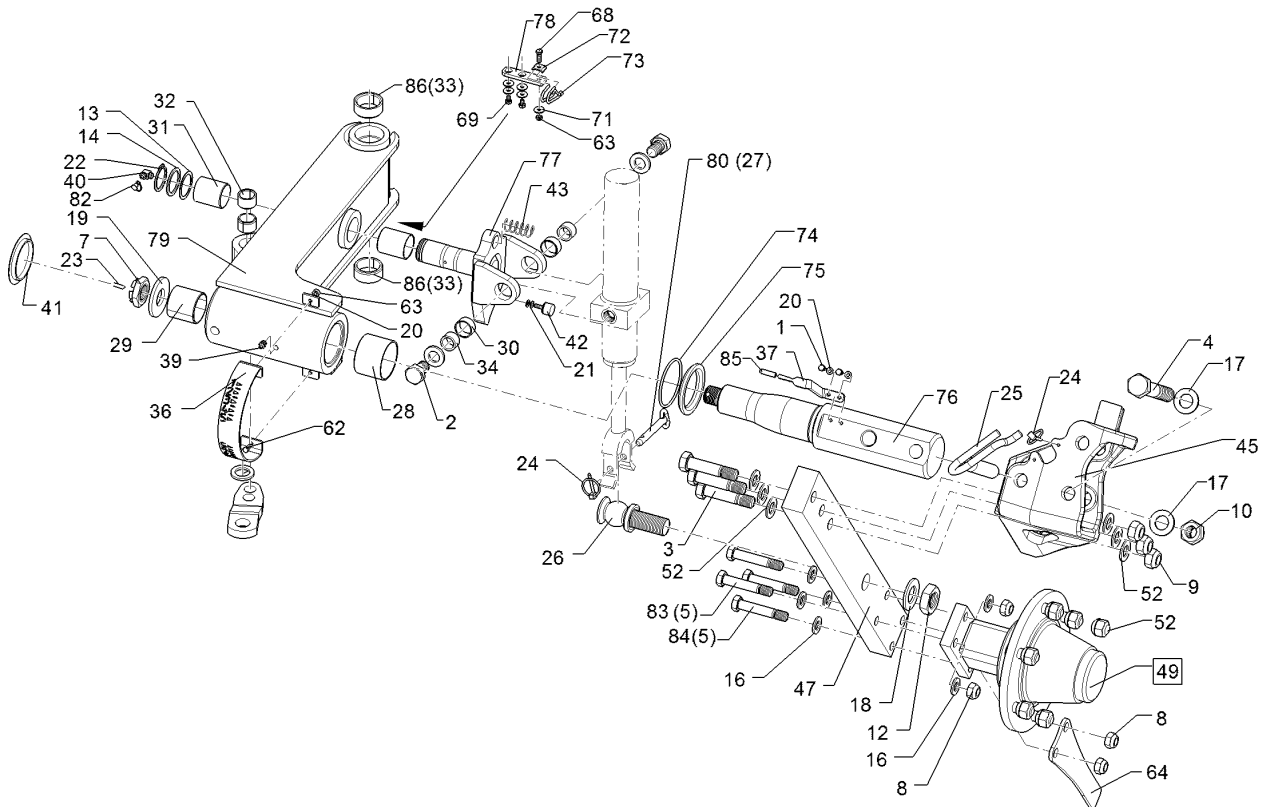
01.18

| Pos. | Art.Nr. | Stck. | Artikeltext / Description | | Abmessung |
|------|----------|-------|---------------------------|----------------|---------------------------|
| 22 | 305 8875 | 1 | Sicherungsring | Retaining ring | 40x2,5 DIN471 |
| 23 | 311 7648 | 1 | Splint | Peg | 6,3x50 DIN94-St Zn |
| 24 | 311 9565 | 2 | Klappstift | Securing pin | 4,5 |
| 25 | 313 1816 | 1 | Bolzen mit Griff | Pin with grip | D24x113 Zn |
| 26 | 313 3034 | 1 | Zapfen | Pivot | D48x127,34-M30x1,5 Zn |
| 27 | 313 8153 | 1 | Bolzen mit Griff | Pin with grip | D12x74,5/115 Zn |
| 28 | 317 3036 | 1 | Einspannbuchse Kunststoff | Expansion bush | EG65/70x50 GSM |
| 29 | 317 3037 | 1 | Einspannbuchse Kunststoff | Expansion bush | EG50/55x50 GSM |
| 30 | 317 3038 | 2 | Einspannbuchse Kunststoff | Expansion bush | EG28/32x15 GSM |
| 31 | 317 3039 | 2 | Einspannbuchse Kunststoff | Expansion bush | EG40/44x50 GSM |
| 32 | 317 3413 | 2 | Einspannbuchse | Expansion bush | EG25/32x20 DIN 1498 |
| 33 | 31710183 | 2 | Einspannbuchse | Expansion bush | EG40/50x20 Presssitz |
| 34 | 317 6984 | 2 | Röhrchen | Tube | D28x3,5x17 |
| 36 | 321 7018 | 1 | Skala | Scale | 3x40x327,94 Zn |
| 37 | 321 7019 | 1 | Tiefenzeiger | Pointer | Juwel 8 5x15x150 2xGEB |
| 38 | 323 0530 | 1 | Anlaufscheibe | Thrust washer | Juwel 8 68/81x2 SYN |
| 39 | 323 6348 | 2 | Schmiernippel | Grease nipple | AM10x1 DIN71412 |
| 40 | 323 6349 | 1 | Schmiernippel | Grease nipple | CM10x1 DIN71412-90 GRD |
| 41 | 323 8054 | 1 | Schutzkappe | Cap | GPN 910/3042 SCHWARZ |



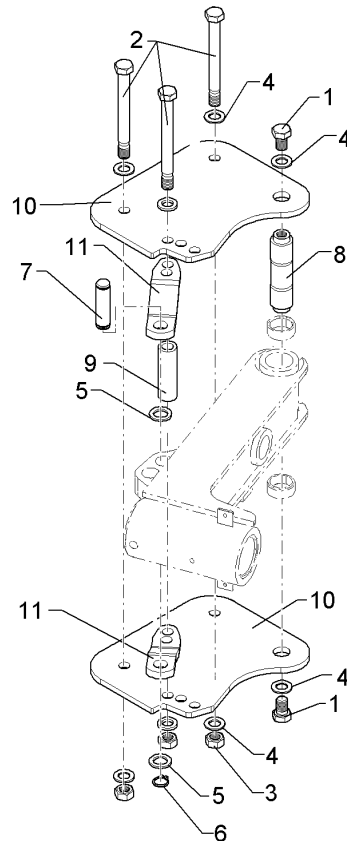
01.18

| Pos. | Art.Nr. | Stck. | Artikeltext / Description | | Abmessung |
|------|----------|-------|---------------------------|---------------------|-------------------|
| 42 | 329 5004 | 1 | Gummipuffer | Rubber buffer | Typ-D D20x15 |
| 43 | 329 8244 | 1 | Druckfeder | Compression spring | M6x18 NR 90Shore |
| 45 | 449 3001 | 1 | Schwenktasche | Bracket | 2x20x55,4 Zn |
| 47 | 449 3003 | 1 | Radhalm | Wheel stalk | 295x288x212 Juwel |
| 49 | 549 8904 | 1 | Flanschlager | Flange-type bearing | 80x40x635 |
| 52 | 305 6012 | 8 | Scheibe | Washer | 6/160/205 D18 |
| 62 | 301 3003 | 2 | Sechskantschraube | Hexagon bolt | 2xD20 |
| 63 | 303 0931 | 3 | Sicherungsmutter | Selflocking nut | 21 ISO7089 Zn |
| 64 | 449 1644 | 1 | Abstreifer | Scraper | NM6-8 Zn DIN985 |
| 69 | 301 3004 | 1 | Sechskantschraube | Hexagon bolt | 8x80x270 2xD17 |
| 70 | 301 3000 | 2 | Sechskantschraube | Hexagon bolt | M6x20-8.8 Zn |
| 71 | 305 8572 | 5 | Scheibe | Washer | DIN933 |
| 72 | 30510010 | 1 | Sicherungsblech | Locking plate | M6x10-8.8 Zn |
| 73 | 32910003 | 1 | Federklammer | Clamp | DIN933 |
| 74 | 375 1295 | 1 | O-Ring | O-ring | 6,4 DIN9021 Zn |
| 75 | 44910005 | 1 | Hülse | Bushing | 80x4-80Shore |
| 76 | 44910006 | 1 | Achse | Axle | Viton83 |
| 77 | 44910007 | 1 | Gabel | Fork | D90/66x10 |
| 78 | 44910008 | 1 | Lasche | Lashing | D40 Juwel |
| 79 | 44910014 | 1 | Schwenkarm | Swinging arm | 20x6x78,5 |
| | | | | | Unirad Juwel 7 |



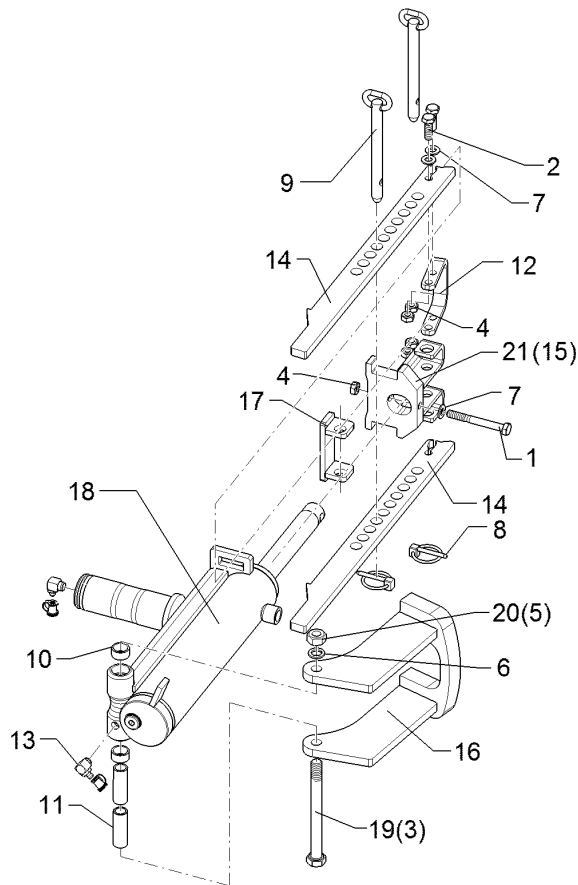
01.18

| Pos. | Art.Nr. | Stck. | Artikeltext / Description | | Abmessung |
|------|----------|-------|---------------------------|----------------|---------------------------|
| 80 | 31310063 | 1 | Bolzen mit Griff | Pin with grip | D14x74,5/115 V Zn |
| 81 | 303 6416 | 6 | Kugelbundmutter | Wheel nut | M18x1,5-10 Zn DIN 74361 |
| 82 | 323 6401 | 4 | Schutzkappe | Cap | M6-M10 |
| 83 | 301 3959 | 2 | Sechskantschraube | Hexagon bolt | M16x85-8.8 DIN931-A Zn |
| 84 | 301 3976 | 2 | Sechskantschraube | Hexagon bolt | M16x90-8.8 Zn DIN931-A |
| 85 | 32310160 | 1 | Schutzkappe | Cap | GPN 255/5 RAL3000 |
| 86 | 31710304 | 2 | Einspannbuchse | Expansion bush | EGPG 50/40x40-CM |



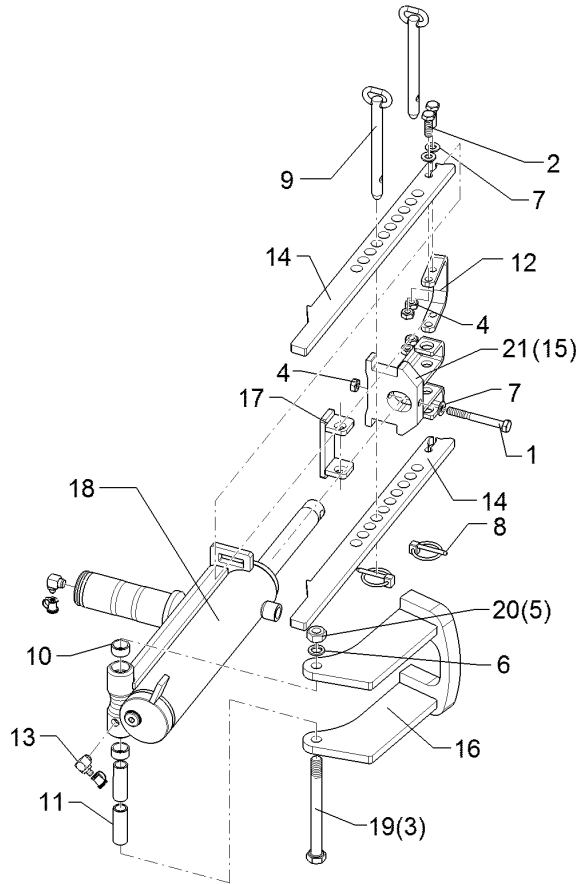
01.18

| Pos. | Art.Nr. | Stck. | Artikeltext / Description | | Abmessung |
|------|----------|-------|---------------------------|----------------|---------------------------------|
| 1 | 301 4190 | 2 | Sechskantschraube | Hexagon bolt | M20x30-8.8 Zn DIN933 |
| 2 | 301 4523 | 3 | Sechskantschraube spezial | Hexagon bolt | M20x1,5x170ls144xb23-10.9 Zn |
| 3 | 303 0977 | 3 | Sechskantmutter | Hexagon nut | M20x1,5 DIN934-10 Zn |
| 4 | 305 6012 | 8 | Scheibe | Washer | 21 ISO7089 Zn |
| 5 | 305 6254 | 2 | Scheibe | Washer | D25/44x4 Zn ISO7089 |
| 6 | 305 8861 | 2 | Sicherungsring | Retaining ring | 25x2 DIN471 Zn |
| 7 | 313 7793 | 1 | Bolzen | Pin | D25x80,7/95 Zn |
| 8 | 31310032 | 1 | Bolzen | Pin | D40/30x139 2xM20 |
| 9 | 317 6803 | 1 | Röhrchen | Tube | 33,7x6,3x90 Zn |
| 10 | 44910013 | 2 | Lagerplatte | Bearing plate | 10x280x340 Juwel 7 Rad |
| 11 | 44910015 | 2 | Steuerstange | Control rod | 15x50x195,5 GEK25 |



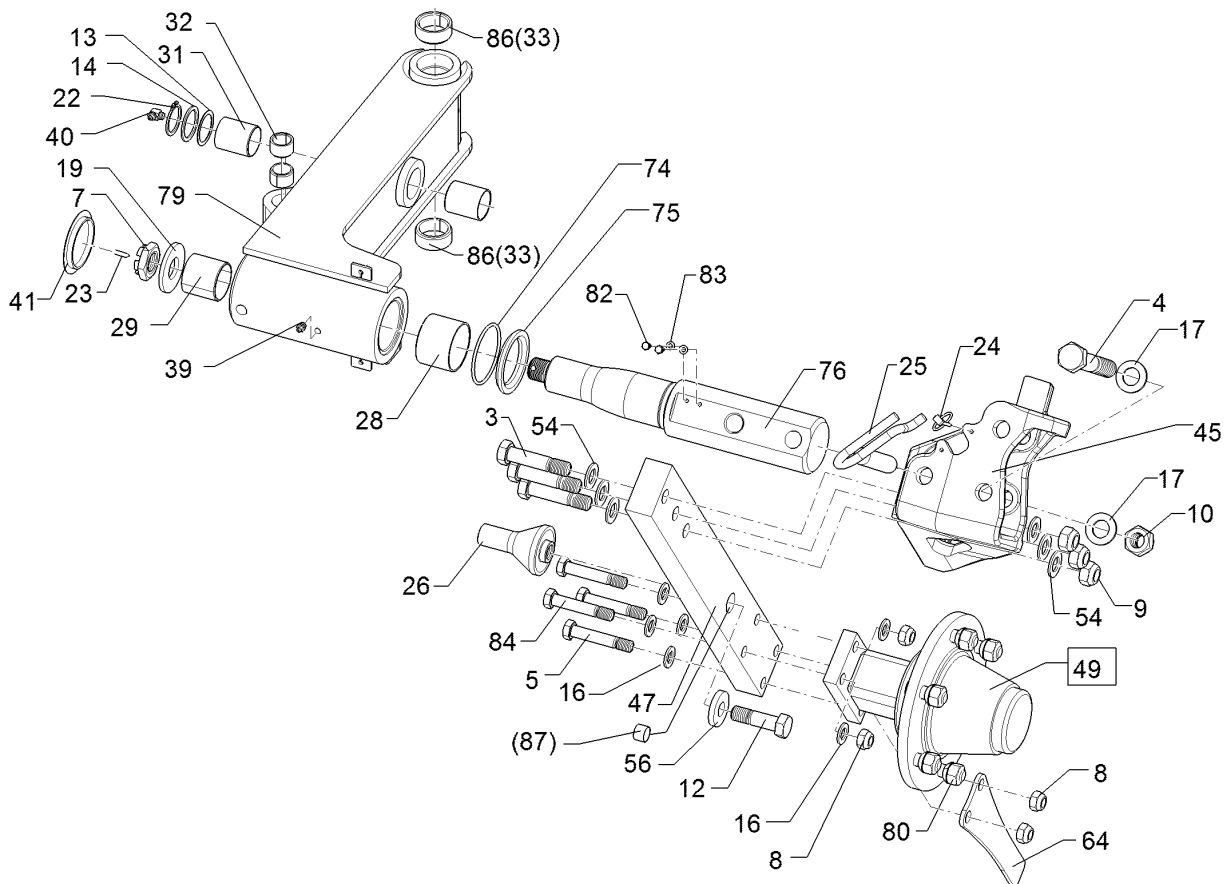
01.18

| Pos. | Art.Nr. | Stck. | Artikeltext / Description | | Abmessung |
|------|----------|-------|---------------------------|------------------|-----------------------------|
| 1 | 30110483 | 1 | Sechskantschraube | Hexagon bolt | M8x70-10.9 DIN931 Zn |
| 2 | 301 7280 | 4 | Sechskantschraube | Hexagon bolt | M8x25-8.8 Zn DIN933 |
| 3 | 30110044 | 1 | Sechskantschraube | Hexagon bolt | M12x130 DIN7990 |
| 4 | 303 1011 | 5 | Sechskantmutter | Hexagon nut | M8 DIN934-8 Zn |
| 5 | 303 1013 | 1 | Sechskantmutter | Hexagon nut | M12 DIN934-8 Zn |
| 6 | 305 2009 | 2 | Passscheibe | Shim | 12/18x2,0 DIN988 Zn |
| 7 | 305 8694 | 5 | Scheibe | Washer | A8,4 DIN125-St Zn |
| 8 | 311 9565 | 2 | Klappstift | Securing pin | 4,5 |
| 9 | 31310003 | 2 | Bolzen mit Griff | Pin with grip | D12x95,5/135 Zn |
| 10 | 317 3299 | 2 | Buchse | Bush | D20/16,05x10 |
| 11 | 317 5263 | 2 | Lagerbuchse | Bearing bush | D16/12,2x45,3 |
| 12 | 32110017 | 1 | Handgriff | Handle | 6x35x116,5 2xGEB90° U67 |
| 13 | 323 6349 | 2 | Schmiernippel | Grease nipple | CM10x1 DIN71412-90 GRD |
| 14 | 44910016 | 2 | Tiefeneinstellung | Depth adjustment | 30x10x397 10xD13 |
| 15 | 44910017 | 1 | Gabelstück | Forkpiece | D26/35 92X73 |
| 16 | 44910018 | 1 | Verriegelung | Locking device | D12x166 |
| 17 | 44910019 | 1 | Tiefeneinstellung | Depth adjustment | Unirad 28/31x80 D12,5 Zn |
| 18 | 575 2577 | 1 | Dämpferzylinder | Ram | D50/25x210 |
| 19 | 301 3519 | 1 | Sechskantschraube | Hexagon bolt | M12x130-8.8 Zn DIN931-A |



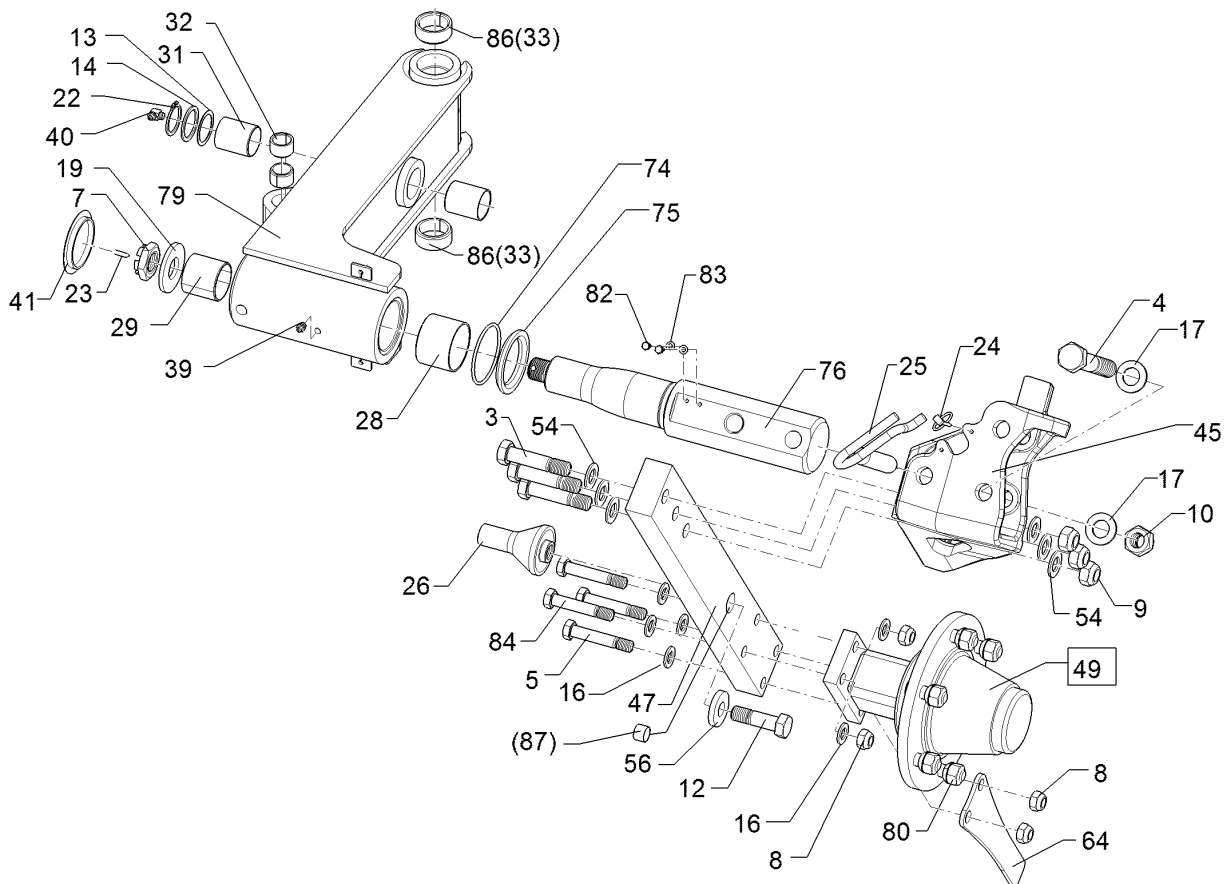
01.18

| Pos. | Art.Nr. | Stck. | Artikeltext / Description | | Abmessung |
|------|----------|-------|---------------------------|-----------------|------------------|
| 20 | 303 0934 | 1 | Sicherungsmutter | Selflocking nut | NM12-8 Zn DIN985 |
| 21 | 44910028 | 1 | Gabelstück | Forkpiece | D26/35 92X77 |



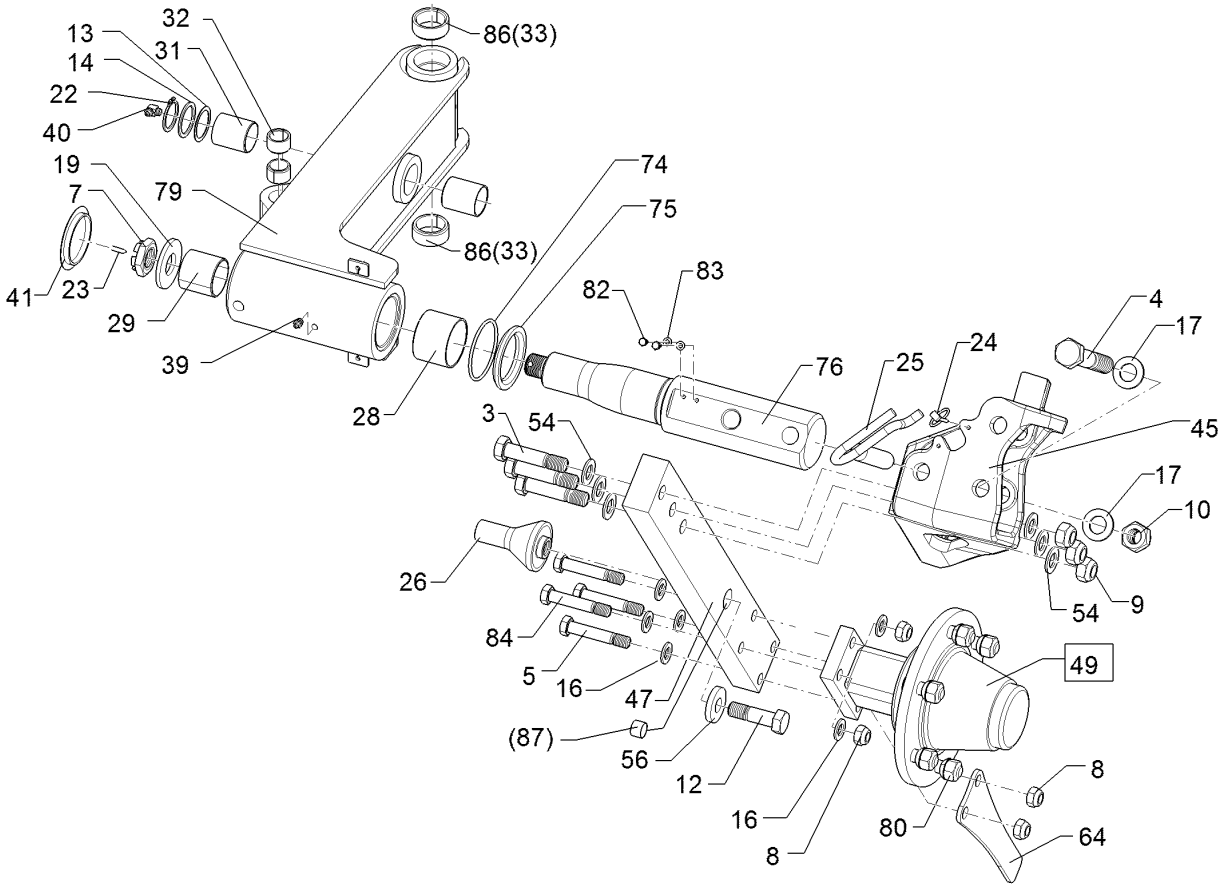
01.18

| Pos. | Art.Nr. | Stck. | Artikeltext / Description | | Abmessung |
|------|----------|-------|---------------------------|-------------------|--------------------------|
| 3 | 301 4607 | 3 | Sechskantschraube spz. | Hexagon bolt | M20x90-12.9 Zn |
| 4 | 301 4700 | 1 | Sechskantschraube | Hexagon bolt | M24x140-8.8 DIN931-A |
| 5 | 301 3920 | 2 | Sechskantschraube spz. | Hexagon bolt | M16x80ls55xb20-8.8 Zn |
| 7 | 303 0142 | 1 | Kronenmutter | Castle nut | DIN937-M30x1,5 |
| 8 | 303 0935 | 4 | Sicherungsmutter | Selflocking nut | NM16-8 Zn DIN985 |
| 9 | 303 0936 | 3 | Sicherungsmutter | Selflocking nut | NM20-8 Zn DIN985 |
| 10 | 303 0937 | 1 | Sicherungsmutter | Selflocking nut | NM24-8 Zn DIN985 |
| 12 | 301 5390 | 1 | Sechskantschraube spz. | Hexagon bolt | M20x65-12.9 Zn |
| 13 | 305 2095 | 1 | Passscheibe | Shim | 40x50x1,0 DIN988 Zn |
| 14 | 305 2250 | 1 | Stützscheibe | Supporting washer | S 40x50x2,5 DIN988 Zn |
| 16 | 305 6141 | 8 | Scheibe | Washer | 17/30x3 DIN/ISO-7089 |
| 17 | 305 6254 | 2 | Scheibe | Washer | D25/44x4 Zn ISO7089 |
| 19 | 305 6425 | 1 | Scheibe | Washer | D70/31x6 Zn |
| 22 | 305 8875 | 1 | Sicherungsring | Retaining ring | 40x2,5 DIN471 |
| 23 | 311 7648 | 1 | Splint | Peg | 6,3x50 DIN94-St Zn |
| 24 | 311 9565 | 1 | Klappstift | Securing pin | 4,5 |
| 25 | 313 1816 | 1 | Bolzen mit Griff | Pin with grip | D24x113 Zn |
| 26 | 31310039 | 1 | Achse | Axle | D70/30x113 M20 |
| 28 | 317 3036 | 1 | Einspannbuchse Kunststoff | Expansion bush | EG65/70x50 GSM |
| 29 | 317 3037 | 1 | Einspannbuchse Kunststoff | Expansion bush | EG50/55x50 GSM |



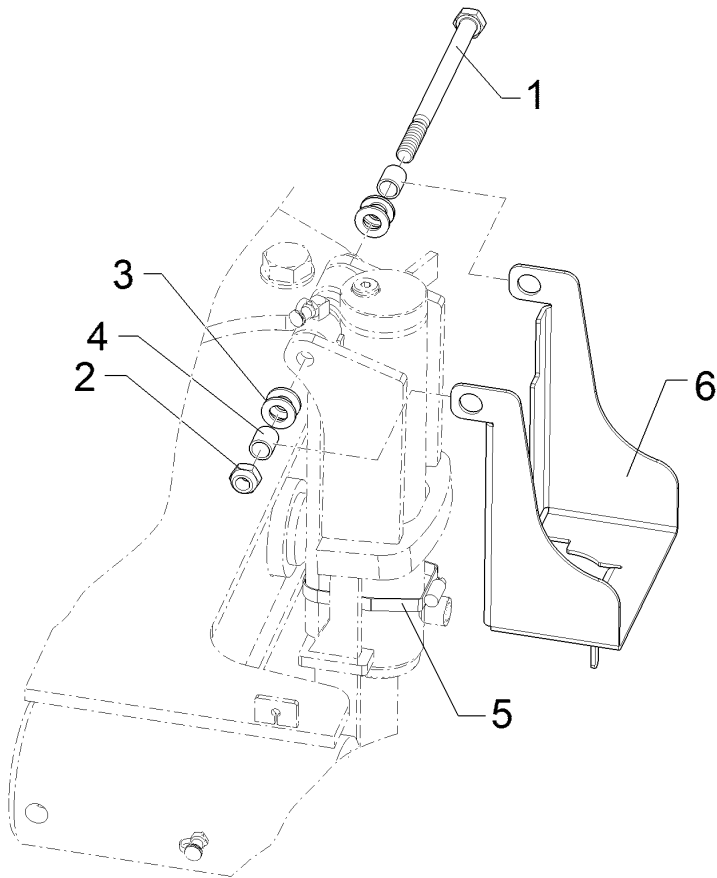
01.18

| Pos. | Art.Nr. | Stck. | Artikeltext / Description | | Abmessung |
|------|----------|-------|---------------------------|---------------------|-------------------------|
| 31 | 317 3039 | 2 | Einspannbuchse Kunststoff | Expansion bush | EG40/44x50 GSM |
| 32 | 317 3413 | 2 | Einspannbuchse | Expansion bush | EG25/32x20 DIN 1498 |
| 33 | 31710183 | 2 | Einspannbuchse | Expansion bush | EG40/50x20 Presssitz |
| 38 | 323 0530 | 1 | Anlaufscheibe | Thrust washer | 68/81x2 SYN |
| 39 | 323 6348 | 2 | Schmiernippel | Grease nipple | AM10x1 DIN71412 |
| 41 | 323 8054 | 1 | Schutzkappe | Cap | GPN 910/3042 SCHWARZ |
| 45 | 449 3001 | 1 | Schwenktasche | Bracket | 295x288x212 Juwel |
| 47 | 44910020 | 1 | Radhalm | Wheel stalk | 80x35x635 |
| 49 | 549 8904 | 1 | Flanschlager | Flange-type bearing | 6/160/205 D18 2xD20 |
| 52 | 305 6012 | 6 | Scheibe | Washer | 21 ISO7089 Zn |
| 56 | 30510175 | 1 | Sperrkantscheibe | Washer | 21/40x3 Zn5 |
| 64 | 449 1644 | 1 | Abstreifer | Scraper | 8x80x270 2xD17 |
| 74 | 375 1295 | 1 | O-Ring | O-ring | 80x4-80Shore Viton83 |
| 75 | 44910005 | 1 | Hülse | Bushing | D90/66x10 |
| 76 | 44910006 | 1 | Achse | Axle | D80/65/50x436-M30x1,5 |
| 79 | 44910014 | 1 | Schwenkarm | Swinging arm | Unirad Juwel 7 |
| 80 | 303 6416 | 6 | Kugelbundmutter | Wheel nut | M18x1,5-10 Zn DIN 74361 |
| 82 | 301 3000 | 2 | Sechskantschraube | Hexagon bolt | M6x10-8.8 Zn DIN933 |
| 83 | 305 8571 | 2 | Scheibe | Washer | 6,4 DIN125-A Zn |



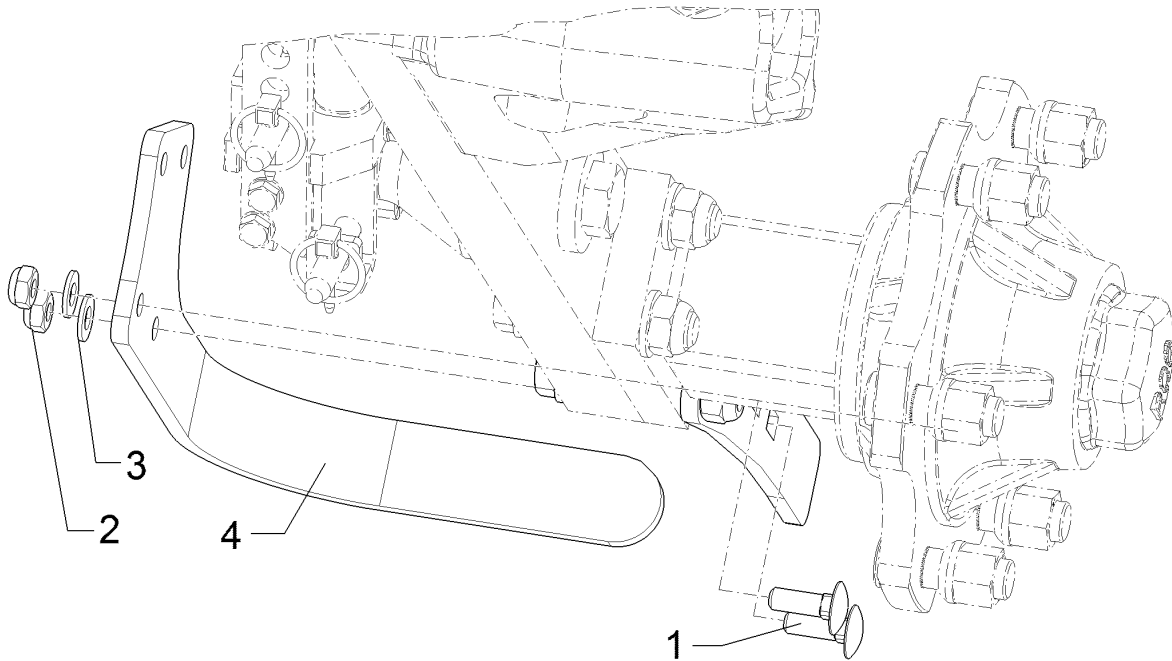
01.18

| Pos. | Art.Nr. | Stck. | Artikeltext / Description | | Abmessung |
|------|----------|-------|---------------------------|----------------|---------------------------|
| 84 | 301 3976 | 2 | Sechskantschraube | Hexagon bolt | M16x90-8.8 Zn DIN931-A |
| 86 | 31710304 | 2 | Einspannbuchse | Expansion bush | EGPG 50/40x40-CM |
| 87 | 31710305 | 1 | Einspannbuchse | Expansion bush | EG20/30x25-DIN1498 |



01.18

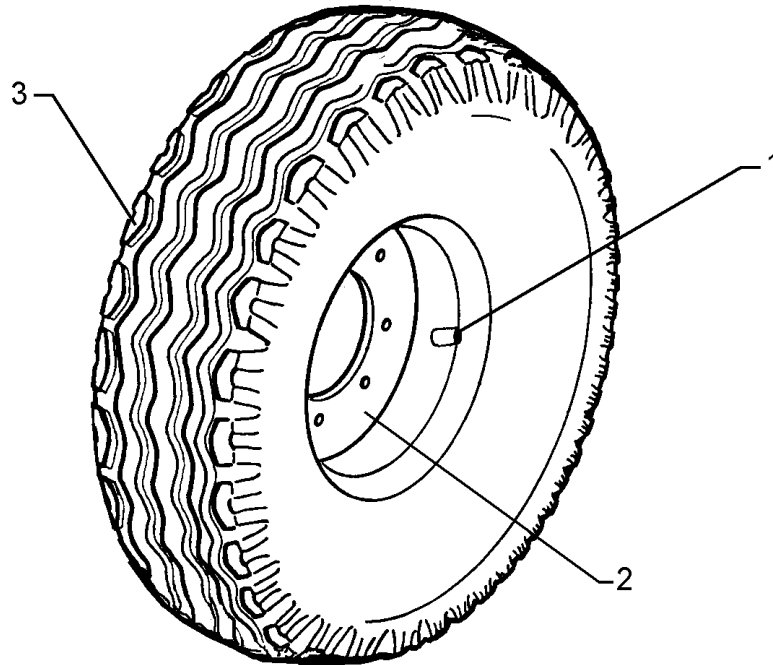
| Pos. | Art.Nr. | Stck. | Artikeltext / Description | | Abmessung |
|------|----------|-------|---------------------------|-----------------|-----------------------------|
| 1 | 301 3559 | 1 | Sechskantschraube | Hexagon bolt | M12x170-8.8 Zn DIN931-A |
| 2 | 303 0934 | 1 | Sicherungsmutter | Selflocking nut | NM12-8 Zn DIN985 |
| 3 | 305 8580 | 4 | Scheibe | Washer | 13/24x2,5 St-Zn DIN125 |
| 4 | 317 6693 | 2 | Röhrchen | Tube | D16/12,5x18 Zn |
| 5 | 325 1166 | 1 | Schlauchschelle | Hose clip | SGT 60/80-12 C7 W4 (V2A) |
| 6 | 44910025 | 1 | Schutzblech | Guard | 3x125,2x546,5 5xGEB |



01.18

| Pos. | Art.Nr. | Stck. | Artikeltext / Description | | Abmessung |
|------|----------|-------|---------------------------|-------------------|-------------------------|
| 1 | 301 1706 | 2 | Flachrundschraube | Saucer-head screw | M10x30-8.8 Zn DIN603 |
| 2 | 303 0933 | 2 | Sicherungsmutter | Selflocking nut | NM10-8 DIN985 Zn |
| 3 | 305 8696 | 2 | Scheibe | Washer | A10,5 DIN125-St Zn |
| 4 | 44910027 | 1 | Abstreifer | Scraper | Unirad GEB 90° |

| | |
|-----------|----------|
| Rad/Wheel | 5 |
| Juwel 7 T | 550 8862 |

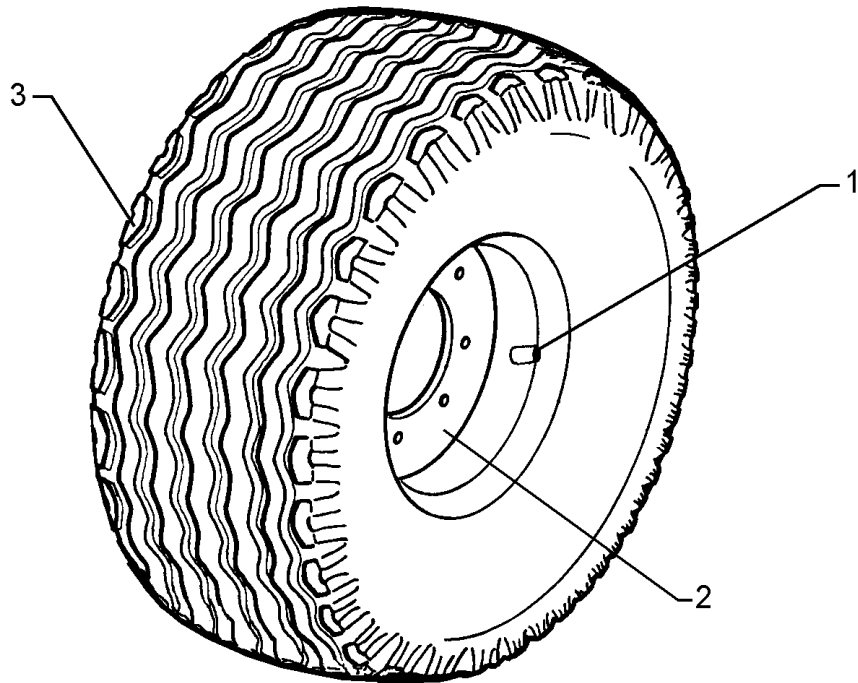


01.18

| Pos. | Art.Nr. | Stck. | Artikeltext / Description | | Abmessung |
|------|----------|-------|---------------------------|------|----------------------------|
| 1 | 357 3415 | 1 | Schlauch | Hose | 10,0/75-15.3 TR15 |
| 2 | 357 7054 | 1 | Felge | Rim | 9.0x15.3 5/94/140 ET-32 |
| 3 | 357 8863 | 1 | Reifen | Tyre | 10,0/75-15.3 12PR AW |

| | |
|-----------|----------|
| Rad/Wheel | 5 |
|-----------|----------|

| | |
|-----------|-----------------|
| Juwel 7 T | 550 8863 |
|-----------|-----------------|

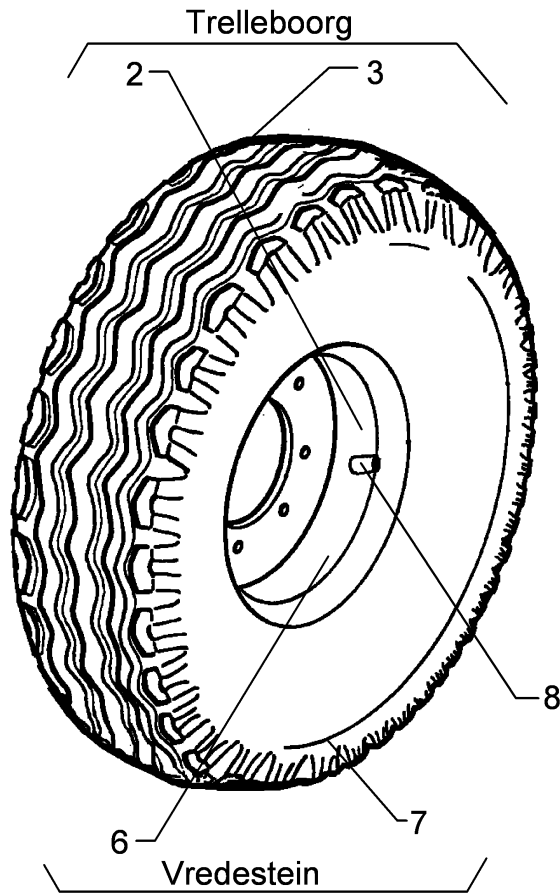


01.18

| Pos. | Art.Nr. | Stck. | Artikeltext / Description | | Abmessung |
|------|----------|-------|---------------------------|------|-----------------------------|
| 1 | 357 3415 | 1 | Schlauch | Hose | 10,0/75-15.3 TR15 |
| 2 | 357 7056 | 1 | Felge | Rim | 9.0x15.3 6/161/205 ET-25 |
| 3 | 357 8863 | 1 | Reifen | Tyre | 10,0/75-15.3 12PR AW |

| | |
|-----------|---|
| Rad/Wheel | 5 |
|-----------|---|

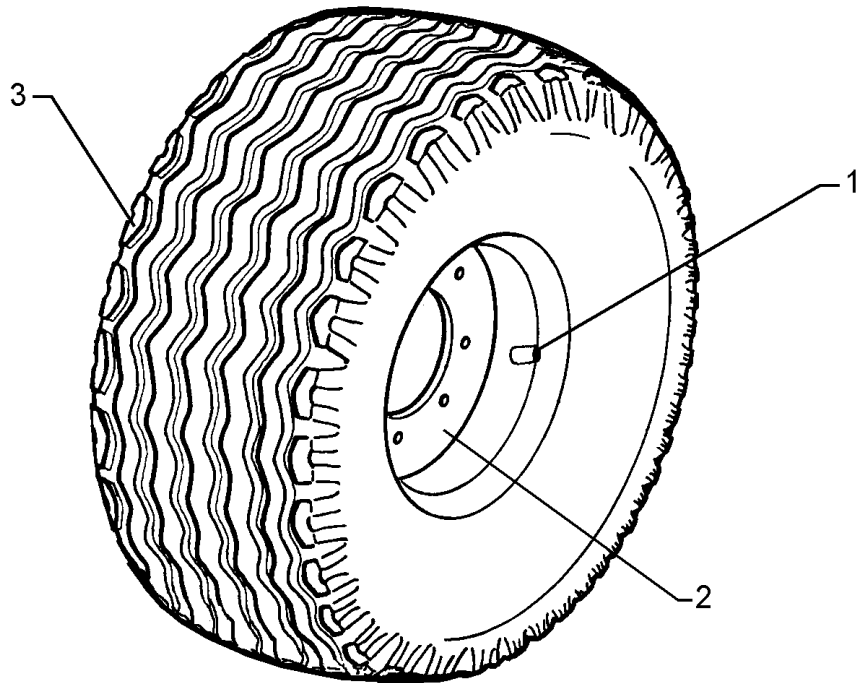
| | |
|-----------|----------|
| Juwel 7 T | 550 8864 |
|-----------|----------|



01.18

| Pos. | Art.Nr. | Stck. | Artikeltext / Description | | Abmessung |
|------|----------|-------|---------------------------|-------|---|
| 2 | 357 7064 | 1 | Felge | Rim | 11.00x16 |
| 3 | 357 8864 | 1 | Reifen | Tyre | 6/161/205/B2 ET+40 340/55-16TL AW305 |
| 6 | 357 7031 | 1 | Felge | Rim | 128/140A8 11.00x16 6/161/205 |
| 7 | 357 8853 | 1 | Reifen | Tyre | ET-50 350/50-16 12PR |
| 8 | 357 2002 | 1 | Ventil | Valve | Flotation TR415 |

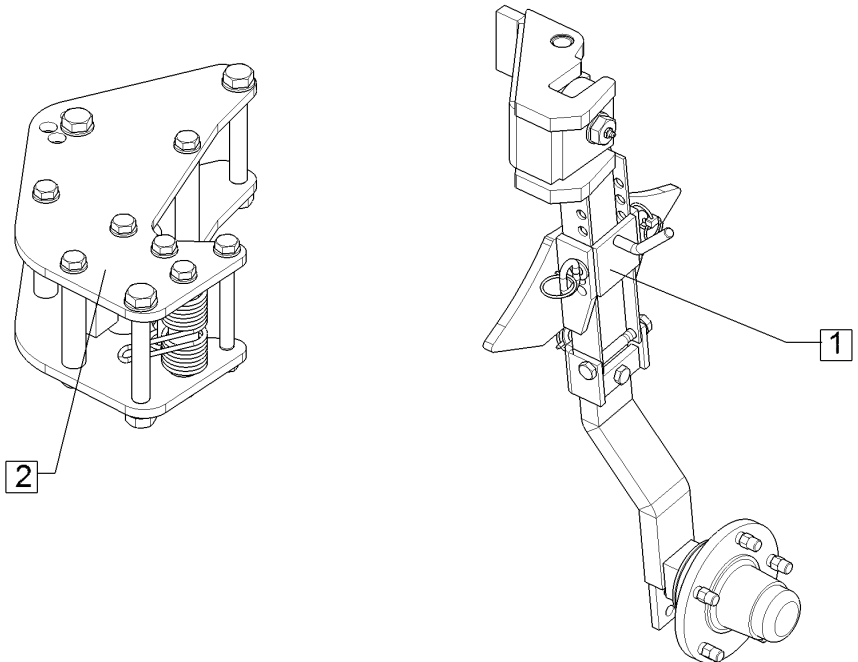
| | |
|-----------|----------|
| Rad/Wheel | 5 |
| Juwel 7 T | 55010332 |



01.18

| Pos. | Art.Nr. | Stck. | Artikeltext / Description | | Abmessung |
|------|----------|-------|---------------------------|------|-----------------------------|
| 2 | 357 7056 | 1 | Felge | Rim | 9.0x15.3 6/161/205 ET-25 |
| 3 | 35710110 | 1 | Reifen | Tyre | 10.0/75-15.3 AW702 135A8 |

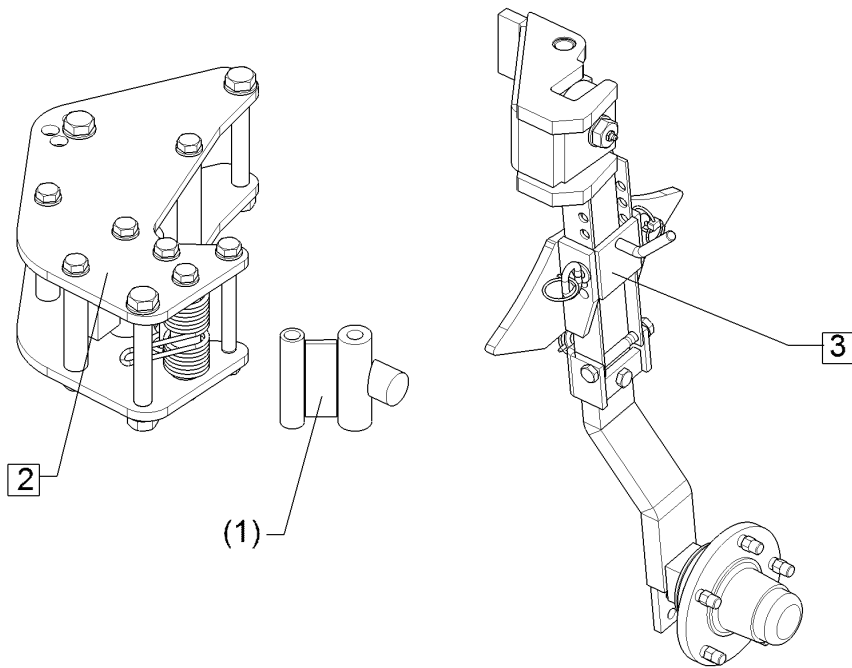
| | |
|-----------------------------------|-----------------|
| Pendelstützrad/Depth wheel | 5 |
| Juwel 7 T | 648 4182 |



01.18

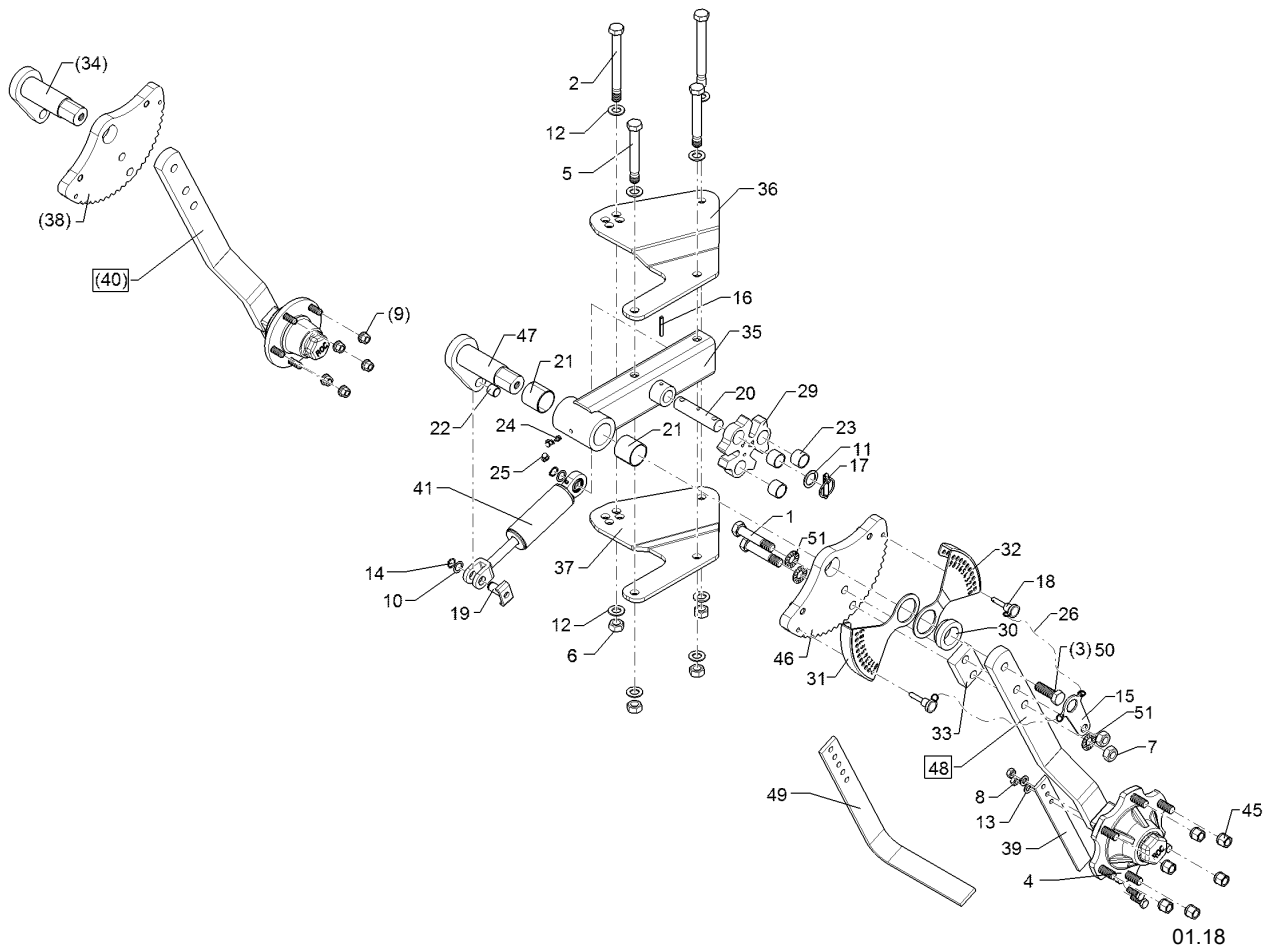
| Pos. | Art.Nr. | Stck. | Artikeltext / Description | | Abmessung |
|------|----------|-------|---------------------------|---------------|------------------------------|
| 1 | 548 2620 | 1 | Pendelrad-Halm | Wheel stalk | kpl. 5/94/140-L EurOpal 7 |
| 2 | 548 2652 | 1 | Pendelrad-Konsole | Wheel bracket | |

| | |
|-----------------------------------|-----------------|
| Pendelstützrad/Depth wheel | 5 |
| Juwel 7 T | 648 4213 |



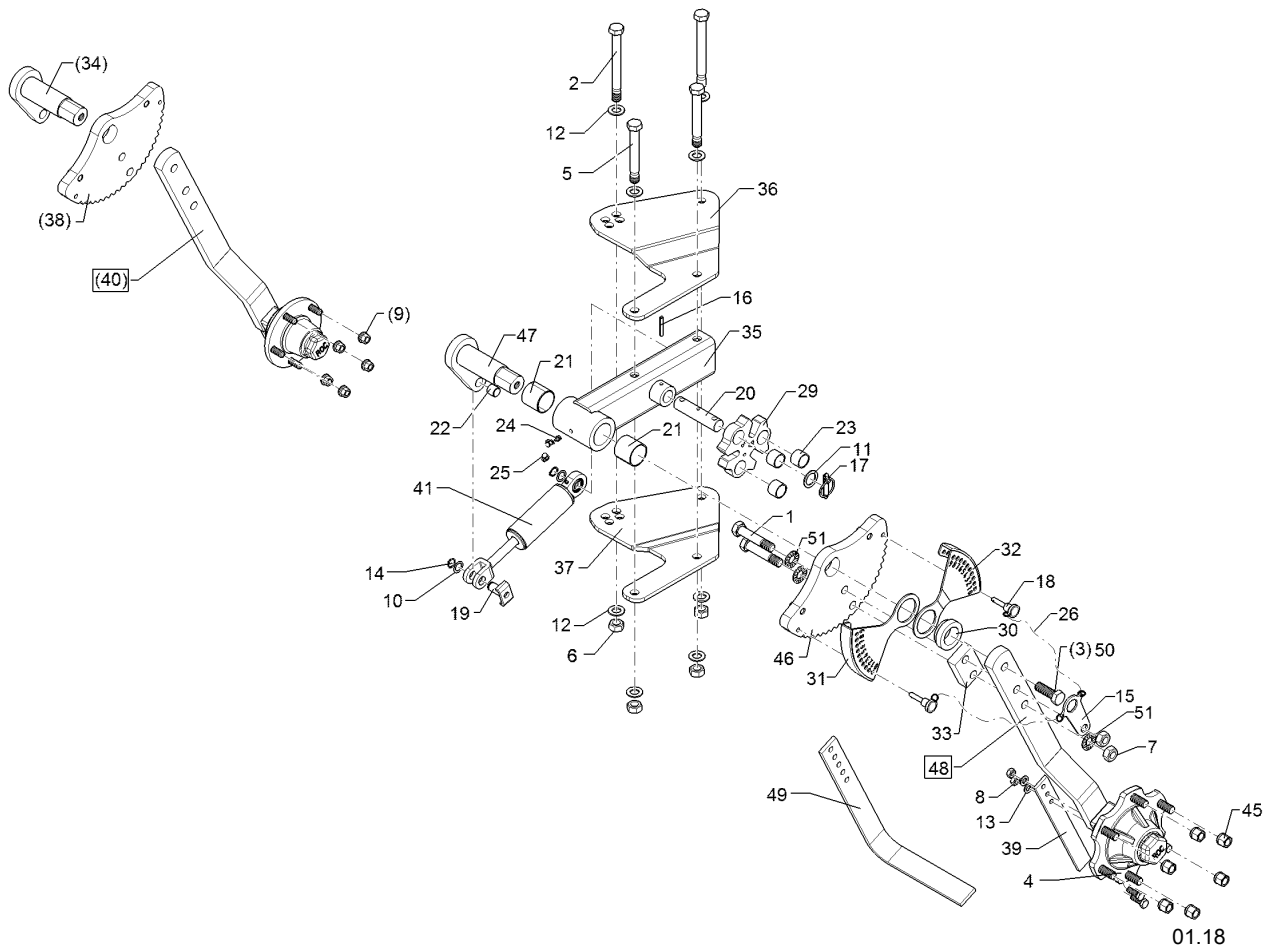
01.18

| Pos. | Art.Nr. | Stck. | Artikeltext / Description | | Abmessung |
|------|----------|-------|---------------------------|---------------|-----------------|
| 1 | 448 2605 | 1 | Anschlag | Stop | 60x30 2xD16x119 |
| 2 | 548 2652 | 1 | Pendelrad-Konsole | Wheel bracket | EurOpal 7 |
| 3 | 548 2621 | 1 | Pendelrad-Halm | Wheel stalk | kpl. 5/94/140 K |



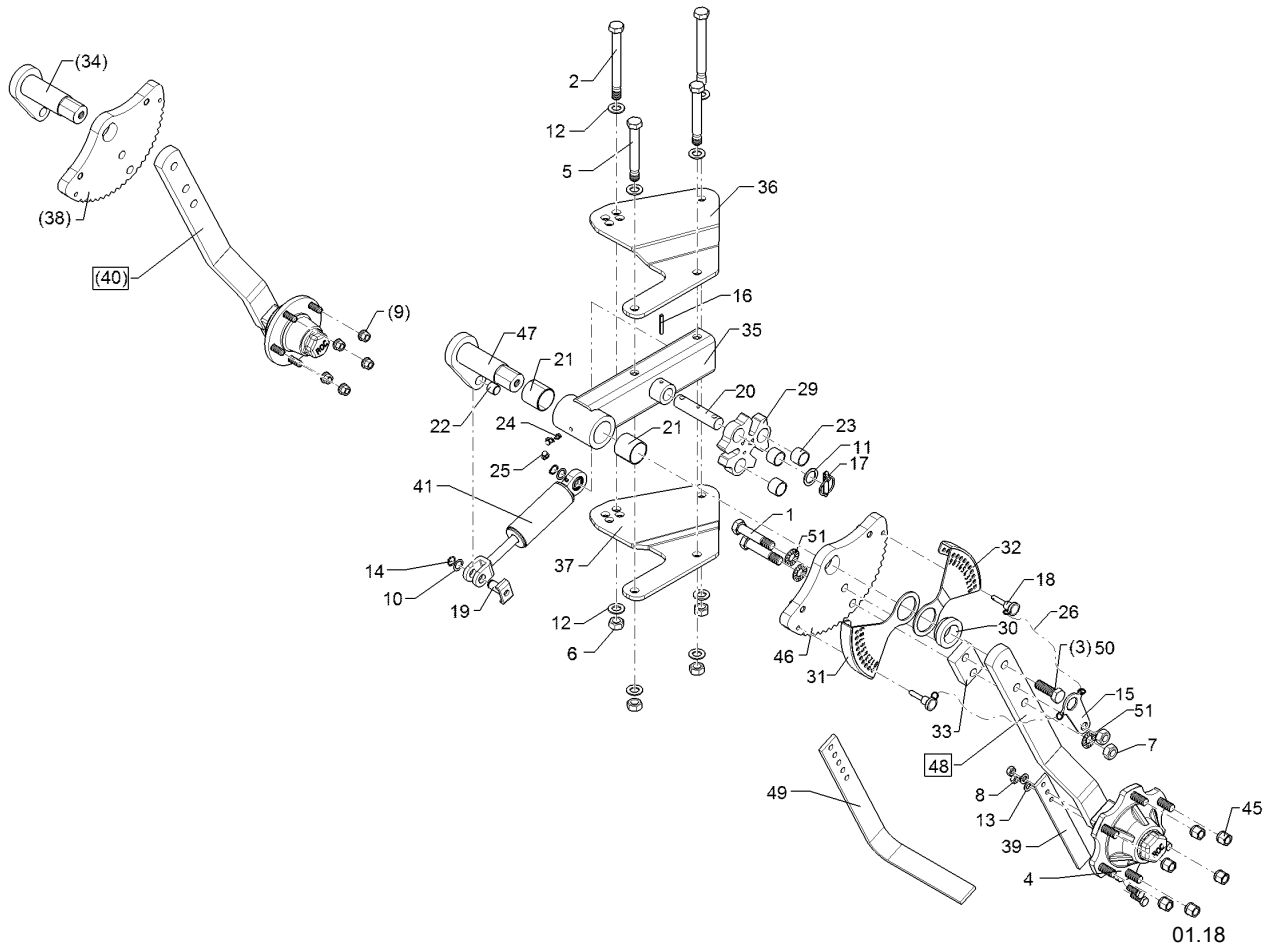
01.18

| Pos. | Art.Nr. | Stck. | Artikeltext / Description | | Abmessung |
|------|----------|-------|---------------------------|-------------------|------------------------------|
| 1 | 301 4408 | 2 | Sechskantschraube spz. | Hexagon bolt | M20x100xb25-10.9 Zn |
| 2 | 301 4523 | 2 | Sechskantschraube spezial | Hexagon bolt | M20x1,5x170ls144xb23-10.9 Zn |
| 3 | 301 5414 | 1 | Sechskantschraube | Hexagon bolt | M20x60-8.8 Zn DIN933 |
| 4 | 301 7334 | 2 | Sechskantschraube | Hexagon bolt | M12x35-8.8 Zn DIN933 |
| 5 | 30110454 | 2 | Sechskantschraube spezial | Hexagon bolt | M20x1,5x145ls120xb22-10.9 Zn |
| 6 | 303 0977 | 4 | Sechskantmutter | Hexagon nut | M20x1,5 DIN934-10 Zn |
| 7 | 30310110 | 2 | Sechskantmutter | Hexagon nut | M20 DIN934-10 Zn |
| 8 | 303 1013 | 2 | Sechskantmutter | Hexagon nut | M12 DIN934-8 Zn |
| 9 | 303 6413 | 5 | Kugelbundmutter | Wheel nut | M14x1,5-8 Zn DIN74361 |
| 10 | 305 2228 | 2 | Stützscheibe | Supporting washer | S 20x28x1,0 DIN988 Zn |
| 11 | 305 2242 | 1 | Stützscheibe | Supporting washer | S 30/42x2,5 DIN988 Zn |
| 12 | 305 6012 | 8 | Scheibe | Washer | 21 ISO7089 Zn |
| 13 | 305 8580 | 2 | Scheibe | Washer | 13/24x2,5 St-Zn DIN125 |
| 14 | 305 8823 | 2 | Sicherungsring | Retaining ring | A20x1,2 Zn DIN471 |
| 15 | 30510157 | 1 | Verdrehsicherung | Locking | 5x74x133,5 SW30 D20,1 Zn |
| 16 | 309 7000 | 1 | Spannhülse | Expansion bush | 8x50-DIN1481 Zn |
| 17 | 31110012 | 1 | Sicherheitsklappstecker | Securing pin | 12x45+ Zn |



01.18

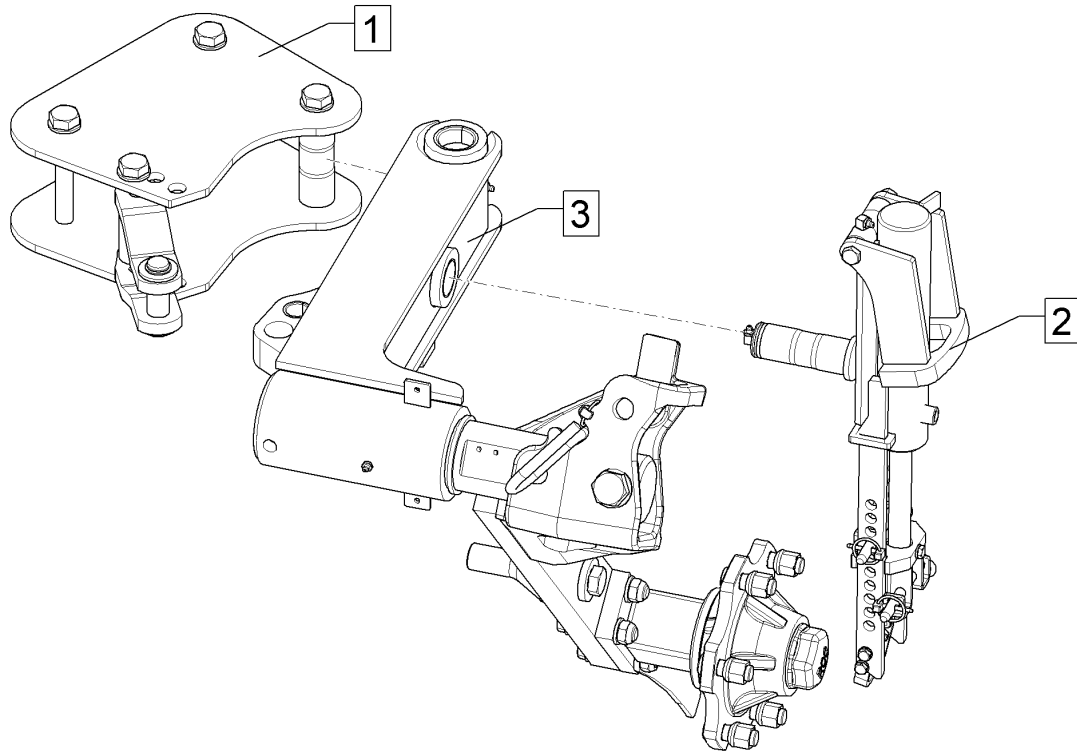
| Pos. | Art.Nr. | Stck. | Artikeltext / Description | | Abmessung |
|------|----------|-------|---------------------------|--------------------|----------------------------|
| 18 | 31310103 | 2 | Steckbolzen | Socket pin | D10x35 Zn |
| 19 | 31310104 | 1 | Bolzen | Pin | D20x42/46 U42 Zn |
| 20 | 31310106 | 1 | Bolzen | Pin | D30x130 2xD12 1xD8 |
| 21 | 317 3037 | 2 | Einspannbuchse Kunststoff | Expansion bush | EG50/55x50 GSM |
| 22 | 31710145 | 1 | Gleitlager | Sleeve bearing | QSM-2023-20 |
| 23 | 31710146 | 3 | Gleitlager | Sleeve bearing | TX1SM-3035-25 |
| 24 | 323 6348 | 1 | Schmiernippel | Grease nipple | AM10x1 DIN71412 |
| 25 | 323 6401 | 3 | Schutzkappe | Cap | M6-M10 |
| 26 | 331 6131 | 2 | Knotenkette | Knotted-link chain | D2x100 |
| 29 | 44810018 | 1 | Sperrhaken | Ratchet | 101,5/94,9/87,3 |
| 30 | 44810019 | 1 | Distanzring | Distance ring | D70x45,1x25 |
| 31 | 44810020 | 1 | Tiefeneinstellung | Depth adjustment | 4x183x215 D60,1 RE |
| 32 | 44810021 | 1 | Tiefeneinstellung | Depth adjustment | 4x182x215 GEK5 D60,1 LI |
| 33 | 44810022 | 1 | Distanzplatte | Distance plate | 60x25x90 2xD20,1-60 |
| 34 | 44810024 | 1 | Welle | Shaft | D50x186 |
| 35 | 44810027 | 1 | Radlenker | Link | Pendelrad Juwel 7/8 |
| 36 | 44810030 | 1 | Lagerplatte | Bearing plate | 10x371,6x399,2 GEK10 RE |
| 37 | 44810031 | 1 | Lagerplatte | Bearing plate | 10x371,6x399,2 GEK10 LI |
| 38 | 44810032 | 1 | Rasterblech | Raster plate | 25x213,25x340 |
| 39 | 449 1642 | 1 | Abstreifer | Scraper | 40x8x330 3xD12 |



| Pos. | Art.Nr. | Stck. | Artikeltext / Description | | Abmessung |
|------|----------|-------|---------------------------|--------------------------|-------------------------|
| 40 | 54810008 | 1 | Radhalm mit Lagerung | Wheel stalk with bearing | 60x25x553 |
| 41 | 57510679 | 1 | Dämpferzylinder | Ram | 50/20x250/95 D20 |
| 45 | 303 6416 | 6 | Kugelbundmutter | Wheel nut | M18x1,5-10 Zn DIN 74361 |
| 46 | 44810033 | 1 | Rasterblech | Raster plate | 25x213,25x340 |
| 47 | 44810034 | 1 | Welle | Shaft | D50x186 |
| 48 | 54810020 | 1 | Radhalm | Wheel stalk | 60x25x553 6-Loch |
| 49 | 449 1643 | 1 | Abstreifer | Scraprer | 50x10x400 5xD13 GEB90° |
| 50 | 301 4251 | 1 | Sechskantschraube | Hexagon bolt | M20x55-10.9 |
| 51 | 30510175 | 3 | Sperrkantscheibe | Washer | DIN933 21/40x3 Zn5 |

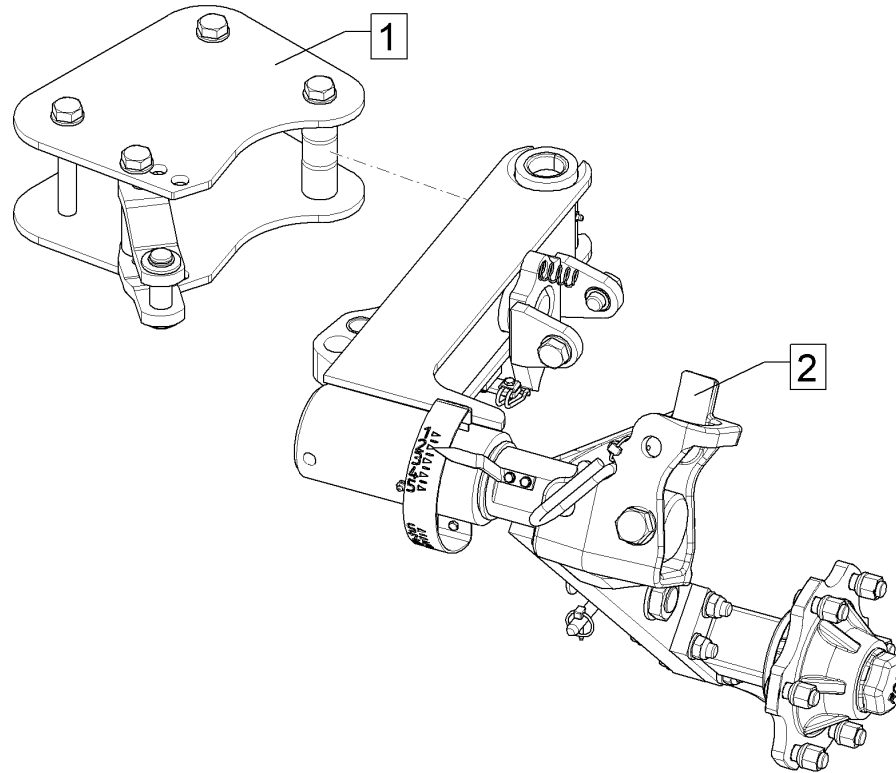
| | |
|--------------------------|----------|
| Uni-Rad/Uni-wheel | 5 |
|--------------------------|----------|

| | |
|------------------|-----------------|
| Juwel 7 T | 64910001 |
|------------------|-----------------|



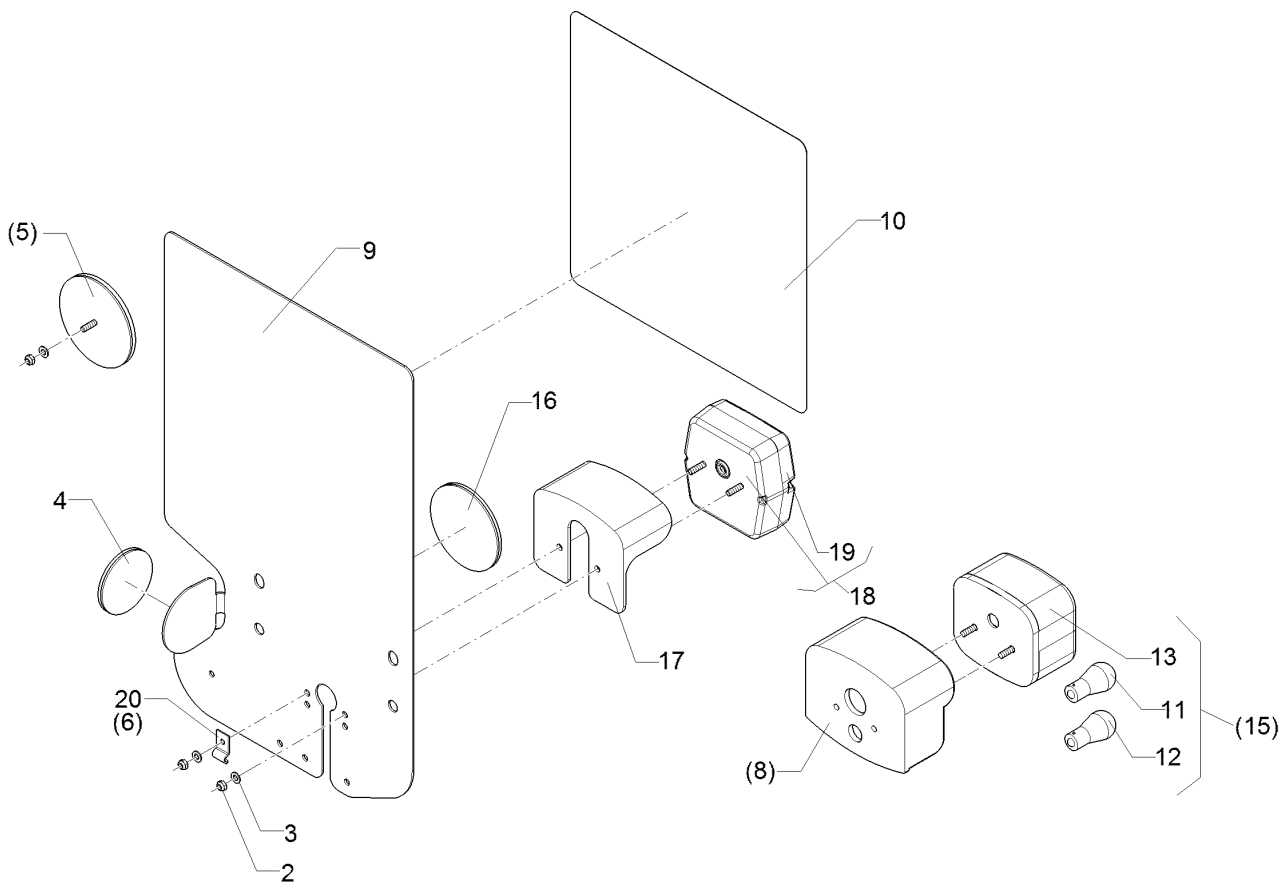
01.18

| Pos. | Art.Nr. | Stck. | Artikeltext / Description | Abmessung |
|------|----------|-------|---------------------------|-----------------------------------|
| 1 | 54910005 | 1 | Radkonsole | Unirad J7(M) |
| 2 | 54910006 | 1 | Dämpferzylinder | Juwel D50/25x210 |
| 3 | 54910007 | 1 | Radhalm | Juwel 7 Uni-Rad Däm. 6/161/205 |



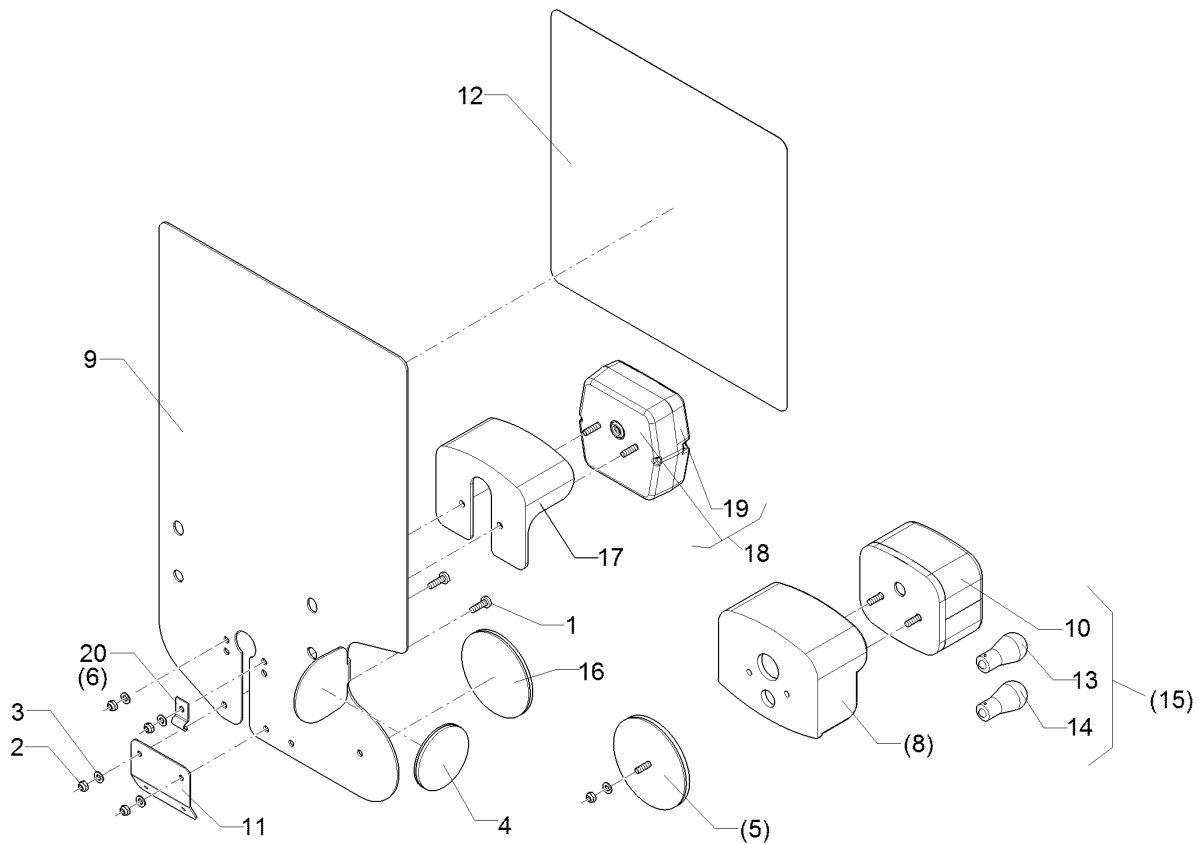
01.18

| Pos. | Art.Nr. | Stck. | Artikeltext / Description | | Abmessung |
|------|----------|-------|---------------------------|---------------|--|
| 1 | 54910005 | 1 | Radkonsole | Wheel bracket | Unirad J7(M) Juwel 7 Uni-Rad hydr. |
| 2 | 54910004 | 1 | Radhalm | Wheel stalk | |



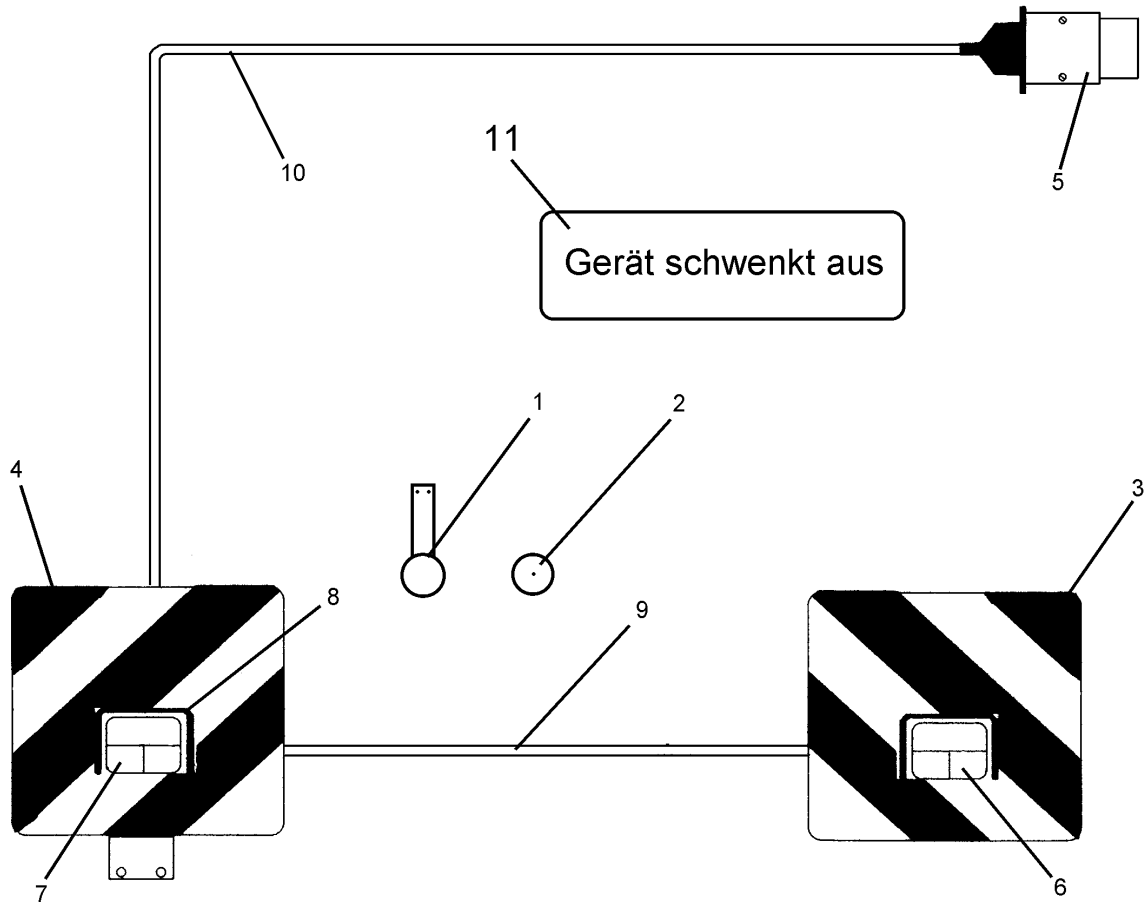
01.18

| Pos. | Art.Nr. | Stck. | Artikeltext / Description | | Abmessung |
|------|----------|-------|-----------------------------|-----------------------------|-----------------------------------|
| 2 | 303 0929 | 2 | Sicherungsmutter | Selflocking nut | NM5-8 Zn DIN985 |
| 3 | 305 8569 | 2 | Scheibe | Washer | 5,3 DIN125 Zn |
| 4 | 321 9919 | 1 | Rückstrahler gelb selbstkl. | Self-adh. reflector, yellow | 6200GK |
| 5 | 321 9922 | 1 | Rückstrahler rot | Reflector, red | 8 RA 002 016-111 |
| 6 | 325 5142 | 1 | Schelle | Clamp | 96/8 |
| 8 | 373 3801 | 1 | Schutzhaube hinten | Rear cover | SH95 |
| 9 | 470 1766 | 1 | Grundplatte | Basic plate | 2x296x478 RE Rd. Zn |
| 10 | 321 9912 | 1 | Warntafel-Klebefolie | Bonding sheet-warning board | 282x282 TP-ESC-B |
| 11 | 373 1101 | 1 | Kugelbirnen | Lamp | 08225 RE 12V 10W Heavy Duty |
| 12 | 373 1102 | 2 | Kugelbirnen | Lamp | 12V 21W Heavy Duty |
| 13 | 373 3526 | 1 | Lichtscheibe | Light glas | RE E95 |
| 15 | 373 3140 | 1 | Rückleuchte | Rear light | 95RGE0,1HD |
| 16 | 321 9918 | 1 | Rückstrahler rot selbstkl. | Self-adh. reflector, red | 8200K |
| 17 | 373 3802 | 1 | Schutzhaube | Cover | VO SH86 |
| 18 | 37310126 | 1 | Rückleuchte | Rear light | Bl.Br.S. ML |
| 19 | 37310123 | 1 | Lichtscheibe | Light glas | BBS/BBSK |
| 20 | 373 1157 | 1 | Kabelschelle | Cable clip | 6mm |



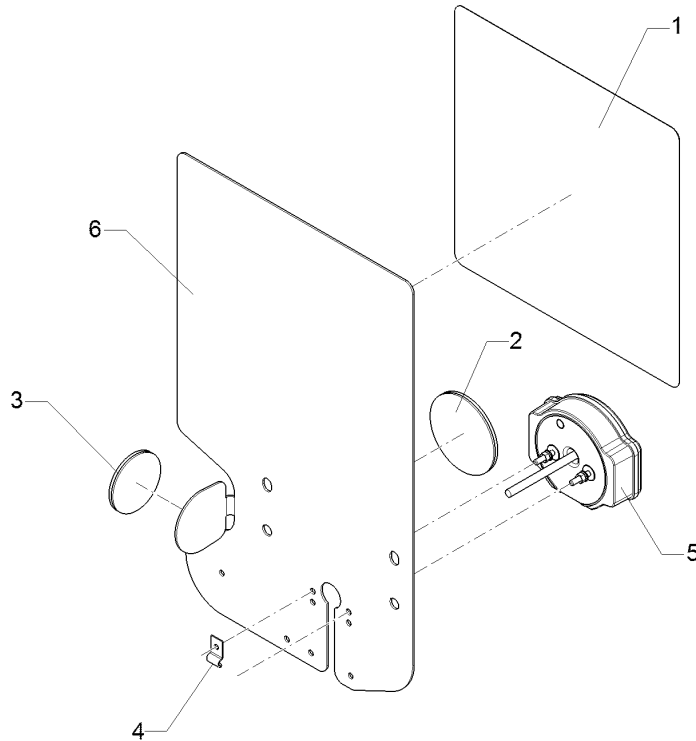
01.18

| Pos. | Art.Nr. | Stck. | Artikeltext / Description | | Abmessung |
|------|----------|-------|-----------------------------|-------------------------------|------------------------------|
| 1 | 30110003 | 2 | Linsenschraube | Oval head screw | M5x16-4,6 Zn DIN7985 |
| 2 | 303 0929 | 4 | Sicherungsmutter | Selflocking nut | NM5-8 Zn DIN985 |
| 3 | 305 8569 | 4 | Scheibe | Washer | 5,3 DIN125 Zn |
| 4 | 321 9919 | 1 | Rückstrahler gelb selbstkl. | Self-adh. reflector, yellow | 6200GK |
| 5 | 321 9922 | 1 | Rückstrahler rot | Reflector, red | 8 RA 002 016-111 |
| 6 | 325 5142 | 1 | Schelle | Clamp | 96/8 |
| 8 | 373 3801 | 1 | Schutzhaube hinten | Rear cover | SH95 |
| 9 | 470 1767 | 1 | Grundplatte | Basic plate | 2x296x478 LI Rd. Zn |
| 10 | 373 3527 | 1 | Lichtscheibe | Light glas | LI EK95 |
| 11 | 321 9987 | 1 | Kennzeichenhalter | Holder for registration plate | 1,5x58,9x70 GEB28° Zn |
| 12 | 321 9913 | 1 | Warntafel-Klebefolie | Bonding sheet-warning board | 282x282 TP-ESC-B 08225 LI |
| 13 | 373 1101 | 1 | Kugelbirnen | Lamp | 12V 10W Heavy Duty |
| 14 | 373 1102 | 2 | Kugelbirnen | Lamp | 12V 21W Heavy Duty |
| 15 | 373 3141 | 1 | Rückleuchte | Rear light | 95KLGE0,1HD |
| 16 | 321 9918 | 1 | Rückstrahler rot selbstkl. | Self-adh. reflector, red | 8200K |
| 17 | 373 3802 | 1 | Schutzhaube | Cover | VO SH86 |
| 18 | 37310127 | 1 | Rückleuchte | Rear light | Bl.Br.S.K. ML |
| 19 | 37310123 | 1 | Lichtscheibe | Light glas | BBS/BBSK |
| 20 | 373 1157 | 1 | Kabelschelle | Cable clip | 6mm |



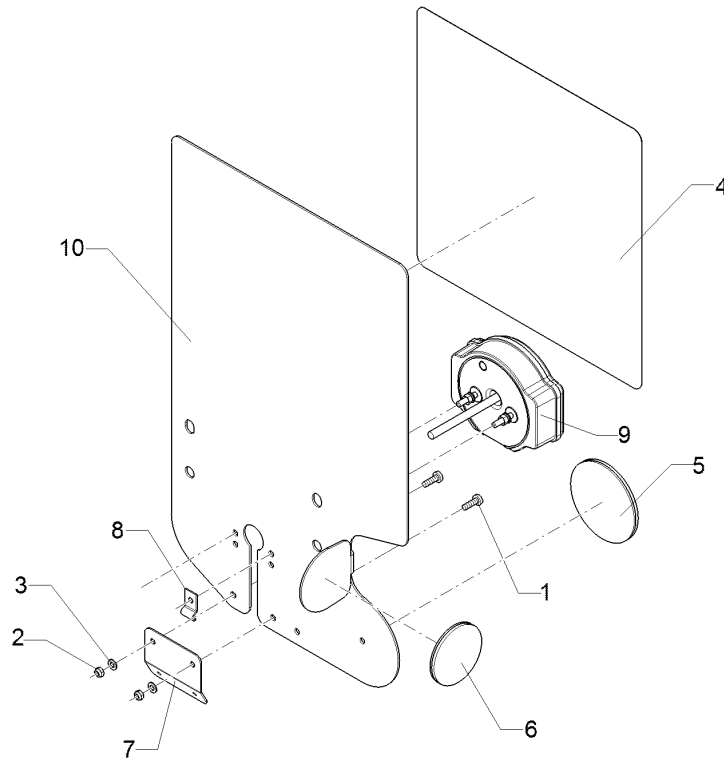
01.18

| Pos. | Art.Nr. | Stck. | Artikeltext / Description | | Abmessung |
|------|----------|-------|--------------------------------|-------------------|--------------------------------|
| 1 | 321 9915 | 2 | Rückstrahler rot m.Pendelhalt. | Reflector, red | D60-55x300 |
| 2 | 321 9916 | 2 | Rückstrahler gelb | Reflector, yellow | D60 |
| 3 | 321 9934 | 1 | Warntafel | Warning board | RE 423x423 DIN11030 |
| 4 | 321 9935 | 1 | Warntafel | Warning board | LI 423x423 DIN11030 |
| 5 | 373 2121 | 1 | Stecker | Plug | 7-polig |
| 6 | 373 3130 | 1 | Rückleuchte | Rear light | BBS95R RE |
| 7 | 373 3131 | 1 | Rückleuchte | Rear light | BBSK95L LI |
| 8 | 373 3801 | 2 | Schutzhaube hinten | Rear cover | SH95 |
| 9 | 373 4137 | 2 | Kabel grün | Cable, green | 4x0,75 |
| 10 | 373 4140 | 7 | Kabel | Cable | 6x0,75 S/W |
| 11 | 390 6192 | 1 | Aufkleber | Label | Achtung Geraet schwenkt aus |



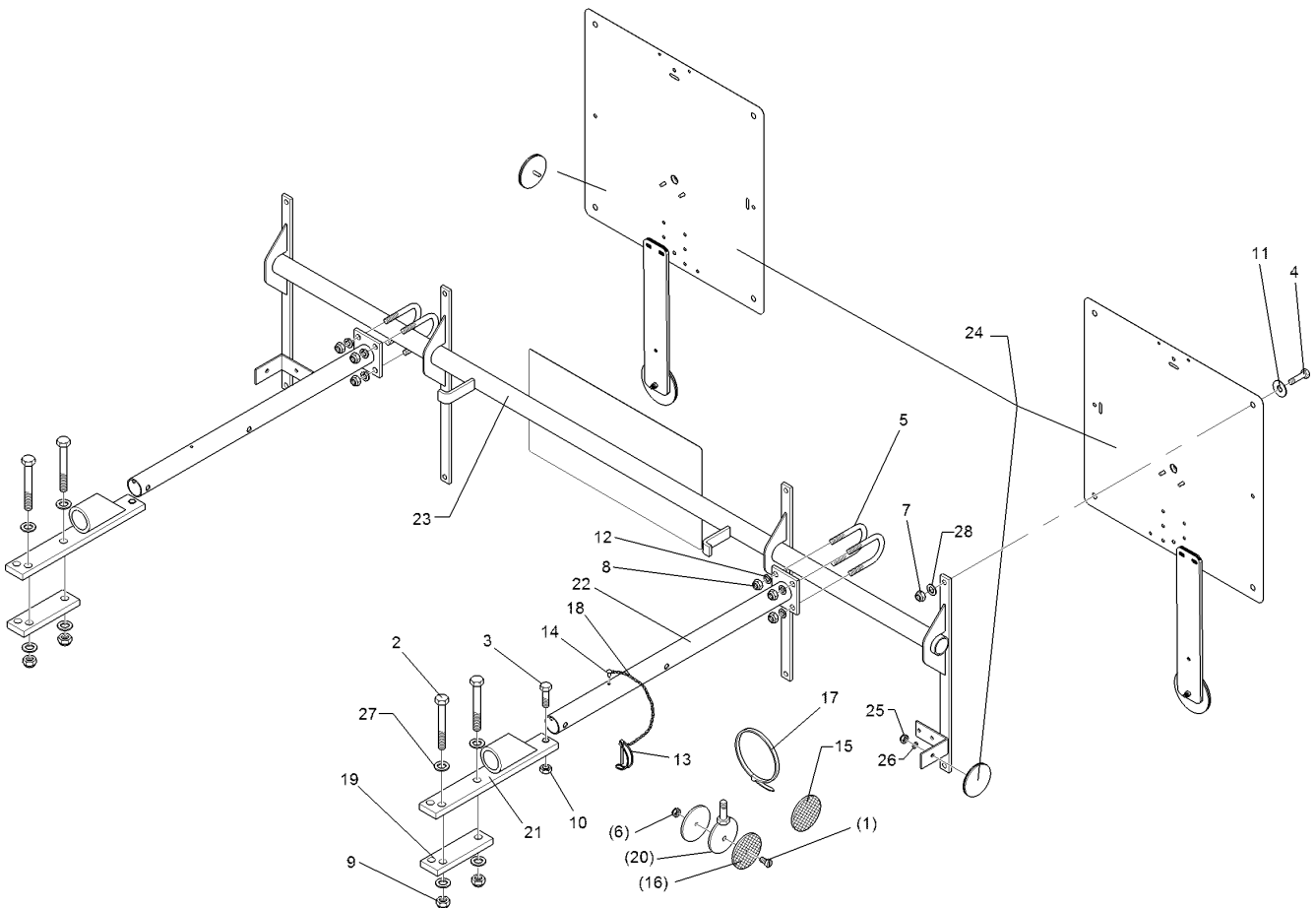
01.18

| Pos. | Art.Nr. | Stck. | Artikeltext / Description | Abmessung | |
|------|----------|-------|-----------------------------|-----------------------------|------------------------------|
| 1 | 321 9912 | 1 | Warntafel-Klebefolie | Bonding sheet-warning board | 282x282 TP-ESC-B 08225 RE |
| 2 | 321 9918 | 1 | Rückstrahler rot selbstkl. | Self-adh. reflector, red | 8200K |
| 3 | 321 9919 | 1 | Rückstrahler gelb selbstkl. | Self-adh. reflector, yellow | 6200GK |
| 4 | 373 1157 | 1 | Kabelschelle | Cable clip | 6mm |
| 5 | 37310212 | 1 | Rückleuchte | Rear light | Bl.Br.S LED ML RE |
| 6 | 470 1766 | 1 | Grundplatte | Basic plate | 2x296x478 RE Rd. Zn |



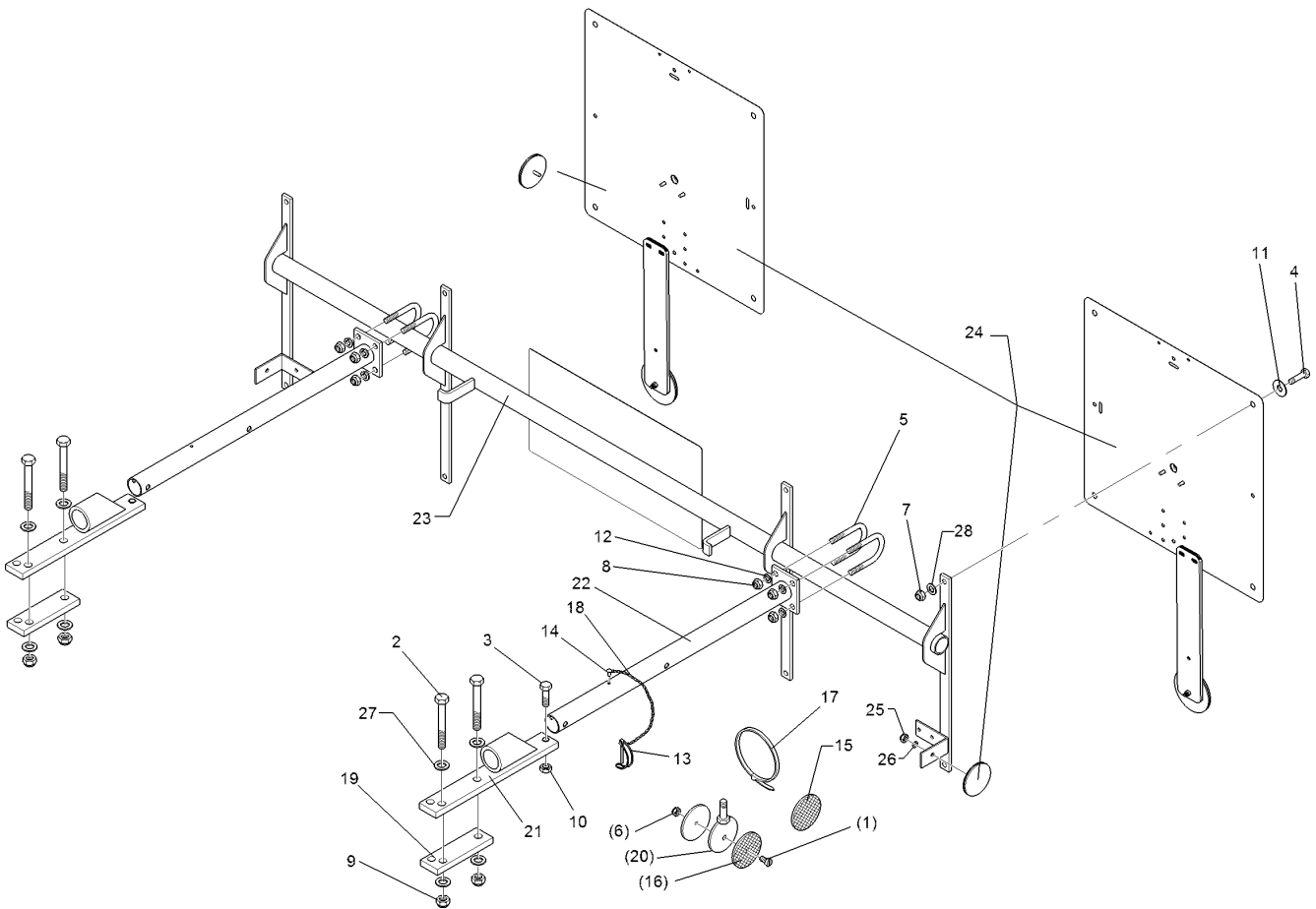
01.18

| Pos. | Art.Nr. | Stck. | Artikeltext / Description | | Abmessung |
|------|----------|-------|-----------------------------|-------------------------------|------------------------------|
| 1 | 30110003 | 2 | Linsenschraube | Oval head screw | M5x16-4,6 Zn DIN7985 |
| 2 | 303 0929 | 2 | Sicherungsmutter | Selflocking nut | NM5-8 Zn DIN985 |
| 3 | 305 8569 | 2 | Scheibe | Washer | 5,3 DIN125 Zn |
| 4 | 321 9913 | 1 | Warntafel-Klebefolie | Bonding sheet-warning board | 282x282 TP-ESC-B 08225 LI |
| 5 | 321 9918 | 1 | Rückstrahler rot selbstkl. | Self-adh. reflector, red | 8200K |
| 6 | 321 9919 | 1 | Rückstrahler gelb selbstkl. | Self-adh. reflector, yellow | 6200GK |
| 7 | 321 9987 | 1 | Kennzeichenhalter | Holder for registration plate | 1,5x58,9x70 GEB28° Zn |
| 8 | 373 1157 | 1 | Kabelschelle | Cable clip | 6mm |
| 9 | 37310213 | 1 | Rückleuchte | Rear light | Bl.Br.S.K LED ML LI |
| 10 | 470 1767 | 1 | Grundplatte | Basic plate | 2x296x478 LI Rd. Zn |



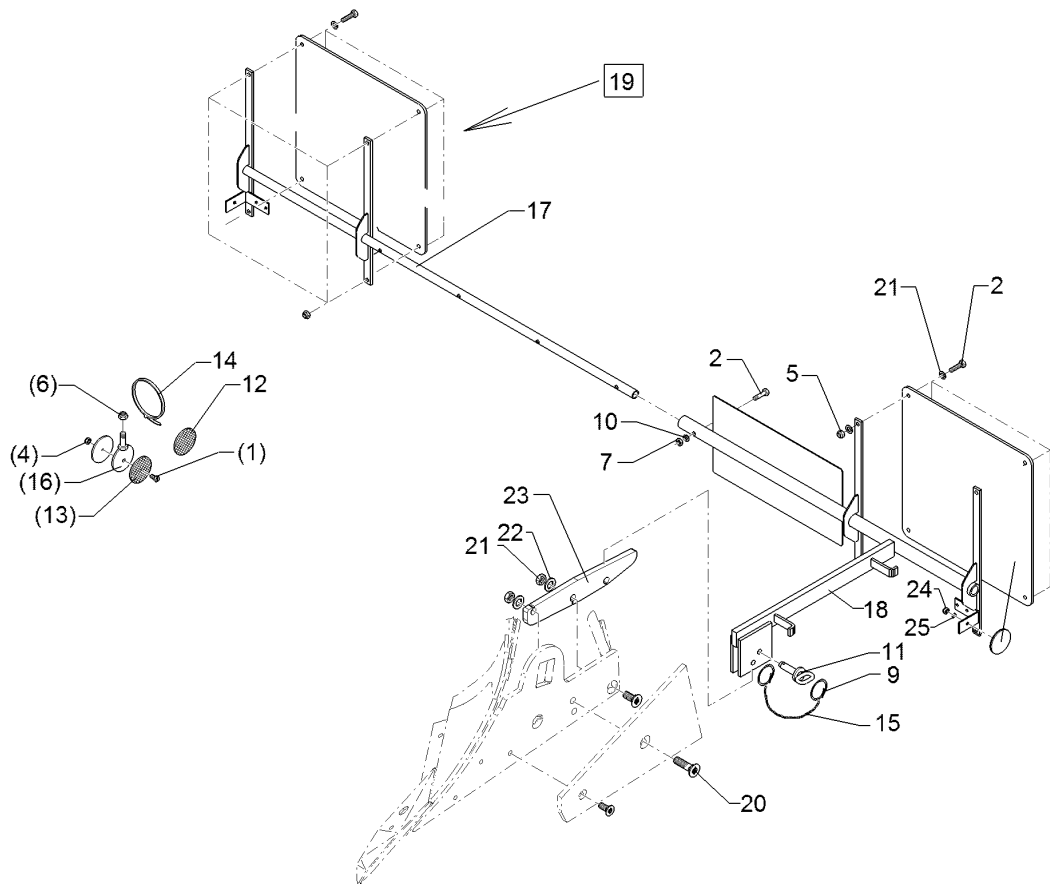
01.18

| Pos. | Art.Nr. | Stck. | Artikeltext / Description | | Abmessung |
|------|----------|-------|-----------------------------|-----------------------------|-------------------------------|
| 1 | 301 3006 | 1 | Sechskantschraube | Hexagon bolt | M6x25-8.8 Zn DIN933 |
| 2 | 301 3432 | 4 | Sechskantschraube | Hexagon bolt | M12x80-8.8 Zn DIN931-A |
| 3 | 301 3350 | 2 | Sechskantschraube | Hexagon bolt | M12x50-8.8 Zn DIN933 |
| 4 | 301 6750 | 8 | Sechskantschraube | Hexagon bolt | M8x20-8.8 Zn DIN933 |
| 5 | 301 7781 | 4 | Bügelsschraube | U-bolt | M10x48x76 Zn DIN3570A |
| 6 | 303 0931 | 1 | Sicherungsmutter | Selflocking nut | NM6-8 Zn DIN985 |
| 7 | 303 0932 | 8 | Sicherungsmutter | Selflocking nut | NM8-8 Zn DIN985 |
| 8 | 303 0933 | 8 | Sicherungsmutter | Selflocking nut | NM10-8 DIN985 Zn |
| 9 | 303 0934 | 4 | Sicherungsmutter | Selflocking nut | NM12-8 Zn DIN985 |
| 10 | 303 1013 | 2 | Sechskantmutter | Hexagon nut | M12 DIN934-8 Zn |
| 11 | 305 6124 | 8 | Scheibe | Washer | 8,4/25x2 DIN9021-St Zn |
| 12 | 305 8696 | 8 | Scheibe | Washer | A10,5 DIN125-St Zn |
| 13 | 311 9305 | 2 | Rohrklappstecker | Securing pin | 8x50/S9 |
| 14 | 315 9616 | 2 | Blindniet | Rivet | 4,8x10 |
| 15 | 321 9919 | 4 | Rückstrahler gelb selbstkl. | Self-adh. reflector, yellow | 6200GK |
| 16 | 321 9921 | 2 | Rückstrahler gelb m. Loch | Reflector, yellow | D60 |
| 17 | 325 1331 | 8 | Kabelbinder | Cable clip | 4,7x186 |
| 18 | 331 6130 | 2 | Knotenkette | Knotted-link chain | D2x150 |
| 19 | 459 1071 | 2 | Brücke | Clamp plate | 40x12x132 3xD14-92,5-102,5 |



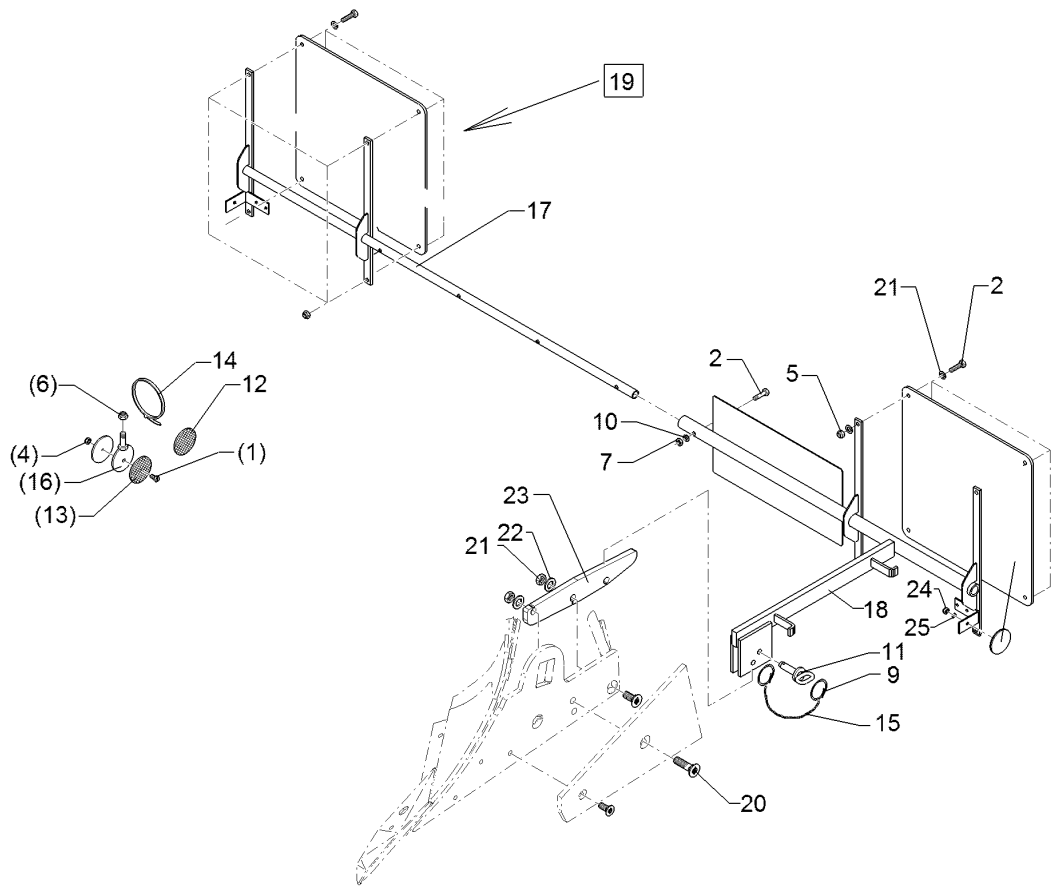
01.18

| Pos. | Art.Nr. | Stck. | Artikeltext / Description | Abmessung |
|------|----------|-------|---------------------------|--------------------|
| 20 | 470 1200 | 1 | Halter | Holder |
| 21 | 470 1672 | 2 | Halter | Holder |
| 22 | 470 1673 | 2 | Träger | Carrier |
| 23 | 470 1674 | 1 | Leuchtenhalter | Lamp holder |
| 24 | 570 2086 | 1 | Beleuchtungsanlage | Lighting equipment |
| 25 | 303 0929 | 2 | Sicherungsmutter | Selflocking nut |
| 26 | 305 8569 | 2 | Scheibe | Washer |
| 27 | 305 8580 | 8 | Scheibe | Washer |
| 28 | 305 8694 | 8 | Scheibe | Washer |
| | | | | D70xD7-M10x25 |
| | | | | 40x12x290 |
| | | | | Halm70-80 |
| | | | | 60x70x550 |
| | | | | BLA-1 PF/UNI |
| | | | | 33,7x1580 |
| | | | | Pflug |
| | | | | NM5-8 Zn DIN985 |
| | | | | 5,3 DIN125 Zn |
| | | | | 13/24x2,5 St-Zn |
| | | | | DIN125 |
| | | | | A8,4 DIN125-St Zn |



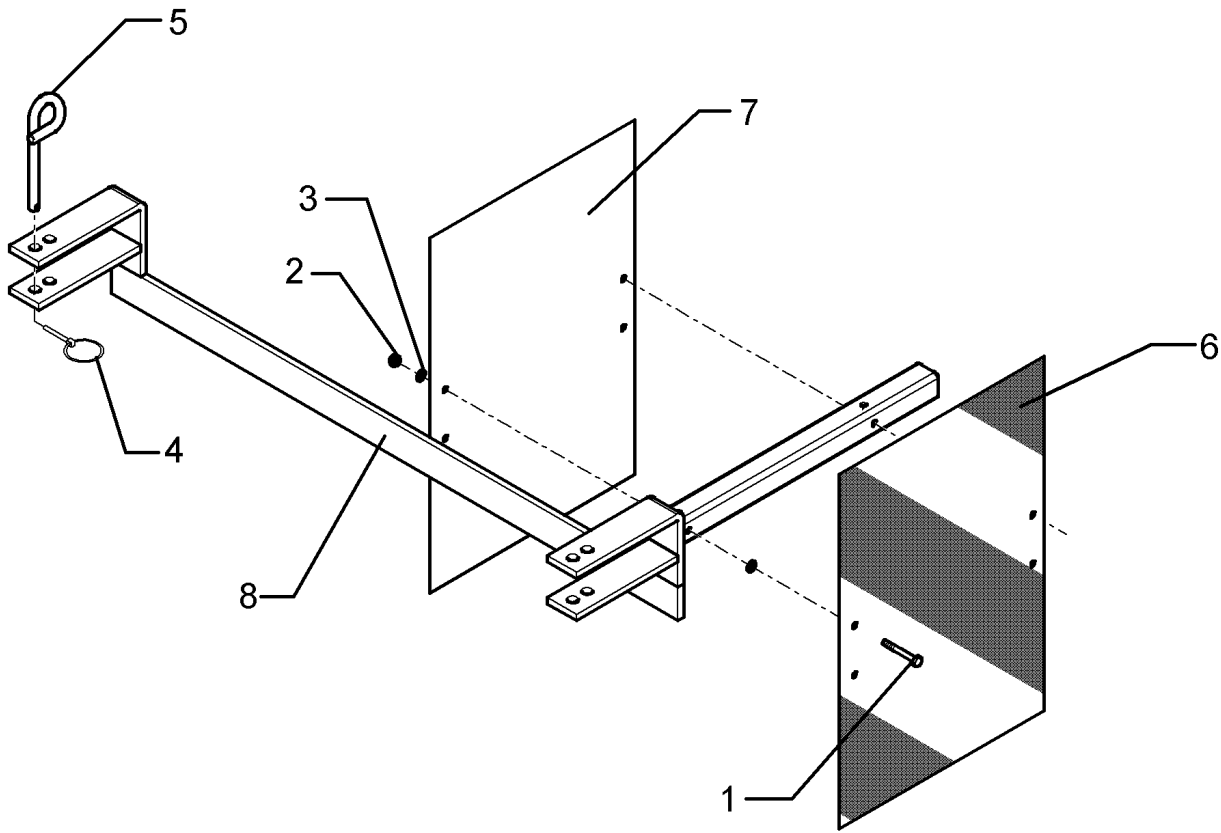
01.18

| Pos. | Art.Nr. | Stck. | Artikeltext / Description | | Abmessung |
|------|----------|-------|-----------------------------|-----------------------------|---------------------------|
| 1 | 301 3006 | 1 | Sechskantschraube | Hexagon bolt | M6x25-8.8 Zn DIN933 |
| 2 | 301 3070 | 1 | Sechskantschraube | Hexagon bolt | M8x40-8.8 Zn DIN931-A |
| 3 | 301 6750 | 8 | Sechskantschraube | Hexagon bolt | M8x20-8.8 Zn DIN933 |
| 4 | 303 0931 | 1 | Sicherungsmutter | Selflocking nut | NM6-8 Zn DIN985 |
| 5 | 303 0932 | 8 | Sicherungsmutter | Selflocking nut | NM8-8 Zn DIN985 |
| 6 | 303 0933 | 1 | Sicherungsmutter | Selflocking nut | NM10-8 DIN985 Zn |
| 7 | 303 1011 | 1 | Sechskantmutter | Hexagon nut | M8 DIN934-8 Zn |
| 8 | 305 6124 | 8 | Scheibe | Washer | 8,4/25x2 DIN9021-St Zn |
| 9 | 305 8551 | 2 | Sicherungsring | Retaining ring | Di41x3 A2 |
| 10 | 305 8694 | 10 | Scheibe | Washer | A8,4 DIN125-St Zn |
| 11 | 313 7807 | 1 | Bolzen | Pin | D12x59/117,5 V Zn |
| 12 | 321 9919 | 2 | Rückstrahler gelb selbstkl. | Self-adh. reflector, yellow | 6200GK |
| 13 | 321 9921 | 2 | Rückstrahler gelb m. Loch | Reflector, yellow | D60 |
| 14 | 325 1331 | 5 | Kabelbinder | Cable clip | 4,7x186 |
| 15 | 331 6130 | 1 | Knotenkette | Knotted-link chain | D2x150 |
| 16 | 470 1200 | 1 | Halter | Holder | D70xD7-M10x25 |
| 17 | 470 1676 | 1 | Halter | Holder | BLA-2 PF RE |
| 18 | 470 1677 | 1 | Halter | Holder | BLA-2 PF LI |
| 19 | 570 2086 | 1 | Beleuchtungsanlage | Lighting equipment | Pflug |
| 20 | 301 6147 | 1 | Senkschraube spz. | Countersunk bolt | M16x60-10.9 4KT Zn |
| 21 | 303 1015 | 1 | Sechskantmutter | Hexagon nut | M16 DIN934-8 Zn |



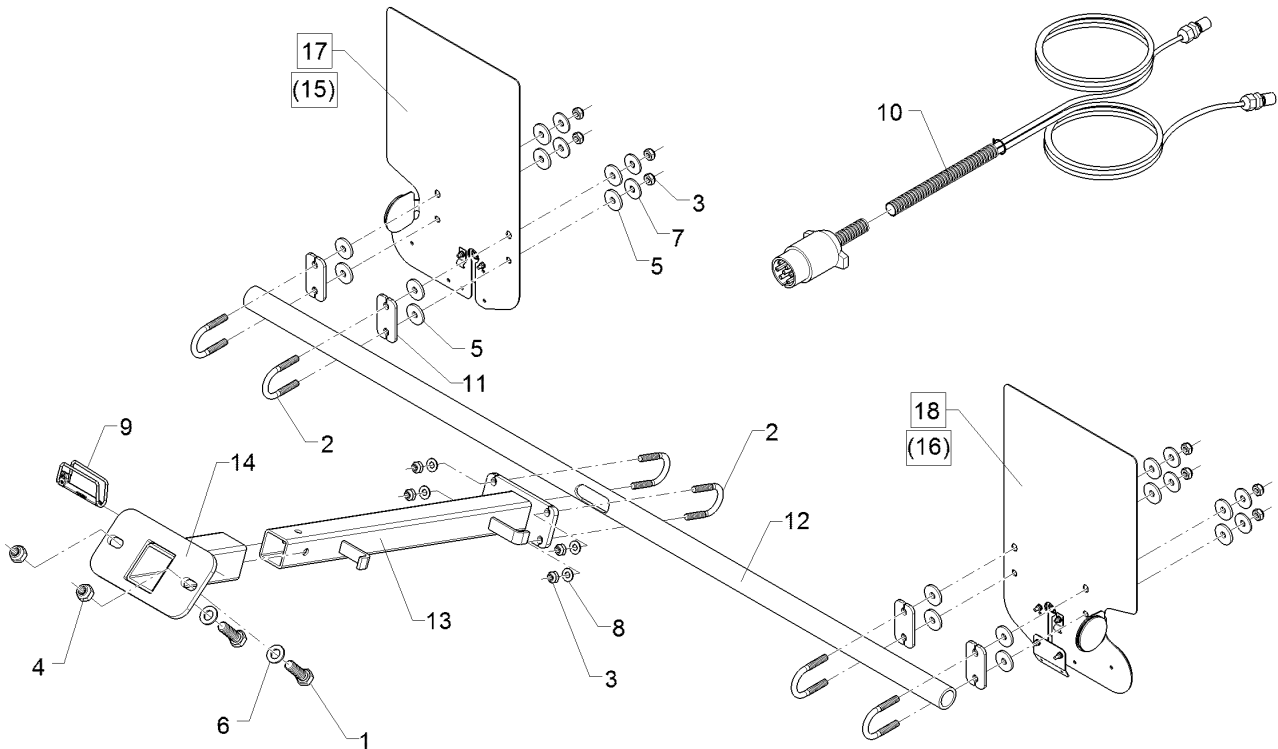
01.18

| Pos. | Art.Nr. | Stck. | Artikeltext / Description | | Abmessung |
|------|----------|-------|---------------------------|-----------------|-------------------------|
| 22 | 305 6141 | 1 | Scheibe | Washer | 17/30x3 DIN/ISO-7089 |
| 23 | 470 1153 | 1 | Halter | Holder | 14x60x348 3xD17 |
| 24 | 303 0929 | 2 | Sicherungsmutter | Selflocking nut | NM5-8 Zn DIN985 |
| 25 | 305 8569 | 2 | Scheibe | Washer | 5,3 DIN125 Zn |



01.18

| Pos. | Art.Nr. | Stck. | Artikeltext / Description | | Abmessung |
|------|----------|-------|---------------------------|-------------------------|-----------------------------------|
| 1 | 301 2998 | 2 | Sechskantschraube | Hexagon bolt | M5x40-8.8 Zn DIN931-A |
| 2 | 303 0967 | 2 | Sechskantmutter | Hexagon nut | M5 DIN934-8 Zn |
| 3 | 305 6968 | 4 | Scheibe | Washer | R5,5/18x2 DIN440-St Zn |
| 4 | 311 9565 | 2 | Klappstift | Securing pin | 4,5 |
| 5 | 313 8610 | 2 | Bolzen | Pin | D10x85 Zn (10x210) |
| 6 | 321 9926 | 1 | Warntafel rot/weiss | Warning board red/white | R2 282x423 (B2 TP-ESC-A 06021) |
| 7 | 321 9927 | 1 | Warntafel rot/weiss | Warning board red/white | R1 423x282 (B1 TP-ESC-A 06021) |
| 8 | 470 1708 | 1 | Warntafelhalter | Holder | WTH-1 |

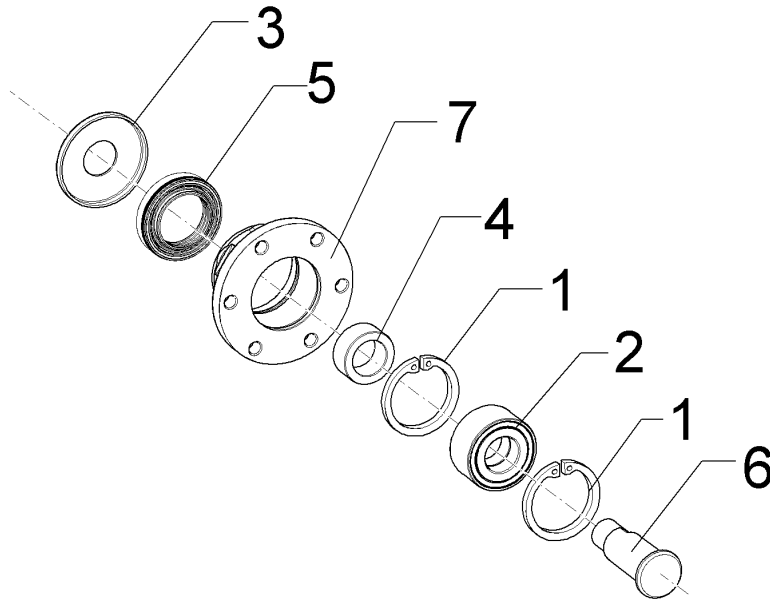


01.18

| Pos. | Art.Nr. | Stck. | Artikeltext / Description | | Abmessung |
|------|----------|-------|---------------------------|-------------------|---------------------------------|
| 1 | 301 3774 | 2 | Sechskantschraube | Hexagon bolt | M16x50-12.9 A=max.3mm Zn |
| 2 | 301 7781 | 6 | Bügelschraube | U-bolt | M10x48x76 Zn DIN3570A |
| 3 | 303 0933 | 12 | Sicherungsmutter | Selflocking nut | NM10-8 DIN985 Zn |
| 4 | 30310033 | 2 | Sicherungsmutter | Selflocking nut | NM16 DIN985-10 Zn |
| 5 | 305 6129 | 16 | Scheibe | Washer | D11/35x4 PU |
| 6 | 305 6141 | 2 | Scheibe | Washer | 17/30x3 DIN/ISO-7089 |
| 7 | 305 6976 | 8 | Scheibe | Washer | R11/34x3 DIN440-St Zn |
| 8 | 305 8696 | 4 | Scheibe | Washer | A10,5 DIN125-St Zn |
| 9 | 311 9569 | 1 | Sicherungsstecker | Plug | 12x75 Zn |
| 10 | 37310184 | 1 | Grundkabel | Basic cable | Grk.2x4x0,75x9000 7p.ISO1724 |
| 11 | 470 1776 | 4 | Klemmplatte | Clamping plate | 6x40x80 2x11-48/52 Zn |
| 12 | 47010151 | 1 | Rohr | Tube | D38x5x1560 1xR12,5x75 |
| 13 | 47010152 | 1 | Beleuchtungsträger | Carrier for light | 150x70x590 |
| 14 | 47010160 | 1 | Beleuchtungshalter | Carrier for light | Anbaupflug |
| 15 | 570 1764 | 1 | Beleuchtungseinheit | Lighting unit | 2x296x478 Rd. HI RE |
| 16 | 570 1765 | 1 | Beleuchtungseinheit | Lighting unit | 2x296x478 Rd. HI LI |
| 17 | 57010104 | 1 | Beleuchtungseinheit | Lighting unit | 2x296x478 Rd.HI RE |
| 18 | 57010105 | 1 | Beleuchtungseinheit | Lighting unit | 2x296x478 Rd.HI LI |

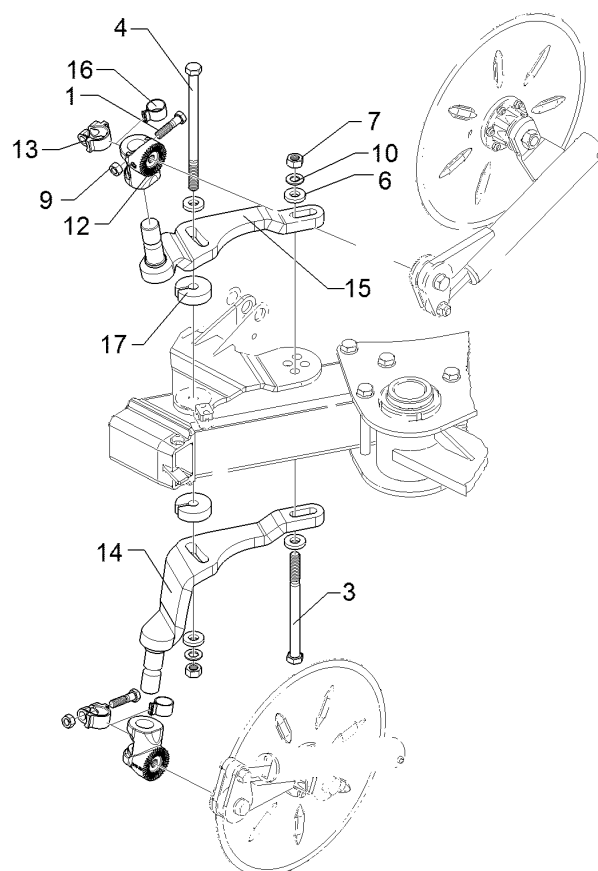
| | |
|---------------------------|---|
| Lagereinheit/Bearing unit | 7 |
|---------------------------|---|

| | |
|-----------|----------|
| Juwel 7 T | 555 4512 |
|-----------|----------|



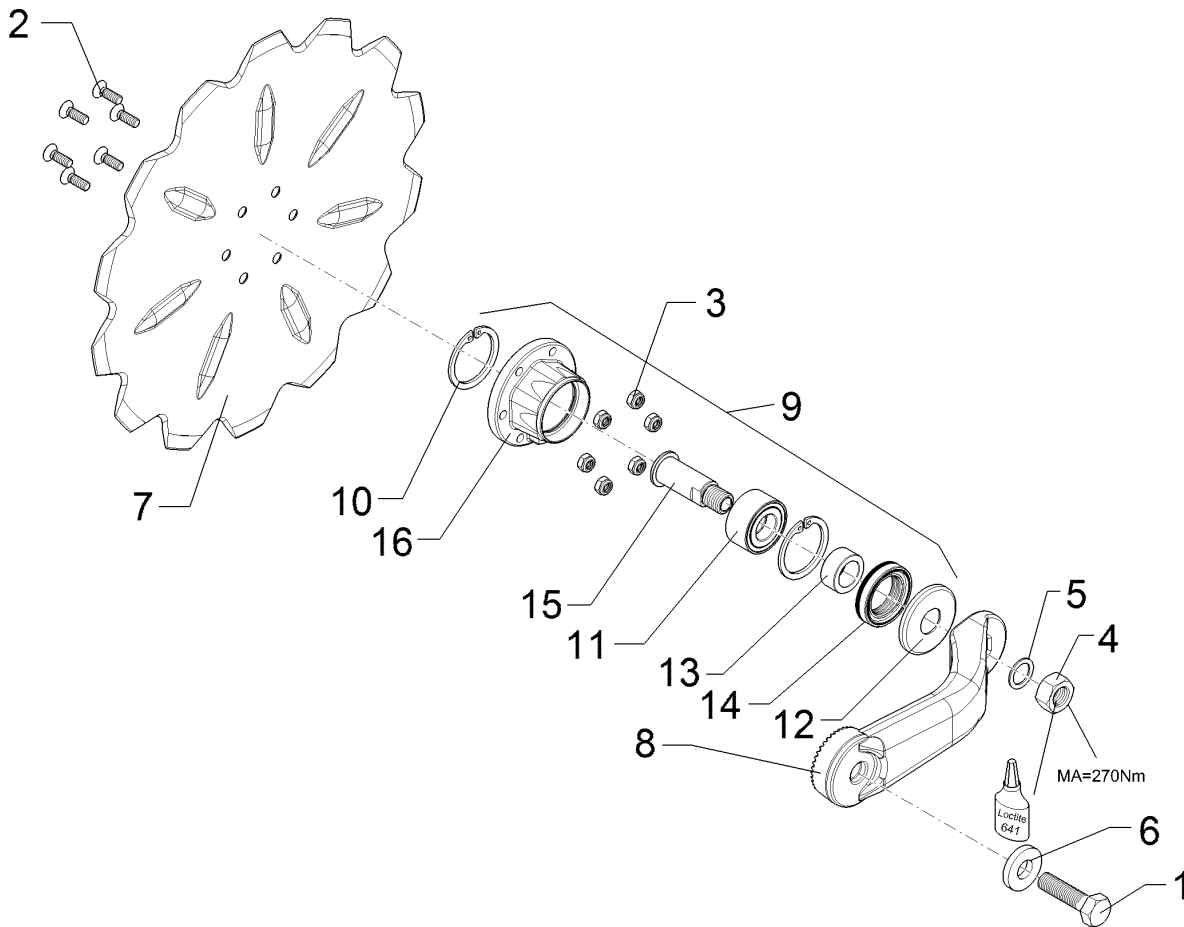
01.18

| Pos. | Art.Nr. | Stck. | Artikeltext / Description | | Abmessung |
|------|----------|-------|-------------------------------|-----------------|--------------------------------|
| 1 | 305 8924 | 2 | Sicherungsring | Retaining ring | 62x2 DIN472 |
| 2 | 319 8760 | 1 | Schrägkugellager doppelreihig | Bearing | 30/62/30 RSR |
| 3 | 323 0418 | 1 | Schutzkappe | Cap | D79/75/30x8 Zn |
| 4 | 323 5011 | 1 | Lauftring | Race ring | D45/30x20,5 |
| 5 | 323 8301 | 1 | Kassettdichtung | Sealing | RWDR 45x70x14 75 NBR 106200 |
| 6 | 455 0310 | 1 | Achse | Axle | D30x95 M24x1,5 Zn |
| 7 | 455 5145 | 1 | Lagergehäuse | Bearing housing | D120/62x56,4/100 6xD10,2 |



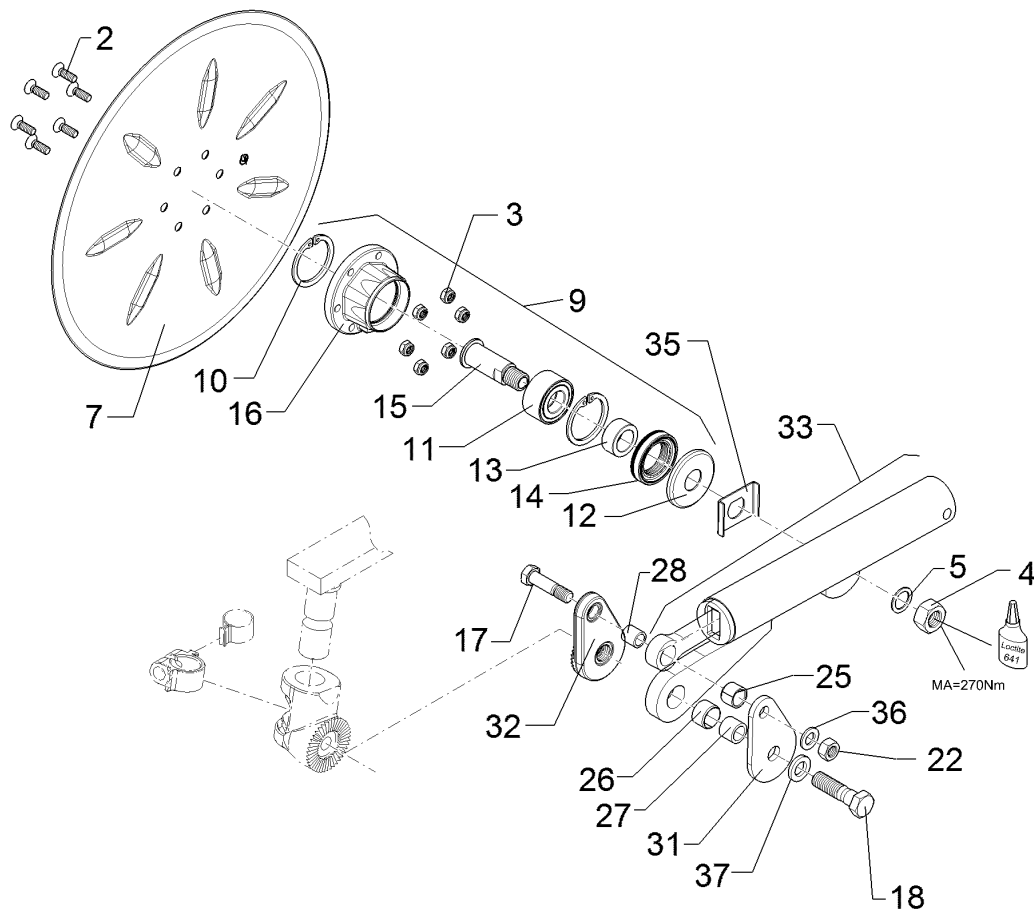
01.18

| Pos. | Art.Nr. | Stck. | Artikeltext / Description | | Abmessung |
|------|----------|-------|---------------------------|--------------------|-------------------------------|
| 1 | 301 3868 | 2 | Sechskantschraube | Hexagon bolt | M16x65-8.8 Zn DIN931-A |
| 3 | 301 4575 | 1 | Sechskantschraube | Hexagon bolt | M20x260-8.8 Zn DIN931-A |
| 4 | 30110038 | 1 | Sechskantschraube | Hexagon bolt | M20x1,5x300-10.9 DIN960 Zn |
| 6 | 305 6015 | 4 | Scheibe | Washer | 21 DIN7349 |
| 7 | 303 0977 | 2 | Sechskantmutter | Hexagon nut | M20x1,5 DIN934-10 Zn |
| 9 | 303 1015 | 2 | Sechskantmutter | Hexagon nut | M16 DIN934-8 Zn |
| 10 | 305 6012 | 2 | Scheibe | Washer | 21 ISO7089 Zn |
| 12 | 457 9147 | 2 | Zahnkonsole | Hirth-type bracket | D70/38 207G 40 Zähne |
| 13 | 457 9871 | 2 | Sperrstück | Stop | D38x30 174GRD |
| 14 | 463 8722 | 1 | Maissechalm | Disc stalk | RE Hydromatic |
| 15 | 463 8723 | 1 | Maissechalm | Disc stalk | LI Hydromatic |
| 16 | 329 1750 | 2 | Flachfeder | U-spring | 25x2,5 D41/35 |
| 17 | 305 6384 | 2 | Scheibe | Washer | D70/21x22 Zn |



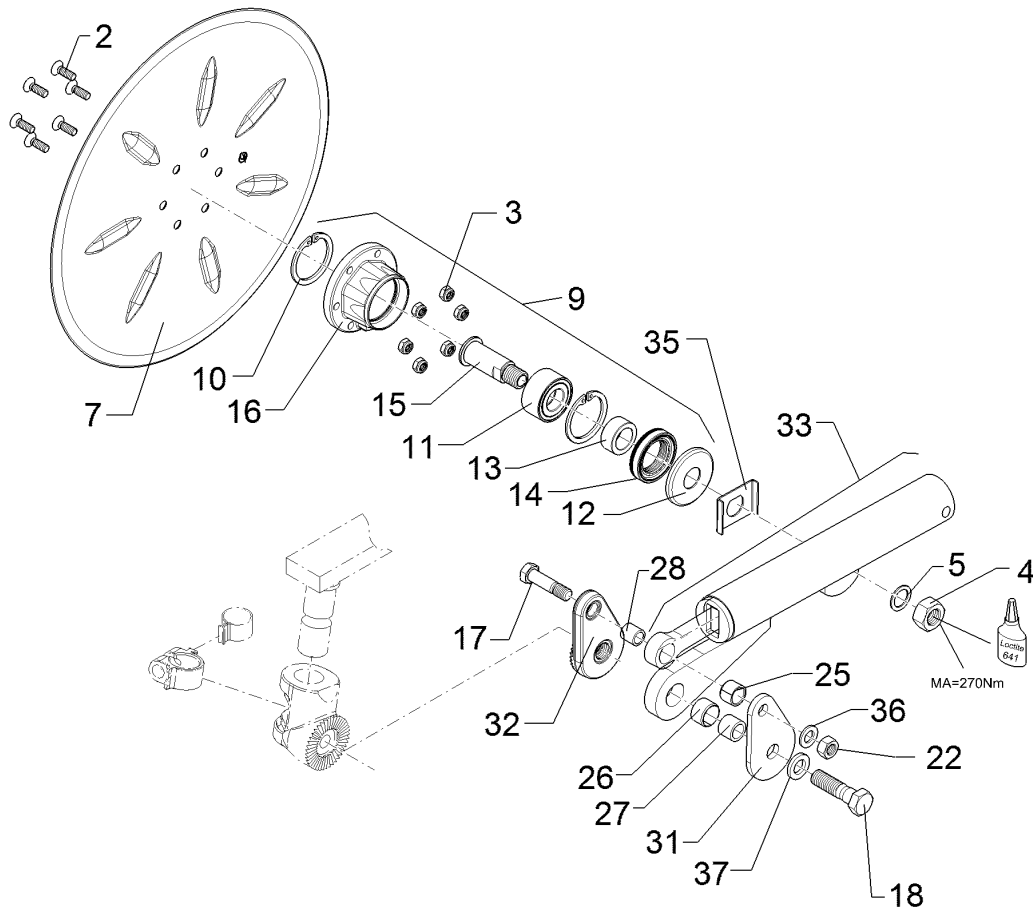
01.18

| Pos. | Art.Nr. | Stck. | Artikeltext / Description | | Abmessung |
|------|----------|-------|-------------------------------|-------------------|--------------------------------|
| 1 | 301 5414 | 1 | Sechskantschraube | Hexagon bolt | M20x60-8.8 Zn DIN933 |
| 2 | 301 6123 | 6 | Senkschraube | Countersunk bolt | M10x30-10.9 Zn DIN7991-A |
| 3 | 303 0933 | 6 | Sicherungsmutter | Selflocking nut | NM10-8 DIN985 Zn |
| 4 | 303 0996 | 1 | Sechskantmutter | Hexagon nut | M24x1,5 DIN934-8 Zn |
| 5 | 305 2230 | 1 | Stützscheibe | Supporting washer | S 25x35x2,0 DIN988 Zn |
| 6 | 305 6012 | 1 | Scheibe | Washer | 21 ISO7089 Zn |
| 7 | 349 0042 | 1 | Sechscheibe | Disc | D500/100x5-Z |
| 8 | 457 9327 | 1 | Secharm | Swinging arm | D82,5x331 40-Zähne |
| 9 | 555 4512 | 1 | Lagereinheit | Bearing unit | 30x120x100 M24x1,5 |
| 10 | 305 8924 | 2 | Sicherungsring | Retaining ring | 62x2 DIN472 |
| 11 | 319 8760 | 1 | Schrägkugellager doppelreihig | Bearing | 30/62/30 RSR |
| 12 | 323 0418 | 1 | Schutzkappe | Cap | D79/75/30x8 Zn |
| 13 | 323 5011 | 1 | Lauftring | Race ring | D45/30x20,5 |
| 14 | 323 8301 | 1 | Kassettdichtung | Sealing | RWDR 45x70x14 75 NBR 106200 |
| 15 | 455 0310 | 1 | Achse | Axle | D30x95 M24x1,5 Zn |
| 16 | 455 5145 | 1 | Lagergehäuse | Bearing housing | D120/62x56,4/100 6xD10,2 |



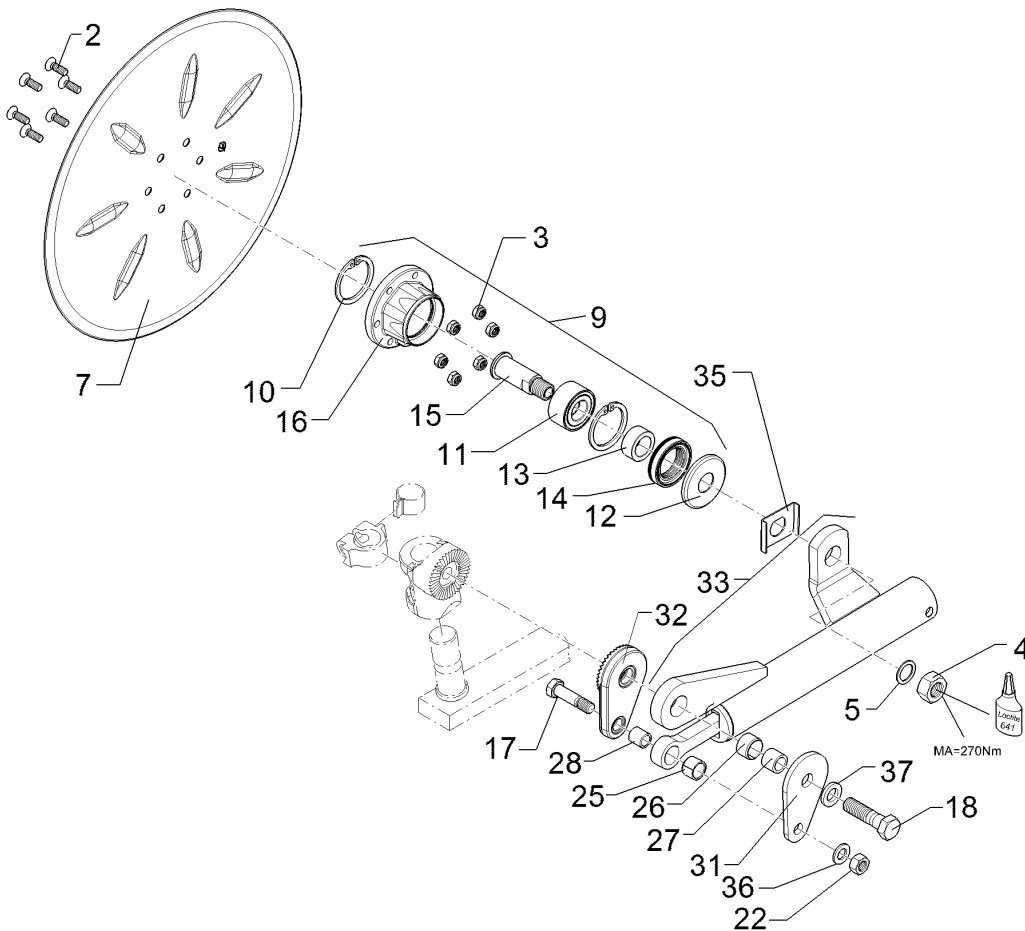
01.18

| Pos. | Art.Nr. | Stck. | Artikeltext / Description | Abmessung | |
|------|----------|-------|-------------------------------|-------------------|--------------------------------|
| 2 | 301 6123 | 6 | Senkschraube | Countersunk bolt | M10x30-10.9 Zn DIN7991-A |
| 3 | 303 0933 | 6 | Sicherungsmutter | Selflocking nut | NM10-8 DIN985 Zn |
| 4 | 303 0996 | 1 | Sechskantmutter | Hexagon nut | M24x1,5 DIN934-8 Zn |
| 5 | 305 2230 | 1 | Stützscheibe | Supporting washer | S 25x35x2,0 DIN988 Zn |
| 7 | 349 0029 | 1 | Sechscheibe | Disc | D500/100x5 G |
| 9 | 555 4512 | 1 | Lagereinheit | Bearing unit | 30x120x100 M24x1,5 |
| 10 | 305 8924 | 2 | Sicherungsring | Retaining ring | 62x2 DIN472 |
| 11 | 319 8760 | 1 | Schrägkugellager doppelreihig | Bearing | 30/62/30 RSR |
| 12 | 323 0418 | 1 | Schutzkappe | Cap | D79/75/30x8 Zn |
| 13 | 323 5011 | 1 | Lauftring | Race ring | D45/30x20,5 |
| 14 | 323 8301 | 1 | Kassettendichtung | Sealing | RWDR 45x70x14 75 NBR 106200 |
| 15 | 455 0310 | 1 | Achse | Axle | D30x95 M24x1,5 Zn |
| 16 | 455 5145 | 1 | Lagergehäuse | Bearing housing | D120/62x56,4/100 6xD10,2 |
| 17 | 301 3870 | 1 | Sechskantschraube spz. | Hexagon bolt | M16x65-10.9 Zn |
| 18 | 301 4603 | 1 | Sechskantschraube spz. | Hexagon bolt | M20x75-8.8 Zn |
| 22 | 303 1015 | 1 | Sechskantmutter | Hexagon nut | M16 DIN934-8 Zn |
| 25 | 317 3341 | 1 | Einspannbuchse | Expansion bush | EG22/28x20-DIN1498 |
| 26 | 317 3352 | 1 | Einspannbuchse mit Presssitz | Expansion bush | EG28/32x20 |
| 27 | 317 6657 | 1 | Buchse | Bush | D20/28x22 |
| 28 | 317 6658 | 1 | Buchse | Bush | D16/22x22 |



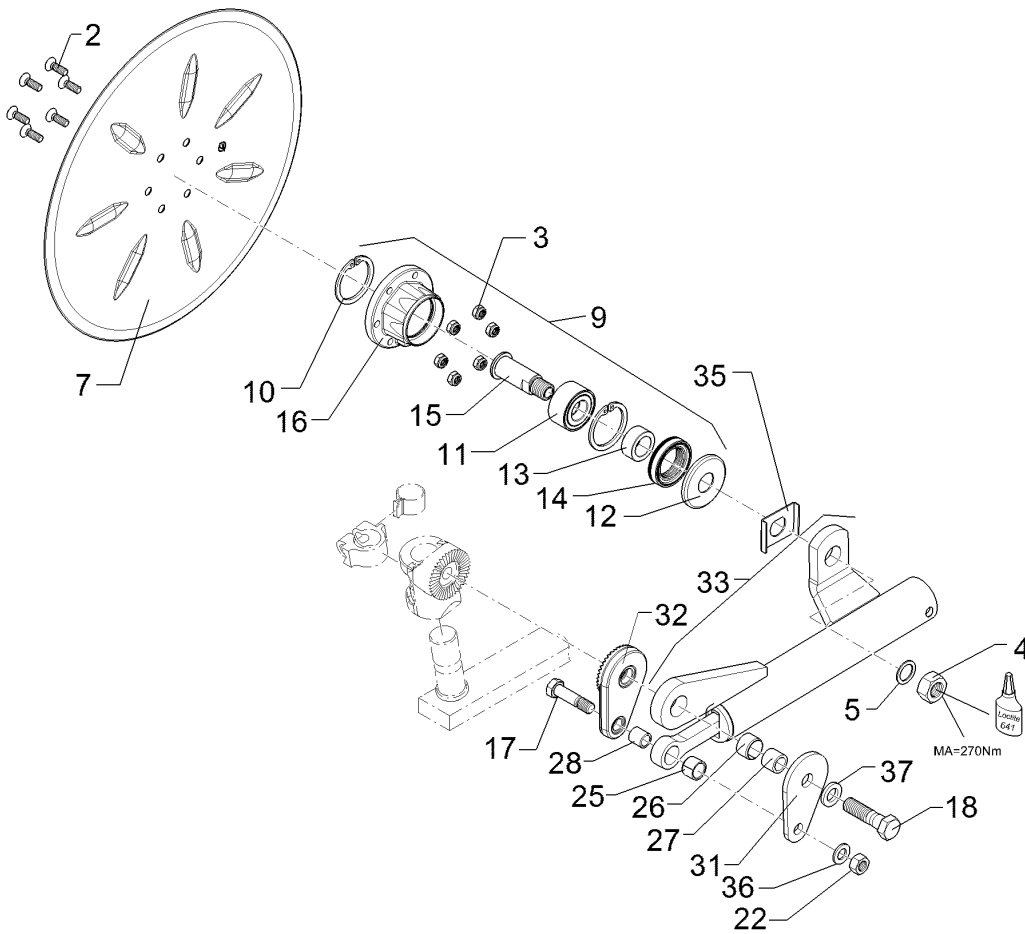
01.18

| Pos. | Art.Nr. | Stck. | Artikeltext / Description | | Abmessung |
|------|----------|-------|---------------------------|--------------------|-----------------------------|
| 31 | 457 9323 | 1 | Platte | Plate | 8x80x135 1xD20,5 1xD16,5 |
| 32 | 457 9324 | 1 | Zahnkonsole | Hirth-type bracket | D77/20,5 40 Zähne |
| 33 | 55710024 | 1 | Federelement | Spring unit | 55710024 |
| 35 | 305 1330 | 1 | Verdrehsicherung | Locking | 50x3x70 D30 Zn |
| 36 | 305 6141 | 1 | Scheibe | Washer | 17/30x3 DIN/ISO-7089 |
| 37 | 305 6012 | 1 | Scheibe | Washer | 21 ISO7089 Zn |



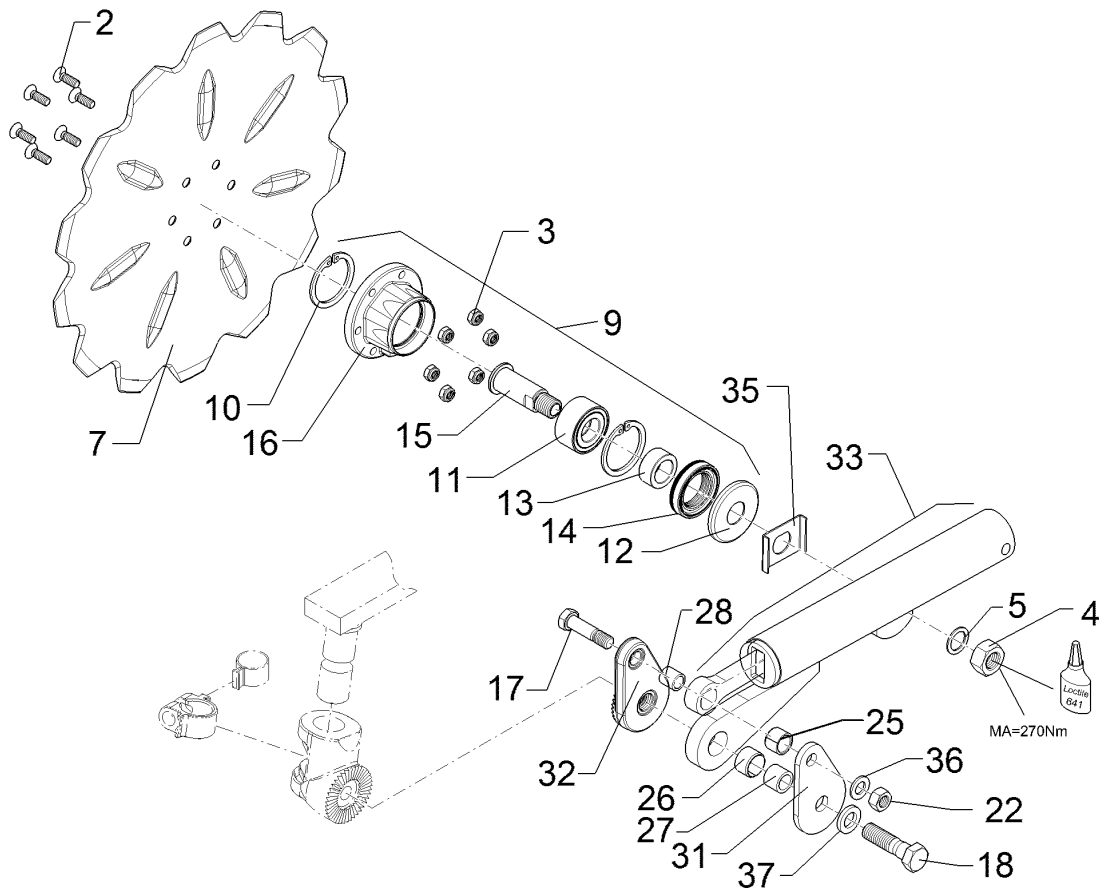
01.18

| Pos. | Art.Nr. | Stck. | Artikeltext / Description | Abmessung | |
|------|----------|-------|-------------------------------|-------------------|--------------------------------|
| 2 | 301 6123 | 6 | Senkschraube | Countersunk bolt | M10x30-10.9 Zn DIN7991-A |
| 3 | 303 0933 | 6 | Sicherungsmutter | Selflocking nut | NM10-8 DIN985 Zn |
| 4 | 303 0996 | 1 | Sechskantmutter | Hexagon nut | M24x1,5 DIN934-8 Zn |
| 5 | 305 2230 | 1 | Stützscheibe | Supporting washer | S 25x35x2,0 DIN988 Zn |
| 7 | 349 0029 | 1 | Sechscheibe | Disc | D500/100x5 G |
| 9 | 555 4512 | 1 | Lagereinheit | Bearing unit | 30x120x100 M24x1,5 |
| 10 | 305 8924 | 2 | Sicherungsring | Retaining ring | 62x2 DIN472 |
| 11 | 319 8760 | 1 | Schrägkugellager doppelreihig | Bearing | 30/62/30 RSR |
| 12 | 323 0418 | 1 | Schutzkappe | Cap | D79/75/30x8 Zn |
| 13 | 323 5011 | 1 | Lauftring | Race ring | D45/30x20,5 |
| 14 | 323 8301 | 1 | Kassettendichtung | Sealing | RWDR 45x70x14 75 NBR 106200 |
| 15 | 455 0310 | 1 | Achse | Axle | D30x95 M24x1,5 Zn |
| 16 | 455 5145 | 1 | Lagergehäuse | Bearing housing | D120/62x56,4/100 6xD10,2 |
| 17 | 301 3870 | 1 | Sechskantschraube spz. | Hexagon bolt | M16x65-10.9 Zn |
| 18 | 301 4603 | 1 | Sechskantschraube spz. | Hexagon bolt | M20x75-8.8 Zn |
| 22 | 303 1015 | 1 | Sechskantmutter | Hexagon nut | M16 DIN934-8 Zn |
| 25 | 317 3341 | 1 | Einspannbuchse | Expansion bush | EG22/28x20-DIN1498 |
| 26 | 317 3352 | 1 | Einspannbuchse mit Presssitz | Expansion bush | EG28/32x20 |
| 27 | 317 6657 | 1 | Buchse | Bush | D20/28x22 |
| 28 | 317 6658 | 1 | Buchse | Bush | D16/22x22 |



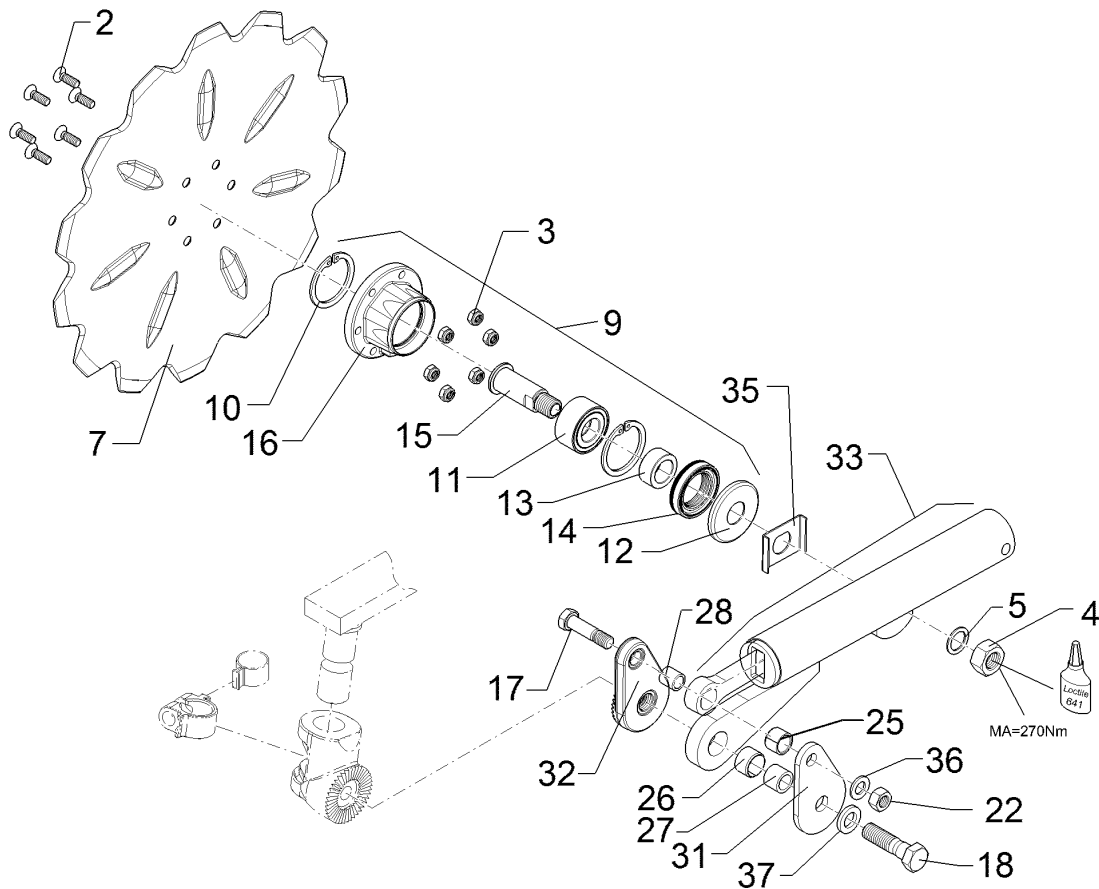
01.18

| Pos. | Art.Nr. | Stck. | Artikeltext / Description | | Abmessung |
|------|----------|-------|---------------------------|--------------------|-----------------------------|
| 31 | 457 9323 | 1 | Platte | Plate | 8x80x135 1xD20,5 1xD16,5 |
| 32 | 457 9324 | 1 | Zahnkonsole | Hirth-type bracket | D77/20,5 40 Zähne |
| 33 | 55710025 | 1 | Federelement | Spring unit | 55710025 |
| 35 | 305 1330 | 1 | Verdrehsicherung | Locking | 50x3x70 D30 Zn |
| 36 | 305 6141 | 1 | Scheibe | Washer | 17/30x3 DIN/ISO-7089 |
| 37 | 305 6012 | 1 | Scheibe | Washer | 21 ISO7089 Zn |



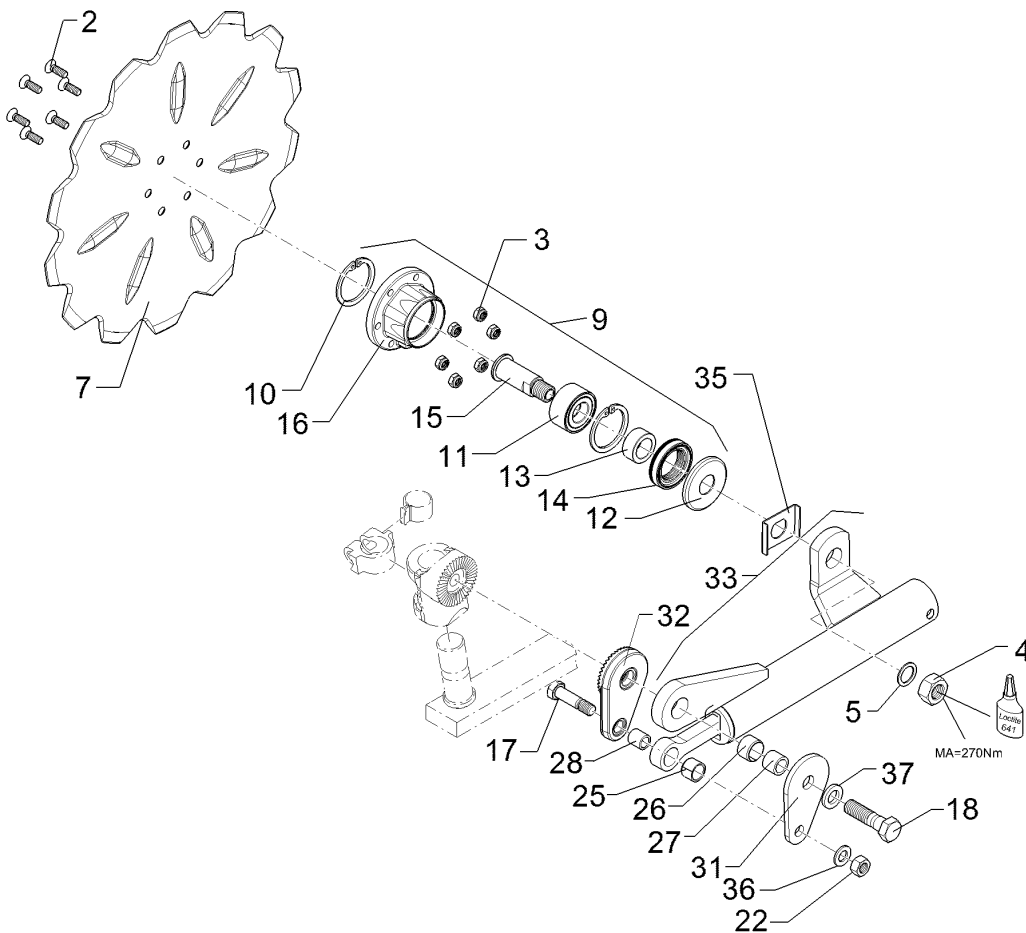
01.18

| Pos. | Art.Nr. | Stck. | Artikeltext / Description | | Abmessung |
|------|----------|-------|-------------------------------|-------------------|--------------------------------|
| 2 | 301 6123 | 6 | Senkschraube | Countersunk bolt | M10x30-10.9 Zn DIN7991-A |
| 3 | 303 0933 | 6 | Sicherungsmutter | Selflocking nut | NM10-8 DIN985 Zn |
| 4 | 303 0996 | 1 | Sechskantmutter | Hexagon nut | M24x1,5 DIN934-8 Zn |
| 5 | 305 2230 | 1 | Stützscheibe | Supporting washer | S 25x35x2,0 DIN988 Zn |
| 7 | 349 0042 | 1 | Sechscheibe | Disc | D500/100x5-Z |
| 9 | 555 4512 | 1 | Lagereinheit | Bearing unit | 30x120x100 M24x1,5 |
| 10 | 305 8924 | 2 | Sicherungsring | Retaining ring | 62x2 DIN472 |
| 11 | 319 8760 | 1 | Schrägkugellager doppelreihig | Bearing | 30/62/30 RSR |
| 12 | 323 0418 | 1 | Schutzkappe | Cap | D79/75/30x8 Zn |
| 13 | 323 5011 | 1 | Lauftring | Race ring | D45/30x20,5 |
| 14 | 323 8301 | 1 | Kassettendichtung | Sealing | RWDR 45x70x14 75 NBR 106200 |
| 15 | 455 0310 | 1 | Achse | Axle | D30x95 M24x1,5 Zn |
| 16 | 455 5145 | 1 | Lagergehäuse | Bearing housing | D120/62x56,4/100 6xD10,2 |
| 17 | 301 3870 | 1 | Sechskantschraube spz. | Hexagon bolt | M16x65-10.9 Zn |
| 18 | 301 4603 | 1 | Sechskantschraube spz. | Hexagon bolt | M20x75-8.8 Zn |
| 22 | 303 1015 | 1 | Sechskantmutter | Hexagon nut | M16 DIN934-8 Zn |
| 25 | 317 3341 | 1 | Einspannbuchse | Expansion bush | EG22/28x20-DIN1498 |
| 26 | 317 3352 | 1 | Einspannbuchse mit Presssitz | Expansion bush | EG28/32x20 |
| 27 | 317 6657 | 1 | Buchse | Bush | D20/28x22 |
| 28 | 317 6658 | 1 | Buchse | Bush | D16/22x22 |



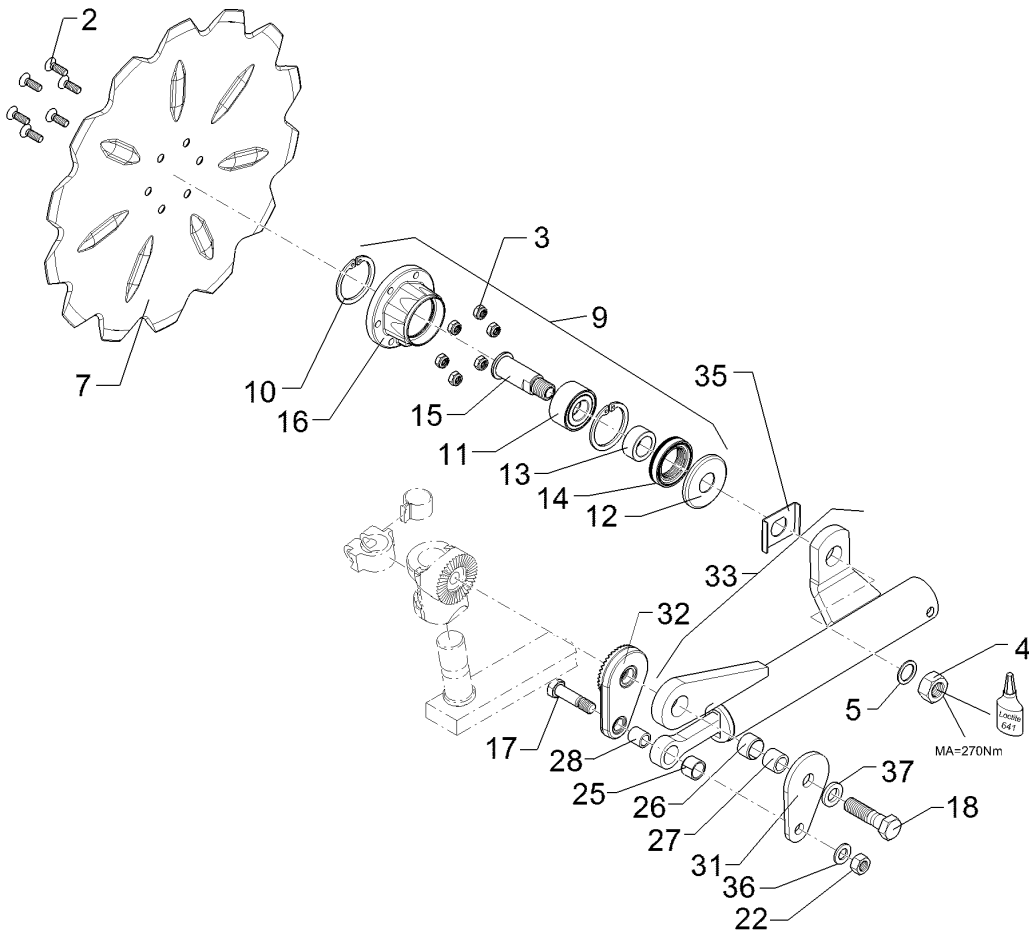
01.18

| Pos. | Art.Nr. | Stck. | Artikeltext / Description | | Abmessung |
|------|----------|-------|---------------------------|--------------------|-----------------------------|
| 31 | 457 9323 | 1 | Platte | Plate | 8x80x135 1xD20,5 1xD16,5 |
| 32 | 457 9324 | 1 | Zahnkonsole | Hirth-type bracket | D77/20,5 40 Zähne |
| 33 | 55710024 | 1 | Federelement | Spring unit | 55710024 |
| 35 | 305 1330 | 1 | Verdrehsicherung | Locking | 50x3x70 D30 Zn |
| 36 | 305 6141 | 1 | Scheibe | Washer | 17/30x3 DIN/ISO-7089 |
| 37 | 305 6012 | 1 | Scheibe | Washer | 21 ISO7089 Zn |



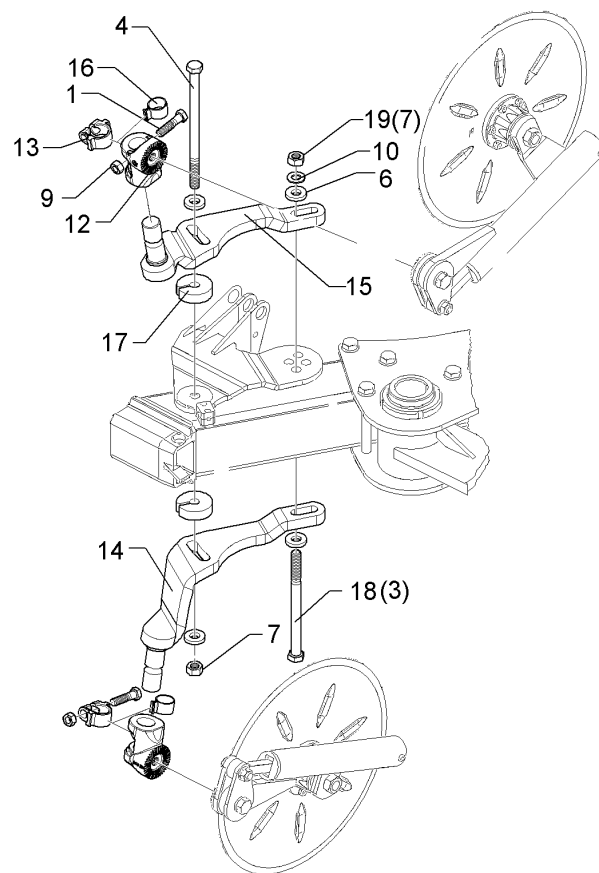
01.18

| Pos. | Art.Nr. | Stck. | Artikeltext / Description | | Abmessung |
|------|----------|-------|-------------------------------|-------------------|--------------------------------|
| 2 | 301 6123 | 6 | Senkschraube | Countersunk bolt | M10x30-10.9 Zn DIN7991-A |
| 3 | 303 0933 | 6 | Sicherungsmutter | Selflocking nut | NM10-8 DIN985 Zn |
| 4 | 303 0996 | 1 | Sechskantmutter | Hexagon nut | M24x1,5 DIN934-8 Zn |
| 5 | 305 2230 | 1 | Stützscheibe | Supporting washer | S 25x35x2,0 DIN988 Zn |
| 7 | 349 0042 | 1 | Sechscheibe | Disc | D500/100x5-Z |
| 9 | 555 4512 | 1 | Lagereinheit | Bearing unit | 30x120x100 M24x1,5 |
| 10 | 305 8924 | 2 | Sicherungsring | Retaining ring | 62x2 DIN472 |
| 11 | 319 8760 | 1 | Schrägkugellager doppelreihig | Bearing | 30/62/30 RSR |
| 12 | 323 0418 | 1 | Schutzkappe | Cap | D79/75/30x8 Zn |
| 13 | 323 5011 | 1 | Lauftring | Race ring | D45/30x20,5 |
| 14 | 323 8301 | 1 | Kassettendichtung | Sealing | RWDR 45x70x14 75 NBR 106200 |
| 15 | 455 0310 | 1 | Achse | Axle | D30x95 M24x1,5 Zn |
| 16 | 455 5145 | 1 | Lagergehäuse | Bearing housing | D120/62x56,4/100 6xD10,2 |
| 17 | 301 3870 | 1 | Sechskantschraube spz. | Hexagon bolt | M16x65-10.9 Zn |
| 18 | 301 4603 | 1 | Sechskantschraube spz. | Hexagon bolt | M20x75-8.8 Zn |
| 22 | 303 1015 | 1 | Sechskantmutter | Hexagon nut | M16 DIN934-8 Zn |
| 25 | 317 3341 | 1 | Einspannbuchse | Expansion bush | EG22/28x20-DIN1498 |
| 26 | 317 3352 | 1 | Einspannbuchse mit Presssitz | Expansion bush | EG28/32x20 |
| 27 | 317 6657 | 1 | Buchse | Bush | D20/28x22 |
| 28 | 317 6658 | 1 | Buchse | Bush | D16/22x22 |



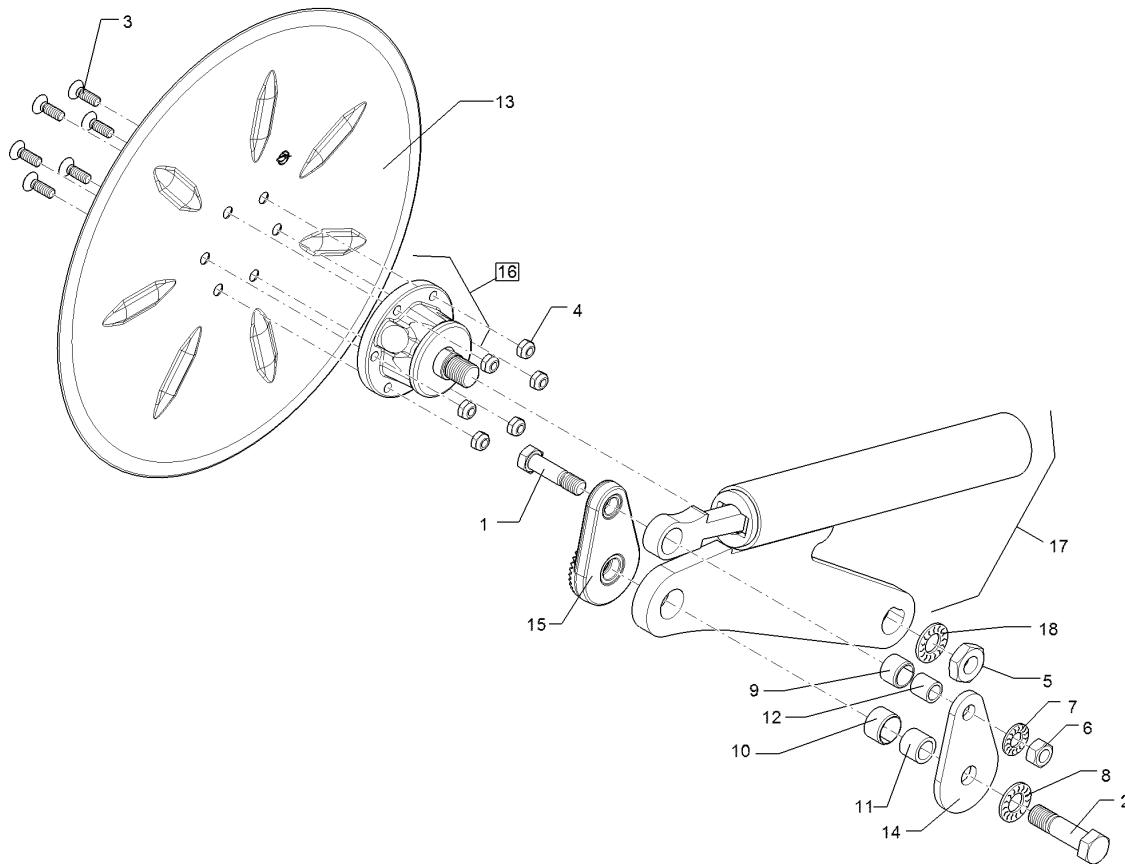
01.18

| Pos. | Art.Nr. | Stck. | Artikeltext / Description | Abmessung | |
|------|----------|-------|---------------------------|--------------------|-----------------------------|
| 31 | 457 9323 | 1 | Platte | Plate | 8x80x135 1xD20,5 1xD16,5 |
| 32 | 457 9324 | 1 | Zahnkonsole | Hirth-type bracket | D77/20,5 40 Zähne |
| 33 | 55710025 | 1 | Federelement | Spring unit | 55710025 |
| 35 | 305 1330 | 1 | Verdrehsicherung | Locking | 50x3x70 D30 Zn |
| 36 | 305 6141 | 1 | Scheibe | Washer | 17/30x3 DIN/ISO-7089 |
| 37 | 305 6012 | 1 | Scheibe | Washer | 21 ISO7089 Zn |



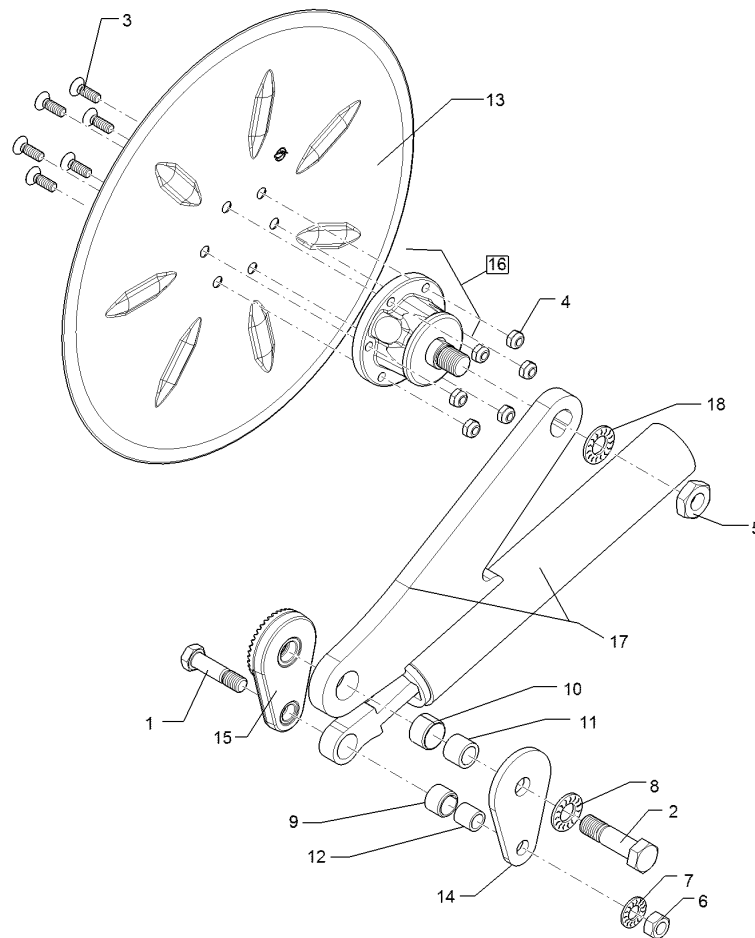
01.18

| Pos. | Art.Nr. | Stck. | Artikeltext / Description | | Abmessung |
|------|----------|-------|---------------------------|--------------------|------------------------------|
| 1 | 301 3868 | 2 | Sechskantschraube | Hexagon bolt | M16x65-8.8 Zn |
| 3 | 301 4572 | 1 | Sechskantschraube | Hexagon bolt | DIN931-A |
| 4 | 301 4582 | 1 | Sechskantschraube | Hexagon bolt | M20x240-8.8 Zn |
| 6 | 305 6015 | 4 | Scheibe | Washer | DIN931-A |
| 7 | 303 0978 | 1 | Sechskantmutter | Hexagon nut | M20x300-8.8 Zn |
| 9 | 303 1015 | 2 | Sechskantmutter | Hexagon nut | DIN931-A |
| 10 | 305 6012 | 1 | Scheibe | Washer | M20 DIN934-8 Zn |
| 12 | 457 9147 | 2 | Zahnkonsole | Hirth-type bracket | 21 DIN7349 |
| 13 | 457 9871 | 2 | Sperrstück | Stop | D70/38 207G 40 |
| 14 | 463 8722 | 1 | Maissechalm | Disc stalk | Zähne |
| 15 | 463 8723 | 1 | Maissechalm | Disc stalk | D38x30 174GRD |
| 16 | 329 1750 | 2 | Flachfeder | U-spring | RE Hydromatic |
| 17 | 305 6384 | 2 | Scheibe | Washer | LI Hydromatic |
| 18 | 301 4547 | 1 | Sechskantschraube spezial | Hexagon bolt | 25x2,5 D41/35 |
| 19 | 303 0977 | 1 | Sechskantmutter | Hexagon nut | D70/21x22 Zn |
| | | | | | M20x1,5x267ls241xb23-10.9 Zn |
| | | | | | M20x1,5 DIN934-10 Zn |



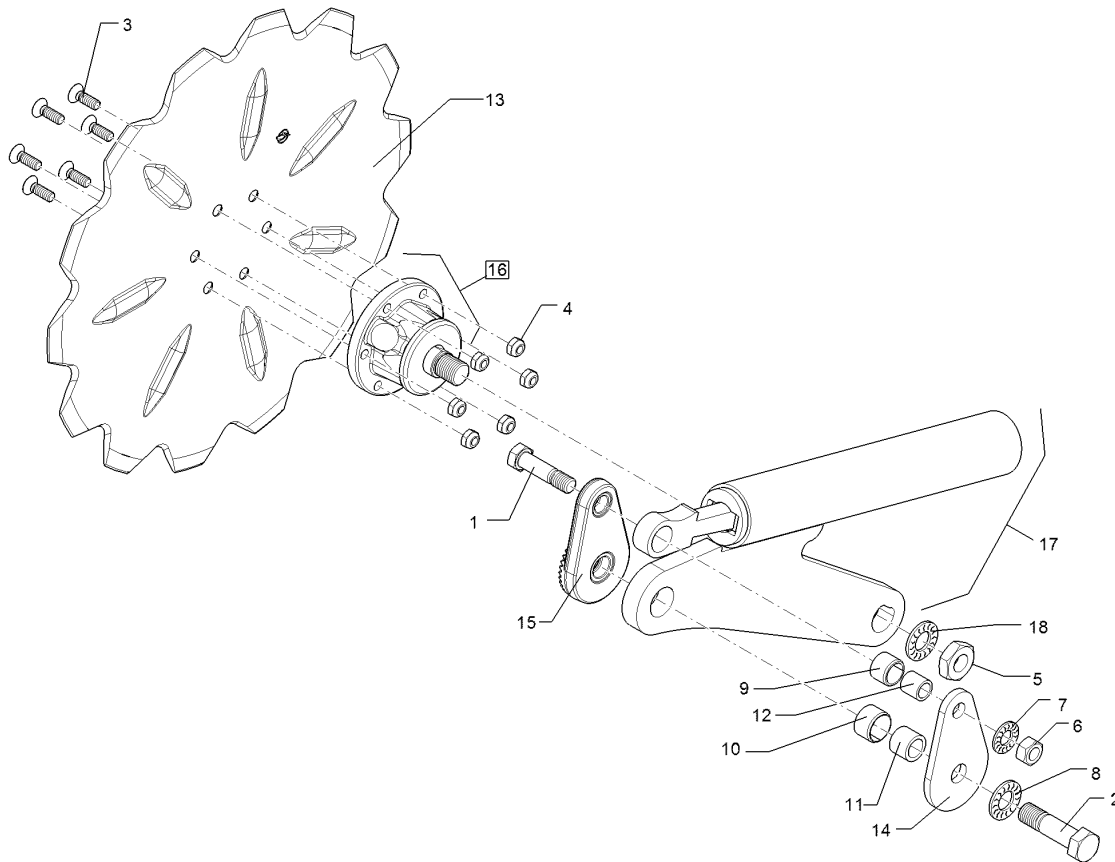
01.18

| Pos. | Art.Nr. | Stck. | Artikeltext / Description | | Abmessung |
|------|----------|-------|------------------------------|--------------------|-----------------------------|
| 1 | 301 3870 | 1 | Sechskantschraube spz. | Hexagon bolt | M16x65-10.9 Zn |
| 2 | 301 4603 | 1 | Sechskantschraube spz. | Hexagon bolt | M20x75-8.8 Zn |
| 3 | 301 6123 | 6 | Senkschraube | Countersunk bolt | M10x30-10.9 Zn DIN7991-A |
| 4 | 303 0933 | 6 | Sicherungsmutter | Selflocking nut | NM10-8 DIN985 Zn |
| 5 | 303 0956 | 1 | Sechskantmutter | Hexagon nut | BM24x1,5 Zn DIN439-8 |
| 6 | 303 0971 | 1 | Sechskantmutter | Hexagon nut | M16 DIN934-10 Zn |
| 7 | 30510119 | 1 | Sperrkantscheibe | Washer | 16,4/32,5x2,5 Zn5 |
| 8 | 30510175 | 1 | Sperrkantscheibe | Washer | 21/40x3 Zn5 |
| 9 | 317 3341 | 1 | Einspannbuchse | Expansion bush | EG22/28x20-DIN1498 |
| 10 | 317 3352 | 1 | Einspannbuchse mit Presssitz | Expansion bush | EG28/32x20 |
| 11 | 317 6657 | 1 | Buchse | Bush | D20/28x22 |
| 12 | 317 6658 | 1 | Buchse | Bush | D16/22x22 |
| 13 | 349 0029 | 1 | Sechsscheibe | Disc | D500/100x5 G |
| 14 | 457 9323 | 1 | Platte | Plate | 8x80x135 1xD20,5 1xD16,5 |
| 15 | 457 9324 | 1 | Zahnkonsole | Hirth-type bracket | D77/20,5 40 Zähne |
| 16 | 555 4512 | 1 | Lagereinheit | Bearing unit | 30x120x100 M24x1,5 |
| 17 | 55710034 | 1 | Secharm | Swinging arm | 63,5x6,3/348 |
| 18 | 30510176 | 1 | Sperrkantscheibe | Washer | 25/50x3,5 Zn5 |



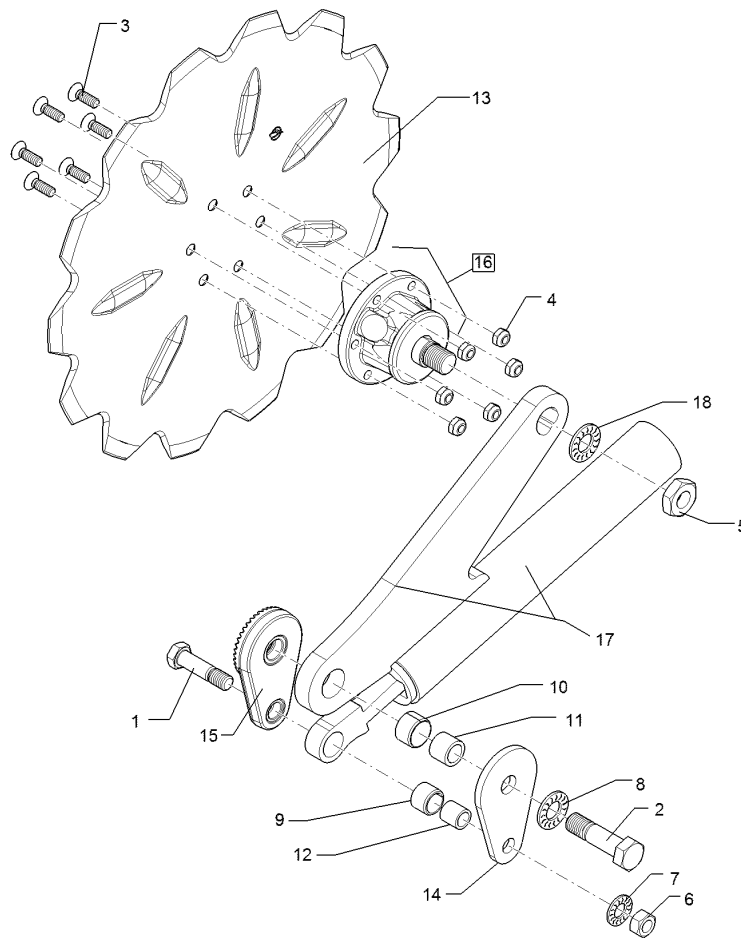
01.18

| Pos. | Art.Nr. | Stck. | Artikeltext / Description | | Abmessung |
|------|----------|-------|------------------------------|--------------------|-----------------------------|
| 1 | 301 3870 | 1 | Sechskantschraube spz. | Hexagon bolt | M16x65-10.9 Zn |
| 2 | 301 4603 | 1 | Sechskantschraube spz. | Hexagon bolt | M20x75-8.8 Zn |
| 3 | 301 6123 | 6 | Senkschraube | Countersunk bolt | M10x30-10.9 Zn DIN7991-A |
| 4 | 303 0933 | 6 | Sicherungsmutter | Selflocking nut | NM10-8 DIN985 Zn |
| 5 | 303 0956 | 1 | Sechskantmutter | Hexagon nut | BM24x1,5 Zn DIN439-8 |
| 6 | 303 0971 | 1 | Sechskantmutter | Hexagon nut | M16 DIN934-10 Zn |
| 7 | 30510119 | 1 | Sperrkantscheibe | Washer | 16,4/32,5x2,5 Zn5 |
| 8 | 30510175 | 1 | Sperrkantscheibe | Washer | 21/40x3 Zn5 |
| 9 | 317 3341 | 1 | Einspannbuchse | Expansion bush | EG22/28x20-DIN1498 |
| 10 | 317 3352 | 1 | Einspannbuchse mit Presssitz | Expansion bush | EG28/32x20 |
| 11 | 317 6657 | 1 | Buchse | Bush | D20/28x22 |
| 12 | 317 6658 | 1 | Buchse | Bush | D16/22x22 |
| 13 | 349 0029 | 1 | Sechsscheibe | Disc | D500/100x5 G |
| 14 | 457 9323 | 1 | Platte | Plate | 8x80x135 1xD20,5 1xD16,5 |
| 15 | 457 9324 | 1 | Zahnkonsole | Hirth-type bracket | D77/20,5 40 Zähne |
| 16 | 555 4512 | 1 | Lagereinheit | Bearing unit | 30x120x100 M24x1,5 |
| 17 | 55710034 | 1 | Secharm | Swinging arm | 63,5x6,3/348 |
| 18 | 30510176 | 1 | Sperrkantscheibe | Washer | 25/50x3,5 Zn5 |



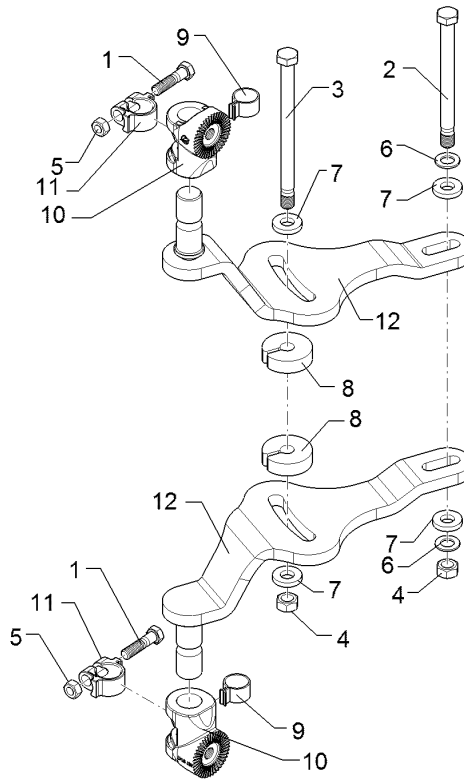
01.18

| Pos. | Art.Nr. | Stck. | Artikeltext / Description | | Abmessung |
|------|----------|-------|------------------------------|--------------------|-----------------------------|
| 1 | 301 3870 | 1 | Sechskantschraube spz. | Hexagon bolt | M16x65-10.9 Zn |
| 2 | 301 4603 | 1 | Sechskantschraube spz. | Hexagon bolt | M20x75-8.8 Zn |
| 3 | 301 6123 | 6 | Senkschraube | Countersunk bolt | M10x30-10.9 Zn DIN7991-A |
| 4 | 303 0933 | 6 | Sicherungsmutter | Selflocking nut | NM10-8 DIN985 Zn |
| 5 | 303 0956 | 1 | Sechskantmutter | Hexagon nut | BM24x1,5 Zn DIN439-8 |
| 6 | 303 0971 | 1 | Sechskantmutter | Hexagon nut | M16 DIN934-10 Zn |
| 7 | 30510119 | 1 | Sperrkantscheibe | Washer | 16,4/32,5x2,5 Zn5 |
| 8 | 30510175 | 1 | Sperrkantscheibe | Washer | 21/40x3 Zn5 |
| 9 | 317 3341 | 1 | Einspannbuchse | Expansion bush | EG22/28x20-DIN1498 |
| 10 | 317 3352 | 1 | Einspannbuchse mit Presssitz | Expansion bush | EG28/32x20 |
| 11 | 317 6657 | 1 | Buchse | Bush | D20/28x22 |
| 12 | 317 6658 | 1 | Buchse | Bush | D16/22x22 |
| 13 | 349 0042 | 1 | Sechsscheibe | Disc | D500/100x5-Z |
| 14 | 457 9323 | 1 | Platte | Plate | 8x80x135 1xD20,5 1xD16,5 |
| 15 | 457 9324 | 1 | Zahnkonsole | Hirth-type bracket | D77/20,5 40 Zähne |
| 16 | 555 4512 | 1 | Lagereinheit | Bearing unit | 30x120x100 M24x1,5 |
| 17 | 55710034 | 1 | Secharm | Swinging arm | 63,5x6,3/348 |
| 18 | 30510176 | 1 | Sperrkantscheibe | Washer | 25/50x3,5 Zn5 |



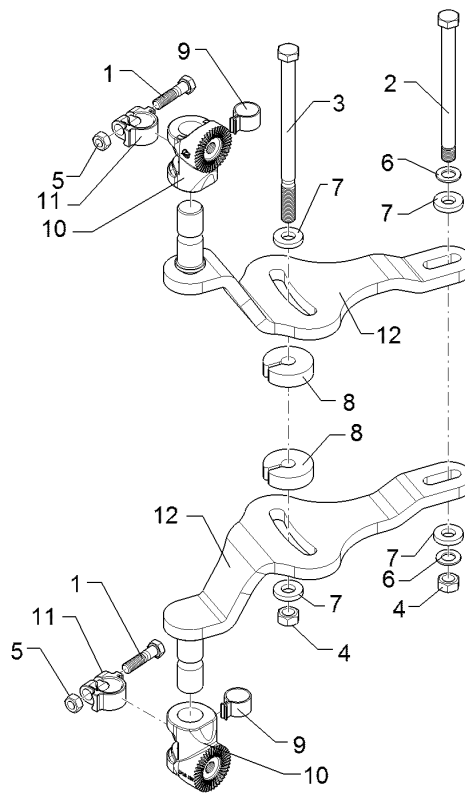
01.18

| Pos. | Art.Nr. | Stck. | Artikeltext / Description | | Abmessung |
|------|----------|-------|------------------------------|--------------------|-----------------------------|
| 1 | 301 3870 | 1 | Sechskantschraube spz. | Hexagon bolt | M16x65-10.9 Zn |
| 2 | 301 4603 | 1 | Sechskantschraube spz. | Hexagon bolt | M20x75-8.8 Zn |
| 3 | 301 6123 | 6 | Senkschraube | Countersunk bolt | M10x30-10.9 Zn DIN7991-A |
| 4 | 303 0933 | 6 | Sicherungsmutter | Selflocking nut | NM10-8 DIN985 Zn |
| 5 | 303 0956 | 1 | Sechskantmutter | Hexagon nut | BM24x1,5 Zn DIN439-8 |
| 6 | 303 0971 | 1 | Sechskantmutter | Hexagon nut | M16 DIN934-10 Zn |
| 7 | 30510119 | 1 | Sperrkantscheibe | Washer | 16,4/32,5x2,5 Zn5 |
| 8 | 30510175 | 1 | Sperrkantscheibe | Washer | 21/40x3 Zn5 |
| 9 | 317 3341 | 1 | Einspannbuchse | Expansion bush | EG22/28x20-DIN1498 |
| 10 | 317 3352 | 1 | Einspannbuchse mit Presssitz | Expansion bush | EG28/32x20 |
| 11 | 317 6657 | 1 | Buchse | Bush | D20/28x22 |
| 12 | 317 6658 | 1 | Buchse | Bush | D16/22x22 |
| 13 | 349 0042 | 1 | Sechsscheibe | Disc | D500/100x5-Z |
| 14 | 457 9323 | 1 | Platte | Plate | 8x80x135 1xD20,5 1xD16,5 |
| 15 | 457 9324 | 1 | Zahnkonsole | Hirth-type bracket | D77/20,5 40 Zähne |
| 16 | 555 4512 | 1 | Lagereinheit | Bearing unit | 30x120x100 M24x1,5 |
| 17 | 55710034 | 1 | Secharm | Swinging arm | 63,5x6,3/348 |
| 18 | 30510176 | 1 | Sperrkantscheibe | Washer | 25/50x3,5 Zn5 |



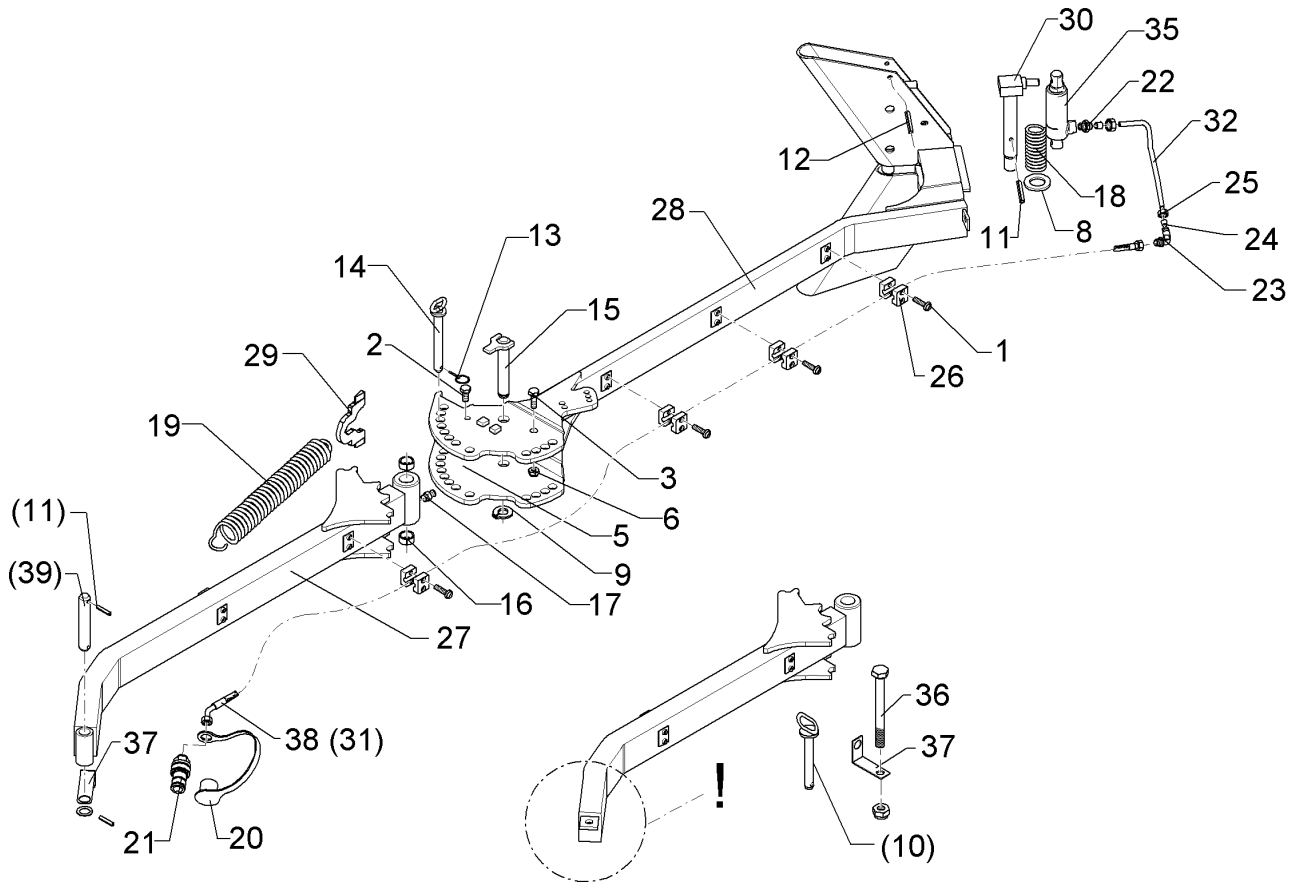
01.18

| Pos. | Art.Nr. | Stck. | Artikeltext / Description | | Abmessung |
|------|----------|-------|---------------------------|---------------------|---------------------------------|
| 1 | 301 3868 | 2 | Sechskantschraube | Hexagon bolt | M16x65-8.8 Zn DIN931-A |
| 2 | 301 4545 | 1 | Sechskantschraube spezial | Hexagon bolt | M20x1,5x230ls204xb23-10.9 Zn |
| 3 | 301 4547 | 1 | Sechskantschraube spezial | Hexagon bolt | M20x1,5x267ls241xb23-10.9 Zn |
| 4 | 303 0977 | 2 | Sechskantmutter | Hexagon nut | M20x1,5 DIN934-10 Zn |
| 5 | 303 1015 | 2 | Sechskantmutter | Hexagon nut | M16 DIN934-8 Zn |
| 6 | 305 6012 | 2 | Scheibe | Washer | 21 ISO7089 Zn |
| 7 | 305 6015 | 4 | Scheibe | Washer | 21 DIN7349 |
| 8 | 305 6384 | 2 | Scheibe | Washer | D70/21x22 Zn |
| 9 | 329 1750 | 2 | Flachfeder | U-spring | 25x2,5 D41/35 |
| 10 | 457 9147 | 2 | Zahnkonsole | Hirth-type bracket | D70/38 207G 40 Zähne |
| 11 | 457 9871 | 2 | Sperrstück | Stop | D38x30 174GRD |
| 12 | 46310012 | 2 | Konsole Scheibensech | Bracket disc couler | T 166x152 |



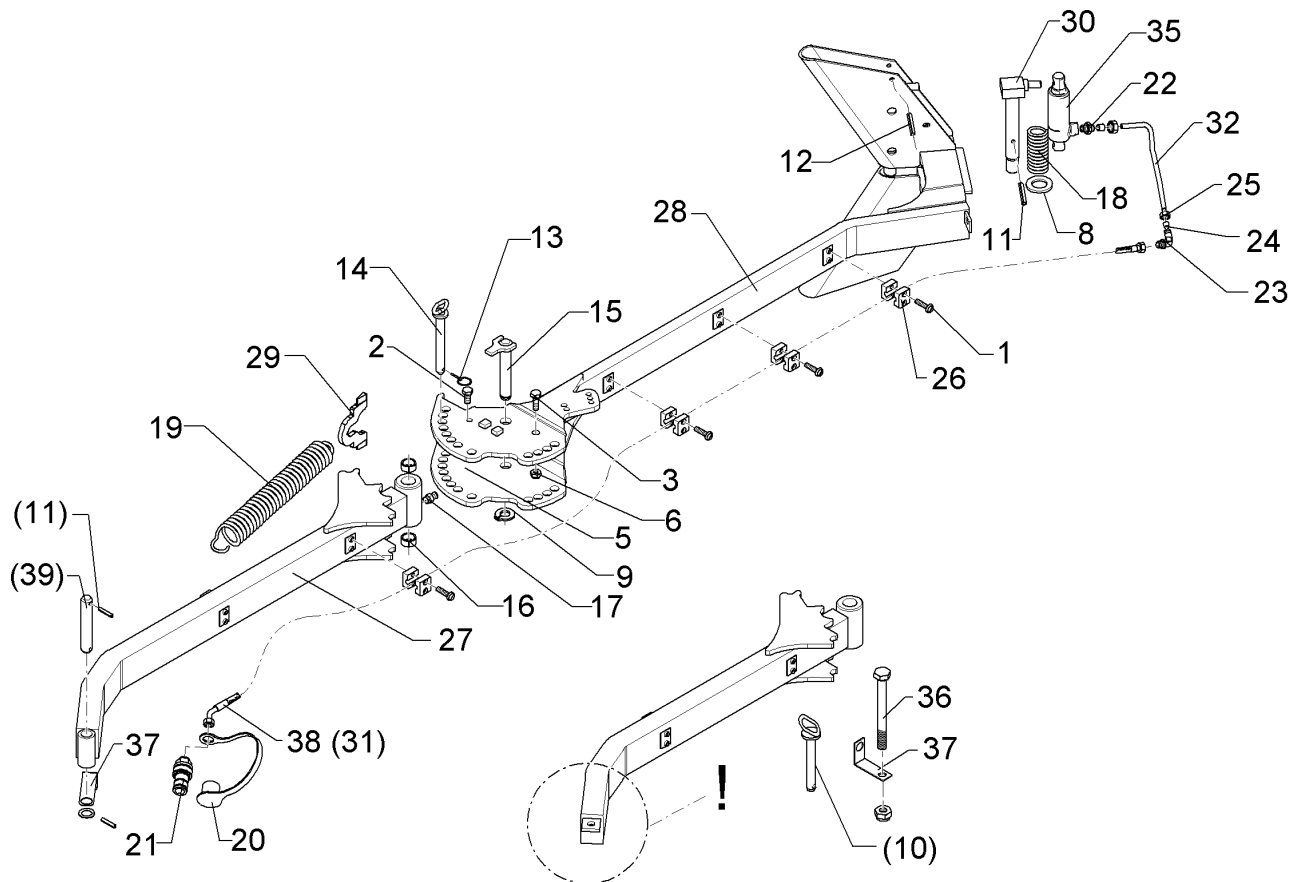
01.18

| Pos. | Art.Nr. | Stck. | Artikeltext / Description | | Abmessung |
|------|----------|-------|---------------------------|---------------------|-------------------------------|
| 1 | 301 3868 | 2 | Sechskantschraube | Hexagon bolt | M16x65-8.8 Zn DIN931-A |
| 2 | 301 4573 | 1 | Sechskantschraube spezial | Hexagon bolt | M20x1,5x250-10.9 Zn |
| 3 | 30110038 | 1 | Sechskantschraube | Hexagon bolt | M20x1,5x300-10.9 DIN960 Zn |
| 4 | 303 0977 | 2 | Sechskantmutter | Hexagon nut | M20x1,5 DIN934-10 Zn |
| 5 | 303 1015 | 2 | Sechskantmutter | Hexagon nut | M16 DIN934-8 Zn |
| 6 | 305 6012 | 2 | Scheibe | Washer | 21 ISO7089 Zn |
| 7 | 305 6015 | 4 | Scheibe | Washer | 21 DIN7349 |
| 8 | 305 6384 | 2 | Scheibe | Washer | D70/21x22 Zn |
| 9 | 329 1750 | 2 | Flachfeder | U-spring | 25x2,5 D41/35 |
| 10 | 457 9147 | 2 | Zahnkonsole | Hirth-type bracket | D70/38 207G 40 Zähne |
| 11 | 457 9871 | 2 | Sperrstück | Stop | D38x30 174GRD |
| 12 | 46310012 | 2 | Konsole Scheibensech | Bracket disc couler | T 166x152 |



01.18

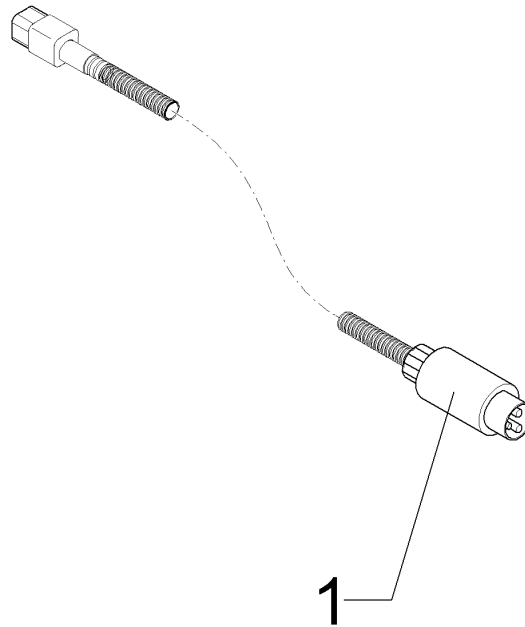
| Pos. | Art.Nr. | Stck. | Artikeltext / Description | | Abmessung |
|------|----------|-------|------------------------------|--------------------|----------------------------------|
| 1 | 301 0302 | 10 | Linsenschraube | Oval head screw | M6x25-4,6 Zn DIN7985 |
| 2 | 301 3314 | 1 | Sechskantschraube | Hexagon bolt | M12x25-8.8 Zn DIN933 |
| 3 | 301 3701 | 1 | Sechskantschraube | Hexagon bolt | M16x35-12.9 A=max.3 Zn DIN933 |
| 5 | 303 0934 | 1 | Sicherungsmutter | Selflocking nut | NM12-8 Zn DIN985 |
| 6 | 303 0935 | 1 | Sicherungsmutter | Selflocking nut | NM16-8 Zn DIN985 |
| 8 | 305 6229 | 1 | Scheibe | Washer | 45x31x5 Zn DIN1441 |
| 9 | 305 8861 | 1 | Sicherungsring | Retaining ring | 25x2 DIN471 Zn |
| 10 | 313 8715 | 1 | Bolzen mit Griff | Pin with grip | D16x116,75/135 Zn |
| 11 | 309 6072 | 2 | Spannhülse | Expansion bush | 8x40-DIN1481 Zn |
| 12 | 309 6174 | 2 | Spannhülse | Expansion bush | 10x70-DIN1481 |
| 13 | 311 9565 | 3 | Klappstift | Securing pin | 4,5 |
| 14 | 313 2020 | 2 | Bolzen mit Griff | Pin with grip | D20x143/165 Zn |
| 15 | 313 2538 | 1 | Bolzen mit Verdrehsicherung | Pin with stop | D25x136/153 Zn |
| 16 | 317 3408 | 2 | Einspannbuchse mit Presssitz | Expansion bush | EG25/32x20 |
| 17 | 323 6348 | 1 | Schmiernippel | Grease nipple | AM10x1 DIN71412 |
| 18 | 329 8289 | 1 | Druckfeder | Compression spring | 5x37x138 |
| 19 | 329 8595 | 1 | Zugfeder | Spring | 7x35x437 |
| 20 | 375 2164 | 1 | Staubkappe | Dust cap | rd BG.2 |
| 21 | 375 2716 | 1 | SVK-Stecker | Hydraulic coupling | BG-2 10LM16x1,5 |
| 22 | 375 3990 | 1 | Einschraubverschraubung | Nipple | x-GE 10-LM M18x1,5 |
| 23 | 375 4390 | 1 | Winkel-Schottverschraubung | Angle union | x-WSV10-L M16x1,5 |



01.18

| Pos. | Art.Nr. | Stck. | Artikeltext / Description | | Abmessung |
|------|----------|-------|---------------------------|----------------|-------------------------------|
| 24 | 375 5100 | 2 | Schneidring | Cutting ring | S 10 L WD |
| 25 | 375 5300 | 2 | Überwurfmutter | Union nut | 10L M16x1,5 Zn |
| 26 | 375 9961 | 10 | Schellenkörper | Clamp | 1/2x215 PP |
| 27 | 422 9529 | 1 | Mitnehmerarm | Attachment arm | Juwel 7/8 80x50x1255 |
| 28 | 422 9515 | 1 | Fangarm | Hook arm | 80x30 E2V |
| 29 | 422 9516 | 1 | Hebel | Lever | 10x93x140 |
| 30 | 422 9550 | 1 | Verriegelungsbolzen | Locking pin | D30x240 Zn |
| 31 | 475 2677 | 1 | Hydraulikschlauch | Hydraulic hose | 1SN08-2200 DKOL10 0/45 GRD |
| 32 | 57511111 | 1 | Hydraulikrohr | Hydraulic tube | 10x2x309 3xGEB |
| 35 | 575 2328 | 1 | Hydraulikzylinder | Hydraulic ram | ED30/35 D16/170 |
| 37 | 475 4423 | 1 | Halter | Holder | 2,5x30x175 1xGEB90GRD Zn |
| 38 | 475 2700 | 1 | Hydraulikschlauch | Hydraulic hose | 1SN08-2400 DKOL10 0/45 GRD |
| 39 | 31310001 | 1 | Bolzen | Pin | D25x140 Zn |

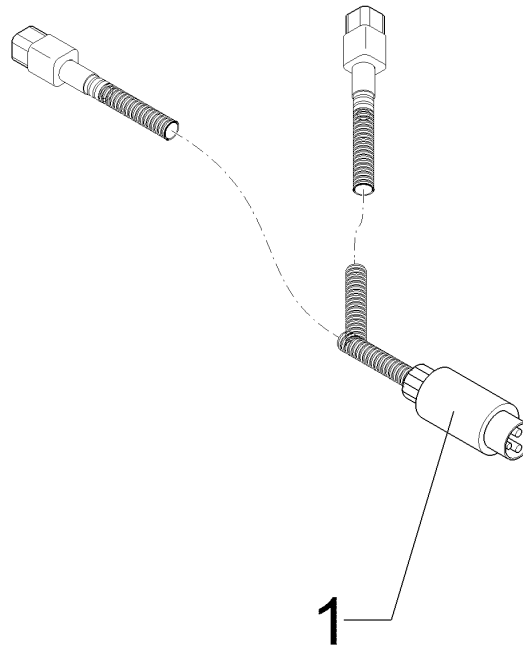
| | |
|--|----------|
| Kabelb. TurnCtrl. Schlepper A/Cable form | 9 |
| Juwel 7 T | 573 6043 |



01.18

| Pos. | Art.Nr. | Stck. | Artikeltext / Description | | Abmessung |
|------|----------|-------|-------------------------------|------------|-------------|
| 1 | 573 6043 | 1 | Kabelb. TurnCtrl. Schlepper A | Cable form | TurnControl |

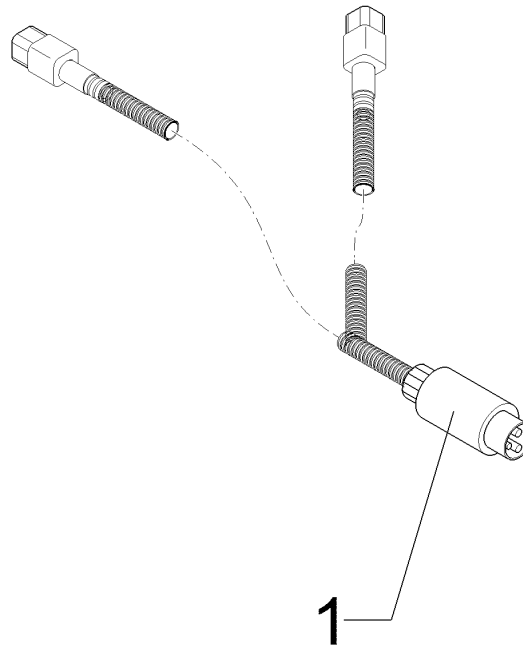
| | |
|--|----------|
| Kabelb. TurnCtrl. Schlepper B/Cable form | 9 |
| Juwel 7 T | 573 6045 |



01.18

| Pos. | Art.Nr. | Stck. | Artikeltext / Description | | Abmessung |
|------|----------|-------|-------------------------------|------------|-------------|
| 1 | 573 6045 | 1 | Kabelb. TurnCtrl. Schlepper B | Cable form | TurnControl |

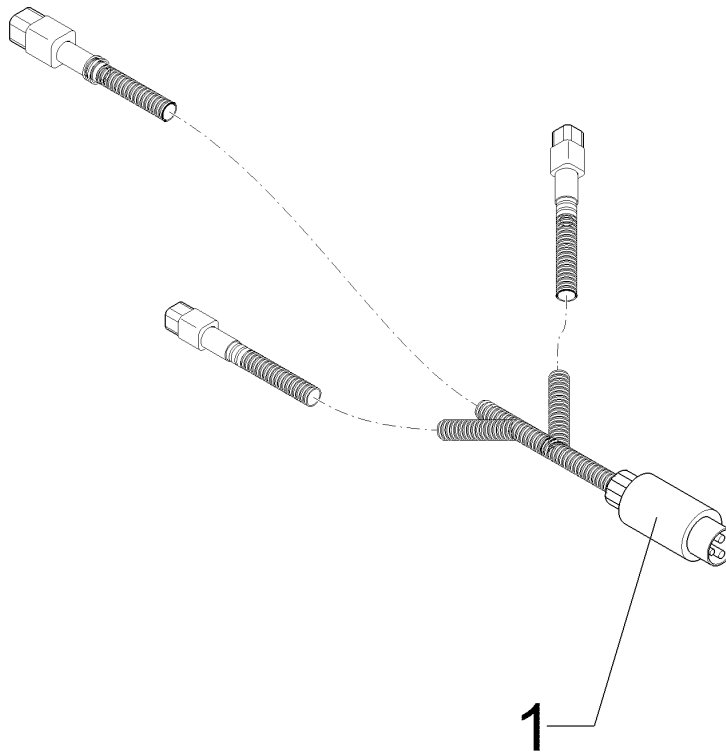
| | |
|----------------------|----------|
| Kabelbaum/Cable form | 9 |
| Juwel 7 T | 573 6048 |



01.18

| Pos. | Art.Nr. | Stck. | Artikeltext / Description | | Abmessung |
|------|----------|-------|---------------------------|------------|-------------|
| 1 | 573 6048 | 1 | Kabelbaum | Cable form | TurnControl |

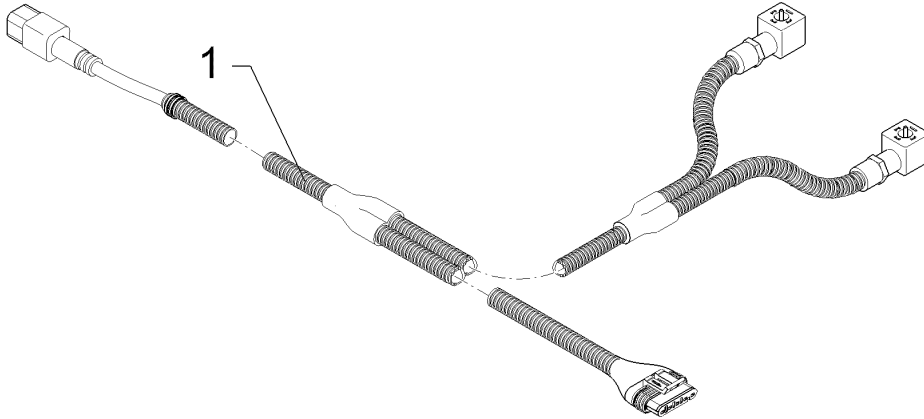
| | |
|--|----------|
| Kabelb. TurnCtrl. Schlepper C/Cable form | 9 |
| Juwel 7 T | 573 6052 |



01.18

| Pos. | Art.Nr. | Stck. | Artikeltext / Description | | Abmessung |
|------|----------|-------|-------------------------------|------------|-------------|
| 1 | 573 6052 | 1 | Kabelb. TurnCtrl. Schlepper C | Cable form | TurnControl |

| | |
|----------------------|----------|
| Kabelbaum/Cable form | 9 |
| Juwel 7 T | 57310087 |

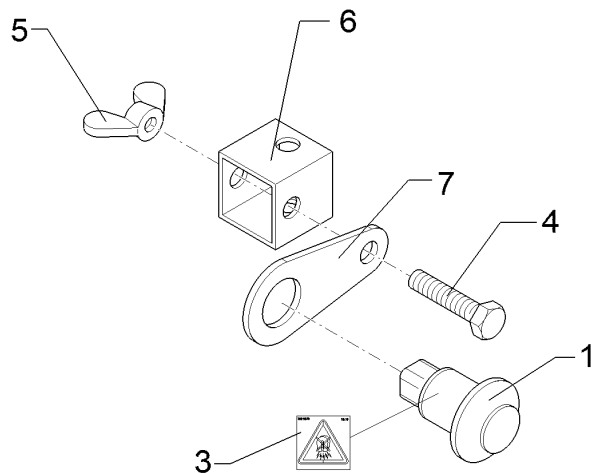


01.18

| Pos. | Art.Nr. | Stck. | Artikeltext / Description | | Abmessung |
|------|----------|-------|---------------------------|------------|--------------|
| 1 | 57310087 | 1 | Kabelbaum | Cable form | Drehzylinder |

| | |
|---------------|---|
| Taster/Switch | 9 |
|---------------|---|

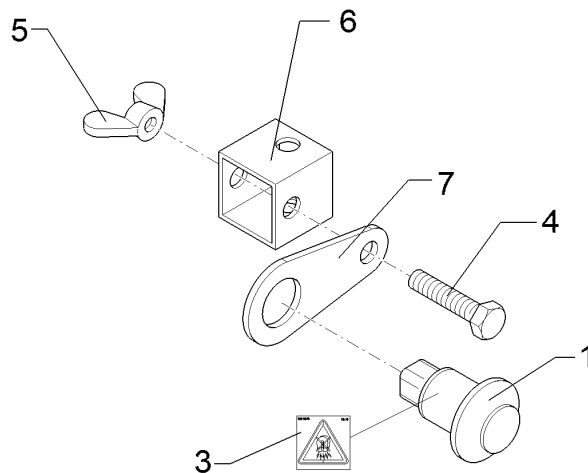
| | |
|-----------|----------|
| Juwel 7 T | 673 4604 |
|-----------|----------|



01.18

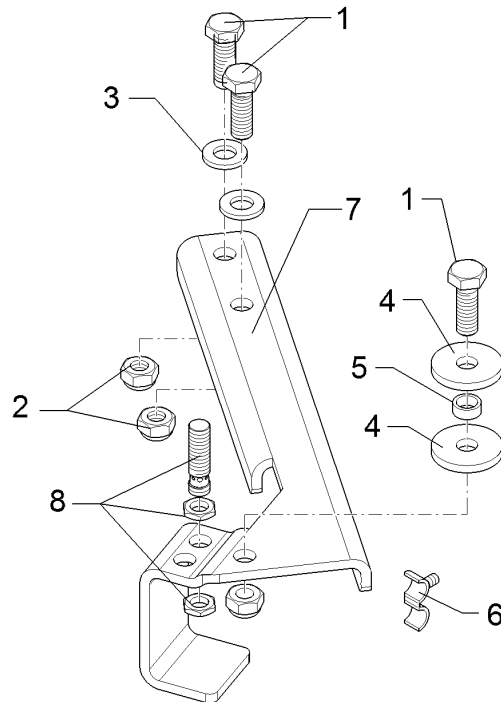
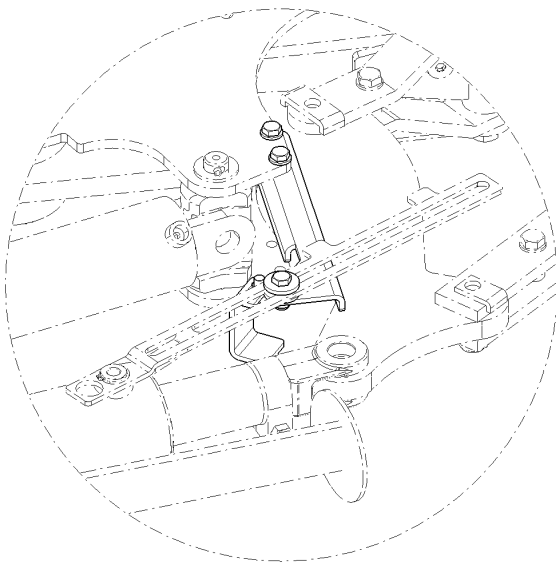
| Pos. | Art.Nr. | Stck. | Artikeltext / Description | | Abmessung |
|------|----------|-------|---------------------------|--------------|---------------------------|
| 1 | 573 4604 | 1 | Taster | Switch | bu, LED wh, DT04 |
| 3 | 390 0648 | 1 | Aufkleber | Label | 20x20 Magnet |
| 4 | 301 3076 | 1 | Sechskantschraube | Hexagon bolt | M8x50-8.8 Zn DIN933-A |
| 5 | 303 1508 | 1 | Flügelmutter | Wing nut | M8-DIN315-5 A3B |
| 6 | 473 8064 | 1 | Halter für Strangprofil | Holder | GBT 2000 30x30x2x30 Zn |
| 7 | 473 8129 | 1 | Halter | Holder | 4x45x85 Zn |

| | |
|----------------------|-----------------|
| Taster/Switch | 9 |
| Juwel 7 T | 673 4607 |



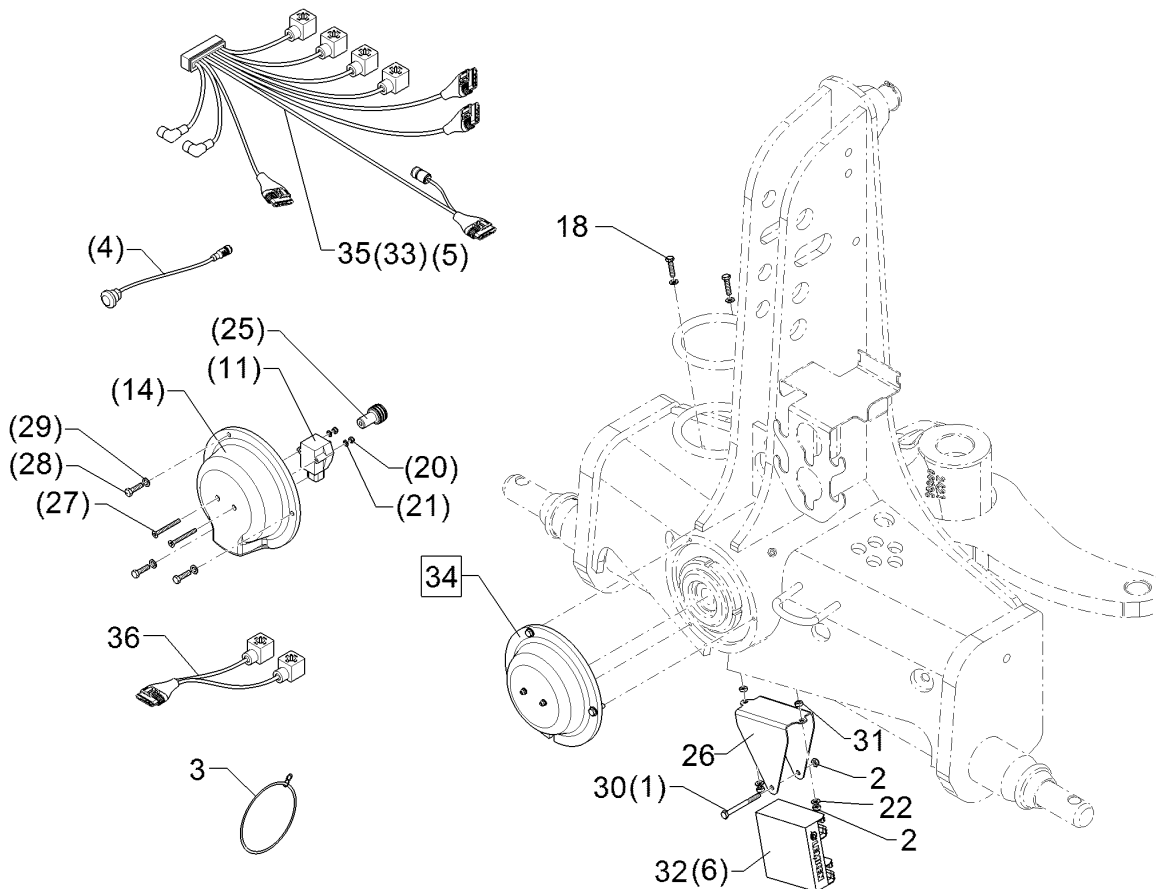
01.18

| Pos. | Art.Nr. | Stck. | Artikeltext / Description | | Abmessung |
|------|----------|-------|---------------------------|--------------|---------------------------|
| 1 | 573 4607 | 1 | Taster | Switch | ye, LED rd, DT04 |
| 3 | 390 0648 | 1 | Aufkleber | Label | 20x20 Magnet |
| 4 | 301 3076 | 1 | Sechskantschraube | Hexagon bolt | M8x50-8.8 Zn DIN933-A |
| 5 | 303 1508 | 1 | Flügelmutter | Wing nut | M8-DIN315-5 A3B |
| 6 | 473 8064 | 1 | Halter für Strangprofil | Holder | GBT 2000 30x30x2x30 Zn |
| 7 | 473 8129 | 1 | Halter | Holder | 4x45x85 Zn |



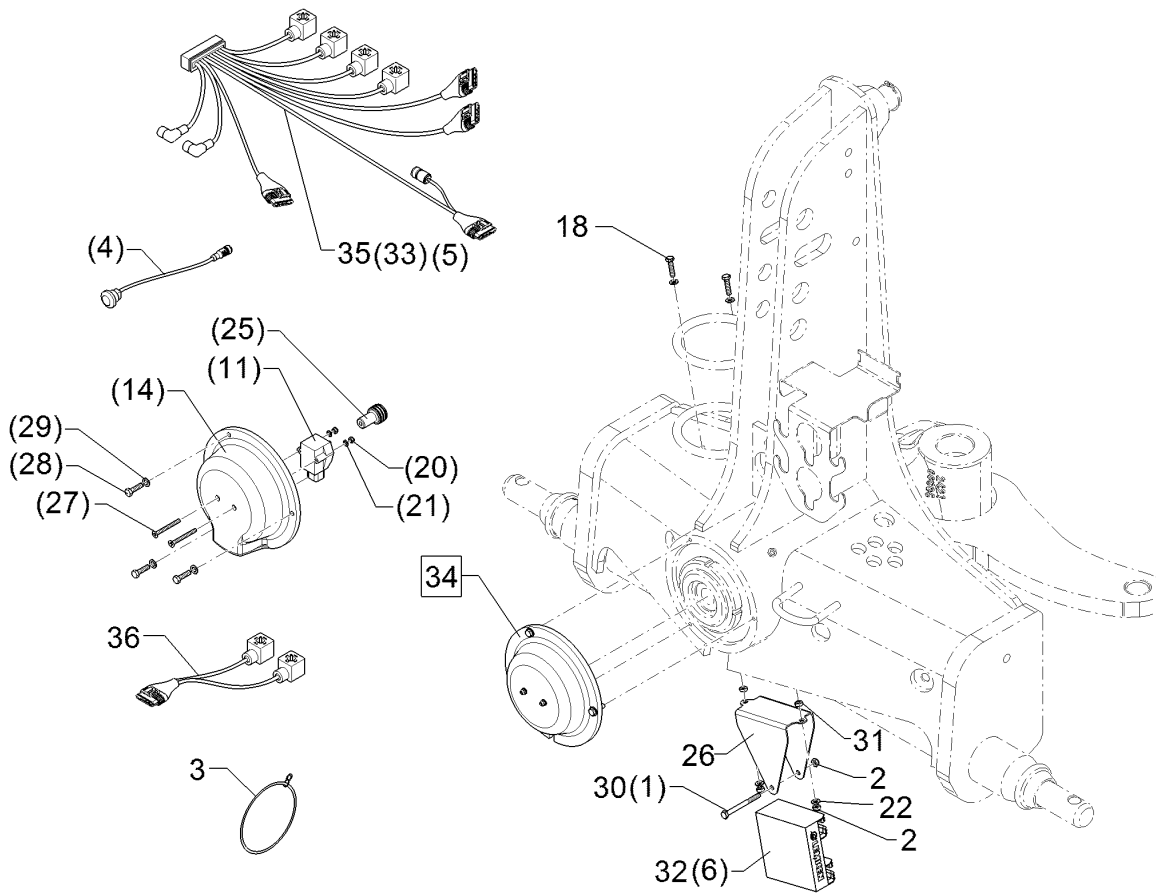
01.18

| Pos. | Art.Nr. | Stck. | Artikeltext / Description | | Abmessung |
|------|----------|-------|---------------------------------|-----------------|--------------------------------|
| 1 | 301 3335 | 3 | Sechskantschraube | Hexagon bolt | M12x35-10.9 Zn DIN933 |
| 2 | 303 0934 | 3 | Sicherungsmutter | Selflocking nut | NM12-8 Zn DIN985 |
| 3 | 305 6137 | 2 | Scheibe | Washer | 13/25x3 DIN1441-St Zn |
| 4 | 305 6147 | 2 | Scheibe | Washer | D12/40x5 Kunststoff |
| 5 | 317 7668 | 1 | Buchse | Bush | D16x2x7 Zn |
| 6 | 373 2832 | 3 | Befestigungsclip Wellrohr NW7,5 | Clip | NW 7,5 |
| 7 | 473 8120 | 1 | Sensorhalter | Sensor holder | 6x203x325 Zn Juwel |
| 8 | 573 4375 | 1 | Sensor | Sensor | M12x1,5x45, 3P, PNP, IFS204 |



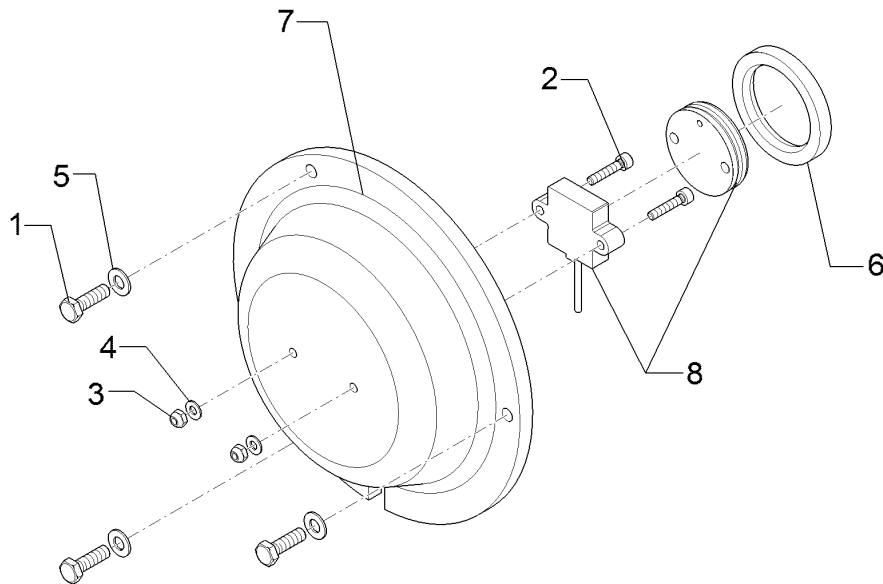
01.18

| Pos. | Art.Nr. | Stck. | Artikeltext / Description | | Abmessung |
|------|----------|-------|--------------------------------|--------------------|-------------------------------|
| 1 | 301 3038 | 1 | Sechskantschraube | Hexagon bolt | M6x65-8.8 Zn DIN931-A |
| 2 | 303 0931 | 3 | Sicherungsmutter | Selflocking nut | NM6-8 Zn DIN985 |
| 3 | 373 1925 | 1 | Spannring | Clamping ring | - |
| 4 | 573 4606 | 1 | Taster | Switch | TurnControl |
| 5 | 573 6040 | 1 | Kabelbaum | Cable form | TurnControl Turm |
| 6 | 573 6050 | 1 | Steuerung | Control | Juwel Turncontrol LPS-1 |
| 11 | 573 4384 | 1 | Winkelsensor | Angle sensor | 240 GRD |
| 14 | 32310041 | 1 | Deckel | Cover | D180x47 3xD6,5 2xD8 |
| 18 | 301 3006 | 2 | Sechskantschraube | Hexagon bolt | M6x25-8.8 Zn DIN933 |
| 20 | 303 0928 | 2 | Sicherungsmutter | Selflocking nut | NM4-8 Zn DIN985 |
| 21 | 305 8567 | 2 | Scheibe | Washer | 4,3 DIN125 Zn |
| 22 | 305 8571 | 4 | Scheibe | Washer | 6,4 DIN125-A Zn |
| 25 | 455 3171 | 1 | Kunststoffkupplung | Synthetic coupling | D25,4/24x36,5 |
| 26 | 47310018 | 1 | Halter | Holder | 2x126x279 4xD7 U-53 LPS Zn |
| 27 | 301 6088 | 2 | Senkschraube m. Innensechskant | Countersunk bolt | M4x40-8.8 Zn DIN7991-A |
| 28 | 301 3004 | 3 | Sechskantschraube | Hexagon bolt | M6x20-8.8 Zn DIN933 |
| 29 | 305 8573 | 3 | Scheibe | Washer | 6,5/13x1,25 St-Zn |
| 30 | 301 0308 | 1 | Linsenschraube | Oval head screw | M6x55-4,6 Zn DIN7985 |
| 31 | 303 1009 | 2 | Sechskantmutter | Hexagon nut | M6 DIN934-8 Zn |



01.18

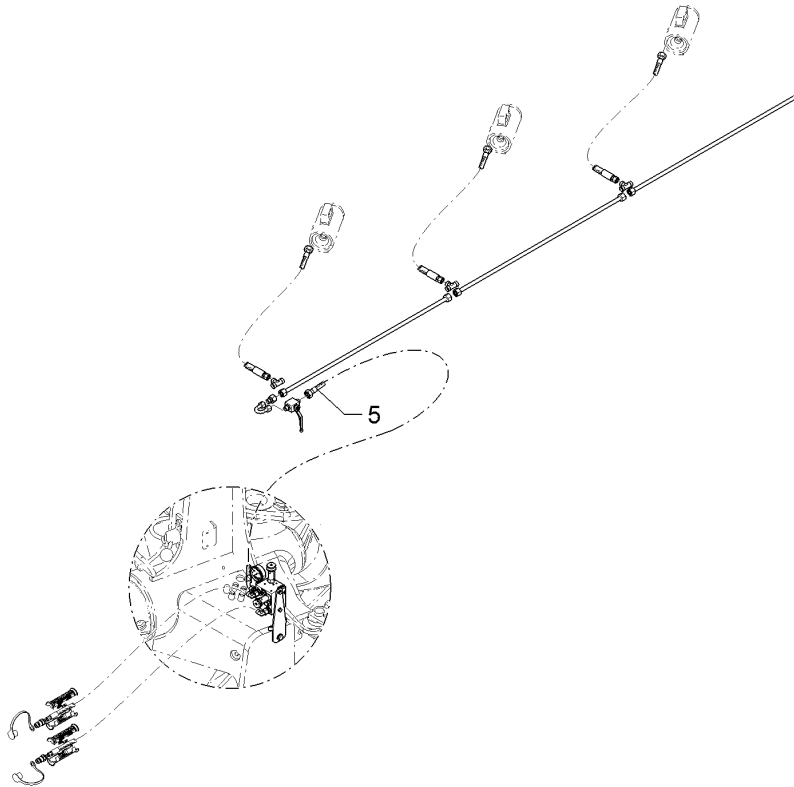
| Pos. | Art.Nr. | Stck. | Artikeltext / Description | Abmessung |
|------|----------|-------|---------------------------|-------------|
| 32 | 57310141 | 1 | Steuerung | LPS-2 |
| 33 | 57310184 | 1 | Kabelbaum | TurnControl |
| 34 | 67310155 | 1 | Winkelsensor | 240° |
| 35 | 57310505 | 1 | Kabelbaum | LPS-2 |
| 36 | 57310506 | 1 | Kabelbaum | TurnControl |



01.18

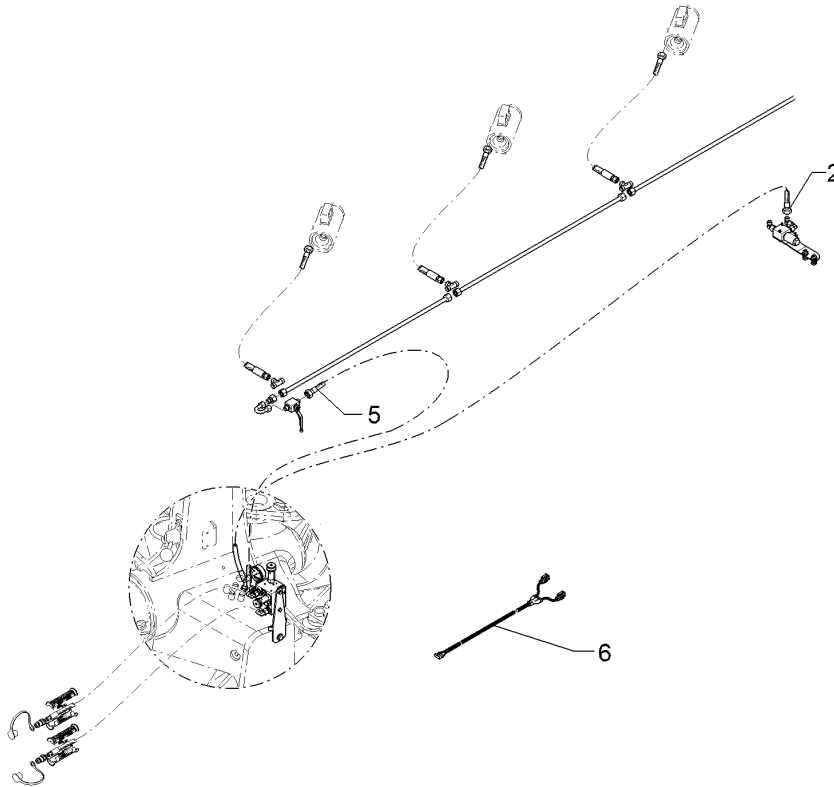
| Pos. | Art.Nr. | Stck. | Artikeltext / Description | | Abmessung |
|------|----------|-------|---------------------------|-----------------|------------------------|
| 1 | 301 3004 | 3 | Sechskantschraube | Hexagon bolt | M6x20-8.8 Zn DIN933 |
| 2 | 30110465 | 2 | Zylinderschraube | Allen screw | M4x20-8.8 Zn DIN912 |
| 3 | 303 0928 | 2 | Sicherungsmutter | Selflocking nut | NM4-8 Zn DIN985 |
| 4 | 305 8567 | 2 | Scheibe | Washer | 4,3 DIN125 Zn |
| 5 | 305 8573 | 3 | Scheibe | Washer | 6,5/13x1,25 St-Zn |
| 6 | 323 8032 | 1 | Wellendichtring | Oil seal | 40x55x7 BA |
| 7 | 32310137 | 1 | Deckel | Cover | 180x8x42 PE |
| 8 | 57310086 | 1 | Winkelsensor | Angle sensor | 240° 12V |

| | |
|-----------------------------|----------|
| Schlauchpaket/Hose-assembly | 10 |
| Juwel 7 T | 47510178 |



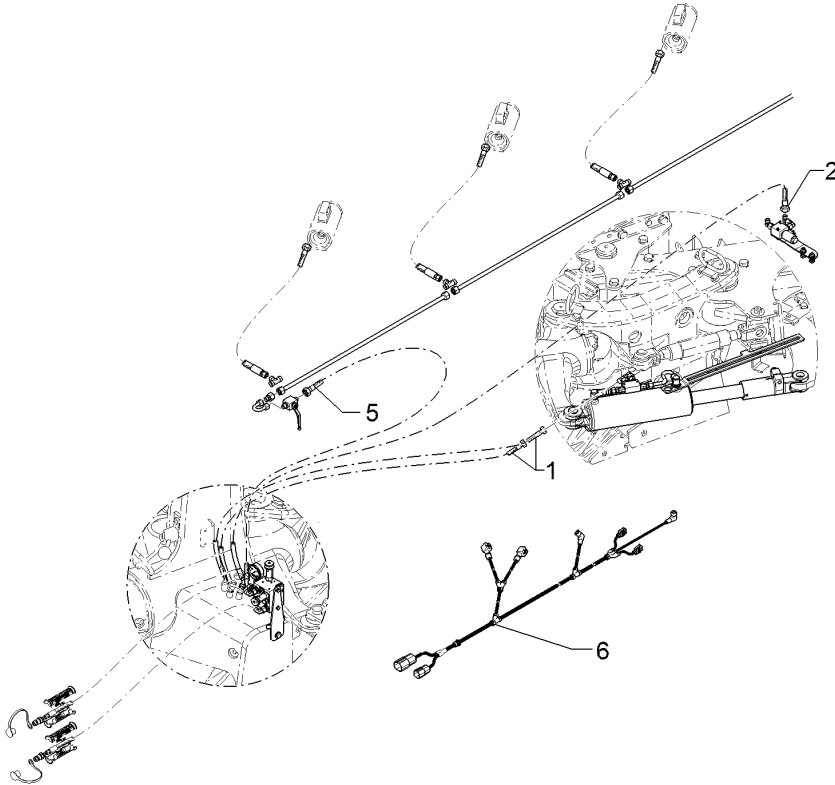
01.18

| Pos. | Art.Nr. | Stck. | Artikeltext / Description | | Abmessung |
|------|----------|-------|---------------------------|----------------|------------------------------|
| 5 | 47510226 | 1 | Hydraulikschlauch | Hydraulic hose | MTH06-3440 DKOL12 00°/45° |



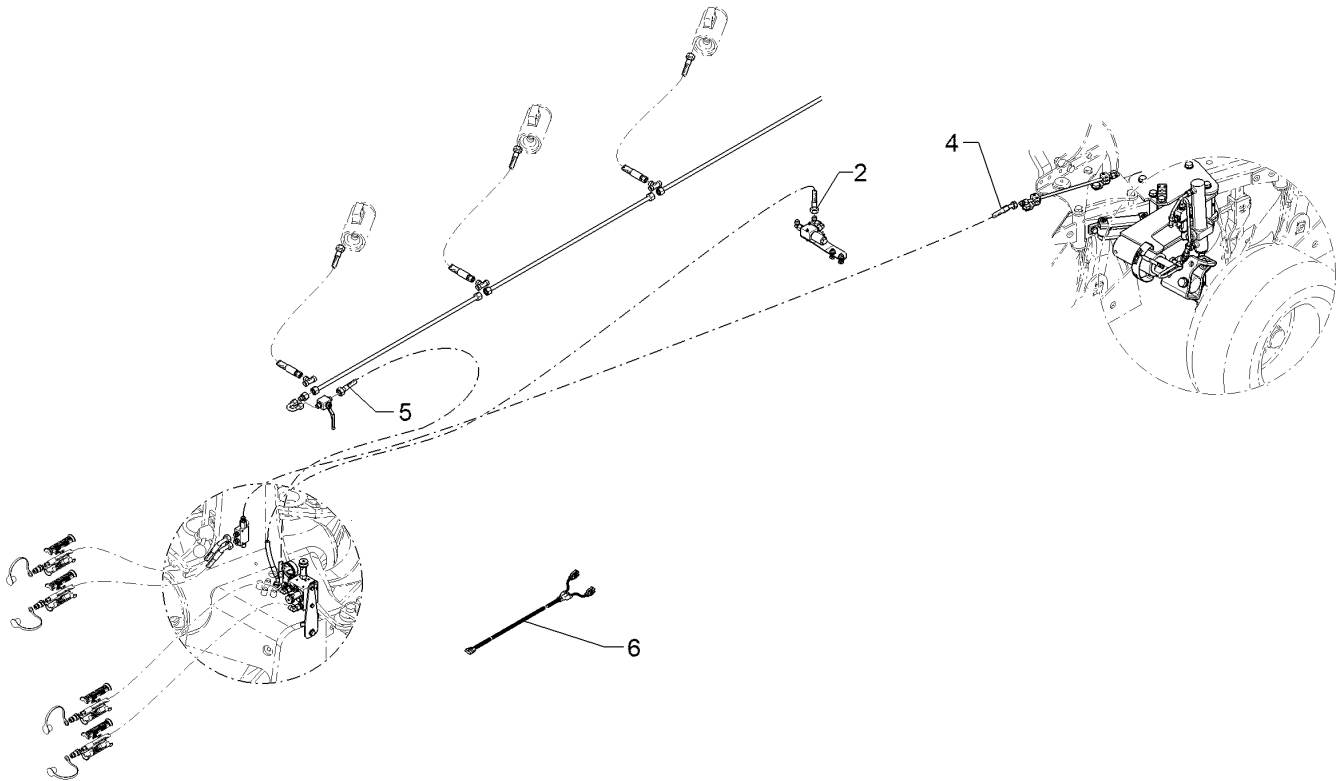
01.18

| Pos. | Art.Nr. | Stck. | Artikeltext / Description | | Abmessung |
|------|----------|-------|------------------------------|----------------|------------------------------|
| 2 | 47510227 | 1 | Hydraulikschlauch | Hydraulic hose | MTH06-3150 DKOL12 00°/45° |
| 5 | 47510226 | 1 | Hydraulikschlauch | Hydraulic hose | MTH06-3440 DKOL12 00°/45° |
| 6 | 57310063 | 1 | Verlängerung Kabelbaum Pflug | Extension | - |



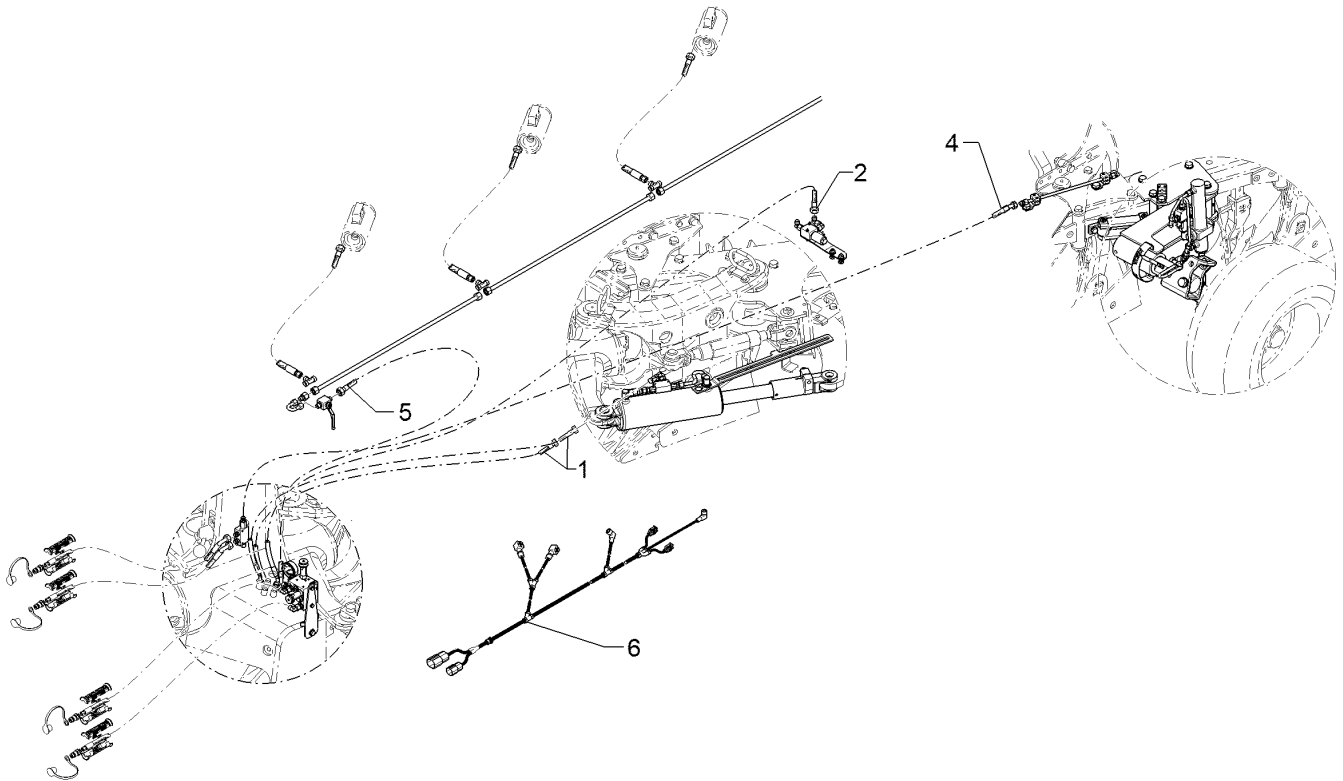
01.18

| Pos. | Art.Nr. | Stck. | Artikeltext / Description | | Abmessung |
|------|----------|-------|---------------------------|----------------|--------------------------------------|
| 1 | 47510203 | 2 | Hydraulikschlauch | Hydraulic hose | 2SC08-2670 DKOL12/DKOL12 0/45° |
| 2 | 47510227 | 1 | Hydraulikschlauch | Hydraulic hose | MTH06-3150 DKOL12 00°/45° |
| 5 | 47510226 | 1 | Hydraulikschlauch | Hydraulic hose | MTH06-3440 DKOL12 00°/45° |
| 6 | 57310060 | 1 | Kabelbaum | Cable form | Juwel 7 |



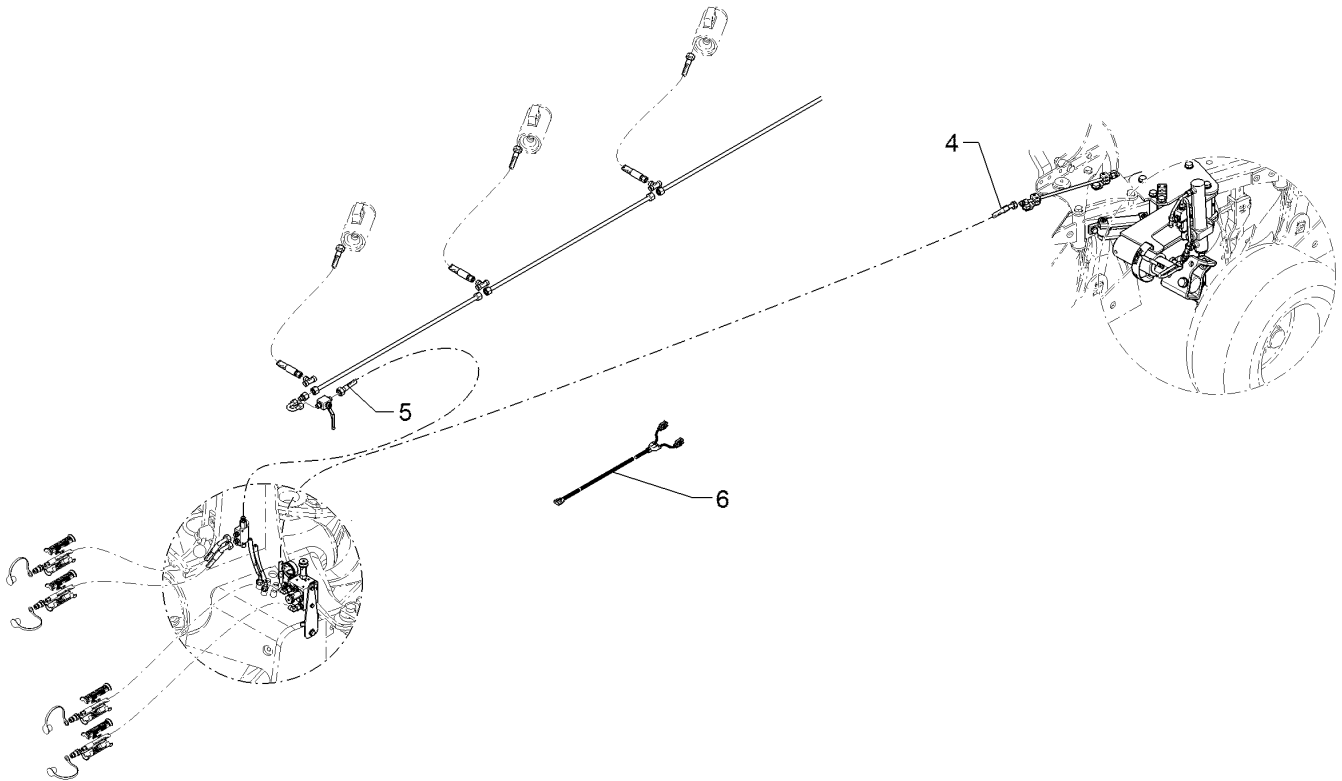
01.18

| Pos. | Art.Nr. | Stck. | Artikeltext / Description | | Abmessung |
|------|----------|-------|------------------------------|----------------|------------------------------|
| 2 | 47510227 | 1 | Hydraulikschlauch | Hydraulic hose | MTH06-3150 DKOL12 00°/45° |
| 4 | 47510226 | 1 | Hydraulikschlauch | Hydraulic hose | MTH06-3440 DKOL12 00°/45° |
| 5 | 475 3540 | 1 | Hydraulikschlauch | Hydraulic hose | MTH06-3550 DKOL12 00°/45° |
| 6 | 57310063 | 1 | Verlängerung Kabelbaum Pflug | Extension | - |



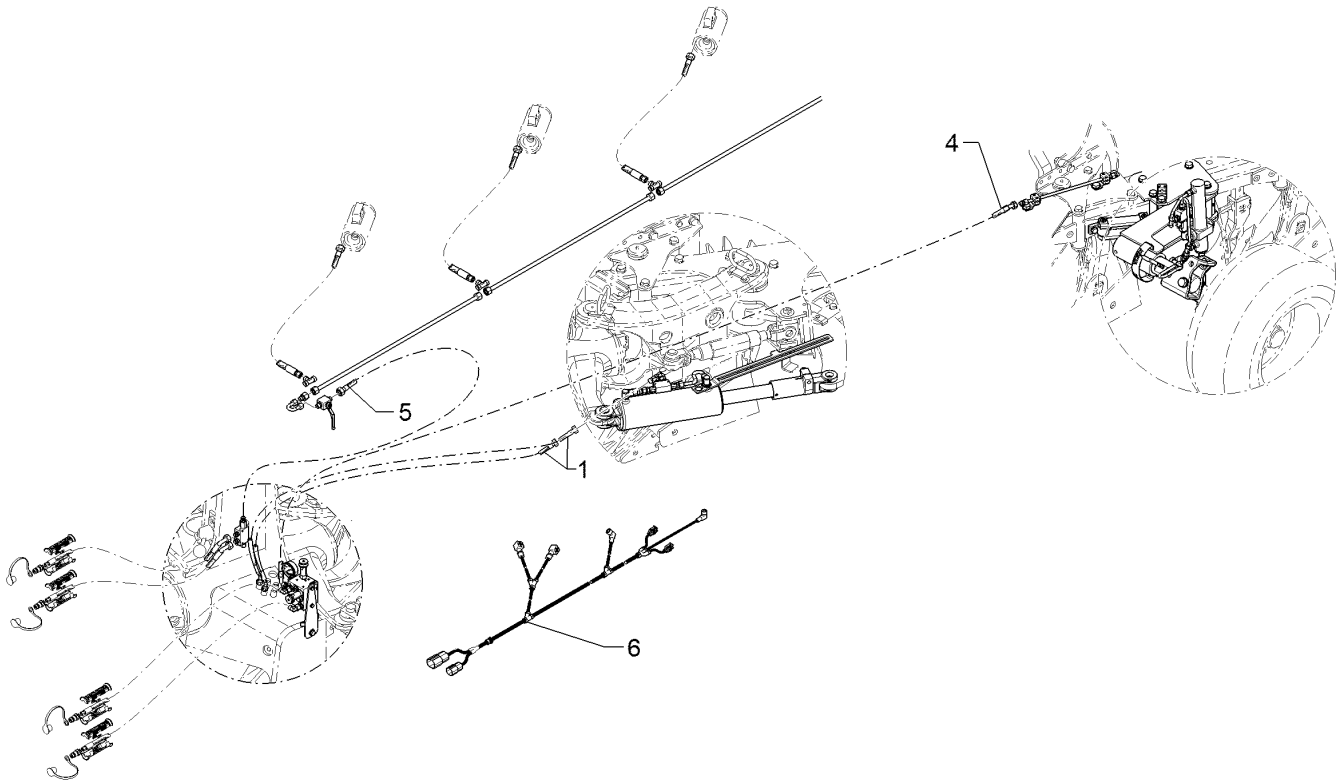
01.18

| Pos. | Art.Nr. | Stck. | Artikeltext / Description | | Abmessung |
|------|----------|-------|---------------------------|----------------|--------------------------------------|
| 1 | 47510203 | 2 | Hydraulikschlauch | Hydraulic hose | 2SC08-2670 DKOL12/DKOL12 0/45° |
| 2 | 47510227 | 1 | Hydraulikschlauch | Hydraulic hose | MTH06-3150 DKOL12 00°/45° |
| 4 | 47510226 | 1 | Hydraulikschlauch | Hydraulic hose | MTH06-3440 DKOL12 00°/45° |
| 5 | 475 3540 | 1 | Hydraulikschlauch | Hydraulic hose | MTH06-3550 DKOL12 00°/45° |
| 6 | 57310060 | 1 | Kabelbaum | Cable form | Juwel 7 |



01.18

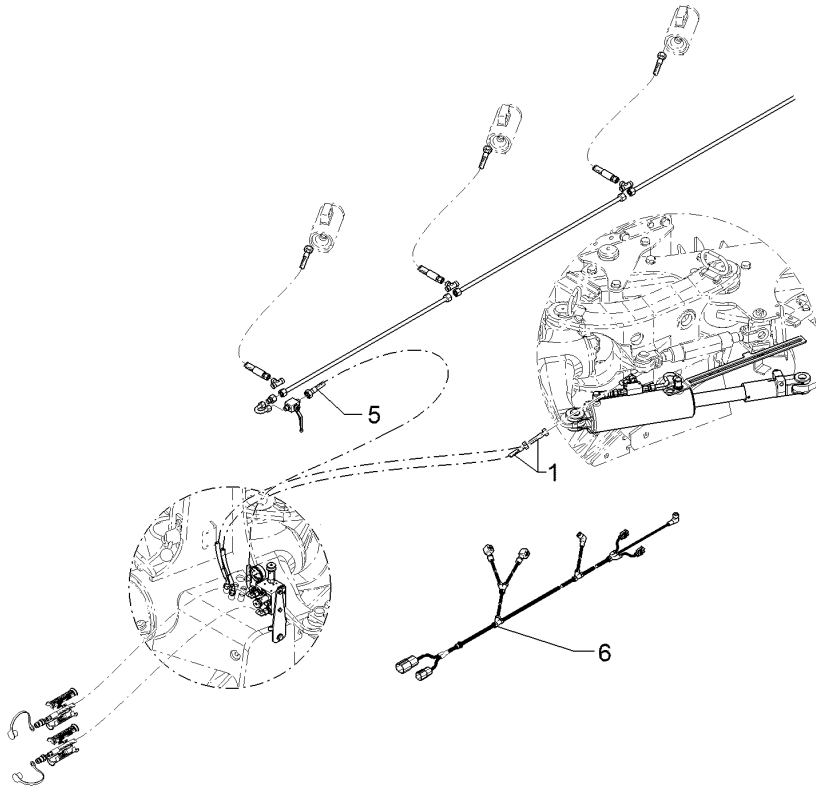
| Pos. | Art.Nr. | Stck. | Artikeltext / Description | | Abmessung |
|------|----------|-------|------------------------------|----------------|------------------------------|
| 4 | 47510226 | 1 | Hydraulikschlauch | Hydraulic hose | MTH06-3440 DKOL12 00°/45° |
| 5 | 475 3540 | 1 | Hydraulikschlauch | Hydraulic hose | MTH06-3550 DKOL12 00°/45° |
| 6 | 57310063 | 1 | Verlängerung Kabelbaum Pflug | Extension | - |



01.18

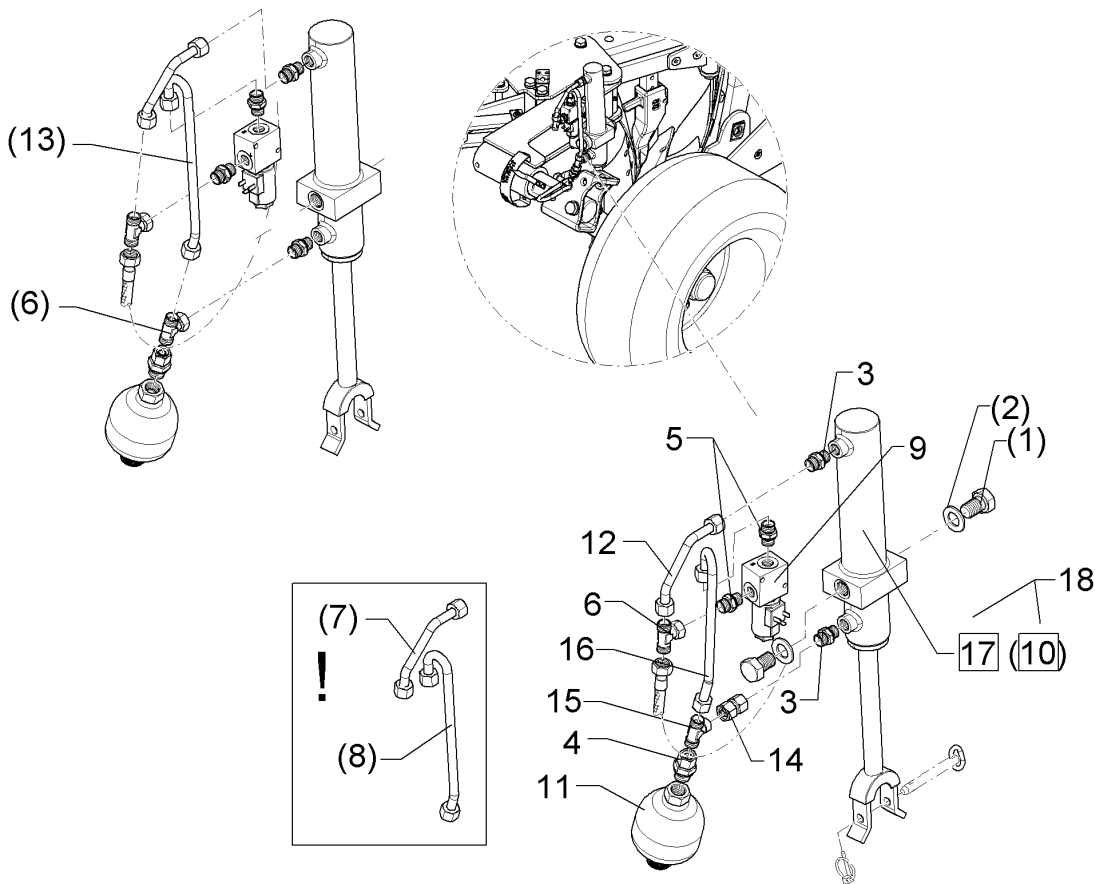
| Pos. | Art.Nr. | Stck. | Artikeltext / Description | | Abmessung |
|------|----------|-------|---------------------------|----------------|--------------------------------------|
| 1 | 47510203 | 2 | Hydraulikschlauch | Hydraulic hose | 2SC08-2670 DKOL12/DKOL12 0/45° |
| 4 | 47510226 | 1 | Hydraulikschlauch | Hydraulic hose | MTH06-3440 DKOL12 00°/45° |
| 5 | 475 3540 | 1 | Hydraulikschlauch | Hydraulic hose | MTH06-3550 DKOL12 00°/45° |
| 6 | 57310060 | 1 | Kabelbaum | Cable form | Juwel 7 |

| | |
|-----------------------------|----------|
| Schlauchpaket/Hose-assembly | 10 |
| Juwel 7 T | 47510185 |



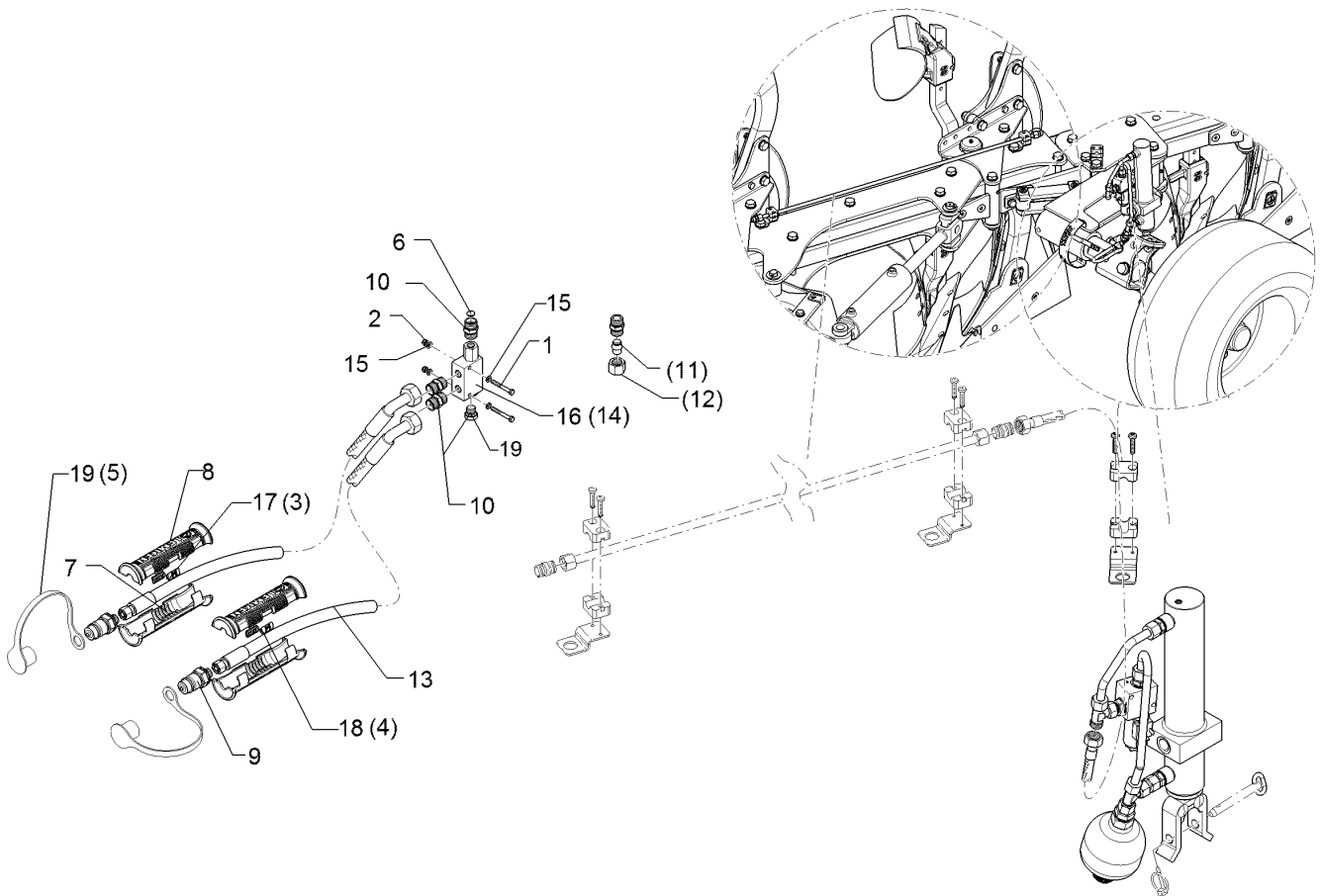
01.18

| Pos. | Art.Nr. | Stck. | Artikeltext / Description | | Abmessung |
|------|----------|-------|---------------------------|----------------|--------------------------------------|
| 1 | 47510203 | 2 | Hydraulikschlauch | Hydraulic hose | 2SC08-2670 DKOL12/DKOL12 0/45° |
| 5 | 47510226 | 1 | Hydraulikschlauch | Hydraulic hose | MTH06-3440 DKOL12 00°/45° |
| 6 | 57310060 | 1 | Kabelbaum | Cable form | Juwel 7 |



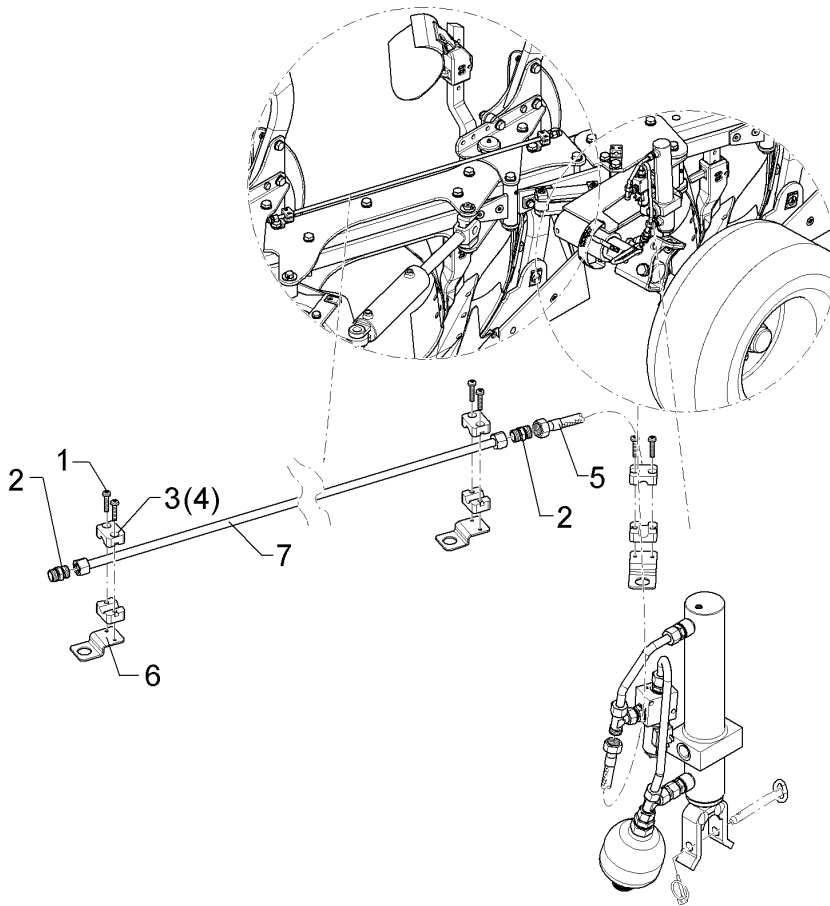
01.18

| Pos. | Art.Nr. | Stck. | Artikeltext / Description | | Abmessung |
|------|----------|-------|--------------------------------|----------------------|--------------------------------|
| 1 | 301 4238 | 2 | Sechskantschraube | Hexagon bolt | M20x1,5x30 Zn DIN961 |
| 2 | 305 6012 | 2 | Scheibe | Washer | 21 ISO7089 Zn |
| 3 | 375 4010 | 2 | Einschraubverschraubung | Nipple | x-GE12-LM M16x1,5 Zn |
| 4 | 375 4049 | 1 | Einstellbare GE-Verschraubung | Nipple | evGE 12-LR 1/2"-ED DKO |
| 5 | 375 4057 | 2 | Gerade Einschraubverschraubung | Nipple | x-GE12-LR 3/8"-ED |
| 6 | 375 4490 | 1 | Einstellbare T-Verschraubung | Adjustable T-union | ET12-LM DKO24 GRD M18x1,5 |
| 7 | 475 2236 | 1 | Hydraulikrohr | Hydraulic tube | 12x2x190 2xGEB |
| 8 | 475 2237 | 1 | Hydraulikrohr | Hydraulic tube | 12x2x296 2xGEB182/19GRD |
| 9 | 575 2253 | 1 | Sitzventil | Seat valve | WR22GEZ5-412VDC+GALMA1 |
| 10 | 575 2315 | 1 | Hydraulikzylinder | Hydraulic ram | 50/25-250-150 |
| 11 | 575 9055 | 1 | Druckspeicher | Pressure accumulator | Typ 0,32l 210-003bar G1/2ZL |
| 12 | 57510301 | 1 | Hydraulikrohr | Hydraulic tube | 12x2x165 2xGEB51/39GRD |
| 13 | 47510008 | 1 | Hydraulikrohr | Hydraulic tube | 12x2x314 2xGEB |
| 14 | 375 4132 | 1 | Verbindung gerade | Connection | DKOL12/DKOL12 M18x1,5 |
| 15 | 375 4480 | 1 | T-Verschraubung | T-union | x-T12-L M18x1,5 Zn |
| 16 | 57510054 | 1 | Hydraulikrohr | Hydraulic tube | 12x2x320 2xGEB180/13° |
| 17 | 57510525 | 1 | Hydraulikzylinder | Hydraulic ram | 50/25-250-150 |
| 18 | 57510197 | 1 | Dichtungssatz | Seal set | D50/25 |



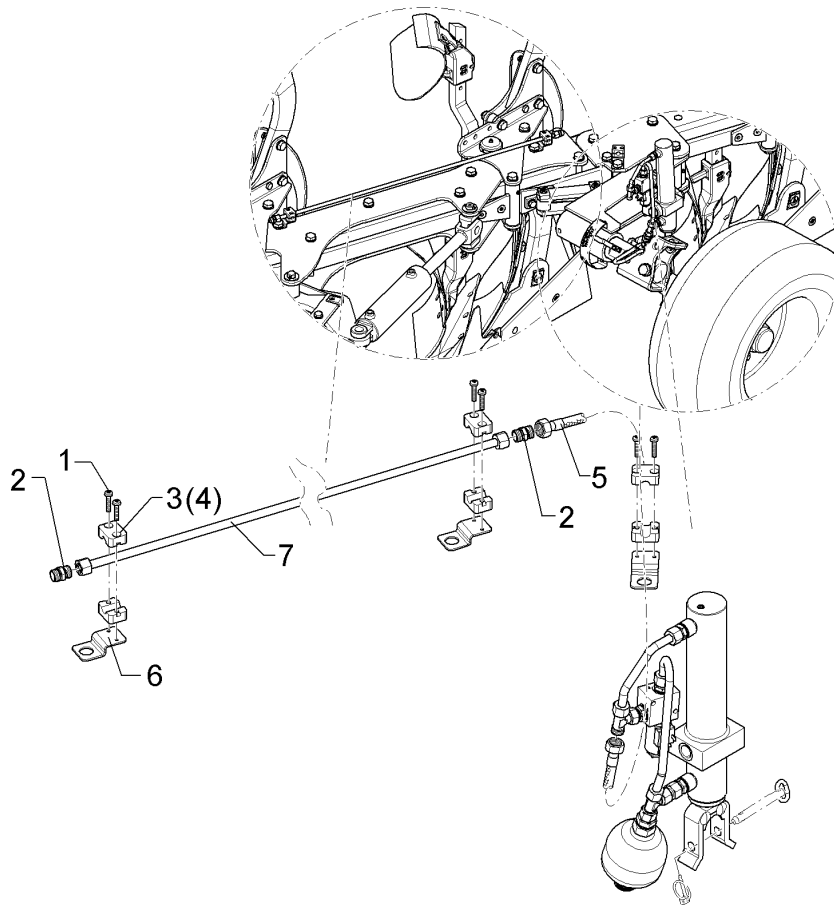
01.18

| Pos. | Art.Nr. | Stck. | Artikeltext / Description | | Abmessung |
|------|----------|-------|---------------------------|--------------------|--|
| 1 | 301 2998 | 2 | Sechskantschraube | Hexagon bolt | M5x40-8.8 Zn DIN931-A |
| 2 | 303 0929 | 2 | Sicherungsmutter | Selflocking nut | NM5-8 Zn DIN985 |
| 3 | 325 1606 | 2 | Kennzeichnung | Marking | P6 |
| 4 | 325 1613 | 2 | Kennzeichnung | Marking | T6 |
| 5 | 375 2122 | 2 | Staubkappe, schwarz | Cap, black | D26,5 Bg.3 |
| 6 | 375 2172 | 1 | Drosselscheibe | Restrictor washer | D12x1,5 BO 1,0 |
| 7 | 375 2606 | 2 | Einleger | Insert | DN6 DN8 |
| 8 | 375 2607 | 4 | Griff Halbschale | Handle | - |
| 9 | 375 2718 | 2 | SVK-Stecker | Hydraulic coupling | BG-3 12L M18x1,5 |
| 10 | 375 4038 | 3 | Einschraubverschraubung | Nipple | GE 12-LR 1/4 ZL ED |
| 11 | 375 4660 | 1 | Blindstopfen | Blind plug | BUZ12-L |
| 12 | 375 5310 | 1 | Überwurfmutter | Union nut | 12L M18x1,5 Zn/ZnNi |
| 13 | 475 3269 | 2 | Hydraulikschlauch | Hydraulic hose | MTH06-1800DKOL12 00/45 GRD RPI 06/05-G |
| 14 | 575 2165 | 1 | Rückschlagventil | Nonreturn valve | RPI 06/15-G |
| 15 | 305 8569 | 4 | Scheibe | Washer | 5,3 DIN125 Zn |
| 16 | 57510580 | 1 | Rückschlagventil | Nonreturn valve | RPI 06/15-G |
| 17 | 325 1603 | 2 | Kennzeichnung | Marking | P3 |
| 18 | 325 1610 | 2 | Kennzeichnung | Marking | T3 |
| 19 | 375 2121 | 2 | Staubkappe | Dust cap | D26,5 Bg.3 |
| 20 | 375 5158 | 1 | Verschlussschraube | Plug | VSTI G 1/4Z |



01.18

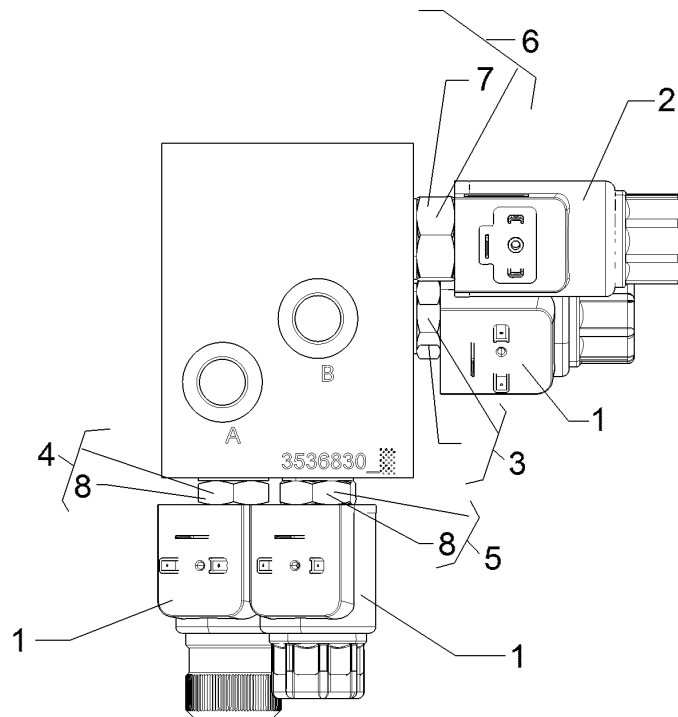
| Pos. | Art.Nr. | Stck. | Artikeltext / Description | | Abmessung |
|------|----------|-------|---------------------------|-----------------|-------------------------------|
| 1 | 301 0303 | 6 | Linsenschraube | Oval head screw | M6x30-4,6 Zn DIN7985 |
| 2 | 375 4110 | 2 | Gerade Verschraubung | Nipple | x-G12-L M18x1,5 |
| 3 | 375 9960 | 6 | Schellenkörper | Clamp | 1/2x112A PP |
| 4 | 375 9961 | 6 | Schellenkörper | Clamp | 1/2x215 PP |
| 5 | 475 3204 | 1 | Hydraulikschlauch | Hydraulic hose | 2SN08-1100 DKOL12 00/45GRD |
| 6 | 475 4407 | 3 | Halter | Holder | 40x3x92 Zn |
| 7 | 57510300 | 1 | Hydraulikrohr | Hydraulic tube | 12x2x1100 |



01.18

| Pos. | Art.Nr. | Stck. | Artikeltext / Description | | Abmessung |
|------|----------|-------|---------------------------|-----------------|-------------------------------|
| 1 | 301 0303 | 6 | Linsenschraube | Oval head screw | M6x30-4,6 Zn DIN7985 |
| 2 | 375 4110 | 2 | Gerade Verschraubung | Nipple | x-G12-L M18x1,5 |
| 3 | 375 9960 | 6 | Schellenkörper | Clamp | 1/2x112A PP |
| 4 | 375 9961 | 6 | Schellenkörper | Clamp | 1/2x215 PP |
| 5 | 475 3204 | 1 | Hydraulikschlauch | Hydraulic hose | 2SN08-1100 DKOL12 00/45GRD |
| 6 | 475 4407 | 3 | Halter | Holder | 40x3x92 Zn |
| 7 | 475 9792 | 1 | Hydraulikrohr | Hydraulic tube | 12x2x1000 |

| | |
|----------------------------------|-----------------|
| Steuerblock/Control valve | 10 |
| Juwel 7 T | 575 2082 |

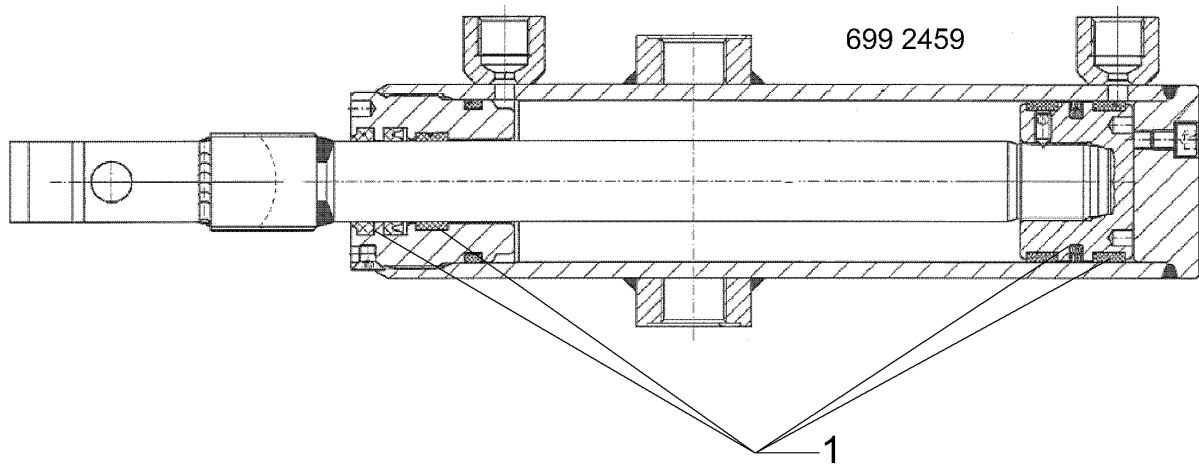


01.18

| Pos. | Art.Nr. | Stck. | Artikeltext / Description | | Abmessung |
|------|----------|-------|-------------------------------|--------------|-------------------------------|
| 1 | 373 4705 | 3 | Magnetventil | Electrovalve | Coil 12DG -40-1836 |
| 2 | 373 4706 | 1 | Magnetventil | Electrovalve | Coil 12DG -50-1836 |
| 3 | 575 2035 | 1 | Schieberv. 3/2 Wege WK08C-01 | Valve | WK08C-01-C-N-0 ohne Spule |
| 4 | 575 2036 | 1 | Schieberv. 3/2 Wege WK08C-01M | Valve | WK08C-01M-C-N-0 ohne Spule |
| 5 | 575 2037 | 1 | Sitzventil 2/2 Wege | Seat valve | WS08W-01-C-N ohne Spule |
| 6 | 575 2038 | 1 | Schieberv. 4/2 Wege WK10Z-01M | Valve | WK10Z-01M-C-N-0 ohne Spule |
| 7 | 57511114 | 1 | Dichtungssatz | Seal set | 10/N FS UNF |
| 8 | 57511115 | 3 | Dichtungssatz | Seal set | 08/N FS UNF |

| | |
|---------------------------------|----|
| Hydraulikzylinder/Hydraulic ram | 10 |
|---------------------------------|----|

| | |
|-----------|----------|
| Juwel 7 T | 575 2315 |
|-----------|----------|



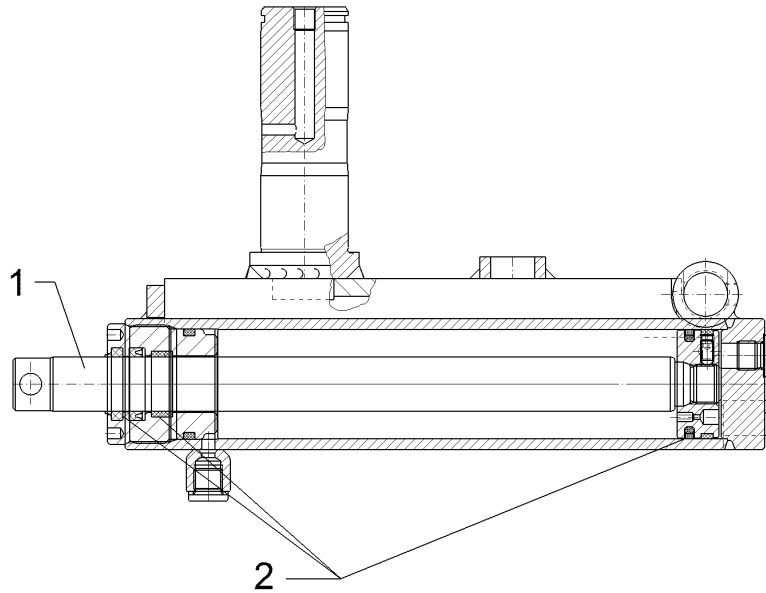
01.18

| Pos. | Art.Nr. | Stck. | Artikeltext / Description | | Abmessung |
|------|----------|-------|---------------------------|----------|-----------|
| 1 | 57510197 | 1 | Dichtungssatz | Seal set | D50/25 |

Dämpferzylinder/Ram 10

Juwel 7 T 575 2577

69910159

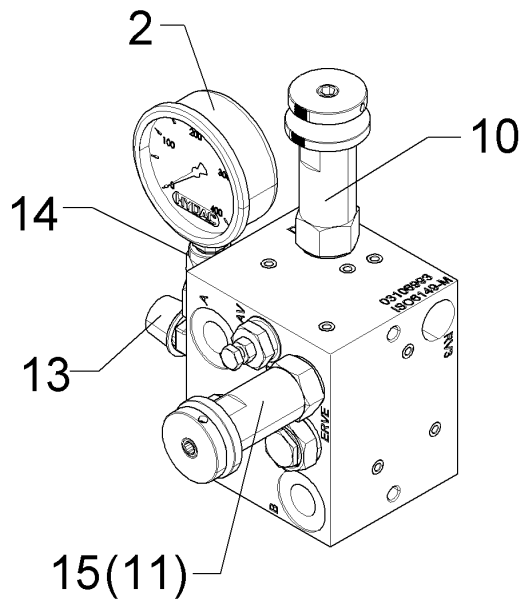


01.18

| Pos. | Art.Nr. | Stck. | Artikeltext / Description | | Abmessung |
|------|----------|-------|---------------------------|------------|-----------|
| 1 | 57510160 | 1 | Kolbenstange | Piston rod | D25 |
| 2 | 57510951 | 1 | Dichtungssatz | Seal set | 25/50 |

| | |
|-------------------------------|----|
| Hydraulikblock/Hydraulic unit | 10 |
|-------------------------------|----|

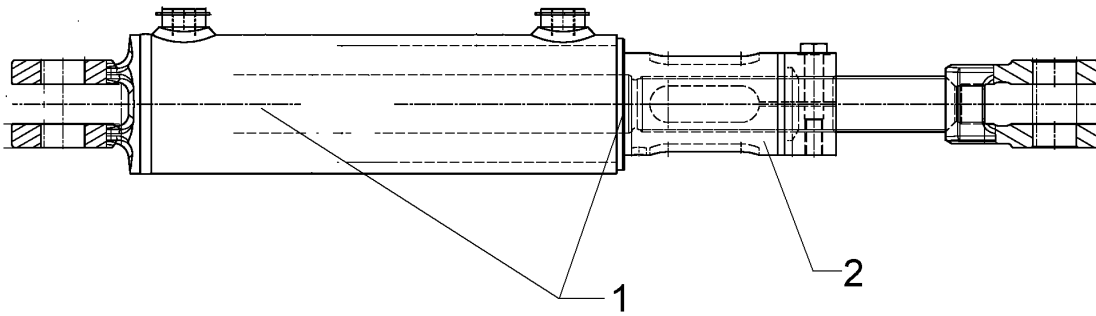
| | |
|-----------|----------|
| Juwel 7 T | 575 9039 |
|-----------|----------|



01.18

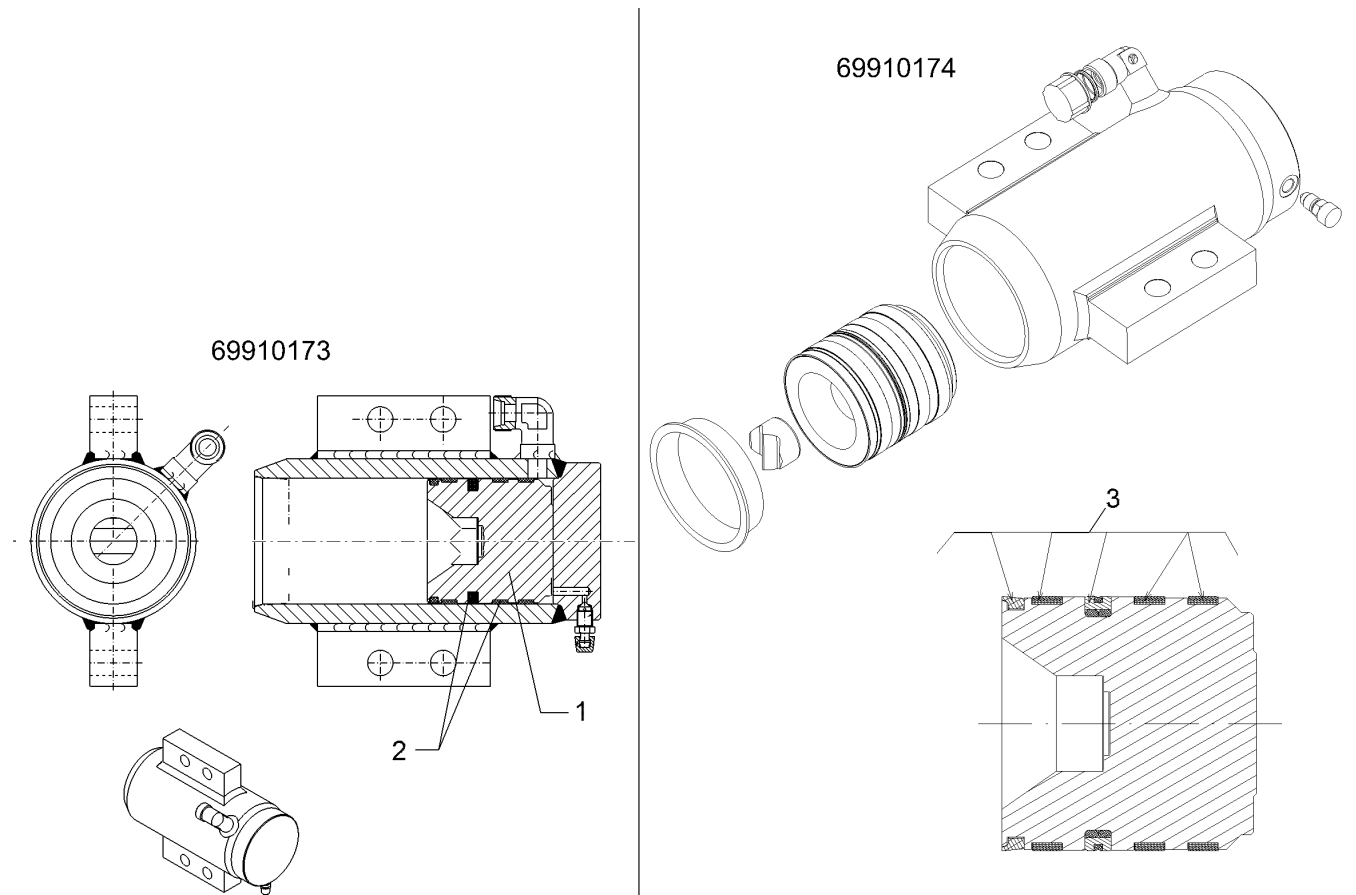
| Pos. | Art.Nr. | Stck. | Artikeltext / Description | | Abmessung |
|------|----------|-------|--------------------------------|--------------------------------|---------------------------|
| 2 | 575 4221 | 1 | Manometer | Manometer | HN60-01-A 63/400/G1/4B |
| 10 | 575 4884 | 1 | Druckregelventil oberer Druck | Pressure control valve,top p. | DR08-01-C-N-220H |
| 11 | 575 4885 | 1 | Druckregelventil unterer Druck | Pressure control valve, bot.p. | DB08A-01-C-N-330H |
| 12 | 57510090 | 1 | Absperrschraube | Bolt | zu 575_9041 |
| 13 | 375 4550 | 1 | Einstellbare L-Verschraubung | Adjustable L-union | EL12-L M18x1,5 |
| 14 | 375 4709 | 1 | Manometerverschraubung | Manometer union piece | MAVE 12-LR |
| 15 | 57510152 | 1 | Druckregelventil | Pressure control valve | DR08-01-C-N-300H |

| | |
|---------------------------------|----------|
| Einschwenkzylinder/Swing-in ram | 10 |
| Juwel 7 T | 57510057 |



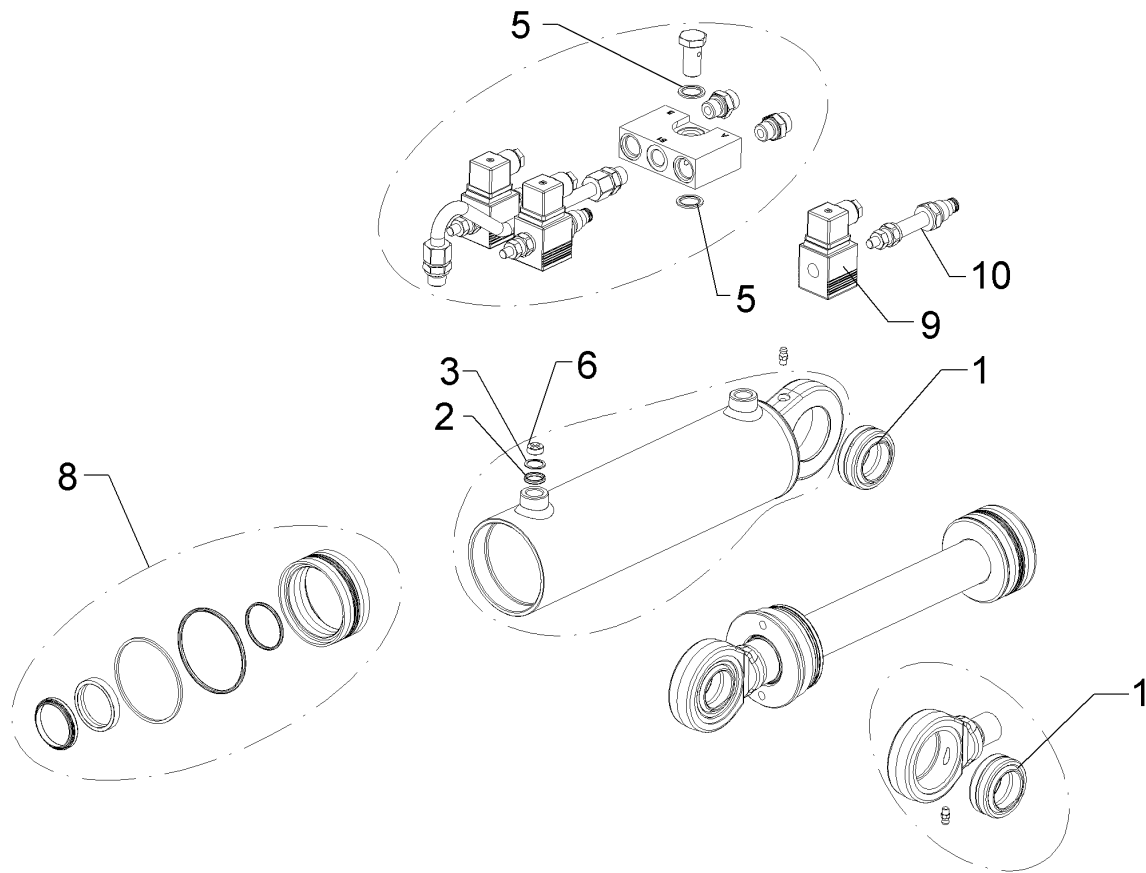
01.18

| Pos. | Art.Nr. | Stck. | Artikeltext / Description | | Abmessung |
|------|----------|-------|---------------------------|----------|-----------|
| 1 | 575 9280 | 1 | Dichtungssatz | Seal set | 40/80 |



01.18

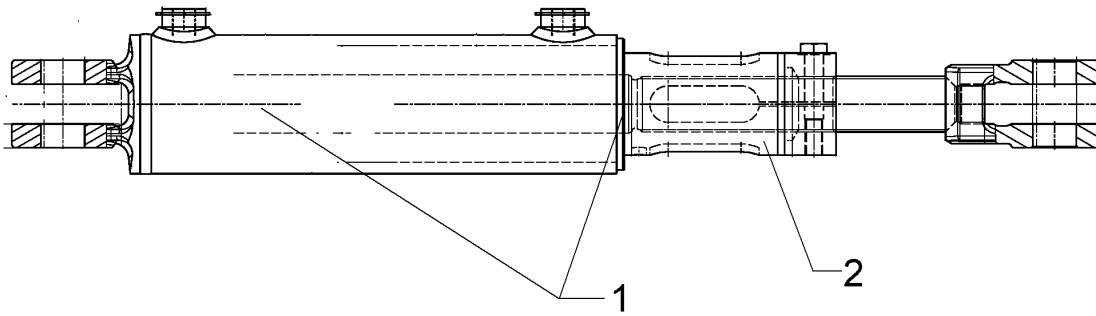
| Pos. | Art.Nr. | Stck. | Artikeltext / Description | | Abmessung |
|------|----------|-------|---------------------------|----------|-----------|
| 1 | 47510617 | 1 | Kolben | Piston | D80 |
| 2 | 57510048 | 1 | Dichtungssatz | Seal set | D80 |
| 3 | 57510049 | 1 | Dichtungssatz | Seal set | D80 |



01.18

| Pos. | Art.Nr. | Stck. | Artikeltext / Description | Abmessung | |
|------|----------|-------|---------------------------|--------------------------|-------------------|
| 1 | 317 3454 | 2 | Gelenklager | Articulated bearing | GE 35 DO |
| 2 | 375 1144 | 1 | O-Ring | O-ring | 14,3x2,4 |
| 3 | 375 1330 | 1 | Stützring | Support ring | 14x2,1/1 SRI |
| 4 | 375 5533 | 1 | Hohlschraube | Banjo bolt | M16x1,5 SW22 x 31 |
| 5 | 37510048 | 2 | Usit-Ring | Usit ring | 16,7x24x1,5 |
| 6 | 37510049 | 1 | Drosselrückschlagventil | Throttle nonreturn valve | - |
| 8 | 575 9277 | 1 | Dichtungssatz | Seal set | 40/80 |
| 9 | 37310034 | 2 | Magnetspule | Magnet coil | 12VDC, 22W |
| 10 | 57510100 | 2 | Sitzventil | Seat valve | MSVG-21-FNH |

| | |
|---------------------------------|----------|
| Einschwenkzylinder/Swing-in ram | 10 |
| Juwel 7 T | 57510254 |

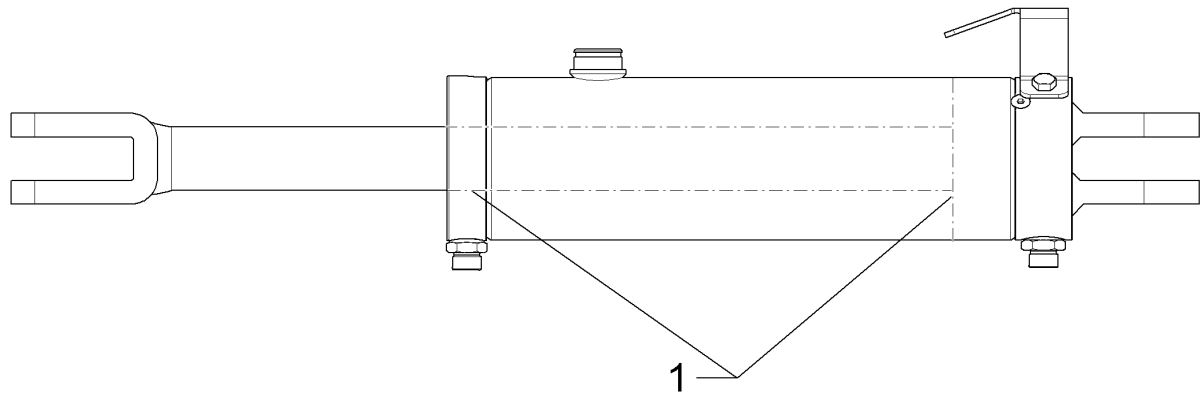


01.18

| Pos. | Art.Nr. | Stck. | Artikeltext / Description | | Abmessung |
|------|----------|-------|---------------------------|---------------|-----------------------------------|
| 1 | 575 9279 | 1 | Dichtungssatz | Seal set | 45/90 |
| 2 | 47511075 | 1 | Klemmhülse | Clamping bush | Hubverstellung Einschwenkzylin |

Hydraulikzylinder/Hydraulic ram 10

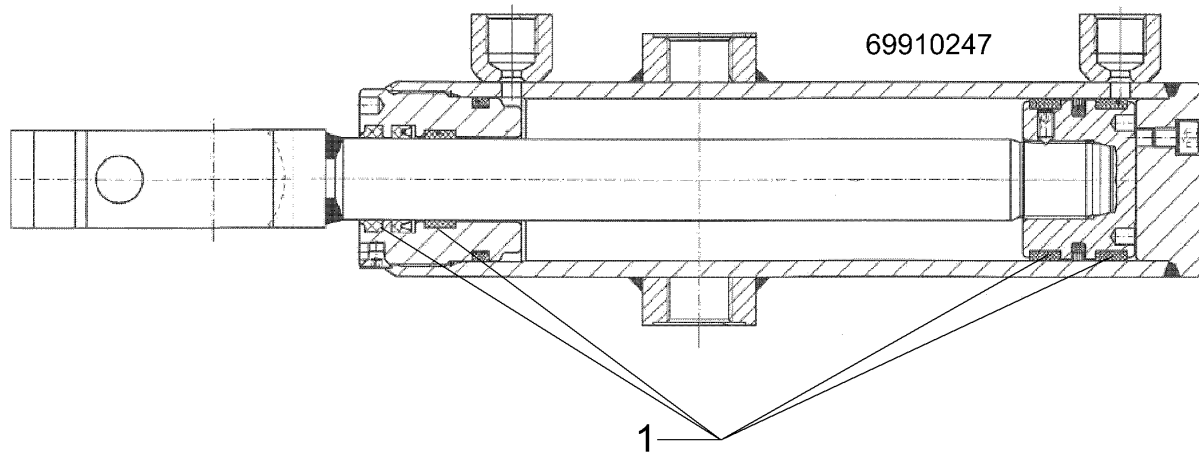
Juwel 7 T 57510255



01.18

| Pos. | Art.Nr. | Stck. | Artikeltext / Description | | Abmessung |
|------|----------|-------|---------------------------|----------|-----------|
| 1 | 57510485 | 1 | Dichtungssatz | Seal set | D40/90 |

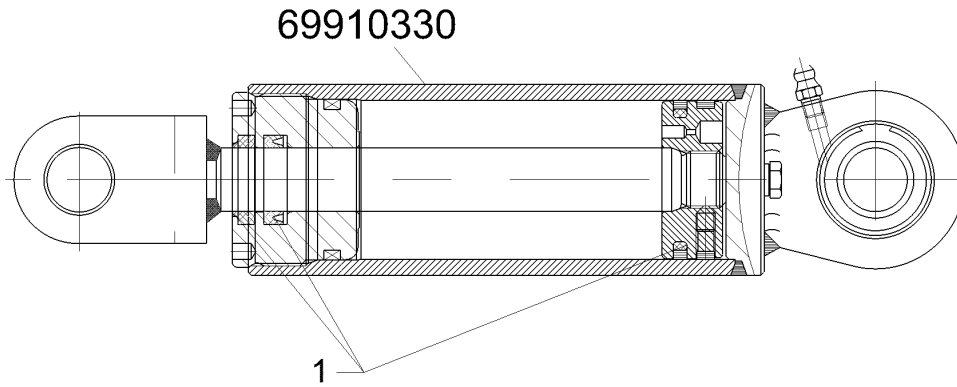
| | |
|---------------------------------|----------|
| Hydraulikzylinder/Hydraulic ram | 10 |
| Juwel 7 T | 57510525 |



01.18

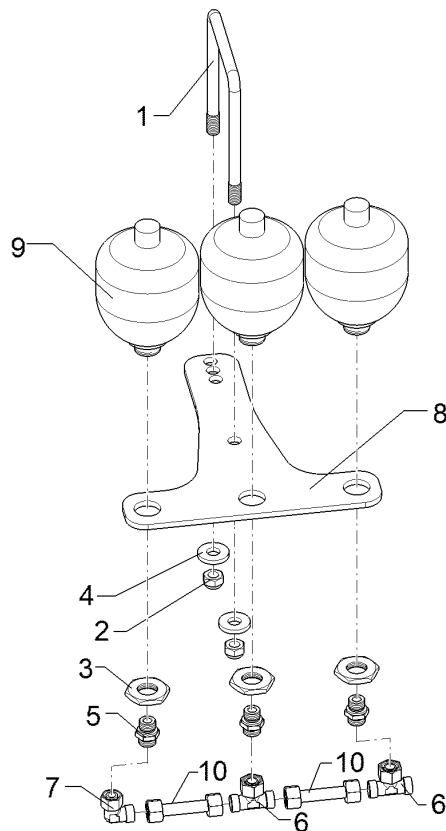
| Pos. | Art.Nr. | Stck. | Artikeltext / Description | | Abmessung |
|------|----------|-------|---------------------------|----------|-----------|
| 1 | 57510197 | 1 | Dichtungssatz | Seal set | D50/25 |

| | |
|---------------------|----------|
| Dämpferzylinder/Ram | 10 |
| Juwel 7 T | 57510679 |



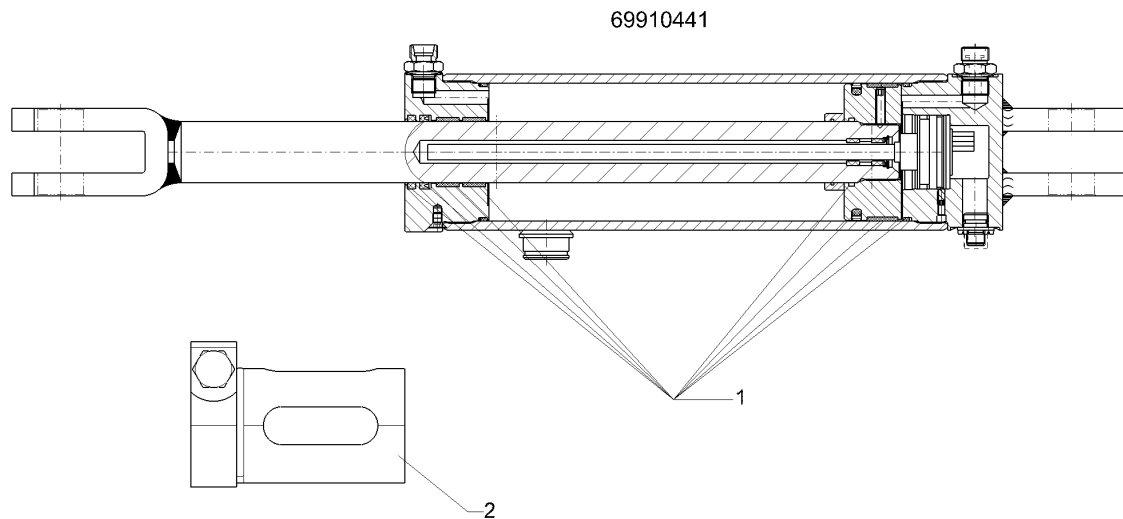
01.18

| Pos. | Art.Nr. | Stck. | Artikeltext / Description | | Abmessung |
|------|----------|-------|---------------------------|----------|-----------|
| 1 | 57510685 | 1 | Dichtungssatz | Seal set | D20/50 |



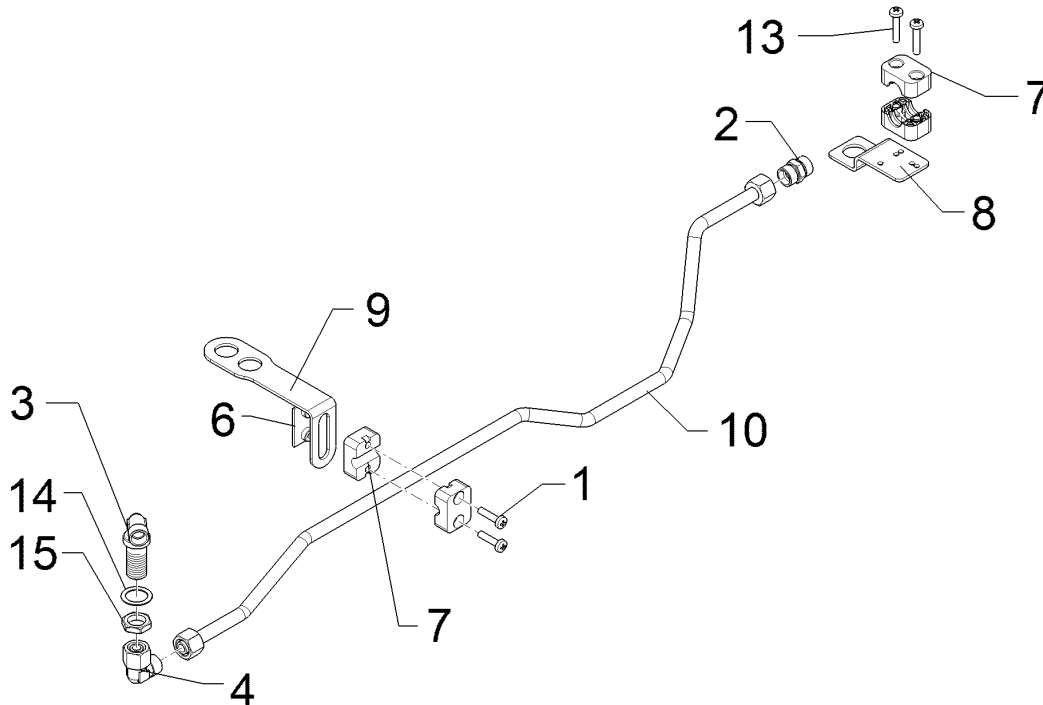
01.18

| Pos. | Art.Nr. | Stck. | Artikeltext / Description | | Abmessung |
|------|----------|-------|------------------------------|------------------------|---|
| 1 | 301 7821 | 1 | Bügelsschraube | U-bolt | M16/120/160 Zn |
| 2 | 303 0935 | 2 | Sicherungsmutter | Selflocking nut | NM16-8 Zn DIN985 |
| 3 | 30310095 | 3 | Sechskantmutter | Hexagon nut | M33x1,5 k=8 ZnNi 720h |
| 4 | 305 6181 | 2 | Scheibe | Washer | 17 DIN7349 |
| 5 | 375 4040 | 3 | Einschraubverschraubung | Nipple | xGE 15-LR R1/2"-B |
| 6 | 375 4494 | 2 | Einstellbare T-Verschraubung | Adjustable T-union | ET15-LM |
| 7 | 375 4503 | 1 | Einstellbare W-Verschraubung | Adjustable angle union | EW15-L-DKO24 |
| 8 | 475 4426 | 1 | Halter | Holder | GRD O-Ring 8x330x355 3xD34 |
| 9 | 57510264 | 3 | Druckspeicher | Pressure accumulator | 4xD17 Typ 0,75l 330-120bar G1/2ZL |
| 10 | 57510281 | 2 | Hydraulikrohr | Hydraulic tube | 15x2x94 |



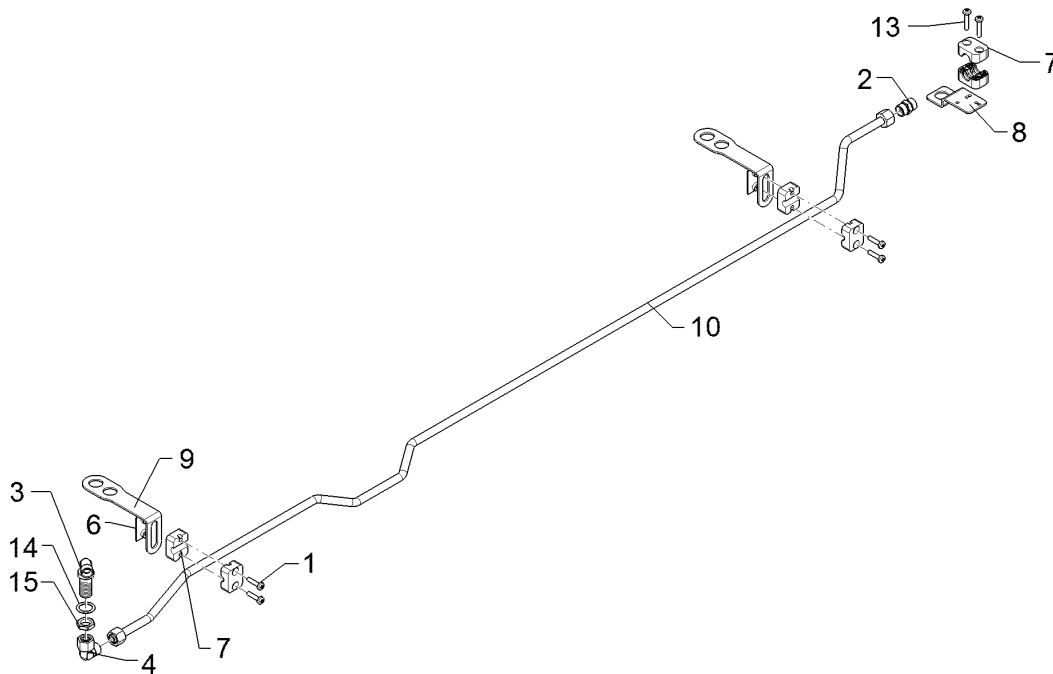
01.18

| Pos. | Art.Nr. | Stck. | Artikeltext / Description | Abmessung |
|------|----------|-------|---------------------------|-----------------------------------|
| 1 | 57510485 | 1 | Dichtungssatz | D40/90 |
| 2 | 47511075 | 1 | Klemmhülse | Hubverstellung Einschwenkzylin |



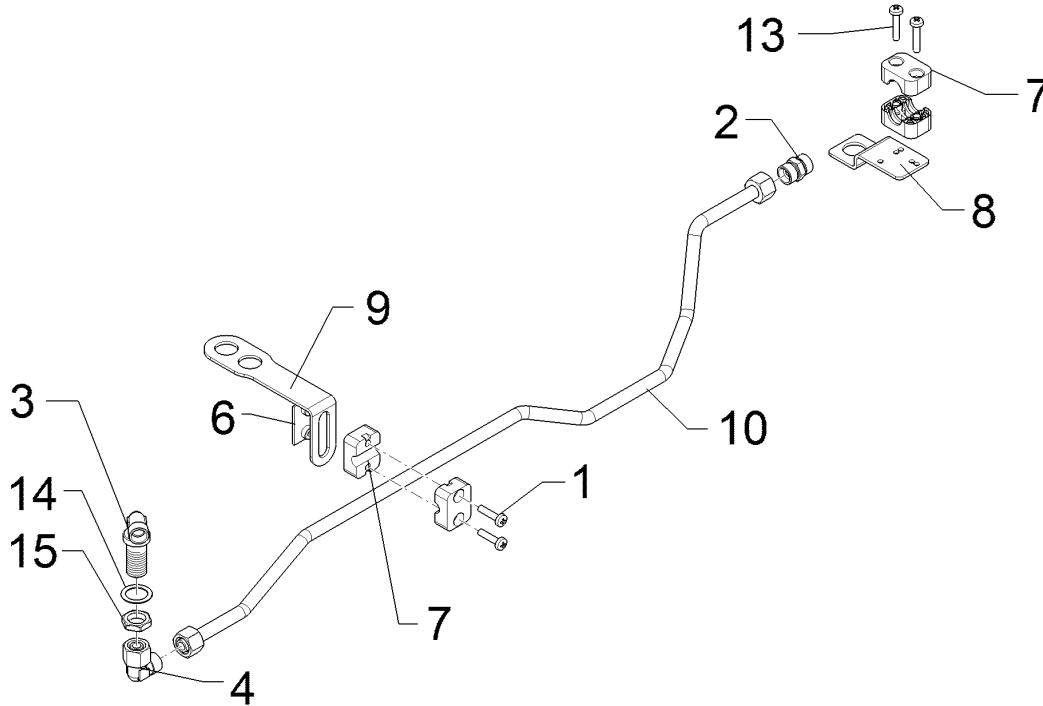
01.18

| Pos. | Art.Nr. | Stck. | Artikeltext / Description | | Abmessung |
|------|----------|-------|------------------------------|------------------------|------------------------------|
| 1 | 301 0302 | 2 | Linsenschraube | Oval head screw | M6x25-4,6 Zn DIN7985 |
| 2 | 375 4110 | 1 | Gerade Verschraubung | Nipple | x-G12-L M18x1,5 |
| 3 | 375 4400 | 1 | Winkel-Schottverschraubung | Angle union | x-WSV12-L M18x1,5 Zn o.KM |
| 4 | 375 4500 | 1 | Einstellbare W-Verschraubung | Adjustable angle union | EW12-LM DKO24 GRD M18x1,5 |
| 6 | 37510137 | 1 | Anschweißplatte | Weld on plate | SP2 42x30x2 Zn |
| 7 | 37510138 | 4 | Schellenkörper | Clamp | 1/2x212 PP |
| 8 | 475 4407 | 1 | Halter | Holder | 40x3x92 Zn |
| 9 | 47511165 | 1 | Halter | Holder | 40x3x189,5 GEB 90GRD Zn |
| 10 | 57511098 | 1 | Hydraulikrohr | Hydraulic tube | 12x2x850(787) 7xGEB |
| 13 | 301 0303 | 2 | Linsenschraube | Oval head screw | M6x30-4,6 Zn DIN7985 |
| 14 | 305 2228 | 1 | Stützscheibe | Supporting washer | S 20x28x1,0 DIN988 Zn |
| 15 | 375 5700 | 1 | Mutter | Nut | M18x1,5 SW24x6 |



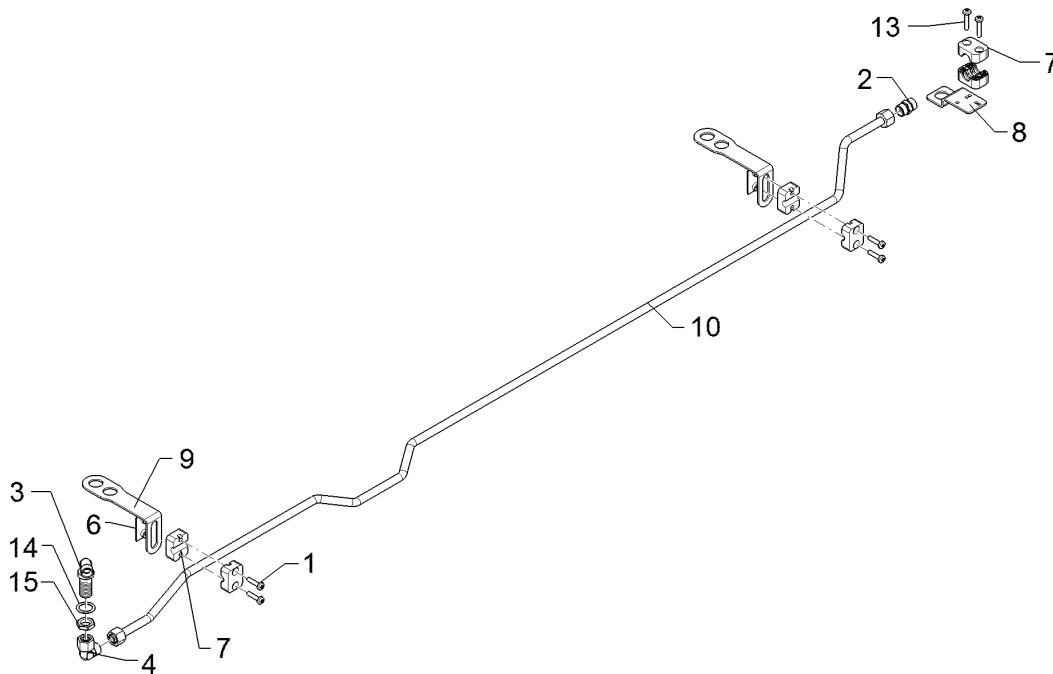
01.18

| Pos. | Art.Nr. | Stck. | Artikeltext / Description | | Abmessung |
|------|----------|-------|------------------------------|------------------------|------------------------------|
| 1 | 301 0302 | 4 | Linsenschraube | Oval head screw | M6x25-4,6 Zn DIN7985 |
| 2 | 375 4110 | 1 | Gerade Verschraubung | Nipple | x-G12-L M18x1,5 |
| 3 | 375 4400 | 1 | Winkel-Schottverschraubung | Angle union | x-WSV12-L M18x1,5 Zn o.KM |
| 4 | 375 4500 | 1 | Einstellbare W-Verschraubung | Adjustable angle union | EW12-LM DKO24 GRD M18x1,5 |
| 6 | 37510137 | 2 | Anschweißplatte | Weld on plate | SP2 42x30x2 Zn |
| 7 | 37510138 | 6 | Schellenkörper | Clamp | 1/2x212 PP |
| 8 | 475 4407 | 1 | Halter | Holder | 40x3x92 Zn |
| 9 | 47511165 | 2 | Halter | Holder | 40x3x189,5 GEB 90GRD Zn |
| 10 | 57511099 | 1 | Hydraulikrohr | Hydraulic tube | 12x2x1749(1687) 8xGEB |
| 13 | 301 0303 | 2 | Linsenschraube | Oval head screw | M6x30-4,6 Zn DIN7985 |
| 14 | 305 2228 | 1 | Stützscheibe | Supporting washer | S 20x28x1,0 DIN988 Zn |
| 15 | 375 5700 | 1 | Mutter | Nut | M18x1,5 SW24x6 |



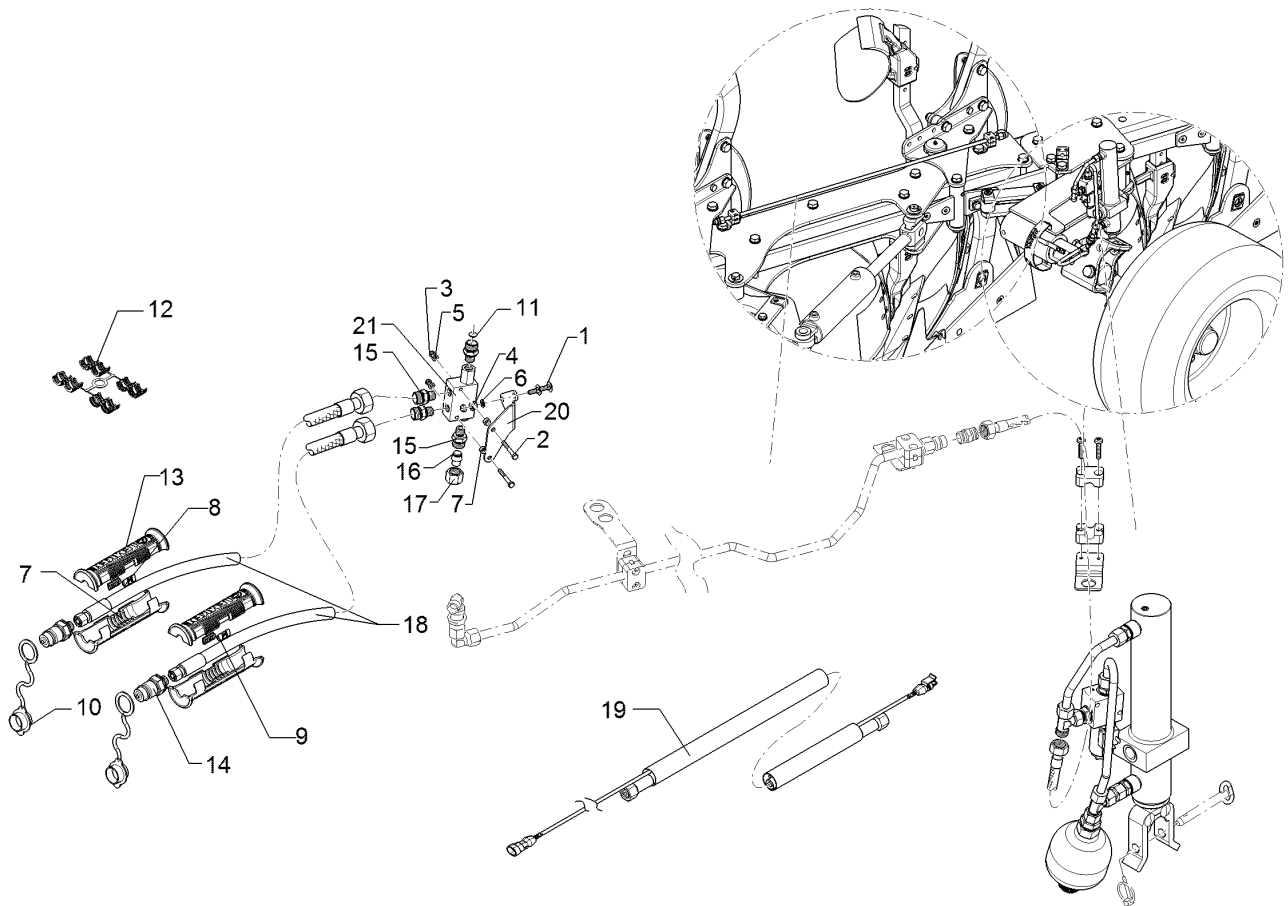
01.18

| Pos. | Art.Nr. | Stck. | Artikeltext / Description | | Abmessung |
|------|----------|-------|------------------------------|------------------------|------------------------------|
| 1 | 301 0302 | 2 | Linsenschraube | Oval head screw | M6x25-4,6 Zn DIN7985 |
| 2 | 375 4110 | 1 | Gerade Verschraubung | Nipple | x-G12-L M18x1,5 |
| 3 | 375 4400 | 1 | Winkel-Schottverschraubung | Angle union | x-WSV12-L M18x1,5 Zn o.KM |
| 4 | 375 4500 | 1 | Einstellbare W-Verschraubung | Adjustable angle union | EW12-LM DKO24 GRD M18x1,5 |
| 6 | 37510137 | 1 | Anschweißplatte | Weld on plate | SP2 42x30x2 Zn |
| 7 | 37510138 | 4 | Schellenkörper | Clamp | 1/2x212 PP |
| 8 | 475 4407 | 1 | Halter | Holder | 40x3x92 Zn |
| 9 | 47511165 | 1 | Halter | Holder | 40x3x189,5 GEB 90GRD Zn |
| 10 | 57511100 | 1 | Hydraulikrohr | Hydraulic tube | 12x2x950(887) 7xGEB |
| 13 | 301 0303 | 2 | Linsenschraube | Oval head screw | M6x30-4,6 Zn DIN7985 |
| 14 | 305 2228 | 1 | Stützscheibe | Supporting washer | S 20x28x1,0 DIN988 Zn |
| 15 | 375 5700 | 1 | Mutter | Nut | M18x1,5 SW24x6 |



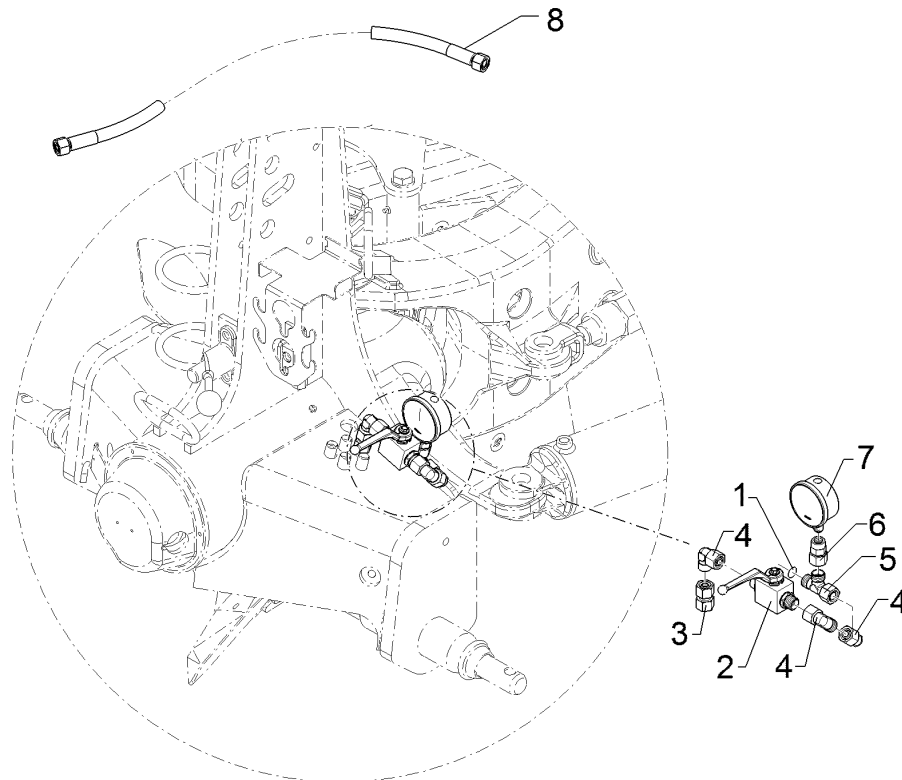
01.18

| Pos. | Art.Nr. | Stck. | Artikeltext / Description | | Abmessung |
|------|----------|-------|------------------------------|------------------------|------------------------------|
| 1 | 301 0302 | 4 | Linsenschraube | Oval head screw | M6x25-4,6 Zn DIN7985 |
| 2 | 375 4110 | 1 | Gerade Verschraubung | Nipple | x-G12-L M18x1,5 |
| 3 | 375 4400 | 1 | Winkel-Schottverschraubung | Angle union | x-WSV12-L M18x1,5 Zn o.KM |
| 4 | 375 4500 | 1 | Einstellbare W-Verschraubung | Adjustable angle union | EW12-LM DKO24 GRD M18x1,5 |
| 6 | 37510137 | 2 | Anschweißplatte | Weld on plate | SP2 42x30x2 Zn |
| 7 | 37510138 | 6 | Schellenkörper | Clamp | 1/2x212 PP |
| 8 | 475 4407 | 1 | Halter | Holder | 40x3x92 Zn |
| 9 | 47511165 | 2 | Halter | Holder | 40x3x189,5 GEB 90GRD Zn |
| 10 | 57511101 | 1 | Hydraulikrohr | Hydraulic tube | 12x2x1949(1887) 8xGEB |
| 13 | 301 0303 | 2 | Linsenschraube | Oval head screw | M6x30-4,6 Zn DIN7985 |
| 14 | 305 2228 | 1 | Stützscheibe | Supporting washer | S 20x28x1,0 DIN988 Zn |
| 15 | 375 5700 | 1 | Mutter | Nut | M18x1,5 SW24x6 |



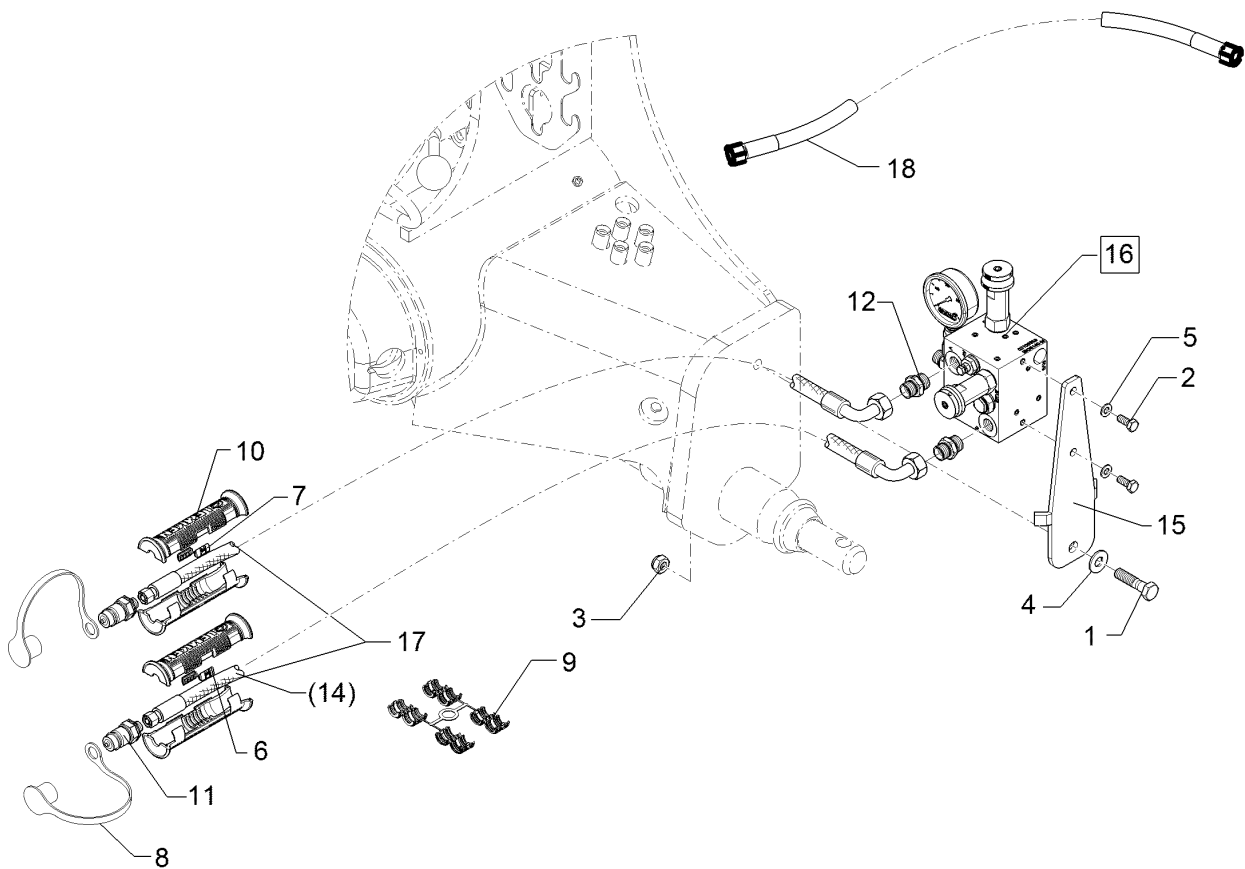
01.18

| Pos. | Art.Nr. | Stck. | Artikeltext / Description | | Abmessung |
|------|----------|-------|---------------------------|--------------------|---------------------------|
| 1 | 301 1086 | 2 | Flachrundschraube | Saucer-head screw | M6x16-4.6 Zn DIN603 |
| 2 | 301 2998 | 2 | Sechskantschraube | Hexagon bolt | M5x40-8.8 Zn DIN931-A |
| 3 | 303 0929 | 2 | Sicherungsmutter | Selflocking nut | NM5-8 Zn DIN985 |
| 4 | 303 0931 | 2 | Sicherungsmutter | Selflocking nut | NM6-8 Zn DIN985 |
| 5 | 305 8569 | 2 | Scheibe | Washer | 5,3 DIN125 Zn |
| 6 | 305 8571 | 2 | Scheibe | Washer | 6,4 DIN125-A Zn |
| 7 | 31710123 | 2 | Distanzbuchse | Distance bush | D10/6,2x4 |
| 8 | 325 1603 | 2 | Kennzeichnung | Marking | P3 |
| 9 | 325 1610 | 2 | Kennzeichnung | Marking | T3 |
| 10 | 375 2122 | 2 | Staubkappe, schwarz | Cap, black | D26,5 Bg.3 |
| 11 | 375 2172 | 1 | Drosselscheibe | Restrictor washer | D12x1,5 BO 1,0 |
| 12 | 375 2606 | 2 | Einleger | Insert | DN6 DN8 |
| 13 | 375 2607 | 4 | Griff Halbschale | Handle | - |
| 14 | 375 2718 | 2 | SVK-Stecker | Hydraulic coupling | BG-3 12L M18x1,5 |
| 15 | 375 4038 | 4 | Einschraubverschraubung | Nipple | GE 12-LR 1/4 ZL ED |
| 16 | 375 4660 | 1 | Blindstopfen | Blind plug | BUZ12-L |
| 17 | 375 5310 | 1 | Überwurfmutter | Union nut | 12L M18x1,5 Zn/ZnNi |
| 18 | 47510832 | 1 | Schlauchpaket | Hose-assembly | Juwel 8M, St. P/T-Zul. |
| 19 | 47511214 | 1 | Schlauchpaket | Hose-assembly | Juwel 7, St-Ventil |
| 20 | 47511228 | 1 | Halter | Holder | Halter Sperrblock |
| 21 | 57510580 | 1 | Rückschlagventil | Nonreturn valve | RPI 06/15-G |



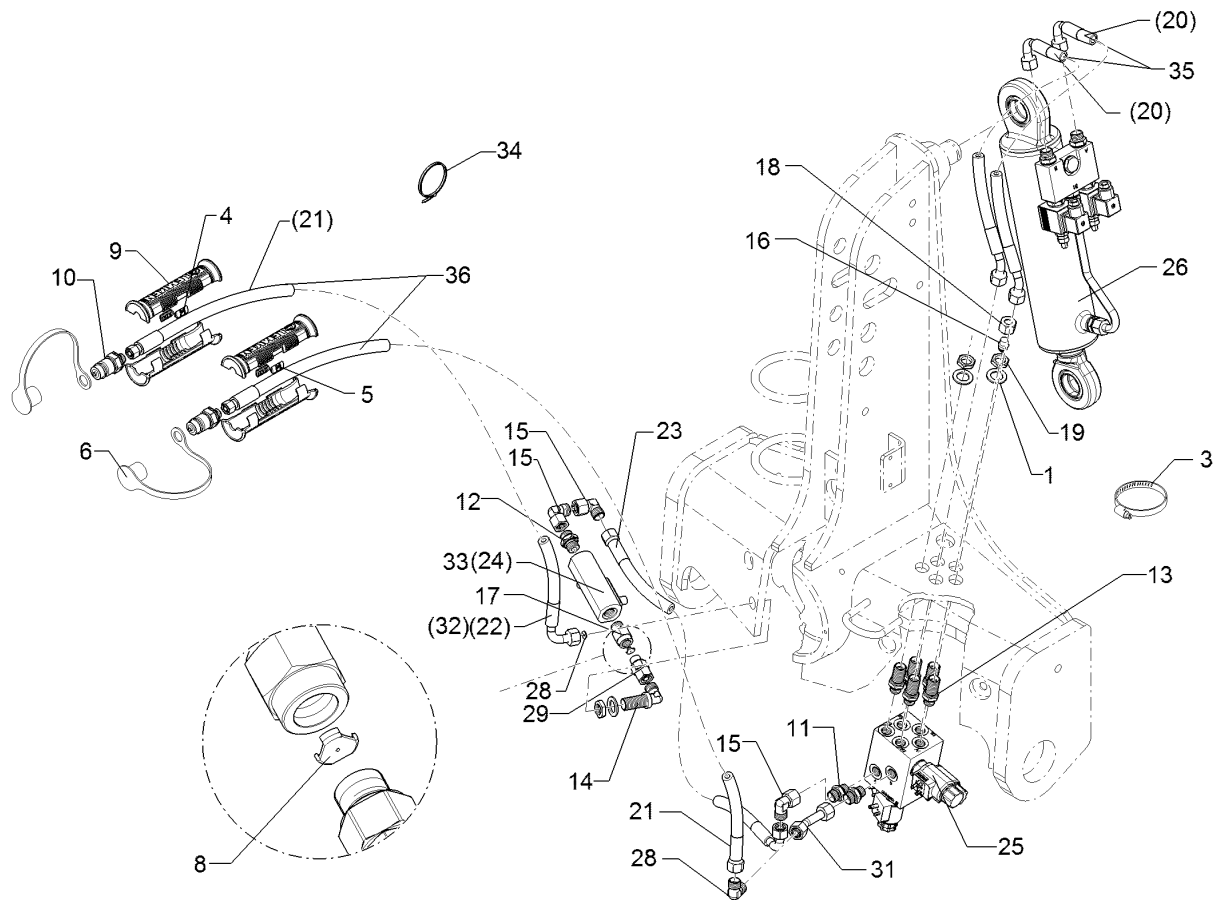
01.18

| Pos. | Art.Nr. | Stck. | Artikeltext / Description | | Abmessung |
|------|----------|-------|------------------------------|------------------------|---------------------------------|
| 1 | 375 2171 | 1 | Drosselscheibe | Restrictor washer | D12x1,5 BO 0,9 |
| 2 | 375 2199 | 1 | Kugelhahn | Ball valve | BKH 12L-M18x1,5 Zn |
| 3 | 375 4132 | 1 | Verbindung gerade | Connection | DKOL12/DKOL12 M18x1,5 |
| 4 | 375 4500 | 3 | Einstellbare W-Verschraubung | Adjustable angle union | EW12-LM DKO24 GRD M18x1,5 |
| 5 | 375 4550 | 1 | Einstellbare L-Verschraubung | Adjustable L-union | EL12-L M18x1,5 |
| 6 | 375 4709 | 1 | Manometerverschraubung | Manometer union piece | MAVE 12-LR |
| 7 | 575 4221 | 1 | Manometer | Manometer | HN60-01-A 63/400/G1/4B |
| 8 | 47511219 | 1 | Schlauchpaket | Hose-assembly | Juwel 7, Zuleitung T-Element |



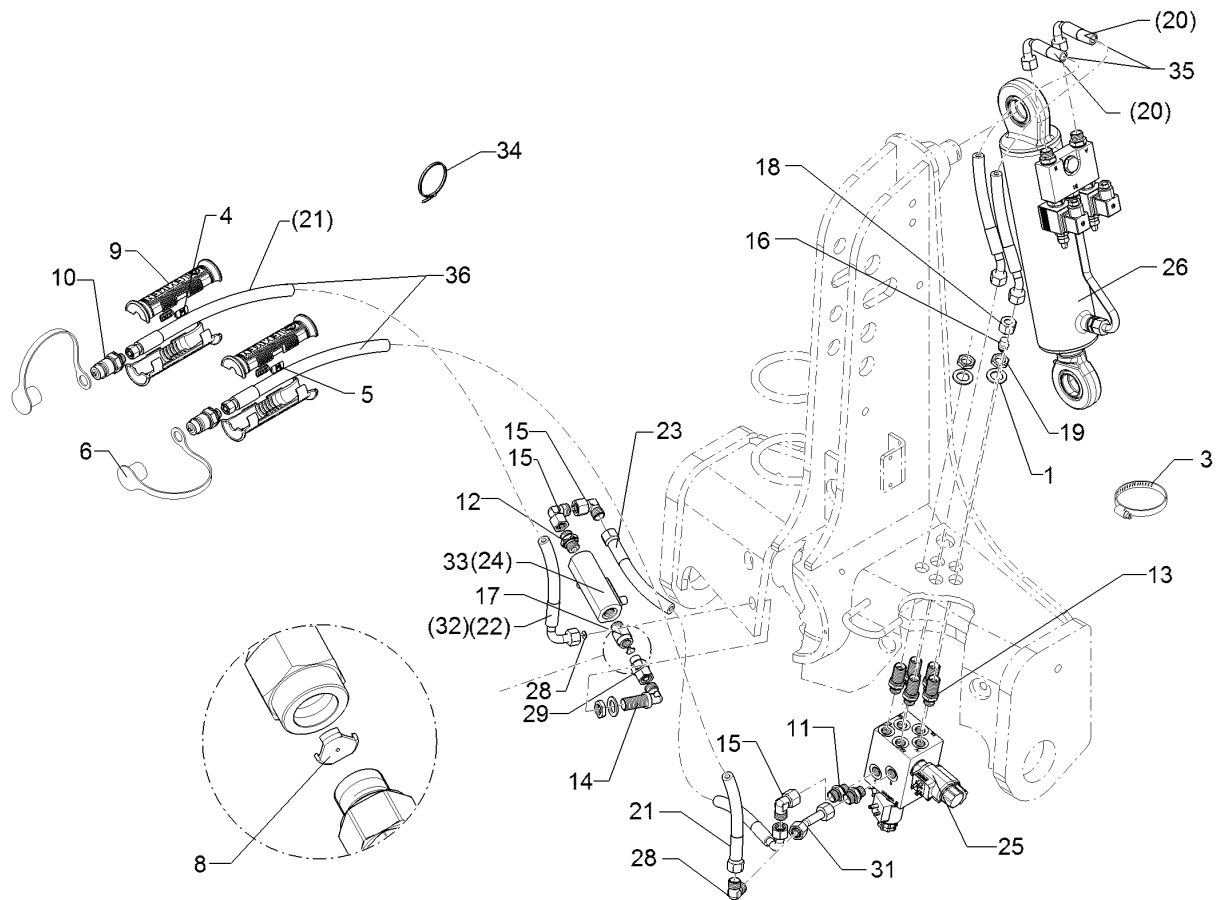
01.18

| Pos. | Art.Nr. | Stck. | Artikeltext / Description | | Abmessung |
|------|----------|-------|---------------------------|--------------------|--------------------------------------|
| 1 | 301 3380 | 1 | Sechskantschraube | Hexagon bolt | M12x50-8.8 Zn DIN931-A |
| 2 | 301 6750 | 2 | Sechskantschraube | Hexagon bolt | M8x20-8.8 Zn DIN933 |
| 3 | 303 0934 | 1 | Sicherungsmutter | Selflocking nut | NM12-8 Zn DIN985 |
| 4 | 305 8580 | 1 | Scheibe | Washer | 13/24x2,5 St-Zn DIN125 |
| 5 | 305 8694 | 2 | Scheibe | Washer | A8,4 DIN125-St Zn |
| 6 | 325 1600 | 2 | Kennzeichnung | Marking | P0 |
| 7 | 325 1607 | 2 | Kennzeichnung | Marking | T0 |
| 8 | 375 2124 | 2 | Staubkappe, weiß | Cap, white | D26,5 Bg.3 |
| 9 | 375 2606 | 2 | Einleger | Insert | DN6 DN8 |
| 10 | 375 2607 | 4 | Griff Halbschale | Handle | - |
| 11 | 375 2718 | 2 | SVK-Stecker | Hydraulic coupling | BG-3 12L M18x1,5 |
| 12 | 375 4020 | 2 | Einschraubverschraubung | Nipple | x-GE12-LM M18x1,5 Zn |
| 14 | 475 3543 | 2 | Hydraulikschlauch | Hydraulic hose | MTH06-1900 DKOL12/DKOL12 0/90° |
| 15 | 475 4422 | 1 | Halter | Holder | 6x105x257 2xGEB45GRD Zn |
| 16 | 575 9039 | 1 | Hydraulikblock | Hydraulic unit | Juwel T 50-200 bar |
| 17 | 47510841 | 1 | Schlauchpaket | Hose-assembly | Juwel 8M, T-Komfort Zul. |
| 18 | 47511219 | 1 | Schlauchpaket | Hose-assembly | Juwel 7, Zuleitung T-Element |



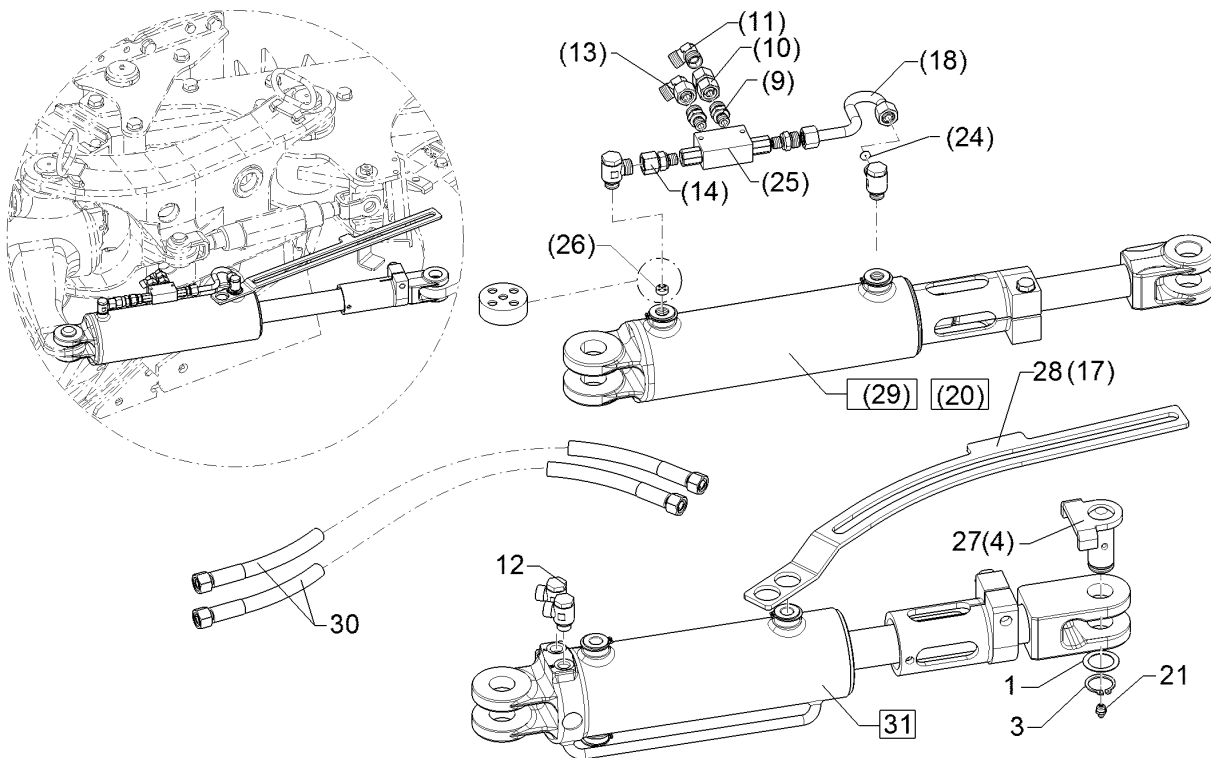
01.18

| Pos. | Art.Nr. | Stck. | Artikeltext / Description | Abmessung | |
|------|----------|-------|------------------------------|-------------------------|--------------------------------------|
| 1 | 305 6890 | 3 | Scheibe | Washer | 19x30x2,5 |
| 3 | 325 1181 | 1 | Schlauchklemme | Hose clamp | TORRO 90-110/12-C7W4 |
| 4 | 325 1601 | 2 | Kennzeichnung | Marking | P1 20x9 |
| 5 | 325 1608 | 2 | Kennzeichnung | Marking | T1 20x9 |
| 6 | 375 2166 | 2 | Staubkappe, rot | Cap, red | D26,5 |
| 8 | 375 2504 | 1 | Drosselscheibe Dreibein | Restrictor washer | 1,2 10,2x2,5x0,8 |
| 9 | 375 2607 | 4 | Griff Halbschale | Handle | - |
| 10 | 375 2718 | 2 | SVK-Stecker | Hydraulic coupling | BG-3 12L M18x1,5 |
| 11 | 375 4011 | 2 | Einschraubverschraubung | Nipple | x-GE12-LM-ED M16x1,5 Zn |
| 12 | 375 4021 | 1 | Einschraubverschraubung | Nipple | x-GE12-LM M18x1,5 ED Zn |
| 13 | 375 4334 | 5 | Gerade Schottverschraubung | Straight bulkhead screw | M16-ED/CEL 12L ZN |
| 14 | 375 4400 | 1 | Winkel-Schottverschraubung | Angle union | x-WSV12-L M18x1,5 Zn o.KM |
| 15 | 375 4500 | 3 | Einstellbare W-Verschraubung | Adjustable angle union | EW12-LM DKO24 GRD M18x1,5 |
| 16 | 375 4660 | 1 | Blindstopfen | Blind plug | BUZ12-L |
| 17 | 375 4715 | 1 | Stutzen | Stud | IGM16x1,5/AG18x1,5 ED |
| 18 | 375 5310 | 1 | Überwurfmutter | Union nut | 12L M18x1,5 Zn/ZnNi |
| 19 | 375 5700 | 3 | Mutter | Nut | M18x1,5 SW24x6 |
| 20 | 47510229 | 2 | Hydraulikschlauch | Hydraulic hose | 2SC08-760 DKOL12/DKOL12 45/90° |



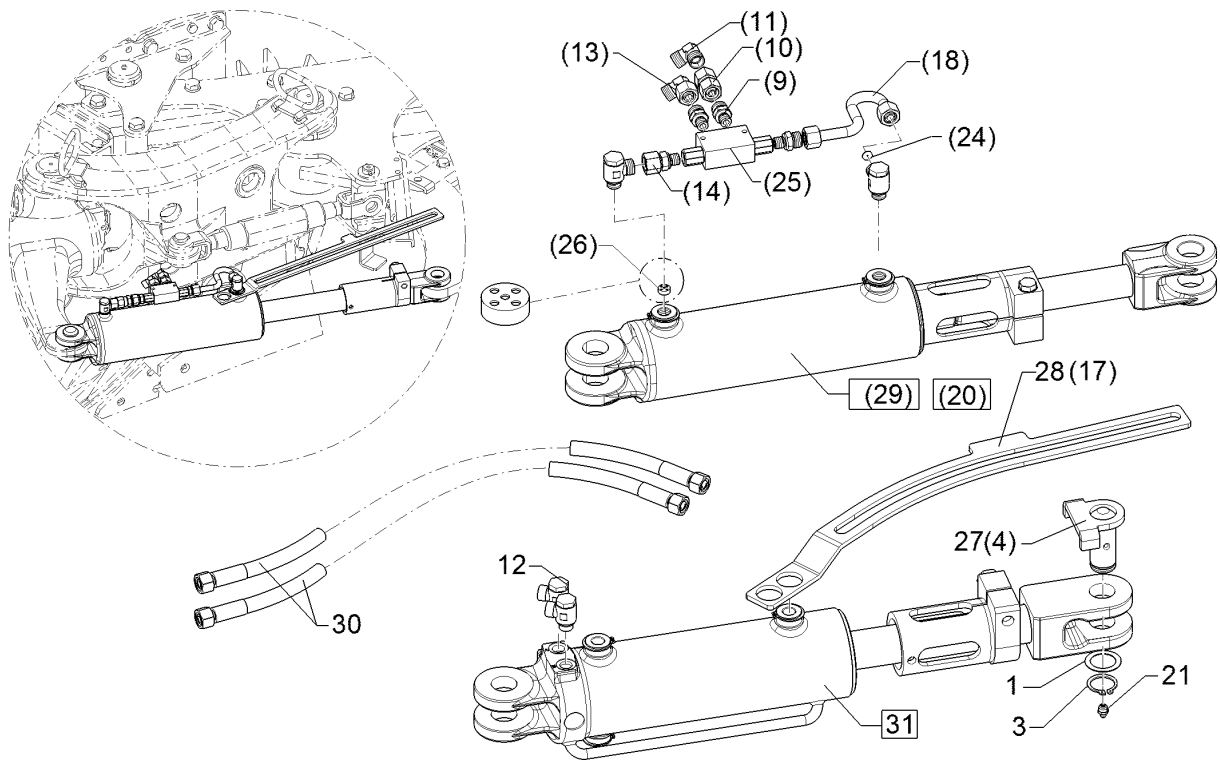
01.18

| Pos. | Art.Nr. | Stck. | Artikeltext / Description | | Abmessung |
|------|----------|-------|---------------------------|-------------------|---|
| 21 | 475 2434 | 1 | Hydraulikschlauch | Hydraulic hose | 2SC10-1800 DKOL12/DKOL12 0/90° |
| 22 | 475 2616 | 1 | Hydraulikschlauch | Hydraulic hose | 2SN10-1500 DKOL12/DKOL12 |
| 23 | 475 2693 | 1 | Hydraulikschlauch | Hydraulic hose | 2SN8-400 DKOL12/DKOL12 0/90° |
| 24 | 573 4388 | 1 | Strömungswächter | Flow monitor | FW4V-018GM |
| 25 | 575 2082 | 1 | Steuerblock | Control valve | Q=25l M16x1,5 12Volt |
| 26 | 57510126 | 1 | Hydraulikzylinder | Hydraulic ram | DZ80/40x245-460+MGV |
| 28 | 375 2214 | 1 | Drosselscheibe | Restrictor washer | D12x1,5 BO 2,0 |
| 29 | 375 4041 | 1 | Einschraubverschraubung | Nipple | evGE 12-LM M16x1,5 DKO24 GRD |
| 30 | 375 4210 | 1 | Winkelverschraubung | Elbow union | x-W12-L M18x1,5 |
| 31 | 57510201 | 1 | Hydraulikrohr | Hydraulic tube | 12x90 |
| 32 | 47510285 | 1 | Hydraulikschlauch | Hydraulic hose | 1xGEB15GRD 2SC10-1500 DKOL12/DKOL12 |
| 33 | 57310047 | 1 | Strömungswächter | Flow monitor | 2x M12 12V 1-40l |
| 34 | 32510007 | 1 | Einlochkabelbinder | Clip | 7,6x375 |
| 35 | 47511213 | 1 | Schlauchpaket | Hose-assembly | Juwel 7, Zul. Drehung |
| 36 | 47511217 | 1 | Schlauchpaket | Hose-assembly | Juwel 7, Zul. Steuerblock |



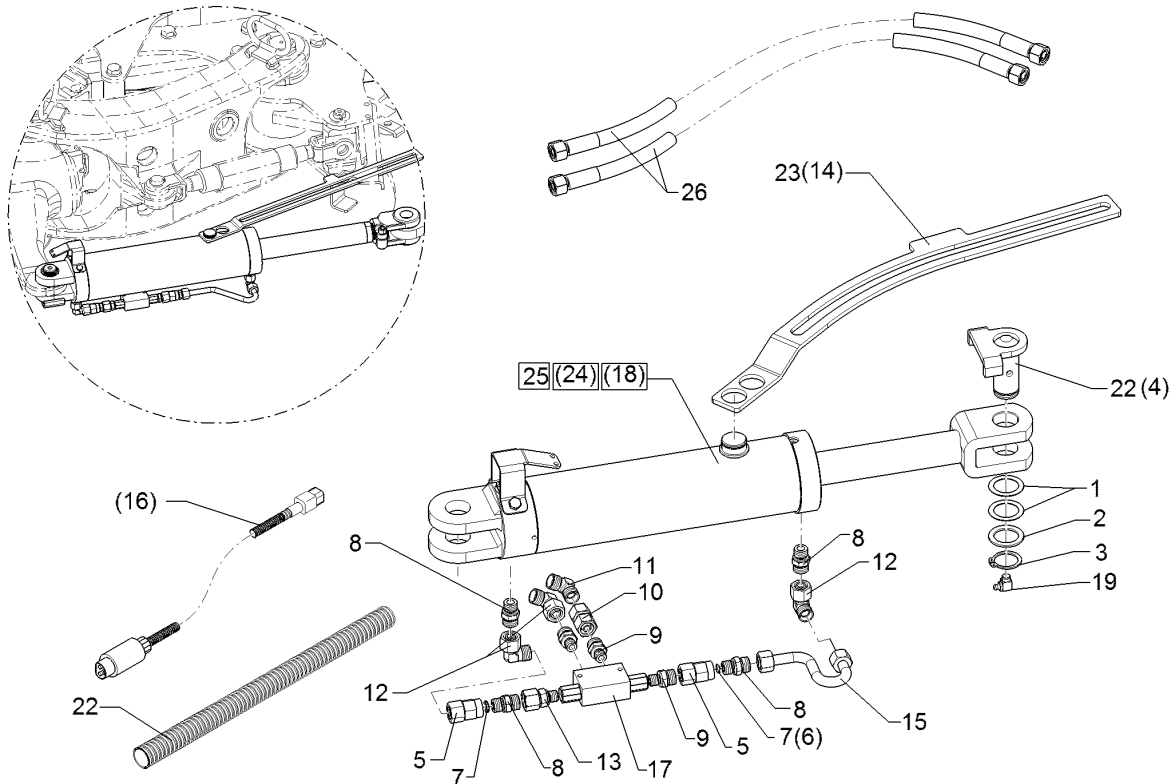
01.18

| Pos. | Art.Nr. | Stck. | Artikeltext / Description | | Abmessung |
|------|----------|-------|--------------------------------|--------------------------|------------------------------|
| 1 | 305 2051 | 1 | Passscheibe | Shim | 30x42x1,0 DIN988 Zn |
| 3 | 305 8867 | 1 | Sicherungsring | Retaining ring | 30x2 DIN471 Zn |
| 4 | 313 3028 | 1 | Bolzen mit Verdrehsicherung | Pin with stop | D30x61/69 U-61 M10x1 Zn |
| 9 | 375 4038 | 3 | Einschraubverschraubung | Nipple | GE 12-LR 1/4 ZL ED |
| 10 | 375 4132 | 1 | Verbindung gerade | Connection | DKOL12/DKOL12 M18x1,5 |
| 11 | 375 4210 | 1 | Winkelverschraubung | Elbow union | x-W12-L M18x1,5 |
| 12 | 375 4310 | 2 | Schwenkverschraubung | Union, swivel | x-SWVE12-LM M16x1,5 |
| 13 | 375 4500 | 1 | Einstellbare W-Verschraubung | Adjustable angle union | EW12-LM DKO24 GRD M18x1,5 |
| 14 | 375 4711 | 1 | Stutzen | Stud | x-evGE-12-ED 1/4" DKO 24 GRD |
| 17 | 47310019 | 1 | Steuerstange | Control rod | 6x184x594,5 2xD30,5 GEK22 Zn |
| 18 | 57510203 | 1 | Rohr 12x189 2xGEB 1xfürDrossel | Tube | 12x2x189 2xGEB 1xDR |
| 20 | 57510057 | 1 | Einschwenkzylinder | Swing-in ram | DZ80/40x220/680 D30 |
| 21 | 323 6348 | 1 | Schmiernippel | Grease nipple | AM10x1 DIN71412 |
| 24 | 375 2214 | 1 | Drosselscheibe | Restrictor washer | D12x1,5 BO 2,0 |
| 25 | 57510037 | 1 | Dopp.Rückschv.hy.ent. | Nonreturn valve | DVVG-G1/4 Q=15 l/min |
| 26 | 57510207 | 1 | Drosselrückschlagventil | Throttle nonreturn valve | D14,3/2,0 |
| 27 | 31310060 | 1 | Bolzen | Pin | D30/61x69 U-71 Zn |



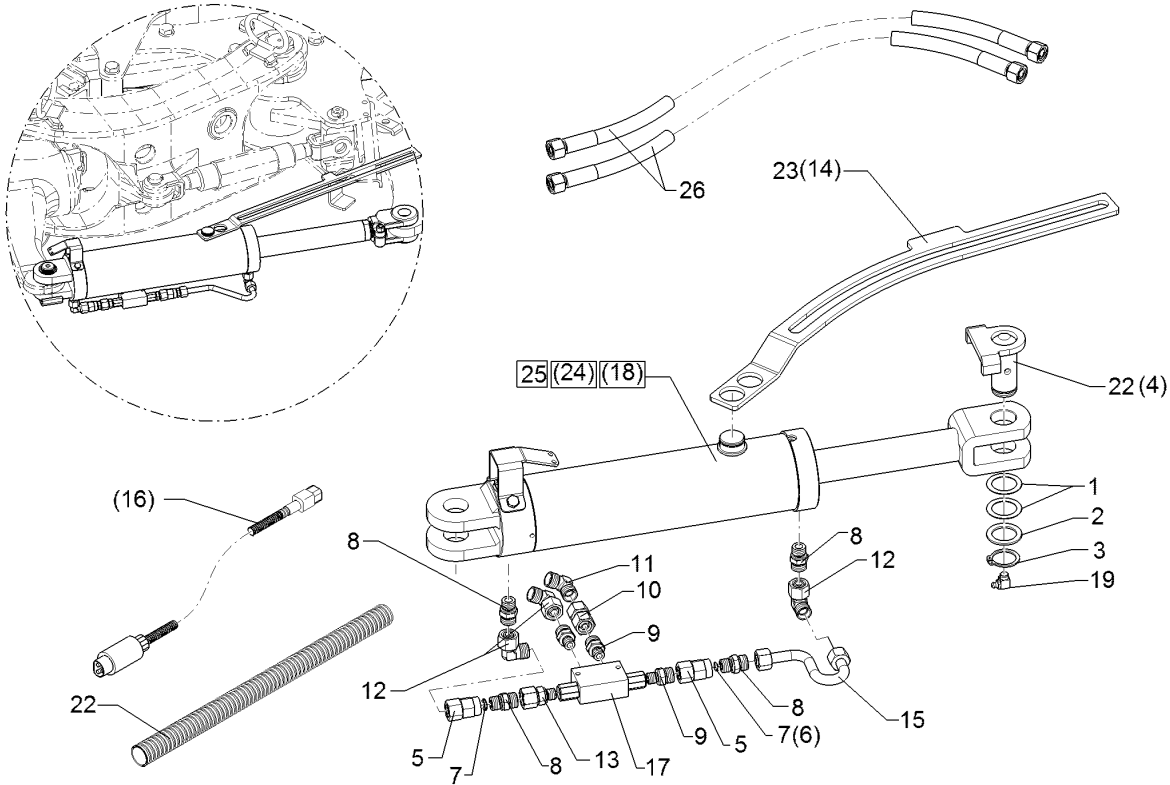
01.18

| Pos. | Art.Nr. | Stck. | Artikeltext / Description | Abmessung | |
|------|----------|-------|---------------------------|---------------|--|
| 28 | 47310032 | 1 | Steuerstange | Control rod | 6x184x595,8 |
| 29 | 57510254 | 1 | Einschwenkzylinder | Swing-in ram | 2xD30,5 GEK17 Zn DZ90/45x220/680 |
| 30 | 47511212 | 1 | Schlauchpaket | Hose-assembly | D30 |
| 31 | 57511084 | 1 | Hydraulikzylinder | Hydraulic ram | Juwel 7, Ra DZ090/45x0220-0660 D30 D30 |



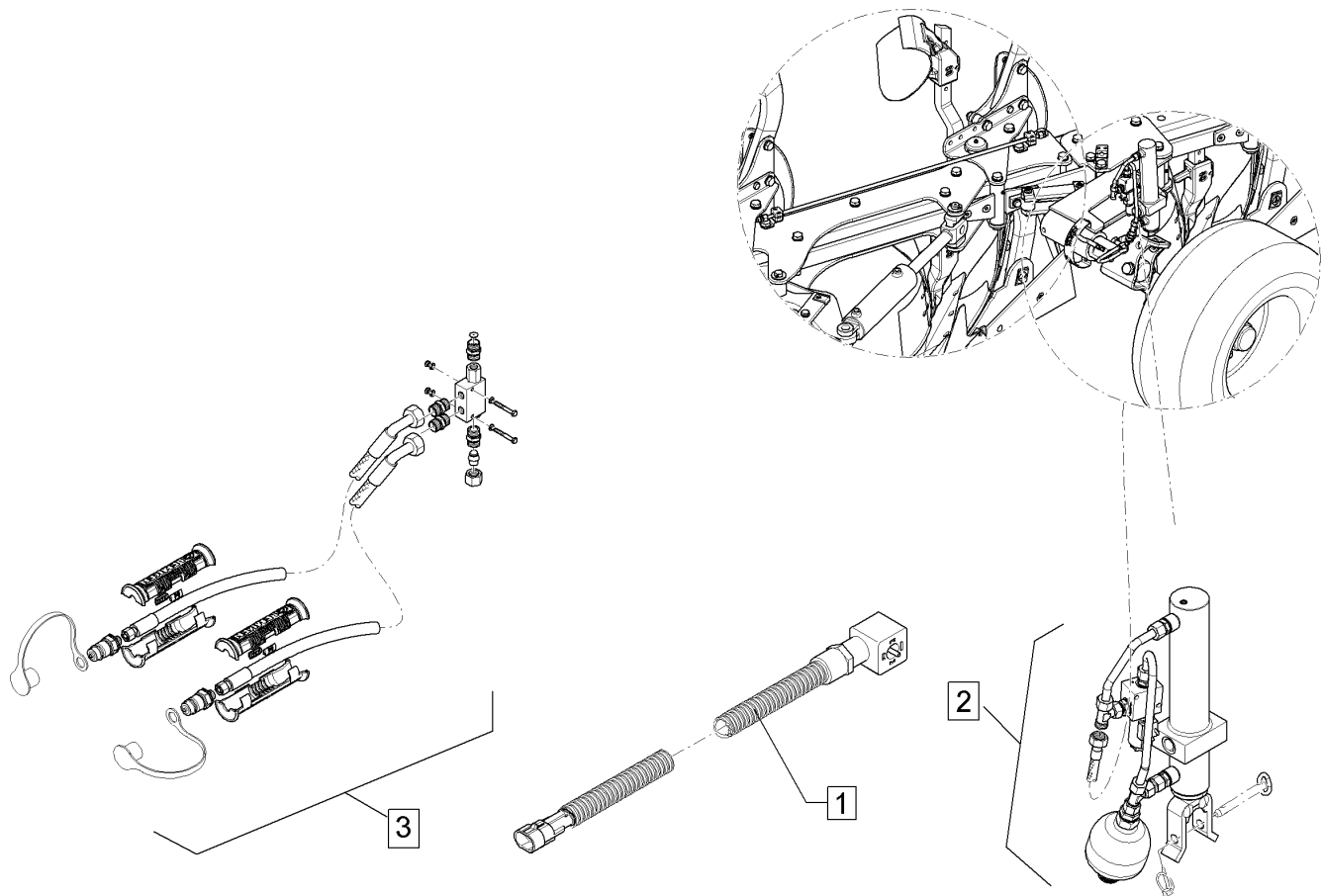
01.18

| Pos. | Art.Nr. | Stck. | Artikeltext / Description | | Abmessung |
|------|----------|-------|-------------------------------|------------------------|------------------------------|
| 1 | 305 2051 | 2 | Passscheibe | Shim | 30x42x1,0 DIN988 Zn |
| 2 | 305 2242 | 1 | Stützscheibe | Supporting washer | S 30/42x2,5 DIN988 Zn |
| 3 | 305 8867 | 1 | Sicherungsring | Retaining ring | 30x2 DIN471 Zn |
| 4 | 313 3028 | 1 | Bolzen mit Verdrehsicherung | Pin with stop | D30x61/69 U-61 M10x1 Zn |
| 5 | 375 2205 | 2 | Verbindung | Connection | DKOL12/IGM 16x1,5 |
| 6 | 375 2509 | 1 | Drosselscheibe Dreibein | Restrictor washer | 1,7 |
| 7 | 375 2512 | 1 | Drosselscheibe Dreibein | Restrictor washer | Dreibein 2,0 |
| 8 | 375 4010 | 2 | Einschraubverschraubung | Nipple | x-GE12-LM M16x1,5 Zn |
| 9 | 375 4038 | 3 | Einschraubverschraubung | Nipple | GE 12-LR 1/4 ZL ED |
| 10 | 375 4132 | 1 | Verbindung gerade | Connection | DKOL12/DKOL12 M18x1,5 |
| 11 | 375 4210 | 1 | Winkelverschraubung | Elbow union | x-W12-L M18x1,5 |
| 12 | 375 4500 | 3 | Einstellbare W-Verschraubung | Adjustable angle union | EW12-LM DKO24 GRD M18x1,5 |
| 13 | 375 4711 | 1 | Stutzen | Stud | x-evGE-12-ED 1/4" DKO 24 GRD |
| 14 | 47310019 | 1 | Steuerstange | Control rod | 6x184x594,5 2xD30,5 GEK22 Zn |
| 15 | 57510206 | 1 | Rohr | Tube | 12x2x192 2xGEB |
| 16 | 573 6043 | 1 | Kabelb. TurnCtrl. Schlepper A | Cable form | TurnControl |
| 17 | 57510037 | 1 | Dopp.Rückschv.hy.ent. | Nonreturn valve | DVVG-G1/4 Q=15 l/min |



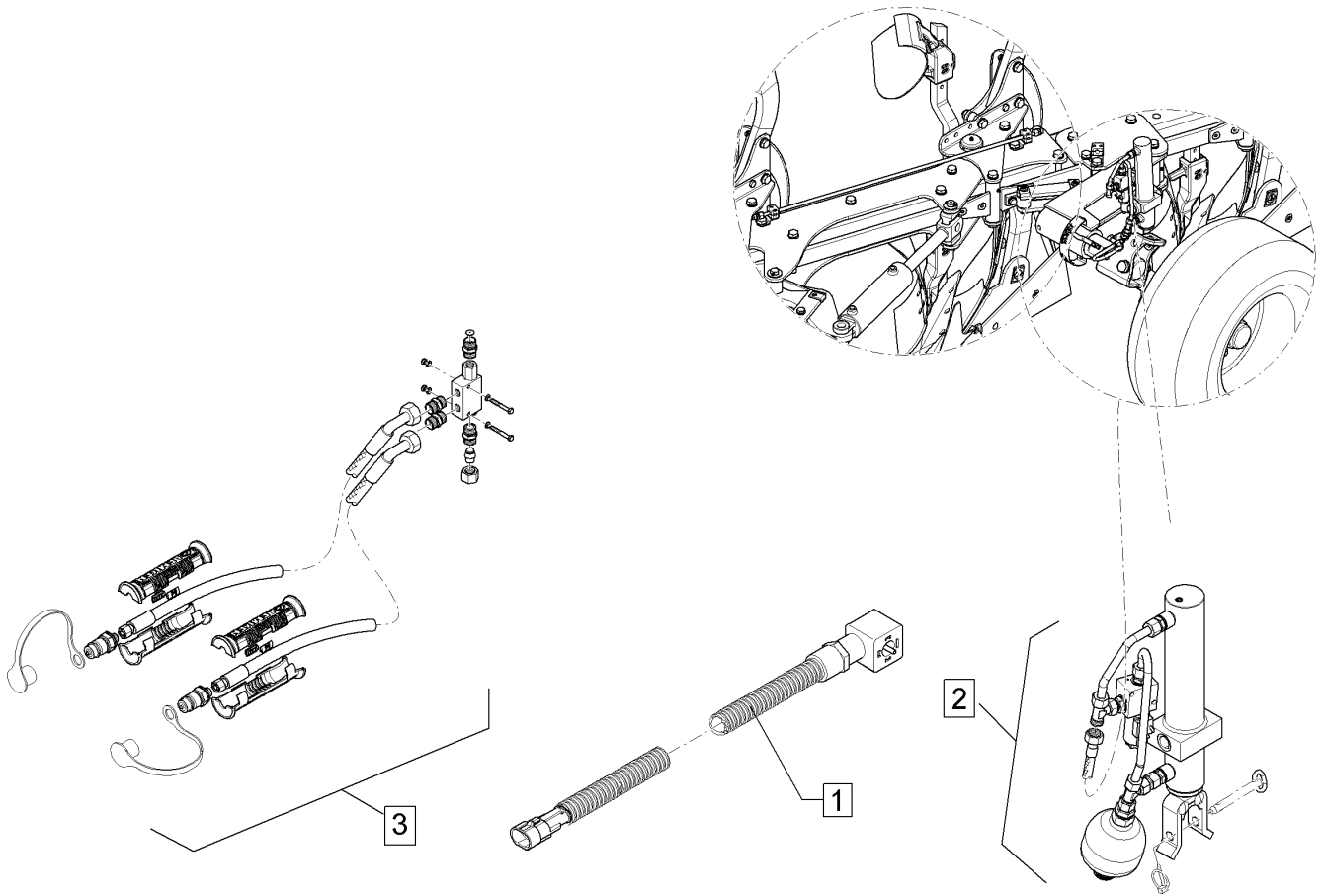
01.18

| Pos. | Art.Nr. | Stck. | Artikeltext / Description | Abmessung | |
|------|----------|-------|---------------------------|---------------|-------------------------------------|
| 18 | 57510129 | 1 | Hydraulikzylinder | Hydraulic ram | DZ 80/40-220 m. |
| 19 | 323 6349 | 1 | Schmiernippel | Grease nipple | Wegmesssystem CM10x1 |
| 22 | 31310060 | 1 | Bolzen | Pin | DIN71412-90 GRD |
| 23 | 47310032 | 1 | Steuerstange | Control rod | D30/61x69 U-71 Zn 6x184x595,8 |
| 24 | 57510255 | 1 | Hydraulikzylinder | Hydraulic ram | 2xD30,5 GEK17 Zn DZ90/45x220/680 |
| 25 | 57511085 | 1 | Hydraulikzylinder | Hydraulic ram | D30 DZ090/45x0220-0660 |
| 26 | 47511287 | 1 | Schlauchpaket | Hose-assembly | D30D30 Juwel 7, Ra+Vf |



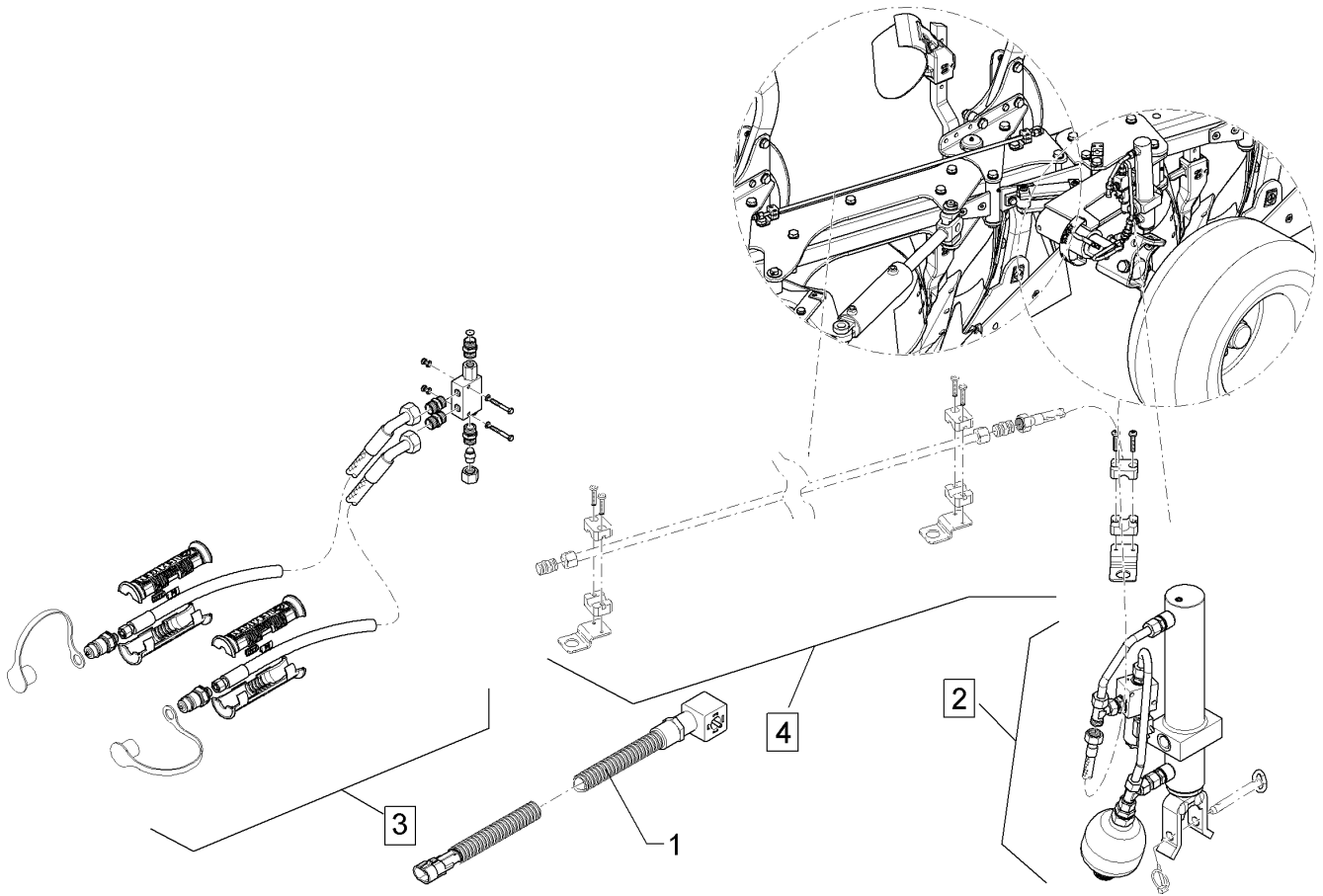
01.18

| Pos. | Art.Nr. | Stck. | Artikeltext / Description | Abmessung |
|------|----------|-------|---------------------------|---------------|
| 1 | 57310088 | 1 | Kabelbaum | Stützrad 2000 |
| 2 | 575 1153 | 1 | Montage-BG | Uni-RAD Juwel |
| 3 | 575 1155 | 1 | Hy-anl. Unirad | Juwel 8 |



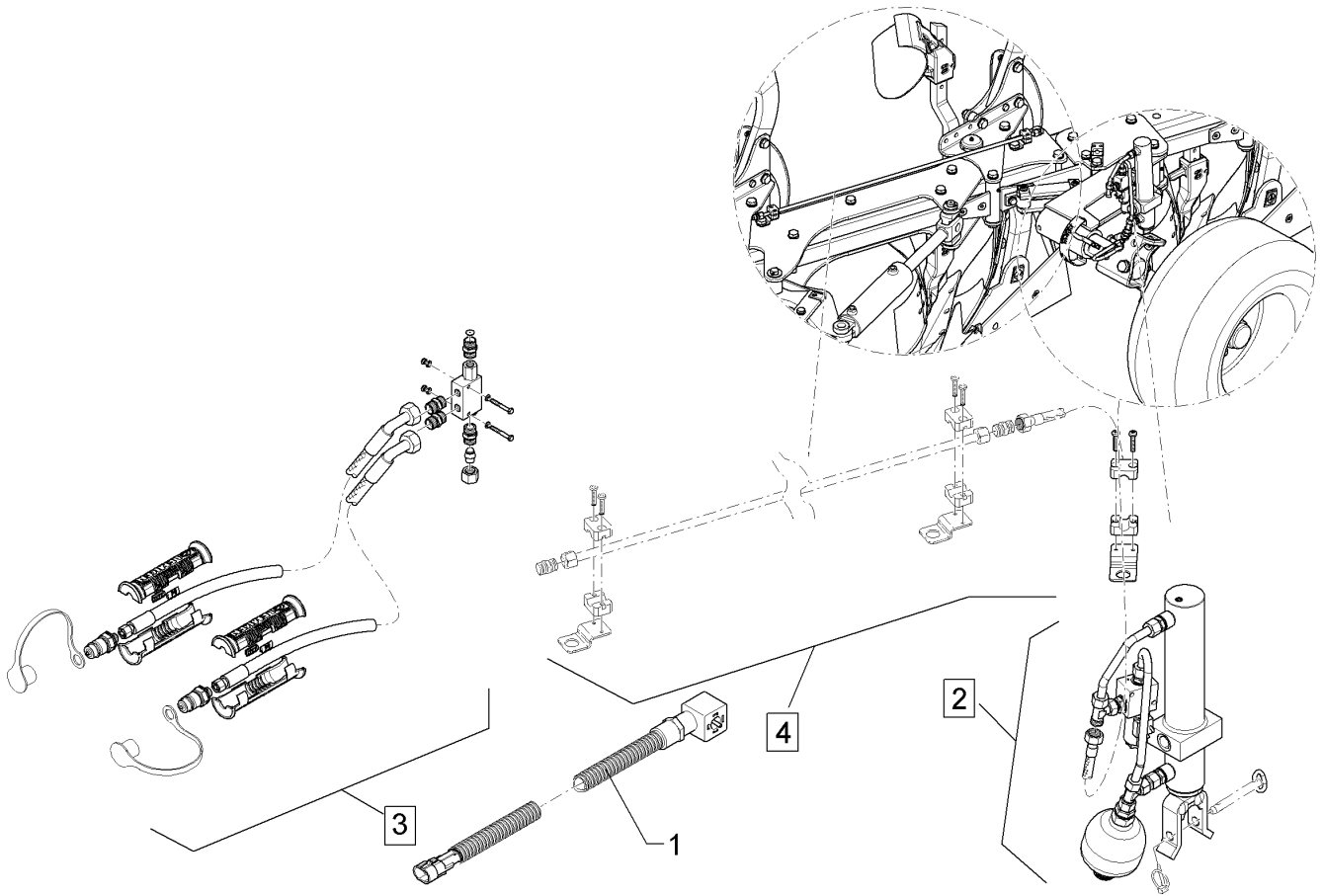
01.18

| Pos. | Art.Nr. | Stck. | Artikeltext / Description | | Abmessung |
|------|----------|-------|---------------------------|--------------------------------|---------------|
| 1 | 57310088 | 1 | Kabelbaum | Cable form | Stützrad 2000 |
| 2 | 575 1153 | 1 | Montage-BG | Assembly group | Uni-RAD Juwel |
| 3 | 575 1155 | 1 | Hy-anl. Unirad | HY-assembly depth+transp.wheel | Juwel 8 |



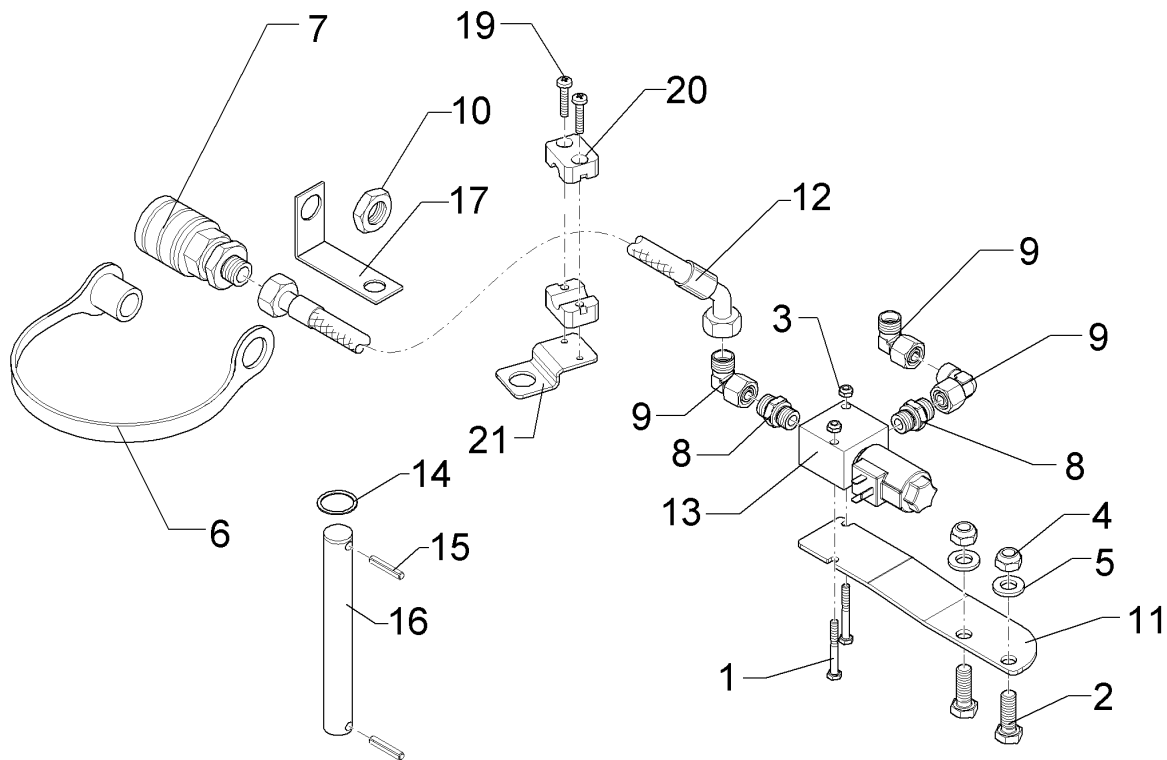
01.18

| Pos. | Art.Nr. | Stck. | Artikeltext / Description | | Abmessung |
|------|----------|-------|---------------------------|--------------------------------|------------------------------|
| 1 | 573 6042 | 1 | Kabelbaum Stützrad | Cable form | - |
| 2 | 575 1153 | 1 | Montage-BG | Assembly group | Uni-RAD Juwel |
| 3 | 575 1155 | 1 | Hy-anl. Unirad | HY-assembly depth+transp.wheel | Juwel 8 |
| 4 | 575 1157 | 1 | Mont.-BG Rohr Uni-Rad | Assembly group | Uni-Rad J (5-f.) J 5-100 |



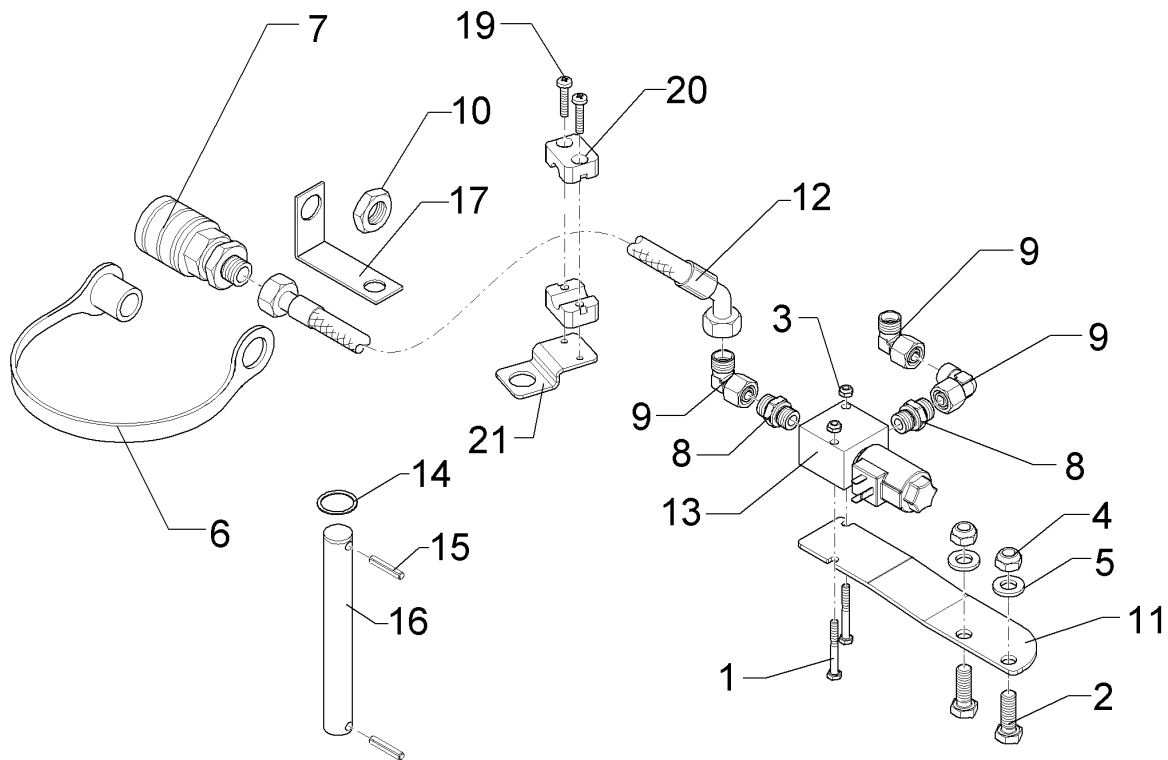
01.18

| Pos. | Art.Nr. | Stck. | Artikeltext / Description | | Abmessung |
|------|----------|-------|---------------------------|--------------------------------|-----------------------------|
| 1 | 573 6042 | 1 | Kabelbaum Stützrad | Cable form | - |
| 2 | 575 1153 | 1 | Montage-BG | Assembly group | Uni-RAD Juwel |
| 3 | 575 1155 | 1 | Hy-anl. Unirad | HY-assembly depth+transp.wheel | Juwel 8 |
| 4 | 575 1159 | 1 | Mont.-BG Rohr Uni-Rad | Assembly group | Uni-Rad J (5-f.) J 5-90 |



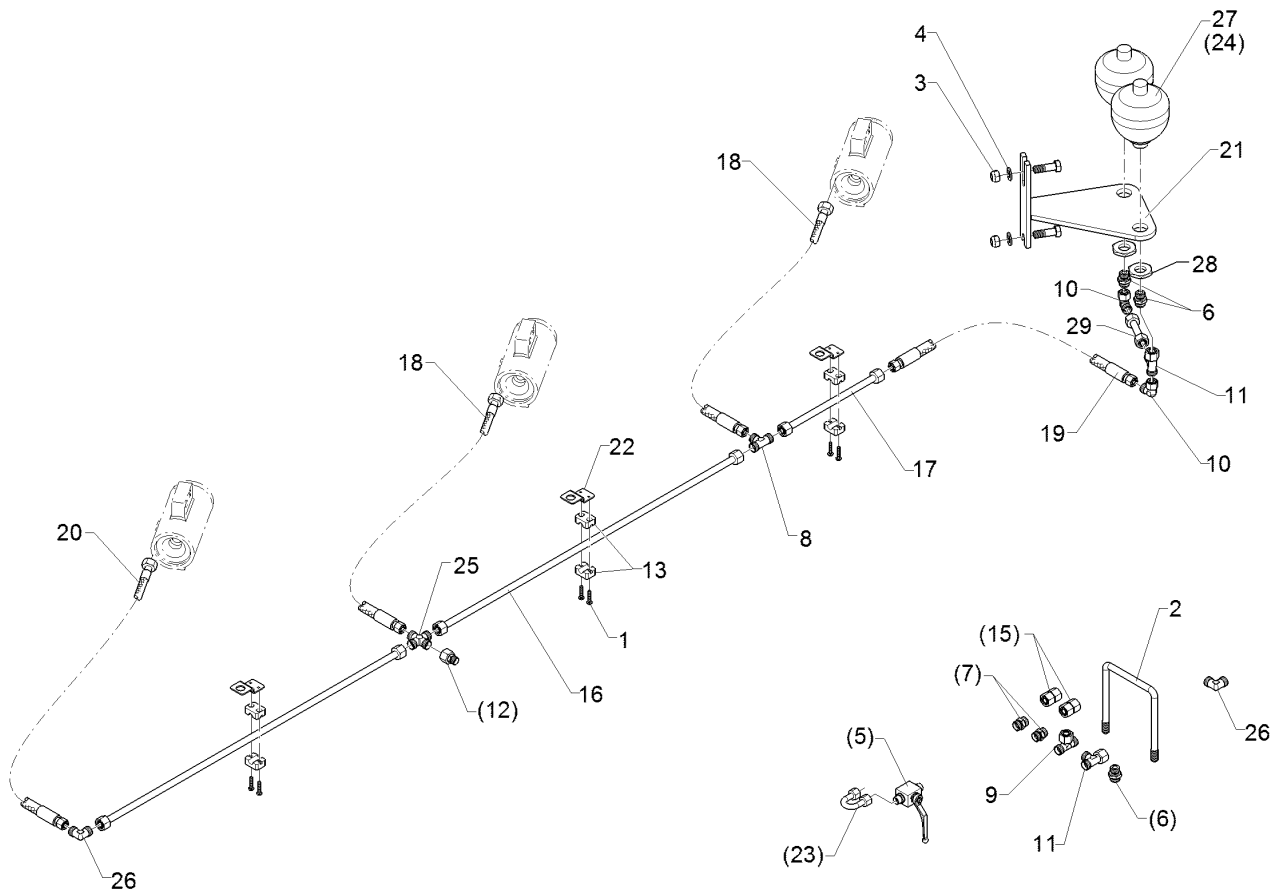
01.18

| Pos. | Art.Nr. | Stck. | Artikeltext / Description | | Abmessung |
|------|----------|-------|--------------------------------|------------------------|-------------------------------------|
| 1 | 301 3030 | 2 | Sechskantschraube | Hexagon bolt | M6x50-8.8 Zn DIN931-A |
| 2 | 301 7334 | 2 | Sechskantschraube | Hexagon bolt | M12x35-8.8 Zn DIN933 |
| 3 | 303 0931 | 2 | Sicherungsmutter | Selflocking nut | NM6-8 Zn DIN985 |
| 4 | 303 0934 | 2 | Sicherungsmutter | Selflocking nut | NM12-8 Zn DIN985 |
| 5 | 305 6137 | 2 | Scheibe | Washer | 13/25x3 DIN1441-St Zn |
| 6 | 375 2163 | 1 | Staubstecker | Plastic male probe | NW 6 |
| 7 | 375 2730 | 1 | SVK-Muffe | SVK-socket | BG 2 NW8 M16x1,5 Schott |
| 8 | 375 4057 | 2 | Gerade Einschraubverschraubung | Nipple | x-GE12-LR 3/8"-ED |
| 9 | 375 4500 | 3 | Einstellbare W-Verschraubung | Adjustable angle union | EW12-LM DKO24 GRD M18x1,5 |
| 10 | 375 5698 | 1 | Sechskantmutter | Hexagon nut | M16x1,5 SW22 Zn |
| 11 | 473 8130 | 1 | Halter | Holder | 4x60x243,9 GEK16,3 Zn |
| 12 | 47510230 | 1 | Hydraulikschlauch | Hydraulic hose | 2SC08-830 DKOL10/DKOL12 0/45° |
| 13 | 575 2253 | 1 | Sitzventil | Seat valve | WR22GEZ5-412VDC+GALMA1 |
| 14 | 305 2230 | 2 | Stützscheibe | Supporting washer | S 25x35x2,0 DIN988 Zn |
| 15 | 309 6072 | 2 | Spannhülse | Expansion bush | 8x40-DIN1481 Zn |
| 16 | 31310001 | 1 | Bolzen | Pin | D25x140 Zn |
| 17 | 475 4423 | 1 | Halter | Holder | 2,5x30x175 1xGEB90GRD Zn |



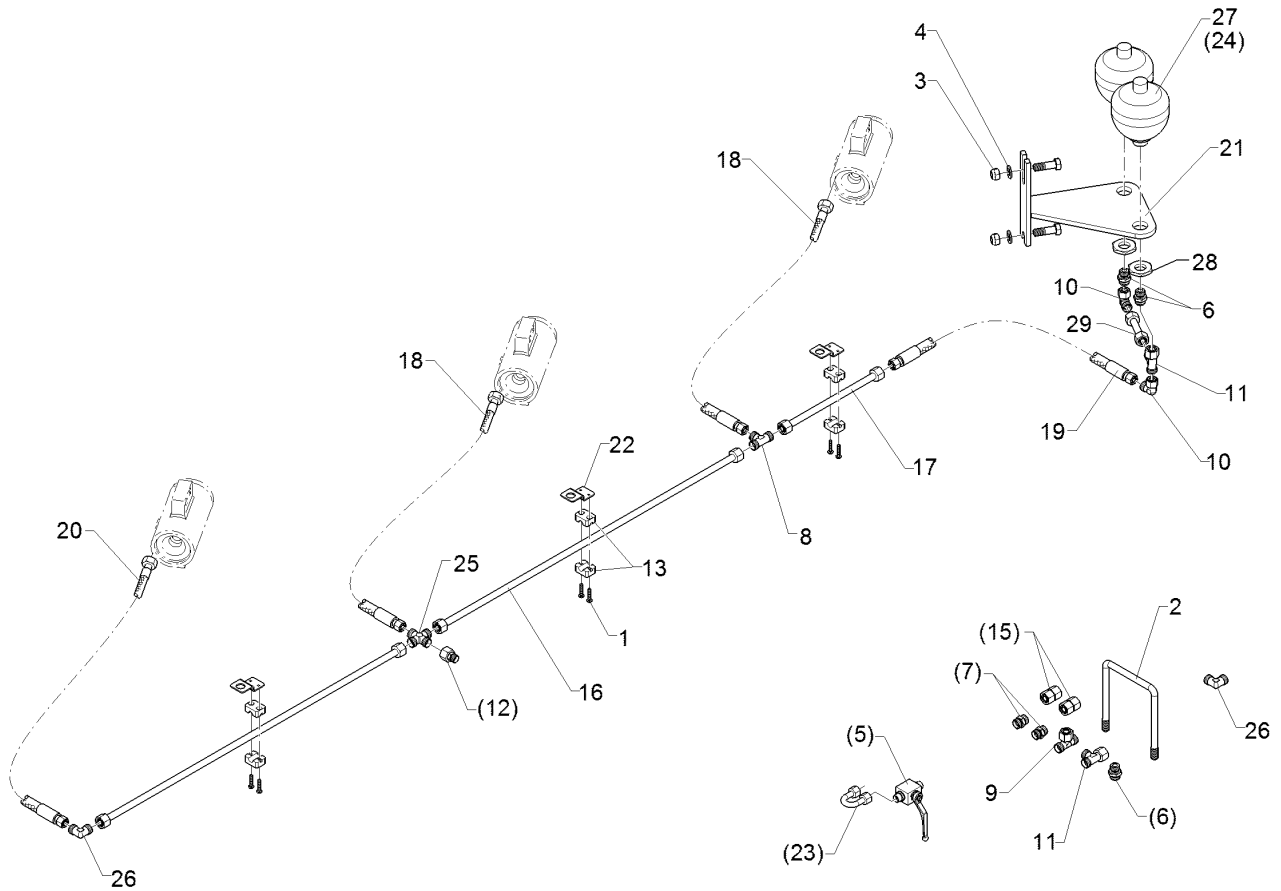
01.18

| Pos. | Art.Nr. | Stck. | Artikeltext / Description | Abmessung |
|------|----------|-------|---------------------------|-------------------------|
| 18 | 573 6041 | 1 | Kabelbaum | TurnControl |
| 19 | 301 0303 | 2 | Linsenschraube | M6x30-4,6 Zn DIN7985 |
| 20 | 375 9961 | 2 | Schellenkörper | 1/2x215 PP |
| 21 | 475 4407 | 1 | Halter | 40x3x92 Zn |



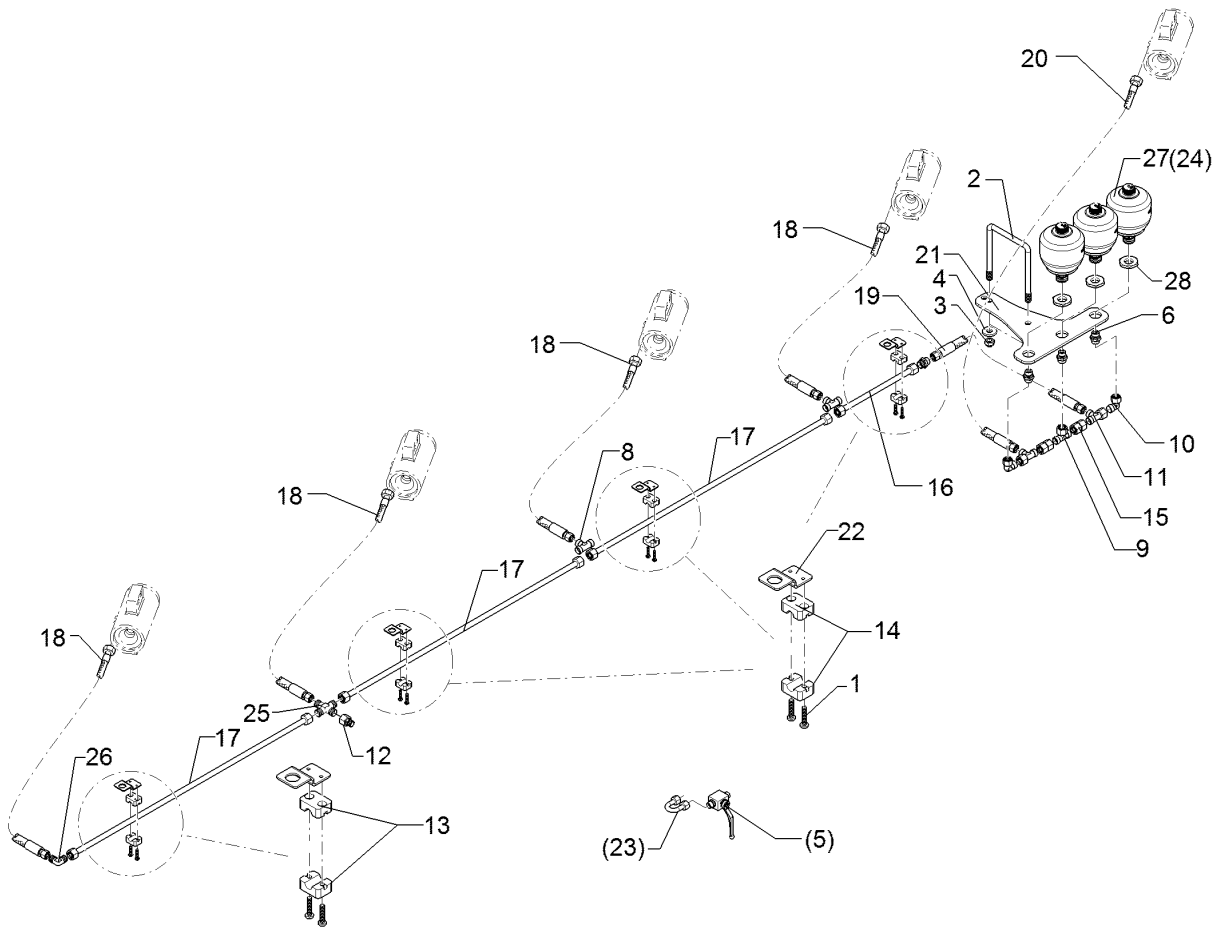
01.18

| Pos. | Art.Nr. | Stck. | Artikeltext / Description | | Abmessung |
|------|----------|-------|------------------------------|------------------------|------------------------------------|
| 1 | 301 0303 | 4 | Linsenschraube | Oval head screw | M6x30-4,6 Zn DIN7985 |
| 2 | 301 7821 | 1 | Bügelsschraube | U-bolt | M16/120/160 Zn |
| 3 | 303 0935 | 2 | Sicherungsmutter | Selflocking nut | NM16-8 Zn DIN985 |
| 4 | 305 6181 | 2 | Scheibe | Washer | 17 DIN7349 |
| 5 | 375 2199 | 1 | Kugelhahn | Ball valve | BKH 12L-M18x1,5 Zn |
| 6 | 375 4040 | 2 | Einschraubverschraubung | Nipple | xGE 15-LR R1/2"-B |
| 7 | 375 4120 | 2 | Gerade Verschraubung | Nipple | x-G15-L M22x1,5 |
| 8 | 375 4484 | 1 | T-Verschraubung | T-union | x-T15-L M22x1,5 Zn |
| 9 | 375 4494 | 1 | Einstellbare T-Verschraubung | Adjustable T-union | ET15-LM |
| 10 | 375 4503 | 2 | Einstellbare W-Verschraubung | Adjustable angle union | EW15-L-DKO24 |
| 11 | 375 4553 | 2 | Einstellbare L-Verschraubung | Adjustable L-union | GRD O-Ring EL15-L-DKO24 GRD |
| 12 | 375 4653 | 1 | Konus-Reduzieranschluss | Reduction joint | x-KOR15/12-L DKO24 GRD |
| 13 | 375 9961 | 4 | Schellenkörper | Clamp | 1/2x215 PP |
| 15 | 57510442 | 2 | Hydraulikrohr | Hydraulic tube | 15x2x39 |
| 16 | 57510445 | 1 | Hydraulikrohr | Hydraulic tube | 15x2x858 |
| 17 | 57510451 | 1 | Hydraulikrohr | Hydraulic tube | 15x2x360 |
| 18 | 475 2649 | 2 | Hydraulikschlauch | Hydraulic hose | 2SN12-1080 M22x1,5 |
| 19 | 475 3009 | 1 | Hydraulikschlauch | Hydraulic hose | 2SN12-500 DKOL15/DKOL15 0/0° |



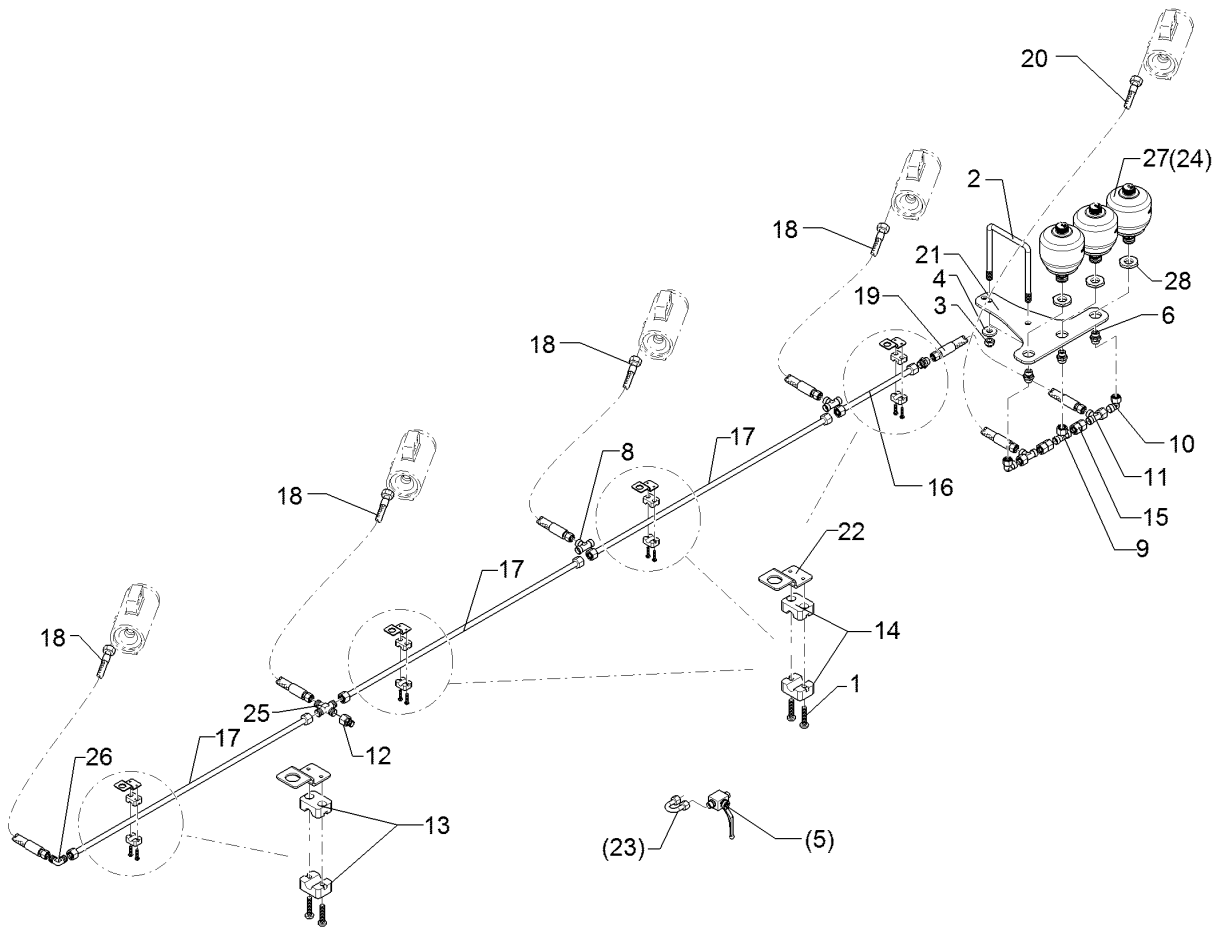
01.18

| Pos. | Art.Nr. | Stck. | Artikeltext / Description | | Abmessung |
|------|----------|-------|---------------------------|----------------------|------------------------------------|
| 20 | 475 3265 | 1 | Hydraulikschlauch | Hydraulic hose | 2SN12-1360 DKOL15 00/00 GRD |
| 21 | 475 4397 | 1 | Halter | Holder | Hydrix 2/3-H |
| 22 | 475 4407 | 2 | Halter | Holder | 40x3x92 Zn |
| 23 | 475 9920 | 1 | Hydraulikrohr | Hydraulic tube | 12x2x122 |
| 24 | 575 9042 | 2 | Druckspeicher | Pressure accumulator | 1xGEB180GRD Typ 0,75l 250-50bar |
| 25 | 375 4602 | 1 | Kreuzverschraubung | Cross union | G1/2 ZL x-K15-L |
| 26 | 375 4220 | 2 | Winkelverschraubung | Elbow union | W15-L M22x1,5 |
| 27 | 57510264 | 2 | Druckspeicher | Pressure accumulator | Typ 0,75l 330-120bar G1/2ZL |
| 28 | 30310095 | 2 | Sechskantmutter | Hexagon nut | M33x1,5 k=8 ZnNi 720h |
| 29 | 57510283 | 1 | Hydraulikrohr | Hydraulic tube | 15x2x98 |



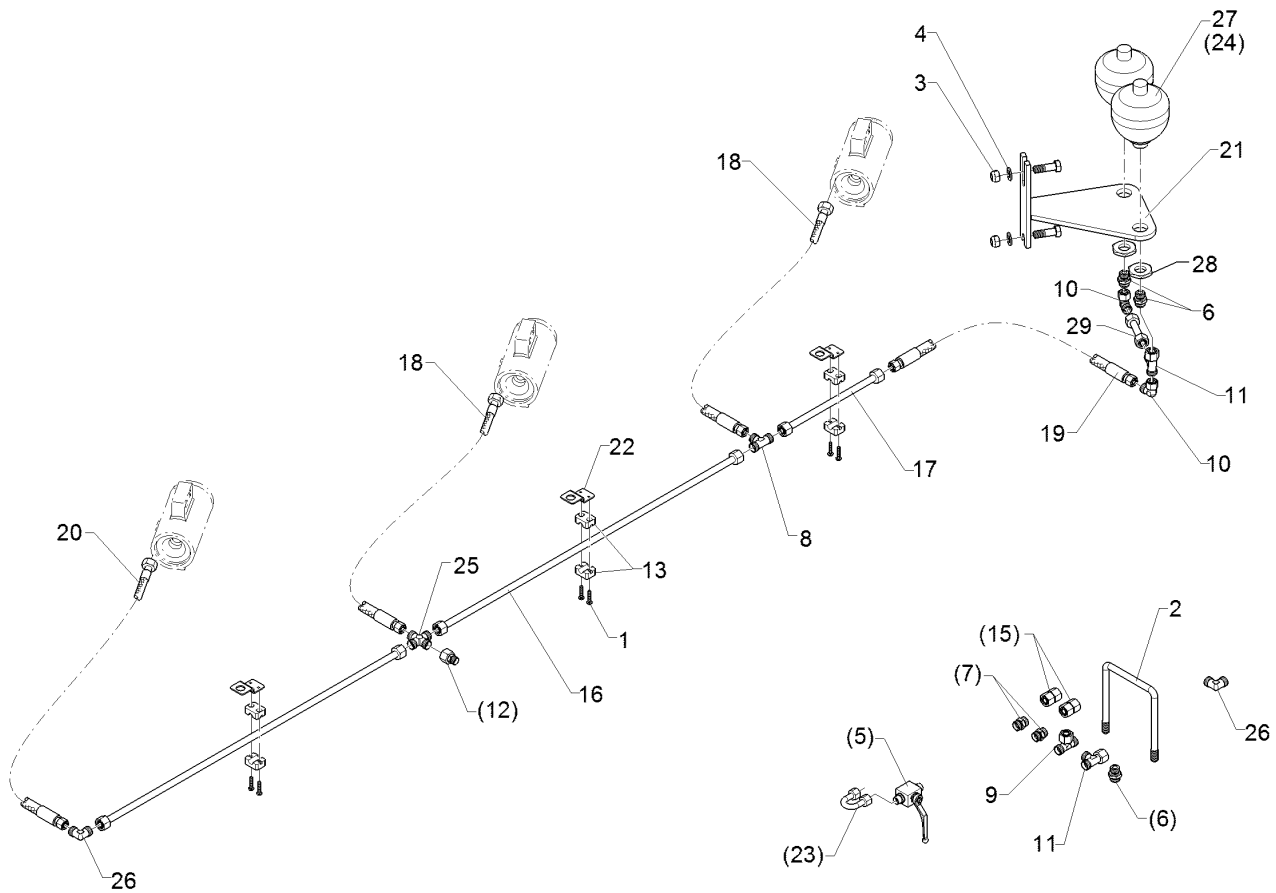
01.18

| Pos. | Art.Nr. | Stck. | Artikeltext / Description | | Abmessung |
|------|----------|-------|------------------------------|------------------------|------------------------------------|
| 1 | 301 0303 | 6 | Linsenschraube | Oval head screw | M6x30-4,6 Zn DIN7985 |
| 2 | 301 7821 | 1 | Bügelsschraube | U-bolt | M16/120/160 Zn |
| 3 | 303 0935 | 2 | Sicherungsmutter | Selflocking nut | NM16-8 Zn DIN985 |
| 4 | 305 6181 | 2 | Scheibe | Washer | 17 DIN7349 |
| 5 | 375 2199 | 1 | Kugelhahn | Ball valve | BKH 12L-M18x1,5 Zn |
| 6 | 375 4040 | 3 | Einschraubverschraubung | Nipple | xGE 15-LR R1/2"-B |
| 7 | 375 4120 | 2 | Gerade Verschraubung | Nipple | x-G15-L M22x1,5 |
| 8 | 375 4484 | 1 | T-Verschraubung | T-union | x-T15-L M22x1,5 Zn |
| 9 | 375 4494 | 1 | Einstellbare T-Verschraubung | Adjustable T-union | ET15-LM |
| 10 | 375 4503 | 2 | Einstellbare W-Verschraubung | Adjustable angle union | EW15-L-DKO24 GRD O-Ring |
| 11 | 375 4553 | 2 | Einstellbare L-Verschraubung | Adjustable L-union | EL15-L-DKO24 GRD |
| 12 | 375 4653 | 1 | Konus-Reduzieranschluss | Reduction joint | x-KOR15/12-L DKO24 GRD |
| 13 | 375 9961 | 2 | Schellenkörper | Clamp | 1/2x215 PP |
| 14 | 375 9962 | 4 | Schellenkörper | Clamp | 1/2x218 PP |
| 15 | 57510442 | 2 | Hydraulikrohr | Hydraulic tube | 15x2x39 |
| 16 | 57510451 | 1 | Hydraulikrohr | Hydraulic tube | 15x2x360 |
| 17 | 57510445 | 2 | Hydraulikrohr | Hydraulic tube | 15x2x858 |
| 18 | 475 2649 | 3 | Hydraulikschlauch | Hydraulic hose | 2SN12-1080 M22x1,5 |
| 19 | 475 3009 | 1 | Hydraulikschlauch | Hydraulic hose | 2SN12-500 DKOL15/DKOL15 0/0° |



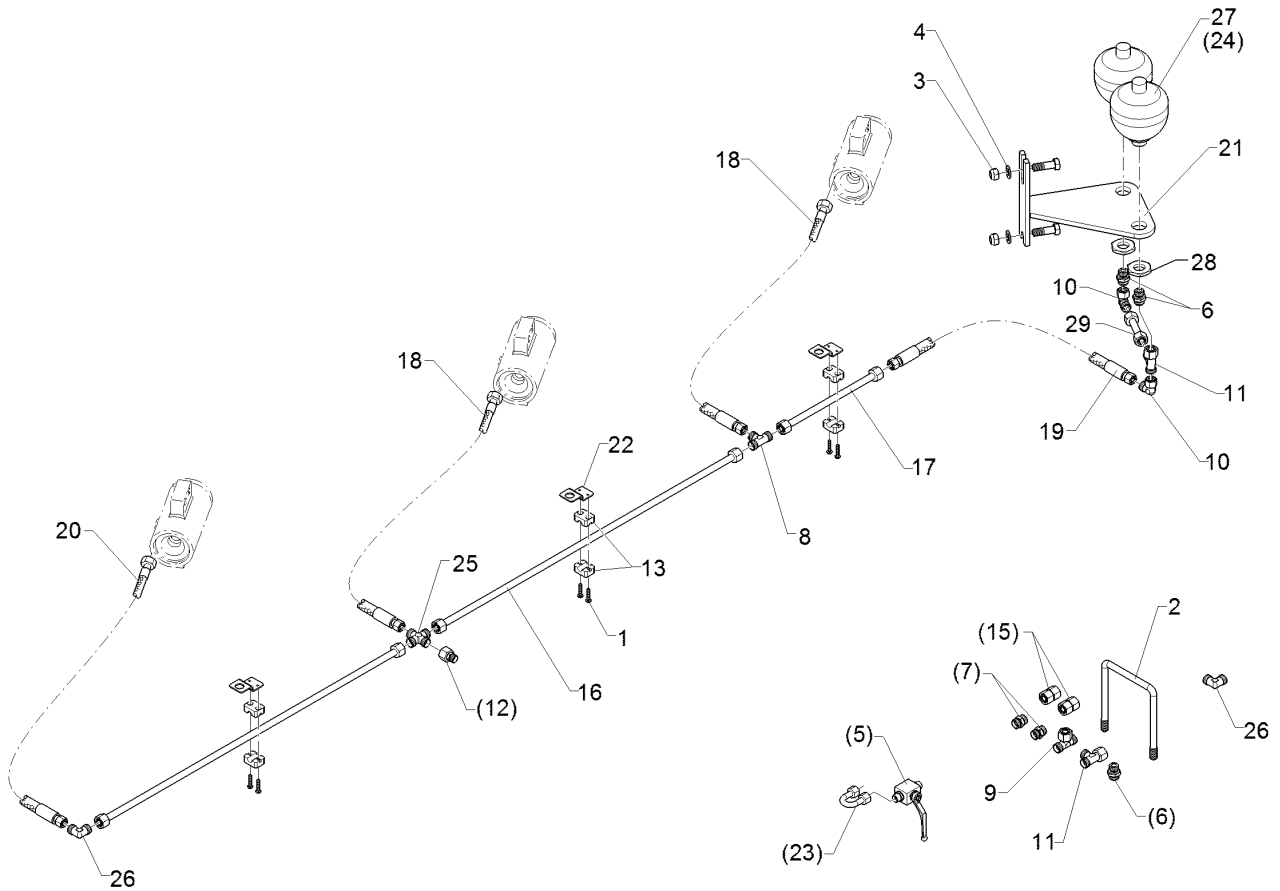
01.18

| Pos. | Art.Nr. | Stck. | Artikeltext / Description | Abmessung | |
|------|----------|-------|---------------------------|----------------------|------------------------------------|
| 20 | 475 3265 | 1 | Hydraulikschlauch | Hydraulic hose | 2SN12-1360 DKOL15 00/00 GRD |
| 22 | 475 4407 | 3 | Halter | Holder | 40x3x92 Zn |
| 23 | 475 9920 | 1 | Hydraulikrohr | Hydraulic tube | 12x2x122 |
| 24 | 575 9042 | 3 | Druckspeicher | Pressure accumulator | 1xGEB180GRD Typ 0,75l 250-50bar |
| 25 | 375 4602 | 1 | Kreuzverschraubung | Cross union | G1/2 ZL x-K15-L |
| 26 | 375 4220 | 1 | Winkelverschraubung | Elbow union | W15-L M22x1,5 |
| 27 | 57510264 | 3 | Druckspeicher | Pressure accumulator | Typ 0,75l 330-120bar G1/2ZL |
| 28 | 30310095 | 3 | Sechskantmutter | Hexagon nut | M33x1,5 k=8 ZnNi 720h |



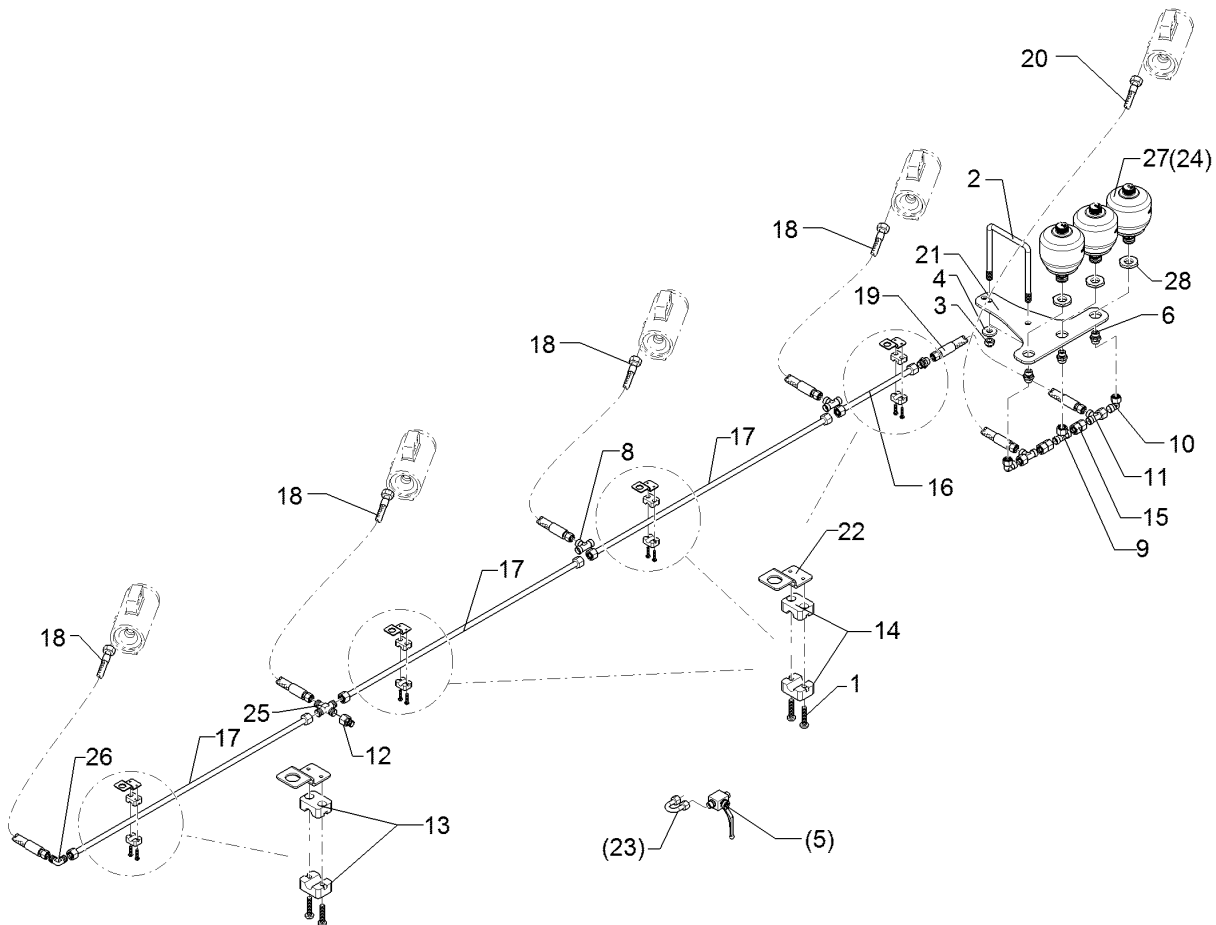
01.18

| Pos. | Art.Nr. | Stck. | Artikeltext / Description | | Abmessung |
|------|----------|-------|------------------------------|------------------------|------------------------------------|
| 1 | 301 0303 | 4 | Linsenschraube | Oval head screw | M6x30-4,6 Zn DIN7985 |
| 2 | 301 7821 | 1 | Bügelsschraube | U-bolt | M16/120/160 Zn |
| 3 | 303 0935 | 2 | Sicherungsmutter | Selflocking nut | NM16-8 Zn DIN985 |
| 4 | 305 6181 | 2 | Scheibe | Washer | 17 DIN7349 |
| 5 | 375 2199 | 1 | Kugelhahn | Ball valve | BKH 12L-M18x1,5 Zn |
| 6 | 375 4040 | 3 | Einschraubverschraubung | Nipple | xGE 15-LR R1/2"-B |
| 7 | 375 4120 | 2 | Gerade Verschraubung | Nipple | x-G15-L M22x1,5 |
| 8 | 375 4484 | 1 | T-Verschraubung | T-union | x-T15-L M22x1,5 Zn |
| 9 | 375 4494 | 1 | Einstellbare T-Verschraubung | Adjustable T-union | ET15-LM |
| 10 | 375 4503 | 2 | Einstellbare W-Verschraubung | Adjustable angle union | EW15-L-DKO24 |
| 11 | 375 4553 | 2 | Einstellbare L-Verschraubung | Adjustable L-union | GRD O-Ring EL15-L-DKO24 GRD |
| 12 | 375 4653 | 1 | Konus-Reduzieranschluss | Reduction joint | x-KOR15/12-L DKO24 GRD |
| 13 | 375 9961 | 4 | Schellenkörper | Clamp | 1/2x215 PP |
| 15 | 57510442 | 2 | Hydraulikrohr | Hydraulic tube | 15x2x39 |
| 16 | 57510268 | 1 | Hydraulikrohr | Hydraulic tube | 15x2x958 |
| 17 | 57510443 | 1 | Hydraulikrohr | Hydraulic tube | 15x2x310 |
| 18 | 475 2649 | 2 | Hydraulikschlauch | Hydraulic hose | 2SN12-1080 M22x1,5 |
| 19 | 475 3009 | 1 | Hydraulikschlauch | Hydraulic hose | 2SN12-500 DKOL15/DKOL15 0/0° |



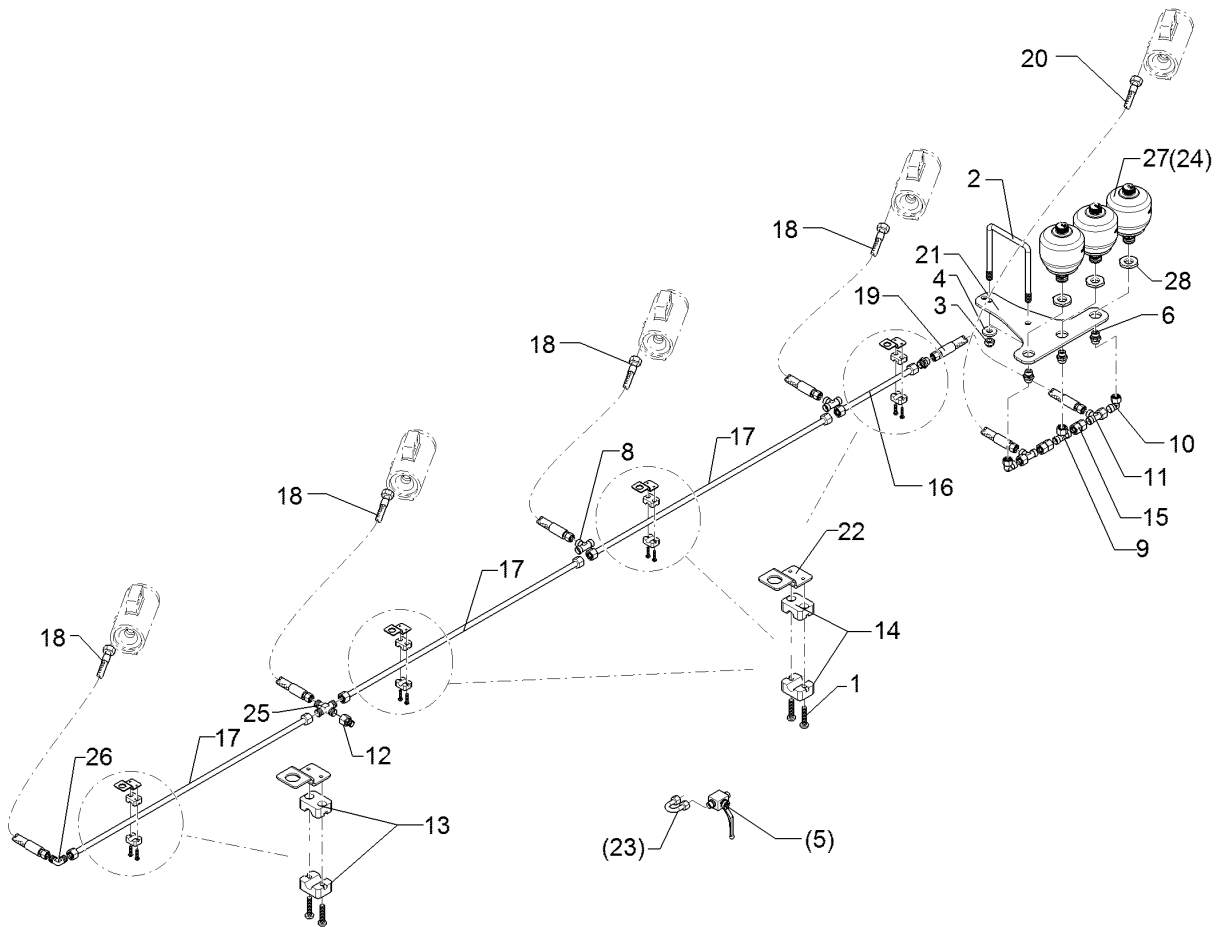
01.18

| Pos. | Art.Nr. | Stck. | Artikeltext / Description | | Abmessung |
|------|----------|-------|---------------------------|----------------------|------------------------------------|
| 20 | 475 3265 | 1 | Hydraulikschlauch | Hydraulic hose | 2SN12-1360 DKOL15 00/00 GRD |
| 21 | 475 4397 | 1 | Halter | Holder | Hydrix 2/3-H |
| 22 | 475 4407 | 2 | Halter | Holder | 40x3x92 Zn |
| 23 | 475 9920 | 1 | Hydraulikrohr | Hydraulic tube | 12x2x122 |
| 24 | 575 9042 | 2 | Druckspeicher | Pressure accumulator | 1xGEB180GRD Typ 0,75l 250-50bar |
| 25 | 375 4602 | 1 | Kreuzverschraubung | Cross union | G1/2 ZL x-K15-L |
| 26 | 375 4220 | 1 | Winkelverschraubung | Elbow union | W15-L M22x1,5 |
| 27 | 57510264 | 2 | Druckspeicher | Pressure accumulator | Typ 0,75l 330-120bar G1/2ZL |
| 28 | 30310095 | 2 | Sechskantmutter | Hexagon nut | M33x1,5 k=8 ZnNi 720h |



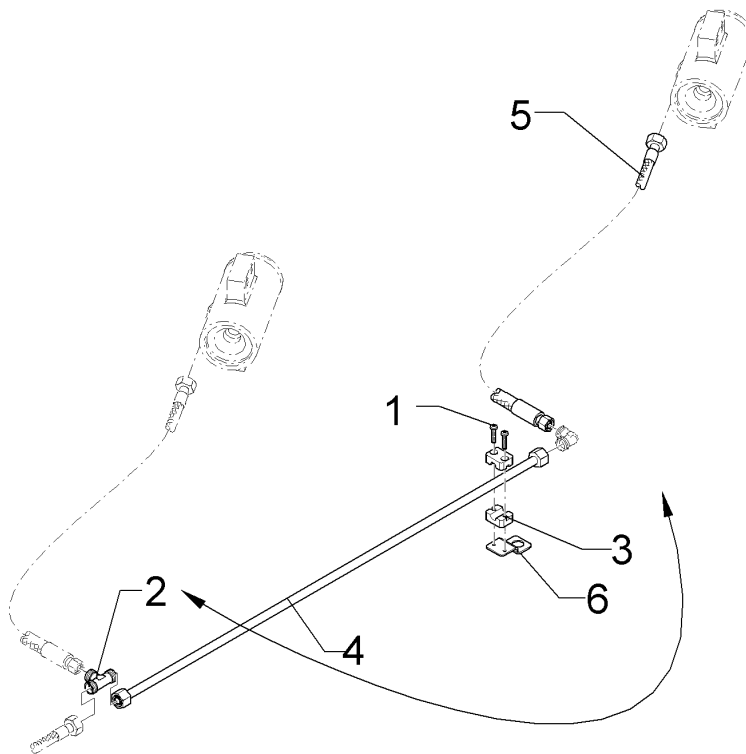
01.18

| Pos. | Art.Nr. | Stck. | Artikeltext / Description | | Abmessung |
|------|----------|-------|------------------------------|------------------------|------------------------------------|
| 1 | 301 0303 | 6 | Linsenschraube | Oval head screw | M6x30-4,6 Zn DIN7985 |
| 2 | 301 7821 | 1 | Bügelschraube | U-bolt | M16/120/160 Zn |
| 3 | 303 0935 | 2 | Sicherungsmutter | Selflocking nut | NM16-8 Zn DIN985 |
| 4 | 305 6181 | 2 | Scheibe | Washer | 17 DIN7349 |
| 5 | 375 2199 | 1 | Kugelhahn | Ball valve | BKH 12L-M18x1,5 Zn |
| 6 | 375 4040 | 3 | Einschraubverschraubung | Nipple | xGE 15-LR R1/2"-B |
| 7 | 375 4120 | 2 | Gerade Verschraubung | Nipple | x-G15-L M22x1,5 |
| 8 | 375 4484 | 1 | T-Verschraubung | T-union | x-T15-L M22x1,5 Zn |
| 9 | 375 4494 | 1 | Einstellbare T-Verschraubung | Adjustable T-union | ET15-LM |
| 10 | 375 4503 | 2 | Einstellbare W-Verschraubung | Adjustable angle union | EW15-L-DKO24 GRD O-Ring |
| 11 | 375 4553 | 2 | Einstellbare L-Verschraubung | Adjustable L-union | EL15-L-DKO24 GRD |
| 12 | 375 4653 | 1 | Konus-Reduzieranschluss | Reduction joint | x-KOR15/12-L DKO24 GRD |
| 13 | 375 9961 | 2 | Schellenkörper | Clamp | 1/2x215 PP |
| 14 | 375 9962 | 4 | Schellenkörper | Clamp | 1/2x218 PP |
| 15 | 57510442 | 2 | Hydraulikrohr | Hydraulic tube | 15x2x39 |
| 16 | 57510443 | 1 | Hydraulikrohr | Hydraulic tube | 15x2x310 |
| 17 | 57510268 | 2 | Hydraulikrohr | Hydraulic tube | 15x2x958 |
| 18 | 475 2649 | 3 | Hydraulikschlauch | Hydraulic hose | 2SN12-1080 M22x1,5 |
| 19 | 475 3009 | 1 | Hydraulikschlauch | Hydraulic hose | 2SN12-500 DKOL15/DKOL15 0/0° |



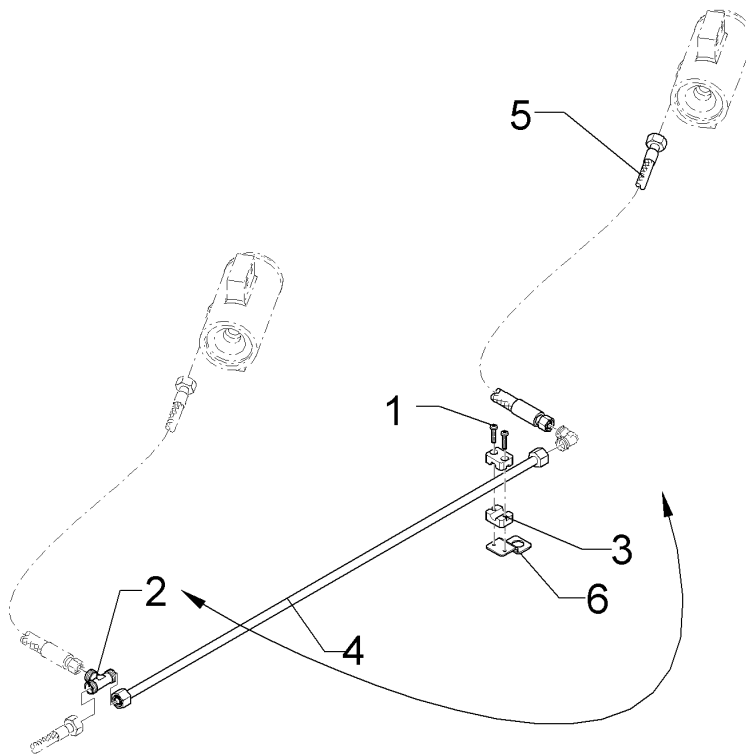
01.18

| Pos. | Art.Nr. | Stck. | Artikeltext / Description | Abmessung | |
|------|----------|-------|---------------------------|----------------------|--------------------------------|
| 20 | 475 3265 | 1 | Hydraulikschlauch | Hydraulic hose | 2SN12-1360 DKOL15 00/00 GRD |
| 21 | 475 4426 | 1 | Halter | Holder | 8x330x355 3xD34 4xD17 |
| 22 | 475 4407 | 3 | Halter | Holder | 40x3x92 Zn |
| 23 | 475 9920 | 1 | Hydraulikrohr | Hydraulic tube | 12x2x122 1xGEB180GRD |
| 24 | 575 9042 | 3 | Druckspeicher | Pressure accumulator | Typ 0,75l 250-50bar G1/2 ZL |
| 25 | 375 4602 | 1 | Kreuzverschraubung | Cross union | x-K15-L |
| 26 | 375 4220 | 1 | Winkelverschraubung | Elbow union | W15-L M22x1,5 |
| 27 | 57510264 | 3 | Druckspeicher | Pressure accumulator | Typ 0,75l 330-120bar G1/2ZL |
| 28 | 30310095 | 3 | Sechskantmutter | Hexagon nut | M33x1,5 k=8 ZnNi 720h |



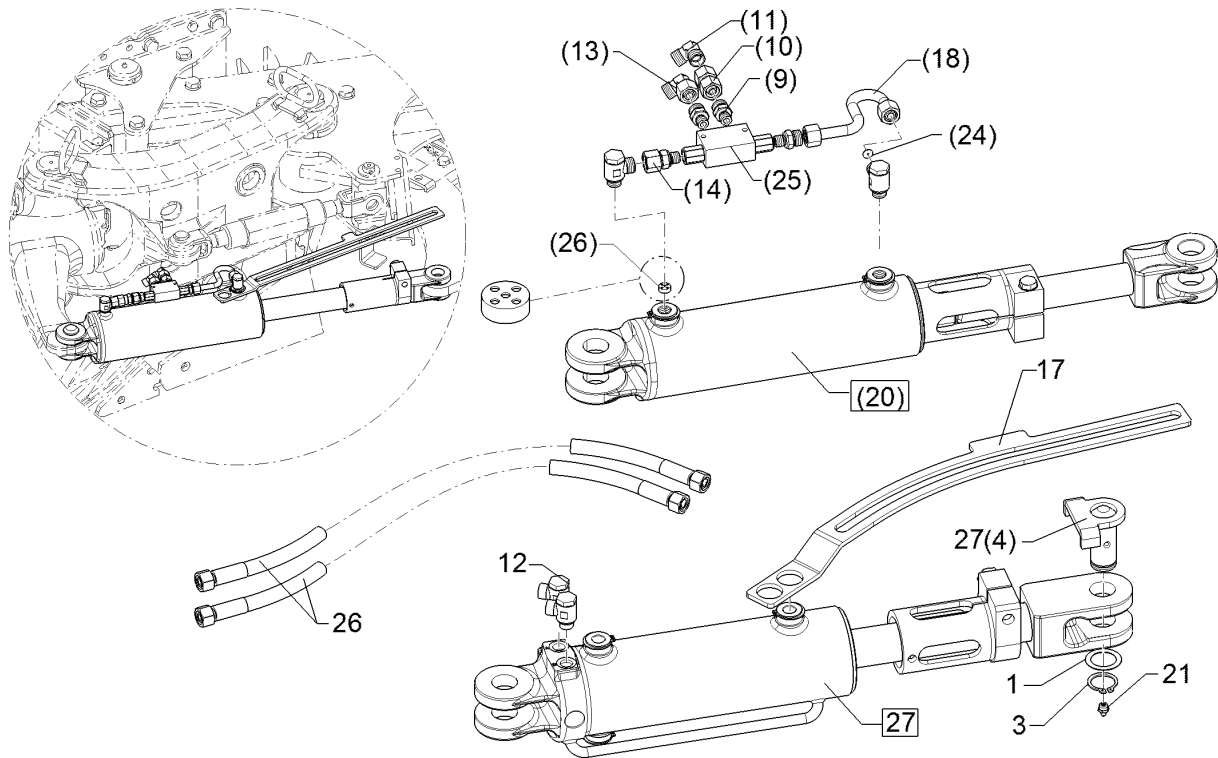
01.18

| Pos. | Art.Nr. | Stck. | Artikeltext / Description | | Abmessung |
|------|----------|-------|---------------------------|-----------------|-------------------------|
| 1 | 301 0303 | 2 | Linsenschraube | Oval head screw | M6x30-4,6 Zn DIN7985 |
| 2 | 375 4484 | 1 | T-Verschraubung | T-union | x-T15-L M22x1,5 Zn |
| 3 | 375 9962 | 2 | Schellenkörper | Clamp | 1/2x218 PP |
| 4 | 57510445 | 1 | Hydraulikrohr | Hydraulic tube | 15x2x858 |
| 5 | 475 2649 | 1 | Hydraulikschlauch | Hydraulic hose | 2SN12-1080 |
| 6 | 475 4407 | 1 | Halter | Holder | M22x1,5 40x3x92 Zn |



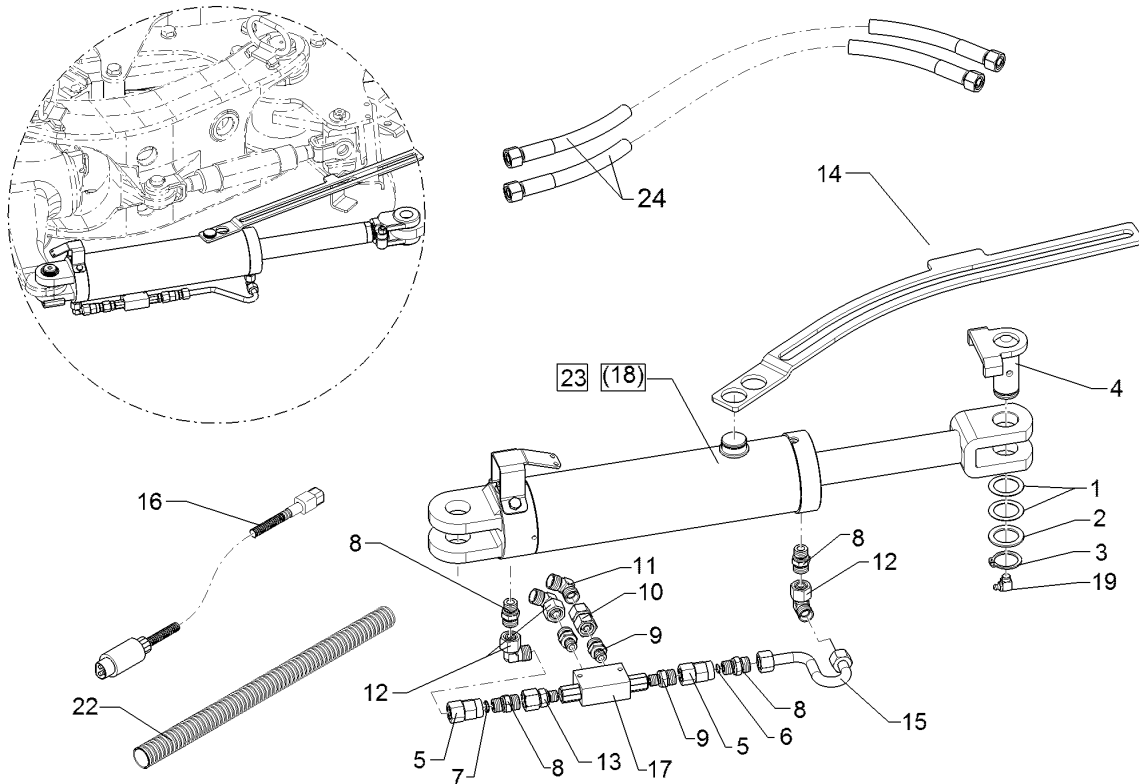
01.18

| Pos. | Art.Nr. | Stck. | Artikeltext / Description | | Abmessung |
|------|----------|-------|---------------------------|-----------------|-------------------------|
| 1 | 301 0303 | 2 | Linsenschraube | Oval head screw | M6x30-4,6 Zn DIN7985 |
| 2 | 375 4484 | 1 | T-Verschraubung | T-union | x-T15-L M22x1,5 Zn |
| 3 | 375 9962 | 2 | Schellenkörper | Clamp | 1/2x218 PP |
| 4 | 57510268 | 1 | Hydraulikrohr | Hydraulic tube | 15x2x958 |
| 5 | 475 2649 | 1 | Hydraulikschlauch | Hydraulic hose | 2SN12-1080 |
| 6 | 475 4407 | 1 | Halter | Holder | M22x1,5 40x3x92 Zn |



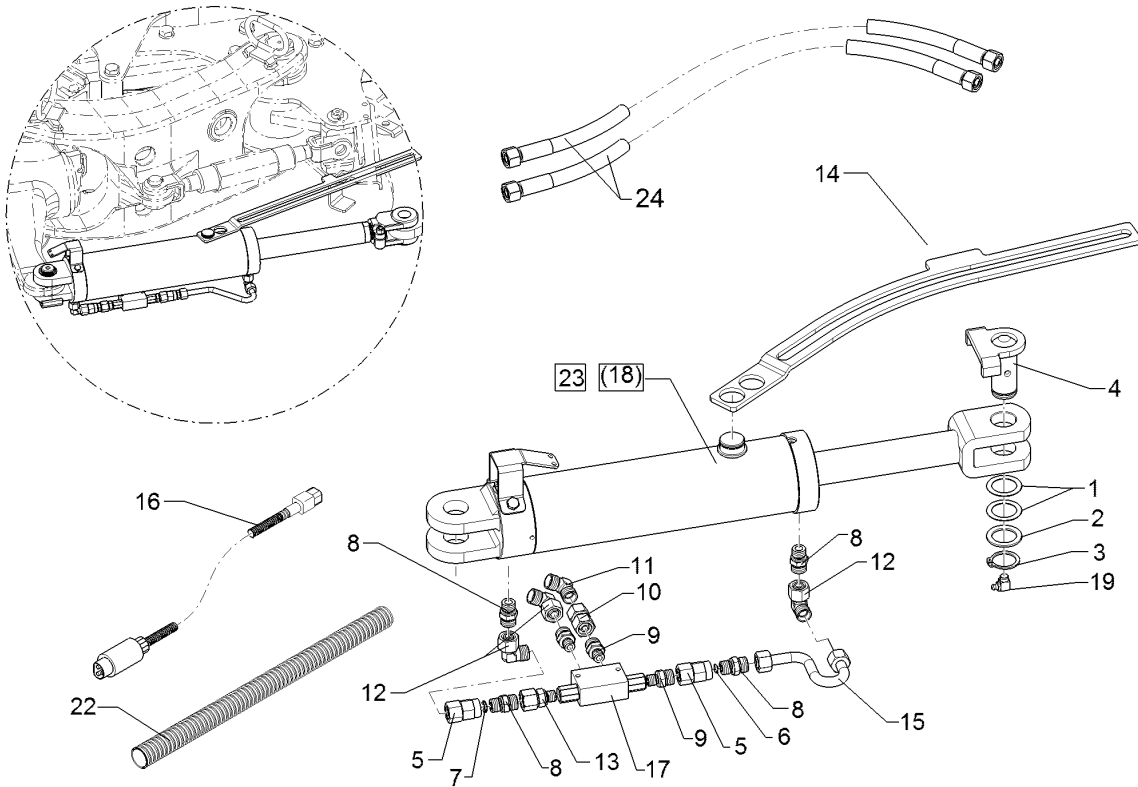
01.18

| Pos. | Art.Nr. | Stck. | Artikeltext / Description | | Abmessung |
|------|----------|-------|--------------------------------|------------------------|------------------------------|
| 1 | 305 2051 | 1 | Passscheibe | Shim | 30x42x1,0 DIN988 Zn |
| 3 | 305 8867 | 1 | Sicherungsring | Retaining ring | 30x2 DIN471 Zn |
| 4 | 31310060 | 1 | Bolzen | Pin | D30/61x69 U-71 Zn |
| 9 | 375 4038 | 3 | Einschraubverschraubung | Nipple | GE 12-LR 1/4 ZL ED |
| 10 | 375 4132 | 1 | Verbindung gerade | Connection | DKOL12/DKOL12 M18x1,5 |
| 11 | 375 4210 | 1 | Winkelverschraubung | Elbow union | x-W12-L M18x1,5 |
| 12 | 375 4310 | 2 | Schwenkverschraubung | Union, swivel | x-SWVE12-LM M16x1,5 |
| 13 | 375 4500 | 1 | Einstellbare W-Verschraubung | Adjustable angle union | EW12-LM DKO24 GRD M18x1,5 |
| 14 | 375 4711 | 1 | Stutzen | Stud | x-evGE-12-ED 1/4" DKO 24 GRD |
| 17 | 473 8124 | 1 | Steuerstange | Control rod | 6x184x594 2xD30,5 GEK7 Zn |
| 18 | 57510203 | 1 | Rohr 12x189 2xGEB 1xfürDrossel | Tube | 12x2x189 2xGEB 1xDR |
| 20 | 57510254 | 1 | Einschwenkzylinder | Swing-in ram | DZ90/45x220/680 D30 |
| 21 | 323 6348 | 1 | Schmiernippel | Grease nipple | AM10x1 DIN71412 |
| 24 | 375 2214 | 1 | Drosselscheibe | Restrictor washer | D12x1,5 BO 2,0 |
| 25 | 57510037 | 1 | Dopp.Rückschv.hy.ent. | Nonreturn valve | DVVG-G1/4 Q=15 l/min |
| 26 | 47511212 | 1 | Schlauchpaket | Hose-assembly | Juwel 7, Ra |
| 27 | 57511084 | 1 | Hydraulikzylinder | Hydraulic ram | DZ090/45x0220-0660 D30 D30 |



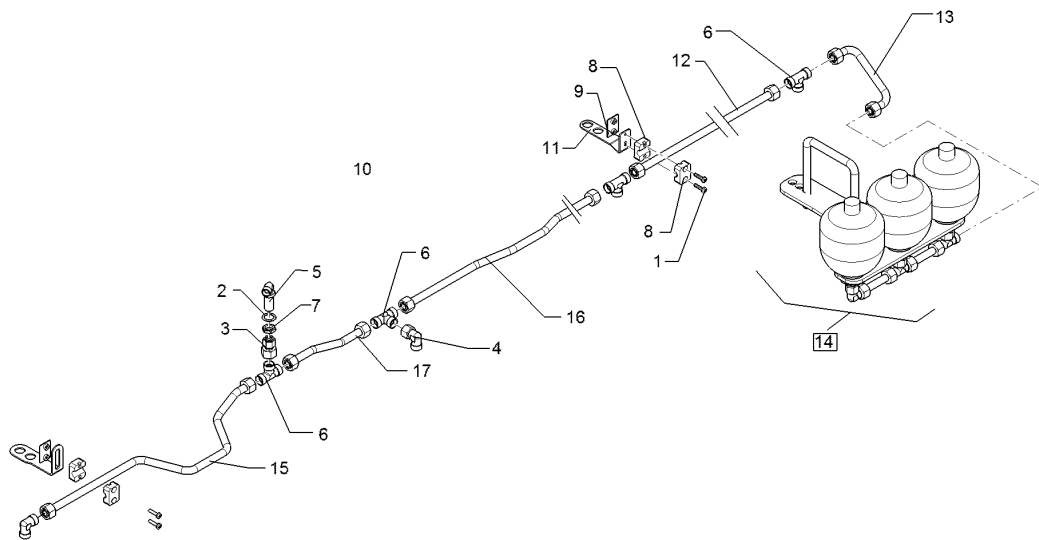
01.18

| Pos. | Art.Nr. | Stck. | Artikeltext / Description | | Abmessung |
|------|----------|-------|-------------------------------|------------------------|------------------------------|
| 1 | 305 2051 | 2 | Passscheibe | Shim | 30x42x1,0 DIN988 Zn |
| 2 | 305 2242 | 1 | Stützscheibe | Supporting washer | S 30/42x2,5 DIN988 Zn |
| 3 | 305 8867 | 1 | Sicherungsring | Retaining ring | 30x2 DIN471 Zn |
| 4 | 31310060 | 1 | Bolzen | Pin | D30/61x69 U-71 Zn |
| 5 | 375 2205 | 2 | Verbindung | Connection | DKOL12/IGM 16x1,5 |
| 6 | 375 2509 | 1 | Drosselscheibe Dreibein | Restrictor washer | 1,7 |
| 7 | 375 2512 | 1 | Drosselscheibe Dreibein | Restrictor washer | Dreibein 2,0 |
| 8 | 375 4010 | 2 | Einschraubverschraubung | Nipple | x-GE12-LM M16x1,5 Zn |
| 9 | 375 4038 | 3 | Einschraubverschraubung | Nipple | GE 12-LR 1/4 ZL ED |
| 10 | 375 4132 | 1 | Verbindung gerade | Connection | DKOL12/DKOL12 M18x1,5 |
| 11 | 375 4210 | 1 | Winkelverschraubung | Elbow union | x-W12-L M18x1,5 |
| 12 | 375 4500 | 3 | Einstellbare W-Verschraubung | Adjustable angle union | EW12-LM DKO24 GRD M18x1,5 |
| 13 | 375 4711 | 1 | Stutzen | Stud | x-evGE-12-ED 1/4" DKO 24 GRD |
| 14 | 473 8124 | 1 | Steuerstange | Control rod | 6x184x594 2xD30,5 GEK7 Zn |
| 15 | 57510206 | 1 | Rohr | Tube | 12x2x192 2xGEB |
| 16 | 573 6043 | 1 | Kabelb. TurnCtrl. Schlepper A | Cable form | TurnControl |
| 17 | 57510037 | 1 | Dopp.Rückschv.hy.ent. | Nonreturn valve | DVVG-G1/4 Q=15 l/min |
| 18 | 57510255 | 1 | Hydraulikzylinder | Hydraulic ram | DZ90/45x220/680 D30 |



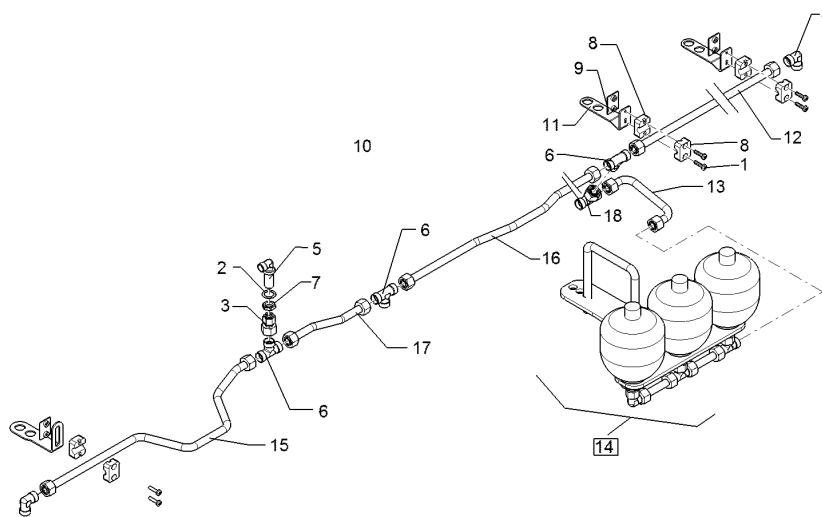
01.18

| Pos. | Art.Nr. | Stck. | Artikeltext / Description | | Abmessung |
|------|----------|-------|---------------------------|---------------|---------------------------|
| 19 | 323 6349 | 1 | Schmiernippel | Grease nipple | CM10x1 DIN71412-90 GRD |
| 22 | 32510006 | 1 | Spiralschlauch | Spiral hose | D30 |
| 23 | 57511085 | 1 | Hydraulikzylinder | Hydraulic ram | DZ090/45x0220-0660 |
| 24 | 47511287 | 1 | Schlauchpaket | Hose-assembly | D30D30 Juwel 7, Ra+Vf |



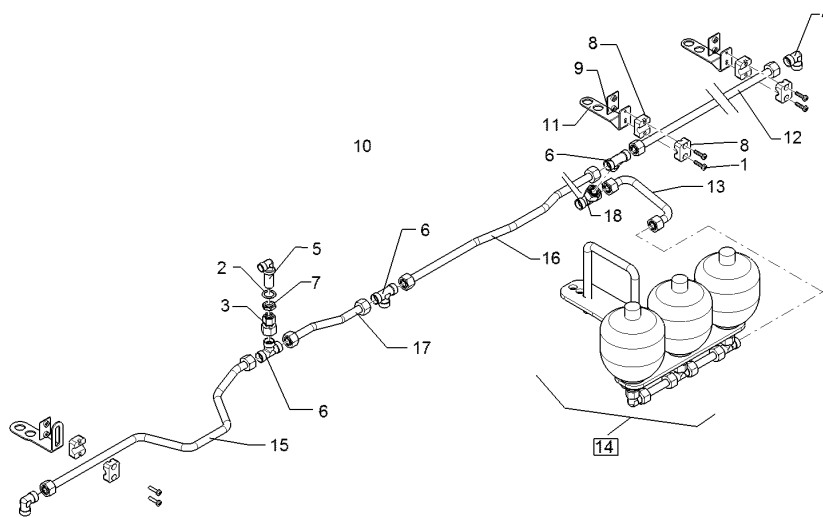
01.18

| Pos. | Art.Nr. | Stck. | Artikeltext / Description | | Abmessung |
|------|----------|-------|----------------------------|-------------------|-----------------------------------|
| 1 | 301 0302 | 6 | Linsenschraube | Oval head screw | M6x25-4,6 Zn DIN7985 |
| 2 | 305 2228 | 1 | Stützscheibe | Supporting washer | S 20x28x1,0 DIN988 Zn |
| 3 | 375 4135 | 1 | Verbindung gerade | Connection | GVO-12L/15L |
| 4 | 375 4220 | 1 | Winkelverschraubung | Elbow union | W15-L M22x1,5 |
| 5 | 375 4400 | 1 | Winkel-Schottverschraubung | Angle union | x-WSV12-L M18x1,5 Zn o.KM |
| 6 | 375 4484 | 4 | T-Verschraubung | T-union | x-T15-L M22x1,5 Zn |
| 7 | 375 5700 | 1 | Mutter | Nut | M18x1,5 SW24x6 |
| 8 | 375 9961 | 6 | Schellenkörper | Clamp | 1/2x215 PP |
| 9 | 37510137 | 3 | Anschweißplatte | Weld on plate | SP2 42x30x2 Zn |
| 10 | 47510884 | 4 | Hydraulikschlauch | Hydraulic hose | 2SC12-1275 DKO L15/L15 00°/90° |
| 11 | 47511165 | 3 | Halter | Holder | 40x3x189,5 GEB 90GRD Zn |
| 12 | 57510445 | 1 | Hydraulikrohr | Hydraulic tube | 15x2x858 |
| 13 | 57510722 | 1 | Hydraulikrohr | Hydraulic tube | 15x2x228 2xGEB 90° |
| 14 | 57511051 | 1 | Montagesatz | Mounting set | Juwel 7 T Drcksp. 3x120bar |
| 15 | 57511102 | 1 | Hydraulikrohr | Hydraulic tube | 15x2x700(578) 5xGEB |
| 16 | 57511103 | 1 | Hydraulikrohr | Hydraulic tube | 15x2x878(857,8) GEK40 4xGEB |
| 17 | 57511105 | 1 | Hydraulikrohr | Hydraulic tube | 15x2x237(231,8) GEK32,8 2xGEB |



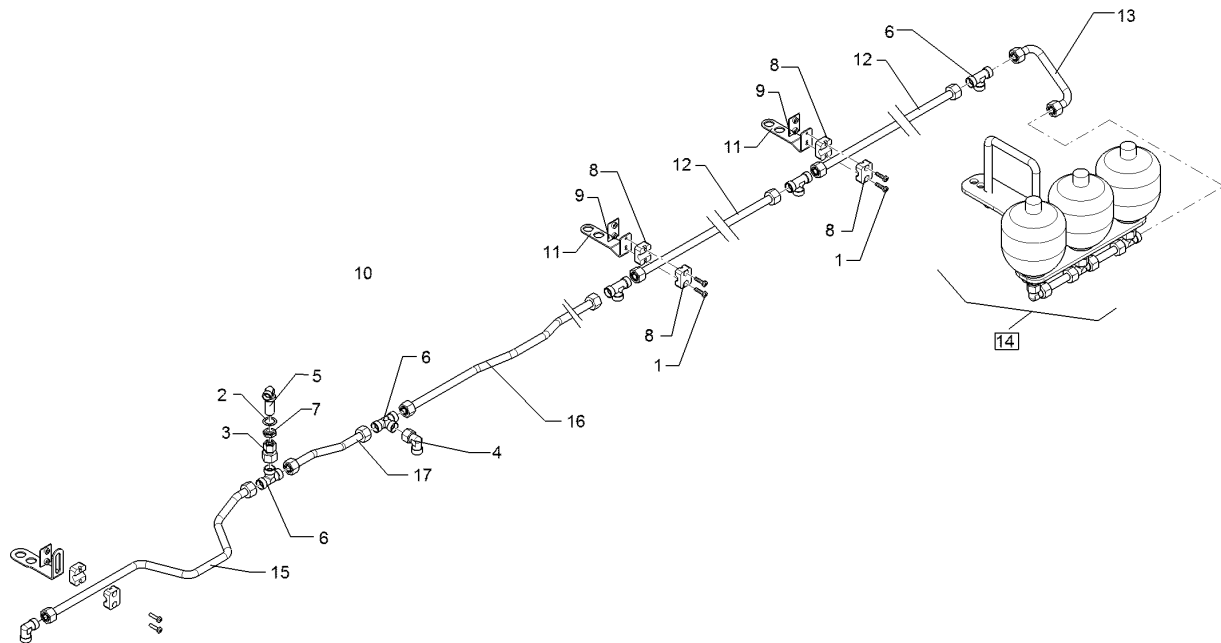
01.18

| Pos. | Art.Nr. | Stck. | Artikeltext / Description | | Abmessung |
|------|----------|-------|----------------------------|-------------------|---|
| 1 | 301 0302 | 8 | Linsenschraube | Oval head screw | M6x25-4,6 Zn DIN7985 |
| 2 | 305 2228 | 1 | Stützscheibe | Supporting washer | S 20x28x1,0 DIN988 Zn |
| 3 | 375 4135 | 1 | Verbindung gerade | Connection | GVO-12L/15L |
| 4 | 375 4220 | 2 | Winkelverschraubung | Elbow union | W15-L M22x1,5 |
| 5 | 375 4400 | 1 | Winkel-Schottverschraubung | Angle union | x-WSV12-L M18x1,5 Zn o.KM |
| 6 | 375 4484 | 3 | T-Verschraubung | T-union | x-T15-L M22x1,5 Zn |
| 7 | 375 5700 | 1 | Mutter | Nut | M18x1,5 SW24x6 |
| 8 | 375 9961 | 8 | Schellenkörper | Clamp | 1/2x215 PP |
| 9 | 37510137 | 4 | Anschweißplatte | Weld on plate | SP2 42x30x2 Zn |
| 10 | 47510884 | 4 | Hydraulikschlauch | Hydraulic hose | 2SC12-1275 DKO L15/L15 00°/90° 40x3x189,5 GEB 90GRD Zn |
| 11 | 47511165 | 4 | Halter | Holder | 15x2x1015 |
| 12 | 57510457 | 1 | Hydraulikrohr | Hydraulic tube | 15x2x228 2xGEB 90° |
| 13 | 57510722 | 1 | Hydraulikrohr | Hydraulic tube | 15x2x700(578) 5xGEB |
| 14 | 57511051 | 1 | Montagesatz | Mounting set | Juwel 7 T Drcksp. 3x120bar |
| 15 | 57511102 | 1 | Hydraulikrohr | Hydraulic tube | 15x2x878(857,8) GEK40 4xGEB |
| 16 | 57511103 | 1 | Hydraulikrohr | Hydraulic tube | 15x2x237(231,8) GEK32,8 2xGEB |
| 17 | 57511105 | 1 | Hydraulikrohr | Hydraulic tube | |



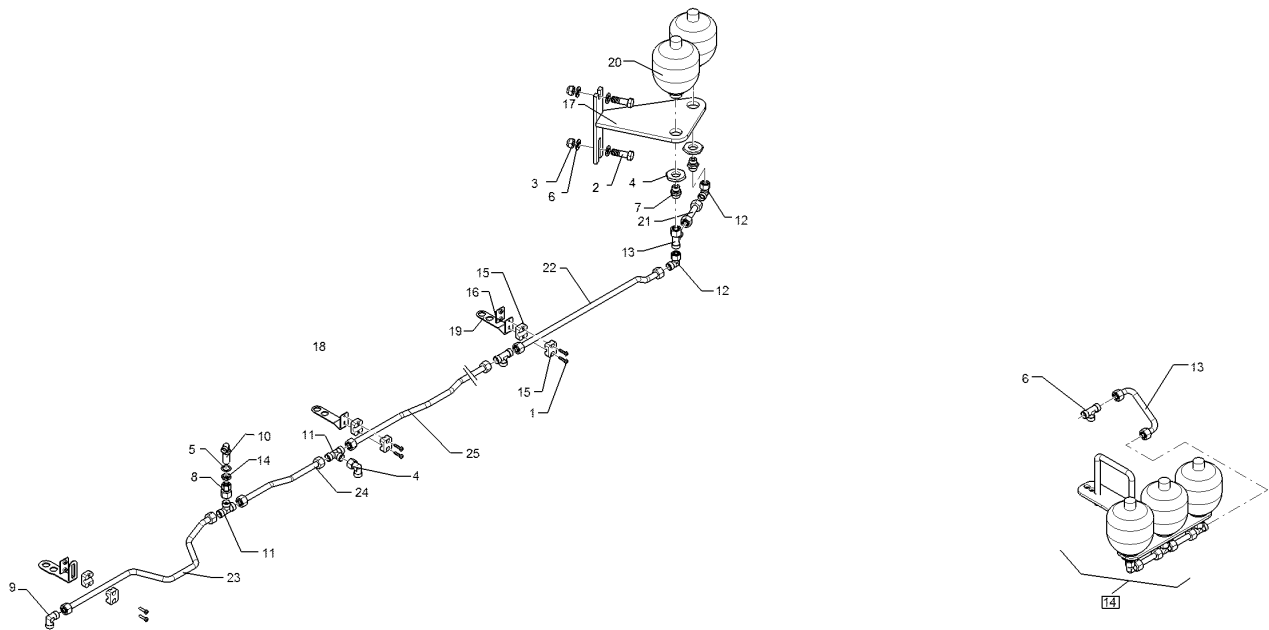
01.18

| Pos. | Art.Nr. | Stck. | Artikeltext / Description | | Abmessung |
|------|----------|-------|------------------------------|--------------------|-----------|
| 18 | 375 4494 | 1 | Einstellbare T-Verschraubung | Adjustable T-union | ET15-LM |



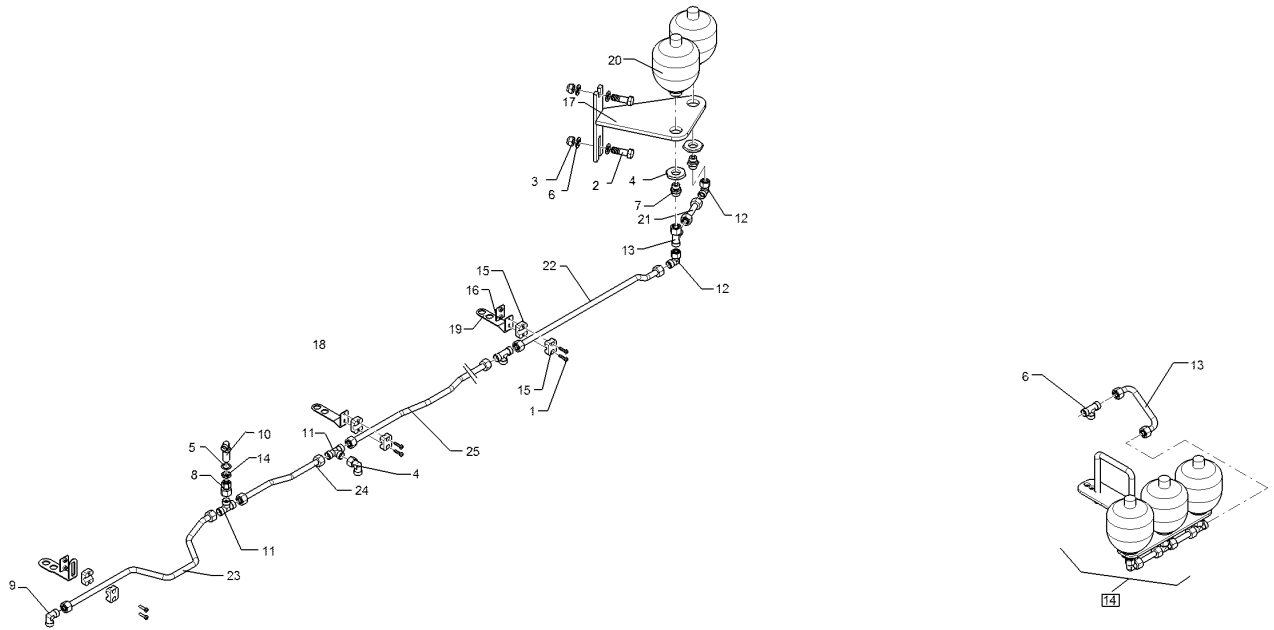
01.18

| Pos. | Art.Nr. | Stck. | Artikeltext / Description | | Abmessung |
|------|----------|-------|----------------------------|-------------------|-----------------------------------|
| 1 | 301 0302 | 8 | Linsenschraube | Oval head screw | M6x25-4,6 Zn DIN7985 |
| 2 | 305 2228 | 1 | Stützscheibe | Supporting washer | S 20x28x1,0 DIN988 Zn |
| 3 | 375 4135 | 1 | Verbindung gerade | Connection | GVO-12L/15L |
| 4 | 375 4220 | 1 | Winkelverschraubung | Elbow union | W15-L M22x1,5 |
| 5 | 375 4400 | 1 | Winkel-Schottverschraubung | Angle union | x-WSV12-L M18x1,5 Zn o.KM |
| 6 | 375 4484 | 5 | T-Verschraubung | T-union | x-T15-L M22x1,5 Zn |
| 7 | 375 5700 | 1 | Mutter | Nut | M18x1,5 SW24x6 |
| 8 | 375 9961 | 8 | Schellenkörper | Clamp | 1/2x215 PP |
| 9 | 37510137 | 4 | Anschweißplatte | Weld on plate | SP2 42x30x2 Zn |
| 10 | 47510884 | 5 | Hydraulikschlauch | Hydraulic hose | 2SC12-1275 DKO L15/L15 00°/90° |
| 11 | 47511165 | 4 | Halter | Holder | 40x3x189,5 GEB 90GRD Zn |
| 12 | 57510445 | 2 | Hydraulikrohr | Hydraulic tube | 15x2x858 |
| 13 | 57510722 | 1 | Hydraulikrohr | Hydraulic tube | 15x2x228 2xGEB 90° |
| 14 | 57511051 | 1 | Montagesatz | Mounting set | Juwel 7 T Drcksp. 3x120bar |
| 15 | 57511102 | 1 | Hydraulikrohr | Hydraulic tube | 15x2x700(578) 5xGEB |
| 16 | 57511103 | 1 | Hydraulikrohr | Hydraulic tube | 15x2x878(857,8) GEK40 4xGEB |
| 17 | 57511105 | 1 | Hydraulikrohr | Hydraulic tube | 15x2x237(231,8) GEK32,8 2xGEB |



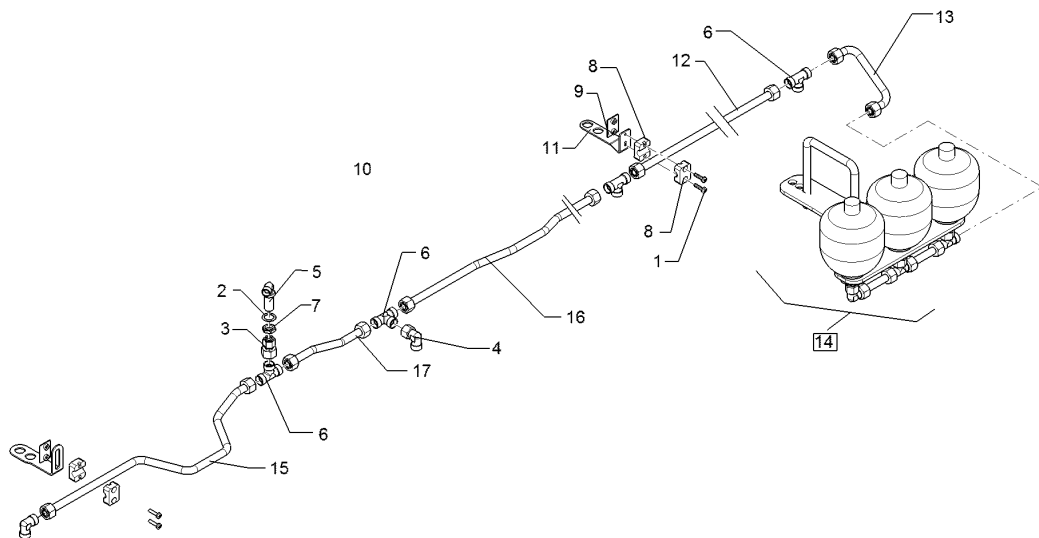
01.18

| Pos. | Art.Nr. | Stck. | Artikeltext / Description | | Abmessung |
|------|----------|-------|------------------------------|------------------------|-----------------------------------|
| 1 | 301 0302 | 6 | Linsenschraube | Oval head screw | M6x25-4,6 Zn DIN7985 |
| 2 | 301 5409 | 2 | Sechskantschraube spz. | Hexagon bolt | M16x50-8.8 Zn |
| 3 | 303 0935 | 2 | Sicherungsmutter | Selflocking nut | NM16-8 Zn DIN985 |
| 4 | 30310095 | 2 | Sechskantmutter | Hexagon nut | M33x1,5 k=8 ZnNi 720h |
| 5 | 305 2228 | 1 | Stützscheibe | Supporting washer | S 20x28x1,0 DIN988 Zn |
| 6 | 305 6141 | 4 | Scheibe | Washer | 17/30x3 DIN/ISO-7089 |
| 7 | 375 4040 | 2 | Einschraubverschraubung | Nipple | xGE 15-LR R1/2"-B |
| 8 | 375 4135 | 1 | Verbindung gerade | Connection | GVO-12L/15L |
| 9 | 375 4220 | 1 | Winkelverschraubung | Elbow union | W15-L M22x1,5 |
| 10 | 375 4400 | 1 | Winkel-Schottverschraubung | Angle union | x-WSV12-L M18x1,5 Zn o.KM |
| 11 | 375 4484 | 3 | T-Verschraubung | T-union | x-T15-L M22x1,5 Zn |
| 12 | 375 4503 | 2 | Einstellbare W-Verschraubung | Adjustable angle union | EW15-L-DKO24 GRD O-Ring |
| 13 | 375 4553 | 1 | Einstellbare L-Verschraubung | Adjustable L-union | EL15-L-DKO24 GRD |
| 14 | 375 5700 | 1 | Mutter | Nut | M18x1,5 SW24x6 |
| 15 | 375 9961 | 6 | Schellenkörper | Clamp | 1/2x215 PP |
| 16 | 37510137 | 3 | Anschweißplatte | Weld on plate | SP2 42x30x2 Zn |
| 17 | 475 4397 | 1 | Halter | Holder | Hydrix 2/3-H |
| 18 | 47510884 | 3 | Hydraulikschlauch | Hydraulic hose | 2SC12-1275 DKO L15/L15 00°/90° |



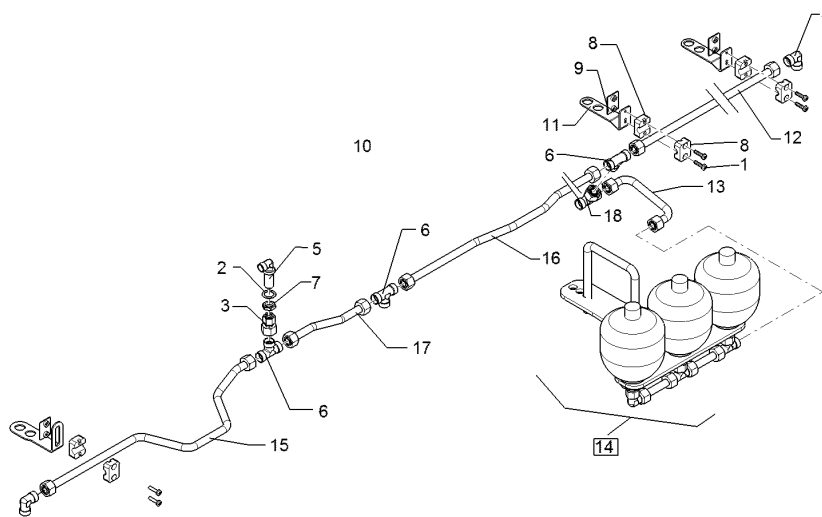
01.18

| Pos. | Art.Nr. | Stck. | Artikeltext / Description | | Abmessung |
|------|----------|-------|---------------------------|----------------------|--|
| 19 | 47511165 | 3 | Halter | Holder | 40x3x189,5 GEB |
| 20 | 57510264 | 2 | Druckspeicher | Pressure accumulator | 90GRD Zn Typ 0,75l 330-120bar G1/2ZL |
| 21 | 57510283 | 1 | Hydraulikrohr | Hydraulic tube | 15x2x98 |
| 22 | 57510864 | 1 | Hydraulikrohr | Hydraulic tube | 15x2x611 2xGEB |
| 23 | 57511102 | 1 | Hydraulikrohr | Hydraulic tube | 15x2x700(578) 5xGEB |
| 24 | 57511106 | 1 | Hydraulikrohr | Hydraulic tube | 15x2x337(331,8) GEK32,8 2xGEB |
| 25 | 57511107 | 1 | Hydraulikrohr | Hydraulic tube | 15x2x981(957,8) GEK40 4xGEB |



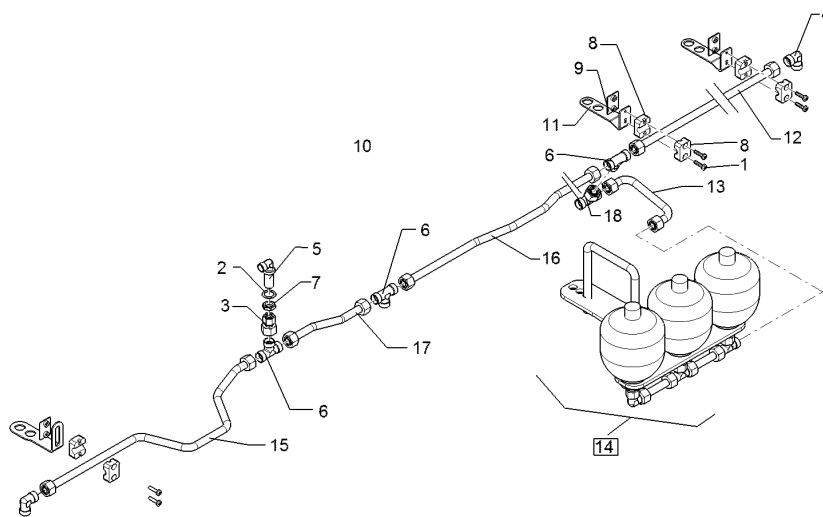
01.18

| Pos. | Art.Nr. | Stck. | Artikeltext / Description | | Abmessung |
|------|----------|-------|----------------------------|-------------------|---|
| 1 | 301 0302 | 6 | Linsenschraube | Oval head screw | M6x25-4,6 Zn DIN7985 |
| 2 | 305 2228 | 1 | Stützscheibe | Supporting washer | S 20x28x1,0 DIN988 Zn |
| 3 | 375 4135 | 1 | Verbindung gerade | Connection | GVO-12L/15L |
| 4 | 375 4220 | 1 | Winkelverschraubung | Elbow union | W15-L M22x1,5 |
| 5 | 375 4400 | 1 | Winkel-Schottverschraubung | Angle union | x-WSV12-L M18x1,5 Zn o.KM |
| 6 | 375 4484 | 4 | T-Verschraubung | T-union | x-T15-L M22x1,5 Zn |
| 7 | 375 5700 | 1 | Mutter | Nut | M18x1,5 SW24x6 |
| 8 | 375 9961 | 6 | Schellenkörper | Clamp | 1/2x215 PP |
| 9 | 37510137 | 3 | Anschweißplatte | Weld on plate | SP2 42x30x2 Zn |
| 10 | 47510884 | 4 | Hydraulikschlauch | Hydraulic hose | 2SC12-1275 DKO L15/L15 00°/90° 40x3x189,5 GEB 90GRD Zn |
| 11 | 47511165 | 3 | Halter | Holder | 15x2x958 |
| 12 | 57510842 | 1 | Hydraulikrohr | Hydraulic tube | 15x2x228 2xGEB 90° |
| 13 | 57510722 | 1 | Hydraulikrohr | Hydraulic tube | 15x2x228 2xGEB 90° |
| 14 | 57511051 | 1 | Montagesatz | Mounting set | Juwel 7 T Drcksp. 3x120bar |
| 15 | 57511102 | 1 | Hydraulikrohr | Hydraulic tube | 15x2x700(578) 5xGEB |
| 16 | 57511107 | 1 | Hydraulikrohr | Hydraulic tube | 15x2x981(957,8) GEK40 4xGEB |
| 17 | 57511106 | 1 | Hydraulikrohr | Hydraulic tube | 15x2x337(331,8) GEK32,8 2xGEB |



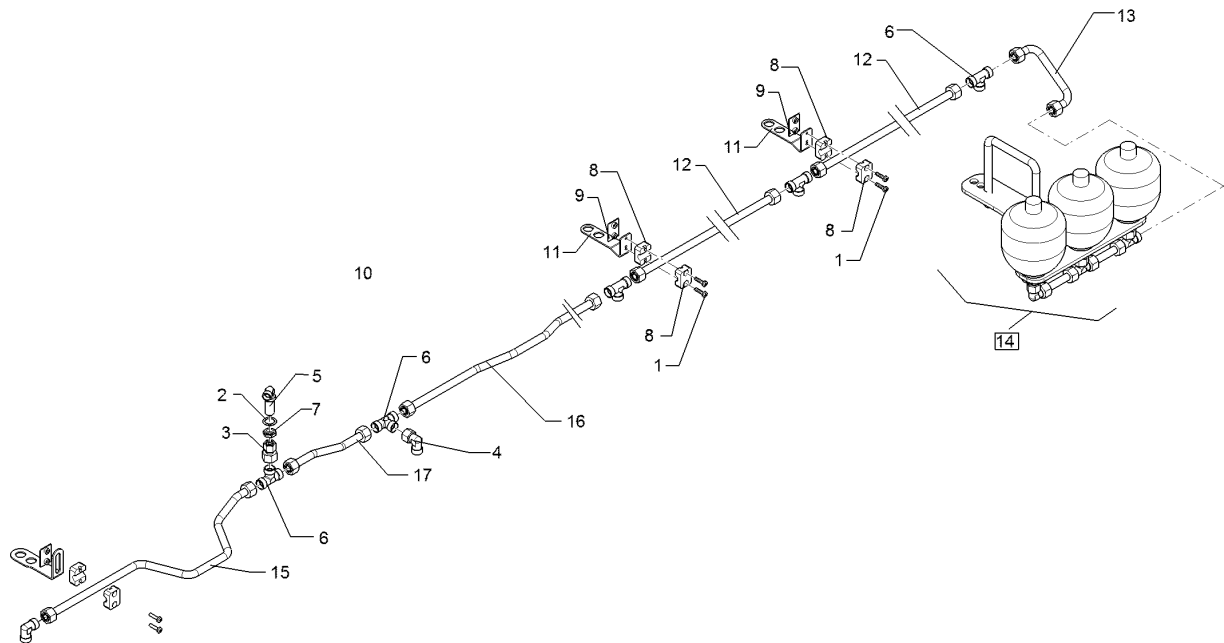
01.18

| Pos. | Art.Nr. | Stck. | Artikeltext / Description | | Abmessung |
|------|----------|-------|----------------------------|-------------------|---|
| 1 | 301 0302 | 8 | Linsenschraube | Oval head screw | M6x25-4,6 Zn DIN7985 |
| 2 | 305 2228 | 1 | Stützscheibe | Supporting washer | S 20x28x1,0 DIN988 Zn |
| 3 | 375 4135 | 1 | Verbindung gerade | Connection | GVO-12L/15L |
| 4 | 375 4220 | 2 | Winkelverschraubung | Elbow union | W15-L M22x1,5 |
| 5 | 375 4400 | 1 | Winkel-Schottverschraubung | Angle union | x-WSV12-L M18x1,5 Zn o.KM |
| 6 | 375 4484 | 3 | T-Verschraubung | T-union | x-T15-L M22x1,5 Zn |
| 7 | 375 5700 | 1 | Mutter | Nut | M18x1,5 SW24x6 |
| 8 | 375 9961 | 8 | Schellenkörper | Clamp | 1/2x215 PP |
| 9 | 37510137 | 4 | Anschweißplatte | Weld on plate | SP2 42x30x2 Zn |
| 10 | 47510884 | 4 | Hydraulikschlauch | Hydraulic hose | 2SC12-1275 DKO L15/L15 00°/90° 40x3x189,5 GEB 90GRD Zn |
| 11 | 47511165 | 4 | Halter | Holder | 15x2x1158 |
| 12 | 57510190 | 1 | Hydraulikrohr | Hydraulic tube | 15x2x228 2xGEB 90° |
| 13 | 57510722 | 1 | Hydraulikrohr | Hydraulic tube | 15x2x700(578) 5xGEB |
| 14 | 57511051 | 1 | Montagesatz | Mounting set | 15x2x981(957,8) GEK40 4xGEB |
| 15 | 57511102 | 1 | Hydraulikrohr | Hydraulic tube | 15x2x337(331,8) GEK32,8 2xGEB |
| 16 | 57511107 | 1 | Hydraulikrohr | Hydraulic tube | |
| 17 | 57511106 | 1 | Hydraulikrohr | Hydraulic tube | |



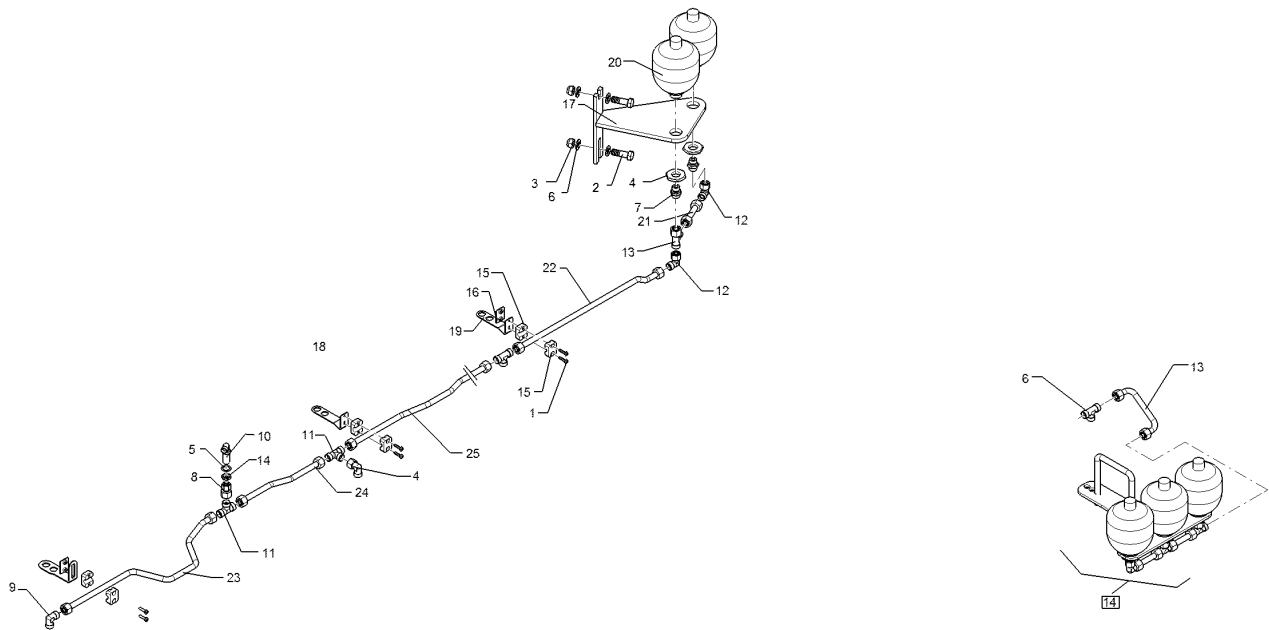
01.18

| Pos. | Art.Nr. | Stck. | Artikeltext / Description | | Abmessung |
|------|----------|-------|------------------------------|--------------------|-----------|
| 18 | 375 4494 | 1 | Einstellbare T-Verschraubung | Adjustable T-union | ET15-LM |



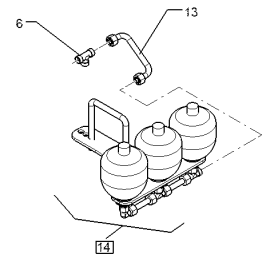
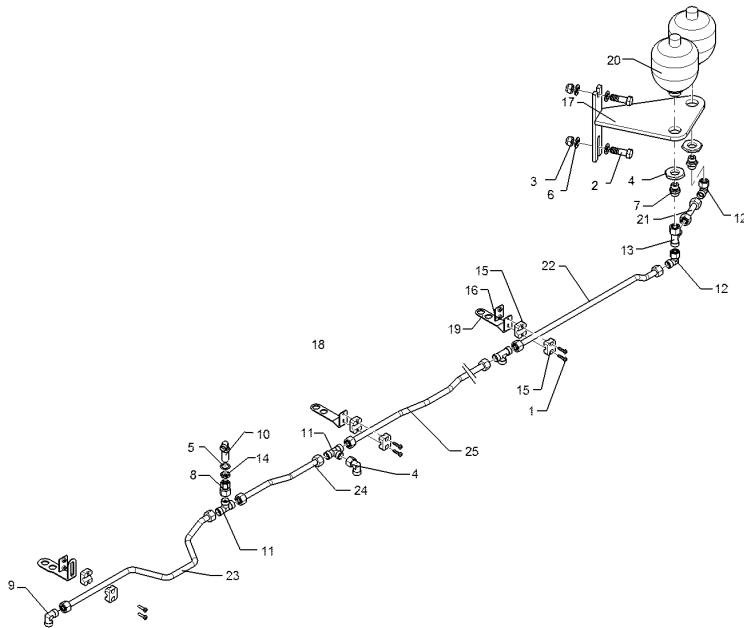
01.18

| Pos. | Art.Nr. | Stck. | Artikeltext / Description | | Abmessung |
|------|----------|-------|----------------------------|-------------------|-----------------------------------|
| 1 | 301 0302 | 8 | Linsenschraube | Oval head screw | M6x25-4,6 Zn DIN7985 |
| 2 | 305 2228 | 1 | Stützscheibe | Supporting washer | S 20x28x1,0 DIN988 Zn |
| 3 | 375 4135 | 1 | Verbindung gerade | Connection | GVO-12L/15L |
| 4 | 375 4220 | 1 | Winkelverschraubung | Elbow union | W15-L M22x1,5 |
| 5 | 375 4400 | 1 | Winkel-Schottverschraubung | Angle union | x-WSV12-L M18x1,5 Zn o.KM |
| 6 | 375 4484 | 5 | T-Verschraubung | T-union | x-T15-L M22x1,5 Zn |
| 7 | 375 5700 | 1 | Mutter | Nut | M18x1,5 SW24x6 |
| 8 | 375 9961 | 8 | Schellenkörper | Clamp | 1/2x215 PP |
| 9 | 37510137 | 4 | Anschweißplatte | Weld on plate | SP2 42x30x2 Zn |
| 10 | 47510884 | 5 | Hydraulikschlauch | Hydraulic hose | 2SC12-1275 DKO L15/L15 00°/90° |
| 11 | 47511165 | 4 | Halter | Holder | 40x3x189,5 GEB 90GRD Zn |
| 12 | 57510842 | 2 | Hydraulikrohr | Hydraulic tube | 15x2x958 |
| 13 | 57510722 | 1 | Hydraulikrohr | Hydraulic tube | 15x2x228 2xGEB 90° |
| 14 | 57511051 | 1 | Montagesatz | Mounting set | Juwel 7 T Drcksp. 3x120bar |
| 15 | 57511102 | 1 | Hydraulikrohr | Hydraulic tube | 15x2x700(578) 5xGEB |
| 16 | 57511107 | 1 | Hydraulikrohr | Hydraulic tube | 15x2x981(957,8) GEK40 4xGEB |
| 17 | 57511106 | 1 | Hydraulikrohr | Hydraulic tube | 15x2x337(331,8) GEK32,8 2xGEB |



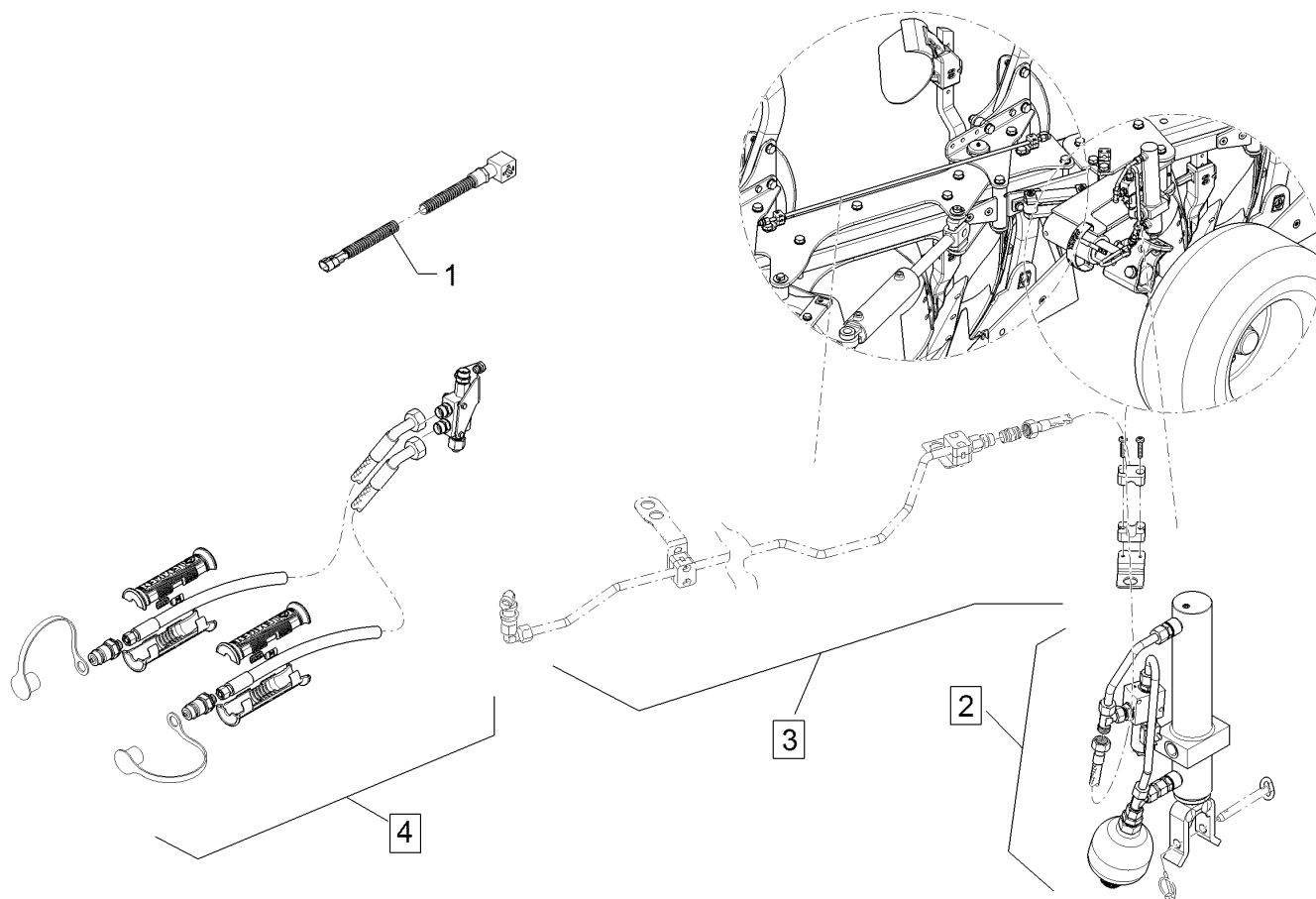
01.18

| Pos. | Art.Nr. | Stck. | Artikeltext / Description | | Abmessung |
|------|----------|-------|------------------------------|------------------------|-----------------------------------|
| 1 | 301 0302 | 6 | Linsenschraube | Oval head screw | M6x25-4,6 Zn DIN7985 |
| 2 | 301 5409 | 2 | Sechskantschraube spz. | Hexagon bolt | M16x50-8.8 Zn |
| 3 | 303 0935 | 2 | Sicherungsmutter | Selflocking nut | NM16-8 Zn DIN985 |
| 4 | 30310095 | 2 | Sechskantmutter | Hexagon nut | M33x1,5 k=8 ZnNi 720h |
| 5 | 305 2228 | 1 | Stützscheibe | Supporting washer | S 20x28x1,0 DIN988 Zn |
| 6 | 305 6141 | 4 | Scheibe | Washer | 17/30x3 DIN/ISO-7089 |
| 7 | 375 4040 | 2 | Einschraubverschraubung | Nipple | xGE 15-LR R1/2"-B |
| 8 | 375 4135 | 1 | Verbindung gerade | Connection | GVO-12L/15L |
| 9 | 375 4220 | 1 | Winkelverschraubung | Elbow union | W15-L M22x1,5 |
| 10 | 375 4400 | 1 | Winkel-Schottverschraubung | Angle union | x-WSV12-L M18x1,5 Zn o.KM |
| 11 | 375 4484 | 3 | T-Verschraubung | T-union | x-T15-L M22x1,5 Zn |
| 12 | 375 4503 | 2 | Einstellbare W-Verschraubung | Adjustable angle union | EW15-L-DKO24 GRD O-Ring |
| 13 | 375 4553 | 1 | Einstellbare L-Verschraubung | Adjustable L-union | EL15-L-DKO24 GRD |
| 14 | 375 5700 | 1 | Mutter | Nut | M18x1,5 SW24x6 |
| 15 | 375 9961 | 6 | Schellenkörper | Clamp | 1/2x215 PP |
| 16 | 37510137 | 3 | Anschweißplatte | Weld on plate | SP2 42x30x2 Zn |
| 17 | 475 4397 | 1 | Halter | Holder | Hydrix 2/3-H |
| 18 | 47510884 | 3 | Hydraulikschlauch | Hydraulic hose | 2SC12-1275 DKO L15/L15 00°/90° |



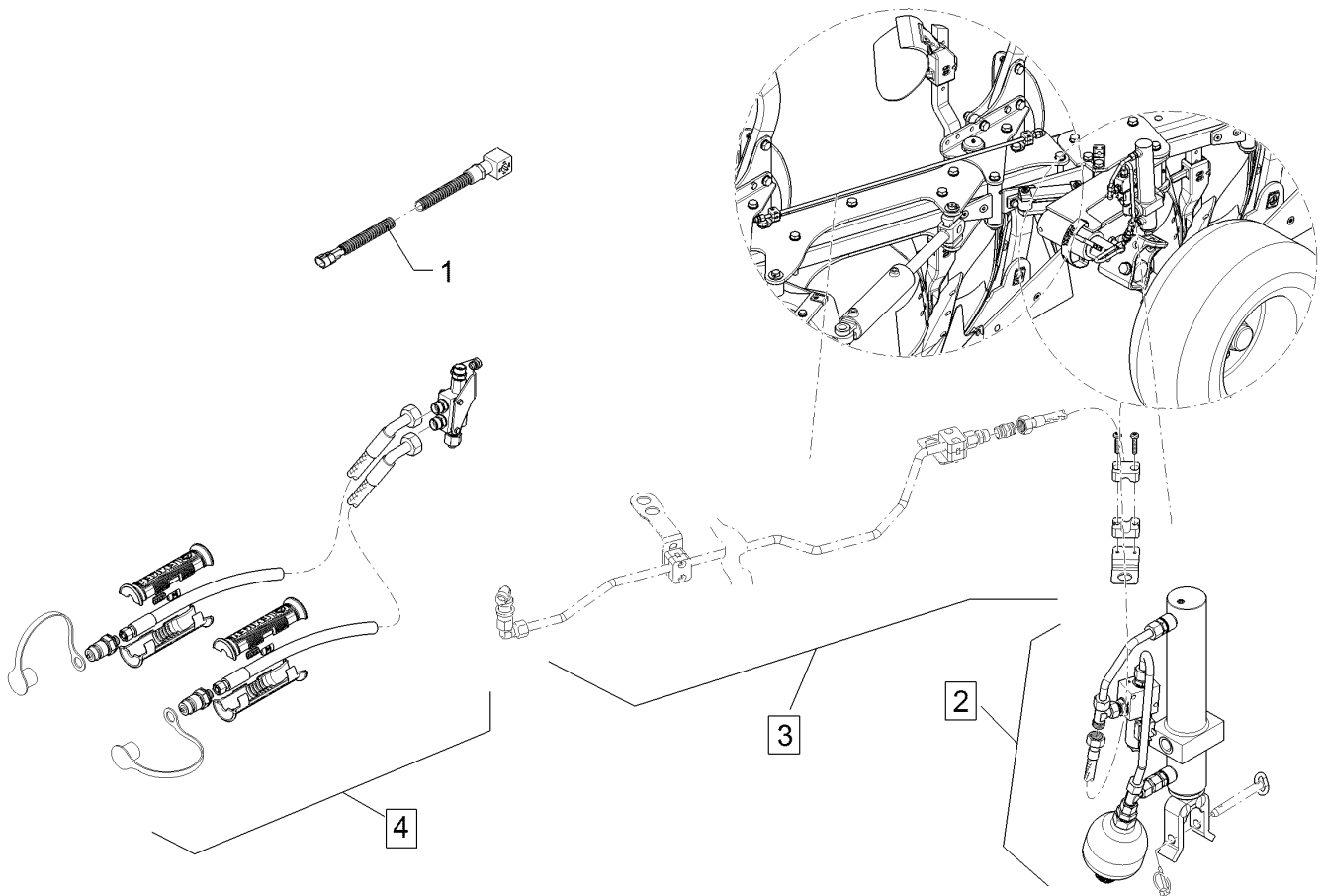
01.18

| Pos. | Art.Nr. | Stck. | Artikeltext / Description | | Abmessung |
|------|----------|-------|---------------------------|----------------------|--|
| 19 | 47511165 | 3 | Halter | Holder | 40x3x189,5 GEB |
| 20 | 57510264 | 2 | Druckspeicher | Pressure accumulator | 90GRD Zn Typ 0,75l 330-120bar G1/2ZL |
| 21 | 57510283 | 1 | Hydraulikrohr | Hydraulic tube | 15x2x98 |
| 22 | 57510864 | 1 | Hydraulikrohr | Hydraulic tube | 15x2x611 2xGEB |
| 23 | 57511102 | 1 | Hydraulikrohr | Hydraulic tube | 15x2x700(578) 5xGEB |
| 24 | 57511105 | 1 | Hydraulikrohr | Hydraulic tube | 15x2x237(231,8) GEK32,8 2xGEB |
| 25 | 57511103 | 1 | Hydraulikrohr | Hydraulic tube | 15x2x878(857,8) GEK40 4xGEB |



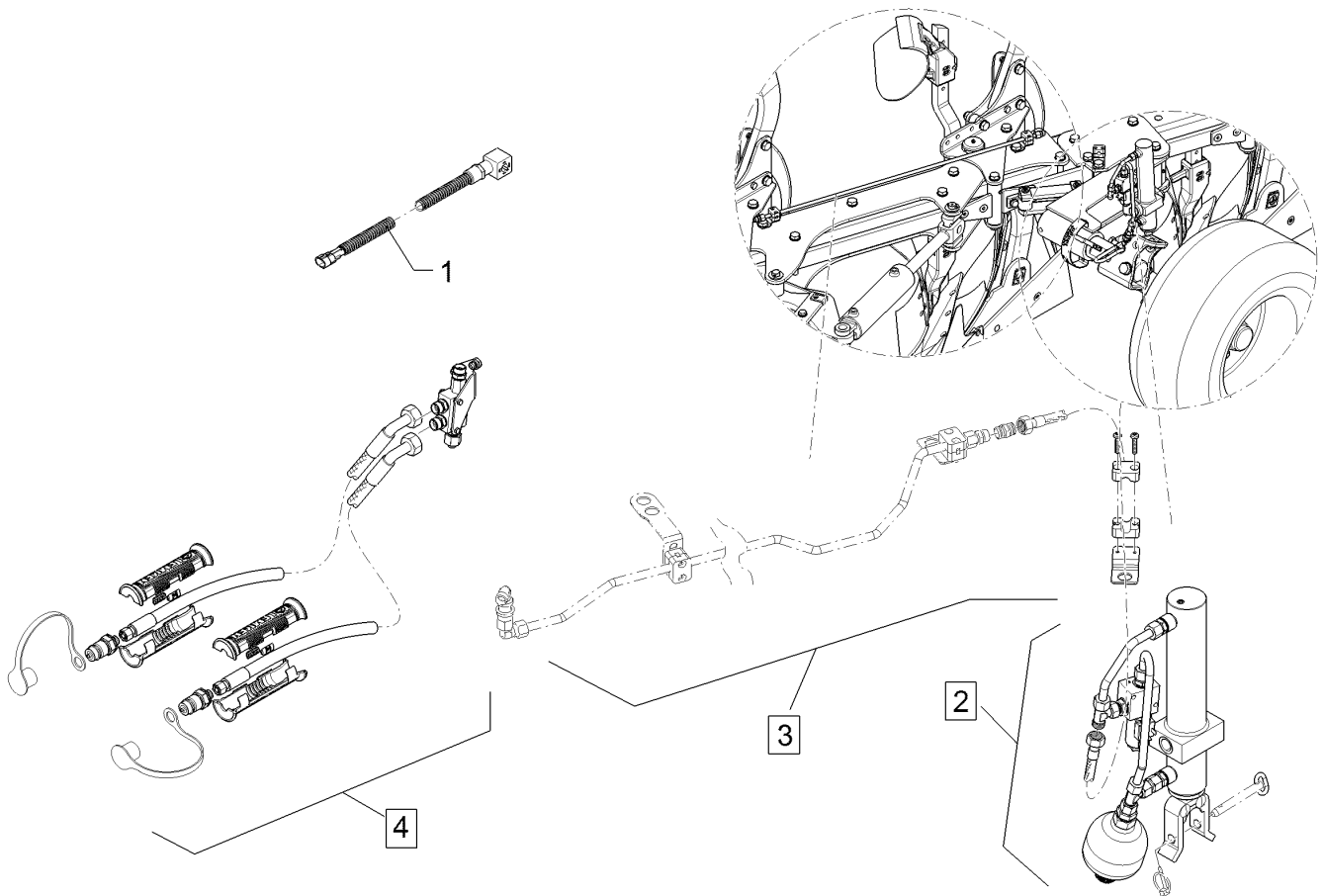
01.18

| Pos. | Art.Nr. | Stck. | Artikeltext / Description | Abmessung |
|------|----------|-------|---------------------------|-------------------------|
| 1 | 57310088 | 1 | Kabelbaum | Stützrad 2000 |
| 2 | 575 1153 | 1 | Montage-BG | Uni-RAD Juwel |
| 3 | 57511094 | 1 | Hy-anl. Unirad | Juwel 7(T) 3+1/4-090 |
| 4 | 57511117 | 1 | Hy-anl. Unirad | Juwel 7 |



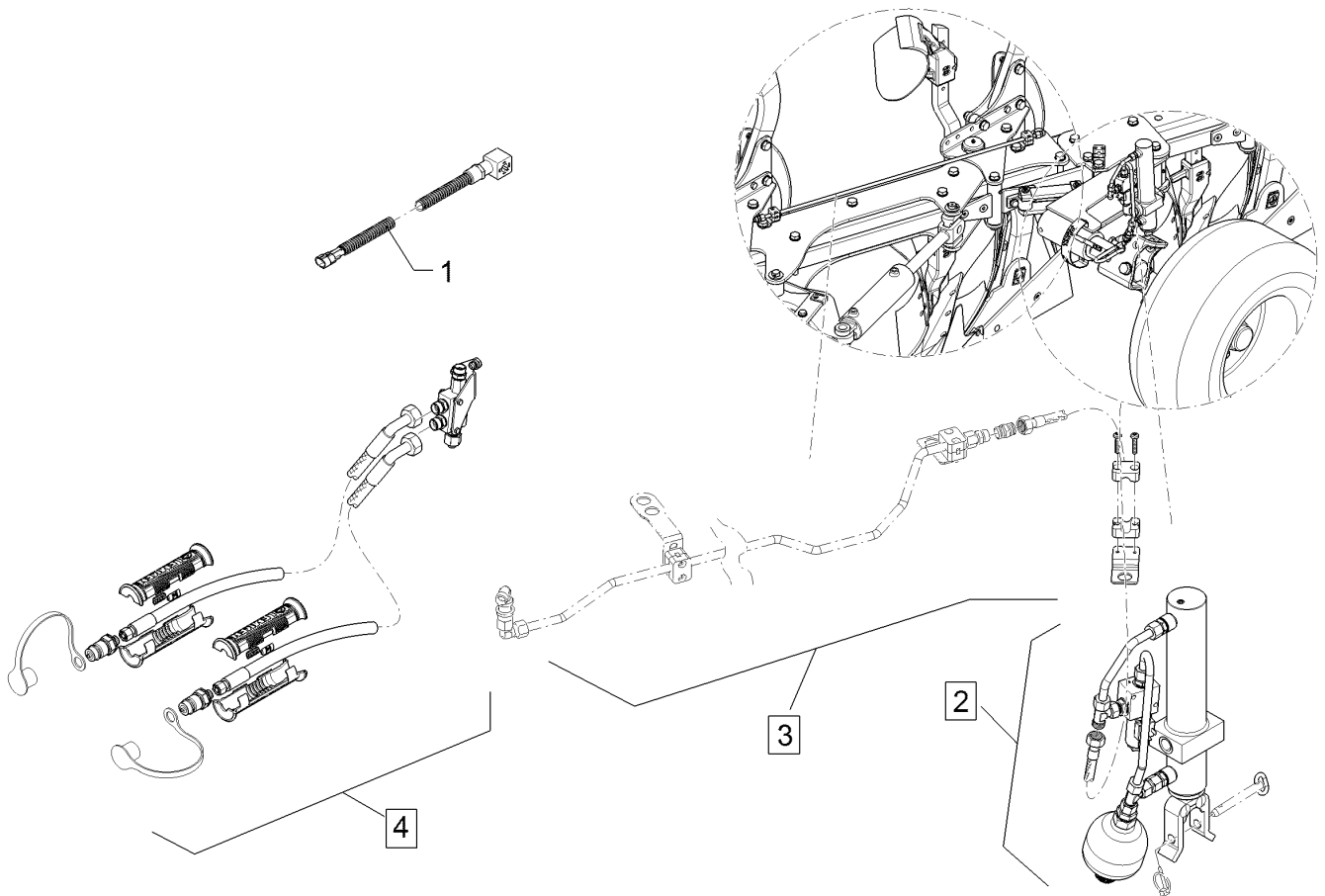
01.18

| Pos. | Art.Nr. | Stck. | Artikeltext / Description | Abmessung |
|------|----------|-------|---------------------------|--------------------------------|
| 1 | 573 6042 | 1 | Kabelbaum Stützrad | - |
| 2 | 575 1153 | 1 | Montage-BG | Uni-RAD Juwel |
| 3 | 57511095 | 1 | Hydraulikanlage | Unirad Juwel 7(T) 4+1/5-090 |
| 4 | 57511117 | 1 | Hy-anl. Unirad | Juwel 7 |



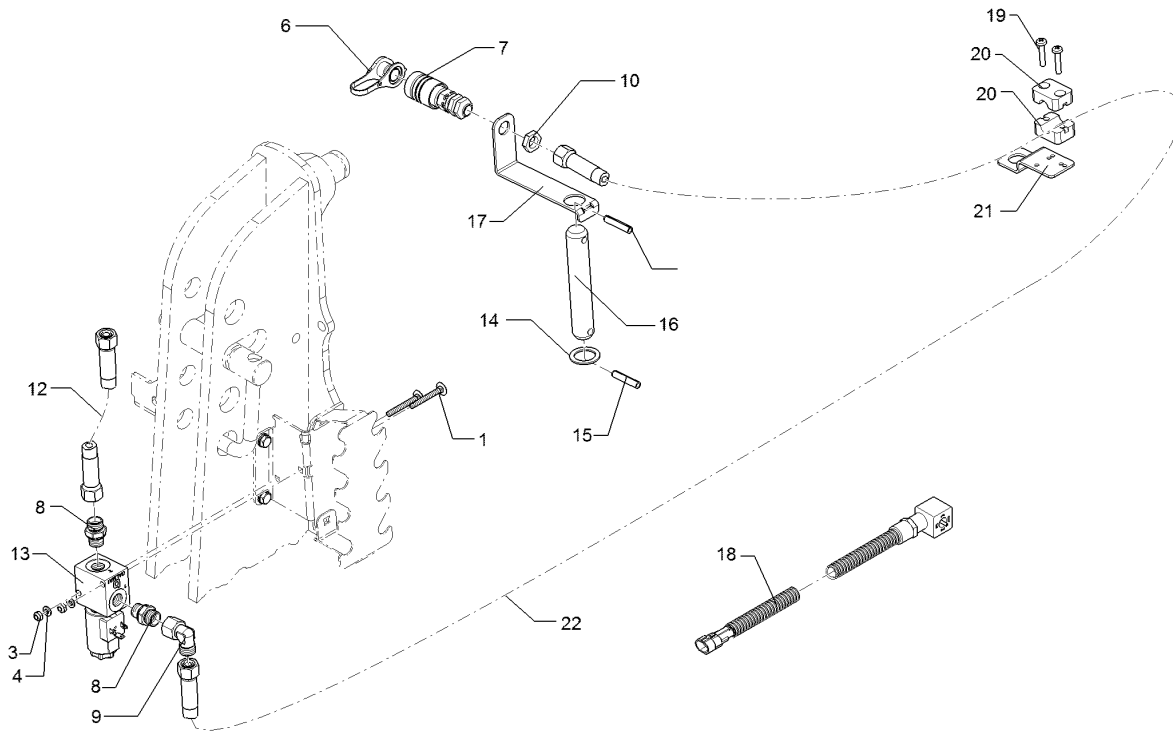
01.18

| Pos. | Art.Nr. | Stck. | Artikeltext / Description | Abmessung |
|------|----------|-------|---------------------------|----------------------|
| 1 | 57310088 | 1 | Kabelbaum | Stützrad 2000 |
| 2 | 575 1153 | 1 | Montage-BG | Uni-RAD Juwel |
| 3 | 57511096 | 1 | Hydraulikanlage | Unirad Juwel 7 (T) |
| 4 | 57511117 | 1 | Hy-anl. Unirad | 3+1/4-100 Juwel 7 |



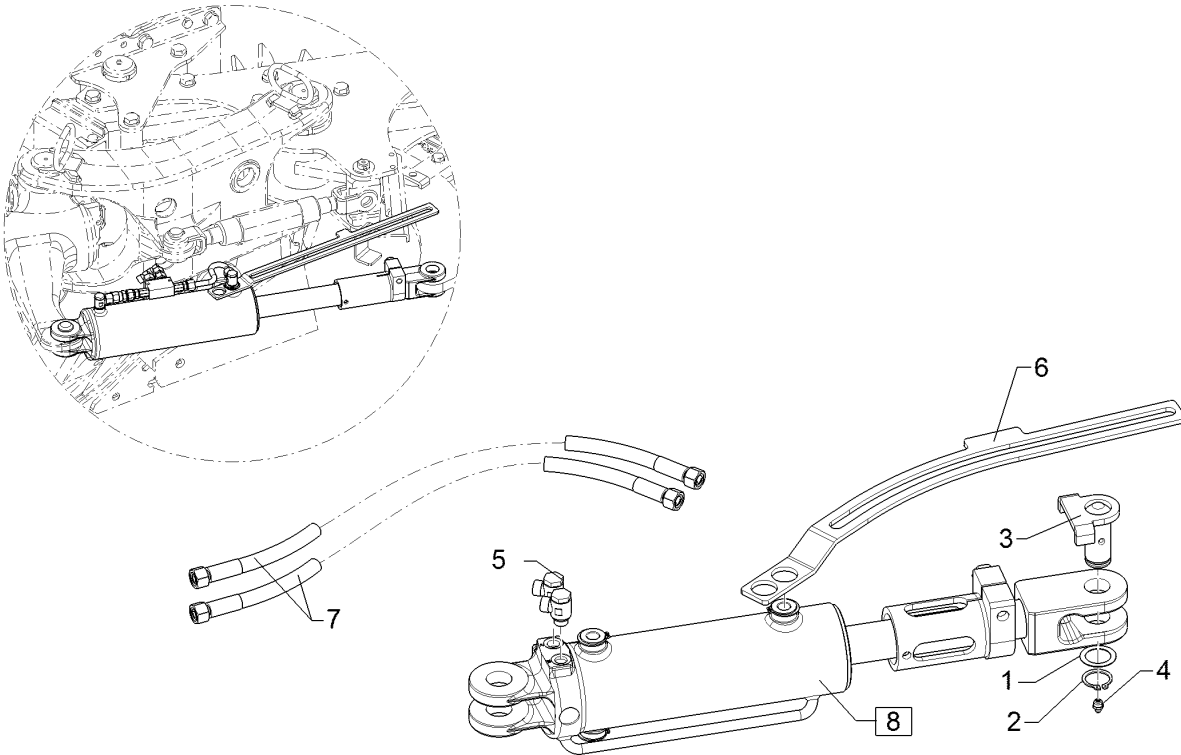
01.18

| Pos. | Art.Nr. | Stck. | Artikeltext / Description | Abmessung |
|------|----------|-------|---------------------------|----------------------|
| 1 | 573 6042 | 1 | Kabelbaum Stützrad | - |
| 2 | 575 1153 | 1 | Montage-BG | Uni-RAD Juwel |
| 3 | 57511097 | 1 | Hydraulikanlage | Unirad Juwel 7 (T) |
| 4 | 57511117 | 1 | Hy-anl. Unirad | 4+1/5-100 Juwel 7 |



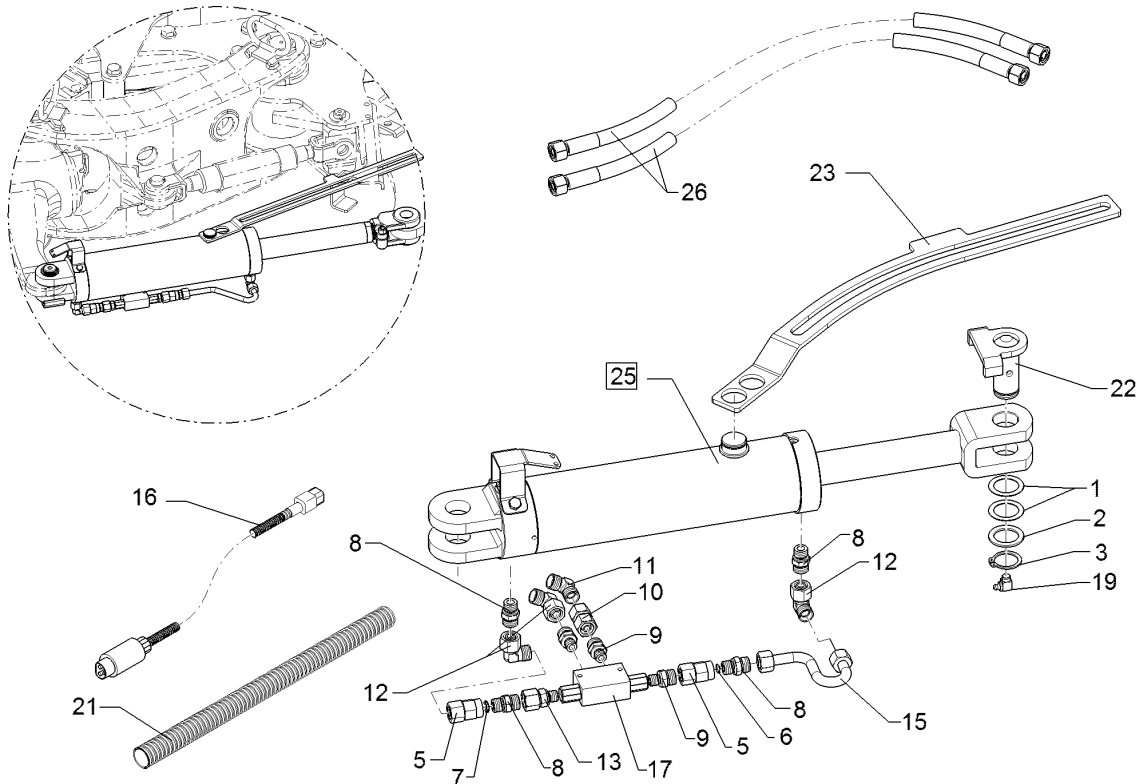
01.18

| Pos. | Art.Nr. | Stck. | Artikeltext / Description | | Abmessung |
|------|----------|-------|--------------------------------|------------------------|------------------------------------|
| 1 | 301 1108 | 2 | Flachrundschraube | Saucer-head screw | M6x50-4.6 DIN603 |
| 3 | 303 0931 | 2 | Sicherungsmutter | Selflocking nut | NM6-8 Zn DIN985 |
| 4 | 305 8571 | 2 | Scheibe | Washer | 6,4 DIN125-A Zn |
| 6 | 375 2163 | 1 | Staubstecker | Plastic male probe | NW 6 |
| 7 | 375 2730 | 1 | SVK-Muffe | SVK-socket | BG 2 NW8 M16x1,5 Schott |
| 8 | 375 4057 | 2 | Gerade Einschraubverschraubung | Nipple | x-GE12-LR 3/8"-ED |
| 9 | 375 4500 | 1 | Einstellbare W-Verschraubung | Adjustable angle union | EW12-LM DKO24 GRD M18x1,5 |
| 10 | 375 5698 | 1 | Sechskantmutter | Hexagon nut | M16x1,5 SW22 Zn |
| 12 | 47510773 | 1 | Hydraulikschlauch | Hydraulic hose | 2SC08-250 DKOL12/DKOL12 0/0° |
| 13 | 575 2253 | 1 | Sitzventil | Seat valve | WR22GEZ5-412VDC+GALMA1 |
| 14 | 305 2230 | 1 | Stützscheibe | Supporting washer | S 25x35x2,0 DIN988 Zn |
| 15 | 309 6072 | 2 | Spannhülse | Expansion bush | 8x40-DIN1481 Zn |
| 16 | 31310001 | 1 | Bolzen | Pin | D25x140 Zn |
| 17 | 475 4423 | 1 | Halter | Holder | 2,5x30x175 1xGEB90GRD Zn |
| 18 | 47310113 | 1 | Adapterkabel | Cable | SS 2p m BF A 2P |
| 19 | 301 0303 | 2 | Linsenschraube | Oval head screw | M6x30-4.6 Zn DIN7985 |
| 20 | 375 9961 | 2 | Schellenkörper | Clamp | 1/2x215 PP |
| 21 | 475 4407 | 1 | Halter | Holder | 40x3x92 Zn |
| 22 | 47511211 | 1 | Schlauchpaket | Hose-assembly | Juwel 7, Pa |



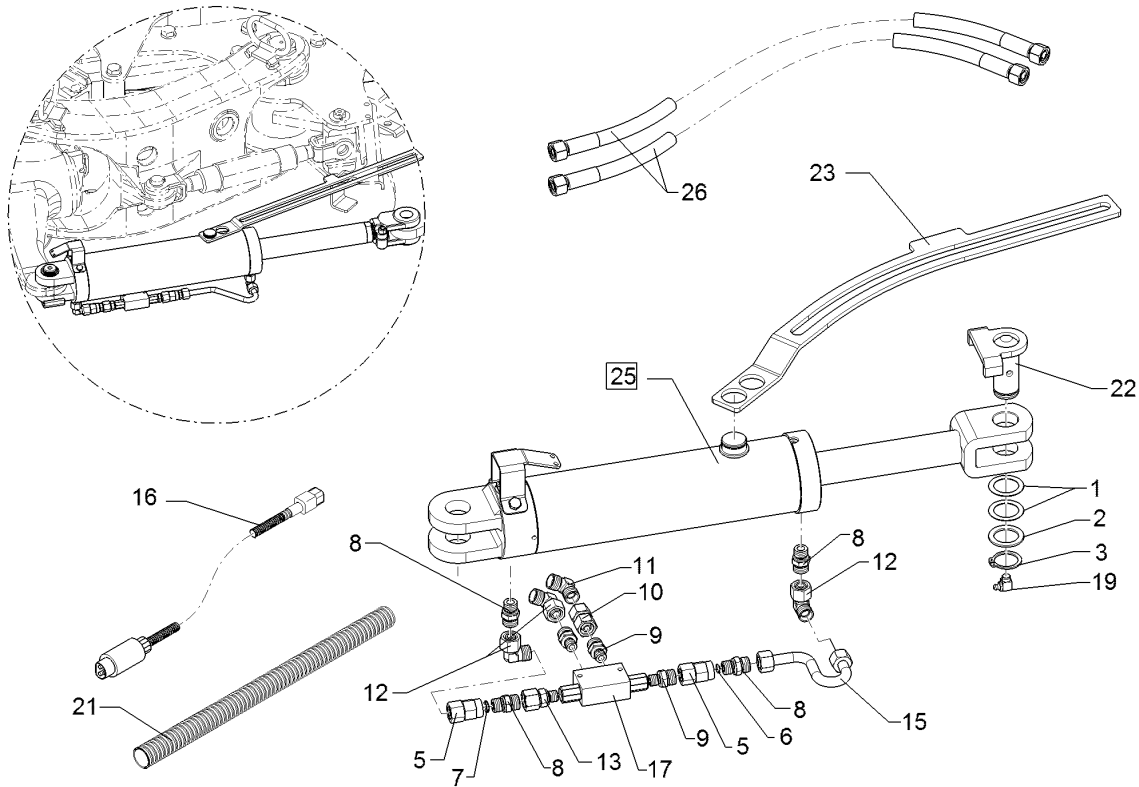
01.18

| Pos. | Art.Nr. | Stck. | Artikeltext / Description | | Abmessung |
|------|----------|-------|---------------------------|----------------|------------------------------|
| 1 | 305 2051 | 1 | Passscheibe | Shim | 30x42x1,0 DIN988 Zn |
| 2 | 305 8867 | 1 | Sicherungsring | Retaining ring | 30x2 DIN471 Zn |
| 3 | 31310060 | 1 | Bolzen | Pin | D30/61x69 U-71 Zn |
| 4 | 323 6348 | 1 | Schmiernippel | Grease nipple | AM10x1 DIN71412 |
| 5 | 375 4310 | 2 | Schwenkverschraubung | Union, swivel | x-SWVE12-LM M16x1,5 |
| 6 | 47310032 | 1 | Steuerstange | Control rod | 6x184x595,8 2xD30,5 GEK17 Zn |
| 7 | 47511280 | 1 | Schlauchpaket | Hose-assembly | Juwel 7 L, Ra |
| 8 | 57511084 | 1 | Hydraulikzylinder | Hydraulic ram | DZ090/45x0220-0660 D30 D30 |



01.18

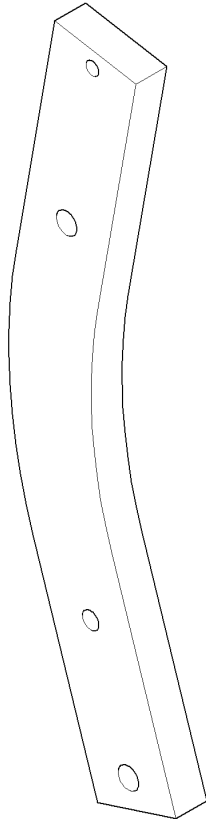
| Pos. | Art.Nr. | Stck. | Artikeltext / Description | | Abmessung |
|------|----------|-------|-------------------------------|------------------------|--|
| 1 | 305 2051 | 2 | Passscheibe | Shim | 30x42x1,0 DIN988 Zn |
| 2 | 305 2242 | 1 | Stützscheibe | Supporting washer | S 30/42x2,5 DIN988 Zn |
| 3 | 305 8867 | 1 | Sicherungsring | Retaining ring | 30x2 DIN471 Zn |
| 5 | 375 2205 | 2 | Verbindung | Connection | DKOL12/IGM 16x1,5 |
| 6 | 375 2509 | 1 | Drosselscheibe Dreibein | Restrictor washer | 1,7 |
| 7 | 375 2512 | 1 | Drosselscheibe Dreibein | Restrictor washer | Dreibein 2,0 |
| 8 | 375 4010 | 2 | Einschraubverschraubung | Nipple | x-GE12-LM M16x1,5 Zn |
| 9 | 375 4038 | 3 | Einschraubverschraubung | Nipple | GE 12-LR 1/4 ZL ED |
| 10 | 375 4132 | 1 | Verbindung gerade | Connection | DKOL12/DKOL12 M18x1,5 |
| 11 | 375 4210 | 1 | Winkelverschraubung | Elbow union | x-W12-L M18x1,5 |
| 12 | 375 4500 | 3 | Einstellbare W-Verschraubung | Adjustable angle union | EW12-LM DKO24 GRD M18x1,5 |
| 13 | 375 4711 | 1 | Stutzen | Stud | x-evGE-12-ED 1/4" DKO 24 GRD |
| 15 | 57510206 | 1 | Rohr | Tube | 12x2x192 2xGEB |
| 16 | 573 6043 | 1 | Kabelb. TurnCtrl. Schlepper A | Cable form | TurnControl |
| 17 | 57510037 | 1 | Dopp.Rückschv.hy.ent. | Nonreturn valve | DVVG-G1/4 Q=15 l/min |
| 19 | 323 6349 | 1 | Schmiernippel | Grease nipple | CM10x1 |
| 22 | 31310060 | 1 | Bolzen | Pin | DIN71412-90 GRD |
| 23 | 47310032 | 1 | Steuerstange | Control rod | D30/61x69 U-71 Zn 6x184x595,8 2xD30,5 GEK17 Zn |



01.18

| Pos. | Art.Nr. | Stck. | Artikeltext / Description | Abmessung |
|------|----------|-------|---------------------------|---|
| 25 | 57511085 | 1 | Hydraulikzylinder | Hydraulic ram DZ090/45x0220-0660 |
| 26 | 47511288 | 1 | Schlauchpaket | Hose-assembly D30D30 Juwel 7 L, Ra+Vf |

| | |
|----------------|----------|
| Körperhalm/Leg | 11 |
| Juwel 7 T | 464 5006 |

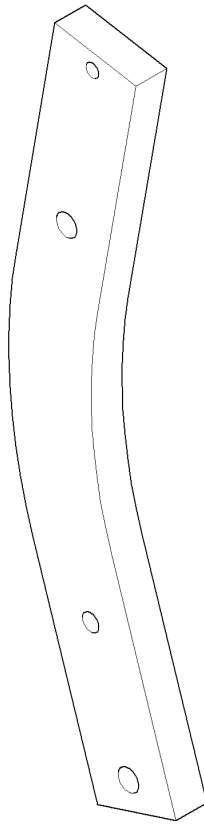


01.18

| Pos. | Art.Nr. | Stck. | Artikeltext / Description | Abmessung |
|------|---------|-------|---------------------------|-----------|
| | | | | |

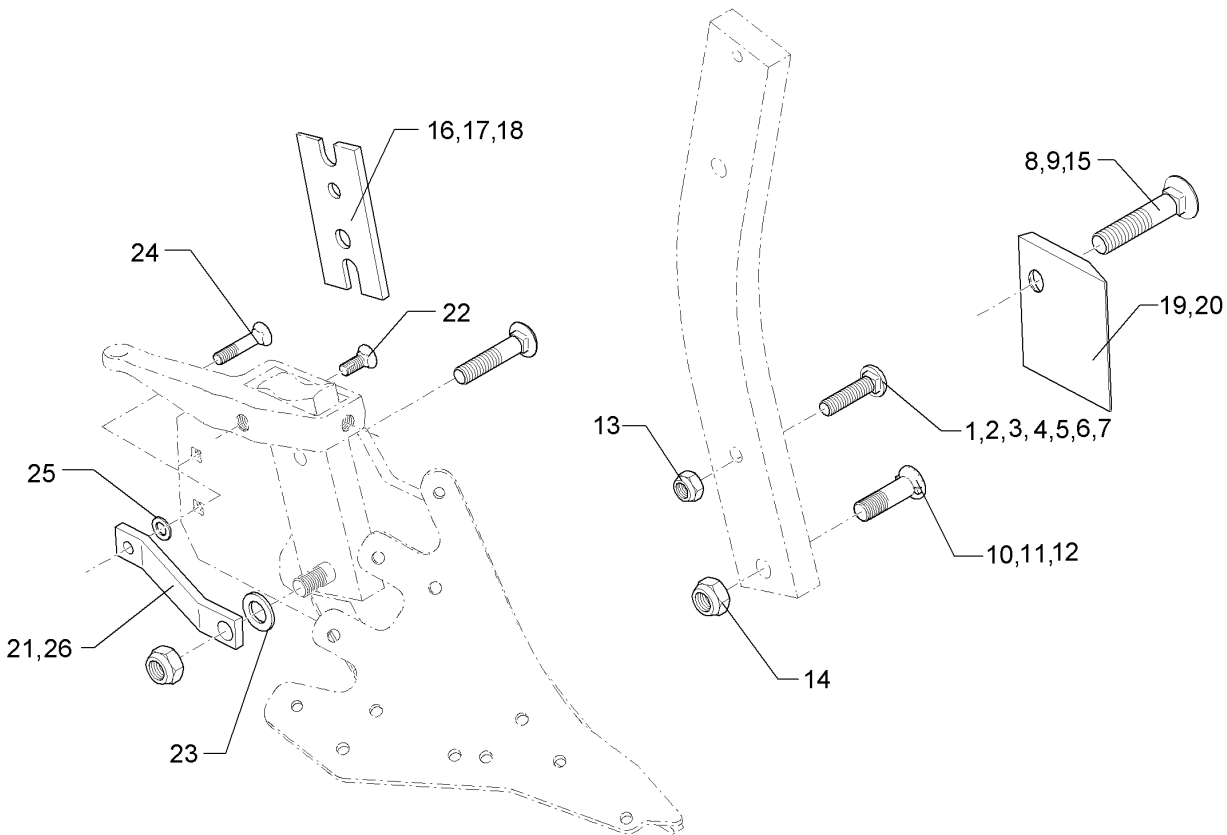
| | |
|----------------|----|
| Körperhalm/Leg | 11 |
|----------------|----|

| | |
|-----------|----------|
| Juwel 7 T | 464 5007 |
|-----------|----------|



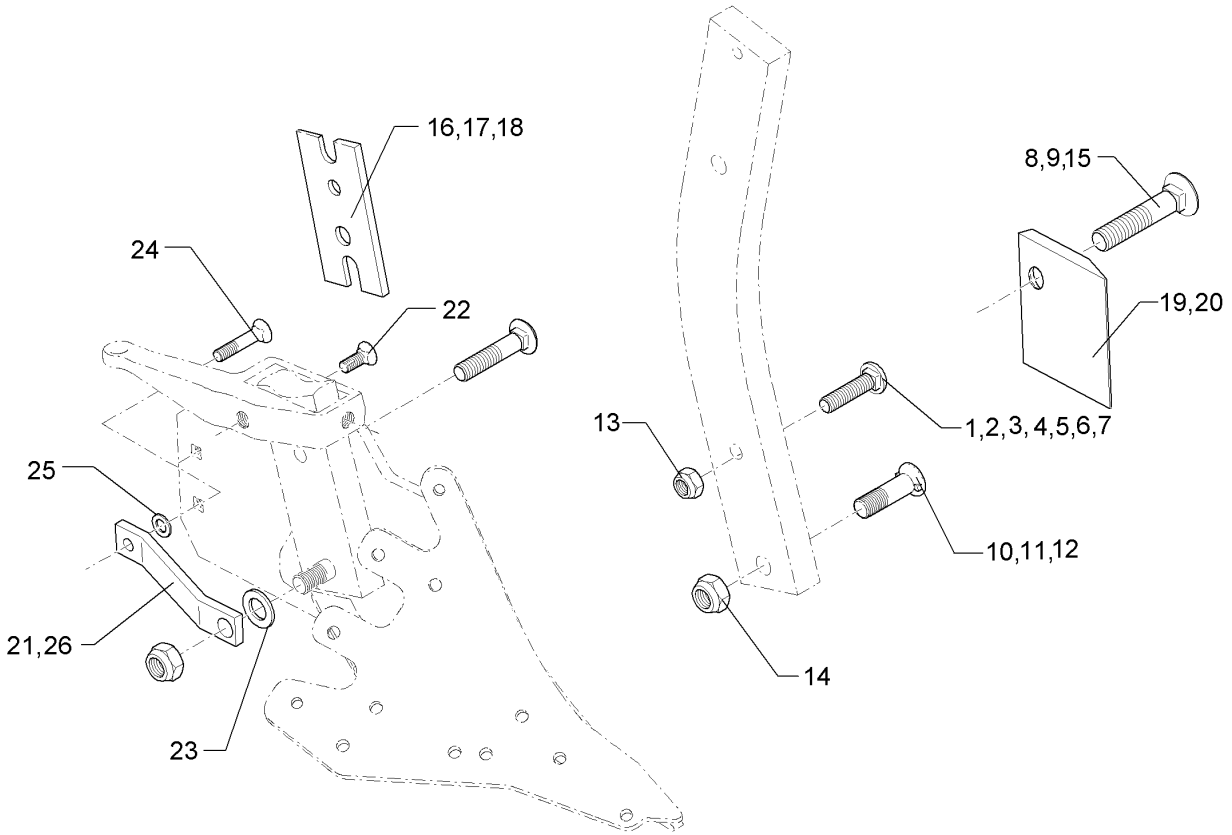
01.18

| Pos. | Art.Nr. | Stck. | Artikeltext / Description | | Abmessung |
|------|----------|-------|---------------------------|-----|-----------------------------------|
| 1 | 464 5007 | 1 | Körperhalm | Leg | 80x30x745-R850 3xD20,1 1xD14,2 |



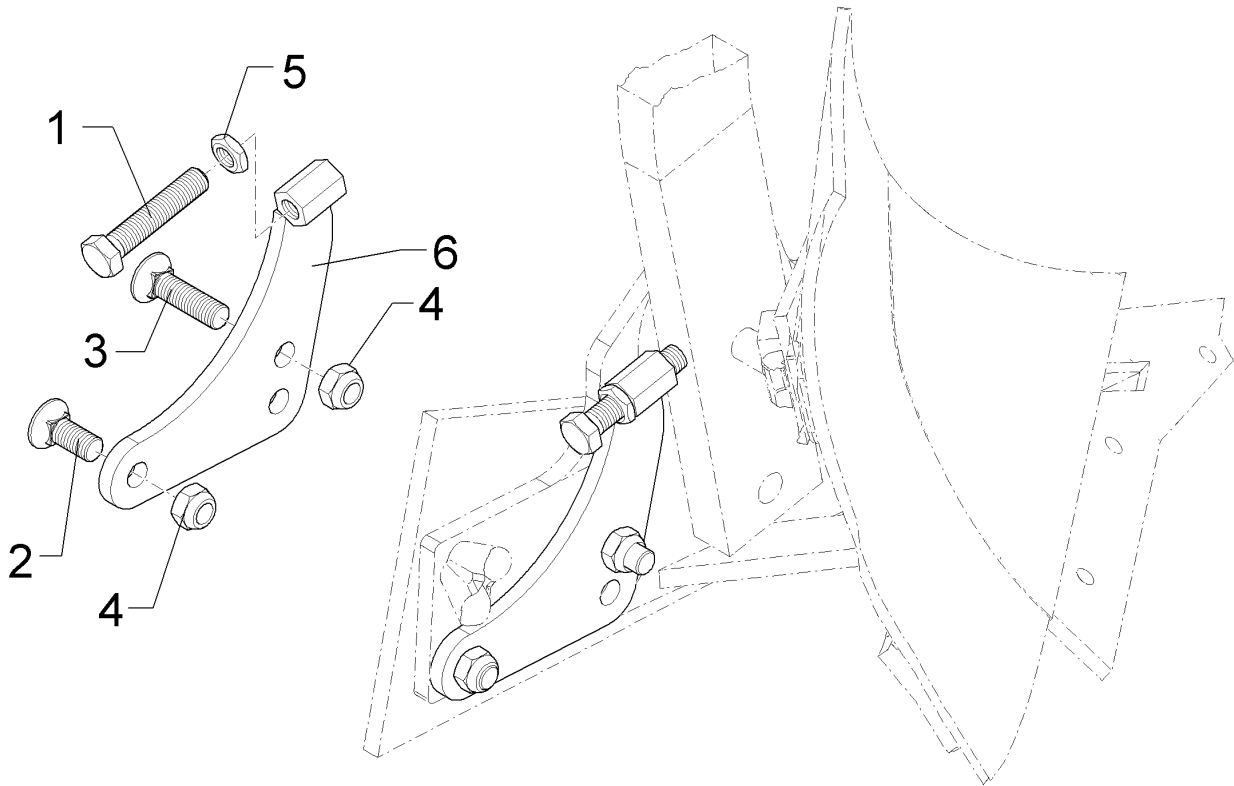
01.18

| Pos. | Art.Nr. | Stck. | Artikeltext / Description | | Abmessung |
|------|----------|-------|---------------------------|-------------------|-------------------------------|
| 1 | 301 2211 | 1 | Flachrundschaube | Saucer-head screw | M16x55-10.9 Zn |
| 2 | 301 2227 | 1 | Flachrundschaube | Saucer-head screw | M16x60-10.9 Zn |
| 3 | 301 2242 | 1 | Flachrundschaube | Saucer-head screw | M16x65-10.9 Zn |
| 4 | 301 2261 | 1 | Flachrundschaube | Saucer-head screw | M16x70-10.9 Zn |
| 5 | 301 2279 | 1 | Flachrundschaube | Saucer-head screw | M16x75-10.9 Zn |
| 6 | 301 2292 | 1 | Flachrundschaube | Saucer-head screw | M16x80-10.9 Zn |
| 7 | 301 2312 | 1 | Flachrundschaube | Saucer-head screw | M16x100-10.9 Zn |
| 8 | 301 5740 | 1 | Senkschraube | Countersunk bolt | M16x80-10.9 Zn |
| 9 | 301 5741 | 1 | Senkschraube | Countersunk bolt | M16x105-10.9 Zn |
| 10 | 301 5747 | 1 | Senkschraube | Countersunk bolt | M20x70x8,5-12.9 Zn |
| 11 | 301 5750 | 1 | Senkschraube | Countersunk bolt | M20x80x8,5-12.9 Zn |
| 12 | 301 5753 | 1 | Senkschraube | Countersunk bolt | M20x100x8,5-12.9 Zn |
| 13 | 303 0935 | 1 | Sicherungsmutter | Selflocking nut | NM16-8 Zn DIN985 |
| 14 | 303 0936 | 1 | Sicherungsmutter | Selflocking nut | NM20-8 Zn DIN985 |
| 15 | 301 5739 | 1 | Senkschraube | Countersunk bolt | M16x65-10.9 Zn |
| 16 | 469 1896 | 1 | Keil | Wedge | 80x200-2 GRD |
| 17 | 469 1899 | 1 | Keil | Wedge | 80x200 4GRD Zn |
| 18 | 469 1900 | 1 | Keil | Wedge | 70x210-6 GRD |
| 19 | 340 1480 | 1 | Rumpfschoner | Frog-protector | SCR11 RE 130x114 |
| 20 | 340 1481 | 1 | Rumpfschoner | Frog-protector | SCR11 LI 130x114 |
| 21 | 469 5480 | 1 | Verstärkung | Strengthening | 40x10x260+D12,25+D20,25 gekr. |



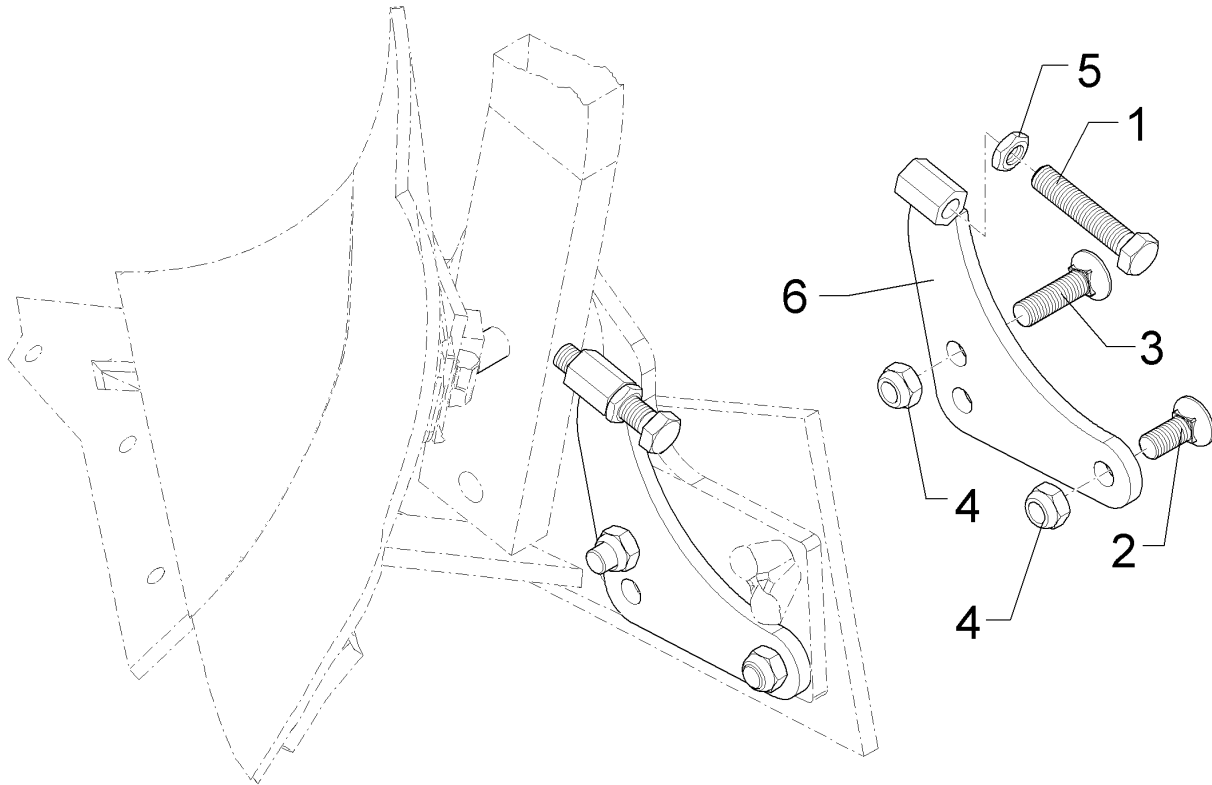
01.18

| Pos. | Art.Nr. | Stck. | Artikeltext / Description | | Abmessung |
|------|----------|-------|---------------------------|------------------|--------------------------------|
| 22 | 301 5785 | 1 | Senkschraube | Countersunk bolt | M12x33-12.9-MU-10 Zn |
| 23 | 305 6012 | 1 | Scheibe | Washer | 21 ISO7089 Zn |
| 24 | 301 5794 | 1 | Senkschraube | Countersunk bolt | M12x45-12.9-MU-10 DIN608 Zn |
| 25 | 305 6167 | 1 | Scheibe | Washer | 13/35x5 Zn DIN 6340 |
| 26 | 469 5478 | 1 | Verstärkung | Strengthening | 40x10x320 TK16 |



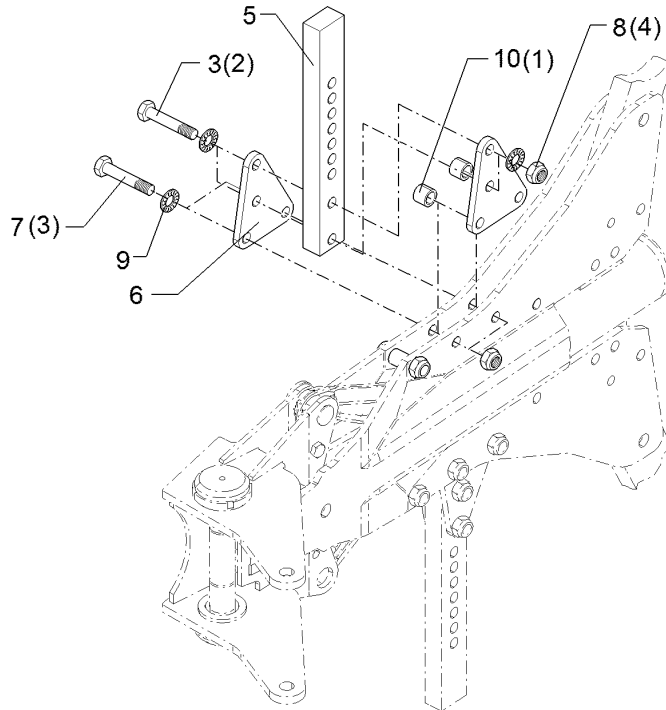
01.18

| Pos. | Art.Nr. | Stck. | Artikeltext / Description | | Abmessung |
|------|----------|-------|---------------------------|------------------|-------------------------|
| 1 | 301 5074 | 1 | Sechskantschraube | Hexagon bolt | M16x80-8.8 Zn DIN933 |
| 2 | 301 6142 | 1 | Senkschraube ohne Mutter | Countersunk bolt | M16x40-10.9 4KT Zn |
| 3 | 301 6147 | 1 | Senkschraube spz. | Countersunk bolt | M16x60-10.9 4KT Zn |
| 4 | 303 0935 | 2 | Sicherungsmutter | Selflocking nut | NM16-8 Zn DIN985 |
| 5 | 303 1020 | 1 | Sechskantmutter | Hexagon nut | M16 DIN936-8 Zn |
| 6 | 46710002 | 1 | Stützplatte | Buck plate | 183x162x10 M16 RE |



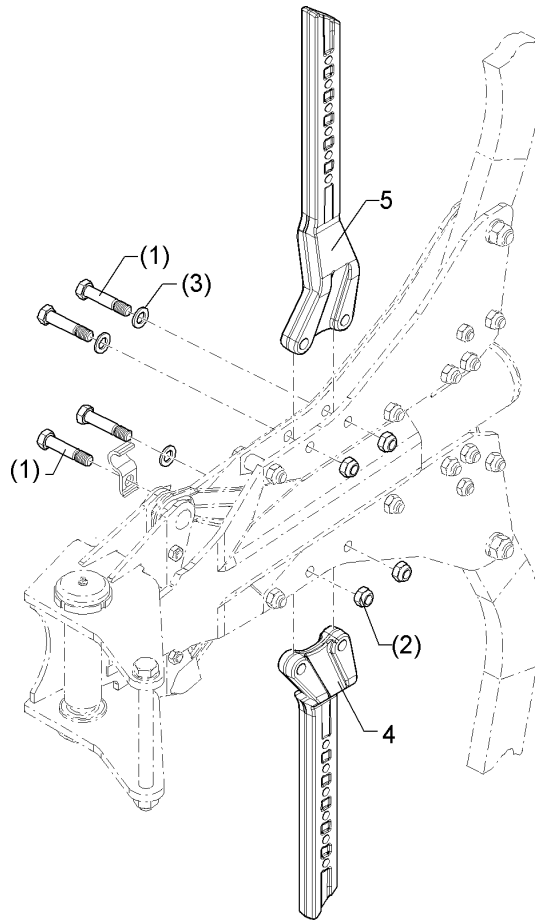
01.18

| Pos. | Art.Nr. | Stck. | Artikeltext / Description | | Abmessung |
|------|----------|-------|---------------------------|------------------|-------------------------|
| 1 | 301 5074 | 1 | Sechskantschraube | Hexagon bolt | M16x80-8.8 Zn DIN933 |
| 2 | 301 6142 | 1 | Senkschraube ohne Mutter | Countersunk bolt | M16x40-10.9 4KT Zn |
| 3 | 301 6147 | 1 | Senkschraube spz. | Countersunk bolt | M16x60-10.9 4KT Zn |
| 4 | 303 0935 | 2 | Sicherungsmutter | Selflocking nut | NM16-8 Zn DIN985 |
| 5 | 303 1020 | 1 | Sechskantmutter | Hexagon nut | M16 DIN936-8 Zn |
| 6 | 46710003 | 1 | Stützplatte | Buck plate | 183x162x10 M16 LI |



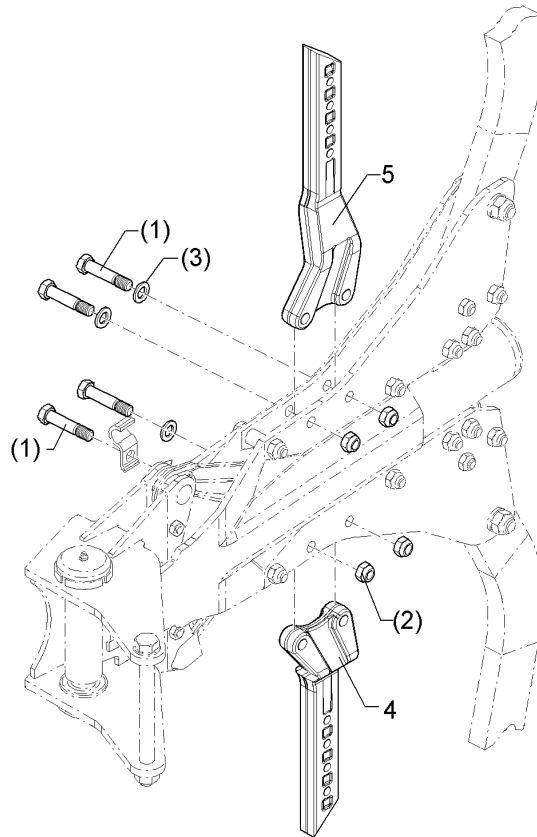
01.18

| Pos. | Art.Nr. | Stck. | Artikeltext / Description | | Abmessung |
|------|----------|-------|---------------------------|-----------------|------------------------|
| 1 | 317 6658 | 2 | Buchse | Bush | D16/22x22 |
| 2 | 301 3870 | 2 | Sechskantschraube spz. | Hexagon bolt | M16x65-10.9 Zn |
| 3 | 301 5361 | 4 | Sechskantschraube spz. | Hexagon bolt | M16x75-12.9 Zn |
| 4 | 303 0935 | 4 | Sicherungsmutter | Selflocking nut | NM16-8 Zn DIN985 |
| 5 | 463 8652 | 2 | Düngereinlegerhalm | Skim stalk | 50x30x371 7xD15 |
| 6 | 463 8658 | 4 | Halmplatte | Plate | 10x115x145 4xD16,2 |
| 7 | 30110553 | 4 | Sechskantschraube | Hexagon bolt | M16x85ls60xb20-12.9Zn4 |
| 8 | 30310069 | 8 | Sechskantmutter | Hexagon nut | M16 DIN934-12 Zn5 |
| 9 | 30510119 | 16 | Sperrkantscheibe | Washer | 16,4/32,5x2,5 Zn5 |
| 10 | 31710245 | 4 | Buchse | Bush | D35/16,2x20,5 Zn |



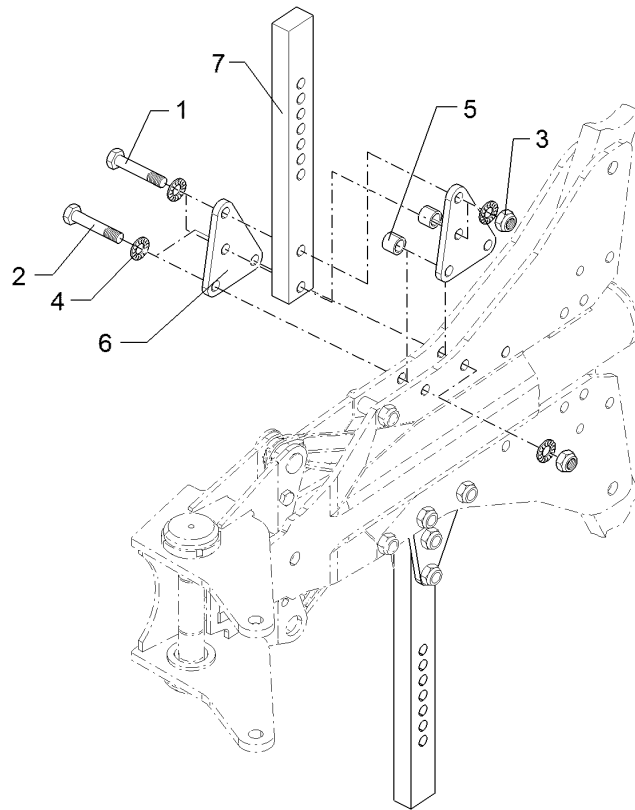
01.18

| Pos. | Art.Nr. | Stck. | Artikeltext / Description | | Abmessung |
|------|----------|-------|---------------------------|-----------------|-------------------------------------|
| 1 | 301 5361 | 4 | Sechskantschraube spz. | Hexagon bolt | M16x75-12.9 Zn |
| 2 | 303 0935 | 4 | Sicherungsmutter | Selflocking nut | NM16-8 Zn DIN985 |
| 3 | 305 6141 | 2 | Scheibe | Washer | 17/30x3 DIN/ISO-7089 |
| 4 | 463 8730 | 1 | Düngereinlegerhalm | Skim stalk | 50x30x508 2xD16,5-80 6xD13 RE |
| 5 | 463 8731 | 1 | Düngereinlegerhalm | Skim stalk | 50x30x508 2xD16,5-80 6xD13 LI |



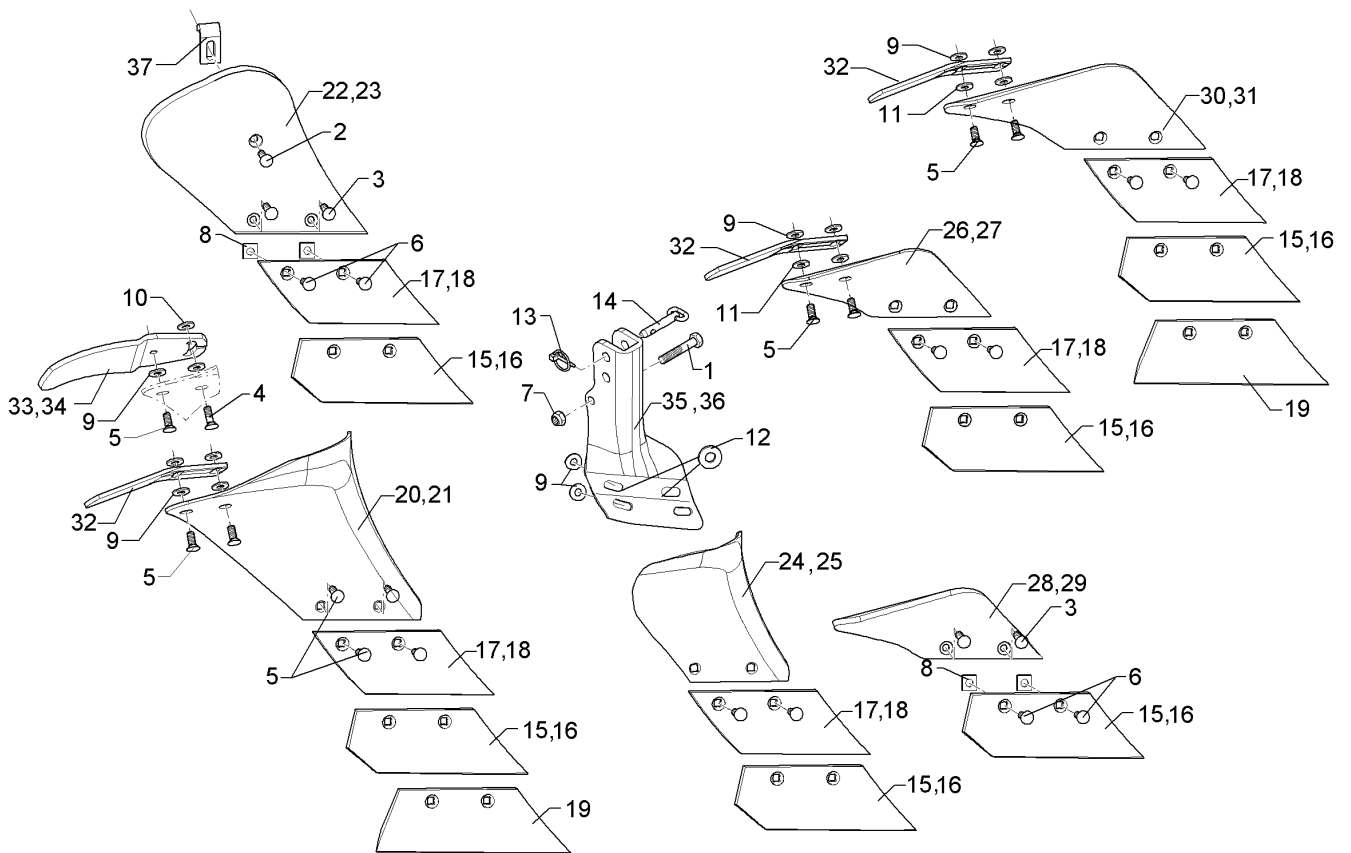
01.18

| Pos. | Art.Nr. | Stck. | Artikeltext / Description | | Abmessung |
|------|----------|-------|---------------------------|-----------------|-------------------------------------|
| 1 | 301 5361 | 4 | Sechskantschraube spz. | Hexagon bolt | M16x75-12.9 Zn |
| 2 | 303 0935 | 4 | Sicherungsmutter | Selflocking nut | NM16-8 Zn DIN985 |
| 3 | 305 6141 | 2 | Scheibe | Washer | 17/30x3 DIN/ISO-7089 |
| 4 | 463 8732 | 1 | Düngereinlegerhalm | Skim stalk | 50x30x438 2xD16,5-80 4xD13 RE |
| 5 | 463 8733 | 1 | Düngereinlegerhalm | Skim stalk | 50x30x446 2xD16,5-80 4xD13 LI |



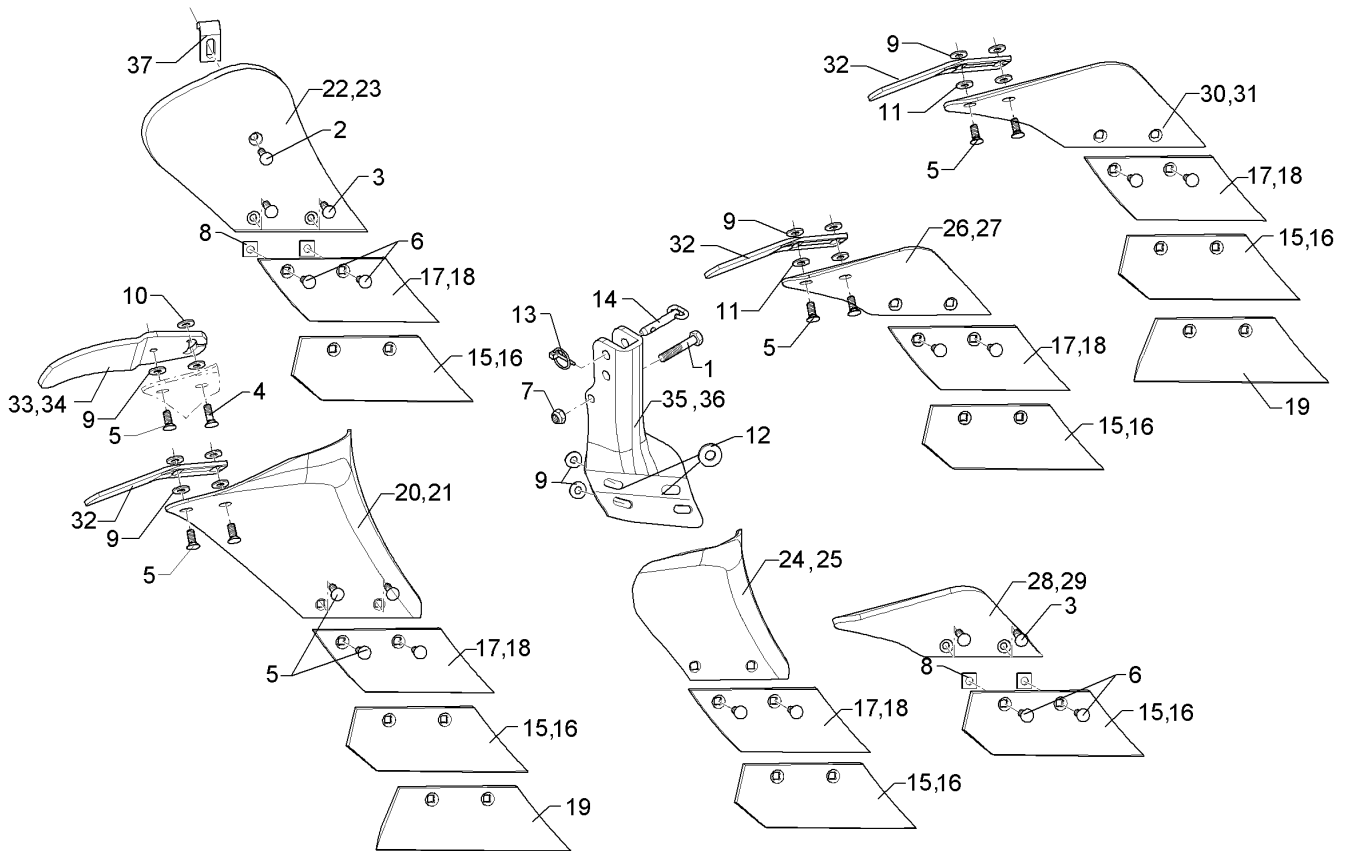
01.18

| Pos. | Art.Nr. | Stck. | Artikeltext / Description | | Abmessung |
|------|----------|-------|---------------------------|--------------|------------------------|
| 1 | 301 5361 | 4 | Sechskantschraube spz. | Hexagon bolt | M16x75-12.9 Zn |
| 2 | 30110553 | 4 | Sechskantschraube | Hexagon bolt | M16x85ls60xb20-12.9Zn4 |
| 3 | 30310069 | 8 | Sechskantmutter | Hexagon nut | M16 DIN934-12 Zn5 |
| 4 | 30510119 | 16 | Sperrkantscheibe | Washer | 16,4/32,5x2,5 Zn5 |
| 5 | 31710245 | 4 | Buchse | Bush | D35/16,2x20,5 Zn |
| 6 | 463 8658 | 4 | Halmplatte | Plate | 10x115x145 4xD16,2 |
| 7 | 46310010 | 2 | Düngereinlegerhalm | Skim stalk | 50x30x446 7xD15 |



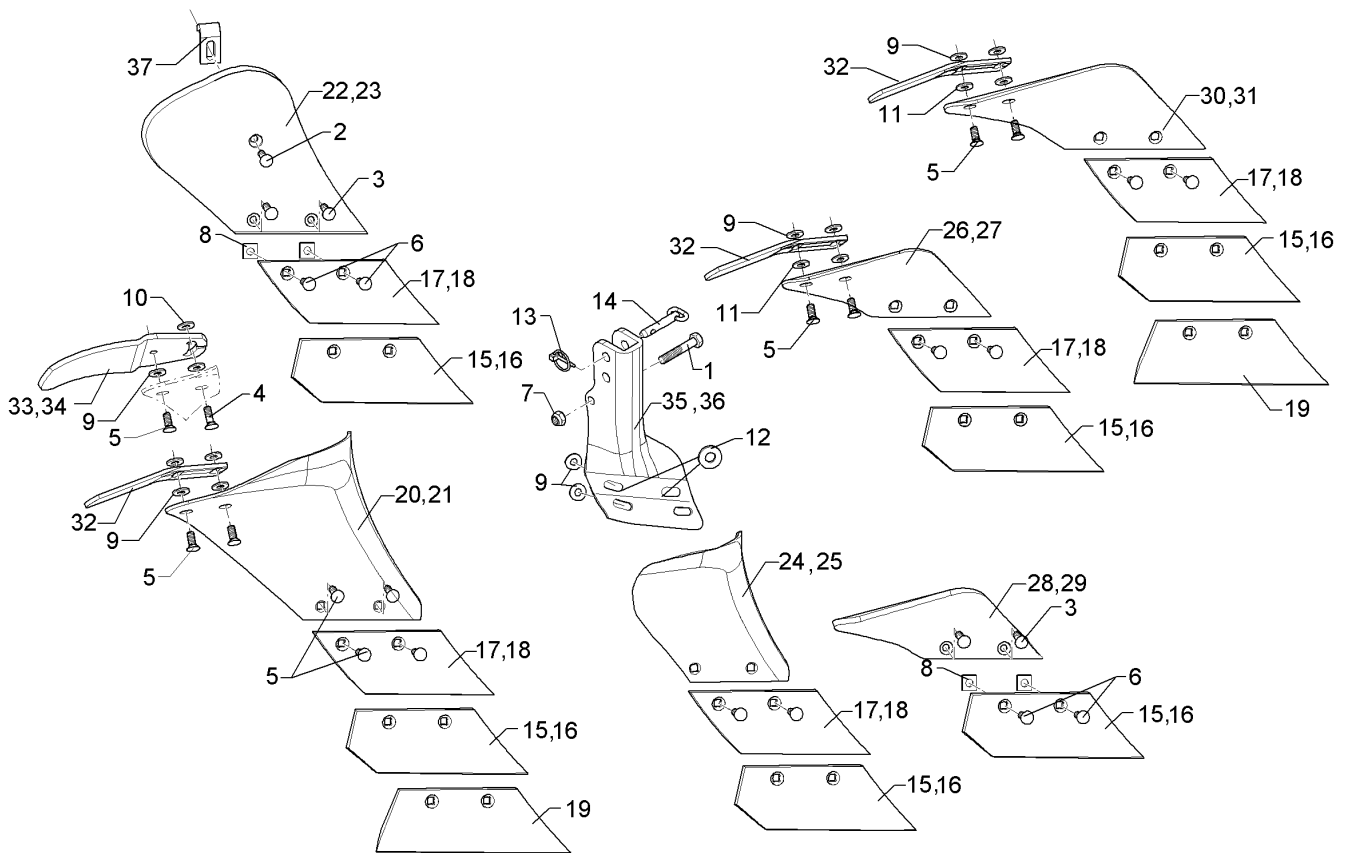
01.18

| Pos. | Art.Nr. | Stck. | Artikeltext / Description | | Abmessung |
|------|----------|-------|---------------------------|------------------|----------------------------|
| 1 | 301 3406 | 1 | Sechskantschraube | Hexagon bolt | M12x70-8.8 Zn DIN931-A |
| 2 | 301 5721 | 1 | Senkschraube | Countersunk bolt | M10x33x4-12.9 Zn |
| 3 | 301 5722 | 2 | Senkschraube | Countersunk bolt | M10x45x4-12.9 Zn |
| 4 | 301 5767 | 2 | Senkschraube | Countersunk bolt | M10x33-12.9-MU-10 Zn |
| 5 | 301 5771 | 2 | Senkschraube | Countersunk bolt | M10x25-8.8-MU Zn DIN608 |
| 6 | 301 5773 | 2 | Senkschraube | Countersunk bolt | M10x35-8.8-MU Zn DIN608 |
| 7 | 303 0934 | 1 | Sicherungsmutter | Selflocking nut | NM12-8 Zn DIN985 |
| 8 | 305 5903 | 4 | Scheibe vierkant | Washer | 13,5 DIN436 Zn |
| 9 | 305 6132 | 5 | Scheibe | Washer | D11/25x2,5 Zn |
| 10 | 305 6134 | 1 | Scheibe | Washer | D25/11x5 Zn |
| 11 | 305 8580 | 2 | Scheibe | Washer | 13/24x2,5 St-Zn DIN125 |
| 12 | 305 7703 | 2 | Scheibe Graupappe | Washer | D35/16x5 |
| 13 | 311 9565 | 1 | Klappstift | Securing pin | 4,5 |
| 14 | 313 8158 | 1 | Bolzen mit Griff | Pin with grip | D14x61/103 Zn |
| 15 | 336 3710 | 1 | Schar | Share | S270 RE |
| 16 | 336 3711 | 1 | Schar | Share | S270 LI |
| 17 | 336 3720 | 1 | Schar | Share | S190 RE |
| 18 | 336 3721 | 1 | Schar | Share | S190 LI |
| 19 | 336 3724 | 1 | Schar | Share | S360 |
| 20 | 347 0600 | 1 | Streichblech | Mouldboard | M2 RE |



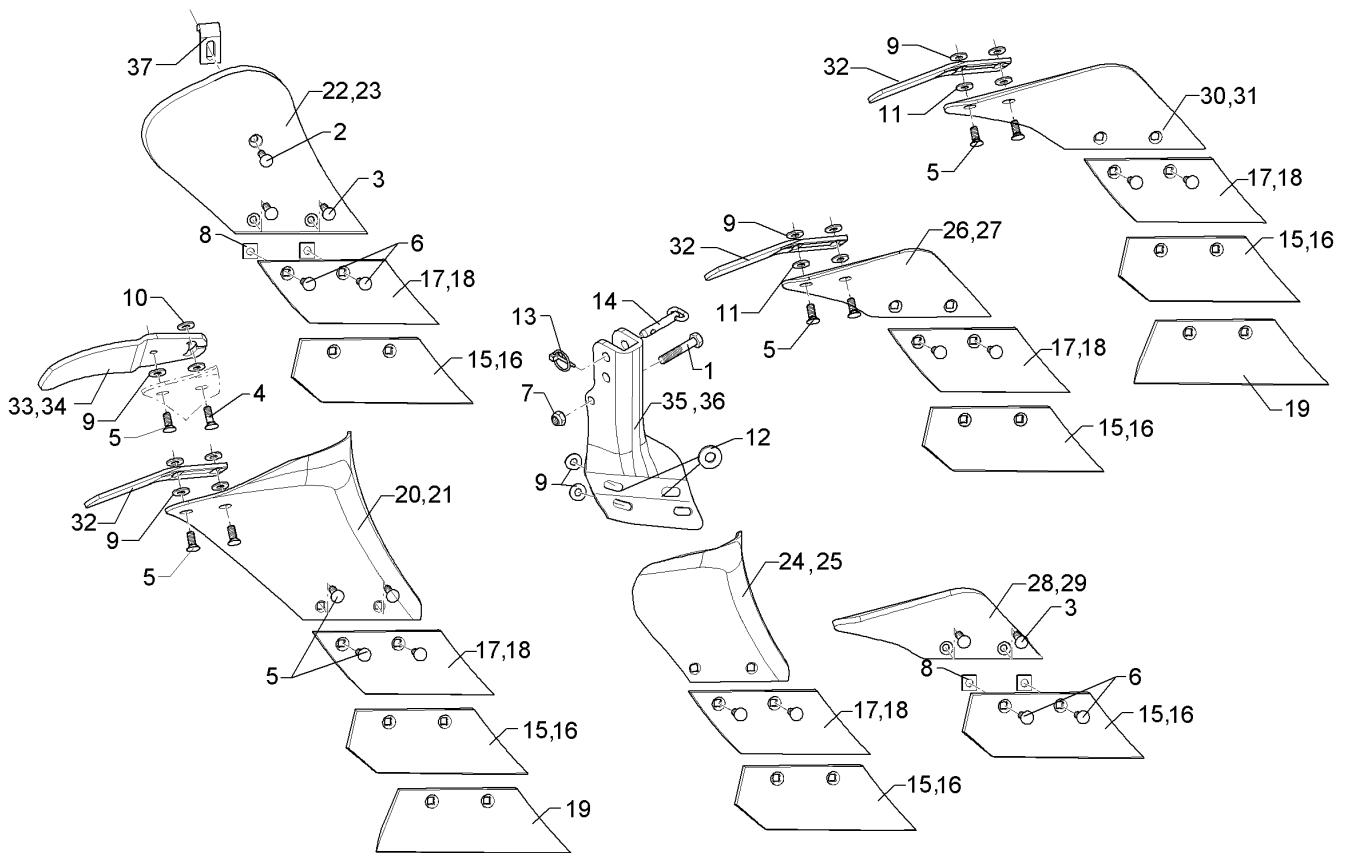
01.18

| Pos. | Art.Nr. | Stck. | Artikeltext / Description | | Abmessung |
|------|----------|-------|---------------------------|------------|---------------------------|
| 21 | 347 0601 | 1 | Streichblech | Mouldboard | M2 LI |
| 22 | 347 0604 | 1 | Streichblech | Mouldboard | M2KU RE |
| 23 | 347 0605 | 1 | Streichblech | Mouldboard | M2KU LI |
| 24 | 347 0620 | 1 | Streichblech | Mouldboard | M3 RE |
| 25 | 347 0621 | 1 | Streichblech | Mouldboard | M3 LI |
| 26 | 347 0650 | 1 | Streichblech | Mouldboard | D1 RE |
| 27 | 347 0651 | 1 | Streichblech | Mouldboard | D1 LI |
| 28 | 347 0652 | 1 | Streichblech | Mouldboard | D1KU RE |
| 29 | 347 0653 | 1 | Streichblech | Mouldboard | D1KU LI |
| 30 | 347 0654 | 1 | Streichblech | Mouldboard | D0 RE |
| 31 | 347 0655 | 1 | Streichblech | Mouldboard | D0 LI |
| 32 | 347 3650 | 1 | Streichschiene | Tail piece | STD1 60x6x230 |
| 33 | 347 3652 | 1 | Streichschiene | Tail piece | STD2 RE |
| 34 | 347 3653 | 1 | Streichschiene | Tail piece | STD2 LI |
| 35 | 457 0840 | 1 | Körperrumpf | Frog | 50x30-10 RE |
| 36 | 457 0841 | 1 | Körperrumpf | Frog | 50x30-10 LI |
| 37 | 469 3402 | 1 | Winkel | Angle | 30x8x89 |
| 38 | 657 1494 | 1 | Düngereinleger | Skimmer | F50x30-10 M2KU/S190 RE |
| 39 | 657 1495 | 1 | Düngereinleger | Skimmer | F50x30-10 M2KU/S190 LI |
| 40 | 657 1496 | 1 | Düngereinleger | Skimmer | F50x30-10 M2KU/S270 RE |
| 41 | 657 1497 | 1 | Düngereinleger | Skimmer | F50x30-10 M2KU/S270 LI |



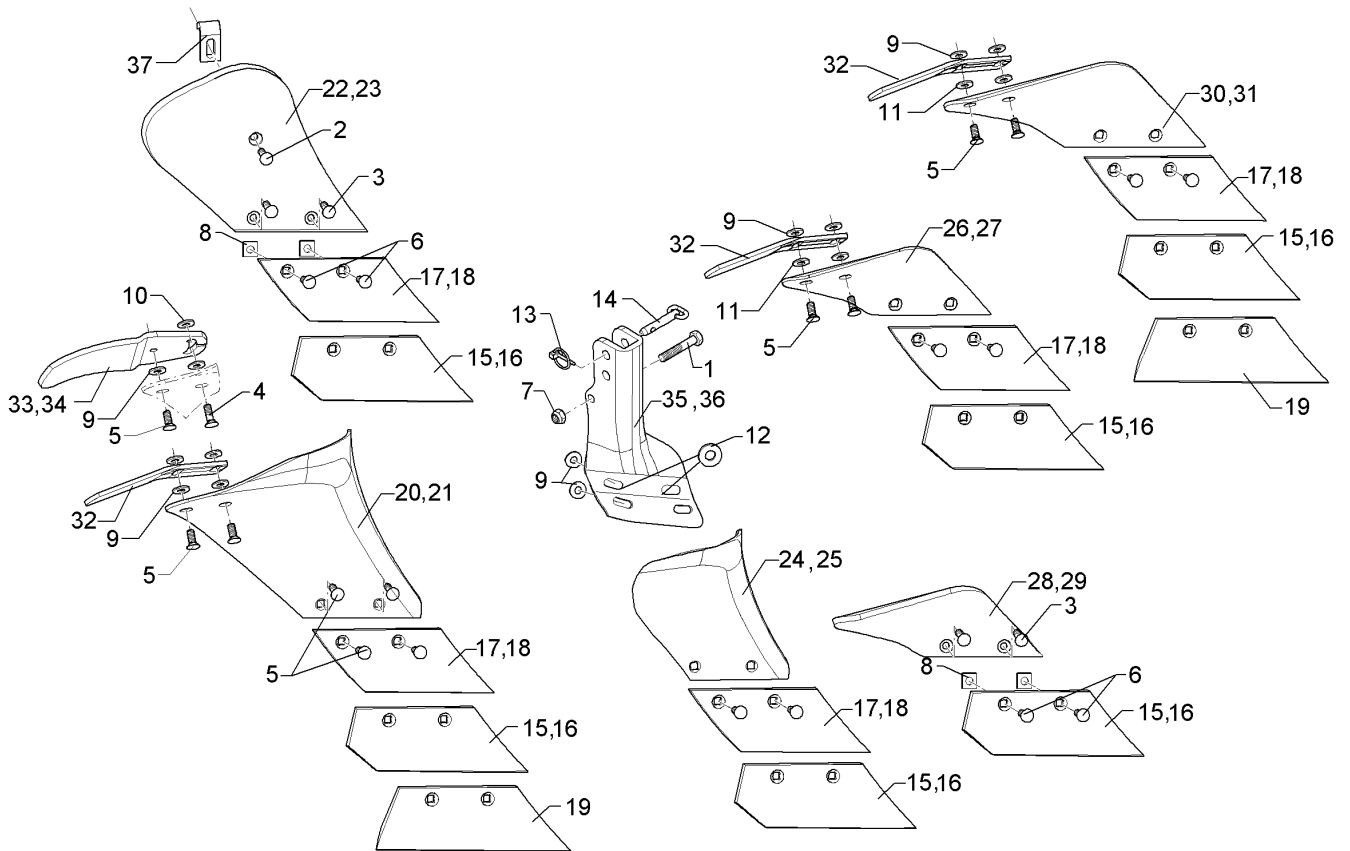
01.18

| Pos. | Art.Nr. | Stck. | Artikeltext / Description | | Abmessung |
|------|----------|-------|---------------------------|---------|------------------------------|
| 42 | 657 1498 | 1 | Düngereinleger | Skimmer | F50x30-10 D1KU/S270 RE |
| 43 | 657 1499 | 1 | Düngereinleger | Skimmer | F50x30-10 D1KU/S270 LI |
| 44 | 657 1500 | 1 | Düngereinleger | Skimmer | F50x30-10 D1/S270 RE |
| 45 | 657 1501 | 1 | Düngereinleger | Skimmer | F50x30-10 D1/S270 LI |
| 46 | 657 1502 | 1 | Düngereinleger | Skimmer | F50x30-10 D1/S270 RE+STD1 |
| 47 | 657 1503 | 1 | Düngereinleger | Skimmer | F50x30-10 D1/S270 LI+STD1 |
| 48 | 657 1504 | 1 | Düngereinleger | Skimmer | F50x30-10 D1/S360 RE |
| 49 | 657 1505 | 1 | Düngereinleger | Skimmer | F50x30-10 D1/S360 LI |
| 50 | 657 1506 | 1 | Düngereinleger | Skimmer | F50x30-10 D1/S360 RE+STD1 |
| 51 | 657 1507 | 1 | Düngereinleger | Skimmer | F50x30-10 D1/S360 LI+STD1 |
| 52 | 657 1508 | 1 | Düngereinleger | Skimmer | F50x30-10 D0/S270 RE |
| 53 | 657 1509 | 1 | Düngereinleger | Skimmer | F50x30-10 D0/S270 LI |
| 54 | 657 1510 | 1 | Düngereinleger | Skimmer | F50x30-10 D0/S270 RE+STD1 |
| 55 | 657 1511 | 1 | Düngereinleger | Skimmer | F50x30-10 D0/S270 LI+STD1 |



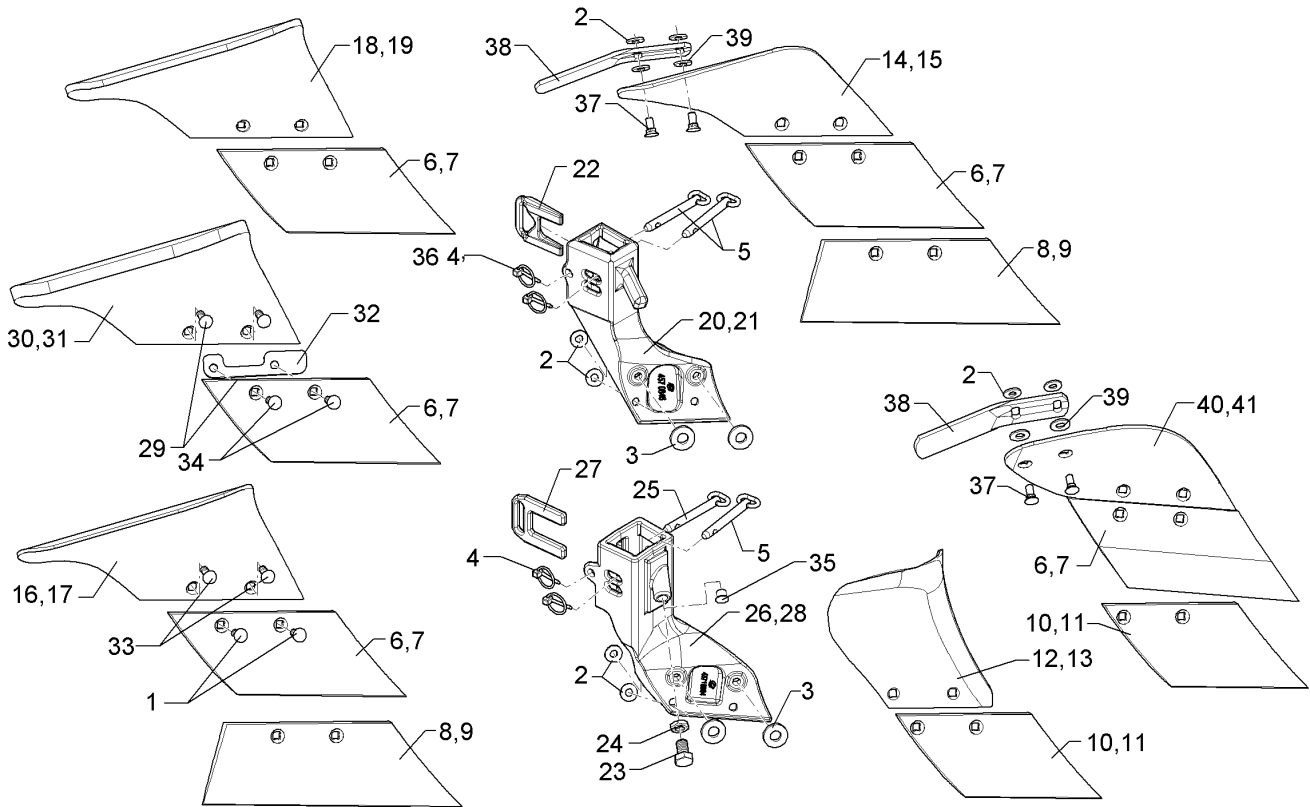
01.18

| Pos. | Art.Nr. | Stck. | Artikeltext / Description | | Abmessung |
|------|----------|-------|---------------------------|---------|------------------------------|
| 56 | 657 1512 | 1 | Düngereinleger | Skimmer | F50x30-10 D0/S360 RE |
| 57 | 657 1513 | 1 | Düngereinleger | Skimmer | F50x30-10 D0/S360 LI |
| 58 | 657 1514 | 1 | Düngereinleger | Skimmer | F50x30-10 D0-S360 RE+STD1 |
| 59 | 657 1515 | 1 | Düngereinleger | Skimmer | F50x30-10 D0/S360 LI+STD1 |
| 60 | 657 1516 | 1 | Düngereinleger | Skimmer | F50x30-10 M2/S270 RE |
| 61 | 657 1517 | 1 | Düngereinleger | Skimmer | F50x30-10 M2/S270 LI |
| 62 | 657 1518 | 1 | Düngereinleger | Skimmer | F50x30-10 M2/S270 RE+STD2 |
| 63 | 657 1519 | 1 | Düngereinleger | Skimmer | F50x30-10 M2/S270 LI+STD2 |
| 64 | 657 1520 | 1 | Düngereinleger | Skimmer | F50x30-10 M2/S360 RE |
| 65 | 657 1521 | 1 | Düngereinleger | Skimmer | F50x30-10 M2/S360 LI |
| 66 | 657 1522 | 1 | Düngereinleger | Skimmer | F50x30-10 M2/S360 RE+STD2 |
| 67 | 657 1523 | 1 | Düngereinleger | Skimmer | F50x30-10 M2/S360 LI+STD2 |
| 68 | 657 1524 | 1 | Düngereinleger | Skimmer | F50x30-10 M2/S190 RE |
| 69 | 657 1525 | 1 | Düngereinleger | Skimmer | F50x30-10 M2/S190 LI |



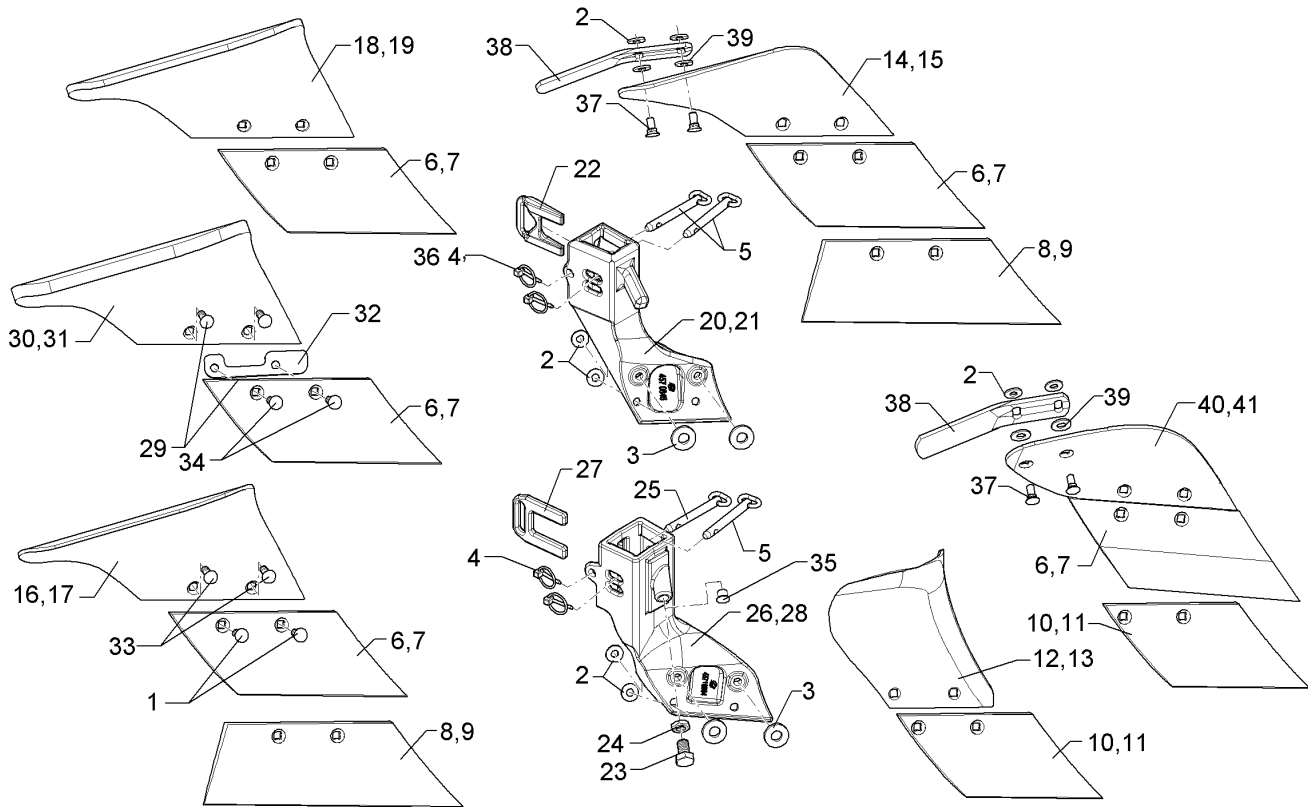
01.18

| Pos. | Art.Nr. | Stck. | Artikeltext / Description | | Abmessung |
|------|----------|-------|---------------------------|---------|------------------------------|
| 70 | 657 1540 | 1 | Düngereinleger | Skimmer | F50x30-10 M3/S190 RE |
| 71 | 657 1541 | 1 | Düngereinleger | Skimmer | F50x30-10 M3/S190 LI |
| 72 | 657 1544 | 1 | Düngereinleger | Skimmer | F50x30-10 M3/S270 RE |
| 73 | 657 1545 | 1 | Düngereinleger | Skimmer | F50x30-10 M3/S270 LI |
| 74 | 65710028 | 1 | Düngereinleger | Skimmer | F50x30-10 D0/S190 RE |
| 75 | 65710029 | 1 | Düngereinleger | Skimmer | F50x30-10 D0/S190 LI |
| 76 | 65710030 | 1 | Düngereinleger | Skimmer | F50x30-10 D0/S190 RE+STD1 |
| 77 | 65710031 | 1 | Düngereinleger | Skimmer | F50x30-10 D0/S190 LI+STD1 |
| 78 | 65710078 | 1 | Düngereinleger | Skimmer | F50x30-10 D1/S190 RE |
| 79 | 65710079 | 1 | Düngereinleger | Skimmer | F50x30-10 D1/S190 LI |
| 80 | 65710148 | 1 | Düngereinleger | Skimmer | F50x30-10 D1/S190 RE+STD1 |
| 81 | 65710149 | 1 | Düngereinleger | Skimmer | F50x30-10 D1/S190 LI+STD1 |



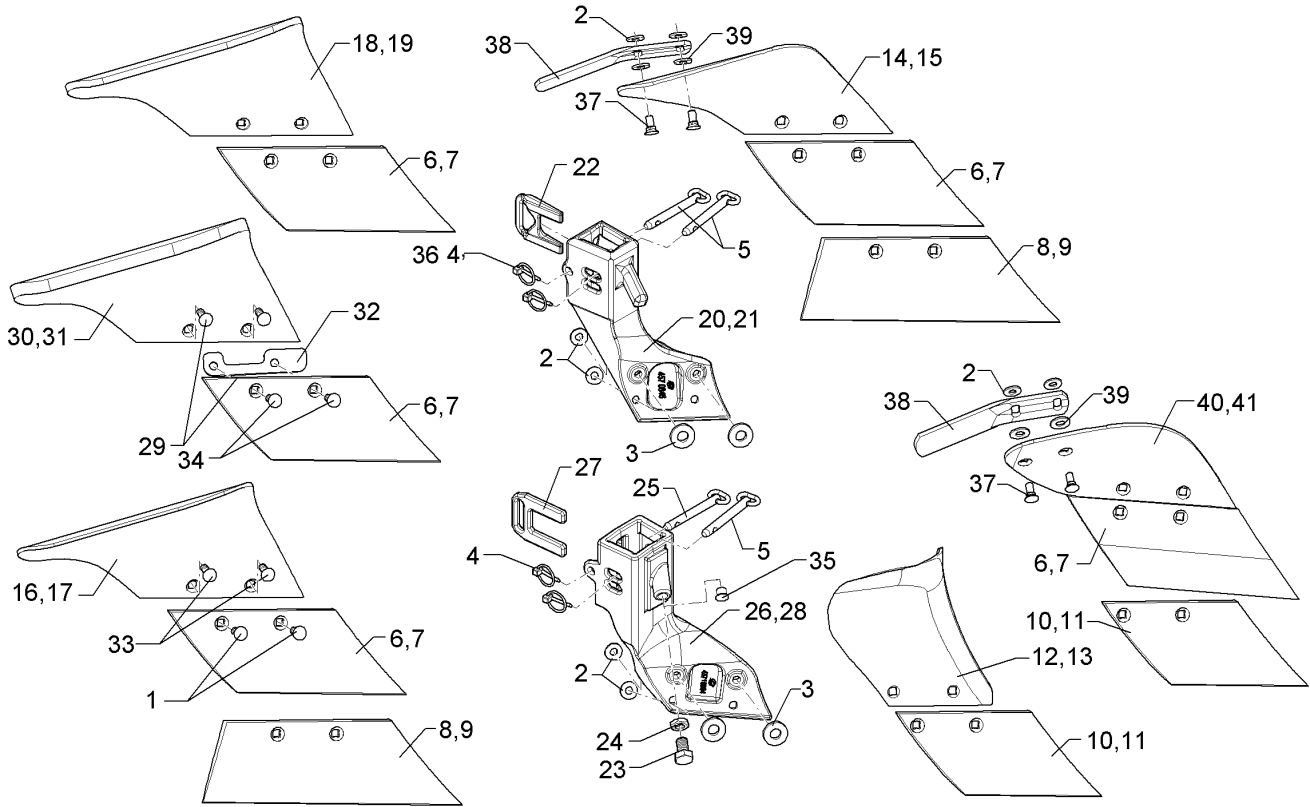
01.18

| Pos. | Art.Nr. | Stck. | Artikeltext / Description | | Abmessung |
|------|----------|-------|---------------------------|------------------|----------------------|
| 1 | 301 5767 | 4 | Senkschraube | Countersunk bolt | M10x33-12.9-MU-10 Zn |
| 2 | 305 6132 | 4 | Scheibe | Washer | D11/25x2,5 Zn |
| 3 | 305 7703 | 2 | Scheibe Graupappe | Washer | D35/16x5 |
| 4 | 311 9565 | 2 | Klappstift | Securing pin | 4,5 |
| 5 | 313 8153 | 2 | Bolzen mit Griff | Pin with grip | D12x74,5/115 Zn |
| 6 | 336 3722 | 1 | Schar | Share | S245 RE |
| 7 | 336 3723 | 1 | Schar | Share | S245 LI |
| 8 | 336 3726 | 1 | Schar | Share | S370 RE |
| 9 | 336 3727 | 1 | Schar | Share | S370 LI |
| 10 | 336 3728 | 1 | Schar | Share | S205 RE |
| 11 | 336 3729 | 1 | Schar | Share | S205 LI |
| 12 | 347 0620 | 1 | Streichblech | Mouldboard | M3 RE |
| 13 | 347 0621 | 1 | Streichblech | Mouldboard | M3 LI |
| 14 | 347 0654 | 1 | Streichblech | Mouldboard | D0 RE |
| 15 | 347 0655 | 1 | Streichblech | Mouldboard | D0 LI |
| 16 | 347 0660 | 1 | Streichblech | Mouldboard | MS1 RE |
| 17 | 347 0661 | 1 | Streichblech | Mouldboard | MS1 LI |
| 18 | 347 0662 | 1 | Streichblech | Mouldboard | MS1 KU RE |
| 19 | 347 0663 | 1 | Streichblech | Mouldboard | MS1 KU LI |
| 20 | 457 0846 | 1 | Körperrumpf | Frog | DE 50x30 RE |
| 21 | 457 0847 | 1 | Körperrumpf | Frog | DE 50x30 LI |
| 22 | 457 0850 | 1 | Keil | Wedge | 17x70x85 9GRD |



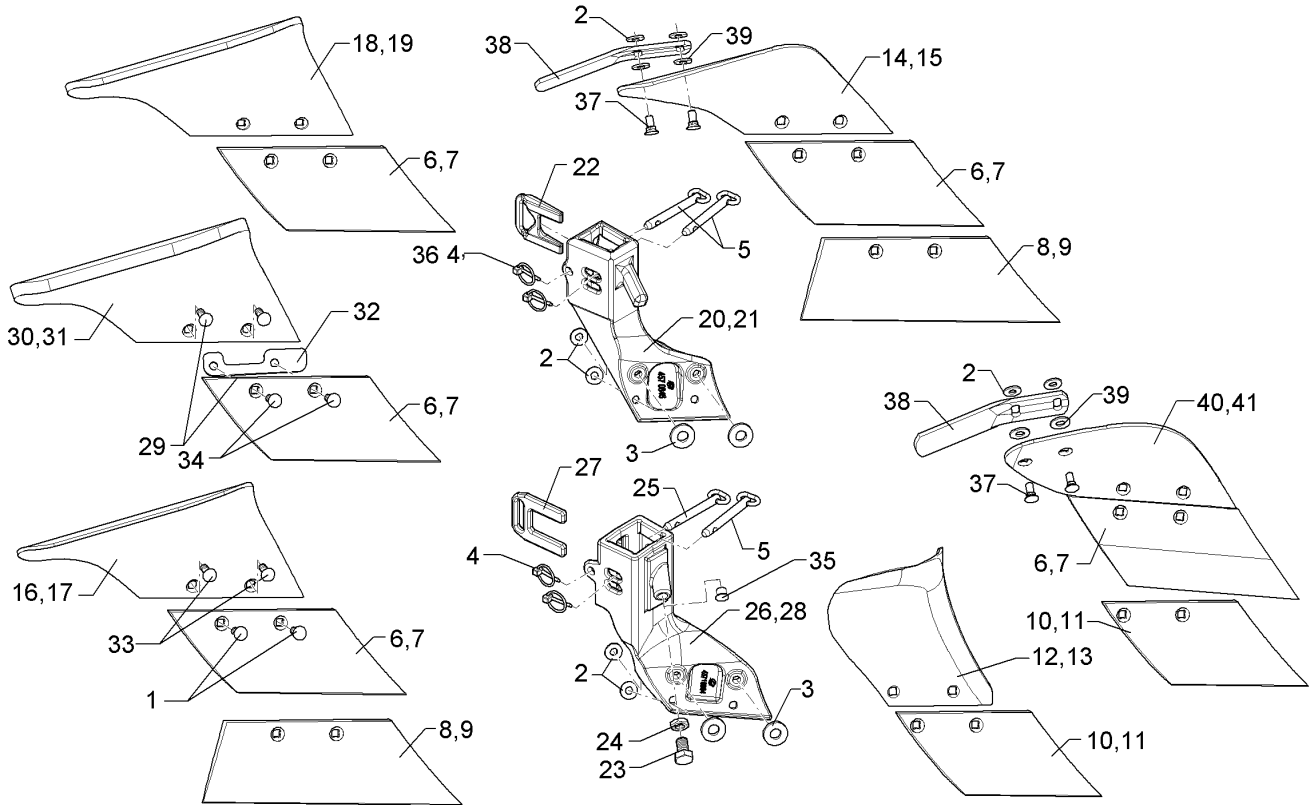
01.18

| Pos. | Art.Nr. | Stck. | Artikeltext / Description | | Abmessung |
|------|----------|-------|---------------------------|------------------|-----------------------------|
| 23 | 301 3682 | 1 | Sechskantschraube | Hexagon bolt | M16x30-8.8 Zn DIN933 |
| 24 | 303 1020 | 1 | Sechskantmutter | Hexagon nut | M16 DIN936-8 Zn |
| 25 | 31310003 | 1 | Bolzen mit Griff | Pin with grip | D12x95,5/135 Zn |
| 26 | 45710004 | 1 | Körperrumpf | Frog | DE RE 50x30 1xM16 |
| 27 | 45710006 | 1 | Riegel | Locking bar | DE 10x78x95 Zn |
| 28 | 45710005 | 1 | Körperrumpf | Frog | DE LI 50x30 1xM16 |
| 29 | 301 5722 | 4 | Senkschraube | Countersunk bolt | M10x45x4-12.9 Zn |
| 30 | 34710002 | 1 | Streichblech | Mouldboard | MS1 KU RE |
| 31 | 34710003 | 1 | Streichblech | Mouldboard | MS1 KU LI |
| 32 | 45710007 | 1 | Unterlage | Plate | 6x33x147 2xD12-87 Zn |
| 33 | 301 5773 | 2 | Senkschraube | Countersunk bolt | M10x35-8.8-MU Zn DIN608 |
| 34 | 301 5769 | 2 | Senkschraube | Countersunk bolt | M10x45-12.9-MU-10 Zn |
| 35 | 323 8072 | 1 | Schutzkappe | Cap | GPN 300V142- D16 RAL5015 |
| 36 | 311 9568 | 2 | Sicherheitsklapstecker | Securing pin | 5x32 d1=4,7 Zn |
| 37 | 301 5771 | 2 | Senkschraube | Countersunk bolt | M10x25-8.8-MU Zn DIN608 |
| 38 | 347 3650 | 1 | Streichblech | Tail piece | STD1 60x6x230 |
| 39 | 305 8580 | 2 | Scheibe | Washer | 13/24x2,5 St-Zn DIN125 |
| 40 | 347 0650 | 1 | Streichblech | Mouldboard | D1 RE |
| 41 | 347 0651 | 1 | Streichblech | Mouldboard | D1 LI |



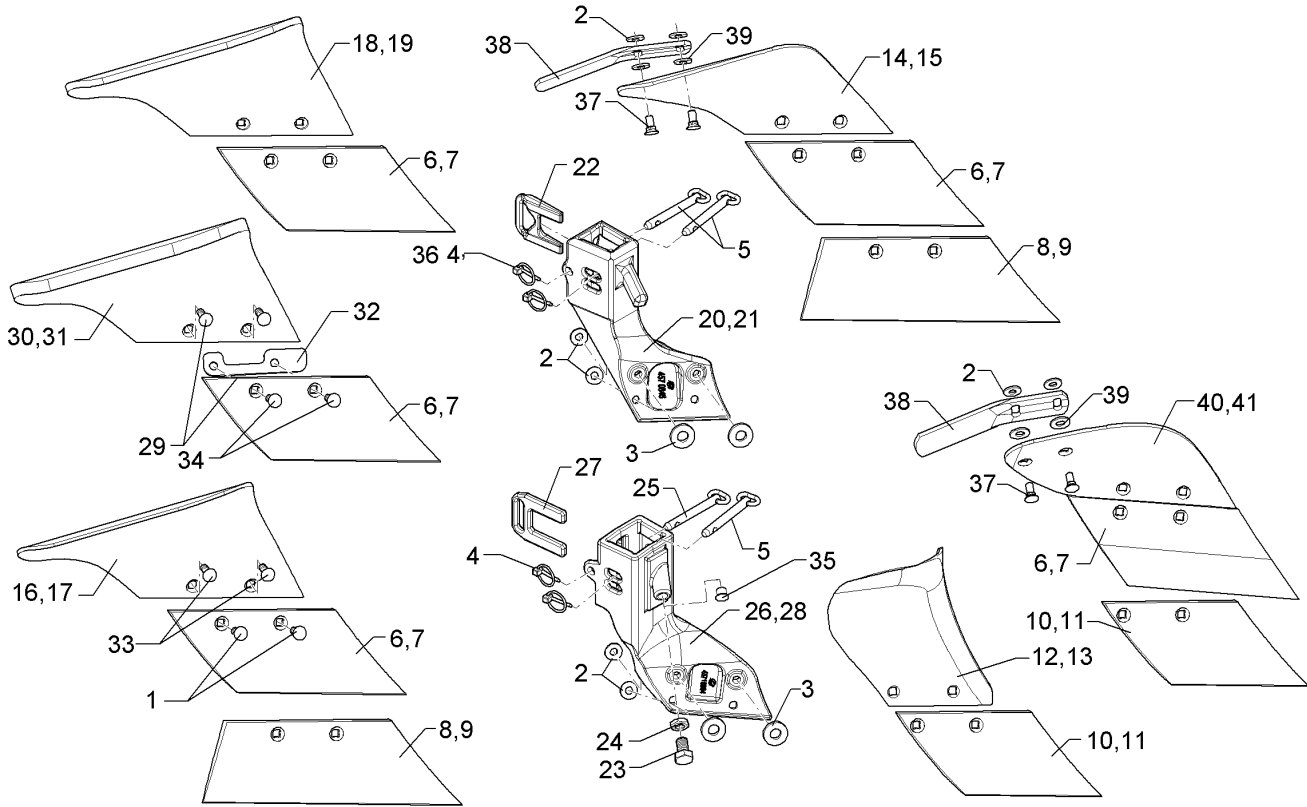
01.18

| Pos. | Art.Nr. | Stck. | Artikeltext / Description | | Abmessung |
|------|----------|-------|---------------------------|---------|------------------------|
| 42 | 657 1650 | 1 | Düngereinleger | Skimmer | 50x30 MS1/S245 RE |
| 43 | 657 1651 | 1 | Düngereinleger | Skimmer | 50x30 MS1/S245 LI |
| 44 | 657 1652 | 1 | Düngereinleger | Skimmer | 50x30 MS1/S370 RE |
| 45 | 657 1653 | 1 | Düngereinleger | Skimmer | 50x30 MS1/S370 LI |
| 46 | 657 1654 | 1 | Düngereinleger | Skimmer | 50x30 MS1-KU/S245 LI |
| 47 | 657 1655 | 1 | Düngereinleger | Skimmer | 50x30 MS1-KU/S245 RE |
| 48 | 657 1656 | 1 | Düngereinleger | Skimmer | 50x30 DS0/S245 RE |
| 49 | 657 1657 | 1 | Düngereinleger | Skimmer | 50x30 DS0/S245 LI |
| 50 | 657 1658 | 1 | Düngereinleger | Skimmer | 50x30 MS3/S205 RE |
| 51 | 657 1659 | 1 | Düngereinleger | Skimmer | 50x30 MS3/S205 LI |
| 52 | 65710002 | 1 | Düngereinleger | Skimmer | 50x30 MS1-B/S245 RE |
| 53 | 65710003 | 1 | Düngereinleger | Skimmer | 50x30 MS1-B/S245 LI |
| 54 | 65710004 | 1 | Düngereinleger | Skimmer | 50x30 MS1-B/S370 RE |
| 55 | 65710005 | 1 | Düngereinleger | Skimmer | 50x30 MS1-B/S370 LI |
| 56 | 65710006 | 1 | Düngereinleger | Skimmer | 50x30 MS1-KU-B/S245 RE |
| 57 | 65710007 | 1 | Düngereinleger | Skimmer | 50x30 MS1-KU-B/S245 LI |
| 58 | 65710008 | 1 | Düngereinleger | Skimmer | 50x30 DS0-B/S245 RE |



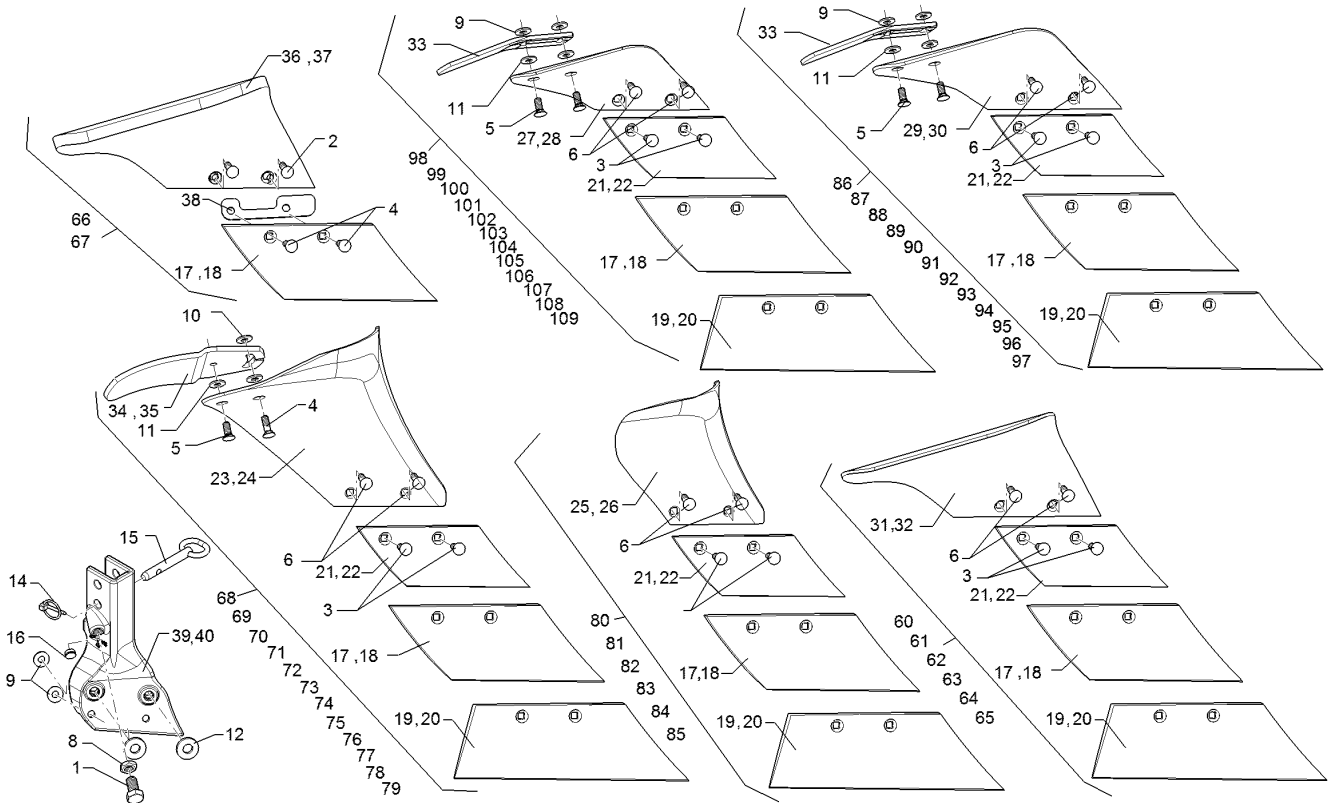
01.18

| Pos. | Art.Nr. | Stck. | Artikeltext / Description | | Abmessung |
|------|----------|-------|---------------------------|---------|-----------------------------|
| 59 | 65710009 | 1 | Düngereinleger | Skimmer | 50x30 DS0-B/S245 LI |
| 60 | 65710010 | 1 | Düngereinleger | Skimmer | 50x30 MS3-B/S205 RE |
| 61 | 65710011 | 1 | Düngereinleger | Skimmer | 50x30 MS3-B/S205 LI |
| 62 | 65710044 | 1 | Düngereinleger | Skimmer | 50x30 MS3-B/S245 RE |
| 63 | 65710045 | 1 | Düngereinleger | Skimmer | 50x30 MS3-B/S245 LI |
| 64 | 65710046 | 1 | Düngereinleger | Skimmer | 50x30 DS0-B/S245 +STD RE |
| 65 | 65710047 | 1 | Düngereinleger | Skimmer | 50x30 DS0-B/S245 +STD LI |
| 66 | 65710050 | 1 | Düngereinleger | Skimmer | 50x30 DS1-B/S245 RE |
| 67 | 65710051 | 1 | Düngereinleger | Skimmer | 50x30 DS1-B/S245 LI |
| 68 | 65710052 | 1 | Düngereinleger | Skimmer | 50x30 DS1-B/S205 RE |
| 69 | 65710053 | 1 | Düngereinleger | Skimmer | 50x30 DS1-B/S205 LI |
| 70 | 65710054 | 1 | Düngereinleger | Skimmer | 50x30 DS1-B/S245 +STD RE |
| 71 | 65710055 | 1 | Düngereinleger | Skimmer | 50x30 DS1-B/S245 +STD LI |
| 72 | 65710056 | 1 | Düngereinleger | Skimmer | 50x30 DS1-B/S205 +STD RE |



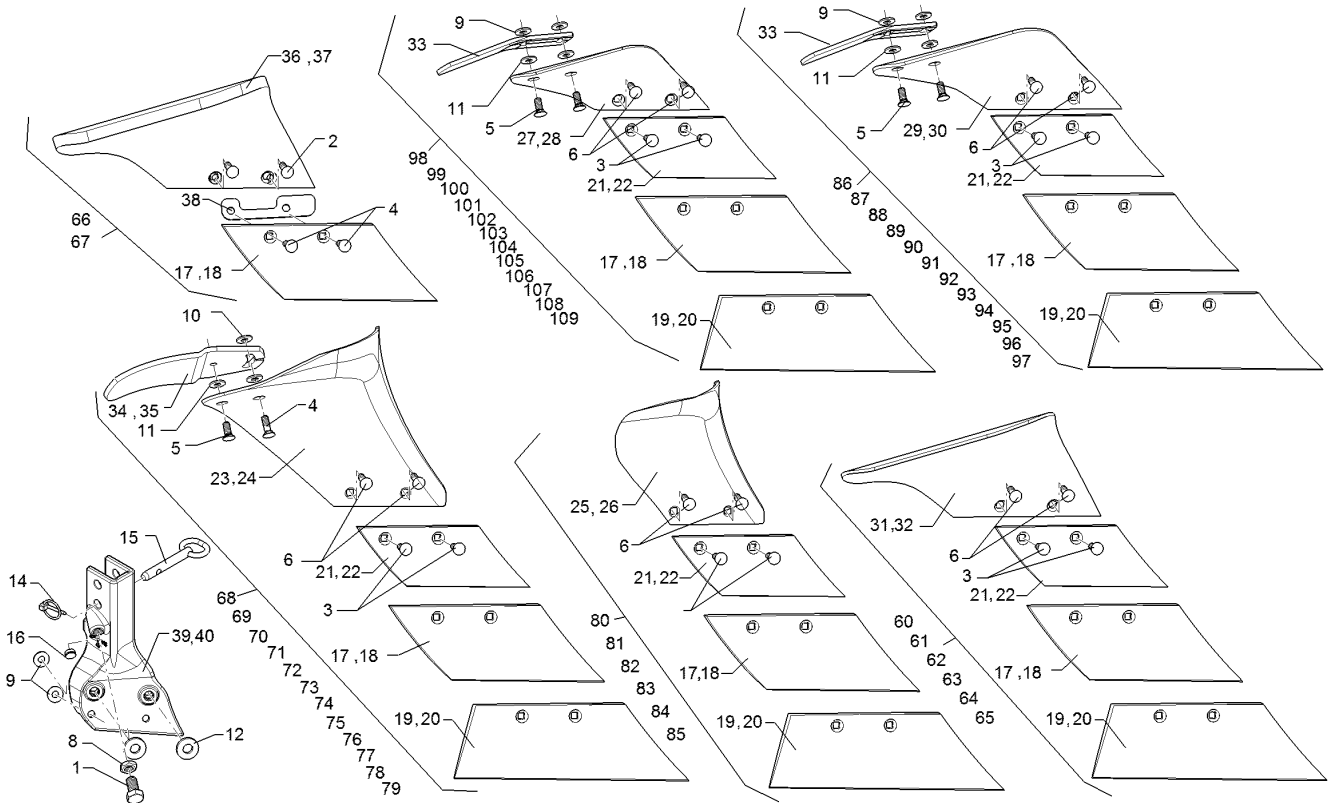
01.18

| Pos. | Art.Nr. | Stck. | Artikeltext / Description | | Abmessung |
|------|----------|-------|---------------------------|---------|-----------------------------|
| 73 | 65710057 | 1 | Düngereinleger | Skimmer | 50x30 DS1-B/S205 +STD LI |
| 74 | 65710064 | 1 | Düngereinleger | Skimmer | 50x30 DS0-B/S370 RE |
| 75 | 65710065 | 1 | Düngereinleger | Skimmer | 50x30 DS0-B/S370 LI |
| 76 | 65710066 | 1 | Düngereinleger | Skimmer | 50x30 DS0-B/S370 +STD RE |
| 77 | 65710067 | 1 | Düngereinleger | Skimmer | 50x30 DS0-B/S370 +STD LI |
| 78 | 65710068 | 1 | Düngereinleger | Skimmer | 50x30 MS3-B/S370 RE |
| 79 | 65710069 | 1 | Düngereinleger | Skimmer | 50x30 MS3-B/S370 LI |
| 80 | 65710070 | 1 | Düngereinleger | Skimmer | 50x30 DS0-B/S205 RE |
| 81 | 65710071 | 1 | Düngereinleger | Skimmer | 50x30 DS0-B/S205 LI |
| 82 | 65710072 | 1 | Düngereinleger | Skimmer | 50x30 DS0-B/S205 +STD RE |
| 83 | 65710073 | 1 | Düngereinleger | Skimmer | 50x30 DS0-B/S205 +STD LI |



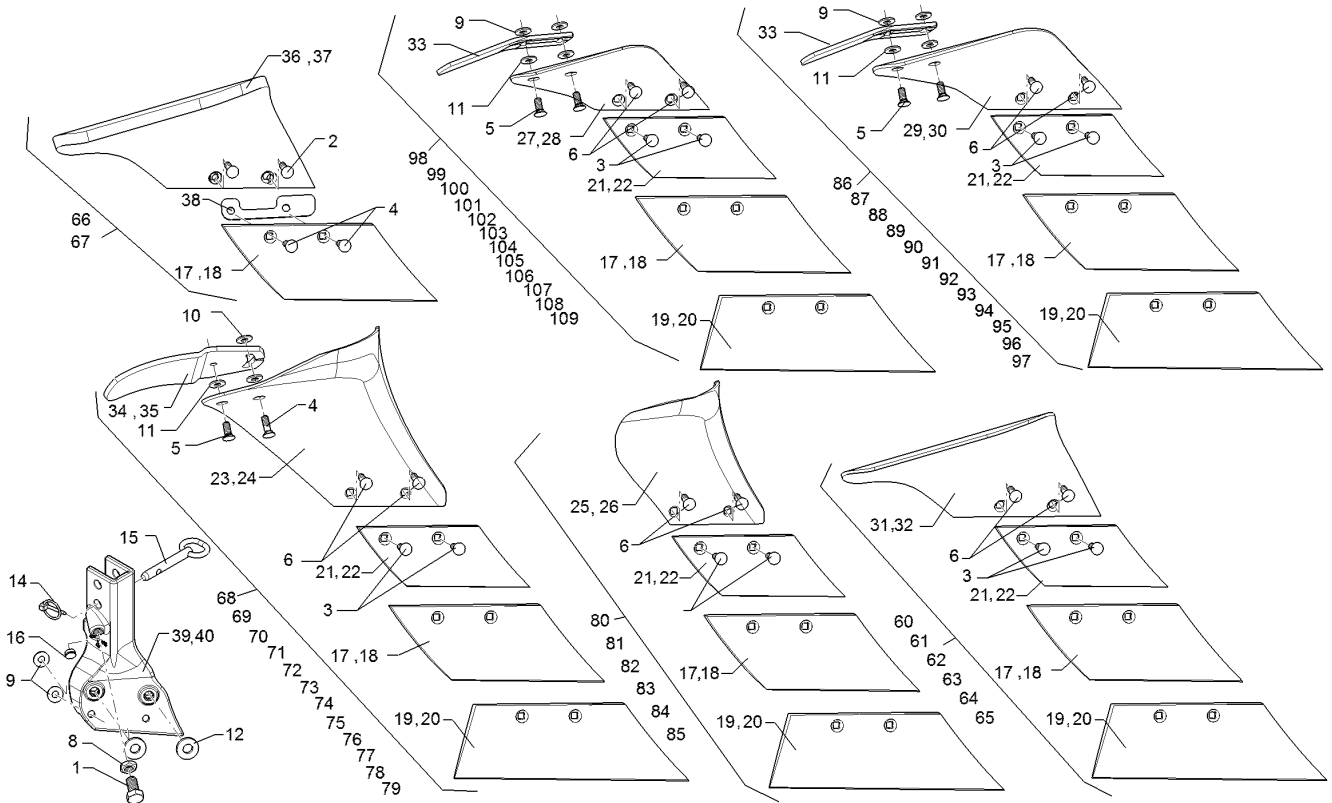
01.18

| Pos. | Art.Nr. | Stck. | Artikeltext / Description | | Abmessung |
|------|----------|-------|---------------------------|------------------|-----------------------------|
| 1 | 301 3682 | 1 | Sechskantschraube | Hexagon bolt | M16x30-8.8 Zn DIN933 |
| 2 | 301 5722 | 2 | Senkschraube | Countersunk bolt | M10x45x4-12.9 Zn |
| 3 | 301 5767 | 2 | Senkschraube | Countersunk bolt | M10x33-12.9-MU-10 Zn |
| 4 | 301 5769 | 2 | Senkschraube | Countersunk bolt | M10x45-12.9-MU-10 Zn |
| 5 | 301 5771 | 1 | Senkschraube | Countersunk bolt | M10x25-8.8-MU Zn DIN608 |
| 6 | 301 5773 | 2 | Senkschraube | Countersunk bolt | M10x35-8.8-MU Zn DIN608 |
| 7 | 303 1012 | 2 | Sechskantmutter | Hexagon nut | M10 DIN934-8 Zn |
| 8 | 303 1020 | 1 | Sechskantmutter | Hexagon nut | M16 DIN936-8 Zn |
| 9 | 305 6132 | 4 | Scheibe | Washer | D11/25x2,5 Zn |
| 10 | 305 6134 | 1 | Scheibe | Washer | D25/11x5 Zn |
| 11 | 305 6135 | 2 | Scheibe | Washer | 13x28x2,5 DIN 134 |
| 12 | 305 7701 | 2 | Scheibe Graupappe | Washer | D16,5/35x3 |
| 13 | 305 8580 | 2 | Scheibe | Washer | 13/24x2,5 St-Zn DIN125 |
| 14 | 311 9565 | 1 | Klappstift | Securing pin | 4,5 |
| 15 | 313 8158 | 1 | Bolzen mit Griff | Pin with grip | D14x61/103 Zn |
| 16 | 323 8072 | 1 | Schutzkappe | Cap | GPN 300V142- D16 RAL5015 |
| 17 | 336 3722 | 1 | Schar | Share | S245 RE |
| 18 | 336 3723 | 1 | Schar | Share | S245 LI |
| 19 | 336 3726 | 1 | Schar | Share | S370 RE |



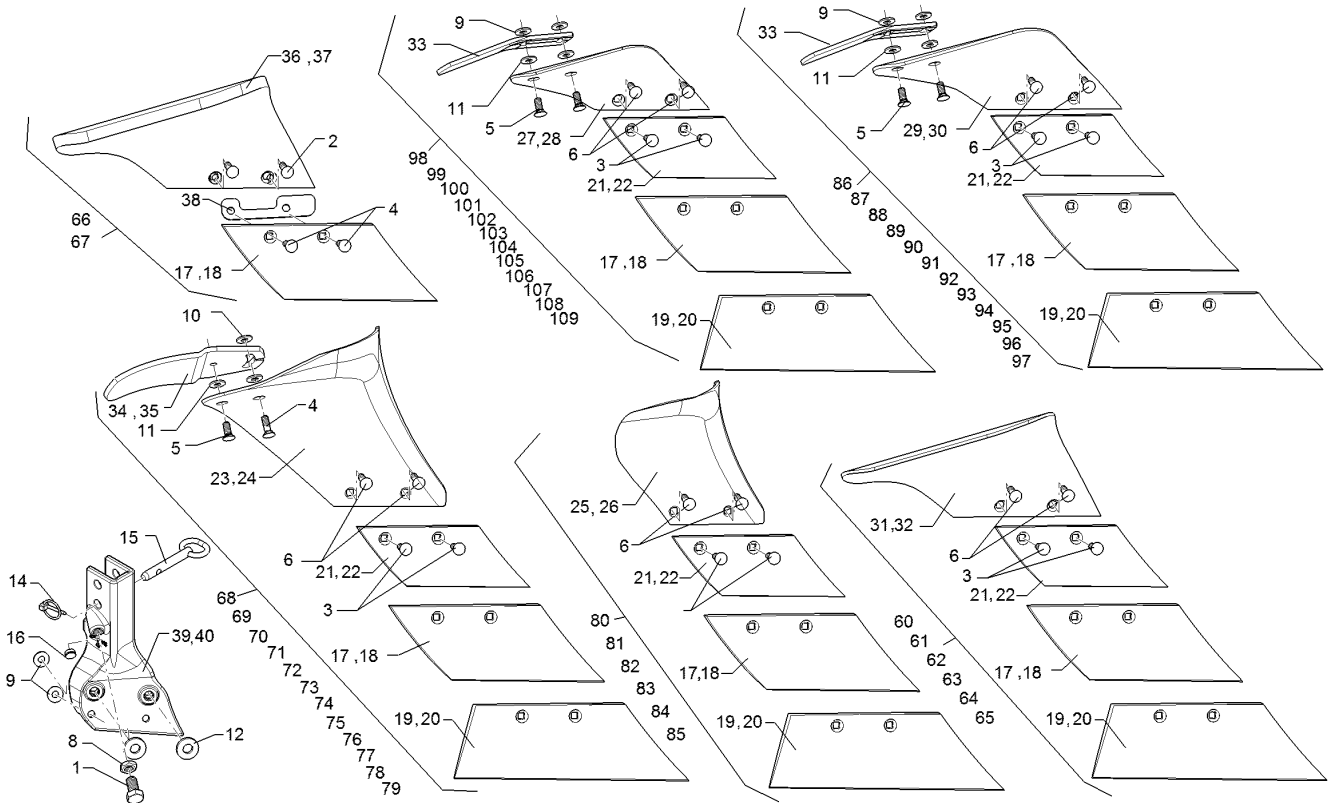
01.18

| Pos. | Art.Nr. | Stck. | Artikeltext / Description | | Abmessung |
|------|----------|-------|---------------------------|------------|-------------------------|
| 20 | 336 3727 | 1 | Schar | Share | S370 LI |
| 21 | 336 3728 | 1 | Schar | Share | S205 RE |
| 22 | 336 3729 | 1 | Schar | Share | S205 LI |
| 23 | 347 0600 | 1 | Streichblech | Mouldboard | M2 RE |
| 24 | 347 0601 | 1 | Streichblech | Mouldboard | M2 LI |
| 25 | 347 0620 | 1 | Streichblech | Mouldboard | M3 RE |
| 26 | 347 0621 | 1 | Streichblech | Mouldboard | M3 LI |
| 27 | 347 0650 | 1 | Streichblech | Mouldboard | D1 RE |
| 28 | 347 0651 | 1 | Streichblech | Mouldboard | D1 LI |
| 29 | 347 0654 | 1 | Streichblech | Mouldboard | D0 RE |
| 30 | 347 0655 | 1 | Streichblech | Mouldboard | D0 LI |
| 31 | 347 0660 | 1 | Streichblech | Mouldboard | MS1 RE |
| 32 | 347 0661 | 1 | Streichblech | Mouldboard | MS1 LI |
| 33 | 347 3650 | 1 | Streichschiene | Tail piece | STD1 60x6x230 |
| 34 | 347 3652 | 1 | Streichschiene | Tail piece | STD2 RE |
| 35 | 347 3653 | 1 | Streichschiene | Tail piece | STD2 LI |
| 36 | 34710002 | 1 | Streichblech | Mouldboard | MS1 KU RE |
| 37 | 34710003 | 1 | Streichblech | Mouldboard | MS1 KU LI |
| 38 | 45710007 | 1 | Unterlage | Plate | 6x33x147 2xD12-87 Zn |
| 39 | 45710046 | 1 | Körperrumpf | Frog | DE RE 50x30-G 1xM16 |
| 40 | 45710047 | 1 | Körperrumpf | Frog | DE LI 50x30-G 1xM16 |



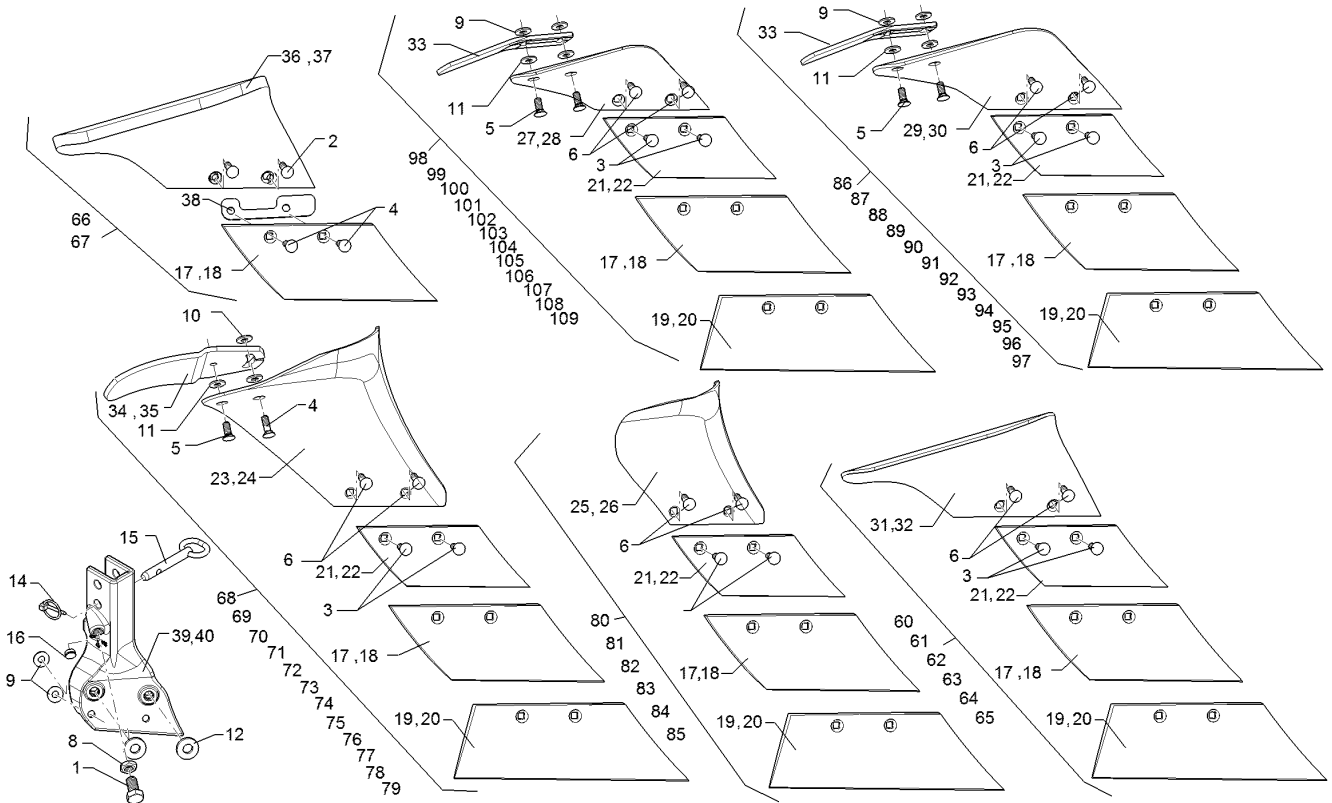
01.18

| Pos. | Art.Nr. | Stck. | Artikeltext / Description | | Abmessung |
|------|----------|-------|---------------------------|---------|------------------------|
| 60 | 65710084 | 1 | Düngereinleger | Skimmer | 50x30-G MS1/S205 RE |
| 61 | 65710085 | 1 | Düngereinleger | Skimmer | 50x30-G MS1/S205 LI |
| 62 | 65710086 | 1 | Düngereinleger | Skimmer | 50x30-G MS1/S245 RE |
| 63 | 65710087 | 1 | Düngereinleger | Skimmer | 50x30-G MS1/S245 LI |
| 64 | 65710088 | 1 | Düngereinleger | Skimmer | 50x30-G MS1/S370 RE |
| 65 | 65710089 | 1 | Düngereinleger | Skimmer | 50x30-G MS1/S370 LI |
| 66 | 65710090 | 1 | Düngereinleger | Skimmer | 50x30-G MS1-KU/S245 RE |
| 67 | 65710091 | 1 | Düngereinleger | Skimmer | 50x30-G MS1-KU/S245 LI |
| 68 | 65710092 | 1 | Düngereinleger | Skimmer | 50x30-G MS2/S205 RE |
| 69 | 65710093 | 1 | Düngereinleger | Skimmer | 50x30-G MS2/S205 LI |
| 70 | 65710094 | 1 | Düngereinleger | Skimmer | 50x30-G MS2/S245 RE |
| 71 | 65710095 | 1 | Düngereinleger | Skimmer | 50x30-G MS2/S245 LI |
| 72 | 65710096 | 1 | Düngereinleger | Skimmer | 50x30-G MS2/S370 RE |
| 73 | 65710097 | 1 | Düngereinleger | Skimmer | 50x30-G MS2/S370 LI |



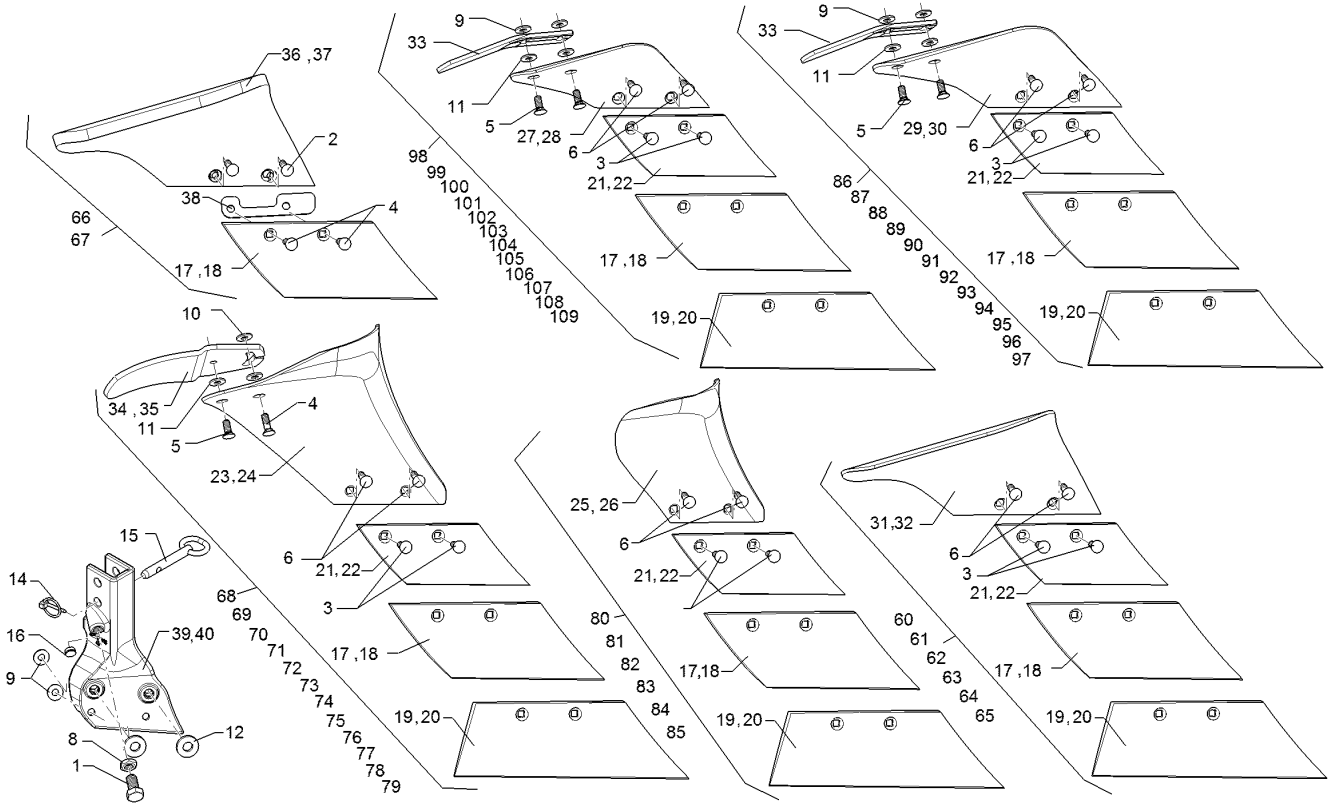
01.18

| Pos. | Art.Nr. | Stck. | Artikeltext / Description | | Abmessung |
|------|----------|-------|---------------------------|---------|--------------------------------|
| 74 | 65710098 | 1 | Düngereinleger | Skimmer | 50x30-G MS2/S205+STD2 RE |
| 75 | 65710099 | 1 | Düngereinleger | Skimmer | 50x30-G MS2/S205+STD2 LI |
| 76 | 65710100 | 1 | Düngereinleger | Skimmer | 50x30-G MS2/S245+STD2 RE |
| 77 | 65710101 | 1 | Düngereinleger | Skimmer | 50x30-G MS2/S245+STD2 LI |
| 78 | 65710102 | 1 | Düngereinleger | Skimmer | 50x30-G MS2/S370+STD2 RE |
| 79 | 65710103 | 1 | Düngereinleger | Skimmer | 50x30-G MS2/S370+STD2 LI |
| 80 | 65710104 | 1 | Düngereinleger | Skimmer | 50x30-G MS3/S205 RE |
| 81 | 65710105 | 1 | Düngereinleger | Skimmer | 50x30-G MS3/S205 LI |
| 82 | 65710114 | 1 | Düngereinleger | Skimmer | 50x30-G MS3/S245 RE |
| 83 | 65710115 | 1 | Düngereinleger | Skimmer | 50x30-G MS3/S245 LI |
| 84 | 65710116 | 1 | Düngereinleger | Skimmer | 50x30-G MS3/S370 RE |
| 85 | 65710117 | 1 | Düngereinleger | Skimmer | 50x30-G MS3/S370 LI |
| 86 | 65710118 | 1 | Düngereinleger | Skimmer | 50x30-G DS0/S205 RE |



01.18

| Pos. | Art.Nr. | Stck. | Artikeltext / Description | | Abmessung |
|------|----------|-------|---------------------------|---------|--------------------------|
| 87 | 65710119 | 1 | Düngereinleger | Skimmer | 50x30-G DS0/S205 LI |
| 88 | 65710120 | 1 | Düngereinleger | Skimmer | 50x30-G DS0/S245 RE |
| 89 | 65710121 | 1 | Düngereinleger | Skimmer | 50x30-G DS0/S245 LI |
| 90 | 65710122 | 1 | Düngereinleger | Skimmer | 50x30-G DS0/S370 RE |
| 91 | 65710123 | 1 | Düngereinleger | Skimmer | 50x30-G DS0/S370 LI |
| 92 | 65710124 | 1 | Düngereinleger | Skimmer | 50x30-G DS0/S205+STD1 RE |
| 93 | 65710125 | 1 | Düngereinleger | Skimmer | 50x30-G DS0/S205+STD1 LI |
| 94 | 65710126 | 1 | Düngereinleger | Skimmer | 50x30-G DS0/S245+STD1 RE |
| 95 | 65710127 | 1 | Düngereinleger | Skimmer | 50x30-G DS0/S245+STD1 LI |
| 96 | 65710128 | 1 | Düngereinleger | Skimmer | 50x30-G DS0/S370+STD1 RE |
| 97 | 65710129 | 1 | Düngereinleger | Skimmer | 50x30-G DS0/S370+STD1 LI |
| 98 | 65710130 | 1 | Düngereinleger | Skimmer | 50x30-G DS1/S205 RE |
| 99 | 65710131 | 1 | Düngereinleger | Skimmer | 50x30-G DS1/S205 LI |
| 100 | 65710132 | 1 | Düngereinleger | Skimmer | 50x30-G DS1/S245 RE |



01.18

| Pos. | Art.Nr. | Stck. | Artikeltext / Description | | Abmessung |
|------|----------|-------|---------------------------|---------|--------------------------|
| 101 | 65710133 | 1 | Düngereinleger | Skimmer | 50x30-G DS1/S245 LI |
| 102 | 65710134 | 1 | Düngereinleger | Skimmer | 50x30-G DS1/S370 RE |
| 103 | 65710135 | 1 | Düngereinleger | Skimmer | 50x30-G DS1/S370 LI |
| 104 | 65710136 | 1 | Düngereinleger | Skimmer | 50x30-G DS1/S205+STD1 RE |
| 105 | 65710137 | 1 | Düngereinleger | Skimmer | 50x30-G DS1/S205+STD1 LI |
| 106 | 65710138 | 1 | Düngereinleger | Skimmer | 50x30-G DS1/S245+STD1 RE |
| 107 | 65710139 | 1 | Düngereinleger | Skimmer | 50x30-G DS1/S245+STD1 LI |
| 108 | 65710140 | 1 | Düngereinleger | Skimmer | 50x30-G DS1/S370+STD1 RE |
| 109 | 65710141 | 1 | Düngereinleger | Skimmer | 50x30-G DS1/S370+STD1 LI |