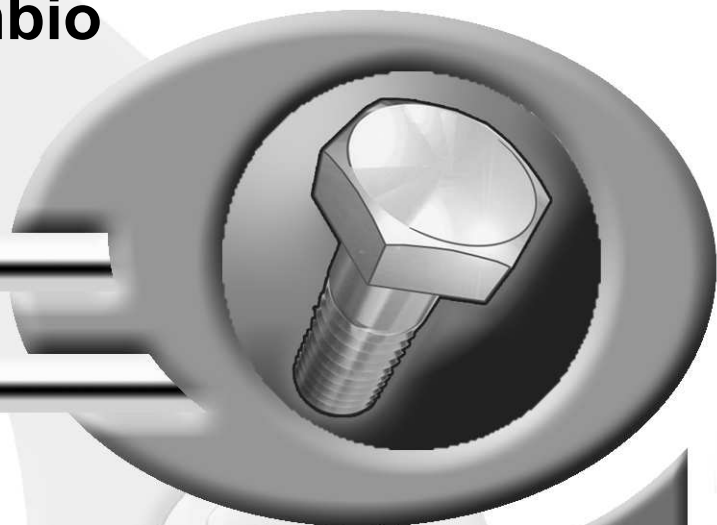


Pièces de rechange
Spare parts list
Ersatzteilliste
Catalogo Pezzi di Ricambio



Mélangeuse
Mixer feeder wagon
Futtermischwagen
Carri miscelatoria



A4600 >

EUROMIX II FLEXIDRIVE





SIGNES CODIFIÉS - STANDARD SYMBOLS - SYMBOLE - SIMBOLI CODIFICATI

| | |
|------------|--------------------------------------|
| OPT | Equipement optionnel |
| STD | Equipement livré de série |
| ESP | Equipement livré suivant pays |
| : | Pour ... |
| > | De ... à ... |
| RPL | Remplace ... |
| ∅ | Diamètre |
| > < | Epaisseur |
| <-> | Longueur |
| <m> | Vendu au mètre |
| Q? | Quantité selon besoin |
| * | Voir note |
| [n] | Composant d'un assemblage |
| + [n] | Assemblage comprenant les pièces [n] |
| <-] | Pièce gauche |
| [-> | Pièce droite |

| | |
|------------|---|
| OPT | Optional equipment |
| STD | Equipment supplied as standard |
| ESP | Equipment supplied for specific countries |
| : | For ... |
| > | From ... to ... |
| RPL | Replaces ... |
| ∅ | Diameter |
| > < | Thickness |
| <-> | Length |
| <m> | Sold by the metre |
| Q? | Quantity as required |
| * | See note |
| [n] | Items making up assembly |
| + [n] | Assembly made up by items [n] |
| <-] | Left part |
| [-> | Right part |

| | |
|------------|---|
| OPT | Sonderausrüstung |
| STD | Serienausrüstung |
| ESP | Länderabhängige Ausrüstung |
| : | Für ... |
| > | Von ... bis ... |
| RPL | Ersetzt ... |
| ∅ | Durchmesser |
| > < | Stärke |
| <-> | Länge |
| <m> | Meterware |
| Q? | Stückzahl nach Bedarf |
| * | Siehe Nota |
| [n] | Teil einer Baugruppe |
| + [n] | Baugruppe bestehend aus den mit [n] bezeichneten Teilen |
| <-] | Links Teil |
| [-> | Rechts Teil |

| | |
|------------|---------------------------------------|
| OPT | Attrezzatura opzionale |
| STD | Attrezzatura fornita di serie |
| ESP | Attrezzatura fornita secondo il paese |
| : | Per ... |
| > | Da ... A ... |
| RPL | Sostituisce ... |
| ∅ | Diametro |
| > < | Spessore |
| <-> | Lunghezza |
| <m> | venduto a metro |
| Q? | Quantità richiesta |
| * | Vedi nota |
| [n] | Componente di un assieme |
| + [n] | Assieme comprendente i componenti [n] |
| <-] | Sx componente |
| [-> | Dx componente |

POUR COMMANDER DES PIÈCES DE RECHANGE, VEUILLEZ INDIQUER:

- Le numéro de fabrication de la machine
- Le numéro de la pièce
- La quantité désirée

WHEN ORDERING SERVICE-PARTS, WILL YOU PLEASE MENTION:

- The machine type and serial number
- The part number
- The quantity of parts

BEI DER BESTELLUNG VON ERSATZTEILEN IMMER ANGEBEN:

- Die Seriennummer der Maschine
- Die Nummer des Teiles
- Die gewünschte Stückzahl

NELL'ORDINARE I RICAMBI, SI PREGA DI INDICARE:

- Il tipo ed il numero di serie della macchina
- Il codice del componente
- La quantità desiderata

- Toutes les pièces détachées et sous-ensembles sont à commander au magasin pièces de rechange.
- **Les équipements optionnels (OPT)** ainsi que les **notices d'instructions** sont à commander auprès des **services commerciaux**.
- Service parts and service part assemblies are to be ordered through the spare parts department.
- **Optional equipment (OPT)** and **assembly operator's manuals** should be ordered through the **wholegood sales department**.
- Bestellungen für Ersatzteile und Baugruppen sind an die Ersatzteilabteilung zu richten.
- **Sonderausrüstungen (OPT)** sowie **Montage- und Betriebsanleitungen**, bestellen Sie bitte bei der **Verkaufsabteilung für Maschinen**.
- I ricambi e i sotto-assiemi devono essere ordinati al Magazzino Ricambi.
- **Le attrezzature opzionali (OPT)** ed i **manuali dell'operatore** devono essere ordinati al **Servizio Commerciale**.

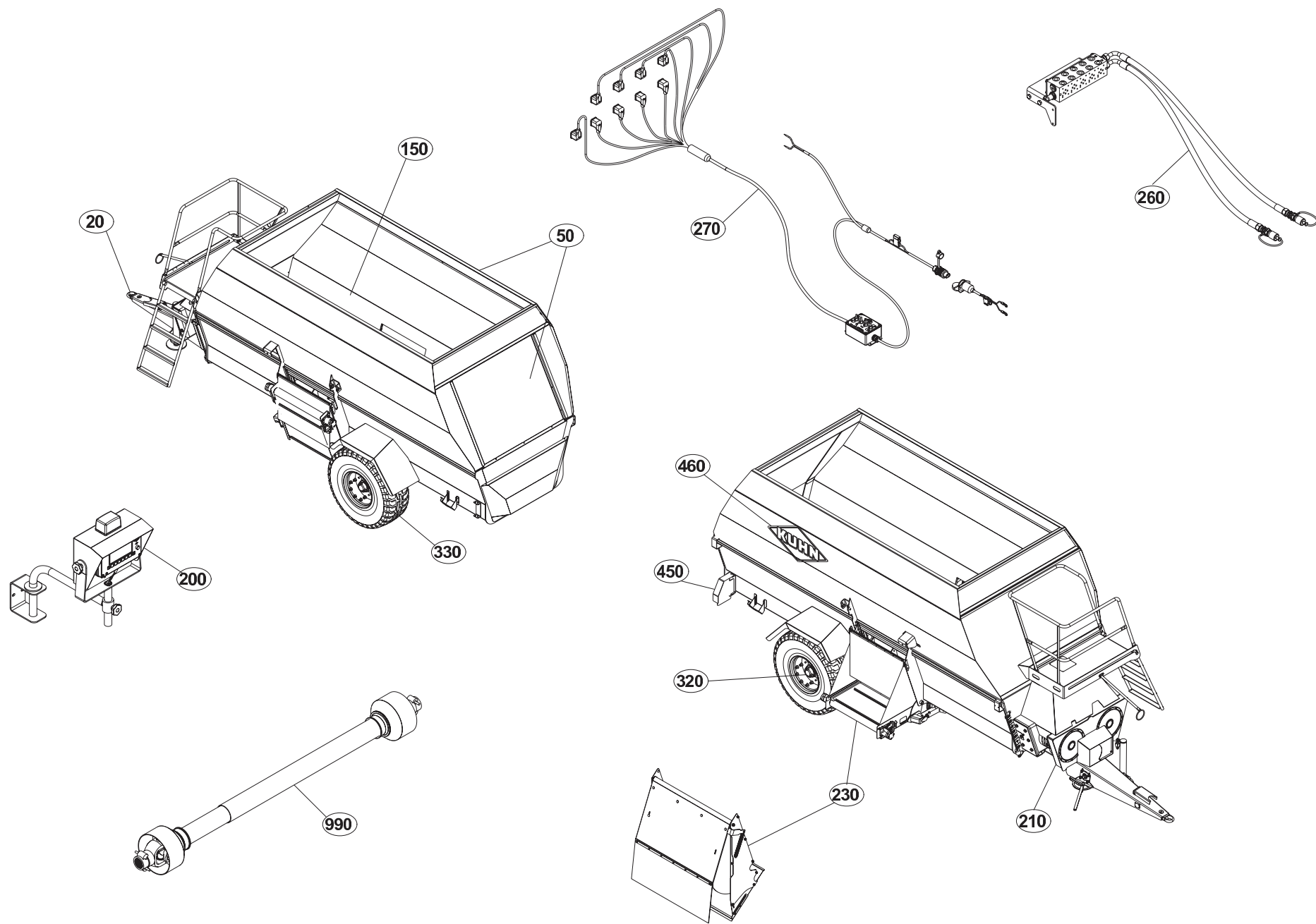




TABLE DES MATIERES - TABLE OF CONTENTS - INHALTSVERZEICHNIS - INDICE

A53R1026 A

Catalogue P.D.R. - Spare parts list - Ersatzteilliste - Pezzi di Ricambio :

AR026BTL C

| Grp | Page | Opt | Groupe de pièces | Parts group index | Teilegruppe | Gruppo di parti |
|-----|------|-----|-----------------------------|--------------------------------|--------------------------------|--------------------------------|
| 050 | 003 | | CAISSE 1460 + CARENAGE | BODY 1460 + COWLING | BEHÄLTER 1460 + VERKLEIDUNGEN | CASSA 1460 + CARENATURA |
| 050 | 005 | | CAISSE 1860 + CARENAGE | BODY 1860 + COWLING | BEHÄLTER 1860 + VERKLEIDUNGEN | CASSA 1860 + CARENATURA |
| 150 | 007 | | CARENAGE + PASSERELLE | COWLING + FOOT - BRIDGE | VERKLEIDUNGEN + LADESTEG | CARENATURA + PASSERELLA |
| 150 | 009 | | PORTE + JAUGE | DOOR + GAUGE | TÜR + FÜLLSTANDSANZEIGE | PORTA + DISPOSITIVO DI MISURAZ |
| 150 | 011 | | PORTE + JAUGE | DOOR + JAUGE | TÜR + JAUGE | PORTA + JAUGE |
| 450 | 013 | | ECLAIRAGE | LIGHTING | BELEUCHTUNG | ILLUMINAZIONE |
| 050 | 015 | | CHASSIS + ESSIEU | FRAME + AXLE | RAHMEN + ACHSE | TELAIO + ASSALE |
| 050 | 017 | | CHASSIS + ESSIEU | FRAME + AXLE | RAHMEN + ACHSE | TELAIO + ASSALE |
| 330 | 019 | | ESSIEU A5350485 | AXLE A5350485 | ACHSE A5350485 | ASSALE A5350485 |
| 330 | 021 | | ESSIEU A5350722 | AXLE A5350722 | ACHSE A5350722 | ASSALE A5350722 |
| 320 | 023 | | FREINAGE HYDRAULIQUE 1460 | HYDRAULIC BRAKE 1460 | HYDRAULISCHE BREMSANLAGE 1460 | FRENO IDRAULICO 1460 |
| 320 | 025 | | FREINAGE HYDRAULIQUE 1860 | HYDRAULIC BRAKE 1860 | HYDRAULISCHE BREMSANLAGE 1860 | FRENO IDRAULICO 1860 |
| 110 | 027 | | ENTRAINEMENT VIS DE MÉLANGE | DRIVE MIXING SCREW | ANTRIEB MISCHSCHNECKE | TRASCINAMENTO VITE DI MISCELAZ |
| 210 | 029 | | VIS DE MÉLANGE 1460 | MIXING SCREW 1460 | MISCHSCHNECKE 1460 | VITE DI MISCELAZIONE 1460 |
| 210 | 031 | | VIS DE MÉLANGE 1860 | MIXING SCREW 1860 | MISCHSCHNECKE 1860 | VITE DI MISCELAZIONE 1860 |
| 110 | 033 | | BOITIER ENTRAINEMENT | BOX DRIVE | GEHAEUSE ANTRIEB | SCATOLA TRASCINAMENTO |
| 230 | 035 | | GOULOTTE EURO.II (GAUCHE) | DISCHARGE SPOUT EURO.II (LEFT) | AUSWURFBOGEN EURO.II (LINKS) | BOCCA DI USCITA GIREVOLE EURO. |
| 230 | 037 | | GOULOTTE EURO.II | DISCHARGE SPOUT EURO.II | AUSWURFBOGEN EURO.II | BOCCA DI USCITA GIREVOLE EURO. |
| 230 | 039 | OPT | TAPIS PVC 0,8M | PVC CONVEYOR 0,8M | KRATZBODEN PVC 0,8M | TAPPETO PVC 0,8M |
| 230 | 041 | OPT | TAPIS PVC 0,8M | PVC CONVEYOR 0,8M | KRATZBODEN PVC 0,8M | TAPPETO PVC 0,8M |
| 230 | 043 | OPT | BAVETTE 0,8M (TAPIS) | FLAP 0,8M (CONVEYOR) | SCHUTZLAPPEN 0,8M (KRATZBODEN) | PARASPRUZZI 0,8M (FONDO MOBILE |
| 230 | 045 | OPT | TAPIS PVC 0,63M (COURT) | PVC CONVEYOR 0,63M (SHORT) | KRATZBODEN PVC 0,63M (KURZ) | TAPPETO PVC 0,63M (BREVE) |
| 230 | 047 | OPT | TAPIS PVC 0,63M | PVC CONVEYOR 0,63M | KRATZBODEN PVC 0,63M | TAPPETO PVC 0,63M |
| 230 | 049 | OPT | BACHE 0,63M (TAPIS) | TARP 0,63M (CONVEYOR) | PLANE 0,63M (KRATZBODEN) | TELONE 0,63M (FONDO MOBILE) |
| 230 | 051 | OPT | TAPIS 1,50M | CONVEYOR 1,50M | KRATZBODEN 1,50M | FONDO MOBILE 1,50M |
| 230 | 053 | OPT | TAPIS 1,50M | CONVEYOR 1,50M | KRATZBODEN 1,50M | FONDO MOBILE 1,50M |
| 230 | 055 | OPT | BAVETTE 1,5M (TAPIS) | FLAP 1,5M (CONVEYOR) | SCHUTZLAPPEN 1,5M (KRATZBODEN) | PARASPRUZZI 1,5M (FONDO MOBILE |
| 230 | 057 | OPT | TAPIS 2,20M | CONVEYOR 2,20M | KRATZBODEN 2,20M | FONDO MOBILE 2,20M |
| 230 | 059 | OPT | TAPIS 2,20M | CONVEYOR 2,20M | KRATZBODEN 2,20M | FONDO MOBILE 2,20M |
| 230 | 061 | OPT | BAVETTE 2,2M (TAPIS) | FLAP 2,2M (CONVEYOR) | SCHUTZLAPPEN 2,2M (KRATZBODEN) | PARASPRUZZI 2,2M (FONDO MOBILE |
| 230 | 063 | OPT | TAPIS PVC 3,30M | PVC CONVEYOR 3,30M | KRATZBODEN PVC 3,30M | TAPPETO PVC 3,30M |
| 230 | 065 | OPT | TAPIS PVC 3,30M | PVC CONVEYOR 3,30M | KRATZBODEN PVC 3,30M | TAPPETO PVC 3,30M |
| 230 | 067 | OPT | BAVETTE 3,3M (TAPIS) | FLAP 3,3M (CONVEYOR) | SCHUTZLAPPEN 3,3M (KRATZBODEN) | PARASPRUZZI 3,3M (FONDO MOBILE |
| 230 | 069 | OPT | RALLONGES DE TAPIS | CONVEYOR EXTENSION | KRATZBODEN VERLÄNGERUNG | PROLUNGA CONVOGLIATORE |
| 230 | 071 | OPT | RALLONGES DE TAPIS | CONVEYOR EXTENSION | KRATZBODEN VERLÄNGERUNG | PROLUNGA CONVOGLIATORE |
| 230 | 073 | OPT | EQUIPEMENT TAPIS PVC | EQUIPMENT PVC CONVEYOR | AUSRÜSTUNG KRATZBODEN PVC | EQUIPAGGIAMENTO TAPPETO PVC |
| 230 | 075 | OPT | EQUIPEMENT GOULOTTE | EQUIPMENT DISCHARGE SPOUT | AUSRÜSTUNG AUSWURFBOGEN | EQUIPAGGIAMENTO BOCCA DI USCIT |
| 200 | 077 | OPT | PESÉE T10 | WEIGHING BOX T10 | WIEGEEINRICHTUNG T10 | SCATOLA DI PESATURA T10 |
| 200 | 081 | OPT | EQUIPEMENT T10 | EQUIPMENT T10 | AUSRÜSTUNG T10 | EQUIPAGGIAMENTO T10 |
| 200 | 083 | OPT | EQUIPEMENT T10 | EQUIPMENT T10 | AUSRÜSTUNG T10 | EQUIPAGGIAMENTO T10 |

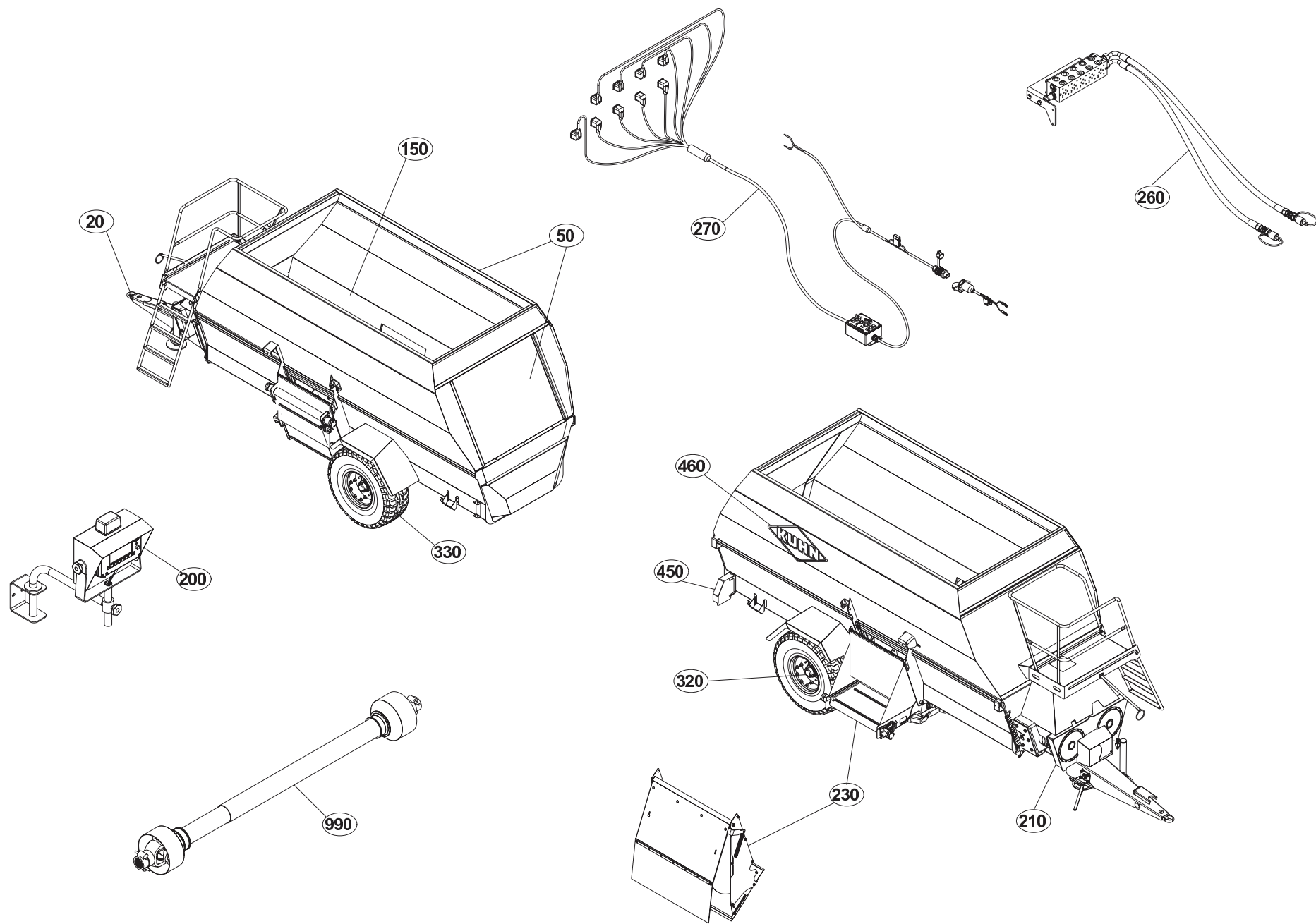




TABLE DES MATIERES - TABLE OF CONTENTS - INHALTSVERZEICHNIS - INDICE

A53R1026 A

Catalogue P.D.R. - Spare parts list - Ersatzteilliste - Pezzi di Ricambio :

AR026BTL C

| Grp | Page | Opt | Groupe de pièces | Parts group index | Teilegruppe | Gruppo di parti |
|-----|------|-----|-------------------------------|--------------------------------|--------------------------------|---------------------------------|
| 200 | 085 | OPT | PESÉE PROGRAMMABLE T75L | WEIGHING BOX PROGRAMMABLE T75L | WIEGEEINRICHTUNG PROGRAMMABLE | SCATOLA DI PESATURA PROGRAMMAB |
| 200 | 087 | OPT | EQUIPEMENT T75L | EQUIPMENT T75L | AUSRÜSTUNG T75L | EQUIPAGGIAMENTO T75L |
| 200 | 089 | OPT | PESÉE PTM | PTM WEIGHING SYSTEM | WIEGEEINRICHTUNG PTM | SISTEMA DI PESATURA PTM |
| 200 | 093 | OPT | PESÉE PTM | PTM WEIGHING SYSTEM | WIEGEEINRICHTUNG PTM | SISTEMA DI PESATURA PTM |
| 200 | 095 | OPT | EQUIPEMENT PESÉE PTM | EQUIPMENT PTM WEIGHING SYSTEM | AUSRÜSTUNG WIEGEEINRICHTUNG PT | EQUIPAGGIAMENTO SISTEMA DI PES |
| 200 | 097 | OPT | PESÉE DJ-STAR | WEIGHING BOX DJ-STAR | WIEGEEINRICHTUNG DJ-STAR | SCATOLA DI PESATURA DJ-STAR |
| 200 | 101 | OPT | PESÉE DJ-STAR | WEIGHING BOX DJ-STAR | WIEGEEINRICHTUNG DJ-STAR | SCATOLA DI PESATURA DJ-STAR |
| 200 | 103 | OPT | PESÉE DJ-STAR | WEIGHING BOX DJ-STAR | WIEGEEINRICHTUNG DJ-STAR | SCATOLA DI PESATURA DJ-STAR |
| 200 | 105 | OPT | PESÉE DJ-STAR | WEIGHING BOX DJ-STAR | WIEGEEINRICHTUNG DJ-STAR | SCATOLA DI PESATURA DJ-STAR |
| 200 | 107 | OPT | PESÉE DJ-STAR | WEIGHING BOX DJ-STAR | WIEGEEINRICHTUNG DJ-STAR | SCATOLA DI PESATURA DJ-STAR |
| 200 | 109 | OPT | PESÉE DJ-STAR | WEIGHING BOX DJ-STAR | WIEGEEINRICHTUNG DJ-STAR | SCATOLA DI PESATURA DJ-STAR |
| 200 | 111 | OPT | EQUIPEMENT KDW340 (KDR300) | EQUIPMENT KDW340 (KDR300) | AUSRÜSTUNG KDW340 (KDR300) | EQUIPAGGIAMENTO KDW340 (KDR300) |
| 200 | 113 | OPT | EQUIPEMENT KDW360 | EQUIPMENT KDW360 | AUSRÜSTUNG KDW360 | EQUIPAGGIAMENTO KDW360 |
| 200 | 115 | OPT | EQUIPEMENT KDW360 USB | EQUIPMENT KDW360 USB | AUSRÜSTUNG KDW360 USB | EQUIPAGGIAMENTO KDW360 USB |
| 260 | 117 | | HYDRAULIQUE PORTE | HYDRAULIC DOOR | HYDRAULIK TÜR | IDRAULICO PORTA |
| 260 | 119 | | HYDRAULIQUE | HYDRAULIC | HYDRAULIK | IDRAULICO |
| 260 | 121 | | HYDRAULIQUE PORTE | HYDRAULIC DOOR | HYDRAULIK TÜR | IDRAULICO PORTA |
| 260 | 123 | OPT | RELEVAGE 0,63/0,8M DROIT | LIFT 0,63/0,8M RIGHT | AUSHEBUNG 0,63/0,8M RECHTS | SOLLEVAMENTO 0,63/0,8M DX |
| 260 | 125 | OPT | RELEVAGE 0,63/0,8M DROIT | LIFT 0,63/0,8M RIGHT | AUSHEBUNG 0,63/0,8M RECHTS | SOLLEVAMENTO 0,63/0,8M DX |
| 260 | 127 | OPT | RELEVAGE 0,63/0,8M GAUCHE | LIFT 0,63/0,8M LEFT | AUSHEBUNG 0,63/0,8M LINKS | SOLLEVAMENTO 0,63/0,8M SX |
| 260 | 129 | OPT | RELEVAGE 0,63/0,8M GAUCHE | LIFT 0,63/0,8M LEFT | AUSHEBUNG 0,63/0,8M LINKS | SOLLEVAMENTO 0,63/0,8M SX |
| 260 | 131 | OPT | RELEVAGE 0,63/0,8M 2 TAPIS | LIFT 0,63/0,8M 2 CONVEYOR | AUSHEBUNG 0,63/0,8M 2 KRATZBOD | SOLLEVAMENTO 0,63/0,8M 2 FONDO |
| 260 | 133 | OPT | RELEVAGE 0,63/0,8M 2 TAPIS | LIFT 0,63/0,8M 2 CONVEYOR | AUSHEBUNG 0,63/0,8M 2 KRATZBOD | SOLLEVAMENTO 0,63/0,8M 2 FONDO |
| 260 | 135 | OPT | HYDRAULIQUE 0,63/0,8M DROIT | HYDRAULIC 0,63/0,8M RIGHT | HYDRAULIK 0,63/0,8M RECHTS | IDRAULICO 0,63/0,8M DX |
| 260 | 137 | OPT | HYDRAULIQUE 0,63/0,8M RIGHT | HYDRAULIC 0,63/0,8M RIGHT | HYDRAULIK 0,63/0,8M RIGHT | IDRAULICO 0,63/0,8M RIGHT |
| 260 | 139 | OPT | HYDRAULIQUE 0,63/0,8M DROIT | HYDRAULIC 0,63/0,8M RIGHT | HYDRAULIK 0,63/0,8M RECHTS | IDRAULICO 0,63/0,8M DX |
| 111 | 141 | | HYDRAULIQUE 0,63/0,8M DROIT | HYDRAULIC 0,63/0,8M DROIT | HYDRAULIK 0,63/0,8M DROIT | IDRAULICO 0,63/0,8M DROIT |
| 260 | 143 | OPT | HYDRAULIQUE 0,63/0,8M GAUCHE | HYDRAULIC 0,63/0,8M LEFT | HYDRAULIK 0,63/0,8M LINKS | IDRAULICO 0,63/0,8M SX |
| 260 | 145 | OPT | HYDRAULIQUE 0,63/0,8M GAUCHE | HYDRAULIC 0,63/0,8M GAUCHE | HYDRAULIK 0,63/0,8M GAUCHE | IDRAULICO 0,63/0,8M GAUCHE |
| 260 | 147 | OPT | HYDRAULIQUE 0,63/0,8M GAUCHE | HYDRAULIC 0,63/0,8M LEFT | HYDRAULIK 0,63/0,8M LINKS | IDRAULICO 0,63/0,8M SX |
| 119 | 149 | | HYDRAULIQUE 0,63/0,8M GAUCHE | HYDRAULIC 0,63/0,8M GAUCHE | HYDRAULIK 0,63/0,8M GAUCHE | IDRAULICO 0,63/0,8M GAUCHE |
| 260 | 151 | OPT | HYDRAULIQUE 0,63/0,8 2 TAPIS | HYDRAULIC 0,63/0,8 2 CONVEYOR | HYDRAULIK 0,63/0,8 2 KRATZBODE | IDRAULICO 0,63/0,8 2 FONDO MOB |
| 260 | 153 | OPT | HYDRAULIQUE 0,63/0,8 2 TAPIS | HYDRAULIC 0,63/0,8 2 TAPIS | HYDRAULIK 0,63/0,8 2 TAPIS | IDRAULICO 0,63/0,8 2 TAPIS |
| 260 | 155 | OPT | HYDRAULIQUE 0,63/0,8M 2 TAPIS | HYDRAULIC 0,63/0,8M 2 CONVEYOR | HYDRAULIK 0,63/0,8M 2 KRATZBOD | IDRAULICO 0,63/0,8M 2 FONDO MOB |
| 127 | 157 | | HYDRAULIQUE 0,63/0,8M 2 TAPIS | HYDRAULIC 0,63/0,8M 2 TAPIS | HYDRAULIK 0,63/0,8M 2 TAPIS | IDRAULICO 0,63/0,8M 2 TAPIS |
| 260 | 159 | OPT | HYDRAULIQUE 1,5/2,2M GAUCHE | HYDRAULIC 1,5/2,2M LEFT | HYDRAULIK 1,5/2,2M LINKS | IDRAULICO 1,5/2,2M SX |
| 260 | 161 | OPT | HYDRAULIQUE 1,5/2,2M DROIT | HYDRAULIC 1,5/2,2M RIGHT | HYDRAULIK 1,5/2,2M RECHTS | IDRAULICO 1,5/2,2M DX |
| 260 | 163 | OPT | HYDRAULIQUE 3,3M DROIT | HYDRAULIC 3,3M RIGHT | HYDRAULIK 3,3M RECHTS | IDRAULICO 3,3M DX |
| 260 | 165 | OPT | HYDRAULIQUE 3,3M GAUCHE | HYDRAULIC 3,3M LEFT | HYDRAULIK 3,3M LINKS | IDRAULICO 3,3M SX |
| 260 | 167 | OPT | RELEVAGE 1,5M/2,2M (DROIT) | LIFT 1,5M/2,2M (RIGHT) | AUSHEBUNG 1,5M/2,2M (RECHTS) | SOLLEVAMENTO 1,5M/2,2M (DX) |

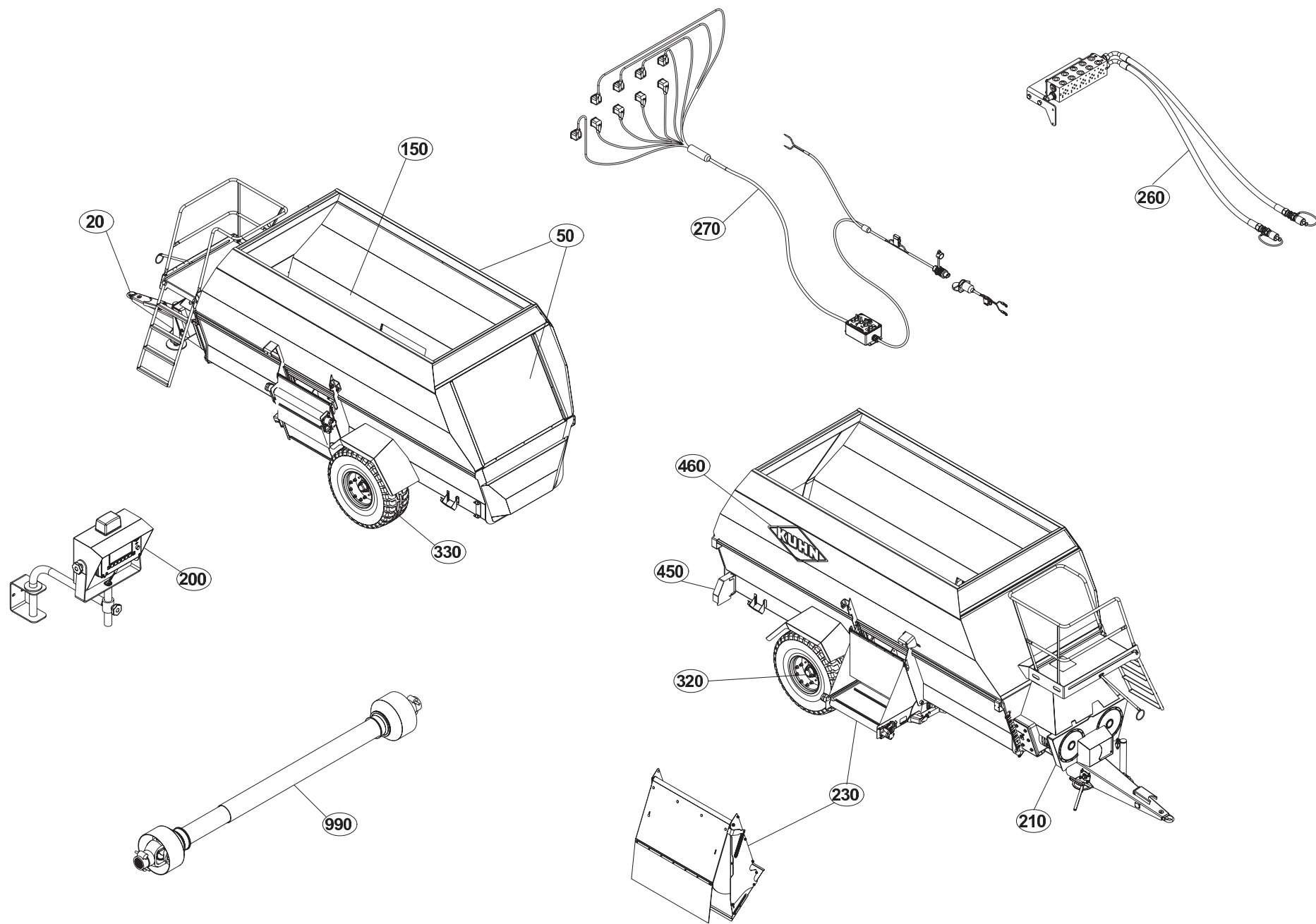




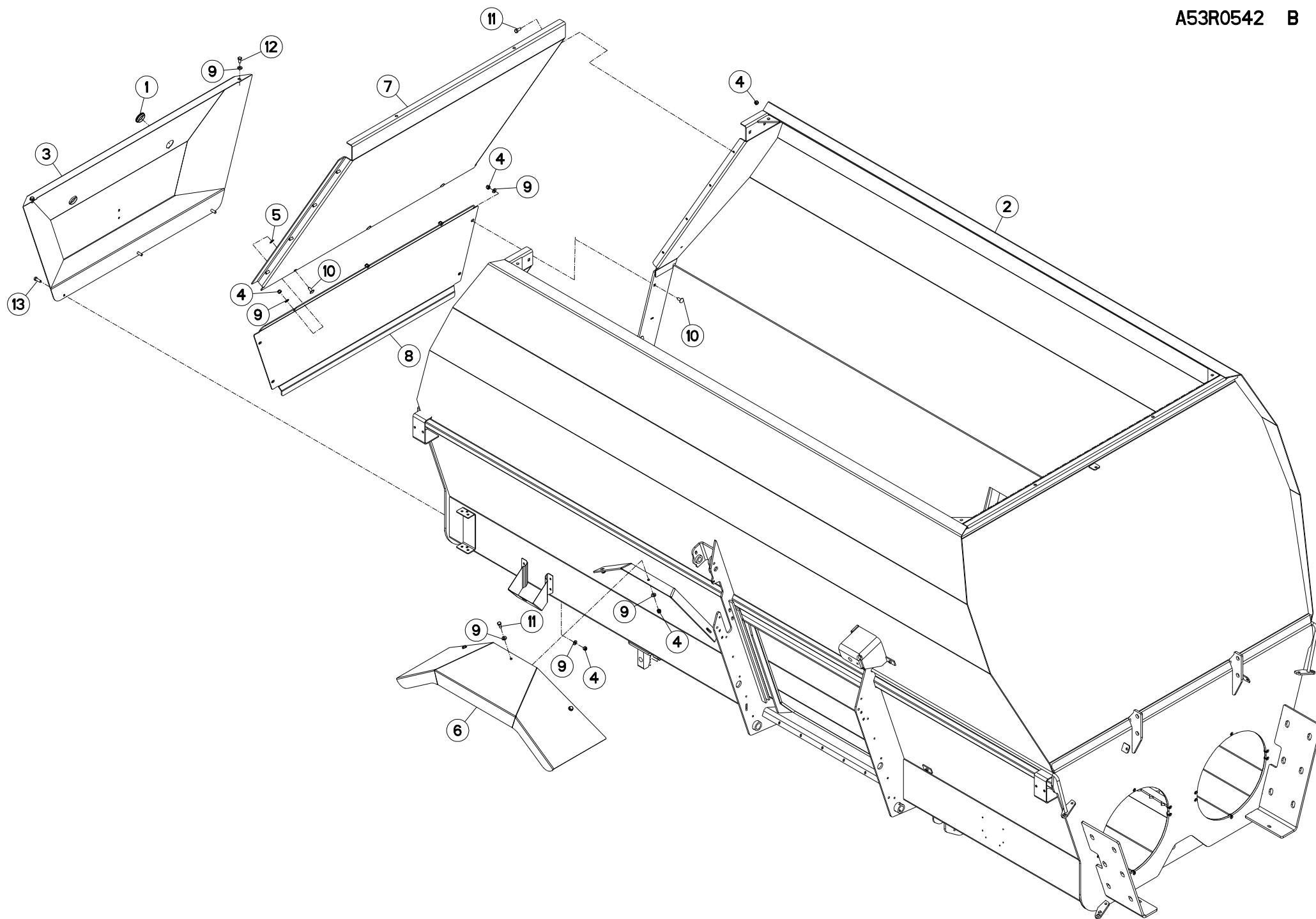
TABLE DES MATIERES - TABLE OF CONTENTS - INHALTSVERZEICHNIS - INDICE

A53R1026 A

Catalogue P.D.R. - Spare parts list - Ersatzteilliste - Pezzi di Ricambio :

AR026BTL C

| Grp | Page | Opt | Groupe de pièces | Parts group index | Teilegruppe | Gruppo di parti |
|-----|------|-----|--------------------------------|-------------------------------|--------------------------------|--------------------------------|
| 260 | 169 | OPT | RELEVAGE 1,5M/2,2M (GAUCHE) | LIFT 1,5M/2,2M (LEFT) | AUSHEBUNG 1,5M/2,2M (LINKS) | SOLLEVAMENTO 1,5M/2,2M (SX) |
| 260 | 171 | OPT | RELEVAGE 3,3M (DROIT) | LIFT 3,3M (RIGHT) | AUSHEBUNG 3,3M (RECHTS) | SOLLEVAMENTO 3,3M (DX) |
| 260 | 173 | OPT | RELEVAGE 3,3M (GAUCHE) | LIFT 3,3M (LEFT) | AUSHEBUNG 3,3M (LINKS) | SOLLEVAMENTO 3,3M (SX) |
| 260 | 175 | OPT | HYDRAULIQUE BEQUILLE DE DEPOSE | HYDRAULIC PARKING STAND | HYDRAULIK ABSTELLSTÄNDER | IDRAULICO PIEDINO D'APPOGGIO |
| 270 | 177 | | COMMANDE ÉLECTRIQUE | ELECTRIC CONTROL | ELEKTRISCHE SCHALTUNG | COMANDO ELETTRICO |
| 020 | 179 | OPT | TIMON D'ATTELAGE | TONGUE | RAHMEN ANHÄNGUNG | TIMONE DI ATTACCO |
| 020 | 181 | OPT | TIMON D'ATTELAGE | TONGUE | RAHMEN ANHÄNGUNG | TIMONE DI ATTACCO |
| 150 | 183 | OPT | CARENAGE ARRIERE | COWLING REAR | VERKLEIDUNGEN HINTEN | CARENATURA POSTERIORE |
| 150 | 185 | OPT | REHAUSSE 200MM - 1460 | HOPPER EXTENSION 200MM - 1460 | AUFSATZ 200MM - 1460 | RIALZO 200MM - 1460 |
| 150 | 187 | OPT | REHAUSSE | HOPPER EXTENSION | BEHAELTERAUFSATZ | RIALZO |
| 150 | 189 | OPT | DOUBLANTES DE CAISSE 1460 | WEARING PLATES 1460 | VERSCHLEISSPLATTEN 1460 | PIASTRE DI USURA 1460 |
| 150 | 191 | OPT | DOUBLANTES DE CAISSE 1860 | WEARING PLATES 1860 | VERSCHLEISSPLATTEN 1860 | PIASTRE DI USURA 1860 |
| 210 | 193 | OPT | EQUIPEMENT VIS DE MÉLANGE | EQUIPMENT MIXING SCREW | AUSRÜSTUNG MISCHSCHNECKE | EQUIPAGGIAMENTO VITE DI MISCEL |
| 210 | 195 | OPT | EQUIPEMENT VIS DE MÉLANGE | EQUIPMENT MIXING SCREW | AUSRÜSTUNG MISCHSCHNECKE | EQUIPAGGIAMENTO VITE DI MISCEL |
| 320 | 197 | OPT | FREINAGE HYDRAULIQUE 6 KM/H | HYDRAULIC BRAKE 6 KM/H | HYDRAULISCHE BREMSANLAGE 6 KM/ | FRENO IDRAULICO 6 KM/H |
| 320 | 199 | OPT | FREINAGE HYDRAULIQUE 25 KM/H | HYDRAULIC BRAKE 25 KM/H | HYDRAULISCHE BREMSANLAGE 25 KM | FRENO IDRAULICO 25 KM/H |
| 320 | 201 | OPT | FREINAGE PNEUMATIQUE 1 | PNEUMATIC BREAK 1 | DRUCKLUFT-BREMSANLAGE 1 | FRENO PNEUMATICO 1 |
| 320 | 203 | OPT | FREINAGE PNEUMATIQUE 2 | PNEUMATIC BREAK 2 | DRUCKLUFT-BREMSANLAGE 2 | FRENO PNEUMATICO 2 |
| 260 | 205 | OPT | DIVISEUR DE DÉBIT | OILFLOW DIVIDER | OELMENGENTEILER | DIVISORE IDRAULICO |
| 110 | 207 | | BOITIER A7010229 | BOX A7010229 | GEHAEUSE A7010229 | SCATOLA A7010229 |
| 110 | 209 | | BOITIER A7010233 | BOX A7010233 | GEHAEUSE A7010233 | SCATOLA A7010233 |
| 990 | 211 | | TRANSMISSION A7800502 | TRANSMISSION A7800502 | GELENKWELLE A7800502 | TRANSMISSIONE A7800502 |
| 990 | 213 | OPT | TRANSMISSION A7800503 | TRANSMISSION A7800503 | GELENKWELLE A7800503 | TRANSMISSIONE A7800503 |
| 990 | 215 | OPT | TRANSMISSION 4600562 | TRANSMISSION 4600562 | GELENKWELLE 4600562 | TRANSMISSIONE 4600562 |
| 990 | 217 | OPT | EQUIPEMENT RUSSIE | EQUIPMENT RUSSIA | AUSRÜSTUNG RUSSLAND | EQUIPAGGIAMENTO RUSSIAN |
| 330 | 219 | | PNEUMATIQUE A7020010 | TYRE A7020010 | REIFEN A7020010 | PNEUMATICO A7020010 |
| 330 | 221 | | PNEUMATIQUE A7020049 | TYRE A7020049 | REIFEN A7020049 | PNEUMATICO A7020049 |
| 330 | 223 | OPT | PNEUMATIQUE A7020042 | TYRE A7020042 | REIFEN A7020042 | PNEUMATICO A7020042 |
| 330 | 225 | OPT | PNEUMATIQUE A7020012 | TYRE A7020012 | REIFEN A7020012 | PNEUMATICO A7020012 |
| 330 | 227 | OPT | ROUE 305/70 R.19,5 8T | WHEEL 305/70 R.19,5 8T | RAD 305/70 R.19,5 8T | RUOTA 305/70 R.19,5 8T |
| 330 | 229 | OPT | ROUE 295/60 R22,5 8T D0 | WHEEL 295/60 R22,5 8T D0 | RAD 295/60 R22,5 8T D0 | RUOTA 295/60 R22,5 8T D0 |
| 460 | 231 | | COLL.ETIQUETTES ADHESIVES | SET OF STICKERS | SATZ AUFKLEBER | SERIE ADESIVI |





EURO.II 1460 FLEX GO
EURO.II 1460 FLEX TA

A4600 >
A4600 >

A53R0542 B

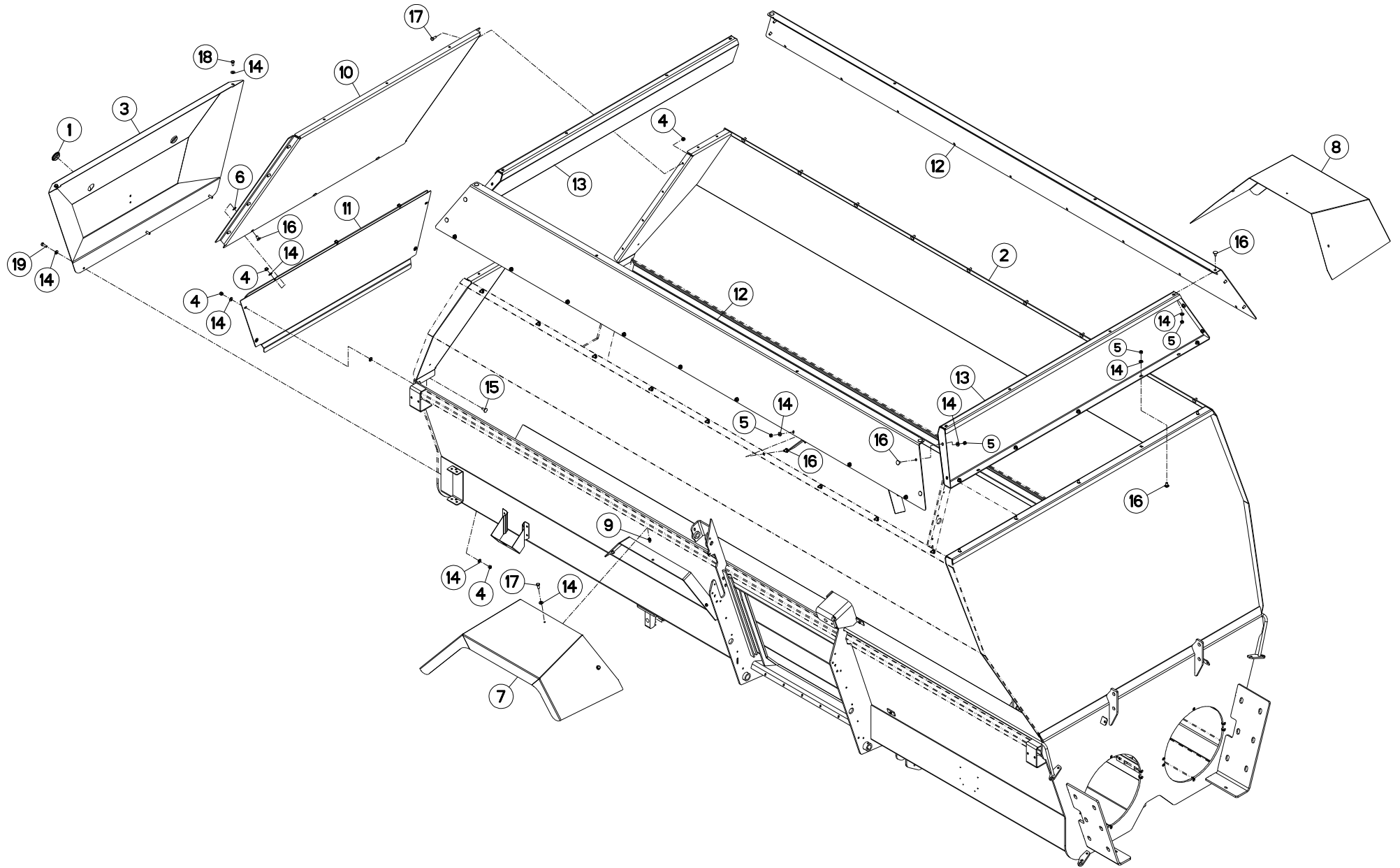
CAISSE 1460 + CARENAGE

BODY 1460 + COWLING

BEHÄLTER 1460 + VERKLEIDUNGEN

CASSA 1460 + CARENATURA

| Rep | Nr | Qt | Designation | Description | Bezeichnung | Referenza | Remarque - Remark - Bemerkung - Osservazioni |
|-----|-----------------|-----|-------------------------------|--------------------------------|--------------------------------|--------------------------------|--|
| 001 | A7250511 | 002 | BOUCHON BORD DE TOLE D 45 | PLUG | STOPFEN | TAPPO | |
| 002 | A5300512 | 001 | CAISSE | CRATE | LATTENVERSCHLAG | CASSA | |
| 003 | A5350510 | 001 | CARTER | HOUSING | GEHAEUSE | SCATOLA | |
| 004 | 80201040 | 024 | ECROU HEX.BAS AUTOFR.FE/ZNXC3 | SELF LOCKING NUT M10 DIN 985 | SELBSTSICHERND.MUTTER FE/ZNXC3 | DADO AUTOBLOCCANTE FE/ZNXC3 | |
| 005 | 80270924 | 003 | FIXE METAL MONTAGE AXIAL | LOCK WASHER | FEDERnde ZAHNSCHEIBE | RONDELLA | |
| 006 | A5310506 | 002 | GARDE-BOUE EUROMIX II | MUDGUARDS | SCHUTZBLECH | PARAFANGO | |
| 007 | A5310461 | 001 | PANNEAU ARRIERE HAUT EURO. II | REAR HOPPER EXTENSION | HINTERWAND | | |
| 008 | A5350511 | 001 | PLAQUE DE FERMETURE AR ES | PLATE | PLATTE | PIASTRA | |
| 009 | 80251021 | 024 | RONDELLE PLATE FE/ZNXC3 | PLAIN WASHER M10 | SCHEIBE FE/ZNXC3 | RONDELLA PIATTA FE/ZNXC3 | |
| 010 | 50002200 | 007 | VIS TBCC COURT | BOLT, CARRIAGE, SHORT NECK | FLACHRUNDSCHR.4KT ANSATZ | BULLONE | |
| 011 | 80061026 | 014 | VIS TETE HEXAGONALE FE/ZNXC3 | HEXAGON HEAD SCREW FE/ZNXC3 | SECHSKANTSCHRAUBE FE/ZNXC3 | VITE TESTA ESAGONALE FE/ZNXC3 | |
| 012 | 80061020 | 002 | VIS TETE HEXAGONALE FE/ZNXC3 | HEX. HEAD SCREW M10 X 20 MM CL | SECHSKANTSCHRAUBE FE/ZNXC3 | VITE A TESTA ESAGONALE FE/ZNXC | |
| 013 | 80061073 | 003 | VIS TETE HEXAGONALE FE/ZNXC3 | HEXAGON HEAD SCREW FE/ZNXC3 | SECHSKANTSCHRAUBE FE/ZNXC3 | VITE TESTA ESAGONALE FE/ZNXC3 | |
| 014 | 80200875 | 012 | ECROU INSERT | RIVETING NUT | EINNIETMUTTER | DADO | |
| 015 | A8359108 | 004 | INSERT HEX M8 A COLLERETTE | INSERT NUT HEX M8 | EINSETZMUTTER HEX M8 | MANICOTTO HEX M8 | |
| 016 | A5304670 | 001 | PLAT ECHELLE | PLATE | PLATTE | | |
| 017 | 80251021 | 004 | RONDELLE PLATE FE/ZNXC3 | PLAIN WASHER M10 | SCHEIBE FE/ZNXC3 | RONDELLA PIATTA FE/ZNXC3 | |
| 018 | 80250823 | 020 | RONDELLE PLATE FE/ZNXC3 | PLAIN WASHER FE/ZNXC3 | SCHEIBE FE/ZNXC3 | RONDELLA PIATTA FE/ZNXC3 | |
| 019 | 80251227 | 003 | RONDELLE PLATE FE/ZNXC3 | PLAIN WASHER M12 | SCHEIBE FE/ZNXC3 | RONDELLA PIATTA FE/ZNXC3 | |
| 020 | 80251624 | 002 | RONDELLE PLATE FE/ZNXC3 | PLAIN WASHER M16 | SCHEIBE FE/ZNXC3 | RONDELLA PIATTA FE/ZNXC3 | |
| 021 | A5250741 | 001 | SUPPORT | SUPPORT | TRAEGER | SUPPORTO | |
| 022 | A5304650 | 001 | SUPPORT CARTER GAUCHE | | | | |
| 023 | A5304660 | 001 | SUPPORT CARTER DROIT | | | | |
| 024 | 50008800 | 003 | VIS TBCC COURT | BOLT, CARRIAGE, SHORT NECK | FLACHRUNDSCHR.4KT ANSATZ | BULLONE | |
| 025 | 50070300 | 001 | VIS TBCC COURT | BOLT, CARRIAGE, SHORT NECK | FLACHRUNDSCHR.4KT ANSATZ | BULLONE | |
| 026 | 80131641 | 002 | VIS AUTOBLOQUANTE FLZNNC | UNDERSERR.S-LOC.SCREW FLZNNC | SPERRZAHN-BUNDSCHRAU.FLZNNC | VITE FLZNNC | |
| 027 | 80060816 | 016 | VIS TETE HEXAGONALE FE/ZNXC3 | HEX. SCREW M8X16 CL.8.8 DIN 93 | SECHSKANTSCHRAUBE FE/ZNXC3 | VITE TESTA ESAGONALE FE/ZNXC3 | |
| 028 | 80060835 | 004 | VIS TETE HEXAGONALE FE/ZNXC3 | HEXAGON HEAD SCREW FE/ZNXC3 | SECHSKANTSCHRAUBE FE/ZNXC3 | VITE TESTA ESAGONALE FE/ZNXC3 | |
| 029 | 80061073 | 004 | VIS TETE HEXAGONALE FE/ZNXC3 | HEXAGON HEAD SCREW FE/ZNXC3 | SECHSKANTSCHRAUBE FE/ZNXC3 | VITE TESTA ESAGONALE FE/ZNXC3 | |





EURO.II 1860 FLEX GO
EURO.II 1860 FLEX TA

A4600 >
A4600 >

A53R0541 B

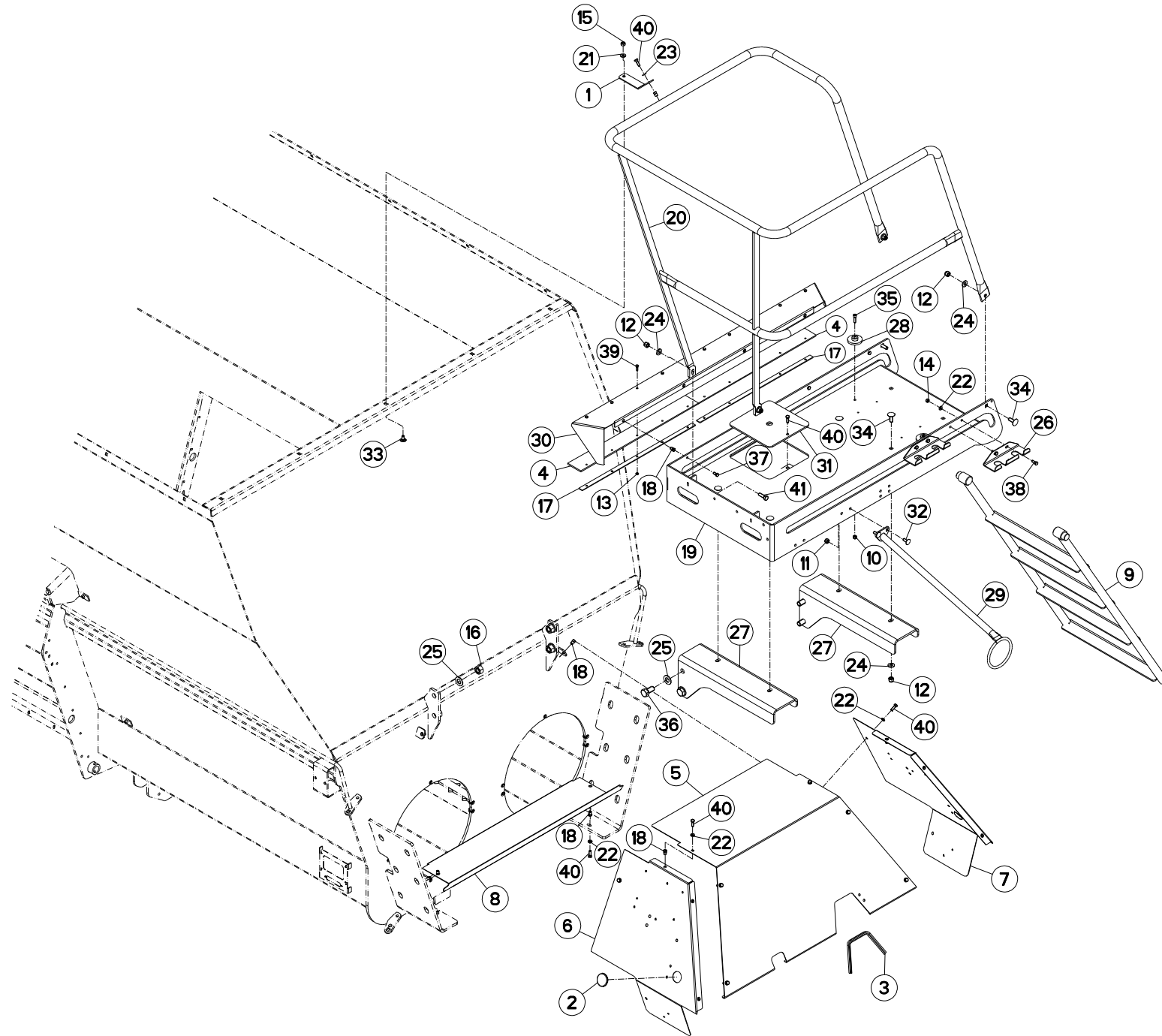
CAISSE 1860 + CARENAGE

BODY 1860 + COWLING

BEHÄLTER 1860 + VERKLEIDUNGEN

CASSA 1860 + CARENATURA

| Rep | Nr | Qt | Designation | Description | Bezeichnung | Referenza | Remarque - Remark - Bemerkung - Osservazioni |
|-----|----------|-----|-------------------------------|--------------------------------|--------------------------------|--------------------------------|--|
| 001 | A7250511 | 002 | BOUCHON BORD DE TOLE D 45 | PLUG | STOPFEN | TAPPO | |
| 002 | A5313601 | 001 | CAISSE | CRATE | LATTENVERSCHLAG | CASSA | |
| 003 | A5350510 | 001 | CARTER | HOUSING | GEHAEUSE | SCATOLA | |
| 004 | 80201040 | 018 | ECROU HEX.BAS AUTOFR.FE/ZNXC3 | SELF LOCKING NUT M10 DIN 985 | SELBSTSICHERND.MUTTER FE/ZNXC3 | DADO AUTOBLOCCANTE FE/ZNXC3 | |
| 005 | 80201070 | 042 | ECROU HEXAGONAL FE/ZNXC3 | NUT FE/ZNXC3 | SECHSKANTMUTTER FE/ZNXC3 | DADO FE/ZNXC3 | |
| 006 | 80270924 | 007 | FIXE METAL MONTAGE AXIAL | LOCK WASHER | FEDERENDE ZAHNSCHEIBE | RONDELLA | |
| 007 | A5310892 | 001 | GARDE-BOUE | FENDER | SCHUTZBLECH | PARAFANGO | |
| 008 | A5310893 | 001 | GARDE-BOUE | FENDER | SCHUTZBLECH | PARAFANGO | |
| 009 | A8359108 | 006 | INSERT HEX M8 A COLLERETTE | INSERT NUT HEX M8 | EINSETZMUTTER HEX M8 | MANICOTTO HEX M8 | |
| 010 | A5310840 | 001 | PANNEAU ARRIERE HAUT 1860 | HOPPER EXTENSION | HINTERWAND | | |
| 011 | A5350511 | 001 | PLAQUE DE FERMETURE AR ES | PLATE | PLATTE | PIASTRA | |
| 012 | A5350714 | 002 | REHAUSSE LATERALE ES 1860 | LATERAL HOPPER EXTENSION | BEHAELTERAUFSAETZE SEITEN | SOPRALZO | |
| 013 | A5350731 | 002 | REHAUSSE AV/AR ES 1860 | HOPPER EXTENSION FRONT/REAR | BEHAELTERAUFSAETZE VO/HI | SOPRALZO | |
| 014 | 80251021 | 063 | RONDELLE PLATE FE/ZNXC3 | PLAIN WASHER M10 | SCHEIBE FE/ZNXC3 | RONDELLA PIATTA FE/ZNXC3 | |
| 015 | 50002200 | 004 | VIS TBCC COURT | BOLT, CARRIAGE, SHORT NECK | FLACHRUNDSCHR.4KT ANSATZ | BULLONE | |
| 016 | 50003200 | 045 | VIS TBCC COURT | BOLT, CARRIAGE, SHORT NECK | FLACHRUNDSCHR.4KT ANSATZ | BULLONE | |
| 017 | 80061026 | 014 | VIS TETE HEXAGONALE FE/ZNXC3 | HEXAGON HEAD SCREW FE/ZNXC3 | SECHSKANTSCHRAUBE FE/ZNXC3 | VITE TESTA ESAGONALE FE/ZNXC3 | |
| 018 | 80061020 | 002 | VIS TETE HEXAGONALE FE/ZNXC3 | HEX. HEAD SCREW M10 X 20 MM CL | SECHSKANTSCHRAUBE FE/ZNXC3 | VITE A TESTA ESAGONALE FE/ZNXC | |
| 019 | 80061073 | 003 | VIS TETE HEXAGONALE FE/ZNXC3 | HEXAGON HEAD SCREW FE/ZNXC3 | SECHSKANTSCHRAUBE FE/ZNXC3 | VITE TESTA ESAGONALE FE/ZNXC3 | |
| 020 | 80251624 | 002 | RONDELLE PLATE FE/ZNXC3 | PLAIN WASHER M16 | SCHEIBE FE/ZNXC3 | RONDELLA PIATTA FE/ZNXC3 | |
| 021 | A5250741 | 001 | SUPPORT | SUPPORT | TRAEGER | SUPPORTO | |
| 022 | A5304650 | 001 | SUPPORT CARTER GAUCHE | | | | |
| 023 | A5304660 | 001 | SUPPORT CARTER DROIT | | | | |
| 024 | 50008800 | 003 | VIS TBCC COURT | BOLT, CARRIAGE, SHORT NECK | FLACHRUNDSCHR.4KT ANSATZ | BULLONE | |
| 025 | 50070300 | 001 | VIS TBCC COURT | BOLT, CARRIAGE, SHORT NECK | FLACHRUNDSCHR.4KT ANSATZ | BULLONE | |
| 026 | 80131641 | 002 | VIS AUTOBLOQUANTE FLZNNC | UNDERSERR.S-LOC.SCREW FLZNNC | SPERRZAHN-BUNDSCHRAU.FLZNNC | VITE FLZNNC | |
| 027 | 80060816 | 016 | VIS TETE HEXAGONALE FE/ZNXC3 | HEX. SCREW M8X16 CL.8.8 DIN 93 | SECHSKANTSCHRAUBE FE/ZNXC3 | VITE TESTA ESAGONALE FE/ZNXC3 | |
| 028 | 80060835 | 004 | VIS TETE HEXAGONALE FE/ZNXC3 | HEXAGON HEAD SCREW FE/ZNXC3 | SECHSKANTSCHRAUBE FE/ZNXC3 | VITE TESTA ESAGONALE FE/ZNXC3 | |
| 029 | 80061073 | 004 | VIS TETE HEXAGONALE FE/ZNXC3 | HEXAGON HEAD SCREW FE/ZNXC3 | SECHSKANTSCHRAUBE FE/ZNXC3 | VITE TESTA ESAGONALE FE/ZNXC3 | |





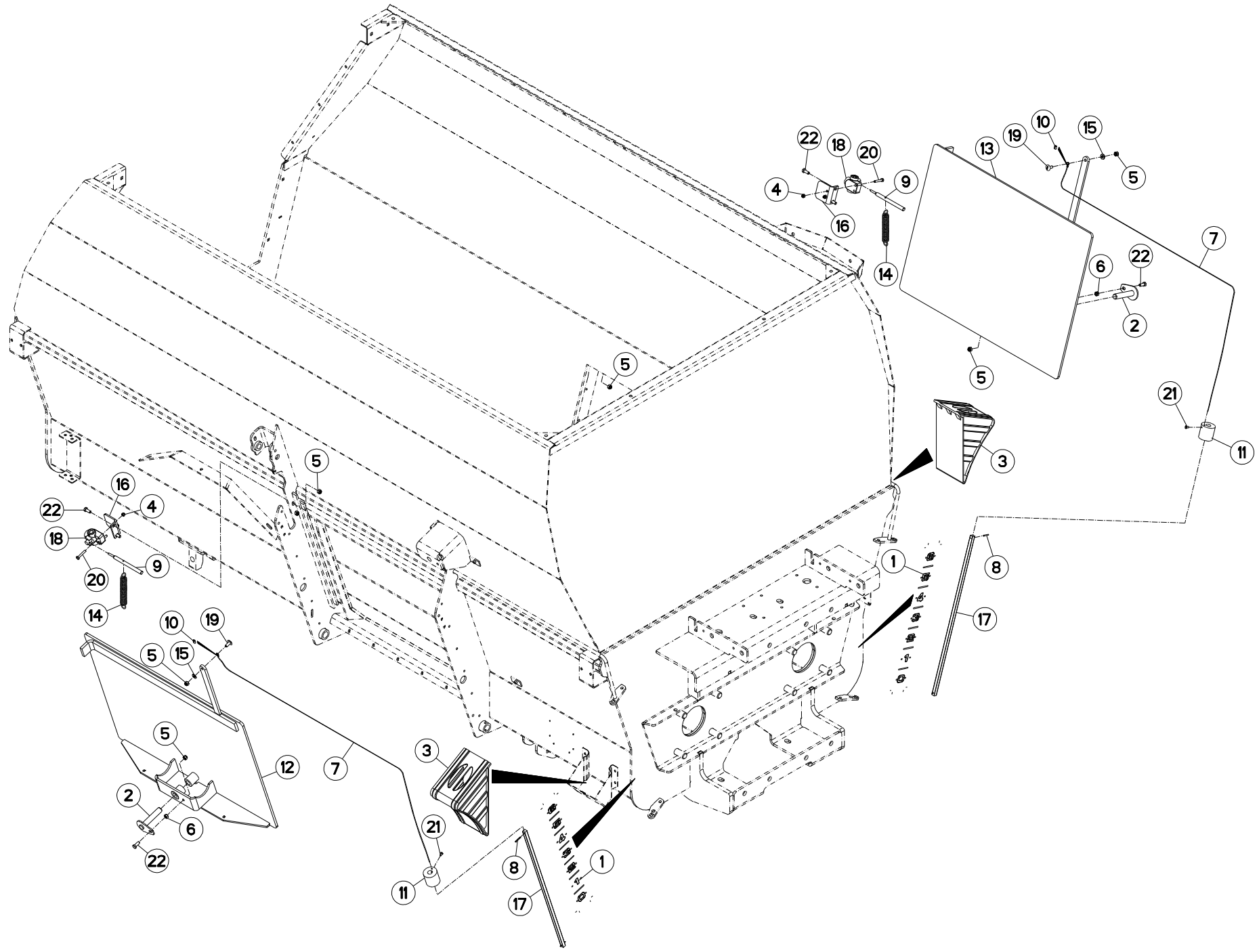
CARENAGE + PASSERELLE

COWLING + FOOT - BRIDGE

VERKLEIDUNGEN + LADESTEG

CARENATURA + PASSERELLA

| Rep | Nr | Qt | Designation | Description | Bezeichnung | Referenza | Remarque - Remark - Bemerkung - Osservazioni |
|-----|----------|-----|--------------------------------|--------------------------------|--------------------------------|--------------------------------|--|
| 001 | A5312720 | 001 | RAIDISSEUR RAMBARDE 1860 | SUPPORT STRIP GUARD | HALTELEISTE SCHUTZ | BALESTRA | |
| 002 | A7250511 | 002 | BOUCHON BORD DE TOLE D 45 | PLUG | STOPFEN | TAPPO | |
| 003 | A7250710 | 001 | JONC CAOUTCHOUC CLIPABLE ARME | RETAINER RING | KANTENSCHUTZ | GUINTO GOMMA | |
| 004 | A7250165 | 002 | BAVETTE TAPIS EUROMIX I | FLAP | SCHMUTZFAENGER | PARASPRUZZI | |
| 005 | A5311350 | 001 | CARTER DESSUS EUROMIX REDUCTEU | HOUSING | GEHAEUSE | SCATOLA | |
| 006 | A5311360 | 001 | CARTER | HOUSING | GEHAEUSE | SCATOLA | |
| 007 | A5311370 | 001 | CARTER | HOUSING | GEHAEUSE | SCATOLA | |
| 008 | A5311390 | 001 | CARTER | HOUSING | GEHAEUSE | SCATOLA | |
| 009 | A5350505 | 001 | ECELLE ES EUROMIX I | LADDER | LEITER | | |
| 010 | 80200840 | 002 | ECROU HEX.BAS AUTOFR.FE/ZNXC3 | SELF-LOCKING NUT FE/ZNXC3 | SELBSTSICHERND.MUTTER FE/ZNXC3 | DADO AUTOBLOCCANTE FE/ZNXC3 | |
| 011 | 80201040 | 002 | ECROU HEX.BAS AUTOFR.FE/ZNXC3 | SELF LOCKING NUT M10 DIN 985 | SELBSTSICHERND.MUTTER FE/ZNXC3 | DADO AUTOBLOCCANTE FE/ZNXC3 | |
| 012 | 80201240 | 008 | ECROU HEX.BAS AUTOFR.FE/ZNXC3 | SELF-LOCKING NUT M 12 DIN-985 | SELBSTSICHERND.MUTTER FE/ZNXC3 | DADO AUTOBLOCCANTE FE/ZNXC3 | |
| 013 | 80200600 | 010 | ECROU HEXAGONAL FE/ZNXC3 | NUT FE/ZNXC3 | SECHSKANTMUTTER FE/ZNXC3 | DADO FE/ZNXC3 | |
| 014 | 80200870 | 004 | ECROU HEXAGONAL FE/ZNXC3 | NUT FE/ZNXC3 | SECHSKANTMUTTER FE/ZNXC3 | DADO FE/ZNXC3 | |
| 015 | 80201070 | 001 | ECROU HEXAGONAL FE/ZNXC3 | NUT FE/ZNXC3 | SECHSKANTMUTTER FE/ZNXC3 | DADO FE/ZNXC3 | |
| 016 | 80202070 | 004 | ECROU HEXAGONAL FE/ZNXC3 | NUT FE/ZNXC3 | SECHSKANTMUTTER FE/ZNXC3 | DADO FE/ZNXC3 | |
| 017 | A5311126 | 002 | FIXATION | MOUNT | VERBINDUNGSTUECK | ATTACCO GANCIO | |
| 018 | 80200875 | 015 | ECROU INSERT | RIVETING NUT | EINNIETMUTTER | DADO | |
| 019 | A5350539 | 001 | PLATEFORME | PLATFORM | PLATTFORM | PIATTAFORMA | |
| 020 | A5350810 | 001 | RAMBARDE EUROMIX II 1860 ES | GUARD | GELAENDER | PROTEZIONE | |
| 021 | 80251021 | 001 | RONDELLE PLATE FE/ZNXC3 | PLAIN WASHER M10 | SCHEIBE FE/ZNXC3 | RONDELLA PIATTA FE/ZNXC3 | |
| 022 | 80250823 | 014 | RONDELLE PLATE FE/ZNXC3 | PLAIN WASHER FE/ZNXC3 | SCHEIBE FE/ZNXC3 | RONDELLA PIATTA FE/ZNXC3 | |
| 023 | 80250823 | 001 | RONDELLE PLATE FE/ZNXC3 | PLAIN WASHER FE/ZNXC3 | SCHEIBE FE/ZNXC3 | RONDELLA PIATTA FE/ZNXC3 | |
| 024 | 80251227 | 008 | RONDELLE PLATE FE/ZNXC3 | PLAIN WASHER M12 | SCHEIBE FE/ZNXC3 | RONDELLA PIATTA FE/ZNXC3 | |
| 025 | 80252026 | 008 | RONDELLE PLATE FE/ZNXC3 | PLAIN WASHER M20 DIN 125 | SCHEIBE FE/ZNXC3 | RONDELLA PIATTA FE/ZNXC3 | |
| 026 | A5120023 | 002 | SUPPORT | SUPPORT | TRAEGER | SUPPORTO | |
| 027 | A5310904 | 002 | LIAISON CAISSE/PASSERELLE 1860 | PLATFORM BRAKET | PLATTFORM-HALTER | | |
| 028 | A5311102 | 002 | SUPPORT | SUPPORT | TRAEGER | SUPPORTO | |
| 029 | A5351180 | 001 | SUPPORT FLEXIBLES ES | HOLDER | HALTER | SUPPORTO | |
| 030 | A5312230 | 001 | TOLE | SHEET | BLECH | TELA | |
| 031 | A5311173 | 001 | TRAPPE DE VISITE | FLAP DOOR | KLAPPE | PORTA | |
| 032 | 50002200 | 002 | VIS TBCC COURT | BOLT, CARRIAGE, SHORT NECK | FLACHRUNDSCHR.4KT ANSATZ | BULLONE | |
| 033 | 50003200 | 001 | VIS TBCC COURT | BOLT, CARRIAGE, SHORT NECK | FLACHRUNDSCHR.4KT ANSATZ | BULLONE | |
| 034 | 50008800 | 006 | VIS TBCC COURT | BOLT, CARRIAGE, SHORT NECK | FLACHRUNDSCHR.4KT ANSATZ | BULLONE | |
| 035 | 80080831 | 002 | VIS TETE CYL.SIX P.CR.FE/ZNXC3 | HEX.SOCK.HEAD CAP SCR.FE/ZNXC3 | ZYLINDERSCHR.INNENSEC.FE/ZNXC3 | VITE A TESTA CILINDR. FE/ZNXC3 | |
| 036 | 80062040 | 004 | VIS TETE HEXAGONALE FE/ZNXC3 | HEXAGON HEAD SCREW FE/ZNXC3 | SECHSKANTSCHRAUBE FE/ZNXC3 | VITE TESTA ESAGONALE FE/ZNXC3 | |
| 037 | 80060816 | 004 | VIS TETE HEXAGONALE FE/ZNXC3 | HEX. SCREW M8X16 CL.8.8 DIN 93 | SECHSKANTSCHRAUBE FE/ZNXC3 | VITE TESTA ESAGONALE FE/ZNXC3 | |
| 038 | 80060820 | 004 | VIS TETE HEXAGONALE FE/ZNXC3 | HEXAGON HEAD SCREW FE/ZNXC3 | SECHSKANTSCHRAUBE FE/ZNXC3 | VITE TESTA ESAGONALE FE/ZNXC3 | |
| 039 | 80060620 | 010 | VIS TETE HEXAGONALE FE/ZNXC3 | HEX BOLT FE/ZNXC3 | SECHSKANTSCHRAUBE FE/ZNXC3 | VITE TESTA ESAGONALE FE/ZNXC3 | |
| 040 | 80060826 | 012 | VIS TETE HEXAGONALE FE/ZNXC3 | HEAD HEX SCREW M8X25 CL8.8 DIN | SECHSKANTSCHRAUBE FE/ZNXC3 | VITE TESTA ESAGONALE FE/ZNXC3 | |
| 041 | 80061236 | 002 | VIS TETE HEXAGONALE FE/ZNXC3 | HEX BOLT M12X35 CL8.8 DIN933 R | SECHSKANTSCHRAUBE FE/ZNXC3 | VITE TESTA ESAGONALE FE/ZNXC3 | |





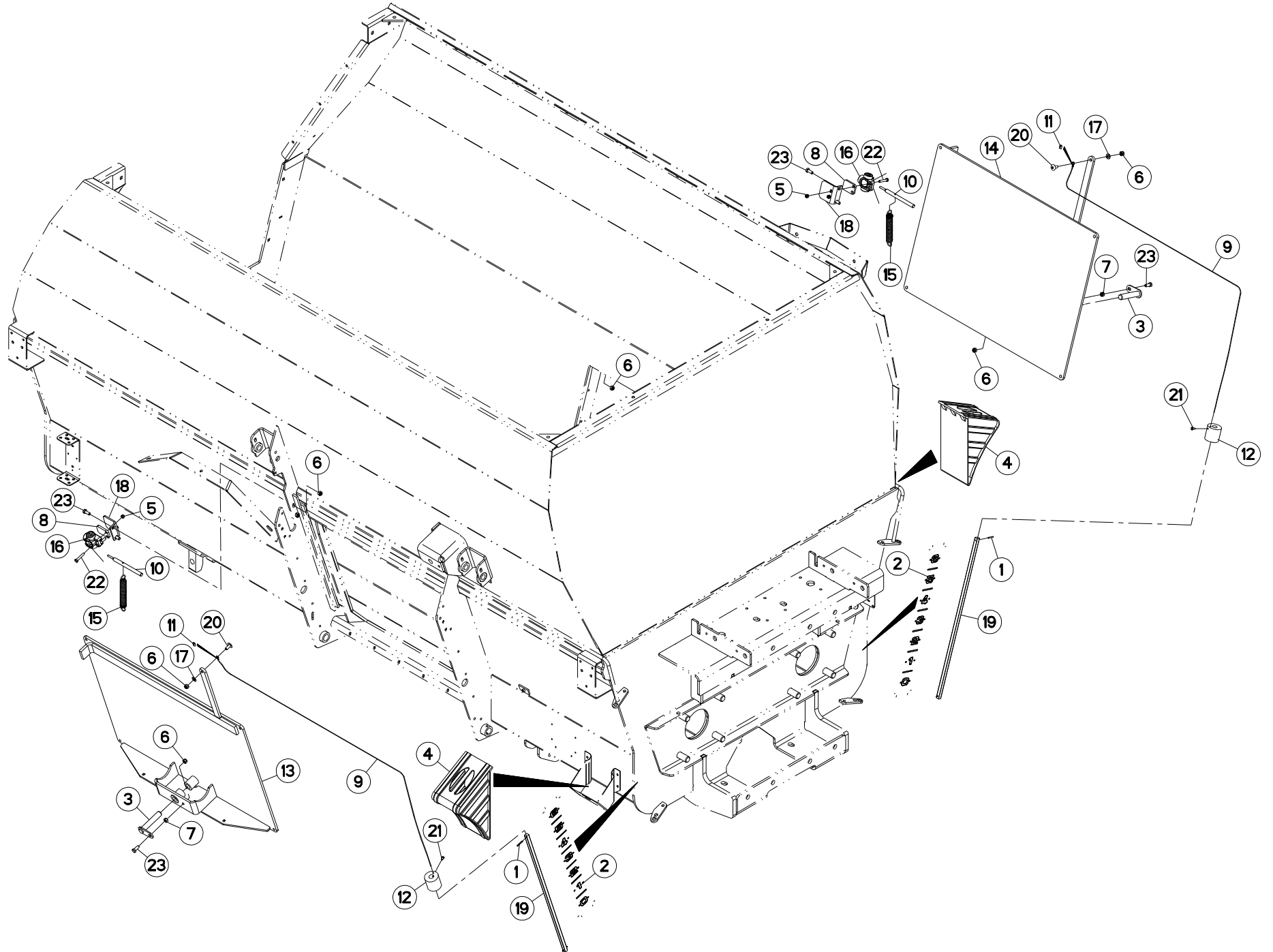
PORTE + JAUGE

DOOR + GAUGE

TÜR + FÜLLSTANDSANZEIGE

PORTA + DISPOSITIVO DI MISURAZ

| Rep | Nr | Qt | Designation | Description | Bezeichnung | Referenza | Remarque - Remark - Bemerkung - Osservazioni |
|-----|----------|-----|--------------------------------|--------------------------------|--------------------------------|-------------------------------|--|
| 001 | A7300061 | 002 | AUTOCOL. INDICATEUR PORTE BOL | STICKER | AUFKLEBER | ADESIVO INDICATORE | |
| 002 | A5200302 | 002 | AXE | PIN | ACHSE | ASSE | |
| 003 | A7021001 | 002 | CALE DE ROUE RAYON DE 480 | WHEEL CHOCK | BREMSKLOTZ | SPESORE | |
| 004 | 80200840 | 004 | ECROU HEX.BAS AUTOFR.FE/ZNXC3 | SELF-LOCKING NUT FE/ZNXC3 | SELBSTSICHERND.MUTTER FE/ZNXC3 | DADO AUTOBLOCCANTE FE/ZNXC3 | |
| 005 | 80201040 | 008 | ECROU HEX.BAS AUTOFR.FE/ZNXC3 | SELF LOCKING NUT M10 DIN 985 | SELBSTSICHERND.MUTTER FE/ZNXC3 | DADO AUTOBLOCCANTE FE/ZNXC3 | |
| 006 | 80201070 | 002 | ECROU HEXAGONAL FE/ZNXC3 | NUT FE/ZNXC3 | SECHSKANTMUTTER FE/ZNXC3 | DADO FE/ZNXC3 | |
| 007 | A7060041 | 002 | CABLE ACIER 6B D2,25 7X7X0,25 | CABLE | KABEL | CAVO | |
| 008 | 80450431 | 004 | GOUPILLE ELASTIQUE FLZNNC | ELASTIC PIN 4X30 HEAVY DUTY | SPANNHUELSE FLZNNC | SPINA ELASTICA FLZNNC | |
| 009 | A5310196 | 002 | LEVIER | LEVER | HEBEL | LEVA | |
| 010 | A7060051 | 002 | MANCHON | SLEEVE | MUFFE | MANICOTTO | |
| 011 | A5310416 | 002 | MASSELOTTE | WEIGHT, BALANCE | GEWICHT | MASSA | |
| 012 | A5350489 | 001 | PORTE | DOOR | TÜR | PORTE | |
| 013 | A5350490 | 001 | PORTE | DOOR | TÜR | PORTE | |
| 014 | A8332600 | 002 | RESSORT | SPRING | FEDER | MOLLA | |
| 015 | 80251021 | 002 | RONDELLE PLATE FE/ZNXC3 | PLAIN WASHER M10 | SCHEIBE FE/ZNXC3 | RONDELLA PIATTA FE/ZNXC3 | |
| 016 | A5310160 | 002 | SUPPORT | SUPPORT | TRAEGER | SUPPORTO | |
| 017 | A5311730 | 002 | TIGE | STEM | STANGE | STELO | |
| 018 | A4071300 | 002 | ROBINET | VALVE, BALL | KUGELHAHN | ROBINETTO | |
| 019 | 80101025 | 002 | VIS T.CY.BOMB.SIX P.C.FE/ZNXC3 | HEX.SOC.BUTT.HEAD SCR.FE/ZNXC3 | FLACHKOPFSCHR.INNENSE.FE/ZNXC3 | VITE FE/ZNXC3 | |
| 020 | 80060846 | 004 | VIS TETE HEXAGONALE FE/ZNXC3 | HEX BOLT FE/ZNXC3 | SECHSKANTSCHRAUBE FE/ZNXC3 | VITE TESTA ESAGONALE FE/ZNXC3 | |
| 021 | 80060670 | 002 | VIS TETE HEXAGONALE FE/ZNXC3 | HEXAGON HEAD SCREW FE/ZNXC3 | SECHSKANTSCHRAUBE FE/ZNXC3 | VITE TESTA ESAGONALE FE/ZNXC3 | |
| 022 | 80061026 | 006 | VIS TETE HEXAGONALE FE/ZNXC3 | HEXAGON HEAD SCREW FE/ZNXC3 | SECHSKANTSCHRAUBE FE/ZNXC3 | VITE TESTA ESAGONALE FE/ZNXC3 | |
| 023 | 50002200 | 002 | VIS TBCC COURT | BOLT, CARRIAGE, SHORT NECK | FLACHRUNDSCHR.4KT ANSATZ | BULLONE | |
| 024 | 50008800 | 006 | VIS TBCC COURT | BOLT, CARRIAGE, SHORT NECK | FLACHRUNDSCHR.4KT ANSATZ | BULLONE | |
| 025 | 80062040 | 004 | VIS TETE HEXAGONALE FE/ZNXC3 | HEXAGON HEAD SCREW FE/ZNXC3 | SECHSKANTSCHRAUBE FE/ZNXC3 | VITE TESTA ESAGONALE FE/ZNXC3 | |
| 026 | 80060816 | 010 | VIS TETE HEXAGONALE FE/ZNXC3 | HEX. SCREW M8X16 CL.8.8 DIN 93 | SECHSKANTSCHRAUBE FE/ZNXC3 | VITE TESTA ESAGONALE FE/ZNXC3 | |
| 027 | 80060826 | 001 | VIS TETE HEXAGONALE FE/ZNXC3 | HEAD HEX SCREW M8X25 CL8.8 DIN | SECHSKANTSCHRAUBE FE/ZNXC3 | VITE TESTA ESAGONALE FE/ZNXC3 | |
| 028 | 80061073 | 004 | VIS TETE HEXAGONALE FE/ZNXC3 | HEXAGON HEAD SCREW FE/ZNXC3 | SECHSKANTSCHRAUBE FE/ZNXC3 | VITE TESTA ESAGONALE FE/ZNXC3 | |
| 029 | 80061236 | 002 | VIS TETE HEXAGONALE FE/ZNXC3 | HEX BOLT M12X35 CL8.8 DIN933 R | SECHSKANTSCHRAUBE FE/ZNXC3 | VITE TESTA ESAGONALE FE/ZNXC3 | |





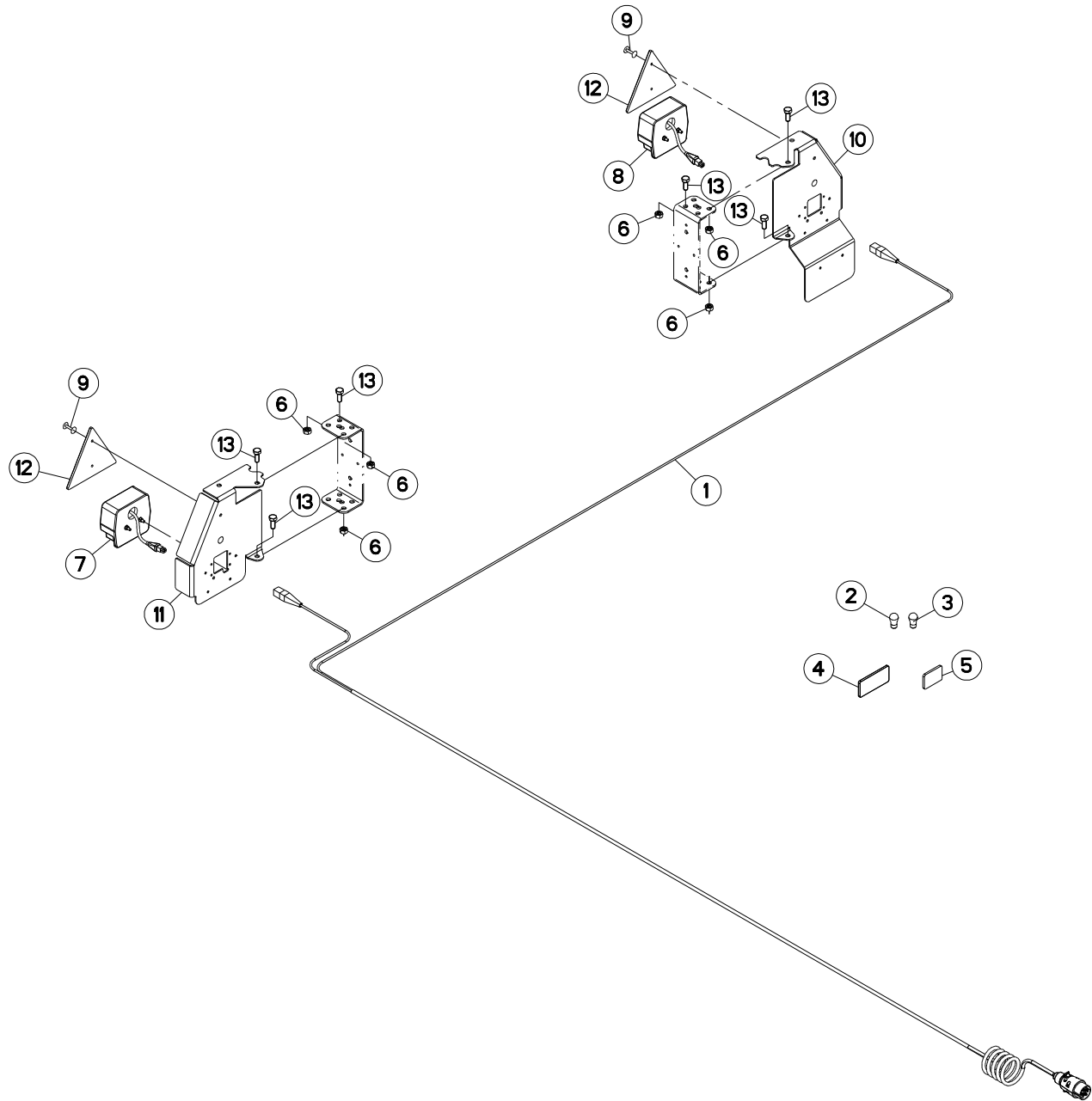
PORTE + JAUGE

DOOR + JAUGE

TÜR + JAUGE

PORTA + JAUGE

| Rep | Nr | Qt | Designation | Description | Bezeichnung | Referenza | Remarque - Remark - Bemerkung - Osservazioni |
|-----|-----------------|-----|--------------------------------|--------------------------------|--------------------------------|-------------------------------|--|
| 001 | 80450431 | 004 | GOUPILLE ELASTIQUE FLZNNC | ELASTIC PIN 4X30 HEAVY DUTY | SPANNHUELSE FLZNNC | SPINA ELASTICA FLZNNC | |
| 002 | A7300061 | 002 | AUTOCOL. INDICATEUR PORTE BOL | STICKER | AUFKLEBER | ADESIVO INDICATORE | |
| 003 | A5200302 | 002 | AXE | PIN | ACHSE | ASSE | |
| 004 | A7021001 | 002 | CALE DE ROUE RAYON DE 480 | WHEEL CHOCK | BREMSKLOTZ | SPESSORE | |
| 005 | 80200830 | 004 | ECROU HEX.AUTOFREINE FE/ZNXC3 | SELFLOCKING NUT M8 DIN 982 | SELBSTSICHERNDE MUTT.FE/ZNXC3 | DADO AUTOBLOCCANTE FE/ZNXC3 | |
| 006 | 80201030 | 008 | ECROU HEX.AUTOFREINE FE/ZNXC3 | SELF-LOCKING NUT FE/ZNXC3 | SELBSTSICH.MUTTER FE/ZNXC3 | DADO AUTOBLOCCANTE FE/ZNXC3 | |
| 007 | 80201070 | 002 | ECROU HEXAGONAL FE/ZNXC3 | NUT FE/ZNXC3 | SECHSKANTMUTTER FE/ZNXC3 | DADO FE/ZNXC3 | |
| 008 | A5352880 | 002 | ENTRETOISE | SPACER | DISTANZHUELSE | DISTANZIALE | |
| 009 | A7060041 | 002 | CABLE ACIER 6B D2,25 7X7X0,25 | CABLE | KABEL | CAVO | |
| 010 | A5310196 | 002 | LEVIER | LEVER | HEBEL | LEVA | |
| 011 | A7060051 | 002 | MANCHON | SLEEVE | MUFFE | MANICOTTO | |
| 012 | A5310416 | 002 | MASSELOTTE | WEIGHT, BALANCE | GEWICHT | MASSA | |
| 013 | A5350489 | 001 | PORTE | DOOR | TÜR | PORTE | |
| 014 | A5350490 | 001 | PORTE | DOOR | TÜR | PORTE | |
| 015 | A8332600 | 002 | RESSORT | SPRING | FEDER | MOLLA | |
| 016 | A4075031 | 002 | ROBINET | VALVE, BALL | KUGELHAHN | ROBINETTO | |
| 017 | 80251021 | 002 | RONDELLE PLATE FE/ZNXC3 | PLAIN WASHER M10 | SCHEIBE FE/ZNXC3 | RONDELLA PIATTA FE/ZNXC3 | |
| 018 | A5310160 | 002 | SUPPORT | SUPPORT | TRAEGER | SUPPORTO | |
| 019 | A5311730 | 002 | TIGE | STEM | STANGE | STELO | |
| 020 | 80101025 | 002 | VIS T.CY.BOMB.SIX P.C.FE/ZNXC3 | HEX.SOC.BUTT.HEAD SCR.FE/ZNXC3 | FLACHKOPFSCHR.INNENSE.FE/ZNXC3 | VITE FE/ZNXC3 | |
| 021 | 80060670 | 002 | VIS TETE HEXAGONALE FE/ZNXC3 | HEXAGON HEAD SCREW FE/ZNXC3 | SECHSKANTSCHRAUBE FE/ZNXC3 | VITE TESTA ESAGONALE FE/ZNXC3 | |
| 022 | 80060846 | 004 | VIS TETE HEXAGONALE FE/ZNXC3 | HEX BOLT FE/ZNXC3 | SECHSKANTSCHRAUBE FE/ZNXC3 | VITE TESTA ESAGONALE FE/ZNXC3 | |
| 023 | 80061026 | 006 | VIS TETE HEXAGONALE FE/ZNXC3 | HEXAGON HEAD SCREW FE/ZNXC3 | SECHSKANTSCHRAUBE FE/ZNXC3 | VITE TESTA ESAGONALE FE/ZNXC3 | |





ECLAIRAGE

LIGHTING

BELEUCHTUNG

ILLUMINAZIONE

| Rep | Nr | Qt | Designation | Description | Bezeichnung | Referenza | Remarque - Remark - Bemerkung - Osservazioni |
|-----|-----------------|-----|------------------------------|-----------------------------|-----------------------------|-------------------------------|--|
| 001 | A7041400 | 001 | FAISCEAU | HARNESSE | KABELBAUM | FASCIO | |
| 002 | 83240912 | 004 | AMPOULE 12V-21W | BULB 12V-21W | BIRNE 12V-21W | LAMPADINA 12V-21W | |
| 003 | 83240901 | 002 | AMPOULE 12V-10W | BULB 12V-10W | BIRNE 12V-10W | LAMPADINA 12V-10W | |
| 004 | 83240016 | 003 | CATADIOPTRE BLANC ADHESIF | REFLECTOR WHITE ADHESIVE | RUECKSTRAHLER WEISS S.KLEB. | CATADIOTTRO BIANCO | |
| 005 | 83240017 | 005 | CATADIOPTRE ORANGE ADHESIF | REFLECTOR ADHESIVE | RUECKSTRAHLER S.KLEB. | CATADIOTTRO | |
| 006 | 80201070 | 006 | ECROU HEXAGONAL FE/ZNXC3 | NUT FE/ZNXC3 | SECHSKANTMUTTER FE/ZNXC3 | DADO FE/ZNXC3 | |
| 007 | 83240401 | 001 | FEU ARRIERE DROIT | REAR LAMP RIGHT | RUECKLICHT RECHTS | FANALINO COMPLETO POST. DX | |
| 008 | 83240400 | 001 | FEU ARRIERE GAUCHE | REAR LAMP LEFT | RUECKLICHT LINKS | FANALINO COMPLETO POST. SX | |
| 009 | 80370426 | 004 | RIVET AVEUGLE TL | RIVET | NIETE | RIVETTO | |
| 010 | A5331990 | 001 | SUPPORT DE FEUX | SUPPORT, LIGHT | LEUCHTENTRAEGER | SUPPORTO LUCI | |
| 011 | A5332000 | 001 | SUPPORT DE FEUX | SUPPORT, LIGHT | LEUCHTENTRAEGER | SUPPORTO LUCI | |
| 012 | 83240007 | 002 | CATADIOPTRE TRIAN.ROUGE 160 | REFLECTOR RED 160 | RUECKSTRAHLER ROT 160 | CATADIOTTRO | |
| 013 | 80061026 | 006 | VIS TETE HEXAGONALE FE/ZNXC3 | HEXAGON HEAD SCREW FE/ZNXC3 | SECHSKANTSCHRAUBE FE/ZNXC3 | VITE TESTA ESAGONALE FE/ZNXC3 | |



EURO.II 1460 FLEX GO
EURO.II 1460 FLEX TA

A4600 >
A4600 >

A53R0466 F

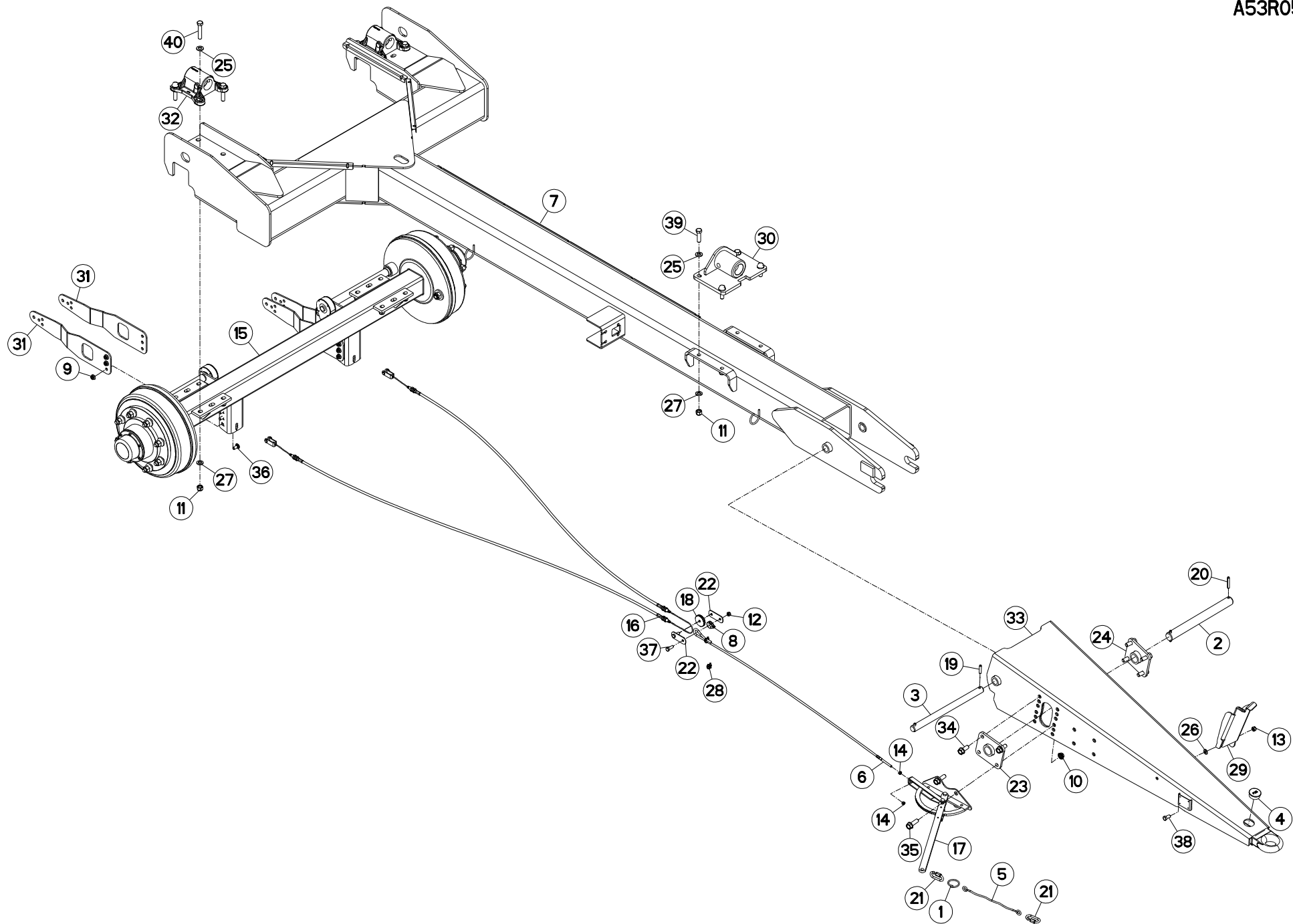
CHASSIS + ESSIEU

FRAME + AXLE

RAHMEN + ACHSE

TELAIO + ASSALE

| Rep | Nr | Qt | Designation | Description | Bezeichnung | Referenza | Remarque - Remark - Bemerkung - Osservazioni |
|-----|----------|-----|--------------------------------|--------------------------------|--------------------------------|-------------------------------|--|
| 001 | 80451046 | 002 | GOUPILLE ELASTIQUE FLZNNC | ROLL PIN FLZNNC | SPANNHUELSE FLZNNC | SPINA ELASTICA FLZNNC | |
| 002 | A5335170 | 001 | ANNEAU | RING | RING | ANELLO | |
| 003 | A5310094 | 001 | AXE DE TIMON ME+90/11050 | AXLE | ACHSE | ASSE | |
| 004 | A5310252 | 001 | AXE D30 EUROMIX | AXLE | BOLZEN | ASSE | |
| 005 | A7250513 | 001 | BOUCHON | PLUG | VERSCHLUSSSCHRAUBE | TAPPO | |
| 006 | A7060005 | 001 | CABLE POLYPROPYLENE D6 LG3000 | CABLE | KABEL | CAVO | |
| 007 | A5350791 | 001 | CHASSIS | CHASSIS | HAUPTRAHMEN | TELAIO | |
| 008 | A5307200 | 001 | COSSE COEUR RENFORCEE FIL D5 Z | CABLE TERMINAL | KABELSCHUH | TERMINALE | |
| 009 | 80201253 | 012 | ECROU AUTOBLOQUANT FE/ZNXC3 | UNDERSERRAT.S.LOC.NUT FE/ZNXC3 | SPERRZAHN-BUNDMUTTER FE/ZNXC3 | DADO FE/ZNXC3 | |
| 010 | 80201651 | 008 | ECROU AUTOBLOQUANT FE/ZNXC3 | UNDERSERRAT.S.LOC.NUT FE/ZNXC3 | SPERRZAHN-BUNDMUTTER FE/ZNXC3 | DADO FE/ZNXC3 | |
| 011 | 80201630 | 012 | ECROU HEX.AUTOFREINE FE/ZNXC3 | SELF-LOCKING NUT FE/ZNXC3 | SELBSTSICH.MUTTER FE/ZNXC3 | DADO AUTOBLOCCANTE FE/ZNXC3 | |
| 012 | 80201040 | 002 | ECROU HEX.BAS AUTOFR.FE/ZNXC3 | SELF LOCKING NUT M10 DIN 985 | SELBSTSICHERND.MUTTER FE/ZNXC3 | DADO AUTOBLOCCANTE FE/ZNXC3 | |
| 013 | 80201240 | 001 | ECROU HEX.BAS AUTOFR.FE/ZNXC3 | SELF-LOCKING NUT M 12 DIN-985 | SELBSTSICHERND.MUTTER FE/ZNXC3 | DADO AUTOBLOCCANTE FE/ZNXC3 | |
| 014 | 80200870 | 002 | ECROU HEXAGONAL FE/ZNXC3 | NUT FE/ZNXC3 | SECHSKANTMUTTER FE/ZNXC3 | DADO FE/ZNXC3 | |
| 015 | A5350485 | 001 | ESSIEU | AXLE | RADACHSE | ASSALE | |
| 016 | A7060004 | 001 | CABLE | WIRE | DRAHTSEIL | CAVO | |
| 017 | A7060085 | 001 | CABLE | WIRE | DRAHTSEIL | CAVO | |
| 018 | A5350820 | 001 | FREIN ES DE PARKING | PARKING BRAKE (HANDLE) | FESTSTELLBREMSE (HEBEL) | FRENO | |
| 019 | A5307190 | 001 | GALET | ROLLER | ROLLE | RULLO | |
| 020 | 80451061 | 002 | GOUPILLE ELASTIQUE FLZNNC | ROLL PIN FLZNNC | SPANNHUELSE FLZNNC | SPINA ELASTICA FLZNNC | |
| 021 | A7080008 | 002 | MAILLON RAPIDE 8,0 NORM ZINGUE | QUICK LINK | STECKGLIED | | |
| 022 | A5307220 | 002 | PLAQUE | PLATE | PLATTE | PIASTRA | |
| 023 | A5350563 | 001 | PLAQUE SUPPORT DROITE ES | RIGHT PLATE | HALTERPLATTE RECHTS | PIASTRA | |
| 024 | A5350564 | 001 | PLAQUE SUPPORT GAUCHE ES | LEFT PLATE | HALTERPLATTE LINKS | PIASTRA | |
| 025 | 80281600 | 012 | RONDELLE CONIQUE BLOC.FLZNNC | CONICAL SPRING WASHER FLZNNC | SPANNSCHEIBE FLZNNC | RONDELLA CONICA FLZNNC | |
| 026 | 80251227 | 001 | RONDELLE PLATE FE/ZNXC3 | PLAIN WASHER M12 | SCHEIBE FE/ZNXC3 | RONDELLA PIATTA FE/ZNXC3 | |
| 027 | 80251624 | 012 | RONDELLE PLATE FE/ZNXC3 | PLAIN WASHER M16 | SCHEIBE FE/ZNXC3 | RONDELLA PIATTA FE/ZNXC3 | |
| 028 | A5307210 | 002 | SERRE-CABLE D5-6 CL8.8 ZN | GREENHOUSE-CABLE | KABELKLEME | ATTACCO | |
| 029 | A5215001 | 001 | SUPPORT | SUPPORT | TRAEGER | SUPPORTO | |
| 030 | A5313500 | 001 | SUPPORT | SUPPORT | TRAEGER | SUPPORTO | |
| 031 | A5321230 | 004 | SUPPORT | SUPPORT | TRAEGER | SUPPORTO | |
| 032 | A5334100 | 002 | SUPPORT | SUPPORT | TRAEGER | SUPPORTO | |
| 033 | A5306360 | 001 | TIMON | TONGUE | ZUGDEICHSEL | TIMONE | |
| 034 | 80131641 | 006 | VIS AUTOBLOQUANTE FLZNNC | UNDERSERR.S-LOC.SCREW FLZNNC | SPERRZAHN-BUNDSCHRAU.FLZNNC | VITE FLZNNC | |
| 035 | 80131650 | 002 | VIS AUTOBLOQUANTE FLZNNC | UNDERSERR.S-LOC.SCREW FLZNNC | SPERRZAHN-BUNDSCHRAU.FLZNNC | VITE FLZNNC | |
| 036 | 50070800 | 012 | VIS TBCC COURT | BOLT, CARRIAGE, SHORT NECK | FLACHRUNDSCHR.4KT ANSATZ | BULLONE | |
| 037 | 80061073 | 002 | VIS TETE HEXAGONALE FE/ZNXC3 | HEXAGON HEAD SCREW FE/ZNXC3 | SECHSKANTSCHRAUBE FE/ZNXC3 | VITE TESTA ESAGONALE FE/ZNXC3 | |
| 038 | 80061225 | 001 | VIS TETE HEXAGONALE FE/ZNXC3 | HEXAGON HEAD SCREW FE/ZNXC3 | SECHSKANTSCHRAUBE FE/ZNXC3 | VITE TESTA ESAGONALE FE/ZNXC3 | |
| 039 | 80061647 | 004 | VIS TETE HEXAGONALE FE/ZNXC3 | HEXAGON HEAD SCREW FE/ZNXC3 | SECHSKANTSCHRAUBE FE/ZNXC3 | VITE TESTA ESAGONALE FE/ZNXC3 | |
| 040 | 80061657 | 008 | VIS TETE HEXAGONALE FE/ZNXC3 | HEXAGON HEAD SCREW FE/ZNXC3 | SECHSKANTSCHRAUBE FE/ZNXC3 | VITE TESTA ESAGONALE FE/ZNXC3 | |





EURO.II 1860 FLEX GO
EURO.II 1860 FLEX TA

A4600 >
A4600 >

A53R0545 E

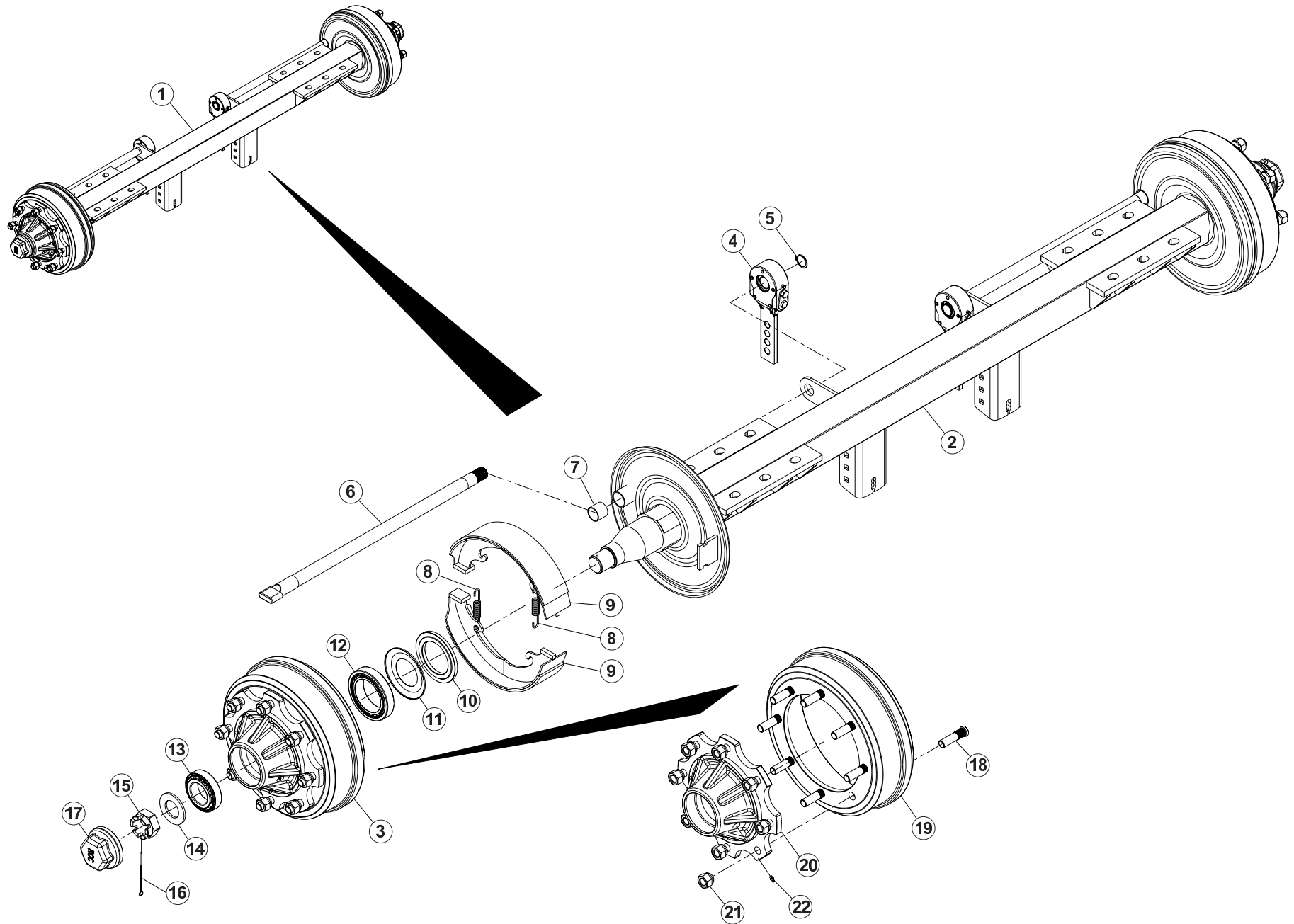
CHASSIS + ESSIEU

FRAME + AXLE

RAHMEN + ACHSE

TELAIO + ASSALE

| Rep | Nr | Qt | Designation | Description | Bezeichnung | Referenza | Remarque - Remark - Bemerkung - Osservazioni |
|-----|----------|-----|--------------------------------|--------------------------------|--------------------------------|-------------------------------|--|
| 001 | A5335170 | 001 | ANNEAU | RING | RING | ANELLO | |
| 002 | A5310094 | 001 | AXE DE TIMON ME+90/11050 | AXLE | ACHSE | ASSE | |
| 003 | A5310252 | 001 | AXE D30 EUROMIX | AXLE | BOLZEN | ASSE | |
| 004 | A7250513 | 001 | BOUCHON | PLUG | VERSCHLUSSSCHRAUBE | TAPPO | |
| 005 | A7060005 | 001 | CABLE POLYPROPYLENE D6 LG3000 | CABLE | KABEL | CAVO | |
| 006 | A7060074 | 001 | CABLE | WIRE | DRAHTSEIL | CAVO | |
| 007 | A5310770 | 001 | CHASSIS | CHASSIS | HAUPTRAHMEN | TELAIO | |
| 008 | A5307200 | 001 | COSSE COEUR RENFORCEE FIL D5 Z | CABLE TERMINAL | KABELSCHUH | TERMINALE | |
| 009 | 80201253 | 012 | ECROU AUTOBLOQUANT FE/ZNXC3 | UNDERSERRAT.S.LOC.NUT FE/ZNXC3 | SPERRZAHN-BUNDMUTTER FE/ZNXC3 | DADO FE/ZNXC3 | |
| 010 | 80201651 | 008 | ECROU AUTOBLOQUANT FE/ZNXC3 | UNDERSERRAT.S.LOC.NUT FE/ZNXC3 | SPERRZAHN-BUNDMUTTER FE/ZNXC3 | DADO FE/ZNXC3 | |
| 011 | 80201630 | 012 | ECROU HEX.AUTOFREINE FE/ZNXC3 | SELF-LOCKING NUT FE/ZNXC3 | SELBSTSICH.MUTTER FE/ZNXC3 | DADO AUTOBLOCCANTE FE/ZNXC3 | |
| 012 | 80201040 | 002 | ECROU HEX.BAS AUTOFR.FE/ZNXC3 | SELF LOCKING NUT M10 DIN 985 | SELBSTSICHERND.MUTTER FE/ZNXC3 | DADO AUTOBLOCCANTE FE/ZNXC3 | |
| 013 | 80201240 | 001 | ECROU HEX.BAS AUTOFR.FE/ZNXC3 | SELF-LOCKING NUT M 12 DIN-985 | SELBSTSICHERND.MUTTER FE/ZNXC3 | DADO AUTOBLOCCANTE FE/ZNXC3 | |
| 014 | 80200870 | 002 | ECROU HEXAGONAL FE/ZNXC3 | NUT FE/ZNXC3 | SECHSKANTMUTTER FE/ZNXC3 | DADO FE/ZNXC3 | |
| 015 | A5350722 | 001 | ESSIEU | AXLE | RADACHSE | ASSALE | |
| 016 | A7060004 | 001 | CABLE | WIRE | DRAHTSEIL | CAVO | |
| 017 | A5350820 | 001 | FREIN ES DE PARKING | PARKING BRAKE (HANDLE) | FESTSTELLBREMSE (HEBEL) | FRENO | |
| 018 | A5307190 | 001 | GALET | ROLLER | ROLLE | RULLO | |
| 019 | 80451046 | 002 | GOUPILLE ELASTIQUE FLZNNC | ROLL PIN FLZNNC | SPANNHUELSE FLZNNC | SPINA ELASTICA FLZNNC | |
| 020 | 80451061 | 002 | GOUPILLE ELASTIQUE FLZNNC | ROLL PIN FLZNNC | SPANNHUELSE FLZNNC | SPINA ELASTICA FLZNNC | |
| 021 | A7080008 | 002 | MAILLON RAPIDE 8,0 NORM ZINGUE | QUICK LINK | STECKGLIED | | |
| 022 | A5307220 | 002 | PLAQUE | PLATE | PLATTE | PIASTRA | |
| 023 | A5350563 | 001 | PLAQUE SUPPORT DROITE ES | RIGHT PLATE | HALTERPLATTE RECHTS | PIASTRA | |
| 024 | A5350564 | 001 | PLAQUE SUPPORT GAUCHE ES | LEFT PLATE | HALTERPLATTE LINKS | PIASTRA | |
| 025 | 80281600 | 012 | RONDELLE CONIQUE BLOC.FLZNNC | CONICAL SPRING WASHER FLZNNC | SPANNSCHEIBE FLZNNC | RONDELLA CONICA FLZNNC | |
| 026 | 80251227 | 001 | RONDELLE PLATE FE/ZNXC3 | PLAIN WASHER M12 | SCHEIBE FE/ZNXC3 | RONDELLA PIATTA FE/ZNXC3 | |
| 027 | 80251624 | 012 | RONDELLE PLATE FE/ZNXC3 | PLAIN WASHER M16 | SCHEIBE FE/ZNXC3 | RONDELLA PIATTA FE/ZNXC3 | |
| 028 | A5307210 | 002 | SERRE-CABLE D5-6 CL8.8 ZN | GREENHOUSE-CABLE | KABELKLEME | ATTACCO | |
| 029 | A5215001 | 001 | SUPPORT | SUPPORT | TRAEGER | SUPPORTO | |
| 030 | A5313500 | 001 | SUPPORT | SUPPORT | TRAEGER | SUPPORTO | |
| 031 | A5321230 | 004 | SUPPORT | SUPPORT | TRAEGER | SUPPORTO | |
| 032 | A5334100 | 002 | SUPPORT | SUPPORT | TRAEGER | SUPPORTO | |
| 033 | A5306360 | 001 | TIMON | TONGUE | ZUGDEICHSEL | TIMONE | |
| 034 | 80131641 | 006 | VIS AUTOBLOQUANTE FLZNNC | UNDERSERR.S-LOC.SCREW FLZNNC | SPERRZAHN-BUNDSCHRAU.FLZNNC | VITE FLZNNC | |
| 035 | 80131650 | 002 | VIS AUTOBLOQUANTE FLZNNC | UNDERSERR.S-LOC.SCREW FLZNNC | SPERRZAHN-BUNDSCHRAU.FLZNNC | VITE FLZNNC | |
| 036 | 50070800 | 012 | VIS TBCC COURT | BOLT, CARRIAGE, SHORT NECK | FLACHRUNDSCHR.4KT ANSATZ | BULLONE | |
| 037 | 80061073 | 002 | VIS TETE HEXAGONALE FE/ZNXC3 | HEXAGON HEAD SCREW FE/ZNXC3 | SECHSKANTSCHRAUBE FE/ZNXC3 | VITE TESTA ESAGONALE FE/ZNXC3 | |
| 038 | 80061225 | 001 | VIS TETE HEXAGONALE FE/ZNXC3 | HEXAGON HEAD SCREW FE/ZNXC3 | SECHSKANTSCHRAUBE FE/ZNXC3 | VITE TESTA ESAGONALE FE/ZNXC3 | |
| 039 | 80061647 | 004 | VIS TETE HEXAGONALE FE/ZNXC3 | HEXAGON HEAD SCREW FE/ZNXC3 | SECHSKANTSCHRAUBE FE/ZNXC3 | VITE TESTA ESAGONALE FE/ZNXC3 | |
| 040 | 80061657 | 008 | VIS TETE HEXAGONALE FE/ZNXC3 | HEXAGON HEAD SCREW FE/ZNXC3 | SECHSKANTSCHRAUBE FE/ZNXC3 | VITE TESTA ESAGONALE FE/ZNXC3 | |





EURO.II 1460 FLEX GO
EURO.II 1460 FLEX TA

A4600 >
A4600 >

A53R0520 B

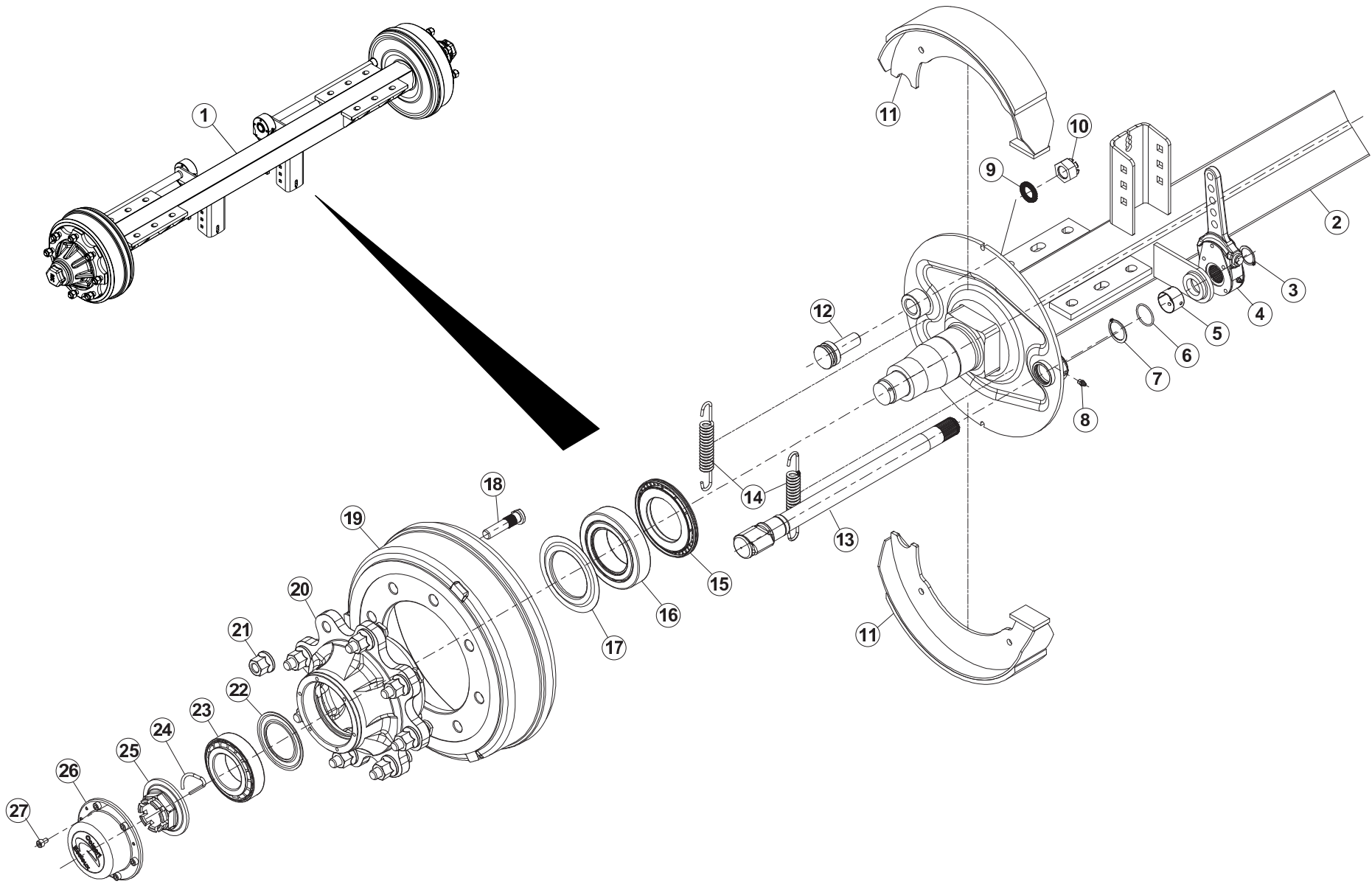
ESSIEU A5350485

AXLE A5350485

ACHSE A5350485

ASSALE A5350485

| Rep | Nr | Qt | Designation | Description | Bezeichnung | Referenza | Remarque - Remark - Bemerkung - Osservazioni |
|-----|----------|-----|--------------------------------|--------------------------------|-----------------------------|-------------------------------|--|
| 001 | A5350485 | 001 | ESSIEU | AXLE | RADACHSE | ASSALE | + [1] |
| 002 | A7039405 | 001 | CORPS D'ESSIEU C90 VOIE 1980 | BODY | GEHAEUSE | CORPO | [1] |
| 003 | A7039096 | 002 | MOYEU 908 AF1 350X80S CPL | CPL HUB 908 AF1 350X80S | NABE 908 AF1 350X80S KPL | MOZZO 908 AF1 350X80S | [1]+ [2] |
| 004 | A7039409 | 002 | BIELLE | LINK, CONNECTING | LENKER | BIELLA | [1] |
| 005 | 80583000 | 002 | CIRCLIP EXTERIEUR | ELASTIC RING B,VOLUX E30 DIN 4 | SICHERUNGSRING | ANELLO | [1] |
| 006 | A7039102 | 002 | CAME TYPE 2 D.30 <-> 479 | CAM | CURVE | SPESSORE REGOLAZIONE ANULARE | [1] |
| 007 | A7039101 | 002 | BAGUE ANTI-FRICTION D.36X32P30 | BUSH | BUCHSE | ANELLO | [1] |
| 008 | A7039099 | 004 | RESSORT DE RAPPEL 3X17X120 | SPRING | ZUGFEDER | MOLLA | [1] |
| 009 | A7039100 | 004 | MACHOIRES + GARNNITURES | BRAKE SHOE | BREMSBACKE | GANASCIA DI FRENO | [1] |
| 010 | A7039098 | 002 | RONDELLE AR. D.85X130X10 | WASHER | SCHEIBE | RONDELLA | [1] |
| 011 | A7039140 | 002 | JOINT METALLIQUE (TYPE NILOS) | SEAL | DICHTRING | | [1] |
| 012 | 81308504 | 002 | ROULEMENT A ROULEAUX CONIQUES | TAPERED ROLLER BEARING | KEGELROLLENLAGER | CUSCINETTO A RULLI CR | [1] |
| 013 | 81305501 | 002 | ROULEMENT A ROULEAUX CONIQUES | TAPERED ROLLER BEARING | KEGELROLLENLAGER | CUSCINETTO A RULLI | [1] |
| 014 | A7039049 | 002 | RONDELLE PLATE D45X80X5 | WASHER | FLACHSCHEIBE | RONDELLA PIANA | [1] |
| 015 | 80204515 | 002 | ECROU HK | CASTLE NUT | KRONENMUTTER | DADO | [1] |
| 016 | 80500579 | 002 | GOUPILLE FENDUE FE/ZNXC3 | SPLIT PIN FE/ZNXC3 | SPLINT FE/ZNXC3 | COPPIGLIA FE/ZNXC3 | [1] |
| 017 | A7039168 | 002 | CHAPEAU M101,5X1,5 MONROC | CAP | DECKEL | CAPPELLO | [1] |
| 018 | A7039044 | 016 | GOUJON D.18X150 <-> 46/70 | STUD, THREADED | GEWINDESTIFT | SPINA | [2] |
| 019 | A7039420 | 002 | TAMBOUR 350X80 8T MONROC | BRAKE DRUM | BREMSETRONNEL | | [2] |
| 020 | A7039166 | 002 | MOYEU NU 320X75 D220 8 TROUS M | HUB | NABE | MOZZO | [2] |
| 021 | A7039139 | 016 | ECROU DE ROUE 18X150:6 PANS 29 | NUT | MUTTER | DADO SCANALATO | [2] |
| 022 | 82200616 | 002 | GRAISSEUR A TETE SPHERIQUE | LUBRICATING NIPPLE: CONE TYPE | KEGELSCHMIERNIPPEL | INGRASSATORE FE/ZNXC3 | [2] |
| 023 | A5350563 | 001 | PLAQUE SUPPORT DROITE ES | RIGHT PLATE | HALTERPLATTE RECHTS | PIASTRA | |
| 024 | A5350564 | 001 | PLAQUE SUPPORT GAUCHE ES | LEFT PLATE | HALTERPLATTE LINKS | PIASTRA | |
| 025 | 80281600 | 012 | RONDELLE CONIQUE BLOC.FLZNNC | CONICAL SPRING WASHER FLZNNC | SPANNSCHEIBE FLZNNC | RONDELLA CONICA FLZNNC | |
| 026 | 80251227 | 001 | RONDELLE PLATE FE/ZNXC3 | PLAIN WASHER M12 | SCHEIBE FE/ZNXC3 | RONDELLA PIATTA FE/ZNXC3 | |
| 027 | 80251624 | 012 | RONDELLE PLATE FE/ZNXC3 | PLAIN WASHER M16 | SCHEIBE FE/ZNXC3 | RONDELLA PIATTA FE/ZNXC3 | |
| 028 | A5307210 | 002 | SERRE-CABLE D5-6 CL8.8 ZN | GREENHOUSE-CABLE | KABELKLEME | ATTACCO | |
| 029 | A5215001 | 001 | SUPPORT | SUPPORT | TRAEGER | SUPPORTO | |
| 030 | A5313500 | 001 | SUPPORT | SUPPORT | TRAEGER | SUPPORTO | |
| 031 | A5321230 | 004 | SUPPORT | SUPPORT | TRAEGER | SUPPORTO | |
| 032 | A5334100 | 002 | SUPPORT | SUPPORT | TRAEGER | SUPPORTO | |
| 033 | A5306360 | 001 | TIMON | TONGUE | ZUGDEICHSEL | TIMONE | |
| 034 | 80131641 | 006 | VIS AUTOBLOQUANTE FLZNNC | UNDERSERR.S-LOC.SCREW FLZNNC | SPERRZAHN-BUNDSCHRAU.FLZNNC | VITE FLZNNC | |
| 035 | 80131650 | 002 | VIS AUTOBLOQUANTE FLZNNC | UNDERSERR.S-LOC.SCREW FLZNNC | SPERRZAHN-BUNDSCHRAU.FLZNNC | VITE FLZNNC | |
| 036 | 50070800 | 012 | VIS TBCC COURT | BOLT, CARRIAGE, SHORT NECK | FLACHRUNDSCHR.4KT ANSATZ | BULLONE | |
| 037 | 80061073 | 002 | VIS TETE HEXAGONALE FE/ZNXC3 | HEXAGON HEAD SCREW FE/ZNXC3 | SECHSKANTSCHRAUBE FE/ZNXC3 | VITE TESTA ESAGONALE FE/ZNXC3 | |
| 038 | 80061225 | 001 | VIS TETE HEXAGONALE FE/ZNXC3 | HEXAGON HEAD SCREW FE/ZNXC3 | SECHSKANTSCHRAUBE FE/ZNXC3 | VITE TESTA ESAGONALE FE/ZNXC3 | |
| 039 | 80061647 | 004 | VIS TETE HEXAGONALE FE/ZNXC3 | HEXAGON HEAD SCREW FE/ZNXC3 | SECHSKANTSCHRAUBE FE/ZNXC3 | VITE TESTA ESAGONALE FE/ZNXC3 | |
| 040 | 80061657 | 008 | VIS TETE HEXAGONALE FE/ZNXC3 | HEXAGON HEAD SCREW FE/ZNXC3 | SECHSKANTSCHRAUBE FE/ZNXC3 | VITE TESTA ESAGONALE FE/ZNXC3 | |





EURO.II 1860 FLEX GO
EURO.II 1860 FLEX TA

A4600 >
A4600 >

A53R0543 B

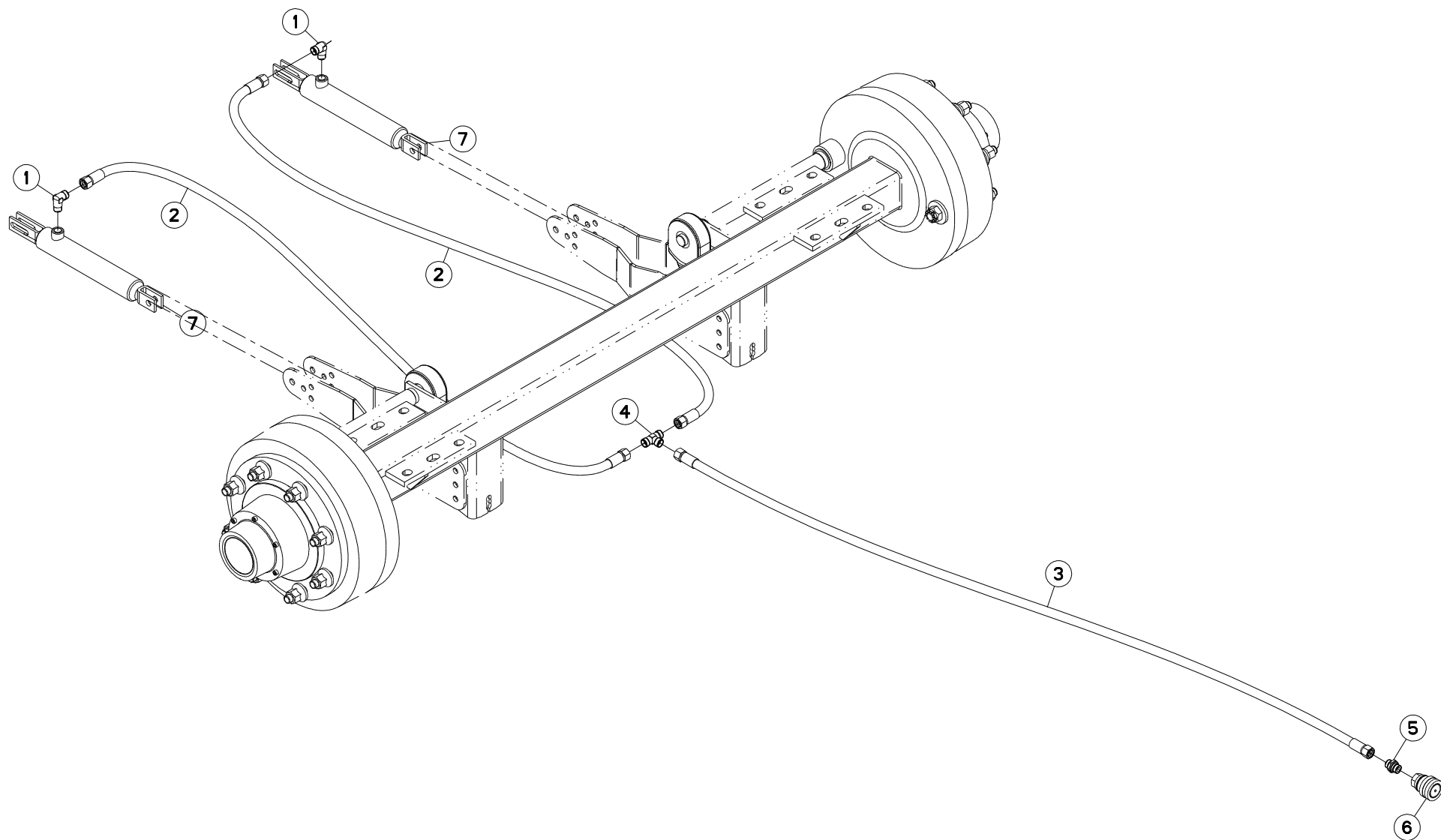
ESSIEU A5350722

AXLE A5350722

ACHSE A5350722

ASSALE A5350722

| Rep | Nr | Qt | Designation | Description | Bezeichnung | Referenza | Remarque - Remark - Bemerkung - Osservazioni |
|-----|----------|-----|--------------------------------|--------------------------------|--------------------------------|--------------------------------|--|
| 001 | A5350722 | 001 | ESSIEU | AXLE | RADACHSE | ASSALE | |
| 002 | A7039165 | 001 | CORPS D'ESSIEU TYPE 0145 | AXLE | ACHSE | CORPO | |
| 003 | 80613200 | 002 | CIRCLIP E | RETAINING RING | SICHERUNGSRING | ANELLO | |
| 004 | A7039342 | 002 | BIELLETTE 5 TROUS | LINK | SCHUBSTANGE | BIELLETTA | |
| 005 | A7039056 | 002 | BAGUE | BUSH | BUCHSE | BOCCOLA | |
| 006 | 82063742 | 002 | JOINT TORIQUE | O-RING | O-RING | GUARNIZIONE | |
| 007 | 80583800 | 002 | CIRCLIP EXTERIEUR | RETAINING RING | SICHERUNGSRING | ANELLO | |
| 008 | 82200800 | 002 | GRAISSEUR A TETE SPHERIQUE | GRESE NIPPLE B M8X1,25 | KEGELSCHMIERNIPPEL | INGRASSATORE FE/ZNXC3 | |
| 009 | A7039423 | 004 | RONDELLE | WASHER | SCHEIBE | RONDELLA | |
| 010 | A7039305 | 004 | ECROU A CRENEAUX | CASTLE NUT | KRONENMUTTER | DADO A CORONA | |
| 011 | A7039402 | 004 | MACHOIRE GARNIE | BRAKE SHOE | BREMSBACKE | GANASCIA DI FRENO | |
| 012 | A7039403 | 002 | POINT FIXE DE FREIN | STUD | GEWINDEBOLZEN | SPINOTTO FILETTATO | |
| 013 | A7039424 | 002 | AXE DE COMMANDE | AXLE | BOLZEN | ASSE | |
| 014 | A7039401 | 004 | RESSORT DE RAPPEL | RIGHT | ZUGFEDER | MOLLA | |
| 015 | A7039164 | 002 | BAGUE D'ETANCHEITE | BUSH | BUCHSE | BOCCOLA | |
| 016 | 81308505 | 002 | ROULEMENT A ROULEAUX CONIQUES | TAPERED ROLLER BEARING | KEGELROLLENLAGER | CUSCINETTO A RULLI CR | |
| 017 | A7039162 | 002 | JOINT DE RETENU RLT.AR. | SEAL | DICHTRING | | |
| 018 | A7039228 | 016 | GOUJON DE ROUE D.18X1,5 <->86 | AXLE D.18X1,5 <->86 | RADSCHRAUBE D.18X1,5 <->86 | SPINA D.18X1,5 <->86 | |
| 019 | A7039425 | 002 | TAMBOUR DE FREIN | BRAKE DRUM | BREMSTROMMEL | TAMBURO DI FRENO | |
| 020 | A7039426 | 002 | MOYEU | HUB | NABE | MOZZO | |
| 021 | A7039079 | 016 | ECROU DE ROUE A BEC | WHEEL NUT | RADMUTTER | DADO RUOTA | |
| 022 | A7039161 | 002 | JOINT DE RETENU RLT.AV. | SEAL | DICHTRING | | |
| 023 | 81307016 | 002 | ROULEMENT A ROULEAUX CONIQUES | TAPERED ROLLER BEARING | KEGELROLLENLAGER | CUSCINETTO A RULLO | |
| 024 | H2904360 | 002 | EPINGLE | PIN, COTTER, HAIRPIN | FEDERSTECKER | SPILLO | |
| 025 | A7039428 | 002 | ECROU HK | NUT | MUTTER | DADO | |
| 026 | A7039157 | 002 | CHAPEAU DE MOYEU | CAP | DECKEL | CAPPELLO | |
| 027 | 80080813 | 012 | VIS TETE CYL.SIX P.CR.FE/ZNXC3 | HEX.SOCK.HEAD CAP SCR.FE/ZNXC3 | ZYLINDERSCHR.INNENSEC.FE/ZNXC3 | VITE A TESTA CILINDR. FE/ZNXC3 | |
| 028 | A5307210 | 002 | SERRE-CABLE D5-6 CL8.8 ZN | GREENHOUSE-CABLE | KABELKLEME | ATTACCO | |
| 029 | A5215001 | 001 | SUPPORT | SUPPORT | TRAEGER | SUPPORTO | |
| 030 | A5313500 | 001 | SUPPORT | SUPPORT | TRAEGER | SUPPORTO | |
| 031 | A5321230 | 004 | SUPPORT | SUPPORT | TRAEGER | SUPPORTO | |
| 032 | A5334100 | 002 | SUPPORT | SUPPORT | TRAEGER | SUPPORTO | |
| 033 | A5306360 | 001 | TIMON | TONGUE | ZUGDEICHSEL | TIMONE | |
| 034 | 80131641 | 006 | VIS AUTOBLOQUANTE FLZNNC | UNDERSERR.S-LOC.SCREW FLZNNC | SPERRZAHN-BUNDSCHRAU.FLZNNC | VITE FLZNNC | |
| 035 | 80131650 | 002 | VIS AUTOBLOQUANTE FLZNNC | UNDERSERR.S-LOC.SCREW FLZNNC | SPERRZAHN-BUNDSCHRAU.FLZNNC | VITE FLZNNC | |
| 036 | 50070800 | 012 | VIS TBCC COURT | BOLT, CARRIAGE, SHORT NECK | FLACHRUNDSCHR.4KT ANSATZ | BULLONE | |
| 037 | 80061073 | 002 | VIS TETE HEXAGONALE FE/ZNXC3 | HEXAGON HEAD SCREW FE/ZNXC3 | SECHSKANTSCHRAUBE FE/ZNXC3 | VITE TESTA ESAGONALE FE/ZNXC3 | |
| 038 | 80061225 | 001 | VIS TETE HEXAGONALE FE/ZNXC3 | HEXAGON HEAD SCREW FE/ZNXC3 | SECHSKANTSCHRAUBE FE/ZNXC3 | VITE TESTA ESAGONALE FE/ZNXC3 | |
| 039 | 80061647 | 004 | VIS TETE HEXAGONALE FE/ZNXC3 | HEXAGON HEAD SCREW FE/ZNXC3 | SECHSKANTSCHRAUBE FE/ZNXC3 | VITE TESTA ESAGONALE FE/ZNXC3 | |
| 040 | 80061657 | 008 | VIS TETE HEXAGONALE FE/ZNXC3 | HEXAGON HEAD SCREW FE/ZNXC3 | SECHSKANTSCHRAUBE FE/ZNXC3 | VITE TESTA ESAGONALE FE/ZNXC3 | |





EURO.II 1460 FLEX GO
EURO.II 1460 FLEX TA

A4600 >
A4600 >

A53R0519 B

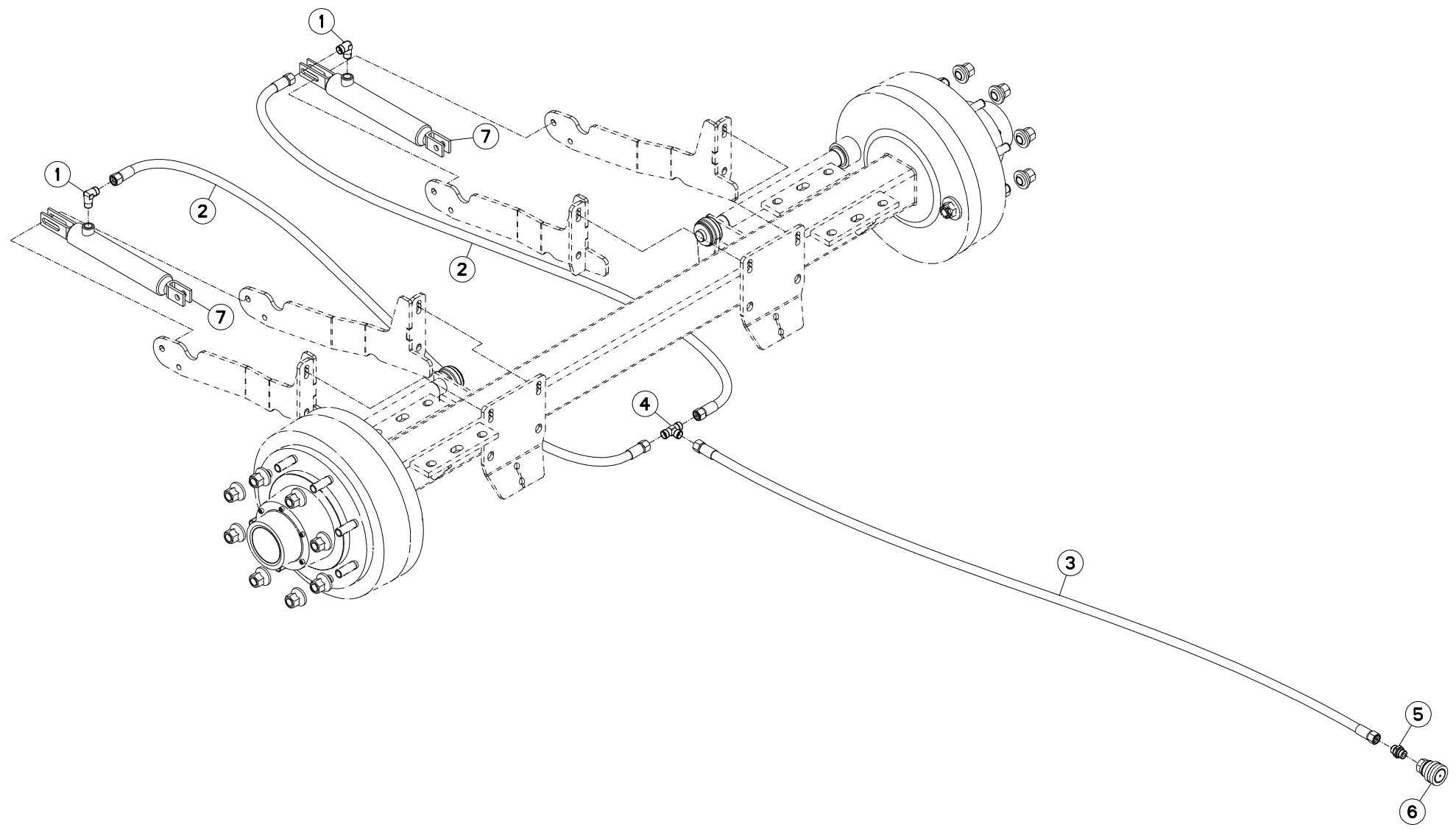
FREINAGE HYDRAULIQUE 1460

HYDRAULIC BRAKE 1460

HYDRAULISCHE BREMSANLAGE 1460

FRENO IDRAULICO 1460

| Rep | Nr | Qt | Designation | Description | Bezeichnung | Referenza | Remarque - Remark - Bemerkung - Osservazioni |
|-----|-----------------|-----|--------------------------------|-------------------------------|--------------------------------|--------------------------|--|
| 001 | A4080813 | 002 | COUDE MALE | MALE STUD ELBOW FE/ZNXC3 | WINKEL-EINSCHRAUBVERSCHRAU.FE/ | GIUNZIONE A 90° FE/ZNXC3 | |
| 002 | A4922101 | 002 | FLEXIBLE HYDRAULIQUE | HYDRAULIC HOSE | HYDRAULIKSCHLAUCH | TUBO GOMMA | <->1000 mm |
| 003 | A4922590 | 001 | FLEXIBLE HYDRAULIQUE | HYDRAULIC HOSE | HYDRAULIKSCHLAUCH | TUBO GOMMA | <->5900 mm |
| 004 | A4081003 | 001 | TE EGAL | EQUAL TEE | T-VERSCHRAUBUNG | GIUNZIONE A T | |
| 005 | A4080415 | 001 | UNION MALE | MALE STUD CONNECTOR | GERADER EINSCHRAUBSTUTZEN | GIUZIONE DIRITTA ZBC | |
| 006 | A7181002 | 001 | VALVE | VALVE | VENTIL | VALVOLA | |
| 007 | A4010004 | 002 | VERIN SE 25 C108 EAF329 | HYDRAULIC CYLINDER | HYDRAULIKZYLINDER | CILINDRO | |
| 008 | A7039099 | 004 | RESSORT DE RAPPEL 3X17X120 | SPRING | ZUGFEDER | MOLLA | [1] |
| 009 | A7039100 | 004 | MACHOIRES + GARNNITURES | BRAKE SHOE | BREMSBACKE | GANASCIA DI FRENO | [1] |
| 010 | A7039098 | 002 | RONDELLE AR. D.85X130X10 | WASHER | SCHEIBE | RONDELLA | [1] |
| 011 | A7039140 | 002 | JOINT METALLIQUE (TYPE NILOS) | SEAL | DICHTRING | | [1] |
| 012 | 81308504 | 002 | ROULEMENT A ROULEAUX CONIQUES | TAPERED ROLLER BEARING | KEGELROLLENLAGER | CUSCINETTO A RULLI CR | [1] |
| 013 | 81305501 | 002 | ROULEMENT A ROULEAUX CONIQUES | TAPERED ROLLER BEARING | KEGELROLLENLAGER | CUSCINETTO A RULLI | [1] |
| 014 | A7039049 | 002 | RONDELLE PLATE D45X80X5 | WASHER | FLACHSCHEIBE | RONDELLA PIANA | [1] |
| 015 | 80204515 | 002 | ECROU HK | CASTLE NUT | KRONENMUTTER | DADO | [1] |
| 016 | 80500579 | 002 | GOUPILLE FENDUE FE/ZNXC3 | SPLIT PIN FE/ZNXC3 | SPLINT FE/ZNXC3 | COPPIGLIA FE/ZNXC3 | [1] |
| 017 | A7039168 | 002 | CHAPEAU M101,5X1,5 MONROC | CAP | DECKEL | CAPPELLO | [1] |
| 018 | A7039044 | 016 | GOUJON D.18X150 <-> 46/70 | STUD, THREADED | GEWINDESTIFT | SPINA | [2] |
| 019 | A7039420 | 002 | TAMBOUR 350X80 8T MONROC | BRAKE DRUM | BREMSETRONNEL | | [2] |
| 020 | A7039166 | 002 | MOYEU NU 320X75 D220 8 TROUS M | HUB | NABE | MOZZO | [2] |
| 021 | A7039139 | 016 | ECROU DE ROUE 18X150:6 PANS 29 | NUT | MUTTER | DADO SCANALATO | [2] |
| 022 | 82200616 | 002 | GRAISSEUR A TETE SPHERIQUE | LUBRICATING NIPPLE: CONE TYPE | KEGELSCHMIERNIPPEL | INGRASSATORE FE/ZNXC3 | [2] |





EURO.II 1860 FLEX GO
EURO.II 1860 FLEX TA

A4600 >
A4600 >

A53R0546 A

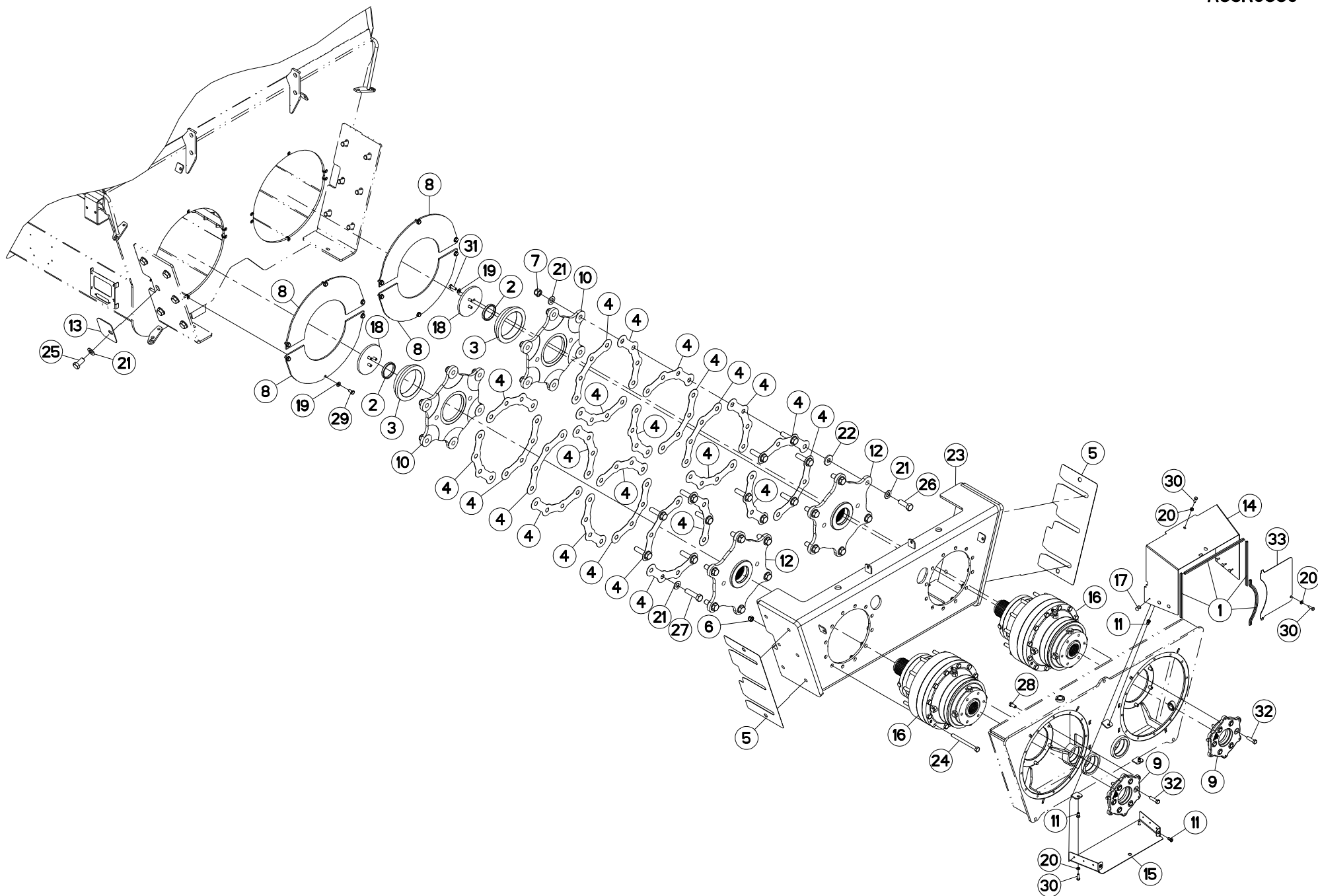
FREINAGE HYDRAULIQUE 1860

HYDRAULIC BRAKE 1860

HYDRAULISCHE BREMSANLAGE 1860

FRENO IDRAULICO 1860

| Rep | Nr | Qt | Designation | Description | Bezeichnung | Referenza | Remarque - Remark - Bemerkung - Osservazioni |
|-----|-----------------|-----|-------------------------|--------------------------|--------------------------------|--------------------------|--|
| 001 | A4080813 | 002 | COUDE MALE | MALE STUD ELBOW FE/ZNXC3 | WINKEL-EINSCHRAUBVERSCHRAU.FE/ | GIUNZIONE A 90° FE/ZNXC3 | |
| 002 | A4922151 | 002 | FLEXIBLE HYDRAULIQUE | HYDRAULIC HOSE | HYDRAULIKSCHLAUCH | TUBO GOMMA | <->1500 mm |
| 003 | A4922590 | 001 | FLEXIBLE HYDRAULIQUE | HYDRAULIC HOSE | HYDRAULIKSCHLAUCH | TUBO GOMMA | <->5900 mm |
| 004 | A4081003 | 001 | TE EGAL | EQUAL TEE | T-VERSCHRAUBUNG | GIUNZIONE A T | |
| 005 | A4080415 | 001 | UNION MALE | MALE STUD CONNECTOR | GERADER EINSCHRAUBSTUTZEN | GIUNZIONE DIRITTA ZBC | |
| 006 | A7181002 | 001 | VALVE | VALVE | VENTIL | VALVOLA | |
| 007 | A4010004 | 002 | VERIN SE 25 C108 EAF329 | HYDRAULIC CYLINDER | HYDRAULIKZYLINDER | CILINDRO | |





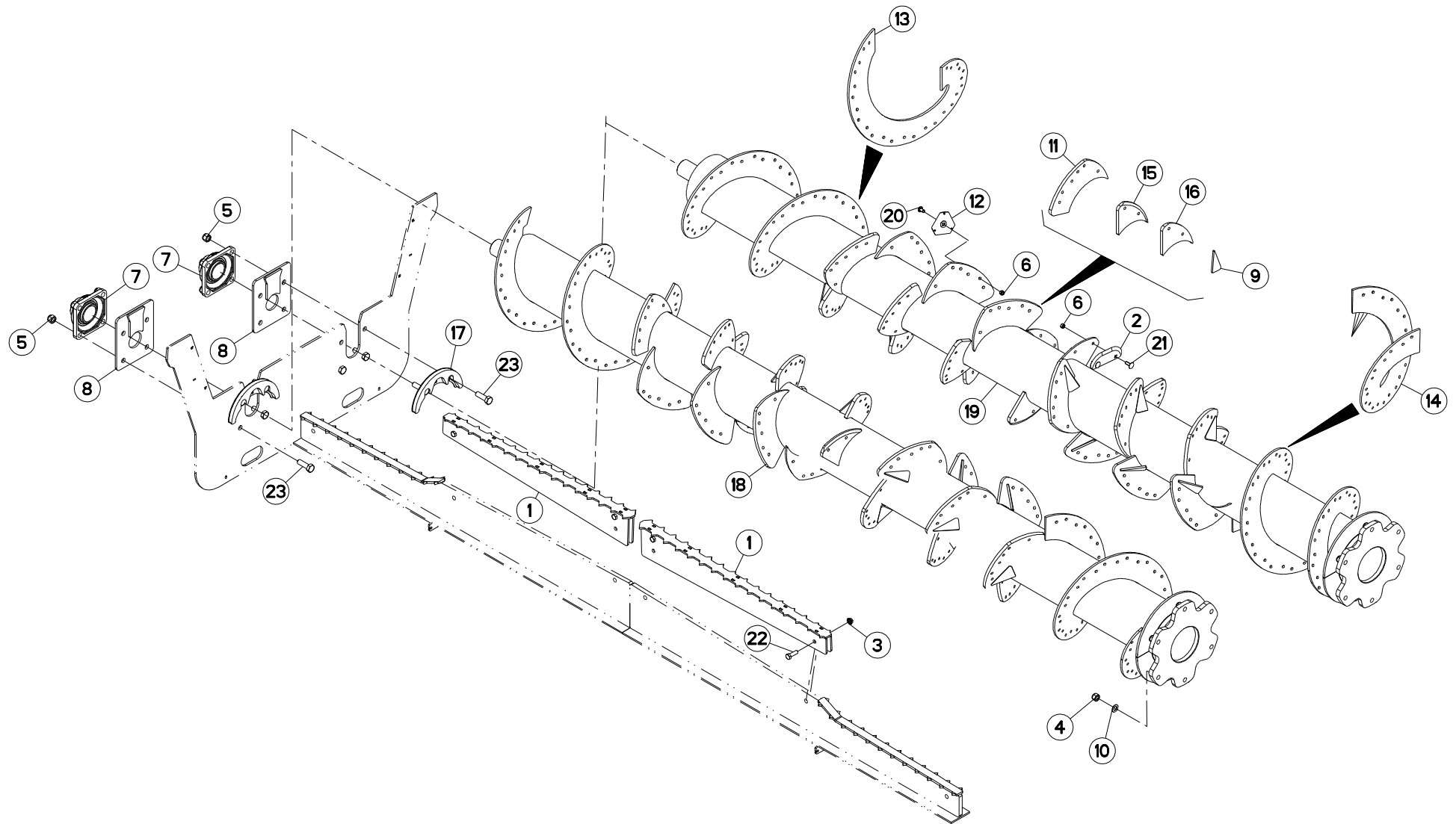
ENTRAINEMENT VIS DE MÉLANGE

DRIVE MIXING SCREW

ANTRIEB MISCHSCHNECKE

TRASCINAMENTO VITE DI MISCELA

| Rep | Nr | Qt | Designation | Description | Bezeichnung | Referenza | Remarque - Remark - Bemerkung - Osservazioni |
|-----|----------|-----|-------------------------------|--------------------------------|-------------------------------|-------------------------------|--|
| 001 | A7250710 | 000 | JONC CAOUTCHOUC CLIPABLE ARME | RETAINER RING | KANTENSCHUTZ | GUINTO GOMMA | <m> |
| 002 | A5310895 | 002 | BAGUE D80 D70 LG10 | BUSH | BUCHSE | BOCCOLA | |
| 003 | A5311660 | 002 | BAGUE | BUSHING | HUELSE | BOCCOLA | |
| 004 | A5310868 | 024 | BIELLETTE D'ACOUPLEMENT 1860 | ROD | HEBEL | BIELLA | |
| 005 | A5310873 | 002 | CALE | SHIM | DISTANZPLATTE | SPESSORE | |
| 006 | 80201430 | 024 | ECROU HEX.AUTOFREINE FE/ZNXC3 | SELF-LOCKING NUT M14 DIN-982 | SELBSTSICHERNDE MUTT.FE/ZNXC3 | DADO AUTOBLOCCANTE FE/ZNXC3 | |
| 007 | 80202030 | 012 | ECROU HEX.AUTOFREINE FE/ZNXC3 | SELF-LOCKING NUT M 20 DIN 982 | SELBSTSICH.MUTTER FE/ZNXC3 | DADO AUTOBLOCCANTE FE/ZNXC3 | |
| 008 | A5310900 | 004 | FLASQUE D'ETANCHEITE 1860 | FLANGE | FLANSCH | FLANGIA | |
| 009 | A5311620 | 002 | FLASQUE FIXATION BOITIER 1860 | FLANGE | FLANSCH | FLANGIA | |
| 010 | A5311650 | 002 | FLASQUE | FLANGE | FLANSCH | FLANGIA | |
| 011 | A8359108 | 005 | INSERT HEX M8 A COLLERETTE | INSERT NUT HEX M8 | EINSETZMUTTER HEX M8 | MANICOTTO HEX M8 | |
| 012 | A5350719 | 002 | MANCHON ACCOUP.1860 ES | SLEEVE | NABE | MANICOTTO | |
| 013 | A5311450 | 002 | PLAQUE | PLATE | PLATTE | PIASTRA | |
| 014 | A5310887 | 001 | PROTECTION | SHIELD | SCHUTZ | PROTEZIONE | |
| 015 | A5310888 | 001 | PROTECTION | SHIELD | SCHUTZ | PROTEZIONE | |
| 016 | A7010233 | 002 | REDUCTEUR | GEARCASE, REDUCER | REDUZIERGETRIEBE | RIDUTTORE | |
| 017 | 80370419 | 006 | RIVET AVEUGLE TL | RIVET | NIETE | RIVETTO | |
| 018 | A5310870 | 002 | RONDELLE D'ARRET 3 TROUS 1860 | WASHER | SCHEIBE | RONDELLA | |
| 019 | 80251021 | 018 | RONDELLE PLATE FE/ZNXC3 | PLAIN WASHER M10 | SCHEIBE FE/ZNXC3 | RONDELLA PIATTA FE/ZNXC3 | |
| 020 | 80250823 | 004 | RONDELLE PLATE FE/ZNXC3 | PLAIN WASHER FE/ZNXC3 | SCHEIBE FE/ZNXC3 | RONDELLA PIATTA FE/ZNXC3 | |
| 021 | 80252026 | 048 | RONDELLE PLATE FE/ZNXC3 | PLAIN WASHER M20 DIN 125 | SCHEIBE FE/ZNXC3 | RONDELLA PIATTA FE/ZNXC3 | |
| 022 | 80252060 | 012 | RONDELLE PLATE FE/ZNXC3 | PLAIN WASHER FE/ZNXC3 | SCHEIBE FE/ZNXC3 | RONDELLA PIATTA FE/ZNXC3 | |
| 023 | A5350729 | 001 | SUPP.REDUCTEURS 1860 ES | HOLDER | HALTER | | |
| 024 | 80061475 | 024 | VIS TETE HEXAGONALE FE/ZNXC3 | HEXAGON HEAD SCREW FE/ZNXC3 | SECHSKANTSCHRAUBE FE/ZNXC3 | VITE TESTA ESAGONALE FE/ZNXC3 | |
| 025 | 80062040 | 012 | VIS TETE HEXAGONALE FE/ZNXC3 | HEXAGON HEAD SCREW FE/ZNXC3 | SECHSKANTSCHRAUBE FE/ZNXC3 | VITE TESTA ESAGONALE FE/ZNXC3 | |
| 026 | 80062055 | 012 | VIS TETE HEXAGONALE FE/ZNXC3 | HEXAGON HEAD SCREW FE/ZNXC3 | SECHSKANTSCHRAUBE FE/ZNXC3 | VITE TESTA ESAGONALE FE/ZNXC3 | |
| 027 | 80062081 | 012 | VIS TETE HEXAGONALE FE/ZNXC3 | HEXAGON HEAD SCREW FE/ZNXC3 | SECHSKANTSCHRAUBE FE/ZNXC3 | VITE TESTA ESAGONALE FE/ZNXC3 | |
| 028 | 80061225 | 012 | VIS TETE HEXAGONALE FE/ZNXC3 | HEXAGON HEAD SCREW FE/ZNXC3 | SECHSKANTSCHRAUBE FE/ZNXC3 | VITE TESTA ESAGONALE FE/ZNXC3 | |
| 029 | 80061021 | 012 | VIS TETE HEXAGONALE INOX | HEXAGON HEAD SCREW INOX | SECHSKANTSCHRAUBE INOX | VITE A TESTA ESAGONALE INOX | |
| 030 | 80060826 | 004 | VIS TETE HEXAGONALE FE/ZNXC3 | HEAD HEX SCREW M8X25 CL8.8 DIN | SECHSKANTSCHRAUBE FE/ZNXC3 | VITE TESTA ESAGONALE FE/ZNXC3 | |
| 031 | 80061073 | 006 | VIS TETE HEXAGONALE FE/ZNXC3 | HEXAGON HEAD SCREW FE/ZNXC3 | SECHSKANTSCHRAUBE FE/ZNXC3 | VITE TESTA ESAGONALE FE/ZNXC3 | |
| 032 | 80061245 | 012 | VIS TETE HEXAGONALE FE/ZNXC3 | HEXAGON HEAD SCREW FE/ZNXC3 | SECHSKANTSCHRAUBE FE/ZNXC3 | VITE TESTA ESAGONALE FE/ZNXC3 | |
| 033 | A5310889 | 001 | VOLET DE PROTECTION PDF 1860 | SHAFT SHIEDL FRONT | ZAPFWELLENSCHUTZ VORNE | TRAPPOLA | |





EURO.II 1460 FLEX GO
EURO.II 1460 FLEX TA

A4600 >
A4600 >

A53R0547 A

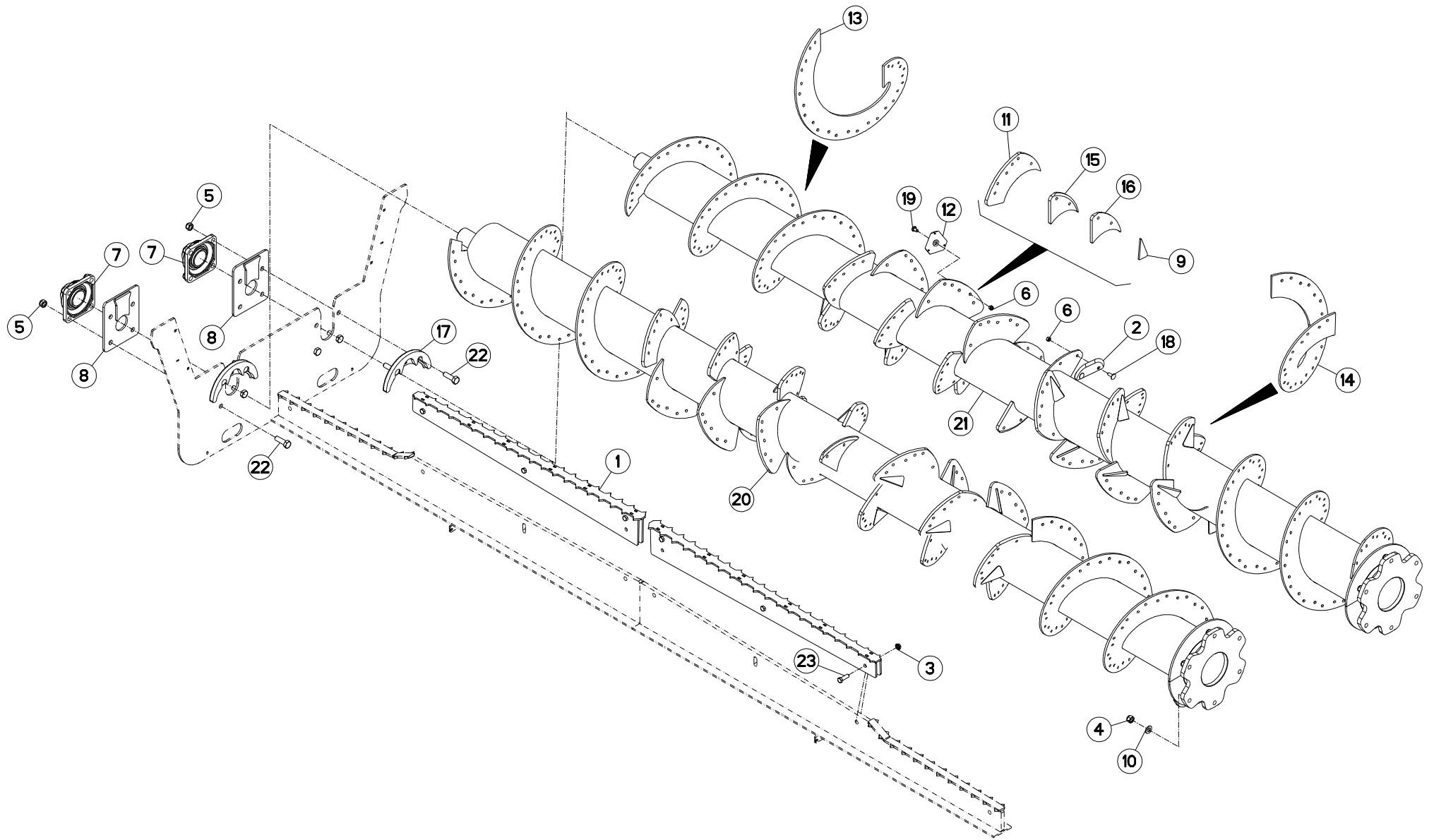
VIS DE MÉLANGE 1460

MIXING SCREW 1460

MISCHSCHNECKE 1460

VITE DI MISCELAZIONE 1460

| Rep | Nr | Qt | Designation | Description | Bezeichnung | Referenza | Remarque - Remark - Bemerkung - Osservazioni |
|-----|----------|-----|--------------------------------|--------------------------------|--------------------------------|--------------------------------|--|
| 001 | A5306530 | 002 | CONTRE-COUTEAU 1460 CENTRAL ES | | | | |
| 002 | A5310403 | 001 | COUTEAU DE SABRE | KNIFE | MESSER | COLTELLO A SCIABOLA | |
| 003 | 80201651 | 004 | ECROU AUTOBLOQUANT FE/ZNXC3 | UNDERSERRAT.S.LOC.NUT FE/ZNXC3 | SPERRZAHN-BUNDMUTTER FE/ZNXC3 | DADO FE/ZNXC3 | |
| 004 | 80202030 | 012 | ECROU HEX.AUTOFREINE FE/ZNXC3 | SELF-LOCKING NUT M 20 DIN 982 | SELBSTSICH.MUTTER FE/ZNXC3 | DADO AUTOBLOCCANTE FE/ZNXC3 | |
| 005 | 80202230 | 008 | ECROU HEX.AUTOFREINE FE/ZNXC3 | SELF-LOCKING NUT M 22 DIN-982 | SELBSTSICHERNDE MUTT.FE/ZNXC3 | DADO AUTOBLOCCANTE FE/ZNXC3 | |
| 006 | 80201270 | 003 | ECROU HEXAGONAL FE/ZNXC3 | NUT FE/ZNXC3 | SECHSKANTMUTTER FE/ZNXC3 | DADO FE/ZNXC3 | |
| 007 | A7218000 | 002 | PALIER | BEARING, PILLOW BLOCK | LAGER | SUPPORTO | |
| 008 | A5350496 | 002 | PLAQUE PALIER AR ES. EURO.II | PLATE | PLATTE | PIASTRA | |
| 009 | A5300080 | 001 | RENFORT | REINFORCEMENT | VERSTAERKUNG | RINFORZO | Q? |
| 010 | 80252026 | 012 | RONDELLE PLATE FE/ZNXC3 | PLAIN WASHER M20 DIN 125 | SCHEIBE FE/ZNXC3 | RONDELLA PIATTA FE/ZNXC3 | |
| 011 | A5300050 | 001 | SECTEUR | ADJUSTER | RIEGELPLATTE | SETTORE | Q? |
| 012 | A7153012 | 001 | SECTION | KNIFE, SICKLE SECTION | QUERSCHNITT | SEZIONE TRIANGOLARE 77X106X5 | |
| 013 | A5305500 | 001 | SPIRE DE VIS A DROITE EURO.II | WRAP | FADENWINDUNG | | Q? |
| 014 | A5305510 | 001 | SPIRE DE VIS A GAUCHE EURO.II | WRAP | FADENWINDUNG | | Q? |
| 015 | A5300060 | 001 | SUPPORT | SUPPORT | TRAEGER | SUPPORTO | Q? |
| 016 | A5300070 | 001 | SUPPORT | SUPPORT | TRAEGER | SUPPORTO | Q? |
| 017 | A5350534 | 002 | TOLE D'ETANCHEITE AR II VIS ES | PROTECTION PLATE REAR | SCHUTZBLECK HINTEN | TELA | |
| 018 | A5300290 | 001 | VIS | SCREW | SCHRAUBE | VITE | |
| 019 | A5300310 | 001 | VIS | SCREW | SCHRAUBE | VITE | |
| 020 | 50068900 | 001 | VIS TBCC COURT | BOLT, CARRIAGE, SHORT NECK | FLACHRUNDSCHR.4KT ANSATZ | BULLONE | |
| 021 | A7012396 | 002 | VIS TBCC COURT | BOLT, CARRIAGE, SHORT NECK | FLACHRUNDSCHR.4KT ANSATZ | BULLONE | |
| 022 | 80061648 | 004 | VIS TETE HEXAGONALE FE/ZNXC3 | HEX. SCREW M16 X 50 MM CL8.8 D | SECHSKANTSCHRAUBE FE/ZNXC3 | VITE TESTA ESAGONALE FE/ZNXC3 | |
| 023 | 80062270 | 008 | VIS TETE HEXAGONALE FE/ZNXC3 | HEXAGON HEAD SCREW FE/ZNXC3 | SECHSKANTSCHRAUBE FE/ZNXC3 | VITE TESTA ESAGONALE FE/ZNXC3 | |
| 024 | A5350537 | 001 | PLATINE SUP.REDUCTEUR IIVIS ES | PLATE | PLATTE | PIASTRA-SUPPORTO | |
| 025 | A5350525 | 001 | RENOVI CHAINE II VIS ES. | LEVER CONTROL | SPURGESTANGE | | |
| 026 | A5220294 | 004 | RONDELLE 45X13X5 ZN BC | WASHER | SCHEIBE | RONDELLA | |
| 027 | A5310558 | 001 | RONDELLE | WASHER | SCHEIBE | RONDELLA | |
| 028 | A5340014 | 002 | RONDELLE BLOCAGE VIS INFERIEUR | WASHER | SCHEIBE | RONDELLA | |
| 029 | A5340016 | 001 | RONDELLE VIS SUP. 85X85X10 | WASHER | SCHEIBE | RONDELLA | |
| 030 | 80271602 | 010 | RONDELLE GROWER FE/ZNXC3 | SPRING WASHER M16 | FEDERRING FE/ZNXC3 | RONDELLA GROWER FE/ZNXC3 | |
| 031 | 80272002 | 002 | RONDELLE GROWER FE/ZNXC3 | SRPING WASHER M20 BICROM. | FEDERRING FE/ZNXC3 | RONDELLA GROWER FE/ZNXC3 | |
| 032 | 80272401 | 001 | RONDELLE GROWER FE/ZNXC3 | PRESSURE WASHER M 24 | FEDERRING FE/ZNXC3 | RONDELLA GROWER FE/ZNXC3 | |
| 033 | 80251021 | 002 | RONDELLE PLATE FE/ZNXC3 | PLAIN WASHER M10 | SCHEIBE FE/ZNXC3 | RONDELLA PIATTA FE/ZNXC3 | |
| 034 | 80252026 | 002 | RONDELLE PLATE FE/ZNXC3 | PLAIN WASHER M20 DIN 125 | SCHEIBE FE/ZNXC3 | RONDELLA PIATTA FE/ZNXC3 | |
| 035 | 80252060 | 014 | RONDELLE PLATE FE/ZNXC3 | PLAIN WASHER FE/ZNXC3 | SCHEIBE FE/ZNXC3 | RONDELLA PIATTA FE/ZNXC3 | |
| 036 | 80282008 | 010 | RONDELLE RESSORT | DISC SPRING | TELLERFEDER | RONDELLA A MOLLA | |
| 037 | 81003090 | 002 | ROULEMENT A BILLES | BALL BEARING | KUGELLAGER | CUSCINETTO A SFERE | |
| 038 | A5310502 | 001 | SUPPORT BOL PROTECTEUR EUROMIX | HOLDER | HALTER | SUPPORTO | |
| 039 | A5350536 | 001 | SUPP.REDUCTEUR II VIS ES | HOLDER | GETRIEBEHALTER | | |
| 040 | A5350716 | 001 | TENDEUR | TENSIONER | SPANNER | TENDITORE | |
| 041 | A5350514 | 001 | TIRANT EUROMIX II ES | BOLT | SPANNUNGSSCHRAUBE | TIRANTE | |
| 042 | 80081204 | 002 | VIS TETE CYL.SIX P.CR.FE/ZNXC3 | HEX.SOCK.HEAD CAP SCR.FE/ZNXC3 | ZYLINDERSCHR.INNENSEC.FE/ZNXC3 | VITE A TESTA CILINDR. FE/ZNXC3 | |
| 043 | 80062055 | 008 | VIS TETE HEXAGONALE FE/ZNXC3 | HEXAGON HEAD SCREW FE/ZNXC3 | SECHSKANTSCHRAUBE FE/ZNXC3 | VITE TESTA ESAGONALE FE/ZNXC3 | |
| 044 | 80062461 | 001 | VIS TETE HEXAGONALE FE/ZNXC3 | HEXAGON HEAD SCREW FE/ZNXC3 | SECHSKANTSCHRAUBE FE/ZNXC3 | VITE TESTA ESAGONALE FE/ZNXC3 | |
| 045 | 80061020 | 002 | VIS TETE HEXAGONALE FE/ZNXC3 | HEX. HEAD SCREW M10 X 20 MM CL | SECHSKANTSCHRAUBE FE/ZNXC3 | VITE A TESTA ESAGONALE FE/ZNXC | |
| 046 | 80061273 | 002 | VIS TETE HEXAGONALE FE/ZNXC3 | HEXAGON HEAD SCREW FE/ZNXC3 | SECHSKANTSCHRAUBE FE/ZNXC3 | VITE TESTA ESAGONALE FE/ZNXC3 | |
| 047 | 80061647 | 010 | VIS TETE HEXAGONALE FE/ZNXC3 | HEXAGON HEAD SCREW FE/ZNXC3 | SECHSKANTSCHRAUBE FE/ZNXC3 | VITE TESTA ESAGONALE FE/ZNXC3 | |
| 048 | 80062049 | 006 | VIS TETE HEXAGONALE FE/ZNXC3 | HEX BOLT M20X50 CL8.8 DIN 933 | SECHSKANTSCHRAUBE FE/ZNXC3 | VITE TESTA ESAGONALE FE/ZNXC3 | |





EURO.II 1860 FLEX GO
EURO.II 1860 FLEX TA

A4600 >
A4600 >

A53R0548 A

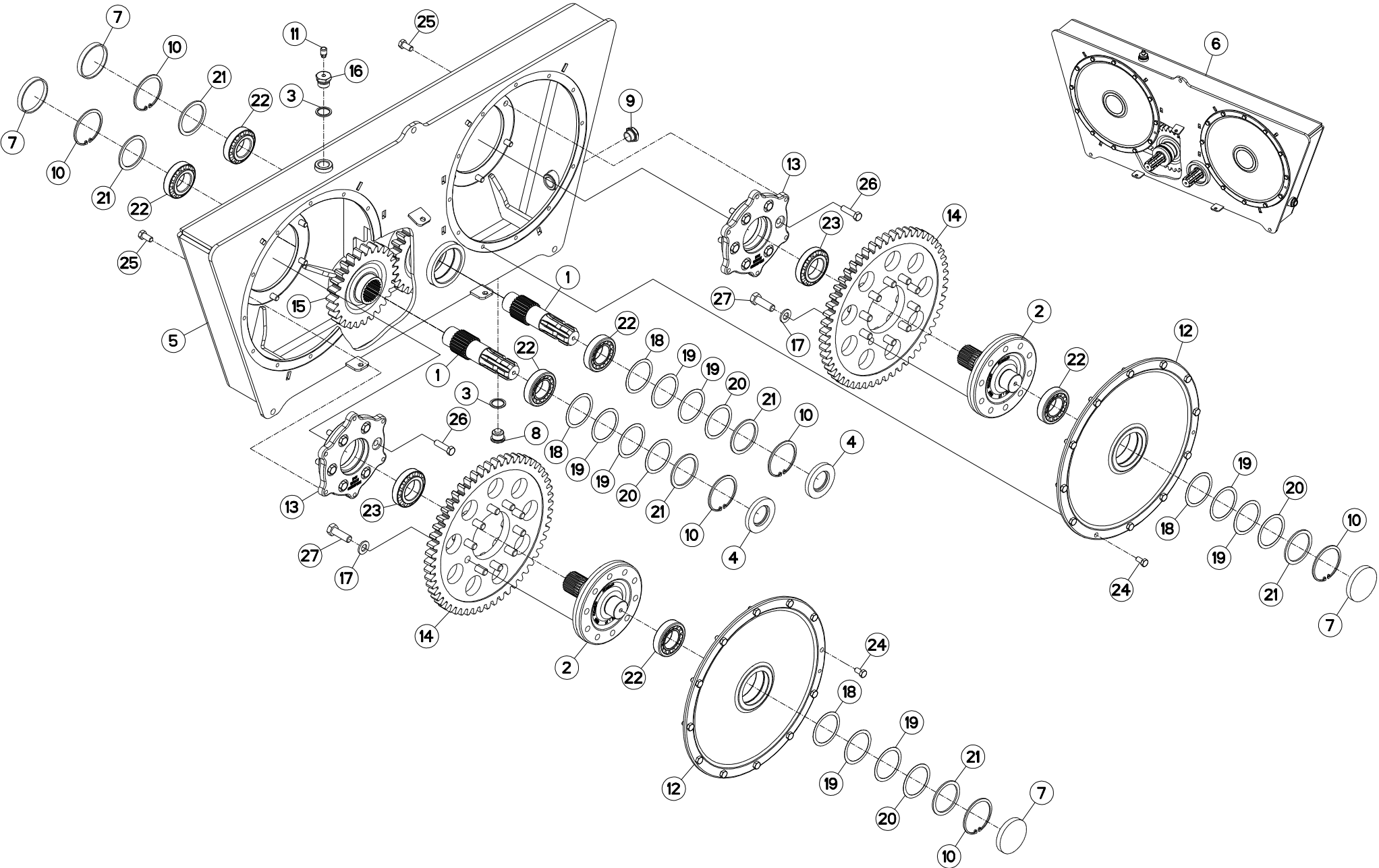
VIS DE MÉLANGE 1860

MIXING SCREW 1860

MISCHSCHNECKE 1860

VITE DI MISCELAZIONE 1860

| Rep | Nr | Qt | Designation | Description | Bezeichnung | Referenza | Remarque - Remark - Bemerkung - Osservazioni |
|-----|----------|-----|--------------------------------|--------------------------------|-------------------------------|-------------------------------|--|
| 001 | A5306560 | 002 | CONTRE-COUTEAU 1860 CENTRAL ES | | | | |
| 002 | A5310403 | 040 | COUTEAU DE SABRE | KNIFE | MESSER | COLTELLO A SCIABOLA | |
| 003 | 80201651 | 006 | ECROU AUTOBLOQUANT FE/ZNXC3 | UNDERSERRAT.S.LOC.NUT FE/ZNXC3 | SPERRZAHN-BUNDMUTTER FE/ZNXC3 | DADO FE/ZNXC3 | |
| 004 | 80202030 | 012 | ECROU HEX.AUTOFREINE FE/ZNXC3 | SELF-LOCKING NUT M 20 DIN 982 | SELBSTSICH.MUTTER FE/ZNXC3 | DADO AUTOBLOCCANTE FE/ZNXC3 | |
| 005 | 80202230 | 008 | ECROU HEX.AUTOFREINE FE/ZNXC3 | SELF-LOCKING NUT M 22 DIN-982 | SELBSTSICHERNDE MUTT.FE/ZNXC3 | DADO AUTOBLOCCANTE FE/ZNXC3 | |
| 006 | 80201270 | 214 | ECROU HEXAGONAL FE/ZNXC3 | NUT FE/ZNXC3 | SECHSKANTMUTTER FE/ZNXC3 | DADO FE/ZNXC3 | |
| 007 | A7218000 | 002 | PALIER | BEARING, PILLOW BLOCK | LAGER | SUPPORTO | |
| 008 | A5350496 | 002 | PLAQUE PALIER AR ES. EURO.II | PLATE | PLATTE | PIASTRA | |
| 009 | A5300080 | 000 | RENFORT | REINFORCEMENT | VERSTAERKUNG | RINFORZO | Q? |
| 010 | 80252026 | 012 | RONDELLE PLATE FE/ZNXC3 | PLAIN WASHER M20 DIN 125 | SCHEIBE FE/ZNXC3 | RONDELLA PIATTA FE/ZNXC3 | |
| 011 | A5300050 | 000 | SECTEUR | ADJUSTER | RIEGELPLATTE | SETTORE | Q? |
| 012 | A7153012 | 134 | SECTION | KNIFE, SICKLE SECTION | QUERSCHNITT | SEZIONE TRIANGOLARE 77X106X5 | |
| 013 | A5305500 | 000 | SPIRE DE VIS A DROITE EURO.II | WRAP | FADENWINDUNG | | Q? |
| 014 | A5305510 | 000 | SPIRE DE VIS A GAUCHE EURO.II | WRAP | FADENWINDUNG | | Q? |
| 015 | A5300060 | 000 | SUPPORT | SUPPORT | TRAEGER | SUPPORTO | Q? |
| 016 | A5300070 | 000 | SUPPORT | SUPPORT | TRAEGER | SUPPORTO | Q? |
| 017 | A5350534 | 002 | TOLE D'ETANCHEITE AR II VIS ES | PROTECTION PLATE REAR | SCHUTZBLECK HINTEN | TELA | |
| 018 | 50008800 | 080 | VIS TBCC COURT | BOLT, CARRIAGE, SHORT NECK | FLACHRUNDSCHR.4KT ANSATZ | BULLONE | |
| 019 | 50068900 | 134 | VIS TBCC COURT | BOLT, CARRIAGE, SHORT NECK | FLACHRUNDSCHR.4KT ANSATZ | BULLONE | |
| 020 | A5350720 | 001 | VIS | SCREW | SCHRAUBE | VITE | |
| 021 | A5350721 | 001 | VIS | SCREW | SCHRAUBE | VITE | |
| 022 | 80062270 | 008 | VIS TETE HEXAGONALE FE/ZNXC3 | HEXAGON HEAD SCREW FE/ZNXC3 | SECHSKANTSCHRAUBE FE/ZNXC3 | VITE TESTA ESAGONALE FE/ZNXC3 | |
| 023 | 80061648 | 006 | VIS TETE HEXAGONALE FE/ZNXC3 | HEX. SCREW M16 X 50 MM CL8.8 D | SECHSKANTSCHRAUBE FE/ZNXC3 | VITE TESTA ESAGONALE FE/ZNXC3 | |





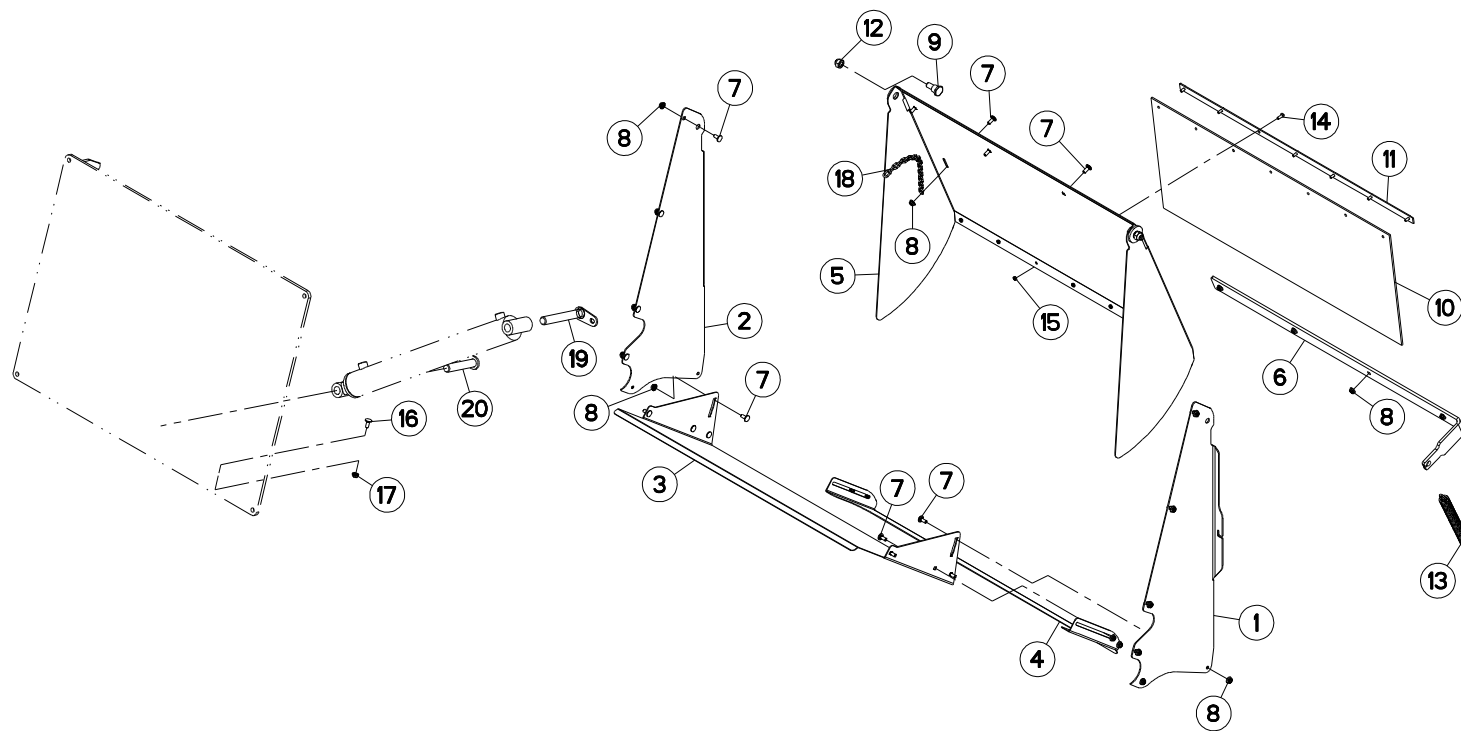
BOITIER ENTRAINEMENT

BOX DRIVE

GEHAEUSE ANTRIEB

SCATOLA TRASCINAMENTO

| Rep | Nr | Qt | Designation | Description | Bezeichnung | Referenza | Remarque - Remark - Bemerkung - Osservazioni |
|-----|-----------------|-----|--------------------------------|--------------------------------|----------------------------|--------------------------------|--|
| 001 | A5310860 | 002 | ARBRE CANNELE D'ENTREE 1"3/4 | SHAFT | WELLE | ALBERO | |
| 002 | A5311590 | 002 | ARBRE CANNELE SORTIE REDUCTEUR | SHAFT | WELLE | ALBERO | |
| 003 | A4230027 | 002 | BAGUE BS27 | SEAL | DICHTUNGSRING | BOCCOLA | |
| 004 | 82014586 | 002 | BAGUE D'ETANCHEITE | OIL SEAL | RADIALDICHTRING | PARAOLIO | |
| 005 | A5310885 | 001 | BOITIER D'ENTRAINEMENT USINE | GEARBOX | KASTEN | SCATOLA | |
| 006 | A5390471 | 001 | BOITIER | HOUSING | GEHAEUSE | SCATOLA | |
| 007 | 83040032 | 004 | BOUCHON D'OBTURATION | END PLUG | VERSCHLUSSSCHEIBE | TAPPO DI CHIUSURA | |
| 008 | K5600230 | 001 | BOUCHON MAGNETIQUE | PLUG, MAGNETIC | MAGNET-VERSCHLUSSSCHRAUBE | TAPPO CALAMITATO | |
| 009 | A4061807 | 001 | BOUCHON NIVEAU 3/4" ALUMINIUM | PLUG | STOPFEN/ANZEIGE | TAPPO | |
| 010 | 80598500 | 006 | CIRCLIP INTERIEUR | RETAINING RING | SICHERUNGSRING | ANELLO | |
| 011 | 82230000 | 001 | CLAPET DE DECHARGE | PRESSURE RELIEF VALVE | ENTLUEFTUNGSSCHRAUBE | SFIATATOIO | |
| 012 | A5303630 | 002 | COUVERCLE | LID | DECKEL | COPERCHIO | |
| 013 | A5311620 | 002 | FLASQUE FIXATION BOITIER 1860 | FLANGE | FLANSCH | FLANGIA | |
| 014 | A5311600 | 002 | PIGNON | GEAR, PINION | RITZEL | PIGNONE | |
| 015 | A5311610 | 002 | PIGNON Z27 M7 | PINION Z27 | ZAHNRAD Z27 | PIGNONE | |
| 016 | A4085351 | 001 | RACCORD REDUCTION SPECIAL ZBC | REDUCING FITTING ZBC | REDUZIERVERSCHRAUBUNG ZBC | RIDIZIONE DIRITTA ZBC | |
| 017 | 80281600 | 020 | RONDELLE CONIQUE BLOC.FLZNNC | CONICAL SPRING WASHER FLZNNC | SPANNSCHEIBE FLZNNC | RONDELLA CONICA FLZNNC | |
| 018 | 50010100 | 004 | RONDELLE D'AJUSTAGE | SHIM WASHER | PASSSCHEIBE | RONDELLA | |
| 019 | 50010200 | 008 | RONDELLE D'AJUSTAGE | SHIM WASHER | PASSSCHEIBE | RONDELLA | |
| 020 | 50010300 | 004 | RONDELLE D'AJUSTAGE | SHIM WASHER | PASSSCHEIBE | RONDELLA | |
| 021 | 50010400 | 006 | RONDELLE D'APPUI | WASHER | SCHEIBE | RONDELLA | |
| 022 | 81304587 | 006 | ROULEMENT A ROULEAUX CONIQUES | TAPERED ROLLER BEARING | KEGELROLLENLAGER | CUSCINETTO A RULLO | |
| 023 | 81305090 | 002 | ROULEMENT A ROULEAUX CONIQUES | ROLLER BEARING 30210 TAPERED | KEGELROLLENLAGER | CUSCINETTO A RULLI | |
| 024 | 80061020 | 024 | VIS TETE HEXAGONALE FE/ZNXC3 | HEX. HEAD SCREW M10 X 20 MM CL | SECHSKANTSCHRAUBE FE/ZNXC3 | VITE A TESTA ESAGONALE FE/ZNXC | |
| 025 | 80061225 | 012 | VIS TETE HEXAGONALE FE/ZNXC3 | HEXAGON HEAD SCREW FE/ZNXC3 | SECHSKANTSCHRAUBE FE/ZNXC3 | VITE TESTA ESAGONALE FE/ZNXC3 | |
| 026 | 80061245 | 012 | VIS TETE HEXAGONALE FE/ZNXC3 | HEXAGON HEAD SCREW FE/ZNXC3 | SECHSKANTSCHRAUBE FE/ZNXC3 | VITE TESTA ESAGONALE FE/ZNXC3 | |
| 027 | 80061648 | 020 | VIS TETE HEXAGONALE FE/ZNXC3 | HEX. SCREW M16 X 50 MM CL8.8 D | SECHSKANTSCHRAUBE FE/ZNXC3 | VITE TESTA ESAGONALE FE/ZNXC3 | |





EURO.II 1460 FLEX GO
EURO.II 1860 FLEX GO

A4600 >
A4600 >

A53R0136 A

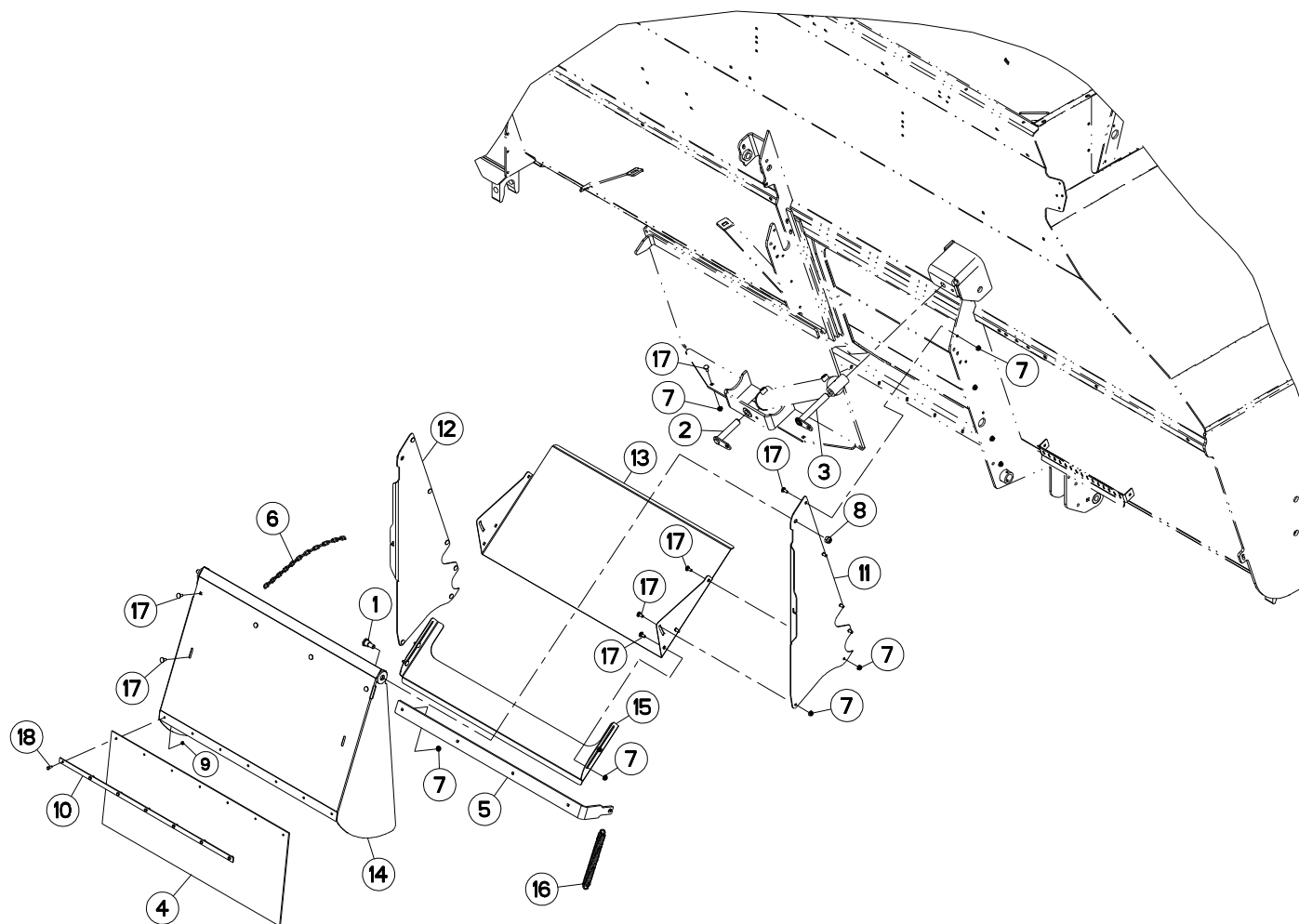
GOULOTTE EURO.II (GAUCHE)

DISCHARGE SPOUT EURO.II (LEFT)

AUSWURFBOGEN EURO.II (LINKS)

BOCCA DI USCITA GIREVOLE EURO

| Rep | Nr | Qt | Designation | Description | Bezeichnung | Referenza | Remarque - Remark - Bemerkung - Osservazioni |
|-----|----------|-----|--------------------------------|--------------------------------|-------------------------------|-------------------------------|--|
| 001 | A5313760 | 001 | FLANC | SIDE | SEITE | FIANCO | |
| 002 | A5313750 | 001 | FLANC | SIDE | SEITE | FIANCO | |
| 003 | A5313770 | 001 | FOND | FLOOR | BODEN | FONDELLO | |
| 004 | A5313780 | 001 | RALLONGE | EXTENSION | VERLAENGERUNG | ESTENSIONE | |
| 005 | A5313810 | 001 | PORTE | DOOR | TÜR | PORTA | |
| 006 | A5313790 | 001 | BIELLE | LINK, CONNECTING | LENKER | BIELLA | |
| 007 | 50070300 | 021 | VIS TBCC COURT | BOLT, CARRIAGE, SHORT NECK | FLACHRUNDSCHR.4KT ANSATZ | BULLONE | |
| 008 | 80200851 | 021 | ECROU AUTOBLOQUANT FE/ZNXC3 | UNDERSERRAT.S.LOC.NUT FE/ZNXC3 | SPERRZAHN-BUNDMUTTER FE/ZNXC3 | DADO FE/ZNXC3 | |
| 009 | A5110188 | 002 | AXE | PIN | ACHSE | ASSE | |
| 010 | A7250174 | 001 | BAVETTE | FLAP | SCHUTZLAPPEN | PARASPRUZZI | |
| 011 | A5330404 | 001 | FIXATION | MOUNT | VERBINDUNGSSTUECK | ATTACCO GANCIO | |
| 012 | 80201430 | 002 | ECROU HEX.AUTOFREINE FE/ZNXC3 | SELF-LOCKING NUT M14 DIN-982 | SELBSTSICHERNDE MUTT.FE/ZNXC3 | DADO AUTOBLOCCANTE FE/ZNXC3 | |
| 013 | 53005900 | 001 | RESSORT | SPRING | FEDER | MOLLA | |
| 014 | 80060616 | 007 | VIS TETE HEXAGONALE FE/ZNXC3 | HEXAGON HEAD SCREW FE/ZNXC3 | SECHSKANTSCHRAUBE FE/ZNXC3 | VITE TESTA ESAGONALE FE/ZNXC3 | |
| 015 | 80200600 | 007 | ECROU HEXAGONAL FE/ZNXC3 | NUT FE/ZNXC3 | SECHSKANTMUTTER FE/ZNXC3 | DADO FE/ZNXC3 | |
| 016 | 50070300 | 001 | VIS TBCC COURT | BOLT, CARRIAGE, SHORT NECK | FLACHRUNDSCHR.4KT ANSATZ | BULLONE | |
| 017 | 80200851 | 001 | ECROU AUTOBLOQUANT FE/ZNXC3 | UNDERSERRAT.S.LOC.NUT FE/ZNXC3 | SPERRZAHN-BUNDMUTTER FE/ZNXC3 | DADO FE/ZNXC3 | |
| 018 | A7080402 | 001 | CHAINE DZN N19D4MM26020L1000MM | RIGHT CHAIN | RECHTSKETTE | CATENA | |
| 019 | A5310043 | 001 | AXE | PIN | ACHSE | ASSE | |
| 020 | A5200302 | 001 | AXE | PIN | ACHSE | ASSE | |
| 021 | 80060630 | 006 | VIS TETE HEXAGONALE FE/ZNXC3 | HEX BOLT FE/ZNXC3 | SECHSKANTSCHRAUBE FE/ZNXC3 | VITE TESTA ESAGONALE FE/ZNXC3 | |
| 022 | 80061026 | 002 | VIS TETE HEXAGONALE FE/ZNXC3 | HEXAGON HEAD SCREW FE/ZNXC3 | SECHSKANTSCHRAUBE FE/ZNXC3 | VITE TESTA ESAGONALE FE/ZNXC3 | |





EURO.II 1460 FLEX GO
EURO.II 1860 FLEX GO

A4600 >
A4600 >

A53R0126 A

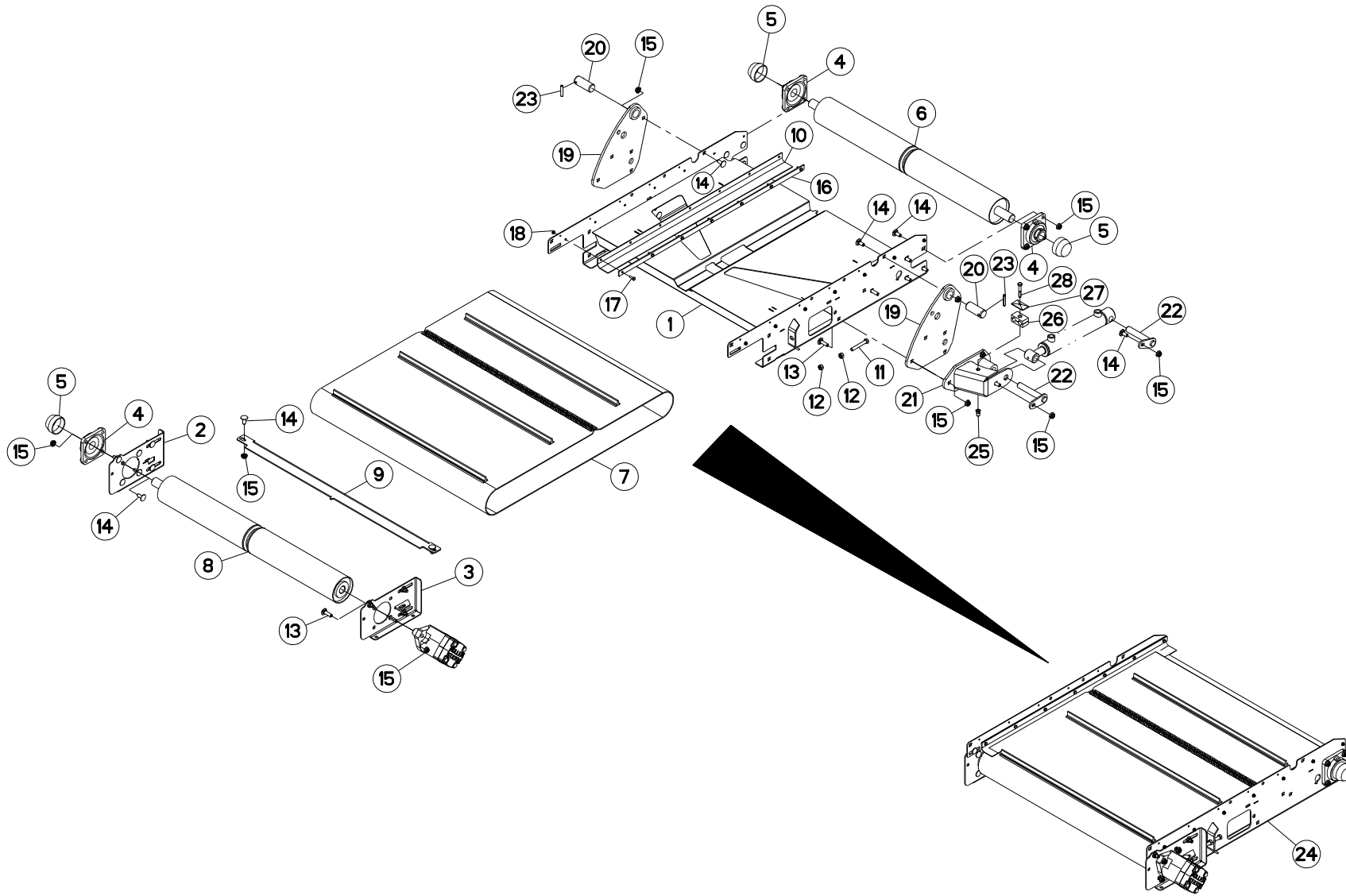
GOULOTTE EURO.II

DISCHARGE SPOUT EURO.II

AUSWURFBOGEN EURO.II

BOCCA DI USCITA GIREVOLE EURO

| Rep | Nr | Qt | Designation | Description | Bezeichnung | Referenza | Remarque - Remark - Bemerkung - Osservazioni |
|-----|----------|-----|--------------------------------|--------------------------------|-------------------------------|-------------------------------|--|
| 001 | A5110188 | 002 | AXE | PIN | ACHSE | ASSE | |
| 002 | A5200302 | 001 | AXE | PIN | ACHSE | ASSE | |
| 003 | A5310043 | 001 | AXE | PIN | ACHSE | ASSE | |
| 004 | A7250174 | 001 | BAVETTE | FLAP | SCHUTZLAPPEN | PARASPRUZZI | |
| 005 | A5313790 | 001 | BIELLE | LINK, CONNECTING | LENKER | BIELLA | |
| 006 | A7080402 | 001 | CHAINE DZN N19D4MM26020L1000MM | RIGHT CHAIN | RECHTSKETTE | CATENA | |
| 007 | 80200851 | 022 | ECROU AUTOBLOQUANT FE/ZNXC3 | UNDERSERRAT.S.LOC.NUT FE/ZNXC3 | SPERRZAHN-BUNDMUTTER FE/ZNXC3 | DADO FE/ZNXC3 | |
| 008 | 80201430 | 002 | ECROU HEX.AUTOFREINE FE/ZNXC3 | SELF-LOCKING NUT M14 DIN-982 | SELBSTSICHERNDE MUTT.FE/ZNXC3 | DADO AUTOBLOCCANTE FE/ZNXC3 | |
| 009 | 80200600 | 007 | ECROU HEXAGONAL FE/ZNXC3 | NUT FE/ZNXC3 | SECHSKANTMUTTER FE/ZNXC3 | DADO FE/ZNXC3 | |
| 010 | A5330404 | 001 | FIXATION | MOUNT | VERBINDUNGSSTUECK | ATTACCO GANCIO | |
| 011 | A5313750 | 001 | FLANC | SIDE | SEITE | FIANCO | |
| 012 | A5313760 | 001 | FLANC | SIDE | SEITE | FIANCO | |
| 013 | A5313770 | 001 | FOND | FLOOR | BODEN | FONDELLO | |
| 014 | A5313810 | 001 | PORTE | DOOR | TÜR | PORTA | |
| 015 | A5313780 | 001 | RALLONGE | EXTENSION | VERLAENGERUNG | ESTENSIONE | |
| 016 | 53005900 | 001 | RESSORT | SPRING | FEDER | MOLLA | |
| 017 | 50070300 | 022 | VIS TBCC COURT | BOLT, CARRIAGE, SHORT NECK | FLACHRUNDSCHR.4KT ANSATZ | BULLONE | |
| 018 | 80060616 | 007 | VIS TETE HEXAGONALE FE/ZNXC3 | HEXAGON HEAD SCREW FE/ZNXC3 | SECHSKANTSCHRAUBE FE/ZNXC3 | VITE TESTA ESAGONALE FE/ZNXC3 | |
| 019 | A5310043 | 001 | AXE | PIN | ACHSE | ASSE | |
| 020 | A5200302 | 001 | AXE | PIN | ACHSE | ASSE | |





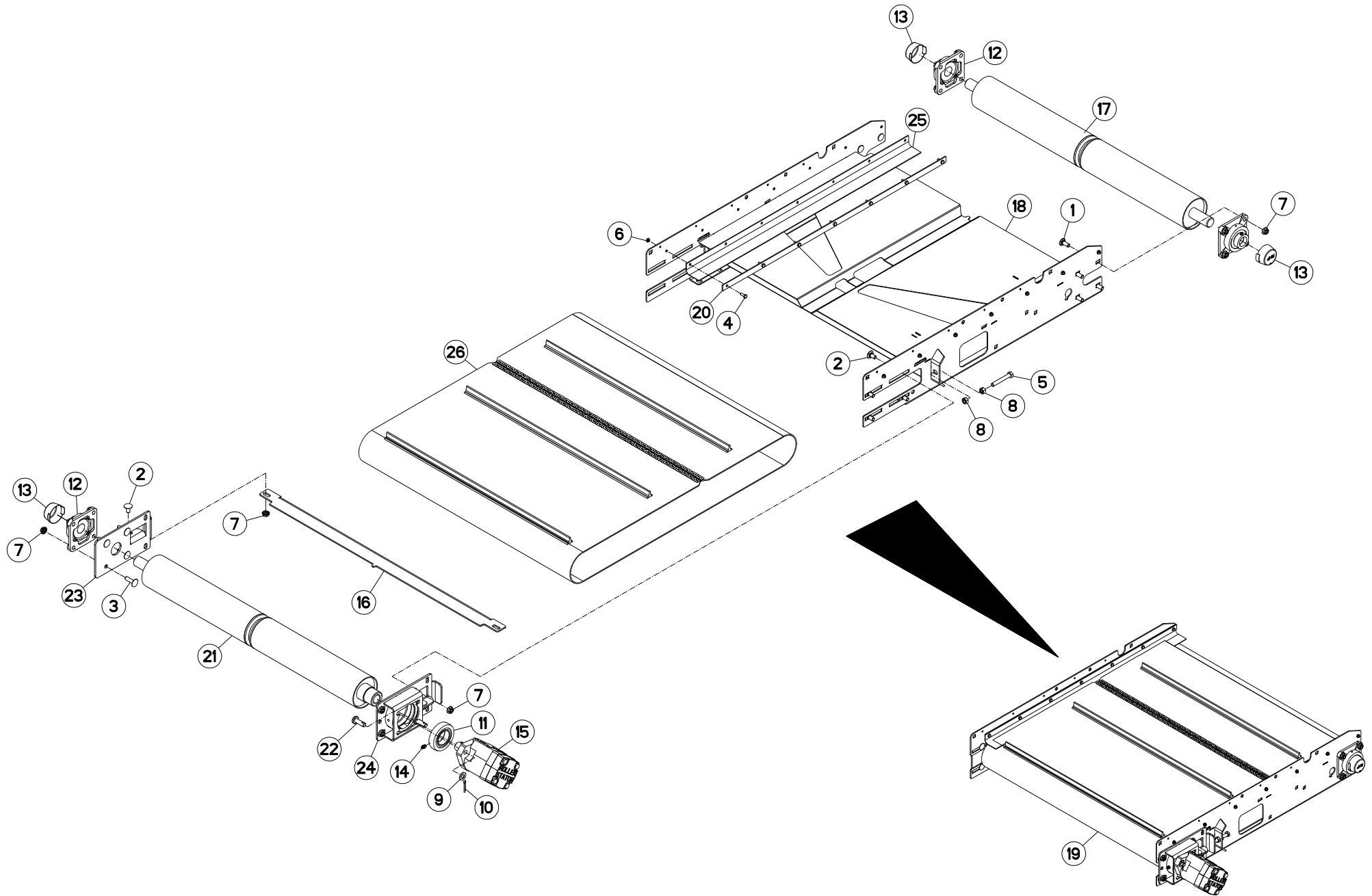
TAPIS PVC 0,8M

PVC CONVEYOR 0,8M

KRATZBODEN PVC 0,8M

TAPPETO PVC 0,8M

| Rep | Nr | Qt | Designation | Description | Bezeichnung | Referenza | Remarque - Remark - Bemerkung - Osservazioni |
|-----|----------|-----|-------------------------------|--------------------------------|-------------------------------|-------------------------------|--|
| 001 | A5313850 | 001 | CHASSIS | CHASSIS | HAUPTRAHMEN | TELAIO | |
| 002 | A5307050 | 001 | TENDEUR | TENSIONER | SPANNER | TENDITORE | |
| 003 | A5307040 | 001 | TENDEUR | TENSIONER | SPANNER | TENDITORE | |
| 004 | 81503011 | 003 | PALIER APPLIQUE + GRAISSEUR | FLANGE UNIT | FLANSLAGER | CUSCINETTO | |
| 005 | 81503012 | 003 | COUVERCLE PALIER APPLIQUE D30 | COVER | DECKEL | COPERCHIO | |
| 006 | A5304460 | 001 | ROULEAU | ROLLER | ROLLE | RULLO | |
| 007 | A7250263 | 001 | TAPIS | BELT, CONVEYOR | TEPPICH | TAPPETO | |
| 008 | A5304470 | 001 | ROULEAU | ROLLER | ROLLE | RULLO | |
| 009 | A5304371 | 001 | RACLEUR | SCRAPER | ABSTREIFER | RASCHIATORE | |
| 010 | A7250195 | 002 | BAVETTE | FLAP | SCHUTZLAPPEN | PARASPRUZZI | |
| 011 | 80061070 | 002 | VIS TETE HEXAGONALE FE/ZNXC3 | HEXAGON HEAD SCREW FE/ZNXC3 | SECHSKANTSCHRAUBE FE/ZNXC3 | VITE TESTA ESAGONALE FE/ZNXC3 | |
| 012 | 80201070 | 004 | ECROU HEXAGONAL FE/ZNXC3 | NUT FE/ZNXC3 | SECHSKANTMUTTER FE/ZNXC3 | DADO FE/ZNXC3 | |
| 013 | 50007300 | 004 | VIS TBCC COURT | BOLT, CARRIAGE, SHORT NECK | FLACHRUNDSCHR.4KT ANSATZ | BULLONE | |
| 014 | 50002200 | 027 | VIS TBCC COURT | BOLT, CARRIAGE, SHORT NECK | FLACHRUNDSCHR.4KT ANSATZ | BULLONE | |
| 015 | 80201053 | 031 | ECROU AUTOBLOQUANT FE/ZNXC3 | UNDERSERRAT.S.LOC.NUT FE/ZNXC3 | SPERRZAHN-BUNDMUTTER FE/ZNXC3 | DADO FE/ZNXC3 | |
| 016 | A5330404 | 002 | FIXATION | MOUNT | VERBINDUNGSTUECK | ATTACCO GANCIO | |
| 017 | 80060616 | 014 | VIS TETE HEXAGONALE FE/ZNXC3 | HEXAGON HEAD SCREW FE/ZNXC3 | SECHSKANTSCHRAUBE FE/ZNXC3 | VITE TESTA ESAGONALE FE/ZNXC3 | |
| 018 | 80200600 | 014 | ECROU HEXAGONAL FE/ZNXC3 | NUT FE/ZNXC3 | SECHSKANTMUTTER FE/ZNXC3 | DADO FE/ZNXC3 | |
| 019 | A5313900 | 002 | FLASQUE | FLANGE | FLANSCH | FLANGIA | |
| 020 | A5310027 | 002 | AXE A TROU D30 LG75 | AXLE | ACHSE | ASSE | |
| 021 | A5313880 | 001 | CHAPE | CLEVIS | GABEL | FORCELLA | |
| 022 | A5350517 | 002 | AXE | PIN | ACHSE | ASSE | |
| 023 | 80450845 | 002 | GOUPILLE ELASTIQUE FLZNNC | ROLL PIN FLZNNC | SPANNHUELSE FLZNNC | SPINA ELASTICA FLZNNC | |
| 024 | A5313860 | 001 | TAPIS PVC STD II VIS 0,8M E.M | CONVEYOR | KRATZBODEN | TRASPORTATORE | |
| 025 | A8359108 | 001 | INSERT HEX M8 A COLLERETTE | INSERT NUT HEX M8 | EINSETZMUTTER HEX M8 | MANICOTTO HEX M8 | |
| 026 | A7260043 | 001 | COLLIER DOUBLE D16+D16 | CLAMP D16+D16 | KLEMMHALFTENPAAR D16+D16 | COLLARE D.16 | |
| 027 | A7260016 | 001 | PLAQUE SUPERIEURE TAILLE 2 | UPPER PLATE SIZE 2 | DECKPLATTE SIZE 2 | PIASTRA | |
| 028 | 80060850 | 001 | VIS TETE HEXAGONALE FE/ZNXC3 | HEXAGON HEAD SCREW FE/ZNXC3 | SECHSKANTSCHRAUBE FE/ZNXC3 | VITE TESTA ESAGONALE FE/ZNXC3 | |





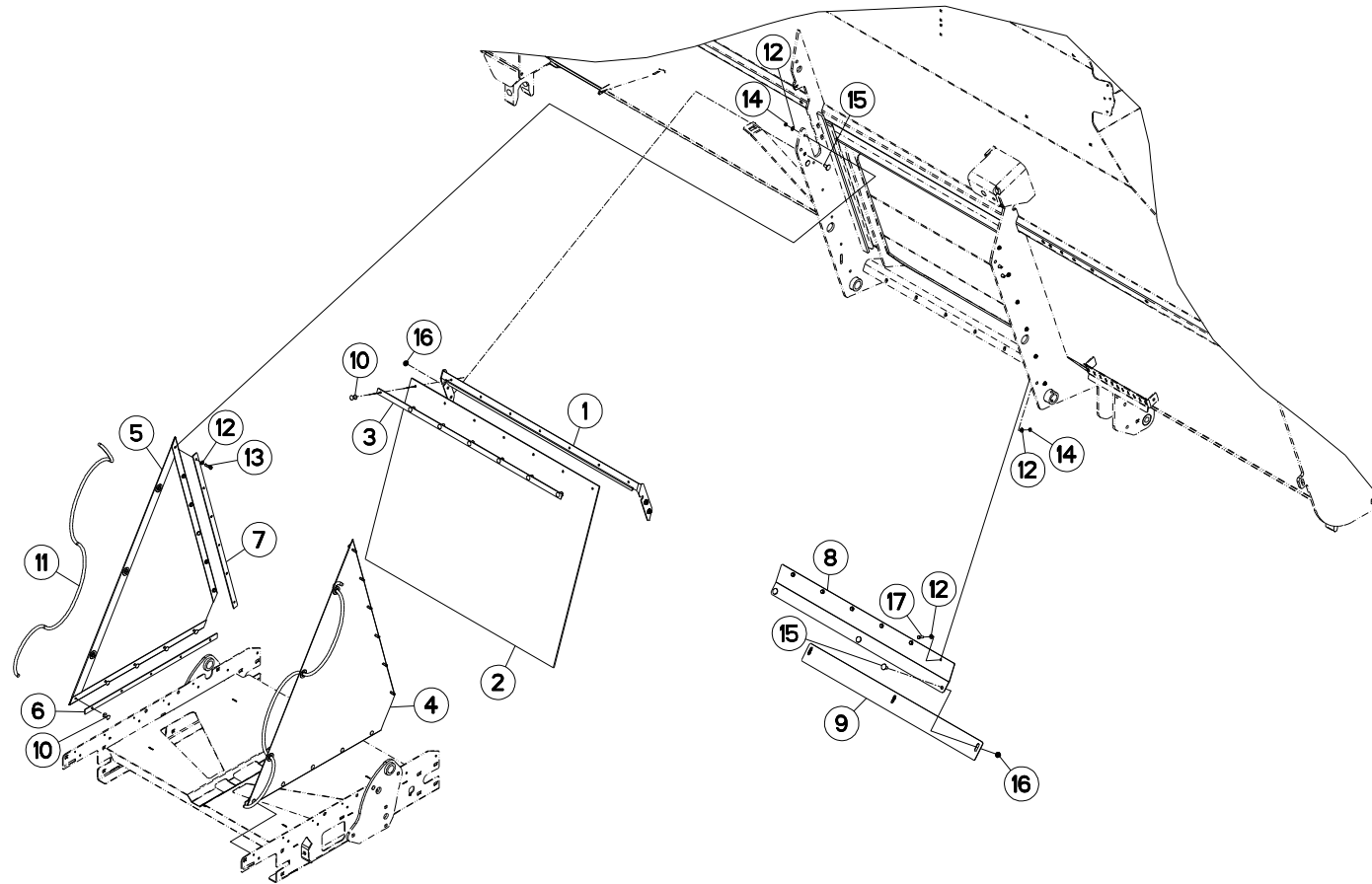
TAPIS PVC 0,8M

PVC CONVEYOR 0,8M

KRATZBODEN PVC 0,8M

TAPPETO PVC 0,8M

| Rep | Nr | Qt | Designation | Description | Bezeichnung | Referenza | Remarque - Remark - Bemerkung - Osservazioni |
|-----|----------|-----|------------------------------|--------------------------------|-------------------------------|-------------------------------|--|
| 001 | 50002200 | 008 | VIS TBCC COURT | BOLT, CARRIAGE, SHORT NECK | FLACHRUNDSCHR.4KT ANSATZ | BULLONE | |
| 002 | 50003200 | 006 | VIS TBCC COURT | BOLT, CARRIAGE, SHORT NECK | FLACHRUNDSCHR.4KT ANSATZ | BULLONE | |
| 003 | 50007300 | 004 | VIS TBCC COURT | BOLT, CARRIAGE, SHORT NECK | FLACHRUNDSCHR.4KT ANSATZ | BULLONE | |
| 004 | 80060616 | 014 | VIS TETE HEXAGONALE FE/ZNXC3 | HEXAGON HEAD SCREW FE/ZNXC3 | SECHSKANTSCHRAUBE FE/ZNXC3 | VITE TESTA ESAGONALE FE/ZNXC3 | |
| 005 | 80061070 | 002 | VIS TETE HEXAGONALE FE/ZNXC3 | HEXAGON HEAD SCREW FE/ZNXC3 | SECHSKANTSCHRAUBE FE/ZNXC3 | VITE TESTA ESAGONALE FE/ZNXC3 | |
| 006 | 80200600 | 014 | ECROU HEXAGONAL FE/ZNXC3 | NUT FE/ZNXC3 | SECHSKANTMUTTER FE/ZNXC3 | DADO FE/ZNXC3 | |
| 007 | 80201053 | 018 | ECROU AUTOBLOQUANT FE/ZNXC3 | UNDERSERRAT.S.LOC.NUT FE/ZNXC3 | SPERRZAHN-BUNDMUTTER FE/ZNXC3 | DADO FE/ZNXC3 | |
| 008 | 80201070 | 004 | ECROU HEXAGONAL FE/ZNXC3 | NUT FE/ZNXC3 | SECHSKANTMUTTER FE/ZNXC3 | DADO FE/ZNXC3 | |
| 009 | 80251227 | 002 | RONDELLE PLATE FE/ZNXC3 | PLAIN WASHER M12 | SCHEIBE FE/ZNXC3 | RONDELLA PIATTA FE/ZNXC3 | |
| 010 | 80500328 | 002 | GOUPILLE FENDUE FE/ZNXC3 | SPLIT PIN FE/ZNXC3 | SPLINT FE/ZNXC3 | COPPIGLIA FE/ZNXC3 | |
| 011 | 81004584 | 001 | ROULEMENT AUTO-ALIGNEUR | RADIAL INSERT BALL BEARING | SPANNLAGER | CUSCINETTO A SFERE | |
| 012 | 81503015 | 003 | PALIER APPLIQUE+GRAIS. | FLANGE UNIT | FLANSCHLAGER | CUSCINETTO | |
| 013 | 81503016 | 003 | COUVERCLE PROTECTEUR ARBRE | COVER | DECKEL | COPERCHIO | |
| 014 | 82200800 | 001 | GRAISSEUR A TETE SPHERIQUE | GRESE NIPPLE B M8X1,25 | KEGELSCHMIERNIPPEL | INGRASSATORE FE/ZNXC3 | |
| 015 | A4020053 | 001 | MOTEUR HYDRAULIQUE | MOTOR, HYDRAULIC | MOTOR | MOTORE | |
| 016 | A5304371 | 001 | RACLEUR | SCRAPER | ABSTREIFER | RASCHIATORE | |
| 017 | A5304460 | 001 | ROULEAU | ROLLER | ROLLE | RULLO | |
| 018 | A5313851 | 001 | CHASSIS | CHASSIS | HAUPTRAHMEN | TELAIO | |
| 019 | A5313861 | 001 | TAPIS | BELT, CONVEYOR | TEPPICH | TAPPETO | |
| 020 | A5330404 | 002 | FIXATION | MOUNT | VERBINDUNGSSTUECK | ATTACCO GANCIO | |
| 021 | A5336620 | 001 | ROULEAU | ROLLER | ROLLE | RULLO | |
| 022 | A5336642 | 002 | AXE | PIN | ACHSE | ASSE | |
| 023 | A5336690 | 001 | TENDEUR | TENSIONER | SPANNER | TENDITORE | |
| 024 | A5336700 | 001 | TENDEUR | TENSIONER | SPANNER | TENDITORE | |
| 025 | A7250195 | 002 | BAVETTE | FLAP | SCHUTZLAPPEN | PARASPRUZZI | |
| 026 | A7250263 | 001 | TAPIS | BELT, CONVEYOR | TEPPICH | TAPPETO | |
| 027 | A7260016 | 001 | PLAQUE SUPERIEURE TAILLE 2 | UPPER PLATE SIZE 2 | DECKPLATTE SIZE 2 | PIASTRA | |
| 028 | 80060850 | 001 | VIS TETE HEXAGONALE FE/ZNXC3 | HEXAGON HEAD SCREW FE/ZNXC3 | SECHSKANTSCHRAUBE FE/ZNXC3 | VITE TESTA ESAGONALE FE/ZNXC3 | |





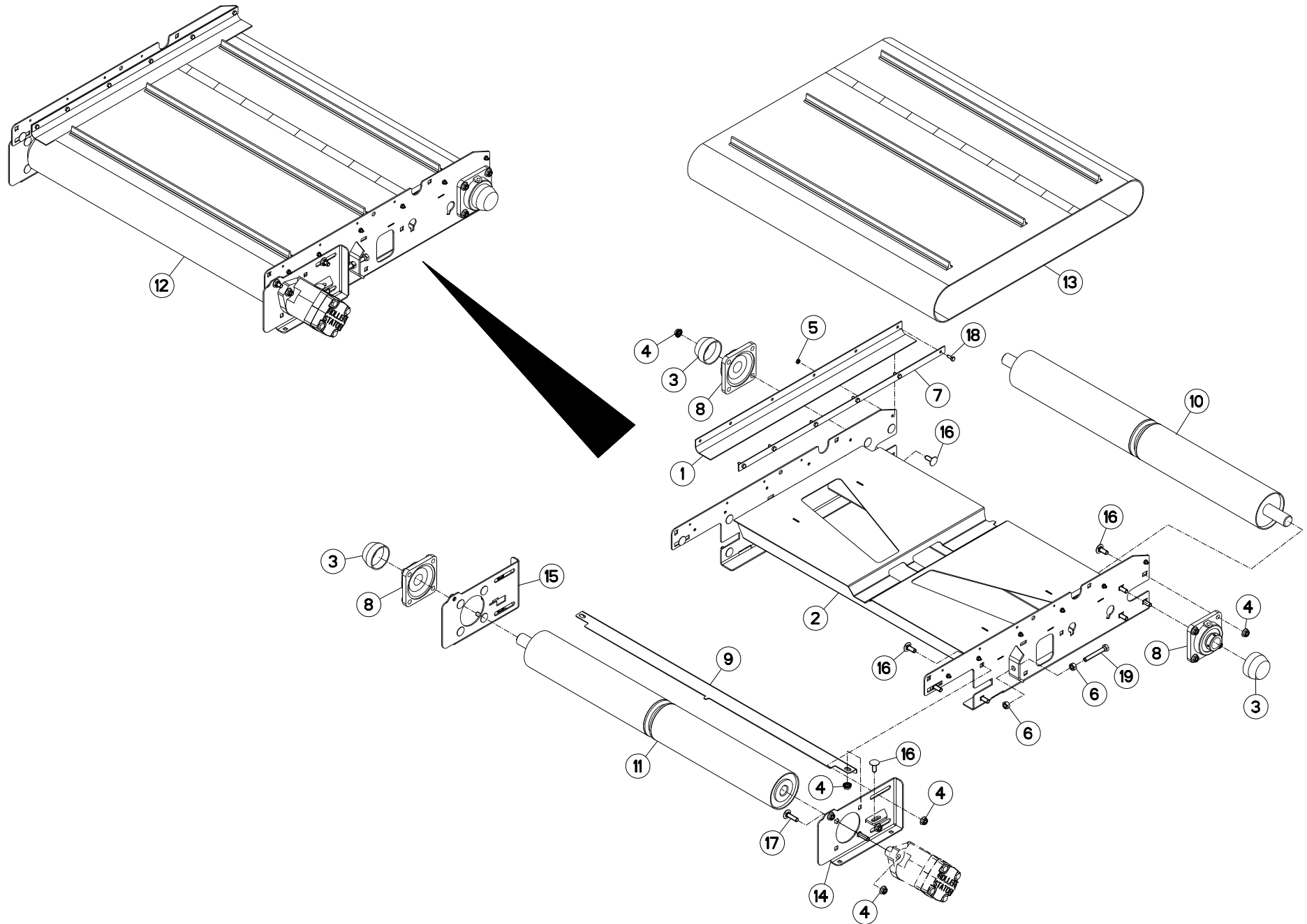
BAVETTE 0,8M (TAPIS)

FLAP 0,8M (CONVEYOR)

SCHUTZLAPPEN 0,8M (KRATZBODEN)

PARASPRUZZI 0,8M (FONDO MOBIL)

| Rep | Nr | Qt | Designation | Description | Bezeichnung | Referenza | Remarque - Remark - Bemerkung - Osservazioni |
|-----|----------|-----|--------------------------------|--------------------------------|-------------------------------|-------------------------------|--|
| 001 | A5313920 | 001 | CORNIERE | CORNER PROFIL | WINKEL | CORNIERA | |
| 002 | A7250131 | 001 | BAVETTE DE SECURITE MELANGEUSE | FLAP | SCHUTZ | PARASPRUZZI | |
| 003 | A5330404 | 001 | FIXATION | MOUNT | VERBINDUNGSSTUECK | ATTACCO GANCIO | |
| 004 | A7250220 | 001 | BACHE | TARP | PLANE | TELONE | |
| 005 | A7250219 | 001 | BACHE | TARP | PLANE | TELONE | |
| 006 | A5311126 | 002 | FIXATION | MOUNT | VERBINDUNGSSTUECK | ATTACCO GANCIO | |
| 007 | A5100993 | 002 | PLAT | FLAT | FLACHEISEN | PIATTO | |
| 008 | A5313910 | 001 | TOLE | SHEET | BLECH | TELA | |
| 009 | A5307180 | 001 | RALLONGE DE GOULOTTE | EXTENSION | VERLAENGERUNG | ESTENSIONE | |
| 010 | 80370419 | 017 | RIVET AVEUGLE TL | RIVET | NIETE | RIVETTO | |
| 011 | A7251300 | 000 | TENDEUR ELASTIQUE D10 DE BACHE | ELASTIC STRAP | GUMMISPANNER | TENDITORE | <m> |
| 012 | 80250611 | 036 | RONDELLE PLATE FE/ZNXC3 | PLAIN WASHER M6 DIN 125 FE/ZNX | SCHEIBE FE/ZNXC3 | RONDELLA PIATTA FE/ZNXC3 | |
| 013 | 80060625 | 012 | VIS TETE HEXAGONALE FE/ZNXC3 | HEX BOLT FE/ZNXC3 | SECHSKANTSCHRAUBE FE/ZNXC3 | VITE TESTA ESAGONALE FE/ZNXC3 | |
| 014 | 80200600 | 018 | ECROU HEXAGONAL FE/ZNXC3 | NUT FE/ZNXC3 | SECHSKANTMUTTER FE/ZNXC3 | DADO FE/ZNXC3 | |
| 015 | 50070300 | 007 | VIS TBCC COURT | BOLT, CARRIAGE, SHORT NECK | FLACHRUNDSCHR.4KT ANSATZ | BULLONE | |
| 016 | 80200851 | 007 | ECROU AUTOBLOQUANT FE/ZNXC3 | UNDERSERRAT.S.LOC.NUT FE/ZNXC3 | SPERRZAHN-BUNDMUTTER FE/ZNXC3 | DADO FE/ZNXC3 | |
| 017 | 80060620 | 006 | VIS TETE HEXAGONALE FE/ZNXC3 | HEX BOLT FE/ZNXC3 | SECHSKANTSCHRAUBE FE/ZNXC3 | VITE TESTA ESAGONALE FE/ZNXC3 | |





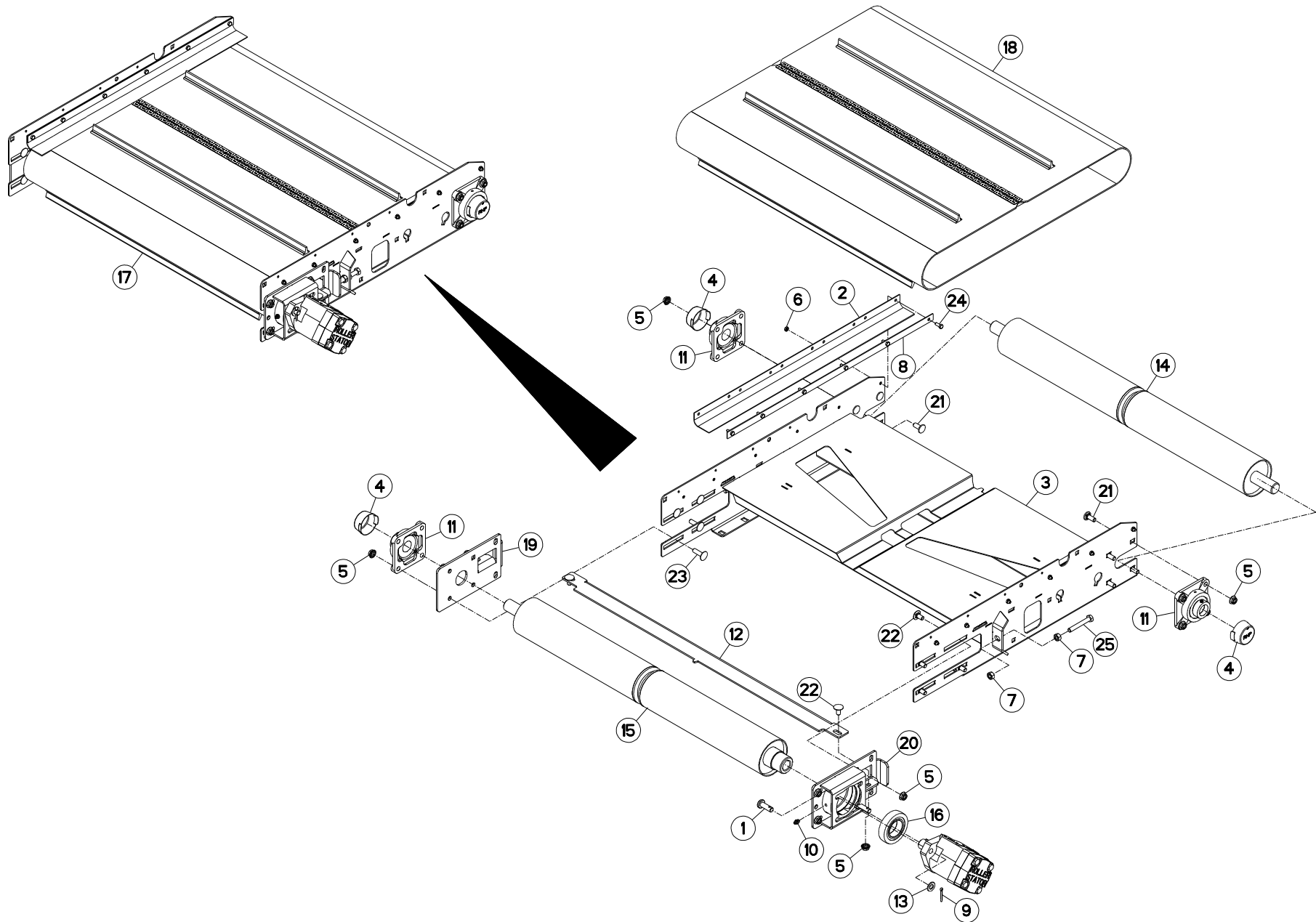
TAPIS PVC 0,63M (COURT)

PVC CONVEYOR 0,63M (SHORT)

KRATZBODEN PVC 0,63M (KURZ)

TAPPETO PVC 0,63M (BREVE)

| Rep | Nr | Qt | Designation | Description | Bezeichnung | Referenza | Remarque - Remark - Bemerkung - Osservazioni |
|-----|----------|-----|--------------------------------|--------------------------------|-------------------------------|-------------------------------|--|
| 001 | A7250196 | 002 | BAVETTE | FLAP | SCHUTZLAPPEN | PARASPRUZZI | |
| 002 | A5314000 | 001 | CHASSIS | CHASSIS | HAUPTRAHMEN | TELAIO | |
| 003 | 81503012 | 003 | COUVERCLE PALIER APPLIQUE D30 | COVER | DECKEL | COPERCHIO | |
| 004 | 80201053 | 022 | ECROU AUTOBLOQUANT FE/ZNXC3 | UNDERSERRAT.S.LOC.NUT FE/ZNXC3 | SPERRZAHN-BUNDMUTTER FE/ZNXC3 | DADO FE/ZNXC3 | |
| 005 | 80200600 | 012 | ECROU HEXAGONAL FE/ZNXC3 | NUT FE/ZNXC3 | SECHSKANTMUTTER FE/ZNXC3 | DADO FE/ZNXC3 | |
| 006 | 80201070 | 004 | ECROU HEXAGONAL FE/ZNXC3 | NUT FE/ZNXC3 | SECHSKANTMUTTER FE/ZNXC3 | DADO FE/ZNXC3 | |
| 007 | A5314010 | 002 | FIXATION | MOUNT | VERBINDUNGSSTUECK | ATTACCO GANCIO | |
| 008 | 81503011 | 003 | PALIER APPLIQUE + GRAISSEUR | FLANGE UNIT | FLANSLAGER | CUSCINETTO | |
| 009 | A5304370 | 001 | RACLEUR | SCRAPER | ABSTREIFER | RASCHIATORE | |
| 010 | A5304460 | 001 | ROULEAU | ROLLER | ROLLE | RULLO | |
| 011 | A5304470 | 001 | ROULEAU | ROLLER | ROLLE | RULLO | |
| 012 | A5314020 | 001 | TAPIS PVC COURT II VIS 0,63 EM | CARPET | TEPPICH | | |
| 013 | A7250265 | 001 | TAPIS | BELT, CONVEYOR | TEPPICH | TAPPETO | |
| 014 | A5307040 | 001 | TENDEUR | TENSIONER | SPANNER | TENDITORE | |
| 015 | A5307050 | 001 | TENDEUR | TENSIONER | SPANNER | TENDITORE | |
| 016 | 50002200 | 020 | VIS TBCC COURT | BOLT, CARRIAGE, SHORT NECK | FLACHRUNDSCHR.4KT ANSATZ | BULLONE | |
| 017 | 50007300 | 002 | VIS TBCC COURT | BOLT, CARRIAGE, SHORT NECK | FLACHRUNDSCHR.4KT ANSATZ | BULLONE | |
| 018 | 80060616 | 012 | VIS TETE HEXAGONALE FE/ZNXC3 | HEXAGON HEAD SCREW FE/ZNXC3 | SECHSKANTSCHRAUBE FE/ZNXC3 | VITE TESTA ESAGONALE FE/ZNXC3 | |
| 019 | 80061070 | 002 | VIS TETE HEXAGONALE FE/ZNXC3 | HEXAGON HEAD SCREW FE/ZNXC3 | SECHSKANTSCHRAUBE FE/ZNXC3 | VITE TESTA ESAGONALE FE/ZNXC3 | |
| 020 | A5336700 | 001 | TENDEUR | TENSIONER | SPANNER | TENDITORE | |
| 021 | 50002200 | 008 | VIS TBCC COURT | BOLT, CARRIAGE, SHORT NECK | FLACHRUNDSCHR.4KT ANSATZ | BULLONE | |
| 022 | 50003200 | 006 | VIS TBCC COURT | BOLT, CARRIAGE, SHORT NECK | FLACHRUNDSCHR.4KT ANSATZ | BULLONE | |
| 023 | 50007300 | 004 | VIS TBCC COURT | BOLT, CARRIAGE, SHORT NECK | FLACHRUNDSCHR.4KT ANSATZ | BULLONE | |
| 024 | 80060616 | 012 | VIS TETE HEXAGONALE FE/ZNXC3 | HEXAGON HEAD SCREW FE/ZNXC3 | SECHSKANTSCHRAUBE FE/ZNXC3 | VITE TESTA ESAGONALE FE/ZNXC3 | |
| 025 | 80061070 | 002 | VIS TETE HEXAGONALE FE/ZNXC3 | HEXAGON HEAD SCREW FE/ZNXC3 | SECHSKANTSCHRAUBE FE/ZNXC3 | VITE TESTA ESAGONALE FE/ZNXC3 | |





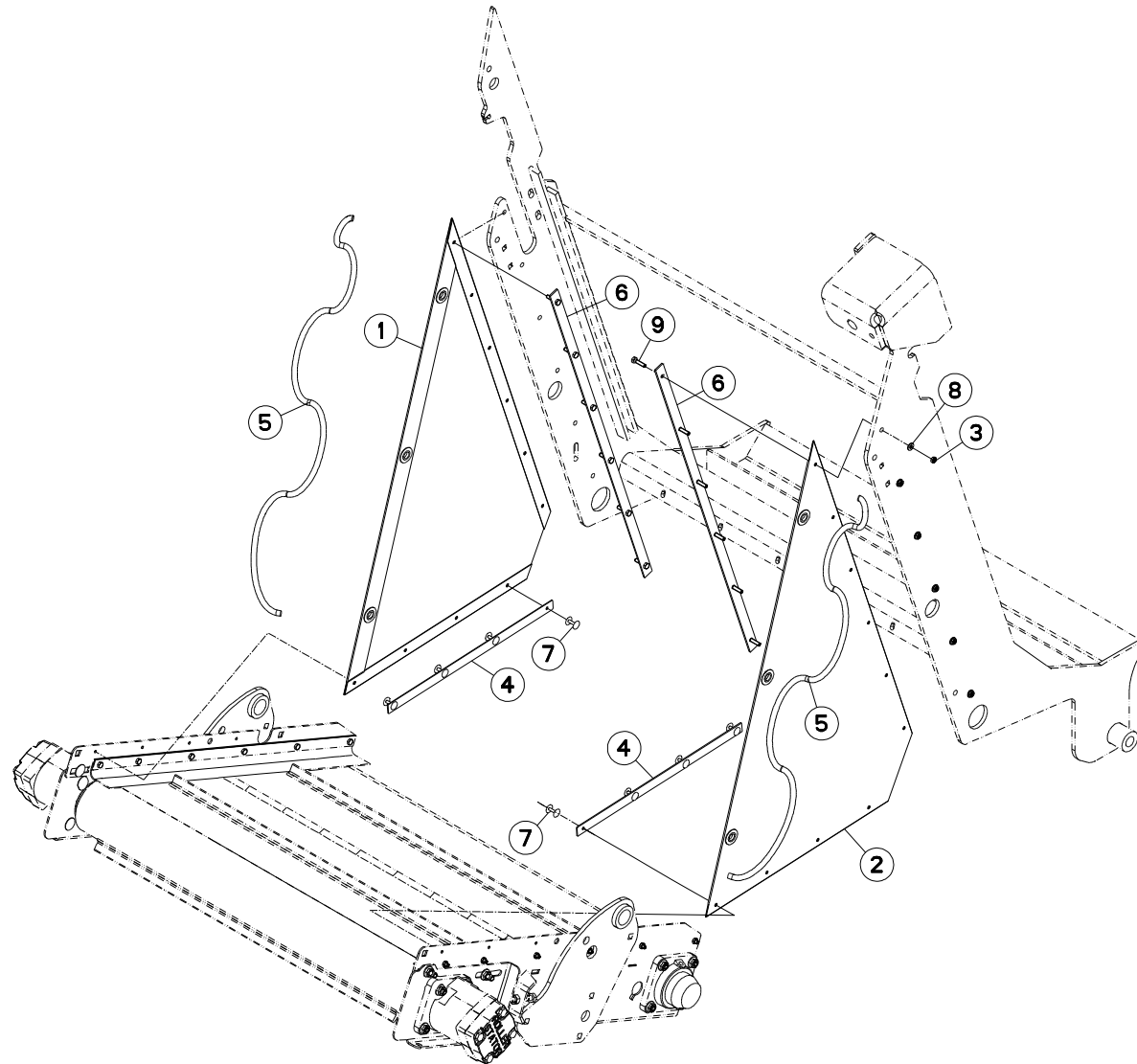
TAPIS PVC 0,63M

PVC CONVEYOR 0,63M

KRATZBODEN PVC 0,63M

TAPPETO PVC 0,63M

| Rep | Nr | Qt | Designation | Description | Bezeichnung | Referenza | Remarque - Remark - Bemerkung - Osservazioni |
|-----|----------|-----|------------------------------|--------------------------------|-------------------------------|-------------------------------|--|
| 001 | A5336642 | 002 | AXE | PIN | ACHSE | ASSE | |
| 002 | A7250196 | 002 | BAVETTE | FLAP | SCHUTZLAPPEN | PARASPRUZZI | |
| 003 | A5314001 | 001 | CHASSIS | CHASSIS | HAUPTRAHMEN | TELAIO | |
| 004 | 81503016 | 003 | COUVERCLE PROTECTEUR ARBRE | COVER | DECKEL | COPERCHIO | |
| 005 | 80201053 | 018 | ECROU AUTOBLOQUANT FE/ZNXC3 | UNDERSERRAT.S.LOC.NUT FE/ZNXC3 | SPERRZAHN-BUNDMUTTER FE/ZNXC3 | DADO FE/ZNXC3 | |
| 006 | 80200600 | 012 | ECROU HEXAGONAL FE/ZNXC3 | NUT FE/ZNXC3 | SECHSKANTMUTTER FE/ZNXC3 | DADO FE/ZNXC3 | |
| 007 | 80201070 | 004 | ECROU HEXAGONAL FE/ZNXC3 | NUT FE/ZNXC3 | SECHSKANTMUTTER FE/ZNXC3 | DADO FE/ZNXC3 | |
| 008 | A5314010 | 002 | FIXATION | MOUNT | VERBINDUNGSSTUECK | ATTACCO GANCIO | |
| 009 | 80500328 | 002 | GOUPILLE FENDUE FE/ZNXC3 | SPLIT PIN FE/ZNXC3 | SPLINT FE/ZNXC3 | COPPIGLIA FE/ZNXC3 | |
| 010 | 82200800 | 001 | GRAISSEUR A TETE SPHERIQUE | GRESE NIPPLE B M8X1,25 | KEGELSCHMIERNIPPEL | INGRASSATORE FE/ZNXC3 | |
| 011 | 81503015 | 003 | PALIER APPLIQUE+GRAIS. | FLANGE UNIT | FLANSCHLAGER | CUSCINETTO | |
| 012 | A5304371 | 001 | RACLEUR | SCRAPER | ABSTREIFER | RASCHIATORE | |
| 013 | 80251227 | 002 | RONDELLE PLATE FE/ZNXC3 | PLAIN WASHER M12 | SCHEIBE FE/ZNXC3 | RONDELLA PIATTA FE/ZNXC3 | |
| 014 | A5304460 | 001 | ROULEAU | ROLLER | ROLLE | RULLO | |
| 015 | A5336620 | 001 | ROULEAU | ROLLER | ROLLE | RULLO | |
| 016 | 81004584 | 001 | ROULEMENT AUTO-ALIGNEUR | RADIAL INSERT BALL BEARING | SPANNLAGER | CUSCINETTO A SFERE | |
| 017 | A5314021 | 001 | TAPIS | BELT, CONVEYOR | TEPPICH | TAPPETO | |
| 018 | A7250265 | 001 | TAPIS | BELT, CONVEYOR | TEPPICH | TAPPETO | |
| 019 | A5336690 | 001 | TENDEUR | TENSIONER | SPANNER | TENDITORE | |
| 020 | A5336700 | 001 | TENDEUR | TENSIONER | SPANNER | TENDITORE | |
| 021 | 50002200 | 008 | VIS TBCC COURT | BOLT, CARRIAGE, SHORT NECK | FLACHRUNDSCHR.4KT ANSATZ | BULLONE | |
| 022 | 50003200 | 006 | VIS TBCC COURT | BOLT, CARRIAGE, SHORT NECK | FLACHRUNDSCHR.4KT ANSATZ | BULLONE | |
| 023 | 50007300 | 004 | VIS TBCC COURT | BOLT, CARRIAGE, SHORT NECK | FLACHRUNDSCHR.4KT ANSATZ | BULLONE | |
| 024 | 80060616 | 012 | VIS TETE HEXAGONALE FE/ZNXC3 | HEXAGON HEAD SCREW FE/ZNXC3 | SECHSKANTSCHRAUBE FE/ZNXC3 | VITE TESTA ESAGONALE FE/ZNXC3 | |
| 025 | 80061070 | 002 | VIS TETE HEXAGONALE FE/ZNXC3 | HEXAGON HEAD SCREW FE/ZNXC3 | SECHSKANTSCHRAUBE FE/ZNXC3 | VITE TESTA ESAGONALE FE/ZNXC3 | |





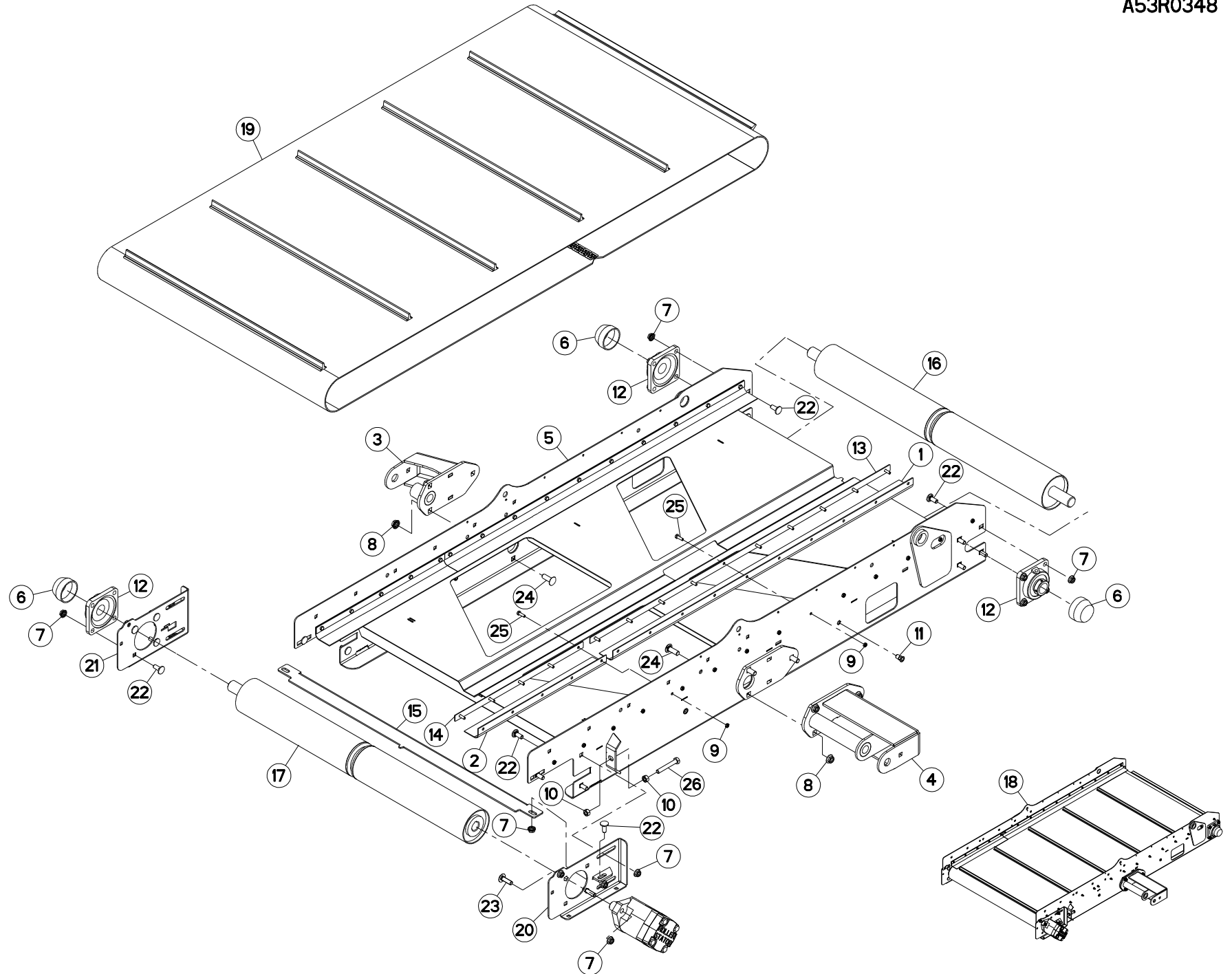
BACHE 0,63M (TAPIS)

TARP 0,63M (CONVEYOR)

PLANE 0,63M (KRATZBODEN)

TELONE 0,63M (FONDO MOBILE)

| Rep | Nr | Qt | Designation | Description | Bezeichnung | Referenza | Remarque - Remark - Bemerkung - Osservazioni |
|-----|----------|-----|--------------------------------|--------------------------------|----------------------------|-------------------------------|--|
| 001 | A7250221 | 001 | BACHE | TARP | PLANE | TELONE | |
| 002 | A7250222 | 001 | BACHE | TARP | PLANE | TELONE | |
| 003 | 80200600 | 012 | ECROU HEXAGONAL FE/ZNXC3 | NUT FE/ZNXC3 | SECHSKANTMUTTER FE/ZNXC3 | DADO FE/ZNXC3 | |
| 004 | A5314100 | 002 | FIXATION | MOUNT | VERBINDUNGSSTUECK | ATTACCO GANCIO | |
| 005 | A7251300 | 000 | TENDEUR ELASTIQUE D10 DE BACHE | ELASTIC STRAP | GUMMISPANNER | TENDITORE | <m> |
| 006 | A5100993 | 002 | PLAT | FLAT | FLACHEISEN | PIATTO | |
| 007 | 80370419 | 008 | RIVET AVEUGLE TL | RIVET | NIETE | RIVETTO | |
| 008 | 80250611 | 012 | RONDELLE PLATE FE/ZNXC3 | PLAIN WASHER M6 DIN 125 FE/ZNX | SCHEIBE FE/ZNXC3 | RONDELLA PIATTA FE/ZNXC3 | |
| 009 | 80060625 | 012 | VIS TETE HEXAGONALE FE/ZNXC3 | HEX BOLT FE/ZNXC3 | SECHSKANTSCHRAUBE FE/ZNXC3 | VITE TESTA ESAGONALE FE/ZNXC3 | |
| 010 | 80201070 | 004 | ECROU HEXAGONAL FE/ZNXC3 | NUT FE/ZNXC3 | SECHSKANTMUTTER FE/ZNXC3 | DADO FE/ZNXC3 | |
| 011 | A8359108 | 004 | INSERT HEX M8 A COLLERETTE | INSERT NUT HEX M8 | EINSETZMUTTER HEX M8 | MANICOTTO HEX M8 | |
| 012 | 81503011 | 003 | PALIER APPLIQUE + GRAISSEUR | FLANGE UNIT | FLANSCHLAGER | CUSCINETTO | |
| 013 | A5307060 | 002 | PLAT DE BAVETTE | PLATE | PLATTE | FISSAZIONE | |
| 014 | A5307070 | 002 | PLAT DE BAVETTE | PLATE | PLATTE | FISSAZIONE | |
| 015 | A5304371 | 001 | RACLEUR | SCRAPER | ABSTREIFER | RASCHIATORE | |
| 016 | A5304460 | 001 | ROULEAU | ROLLER | ROLLE | RULLO | |
| 017 | A5304470 | 001 | ROULEAU | ROLLER | ROLLE | RULLO | |
| 018 | A5307090 | 001 | TAPIS | BELT, CONVEYOR | TEPPICH | TAPPETO | |
| 019 | A7250261 | 001 | TAPIS | BELT, CONVEYOR | TEPPICH | TAPPETO | |
| 020 | A5307040 | 001 | TENDEUR | TENSIONER | SPANNER | TENDITORE | |
| 021 | A5307050 | 001 | TENDEUR | TENSIONER | SPANNER | TENDITORE | |
| 022 | 50002200 | 020 | VIS TBCC COURT | BOLT, CARRIAGE, SHORT NECK | FLACHRUNDSCHR.4KT ANSATZ | BULLONE | |
| 023 | 50007300 | 002 | VIS TBCC COURT | BOLT, CARRIAGE, SHORT NECK | FLACHRUNDSCHR.4KT ANSATZ | BULLONE | |
| 024 | 50008800 | 006 | VIS TBCC COURT | BOLT, CARRIAGE, SHORT NECK | FLACHRUNDSCHR.4KT ANSATZ | BULLONE | |
| 025 | 80060620 | 030 | VIS TETE HEXAGONALE FE/ZNXC3 | HEX BOLT FE/ZNXC3 | SECHSKANTSCHRAUBE FE/ZNXC3 | VITE TESTA ESAGONALE FE/ZNXC3 | |
| 026 | 80061070 | 002 | VIS TETE HEXAGONALE FE/ZNXC3 | HEXAGON HEAD SCREW FE/ZNXC3 | SECHSKANTSCHRAUBE FE/ZNXC3 | VITE TESTA ESAGONALE FE/ZNXC3 | |





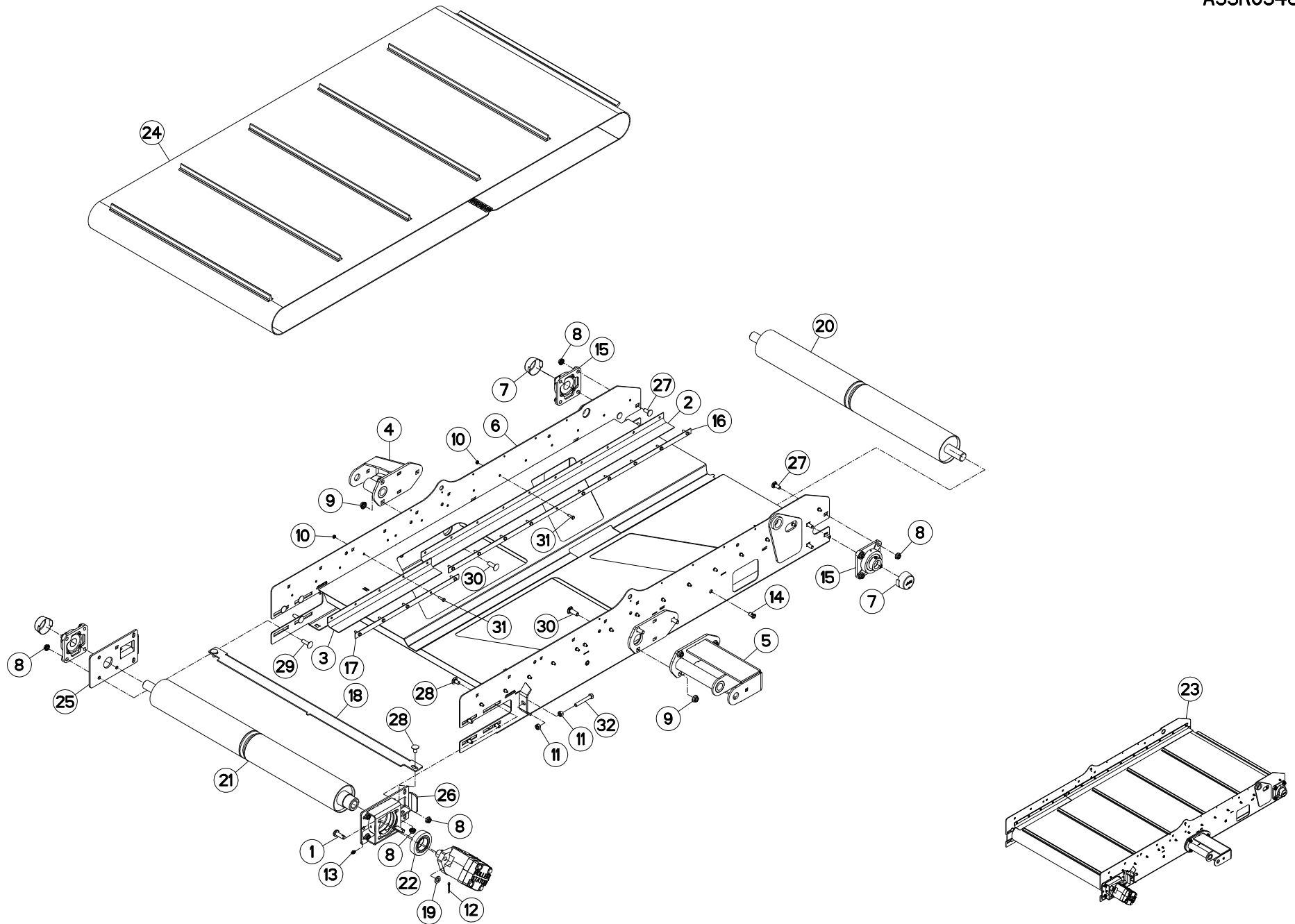
TAPIS 1,50M

CONVEYOR 1,50M

KRATZBODEN 1,50M

FONDO MOBILE 1,50M

| Rep | Nr | Qt | Designation | Description | Bezeichnung | Referenza | Remarque - Remark - Bemerkung - Osservazioni |
|-----|----------|-----|-------------------------------|--------------------------------|-------------------------------|-------------------------------|--|
| 001 | A7250157 | 002 | BAVETTE | FLAP | SCHUTZLAPPEN | PARASPRUZZI | |
| 002 | A7250158 | 002 | BAVETTE | FLAP | SCHUTZLAPPEN | PARASPRUZZI | |
| 003 | A5306921 | 001 | CHAPE | CLEVIS | GABEL | FORCELLA | |
| 004 | A5334840 | 001 | CHAPE | CLEVIS | GABEL | FORCELLA | |
| 005 | A5307010 | 001 | CHASSIS | CHASSIS | HAUPTRAHMEN | TELAIO | |
| 006 | 81503012 | 003 | COUVERCLE PALIER APPLIQUE D30 | COVER | DECKEL | COPERCHIO | |
| 007 | 80201053 | 022 | ECROU AUTOBLOQUANT FE/ZNXC3 | UNDERSERRAT.S.LOC.NUT FE/ZNXC3 | SPERRZAHN-BUNDMUTTER FE/ZNXC3 | DADO FE/ZNXC3 | |
| 008 | 80201253 | 006 | ECROU AUTOBLOQUANT FE/ZNXC3 | UNDERSERRAT.S.LOC.NUT FE/ZNXC3 | SPERRZAHN-BUNDMUTTER FE/ZNXC3 | DADO FE/ZNXC3 | |
| 009 | 80200600 | 030 | ECROU HEXAGONAL FE/ZNXC3 | NUT FE/ZNXC3 | SECHSKANTMUTTER FE/ZNXC3 | DADO FE/ZNXC3 | |
| 010 | 80201070 | 004 | ECROU HEXAGONAL FE/ZNXC3 | NUT FE/ZNXC3 | SECHSKANTMUTTER FE/ZNXC3 | DADO FE/ZNXC3 | |
| 011 | A8359108 | 004 | INSERT HEX M8 A COLLERETTE | INSERT NUT HEX M8 | EINSETZMUTTER HEX M8 | MANICOTTO HEX M8 | |
| 012 | 81503011 | 003 | PALIER APPLIQUE + GRAISSEUR | FLANGE UNIT | FLANSCHLAGER | CUSCINETTO | |
| 013 | A5307060 | 002 | PLAT DE BAVETTE | PLATE | PLATTE | FISSAZIONE | |
| 014 | A5307070 | 002 | PLAT DE BAVETTE | PLATE | PLATTE | FISSAZIONE | |
| 015 | A5304371 | 001 | RACLEUR | SCRAPER | ABSTREIFER | RASCHIATORE | |
| 016 | A5304460 | 001 | ROULEAU | ROLLER | ROLLE | RULLO | |
| 017 | A5304470 | 001 | ROULEAU | ROLLER | ROLLE | RULLO | |
| 018 | A5307090 | 001 | TAPIS | BELT, CONVEYOR | TEPPICH | TAPPETO | |
| 019 | A7250261 | 001 | TAPIS | BELT, CONVEYOR | TEPPICH | TAPPETO | |
| 020 | A5307040 | 001 | TENDEUR | TENSIONER | SPANNER | TENDITORE | |
| 021 | A5307050 | 001 | TENDEUR | TENSIONER | SPANNER | TENDITORE | |
| 022 | 50002200 | 020 | VIS TBCC COURT | BOLT, CARRIAGE, SHORT NECK | FLACHRUNDSCHR.4KT ANSATZ | BULLONE | |
| 023 | 50007300 | 002 | VIS TBCC COURT | BOLT, CARRIAGE, SHORT NECK | FLACHRUNDSCHR.4KT ANSATZ | BULLONE | |
| 024 | 50008800 | 006 | VIS TBCC COURT | BOLT, CARRIAGE, SHORT NECK | FLACHRUNDSCHR.4KT ANSATZ | BULLONE | |
| 025 | 80060620 | 030 | VIS TETE HEXAGONALE FE/ZNXC3 | HEX BOLT FE/ZNXC3 | SECHSKANTSCHRAUBE FE/ZNXC3 | VITE TESTA ESAGONALE FE/ZNXC3 | |
| 026 | 80061070 | 002 | VIS TETE HEXAGONALE FE/ZNXC3 | HEXAGON HEAD SCREW FE/ZNXC3 | SECHSKANTSCHRAUBE FE/ZNXC3 | VITE TESTA ESAGONALE FE/ZNXC3 | |





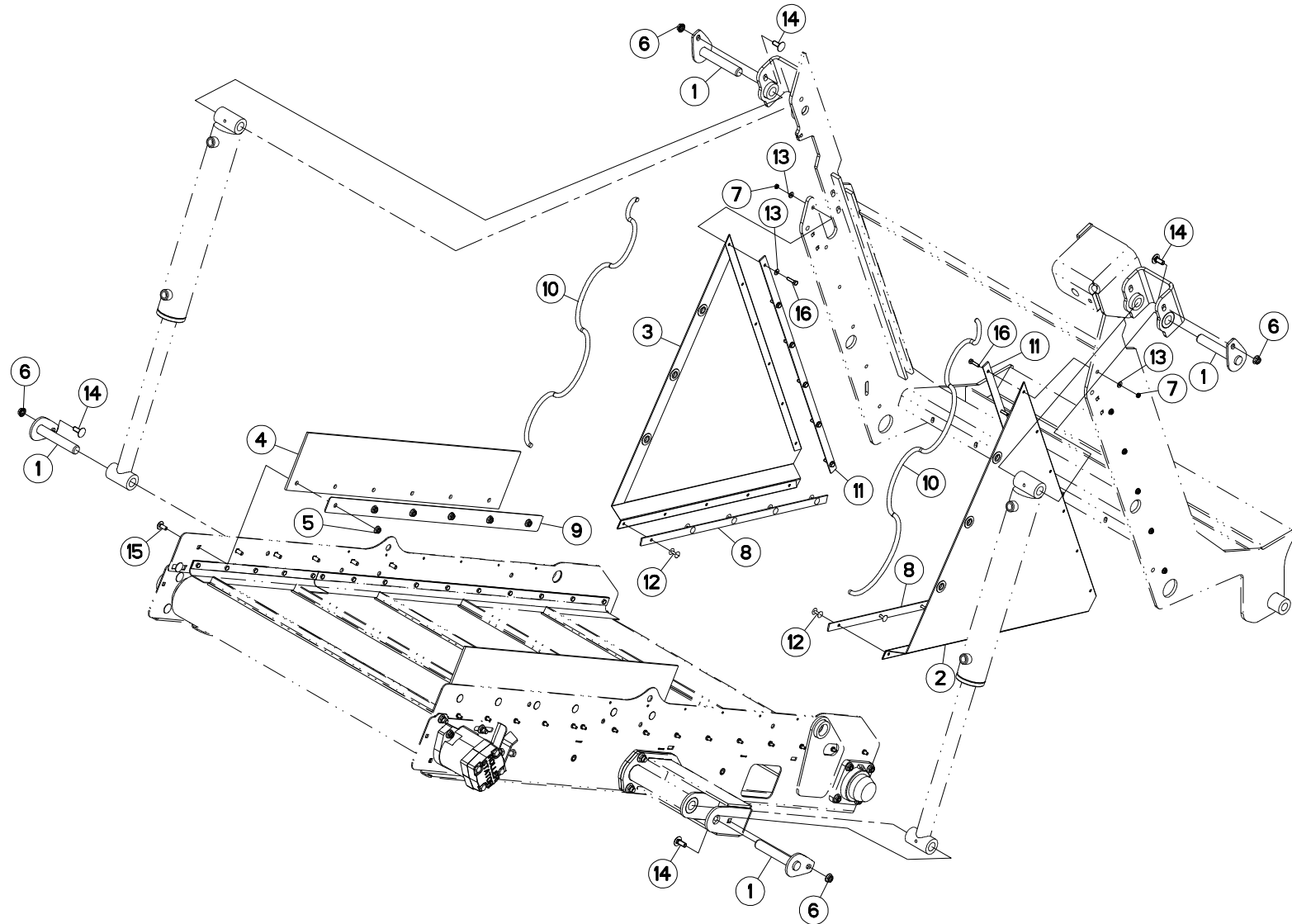
TAPIS 1,50M

CONVEYOR 1,50M

KRATZBODEN 1,50M

FONDO MOBILE 1,50M

| Rep | Nr | Qt | Designation | Description | Bezeichnung | Referenza | Remarque - Remark - Bemerkung - Osservazioni |
|-----|----------|-----|------------------------------|--------------------------------|-------------------------------|-------------------------------|--|
| 001 | A5336642 | 002 | AXE | PIN | ACHSE | ASSE | |
| 002 | A7250157 | 002 | BAVETTE | FLAP | SCHUTZLAPPEN | PARASPRUZZI | |
| 003 | A7250158 | 002 | BAVETTE | FLAP | SCHUTZLAPPEN | PARASPRUZZI | |
| 004 | A5339200 | 001 | CHAPE | CLEVIS | GABEL | FORCELLA | |
| 005 | A5339210 | 001 | CHAPE | CLEVIS | GABEL | FORCELLA | |
| 006 | A5307011 | 001 | CHASSIS | CHASSIS | HAUPTRAHMEN | TELAIO | |
| 007 | 81503016 | 003 | COUVERCLE PROTECTEUR ARBRE | COVER | DECKEL | COPERCHIO | |
| 008 | 80201053 | 018 | ECROU AUTOBLOQUANT FE/ZNXC3 | UNDERSERRAT.S.LOC.NUT FE/ZNXC3 | SPERRZAHN-BUNDMUTTER FE/ZNXC3 | DADO FE/ZNXC3 | |
| 009 | 80201253 | 006 | ECROU AUTOBLOQUANT FE/ZNXC3 | UNDERSERRAT.S.LOC.NUT FE/ZNXC3 | SPERRZAHN-BUNDMUTTER FE/ZNXC3 | DADO FE/ZNXC3 | |
| 010 | 80200600 | 030 | ECROU HEXAGONAL FE/ZNXC3 | NUT FE/ZNXC3 | SECHSKANTMUTTER FE/ZNXC3 | DADO FE/ZNXC3 | |
| 011 | 80201070 | 004 | ECROU HEXAGONAL FE/ZNXC3 | NUT FE/ZNXC3 | SECHSKANTMUTTER FE/ZNXC3 | DADO FE/ZNXC3 | |
| 012 | 80500328 | 002 | GOUPILLE FENDUE FE/ZNXC3 | SPLIT PIN FE/ZNXC3 | SPLINT FE/ZNXC3 | COPPIGLIA FE/ZNXC3 | |
| 013 | 82200800 | 001 | GRAISSEUR A TETE SPHERIQUE | GRESE NIPPLE B M8X1,25 | KEGELSCHMIERNIPPEL | INGRASSATORE FE/ZNXC3 | |
| 014 | A8359108 | 004 | INSERT HEX M8 A COLLERETTE | INSERT NUT HEX M8 | EINSETZMUTTER HEX M8 | MANICOTTO HEX M8 | |
| 015 | 81503015 | 003 | PALIER APPLIQUE+GRAIS. | FLANGE UNIT | FLANSCHLAGER | CUSCINETTO | |
| 016 | A5307060 | 002 | PLAT DE BAVETTE | PLATE | PLATTE | FISSAZIONE | |
| 017 | A5307070 | 002 | PLAT DE BAVETTE | PLATE | PLATTE | FISSAZIONE | |
| 018 | A5304371 | 001 | RACLEUR | SCRAPER | ABSTREIFER | RASCHIATORE | |
| 019 | 80251227 | 002 | RONDELLE PLATE FE/ZNXC3 | PLAIN WASHER M12 | SCHEIBE FE/ZNXC3 | RONDELLA PIATTA FE/ZNXC3 | |
| 020 | A5304460 | 001 | ROULEAU | ROLLER | ROLLE | RULLO | |
| 021 | A5336620 | 001 | ROULEAU | ROLLER | ROLLE | RULLO | |
| 022 | 81004584 | 001 | ROULEMENT AUTO-ALIGNEUR | RADIAL INSERT BALL BEARING | SPANNLAGER | CUSCINETTO A SFERE | |
| 023 | A5307091 | 001 | TAPIS | BELT, CONVEYOR | TEPPICH | TAPPETO | |
| 024 | A7250261 | 001 | TAPIS | BELT, CONVEYOR | TEPPICH | TAPPETO | |
| 025 | A5336690 | 001 | TENDEUR | TENSIONER | SPANNER | TENDITORE | |
| 026 | A5336700 | 001 | TENDEUR | TENSIONER | SPANNER | TENDITORE | |
| 027 | 50002200 | 008 | VIS TBCC COURT | BOLT, CARRIAGE, SHORT NECK | FLACHRUNDSCHR.4KT ANSATZ | BULLONE | |
| 028 | 50003200 | 006 | VIS TBCC COURT | BOLT, CARRIAGE, SHORT NECK | FLACHRUNDSCHR.4KT ANSATZ | BULLONE | |
| 029 | 50007300 | 004 | VIS TBCC COURT | BOLT, CARRIAGE, SHORT NECK | FLACHRUNDSCHR.4KT ANSATZ | BULLONE | |
| 030 | 50008800 | 006 | VIS TBCC COURT | BOLT, CARRIAGE, SHORT NECK | FLACHRUNDSCHR.4KT ANSATZ | BULLONE | |
| 031 | 80060620 | 030 | VIS TETE HEXAGONALE FE/ZNXC3 | HEX BOLT FE/ZNXC3 | SECHSKANTSCHRAUBE FE/ZNXC3 | VITE TESTA ESAGONALE FE/ZNXC3 | |
| 032 | 80061070 | 002 | VIS TETE HEXAGONALE FE/ZNXC3 | HEXAGON HEAD SCREW FE/ZNXC3 | SECHSKANTSCHRAUBE FE/ZNXC3 | VITE TESTA ESAGONALE FE/ZNXC3 | |





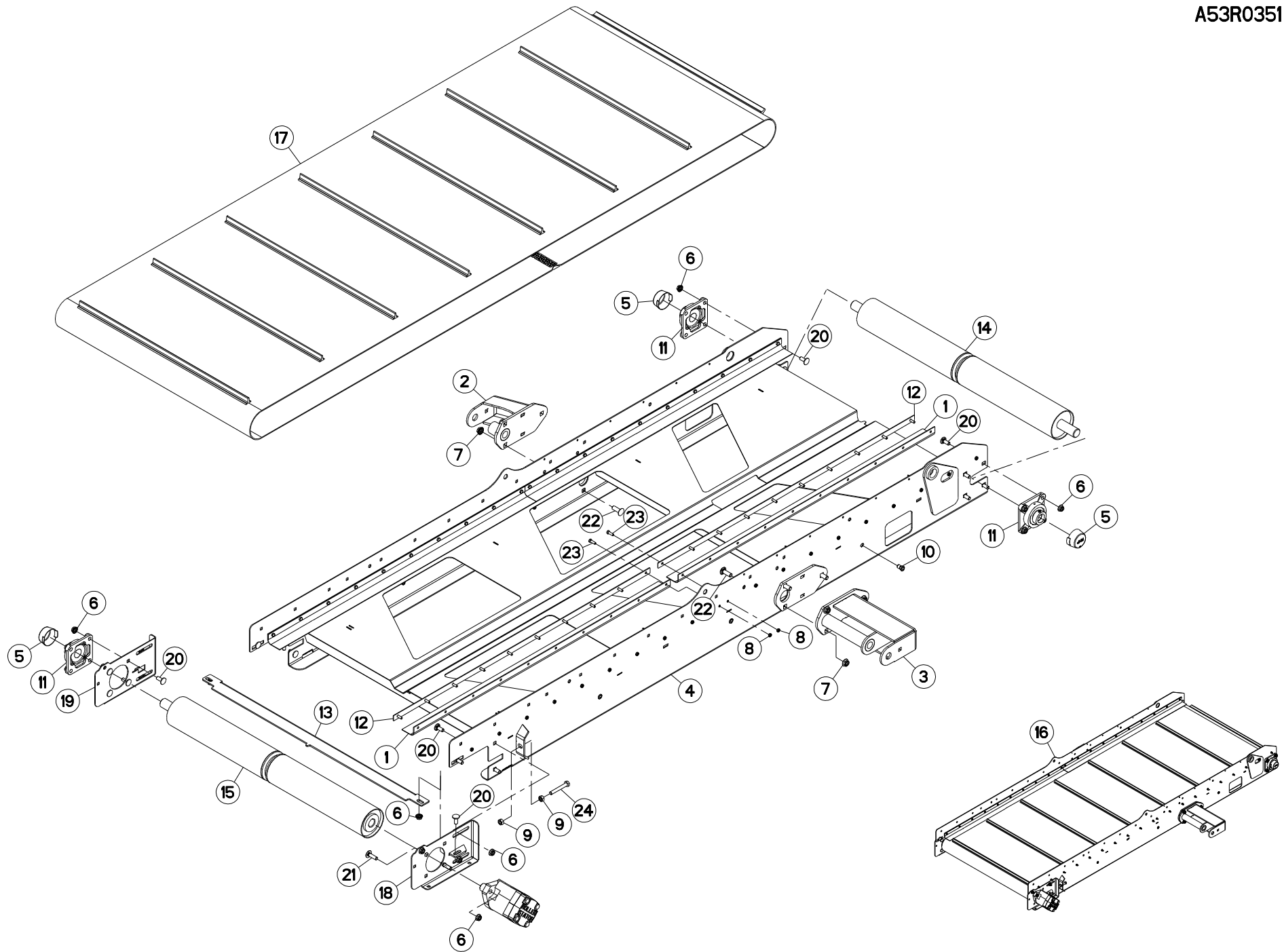
BAVETTE 1,5M (TAPIS)

FLAP 1,5M (CONVEYOR)

SCHUTZLAPPEN 1,5M (KRATZBODEN)

PARASPRUZZI 1,5M (FONDO MOBIL)

| Rep | Nr | Qt | Designation | Description | Bezeichnung | Referenza | Remarque - Remark - Bemerkung - Osservazioni |
|-----|-----------------|-----|--------------------------------|--------------------------------|-------------------------------|-------------------------------|--|
| 001 | A5110084 | 004 | AXE | PIN | ACHSE | ASSE | |
| 002 | A7250159 | 001 | BACHE | TARP | PLANE | TELONE | |
| 003 | A7250160 | 001 | BACHE | TARP | PLANE | TELONE | |
| 004 | A7250101 | 002 | BAVETTE CAOUTCHOUC | FLAP | SCHUTZ | PARASPRUZZI | |
| 005 | 80200851 | 012 | ECROU AUTOBLOQUANT FE/ZNXC3 | UNDERSERRAT.S.LOC.NUT FE/ZNXC3 | SPERRZAHN-BUNDMUTTER FE/ZNXC3 | DADO FE/ZNXC3 | |
| 006 | 80201053 | 004 | ECROU AUTOBLOQUANT FE/ZNXC3 | UNDERSERRAT.S.LOC.NUT FE/ZNXC3 | SPERRZAHN-BUNDMUTTER FE/ZNXC3 | DADO FE/ZNXC3 | |
| 007 | 80200600 | 012 | ECROU HEXAGONAL FE/ZNXC3 | NUT FE/ZNXC3 | SECHSKANTMUTTER FE/ZNXC3 | DADO FE/ZNXC3 | |
| 008 | A5311126 | 002 | FIXATION | MOUNT | VERBINDUNGSSTUECK | ATTACCO GANCIO | |
| 009 | A5320106 | 002 | FIXATION BAVET.0M20 830X40X2 | FLAT ATTACHMENT | SCHUTZBEFESTIGUNG | FISSAZIONE | |
| 010 | A7251300 | 002 | TENDEUR ELASTIQUE D10 DE BACHE | ELASTIC STRAP | GUMMISPANNER | TENDITORE | |
| 011 | A5100993 | 002 | PLAT | FLAT | FLACHEISEN | PIATTO | |
| 012 | 80370419 | 010 | RIVET AVEUGLE TL | RIVET | NIETE | RIVETTO | |
| 013 | 80250611 | 024 | RONDELLE PLATE FE/ZNXC3 | PLAIN WASHER M6 DIN 125 FE/ZNX | SCHEIBE FE/ZNXC3 | RONDELLA PIATTA FE/ZNXC3 | |
| 014 | 50002200 | 004 | VIS TBCC COURT | BOLT, CARRIAGE, SHORT NECK | FLACHRUNDSCHR.4KT ANSATZ | BULLONE | |
| 015 | 50070300 | 012 | VIS TBCC COURT | BOLT, CARRIAGE, SHORT NECK | FLACHRUNDSCHR.4KT ANSATZ | BULLONE | |
| 016 | 80060625 | 012 | VIS TETE HEXAGONALE FE/ZNXC3 | HEX BOLT FE/ZNXC3 | SECHSKANTSCHRAUBE FE/ZNXC3 | VITE TESTA ESAGONALE FE/ZNXC3 | |
| 017 | 50070300 | 022 | VIS TBCC COURT | BOLT, CARRIAGE, SHORT NECK | FLACHRUNDSCHR.4KT ANSATZ | BULLONE | |
| 018 | 80060625 | 012 | VIS TETE HEXAGONALE FE/ZNXC3 | HEX BOLT FE/ZNXC3 | SECHSKANTSCHRAUBE FE/ZNXC3 | VITE TESTA ESAGONALE FE/ZNXC3 | |





TAPIS 2,20M

CONVEYOR 2,20M

KRATZBODEN 2,20M

FONDO MOBILE 2,20M

| Rep | Nr | Qt | Designation | Description | Bezeichnung | Referenza | Remarque - Remark - Bemerkung - Osservazioni |
|-----|----------|-----|------------------------------|--------------------------------|-------------------------------|-------------------------------|--|
| 001 | A7250157 | 004 | BAVETTE | FLAP | SCHUTZLAPPEN | PARASPRUZZI | |
| 002 | A5306921 | 001 | CHAPE | CLEVIS | GABEL | FORCELLA | |
| 003 | A5334840 | 001 | CHAPE | CLEVIS | GABEL | FORCELLA | |
| 004 | A5306970 | 001 | CHASSIS | CHASSIS | HAUPTRAHMEN | TELAIO | |
| 005 | 81503016 | 003 | COUVERCLE PROTECTEUR ARBRE | COVER | DECKEL | COPERCHIO | |
| 006 | 80201053 | 022 | ECROU AUTOBLOQUANT FE/ZNXC3 | UNDERSERRAT.S.LOC.NUT FE/ZNXC3 | SPERRZAHN-BUNDMUTTER FE/ZNXC3 | DADO FE/ZNXC3 | |
| 007 | 80201253 | 006 | ECROU AUTOBLOQUANT FE/ZNXC3 | UNDERSERRAT.S.LOC.NUT FE/ZNXC3 | SPERRZAHN-BUNDMUTTER FE/ZNXC3 | DADO FE/ZNXC3 | |
| 008 | 80200600 | 040 | ECROU HEXAGONAL FE/ZNXC3 | NUT FE/ZNXC3 | SECHSKANTMUTTER FE/ZNXC3 | DADO FE/ZNXC3 | |
| 009 | 80201070 | 004 | ECROU HEXAGONAL FE/ZNXC3 | NUT FE/ZNXC3 | SECHSKANTMUTTER FE/ZNXC3 | DADO FE/ZNXC3 | |
| 010 | A8359108 | 006 | INSERT HEX M8 A COLLERETTE | INSERT NUT HEX M8 | EINSETZMUTTER HEX M8 | MANICOTTO HEX M8 | |
| 011 | 81503015 | 003 | PALIER APPLIQUE+GRAIS. | FLANGE UNIT | FLANSCHLAGER | CUSCINETTO | |
| 012 | A5307060 | 004 | PLAT DE BAVETTE | PLATE | PLATTE | FISSAZIONE | |
| 013 | A5304371 | 001 | RACLEUR | SCRAPER | ABSTREIFER | RASCHIATORE | |
| 014 | A5304460 | 001 | ROULEAU | ROLLER | ROLLE | RULLO | |
| 015 | A5304470 | 001 | ROULEAU | ROLLER | ROLLE | RULLO | |
| 016 | A5307080 | 001 | TAPIS | BELT, CONVEYOR | TEPPICH | TAPPETO | |
| 017 | A7250262 | 001 | TAPIS | BELT, CONVEYOR | TEPPICH PVC | TAPPETO | |
| 018 | A5307040 | 001 | TENDEUR | TENSIONER | SPANNER | TENDITORE | |
| 019 | A5307050 | 001 | TENDEUR | TENSIONER | SPANNER | TENDITORE | |
| 020 | 50002200 | 020 | VIS TBCC COURT | BOLT, CARRIAGE, SHORT NECK | FLACHRUNDSCHR.4KT ANSATZ | BULLONE | |
| 021 | 50007300 | 002 | VIS TBCC COURT | BOLT, CARRIAGE, SHORT NECK | FLACHRUNDSCHR.4KT ANSATZ | BULLONE | |
| 022 | 50008800 | 006 | VIS TBCC COURT | BOLT, CARRIAGE, SHORT NECK | FLACHRUNDSCHR.4KT ANSATZ | BULLONE | |
| 023 | 80060620 | 040 | VIS TETE HEXAGONALE FE/ZNXC3 | HEX BOLT FE/ZNXC3 | SECHSKANTSCHRAUBE FE/ZNXC3 | VITE TESTA ESAGONALE FE/ZNXC3 | |
| 024 | 80061070 | 002 | VIS TETE HEXAGONALE FE/ZNXC3 | HEXAGON HEAD SCREW FE/ZNXC3 | SECHSKANTSCHRAUBE FE/ZNXC3 | VITE TESTA ESAGONALE FE/ZNXC3 | |
| 025 | A5336690 | 001 | TENDEUR | TENSIONER | SPANNER | TENDITORE | |
| 026 | A5336700 | 001 | TENDEUR | TENSIONER | SPANNER | TENDITORE | |
| 027 | 50002200 | 010 | VIS TBCC COURT | BOLT, CARRIAGE, SHORT NECK | FLACHRUNDSCHR.4KT ANSATZ | BULLONE | |
| 028 | 50003200 | 004 | VIS TBCC COURT | BOLT, CARRIAGE, SHORT NECK | FLACHRUNDSCHR.4KT ANSATZ | BULLONE | |
| 029 | 50007300 | 004 | VIS TBCC COURT | BOLT, CARRIAGE, SHORT NECK | FLACHRUNDSCHR.4KT ANSATZ | BULLONE | |
| 030 | 50008800 | 006 | VIS TBCC COURT | BOLT, CARRIAGE, SHORT NECK | FLACHRUNDSCHR.4KT ANSATZ | BULLONE | |
| 031 | 80061070 | 002 | VIS TETE HEXAGONALE FE/ZNXC3 | HEXAGON HEAD SCREW FE/ZNXC3 | SECHSKANTSCHRAUBE FE/ZNXC3 | VITE TESTA ESAGONALE FE/ZNXC3 | |
| 032 | 80060617 | 050 | VIS TETE HEXAGONALE FLZNNC | HEXAGON HEAD SCREW FLZNNC | SECHSKANTSCHRAUBE FLZNNC | VITE TESTA ESAGONALE FLZNNC | |



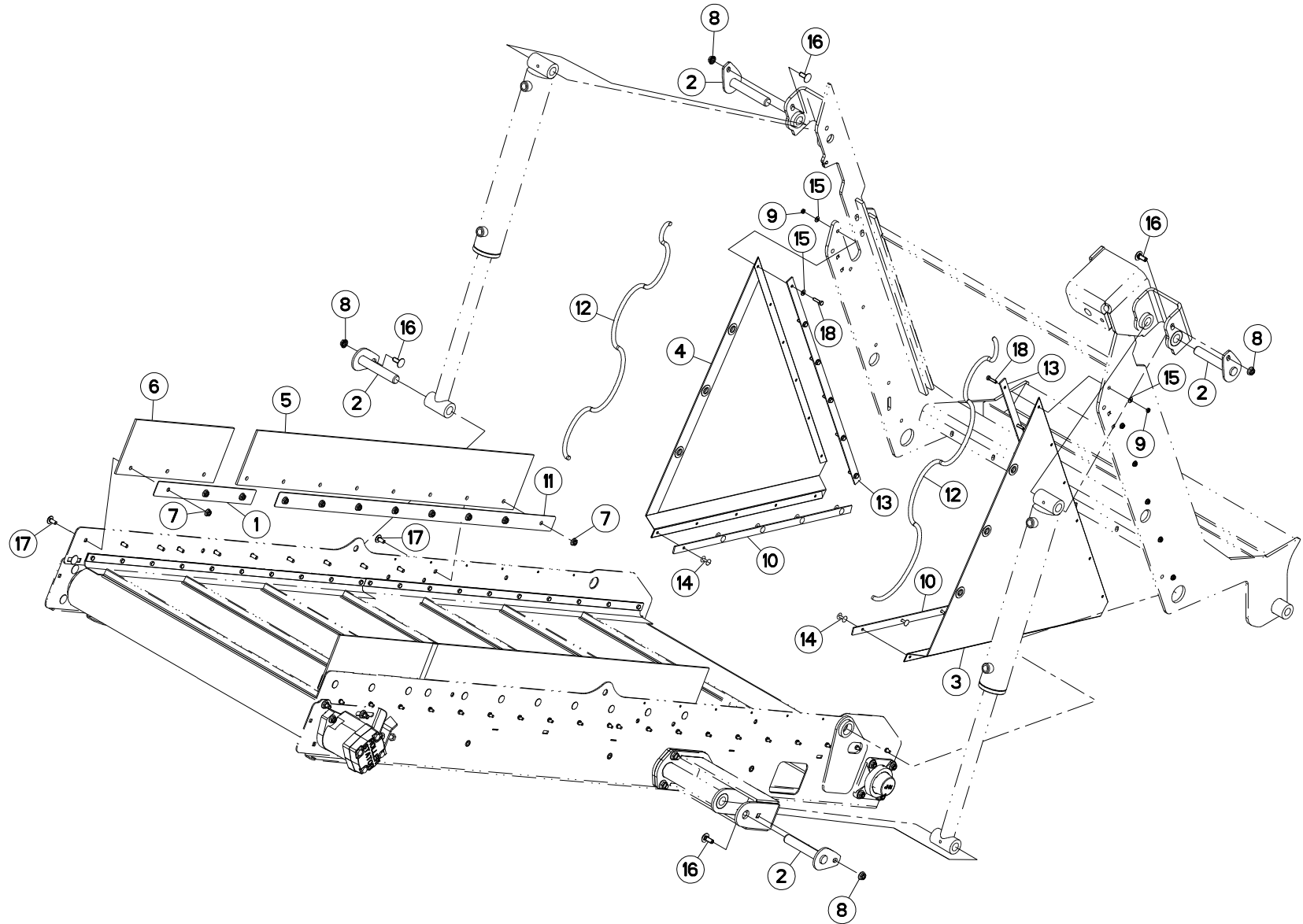
TAPIS 2,20M

CONVEYOR 2,20M

KRATZBODEN 2,20M

FONDO MOBILE 2,20M

| Rep | Nr | Qt | Designation | Description | Bezeichnung | Referenza | Remarque - Remark - Bemerkung - Osservazioni |
|-----|----------|-----|------------------------------|--------------------------------|-------------------------------|-------------------------------|--|
| 001 | A5336642 | 002 | AXE | PIN | ACHSE | ASSE | |
| 002 | A7250157 | 004 | BAVETTE | FLAP | SCHUTZLAPPEN | PARASPRUZZI | |
| 003 | A5306921 | 001 | CHAPE | CLEVIS | GABEL | FORCELLA | |
| 004 | A5334840 | 001 | CHAPE | CLEVIS | GABEL | FORCELLA | |
| 005 | A5306971 | 001 | CHASSIS | CHASSIS | HAUPTRAHMEN | TELAIO | |
| 006 | 81503016 | 003 | COUVERCLE PROTECTEUR ARBRE | COVER | DECKEL | COPERCHIO | |
| 007 | 80201053 | 018 | ECROU AUTOBLOQUANT FE/ZNXC3 | UNDERSERRAT.S.LOC.NUT FE/ZNXC3 | SPERRZAHN-BUNDMUTTER FE/ZNXC3 | DADO FE/ZNXC3 | |
| 008 | 80201253 | 006 | ECROU AUTOBLOQUANT FE/ZNXC3 | UNDERSERRAT.S.LOC.NUT FE/ZNXC3 | SPERRZAHN-BUNDMUTTER FE/ZNXC3 | DADO FE/ZNXC3 | |
| 009 | 80200600 | 040 | ECROU HEXAGONAL FE/ZNXC3 | NUT FE/ZNXC3 | SECHSKANTMUTTER FE/ZNXC3 | DADO FE/ZNXC3 | |
| 010 | 80201070 | 004 | ECROU HEXAGONAL FE/ZNXC3 | NUT FE/ZNXC3 | SECHSKANTMUTTER FE/ZNXC3 | DADO FE/ZNXC3 | |
| 011 | 80500328 | 002 | GOUPILLE FENDUE FE/ZNXC3 | SPLIT PIN FE/ZNXC3 | SPLINT FE/ZNXC3 | COPPIGLIA FE/ZNXC3 | |
| 012 | 82200800 | 001 | GRAISSEUR A TETE SPHERIQUE | GRESE NIPPLE B M8X1,25 | KEGELSCHMIERNIPPEL | INGRASSATORE FE/ZNXC3 | |
| 013 | A8359108 | 006 | INSERT HEX M8 A COLLERETTE | INSERT NUT HEX M8 | EINSETZMUTTER HEX M8 | MANICOTTO HEX M8 | |
| 014 | 81503015 | 003 | PALIER APPLIQUE+GRAIS. | FLANGE UNIT | FLANSCHLAGER | CUSCINETTO | |
| 015 | A5307060 | 004 | PLAT DE BAVETTE | PLATE | PLATTE | FISSAZIONE | |
| 016 | A5304371 | 001 | RACLEUR | SCRAPER | ABSTREIFER | RASCHIATORE | |
| 017 | 80251227 | 002 | RONDELLE PLATE FE/ZNXC3 | PLAIN WASHER M12 | SCHEIBE FE/ZNXC3 | RONDELLA PIATTA FE/ZNXC3 | |
| 018 | A5304460 | 001 | ROULEAU | ROLLER | ROLLE | RULLO | |
| 019 | A5336620 | 001 | ROULEAU | ROLLER | ROLLE | RULLO | |
| 020 | 81004584 | 001 | ROULEMENT AUTO-ALIGNEUR | RADIAL INSERT BALL BEARING | SPANNLAGER | CUSCINETTO A SFERE | |
| 021 | A5307081 | 001 | TAPIS | BELT, CONVEYOR | TEPPICH | TAPPETO | |
| 022 | A7250262 | 001 | TAPIS | BELT, CONVEYOR | TEPPICH PVC | TAPPETO | |
| 023 | A5336690 | 001 | TENDEUR | TENSIONER | SPANNER | TENDITORE | |
| 024 | A5336700 | 001 | TENDEUR | TENSIONER | SPANNER | TENDITORE | |
| 025 | 50002200 | 010 | VIS TBCC COURT | BOLT, CARRIAGE, SHORT NECK | FLACHRUNDSCHR.4KT ANSATZ | BULLONE | |
| 026 | 50003200 | 004 | VIS TBCC COURT | BOLT, CARRIAGE, SHORT NECK | FLACHRUNDSCHR.4KT ANSATZ | BULLONE | |
| 027 | 50007300 | 004 | VIS TBCC COURT | BOLT, CARRIAGE, SHORT NECK | FLACHRUNDSCHR.4KT ANSATZ | BULLONE | |
| 028 | 50008800 | 006 | VIS TBCC COURT | BOLT, CARRIAGE, SHORT NECK | FLACHRUNDSCHR.4KT ANSATZ | BULLONE | |
| 029 | 80060620 | 040 | VIS TETE HEXAGONALE FE/ZNXC3 | HEX BOLT FE/ZNXC3 | SECHSKANTSCHRAUBE FE/ZNXC3 | VITE TESTA ESAGONALE FE/ZNXC3 | |
| 030 | 80061070 | 002 | VIS TETE HEXAGONALE FE/ZNXC3 | HEXAGON HEAD SCREW FE/ZNXC3 | SECHSKANTSCHRAUBE FE/ZNXC3 | VITE TESTA ESAGONALE FE/ZNXC3 | |





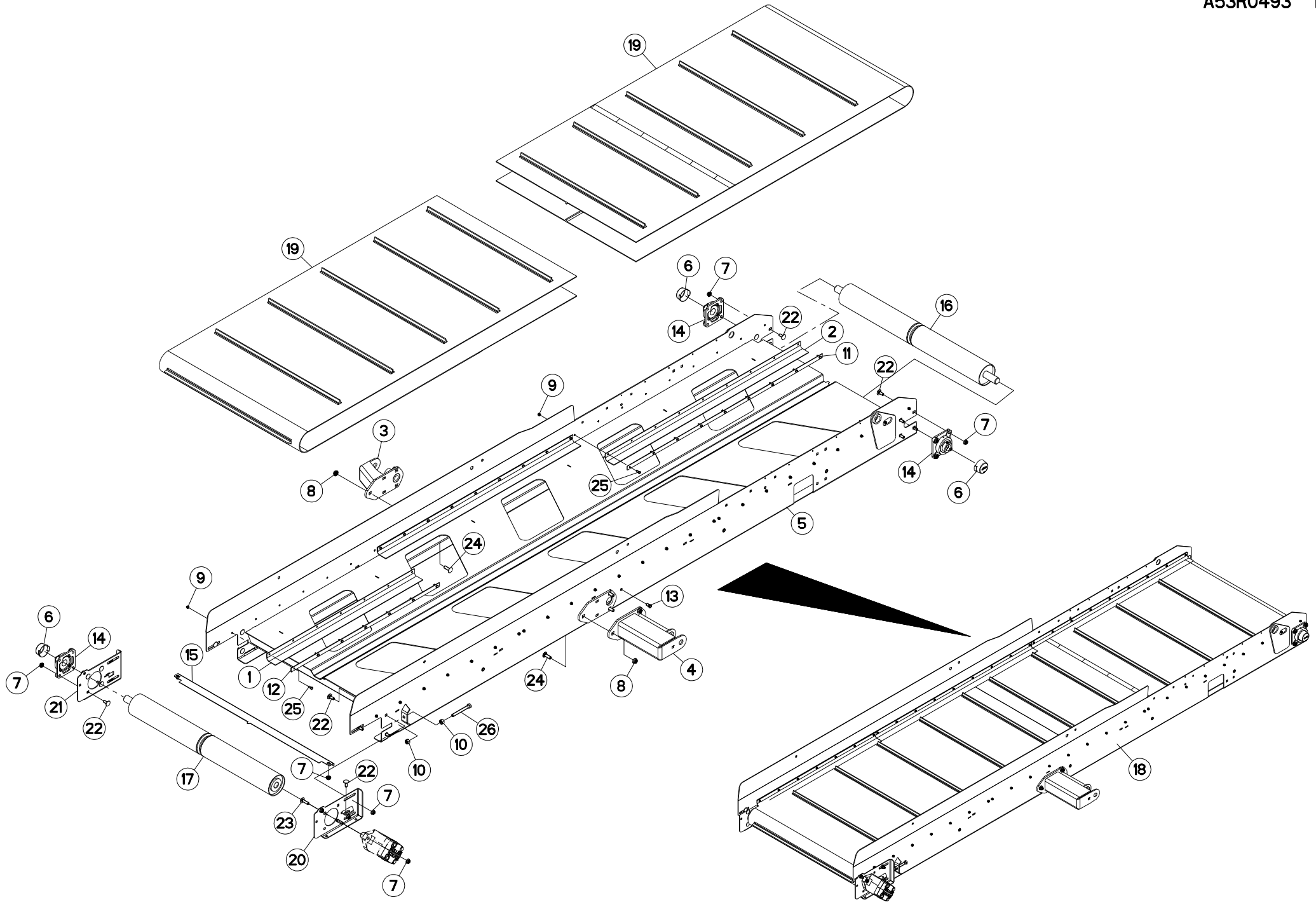
BAVETTE 2,2M (TAPIS)

FLAP 2,2M (CONVEYOR)

SCHUTZLAPPEN 2,2M (KRATZBODEN)

PARASPRUZZI 2,2M (FONDO MOBIL)

| Rep | Nr | Qt | Designation | Description | Bezeichnung | Referenza | Remarque - Remark - Bemerkung - Osservazioni |
|-----|-----------------|-----|--------------------------------|--------------------------------|-------------------------------|-------------------------------|--|
| 001 | A5320201 | 002 | FIXATION BAVET.COURT 400X40X2 | FLAP ATTACHEMENT | SCHUTZBEFESTIGUNG | FISSAZIONE | |
| 002 | A5110084 | 004 | AXE | PIN | ACHSE | ASSE | |
| 003 | A7250159 | 001 | BACHE | TARP | PLANE | TELONE | |
| 004 | A7250160 | 001 | BACHE | TARP | PLANE | TELONE | |
| 005 | A7250103 | 002 | BAVETTE CAOUTCHOUC | FLAP | SCHUTZ | PARASPRUZZI | |
| 006 | A7250105 | 002 | BAVETTE CAOUTCHOUC | FLAP | SCHUTZ | PARASPRUZZI | |
| 007 | 80200851 | 022 | ECROU AUTOBLOQUANT FE/ZNXC3 | UNDERSERRAT.S.LOC.NUT FE/ZNXC3 | SPERRZAHN-BUNDMUTTER FE/ZNXC3 | DADO FE/ZNXC3 | |
| 008 | 80201053 | 004 | ECROU AUTOBLOQUANT FE/ZNXC3 | UNDERSERRAT.S.LOC.NUT FE/ZNXC3 | SPERRZAHN-BUNDMUTTER FE/ZNXC3 | DADO FE/ZNXC3 | |
| 009 | 80200600 | 012 | ECROU HEXAGONAL FE/ZNXC3 | NUT FE/ZNXC3 | SECHSKANTMUTTER FE/ZNXC3 | DADO FE/ZNXC3 | |
| 010 | A5311126 | 002 | FIXATION | MOUNT | VERBINDUNGSSTUECK | ATTACCO GANCIO | |
| 011 | A5320108 | 002 | FIXATION BAVET.0M50 1130X40X2 | FLAP ATTACHMENT | SCHUTZBEFESTIGUNG | FISSAZIONE | |
| 012 | A7251300 | 002 | TENDEUR ELASTIQUE D10 DE BACHE | ELASTIC STRAP | GUMMISPANNER | TENDITORE | |
| 013 | A5100993 | 002 | PLAT | FLAT | FLACHEISEN | PIATTO | |
| 014 | 80370419 | 010 | RIVET AVEUGLE TL | RIVET | NIETE | RIVETTO | |
| 015 | 80250611 | 024 | RONDELLE PLATE FE/ZNXC3 | PLAIN WASHER M6 DIN 125 FE/ZNX | SCHEIBE FE/ZNXC3 | RONDELLA PIATTA FE/ZNXC3 | |
| 016 | 50002200 | 004 | VIS TBCC COURT | BOLT, CARRIAGE, SHORT NECK | FLACHRUNDSCHR.4KT ANSATZ | BULLONE | |
| 017 | 50070300 | 022 | VIS TBCC COURT | BOLT, CARRIAGE, SHORT NECK | FLACHRUNDSCHR.4KT ANSATZ | BULLONE | |
| 018 | 80060625 | 012 | VIS TETE HEXAGONALE FE/ZNXC3 | HEX BOLT FE/ZNXC3 | SECHSKANTSCHRAUBE FE/ZNXC3 | VITE TESTA ESAGONALE FE/ZNXC3 | |





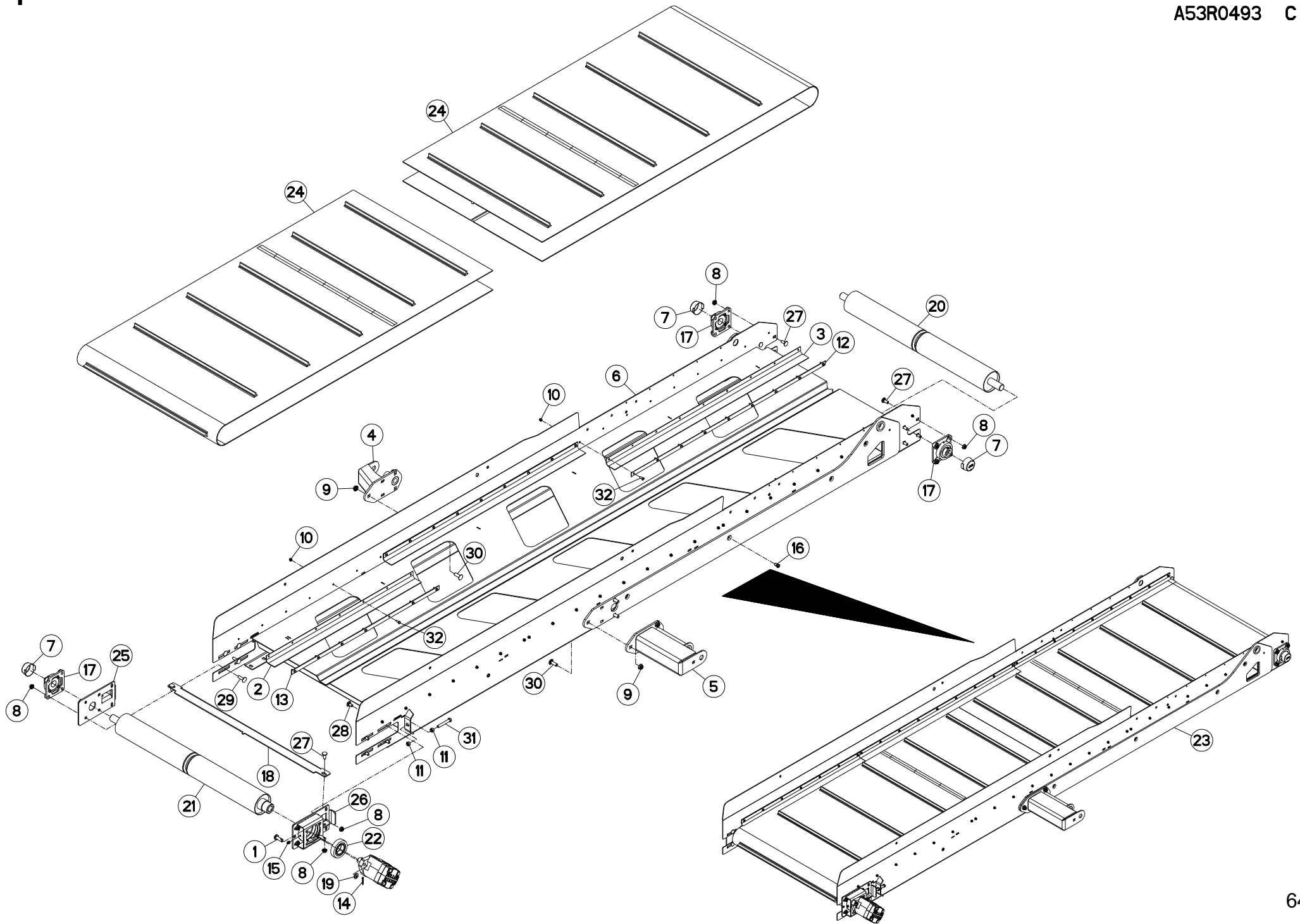
TAPIS PVC 3,30M

PVC CONVEYOR 3,30M

KRATZBODEN PVC 3,30M

TAPPETO PVC 3,30M

| Rep | Nr | Qt | Designation | Description | Bezeichnung | Referenza | Remarque - Remark - Bemerkung - Osservazioni |
|-----|----------|-----|-------------------------------|--------------------------------|-------------------------------|-------------------------------|--|
| 001 | A7250195 | 002 | BAVETTE | FLAP | SCHUTZLAPPEN | PARASPRUZZI | |
| 002 | A7250197 | 004 | BAVETTE | FLAP | SCHUTZLAPPEN | PARASPRUZZI | |
| 003 | A5306921 | 001 | CHAPE | CLEVIS | GABEL | FORCELLA | |
| 004 | A5334840 | 001 | CHAPE | CLEVIS | GABEL | FORCELLA | |
| 005 | A5319850 | 001 | CHASSIS | CHASSIS | HAUPTRAHMEN | TELAIO | |
| 006 | 81503016 | 003 | COUVERCLE PROTECTEUR ARBRE | COVER | DECKEL | COPERCHIO | |
| 007 | 80201053 | 022 | ECROU AUTOBLOQUANT FE/ZNXC3 | UNDERSERRAT.S.LOC.NUT FE/ZNXC3 | SPERRZAHN-BUNDMUTTER FE/ZNXC3 | DADO FE/ZNXC3 | |
| 008 | 80201253 | 006 | ECROU AUTOBLOQUANT FE/ZNXC3 | UNDERSERRAT.S.LOC.NUT FE/ZNXC3 | SPERRZAHN-BUNDMUTTER FE/ZNXC3 | DADO FE/ZNXC3 | |
| 009 | 80200630 | 050 | ECROU HEX.AUTOFREINE FE/ZNXC3 | SELF LOCKING NUT M6 DIN 982 | SELBSTSICHERNDE MUTT.FE/ZNXC3 | DADO AUTOBLOCCANTE FE/ZNXC3 | |
| 010 | 80201270 | 004 | ECROU HEXAGONAL FE/ZNXC3 | NUT FE/ZNXC3 | SECHSKANTMUTTER FE/ZNXC3 | DADO FE/ZNXC3 | |
| 011 | A5314080 | 004 | FIXATION | MOUNT | VERBINDUNGSSTUECK | ATTACCO GANCIO | |
| 012 | A5330404 | 002 | FIXATION | MOUNT | VERBINDUNGSSTUECK | ATTACCO GANCIO | |
| 013 | A8359108 | 008 | INSERT HEX M8 A COLLERETTE | INSERT NUT HEX M8 | EINSETZMUTTER HEX M8 | MANICOTTO HEX M8 | |
| 014 | 81503015 | 003 | PALIER APPLIQUE+GRAIS. | FLANGE UNIT | FLANSCHLAGER | CUSCINETTO | |
| 015 | A5304370 | 001 | RACLEUR | SCRAPER | ABSTREIFER | RASCHIATORE | |
| 016 | A5304460 | 001 | ROULEAU | ROLLER | ROLLE | RULLO | |
| 017 | A5304470 | 001 | ROULEAU | ROLLER | ROLLE | RULLO | |
| 018 | A5319860 | 001 | TAPIS | BELT, CONVEYOR | TEPPICH | TAPPETO | |
| 019 | A7250261 | 002 | TAPIS | BELT, CONVEYOR | TEPPICH | TAPPETO | |
| 020 | A5307040 | 001 | TENDEUR | TENSIONER | SPANNER | TENDITORE | |
| 021 | A5307050 | 001 | TENDEUR | TENSIONER | SPANNER | TENDITORE | |
| 022 | 50002200 | 020 | VIS TBCC COURT | BOLT, CARRIAGE, SHORT NECK | FLACHRUNDSCHR.4KT ANSATZ | BULLONE | |
| 023 | 50007300 | 002 | VIS TBCC COURT | BOLT, CARRIAGE, SHORT NECK | FLACHRUNDSCHR.4KT ANSATZ | BULLONE | |
| 024 | 50008800 | 006 | VIS TBCC COURT | BOLT, CARRIAGE, SHORT NECK | FLACHRUNDSCHR.4KT ANSATZ | BULLONE | |
| 025 | 80060616 | 050 | VIS TETE HEXAGONALE FE/ZNXC3 | HEXAGON HEAD SCREW FE/ZNXC3 | SECHSKANTSCHRAUBE FE/ZNXC3 | VITE TESTA ESAGONALE FE/ZNXC3 | |
| 026 | 80061295 | 002 | VIS TETE HEXAGONALE FE/ZNXC3 | HEXAGON HEAD SCREW FE/ZNXC3 | SECHSKANTSCHRAUBE FE/ZNXC3 | VITE TESTA ESAGONALE FE/ZNXC3 | |





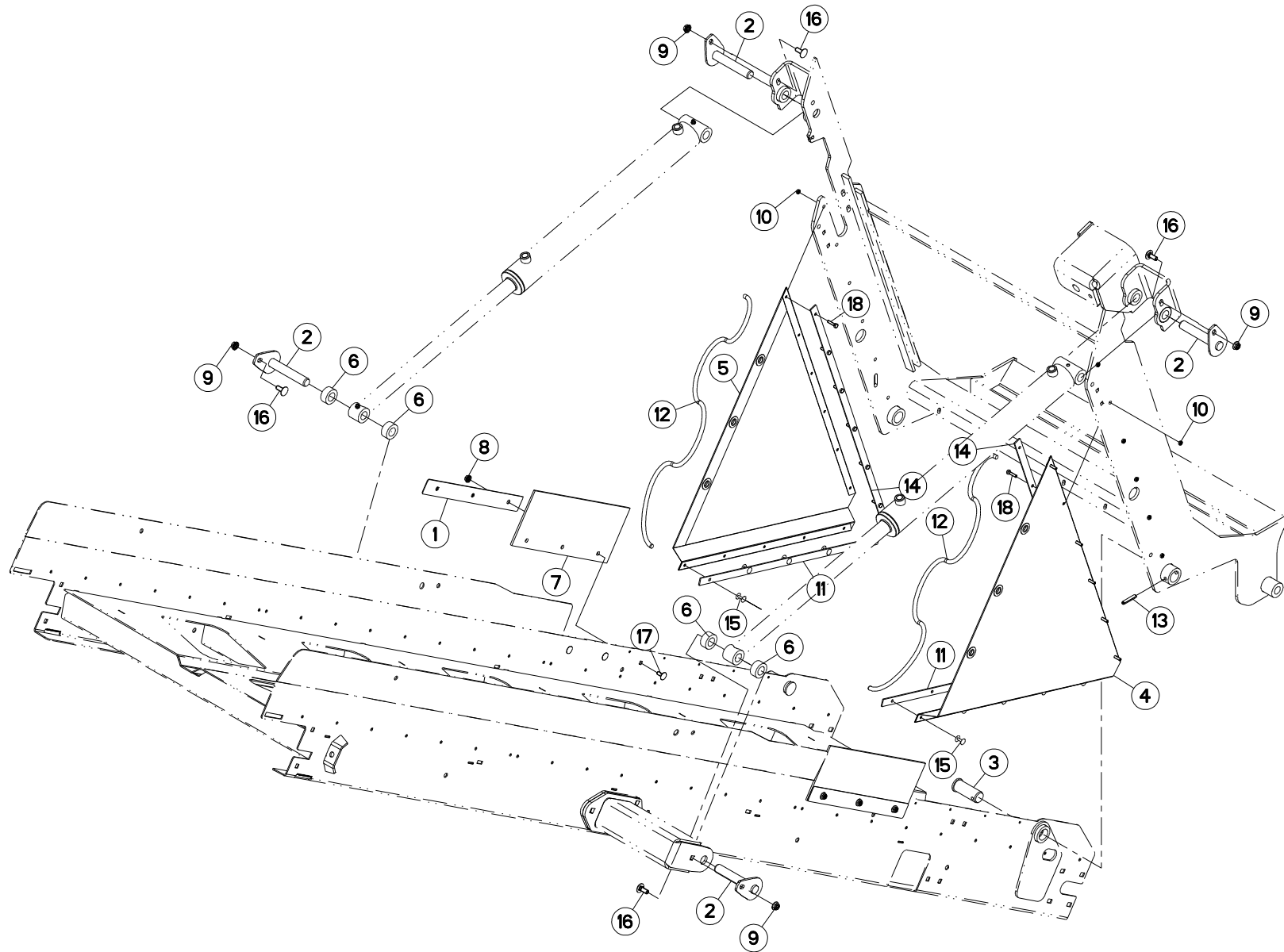
TAPIS PVC 3,30M

PVC CONVEYOR 3,30M

KRATZBODEN PVC 3,30M

TAPPETO PVC 3,30M

| Rep | Nr | Qt | Designation | Description | Bezeichnung | Referenza | Remarque - Remark - Bemerkung - Osservazioni |
|-----|----------|-----|-------------------------------|--------------------------------|-------------------------------|-------------------------------|--|
| 001 | A5336642 | 002 | AXE | PIN | ACHSE | ASSE | |
| 002 | A7250195 | 002 | BAVETTE | FLAP | SCHUTZLAPPEN | PARASPRUZZI | |
| 003 | A7250197 | 004 | BAVETTE | FLAP | SCHUTZLAPPEN | PARASPRUZZI | |
| 004 | A5306921 | 001 | CHAPE | CLEVIS | GABEL | FORCELLA | |
| 005 | A5334840 | 001 | CHAPE | CLEVIS | GABEL | FORCELLA | |
| 006 | A5319851 | 001 | CHASSIS | CHASSIS | HAUPTRAHMEN | TELAIO | |
| 007 | 81503016 | 003 | COUVERCLE PROTECTEUR ARBRE | COVER | DECKEL | COPERCHIO | |
| 008 | 80201053 | 018 | ECROU AUTOBLOQUANT FE/ZNXC3 | UNDERSERRAT.S.LOC.NUT FE/ZNXC3 | SPERRZAHN-BUNDMUTTER FE/ZNXC3 | DADO FE/ZNXC3 | |
| 009 | 80201253 | 006 | ECROU AUTOBLOQUANT FE/ZNXC3 | UNDERSERRAT.S.LOC.NUT FE/ZNXC3 | SPERRZAHN-BUNDMUTTER FE/ZNXC3 | DADO FE/ZNXC3 | |
| 010 | 80200630 | 050 | ECROU HEX.AUTOFREINE FE/ZNXC3 | SELF LOCKING NUT M6 DIN 982 | SELBSTSICHERNDE MUTT.FE/ZNXC3 | DADO AUTOBLOCCANTE FE/ZNXC3 | |
| 011 | 80201070 | 004 | ECROU HEXAGONAL FE/ZNXC3 | NUT FE/ZNXC3 | SECHSKANTMUTTER FE/ZNXC3 | DADO FE/ZNXC3 | |
| 012 | A5314080 | 004 | FIXATION | MOUNT | VERBINDUNGSSTUECK | ATTACCO GANCIO | |
| 013 | A5330404 | 002 | FIXATION | MOUNT | VERBINDUNGSSTUECK | ATTACCO GANCIO | |
| 014 | 80500328 | 002 | GOUPILLE FENDUE FE/ZNXC3 | SPLIT PIN FE/ZNXC3 | SPLINT FE/ZNXC3 | COPPIGLIA FE/ZNXC3 | |
| 015 | 82200800 | 001 | GRAISSEUR A TETE SPHERIQUE | GRESE NIPPLE B M8X1,25 | KEGELSCHMIERNIPPEL | INGRASSATORE FE/ZNXC3 | |
| 016 | A8359108 | 008 | INSERT HEX M8 A COLLERETTE | INSERT NUT HEX M8 | EINSETZMUTTER HEX M8 | MANICOTTO HEX M8 | |
| 017 | 81503015 | 003 | PALIER APPLIQUE+GRAIS. | FLANGE UNIT | FLANSLAGER | CUSCINETTO | |
| 018 | A5304371 | 001 | RACLEUR | SCRAPER | ABSTREIFER | RASCHIATORE | |
| 019 | 80251227 | 002 | RONDELLE PLATE FE/ZNXC3 | PLAIN WASHER M12 | SCHEIBE FE/ZNXC3 | RONDELLA PIATTA FE/ZNXC3 | |
| 020 | A5304460 | 001 | ROULEAU | ROLLER | ROLLE | RULLO | |
| 021 | A5336620 | 001 | ROULEAU | ROLLER | ROLLE | RULLO | |
| 022 | 81004584 | 001 | ROULEMENT AUTO-ALIGNEUR | RADIAL INSERT BALL BEARING | SPANNLAGER | CUSCINETTO A SFERE | |
| 023 | A5319861 | 001 | TAPIS | BELT, CONVEYOR | TEPPICH | TAPPETO | |
| 024 | A7250261 | 002 | TAPIS | BELT, CONVEYOR | TEPPICH | TAPPETO | |
| 025 | A5336690 | 001 | TENDEUR | TENSIONER | SPANNER | TENDITORE | |
| 026 | A5336700 | 001 | TENDEUR | TENSIONER | SPANNER | TENDITORE | |
| 027 | 50002200 | 010 | VIS TBCC COURT | BOLT, CARRIAGE, SHORT NECK | FLACHRUNDSCHR.4KT ANSATZ | BULLONE | |
| 028 | 50003200 | 004 | VIS TBCC COURT | BOLT, CARRIAGE, SHORT NECK | FLACHRUNDSCHR.4KT ANSATZ | BULLONE | |
| 029 | 50007300 | 004 | VIS TBCC COURT | BOLT, CARRIAGE, SHORT NECK | FLACHRUNDSCHR.4KT ANSATZ | BULLONE | |
| 030 | 50008800 | 006 | VIS TBCC COURT | BOLT, CARRIAGE, SHORT NECK | FLACHRUNDSCHR.4KT ANSATZ | BULLONE | |
| 031 | 80061070 | 002 | VIS TETE HEXAGONALE FE/ZNXC3 | HEXAGON HEAD SCREW FE/ZNXC3 | SECHSKANTSCHRAUBE FE/ZNXC3 | VITE TESTA ESAGONALE FE/ZNXC3 | |
| 032 | 80060617 | 050 | VIS TETE HEXAGONALE FLZNNC | HEXAGON HEAD SCREW FLZNNC | SECHSKANTSCHRAUBE FLZNNC | VITE TESTA ESAGONALE FLZNNC | |





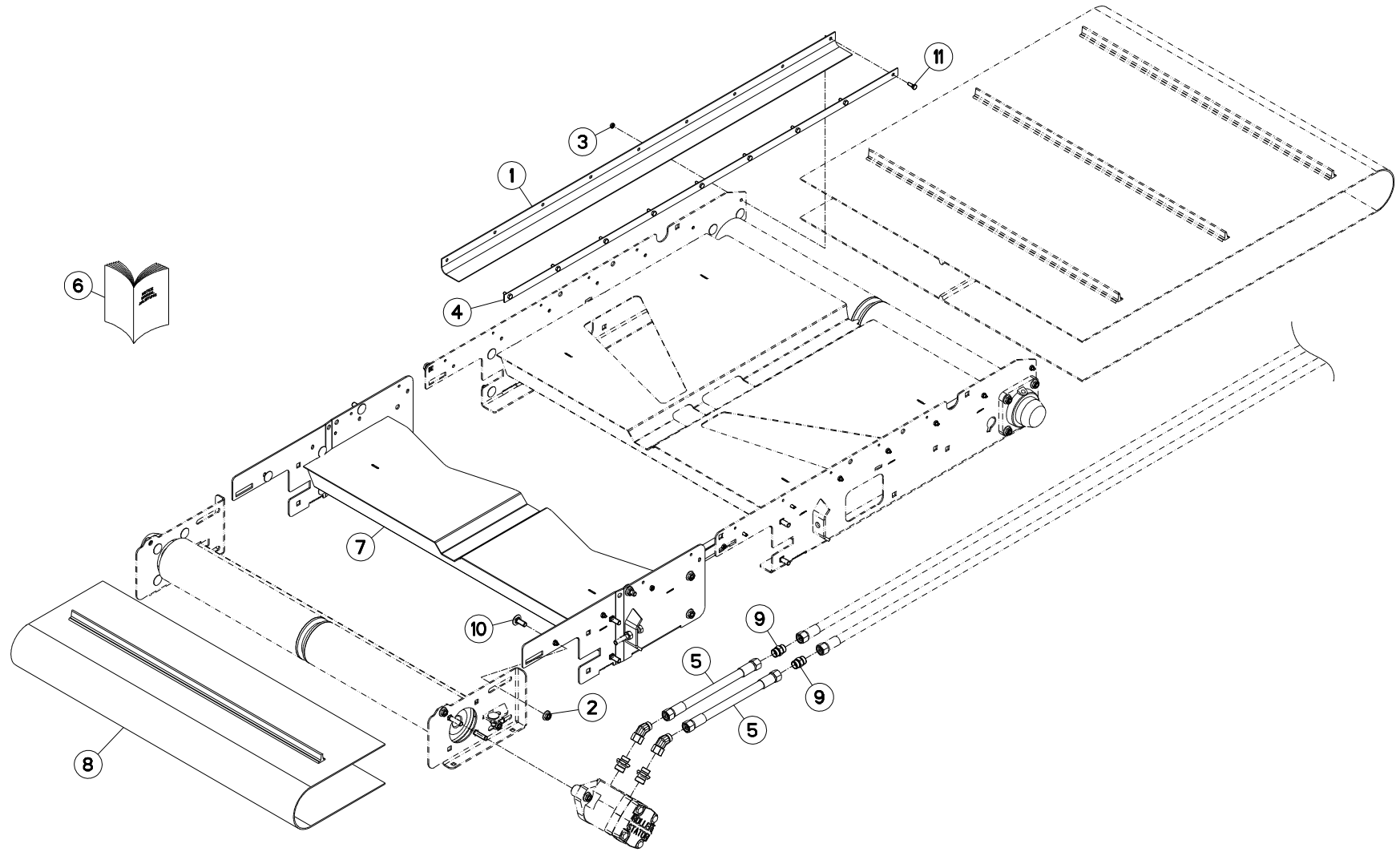
BAVETTE 3,3M (TAPIS)

FLAP 3,3M (CONVEYOR)

SCHUTZLAPPEN 3,3M (KRATZBODEN)

PARASPRUZZI 3,3M (FONDO MOBIL)

| Rep | Nr | Qt | Designation | Description | Bezeichnung | Referenza | Remarque - Remark - Bemerkung - Osservazioni |
|-----|----------|-----|--------------------------------|--------------------------------|-------------------------------|-------------------------------|--|
| 001 | A5320201 | 002 | FIXATION BAVET.COURT 400X40X2 | FLAP ATTACHEMENT | SCHUTZBEFESTIGUNG | FISSAZIONE | |
| 002 | A5110084 | 004 | AXE | PIN | ACHSE | ASSE | |
| 003 | A5319030 | 002 | AXE | PIN | ACHSE | ASSE | |
| 004 | A7250159 | 001 | BACHE | TARP | PLANE | TELONE | |
| 005 | A7250160 | 001 | BACHE | TARP | PLANE | TELONE | |
| 006 | A5200165 | 004 | BAGUE D40X23 LG18 | BUSH | BUCHSE | BOCCOLA | |
| 007 | A7250105 | 002 | BAVETTE CAOUTCHOUC | FLAP | SCHUTZ | PARASPRUZZI | |
| 008 | 80200851 | 006 | ECROU AUTOBLOQUANT FE/ZNXC3 | UNDERSERRAT.S.LOC.NUT FE/ZNXC3 | SPERRZAHN-BUNDMUTTER FE/ZNXC3 | DADO FE/ZNXC3 | |
| 009 | 80201053 | 004 | ECROU AUTOBLOQUANT FE/ZNXC3 | UNDERSERRAT.S.LOC.NUT FE/ZNXC3 | SPERRZAHN-BUNDMUTTER FE/ZNXC3 | DADO FE/ZNXC3 | |
| 010 | 80200600 | 012 | ECROU HEXAGONAL FE/ZNXC3 | NUT FE/ZNXC3 | SECHSKANTMUTTER FE/ZNXC3 | DADO FE/ZNXC3 | |
| 011 | A5311126 | 002 | FIXATION | MOUNT | VERBINDUNGSTUECK | ATTACCO GANCIO | |
| 012 | A7251300 | 002 | TENDEUR ELASTIQUE D10 DE BACHE | ELASTIC STRAP | GUMMISPANNER | TENDITORE | |
| 013 | 80450845 | 002 | GOUPILLE ELASTIQUE FLZNNC | ROLL PIN FLZNNC | SPANNHUELSE FLZNNC | SPINA ELASTICA FLZNNC | |
| 014 | A5100993 | 002 | PLAT | FLAT | FLACHEISEN | PIATTO | |
| 015 | 80370419 | 010 | RIVET AVEUGLE TL | RIVET | NIETE | RIVETTO | |
| 016 | 50002200 | 004 | VIS TBCC COURT | BOLT, CARRIAGE, SHORT NECK | FLACHRUNDSCHR.4KT ANSATZ | BULLONE | |
| 017 | 50070300 | 006 | VIS TBCC COURT | BOLT, CARRIAGE, SHORT NECK | FLACHRUNDSCHR.4KT ANSATZ | BULLONE | |
| 018 | 80060625 | 012 | VIS TETE HEXAGONALE FE/ZNXC3 | HEX BOLT FE/ZNXC3 | SECHSKANTSCHRAUBE FE/ZNXC3 | VITE TESTA ESAGONALE FE/ZNXC3 | |
| 019 | A8359108 | 001 | INSERT HEX M8 A COLLERETTE | INSERT NUT HEX M8 | EINSETZMUTTER HEX M8 | MANICOTTO HEX M8 | * 1 |
| 020 | A7040493 | 001 | JOINT | SEAL | DICHTUNG | GUARNIZIONE | |
| 021 | A7045050 | 001 | MODULE M11+SOFT V5.5 | MODULE M11+SOFT V5.5 | MODUL M11+SOFT V5.5 | MODULE M11+SOFT V5.5 | |
| 022 | A5220294 | 001 | RONDELLE 45X13X5 ZN BC | WASHER | SCHEIBE | RONDELLA | * |
| 023 | A5317630 | 001 | RONDELLE | WASHER | SCHEIBE | RONDELLA | * 1 |
| 024 | A7250142 | 001 | RONDELLE CAOUTCHOUC D70X31 | WASHER | GUMMISCHEIBE | RONDELLA | * |
| 025 | A7252100 | 002 | RONDELLE | WASHER | GUMMISCHEIBE | RONDELLA | * 1 |
| 026 | 80280650 | 006 | RONDELLE CONIQUE BLOC.FLZNNC | CONICAL SPRING WASHER FLZNNC | SPANNSCHEIBE FLZNNC | RONDELLA CONICA FLZNNC | * 1 |
| 027 | 80281600 | 024 | RONDELLE CONIQUE BLOC.FLZNNC | CONICAL SPRING WASHER FLZNNC | SPANNSCHEIBE FLZNNC | RONDELLA CONICA FLZNNC | |
| 028 | 80250611 | 010 | RONDELLE PLATE FE/ZNXC3 | PLAIN WASHER M6 DIN 125 FE/ZNX | SCHEIBE FE/ZNXC3 | RONDELLA PIATTA FE/ZNXC3 | * 1 |
| 029 | 80251021 | 002 | RONDELLE PLATE FE/ZNXC3 | PLAIN WASHER M10 | SCHEIBE FE/ZNXC3 | RONDELLA PIATTA FE/ZNXC3 | * |
| 030 | 8370003B | 001 | SOFTWARE M10/M11 V4.6 | SOFTWARE M10/M11 V4.6 | SOFTWARE M10/M11 V4.6 | SOFTWARE M10/M11 V4.6 | |
| 031 | 8370004C | 001 | SOFTWARE | SOFTWARE | SOFTWARE | SOFTWARE | |
| 032 | A5305430 | 001 | SUPPORT | SUPPORT | TRAEGER | SUPPORTO | |
| 033 | A5310356 | 001 | SUPPORT | SUPPORT | TRAEGER | SUPPORTO | * |
| 034 | A5313500 | 001 | SUPPORT | SUPPORT | TRAEGER | SUPPORTO | * |
| 035 | A5317640 | 001 | SUPPORT | SUPPORT | TRAEGER | SUPPORTO | |
| 036 | A5334100 | 002 | SUPPORT | SUPPORT | TRAEGER | SUPPORTO | * 1 |
| 037 | A5350850 | 001 | SUPPORT | SUPPORT | TRAEGER | SUPPORTO | * |
| 038 | A7045040 | 001 | TERMINAL T10E+SOFT V4.6 | TERMINAL T10E+SOFT V4.6 | TERMINAL T10E+SOFT V4.6 | TERMINAL T10E+SOFT V4.6 | |
| 039 | A5317650 | 002 | TOLE | SHEET | BLECH | TELA | * 1 |
| 040 | A5310362 | 001 | TUBE DE BLOCAGE | TUBE | PROFILROHR | TUBO | * |
| 041 | A5334910 | 001 | TUBE | TUBE | ROHR | TUBO | * 1 |
| 042 | 80060616 | 002 | VIS TETE HEXAGONALE FE/ZNXC3 | HEXAGON HEAD SCREW FE/ZNXC3 | SECHSKANTSCHRAUBE FE/ZNXC3 | VITE TESTA ESAGONALE FE/ZNXC3 | * 1 |
| 043 | 80060620 | 006 | VIS TETE HEXAGONALE FE/ZNXC3 | HEX BOLT FE/ZNXC3 | SECHSKANTSCHRAUBE FE/ZNXC3 | VITE TESTA ESAGONALE FE/ZNXC3 | |
| 044 | 80060625 | 004 | VIS TETE HEXAGONALE FE/ZNXC3 | HEX BOLT FE/ZNXC3 | SECHSKANTSCHRAUBE FE/ZNXC3 | VITE TESTA ESAGONALE FE/ZNXC3 | * 1 |
| 045 | 80060820 | 002 | VIS TETE HEXAGONALE FE/ZNXC3 | HEXAGON HEAD SCREW FE/ZNXC3 | SECHSKANTSCHRAUBE FE/ZNXC3 | VITE TESTA ESAGONALE FE/ZNXC3 | * |
| 046 | 80060833 | 001 | VIS TETE HEXAGONALE FE/ZNXC3 | HEXAGON HEAD SCREW FE/ZNXC3 | SECHSKANTSCHRAUBE FE/ZNXC3 | VITE TESTA ESAGONALE FE/ZNXC3 | * 1 |
| 047 | 80061026 | 002 | VIS TETE HEXAGONALE FE/ZNXC3 | HEXAGON HEAD SCREW FE/ZNXC3 | SECHSKANTSCHRAUBE FE/ZNXC3 | VITE TESTA ESAGONALE FE/ZNXC3 | * |
| 048 | 80061647 | 004 | VIS TETE HEXAGONALE FE/ZNXC3 | HEXAGON HEAD SCREW FE/ZNXC3 | SECHSKANTSCHRAUBE FE/ZNXC3 | VITE TESTA ESAGONALE FE/ZNXC3 | |





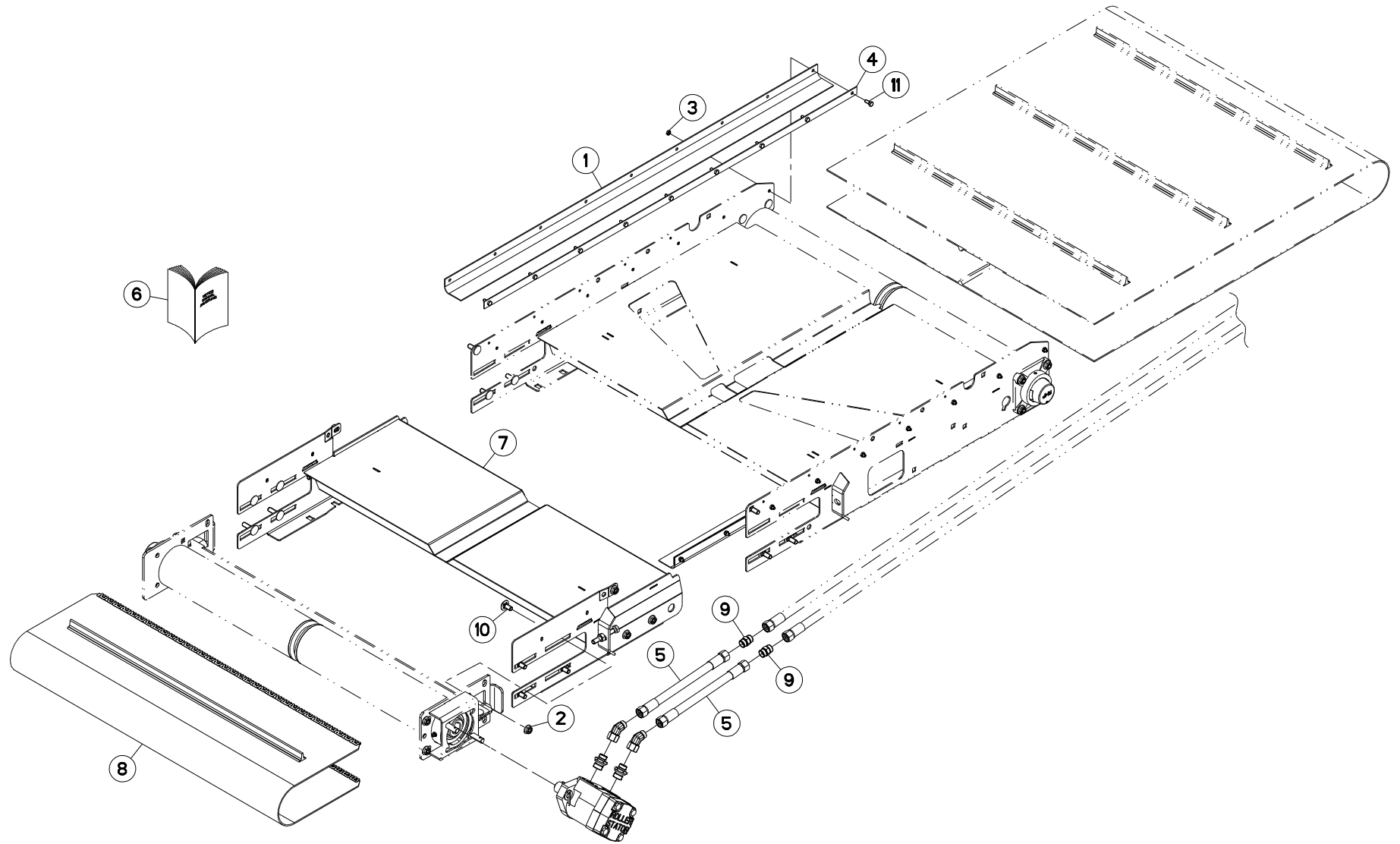
RALLONGES DE TAPIS

CONVEYOR EXTENSION

KRATZBODEN VERLÄNGERUNG

PROLUNGA CONVOGLIATORE

| Rep | Nr | Qt | Designation | Description | Bezeichnung | Referenza | Remarque - Remark - Bemerkung - Osservazioni |
|-----|-----------------|-----|--------------------------------|--------------------------------|-------------------------------|-------------------------------|--|
| 001 | A7250197 | 002 | BAVETTE | FLAP | SCHUTZLAPPEN | PARASPRUZZI | |
| 002 | 80201053 | 006 | ECROU AUTOBLOQUANT FE/ZNXC3 | UNDERSERRAT.S.LOC.NUT FE/ZNXC3 | SPERRZAHN-BUNDMUTTER FE/ZNXC3 | DADO FE/ZNXC3 | |
| 003 | 80200600 | 018 | ECROU HEXAGONAL FE/ZNXC3 | NUT FE/ZNXC3 | SECHSKANTMUTTER FE/ZNXC3 | DADO FE/ZNXC3 | |
| 004 | A5314080 | 002 | FIXATION | MOUNT | VERBINDUNGSSTUECK | ATTACCO GANCIO | |
| 005 | A4922038 | 002 | FLEXIBLE | HOSE, HYDRAULIC | HYDRAULIKSCHLAUCH | TUBO IN GOMMA | <->380 mm |
| 006 | AE0005TL | 001 | NOTICE D'EQUIP.RALLONG.TAP PVC | | | | |
| 007 | A5314070 | 001 | RALLONGE | EXTENSION | VERLAENGERUNG | ESTENSIONE | |
| 008 | A7250264 | 001 | TAPIS | BELT, CONVEYOR | TEPPICH | TAPPETO | |
| 009 | A4080311 | 002 | UNION DOUBLE FE/ZNXC3 | STRAIGHT COUPLING FE/ZNXC3 | GERADE VERSCHRAUBUNG FE/ZNXC3 | GIUNZIONE DIRITTA FE/ZNXC3 | |
| 010 | 50002200 | 006 | VIS TBCC COURT | BOLT, CARRIAGE, SHORT NECK | FLACHRUNDSCHR.4KT ANSATZ | BULLONE | |
| 011 | 80060616 | 018 | VIS TETE HEXAGONALE FE/ZNXC3 | HEXAGON HEAD SCREW FE/ZNXC3 | SECHSKANTSCHRAUBE FE/ZNXC3 | VITE TESTA ESAGONALE FE/ZNXC3 | |





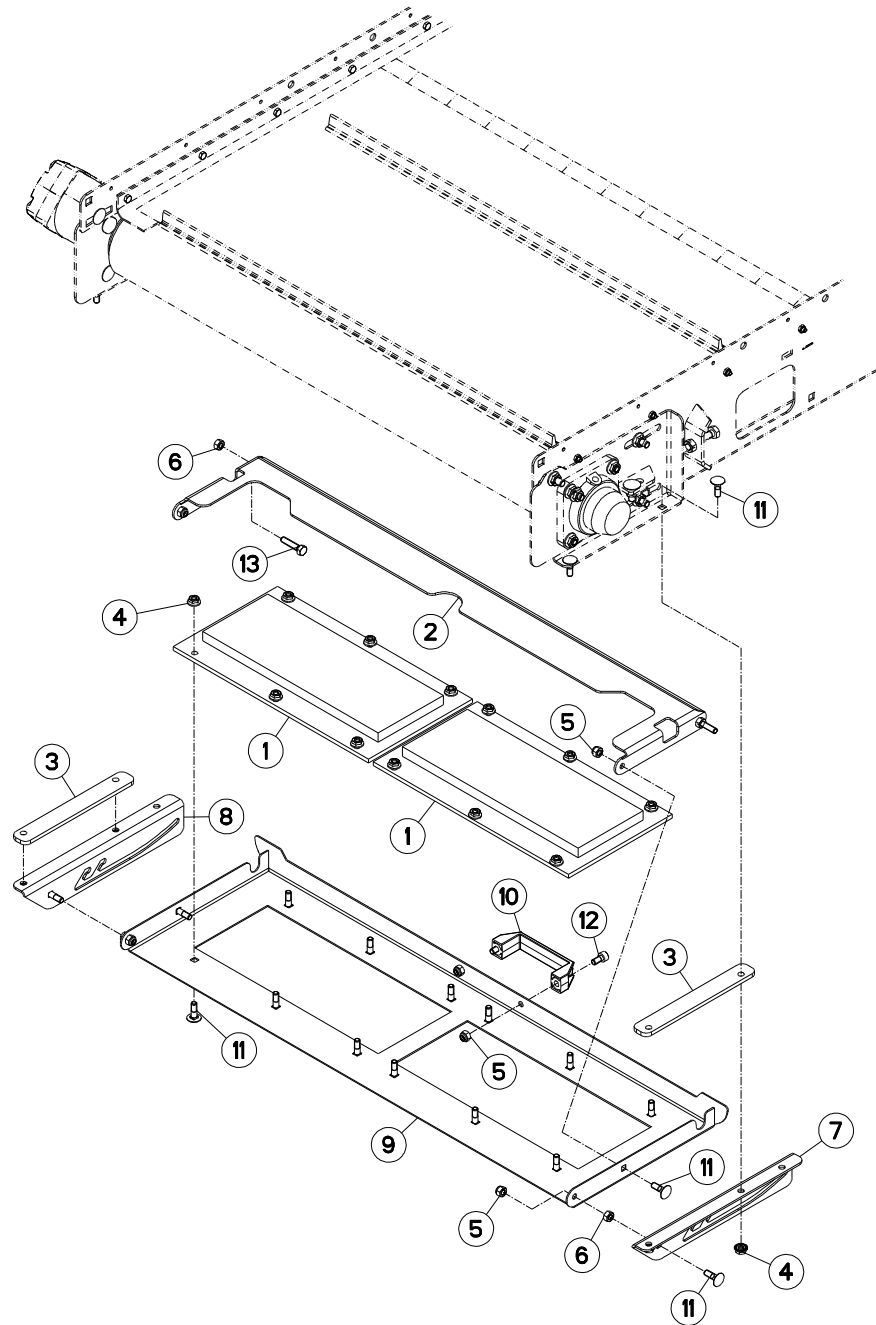
RALLONGES DE TAPIS

CONVEYOR EXTENSION

KRATZBODEN VERLÄNGERUNG

PROLUNGA CONVOGLIATORE

| Rep | Nr | Qt | Designation | Description | Bezeichnung | Referenza | Remarque - Remark - Bemerkung - Osservazioni |
|-----|----------|-----|--------------------------------|--------------------------------|-------------------------------|-------------------------------|--|
| 001 | A7250197 | 002 | BAVETTE | FLAP | SCHUTZLAPPEN | PARASPRUZZI | |
| 002 | 80201053 | 006 | ECROU AUTOBLOQUANT FE/ZNXC3 | UNDERSERRAT.S.LOC.NUT FE/ZNXC3 | SPERRZAHN-BUNDMUTTER FE/ZNXC3 | DADO FE/ZNXC3 | |
| 003 | 80200600 | 018 | ECROU HEXAGONAL FE/ZNXC3 | NUT FE/ZNXC3 | SECHSKANTMUTTER FE/ZNXC3 | DADO FE/ZNXC3 | |
| 004 | A5314080 | 002 | FIXATION | MOUNT | VERBINDUNGSSTUECK | ATTACCO GANCIO | |
| 005 | A4922038 | 002 | FLEXIBLE | HOSE, HYDRAULIC | HYDRAULIKSCHLAUCH | TUBO IN GOMMA | <->410 mm |
| 006 | AE0005TL | 001 | NOTICE D'EQUIP.RALLONG.TAP PVC | | | | |
| 007 | A5314071 | 001 | RALLONGE | ROD | STANGE | ESTENSIONE | |
| 008 | A7250264 | 001 | TAPIS | BELT, CONVEYOR | TEPPICH | TAPPETO | |
| 009 | A4080311 | 002 | UNION DOUBLE FE/ZNXC3 | STRAIGHT COUPLING FE/ZNXC3 | GERADE VERSCHRAUBUNG FE/ZNXC3 | GIUNZIONE DIRITTA FE/ZNXC3 | |
| 010 | 50003200 | 006 | VIS TBCC COURT | BOLT, CARRIAGE, SHORT NECK | FLACHRUNDSCHR.4KT ANSATZ | BULLONE | |
| 011 | 80060616 | 018 | VIS TETE HEXAGONALE FE/ZNXC3 | HEXAGON HEAD SCREW FE/ZNXC3 | SECHSKANTSCHRAUBE FE/ZNXC3 | VITE TESTA ESAGONALE FE/ZNXC3 | |





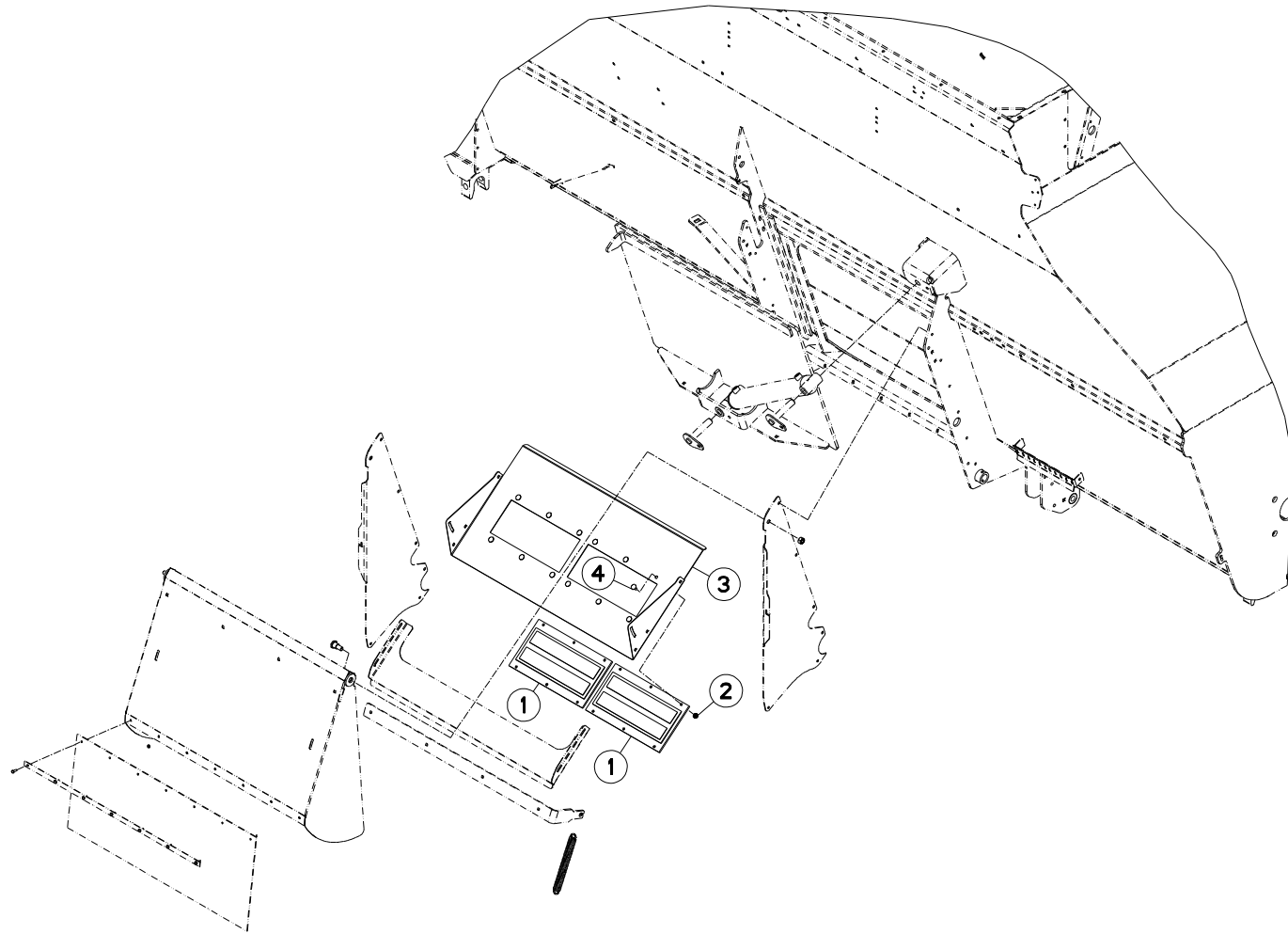
EQUIPEMENT TAPIS PVC

EQUIPMENT PVC CONVEYOR

AUSRÜSTUNG KRATZBODEN PVC

EQUIPAGGIAMENTO TAPPETO PVC

| Rep | Nr | Qt | Designation | Description | Bezeichnung | Referenza | Remarque - Remark - Bemerkung - Osservazioni |
|-----|----------|-----|--------------------------------|--------------------------------|--------------------------------|--------------------------------|--|
| 001 | A5303800 | 002 | AIMANT DE TAPIS DE DISTRIBUTIO | MAGNET | MAGNET | AIMANT | |
| 002 | A5312200 | 001 | BIELLE | LINK, CONNECTING | LENKER | BIELLA | |
| 003 | A5317850 | 002 | CALE | SHIM | DISTANZPLATTE | SPESSORE | |
| 004 | 80200851 | 016 | ECROU AUTOBLOQUANT FE/ZNXC3 | UNDERSERRAT.S.LOC.NUT FE/ZNXC3 | SPERRZAHN-BUNDMUTTER FE/ZNXC3 | DADO FE/ZNXC3 | |
| 005 | 80200840 | 006 | ECROU HEX.BAS AUTOFR.FE/ZNXC3 | SELF-LOCKING NUT FE/ZNXC3 | SELBSTSICHERND.MUTTER FE/ZNXC3 | DADO AUTOBLOCCANTE FE/ZNXC3 | |
| 006 | 80200870 | 004 | ECROU HEXAGONAL FE/ZNXC3 | NUT FE/ZNXC3 | SECHSKANTMUTTER FE/ZNXC3 | DADO FE/ZNXC3 | |
| 007 | A5312010 | 001 | FIXATION | MOUNT | VERBINDUNGSSTUECK | ATTACCO GANCIO | |
| 008 | A5312210 | 001 | FIXATION | MOUNT | VERBINDUNGSSTUECK | ATTACCO GANCIO | |
| 009 | A5323310 | 001 | GOULOTTE | CHUTE | AUSLAUF | BOCCA | |
| 010 | A7250406 | 001 | POIGNEE | HANDLE | HANDGRIFF | MANIGLIA | |
| 011 | 50072200 | 020 | VIS TBCC COURT | BOLT, CARRIAGE, SHORT NECK | FLACHRUNDSCHR.4KT ANSATZ | BULLONE | |
| 012 | 80080816 | 002 | VIS TETE CYL.SIX P.CR.FE/ZNXC3 | HEX.SOCK.HEAD CAP SCR.FE/ZNXC3 | ZYLINDERSCHR.INNENSEC.FE/ZNXC3 | VITE A TESTA CILINDR. FE/ZNXC3 | |
| 013 | 80060834 | 002 | VIS TETE HEXAGONALE FE/ZNXC3 | HEX. HEAD SCREW M8 X 35 MM CL | SECHSKANTSCHRAUBE FE/ZNXC3 | VITE TESTA ESAGONALE FE/ZNXC3 | |
| 014 | 80250611 | 002 | RONDELLE PLATE FE/ZNXC3 | PLAIN WASHER M6 DIN 125 FE/ZNX | SCHEIBE FE/ZNXC3 | RONDELLA PIATTA FE/ZNXC3 | |
| 015 | 80250823 | 008 | RONDELLE PLATE FE/ZNXC3 | PLAIN WASHER FE/ZNXC3 | SCHEIBE FE/ZNXC3 | RONDELLA PIATTA FE/ZNXC3 | |
| 016 | 8370004C | 001 | SOFTWARE | SOFTWARE | SOFTWARE | SOFTWARE | |
| 017 | A5305430 | 001 | SUPPORT | SUPPORT | TRAEGER | SUPPORTO | |
| 018 | A5337911 | 001 | SUPPORT | SUPPORT | TRAEGER | SUPPORTO | |
| 019 | A7045040 | 001 | TERMINAL T10E+SOFT V4.6 | TERMINAL T10E+SOFT V4.6 | TERMINAL T10E+SOFT V4.6 | TERMINAL T10E+SOFT V4.6 | |
| 020 | A5337340 | 004 | TIGE FILETEE | ROD, THREADED | SPINDELGEWINDE | ASTA FILETTATA | |
| 021 | 80060406 | 004 | VIS TETE HEXAGONALE FE/ZNXC3 | HEXAGON HEAD SCREW FE/ZNXC3 | SECHSKANTSCHRAUBE FE/ZNXC3 | VITE TESTA ESAGONALE FE/ZNXC3 | |
| 022 | 80060616 | 002 | VIS TETE HEXAGONALE FE/ZNXC3 | HEXAGON HEAD SCREW FE/ZNXC3 | SECHSKANTSCHRAUBE FE/ZNXC3 | VITE TESTA ESAGONALE FE/ZNXC3 | |
| 023 | 80060820 | 002 | VIS TETE HEXAGONALE FE/ZNXC3 | HEXAGON HEAD SCREW FE/ZNXC3 | SECHSKANTSCHRAUBE FE/ZNXC3 | VITE TESTA ESAGONALE FE/ZNXC3 | |
| 024 | 80060833 | 002 | VIS TETE HEXAGONALE FE/ZNXC3 | HEXAGON HEAD SCREW FE/ZNXC3 | SECHSKANTSCHRAUBE FE/ZNXC3 | VITE TESTA ESAGONALE FE/ZNXC3 | |





EURO.II 1460 FLEX GO
EURO.II 1860 FLEX GO

A4600 >
A4600 >

A53R0533 A

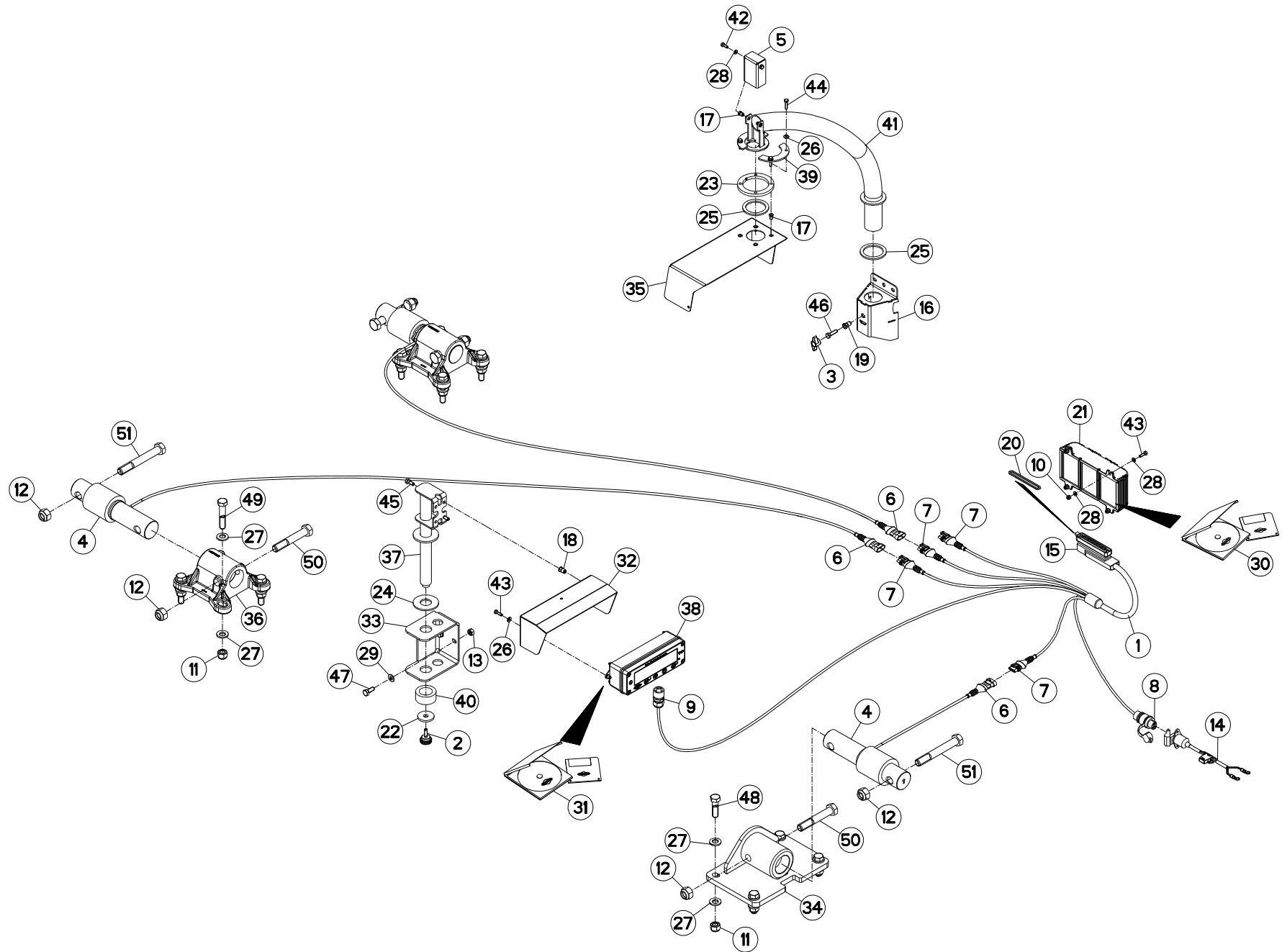
EQUIPEMENT GOULOTTE

EQUIPMENT DISCHARGE SPOUT

AUSRÜSTUNG AUSWURFBOGEN

EQUIPAGGIAMENTO BOCCA DI USC

| Rep | Nr | Qt | Designation | Description | Bezeichnung | Referenza | Remarque - Remark - Bemerkung - Osservazioni |
|-----|----------|-----|--------------------------------|--------------------------------|-------------------------------|-------------------------------|--|
| 001 | A5303800 | 002 | AIMANT DE TAPIS DE DISTRIBUTIO | MAGNET | MAGNET | AIMANT | |
| 002 | 80200851 | 012 | ECROU AUTOBLOQUANT FE/ZNXC3 | UNDERSERRAT.S.LOC.NUT FE/ZNXC3 | SPERRZAHN-BUNDMUTTER FE/ZNXC3 | DADO FE/ZNXC3 | |
| 003 | A5328110 | 001 | FOND | FLOOR | BODEN | FONDELLO | |
| 004 | 50070300 | 012 | VIS TBCC COURT | BOLT, CARRIAGE, SHORT NECK | FLACHRUNDSCHR.4KT ANSATZ | BULLONE | |
| 005 | 83235097 | 003 | CONNECTEUR AMP SUPERSEAL | CONNECTOR AMP SUPERSEAL | STECKER AMP SUPERSEAL | CONNETTORE AMP SUPERSEAL | |
| 006 | 83235099 | 004 | CONNECTEUR AMP SUPERSEAL | CONNECTOR AMP SUPERSEAL | STECKER AMP SUPERSEAL | CONNETTORE AMP SUPERSEAL | |
| 007 | 83235003 | 001 | CONNECTEUR DIN9680 | CONNECTOR DIN9680 | VERBINDUNG DIN9680 | CONNETTORE DIN9680 | |
| 008 | 83235069 | 001 | CONNECTEUR HIRSCHMANN COURT | CONNECTOR HIRSCHMANN SHORT | HIRSCHMANN DOSE 7-POLIG | CONNETTORE HIRSCHMANN BREVE | |
| 009 | 80200630 | 012 | ECROU HEX.AUTOFREINE FE/ZNXC3 | SELF LOCKING NUT M6 DIN 982 | SELBSTSICHERNDE MUTT.FE/ZNXC3 | DADO AUTOBLOCCANTE FE/ZNXC3 | |
| 010 | 80201630 | 012 | ECROU HEX.AUTOFREINE FE/ZNXC3 | SELF-LOCKING NUT FE/ZNXC3 | SELBSTSICH.MUTTER FE/ZNXC3 | DADO AUTOBLOCCANTE FE/ZNXC3 | |
| 011 | 80202047 | 006 | ECROU HEXAG.AUTOFREINE FLZNNC | SELF-LOCKING NUT FLZNNC | SELBSTSICHERNDE MUTTER FLZNNC | DADO AUTOBLOCCANTE FLZNNC | |
| 012 | 83233002 | 001 | FAISCEAU ELECTRIQUE | HARNESS, WIRING | KABELBAUM | CAVO ELETTRICO | |
| 013 | 83235059 | 001 | FICHE AMP JPT | PLUG AMP JPT | STECKER AMP JPT | SCHEDA AMP JPT | |
| 014 | A5326560 | 001 | FIXATION | MOUNT | VERBINDUNGSSTUECK | ATTACCO GANCIO | |
| 015 | A7040350 | 001 | CAPTEUR | SENSOR | SENSOR | SENSORE | |
| 016 | 80200675 | 006 | ECROU INSERT | NUT | EINNIETMUTTER | DADO | |
| 017 | A8359108 | 001 | INSERT HEX M8 A COLLERETTE | INSERT NUT HEX M8 | EINSETZMUTTER HEX M8 | MANICOTTO HEX M8 | |
| 018 | A7040493 | 001 | JOINT | SEAL | DICHTUNG | GUARNIZIONE | |
| 019 | A7045030 | 001 | MODULE M10+SOFT V5.5 | MODULE M10+SOFT V5.5 | MODUL M10+SOFT V5.5 | MODULE M10+SOFT V5.5 | |
| 020 | A5317630 | 001 | RONDELLE | WASHER | SCHEIBE | RONDELLA | |
| 021 | A7252100 | 002 | RONDELLE | WASHER | GUMMISCHEIBE | RONDELLA | |
| 022 | 80280650 | 004 | RONDELLE CONIQUE BLOC.FLZNNC | CONICAL SPRING WASHER FLZNNC | SPANNSCHEIBE FLZNNC | RONDELLA CONICA FLZNNC | |
| 023 | 80280850 | 002 | RONDELLE CONIQUE BLOC.FLZNNC | CONICAL SPRING WASHER FLZNNC | SPANNSCHEIBE FLZNNC | RONDELLA CONICA FLZNNC | |
| 024 | 80281600 | 024 | RONDELLE CONIQUE BLOC.FLZNNC | CONICAL SPRING WASHER FLZNNC | SPANNSCHEIBE FLZNNC | RONDELLA CONICA FLZNNC | |
| 025 | 80250611 | 010 | RONDELLE PLATE FE/ZNXC3 | PLAIN WASHER M6 DIN 125 FE/ZNX | SCHEIBE FE/ZNXC3 | RONDELLA PIATTA FE/ZNXC3 | |
| 026 | 8370003B | 001 | SOFTWARE M10/M11 V4.6 | SOFTWARE M10/M11 V4.6 | SOFTWARE M10/M11 V4.6 | SOFTWARE M10/M11 V4.6 | |
| 027 | 8370006A | 001 | SOFTWARE T75L V5.1 | SOFTWARE T75L V5.1 | SOFTWARE T75L V5.1 | SOFTWARE T75L V5.1 | |
| 028 | A5313500 | 001 | SUPPORT | SUPPORT | TRAEGER | SUPPORTO | |
| 029 | A5331090 | 001 | SUPPORT | SUPPORT | TRAEGER | SUPPORTO | |
| 030 | A5334100 | 002 | SUPPORT | SUPPORT | TRAEGER | SUPPORTO | |
| 031 | A7045005 | 001 | TERMINAL | TERMINAL | TERMINAL | TERMINAL | |
| 032 | A5317650 | 002 | TOLE | SHEET | BLECH | TELA | |
| 033 | A5317680 | 001 | TUBE | TUBE | ROHR | TUBO | |
| 034 | 80060616 | 002 | VIS TETE HEXAGONALE FE/ZNXC3 | HEXAGON HEAD SCREW FE/ZNXC3 | SECHSKANTSCHRAUBE FE/ZNXC3 | VITE TESTA ESAGONALE FE/ZNXC3 | |
| 035 | 80060620 | 004 | VIS TETE HEXAGONALE FE/ZNXC3 | HEX BOLT FE/ZNXC3 | SECHSKANTSCHRAUBE FE/ZNXC3 | VITE TESTA ESAGONALE FE/ZNXC3 | |
| 036 | 80060625 | 004 | VIS TETE HEXAGONALE FE/ZNXC3 | HEX BOLT FE/ZNXC3 | SECHSKANTSCHRAUBE FE/ZNXC3 | VITE TESTA ESAGONALE FE/ZNXC3 | |
| 037 | 80060812 | 002 | VIS TETE HEXAGONALE FE/ZNXC3 | HEXAGON HEAD SCREW FE/ZNXC3 | SECHSKANTSCHRAUBE FE/ZNXC3 | VITE TESTA ESAGONALE FE/ZNXC3 | |
| 038 | 80060833 | 001 | VIS TETE HEXAGONALE FE/ZNXC3 | HEXAGON HEAD SCREW FE/ZNXC3 | SECHSKANTSCHRAUBE FE/ZNXC3 | VITE TESTA ESAGONALE FE/ZNXC3 | |
| 039 | 80061647 | 004 | VIS TETE HEXAGONALE FE/ZNXC3 | HEXAGON HEAD SCREW FE/ZNXC3 | SECHSKANTSCHRAUBE FE/ZNXC3 | VITE TESTA ESAGONALE FE/ZNXC3 | |
| 040 | 80061657 | 008 | VIS TETE HEXAGONALE FE/ZNXC3 | HEXAGON HEAD SCREW FE/ZNXC3 | SECHSKANTSCHRAUBE FE/ZNXC3 | VITE TESTA ESAGONALE FE/ZNXC3 | |
| 041 | 80062082 | 003 | VIS TETE HEXAGONALE FE/ZNXC3 | HEX BOLT M20X120MM CL 8.8 R.P | SECHSKANTSCHRAUBE FE/ZNXC3 | VITE TESTA ESAGONALE FE/ZNXC3 | |
| 042 | 80062092 | 003 | VIS TETE HEXAGONALE FE/ZNXC3 | HEXAGON HEAD SCREW FE/ZNXC3 | SECHSKANTSCHRAUBE FE/ZNXC3 | VITE TESTA ESAGONALE FE/ZNXC3 | |





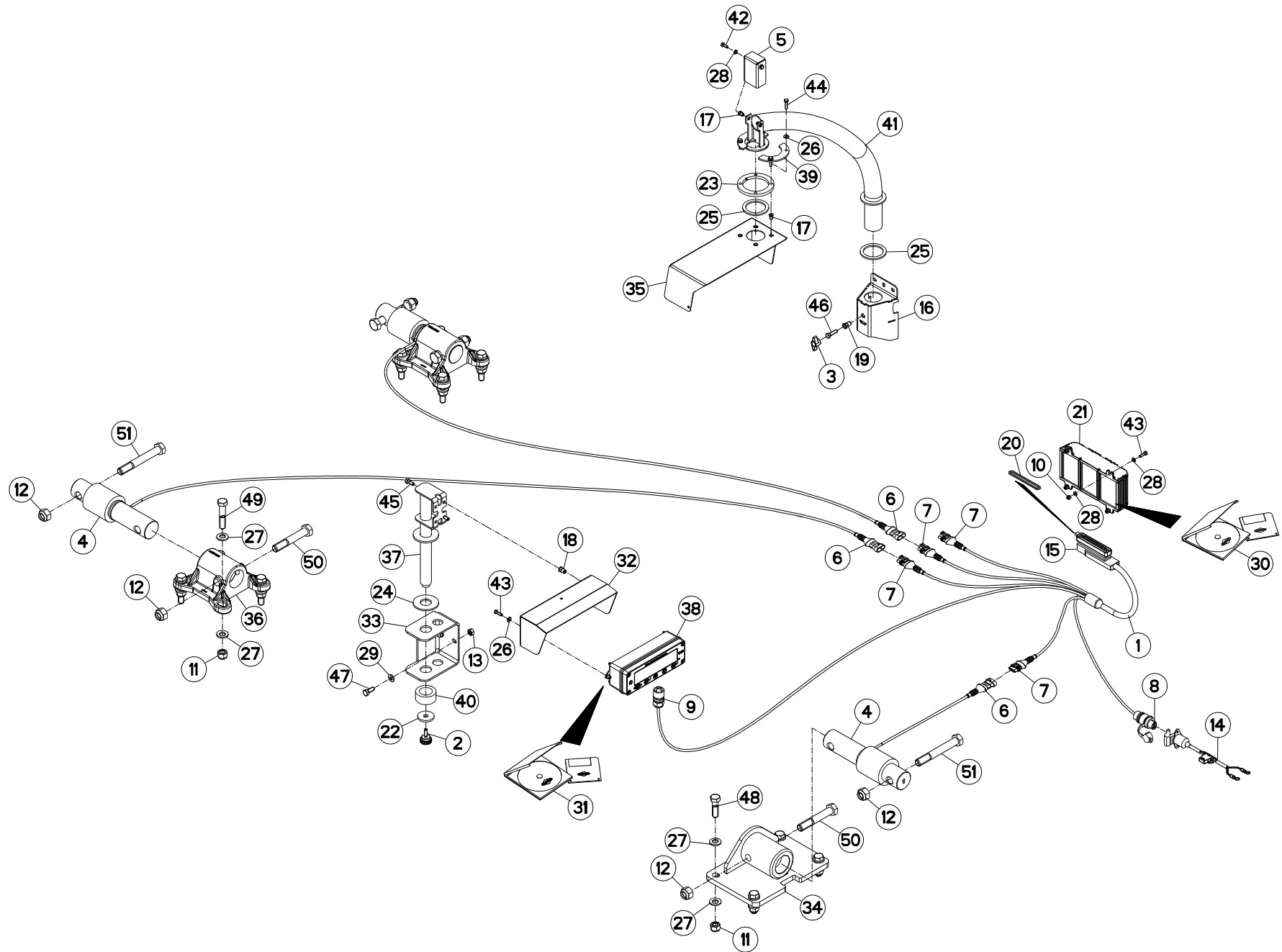
PESÉE T10

WEIGHING BOX T10

WIEGEEINRICHTUNG T10

SCATOLA DI PESATURA T10

| Rep | Nr | Qt | Designation | Description | Bezeichnung | Referenza | Remarque - Remark - Bemerkung - Osservazioni |
|-----|----------|-----|---------------------------------|--------------------------------|-------------------------------|-------------------------------|--|
| 001 | A7041388 | 001 | FAISCEAU PESEE CAN SIMPLE | CABLE | KABEL | FASCIO | |
| 002 | A7250304 | 001 | BOUTON MOLETE M8(CDE PAILLEUSE) | KNOB | KNEBELGRIFF | TASTO | * |
| 003 | 83050015 | 001 | BOUTON | PLASTIC KNOB | KNOPF | TASTO | * 1 |
| 004 | A7040350 | 003 | CAPTEUR | SENSOR | SENSOR | SENSORE | |
| 005 | A5317730 | 001 | CAPUCHON | CAP | KAPPE | CAPPUCCIO | |
| 006 | 83235097 | 003 | CONNECTEUR AMP SUPERSEAL | CONNECTOR AMP SUPERSEAL | STECKER AMP SUPERSEAL | CONNETTORE AMP SUPERSEAL | |
| 007 | 83235099 | 004 | CONNECTEUR AMP SUPERSEAL | CONNECTOR AMP SUPERSEAL | STECKER AMP SUPERSEAL | CONNETTORE AMP SUPERSEAL | |
| 008 | 83235003 | 001 | CONNECTEUR DIN9680 | CONNECTOR DIN9680 | VERBINDUNG DIN9680 | CONNETTORE DIN9680 | |
| 009 | 83235069 | 001 | CONNECTEUR HIRSCHMANN COURT | CONNECTOR HIRSCHMANN SHORT | HIRSCHMANN DOSE 7-POLIG | CONNETTORE HIRSCHMANN BREVE | |
| 010 | 80200630 | 004 | ECROU HEX.AUTOFREINE FE/ZNXC3 | SELF LOCKING NUT M6 DIN 982 | SELBSTSICHERNDE MUTT.FE/ZNXC3 | DADO AUTOBLOCCANTE FE/ZNXC3 | |
| 011 | 80201630 | 012 | ECROU HEX.AUTOFREINE FE/ZNXC3 | SELF-LOCKING NUT FE/ZNXC3 | SELBSTSICH.MUTTER FE/ZNXC3 | DADO AUTOBLOCCANTE FE/ZNXC3 | |
| 012 | 80202047 | 006 | ECROU HEXAG.AUTOFREINE FLZNNC | SELF-LOCKING NUT FLZNNC | SELBSTSICHERNDE MUTTER FLZNNC | DADO AUTOBLOCCANTE FLZNNC | |
| 013 | 80201070 | 002 | ECROU HEXAGONAL FE/ZNXC3 | NUT FE/ZNXC3 | SECHSKANTMUTTER FE/ZNXC3 | DADO FE/ZNXC3 | * |
| 014 | 83233002 | 001 | FAISCEAU ELECTRIQUE | HARNASS, WIRING | KABELBAUM | CAVO ELETTRICO | |
| 015 | 83235059 | 001 | FICHE AMP JPT | PLUG AMP JPT | STECKER AMP JPT | SCHEDA AMP JPT | |
| 016 | A5326560 | 001 | FIXATION | MOUNT | VERBINDUNGSTUECK | ATTACCO GANCIO | * 1 |
| 017 | 80200675 | 006 | ECROU INSERT | NUT | EINNIETMUTTER | DADO | * 1 |
| 018 | 80200875 | 002 | ECROU INSERT | RIVETING NUT | EINNIETMUTTER | DADO | * |
| 019 | A8359108 | 001 | INSERT HEX M8 A COLLERETTE | INSERT NUT HEX M8 | EINSETZMUTTER HEX M8 | MANICOTTO HEX M8 | * 1 |
| 020 | A7040493 | 001 | JOINT | SEAL | DICHTUNG | GUARNIZIONE | |
| 021 | A7045050 | 001 | MODULE M11+SOFT V5.5 | MODULE M11+SOFT V5.5 | MODUL M11+SOFT V5.5 | MODULE M11+SOFT V5.5 | |
| 022 | A5220294 | 001 | RONDELLE 45X13X5 ZN BC | WASHER | SCHEIBE | RONDELLA | * |
| 023 | A5317630 | 001 | RONDELLE | WASHER | SCHEIBE | RONDELLA | * 1 |
| 024 | A7250142 | 001 | RONDELLE CAOUTCHOUC D70X31 | WASHER | GUMMISCHEIBE | RONDELLA | * |
| 025 | A7252100 | 002 | RONDELLE | WASHER | GUMMISCHEIBE | RONDELLA | * 1 |
| 026 | 80280650 | 006 | RONDELLE CONIQUE BLOC.FLZNNC | CONICAL SPRING WASHER FLZNNC | SPANNSCHEIBE FLZNNC | RONDELLA CONICA FLZNNC | * 1 |
| 027 | 80281600 | 024 | RONDELLE CONIQUE BLOC.FLZNNC | CONICAL SPRING WASHER FLZNNC | SPANNSCHEIBE FLZNNC | RONDELLA CONICA FLZNNC | |
| 028 | 80250611 | 010 | RONDELLE PLATE FE/ZNXC3 | PLAIN WASHER M6 DIN 125 FE/ZNX | SCHEIBE FE/ZNXC3 | RONDELLA PIATTA FE/ZNXC3 | * 1 |
| 029 | 80251021 | 002 | RONDELLE PLATE FE/ZNXC3 | PLAIN WASHER M10 | SCHEIBE FE/ZNXC3 | RONDELLA PIATTA FE/ZNXC3 | * |
| 030 | 8370003B | 001 | SOFTWARE M10/M11 V4.6 | SOFTWARE M10/M11 V4.6 | SOFTWARE M10/M11 V4.6 | SOFTWARE M10/M11 V4.6 | |
| 031 | 8370004C | 001 | SOFTWARE | SOFTWARE | SOFTWARE | SOFTWARE | |
| 032 | A5305430 | 001 | SUPPORT | SUPPORT | TRAEGER | SUPPORTO | |
| 033 | A5310356 | 001 | SUPPORT | SUPPORT | TRAEGER | SUPPORTO | * |
| 034 | A5313500 | 001 | SUPPORT | SUPPORT | TRAEGER | SUPPORTO | * |
| 035 | A5317640 | 001 | SUPPORT | SUPPORT | TRAEGER | SUPPORTO | |
| 036 | A5334100 | 002 | SUPPORT | SUPPORT | TRAEGER | SUPPORTO | * 1 |
| 037 | A5350850 | 001 | SUPPORT | SUPPORT | TRAEGER | SUPPORTO | * |
| 038 | A7045040 | 001 | TERMINAL T10E+SOFT V4.6 | TERMINAL T10E+SOFT V4.6 | TERMINAL T10E+SOFT V4.6 | TERMINAL T10E+SOFT V4.6 | |
| 039 | A5317650 | 002 | TOLE | SHEET | BLECH | TELA | * 1 |
| 040 | A5310362 | 001 | TUBE DE BLOCAGE | TUBE | PROFILROHR | TUBO | * |
| 041 | A5334910 | 001 | TUBE | TUBE | ROHR | TUBO | * 1 |
| 042 | 80060616 | 002 | VIS TETE HEXAGONALE FE/ZNXC3 | HEXAGON HEAD SCREW FE/ZNXC3 | SECHSKANTSCHRAUBE FE/ZNXC3 | VITE TESTA ESAGONALE FE/ZNXC3 | * 1 |
| 043 | 80060620 | 006 | VIS TETE HEXAGONALE FE/ZNXC3 | HEX BOLT FE/ZNXC3 | SECHSKANTSCHRAUBE FE/ZNXC3 | VITE TESTA ESAGONALE FE/ZNXC3 | |
| 044 | 80060625 | 004 | VIS TETE HEXAGONALE FE/ZNXC3 | HEX BOLT FE/ZNXC3 | SECHSKANTSCHRAUBE FE/ZNXC3 | VITE TESTA ESAGONALE FE/ZNXC3 | * 1 |
| 045 | 80060820 | 002 | VIS TETE HEXAGONALE FE/ZNXC3 | HEXAGON HEAD SCREW FE/ZNXC3 | SECHSKANTSCHRAUBE FE/ZNXC3 | VITE TESTA ESAGONALE FE/ZNXC3 | * |
| 046 | 80060833 | 001 | VIS TETE HEXAGONALE FE/ZNXC3 | HEXAGON HEAD SCREW FE/ZNXC3 | SECHSKANTSCHRAUBE FE/ZNXC3 | VITE TESTA ESAGONALE FE/ZNXC3 | * 1 |
| 047 | 80061026 | 002 | VIS TETE HEXAGONALE FE/ZNXC3 | HEXAGON HEAD SCREW FE/ZNXC3 | SECHSKANTSCHRAUBE FE/ZNXC3 | VITE TESTA ESAGONALE FE/ZNXC3 | * |
| 048 | 80061647 | 004 | VIS TETE HEXAGONALE FE/ZNXC3 | HEXAGON HEAD SCREW FE/ZNXC3 | SECHSKANTSCHRAUBE FE/ZNXC3 | VITE TESTA ESAGONALE FE/ZNXC3 | |





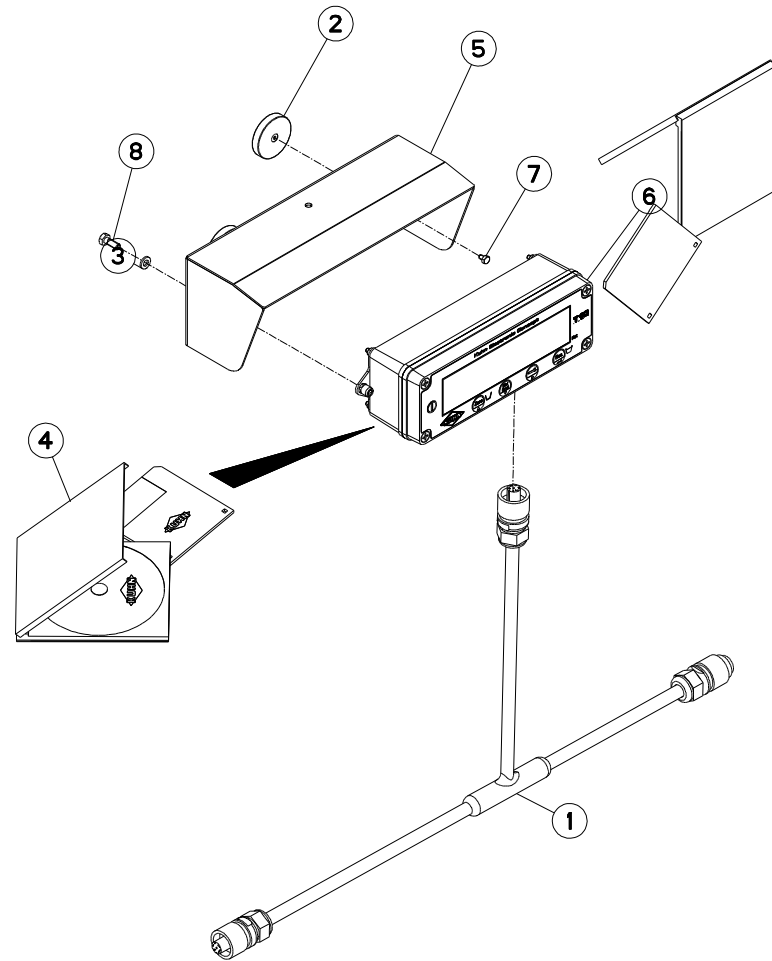
PESÉE T10

WEIGHING BOX T10

WIEGEEINRICHTUNG T10

SCATOLA DI PESATURA T10

| Rep | Nr | Qt | Designation | Description | Bezeichnung | Referenza | Remarque - Remark - Bemerkung - Osservazioni |
|-----|----------|-----|--------------------------------|--------------------------------|--------------------------------|--------------------------------|--|
| 049 | 80061657 | 008 | VIS TETE HEXAGONALE FE/ZNXC3 | HEXAGON HEAD SCREW FE/ZNXC3 | SECHSKANTSCHRAUBE FE/ZNXC3 | VITE TESTA ESAGONALE FE/ZNXC3 | |
| 050 | 80062082 | 003 | VIS TETE HEXAGONALE FE/ZNXC3 | HEX BOLT M20X120MM CL 8.8 R.P | SECHSKANTSCHRAUBE FE/ZNXC3 | VITE TESTA ESAGONALE FE/ZNXC3 | |
| 051 | 80062092 | 003 | VIS TETE HEXAGONALE FE/ZNXC3 | HEXAGON HEAD SCREW FE/ZNXC3 | SECHSKANTSCHRAUBE FE/ZNXC3 | VITE TESTA ESAGONALE FE/ZNXC3 | |
| | | | * Ancien modèle | | | | |
| | | | *1 Nouveau modèle | | | | |
| | | | * Old model | | | | |
| | | | *1 New model | | | | |
| | | | * Altes modell | | | | |
| | | | *1 Neues modell | | | | |
| | | | * Vecchio modello | | | | |
| | | | *1 Nuovo modello | | | | |
| 012 | 80250611 | 006 | RONDELLE PLATE FE/ZNXC3 | PLAIN WASHER M6 DIN 125 FE/ZNX | SCHEIBE FE/ZNXC3 | RONDELLA PIATTA FE/ZNXC3 | |
| 013 | 80060612 | 004 | VIS TETE HEXAGONALE FE/ZNXC3 | HEXAGON HEAD SCREW FE/ZNXC3 | SECHSKANTSCHRAUBE FE/ZNXC3 | VITE TESTA ESAGONALE FE/ZNXC3 | * |
| 014 | A5310356 | 001 | SUPPORT | SUPPORT | TRAEGER | SUPPORTO | * |
| 015 | 80251021 | 002 | RONDELLE PLATE FE/ZNXC3 | PLAIN WASHER M10 | SCHEIBE FE/ZNXC3 | RONDELLA PIATTA FE/ZNXC3 | * |
| 016 | 80061020 | 002 | VIS TETE HEXAGONALE FE/ZNXC3 | HEX. HEAD SCREW M10 X 20 MM CL | SECHSKANTSCHRAUBE FE/ZNXC3 | VITE A TESTA ESAGONALE FE/ZNXC | * |
| 017 | 80201070 | 002 | ECROU HEXAGONAL FE/ZNXC3 | NUT FE/ZNXC3 | SECHSKANTMUTTER FE/ZNXC3 | DADO FE/ZNXC3 | * |
| 018 | A7250142 | 001 | RONDELLE CAOUTCHOUC D70X31 | WASHER | GUMMISCHEIBE | RONDELLA | * |
| 019 | A5310362 | 001 | TUBE DE BLOCAGE | TUBE | PROFILROHR | TUBO | * |
| 020 | A5220294 | 001 | RONDELLE 45X13X5 ZN BC | WASHER | SCHEIBE | RONDELLA | * |
| 021 | A7250304 | 002 | BOUTON MOLETE M8(CDE PAILLEUSE | KNOB | KNEBELGRIFF | TASTO | * |
| 022 | A5350450 | 001 | TUBE ARTIC.PESEE ES | TUBE | PROFILROHR | TUBO | * |
| 023 | A5350438 | 001 | FIXATION SUPPORT PESEE ES. | HOLDER ATTACHMENT | BEFESTIGUNG | SUPPORTO | * |
| 024 | A5305020 | 001 | SUPPORT | SUPPORT | TRAEGER | SUPPORTO | * |
| 025 | 80200875 | 002 | ECROU INSERT | RIVETING NUT | EINNIETMUTTER | DADO | * |
| 026 | A7250302 | 002 | BOUTON ETOILE M8X125 | KNOB | KNOPF | BOTTONE | * |
| 027 | 80080420 | 004 | VIS TETE CYL.SIX P.CR.FE/ZNXC3 | HEX.SOCK.HEAD CAP SCR.FE/ZNXC3 | ZYLINDERSCHR.INNENSEC.FE/ZNXC3 | VITE A TESTA CILINDR. FE/ZNXC3 | * |
| 028 | A7040298 | 001 | BOITIER PROG "GRAPHIC PLUS"PTM | BOX "GRAPHIC PLUS" | WIEGEEINRICHTUNG GRAPHIC PLUS | SCATOLA | |
| 029 | A7041386 | 001 | FAISCEAU ELECTRIQUE BUZZER DE | CABLE | KABEL | FASCIO DE CONDUTTORI | |
| 030 | A7040280 | 001 | CABLE DE JONCTION PTM | CABLE | KABEL | CAVO | |
| 031 | A7040279 | 001 | CABLE ALIMENTATION PTM | CABLE | KABEL | CAVO | |
| 032 | A5317660 | 001 | SUPPORT | SUPPORT | TRAEGER | SUPPORTO | |
| 033 | A7252100 | 002 | RONDELLE | WASHER | GUMMISCHEIBE | RONDELLA | * 1 |
| 034 | 80200675 | 006 | ECROU INSERT | NUT | EINNIETMUTTER | DADO | * 1 |
| 035 | A5317630 | 001 | RONDELLE | WASHER | SCHEIBE | RONDELLA | * 1 |
| 036 | A5334910 | 001 | TUBE | TUBE | ROHR | TUBO | * 1 |
| 037 | A5326560 | 001 | FIXATION | MOUNT | VERBINDUNGSSTUECK | ATTACCO GANCIO | * 1 |
| 038 | A8359108 | 001 | INSERT HEX M8 A COLLERETTE | INSERT NUT HEX M8 | EINSETZMUTTER HEX M8 | MANICOTTO HEX M8 | * 1 |
| 039 | 80060833 | 001 | VIS TETE HEXAGONALE FE/ZNXC3 | HEXAGON HEAD SCREW FE/ZNXC3 | SECHSKANTSCHRAUBE FE/ZNXC3 | VITE TESTA ESAGONALE FE/ZNXC3 | * 1 |
| 040 | 83050015 | 001 | BOUTON | PLASTIC KNOB | KNOPF | TASTO | * 1 |
| 041 | A5317650 | 002 | TOLE | SHEET | BLECH | TELA | * 1 |
| 042 | 80280650 | 004 | RONDELLE CONIQUE BLOC.FLZNNC | CONICAL SPRING WASHER FLZNNC | SPANNSCHEIBE FLZNNC | RONDELLA CONICA FLZNNC | * 1 |
| 043 | 80060625 | 004 | VIS TETE HEXAGONALE FE/ZNXC3 | HEX BOLT FE/ZNXC3 | SECHSKANTSCHRAUBE FE/ZNXC3 | VITE TESTA ESAGONALE FE/ZNXC3 | * 1 |
| 044 | A5317730 | 001 | CAPUCHON | CAP | KAPPE | CAPPUCCIO | * 1 |
| 045 | 80060616 | 002 | VIS TETE HEXAGONALE FE/ZNXC3 | HEXAGON HEAD SCREW FE/ZNXC3 | SECHSKANTSCHRAUBE FE/ZNXC3 | VITE TESTA ESAGONALE FE/ZNXC3 | * 1 |





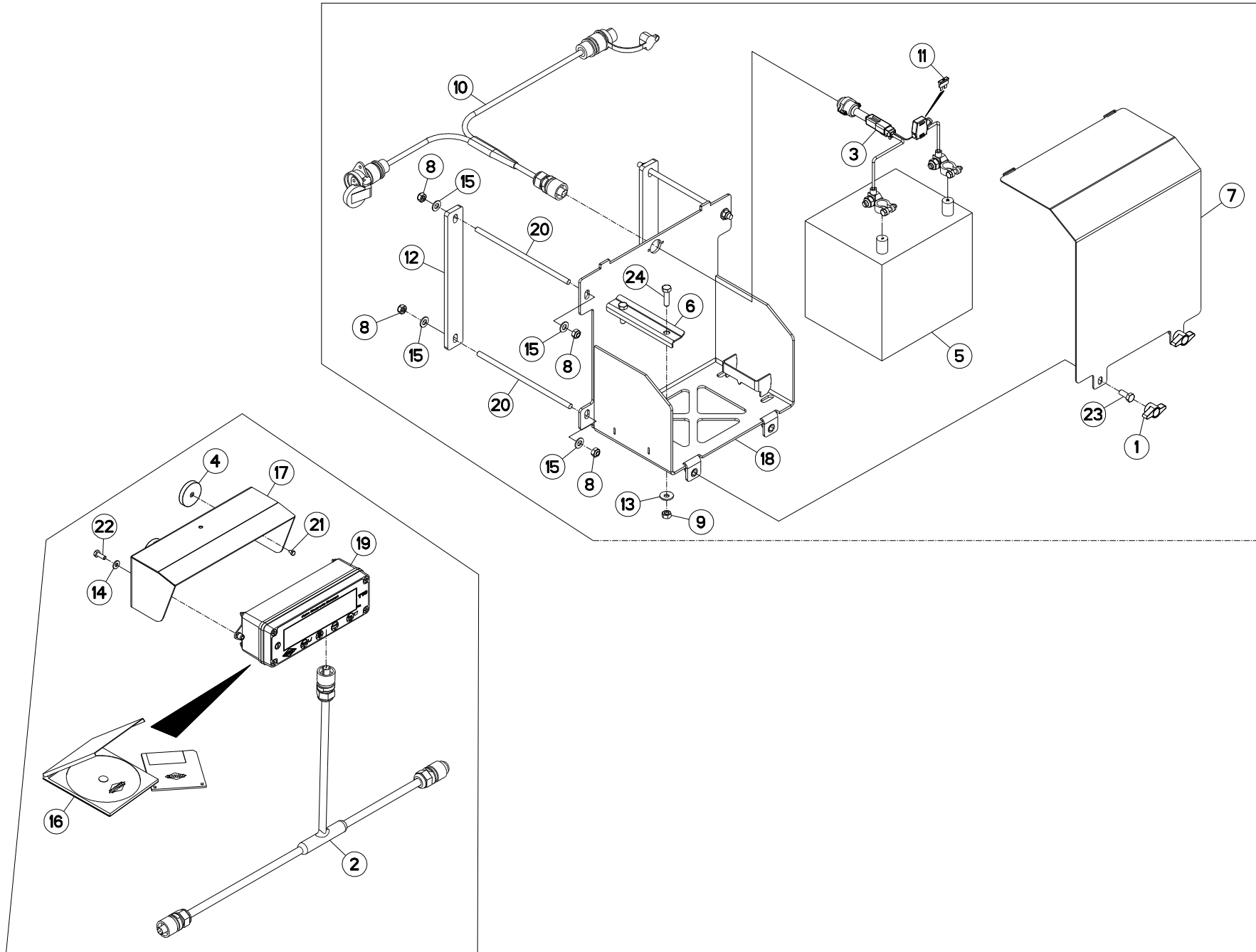
EQUIPEMENT T10

EQUIPMENT T10

AUSRÜSTUNG T10

EQUIPAGGIAMENTO T10

| Rep | Nr | Qt | Designation | Description | Bezeichnung | Referenza | Remarque - Remark - Bemerkung - Osservazioni |
|-----|-----------------|-----|-------------------------------|--------------------------------|----------------------------|-------------------------------|--|
| 001 | A7041390 | 001 | FAISCEAU RAPPEL AFFICHAGE CAN | CABLE | KABEL | FASCIO | |
| 002 | A5334450 | 004 | AIMANT | MAGNET | MAGNET | AIMANT | |
| 003 | 80250611 | 002 | RONDELLE PLATE FE/ZNXC3 | PLAIN WASHER M6 DIN 125 FE/ZNX | SCHEIBE FE/ZNXC3 | RONDELLA PIATTA FE/ZNXC3 | |
| 004 | 8370004C | 001 | SOFTWARE | SOFTWARE | SOFTWARE | SOFTWARE | |
| 005 | A5305430 | 001 | SUPPORT | SUPPORT | TRAEGER | SUPPORTO | |
| 006 | A7045040 | 001 | TERMINAL T10E+SOFT V4.6 | TERMINAL T10E+SOFT V4.6 | TERMINAL T10E+SOFT V4.6 | TERMINAL T10E+SOFT V4.6 | |
| 007 | 80060406 | 004 | VIS TETE HEXAGONALE FE/ZNXC3 | HEXAGON HEAD SCREW FE/ZNXC3 | SECHSKANTSCHRAUBE FE/ZNXC3 | VITE TESTA ESAGONALE FE/ZNXC3 | |
| 008 | 80060616 | 002 | VIS TETE HEXAGONALE FE/ZNXC3 | HEXAGON HEAD SCREW FE/ZNXC3 | SECHSKANTSCHRAUBE FE/ZNXC3 | VITE TESTA ESAGONALE FE/ZNXC3 | |





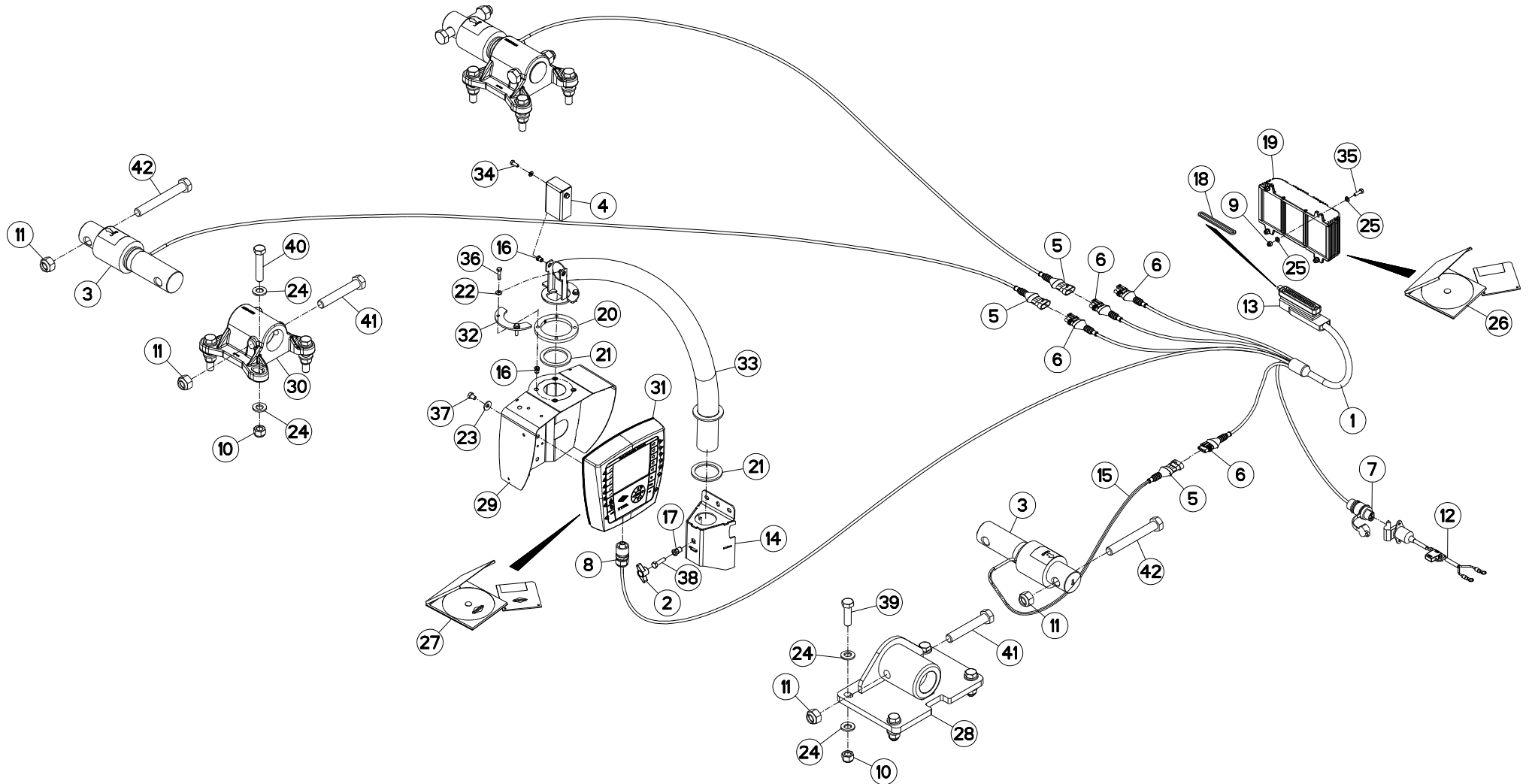
EQUIPEMENT T10

EQUIPMENT T10

AUSRÜSTUNG T10

EQUIPAGGIAMENTO T10

| Rep | Nr | Qt | Designation | Description | Bezeichnung | Referenza | Remarque - Remark - Bemerkung - Osservazioni |
|-----|----------|-----|--------------------------------|--------------------------------|--------------------------------|---------------------------------|--|
| 001 | 83050015 | 002 | BOUTON | PLASTIC KNOB | KNOPF | TASTO | |
| 002 | A7041390 | 001 | FAISCEAU RAPPEL AFFICHAGE CAN | CABLE | KABEL | FASCIO | |
| 003 | A7041462 | 001 | FAISCEAU | HARNESS | KABELBAUM | FASCIO | |
| 004 | A5334450 | 004 | AIMANT | MAGNET | MAGNET | AIMANT | |
| 005 | 83233069 | 001 | BATTERIE | BATTERY | BATTERIE | BATTERIA | |
| 006 | A5308400 | 001 | BRIDE | CLAMP | BUEGEL | STAFFA | |
| 007 | A5337901 | 001 | CARTER | HOUSING | GEHAEUSE | SCATOLA | |
| 008 | 80200840 | 008 | ECROU HEX.BAS AUTOFR.FE/ZNXC3 | SELF-LOCKING NUT FE/ZNXC3 | SELBSTSICHERND.MUTTER FE/ZNXC3 | DADO AUTOBLOCCANTE FE/ZNXC3 | |
| 009 | 80200870 | 002 | ECROU HEXAGONAL FE/ZNXC3 | NUT FE/ZNXC3 | SECHSKANTMUTTER FE/ZNXC3 | DADO FE/ZNXC3 | |
| 010 | A7045002 | 001 | FAISCEAU | HARNESS | KABELBAUM | FASCIO | |
| 011 | 83233017 | 001 | FUSIBLE ATO 15 A BLEU | FUSE ATO 15 A | SICHERUNG ATO 15 A | FUSIBILE ATO 15 A | |
| 012 | A5337581 | 002 | PLAT | FLAT | FLACHEISEN | PIATTO | |
| 013 | 80280850 | 002 | RONDELLE CONIQUE BLOC.FLZNNC | CONICAL SPRING WASHER FLZNNC | SPANNSCHEIBE FLZNNC | RONDELLA CONICA FLZNNC | |
| 014 | 80250611 | 002 | RONDELLE PLATE FE/ZNXC3 | PLAIN WASHER M6 DIN 125 FE/ZNX | SCHEIBE FE/ZNXC3 | RONDELLA PIATTA FE/ZNXC3 | |
| 015 | 80250823 | 008 | RONDELLE PLATE FE/ZNXC3 | PLAIN WASHER FE/ZNXC3 | SCHEIBE FE/ZNXC3 | RONDELLA PIATTA FE/ZNXC3 | |
| 016 | 8370004C | 001 | SOFTWARE | SOFTWARE | SOFTWARE | SOFTWARE | |
| 017 | A5305430 | 001 | SUPPORT | SUPPORT | TRAEGER | SUPPORTO | |
| 018 | A5337911 | 001 | SUPPORT | SUPPORT | TRAEGER | SUPPORTO | |
| 019 | A7045040 | 001 | TERMINAL T10E+SOFT V4.6 | TERMINAL T10E+SOFT V4.6 | TERMINAL T10E+SOFT V4.6 | TERMINAL T10E+SOFT V4.6 | |
| 020 | A5337340 | 004 | TIGE FILETEE | ROD, THREADED | SPINDELGEWINDE | ASTA FILETTATA | |
| 021 | 80060406 | 004 | VIS TETE HEXAGONALE FE/ZNXC3 | HEXAGON HEAD SCREW FE/ZNXC3 | SECHSKANTSCHRAUBE FE/ZNXC3 | VITE TESTA ESAGONALE FE/ZNXC3 | |
| 022 | 80060616 | 002 | VIS TETE HEXAGONALE FE/ZNXC3 | HEXAGON HEAD SCREW FE/ZNXC3 | SECHSKANTSCHRAUBE FE/ZNXC3 | VITE TESTA ESAGONALE FE/ZNXC3 | |
| 023 | 80060820 | 002 | VIS TETE HEXAGONALE FE/ZNXC3 | HEXAGON HEAD SCREW FE/ZNXC3 | SECHSKANTSCHRAUBE FE/ZNXC3 | VITE TESTA ESAGONALE FE/ZNXC3 | |
| 024 | 80060833 | 002 | VIS TETE HEXAGONALE FE/ZNXC3 | HEXAGON HEAD SCREW FE/ZNXC3 | SECHSKANTSCHRAUBE FE/ZNXC3 | VITE TESTA ESAGONALE FE/ZNXC3 | |
| 025 | A5334100 | 000 | SUPPORT | SUPPORT | TRAEGER | SUPPORTO | Q? |
| 026 | A5338540 | 001 | SUPPORT DE BRAS | SUPPORT, ARM | ARMHALTERUNG | SUPPORTO BRACCIO | |
| 027 | A5338530 | 001 | TUBE | TUBE | ROHR | TUBO | |
| 028 | 50070300 | 002 | VIS TBCC COURT | BOLT, CARRIAGE, SHORT NECK | FLACHRUNDSCHR.4KT ANSATZ | BULLONE | |
| 029 | 50072200 | 005 | VIS TBCC COURT | BOLT, CARRIAGE, SHORT NECK | FLACHRUNDSCHR.4KT ANSATZ | BULLONE | |
| 030 | 80080420 | 004 | VIS TETE CYL.SIX P.CR.FE/ZNXC3 | HEX.SOCK.HEAD CAP SCR.FE/ZNXC3 | ZYLINDERSCHR.INNENSEC.FE/ZNXC3 | VITE A TESTA CILINDR. FE/ZNXC3 | |
| 031 | 80080630 | 004 | VIS TETE CYL.SIX P.CR.FE/ZNXC3 | HEX.SOCK.HEAD CAP SCR.FE/ZNXC3 | ZYLINDERSCHR.INNENSEC.FE/ZNXC3 | VITE A TESTA CILINDR. FE/ZNXC3 | |
| 032 | 80061020 | 002 | VIS TETE HEXAGONALE FE/ZNXC3 | HEX. HEAD SCREW M10 X 20 MM CL | SECHSKANTSCHRAUBE FE/ZNXC3 | VITE A TESTA ESAGONALE FE/ZNXC3 | |
| 033 | 80060820 | 002 | VIS TETE HEXAGONALE FE/ZNXC3 | HEXAGON HEAD SCREW FE/ZNXC3 | SECHSKANTSCHRAUBE FE/ZNXC3 | VITE TESTA ESAGONALE FE/ZNXC3 | |
| 034 | 80060845 | 001 | VIS TETE HEXAGONALE FE/ZNXC3 | HEXAGON HEAD SCREW FE/ZNXC3 | SECHSKANTSCHRAUBE FE/ZNXC3 | VITE TESTA ESAGONALE FE/ZNXC3 | |
| 035 | 80060853 | 003 | VIS TETE HEXAGONALE FE/ZNXC3 | HEX BOLT M8X60 CL 5.8 DIN931 R | SECHSKANTSCHRAUBE FE/ZNXC3 | VITE TESTA ESAGONALE FE/ZNXC3 | |
| 036 | 80061026 | 001 | VIS TETE HEXAGONALE FE/ZNXC3 | HEXAGON HEAD SCREW FE/ZNXC3 | SECHSKANTSCHRAUBE FE/ZNXC3 | VITE TESTA ESAGONALE FE/ZNXC3 | |
| 037 | 80061647 | 000 | VIS TETE HEXAGONALE FE/ZNXC3 | HEXAGON HEAD SCREW FE/ZNXC3 | SECHSKANTSCHRAUBE FE/ZNXC3 | VITE TESTA ESAGONALE FE/ZNXC3 | Q? |
| 038 | 80062082 | 000 | VIS TETE HEXAGONALE FE/ZNXC3 | HEX BOLT M20X120MM CL 8.8 R.P | SECHSKANTSCHRAUBE FE/ZNXC3 | VITE TESTA ESAGONALE FE/ZNXC3 | Q? |

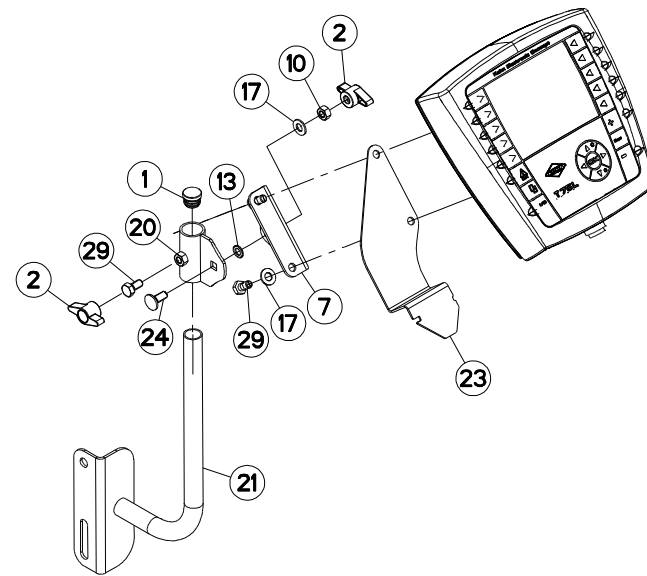
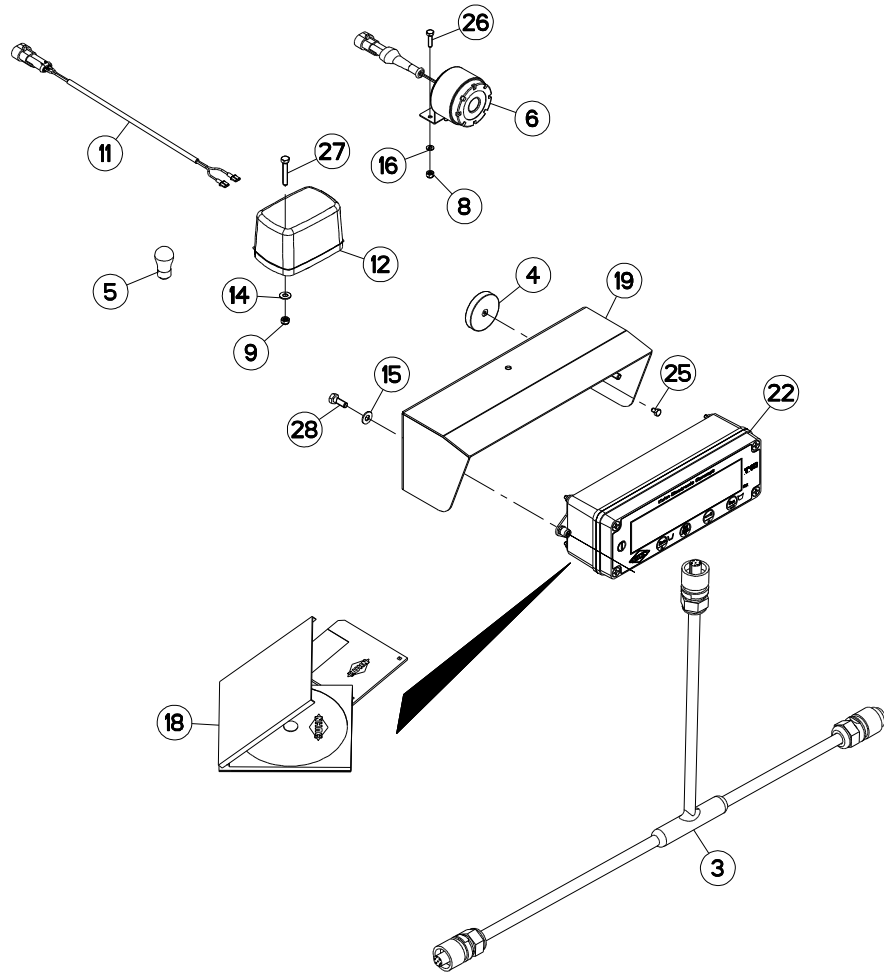




PESÉE PROGRAMMABLE T75L

WEIGHING BOX PROGRAMMABLE T75L WIEGEEINRICHTUNG PROGRAMMABLE SCATOLA DI PESATURA PROGRAMI

| Rep | Nr | Qt | Designation | Description | Bezeichnung | Referenza | Remarque - Remark - Bemerkung - Osservazioni |
|-----|----------|-----|-------------------------------|--------------------------------|-------------------------------|-------------------------------|--|
| 001 | A7041388 | 001 | FAISCEAU PESEE CAN SIMPLE | CABLE | KABEL | FASCIO | |
| 002 | 83050015 | 001 | BOUTON | PLASTIC KNOB | KNOPF | TASTO | |
| 003 | A7040237 | 003 | CAPTEUR | SENSOR | SENSOR | SENSORE | |
| 004 | A5317730 | 001 | CAPUCHON | CAP | KAPPE | CAPPUCCIO | |
| 005 | 83235097 | 003 | CONNECTEUR AMP SUPERSEAL | CONNECTOR AMP SUPERSEAL | STECKER AMP SUPERSEAL | CONNETTORE AMP SUPERSEAL | |
| 006 | 83235099 | 004 | CONNECTEUR AMP SUPERSEAL | CONNECTOR AMP SUPERSEAL | STECKER AMP SUPERSEAL | CONNETTORE AMP SUPERSEAL | |
| 007 | 83235003 | 001 | CONNECTEUR DIN9680 | CONNECTOR DIN9680 | VERBINDUNG DIN9680 | CONNETTORE DIN9680 | |
| 008 | 83235069 | 001 | CONNECTEUR HIRSCHMANN COURT | CONNECTOR HIRSCHMANN SHORT | HIRSCHMANN DOSE 7-POLIG | CONNETTORE HIRSCHMANN BREVE | |
| 009 | 80200630 | 004 | ECROU HEX.AUTOFREINE FE/ZNXC3 | SELF LOCKING NUT M6 DIN 982 | SELBSTSICHERNDE MUTT.FE/ZNXC3 | DADO AUTOBLOCCANTE FE/ZNXC3 | |
| 010 | 80201630 | 012 | ECROU HEX.AUTOFREINE FE/ZNXC3 | SELF-LOCKING NUT FE/ZNXC3 | SELBSTSICH.MUTTER FE/ZNXC3 | DADO AUTOBLOCCANTE FE/ZNXC3 | |
| 011 | 80202047 | 006 | ECROU HEXAG.AUTOFREINE FLZNNC | SELF-LOCKING NUT FLZNNC | SELBSTSICHERNDE MUTTER FLZNNC | DADO AUTOBLOCCANTE FLZNNC | |
| 012 | 83233002 | 001 | FAISCEAU ELECTRIQUE | HARNESS, WIRING | KABELBAUM | CAVO ELETTRICO | |
| 013 | 83235059 | 001 | FICHE AMP JPT | PLUG AMP JPT | STECKER AMP JPT | SCHEDA AMP JPT | |
| 014 | A5326560 | 001 | FIXATION | MOUNT | VERBINDUNGSSTUECK | ATTACCO GANCIO | |
| 015 | A7040350 | 001 | CAPTEUR | SENSOR | SENSOR | SENSORE | |
| 016 | 80200675 | 006 | ECROU INSERT | NUT | EINNIETMUTTER | DADO | |
| 017 | A8359108 | 001 | INSERT HEX M8 A COLLERETTE | INSERT NUT HEX M8 | EINSETZMUTTER HEX M8 | MANICOTTO HEX M8 | |
| 018 | A7040493 | 001 | JOINT | SEAL | DICHTUNG | GUARNIZIONE | |
| 019 | A7045030 | 001 | MODULE M10+SOFT V5.5 | MODULE M10+SOFT V5.5 | MODUL M10+SOFT V5.5 | MODULE M10+SOFT V5.5 | |
| 020 | A5317630 | 001 | RONDELLE | WASHER | SCHEIBE | RONDELLA | |
| 021 | A7252100 | 002 | RONDELLE | WASHER | GUMMISCHEIBE | RONDELLA | |
| 022 | 80280650 | 004 | RONDELLE CONIQUE BLOC.FLZNNC | CONICAL SPRING WASHER FLZNNC | SPANNSCHEIBE FLZNNC | RONDELLA CONICA FLZNNC | |
| 023 | 80280850 | 002 | RONDELLE CONIQUE BLOC.FLZNNC | CONICAL SPRING WASHER FLZNNC | SPANNSCHEIBE FLZNNC | RONDELLA CONICA FLZNNC | |
| 024 | 80281600 | 024 | RONDELLE CONIQUE BLOC.FLZNNC | CONICAL SPRING WASHER FLZNNC | SPANNSCHEIBE FLZNNC | RONDELLA CONICA FLZNNC | |
| 025 | 80250611 | 010 | RONDELLE PLATE FE/ZNXC3 | PLAIN WASHER M6 DIN 125 FE/ZNX | SCHEIBE FE/ZNXC3 | RONDELLA PIATTA FE/ZNXC3 | |
| 026 | 8370003B | 001 | SOFTWARE M10/M11 V4.6 | SOFTWARE M10/M11 V4.6 | SOFTWARE M10/M11 V4.6 | SOFTWARE M10/M11 V4.6 | |
| 027 | 8370006A | 001 | SOFTWARE T75L V5.1 | SOFTWARE T75L V5.1 | SOFTWARE T75L V5.1 | SOFTWARE T75L V5.1 | |
| 028 | A5313500 | 001 | SUPPORT | SUPPORT | TRAEGER | SUPPORTO | |
| 029 | A5331090 | 001 | SUPPORT | SUPPORT | TRAEGER | SUPPORTO | |
| 030 | A5334100 | 002 | SUPPORT | SUPPORT | TRAEGER | SUPPORTO | |
| 031 | A7045005 | 001 | TERMINAL | TERMINAL | TERMINAL | TERMINAL | |
| 032 | A5317650 | 002 | TOLE | SHEET | BLECH | TELA | |
| 033 | A5317680 | 001 | TUBE | TUBE | ROHR | TUBO | |
| 034 | 80060616 | 002 | VIS TETE HEXAGONALE FE/ZNXC3 | HEXAGON HEAD SCREW FE/ZNXC3 | SECHSKANTSCHRAUBE FE/ZNXC3 | VITE TESTA ESAGONALE FE/ZNXC3 | |
| 035 | 80060620 | 004 | VIS TETE HEXAGONALE FE/ZNXC3 | HEX BOLT FE/ZNXC3 | SECHSKANTSCHRAUBE FE/ZNXC3 | VITE TESTA ESAGONALE FE/ZNXC3 | |
| 036 | 80060625 | 004 | VIS TETE HEXAGONALE FE/ZNXC3 | HEX BOLT FE/ZNXC3 | SECHSKANTSCHRAUBE FE/ZNXC3 | VITE TESTA ESAGONALE FE/ZNXC3 | |
| 037 | 80060812 | 002 | VIS TETE HEXAGONALE FE/ZNXC3 | HEXAGON HEAD SCREW FE/ZNXC3 | SECHSKANTSCHRAUBE FE/ZNXC3 | VITE TESTA ESAGONALE FE/ZNXC3 | |
| 038 | 80060833 | 001 | VIS TETE HEXAGONALE FE/ZNXC3 | HEXAGON HEAD SCREW FE/ZNXC3 | SECHSKANTSCHRAUBE FE/ZNXC3 | VITE TESTA ESAGONALE FE/ZNXC3 | |
| 039 | 80061647 | 004 | VIS TETE HEXAGONALE FE/ZNXC3 | HEXAGON HEAD SCREW FE/ZNXC3 | SECHSKANTSCHRAUBE FE/ZNXC3 | VITE TESTA ESAGONALE FE/ZNXC3 | |
| 040 | 80061657 | 008 | VIS TETE HEXAGONALE FE/ZNXC3 | HEXAGON HEAD SCREW FE/ZNXC3 | SECHSKANTSCHRAUBE FE/ZNXC3 | VITE TESTA ESAGONALE FE/ZNXC3 | |
| 041 | 80062082 | 003 | VIS TETE HEXAGONALE FE/ZNXC3 | HEX BOLT M20X120MM CL 8.8 R.P | SECHSKANTSCHRAUBE FE/ZNXC3 | VITE TESTA ESAGONALE FE/ZNXC3 | |
| 042 | 80062092 | 003 | VIS TETE HEXAGONALE FE/ZNXC3 | HEXAGON HEAD SCREW FE/ZNXC3 | SECHSKANTSCHRAUBE FE/ZNXC3 | VITE TESTA ESAGONALE FE/ZNXC3 | |





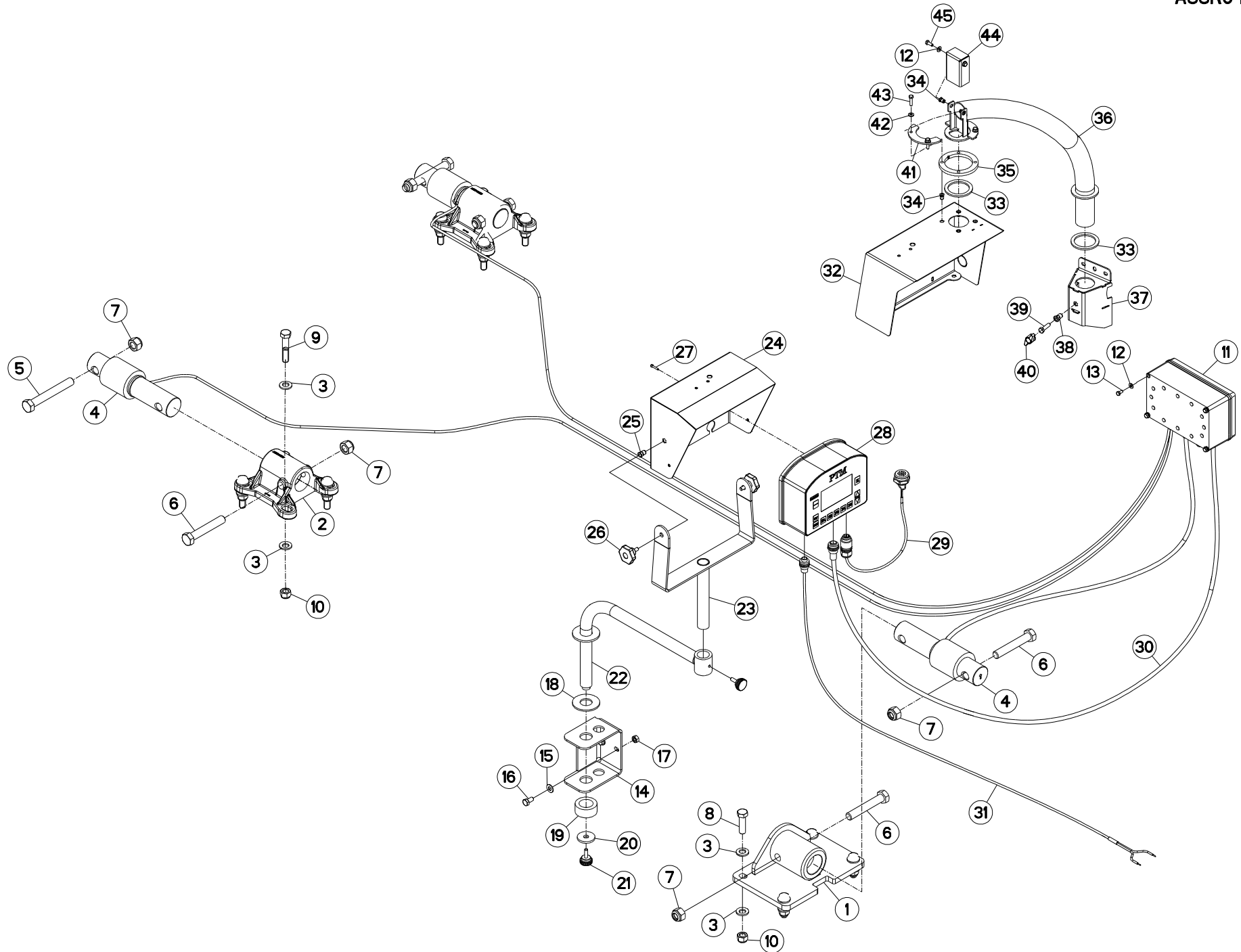
EQUIPEMENT T75L

EQUIPMENT T75L

AUSRÜSTUNG T75L

EQUIPAGGIAMENTO T75L

| Rep | Nr | Qt | Designation | Description | Bezeichnung | Referenza | Remarque - Remark - Bemerkung - Osservazioni |
|-----|----------|-----|--------------------------------|--------------------------------|--------------------------------|--------------------------------|--|
| 001 | 83040198 | 001 | BOUCHON D'OBTURATION | END PLUG | ROHRSCHUTZKAPPE | TAPPO | |
| 002 | 83050015 | 002 | BOUTON | PLASTIC KNOB | KNOPF | TASTO | |
| 003 | A7041390 | 001 | FAISCEAU RAPPEL AFFICHAGE CAN | CABLE | KABEL | FASCIO | |
| 004 | A5334450 | 004 | AIMANT | MAGNET | MAGNET | AIMANT | |
| 005 | 83240912 | 001 | AMPOULE 12V-21W | BULB 12V-21W | BIRNE 12V-21W | LAMPADINA 12V-21W | |
| 006 | A7041434 | 001 | AVERTISSEUR SONORE | HORN | HUPE | AVVISATORE | |
| 007 | A5333490 | 001 | CORNIERE | CORNER PROFIL | WINKEL | CORNIERA | |
| 008 | 80200440 | 002 | ECROU HEX.AUTOFREINE FE/ZNXC3 | SELF LOCKING NUT M4 DIN 982 | SELBSTSICHERNDE MUTT.FE/ZNXC3 | DADO AUTOBLOCCANTE FE/ZNXC3 | |
| 009 | 80200540 | 002 | ECROU HEX.BAS AUTOFR.FE/ZNXC3 | SELF-LOCKING NUT FE/ZNXC3 | SELBSTSICHERND.MUTTER FE/ZNXC3 | DADO AUTOBLOCCANTE FE/ZNXC3 | |
| 010 | 80200870 | 001 | ECROU HEXAGONAL FE/ZNXC3 | NUT FE/ZNXC3 | SECHSKANTMUTTER FE/ZNXC3 | DADO FE/ZNXC3 | |
| 011 | A7041435 | 001 | FAISCEAU | HARNESS | KABELBAUM | FASCIO | |
| 012 | 83240411 | 001 | FEU ORANGE HELLA | ORANGE LIGHT | ORANGES LICHT | LUCE ARANCIO HELLA | |
| 013 | 80270801 | 001 | RONDELLE EVENTAIL FE/ZNXC3 | SERRATED LOCK WASHER FE/ZNXC3 | FAECHERSCHEIBE FE/ZNXC3 | RONDELLA VENTAGLIO FE/ZNXC3 | |
| 014 | 80250512 | 002 | RONDELLE PLATE FE/ZNXC3 | PLAIN WASHER M5 DIN-125 | SCHEIBE FE/ZNXC3 | RONDELLA PIATTA FE/ZNXC3 | |
| 015 | 80250611 | 002 | RONDELLE PLATE FE/ZNXC3 | PLAIN WASHER M6 DIN 125 FE/ZNX | SCHEIBE FE/ZNXC3 | RONDELLA PIATTA FE/ZNXC3 | |
| 016 | 80250408 | 002 | RONDELLE PLATE FE/ZNXC3 | PLAIN WASHER M4 | SCHEIBE FE/ZNXC3 | RONDELLA PIATTA FE/ZNXC3 | |
| 017 | 80250823 | 003 | RONDELLE PLATE FE/ZNXC3 | PLAIN WASHER FE/ZNXC3 | SCHEIBE FE/ZNXC3 | RONDELLA PIATTA FE/ZNXC3 | |
| 018 | 8370004C | 001 | SOFTWARE | SOFTWARE | SOFTWARE | SOFTWARE | |
| 019 | A5305430 | 001 | SUPPORT | SUPPORT | TRAEGER | SUPPORTO | |
| 020 | A5333520 | 001 | SUPPORT | SUPPORT | TRAEGER | SUPPORTO | |
| 021 | A5333550 | 001 | SUPPORT | SUPPORT | TRAEGER | SUPPORTO | |
| 022 | A7045040 | 001 | TERMINAL T10E+SOFT V4.6 | TERMINAL T10E+SOFT V4.6 | TERMINAL T10E+SOFT V4.6 | TERMINAL T10E+SOFT V4.6 | |
| 023 | A5334880 | 001 | TOLE | SHEET | BLECH | TELA | |
| 024 | 50070300 | 001 | VIS TBCC COURT | BOLT, CARRIAGE, SHORT NECK | FLACHRUNDSCHR.4KT ANSATZ | BULLONE | |
| 025 | 80060406 | 004 | VIS TETE HEXAGONALE FE/ZNXC3 | HEXAGON HEAD SCREW FE/ZNXC3 | SECHSKANTSCHRAUBE FE/ZNXC3 | VITE TESTA ESAGONALE FE/ZNXC3 | |
| 026 | 80060416 | 002 | VIS TETE HEXAGONALE FE/ZNXC3 | HEXAGON HEAD SCREW FE/ZNXC3 | SECHSKANTSCHRAUBE FE/ZNXC3 | VITE TESTA ESAGONALE FE/ZNXC3 | |
| 027 | 80060530 | 002 | VIS TETE HEXAGONALE FE/ZNXC3 | HEXAGON HEAD SCREW FE/ZNXC3 | SECHSKANTSCHRAUBE FE/ZNXC3 | VITE TESTA ESAGONALE FE/ZNXC3 | |
| 028 | 80060616 | 002 | VIS TETE HEXAGONALE FE/ZNXC3 | HEXAGON HEAD SCREW FE/ZNXC3 | SECHSKANTSCHRAUBE FE/ZNXC3 | VITE TESTA ESAGONALE FE/ZNXC3 | |
| 029 | 80060816 | 003 | VIS TETE HEXAGONALE FE/ZNXC3 | HEX. SCREW M8X16 CL.8.8 DIN 93 | SECHSKANTSCHRAUBE FE/ZNXC3 | VITE TESTA ESAGONALE FE/ZNXC3 | |
| 030 | 80080816 | 004 | VIS TETE CYL.SIX P.CR.FE/ZNXC3 | HEX.SOCK.HEAD CAP SCR.FE/ZNXC3 | ZYLINDERSCHR.INNENSEC.FE/ZNXC3 | VITE A TESTA CILINDR. FE/ZNXC3 | * |
| 031 | 80200870 | 005 | ECROU HEXAGONAL FE/ZNXC3 | NUT FE/ZNXC3 | SECHSKANTMUTTER FE/ZNXC3 | DADO FE/ZNXC3 | * |
| 032 | A7040259 | 001 | RAPPEL AFFICH. DIGISTAR KDF240 | DISPLAY BOX | DIGISTAR KDF240 | SCATOLA | OPT* |
| 033 | A5310859 | 001 | SUPPORT PRESSE-ETOUPE PG21 | HOLDER | HALTER | SUPPORTO | |
| 034 | A7251202 | 001 | RACCORD DROIT D28,5 PG21 | ADAPTOR | ANSCHLUSS | RACCORDO | |
| 035 | A7251203 | 001 | GAINÉ SPIRE NOIRE SOUPLE FENDU | PIPE | LEITUNG | | |
| 036 | 80060853 | 001 | VIS TETE HEXAGONALE FE/ZNXC3 | HEX BOLT M8X60 CL.5.8 DIN931 R | SECHSKANTSCHRAUBE FE/ZNXC3 | VITE TESTA ESAGONALE FE/ZNXC3 | |
| 037 | 80060521 | 004 | VIS TETE HEXAGONALE FE/ZNXC3 | HEXAGON HEAD SCREW FE/ZNXC3 | SECHSKANTSCHRAUBE FE/ZNXC3 | VITE TESTA ESAGONALE FE/ZNXC3 | |
| 038 | 80250512 | 004 | RONDELLE PLATE FE/ZNXC3 | PLAIN WASHER M5 DIN-125 | SCHEIBE FE/ZNXC3 | RONDELLA PIATTA FE/ZNXC3 | |
| 039 | 80200540 | 004 | ECROU HEX.BAS AUTOFR.FE/ZNXC3 | SELF-LOCKING NUT FE/ZNXC3 | SELBSTSICHERND.MUTTER FE/ZNXC3 | DADO AUTOBLOCCANTE FE/ZNXC3 | |
| 040 | A7040171 | 001 | FAISCEAU | HARNESS | KABELBAUM | FASCIO | |
| 041 | A5317660 | 001 | SUPPORT | SUPPORT | TRAEGER | SUPPORTO | * 1 |
| 042 | A7252100 | 002 | RONDELLE | WASHER | GUMMISCHEIBE | RONDELLA | * 1 |
| 043 | 80200675 | 006 | ECROU INSERT | NUT | EINNIETMUTTER | DADO | * 1 |
| 044 | A5317630 | 001 | RONDELLE | WASHER | SCHEIBE | RONDELLA | * 1 |
| 045 | A5334910 | 001 | TUBE | TUBE | ROHR | TUBO | * 1 |
| 046 | A5326560 | 001 | FIXATION | MOUNT | VERBINDUNGSTUECK | ATTACCO GANCIO | * 1 |
| 047 | A8359108 | 001 | INSERT HEX M8 A COLLERETTE | INSERT NUT HEX M8 | EINSETZMUTTER HEX M8 | MANICOTTO HEX M8 | * 1 |
| 048 | 80060833 | 001 | VIS TETE HEXAGONALE FE/ZNXC3 | HEXAGON HEAD SCREW FE/ZNXC3 | SECHSKANTSCHRAUBE FE/ZNXC3 | VITE TESTA ESAGONALE FE/ZNXC3 | * 1 |





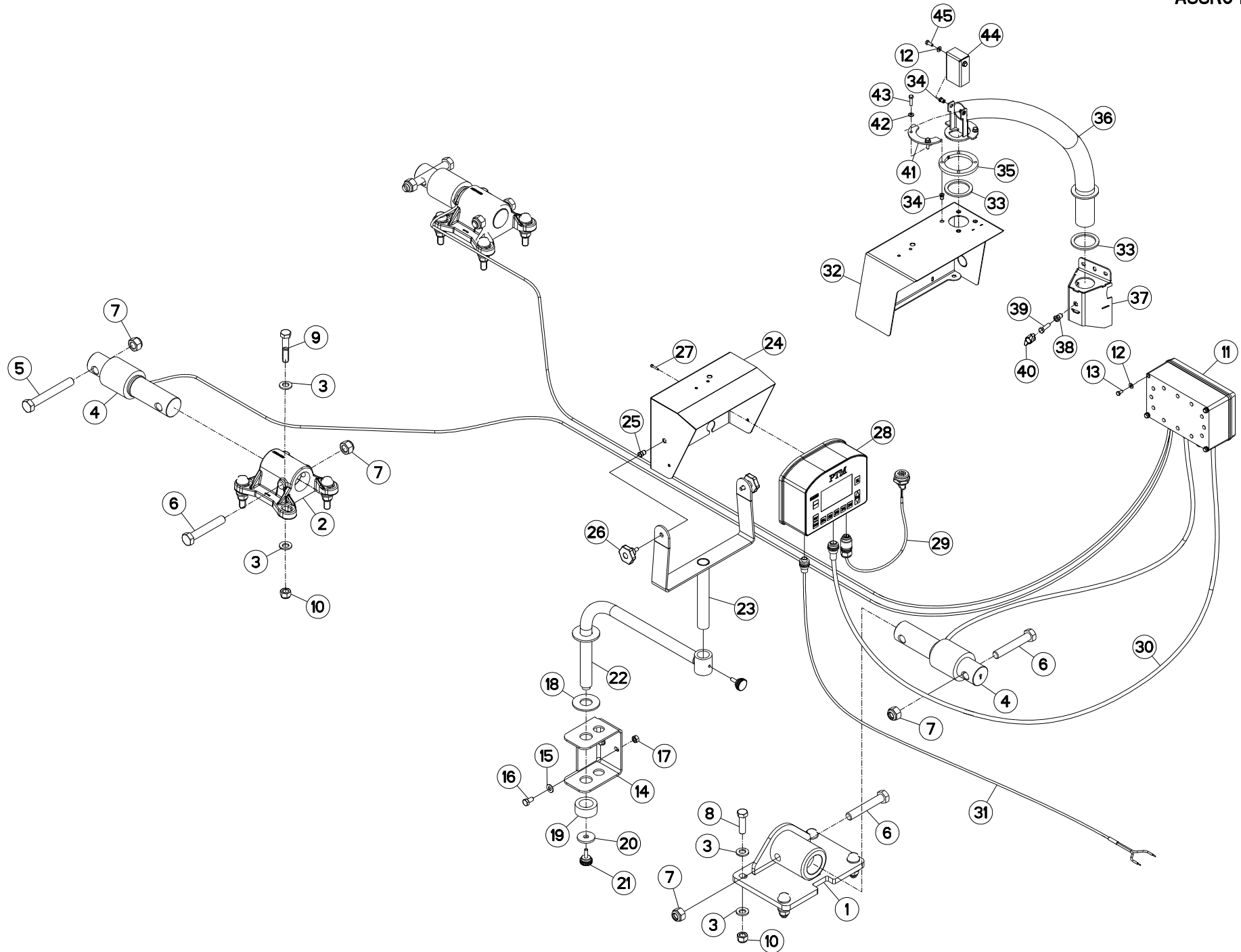
PESÉE PTM

PTM WEIGHING SYSTEM

WIEGEEINRICHTUNG PTM

SISTEMA DI PESATURA PTM

| Rep | Nr | Qt | Designation | Description | Bezeichnung | Referenza | Remarque - Remark - Bemerkung - Osservazioni |
|-----|----------|-----|--------------------------------|--------------------------------|--------------------------------|--------------------------------|--|
| 001 | A5313500 | 001 | SUPPORT | SUPPORT | TRAEGER | SUPPORTO | |
| 002 | A5334100 | 002 | SUPPORT | SUPPORT | TRAEGER | SUPPORTO | |
| 003 | 80281600 | 024 | RONDELLE CONIQUE BLOC.FLZNNC | CONICAL SPRING WASHER FLZNNC | SPANNSCHEIBE FLZNNC | RONDELLA CONICA FLZNNC | |
| 004 | A7040237 | 003 | CAPTEUR | SENSOR | SENSOR | SENSORE | |
| 005 | 80062092 | 002 | VIS TETE HEXAGONALE FE/ZNXC3 | HEXAGON HEAD SCREW FE/ZNXC3 | SECHSKANTSCHRAUBE FE/ZNXC3 | VITE TESTA ESAGONALE FE/ZNXC3 | |
| 006 | 80062082 | 004 | VIS TETE HEXAGONALE FE/ZNXC3 | HEX BOLT M20X120MM CL 8.8 R.P | SECHSKANTSCHRAUBE FE/ZNXC3 | VITE TESTA ESAGONALE FE/ZNXC3 | |
| 007 | 80202030 | 006 | ECROU HEX.AUTOFREINE FE/ZNXC3 | SELF-LOCKING NUT M 20 DIN 982 | SELBSTSICH.MUTTER FE/ZNXC3 | DADO AUTOBLOCCANTE FE/ZNXC3 | |
| 008 | 80061647 | 004 | VIS TETE HEXAGONALE FE/ZNXC3 | HEXAGON HEAD SCREW FE/ZNXC3 | SECHSKANTSCHRAUBE FE/ZNXC3 | VITE TESTA ESAGONALE FE/ZNXC3 | |
| 009 | 80061657 | 008 | VIS TETE HEXAGONALE FE/ZNXC3 | HEXAGON HEAD SCREW FE/ZNXC3 | SECHSKANTSCHRAUBE FE/ZNXC3 | VITE TESTA ESAGONALE FE/ZNXC3 | |
| 010 | 80201630 | 012 | ECROU HEX.AUTOFREINE FE/ZNXC3 | SELF-LOCKING NUT FE/ZNXC3 | SELBSTSICH.MUTTER FE/ZNXC3 | DADO AUTOBLOCCANTE FE/ZNXC3 | |
| 011 | A7040246 | 001 | BOITIER | HOUSING | GEHAEUSE | SCATOLA | |
| 012 | 80250611 | 006 | RONDELLE PLATE FE/ZNXC3 | PLAIN WASHER M6 DIN 125 FE/ZNX | SCHEIBE FE/ZNXC3 | RONDELLA PIATTA FE/ZNXC3 | |
| 013 | 80060612 | 004 | VIS TETE HEXAGONALE FE/ZNXC3 | HEXAGON HEAD SCREW FE/ZNXC3 | SECHSKANTSCHRAUBE FE/ZNXC3 | VITE TESTA ESAGONALE FE/ZNXC3 | * |
| 014 | A5310356 | 001 | SUPPORT | SUPPORT | TRAEGER | SUPPORTO | * |
| 015 | 80251021 | 002 | RONDELLE PLATE FE/ZNXC3 | PLAIN WASHER M10 | SCHEIBE FE/ZNXC3 | RONDELLA PIATTA FE/ZNXC3 | * |
| 016 | 80061020 | 002 | VIS TETE HEXAGONALE FE/ZNXC3 | HEX. HEAD SCREW M10 X 20 MM CL | SECHSKANTSCHRAUBE FE/ZNXC3 | VITE A TESTA ESAGONALE FE/ZNXC | * |
| 017 | 80201070 | 002 | ECROU HEXAGONAL FE/ZNXC3 | NUT FE/ZNXC3 | SECHSKANTMUTTER FE/ZNXC3 | DADO FE/ZNXC3 | * |
| 018 | A7250142 | 001 | RONDELLE CAOUTCHOUC D70X31 | WASHER | GUMMISCHEIBE | RONDELLA | * |
| 019 | A5310362 | 001 | TUBE DE BLOCAGE | TUBE | PROFILROHR | TUBO | * |
| 020 | A5220294 | 001 | RONDELLE 45X13X5 ZN BC | WASHER | SCHEIBE | RONDELLA | * |
| 021 | A7250304 | 002 | BOUTON MOLETE M8(CDE PAILLEUSE | KNOB | KNEBELGRIFF | TASTO | * |
| 022 | A5350450 | 001 | TUBE ARTIC.PESEE ES | TUBE | PROFILROHR | TUBO | * |
| 023 | A5350438 | 001 | FIXATION SUPPORT PESEE ES. | HOLDER ATTACHMENT | BEFESTIGUNG | SUPPORTO | * |
| 024 | A5305020 | 001 | SUPPORT | SUPPORT | TRAEGER | SUPPORTO | * |
| 025 | 80200875 | 002 | ECROU INSERT | RIVETING NUT | EINNIETMUTTER | DADO | * |
| 026 | A7250302 | 002 | BOUTON ETOILE M8X125 | KNOB | KNOPF | BOTTONE | * |
| 027 | 80080420 | 004 | VIS TETE CYL.SIX P.CR.FE/ZNXC3 | HEX.SOCK.HEAD CAP SCR.FE/ZNXC3 | ZYLINDERSCHR.INNENSEC.FE/ZNXC3 | VITE A TESTA CILINDR. FE/ZNXC3 | * |
| 028 | A7040298 | 001 | BOITIER PROG "GRAPHIC PLUS"PTM | BOX "GRAPHIC PLUS" | WIEGEEINRICHTUNG GRAPHIC PLUS | SCATOLA | |
| 029 | A7041386 | 001 | FAISCEAU ELECTRIQUE BUZZER DE | CABLE | KABEL | FASCIO DE CONDUTTORI | |
| 030 | A7040280 | 001 | CABLE DE JONCTION PTM | CABLE | KABEL | CAVO | |
| 031 | A7040279 | 001 | CABLE ALIMENTATION PTM | CABLE | KABEL | CAVO | |
| 032 | A5317660 | 001 | SUPPORT | SUPPORT | TRAEGER | SUPPORTO | |
| 033 | A7252100 | 002 | RONDELLE | WASHER | GUMMISCHEIBE | RONDELLA | * 1 |
| 034 | 80200675 | 006 | ECROU INSERT | NUT | EINNIETMUTTER | DADO | * 1 |
| 035 | A5317630 | 001 | RONDELLE | WASHER | SCHEIBE | RONDELLA | * 1 |
| 036 | A5334910 | 001 | TUBE | TUBE | ROHR | TUBO | * 1 |
| 037 | A5326560 | 001 | FIXATION | MOUNT | VERBINDUNGSSTUECK | ATTACCO GANCIO | * 1 |
| 038 | A8359108 | 001 | INSERT HEX M8 A COLLERETTE | INSERT NUT HEX M8 | EINSETZMUTTER HEX M8 | MANICOTTO HEX M8 | * 1 |
| 039 | 80060833 | 001 | VIS TETE HEXAGONALE FE/ZNXC3 | HEXAGON HEAD SCREW FE/ZNXC3 | SECHSKANTSCHRAUBE FE/ZNXC3 | VITE TESTA ESAGONALE FE/ZNXC3 | * 1 |
| 040 | 83050015 | 001 | BOUTON | PLASTIC KNOB | KNOPF | TASTO | * 1 |
| 041 | A5317650 | 002 | TOLE | SHEET | BLECH | TELA | * 1 |
| 042 | 80280650 | 004 | RONDELLE CONIQUE BLOC.FLZNNC | CONICAL SPRING WASHER FLZNNC | SPANNSCHEIBE FLZNNC | RONDELLA CONICA FLZNNC | * 1 |
| 043 | 80060625 | 004 | VIS TETE HEXAGONALE FE/ZNXC3 | HEX BOLT FE/ZNXC3 | SECHSKANTSCHRAUBE FE/ZNXC3 | VITE TESTA ESAGONALE FE/ZNXC3 | * 1 |
| 044 | A5317730 | 001 | CAPUCHON | CAP | KAPPE | CAPPUCCIO | * 1 |
| 045 | 80060616 | 002 | VIS TETE HEXAGONALE FE/ZNXC3 | HEXAGON HEAD SCREW FE/ZNXC3 | SECHSKANTSCHRAUBE FE/ZNXC3 | VITE TESTA ESAGONALE FE/ZNXC3 | * 1 |





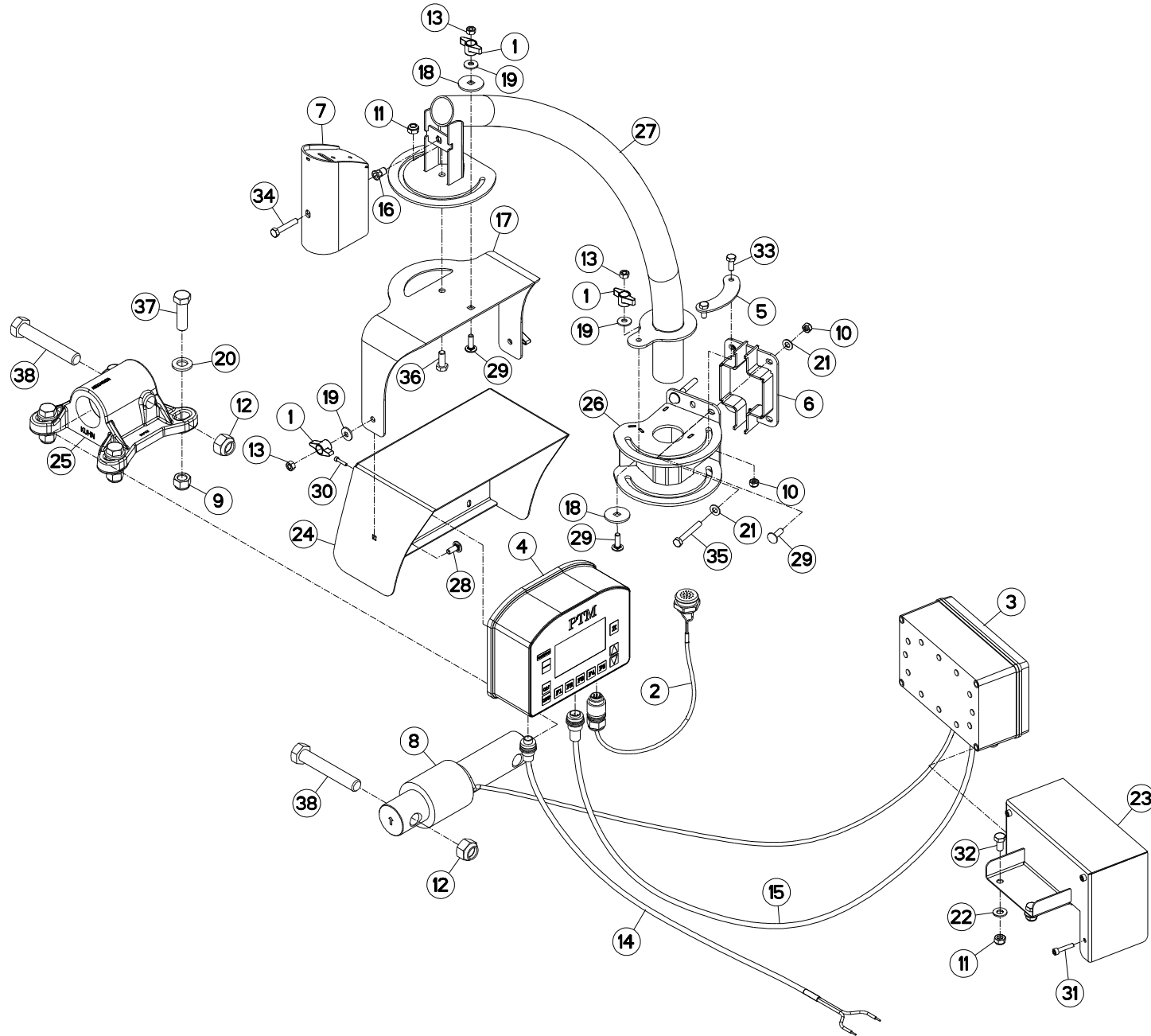
PESÉE PTM

PTM WEIGHING SYSTEM

WIEGEEINRICHTUNG PTM

SISTEMA DI PESATURA PTM

| Rep | Nr | Qt | Designation | Description | Bezeichnung | Referenza | Remarque - Remark - Bemerkung - Osservazioni |
|-----|----------|-----|--------------------------------|----------------------------------|--------------------------------|-------------------------------|--|
| | | | * Ancien modèle | | | | |
| | | | *1 Nouveau modèle | | | | |
| | | | * Old model | | | | |
| | | | *1 New model | | | | |
| | | | * Altes modell | | | | |
| | | | *1 Neves modell | | | | |
| | | | * Vecchio modello | | | | |
| | | | *1 Nuovo modello | | | | |
| 009 | 80061657 | 008 | VIS TETE HEXAGONALE FE/ZNXC3 | HEXAGON HEAD SCREW FE/ZNXC3 | SECHSKANTSCHRAUBE FE/ZNXC3 | VITE TESTA ESAGONALE FE/ZNXC3 | |
| 010 | 80201630 | 012 | ECROU HEX.AUTOFREINE FE/ZNXC3 | SELF-LOCKING NUT FE/ZNXC3 | SELBSTSICH.MUTTER FE/ZNXC3 | DADO AUTOBLOCCANTE FE/ZNXC3 | |
| 011 | A5317660 | 001 | SUPPORT | SUPPORT | TRAEGER | SUPPORTO | |
| 012 | A7040250 | 001 | PESEE PROG. KDW340 | PROGRAM. BOX | KDW340 WIEGEEINRICHT. | SCATOLA | |
| 013 | 80060616 | 003 | VIS TETE HEXAGONALE FE/ZNXC3 | HEXAGON HEAD SCREW FE/ZNXC3 | SECHSKANTSCHRAUBE FE/ZNXC3 | VITE TESTA ESAGONALE FE/ZNXC3 | |
| 014 | A7040361 | 001 | BOITIER | HOUSING | GEHAEUSE | SCATOLA | |
| 015 | A5310859 | 001 | SUPPORT PRESSE-ETOUPE PG21 | SUPPORT PRESSE-ETOUPE PG21 | HALTER | SUPPORTO | |
| 016 | A7251202 | 001 | RACCORD DROIT D28,5 PG21 | ADAPTOR | ANSCHLUSS | RACCORDO | |
| 017 | A7251203 | 001 | GAINÉ SPIRE NOIRE SOUPLE FENDU | PIPE | LEITUNG | | |
| 018 | 80060853 | 001 | VIS TETE HEXAGONALE FE/ZNXC3 | HEX BOLT M8X60 CL 5.8 DIN931 R | SECHSKANTSCHRAUBE FE/ZNXC3 | VITE TESTA ESAGONALE FE/ZNXC3 | |
| 019 | 80200870 | 001 | ECROU HEXAGONAL FE/ZNXC3 | NUT FE/ZNXC3 | SECHSKANTMUTTER FE/ZNXC3 | DADO FE/ZNXC3 | |
| 020 | 80060521 | 004 | VIS TETE HEXAGONALE FE/ZNXC3 | HEXAGON HEAD SCREW FE/ZNXC3 | SECHSKANTSCHRAUBE FE/ZNXC3 | VITE TESTA ESAGONALE FE/ZNXC3 | |
| 021 | 80250512 | 004 | RONDELLE PLATE FE/ZNXC3 | PLAIN WASHER M5 DIN-125 | SCHEIBE FE/ZNXC3 | RONDELLA PIATTA FE/ZNXC3 | |
| 022 | 80200540 | 004 | ECROU HEX.BAS AUTOFR.FE/ZNXC3 | SELF-LOCKING NUT FE/ZNXC3 | SELBSTSICHERND.MUTTER FE/ZNXC3 | DADO AUTOBLOCCANTE FE/ZNXC3 | |
| 023 | A7040171 | 001 | FAISCEAU | HARNASS | KABELBAUM | FASCIO | |
| 024 | A7252100 | 002 | RONDELLE | WASHER | GUMMISCHEIBE | RONDELLA | |
| 025 | 80200675 | 006 | ECROU INSERT | NUT | EINNIETMUTTER | DADO | |
| 026 | A5317630 | 001 | RONDELLE | WASHER | SCHEIBE | RONDELLA | |
| 027 | A5334910 | 001 | TUBE | TUBE | ROHR | TUBO | |
| 028 | A5326560 | 001 | FIXATION | MOUNT | VERBINDUNGSSTUECK | ATTACCO GANCIO | |
| 029 | A8359108 | 001 | INSERT HEX M8 A COLLERETTE | INSERT NUT HEX M8 | EINSETZMUTTER HEX M8 | MANICOTTO HEX M8 | |
| 030 | 80060833 | 001 | VIS TETE HEXAGONALE FE/ZNXC3 | HEXAGON HEAD SCREW FE/ZNXC3 | SECHSKANTSCHRAUBE FE/ZNXC3 | VITE TESTA ESAGONALE FE/ZNXC3 | |
| 031 | 83050015 | 001 | BOUTON | PLASTIC KNOB | KNOPF | TASTO | |
| 032 | A5317650 | 002 | TOLE | SHEET | BLECH | TELA | |
| 033 | 80280650 | 004 | RONDELLE CONIQUE BLOC.FLZNNC | CONICAL SPRING WASHER FLZNNC | SPANNSCHEIBE FLZNNC | RONDELLA CONICA FLZNNC | |
| 034 | 80060625 | 004 | VIS TETE HEXAGONALE FE/ZNXC3 | HEX BOLT FE/ZNXC3 | SECHSKANTSCHRAUBE FE/ZNXC3 | VITE TESTA ESAGONALE FE/ZNXC3 | |
| 035 | A5317730 | 001 | CAPUCHON | CAP | KAPPE | CAPPUCCIO | |
| 036 | 80250611 | 002 | RONDELLE PLATE FE/ZNXC3 | PLAIN WASHER M6 DIN 125 FE/ZNXC3 | SCHEIBE FE/ZNXC3 | RONDELLA PIATTA FE/ZNXC3 | |





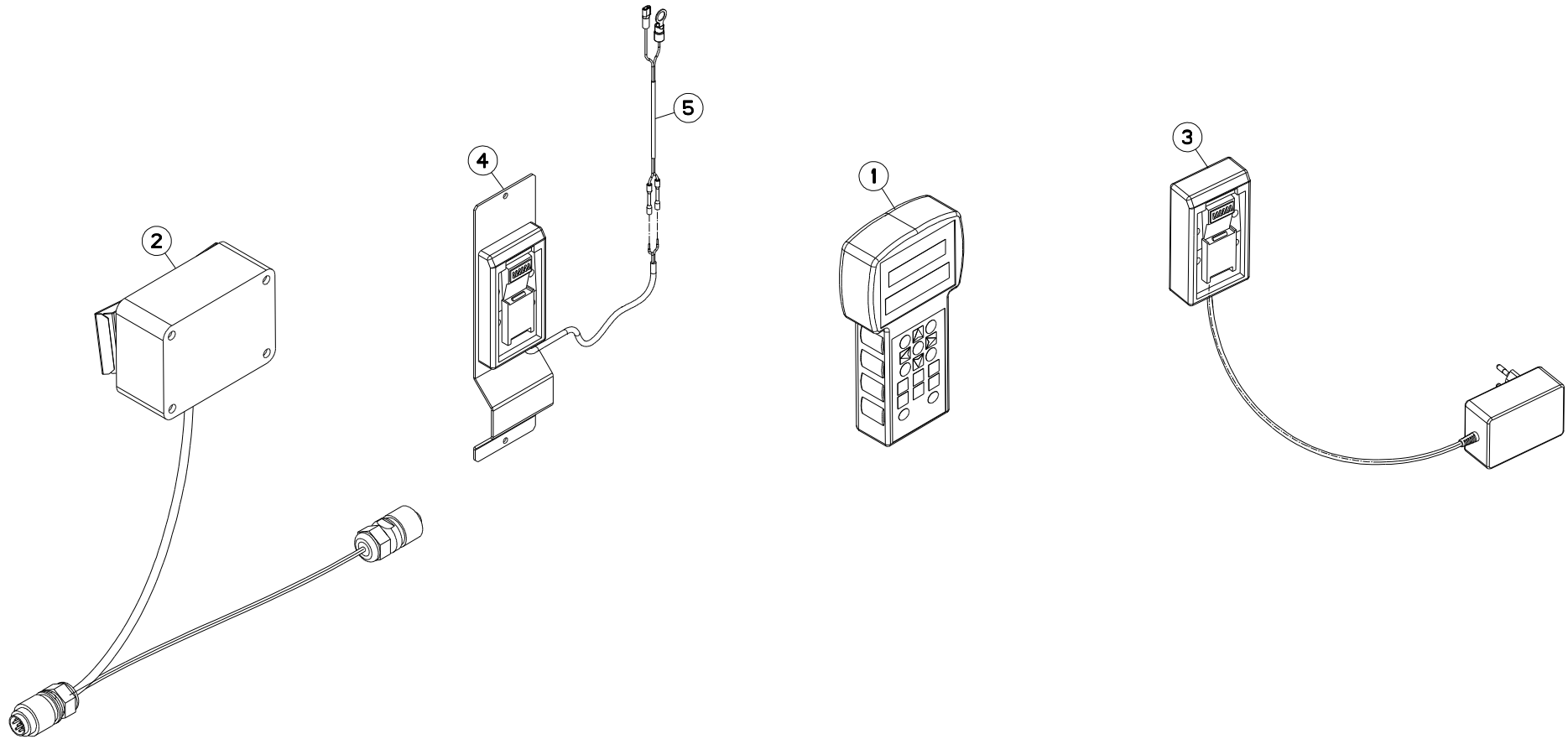
PESÉE PTM

PTM WEIGHING SYSTEM

WIEGEEINRICHTUNG PTM

SISTEMA DI PESATURA PTM

| Rep | Nr | Qt | Designation | Description | Bezeichnung | Referenza | Remarque - Remark - Bemerkung - Osservazioni |
|-----|----------|-----|--------------------------------|--------------------------------|--------------------------------|---------------------------------|--|
| 001 | 83050015 | 004 | BOUTON | PLASTIC KNOB | KNOPF | TASTO | |
| 002 | A7041386 | 001 | FAISCEAU ELECTRIQUE BUZZER DE | CABLE | KABEL | FASCIO DE CONDUTTORI | |
| 003 | A7040246 | 001 | BOITIER | HOUSING | GEHAEUSE | SCATOLA | |
| 004 | A7040298 | 001 | BOITIER PROG "GRAPHIC PLUS"PTM | BOX "GRAPHIC PLUS" | WIEGEEINRICHTUNG GRAPHIC PLUS | SCATOLA | |
| 005 | A5338610 | 001 | BUTEE | STOP | ANSCHLAG | LIMITATORE | |
| 006 | A5338920 | 001 | CALE | SHIM | DISTANZPLATTE | SPESSORE | : EUROMIX I 870/1070/1270 |
| 007 | A5338570 | 001 | CAPOT | HOOD | HAUBE | COFANO | |
| 008 | A7040237 | 000 | CAPTEUR | SENSOR | SENSOR | SENSORE | Q? |
| 009 | 80201630 | 000 | ECROU HEX.AUTOFREINE FE/ZNXC3 | SELF-LOCKING NUT FE/ZNXC3 | SELBSTSICH.MUTTER FE/ZNXC3 | DADO AUTOBLOCCANTE FE/ZNXC3 | Q? |
| 010 | 80200840 | 000 | ECROU HEX.BAS AUTOFR.FE/ZNXC3 | SELF-LOCKING NUT FE/ZNXC3 | SELBSTSICHERND.MUTTER FE/ZNXC3 | DADO AUTOBLOCCANTE FE/ZNXC3 | |
| 011 | 80201040 | 003 | ECROU HEX.BAS AUTOFR.FE/ZNXC3 | SELF LOCKING NUT M10 DIN 985 | SELBSTSICHERND.MUTTER FE/ZNXC3 | DADO AUTOBLOCCANTE FE/ZNXC3 | |
| 012 | 80202047 | 000 | ECROU HEXAG.AUTOFREINE FLZNNC | SELF-LOCKING NUT FLZNNC | SELBSTSICHERNDE MUTTER FLZNNC | DADO AUTOBLOCCANTE FLZNNC | Q? |
| 013 | 80200870 | 004 | ECROU HEXAGONAL FE/ZNXC3 | NUT FE/ZNXC3 | SECHSKANTMUTTER FE/ZNXC3 | DADO FE/ZNXC3 | |
| 014 | A7040279 | 001 | CABLE ALIMENTATION PTM | CABLE | KABEL | CAVO | |
| 015 | A7040280 | 001 | CABLE DE JONCTION PTM | CABLE | KABEL | CAVO | |
| 016 | A8359108 | 001 | INSERT HEX M8 A COLLERETTE | INSERT NUT HEX M8 | EINSETZMUTTER HEX M8 | MANICOTTO HEX M8 | |
| 017 | A5338550 | 001 | PIVOT | PIVOT | GELENKBOLZEN | PERNO | |
| 018 | A5338580 | 002 | RONDELLE | WASHER | SCHEIBE | RONDELLA PIATTA | |
| 019 | 80280850 | 004 | RONDELLE CONIQUE BLOC.FLZNNC | CONICAL SPRING WASHER FLZNNC | SPANNSCHEIBE FLZNNC | RONDELLA CONICA FLZNNC | |
| 020 | 80281600 | 000 | RONDELLE CONIQUE BLOC.FLZNNC | CONICAL SPRING WASHER FLZNNC | CONICAL SPRING WASHER FLZNNC | RONDELLA CONICA FLZNNC | Q? |
| 021 | 80250823 | 006 | RONDELLE PLATE FE/ZNXC3 | PLAIN WASHER FE/ZNXC3 | SCHEIBE FE/ZNXC3 | RONDELLA PIATTA FE/ZNXC3 | |
| 022 | 80251021 | 002 | RONDELLE PLATE FE/ZNXC3 | PLAIN WASHER M10 | SCHEIBE FE/ZNXC3 | RONDELLA PIATTA FE/ZNXC3 | |
| 023 | A5305470 | 001 | SUPPORT DE BOITIER DE JONCTION | SUPPORT | TRAEGER | SUPPORTO | |
| 024 | A5317661 | 001 | SUPPORT | SUPPORT | TRAEGER | SUPPORTO | |
| 025 | A5334100 | 000 | SUPPORT | SUPPORT | TRAEGER | SUPPORTO | Q? |
| 026 | A5338540 | 001 | SUPPORT DE BRAS | SUPPORT, ARM | ARMHALTERUNG | SUPPORTO BRACCIO | |
| 027 | A5338530 | 001 | TUBE | TUBE | ROHR | TUBO | |
| 028 | 50070300 | 002 | VIS TBCC COURT | BOLT, CARRIAGE, SHORT NECK | FLACHRUNDSCHR.4KT ANSATZ | BULLONE | |
| 029 | 50072200 | 005 | VIS TBCC COURT | BOLT, CARRIAGE, SHORT NECK | FLACHRUNDSCHR.4KT ANSATZ | BULLONE | |
| 030 | 80080420 | 004 | VIS TETE CYL.SIX P.CR.FE/ZNXC3 | HEX.SOCK.HEAD CAP SCR.FE/ZNXC3 | ZYLINDERSCHR.INNENSEC.FE/ZNXC3 | VITE A TESTA CILINDR. FE/ZNXC3 | |
| 031 | 80080630 | 004 | VIS TETE CYL.SIX P.CR.FE/ZNXC3 | HEX.SOCK.HEAD CAP SCR.FE/ZNXC3 | ZYLINDERSCHR.INNENSEC.FE/ZNXC3 | VITE A TESTA CILINDR. FE/ZNXC3 | |
| 032 | 80061020 | 002 | VIS TETE HEXAGONALE FE/ZNXC3 | HEX. HEAD SCREW M10 X 20 MM CL | SECHSKANTSCHRAUBE FE/ZNXC3 | VITE A TESTA ESAGONALE FE/ZNXC3 | |
| 033 | 80060820 | 002 | VIS TETE HEXAGONALE FE/ZNXC3 | HEXAGON HEAD SCREW FE/ZNXC3 | SECHSKANTSCHRAUBE FE/ZNXC3 | VITE TESTA ESAGONALE FE/ZNXC3 | |
| 034 | 80060845 | 001 | VIS TETE HEXAGONALE FE/ZNXC3 | HEXAGON HEAD SCREW FE/ZNXC3 | SECHSKANTSCHRAUBE FE/ZNXC3 | VITE TESTA ESAGONALE FE/ZNXC3 | |
| 035 | 80060853 | 003 | VIS TETE HEXAGONALE FE/ZNXC3 | HEX BOLT M8X60 CL 5.8 DIN931 R | SECHSKANTSCHRAUBE FE/ZNXC3 | VITE TESTA ESAGONALE FE/ZNXC3 | |
| 036 | 80061026 | 001 | VIS TETE HEXAGONALE FE/ZNXC3 | HEXAGON HEAD SCREW FE/ZNXC3 | SECHSKANTSCHRAUBE FE/ZNXC3 | VITE TESTA ESAGONALE FE/ZNXC3 | |
| 037 | 80061647 | 000 | VIS TETE HEXAGONALE FE/ZNXC3 | HEXAGON HEAD SCREW FE/ZNXC3 | SECHSKANTSCHRAUBE FE/ZNXC3 | VITE TESTA ESAGONALE FE/ZNXC3 | Q? |
| 038 | 80062082 | 000 | VIS TETE HEXAGONALE FE/ZNXC3 | HEX BOLT M20X120MM CL 8.8 R.P | SECHSKANTSCHRAUBE FE/ZNXC3 | VITE TESTA ESAGONALE FE/ZNXC3 | Q? |
| 039 | A8359108 | 001 | INSERT HEX M8 A COLLERETTE | INSERT NUT HEX M8 | EINSETZMUTTER HEX M8 | MANICOTTO HEX M8 | |
| 040 | A5338570 | 001 | CAPOT | HOOD | HAUBE | COFANO | |
| 041 | 80060845 | 001 | VIS TETE HEXAGONALE FE/ZNXC3 | HEXAGON HEAD SCREW FE/ZNXC3 | SECHSKANTSCHRAUBE FE/ZNXC3 | VITE TESTA ESAGONALE FE/ZNXC3 | |
| 042 | A5338540 | 001 | SUPPORT DE BRAS | SUPPORT, ARM | ARMHALTERUNG | SUPPORTO BRACCIO | |
| 043 | A5338600 | 001 | BUTEE | STOP | ANSCHLAG | LIMITATORE | |
| 044 | 80060820 | 002 | VIS TETE HEXAGONALE FE/ZNXC3 | HEXAGON HEAD SCREW FE/ZNXC3 | SECHSKANTSCHRAUBE FE/ZNXC3 | VITE TESTA ESAGONALE FE/ZNXC3 | |
| 045 | 80200840 | 002 | ECROU HEX.BAS AUTOFR.FE/ZNXC3 | SELF-LOCKING NUT FE/ZNXC3 | SELBSTSICHERND.MUTTER FE/ZNXC3 | DADO AUTOBLOCCANTE FE/ZNXC3 | |





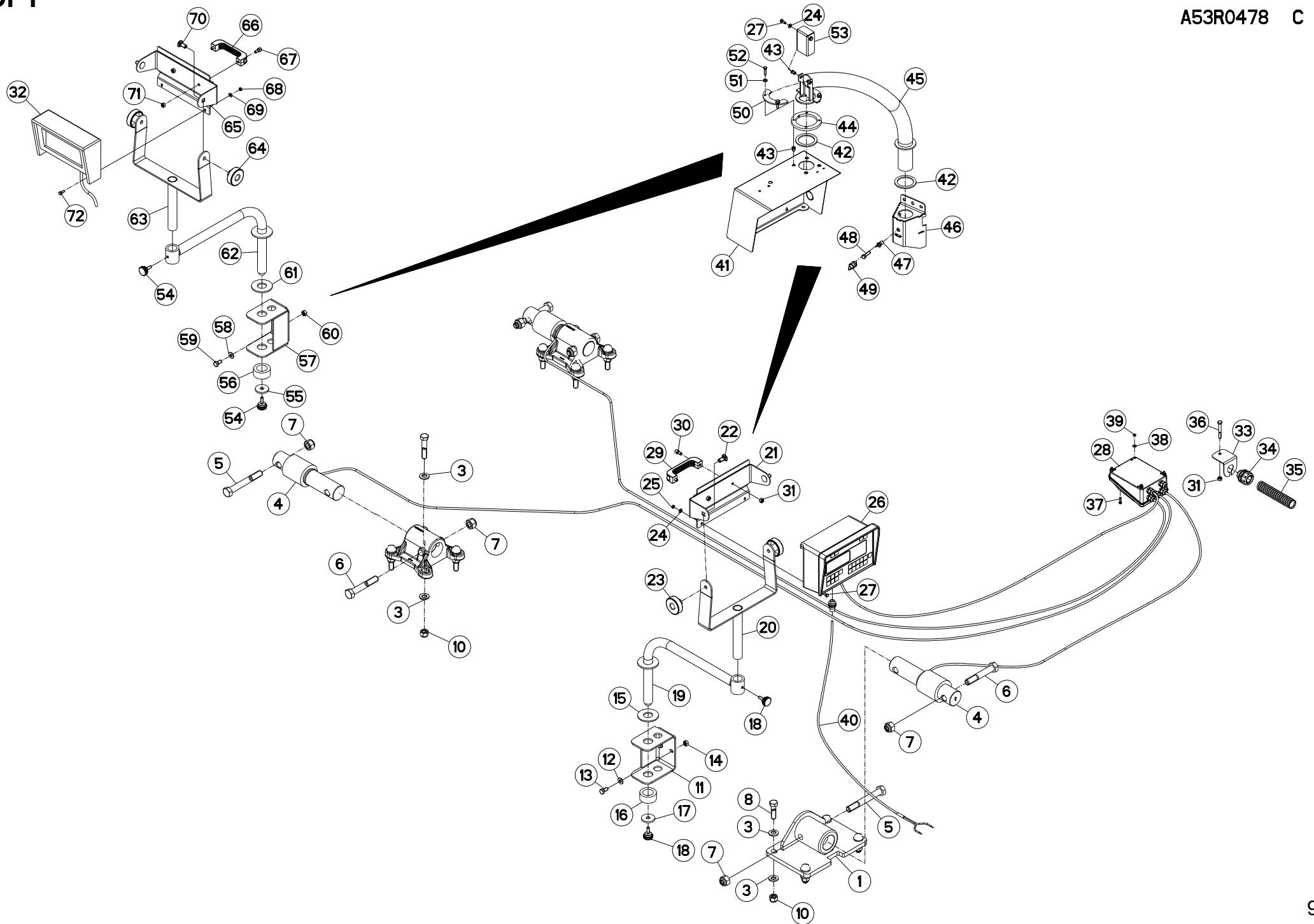
EQUIPEMENT PESÉE PTM

EQUIPMENT PTM WEIGHING SYSTEM

AUSRÜSTUNG WIEGEEINRICHTUNG PT

EQUIPAGGIAMENTO SISTEMA DI PE

| Rep | Nr | Qt | Designation | Description | Bezeichnung | Referenza | Remarque - Remark - Bemerkung - Osservazioni |
|-----|----------|-----|--------------------------------|--------------------------------|--------------------------------|-------------------------------|--|
| 001 | A7040363 | 001 | AFFICHEUR PTM AV50 | | | | |
| 002 | A7040364 | 001 | MODULE EMETTEUR-RECEPTEUR RF | | | | |
| 003 | A7040365 | 001 | CHARGEUR DE BATTERIE DE TABLE | | | | |
| 004 | A7040366 | 001 | CHARGEUR BATTERIE : TRACTEUR | | | | |
| 005 | A7042266 | 001 | FAISCEAU | HARNES | KABELBAUM | FASCIO | |
| 006 | 80062082 | 003 | VIS TETE HEXAGONALE FE/ZNXC3 | HEX BOLT M20X120MM CL 8.8 R.P | SECHSKANTSCHRAUBE FE/ZNXC3 | VITE TESTA ESAGONALE FE/ZNXC3 | |
| 007 | 80202030 | 006 | ECROU HEX.AUTOFREINE FE/ZNXC3 | SELF-LOCKING NUT M 20 DIN 982 | SELBSTSICH.MUTTER FE/ZNXC3 | DADO AUTOBLOCCANTE FE/ZNXC3 | |
| 008 | 80061647 | 004 | VIS TETE HEXAGONALE FE/ZNXC3 | HEXAGON HEAD SCREW FE/ZNXC3 | SECHSKANTSCHRAUBE FE/ZNXC3 | VITE TESTA ESAGONALE FE/ZNXC3 | |
| 009 | 80061657 | 008 | VIS TETE HEXAGONALE FE/ZNXC3 | HEXAGON HEAD SCREW FE/ZNXC3 | SECHSKANTSCHRAUBE FE/ZNXC3 | VITE TESTA ESAGONALE FE/ZNXC3 | |
| 010 | 80201630 | 012 | ECROU HEX.AUTOFREINE FE/ZNXC3 | SELF-LOCKING NUT FE/ZNXC3 | SELBSTSICH.MUTTER FE/ZNXC3 | DADO AUTOBLOCCANTE FE/ZNXC3 | |
| 011 | A7040389 | 001 | BOITIER | HOUSING | GEHAEUSE | SCATOLA | |
| 012 | A7040361 | 001 | BOITIER | HOUSING | GEHAEUSE | SCATOLA | |
| 013 | A5310859 | 001 | SUPPORT PRESSE-ETOUPPE PG21 | HOLDER | HALTER | SUPPORTO | |
| 014 | A7251202 | 001 | RACCORD DROIT D28,5 PG21 | ADAPTOR | ANSCHLUSS | RACCORDO | |
| 015 | A7251203 | 001 | GAINÉ SPIRE NOIRE SOUPLE FENDU | PIPE | LEITUNG | | |
| 016 | 80060853 | 001 | VIS TETE HEXAGONALE FE/ZNXC3 | HEX BOLT M8X60 CL 5.8 DIN931 R | SECHSKANTSCHRAUBE FE/ZNXC3 | VITE TESTA ESAGONALE FE/ZNXC3 | |
| 017 | 80200870 | 005 | ECROU HEXAGONAL FE/ZNXC3 | NUT FE/ZNXC3 | SECHSKANTMUTTER FE/ZNXC3 | DADO FE/ZNXC3 | |
| 018 | 80060521 | 004 | VIS TETE HEXAGONALE FE/ZNXC3 | HEXAGON HEAD SCREW FE/ZNXC3 | SECHSKANTSCHRAUBE FE/ZNXC3 | VITE TESTA ESAGONALE FE/ZNXC3 | |
| 019 | 80250512 | 004 | RONDELLE PLATE FE/ZNXC3 | PLAIN WASHER M5 DIN-125 | SCHEIBE FE/ZNXC3 | RONDELLA PIATTA FE/ZNXC3 | |
| 020 | 80200540 | 004 | ECROU HEX.BAS AUTOFR.FE/ZNXC3 | SELF-LOCKING NUT FE/ZNXC3 | SELBSTSICHERND.MUTTER FE/ZNXC3 | DADO AUTOBLOCCANTE FE/ZNXC3 | |
| 021 | A7040171 | 001 | FAISCEAU | HARNES | KABELBAUM | FASCIO | |
| 022 | A7040337 | 001 | DDL (DATA DOWNLOADER) | | | | |
| 023 | A7040338 | 001 | CONVERTISSEUR USB | | | | |
| 024 | A5330940 | 001 | SUPPORT | SUPPORT | TRAEGER | SUPPORTO | |
| 025 | 80370419 | 002 | RIVET AVEUGLE TL | RIVET | NIETE | RIVETTO | |
| 026 | A5317661 | 001 | SUPPORT | SUPPORT | TRAEGER | SUPPORTO | |
| 027 | 80060620 | 002 | VIS TETE HEXAGONALE FE/ZNXC3 | HEX BOLT FE/ZNXC3 | SECHSKANTSCHRAUBE FE/ZNXC3 | VITE TESTA ESAGONALE FE/ZNXC3 | |
| 028 | 80250611 | 002 | RONDELLE PLATE FE/ZNXC3 | PLAIN WASHER M6 DIN 125 FE/ZNX | SCHEIBE FE/ZNXC3 | RONDELLA PIATTA FE/ZNXC3 | |
| 029 | 80200600 | 002 | ECROU HEXAGONAL FE/ZNXC3 | NUT FE/ZNXC3 | SECHSKANTMUTTER FE/ZNXC3 | DADO FE/ZNXC3 | |
| 030 | A5338550 | 001 | PIVOT | PIVOT | GELENKBOLZEN | PERNO | |
| 031 | 50070300 | 002 | VIS TBCC COURT | BOLT, CARRIAGE, SHORT NECK | FLACHRUNDSCHR.4KT ANSATZ | BULLONE | |
| 032 | 80280850 | 004 | RONDELLE CONIQUE BLOC.FLZNNC | CONICAL SPRING WASHER FLZNNC | SPANNSCHEIBE FLZNNC | RONDELLA CONICA FLZNNC | |
| 033 | 83050015 | 004 | BOUTON | PLASTIC KNOB | KNOFF | TASTO | |
| 034 | 80061026 | 001 | VIS TETE HEXAGONALE FE/ZNXC3 | HEXAGON HEAD SCREW FE/ZNXC3 | SECHSKANTSCHRAUBE FE/ZNXC3 | VITE TESTA ESAGONALE FE/ZNXC3 | |
| 035 | 50072200 | 002 | VIS TBCC COURT | BOLT, CARRIAGE, SHORT NECK | FLACHRUNDSCHR.4KT ANSATZ | BULLONE | |
| 036 | A5338530 | 001 | TUBE | TUBE | ROHR | TUBO | |
| 037 | 80201040 | 001 | ECROU HEX.BAS AUTOFR.FE/ZNXC3 | SELF LOCKING NUT M10 DIN 985 | SELBSTSICHERND.MUTTER FE/ZNXC3 | DADO AUTOBLOCCANTE FE/ZNXC3 | |
| 038 | A5338580 | 002 | RONDELLE | WASHER | SCHEIBE | RONDELLA PIATTA | |
| 039 | A8359108 | 001 | INSERT HEX M8 A COLLERETTE | INSERT NUT HEX M8 | EINSETZMUTTER HEX M8 | MANICOTTO HEX M8 | |
| 040 | A5338570 | 001 | CAPOT | HOOD | HAUBE | COFANO | |
| 041 | 80060845 | 001 | VIS TETE HEXAGONALE FE/ZNXC3 | HEXAGON HEAD SCREW FE/ZNXC3 | SECHSKANTSCHRAUBE FE/ZNXC3 | VITE TESTA ESAGONALE FE/ZNXC3 | |
| 042 | A5338540 | 001 | SUPPORT DE BRAS | SUPPORT, ARM | ARMHALTERUNG | SUPPORTO BRACCIO | |
| 043 | A5338600 | 001 | BUTEE | STOP | ANSCHLAG | LIMITATORE | |
| 044 | 80060820 | 002 | VIS TETE HEXAGONALE FE/ZNXC3 | HEXAGON HEAD SCREW FE/ZNXC3 | SECHSKANTSCHRAUBE FE/ZNXC3 | VITE TESTA ESAGONALE FE/ZNXC3 | |
| 045 | 80200840 | 002 | ECROU HEX.BAS AUTOFR.FE/ZNXC3 | SELF-LOCKING NUT FE/ZNXC3 | SELBSTSICHERND.MUTTER FE/ZNXC3 | DADO AUTOBLOCCANTE FE/ZNXC3 | |





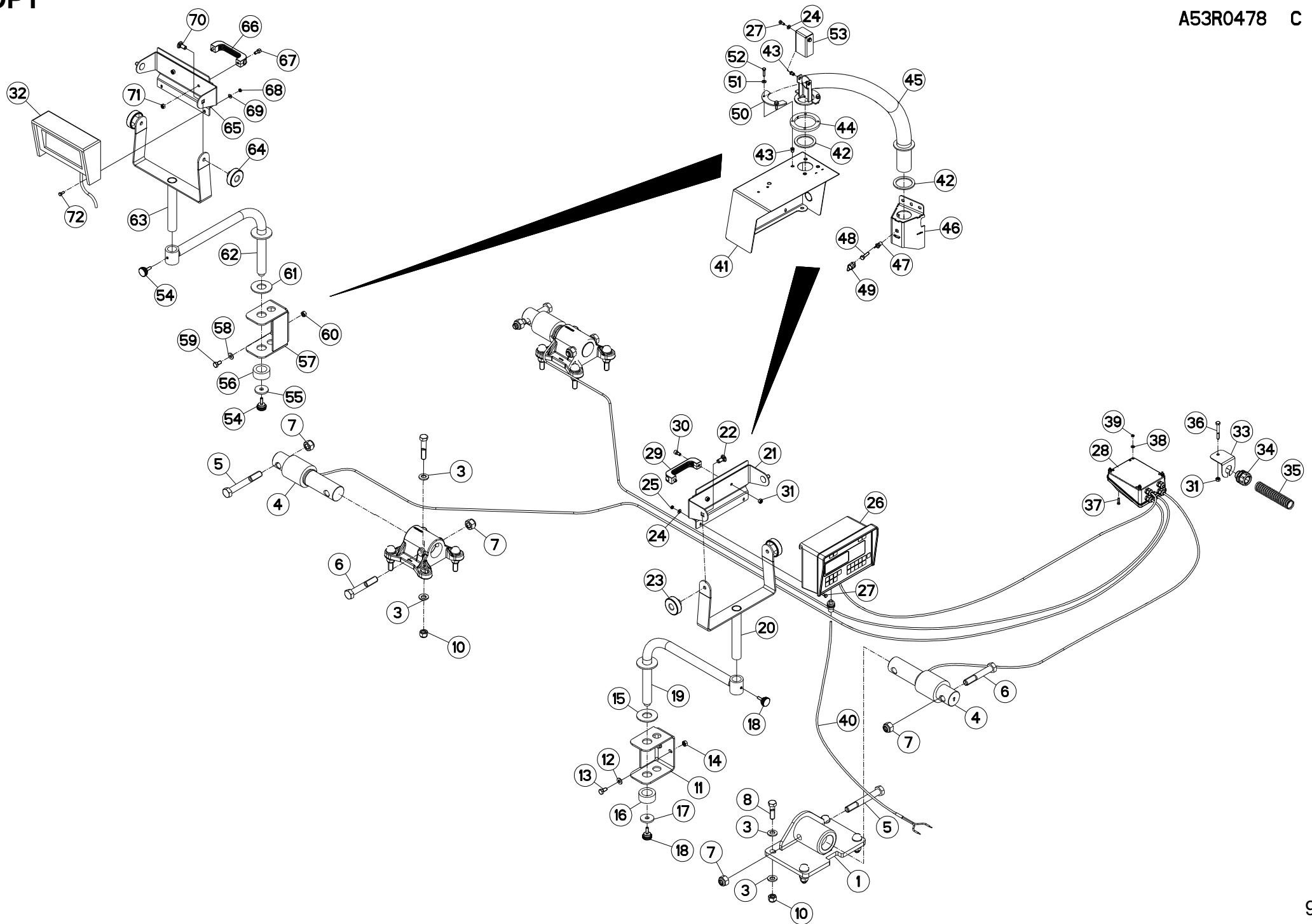
PESÉE DJ-STAR

WEIGHING BOX DJ-STAR

WIEGEEINRICHTUNG DJ-STAR

SCATOLA DI PESATURA DJ-STAR

| Rep | Nr | Qt | Designation | Description | Bezeichnung | Referenza | Remarque - Remark - Bemerkung - Osservazioni |
|-----|----------|-----|--------------------------------|--------------------------------|--------------------------------|---------------------------------|--|
| 001 | A5313500 | 001 | SUPPORT | SUPPORT | TRAEGER | SUPPORTO | |
| 002 | A5334100 | 002 | SUPPORT | SUPPORT | TRAEGER | SUPPORTO | |
| 003 | 80281600 | 024 | RONDELLE CONIQUE BLOC.FLZNNC | CONICAL SPRING WASHER FLZNNC | SPANNSCHEIBE FLZNNC | RONDELLA CONICA FLZNNC | |
| 004 | A7040237 | 003 | CAPTEUR | SENSOR | SENSOR | SENSORE | |
| 005 | 80062092 | 003 | VIS TETE HEXAGONALE FE/ZNXC3 | HEXAGON HEAD SCREW FE/ZNXC3 | SECHSKANTSCHRAUBE FE/ZNXC3 | VITE TESTA ESAGONALE FE/ZNXC3 | |
| 006 | 80062082 | 003 | VIS TETE HEXAGONALE FE/ZNXC3 | HEX BOLT M20X120MM CL 8.8 R.P | SECHSKANTSCHRAUBE FE/ZNXC3 | VITE TESTA ESAGONALE FE/ZNXC3 | |
| 007 | 80202030 | 006 | ECROU HEX.AUTOFREINE FE/ZNXC3 | SELF-LOCKING NUT M 20 DIN 982 | SELBSTSICH.MUTTER FE/ZNXC3 | DADO AUTOBLOCCANTE FE/ZNXC3 | |
| 008 | 80061647 | 004 | VIS TETE HEXAGONALE FE/ZNXC3 | HEXAGON HEAD SCREW FE/ZNXC3 | SECHSKANTSCHRAUBE FE/ZNXC3 | VITE TESTA ESAGONALE FE/ZNXC3 | |
| 009 | 80061657 | 008 | VIS TETE HEXAGONALE FE/ZNXC3 | HEXAGON HEAD SCREW FE/ZNXC3 | SECHSKANTSCHRAUBE FE/ZNXC3 | VITE TESTA ESAGONALE FE/ZNXC3 | |
| 010 | 80201630 | 012 | ECROU HEX.AUTOFREINE FE/ZNXC3 | SELF-LOCKING NUT FE/ZNXC3 | SELBSTSICH.MUTTER FE/ZNXC3 | DADO AUTOBLOCCANTE FE/ZNXC3 | |
| 011 | A5310356 | 002 | SUPPORT | SUPPORT | TRAEGER | SUPPORTO | * |
| 012 | 80251021 | 004 | RONDELLE PLATE FE/ZNXC3 | PLAIN WASHER M10 | SCHEIBE FE/ZNXC3 | RONDELLA PIATTA FE/ZNXC3 | * |
| 013 | 80061020 | 004 | VIS TETE HEXAGONALE FE/ZNXC3 | HEX. HEAD SCREW M10 X 20 MM CL | SECHSKANTSCHRAUBE FE/ZNXC3 | VITE A TESTA ESAGONALE FE/ZNXC3 | * |
| 014 | 80201070 | 004 | ECROU HEXAGONAL FE/ZNXC3 | NUT FE/ZNXC3 | SECHSKANTMUTTER FE/ZNXC3 | DADO FE/ZNXC3 | * |
| 015 | A7250142 | 002 | RONDELLE CAOUTCHOUC D70X31 | WASHER | GUMMISCHEIBE | RONDELLA | * |
| 016 | A5310362 | 002 | TUBE DE BLOCAGE | TUBE | PROFILROHR | TUBO | * |
| 017 | A5220294 | 002 | RONDELLE 45X13X5 ZN BC | WASHER | SCHEIBE | RONDELLA | * |
| 018 | A7250304 | 004 | BOUTON MOLETE M8(CDE PAILLEUSE | KNOB | KNEBELGRIFF | TASTO | * |
| 019 | A5350450 | 002 | TUBE ARTIC.PESEEE ES | TUBE | PROFILROHR | TUBO | * |
| 020 | A5350438 | 002 | FIXATION SUPPORT PESEEE ES. | HOLDER ATTACHMENT | BEFESTIGUNG | SUPPORTO | * |
| 021 | A5310850 | 002 | SUPPORT | SUPPORT | TRAEGER | SUPPORTO | * |
| 022 | 50070800 | 004 | VIS TBCC COURT | BOLT, CARRIAGE, SHORT NECK | FLACHRUNDSCHR.4KT ANSATZ | BULLONE | * |
| 023 | A7250303 | 004 | BOUTON A RELIEF PRISMATIQUE TB | KNOB | KNEBELGRIFF | BOTTONE | * |
| 024 | 80250611 | 006 | RONDELLE PLATE FE/ZNXC3 | PLAIN WASHER M6 DIN 125 FE/ZNX | SCHEIBE FE/ZNXC3 | RONDELLA PIATTA FE/ZNXC3 | * |
| 025 | 80200600 | 004 | ECROU HEXAGONAL FE/ZNXC3 | NUT FE/ZNXC3 | SECHSKANTMUTTER FE/ZNXC3 | DADO FE/ZNXC3 | * |
| 026 | A7040250 | 001 | PESEEE PROG. KDW340 | PROGRAM. BOX | KDW340 WIEGEEINRICHT. | SCATOLA | |
| 027 | 80060616 | 006 | VIS TETE HEXAGONALE FE/ZNXC3 | HEXAGON HEAD SCREW FE/ZNXC3 | SECHSKANTSCHRAUBE FE/ZNXC3 | VITE TESTA ESAGONALE FE/ZNXC3 | * |
| 028 | A7040361 | 001 | BOITIER | HOUSING | GEHAEUSE | SCATOLA | |
| 029 | A7250406 | 002 | POIGNEE | HANDLE | HANDGRIFF | MANIGLIA | * |
| 030 | 80080816 | 004 | VIS TETE CYL.SIX P.CR.FE/ZNXC3 | HEX.SOCK.HEAD CAP SCR.FE/ZNXC3 | ZYLINDERSCHR.INNENSEC.FE/ZNXC3 | VITE A TESTA CILINDR. FE/ZNXC3 | * |
| 031 | 80200870 | 005 | ECROU HEXAGONAL FE/ZNXC3 | NUT FE/ZNXC3 | SECHSKANTMUTTER FE/ZNXC3 | DADO FE/ZNXC3 | * |
| 032 | A7040259 | 001 | RAPPEL AFFICH. DIGISTAR KDF240 | DISPLAY BOX | DIGISTAR KDF240 | SCATOLA | OPT* |
| 033 | A5310859 | 001 | SUPPORT PRESSE-ETOUPE PG21 | HOLDER | HALTER | SUPPORTO | |
| 034 | A7251202 | 001 | RACCORD DROIT D28,5 PG21 | ADAPTOR | ANSCHLUSS | RACCORDO | |
| 035 | A7251203 | 001 | GAINÉ SPIRE NOIRE SOUPLE FENDU | PIPE | LEITUNG | | |
| 036 | 80060853 | 001 | VIS TETE HEXAGONALE FE/ZNXC3 | HEX BOLT M8X60 CL 5.8 DIN931 R | SECHSKANTSCHRAUBE FE/ZNXC3 | VITE TESTA ESAGONALE FE/ZNXC3 | |
| 037 | 80060521 | 004 | VIS TETE HEXAGONALE FE/ZNXC3 | HEXAGON HEAD SCREW FE/ZNXC3 | SECHSKANTSCHRAUBE FE/ZNXC3 | VITE TESTA ESAGONALE FE/ZNXC3 | |
| 038 | 80250512 | 004 | RONDELLE PLATE FE/ZNXC3 | PLAIN WASHER M5 DIN-125 | SCHEIBE FE/ZNXC3 | RONDELLA PIATTA FE/ZNXC3 | |
| 039 | 80200540 | 004 | ECROU HEX.BAS AUTOFR.FE/ZNXC3 | SELF-LOCKING NUT FE/ZNXC3 | SELBSTSICHERND.MUTTER FE/ZNXC3 | DADO AUTOBLOCCANTE FE/ZNXC3 | |
| 040 | A7040171 | 001 | FAISCEAU | HARNES | KABELBAUM | FASCIO | |
| 041 | A5317660 | 001 | SUPPORT | SUPPORT | TRAEGER | SUPPORTO | * 1 |
| 042 | A7252100 | 002 | RONDELLE | WASHER | GUMMISCHEIBE | RONDELLA | * 1 |
| 043 | 80200675 | 006 | ECROU INSERT | NUT | EINNIETMUTTER | DADO | * 1 |
| 044 | A5317630 | 001 | RONDELLE | WASHER | SCHEIBE | RONDELLA | * 1 |
| 045 | A5334910 | 001 | TUBE | TUBE | ROHR | TUBO | * 1 |
| 046 | A5326560 | 001 | FIXATION | MOUNT | VERBINDUNGSTUECK | ATTACCO GANCIO | * 1 |
| 047 | A8359108 | 001 | INSERT HEX M8 A COLLERETTE | INSERT NUT HEX M8 | EINSETZMUTTER HEX M8 | MANICOTTO HEX M8 | * 1 |
| 048 | 80060833 | 001 | VIS TETE HEXAGONALE FE/ZNXC3 | HEXAGON HEAD SCREW FE/ZNXC3 | SECHSKANTSCHRAUBE FE/ZNXC3 | VITE TESTA ESAGONALE FE/ZNXC3 | * 1 |





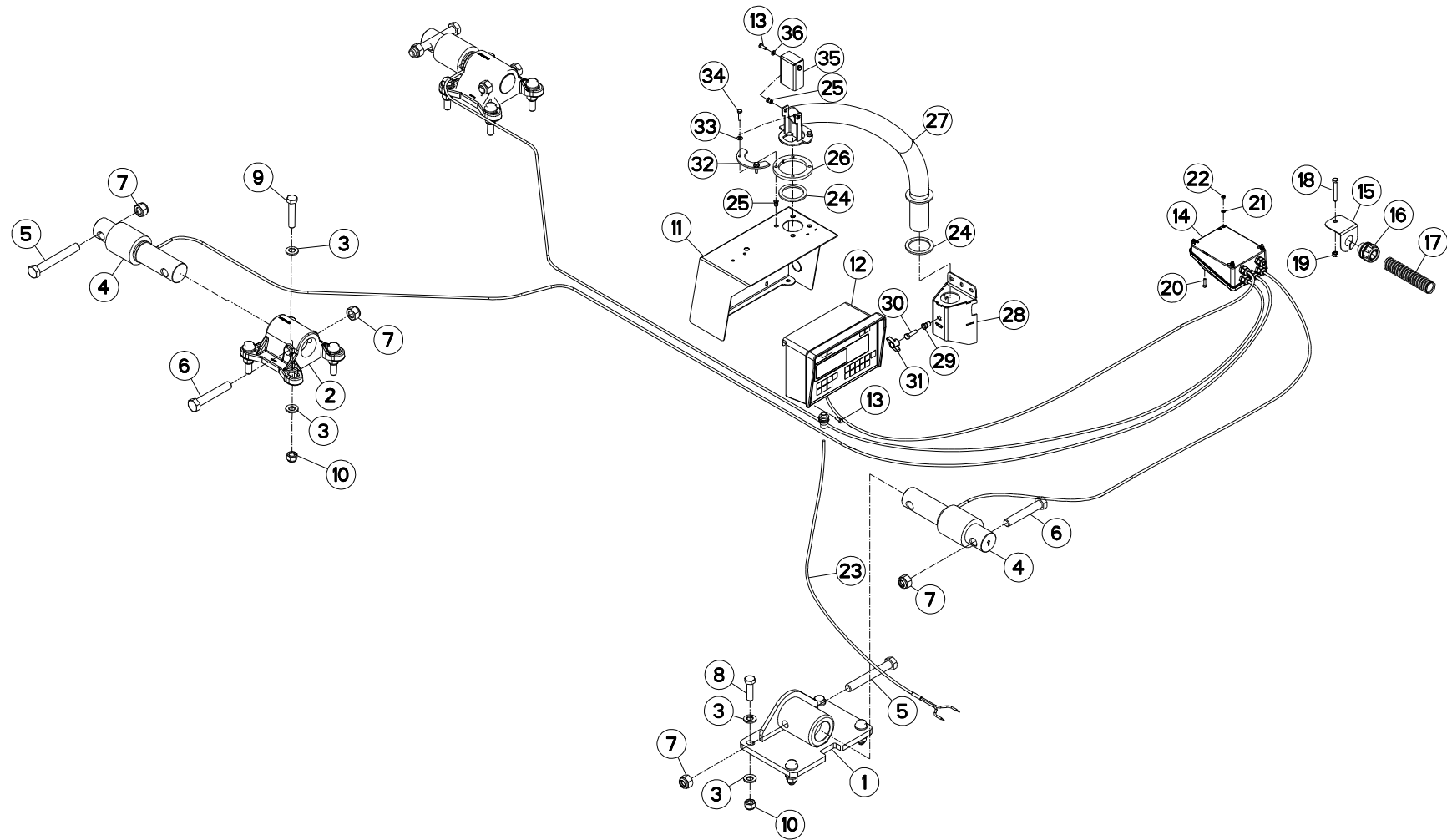
PESÉE DJ-STAR

WEIGHING BOX DJ-STAR

WIEGEEINRICHTUNG DJ-STAR

SCATOLA DI PESATURA DJ-STAR

| Rep | Nr | Qt | Designation | Description | Bezeichnung | Referenza | Remarque - Remark - Bemerkung - Osservazioni |
|-----|----------|-----|--------------------------------|--------------------------------|--------------------------------|--------------------------------|--|
| 049 | 83050015 | 001 | BOUTON | PLASTIC KNOB | KNOPF | TASTO | * 1 |
| 050 | A5317650 | 002 | TOLE | SHEET | BLECH | TELA | * 1 |
| 051 | 80280650 | 004 | RONDELLE CONIQUE BLOC.FLZNNC | CONICAL SPRING WASHER FLZNNC | SPANNSCHEIBE FLZNNC | RONDELLA CONICA FLZNNC | * 1 |
| 052 | 80060625 | 004 | VIS TETE HEXAGONALE FE/ZNXC3 | HEX BOLT FE/ZNXC3 | SECHSKANTSCHRAUBE FE/ZNXC3 | VITE TESTA ESAGONALE FE/ZNXC3 | * 1 |
| 053 | A5317730 | 001 | CAPUCHON | CAP | KAPPE | CAPPUCCIO | * 1 |
| 054 | A7250304 | 002 | BOUTON MOLETE M8(CDE PAILLEUSE | KNOB | KNEBELGRIFF | TASTO | OPT* |
| 055 | A5220294 | 001 | RONDELLE 45X13X5 ZN BC | WASHER | SCHEIBE | RONDELLA | OPT* |
| 056 | A5310362 | 001 | TUBE DE BLOCAGE | TUBE | PROFILROHR | TUBO | OPT* |
| 057 | A5310356 | 001 | SUPPORT | SUPPORT | TRAEGER | SUPPORTO | OPT* |
| 058 | 80251021 | 002 | RONDELLE PLATE FE/ZNXC3 | PLAIN WASHER M10 | SCHIEBE FE/ZNXC3 | RONDELLA PIATTA FE/ZNXC3 | OPT* |
| 059 | 80061020 | 002 | VIS TETE HEXAGONALE FE/ZNXC3 | HEX. HEAD SCREW M10 X 20 MM CL | SECHSKANTSCHRAUBE FE/ZNXC3 | VITE A TESTA ESAGONALE FE/ZNXC | OPT* |
| 060 | 80201070 | 002 | ECROU HEXAGONAL FE/ZNXC3 | NUT FE/ZNXC3 | SECHSKANTMUTTER FE/ZNXC3 | DADO FE/ZNXC3 | OPT* |
| 061 | A7250142 | 001 | RONDELLE CAOUTCHOUC D70X31 | WASHER | GUMMISCHIEBE | RONDELLA | OPT* |
| 062 | A5350450 | 001 | TUBE ARTIC.PESEE ES | TUBE | PROFILROHR | TUBO | OPT* |
| 063 | A5350438 | 001 | FIXATION SUPPORT PESEE ES. | HOLDER ATTACHMENT | BEFESTIGUNG | SUPPORTO | OPT* |
| 064 | A7250303 | 002 | BOUTON A RELIEF PRISMATIQUE TB | KNOB | KNEBELGRIFF | BOTTONE | OPT* |
| 065 | A5310850 | 001 | SUPPORT | SUPPORT | TRAEGER | SUPPORTO | OPT* |
| 066 | A7250406 | 001 | POIGNEE | HANDLE | HANDGRIFF | MANIGLIA | OPT* |
| 067 | 80080816 | 002 | VIS TETE CYL.SIX P.CR.FE/ZNXC3 | HEX.SOCK.HEAD CAP SCR.FE/ZNXC3 | ZYLINDERSCHR.INNENSEC.FE/ZNXC3 | VITE A TESTA CILINDR. FE/ZNXC3 | OPT* |
| 068 | 80200600 | 002 | ECROU HEXAGONAL FE/ZNXC3 | NUT FE/ZNXC3 | SECHSKANTMUTTER FE/ZNXC3 | DADO FE/ZNXC3 | OPT* |
| 069 | 80250611 | 002 | RONDELLE PLATE FE/ZNXC3 | PLAIN WASHER M6 DIN 125 FE/ZNX | SCHIEBE FE/ZNXC3 | RONDELLA PIATTA FE/ZNXC3 | OPT* |
| 070 | 50070800 | 002 | VIS TBCC COURT | BOLT, CARRIAGE, SHORT NECK | FLACHRUNDSCHR.4KT ANSATZ | BULLONE | OPT* |
| 071 | 80200870 | 002 | ECROU HEXAGONAL FE/ZNXC3 | NUT FE/ZNXC3 | SECHSKANTMUTTER FE/ZNXC3 | DADO FE/ZNXC3 | OPT* |
| 072 | 80060616 | 002 | VIS TETE HEXAGONALE FE/ZNXC3 | HEXAGON HEAD SCREW FE/ZNXC3 | SECHSKANTSCHRAUBE FE/ZNXC3 | VITE TESTA ESAGONALE FE/ZNXC3 | OPT* |
| 025 | A5330940 | 001 | SUPPORT | SUPPORT | TRAEGER | SUPPORTO | |
| 026 | 80370419 | 002 | RIVET AVEUGLE TL | RIVET | NIETE | RIVETTO | |
| 027 | 80060620 | 002 | VIS TETE HEXAGONALE FE/ZNXC3 | HEX BOLT FE/ZNXC3 | SECHSKANTSCHRAUBE FE/ZNXC3 | VITE TESTA ESAGONALE FE/ZNXC3 | |
| 028 | 80250611 | 002 | RONDELLE PLATE FE/ZNXC3 | PLAIN WASHER M6 DIN 125 FE/ZNX | SCHIEBE FE/ZNXC3 | RONDELLA PIATTA FE/ZNXC3 | |
| 029 | 80200600 | 002 | ECROU HEXAGONAL FE/ZNXC3 | NUT FE/ZNXC3 | SECHSKANTMUTTER FE/ZNXC3 | DADO FE/ZNXC3 | |
| 030 | 50070300 | 002 | VIS TBCC COURT | BOLT, CARRIAGE, SHORT NECK | FLACHRUNDSCHR.4KT ANSATZ | BULLONE | |
| 031 | A5338550 | 001 | PIVOT | PIVOT | GELENKBOLZEN | PERNO | |
| 032 | 80280850 | 004 | RONDELLE CONIQUE BLOC.FLZNNC | CONICAL SPRING WASHER FLZNNC | SPANNSCHEIBE FLZNNC | RONDELLA CONICA FLZNNC | |
| 033 | 83050015 | 004 | BOUTON | PLASTIC KNOB | KNOPF | TASTO | |
| 034 | A5338530 | 001 | TUBE | TUBE | ROHR | TUBO | |
| 035 | 80061026 | 001 | VIS TETE HEXAGONALE FE/ZNXC3 | HEXAGON HEAD SCREW FE/ZNXC3 | SECHSKANTSCHRAUBE FE/ZNXC3 | VITE TESTA ESAGONALE FE/ZNXC3 | |
| 036 | 80201040 | 001 | ECROU HEX.BAS AUTOFR.FE/ZNXC3 | SELF LOCKING NUT M10 DIN 985 | SELBSTSICHERND.MUTTER FE/ZNXC3 | DADO AUTOBLOCCANTE FE/ZNXC3 | |
| 037 | A8359108 | 001 | INSERT HEX M8 A COLLERETTE | INSERT NUT HEX M8 | EINSETZMUTTER HEX M8 | MANICOTTO HEX M8 | |
| 038 | A5338570 | 001 | CAPOT | HOOD | HAUBE | COFANO | |
| 039 | 80060845 | 001 | VIS TETE HEXAGONALE FE/ZNXC3 | HEXAGON HEAD SCREW FE/ZNXC3 | SECHSKANTSCHRAUBE FE/ZNXC3 | VITE TESTA ESAGONALE FE/ZNXC3 | |
| 040 | 50072200 | 002 | VIS TBCC COURT | BOLT, CARRIAGE, SHORT NECK | FLACHRUNDSCHR.4KT ANSATZ | BULLONE | |
| 041 | A5338580 | 002 | RONDELLE | WASHER | SCHIEBE | RONDELLA PIATTA | |
| 042 | A5338540 | 001 | SUPPORT DE BRAS | SUPPORT, ARM | ARMHALTERUNG | SUPPORTO BRACCIO | |
| 043 | A5338600 | 001 | BUTEE | STOP | ANSCHLAG | LIMITATORE | |
| 044 | 80060820 | 002 | VIS TETE HEXAGONALE FE/ZNXC3 | HEXAGON HEAD SCREW FE/ZNXC3 | SECHSKANTSCHRAUBE FE/ZNXC3 | VITE TESTA ESAGONALE FE/ZNXC3 | |
| 045 | 80200840 | 002 | ECROU HEX.BAS AUTOFR.FE/ZNXC3 | SELF-LOCKING NUT FE/ZNXC3 | SELBSTSICHERND.MUTTER FE/ZNXC3 | DADO AUTOBLOCCANTE FE/ZNXC3 | |





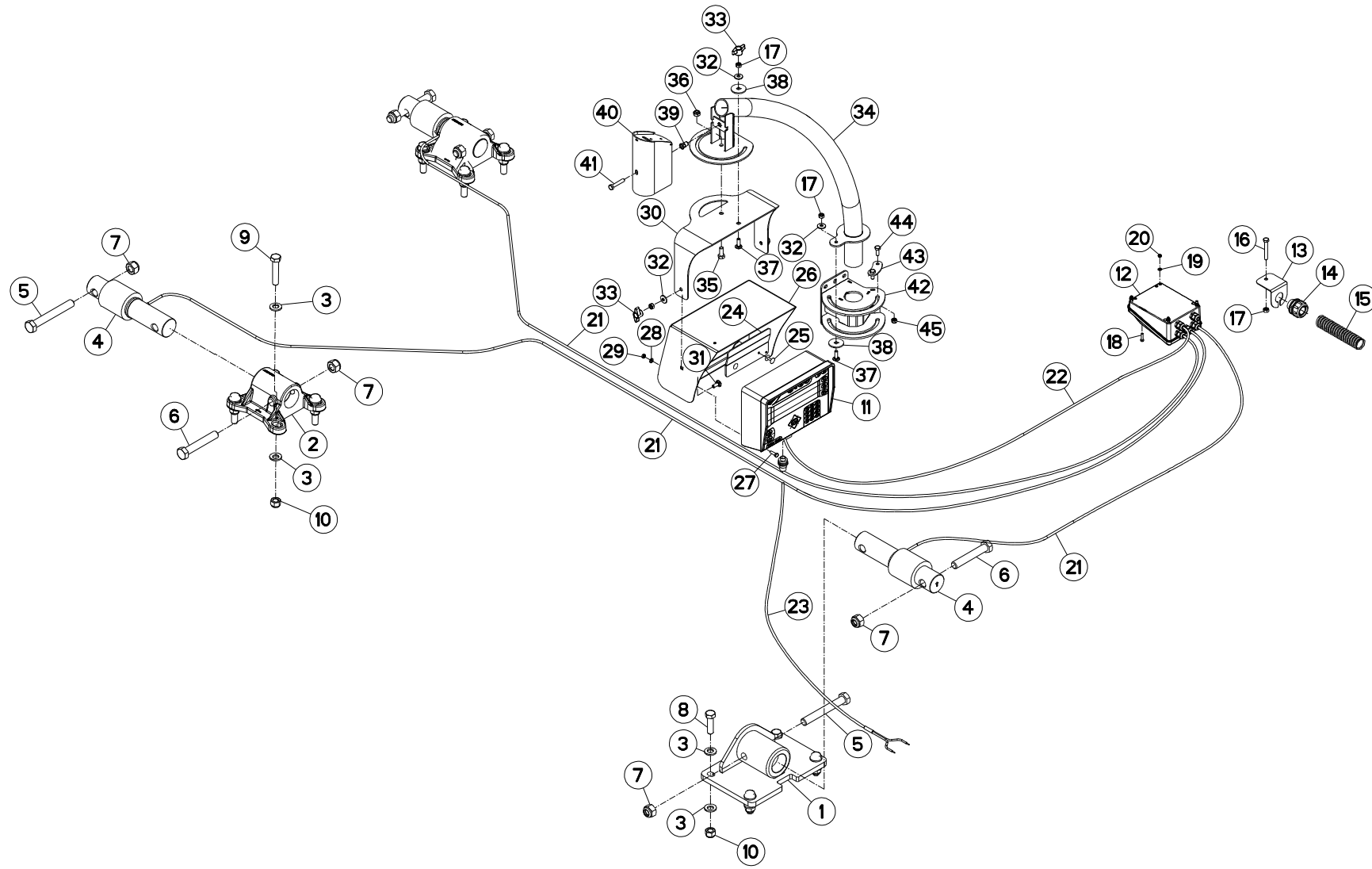
PESÉE DJ-STAR

WEIGHING BOX DJ-STAR

WIEGEEINRICHTUNG DJ-STAR

SCATOLA DI PESATURA DJ-STAR

| Rep | Nr | Qt | Designation | Description | Bezeichnung | Referenza | Remarque - Remark - Bemerkung - Osservazioni |
|-----|----------|-----|--------------------------------|--------------------------------|--------------------------------|-------------------------------|--|
| 001 | A5313500 | 001 | SUPPORT | SUPPORT | TRAEGER | SUPPORTO | |
| 002 | A5334100 | 002 | SUPPORT | SUPPORT | TRAEGER | SUPPORTO | |
| 003 | 80281600 | 024 | RONDELLE CONIQUE BLOC.FLZNNC | CONICAL SPRING WASHER FLZNNC | SPANNSCHEIBE FLZNNC | RONDELLA CONICA FLZNNC | |
| 004 | A7040237 | 003 | CAPTEUR | SENSOR | SENSOR | SENSORE | |
| 005 | 80062092 | 003 | VIS TETE HEXAGONALE FE/ZNXC3 | HEXAGON HEAD SCREW FE/ZNXC3 | SECHSKANTSCHRAUBE FE/ZNXC3 | VITE TESTA ESAGONALE FE/ZNXC3 | |
| 006 | 80062082 | 003 | VIS TETE HEXAGONALE FE/ZNXC3 | HEX BOLT M20X120MM CL 8.8 R.P | SECHSKANTSCHRAUBE FE/ZNXC3 | VITE TESTA ESAGONALE FE/ZNXC3 | |
| 007 | 80202030 | 006 | ECROU HEX.AUTOFREINE FE/ZNXC3 | SELF-LOCKING NUT M 20 DIN 982 | SELBSTSICH.MUTTER FE/ZNXC3 | DADO AUTOBLOCCANTE FE/ZNXC3 | |
| 008 | 80061647 | 004 | VIS TETE HEXAGONALE FE/ZNXC3 | HEXAGON HEAD SCREW FE/ZNXC3 | SECHSKANTSCHRAUBE FE/ZNXC3 | VITE TESTA ESAGONALE FE/ZNXC3 | |
| 009 | 80061657 | 008 | VIS TETE HEXAGONALE FE/ZNXC3 | HEXAGON HEAD SCREW FE/ZNXC3 | SECHSKANTSCHRAUBE FE/ZNXC3 | VITE TESTA ESAGONALE FE/ZNXC3 | |
| 010 | 80201630 | 012 | ECROU HEX.AUTOFREINE FE/ZNXC3 | SELF-LOCKING NUT FE/ZNXC3 | SELBSTSICH.MUTTER FE/ZNXC3 | DADO AUTOBLOCCANTE FE/ZNXC3 | |
| 011 | A5317660 | 001 | SUPPORT | SUPPORT | TRAEGER | SUPPORTO | |
| 012 | A7040250 | 001 | PESEE PROG. KDW340 | PROGRAM. BOX | KDW340 WIEGEEINRICHT. | SCATOLA | |
| 013 | 80060616 | 003 | VIS TETE HEXAGONALE FE/ZNXC3 | HEXAGON HEAD SCREW FE/ZNXC3 | SECHSKANTSCHRAUBE FE/ZNXC3 | VITE TESTA ESAGONALE FE/ZNXC3 | |
| 014 | A7040361 | 001 | BOITIER | HOUSING | GEHAEUSE | SCATOLA | |
| 015 | A5310859 | 001 | SUPPORT PRESSE-ETOUPE PG21 | SUPPORT | HALTER | SUPPORTO | |
| 016 | A7251202 | 001 | RACCORD DROIT D28,5 PG21 | ADAPTOR | ANSCHLUSS | RACCORDO | |
| 017 | A7251203 | 001 | GAINÉ SPIRE NOIRE SOUPLE FENDU | PIPE | LEITUNG | | |
| 018 | 80060853 | 001 | VIS TETE HEXAGONALE FE/ZNXC3 | HEX BOLT M8X60 CL 5.8 DIN931 R | SECHSKANTSCHRAUBE FE/ZNXC3 | VITE TESTA ESAGONALE FE/ZNXC3 | |
| 019 | 80200870 | 001 | ECROU HEXAGONAL FE/ZNXC3 | NUT FE/ZNXC3 | SECHSKANTMUTTER FE/ZNXC3 | DADO FE/ZNXC3 | |
| 020 | 80060521 | 004 | VIS TETE HEXAGONALE FE/ZNXC3 | HEXAGON HEAD SCREW FE/ZNXC3 | SECHSKANTSCHRAUBE FE/ZNXC3 | VITE TESTA ESAGONALE FE/ZNXC3 | |
| 021 | 80250512 | 004 | RONDELLE PLATE FE/ZNXC3 | PLAIN WASHER M5 DIN-125 | SCHEIBE FE/ZNXC3 | RONDELLA PIATTA FE/ZNXC3 | |
| 022 | 80200540 | 004 | ECROU HEX.BAS AUTOFR.FE/ZNXC3 | SELF-LOCKING NUT FE/ZNXC3 | SELBSTSICHERND.MUTTER FE/ZNXC3 | DADO AUTOBLOCCANTE FE/ZNXC3 | |
| 023 | A7040171 | 001 | FAISCEAU | HARNES | KABELBAUM | FASCIO | |
| 024 | A7252100 | 002 | RONDELLE | WASHER | GUMMISCHEIBE | RONDELLA | |
| 025 | 80200675 | 006 | ECROU INSERT | NUT | EINNIETMUTTER | DADO | |
| 026 | A5317630 | 001 | RONDELLE | WASHER | SCHEIBE | RONDELLA | |
| 027 | A5334910 | 001 | TUBE | TUBE | ROHR | TUBO | |
| 028 | A5326560 | 001 | FIXATION | MOUNT | VERBINDUNGSTUECK | ATTACCO GANCIO | |
| 029 | A8359108 | 001 | INSERT HEX M8 A COLLERETTE | INSERT NUT HEX M8 | EINSETZMUTTER HEX M8 | MANICOTTO HEX M8 | |
| 030 | 80060833 | 001 | VIS TETE HEXAGONALE FE/ZNXC3 | HEXAGON HEAD SCREW FE/ZNXC3 | SECHSKANTSCHRAUBE FE/ZNXC3 | VITE TESTA ESAGONALE FE/ZNXC3 | |
| 031 | 83050015 | 001 | BOUTON | PLASTIC KNOB | KNOPF | TASTO | |
| 032 | A5317650 | 002 | TOLE | SHEET | BLECH | TELA | |
| 033 | 80280650 | 004 | RONDELLE CONIQUE BLOC.FLZNNC | CONICAL SPRING WASHER FLZNNC | SPANNSCHEIBE FLZNNC | RONDELLA CONICA FLZNNC | |
| 034 | 80060625 | 004 | VIS TETE HEXAGONALE FE/ZNXC3 | HEX BOLT FE/ZNXC3 | SECHSKANTSCHRAUBE FE/ZNXC3 | VITE TESTA ESAGONALE FE/ZNXC3 | |
| 035 | A5317730 | 001 | CAPUCHON | CAP | KAPPE | CAPPUCCIO | |
| 036 | 80250611 | 002 | RONDELLE PLATE FE/ZNXC3 | PLAIN WASHER M6 DIN 125 FE/ZNX | SCHEIBE FE/ZNXC3 | RONDELLA PIATTA FE/ZNXC3 | |





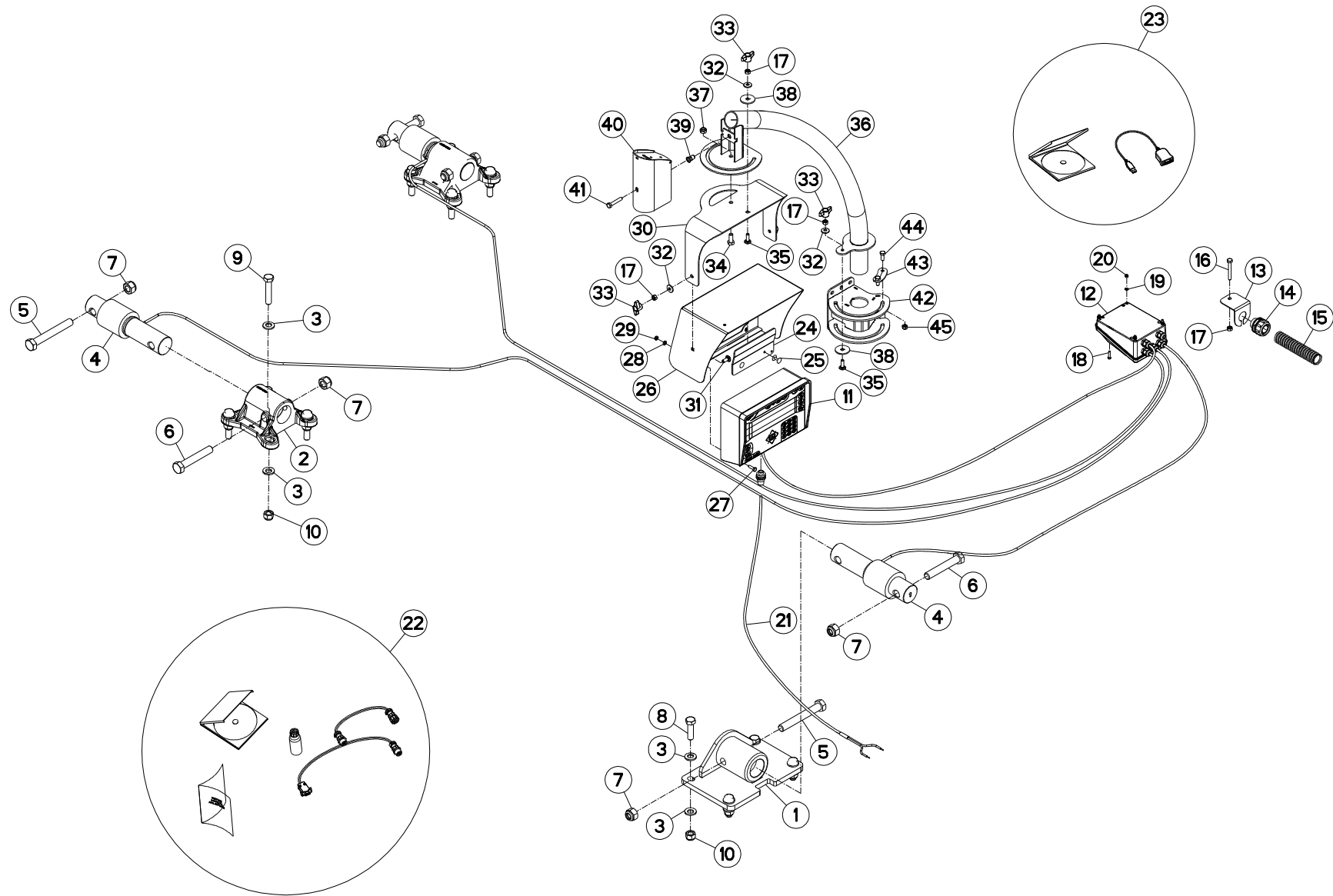
PESÉE DJ-STAR

WEIGHING BOX DJ-STAR

WIEGEEINRICHTUNG DJ-STAR

SCATOLA DI PESATURA DJ-STAR

| Rep | Nr | Qt | Designation | Description | Bezeichnung | Referenza | Remarque - Remark - Bemerkung - Osservazioni |
|-----|----------|-----|--------------------------------|--------------------------------|--------------------------------|-------------------------------|--|
| 001 | A5313500 | 001 | SUPPORT | SUPPORT | TRAEGER | SUPPORTO | |
| 002 | A5334100 | 002 | SUPPORT | SUPPORT | TRAEGER | SUPPORTO | |
| 003 | 80281600 | 024 | RONDELLE CONIQUE BLOC.FLZNNC | CONICAL SPRING WASHER FLZNNC | SPANNSCHEIBE FLZNNC | RONDELLA CONICA FLZNNC | |
| 004 | A7040237 | 003 | CAPTEUR | SENSOR | SENSOR | SENSORE | |
| 005 | 80062092 | 003 | VIS TETE HEXAGONALE FE/ZNXC3 | HEXAGON HEAD SCREW FE/ZNXC3 | SECHSKANTSCHRAUBE FE/ZNXC3 | VITE TESTA ESAGONALE FE/ZNXC3 | |
| 006 | 80062082 | 003 | VIS TETE HEXAGONALE FE/ZNXC3 | HEX BOLT M20X120MM CL 8.8 R.P | SECHSKANTSCHRAUBE FE/ZNXC3 | VITE TESTA ESAGONALE FE/ZNXC3 | |
| 007 | 80202030 | 006 | ECROU HEX.AUTOFREINE FE/ZNXC3 | SELF-LOCKING NUT M 20 DIN 982 | SELBSTSICH.MUTTER FE/ZNXC3 | DADO AUTOBLOCCANTE FE/ZNXC3 | |
| 008 | 80061647 | 004 | VIS TETE HEXAGONALE FE/ZNXC3 | HEXAGON HEAD SCREW FE/ZNXC3 | SECHSKANTSCHRAUBE FE/ZNXC3 | VITE TESTA ESAGONALE FE/ZNXC3 | |
| 009 | 80061657 | 008 | VIS TETE HEXAGONALE FE/ZNXC3 | HEXAGON HEAD SCREW FE/ZNXC3 | SECHSKANTSCHRAUBE FE/ZNXC3 | VITE TESTA ESAGONALE FE/ZNXC3 | |
| 010 | 80201630 | 012 | ECROU HEX.AUTOFREINE FE/ZNXC3 | SELF-LOCKING NUT FE/ZNXC3 | SELBSTSICH.MUTTER FE/ZNXC3 | DADO AUTOBLOCCANTE FE/ZNXC3 | |
| 011 | A7040347 | 001 | BOITIER | HOUSING | GEHAEUSE | SCATOLA | |
| 012 | A7040361 | 001 | BOITIER | HOUSING | GEHAEUSE | SCATOLA | |
| 013 | A5310859 | 001 | SUPPORT PRESSE-ETOUPPE PG21 | HOLDER | HALTER | SUPPORTO | |
| 014 | A7251202 | 001 | RACCORD DROIT D28,5 PG21 | ADAPTOR | ANSCHLUSS | RACCORDO | |
| 015 | A7251203 | 001 | GAINÉ SPIRE NOIRE SOUPLE FENDU | PIPE | LEITUNG | | |
| 016 | 80060853 | 001 | VIS TETE HEXAGONALE FE/ZNXC3 | HEX BOLT M8X60 CL 5.8 DIN931 R | SECHSKANTSCHRAUBE FE/ZNXC3 | VITE TESTA ESAGONALE FE/ZNXC3 | |
| 017 | 80200870 | 005 | ECROU HEXAGONAL FE/ZNXC3 | NUT FE/ZNXC3 | SECHSKANTMUTTER FE/ZNXC3 | DADO FE/ZNXC3 | |
| 018 | 80060521 | 004 | VIS TETE HEXAGONALE FE/ZNXC3 | HEXAGON HEAD SCREW FE/ZNXC3 | SECHSKANTSCHRAUBE FE/ZNXC3 | VITE TESTA ESAGONALE FE/ZNXC3 | |
| 019 | 80250512 | 004 | RONDELLE PLATE FE/ZNXC3 | PLAIN WASHER M5 DIN-125 | SCHEIBE FE/ZNXC3 | RONDELLA PIATTA FE/ZNXC3 | |
| 020 | 80200540 | 004 | ECROU HEX.BAS AUTOFR.FE/ZNXC3 | SELF-LOCKING NUT FE/ZNXC3 | SELBSTSICHERND.MUTTER FE/ZNXC3 | DADO AUTOBLOCCANTE FE/ZNXC3 | |
| 021 | A7040347 | 003 | BOITIER | HOUSING | GEHAEUSE | SCATOLA | |
| 022 | A7040361 | 001 | BOITIER | HOUSING | GEHAEUSE | SCATOLA | |
| 023 | A7040171 | 001 | FAISCEAU | HARNESS | KABELBAUM | FASCIO | |
| 024 | A5330940 | 001 | SUPPORT | SUPPORT | TRAEGER | SUPPORTO | |
| 025 | 80370419 | 002 | RIVET AVEUGLE TL | RIVET | NIETE | RIVETTO | |
| 026 | A5317661 | 001 | SUPPORT | SUPPORT | TRAEGER | SUPPORTO | |
| 027 | 80060620 | 002 | VIS TETE HEXAGONALE FE/ZNXC3 | HEX BOLT FE/ZNXC3 | SECHSKANTSCHRAUBE FE/ZNXC3 | VITE TESTA ESAGONALE FE/ZNXC3 | |
| 028 | 80250611 | 002 | RONDELLE PLATE FE/ZNXC3 | PLAIN WASHER M6 DIN 125 FE/ZNX | SCHEIBE FE/ZNXC3 | RONDELLA PIATTA FE/ZNXC3 | |
| 029 | 80200600 | 002 | ECROU HEXAGONAL FE/ZNXC3 | NUT FE/ZNXC3 | SECHSKANTMUTTER FE/ZNXC3 | DADO FE/ZNXC3 | |
| 030 | A5338550 | 001 | PIVOT | PIVOT | GELENKBOLZEN | PERNO | |
| 031 | 50070300 | 002 | VIS TBCC COURT | BOLT, CARRIAGE, SHORT NECK | FLACHRUNDSCHR.4KT ANSATZ | BULLONE | |
| 032 | 80280850 | 004 | RONDELLE CONIQUE BLOC.FLZNNC | CONICAL SPRING WASHER FLZNNC | SPANNSCHEIBE FLZNNC | RONDELLA CONICA FLZNNC | |
| 033 | 83050015 | 003 | BOUTON | PLASTIC KNOB | KNOPF | TASTO | |
| 034 | A5338530 | 001 | TUBE | TUBE | ROHR | TUBO | |
| 035 | 80061026 | 001 | VIS TETE HEXAGONALE FE/ZNXC3 | HEXAGON HEAD SCREW FE/ZNXC3 | SECHSKANTSCHRAUBE FE/ZNXC3 | VITE TESTA ESAGONALE FE/ZNXC3 | |
| 036 | 80201040 | 001 | ECROU HEX.BAS AUTOFR.FE/ZNXC3 | SELF LOCKING NUT M10 DIN 985 | SELBSTSICHERND.MUTTER FE/ZNXC3 | DADO AUTOBLOCCANTE FE/ZNXC3 | |
| 037 | 50072200 | 002 | VIS TBCC COURT | BOLT, CARRIAGE, SHORT NECK | FLACHRUNDSCHR.4KT ANSATZ | BULLONE | |
| 038 | A5338580 | 002 | RONDELLE | WASHER | SCHEIBE | RONDELLA PIATTA | |
| 039 | A8359108 | 001 | INSERT HEX M8 A COLLERETTE | INSERT NUT HEX M8 | EINSETZMUTTER HEX M8 | MANICOTTO HEX M8 | |
| 040 | A5338570 | 001 | CAPOT | HOOD | HAUBE | COFANO | |
| 041 | 80060845 | 001 | VIS TETE HEXAGONALE FE/ZNXC3 | HEXAGON HEAD SCREW FE/ZNXC3 | SECHSKANTSCHRAUBE FE/ZNXC3 | VITE TESTA ESAGONALE FE/ZNXC3 | |
| 042 | A5338540 | 001 | SUPPORT DE BRAS | SUPPORT, ARM | ARMHALTERUNG | SUPPORTO BRACCIO | |
| 043 | A5338600 | 001 | BUTEE | STOP | ANSCHLAG | LIMITATORE | |
| 044 | 80060820 | 002 | VIS TETE HEXAGONALE FE/ZNXC3 | HEXAGON HEAD SCREW FE/ZNXC3 | SECHSKANTSCHRAUBE FE/ZNXC3 | VITE TESTA ESAGONALE FE/ZNXC3 | |
| 045 | 80200840 | 002 | ECROU HEX.BAS AUTOFR.FE/ZNXC3 | SELF-LOCKING NUT FE/ZNXC3 | SELBSTSICHERND.MUTTER FE/ZNXC3 | DADO AUTOBLOCCANTE FE/ZNXC3 | |





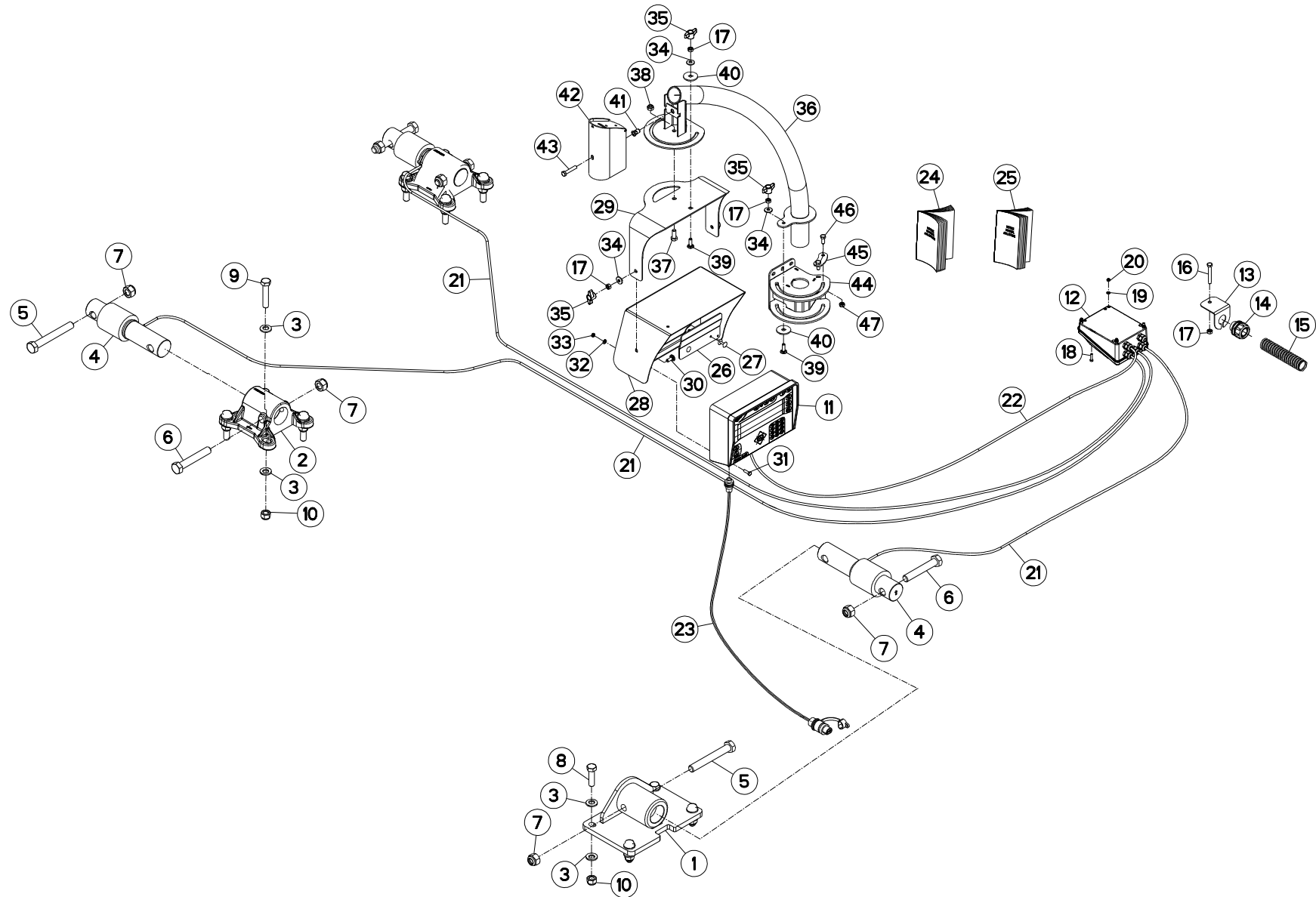
PESÉE DJ-STAR

WEIGHING BOX DJ-STAR

WIEGEEINRICHTUNG DJ-STAR

SCATOLA DI PESATURA DJ-STAR

| Rep | Nr | Qt | Designation | Description | Bezeichnung | Referenza | Remarque - Remark - Bemerkung - Osservazioni |
|-----|----------|-----|--------------------------------|--------------------------------|--------------------------------|-------------------------------|--|
| 001 | A5313500 | 001 | SUPPORT | SUPPORT | TRAEGER | SUPPORTO | |
| 002 | A5334100 | 002 | SUPPORT | SUPPORT | TRAEGER | SUPPORTO | |
| 003 | 80281600 | 024 | RONDELLE CONIQUE BLOC.FLZNNC | CONICAL SPRING WASHER FLZNNC | SPANNSCHEIBE FLZNNC | RONDELLA CONICA FLZNNC | |
| 004 | A7040237 | 003 | CAPTEUR | SENSOR | SENSOR | SENSORE | |
| 005 | 80062092 | 003 | VIS TETE HEXAGONALE FE/ZNXC3 | HEXAGON HEAD SCREW FE/ZNXC3 | SECHSKANTSCHRAUBE FE/ZNXC3 | VITE TESTA ESAGONALE FE/ZNXC3 | |
| 006 | 80062082 | 003 | VIS TETE HEXAGONALE FE/ZNXC3 | HEX BOLT M20X120MM CL 8.8 R.P | SECHSKANTSCHRAUBE FE/ZNXC3 | VITE TESTA ESAGONALE FE/ZNXC3 | |
| 007 | 80202030 | 006 | ECROU HEX.AUTOFREINE FE/ZNXC3 | SELF-LOCKING NUT M 20 DIN 982 | SELBSTSICH.MUTTER FE/ZNXC3 | DADO AUTOBLOCCANTE FE/ZNXC3 | |
| 008 | 80061647 | 004 | VIS TETE HEXAGONALE FE/ZNXC3 | HEXAGON HEAD SCREW FE/ZNXC3 | SECHSKANTSCHRAUBE FE/ZNXC3 | VITE TESTA ESAGONALE FE/ZNXC3 | |
| 009 | 80061657 | 008 | VIS TETE HEXAGONALE FE/ZNXC3 | HEXAGON HEAD SCREW FE/ZNXC3 | SECHSKANTSCHRAUBE FE/ZNXC3 | VITE TESTA ESAGONALE FE/ZNXC3 | |
| 010 | 80201630 | 012 | ECROU HEX.AUTOFREINE FE/ZNXC3 | SELF-LOCKING NUT FE/ZNXC3 | SELBSTSICH.MUTTER FE/ZNXC3 | DADO AUTOBLOCCANTE FE/ZNXC3 | |
| 011 | A7040389 | 001 | BOITIER | HOUSING | GEHAEUSE | SCATOLA | |
| 012 | A7040361 | 001 | BOITIER | HOUSING | GEHAEUSE | SCATOLA | |
| 013 | A5310859 | 001 | SUPPORT PRESSE-ETOUPPE PG21 | HOLDER | HALTER | SUPPORTO | |
| 014 | A7251202 | 001 | RACCORD DROIT D28,5 PG21 | ADAPTOR | ANSCHLUSS | RACCORDO | |
| 015 | A7251203 | 001 | GAINÉ SPIRE NOIRE SOUPLE FENDU | PIPE | LEITUNG | | |
| 016 | 80060853 | 001 | VIS TETE HEXAGONALE FE/ZNXC3 | HEX BOLT M8X60 CL 5.8 DIN931 R | SECHSKANTSCHRAUBE FE/ZNXC3 | VITE TESTA ESAGONALE FE/ZNXC3 | |
| 017 | 80200870 | 005 | ECROU HEXAGONAL FE/ZNXC3 | NUT FE/ZNXC3 | SECHSKANTMUTTER FE/ZNXC3 | DADO FE/ZNXC3 | |
| 018 | 80060521 | 004 | VIS TETE HEXAGONALE FE/ZNXC3 | HEXAGON HEAD SCREW FE/ZNXC3 | SECHSKANTSCHRAUBE FE/ZNXC3 | VITE TESTA ESAGONALE FE/ZNXC3 | |
| 019 | 80250512 | 004 | RONDELLE PLATE FE/ZNXC3 | PLAIN WASHER M5 DIN-125 | SCHEIBE FE/ZNXC3 | RONDELLA PIATTA FE/ZNXC3 | |
| 020 | 80200540 | 004 | ECROU HEX.BAS AUTOFR.FE/ZNXC3 | SELF-LOCKING NUT FE/ZNXC3 | SELBSTSICHERND.MUTTER FE/ZNXC3 | DADO AUTOBLOCCANTE FE/ZNXC3 | |
| 021 | A7040171 | 001 | FAISCEAU | HARNESS | KABELBAUM | FASCIO | |
| 022 | A7040337 | 001 | DDL (DATA DOWNLOADER) | | | | |
| 023 | A7040338 | 001 | CONVERTISSEUR USB | | | | |
| 024 | A5330940 | 001 | SUPPORT | SUPPORT | TRAEGER | SUPPORTO | |
| 025 | 80370419 | 002 | RIVET AVEUGLE TL | RIVET | NIETE | RIVETTO | |
| 026 | A5317661 | 001 | SUPPORT | SUPPORT | TRAEGER | SUPPORTO | |
| 027 | 80060620 | 002 | VIS TETE HEXAGONALE FE/ZNXC3 | HEX BOLT FE/ZNXC3 | SECHSKANTSCHRAUBE FE/ZNXC3 | VITE TESTA ESAGONALE FE/ZNXC3 | |
| 028 | 80250611 | 002 | RONDELLE PLATE FE/ZNXC3 | PLAIN WASHER M6 DIN 125 FE/ZNX | SCHEIBE FE/ZNXC3 | RONDELLA PIATTA FE/ZNXC3 | |
| 029 | 80200600 | 002 | ECROU HEXAGONAL FE/ZNXC3 | NUT FE/ZNXC3 | SECHSKANTMUTTER FE/ZNXC3 | DADO FE/ZNXC3 | |
| 030 | A5338550 | 001 | PIVOT | PIVOT | GELENKBOLZEN | PERNO | |
| 031 | 50070300 | 002 | VIS TBCC COURT | BOLT, CARRIAGE, SHORT NECK | FLACHRUNDSCHR.4KT ANSATZ | BULLONE | |
| 032 | 80280850 | 004 | RONDELLE CONIQUE BLOC.FLZNNC | CONICAL SPRING WASHER FLZNNC | SPANNSCHEIBE FLZNNC | RONDELLA CONICA FLZNNC | |
| 033 | 83050015 | 004 | BOUTON | PLASTIC KNOB | KNOFF | TASTO | |
| 034 | 80061026 | 001 | VIS TETE HEXAGONALE FE/ZNXC3 | HEXAGON HEAD SCREW FE/ZNXC3 | SECHSKANTSCHRAUBE FE/ZNXC3 | VITE TESTA ESAGONALE FE/ZNXC3 | |
| 035 | 50072200 | 002 | VIS TBCC COURT | BOLT, CARRIAGE, SHORT NECK | FLACHRUNDSCHR.4KT ANSATZ | BULLONE | |
| 036 | A5338530 | 001 | TUBE | TUBE | ROHR | TUBO | |
| 037 | 80201040 | 001 | ECROU HEX.BAS AUTOFR.FE/ZNXC3 | SELF LOCKING NUT M10 DIN 985 | SELBSTSICHERND.MUTTER FE/ZNXC3 | DADO AUTOBLOCCANTE FE/ZNXC3 | |
| 038 | A5338580 | 002 | RONDELLE | WASHER | SCHEIBE | RONDELLA PIATTA | |
| 039 | A8359108 | 001 | INSERT HEX M8 A COLLERETTE | INSERT NUT HEX M8 | EINSETZMUTTER HEX M8 | MANICOTTO HEX M8 | |
| 040 | A5338570 | 001 | CAPOT | HOOD | HAUBE | COFANO | |
| 041 | 80060845 | 001 | VIS TETE HEXAGONALE FE/ZNXC3 | HEXAGON HEAD SCREW FE/ZNXC3 | SECHSKANTSCHRAUBE FE/ZNXC3 | VITE TESTA ESAGONALE FE/ZNXC3 | |
| 042 | A5338540 | 001 | SUPPORT DE BRAS | SUPPORT, ARM | ARMHALTERUNG | SUPPORTO BRACCIO | |
| 043 | A5338600 | 001 | BUTEE | STOP | ANSCHLAG | LIMITATORE | |
| 044 | 80060820 | 002 | VIS TETE HEXAGONALE FE/ZNXC3 | HEXAGON HEAD SCREW FE/ZNXC3 | SECHSKANTSCHRAUBE FE/ZNXC3 | VITE TESTA ESAGONALE FE/ZNXC3 | |
| 045 | 80200840 | 002 | ECROU HEX.BAS AUTOFR.FE/ZNXC3 | SELF-LOCKING NUT FE/ZNXC3 | SELBSTSICHERND.MUTTER FE/ZNXC3 | DADO AUTOBLOCCANTE FE/ZNXC3 | |





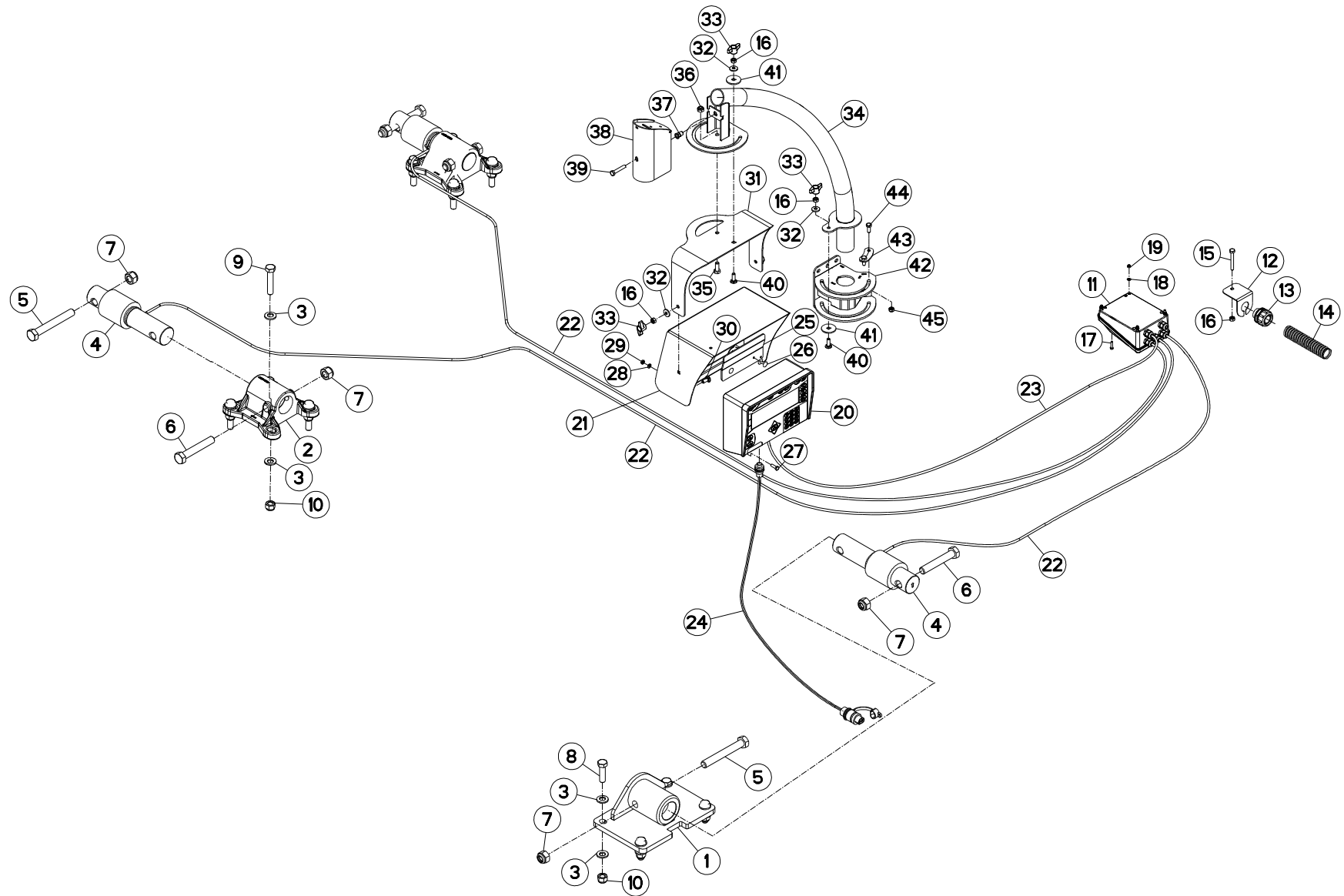
PESÉE DJ-STAR

WEIGHING BOX DJ-STAR

WIEGEEINRICHTUNG DJ-STAR

SCATOLA DI PESATURA DJ-STAR

| Rep | Nr | Qt | Designation | Description | Bezeichnung | Referenza | Remarque - Remark - Bemerkung - Osservazioni |
|-----|----------|-----|--------------------------------|--------------------------------|--------------------------------|-------------------------------|--|
| 001 | A5313500 | 001 | SUPPORT | SUPPORT | TRAEGER | SUPPORTO | |
| 002 | A5334100 | 002 | SUPPORT | SUPPORT | TRAEGER | SUPPORTO | |
| 003 | 80281600 | 024 | RONDELLE CONIQUE BLOC.FLZNNC | CONICAL SPRING WASHER FLZNNC | SPANNSCHEIBE FLZNNC | RONDELLA CONICA FLZNNC | |
| 004 | A7040237 | 003 | CAPTEUR | SENSOR | SENSOR | SENSORE | |
| 005 | 80062092 | 003 | VIS TETE HEXAGONALE FE/ZNXC3 | HEXAGON HEAD SCREW FE/ZNXC3 | SECHSKANTSCHRAUBE FE/ZNXC3 | VITE TESTA ESAGONALE FE/ZNXC3 | |
| 006 | 80062082 | 003 | VIS TETE HEXAGONALE FE/ZNXC3 | HEX BOLT M20X120MM CL 8.8 R.P | SECHSKANTSCHRAUBE FE/ZNXC3 | VITE TESTA ESAGONALE FE/ZNXC3 | |
| 007 | 80202030 | 006 | ECROU HEX.AUTOFREINE FE/ZNXC3 | SELF-LOCKING NUT M 20 DIN 982 | SELBSTSICH.MUTTER FE/ZNXC3 | DADO AUTOBLOCCANTE FE/ZNXC3 | |
| 008 | 80061647 | 004 | VIS TETE HEXAGONALE FE/ZNXC3 | HEXAGON HEAD SCREW FE/ZNXC3 | SECHSKANTSCHRAUBE FE/ZNXC3 | VITE TESTA ESAGONALE FE/ZNXC3 | |
| 009 | 80061657 | 008 | VIS TETE HEXAGONALE FE/ZNXC3 | HEXAGON HEAD SCREW FE/ZNXC3 | SECHSKANTSCHRAUBE FE/ZNXC3 | VITE TESTA ESAGONALE FE/ZNXC3 | |
| 010 | 80201630 | 012 | ECROU HEX.AUTOFREINE FE/ZNXC3 | SELF-LOCKING NUT FE/ZNXC3 | SELBSTSICH.MUTTER FE/ZNXC3 | DADO AUTOBLOCCANTE FE/ZNXC3 | |
| 011 | A7040389 | 001 | BOITIER | HOUSING | GEHAEUSE | SCATOLA | |
| 012 | A7040361 | 001 | BOITIER | HOUSING | GEHAEUSE | SCATOLA | |
| 013 | A5310859 | 001 | SUPPORT PRESSE-ETOUPPE PG21 | HOLDER | HALTER | SUPPORTO | |
| 014 | A7251202 | 001 | RACCORD DROIT D28,5 PG21 | ADAPTOR | ANSCHLUSS | RACCORDO | |
| 015 | A7251203 | 001 | GAINÉ SPIRE NOIRE SOUPLE FENDU | PIPE | LEITUNG | | |
| 016 | 80060853 | 001 | VIS TETE HEXAGONALE FE/ZNXC3 | HEX BOLT M8X60 CL 5.8 DIN931 R | SECHSKANTSCHRAUBE FE/ZNXC3 | VITE TESTA ESAGONALE FE/ZNXC3 | |
| 017 | 80200870 | 005 | ECROU HEXAGONAL FE/ZNXC3 | NUT FE/ZNXC3 | SECHSKANTMUTTER FE/ZNXC3 | DADO FE/ZNXC3 | |
| 018 | 80060521 | 004 | VIS TETE HEXAGONALE FE/ZNXC3 | HEXAGON HEAD SCREW FE/ZNXC3 | SECHSKANTSCHRAUBE FE/ZNXC3 | VITE TESTA ESAGONALE FE/ZNXC3 | |
| 019 | 80250512 | 004 | RONDELLE PLATE FE/ZNXC3 | PLAIN WASHER M5 DIN-125 | SCHEIBE FE/ZNXC3 | RONDELLA PIATTA FE/ZNXC3 | |
| 020 | 80200540 | 004 | ECROU HEX.BAS AUTOFR.FE/ZNXC3 | SELF-LOCKING NUT FE/ZNXC3 | SELBSTSICHERND.MUTTER FE/ZNXC3 | DADO AUTOBLOCCANTE FE/ZNXC3 | |
| 021 | A7040347 | 003 | BOITIER | HOUSING | GEHAEUSE | SCATOLA | |
| 022 | A7040361 | 001 | BOITIER | HOUSING | GEHAEUSE | SCATOLA | |
| 023 | A7040171 | 001 | FAISCEAU | HARNES | KABELBAUM | FASCIO | |
| 024 | AC0027GB | 001 | NOTICE COMPL. DDL UTILISATION | COMPL.MANUAL DDL MANUAL | ZUSATZANLEIT. DDL BETR-ANL. | NOTA COMPLEM. DDL MANUT. | |
| 025 | AC036AFR | 001 | NOTICE COMPL. KDR400 | COMPL.MANUAL KDR400 | ZUSATZANLEIT. KDR400 | NOTA COMPLEM. KDR400 | |
| 026 | A5330940 | 001 | SUPPORT | SUPPORT | TRAEGER | SUPPORTO | |
| 027 | 80370419 | 002 | RIVET AVEUGLE TL | RIVET | NIETE | RIVETTO | |
| 028 | A5317661 | 001 | SUPPORT | SUPPORT | TRAEGER | SUPPORTO | |
| 029 | A5338550 | 001 | PIVOT | PIVOT | GELENKBOLZEN | PERNO | |
| 030 | 50070300 | 002 | VIS TBCC COURT | BOLT, CARRIAGE, SHORT NECK | FLACHRUNDSCHR.4KT ANSATZ | BULLONE | |
| 031 | 80060620 | 002 | VIS TETE HEXAGONALE FE/ZNXC3 | HEX BOLT FE/ZNXC3 | SECHSKANTSCHRAUBE FE/ZNXC3 | VITE TESTA ESAGONALE FE/ZNXC3 | |
| 032 | 80250611 | 002 | RONDELLE PLATE FE/ZNXC3 | PLAIN WASHER M6 DIN 125 FE/ZNX | SCHEIBE FE/ZNXC3 | RONDELLA PIATTA FE/ZNXC3 | |
| 033 | 80200600 | 002 | ECROU HEXAGONAL FE/ZNXC3 | NUT FE/ZNXC3 | SECHSKANTMUTTER FE/ZNXC3 | DADO FE/ZNXC3 | |
| 034 | 80280850 | 004 | RONDELLE CONIQUE BLOC.FLZNNC | CONICAL SPRING WASHER FLZNNC | SPANNSCHEIBE FLZNNC | RONDELLA CONICA FLZNNC | |
| 035 | 83050015 | 004 | BOUTON | PLASTIC KNOB | KNOPF | TASTO | |
| 036 | A5338530 | 001 | TUBE | TUBE | ROHR | TUBO | |
| 037 | 80061026 | 001 | VIS TETE HEXAGONALE FE/ZNXC3 | HEXAGON HEAD SCREW FE/ZNXC3 | SECHSKANTSCHRAUBE FE/ZNXC3 | VITE TESTA ESAGONALE FE/ZNXC3 | |
| 038 | 80201040 | 001 | ECROU HEX.BAS AUTOFR.FE/ZNXC3 | SELF LOCKING NUT M10 DIN 985 | SELBSTSICHERND.MUTTER FE/ZNXC3 | DADO AUTOBLOCCANTE FE/ZNXC3 | |
| 039 | 50072200 | 002 | VIS TBCC COURT | BOLT, CARRIAGE, SHORT NECK | FLACHRUNDSCHR.4KT ANSATZ | BULLONE | |
| 040 | A5338580 | 002 | RONDELLE | WASHER | SCHEIBE | RONDELLA PIATTA | |
| 041 | A8359108 | 001 | INSERT HEX M8 A COLLERETTE | INSERT NUT HEX M8 | EINSETZMUTTER HEX M8 | MANICOTTO HEX M8 | |
| 042 | A5338570 | 001 | CAPOT | HOOD | HAUBE | COFANO | |
| 043 | 80060845 | 001 | VIS TETE HEXAGONALE FE/ZNXC3 | HEXAGON HEAD SCREW FE/ZNXC3 | SECHSKANTSCHRAUBE FE/ZNXC3 | VITE TESTA ESAGONALE FE/ZNXC3 | |
| 044 | A5338540 | 001 | SUPPORT DE BRAS | SUPPORT, ARM | ARMHALTERUNG | SUPPORTO BRACCIO | |
| 045 | A5338600 | 001 | BUTEE | STOP | ANSCHLAG | LIMITATORE | |
| 046 | 80060820 | 002 | VIS TETE HEXAGONALE FE/ZNXC3 | HEXAGON HEAD SCREW FE/ZNXC3 | SECHSKANTSCHRAUBE FE/ZNXC3 | VITE TESTA ESAGONALE FE/ZNXC3 | |
| 047 | 80200840 | 002 | ECROU HEX.BAS AUTOFR.FE/ZNXC3 | SELF-LOCKING NUT FE/ZNXC3 | SELBSTSICHERND.MUTTER FE/ZNXC3 | DADO AUTOBLOCCANTE FE/ZNXC3 | |





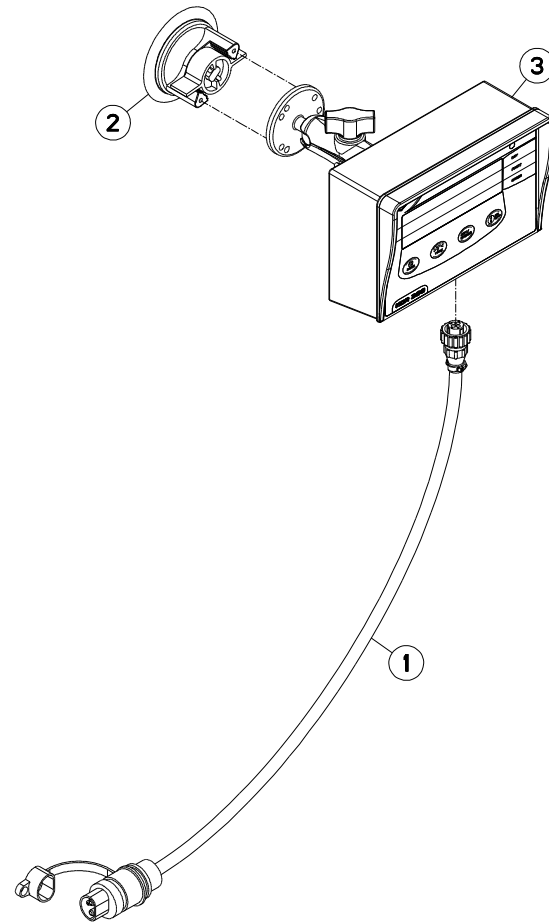
PESÉE DJ-STAR

WEIGHING BOX DJ-STAR

WIEGEEINRICHTUNG DJ-STAR

SCATOLA DI PESATURA DJ-STAR

| Rep | Nr | Qt | Designation | Description | Bezeichnung | Referenza | Remarque - Remark - Bemerkung - Osservazioni |
|-----|----------|-----|--------------------------------|--------------------------------|--------------------------------|-------------------------------|--|
| 001 | A5313500 | 001 | SUPPORT | SUPPORT | TRAEGER | SUPPORTO | |
| 002 | A5334100 | 002 | SUPPORT | SUPPORT | TRAEGER | SUPPORTO | |
| 003 | 80281600 | 024 | RONDELLE CONIQUE BLOC.FLZNNC | CONICAL SPRING WASHER FLZNNC | SPANNSCHEIBE FLZNNC | RONDELLA CONICA FLZNNC | |
| 004 | A7040237 | 003 | CAPTEUR | SENSOR | SENSOR | SENSORE | |
| 005 | 80062092 | 003 | VIS TETE HEXAGONALE FE/ZNXC3 | HEXAGON HEAD SCREW FE/ZNXC3 | SECHSKANTSCHRAUBE FE/ZNXC3 | VITE TESTA ESAGONALE FE/ZNXC3 | |
| 006 | 80062082 | 003 | VIS TETE HEXAGONALE FE/ZNXC3 | HEX BOLT M20X120MM CL 8.8 R.P | SECHSKANTSCHRAUBE FE/ZNXC3 | VITE TESTA ESAGONALE FE/ZNXC3 | |
| 007 | 80202030 | 006 | ECROU HEX.AUTOFREINE FE/ZNXC3 | SELF-LOCKING NUT M 20 DIN 982 | SELBSTSICH.MUTTER FE/ZNXC3 | DADO AUTOBLOCCANTE FE/ZNXC3 | |
| 008 | 80061647 | 004 | VIS TETE HEXAGONALE FE/ZNXC3 | HEXAGON HEAD SCREW FE/ZNXC3 | SECHSKANTSCHRAUBE FE/ZNXC3 | VITE TESTA ESAGONALE FE/ZNXC3 | |
| 009 | 80061657 | 008 | VIS TETE HEXAGONALE FE/ZNXC3 | HEXAGON HEAD SCREW FE/ZNXC3 | SECHSKANTSCHRAUBE FE/ZNXC3 | VITE TESTA ESAGONALE FE/ZNXC3 | |
| 010 | 80201630 | 012 | ECROU HEX.AUTOFREINE FE/ZNXC3 | SELF-LOCKING NUT FE/ZNXC3 | SELBSTSICH.MUTTER FE/ZNXC3 | DADO AUTOBLOCCANTE FE/ZNXC3 | |
| 011 | A7040361 | 001 | BOITIER | HOUSING | GEHAEUSE | SCATOLA | |
| 012 | A5310859 | 001 | SUPPORT PRESSE-ETOUPE PG21 | HOLDER | HALTER | SUPPORTO | |
| 013 | A7251202 | 001 | RACCORD DROIT D28,5 PG21 | ADAPTOR | ANSCHLUSS | RACCORDO | |
| 014 | A7251203 | 001 | GAINÉ SPIRE NOIRE SOUPLE FENDU | PIPE | LEITUNG | | |
| 015 | 80060853 | 001 | VIS TETE HEXAGONALE FE/ZNXC3 | HEX BOLT M8X60 CL 5.8 DIN931 R | SECHSKANTSCHRAUBE FE/ZNXC3 | VITE TESTA ESAGONALE FE/ZNXC3 | |
| 016 | 80200870 | 005 | ECROU HEXAGONAL FE/ZNXC3 | NUT FE/ZNXC3 | SECHSKANTMUTTER FE/ZNXC3 | DADO FE/ZNXC3 | |
| 017 | 80060521 | 004 | VIS TETE HEXAGONALE FE/ZNXC3 | HEXAGON HEAD SCREW FE/ZNXC3 | SECHSKANTSCHRAUBE FE/ZNXC3 | VITE TESTA ESAGONALE FE/ZNXC3 | |
| 018 | 80250512 | 004 | RONDELLE PLATE FE/ZNXC3 | PLAIN WASHER M5 DIN-125 | SCHEIBE FE/ZNXC3 | RONDELLA PIATTA FE/ZNXC3 | |
| 019 | 80200540 | 004 | ECROU HEX.BAS AUTOFR.FE/ZNXC3 | SELF-LOCKING NUT FE/ZNXC3 | SELBSTSICHERND.MUTTER FE/ZNXC3 | DADO AUTOBLOCCANTE FE/ZNXC3 | |
| 020 | A7040343 | 001 | BOITIER | HOUSING | GEHAEUSE | SCATOLA | |
| 021 | A5317661 | 001 | SUPPORT | SUPPORT | TRAEGER | SUPPORTO | |
| 022 | A7040237 | 003 | CAPTEUR | SENSOR | SENSOR | SENSORE | |
| 023 | A7040361 | 001 | BOITIER | HOUSING | GEHAEUSE | SCATOLA | |
| 024 | A7040171 | 001 | FAISCEAU | HARNES | KABELBAUM | FASCIO | |
| 025 | A5330940 | 001 | SUPPORT | SUPPORT | TRAEGER | SUPPORTO | |
| 026 | 80370419 | 002 | RIVET AVEUGLE TL | RIVET | NIETE | RIVETTO | |
| 027 | 80060620 | 002 | VIS TETE HEXAGONALE FE/ZNXC3 | HEX BOLT FE/ZNXC3 | SECHSKANTSCHRAUBE FE/ZNXC3 | VITE TESTA ESAGONALE FE/ZNXC3 | |
| 028 | 80250611 | 002 | RONDELLE PLATE FE/ZNXC3 | PLAIN WASHER M6 DIN 125 FE/ZNX | SCHEIBE FE/ZNXC3 | RONDELLA PIATTA FE/ZNXC3 | |
| 029 | 80200600 | 002 | ECROU HEXAGONAL FE/ZNXC3 | NUT FE/ZNXC3 | SECHSKANTMUTTER FE/ZNXC3 | DADO FE/ZNXC3 | |
| 030 | 50070300 | 002 | VIS TBCC COURT | BOLT, CARRIAGE, SHORT NECK | FLACHRUNDSCHR.4KT ANSATZ | BULLONE | |
| 031 | A5338550 | 001 | PIVOT | PIVOT | GELENKBOLZEN | PERNO | |
| 032 | 80280850 | 004 | RONDELLE CONIQUE BLOC.FLZNNC | CONICAL SPRING WASHER FLZNNC | SPANNSCHEIBE FLZNNC | RONDELLA CONICA FLZNNC | |
| 033 | 83050015 | 004 | BOUTON | PLASTIC KNOB | KNOPF | TASTO | |
| 034 | A5338530 | 001 | TUBE | TUBE | ROHR | TUBO | |
| 035 | 80061026 | 001 | VIS TETE HEXAGONALE FE/ZNXC3 | HEXAGON HEAD SCREW FE/ZNXC3 | SECHSKANTSCHRAUBE FE/ZNXC3 | VITE TESTA ESAGONALE FE/ZNXC3 | |
| 036 | 80201040 | 001 | ECROU HEX.BAS AUTOFR.FE/ZNXC3 | SELF LOCKING NUT M10 DIN 985 | SELBSTSICHERND.MUTTER FE/ZNXC3 | DADO AUTOBLOCCANTE FE/ZNXC3 | |
| 037 | A8359108 | 001 | INSERT HEX M8 A COLLERETTE | INSERT NUT HEX M8 | EINSETZMUTTER HEX M8 | MANICOTTO HEX M8 | |
| 038 | A5338570 | 001 | CAPOT | HOOD | HAUBE | COFANO | |
| 039 | 80060845 | 001 | VIS TETE HEXAGONALE FE/ZNXC3 | HEXAGON HEAD SCREW FE/ZNXC3 | SECHSKANTSCHRAUBE FE/ZNXC3 | VITE TESTA ESAGONALE FE/ZNXC3 | |
| 040 | 50072200 | 002 | VIS TBCC COURT | BOLT, CARRIAGE, SHORT NECK | FLACHRUNDSCHR.4KT ANSATZ | BULLONE | |
| 041 | A5338580 | 002 | RONDELLE | WASHER | SCHEIBE | RONDELLA PIATTA | |
| 042 | A5338540 | 001 | SUPPORT DE BRAS | SUPPORT, ARM | ARMHALTERUNG | SUPPORTO BRACCIO | |
| 043 | A5338600 | 001 | BUTEE | STOP | ANSCHLAG | LIMITATORE | |
| 044 | 80060820 | 002 | VIS TETE HEXAGONALE FE/ZNXC3 | HEXAGON HEAD SCREW FE/ZNXC3 | SECHSKANTSCHRAUBE FE/ZNXC3 | VITE TESTA ESAGONALE FE/ZNXC3 | |
| 045 | 80200840 | 002 | ECROU HEX.BAS AUTOFR.FE/ZNXC3 | SELF-LOCKING NUT FE/ZNXC3 | SELBSTSICHERND.MUTTER FE/ZNXC3 | DADO AUTOBLOCCANTE FE/ZNXC3 | |





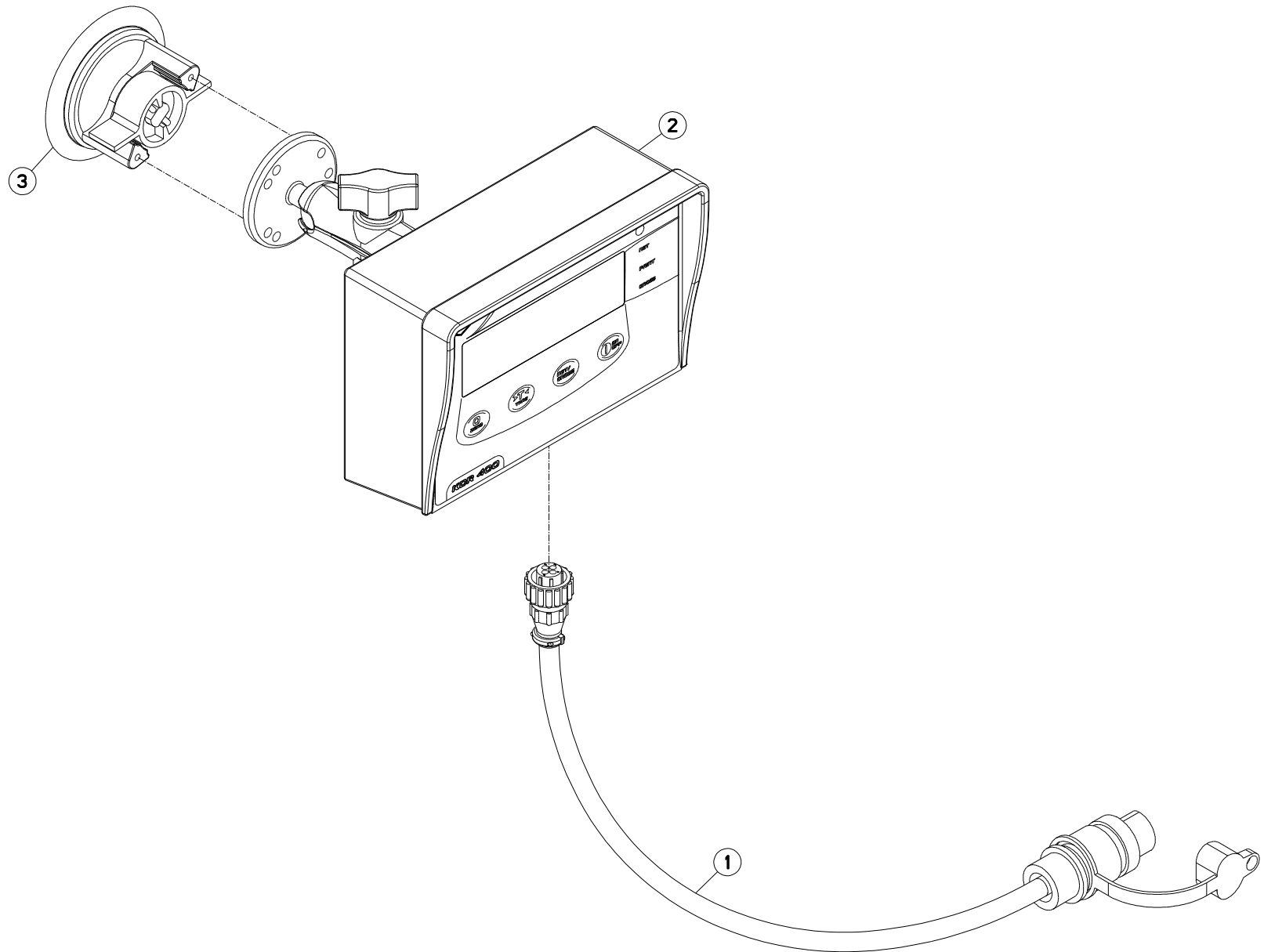
EQUIPEMENT KDW340 (KDR300)

EQUIPMENT KDW340 (KDR300)

AUSRÜSTUNG KDW340 (KDR300)

EQUIPAGGIAMENTO KDW340 (KDR300)

| Rep | Nr | Qt | Designation | Description | Bezeichnung | Referenza | Remarque - Remark - Bemerkung - Osservazioni |
|-----|----------|-----|-------------------------------|-----------------------------|--------------------------------|----------------------------|--|
| 001 | A7040171 | 001 | FAISCEAU | HARNES | KABELBAUM | FASCIO | |
| 002 | A7040378 | 001 | SUPPORT | SUPPORT | TRAEGER | SUPPORTO | |
| 003 | A7040388 | 001 | RAPPEL AFFICHAGE | DISPLAY REMINDER | ZWEITES ANZEIGEGERÄT | RICHIAMO VISUALIZZAZIONE | |
| 004 | A4080813 | 002 | COUDE MALE | MALE STUD ELBOW FE/ZNXC3 | WINKEL-EINSCHRAUBVERSCHRAU.FE/ | GIUNZIONE A 90° FE/ZNXC3 | |
| 005 | A4074044 | 004 | COUPLEUR MALE | CONNECTOR MALE | KUPPLUNGSTECKER | GIUNTO | |
| 006 | 80201805 | 006 | ECROU HEXAGONAL BAS | HEXAGON THIN NUT | FLACHE SECHSKANTMUTTER | DADO | |
| 007 | A4922222 | 004 | FL.CL2 3/8 TD12L+TD12L LG2200 | HOSE | SCHLAUCH | TUBO GOMMA | <->2200 mm |
| 008 | A4922501 | 002 | FLEXIBLE HYDRAULIQUE | HYDRAULIC HOSE | HYDRAULIKSCHLAUCH | TUBO GOMMA | <->5000 mm |
| 009 | A4922550 | 002 | FLEXIBLE HYDRAULIQUE | HYDRAULIC HOSE | HYDRAULIKSCHLAUCH | TUBO GOMMA | <->5500 mm |
| 010 | 82300066 | 006 | SUPPORT COUPLEUR MALE | ANCHOR BRACKET FOR MALE TIP | STECKERHALTER | SUPPORTO | |
| 011 | A4015011 | 002 | VERIN | CYLINDER, HYDRAULIC | HYDRAULIKZYLINDER | CILINDRO | |
| 012 | A4080311 | 004 | UNION DOUBLE FE/ZNXC3 | STRAIGHT COUPLING FE/ZNXC3 | GERADE VERSCHRAUBUNG FE/ZNXC3 | GIUNZIONE DIRITTA FE/ZNXC3 | |
| 013 | A4080411 | 002 | UNION MALE | MALE STUD CONNECTOR | GERADER EINSCHRAUBSTUTZEN | GIUNZIONE DIRITTA ZBC | |





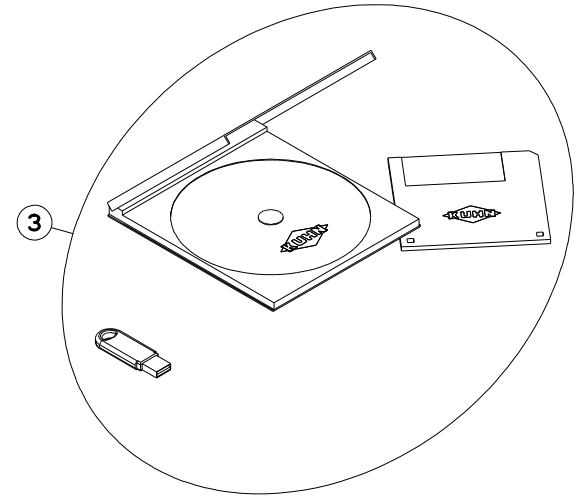
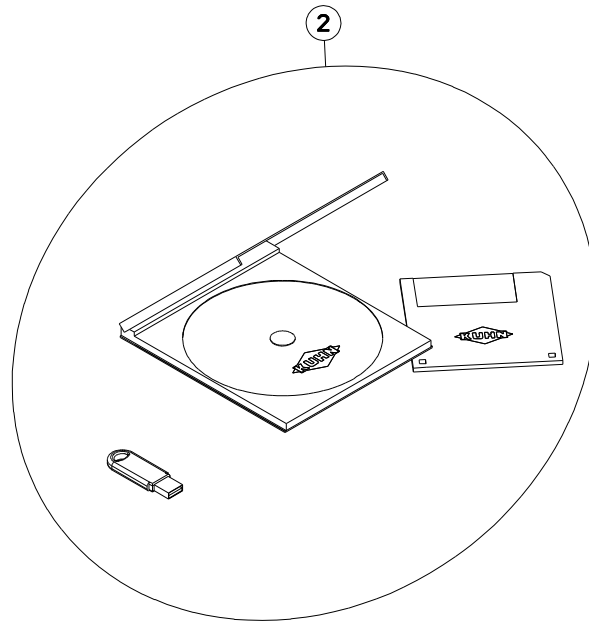
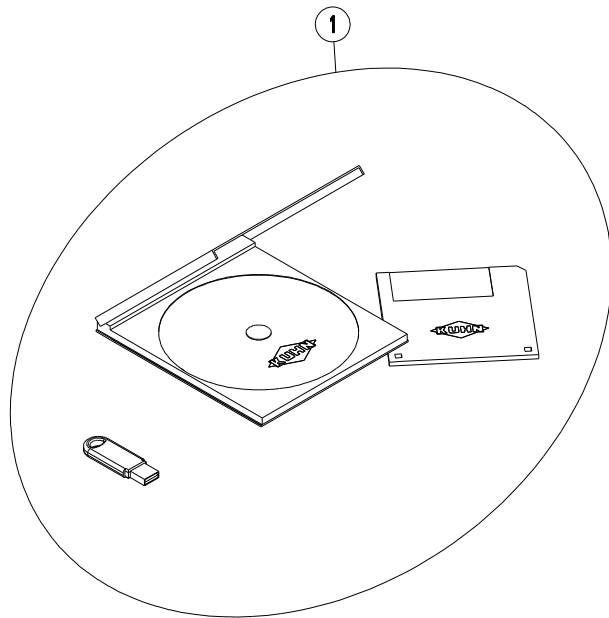
EQUIPEMENT KDW360

EQUIPMENT KDW360

AUSRÜSTUNG KDW360

EQUIPAGGIAMENTO KDW360

| Rep | Nr | Qt | Designation | Description | Bezeichnung | Referenza | Remarque - Remark - Bemerkung - Osservazioni |
|-----|----------|-----|------------------------------|----------------------------|--------------------------------|--------------------------------|--|
| 001 | A7040171 | 001 | FAISCEAU | HARNES | KABELBAUM | FASCIO | |
| 002 | A7040377 | 001 | RAPPEL AFFICHAGE | DISPLAY REMINDER | ZWEITES ANZEIGEGERÄT | RICHIAMO VISUALIZZAZIONE | |
| 003 | A7040378 | 001 | SUPPORT | SUPPORT | TRAEGER | SUPPORTO | |
| 004 | A4071205 | 001 | CLAPET PILOTE HYDAC COMPLET | COMPLETE CHECK VALVE HYDAC | SICHERHEITVENTIL KPL HYDAC | VALVOLA | |
| 005 | A4071206 | 001 | CLAPET PILOTE HYDAC + CORPS | COMPLETE CHECK VALVE | SICHERHEITVENTILGEHAEUSE KPL | VALVOLA | |
| 006 | A4200198 | 001 | POCHETTE JTS DE25X40 C200 | SEAL KIT | DICHTUNGSSATZ | SERIE GUARNIZIONI 25X40 | |
| 007 | A4080813 | 001 | COUDE MALE | MALE STUD ELBOW FE/ZNXC3 | WINKEL-EINSCHRAUBVERSCHRAU.FE/ | GIUNZIONE A 90° FE/ZNXC3 | |
| 008 | A4082701 | 002 | COUDE TOURNANT | AJUSTABLE MALE STUD ELBOW | EINSTELLBARE WINKEL STUTZEN | GIUNZIONE A 90°ORIENTABILE ZBC | |
| 009 | A4922035 | 001 | FLEXIBLE HYDRAULIQUE | HYDRAULIC HOSE | HYDRAULIKSCHLAUCH | TUBO GOMMA | <->350 mm |
| 010 | A4922302 | 002 | FLEXIBLE HYDRAULIQUE | HYDRAULIC HOSE | HYDRAULIKSCHLAUCH | TUBO GOMMA | <->3000 mm |
| 011 | A4072005 | 001 | LIMITEUR DEBIT D1 TUBE D14 | DELIVERY LIMITER | MENGEN BEGRENZER | REGOLATORE D'ALIMENTAZIONE | |
| 012 | A4072016 | 001 | LIMITEUR DEBIT D0.8 TUBE D12 | DELIVERY LIMITER | MENGEN BEGRENZER | REGOLATORE D'ALIMENTAZIONE | |
| 013 | A4060625 | 001 | UNION MALE SPECIALE ZBC | MALE SUTD COUPLING ZBC | GERADE EINSCHRAUBVERSCHRAU.ZBC | GIUNZIONE DIRITTA ZBC | |
| 014 | A4080411 | 004 | UNION MALE | MALE STUD CONNECTOR | GERADER EINSCHRAUBSTUTZEN | GIUZIONE DIRITTA ZBC | |
| 015 | A4015018 | 001 | VERIN | CYLINDER, HYDRAULIC | HYDRAULIKZYLINDER | CILINDRO | |
| 016 | A4064217 | 001 | VIS CREUSE 3/8G LG.51.5 | BOLT LG.51.5 | HOHLSCHRAUBE LG.51.5 | VITE | |





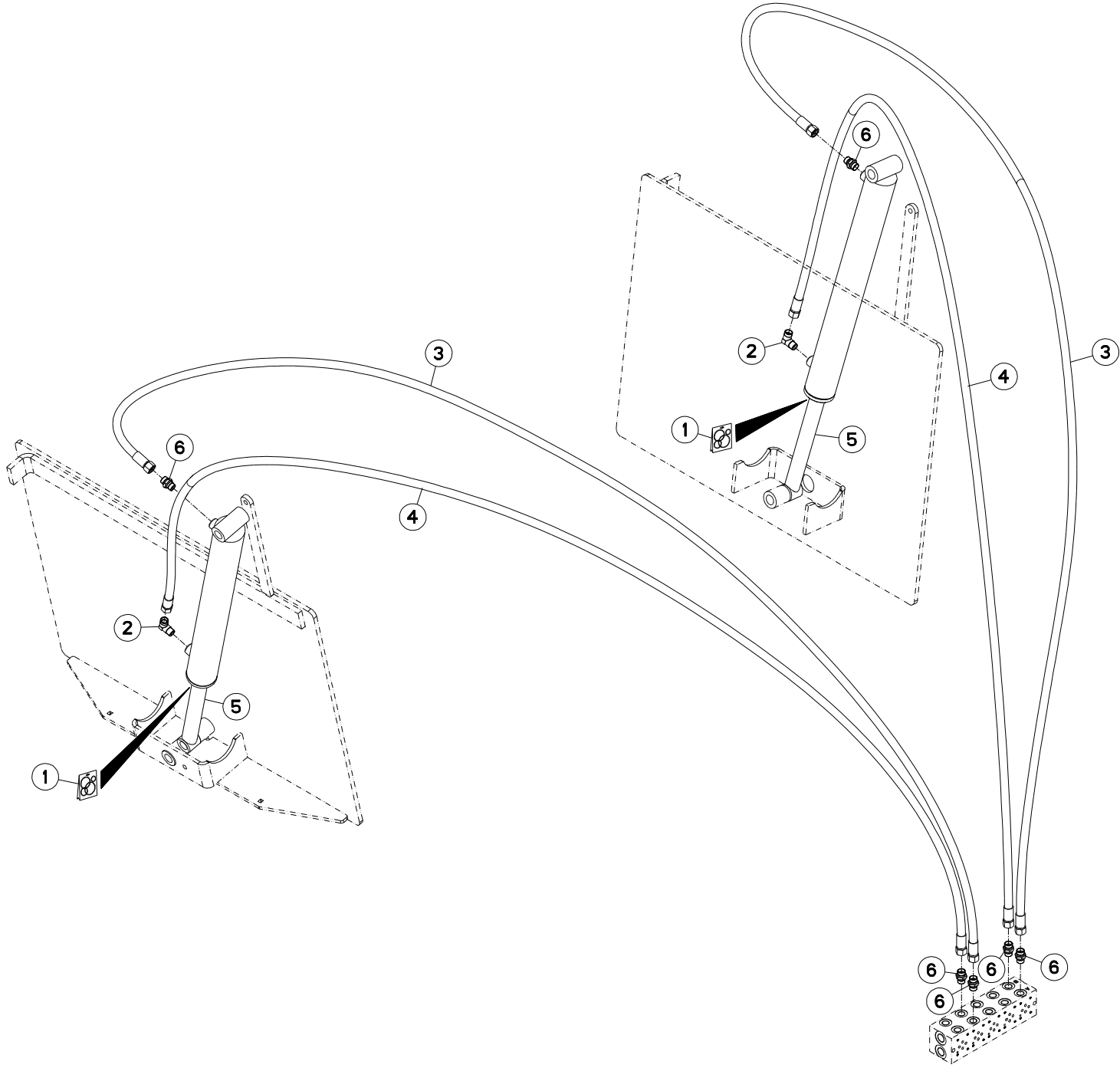
EQUIPEMENT KDW360 USB

EQUIPMENT KDW360 USB

AUSRÜSTUNG KDW360 USB

EQUIPAGGIAMENTO KDW360 USB

| Rep | Nr | Qt | Designation | Description | Bezeichnung | Referenza | Remarque - Remark - Bemerkung - Osservazioni |
|-----|-----------------|-----|------------------------------|----------------------------|--------------------------------|--------------------------------|--|
| 001 | A7040341 | 001 | KIT TMR TRACKER LITE | KIT TMR TRACKER LITE | KIT TMR TRACKER LITE | KIT TMR TRACKER LITE | |
| 002 | A7040392 | 001 | KIT TMR TRACKER PRO | KIT TMR TRACKER PRO | KIT TMR TRACKER PRO | KIT TMR TRACKER PRO | |
| 003 | A7040393 | 001 | KIT TMR TRACKER PRO+ | KIT TMR TRACKER PRO+ | KIT TMR TRACKER PRO+ | KIT TMR TRACKER PRO+ | |
| 004 | A4071205 | 001 | CLAPET PILOTE HYDAC COMPLET | COMPLETE CHECK VALVE HYDAC | SICHERHEITSENTIL KPL HYDAC | VALVOLA | |
| 005 | A4071206 | 001 | CLAPET PILOTE HYDAC + CORPS | COMPLETE CHECK VALVE | SICHERHEITSENTILGEHAEUSE KPL | VALVOLA | |
| 006 | A4200198 | 001 | POCHETTE JTS DE25X40 C200 | SEAL KIT | DICHTUNGSSATZ | SERIE GUARNIZIONI 25X40 | |
| 007 | A4080813 | 001 | COUDE MALE | MALE STUD ELBOW FE/ZNXC3 | WINKEL-EINSCHRAUBVERSCHRAU.FE/ | GIUNZIONE A 90° FE/ZNXC3 | |
| 008 | A4082701 | 002 | COUDE TOURNANT | AJUSTABLE MALE STUD ELBOW | EINSTELLBARE WINKEL STUTZEN | GIUNZIONE A 90°ORIENTABILE ZBC | |
| 009 | A4922035 | 001 | FLEXIBLE HYDRAULIQUE | HYDRAULIC HOSE | HYDRAULIKSCHLAUCH | TUBO GOMMA | <->350 mm |
| 010 | A4922302 | 002 | FLEXIBLE HYDRAULIQUE | HYDRAULIC HOSE | HYDRAULIKSCHLAUCH | TUBO GOMMA | <->3000 mm |
| 011 | A4072005 | 001 | LIMITEUR DEBIT D1 TUBE D14 | DELIVERY LIMITER | MENGEN BEGRENZER | REGOLATORE D'ALIMENTAZIONE | |
| 012 | A4072016 | 001 | LIMITEUR DEBIT D0.8 TUBE D12 | DELIVERY LIMITER | MENGEN BEGRENZER | REGOLATORE D'ALIMENTAZIONE | |
| 013 | A4060625 | 001 | UNION MALE SPECIALE ZBC | MALE SUTD COUPLING ZBC | GERADE EINSCHRAUBVERSCHRAU.ZBC | GIUNZIONE DIRITTA ZBC | |
| 014 | A4080411 | 004 | UNION MALE | MALE STUD CONNECTOR | GERADER EINSCHRAUBSTUTZEN | GIUZIONE DIRITTA ZBC | |
| 015 | A4015018 | 001 | VERIN | CYLINDER, HYDRAULIC | HYDRAULIKZYLINDER | CILINDRO | |
| 016 | A4064217 | 001 | VIS CREUSE 3/8G LG.51.5 | BOLT LG.51.5 | HOHLSCHRAUBE LG.51.5 | VITE | |





EURO.II 1460 FLEX GO
EURO.II 1460 FLEX TA

A4600 >
A4600 >

A53R0481 A

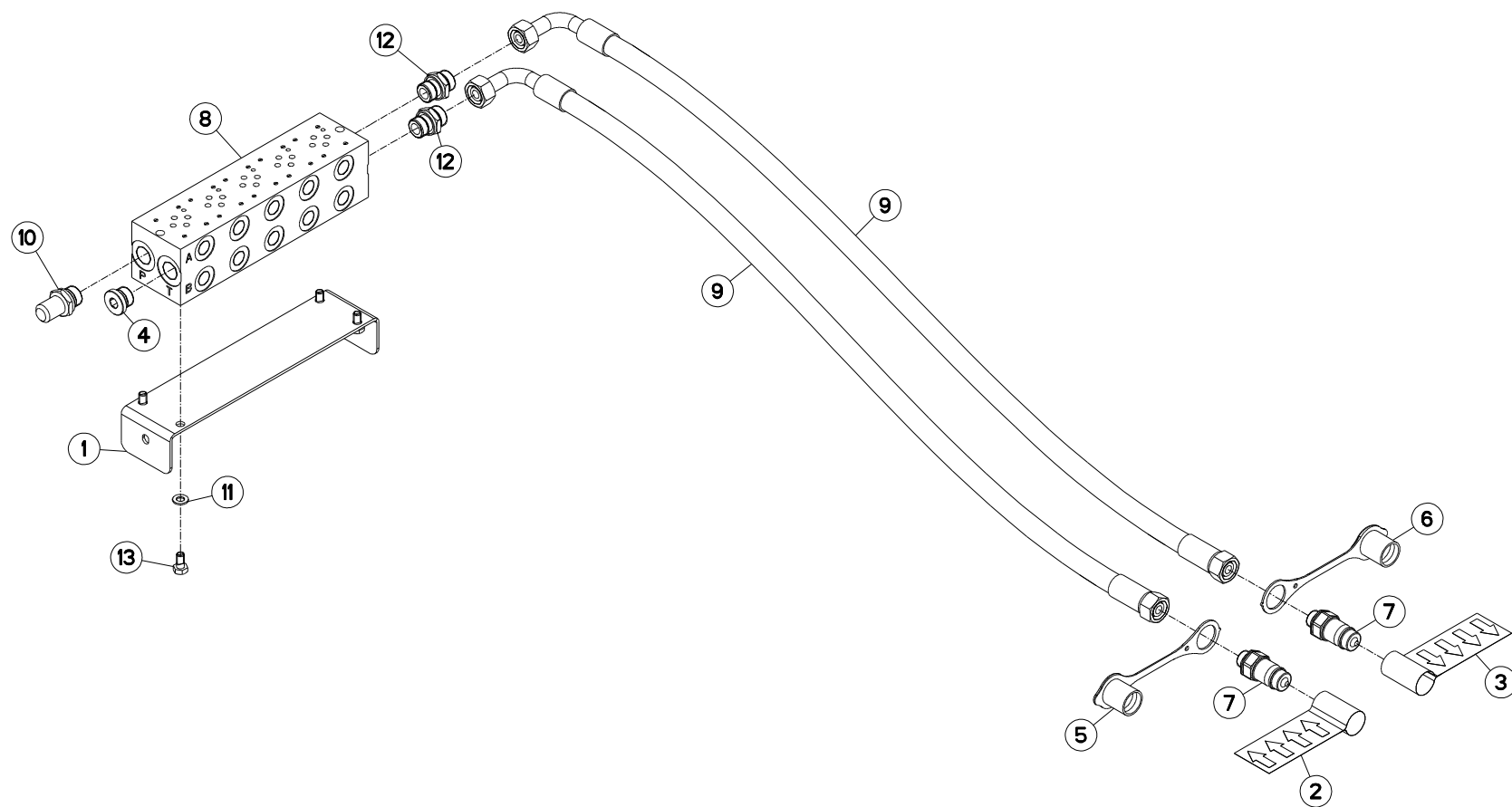
HYDRAULIQUE PORTE

HYDRAULIC DOOR

HYDRAULIK TÜR

IDRAULICO PORTA

| Rep | Nr | Qt | Designation | Description | Bezeichnung | Referenza | Remarque - Remark - Bemerkung - Osservazioni |
|-----|-----------------|-----|------------------------------|---------------------------|--------------------------------|--------------------------------|--|
| 001 | A4200155 | 002 | POCHETTE DE JTS :A4015011 | SET OF OIL SEALS | SATZ DICHTUNGEN | KIT GUARNIZIONI | |
| 002 | A4080813 | 002 | COUDE MALE | MALE STUD ELBOW FE/ZNXC3 | WINKEL-EINSCHRAUBVERSCHRAU.FE/ | GIUNZIONE A 90° FE/ZNXC3 | |
| 003 | A4922501 | 002 | FLEXIBLE HYDRAULIQUE | HYDRAULIC HOSE | HYDRAULIKSCHLAUCH | TUBO GOMMA | <->5000 mm |
| 004 | A4922550 | 002 | FLEXIBLE HYDRAULIQUE | HYDRAULIC HOSE | HYDRAULIKSCHLAUCH | TUBO GOMMA | <->5500 mm |
| 005 | A4015011 | 002 | VERIN | CYLINDER, HYDRAULIC | HYDRAULIKZYLINDER | CILINDRO | |
| 006 | A4080411 | 006 | UNION MALE | MALE STUD CONNECTOR | GERADER EINSCHRAUBSTUTZEN | GIUZIONE DIRITTA ZBC | |
| 007 | A4082701 | 004 | COUDE TOURNANT | AJUSTABLE MALE STUD ELBOW | EINSTELLBARE WINKEL STUTZEN | GIUNZIONE A 90°ORIENTABILE ZBC | |
| 008 | A4922035 | 002 | FLEXIBLE HYDRAULIQUE | HYDRAULIC HOSE | HYDRAULIKSCHLAUCH | TUBO GOMMA | <->350 mm |
| 009 | A4922302 | 004 | FLEXIBLE HYDRAULIQUE | HYDRAULIC HOSE | HYDRAULIKSCHLAUCH | TUBO GOMMA | <->3000 mm |
| 010 | A4072005 | 002 | LIMITEUR DEBIT D1 TUBE D14 | DELIVERY LIMITER | MENGEN BEGRENZER | REGOLATORE D'ALIMENTAZIONE | |
| 011 | A4072016 | 002 | LIMITEUR DEBIT D0.8 TUBE D12 | DELIVERY LIMITER | MENGEN BEGRENZER | REGOLATORE D'ALIMENTAZIONE | |
| 012 | A4060625 | 002 | UNION MALE SPECIALE ZBC | MALE SUTD COUPLING ZBC | GERADE EINSCHRAUBVERSCHRAU.ZBC | GIUNZIONE DIRITTA ZBC | |
| 013 | A4080411 | 008 | UNION MALE | MALE STUD CONNECTOR | GERADER EINSCHRAUBSTUTZEN | GIUZIONE DIRITTA ZBC | |
| 014 | A4015018 | 002 | VERIN | CYLINDER, HYDRAULIC | HYDRAULIKZYLINDER | CILINDRO | |
| 015 | A4064217 | 002 | VIS CREUSE 3/8G LG.51.5 | BOLT LG.51.5 | HOHLSCHRAUBE LG.51.5 | VITE | |





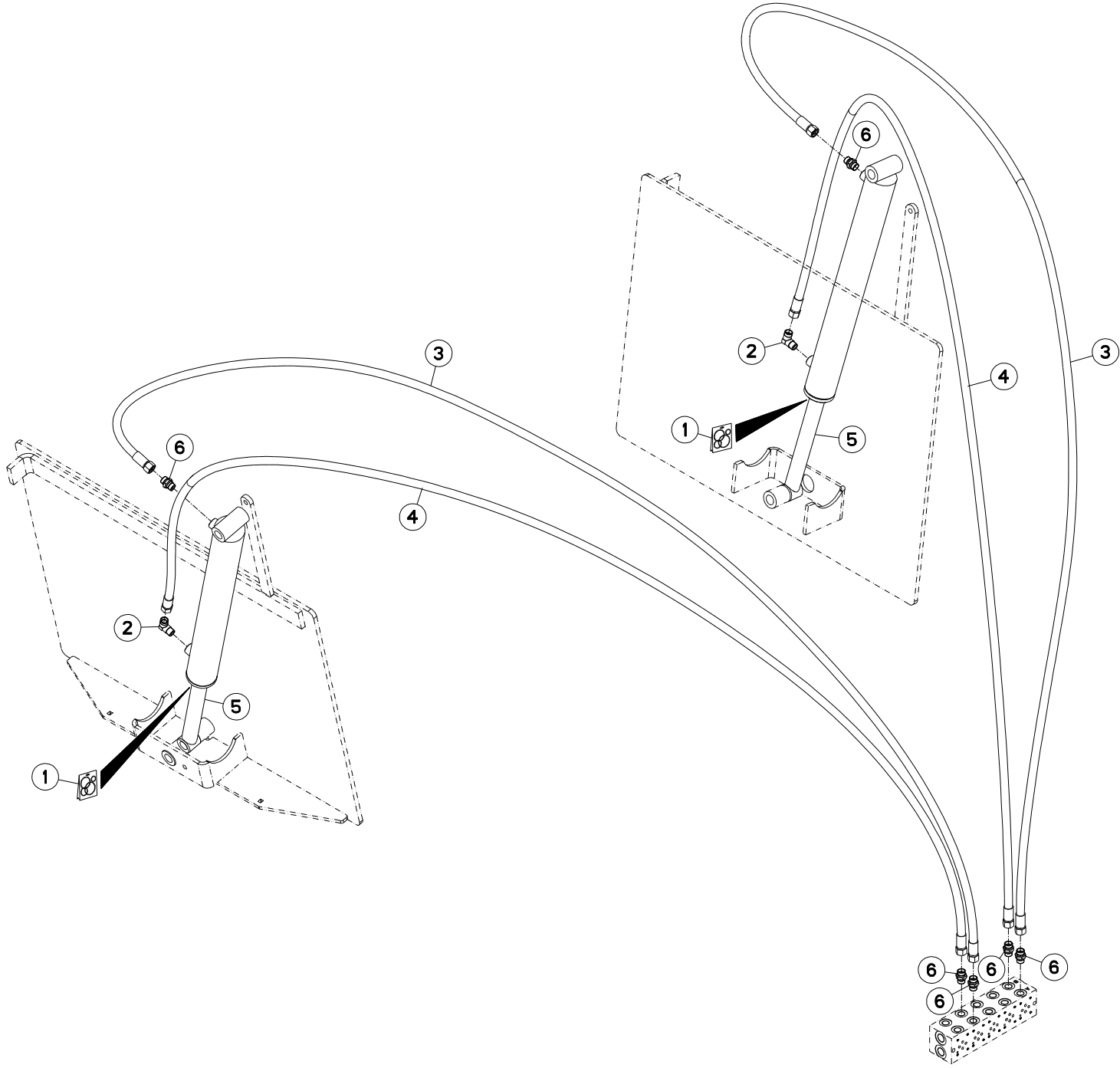
HYDRAULIQUE

HYDRAULIC

HYDRAULIK

IDRAULICO

| Rep | Nr | Qt | Designation | Description | Bezeichnung | Referenza | Remarque - Remark - Bemerkung - Osservazioni |
|-----|----------|-----|------------------------------|--------------------------------|----------------------------|-------------------------------|--|
| 001 | A5311750 | 001 | SUPPORT DISTRIB. CETOP3 1860 | HOLDER DISTRIBUTOR | HALTER STEUERBLOCK | SUPPORTO | |
| 002 | A7300013 | 001 | ETIQ.ADH. | DECAL | AUFKLEBER | ADESIVO | |
| 003 | A7300014 | 001 | ETIQ.ADH. | DECAL | AUFKLEBER | ADESIVO | |
| 004 | A4061803 | 001 | BOUCHON | PLUG | VERSCHLUSSSCHRAUBE | TAPPO | |
| 005 | 82300026 | 001 | CAPUCHON COUPLEUR MALE | CAP MALE CONNECTOR | KAPPE KUPPLUNGSSTECKER | TAPPO | |
| 006 | A4074046 | 001 | CAPUCHON COUPLEUR MALE | CAP MALE CONNECTOR | KAPPE KUPPLUNG STECKER | TAPPO PLASTICA | |
| 007 | A4074044 | 002 | COUPLEUR MALE | CONNECTOR MALE | KUPPLUNGSTECKER | GIUNTO | |
| 008 | A4101002 | 001 | EMBASE | BASE | GRUNDPLATTE | BASE | |
| 009 | A4923290 | 002 | FLEXIBLE HYDRAULIQUE | HYDRAULIC HOSE | HYDRAULIKSCHLAUCH | TUBO GOMMA | <->2900 mm |
| 010 | A4065003 | 001 | PRISE DE PRESSION | PORT, PRESSURE | DRUCKANSCHLUSS | PRESA DI PRESSIONE IDRAULICA | |
| 011 | 80250823 | 004 | RONDELLE PLATE FE/ZNXC3 | PLAIN WASHER FE/ZNXC3 | SCHEIBE FE/ZNXC3 | RONDELLA PIATTA FE/ZNXC3 | |
| 012 | A4080430 | 002 | UNION MALE | MALE STUD CONNECTOR | GERADER EINSCHRAUBSTUTZEN | GIUZIONE DIRITTA ZBC | |
| 013 | 80060816 | 004 | VIS TETE HEXAGONALE FE/ZNXC3 | HEX. SCREW M8X16 CL.8.8 DIN 93 | SECHSKANTSCHRAUBE FE/ZNXC3 | VITE TESTA ESAGONALE FE/ZNXC3 | |
| 014 | A4071300 | 001 | ROBINET | VALVE, BALL | KUGELHAHN | ROBINETTO | |





EURO.II 1860 FLEX GO
EURO.II 1860 FLEX TA

A4600 >
A4600 >

A53R0550 A

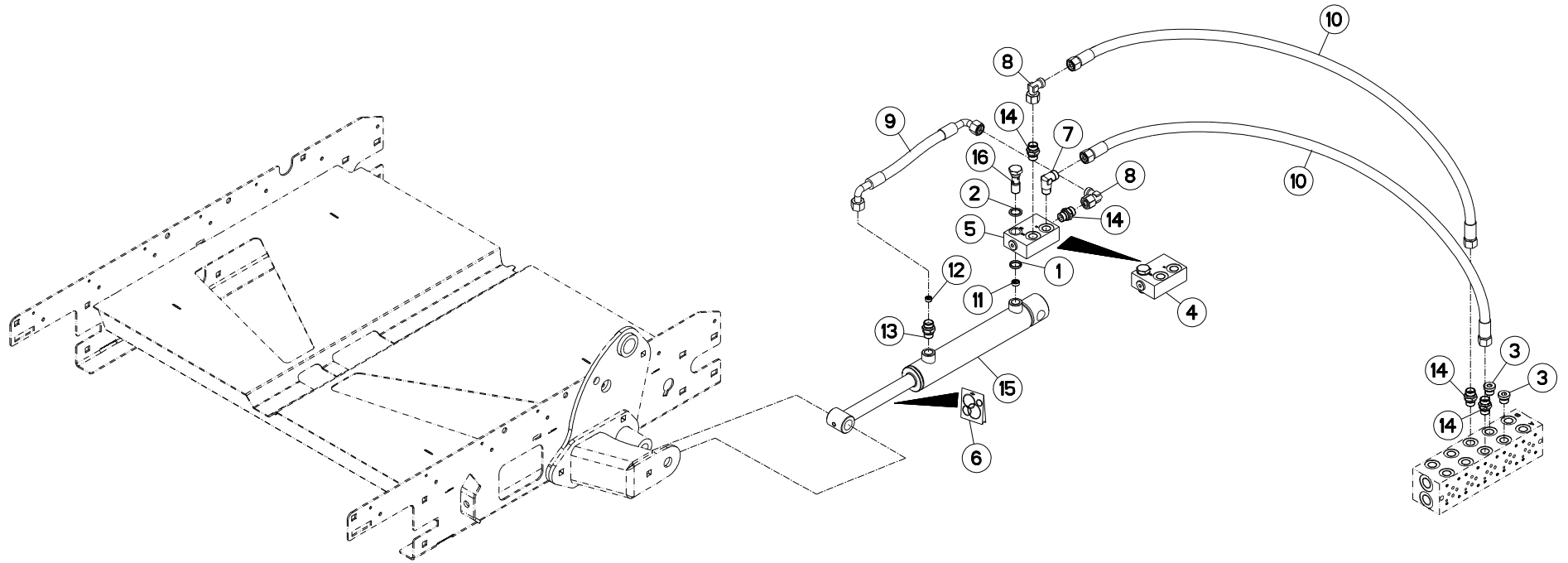
HYDRAULIQUE PORTE

HYDRAULIC DOOR

HYDRAULIK TÜR

IDRAULICO PORTA

| Rep | Nr | Qt | Designation | Description | Bezeichnung | Referenza | Remarque - Remark - Bemerkung - Osservazioni |
|-----|----------|-----|---------------------------|-----------------------------|--------------------------------|---------------------------|--|
| 001 | A4200155 | 002 | POCHETTE DE JTS :A4015011 | SET OF OIL SEALS | SATZ DICHTUNGEN | KIT GUARNIZIONI | |
| 002 | A4080813 | 002 | COUDE MALE | MALE STUD ELBOW FE/ZNXC3 | WINKEL-EINSCHRAUBVERSCHRAU.FE/ | GIUNZIONE A 90° FE/ZNXC3 | |
| 003 | A4922550 | 002 | FLEXIBLE HYDRAULIQUE | HYDRAULIC HOSE | HYDRAULIKSCHLAUCH | TUBO GOMMA | <->5500 mm |
| 004 | A4922590 | 002 | FLEXIBLE HYDRAULIQUE | HYDRAULIC HOSE | HYDRAULIKSCHLAUCH | TUBO GOMMA | <->5900 mm |
| 005 | A4015011 | 002 | VERIN | CYLINDER, HYDRAULIC | HYDRAULIKZYLINDER | CILINDRO | |
| 006 | A4080411 | 006 | UNION MALE | MALE STUD CONNECTOR | GERADER EINSCHRAUBSTUTZEN | GIUZIONE DIRITTA ZBC | |
| 007 | A4922351 | 002 | FLEXIBLE HYDRAULIQUE | HYDRAULIC HOSE | HYDRAULIKSCHLAUCH | TUBO GOMMA | <->3500 mm |
| 008 | A4922401 | 001 | FLEXIBLE HYDRAULIQUE | HYDRAULIC HOSE | HYDRAULIKSCHLAUCH | TUBO GOMMA | <->4000 mm |
| 009 | A4922501 | 001 | FLEXIBLE HYDRAULIQUE | HYDRAULIC HOSE | HYDRAULIKSCHLAUCH | TUBO GOMMA | <->5000 mm |
| 010 | A4020053 | 001 | MOTEUR HYDRAULIQUE | MOTOR, HYDRAULIC | MOTOR | MOTORE | |
| 011 | A4083101 | 001 | TE ADAPTABLE RENVERSE | ADJ.MALE STUD TEE-STUD BAR. | EINSTELLB.L VERSCHRAUBUNG | TERMINALE A L ORIENTABILE | |
| 012 | A4080411 | 002 | UNION MALE | MALE STUD CONNECTOR | GERADER EINSCHRAUBSTUTZEN | GIUZIONE DIRITTA ZBC | |
| 013 | A4080412 | 003 | UNION MALE | MALE STUD CONNECTOR | GERADER EINSCHRAUBSTUTZEN | GIUZIONE DIRITTA ZBC | |
| 014 | A4071300 | 001 | ROBINET | VALVE, BALL | KUGELHAHN | ROBINETTO | |





EURO.II 1460 FLEX GO
EURO.II 1460 FLEX TA

A4600 >
A4600 >

A53R0480 A

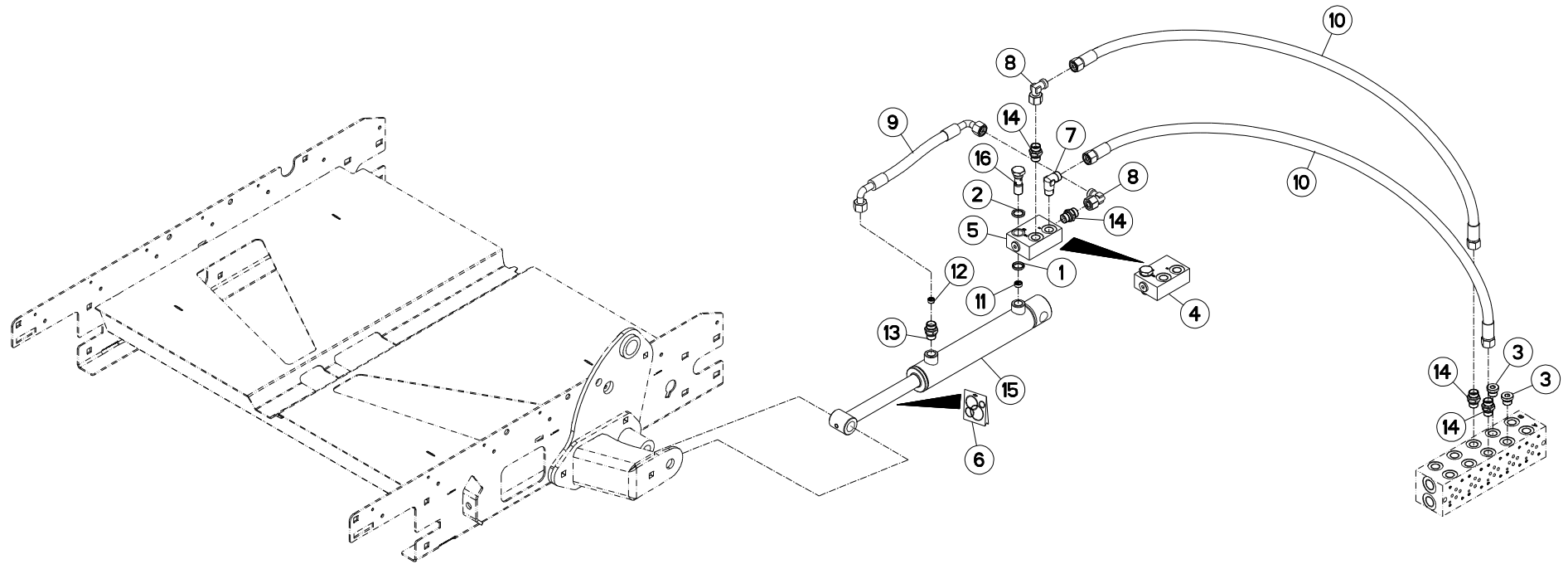
RELEVAGE 0,63/0,8M DROIT

LIFT 0,63/0,8M RIGHT

AUSHEBUNG 0,63/0,8M RECHTS

SOLLEVAMENTO 0,63/0,8M DX

| Rep | Nr | Qt | Designation | Description | Bezeichnung | Referenza | Remarque - Remark - Bemerkung - Osservazioni |
|-----|----------|-----|-------------------------------|----------------------------|--------------------------------|--------------------------------|--|
| 001 | A4060150 | 001 | BAGUE D'ETANC. DOUBLE D17 F.B | BUSH | BUCHSE | BOCCOLA | |
| 002 | A4230017 | 001 | BAGUE BS17 | BUSH BS | BUCHSE BS | GUARNIZIONE | |
| 003 | A4061802 | 002 | BOUCHON 3/8G CHC F.E FE/ZNXC3 | PLUG 3/8G CHC F.E FE/ZNXC3 | VERSCHLUSSSCHRAUBE 3/8G CHC F. | TAPPO 3/8G CHC F.E FE/ZNXC3 | |
| 004 | A4071205 | 001 | CLAPET PILOTE HYDAC COMPLET | COMPLETE CHECK VALVE HYDAC | SICHERHEITSENTIL KPL HYDAC | VALVOLA | |
| 005 | A4071206 | 001 | CLAPET PILOTE HYDAC + CORPS | COMPLETE CHECK VALVE | SICHERHEITSENTILGEHAEUSE KPL | VALVOLA | |
| 006 | A4200198 | 001 | POCHETTE JTS DE25X40 C200 | SEAL KIT | DICHTUNGSSATZ | SERIE GUARNIZIONI 25X40 | |
| 007 | A4080813 | 001 | COUDE MALE | MALE STUD ELBOW FE/ZNXC3 | WINKEL-EINSCHRAUBVERSCHRAU.FE/ | GIUNZIONE A 90° FE/ZNXC3 | |
| 008 | A4082701 | 002 | COUDE TOURNANT | AJUSTABLE MALE STUD ELBOW | EINSTELLBARE WINKEL STUTZEN | GIUNZIONE A 90°ORIENTABILE ZBC | |
| 009 | A4922035 | 001 | FLEXIBLE HYDRAULIQUE | HYDRAULIC HOSE | HYDRAULIKSCHLAUCH | TUBO GOMMA | <->350 mm |
| 010 | A4922302 | 002 | FLEXIBLE HYDRAULIQUE | HYDRAULIC HOSE | HYDRAULIKSCHLAUCH | TUBO GOMMA | <->3000 mm |
| 011 | A4072005 | 001 | LIMITEUR DEBIT D1 TUBE D14 | DELIVERY LIMITER | MENGEN BEGRENZER | REGOLATORE D'ALIMENTAZIONE | |
| 012 | A4072016 | 001 | LIMITEUR DEBIT D0.8 TUBE D12 | DELIVERY LIMITER | MENGEN BEGRENZER | REGOLATORE D'ALIMENTAZIONE | |
| 013 | A4060625 | 001 | UNION MALE SPECIALE ZBC | MALE SUTD COUPLING ZBC | GERADE EINSCHRAUBVERSCHRAU.ZBC | GIUNZIONE DIRITTA ZBC | |
| 014 | A4080411 | 004 | UNION MALE | MALE STUD CONNECTOR | GERADER EINSCHRAUBSTUTZEN | GIUZIONE DIRITTA ZBC | |
| 015 | A4015018 | 001 | VERIN | CYLINDER, HYDRAULIC | HYDRAULIKZYLINDER | CILINDRO | |
| 016 | A4064217 | 001 | VIS CREUSE 3/8G LG.51.5 | BOLT LG.51.5 | HOHLSCHRAUBE LG.51.5 | VITE | |





EURO.II 1860 FLEX GO
EURO.II 1860 FLEX TA

A4600 >
A4600 >

A53R0551 A

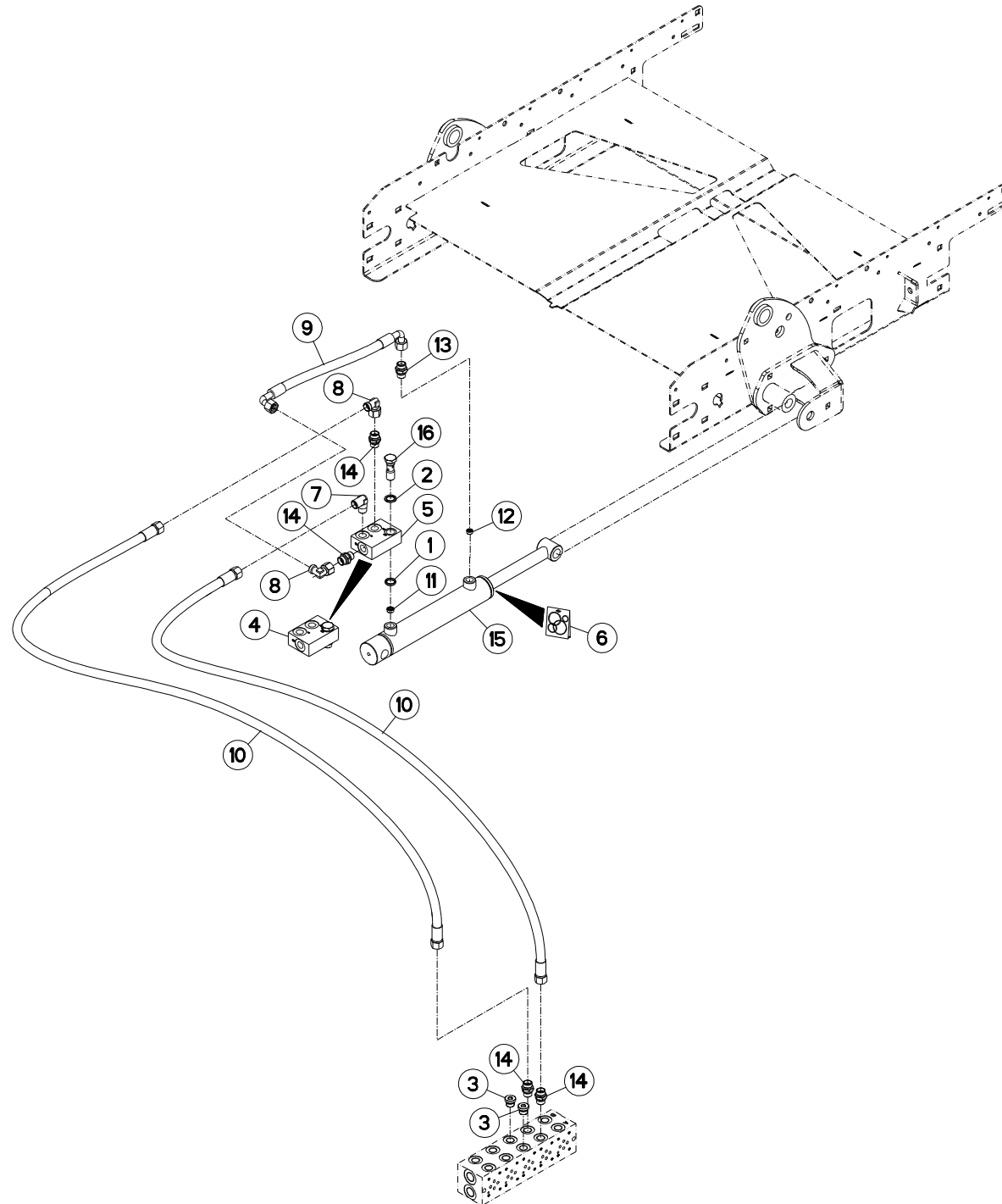
RELEVAGE 0,63/0,8M DROIT

LIFT 0,63/0,8M RIGHT

AUSHEBUNG 0,63/0,8M RECHTS

SOLLEVAMENTO 0,63/0,8M DX

| Rep | Nr | Qt | Designation | Description | Bezeichnung | Referenza | Remarque - Remark - Bemerkung - Osservazioni |
|-----|----------|-----|-------------------------------|----------------------------|--------------------------------|--------------------------------|--|
| 001 | A4060150 | 001 | BAGUE D'ETANC. DOUBLE D17 F.B | BUSH | BUCHSE | BOCCOLA | |
| 002 | A4230017 | 001 | BAGUE BS17 | BUSH BS | BUCHSE BS | GUARNIZIONE | |
| 003 | A4061802 | 002 | BOUCHON 3/8G CHC F.E FE/ZNXC3 | PLUG 3/8G CHC F.E FE/ZNXC3 | VERSCHLUSSSCHRAUBE 3/8G CHC F. | TAPPO 3/8G CHC F.E FE/ZNXC3 | |
| 004 | A4071205 | 001 | CLAPET PILOTE HYDAC COMPLET | COMPLETE CHECK VALVE HYDAC | SICHERHEITSENTIL KPL HYDAC | VALVOLA | |
| 005 | A4071206 | 001 | CLAPET PILOTE HYDAC + CORPS | COMPLETE CHECK VALVE | SICHERHEITSENTILGEHAEUSE KPL | VALVOLA | |
| 006 | A4200198 | 001 | POCHETTE JTS DE25X40 C200 | SEAL KIT | DICHTUNGSSATZ | SERIE GUARNIZIONI 25X40 | |
| 007 | A4080813 | 001 | COUDE MALE | MALE STUD ELBOW FE/ZNXC3 | WINKEL-EINSCHRAUBVERSCHRAU.FE/ | GIUNZIONE A 90° FE/ZNXC3 | |
| 008 | A4082701 | 002 | COUDE TOURNANT | AJUSTABLE MALE STUD ELBOW | EINSTELLBARE WINKEL STUTZEN | GIUNZIONE A 90°ORIENTABILE ZBC | |
| 009 | A4922035 | 001 | FLEXIBLE HYDRAULIQUE | HYDRAULIC HOSE | HYDRAULIKSCHLAUCH | TUBO GOMMA | <->350 mm |
| 010 | A4922351 | 002 | FLEXIBLE HYDRAULIQUE | HYDRAULIC HOSE | HYDRAULIKSCHLAUCH | TUBO GOMMA | <->3500 mm |
| 011 | A4072005 | 001 | LIMITEUR DEBIT D1 TUBE D14 | DELIVERY LIMITER | MENGEN BEGRENZER | REGOLATORE D'ALIMENTAZIONE | |
| 012 | A4072016 | 001 | LIMITEUR DEBIT D0.8 TUBE D12 | DELIVERY LIMITER | MENGEN BEGRENZER | REGOLATORE D'ALIMENTAZIONE | |
| 013 | A4060625 | 001 | UNION MALE SPECIALE ZBC | MALE SUTD COUPLING ZBC | GERADE EINSCHRAUBVERSCHRAU.ZBC | GIUNZIONE DIRITTA ZBC | |
| 014 | A4080411 | 004 | UNION MALE | MALE STUD CONNECTOR | GERADER EINSCHRAUBSTUTZEN | GIUZIONE DIRITTA ZBC | |
| 015 | A4015018 | 001 | VERIN | CYLINDER, HYDRAULIC | HYDRAULIKZYLINDER | CILINDRO | |
| 016 | A4064217 | 001 | VIS CREUSE 3/8G LG.51.5 | BOLT LG.51.5 | HOHLSCHRAUBE LG.51.5 | VITE | |





EURO.II 1460 FLEX GO
EURO.II 1460 FLEX TA

A4600 >
A4600 >

A53R0479 A

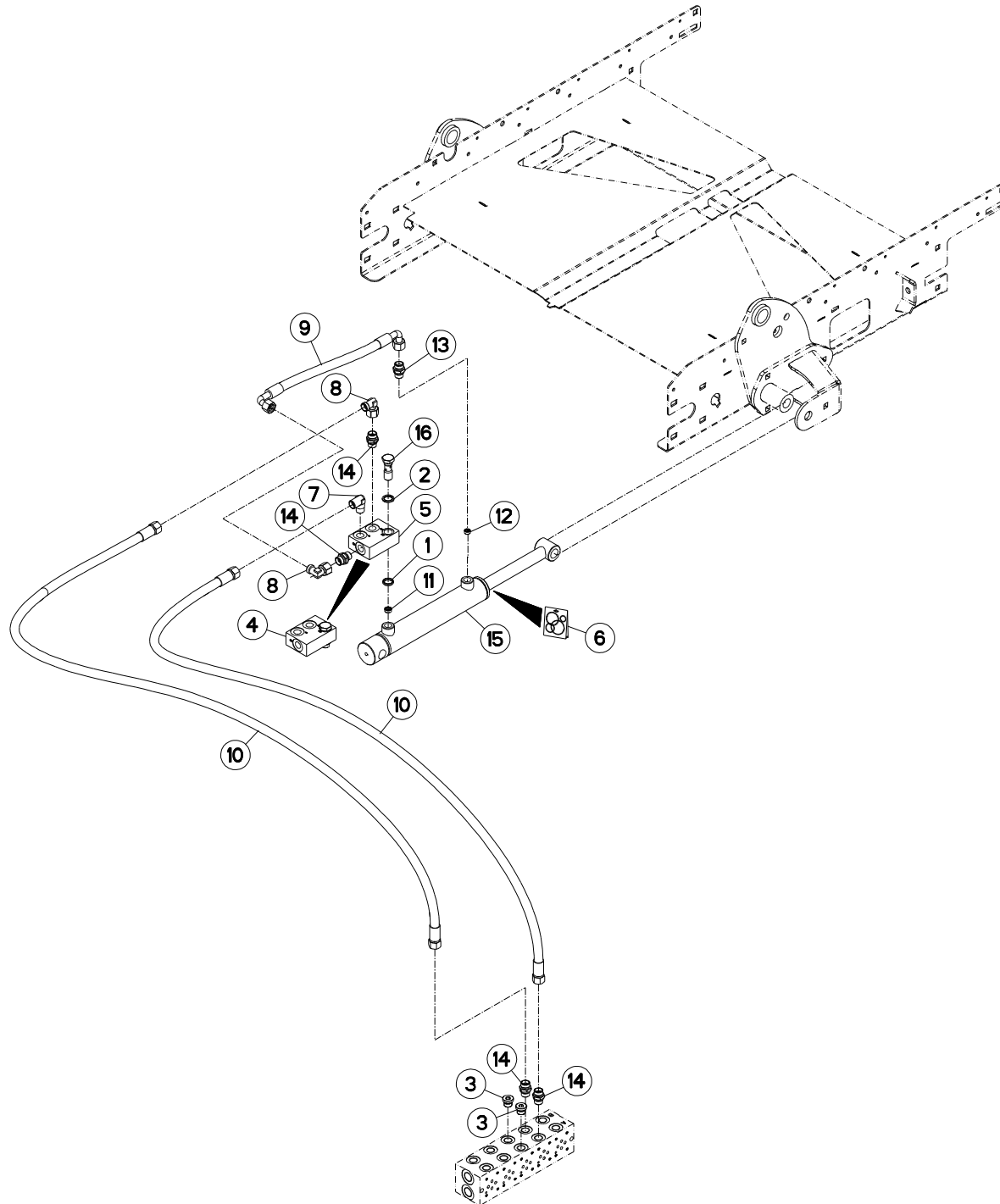
RELEVAGE 0,63/0,8M GAUCHE

LIFT 0,63/0,8M LEFT

AUSHEBUNG 0,63/0,8M LINKS

SOLLEVAMENTO 0,63/0,8M SX

| Rep | Nr | Qt | Designation | Description | Bezeichnung | Referenza | Remarque - Remark - Bemerkung - Osservazioni |
|-----|----------|-----|-------------------------------|----------------------------|--------------------------------|--------------------------------|--|
| 001 | A4060150 | 001 | BAGUE D'ETANC. DOUBLE D17 F.B | BUSH | BUCHSE | BOCCOLA | |
| 002 | A4230017 | 001 | BAGUE BS17 | BUSH BS | BUCHSE BS | GUARNIZIONE | |
| 003 | A4061802 | 002 | BOUCHON 3/8G CHC F.E FE/ZNXC3 | PLUG 3/8G CHC F.E FE/ZNXC3 | VERSCHLUSSSCHRAUBE 3/8G CHC F. | TAPPO 3/8G CHC F.E FE/ZNXC3 | |
| 004 | A4071205 | 001 | CLAPET PILOTE HYDAC COMPLET | COMPLETE CHECK VALVE HYDAC | SICHERHEITSENTIL KPL HYDAC | VALVOLA | |
| 005 | A4071206 | 001 | CLAPET PILOTE HYDAC + CORPS | COMPLETE CHECK VALVE | SICHERHEITSENTILGEHAEUSE KPL | VALVOLA | |
| 006 | A4200198 | 001 | POCHETTE JTS DE25X40 C200 | SEAL KIT | DICHTUNGSSATZ | SERIE GUARNIZIONI 25X40 | |
| 007 | A4080813 | 001 | COUDE MALE | MALE STUD ELBOW FE/ZNXC3 | WINKEL-EINSCHRAUBVERSCHRAU.FE/ | GIUNZIONE A 90° FE/ZNXC3 | |
| 008 | A4082701 | 002 | COUDE TOURNANT | AJUSTABLE MALE STUD ELBOW | EINSTELLBARE WINKEL STUTZEN | GIUNZIONE A 90°ORIENTABILE ZBC | |
| 009 | A4922035 | 001 | FLEXIBLE HYDRAULIQUE | HYDRAULIC HOSE | HYDRAULIKSCHLAUCH | TUBO GOMMA | <->350 mm |
| 010 | A4922302 | 002 | FLEXIBLE HYDRAULIQUE | HYDRAULIC HOSE | HYDRAULIKSCHLAUCH | TUBO GOMMA | <->3000 mm |
| 011 | A4072005 | 001 | LIMITEUR DEBIT D1 TUBE D14 | DELIVERY LIMITER | MENGEN BEGRENZER | REGOLATORE D'ALIMENTAZIONE | |
| 012 | A4072016 | 001 | LIMITEUR DEBIT D0.8 TUBE D12 | DELIVERY LIMITER | MENGEN BEGRENZER | REGOLATORE D'ALIMENTAZIONE | |
| 013 | A4060625 | 001 | UNION MALE SPECIALE ZBC | MALE SUTD COUPLING ZBC | GERADE EINSCHRAUBVERSCHRAU.ZBC | GIUNZIONE DIRITTA ZBC | |
| 014 | A4080411 | 004 | UNION MALE | MALE STUD CONNECTOR | GERADER EINSCHRAUBSTUTZEN | GIUZIONE DIRITTA ZBC | |
| 015 | A4015018 | 001 | VERIN | CYLINDER, HYDRAULIC | HYDRAULIKZYLINDER | CILINDRO | |
| 016 | A4064217 | 001 | VIS CREUSE 3/8G LG.51.5 | BOLT LG.51.5 | HOHLSCHRAUBE LG.51.5 | VITE | |





EURO.II 1860 FLEX GO
EURO.II 1860 FLEX TA

A4600 >
A4600 >

A53R0552 A

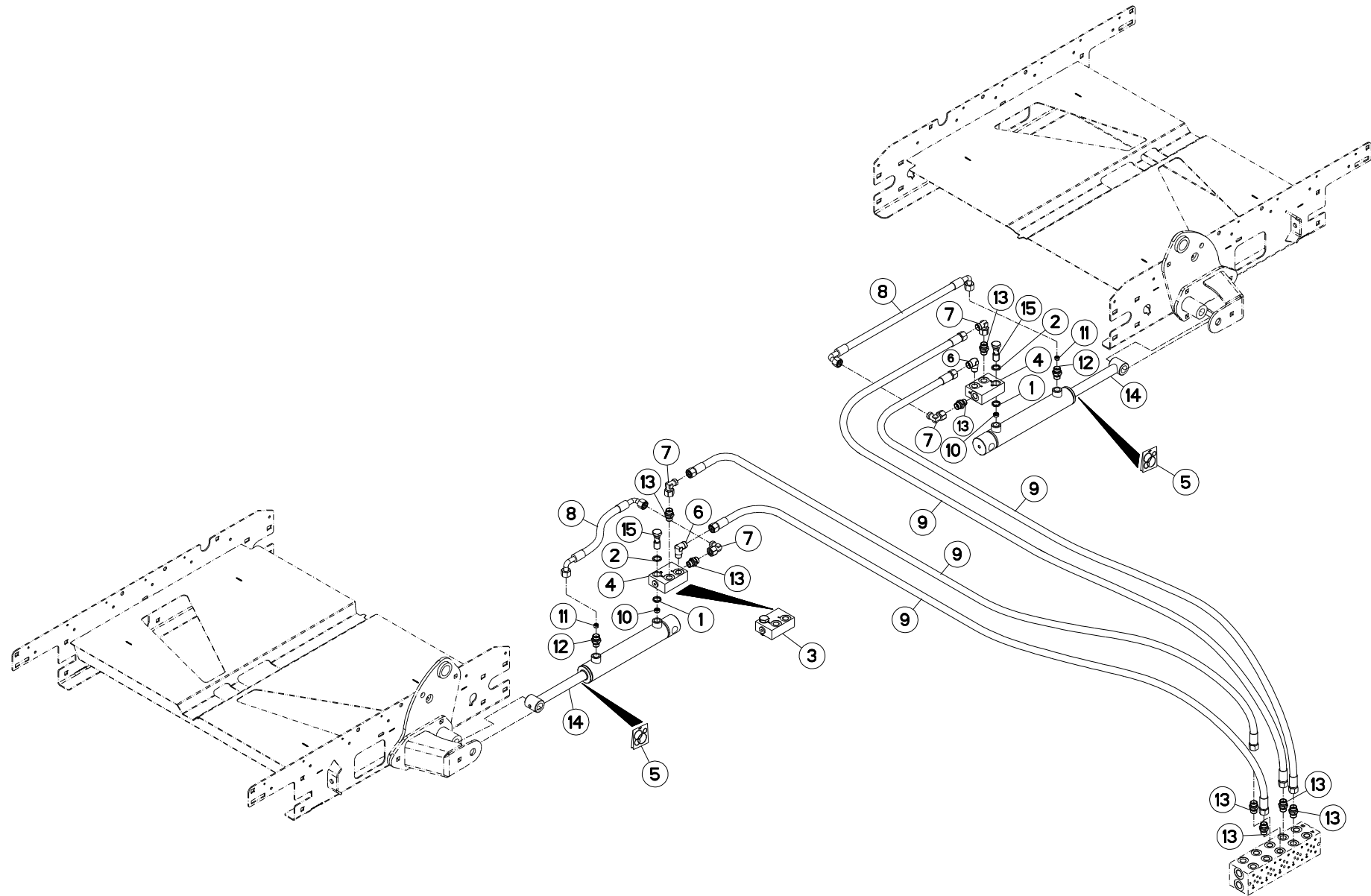
RELEVAGE 0,63/0,8M GAUCHE

LIFT 0,63/0,8M LEFT

AUSHEBUNG 0,63/0,8M LINKS

SOLLEVAMENTO 0,63/0,8M SX

| Rep | Nr | Qt | Designation | Description | Bezeichnung | Referenza | Remarque - Remark - Bemerkung - Osservazioni |
|-----|----------|-----|-------------------------------|----------------------------|--------------------------------|--------------------------------|--|
| 001 | A4060150 | 001 | BAGUE D'ETANC. DOUBLE D17 F.B | BUSH | BUCHSE | BOCCOLA | |
| 002 | A4230017 | 001 | BAGUE BS17 | BUSH BS | BUCHSE BS | GUARNIZIONE | |
| 003 | A4061802 | 002 | BOUCHON 3/8G CHC F.E FE/ZNXC3 | PLUG 3/8G CHC F.E FE/ZNXC3 | VERSCHLUSSSCHRAUBE 3/8G CHC F. | TAPPO 3/8G CHC F.E FE/ZNXC3 | |
| 004 | A4071205 | 001 | CLAPET PILOTE HYDAC COMPLET | COMPLETE CHECK VALVE HYDAC | SICHERHEITSENTIL KPL HYDAC | VALVOLA | |
| 005 | A4071206 | 001 | CLAPET PILOTE HYDAC + CORPS | COMPLETE CHECK VALVE | SICHERHEITSENTILGEHAEUSE KPL | VALVOLA | |
| 006 | A4200198 | 001 | POCHETTE JTS DE25X40 C200 | SEAL KIT | DICHTUNGSSATZ | SERIE GUARNIZIONI 25X40 | |
| 007 | A4080813 | 001 | COUDE MALE | MALE STUD ELBOW FE/ZNXC3 | WINKEL-EINSCHRAUBVERSCHRAU.FE/ | GIUNZIONE A 90° FE/ZNXC3 | |
| 008 | A4082701 | 002 | COUDE TOURNANT | AJUSTABLE MALE STUD ELBOW | EINSTELLBARE WINKEL STUTZEN | GIUNZIONE A 90°ORIENTABILE ZBC | |
| 009 | A4922035 | 001 | FLEXIBLE HYDRAULIQUE | HYDRAULIC HOSE | HYDRAULIKSCHLAUCH | TUBO GOMMA | <->350 mm |
| 010 | A4922351 | 002 | FLEXIBLE HYDRAULIQUE | HYDRAULIC HOSE | HYDRAULIKSCHLAUCH | TUBO GOMMA | <->3500 mm |
| 011 | A4072007 | 001 | LIMITEUR DEBIT D1.5 TUBE D14 | DELIVERY LIMITER | MENGEN BEGRENZER | REGOLATORE D'ALIMENTAZION | |
| 012 | A4072016 | 001 | LIMITEUR DEBIT D0.8 TUBE D12 | DELIVERY LIMITER | MENGEN BEGRENZER | REGOLATORE D'ALIMENTAZIONE | |
| 013 | A4060625 | 001 | UNION MALE SPECIALE ZBC | MALE SUTD COUPLING ZBC | GERADE EINSCHRAUBVERSCHRAU.ZBC | GIUNZIONE DIRITTA ZBC | |
| 014 | A4080411 | 004 | UNION MALE | MALE STUD CONNECTOR | GERADER EINSCHRAUBSTUTZEN | GIUZIONE DIRITTA ZBC | |
| 015 | A4015018 | 001 | VERIN | CYLINDER, HYDRAULIC | HYDRAULIKZYLINDER | CILINDRO | |
| 016 | A4064217 | 001 | VIS CREUSE 3/8G LG.51.5 | BOLT LG.51.5 | HOHLSCHRAUBE LG.51.5 | VITE | |





EURO.II 1460 FLEX GO
EURO.II 1460 FLEX TA

A4600 >
A4600 >

A53R0482 A

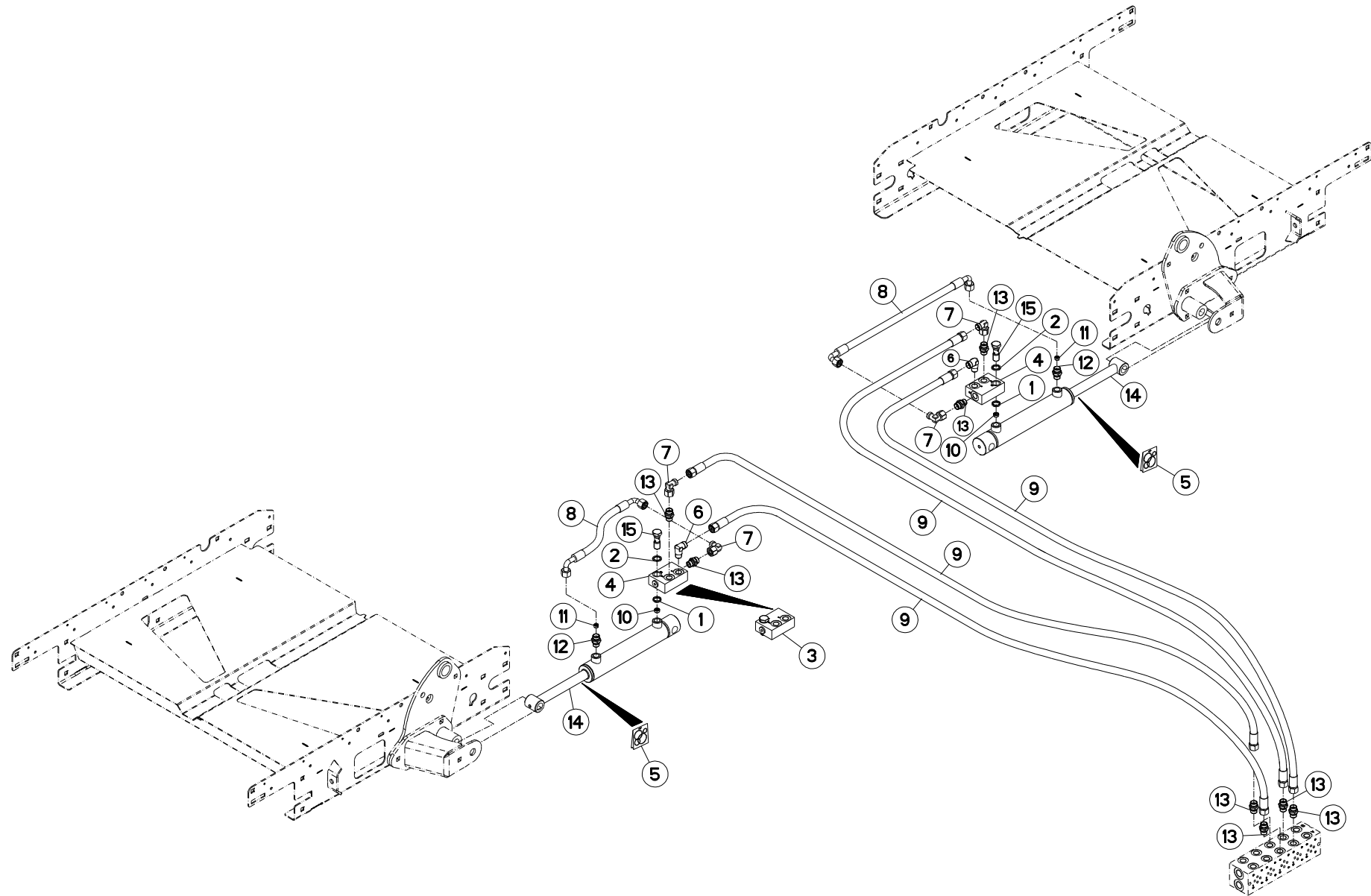
RELEVAGE 0,63/0,8M 2 TAPIS

LIFT 0,63/0,8M 2 CONVEYOR

AUSHEBUNG 0,63/0,8M 2 KRATZBOD

SOLLEVAMENTO 0,63/0,8M 2 FONDC

| Rep | Nr | Qt | Designation | Description | Bezeichnung | Referenza | Remarque - Remark - Bemerkung - Osservazioni |
|-----|----------|-----|-------------------------------|----------------------------|--------------------------------|--------------------------------|--|
| 001 | A4060150 | 002 | BAGUE D'ETANC. DOUBLE D17 F.B | BUSH | BUCHSE | BOCCOLA | |
| 002 | A4230017 | 002 | BAGUE BS17 | BUSH BS | BUCHSE BS | GUARNIZIONE | |
| 003 | A4071205 | 002 | CLAPET PILOTE HYDAC COMPLET | COMPLETE CHECK VALVE HYDAC | SICHERHEITSVENTIL KPL HYDAC | VALVOLA | |
| 004 | A4071206 | 002 | CLAPET PILOTE HYDAC + CORPS | COMPLETE CHECK VALVE | SICHERHEITSVENTILGEHAEUSE KPL | VALVOLA | |
| 005 | A4200198 | 002 | POCHETTE JTS DE25X40 C200 | SEAL KIT | DICHTUNGSSATZ | SERIE GUARNIZIONI 25X40 | |
| 006 | A4080813 | 002 | COUDE MALE | MALE STUD ELBOW FE/ZNXC3 | WINKEL-EINSCHRAUBVERSCHRAU.FE/ | GIUNZIONE A 90° FE/ZNXC3 | |
| 007 | A4082701 | 004 | COUDE TOURNANT | AJUSTABLE MALE STUD ELBOW | EINSTELLBARE WINKEL STUTZEN | GIUNZIONE A 90°ORIENTABILE ZBC | |
| 008 | A4922035 | 002 | FLEXIBLE HYDRAULIQUE | HYDRAULIC HOSE | HYDRAULIKSCHLAUCH | TUBO GOMMA | <->350 mm |
| 009 | A4922302 | 004 | FLEXIBLE HYDRAULIQUE | HYDRAULIC HOSE | HYDRAULIKSCHLAUCH | TUBO GOMMA | <->3000 mm |
| 010 | A4072005 | 002 | LIMITEUR DEBIT D1 TUBE D14 | DELIVERY LIMITER | MENGEN BEGRENZER | REGOLATORE D'ALIMENTAZIONE | |
| 011 | A4072016 | 002 | LIMITEUR DEBIT D0.8 TUBE D12 | DELIVERY LIMITER | MENGEN BEGRENZER | REGOLATORE D'ALIMENTAZIONE | |
| 012 | A4060625 | 002 | UNION MALE SPECIALE ZBC | MALE SUTD COUPLING ZBC | GERADE EINSCHRAUBVERSCHRAU.ZBC | GIUNZIONE DIRITTA ZBC | |
| 013 | A4080411 | 008 | UNION MALE | MALE STUD CONNECTOR | GERADER EINSCHRAUBSTUTZEN | GIUZIONE DIRITTA ZBC | |
| 014 | A4015018 | 002 | VERIN | CYLINDER, HYDRAULIC | HYDRAULIKZYLINDER | CILINDRO | |
| 015 | A4064217 | 002 | VIS CREUSE 3/8G LG.51.5 | BOLT LG.51.5 | HOHLSCHRAUBE LG.51.5 | VITE | |





EURO.II 1860 FLEX GO
EURO.II 1860 FLEX TA

A4600 >
A4600 >

A53R0553 A

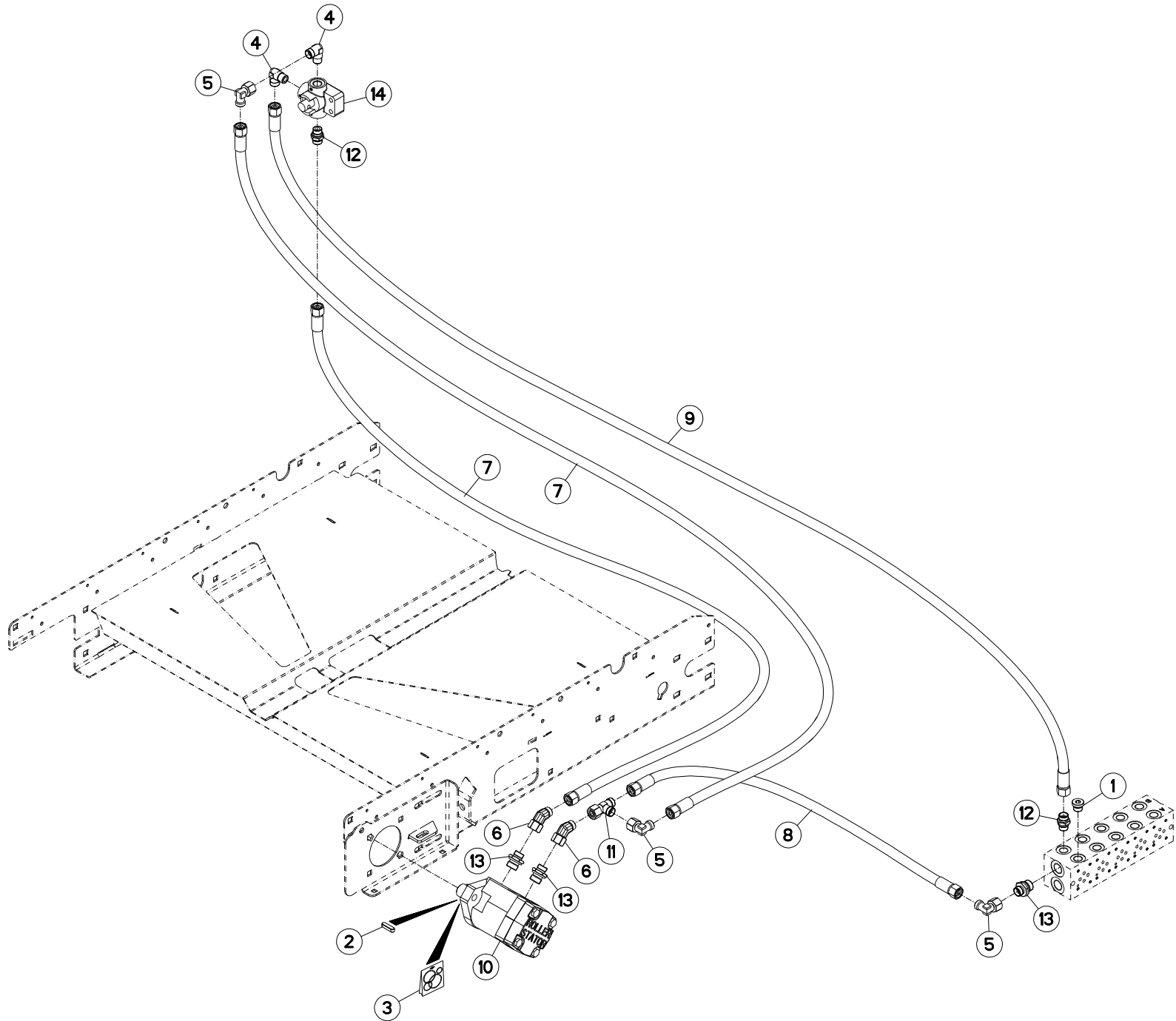
RELEVAGE 0,63/0,8M 2 TAPIS

LIFT 0,63/0,8M 2 CONVEYOR

AUSHEBUNG 0,63/0,8M 2 KRATZBOD

SOLLEVAMENTO 0,63/0,8M 2 FONDC

| Rep | Nr | Qt | Designation | Description | Bezeichnung | Referenza | Remarque - Remark - Bemerkung - Osservazioni |
|-----|----------|-----|-------------------------------|----------------------------|--------------------------------|--------------------------------|--|
| 001 | A4060150 | 002 | BAGUE D'ETANC. DOUBLE D17 F.B | BUSH | BUCHSE | BOCCOLA | |
| 002 | A4230017 | 002 | BAGUE BS17 | BUSH BS | BUCHSE BS | GUARNIZIONE | |
| 003 | A4071205 | 002 | CLAPET PILOTE HYDAC COMPLET | COMPLETE CHECK VALVE HYDAC | SICHERHEITSVENTIL KPL HYDAC | VALVOLA | |
| 004 | A4071206 | 002 | CLAPET PILOTE HYDAC + CORPS | COMPLETE CHECK VALVE | SICHERHEITSVENTILGEHAEUSE KPL | VALVOLA | |
| 005 | A4200198 | 002 | POCHETTE JTS DE25X40 C200 | SEAL KIT | DICHTUNGSSATZ | SERIE GUARNIZIONI 25X40 | |
| 006 | A4080813 | 002 | COUDE MALE | MALE STUD ELBOW FE/ZNXC3 | WINKEL-EINSCHRAUBVERSCHRAU.FE/ | GIUNZIONE A 90° FE/ZNXC3 | |
| 007 | A4082701 | 004 | COUDE TOURNANT | AJUSTABLE MALE STUD ELBOW | EINSTELLBARE WINKEL STUTZEN | GIUNZIONE A 90°ORIENTABILE ZBC | |
| 008 | A4922035 | 002 | FLEXIBLE HYDRAULIQUE | HYDRAULIC HOSE | HYDRAULIKSCHLAUCH | TUBO GOMMA | <->350 mm |
| 009 | A4922351 | 004 | FLEXIBLE HYDRAULIQUE | HYDRAULIC HOSE | HYDRAULIKSCHLAUCH | TUBO GOMMA | <->3500 mm |
| 010 | A4072005 | 002 | LIMITEUR DEBIT D1 TUBE D14 | DELIVERY LIMITER | MENGEN BEGRENZER | REGOLATORE D'ALIMENTAZIONE | |
| 011 | A4072016 | 002 | LIMITEUR DEBIT D0.8 TUBE D12 | DELIVERY LIMITER | MENGEN BEGRENZER | REGOLATORE D'ALIMENTAZIONE | |
| 012 | A4060625 | 002 | UNION MALE SPECIALE ZBC | MALE SUTD COUPLING ZBC | GERADE EINSCHRAUBVERSCHRAU.ZBC | GIUNZIONE DIRITTA ZBC | |
| 013 | A4080411 | 008 | UNION MALE | MALE STUD CONNECTOR | GERADER EINSCHRAUBSTUTZEN | GIUNZIONE DIRITTA ZBC | |
| 014 | A4015018 | 002 | VERIN | CYLINDER, HYDRAULIC | HYDRAULIKZYLINDER | CILINDRO | |
| 015 | A4064217 | 002 | VIS CREUSE 3/8G LG.51.5 | BOLT LG.51.5 | HOHLSCHRAUBE LG.51.5 | VITE | |





EURO.II 1460 FLEX GO
EURO.II 1460 FLEX TA

A4600 > D5203
A4600 > D5203

A53R0484 A

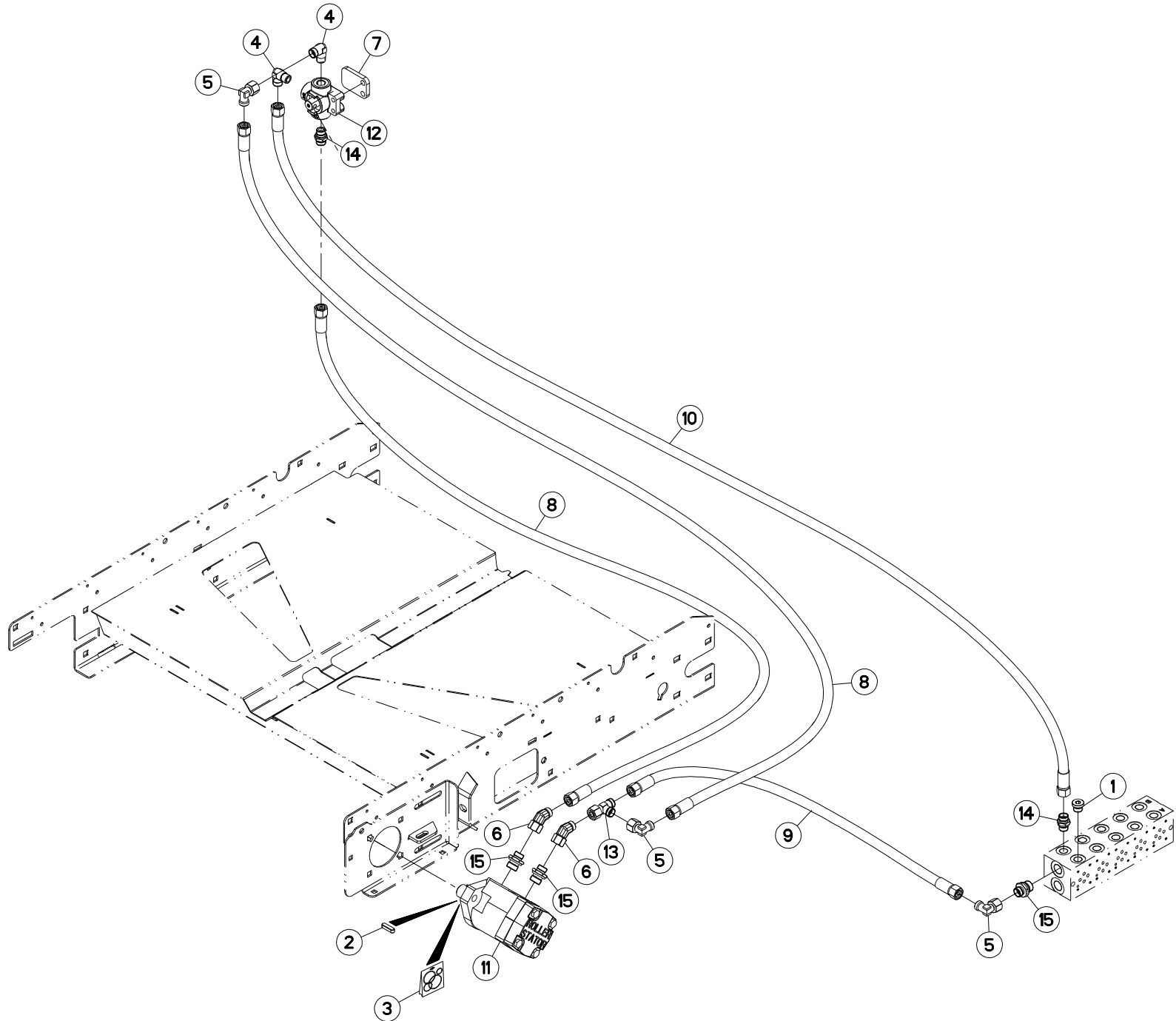
HYDRAULIQUE 0,63/0,8M DROIT

HYDRAULIC 0,63/0,8M RIGHT

HYDRAULIK 0,63/0,8M RECHTS

IDRAULICO 0,63/0,8M DX

| Rep | Nr | Qt | Designation | Description | Bezeichnung | Referenza | Remarque - Remark - Bemerkung - Osservazioni |
|-----|-----------------|-----|-------------------------------|-----------------------------|--------------------------------|--------------------------------|--|
| 001 | A4061802 | 001 | BOUCHON 3/8G CHC F.E FE/ZNXC3 | PLUG 3/8G CHC F.E FE/ZNXC3 | VERSCHLUSSSCHRAUBE 3/8G CHC F. | TAPPO 3/8G CHC F.E FE/ZNXC3 | |
| 002 | 80650830 | 001 | CLAVETTE PARALLELE | COTTER PIN 8X7X30 | PASSFEDER | CHIAVETTA | |
| 003 | A4200046 | 001 | POCHETTE DE JTS MOTEUR BEMA | SEAL KIT | DICHTUNGSSATZ | SERIE GUARNIZIONI MOTORE | |
| 004 | A4080813 | 002 | COUDE MALE | MALE STUD ELBOW FE/ZNXC3 | WINKEL-EINSCHRAUBVERSCHRAU.FE/ | GIUNZIONE A 90° FE/ZNXC3 | |
| 005 | A4082701 | 003 | COUDE TOURNANT | AJUSTABLE MALE STUD ELBOW | EINSTELLBARE WINKEL STUTZEN | GIUNZIONE A 90°ORIENTABILE ZBC | |
| 006 | A4082732 | 002 | COUDE TOURNANT | AJUSTABLE MALE STUD ELBOW | EINSTELLBARE WINKEL STUTZEN | GIUNZIONE A 45°ORIENTABILE ZBC | |
| 007 | A4922351 | 002 | FLEXIBLE HYDRAULIQUE | HYDRAULIC HOSE | HYDRAULIKSCHLAUCH | TUBO GOMMA | <->3500 mm |
| 008 | A4922401 | 001 | FLEXIBLE HYDRAULIQUE | HYDRAULIC HOSE | HYDRAULIKSCHLAUCH | TUBO GOMMA | <->4000 mm |
| 009 | A4922501 | 001 | FLEXIBLE HYDRAULIQUE | HYDRAULIC HOSE | HYDRAULIKSCHLAUCH | TUBO GOMMA | <->5000 mm |
| 010 | A4020053 | 001 | MOTEUR HYDRAULIQUE | MOTOR, HYDRAULIC | MOTOR | MOTORE | |
| 011 | A4083101 | 001 | TE ADAPTABLE RENVERSE | ADJ.MALE STUD TEE-STUD BAR. | EINSTELLB.L VERSCHRAUBUNG | TERMINALE A L ORIENTABILE | |
| 012 | A4080411 | 002 | UNION MALE | MALE STUD CONNECTOR | GERADER EINSCHRAUBSTUTZEN | GIUZIONE DIRITTA ZBC | |
| 013 | A4080412 | 003 | UNION MALE | MALE STUD CONNECTOR | GERADER EINSCHRAUBSTUTZEN | GIUZIONE DIRITTA ZBC | |
| 014 | A4071300 | 001 | ROBINET | VALVE, BALL | KUGELHAHN | ROBINETTO | |





EURO.II 1460 FLEX GO
EURO.II 1460 FLEX TA

D5204 >
D5204 >

A53R0484 B

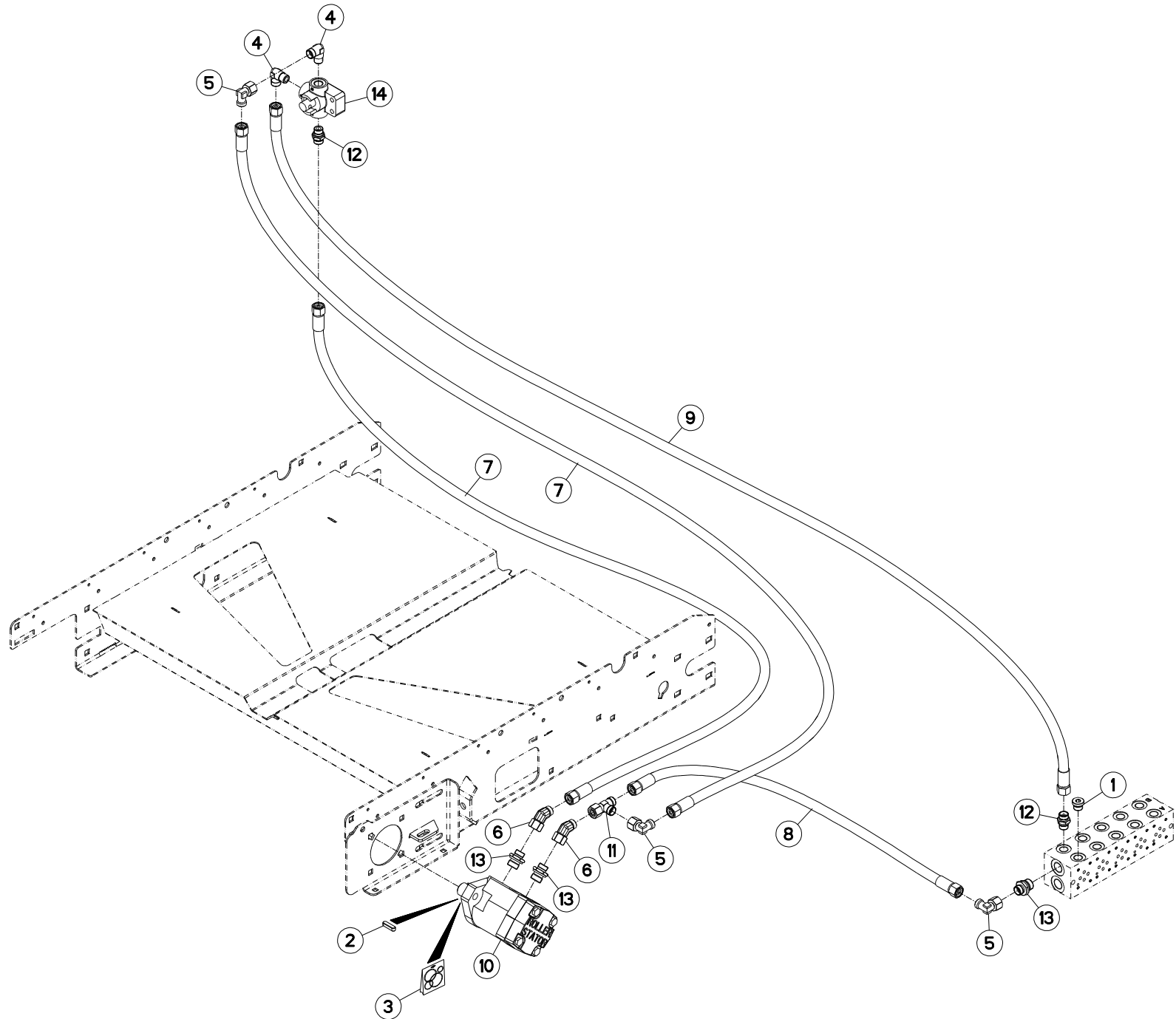
HYDRAULIQUE 0,63/0,8M RIGHT

HYDRAULIC 0,63/0,8M RIGHT

HYDRAULIK 0,63/0,8M RIGHT

IDRAULICO 0,63/0,8M RIGHT

| Rep | Nr | Qt | Designation | Description | Bezeichnung | Referenza | Remarque - Remark - Bemerkung - Osservazioni |
|-----|-----------------|-----|-------------------------------|-----------------------------|--------------------------------|--------------------------------|--|
| 001 | A4061802 | 001 | BOUCHON 3/8G CHC F.E FE/ZNXC3 | PLUG 3/8G CHC F.E FE/ZNXC3 | VERSCHLUSSSCHRAUBE 3/8G CHC F. | TAPPO 3/8G CHC F.E FE/ZNXC3 | |
| 002 | 80650830 | 001 | CLAVETTE PARALLELE | COTTER PIN 8X7X30 | PASSFEDER | CHIAVETTA | |
| 003 | A4200046 | 001 | POCHETTE DE JTS MOTEUR BEMA | SEAL KIT | DICHTUNGSSATZ | SERIE GUARNIZIONI MOTORE | |
| 004 | A4080813 | 002 | COUDE MALE | MALE STUD ELBOW FE/ZNXC3 | WINKEL-EINSCHRAUBVERSCHRAU.FE/ | GIUNZIONE A 90° FE/ZNXC3 | |
| 005 | A4082701 | 003 | COUDE TOURNANT | AJUSTABLE MALE STUD ELBOW | EINSTELLBARE WINKEL STUTZEN | GIUNZIONE A 90°ORIENTABILE ZBC | |
| 006 | A4082732 | 002 | COUDE TOURNANT | AJUSTABLE MALE STUD ELBOW | EINSTELLBARE WINKEL STUTZEN | GIUNZIONE A 45°ORIENTABILE ZBC | |
| 007 | A5352880 | 001 | ENTRETOISE | SPACER | DISTANZHUELSE | DISTANZIALE | |
| 008 | A4922351 | 002 | FLEXIBLE HYDRAULIQUE | HYDRAULIC HOSE | HYDRAULIKSCHLAUCH | TUBO GOMMA | <->3500 mm |
| 009 | A4922401 | 001 | FLEXIBLE HYDRAULIQUE | HYDRAULIC HOSE | HYDRAULIKSCHLAUCH | TUBO GOMMA | <->4000 mm |
| 010 | A4922501 | 001 | FLEXIBLE HYDRAULIQUE | HYDRAULIC HOSE | HYDRAULIKSCHLAUCH | TUBO GOMMA | <->5000 mm |
| 011 | A4020053 | 001 | MOTEUR HYDRAULIQUE | MOTOR, HYDRAULIC | MOTOR | MOTORE | |
| 012 | A4075031 | 001 | ROBINET | VALVE, BALL | KUGELHAHN | ROBINETTO | |
| 013 | A4083101 | 001 | TE ADAPTABLE RENVERSE | ADJ.MALE STUD TEE-STUD BAR. | EINSTELLB.L VERSCHRAUBUNG | TERMINALE A L ORIENTABILE | |
| 014 | A4080411 | 002 | UNION MALE | MALE STUD CONNECTOR | GERADER EINSCHRAUBSTUTZEN | GIUZIONE DIRITTA ZBC | |
| 015 | A4080412 | 003 | UNION MALE | MALE STUD CONNECTOR | GERADER EINSCHRAUBSTUTZEN | GIUZIONE DIRITTA ZBC | |





EURO.II 1860 FLEX GO
EURO.II 1860 FLEX TA

A4600 > D5203
A4600 > D5203

A53R0554 A

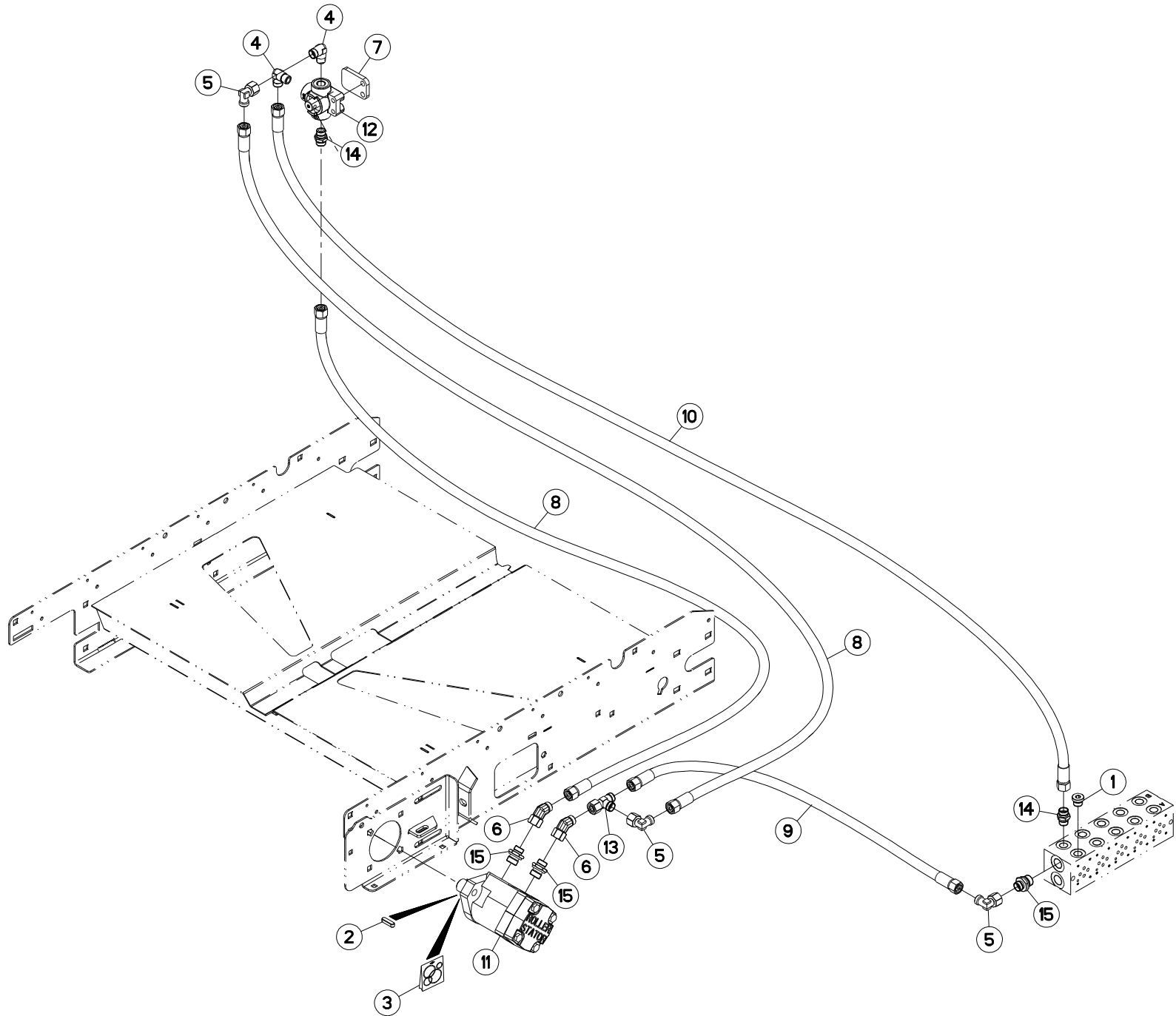
HYDRAULIQUE 0,63/0,8M DROIT

HYDRAULIC 0,63/0,8M RIGHT

HYDRAULIK 0,63/0,8M RECHTS

IDRAULICO 0,63/0,8M DX

| Rep | Nr | Qt | Designation | Description | Bezeichnung | Referenza | Remarque - Remark - Bemerkung - Osservazioni |
|-----|-----------------|-----|-------------------------------|-----------------------------|--------------------------------|--------------------------------|--|
| 001 | A4061802 | 001 | BOUCHON 3/8G CHC F.E FE/ZNXC3 | PLUG 3/8G CHC F.E FE/ZNXC3 | VERSCHLUSSSCHRAUBE 3/8G CHC F. | TAPPO 3/8G CHC F.E FE/ZNXC3 | |
| 002 | 80650830 | 001 | CLAVETTE PARALLELE | COTTER PIN 8X7X30 | PASSFEDER | CHIAVETTA | |
| 003 | A4200046 | 001 | POCHETTE DE JTS MOTEUR BEMA | SEAL KIT | DICHTUNGSSATZ | SERIE GUARNIZIONI MOTORE | |
| 004 | A4080813 | 002 | COUDE MALE | MALE STUD ELBOW FE/ZNXC3 | WINKEL-EINSCHRAUBVERSCHRAU.FE/ | GIUNZIONE A 90° FE/ZNXC3 | |
| 005 | A4082701 | 003 | COUDE TOURNANT | AJUSTABLE MALE STUD ELBOW | EINSTELLBARE WINKEL STUTZEN | GIUNZIONE A 90°ORIENTABILE ZBC | |
| 006 | A4082732 | 002 | COUDE TOURNANT | AJUSTABLE MALE STUD ELBOW | EINSTELLBARE WINKEL STUTZEN | GIUNZIONE A 45°ORIENTABILE ZBC | |
| 007 | A4922351 | 002 | FLEXIBLE HYDRAULIQUE | HYDRAULIC HOSE | HYDRAULIKSCHLAUCH | TUBO GOMMA | <->3500 mm |
| 008 | A4922451 | 001 | FLEXIBLE HYDRAULIQUE | HYDRAULIC HOSE | HYDRAULIKSCHLAUCH | TUBO GOMMA | <->4500 mm |
| 009 | A4922550 | 001 | FLEXIBLE HYDRAULIQUE | HYDRAULIC HOSE | HYDRAULIKSCHLAUCH | TUBO GOMMA | <->5500 mm |
| 010 | A4020053 | 001 | MOTEUR HYDRAULIQUE | MOTOR, HYDRAULIC | MOTOR | MOTORE | |
| 011 | A4083101 | 001 | TE ADAPTABLE RENVERSE | ADJ.MALE STUD TEE-STUD BAR. | EINSTELLB.L VERSCHRAUBUNG | TERMINALE A L ORIENTABILE | |
| 012 | A4080411 | 002 | UNION MALE | MALE STUD CONNECTOR | GERADER EINSCHRAUBSTUTZEN | GIUZIONE DIRITTA ZBC | |
| 013 | A4080412 | 003 | UNION MALE | MALE STUD CONNECTOR | GERADER EINSCHRAUBSTUTZEN | GIUZIONE DIRITTA ZBC | |
| 014 | A4071300 | 001 | ROBINET | VALVE, BALL | KUGELHAHN | ROBINETTO | |





EURO.II 1860 FLEX GO
EURO.II 1860 FLEX TA
EURO.II 1860 FLEX TA

D5204 >
D5204 >
A4600 >

A53R0554 B

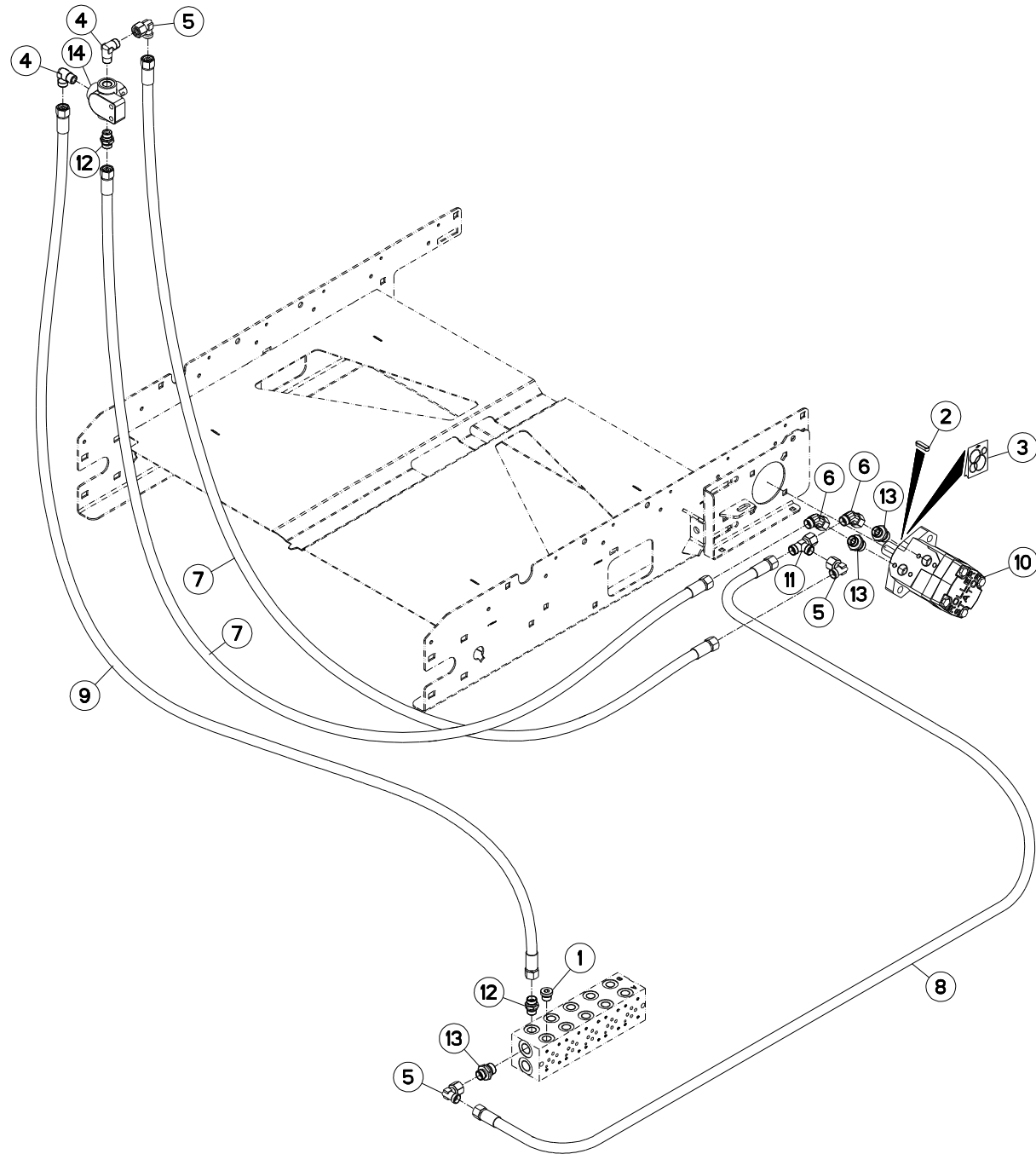
HYDRAULIQUE 0,63/0,8M DROIT

HYDRAULIC 0,63/0,8M DROIT

HYDRAULIK 0,63/0,8M DROIT

IDRAULICO 0,63/0,8M DROIT

| Rep | Nr | Qt | Designation | Description | Bezeichnung | Referenza | Remarque - Remark - Bemerkung - Osservazioni |
|-----|-----------------|-----|-------------------------------|-----------------------------|--------------------------------|--------------------------------|--|
| 001 | A4061802 | 001 | BOUCHON 3/8G CHC F.E FE/ZNXC3 | PLUG 3/8G CHC F.E FE/ZNXC3 | VERSCHLUSSSCHRAUBE 3/8G CHC F. | TAPPO 3/8G CHC F.E FE/ZNXC3 | |
| 002 | 80650830 | 001 | CLAVETTE PARALLELE | COTTER PIN 8X7X30 | PASSFEDER | CHIAVETTA | |
| 003 | A4200046 | 001 | POCHETTE DE JTS MOTEUR BEMA | SEAL KIT | DICHTUNGSSATZ | SERIE GUARNIZIONI MOTORE | |
| 004 | A4080813 | 002 | COUDE MALE | MALE STUD ELBOW FE/ZNXC3 | WINKEL-EINSCHRAUBVERSCHRAU.FE/ | GIUNZIONE A 90° FE/ZNXC3 | |
| 005 | A4082701 | 003 | COUDE TOURNANT | AJUSTABLE MALE STUD ELBOW | EINSTELLBARE WINKEL STUTZEN | GIUNZIONE A 90°ORIENTABILE ZBC | |
| 006 | A4082732 | 002 | COUDE TOURNANT | AJUSTABLE MALE STUD ELBOW | EINSTELLBARE WINKEL STUTZEN | GIUNZIONE A 45°ORIENTABILE ZBC | |
| 007 | A5352880 | 001 | ENTRETOISE | SPACER | DISTANZHUELSE | DISTANZIALE | |
| 008 | A4922351 | 002 | FLEXIBLE HYDRAULIQUE | HYDRAULIC HOSE | HYDRAULIKSCHLAUCH | TUBO GOMMA | <->3500 mm |
| 009 | A4922451 | 001 | FLEXIBLE HYDRAULIQUE | HYDRAULIC HOSE | HYDRAULIKSCHLAUCH | TUBO GOMMA | <->4500 mm |
| 010 | A4922550 | 001 | FLEXIBLE HYDRAULIQUE | HYDRAULIC HOSE | HYDRAULIKSCHLAUCH | TUBO GOMMA | <->5500 mm |
| 011 | A4020053 | 001 | MOTEUR HYDRAULIQUE | MOTOR, HYDRAULIC | MOTOR | MOTORE | |
| 012 | A4075031 | 001 | ROBINET | VALVE, BALL | KUGELHAHN | ROBINETTO | |
| 013 | A4083101 | 001 | TE ADAPTABLE RENVERSE | ADJ.MALE STUD TEE-STUD BAR. | EINSTELLB.L VERSCHRAUBUNG | TERMINALE A L ORIENTABILE | |
| 014 | A4080411 | 002 | UNION MALE | MALE STUD CONNECTOR | GERADER EINSCHRAUBSTUTZEN | GIUZIONE DIRITTA ZBC | |
| 015 | A4080412 | 003 | UNION MALE | MALE STUD CONNECTOR | GERADER EINSCHRAUBSTUTZEN | GIUZIONE DIRITTA ZBC | |





EURO.II 1460 FLEX GO
EURO.II 1460 FLEX TA

A4600 > D5203
A4600 > D5203

A53R0485 A

HYDRAULIQUE 0,63/0,8M GAUCHE

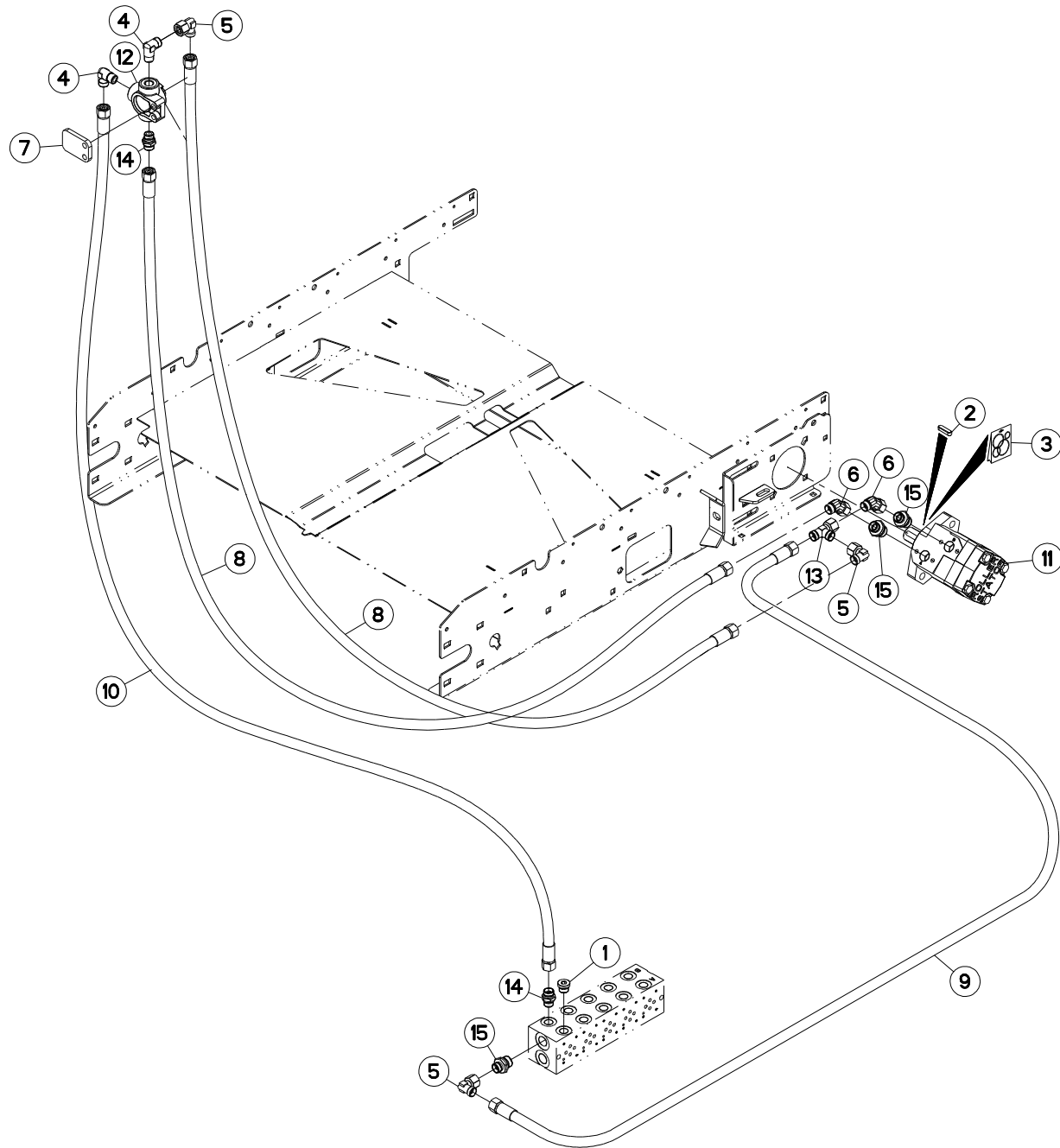
HYDRAULIC 0,63/0,8M LEFT

HYDRAULIK 0,63/0,8M LINKS

IDRAULICO 0,63/0,8M SX

| Rep | Nr | Qt | Designation | Description | Bezeichnung | Referenza | Remarque - Remark - Bemerkung - Osservazioni |
|-----|-----------------|-----|--------------------------------|--------------------------------|--------------------------------|--------------------------------|--|
| 001 | A4061802 | 001 | BOUCHON 3/8G CHC F.E FE/ZNXC3 | PLUG 3/8G CHC F.E FE/ZNXC3 | VERSCHLUSSSCHRAUBE 3/8G CHC F. | TAPPO 3/8G CHC F.E FE/ZNXC3 | |
| 002 | 80650830 | 001 | CLAVETTE PARALLELE | COTTER PIN 8X7X30 | PASSFEDER | CHIAVETTA | |
| 003 | A4200046 | 001 | POCHETTE DE JTS MOTEUR BEMA | SEAL KIT | DICHTUNGSSATZ | SERIE GUARNIZIONI MOTORE | |
| 004 | A4080813 | 002 | COUDE MALE | MALE STUD ELBOW FE/ZNXC3 | WINKEL-EINSCHRAUBVERSCHRAU.FE/ | GIUNZIONE A 90° FE/ZNXC3 | |
| 005 | A4082701 | 003 | COUDE TOURNANT | AJUSTABLE MALE STUD ELBOW | EINSTELLBARE WINKEL STUTZEN | GIUNZIONE A 90°ORIENTABILE ZBC | |
| 006 | A4082732 | 002 | COUDE TOURNANT | AJUSTABLE MALE STUD ELBOW | EINSTELLBARE WINKEL STUTZEN | GIUNZIONE A 45°ORIENTABILE ZBC | |
| 007 | A4922351 | 002 | FLEXIBLE HYDRAULIQUE | HYDRAULIC HOSE | HYDRAULIKSCHLAUCH | TUBO GOMMA | <->3500 mm |
| 008 | A4922401 | 001 | FLEXIBLE HYDRAULIQUE | HYDRAULIC HOSE | HYDRAULIKSCHLAUCH | TUBO GOMMA | <->4000 mm |
| 009 | A4922501 | 001 | FLEXIBLE HYDRAULIQUE | HYDRAULIC HOSE | HYDRAULIKSCHLAUCH | TUBO GOMMA | <->5000 mm |
| 010 | A4020053 | 001 | MOTEUR HYDRAULIQUE | MOTOR, HYDRAULIC | MOTOR | MOTORE | |
| 011 | A4083101 | 001 | TE ADAPTABLE RENVERSE | ADJ.MALE STUD TEE-STUD BAR. | EINSTELLB.L VERSCHRAUBUNG | TERMINALE A L. ORIENTABILE | |
| 012 | A4080411 | 002 | UNION MALE | MALE STUD CONNECTOR | GERADER EINSCHRAUBSTUTZEN | GIUZIONE DIRITTA ZBC | |
| 013 | A4080412 | 003 | UNION MALE | MALE STUD CONNECTOR | GERADER EINSCHRAUBSTUTZEN | GIUZIONE DIRITTA ZBC | |
| 014 | A4071300 | 001 | ROBINET | VALVE, BALL | KUGELHAHN | ROBINETTO | |
| 015 | A4050004 | 002 | PLAQUE D'OBT.CETOP 3 +4VIS+4JC | PLATE | PLATTE | PIASTRA | OPT * |
| 016 | A7040927 | 001 | PLAQUETTE A 8 DIODES | DIOD BOARD | DIODPLATINE | PIASTRINA | |
| 017 | 80370419 | 004 | RIVET AVEUGLE TL | RIVET | NIETE | RIVETTO | |
| 018 | 80250823 | 002 | RONDELLE PLATE FE/ZNXC3 | PLAIN WASHER FE/ZNXC3 | SCHEIBE FE/ZNXC3 | RONDELLA PIATTA FE/ZNXC3 | |
| 019 | A5310852 | 001 | SUPPORT | SUPPORT | TRAEGER | SUPPORTO | |
| 020 | 80080530 | 016 | VIS TETE CYL.SIX P.CR.FE/ZNXC3 | HEX.SOCK.HEAD CAP SCR.FE/ZNXC3 | ZYLINDERSCHR.INNENSEC.FE/ZNXC3 | VITE A TESTA CILINDR. FE/ZNXC3 | |
| 021 | 80080570 | 004 | VIS TETE CYL.SIX P.CR.FE/ZNXC3 | HEX.SOCK.HEAD CAP SCR.FE/ZNXC3 | ZYLINDERSCHR.INNENSEC.FE/ZNXC3 | VITE A TESTA CILINDR. FE/ZNXC3 | |
| 022 | 80060846 | 002 | VIS TETE HEXAGONALE FE/ZNXC3 | HEX BOLT FE/ZNXC3 | SECHSKANTSCHRAUBE FE/ZNXC3 | VITE TESTA ESAGONALE FE/ZNXC3 | |

* : SANS TAPIS
* : WITHOUT CONVEYOR
* : OHNE KRATZBODEN





EURO.II 1460 FLEX GO
EURO.II 1460 FLEX TA

D5204 >
D5204 >

A53R0485 B

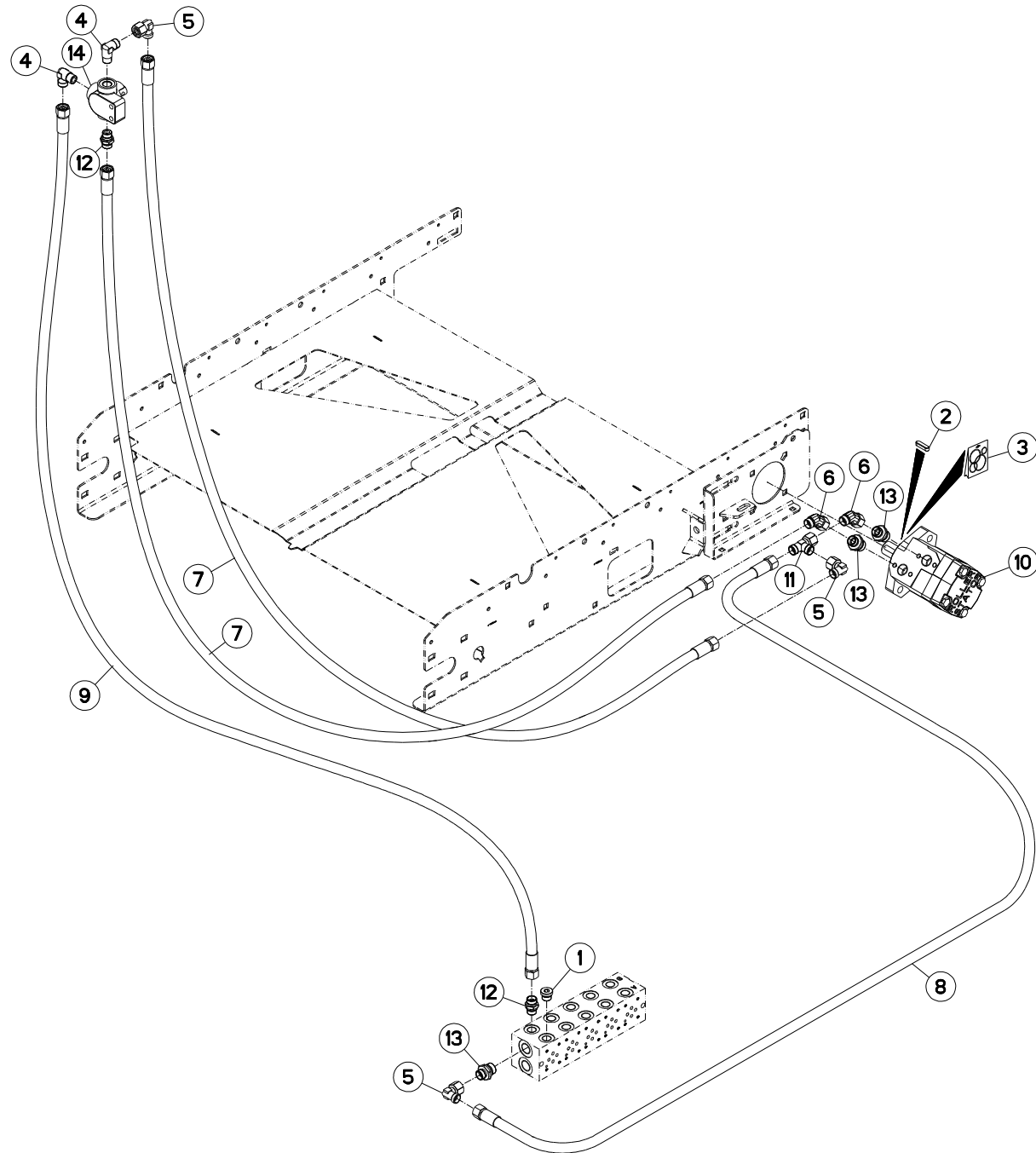
HYDRAULIQUE 0,63/0,8M GAUCHE

HYDRAULIC 0,63/0,8M GAUCHE

HYDRAULIK 0,63/0,8M GAUCHE

IDRAULICO 0,63/0,8M GAUCHE

| Rep | Nr | Qt | Designation | Description | Bezeichnung | Referenza | Remarque - Remark - Bemerkung - Osservazioni |
|-----|-----------------|-----|-------------------------------|-----------------------------|--------------------------------|--------------------------------|--|
| 001 | A4061802 | 001 | BOUCHON 3/8G CHC F.E FE/ZNXC3 | PLUG 3/8G CHC F.E FE/ZNXC3 | VERSCHLUSSSCHRAUBE 3/8G CHC F. | TAPPO 3/8G CHC F.E FE/ZNXC3 | |
| 002 | 80650830 | 001 | CLAVETTE PARALLELE | COTTER PIN 8X7X30 | PASSFEDER | CHIAVETTA | |
| 003 | A4200046 | 001 | POCHETTE DE JTS MOTEUR BEMA | SEAL KIT | DICHTUNGSSATZ | SERIE GUARNIZIONI MOTORE | |
| 004 | A4080813 | 002 | COUDE MALE | MALE STUD ELBOW FE/ZNXC3 | WINKEL-EINSCHRAUBVERSCHRAU.FE/ | GIUNZIONE A 90° FE/ZNXC3 | |
| 005 | A4082701 | 003 | COUDE TOURNANT | AJUSTABLE MALE STUD ELBOW | EINSTELLBARE WINKEL STUTZEN | GIUNZIONE A 90°ORIENTABILE ZBC | |
| 006 | A4082732 | 002 | COUDE TOURNANT | AJUSTABLE MALE STUD ELBOW | EINSTELLBARE WINKEL STUTZEN | GIUNZIONE A 45°ORIENTABILE ZBC | |
| 007 | A5352880 | 001 | ENTRETOISE | SPACER | DISTANZHUELSE | DISTANZIALE | |
| 008 | A4922351 | 002 | FLEXIBLE HYDRAULIQUE | HYDRAULIC HOSE | HYDRAULIKSCHLAUCH | TUBO GOMMA | <->3500 mm |
| 009 | A4922401 | 001 | FLEXIBLE HYDRAULIQUE | HYDRAULIC HOSE | HYDRAULIKSCHLAUCH | TUBO GOMMA | <->4000 mm |
| 010 | A4922501 | 001 | FLEXIBLE HYDRAULIQUE | HYDRAULIC HOSE | HYDRAULIKSCHLAUCH | TUBO GOMMA | <->5000 mm |
| 011 | A4020053 | 001 | MOTEUR HYDRAULIQUE | MOTOR, HYDRAULIC | MOTOR | MOTORE | |
| 012 | A4075031 | 001 | ROBINET | VALVE, BALL | KUGELHAHN | ROBINETTO | |
| 013 | A4083101 | 001 | TE ADAPTABLE RENVERSE | ADJ.MALE STUD TEE-STUD BAR. | EINSTELLB.L VERSCHRAUBUNG | TERMINALE A L ORIENTABILE | |
| 014 | A4080411 | 002 | UNION MALE | MALE STUD CONNECTOR | GERADER EINSCHRAUBSTUTZEN | GIUZIONE DIRITTA ZBC | |
| 015 | A4080412 | 003 | UNION MALE | MALE STUD CONNECTOR | GERADER EINSCHRAUBSTUTZEN | GIUZIONE DIRITTA ZBC | |





EURO.II 1860 FLEX GO
EURO.II 1860 FLEX TA

A4600 > D5203
A4600 > D5203

A53R0555 A

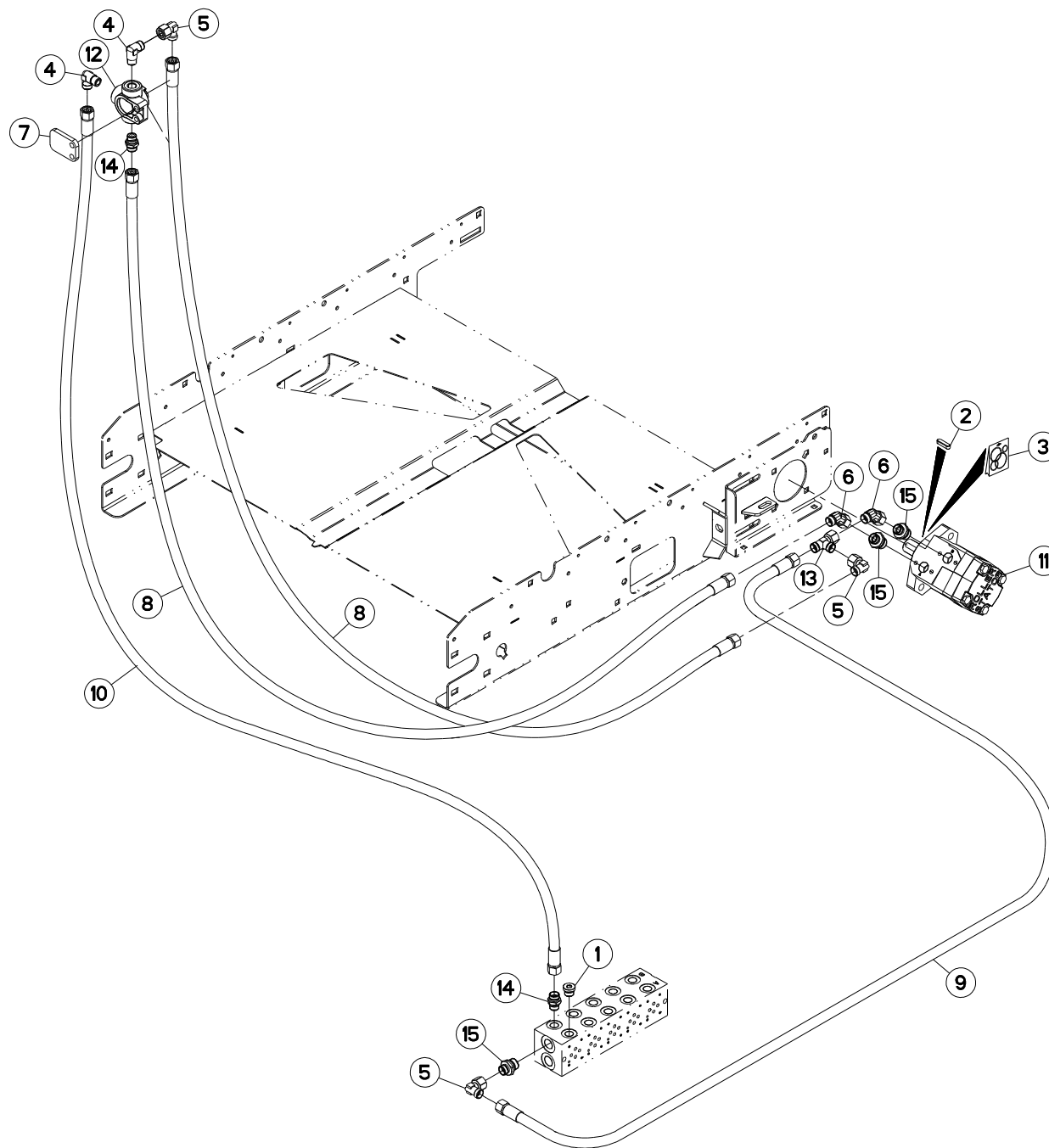
HYDRAULIQUE 0,63/0,8M GAUCHE

HYDRAULIC 0,63/0,8M LEFT

HYDRAULIK 0,63/0,8M LINKS

IDRAULICO 0,63/0,8M SX

| Rep | Nr | Qt | Designation | Description | Bezeichnung | Referenza | Remarque - Remark - Bemerkung - Osservazioni |
|-----|-----------------|-----|-------------------------------|-----------------------------|--------------------------------|--------------------------------|--|
| 001 | A4061802 | 001 | BOUCHON 3/8G CHC F.E FE/ZNXC3 | PLUG 3/8G CHC F.E FE/ZNXC3 | VERSCHLUSSSCHRAUBE 3/8G CHC F. | TAPPO 3/8G CHC F.E FE/ZNXC3 | |
| 002 | 80650830 | 001 | CLAVETTE PARALLELE | COTTER PIN 8X7X30 | PASSFEDER | CHIAVETTA | |
| 003 | A4200046 | 001 | POCHETTE DE JTS MOTEUR BEMA | SEAL KIT | DICHTUNGSSATZ | SERIE GUARNIZIONI MOTORE | |
| 004 | A4080813 | 002 | COUDE MALE | MALE STUD ELBOW FE/ZNXC3 | WINKEL-EINSCHRAUBVERSCHRAU.FE/ | GIUNZIONE A 90° FE/ZNXC3 | |
| 005 | A4082701 | 003 | COUDE TOURNANT | AJUSTABLE MALE STUD ELBOW | EINSTELLBARE WINKEL STUTZEN | GIUNZIONE A 90°ORIENTABILE ZBC | |
| 006 | A4082732 | 002 | COUDE TOURNANT | AJUSTABLE MALE STUD ELBOW | EINSTELLBARE WINKEL STUTZEN | GIUNZIONE A 45°ORIENTABILE ZBC | |
| 007 | A4922351 | 002 | FLEXIBLE HYDRAULIQUE | HYDRAULIC HOSE | HYDRAULIKSCHLAUCH | TUBO GOMMA | <->3500 mm |
| 008 | A4922451 | 001 | FLEXIBLE HYDRAULIQUE | HYDRAULIC HOSE | HYDRAULIKSCHLAUCH | TUBO GOMMA | <->4500 mm |
| 009 | A4922550 | 001 | FLEXIBLE HYDRAULIQUE | HYDRAULIC HOSE | HYDRAULIKSCHLAUCH | TUBO GOMMA | <->5500 mm |
| 010 | A4020053 | 001 | MOTEUR HYDRAULIQUE | MOTOR, HYDRAULIC | MOTOR | MOTORE | |
| 011 | A4083101 | 001 | TE ADAPTABLE RENVERSE | ADJ.MALE STUD TEE-STUD BAR. | EINSTELLB.L VERSCHRAUBUNG | TERMINALE A L ORIENTABILE | |
| 012 | A4080411 | 002 | UNION MALE | MALE STUD CONNECTOR | GERADER EINSCHRAUBSTUTZEN | GIUZIONE DIRITTA ZBC | |
| 013 | A4080412 | 003 | UNION MALE | MALE STUD CONNECTOR | GERADER EINSCHRAUBSTUTZEN | GIUZIONE DIRITTA ZBC | |
| 014 | A4071300 | 001 | ROBINET | VALVE, BALL | KUGELHAHN | ROBINETTO | |





EURO.II 1860 FLEX GO
EURO.II 1860 FLEX TA
EURO.II 1860 FLEX TA

D5204 >
D5204 >
A4600 >

A53R0555 B

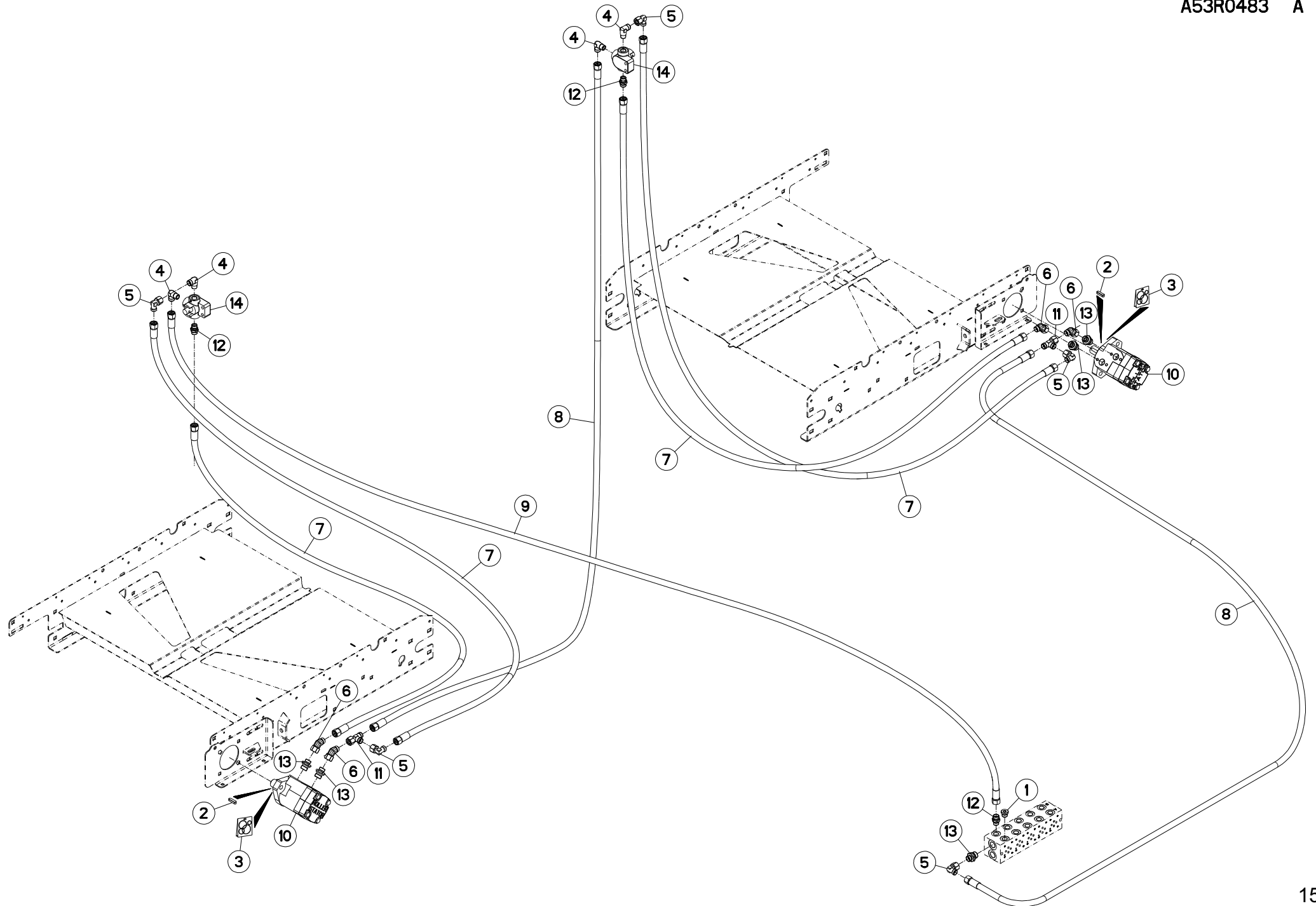
HYDRAULIQUE 0,63/0,8M GAUCHE

HYDRAULIC 0,63/0,8M GAUCHE

HYDRAULIK 0,63/0,8M GAUCHE

IDRAULICO 0,63/0,8M GAUCHE

| Rep | Nr | Qt | Designation | Description | Bezeichnung | Referenza | Remarque - Remark - Bemerkung - Osservazioni |
|-----|-----------------|-----|-------------------------------|--------------------------------|--------------------------------|--------------------------------|--|
| 001 | A4061802 | 001 | BOUCHON 3/8G CHC F.E FE/ZNXC3 | PLUG 3/8G CHC F.E FE/ZNXC3 | VERSCHLUSSSCHRAUBE 3/8G CHC F. | TAPPO 3/8G CHC F.E FE/ZNXC3 | |
| 002 | 80650830 | 001 | CLAVETTE PARALLELE | COTTER PIN 8X7X30 | PASSFEDER | CHIAVETTA | |
| 003 | A4200046 | 001 | POCHETTE DE JTS MOTEUR BEMA | SEAL KIT | DICHTUNGSSATZ | SERIE GUARNIZIONI MOTORE | |
| 004 | A4080813 | 002 | COUDE MALE | MALE STUD ELBOW FE/ZNXC3 | WINKEL-EINSCHRAUBVERSCHRAU.FE/ | GIUNZIONE A 90° FE/ZNXC3 | |
| 005 | A4082701 | 003 | COUDE TOURNANT | AJUSTABLE MALE STUD ELBOW | EINSTELLBARE WINKEL STUTZEN | GIUNZIONE A 90°ORIENTABILE ZBC | |
| 006 | A4082732 | 002 | COUDE TOURNANT | AJUSTABLE MALE STUD ELBOW | EINSTELLBARE WINKEL STUTZEN | GIUNZIONE A 45°ORIENTABILE ZBC | |
| 007 | A5352880 | 001 | ENTRETOISE | SPACER | DISTANZHUELSE | DISTANZIALE | |
| 008 | A4922351 | 002 | FLEXIBLE HYDRAULIQUE | HYDRAULIC HOSE | HYDRAULIKSCHLAUCH | TUBO GOMMA | <->3500 mm |
| 009 | A4922451 | 001 | FLEXIBLE HYDRAULIQUE | HYDRAULIC HOSE | HYDRAULIKSCHLAUCH | TUBO GOMMA | <->4500 mm |
| 010 | A4922550 | 001 | FLEXIBLE HYDRAULIQUE | HYDRAULIC HOSE | HYDRAULIKSCHLAUCH | TUBO GOMMA | <->5500 mm |
| 011 | A4020053 | 001 | MOTEUR HYDRAULIQUE | MOTOR, HYDRAULIC | MOTOR | MOTORE | |
| 012 | A4075031 | 001 | ROBINET | VALVE, BALL | KUGELHAHN | ROBINETTO | |
| 013 | A4083101 | 001 | TE ADAPTABLE RENVERSE | ADJ.MALE STUD TEE-STUD BAR. | EINSTELLB.L VERSCHRAUBUNG | TERMINALE A L ORIENTABILE | |
| 014 | A4080411 | 002 | UNION MALE | MALE STUD CONNECTOR | GERADER EINSCHRAUBSTUTZEN | GIUZIONE DIRITTA ZBC | |
| 015 | A4080412 | 003 | UNION MALE | MALE STUD CONNECTOR | GERADER EINSCHRAUBSTUTZEN | GIUZIONE DIRITTA ZBC | |
| 016 | 80061020 | 002 | VIS TETE HEXAGONALE FE/ZNXC3 | HEX. HEAD SCREW M10 X 20 MM CL | SECHSKANTSCHRAUBE FE/ZNXC3 | VITE A TESTA ESAGONALE FE/ZNXC | |
| 017 | 80061073 | 005 | VIS TETE HEXAGONALE FE/ZNXC3 | HEXAGON HEAD SCREW FE/ZNXC3 | SECHSKANTSCHRAUBE FE/ZNXC3 | VITE TESTA ESAGONALE FE/ZNXC3 | |





EURO.II 1460 FLEX GO
EURO.II 1460 FLEX TA

A4600 > D5203
A4600 > D5203

A53R0483 A

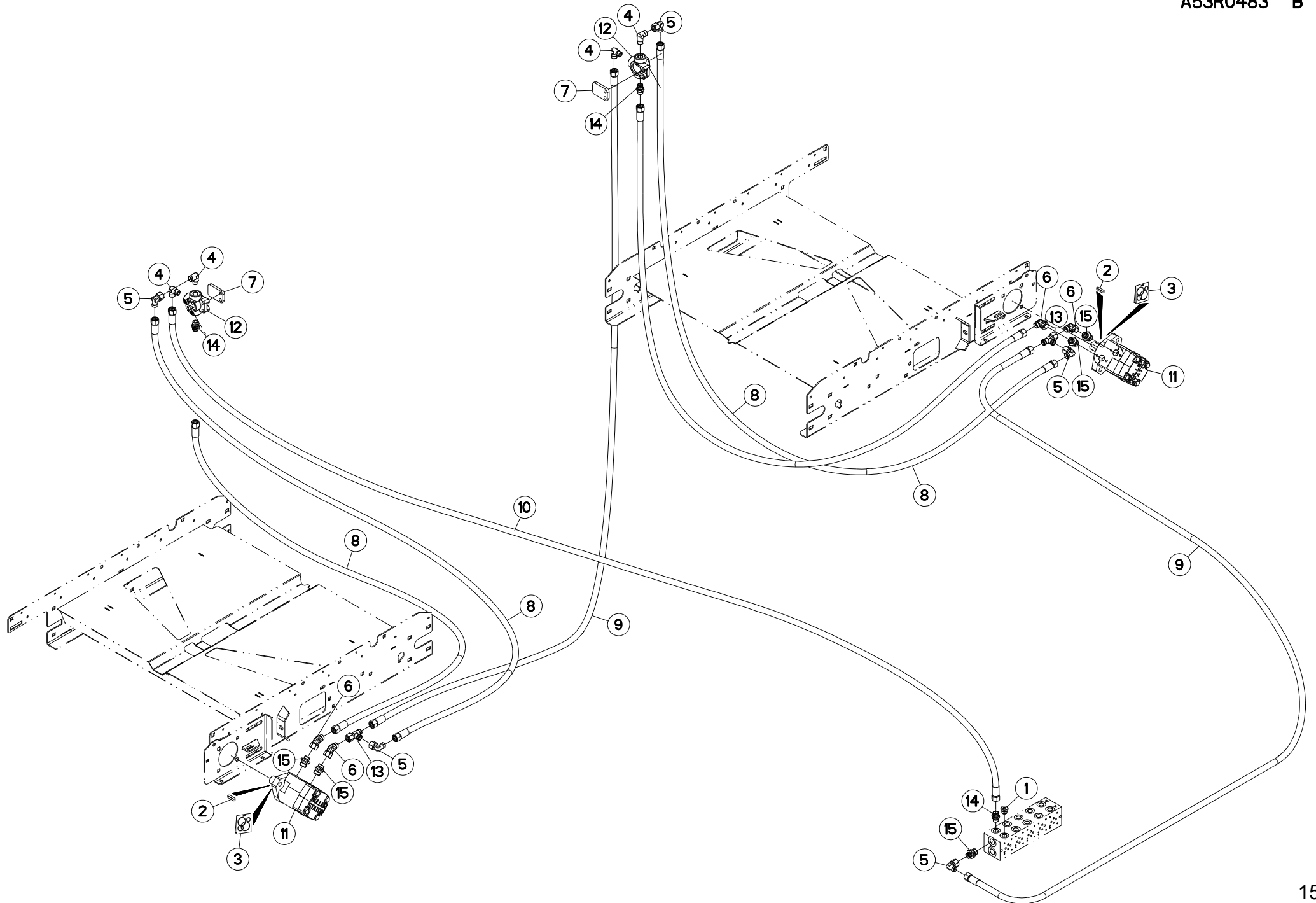
HYDRAULIQUE 0,63/0,8 2 TAPIS

HYDRAULIC 0,63/0,8 2 CONVEYOR

HYDRAULIK 0,63/0,8 2 KRATZBODE

IDRAULICO 0,63/0,8 2 FONDO MOB

| Rep | Nr | Qt | Designation | Description | Bezeichnung | Referenza | Remarque - Remark - Bemerkung - Osservazioni |
|-----|-----------------|-----|-------------------------------|-----------------------------|--------------------------------|--------------------------------|--|
| 001 | A4061802 | 001 | BOUCHON 3/8G CHC F.E FE/ZNXC3 | PLUG 3/8G CHC F.E FE/ZNXC3 | VERSCHLUSSSCHRAUBE 3/8G CHC F. | TAPPO 3/8G CHC F.E FE/ZNXC3 | |
| 002 | 80650830 | 002 | CLAVETTE PARALLELE | COTTER PIN 8X7X30 | PASSFEDER | CHIAVETTA | |
| 003 | A4200046 | 002 | POCHETTE DE JTS MOTEUR BEMA | SEAL KIT | DICHTUNGSSATZ | SERIE GUARNIZIONI MOTORE | |
| 004 | A4080813 | 004 | COUDE MALE | MALE STUD ELBOW FE/ZNXC3 | WINKEL-EINSCHRAUBVERSCHRAU.FE/ | GIUNZIONE A 90° FE/ZNXC3 | |
| 005 | A4082701 | 005 | COUDE TOURNANT | AJUSTABLE MALE STUD ELBOW | EINSTELLBARE WINKEL STUTZEN | GIUNZIONE A 90°ORIENTABILE ZBC | |
| 006 | A4082732 | 004 | COUDE TOURNANT | AJUSTABLE MALE STUD ELBOW | EINSTELLBARE WINKEL STUTZEN | GIUNZIONE A 45°ORIENTABILE ZBC | |
| 007 | A4922351 | 004 | FLEXIBLE HYDRAULIQUE | HYDRAULIC HOSE | HYDRAULIKSCHLAUCH | TUBO GOMMA | <->3500 mm |
| 008 | A4922401 | 002 | FLEXIBLE HYDRAULIQUE | HYDRAULIC HOSE | HYDRAULIKSCHLAUCH | TUBO GOMMA | <->4000 mm |
| 009 | A4922501 | 001 | FLEXIBLE HYDRAULIQUE | HYDRAULIC HOSE | HYDRAULIKSCHLAUCH | TUBO GOMMA | <->5000 mm |
| 010 | A4020053 | 002 | MOTEUR HYDRAULIQUE | MOTOR, HYDRAULIC | MOTOR | MOTORE | |
| 011 | A4083101 | 002 | TE ADAPTABLE RENVERSE | ADJ.MALE STUD TEE-STUD BAR. | EINSTELLB.L VERSCHRAUBUNG | TERMINALE A L ORIENTABILE | |
| 012 | A4080411 | 003 | UNION MALE | MALE STUD CONNECTOR | GERADER EINSCHRAUBSTUTZEN | GIUZIONE DIRITTA ZBC | |
| 013 | A4080412 | 005 | UNION MALE | MALE STUD CONNECTOR | GERADER EINSCHRAUBSTUTZEN | GIUZIONE DIRITTA ZBC | |
| 014 | A4071300 | 002 | ROBINET | VALVE, BALL | KUGELHAHN | ROBINETTO | |





EURO.II 1460 FLEX GO
EURO.II 1460 FLEX TA

D5204 >
D5204 >

A53R0483 B

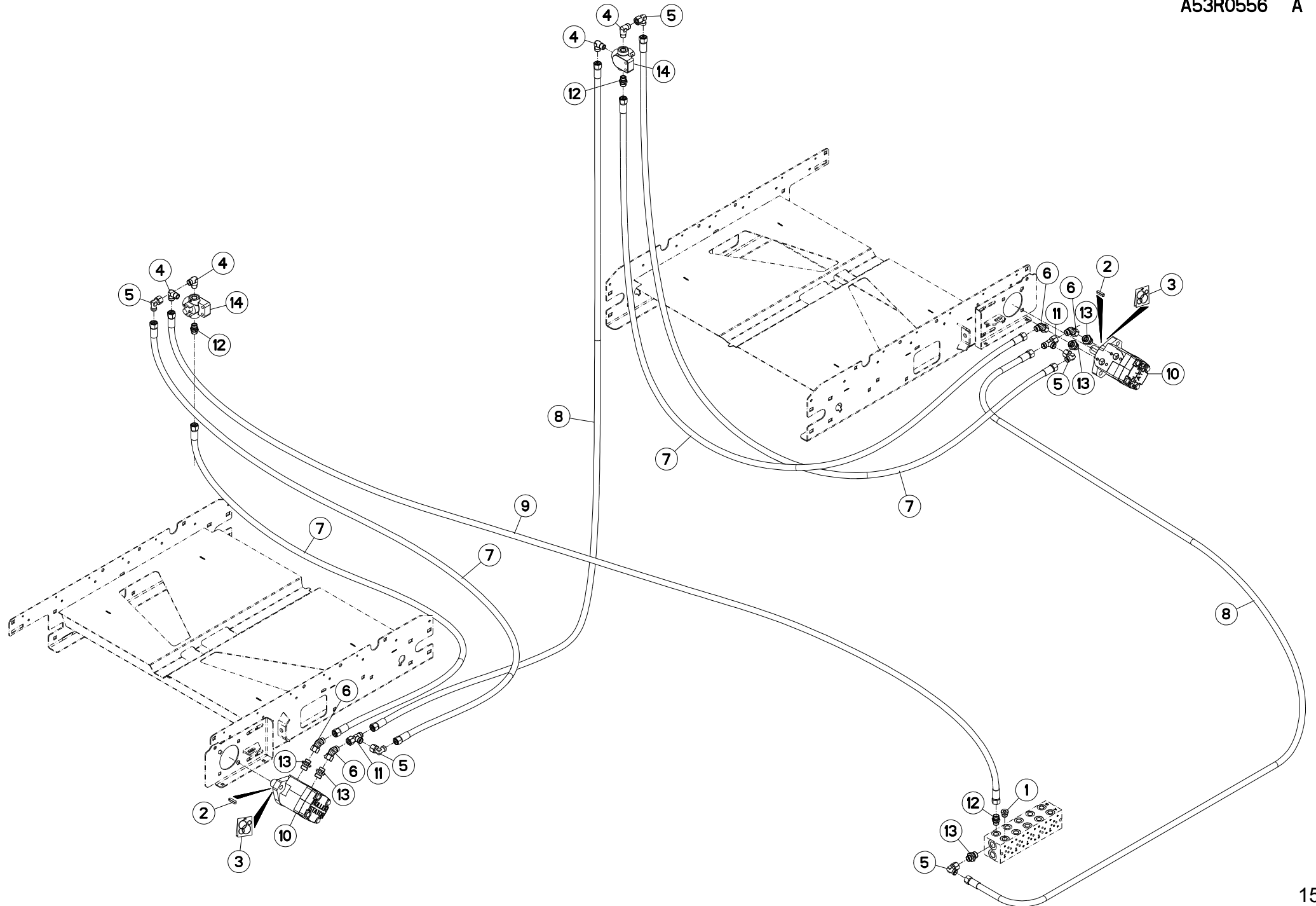
HYDRAULIQUE 0,63/0,8 2 TAPIS

HYDRAULIC 0,63/0,8 2 TAPIS

HYDRAULIK 0,63/0,8 2 TAPIS

IDRAULICO 0,63/0,8 2 TAPIS

| Rep | Nr | Qt | Designation | Description | Bezeichnung | Referenza | Remarque - Remark - Bemerkung - Osservazioni |
|-----|-----------------|-----|-------------------------------|-----------------------------|--------------------------------|--------------------------------|--|
| 001 | A4061802 | 001 | BOUCHON 3/8G CHC F.E FE/ZNXC3 | PLUG 3/8G CHC F.E FE/ZNXC3 | VERSCHLUSSSCHRAUBE 3/8G CHC F. | TAPPO 3/8G CHC F.E FE/ZNXC3 | |
| 002 | 80650830 | 002 | CLAVETTE PARALLELE | COTTER PIN 8X7X30 | PASSFEDER | CHIAVETTA | |
| 003 | A4200046 | 002 | POCHETTE DE JTS MOTEUR BEMA | SEAL KIT | DICHTUNGSSATZ | SERIE GUARNIZIONI MOTORE | |
| 004 | A4080813 | 004 | COUDE MALE | MALE STUD ELBOW FE/ZNXC3 | WINKEL-EINSCHRAUBVERSCHRAU.FE/ | GIUNZIONE A 90° FE/ZNXC3 | |
| 005 | A4082701 | 005 | COUDE TOURNANT | AJUSTABLE MALE STUD ELBOW | EINSTELLBARE WINKEL STUTZEN | GIUNZIONE A 90°ORIENTABILE ZBC | |
| 006 | A4082732 | 004 | COUDE TOURNANT | AJUSTABLE MALE STUD ELBOW | EINSTELLBARE WINKEL STUTZEN | GIUNZIONE A 45°ORIENTABILE ZBC | |
| 007 | A5352880 | 002 | ENTRETOISE | SPACER | DISTANZHUELSE | DISTANZIALE | |
| 008 | A4922351 | 004 | FLEXIBLE HYDRAULIQUE | HYDRAULIC HOSE | HYDRAULIKSCHLAUCH | TUBO GOMMA | <->3500 mm |
| 009 | A4922401 | 002 | FLEXIBLE HYDRAULIQUE | HYDRAULIC HOSE | HYDRAULIKSCHLAUCH | TUBO GOMMA | <->4000 mm |
| 010 | A4922501 | 001 | FLEXIBLE HYDRAULIQUE | HYDRAULIC HOSE | HYDRAULIKSCHLAUCH | TUBO GOMMA | <->5000 mm |
| 011 | A4020053 | 002 | MOTEUR HYDRAULIQUE | MOTOR, HYDRAULIC | MOTOR | MOTORE | |
| 012 | A4075031 | 002 | ROBINET | VALVE, BALL | KUGELHAHN | ROBINETTO | |
| 013 | A4083101 | 002 | TE ADAPTABLE RENVERSE | ADJ.MALE STUD TEE-STUD BAR. | EINSTELLB.L VERSCHRAUBUNG | TERMINALE A L ORIENTABILE | |
| 014 | A4080411 | 003 | UNION MALE | MALE STUD CONNECTOR | GERADER EINSCHRAUBSTUTZEN | GIUZIONE DIRITTA ZBC | |
| 015 | A4080412 | 005 | UNION MALE | MALE STUD CONNECTOR | GERADER EINSCHRAUBSTUTZEN | GIUZIONE DIRITTA ZBC | |





EURO.II 1860 FLEX GO
EURO.II 1860 FLEX TA

A4600 > D5203
A4600 > D5203

A53R0556 A

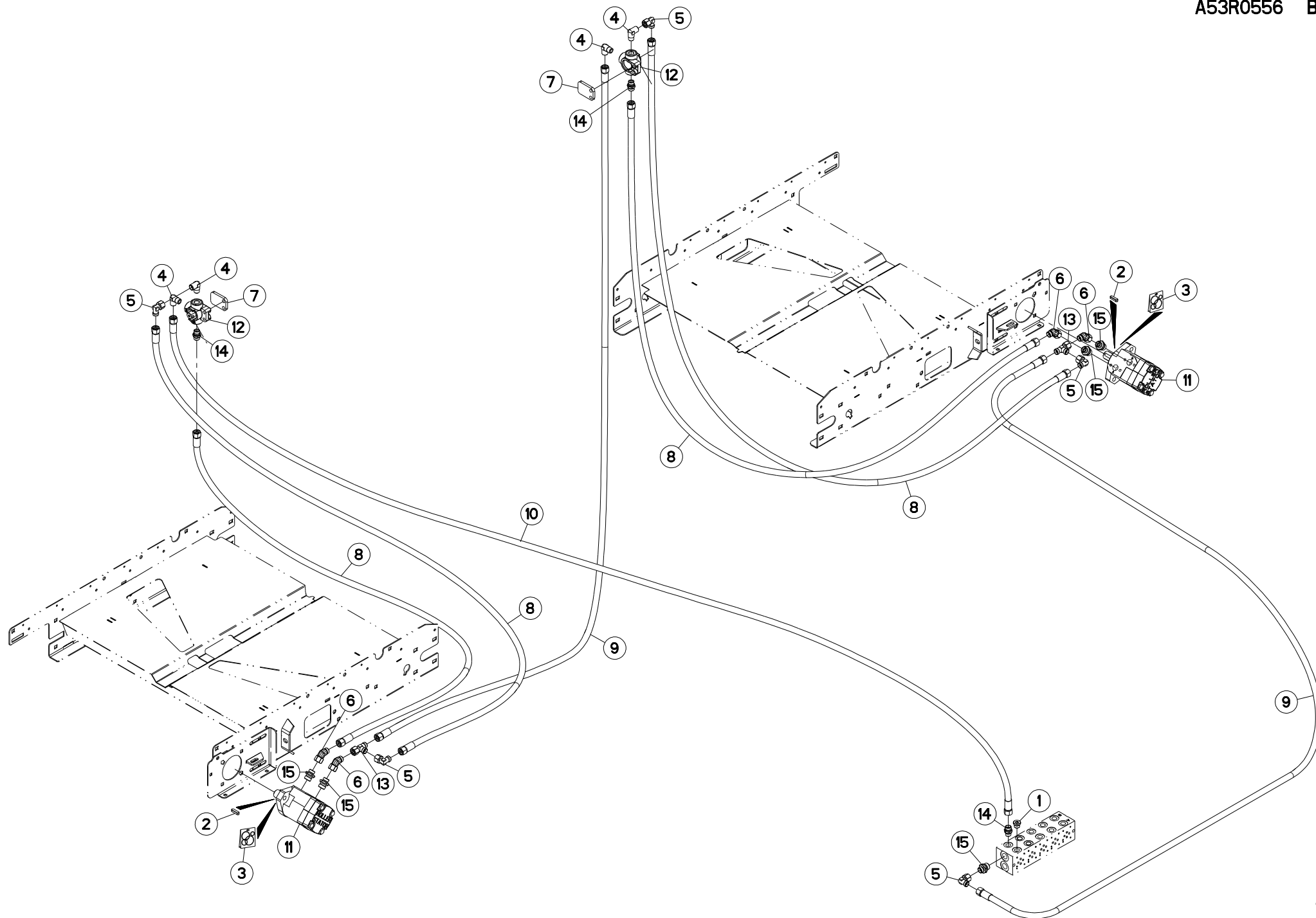
HYDRAULIQUE 0,63/0,8M 2 TAPIS

HYDRAULIC 0,63/0,8M 2 CONVEYOR

HYDRAULIK 0,63/0,8M 2 KRATZBOD

IDRAULICO 0,63/0,8M 2 FONDO MO

| Rep | Nr | Qt | Designation | Description | Bezeichnung | Referenza | Remarque - Remark - Bemerkung - Osservazioni |
|-----|-----------------|-----|-------------------------------|-----------------------------|--------------------------------|--------------------------------|--|
| 001 | A4061802 | 001 | BOUCHON 3/8G CHC F.E FE/ZNXC3 | PLUG 3/8G CHC F.E FE/ZNXC3 | VERSCHLUSSSCHRAUBE 3/8G CHC F. | TAPPO 3/8G CHC F.E FE/ZNXC3 | |
| 002 | 80650830 | 002 | CLAVETTE PARALLELE | COTTER PIN 8X7X30 | PASSFEDER | CHIAVETTA | |
| 003 | A4200046 | 002 | POCHETTE DE JTS MOTEUR BEMA | SEAL KIT | DICHTUNGSSATZ | SERIE GUARNIZIONI MOTORE | |
| 004 | A4080813 | 004 | COUDE MALE | MALE STUD ELBOW FE/ZNXC3 | WINKEL-EINSCHRAUBVERSCHRAU.FE/ | GIUNZIONE A 90° FE/ZNXC3 | |
| 005 | A4082701 | 005 | COUDE TOURNANT | AJUSTABLE MALE STUD ELBOW | EINSTELLBARE WINKEL STUTZEN | GIUNZIONE A 90°ORIENTABILE ZBC | |
| 006 | A4082732 | 004 | COUDE TOURNANT | AJUSTABLE MALE STUD ELBOW | EINSTELLBARE WINKEL STUTZEN | GIUNZIONE A 45°ORIENTABILE ZBC | |
| 007 | A4922351 | 004 | FLEXIBLE HYDRAULIQUE | HYDRAULIC HOSE | HYDRAULIKSCHLAUCH | TUBO GOMMA | <->3500 mm |
| 008 | A4922451 | 002 | FLEXIBLE HYDRAULIQUE | HYDRAULIC HOSE | HYDRAULIKSCHLAUCH | TUBO GOMMA | <->4500 mm |
| 009 | A4922550 | 001 | FLEXIBLE HYDRAULIQUE | HYDRAULIC HOSE | HYDRAULIKSCHLAUCH | TUBO GOMMA | <->5500 mm |
| 010 | A4020053 | 002 | MOTEUR HYDRAULIQUE | MOTOR, HYDRAULIC | MOTOR | MOTORE | |
| 011 | A4083101 | 002 | TE ADAPTABLE RENVERSE | ADJ.MALE STUD TEE-STUD BAR. | EINSTELLB.L VERSCHRAUBUNG | TERMINALE A L ORIENTABILE | |
| 012 | A4080411 | 003 | UNION MALE | MALE STUD CONNECTOR | GERADER EINSCHRAUBSTUTZEN | GIUZIONE DIRITTA ZBC | |
| 013 | A4080412 | 005 | UNION MALE | MALE STUD CONNECTOR | GERADER EINSCHRAUBSTUTZEN | GIUZIONE DIRITTA ZBC | |
| 014 | A4071300 | 002 | ROBINET | VALVE, BALL | KUGELHAHN | ROBINETTO | |





EURO.II 1860 FLEX GO
EURO.II 1860 FLEX TA
EURO.II 1860 FLEX TA

D5204 >
D5204 >
A4600 >

A53R0556 B

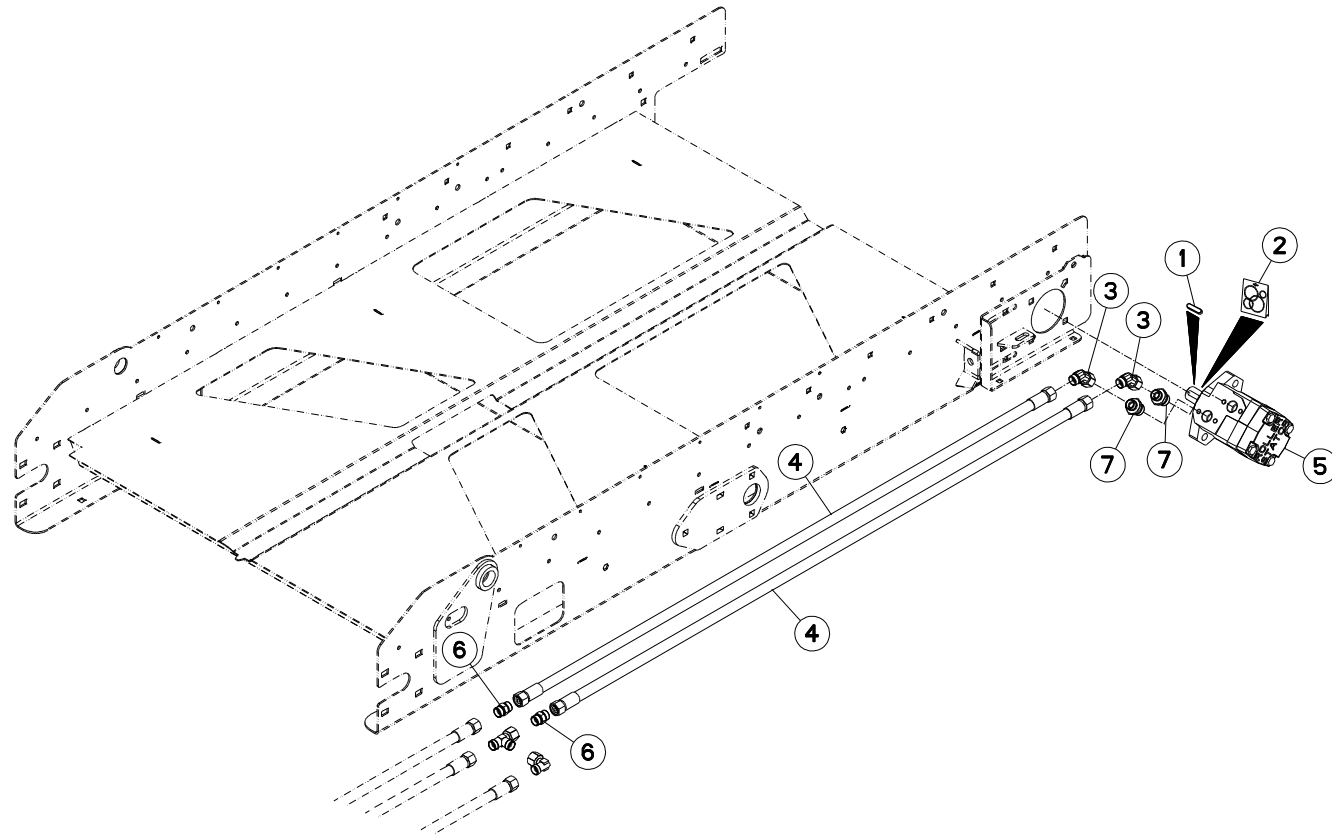
HYDRAULIQUE 0,63/0,8M 2 TAPIS

HYDRAULIC 0,63/0,8M 2 TAPIS

HYDRAULIK 0,63/0,8M 2 TAPIS

IDRAULICO 0,63/0,8M 2 TAPIS

| Rep | Nr | Qt | Designation | Description | Bezeichnung | Referenza | Remarque - Remark - Bemerkung - Osservazioni |
|-----|-----------------|-----|-------------------------------|-----------------------------|--------------------------------|--------------------------------|--|
| 001 | A4061802 | 001 | BOUCHON 3/8G CHC F.E FE/ZNXC3 | PLUG 3/8G CHC F.E FE/ZNXC3 | VERSCHLUSSSCHRAUBE 3/8G CHC F. | TAPPO 3/8G CHC F.E FE/ZNXC3 | |
| 002 | 80650830 | 002 | CLAVETTE PARALLELE | COTTER PIN 8X7X30 | PASSFEDER | CHIAVETTA | |
| 003 | A4200046 | 002 | POCHETTE DE JTS MOTEUR BEMA | SEAL KIT | DICHTUNGSSATZ | SERIE GUARNIZIONI MOTORE | |
| 004 | A4080813 | 004 | COUDE MALE | MALE STUD ELBOW FE/ZNXC3 | WINKEL-EINSCHRAUBVERSCHRAU.FE/ | GIUNZIONE A 90° FE/ZNXC3 | |
| 005 | A4082701 | 005 | COUDE TOURNANT | AJUSTABLE MALE STUD ELBOW | EINSTELLBARE WINKEL STUTZEN | GIUNZIONE A 90°ORIENTABILE ZBC | |
| 006 | A4082732 | 004 | COUDE TOURNANT | AJUSTABLE MALE STUD ELBOW | EINSTELLBARE WINKEL STUTZEN | GIUNZIONE A 45°ORIENTABILE ZBC | |
| 007 | A5352880 | 002 | ENTRETOISE | SPACER | DISTANZHUELSE | DISTANZIALE | |
| 008 | A4922351 | 004 | FLEXIBLE HYDRAULIQUE | HYDRAULIC HOSE | HYDRAULIKSCHLAUCH | TUBO GOMMA | <->3500 mm |
| 009 | A4922451 | 002 | FLEXIBLE HYDRAULIQUE | HYDRAULIC HOSE | HYDRAULIKSCHLAUCH | TUBO GOMMA | <->4500 mm |
| 010 | A4922550 | 001 | FLEXIBLE HYDRAULIQUE | HYDRAULIC HOSE | HYDRAULIKSCHLAUCH | TUBO GOMMA | <->5500 mm |
| 011 | A4020053 | 002 | MOTEUR HYDRAULIQUE | MOTOR, HYDRAULIC | MOTOR | MOTORE | |
| 012 | A4075031 | 002 | ROBINET | VALVE, BALL | KUGELHAHN | ROBINETTO | |
| 013 | A4083101 | 002 | TE ADAPTABLE RENVERSE | ADJ.MALE STUD TEE-STUD BAR. | EINSTELLB.L VERSCHRAUBUNG | TERMINALE A L ORIENTABILE | |
| 014 | A4080411 | 003 | UNION MALE | MALE STUD CONNECTOR | GERADER EINSCHRAUBSTUTZEN | GIUZIONE DIRITTA ZBC | |
| 015 | A4080412 | 005 | UNION MALE | MALE STUD CONNECTOR | GERADER EINSCHRAUBSTUTZEN | GIUZIONE DIRITTA ZBC | |





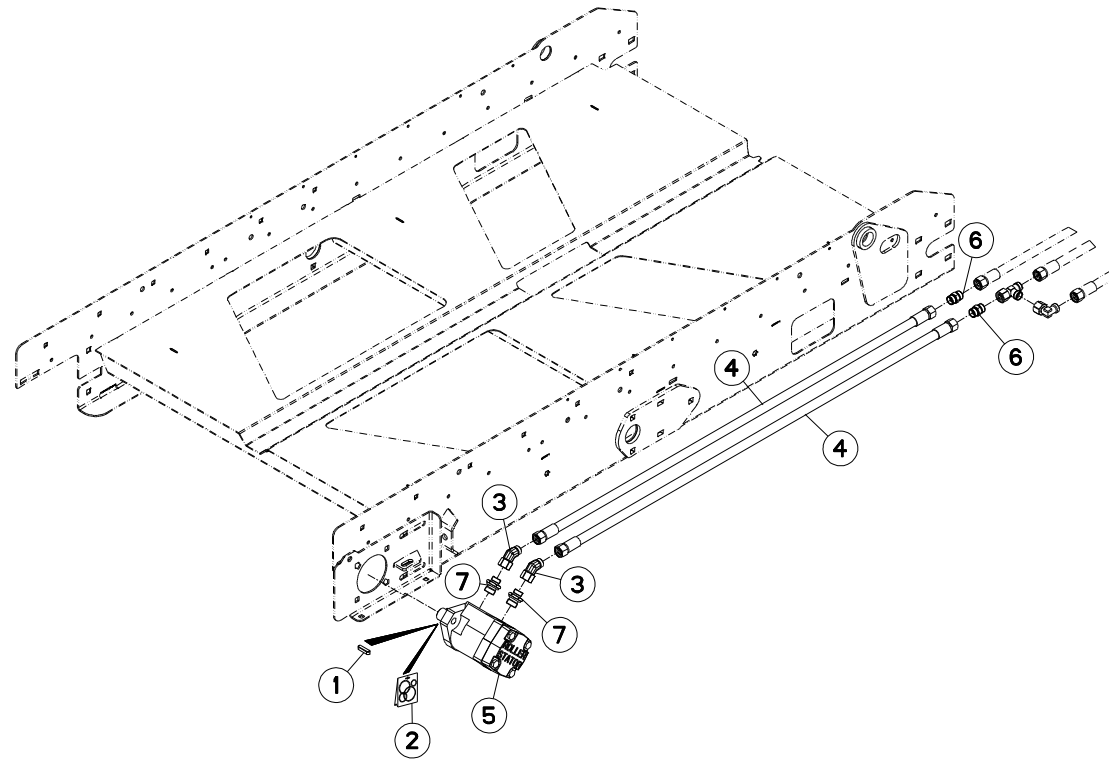
HYDRAULIQUE 1,5/2,2M GAUCHE

HYDRAULIC 1,5/2,2M LEFT

HYDRAULIK 1,5/2,2M LINKS

IDRAULICO 1,5/2,2M SX

| Rep | Nr | Qt | Designation | Description | Bezeichnung | Referenza | Remarque - Remark - Bemerkung - Osservazioni |
|-----|-----------------|-----|-----------------------------|----------------------------|-------------------------------|--------------------------------|--|
| 001 | 80650830 | 001 | CLAVETTE PARALLELE | COTTER PIN 8X7X30 | PASSFEDER | CHIAVETTA | |
| 002 | A4200046 | 001 | POCHETTE DE JTS MOTEUR BEMA | SEAL KIT | DICHTUNGSSATZ | SERIE GUARNIZIONI MOTORE | |
| 003 | A4082732 | 002 | COUDE TOURNANT | AJUSTABLE MALE STUD ELBOW | EINSTELLBARE WINKEL STUTZEN | GIUNZIONE A 45°ORIENTABILE ZBC | |
| 004 | A4922201 | 002 | FLEXIBLE | HOSE, HYDRAULIC | HYDRAULIKSCHLAUCH | TUBO IN GOMMA | <->2000 mm |
| 005 | A4020053 | 001 | MOTEUR HYDRAULIQUE | MOTOR, HYDRAULIC | MOTOR | MOTORE | |
| 006 | A4080311 | 002 | UNION DOUBLE FE/ZNXC3 | STRAIGHT COUPLING FE/ZNXC3 | GERADE VERSCHRAUBUNG FE/ZNXC3 | GIUNZIONE DIRITTA FE/ZNXC3 | |
| 007 | A4080412 | 002 | UNION MALE | MALE STUD CONNECTOR | GERADER EINSCHRAUBSTUTZEN | GIUZIONE DIRITTA ZBC | |





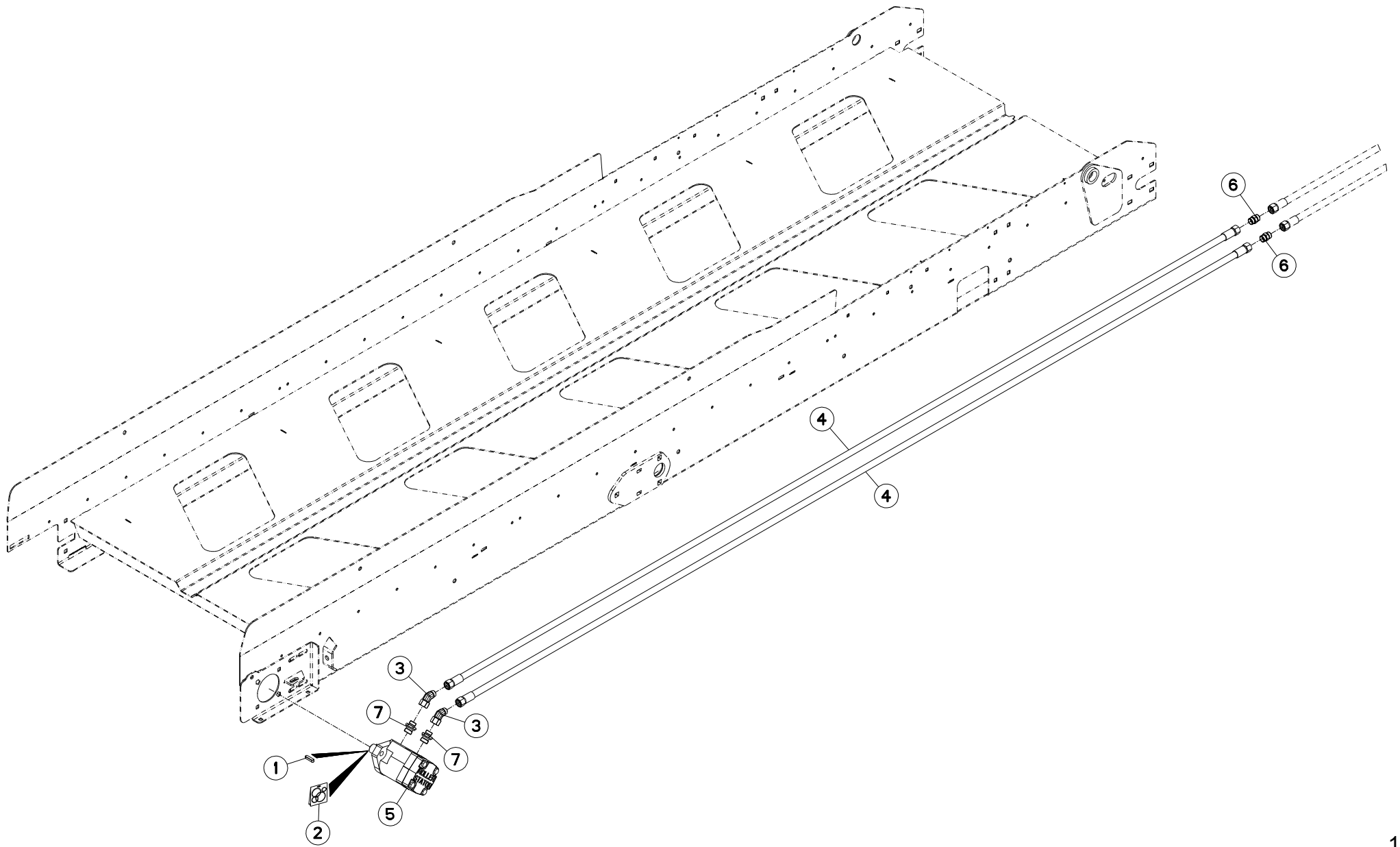
HYDRAULIQUE 1,5/2,2M DROIT

HYDRAULIC 1,5/2,2M RIGHT

HYDRAULIK 1,5/2,2M RECHTS

IDRAULICO 1,5/2,2M DX

| Rep | Nr | Qt | Designation | Description | Bezeichnung | Referenza | Remarque - Remark - Bemerkung - Osservazioni |
|-----|-----------------|-----|-----------------------------|----------------------------|-------------------------------|--------------------------------|--|
| 001 | 80650830 | 001 | CLAVETTE PARALLELE | COTTER PIN 8X7X30 | PASSFEDER | CHIAVETTA | |
| 002 | A4200046 | 001 | POCHETTE DE JTS MOTEUR BEMA | SEAL KIT | DICHTUNGSSATZ | SERIE GUARNIZIONI MOTORE | |
| 003 | A4082732 | 002 | COUDE TOURNANT | AJUSTABLE MALE STUD ELBOW | EINSTELLBARE WINKEL STUTZEN | GIUNZIONE A 45°ORIENTABILE ZBC | |
| 004 | A4922201 | 002 | FLEXIBLE | HOSE, HYDRAULIC | HYDRAULIKSCHLAUCH | TUBO IN GOMMA | <->2000 mm |
| 005 | A4020053 | 001 | MOTEUR HYDRAULIQUE | MOTOR, HYDRAULIC | MOTOR | MOTORE | |
| 006 | A4080311 | 002 | UNION DOUBLE FE/ZNXC3 | STRAIGHT COUPLING FE/ZNXC3 | GERADE VERSCHRAUBUNG FE/ZNXC3 | GIUNZIONE DIRITTA FE/ZNXC3 | |
| 007 | A4080412 | 002 | UNION MALE | MALE STUD CONNECTOR | GERADER EINSCHRAUBSTUTZEN | GIUNZIONE DIRITTA ZBC | |





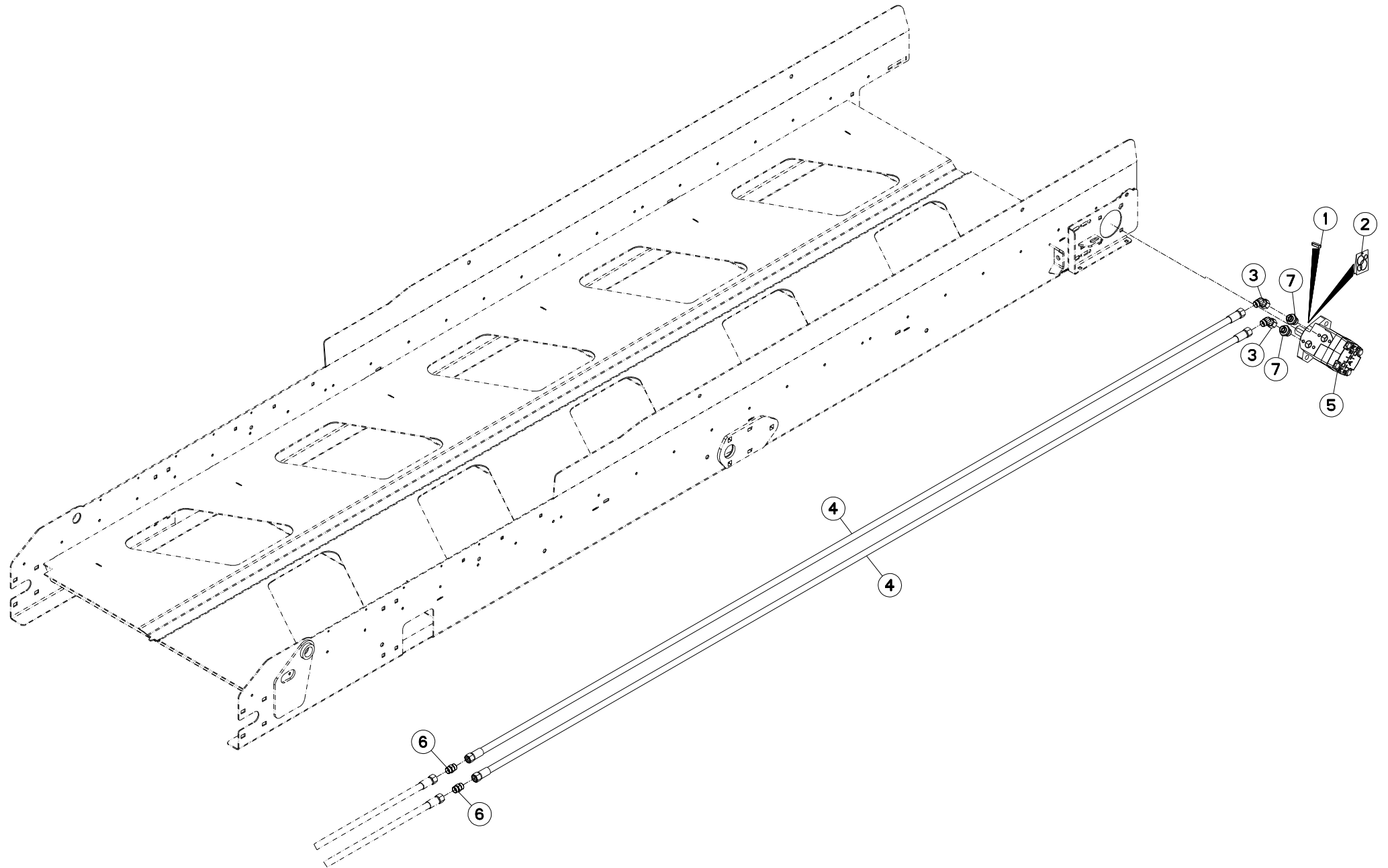
HYDRAULIQUE 3,3M DROIT

HYDRAULIC 3,3M RIGHT

HYDRAULIK 3,3M RECHTS

IDRAULICO 3,3M DX

| Rep | Nr | Qt | Designation | Description | Bezeichnung | Referenza | Remarque - Remark - Bemerkung - Osservazioni |
|-----|-----------------|-----|-----------------------------|----------------------------|-------------------------------|--------------------------------|--|
| 001 | 80650830 | 001 | CLAVETTE PARALLELE | COTTER PIN 8X7X30 | PASSFEDER | CHIAVETTA | |
| 002 | A4200046 | 001 | POCHETTE DE JTS MOTEUR BEMA | SEAL KIT | DICHTUNGSSATZ | SERIE GUARNIZIONI MOTORE | |
| 003 | A4082732 | 002 | COUDE TOURNANT | AJUSTABLE MALE STUD ELBOW | EINSTELLBARE WINKEL STUTZEN | GIUNZIONE A 45°ORIENTABILE ZBC | |
| 004 | A4922302 | 002 | FLEXIBLE HYDRAULIQUE | HYDRAULIC HOSE | HYDRAULIKSCHLAUCH | TUBO GOMMA | <->3000 mm |
| 005 | A4020053 | 001 | MOTEUR HYDRAULIQUE | MOTOR, HYDRAULIC | MOTOR | MOTORE | |
| 006 | A4080311 | 002 | UNION DOUBLE FE/ZNXC3 | STRAIGHT COUPLING FE/ZNXC3 | GERADE VERSCHRAUBUNG FE/ZNXC3 | GIUNZIONE DIRITTA FE/ZNXC3 | |
| 007 | A4080412 | 002 | UNION MALE | MALE STUD CONNECTOR | GERADER EINSCHRAUBSTUTZEN | GIUNZIONE DIRITTA ZBC | |





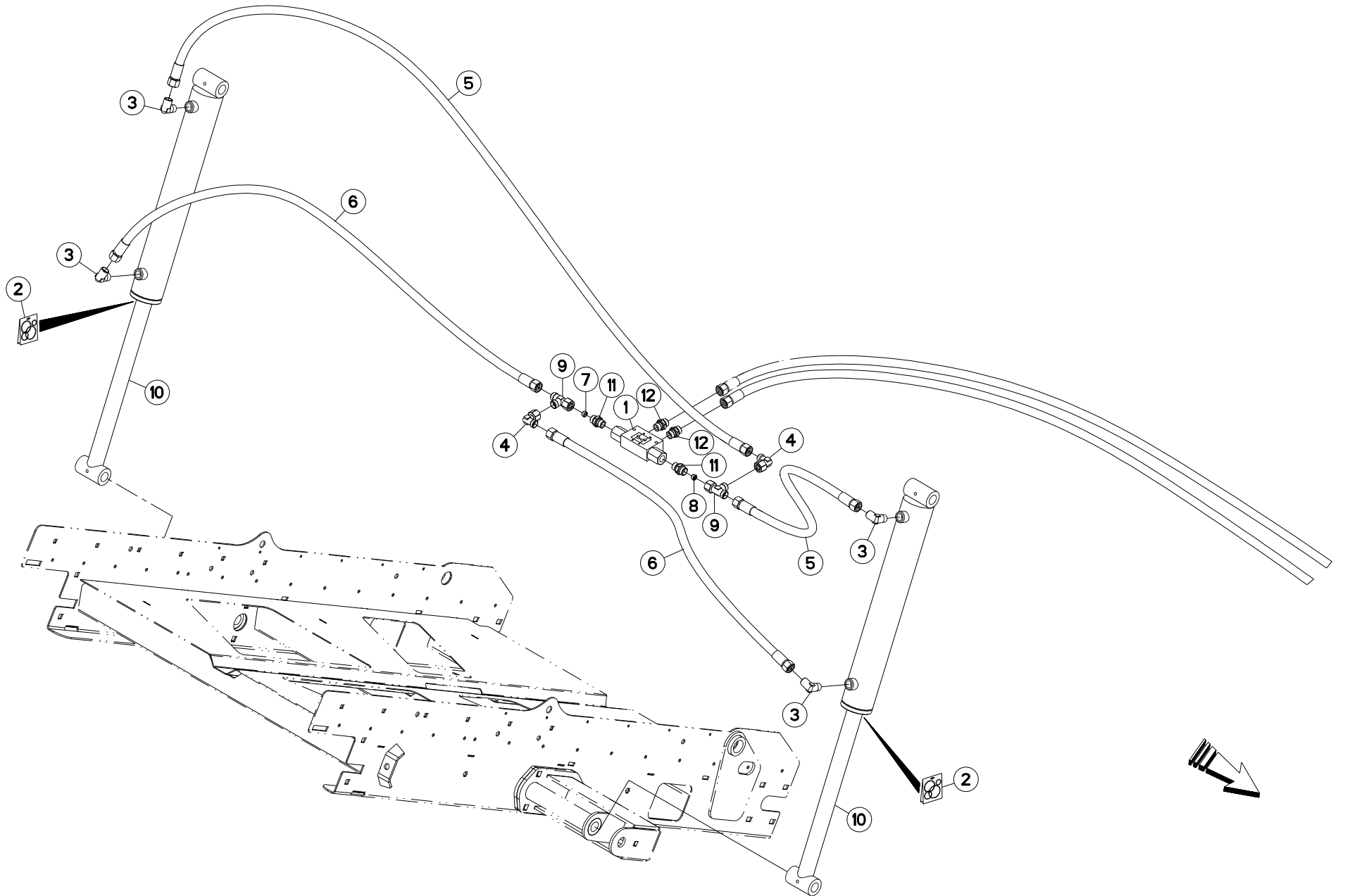
HYDRAULIQUE 3,3M GAUCHE

HYDRAULIC 3,3M LEFT

HYDRAULIK 3,3M LINKS

IDRAULICO 3,3M SX

| Rep | Nr | Qt | Designation | Description | Bezeichnung | Referenza | Remarque - Remark - Bemerkung - Osservazioni |
|-----|-----------------|-----|--------------------------------|--------------------------------|--------------------------------|--------------------------------|--|
| 001 | 80650830 | 001 | CLAVETTE PARALLELE | COTTER PIN 8X7X30 | PASSFEDER | CHIAVETTA | |
| 002 | A4200046 | 001 | POCHETTE DE JTS MOTEUR BEMA | SEAL KIT | DICHTUNGSSATZ | SERIE GUARNIZIONI MOTORE | |
| 003 | A4082732 | 002 | COUDE TOURNANT | AJUSTABLE MALE STUD ELBOW | EINSTELLBARE WINKEL STUTZEN | GIUNZIONE A 45°ORIENTABILE ZBC | |
| 004 | A4922302 | 002 | FLEXIBLE HYDRAULIQUE | HYDRAULIC HOSE | HYDRAULIKSCHLAUCH | TUBO GOMMA | <->3000 mm |
| 005 | A4020053 | 001 | MOTEUR HYDRAULIQUE | MOTOR, HYDRAULIC | MOTOR | MOTORE | |
| 006 | A4080311 | 002 | UNION DOUBLE FE/ZNXC3 | STRAIGHT COUPLING FE/ZNXC3 | GERADE VERSCHRAUBUNG FE/ZNXC3 | GIUNZIONE DIRITTA FE/ZNXC3 | |
| 007 | A4080412 | 002 | UNION MALE | MALE STUD CONNECTOR | GERADER EINSCHRAUBSTUTZEN | GIUZIONE DIRITTA ZBC | |
| 008 | A4922252 | 002 | FLEXIBLE HYDRAULIQUE | HYDRAULIC HOSE | HYDRAULIKSCHLAUCH | TUBO GOMMA | <->2500 mm |
| 009 | A4922451 | 001 | FLEXIBLE HYDRAULIQUE | HYDRAULIC HOSE | HYDRAULIKSCHLAUCH | TUBO GOMMA | <->4500 mm |
| 010 | A4072013 | 001 | LIMITEUR DEBIT D1 TUBE D12 | DELIVERY LIMITER | MENGEN BEGRENZER | REGOLATORE D'ALIMENTAZIONE | |
| 011 | A4070034 | 001 | LIMITEUR DE PRESSION | VALVE, RELIEF | DRUCKBEGRENZUNGSVENTIL | LIMITATORE DI PRESSIONE | |
| 012 | A4081003 | 001 | TE EGAL | EQUAL TEE | T-VERSCHRAUBUNG | GIUNZIONE A T | |
| 013 | A4080411 | 002 | UNION MALE | MALE STUD CONNECTOR | GERADER EINSCHRAUBSTUTZEN | GIUZIONE DIRITTA ZBC | |
| 014 | A4060625 | 001 | UNION MALE SPECIALE ZBC | MALE SUTD COUPLING ZBC | GERADE EINSCHRAUBVERSCHRAU.ZBC | GIUNZIONE DIRITTA ZBC | |
| 015 | 80080570 | 001 | VIS TETE CYL.SIX P.CR.FE/ZNXC3 | HEX.SOCK.HEAD CAP SCR.FE/ZNXC3 | ZYLINDERSCHR.INNENSEC.FE/ZNXC3 | VITE A TESTA CILINDR. FE/ZNXC3 | |





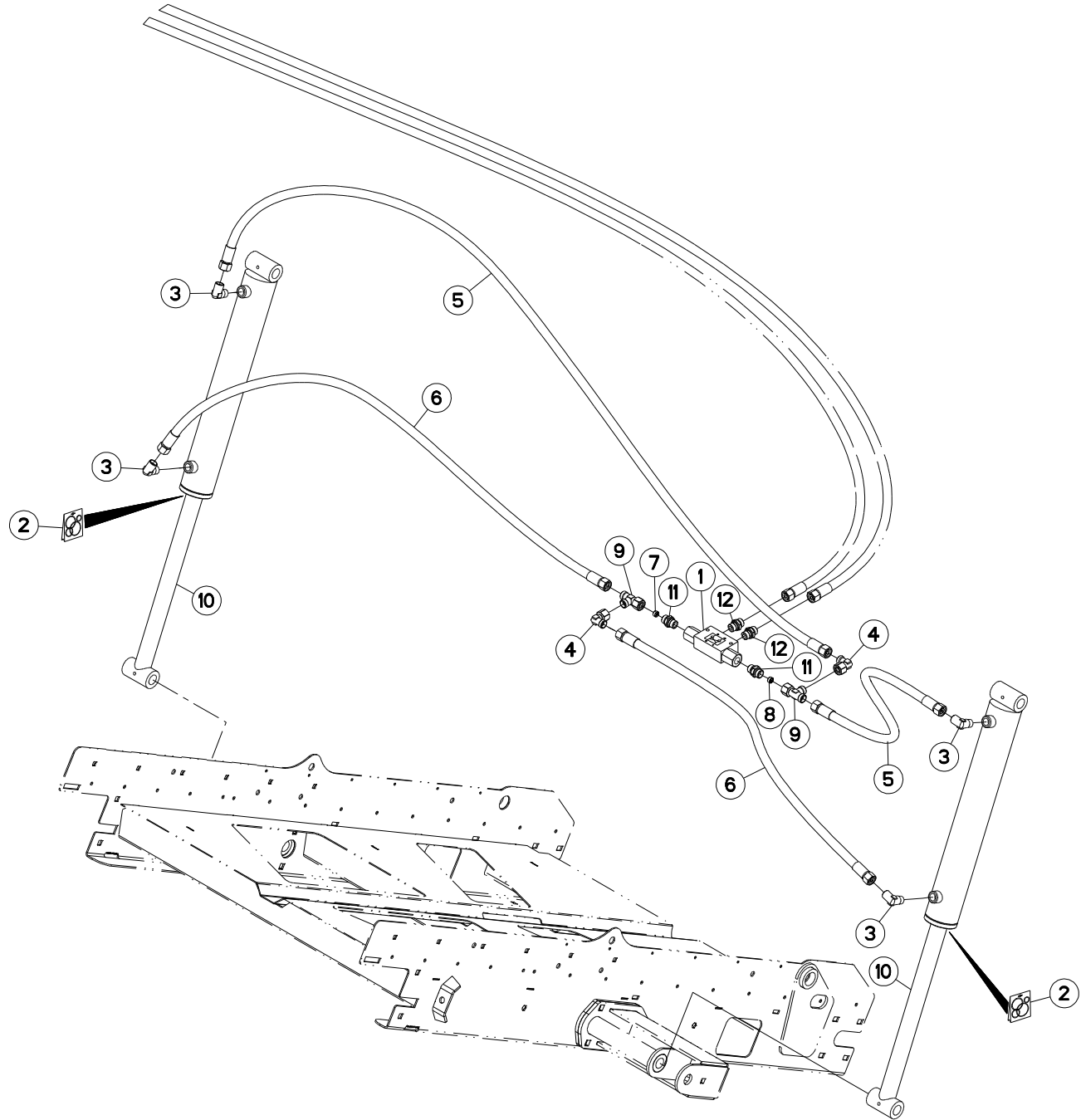
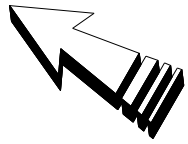
RELEVAGE 1,5M/2,2M (DROIT)

LIFT 1,5M/2,2M (RIGHT)

AUSHEBUNG 1,5M/2,2M (RECHTS)

SOLLEVAMENTO 1,5M/2,2M (DX)

| Rep | Nr | Qt | Designation | Description | Bezeichnung | Referenza | Remarque - Remark - Bemerkung - Osservazioni |
|-----|-----------------|-----|--------------------------------|-----------------------------|--------------------------------|--------------------------------|--|
| 001 | A4071208 | 001 | CLAPET DOUBLE PILOTE R3.6/1 3/ | CHECK VALVE | SICHERHEITSVENTIL | VALVOLA | |
| 002 | A4200105 | 002 | POCHETTE JTS DE 35X60 | SEAL KIT | DICHTUNGSSATZ | SERIE GUARNIZIONI | |
| 003 | A4080813 | 004 | COUDE MALE | MALE STUD ELBOW FE/ZNXC3 | WINKEL-EINSCHRAUBVERSCHRAU.FE/ | GIUNZIONE A 90° FE/ZNXC3 | |
| 004 | A4082701 | 002 | COUDE TOURNANT | AJUSTABLE MALE STUD ELBOW | EINSTELLBARE WINKEL STUTZEN | GIUNZIONE A 90°ORIENTABILE ZBC | |
| 005 | A4922252 | 002 | FLEXIBLE HYDRAULIQUE | HYDRAULIC HOSE | HYDRAULIKSCHLAUCH | TUBO GOMMA | <->2500 mm |
| 006 | A4922302 | 002 | FLEXIBLE HYDRAULIQUE | HYDRAULIC HOSE | HYDRAULIKSCHLAUCH | TUBO GOMMA | <->3000 mm |
| 007 | A4072009 | 001 | LIMITEUR DE DEBIT | FLOW LIMITER | MENGENREGLER | LIMITATORE DI FLUSSO | |
| 008 | A4072012 | 001 | LIMITEUR DEBIT D1.5 TUBE D12 | DELIVERY LIMITER | MENGEN BEGRENZER | REGOLATORE D'ALIMENTAZIONE | |
| 009 | A4083101 | 002 | TE ADAPTABLE RENVERSE | ADJ.MALE STUD TEE-STUD BAR. | EINSTELLB.L VERSCHRAUBUNG | TERMINALE A L ORIENTABILE | |
| 010 | A4015092 | 002 | VERIN | CYLINDER, HYDRAULIC | HYDRAULIKZYLINDER | CILINDRO | |
| 011 | A4060625 | 002 | UNION MALE SPECIALE ZBC | MALE SUTD COUPLING ZBC | GERADE EINSCHRAUBVERSCHRAU.ZBC | GIUNZIONE DIRITTA ZBC | |
| 012 | A4080411 | 002 | UNION MALE | MALE STUD CONNECTOR | GERADER EINSCHRAUBSTUTZEN | GIUZIONE DIRITTA ZBC | |





RELEVAGE 1,5M/2,2M (GAUCHE)

LIFT 1,5M/2,2M (LEFT)

AUSHEBUNG 1,5M/2,2M (LINKS)

SOLLEVAMENTO 1,5M/2,2M (SX)

| Rep | Nr | Qt | Designation | Description | Bezeichnung | Referenza | Remarque - Remark - Bemerkung - Osservazioni |
|-----|----------|-----|--------------------------------|--------------------------------|--------------------------------|--------------------------------|--|
| 001 | A4071208 | 001 | CLAPET DOUBLE PILOTE R3.6/1 3/ | CHECK VALVE | SICHERHEITSENTIL | VALVOLA | |
| 002 | A4200105 | 002 | POCHETTE JTS DE 35X60 | SEAL KIT | DICHTUNGSSATZ | SERIE GUARNIZIONI | |
| 003 | A4080813 | 004 | COUDE MALE | MALE STUD ELBOW FE/ZNXC3 | WINKEL-EINSCHRAUBVERSCHRAU.FE/ | GIUNZIONE A 90° FE/ZNXC3 | |
| 004 | A4082701 | 002 | COUDE TOURNANT | AJUSTABLE MALE STUD ELBOW | EINSTELLBARE WINKEL STUTZEN | GIUNZIONE A 90°ORIENTABILE ZBC | |
| 005 | A4922252 | 002 | FLEXIBLE HYDRAULIQUE | HYDRAULIC HOSE | HYDRAULIKSCHLAUCH | TUBO GOMMA | <->2500 mm |
| 006 | A4922302 | 002 | FLEXIBLE HYDRAULIQUE | HYDRAULIC HOSE | HYDRAULIKSCHLAUCH | TUBO GOMMA | <->3000 mm |
| 007 | A4072009 | 001 | LIMITEUR DE DEBIT | FLOW LIMITER | MENGENREGLER | LIMITATORE DI FLUSSO | |
| 008 | A4072012 | 001 | LIMITEUR DEBIT D1.5 TUBE D12 | DELIVERY LIMITER | MENGEN BEGRENZER | REGOLATORE D'ALIMENTAZIONE | |
| 009 | A4083101 | 002 | TE ADAPTABLE RENVERSE | ADJ.MALE STUD TEE-STUD BAR. | EINSTELLB.L VERSCHRAUBUNG | TERMINALE A L ORIENTABILE | |
| 010 | A4015092 | 002 | VERIN | CYLINDER, HYDRAULIC | HYDRAULIKZYLINDER | CILINDRO | |
| 011 | A4060625 | 002 | UNION MALE SPECIALE ZBC | MALE SUTD COUPLING ZBC | GERADE EINSCHRAUBVERSCHRAU.ZBC | GIUNZIONE DIRITTA ZBC | |
| 012 | A4080411 | 002 | UNION MALE | MALE STUD CONNECTOR | GERADER EINSCHRAUBSTUTZEN | GIUNZIONE DIRITTA ZBC | |
| 013 | A7181106 | 001 | FLEXIBLE SPIRALE NOIR LG1500 | BLACK HOSE | DRUCKSCHLAUCH | TUBO IN GOMMA | |
| 014 | A7181129 | 005 | FLEXIBLE 9X12 (PA SEMI-RIGIDE) | HOSE | DRUCKSCHLAUCH | TUBO IN GOMMA | |
| 015 | A7181134 | 010 | FOURRURE D9X12 | LINER D.9 | SCHLAUCHVERSTEIFUNG D.9 | CAMICIA | |
| 016 | A7181140 | 001 | JOINT D'ETANCHEITE (WABCO) | SEAL | DICHTRING | GIUNTO | |
| 017 | A5311226 | 001 | PLAQUE | PLATE | PLATTE | PIASTRA | |
| 018 | A7181108 | 001 | PRISE DE PRESSION EN T | PRESSURE PORT T | DRUCKANSCHLUSS T | PRESA DI PRESSIONE | |
| 019 | A7181109 | 001 | PRISE DE PRESSION M22X150 | PRESSURE PORT | DRUCKANSCHLUSS | PRESA DI PRESSIONE | |
| 020 | A7181100 | 001 | RESERVOIR | RESERVOIR | TANK | SERBATOIO | |
| 021 | A7181138 | 001 | ROBINET VIDE CHARGE (WABCO) | LOAD APPORTIONING VALVE | BREMSKRAFTREGLER | ROBINETTO | |
| 022 | 82102229 | 004 | JOINT CUIVRE | SEALING RING | DICHTRING | RONDELLA RAME | |
| 023 | 80251021 | 011 | RONDELLE PLATE FE/ZNXC3 | PLAIN WASHER M10 | SCHEIBE FE/ZNXC3 | RONDELLA PIATTA FE/ZNXC3 | |
| 024 | A5328320 | 002 | SUPPORT | SUPPORT | TRAEGER | SUPPORTO | |
| 025 | A5331100 | 004 | SUPPORT | SUPPORT | TRAEGER | SUPPORTO | |
| 026 | A7181120 | 002 | SUPPORT RESERVOIR | HOLDER | HALTER | SUPPORTO | |
| 027 | A4081003 | 001 | TE EGAL | EQUAL TEE | T-VERSCHRAUBUNG | GIUNZIONE A T | |
| 028 | A7181102 | 001 | TETE D'ACCOUPEMENT ROUGE | RED COUPLING HEAD | ANSCHLUSSKOPF ROT | TESTA ACCOPPIAMENTO ROSSO | |
| 029 | A4060627 | 001 | UNION | FITTING, HYDRAULIC, UNION | VERBINDUNG | CONNETTORE | |
| 030 | A4080413 | 003 | UNION MALE | MALE STUD CONNECTOR | GERADER EINSCHRAUBSTUTZEN | GIUNZIONE DIRITTA ZBC | |
| 031 | A4080414 | 005 | UNION MALE | MALE STUD CONNECTOR | GERADER EINSCHRAUBSTUTZEN | GIUNZIONE DIRITTA ZBC | |
| 032 | A4080446 | 001 | UNION MALE NUE ZBC | MALE SUTD COUPLING ZBC | GERADE EINSCHRAUBVERSCHRAU.ZBC | GIUNZIONE DIRITTA ZBC | |
| 033 | A7181104 | 001 | VALVE DE PURGE | DRAIN VALVE | ENTWAESSERUNGSVENTIL | VALVOLA | |
| 034 | A7181139 | 001 | VALVE | VALVE | VENTIL | VALVOLA | |
| 035 | 50070800 | 024 | VIS TBCC COURT | BOLT, CARRIAGE, SHORT NECK | FLACHRUNDSCHR.4KT ANSATZ | BULLONE | |
| 036 | 80061035 | 002 | VIS TETE HEXAGONALE FE/ZNXC3 | HEX. HEAD SCREW M10 X 35 MM CL | SECHSKANTSCHRAUBE FE/ZNXC3 | VITE TESTA ESAGONALE FE/ZNXC3 | |
| 037 | 80061026 | 003 | VIS TETE HEXAGONALE FE/ZNXC3 | HEXAGON HEAD SCREW FE/ZNXC3 | SECHSKANTSCHRAUBE FE/ZNXC3 | VITE TESTA ESAGONALE FE/ZNXC3 | |



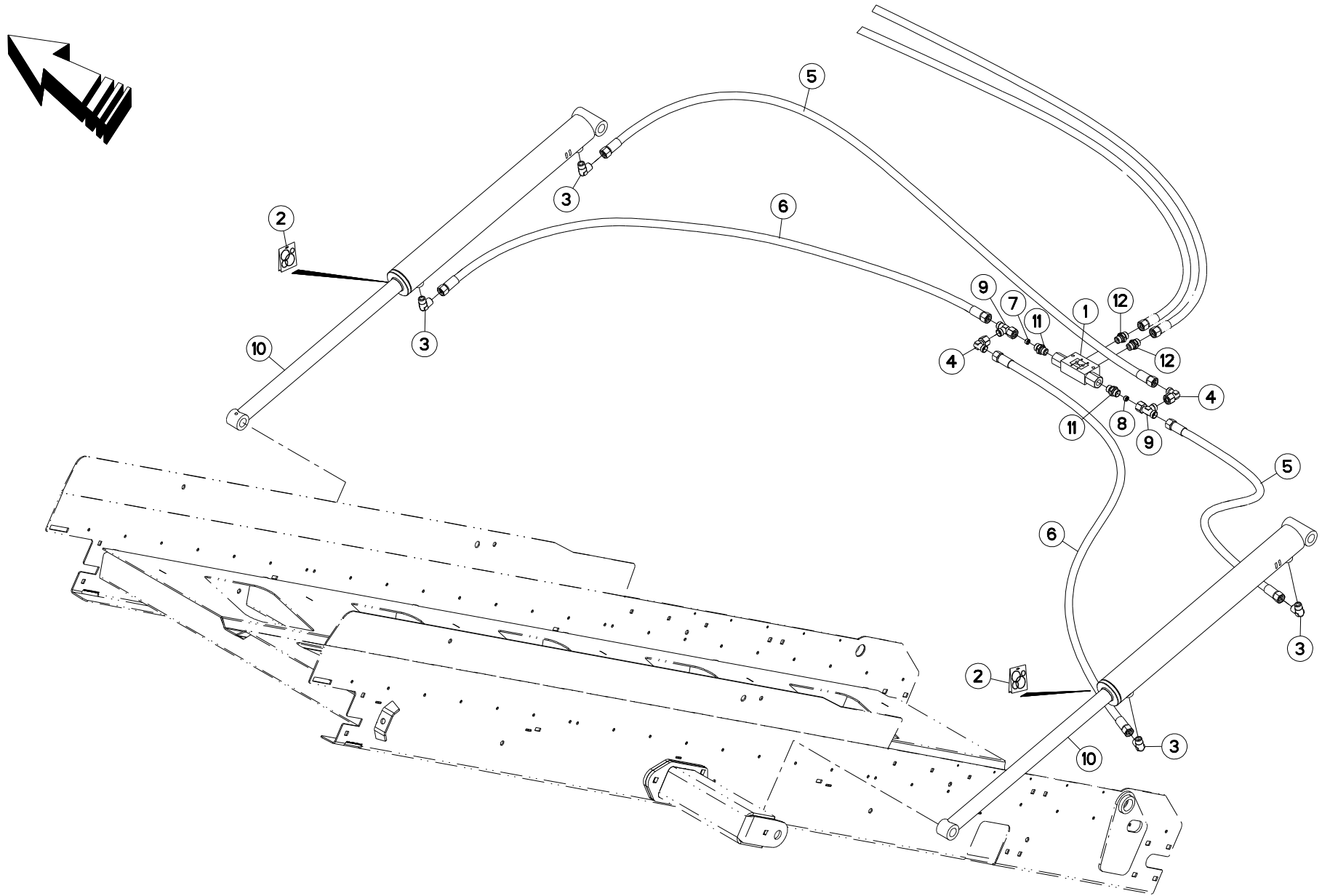
RELEVAGE 3,3M (DROIT)

LIFT 3,3M (RIGHT)

AUSHEBUNG 3,3M (RECHTS)

SOLLEVAMENTO 3,3M (DX)

| Rep | Nr | Qt | Designation | Description | Bezeichnung | Referenza | Remarque - Remark - Bemerkung - Osservazioni |
|-----|----------|-----|--------------------------------|--------------------------------|--------------------------------|--------------------------------|--|
| 001 | A4071208 | 001 | CLAPET DOUBLE PILOTE R3.6/1 3/ | CHECK VALVE | SICHERHEITSENTIL | VALVOLA | |
| 002 | A4200155 | 002 | POCHETTE DE JTS :A4015011 | SET OF OIL SEALS | SATZ DICHTUNGEN | KIT GUARNIZIONI | |
| 003 | A4080813 | 004 | COUDE MALE | MALE STUD ELBOW FE/ZNXC3 | WINKEL-EINSCHRAUBVERSCHRAU.FE/ | GIUNZIONE A 90° FE/ZNXC3 | |
| 004 | A4082701 | 002 | COUDE TOURNANT | AJUSTABLE MALE STUD ELBOW | EINSTELLBARE WINKEL STUTZEN | GIUNZIONE A 90°ORIENTABILE ZBC | |
| 005 | A4922252 | 002 | FLEXIBLE HYDRAULIQUE | HYDRAULIC HOSE | HYDRAULIKSCHLAUCH | TUBO GOMMA | <->2500 mm |
| 006 | A4922302 | 002 | FLEXIBLE HYDRAULIQUE | HYDRAULIC HOSE | HYDRAULIKSCHLAUCH | TUBO GOMMA | <->3000 mm |
| 007 | A4072009 | 001 | LIMITEUR DE DEBIT | FLOW LIMITER | MENGENREGLER | LIMITATORE DI FLUSSO | |
| 008 | A4072012 | 001 | LIMITEUR DEBIT D1.5 TUBE D12 | DELIVERY LIMITER | MENGEN BEGRENZER | REGOLATORE D'ALIMENTAZIONE | |
| 009 | A4083101 | 002 | TE ADAPTABLE RENVERSE | ADJ.MALE STUD TEE-STUD BAR. | EINSTELLB.L VERSCHRAUBUNG | TERMINALE A L ORIENTABILE | |
| 010 | A4015011 | 002 | VERIN | CYLINDER, HYDRAULIC | HYDRAULIKZYLINDER | CILINDRO | |
| 011 | A4060625 | 002 | UNION MALE SPECIALE ZBC | MALE SUTD COUPLING ZBC | GERADE EINSCHRAUBVERSCHRAU.ZBC | GIUNZIONE DIRITTA ZBC | |
| 012 | A4080411 | 002 | UNION MALE | MALE STUD CONNECTOR | GERADER EINSCHRAUBSTUTZEN | GIUZIONE DIRITTA ZBC | |
| 013 | A7181144 | 002 | FILTRE DE CONDUITE | FILTER | FILTER | FILTRO | |
| 014 | A7181124 | 001 | FLEXIBLE SPIRALE ROUGE LG1500 | RED HOSE | DRUCKSCHLAUCH ROT | TUBO IN GOMMA | |
| 015 | A7181126 | 001 | FLEXIBLE SPIRALE JAUNE LG1500 | YELLOW HOSE | DRUCKSCHLAUCH GELB | TUBO IN GOMMA | |
| 016 | A7181129 | 006 | FLEXIBLE 9X12 (PA SEMI-RIGIDE) | HOSE | DRUCKSCHLAUCH | TUBO IN GOMMA | |
| 017 | A7181134 | 012 | FOURRURE D9X12 | LINER D.9 | SCHLAUCHVERSTEIFUNG D.9 | CAMICIA | |
| 018 | A7181146 | 001 | KIT D'ADAPTATION VALVE AS3100A | KIT VALVE | KIT VENTIL | ADATTAMENTO | |
| 019 | A5311226 | 001 | PLAQUE | PLATE | PLATTE | PIASTRA | |
| 020 | A7181108 | 001 | PRISE DE PRESSION EN T | PRESSURE PORT T | DRUCKANSCHLUSS T | PRESA DI PRESSIONE | |
| 021 | A7181109 | 001 | PRISE DE PRESSION M22X150 | PRESSURE PORT | DRUCKANSCHLUSS | PRESA DI PRESSIONE | |
| 022 | A7181100 | 001 | RESERVOIR | RESERVOIR | TANK | SERBATOIO | |
| 023 | A7181138 | 001 | ROBINET VIDE CHARGE (WABCO) | LOAD APPORTIONING VALVE | BREMSKRAFTREGLER | ROBINETTO | |
| 024 | 82102229 | 007 | JOINT CUIVRE | SEALING RING | DICHTRING | RONDELLA RAME | |
| 025 | 80251021 | 008 | RONDELLE PLATE FE/ZNXC3 | PLAIN WASHER M10 | SCHEIBE FE/ZNXC3 | RONDELLA PIATTA FE/ZNXC3 | |
| 026 | A5328320 | 002 | SUPPORT | SUPPORT | TRAEGER | SUPPORTO | |
| 027 | A5331100 | 004 | SUPPORT | SUPPORT | TRAEGER | SUPPORTO | |
| 028 | A7181120 | 002 | SUPPORT RESERVOIR | HOLDER | HALTER | SUPPORTO | |
| 029 | A4081003 | 001 | TE EGAL | EQUAL TEE | T-VERSCHRAUBUNG | GIUNZIONE A T | |
| 030 | A7181122 | 001 | TETE D'ACCOUPLLEMENT ROUGE | RED COUPLING HEAD | ANSCHLUSSKOPF ROT | TESTA ACCOPPIAMENTO ROSSO | |
| 031 | A7181125 | 001 | TETE D'ACCOUPLLEMENT ISO JAUNE | YELLOW COUPLING HEAD | ANSCHLUSSKOPF GELB | TESTA ACCOPPIAMENTO GIALLO | |
| 032 | A4060627 | 002 | UNION | FITTING, HYDRAULIC, UNION | VERBINDUNG | CONNETTORE | |
| 033 | A4080413 | 006 | UNION MALE | MALE STUD CONNECTOR | GERADER EINSCHRAUBSTUTZEN | GIUZIONE DIRITTA ZBC | |
| 034 | A4080414 | 005 | UNION MALE | MALE STUD CONNECTOR | GERADER EINSCHRAUBSTUTZEN | GIUZIONE DIRITTA ZBC | |
| 035 | A4080446 | 002 | UNION MALE NUE ZBC | MALE SUTD COUPLING ZBC | GERADE EINSCHRAUBVERSCHRAU.ZBC | GIUZIONE DIRITTA ZBC | |
| 036 | A7181104 | 001 | VALVE DE PURGE | DRAIN VALVE | ENTWAESSERUNGSVENTIL | VALVOLA | |
| 037 | A7181145 | 001 | VALVE | VALVE | VENTIL | VALVOLA | |
| 038 | 50070800 | 024 | VIS TBCC COURT | BOLT, CARRIAGE, SHORT NECK | FLACHRUNDSCHR.4KT ANSATZ | BULLONE | |
| 039 | 80061035 | 002 | VIS TETE HEXAGONALE FE/ZNXC3 | HEX. HEAD SCREW M10 X 35 MM CL | SECHSKANTSCHRAUBE FE/ZNXC3 | VITE TESTA ESAGONALE FE/ZNXC3 | |
| 040 | 80061026 | 002 | VIS TETE HEXAGONALE FE/ZNXC3 | HEXAGON HEAD SCREW FE/ZNXC3 | SECHSKANTSCHRAUBE FE/ZNXC3 | VITE TESTA ESAGONALE FE/ZNXC3 | |





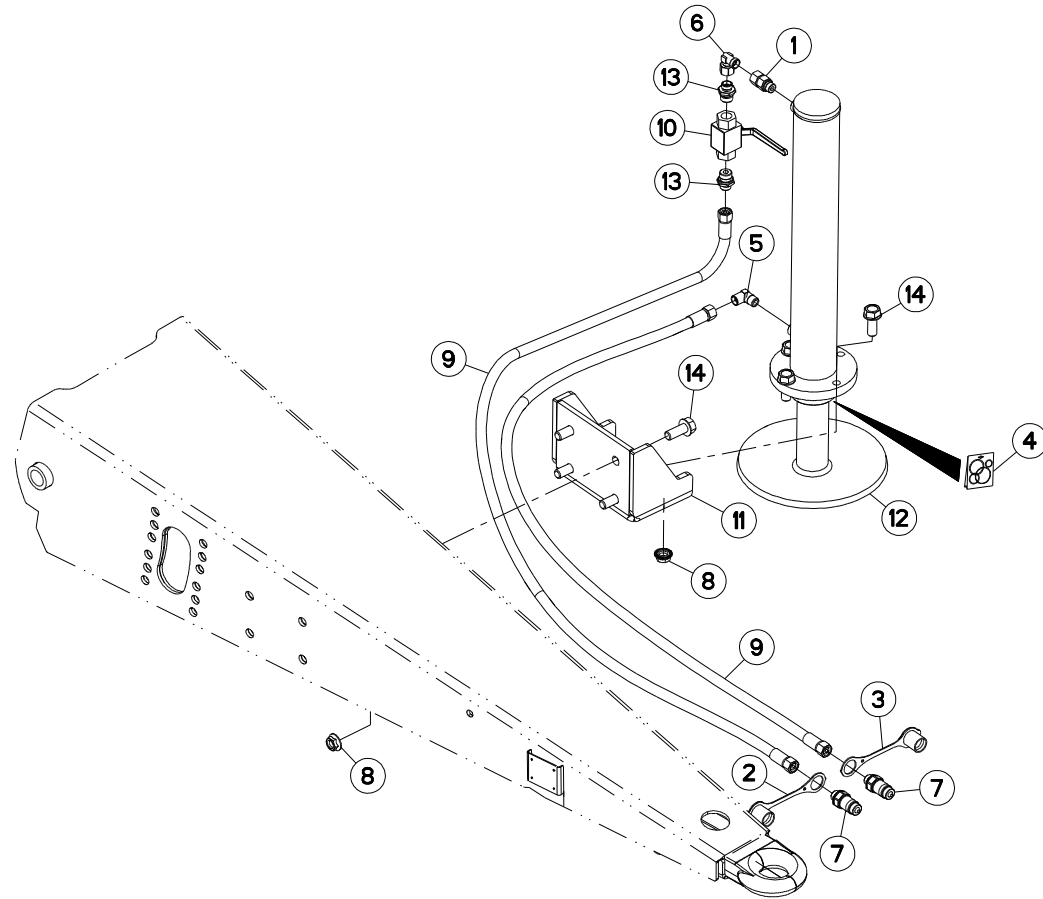
RELEVAGE 3,3M (GAUCHE)

LIFT 3,3M (LEFT)

AUSHEBUNG 3,3M (LINKS)

SOLLEVAMENTO 3,3M (SX)

| Rep | Nr | Qt | Designation | Description | Bezeichnung | Referenza | Remarque - Remark - Bemerkung - Osservazioni |
|-----|----------|-----|--------------------------------|--------------------------------|--------------------------------|--------------------------------|--|
| 001 | A4071208 | 001 | CLAPET DOUBLE PILOTE R3.6/1 3/ | CHECK VALVE | SICHERHEITSENTIL | VALVOLA | |
| 002 | A4200155 | 002 | POCHETTE DE JTS :A4015011 | SET OF OIL SEALS | SATZ DICHTUNGEN | KIT GUARNIZIONI | |
| 003 | A4080813 | 004 | COUDE MALE | MALE STUD ELBOW FE/ZNXC3 | WINKEL-EINSCHRAUBVERSCHRAU.FE/ | GIUNZIONE A 90° FE/ZNXC3 | |
| 004 | A4082701 | 002 | COUDE TOURNANT | AJUSTABLE MALE STUD ELBOW | EINSTELLBARE WINKEL STUTZEN | GIUNZIONE A 90°ORIENTABILE ZBC | |
| 005 | A4922252 | 002 | FLEXIBLE HYDRAULIQUE | HYDRAULIC HOSE | HYDRAULIKSCHLAUCH | TUBO GOMMA | <->2500 mm |
| 006 | A4922302 | 002 | FLEXIBLE HYDRAULIQUE | HYDRAULIC HOSE | HYDRAULIKSCHLAUCH | TUBO GOMMA | <->3000 mm |
| 007 | A4072009 | 001 | LIMITEUR DE DEBIT | FLOW LIMITER | MENGENREGLER | LIMITATORE DI FLUSSO | |
| 008 | A4072012 | 001 | LIMITEUR DEBIT D1.5 TUBE D12 | DELIVERY LIMITER | MENGEN BEGRENZER | REGOLATORE D'ALIMENTAZIONE | |
| 009 | A4083101 | 002 | TE ADAPTABLE RENVERSE | ADJ.MALE STUD TEE-STUD BAR. | EINSTELLB.L VERSCHRAUBUNG | TERMINALE A L ORIENTABILE | |
| 010 | A4015011 | 002 | VERIN | CYLINDER, HYDRAULIC | HYDRAULIKZYLINDER | CILINDRO | |
| 011 | A4060625 | 002 | UNION MALE SPECIALE ZBC | MALE SUTD COUPLING ZBC | GERADE EINSCHRAUBVERSCHRAU.ZBC | GIUNZIONE DIRITTA ZBC | |
| 012 | A4080411 | 002 | UNION MALE | MALE STUD CONNECTOR | GERADER EINSCHRAUBSTUTZEN | GIUZIONE DIRITTA ZBC | |
| 013 | A4079005 | 001 | FILTRE CARTOUCHE | FILTER | FILTER | FILTRO | |
| 014 | A4079007 | 001 | PANIER FILTRE DE REMPLISSAGE | FILTER | FILTER | FILTRO | |
| 015 | A4079026 | 001 | FILTRE A AIR | FILTER | FILTER | FILTRO | |
| 016 | A4924062 | 001 | FLEXIBLE | HOSE, HYDRAULIC | HYDRAULIKSCHLAUCH | TUBO IN GOMMA | <->650 mm |
| 017 | A4924225 | 001 | FLEXIBLE HYDRAULIQUE | HOSE | SCHLAUCH | TUBO IN GOMMA | <->2250 mm |
| 018 | A4936130 | 001 | TUYAU SAE 100R4 1" LG1300 | HYDRAULIC HOSE | HYDRAULIKSCHLAUCH | TUBO IN GOMMA | <->0 mm |
| 019 | A8359108 | 002 | INSERT HEX M8 A COLLERETTE | INSERT NUT HEX M8 | EINSETZMUTTER HEX M8 | MANICOTTO HEX M8 | |
| 020 | A7011100 | 001 | MANCHON CANNELE 40X36 20 DENTS | SLEEVE | MITNEHMER | MANICOTTO | |
| 021 | A4069911 | 001 | NIPPLE T25 EL90 28L+ECROU+OR | NIPPLE + NUT | NIPPEL + MUTTER | NIPPLE | |
| 022 | A4041036 | 001 | POMPE | PUMP | PUMPE | POMPA | |
| 023 | A5308200 | 001 | PROTECTION | SHIELD | SCHUTZ | PROTEZIONE | |
| 024 | A5308210 | 001 | PROTECTION | SHIELD | SCHUTZ | PROTEZIONE | |
| 025 | A7010225 | 001 | REDUCTEUR SOM PG1002 RENFORCE | REDUCTION GEARBOX | REDUZIERGETRIEBE | | |
| 026 | A7010227 | 001 | REDUCTEUR | GEARCASE, REDUCER | REDUZIERGETRIEBE | RIDUTTORE | |
| 027 | A5250176 | 001 | RESERVOIR MN+3850+BOL ES | TANK | OLTANK | | |
| 028 | 80370419 | 005 | RIVET AVEUGLE TL | RIVET | NIETE | RIVETTO | |
| 029 | A4045001 | 001 | RONDELLE BLOCAGE MANCHON D14 | WASHER | SCHEIBE | RONDELLA | |
| 030 | 80271003 | 004 | RONDELLE GROWER FE/ZNXC3 | SPRING WASHER M10 | FEDERRING FE/ZNXC3 | RONDELLA GROWER FE/ZNXC3 | |
| 031 | 80251021 | 002 | RONDELLE PLATE FE/ZNXC3 | PLAIN WASHER M10 | SCHEIBE FE/ZNXC3 | RONDELLA PIATTA FE/ZNXC3 | |
| 032 | 80250823 | 001 | RONDELLE PLATE FE/ZNXC3 | PLAIN WASHER FE/ZNXC3 | SCHEIBE FE/ZNXC3 | RONDELLA PIATTA FE/ZNXC3 | |
| 033 | 80251430 | 004 | RONDELLE PLATE FE/ZNXC3 | PLAIN WASHER M14 | SCHEIBE FE/ZNXC3 | RONDELLA PIATTA FE/ZNXC3 | |
| 034 | A4080439 | 002 | UNION MALE | MALE STUD CONNECTOR | GERADER EINSCHRAUBSTUTZEN | GIUZIONE DIRITTA ZBC | |
| 035 | A4080444 | 001 | UNION MALE | MALE STUD CONNECTOR | GERADER EINSCHRAUBSTUTZEN | GIUZIONE DIRITTA ZBC | |
| 036 | A4080491 | 001 | UNION MALE | MALE STUD CONNECTOR | GERADER EINSCHRAUBSTUTZEN | GIUZIONE DIRITTA FEZN/XC3 | |
| 037 | A4080495 | 001 | UNION MALE | MALE STUD CONNECTOR | GERADER EINSCHRAUBSTUTZEN | GIUZIONE DIRITTA FEZN/XC3 | |
| 038 | 80081008 | 004 | VIS TETE CYL.SIX P.CR.FE/ZNXC3 | HEX.SOCK.HEAD CAP SCR.FE/ZNXC3 | ZYLINDERSCHR.INNENSEC.FE/ZNXC3 | VITE A TESTA CILINDR. FE/ZNXC3 | |
| 039 | 80061420 | 004 | VIS TETE HEXAGONALE FE/ZNXC3 | HEXAGON HEAD SCREW FE/ZNXC3 | SECHSKANTSCHRAUBE FE/ZNXC3 | VITE TESTA ESAGONALE FE/ZNXC3 | |
| 040 | 80060616 | 001 | VIS TETE HEXAGONALE FE/ZNXC3 | HEXAGON HEAD SCREW FE/ZNXC3 | SECHSKANTSCHRAUBE FE/ZNXC3 | VITE TESTA ESAGONALE FE/ZNXC3 | |
| 041 | 80061073 | 002 | VIS TETE HEXAGONALE FE/ZNXC3 | HEXAGON HEAD SCREW FE/ZNXC3 | SECHSKANTSCHRAUBE FE/ZNXC3 | VITE TESTA ESAGONALE FE/ZNXC3 | |
| 042 | A5308250 | 001 | VOLET DE PROTECTION ES. | DEFLECTOR | KLAPPE | DEFLETTORE | |





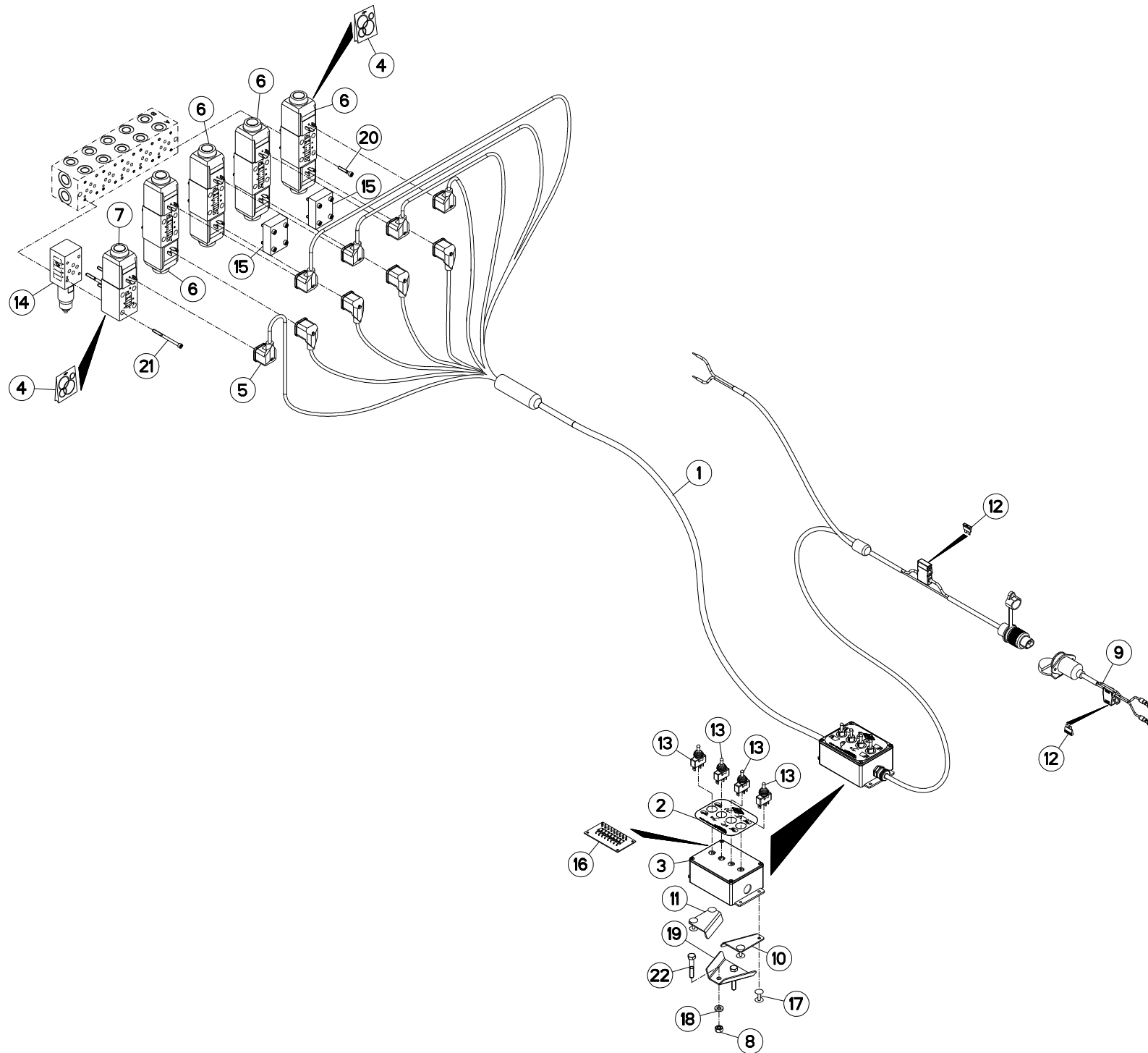
HYDRAULIQUE BEQUILLE DE DEPOSE

HYDRAULIC PARKING STAND

HYDRAULIK ABSTELLSTÄNDER

IDRAULICO PIEDINO D'APPOGGIO

| Rep | Nr | Qt | Designation | Description | Bezeichnung | Referenza | Remarque - Remark - Bemerkung - Osservazioni |
|-----|-----------------|-----|-------------------------------|--------------------------------|--------------------------------|--------------------------------|--|
| 001 | A4080513 | 001 | ADAPTATEUR TOURNANT | SWIVEL CONNECTOR | EINSTELBARE EINSCHRAUBSTUTZE | ADATTATORE | |
| 002 | 82300026 | 001 | CAPUCHON COUPLEUR MALE | CAP MALE CONNECTOR | KAPPE KUPPLUNGSSTECKER | TAPPO | |
| 003 | A4074046 | 001 | CAPUCHON COUPLEUR MALE | CAP MALE CONNECTOR | KAPPE KUPPLUNG STECKER | TAPPO PLASTICA | |
| 004 | A4200087 | 001 | POCHETTE DE JTS : A7170005 | SEAL KIT | DICHTUNGSSATZ | SERIE GUARNIZIONI | |
| 005 | A4080813 | 001 | COUDE MALE | MALE STUD ELBOW FE/ZNXC3 | WINKEL-EINSCHRAUBVERSCHRAU.FE/ | GIUNZIONE A 90° FE/ZNXC3 | |
| 006 | A4082701 | 001 | COUDE TOURNANT | AJUSTABLE MALE STUD ELBOW | EINSTELLBARE WINKEL STUTZEN | GIUNZIONE A 90°ORIENTABILE ZBC | |
| 007 | A4074044 | 002 | COUPLEUR MALE | CONNECTOR MALE | KUPPLUNGSTECKER | GIUNTO | |
| 008 | 80201651 | 007 | ECROU AUTOBLOQUANT FE/ZNXC3 | UNDERSERRAT.S.LOC.NUT FE/ZNXC3 | SPERRZAHN-BUNDMUTTER FE/ZNXC3 | DADO FE/ZNXC3 | |
| 009 | A4922351 | 002 | FLEXIBLE HYDRAULIQUE | HYDRAULIC HOSE | HYDRAULIKSCHLAUCH | TUBO GOMMA | <->3500 mm |
| 010 | A4075002 | 001 | ROBINET 2 VOIES 1/2 S/ EMBASE | 2 WAY VALVE | 2 WEGE VENTIL | | |
| 011 | A5205720 | 001 | SUPPORT | SUPPORT | TRAEGER | SUPPORTO | |
| 012 | A7170005 | 001 | BEQUILLE | STAND | STAENDER | SUPPORTO | |
| 013 | A4080412 | 002 | UNION MALE | MALE STUD CONNECTOR | GERADER EINSCHRAUBSTUTZEN | GIUZIONE DIRITTA ZBC | |
| 014 | 80131641 | 007 | VIS AUTOBLOQUANTE FLZNNC | UNDERSERR.S-LOC.SCREW FLZNNC | SPERRZAHN-BUNDSCHRAU.FLZNNC | VITE FLZNNC | |





COMMANDE ÉLECTRIQUE

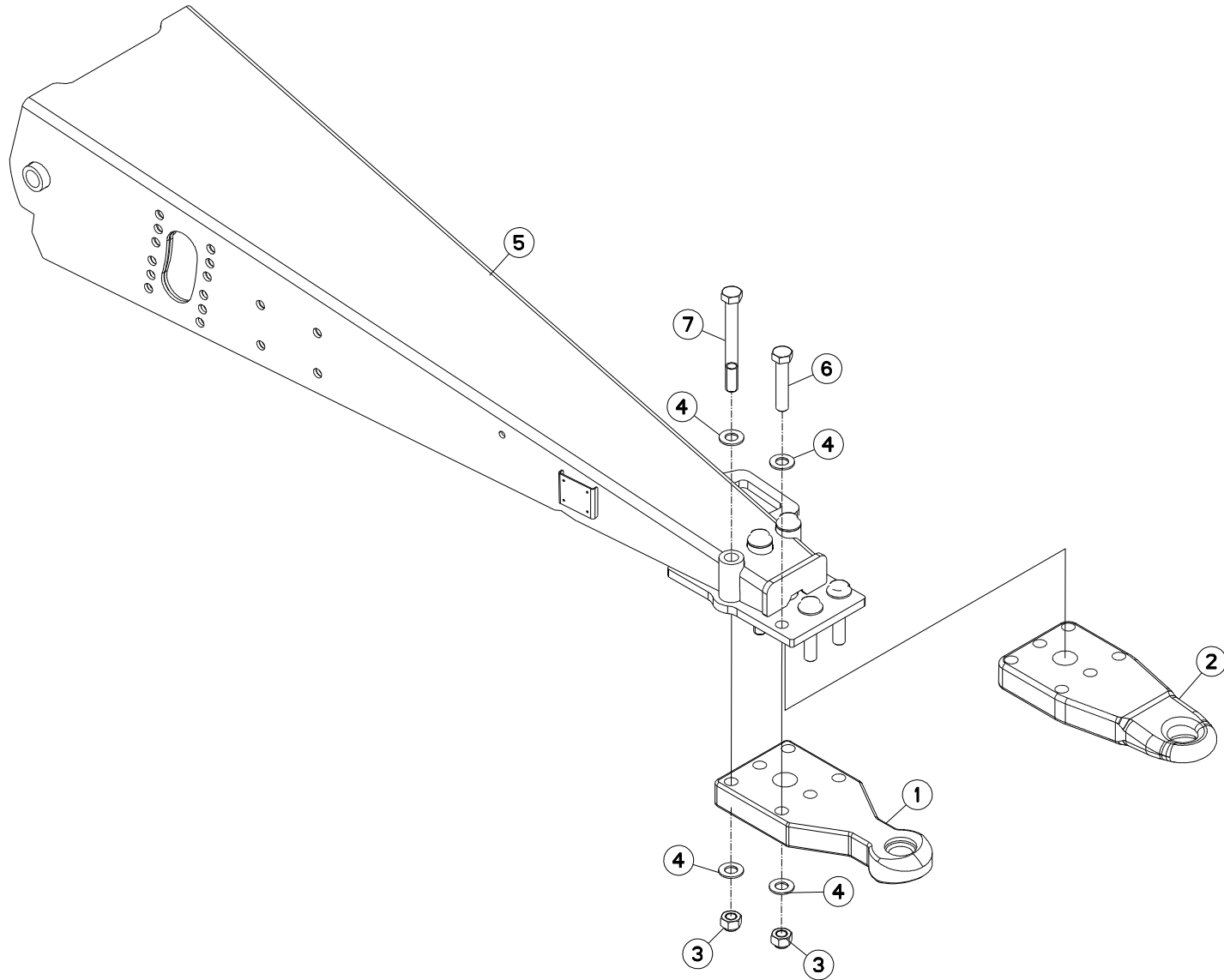
ELECTRIC CONTROL

ELEKTRISCHE SCHALTUNG

COMANDO ELETTRICO

| Rep | Nr | Qt | Designation | Description | Bezeichnung | Referenza | Remarque - Remark - Bemerkung - Osservazioni |
|-----|----------|-----|--------------------------------|--------------------------------|--------------------------------|--------------------------------|--|
| 001 | A7040179 | 001 | FAIS. CDE ELEC. CETOP 4F.EU.II | COMPLETE CABLE BUNDLE | KABELSTRANGE KOMPLETT | FASCIO DE CONDUTTORI | |
| 002 | A7300086 | 001 | ETIQ.ADH. | DECAL | AUFKLEBER | ADESIVO | |
| 003 | A5311340 | 001 | BOITIER CDE ELECT. 4F. EURO.II | CONTROL BOX ELECTRIC 4 FUNCT. | KASTEN | SCATOLA | |
| 004 | A4200007 | 005 | POCHETTE DE JTS D'ELECTROVANNE | SEAL KIT | DICHTUNGSSATZ | SERIE GUARNIZIONI | |
| 005 | A7040459 | 001 | CONNECTEUR | CONNECTOR | STECKER | CONNETTORE | |
| 006 | A4050010 | 004 | DISTRIBUTEUR CETOP DG4V3 2C | DISTRIBUTOR CETOP | STEUERBLOCK CETOP | DISTRIBUTORE CETOP DG4V3 2C | |
| 007 | A4050013 | 001 | DISTRIBUTEUR CETOP DG4V3 0A | DISTRIBUTOR CETOP | STEUERBLOCK CETOP | DISTRIBUTORE CETOP DG4V3 0A | |
| 008 | 80200870 | 002 | ECROU HEXAGONAL FE/ZNXC3 | NUT FE/ZNXC3 | SECHSKANTMUTTER FE/ZNXC3 | DADO FE/ZNXC3 | |
| 009 | 83233002 | 001 | FAISCEAU ELECTRIQUE | HARNESS, WIRING | KABELBAUM | CAVO ELETTRICO | |
| 010 | A5311400 | 001 | FIXATION D BOITIER CDE E.II US | RIGHT BOX HOLDER | HALTERUNG RECHTS | | |
| 011 | A5311410 | 001 | FIXATION G BOITIER CDE E.II US | LEFT BOX HOLDER | HALTERUNG LINKS | | |
| 012 | 83233017 | 002 | FUSIBLE ATO 15 A BLEU | FUSE ATO 15 A | SICHERUNG ATO 15 A | FUSIBILE ATO 15 A | |
| 013 | 83236050 | 004 | INTER.LEV C MOM-OFF-MOM UNIP | SWITCH | SCHALTER C TAST-OFF-TAST | INTERRUTTORE | |
| 014 | A4070014 | 001 | SOUPAPE CETOP P.T DGMC 3PTGW41 | VALVE | VENTIL | | |
| 015 | A4050004 | 002 | PLAQUE D'OBT.CETOP 3 +4VIS+4JC | PLATE | PLATTE | PIASTRA | OPT * |
| 016 | A7040927 | 001 | PLAQUETTE A 8 DIODES | DIOD BOARD | DIODPLATINE | PIASTRINA | |
| 017 | 80370419 | 004 | RIVET AVEUGLE TL | RIVET | NIETE | RIVETTO | |
| 018 | 80250823 | 002 | RONDELLE PLATE FE/ZNXC3 | PLAIN WASHER FE/ZNXC3 | SCHEIBE FE/ZNXC3 | RONDELLA PIATTA FE/ZNXC3 | |
| 019 | A5310852 | 001 | SUPPORT | SUPPORT | TRAEGER | SUPPORTO | |
| 020 | 80080530 | 016 | VIS TETE CYL.SIX P.CR.FE/ZNXC3 | HEX.SOCK.HEAD CAP SCR.FE/ZNXC3 | ZYLINDERSCHR.INNENSEC.FE/ZNXC3 | VITE A TESTA CILINDR. FE/ZNXC3 | |
| 021 | 80080570 | 004 | VIS TETE CYL.SIX P.CR.FE/ZNXC3 | HEX.SOCK.HEAD CAP SCR.FE/ZNXC3 | ZYLINDERSCHR.INNENSEC.FE/ZNXC3 | VITE A TESTA CILINDR. FE/ZNXC3 | |
| 022 | 80060846 | 002 | VIS TETE HEXAGONALE FE/ZNXC3 | HEX BOLT FE/ZNXC3 | SECHSKANTSCHRAUBE FE/ZNXC3 | VITE TESTA ESAGONALE FE/ZNXC3 | |

* : SANS TAPIS
 * : WITHOUT CONVEYOR
 * : OHNE KRATZBODEN





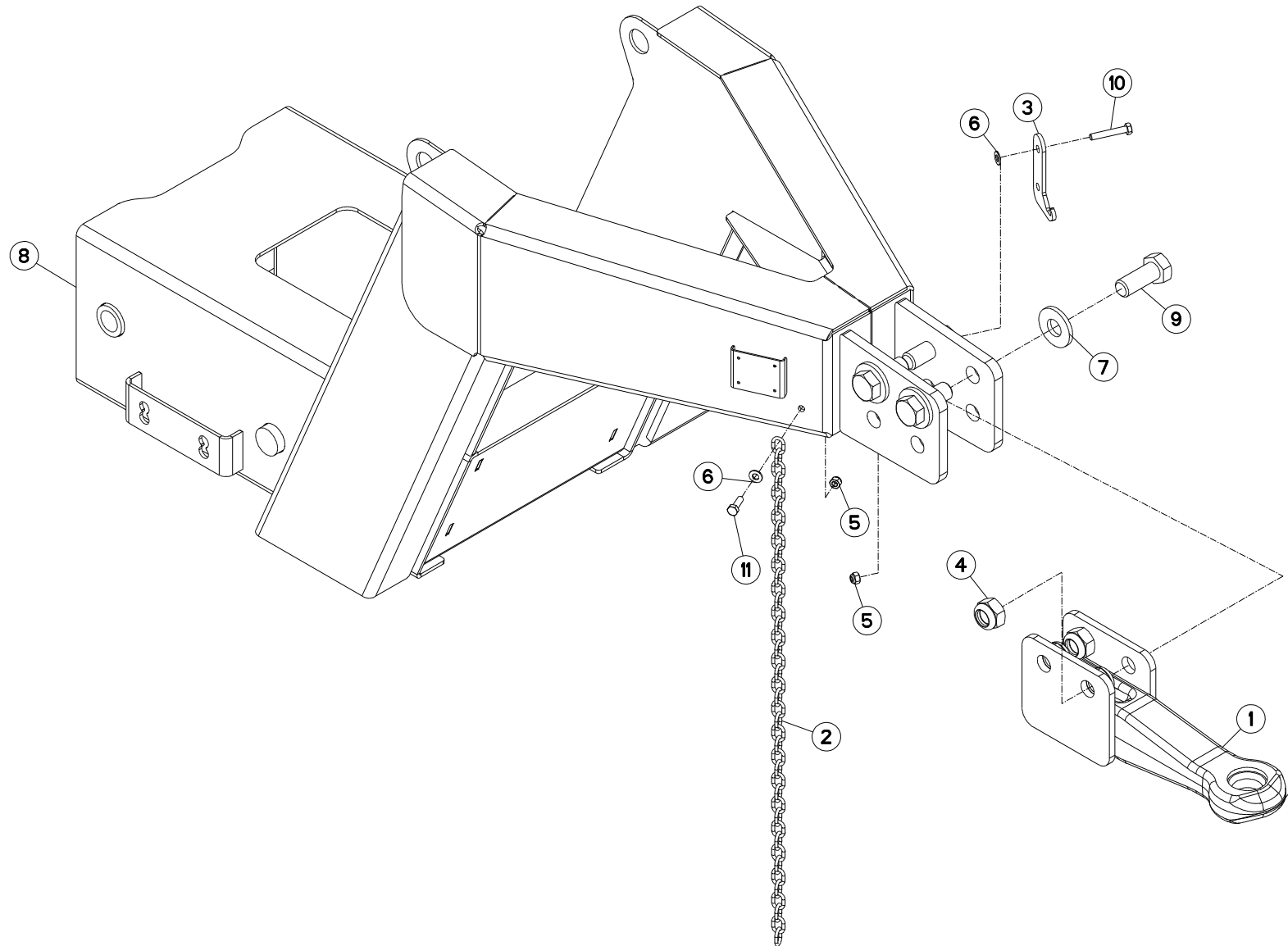
TIMON D'ATTELAGE

TONGUE

RAHMEN ANHÄNGUNG

TIMONE DI ATTACCO

| Rep | Nr | Qt | Designation | Description | Bezeichnung | Referenza | Remarque - Remark - Bemerkung - Osservazioni |
|-----|----------|-----|--------------------------------|--------------------------------|--------------------------------|--------------------------------|--|
| 001 | A7160006 | 001 | ANNEAU | RING | RING | ANELLO | |
| 002 | A7160008 | 001 | ANNEAU A VISSER D50 | RING | RING | ANELLO | |
| 003 | 80202047 | 006 | ECROU HEXAG.AUTOFREINE FLZNNC | SELF-LOCKING NUT FLZNNC | SELBSTSICHERNDE MUTTER FLZNNC | DADO AUTOBLOCCANTE FLZNNC | |
| 004 | 80252026 | 012 | RONDELLE PLATE FE/ZNXC3 | PLAIN WASHER M20 DIN 125 | SCHEIBE FE/ZNXC3 | RONDELLA PIATTA FE/ZNXC3 | |
| 005 | A5318440 | 001 | TIMON | TONGUE | ZUGDEICHSEL | TIMONE | |
| 006 | 80062076 | 003 | VIS TETE HEXAGONALE FE/ZNXC3 | HEXAGON HEAD SCREW FE/ZNXC3 | SECHSKANTSCHRAUBE FE/ZNXC3 | VITE TESTA ESAGONALE FE/ZNXC3 | |
| 007 | 80062094 | 003 | VIS TETE HEXAGONALE FE/ZNXC3 | HEXAGON HEAD SCREW FE/ZNXC3 | SECHSKANTSCHRAUBE FE/ZNXC3 | VITE TESTA ESAGONALE FE/ZNXC3 | |
| 008 | A7011538 | 001 | RONDELLE | WASHER | SCHEIBE | RONDELLA | |
| 009 | 81308518 | 001 | ROULEMENT A ROULEAUX CONIQUES | TAPERED ROLLER BEARING | KEGELROLLENLAGER | CUSCINETTO A RULLI | |
| 010 | 81307514 | 001 | ROULEMENT A ROULEAUX CONIQUES | TAPERED ROLLER BEARING | KEGELROLLENLAGER | CUSCINETTO A RULLI | |
| 011 | A4221000 | 001 | JOINT D'ETANCHEITE 100X130X13 | SEAL | DICHTRING | | |
| 012 | 80451261 | 004 | GOUPILLE ELASTIQUE FLZNNC | ROLL PIN FLZNNC | SPANNHUELSE FLZNNC | SPINA ELASTICA FLZNNC | |
| 013 | 80652598 | 001 | CLAVETTE PARALLELE | KEY, PARALLEL | PASSFEDER | CHIAVETTA | |
| 014 | 80080805 | 006 | VIS TETE CYL.SIX P.CR.FE/ZNXC3 | HEX.SOCK.HEAD CAP SCR.FE/ZNXC3 | ZYLINDERSCHR.INNENSEC.FE/ZNXC3 | VITE A TESTA CILINDR. FE/ZNXC3 | |
| 015 | A4061812 | 001 | BOUCHON 3/8 GAZ | PLUG 3/8 GAZ | STOPFEN 3/8 GAZ | TAPPO | |
| 016 | A7011501 | 001 | BOUCHON DE NIVEAU 3/8 GAZ | PLUG 3/8 GAZ | STOPFEN 3/8 GAZ | TAPPO | |
| 017 | 80270803 | 006 | RONDELLE GROWER FE/ZNXC3 | SPRING WASHER M8 DIN127 | FEDERRING FE/ZNXC3 | RONDELLA GROWER FE/ZNXC3 | |
| 018 | A7011502 | 001 | BOUCHON DE VIDANGE 3/8 GAZ | PLUG 3/8 GAZ | STOPFEN 3/8 GAZ | TAPPO | |
| 019 | A4061811 | 001 | BOUCHON 1/4 GAZ POUR ED2250 | PLUG 1/4 GAZ | STOPFEN 1/4 GAZ | TAPPO | |
| 020 | A7011627 | 004 | ENTRETOISE | SPACER | ZWISCHENSTUECK | DISTANZIALE | |
| 021 | A7011154 | 009 | RONDELLE D16,7X22X1,5 | WASHER | SCHEIBE | RONDELLA | |
| 022 | A7011628 | 001 | SATELITE COMPLET | COMPLETE SUBASSEMBLED | VORMONTIERT KOMPLETT | | |
| 023 | A7011629 | 001 | COURONNE | RING-GEAR | HOHLRAD | CORONA | |
| 024 | A7011630 | 001 | PIGNON CENTRAL | SUN PINION | ZENTRALRITZEL | PIGNONE | |
| 025 | 80585700 | 001 | CIRCLIP EXTERIEUR | RETAINING RING | SICHERUNGSRING | ANELLO | |
| 026 | A4212770 | 002 | JOINT TORIQUE | O-RING | O-RING | GUARNIZIONE | |
| 027 | A7011632 | 001 | BRIDE INTERMEDIAIRE | INTERMED. FLANGE | ZWISCHENFLANSCH | STAFFA | |
| 028 | 80061462 | 008 | VIS TETE HEXAGONALE FE/ZNXC3 | HEXAGON HEAD SCREW FE/ZNXC3 | SECHSKANTSCHRAUBE FE/ZNXC3 | VITE TESTA ESAGONALE FE/ZNXC3 | |
| 029 | 80201470 | 008 | ECROU HEXAGONAL FE/ZNXC3 | NUT FE/ZNXC3 | SECHSKANTMUTTER FE/ZNXC3 | DADO FE/ZNXC3 | |
| 030 | A7011633 | 008 | RONDELLE D.15X24X2,5 | WASHER | SCHEIBE | RONDELLA | |
| 031 | A7011523 | 006 | BOUCHON RENIFLARD 3/8 G | BREATHER PLUG 3/8 G | ENTLUEFTUNGSSTOPFEN 3/8 G | TAPPO DEL SFIATATOIO 3/8 G | |
| 032 | A7011618 | 001 | SATELITE COMPLET | COMPLETE SUBASSEMBLED | VORMONTIERT KOMPLETT | | |
| 033 | A7011619 | 001 | COURONNE | RING-GEAR | HOHLRAD | CORONA | |
| 034 | A7011620 | 001 | PIGNON | PINION | ZAHNRAD | PIGNONE | |
| 035 | 80081235 | 006 | VIS TETE CYL.SIX P.CR.FE/ZNXC3 | HEX.SOCK.HEAD CAP SCR.FE/ZNXC3 | ZYLINDERSCHR.INNENSEC.FE/ZNXC3 | VITE A TESTA CILINDR. FE/ZNXC3 | |
| 036 | A7011549 | 001 | RONDELLE D'ARBRE | WASHER | SCHEIBE | RONDELLA | |
| 037 | 81006008 | 001 | ROULEMENT A BILLES | BALL BEARING | KUGELLAGER | CUSCINETTO A SFERE | |
| 038 | A4211700 | 002 | JOINT TORIQUE | O-RING | O-RING | GUARNIZIONE | |
| 039 | 82064736 | 001 | JOINT TORIQUE | O-RING | O-RING | GUARNIZIONE | |
| 040 | 80586000 | 001 | CIRCLIP EXTERIEUR | RETAINING RING | SICHERUNGSRING | ANELLO | |
| 041 | A7011550 | 001 | BRIDE D'ENTREE | INPUT FLANGE | EINGANGSFLANSCH | STAFFA | |
| 042 | 80061057 | 008 | VIS TETE HEXAGONALE FE/ZNXC3 | HEX BOLT FE/ZNXC3 | SECHSKANTSCHRAUBE FE/ZNXC3 | VITE TESTA ESAGONALE FE/ZNXC3 | |
| 043 | A7011551 | 008 | RONDELLE ETROITE 10,5X18X2 | WASHER 10,5X18X2 | SCHEIBE 10,5X18X2 | RONDELLA 10,5X18X2 | |
| 044 | A7011552 | 001 | SUPPORT | SUPPORT | GEHAEUSE | SUPPORTO | |
| 045 | A7011553 | 001 | ARBRE:SUPPORT D'ENTREE 1"3/8 | SHAFT | WELLE | ALBERO | |
| 046 | A7011554 | 001 | ANNEAU | RING | RING | ANELLO | |
| 047 | 81005090 | 002 | ROULEMENT A BILLES | BALL BEARING | KUGELLAGER | CUSCINETTO A SFERE | |
| 048 | A4229501 | 001 | JOINT D'ETANCHEITE D.50X72X8 | SEAL | DICHTRING | | |





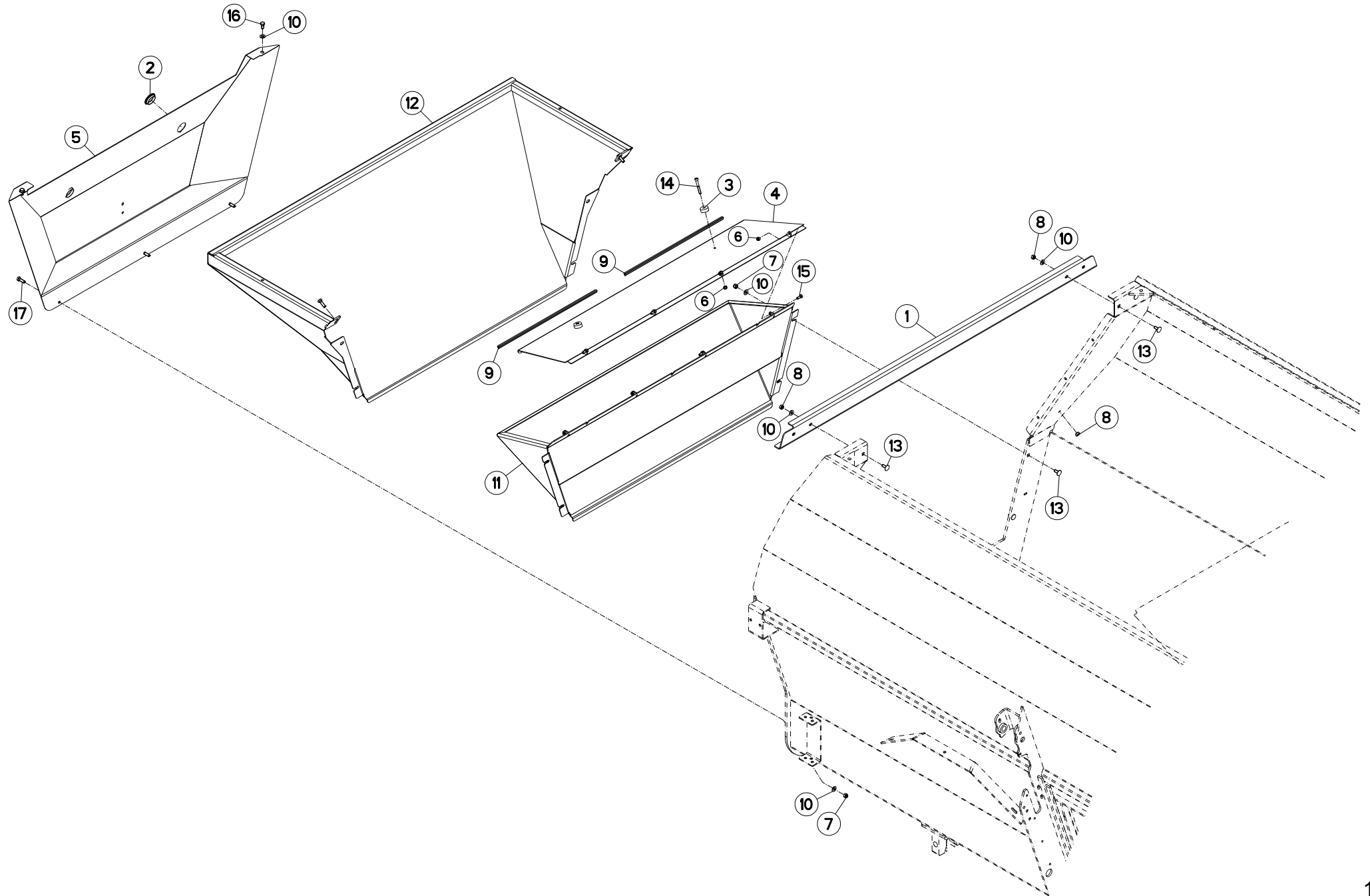
TIMON D'ATTELAGE

TONGUE

RAHMEN ANHÄNGUNG

TIMONE DI ATTACCO

| Rep | Nr | Qt | Designation | Description | Bezeichnung | Referenza | Remarque - Remark - Bemerkung - Osservazioni |
|-----|-----------------|-----|--------------------------------|--------------------------------|--------------------------------|-------------------------------|--|
| 001 | A5301430 | 001 | ANNEAU TIMON HAUT ES. | RING | ZUGOESE | ANELLO | |
| 002 | A7080400 | 001 | CHAINE DZN N19D4MM26020LG800MM | RIGHT CHAIN | RECHTSKETTE | CATENA | |
| 003 | A5310441 | 001 | CROCHET DE CHAINE | HOOK | KETTENHAKEN | GANCIO | |
| 004 | 80202440 | 004 | ECROU HEX.AUTOFREINE FE/ZNXC3 | SELF-LOCKING NUT FE/ZNXC3 | SELBSTSICHERNDE MUTT.FE/ZNXC3 | DADO AUTOBLOCCANTE FE/ZNXC3 | |
| 005 | 80200840 | 002 | ECROU HEX.BAS AUTOFR.FE/ZNXC3 | SELF-LOCKING NUT FE/ZNXC3 | SELBSTSICHERND.MUTTER FE/ZNXC3 | DADO AUTOBLOCCANTE FE/ZNXC3 | |
| 006 | 80250823 | 002 | RONDELLE PLATE FE/ZNXC3 | PLAIN WASHER FE/ZNXC3 | SCHEIBE FE/ZNXC3 | RONDELLA PIATTA FE/ZNXC3 | |
| 007 | 80282557 | 004 | RONDELLE RESSORT FLZNNC | CONICAL SPRING WASHER FLZNNC | SPANNSCHEIBE FLZNNC | RONDELLA A MOLLA FLZNNC | |
| 008 | A5301560 | 001 | TIMON HAUT ES. | HIGH LEVEL TOW BAR | ZUGDEICHSEL | TIMONE | |
| 009 | 80062461 | 004 | VIS TETE HEXAGONALE FE/ZNXC3 | HEXAGON HEAD SCREW FE/ZNXC3 | SECHSKANTSCHRAUBE FE/ZNXC3 | VITE TESTA ESAGONALE FE/ZNXC3 | |
| 010 | 80060850 | 001 | VIS TETE HEXAGONALE FE/ZNXC3 | HEXAGON HEAD SCREW FE/ZNXC3 | SECHSKANTSCHRAUBE FE/ZNXC3 | VITE TESTA ESAGONALE FE/ZNXC3 | |
| 011 | 80060826 | 001 | VIS TETE HEXAGONALE FE/ZNXC3 | HEAD HEX SCREW M8X25 CL8.8 DIN | SECHSKANTSCHRAUBE FE/ZNXC3 | VITE TESTA ESAGONALE FE/ZNXC3 | |





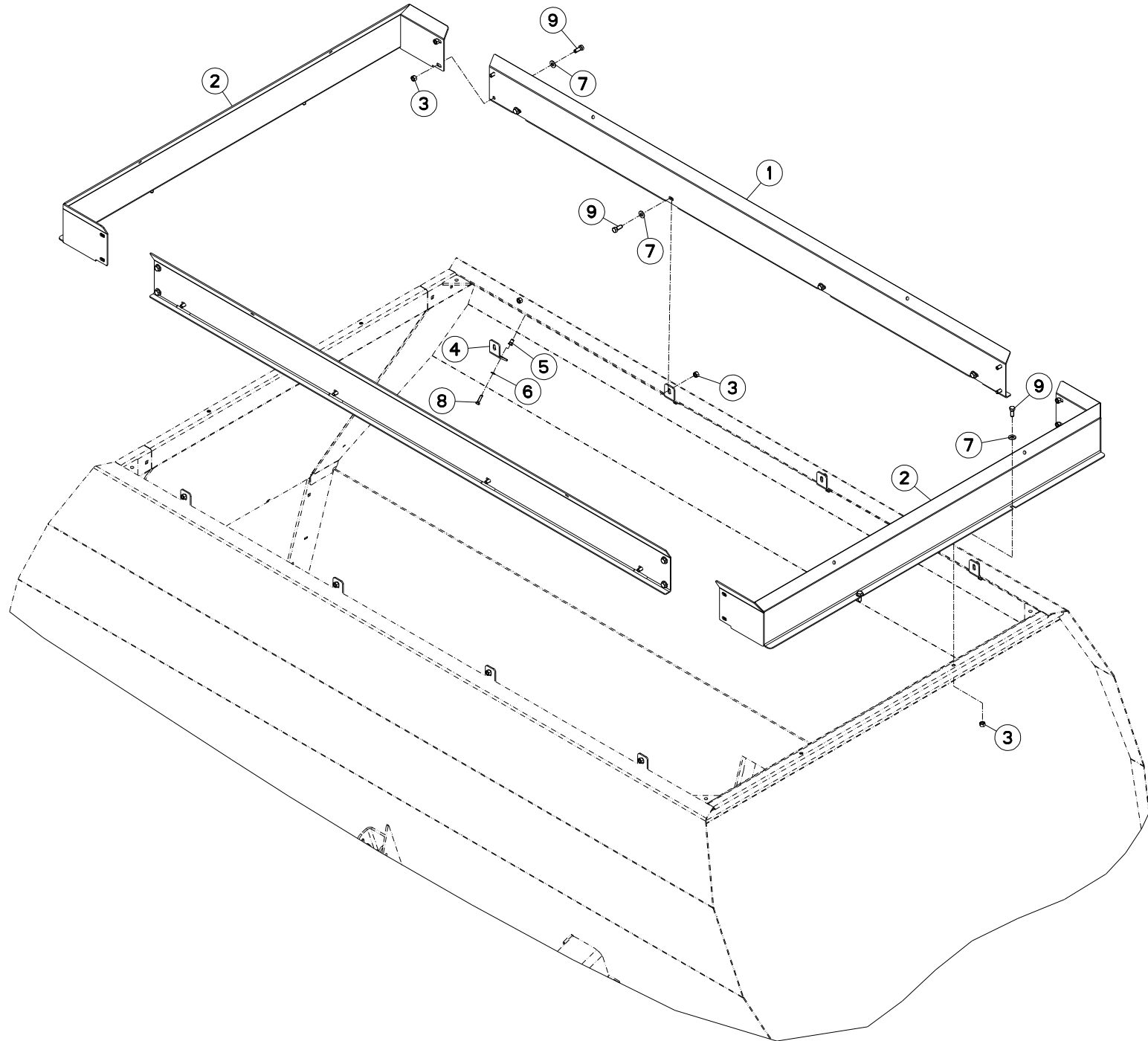
CARENAGE ARRIERE

COWLING REAR

VERKLEIDUNGEN HINTEN

CARENATURA POSTERIORE

| Rep | Nr | Qt | Designation | Description | Bezeichnung | Referenza | Remarque - Remark - Bemerkung - Osservazioni |
|-----|----------|-----|--------------------------------|--------------------------------|--------------------------------|--------------------------------|--|
| 001 | A5312550 | 001 | TRAVERSE AR CAISSE EUROMIX II | REINFORCING BAR REAR | VERSKIFPLATTE | TRAVERSA | |
| 002 | A7250511 | 002 | BOUCHON BORD DE TOLE D 45 | PLUG | STOPFEN | TAPPO | |
| 003 | A7251114 | 002 | BUTEE CAOUTCHOUC CHESTON SP14 | SILENT BLOC | PUFFER | LIMITATORE | |
| 004 | A5300480 | 001 | CAPOT ES POUR TRAPPE A MINERAU | COVER | GEHAEUSE | COFANO | |
| 005 | A5350523 | 001 | CARTER | HOUSING | GEHAEUSE | SCATOLA | |
| 006 | 80200840 | 006 | ECROU HEX.BAS AUTOFR.FE/ZNXC3 | SELF-LOCKING NUT FE/ZNXC3 | SELBSTSICHERND.MUTTER FE/ZNXC3 | DADO AUTOBLOCCANTE FE/ZNXC3 | |
| 007 | 80201040 | 007 | ECROU HEX.BAS AUTOFR.FE/ZNXC3 | SELF LOCKING NUT M10 DIN 985 | SELBSTSICHERND.MUTTER FE/ZNXC3 | DADO AUTOBLOCCANTE FE/ZNXC3 | |
| 008 | 80201070 | 006 | ECROU HEXAGONAL FE/ZNXC3 | NUT FE/ZNXC3 | SECHSKANTMUTTER FE/ZNXC3 | DADO FE/ZNXC3 | |
| 009 | A7250710 | 002 | JONC CAOUTCHOUC CLIPABLE ARME | RETAINER RING | KANTENSCHUTZ | GUINTO GOMMA | |
| 010 | 80251021 | 013 | RONDELLE PLATE FE/ZNXC3 | PLAIN WASHER M10 | SCHEIBE FE/ZNXC3 | RONDELLA PIATTA FE/ZNXC3 | |
| 011 | A5350522 | 001 | TRAPPE A MINERAUX ES | CONCENTRATE REAR GRID | KRAFTFUTTEREUNFUPELLTRICHTER | PORTA | |
| 012 | A5350531 | 001 | TRAPPE CHARGEMENT ARRIERE | REAR LOADING BUCKET "BOBCAT" | EINFUELLTRICHTER HINTEN | PORTA | |
| 013 | 50002200 | 008 | VIS TBCC COURT | BOLT, CARRIAGE, SHORT NECK | FLACHRUNDSCHR.4KT ANSATZ | BULLONE | |
| 014 | 80080860 | 002 | VIS TETE CYL.SIX P.CR.FE/ZNXC3 | HEX.SOCK.HEAD CAP SCR.FE/ZNXC3 | ZYLINDERSCHR.INNENSEC.FE/ZNXC3 | VITE A TESTA CILINDR. FE/ZNXC3 | |
| 015 | 80060820 | 004 | VIS TETE HEXAGONALE FE/ZNXC3 | HEXAGON HEAD SCREW FE/ZNXC3 | SECHSKANTSCHRAUBE FE/ZNXC3 | VITE TESTA ESAGONALE FE/ZNXC3 | |
| 016 | 80061020 | 002 | VIS TETE HEXAGONALE FE/ZNXC3 | HEX. HEAD SCREW M10 X 20 MM CL | SECHSKANTSCHRAUBE FE/ZNXC3 | VITE A TESTA ESAGONALE FE/ZNXC | |
| 017 | 80061073 | 005 | VIS TETE HEXAGONALE FE/ZNXC3 | HEXAGON HEAD SCREW FE/ZNXC3 | SECHSKANTSCHRAUBE FE/ZNXC3 | VITE TESTA ESAGONALE FE/ZNXC3 | |
| 018 | A7011704 | 001 | BOUCHON DE FERMETURE | PLUG | STOPFEN | TAPPO | |
| 019 | 81005080 | 002 | ROULEMENT A BILLES | BALL BEARING | KUGELLAGER | CUSCINETTO A SFERE | |
| 020 | A7011705 | 001 | PIGNON R.1:3,1 | PINION R.1:3,1 | RITZEL R.1:3,1 | PIGNONE R.1:3,1 | |
| 021 | 80598000 | 001 | CIRCLIP INTERIEUR | ELASTIC RING I80 BLACK (DIN 47 | SICHERUNGSRING | ANELLO | |
| 022 | A7011706 | 001 | BAGUE D'ETANCHEITE | BUSH | BUECHSE | BOCCOLA | |
| 023 | A7011709 | 001 | BOUCHON DE NIVEAU 3/8 G | PLUG 3/8 G | STOPFEN 3/8 G | TAPPO | |
| 024 | A7011995 | 001 | ARBRE LONG | SHAFT LONG | WELLE LANG | ALBERO | |
| 025 | A7011703 | 001 | ENTRETOISE | SPACER | ZWISCHENSTUECK | DISTANZIALE | |
| 026 | 81305090 | 001 | ROULEMENT A ROULEAUX CONIQUES | ROLLER BEARING 30210 TAPERED | KEGELROLLENLAGER | CUSCINETTO A RULLI | |
| 027 | A7011702 | 001 | RONDELLE D'AJUSTAGE | WASHER | SCHEIBE | RONDELLA | |
| 028 | A7011701 | 001 | RONDELLE D'AJUSTAGE | WASHER | SCHEIBE | RONDELLA | |
| 029 | A7011700 | 001 | RONDELLE D'AJUSTAGE | WASHER | SCHEIBE | RONDELLA | |
| 030 | A7011707 | 001 | PLAQUE FIXATION POMPE | PLATE | PLATTE | PIASTRA | |
| 031 | 80080820 | 006 | VIS TETE CYL.SIX P.CR.FE/ZNXC3 | HEX.SOCK.HEAD CAP SCR.FE/ZNXC3 | ZYLINDERSCHR.INNENSEC.FE/ZNXC3 | VITE A TESTA CILINDR. FE/ZNXC3 | |





EURO.II 1460 FLEX GO
EURO.II 1460 FLEX TA

A4600 >
A4600 >

A53R0506 A

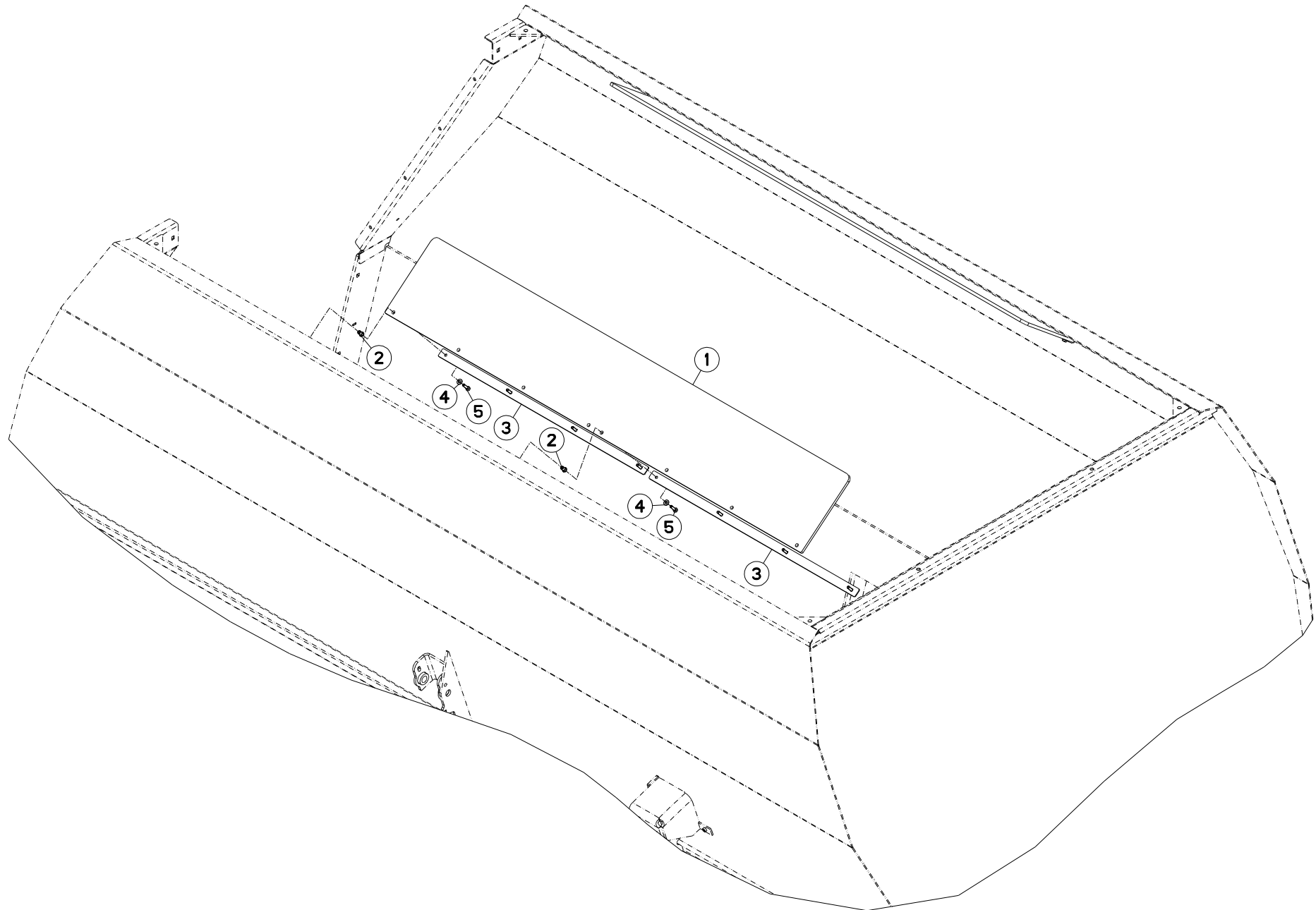
REHAUSSE 200MM - 1460

HOPPER EXTENSION 200MM - 1460

AUFSATZ 200MM - 1460

RIALZO 200MM - 1460

| Rep | Nr | Qt | Designation | Description | Bezeichnung | Referenza | Remarque - Remark - Bemerkung - Osservazioni |
|-----|----------|-----|--------------------------------|------------------------------|------------------------------|-------------------------------|--|
| 001 | A5310533 | 002 | COTE DE REHAUSSE EUROMIX II | EXTENSIONS PANEL | BEHAELTERAUFSATZ | | |
| 002 | A5350521 | 002 | REHAUSSE AV/AR ES EUROMIX II | FRONT/REAR EXTENSIONS PANEL | BEHAELTERAUFSATZ VORN/HINTEN | SOPRALZO | |
| 003 | 80201270 | 020 | ECROU HEXAGONAL FE/ZNXC3 | NUT FE/ZNXC3 | SECHSKANTMUTTER FE/ZNXC3 | DADO FE/ZNXC3 | |
| 004 | A5310531 | 008 | FIXATION REHAUSSE D/G EURO. II | PANEL SITTING | BEFESTIGUNGSPLATTE | | |
| 005 | A8359108 | 008 | INSERT HEX M8 A COLLERETTE | INSERT NUT HEX M8 | EINSETZMUTTER HEX M8 | MANICOTTO HEX M8 | |
| 006 | 80250823 | 008 | RONDELLE PLATE FE/ZNXC3 | PLAIN WASHER FE/ZNXC3 | SCHEIBE FE/ZNXC3 | RONDELLA PIATTA FE/ZNXC3 | |
| 007 | 80251227 | 020 | RONDELLE PLATE FE/ZNXC3 | PLAIN WASHER M12 | SCHEIBE FE/ZNXC3 | RONDELLA PIATTA FE/ZNXC3 | |
| 008 | 80060833 | 008 | VIS TETE HEXAGONALE FE/ZNXC3 | HEXAGON HEAD SCREW FE/ZNXC3 | SECHSKANTSCHRAUBE FE/ZNXC3 | VITE TESTA ESAGONALE FE/ZNXC3 | |
| 009 | 80061271 | 020 | VIS TETE HEXAGONALE FE/ZNXC3 | HEX BOLT FE/ZNXC3 | SECHSKANTSCHRAUBE FE/ZNXC3 | VITE TESTA ESAGONALE FE/ZNXC3 | |
| 010 | A7011508 | 002 | BOUCHON 1/2 GAZ | PLUG | STOPFEN | TAPPO | |
| 011 | A7011669 | 001 | BRIDE DE SORTIE | FLANGE | FLANSCH | STAFFA | |
| 012 | A7011601 | 002 | JOINT OR 41150 | O.RING 41150 | O.RING 41150 | GIUNTO | |
| 013 | A7011670 | 001 | RONDELLE D'AJUSTAGE | WASHER | SCHEIBE | RONDELLA | |
| 014 | 81309613 | 001 | ROULEMENT A ROULEAUX CONIQUES | ROLLER BEARING | KEGELROLLENLAGER | CUSCINETTO A RULLI | |
| 015 | A7011671 | 001 | ECROU DE REGLAGE | LOCK NUT | NUTMUTTER | DADO | |
| 016 | A7011672 | 001 | TRAIN DE REDUCTION COMPLET | CPL SET OF PINION | KPL STAZ V. ZAHNRAD | | |
| 017 | A7011677 | 001 | BRIDE INTERMEDIAIRE COMPLETE | COMPLETE INTERMED. FLANGE | ZWISCHENFLANSCH KOMPLETT | STAFFA | |
| 018 | A7011678 | 001 | BRIDE INTERMEDIAIRE | INTERMED. FLANGE | ZWISCHENFLANSCH | STAFFA | |
| 019 | A7011651 | 002 | BAGUE O.R. 3800 | BUSH O.R. 3800 | BUECHSE O.R. 3800 | BOCCOLA | |
| 020 | A7011679 | 001 | TRAIN DE REDUCTION COMPLET | CPL SET OF PINION | KPL STAZ V. ZAHNRAD | | |
| 021 | A7011684 | 001 | BRIDE D'ENTREE COMPLETE | FLANGE | FLANSCH | STAFFA | |
| 022 | A7011685 | 001 | BRIDE D'ENTREE | FLANGE | FLANSCH | STAFFA | |
| 023 | A7011686 | 001 | BAGUE 70X90X10 | BUSH 70X90X10 | BUCHSE 70X90X10 | BOCCOLA | |
| 024 | A7011687 | 001 | BAGUE O.R. 3650 | BUSH O.R. 3650 | BUCHSE O.R. 3650 | BOCCOLA | |
| 025 | A7011688 | 001 | BAGUE O.R. 3450 | BUSH O.R. 3450 | BUCHSE O.R. 3450 | BOCCOLA | |
| 026 | 80061055 | 016 | VIS TETE HEXAGONALE FE/ZNXC3 | HEX BOLT FE/ZNXC3 | SECHSKANTSCHRAUBE FE/ZNXC3 | VITE TESTA ESAGONALE FE/ZNXC3 | |
| 027 | 80061271 | 006 | VIS TETE HEXAGONALE FE/ZNXC3 | HEX BOLT FE/ZNXC3 | SECHSKANTSCHRAUBE FE/ZNXC3 | VITE TESTA ESAGONALE FE/ZNXC3 | |
| 028 | A7011690 | 001 | PIGNON | PINION | ZAHNRAD | PIGNONE | |
| 029 | A7011691 | 001 | BAGUE 36 | BUSH | BUCHSE | BOCCOLA | |
| 030 | 80061666 | 012 | VIS TETE HEXAGONALE FE/ZNXC3 | HEXAGON HEAD SCREW FE/ZNXC3 | SECHSKANTSCHRAUBE FE/ZNXC3 | VITE TESTA ESAGONALE FE/ZNXC3 | |
| 031 | 80081480 | 003 | VIS TETE CYL.SIX P.CR.FLZNNC | HEX.SOCK.HEAD CAP SCR.FLZNNC | ZYLINDERSCHR.INNENSEC.FLZNNC | VITE A TESTA CILINDR.FLZNNC | |
| 032 | 80451270 | 003 | GOUVILLE ELASTIQUE FLZNNC | ROLL PIN FLZNNC | SPANNHUELSE FLZNNC | SPINA ELASTICA FLZNNC | |
| 033 | 80201630 | 012 | ECROU HEX.AUTOFREINE FE/ZNXC3 | SELF-LOCKING NUT FE/ZNXC3 | SELBSTSICH.MUTTER FE/ZNXC3 | DADO AUTOBLOCCANTE FE/ZNXC3 | |





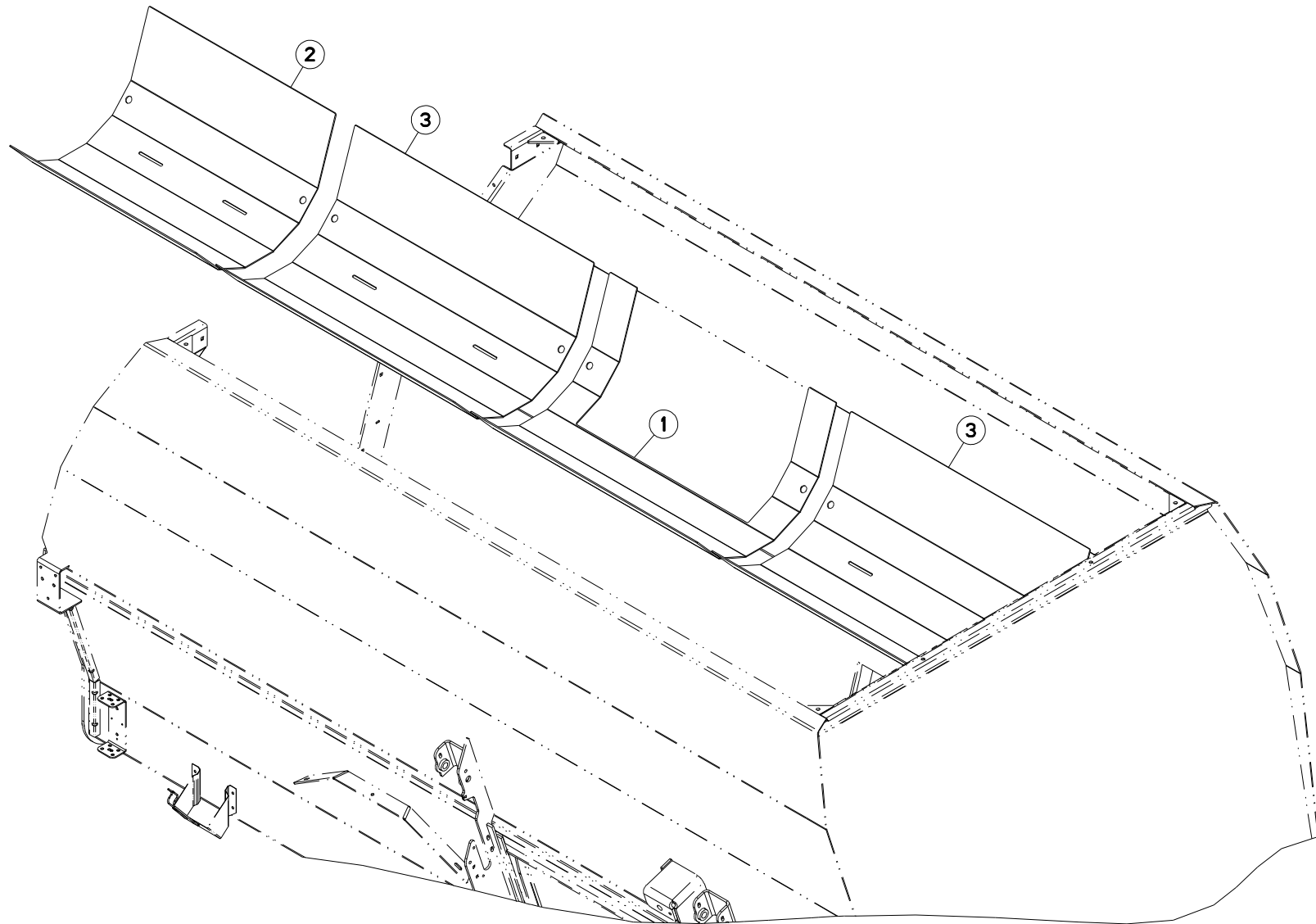
REHAUSSE

HOPPER EXTENSION

BEHAELTERAUFSATZ

RIALZO

| Rep | Nr | Qt | Designation | Description | Bezeichnung | Referenza | Remarque - Remark - Bemerkung - Osservazioni |
|-----|-----------------|-----|------------------------------|---------------------------------|----------------------------|-------------------------------|--|
| 001 | A7250171 | 002 | BAVETTE 1920X300X10 | FLAP | SCHUTZ | PARASPRUZZI | |
| 002 | A8359108 | 016 | INSERT HEX M8 A COLLERETTE | INSERT NUT HEX M8 | EINSETZMUTTER HEX M8 | MANICOTTO HEX M8 | |
| 003 | A5300020 | 004 | PLAT DE BAVETTE | FLAT | KLEMMLEISTE | FISSAZIONE | |
| 004 | 80250823 | 016 | RONDELLE PLATE FE/ZNXC3 | PLAIN WASHER FE/ZNXC3 | SCHEIBE FE/ZNXC3 | RONDELLA PIATTA FE/ZNXC3 | |
| 005 | 80060833 | 016 | VIS TETE HEXAGONALE FE/ZNXC3 | HEXAGON HEAD SCREW FE/ZNXC3 | SECHSKANTSCHRAUBE FE/ZNXC3 | VITE TESTA ESAGONALE FE/ZNXC3 | |
| 013 | 70176386 | 001 | LIMITEUR A BOULON RUPTURE | PTO, CLUTCH, SHEARBOLT | SCHERBOLZENKUPPLUNG | | |
| 014 | 80060853 | 001 | VIS TETE HEXAGONALE FE/ZNXC3 | HEX BOLT M8X60 CL 5.8 DIN931 R | SECHSKANTSCHRAUBE FE/ZNXC3 | VITE TESTA ESAGONALE FE/ZNXC3 | |
| 021 | 41120080 | 002 | CROISILLON CPL | CROSS JOURNAL | KREUZGARNITUR | CROCERA | |
| 022 | 82200806 | 002 | GRAISSEUR A TETE SPHERIQUE | LUBRICATING NIPPLE: CONE TYPE | KEGELSCHMIERNIPPEL | ENGRASADEIRA FE/ZNXC3 | |
| 023 | 4603315 | 001 | MACHOIRE | YOKE | GELENKGABEL | FORCELLA | |
| 024 | 80451063 | 002 | GOUPILLE ELASTIQUE FLZNNC | ROLL PIN FLZNNC | SPANNHUELSE FLZNNC | SPINA ELASTICA FLZNNC | |
| 025 | 70173868 | 001 | | PTO, INNER PROFILE, LEMON SHAPE | | | |
| 026 | 70173869 | 001 | | PTO, OUTER PROFILE, LEMON SHAPE | | | |
| 027 | 4603316 | 001 | MACHOIRE | YOKE | GELENKGABEL | FORCELLA | |
| 051 | 41550000 | 002 | BAGUE DE GUIDAGE | SLIDING RING | GLEITRING | ANELLO | |
| 055 | 41660000 | 002 | CHAINETTE | CHAIN | HALTEKETTE | CATENA | |





EURO.II 1460 FLEX GO
EURO.II 1460 FLEX TA

A4600 >
A4600 >

A53R0509 B

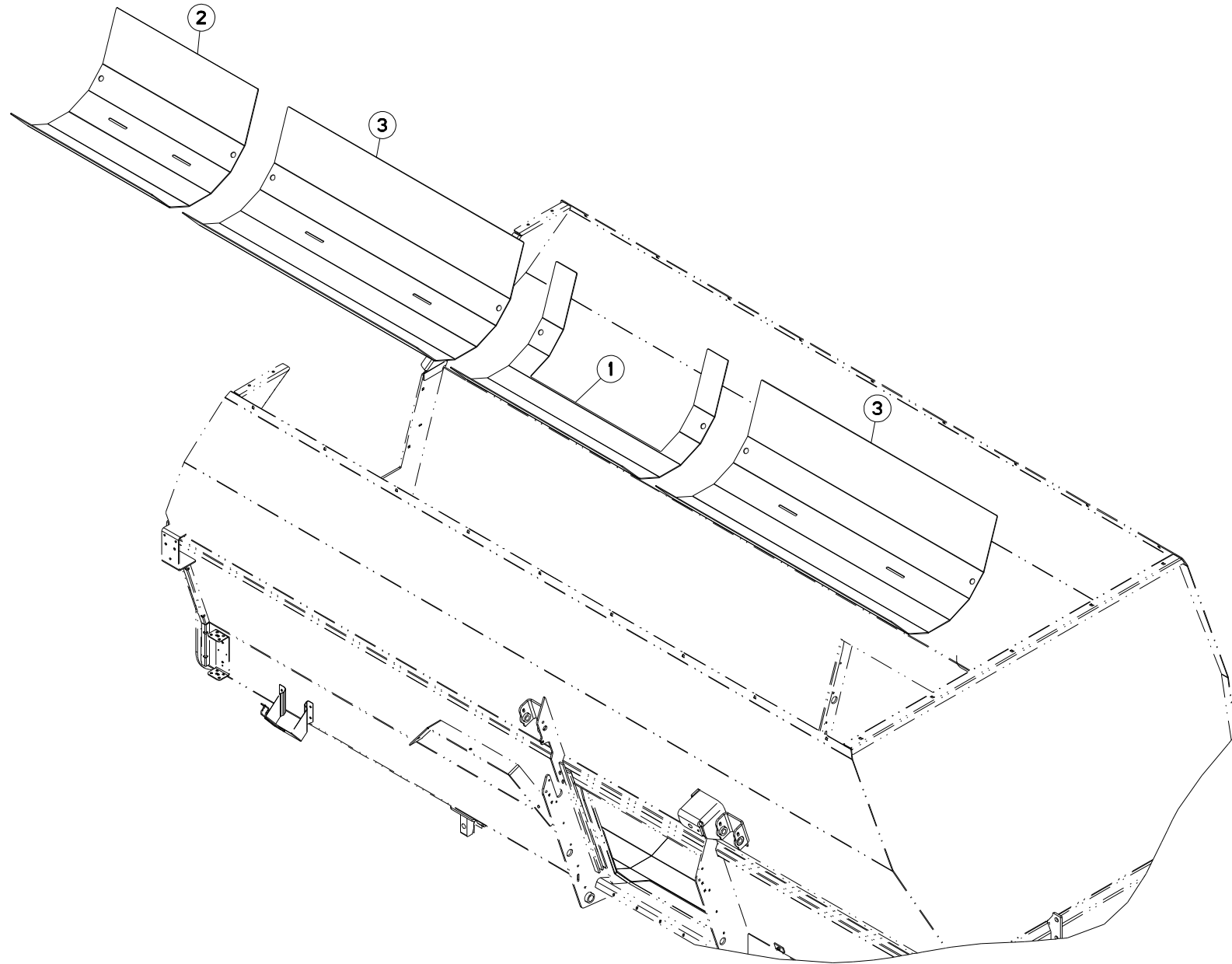
DOUBLANTES DE CAISSE 1460

WEARING PLATES 1460

VERSCHLEISSPLATTEN 1460

PIASTRE DI USURA 1460

| Rep | Nr | Qt | Designation | Description | Bezeichnung | Referenza | Remarque - Remark - Bemerkung - Osservazioni |
|-----|----------|-----|--------------------------------|-------------------------------|--------------------------------|-------------------------|--|
| 001 | A5351830 | 002 | DOUBLURE | DOUBLER | VERSTAERKUNGSPLATTE | PIASTRA DI RINFORZO | |
| 002 | A5351850 | 002 | DOUBLURE | DOUBLER | VERSTAERKUNGSPLATTE | PIASTRA DI RINFORZO | |
| 003 | A5351860 | 004 | DOUBLURE | DOUBLER | VERSTAERKUNGSPLATTE | PIASTRA DI RINFORZO | |
| 011 | A7903016 | 001 | MACHOIRE A VERROUILLAGE RAPIDE | QUICK-DISCONNECT YOKE | AUFSTECKGABEL MIT SCHIEBESTIFT | FORCELLA | |
| 012 | 41330100 | 001 | POUSSOIR CPLT | PUSH BUTTON CPLT | SCHIEBESTIFT KPLT | PULSANTE | |
| 013 | A7910072 | 001 | LIMITEUR DEBRAYABLE A CAMES | CAM-TYPE CUT-OUT CLUTCH | NOCKENSCHALTKUPPLUNG | | |
| 021 | 4605012 | 002 | CROISILLON | CROSS JOURNAL | KREUZGARNITUR | CROCIERA | |
| 022 | 82200806 | 003 | GRAISSEUR A TETE SPHERIQUE | LUBRICATING NIPPLE: CONE TYPE | KEGELSCHMIERNIPPEL | ENGRASADEIRA FE/ZNXC3 | |
| 023 | 4613007 | 004 | RONDELLE | WASHER | SCHEIBE | RONDELLA | |
| 024 | 4613004 | 001 | MACHOIRE DOUBLE DOP - G2480 | DOUBLE YOKE DOP - G2480 | DOPPELGABEL DOP - G2480 | FORCELLA | |
| 025 | 82200807 | 001 | GRAISSEUR A TETE SPHERIQUE | LUBRICATING NIPPLE: CONE TYPE | KEGELSCHMIERNIPPEL | ENGRASADEIRA FE/ZNXC3 | |
| 026 | 70172201 | 001 | | PTO, YOKE, 1.00 | | | |
| 027 | 80451063 | 002 | GOUPILLE ELASTIQUE FLZNNC | ROLL PIN FLZNNC | SPANNHUELSE FLZNNC | SPINA ELASTICA FLZNNC | |
| 028 | A7908016 | 001 | TUBE TRANSMISSION INT. <->780 | INNER TUBE <-> 780 | PROFILROHR INNEN SEITE <-> 780 | TUBO | |
| 029 | A7908017 | 001 | TUBE TRANSMISSION EXT. <->765 | OUTER TUBE <->765 | PROFILROHR AUSSEN SEITE <->765 | TUBO | |
| 030 | 4603316 | 001 | MACHOIRE | YOKE | GELENKGABEL | FORCELLA | |
| 031 | 41120080 | 001 | CROISILLON CPL | CROSS JOURNAL | KREUZGARNITUR | CROCIERA | |
| 051 | 4618214 | 001 | CLOCHE | GUARD CONE | SCHUTZTRICHTER | CAMPANA | |
| 053 | 4620020 | 001 | BAGUE DE GUIDAGE SD25-2480 | SLIDING RING | GLEITRING SD25-2480 | BOCCOLA GUIDA SD25-2480 | |
| 055 | 41550000 | 002 | BAGUE DE GUIDAGE | SLIDING RING | GLEITRING | ANELLO | |
| 058 | 41660000 | 001 | CHAINETTE | CHAIN | HALTEKETTE | CATENA | |
| 059 | 4618910 | 001 | CHAINETTE | CHAIN | HALTEKETTE | CATENELLA | |
| 091 | 4631001 | 001 | ETIQ.ADHESIVE H.PRES.INTERDITE | TRANSFER | AUFKLEBER | ADESIVO | |





EURO.II 1860 FLEX GO
EURO.II 1860 FLEX TA

A4600 >
A4600 >

A53R0557 B

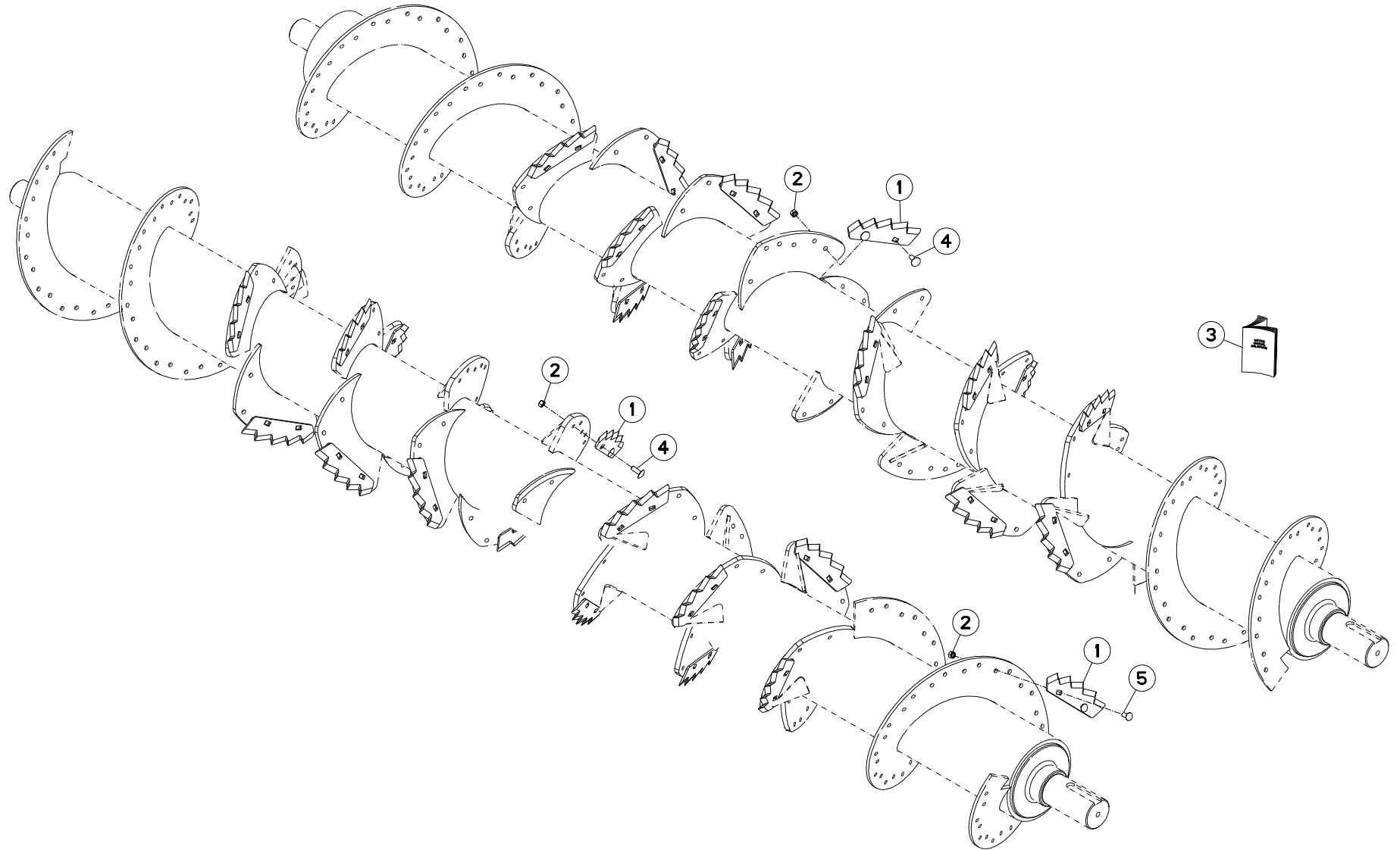
DOUBLANTES DE CAISSE 1860

WEARING PLATES 1860

VERSCHLEISSPLATTEN 1860

PIASTRE DI USURA 1860

| Rep | Nr | Qt | Designation | Description | Bezeichnung | Referenza | Remarque - Remark - Bemerkung - Osservazioni |
|-----|-----------------|-----|-------------------------------|-------------------------|--------------------------------|-----------------------------|--|
| 001 | A5351830 | 002 | DOUBLURE | DOUBLER | VERSTAERKUNGSPLATTE | PIASTRA DI RINFORZO | |
| 002 | A5351850 | 002 | DOUBLURE | DOUBLER | VERSTAERKUNGSPLATTE | PIASTRA DI RINFORZO | |
| 003 | A5351870 | 004 | DOUBLURE | DOUBLER | VERSTAERKUNGSPLATTE | PIASTRA DI RINFORZO | |
| 004 | 4603255 | 001 | MACHOIRE VERROUILLAGE RAPIDE | QUICK-DISCONNECT YOKE | AUFSTECKGABEL MIT SCHIEBESTIFT | FORCELLA D'ATTACCO PULSANTE | |
| 005 | 41120080 | 002 | CROISILLON CPL | CROSS JOURNAL | KREUZGARNITUR | CROCERA | |
| 006 | 4605050 | 002 | GRAISSEUR | GREASE NIPPLE | SCHMIERNIPPEL | INGRASSATORE | |
| 007 | 4603315 | 001 | MACHOIRE | YOKE | GELENKGABEL | FORCELLA | |
| 008 | 80451063 | 002 | GOUPILLE ELASTIQUE FLZNNC | ROLL PIN FLZNNC | SPANNHUELSE FLZNNC | SPINA ELASTICA FLZNNC | |
| 009 | A7908015 | 001 | TUBE TRANSMISSION EXT. <->865 | OUTER TUBE <->865 | PROFILROHR AUSSEN SEITE <->865 | TUBO | |
| 010 | 41550000 | 002 | BAGUE DE GUIDAGE | SLIDING RING | GLEITRING | ANELLO | |
| 011 | 41660000 | 002 | CHAINETTE | CHAIN | HALTEKETTE | CATENA | |
| 012 | A7908014 | 001 | TUBE TRANSMISSION INT. <->880 | INNER TUBE <->880 | PROFILROHR INNEN SEITE <->880 | TUBO | |
| 013 | 4603316 | 001 | MACHOIRE | YOKE | GELENKGABEL | FORCELLA | |
| 014 | A7910072 | 001 | LIMITEUR DEBRAYABLE A CAMES | CAM-TYPE CUT-OUT CLUTCH | NOCKENSCHALTKUPPLUNG | | |





EURO.II 1460 FLEX GO
EURO.II 1460 FLEX TA

A4600 >
A4600 >

A53R0515 A

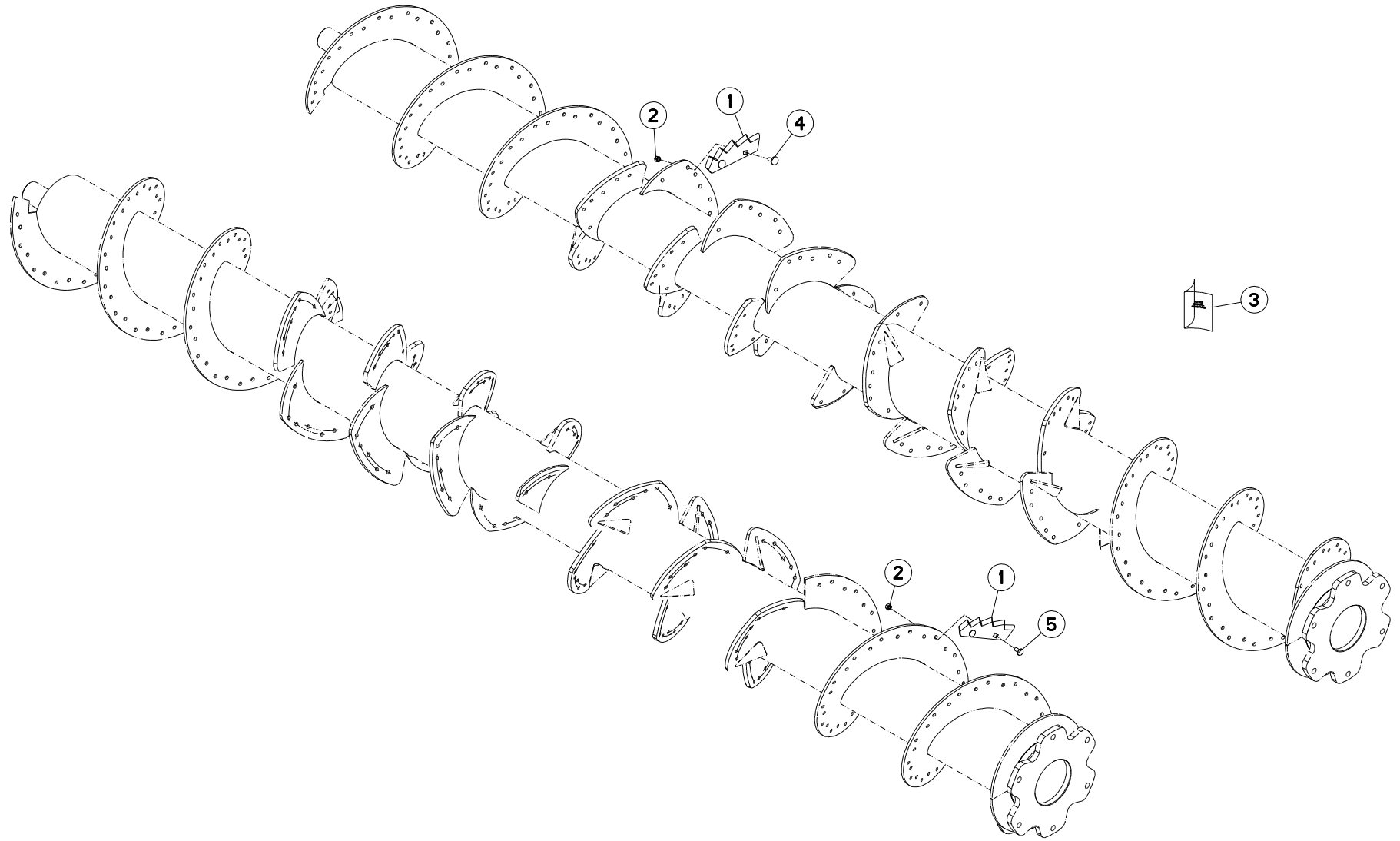
EQUIPEMENT VIS DE MÉLANGE

EQUIPMENT MIXING SCREW

AUSRÜSTUNG MISCHSCHNECKE

EQUIPAGGIAMENTO VITE DI MISCE

| Rep | Nr | Qt | Designation | Description | Bezeichnung | Referenza | Remarque - Remark - Bemerkung - Osservazioni |
|-----|----------|-----|--------------------------------|--------------------------------|--------------------------------|-------------------------------|--|
| 001 | A5306460 | 084 | COUTEAU 5DTS EUROMIX II | BLADE | MESSER | COLTELLO | |
| 002 | 80201270 | 168 | ECROU HEXAGONAL FE/ZNXC3 | NUT FE/ZNXC3 | SECHSKANTMUTTER FE/ZNXC3 | DADO FE/ZNXC3 | |
| 003 | A7310372 | 001 | NOTICE MONTAGE COUTEAUX EUR.II | MANUAL | ANLEITUNG | | |
| 004 | 50008800 | 072 | VIS TBCC COURT | BOLT, CARRIAGE, SHORT NECK | FLACHRUNDSCHR.4KT ANSATZ | BULLONE | |
| 005 | 50068900 | 096 | VIS TBCC COURT | BOLT, CARRIAGE, SHORT NECK | FLACHRUNDSCHR.4KT ANSATZ | BULLONE | |
| 013 | 70176386 | 001 | LIMITEUR A BOULON RUPTURE | PTO, CLUTCH, SHEARBOLT | SCHERBOLZENKUPPLUNG | | |
| 014 | 80060853 | 001 | VIS TETE HEXAGONALE FE/ZNXC3 | HEX BOLT M8X60 CL 5.8 DIN931 R | SECHSKANTSCHRAUBE FE/ZNXC3 | VITE TESTA ESAGONALE FE/ZNXC3 | |
| 021 | 4605012 | 002 | CROISILLON | CROSS JOURNAL | KREUZGARNITUR | CROCIERA | |
| 022 | 82200806 | 003 | GRAISSEUR A TETE SPHERIQUE | LUBRICATING NIPPLE: CONE TYPE | KEGELSCHMIERNIPPEL | ENGRASADEIRA FE/ZNXC3 | |
| 023 | 4613007 | 004 | RONDELLE | WASHER | SCHEIBE | RONDELLA | |
| 024 | 4613004 | 001 | MACHOIRE DOUBLE DOP - G2480 | DOUBLE YOKE DOP - G2480 | DOPPELGABEL DOP - G2480 | FORCELLA | |
| 025 | 82200807 | 001 | GRAISSEUR A TETE SPHERIQUE | LUBRICATING NIPPLE: CONE TYPE | KEGELSCHMIERNIPPEL | ENGRASADEIRA FE/ZNXC3 | |
| 026 | 70172201 | 001 | | PTO, YOKE, 1.00 | | | |
| 027 | 80451063 | 002 | GOUPILLE ELASTIQUE FLZNNC | ROLL PIN FLZNNC | SPANNHUELSE FLZNNC | SPINA ELASTICA FLZNNC | |
| 028 | A7908016 | 001 | TUBE TRANSMISSION INT. <->780 | INNER TUBE <-> 780 | PROFILROHR INNEN SEITE <-> 780 | TUBO | |
| 029 | A7908017 | 001 | TUBE TRANSMISSION EXT. <->765 | OUTER TUBE <->765 | PROFILROHR AUSSEN SEITE <->765 | TUBO | |
| 030 | 4603316 | 001 | MACHOIRE | YOKE | GELENKGABEL | FORCELLA | |
| 031 | 41120080 | 001 | CROISILLON CPL | CROSS JOURNAL | KREUZGARNITUR | CROCERA | |
| 051 | 4618214 | 001 | CLOCHE | GUARD CONE | SCHUTZTRICHTER | CAMPANA | |
| 053 | 4620020 | 001 | BAGUE DE GUIDAGE SD25-2480 | SLIDING RING | GLEITRING SD25-2480 | BOCCOLA GUIDA SD25-2480 | |
| 055 | 41550000 | 002 | BAGUE DE GUIDAGE | SLIDING RING | GLEITRING | ANELLO | |
| 058 | 41660000 | 001 | CHAINETTE | CHAIN | HALTEKETTE | CATENA | |
| 059 | 4618910 | 001 | CHAINETTE | CHAIN | HALTEKETTE | CATENELLA | |





EURO.II 1860 FLEX GO
EURO.II 1860 FLEX TA

A4600 >
A4600 >

A53R0558 A

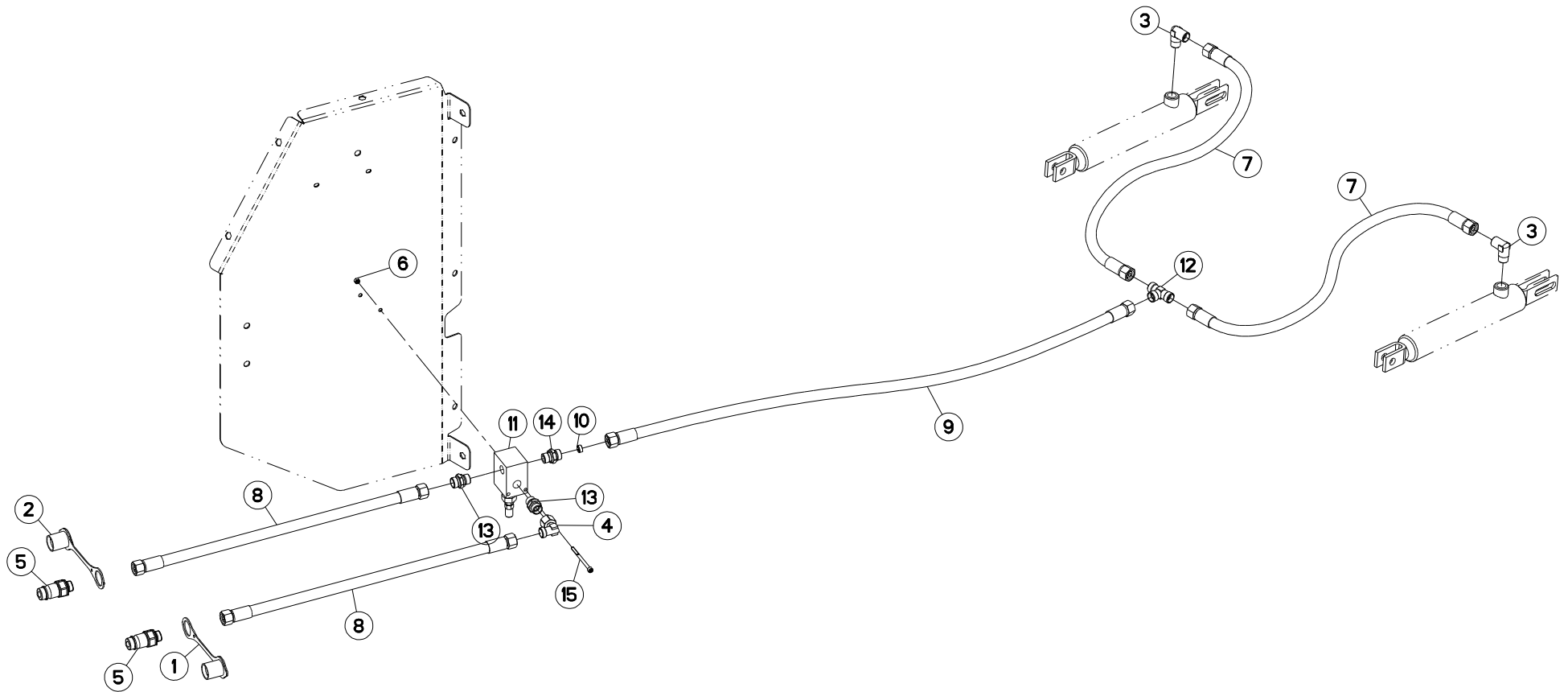
EQUIPEMENT VIS DE MÉLANGE

EQUIPMENT MIXING SCREW

AUSRÜSTUNG MISCHSCHNECKE

EQUIPAGGIAMENTO VITE DI MISCE

| Rep | Nr | Qt | Designation | Description | Bezeichnung | Referenza | Remarque - Remark - Bemerkung - Osservazioni |
|-----|-----------------|-----|--------------------------------|----------------------------|---------------------------|----------------------|--|
| 001 | A5306460 | 104 | COUTEAU 5DTS EUROMIX II | BLADE | MESSER | COLTELLO | |
| 002 | 80201270 | 208 | ECROU HEXAGONAL FE/ZNXC3 | NUT FE/ZNXC3 | SECHSKANTMUTTER FE/ZNXC3 | DADO FE/ZNXC3 | |
| 003 | A7310372 | 001 | NOTICE MONTAGE COUTEAUX EUR.II | MANUAL | ANLEITUNG | | |
| 004 | 50008800 | 072 | VIS TBCC COURT | BOLT, CARRIAGE, SHORT NECK | FLACHRUNDSCHR.4KT ANSATZ | BULLONE | |
| 005 | 50068900 | 136 | VIS TBCC COURT | BOLT, CARRIAGE, SHORT NECK | FLACHRUNDSCHR.4KT ANSATZ | BULLONE | |
| 006 | A4080439 | 002 | UNION MALE | MALE STUD CONNECTOR | GERADER EINSCHRAUBSTUTZEN | GIUZIONE DIRITTA ZBC | |





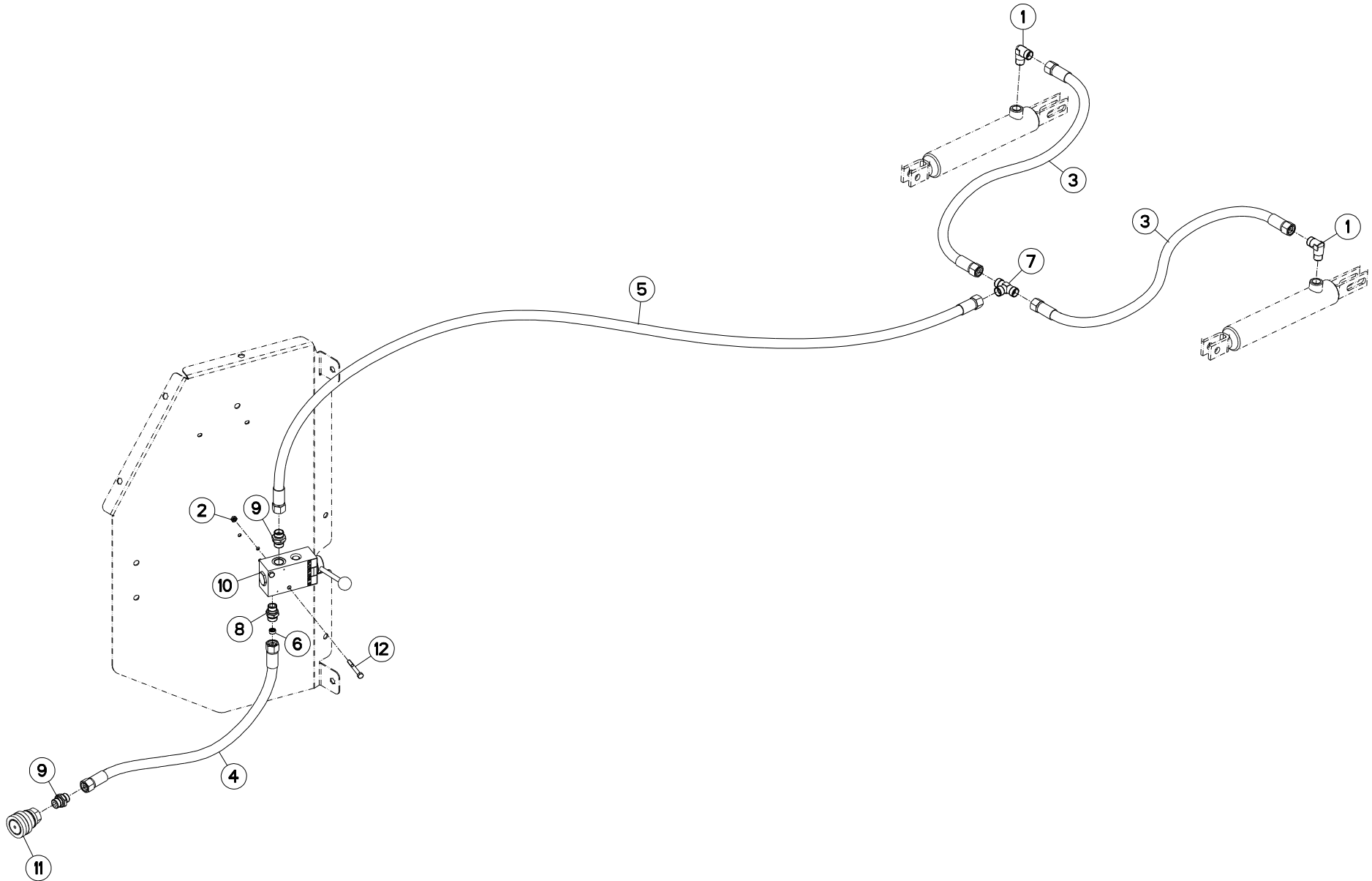
FREINAGE HYDRAULIQUE 6 KM/H

HYDRAULIC BRAKE 6 KM/H

HYDRAULISCHE BREMSANLAGE 6 KM/

FRENO IDRAULICO 6 KM/H

| Rep | Nr | Qt | Designation | Description | Bezeichnung | Referenza | Remarque - Remark - Bemerkung - Osservazioni |
|-----|-----------------|-----|--------------------------------|--------------------------------|--------------------------------|--------------------------------|--|
| 001 | 82300026 | 001 | CAPUCHON COUPLEUR MALE | CAP MALE CONNECTOR | KAPPE KUPPLUNGSSTECKER | TAPPO | |
| 002 | A4074046 | 001 | CAPUCHON COUPLEUR MALE | CAP MALE CONNECTOR | KAPPE KUPPLUNG STECKER | TAPPO PLASTICA | |
| 003 | A4080813 | 002 | COUDE MALE | MALE STUD ELBOW FE/ZNXC3 | WINKEL-EINSCHRAUBVERSCHRAU.FE/ | GIUNZIONE A 90° FE/ZNXC3 | |
| 004 | A4082701 | 001 | COUDE TOURNANT | AJUSTABLE MALE STUD ELBOW | EINSTELLBARE WINKEL STUTZEN | GIUNZIONE A 90°ORIENTABILE ZBC | |
| 005 | A4074044 | 002 | COUPLEUR MALE | CONNECTOR MALE | KUPPLUNGSTECKER | GIUNTO | |
| 006 | 80200500 | 001 | ECROU HEXAGONAL FE/ZNXC3 | NUT FE/ZNXC3 | SECHSKANTMUTTER FE/ZNXC3 | DADO FE/ZNXC3 | |
| 007 | A4922077 | 002 | FLEXIBLE HYDRAULIQUE | HYDRAULIC HOSE | HYDRAULIKSCHLAUCH | TUBO GOMMA | <->750 mm |
| 008 | A4922252 | 002 | FLEXIBLE HYDRAULIQUE | HYDRAULIC HOSE | HYDRAULIKSCHLAUCH | TUBO GOMMA | <->2500 mm |
| 009 | A4922451 | 001 | FLEXIBLE HYDRAULIQUE | HYDRAULIC HOSE | HYDRAULIKSCHLAUCH | TUBO GOMMA | <->4500 mm |
| 010 | A4072013 | 001 | LIMITEUR DEBIT D1 TUBE D12 | DELIVERY LIMITER | MENGEN BEGRENZER | REGOLATORE D'ALIMENTAZIONE | |
| 011 | A4070034 | 001 | LIMITEUR DE PRESSION | VALVE, RELIEF | DRUCKBEGRENZUNGSVENTIL | LIMITATORE DI PRESSIONE | |
| 012 | A4081003 | 001 | TE EGAL | EQUAL TEE | T-VERSCHRAUBUNG | GIUNZIONE A T | |
| 013 | A4080411 | 002 | UNION MALE | MALE STUD CONNECTOR | GERADER EINSCHRAUBSTUTZEN | GIUZIONE DIRITTA ZBC | |
| 014 | A4060625 | 001 | UNION MALE SPECIALE ZBC | MALE SUTD COUPLING ZBC | GERADE EINSCHRAUBVERSCHRAU.ZBC | GIUNZIONE DIRITTA ZBC | |
| 015 | 80080570 | 001 | VIS TETE CYL.SIX P.CR.FE/ZNXC3 | HEX.SOCK.HEAD CAP SCR.FE/ZNXC3 | ZYLINDERSCHR.INNENSEC.FE/ZNXC3 | VITE A TESTA CILINDR. FE/ZNXC3 | |





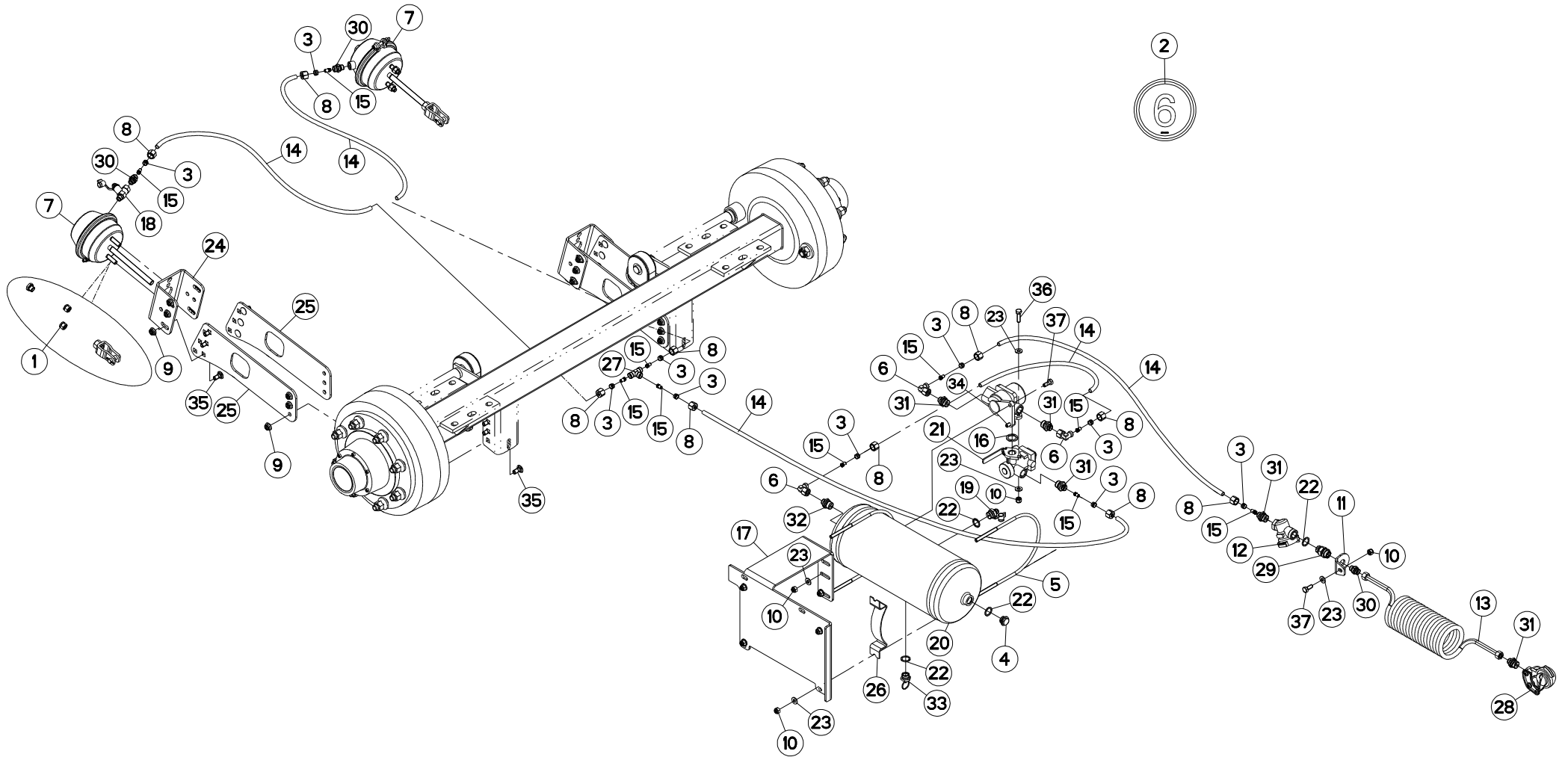
FREINAGE HYDRAULIQUE 25 KM/H

HYDRAULIC BRAKE 25 KM/H

HYDRAULISCHE BREMSANLAGE 25 KM

FRENO IDRAULICO 25 KM/H

| Rep | Nr | Qt | Designation | Description | Bezeichnung | Referenza | Remarque - Remark - Bemerkung - Osservazioni |
|-----|-----------------|-----|------------------------------|--------------------------------|--------------------------------|-------------------------------|--|
| 001 | A4080813 | 002 | COUDE MALE | MALE STUD ELBOW FE/ZNXC3 | WINKEL-EINSCHRAUBVERSCHRAU.FE/ | GIUNZIONE A 90° FE/ZNXC3 | |
| 002 | 80200600 | 002 | ECROU HEXAGONAL FE/ZNXC3 | NUT FE/ZNXC3 | SECHSKANTMUTTER FE/ZNXC3 | DADO FE/ZNXC3 | |
| 003 | A4922077 | 002 | FLEXIBLE HYDRAULIQUE | HYDRAULIC HOSE | HYDRAULIKSCHLAUCH | TUBO GOMMA | <->750 mm |
| 004 | A4922252 | 001 | FLEXIBLE HYDRAULIQUE | HYDRAULIC HOSE | HYDRAULIKSCHLAUCH | TUBO GOMMA | <->2500 mm |
| 005 | A4922451 | 001 | FLEXIBLE HYDRAULIQUE | HYDRAULIC HOSE | HYDRAULIKSCHLAUCH | TUBO GOMMA | <->4500 mm |
| 006 | A4072013 | 001 | LIMITEUR DEBIT D1 TUBE D12 | DELIVERY LIMITER | MENGEN BEGRENZER | REGOLATORE D'ALIMENTAZIONE | |
| 007 | A4081003 | 001 | TE EGAL | EQUAL TEE | T-VERSCHRAUBUNG | GIUNZIONE A T | |
| 008 | A4060625 | 001 | UNION MALE SPECIALE ZBC | MALE SUTD COUPLING ZBC | GERADE EINSCHRAUBVERSCHRAU.ZBC | GIUNZIONE DIRITTA ZBC | |
| 009 | A4080415 | 002 | UNION MALE | MALE STUD CONNECTOR | GERADER EINSCHRAUBSTUTZEN | GIUNZIONE DIRITTA ZBC | |
| 010 | A4070027 | 001 | VALVE D'ADAPTATION TYPE LB08 | VALVE | VENTIL | VALVOLA | |
| 011 | A7181002 | 001 | VALVE | VALVE | VENTIL | VALVOLA | |
| 012 | 80060650 | 002 | VIS TETE HEXAGONALE FE/ZNXC3 | HEX. HEAD SCREW M6 X 50 MM CL8 | SECHSKANTSCHRAUBE FE/ZNXC3 | VITE TESTA ESAGONALE FE/ZNXC3 | |





EURO.II 1460 FLEX GO
EURO.II 1460 FLEX TA

A4600 >
A4600 >

A53R0525 B

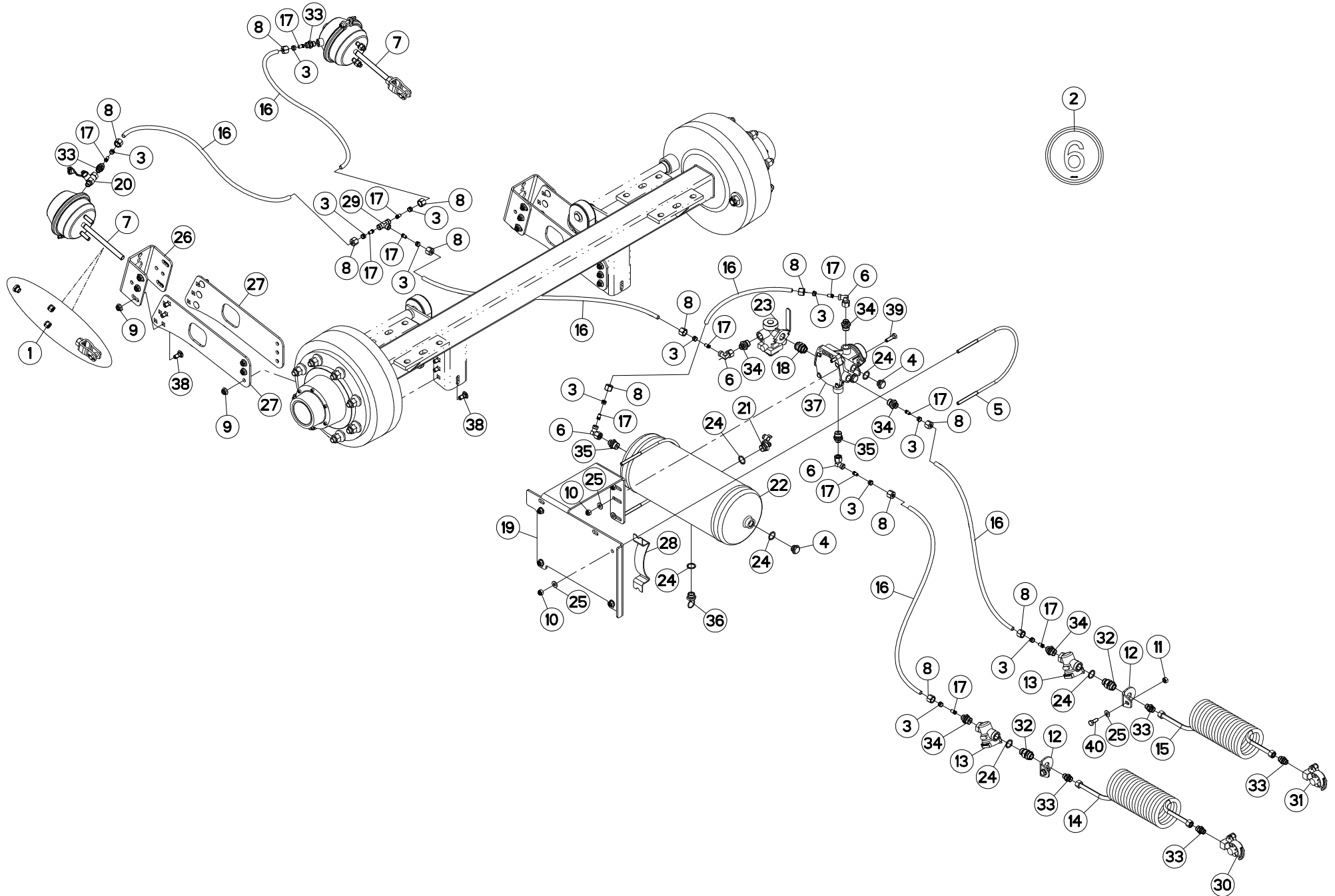
FREINAGE PNEUMATIQUE 1

PNEUMATIC BREAK 1

DRUCKLUFT-BREMSANLAGE 1

FRENO PNEUMATICO 1

| Rep | Nr | Qt | Designation | Description | Bezeichnung | Referenza | Remarque - Remark - Bemerkung - Osservazioni |
|-----|----------|-----|--------------------------------|--------------------------------|--------------------------------|--------------------------------|--|
| 001 | A7181136 | 002 | KIT MONTAGE VASE T16" C75 | YOKE ASSEMBLY | MONTAGEBUEGEL | | |
| 002 | A7300150 | 001 | ETIQ.ADHESIVE | TRANSFER MAX.6 | AUFKLEBER MAX.6 | ADESIVO LIMITE VELOC. MAX.6 | |
| 003 | A4080112 | 010 | BAGUE DE COMPRESSION + O-RING | CUTTING RING + O-RING | SCHNEIDRING + O-RING | BOCCOLA + O-RING | |
| 004 | A7181115 | 001 | BOUCHON M22X150 ZBC | PLUG | STOPFEN | TAPPO | |
| 005 | A7181121 | 002 | COLLIER | CLAMP, HOSE | SCHLAUCHSCHELLE | COLLARE | |
| 006 | A4082701 | 003 | COUDE TOURNANT | AJUSTABLE MALE STUD ELBOW | EINSTELLBARE WINKEL STUTZEN | GIUNZIONE A 90°ORIENTABILE ZBC | |
| 007 | A7181127 | 002 | CYLINDRE DE FREIN | CYLINDER, BRAKE | BREMSZYLINDER | CILINDRO DI FRENO | |
| 008 | A4080212 | 010 | ECROU DE TUBE FE/ZNXC3 | TUBE NUT FE/ZNXC3 | UEBERWURFMUTTER FE/ZNXC3 | DADO FE/ZNXC3 | |
| 009 | 80201253 | 024 | ECROU AUTOBLOQUANT FE/ZNXC3 | UNDERSERRAT.S.LOC.NUT FE/ZNXC3 | SPERRZAHN-BUNDMUTTER FE/ZNXC3 | DADO FE/ZNXC3 | |
| 010 | 80201040 | 009 | ECROU HEX.BAS AUTOFR.FE/ZNXC3 | SELF LOCKING NUT M10 DIN 985 | SELBSTSICHERND.MUTTER FE/ZNXC3 | DADO AUTOBLOCCANTE FE/ZNXC3 | |
| 011 | A5320471 | 001 | EQUERRE | GUSSET, CORNER | WINKEL | SQUADRA | |
| 012 | A7181144 | 001 | FILTRE DE CONDUITE | FILTER | FILTER | FILTRO | |
| 013 | A7181106 | 001 | FLEXIBLE SPIRALE NOIR LG1500 | BLACK HOSE | DRUCKSCHLAUCH | TUBO IN GOMMA | |
| 014 | A7181129 | 005 | FLEXIBLE 9X12 (PA SEMI-RIGIDE) | HOSE | DRUCKSCHLAUCH | TUBO IN GOMMA | |
| 015 | A7181134 | 010 | FOURRURE D9X12 | LINER D.9 | SCHLAUCHVERSTEIFUNG D.9 | CAMICIA | |
| 016 | A7181140 | 001 | JOINT D'ETANCHEITE (WABCO) | SEAL | DICHTRING | GIUNTO | |
| 017 | A5311226 | 001 | PLAQUE | PLATE | PLATTE | PIASTRA | |
| 018 | A7181108 | 001 | PRISE DE PRESSION EN T | PRESSURE PORT T | DRUCKANSCHLUSS T | PRESA DI PRESSIONE | |
| 019 | A7181109 | 001 | PRISE DE PRESSION M22X150 | PRESSURE PORT | DRUCKANSCHLUSS | PRESA DI PRESSIONE | |
| 020 | A7181100 | 001 | RESERVOIR | RESERVOIR | TANK | SERBATOIO | |
| 021 | A7181138 | 001 | ROBINET VIDE CHARGE (WABCO) | LOAD APPORTIONING VALVE | BREMSKRAFTREGLER | ROBINETTO | |
| 022 | 82102229 | 004 | JOINT CUIVRE | SEALING RING | DICHTRING | RONDELLA RAME | |
| 023 | 80251021 | 011 | RONDELLE PLATE FE/ZNXC3 | PLAIN WASHER M10 | SCHEIBE FE/ZNXC3 | RONDELLA PIATTA FE/ZNXC3 | |
| 024 | A5328320 | 002 | SUPPORT | SUPPORT | TRAEGER | SUPPORTO | |
| 025 | A5331100 | 004 | SUPPORT | SUPPORT | TRAEGER | SUPPORTO | |
| 026 | A7181120 | 002 | SUPPORT RESERVOIR | HOLDER | HALTER | SUPPORTO | |
| 027 | A4081003 | 001 | TE EGAL | EQUAL TEE | T-VERSCHRAUBUNG | GIUNZIONE A T | |
| 028 | A7181102 | 001 | TETE D'ACCOUPEMENT ROUGE | RED COUPLING HEAD | ANSCHLUSSKOPF ROT | TESTA ACCOPPIAMENTO ROSSO | |
| 029 | A4060627 | 001 | UNION | FITTING, HYDRAULIC, UNION | VERBINDUNG | CONNETTORE | |
| 030 | A4080413 | 003 | UNION MALE | MALE STUD CONNECTOR | GERADER EINSCHRAUBSTUTZEN | GIUZIONE DIRITTA ZBC | |
| 031 | A4080414 | 005 | UNION MALE | MALE STUD CONNECTOR | GERADER EINSCHRAUBSTUTZEN | GIUZIONE DIRITTA ZBC | |
| 032 | A4080446 | 001 | UNION MALE NUE ZBC | MALE SUTD COUPLING ZBC | GERADE EINSCHRAUBVERSCHRAU.ZBC | GIUZIONE DIRITTA ZBC | |
| 033 | A7181104 | 001 | VALVE DE PURGE | DRAIN VALVE | ENTWAESSERUNGSVENTIL | VALVOLA | |
| 034 | A7181139 | 001 | VALVE | VALVE | VENTIL | VALVOLA | |
| 035 | 50070800 | 024 | VIS TBCC COURT | BOLT, CARRIAGE, SHORT NECK | FLACHRUNDSCHR.4KT ANSATZ | BULLONE | |
| 036 | 80061035 | 002 | VIS TETE HEXAGONALE FE/ZNXC3 | HEX. HEAD SCREW M10 X 35 MM CL | SECHSKANTSCHRAUBE FE/ZNXC3 | VITE TESTA ESAGONALE FE/ZNXC3 | |
| 037 | 80061026 | 003 | VIS TETE HEXAGONALE FE/ZNXC3 | HEXAGON HEAD SCREW FE/ZNXC3 | SECHSKANTSCHRAUBE FE/ZNXC3 | VITE TESTA ESAGONALE FE/ZNXC3 | |





FREINAGE PNEUMATIQUE 2

PNEUMATIC BREAK 2

DRUCKLUFT-BREMSANLAGE 2

FRENO PNEUMATICO 2

| Rep | Nr | Qt | Designation | Description | Bezeichnung | Referenza | Remarque - Remark - Bemerkung - Osservazioni |
|-----|----------|-----|--------------------------------|--------------------------------|--------------------------------|--------------------------------|--|
| 001 | A7181136 | 002 | KIT MONTAGE VASE T16" C75 | YOKE ASSEMBLY | MONTAGEBUEGEL | | |
| 002 | A7300150 | 001 | ETIQ.ADHESIVE | TRANSFER MAX.6 | AUFKLEBER MAX.6 | ADESIVO LIMITE VELOC. MAX.6 | |
| 003 | A4080112 | 012 | BAGUE DE COMPRESSION + O-RING | CUTTING RING + O-RING | SCHNEIDRING + O-RING | BOCCOLA + O-RING | |
| 004 | A7181115 | 003 | BOUCHON M22X150 ZBC | PLUG | STOPFEN | TAPPO | |
| 005 | A7181121 | 002 | COLLIER | CLAMP, HOSE | SCHLAUCHSCHELLE | COLLARE | |
| 006 | A4082701 | 004 | COUDE TOURNANT | AJUSTABLE MALE STUD ELBOW | EINSTELLBARE WINKEL STUTZEN | GIUNZIONE A 90°ORIENTABILE ZBC | |
| 007 | A7181127 | 002 | CYLINDRE DE FREIN | CYLINDER, BRAKE | BREMSZYLINDER | CILINDRO DI FRENO | |
| 008 | A4080212 | 012 | ECROU DE TUBE FE/ZNXC3 | TUBE NUT FE/ZNXC3 | UEBERWURFMUTTER FE/ZNXC3 | DADO FE/ZNXC3 | |
| 009 | 80201253 | 024 | ECROU AUTOBLOQUANT FE/ZNXC3 | UNDERSERRAT.S.LOC.NUT FE/ZNXC3 | SPERRZAHN-BUNDMUTTER FE/ZNXC3 | DADO FE/ZNXC3 | |
| 010 | 80201040 | 006 | ECROU HEX.BAS AUTOFR.FE/ZNXC3 | SELF LOCKING NUT M10 DIN 985 | SELBSTSICHERND.MUTTER FE/ZNXC3 | DADO AUTOBLOCCANTE FE/ZNXC3 | |
| 011 | 80201070 | 002 | ECROU HEXAGONAL FE/ZNXC3 | NUT FE/ZNXC3 | SECHSKANTMUTTER FE/ZNXC3 | DADO FE/ZNXC3 | |
| 012 | A5320471 | 002 | EQUERRE | GUSSET, CORNER | WINKEL | SQUADRA | |
| 013 | A7181144 | 002 | FILTRE DE CONDUITE | FILTER | FILTER | FILTRO | |
| 014 | A7181124 | 001 | FLEXIBLE SPIRALE ROUGE LG1500 | RED HOSE | DRUCKSCHLAUCH ROT | TUBO IN GOMMA | |
| 015 | A7181126 | 001 | FLEXIBLE SPIRALE JAUNE LG1500 | YELLOW HOSE | DRUCKSCHLAUCH GELB | TUBO IN GOMMA | |
| 016 | A7181129 | 006 | FLEXIBLE 9X12 (PA SEMI-RIGIDE) | HOSE | DRUCKSCHLAUCH | TUBO IN GOMMA | |
| 017 | A7181134 | 012 | FOURRURE D9X12 | LINER D.9 | SCHLAUCHVERSTEIFUNG D.9 | CAMICIA | |
| 018 | A7181146 | 001 | KIT D'ADAPTATION VALVE AS3100A | KIT VALVE | KIT VENTIL | ADATTAMENTO | |
| 019 | A5311226 | 001 | PLAQUE | PLATE | PLATTE | PIASTRA | |
| 020 | A7181108 | 001 | PRISE DE PRESSION EN T | PRESSURE PORT T | DRUCKANSCHLUSS T | PRESA DI PRESSIONE | |
| 021 | A7181109 | 001 | PRISE DE PRESSION M22X150 | PRESSURE PORT | DRUCKANSCHLUSS | PRESA DI PRESSIONE | |
| 022 | A7181100 | 001 | RESERVOIR | RESERVOIR | TANK | SERBATOIO | |
| 023 | A7181138 | 001 | ROBINET VIDE CHARGE (WABCO) | LOAD APPORTIONING VALVE | BREMSKRAFTREGLER | ROBINETTO | |
| 024 | 82102229 | 007 | JOINT CUIVRE | SEALING RING | DICHTRING | RONDELLA RAME | |
| 025 | 80251021 | 008 | RONDELLE PLATE FE/ZNXC3 | PLAIN WASHER M10 | SCHEIBE FE/ZNXC3 | RONDELLA PIATTA FE/ZNXC3 | |
| 026 | A5328320 | 002 | SUPPORT | SUPPORT | TRAEGER | SUPPORTO | |
| 027 | A5331100 | 004 | SUPPORT | SUPPORT | TRAEGER | SUPPORTO | |
| 028 | A7181120 | 002 | SUPPORT RESERVOIR | HOLDER | HALTER | SUPPORTO | |
| 029 | A4081003 | 001 | TE EGAL | EQUAL TEE | T-VERSCHRAUBUNG | GIUNZIONE A T | |
| 030 | A7181122 | 001 | TETE D'ACCOUPLLEMENT ROUGE | RED COUPLING HEAD | ANSCHLUSSKOPF ROT | TESTA ACCOPPIAMENTO ROSSO | |
| 031 | A7181125 | 001 | TETE D'ACCOUPLLEMENT ISO JAUNE | YELLOW COUPLING HEAD | ANSCHLUSSKOPF GELB | TESTA ACCOPPIAMENTO GIALLO | |
| 032 | A4060627 | 002 | UNION | FITTING, HYDRAULIC, UNION | VERBINDUNG | CONNETTORE | |
| 033 | A4080413 | 006 | UNION MALE | MALE STUD CONNECTOR | GERADER EINSCHRAUBSTUTZEN | GIUZIONE DIRITTA ZBC | |
| 034 | A4080414 | 005 | UNION MALE | MALE STUD CONNECTOR | GERADER EINSCHRAUBSTUTZEN | GIUZIONE DIRITTA ZBC | |
| 035 | A4080446 | 002 | UNION MALE NUE ZBC | MALE SUTD COUPLING ZBC | GERADE EINSCHRAUBVERSCHRAU.ZBC | GIUZIONE DIRITTA ZBC | |
| 036 | A7181104 | 001 | VALVE DE PURGE | DRAIN VALVE | ENTWAESSERUNGSVENTIL | VALVOLA | |
| 037 | A7181145 | 001 | VALVE | VALVE | VENTIL | VALVOLA | |
| 038 | 50070800 | 024 | VIS TBCC COURT | BOLT, CARRIAGE, SHORT NECK | FLACHRUNDSCHR.4KT ANSATZ | BULLONE | |
| 039 | 80061035 | 002 | VIS TETE HEXAGONALE FE/ZNXC3 | HEX. HEAD SCREW M10 X 35 MM CL | SECHSKANTSCHRAUBE FE/ZNXC3 | VITE TESTA ESAGONALE FE/ZNXC3 | |
| 040 | 80061026 | 002 | VIS TETE HEXAGONALE FE/ZNXC3 | HEXAGON HEAD SCREW FE/ZNXC3 | SECHSKANTSCHRAUBE FE/ZNXC3 | VITE TESTA ESAGONALE FE/ZNXC3 | |



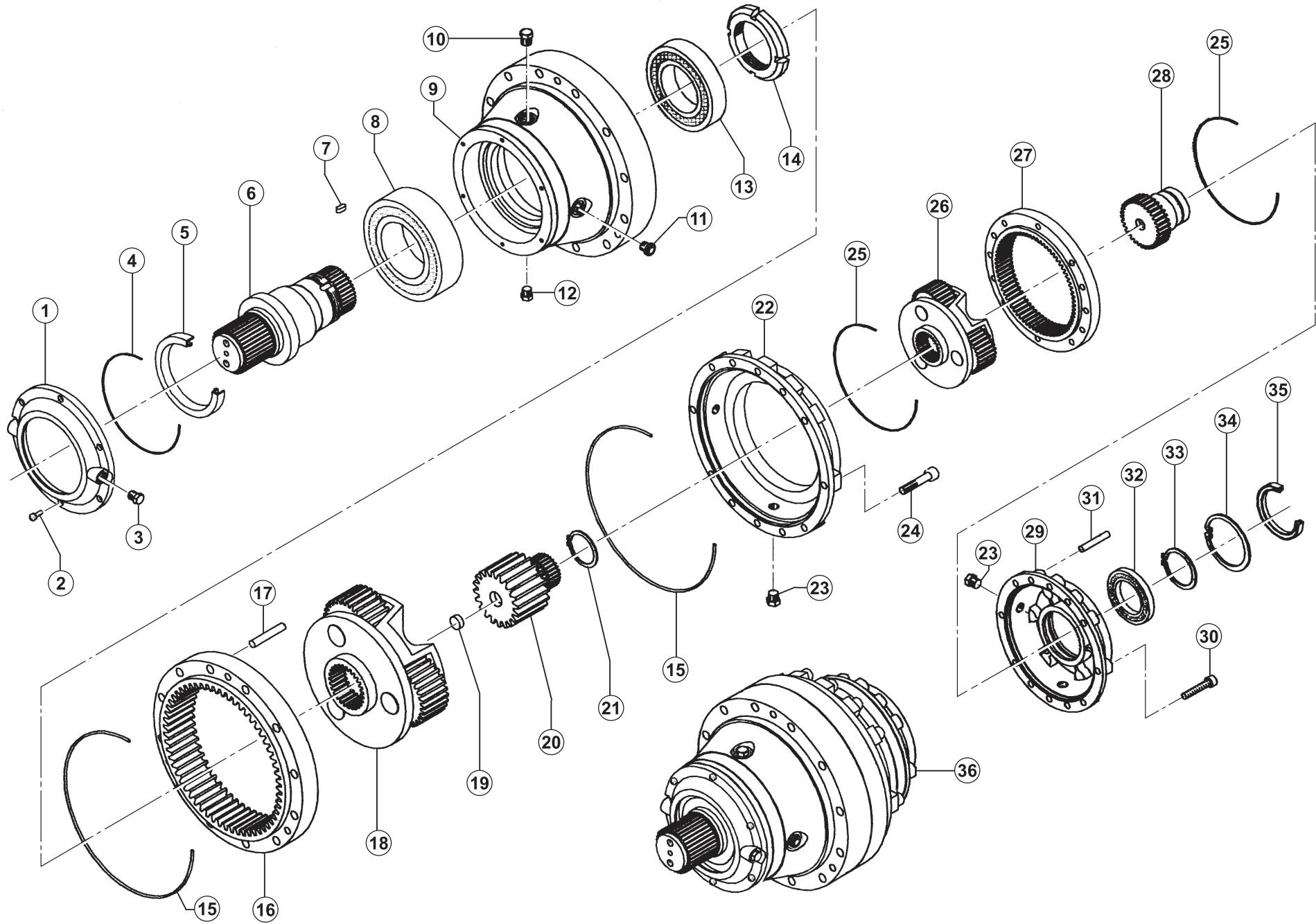
DIVISEUR DE DÉBIT

OILFLOW DIVIDER

OELMENGENTEILER

DIVISORE IDRAULICO

| Rep | Nr | Qt | Designation | Description | Bezeichnung | Referenza | Remarque - Remark - Bemerkung - Osservazioni |
|-----|-----------------|-----|--------------------------------|--------------------------------|--------------------------------|--------------------------------|--|
| 001 | A5312690 | 001 | SUPPORT DIVISEUR DE DEBIT | HOLDER | HALTER | SUPPORTO | |
| 002 | A4082703 | 002 | COUDE TOURNANT | AJUSTABLE MALE STUD ELBOW | EINSTELLBARE WINKEL STUTZEN | GIUNZIONE A 90°ORIENTABILE ZBC | |
| 003 | 80200600 | 002 | ECROU HEXAGONAL FE/ZNXC3 | NUT FE/ZNXC3 | SECHSKANTMUTTER FE/ZNXC3 | DADO FE/ZNXC3 | |
| 004 | A4923090 | 002 | FLEXIBLE HYDRAULIQUE | HYDRAULIC HOSE | HYDRAULIKSCHLAUCH | TUBO GOMMA | <->900 mm |
| 005 | A8359108 | 002 | INSERT HEX M8 A COLLERETTE | INSERT NUT HEX M8 | EINSETZMUTTER HEX M8 | MANICOTTO HEX M8 | |
| 006 | A4073003 | 001 | REGULATEUR 3V.A CLAPET(BOUTON) | DELIVERY REGULATOR | MENGENTEILER | REGOLATORE 3 VIE | |
| 007 | 80250611 | 002 | RONDELLE PLATE FE/ZNXC3 | PLAIN WASHER M6 DIN 125 FE/ZNX | SCHEIBE FE/ZNXC3 | RONDELLA PIATTA FE/ZNXC3 | |
| 008 | 80250823 | 002 | RONDELLE PLATE FE/ZNXC3 | PLAIN WASHER FE/ZNXC3 | SCHEIBE FE/ZNXC3 | RONDELLA PIATTA FE/ZNXC3 | |
| 009 | A4083201 | 001 | TE TOURNANT NU FE/ZNXC3 | ADJUSTABLE EQUAL TEE FE/ZNXC3 | EINSTELLB.T VERSCHRAU.FE/ZNXC3 | RACCORDO ORIENT.A T FE/ZNXC3 | |
| 010 | A4080430 | 002 | UNION MALE | MALE STUD CONNECTOR | GERADER EINSCHRAUBSTUTZEN | GIUZIONE DIRITTA ZBC | |
| 011 | A4080466 | 003 | UNION MALE | M 22 X 1,5 PLUG STEEL ADAPTER | GERADER EINSCHRAUBSTUTZEN | GIUZIONE DIRITTA ZBC | |
| 012 | 80060635 | 002 | VIS TETE HEXAGONALE FE/ZNXC3 | HEX BOLT FE/ZNXC3 | SECHSKANTSCHRAUBE FE/ZNXC3 | VITE TESTA ESAGONALE FE/ZNXC3 | |
| 013 | 80060820 | 002 | VIS TETE HEXAGONALE FE/ZNXC3 | HEXAGON HEAD SCREW FE/ZNXC3 | SECHSKANTSCHRAUBE FE/ZNXC3 | VITE TESTA ESAGONALE FE/ZNXC3 | |





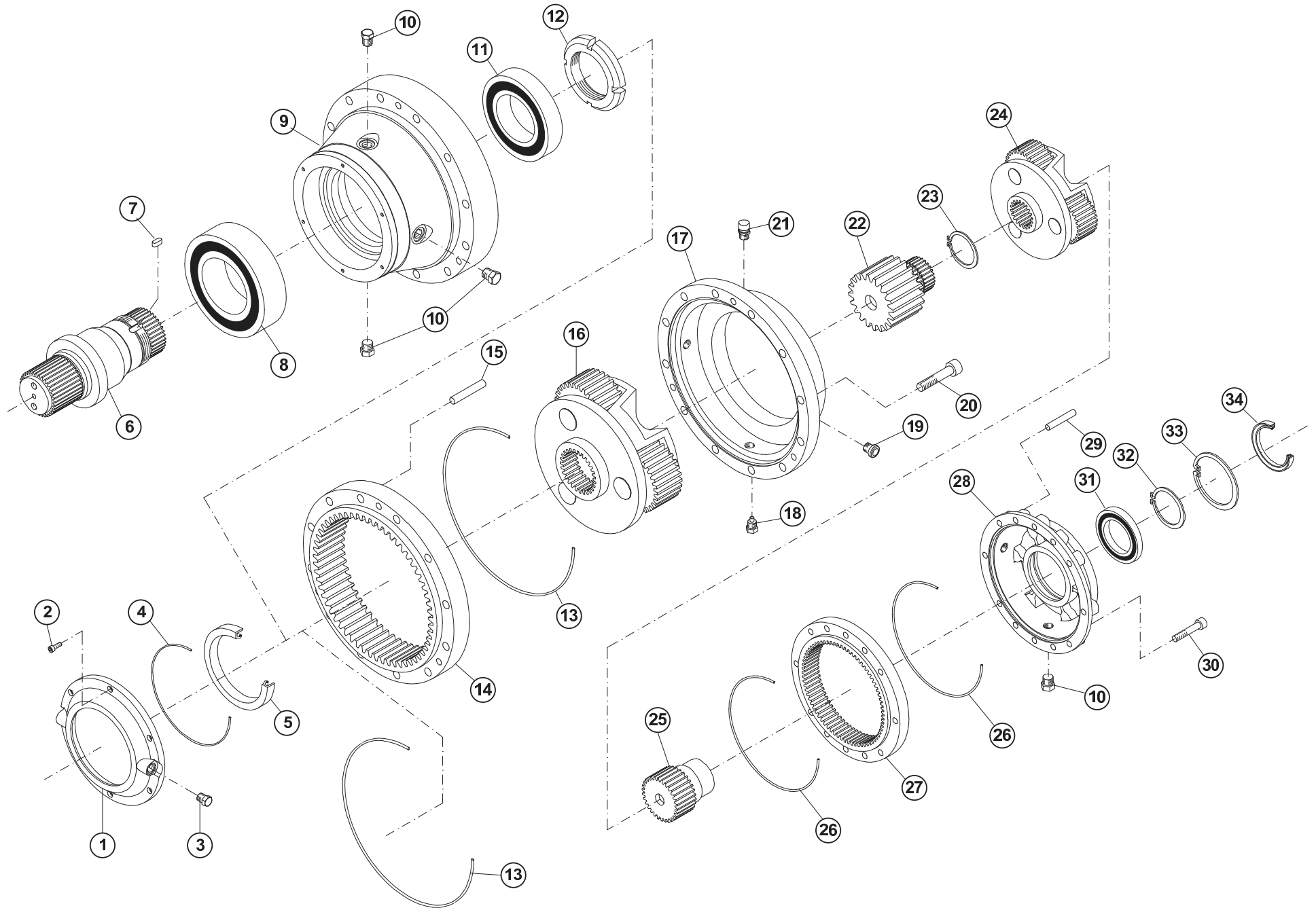
BOITIER A7010229

BOX A7010229

GEHAEUSE A7010229

SCATOLA A7010229

| Rep | Nr | Qt | Designation | Description | Bezeichnung | Referenza | Remarque - Remark - Bemerkung - Osservazioni |
|-----|-----------------|-----|--------------------------------|--------------------------------|--------------------------------|--------------------------------|--|
| 001 | A7011813 | 001 | COUVERCLE | COVER | DECKEL | COPERCHIO | |
| 002 | 80080614 | 006 | VIS TETE CYL.SIX P.CR.FE/ZNXC3 | HEX.SOCK.HEAD CAP SCR.FE/ZNXC3 | ZYLINDERSCHR.INNENSEC.FE/ZNXC3 | VITE A TESTA CILINDR. FE/ZNXC3 | |
| 003 | A4061811 | 002 | BOUCHON 1/4 GAZ POUR ED2250 | PLUG 1/4 GAZ | STOPFEN 1/4 GAZ | TAPPO | |
| 004 | 82060051 | 001 | JOINT TORIQUE | O-RING | O-RING | GUARNIZIONE | |
| 005 | A7011815 | 001 | JOINT BASL 120X150X12/13 | SEAL | DICHTRING | | |
| 006 | A7011816 | 001 | ARBRE | SHAFT | WELLE | ALBERO | |
| 007 | 80651016 | 001 | CLAVETTE PARALLELE | KEY, PARALLEL | PASSFEDER | CHIAVETTA | |
| 008 | 81309007 | 001 | ROULEMENT A ROULEAUX CONIQUES | TAPERED ROLLER BEARING | KEGELROLLENLAGER | CUSCINETTO A RULLI | |
| 009 | A7011818 | 001 | SUPPORT DE SORTIE REDUCTEUR | HOLDER | HALTER | SUPPORTO | |
| 010 | A7011523 | 001 | BOUCHON RENIFLARD 3/8 G | BREATHER PLUG 3/8 G | ENTLUEFTUNGSSTOPFEN 3/8 G | TAPPO DEL SFIATATOIO 3/8 G | |
| 011 | A7011501 | 002 | BOUCHON DE NIVEAU 3/8 GAZ | PLUG 3/8 GAZ | STOPFEN 3/8 GAZ | TAPPO | |
| 012 | A7011502 | 001 | BOUCHON DE VIDANGE 3/8 GAZ | PLUG 3/8 GAZ | STOPFEN 3/8 GAZ | TAPPO | |
| 013 | 81308500 | 001 | ROULEMENT A ROULEAUX CONIQUES | TAPERED ROLLER BEARING | KEGELROLLENLAGER | CUSCINETTO A RULLI CR | |
| 014 | A8259901 | 001 | ECROU DE REGLAGE M85 PAS DE 2 | NUT | MUTTER | DADO | |
| 015 | A7011344 | 002 | JOINT TORIQUE | O-RING | O-RING | GUARNIZIONE | |
| 016 | A7011819 | 001 | COURONNE RR 1700 | RING-GEAR RR 1700 | HOHLRAD RR 1700 | | |
| 017 | 80451291 | 003 | GOUPILLE ELASTIQUE FLZNNC | ROLL PIN FLZNNC | SPANNHUELSE FLZNNC | SPINA ELASTICA FLZNNC | |
| 018 | A7011821 | 001 | ENSEMBLE SATELLITE COMPLET | COMPLETE DRIVE PINION ASSEMBLY | SATELLITENRAEDER KOMPLETT | | |
| 019 | A7011822 | 001 | PASTILLE | PAD | BELAG | DISCO | |
| 020 | A7011823 | 001 | PIGNON RR1700 R1/3,9 | PINION RR1700 R1/3,9 | ZAHNRAD RR1700 R1/3,9 | PIGNONE | |
| 021 | 80585700 | 001 | CIRCLIP EXTERIEUR | RETAINING RING | SICHERUNGSRING | ANELLO | |
| 022 | A7011824 | 001 | BRIDE INTERMEDIAIRE | INTERMED. FLANGE | ZWISCHENFLANSCH | STAFFA | |
| 023 | A7011523 | 008 | BOUCHON RENIFLARD 3/8 G | BREATHER PLUG 3/8 G | ENTLUEFTUNGSSTOPFEN 3/8 G | TAPPO DEL SFIATATOIO 3/8 G | |
| 024 | 80080870 | 003 | VIS TETE CYL.SIX P.CR.FE/ZNXC3 | HEX.SOCK.HEAD CAP SCR.FE/ZNXC3 | ZYLINDERSCHR.INNENSEC.FE/ZNXC3 | VITE A TESTA CILINDR. FE/ZNXC3 | |
| 025 | A4211700 | 002 | JOINT TORIQUE | O-RING | O-RING | GUARNIZIONE | |
| 026 | A7011826 | 001 | PORTE SATELLITE COMPLET | COMPLETE DRIVE PINION ASSEMBLY | SATELLITENRAEDER KOMPLETT | PORTASATELLITE | |
| 027 | A7011827 | 001 | COURONNE RR 510 | RING-GEAR RR 510 | HOHLRAD RR 510 | | |
| 028 | A7011829 | 001 | PIGNON RR510 R1/3,4 | PINION RR510 R1/3,4 | ZAHNRAD RR510 R1/3,4 | PIGNONE | |
| 029 | A7011830 | 001 | BRIDE D'ENTREE | FLANGE | FLANSCH | STAFFA | |
| 030 | 80081055 | 008 | VIS TETE CYL.SIX P.CR.FE/ZNXC3 | HEX.SOCK.HEAD CAP SCR.FE/ZNXC3 | ZYLINDERSCHR.INNENSEC.FE/ZNXC3 | VITE A TESTA CILINDR. FE/ZNXC3 | |
| 031 | 80451061 | 004 | GOUPILLE ELASTIQUE FLZNNC | ROLL PIN FLZNNC | SPANNHUELSE FLZNNC | SPINA ELASTICA FLZNNC | |
| 032 | 81006008 | 001 | ROULEMENT A BILLES | BALL BEARING | KUGELLAGER | CUSCINETTO A SFERE | |
| 033 | 80586000 | 001 | CIRCLIP EXTERIEUR | RETAINING RING | SICHERUNGSRING | ANELLO | |
| 034 | 80589200 | 001 | CIRCLIP EXTERIEUR | RETAINING RING | SICHERUNGSRING | ANELLO | |
| 035 | 82016087 | 001 | BAGUE D'ETANCHEITE | OIL SEAL | RADIALDICHTRING | PARAOILIO | |
| 036 | A7010229 | 001 | REDUCTEUR RR1700D R.1/13,26 MC | GEARBOX | REDUZIER GETRIEBE | | |





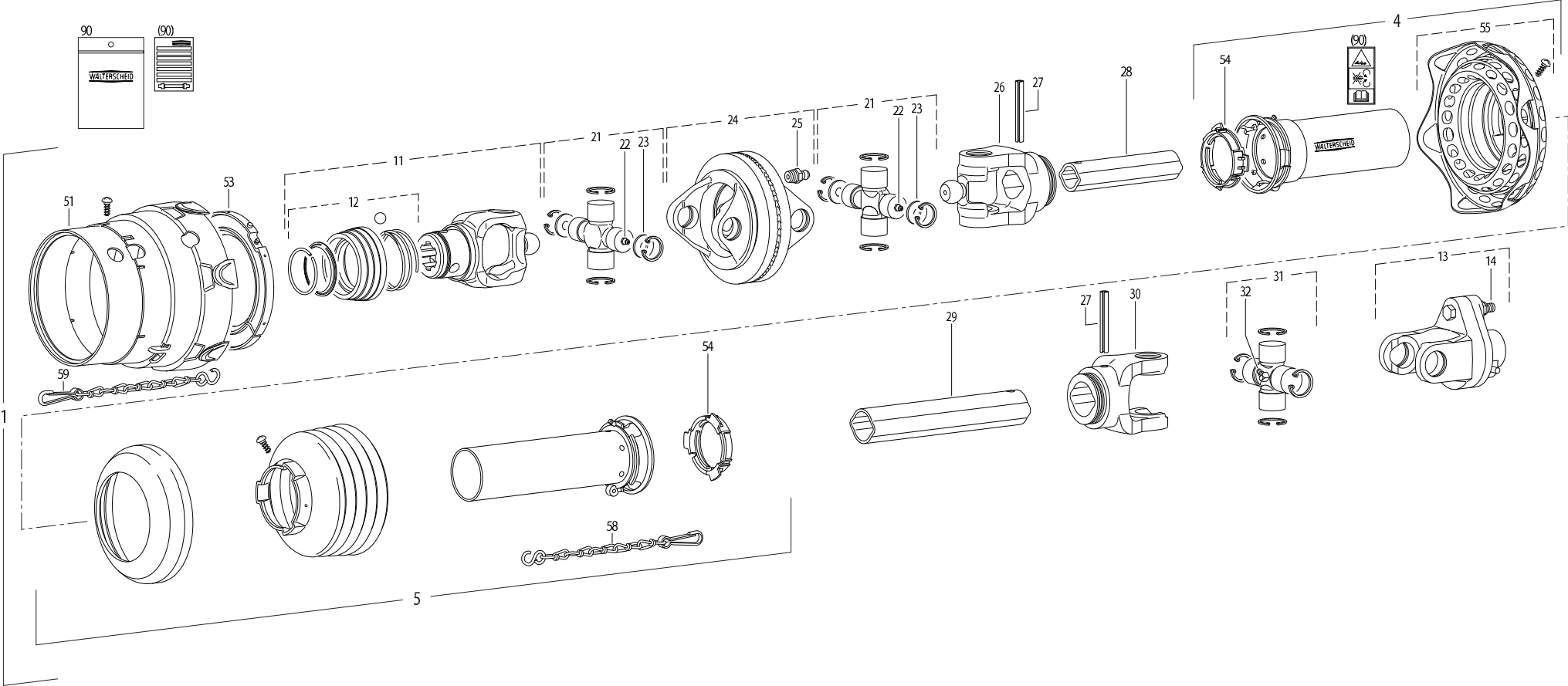
BOITIER A7010233

BOX A7010233

GEHAEUSE A7010233

SCATOLA A7010233

| Rep | Nr | Qt | Designation | Description | Bezeichnung | Referenza | Remarque - Remark - Bemerkung - Osservazioni |
|-----|-----------------|-----|--------------------------------|--------------------------------|--------------------------------|--------------------------------|--|
| 001 | A7011813 | 001 | COUVERCLE | COVER | DECKEL | COPERCHIO | |
| 002 | 80080614 | 006 | VIS TETE CYL.SIX P.CR.FE/ZNXC3 | HEX.SOCK.HEAD CAP SCR.FE/ZNXC3 | ZYLINDERSCHR.INNENSEC.FE/ZNXC3 | VITE A TESTA CILINDR. FE/ZNXC3 | |
| 003 | A4061811 | 002 | BOUCHON 1/4 GAZ POUR ED2250 | PLUG 1/4 GAZ | STOPFEN 1/4 GAZ | TAPPO | |
| 004 | 82060051 | 001 | JOINT TORIQUE | O-RING | O-RING | GUARNIZIONE | |
| 005 | A7011815 | 001 | JOINT BASL 120X150X12/13 | SEAL | DICHTRING | | |
| 006 | A7011816 | 001 | ARBRE | SHAFT | WELLE | ALBERO | |
| 007 | 80651016 | 001 | CLAVETTE PARALLELE | KEY, PARALLEL | PASSFEDER | CHIAVETTA | |
| 008 | 81309007 | 001 | ROULEMENT A ROULEAUX CONIQUES | TAPERED ROLLER BEARING | KEGELROLLENLAGER | CUSCINETTO A RULLI | |
| 009 | A7011818 | 001 | SUPPORT DE SORTIE REDUCTEUR | HOLDER | HALTER | SUPPORTO | |
| 010 | A4061812 | 008 | BOUCHON 3/8 GAZ | PLUG 3/8 GAZ | STOPFEN 3/8 GAZ | TAPPO | |
| 011 | 81308500 | 001 | ROULEMENT A ROULEAUX CONIQUES | TAPERED ROLLER BEARING | KEGELROLLENLAGER | CUSCINETTO A RULLI CR | |
| 012 | A8259901 | 001 | ECROU DE REGLAGE M85 PAS DE 2 | NUT | MUTTER | DADO | |
| 013 | A7011344 | 002 | JOINT TORIQUE | O-RING | O-RING | GUARNIZIONE | |
| 014 | A7012290 | 001 | COURONNE | RING-GEAR | HOHLRAD | CORONA | |
| 015 | 80451291 | 003 | GOUPILLE ELASTIQUE FLZNNC | ROLL PIN FLZNNC | SPANNHUELSE FLZNNC | SPINA ELASTICA FLZNNC | |
| 016 | A7011208 | 001 | PORTE-SATELLITE CPL. R=1/3,9 | COMPLETE SUBASSEMBLED R=1/3,9 | VORMONTIERT KOMPLET R=1/3,9 | PORTASATELLITE R=1/3,9 | |
| 017 | A7011824 | 001 | BRIDE INTERMEDIAIRE | INTERMED. FLANGE | ZWISCHENFLANSCH | STAFFA | |
| 018 | A7011502 | 001 | BOUCHON DE VIDANGE 3/8 GAZ | PLUG 3/8 GAZ | STOPFEN 3/8 GAZ | TAPPO | |
| 019 | A7011501 | 002 | BOUCHON DE NIVEAU 3/8 GAZ | PLUG 3/8 GAZ | STOPFEN 3/8 GAZ | TAPPO | |
| 020 | 80080870 | 003 | VIS TETE CYL.SIX P.CR.FE/ZNXC3 | HEX.SOCK.HEAD CAP SCR.FE/ZNXC3 | ZYLINDERSCHR.INNENSEC.FE/ZNXC3 | VITE A TESTA CILINDR. FE/ZNXC3 | |
| 021 | A7011523 | 001 | BOUCHON RENIFLARD 3/8 G | BREATHER PLUG 3/8 G | ENTLUEFTUNGSSTOPFEN 3/8 G | TAPPO DEL SFIATATOIO 3/8 G | |
| 022 | A7012291 | 001 | PIGNON R=1/3,9 | PIGNON R=1/3,9 | RITZEL R=1/3,9 | PIGNONE R=1/3,9 | |
| 023 | 80585700 | 001 | CIRCLIP EXTERIEUR | RETAINING RING | SICHERUNGSRING | ANELLO | |
| 024 | A7011209 | 001 | PORTE-SATELLITE CPL. R=1/3,57 | COMPLETE SUBASSEMBLED R=1/3,57 | VORMONTIERT KOMPLET R=1/3,57 | PORTASATELLITE R=1/3,57 | |
| 025 | A7012292 | 001 | ARBRE D'ENTREE R=1/3,57 | SHAFT R=1/3,57 | WELLE R=1/3,57 | ALBERO R=1/3,57 | |
| 026 | A4211700 | 002 | JOINT TORIQUE | O-RING | O-RING | GUARNIZIONE | |
| 027 | A7011827 | 001 | COURONNE RR 510 | RING-GEAR RR 510 | HOHLRAD RR 510 | | |
| 028 | A7011830 | 001 | BRIDE D'ENTREE | FLANGE | FLANSCH | STAFFA | |
| 029 | 80451061 | 004 | GOUPILLE ELASTIQUE FLZNNC | ROLL PIN FLZNNC | SPANNHUELSE FLZNNC | SPINA ELASTICA FLZNNC | |
| 030 | 80081055 | 008 | VIS TETE CYL.SIX P.CR.FE/ZNXC3 | HEX.SOCK.HEAD CAP SCR.FE/ZNXC3 | ZYLINDERSCHR.INNENSEC.FE/ZNXC3 | VITE A TESTA CILINDR. FE/ZNXC3 | |
| 031 | 81006008 | 001 | ROULEMENT A BILLES | BALL BEARING | KUGELLAGER | CUSCINETTO A SFERE | |
| 032 | 80586000 | 001 | CIRCLIP EXTERIEUR | RETAINING RING | SICHERUNGSRING | ANELLO | |
| 033 | 80599500 | 001 | CIRCLIP INTERIEUR | RETAINING RING | SICHERUNGSRING | ANELLO | |
| 034 | 82016087 | 001 | BAGUE D'ETANCHEITE | OIL SEAL | RADIALDICHTRING | PARAOILIO | |





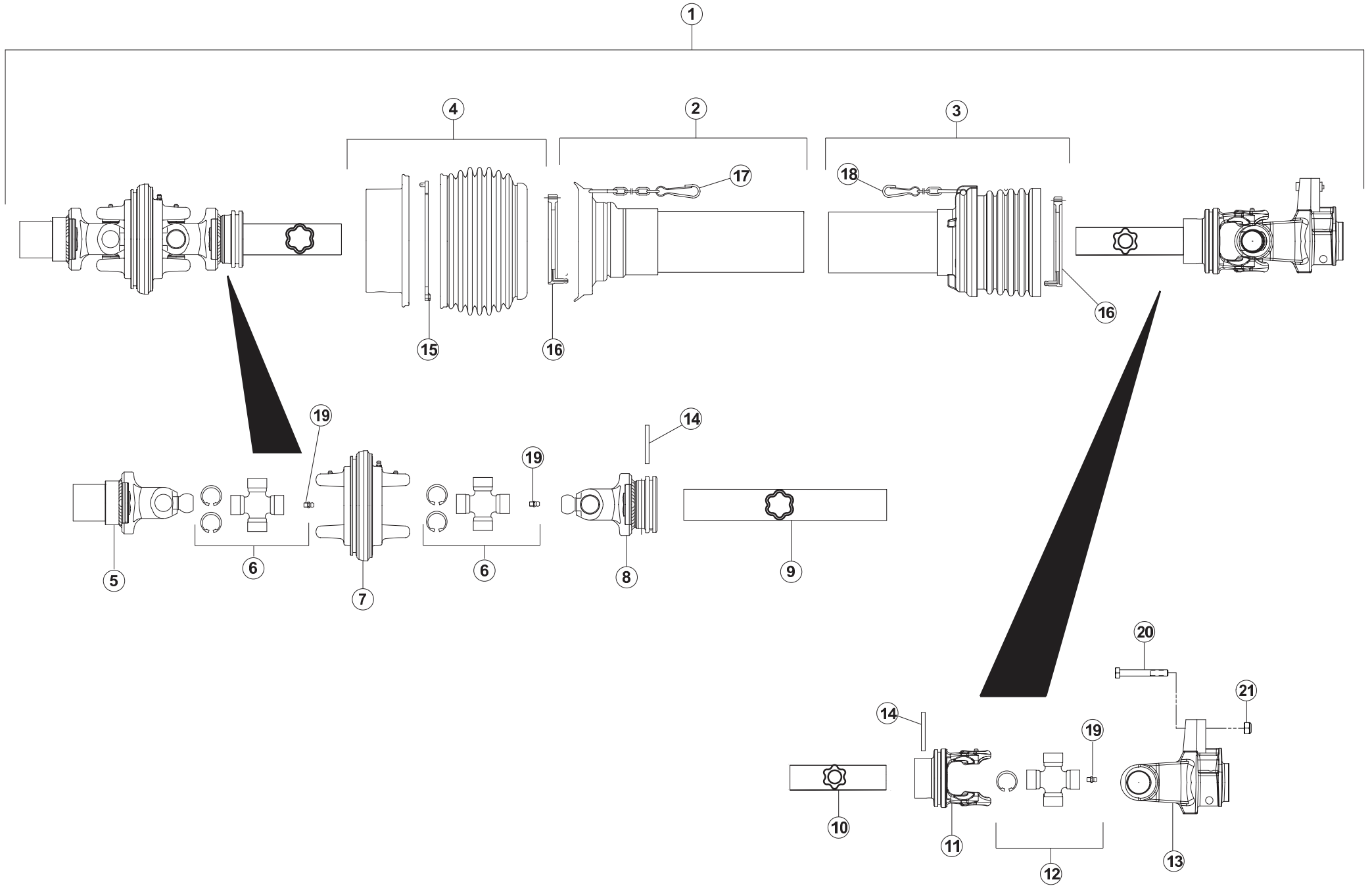
TRANSMISSION A7800502

TRANSMISSION A7800502

GELENKWELLE A7800502

TRANSMISSIONE A7800502

| Rep | Nr | Qt | Designation | Description | Bezeichnung | Referenza | Remarque - Remark - Bemerkung - Osservazioni |
|-----|-----------------|-----|--------------------------------|--------------------------------|--------------------------------|---------------------------------|--|
| 001 | A7800502 | 001 | TRAN.WE2580 AA1010 2130NM LB+H | W.A. PTO SHAFT W2580 AA1010 | WW GELENKWELLE W2580 AA1010 | TRASMISSIONE WE2580 AA1010 2130 | |
| 004 | 4617249 | 001 | 1/2 PROTECTEUR EXTERIEUR | OUTER GUARD-HALF | AEUSSERE SCHUTZHAELFTE | 1/2 PROTEZIONE ESTERNA | |
| 005 | 4616376 | 001 | 1/2 PROTECTEUR INTERIEUR | INNER GUARD-HALF | INNERE SCHUTZHAELFTE | 1/2 PROTEZIONE INTERNA | |
| 011 | 4603444 | 001 | MACHOIRE VERROUIL.ANNEAU CPLT | PULL TYPE LOCK YOKE CPLT | AUFSTECKGABEL ZIEHVERSCH.KPLT | FORCELLA ATTACCO A COLLARE QS | |
| 012 | 4605105 | 001 | VERROUILLAGE A BILLES CPLT | BALL COLLAR KIT CPLT | ZIEHVERSCHLUSS KPLT | KIT COLLARE A SFERE | |
| 013 | A7910085 | 001 | LIMITEUR A BOULON RUPTURE | FRICTION CLUTCH | RUTSCHKUPPLUNG | | |
| 014 | 80060853 | 001 | VIS TETE HEXAGONALE FE/ZNXC3 | HEX BOLT M8X60 CL 5.8 DIN931 R | SECHSKANTSCHRAUBE FE/ZNXC3 | VITE TESTA ESAGONALE FE/ZNXC3 | |
| 021 | 4605041 | 002 | CROISILLON | CROSS JOURNAL | KREUZGARNITUR | CROCIERA | |
| 022 | 4605058 | 002 | GRAISSEUR | GREASE NIPPLE | SCHMIERNIPPEL | INGRASSATORE | |
| 023 | 4612062 | 004 | DISQUE DE FRICTION | FRICTION DISC | REIBSCHEIBE | DISCO FONDENTE | |
| 024 | 4613014 | 001 | MACHOIRE DOUBLE | DOUBLE YOKE | DOPPELGABEL | FORCELLA | |
| 025 | 82200807 | 001 | GRAISSEUR A TETE SPHERIQUE | LUBRICATING NIPPLE: CONE TYPE | KEGELSCHMIERNIPPEL | ENGRASADEIRA FE/ZNXC3 | |
| 026 | 4603391 | 001 | MACHOIRE | INBOARD YOKE | RILLEGABEL | FORCELLA | |
| 027 | 80451063 | 001 | GOUPILLE ELASTIQUE FLZNNC | ROLL PIN FLZNNC | SPANNHUELSE FLZNNC | SPINA ELASTICA FLZNNC | |
| 028 | 4608781 | 001 | TUBE PROFILE | PROFILE TUBE | PROFILROHR | PROFILATO | |
| 029 | 4608832 | 001 | TUBE PROFILE | PROFILE TUBE | PROFILROHR | PROFILATO | |
| 030 | 4603386 | 001 | MACHOIRE | YOKE | GELENKGABEL | FORCELLA | |
| 031 | 41120090 | 001 | CROISILLON | CROSS JOURNAL | KREUZGARNITUR | CROCERA | |
| 032 | 82200806 | 001 | GRAISSEUR A TETE SPHERIQUE | LUBRICATING NIPPLE: CONE TYPE | KEGELSCHMIERNIPPEL | ENGRASADEIRA FE/ZNXC3 | |
| 033 | 80451067 | 001 | GOUPILLE ELASTIQUE FLZNNC | ROLL PIN FLZNNC | SPANNHUELSE FLZNNC | SPINA ELASTICA FLZNNC | |
| 051 | 4618152 | 001 | BOL DE PROTECTION | SAFETY SHIELD | SCHUTZTOPF | | |
| 053 | 4620024 | 001 | BAGUE DE GLISSEMENT | SLIDING RING | GLEITRING | BOCCOLA | |
| 054 | 41550000 | 002 | BAGUE DE GUIDAGE | SLIDING RING | GLEITRING | ANELLO | |
| 055 | 4618221 | 001 | CONE DE PROTECTION CPLT | GUARD CONE CPLT | SCHUTZKONUS KPLT | CONO CPLT | |
| 058 | 41660000 | 001 | CHAINETTE | CHAIN | HALTEKETTE | CATENA | |
| 059 | 4618910 | 001 | CHAINETTE | CHAIN | HALTEKETTE | CATENELLA | |
| 090 | 4631000 | 001 | COLL.PICTOGRAMMES ET NOTICE | SET PICTORIALS & INSTRUCTIONS | SATZ PIKTOGRAMME UND ANLEITUNG | SERIE ADESIVI + MANUALE | |





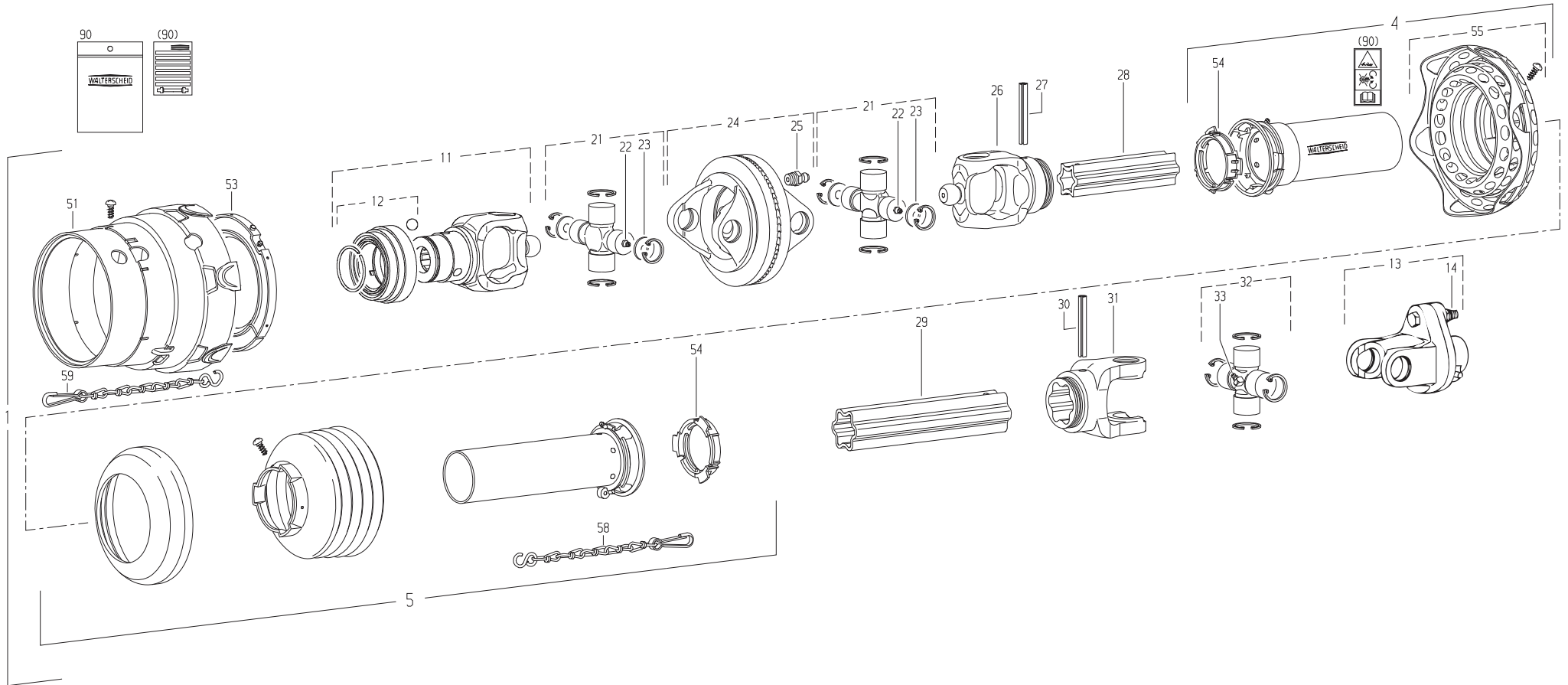
TRANSMISSION A7800503

TRANSMISSION A7800503

GELENKWELLE A7800503

TRANSMISSIONE A7800503

| Rep | Nr | Qt | Designation | Description | Bezeichnung | Referenza | Remarque - Remark - Bemerkung - Osservazioni |
|-----|-----------------|-----|--------------------------------|--------------------------------|--------------------------------|-------------------------------|--|
| 001 | A7800503 | 001 | TRAN WE2580 AA1210 2130NM LB+H | P.T.O. SHAFT W2580 AA1210 | GELENKWELLE W2580 AA1210 | | |
| 002 | A7917013 | 001 | 1/2 PROTECTEUR EXTERIEUR | CPL OUTER 1/2 PROTECTOR | 1/2 SCHUTZVORRICH.AUSSEN SEITE | 1/2 PROTEZIONE ESTERNA | |
| 003 | 4616510 | 001 | 1/2 PROTECTEUR INTERIEUR | INNER GUARD-HALF | INNERE SCHUTZHAELFTE | 1/2 PROTEZIONE INTERNA | |
| 004 | 4618135 | 001 | BOL DE PROTECTION | SAFETY SHIELD | SCHUTZTOPF | | |
| 005 | 4603444 | 001 | MACHOIRE VERROUIL.ANNEAU CPLT | PULL TYPE LOCK YOKE CPLT | AUFSTECKGABEL ZIEHVERSCH.KPLT | FORCELLA ATTACCO A COLLARE QS | |
| 006 | 4605039 | 002 | CROISILLON | CROSS JOURNAL | KREUZGARNITUR | CROCIERA | |
| 007 | 4613014 | 001 | MACHOIRE DOUBLE | DOUBLE YOKE | DOPPELGABEL | FORCELLA | |
| 008 | A7903042 | 001 | MACHOIRE A GORGE | YOKE | RILLEGABEL | FORCELLA | |
| 009 | A7908034 | 001 | TUBE TRANSMISSION INT. <->740 | INNER TUBE <->740 | PROFILROHR INNEN SEITE <->740 | TUBO | |
| 010 | A7908035 | 001 | TUBE TRANSMISSION EXT. <->730 | OUTER TUBE <->730 | PROFILROHR AUSSEN SEITE <->730 | TUBO | |
| 011 | 4603386 | 001 | MACHOIRE | YOKE | GELENKGABEL | FORCELLA | |
| 012 | 41120090 | 001 | CROISILLON | CROSS JOURNAL | KREUZGARNITUR | CROCIERA | |
| 013 | A7910085 | 001 | LIMITEUR A BOULON RUPTURE | FRICTION CLUTCH | RUTSCHKUPPLUNG | | |
| 014 | 80451063 | 002 | GOUPILLE ELASTIQUE FLZNNC | ROLL PIN FLZNNC | SPANNHUELSE FLZNNC | SPINA ELASTICA FLZNNC | |
| 015 | 4620024 | 001 | BAGUE DE GLISSEMENT | SLIDING RING | GLEITRING | BOCCOLA | |
| 016 | 41550000 | 002 | BAGUE DE GUIDAGE | SLIDING RING | GLEITRING | ANELLO | |
| 017 | 4618910 | 001 | CHAINETTE | CHAIN | HALTEKETTE | CATENELLA | |
| 018 | 41660000 | 001 | CHAINETTE | CHAIN | HALTEKETTE | CATENA | |
| 019 | 4605050 | 003 | GRAISSEUR | GREASE NIPPLE | SCHMIERNIPPEL | INGRASSATORE | |
| 020 | 80060853 | 001 | VIS TETE HEXAGONALE FE/ZNXC3 | HEX BOLT M8X60 CL 5.8 DIN931 R | SECHSKANTSCHRAUBE FE/ZNXC3 | VITE TESTA ESAGONALE FE/ZNXC3 | |
| 021 | 80200840 | 001 | ECROU HEX.BAS AUTOFR.FE/ZNXC3 | SELF-LOCKING NUT FE/ZNXC3 | SELBSTSICHERND.MUTTER FE/ZNXC3 | DADO AUTOBLOCCANTE FE/ZNXC3 | |





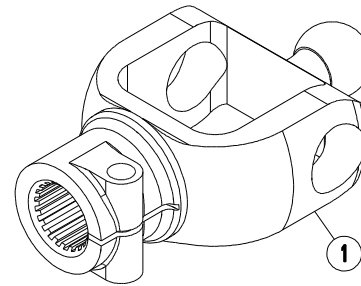
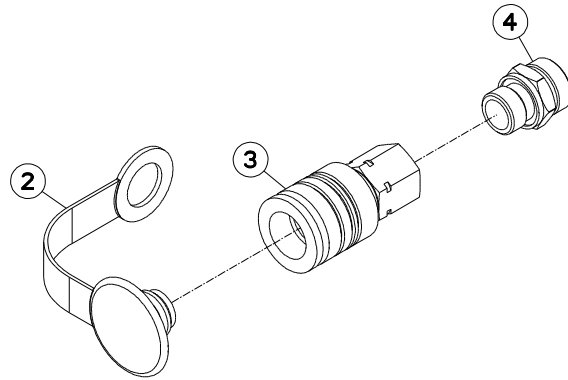
TRANSMISSION 4600562

TRANSMISSION 4600562

GELENKWELLE 4600562

TRANSMISSIONE 4600562

| Rep | Nr | Qt | Designation | Description | Bezeichnung | Referenza | Remarque - Remark - Bemerkung - Osservazioni |
|-----|-----------------|-----|-------------------------------|--------------------------------|--------------------------------|-------------------------------|--|
| 001 | 4600562 | 001 | TRANSMISSION | PTO SHAFT | GELENKWELLE | CARDANO | |
| 004 | 4616562 | 001 | 1/2 PROTECTEUR EXTERIEUR | OUTER GUARD-HALF | AEUSSERE SCHUTZHAELFTE | 1/2 PROTEZIONE ESTERNA | |
| 005 | 4617562 | 001 | 1/2 PROTECTEUR INTERIEUR | INNER GUARD-HALF | INNERE SCHUTZHAELFTE | 1/2 PROTEZIONE INTERNA | |
| 011 | 4603444 | 001 | MACHOIRE VERROUIL.ANNEAU CPLT | PULL TYPE LOCK YOKE CPLT | AUFSTECKGABEL ZIEHVERSCH.KPLT | FORCELLA ATTACCO A COLLARE QS | |
| 012 | 4605108 | 001 | VERROUILLAGE A BILLES CPLT | BALL COLLAR KIT CPLT | ZIEHVERSCHLUSS KPLT | KIT COLLARE A SFERE | |
| 013 | A7910085 | 001 | LIMITEUR A BOULON RUPTURE | FRICTION CLUTCH | RUTSCHKUPPLUNG | | |
| 014 | 80060853 | 001 | VIS TETE HEXAGONALE FE/ZNXC3 | HEX BOLT M8X60 CL 5.8 DIN931 R | SECHSKANTSCHRAUBE FE/ZNXC3 | VITE TESTA ESAGONALE FE/ZNXC3 | |
| 021 | 4605041 | 002 | CROISILLON | CROSS JOURNAL | KREUZGARNITUR | CROCIERA | |
| 022 | 4605056 | 002 | GRAISSEUR | GREASE NIPPLE | SCHMIERNIPPEL | INGRASSATORE | |
| 023 | 4612062 | 004 | DISQUE DE FRICTION | FRICTION DISC | REIBSCHEIBE | DISCO FONDENTE | |
| 024 | 4613014 | 001 | MACHOIRE DOUBLE | DOUBLE YOKE | DOPPELGABEL | FORCELLA | |
| 025 | 82200807 | 001 | GRAISSEUR A TETE SPHERIQUE | LUBRICATING NIPPLE: CONE TYPE | KEGELSCHMIERNIPPEL | ENGRASADEIRA FE/ZNXC3 | |
| 026 | 4603391 | 001 | MACHOIRE | INBOARD YOKE | RILLEGABEL | FORCELLA | |
| 027 | 80451063 | 001 | GOUPILLE ELASTIQUE FLZNNC | ROLL PIN FLZNNC | SPANNHUELSE FLZNNC | SPINA ELASTICA FLZNNC | |
| 028 | 4608829 | 001 | PROFIL | PROFILE SHAFT | PROFILWELLE | PROFILATO | |
| 029 | 4608828 | 001 | TUBE PROFILE | PROFILE TUBE | PROFILROHR | PROFILATO | |
| 030 | 80451067 | 001 | GOUPILLE ELASTIQUE FLZNNC | ROLL PIN FLZNNC | SPANNHUELSE FLZNNC | SPINA ELASTICA FLZNNC | |
| 031 | 4603386 | 001 | MACHOIRE | YOKE | GELENKGABEL | FORCELLA | |
| 032 | 41120090 | 001 | CROISILLON | CROSS JOURNAL | KREUZGARNITUR | CROCERA | |
| 033 | 82200806 | 001 | GRAISSEUR A TETE SPHERIQUE | LUBRICATING NIPPLE: CONE TYPE | KEGELSCHMIERNIPPEL | ENGRASADEIRA FE/ZNXC3 | |
| 051 | 4618080 | 001 | CLOCHE | GUARD CONE | SCHUTZTRICHTER | SEDE DEL CUSCINETTO | |
| 053 | 4620024 | 001 | BAGUE DE GLISSEMENT | SLIDING RING | GLEITRING | BOCCOLA | |
| 054 | 41550000 | 002 | BAGUE DE GUIDAGE | SLIDING RING | GLEITRING | ANELLO | |
| 055 | 4618221 | 001 | CONE DE PROTECTION CPLT | GUARD CONE CPLT | SCHUTZKONUS KPLT | CONO CPLT | |
| 058 | 41660000 | 001 | CHAINETTE | CHAIN | HALTEKETTE | CATENA | |
| 059 | 4618910 | 001 | CHAINETTE | CHAIN | HALTEKETTE | CATENELLA | |
| 090 | 4631000 | 001 | COLL.PICTOGRAMMES ET NOTICE | SET PICTORIALS & INSTRUCTIONS | SATZ PIKTOGRAMME UND ANLEITUNG | SERIE ADESIVI + MANUALE | |





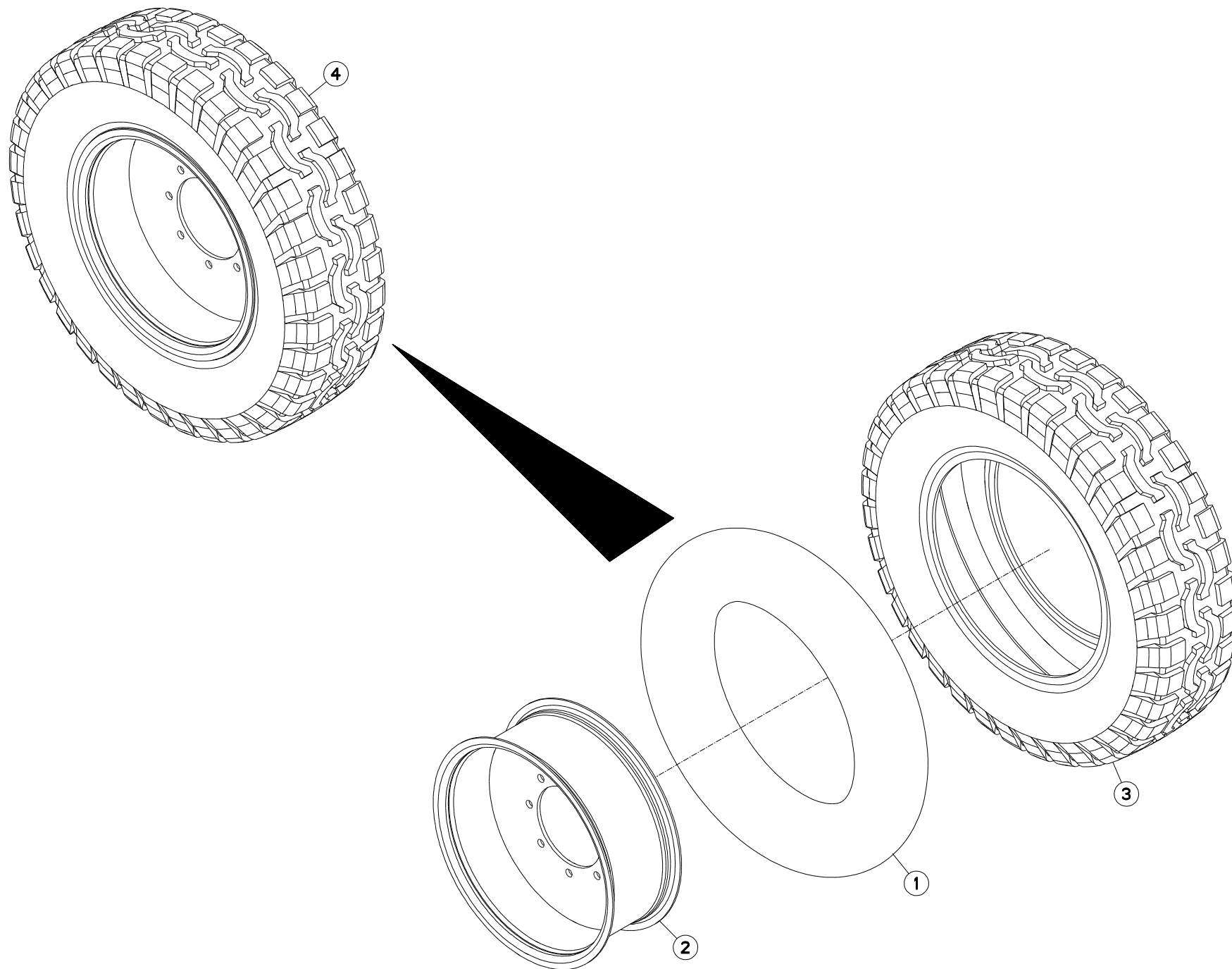
EQUIPEMENT RUSSIE

EQUIPMENT RUSSIA

AUSRÜSTUNG RUSSLAND

EQUIPAGGIAMENTO RUSSIAN

| Rep | Nr | Qt | Designation | Description | Bezeichnung | Referenza | Remarque - Remark - Bemerkung - Osservazioni |
|-----|-----------------|-----|---------------------------|----------------------|---------------------------|----------------------|--|
| 001 | 4603392 | 001 | MACHOIRE | YOKE | GELENKGABEL | FORCELLA | |
| 002 | A4074032 | 001 | CAPUCHON COUPLEUR FEMELLE | CAP FEMALE CONNECTOR | KAPPE KUPPLUNGSMUFFE | CAPPUCCIO | |
| 003 | A4074000 | 002 | COUPLEUR | COUPLER | KUPPLER | GIUNTO | |
| 004 | A4080439 | 001 | UNION MALE | MALE STUD CONNECTOR | GERADER EINSCHRAUBSTUTZEN | GIUZIONE DIRITTA ZBC | |





EURO.II 1460 FLEX GO
EURO.II 1460 FLEX TA

A4600 >
A4600 >

A53R0510 A

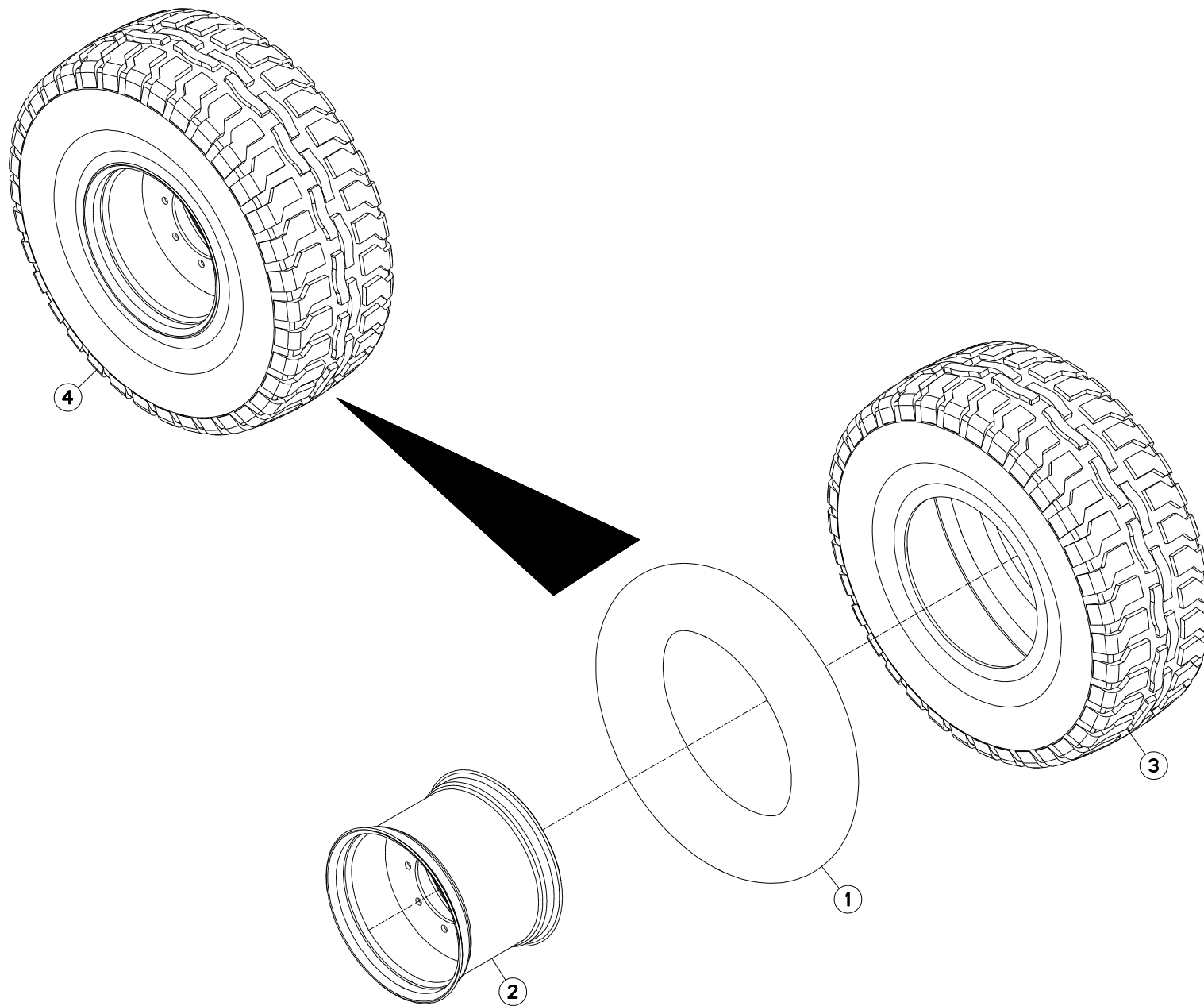
PNEUMATIQUE A7020010

TYRE A7020010

REIFEN A7020010

PNEUMATICO A7020010

| Rep | Nr | Qt | Designation | Description | Bezeichnung | Referenza | Remarque - Remark - Bemerkung - Osservazioni |
|-----|-----------------|-----|--------------------------------|--------------------------------|--------------------------------|------------|--|
| 001 | A7020314 | 002 | CHAMBRE A AIR 315/80X22,5 | AIR TUBE 315/80X22,5 | SCHLAUCH 315/80X22,5 | CAMERA | |
| 002 | A7020109 | 002 | J.900X22,5 TL8 P40/275 5/10 FD | RIM 8 HOLES 9.00X22.5 | FLEGE 8 LOCH 9.00X22.5 | CERCHIO | |
| 003 | A7020213 | 002 | PNEU | TIRE | REIFEN | PNEUMATICO | |
| 004 | A7020010 | 002 | ROUE C. 315/80R22,5 18P 8T D40 | CPL WHEEL 315/80R22,5 18PR 8H. | KPL RAD 315/80R22,5 18PR 8 LO. | RUOTA | |





EURO.II 1860 FLEX GO
EURO.II 1860 FLEX TA

A4600 >
A4600 >

A53R0560 A

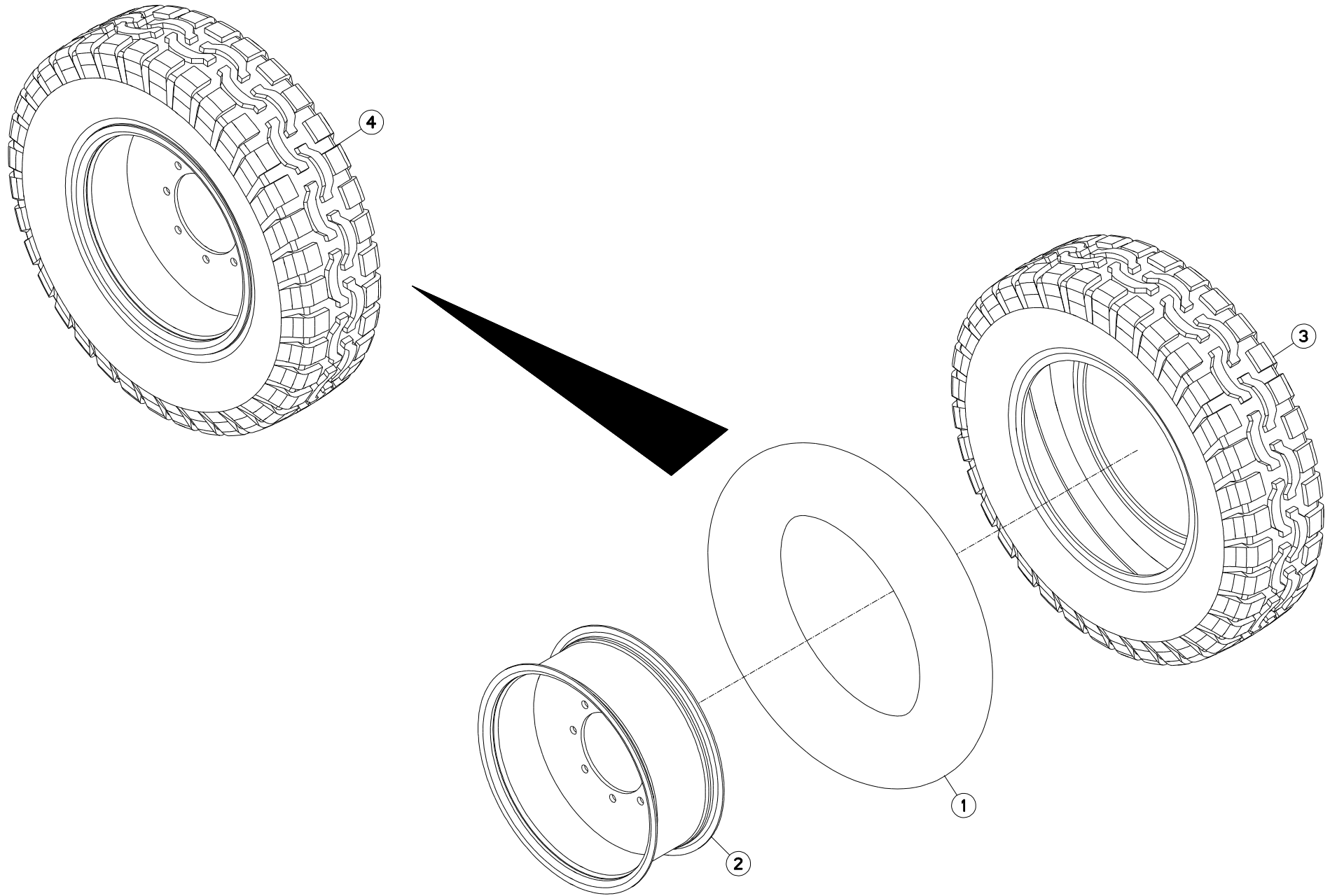
PNEUMATIQUE A7020049

TYRE A7020049

REIFEN A7020049

PNEUMATICO A7020049

| Rep | Nr | Qt | Designation | Description | Bezeichnung | Referenza | Remarque - Remark - Bemerkung - Osservazioni |
|-----|-----------------|-----|--------------------------------|--------------------------------|------------------------------|------------|--|
| 001 | A7020317 | 002 | CHAMBRE A AIR 16.5 R22.5 | AIR TUBE 16.5 R22.5 | SCHLAUCH 16.5 R22.5 | CAMERA | |
| 002 | A7020117 | 002 | JANTE 8 TROUS 13.00-22.5 | RIM 8 HOLES 13.00-22.5 | FELGE 8 LOCH 13.00-22.5 | CERCHIO | |
| 003 | A7020217 | 002 | PNEU | TIRE | REIFEN | PNEUMATICO | |
| 004 | A7020049 | 002 | ROUE C. 425/65R22,5 18PR 8T D0 | CPL WHEEL 425/65 R22,5 18PR 8T | KPL RAD 425/65 R22,5 18PR 8T | RUOTA | |





EURO.II 1460 FLEX GO
EURO.II 1460 FLEX TA

A4600 >
A4600 >

A53R0511 A

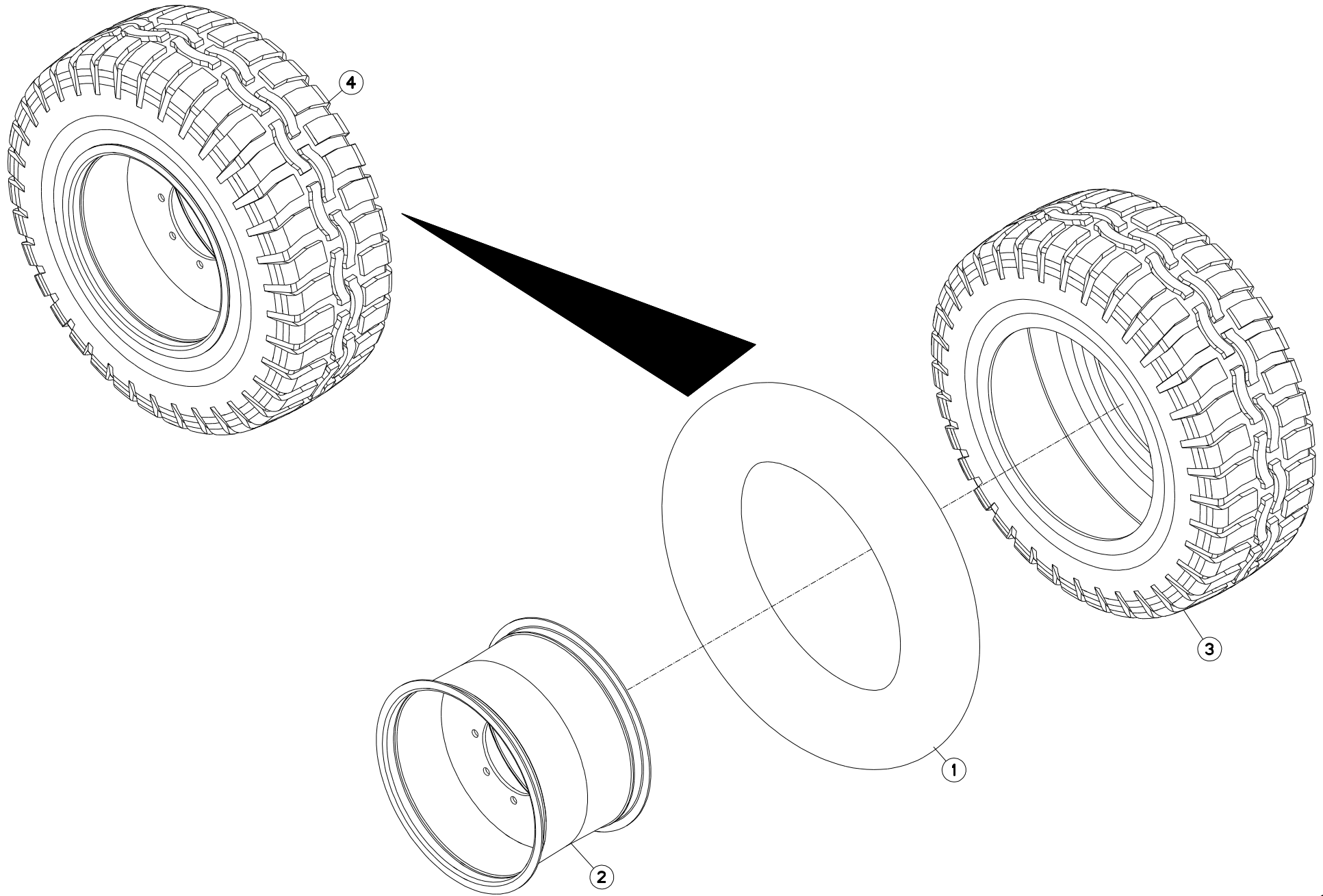
PNEUMATIQUE A7020042

TYRE A7020042

REIFEN A7020042

PNEUMATICO A7020042

| Rep | Nr | Qt | Designation | Description | Bezeichnung | Referenza | Remarque - Remark - Bemerkung - Osservazioni |
|-----|-----------------|-----|--------------------------------|-----------------------|------------------------|------------|--|
| 001 | A7020314 | 002 | CHAMBRE A AIR 315/80X22,5 | AIR TUBE 315/80X22,5 | SCHLAUCH 315/80X22,5 | CAMERA | |
| 002 | A7020109 | 002 | J.900X22,5 TL8 P40/275 5/10 FD | RIM 8 HOLES 9.00X22.5 | FLEGE 8 LOCH 9.00X22.5 | CERCHIO | |
| 003 | A7020224 | 002 | PNEU | TIRE | REIFEN | PNEUMATICO | |
| 004 | A7020042 | 002 | ROUE C.NEUVE315/80R22.5 18PD40 | CPL WHEEL 315/80R22.5 | KPL RAD 315/80R22.5 | RUOTA | |





EURO.II 1460 FLEX GO
EURO.II 1460 FLEX TA

A4600 >
A4600 >

A53R0512 A

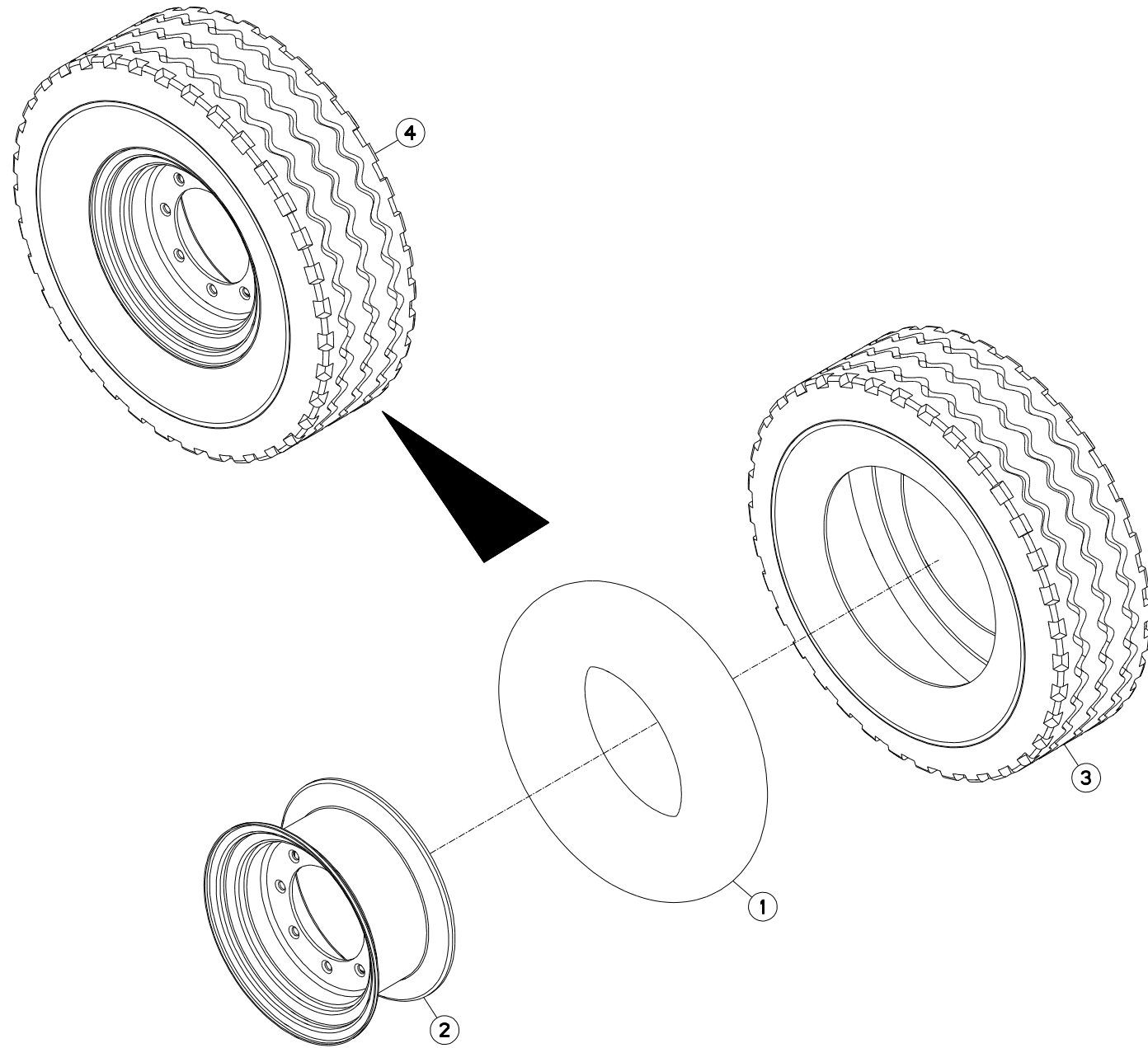
PNEUMATIQUE A7020012

TYRE A7020012

REIFEN A7020012

PNEUMATICO A7020012

| Rep | Nr | Qt | Designation | Description | Bezeichnung | Referenza | Remarque - Remark - Bemerkung - Osservazioni |
|-----|-----------------|-----|--------------------------|--------------------------------|-----------------------------|------------|--|
| 001 | A7020305 | 002 | CHAMBRE A AIR 15X22,5 | AIR TUBE 15X22,5 | SCHLAUCH 15X22,5 | CAMERA | |
| 002 | A7020108 | 002 | JANTE 8 TROUS 11,75X22,5 | RIM 8 HOLES 11,75X22,5 | FELGE 8 LOCH 11,75X22,5 | CERCHIO | |
| 003 | A7020208 | 002 | PNEU | TIRE | REIFEN | PNEUMATICO | |
| 004 | A7020012 | 002 | ROUE C. 385/65 R22,5 8T | CPL WHEEL 385/65 R22,5 8 HOLES | KPL RAD 385/65 R22,5 8 LOCH | RUOTA | |





EURO.II 1460 FLEX GO
EURO.II 1460 FLEX TA

A4600 >
A4600 >

A53R0513 A

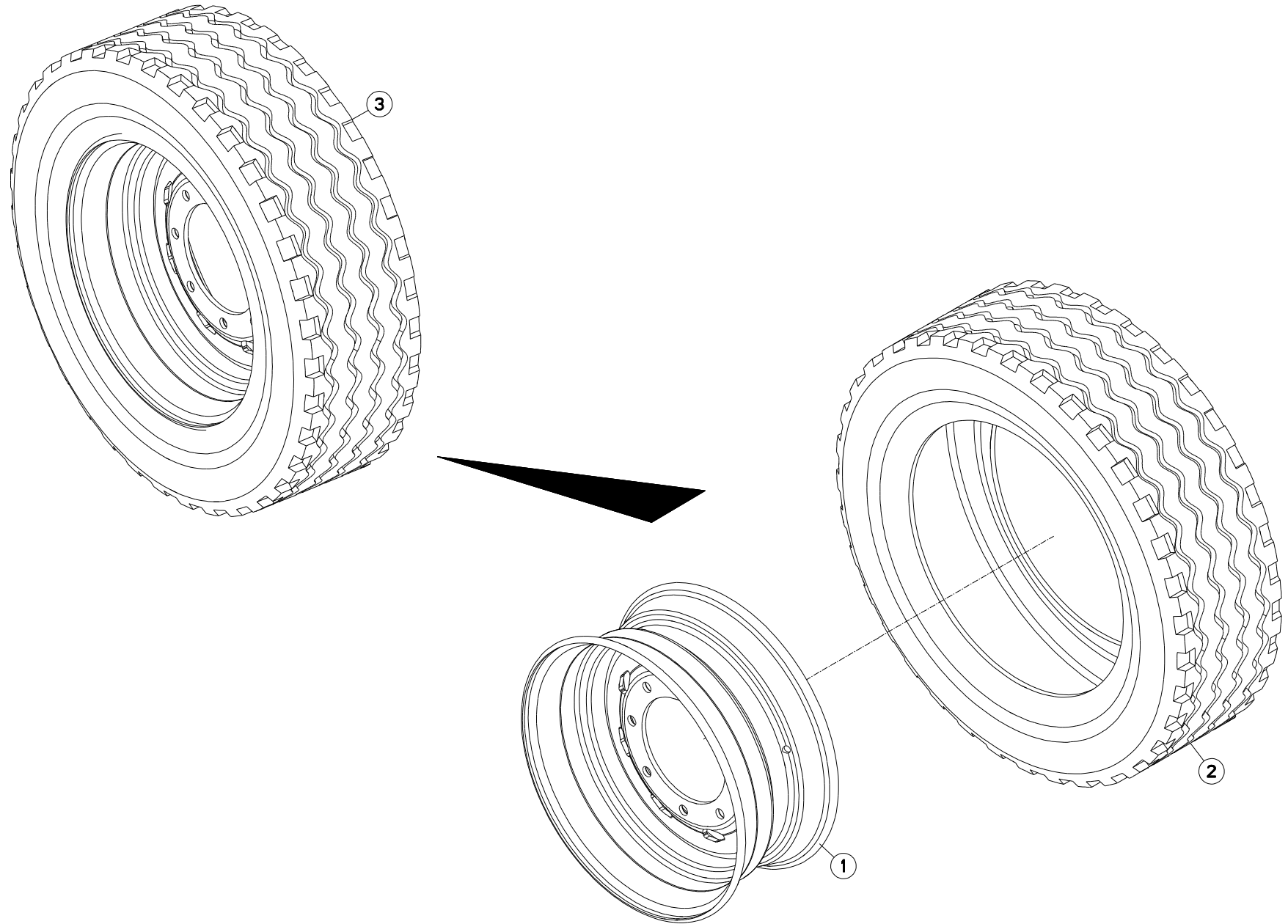
ROUE 305/70 R.19,5 8T

WHEEL 305/70 R.19,5 8T

RAD 305/70 R.19,5 8T

RUOTA 305/70 R.19,5 8T

| Rep | Nr | Qt | Designation | Description | Bezeichnung | Referenza | Remarque - Remark - Bemerkung - Osservazioni |
|-----|-----------------|-----|-------------------------------|-------------------------------|-----------------------------|------------|--|
| 001 | A7020320 | 002 | CHAMBRE A AIR 305/70 | AIR TUBE 305/70 | SCHLAUCH 305/70 | CAMERA | |
| 002 | A7020120 | 002 | JANTE 8 TROUS 8.25X19.5 | RIM 8 HOLES 8.25X19.5 | FELGE 8 LOCH 8.25X19.5 | CERCHIO | |
| 003 | A7020221 | 002 | PNEU | TIRE | REIFEN | PNEUMATICO | |
| 004 | A7020038 | 002 | ROUE CPL 305/70 R19.5 8 TROUS | CPL WHEEL 305/70 R19,5 8 HOLE | KPL RAD 305/70 R19,5 8 LOCH | RUOTA | |





EURO.II 1460 FLEX GO
EURO.II 1460 FLEX TA

A4600 >
A4600 >

A53R0916 A

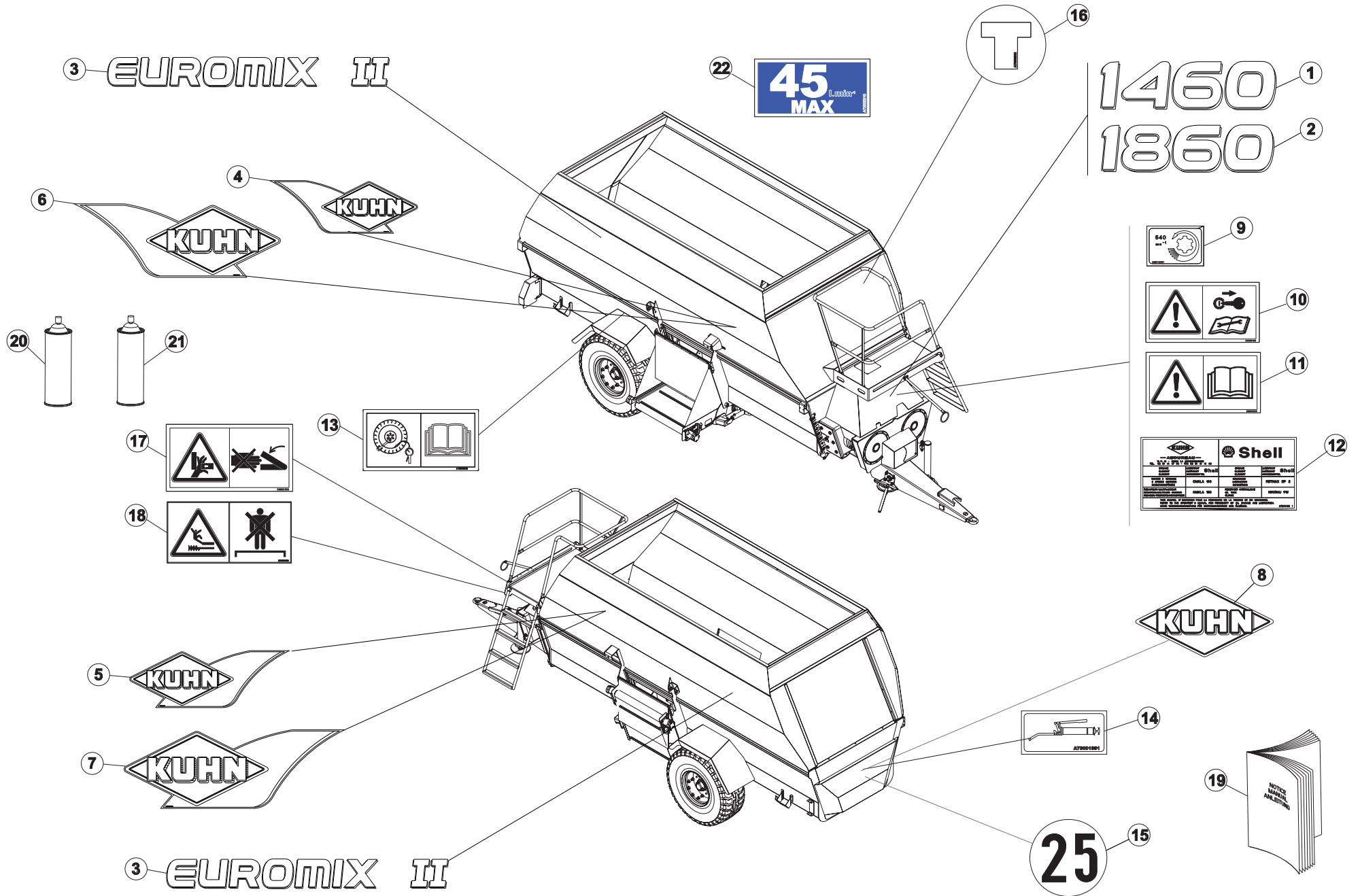
ROUE 295/60 R22,5 8T D0

WHEEL 295/60 R22,5 8T D0

RAD 295/60 R22,5 8T D0

RUOTA 295/60 R22,5 8T D0

| Rep | Nr | Qt | Designation | Description | Bezeichnung | Referenza | Remarque - Remark - Bemerkung - Osservazioni |
|-----|-----------------|-----|-------------|-------------------------|-------------|------------|--|
| 001 | A7020144 | 001 | JANTE | WHEEL | FELGE | CERCHIO | |
| 002 | A7020248 | 001 | PNEU | TIRE | REIFEN | PNEUMATICO | |
| 003 | A7020075 | 001 | ROUE | WHEEL AND TIRE ASSEMBLY | RAD | RUOTA | |





COLL.ETIQUETTES ADHESIVES

SET OF STICKERS

SATZ AUFKLEBER

SERIE ADESIVI

| Rep | Nr | Qt | Designation | Description | Bezeichnung | Referenza | Remarque - Remark - Bemerkung - Osservazioni |
|-----|-----------------|-----|--------------------------------|-------------------------------|--------------------------------|--------------------------------|--|
| 001 | K9504030 | 001 | ETIQ.ADH. | DECAL | AUFKLEBER | ADESIVO | |
| 002 | K9504040 | 001 | ETIQ.ADH. | DECAL | AUFKLEBER | ADESIVO | |
| 003 | K9504010 | 002 | ETIQ.ADH. | DECAL | AUFKLEBER | ADESIVO | |
| 004 | K9530120 | 001 | ETIQ.ADH. | DECAL | AUFKLEBER | ADESIVO | |
| 005 | K9530110 | 001 | ETIQ.ADH. | DECAL | AUFKLEBER | ADESIVO | |
| 006 | K9530330 | 001 | ETIQ.ADH. | DECAL | AUFKLEBER | ADESIVO | |
| 007 | K9530320 | 001 | ETIQ.ADH. | DECAL | AUFKLEBER | ADESIVO | |
| 008 | K9500090 | 001 | LOGO KUHN 309 BLANC/TRANSP. | LOGO KUHN 309 | LOGO KUHN 309 WEISS/TRANSP. | LOGO KUHN 309 | |
| 009 | 09915000 | 001 | ETIQ.ADHESIVE 540 MIN-1 A.G. | DECAL | AUFKLEBER | ADESIVO | |
| 010 | 59900400 | 001 | PICTOGR.H ARRETER MOTEUR | PICTORIAL H STOP ENGINE | PIKTOGR.H MOTOR ABSTELLEN | ADESIVO | |
| 011 | 59900000 | 001 | PICTOGR.H NOTICE D'INSTR | PICTORIAL H INSTRUCTIONS | PIKTOGR.H BETRIEBSANLEITUNG | ADESIVO | |
| 012 | A7300196 | 001 | AUTOCOL. LUBRIFICATION SHELL | STICKER LUBRICATION | AUFKLEBER SCHMIERUNG | ADESIVO | |
| 013 | A7300505 | 002 | PICTOGRAMME SERRAGE DES ROUES | STICKER CHECK WHEELS NUTS | AUFKLEBER RADBEFESTIGUNG | ADESIVO | |
| 014 | A7300185 | 011 | AUTOCOLLANT POMPE A GRAISSE | GREASE GUN STICKER | AUFKLEBER SCHMIERPUMPE | ADESIVO | |
| 015 | 09968300 | 001 | ETIQ.ADHESIVE | TRANSFER MAX.25 | AUFKLEBER MAX.25 | ADESIVO LIMITE VELOC. MAX.25 | |
| 016 | A7300312 | 001 | ETIQ.ADH. | DECAL | AUFKLEBER | ADESIVO | |
| 017 | 59900300 | 002 | PICTOGR.H ECRASEM.MAIN | PICTORIAL H CRUSH.DANGER HAND | PIKTOGR.H QUETSCHGEFAHR HAND | ADESIVO | |
| 018 | A7300062 | 001 | AUTOCOLLANT RISQUE DE CHUTE | STICKERS | AUFKLEBER | ADESIVO | |
| 019 | AN026AFR | 001 | NOTICE D'INST.EUROMIX II FLEXI | MANUAL EUROMIX II FLEXIDRIVE | BETR-ANL.EUROMIX II FLEXIDRIVE | MAN.USO MANUT.EUROMIX II 14/18 | |
| 020 | 83503026 | 001 | BOMBE AEROSOL ROUGE KUHN | RED SPRAY PAINT | FARBSPRUEHDOSE KUHN ROT | VERNICE SPRAY ROSSA | |
| 021 | 83503031 | 001 | BOMBE AEROSOL GRIS NOIR KUHN | BLACK SPRAY PAINT KUHN | FARBSPRUEHDOSE GR/SW HUA | VERNICE SPRAY GRIGIO KUHN | |
| 022 | A7300531 | 001 | ETIQ.ADH. | DECAL | AUFKLEBER | ADESIVO | |



INDEX NUMERIQUE - NUMERICAL INDEX

TEILENUMMERN-INDEX - INDICE NUMERICO

| Nr | Page | Rep. | Nr | Page | Rep. | Nr | Page | Rep. | Nr | Page | Rep. | Nr | Page | Rep. | Nr | Page | Rep. | Nr | Page | Rep. | Nr | Page | Rep. |
|----------|------|------|----------|------|------|----------|------|------|----------|------|------|----------|------|------|----------|------|------|----------|------|------|----------|------|------|
| AC0027GB | 107 | 024 | A4060625 | 125 | 013 | A4071205 | 127 | 004 | A4074044 | 119 | 007 | A4080411 | 171 | 012 | A4080813 | 139 | 004 | A4082701 | 197 | 004 | A4200046 | 147 | 003 |
| AC036AFR | 107 | 025 | A4060625 | 127 | 013 | A4071205 | 129 | 004 | A4074044 | 175 | 007 | A4080411 | 173 | 012 | A4080813 | 141 | 004 | A4082701 | 201 | 006 | A4200046 | 149 | 003 |
| AE0005TL | 069 | 006 | A4060625 | 129 | 013 | A4071205 | 131 | 003 | A4074044 | 197 | 005 | A4080411 | 197 | 013 | A4080813 | 143 | 004 | A4082701 | 203 | 006 | A4200046 | 151 | 003 |
| AE0005TL | 071 | 006 | A4060625 | 131 | 012 | A4071205 | 133 | 003 | A4074046 | 119 | 006 | A4080412 | 135 | 013 | A4080813 | 145 | 004 | A4082703 | 205 | 002 | A4200046 | 153 | 003 |
| AN026AFR | 231 | 019 | A4060625 | 133 | 012 | A4071206 | 123 | 005 | A4074046 | 175 | 003 | A4080412 | 137 | 015 | A4080813 | 147 | 004 | A4082732 | 135 | 006 | A4200046 | 155 | 003 |
| A4010004 | 023 | 007 | A4060625 | 167 | 011 | A4071206 | 125 | 005 | A4074046 | 197 | 002 | A4080412 | 139 | 013 | A4080813 | 149 | 004 | A4082732 | 137 | 006 | A4200046 | 157 | 003 |
| A4010004 | 025 | 007 | A4060625 | 169 | 011 | A4071206 | 127 | 005 | A4075002 | 175 | 010 | A4080412 | 141 | 015 | A4080813 | 151 | 004 | A4082732 | 139 | 006 | A4200046 | 159 | 002 |
| A4015011 | 117 | 005 | A4060625 | 171 | 011 | A4071206 | 129 | 005 | A4075031 | 011 | 016 | A4080412 | 143 | 013 | A4080813 | 153 | 004 | A4082732 | 141 | 006 | A4200046 | 161 | 002 |
| A4015011 | 121 | 005 | A4060625 | 173 | 011 | A4071206 | 131 | 004 | A4075031 | 137 | 012 | A4080412 | 145 | 015 | A4080813 | 155 | 004 | A4082732 | 143 | 006 | A4200046 | 163 | 002 |
| A4015011 | 171 | 010 | A4060625 | 197 | 014 | A4071206 | 133 | 004 | A4075031 | 141 | 012 | A4080412 | 147 | 013 | A4080813 | 157 | 004 | A4082732 | 145 | 006 | A4200046 | 165 | 002 |
| A4015011 | 173 | 010 | A4060625 | 199 | 008 | A4071208 | 167 | 001 | A4075031 | 145 | 012 | A4080412 | 149 | 015 | A4080813 | 167 | 003 | A4082732 | 147 | 006 | A4200087 | 175 | 004 |
| A4015018 | 123 | 015 | A4060627 | 201 | 029 | A4071208 | 169 | 001 | A4075031 | 149 | 012 | A4080412 | 151 | 013 | A4080813 | 169 | 003 | A4082732 | 149 | 006 | A4200105 | 167 | 002 |
| A4015018 | 125 | 015 | A4060627 | 203 | 032 | A4071208 | 171 | 001 | A4075031 | 153 | 012 | A4080412 | 153 | 015 | A4080813 | 171 | 003 | A4082732 | 151 | 006 | A4200105 | 169 | 002 |
| A4015018 | 127 | 015 | A4061802 | 123 | 003 | A4071208 | 173 | 001 | A4075031 | 157 | 012 | A4080412 | 155 | 013 | A4080813 | 173 | 003 | A4082732 | 153 | 006 | A4200155 | 117 | 001 |
| A4015018 | 129 | 015 | A4061802 | 125 | 003 | A4071300 | 009 | 018 | A4080112 | 201 | 003 | A4080412 | 157 | 015 | A4080813 | 175 | 005 | A4082732 | 155 | 006 | A4200155 | 121 | 001 |
| A4015018 | 131 | 014 | A4061802 | 127 | 003 | A4071300 | 135 | 014 | A4080112 | 203 | 003 | A4080412 | 159 | 007 | A4080813 | 197 | 003 | A4082732 | 157 | 006 | A4200155 | 171 | 002 |
| A4015018 | 133 | 014 | A4061802 | 129 | 003 | A4071300 | 139 | 014 | A4080212 | 201 | 008 | A4080412 | 161 | 007 | A4080813 | 199 | 001 | A4082732 | 159 | 003 | A4200155 | 173 | 002 |
| A4015092 | 167 | 010 | A4061802 | 135 | 001 | A4071300 | 143 | 014 | A4080212 | 203 | 008 | A4080412 | 163 | 007 | A4081003 | 023 | 004 | A4082732 | 161 | 003 | A4200198 | 123 | 006 |
| A4015092 | 169 | 010 | A4061802 | 137 | 001 | A4071300 | 147 | 014 | A4080311 | 069 | 009 | A4080412 | 165 | 007 | A4081003 | 025 | 004 | A4082732 | 163 | 003 | A4200198 | 125 | 006 |
| A4020053 | 041 | 015 | A4061802 | 139 | 001 | A4071300 | 151 | 014 | A4080311 | 071 | 009 | A4080412 | 175 | 013 | A4081003 | 197 | 012 | A4082732 | 165 | 003 | A4200198 | 127 | 006 |
| A4020053 | 135 | 010 | A4061802 | 141 | 001 | A4071300 | 155 | 014 | A4080311 | 159 | 006 | A4080413 | 201 | 030 | A4081003 | 199 | 007 | A4083101 | 135 | 011 | A4200198 | 129 | 006 |
| A4020053 | 137 | 011 | A4061802 | 143 | 001 | A4072005 | 123 | 011 | A4080311 | 161 | 006 | A4080413 | 203 | 033 | A4081003 | 201 | 027 | A4083101 | 137 | 013 | A4200198 | 131 | 005 |
| A4020053 | 139 | 010 | A4061802 | 145 | 001 | A4072005 | 125 | 011 | A4080311 | 163 | 006 | A4080414 | 201 | 031 | A4081003 | 203 | 029 | A4083101 | 139 | 011 | A4200198 | 133 | 005 |
| A4020053 | 141 | 011 | A4061802 | 147 | 001 | A4072005 | 127 | 011 | A4080311 | 165 | 006 | A4080414 | 203 | 034 | A4082701 | 123 | 008 | A4083101 | 141 | 013 | A4211700 | 207 | 025 |
| A4020053 | 143 | 010 | A4061802 | 149 | 001 | A4072005 | 131 | 010 | A4080411 | 117 | 006 | A4080415 | 023 | 005 | A4082701 | 125 | 008 | A4083101 | 143 | 011 | A4211700 | 209 | 026 |
| A4020053 | 145 | 011 | A4061802 | 151 | 001 | A4072005 | 133 | 010 | A4080411 | 121 | 006 | A4080415 | 025 | 005 | A4082701 | 127 | 008 | A4083101 | 145 | 013 | A4230017 | 123 | 002 |
| A4020053 | 147 | 010 | A4061802 | 153 | 001 | A4072007 | 129 | 011 | A4080411 | 123 | 014 | A4080415 | 199 | 009 | A4082701 | 129 | 008 | A4083101 | 147 | 011 | A4230017 | 125 | 002 |
| A4020053 | 149 | 011 | A4061802 | 155 | 001 | A4072009 | 167 | 007 | A4080411 | 125 | 014 | A4080430 | 119 | 012 | A4082701 | 131 | 007 | A4083101 | 149 | 013 | A4230017 | 127 | 002 |
| A4020053 | 151 | 010 | A4061802 | 157 | 001 | A4072009 | 169 | 007 | A4080411 | 127 | 014 | A4080430 | 205 | 010 | A4082701 | 133 | 007 | A4083101 | 151 | 011 | A4230017 | 129 | 002 |
| A4020053 | 153 | 011 | A4061803 | 119 | 004 | A4072009 | 171 | 007 | A4080411 | 129 | 014 | A4080439 | 217 | 004 | A4082701 | 135 | 005 | A4083101 | 153 | 013 | A4230017 | 131 | 002 |
| A4020053 | 155 | 010 | A4061807 | 033 | 009 | A4072009 | 173 | 007 | A4080411 | 131 | 013 | A4080446 | 201 | 032 | A4082701 | 137 | 005 | A4083101 | 155 | 011 | A4230017 | 133 | 002 |
| A4020053 | 157 | 011 | A4061811 | 207 | 003 | A4072012 | 167 | 008 | A4080411 | 133 | 013 | A4080446 | 203 | 035 | A4082701 | 139 | 005 | A4083101 | 157 | 013 | A4230027 | 033 | 003 |
| A4020053 | 159 | 005 | A4061811 | 209 | 003 | A4072012 | 169 | 008 | A4080411 | 135 | 012 | A4080466 | 205 | 011 | A4082701 | 141 | 005 | A4083101 | 167 | 009 | A4922035 | 123 | 009 |
| A4020053 | 161 | 005 | A4061812 | 209 | 010 | A4072012 | 171 | 008 | A4080411 | 137 | 014 | A4080513 | 175 | 001 | A4082701 | 143 | 005 | A4083101 | 169 | 009 | A4922035 | 125 | 009 |
| A4020053 | 163 | 005 | A4064217 | 123 | 016 | A4072012 | 173 | 008 | A4080411 | 139 | 012 | A4080813 | 023 | 001 | A4082701 | 145 | 005 | A4083101 | 171 | 009 | A4922035 | 127 | 009 |
| A4020053 | 165 | 005 | A4064217 | 125 | 016 | A4072013 | 197 | 010 | A4080411 | 141 | 014 | A4080813 | 025 | 001 | A4082701 | 147 | 005 | A4083101 | 173 | 009 | A4922035 | 129 | 009 |
| A4050004 | 177 | 015 | A4064217 | 127 | 016 | A4072013 | 199 | 006 | A4080411 | 143 | 012 | A4080813 | 117 | 002 | A4082701 | 149 | 005 | A4083201 | 205 | 009 | A4922035 | 131 | 008 |
| A4050010 | 177 | 006 | A4064217 | 129 | 016 | A4072016 | 123 | 012 | A4080411 | 145 | 014 | A4080813 | 121 | 002 | A4082701 | 151 | 005 | A4085351 | 033 | 016 | A4922035 | 133 | 008 |
| A4050013 | 177 | 007 | A4064217 | 131 | 015 | A4072016 | 125 | 012 | A4080411 | 147 | 012 | A4080813 | 123 | 007 | A4082701 | 153 | 005 | A4101002 | 119 | 008 | A4922038 | 069 | 005 |
| A4060150 | 123 | 001 | A4064217 | 133 | 015 | A4072016 | 127 | 012 | A4080411 | 149 | 014 | A4080813 | 125 | 007 | A4082701 | 155 | 005 | A4200007 | 177 | 004 | A4922038 | 071 | 005 |
| A4060150 | 125 | 001 | A4065003 | 119 | 010 | A4072016 | 129 | 012 | A4080411 | 151 | 012 | A4080813 | 127 | 007 | A4082701 | 157 | 005 | A4200046 | 135 | 003 | A4922077 | 197 | 007 |
| A4060150 | 127 | 001 | A4070014 | 177 | 014 | A4072016 | 131 | 011 | A4080411 | 153 | 014 | A4080813 | 129 | 007 | A4082701 | 167 | 004 | A4200046 | 137 | 003 | A4922077 | 199 | 003 |
| A4060150 | 129 | 001 | A4070027 | 199 | 010 | A4072016 | 133 | 011 | A4080411 | 155 | 012 | A4080813 | 131 | 006 | A4082701 | 169 | 004 | A4200046 | 139 | 003 | A4922101 | 023 | 002 |
| A4060150 | 131 | 001 | A4070034 | 197 | 011 | A4073003 | 205 | 006 | A4080411 | 157 | 014 | A4080813 | 133 | 006 | A4082701 | 171 | 004 | A4200046 | 141 | 003 | A4922151 | 025 | 002 |
| A4060150 | 133 | 001 | A4071205 | 123 | 004 | A4074000 | 217 | 003 | A4080411 | 167 | 012 | A4080813 | 135 | 004 | A4082701 | 173 | 004 | A4200046 | 143 | 003 | A4922201 | 159 | 004 |
| A4060625 | 123 | 013 | A4071205 | 125 | 004 | A4074032 | 217 | 002 | A4080411 | 169 | 012 | A4080813 | 137 | 004 | A4082701 | 175 | 006 | A4200046 | 145 | 003 | A4922201 | 161 | 004 |



INDEX NUMERIQUE - NUMERICAL INDEX

TEILENUMMERN-INDEX - INDICE NUMERICO

| Nr | Page | Rep. | Nr | Page | Rep. | Nr | Page | Rep. | Nr | Page | Rep. | Nr | Page | Rep. | Nr | Page | Rep. | Nr | Page | Rep. | Nr | Page | Rep. |
|----------|------|------|----------|------|------|----------|------|------|----------|------|------|----------|------|------|----------|------|------|----------|------|------|----------|------|------|
| A4922252 | 167 | 005 | A4922501 | 143 | 009 | A5300080 | 031 | 009 | A5306460 | 195 | 001 | A5310160 | 011 | 018 | A5311126 | 043 | 006 | A5313770 | 035 | 003 | A5317680 | 085 | 033 |
| A4922252 | 169 | 005 | A4922501 | 145 | 010 | A5300290 | 029 | 018 | A5306530 | 029 | 001 | A5310196 | 009 | 009 | A5311126 | 055 | 008 | A5313770 | 037 | 013 | A5317730 | 077 | 005 |
| A4922252 | 171 | 005 | A4922501 | 151 | 009 | A5300310 | 029 | 019 | A5306560 | 031 | 001 | A5310196 | 011 | 010 | A5311126 | 061 | 010 | A5313780 | 035 | 004 | A5317730 | 085 | 004 |
| A4922252 | 173 | 005 | A4922501 | 153 | 010 | A5300480 | 183 | 004 | A5306921 | 051 | 003 | A5310252 | 015 | 004 | A5311126 | 067 | 011 | A5313780 | 037 | 015 | A5317730 | 089 | 044 |
| A4922252 | 197 | 008 | A4922550 | 117 | 004 | A5300512 | 003 | 002 | A5306921 | 057 | 002 | A5310252 | 017 | 003 | A5311173 | 007 | 031 | A5313790 | 035 | 006 | A5317730 | 099 | 053 |
| A4922252 | 199 | 004 | A4922550 | 121 | 003 | A5301430 | 181 | 001 | A5306921 | 059 | 003 | A5310356 | 077 | 033 | A5311226 | 201 | 017 | A5313790 | 037 | 005 | A5317730 | 101 | 035 |
| A4922302 | 123 | 010 | A4922550 | 139 | 009 | A5301560 | 181 | 008 | A5306921 | 063 | 003 | A5310356 | 089 | 014 | A5311226 | 203 | 019 | A5313810 | 035 | 005 | A5317850 | 073 | 003 |
| A4922302 | 127 | 010 | A4922550 | 141 | 010 | A5303630 | 033 | 012 | A5306921 | 065 | 004 | A5310356 | 097 | 011 | A5311340 | 177 | 003 | A5313810 | 037 | 014 | A5318440 | 179 | 005 |
| A4922302 | 131 | 009 | A4922550 | 147 | 009 | A5303800 | 073 | 001 | A5306970 | 057 | 004 | A5310356 | 099 | 057 | A5311350 | 007 | 005 | A5313850 | 039 | 001 | A5319030 | 067 | 003 |
| A4922302 | 163 | 004 | A4922550 | 149 | 010 | A5303800 | 075 | 001 | A5306971 | 059 | 005 | A5310362 | 077 | 040 | A5311360 | 007 | 006 | A5313851 | 041 | 018 | A5319850 | 063 | 005 |
| A4922302 | 165 | 004 | A4922550 | 155 | 009 | A5304370 | 045 | 009 | A5307010 | 051 | 005 | A5310362 | 089 | 019 | A5311370 | 007 | 007 | A5313860 | 039 | 024 | A5319851 | 065 | 006 |
| A4922302 | 167 | 006 | A4922550 | 157 | 010 | A5304370 | 063 | 015 | A5307011 | 053 | 006 | A5310362 | 097 | 016 | A5311390 | 007 | 008 | A5313861 | 041 | 019 | A5319860 | 063 | 018 |
| A4922302 | 169 | 006 | A4922590 | 023 | 003 | A5304371 | 039 | 009 | A5307040 | 039 | 003 | A5310362 | 099 | 056 | A5311400 | 177 | 010 | A5313880 | 039 | 021 | A5319861 | 065 | 023 |
| A4922302 | 171 | 006 | A4922590 | 025 | 003 | A5304371 | 041 | 016 | A5307040 | 045 | 014 | A5310403 | 029 | 002 | A5311410 | 177 | 011 | A5313900 | 039 | 019 | A5320106 | 055 | 009 |
| A4922302 | 173 | 006 | A4922590 | 121 | 004 | A5304371 | 047 | 012 | A5307040 | 051 | 020 | A5310403 | 031 | 002 | A5311450 | 027 | 013 | A5313910 | 043 | 008 | A5320108 | 061 | 011 |
| A4922351 | 125 | 010 | A4923090 | 205 | 004 | A5304371 | 051 | 015 | A5307040 | 057 | 018 | A5310416 | 009 | 011 | A5311590 | 033 | 002 | A5313920 | 043 | 001 | A5320201 | 061 | 001 |
| A4922351 | 129 | 010 | A4923290 | 119 | 009 | A5304371 | 053 | 018 | A5307040 | 063 | 020 | A5310416 | 011 | 012 | A5311600 | 033 | 014 | A5314000 | 045 | 002 | A5320201 | 067 | 001 |
| A4922351 | 133 | 009 | A5100993 | 043 | 007 | A5304371 | 057 | 013 | A5307050 | 039 | 002 | A5310441 | 181 | 003 | A5311610 | 033 | 015 | A5314001 | 047 | 003 | A5320471 | 201 | 011 |
| A4922351 | 135 | 007 | A5100993 | 049 | 006 | A5304371 | 059 | 016 | A5307050 | 045 | 015 | A5310461 | 003 | 007 | A5311620 | 027 | 009 | A5314010 | 045 | 007 | A5320471 | 203 | 012 |
| A4922351 | 137 | 008 | A5100993 | 055 | 011 | A5304371 | 065 | 018 | A5307050 | 051 | 021 | A5310506 | 003 | 006 | A5311620 | 033 | 013 | A5314010 | 047 | 008 | A5321230 | 015 | 031 |
| A4922351 | 139 | 007 | A5100993 | 061 | 013 | A5304460 | 039 | 006 | A5307050 | 057 | 019 | A5310531 | 185 | 004 | A5311650 | 027 | 010 | A5314020 | 045 | 012 | A5321230 | 017 | 031 |
| A4922351 | 141 | 008 | A5100993 | 067 | 014 | A5304460 | 041 | 017 | A5307050 | 063 | 021 | A5310533 | 185 | 001 | A5311660 | 027 | 003 | A5314021 | 047 | 017 | A5323310 | 073 | 009 |
| A4922351 | 143 | 007 | A5110084 | 055 | 001 | A5304460 | 045 | 010 | A5307060 | 051 | 013 | A5310770 | 017 | 007 | A5311730 | 009 | 017 | A5314070 | 069 | 007 | A5326560 | 077 | 016 |
| A4922351 | 145 | 008 | A5110084 | 061 | 002 | A5304460 | 047 | 014 | A5307060 | 053 | 016 | A5310840 | 005 | 010 | A5311730 | 011 | 019 | A5314071 | 071 | 007 | A5326560 | 085 | 014 |
| A4922351 | 147 | 007 | A5110084 | 067 | 002 | A5304460 | 051 | 016 | A5307060 | 057 | 012 | A5310850 | 097 | 021 | A5311750 | 119 | 001 | A5314080 | 063 | 011 | A5326560 | 089 | 037 |
| A4922351 | 149 | 008 | A5110188 | 035 | 009 | A5304460 | 053 | 020 | A5307060 | 059 | 015 | A5310850 | 099 | 065 | A5312010 | 073 | 007 | A5314080 | 065 | 012 | A5326560 | 097 | 046 |
| A4922351 | 151 | 007 | A5110188 | 037 | 001 | A5304460 | 057 | 014 | A5307070 | 051 | 014 | A5310852 | 177 | 019 | A5312200 | 073 | 002 | A5314080 | 069 | 004 | A5326560 | 101 | 028 |
| A4922351 | 153 | 008 | A5120023 | 007 | 026 | A5304460 | 059 | 018 | A5307070 | 053 | 017 | A5310859 | 097 | 033 | A5312210 | 073 | 008 | A5314080 | 071 | 004 | A5328110 | 075 | 003 |
| A4922351 | 155 | 007 | A5200165 | 067 | 006 | A5304460 | 063 | 016 | A5307080 | 057 | 016 | A5310859 | 101 | 015 | A5312230 | 007 | 030 | A5314100 | 049 | 004 | A5328320 | 201 | 024 |
| A4922351 | 157 | 008 | A5200302 | 009 | 002 | A5304460 | 065 | 020 | A5307081 | 059 | 021 | A5310859 | 103 | 013 | A5312550 | 183 | 001 | A5317630 | 077 | 023 | A5328320 | 203 | 026 |
| A4922351 | 175 | 009 | A5200302 | 011 | 003 | A5304470 | 039 | 008 | A5307090 | 051 | 018 | A5310859 | 105 | 013 | A5312690 | 205 | 001 | A5317630 | 085 | 020 | A5330404 | 035 | 011 |
| A4922401 | 135 | 008 | A5200302 | 035 | 020 | A5304470 | 045 | 011 | A5307091 | 053 | 023 | A5310859 | 107 | 013 | A5312720 | 007 | 001 | A5317630 | 089 | 035 | A5330404 | 037 | 010 |
| A4922401 | 137 | 009 | A5200302 | 037 | 002 | A5304470 | 051 | 017 | A5307180 | 043 | 009 | A5310859 | 109 | 012 | A5313500 | 015 | 030 | A5317630 | 097 | 044 | A5330404 | 039 | 016 |
| A4922401 | 143 | 008 | A5205720 | 175 | 011 | A5304470 | 057 | 015 | A5307190 | 015 | 019 | A5310860 | 033 | 001 | A5313500 | 017 | 030 | A5317630 | 101 | 026 | A5330404 | 041 | 020 |
| A4922401 | 145 | 009 | A5215001 | 015 | 029 | A5304470 | 063 | 017 | A5307190 | 017 | 018 | A5310868 | 027 | 004 | A5313500 | 077 | 034 | A5317640 | 077 | 035 | A5330404 | 043 | 003 |
| A4922401 | 151 | 008 | A5215001 | 017 | 029 | A5305020 | 089 | 024 | A5307200 | 015 | 008 | A5310870 | 027 | 018 | A5313500 | 085 | 028 | A5317650 | 077 | 039 | A5330404 | 063 | 012 |
| A4922401 | 153 | 009 | A5220294 | 077 | 022 | A5305430 | 077 | 032 | A5307200 | 017 | 008 | A5310873 | 027 | 005 | A5313500 | 089 | 001 | A5317650 | 085 | 032 | A5330404 | 065 | 013 |
| A4922451 | 139 | 008 | A5220294 | 089 | 020 | A5305430 | 081 | 005 | A5307210 | 015 | 028 | A5310885 | 033 | 005 | A5313500 | 097 | 001 | A5317650 | 089 | 041 | A5330940 | 103 | 024 |
| A4922451 | 141 | 009 | A5220294 | 097 | 017 | A5305430 | 083 | 017 | A5307210 | 017 | 028 | A5310887 | 027 | 014 | A5313500 | 101 | 001 | A5317650 | 099 | 050 | A5330940 | 105 | 024 |
| A4922451 | 147 | 008 | A5220294 | 099 | 055 | A5305430 | 087 | 019 | A5307220 | 015 | 022 | A5310888 | 027 | 015 | A5313500 | 103 | 001 | A5317650 | 101 | 032 | A5330940 | 107 | 026 |
| A4922451 | 149 | 009 | A5300020 | 187 | 003 | A5305470 | 093 | 023 | A5307220 | 017 | 022 | A5310889 | 027 | 033 | A5313500 | 105 | 001 | A5317660 | 089 | 032 | A5330940 | 109 | 025 |
| A4922451 | 155 | 008 | A5300050 | 029 | 011 | A5305500 | 029 | 013 | A5308400 | 083 | 006 | A5310892 | 005 | 007 | A5313500 | 107 | 001 | A5317660 | 097 | 041 | A5331090 | 085 | 029 |
| A4922451 | 157 | 009 | A5300050 | 031 | 011 | A5305500 | 031 | 013 | A5310027 | 039 | 020 | A5310893 | 005 | 008 | A5313500 | 109 | 001 | A5317660 | 101 | 011 | A5331100 | 201 | 025 |
| A4922451 | 197 | 009 | A5300060 | 029 | 015 | A5305510 | 029 | 014 | A5310043 | 035 | 019 | A5310895 | 027 | 002 | A5313601 | 005 | 002 | A5317661 | 093 | 024 | A5331100 | 203 | 027 |
| A4922451 | 199 | 005 | A5300060 | 031 | 015 | A5305510 | 031 | 014 | A5310043 | 037 | 003 | A5310900 | 027 | 008 | A5313750 | 035 | 002 | A5317661 | 103 | 026 | A5331990 | 013 | 010 |
| A4922501 | 117 | 003 | A5300070 | 029 | 016 | A5306360 | 015 | 033 | A5310094 | 015 | 003 | A5310904 | 007 | 027 | A5313750 | 037 | 011 | A5317661 | 105 | 026 | A5332000 | 013 | 011 |
| A4922501 | 135 | 009 | A5300070 | 031 | 016 | A5306360 | 017 | 033 | A5310094 | 017 | 002 | A5311102 | 007 | 028 | A5313760 | 035 | 001 | A5317661 | 107 | 028 | A5333490 | 087 | 007 |
| A4922501 | 137 | 010 | A5300080 | 029 | 009 | A5306460 | 193 | 001 | A5310160 | 009 | 016 | A5311126 | 007 | 017 | A5313760 | 037 | 012 | A5317661 | 109 | 021 | A5333520 | 087 | 020 |



INDEX NUMERIQUE - NUMERICAL INDEX

TEILENUMMERN-INDEX - INDICE NUMERICO

| Nr | Page | Rep. | Nr | Page | Rep. | Nr | Page | Rep. | Nr | Page | Rep. | Nr | Page | Rep. | Nr | Page | Rep. | Nr | Page | Rep. | Nr | Page | Rep. |
|----------|------|------|----------|------|------|----------|------|------|----------|------|------|----------|------|------|----------|------|------|----------|------|------|----------|------|------|
| A5333550 | 087 | 021 | A5336700 | 059 | 024 | A5350485 | 019 | 001 | A5352880 | 141 | 007 | A7020042 | 223 | 004 | A7039403 | 021 | 012 | A7040350 | 077 | 004 | A7045050 | 077 | 021 |
| A5334100 | 015 | 032 | A5336700 | 065 | 026 | A5350489 | 009 | 012 | A5352880 | 145 | 007 | A7020049 | 221 | 004 | A7039405 | 019 | 002 | A7040350 | 085 | 015 | A7060004 | 015 | 016 |
| A5334100 | 017 | 032 | A5337340 | 083 | 020 | A5350489 | 011 | 013 | A5352880 | 149 | 007 | A7020075 | 229 | 003 | A7039409 | 019 | 004 | A7040361 | 097 | 028 | A7060004 | 017 | 016 |
| A5334100 | 077 | 036 | A5337581 | 083 | 012 | A5350490 | 009 | 013 | A5352880 | 153 | 007 | A7020108 | 225 | 002 | A7039420 | 019 | 019 | A7040361 | 101 | 014 | A7060005 | 015 | 006 |
| A5334100 | 085 | 030 | A5337901 | 083 | 007 | A5350490 | 011 | 014 | A5352880 | 157 | 007 | A7020109 | 219 | 002 | A7039423 | 021 | 009 | A7040361 | 103 | 012 | A7060005 | 017 | 005 |
| A5334100 | 089 | 002 | A5337911 | 083 | 018 | A5350496 | 029 | 008 | A5390471 | 033 | 006 | A7020109 | 223 | 002 | A7039424 | 021 | 013 | A7040361 | 103 | 022 | A7060041 | 009 | 007 |
| A5334100 | 093 | 025 | A5338530 | 093 | 027 | A5350496 | 031 | 008 | A7010229 | 207 | 036 | A7020117 | 221 | 002 | A7039425 | 021 | 019 | A7040361 | 105 | 012 | A7060041 | 011 | 009 |
| A5334100 | 097 | 002 | A5338530 | 103 | 034 | A5350505 | 007 | 009 | A7010233 | 027 | 016 | A7020120 | 227 | 002 | A7039426 | 021 | 020 | A7040361 | 107 | 012 | A7060051 | 009 | 010 |
| A5334100 | 101 | 002 | A5338530 | 105 | 036 | A5350510 | 003 | 003 | A7011208 | 209 | 016 | A7020144 | 229 | 001 | A7039428 | 021 | 025 | A7040361 | 107 | 022 | A7060051 | 011 | 011 |
| A5334100 | 103 | 002 | A5338530 | 107 | 036 | A5350510 | 005 | 003 | A7011209 | 209 | 024 | A7020208 | 225 | 003 | A7040171 | 097 | 040 | A7040361 | 109 | 011 | A7060074 | 017 | 006 |
| A5334100 | 105 | 002 | A5338530 | 109 | 034 | A5350511 | 003 | 008 | A7011344 | 207 | 015 | A7020213 | 219 | 003 | A7040171 | 101 | 023 | A7040361 | 109 | 023 | A7060085 | 015 | 017 |
| A5334100 | 107 | 002 | A5338540 | 093 | 026 | A5350511 | 005 | 011 | A7011344 | 209 | 013 | A7020217 | 221 | 003 | A7040171 | 103 | 023 | A7040363 | 095 | 001 | A7080008 | 015 | 021 |
| A5334100 | 109 | 002 | A5338540 | 103 | 042 | A5350517 | 039 | 022 | A7011501 | 207 | 011 | A7020221 | 227 | 003 | A7040171 | 105 | 021 | A7040364 | 095 | 002 | A7080008 | 017 | 021 |
| A5334450 | 081 | 002 | A5338540 | 105 | 042 | A5350521 | 185 | 002 | A7011501 | 209 | 019 | A7020224 | 223 | 003 | A7040171 | 107 | 023 | A7040365 | 095 | 003 | A7080400 | 181 | 002 |
| A5334450 | 083 | 004 | A5338540 | 107 | 044 | A5350522 | 183 | 011 | A7011502 | 207 | 012 | A7020248 | 229 | 002 | A7040171 | 109 | 024 | A7040366 | 095 | 004 | A7080402 | 035 | 018 |
| A5334450 | 087 | 004 | A5338540 | 109 | 042 | A5350523 | 183 | 005 | A7011502 | 209 | 018 | A7020305 | 225 | 001 | A7040171 | 111 | 001 | A7040377 | 113 | 002 | A7080402 | 037 | 006 |
| A5334840 | 051 | 004 | A5338550 | 093 | 017 | A5350531 | 183 | 012 | A7011523 | 207 | 010 | A7020314 | 219 | 001 | A7040171 | 113 | 001 | A7040378 | 111 | 002 | A7153012 | 029 | 012 |
| A5334840 | 057 | 003 | A5338550 | 103 | 030 | A5350534 | 029 | 017 | A7011523 | 207 | 023 | A7020314 | 223 | 001 | A7040179 | 177 | 001 | A7040378 | 113 | 003 | A7153012 | 031 | 012 |
| A5334840 | 059 | 004 | A5338550 | 105 | 030 | A5350534 | 031 | 017 | A7011523 | 209 | 021 | A7020317 | 221 | 001 | A7040237 | 085 | 003 | A7040388 | 111 | 003 | A7160006 | 179 | 001 |
| A5334840 | 063 | 004 | A5338550 | 107 | 029 | A5350539 | 007 | 019 | A7011813 | 207 | 001 | A7020320 | 227 | 001 | A7040237 | 089 | 004 | A7040389 | 105 | 011 | A7160008 | 179 | 002 |
| A5334840 | 065 | 005 | A5338550 | 109 | 031 | A5350563 | 015 | 023 | A7011813 | 209 | 001 | A7021001 | 009 | 003 | A7040237 | 093 | 008 | A7040389 | 107 | 011 | A7170005 | 175 | 012 |
| A5334880 | 087 | 023 | A5338570 | 093 | 007 | A5350563 | 017 | 023 | A7011815 | 207 | 005 | A7021001 | 011 | 004 | A7040237 | 097 | 004 | A7040392 | 115 | 002 | A7181002 | 023 | 006 |
| A5334910 | 077 | 041 | A5338570 | 103 | 040 | A5350564 | 015 | 024 | A7011815 | 209 | 005 | A7039044 | 019 | 018 | A7040237 | 101 | 004 | A7040393 | 115 | 003 | A7181002 | 025 | 006 |
| A5334910 | 089 | 036 | A5338570 | 105 | 040 | A5350564 | 017 | 024 | A7011816 | 207 | 006 | A7039049 | 019 | 014 | A7040237 | 103 | 004 | A7040459 | 177 | 005 | A7181002 | 199 | 011 |
| A5334910 | 097 | 045 | A5338570 | 107 | 042 | A5350714 | 005 | 012 | A7011816 | 209 | 006 | A7039056 | 021 | 005 | A7040237 | 105 | 004 | A7040493 | 077 | 020 | A7181100 | 201 | 020 |
| A5334910 | 101 | 027 | A5338570 | 109 | 038 | A5350719 | 027 | 012 | A7011818 | 207 | 009 | A7039079 | 021 | 021 | A7040237 | 107 | 004 | A7040493 | 085 | 018 | A7181100 | 203 | 022 |
| A5335170 | 015 | 002 | A5338580 | 093 | 018 | A5350720 | 031 | 020 | A7011818 | 209 | 009 | A7039096 | 019 | 003 | A7040237 | 109 | 004 | A7040927 | 177 | 016 | A7181102 | 201 | 028 |
| A5335170 | 017 | 001 | A5338580 | 103 | 038 | A5350721 | 031 | 021 | A7011819 | 207 | 016 | A7039098 | 019 | 010 | A7040237 | 109 | 022 | A7041386 | 089 | 029 | A7181104 | 201 | 033 |
| A5336620 | 041 | 021 | A5338580 | 105 | 038 | A5350722 | 017 | 015 | A7011821 | 207 | 018 | A7039099 | 019 | 008 | A7040246 | 089 | 011 | A7041386 | 093 | 002 | A7181104 | 203 | 036 |
| A5336620 | 047 | 015 | A5338580 | 107 | 040 | A5350722 | 021 | 001 | A7011822 | 207 | 019 | A7039100 | 019 | 009 | A7040246 | 093 | 003 | A7041388 | 077 | 001 | A7181106 | 201 | 013 |
| A5336620 | 053 | 021 | A5338580 | 109 | 041 | A5350729 | 027 | 023 | A7011823 | 207 | 020 | A7039101 | 019 | 007 | A7040250 | 097 | 026 | A7041388 | 085 | 001 | A7181108 | 201 | 018 |
| A5336620 | 059 | 019 | A5338600 | 103 | 043 | A5350731 | 005 | 013 | A7011824 | 207 | 022 | A7039102 | 019 | 006 | A7040250 | 101 | 012 | A7041390 | 081 | 001 | A7181108 | 203 | 020 |
| A5336620 | 065 | 021 | A5338600 | 105 | 043 | A5350791 | 015 | 007 | A7011824 | 209 | 017 | A7039139 | 019 | 021 | A7040259 | 097 | 032 | A7041390 | 083 | 002 | A7181109 | 201 | 019 |
| A5336642 | 041 | 022 | A5338600 | 107 | 045 | A5350810 | 007 | 020 | A7011826 | 207 | 026 | A7039140 | 019 | 011 | A7040279 | 089 | 031 | A7041390 | 087 | 003 | A7181109 | 203 | 021 |
| A5336642 | 047 | 001 | A5338600 | 109 | 043 | A5350820 | 015 | 018 | A7011827 | 207 | 027 | A7039157 | 021 | 026 | A7040279 | 093 | 014 | A7041400 | 013 | 001 | A7181115 | 201 | 004 |
| A5336642 | 053 | 001 | A5338610 | 093 | 005 | A5350820 | 017 | 017 | A7011827 | 209 | 027 | A7039161 | 021 | 022 | A7040280 | 089 | 030 | A7041434 | 087 | 006 | A7181115 | 203 | 004 |
| A5336642 | 059 | 001 | A5338920 | 093 | 006 | A5350850 | 077 | 037 | A7011829 | 207 | 028 | A7039162 | 021 | 017 | A7040280 | 093 | 015 | A7041435 | 087 | 011 | A7181120 | 201 | 026 |
| A5336642 | 065 | 001 | A5339200 | 053 | 004 | A5351180 | 007 | 029 | A7011830 | 207 | 029 | A7039164 | 021 | 015 | A7040298 | 089 | 028 | A7041462 | 083 | 003 | A7181120 | 203 | 028 |
| A5336690 | 041 | 023 | A5339210 | 053 | 005 | A5351830 | 189 | 001 | A7011830 | 209 | 028 | A7039165 | 021 | 002 | A7040298 | 093 | 004 | A7042266 | 095 | 005 | A7181121 | 201 | 005 |
| A5336690 | 047 | 019 | A5350438 | 089 | 023 | A5351830 | 191 | 001 | A7012290 | 209 | 014 | A7039166 | 019 | 020 | A7040337 | 105 | 022 | A7045002 | 083 | 010 | A7181121 | 203 | 005 |
| A5336690 | 053 | 025 | A5350438 | 097 | 020 | A5351850 | 189 | 002 | A7012291 | 209 | 022 | A7039168 | 019 | 017 | A7040338 | 105 | 023 | A7045005 | 085 | 031 | A7181122 | 203 | 030 |
| A5336690 | 059 | 023 | A5350438 | 099 | 063 | A5351850 | 191 | 002 | A7012292 | 209 | 025 | A7039228 | 021 | 018 | A7040341 | 115 | 001 | A7045030 | 085 | 019 | A7181124 | 203 | 014 |
| A5336690 | 065 | 025 | A5350450 | 089 | 022 | A5351860 | 189 | 003 | A7012396 | 029 | 021 | A7039305 | 021 | 010 | A7040343 | 109 | 020 | A7045040 | 077 | 038 | A7181125 | 203 | 031 |
| A5336700 | 041 | 024 | A5350450 | 097 | 019 | A5351870 | 191 | 003 | A7020010 | 219 | 004 | A7039342 | 021 | 004 | A7040347 | 103 | 011 | A7045040 | 081 | 006 | A7181126 | 203 | 015 |
| A5336700 | 047 | 020 | A5350450 | 099 | 062 | A5352880 | 011 | 008 | A7020012 | 225 | 004 | A7039401 | 021 | 014 | A7040347 | 103 | 021 | A7045040 | 083 | 019 | A7181127 | 201 | 007 |
| A5336700 | 053 | 026 | A5350485 | 015 | 015 | A5352880 | 137 | 007 | A7020038 | 227 | 004 | A7039402 | 021 | 011 | A7040347 | 107 | 021 | A7045040 | 087 | 022 | A7181127 | 203 | 007 |



INDEX NUMERIQUE - NUMERICAL INDEX TEILENUMMERN-INDEX - INDICE NUMERICO

| Nr | Page | Rep. | Nr | Page | Rep. | Nr | Page | Rep. | Nr | Page | Rep. | Nr | Page | Rep. | Nr | Page | Rep. | Nr | Page | Rep. | Nr | Page | Rep. |
|----------|------|------|----------|------|------|----------|------|------|----------|------|------|----------|------|------|----------|------|------|----------|------|------|----------|------|------|
| A7181129 | 201 | 014 | A7250197 | 065 | 003 | A7251203 | 105 | 015 | A8359108 | 057 | 010 | 4605039 | 213 | 006 | 50002200 | 063 | 022 | 50070300 | 075 | 004 | 80060616 | 085 | 034 |
| A7181129 | 203 | 016 | A7250197 | 069 | 001 | A7251203 | 107 | 015 | A8359108 | 059 | 013 | 4605041 | 211 | 021 | 50002200 | 065 | 027 | 50070300 | 087 | 024 | 80060616 | 087 | 028 |
| A7181134 | 201 | 015 | A7250197 | 071 | 001 | A7251203 | 109 | 014 | A8359108 | 063 | 013 | 4605041 | 215 | 021 | 50002200 | 067 | 016 | 50070300 | 093 | 028 | 80060616 | 089 | 045 |
| A7181134 | 203 | 017 | A7250219 | 043 | 005 | A7251300 | 043 | 011 | A8359108 | 065 | 016 | 4605050 | 213 | 019 | 50002200 | 069 | 010 | 50070300 | 103 | 031 | 80060616 | 097 | 027 |
| A7181136 | 201 | 001 | A7250220 | 043 | 004 | A7251300 | 049 | 005 | A8359108 | 077 | 019 | 4605056 | 215 | 022 | 50002200 | 183 | 013 | 50070300 | 105 | 031 | 80060616 | 099 | 072 |
| A7181136 | 203 | 001 | A7250221 | 049 | 001 | A7251300 | 055 | 010 | A8359108 | 085 | 017 | 4605058 | 211 | 022 | 50003200 | 005 | 016 | 50070300 | 107 | 030 | 80060616 | 101 | 013 |
| A7181138 | 201 | 021 | A7250222 | 049 | 002 | A7251300 | 061 | 012 | A8359108 | 089 | 038 | 4605105 | 211 | 012 | 50003200 | 007 | 033 | 50070300 | 109 | 030 | 80060617 | 065 | 032 |
| A7181138 | 203 | 023 | A7250261 | 051 | 019 | A7251300 | 067 | 012 | A8359108 | 093 | 016 | 4605108 | 215 | 012 | 50003200 | 041 | 002 | 50070800 | 015 | 036 | 80060620 | 007 | 039 |
| A7181139 | 201 | 034 | A7250261 | 053 | 024 | A7252100 | 077 | 025 | A8359108 | 097 | 047 | 4608781 | 211 | 028 | 50003200 | 047 | 022 | 50070800 | 017 | 036 | 80060620 | 043 | 017 |
| A7181140 | 201 | 016 | A7250261 | 063 | 019 | A7252100 | 085 | 021 | A8359108 | 101 | 029 | 4608828 | 215 | 029 | 50003200 | 053 | 028 | 50070800 | 097 | 022 | 80060620 | 051 | 025 |
| A7181144 | 201 | 012 | A7250261 | 065 | 024 | A7252100 | 089 | 033 | A8359108 | 103 | 039 | 4608829 | 215 | 028 | 50003200 | 059 | 026 | 50070800 | 099 | 070 | 80060620 | 053 | 031 |
| A7181144 | 203 | 013 | A7250262 | 057 | 017 | A7252100 | 097 | 042 | A8359108 | 105 | 039 | 4608832 | 211 | 029 | 50003200 | 065 | 028 | 50070800 | 201 | 035 | 80060620 | 057 | 023 |
| A7181145 | 203 | 037 | A7250262 | 059 | 022 | A7252100 | 101 | 024 | A8359108 | 107 | 041 | 4612062 | 211 | 023 | 50003200 | 071 | 010 | 50070800 | 203 | 038 | 80060620 | 059 | 029 |
| A7181146 | 203 | 018 | A7250263 | 039 | 007 | A7260016 | 039 | 027 | A8359108 | 109 | 037 | 4612062 | 215 | 023 | 50007300 | 039 | 013 | 50072200 | 073 | 011 | 80060620 | 077 | 043 |
| A7218000 | 029 | 007 | A7250263 | 041 | 026 | A7260043 | 039 | 026 | A8359108 | 185 | 005 | 4613014 | 211 | 024 | 50007300 | 041 | 003 | 50072200 | 093 | 029 | 80060620 | 085 | 035 |
| A7218000 | 031 | 007 | A7250264 | 069 | 008 | A7300013 | 119 | 002 | A8359108 | 187 | 002 | 4613014 | 213 | 007 | 50007300 | 045 | 017 | 50072200 | 103 | 037 | 80060620 | 103 | 027 |
| A7250101 | 055 | 004 | A7250264 | 071 | 008 | A7300014 | 119 | 003 | A8359108 | 205 | 005 | 4613014 | 215 | 024 | 50007300 | 047 | 023 | 50072200 | 105 | 035 | 80060620 | 105 | 027 |
| A7250103 | 061 | 005 | A7250265 | 045 | 013 | A7300061 | 009 | 001 | H2904360 | 021 | 024 | 4616376 | 211 | 005 | 50007300 | 051 | 023 | 50072200 | 107 | 039 | 80060620 | 107 | 031 |
| A7250105 | 061 | 006 | A7250265 | 047 | 018 | A7300061 | 011 | 002 | K5600230 | 033 | 008 | 4616510 | 213 | 003 | 50007300 | 053 | 029 | 50072200 | 109 | 040 | 80060620 | 109 | 027 |
| A7250105 | 067 | 007 | A7250302 | 089 | 026 | A7300062 | 231 | 018 | K9500090 | 231 | 008 | 4616562 | 215 | 004 | 50007300 | 057 | 021 | 53005900 | 035 | 013 | 80060625 | 043 | 013 |
| A7250131 | 043 | 002 | A7250303 | 097 | 023 | A7300086 | 177 | 002 | K9504010 | 231 | 003 | 4617249 | 211 | 004 | 50007300 | 059 | 027 | 53005900 | 037 | 016 | 80060625 | 049 | 009 |
| A7250142 | 077 | 024 | A7250303 | 099 | 064 | A7300150 | 201 | 002 | K9504030 | 231 | 001 | 4617562 | 215 | 005 | 50007300 | 063 | 023 | 59900000 | 231 | 011 | 80060625 | 055 | 016 |
| A7250142 | 089 | 018 | A7250304 | 077 | 002 | A7300150 | 203 | 002 | K9504040 | 231 | 002 | 4618080 | 215 | 051 | 50007300 | 065 | 029 | 59900300 | 231 | 017 | 80060625 | 061 | 018 |
| A7250142 | 097 | 015 | A7250304 | 089 | 021 | A7300185 | 231 | 014 | K9530110 | 231 | 005 | 4618135 | 213 | 004 | 50008800 | 007 | 034 | 59900400 | 231 | 010 | 80060625 | 067 | 018 |
| A7250142 | 099 | 061 | A7250304 | 097 | 018 | A7300196 | 231 | 012 | K9530120 | 231 | 004 | 4618152 | 211 | 051 | 50008800 | 031 | 018 | 80060406 | 081 | 007 | 80060625 | 077 | 044 |
| A7250157 | 051 | 001 | A7250304 | 099 | 054 | A7300312 | 231 | 016 | K9530320 | 231 | 007 | 4618221 | 211 | 055 | 50008800 | 051 | 024 | 80060406 | 083 | 021 | 80060625 | 085 | 036 |
| A7250157 | 053 | 002 | A7250406 | 073 | 010 | A7300505 | 231 | 013 | K9530330 | 231 | 006 | 4618221 | 215 | 055 | 50008800 | 053 | 030 | 80060406 | 087 | 025 | 80060625 | 089 | 043 |
| A7250157 | 057 | 001 | A7250406 | 097 | 029 | A7300531 | 231 | 022 | 09915000 | 231 | 009 | 4618910 | 211 | 059 | 50008800 | 057 | 022 | 80060416 | 087 | 026 | 80060625 | 099 | 052 |
| A7250157 | 059 | 002 | A7250406 | 099 | 066 | A7310372 | 193 | 003 | 09968300 | 231 | 015 | 4618910 | 213 | 017 | 50008800 | 059 | 028 | 80060521 | 097 | 037 | 80060625 | 101 | 034 |
| A7250158 | 051 | 002 | A7250511 | 003 | 001 | A7310372 | 195 | 003 | 41120090 | 211 | 031 | 4618910 | 215 | 059 | 50008800 | 063 | 024 | 80060521 | 101 | 020 | 80060635 | 205 | 012 |
| A7250158 | 053 | 003 | A7250511 | 005 | 001 | A7800502 | 211 | 001 | 41120090 | 213 | 012 | 4620024 | 211 | 053 | 50008800 | 065 | 030 | 80060521 | 103 | 018 | 80060650 | 199 | 012 |
| A7250159 | 055 | 002 | A7250511 | 007 | 002 | A7800503 | 213 | 001 | 41120090 | 215 | 032 | 4620024 | 213 | 015 | 50008800 | 193 | 004 | 80060521 | 105 | 018 | 80060670 | 009 | 021 |
| A7250159 | 061 | 003 | A7250511 | 183 | 002 | A7903042 | 213 | 008 | 41550000 | 211 | 054 | 4620024 | 215 | 053 | 50008800 | 195 | 004 | 80060521 | 107 | 018 | 80060670 | 011 | 021 |
| A7250159 | 067 | 004 | A7250513 | 015 | 005 | A7908034 | 213 | 009 | 41550000 | 213 | 016 | 4631000 | 211 | 090 | 50010100 | 033 | 018 | 80060521 | 109 | 017 | 80060812 | 085 | 037 |
| A7250160 | 055 | 003 | A7250513 | 017 | 004 | A7908035 | 213 | 010 | 41550000 | 215 | 054 | 4631000 | 215 | 090 | 50010200 | 033 | 019 | 80060530 | 087 | 027 | 80060816 | 007 | 037 |
| A7250160 | 061 | 004 | A7250710 | 007 | 003 | A7910085 | 211 | 013 | 41660000 | 211 | 058 | 50002200 | 003 | 010 | 50010300 | 033 | 020 | 80060612 | 089 | 013 | 80060816 | 087 | 029 |
| A7250160 | 067 | 005 | A7250710 | 027 | 001 | A7910085 | 213 | 013 | 41660000 | 213 | 018 | 50002200 | 005 | 015 | 50010400 | 033 | 021 | 80060616 | 035 | 014 | 80060816 | 119 | 013 |
| A7250165 | 007 | 004 | A7250710 | 183 | 009 | A7910085 | 215 | 013 | 41660000 | 215 | 058 | 50002200 | 007 | 032 | 50068900 | 029 | 020 | 80060616 | 037 | 018 | 80060820 | 007 | 038 |
| A7250171 | 187 | 001 | A7251114 | 183 | 003 | A7917013 | 213 | 002 | 4600562 | 215 | 001 | 50002200 | 039 | 014 | 50068900 | 031 | 019 | 80060616 | 039 | 017 | 80060820 | 077 | 045 |
| A7250174 | 035 | 010 | A7251202 | 097 | 034 | A8259901 | 207 | 014 | 4603386 | 211 | 030 | 50002200 | 041 | 001 | 50068900 | 193 | 005 | 80060616 | 041 | 004 | 80060820 | 083 | 023 |
| A7250174 | 037 | 004 | A7251202 | 101 | 016 | A8259901 | 209 | 012 | 4603386 | 213 | 011 | 50002200 | 045 | 016 | 50068900 | 195 | 005 | 80060616 | 045 | 018 | 80060820 | 093 | 033 |
| A7250195 | 039 | 010 | A7251202 | 103 | 014 | A8332600 | 009 | 014 | 4603386 | 215 | 031 | 50002200 | 047 | 021 | 50070300 | 035 | 007 | 80060616 | 047 | 024 | 80060820 | 103 | 044 |
| A7250195 | 041 | 025 | A7251202 | 105 | 014 | A8332600 | 011 | 015 | 4603391 | 211 | 026 | 50002200 | 051 | 022 | 50070300 | 035 | 016 | 80060616 | 063 | 025 | 80060820 | 105 | 044 |
| A7250195 | 063 | 001 | A7251202 | 107 | 014 | A8359108 | 005 | 009 | 4603391 | 215 | 026 | 50002200 | 053 | 027 | 50070300 | 037 | 017 | 80060616 | 069 | 011 | 80060820 | 107 | 046 |
| A7250195 | 065 | 002 | A7251202 | 109 | 013 | A8359108 | 027 | 011 | 4603392 | 217 | 001 | 50002200 | 055 | 014 | 50070300 | 043 | 015 | 80060616 | 071 | 011 | 80060820 | 109 | 044 |
| A7250196 | 045 | 001 | A7251203 | 097 | 035 | A8359108 | 039 | 025 | 4603444 | 211 | 011 | 50002200 | 057 | 020 | 50070300 | 055 | 015 | 80060616 | 077 | 042 | 80060820 | 183 | 015 |
| A7250196 | 047 | 002 | A7251203 | 101 | 017 | A8359108 | 051 | 011 | 4603444 | 213 | 005 | 50002200 | 059 | 025 | 50070300 | 061 | 017 | 80060616 | 081 | 008 | 80060820 | 205 | 013 |
| A7250197 | 063 | 002 | A7251203 | 103 | 015 | A8359108 | 053 | 014 | 4603444 | 215 | 011 | 50002200 | 061 | 016 | 50070300 | 067 | 017 | 80060616 | 083 | 022 | 80060826 | 007 | 040 |



INDEX NUMERIQUE - NUMERICAL INDEX

TEILENUMMERN-INDEX - INDICE NUMERICO

| Nr | Page | Rep. | Nr | Page | Rep. | Nr | Page | Rep. | Nr | Page | Rep. | Nr | Page | Rep. | Nr | Page | Rep. | Nr | Page | Rep. | Nr | Page | Rep. |
|----------|------|------|----------|------|------|----------|------|------|----------|------|------|----------|------|------|----------|------|------|----------|------|------|----------|------|------|
| 80060826 | 027 | 030 | 80061026 | 093 | 036 | 80061648 | 029 | 022 | 80080570 | 197 | 015 | 80200600 | 069 | 003 | 80200870 | 087 | 010 | 80201070 | 011 | 007 | 80201630 | 101 | 010 |
| 80060826 | 181 | 011 | 80061026 | 103 | 035 | 80061648 | 031 | 023 | 80080614 | 207 | 002 | 80200600 | 071 | 003 | 80200870 | 093 | 013 | 80201070 | 013 | 006 | 80201630 | 103 | 010 |
| 80060833 | 077 | 046 | 80061026 | 105 | 034 | 80061648 | 033 | 027 | 80080614 | 209 | 002 | 80200600 | 097 | 025 | 80200870 | 097 | 031 | 80201070 | 039 | 012 | 80201630 | 105 | 010 |
| 80060833 | 083 | 024 | 80061026 | 107 | 037 | 80061657 | 015 | 040 | 80080630 | 093 | 031 | 80200600 | 099 | 068 | 80200870 | 099 | 071 | 80201070 | 041 | 008 | 80201630 | 107 | 010 |
| 80060833 | 085 | 038 | 80061026 | 109 | 035 | 80061657 | 017 | 040 | 80080813 | 021 | 027 | 80200600 | 103 | 029 | 80200870 | 101 | 019 | 80201070 | 045 | 006 | 80201630 | 109 | 010 |
| 80060833 | 089 | 039 | 80061026 | 201 | 037 | 80061657 | 079 | 049 | 80080816 | 073 | 012 | 80200600 | 105 | 029 | 80200870 | 103 | 017 | 80201070 | 047 | 007 | 80201651 | 015 | 010 |
| 80060833 | 097 | 048 | 80061026 | 203 | 040 | 80061657 | 085 | 040 | 80080816 | 097 | 030 | 80200600 | 107 | 033 | 80200870 | 105 | 017 | 80201070 | 051 | 010 | 80201651 | 017 | 010 |
| 80060833 | 101 | 030 | 80061035 | 201 | 036 | 80061657 | 089 | 009 | 80080816 | 099 | 067 | 80200600 | 109 | 029 | 80200870 | 107 | 017 | 80201070 | 053 | 011 | 80201651 | 029 | 003 |
| 80060833 | 185 | 008 | 80061035 | 203 | 039 | 80061657 | 097 | 009 | 80080831 | 007 | 035 | 80200600 | 199 | 002 | 80200870 | 109 | 016 | 80201070 | 057 | 009 | 80201651 | 031 | 003 |
| 80060833 | 187 | 005 | 80061070 | 039 | 011 | 80061657 | 101 | 009 | 80080860 | 183 | 014 | 80200600 | 205 | 003 | 80200870 | 177 | 008 | 80201070 | 059 | 010 | 80201651 | 175 | 008 |
| 80060834 | 073 | 013 | 80061070 | 041 | 005 | 80061657 | 103 | 009 | 80080870 | 207 | 024 | 80200630 | 063 | 009 | 80200875 | 007 | 018 | 80201070 | 065 | 011 | 80202030 | 027 | 007 |
| 80060845 | 093 | 034 | 80061070 | 045 | 019 | 80061657 | 105 | 009 | 80080870 | 209 | 020 | 80200630 | 065 | 010 | 80200875 | 077 | 018 | 80201070 | 077 | 013 | 80202030 | 029 | 004 |
| 80060845 | 103 | 041 | 80061070 | 047 | 025 | 80061657 | 107 | 009 | 80081055 | 207 | 030 | 80200630 | 077 | 010 | 80200875 | 089 | 025 | 80201070 | 089 | 017 | 80202030 | 031 | 004 |
| 80060845 | 105 | 041 | 80061070 | 051 | 026 | 80061657 | 109 | 009 | 80081055 | 209 | 030 | 80200630 | 085 | 009 | 80201030 | 011 | 006 | 80201070 | 097 | 014 | 80202030 | 089 | 007 |
| 80060845 | 107 | 043 | 80061070 | 053 | 032 | 80062040 | 007 | 036 | 80101025 | 009 | 019 | 80200675 | 077 | 017 | 80201040 | 003 | 004 | 80201070 | 099 | 060 | 80202030 | 097 | 007 |
| 80060845 | 109 | 039 | 80061070 | 057 | 024 | 80062040 | 027 | 025 | 80101025 | 011 | 020 | 80200675 | 085 | 016 | 80201040 | 005 | 004 | 80201070 | 183 | 008 | 80202030 | 101 | 007 |
| 80060846 | 009 | 020 | 80061070 | 059 | 030 | 80062055 | 027 | 026 | 80131641 | 015 | 034 | 80200675 | 089 | 034 | 80201040 | 007 | 011 | 80201070 | 203 | 011 | 80202030 | 103 | 007 |
| 80060846 | 011 | 022 | 80061070 | 065 | 031 | 80062076 | 179 | 006 | 80131641 | 017 | 034 | 80200675 | 097 | 043 | 80201040 | 009 | 005 | 80201240 | 007 | 012 | 80202030 | 105 | 007 |
| 80060846 | 177 | 022 | 80061073 | 003 | 013 | 80062081 | 027 | 027 | 80131641 | 175 | 014 | 80200675 | 101 | 025 | 80201040 | 015 | 012 | 80201240 | 015 | 013 | 80202030 | 107 | 007 |
| 80060850 | 039 | 028 | 80061073 | 005 | 019 | 80062082 | 079 | 050 | 80131650 | 015 | 035 | 80200830 | 011 | 005 | 80201040 | 017 | 012 | 80201240 | 017 | 013 | 80202030 | 109 | 007 |
| 80060850 | 181 | 010 | 80061073 | 015 | 037 | 80062082 | 085 | 041 | 80131650 | 017 | 035 | 80200840 | 007 | 010 | 80201040 | 093 | 011 | 80201253 | 015 | 009 | 80202047 | 077 | 012 |
| 80060853 | 093 | 035 | 80061073 | 017 | 037 | 80062082 | 089 | 006 | 80200440 | 087 | 008 | 80200840 | 009 | 004 | 80201040 | 103 | 036 | 80201253 | 017 | 009 | 80202047 | 085 | 011 |
| 80060853 | 097 | 036 | 80061073 | 027 | 031 | 80062082 | 093 | 038 | 80200500 | 197 | 006 | 80200840 | 073 | 005 | 80201040 | 105 | 037 | 80201253 | 051 | 008 | 80202047 | 093 | 012 |
| 80060853 | 101 | 018 | 80061073 | 183 | 017 | 80062082 | 097 | 006 | 80200540 | 087 | 009 | 80200840 | 083 | 008 | 80201040 | 107 | 038 | 80201253 | 053 | 009 | 80202047 | 179 | 003 |
| 80060853 | 103 | 016 | 80061225 | 015 | 038 | 80062082 | 101 | 006 | 80200540 | 097 | 039 | 80200840 | 093 | 010 | 80201040 | 109 | 036 | 80201253 | 057 | 007 | 80202070 | 007 | 016 |
| 80060853 | 105 | 016 | 80061225 | 017 | 038 | 80062082 | 103 | 006 | 80200540 | 101 | 022 | 80200840 | 103 | 045 | 80201040 | 183 | 007 | 80201253 | 059 | 008 | 80202230 | 029 | 005 |
| 80060853 | 107 | 016 | 80061225 | 027 | 028 | 80062082 | 105 | 006 | 80200540 | 103 | 020 | 80200840 | 105 | 045 | 80201040 | 201 | 010 | 80201253 | 063 | 008 | 80202230 | 031 | 005 |
| 80060853 | 109 | 015 | 80061225 | 033 | 025 | 80062082 | 107 | 006 | 80200540 | 105 | 020 | 80200840 | 107 | 047 | 80201040 | 203 | 010 | 80201253 | 065 | 009 | 80202440 | 181 | 004 |
| 80060853 | 211 | 014 | 80061236 | 007 | 041 | 80062082 | 109 | 006 | 80200540 | 107 | 020 | 80200840 | 109 | 045 | 80201053 | 039 | 015 | 80201253 | 201 | 009 | 80204515 | 019 | 015 |
| 80060853 | 213 | 020 | 80061245 | 027 | 032 | 80062092 | 079 | 051 | 80200540 | 109 | 019 | 80200840 | 181 | 005 | 80201053 | 041 | 007 | 80201253 | 203 | 009 | 80250408 | 087 | 016 |
| 80060853 | 215 | 014 | 80061245 | 033 | 026 | 80062092 | 085 | 042 | 80200600 | 007 | 013 | 80200840 | 183 | 006 | 80201053 | 045 | 004 | 80201270 | 029 | 006 | 80250512 | 087 | 014 |
| 80061020 | 003 | 012 | 80061271 | 185 | 009 | 80062092 | 089 | 005 | 80200600 | 035 | 015 | 80200840 | 213 | 021 | 80201053 | 047 | 005 | 80201270 | 031 | 006 | 80250512 | 097 | 038 |
| 80061020 | 005 | 018 | 80061295 | 063 | 026 | 80062092 | 097 | 005 | 80200600 | 037 | 009 | 80200851 | 035 | 008 | 80201053 | 051 | 007 | 80201270 | 063 | 010 | 80250512 | 101 | 021 |
| 80061020 | 033 | 024 | 80061475 | 027 | 024 | 80062092 | 101 | 005 | 80200600 | 039 | 018 | 80200851 | 035 | 017 | 80201053 | 053 | 008 | 80201270 | 185 | 003 | 80250512 | 103 | 019 |
| 80061020 | 089 | 016 | 80061647 | 015 | 039 | 80062092 | 103 | 005 | 80200600 | 041 | 006 | 80200851 | 037 | 007 | 80201053 | 055 | 006 | 80201270 | 193 | 002 | 80250512 | 105 | 019 |
| 80061020 | 093 | 032 | 80061647 | 017 | 039 | 80062092 | 105 | 005 | 80200600 | 043 | 014 | 80200851 | 043 | 016 | 80201053 | 057 | 006 | 80201270 | 195 | 002 | 80250512 | 107 | 019 |
| 80061020 | 097 | 013 | 80061647 | 077 | 048 | 80062092 | 107 | 005 | 80200600 | 045 | 005 | 80200851 | 055 | 005 | 80201053 | 059 | 007 | 80201430 | 027 | 006 | 80250512 | 109 | 018 |
| 80061020 | 099 | 059 | 80061647 | 085 | 039 | 80062092 | 109 | 005 | 80200600 | 047 | 006 | 80200851 | 061 | 007 | 80201053 | 061 | 008 | 80201430 | 035 | 012 | 80250611 | 043 | 012 |
| 80061020 | 183 | 016 | 80061647 | 089 | 008 | 80062094 | 179 | 007 | 80200600 | 049 | 003 | 80200851 | 067 | 008 | 80201053 | 063 | 007 | 80201430 | 037 | 008 | 80250611 | 049 | 008 |
| 80061021 | 027 | 029 | 80061647 | 093 | 037 | 80062270 | 029 | 023 | 80200600 | 051 | 009 | 80200851 | 073 | 004 | 80201053 | 065 | 008 | 80201630 | 015 | 011 | 80250611 | 055 | 013 |
| 80061026 | 003 | 011 | 80061647 | 097 | 008 | 80062270 | 031 | 022 | 80200600 | 053 | 010 | 80200851 | 075 | 002 | 80201053 | 067 | 009 | 80201630 | 017 | 011 | 80250611 | 061 | 015 |
| 80061026 | 005 | 017 | 80061647 | 101 | 008 | 80062461 | 181 | 009 | 80200600 | 055 | 007 | 80200870 | 007 | 014 | 80201053 | 069 | 002 | 80201630 | 077 | 011 | 80250611 | 077 | 028 |
| 80061026 | 009 | 022 | 80061647 | 103 | 008 | 80080420 | 089 | 027 | 80200600 | 057 | 008 | 80200870 | 015 | 014 | 80201053 | 071 | 002 | 80201630 | 085 | 010 | 80250611 | 081 | 003 |
| 80061026 | 011 | 023 | 80061647 | 105 | 008 | 80080420 | 093 | 030 | 80200600 | 059 | 009 | 80200870 | 017 | 014 | 80201070 | 005 | 005 | 80201630 | 089 | 010 | 80250611 | 083 | 014 |
| 80061026 | 013 | 013 | 80061647 | 107 | 008 | 80080530 | 177 | 020 | 80200600 | 061 | 009 | 80200870 | 073 | 006 | 80201070 | 007 | 015 | 80201630 | 093 | 009 | 80250611 | 085 | 025 |
| 80061026 | 077 | 047 | 80061647 | 109 | 008 | 80080570 | 177 | 021 | 80200600 | 067 | 010 | 80200870 | 083 | 009 | 80201070 | 009 | 006 | 80201630 | 097 | 010 | 80250611 | 087 | 015 |



INDEX NUMERIQUE - NUMERICAL INDEX TEILENUMMERN-INDEX - INDICE NUMERICO

| Nr | Page | Rep. | Nr | Page | Rep. | Nr | Page | Rep. | Nr | Page | Rep. | Nr | Page | Rep. | Nr | Page | Rep. | Nr | Page | Rep. |
|----------|------|------|----------|------|------|----------|------|------|----------|------|------|----------|------|------|----------|------|------|----|------|------|
| 80250611 | 089 | 012 | 80252026 | 029 | 010 | 80450845 | 067 | 013 | 81004584 | 041 | 011 | 82200800 | 047 | 010 | 83240411 | 087 | 012 | | | |
| 80250611 | 097 | 024 | 80252026 | 031 | 010 | 80451046 | 015 | 001 | 81004584 | 047 | 016 | 82200800 | 053 | 013 | 83240901 | 013 | 003 | | | |
| 80250611 | 099 | 069 | 80252026 | 179 | 004 | 80451046 | 017 | 019 | 81004584 | 053 | 022 | 82200800 | 059 | 012 | 83240912 | 013 | 002 | | | |
| 80250611 | 101 | 036 | 80252060 | 027 | 022 | 80451061 | 015 | 020 | 81004584 | 059 | 020 | 82200800 | 065 | 015 | 83240912 | 087 | 005 | | | |
| 80250611 | 103 | 028 | 80270801 | 087 | 013 | 80451061 | 017 | 020 | 81004584 | 065 | 022 | 82200806 | 211 | 032 | 83503026 | 231 | 020 | | | |
| 80250611 | 105 | 028 | 80270924 | 003 | 005 | 80451061 | 207 | 031 | 81006008 | 207 | 032 | 82200806 | 215 | 033 | 83503031 | 231 | 021 | | | |
| 80250611 | 107 | 032 | 80270924 | 005 | 006 | 80451061 | 209 | 029 | 81006008 | 209 | 031 | 82200807 | 211 | 025 | 8370003B | 077 | 030 | | | |
| 80250611 | 109 | 028 | 80280650 | 077 | 026 | 80451063 | 211 | 027 | 81304587 | 033 | 022 | 82200807 | 215 | 025 | 8370003B | 085 | 026 | | | |
| 80250611 | 205 | 007 | 80280650 | 085 | 022 | 80451063 | 213 | 014 | 81305090 | 033 | 023 | 82230000 | 033 | 011 | 8370004C | 077 | 031 | | | |
| 80250823 | 007 | 022 | 80280650 | 089 | 042 | 80451063 | 215 | 027 | 81305501 | 019 | 013 | 82300026 | 119 | 005 | 8370004C | 081 | 004 | | | |
| 80250823 | 007 | 023 | 80280650 | 099 | 051 | 80451067 | 211 | 033 | 81307016 | 021 | 023 | 82300026 | 175 | 002 | 8370004C | 083 | 016 | | | |
| 80250823 | 027 | 020 | 80280650 | 101 | 033 | 80451067 | 215 | 030 | 81308500 | 207 | 013 | 82300026 | 197 | 001 | 8370004C | 087 | 018 | | | |
| 80250823 | 083 | 015 | 80280850 | 083 | 013 | 80451291 | 207 | 017 | 81308500 | 209 | 011 | 83040032 | 033 | 007 | 8370006A | 085 | 027 | | | |
| 80250823 | 087 | 017 | 80280850 | 085 | 023 | 80451291 | 209 | 015 | 81308504 | 019 | 012 | 83040198 | 087 | 001 | | | | | | |
| 80250823 | 093 | 021 | 80280850 | 093 | 019 | 80500328 | 041 | 010 | 81308505 | 021 | 016 | 83050015 | 077 | 003 | | | | | | |
| 80250823 | 119 | 011 | 80280850 | 103 | 032 | 80500328 | 047 | 009 | 81309007 | 207 | 008 | 83050015 | 083 | 001 | | | | | | |
| 80250823 | 177 | 018 | 80280850 | 105 | 032 | 80500328 | 053 | 012 | 81309007 | 209 | 008 | 83050015 | 085 | 002 | | | | | | |
| 80250823 | 181 | 006 | 80280850 | 107 | 034 | 80500328 | 059 | 011 | 81503011 | 039 | 004 | 83050015 | 087 | 002 | | | | | | |
| 80250823 | 185 | 006 | 80280850 | 109 | 032 | 80500328 | 065 | 014 | 81503011 | 045 | 008 | 83050015 | 089 | 040 | | | | | | |
| 80250823 | 187 | 004 | 80281600 | 015 | 025 | 80500579 | 019 | 016 | 81503011 | 051 | 012 | 83050015 | 093 | 001 | | | | | | |
| 80250823 | 205 | 008 | 80281600 | 017 | 025 | 80583000 | 019 | 005 | 81503012 | 039 | 005 | 83050015 | 099 | 049 | | | | | | |
| 80251021 | 003 | 009 | 80281600 | 033 | 017 | 80583800 | 021 | 007 | 81503012 | 045 | 003 | 83050015 | 101 | 031 | | | | | | |
| 80251021 | 005 | 014 | 80281600 | 077 | 027 | 80585700 | 207 | 021 | 81503012 | 051 | 006 | 83050015 | 103 | 033 | | | | | | |
| 80251021 | 007 | 021 | 80281600 | 085 | 024 | 80585700 | 209 | 023 | 81503015 | 041 | 012 | 83050015 | 105 | 033 | | | | | | |
| 80251021 | 009 | 015 | 80281600 | 089 | 003 | 80586000 | 207 | 033 | 81503015 | 047 | 011 | 83050015 | 107 | 035 | | | | | | |
| 80251021 | 011 | 017 | 80281600 | 093 | 020 | 80586000 | 209 | 032 | 81503015 | 053 | 015 | 83050015 | 109 | 033 | | | | | | |
| 80251021 | 027 | 019 | 80281600 | 097 | 003 | 80589200 | 207 | 034 | 81503015 | 057 | 011 | 83233002 | 077 | 014 | | | | | | |
| 80251021 | 077 | 029 | 80281600 | 101 | 003 | 80598500 | 033 | 010 | 81503015 | 059 | 014 | 83233002 | 085 | 012 | | | | | | |
| 80251021 | 089 | 015 | 80281600 | 103 | 003 | 80599500 | 209 | 033 | 81503015 | 063 | 014 | 83233002 | 177 | 009 | | | | | | |
| 80251021 | 093 | 022 | 80281600 | 105 | 003 | 80613200 | 021 | 003 | 81503015 | 065 | 017 | 83233017 | 083 | 011 | | | | | | |
| 80251021 | 097 | 012 | 80281600 | 107 | 003 | 80650830 | 135 | 002 | 81503016 | 041 | 013 | 83233017 | 177 | 012 | | | | | | |
| 80251021 | 099 | 058 | 80281600 | 109 | 003 | 80650830 | 137 | 002 | 81503016 | 047 | 004 | 83233069 | 083 | 005 | | | | | | |
| 80251021 | 183 | 010 | 80282557 | 181 | 007 | 80650830 | 139 | 002 | 81503016 | 053 | 007 | 83235003 | 077 | 008 | | | | | | |
| 80251021 | 201 | 023 | 80370419 | 027 | 017 | 80650830 | 141 | 002 | 81503016 | 057 | 005 | 83235003 | 085 | 007 | | | | | | |
| 80251021 | 203 | 025 | 80370419 | 043 | 010 | 80650830 | 143 | 002 | 81503016 | 059 | 006 | 83235059 | 077 | 015 | | | | | | |
| 80251227 | 007 | 024 | 80370419 | 049 | 007 | 80650830 | 145 | 002 | 81503016 | 063 | 006 | 83235059 | 085 | 013 | | | | | | |
| 80251227 | 015 | 026 | 80370419 | 055 | 012 | 80650830 | 147 | 002 | 81503016 | 065 | 007 | 83235069 | 077 | 009 | | | | | | |
| 80251227 | 017 | 026 | 80370419 | 061 | 014 | 80650830 | 149 | 002 | 82014586 | 033 | 004 | 83235069 | 085 | 008 | | | | | | |
| 80251227 | 041 | 009 | 80370419 | 067 | 015 | 80650830 | 151 | 002 | 82016087 | 207 | 035 | 83235097 | 077 | 006 | | | | | | |
| 80251227 | 047 | 013 | 80370419 | 103 | 025 | 80650830 | 153 | 002 | 82016087 | 209 | 034 | 83235097 | 085 | 005 | | | | | | |
| 80251227 | 053 | 019 | 80370419 | 105 | 025 | 80650830 | 155 | 002 | 82060051 | 207 | 004 | 83235099 | 077 | 007 | | | | | | |
| 80251227 | 059 | 017 | 80370419 | 107 | 027 | 80650830 | 157 | 002 | 82060051 | 209 | 004 | 83235099 | 085 | 006 | | | | | | |
| 80251227 | 065 | 019 | 80370419 | 109 | 026 | 80650830 | 159 | 001 | 82063742 | 021 | 006 | 83236050 | 177 | 013 | | | | | | |
| 80251227 | 185 | 007 | 80370419 | 177 | 017 | 80650830 | 161 | 001 | 82102229 | 201 | 022 | 83240007 | 013 | 012 | | | | | | |
| 80251624 | 015 | 027 | 80370426 | 013 | 009 | 80650830 | 163 | 001 | 82102229 | 203 | 024 | 83240016 | 013 | 004 | | | | | | |
| 80251624 | 017 | 027 | 80450431 | 009 | 008 | 80650830 | 165 | 001 | 82200616 | 019 | 022 | 83240017 | 013 | 005 | | | | | | |
| 80252026 | 007 | 025 | 80450431 | 011 | 001 | 80651016 | 207 | 007 | 82200800 | 021 | 008 | 83240400 | 013 | 008 | | | | | | |
| 80252026 | 027 | 021 | 80450845 | 039 | 023 | 80651016 | 209 | 007 | 82200800 | 041 | 014 | 83240401 | 013 | 007 | | | | | | |

EXTRAIT DES CONDITIONS DE GARANTIE ET CONDITIONS SPECIFIQUES PIECES DE RECHANGE

Nous garantissons notre matériel durant une année à partir du jour de livraison, c'est-à-dire que nous nous engageons à rembourser les pièces qui auront été reconnues défectueuses en nos usines, par notre service technique.

Bien entendu, la garantie ne s'applique pas en cas d'usure normale, ni en cas de détériorations résultant de négligences ou de défauts de surveillance, d'un mauvais usage, d'un manque d'entretien ou d'un accident. La garantie ne s'applique pas non plus si la machine a été prêtée ou utilisée pour un usage non conforme à sa destination prévue par la société.

La garantie ne s'applique pas aux pièces d'usure.

Les pièces de rechange sont soumises aux mêmes conditions de garantie que le matériel sous réserve qu'elles aient été montées selon les règles de l'art et utilisées conformément à nos recommandations.

EXTRACT FROM OUR CONDITIONS OF LIMITED WARRANTY AND SPARE PARTS WARRANTY POLICY

Our equipment is warranted for a period of one year from the date of delivery. We guarantee the reimbursement of all parts proven to be faulty by our technical division in material or manufacturing.

The warranty is not applicable in the following cases : normal wear, accident or negligence in operation, repairs using parts other than genuine KUHN parts, products altered or modified without the expressed permission of the company or if the machine is not used and serviced in accordance with the recommendations of the operator's manual. Wearing items are not covered under these conditions of limited warranty.

Spare parts are subject to the same warranty conditions than the equipment providing they have been installed with proficiency and are used in accordance with our recommendations.

AUSZUG AUS UNSEREN GARANTIEBEDINGUNGEN UND SONDERBEDINGUNGEN FÜR ERSATZTEILE

Wir garantieren unsere Ware für ein Jahr ab dem Tag der Lieferung und verpflichten uns, die Teile zu ersetzen, die im Werk als fehlerhaft anerkannt wurden.

Die Garantie ist ausgeschlossen für Teile, die einem normalen Verschleiß unterliegen, sowie im Fall von nachlässiger Behandlung oder mangelhafter Wartung oder eines Unfalls. Die Garantie erlischt auch, wenn die Maschine ausgeliehen oder unter Umständen eingesetzt wurde, die dem ursprünglichen Verwendungszweck und den Hinweisen in der Betriebsanleitung nicht entsprechen.

Verschleißteile sind von der Garantie ausgeschlossen

Ersatzteile unterliegen den gleichen Garantiebedingungen wie komplette Maschinen, vorausgesetzt, dass sie sachgerecht eingebaut und entsprechend unseren Empfehlungen verwendet wurden.

ESTRATTO DELLE CONDIZIONI DI GARANZIA E CONDIZIONI SPECIFICHE GARANZIA RICAMBI

Le nostre macchine sono garantite per un anno a partire dal giorno della consegna: ci impegnamo a rimborsare i componenti che saranno riconosciuti difettosi dai nostri servizi tecnici presso le nostre officine.

La garanzia non è applicabile nei seguenti casi: usura normale, incidente o negligenza nell'impiego, riparazioni utilizzando ricambi non originali KUHN, prodotti alterati o modificati senza il permesso dell'azienda. La garanzia non viene riconosciuta se la macchina è stata prestata o non è utilizzata o mantenuta in conformità alle raccomandazioni previste dalla società. La garanzia non copre i componenti soggetti ad usura.

I pezzi di ricambio sono soggetti agli stessi termini di garanzia della macchina, purchè siano stati installati con competenza e utilizzati conformemente alle nostre raccomandazioni.



**Pour votre sécurité et le bon fonctionnement de votre machine,
utilisez uniquement des pièces d'origine KUHN**

**For your safety and to get the best from your machine,
use only genuine KUHN parts**

**Zu ihrer Sicherheit und zur einwandfreien Funktion Ihrer
Maschine sollten Sie nur Original-KUHN-Ersatzteile verwenden**

**Per la vostra sicurezza, e per il buon funzionamento della vostra macchina,
usate esclusivamente i ricambi originali KUHN**

**KUHN PARTS Parc de la Faisanderie F - 67700 MONSWILLER (FRANCE)
www.kuhn.com**

Imprimé en France par KUHN
Printed in France by KUHN