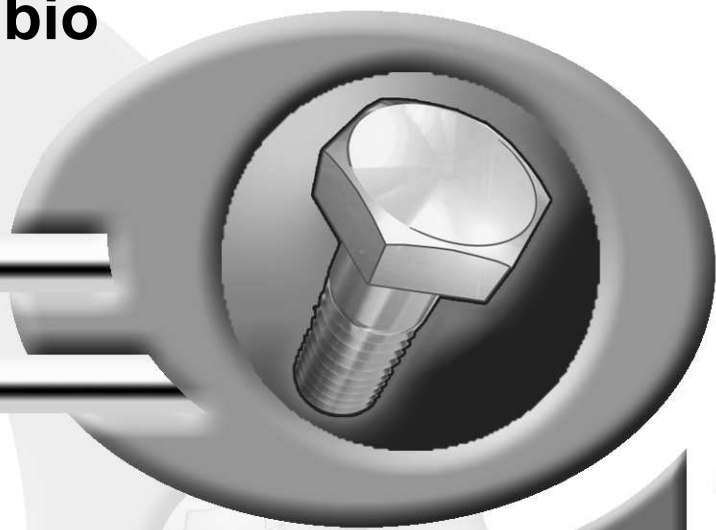


Pièces de rechange
Spare parts list
Ersatzteilliste
Catalogo Pezzi di Ricambio



CHARRUE PORTEE
MOUNTED REVERSIBLE PLOUGH
VOLLDREHPFLUG
ARATRO PORTATO



19738 > J7422

VARI-MASTER 152 T





SIGNES CODIFIÉS - STANDARD SYMBOLS - SYMBOLE - SIMBOLI CODIFICATI

| | |
|--------------|--------------------------------------|
| OPT | Equipement optionnel |
| STD | Equipement livré de série |
| ESP | Equipement livré suivant pays |
| : | Pour ... |
| > | De ... à ... |
| RPL | Remplace ... |
| ∅ | Diamètre |
| > < | Epaisseur |
| <-> | Longueur |
| <m> | Vendu au mètre |
| Q? | Quantité selon besoin |
| * | Voir note |
| [n] | Composant d'un assemblage |
| + [n] | Assemblage comprenant les pièces [n] |

| | |
|--------------|---|
| OPT | Optional equipment |
| STD | Equipment supplied as standard |
| ESP | Equipment supplied for specific countries |
| : | For ... |
| > | From ... to ... |
| RPL | Replaces ... |
| ∅ | Diameter |
| > < | Thickness |
| <-> | Length |
| <m> | Sold by the metre |
| Q? | Quantity as required |
| * | See note |
| [n] | Items making up assembly |
| + [n] | Assembly made up by items [n] |

| | |
|--------------|---|
| OPT | Sonderausrüstung |
| STD | Serienausrüstung |
| ESP | Länderabhängige Ausrüstung |
| : | Für ... |
| > | Von ... bis ... |
| RPL | Ersetzt ... |
| ∅ | Durchmesser |
| > < | Stärke |
| <-> | Länge |
| <m> | Meterware |
| Q? | Stückzahl nach Bedarf |
| * | Siehe Nota |
| [n] | Teil einer Baugruppe |
| + [n] | Baugruppe bestehend aus den mit [n] bezeichneten Teilen |

| | |
|--------------|---------------------------------------|
| OPT | Attrezzatura opzionale |
| STD | Attrezzatura fornita di serie |
| ESP | Attrezzatura fornita secondo il paese |
| : | Per ... |
| > | Da ... A ... |
| RPL | Sostituisce ... |
| ∅ | Diametro |
| > < | Spessore |
| <-> | Lunghezza |
| <m> | venduto a metro |
| Q? | Quantità richiesta |
| * | Vedi nota |
| [n] | Componente di un assieme |
| + [n] | Assieme comprendente i componenti [n] |

POUR COMMANDER DES PIÈCES DE RECHANGE, VEUILLEZ INDIQUER:

- Le numéro de fabrication de la machine
- Le numéro de la pièce
- La quantité désirée

WHEN ORDERING SERVICE-PARTS, WILL YOU PLEASE MENTION:

- The machine type and serial number
- The part number
- The quantity of parts

BEI DER BESTELLUNG VON ERSATZTEILEN IMMER ANGEBEN:

- Die Seriennummer der Maschine
- Die Nummer des Teiles
- Die gewünschte Stückzahl

NELL'ORDINARE I RICAMBI, SI PREGA DI INDICARE:

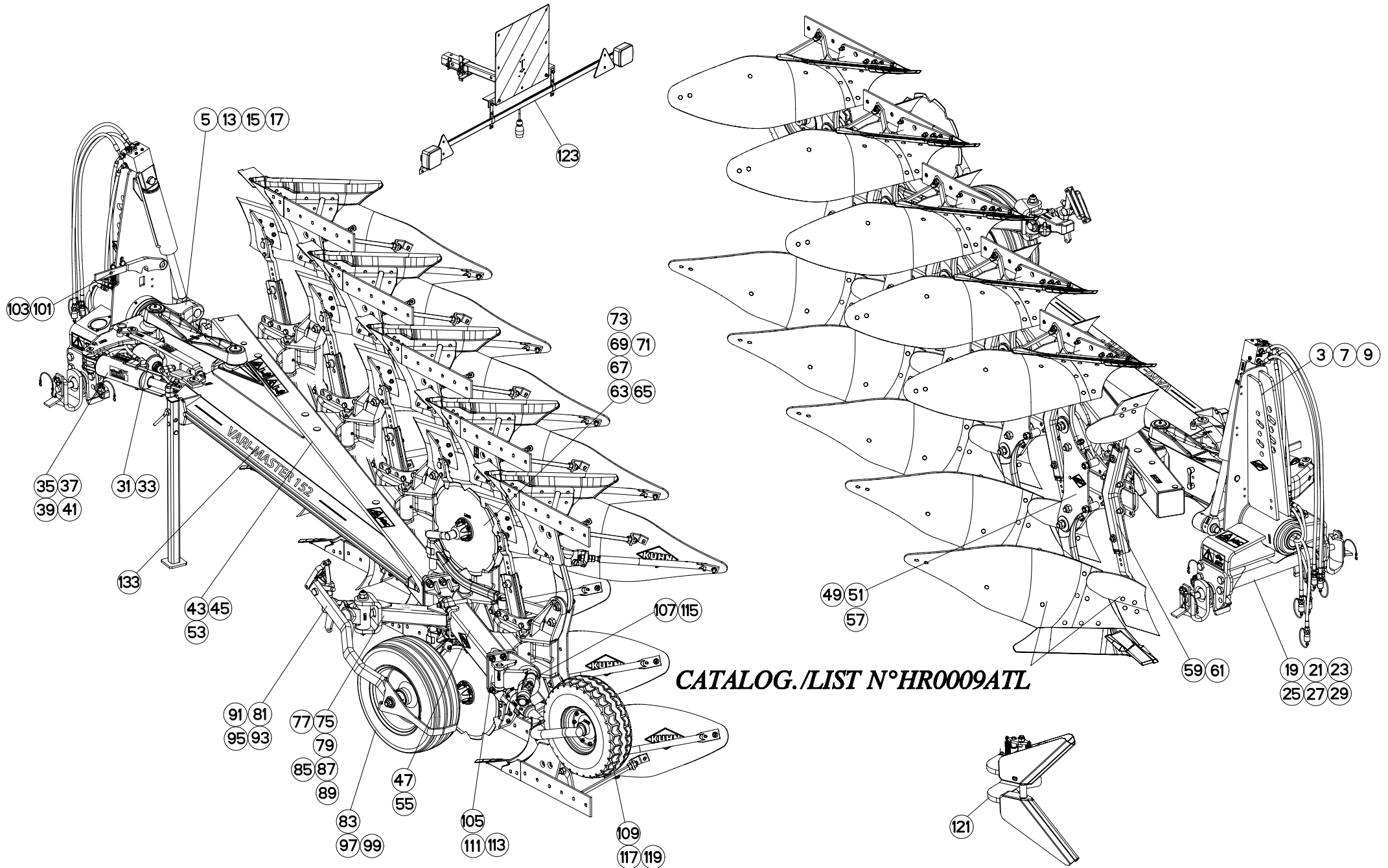
- Il tipo ed il numero di serie della macchina
- Il codice del componente
- La quantità desiderata

- Toutes les pièces détachées et sous-ensembles sont à commander au magasin pièces de rechange.
- **Les équipements optionnels (OPT)** ainsi que les **notices d'instructions** sont à commander auprès des **services commerciaux**.

- Service parts and service part assemblies are to be ordered through the spare parts department.
- **Optional equipment (OPT)** and **assembly operator's manuals** should be ordered through the **wholesaler sales department**.

- Bestellungen für Ersatzteile und Baugruppen sind an die Ersatzteilabteilung zu richten.
- **Sonderausrüstungen (OPT)** sowie **Montage- und Betriebsanleitungen**, bestellen Sie bitte bei der **Verkaufsabteilung für Maschinen**.

- I ricambi e i sotto-assiemi devono essere ordinati al Magazzino Ricambi.
- **Le attrezzature opzionali (OPT)** ed i **manuali dell'operatore** devono essere ordinati al **Servizio Commerciale**.



CATALOG./LIST N°HR0009ATL



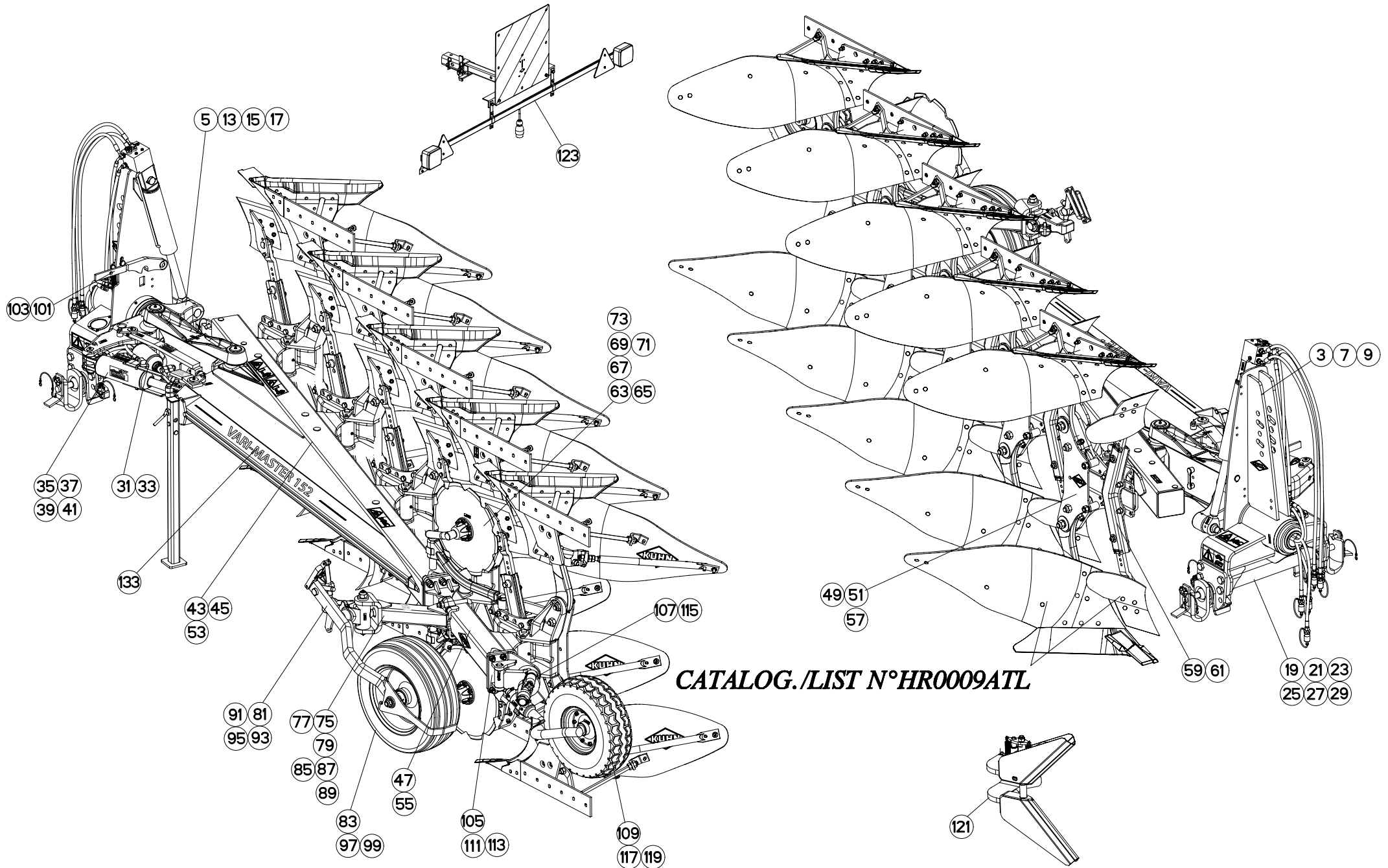
TABLE DES MATIERES - TABLE OF CONTENTS - INHALTSVERZEICHNIS - INDICE

H18R0005 B

Catalogue P.D.R. - Spare parts list - Ersatzteilliste - Pezzi di Ricambio :

HR056BTL B

| Page | Opt | Groupe de pièces | Parts group index | Teilegruppe | Gruppo di parti |
|------|-----|--------------------------------|--------------------------------|---------------------------------|--------------------------------|
| 003 | | AVANT-TRAIN B | HEADSTOCK B | PFLUGKOPF B | TESTA DI ROTAZIONE B |
| 005 | | PARTIE MÉDIANE B VM | MAIN LINK B VM | MITTELTEIL B VM | TIRANTE PRINCIPALE B VM |
| 007 | | AVANT-TRAIN A | HEADSTOCK A | PFLUGKOPF A | TESTA DI ROTAZIONE A |
| 009 | | AVANT-TRAIN A OSCILLANT | HEADSTOCK A OSCILLATING | PFLUGKOPF A SCHWINGEND | TESTA DI ROTAZIONE A OSCILLANT |
| 011 | | HYDRAULIQUE AVANT TRAIN A OSCI | HEADSTOCK A OSCILLATING | HYDRAULIKELEMENTE PFLUGKOPF A | PORTA-ATTREZZI A OSCILLANTE |
| 013 | | PARTIE MÉDIANE A VM | MAIN LINK A VM | MITTELTEIL A VM | TIRANTE PRINCIPALE A VM |
| 015 | | PARTIE MÉDIANE A (BIELLE LONGU | MAIN LINK A (PULL BAR LONG) | MITTELTEIL A (LENKER LANG) | TIRANTE PRINCIPALE A (BIELLA L |
| 017 | OPT | PARTIE MÉDIANE A (UNDER BEAM T | MAIN LINK A (UNDER BEAM TURN.) | MITTELTEIL A (UNDER BEAM TURN. | TIRANTE PRINCIPALE A (UNDER BE |
| 019 | | TRAVERSE STD2 Ø50 | CROSSBAR STD2 Ø50 | QUERTRÄGER STD2 Ø50 | TRAVERSA STD2 Ø50 |
| 021 | | TRAVERSE STD2.5 Ø50 | CROSSBAR STD2.5 Ø50 | QUERTRÄGER STD2.5 Ø50 | TRAVERSA STD2.5 Ø50 |
| 023 | | TRAVERSE STD3 AVTB | CROSSBAR STD3 AVTB | QUERTRÄGER STD3 AVTB | TRAVERSA STD3 AVTB |
| 025 | | TRAVERSE STD2 AVTA | CROSSBAR STD2 AVTA | QUERTRÄGER STD2 AVTA | TRAVERSA STD2 AVTA |
| 027 | | TRAVERSE STD3 (3 POINT STD2) | CROSSBAR STD3 (3 POINT STD2) | QUERTRÄGER STD3 (3 POINT STD2) | TRAVERSA STD3 (3 POINT STD2) |
| 029 | | TRAVERSE STD3 AVTA | CROSSBAR STD3 AVTA | QUERTRÄGER STD3 AVTA | TRAVERSA STD3 AVTA |
| 031 | | DEPORT MÉCANIQUE | MECHANICAL OFFSET | MECH. VORDERFURCHENEINSTELLUNG | SFALSAMENTO MECCANICO |
| 033 | | DEPORT HYDRAULIQUE | HYDRAULIC OFFSET | HYDR. VORDERFURCHENEINSTELLUNG | SFALSAMENTO IDRAULICO |
| 035 | | LARGEUR DE COUPE HYDRAULIQUE B | HYDRAULIC CUTTING WIDTH B | HYDRAULISCHE KOMBIEINSTELLUNG B | LARGHEZZA DI TAGLIO IDRAULICO |
| 037 | | LARGEUR DE TRAVAIL REPLIABLE B | WORKING WIDTH/FOLDING B | SCHNITTBREITENEINSTELLUNG B | LARGHEZZA LAVORO/RIPIEGAMENTO |
| 039 | | LARGEUR DE COUPE HYDRAULIQUE A | HYDRAULIC CUTTING WIDTH A BL | HYDRAULISCHE KOMBIEINSTELLUNG A | LARGHEZZA DI TAGLIO IDRAULICO |
| 041 | | LARGEUR DE TRAVAIL REPLIABLE A | WORKING WIDTH/FOLDING A | SCHNITTBREITENEINSTELLUNG A | LARGHEZZA LAVORO/RIPIEGAMENTO |
| 043 | | BATI VM1523ET102 + TRINGLERIE | FRAME VM1523ET102 + LINKAGE | RAHMEN VM1523ET102 + GESTÄNGE | TELAIO VM1523ET102 + BIELLISMO |
| 045 | | BATI VM1524ET102 + TRINGLERIE | FRAME VM1524ET102 + LINKAGE | RAHMEN VM1524ET102 + GESTÄNGE | TELAIO VM1524ET102 + BIELLISMO |
| 047 | | EXTENSION 102 VM151/2 T | EXTENSION 102 VM151/2 T | ERWEITERUNG 102 VM151/2 T | PROLUNGA 102 VM151/2 T |
| 049 | | AGE SECURITE T80 | PLOUGH LEG SAFETY T80 | GRINDEL T80 STEINSICH | BURE DI SICUREZZA T80 |
| 051 | | AGE SECURITE T80 LOSANGE | PLOUGH LEG 80 SAFETY T DIAMOND | GRINDEL T80 STEINSICH.(RAUTEN) | BURE DI SICUREZZA T80 |
| 053 | | BATI VM122/525ET90 + TRINGLERI | FRAME VM122/525ET90 + LINKAGE | RAHMEN VM122/525ET90 + GESTÄNG | TELAIO VM122/525ET90 + BIELLIS |
| 055 | | EXTENSION VM121/51/122/52 | EXTENSION VM121/51/122/52 | ERWEITERUNG VM121/51/122/52 | PROLUNGA VM121/51/122/52 |
| 057 | | AGE SECURITE T80 | PLOUGH LEG SAFETY T80 | GRINDEL STEINSICHERUN T80 | BURE DI SICUREZZA T80 |
| 059 | | BOITIER TIGES RASETTE | SKIMMER LEG/SUPPORT | HALTERUNG/VORSCHALESTIEL | GAMBO DEL PREVOMERE |
| 061 | | BOITIER TIGES RASETTE | SKIMMER LEG/SUPPORT | HALTERUNG/VORSCHALESTIEL | GAMBO DEL PREVOMERE |
| 063 | OPT | COUTRE CIRCULAIRE Ø500 T | DISC COULTER Ø500 T | SCHEIBENSECH Ø500 T | ASSOLCATORE A DISCO Ø500 T |
| 065 | OPT | COUTRE CIRCULAIRE Ø600 T | DISC COULTER Ø600 T | SCHEIBENSECH Ø600 T | ASSOLCATORE A DISCO Ø600 T |
| 067 | OPT | COUTRE CIRCULAIRE (BIELLE LONG | DISC COULTER (PULL BAR LONG) | SCHEIBENSECH (LENKER LANG) | ASSOLCATORE A DISCO (BIELLA LU |
| 069 | OPT | COUTRE CIRCULAIRE Ø500 T (LONG | DISC COULTER Ø500 T (LONG) | SCHEIBENSECH Ø500 T (LANG) | ASSOLCATORE A DISCO Ø500 T (LU |
| 071 | OPT | COUTRE CIRCULAIRE Ø600 T (LONG | DISC COULTER Ø600 T (LONG) | SCHEIBENSECH Ø600 T (LANG) | ASSOLCATORE A DISCO Ø600 T (LU |
| 073 | OPT | COUTRE CIRCULAIRE T | DISC COULTER T | SCHEIBENSECH T | ASSOLCATORE A DISCO T |
| 075 | OPT | SUPPORT LATÉRAL ROUE PIVOT | BRACKET | SEIT. HALTER F. PENDELSTÜTZRAD | SUPPORTO RUOTA |
| 077 | OPT | SUPPORT LATERAL ROUE PIVOT | BRACKET | HALTERUNG | SUPPORTO RUOTA |
| 079 | OPT | SUPPORT ARRIÈRE ROUE PIVOT | REAR BRACKET DEPTH WHEEL | HINTERE HALTERUNG LAUFRAD | STAFFA POSTERIORE RUOTA DI PRO |
| 081 | OPT | DISPOSITIF ROUE PIVOT D600 | SWIVEL WHEEL DEVICE D600 | HALTERUNG FÜR PENDELSTÜTZRAD D | DISPOSITIVO RUOTA PIVOTANTE D6 |



CATALOG./LIST N°HR0009ATL



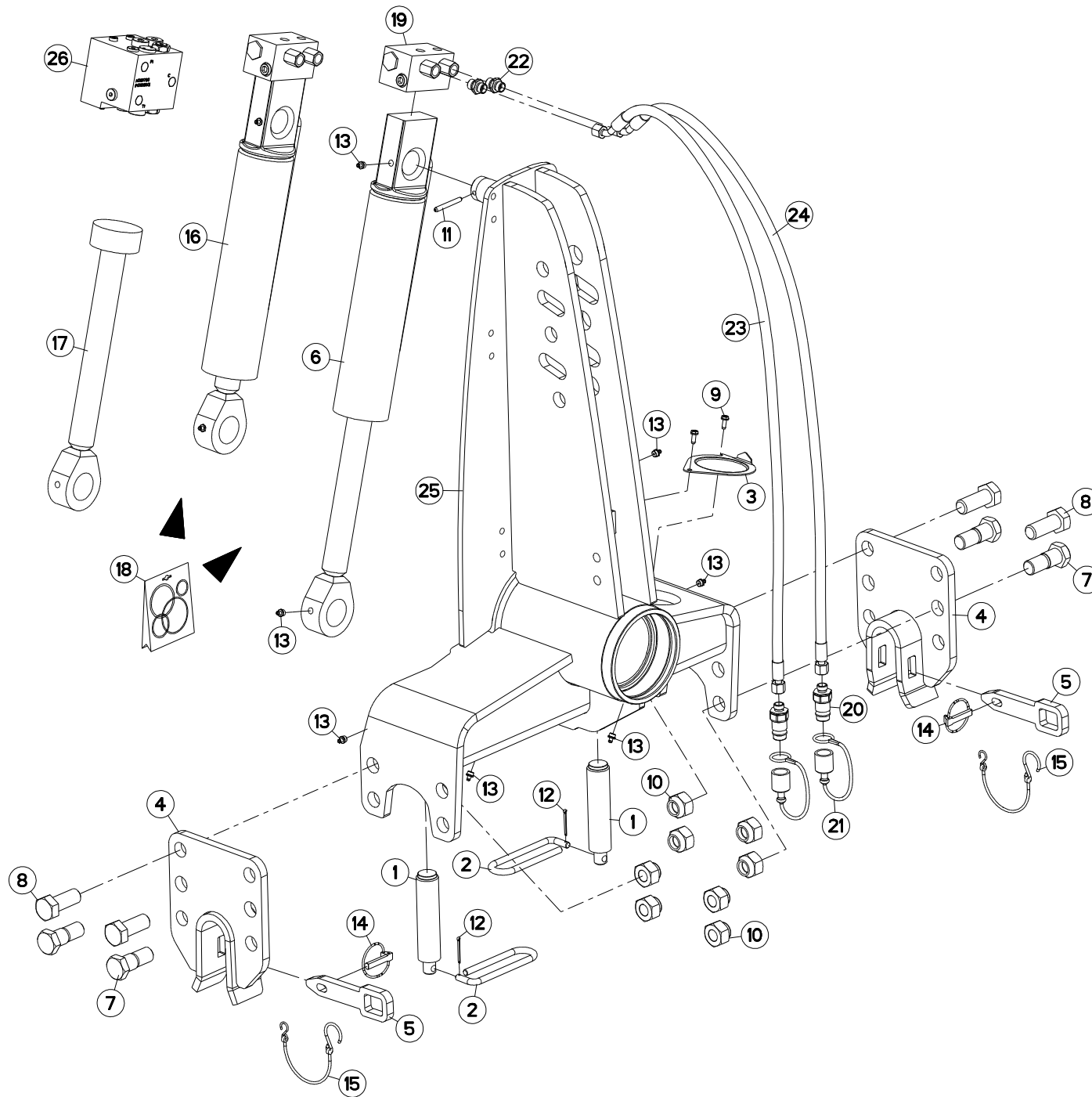
TABLE DES MATIERES - TABLE OF CONTENTS - INHALTSVERZEICHNIS - INDICE

H18R0005 B

Catalogue P.D.R. - Spare parts list - Ersatzteilliste - Pezzi di Ricambio :

HR056BTL B

| Page | Opt | Groupe de pièces | Parts group index | Teilegruppe | Gruppo di parti |
|------|-----|--------------------------------|--------------------------------|--------------------------------|--------------------------------|
| 083 | OPT | ROUE DE RÉGULATION Ø600X210 | DEPTH WHEEL Ø600X210 | STÜTZRAD Ø600X210 | RUOTA DI PROFONDITA Ø600X210 |
| 085 | OPT | SUPPORT ROUE REGULATION/EXTENS | BRACKET DEPTH WHEEL/EXTENSION | HALTERUNG STUTZRAD/ERWEITERUNG | |
| 087 | OPT | SUPPORT ROUE DE REGULATION (AM | DEPTH WHEEL SUPPORT (DAMPER) | STÜTZRADHALTERUNG (STOSSDÄMPFE | SUPPORTO RUOTA DI PROFONDITA (|
| 089 | OPT | SUPPORT ARRIÈRE PIVOT AMORTISS | REAR BRACKET SWIVEL MECHANICAL | HINTERE HALTERUNG HALTER STÜTZ | STAFFA POSTERIORE AMMORT. PIVO |
| 091 | OPT | ROUE DE REGULATION AMORTISSEUR | DEPTH WHEEL DAMPER | STÜTZRAD STOSSDÄMPFER | RUOTA DI PROFONDITA AMMORTIZZA |
| 093 | OPT | ROUE DE RÉGULATION HYDRAULIQUE | DEPTH WHEEL HYDRAULIC | STÜTZRAD HYDRAULIK | RUOTA DI PROFONDITA IDRAULICO |
| 095 | OPT | HYDRAULIQUE ROUE DE RÉGULATION | HYDRAULIC DEPTH WHEEL | HYDRAULIK STÜTZRAD | IDRAULICO RUOTA DI PROFONDITA |
| 097 | OPT | ROUE DE REGULATION Ø600X210 AM | DEPTH WHEEL Ø600X210 DAMPER | STÜTZRAD Ø600X210 STOSSDÄMPFER | RUOTA DI PROFONDITA Ø600X210 A |
| 099 | OPT | ROUE DE REGULATION Ø690X320 AM | DEPTH WHEEL Ø690X320 DAMPER | STÜTZRAD Ø690X320 STOSSDÄMPFER | RUOTA DI PROFONDITA Ø690X320 A |
| 101 | OPT | VERROUILLAGE TRANSPORT AVT B&C | TRANSPORT LOCKING MECHANIC AVT | TRANSPORTVERRIEGELUNG AVT B&C | MECCANISMO DI BLOCC. TRASPORTO |
| 103 | OPT | VERROUILLAGE TRANSPORT AVT A | TRANSPORT LOCKING MECHANIC AVT | TRANSPORTVERRIEGELUNG AVT A | MECCANISMO DI BLOCC. TRASPORTO |
| 105 | OPT | FIXATION ROUE COMBINÉE | COMBINED WHEEL MOUNTING | HALTERUNG F. KOMBIRAD | FISSAGGIO RUOTA COMBINATA |
| 107 | OPT | SUPPORT ROUE COMBINÉE 600/690 | BRACKET DEPTH WHEEL 600/690 | HALTERUNG KOMBISTÜTZRAD 600/69 | SUPPORTO RUOTA DI PROFONDITA' |
| 109 | OPT | ROUE COMBINÉE Ø690X320 | COMBINED WHEEL Ø690X320 | KOMBISTÜTZRAD Ø690X320 | RUOTA COMBINATA Ø690X320 |
| 111 | OPT | FIXATION ROUE DE TRANSPORT | TRANSPORT WHEEL MOUNTING | TRANSPORTRADHALTERUNG | FISSAGGIO RUOTA DE TRASPORTO |
| 113 | OPT | FIXATION ROUE DE TRANSPORT | TRANSPORT WHEEL MOUNTING | TRANSPORTRADHALTERUNG | FISSAGGIO RUOTA DE TRASPORTO |
| 115 | OPT | SUPPORT ROUE DE TRANSPORT | BRACKET TRANSPORT WHEEL | HALTERUNG TRANSPORTRAD | SUPPORTO RUOTA TRASPORTO |
| 117 | OPT | ROUE Ø540X165 | WHEEL Ø540X165 | RAD Ø540X165 | RUOTA Ø540X165 |
| 119 | OPT | ROUE DE TRANSPORT Ø660X225 | TRANSPORT WHEEL Ø660X225 | TRANSPORTRAD Ø660X225 | RUOTA DI TRASPORTO Ø660X225 |
| 121 | OPT | BRAS OUTIL TRAINÉ VM151/2T | FURROW PRESS ARM VM151/2T | PACKERARM VM151/2T | SOTTOCOMPRESSORE BRACCIO VM151 |
| 123 | | RAMPE DE SIGNALISATION T | T REAR LIGHTING BOARD | T HECKBELEUCHTUNG FÜR TRANSPOR | IMPIANTO TRASPORTO |
| 125 | | SIGNALISATION LATÉRALE (ROUE) | SIDE SIGNALLING (WHEEL) | SEITLICHE BELEUCHTUNG (RAD) | SEGNALAZIONE LATERALI (RUOTA) |
| 127 | | SIGNALISATION LATÉRALE | SIDE SIGNALLING | SEITLICHE WARNTAFELN | SEGNALAZIONE LATERALI |
| 129 | OPT | ELECTROVANNE | ELECTROSWITCH | ELEKTROWAHLSCHALTUNG | ELECTROVALVOLA |
| 131 | OPT | SELECTEUR ELECTROHYDR.4 FONC. | ELECTROHYDR.SELECTOR 4 FUNCT. | ELECTROHYDR.SELECTOR 4 FUNKT. | ELECTROIDRA.SELETTORE 4 FUNZ. |
| 133 | | ETIQUETTES ADHESIVES VM152T | SET OF STICKERS VM152T | SATZ AUFKLEBER VM152T | SERIE ADESIVI VM152T |





VM1523ET-VM1524T I9738 >J8516

H01R0010 C

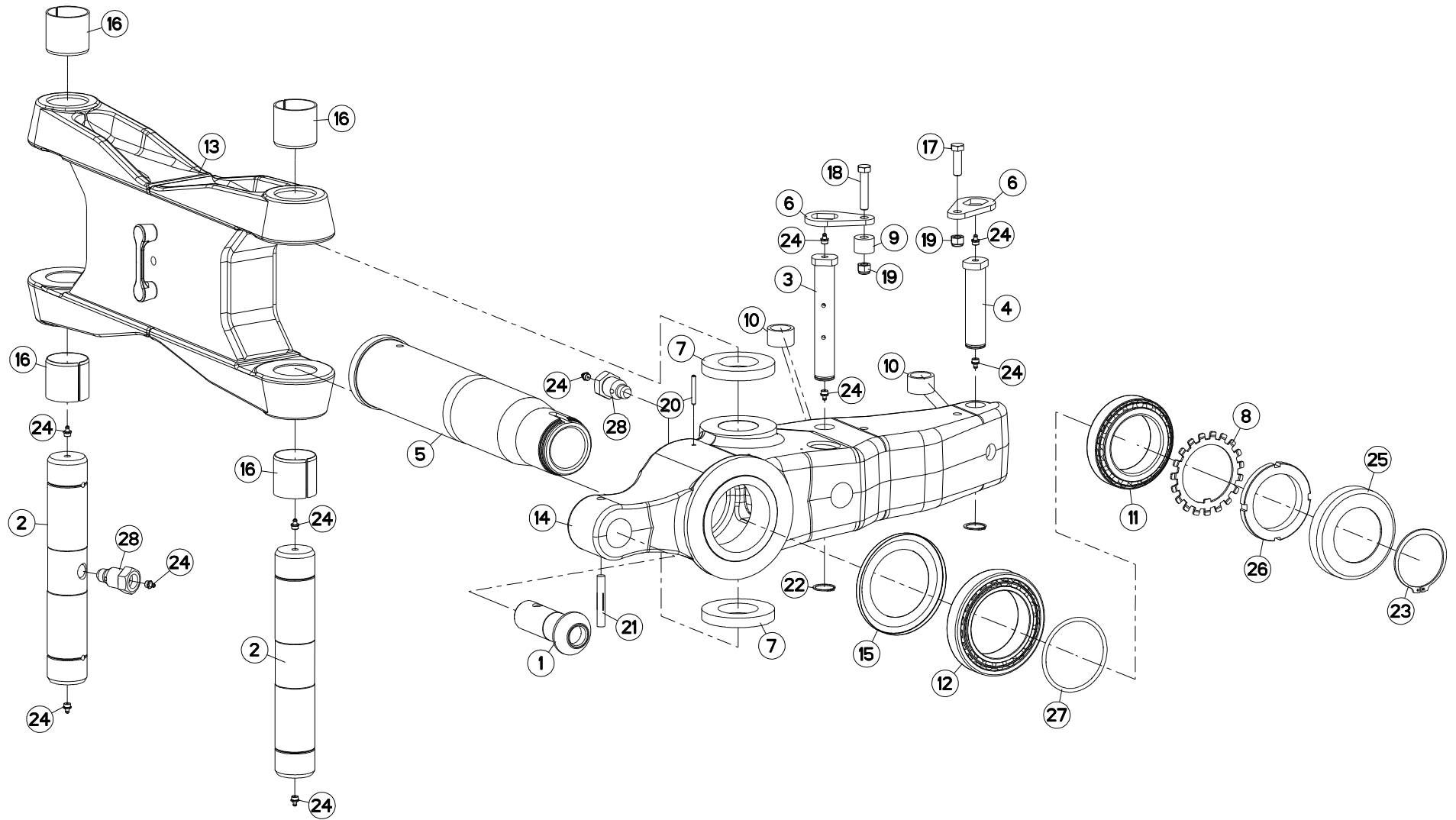
AVANT-TRAIN B

HEADSTOCK B

PFLUGKOPF B

TESTA DI ROTAZIONE B

| Rep | Nr | Qt | Designation | Description | Bezeichnung | Referenza | Remarque - Remark - Bemerkung - Osservazioni |
|-----|----------|-----|--------------------------------|--------------------------------|--------------------------------|-------------------------------|--|
| 001 | 130126 | 002 | BUTEE/APLOMB D36 | LEVELLING ADJUSTER D36 | ANSCHLAG D36 | PERNO FIL.GROSSO | |
| 002 | 139108 | 002 | POIGNEE | HANDLE | HANDGRIFF | MANIGLIA | |
| 003 | 222111 | 001 | COUVERCLE | LID | DECKEL | COPERCHIO | |
| 004 | 582754 | 002 | MAIN | HAND (B) | ANHAENGUNG (B) | SUPPORTO BARRA | |
| 005 | 750091 | 002 | VERROU DE TRAVERSE | LOCK | TRAGACHSERIEGEL | FERMO(30X15) D&G X TRAVERSA | |
| 006 | 951131 | 001 | VERIN NU RETOUR.40X80 C278 | TURNOVER CYLINDER | DREHZYLINDER B | MARTINETTO | |
| 007 | 970108 | 004 | VIS EPAULEE H 24/26 | SCREW SHOULDER H 24/26 | SCHRAUBE H 24/26 | VITE | |
| 008 | 80062461 | 004 | VIS TETE HEXAGONALE FE/ZNXC3 | HEXAGON HEAD SCREW FE/ZNXC3 | SECHSKANTSCHRAUBE FE/ZNXC3 | VITE TESTA ESAGONALE FE/ZNXC3 | |
| 009 | 80190616 | 002 | VIS AUTOTARAU.FE/ZNXC3 TAPTITE | SELF-CUTTING SCREW FE/ZNXC3 | GEWINDE-SCHNEIDSCHRAU.FE/ZNXC3 | BULLONE FE/ZNXC3 | |
| 010 | 80202447 | 008 | ECROU HEXAGONAL AUTOFREINE | SELF-LOCKING NUT | SELBSTSICHERNDE MUTTER | DADO AUTOBLOCCANTE | |
| 011 | 80450762 | 001 | GOUPILLE ELASTIQUE FLZNNC | ROLL PIN FLZNNC | SPANNHUELSE FLZNNC | SPINA ELASTICA FLZNNC | |
| 012 | 80500236 | 002 | GOUPILLE V | SPLIT PIN | SPLINT | COPPIGLIA | |
| 013 | 82201016 | 007 | GRAISSEUR AUTOTARAUDANT | SELF TAPPING GREASE NIPPLE | GEWINDESCHNEID-SCHMIERNIPPEL | INGRASSATORE | |
| 014 | 900210 | 002 | GOUPILLE DE SECURITE D 11,50 | LYNCH PIN D11,50 | KLAPPSTECKER D 11,50 | SPINA DI SICUREZZA | |
| 015 | 83070064 | 002 | LIEN PVC | PVC CORD | SICHERUNGSBAND | CAVO | |
| 016 | 951128 | 001 | VERIN RET.80-40 C=278 | TURNOVER CYLINDER B & BLOCK | DREHZYLINDER B + HYDR.BLOCK | MARTINETTO | |
| 017 | 951433 | 001 | TIGE ASSEM.VERIN 951131 3E4 | TIGE ROD 951131 3E4 | KOLBENSTANGE FUER 951128/131 | STELO COLLEGAMENTO PISTONE | |
| 018 | 951200 | 001 | POCH.JOINTS (951127/8/951177) | SEALS PACKET (951127/8/951177) | DICHTSATZ FUER 951127/28/77 | SERIE GUARNIZIONI | : 951131 |
| 019 | 951753 | 001 | BLOC | BLOCK | BLOCK | BLOCCO | |
| 020 | A4074017 | 002 | COUPLEUR MALE | CONNECTOR MALE | KUPPLUNGSTECKER | INNESTO M16X150 | |
| 021 | 82300026 | 002 | CAPUCHON COUPLEUR MALE | CAP MALE CONNECTOR | KAPPE KUPPLUNGSSTECKER | TAPPO | |
| 022 | A4080401 | 002 | UNION MALE | MALE STUD CONNECTOR | GERADER EINSCHRAUBSTUTZEN | GIUZIONE DIRITTA ZBC | |
| 023 | A4921115 | 001 | FLEXIBLE HYDRAULIQUE | HYDRAULIC HOSE | HYDRAULIKSCHLAUCH | TUBO GOMMA | <->1600 mm |
| 024 | A4921115 | 001 | FLEXIBLE HYDRAULIQUE | HYDRAULIC HOSE | HYDRAULIKSCHLAUCH | TUBO GOMMA | <->1600 mm |
| 025 | H0101160 | 001 | AVANT-TRAIN B | HEADSTOCK B | PFLUGKOPF B | COPERCHIO INFERIORE B | |
| 026 | H0101800 | 001 | BLOC RETOURNEMENT + REPLIAGE | TURNOVER BLOCK HIGH FLOW | BLOCK FUER DREHUNG | BLOCCO DI RITORNO | |





VM1523ET-VM1524T I9738 >J8516

H03R0028 B

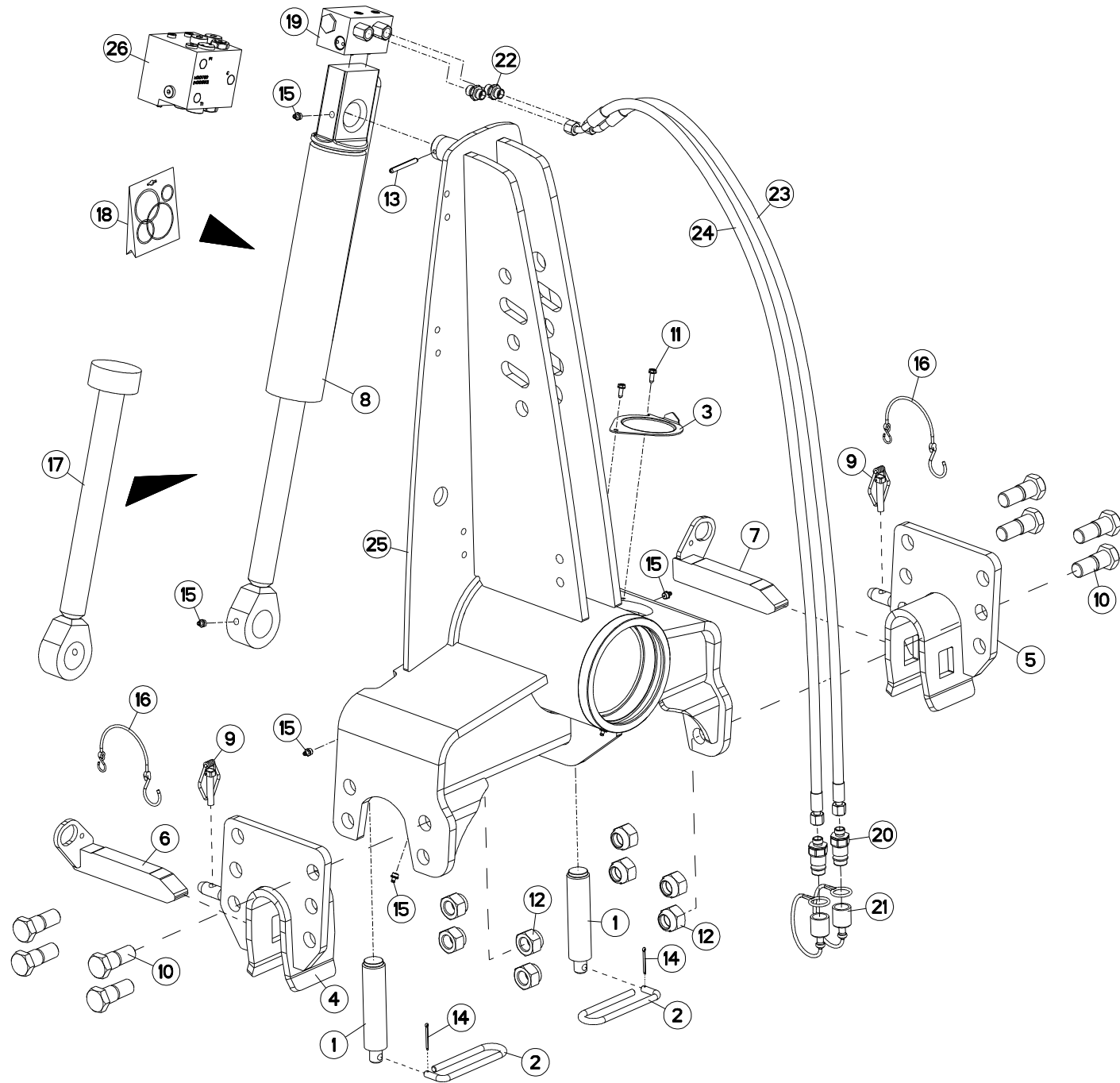
PARTIE MÉDIANE B VM

MAIN LINK B VM

MITTELTEIL B VM

TIRANTE PRINCIPALE B VM

| Rep | Nr | Qt | Designation | Description | Bezeichnung | Referenza | Remarque - Remark - Bemerkung - Osservazioni |
|-----|----------|-----|-------------------------------|-----------------------------|------------------------------|-------------------------------|--|
| 001 | 130128 | 001 | TOURILLON | TRUNNION | DREHZAPFEN | PERNO | |
| 002 | 131251 | 002 | AXE | PIN | ACHSE | ASSE | |
| 003 | 131253 | 001 | AXE DEPORT/DEVERS | AXLE | ACHSE | ASSE | |
| 004 | 131254 | 001 | AXE L/COUPE REPLIAGE AVT A/B | AXLE | ACHSE | PERNO | |
| 005 | 157146 | 001 | FUSEE | TURNOVER SHAFT | DREHZAPFEN | FUSO | |
| 006 | 212239 | 002 | PLAQUETTE ARRETOIR | STOP PLATE | ARRETIERUNGSBLECH | PLACHETTA | |
| 007 | 421168 | 002 | RONDELLE | WASHER | SCHIBE | RONDELLA | |
| 008 | 421191 | 001 | RONDELLE FREIN | LOCK WASHER | SPANNSCHIBE | RONDELLA | |
| 009 | 421211 | 001 | ENTRETOISE | SPACER | DISTANZHUELSE | DISTANZIALE | |
| 010 | 421213 | 002 | ENTRETOISE VERIN | SPACER | DISTANZSCHIBE | BOCCOLA | |
| 011 | 81309001 | 001 | ROULEMENT A ROULEAUX CONIQUES | TAPERED ROLLER BEARING | KEGELROLLENLAGER | CUSCINETTO A RULLI CR | |
| 012 | 490102 | 001 | ROULEMT.RLX CON 105X160X35 | BEARING, ROLLER | ROLLENLAGER | CUSCINETTO | |
| 013 | 582293 | 001 | BIELLE | LINK, CONNECTING | LENKER | BIELLA | |
| 014 | 645204 | 001 | SUPPORT | SUPPORT | TRAEGER | SUPPORTO | |
| 015 | 951118 | 001 | RONDELLE D'ETANCHEITE | PROTECTOR | SCHIBE | ANELLO | |
| 016 | 951521 | 004 | BAGUE | BUSHING | HUELSE | BOCCOLA | |
| 017 | 80061248 | 001 | VIS TETE HEXAGONALE FE/ZNXC3 | HEXAGON HEAD SCREW FE/ZNXC3 | SECHSKANTSCHRAUBE FE/ZNXC3 | VITE TESTA ESAGONALE FE/ZNXC3 | |
| 018 | 80061282 | 001 | VIS TETE HEXAGONALE FE/ZNXC3 | HEXAGON HEAD SCREW FE/ZNXC3 | SECHSKANTSCHRAUBE FE/ZNXC3 | VITE TESTA ESAGONALE FE/ZNXC3 | |
| 019 | 80201230 | 002 | ECROU HEX.AUTOFREINE FE/ZNXC3 | SELF-LOCKING NUT FE/ZNXC3 | SELBSTSICH.MUTTER FE/ZNXC3 | DADO AUTOBLOCCANTE FE/ZNXC3 | |
| 020 | 80450645 | 001 | GOUPILLE ELASTIQUE FLZNNC | ROLL PIN FLZNNC | SPANNHUELSE FLZNNC | SPINA ELASTICA FLZNNC | |
| 021 | 80541280 | 001 | GOUPILLE CANNELEE | GROOVED PIN | KERBSTIFT | COPPIGLIA | |
| 022 | 80583000 | 002 | CIRCLIP EXTERIEUR | RETAINING RING | SICHERUNGSRING | ANELLO | |
| 023 | 80588500 | 001 | CIRCLIP EXTERIEUR | RETAINING RING | SICHERUNGSRING | ANELLO | |
| 024 | 82201016 | 010 | GRAISSEUR AUTOTARAUDANT | SELF TAPPING GREASE NIPPLE | GEWINDESCHNEID-SCHMIERNIPPEL | INGRASSATORE | |
| 025 | 222128 | 001 | PROTECTEUR | GUARD | SCHUTZ | PROTEZIONE | |
| 026 | 951115 | 001 | ECROU A ENCOCHES | SLOTTED ROUND NUT | NUTMUTTER | GHIERA | |
| 027 | 951730 | 001 | JOINT TORIQUE OR 104,2X5,7 | SEAL | DICHTUNGSRING | ANELLO | |
| 028 | H0301390 | 002 | VIS | SCREW | SCHRAUBE | VITE | |





VM1523ETB-VM1524TB-VM1524ET-VM1525T-VM1525ET-VM1526T

I9738 >J7717

H01R0033 C

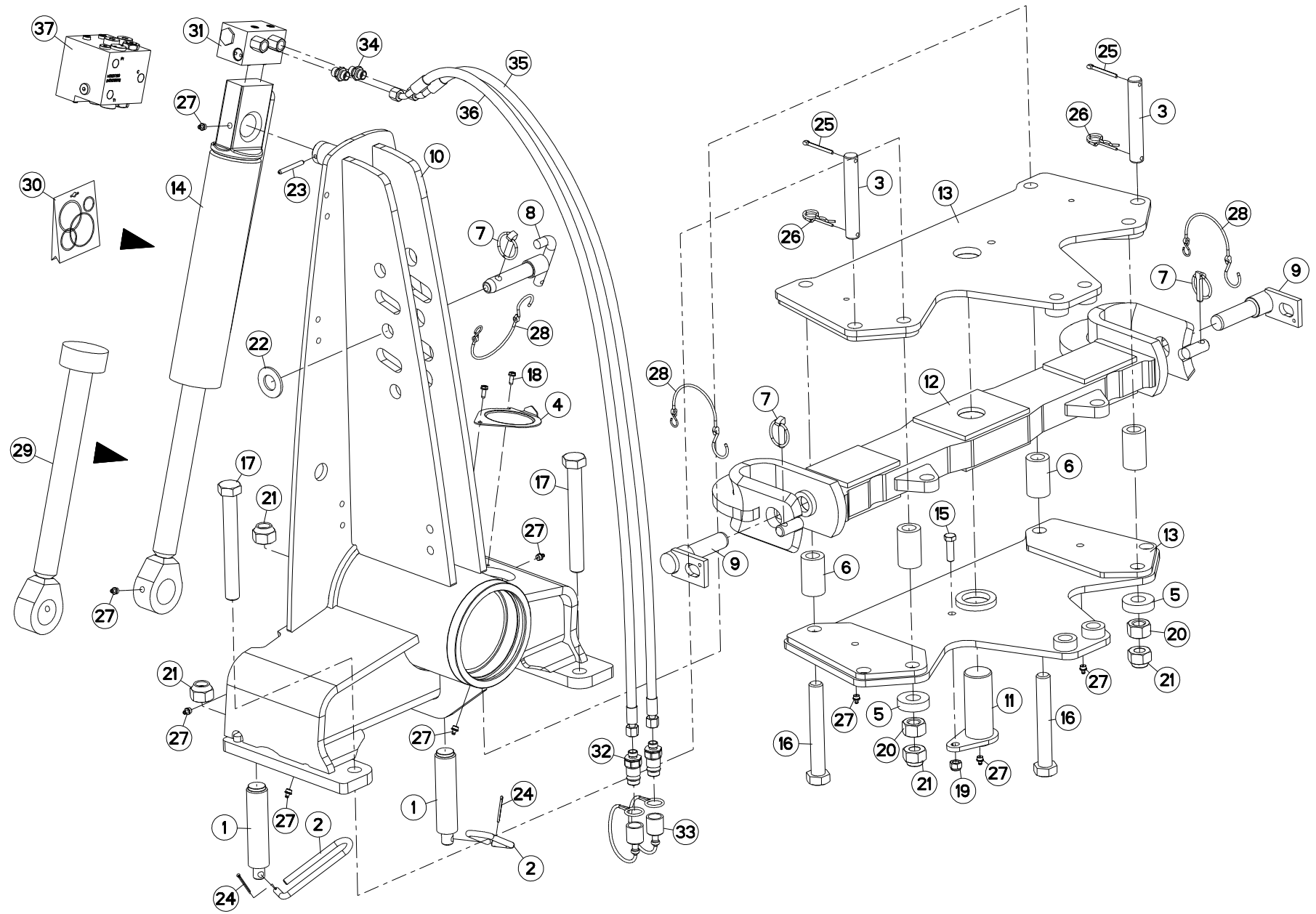
AVANT-TRAIN A

HEADSTOCK A

PFLUGKOPF A

TESTA DI ROTAZIONE A

| Rep | Nr | Qt | Designation | Description | Bezeichnung | Referenza | Remarque - Remark - Bemerkung - Osservazioni |
|-----|----------|-----|--------------------------------|--------------------------------|--------------------------------|-----------------------------|--|
| 001 | 130126 | 002 | BUTEE/APLOMB D36 | LEVELLING ADJUSTER D36 | ANSCHLAG D36 | PERNO FIL.GROSSO | |
| 002 | 139108 | 002 | POIGNEE | HANDLE | HANDGRIFF | MANIGLIA | |
| 003 | 222111 | 001 | COUVERCLE | LID | DECKEL | COPERCHIO | |
| 004 | 582748 | 001 | MAIN | HAND | HAND | SUPPORTO BARRA | |
| 005 | 582749 | 001 | MAIN | HAND | HAND | SUPPORTO BARRA | |
| 006 | 582750 | 001 | VERROU (40X30)D/TRVERSE | LOCK R | RIEGEL RECHTS | CHIAVISTELLO | |
| 007 | 582751 | 001 | VERROU (40X30)G/TRVERSE | LOCK L | RIEGEL LINKS | CHIAVISTELLO | |
| 008 | 951178 | 001 | VERIN NU RETOUR.40X80 C321 | TURNOVER CYLINDER | DREHZYLINDER | MARTINETTO | |
| 009 | 951408 | 002 | GOUPILLE A RESSORT | LYNCH PIN | KLAPPSTECKER | COPPIGLIA DI SICUREZZA | |
| 010 | 970108 | 008 | VIS EPAULEE H 24/26 | SCREW SHOULDER H 24/26 | SCHRAUBE H 24/26 | VITE | |
| 011 | 80190616 | 002 | VIS AUTOTARAU.FE/ZNXC3 TAPTITE | SELF-CUTTING SCREW FE/ZNXC3 | GEWINDE-SCHNEIDSCHRAU.FE/ZNXC3 | BULLONE FE/ZNXC3 | |
| 012 | 80202440 | 008 | ECROU HEX.AUTOFREINE FE/ZNXC3 | SELF-LOCKING NUT FE/ZNXC3 | SELBSTSICHERNDE MUTT.FE/ZNXC3 | DADO AUTOBLOCCANTE FE/ZNXC3 | |
| 013 | 80450762 | 002 | GOUPILLE ELASTIQUE FLZNNC | ROLL PIN FLZNNC | SPANNHUELSE FLZNNC | SPINA ELASTICA FLZNNC | |
| 014 | 80500236 | 002 | GOUPILLE V | SPLIT PIN | SPLINT | COPPIGLIA | |
| 015 | 82201016 | 006 | GRAISSEUR AUTOTARAUDANT | SELF TAPPING GREASE NIPPLE | GEWINDESCHNEID-SCHMIERNIPPEL | INGRASSATORE | |
| 016 | 83070064 | 002 | LIEN PVC | PVC CORD | SICHERUNGSBAND | CAVO | |
| 017 | 951178 | 001 | VERIN NU RETOUR.40X80 C321 | TURNOVER CYLINDER | DREHZYLINDER | MARTINETTO | |
| 018 | 951200 | 001 | POCH.JOINTS (951127/8/951177) | SEALS PACKET (951127/8/951177) | DICHTSATZ FUER 951127/28/77 | SERIE GUARNIZIONI | : 951178 |
| 019 | 951754 | 001 | VALVE DE SEQUENCE A CLAPET | SEQUENCE BLOCK | AUTOMATISCHES UMSTEURVENTIL | CENTRALINA | |
| 020 | A4074017 | 002 | COUPLEUR MALE | CONNECTOR MALE | KUPPLUNGSTECKER | INNESTO M16X150 | |
| 021 | 82300026 | 002 | CAPUCHON COUPLEUR MALE | CAP MALE CONNECTOR | KAPPE KUPPLUNGSSTECKER | TAPPO | |
| 022 | A4080401 | 002 | UNION MALE | MALE STUD CONNECTOR | GERADER EINSCHRAUBSTUTZEN | GIUZIONE DIRITTA ZBC | |
| 023 | A4921115 | 001 | FLEXIBLE HYDRAULIQUE | HYDRAULIC HOSE | HYDRAULIKSCHLAUCH | TUBO GOMMA | <->1600 mm |
| 024 | A4921115 | 001 | FLEXIBLE HYDRAULIQUE | HYDRAULIC HOSE | HYDRAULIKSCHLAUCH | TUBO GOMMA | <->1600 mm |
| 025 | H0101110 | 001 | AVANT-TRAIN A | HEADSTOCK A | PFLUGKOPF A | COPERCHIO INFERIORE A | |
| 026 | H0101800 | 001 | BLOC RETOURNEMENT + REPLIAGE | TURNOVER BLOCK HIGH FLOW | BLOCK FUER DREHUNG | BLOCCO DI RITORNO | |





VM1524ET-VM1525T

I9738 >J7630

H01R0028 C

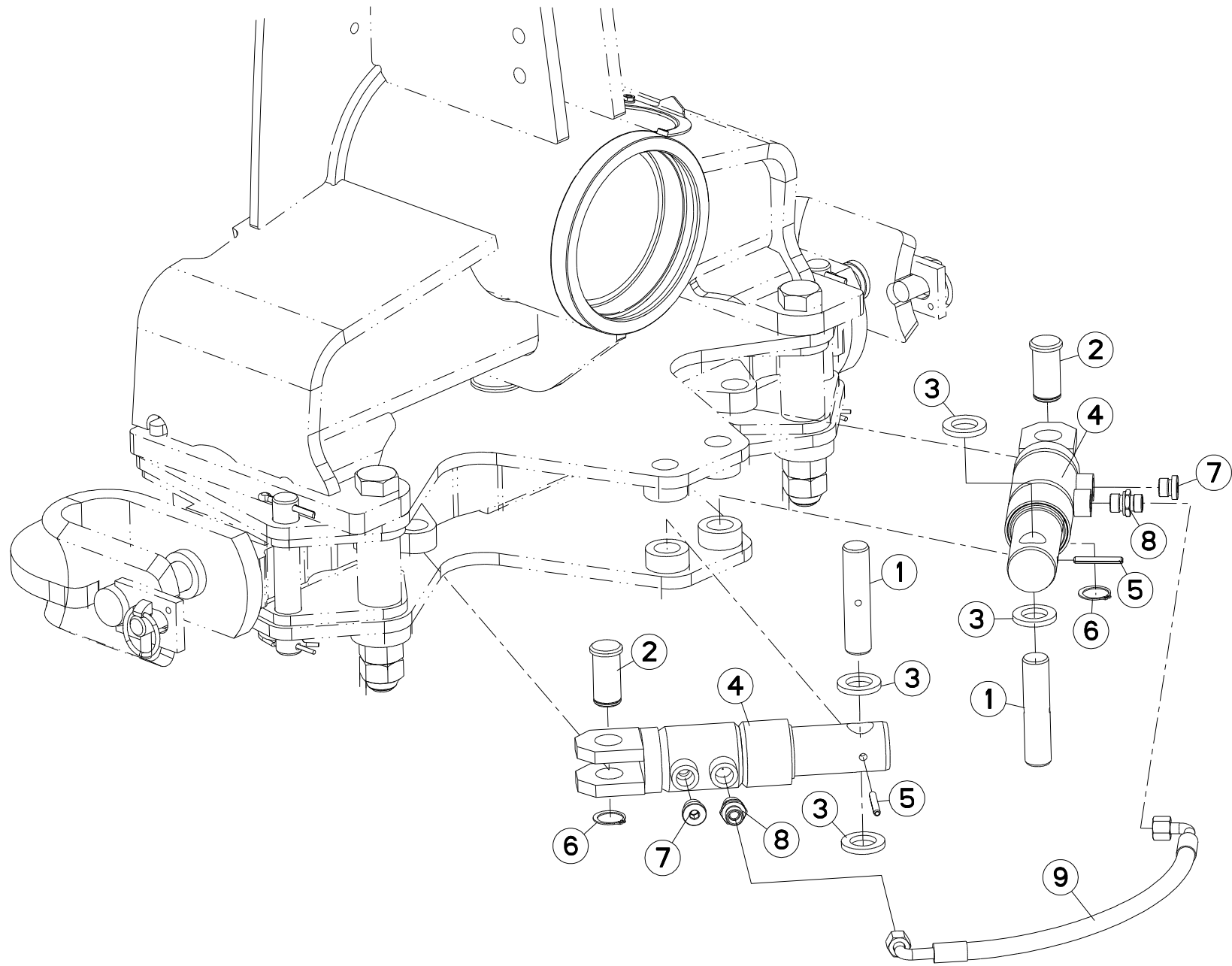
AVANT-TRAIN A OSCILLANT

HEADSTOCK A OSCILLATING

PFLUGKOPF A SCHWINGEND

TESTA DI ROTAZIONE A OSCILLANT

| Rep | Nr | Qt | Designation | Description | Bezeichnung | Referenza | Remarque - Remark - Bemerkung - Osservazioni |
|-----|----------|-----|--------------------------------|--------------------------------|--------------------------------|-------------------------------|--|
| 001 | 130126 | 002 | BUTEE/APLOMB D36 | LEVELLING ADJUSTER D36 | ANSCHLAG D36 | PERNO FIL.GROSSO | |
| 002 | 139108 | 002 | POIGNEE | HANDLE | HANDGRIFF | MANIGLIA | |
| 003 | 142131 | 002 | BROCHE D'ATTELAGE | PIN, HITCH | ACHSE | PERNO | |
| 004 | 222111 | 001 | COUVERCLE | LID | DECKEL | COPERCHIO | |
| 005 | 421224 | 002 | RONDELLE | WASHER | SCHEIBE | RONDELLA | |
| 006 | 421230 | 004 | ENTRETOISE | SPACER | DISTANZHUELSE | DISTANZIALE | |
| 007 | 541001 | 003 | GOUPILLE RAPIDE | LYNCH PIN D10 CAT2 | KLAPPSTECKER D10 KAT2 | CAPPIGLIA | |
| 008 | 580296 | 001 | AXE 3 POINT STANDARD 2 D25 | TOP LINK PIN CAT2 | OBERLENKERBOLZEN KAT 2 | PERNO 3 PUNTI STANDARD 2 | |
| 009 | 581705 | 002 | BROCHE | PIN, HITCH | ACHSE | PERNO | |
| 010 | 581873 | 001 | POTENCE | BOOM | TRAGARM | ATTACCO ATTREZZO | |
| 011 | 582681 | 001 | AXE | PIN | ACHSE | ASSE | |
| 012 | 582682 | 001 | TRAVERSE | TUBE, CROSS | QUERTRAEGER | TRAVERSA | |
| 013 | 582683 | 002 | EMBASE | BASE | GRUNDPLATTE | BASE | |
| 014 | 951178 | 001 | VERIN NU RETOUR.40X80 C321 | TURNOVER CYLINDER | DREHZYLINDER | MARTINETTO | |
| 015 | 80061248 | 001 | VIS TETE HEXAGONALE FE/ZNXC3 | HEXAGON HEAD SCREW FE/ZNXC3 | SECHSKANTSCHRAUBE FE/ZNXC3 | VITE TESTA ESAGONALE FE/ZNXC3 | |
| 016 | 80062469 | 002 | VIS TETE HEXAGONALE FLZNNC | HEXAGON HEAD SCREW FLZNNC | SECHSKANTSCHRAUBE FLZNNC | VITE TESTA ESAGONALE FLZNNC | |
| 017 | 80062482 | 002 | VIS TETE HEXAGONALE FLZNNC | HEXAGON HEAD SCREW FLZNNC | SECHSKANTSCHRAUBE FLZNNC | VITE TESTA ESAGONALE FLZNNC | |
| 018 | 80190616 | 002 | VIS AUTOTARAU.FE/ZNXC3 TAPTITE | SELF-CUTTING SCREW FE/ZNXC3 | GEWINDE-SCHNEIDSCHRAU.FE/ZNXC3 | BULLONE FE/ZNXC3 | |
| 019 | 80201230 | 001 | ECROU HEX.AUTOFREINE FE/ZNXC3 | SELF-LOCKING NUT FE/ZNXC3 | SELBSTSICH.MUTTER FE/ZNXC3 | DADO AUTOBLOCCANTE FE/ZNXC3 | |
| 020 | 80202400 | 002 | ECROU HEXAGONAL FE/ZNXC3 | NUT FE/ZNXC3 | SECHSKANTMUTTER FE/ZNXC3 | DADO FE/ZNXC3 | |
| 021 | 80202447 | 004 | ECROU HEXAGONAL AUTOFREINE | SELF-LOCKING NUT | SELBSTSICHERNDE MUTTER | DADO AUTOBLOCCANTE | |
| 022 | 80252755 | 001 | RONDELLE PLATE C FE/ZNXC3 | PLAIN WASHER FE/ZNXC3 | SCHEIBE FE/ZNXC3 | RONDELLA PIATTA FE/ZNXC3 | |
| 023 | 80450762 | 001 | GOUPILLE ELASTIQUE FLZNNC | ROLL PIN FLZNNC | SPANNHUELSE FLZNNC | SPINA ELASTICA FLZNNC | |
| 024 | 80500236 | 002 | GOUPILLE V | SPLIT PIN | SPLINT | COPPIGLIA | |
| 025 | 80500557 | 002 | GOUPILLE V | SPLIT PIN | SPLINT | COPPIGLIA | |
| 026 | 80570477 | 002 | GOUPILLE BETA SIMPLE FE/ZNXC3 | SPRING COTTER PIN FE/ZNXC3 | FEDERSTECKER FE/ZNXC3 | MOLLA FE/ZNXC3 | |
| 027 | 82201016 | 009 | GRAISSEUR AUTOTARAUDANT | SELF TAPPING GREASE NIPPLE | GEWINDESCHNEID-SCHMIERNIPPEL | INGRASSATORE | |
| 028 | 83070064 | 003 | LIEN PVC | PVC CORD | SICHERUNGSBAND | CAVO | |
| 029 | 951178 | 001 | VERIN NU RETOUR.40X80 C321 | TURNOVER CYLINDER | DREHZYLINDER | MARTINETTO | |
| 030 | 951200 | 001 | POCH.JOINTS (951127/8/951177) | SEALS PACKET (951127/8/951177) | DICHTSATZ FUER 951127/28/77 | SERIE GUARNIZIONI | |
| 031 | 951754 | 001 | VALVE DE SEQUENCE A CLAPET | SEQUENCE BLOCK | AUTOMATISCHES UMSTEURVENTIL | CENTRALINA | |
| 032 | A4074017 | 002 | COUPLEUR MALE | CONNECTOR MALE | KUPPLUNGSTECKER | INNESTO M16X150 | |
| 033 | 82300026 | 002 | CAPUCHON COUPLEUR MALE | CAP MALE CONNECTOR | KAPPE KUPPLUNGSSTECKER | TAPPO | |
| 034 | A4080401 | 002 | UNION MALE | MALE STUD CONNECTOR | GERADER EINSCHRAUBSTUTZEN | GIUZIONE DIRITTA ZBC | |
| 035 | A4921115 | 001 | FLEXIBLE HYDRAULIQUE | HYDRAULIC HOSE | HYDRAULIKSCHLAUCH | TUBO GOMMA | <->1600 mm |
| 036 | A4921115 | 001 | FLEXIBLE HYDRAULIQUE | HYDRAULIC HOSE | HYDRAULIKSCHLAUCH | TUBO GOMMA | <->1600 mm |
| 037 | H0101800 | 001 | BLOC RETOURNEMENT + REPLIAGE | TURNOVER BLOCK HIGH FLOW | BLOCK FUER DREHUNG | BLOCCO DI RITORNO | |





VM1524ET-VM1525T I9738 >J7630

H01R0029 C

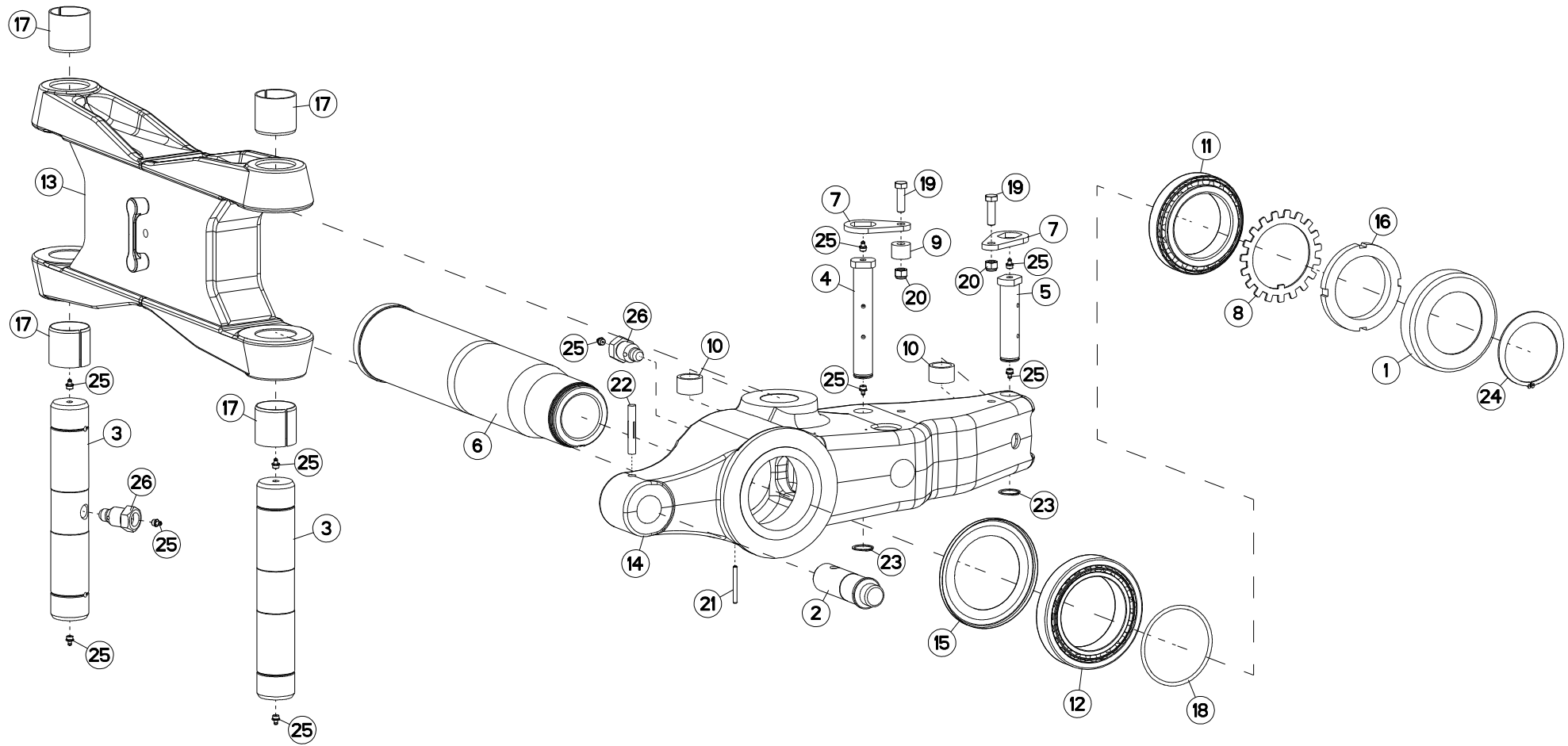
HYDRAULIQUE AVANT TRAIN A OSCI

HEADSTOCK A OSCILLATING

HYDRAULIKELEMENTE PFLUGKOPF A

PORTA-ATTREZZI A OSCILLANTE

| Rep | Nr | Qt | Designation | Description | Bezeichnung | Referenza | Remarque - Remark - Bemerkung - Osservazioni |
|-----|----------|-----|---------------------------|---------------------|---------------------------|-----------------------|--|
| 001 | 141129 | 002 | AXE | PIN | ACHSE | ASSE | |
| 002 | 143149 | 002 | AXE DE VERIN | CYLINDER AXLE | ACHSE | PERNO | |
| 003 | 421129 | 004 | BAGUE | BUSHING | HUELSE | BOCCOLA | |
| 004 | 900868 | 002 | CORPS VERIN AMORTISSEUR | SHOCK ABSORBER BODY | ZYLINDERKORPEN | SCATOLA | |
| 005 | 80450645 | 002 | GOUPILLE ELASTIQUE FLZNNC | ROLL PIN FLZNNC | SPANNHUELSE FLZNNC | SPINA ELASTICA FLZNNC | |
| 006 | 80582500 | 002 | CIRCLIP EXTERIEUR | RETAINING RING | SICHERUNGSRING | ANELLO | |
| 007 | A4061802 | 002 | BOUCHON 3/8 CYL CHC+JOINT | PLUG + SEAL | STOPFEN + DICHRING | TAPPO | |
| 008 | A4080401 | 002 | UNION MALE | MALE STUD CONNECTOR | GERADER EINSCHRAUBSTUTZEN | GIUZIONE DIRITTA ZBC | |
| 009 | A4921125 | 001 | FLEXIBLE HYDRAULIQUE | HYDRAULIC HOSE | HYDRAULIKSCHLAUCH | TUBO GOMMA | <->510 mm |





VM1524ET-VM1525T-VM1525ET-VM1526T I9738 >J7463

H03R0027 B

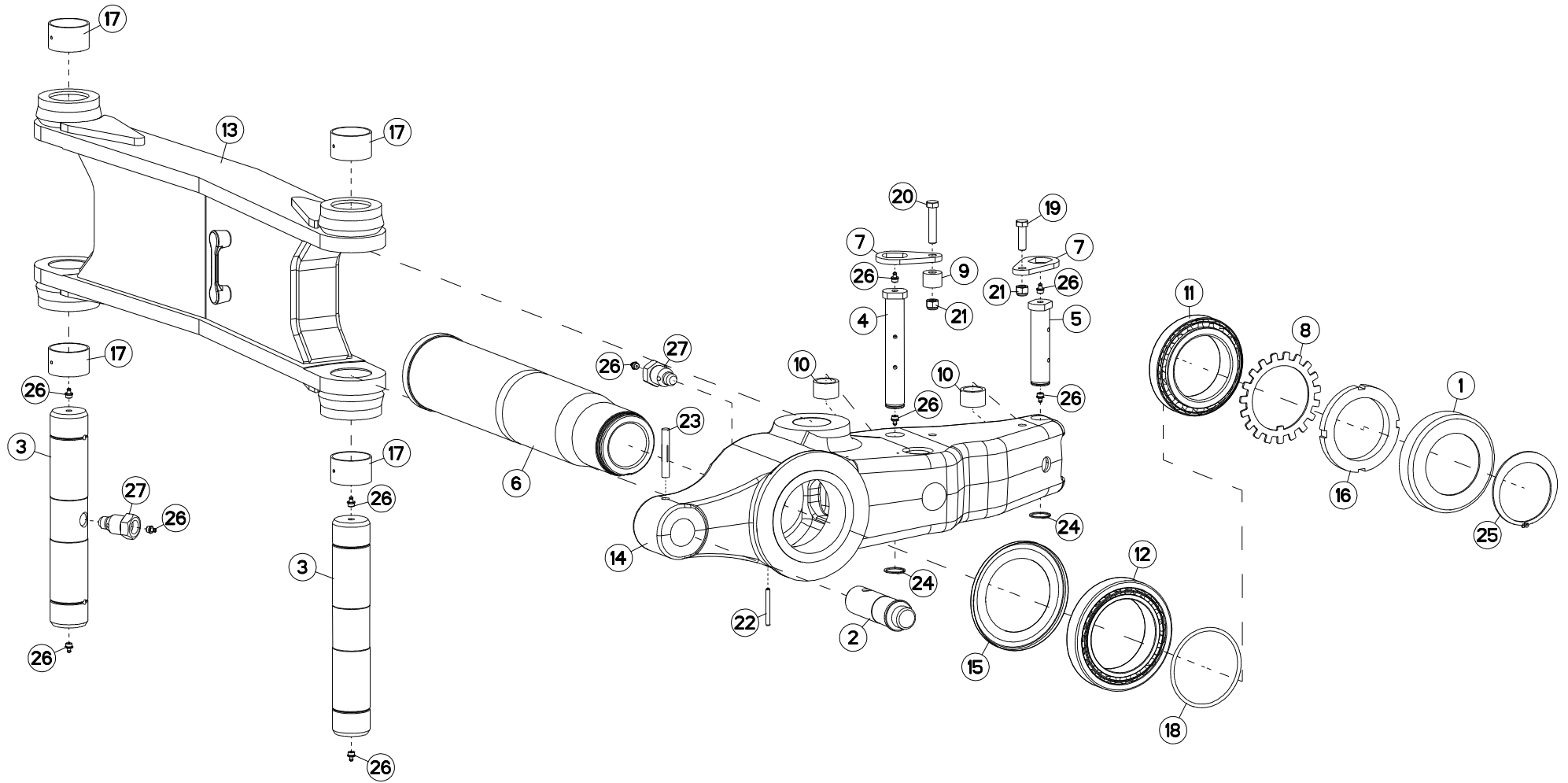
PARTIE MÉDIANE A VM

MAIN LINK A VM

MITTELTEIL A VM

TIRANTE PRINCIPALE A VM

| Rep | Nr | Qt | Designation | Description | Bezeichnung | Referenza | Remarque - Remark - Bemerkung - Osservazioni |
|-----|----------|-----|-------------------------------|-----------------------------|------------------------------|-------------------------------|--|
| 001 | 110104 | 001 | PROTECTEUR AVANT | COVER | SCHUTZDECKEL | PROTEZIONE ANTERIORE | |
| 002 | 131153 | 001 | TOURILLON | TRUNNION | DREHZAPFEN | PERNO | |
| 003 | 131251 | 002 | AXE | PIN | ACHSE | ASSE | |
| 004 | 131253 | 001 | AXE DEPORT/DEVERS | AXLE | ACHSE | ASSE | |
| 005 | 131254 | 001 | AXE L/COUPE REPLIAGE AVT A/B | AXLE | ACHSE | PERNO | |
| 006 | 157148 | 001 | FUSEE | TURNOVER SHAFT | DREHZAPFEN | FUSO | |
| 007 | 212239 | 002 | PLAQUETTE ARRETOIR | STOP PLATE | ARRETIERUNGSBLECH | PLACHETTA | |
| 008 | 421190 | 001 | RONDELLE | LOCK WASHER | SPANNSCHEIBE | RONDELLA | |
| 009 | 421211 | 001 | ENTRETOISE | SPACER | DISTANZHUELSE | DISTANZIALE | |
| 010 | 421213 | 002 | ENTRETOISE VERIN | SPACER | DISTANZSCHEIBE | BOCCOLA | |
| 011 | 490102 | 001 | ROULEMT.RLX CON 105X160X35 | BEARING, ROLLER | ROLLENLAGER | CUSCINETTO | |
| 012 | 490103 | 001 | ROULEMT.RLX CON 120X180X38 | BEARING, ROLLER | ROLLENLAGER | CUSCINETTO | |
| 013 | 582293 | 001 | BIELLE | LINK, CONNECTING | LENKER | BIELLA | |
| 014 | 645234 | 001 | SUPPORT | SUPPORT | TRAEGER | SUPPORTO | |
| 015 | 951179 | 001 | RONDELLE D'ETANCHEITE | PROTECTOR | SCHIEBE | RONDELLA DI TENUTA | |
| 016 | 951180 | 001 | ECROU A ENCOCHES | SLOTTED ROUND NUT | NUTMUTTER | GHIERA | |
| 017 | 951521 | 004 | BAGUE | BUSHING | HUELSE | BOCCOLA | |
| 018 | 951731 | 001 | JOINT TORIQUE | O-RING | O-RING | GUARNIZIONE | |
| 019 | 80061248 | 002 | VIS TETE HEXAGONALE FE/ZNXC3 | HEXAGON HEAD SCREW FE/ZNXC3 | SECHSKANTSCHRAUBE FE/ZNXC3 | VITE TESTA ESAGONALE FE/ZNXC3 | |
| 020 | 80201230 | 002 | ECROU HEX.AUTOFREINE FE/ZNXC3 | SELF-LOCKING NUT FE/ZNXC3 | SELBSTSICH.MUTTER FE/ZNXC3 | DADO AUTOBLOCCANTE FE/ZNXC3 | |
| 021 | 80450660 | 001 | GOUPILLE ELASTIQUE FLZNNC | ROLL PIN FLZNNC | SPANNHUELSE FLZNNC | SPINA ELASTICA | |
| 022 | 80541280 | 001 | GOUPILLE CANNELEE | GROOVED PIN | KERBSTIFT | COPPIGLIA | |
| 023 | 80583000 | 002 | CIRCLIP EXTERIEUR | RETAINING RING | SICHERUNGSRING | ANELLO | |
| 024 | 80589300 | 001 | CIRCLIP EXTERIEUR | RETAINING RING | SICHERUNGSRING | ANELLO | |
| 025 | 82201016 | 010 | GRAISSEUR AUTOTARAUDANT | SELF TAPPING GREASE NIPPLE | GEWINDESCHNEID-SCHMIERNIPPEL | INGRASSATORE | |
| 026 | H0301390 | 002 | VIS | SCREW | SCHRAUBE | VITE | |





VM1523ETB-VM1524TB-VM1524ETB-VM1525TB I9738 >J7717

H03R0093 A

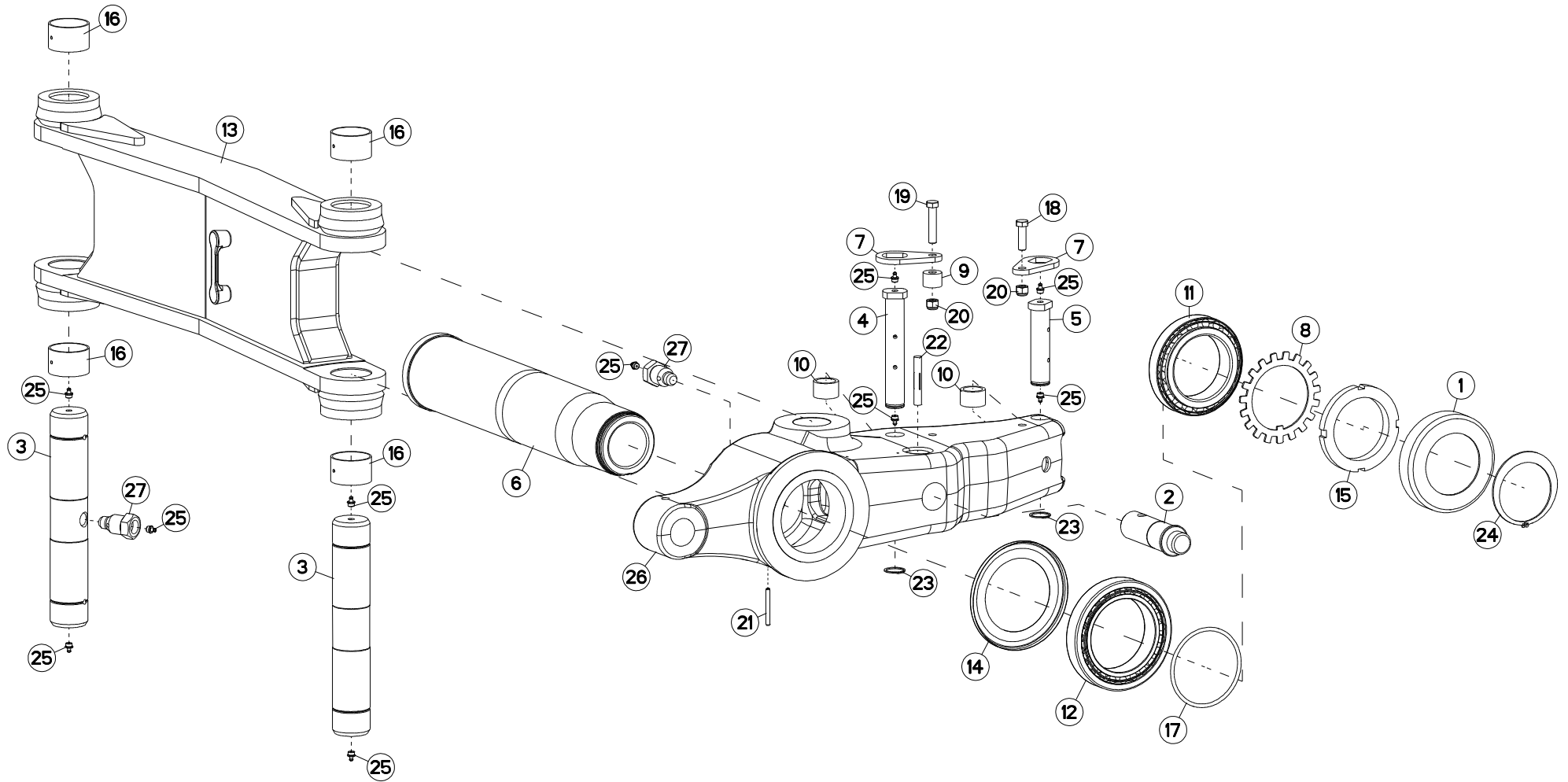
PARTIE MÉDIANE A (BIELLE LONGU

MAIN LINK A (PULL BAR LONG)

MITTELTEIL A (LENKER LANG)

TIRANTE PRINCIPALE A (BIELLA L

| Rep | Nr | Qt | Designation | Description | Bezeichnung | Referenza | Remarque - Remark - Bemerkung - Osservazioni |
|-----|----------|-----|-------------------------------|-----------------------------|------------------------------|-------------------------------|--|
| 001 | 110104 | 001 | PROTECTEUR AVANT | COVER | SCHUTZDECKEL | PROTEZIONE ANTERIORE | |
| 002 | 131153 | 001 | TOURILLON | TRUNNION | DREHZAPFEN | PERNO | |
| 003 | 131251 | 002 | AXE | PIN | ACHSE | ASSE | |
| 004 | 131253 | 001 | AXE DEPORT/DEVERS | AXLE | ACHSE | ASSE | |
| 005 | 131254 | 001 | AXE L/COUPE REPLIAGE AVT A/B | AXLE | ACHSE | PERNO | |
| 006 | 157148 | 001 | FUSEE | TURNOVER SHAFT | DREHZAPFEN | FUSO | |
| 007 | 212239 | 002 | PLAQUETTE ARRETOIR | STOP PLATE | ARRETIERUNGSBLECH | PLACHETTA | |
| 008 | 421190 | 001 | RONDELLE | LOCK WASHER | SPANNSCHEIBE | RONDELLA | |
| 009 | 421211 | 001 | ENTRETOISE | SPACER | DISTANZHUELSE | DISTANZIALE | |
| 010 | 421213 | 002 | ENTRETOISE VERIN | SPACER | DISTANZSCHEIBE | BOCCOLA | |
| 011 | 490102 | 001 | ROULEMT.RLX CON 105X160X35 | BEARING, ROLLER | ROLLENLAGER | CUSCINETTO | |
| 012 | 490103 | 001 | ROULEMT.RLX CON 120X180X38 | BEARING, ROLLER | ROLLENLAGER | CUSCINETTO | |
| 013 | 582879 | 001 | BIELLE | LINK, CONNECTING | LENKER | BIELLA | |
| 014 | 645234 | 001 | SUPPORT | SUPPORT | TRAEGER | SUPPORTO | |
| 015 | 951179 | 001 | RONDELLE D'ETANCHEITE | PROTECTOR | SCHIEBE | RONDELLA DI TENUTA | |
| 016 | 951180 | 001 | ECROU A ENCOCHES | SLOTTED ROUND NUT | NUTMUTTER | GHIERA | |
| 017 | 951242 | 004 | BAGUE ROULEE | WRAPPED BUSH | GEROLLTE BUCHSE | BOCCOLA | |
| 018 | 951731 | 001 | JOINT TORIQUE | O-RING | O-RING | GUARNIZIONE | |
| 019 | 80061248 | 001 | VIS TETE HEXAGONALE FE/ZNXC3 | HEXAGON HEAD SCREW FE/ZNXC3 | SECHSKANTSCHRAUBE FE/ZNXC3 | VITE TESTA ESAGONALE FE/ZNXC3 | |
| 020 | 80061282 | 001 | VIS TETE HEXAGONALE FE/ZNXC3 | HEXAGON HEAD SCREW FE/ZNXC3 | SECHSKANTSCHRAUBE FE/ZNXC3 | VITE TESTA ESAGONALE FE/ZNXC3 | |
| 021 | 80201230 | 002 | ECROU HEX.AUTOFREINE FE/ZNXC3 | SELF-LOCKING NUT FE/ZNXC3 | SELBSTSICH.MUTTER FE/ZNXC3 | DADO AUTOBLOCCANTE FE/ZNXC3 | |
| 022 | 80450660 | 001 | GOUPILLE ELASTIQUE FLZNNC | ROLL PIN FLZNNC | SPANNHUELSE FLZNNC | SPINA ELASTICA | |
| 023 | 80541280 | 001 | GOUPILLE CANNELEE | GROOVED PIN | KERBSTIFT | COPPIGLIA | |
| 024 | 80583000 | 002 | CIRCLIP EXTERIEUR | RETAINING RING | SICHERUNGSRING | ANELLO | |
| 025 | 80589300 | 001 | CIRCLIP EXTERIEUR | RETAINING RING | SICHERUNGSRING | ANELLO | |
| 026 | 82201016 | 010 | GRAISSEUR AUTOTARAUDANT | SELF TAPPING GREASE NIPPLE | GEWINDESCHNEID-SCHMIERNIPPEL | INGRASSATORE | |
| 027 | H0301390 | 002 | VIS | SCREW | SCHRAUBE | VITE | |





VM1523ETB-VM1524TB-VM1524ETB-VM1525TB I9738 >J7717

H03R0094 A

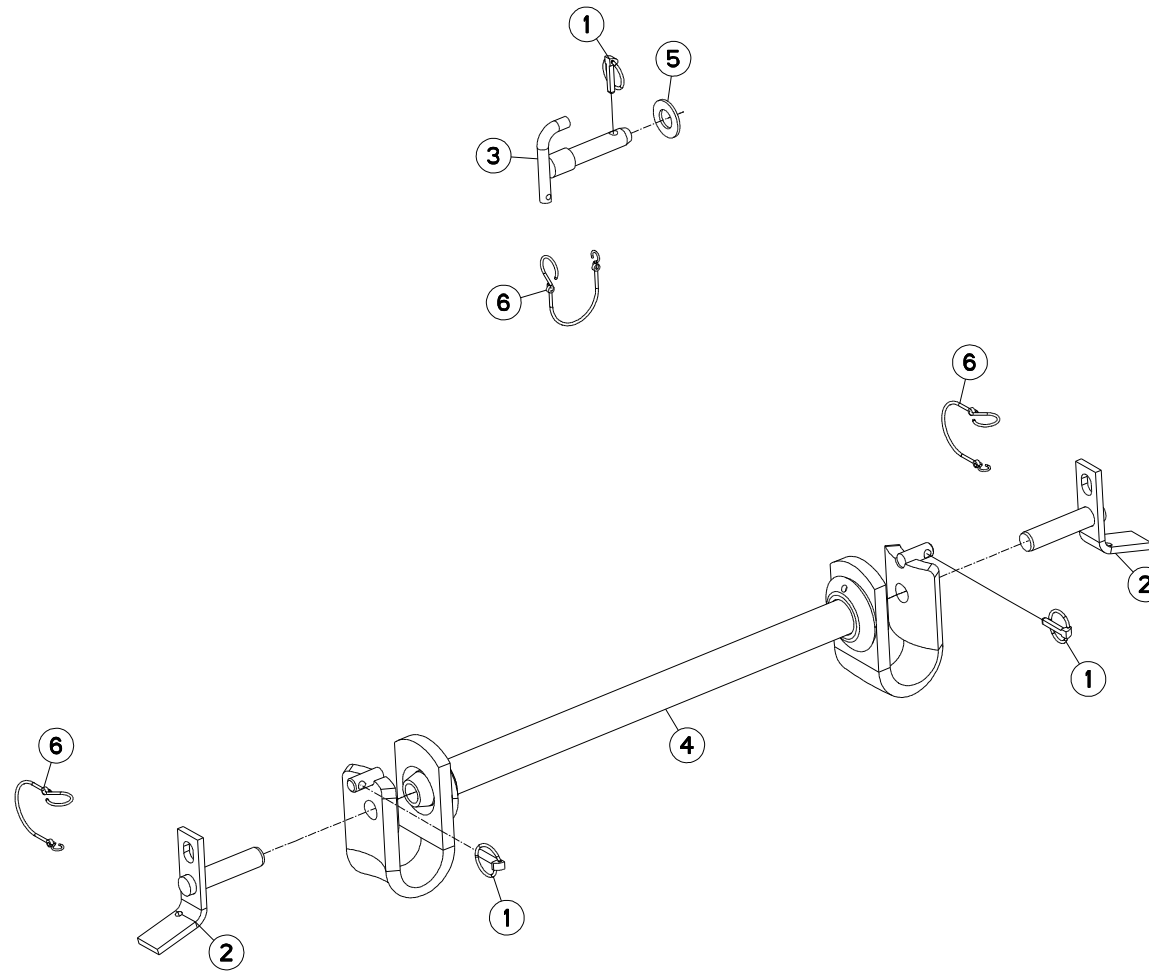
PARTIE MÉDIANE A (UNDER BEAM T

MAIN LINK A (UNDER BEAM TURN.)

MITTELTEIL A (UNDER BEAM TURN.

TIRANTE PRINCIPALE A (UNDER BE

| Rep | Nr | Qt | Designation | Description | Bezeichnung | Referenza | Remarque - Remark - Bemerkung - Osservazioni |
|-----|----------|-----|-------------------------------|-----------------------------|------------------------------|-------------------------------|--|
| 001 | 110104 | 001 | PROTECTEUR AVANT | COVER | SCHUTZDECKEL | PROTEZIONE ANTERIORE | |
| 002 | 131153 | 001 | TOURILLON | TRUNNION | DREHZAPFEN | PERNO | |
| 003 | 131251 | 002 | AXE | PIN | ACHSE | ASSE | |
| 004 | 131253 | 001 | AXE DEPORT/DEVERS | AXLE | ACHSE | ASSE | |
| 005 | 131254 | 001 | AXE L/COUPE REPLIAGE AVT A/B | AXLE | ACHSE | PERNO | |
| 006 | 157148 | 001 | FUSEE | TURNOVER SHAFT | DREHZAPFEN | FUSO | |
| 007 | 212239 | 002 | PLAQUETTE ARRETOIR | STOP PLATE | ARRETIERUNGSBLECH | PLACHETTA | |
| 008 | 421190 | 001 | RONDELLE | LOCK WASHER | SPANNSCHEIBE | RONDELLA | |
| 009 | 421211 | 001 | ENTRETOISE | SPACER | DISTANZHUELSE | DISTANZIALE | |
| 010 | 421213 | 002 | ENTRETOISE VERIN | SPACER | DISTANZSCHEIBE | BOCCOLA | |
| 011 | 490102 | 001 | ROULEMT.RLX CON 105X160X35 | BEARING, ROLLER | ROLLENLAGER | CUSCINETTO | |
| 012 | 490103 | 001 | ROULEMT.RLX CON 120X180X38 | BEARING, ROLLER | ROLLENLAGER | CUSCINETTO | |
| 013 | 582879 | 001 | BIELLE | LINK, CONNECTING | LENKER | BIELLA | |
| 014 | 951179 | 001 | RONDELLE D'ETANCHEITE | PROTECTOR | SCHEIBE | RONDELLA DI TENUTA | |
| 015 | 951180 | 001 | ECROU A ENCOCHES | SLOTTED ROUND NUT | NUTMUTTER | GHIERA | |
| 016 | 951242 | 004 | BAGUE ROULEE | WRAPPED BUSH | GEROLLTE BUCHSE | BOCCOLA | |
| 017 | 951731 | 001 | JOINT TORIQUE | O-RING | O-RING | GUARNIZIONE | |
| 018 | 80061248 | 001 | VIS TETE HEXAGONALE FE/ZNXC3 | HEXAGON HEAD SCREW FE/ZNXC3 | SECHSKANTSCHRAUBE FE/ZNXC3 | VITE TESTA ESAGONALE FE/ZNXC3 | |
| 019 | 80061282 | 001 | VIS TETE HEXAGONALE FE/ZNXC3 | HEXAGON HEAD SCREW FE/ZNXC3 | SECHSKANTSCHRAUBE FE/ZNXC3 | VITE TESTA ESAGONALE FE/ZNXC3 | |
| 020 | 80201230 | 002 | ECROU HEX.AUTOFREINE FE/ZNXC3 | SELF-LOCKING NUT FE/ZNXC3 | SELBSTSICH.MUTTER FE/ZNXC3 | DADO AUTOBLOCCANTE FE/ZNXC3 | |
| 021 | 80450660 | 001 | GOUPILLE ELASTIQUE FLZNNC | ROLL PIN FLZNNC | SPANNHUELSE FLZNNC | SPINA ELASTICA | |
| 022 | 80541280 | 001 | GOUPILLE CANNELEE | GROOVED PIN | KERBSTIFT | COPPIGLIA | |
| 023 | 80583000 | 002 | CIRCLIP EXTERIEUR | RETAINING RING | SICHERUNGSRING | ANELLO | |
| 024 | 80589300 | 001 | CIRCLIP EXTERIEUR | RETAINING RING | SICHERUNGSRING | ANELLO | |
| 025 | 82201016 | 010 | GRAISSEUR AUTOTARAUDANT | SELF TAPPING GREASE NIPPLE | GEWINDESCHNEID-SCHMIERNIPPEL | INGRASSATORE | |
| 026 | H0101990 | 001 | SUPPORT | SUPPORT | TRAEGER | SUPPORTO | |
| 027 | H0301390 | 002 | VIS | SCREW | SCHRAUBE | VITE | |





VM1523ET-VM1524T I9738 >J8516

H01R0018 B

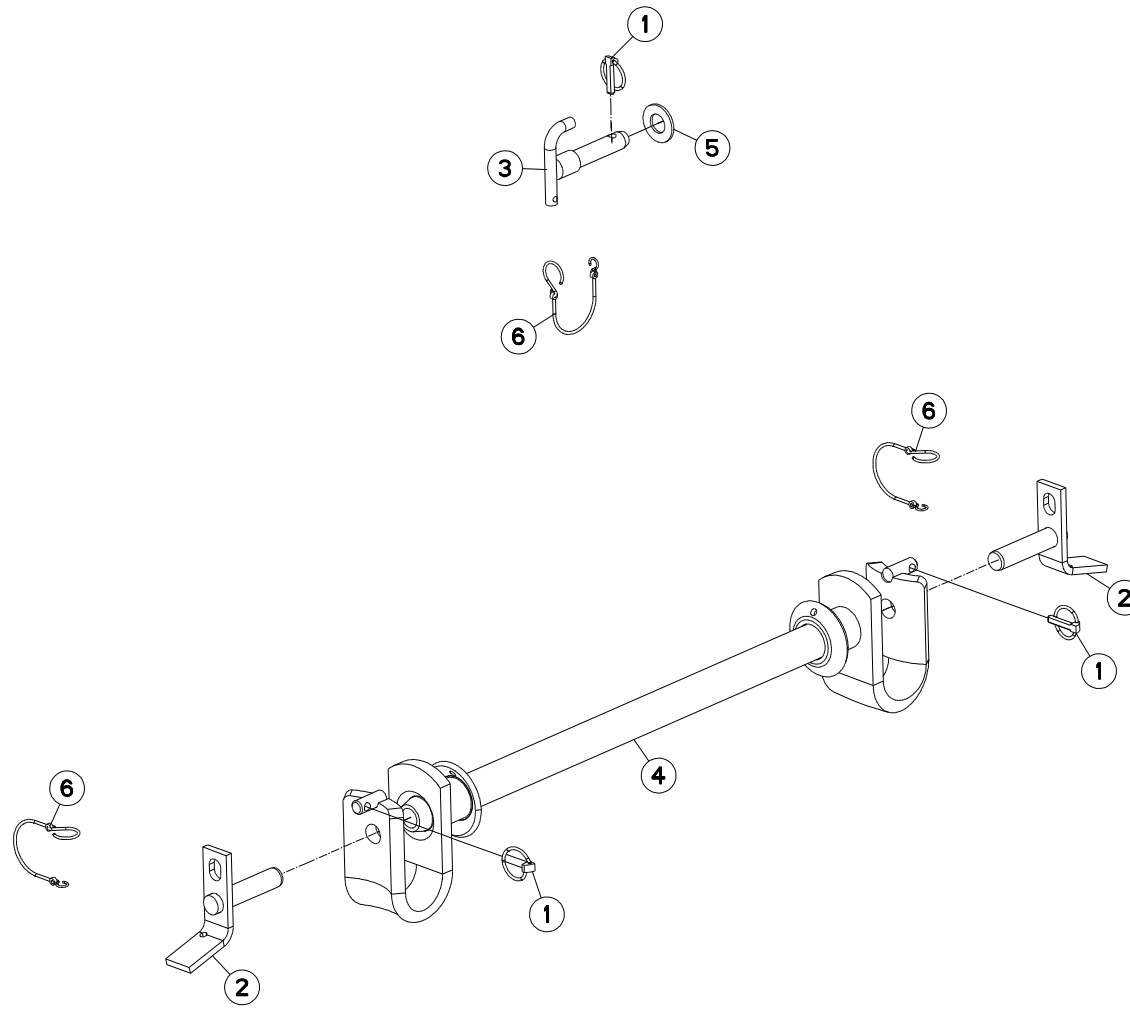
TRAVERSE STD2 Ø50

CROSSBAR STD2 Ø50

QUERTRÄGER STD2 Ø50

TRAVERSA STD2 Ø50

| Rep | Nr | Qt | Designation | Description | Bezeichnung | Referenza | Remarque - Remark - Bemerkung - Osservazioni |
|-----|-----------------|-----|----------------------------|-----------------------|------------------------|--------------------------|--|
| 001 | 541001 | 003 | GOUPILLE RAPIDE | LYNCH PIN D10 CAT2 | KLAPPSTECKER D10 KAT2 | CAPPIGLIA | |
| 002 | 580220 | 002 | BROCHE | PIN, HITCH | ACHSE | PERNO | |
| 003 | 580296 | 001 | AXE 3 POINT STANDARD 2 D25 | TOP LINK PIN CAT2 | OBERLENKERBOLZEN KAT 2 | PERNO 3 PUNTI STANDARD 2 | |
| 004 | 589009 | 001 | TRAVERSE | TUBE, CROSS | QUERTRAEGER | TRAVERSA | |
| 005 | 80252755 | 001 | RONDELLE PLATE C FE/ZNXC3 | PLAIN WASHER FE/ZNXC3 | SCHEIBE FE/ZNXC3 | RONDELLA PIATTA FE/ZNXC3 | |
| 006 | 83070064 | 003 | LIEN PVC | PVC CORD | SICHERUNGSBAND | CAVO | |





VM1523ET-VM1524T I9738 >J8516

H01R0039 B

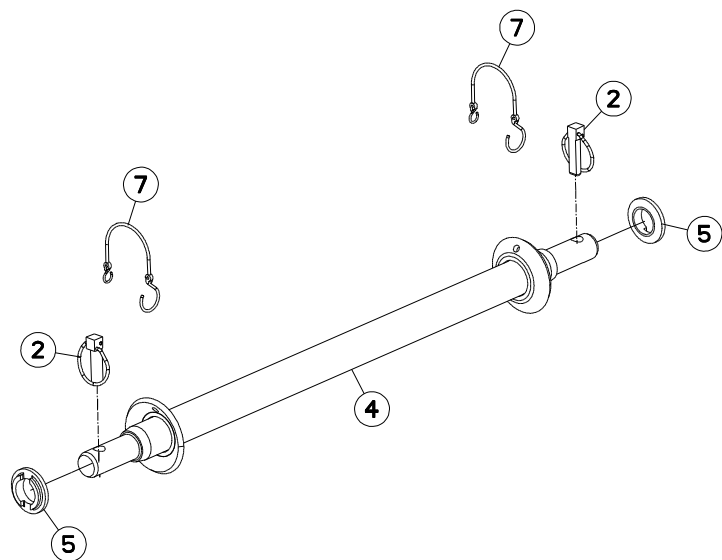
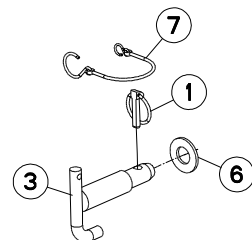
TRAVERSE STD2.5 Ø50

CROSSBAR STD2.5 Ø50

QUERTRÄGER STD2.5 Ø50

TRAVERSA STD2.5 Ø50

| Rep | Nr | Qt | Designation | Description | Bezeichnung | Referenza | Remarque - Remark - Bemerkung - Osservazioni |
|-----|-----------------|-----|----------------------------|-----------------------|------------------------|--------------------------|--|
| 001 | 541001 | 003 | GOUPILLE RAPIDE | LYNCH PIN D10 CAT2 | KLAPPSTECKER D10 KAT2 | CAPPIGLIA | |
| 002 | 580220 | 002 | BROCHE | PIN, HITCH | ACHSE | PERNO | |
| 003 | 580296 | 001 | AXE 3 POINT STANDARD 2 D25 | TOP LINK PIN CAT2 | OBERLENKERBOLZEN KAT 2 | PERNO 3 PUNTI STANDARD 2 | |
| 004 | 581615 | 001 | TRAVERSE | CROSS SHAFT | TRAGACHSE | TRAVERSA | |
| 005 | 80252755 | 001 | RONDELLE PLATE C FE/ZNXC3 | PLAIN WASHER FE/ZNXC3 | SCHEIBE FE/ZNXC3 | RONDELLA PIATTA FE/ZNXC3 | |
| 006 | 83070064 | 003 | LIEN PVC | PVC CORD | SICHERUNGSBAND | CAVO | |





VM1523ET-VM1524T I9738 >J8516

H01R0038 B

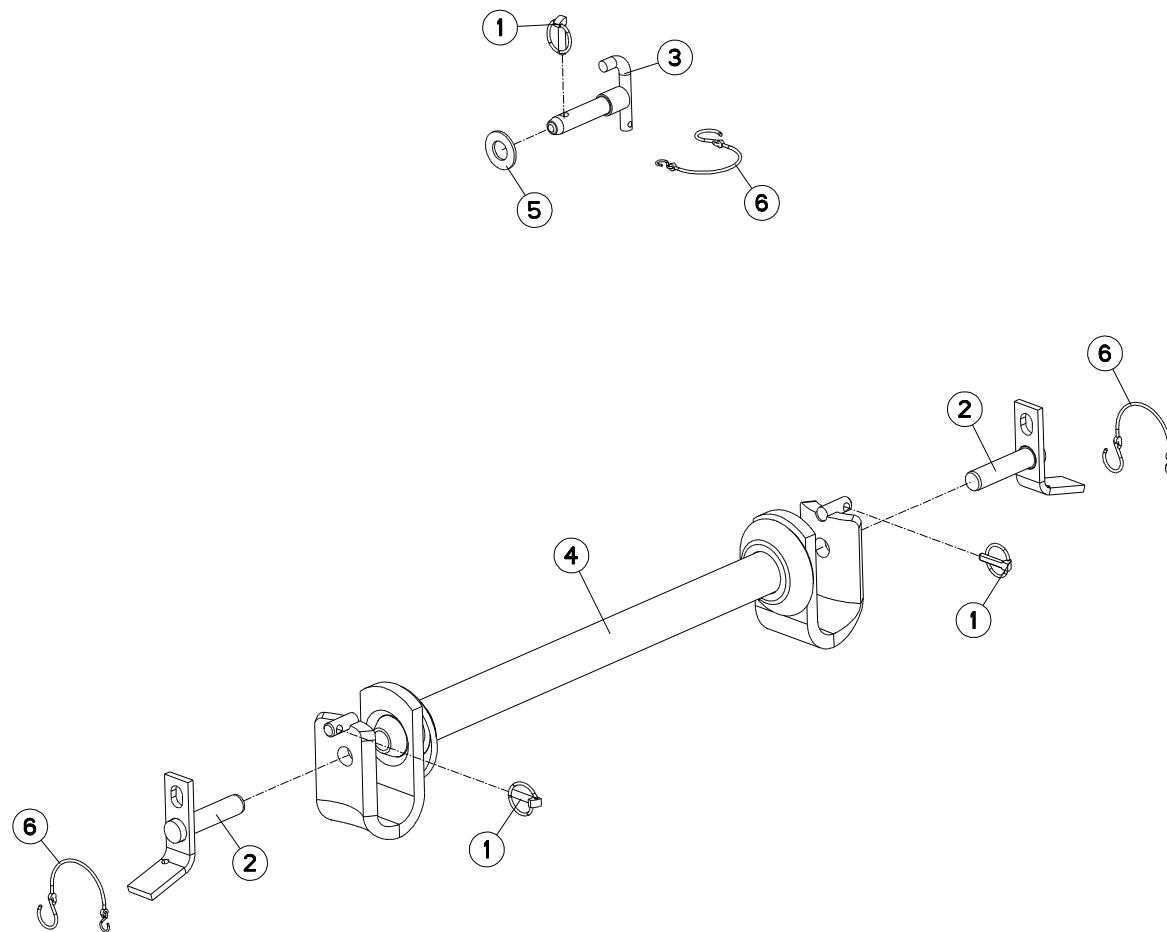
TRAVERSE STD3 AVTB

CROSSBAR STD3 AVTB

QUERTRÄGER STD3 AVTB

TRAVERSA STD3 AVTB

| Rep | Nr | Qt | Designation | Description | Bezeichnung | Referenza | Remarque - Remark - Bemerkung - Osservazioni |
|-----|-----------------|-----|-------------------------|-----------------------|------------------------|--------------------------|--|
| 001 | 541001 | 001 | GOUPILLE RAPIDE | LYNCH PIN D10 CAT2 | KLAPPSTECKER D10 KAT2 | CAPPIGLIA | |
| 002 | 547005 | 002 | GOUPILLE | LYNCH PIN D16 CAT3 | KLAPPSTECKER D16 KAT 3 | COPPIGLIA | |
| 003 | 580297 | 001 | AXE 3 POINT ST.3 D31,5 | TOP LINK PIN CAT 3 | OBERLENKERBOLZEN KAT 3 | PERNO 3 PUNTI STANDARD 3 | |
| 004 | 581084 | 001 | TRAVERSE | CROSS SHAFT | TRAGACHSE | TRAVERSA | |
| 005 | 721017 | 002 | RONDELLE | WASHER CAT3 | UNTERLEGSCHIEBE KAT 3 | DISTANZIALE | |
| 006 | 80252432 | 001 | RONDELLE PLATE FE/ZNXC3 | PLAIN WASHER FE/ZNXC3 | SCHEIBE FE/ZNXC3 | RONDELLA PIATTA FE/ZNXC3 | |
| 007 | 83070064 | 003 | LIEN PVC | PVC CORD | SICHERUNGSBAND | CAVO | |





VM1523ETB-VM1524TB-VM1524ET-VM1525T-VM1525ET-VM1526T

I9738 >J7717

H01R0037 A

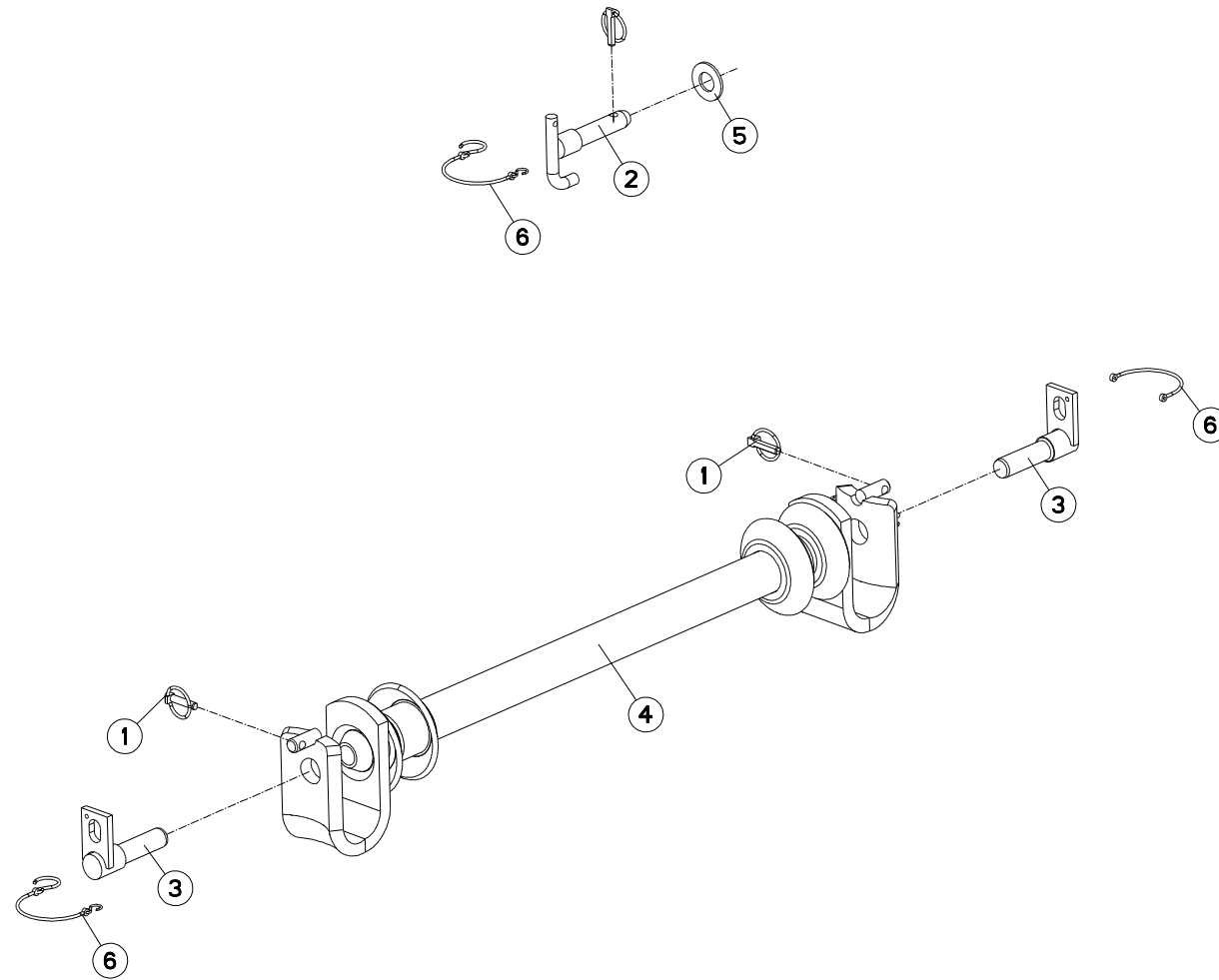
TRAVERSE STD2 AVTA

CROSSBAR STD2 AVTA

QUERTRÄGER STD2 AVTA

TRAVERSA STD2 AVTA

| Rep | Nr | Qt | Designation | Description | Bezeichnung | Referenza | Remarque - Remark - Bemerkung - Osservazioni |
|-----|-----------------|-----|----------------------------|-----------------------|------------------------|--------------------------|--|
| 001 | 541001 | 003 | GOUPILLE RAPIDE | LYNCH PIN D10 CAT2 | KLAPPSTECKER D10 KAT2 | CAPPIGLIA | |
| 002 | 580220 | 002 | BROCHE | PIN, HITCH | ACHSE | PERNO | |
| 003 | 580296 | 001 | AXE 3 POINT STANDARD 2 D25 | TOP LINK PIN CAT2 | OBERLENKERBOLZEN KAT 2 | PERNO 3 PUNTI STANDARD 2 | |
| 004 | 586005 | 001 | TRAVERSE | TUBE, CROSS | QUERTRAEGER | TRAVERSA | |
| 005 | 80252755 | 001 | RONDELLE PLATE C FE/ZNXC3 | PLAIN WASHER FE/ZNXC3 | SCHEIBE FE/ZNXC3 | RONDELLA PIATTA FE/ZNXC3 | |
| 006 | 83070064 | 003 | LIEN PVC | PVC CORD | SICHERUNGSBAND | CAVO | |





VM1523ETB-VM1524TB-VM1524ET-VM1525T-VM1525ET-VM1526T

I9738 >J7717

H01R0021 A

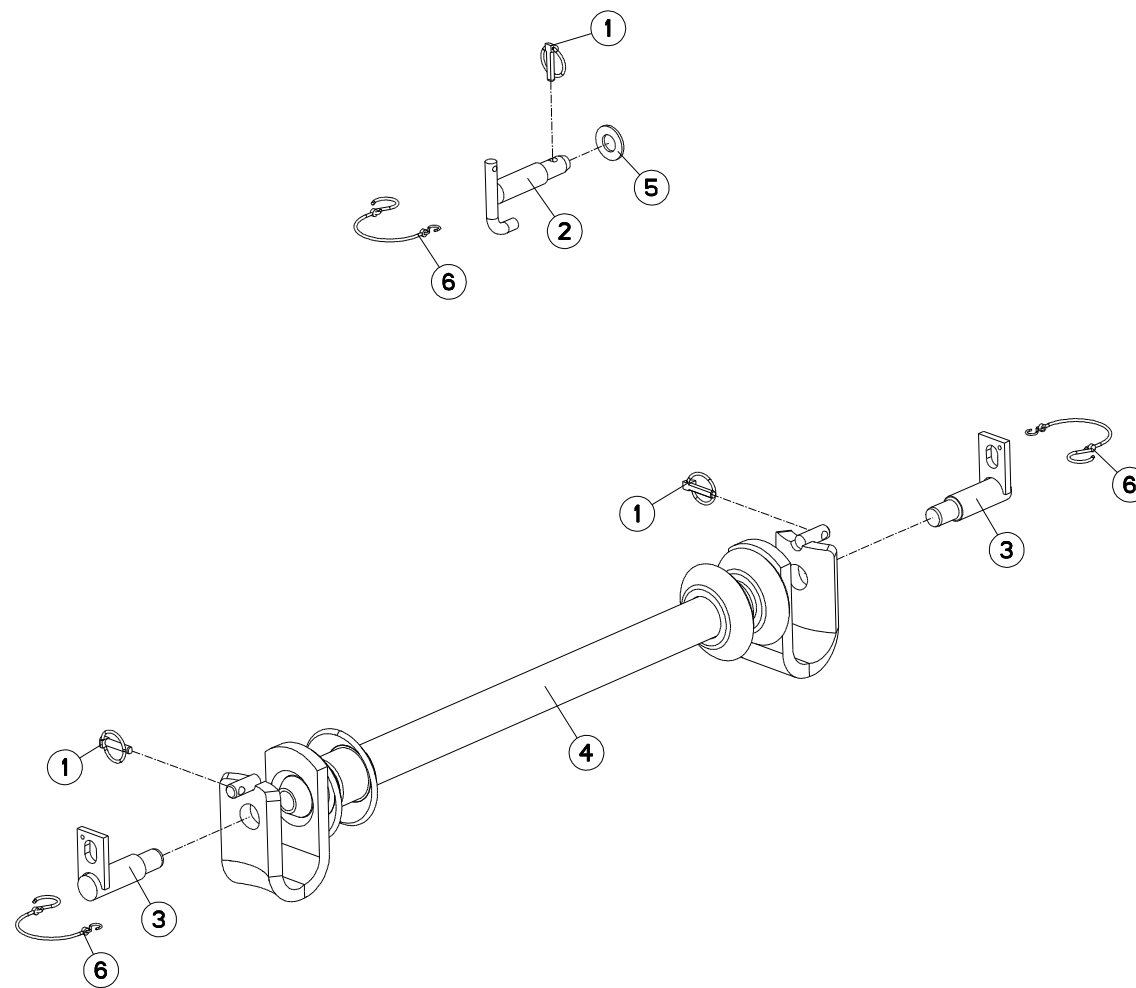
TRAVERSE STD3 (3 POINT STD2)

CROSSBAR STD3 (3 POINT STD2)

QUERTRÄGER STD3 (3 POINT STD2)

TRAVERSA STD3 (3 POINT STD2)

| Rep | Nr | Qt | Designation | Description | Bezeichnung | Referenza | Remarque - Remark - Bemerkung - Osservazioni |
|-----|-----------------|-----|----------------------------|-----------------------|------------------------|--------------------------|--|
| 001 | 541001 | 003 | GOUPILLE RAPIDE | LYNCH PIN D10 CAT2 | KLAPPSTECKER D10 KAT2 | CAPPIGLIA | |
| 002 | 580296 | 001 | AXE 3 POINT STANDARD 2 D25 | TOP LINK PIN CAT2 | OBERLENKERBOLZEN KAT 2 | PERNO 3 PUNTI STANDARD 2 | |
| 003 | 581705 | 002 | BROCHE | PIN, HITCH | ACHSE | PERNO | |
| 004 | 586100 | 001 | TRAVERSE | CROSS SHAFT | TRAGACHSE | TRAVERSA | |
| 005 | 80252755 | 001 | RONDELLE PLATE C FE/ZNXC3 | PLAIN WASHER FE/ZNXC3 | SCHEIBE FE/ZNXC3 | RONDELLA PIATTA FE/ZNXC3 | |
| 006 | 83070064 | 003 | LIEN PVC | PVC CORD | SICHERUNGSBAND | CAVO | |





VM1523ETB-VM1524TB-VM1524ET-VM1525T-VM1525ET-VM1526T
I9738 >J7717

H01R0023 A

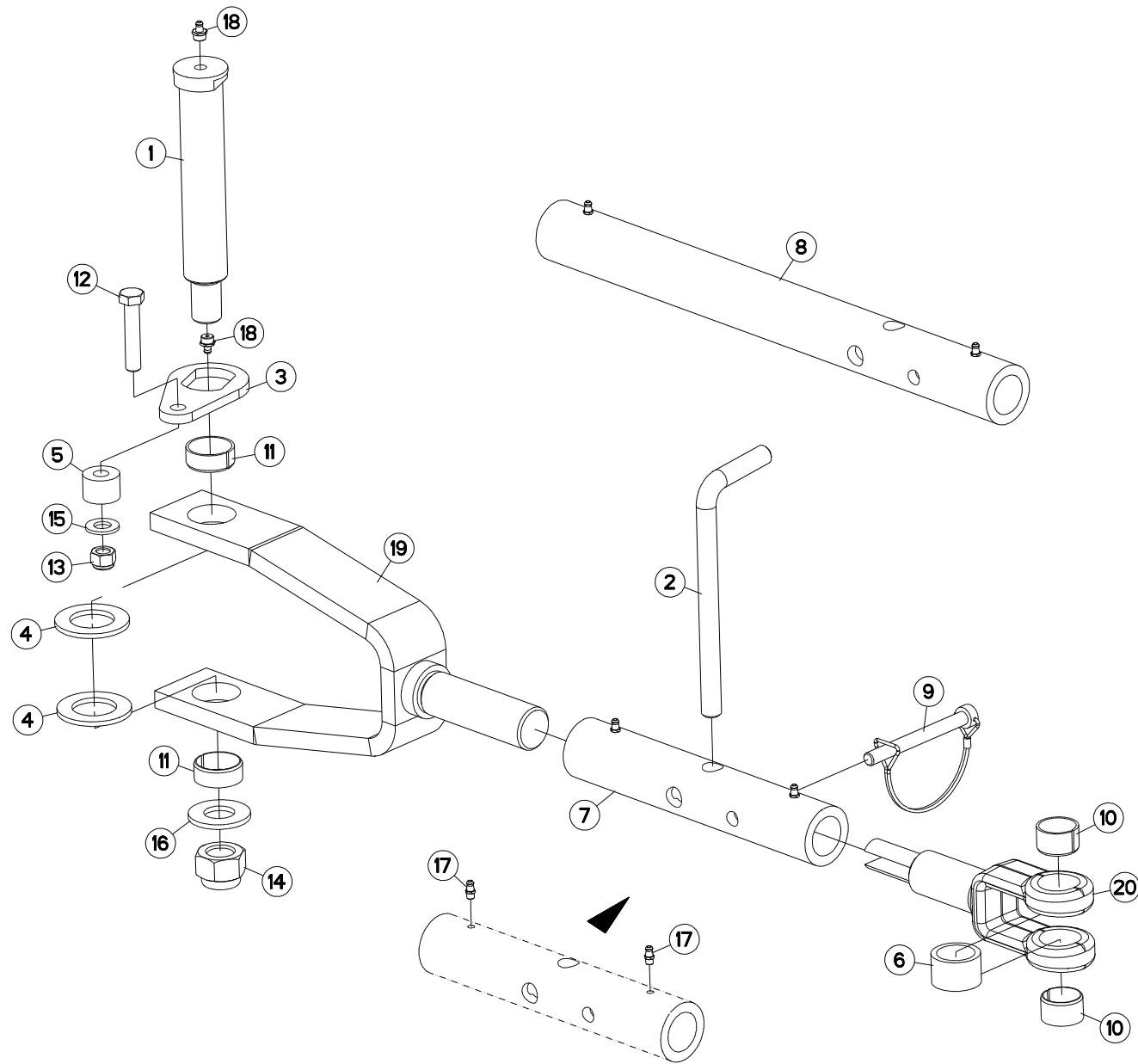
TRAVERSE STD3 AVTA

CROSSBAR STD3 AVTA

QUERTRÄGER STD3 AVTA

TRAVERSA STD3 AVTA

| Rep | Nr | Qt | Designation | Description | Bezeichnung | Referenza | Remarque - Remark - Bemerkung - Osservazioni |
|-----|-----------------|-----|-------------------------|-----------------------|------------------------|--------------------------|--|
| 001 | 541001 | 003 | GOUPILLE RAPIDE | LYNCH PIN D10 CAT2 | KLAPPSTECKER D10 KAT2 | CAPPIGLIA | |
| 002 | 580297 | 001 | AXE 3 POINT ST.3 D31,5 | TOP LINK PIN CAT 3 | OBERLENKERBOLZEN KAT 3 | PERNO 3 PUNTI STANDARD 3 | |
| 003 | 581706 | 002 | BROCHE STD 3 Ø36 | SPINDLE STD 3 Ø36 | SPINDEL STD 3 Ø36 | PERNO STD3 Ø36 | |
| 004 | 586100 | 001 | TRAVERSE | CROSS SHAFT | TRAGACHSE | TRAVERSA | |
| 005 | 80252432 | 001 | RONDELLE PLATE FE/ZNXC3 | PLAIN WASHER FE/ZNXC3 | SCHEIBE FE/ZNXC3 | RONDELLA PIATTA FE/ZNXC3 | |
| 006 | 83070064 | 003 | LIEN PVC | PVC CORD | SICHERUNGSBAND | CAVO | |





VARI-MASTER 152 T

I9738 >J8516

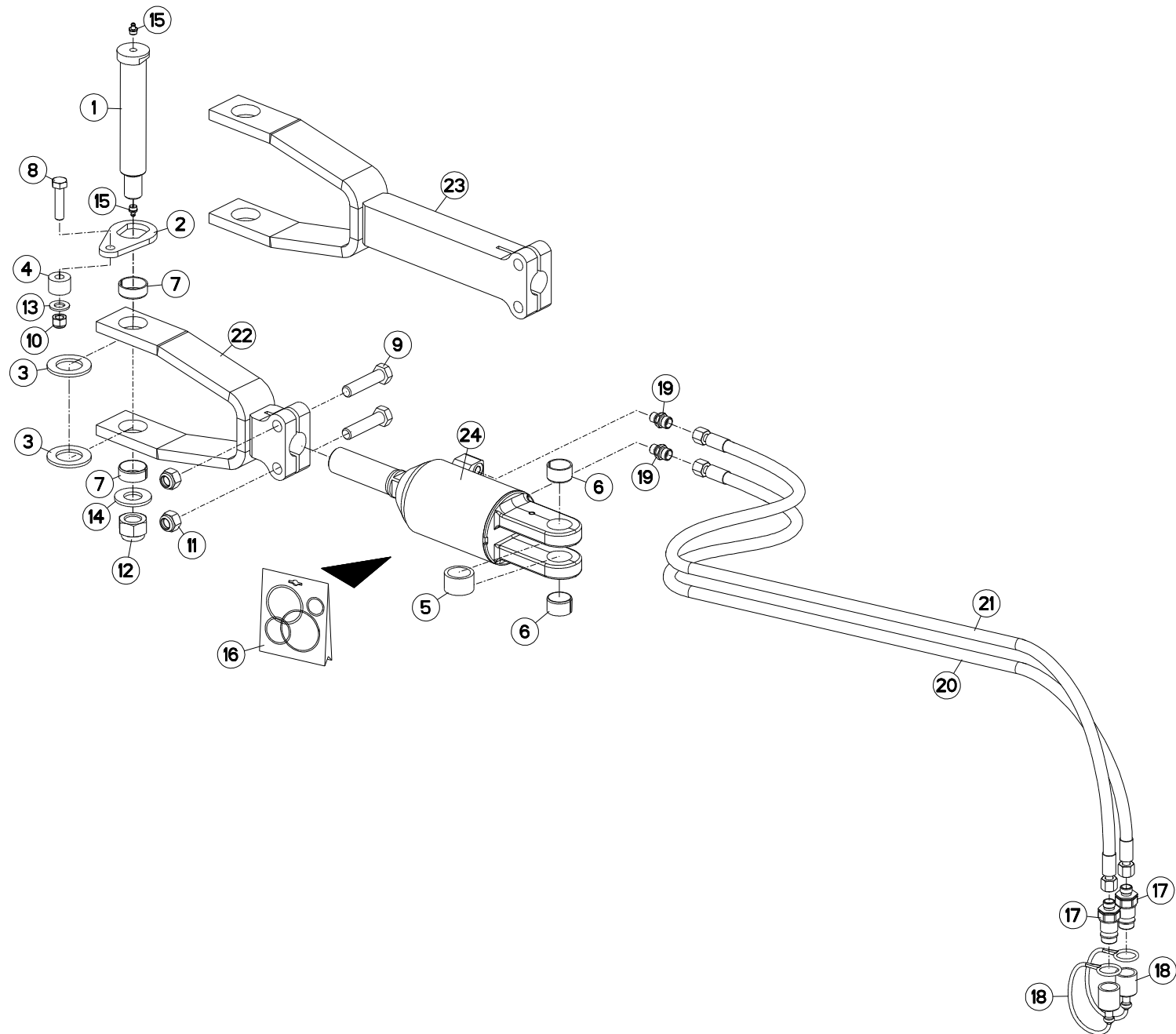
H03R0085 B

DEPORT MÉCANIQUE

MECHANICAL OFFSET

MECH. VORDERFURCHENEINSTELLUNG SFALSAMENTO MECCANICO

| Rep | Nr | Qt | Designation | Description | Bezeichnung | Referenza | Remarque - Remark - Bemerkung - Osservazioni |
|-----|----------|-----|-------------------------------|--------------------------------|--------------------------------|-------------------------------|--|
| 001 | 131255 | 001 | AXE TTHF BAT1150 | AXLE | ACHSE | PERNO | |
| 002 | 139046 | 001 | BROCHE | PIN, HITCH | ACHSE | PERNO | |
| 003 | 212237 | 001 | PLAQUETTE ARRETOIR | STOP PLATE | ARRETIERUNGSBLECH | PLACHETTA | |
| 004 | 421146 | 002 | RONDELLE | WASHER | SCHEIBE | RONDELLA | |
| 005 | 421212 | 001 | ENTRETOISE EP 20,25 | SPACER | DISTANZSCHEIBE | DISTANZIATORE | |
| 006 | 421213 | 001 | ENTRETOISE VERIN | SPACER | DISTANZSCHEIBE | BOCCOLA | |
| 007 | 445254 | 002 | TUBE | TUBE | ROHR | TUBO | |
| 008 | 445747 | 001 | TUBE BIELLE LONGUE | TUBE PULL BAR LONG | ROHR LENKER LANG | TUBO BIELLA LUNGA | |
| 009 | 920136 | 001 | GOUPILLE CAVALIERE FE/ZNXC3 | TUBE PIN FE/ZNXC3 | ROHRKLAPPSTECKER FE/ZNXC3 | PERNO FE/ZNXC3 | |
| 010 | 951522 | 002 | BAGUE | BUSHING | HUELSE | BOCCOLA | |
| 011 | 951523 | 002 | BAGUE | BUSHING | HUELSE | BOCCOLA | |
| 012 | 80061282 | 001 | VIS TETE HEXAGONALE FE/ZNXC3 | HEXAGON HEAD SCREW FE/ZNXC3 | SECHSKANTSCHRAUBE FE/ZNXC3 | VITE TESTA ESAGONALE FE/ZNXC3 | |
| 013 | 80201230 | 001 | ECROU HEX.AUTOFREINE FE/ZNXC3 | SELF-LOCKING NUT FE/ZNXC3 | SELBSTSICH.MUTTER FE/ZNXC3 | DADO AUTOBLOCCANTE FE/ZNXC3 | |
| 014 | 80202440 | 001 | ECROU HEX.AUTOFREINE FE/ZNXC3 | SELF-LOCKING NUT FE/ZNXC3 | SELBSTSICHERNDE MUTT.FE/ZNXC3 | DADO AUTOBLOCCANTE FE/ZNXC3 | |
| 015 | 80251427 | 001 | RONDELLE PLATE FE/ZNXC3 | PLAIN WASHER FE/ZNXC3 | SCHEIBE FE/ZNXC3 | RONDELLA PIATTA FE/ZNXC3 | |
| 016 | 80252432 | 001 | RONDELLE PLATE FE/ZNXC3 | PLAIN WASHER FE/ZNXC3 | SCHEIBE FE/ZNXC3 | RONDELLA PIATTA FE/ZNXC3 | |
| 017 | 82200616 | 002 | GRAISSEUR AUTOTAR.FE/ZNXC3 | TAPPING GREASE NIPPLE FE/ZNXC3 | GEWINDESCH.SCHMIERNIP.FE/ZNXC3 | INGRASSATORE FE/ZNXC3 | |
| 018 | 82201016 | 002 | GRAISSEUR AUTOTARAUDANT | SELF TAPPING GREASE NIPPLE | GEWINDESCHNEID-SCHMIERNIPPEL | INGRASSATORE | |
| 019 | H0300850 | 001 | TIRANT | TIE ROD | ZUGSTANGE | TIRANTE | |
| 020 | H0300920 | 001 | TIRANT | TIE ROD | ZUGSTANGE | TIRANTE | |





VARI-MASTER 152 T

I9738 >J8516

H03R0076 B

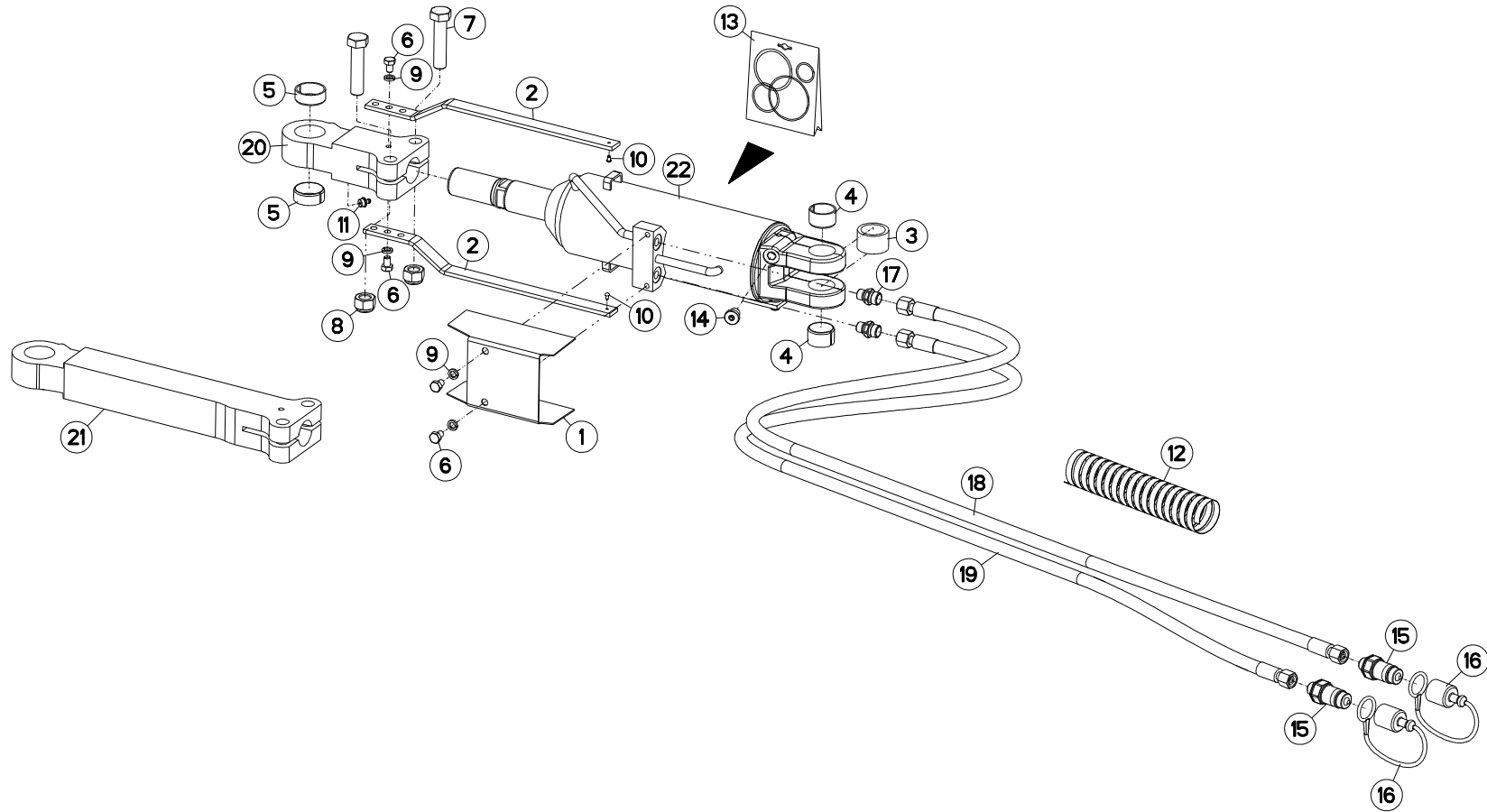
DEPORT HYDRAULIQUE

HYDRAULIC OFFSET

HYDR. VORDERFURCHEINSTELLUNG

SFALSAMENTO IDRAULICO

| Rep | Nr | Qt | Designation | Description | Bezeichnung | Referenza | Remarque - Remark - Bemerkung - Osservazioni |
|-----|----------|-----|-------------------------------|----------------------------|-------------------------------|-----------------------------|--|
| 001 | 131255 | 001 | AXE TTHF BAT1150 | AXLE | ACHSE | PERNO | |
| 002 | 212237 | 001 | PLAQUETTE ARRETOIR | STOP PLATE | ARRETIERUNGSBLECH | PLACHETTA | |
| 003 | 421146 | 002 | RONDELLE | WASHER | SCHEIBE | RONDELLA | |
| 004 | 421212 | 001 | ENTRETOISE EP 20,25 | SPACER | DISTANZSCHEIBE | DISTANZIATORE | |
| 005 | 421213 | 001 | ENTRETOISE VERIN | SPACER | DISTANZSCHEIBE | BOCCOLA | |
| 006 | 951522 | 002 | BAGUE | BUSHING | HUELSE | BOCCOLA | |
| 007 | 951523 | 002 | BAGUE | BUSHING | HUELSE | BOCCOLA | |
| 008 | 80061211 | 001 | VIS TETE HEXAGONALE FLZNNC | HEXAGON HEAD SCREW FLZNNC | SECHSKANTSCHRAUBE FLZNNC | VITE TESTA ESAGONALE FLZNNC | |
| 009 | 80061637 | 002 | VIS TETE HEXAGONALE FLZNNC | HEXAGON HEAD SCREW FLZNNC | SECHSKANTSCHRAUBE FLZNNC | VITE TESTA ESAGONALE FLZNNC | |
| 010 | 80201230 | 001 | ECROU HEX.AUTOFREINE FE/ZNXC3 | SELF-LOCKING NUT FE/ZNXC3 | SELBSTSICH.MUTTER FE/ZNXC3 | DADO AUTOBLOCCANTE FE/ZNXC3 | |
| 011 | 80201647 | 002 | ECROU HEX.AUTOFREINE FE/ZNXC3 | SELF-LOCKING NUT FE/ZNXC3 | SELBSTSICHERNDE MUTT.FE/ZNXC3 | DADO AUTOBLOCCANTE FE/ZNXC3 | |
| 012 | 80202440 | 001 | ECROU HEX.AUTOFREINE FE/ZNXC3 | SELF-LOCKING NUT FE/ZNXC3 | SELBSTSICHERNDE MUTT.FE/ZNXC3 | DADO AUTOBLOCCANTE FE/ZNXC3 | |
| 013 | 80251427 | 001 | RONDELLE PLATE FE/ZNXC3 | PLAIN WASHER FE/ZNXC3 | SCHEIBE FE/ZNXC3 | RONDELLA PIATTA FE/ZNXC3 | |
| 014 | 80252432 | 001 | RONDELLE PLATE FE/ZNXC3 | PLAIN WASHER FE/ZNXC3 | SCHEIBE FE/ZNXC3 | RONDELLA PIATTA FE/ZNXC3 | |
| 015 | 82201016 | 002 | GRAISSEUR AUTOTARAUDANT | SELF TAPPING GREASE NIPPLE | GEWINDESCHNEID-SCHMIERNIPPEL | INGRASSATORE | |
| 016 | 929157 | 001 | POCHETTE DE JOINTS | SEALS PACKET (951122) | DICHTSATZ FUER 951122 | COLLEZIONE GUARNIZIONI | : H0301130 |
| 017 | A4074017 | 002 | COUPLEUR MALE | CONNECTOR MALE | KUPPLUNGSTECKER | INNESTO M16X150 | |
| 018 | 82300026 | 002 | CAPUCHON COUPLEUR MALE | CAP MALE CONNECTOR | KAPPE KUPPLUNGSSTECKER | TAPPO | |
| 019 | A4080400 | 002 | UNION MALE | MALE STUD CONNECTOR | GERADER EINSCHRAUBSTUTZEN | GIUZIONE DIRITTA FEZN/XC3 | |
| 020 | A4921038 | 001 | FLEXIBLE | HOSE, HYDRAULIC | HYDRAULIKSCHLAUCH | TUBO IN GOMMA | <->2265 mm |
| 021 | A4921038 | 001 | FLEXIBLE | HOSE, HYDRAULIC | HYDRAULIKSCHLAUCH | TUBO IN GOMMA | <->2265 mm |
| 022 | H0300880 | 001 | EMBOUT | END | TERIEL | GIUNTO | |
| 023 | H0300890 | 001 | EMBOUT BIELLE LONGUE | END PULL BAR LONG | TERIEL LENKER LANG | GIUNTO BIELLA LUNGA | : MM122xxxxxxxB |
| 024 | H0301130 | 001 | VERIN | CYLINDER, HYDRAULIC | HYDRAULIKZYLINDER | CILINDRO | |





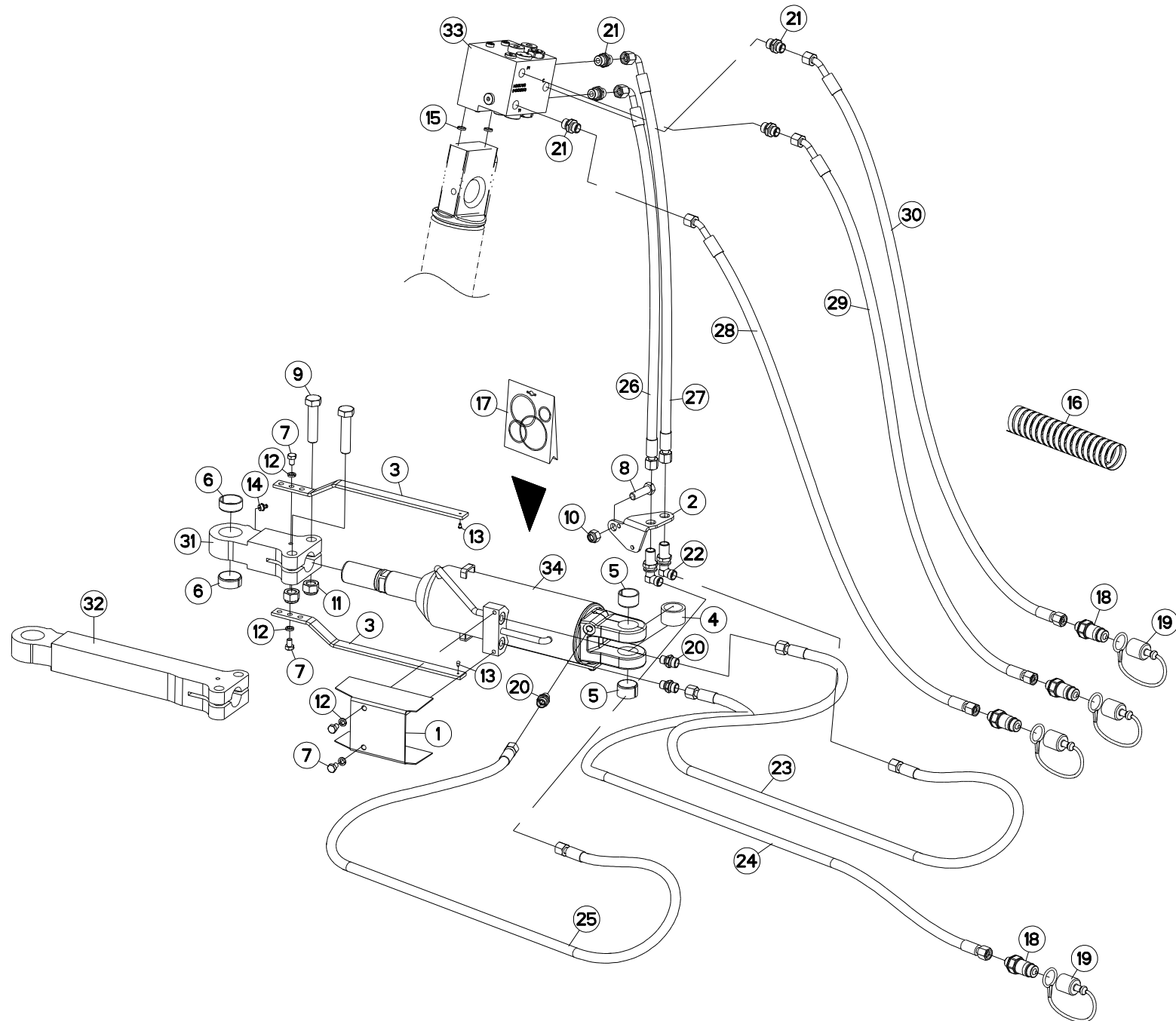
VM1523ET-VM1524T I9738 >J8516

H03R0080 B

LARGEUR DE COUPE HYDRAULIQUE B HYDRAULIC CUTTING WIDTH B

HYDRAULISCHE KOMBIEINSTELLUNG B LARGHEZZA DI TAGLIO IDRAULICO

| Rep | Nr | Qt | Designation | Description | Bezeichnung | Referenza | Remarque - Remark - Bemerkung - Osservazioni |
|-----|----------|-----|-------------------------------|-----------------------------|-------------------------------|-------------------------------|--|
| 001 | 222155 | 001 | SUPPORT | SUPPORT | TRAEGER | SUPPORTO | |
| 002 | 227133 | 002 | REGLETTE | GAUGE, GRADUATED | ANZEIGE | BARRETTA | |
| 003 | 421213 | 001 | ENTRETOISE VERIN | SPACER | DISTANZSCHEIBE | BOCCOLA | |
| 004 | 951522 | 002 | BAGUE | BUSHING | HUELSE | BOCCOLA | |
| 005 | 951523 | 002 | BAGUE | BUSHING | HUELSE | BOCCOLA | |
| 006 | 80060812 | 004 | VIS TETE HEXAGONALE FE/ZNXC3 | HEXAGON HEAD SCREW FE/ZNXC3 | SECHSKANTSCHRAUBE FE/ZNXC3 | VITE TESTA ESAGONALE FE/ZNXC3 | |
| 007 | 80061637 | 002 | VIS TETE HEXAGONALE FLZNNC | HEXAGON HEAD SCREW FLZNNC | SECHSKANTSCHRAUBE FLZNNC | VITE TESTA ESAGONALE FLZNNC | |
| 008 | 80201647 | 002 | ECROU HEX.AUTOFREINE FE/ZNXC3 | SELF-LOCKING NUT FE/ZNXC3 | SELBSTSICHERNDE MUTT.FE/ZNXC3 | DADO AUTOBLOCCANTE FE/ZNXC3 | |
| 009 | 80270884 | 004 | RONDELLE GROWER | SPRING LOCK WASHER | FEDERRING | RONDELLA GROWER | |
| 010 | 80370300 | 002 | RIVET | BLIND RIVET | BLINDNIETE | RIVETTO | |
| 011 | 82201016 | 001 | GRAISSEUR AUTOTARAUDANT | SELF TAPPING GREASE NIPPLE | GEWINDESCHNEID-SCHMIERNIPPEL | INGRASSATORE | |
| 012 | 900760 | 001 | GAINÉ POLYAMIDE L=1200 RT 25 | SHEATH L=1200 | HUELLE | GUAINA POLIAMMIDE | |
| 013 | 929158 | 001 | POCHETTE JOINTS 951136/951825 | SEALS PACKET 951136/951825 | DICHTSATZ FUER 951136/951825 | GUARNIZIONI | : H0300430 |
| 014 | A4061815 | 001 | BOUCHON 1/4 CYL CHC+JOINT | PLUG | STOPFEN | TAPPO | |
| 015 | A4074017 | 002 | COUPLEUR MALE | CONNECTOR MALE | KUPPLUNGSTECKER | INNESTO M16X150 | |
| 016 | 82300026 | 002 | CAPUCHON COUPLEUR MALE | CAP MALE CONNECTOR | KAPPE KUPPLUNGSSTECKER | TAPPO | |
| 017 | A4080400 | 002 | UNION MALE | MALE STUD CONNECTOR | GERADER EINSCHRAUBSTUTZEN | GIUZIONE DIRITTA FEZN/XC3 | |
| 018 | A4921038 | 001 | FLEXIBLE | HOSE, HYDRAULIC | HYDRAULIKSCHLAUCH | TUBO IN GOMMA | <->2265 mm |
| 019 | A4921038 | 001 | FLEXIBLE | HOSE, HYDRAULIC | HYDRAULIKSCHLAUCH | TUBO IN GOMMA | <->2265 mm |
| 020 | H0300950 | 001 | EMBOUT | END | TERIEL | GIUNTO | |
| 021 | H0301070 | 001 | EMBOUT BIELLE LONGUE | END PULL BAR LONG | TERIEL LENKER LANG | GIUNTO BIELLA LUNGA | |
| 022 | H0300430 | 001 | VERIN | CYLINDER, HYDRAULIC | HYDRAULIKZYLINDER | CILINDRO | |





VM1523ET-VM1524T

I9738 >J8516

H03R0078 B

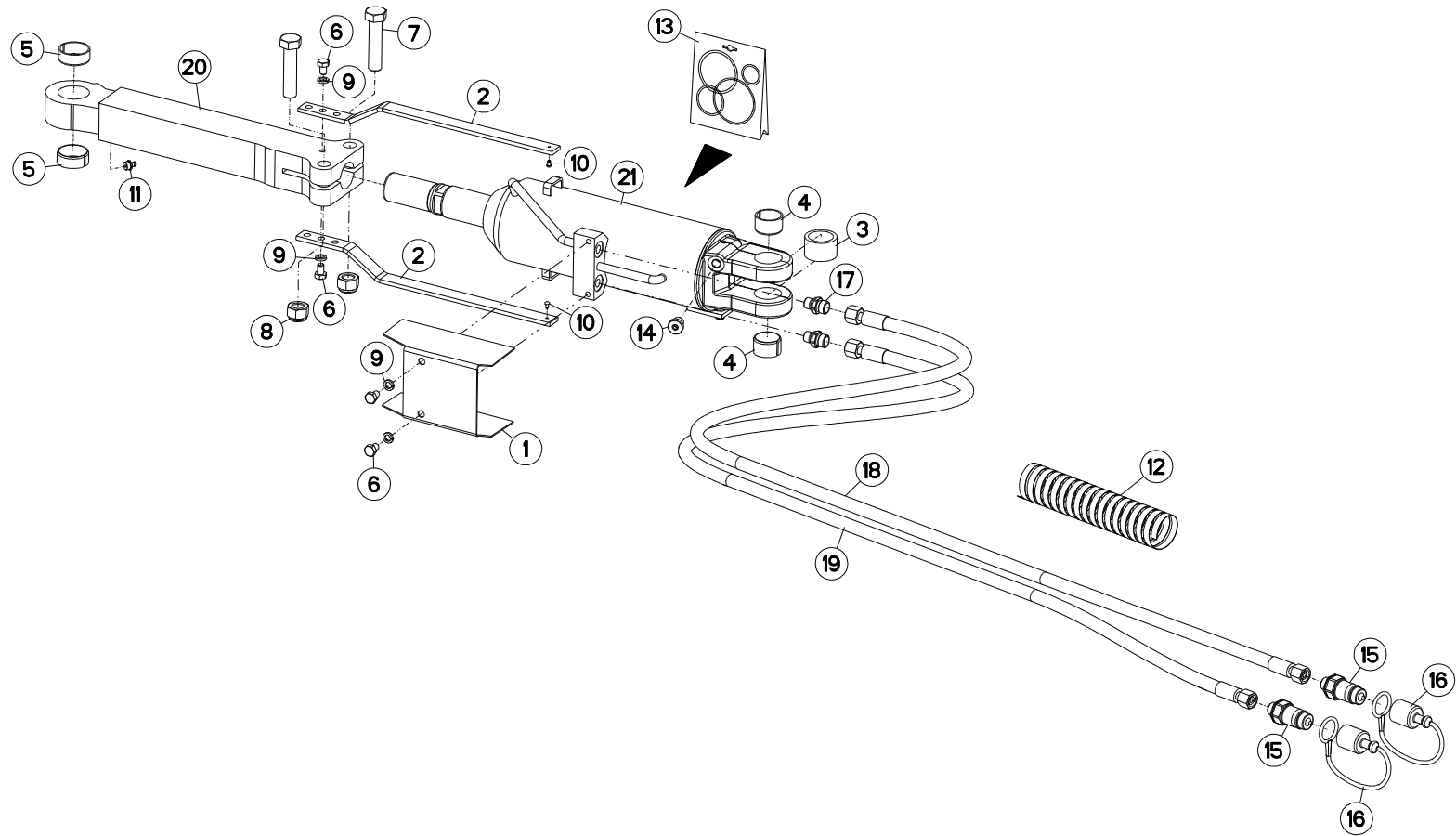
LARGEUR DE TRAVAIL REPLIABLE B

WORKING WIDTH/FOLDING B

SCHNITTBREITENEINSTELLUNG B

LARGHEZZA LAVORO/RIPIEGAMEN

| Rep | Nr | Qt | Designation | Description | Bezeichnung | Referenza | Remarque - Remark - Bemerkung - Osservazioni |
|-----|----------|-----|-------------------------------|-----------------------------|--------------------------------|--------------------------------|--|
| 001 | 222155 | 001 | SUPPORT | SUPPORT | TRAEGER | SUPPORTO | |
| 002 | 227113 | 001 | SUPPORT PASSE CLOISON | BRACKET | HALTERUNG | SUPPORTO | |
| 003 | 227133 | 002 | REGLETTE | GAUGE, GRADUATED | ANZEIGE | BARRETTA | |
| 004 | 421213 | 001 | ENTRETOISE VERIN | SPACER | DISTANZSCHEIBE | BOCCOLA | |
| 005 | 951522 | 002 | BAGUE | BUSHING | HUELSE | BOCCOLA | |
| 006 | 951523 | 002 | BAGUE | BUSHING | HUELSE | BOCCOLA | |
| 007 | 80060812 | 004 | VIS TETE HEXAGONALE FE/ZNXC3 | HEXAGON HEAD SCREW FE/ZNXC3 | SECHSKANTSCHRAUBE FE/ZNXC3 | VITE TESTA ESAGONALE FE/ZNXC3 | |
| 008 | 80061248 | 001 | VIS TETE HEXAGONALE FE/ZNXC3 | HEXAGON HEAD SCREW FE/ZNXC3 | SECHSKANTSCHRAUBE FE/ZNXC3 | VITE TESTA ESAGONALE FE/ZNXC3 | |
| 009 | 80061637 | 002 | VIS TETE HEXAGONALE FLZNNC | HEXAGON HEAD SCREW FLZNNC | SECHSKANTSCHRAUBE FLZNNC | VITE TESTA ESAGONALE FLZNNC | |
| 010 | 80201230 | 001 | ECROU HEX.AUTOFREINE FE/ZNXC3 | SELF-LOCKING NUT FE/ZNXC3 | SELBSTSICH.MUTTER FE/ZNXC3 | DADO AUTOBLOCCANTE FE/ZNXC3 | |
| 011 | 80201647 | 002 | ECROU HEX.AUTOFREINE FE/ZNXC3 | SELF-LOCKING NUT FE/ZNXC3 | SELBSTSICHERNDE MUTT.FE/ZNXC3 | DADO AUTOBLOCCANTE FE/ZNXC3 | |
| 012 | 80270884 | 004 | RONDELLE GROWER | SPRING LOCK WASHER | FEDERRING | RONDELLA GROWER | |
| 013 | 80370300 | 002 | RIVET | BLIND RIVET | BLINDNIETE | RIVETTO | |
| 014 | 82201016 | 001 | GRAISSEUR AUTOTARAUDANT | SELF TAPPING GREASE NIPPLE | GEWINDESCHNEID-SCHMIERNIPPEL | INGRASSATORE | |
| 015 | 900142 | 002 | BAGUE R8/BASE 900473-951129 | RING R 8 | RING R 8 | BOCCOLA | |
| 016 | 900760 | 001 | GAINÉ POLYAMIDE L=1200 RT 25 | SHEATHE L=1200 | HUELLE | GUAINA POLIAMMIDE | |
| 017 | 929158 | 001 | POCHETTE JOINTS 951136/951825 | SEALS PACKET 951136/951825 | DICHTSATZ FUER 951136/951825 | GUARNIZIONI | : H0300430 |
| 018 | A4074017 | 004 | COUPLEUR MALE | CONNECTOR MALE | KUPPLUNGSTECKER | INNESTO M16X150 | |
| 019 | 82300026 | 004 | CAPUCHON COUPLEUR MALE | CAP MALE CONNECTOR | KAPPE KUPPLUNGSSTECKER | TAPPO | |
| 020 | A4080400 | 003 | UNION MALE | MALE STUD CONNECTOR | GERADER EINSCHRAUBSTUTZEN | GIUZIONE DIRITTA FEZN/XC3 | |
| 021 | A4080401 | 005 | UNION MALE | MALE STUD CONNECTOR | GERADER EINSCHRAUBSTUTZEN | GIUZIONE DIRITTA ZBC | |
| 022 | A4080750 | 002 | COUDE EGAL / CLOISON NU ZBC | BULKHEAD ELBOW ZBC | WINKEL-SCHOTTVERSCHRAUBUNG ZBC | GIUNZIONE A 90° PASSAPARAT.ZBC | |
| 023 | A4921032 | 001 | FLEXIBLE HYDRAULIQUE | HYDRAULIC HOSE | HYDRAULIKSCHLAUCH | TUBO GOMMA | <->1670 mm |
| 024 | A4921034 | 001 | FLEXIBLE HYDRAULIQUE | HYDRAULIC HOSE | HYDRAULIKSCHLAUCH | TUBO GOMMA | <->1860 mm |
| 025 | A4921038 | 001 | FLEXIBLE | HOSE, HYDRAULIC | HYDRAULIKSCHLAUCH | TUBO IN GOMMA | <->2265 mm |
| 026 | A4921070 | 001 | FLEXIBLE HYDRAULIQUE | HYDRAULIC HOSE | HYDRAULIKSCHLAUCH | TUBO GOMMA | <->850 mm |
| 027 | A4921070 | 001 | FLEXIBLE HYDRAULIQUE | HYDRAULIC HOSE | HYDRAULIKSCHLAUCH | TUBO GOMMA | <->850 mm |
| 028 | A4921115 | 001 | FLEXIBLE HYDRAULIQUE | HYDRAULIC HOSE | HYDRAULIKSCHLAUCH | TUBO GOMMA | <->1600 mm |
| 029 | A4921115 | 001 | FLEXIBLE HYDRAULIQUE | HYDRAULIC HOSE | HYDRAULIKSCHLAUCH | TUBO GOMMA | <->1600 mm |
| 030 | A4921115 | 001 | FLEXIBLE HYDRAULIQUE | HYDRAULIC HOSE | HYDRAULIKSCHLAUCH | TUBO GOMMA | <->1600 mm |
| 031 | H0300950 | 001 | EMBOUT | END | TERIEL | GIUNTO | |
| 032 | H0301070 | 001 | EMBOUT BIELLE LONGUE | END PULL BAR LONG | TERIEL LENKER LANG | GIUNTO BIELLA LUNGA | |
| 033 | H0101800 | 001 | BLOC RETOURNEMENT + REPLIAGE | TURNOVER BLOCK HIGH FLOW | BLOCK FUER DREHUNG | BLOCCO DI RITORNO | |
| 034 | H0300430 | 001 | VERIN | CYLINDER, HYDRAULIC | HYDRAULIKZYLINDER | CILINDRO | |



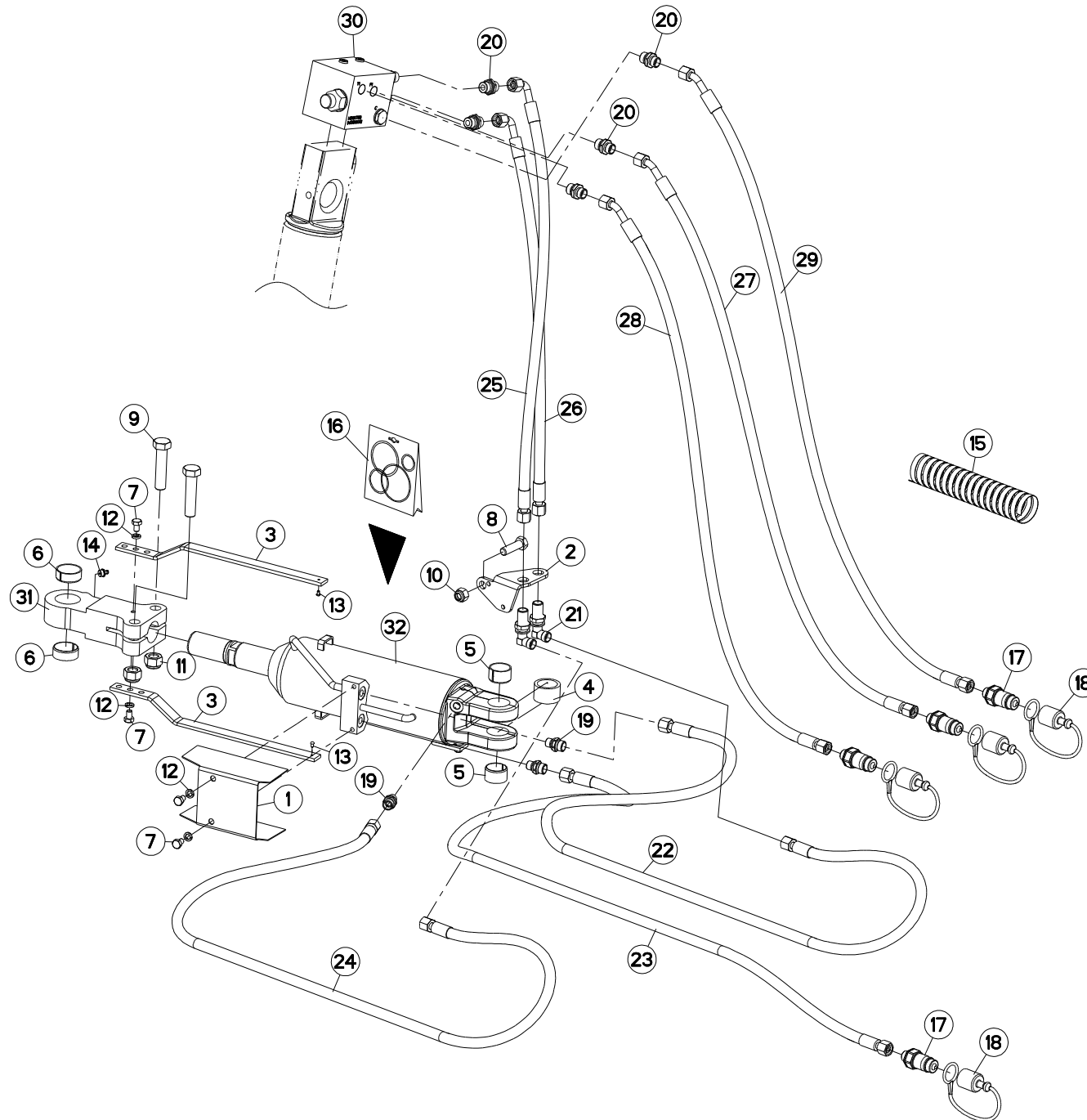


VM1523ETB-VM1524TB I9738 >J7717

H03R0095 A

LARGEUR DE COUPE HYDRAULIQUE A HYDRAULIC CUTTING WIDTH A BL HYDRAULISCHE KOMBIEINSTELLUNG A LARGHEZZA DI TAGLIO IDRAULICO

| Rep | Nr | Qt | Designation | Description | Bezeichnung | Referenza | Remarque - Remark - Bemerkung - Osservazioni |
|-----|-----------------|-----|-------------------------------|-----------------------------|-------------------------------|-------------------------------|--|
| 001 | 222155 | 001 | SUPPORT | SUPPORT | TRAEGER | SUPPORTO | |
| 002 | 227133 | 002 | REGLETTE | GAUGE, GRADUATED | ANZEIGE | BARRETTA | |
| 003 | 421213 | 001 | ENTRETOISE VERIN | SPACER | DISTANZSCHEIBE | BOCCOLA | |
| 004 | 951522 | 002 | BAGUE | BUSHING | HUELSE | BOCCOLA | |
| 005 | 951523 | 002 | BAGUE | BUSHING | HUELSE | BOCCOLA | |
| 006 | 80060812 | 004 | VIS TETE HEXAGONALE FE/ZNXC3 | HEXAGON HEAD SCREW FE/ZNXC3 | SECHSKANTSCHRAUBE FE/ZNXC3 | VITE TESTA ESAGONALE FE/ZNXC3 | |
| 007 | 80061637 | 002 | VIS TETE HEXAGONALE FLZNNC | HEXAGON HEAD SCREW FLZNNC | SECHSKANTSCHRAUBE FLZNNC | VITE TESTA ESAGONALE FLZNNC | |
| 008 | 80201647 | 002 | ECROU HEX.AUTOFREINE FE/ZNXC3 | SELF-LOCKING NUT FE/ZNXC3 | SELBSTSICHERNDE MUTT.FE/ZNXC3 | DADO AUTOBLOCCANTE FE/ZNXC3 | |
| 009 | 80270884 | 004 | RONDELLE GROWER | SPRING LOCK WASHER | FEDERRING | RONDELLA GROWER | |
| 010 | 80370300 | 002 | RIVET | BLIND RIVET | BLINDNIETE | RIVETTO | |
| 011 | 82201016 | 001 | GRAISSEUR AUTOTARAUDANT | SELF TAPPING GREASE NIPPLE | GEWINDESCHNEID-SCHMIERNIPPEL | INGRASSATORE | |
| 012 | 900760 | 001 | GAINÉ POLYAMIDE L=1200 RT 25 | SHEATHE L=1200 | HUELLE | GUAINA POLIAMMIDE | |
| 013 | 929158 | 001 | POCHETTE JOINTS 951136/951825 | SEALS PACKET 951136/951825 | DICHTSATZ FUER 951136/951825 | GUARNIZIONI | |
| 014 | A4061815 | 001 | BOUCHON 1/4 CYL CHC+JOINT | PLUG | STOPFEN | TAPPO | |
| 015 | A4074017 | 002 | COUPLEUR MALE | CONNECTOR MALE | KUPPLUNGSTECKER | INNESTO M16X150 | |
| 016 | 82300026 | 002 | CAPUCHON COUPLEUR MALE | CAP MALE CONNECTOR | KAPPE KUPPLUNGSSTECKER | TAPPO | |
| 017 | A4080400 | 002 | UNION MALE | MALE STUD CONNECTOR | GERADER EINSCHRAUBSTUTZEN | GIUZIONE DIRITTA FEZN/XC3 | |
| 018 | A4921036 | 001 | FLEXIBLE HYDRAULIQUE | HYDRAULIC HOSE | HYDRAULIKSCHLAUCH | TUBO GOMMA | <->2000 mm |
| 019 | A4921036 | 001 | FLEXIBLE HYDRAULIQUE | HYDRAULIC HOSE | HYDRAULIKSCHLAUCH | TUBO GOMMA | <->2000 mm |
| 020 | H0301070 | 001 | EMBOUT BIELLE LONGUE | END PULL BAR LONG | TERIEL LENKER LANG | GIUNTO BIELLA LUNGA | |
| 021 | H0300430 | 001 | VERIN | CYLINDER, HYDRAULIC | HYDRAULIKZYLINDER | CILINDRO | |





VM1523ETB-VM1524TB-VM1524ET-VM1525T-VM1525ET-VM1526T

I9738 >J7717

H03R0079 B

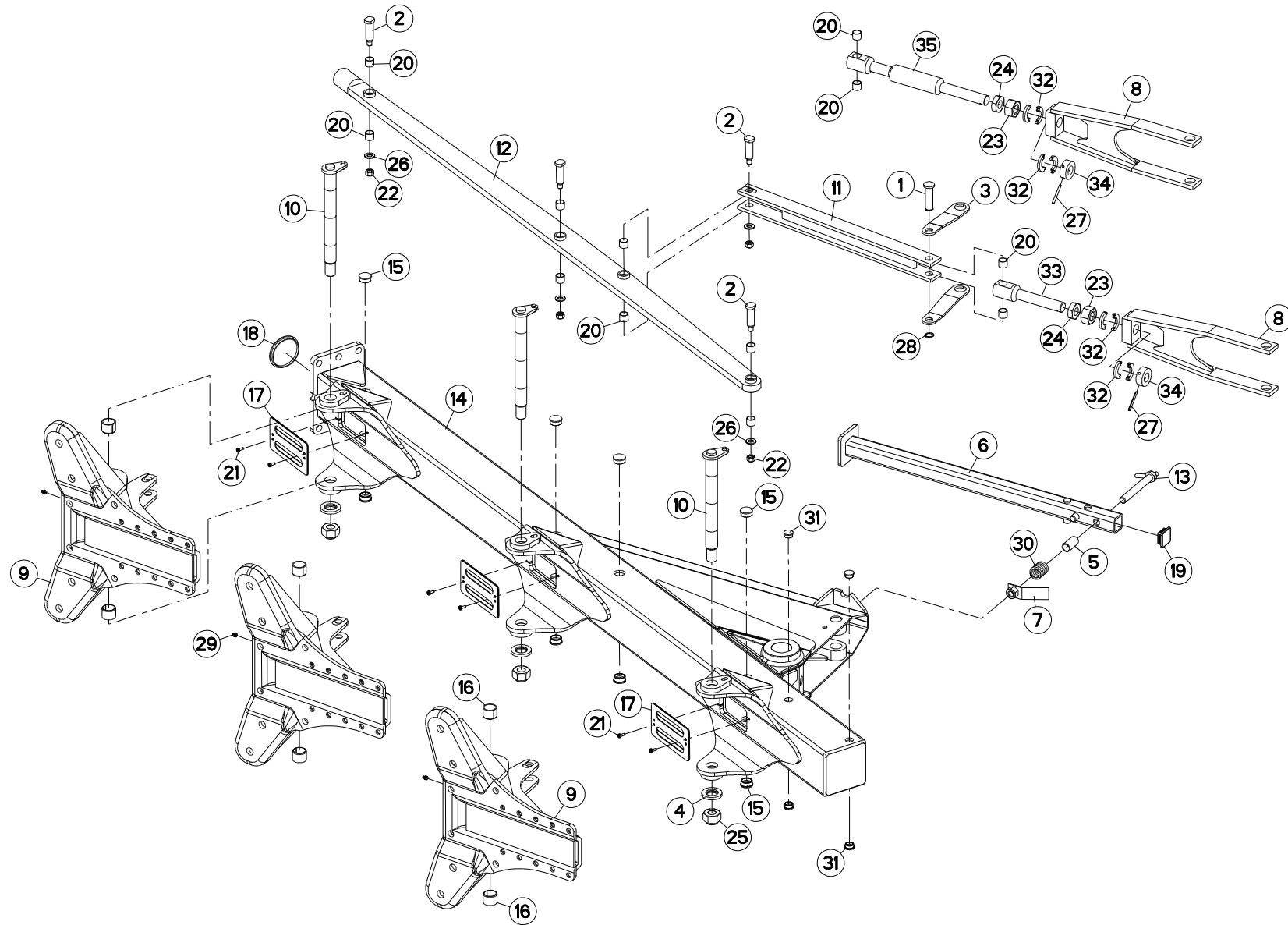
LARGEUR DE TRAVAIL REPLIABLE A

WORKING WIDTH/FOLDING A

SCHNITTBREITENEINSTELLUNG A

LARGHEZZA LAVORO/RIPIEGAMEN

| Rep | Nr | Qt | Designation | Description | Bezeichnung | Referenza | Remarque - Remark - Bemerkung - Osservazioni |
|-----|----------|-----|-------------------------------|-----------------------------|--------------------------------|--------------------------------|--|
| 001 | 222155 | 001 | SUPPORT | SUPPORT | TRAEGER | SUPPORTO | |
| 002 | 227113 | 001 | SUPPORT PASSE CLOISON | BRACKET | HALTERUNG | SUPPORTO | |
| 003 | 227133 | 002 | REGLLETTE | GAUGE, GRADUATED | ANZEIGE | BARRETTA | |
| 004 | 421213 | 001 | ENTRETOISE VERIN | SPACER | DISTANZSCHEIBE | BOCCOLA | |
| 005 | 951522 | 002 | BAGUE | BUSHING | HUELSE | BOCCOLA | |
| 006 | 951523 | 002 | BAGUE | BUSHING | HUELSE | BOCCOLA | |
| 007 | 80060812 | 004 | VIS TETE HEXAGONALE FE/ZNXC3 | HEXAGON HEAD SCREW FE/ZNXC3 | SECHSKANTSCHRAUBE FE/ZNXC3 | VITE TESTA ESAGONALE FE/ZNXC3 | |
| 008 | 80061248 | 001 | VIS TETE HEXAGONALE FE/ZNXC3 | HEXAGON HEAD SCREW FE/ZNXC3 | SECHSKANTSCHRAUBE FE/ZNXC3 | VITE TESTA ESAGONALE FE/ZNXC3 | |
| 009 | 80061637 | 002 | VIS TETE HEXAGONALE FLZNNC | HEXAGON HEAD SCREW FLZNNC | SECHSKANTSCHRAUBE FLZNNC | VITE TESTA ESAGONALE FLZNNC | |
| 010 | 80201230 | 001 | ECROU HEX.AUTOFREINE FE/ZNXC3 | SELF-LOCKING NUT FE/ZNXC3 | SELBSTSICH.MUTTER FE/ZNXC3 | DADO AUTOBLOCCANTE FE/ZNXC3 | |
| 011 | 80201647 | 002 | ECROU HEX.AUTOFREINE FE/ZNXC3 | SELF-LOCKING NUT FE/ZNXC3 | SELBSTSICHERNDE MUTT.FE/ZNXC3 | DADO AUTOBLOCCANTE FE/ZNXC3 | |
| 012 | 80270884 | 004 | RONDELLE GROWER | SPRING LOCK WASHER | FEDERRING | RONDELLA GROWER | |
| 013 | 80370300 | 002 | RIVET | BLIND RIVET | BLINDNIETE | RIVETTO | |
| 014 | 82201016 | 001 | GRAISSEUR AUTOTARAUDANT | SELF TAPPING GREASE NIPPLE | GEWINDESCHNEID-SCHMIERNIPPEL | INGRASSATORE | |
| 015 | 900760 | 001 | GAINÉ POLYAMIDE L=1200 RT 25 | SHEATH L=1200 | HUELLE | GUAINA POLIAMMIDE | |
| 016 | 929158 | 001 | POCHETTE JOINTS 951136/951825 | SEALS PACKET 951136/951825 | DICHTSATZ FUER 951136/951825 | GUARNIZIONI | : H0300430 |
| 017 | A4074017 | 004 | COUPLEUR MALE | CONNECTOR MALE | KUPPLUNGSTECKER | INNESTO M16X150 | |
| 018 | 82300026 | 004 | CAPUCHON COUPLEUR MALE | CAP MALE CONNECTOR | KAPPE KUPPLUNGSSTECKER | TAPPO | |
| 019 | A4080400 | 003 | UNION MALE | MALE STUD CONNECTOR | GERADER EINSCHRAUBSTUTZEN | GIUZIONE DIRITTA FEZN/XC3 | |
| 020 | A4080401 | 005 | UNION MALE | MALE STUD CONNECTOR | GERADER EINSCHRAUBSTUTZEN | GIUZIONE DIRITTA ZBC | |
| 021 | A4080750 | 002 | COUDE EGAL / CLOISON NU ZBC | BULKHEAD ELBOW ZBC | WINKEL-SCHOTTVERSCHRAUBUNG ZBC | GIUNZIONE A 90° PASSAPARAT.ZBC | |
| 022 | A4921036 | 001 | FLEXIBLE HYDRAULIQUE | HYDRAULIC HOSE | HYDRAULIKSCHLAUCH | TUBO GOMMA | <->2000 mm |
| 023 | A4921037 | 001 | FLEXIBLE HYDRAULIQUE | HYDRAULIC HOSE | HYDRAULIKSCHLAUCH | TUBO GOMMA | <->2150 mm |
| 024 | A4921040 | 001 | FLEXIBLE HYDRAULIQUE | HYDRAULIC HOSE | HYDRAULIKSCHLAUCH | TUBO GOMMA | <->2500 mm |
| 025 | A4921071 | 001 | FLEXIBLE HYDRAULIQUE | HYDRAULIC HOSE | HYDRAULIKSCHLAUCH | TUBO GOMMA | <->900 mm |
| 026 | A4921071 | 001 | FLEXIBLE HYDRAULIQUE | HYDRAULIC HOSE | HYDRAULIKSCHLAUCH | TUBO GOMMA | <->900 mm |
| 027 | A4921115 | 001 | FLEXIBLE HYDRAULIQUE | HYDRAULIC HOSE | HYDRAULIKSCHLAUCH | TUBO GOMMA | <->1600 mm |
| 028 | A4921115 | 001 | FLEXIBLE HYDRAULIQUE | HYDRAULIC HOSE | HYDRAULIKSCHLAUCH | TUBO GOMMA | <->1600 mm |
| 029 | A4921115 | 001 | FLEXIBLE HYDRAULIQUE | HYDRAULIC HOSE | HYDRAULIKSCHLAUCH | TUBO GOMMA | <->1600 mm |
| 030 | H0101790 | 001 | BLOC | BLOCK | BLOCK | BLOCCO | |
| 031 | H0300950 | 001 | EMBOUT | END | TERIEL | GIUNTO | |
| 032 | H0300430 | 001 | VERIN | CYLINDER, HYDRAULIC | HYDRAULIKZYLINDER | CILINDRO | |





VM1523ET-VM1524T I9738 >J8516

H02R0038 B

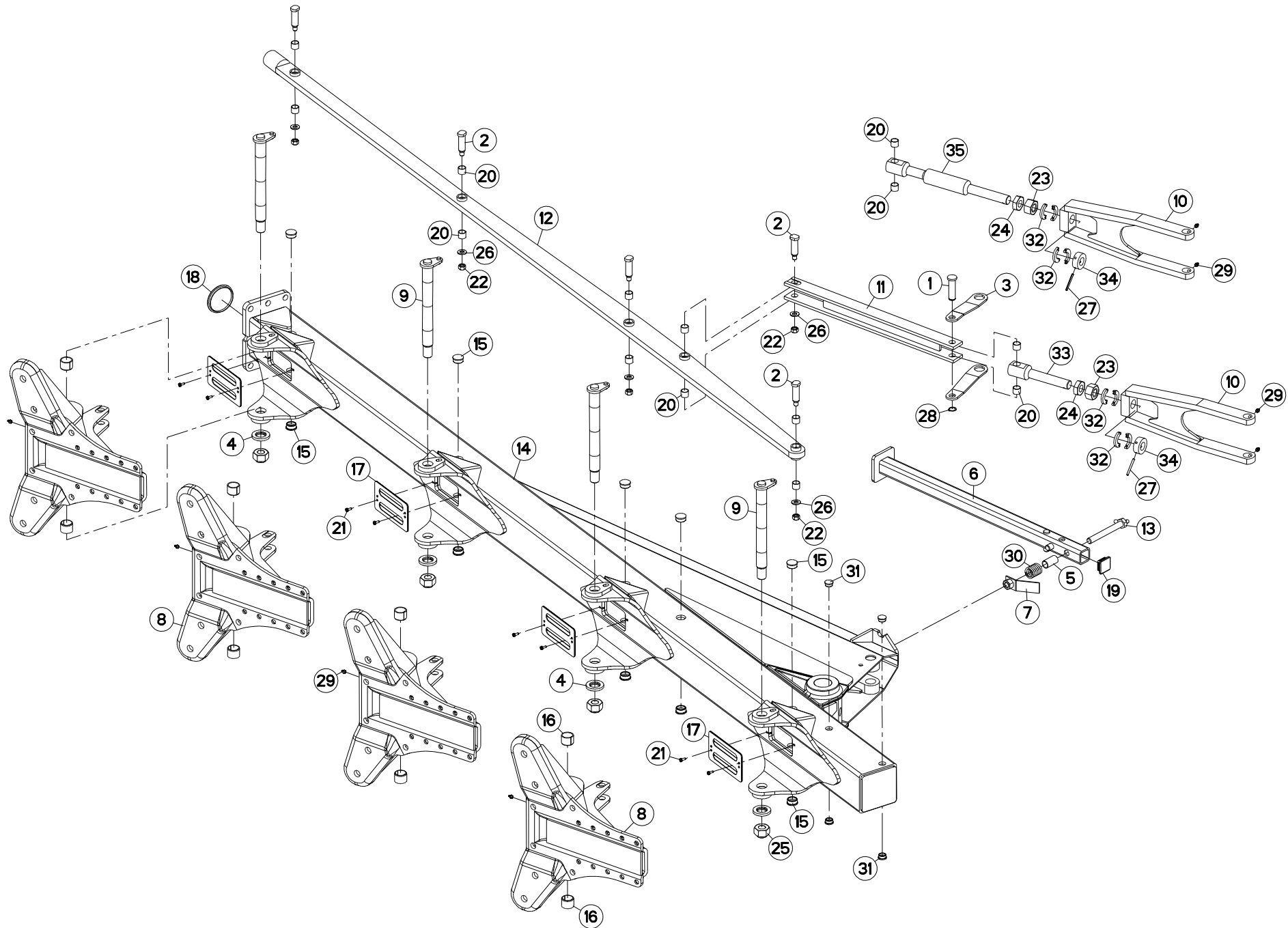
BATI VM1523ET102 + TRINGLERIE

FRAME VM1523ET102 + LINKAGE

RAHMEN VM1523ET102 + GESTÄNGE

TELAIO VM1523ET102 + BIPELLISMO

| Rep | Nr | Qt | Designation | Description | Bezeichnung | Referenza | Remarque - Remark - Bemerkung - Osservazioni |
|-----|----------|-----|--------------------------------|--------------------------------|--------------------------------|--------------------------|--|
| 001 | 130133 | 001 | AXE TRINGLERIE | AXLE | ACHSE | PERNO | |
| 002 | 130148 | 004 | AXE TRINGLERIE | AXLE | ACHSE | ASSE TRIANGOLARE | |
| 003 | 227139 | 002 | BIELLETTE | LINK | SHUBSTANGE | BIELLETTA | |
| 004 | 421142 | 003 | RONDELLE | WASHER | SCHEIBE | RONDELLA | |
| 005 | 445592 | 001 | ENTRETOISE RESSORT | SPACER | DISTANZSCHEIBE | DISTANZIALE MOLLA | |
| 006 | 582144 | 001 | BEQUILLE 1600/1700 | STANDLEG 75/80 | STUETZE 75/80 | SUPPORTO | |
| 007 | 582146 | 001 | PATTE | PLATE | LACHE | FAZZOLETTO | |
| 008 | 582222 | 002 | TRINGLE | LINK | STREBE | TRIANGOLO | |
| 009 | 582317 | 003 | BOITIER | HOUSING | GEHAEUSE | SCATOLA | |
| 010 | 582422 | 003 | AXE | PIN | ACHSE | ASSE | |
| 011 | 582447 | 001 | TRINGLE | LINK | STREBE | TRIANGOLO | |
| 012 | 582454 | 001 | TRINGLE | LINK | STREBE | TRIANGOLO | |
| 013 | 582518 | 001 | AXE DE BRIDAGE | PIN | ACHSE | PERNO | |
| 014 | 583571 | 001 | BATI | FRAME, MAIN | RAHMEN | TELAIO | |
| 015 | 900741 | 008 | BOUCHON D.33,5 H12 GPN300 F26 | END PLUG | VERSCHLUSSSTOPFEN | TAPPO DI CHIUSURA | |
| 016 | 951119 | 006 | BAGUE | BUSHING | HUELSE | BOCCOLA | |
| 017 | 951125 | 003 | PROTECTEUR | GUARD | SCHUTZ | PROTEZIONE | |
| 018 | 951140 | 001 | BOUCHON Ø93 | PLUG DIAM. 93 | KUNSTSTOFFKAPPE D93 | TAPPO | |
| 019 | 951347 | 001 | EMBOUT CARRE | PLUG | VIERKANTSTOPFEN | CAPPUCCIO | |
| 020 | 83012225 | 012 | BAGUE ROULEE | WRAPPED BUSH | GEROLLTE BUCHSE | ANELLO LUBRIFICATO | |
| 021 | 80190616 | 006 | VIS AUTOTARAU.FE/ZNXC3 TAPTITE | SELF-CUTTING SCREW FE/ZNXC3 | GEWINDE-SCHNEIDSCHRAU.FE/ZNXC3 | BULLONE FE/ZNXC3 | |
| 022 | 80201452 | 004 | ECROU AUTOBLOQUANT FIL.DEFORME | UNDERSERRATED SELF-LOCKING NUT | SPERRZAHN-BUNDMUTTER | DADO | |
| 023 | 80203000 | 002 | ECROU HEXAGONAL FE/ZNXC3 | NUT FE/ZNXC3 | SECHSKANTMUTTER FE/ZNXC3 | DADO FE/ZNXC3 | |
| 024 | 80203003 | 002 | ECROU HEXAGONAL BAS FE/ZNXC3 | NUT FE/ZNXC3 | SECHSKANTMUTTER FE/ZNXC3 | DADO FE/ZNXC3 | |
| 025 | 80203031 | 003 | ECROU HEXAGONAL AUTOFREINE | SELF-LOCKING NUT | SELBSTSICHERNDE MUTTER | DADO AUTOBLOCCANTE | |
| 026 | 80251431 | 004 | RONDELLE PLATE FE/ZNXC3 | PLAIN WASHER FE/ZNXC3 | SCHEIBE FE/ZNXC3 | RONDELLA PIATTA FE/ZNXC3 | |
| 027 | 80450660 | 002 | GOUPILLE ELASTIQUE FLZNNC | ROLL PIN FLZNNC | SPANNHUELSE FLZNNC | SPINA ELASTICA | |
| 028 | 80582200 | 001 | CIRCLIP EXTERIEUR | RETAINING RING | SICHERUNGSRING | ANELLO | |
| 029 | 82201016 | 003 | GRAISSEUR AUTOTARAUDANT | SELF TAPPING GREASE NIPPLE | GEWINDESCHNEID-SCHMIERNIPPEL | INGRASSATORE | |
| 030 | 191042 | 001 | RESSORT DE VERROU | SPRING | FEDER F.VERRIEGELUNG | MOLLA | |
| 031 | 951182 | 004 | OPERCULE D 24,6 | PLUG DIAM. 24,6 | PVC STOPFEN D 24,6 | VALVOLA DI SFIATO D 24,6 | |
| 032 | H0200100 | 008 | DEMI-BAGUE | BUSHING, HALF | HUELSENHAELFTR | BOCCOLA | |
| 033 | H0301190 | 001 | EMBOUT | FITTING, HOSE | ENDSTÜCK | GIUNTO | |
| 034 | H0301200 | 002 | ECROU | NUT | MUTTER | DADO | |
| 035 | H0301240 | 001 | EMBOUT | FITTING, HOSE | ENDSTÜCK | GIUNTO | |





VM1524ET-VM1525T I9738 >J7463

H02R0039 B

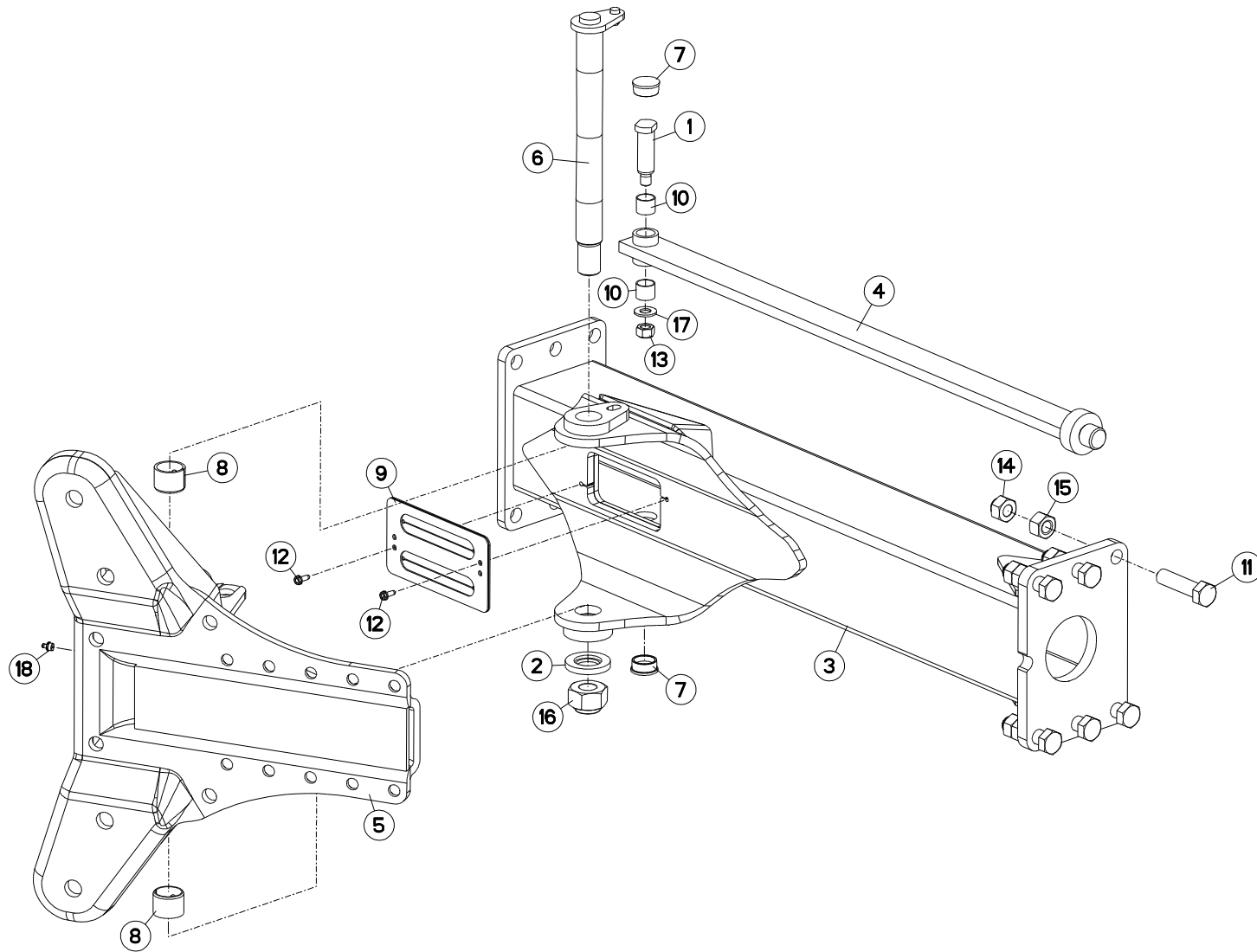
BATI VM1524ET102 + TRINGLERIE

FRAME VM1524ET102 + LINKAGE

RAHMEN VM1524ET102 + GESTÄNGE

TELAIO VM1524ET102 + BIELLISMO

| Rep | Nr | Qt | Designation | Description | Bezeichnung | Referenza | Remarque - Remark - Bemerkung - Osservazioni |
|-----|----------|-----|--------------------------------|--------------------------------|--------------------------------|--------------------------|--|
| 001 | 130133 | 001 | AXE TRINGLERIE | AXLE | ACHSE | PERNO | |
| 002 | 130148 | 005 | AXE TRINGLERIE | AXLE | ACHSE | ASSE TRIANGOLARE | |
| 003 | 227139 | 002 | BIELLETTE | LINK | SHUBSTANGE | BIELLETTA | |
| 004 | 421142 | 004 | RONDELLE | WASHER | SCHEIBE | RONDELLA | |
| 005 | 445592 | 001 | ENTRETOISE RESSORT | SPACER | DISTANZSCHEIBE | DISTANZIALE MOLLA | |
| 006 | 582144 | 001 | BEQUILLE 1600/1700 | STANDLEG 75/80 | STUETZE 75/80 | SUPPORTO | |
| 007 | 582146 | 001 | PATTE | PLATE | LACHE | FAZZOLETTO | |
| 008 | 582317 | 004 | BOITIER | HOUSING | GEHAEUSE | SCATOLA | |
| 009 | 582422 | 004 | AXE | PIN | ACHSE | ASSE | |
| 010 | 582446 | 002 | TRINGLE AVANT | ARTICULATION FRONT (A) | GESTAENGE HINTEN AV (A) | TRIANGOLO | |
| 011 | 582447 | 001 | TRINGLE | LINK | STREBE | TRIANGOLO | |
| 012 | 582455 | 001 | TRINGLE | LINK | STREBE | TRIANGOLO | |
| 013 | 582518 | 001 | AXE DE BRIDAGE | PIN | ACHSE | PERNO | |
| 014 | 583572 | 001 | BATI | FRAME, MAIN | RAHMEN | TELAIO | |
| 015 | 900741 | 010 | BOUCHON D.33,5 H12 GPN300 F26 | END PLUG | VERSCHLUSSSTOPFEN | TAPPO DI CHIUSURA | |
| 016 | 951119 | 008 | BAGUE | BUSHING | HUELSE | BOCCOLA | |
| 017 | 951125 | 004 | PROTECTEUR | GUARD | SCHUTZ | PROTEZIONE | |
| 018 | 951140 | 001 | BOUCHON Ø93 | PLUG DIAM. 93 | KUNSTSTOFFKAPPE D93 | TAPPO | |
| 019 | 951347 | 001 | EMBOUT CARRE | PLUG | VIERKANTSTOPFEN | CAPPUCCIO | |
| 020 | 83012225 | 014 | BAGUE ROULEE | WRAPPED BUSH | GEROLLTE BUCHSE | ANELLO LUBRIFICATO | |
| 021 | 80190616 | 008 | VIS AUTOTARAU.FE/ZNXC3 TAPTITE | SELF-CUTTING SCREW FE/ZNXC3 | GEWINDE-SCHNEIDSCHRAU.FE/ZNXC3 | BULLONE FE/ZNXC3 | |
| 022 | 80201452 | 005 | ECROU AUTOBLOQUANT FIL.DEFORME | UNDERSERRATED SELF-LOCKING NUT | SPERRZAHN-BUNDMUTTER | DADO | |
| 023 | 80203000 | 002 | ECROU HEXAGONAL FE/ZNXC3 | NUT FE/ZNXC3 | SECHSKANTMUTTER FE/ZNXC3 | DADO FE/ZNXC3 | |
| 024 | 80203003 | 002 | ECROU HEXAGONAL BAS FE/ZNXC3 | NUT FE/ZNXC3 | SECHSKANTMUTTER FE/ZNXC3 | DADO FE/ZNXC3 | |
| 025 | 80203031 | 004 | ECROU HEXAGONAL AUTOFREINE | SELF-LOCKING NUT | SELBSTSICHERNDE MUTTER | DADO AUTOBLOCCANTE | |
| 026 | 80251431 | 005 | RONDELLE PLATE FE/ZNXC3 | PLAIN WASHER FE/ZNXC3 | SCHEIBE FE/ZNXC3 | RONDELLA PIATTA FE/ZNXC3 | |
| 027 | 80450660 | 002 | GOUPILLE ELASTIQUE FLZNNC | ROLL PIN FLZNNC | SPANNHUELSE FLZNNC | SPINA ELASTICA | |
| 028 | 80582200 | 001 | CIRCLIP EXTERIEUR | RETAINING RING | SICHERUNGSRING | ANELLO | |
| 029 | 82201016 | 008 | GRAISSEUR AUTOTARAUDANT | SELF TAPPING GREASE NIPPLE | GEWINDESCHNEID-SCHMIERNIPPEL | INGRASSATORE | |
| 030 | 191042 | 001 | RESSORT DE VERROU | SPRING | FEDER F.VERRIEGELUNG | MOLLA | |
| 031 | 951182 | 004 | OPERCULE D 24,6 | PLUG DIAM. 24,6 | PVC STOPFEN D 24,6 | VALVOLA DI SFIATO D 24,6 | |
| 032 | H0200100 | 008 | DEMI-BAGUE | BUSHING, HALF | HUELSENHAELFTR | BOCCOLA | |
| 033 | H0301190 | 001 | EMBOUT | FITTING, HOSE | ENDSTÜCK | GIUNTO | |
| 034 | H0301200 | 002 | ECROU | NUT | MUTTER | DADO | |
| 035 | H0301240 | 001 | EMBOUT | FITTING, HOSE | ENDSTÜCK | GIUNTO | |





VM1524T-VM1525T I9738 >J8516

H02R0037 B

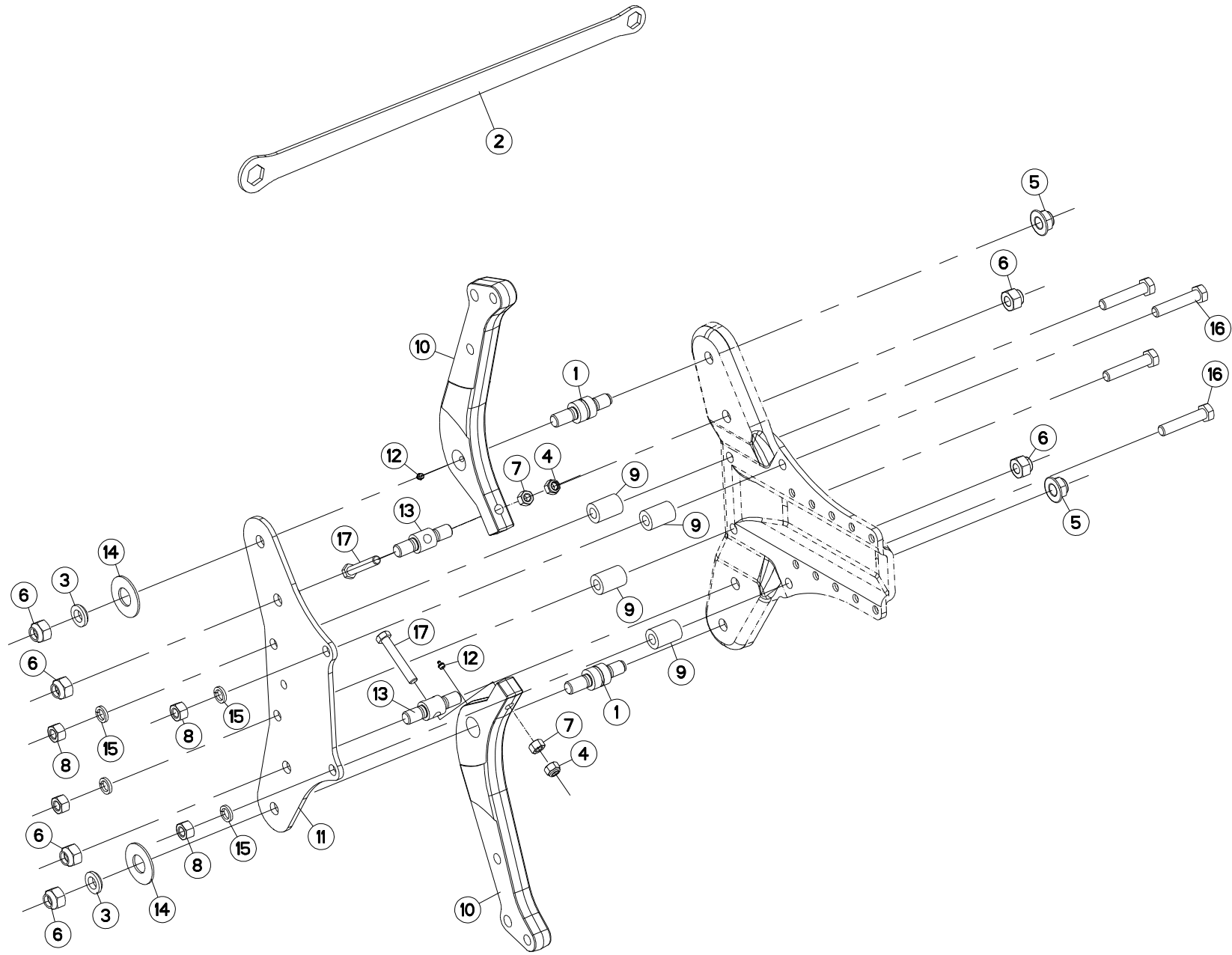
EXTENSION 102 VM151/2 T

EXTENSION 102 VM151/2 T

ERWEITERUNG 102 VM151/2 T

PROLUNGA 102 VM151/2 T

| Rep | Nr | Qt | Designation | Description | Bezeichnung | Referenza | Remarque - Remark - Bemerkung - Osservazioni |
|-----|----------|-----|--------------------------------|--------------------------------|--------------------------------|-----------------------------|--|
| 001 | 130148 | 001 | AXE TRINGLERIE | AXLE | ACHSE | ASSE TRIANGOLARE | |
| 002 | 421142 | 001 | RONDELLE | WASHER | SCHEIBE | RONDELLA | |
| 003 | 582201 | 001 | EXTENSION | EXTENSION | ERWEITERUNG | PROLUNGA | |
| 004 | 582314 | 001 | TRINGLE | LINK | STREBE | TRIANGOLO | |
| 005 | 582317 | 001 | BOITIER | HOUSING | GEHAEUSE | SCATOLA | |
| 006 | 582422 | 001 | AXE | PIN | ACHSE | ASSE | |
| 007 | 900741 | 002 | BOUCHON D.33,5 H12 GPN300 F26 | END PLUG | VERSCHLUSSSTOPFEN | TAPPO DI CHIUSURA | |
| 008 | 951119 | 002 | BAGUE | BUSHING | HUELSE | BOCCOLA | |
| 009 | 951125 | 001 | PROTECTEUR | GUARD | SCHUTZ | PROTEZIONE | |
| 010 | 83012225 | 002 | BAGUE ROULEE | WRAPPED BUSH | GEROLLTE BUCHSE | ANELLO LUBRIFICATO | |
| 011 | 80062068 | 006 | VIS TETE HEXAGONALE FLZNNC | HEXAGON HEAD SCREW FLZNNC | SECHSKANTSCHRAUBE FLZNNC | VITE TESTA ESAGONALE FLZNNC | |
| 012 | 80190616 | 002 | VIS AUTOTARAU.FE/ZNXC3 TAPTITE | SELF-CUTTING SCREW FE/ZNXC3 | GEWINDE-SCHNEIDSCHRAU.FE/ZNXC3 | BULLONE FE/ZNXC3 | |
| 013 | 80201452 | 001 | ECROU AUTOBLOQUANT FIL.DEFORME | UNDERSERRATED SELF-LOCKING NUT | SPERRZAHN-BUNDMUTTER | DADO | |
| 014 | 80202047 | 006 | ECROU HEXAG. AUTOFREINE FLZNNC | SELF-LOCKING NUT FLZNNC | SELBSTSICHERNDE MUTTER FLZNNC | DADO AUTOBLOCCANTE FLZNNC | |
| 015 | 80202069 | 006 | ECROU HEXAGONAL FE/ZNXC3 | NUT FE/ZNXC3 | SECHSKANTMUTTER FE/ZNXC3 | DADO FE/ZNXC3 | |
| 016 | 80203031 | 001 | ECROU HEXAGONAL AUTOFREINE | SELF-LOCKING NUT | SELBSTSICHERNDE MUTTER | DADO AUTOBLOCCANTE | |
| 017 | 80251431 | 001 | RONDELLE PLATE FE/ZNXC3 | PLAIN WASHER FE/ZNXC3 | SCHEIBE FE/ZNXC3 | RONDELLA PIATTA FE/ZNXC3 | |
| 018 | 82201016 | 001 | GRAISSEUR AUTOTARAUDANT | SELF TAPPING GREASE NIPPLE | GEWINDESCHNEID-SCHMIERNIPPEL | INGRASSATORE | |





VM1523ET-VM1524T-VM1524ET-VM1525T I9738 >J8516

H04R0035 A

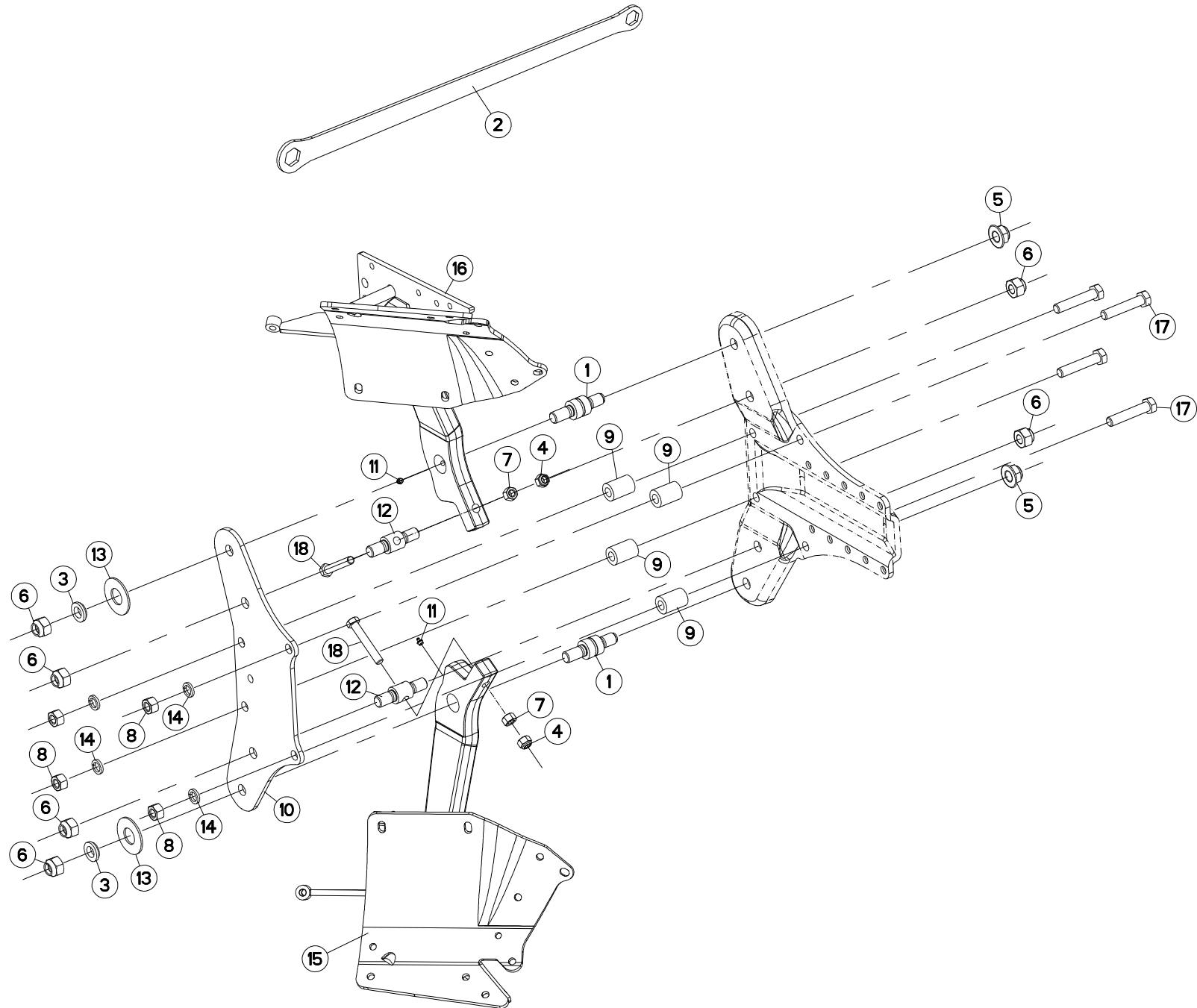
AGE SECURITE T80

PLOUGH LEG SAFETY T80

GRINDEL T80 STEINSICH

BURE DI SICUREZZA T80

| Rep | Nr | Qt | Designation | Description | Bezeichnung | Referenza | Remarque - Remark - Bemerkung - Osservazioni |
|-----|----------|-----|--------------------------------|-----------------------------|-------------------------------|-------------------------------|--|
| 001 | 130246 | 002 | AXE D40 | PIN D40 | ACHSE D40 | PERNO D40 | |
| 002 | 211664 | 001 | CLE 30/36 | SPANNER 30/36 | SCHLUESSEL 30/36 | CHIAVE | : MM151 |
| 003 | 421183 | 002 | RONDELLE EPAULEE D.35 EP.10 | WASHER WITH SHOULDER | BUCHSE | RONDELLA | |
| 004 | 80201630 | 002 | ECROU HEX.AUTOFREINE FE/ZNXC3 | SELF-LOCKING NUT FE/ZNXC3 | SELBSTSICH.MUTTER FE/ZNXC3 | DADO AUTOBLOCCANTE FE/ZNXC3 | |
| 005 | 80202420 | 002 | ECROU HEXAG.EMBA.AUTOFR.FLZNNC | SELF-LOCKING NUT FLZNNC | SELBSTSICHERNDE MUTTER FLZNNC | DADO AUTOBLOCCANTE FLZNNC | |
| 006 | 80202447 | 006 | ECROU HEXAGONAL AUTOFREINE | SELF-LOCKING NUT | SELBSTSICHERNDE MUTTER | DADO AUTOBLOCCANTE | |
| 007 | 80201669 | 002 | ECROU HEXAGONAL FE/ZNXC3 | NUT FE/ZNXC3 | SECHSKANTMUTTER FE/ZNXC3 | DADO FE/ZNXC3 | |
| 008 | 80202070 | 004 | ECROU HEXAGONAL FE/ZNXC3 | NUT FE/ZNXC3 | SECHSKANTMUTTER FE/ZNXC3 | DADO FE/ZNXC3 | |
| 009 | 445424 | 004 | ENTRETOISE MAST.120/150 | SPACER | DISTANZSCHEIBE | BOCCOLA | |
| 010 | 645280 | 002 | ETANCON | SHANK | TRAGRAHMEN | TELAIO | |
| 011 | 211604 | 001 | FLASQUE 8 TROUS | MOULDING | KURBEL WANGE | FLANGIA | |
| 012 | 82201016 | 002 | GRAISSEUR AUTOTARAUDANT | SELF TAPPING GREASE NIPPLE | GEWINDESCHNEID-SCHMIERNIPPEL | INGRASSATORE | |
| 013 | 130147 | 002 | NOIX/SECU. | SPINDLE | KNEBELMUTTER | PERNO | |
| 014 | 80283680 | 002 | RONDELLE A RESSORT | DISC SPRING | TELLERFEDER | RONDELLA A MOLLA | |
| 015 | 80272080 | 004 | RONDELLE GROWER | SPRING LOCK WASHER | FEDERRING | RONDELLA GROWER | |
| 016 | 80062076 | 004 | VIS TETE HEXAGONALE FE/ZNXC3 | HEXAGON HEAD SCREW FE/ZNXC3 | SECHSKANTSCHRAUBE FE/ZNXC3 | VITE TESTA ESAGONALE FE/ZNXC3 | |
| 017 | H0600260 | 001 | BOITE 8 BOULONS SEC.T 16X100 | BOX OF 8 BOLTS/NUTS | SCHACHTEL 8 SCHRAUBEN | SERIE 8 BULLONI (VITE+DADO) | |





VM1523ET-VM1524T-VM1524ET-VM1525T I9738 >J8516

H04R0036 A

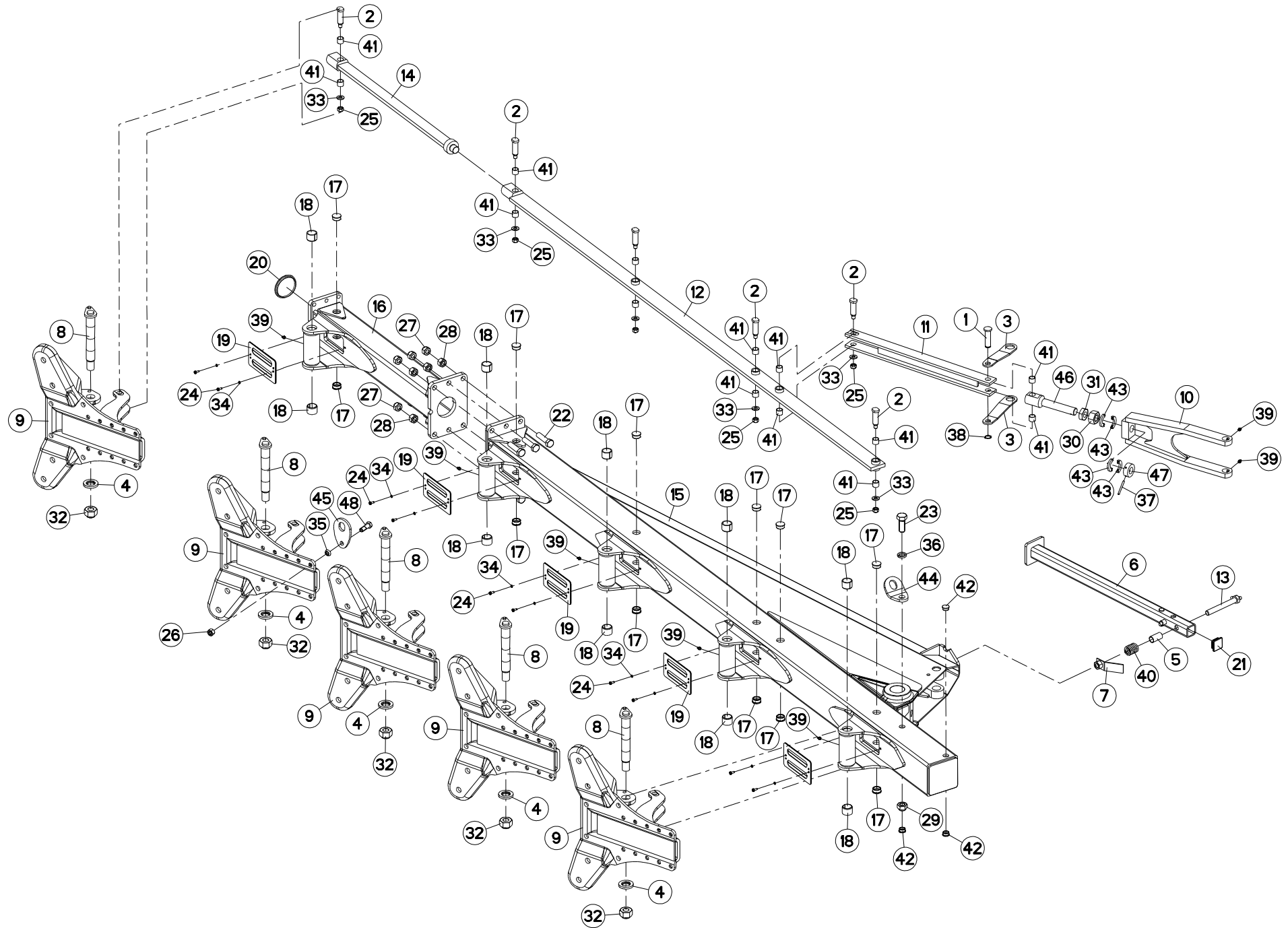
AGE SECURITE T80 LOSANGE

PLOUGH LEG 80 SAFETY T DIAMOND

GRINDEL T80 STEINSICH.(RAUTEN)

BURE DI SICUREZZA T80

| Rep | Nr | Qt | Designation | Description | Bezeichnung | Referenza | Remarque - Remark - Bemerkung - Osservazioni |
|-----|----------|-----|--------------------------------|-----------------------------|-------------------------------|-------------------------------|--|
| 001 | 130246 | 002 | AXE D40 | PIN D40 | ACHSE D40 | PERNO D40 | |
| 002 | 211664 | 001 | CLE 30/36 | SPANNER 30/36 | SCHLUESSEL 30/36 | CHIAVE | : MM151 |
| 003 | 421183 | 002 | RONDELLE EPAULEE D.35 EP.10 | WASHER WITH SHOULDER | BUCHSE | RONDELLA | |
| 004 | 80201630 | 002 | ECROU HEX.AUTOFREINE FE/ZNXC3 | SELF-LOCKING NUT FE/ZNXC3 | SELBSTSICH.MUTTER FE/ZNXC3 | DADO AUTOBLOCCANTE FE/ZNXC3 | |
| 005 | 80202420 | 002 | ECROU HEXAG.EMBA.AUTOFR.FLZNNC | SELF-LOCKING NUT FLZNNC | SELBSTSICHERNDE MUTTER FLZNNC | DADO AUTOBLOCCANTE FLZNNC | |
| 006 | 80202447 | 006 | ECROU HEXAGONAL AUTOFREINE | SELF-LOCKING NUT | SELBSTSICHERNDE MUTTER | DADO AUTOBLOCCANTE | |
| 007 | 80201669 | 002 | ECROU HEXAGONAL FE/ZNXC3 | NUT FE/ZNXC3 | SECHSKANTMUTTER FE/ZNXC3 | DADO FE/ZNXC3 | |
| 008 | 80202070 | 004 | ECROU HEXAGONAL FE/ZNXC3 | NUT FE/ZNXC3 | SECHSKANTMUTTER FE/ZNXC3 | DADO FE/ZNXC3 | |
| 009 | 445424 | 004 | ENTRETOISE MAST.120/150 | SPACER | DISTANZSCHEIBE | BOCCOLA | |
| 010 | 211604 | 001 | FLASQUE 8 TROUS | MOULDING | KURBEL WANGE | FLANGIA | |
| 011 | 82201016 | 002 | GRAISSEUR AUTOTARAUDANT | SELF TAPPING GREASE NIPPLE | GEWINDESCHNEID-SCHMIERNIPPEL | INGRASSATORE | |
| 012 | 130147 | 002 | NOIX/SECU. | SPINDLE | KNEBELMUTTER | PERNO | |
| 013 | 80283680 | 002 | RONDELLE A RESSORT | DISC SPRING | TELLERFEDER | RONDELLA A MOLLA | |
| 014 | 80272080 | 004 | RONDELLE GROWER | SPRING LOCK WASHER | FEDERRING | RONDELLA GROWER | |
| 015 | 582196 | 001 | SEP ETANCON T LOSANGE D | T DIAMOND FROG-LEG R | T RAUTEN HALTESTIEL R | GAMBA T LOSANGA DX | |
| 016 | 582197 | 001 | SEP ETANCON T LOSANGE G | T DIAMOND FROG-LEG L | T RAUTEN HALTESTIEL L | GAMBA T LOSANGA SX | |
| 017 | 80062076 | 004 | VIS TETE HEXAGONALE FE/ZNXC3 | HEXAGON HEAD SCREW FE/ZNXC3 | SECHSKANTSCHRAUBE FE/ZNXC3 | VITE TESTA ESAGONALE FE/ZNXC3 | |
| 018 | H0600260 | 001 | BOITE 8 BOULONS SEC.T 16X100 | BOX OF 8 BOLTS/NUTS | SCHACHTEL 8 SCHRAUBEN | SERIE 8 BULLONI (VITE+DADO) | |





VM1525ET-VM1526T I9738 >J7422

H02R0062 B

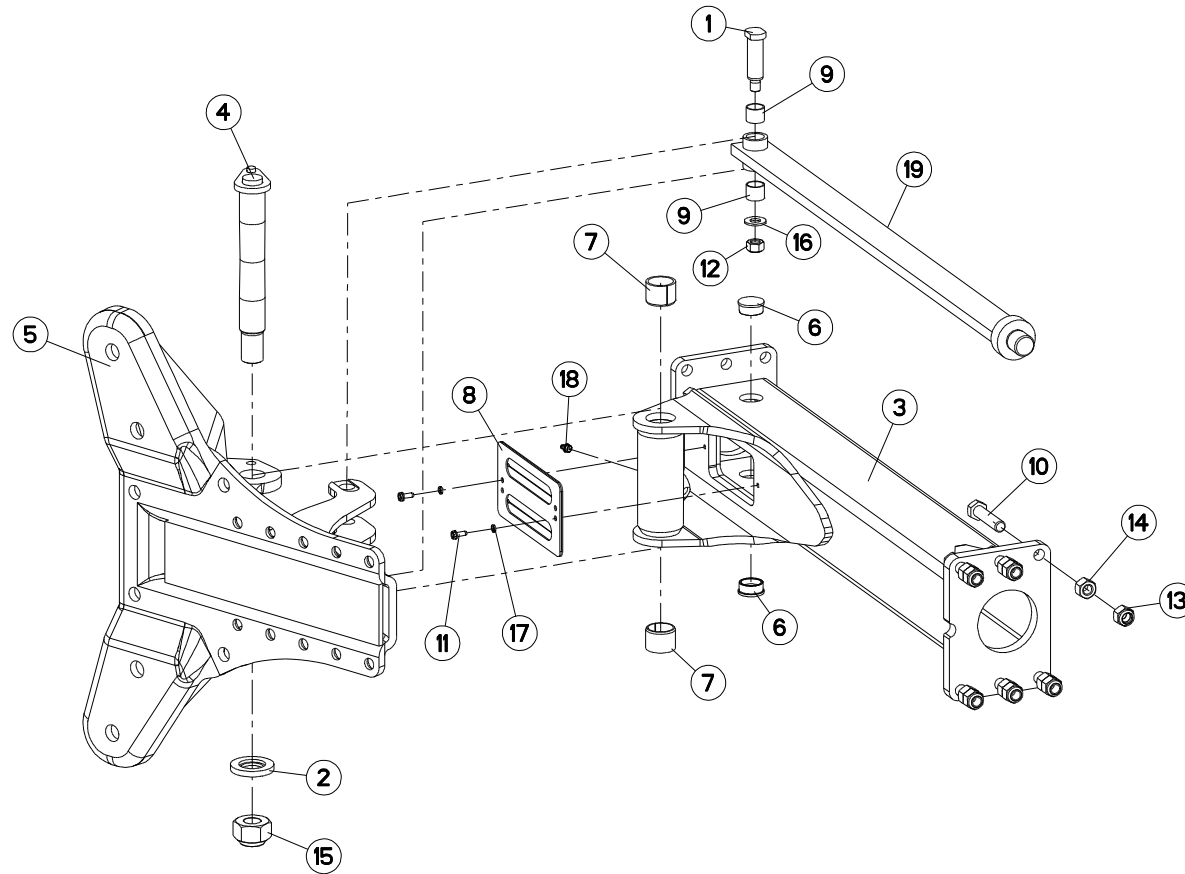
BATI VM122/525ET90 + TRINGLERI

FRAME VM122/525ET90 + LINKAGE

RAHMEN VM122/525ET90 + GESTÄNG

TELAIO VM122/525ET90 + BIELLIS

| Rep | Nr | Qt | Designation | Description | Bezeichnung | Referenza | Remarque - Remark - Bemerkung - Osservazioni |
|-----|----------|-----|--------------------------------|--------------------------------|--------------------------------|-------------------------------|--|
| 001 | 130133 | 001 | AXE TRINGLERIE | AXLE | ACHSE | PERNO | |
| 002 | 130148 | 006 | AXE TRINGLERIE | AXLE | ACHSE | ASSE TRIANGOLARE | |
| 003 | 227139 | 002 | BIELLETTA | LINK | SHUBSTANGE | BIELLETTA | |
| 004 | 421142 | 005 | RONDELLE | WASHER | SCHEIBE | RONDELLA | |
| 005 | 445592 | 001 | ENTRETOISE RESSORT | SPACER | DISTANZSCHEIBE | DISTANZIALE MOLLA | |
| 006 | 582144 | 001 | BEQUILLE 1600/1700 | STANDLEG 75/80 | STUETZE 75/80 | SUPPORTO | |
| 007 | 582146 | 001 | PATTE | PLATE | LACHE | FAZZOLETTO | |
| 008 | 582300 | 005 | AXE | PIN | ACHSE | ASSE | |
| 009 | 582306 | 005 | BOITIER SUPPORT ETANCON VARI | SUPPORT VARI | GEHAUSE VARI | SUPPORTO | |
| 010 | 582446 | 001 | TRINGLE AVANT | ARTICULATION FRONT (A) | GESTAENGE HINTEN AV (A) | TRIANGOLO | |
| 011 | 582447 | 001 | TRINGLE | LINK | STREBE | TRIANGOLO | |
| 012 | 582448 | 001 | TRINGLE | LINK | STREBE | TRIANGOLO | |
| 013 | 582518 | 001 | AXE DE BRIDAGE | PIN | ACHSE | PERNO | |
| 014 | 583290 | 001 | TRINGLE | LINK | STREBE | TRIANGOLO | |
| 015 | 583815 | 001 | BATI | FRAME, MAIN | RAHMEN | TELAIO | |
| 016 | 583816 | 001 | EXTENSION | EXTENSION | ERWEITERUNG | EXTENSIONE | |
| 017 | 900741 | 012 | BOUCHON D.33,5 H12 GPN300 F26 | END PLUG | VERSCHLUSSSTOPFEN | TAPPO DI CHIUSURA | |
| 018 | 951119 | 010 | BAGUE | BUSHING | HUELSE | BOCCOLA | |
| 019 | 951125 | 005 | PROTECTEUR | GUARD | SCHUTZ | PROTEZIONE | |
| 020 | 951140 | 001 | BOUCHON Ø93 | PLUG DIAM. 93 | KUNSTSTOFFKAPPE D93 | TAPPO | |
| 021 | 951347 | 001 | EMBOUT CARRE | PLUG | VIERKANTSTOPFEN | CAPPUCCIO | |
| 022 | 80062068 | 006 | VIS TETE HEXAGONALE FLZNNC | HEXAGON HEAD SCREW FLZNNC | SECHSKANTSCHRAUBE FLZNNC | VITE TESTA ESAGONALE FLZNNC | |
| 023 | 80062461 | 001 | VIS TETE HEXAGONALE FE/ZNXC3 | HEXAGON HEAD SCREW FE/ZNXC3 | SECHSKANTSCHRAUBE FE/ZNXC3 | VITE TESTA ESAGONALE FE/ZNXC3 | |
| 024 | 80190616 | 010 | VIS AUTOTARAU.FE/ZNXC3 TAPTITE | SELF-CUTTING SCREW FE/ZNXC3 | GEWINDE-SCHNEIDSCHRAU.FE/ZNXC3 | BULLONE FE/ZNXC3 | |
| 025 | 80201452 | 006 | ECROU AUTOBLOQUANT FIL.DEFORME | UNDERSERRATED SELF-LOCKING NUT | SPERRZAHN-BUNDMUTTER | DADO | |
| 026 | 80201670 | 001 | ECROU HEXAGONAL FE/ZNXC3 | NUT FE/ZNXC3 | SECHSKANTMUTTER FE/ZNXC3 | DADO FE/ZNXC3 | |
| 027 | 80202047 | 006 | ECROU HEXAG. AUTOFREINE FLZNNC | SELF-LOCKING NUT FLZNNC | SELBSTSICHERNDE MUTTER FLZNNC | DADO AUTOBLOCCANTE FLZNNC | |
| 028 | 80202069 | 006 | ECROU HEXAGONAL FE/ZNXC3 | NUT FE/ZNXC3 | SECHSKANTMUTTER FE/ZNXC3 | DADO FE/ZNXC3 | |
| 029 | 80202442 | 001 | ECROU HEX.BAS AUTOFR.FE/ZNXC3 | SELF-LOCKING NUT E/ZNXC32 | SELBSTSICHERNDE MUTT.FE/ZNXC3 | DADO AUTOBLOCCANTE FE/ZNXC32 | |
| 030 | 80203000 | 001 | ECROU HEXAGONAL FE/ZNXC3 | NUT FE/ZNXC3 | SECHSKANTMUTTER FE/ZNXC3 | DADO FE/ZNXC3 | |
| 031 | 80203003 | 001 | ECROU HEXAGONAL BAS FE/ZNXC3 | NUT FE/ZNXC3 | SECHSKANTMUTTER FE/ZNXC3 | DADO FE/ZNXC3 | |
| 032 | 80203031 | 005 | ECROU HEXAGONAL AUTOFREINE | SELF-LOCKING NUT | SELBSTSICHERNDE MUTTER | DADO AUTOBLOCCANTE | |
| 033 | 80251431 | 006 | RONDELLE PLATE FE/ZNXC3 | PLAIN WASHER FE/ZNXC3 | SCHEIBE FE/ZNXC3 | RONDELLA PIATTA FE/ZNXC3 | |
| 034 | 80270684 | 010 | RONDELLE GROWER | SPRING LOCK WASHER | FEDERRING | RONDELLA | |
| 035 | 80271686 | 001 | RONDELLE RESSORT SPHERI.FLZNNC | SPHERICAL SPRING WASHER FLZNNC | FEDERRING FLZNNC | RONDELLA A MOLLA FLZNNC | |
| 036 | 80272484 | 001 | RONDELLE GROWER | SPRING LOCK WASHER | FEDERRING | RONDELLA | |
| 037 | 80450660 | 001 | GOUPILLE ELASTIQUE FLZNNC | ROLL PIN FLZNNC | SPANNHUELSE FLZNNC | SPINA ELASTICA | |
| 038 | 80582200 | 001 | CIRCLIP EXTERIEUR | RETAINING RING | SICHERUNGSRING | ANELLO | |
| 039 | 82201016 | 007 | GRAISSEUR AUTOTARAUDANT | SELF TAPPING GREASE NIPPLE | GEWINDESCHNEID-SCHMIERNIPPEL | INGRASSATORE | |
| 040 | 191042 | 001 | RESSORT DE VERROU | SPRING | FEDER F.VERRIEGELUNG | MOLLA | |
| 041 | 83012225 | 014 | BAGUE ROULEE | WRAPPED BUSH | GEROLLTE BUCHSE | ANELLO LUBRIFICATO | |
| 042 | 951182 | 003 | OPERCULE D 24,6 | PLUG DIAM. 24,6 | PVC STOPFEN D 24,6 | VALVOLA DI SFIATO D 24,6 | |
| 043 | H0200100 | 004 | DEMI-BAGUE | BUSHING, HALF | HUELSENHALFTR | BOCCOLA | |
| 044 | H0202220 | 001 | DENT | TINE | ZINKEN | DENTE | |
| 045 | H0202230 | 001 | DENT | TINE | ZINKEN | DENTE | |
| 046 | H0301190 | 001 | EMBOUT | FITTING, HOSE | ENDSTÜCK | GIUNTO | |
| 047 | H0301200 | 001 | ECROU | NUT | MUTTER | DADO | |
| 048 | H0403790 | 001 | VIS TETE HEXAGONALE ZBC | HEXAGON HEAD SCREW | SECHSKANTSCHRAUBE | VITE TESTA ESAGONALE | |





VM1526T I9738 >J7422

H02R0063 A

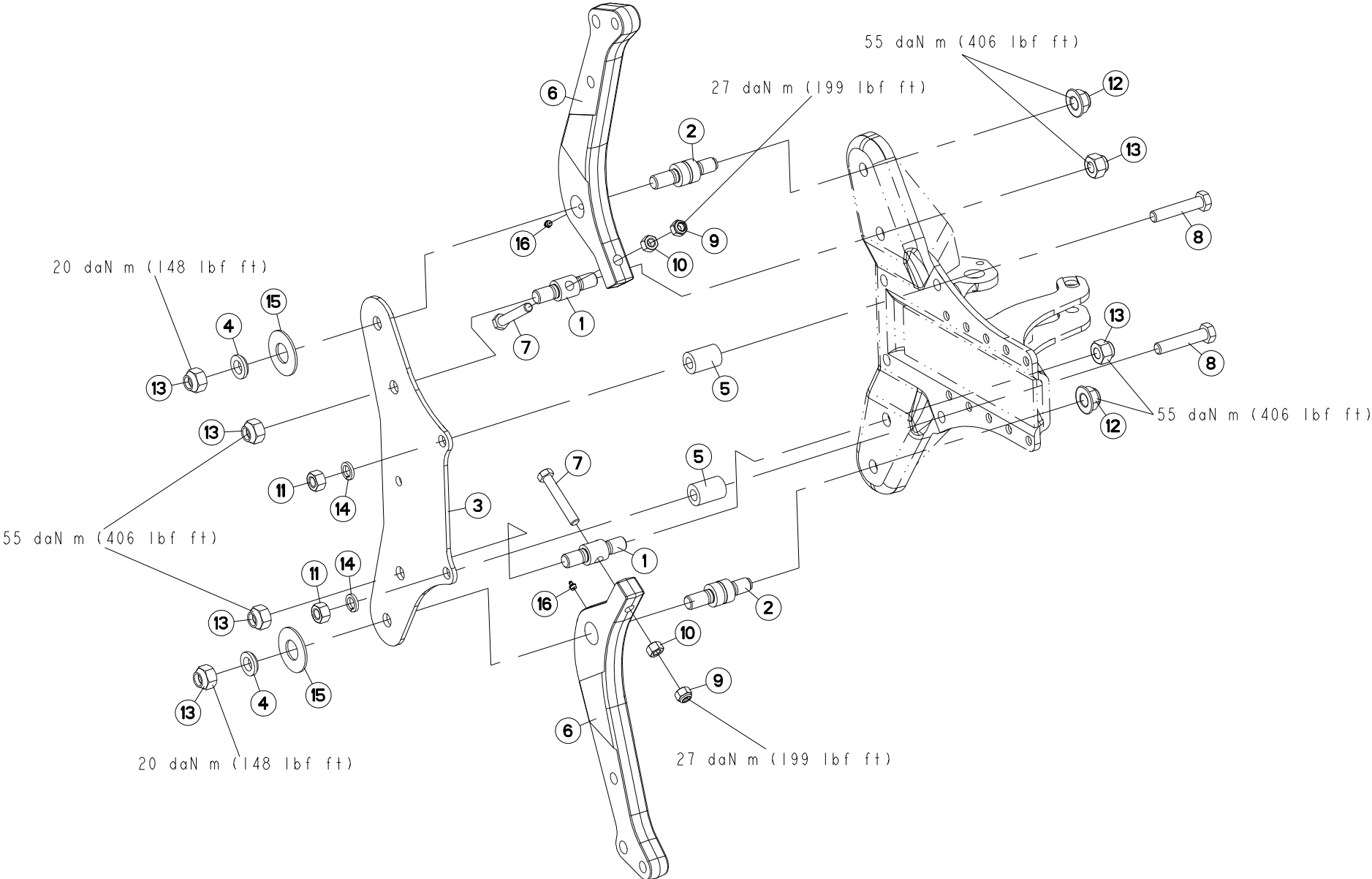
EXTENSION VM121/51/122/52

EXTENSION VM121/51/122/52

ERWEITERUNG VM121/51/122/52

PROLUNGA VM121/51/122/52

| Rep | Nr | Qt | Designation | Description | Bezeichnung | Referenza | Remarque - Remark - Bemerkung - Osservazioni |
|-----|----------|-----|--------------------------------|--------------------------------|--------------------------------|-----------------------------|--|
| 001 | 130148 | 001 | AXE TRINGLERIE | AXLE | ACHSE | ASSE TRIANGOLARE | |
| 002 | 421142 | 001 | RONDELLE | WASHER | SCHEIBE | RONDELLA | |
| 003 | 581561 | 001 | EXTENSION | EXTENSION | ERWEITERUNG | ESTENSIONNE | |
| 004 | 582300 | 001 | AXE | PIN | ACHSE | ASSE | |
| 005 | 582306 | 001 | BOITIER SUPPORT ETANCON VARI | SUPPORT VARI | GEHAUSE VARI | SUPPORTO | |
| 006 | 900741 | 002 | BOUCHON D.33,5 H12 GPN300 F26 | END PLUG | VERSCHLUSSSTOPFEN | TAPPO DI CHIUSURA | |
| 007 | 951119 | 002 | BAGUE | BUSHING | HUELSE | BOCCOLA | |
| 008 | 951125 | 001 | PROTECTEUR | GUARD | SCHUTZ | PROTEZIONE | |
| 009 | 83012225 | 002 | BAGUE ROULEE | WRAPPED BUSH | GEROLLTE BUCHSE | ANELLO LUBRIFICATO | |
| 010 | 80061637 | 006 | VIS TETE HEXAGONALE FLZNNC | HEXAGON HEAD SCREW FLZNNC | SECHSKANTSCHRAUBE FLZNNC | VITE TESTA ESAGONALE FLZNNC | |
| 011 | 80190616 | 002 | VIS AUTOTARAU.FE/ZNXC3 TAPTITE | SELF-CUTTING SCREW FE/ZNXC3 | GEWINDE-SCHNEIDSCHRAU.FE/ZNXC3 | BULLONE FE/ZNXC3 | |
| 012 | 80201452 | 001 | ECROU AUTOBLOQUANT FIL.DEFORME | UNDERSERRATED SELF-LOCKING NUT | SPERRZAHN-BUNDMUTTER | DADO | |
| 013 | 80201647 | 006 | ECROU HEX.AUTOFREINE FE/ZNXC3 | SELF-LOCKING NUT FE/ZNXC3 | SELBSTSICHERNDE MUTT.FE/ZNXC3 | DADO AUTOBLOCCANTE FE/ZNXC3 | |
| 014 | 80201669 | 006 | ECROU HEXAGONAL FE/ZNXC3 | NUT FE/ZNXC3 | SECHSKANTMUTTER FE/ZNXC3 | DADO FE/ZNXC3 | |
| 015 | 80203031 | 001 | ECROU HEXAGONAL AUTOFREINE | SELF-LOCKING NUT | SELBSTSICHERNDE MUTTER | DADO AUTOBLOCCANTE | |
| 016 | 80251431 | 001 | RONDELLE PLATE FE/ZNXC3 | PLAIN WASHER FE/ZNXC3 | SCHEIBE FE/ZNXC3 | RONDELLA PIATTA FE/ZNXC3 | |
| 017 | 80270684 | 002 | RONDELLE GROWER | SPRING LOCK WASHER | FEDERRING | RONDELLA | |
| 018 | 82201016 | 001 | GRAISSEUR AUTOTARAUDANT | SELF TAPPING GREASE NIPPLE | GEWINDESCHNEID-SCHMIERNIPPEL | INGRASSATORE | |
| 019 | 581579 | 001 | TRINGLE | LINK | STREBE | TRIANGOLO | |





VM1525ET-VM1526T I9738 >J7422

H04R0058 B

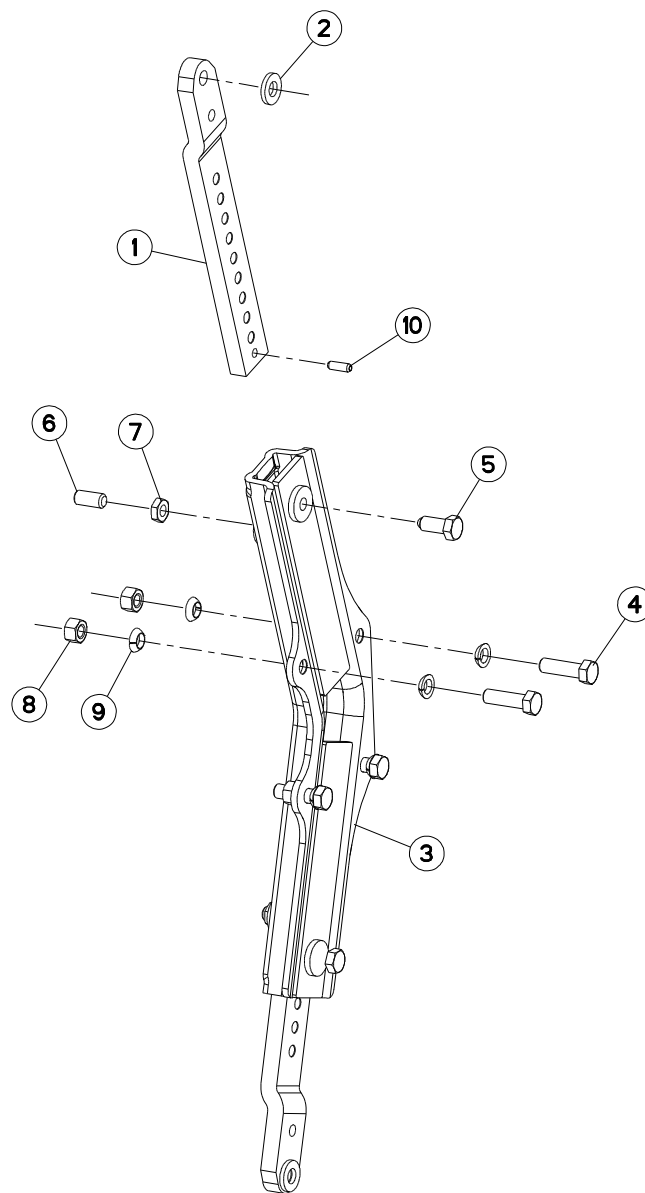
AGE SECURITE T80

PLOUGH LEG SAFETY T80

GRINDEL STEINSICHERUN T80

BURE DI SICUREZZA T80

| Rep | Nr | Qt | Designation | Description | Bezeichnung | Referenza | Remarque - Remark - Bemerkung - Osservazioni |
|-----|----------|-----|--------------------------------|-----------------------------|-------------------------------|-------------------------------|--|
| 001 | 130147 | 002 | NOIX/SECU. | SPINDLE | KNEBELMUTTER | PERNO | |
| 002 | 130246 | 002 | AXE D40 | PIN D40 | ACHSE D40 | PERNO D40 | |
| 003 | 222158 | 001 | FLASQUE 6 TROUS | MOULDING | KURBEL WANGE | PIASTRA | |
| 004 | 421183 | 002 | RONDELLE EPAULEE D.35 EP.10 | WASHER WITH SHOULDER | BUCHSE | RONDELLA | |
| 005 | 445424 | 002 | ENTRETOISE MAST.120/150 | SPACER | DISTANZSCHEIBE | BOCCOLA | |
| 006 | 645280 | 002 | ETANCON | SHANK | TRAGRAHMEN | TELAIO | |
| 007 | 80061681 | 002 | VIS TETE HEXAGONALE FLZNNC | HEXAGON HEAD SCREW FLZNNC | SECHSKANTSCHRAUBE FLZNNC | VITE TESTA ESAGONALE FLZNNC | |
| 008 | 80062076 | 002 | VIS TETE HEXAGONALE FE/ZNXC3 | HEXAGON HEAD SCREW FE/ZNXC3 | SECHSKANTSCHRAUBE FE/ZNXC3 | VITE TESTA ESAGONALE FE/ZNXC3 | |
| 009 | 80201630 | 002 | ECROU HEX.AUTOFREINE FE/ZNXC3 | SELF-LOCKING NUT FE/ZNXC3 | SELBSTSICH.MUTTER FE/ZNXC3 | DADO AUTOBLOCCANTE FE/ZNXC3 | |
| 010 | 80201669 | 002 | ECROU HEXAGONAL FE/ZNXC3 | NUT FE/ZNXC3 | SECHSKANTMUTTER FE/ZNXC3 | DADO FE/ZNXC3 | |
| 011 | 80202070 | 002 | ECROU HEXAGONAL FE/ZNXC3 | NUT FE/ZNXC3 | SECHSKANTMUTTER FE/ZNXC3 | DADO FE/ZNXC3 | |
| 012 | 80202420 | 002 | ECROU HEXAG.EMBA.AUTOFR.FLZNNC | SELF-LOCKING NUT FLZNNC | SELBSTSICHERNDE MUTTER FLZNNC | DADO AUTOBLOCCANTE FLZNNC | |
| 013 | 80202447 | 006 | ECROU HEXAGONAL AUTOFREINE | SELF-LOCKING NUT | SELBSTSICHERNDE MUTTER | DADO AUTOBLOCCANTE | |
| 014 | 80272080 | 002 | RONDELLE GROWER | SPRING LOCK WASHER | FEDERRING | RONDELLA GROWER | |
| 015 | 80283680 | 002 | RONDELLE A RESSORT | DISC SPRING | TELLERFEDER | RONDELLA A MOLLA | |
| 016 | 82201016 | 002 | GRAISSEUR AUTOTARAUDANT | SELF TAPPING GREASE NIPPLE | GEWINDESCHNEID-SCHMIERNIPPEL | INGRASSATORE | |





VM1523ET-VM1524T-VM1524ET-VM1525T I9738 >J8516

H04R0041 A

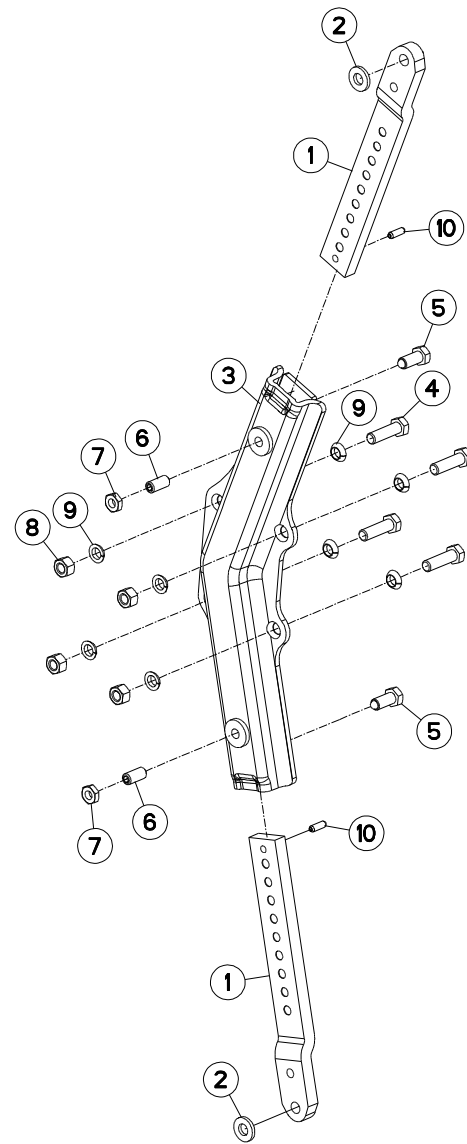
BOITIER TIGES RASSETTE

SKIMMER LEG/SUPPORT

HALTERUNG/VORSCHALESTIEL

GAMBO DEL PREVOMERE

| Rep | Nr | Qt | Designation | Description | Bezeichnung | Referenza | Remarque - Remark - Bemerkung - Osservazioni |
|-----|----------|-----|--------------------------------|--------------------------------|----------------------------|-------------------------------|--|
| 001 | 261166 | 002 | TIGE DE RASSETTE | SKIMMER LEG | STIEL | BRACCIO AVANVOMERE | |
| 002 | 422069 | 002 | BAGUE 17 X 35 X 5 PLATE ZNB | WASHER | RING | PARAOLIO | |
| 003 | 582216 | 001 | BOITIER | HOUSING | GEHAEUSE | SCATOLA | |
| 004 | 80061647 | 004 | VIS TETE HEXAGONALE FE/ZNXC3 | HEXAGON HEAD SCREW FE/ZNXC3 | SECHSKANTSCHRAUBE FE/ZNXC3 | VITE TESTA ESAGONALE FE/ZNXC3 | 19daNm 140lbf.ft |
| 005 | 80091640 | 002 | VIS TETE HEX.B.SPHE.FE/ZNXC3 | HEXAGON HEAD SCREW FE/ZNXC3 | SECHSKANTSCHRAUBE FE/ZNXC3 | VITE TESTA ESAGONALE FE/ZNXC3 | |
| 006 | 80151635 | 002 | VIS S/TETE B.PLAT HC | SOCKET SET SCREW | GEWINDESTIFT | VITE | |
| 007 | 80201601 | 002 | ECROU HEXAGONAL BAS | HEXAGON THIN NUT | FLACHE SECHSKANTMUTTER | DADO | |
| 008 | 80201670 | 004 | ECROU HEXAGONAL FE/ZNXC3 | NUT FE/ZNXC3 | SECHSKANTMUTTER FE/ZNXC3 | DADO FE/ZNXC3 | |
| 009 | 80271686 | 008 | RONDELLE RESSORT SPHERI.FLZNNC | SPHERICAL SPRING WASHER FLZNNC | FEDERRING FLZNNC | RONDELLA A MOLLA FLZNNC | |
| 010 | 80450928 | 002 | GOUPILLE ELASTIQUE FLZNNC | ROLL PIN FLZNNC | SPANNHUELSE FLZNNC | SPINA ELASTICA | |





VM1525ET-VM1526T I9738 >J7422

H04R0025 B

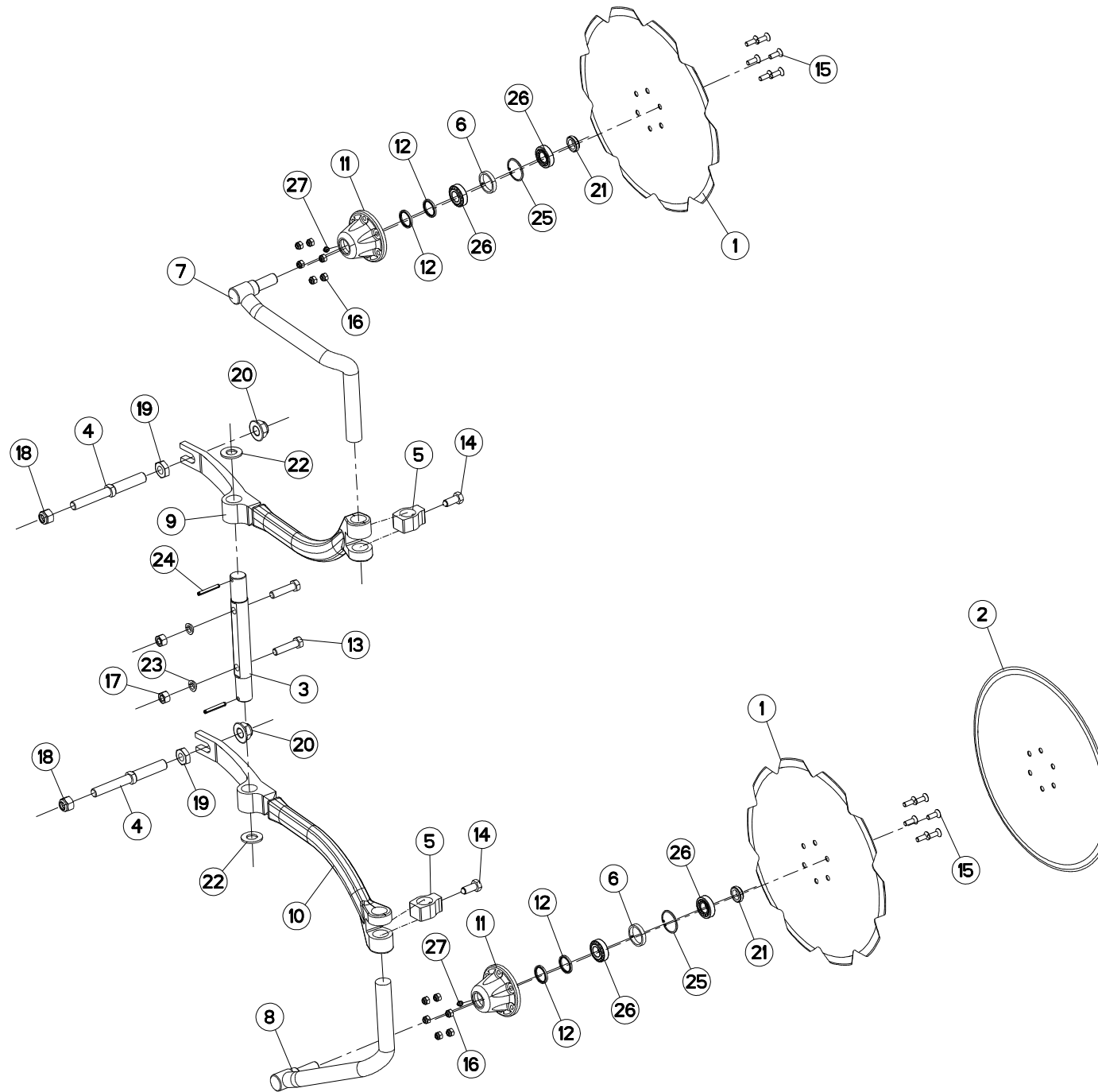
BOITIER TIGES RASETTE

SKIMMER LEG/SUPPORT

HALTERUNG/VORSCHALESTIEL

GAMBO DEL PREVOMERE

| Rep | Nr | Qt | Designation | Description | Bezeichnung | Referenza | Remarque - Remark - Bemerkung - Osservazioni |
|-----|----------|-----|--------------------------------|--------------------------------|----------------------------|-------------------------------|--|
| 001 | 261166 | 002 | TIGE DE RASETTE | SKIMMER LEG | STIEL | BRACCIO AVANVOMERE | |
| 002 | 422069 | 002 | BAGUE 17 X 35 X 5 PLATE ZNB | WASHER | RING | PARAOLIO | |
| 003 | 581549 | 001 | BOITIER | HOUSING | GEHAEUSE | SCATOLA | |
| 004 | 80061647 | 004 | VIS TETE HEXAGONALE FE/ZNXC3 | HEXAGON HEAD SCREW FE/ZNXC3 | SECHSKANTSCHRAUBE FE/ZNXC3 | VITE TESTA ESAGONALE FE/ZNXC3 | 19daNm 140lbf ft |
| 005 | 80091640 | 002 | VIS TETE HEX.B.SPHE.FE/ZNXC3 | HEXAGON HEAD SCREW FE/ZNXC3 | SECHSKANTSCHRAUBE FE/ZNXC3 | VITE TESTA ESAGONALE FE/ZNXC3 | |
| 006 | 80151635 | 002 | VIS S/TETE B.PLAT HC | SOCKET SET SCREW | GEWINDESTIFT | VITE | |
| 007 | 80201601 | 002 | ECROU HEXAGONAL BAS | HEXAGON THIN NUT | FLACHE SECHSKANTMUTTER | DADO | |
| 008 | 80201670 | 004 | ECROU HEXAGONAL FE/ZNXC3 | NUT FE/ZNXC3 | SECHSKANTMUTTER FE/ZNXC3 | DADO FE/ZNXC3 | |
| 009 | 80271686 | 008 | RONDELLE RESSORT SPHERI.FLZNNC | SPHERICAL SPRING WASHER FLZNNC | FEDERRING FLZNNC | RONDELLA A MOLLA FLZNNC | |
| 010 | 80450928 | 002 | GOUPILLE ELASTIQUE FLZNNC | ROLL PIN FLZNNC | SPANNHUELSE FLZNNC | SPINA ELASTICA | |





VM152 3ET 80/102 I9738 >J8516

H04R0038 A

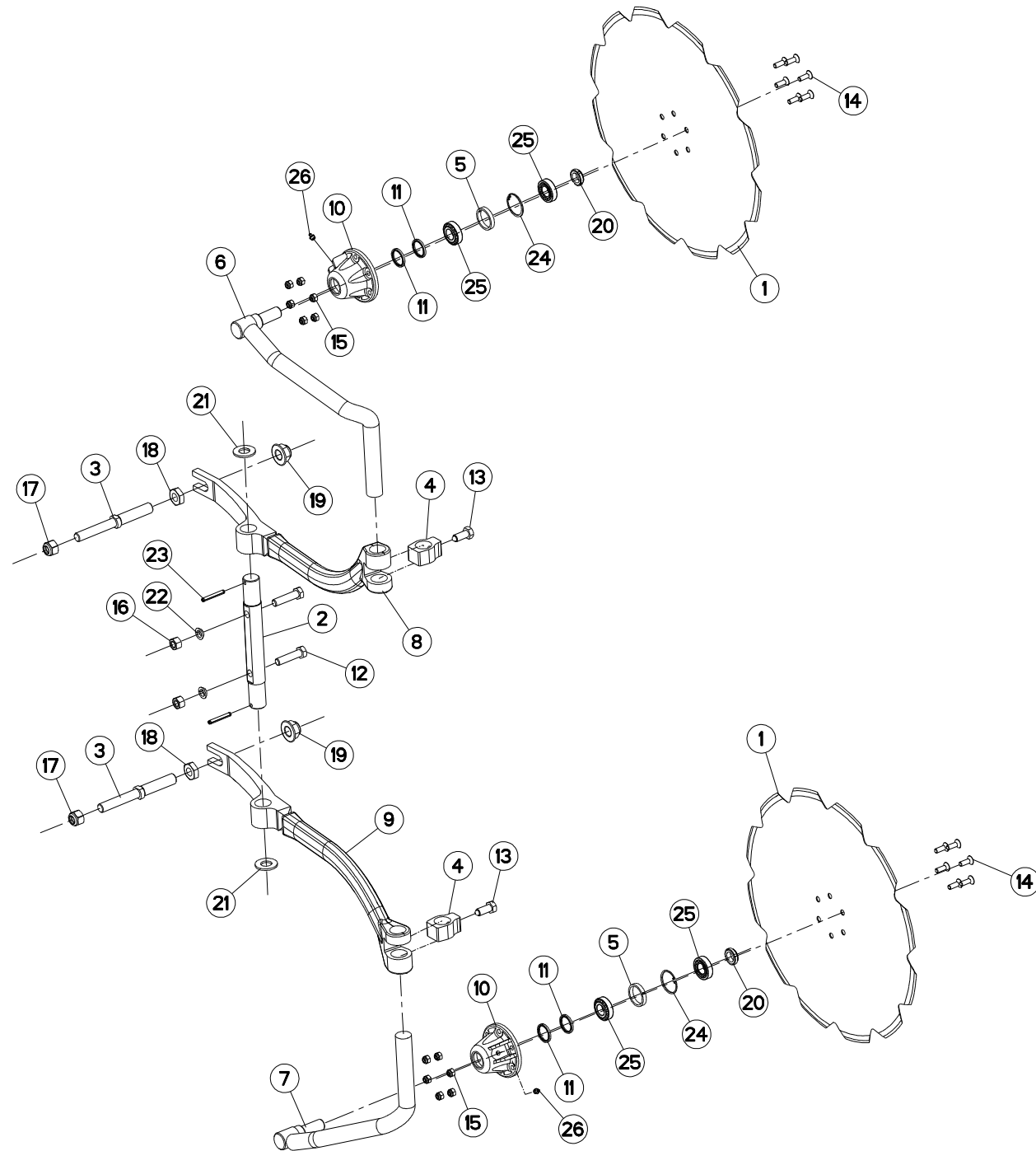
COUTRE CIRCULAIRE Ø500 T

DISC COULTER Ø500 T

SCHEIBENSECH Ø500 T

ASSOLCATORE A DISCO Ø500 T

| Rep | Nr | Qt | Designation | Description | Bezeichnung | Referenza | Remarque - Remark - Bemerkung - Osservazioni |
|-----|-----------------|-----|--------------------------------|--------------------------------|-------------------------------|-------------------------------|--|
| 001 | 110029 | 002 | DISQUE CRENELE D 500 | NOTCHED DISC D 500 | GEZACKTE SCHEIBE D 500 | DISCO SCANALATO D 500 | |
| 002 | 110030 | 002 | DISQUE CC DIA500 | PLAIN DISC D 500 | GLATTE SCHEIBE D 500 | DISCO | |
| 003 | 130170 | 001 | AXE | PIN | ACHSE | ASSE | |
| 004 | 130314 | 002 | VIS REGLA.CC MAST.100/120/150 | SCREW | SCHRAUBE | VITE | |
| 005 | 211817 | 002 | BUTEE | STOP | ANSCHLAG | LIMITATORE | |
| 006 | 432023 | 002 | ENTRETOISE | SPACER | DISTANZHUELSE | DISTANZIALE | |
| 007 | 581960 | 001 | TIGE | STEM | STANGE | STELO | |
| 008 | 581961 | 001 | TIGE | STEM | STANGE | STELO | |
| 009 | 582700 | 001 | BRAS | ARM | ARM | BRACCIO | |
| 010 | 582701 | 001 | BRAS | ARM | ARM | BRACCIO | |
| 011 | 645317 | 002 | MOYEU NU | HUB | NABE | MOZZO | |
| 012 | 951166 | 004 | BAGUE NADELLA 35/43 | SEAL 35/43 | RING 35/43 | BOCCOLA | |
| 013 | 80061638 | 002 | VIS TETE HEXAGONALE FE/ZNXC3 | HEXAGON HEAD SCREW FE/ZNXC3 | SECHSKANTSCHRAUBE FE/ZNXC3 | VITE TESTA ESAGONALE FE/ZNXC3 | |
| 014 | 80091640 | 002 | VIS TETE HEX.B.SPHE.FE/ZNXC3 | HEXAGON HEAD SCREW FE/ZNXC3 | SECHSKANTSCHRAUBE FE/ZNXC3 | VITE TESTA ESAGONALE FE/ZNXC3 | |
| 015 | 80111029 | 012 | VIS T.FRAI.SIX P.CR.FLZNNC | HEX.SOC.COUNT.HEAD SC.FLZNNC | SENKSCHAUB.INNENSEC.FLZNNC | VITE FLZNNC | |
| 016 | 80201030 | 012 | ECROU HEX.AUTOFREINE FE/ZNXC3 | SELF-LOCKING NUT FE/ZNXC3 | SELBSTSICH.MUTTER FE/ZNXC3 | DADO AUTOBLOCCANTE FE/ZNXC3 | |
| 017 | 80201670 | 002 | ECROU HEXAGONAL FE/ZNXC3 | NUT FE/ZNXC3 | SECHSKANTMUTTER FE/ZNXC3 | DADO FE/ZNXC3 | |
| 018 | 80202030 | 002 | ECROU HEX.AUTOFREINE FE/ZNXC3 | SELF-LOCKING NUT FE/ZNXC3 | SELBSTSICH.MUTTER FE/ZNXC3 | DADO AUTOBLOCCANTE FE/ZNXC3 | |
| 019 | 80202402 | 002 | ECROU HEXAGONAL BAS FE/ZNXC3 | NUT FE/ZNXC3 | SECHSKANTMUTTER FE/ZNXC3 | DADO FE/ZNXC3 | |
| 020 | 80202421 | 002 | ECROU HEXAG.EMBASE AUTOFR. | SELF-LOCKING NUT | SELBSTSICHERNDE MUTTER | DADO AUTOBLOCCANTE | |
| 021 | 80202566 | 002 | ECROU A ENCOCH.AUTOF.FE/ZNXC3 | SELF-LOCKING NUT FE/ZNXC3 | SELBSTSICHERN.MUTTER FE/ZNXC3 | DADO AUTOBLOCCANTE FE/ZNXC3 | |
| 022 | 80252432 | 002 | RONDELLE PLATE FE/ZNXC3 | PLAIN WASHER FE/ZNXC3 | SCHEIBE FE/ZNXC3 | RONDELLA PIATTA FE/ZNXC3 | |
| 023 | 80271686 | 002 | RONDELLE RESSORT SPHERI.FLZNNC | SPHERICAL SPRING WASHER FLZNNC | FEDERRING FLZNNC | RONDELLA A MOLLA FLZNNC | |
| 024 | 80440860 | 002 | GOUPILLE SPIRALE | ROLL PIN | SPIRAL-SPANNSTIFTE | SPINA ELASTICA | |
| 025 | 80595200 | 002 | CIRCLIP INTERIEUR | RETAINING RING | SICHERUNGSRING | ANELLO | |
| 026 | 81302552 | 004 | ROULEMENT A ROULEAUX CONIQUES | TAPERED ROLLER BEARING | KEGELROLLENLAGER | CUSCINETTO A RULLO | |
| 027 | 82201016 | 002 | GRAISSEUR AUTOTARAUDANT | SELF TAPPING GREASE NIPPLE | GEWINDESCHNEID-SCHMIERNIPPEL | INGRASSATORE | |





VM1523ET-VM1524T-VM1524ET-VM1525T-VM1525ET-VM1526T

I9738 >J8516

H04R0040 A

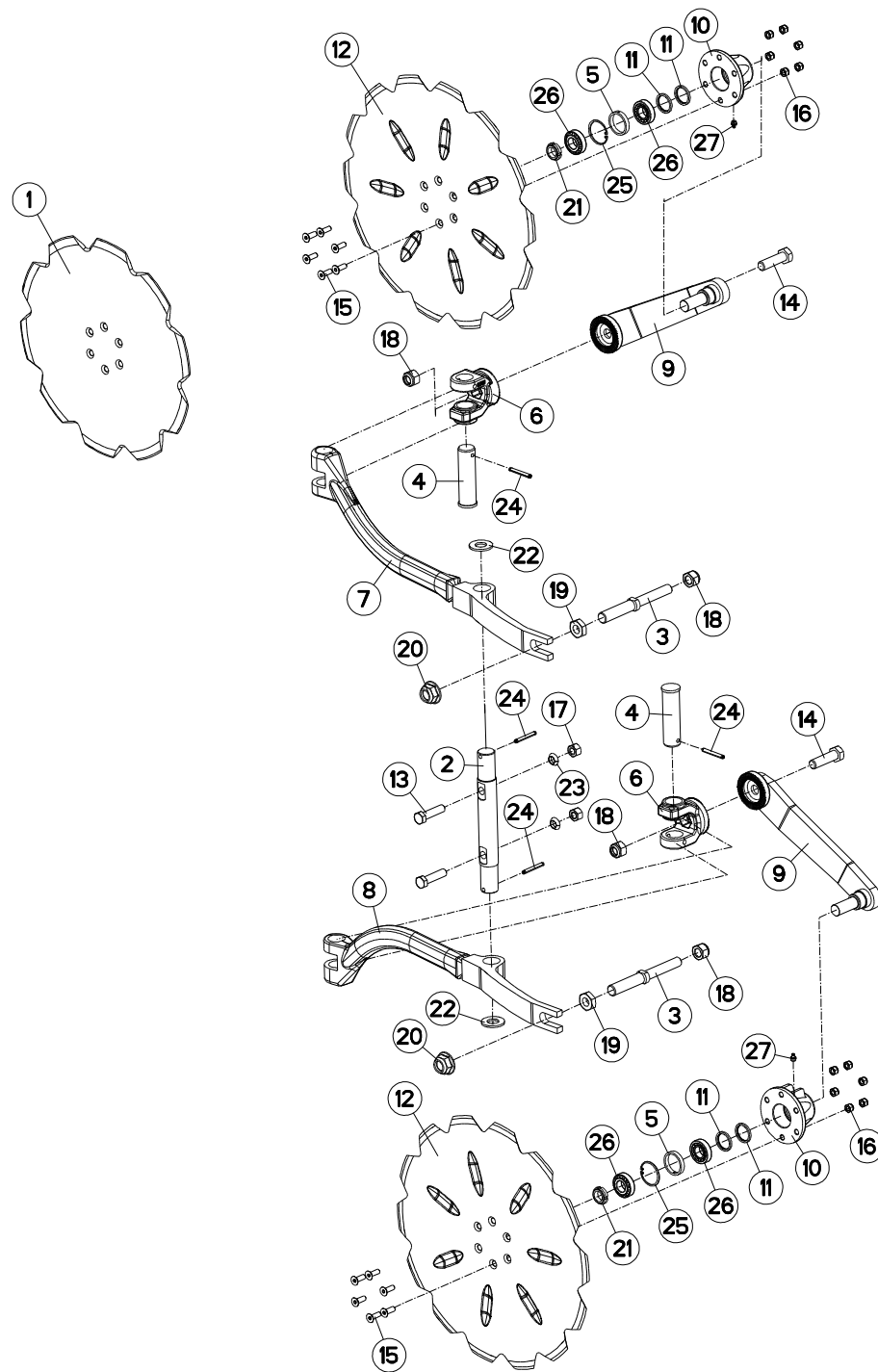
COUTRE CIRCULAIRE Ø600 T

DISC COULTER Ø600 T

SCHEIBENSECH Ø600 T

ASSOLCATORE A DISCO Ø600 T

| Rep | Nr | Qt | Designation | Description | Bezeichnung | Referenza | Remarque - Remark - Bemerkung - Osservazioni |
|-----|----------|-----|--------------------------------|--------------------------------|-------------------------------|-------------------------------|--|
| 001 | 110031 | 002 | DISQUE CC CRENELE DIA600 | NOTCHED DISC D 600 | GEZACKTE SCHEIBE D 600 | DISCO D 600 | |
| 002 | 130170 | 001 | AXE | PIN | ACHSE | ASSE | |
| 003 | 130314 | 002 | VIS REGLA.CC MAST.100/120/150 | SCREW | SCHRAUBE | VITE | |
| 004 | 211817 | 002 | BUTEE | STOP | ANSCHLAG | LIMITATORE | |
| 005 | 432023 | 002 | ENTRETOISE | SPACER | DISTANZHUELSE | DISTANZIALE | |
| 006 | 581962 | 001 | TIGE | STEM | STANGE | STELO | |
| 007 | 581963 | 001 | TIGE | STEM | STANGE | STELO | |
| 008 | 582700 | 001 | BRAS | ARM | ARM | BRACCIO | |
| 009 | 582701 | 001 | BRAS | ARM | ARM | BRACCIO | |
| 010 | 645317 | 002 | MOYEU NU | HUB | NABE | MOZZO | |
| 011 | 951166 | 004 | BAGUE NADELLA 35/43 | SEAL 35/43 | RING 35/43 | BOCCOLA | |
| 012 | 80061638 | 002 | VIS TETE HEXAGONALE FE/ZNXC3 | HEXAGON HEAD SCREW FE/ZNXC3 | SECHSKANTSCHRAUBE FE/ZNXC3 | VITE TESTA ESAGONALE FE/ZNXC3 | |
| 013 | 80091640 | 002 | VIS TETE HEX.B.SPHE.FE/ZNXC3 | HEXAGON HEAD SCREW FE/ZNXC3 | SECHSKANTSCHRAUBE FE/ZNXC3 | VITE TESTA ESAGONALE FE/ZNXC3 | |
| 014 | 80111029 | 012 | VIS T.FRAI.SIX P.CR.FLZNNC | HEX.SOC.COUNT.HEAD SC.FLZNNC | SENKSCHAUB.INNENSEC.FLZNNC | VITE FLZNNC | |
| 015 | 80201030 | 012 | ECROU HEX.AUTOFREINE FE/ZNXC3 | SELF-LOCKING NUT FE/ZNXC3 | SELBSTSICH.MUTTER FE/ZNXC3 | DADO AUTOBLOCCANTE FE/ZNXC3 | |
| 016 | 80201670 | 002 | ECROU HEXAGONAL FE/ZNXC3 | NUT FE/ZNXC3 | SECHSKANTMUTTER FE/ZNXC3 | DADO FE/ZNXC3 | |
| 017 | 80202030 | 002 | ECROU HEX.AUTOFREINE FE/ZNXC3 | SELF-LOCKING NUT FE/ZNXC3 | SELBSTSICH.MUTTER FE/ZNXC3 | DADO AUTOBLOCCANTE FE/ZNXC3 | |
| 018 | 80202402 | 002 | ECROU HEXAGONAL BAS FE/ZNXC3 | NUT FE/ZNXC3 | SECHSKANTMUTTER FE/ZNXC3 | DADO FE/ZNXC3 | |
| 019 | 80202421 | 002 | ECROU HEXAG.EMBASE AUTOFR. | SELF-LOCKING NUT | SELBSTSICHERNDE MUTTER | DADO AUTOBLOCCANTE | |
| 020 | 80202566 | 002 | ECROU A ENCOCH.AUTOF.FE/ZNXC3 | SELF-LOCKING NUT FE/ZNXC3 | SELBSTSICHERN.MUTTER FE/ZNXC3 | DADO AUTOBLOCCANTE FE/ZNXC3 | |
| 021 | 80252432 | 002 | RONDELLE PLATE FE/ZNXC3 | PLAIN WASHER FE/ZNXC3 | SCHEIBE FE/ZNXC3 | RONDELLA PIATTA FE/ZNXC3 | |
| 022 | 80271686 | 002 | RONDELLE RESSORT SPHERI.FLZNNC | SPHERICAL SPRING WASHER FLZNNC | FEDERRING FLZNNC | RONDELLA A MOLLA FLZNNC | |
| 023 | 80440860 | 002 | GOUPILLE SPIRALE | ROLL PIN | SPIRAL-SPANNSTIFTE | SPINA ELASTICA | |
| 024 | 80595200 | 002 | CIRCLIP INTERIEUR | RETAINING RING | SICHERUNGSRING | ANELLO | |
| 025 | 81302552 | 004 | ROULEMENT A ROULEAUX CONIQUES | TAPERED ROLLER BEARING | KEGELROLLENLAGER | CUSCINETTO A RULLO | |
| 026 | 82201016 | 002 | GRAISSEUR AUTOTARAUDANT | SELF TAPPING GREASE NIPPLE | GEWINDESCHNEID-SCHMIERNIPPEL | INGRASSATORE | |





VM1523ET-VM1524T-VM1524ET-VM1525T-VM1525ET-VM1526T

I9738 >J8516

H04R0056 A

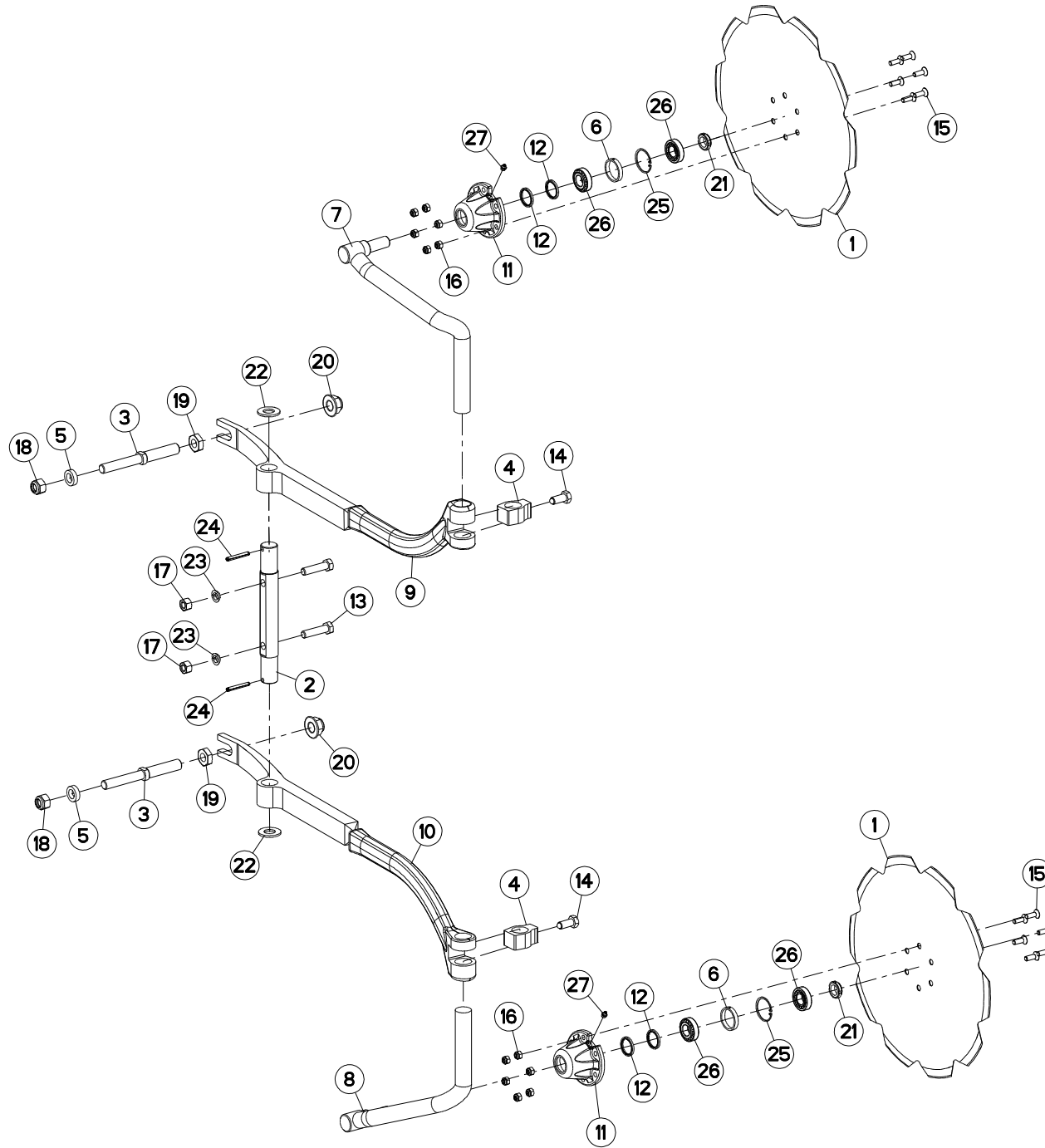
COUTRE CIRCULAIRE (BIELLE LONG

DISC COULTER (PULL BAR LONG)

SCHEIBENSECH (LENKER LANG)

ASSOLCATORE A DISCO (BIELLA LL

| Rep | Nr | Qt | Designation | Description | Bezeichnung | Referenza | Remarque - Remark - Bemerkung - Osservazioni |
|-----|----------|-----|--------------------------------|--------------------------------|-------------------------------|-------------------------------|--|
| 001 | 110029 | 001 | DISQUE CRENELE D 500 | NOTCHED DISC D 500 | GEZACKTE SCHEIBE D 500 | DISCO SCANALATO D 500 | |
| 002 | 130170 | 001 | AXE | PIN | ACHSE | ASSE | |
| 003 | 130314 | 002 | VIS REGLA.CC MAST.100/120/150 | SCREW | SCHRAUBE | VITE | |
| 004 | 130347 | 002 | AXE VERTICAL | AXLE | ACHSE | ASSE | |
| 005 | 432023 | 002 | ENTRETOISE | SPACER | DISTANZHUELSE | DISTANZIALE | |
| 006 | 582575 | 002 | CHAPE | CLEVIS | GABEL | FORCELLA | |
| 007 | 582700 | 001 | BRAS | ARM | ARM | BRACCIO | |
| 008 | 582701 | 001 | BRAS | ARM | ARM | BRACCIO | |
| 009 | 582889 | 002 | BRAS DE CC CAMBREE | ARM | ARM | BRACCIO | |
| 010 | 645226 | 002 | MOYEU NU | HUB | NABE | MOZZO | |
| 011 | 951166 | 004 | BAGUE NADELLA 35/43 | SEAL 35/43 | RING 35/43 | BOCCOLA | |
| 012 | 951942 | 002 | DISC CC 450 D570(22') EP=5 | DISC CC 450 D570(22') EP=5 | SCHEIBENSECH CC 450 D570 EP=5 | DISCO | |
| 013 | 80061638 | 002 | VIS TETE HEXAGONALE FE/ZNXC3 | HEXAGON HEAD SCREW FE/ZNXC3 | SECHSKANTSCHRAUBE FE/ZNXC3 | VITE TESTA ESAGONALE FE/ZNXC3 | |
| 014 | 80062064 | 002 | VIS TETE HEXAGONALE FLZNNC | HEXAGON HEAD SCREW FLZNNC | SECHSKANTSCHRAUBE FLZNNC | VITE TESTA ESAGONALE FLZNNC | |
| 015 | 80111029 | 012 | VIS T.FRAI.SIX P.CR.FLZNNC | HEX.SOC.COUNT.HEAD SC.FLZNNC | SENKSCHAUB.INNENSEC.FLZNNC | VITE FLZNNC | |
| 016 | 80201030 | 012 | ECROU HEX.AUTOFREINE FE/ZNXC3 | SELF-LOCKING NUT FE/ZNXC3 | SELBSTSICH.MUTTER FE/ZNXC3 | DADO AUTOBLOCCANTE FE/ZNXC3 | |
| 017 | 80201670 | 002 | ECROU HEXAGONAL FE/ZNXC3 | NUT FE/ZNXC3 | SECHSKANTMUTTER FE/ZNXC3 | DADO FE/ZNXC3 | |
| 018 | 80202030 | 004 | ECROU HEX.AUTOFREINE FE/ZNXC3 | SELF-LOCKING NUT FE/ZNXC3 | SELBSTSICH.MUTTER FE/ZNXC3 | DADO AUTOBLOCCANTE FE/ZNXC3 | |
| 019 | 80202402 | 002 | ECROU HEXAGONAL BAS FE/ZNXC3 | NUT FE/ZNXC3 | SECHSKANTMUTTER FE/ZNXC3 | DADO FE/ZNXC3 | |
| 020 | 80202421 | 002 | ECROU HEXAG.EMBASE AUTOFR. | SELF-LOCKING NUT | SELBSTSICHERNDE MUTTER | DADO AUTOBLOCCANTE | |
| 021 | 80202566 | 002 | ECROU A ENCOCH.AUOF.FE/ZNXC3 | SELF-LOCKING NUT FE/ZNXC3 | SELBSTSICHERN.MUTTER FE/ZNXC3 | DADO AUTOBLOCCANTE FE/ZNXC3 | |
| 022 | 80252432 | 002 | RONDELLE PLATE FE/ZNXC3 | PLAIN WASHER FE/ZNXC3 | SCHEIBE FE/ZNXC3 | RONDELLA PIATTA FE/ZNXC3 | |
| 023 | 80271686 | 002 | RONDELLE RESSORT SPHERI.FLZNNC | SPHERICAL SPRING WASHER FLZNNC | FEDERRING FLZNNC | RONDELLA A MOLLA FLZNNC | |
| 024 | 80440860 | 004 | GOUPILLE SPIRALE | ROLL PIN | SPIRAL-SPANNSTIFTE | SPINA ELASTICA | |
| 025 | 80595200 | 002 | CIRCLIP INTERIEUR | RETAINING RING | SICHERUNGSRING | ANELLO | |
| 026 | 81302552 | 004 | ROULEMENT A ROULEAUX CONIQUES | TAPERED ROLLER BEARING | KEGELROLLENLAGER | CUSCINETTO A RULLO | |
| 027 | 82201016 | 002 | GRAISSEUR AUTOTARAUDANT | SELF TAPPING GREASE NIPPLE | GEWINDESCHNEID-SCHMIERNIPPEL | INGRASSATORE | |





VM1525ET-VM1526T I9738 >J7422

H04R0060 B

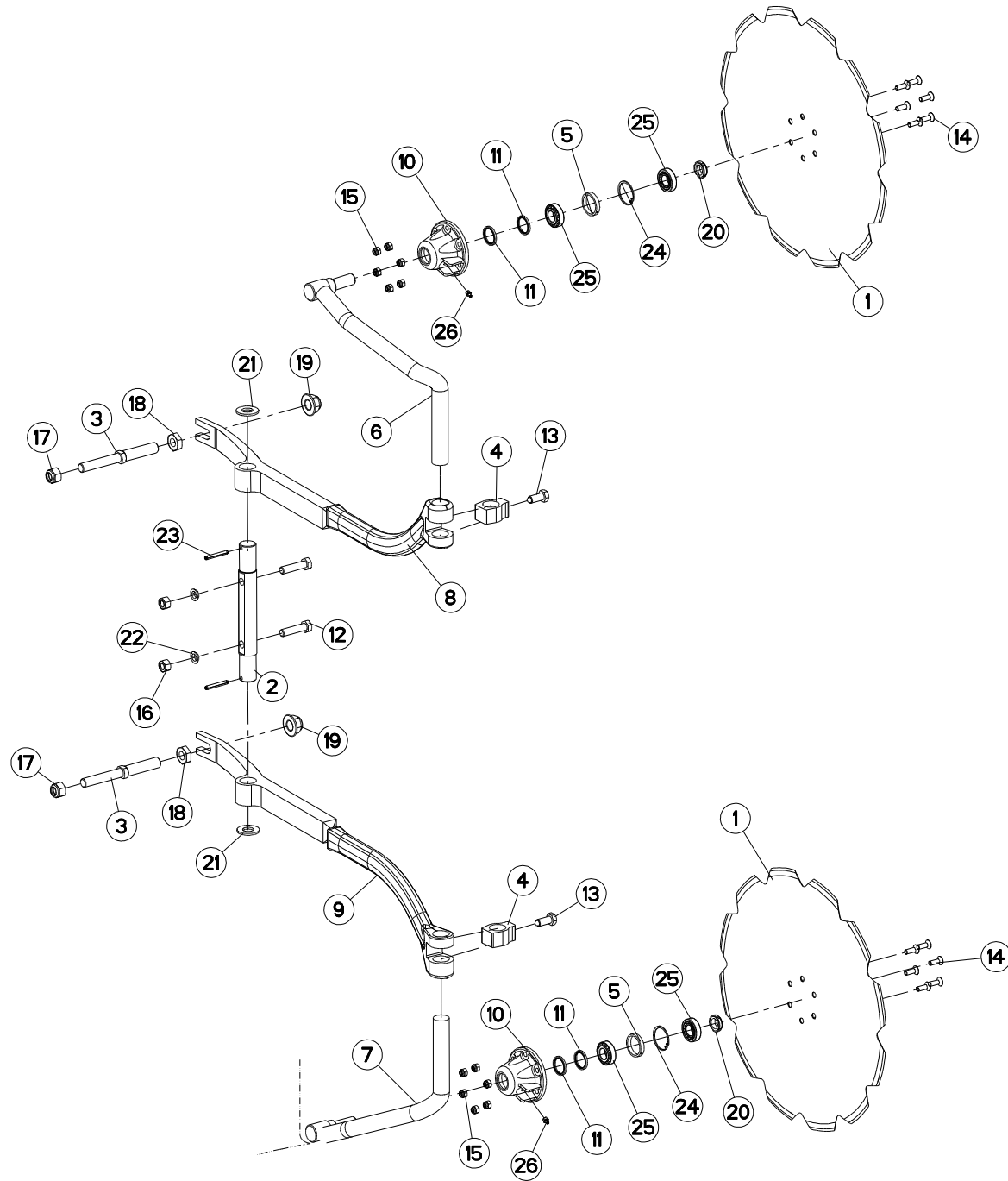
COUTRE CIRCULAIRE Ø500 T (LONG

DISC COULTER Ø500 T (LONG)

SCHEIBENSECH Ø500 T (LANG)

ASSOLCATORE A DISCO Ø500 T (LU

| Rep | Nr | Qt | Designation | Description | Bezeichnung | Referenza | Remarque - Remark - Bemerkung - Osservazioni |
|-----|----------|-----|--------------------------------|--------------------------------|-------------------------------|-------------------------------|--|
| 001 | 110029 | 002 | DISQUE CRENELE D 500 | NOTCHED DISC D 500 | GEZACKTE SCHEIBE D 500 | DISCO SCANALATO D 500 | |
| 002 | 130170 | 001 | AXE | PIN | ACHSE | ASSE | |
| 003 | 130314 | 002 | VIS REGLA.CC MAST.100/120/150 | SCREW | SCHRAUBE | VITE | |
| 004 | 211817 | 002 | BUTEE | STOP | ANSCHLAG | LIMITATORE | |
| 005 | 421180 | 002 | BAGUE 20,5X35 L10 | WASHER | SCHEIBE | RONDELLA | : MA100/102 |
| 006 | 432023 | 002 | ENTRETOISE | SPACER | DISTANZHUELSE | DISTANZIALE | |
| 007 | 581960 | 001 | TIGE | STEM | STANGE | STELO | |
| 008 | 581961 | 001 | TIGE | STEM | STANGE | STELO | |
| 009 | 582288 | 001 | BRAS | ARM | ARM | BRACCIO | |
| 010 | 582289 | 001 | BRAS | ARM | ARM | BRACCIO | |
| 011 | 645317 | 002 | MOYEU NU | HUB | NABE | MOZZO | |
| 012 | 951166 | 004 | BAGUE NADELLA 35/43 | SEAL 35/43 | RING 35/43 | BOCCOLA | |
| 013 | 80061638 | 002 | VIS TETE HEXAGONALE FE/ZNXC3 | HEXAGON HEAD SCREW FE/ZNXC3 | SECHSKANTSCHRAUBE FE/ZNXC3 | VITE TESTA ESAGONALE FE/ZNXC3 | |
| 014 | 80091640 | 002 | VIS TETE HEX.B.SPHE.FE/ZNXC3 | HEXAGON HEAD SCREW FE/ZNXC3 | SECHSKANTSCHRAUBE FE/ZNXC3 | VITE TESTA ESAGONALE FE/ZNXC3 | |
| 015 | 80111029 | 012 | VIS T.FRAI.SIX P.CR.FLZNNC | HEX.SOC.COUNT.HEAD SC.FLZNNC | SENKSCRAUB.INNENSEC.FLZNNC | VITE FLZNNC | |
| 016 | 80201030 | 012 | ECROU HEX.AUTOFREINE FE/ZNXC3 | SELF-LOCKING NUT FE/ZNXC3 | SELBSTSICH.MUTTER FE/ZNXC3 | DADO AUTOBLOCCANTE FE/ZNXC3 | |
| 017 | 80201670 | 002 | ECROU HEXAGONAL FE/ZNXC3 | NUT FE/ZNXC3 | SECHSKANTMUTTER FE/ZNXC3 | DADO FE/ZNXC3 | |
| 018 | 80202030 | 002 | ECROU HEX.AUTOFREINE FE/ZNXC3 | SELF-LOCKING NUT FE/ZNXC3 | SELBSTSICH.MUTTER FE/ZNXC3 | DADO AUTOBLOCCANTE FE/ZNXC3 | |
| 019 | 80202402 | 002 | ECROU HEXAGONAL BAS FE/ZNXC3 | NUT FE/ZNXC3 | SECHSKANTMUTTER FE/ZNXC3 | DADO FE/ZNXC3 | |
| 020 | 80202421 | 002 | ECROU HEXAG.EMBASE AUTOFR. | SELF-LOCKING NUT | SELBSTSICHERNDE MUTTER | DADO AUTOBLOCCANTE | |
| 021 | 80202566 | 002 | ECROU A ENCOCH.AUTOF.FE/ZNXC3 | SELF-LOCKING NUT FE/ZNXC3 | SELBSTSICHERN.MUTTER FE/ZNXC3 | DADO AUTOBLOCCANTE FE/ZNXC3 | |
| 022 | 80252432 | 002 | RONDELLE PLATE FE/ZNXC3 | PLAIN WASHER FE/ZNXC3 | SCHEIBE FE/ZNXC3 | RONDELLA PIATTA FE/ZNXC3 | |
| 023 | 80271686 | 002 | RONDELLE RESSORT SPHERI.FLZNNC | SPHERICAL SPRING WASHER FLZNNC | FEDERRING FLZNNC | RONDELLA A MOLLA FLZNNC | |
| 024 | 80440860 | 002 | GOUPILLE SPIRALE | ROLL PIN | SPIRAL-SPANNSTIFTE | SPINA ELASTICA | |
| 025 | 80595200 | 002 | CIRCLIP INTERIEUR | RETAINING RING | SICHERUNGSRING | ANELLO | |
| 026 | 81302552 | 004 | ROULEMENT A ROULEAUX CONIQUES | TAPERED ROLLER BEARING | KEGELROLLENLAGER | CUSCINETTO A RULLO | |
| 027 | 82201016 | 002 | GRAISSEUR AUTOTARAUDANT | SELF TAPPING GREASE NIPPLE | GEWINDESCHNEID-SCHMIERNIPPEL | INGRASSATORE | |





VM1525ET-VM1526T I9738 >J7422

H04R0061 A

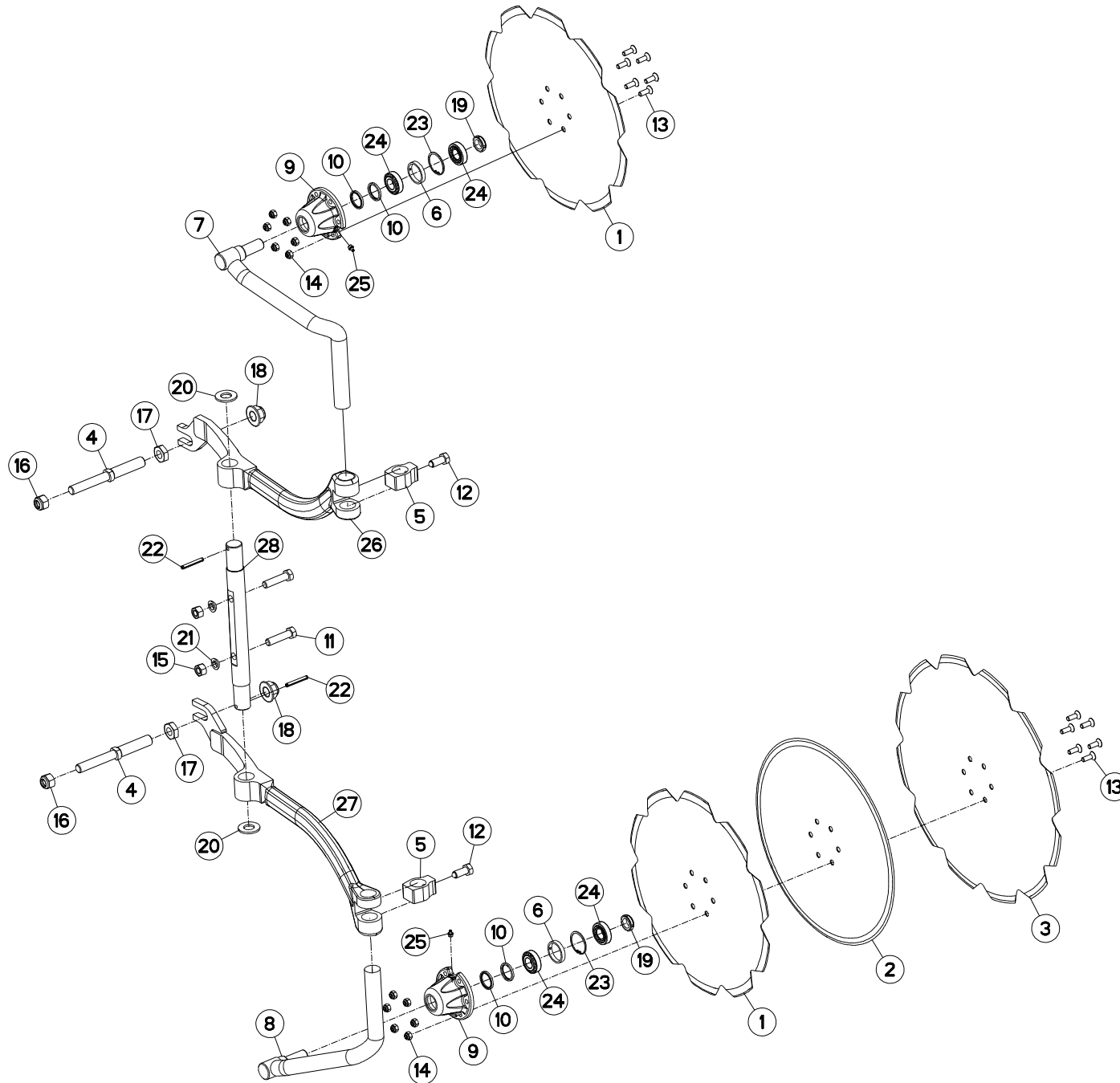
COUTRE CIRCULAIRE Ø600 T (LONG

DISC COULTER Ø600 T (LONG)

SCHEIBENSECH Ø600 T (LANG)

ASSOLCATORE A DISCO Ø600 T (LU

| Rep | Nr | Qt | Designation | Description | Bezeichnung | Referenza | Remarque - Remark - Bemerkung - Osservazioni |
|-----|----------|-----|--------------------------------|--------------------------------|-------------------------------|-------------------------------|--|
| 001 | 110031 | 002 | DISQUE CC CRENELE DIA600 | NOTCHED DISC D 600 | GEZACKTE SCHEIBE D 600 | DISCO D 600 | |
| 002 | 130170 | 001 | AXE | PIN | ACHSE | ASSE | |
| 003 | 130314 | 002 | VIS REGLA.CC MAST.100/120/150 | SCREW | SCHRAUBE | VITE | |
| 004 | 211817 | 002 | BUTEE | STOP | ANSCHLAG | LIMITATORE | |
| 005 | 432023 | 002 | ENTRETOISE | SPACER | DISTANZHUELSE | DISTANZIALE | |
| 006 | 581962 | 001 | TIGE | STEM | STANGE | STELO | |
| 007 | 581963 | 001 | TIGE | STEM | STANGE | STELO | |
| 008 | 582288 | 001 | BRAS | ARM | ARM | BRACCIO | |
| 009 | 582289 | 001 | BRAS | ARM | ARM | BRACCIO | |
| 010 | 645226 | 002 | MOYEU NU | HUB | NABE | MOZZO | |
| 011 | 951166 | 004 | BAGUE NADELLA 35/43 | SEAL 35/43 | RING 35/43 | BOCCOLA | |
| 012 | 80061638 | 002 | VIS TETE HEXAGONALE FE/ZNXC3 | HEXAGON HEAD SCREW FE/ZNXC3 | SECHSKANTSCHRAUBE FE/ZNXC3 | VITE TESTA ESAGONALE FE/ZNXC3 | |
| 013 | 80091640 | 002 | VIS TETE HEX.B.SPHE.FE/ZNXC3 | HEXAGON HEAD SCREW FE/ZNXC3 | SECHSKANTSCHRAUBE FE/ZNXC3 | VITE TESTA ESAGONALE FE/ZNXC3 | |
| 014 | 80111029 | 012 | VIS T.FRAI.SIX P.CR.FLZNNC | HEX.SOC.COUNT.HEAD SC.FLZNNC | SENKSCHAUB.INNENSEC.FLZNNC | VITE FLZNNC | |
| 015 | 80201030 | 012 | ECROU HEX.AUTOFREINE FE/ZNXC3 | SELF-LOCKING NUT FE/ZNXC3 | SELBSTSICH.MUTTER FE/ZNXC3 | DADO AUTOBLOCCANTE FE/ZNXC3 | |
| 016 | 80201670 | 002 | ECROU HEXAGONAL FE/ZNXC3 | NUT FE/ZNXC3 | SECHSKANTMUTTER FE/ZNXC3 | DADO FE/ZNXC3 | |
| 017 | 80202030 | 002 | ECROU HEX.AUTOFREINE FE/ZNXC3 | SELF-LOCKING NUT FE/ZNXC3 | SELBSTSICH.MUTTER FE/ZNXC3 | DADO AUTOBLOCCANTE FE/ZNXC3 | |
| 018 | 80202402 | 002 | ECROU HEXAGONAL BAS FE/ZNXC3 | NUT FE/ZNXC3 | SECHSKANTMUTTER FE/ZNXC3 | DADO FE/ZNXC3 | |
| 019 | 80202421 | 002 | ECROU HEXAG.EMBASE AUTOFR. | SELF-LOCKING NUT | SELBSTSICHERNDE MUTTER | DADO AUTOBLOCCANTE | |
| 020 | 80202566 | 002 | ECROU A ENCOCH.AUTOF.FE/ZNXC3 | SELF-LOCKING NUT FE/ZNXC3 | SELBSTSICHERN.MUTTER FE/ZNXC3 | DADO AUTOBLOCCANTE FE/ZNXC3 | |
| 021 | 80252432 | 002 | RONDELLE PLATE FE/ZNXC3 | PLAIN WASHER FE/ZNXC3 | SCHEIBE FE/ZNXC3 | RONDELLA PIATTA FE/ZNXC3 | |
| 022 | 80271686 | 002 | RONDELLE RESSORT SPHERI.FLZNNC | SPHERICAL SPRING WASHER FLZNNC | FEDERRING FLZNNC | RONDELLA A MOLLA FLZNNC | |
| 023 | 80440860 | 002 | GOUPILLE SPIRALE | ROLL PIN | SPIRAL-SPANNSTIFTE | SPINA ELASTICA | |
| 024 | 80595200 | 002 | CIRCLIP INTERIEUR | RETAINING RING | SICHERUNGSRING | ANELLO | |
| 025 | 81302552 | 004 | ROULEMENT A ROULEAUX CONIQUES | TAPERED ROLLER BEARING | KEGELROLLENLAGER | CUSCINETTO A RULLO | |
| 026 | 82201016 | 002 | GRAISSEUR AUTOTARAUDANT | SELF TAPPING GREASE NIPPLE | GEWINDESCHNEID-SCHMIERNIPPEL | INGRASSATORE | |





VM1523ETB-VM1524TB-VM1524ETB-VM1525TB

I9738 >77717

H04R0116 A

COUTRE CIRCULAIRE T

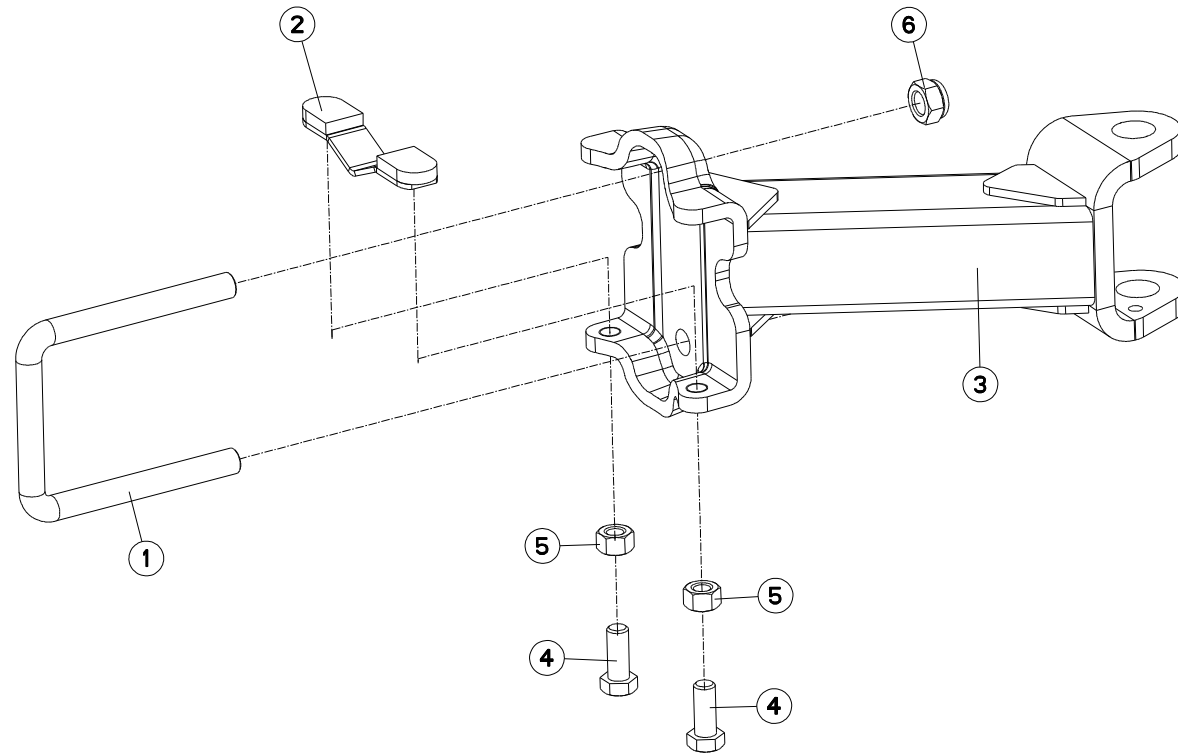
DISC COULTER T

SCHEIBENSECH T

ASSOLCATORE A DISCO T

| Rep | Nr | Qt | Designation | Description | Bezeichnung | Referenza | Remarque - Remark - Bemerkung - Osservazioni |
|-----|----------|-----|--------------------------------|--------------------------------|-------------------------------|-------------------------------|--|
| 001 | 110029 | 002 | DISQUE CRENELE D 500 | NOTCHED DISC D 500 | GEZACKTE SCHEIBE D 500 | DISCO SCANALATO D 500 | |
| 002 | 110030 | 001 | DISQUE CC DIA500 | PLAIN DISC D 500 | GLATTE SCHEIBE D 500 | DISCO | |
| 003 | 110031 | 001 | DISQUE CC CRENELE DIA600 | NOTCHED DISC D 600 | GEZACKTE SCHEIBE D 600 | DISCO D 600 | |
| 004 | 130314 | 002 | VIS REGLA.CC MAST.100/120/150 | SCREW | SCHRAUBE | VITE | |
| 005 | 211817 | 002 | BUTEE | STOP | ANSCHLAG | LIMITATORE | |
| 006 | 432023 | 002 | ENTRETOISE | SPACER | DISTANZHUELSE | DISTANZIALE | |
| 007 | 581960 | 001 | TIGE | STEM | STANGE | STELO | |
| 008 | 581961 | 001 | TIGE | STEM | STANGE | STELO | |
| 009 | 645317 | 002 | MOYEU NU | HUB | NABE | MOZZO | |
| 010 | 951166 | 004 | BAGUE NADELLA 35/43 | SEAL 35/43 | RING 35/43 | BOCCOLA | |
| 011 | 80061638 | 002 | VIS TETE HEXAGONALE FE/ZNXC3 | HEXAGON HEAD SCREW FE/ZNXC3 | SECHSKANTSCHRAUBE FE/ZNXC3 | VITE TESTA ESAGONALE FE/ZNXC3 | |
| 012 | 80091640 | 002 | VIS TETE HEX.B.SPHE.FE/ZNXC3 | HEXAGON HEAD SCREW FE/ZNXC3 | SECHSKANTSCHRAUBE FE/ZNXC3 | VITE TESTA ESAGONALE FE/ZNXC3 | |
| 013 | 80111029 | 012 | VIS T.FRAI.SIX P.CR.FLZNNC | HEX.SOC.COUNT.HEAD SC.FLZNNC | SENKSCHAUB.INNENSEC.FLZNNC | VITE FLZNNC | |
| 014 | 80201030 | 012 | ECROU HEX.AUTOFREINE FE/ZNXC3 | SELF-LOCKING NUT FE/ZNXC3 | SELBSTSICH.MUTTER FE/ZNXC3 | DADO AUTOBLOCCANTE FE/ZNXC3 | |
| 015 | 80201670 | 002 | ECROU HEXAGONAL FE/ZNXC3 | NUT FE/ZNXC3 | SECHSKANTMUTTER FE/ZNXC3 | DADO FE/ZNXC3 | |
| 016 | 80202030 | 002 | ECROU HEX.AUTOFREINE FE/ZNXC3 | SELF-LOCKING NUT FE/ZNXC3 | SELBSTSICH.MUTTER FE/ZNXC3 | DADO AUTOBLOCCANTE FE/ZNXC3 | |
| 017 | 80202402 | 002 | ECROU HEXAGONAL BAS FE/ZNXC3 | NUT FE/ZNXC3 | SECHSKANTMUTTER FE/ZNXC3 | DADO FE/ZNXC3 | |
| 018 | 80202421 | 002 | ECROU HEXAG.EMBASE AUTOFR. | SELF-LOCKING NUT | SELBSTSICHERNDE MUTTER | DADO AUTOBLOCCANTE | |
| 019 | 80202566 | 002 | ECROU A ENCOCH.AUOF.FE/ZNXC3 | SELF-LOCKING NUT FE/ZNXC3 | SELBSTSICHERN.MUTTER FE/ZNXC3 | DADO AUTOBLOCCANTE FE/ZNXC3 | |
| 020 | 80252432 | 002 | RONDELLE PLATE FE/ZNXC3 | PLAIN WASHER FE/ZNXC3 | SCHEIBE FE/ZNXC3 | RONDELLA PIATTA FE/ZNXC3 | |
| 021 | 80271686 | 002 | RONDELLE RESSORT SPHERI.FLZNNC | SPHERICAL SPRING WASHER FLZNNC | FEDERRING FLZNNC | RONDELLA A MOLLA FLZNNC | |
| 022 | 80440860 | 002 | GOUPILLE SPIRALE | ROLL PIN | SPIRAL-SPANNSTIFTE | SPINA ELASTICA | |
| 023 | 80595200 | 002 | CIRCLIP INTERIEUR | RETAINING RING | SICHERUNGSRING | ANELLO | |
| 024 | 81302552 | 004 | ROULEMENT A ROULEAUX CONIQUES | TAPERED ROLLER BEARING | KEGELROLLENLAGER | CUSCINETTO A RULLO | |
| 025 | 82201016 | 002 | GRAISSEUR AUTOTARAUDANT | SELF TAPPING GREASE NIPPLE | GEWINDESCHNEID-SCHMIERNIPPEL | INGRASSATORE | |
| 026 | H0403450 | 001 | BRAS | ARM | ARM | BRACCIO | |
| 027 | H0403460 | 001 | BRAS | ARM | ARM | BRACCIO | |
| 028 | H0403470 | 001 | AXE | PIN | ACHSE | ASSE | |

: MM-VMxxxxxxxB
 : MM-VMxxxxxxxB
 : MM-VMxxxxxxxB
 : MM-VMxxxxxxxB





VM1524T-VM1524ET-VM1525T I9738 >J7463

H05R0053 A

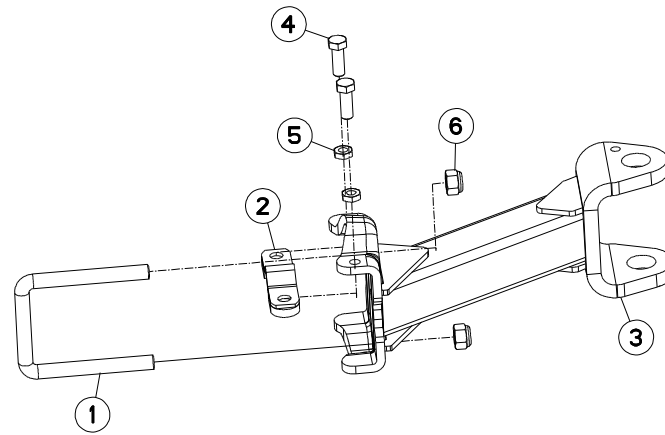
SUPPORT LATÉRAL ROUE PIVOT

BRACKET

SEIT. HALTER F. PENDELSTÜTZRAD

SUPPORTO RUOTA

| Rep | Nr | Qt | Designation | Description | Bezeichnung | Referenza | Remarque - Remark - Bemerkung - Osservazioni |
|-----|-----------------|-----|-------------------------------|-----------------------------|-------------------------------|-------------------------------|--|
| 001 | 148132 | 001 | ETRIER | U-BOLT | BUEGEL | CAVALLOTTO | |
| 002 | 582603 | 001 | CALE APPUI M150/180/MANAG. | SPACER | KEIL | SPESSORE D'APPOGGIO | |
| 003 | 582605 | 001 | SUPPORT | SUPPORT | TRAEGER | SUPPORTO | |
| 004 | 80062049 | 002 | VIS TETE HEXAGONALE FE/ZNXC3 | HEXAGON HEAD SCREW FE/ZNXC3 | SECHSKANTSCHRAUBE FE/ZNXC3 | VITE TESTA ESAGONALE FE/ZNXC3 | |
| 005 | 80202070 | 002 | ECROU HEXAGONAL FE/ZNXC3 | NUT FE/ZNXC3 | SECHSKANTMUTTER FE/ZNXC3 | DADO FE/ZNXC3 | |
| 006 | 80202440 | 002 | ECROU HEX.AUTOFREINE FE/ZNXC3 | SELF-LOCKING NUT FE/ZNXC3 | SELBSTSICHERNDE MUTT.FE/ZNXC3 | DADO AUTOBLOCCANTE FE/ZNXC3 | |





VM1525ET-VM1526T I9738 >J7422

H05R0043 B

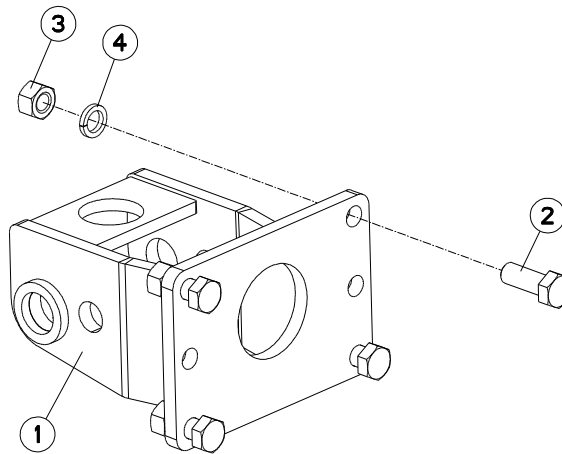
SUPPORT LATERAL ROUE PIVOT

BRACKET

HALTERUNG

SUPPORTO RUOTA

| Rep | Nr | Qt | Designation | Description | Bezeichnung | Referenza | Remarque - Remark - Bemerkung - Osservazioni |
|-----|-----------------|-----|------------------------------|-----------------------------|--------------------------------|-------------------------------|--|
| 001 | 140160 | 001 | ETRIER | U-BOLT | BUEGEL | CAVALLOTTO | |
| 002 | 582602 | 001 | CALE D'APPUI | SPACER | KEIL | SPESSORE | |
| 003 | 582608 | 001 | SUPPORT | SUPPORT | TRAEGER | SUPPORTO | |
| 004 | 80061646 | 002 | VIS TETE HEXAGONALE FE/ZNXC3 | HEXAGON HEAD SCREW FE/ZNXC3 | SECHSKANTSCHRAUBE FE/ZNXC3 | VITE TESTA ESAGONALE FE/ZNXC3 | |
| 005 | 80201601 | 002 | ECROU HEXAGONAL BAS | HEXAGON THIN NUT | FLACHE SECHSKANTMUTTER | DADO | |
| 006 | 80202040 | 002 | ECROU AUTOFREINE FE/ZNXC3 | SELF-LOCKING NUT FE/ZNXC3 | SELBSTSICHERND.MUTTER FE/ZNXC3 | DADO AUTOBLOCCANTE FE/ZNXC3 | |





VM1523ET I9738 >J8516

H05R0054 A

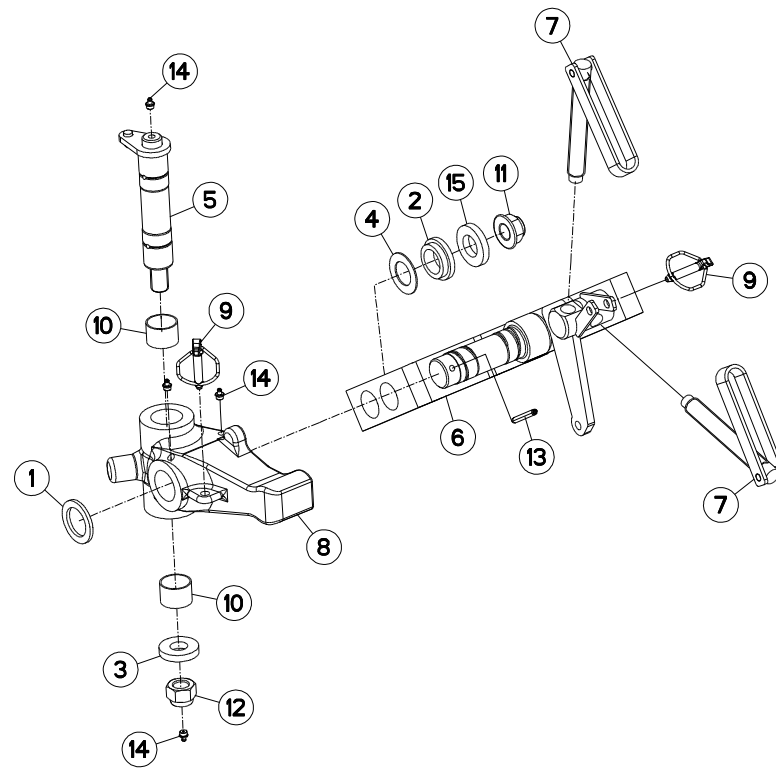
SUPPORT ARRIÈRE ROUE PIVOT

REAR BRACKET DEPTH WHEEL

HINTERE HALTERUNG LAUFRAD

STAFFA POSTERIORE RUOTA DI PR

| Rep | Nr | Qt | Designation | Description | Bezeichnung | Referenza | Remarque - Remark - Bemerkung - Osservazioni |
|-----|-----------------|-----|------------------------------|-----------------------------|----------------------------|-------------------------------|--|
| 001 | 583211 | 001 | SUPPORT | SUPPORT | TRAEGER | SUPPORTO | |
| 002 | 80062054 | 004 | VIS TETE HEXAGONALE FE/ZNXC3 | HEXAGON HEAD SCREW FE/ZNXC3 | SECHSKANTSCHRAUBE FE/ZNXC3 | VITE TESTA ESAGONALE FE/ZNXC3 | |
| 003 | 80202070 | 004 | ECROU HEXAGONAL FE/ZNXC3 | NUT FE/ZNXC3 | SECHSKANTMUTTER FE/ZNXC3 | DADO FE/ZNXC3 | |
| 004 | 80272080 | 004 | RONDELLE GROWER | SPRING LOCK WASHER | FEDERRING | RONDELLA GROWER | |





VARI-MASTER 152 T

I9738 >J8516

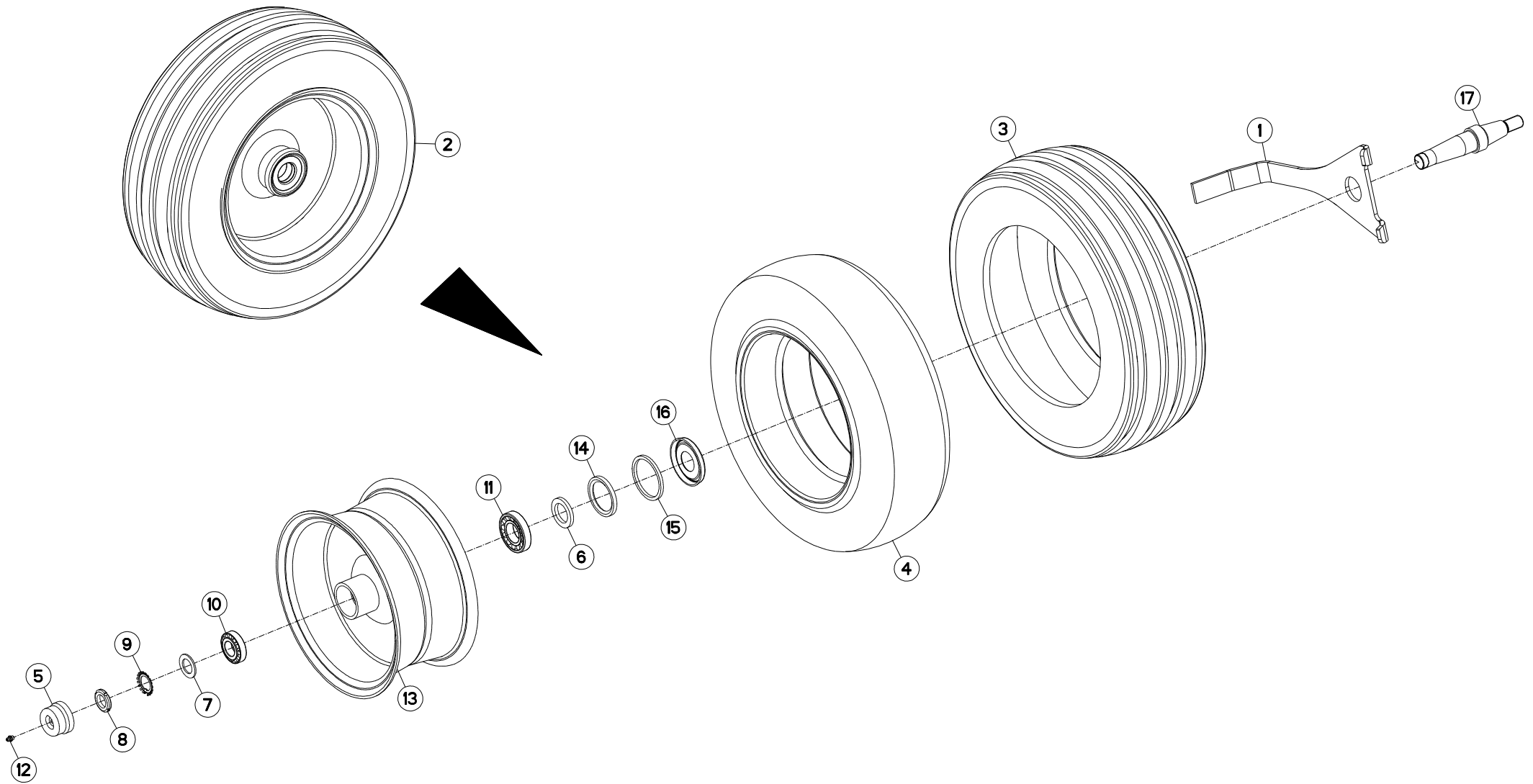
H05R0018 C

DISPOSITIF ROUE PIVOT D600

SWIVEL WHEEL DEVICE D600

HALTERUNG FÜR PENDELSTÜTZRAD D DISPOSITIVO RUOTA PIVOTANTE D

| Rep | Nr | Qt | Designation | Description | Bezeichnung | Referenza | Remarque - Remark - Bemerkung - Osservazioni |
|-----|----------|-----|--------------------------------|----------------------------|-------------------------------|-----------------------------|--|
| 001 | 150135 | 001 | RONDELLE | WASHER | SCHEIBE | RONDELLA | |
| 002 | 421221 | 001 | ENTRETOISE | SPACER | DISTANZHUELSE | DISTANZIALE | |
| 003 | 421223 | 001 | RONDELLE | WASHER | SCHEIBE | RONDELLA | |
| 004 | 421281 | 001 | RONDELLE | WASHER | SCHEIBE | RONDELLA | |
| 005 | 582606 | 001 | AXE PIVOT M120/150 | AXLE | ACHSE | ASSE M120/150 | |
| 006 | 583213 | 001 | BRAS DE ROUE 600 | WHEEL ARM 600 | RADARM 600 | BRACCIO RUOTA | |
| 007 | 586101 | 002 | VIS COMPLETE | SCREW | SCHRAUBE | VITE COMPLETA | |
| 008 | 645303 | 001 | SUPPORT DE ROUE | WHEEL SUPPORT | RADHALTERUNG | SUPPORTO RUOTA | |
| 009 | 900788 | 002 | GOUPILLE DE SECURITE | LYNCH PIN | KLAPPSTECKER | COPPIGLIA | |
| 010 | 951168 | 002 | BAGUE ROULEE | WRAPPED BUSH | GLEITLAGER | CUSCINETTO | |
| 011 | 80202420 | 001 | ECROU HEXAG.EMBA.AUTOFR.FLZNNC | SELF-LOCKING NUT FLZNNC | SELBSTSICHERNDE MUTTER FLZNNC | DADO AUTOBLOCCANTE FLZNNC | |
| 012 | 80202440 | 001 | ECROU HEX.AUTOFREINE FE/ZNXC3 | SELF-LOCKING NUT FE/ZNXC3 | SELBSTSICHERNDE MUTT.FE/ZNXC3 | DADO AUTOBLOCCANTE FE/ZNXC3 | |
| 013 | 80440860 | 001 | GOUPILLE SPIRALE | ROLL PIN | SPIRAL-SPANNSTIFTE | SPINA ELASTICA | |
| 014 | 82201016 | 004 | GRAISSEUR AUTOTARAUDANT | SELF TAPPING GREASE NIPPLE | GEWINDESCHNEID-SCHMIERNIPPEL | INGRASSATORE | |
| 015 | H0501300 | 001 | RONDELLE | HAND GRIP | HANDGRIFF | MANOPOLA | |





VARI-MASTER 152 T

I9738 >J8516

H05R0017 C

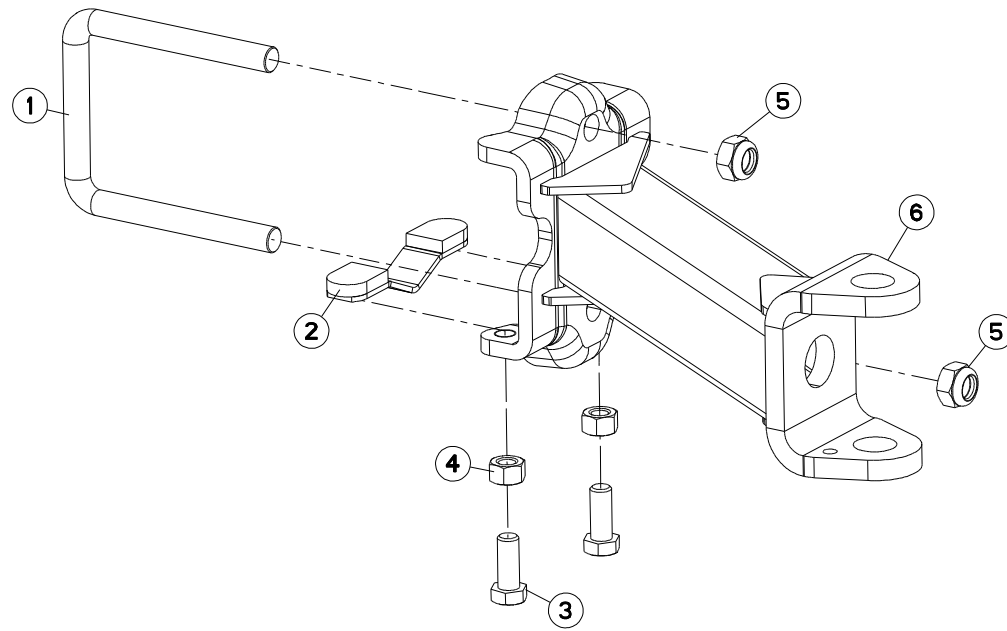
ROUE DE RÉGULATION Ø600X210

DEPTH WHEEL Ø600X210

STÜTZRAD Ø600X210

RUOTA DI PROFONDITA Ø600X210

| Rep | Nr | Qt | Designation | Description | Bezeichnung | Referenza | Remarque - Remark - Bemerkung - Osservazioni |
|-----|----------|-----|--------------------------------|-------------------------|----------------------------|-----------------------|--|
| 001 | 227641 | 001 | DECROTTOIR Ø600 | SCRAPER | ABSTREIFER | RASCHIETTO | |
| 002 | 569119 | 001 | ROUE | WHEEL AND TIRE ASSEMBLY | RAD | RUOTA | 6,8 bar (98,6 PSI) |
| 003 | 900005 | 001 | PNEU 200/60X14.5 10PR | TYRE 200X14,5 10 PR | REIFEN 200X14,5 10PR | GOMMA RLM | |
| 004 | 900009 | 001 | CHAMBRE A AIR 200X14,5(569119) | INNER TUBE 200X14,5 | SCHLAUCH 200X14,5 (569119) | CAMERA | |
| 005 | 900135 | 001 | CHAPEAU D63 REF.1704 GRAISSEUR | PLUG D63 40 | RADKAPPE F. D63 40 | COPERCHIO RUOTA | : hadsten |
| 005 | 900281 | 001 | CHAPEAU VISSE D63X1,25 H=30 | PLUG D63 40 | RADKAPPE F. D63 40 | COPERCHIO RUOTA | : sonamia |
| 006 | 951204 | 001 | RONDELLE 60X40X7 | WASHER | SCHEIBE | RONDELLA | |
| 007 | 951206 | 001 | V RONDELLE 60X40X7 | V WASHER | V SCHEIBE | V RONDELLA | |
| 008 | 80203018 | 001 | ECROU A ENCOCHES | SLOTTED ROUND NUT | NUTMUTTER | DADO | |
| 009 | 80293020 | 001 | RONDELLE-FREIN | TAB WASHER | SICHERUNGSBLECH | RONDELLA-FRENO | |
| 010 | 81303062 | 001 | ROULEMENT A ROULEAUX CONIQUES | TAPERED ROLLER BEARING | KEGELROLLENLAGER | CUSCINETTO A RULLO | |
| 011 | 81304079 | 001 | ROULEMENT A ROULEAUX CONIQUES | TAPERED ROLLER BEARING | KEGELROLLENLAGER | CUSCINETTO A RULLO | |
| 012 | 82200800 | 001 | GRAISSEUR FE/ZNXC3 | GREASE NIPPLE FE/ZNXC3 | SCHMIERNIPPEL FE/ZNXC3 | INGRASSATORE FE/ZNXC3 | |
| 013 | 900158 | 001 | JANTE POUR ROUE 569119 | WHEEL RIM 569119 | FELGE 569119 | CERCHIO | |
| 014 | H0500500 | 001 | JOINT ETANCHE A L'HUILE | SEAL | DICHTUNG | GUARNIZIONE | |
| 015 | H0500520 | 001 | BAGUE FEUTRE | BUSH | HUELSE | BOCCOLA | |
| 016 | H0500530 | 001 | CHAPEAU D'ETANCHEITE | CAP | KAPPE | COPERCHIO | |
| 017 | 130346 | 001 | AXE CONIQUE D600&D690 L230 | AXLE D600 & D690 | ACHSE D600 & D690 | PERNO D600 & D690 | |
| 017 | H0500910 | 001 | AXE ROUE D600 D690 | AXLE | ACHSE | ASSE | |



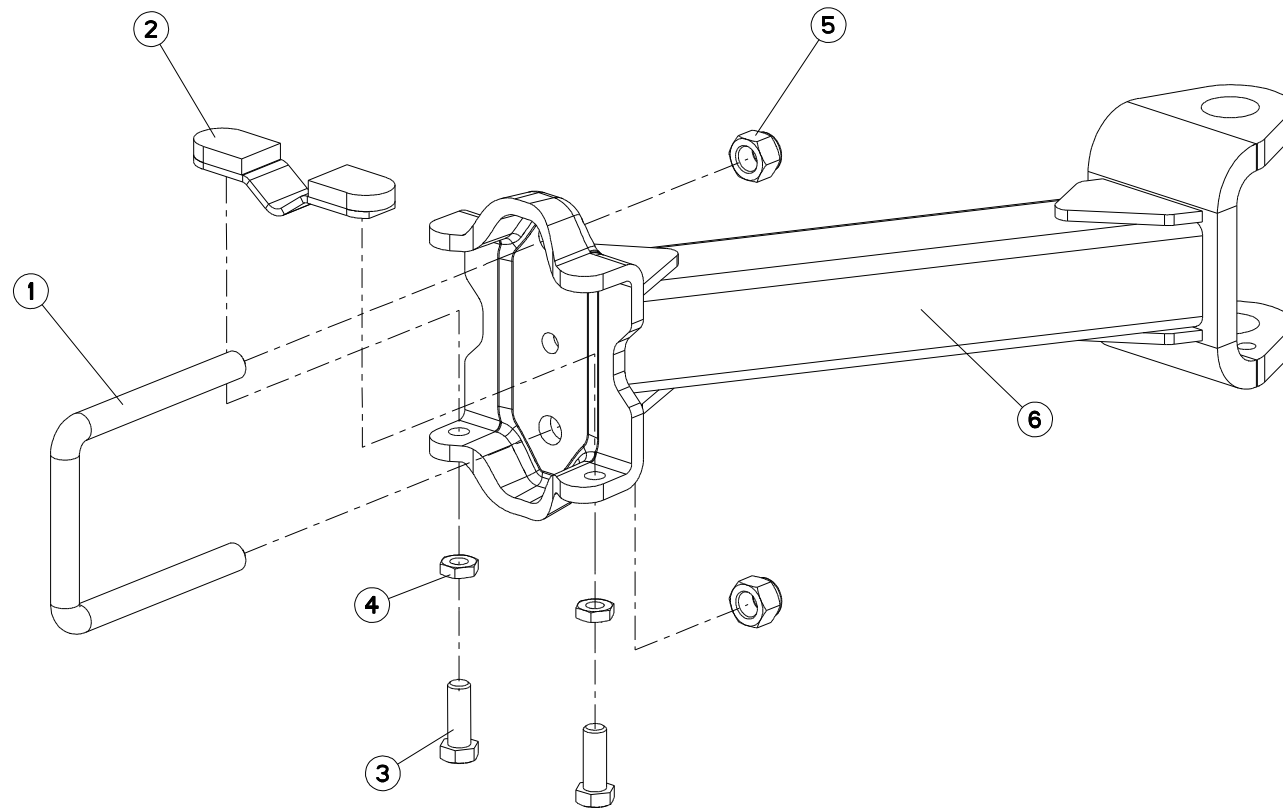


VM1524T-VM1524ET-VM1525T I9738 >J7463

H05R0029 B

SUPPORT ROUE REGULATION/EXTENS BRACKET DEPTH WHEEL/EXTENSION HALTERUNG STUTZRAD/ERWEITERUNG

| Rep | Nr | Qt | Designation | Description | Bezeichnung | Referenza | Remarque - Remark - Bemerkung - Osservazioni |
|-----|-----------------|-----|-------------------------------|-----------------------------|-------------------------------|-------------------------------|--|
| 001 | 148132 | 001 | ETRIER | U-BOLT | BUEGEL | CAVALLOTTO | |
| 002 | 582603 | 001 | CALE APPUI M150/180/MANAG. | SPACER | KEIL | SPESSORE D'APPOGGIO | |
| 003 | 80062049 | 002 | VIS TETE HEXAGONALE FE/ZNXC3 | HEXAGON HEAD SCREW FE/ZNXC3 | SECHSKANTSCHRAUBE FE/ZNXC3 | VITE TESTA ESAGONALE FE/ZNXC3 | |
| 004 | 80202070 | 002 | ECROU HEXAGONAL FE/ZNXC3 | NUT FE/ZNXC3 | SECHSKANTMUTTER FE/ZNXC3 | DADO FE/ZNXC3 | |
| 005 | 80202440 | 002 | ECROU HEX.AUTOFREINE FE/ZNXC3 | SELF-LOCKING NUT FE/ZNXC3 | SELBSTSICHERNDE MUTT.FE/ZNXC3 | DADO AUTOBLOCCANTE FE/ZNXC3 | |
| 006 | H0500300 | 001 | SUPPORT | SUPPORT | TRAEGER | SUPPORTO | : Ø736X328 |
| 006 | H0501780 | 001 | SUPPORT | SUPPORT | TRAEGER | SUPPORTO | |



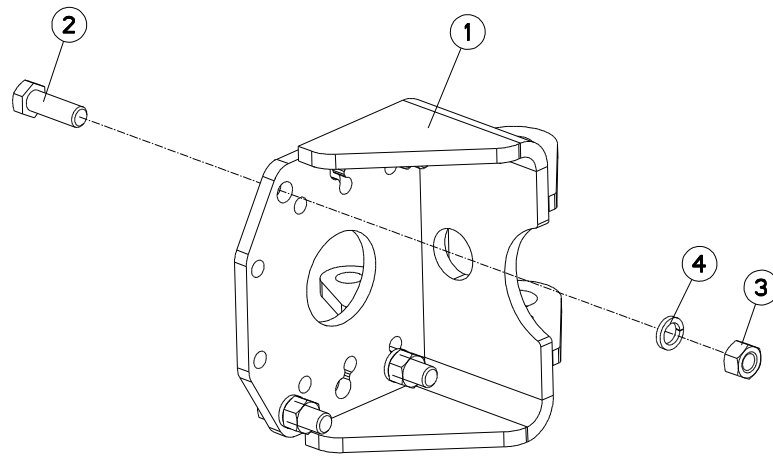


VM1525ET-VM1526T I9738 >J7422

H05R0061 A

SUPPORT ROUE DE REGULATION (AM) DEPTH WHEEL SUPPORT (DAMPER) STÜTZRADHALTERUNG (STOSSDÄMPFER) SUPPORTO RUOTA DI PROFONDITÀ

| Rep | Nr | Qt | Designation | Description | Bezeichnung | Referenza | Remarque - Remark - Bemerkung - Osservazioni |
|-----|-----------------|-----|------------------------------|-----------------------------|--------------------------------|-------------------------------|--|
| 001 | 140160 | 001 | ETRIER | U-BOLT | BUEGEL | CAVALLOTTO | |
| 002 | 582602 | 001 | CALE D'APPUI | SPACER | KEIL | SPESSORE | |
| 003 | 80061646 | 002 | VIS TETE HEXAGONALE FE/ZNXC3 | HEXAGON HEAD SCREW FE/ZNXC3 | SECHSKANTSCHRAUBE FE/ZNXC3 | VITE TESTA ESAGONALE FE/ZNXC3 | |
| 004 | 80201601 | 002 | ECROU HEXAGONAL BAS | HEXAGON THIN NUT | FLACHE SECHSKANTMUTTER | DADO | |
| 005 | 80202040 | 002 | ECROU AUTOFREINE FE/ZNXC3 | SELF-LOCKING NUT FE/ZNXC3 | SELBSTSICHERND.MUTTER FE/ZNXC3 | DADO AUTOBLOCCANTE FE/ZNXC3 | |
| 006 | H0501340 | 001 | SUPPORT | SUPPORT | TRAEGER | SUPPORTO | |



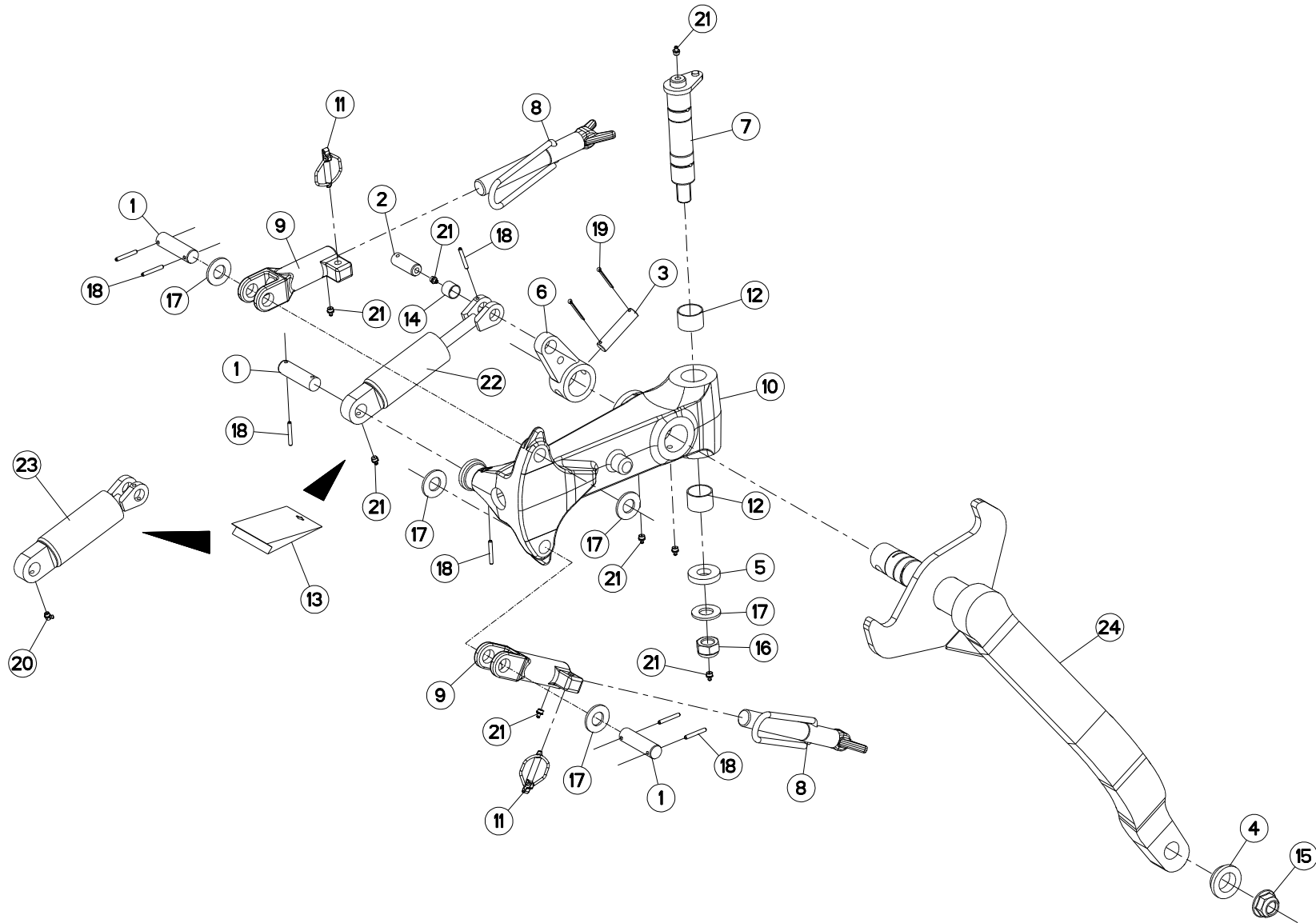


VM1523ET-VM1524T-VM1524ET-VM1525T I9738 >J8516

H05R0055 A

SUPPORT ARRIÈRE PIVOT AMORTISS REAR BRACKET SWIVEL MECHANICAL HINTERE HALTERUNG HALTER STÜTZ STAFFA POSTERIORE AMMORT. PI

| Rep | Nr | Qt | Designation | Description | Bezeichnung | Referenza | Remarque - Remark - Bemerkung - Osservazioni |
|-----|-----------------|-----|------------------------------|-----------------------------|----------------------------|-------------------------------|--|
| 001 | 583197 | 001 | SUPPORT | SUPPORT | TRAEGER | SUPPORTO | |
| 002 | 80062059 | 004 | VIS TETE HEXAGONALE FE/ZNXC3 | HEXAGON HEAD SCREW FE/ZNXC3 | SECHSKANTSCHRAUBE FE/ZNXC3 | VITE TESTA ESAGONALE FE/ZNXC3 | |
| 003 | 80202070 | 004 | ECROU HEXAGONAL FE/ZNXC3 | NUT FE/ZNXC3 | SECHSKANTMUTTER FE/ZNXC3 | DADO FE/ZNXC3 | |
| 004 | 80272080 | 004 | RONDELLE GROWER | SPRING LOCK WASHER | FEDERRING | RONDELLA GROWER | |





VARI-MASTER 152 T

I9738 >J8516

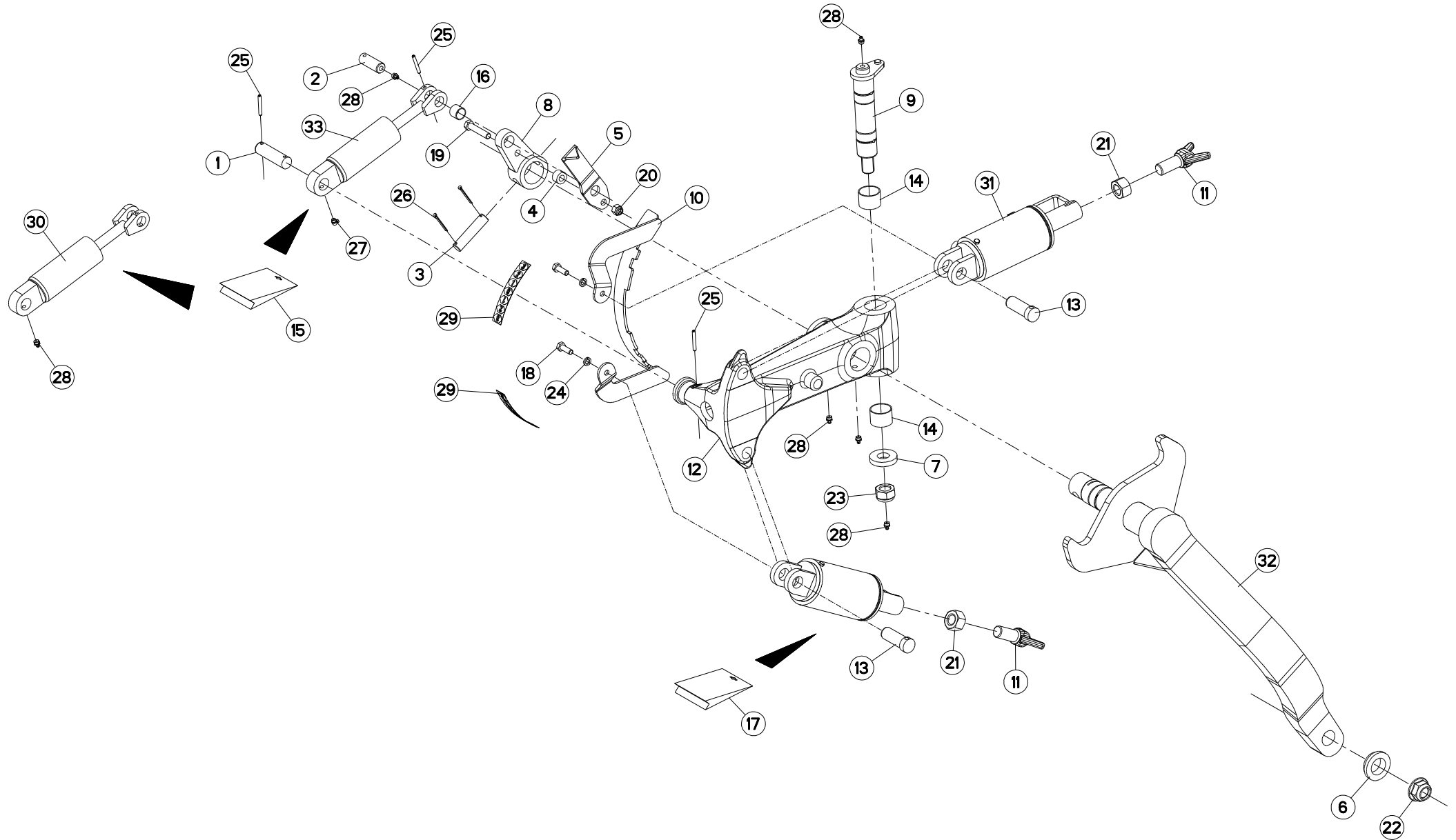
H05R0026 A

ROUE DE REGULATION AMORTISSEUR DEPTH WHEEL DAMPER

STÜTZRAD STOSSDÄMPFER

RUOTA DI PROFONDITA AMMORTIZ

| Rep | Nr | Qt | Designation | Description | Bezeichnung | Referenza | Remarque - Remark - Bemerkung - Osservazioni |
|-----|----------|-----|--------------------------------|----------------------------|-------------------------------|-----------------------------|--|
| 001 | 130277 | 003 | AXE | PIN | ACHSE | ASSE | |
| 002 | 130279 | 001 | AXE | PIN | ACHSE | ASSE | |
| 003 | 130283 | 001 | AXE | PIN | ACHSE | ASSE | |
| 004 | 421221 | 001 | ENTRETOISE | SPACER | DISTANZHUELSE | DISTANZIALE | |
| 005 | 421223 | 001 | RONDELLE | WASHER | SCHEIBE | RONDELLA | |
| 006 | 582311 | 001 | BIELLETTE | LINK | SHUBSTANGE | BIELLA | |
| 007 | 582606 | 001 | AXE PIVOT M120/150 | AXLE | ACHSE | ASSE M120/150 | |
| 008 | 582897 | 002 | VIS COMPLETE | SCREW | SCHRAUBE | VITE | |
| 009 | 645281 | 002 | SUPPORT BUTEE | BRACKET | HALTERUNG | SUPPORTO | |
| 010 | 645314 | 001 | SUPPORT DE ROUE MOULEE | WHEEL BRACKET | RADHALTERUNG | SUPPORTO RUOTA | |
| 011 | 900788 | 002 | GOUPILLE DE SECURITE | LYNCH PIN | KLAPPSTECKER | COPPILIA | |
| 012 | 951168 | 002 | BAGUE ROULEE | WRAPPED BUSH | GLEITLAGER | CUSCINETTO | |
| 013 | 951461 | 001 | POCHETTE DE JOINTS (951460) | SEALS PACKET (951460) | DICHTSATZ FUER 951460 | COLLEZIONE GUARNIZIONI | : 951460/H0500670 |
| 014 | 83012225 | 001 | BAGUE ROULEE | WRAPPED BUSH | GEROLLTE BUCHSE | ANELLO LUBRIFICATO | |
| 015 | 80202420 | 001 | ECROU HEXAG.EMBA.AUTOFR.FLZNNC | SELF-LOCKING NUT FLZNNC | SELBSTSICHERNDE MUTTER FLZNNC | DADO AUTOBLOCCANTE FLZNNC | |
| 016 | 80202440 | 001 | ECROU HEX.AUTOFREINE FE/ZNXC3 | SELF-LOCKING NUT FE/ZNXC3 | SELBSTSICHERNDE MUTT.FE/ZNXC3 | DADO AUTOBLOCCANTE FE/ZNXC3 | |
| 017 | 80252432 | 005 | RONDELLE PLATE FE/ZNXC3 | PLAIN WASHER FE/ZNXC3 | SCHEIBE FE/ZNXC3 | RONDELLA PIATTA FE/ZNXC3 | |
| 018 | 80450645 | 007 | GOUPILLE ELASTIQUE FLZNNC | ROLL PIN FLZNNC | SPANNHUELSE FLZNNC | SPINA ELASTICA FLZNNC | |
| 019 | 80500345 | 002 | GOUPILLE V | SPLIT PIN | SPLINT | COPPILIA | |
| 020 | 82200804 | 001 | GRAISSEUR FE/ZNXC3 | GREASE NIPPLE FE/ZNXC3 | SCHMIERNIPPEL FE/ZNXC3 | INGRASSATORE FE/ZNXC3 | |
| 021 | 82201016 | 008 | GRAISSEUR AUTOTARAUDANT | SELF TAPPING GREASE NIPPLE | GEWINDESCHNEID-SCHMIERNIPPEL | INGRASSATORE | |
| 022 | 951460 | 001 | AMORTISSEUR | SHOCK ABSORBER | STOSSDAEMPFER | AMMORTIZZATORE | : Ø660x322 Ø690x255 Ø690x320 |
| 023 | H0500670 | 001 | AMORTISSEUR | SHOCK ABSORBER | STOSSDAEMPFER | AMMORTIZZATORE | : Ø688x300 Ø736x328 |
| 024 | H0500890 | 001 | BRAS DE ROUE PIVOT AMORTISSEUR | ARM | ARM | BRACCIO | |





VM1524T-VM1524ET-VM1525T-VM1525ET-VM1526T I9738 >J7463

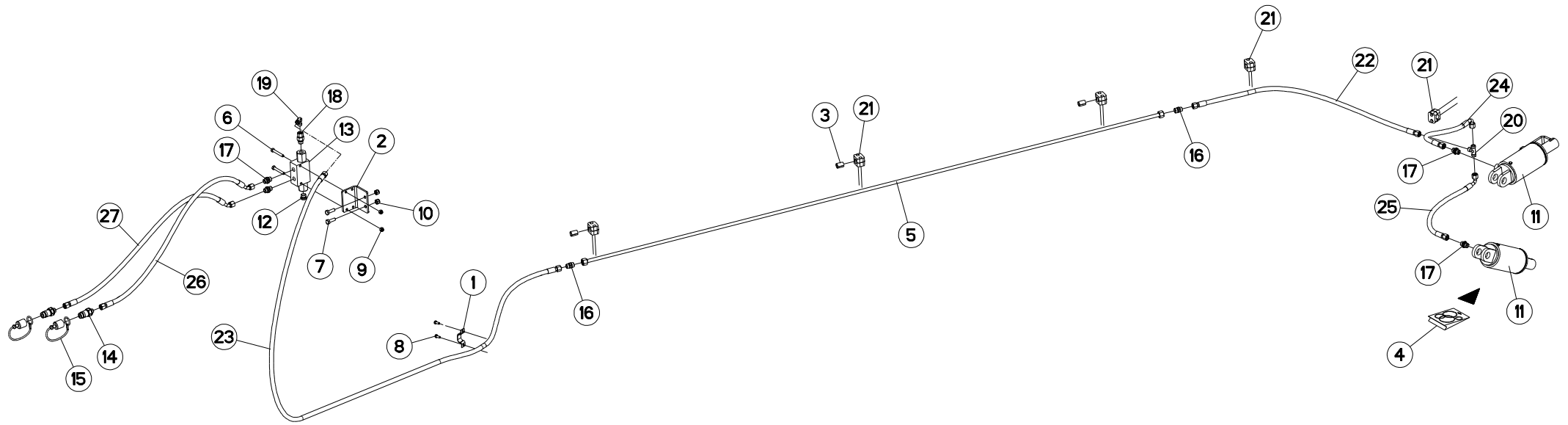
H05R0035 A

ROUE DE RÉGULATION HYDRAULIQUE DEPTH WHEEL HYDRAULIC

STÜTZRAD HYDRAULIK

RUOTA DI PROFONDITA IDRAULICO

| Rep | Nr | Qt | Designation | Description | Bezeichnung | Referenza | Remarque - Remark - Bemerkung - Osservazioni |
|-----|----------|-----|--------------------------------|-----------------------------|-------------------------------|-------------------------------|--|
| 001 | 130277 | 001 | AXE | PIN | ACHSE | ASSE | |
| 002 | 130279 | 001 | AXE | PIN | ACHSE | ASSE | |
| 003 | 130283 | 001 | AXE | PIN | ACHSE | ASSE | |
| 004 | 150192 | 001 | BAGUE | BUSHING | HUELSE | BOCCOLA | |
| 005 | 227590 | 001 | AIGUILLE | LEVEL NEEDLE | ZEIGER | LEVA | |
| 006 | 421221 | 001 | ENTRETOISE | SPACER | DISTANZHUELSE | DISTANZIALE | |
| 007 | 421223 | 001 | RONDELLE | WASHER | SCHEIBE | RONDELLA | |
| 008 | 582311 | 001 | BIELLETTE | LINK | SHUBSTANGE | BIELLA | |
| 009 | 582606 | 001 | AXE PIVOT M120/150 | AXLE | ACHSE | ASSE M120/150 | |
| 010 | 583385 | 001 | SECTEUR | ADJUSTER | RIEGELPLATTE | SETTORE | |
| 011 | 645307 | 002 | VIS DE REGLAGE D24 | SCREW | SCHRAUBE | VITE DI REGOLAZIONE | |
| 012 | 645314 | 001 | SUPPORT DE ROUE MOULEE | WHEEL BRACKET | RADHALTERUNG | SUPPORTO RUOTA | |
| 013 | 720205 | 002 | AXE | PIN | ACHSE | ASSE | |
| 014 | 951168 | 002 | BAGUE ROULEE | WRAPPED BUSH | GLEITLAGER | CUSCINETTO | |
| 015 | 951461 | 001 | POCHETTE DE JOINTS (951460) | SEALS PACKET (951460) | DICHTSATZ FUER 951460 | COLLEZIONE GUARNIZIONI | : 951460/H0500670 |
| 016 | 83012225 | 001 | BAGUE ROULEE | WRAPPED BUSH | GEROLLTE BUCHSE | ANELLO LUBRIFICATO | |
| 017 | 952230 | 001 | POCHETTE DE JOINTS (951996) | SEALS PACKET (951996) | DICHTSATZ FUER (951996) | SERIE GUARNIZIONI (951996) | : 951996 |
| 017 | H0501390 | 001 | POCHETTE DE JOINTS (H0501380) | BAG | TACHE | SERIE GUARNIZIONI | : H0501380 |
| 018 | 80061073 | 002 | VIS TETE HEXAGONALE FE/ZNXC3 | HEXAGON HEAD SCREW FE/ZNXC3 | SECHSKANTSCHRAUBE FE/ZNXC3 | VITE TESTA ESAGONALE FE/ZNXC3 | |
| 019 | 80061282 | 001 | VIS TETE HEXAGONALE FE/ZNXC3 | HEXAGON HEAD SCREW FE/ZNXC3 | SECHSKANTSCHRAUBE FE/ZNXC3 | VITE TESTA ESAGONALE FE/ZNXC3 | |
| 020 | 80201230 | 001 | ECROU HEX.AUTOFREINE FE/ZNXC3 | SELF-LOCKING NUT FE/ZNXC3 | SELBSTSICH.MUTTER FE/ZNXC3 | DADO AUTOBLOCCANTE FE/ZNXC3 | |
| 021 | 80202400 | 002 | ECROU HEXAGONAL FE/ZNXC3 | NUT FE/ZNXC3 | SECHSKANTMUTTER FE/ZNXC3 | DADO FE/ZNXC3 | |
| 022 | 80202420 | 001 | ECROU HEXAG.EMBA.AUOFR.FLZNNC | SELF-LOCKING NUT FLZNNC | SELBSTSICHERNDE MUTTER FLZNNC | DADO AUTOBLOCCANTE FLZNNC | |
| 023 | 80202440 | 001 | ECROU HEX.AUTOFREINE FE/ZNXC3 | SELF-LOCKING NUT FE/ZNXC3 | SELBSTSICHERNDE MUTT.FE/ZNXC3 | DADO AUTOBLOCCANTE FE/ZNXC3 | |
| 024 | 80271084 | 002 | RONDELLE GROWER | SPRING LOCK WASHER | FEDERRING | RONDELLA GROWER | |
| 025 | 80450645 | 003 | GOUPILLE ELASTIQUE FLZNNC | ROLL PIN FLZNNC | SPANNHUELSE FLZNNC | SPINA ELASTICA FLZNNC | |
| 026 | 80500345 | 002 | GOUPILLE V | SPLIT PIN | SPLINT | COPPIGLIA | |
| 027 | 82200804 | 001 | GRAISSEUR FE/ZNXC3 | GREASE NIPPLE FE/ZNXC3 | SCHMIERNIPPEL FE/ZNXC3 | INGRASSATORE FE/ZNXC3 | |
| 028 | 82201016 | 006 | GRAISSEUR AUTOTARAUDANT | SELF TAPPING GREASE NIPPLE | GEWINDESCHNEID-SCHMIERNIPPEL | INGRASSATORE | |
| 029 | 950491 | 002 | ETIQ.ADH. | DECAL | AUFKLEBER | ADESIVO | |
| 030 | 951460 | 001 | AMORTISSEUR | SHOCK ABSORBER | STOSSDAEMPFER | AMMORTIZZATORE | : Ø600x210 Ø660x322 Ø690x250/3 |
| 031 | H0501310 | 002 | VERIN | CYLINDER, HYDRAULIC | HYDRAULIKZYLINDER | CILINDRO | |
| 032 | H0500890 | 001 | BRAS DE ROUE PIVOT AMORTISSEUR | ARM | ARM | BRACCIO | |
| 033 | H0500670 | 001 | AMORTISSEUR | SHOCK ABSORBER | STOSSDAEMPFER | AMMORTIZZATORE | : Ø688x300 Ø736x328 Ø760x370 |





VM1524T-VM1524ET-VM1525T-VM1525ET-VM1526T I9738 >J7463

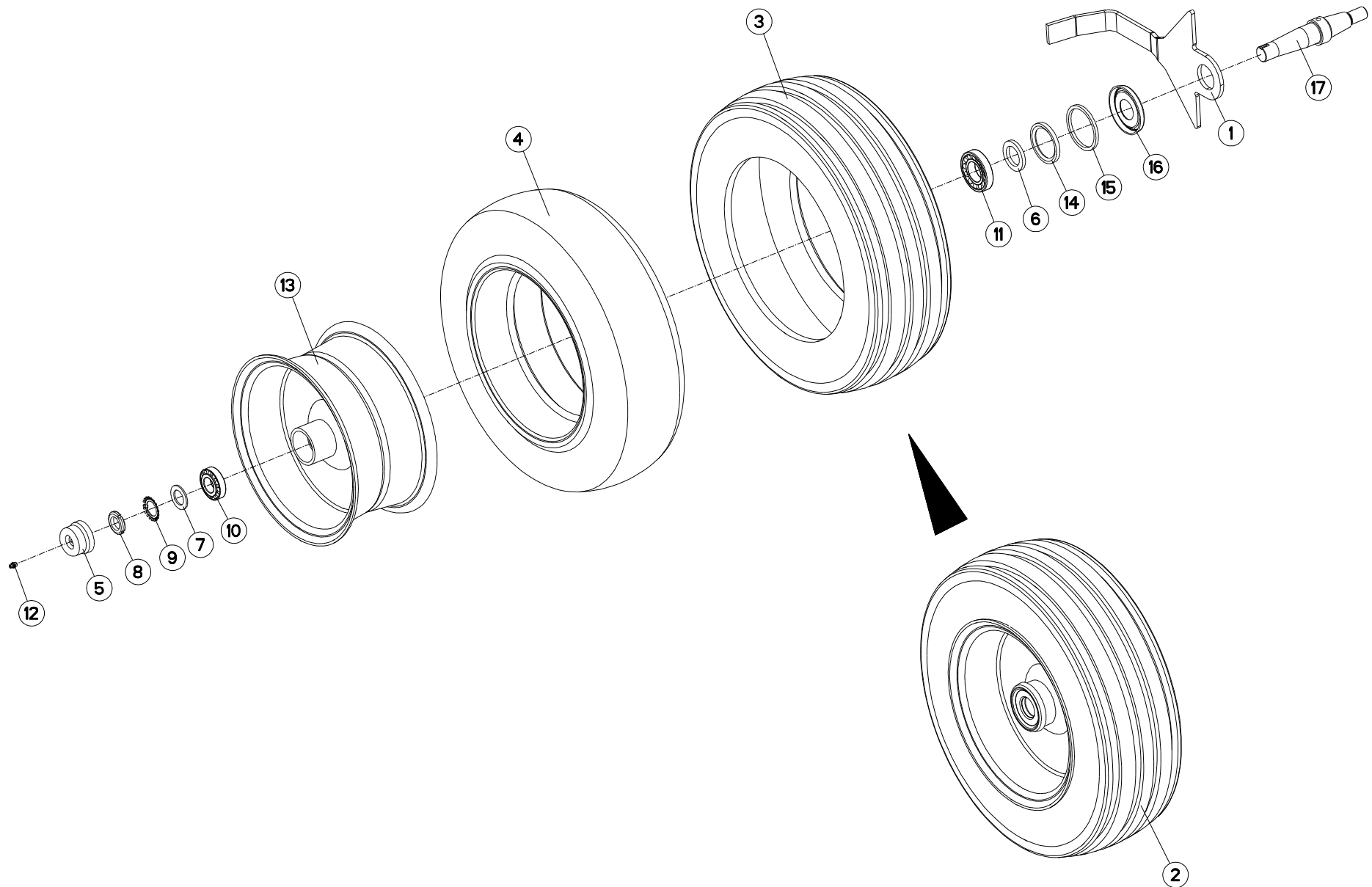
H05R0059 A

HYDRAULIQUE ROUE DE RÉGULATION HYDRAULIC DEPTH WHEEL

HYDRAULIK STÜTZRAD

IDRAULICO RUOTA DI PROFONDITA

| Rep | Nr | Qt | Designation | Description | Bezeichnung | Referenza | Remarque - Remark - Bemerkung - Osservazioni |
|-----|----------|-----|--------------------------------|-----------------------------|--------------------------------|-------------------------------|--|
| 001 | 200612 | 001 | PATTE DE FIXATION | PLATE | SCHLAUCHSCHELLE | FLANGIA DI FISSAGGIO | |
| 002 | 780113 | 001 | PATTE DE FIXATION | PLATE | SCHLAUCHHALTER | PIASTRINA | |
| 003 | 951197 | 003 | GAINÉ CAOUTCHOUC | SHEATH | HUELLE | GUAINA CAOUTCHOUC | |
| 004 | 952230 | 001 | POCHETTE DE JOINTS (951996) | SEALS PACKET (951996) | DICHTSATZ FUER (951996) | SERIE GUARNIZIONI (951996) | : 951996 |
| 004 | H0501390 | 001 | POCHETTE DE JOINTS (H0501380) | BAG | TACHE | SERIE GUARNIZIONI | : H0501380 |
| 005 | 951525 | 001 | TUBE RIGIDE EQUIPE L 900 | HOSE | HUELSE V. ZYL. | TUBO RIGIDO | : MM1514T/NSH102 |
| 005 | 951648 | 001 | TUBE RIGIDE EQUIPE L=1100 | TUBE L=1100 | ROHR L=1100 | TUBO RIGIDO L=1100 | : VM1514T102 MM1514E/5 90 |
| 005 | 951650 | 001 | TUYAU | PIPE | ROHR | TUBO | : VM1514/4E/5NSH MM1514E/5 10 |
| 005 | 952357 | 001 | TUBE RIGIDE EQUIPE L=1520 | TUBE L=1520 | ROHR L=1520 | TUBO RIGIDO L=1520 | : VM1514E/5T102 |
| 005 | 952358 | 001 | TUYAU | PIPE | ROHR | TUBO | : VM1515E/6NSH90 |
| 005 | 951652 | 001 | TUYAU | PIPE | ROHR | TUBO | : MM1515E/6 90 |
| 005 | 952360 | 001 | TUYAU RIGIDE EQUIPE L=2400 | TUBE L=2400 | ROHR L=2400 | TUBO RIGIDO L=2400 | : VM1515E/6T90 |
| 006 | 80060853 | 002 | VIS TETE HEXAGONALE FE/ZNXC3 | HEXAGON HEAD SCREW FE/ZNXC3 | SECHSKANTSCHRAUBE FE/ZNXC3 | VITE TESTA ESAGONALE FE/ZNXC3 | |
| 007 | 80061073 | 002 | VIS TETE HEXAGONALE FE/ZNXC3 | HEXAGON HEAD SCREW FE/ZNXC3 | SECHSKANTSCHRAUBE FE/ZNXC3 | VITE TESTA ESAGONALE FE/ZNXC3 | |
| 008 | 80190616 | 002 | VIS AUTOTARAU.FE/ZNXC3 TAPTITE | SELF-CUTTING SCREW FE/ZNXC3 | GEWINDE-SCHNEIDSCHRAU.FE/ZNXC3 | BULLONE FE/ZNXC3 | |
| 009 | 80200830 | 002 | ECROU HEX.AUTOFREINE FE/ZNXC3 | SELF-LOCKING NUT FE/ZNXC3 | SELBSTSICHERNDE MUTT.FE/ZNXC3 | DADO AUTOBLOCCANTE FE/ZNXC3 | |
| 010 | 80201030 | 002 | ECROU HEX.AUTOFREINE FE/ZNXC3 | SELF-LOCKING NUT FE/ZNXC3 | SELBSTSICH.MUTTER FE/ZNXC3 | DADO AUTOBLOCCANTE FE/ZNXC3 | |
| 011 | H0501310 | 001 | VERIN | CYLINDER, HYDRAULIC | HYDRAULIKZYLINDER | CILINDRO | |
| 012 | A4061802 | 001 | BOUCHON 3/8 CYL CHC+JOINT | PLUG + SEAL | STOPFEN + DICHTRING | TAPPO | |
| 013 | A4071209 | 001 | CLAPET | VALVE, FLAP | RUCKSCHLAGVENTIL | VALVOLA | |
| 014 | A4074017 | 002 | COUPLEUR MALE | CONNECTOR MALE | KUPPLUNGSTECKER | INNESTO M16X150 | |
| 015 | 82300026 | 002 | CAPUCHON COUPLEUR MALE | CAP MALE CONNECTOR | KAPPE KUPPLUNGSSTECKER | TAPPO | |
| 016 | A4080350 | 002 | UNION DOUBLE NUE ZBC | STRAIGHT COUPLING ZBC | GERADE VERSCHRAUBUNG ZBC | GIUNZIONE DIRITTA ZBC | |
| 017 | A4080401 | 004 | UNION MALE | MALE STUD CONNECTOR | GERADER EINSCHRAUBSTUTZEN | GIUNZIONE DIRITTA ZBC | |
| 018 | A4080521 | 001 | ADAPTATEUR MALE | SWIVEL CONNECTOR | EINSTELBARE EINSCHRAUBSTUTZE | ADATTATORE ZBC | |
| 019 | A4080700 | 001 | COUDE EGAL NU ZBC | EQUAL ELBOW ZBC | WINKEL-VERSCHRAUBUNG ZBC | GIUNZIONE A 90° ZBC | |
| 020 | A4081002 | 001 | TE EGAL NU ZBC | EQUAL TEE ZBC | T-VERSCHRAUBUNG ZBC | GIUNZIONE A T ZBC | |
| 021 | A7260027 | 005 | COLLIER SIMPLE D18 NU | CLAMP D.18 | SHELLE D.18 | COLLARE D.18 | |
| 022 | A4921024 | 001 | FLEXIBLE HYDRAULIQUE | HYDRAULIC HOSE | HYDRAULIKSCHLAUCH | TUBO GOMMA | <->1100 mm |
| 023 | A4921036 | 001 | FLEXIBLE HYDRAULIQUE | HYDRAULIC HOSE | HYDRAULIKSCHLAUCH | TUBO GOMMA | <->2500 mm |
| 024 | A4921065 | 001 | FLEXIBLE HYDRAULIQUE | HYDRAULIC HOSE | HYDRAULIKSCHLAUCH | TUBO GOMMA | <->500 mm |
| 025 | A4921065 | 001 | FLEXIBLE HYDRAULIQUE | HYDRAULIC HOSE | HYDRAULIKSCHLAUCH | TUBO GOMMA | <->500 mm |
| 026 | A4921115 | 001 | FLEXIBLE HYDRAULIQUE | HYDRAULIC HOSE | HYDRAULIKSCHLAUCH | TUBO GOMMA | <->1600 mm |
| 027 | A4921115 | 001 | FLEXIBLE HYDRAULIQUE | HYDRAULIC HOSE | HYDRAULIKSCHLAUCH | TUBO GOMMA | <->1600 mm |





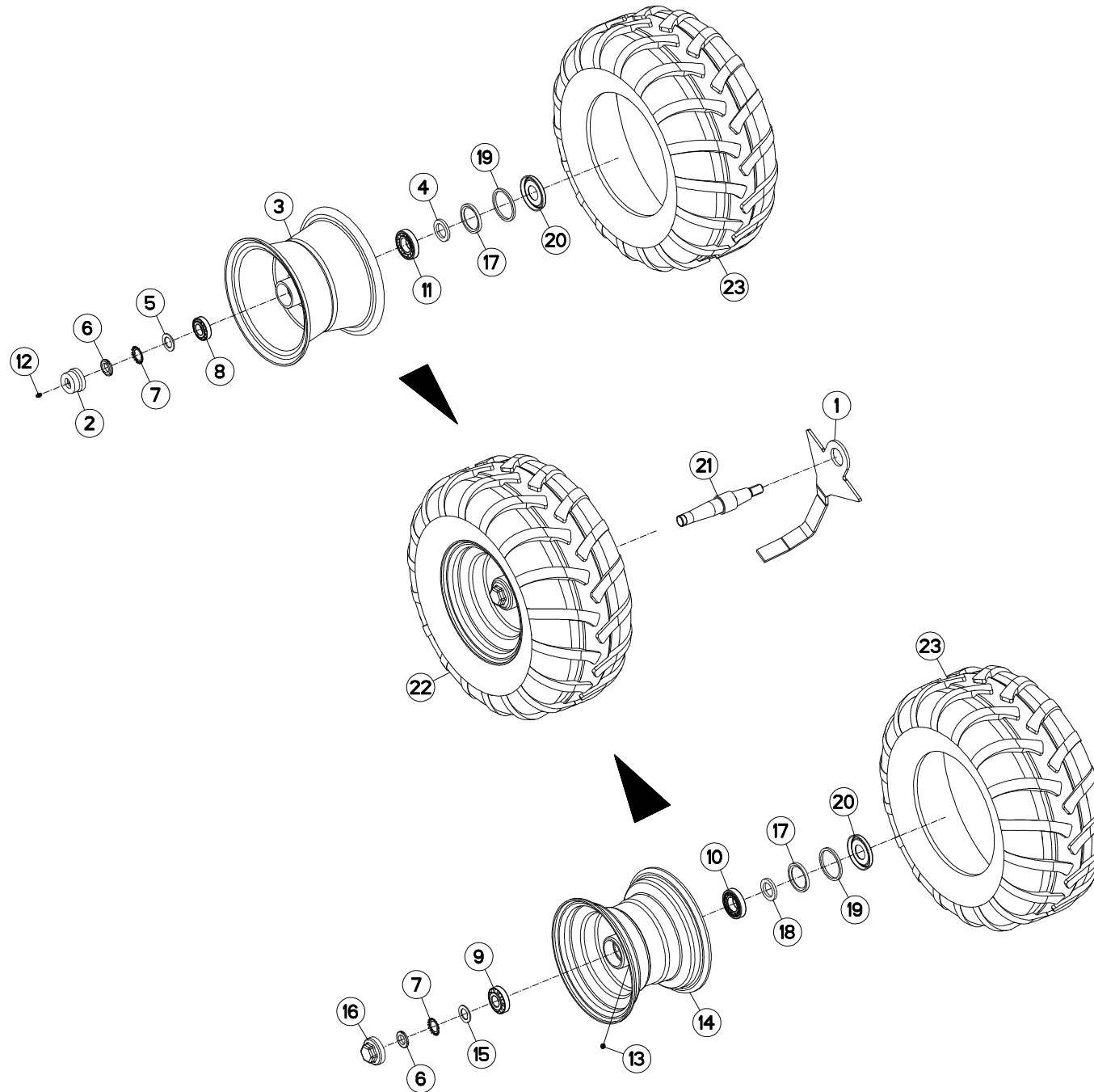
VARI-MASTER 152 T

I9738 >J8516

H05R0056 A

ROUE DE REGULATION Ø600X210 AM DEPTH WHEEL Ø600X210 DAMPER STÜTZRAD Ø600X210 STOSSDÄMPFER RUOTA DI PROFONDITA Ø600X210 /

| Rep | Nr | Qt | Designation | Description | Bezeichnung | Referenza | Remarque - Remark - Bemerkung - Osservazioni |
|-----|-----------------|-----|--------------------------------|-------------------------|----------------------------|-----------------------|--|
| 001 | 227677 | 001 | DECROTTOIR D600 AMORTISSEUR | SCRAPER | ABSTREIFER D600 | RASCHIETTO | |
| 002 | 569119 | 001 | ROUE | WHEEL AND TIRE ASSEMBLY | RAD | RUOTA | 6,8 bar (98,6 PSI) |
| 003 | 900005 | 001 | PNEU 200/60X14.5 10PR | TYRE 200X14,5 10 PR | REIFEN 200X14,5 10PR | GOMMA RLM | |
| 004 | 900009 | 001 | CHAMBRE A AIR 200X14,5(569119) | INNER TUBE 200X14,5 | SCHLAUCH 200X14,5 (569119) | CAMERA | |
| 005 | 900135 | 001 | CHAPEAU D63 REF.1704 GRAISSEUR | PLUG D63 40 | RADKAPPE F. D63 40 | COPERCHIO RUOTA | : hadsten |
| 005 | 900281 | 001 | CHAPEAU VISSE D63X1,25 H=30 | PLUG D63 40 | RADKAPPE F. D63 40 | COPERCHIO RUOTA | : sonamia |
| 006 | 951204 | 001 | RONDELLE 60X40X7 | WASHER | SCHEIBE | RONDELLA | |
| 007 | 951206 | 001 | V RONDELLE 60X40X7 | V WASHER | V SCHEIBE | V RONDELLA | |
| 008 | 80203018 | 001 | ECROU A ENCOCHES | SLOTTED ROUND NUT | NUTMUTTER | DADO | |
| 009 | 80293020 | 001 | RONDELLE-FREIN | TAB WASHER | SICHERUNGSBLECH | RONDELLA-FRENO | |
| 010 | 81303062 | 001 | ROULEMENT A ROULEAUX CONIQUES | TAPERED ROLLER BEARING | KEGELROLLENLAGER | CUSCINETTO A RULLO | |
| 011 | 81304079 | 001 | ROULEMENT A ROULEAUX CONIQUES | TAPERED ROLLER BEARING | KEGELROLLENLAGER | CUSCINETTO A RULLO | |
| 012 | 82200800 | 001 | GRAISSEUR FE/ZNXC3 | GREASE NIPPLE FE/ZNXC3 | SCHMIERNIPPEL FE/ZNXC3 | INGRASSATORE FE/ZNXC3 | |
| 013 | 900158 | 001 | JANTE POUR ROUE 569119 | WHEEL RIM 569119 | FELGE 569119 | CERCHIO | |
| 014 | H0500500 | 001 | JOINT ETANCHE A L'HUILE | SEAL | DICHTUNG | GUARNIZIONE | |
| 015 | H0500520 | 001 | BAGUE FEUTRE | BUSH | HUELSE | BOCCOLA | |
| 016 | H0500530 | 001 | CHAPEAU D'ETANCHEITE | CAP | KAPPE | COPERCHIO | |
| 017 | H0500910 | 001 | AXE ROUE D600 D690 | AXLE | ACHSE | ASSE | |





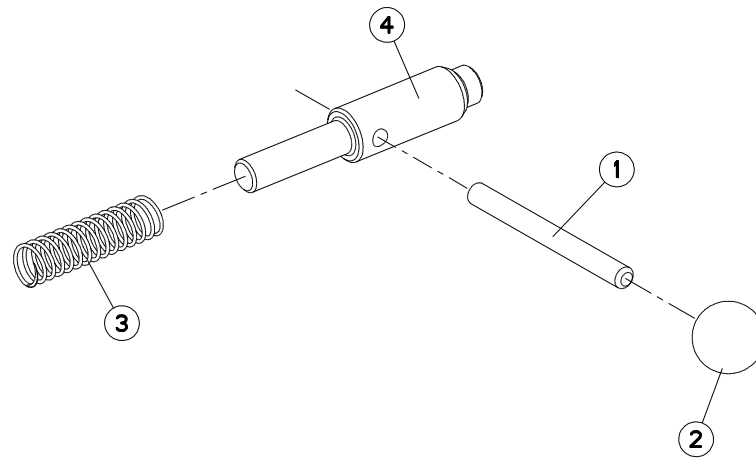
VARI-MASTER 152 T

I9738 >J8516

H05R0034 B

ROUE DE REGULATION Ø690X320 AM DEPTH WHEEL Ø690X320 DAMPER STÜTZRAD Ø690X320 STOSSDÄMPFER RUOTA DI PROFONDITA Ø690X320 /

| Rep | Nr | Qt | Designation | Description | Bezeichnung | Referenza | Remarque - Remark - Bemerkung - Osservazioni |
|-----|----------|-----|--------------------------------|----------------------------|------------------------------|-----------------------|--|
| 001 | 227678 | 001 | DECROTTEUR | SCRAPER, SOIL | ABSTREIFER | RASCHIETTO | |
| 002 | 900135 | 001 | CHAPEAU D63 REF.1704 GRAISSEUR | PLUG D63 40 | RADKAPPE F. D63 40 | COPERCHIO RUOTA | |
| 003 | 900168 | 001 | JANTE D660 | WHEEL RIM | FELGE D660 | CERCHIO | |
| 004 | 951204 | 001 | RONDELLE 60X40X7 | WASHER | SCHEIBE | RONDELLA | |
| 005 | H0500480 | 001 | RONDELLE FREIN | WASHER | SCHEIBE | RONDELLA | |
| 006 | 80203018 | 001 | ECROU A ENCOCHES | SLOTTED ROUND NUT | NUTMUTTER | DADO | |
| 007 | 80293020 | 001 | RONDELLE-FREIN | TAB WASHER | SICHERUNGSBLECH | RONDELLA-FRENO | |
| 008 | 81303062 | 001 | ROULEMENT A ROULEAUX CONIQUES | TAPERED ROLLER BEARING | KEGELROLLENLAGER | CUSCINETTO A RULLO | |
| 009 | 81303072 | 001 | ROULEMENT A ROULEAUX CONIQUES | TAPERED ROLLER BEARING | KEGELROLLENLAGER | CUSCINETTO A RULLO | |
| 010 | 81304079 | 001 | ROULEMENT A ROULEAUX CONIQUES | TAPERED ROLLER BEARING | KEGELROLLENLAGER | CUSCINETTO A RULLO | |
| 011 | 81304079 | 001 | ROULEMENT A ROULEAUX CONIQUES | TAPERED ROLLER BEARING | KEGELROLLENLAGER | CUSCINETTO A RULLO | |
| 012 | 82200800 | 001 | GRAISSEUR FE/ZNXC3 | GREASE NIPPLE FE/ZNXC3 | SCHMIERNIPPEL FE/ZNXC3 | INGRASSATORE FE/ZNXC3 | |
| 013 | 82201016 | 001 | GRAISSEUR AUTOTARAUDANT | SELF TAPPING GREASE NIPPLE | GEWINDESCHNEID-SCHMIERNIPPEL | INGRASSATORE | |
| 014 | H0500440 | 001 | JANTE | WHEEL | FELGE | CERCHIO | |
| 015 | H0500480 | 001 | RONDELLE FREIN | WASHER | SCHEIBE | RONDELLA | |
| 016 | H0500490 | 001 | CHAPEAU A VISSER | CAP | KAPPE | COPERCHIO | |
| 017 | H0500500 | 001 | JOINT ETANCHE A L'HUILE | SEAL | DICHTUNG | GUARNIZIONE | |
| 018 | H0500510 | 001 | RONDELLE | WASHER | SCHEIBE | RONDELLA | |
| 019 | H0500520 | 001 | BAGUE FEUTRE | BUSH | HUELSE | BOCCOLA | |
| 020 | H0500530 | 001 | CHAPEAU D'ETANCHEITE | CAP | KAPPE | COPERCHIO | |
| 021 | H0500920 | 001 | AXE | PIN | ACHSE | ASSE | |
| 022 | H0501110 | 001 | ROUE | WHEEL AND TIRE ASSEMBLY | RAD | RUOTA | 3,2 bar (46,4 PSI) |
| 023 | H0501120 | 001 | PNEU | TIRE | REIFEN | PNEUMATICO | |



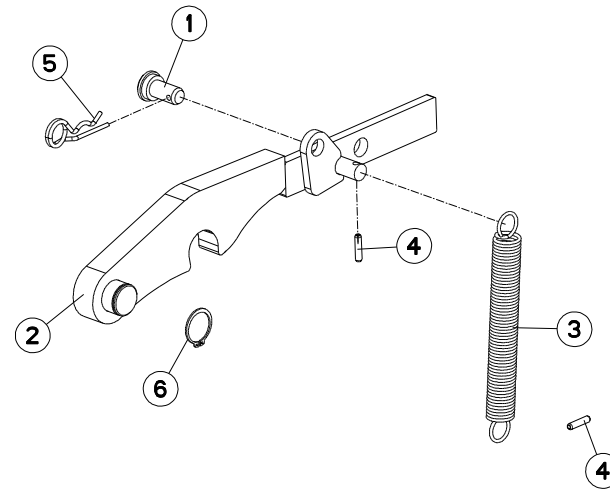


VM1524T I9738 >J8516

H05R0022 A

VERROUILLAGE TRANSPORT AVT B&C TRANSPORT LOCKING MECHANIC AVT TRANSPORTVERRIEGELUNG AVT B&C MECCANISMO DI BLOCC. TRASPOR

| Rep | Nr | Qt | Designation | Description | Bezeichnung | Referenza | Remarque - Remark - Bemerkung - Osservazioni |
|-----|--------|-----|--------------------------|---------------------|-------------------|-----------|--|
| 001 | 130127 | 001 | LEVIER | LEVER | HEBEL | LEVA | |
| 002 | 951222 | 001 | POIGNEE BAKELYTE D50-M16 | GRIP | HANDGRIFF D50-M16 | MANOPOLA | |
| 003 | 191118 | 001 | RESSORT DE COMPRESSION | SPRING, COMPRESSION | DRUCKFEDER | MOLLA | |
| 004 | 130129 | 001 | VERROU | LATCH | RIEGEL | LEVA | |





VM1524TB-VM1524ET-VM1525T-VM1525ET-VM1526T I9738 >J7463

H05R0049 A

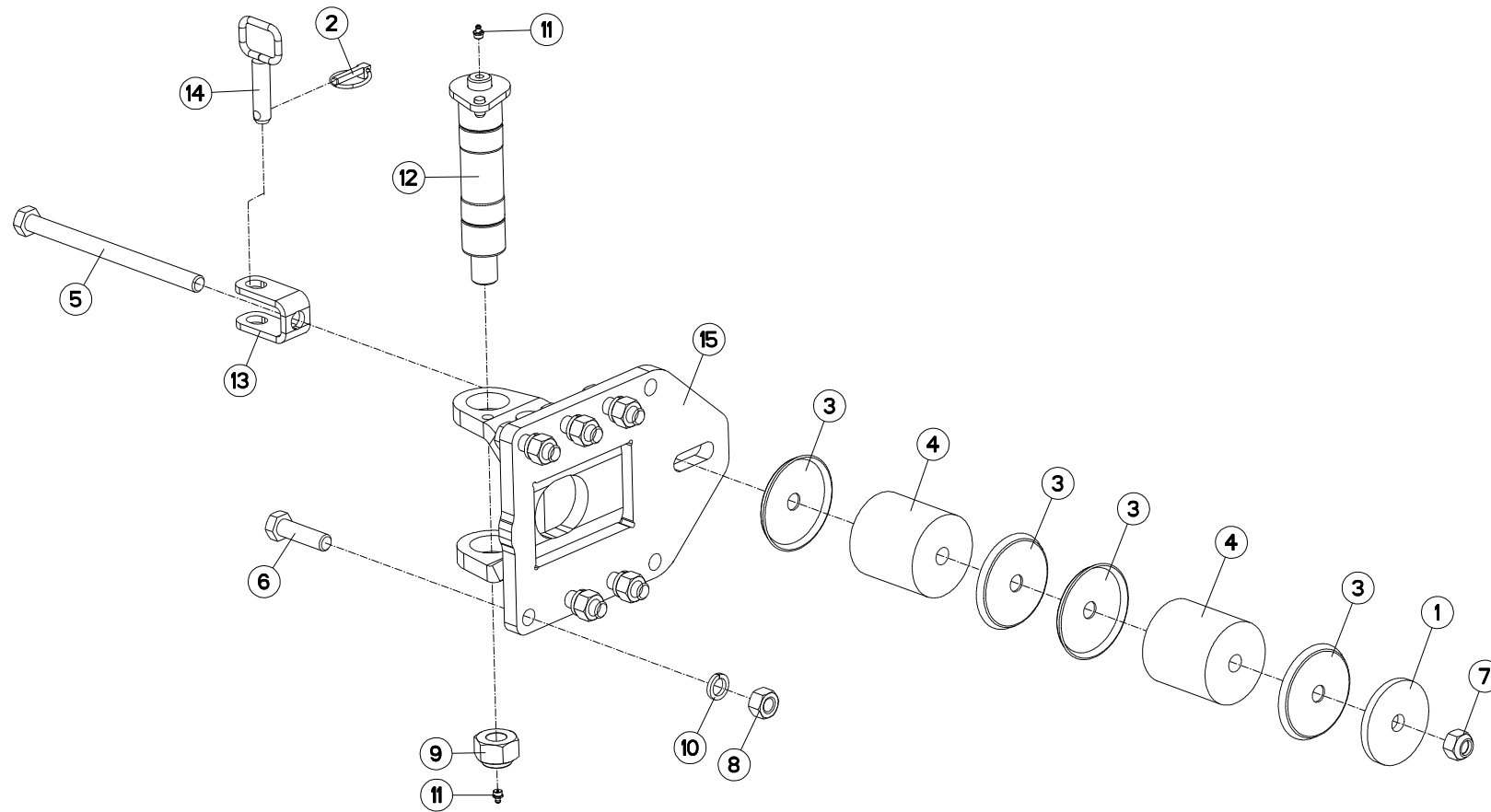
VERROUILLAGE TRANSPORT AVT A

TRANSPORT LOCKING MECHANIC AVT

TRANSPORTVERRIEGELUNG AVT A

MECCANISMO DI BLOCC. TRASPOR

| Rep | Nr | Qt | Designation | Description | Bezeichnung | Referenza | Remarque - Remark - Bemerkung - Osservazioni |
|-----|----------|-----|-------------------------------|----------------------------|-----------------------|-------------------|--|
| 001 | 150147 | 001 | BROCHE D'ATTELAGE | PIN, HITCH | ACHSE | PERNO | |
| 002 | 581740 | 001 | VERROU TRANSPORT | LOCK | TRANSPORTRIEGEL | CHIAVISTELLO | |
| 003 | 951249 | 001 | RESSORT DE TRACTION | TENSION SPRING | ZUGFEDER | MOLLA DI TRAZIONE | |
| 004 | 80450625 | 002 | GOUPILLE ELASTIQUE FLZNNC | ROLL PIN FLZNNC | SPANNHUELSE FLZNNC | COPPIGLIA | |
| 005 | 80570477 | 001 | GOUPILLE BETA SIMPLE FE/ZNXC3 | SPRING COTTER PIN FE/ZNXC3 | FEDERSTECKER FE/ZNXC3 | MOLLA FE/ZNXC3 | |
| 006 | 80583000 | 001 | CIRCLIP EXTERIEUR | RETAINING RING | SICHERUNGSRING | ANELLO | |





VM1524T-VM1524ET-VM1525T I9738 >J7463

H05R0057 A

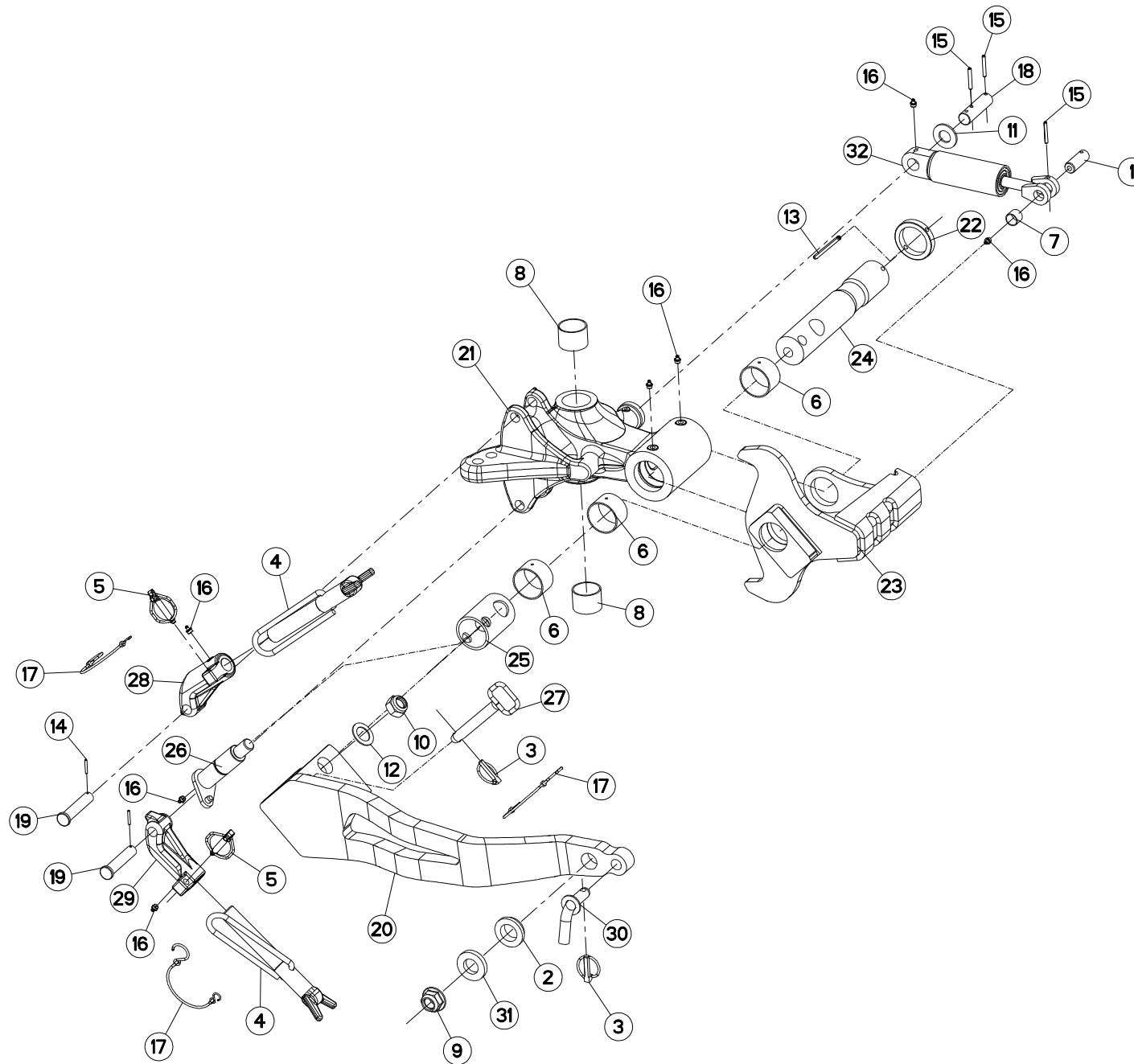
FIXATION ROUE COMBINÉE

COMBINED WHEEL MOUNTING

HALTERUNG F. KOMBIRAD

FISSAGGIO RUOTA COMBINATA

| Rep | Nr | Qt | Designation | Description | Bezeichnung | Referenza | Remarque - Remark - Bemerkung - Osservazioni |
|-----|----------|-----|--------------------------------|----------------------------|-------------------------------|-----------------------------|--|
| 001 | 421246 | 001 | RONDELLE | WASHER | SCHEIBE | RONDELLA | |
| 002 | 541001 | 001 | GOUPILLE RAPIDE | LYNCH PIN D10 CAT2 | KLAPPSTECKER D10 KAT2 | CAPPIGLIA | |
| 003 | 770005 | 004 | COUPELLE | CUP | SCHALE | COPPIGLIA | |
| 004 | 951819 | 002 | BLOC ELASTOMERE | SPRING | FEDER | MOLLA | |
| 005 | 80062004 | 001 | VIS TETE HEXAGONALE FLZNNC | HEXAGON HEAD SCREW FLZNNC | SECHSKANTSCHRAUBE FLZNNC | VITE TESTA ESAGONALE FLZNNC | |
| 006 | 80062064 | 006 | VIS TETE HEXAGONALE FLZNNC | HEXAGON HEAD SCREW FLZNNC | SECHSKANTSCHRAUBE FLZNNC | VITE TESTA ESAGONALE FLZNNC | |
| 007 | 80202047 | 001 | ECROU HEXAG. AUTOFREINE FLZNNC | SELF-LOCKING NUT FLZNNC | SELBSTSICHERNDE MUTTER FLZNNC | DADO AUTOBLOCCANTE FLZNNC | |
| 008 | 80202069 | 006 | ECROU HEXAGONAL FE/ZNXC3 | NUT FE/ZNXC3 | SECHSKANTMUTTER FE/ZNXC3 | DADO FE/ZNXC3 | |
| 009 | 80203031 | 001 | ECROU HEXAGONAL AUTOFREINE | SELF-LOCKING NUT | SELBSTSICHERNDE MUTTER | DADO AUTOBLOCCANTE | |
| 010 | 80272080 | 006 | RONDELLE GROWER | SPRING LOCK WASHER | FEDERRING | RONDELLA GROWER | |
| 011 | 82201016 | 002 | GRAISSEUR AUTOTARAUDANT | SELF TAPPING GREASE NIPPLE | GEWINDESCHNEID-SCHMIERNIPPEL | INGRASSATORE | |
| 012 | H0500060 | 001 | AXE | PIN | ACHSE | ASSE | |
| 013 | H0500220 | 001 | CHAPE | CLEVIS | GABEL | FORCELLA | |
| 014 | H0500240 | 001 | BROCHE D'ATTELAGE | PIN, HITCH | ACHSE | PERNO | |
| 015 | H0500470 | 001 | CHAPE | CLEVIS | GABEL | FORCELLA | |
| 015 | H0503420 | 001 | CHAPE | CLEVIS | GABEL | FORCELLA | |





VM1524T-VM1524ET-VM1525T

I9738 >J7463

H05R0002 B

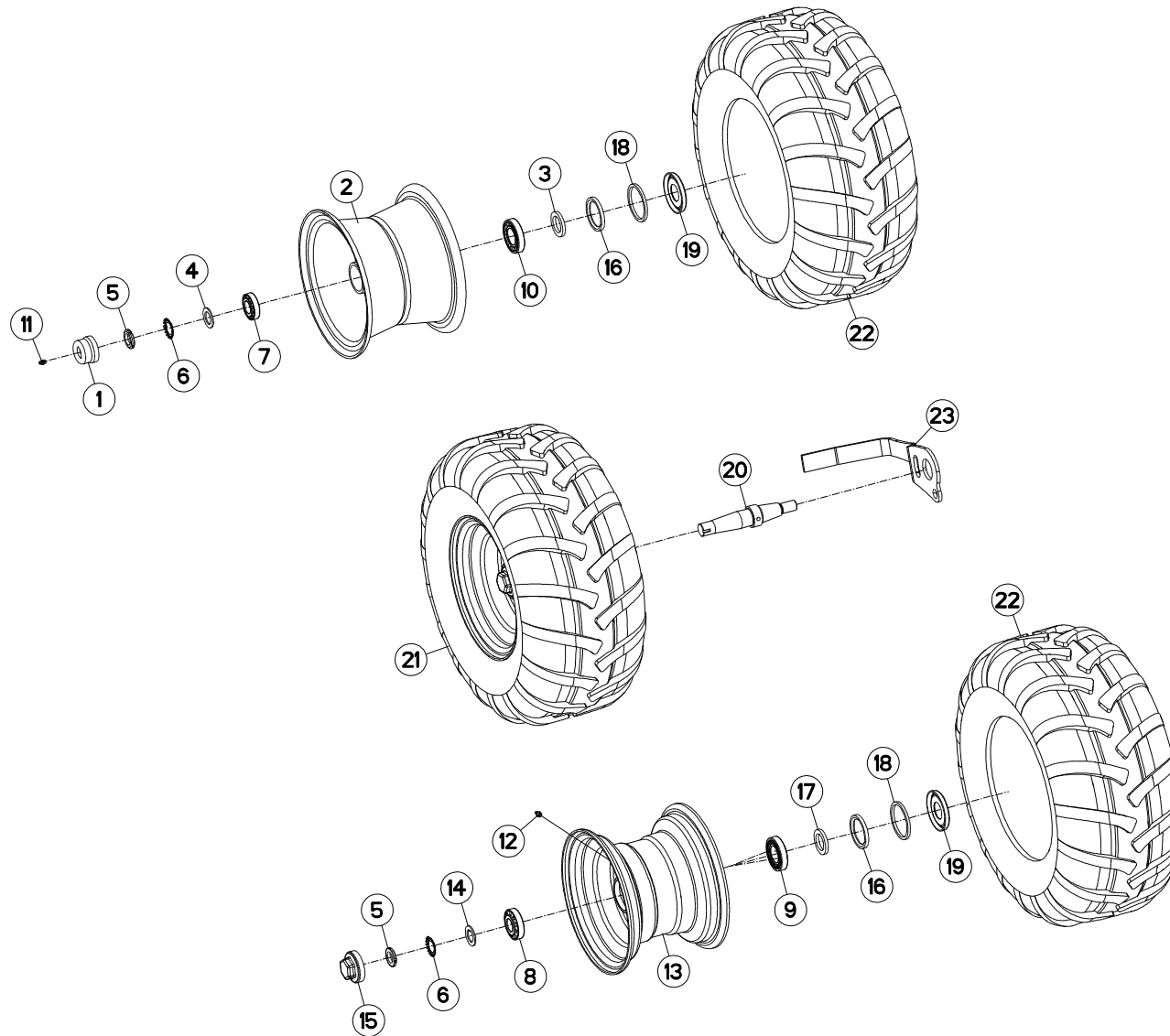
SUPPORT ROUE COMBINÉE 600/690

BRACKET DEPTH WHEEL 600/690

HALTERUNG KOMBISTÜZTRAD 600/69

SUPPORTO RUOTA DI PROFONDITÀ

| Rep | Nr | Qt | Designation | Description | Bezeichnung | Referenza | Remarque - Remark - Bemerkung - Osservazioni |
|-----|----------|-----|--------------------------------|----------------------------|-------------------------------|------------------------------|--|
| 001 | 130279 | 001 | AXE | PIN | ACHSE | ASSE | |
| 002 | 421221 | 001 | ENTRETOISE | SPACER | DISTANZHUELSE | DISTANZIALE | |
| 003 | 541001 | 002 | GOUPILLE RAPIDE | LYNCH PIN D10 CAT2 | KLAPPSTECKER D10 KAT2 | CAPPIGLIA | |
| 004 | 582897 | 002 | VIS COMPLETE | SCREW | SCHRAUBE | VITE | |
| 005 | 900788 | 002 | GOUPILLE DE SECURITE | LYNCH PIN | KLAPPSTECKER | COPPIGLIA | |
| 006 | 951242 | 003 | BAGUE ROULEE | WRAPPED BUSH | GEROLLTE BUCHSE | BOCCOLA | |
| 007 | 83012225 | 001 | BAGUE ROULEE | WRAPPED BUSH | GEROLLTE BUCHSE | ANELLO LUBRIFICATO | |
| 008 | 952257 | 002 | BAGUE PELT 50X55X40 | BUSH PELT 50X55X40 | RING PELT 50X55X40 | BOCCOLA PELT 50X55X40 | |
| 009 | 80202420 | 001 | ECROU HEXAG.EMBA.AUTOFR.FLZNNC | SELF-LOCKING NUT FLZNNC | SELBSTSICHERNDE MUTTER FLZNNC | DADO AUTOBLOCCANTE FLZNNC | |
| 010 | 80202442 | 001 | ECROU HEX.BAS AUTOFR.FE/ZNXC3 | SELF-LOCKING NUT E/ZNXC32 | SELBSTSICHERNDE MUTT.FE/ZNXC3 | DADO AUTOBLOCCANTE FE/ZNXC32 | |
| 011 | 80252432 | 001 | RONDELLE PLATE FE/ZNXC3 | PLAIN WASHER FE/ZNXC3 | SCHEIBE FE/ZNXC3 | RONDELLA PIATTA FE/ZNXC3 | |
| 012 | 80253034 | 001 | RONDELLE PLATE FE/ZNXC3 | PLAIN WASHER FE/ZNXC3 | SCHEIBE FE/ZNXC3 | RONDELLA PIATTA FE/ZNXC3 | |
| 013 | 80440880 | 001 | GOUPILLE SPIRALE | ROLL PIN | SPIRAL-SPANNSTIFTE | SPINA ELASTICA | |
| 014 | 80450431 | 002 | GOUPILLE ELASTIQUE FLZNNC | ROLL PIN FLZNNC | SPANNHUELSE FLZNNC | SPINA ELASTICA FLZNNC | |
| 015 | 80450645 | 003 | GOUPILLE ELASTIQUE FLZNNC | ROLL PIN FLZNNC | SPANNHUELSE FLZNNC | SPINA ELASTICA FLZNNC | |
| 016 | 82201016 | 007 | GRAISSEUR AUTOTARAUDANT | SELF TAPPING GREASE NIPPLE | GEWINDESCHNEID-SCHMIERNIPPEL | INGRASSATORE | |
| 017 | 83070064 | 003 | LIEN PVC | PVC CORD | SICHERUNGSBAND | CAVO | |
| 018 | H0500020 | 001 | AXE | PIN | ACHSE | ASSE | |
| 019 | H0500050 | 002 | AXE | PIN | ACHSE | ASSE | |
| 020 | H0500141 | 001 | BRAS DE ROUE | ARM, WHEEL | RADARM | BRACCIO PER RUOTA | |
| 021 | H0500150 | 001 | SUPPORT DE ROUE COMBINE | BRACKET | HALTERUNG | SUPPORTO | |
| 022 | H0500160 | 001 | RONDELLE | WASHER | SCHEIBE | RONDELLA | |
| 023 | H0500170 | 001 | BUTEE DE REGULATION | STOP | ANSCHLAG | LIMITATORE | |
| 024 | H0500181 | 001 | AXE | PIN | ACHSE | ASSE | |
| 025 | H0500191 | 001 | ENTRETOISE | SPACER | DISTANZHUELSE | DISTANZIALE | |
| 026 | H0500200 | 001 | AXE | PIN | ACHSE | PERNO | |
| 027 | H0500230 | 001 | AXE - | PIN | ACHSE | PERNO | |
| 028 | H0500340 | 001 | SUPPORT VIS | BRACKET | HALTERUNG | SUPPORTO | |
| 029 | H0500350 | 001 | SUPPORT VIS | BRACKET | HALTERUNG | SUPPORTO | |
| 030 | H0501290 | 001 | BROCHE D'ATTELAGE | PIN, HITCH | ACHSE | PERNO | |
| 031 | H0501300 | 001 | RONDELLE | HAND GRIP | HANDGRIFF | MANOPOLA | |
| 032 | H0500670 | 001 | AMORTISSEUR | SHOCK ABSORBER | STOSSDAEMPFER | AMMORTIZZATORE | |





VM1524T-VM1524ET-VM1525T I9738 >J7463

H05R0039 B

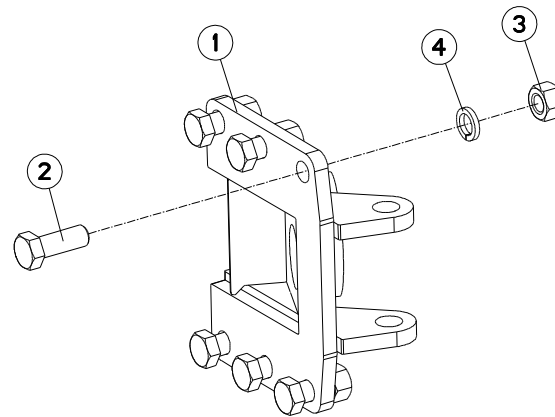
ROUE COMBINÉE Ø690X320

COMBINED WHEEL Ø690X320

KOMBISTÜTZRAD Ø690X320

RUOTA COMBINATA Ø690X320

| Rep | Nr | Qt | Designation | Description | Bezeichnung | Referenza | Remarque - Remark - Bemerkung - Osservazioni |
|-----|----------|-----|--------------------------------|----------------------------|------------------------------|-----------------------|--|
| 001 | 900135 | 001 | CHAPEAU D63 REF.1704 GRAISSEUR | PLUG D63 40 | RADKAPPE F. D63 40 | COPERCHIO RUOTA | |
| 002 | 900168 | 001 | JANTE D660 | WHEEL RIM | FELGE D660 | CERCHIO | |
| 003 | 951204 | 001 | RONDELLE 60X40X7 | WASHER | SCHEIBE | RONDELLA | |
| 004 | H0500480 | 001 | RONDELLE FREIN | WASHER | SCHEIBE | RONDELLA | |
| 005 | 80203018 | 001 | ECROU A ENCOCHES | SLOTTED ROUND NUT | NUTMUTTER | DADO | |
| 006 | 80293020 | 001 | RONDELLE-FREIN | TAB WASHER | SICHERUNGSBLECH | RONDELLA-FRENO | |
| 007 | 81303062 | 001 | ROULEMENT A ROULEAUX CONIQUES | TAPERED ROLLER BEARING | KEGELROLLENLAGER | CUSCINETTO A RULLO | |
| 008 | 81303072 | 001 | ROULEMENT A ROULEAUX CONIQUES | TAPERED ROLLER BEARING | KEGELROLLENLAGER | CUSCINETTO A RULLO | |
| 009 | 81304079 | 001 | ROULEMENT A ROULEAUX CONIQUES | TAPERED ROLLER BEARING | KEGELROLLENLAGER | CUSCINETTO A RULLO | |
| 010 | 81304079 | 001 | ROULEMENT A ROULEAUX CONIQUES | TAPERED ROLLER BEARING | KEGELROLLENLAGER | CUSCINETTO A RULLO | |
| 011 | 82200800 | 001 | GRAISSEUR FE/ZNXC3 | GREASE NIPPLE FE/ZNXC3 | SCHMIERNIPPEL FE/ZNXC3 | INGRASSATORE FE/ZNXC3 | |
| 012 | 82201016 | 001 | GRAISSEUR AUTOTARAUDANT | SELF TAPPING GREASE NIPPLE | GEWINDESCHNEID-SCHMIERNIPPEL | INGRASSATORE | |
| 013 | H0500440 | 001 | JANTE | WHEEL | FELGE | CERCHIO | |
| 014 | H0500480 | 001 | RONDELLE FREIN | WASHER | SCHEIBE | RONDELLA | |
| 015 | H0500490 | 001 | CHAPEAU A VISSER | CAP | KAPPE | COPERCHIO | |
| 016 | H0500500 | 001 | JOINT ETANCHE A L'HUILE | SEAL | DICHTUNG | GUARNIZIONE | |
| 017 | H0500510 | 001 | RONDELLE | WASHER | SCHEIBE | RONDELLA | |
| 018 | H0500520 | 001 | BAGUE FEUTRE | BUSH | HUELSE | BOCCOLA | |
| 019 | H0500530 | 001 | CHAPEAU D'ETANCHEITE | CAP | KAPPE | COPERCHIO | |
| 020 | H0500910 | 001 | AXE ROUE D600 D690 | AXLE | ACHSE | ASSE | |
| 021 | H0501110 | 001 | ROUE | WHEEL AND TIRE ASSEMBLY | RAD | RUOTA | 3,2 bar (46,4 PSI) |
| 022 | H0501120 | 001 | PNEU | TIRE | REIFEN | PNEUMATICO | |
| 023 | H0501130 | 001 | DECROTTOIR | SCRAPER, DIRT | ABSTREIFER | RASCHIATORE | |





VM1524T-VM1524ET-VM1525T I9738 >J7463

H05R0050 A

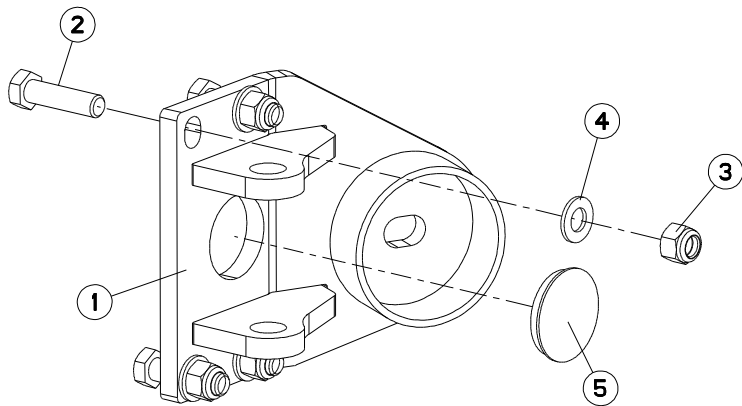
FIXATION ROUE DE TRANSPORT

TRANSPORT WHEEL MOUNTING

TRANSPORTRADHALTERUNG

FISSAGGIO RUOTA DE TRASPORTC

| Rep | Nr | Qt | Designation | Description | Bezeichnung | Referenza | Remarque - Remark - Bemerkung - Osservazioni |
|-----|-----------------|-----|------------------------------|-----------------------------|----------------------------|-------------------------------|--|
| 001 | 582214 | 001 | EMBASE | BASE | GRUNDPLATTE | BASE | |
| 002 | 80062054 | 006 | VIS TETE HEXAGONALE FE/ZNXC3 | HEXAGON HEAD SCREW FE/ZNXC3 | SECHSKANTSCHRAUBE FE/ZNXC3 | VITE TESTA ESAGONALE FE/ZNXC3 | |
| 003 | 80202070 | 006 | ECROU HEXAGONAL FE/ZNXC3 | NUT FE/ZNXC3 | SECHSKANTMUTTER FE/ZNXC3 | DADO FE/ZNXC3 | |
| 004 | 80272080 | 006 | RONDELLE GROWER | SPRING LOCK WASHER | FEDERRING | RONDELLA GROWER | |





VM1525ET-VM1526T I9738 >J7422

H05R0060 A

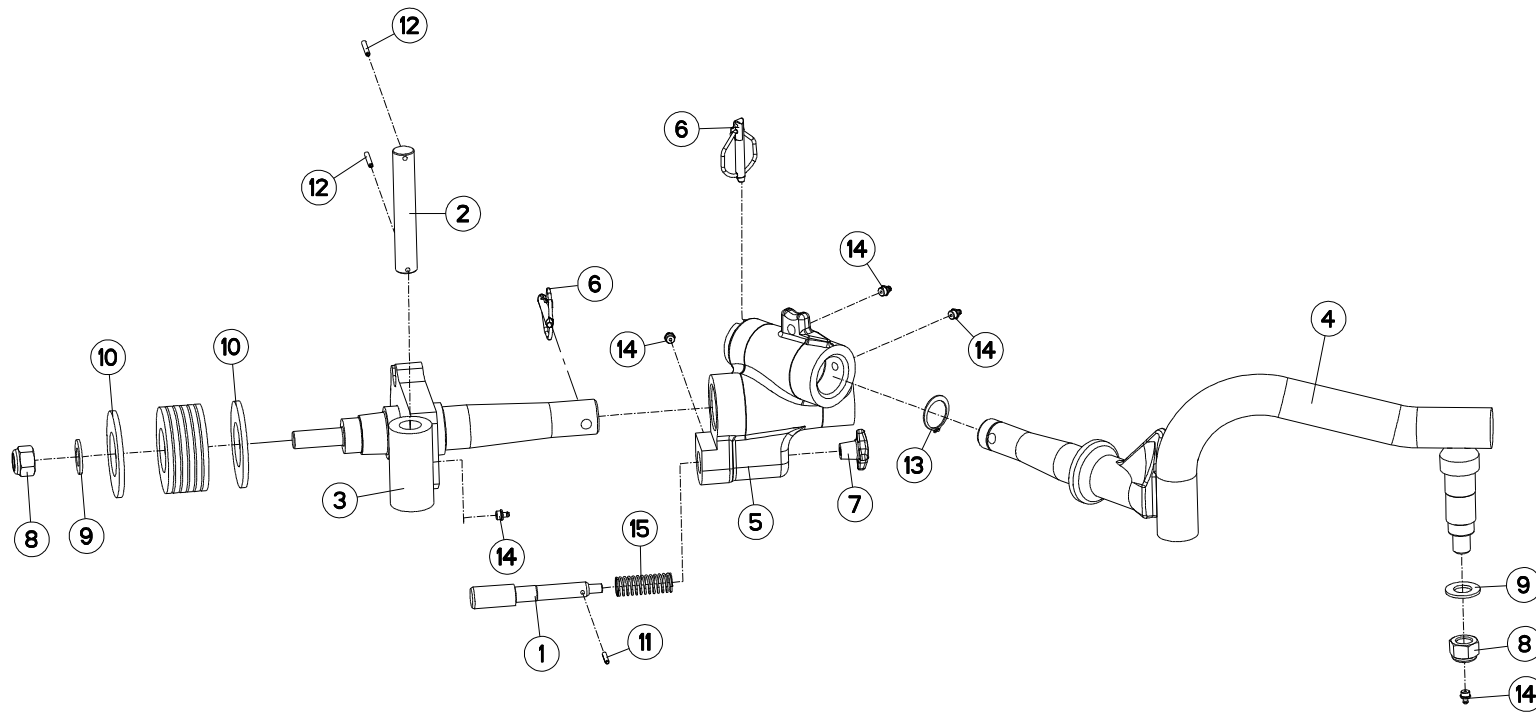
FIXATION ROUE DE TRANSPORT

TRANSPORT WHEEL MOUNTING

TRANSPORTRADHALTERUNG

FISSAGGIO RUOTA DE TRASPORTC

| Rep | Nr | Qt | Designation | Description | Bezeichnung | Referenza | Remarque - Remark - Bemerkung - Osservazioni |
|-----|-----------------|-----|------------------------------|-----------------------------|--------------------------------|-------------------------------|--|
| 001 | 581641 | 001 | EMBASE | BASE | GRUNDPLATTE | BASE | |
| 002 | 80061651 | 004 | VIS TETE HEXAGONALE FE/ZNXC3 | HEXAGON HEAD SCREW FE/ZNXC3 | SECHSKANTSCHRAUBE FE/ZNXC3 | VITE TESTA ESAGONALE FE/ZNXC3 | |
| 003 | 80201640 | 004 | ECROU AUTOFREINE FE/ZNXC3 | SELF-LOCKING NUT FE/ZNXC3 | SELBSTSICHERND.MUTTER FE/ZNXC3 | DADO AUTOBLOCCANTE FE/ZNXC3 | |
| 004 | 80251624 | 004 | RONDELLE PLATE FE/ZNXC3 | PLAIN WASHER FE/ZNXC3 | SCHEIBE FE/ZNXC3 | RONDELLA PIATTA FE/ZNXC3 | |
| 005 | 951629 | 001 | OPERCULE D 61 | PLUG DIAM. 61 | PLASTICKAPPE D 61 | VALVOLA DI SFIATO | |





VM1524T-VM1524ET-VM1525T-VM1525ET-VM1526T I9738 >J7463

H05R0051 A

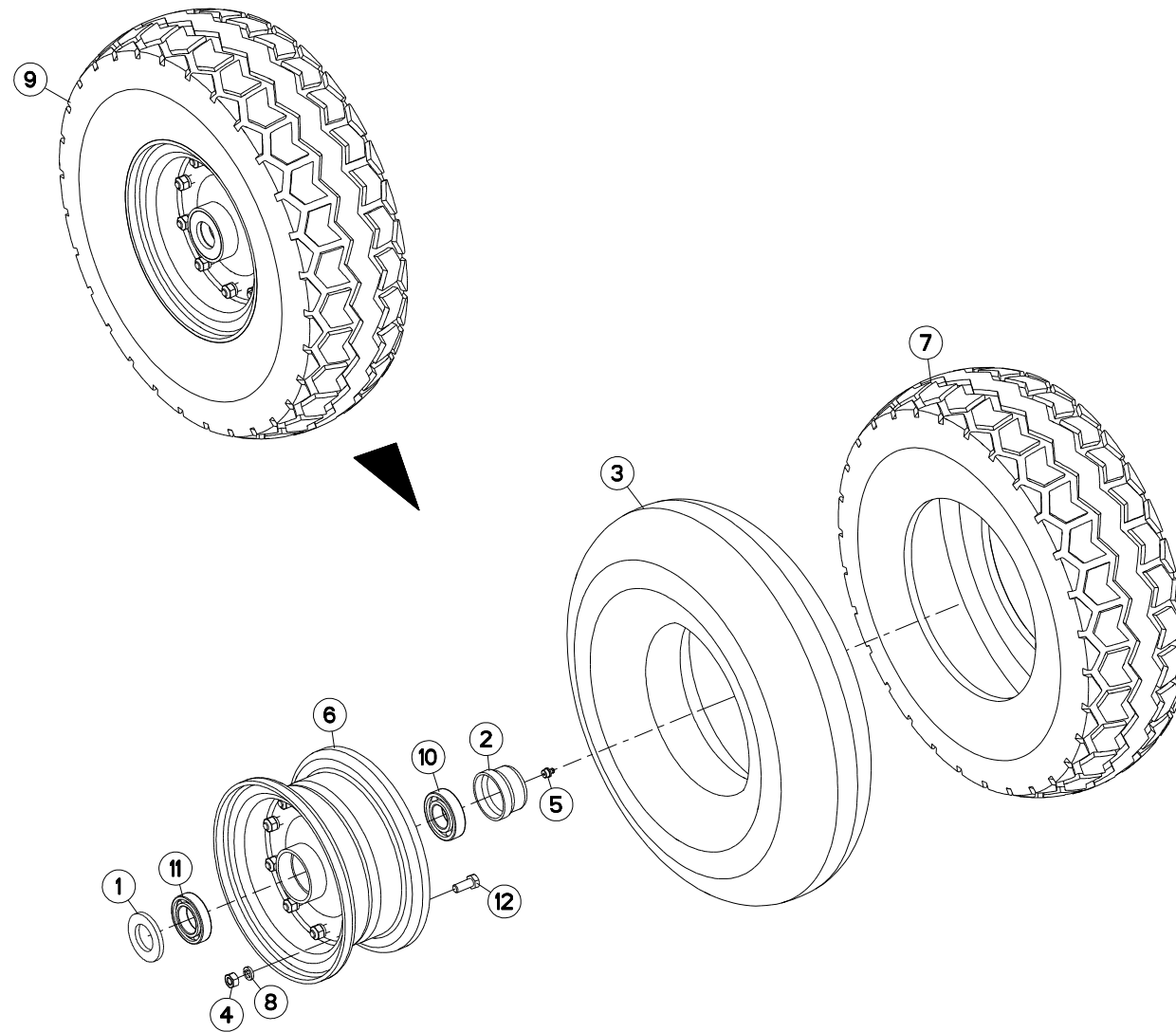
SUPPORT ROUE DE TRANSPORT

BRACKET TRANSPORT WHEEL

HALTERUNG TRANSPORTRAD

SUPPORTO RUOTA TRASPORTO

| Rep | Nr | Qt | Designation | Description | Bezeichnung | Referenza | Remarque - Remark - Bemerkung - Osservazioni |
|-----|----------|-----|-------------------------------|----------------------------|------------------------------|-----------------------------|--|
| 001 | 143168 | 001 | AXE | PIN | ACHSE | ASSE | |
| 002 | 153195 | 001 | AXE | PIN | ACHSE | ASSE | |
| 003 | 581656 | 001 | ARTICULATION | YOKE | GELENKSTUECK | ARTICOLAZIONE | |
| 004 | 582514 | 001 | PIVOT | PIVOT | GELENKBOLZEN | PERNO | |
| 005 | 645197 | 001 | BOITIER ROULETTE | WHEEL SUPPORT | RADHALTERUNG | SCATOLA | |
| 006 | 900788 | 002 | GOUPILLE DE SECURITE | LYNCH PIN | KLAPPSTECKER | COPPIGLIA | |
| 007 | 951291 | 001 | POIGNEE CROISILLON 15-162-50 | GRIP | HANDGRIFF | MANIGLIA | |
| 008 | 80202030 | 002 | ECROU HEX.AUTOFREINE FE/ZNXC3 | SELF-LOCKING NUT FE/ZNXC3 | SELBSTSICH.MUTTER FE/ZNXC3 | DADO AUTOBLOCCANTE FE/ZNXC3 | |
| 009 | 80252026 | 002 | RONDELLE PLATE FE/ZNXC3 | PLAIN WASHER FE/ZNXC3 | SCHEIBE FE/ZNXC3 | RONDELLA PIATTA FE/ZNXC3 | |
| 010 | 80285100 | 008 | RONDELLE A RESSORT | CONICAL SPRING WASHER | SPANNSCHEIBE | RONDELLA A MOLLA | |
| 011 | 80450499 | 001 | GOUPILLE ELASTIQUE FLZNNC | ROLL PIN FLZNNC | SPANNHUELSE FLZNNC | SPINA ELASTICA FLZNNC | |
| 012 | 80450535 | 002 | GOUPILLE ELASTIQUE FLZNNC | ROLL PIN FLZNNC | SPANNHUELSE FLZNNC | SPINA ELASTICA | |
| 013 | 80583500 | 001 | CIRCLIP EXTERIEUR | RETAINING RING | SICHERUNGSRING | ANELLO | |
| 014 | 82201016 | 005 | GRAISSEUR AUTOTARAUDANT | SELF TAPPING GREASE NIPPLE | GEWINDESCHNEID-SCHMIERNIPPEL | INGRASSATORE | |
| 015 | 191114 | 001 | RESSORT | SPRING | FEDER | MOLLA | |





VM1524T-VM1524ET-VM1525T-VM1525ET-VM1526T I9738 >J7463

H05R0014 A

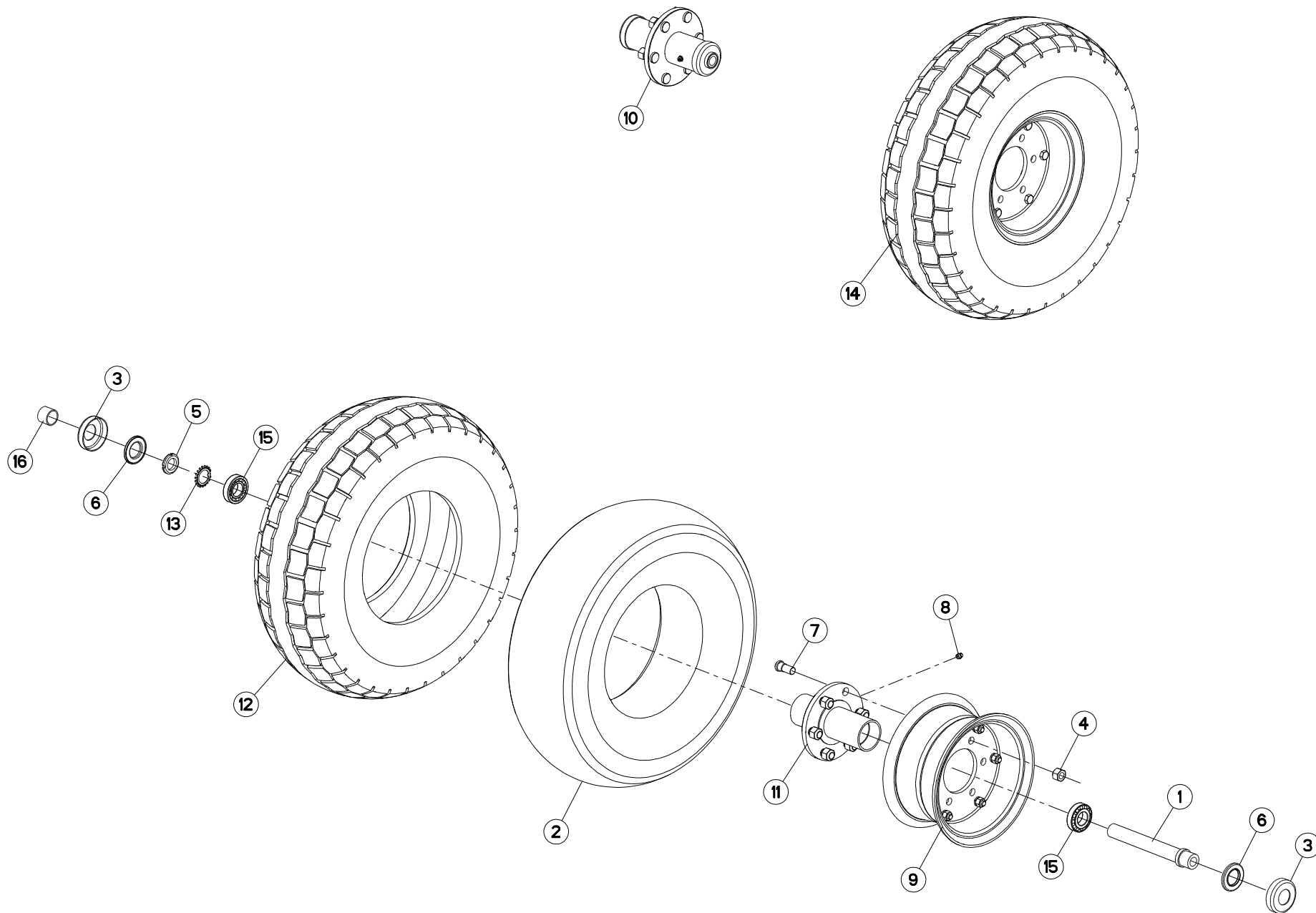
ROUE Ø540X165

WHEEL Ø540X165

RAD Ø540X165

RUOTA Ø540X165

| Rep | Nr | Qt | Designation | Description | Bezeichnung | Referenza | Remarque - Remark - Bemerkung - Osservazioni |
|-----|----------|-----|--------------------------------|-----------------------------|------------------------------|-------------------------------|--|
| 001 | 900262 | 001 | CACHE POUSSIÈRE Z007 35X62X6 | SEAL | DICHTUNGSRING | GAURNIZIONE DOPPIA | |
| 002 | 900135 | 001 | CHAPEAU D63 REF.1704 GRAISSEUR | PLUG D63 40 | RADKAPPE F. D63 40 | COPERCHIO RUOTA | |
| 003 | 900008 | 001 | CHAMBRE A AIR DE ROUE | INNER TUBE 600X9 | SCHLAUCH 600X9 | CAMERA | |
| 004 | 80201070 | 010 | ECROU HEXAGONAL FE/ZNXC3 | NUT FE/ZNXC3 | SECHSKANTMUTTER FE/ZNXC3 | DADO FE/ZNXC3 | |
| 005 | 82201016 | 001 | GRAISSEUR AUTOTARAUDANT | SELF TAPPING GREASE NIPPLE | GEWINDESCHNEID-SCHMIERNIPPEL | INGRASSATORE | |
| 006 | 900258 | 001 | JANTE | RIM | FELGE | CERCHIO | |
| 007 | 901422 | 001 | PNEU Ø540 | TYRE Ø540 | REIFEN Ø540 | PNEUMATICO 600X9 12 PR | |
| 008 | 80271084 | 010 | RONDELLE GROWER | SPRING LOCK WASHER | FEDERRING | RONDELLA GROWER | |
| 009 | 569133 | 001 | ROUE | WHEEL AND TIRE ASSEMBLY | RAD | RUOTA | 6,5 bar (94,3 PSI) |
| 010 | 81003062 | 001 | ROULEMENT A BILLES | BALL BEARING | KUGELLAGER | CUSCINETTO A SFERE | |
| 011 | 81003562 | 001 | ROULEMENT A BILLES | BALL BEARING | KUGELLAGER | CUSCINETTO A SFERE | |
| 012 | 80061026 | 010 | VIS TETE HEXAGONALE FE/ZNXC3 | HEXAGON HEAD SCREW FE/ZNXC3 | SECHSKANTSCHRAUBE FE/ZNXC3 | VITE TESTA ESAGONALE FE/ZNXC3 | |





VM1524T-VM1524ET-VM1525T I9738 >J7463

H05R0005 A

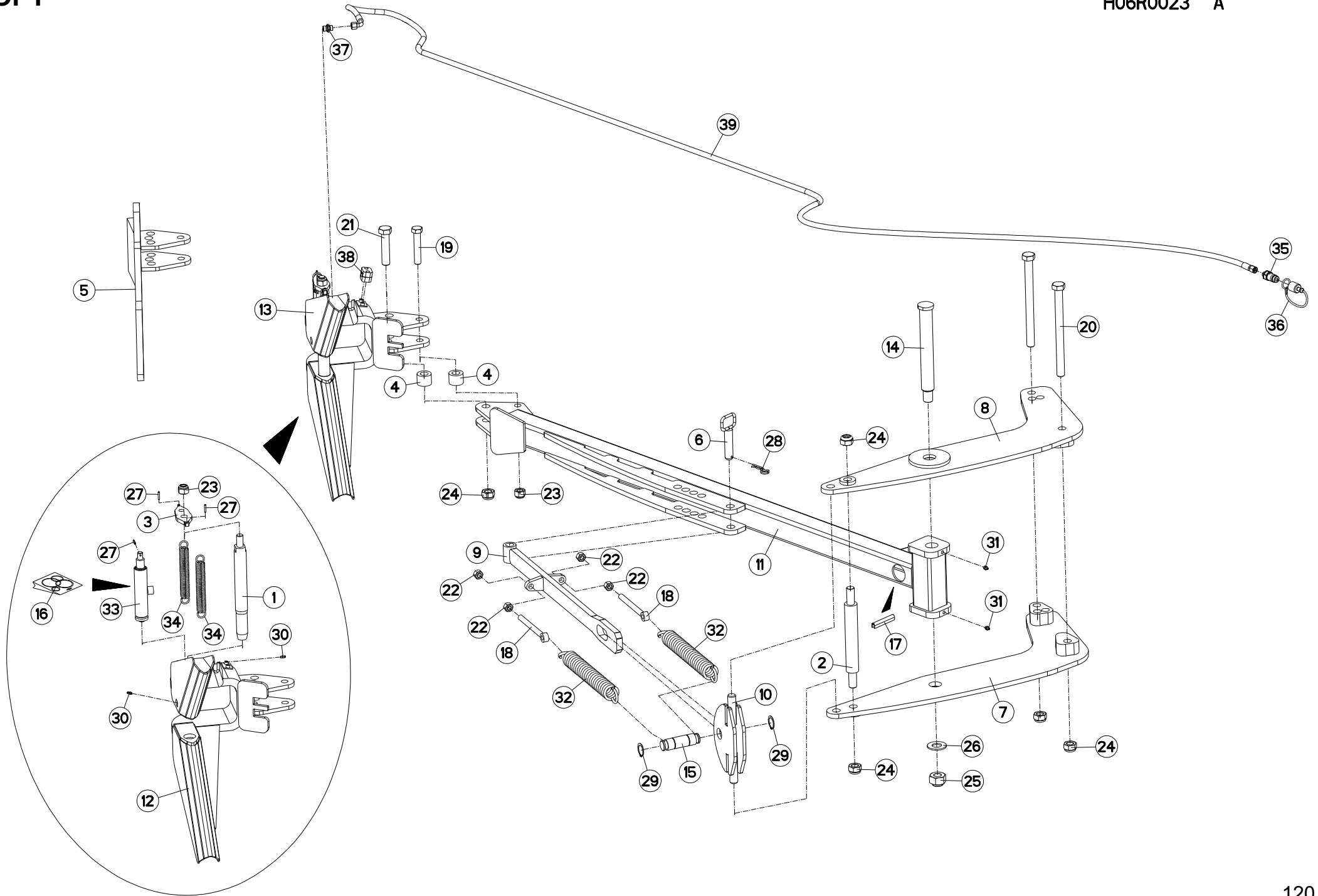
ROUE DE TRANSPORT Ø660X225

TRANSPORT WHEEL Ø660X225

TRANSPORTRAD Ø660X225

RUOTA DI TRASPORTO Ø660X225

| Rep | Nr | Qt | Designation | Description | Bezeichnung | Referenza | Remarque - Remark - Bemerkung - Osservazioni |
|-----|----------|-----|-------------------------------|------------------------|--------------------|------------------------|--|
| 001 | 952118 | 001 | AXE TUBULAIRE | PIN | ACHSE | PERNO | |
| 002 | 900010 | 001 | CHAMBRE A AIR DE ROUE D665 | INNER TUBE 7,50X10 | SCHLAUCH 7,50X10 | CAMERA | |
| 003 | 952115 | 002 | COUPELLE EXTERIEURE | COLLAR | ABDECKUNG | COPPIGLIA | |
| 004 | 900207 | 006 | ECROU CUL D'OEUF | NUT H 16.150 | RADMUTTER H 16.150 | DADO | |
| 005 | 80203018 | 001 | ECROU A ENCOCHES | SLOTTED ROUND NUT | NUTMUTTER | DADO | |
| 006 | 952114 | 002 | ENSEMBLE BAGUES D'ETANCHEITES | BUSH | HUELSE | ANELLO | |
| 007 | 952112 | 006 | GOUJON | STUD, THREADED | GEWINDESTIFT | SPINA | |
| 008 | 82201002 | 001 | GRAISSEUR | GREASE NIPPLE | SCHMIERNIPPEL | INGRASSATORE | |
| 009 | 951822 | 001 | JANTE DE ROUE Ø665 | RIM | FELGE | CERCHIO | |
| 010 | 951820 | 001 | MOYEU DE ROUE | WHEELHUB | NABENGEHAEUSE | MOZZO | |
| 011 | 952116 | 001 | MOYEU NU | HUB BASIC | NABE | MOZZO | |
| 012 | 951821 | 001 | PNEU 7.5-10 10PR | TYRE WHEEL 7.5-10 10PR | REIFEN 7.5-10 10PR | PNEUMATICO 7.5-10 10PR | |
| 013 | 80293020 | 001 | RONDELLE-FREIN | TAB WASHER | SICHERUNGSBLECH | RONDELLA-FRENO | |
| 014 | 569131 | 001 | ROUE DE TRANSPORT | REAR TRANSP. WHEEL | HINTERTRANSPORTRAD | RUOTA DI TRASPORTO | 5 bar (72.5 PSI) |
| 015 | 81303062 | 002 | ROULEMENT A ROULEAUX CONIQUES | TAPERED ROLLER BEARING | KEGELROLLENLAGER | CUSCINETTO A RULLO | |
| 016 | 952123 | 001 | ENTRETOISE | SPACER | DISTANZHUELSE | DISTANZIALE | |





VARI-MASTER 152 T

I9738 >J8516

H06R0023 A

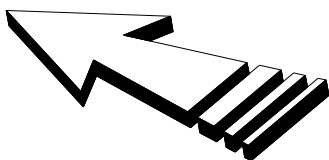
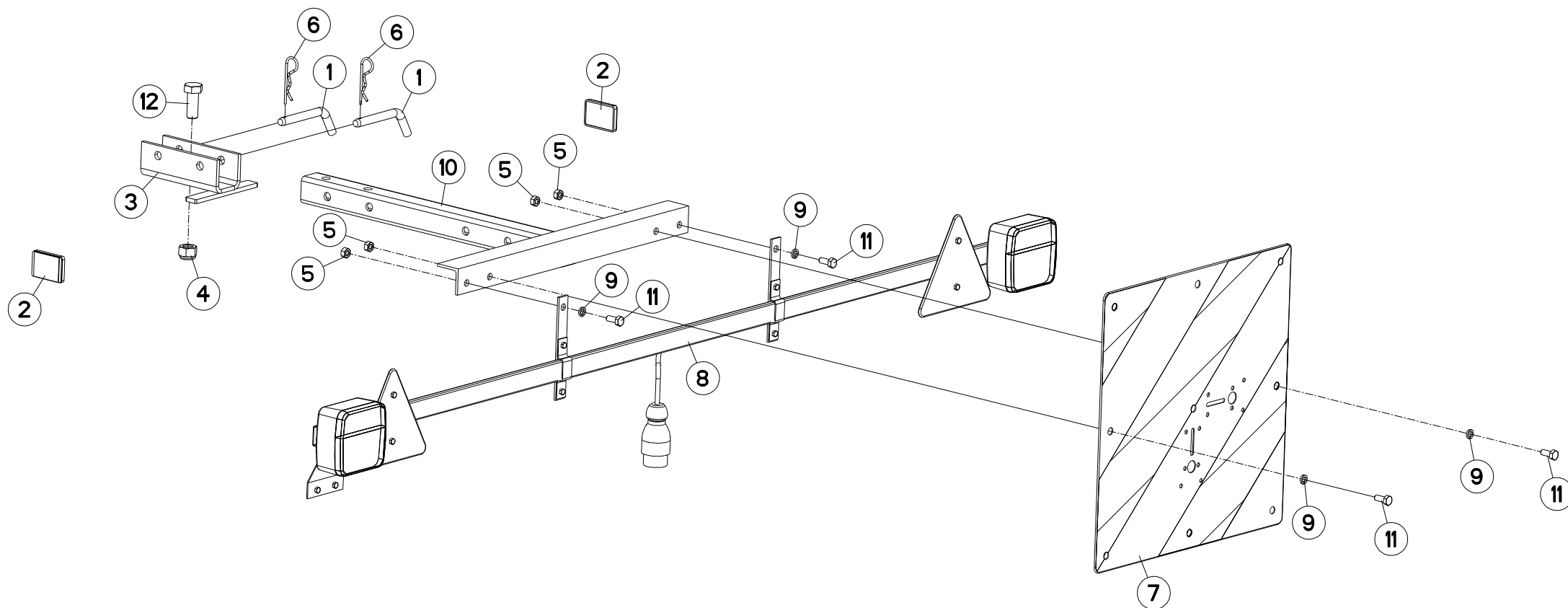
BRAS OUTIL TRaine VM151/2T

FURROW PRESS ARM VM151/2T

PACKERARM VM151/2T

SOTTOCOMPRESSORE BRACCIO V

| Rep | Nr | Qt | Designation | Description | Bezeichnung | Referenza | Remarque - Remark - Bemerkung - Osservazioni |
|-----|----------|-----|-------------------------------|--------------------------------|--------------------------------|-------------------------------|--|
| 001 | 131036 | 001 | DOIGT | FINGER | FINGER | DENTE | |
| 002 | 131242 | 001 | AXE DE B.O.T | PIN | ACHSE | PERNO | |
| 003 | 211228 | 001 | PLAQUE | PLATE | PLATTE | PIASTRA | |
| 004 | 421259 | 002 | ENTRETOISE | SPACER | DISTANZHUELSE | DISTANZIALE | |
| 005 | 581783 | 001 | ANCRE FIXE | FIXED HOOK | MECHAN FANGHAKEN | GANCIO | |
| 006 | 583281 | 001 | BROCHE D'ATTELAGE | PIN, HITCH | ACHSE | PERNO | |
| 007 | 583329 | 001 | JOUE DE CHAPE | CLEVIS, HALF | ZUGMAULHELFTTE | METÀ-COPERTURA | |
| 008 | 583330 | 001 | JOUE DE CHAPE | CLEVIS, HALF | ZUGMAULHELFTTE | METÀ-COPERTURA | |
| 009 | 583700 | 001 | TIRANT B.O.T. | TIE ROD BOT | ZUGSTANGE BOT | TIRANTE | |
| 010 | 583701 | 001 | CHAPE TIRANT P.C. | YOKE | GABELGELENK | MANIGLIA | |
| 011 | 583704 | 001 | BRAS DE B.O.T. P.C. | ARM | ARM | BRACCIO | |
| 012 | 583710 | 001 | ANCRE B.O.T. | MOUNTING | FANGHAKEN | GANCIO | |
| 013 | 583711 | 001 | KIT DE LARGAGE BOT | KIT DE LARGAGE BOT | KIT DE LARGAGE BOT | RAGGIUNGIMENTO OBIETTINO | |
| 014 | 720179 | 001 | AXE BRAS DE B.O.T | PIN | ACHSE | PERNO | |
| 015 | 720257 | 001 | AXE Ø35 | PIN D35 | ACHSE D35 | PERNO D35 | |
| 016 | 951190 | 001 | POCHETTE DE JOINTS (951184) | SEALS PACKET 951184 | DICHTUNGZSSATZ 951184 | COLLEZIONE GUARNIZIONI 951184 | : 951184 |
| 016 | H0601010 | 001 | POCHETTE DE JOINTS | KIT, SEAL | TACHE | SACCHE | : H0601000 |
| 017 | 951346 | 001 | GAINÉ DE PROTECTION L 170 | HOSE COVER | HUELLE | GUAINA DI PROTEZIONE | |
| 018 | 951364 | 002 | TIRANT | TIE ROD | ZUGSTANGE | TIRANTE | |
| 019 | 80062080 | 001 | VIS TETE HEXAGONALE FE/ZNXC3 | HEXAGON HEAD SCREW FE/ZNXC3 | SECHSKANTSCHRAUBE FE/ZNXC3 | VITE TESTA ESAGONALE FE/ZNXC3 | |
| 020 | 80062474 | 002 | VIS TETE HEXAGONALE FLZNNC | HEXAGON HEAD SCREW FLZNNC | SECHSKANTSCHRAUBE FLZNNC | VITE TESTA ESAGONALE FLZNNC | |
| 021 | 80062487 | 001 | VIS TETE HEXAGONALE FE/ZNXC3 | HEXAGON HEAD SCREW FE/ZNXC3 | SECHSKANTSCHRAUBE FE/ZNXC3 | VITE TESTA ESAGONALE FE/ZNXC3 | |
| 022 | 80201670 | 004 | ECROU HEXAGONAL FE/ZNXC3 | NUT FE/ZNXC3 | SECHSKANTMUTTER FE/ZNXC3 | DADO FE/ZNXC3 | |
| 023 | 80202030 | 002 | ECROU HEX.AUTOFREINE FE/ZNXC3 | SELF-LOCKING NUT FE/ZNXC3 | SELBSTSICH.MUTTER FE/ZNXC3 | DADO AUTOBLOCCANTE FE/ZNXC3 | |
| 024 | 80202440 | 005 | ECROU HEX.AUTOFREINE FE/ZNXC3 | SELF-LOCKING NUT FE/ZNXC3 | SELBSTSICHERNDE MUTT.FE/ZNXC3 | DADO AUTOBLOCCANTE FE/ZNXC3 | |
| 025 | 80203031 | 001 | ECROU HEXAGONAL AUTOFREINE | SELF-LOCKING NUT | SELBSTSICHERNDE MUTTER | DADO AUTOBLOCCANTE | |
| 026 | 80253034 | 001 | RONDELLE PLATE FE/ZNXC3 | PLAIN WASHER FE/ZNXC3 | SCHEIBE FE/ZNXC3 | RONDELLA PIATTA FE/ZNXC3 | |
| 027 | 80450499 | 003 | GOUPILLE ELASTIQUE FLZNNC | ROLL PIN FLZNNC | SPANNHUELSE FLZNNC | SPINA ELASTICA FLZNNC | |
| 028 | 80570477 | 001 | GOUPILLE BETA SIMPLE FE/ZNXC3 | SPRING COTTER PIN FE/ZNXC3 | FEDERSTECKER FE/ZNXC3 | MOLLA FE/ZNXC3 | |
| 029 | 80583500 | 002 | CIRCLIP EXTERIEUR | RETAINING RING | SICHERUNGSRING | ANELLO | |
| 030 | 82200616 | 002 | GRAISSEUR AUTOTAR.FE/ZNXC3 | TAPPING GREASE NIPPLE FE/ZNXC3 | GEWINDESCH.SCHMIERNIP.FE/ZNXC3 | INGRASSATORE FE/ZNXC3 | |
| 031 | 82201016 | 002 | GRAISSEUR AUTOTARAUDANT | SELF TAPPING GREASE NIPPLE | GEWINDESCHNEID-SCHMIERNIPPEL | INGRASSATORE | |
| 032 | 191132 | 002 | RESSORT T. DISQUE SEMEUR | SPRING | FEDER | MOLLA | |
| 033 | H0600990 | 001 | VERIN B.O.T. | HYDRAULIC CYLINDER | HUBZYLINDER | CILINDRO | |
| 034 | 951185 | 002 | RESSORT | SPRING | FEDER | MOLLA | |
| 035 | A4074017 | 001 | COUPLEUR MALE | CONNECTOR MALE | KUPPLUNGSTECKER | INNESTO M16X150 | |
| 036 | 82300026 | 001 | CAPUCHON COUPLEUR MALE | CAP MALE CONNECTOR | KAPPE KUPPLUNGSSTECKER | TAPPO | |
| 037 | A4080401 | 001 | UNION MALE | MALE STUD CONNECTOR | GERADER EINSCHRAUBSTUTZEN | GIUZIONE DIRITTA ZBC | |
| 038 | A7260027 | 001 | COLLIER SIMPLE D18 NU | CLAMP D.18 | SHELLE D.18 | COLLARE D.18 | |
| 039 | A4921091 | 001 | FLEXIBLE HYDRAULIQUE | HYDRAULIC HOSE | HYDRAULIKSCHLAUCH | TUBO GOMMA | <->4900 mm |





VARI-MASTER 152 T

I9738 >J8516

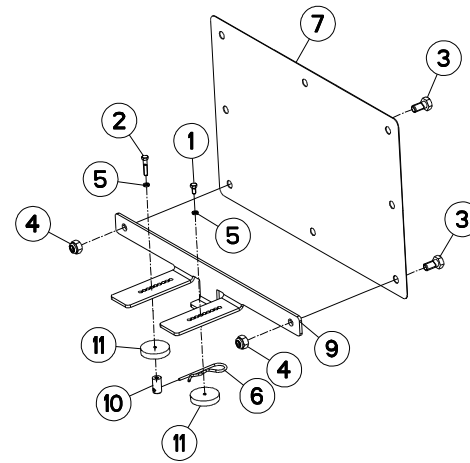
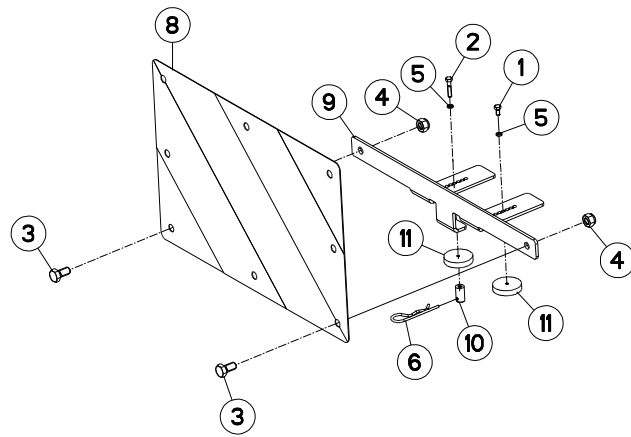
H06R0001 C

RAMPE DE SIGNALISATION T

T REAR LIGHTING BOARD

T HECKBELEUCHTUNG FÜR TRANSPOR IMPIANTO TRASPORTO

| Rep | Nr | Qt | Designation | Description | Bezeichnung | Referenza | Remarque - Remark - Bemerkung - Osservazioni |
|-----|----------|-----|-------------------------------|-----------------------------|----------------------------|-------------------------------|--|
| 001 | 140297 | 002 | BROCHE DE VERROUILLAGE | PIN | ACHSE | PERNO | |
| 002 | 83240017 | 002 | CATADIOPTRE ORANGE ADHESIF | REFLECTOR ADHESIVE | RUECKSTRAHLER S.KLEB. | CATADIOTTRO | |
| 003 | 582271 | 001 | CHAPE | CLEVIS | GABEL | FORCELLA | |
| 004 | 80201630 | 001 | ECROU HEX.AUTOFREINE FE/ZNXC3 | SELF-LOCKING NUT FE/ZNXC3 | SELBSTSICH.MUTTER FE/ZNXC3 | DADO AUTOBLOCCANTE FE/ZNXC3 | |
| 005 | 80200870 | 004 | ECROU HEXAGONAL FE/ZNXC3 | NUT FE/ZNXC3 | SECHSKANTMUTTER FE/ZNXC3 | DADO FE/ZNXC3 | |
| 006 | 80570300 | 002 | GOUPILLE BETA SIMPLE FE/ZNXC3 | SPRING COTTER PIN FE/ZNXC3 | FEDERSTECKER FE/ZNXC3 | MOLLA FE/ZNXC3 | |
| 007 | 83240212 | 001 | PANNEAU DE SIGNALISATION | WARNING PLATE | WARNTAFEL | PANNELLO B/R ANT. | |
| 008 | 83240406 | 001 | RAMPE D'ECLAIRAGE | LIGHTING BOARD | HECKBELEUCHTUNG | IMP.SEGNALAZIONE | |
| 009 | 80270884 | 004 | RONDELLE GROWER | SPRING LOCK WASHER | FEDERRING | RONDELLA GROWER | |
| 010 | 582270 | 001 | SUPPORT DE RAMPE | BRACKET | HALTERUNG | SUPPORTO | |
| 011 | 80060820 | 004 | VIS TETE HEXAGONALE FE/ZNXC3 | HEXAGON HEAD SCREW FE/ZNXC3 | SECHSKANTSCHRAUBE FE/ZNXC3 | VITE TESTA ESAGONALE FE/ZNXC3 | |
| 012 | 80061641 | 001 | VIS TETE HEXAGONALE FE/ZNXC3 | HEXAGON HEAD SCREW FE/ZNXC3 | SECHSKANTSCHRAUBE FE/ZNXC3 | VITE TESTA ESAGONALE FE/ZNXC3 | |





VARI-MASTER 152 T

I9738 >J8516

H06R0055 B

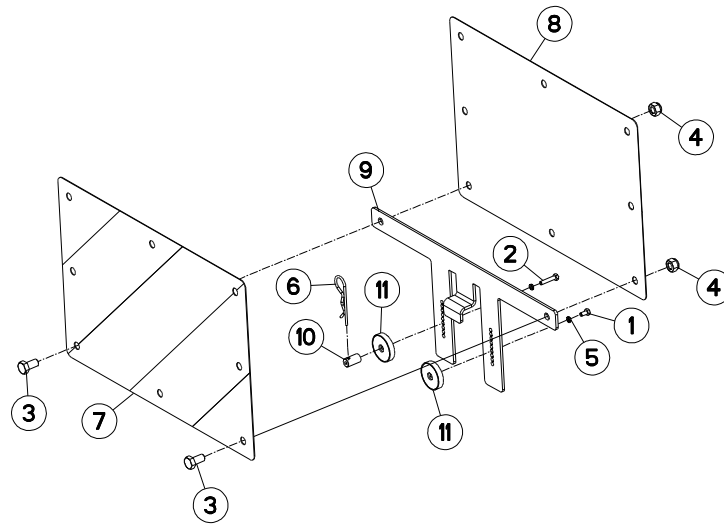
SIGNALISATION LATERALE (ROUE)

SIDE SIGNALLING (WHEEL)

SEITLICHE BELEUCHTUNG (RAD)

SEGNALAZIONE LATERALI (RUOTA)

| Rep | Nr | Qt | Designation | Description | Bezeichnung | Referenza | Remarque - Remark - Bemerkung - Osservazioni |
|-----|-----------------|-----|--------------------------------|-----------------------------|----------------------------|-------------------------------|--|
| 001 | 80060510 | 002 | VIS TETE HEXAGONALE FE/ZNXC3 | HEXAGON HEAD SCREW FE/ZNXC3 | SECHSKANTSCHRAUBE FE/ZNXC3 | VITE TESTA ESAGONALE FE/ZNXC3 | |
| 002 | 80060527 | 002 | VIS TETE HEXAGONALE FE/ZNXC3 | HEXAGON HEAD SCREW FE/ZNXC3 | SECHSKANTSCHRAUBE FE/ZNXC3 | VITE TESTA ESAGONALE FE/ZNXC3 | |
| 003 | 80061020 | 004 | VIS TETE HEXAGONALE | HEXAGON HEAD SCREW | SECHSKANTSCHRAUBE | VITE A TESTA ESAGONALE | |
| 004 | 80201030 | 004 | ECROU HEX.AUTOFREINE FE/ZNXC3 | SELF-LOCKING NUT FE/ZNXC3 | SELBSTSICH.MUTTER FE/ZNXC3 | DADO AUTOBLOCCANTE FE/ZNXC3 | |
| 005 | 80270584 | 004 | RONDELLE GROWER | SPRING LOCK WASHER | FEDERRING | RONDELLA | |
| 006 | 80570300 | 002 | GOUPILLE BETA SIMPLE FE/ZNXC3 | SPRING COTTER PIN FE/ZNXC3 | FEDERSTECKER FE/ZNXC3 | MOLLA FE/ZNXC3 | |
| 007 | 83240209 | 001 | PANNEAU DE SIGNAL.RECT.ARD-AVG | WARNING PLATE | WARNTAFEL HI-RE + VO-LI | PANNELLO | |
| 008 | 83240210 | 001 | PANNEAU DE SIGNAL.RECT.ARG-AVD | WARNING PLATE | WARNTAFEL HI-LI + VO-RE | PANNELLO | |
| 009 | H0601820 | 002 | SUPPORT | SUPPORT | TRAEGER | SUPPORTO | |
| 010 | H0601970 | 002 | AXE | PIN | ACHSE | ASSE | |
| 011 | H0601980 | 004 | AIMANT | MAGNET | MAGNET | AIMANT | |





VARI-MASTER 152 T

I9738 >J8516

H06R0054 B

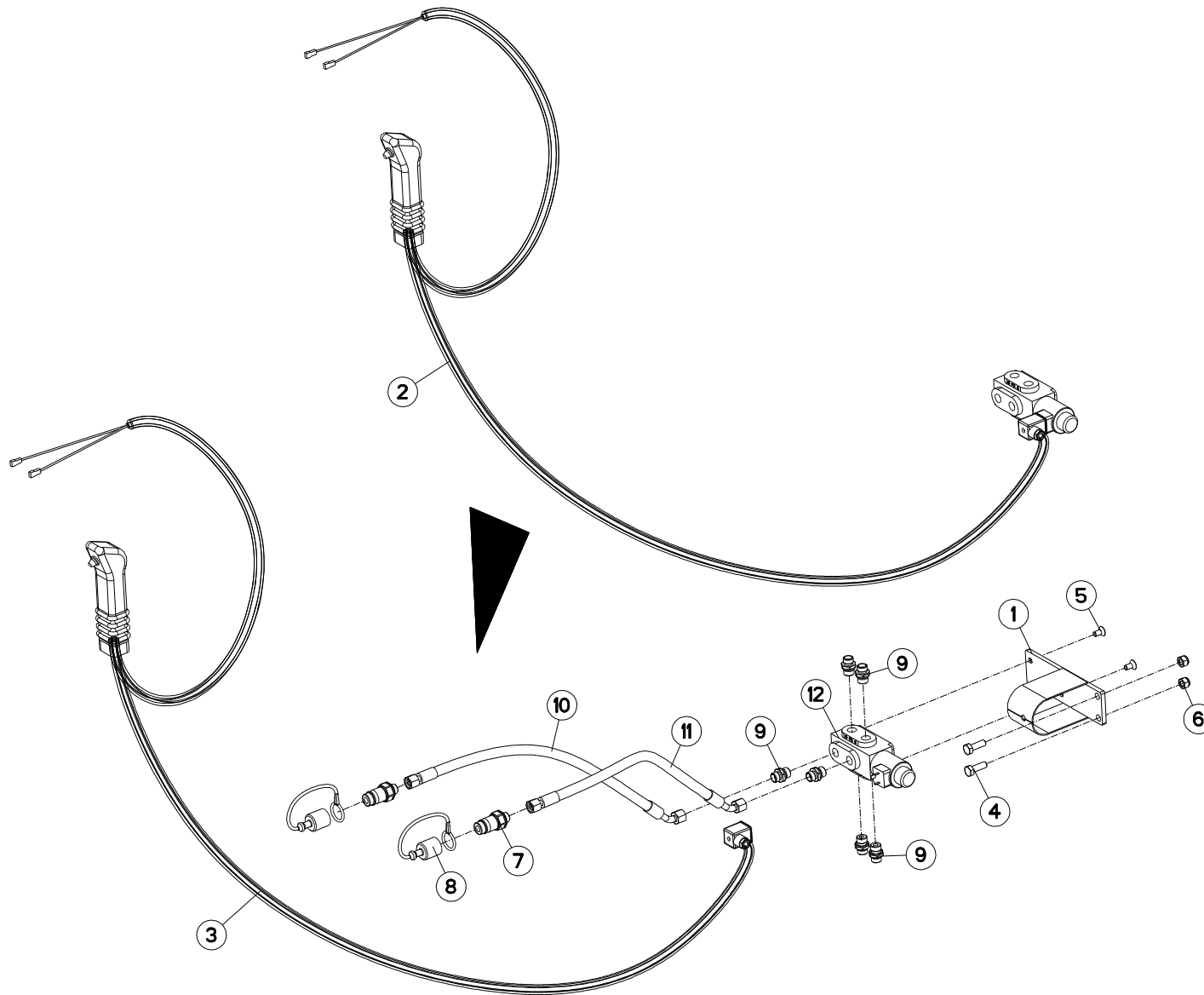
SIGNALISATION LATERALE

SIDE SIGNALLING

SEITLICHE WARNTAFELN

SEGNALAZIONE LATERALI

| Rep | Nr | Qt | Designation | Description | Bezeichnung | Referenza | Remarque - Remark - Bemerkung - Osservazioni |
|-----|-----------------|-----|--------------------------------|-----------------------------|----------------------------|-------------------------------|--|
| 001 | 80060510 | 001 | VIS TETE HEXAGONALE FE/ZNXC3 | HEXAGON HEAD SCREW FE/ZNXC3 | SECHSKANTSCHRAUBE FE/ZNXC3 | VITE TESTA ESAGONALE FE/ZNXC3 | |
| 002 | 80060527 | 001 | VIS TETE HEXAGONALE FE/ZNXC3 | HEXAGON HEAD SCREW FE/ZNXC3 | SECHSKANTSCHRAUBE FE/ZNXC3 | VITE TESTA ESAGONALE FE/ZNXC3 | |
| 003 | 80061072 | 002 | VIS TETE HEXAGONALE FE/ZNXC3 | HEXAGON HEAD SCREW FE/ZNXC3 | SECHSKANTSCHRAUBE FE/ZNXC3 | VITE TESTA ESAGONALE FE/ZNXC3 | |
| 004 | 80201030 | 002 | ECROU HEX.AUTOFREINE FE/ZNXC3 | SELF-LOCKING NUT FE/ZNXC3 | SELBSTSICH.MUTTER FE/ZNXC3 | DADO AUTOBLOCCANTE FE/ZNXC3 | |
| 005 | 80270584 | 002 | RONDELLE GROWER | SPRING LOCK WASHER | FEDERRING | RONDELLA | |
| 006 | 80570300 | 001 | GOUPILLE BETA SIMPLE FE/ZNXC3 | SPRING COTTER PIN FE/ZNXC3 | FEDERSTECKER FE/ZNXC3 | MOLLA FE/ZNXC3 | |
| 007 | 83240209 | 001 | PANNEAU DE SIGNAL.RECT.ARD-AVG | WARNING PLATE | WARNTAFEL HI-RE + VO-LI | PANNELLO | |
| 008 | 83240210 | 001 | PANNEAU DE SIGNAL.RECT.ARG-AVD | WARNING PLATE | WARNTAFEL HI-LI + VO-RE | PANNELLO | |
| 009 | H0601790 | 001 | SUPPORT | SUPPORT | TRAEGER | SUPPORTO | |
| 010 | H0601970 | 001 | AXE | PIN | ACHSE | ASSE | |
| 011 | H0601980 | 002 | AIMANT | MAGNET | MAGNET | AIMANT | |





VARI-MASTER 152 T

I9738 >J8516

H06R0021 A

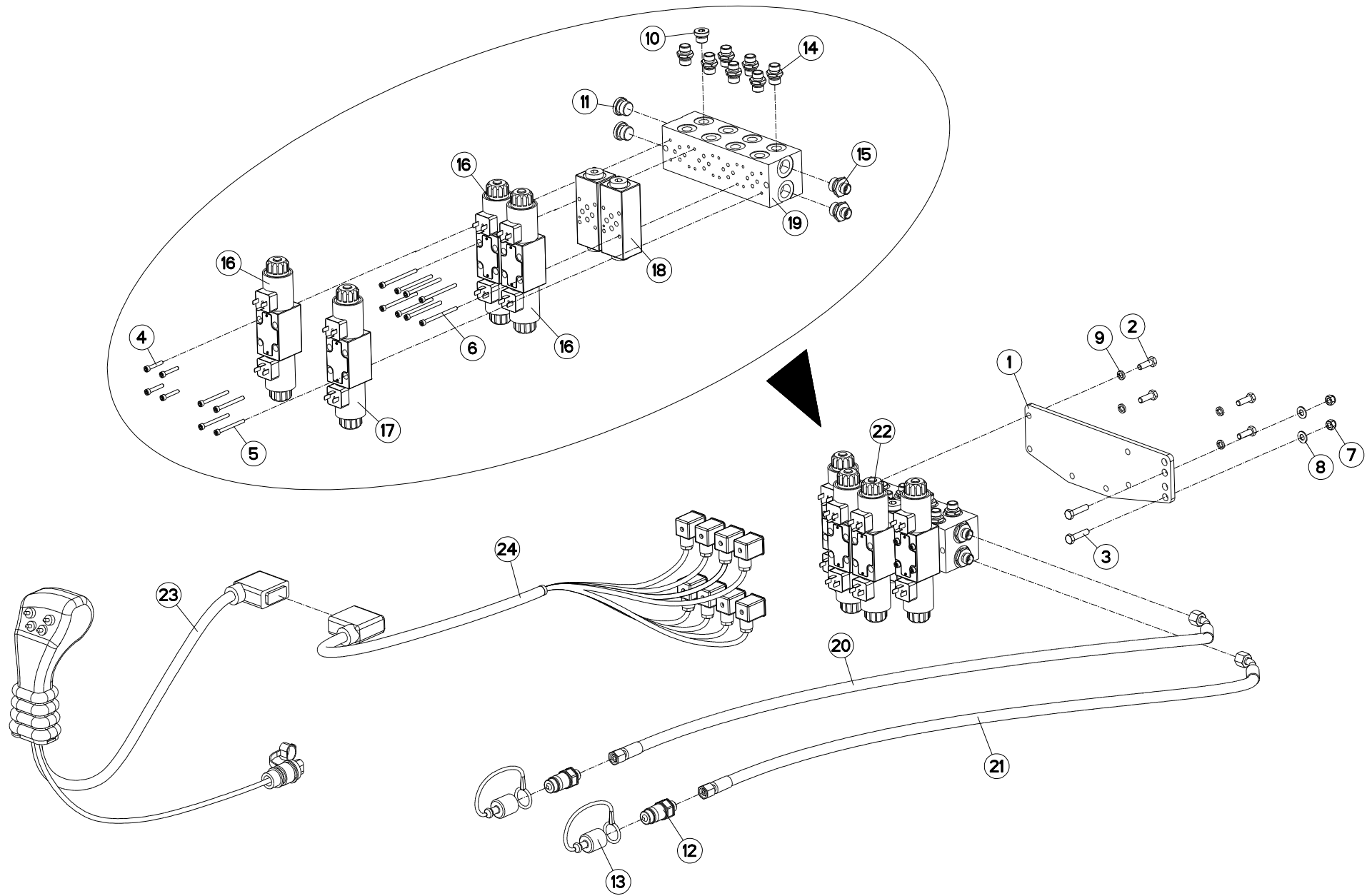
ELECTROVANNE

ELECTROSWITCH

ELEKTROWAHLSCHALTUNG

ELECTROVALVOLA

| Rep | Nr | Qt | Designation | Description | Bezeichnung | Referenza | Remarque - Remark - Bemerkung - Osservazioni |
|-----|----------|-----|--------------------------------|--------------------------------|------------------------------|-------------------------------|--|
| 001 | 582548 | 001 | SUPPORT | SUPPORT | TRAEGER | SUPPORTO | |
| 002 | 951637 | 001 | SELECTEUR + POIGNEE | SELECTOR + HANDEL | WAHLSCHALTVENTIL + HANGRIFF | SELETTORE + MANIGLIA | |
| 003 | 952251 | 002 | POIGNEE+CABLE SELECTEUR 951637 | HANDEL | HANGRIFF | MANIGLIA | |
| 004 | 80061073 | 002 | VIS TETE HEXAGONALE FE/ZNXC3 | HEXAGON HEAD SCREW FE/ZNXC3 | SECHSKANTSCHRAUBE FE/ZNXC3 | VITE TESTA ESAGONALE FE/ZNXC3 | |
| 005 | 80110806 | 002 | VIS T.FRAI.SIX P.CR.FE/ZNXC3 | HEX.SOC.COUNT.HEAD SC.FE/ZNXC3 | SENKSCHAUB.INNENSEC.FE/ZNXC3 | VITE FE/ZNXC3 | |
| 006 | 80201030 | 002 | ECROU HEX.AUTOFREINE FE/ZNXC3 | SELF-LOCKING NUT FE/ZNXC3 | SELBSTSICH.MUTTER FE/ZNXC3 | DADO AUTOBLOCCANTE FE/ZNXC3 | |
| 007 | A4074017 | 002 | COUPLEUR MALE | CONNECTOR MALE | KUPPLUNGSTECKER | INNESTO M16X150 | |
| 008 | 82300026 | 002 | CAPUCHON COUPLEUR MALE | CAP MALE CONNECTOR | KAPPE KUPPLUNGSSTECKER | TAPPO | |
| 009 | A4080401 | 006 | UNION MALE | MALE STUD CONNECTOR | GERADER EINSCHRAUBSTUTZEN | GIUZIONE DIRITTA ZBC | |
| 010 | A4921127 | 001 | FLEXIBLE D08 10L+10L LG2100 | HYDRAULIC HOSE | HYDRAULIKSCHLAUCH | TUBO GOMMA | <->2100 mm |
| 011 | A4921127 | 001 | FLEXIBLE D08 10L+10L LG2100 | HYDRAULIC HOSE | HYDRAULIKSCHLAUCH | TUBO GOMMA | <->2100 mm |
| 012 | H0601070 | 002 | ELECTROVANNE | ELECTRIC SHUT-OFF SLIDE | ELEKTROSCHIEBER | ELETTROVALVOLA | |





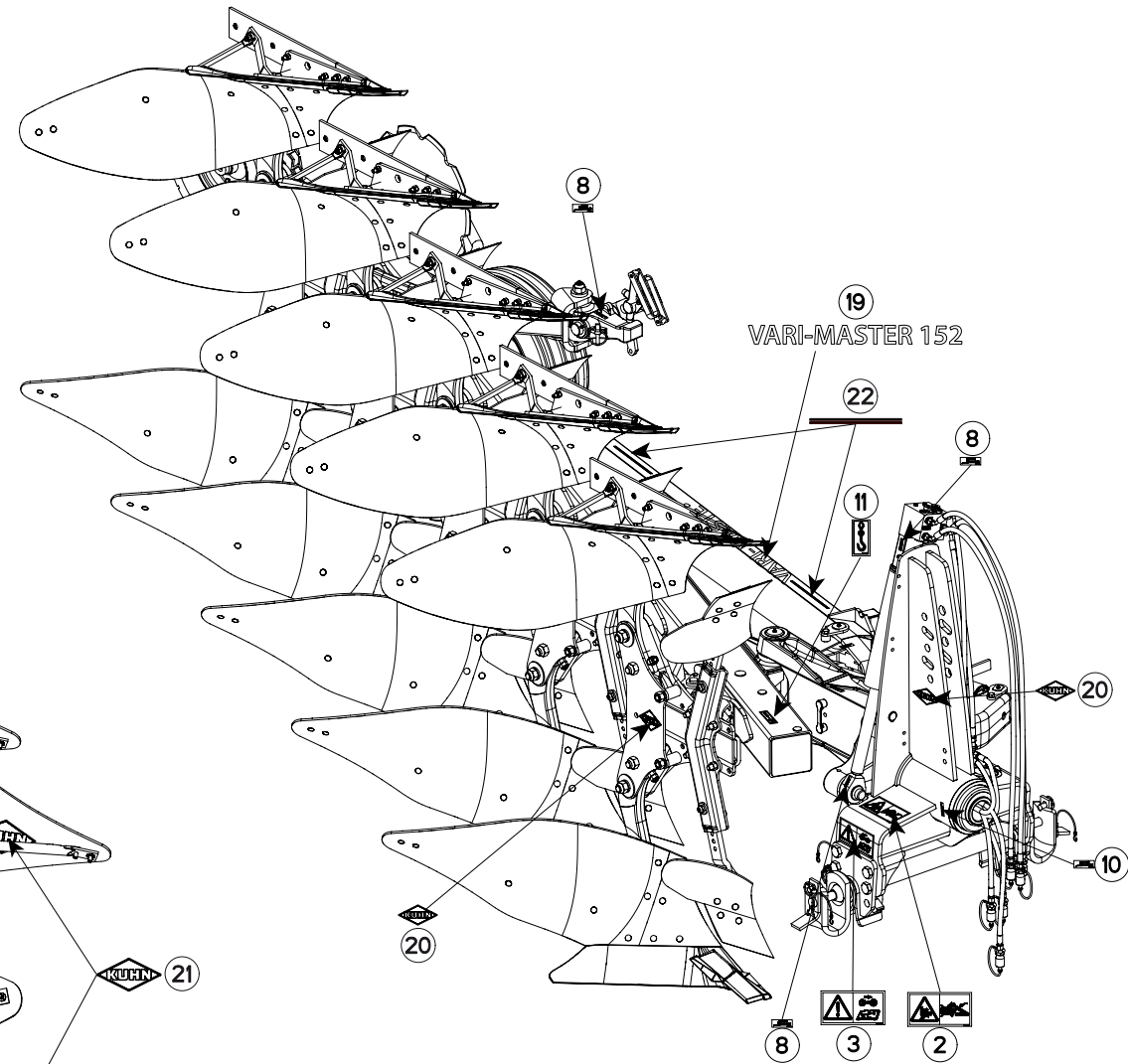
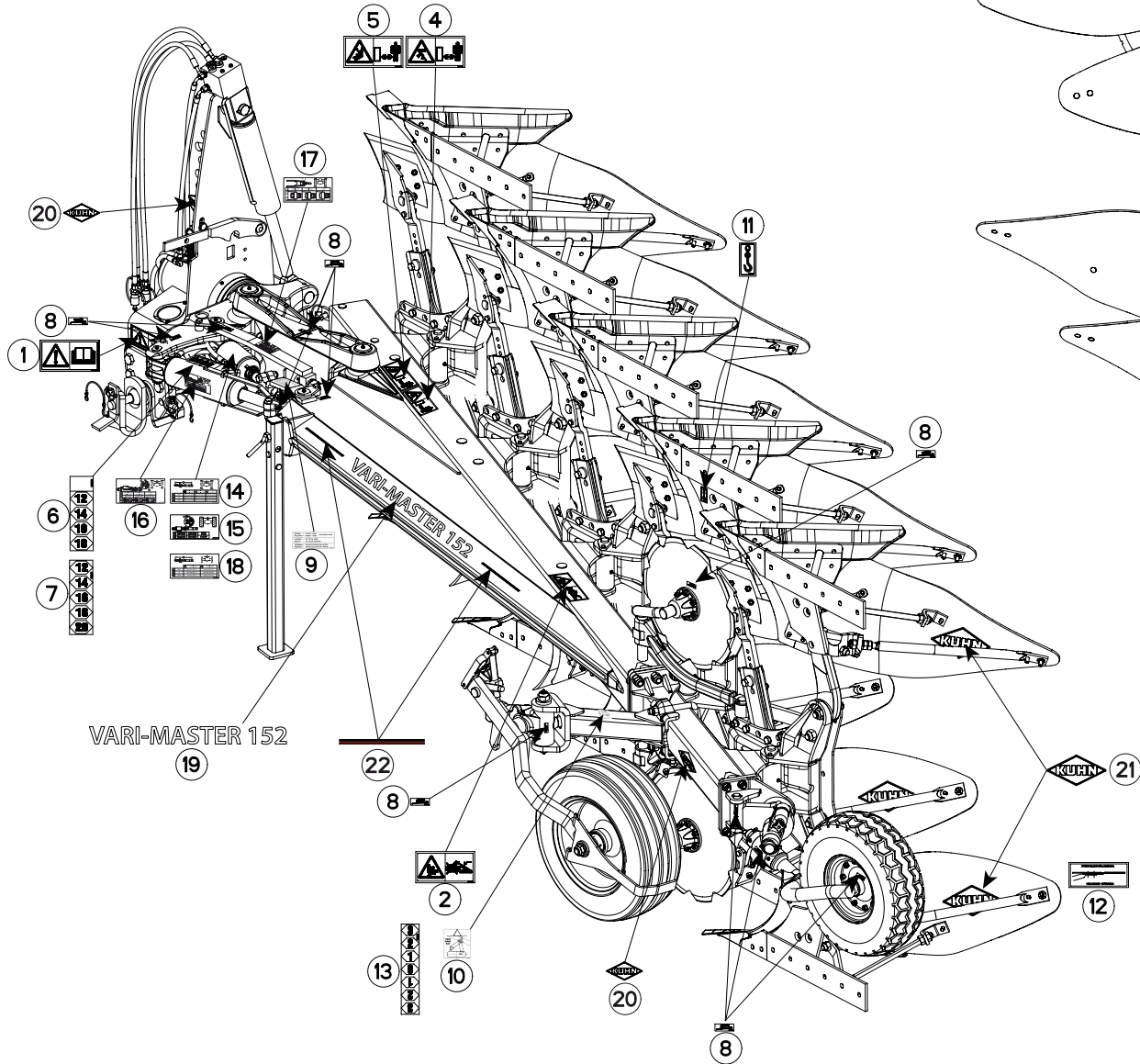
VARI-MASTER 152 T

I9738 >J8516

H06R0022 A

SELECTEUR ELECTROHYDR.4 FONC. ELECTROHYDR.SELECTOR 4 FUNCT. ELECTROHYDR.SELECTOR 4 FUNKT. ELECTROIDRA.SELETTORE 4 FUNZ.

| Rep | Nr | Qt | Designation | Description | Bezeichnung | Referenza | Remarque - Remark - Bemerkung - Osservazioni |
|-----|----------|-----|--------------------------------|--------------------------------|--------------------------------|--------------------------------|--|
| 001 | 750753 | 001 | SUPPORT ELECTRODISTRIBUTEUR | BRACKET | HALTERUNG | SUPPORTO | |
| 002 | 80060826 | 004 | VIS TETE HEXAGONALE FE/ZNXC3 | HEXAGON HEAD SCREW FE/ZNXC3 | SECHSKANTSCHRAUBE FE/ZNXC3 | VITE TESTA ESAGONALE FE/ZNXC3 | |
| 003 | 80060834 | 002 | VIS TETE HEXAGONALE FE/ZNXC3 | HEXAGON HEAD SCREW FE/ZNXC3 | SECHSKANTSCHRAUBE FE/ZNXC3 | VITE TESTA ESAGONALE FE/ZNXC3 | |
| 004 | 80080530 | 004 | VIS TETE CYL.SIX P.CR.FE/ZNXC3 | HEX.SOCK.HEAD CAP SCR.FE/ZNXC3 | ZYLINDERSCHR.INNENSEC.FE/ZNXC3 | VITE A TESTA CILINDR. FE/ZNXC3 | |
| 005 | 80080555 | 004 | VIS TETE CYL.SIX P.CREUX | HEX.SOCKET HEAD CAP SCREW | ZYLINDERSCHR.INNENSECHSK. | VITE | |
| 006 | 80080570 | 008 | VIS TETE CYL.SIX P.CR.FE/ZNXC3 | HEX.SOCK.HEAD CAP SCR.FE/ZNXC3 | ZYLINDERSCHR.INNENSEC.FE/ZNXC3 | VITE A TESTA CILINDR. FE/ZNXC3 | |
| 007 | 80200830 | 002 | ECROU HEX.AUTOFREINE FE/ZNXC3 | SELF-LOCKING NUT FE/ZNXC3 | SELBSTSICHERNDE MUTT.FE/ZNXC3 | DADO AUTOBLOCCANTE FE/ZNXC3 | |
| 008 | 80250917 | 002 | RONDELLE PLATE FE/ZNXC3 | PLAIN WASHER FE/ZNXC3 | SCHEIBE FE/ZNXC3 | RONDELLA PIATTA FE/ZNXC3 | |
| 009 | 80270884 | 004 | RONDELLE GROWER | SPRING LOCK WASHER | FEDERRING | RONDELLA GROWER | |
| 010 | A4061802 | 001 | BOUCHON 3/8 CYL CHC+JOINT | PLUG + SEAL | STOPFEN + DICHRING | TAPPO | |
| 011 | A4061803 | 002 | BOUCHON 1/2 CYL CHC+JOINT | PLUG + SEAL | STOPFEN + DICHRING | TAPPO | |
| 012 | A4074017 | 002 | COUPLEUR MALE | CONNECTOR MALE | KUPPLUNGSTECKER | INNESTO M16X150 | |
| 013 | 82300026 | 002 | CAPUCHON COUPLEUR MALE | CAP MALE CONNECTOR | KAPPE KUPPLUNGSSTECKER | TAPPO | |
| 014 | A4080401 | 007 | UNION MALE | MALE STUD CONNECTOR | GERADER EINSCHRAUBSTUTZEN | GIUZIONE DIRITTA ZBC | |
| 015 | A4080402 | 002 | UNION MALE | MALE STUD CONNECTOR | GERADER EINSCHRAUBSTUTZEN | GIUZIONE DIRITTA ZBC | |
| 016 | A4050003 | 003 | DISTRIBUTEUR CETOP3 | | | | |
| 017 | A4050005 | 001 | DISTRIBUTEUR CETOP3 | | | | |
| 018 | A4071207 | 002 | CLAPET | VALVE, FLAP | RUCKSCHLAGVENTIL | VALVOLA | |
| 019 | A4101036 | 001 | EMBASE 4 ELEMENTS CETOP3 | MOUNTING BASE | BODENPLATTE | SPESSORE | |
| 020 | A4921115 | 001 | FLEXIBLE HYDRAULIQUE | HYDRAULIC HOSE | HYDRAULIKSCHLAUCH | TUBO GOMMA | <->1600 mm |
| 021 | A4921115 | 001 | FLEXIBLE HYDRAULIQUE | HYDRAULIC HOSE | HYDRAULIKSCHLAUCH | TUBO GOMMA | <->1600 mm |
| 022 | H0500740 | 001 | SELECTEUR ELECTROHYDR. 4 FONC. | ELECTROHYDR. SELECTOR 4 FUNCT. | ELECTROHYDR. SELECTOR 4 FUNKT. | ELECTROIDRA. SELETTORE 4 FUNZ. | |
| 023 | H0600090 | 001 | POIGNEE DE CDE ERGOKIT.4 INV. | JOYSTICK | STEUERKNUEPPEL | BARRA DI COMMANDO | |
| 024 | H0600100 | 001 | FAISCEAU ELECTRIQUE 4,00M | ELECTRIC CABLE | KABELBAUM | FASCIO ELETTRICO | |





VARI-MASTER 152 T

I9738 >J8516

H18R0010 B

COLL.ETIQUETTES ADHESIVES VM15

SET OF STICKERS VM152T

SATZ AUFKLEBER VM152T

SERIE ADESIVI VM152T

| Rep | Nr | Qt | Designation | Description | Bezeichnung | Referenza | Remarque - Remark - Bemerkung - Osservazioni |
|-----|----------|-----|--------------------------------|--------------------------------|------------------------------|-----------------------------|--|
| 001 | 59900000 | 001 | PICTOGR.H NOTICE D'INSTR | PICTORIAL H INSTRUCTIONS | PIKTOGR.H BETRIEBSANLEITUNG | ADESIVO | |
| 002 | 59900300 | 002 | PICTOGR.H ECRASEM.MAIN | PICTORIAL H CRUSH.DANGER HAND | PIKTOGR.H QUETSCHGEFAHR HAND | ADESIVO | |
| 003 | 59900400 | 001 | PICTOGR.H ARRETER MOTEUR | PICTORIAL H STOP ENGINE | PIKTOGR.H MOTOR ABSTELLEN | ADESIVO | |
| 004 | 59900500 | 001 | PICTOGR.H ECRASEM.CORPS | PICTORIAL H CRUSH. DANGER BODY | PIKTOGR.H QUETSCHGEF.KOERPER | ADESIVO | |
| 005 | 59900600 | 001 | PICTOGR.H ECRASEM.TORSE | PICTORIAL H CRUSH.DANG.TORSO | PIKTOGR.H QUETSCHGEF.BRUSTK | ADESIVO | |
| 006 | 950458 | 001 | ETIQ.ADH. | DECAL | AUFKLEBER | ADESIVO | : D90 |
| 007 | 950459 | 001 | ETIQ.ADH. | DECAL | AUFKLEBER | ADESIVO | : D102 |
| 008 | 950414 | 001 | AUTOCOL.POMPE A GRAISSE | STICKER OIL PUMP | AUFKLEBER SCHMIERUNG | ADESIVO | Q? |
| 009 | 950405 | 001 | AUTOCOL. DEVERS' | STICKER | AUFKLEBER | ADESIVO | |
| 010 | 950408 | 001 | AUTOCOL.POSITION ROUE REGUL. | STICKER | AUFKLEBER | ADESIVO | OPT |
| 011 | 950470 | 002 | AUTOCOL.CROCHET LEVAGE | STICKER | AUFKLEBER | ADESIVO | |
| 012 | 950333 | 001 | AUTOCOL.POSITION RALLON.VERSOI | STICKER | AUFKLEBER | ADESIVO | OPT |
| 013 | 950491 | 002 | ETIQ.ADH. | DECAL | AUFKLEBER | ADESIVO | |
| 014 | H0301000 | 001 | AUTOCOLLANT DDC MECA | STICKER | AUFKLEBER | ADESIVO | |
| 015 | H0301010 | 001 | AUTOCOLLANT DDC HYDRO | STICKER | AUFKLEBER | ADESIVO | |
| 016 | H0301020 | 001 | AUTOCOLLANT LC VARI HYDRO | STICKER | AUFKLEBER | ADESIVO | |
| 017 | H0301040 | 001 | AUTOCOLLANT BAGUE TRINGLE VARI | STICKER | AUFKLEBER | ADESIVO | |
| 018 | H0301180 | 001 | AUTOCOLLANT DDC MECA BL | STICKER | AUFKLEBER | ADESIVO | : VM152xxxxxxxB |
| 019 | H0601420 | 002 | AUTOCOL. BANDEAU V.MASTER 152 | STICKER V.MASTER 152 | ABZIEHBILD V.MASTER 152 | ADESIVO V.MASTER 152 | |
| 020 | K9500010 | 001 | LOGO KUHN 103 BLANC/TRANSP. | LOGO KUHN 103 | LOGO KUHN 103 | LOGO KUHN 103 BIANCO TRASP | Q? |
| 021 | K9500070 | 001 | LOGO KUHN 207 BLANC/TRANSP. | LOGO KUHN 207 | LOGO KUHN 207 WEISS/TRANSP. | LOGO KUHN 207 BIANCO TRASP. | Q? |
| 022 | K9501190 | 004 | ETIQ.ADHESIVE LISERE 24/ 500 | TRANSFER | AUFKLEBER | ETICHETTA ADESIVA | |



INDEX NUMERIQUE - NUMERICAL INDEX TEILENUMMERN-INDEX - INDICE NUMERICO

| Nr | Page | Rep. | Nr | Page | Rep. | Nr | Page | Rep. | Nr | Page | Rep. | Nr | Page | Rep. | Nr | Page | Rep. | Nr | Page | Rep. | |
|--------|------|------|--------|------|------|--------|------|------|----|------|------|----|------|------|----|------|------|----|------|------|--|
| 929158 | 035 | 013 | 951180 | 017 | 015 | 951629 | 113 | 005 | | | | | | | | | | | | | |
| 929158 | 037 | 017 | 951182 | 043 | 031 | 951637 | 129 | 002 | | | | | | | | | | | | | |
| 929158 | 039 | 013 | 951182 | 045 | 031 | 951648 | 095 | 005 | | | | | | | | | | | | | |
| 929158 | 041 | 016 | 951182 | 053 | 042 | 951650 | 095 | 005 | | | | | | | | | | | | | |
| 950333 | 133 | 012 | 951185 | 121 | 034 | 951652 | 095 | 005 | | | | | | | | | | | | | |
| 950405 | 133 | 009 | 951190 | 121 | 016 | 951730 | 005 | 027 | | | | | | | | | | | | | |
| 950408 | 133 | 010 | 951197 | 095 | 003 | 951731 | 013 | 018 | | | | | | | | | | | | | |
| 950414 | 133 | 008 | 951200 | 003 | 018 | 951731 | 015 | 018 | | | | | | | | | | | | | |
| 950458 | 133 | 006 | 951200 | 007 | 018 | 951731 | 017 | 017 | | | | | | | | | | | | | |
| 950459 | 133 | 007 | 951200 | 009 | 030 | 951753 | 003 | 019 | | | | | | | | | | | | | |
| 950470 | 133 | 011 | 951204 | 083 | 006 | 951754 | 007 | 019 | | | | | | | | | | | | | |
| 950491 | 093 | 029 | 951204 | 097 | 006 | 951754 | 009 | 031 | | | | | | | | | | | | | |
| 950491 | 133 | 013 | 951204 | 099 | 004 | 951819 | 105 | 004 | | | | | | | | | | | | | |
| 951115 | 005 | 026 | 951204 | 109 | 003 | 951820 | 119 | 010 | | | | | | | | | | | | | |
| 951118 | 005 | 015 | 951206 | 083 | 007 | 951821 | 119 | 012 | | | | | | | | | | | | | |
| 951119 | 043 | 016 | 951206 | 097 | 007 | 951822 | 119 | 009 | | | | | | | | | | | | | |
| 951119 | 045 | 016 | 951222 | 101 | 002 | 951942 | 067 | 012 | | | | | | | | | | | | | |
| 951119 | 047 | 008 | 951242 | 015 | 017 | 952112 | 119 | 007 | | | | | | | | | | | | | |
| 951119 | 053 | 018 | 951242 | 017 | 016 | 952114 | 119 | 006 | | | | | | | | | | | | | |
| 951119 | 055 | 007 | 951242 | 107 | 006 | 952115 | 119 | 003 | | | | | | | | | | | | | |
| 951125 | 043 | 017 | 951249 | 103 | 003 | 952116 | 119 | 011 | | | | | | | | | | | | | |
| 951125 | 045 | 017 | 951291 | 115 | 007 | 952118 | 119 | 001 | | | | | | | | | | | | | |
| 951125 | 047 | 009 | 951346 | 121 | 017 | 952123 | 119 | 016 | | | | | | | | | | | | | |
| 951125 | 053 | 019 | 951347 | 043 | 019 | 952230 | 093 | 017 | | | | | | | | | | | | | |
| 951125 | 055 | 008 | 951347 | 045 | 019 | 952230 | 095 | 004 | | | | | | | | | | | | | |
| 951128 | 003 | 016 | 951347 | 053 | 021 | 952251 | 129 | 003 | | | | | | | | | | | | | |
| 951131 | 003 | 006 | 951364 | 121 | 018 | 952257 | 107 | 008 | | | | | | | | | | | | | |
| 951140 | 043 | 018 | 951408 | 007 | 009 | 952357 | 095 | 005 | | | | | | | | | | | | | |
| 951140 | 045 | 018 | 951433 | 003 | 017 | 952358 | 095 | 005 | | | | | | | | | | | | | |
| 951140 | 053 | 020 | 951460 | 091 | 022 | 952360 | 095 | 005 | | | | | | | | | | | | | |
| 951166 | 063 | 012 | 951460 | 093 | 030 | 970108 | 003 | 007 | | | | | | | | | | | | | |
| 951166 | 065 | 011 | 951461 | 091 | 013 | 970108 | 007 | 010 | | | | | | | | | | | | | |
| 951166 | 067 | 011 | 951461 | 093 | 015 | | | | | | | | | | | | | | | | |
| 951166 | 069 | 012 | 951521 | 005 | 016 | | | | | | | | | | | | | | | | |
| 951166 | 071 | 011 | 951521 | 013 | 017 | | | | | | | | | | | | | | | | |
| 951166 | 073 | 010 | 951522 | 031 | 010 | | | | | | | | | | | | | | | | |
| 951168 | 081 | 010 | 951522 | 033 | 006 | | | | | | | | | | | | | | | | |
| 951168 | 091 | 012 | 951522 | 035 | 004 | | | | | | | | | | | | | | | | |
| 951168 | 093 | 014 | 951522 | 037 | 005 | | | | | | | | | | | | | | | | |
| 951178 | 007 | 008 | 951522 | 039 | 004 | | | | | | | | | | | | | | | | |
| 951178 | 007 | 017 | 951522 | 041 | 005 | | | | | | | | | | | | | | | | |
| 951178 | 009 | 014 | 951523 | 031 | 011 | | | | | | | | | | | | | | | | |
| 951178 | 009 | 029 | 951523 | 033 | 007 | | | | | | | | | | | | | | | | |
| 951179 | 013 | 015 | 951523 | 035 | 005 | | | | | | | | | | | | | | | | |
| 951179 | 015 | 015 | 951523 | 037 | 006 | | | | | | | | | | | | | | | | |
| 951179 | 017 | 014 | 951523 | 039 | 005 | | | | | | | | | | | | | | | | |
| 951180 | 013 | 016 | 951523 | 041 | 006 | | | | | | | | | | | | | | | | |
| 951180 | 015 | 016 | 951525 | 095 | 005 | | | | | | | | | | | | | | | | |

EXTRAIT DES CONDITIONS DE GARANTIE ET CONDITIONS SPECIFIQUES PIECES DE RECHANGE

Nous garantissons notre matériel durant une année à partir du jour de livraison, c'est-à-dire que nous nous engageons à rembourser les pièces qui auront été reconnues défectueuses en nos usines, par notre service technique.

Bien entendu, la garantie ne s'applique pas en cas d'usure normale, ni en cas de détériorations résultant de négligences ou de défauts de surveillance, d'un mauvais usage, d'un manque d'entretien ou d'un accident. La garantie ne s'applique pas non plus si la machine a été prêtée ou utilisée pour un usage non conforme à sa destination prévue par la société.

La garantie ne s'applique pas aux pièces d'usure.

Les pièces de rechange sont soumises aux mêmes conditions de garantie que le matériel sous réserve qu'elles aient été montées selon les règles de l'art et utilisées conformément à nos recommandations.

EXTRACT FROM OUR CONDITIONS OF LIMITED WARRANTY AND SPARE PARTS WARRANTY POLICY

Our equipment is warranted for a period of one year from the date of delivery. We guarantee the reimbursement of all parts proven to be faulty by our technical division in material or manufacturing.

The warranty is not applicable in the following cases : normal wear, accident or negligence in operation, repairs using parts other than genuine KUHN parts, products altered or modified without the expressed permission of the company or if the machine is not used and serviced in accordance with the recommendations of the operator's manual. Wearing items are not covered under these conditions of limited warranty.

Spare parts are subject to the same warranty conditions than the equipment providing they have been installed with proficiency and are used in accordance with our recommendations.

AUSZUG AUS UNSEREN GARANTIEBEDINGUNGEN UND SONDERBEDINGUNGEN FÜR ERSATZTEILE

Wir garantieren unsere Ware für ein Jahr ab dem Tag der Lieferung und verpflichten uns, die Teile zu ersetzen, die im Werk als fehlerhaft anerkannt wurden.

Die Garantie ist ausgeschlossen für Teile, die einem normalen Verschleiß unterliegen, sowie im Fall von nachlässiger Behandlung oder mangelhafter Wartung oder eines Unfalls. Die Garantie erlischt auch, wenn die Maschine ausgeliehen oder unter Umständen eingesetzt wurde, die dem ursprünglichen Verwendungszweck und den Hinweisen in der Betriebsanleitung nicht entsprechen.

Verschleißteile sind von der Garantie ausgeschlossen

Ersatzteile unterliegen den gleichen Garantiebedingungen wie komplette Maschinen, vorausgesetzt, dass sie sachgerecht eingebaut und entsprechend unseren Empfehlungen verwendet wurden.

ESTRATTO DELLE CONDIZIONI DI GARANZIA E CONDIZIONI SPECIFICHE GARANZIA RICAMBI

Le nostre macchine sono garantite per un anno a partire dal giorno della consegna: ci impegnamo a rimborsare i componenti che saranno riconosciuti difettosi dai nostri servizi tecnici presso le nostre officine.

La garanzia non è applicabile nei seguenti casi: usura normale, incidente o negligenza nell'impiego, riparazioni utilizzando ricambi non originali KUHN, prodotti alterati o modificati senza il permesso dell'azienda. La garanzia non viene riconosciuta se la macchina è stata prestata o non è utilizzata o mantenuta in conformità alle raccomandazioni previste dalla società. La garanzia non copre i componenti soggetti ad usura.

I pezzi di ricambio sono soggetti agli stessi termini di garanzia della macchina, purchè siano stati installati con competenza e utilizzati conformemente alle nostre raccomandazioni.



**Pour votre sécurité et le bon fonctionnement de votre machine,
utilisez uniquement des pièces d'origine KUHN**

**For your safety and to get the best from your machine,
use only genuine KUHN parts**

**Zu ihrer Sicherheit und zur einwandfreien Funktion Ihrer
Maschine sollten Sie nur Original-KUHN-Ersatzteile verwenden**

**Per la vostra sicurezza, e per il buon funzionamento della vostra macchina,
usate esclusivamente i ricambi originali KUHN**

KUHN PARTS Parc de la Faisanderie F - 67700 MONSWILLER (FRANCE)

Tél.: + 33 (0) 3 88 01 81 00 - Fax : + 33 (0) 3 88 01 81 03

www.kuhn.com

Imprimé en France par KUHN
Printed in France by KUHN