

Pièces de rechange
Spare parts list
Ersatzteilliste
Catalogo Pezzi di Ricambio



DECHAUMEUR A DENTS
STUBBLE CULTIVATOR
SCHEIBENGRUBBER
ERPICI A DENTI



A0000 > C0000

CULTIMER 1000





SIGNES CODIFIÉS - STANDARD SYMBOLS - SYMBOLE - SIMBOLI CODIFICATI

| | |
|--------------|--------------------------------------|
| OPT | Equipement optionnel |
| STD | Equipement livré de série |
| ESP | Equipement livré suivant pays |
| : | Pour ... |
| > | De ... à ... |
| RPL | Remplace ... |
| ∅ | Diamètre |
| > < | Epaisseur |
| <-> | Longueur |
| <m> | Vendu au mètre |
| Q? | Quantité selon besoin |
| * | Voir note |
| [n] | Composant d'un assemblage |
| + [n] | Assemblage comprenant les pièces [n] |

| | |
|--------------|---|
| OPT | Optional equipment |
| STD | Equipment supplied as standard |
| ESP | Equipment supplied for specific countries |
| : | For ... |
| > | From ... to ... |
| RPL | Replaces ... |
| ∅ | Diameter |
| > < | Thickness |
| <-> | Length |
| <m> | Sold by the metre |
| Q? | Quantity as required |
| * | See note |
| [n] | Items making up assembly |
| + [n] | Assembly made up by items [n] |

| | |
|--------------|---|
| OPT | Sonderausrüstung |
| STD | Serienausrüstung |
| ESP | Länderabhängige Ausrüstung |
| : | Für ... |
| > | Von ... bis ... |
| RPL | Ersetzt ... |
| ∅ | Durchmesser |
| > < | Stärke |
| <-> | Länge |
| <m> | Meterware |
| Q? | Stückzahl nach Bedarf |
| * | Siehe Nota |
| [n] | Teil einer Baugruppe |
| + [n] | Baugruppe bestehend aus den mit [n] bezeichneten Teilen |

| | |
|--------------|---------------------------------------|
| OPT | Attrezzatura opzionale |
| STD | Attrezzatura fornita di serie |
| ESP | Attrezzatura fornita secondo il paese |
| : | Per ... |
| > | Da ... A ... |
| RPL | Sostituisce ... |
| ∅ | Diametro |
| > < | Spessore |
| <-> | Lunghezza |
| <m> | venduto a metro |
| Q? | Quantità richiesta |
| * | Vedi nota |
| [n] | Componente di un assieme |
| + [n] | Assieme comprendente i componenti [n] |

POUR COMMANDER DES PIÈCES DE RECHANGE, VEUILLEZ INDIQUER:

- Le numéro de fabrication de la machine
- Le numéro de la pièce
- La quantité désirée

WHEN ORDERING SERVICE-PARTS, WILL YOU PLEASE MENTION:

- The machine type and serial number
- The part number
- The quantity of parts

BEI DER BESTELLUNG VON ERSATZTEILEN IMMER ANGEBEN:

- Die Seriennummer der Maschine
- Die Nummer des Teiles
- Die gewünschte Stückzahl

NELL'ORDINARE I RICAMBI, SI PREGA DI INDICARE:

- Il tipo ed il numero di serie della macchina
- Il codice del componente
- La quantità desiderata

- Toutes les pièces détachées et sous-ensembles sont à commander au magasin pièces de rechange.
- **Les équipements optionnels (OPT)** ainsi que les **notices d'instructions** sont à commander auprès des **services commerciaux**.

- Service parts and service part assemblies are to be ordered through the spare parts department.
- **Optional equipment (OPT)** and **assembly operator's manuals** should be ordered through the **wholesaler sales department**.

- Bestellungen für Ersatzteile und Baugruppen sind an die Ersatzteilabteilung zu richten.
- **Sonderausrüstungen (OPT)** sowie **Montage- und Betriebsanleitungen**, bestellen Sie bitte bei der **Verkaufsabteilung für Maschinen**.

- I ricambi e i sotto-assiemi devono essere ordinati al Magazzino Ricambi.
- **Le attrezzature opzionali (OPT)** ed i **manuali dell'operatore** devono essere ordinati al **Servizio Commerciale**.

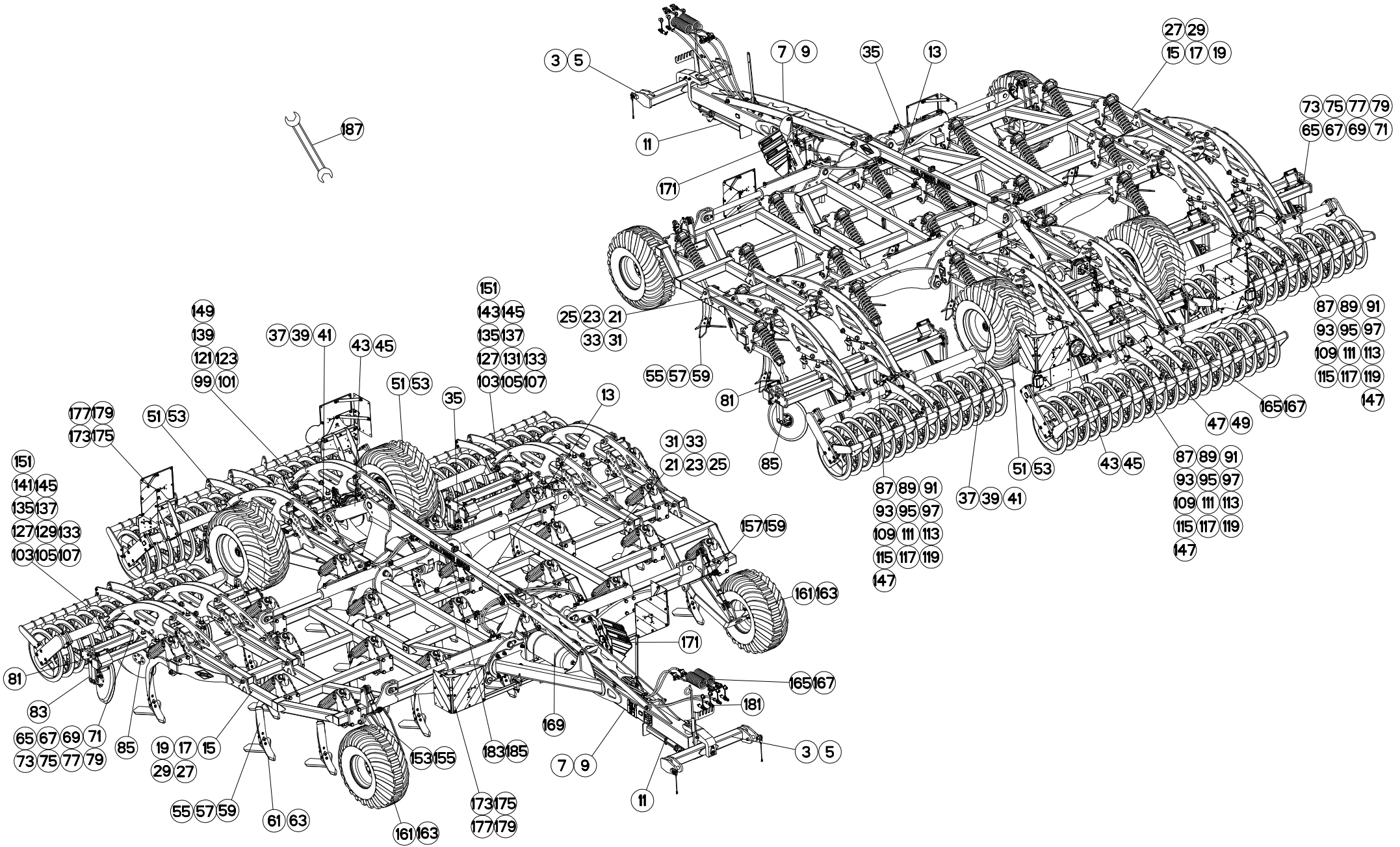




TABLE DES MATIERES - TABLE OF CONTENTS - INHALTSVERZEICHNIS - INDICE

H32R0019 F

Catalogue P.D.R. - Spare parts list - Ersatzteilliste - Pezzi di Ricambio :

HR067BTL C

Annule et remplace - Cancels and replaces - Annulliert und ersetzt - Annulla e sostituisce :

B

| Grp | Page | Opt | Groupe de pièces | Parts group index | Teilegruppe | Gruppo di parti |
|-----|------|-----|----------------------------|---------------------------|-------------------------------|--------------------------------|
| 003 | 003 | | ATTELAGE STD3 | CONNECTING FRAME STD3 | ANBAUBOCK STD3 | ATTACCO STD3 |
| 005 | 005 | | ATTELAGE STD3 & 4 | CONNECTING FRAME STD3 & 4 | ANBAUBOCK STD3 & 4 | ATTACCO STD3 & 4 |
| 007 | 007 | | TIMON | DRAWBAR | DEICHSEL | TIMONE |
| 009 | 009 | | TIMON | DRAWBAR | DEICHSEL | TIMONE |
| 011 | 011 | | BEQUILLE DE DEPOSE | PARKING STAND | ABSTELLSTUETZE | PIEDINO D'APPOGGIO |
| 013 | 013 | | BATI | FRAME | RAHMEN | TELAIO |
| 015 | 015 | | EXTENSION 6500 (DROITE) | EXTENSION 6500 (RIGHT) | ERWEITERUNG 6500 (RECHTS) | PROLUNGA 6500 (DX) |
| 017 | 017 | | EXTENSION 6500 (DROITE) | EXTENSION 6500 (RIGHT) | ERWEITERUNG 6500 (RECHTS) | PROLUNGA 6500 (DX) |
| 019 | 019 | | EXTENSION 6500 (DROITE) | EXTENSION 6500 (RIGHT) | ERWEITERUNG 6500 (RECHTS) | PROLUNGA 6500 (DX) |
| 021 | 021 | | EXTENSION 6500 (GAUCHE) | EXTENSION 6500 (LEFT) | ERWEITERUNG 6500 (LINKS) | PROLUNGA 6500 (SX) |
| 023 | 023 | | EXTENSION 6500 (GAUCHE) | EXTENSION 6500 (LEFT) | ERWEITERUNG 6500 (LINKS) | PROLUNGA 6500 (SX) |
| 025 | 025 | | EXTENSION 6500 (GAUCHE) | EXTENSION 6500 (LEFT) | ERWEITERUNG 6500 (LINKS) | PROLUNGA 6500 (SX) |
| 027 | 027 | | EXTENSION 8000 (DROITE) | EXTENSION 8000 (RIGHT) | ERWEITERUNG 8000 (RECHTS) | PROLUNGA 8000 (DX) |
| 029 | 029 | | EXTENSION 8000 (DROITE) | EXTENSION 8000 (RIGHT) | ERWEITERUNG 8000 (RECHTS) | PROLUNGA 8000 (DX) |
| 031 | 031 | | EXTENSION 8000 (GAUCHE) | EXTENSION 8000 (LEFT) | ERWEITERUNG 8000 (LINKS) | PROLUNGA 8000 (SX) |
| 033 | 033 | | EXTENSION 8000 (GAUCHE) | EXTENSION 8000 (LEFT) | ERWEITERUNG 8000 (LINKS) | PROLUNGA 8000 (SX) |
| 035 | 035 | | HYDRAULIQUE DE REPLIAGE | HYDRAULICS | HYDRAULIK RAHMENEINSCHWENKUNG | TUBI FLESSIBILI IDRAULICI |
| 037 | 037 | | CHARIOT | CARRIAGE | FAHRWERK | CARRELLO |
| 039 | 039 | | CHARIOT | CARRIAGE | FAHRWERK | CARRELLO |
| 041 | 041 | | CHARIOT | CARRIAGE | FAHRWERK | CARRELLO |
| 043 | 043 | | HYDRAULIQUE DE RELEVAGE | LIFTING HYDRAULIC | HYDRAULIKELEMENTE AUSHEBUNG | SIST. IDRAULICO SOLLEVAMENTO |
| 045 | 045 | | HYDRAULIQUE DE RELEVAGE | LIFTING HYDRAULIC | HYDRAULIKELEMENTE AUSHEBUNG | SIST. IDRAULICO SOLLEVAMENTO |
| 047 | 047 | | ESSIEU COLAERT | AXLE COLAERT | ACHSE COLAERT | ASSALE COLAERT |
| 049 | 049 | | ESSIEU MONROC | AXLE MONROC | ACHSE MONROC | ASSALE MONROC |
| 051 | 051 | | ROUES D950 L500 | WHEELS D950 L500 | RÄDER D950 L500 | RUOTE D950 L500 |
| 053 | 053 | | ROUE 445/45 R19.5 156J | WHEEL 445/45 R19.5 156J | RAD 445/45 R19.5 156J | RUOTA 445/45 R19.5 156J |
| 055 | 055 | | DENTS (A0000 -->) | TINES (A0000 -->) | ZINKEN (A0000 -->) | DENTI (A0000 -->) |
| 057 | 057 | | DENTS (A0000 -->) | TINES (A0000 -->) | ZINKEN (A0000 -->) | DENTI (A0000 -->) |
| 059 | 059 | | DENTS (A0000 -->) | TINES (A0000 -->) | ZINKEN (A0000 -->) | DENTI (A0000 -->) |
| 061 | 061 | | EQUIPEMENT DENTS | EQUIPMENT TINES | AUSRÜSTUNG ZINKEN | EQUIPAGGIAMENTO DENTI |
| 063 | 063 | OPT | EQUIPEMENT (CARBURE) DENTS | EQUIPMENT (CARBURE) TINES | AUSRÜSTUNG (CARBURE) ZINKEN | EQUIPAGGIAMENTO (CARBURE) DENT |
| 065 | 065 | | CHASSIS 6,5M (DISQUES) | FRAME 6,5M (DISCS) | RAHMEN 6,5M (SCHEIBEN) | TELAIO 6,5M (DISCHI) |
| 067 | 067 | | CHASSIS 6,5M (DISQUES) | FRAME 6,5M (DISCS) | RAHMEN 6,5M (SCHEIBEN) | TELAIO 6,5M (DISCHI) |
| 069 | 069 | | CHASSIS 8M (DISQUES) | FRAME 8M (DISCS) | RAHMEN 8M (SCHEIBEN) | TELAIO 8M (DISCHI) |
| 071 | 071 | | CHASSIS 8M (DISQUES) | FRAME 8M (DISCS) | RAHMEN 8M (SCHEIBEN) | TELAIO 8M (DISCHI) |
| 073 | 073 | OPT | CHASSIS 6,5M (DISQUES) | FRAME 6,5M (DISCS) | RAHMEN 6,5M (SCHEIBEN) | TELAIO 6,5M (DISCHI) |
| 075 | 075 | OPT | CHASSIS 6,5M (DISQUES) | FRAME 6,5M (DISCS) | RAHMEN 6,5M (SCHEIBEN) | TELAIO 6,5M (DISCHI) |
| 077 | 077 | OPT | CHASSIS 8M (DISQUES) | FRAME 8M (DISCS) | RAHMEN 8M (SCHEIBEN) | TELAIO 8M (DISCHI) |
| 079 | 079 | OPT | CHASSIS 8M (DISQUES) | FRAME 8M (DISCS) | RAHMEN 8M (SCHEIBEN) | TELAIO 8M (DISCHI) |
| 081 | 081 | OPT | SECURITE (DISQUES) | SAFETY (DISCS) | SICHERHEIT (SCHEIBEN) | SICUREZZA (DISCHI) |

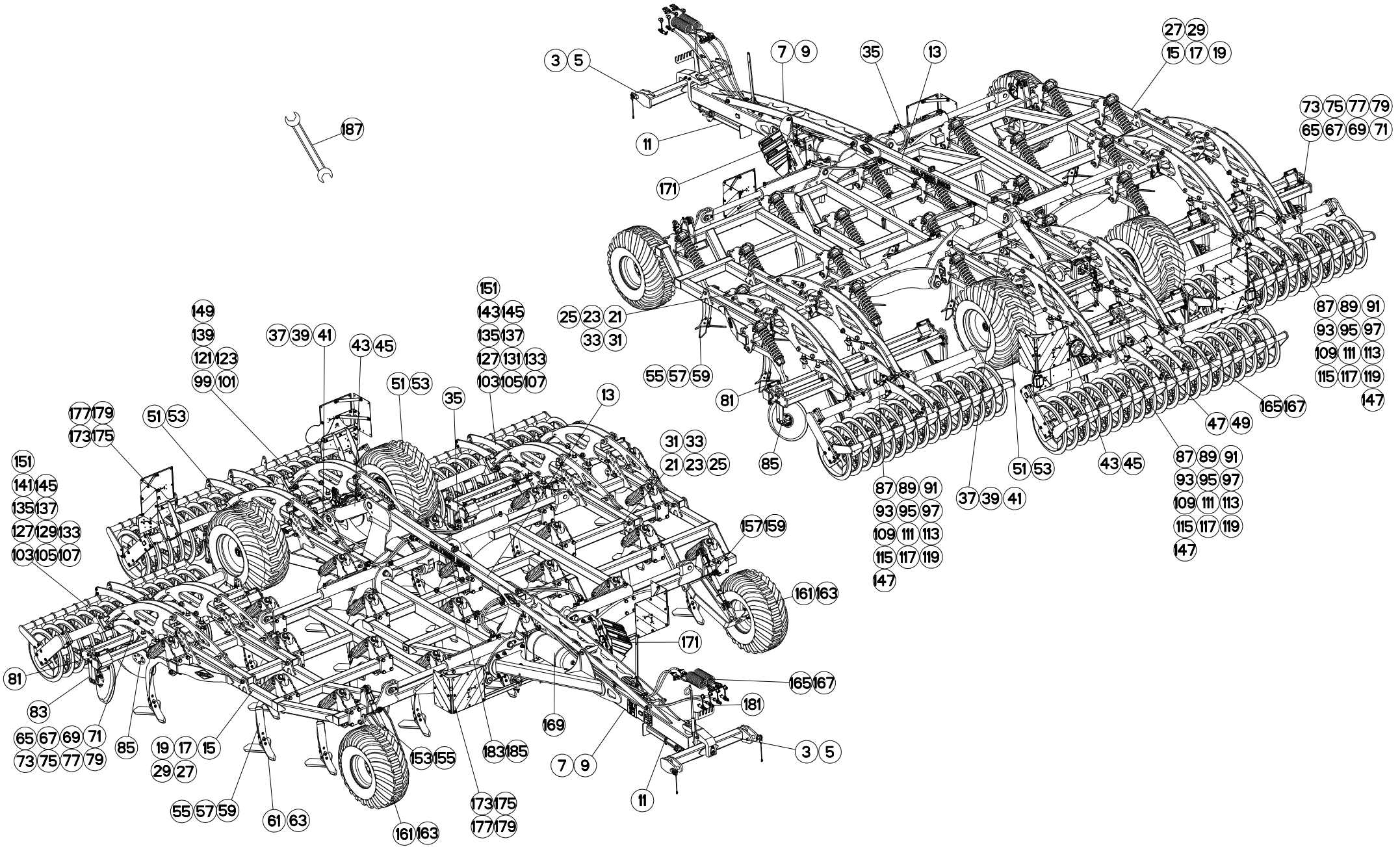




TABLE DES MATIERES - TABLE OF CONTENTS - INHALTSVERZEICHNIS - INDICE

H32R0019 F

Catalogue P.D.R. - Spare parts list - Ersatzteilliste - Pezzi di Ricambio :

HR067BTL C

Anulle et remplace - Cancels and replaces - Annulliert und ersetzt - Annulla e sostituisce :

B

| Grp | Page | Opt | Groupe de pièces | Parts group index | Teilegruppe | Gruppo di parti |
|-----|------|-----|---------------------------------|-------------------------------|---------------------------------|--------------------------------|
| 083 | 083 | | DISQUES (DROITE) | DISCS (RIGHT) | SCHEIBEN (RECHTS) | DISCHI (DX) |
| 085 | 085 | | DISQUES (GAUCHE) | DISCS (LEFT) | SCHEIBEN (LINKS) | DISCHI (SX) |
| 087 | 087 | | CHASSIS 6,5M (ROULEAU A TUBES) | FRAME 6,5M (CRUMBLER ROLLER) | RAHMEN 6,5M (ROHRWALZE) | TELAIO 6,5M (RULLO SMINUZZATOR |
| 089 | 089 | | CHASSIS 6,5M (ROULEAU A TUBES) | FRAME 6,5M (CRUMBLER ROLLER) | RAHMEN 6,5M (ROHRWALZE) | TELAIO 6,5M (RULLO SMINUZZATOR |
| 091 | 091 | | CHASSIS 6,5M (ROULEAU A TUBES) | FRAME 6,5M (CRUMBLER ROLLER) | RAHMEN 6,5M (ROHRWALZE) | TELAIO 6,5M (RULLO SMINUZZATOR |
| 093 | 093 | | CHASSIS 8M (ROULEAU A TUBES) | FRAME 8M (CRUMBLER ROLLER) | RAHMEN 8M (ROHRWALZE) | TELAIO 8M (RULLO SMINUZZATORE) |
| 095 | 095 | | CHASSIS 8M (ROULEAU A TUBES) | FRAME 8M (CRUMBLER ROLLER) | RAHMEN 8M (ROHRWALZE) | TELAIO 8M (RULLO SMINUZZATORE) |
| 097 | 097 | | CHASSIS 8M (ROULEAU A TUBES) | FRAME 8M (CRUMBLER ROLLER) | RAHMEN 8M (ROHRWALZE) | TELAIO 8M (RULLO SMINUZZATORE) |
| 099 | 099 | | ROULEAU A TUBES 3M | CRUMBLER ROLLER 3M | ROHRWALZE 3M | RULLO SMINUZZATORE 3M |
| 101 | 101 | | ROULEAU A TUBES CULT.3/6,5/8M | CRUMBLER ROLLER CULT.3/6,5/8M | ROHRWALZE CULT.3/6,5/8M | RULLO SMINUZZATORE CULT.3/6,5/ |
| 103 | 103 | | ROULEAU A TUBES 2 X 2M | CRUMBLER ROLLER 2 X 2M | ROHRWALZE 2 X 2M | RULLO SMINUZZATORE 2 X 2M |
| 105 | 105 | | ROULEAU A TUBES 2 X 2M | CRUMBLER ROLLER 2 X 2M | ROHRWALZE 2 X 2M | RULLO SMINUZZATORE 2 X 2M |
| 107 | 107 | | ROULEAU A TUBES 2 X 2,5M | CRUMBLER ROLLER 2 X 2,5M | ROHRWALZE 2 X 2,5M | RULLO SMINUZZATORE 2 X 2,5M |
| 109 | 109 | | CHASSIS 6,5M (ROULEAU) | FRAME 6,5M (ROLLER) | RAHMEN 6,5M (WALZE) | TELAIO 6,5M (RULLO) |
| 111 | 111 | | CHASSIS 6,5M (ROULEAUX) | FRAME 6,5M (ROLLERS) | RAHMEN 6,5M (QUETSCHWALZEN) | TELAIO 6,5M (RULLI) |
| 113 | 113 | | CHASSIS 6,5M (ROULEAU) | FRAME 6,5M (ROLLER) | RAHMEN 6,5M (WALZE) | TELAIO 6,5M (RULLO) |
| 115 | 115 | | CHASSIS 8M (ROULEAU) | FRAME 8M (ROLLER) | RAHMEN 8M (WALZE) | TELAIO 8M (RULLO) |
| 117 | 117 | | CHASSIS 8M (ROULEAUX) | FRAME 8M (ROLLERS) | RAHMEN 8M (QUETSCHWALZEN) | TELAIO 8M (RULLI) |
| 119 | 119 | | CHASSIS 8M (ROULEAU) | FRAME 8M (ROLLER) | RAHMEN 8M (WALZE) | TELAIO 8M (RULLO) |
| 121 | 121 | | ROULEAU T-RING 3M | ROLLER T-RING 3M | WALZE T-RING 3M | RULLO T-RING 3M |
| 123 | 123 | | ROULEAU T-RING 3M | ROLLER T-RING 3M | WALZE T-RING 3M | RULLO T-RING 3M |
| 125 | 125 | OPT | DECROTTOIR T-RING 3M (LAMES) | SCRAPER T-RING 3M (BLADES) | ABSTREIFER T-RING 3M (ZINKEN) | POLITIRE T-RING 3M (LAME) |
| 127 | 127 | | ROULEAUX T-RING 2 X 2M | ROLLERS T-RING 2 X 2M | QUETSCHWALZEN T-RING 2 X 2M | RULLI T-RING 2 X 2M |
| 129 | 129 | | ROULEAU T-RING CULT6500 DROIT | ROLLER T-RING CULT6500 RIGHT | WALZE T-RING CULT6500 RECHTS | RULLO T-RING CULT6500 DESTRO |
| 131 | 131 | | ROULEAU T-RING CULT6500 GAUCHE | ROLLER T-RING CULT6500 LEFT | WALZE T-RING CULT6500 LINKS | RULLO T-RING CULT6500 SX |
| 133 | 133 | OPT | DECROTTOIR T-RING 2X2M (LAMES) | SCRAPER T-RING 2X2M (BLADES) | ABSTREIFER T-RING 2X2M (ZINKEN) | POLITIRE T-RING 2X2M (LAME) |
| 135 | 135 | | ROULEAUX T-RING 2 X 2,5M | ROLLERS T-RING 2 X 2,5M | QUETSCHWALZEN T-RING 2 X 2,5M | RULLI T-RING 2 X 2,5M |
| 137 | 137 | | ROULEAU T-RING CULT8000 | ROLLER T-RING CULT8000 | WALZE T-RING CULT8000 | RULLO T-RING CULT8000 |
| 139 | 139 | | ROULEAU T-LINER 3M | ROLLER T-LINER 3M | WALZE T-LINER 3M | RULLO T-LINER 3M |
| 141 | 141 | | ROULEAU T-RING FL. D600 D | ROLLER T-RING FL. D600 D | WALZE T-RING FL. D600 D | RULLO T-RING FL. D600 D |
| 143 | 143 | | ROULEAU T-RING FL. D600 G | ROLLER T-RING FL. D600 G | WALZE T-RING FL. D600 G | RULLO T-RING FL. D600 G |
| 145 | 145 | | ROULEAU T-RING FL. D600 2M | ROLLER T-RING FL. D600 2M | WALZE T-RING FL. D600 2M | RULLO T-RING FL. D600 2M |
| 147 | 147 | | CHASSIS 6,5M (ROULEAU PACKLINE) | FRAME 6,5M (PACKLINER ROLLER) | RAHMEN 6,5M (PACKLINER-WALZE) | TELAIO 6,5M (RULLO PACKLINER) |
| 149 | 149 | | ROULEAU PACKLINER 3M | PACKLINER ROLLER 3M | PACKLINER-WALZE 3M | RULLO PACKLINER 3M |
| 151 | 151 | | ROULEAU PACKLINER 2 X 2M | PACKLINER ROLLER 2 X 2M | PACKLINER-WALZE 2 X 2M | RULLO PACKLINER 2 X 2M |
| 153 | 153 | | SUPPORT DE ROUE (DROIT) | WHEEL SUPPORT (RIGHT) | RADHALTERUNG (RECHTS) | SUPPORTO RUOTA (DX) |
| 155 | 155 | | SUPPORT DE ROUE (DROIT) | WHEEL SUPPORT (RIGHT) | RADHALTERUNG (RECHTS) | SUPPORTO RUOTA (DESTRO) |
| 157 | 157 | | SUPPORT DE ROUE (GAUCHE) | WHEEL SUPPORT (LEFT) | RADHALTERUNG (LINKS) | SUPPORTO RUOTA (SX) |
| 159 | 159 | | SUPPORT DE ROUE (GAUCHE) | WHEEL SUPPORT (LEFT) | RADHALTERUNG (LINKS) | SUPPORTO RUOTA (SX) |
| 161 | 161 | | ROUE 11,5/80-15 | WHEEL 11,5/80-15 | RAD 11,5/80-15 | RUOTA 11,5/80-15 |

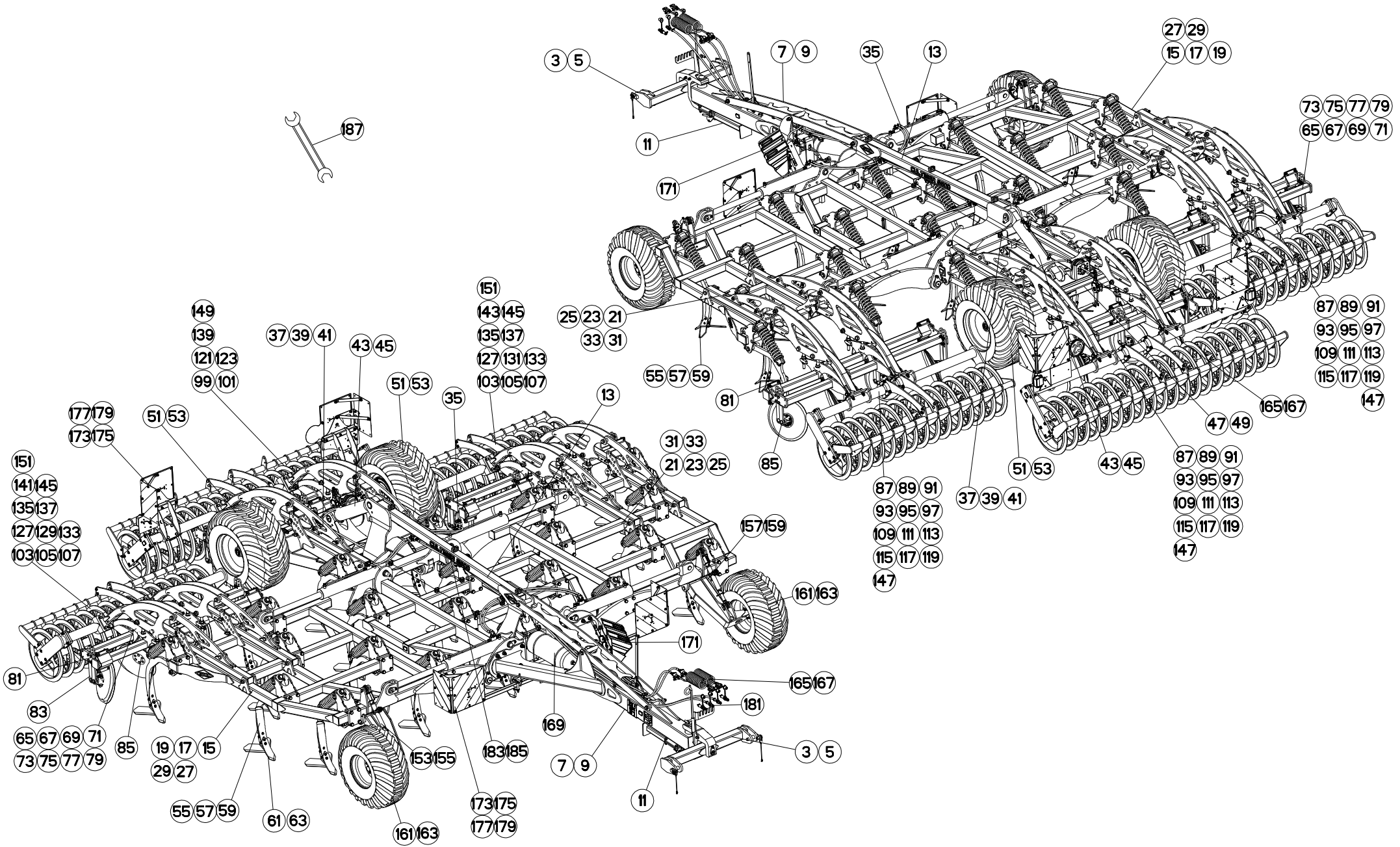




TABLE DES MATIERES - TABLE OF CONTENTS - INHALTSVERZEICHNIS - INDICE

H32R0019 F

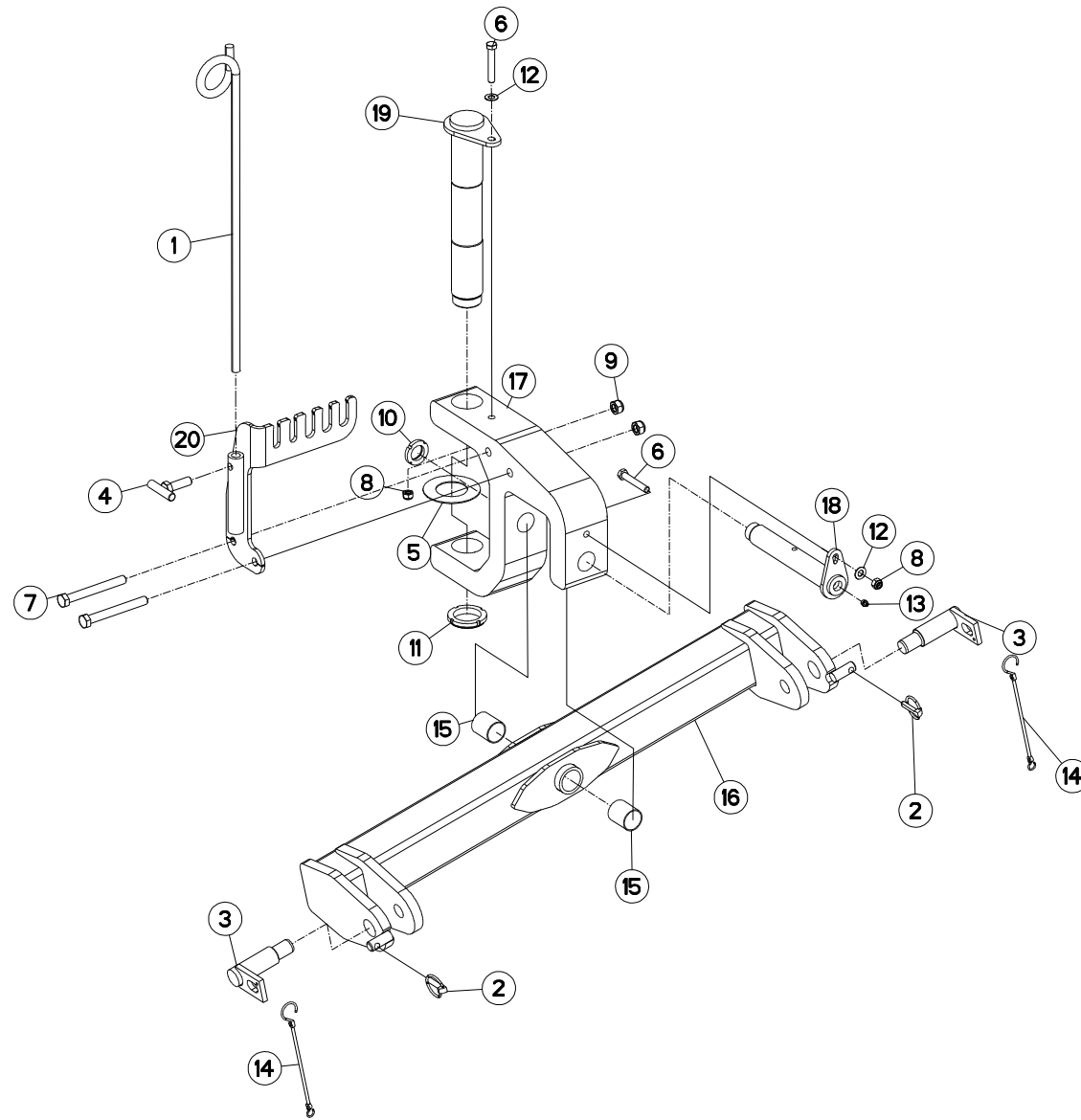
Catalogue P.D.R. - Spare parts list - Ersatzteilliste - Pezzi di Ricambio :

HR067BTL C

Annule et remplace - Cancels and replaces - Annulliert und ersetzt - Annulla e sostituisce :

B

| Grp | Page | Opt | Groupe de pièces | Parts group index | Teilegruppe | Gruppo di parti |
|-----|------|-----|--------------------------------|--------------------------|---------------------------------|----------------------------|
| 163 | 163 | | ROUE 400/60-15. | WHEEL 400/60-15. | RAD 400/60-15. | RUOTA 400/60-15. |
| 165 | 165 | | FREINAGE HYDRAULIQUE | HYDRAULIC BRAKE | HYDRAULISCHE BREMSANLAGE | FRENO IDRAULICO |
| 167 | 167 | | FREINAGE PNEUMATIQUE | PNEUMATIC BRAKE | DRUCKLUFT-BREMSANLAGE | FRENO PNEUMATICO |
| 169 | 169 | | RESERVOIR (PNEUMATIQUE) | TANK (TYRE) | TANK (REIFEN) | SERBATOIO (PNEUMATICO) |
| 171 | 171 | OPT | CALE DE ROUE | FIX OF WHEEL | BREMSKLOTZ | TENUTA DI RUO |
| 173 | 173 | | SIGNALISATION | SIGNALLING | BELEUCHTUNG U. WARNTAFELN | SEGNALAZIONE |
| 175 | 175 | | SIGNALISATION | SIGNALLING | BELEUCHTUNG U. WARNTAFELN | SEGNALAZIONE |
| 177 | 177 | | SIGNALISATION (TÜV) | SIGNALLING (TÜV) | BELEUCHTUNG U. WARNSCHILDER (T | SEGNALAZIONE (TÜV) |
| 179 | 179 | | SIGNALISATION (TÜV) | SIGNALLING (TÜV) | BELEUCHTUNG U. WARNTAFELN (TÜV) | SEGNALAZIONE (TÜV) |
| 181 | 181 | | COUPLEURS HYDRAULIQUES RUSSE | HYDRAULIC COUPLERS RUSSE | HYDRAULIKANSCHLUESSE RUSSE | CONNETTORI IDRAULICI RUSSE |
| 183 | 183 | | COLL.ETIQUETTES ADHESIVES CULT | SET OF STICKERS CULT | SATZ AUFKLEBER CULT | SERIE ADESIVI CULT |
| 185 | 185 | | COLL.ETIQUETTES ADHESIVES CULT | SET OF STICKERS CULT | SATZ AUFKLEBER CULT | SERIE ADESIVI CULT |
| 187 | 187 | | OUTILLAGE | TOOLS | WERKZEUG | ATTREZZI |





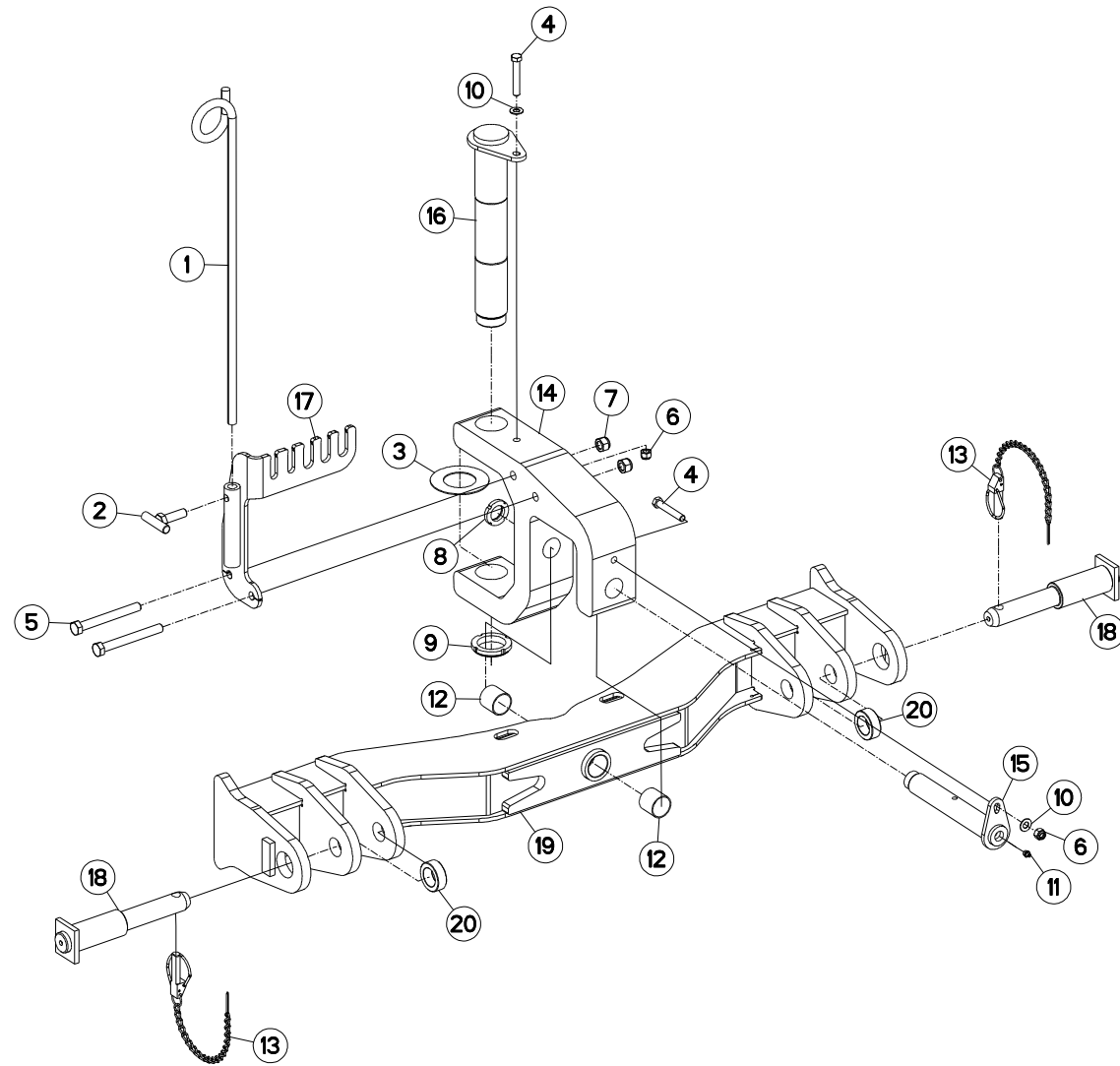
ATTELAGE STD3

CONNECTING FRAME STD3

ANBAUBOCK STD3

ATTACCO STD3

| Rep | Nr | Qt | Designation | Description | Bezeichnung | Referenza | Remarque - Remark - Bemerkung - Osservazioni |
|-----|----------|-----|-------------------------------|-----------------------------|--------------------------------|-------------------------------|--|
| 001 | 140314 | 001 | QUEUE DE COCHON | SUPPORT | HALTERUNG | SUPPORTO | |
| 002 | 541001 | 002 | GOUPILLE RAPIDE | LYNCH PIN D10 CAT2 | KLAPPSTECKER D10 KAT2 | CAPPIGLIA | |
| 003 | 581706 | 002 | BROCHE STD 3 Ø36 | SPINDLE | SPINDEL | PERNO | |
| 004 | 582836 | 001 | POIGNEE DE SERRAGE | GRIP | HANDGRIFF | MANIGLIA | |
| 005 | 900742 | 001 | BAGUE ANTI-FRICTION | ANTI-FRICTION BUSHES | VERSCHLEISSRING | BOCCOLA | |
| 006 | 80061280 | 002 | VIS TETE HEXAGONALE FE/ZNXC3 | HEXAGON HEAD SCREW FE/ZNXC3 | SECHSKANTSCHRAUBE FE/ZNXC3 | VITE TESTA ESAGONALE FE/ZNXC3 | |
| 007 | 80061686 | 002 | VIS TETE HEXAGONALE FE/ZNXC3 | HEXAGON HEAD SCREW FE/ZNXC3 | SECHSKANTSCHRAUBE FE/ZNXC3 | VITE TESTA ESAGONALE FE/ZNXC3 | |
| 008 | 80201240 | 002 | ECROU HEX.BAS AUTOFR.FE/ZNXC3 | SELF-LOCKING NUT FE/ZNXC3 | SELBSTSICHERND.MUTTER FE/ZNXC3 | DADO AUTOBLOCCANTE FE/ZNXC3 | |
| 009 | 80201640 | 002 | ECROU HEX.BAS AUTOFR.FE/ZNXC3 | SELF-LOCKING NUT FE/ZNXC3 | SELBSTSICHERND.MUTTER FE/ZNXC3 | DADO AUTOBLOCCANTE FE/ZNXC3 | |
| 010 | 80203565 | 001 | ECROU A ENCOCH.AUOF.FE/ZNXC3 | SELF-LOCKING NUT FE/ZNXC3 | SELBSTSICHERN.MUTTER FE/ZNXC3 | DADO AUTOBLOCCANTE FE/ZNXC3 | |
| 011 | 80205566 | 001 | ECROU A ENCOCH.AUOF.FE/ZNXC3 | SELF-LOCKING NUT FE/ZNXC3 | SELBSTSICHERN.MUTTER FE/ZNXC3 | DADO AUTOBLOCCANTE FE/ZNXC3 | |
| 012 | 80251225 | 002 | RONDELLE PLATE FE/ZNXC3 | PLAIN WASHER FE/ZNXC3 | SCHEIBE FE/ZNXC3 | RONDELLA PIATTA FE/ZNXC3 | |
| 013 | 82201016 | 001 | GRAISSEUR AUTOTARAUDANT | SELF TAPPING GREASE NIPPLE | GEWINDESCHNEID-SCHMIERNIPPEL | INGRASSATORE | |
| 014 | 83070064 | 002 | LIEN PVC | PVC CORD | SICHERUNGSBAND | CAVO | |
| 015 | 83014044 | 002 | BAGUE ROULEE | WRAPPED BUSH | GEROLLTE BUCHSE | ANELLO LUBRIFICATO | |
| 016 | H2104850 | 001 | TRAVERSE | TUBE, CROSS | QUERTRAEGER | TRAVERSA | |
| 017 | H2104860 | 001 | CROISILLON | CROSS | KREUZGARNITUR | CROCIERA | |
| 018 | H2104870 | 001 | AXE | PIN | ACHSE | ASSE | |
| 019 | H2104880 | 001 | AXE | PIN | ACHSE | ASSE | |
| 020 | H2106440 | 001 | SUPPORT | SUPPORT | TRAEGER | SUPPORTO | |





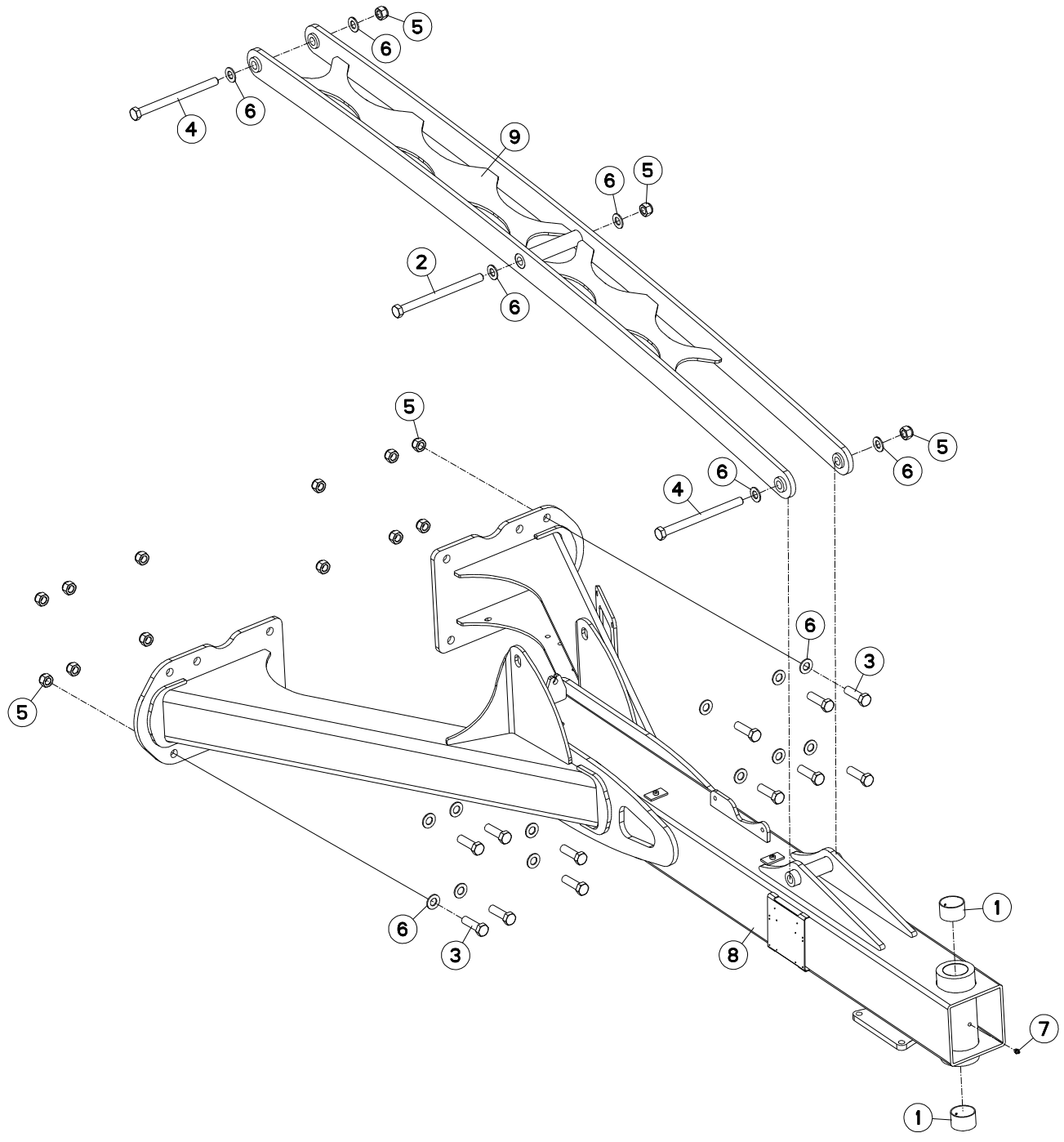
ATTELAGE STD3 & 4

CONNECTING FRAME STD3 & 4

ANBAUBOCK STD3 & 4

ATTACCO STD3 & 4

| Rep | Nr | Qt | Designation | Description | Bezeichnung | Referenza | Remarque - Remark - Bemerkung - Osservazioni |
|-----|----------|-----|-------------------------------|-----------------------------|--------------------------------|-------------------------------|--|
| 001 | 140314 | 001 | QUEUE DE COCHON | SUPPORT | HALTERUNG | SUPPORTO | |
| 002 | 582836 | 001 | POIGNEE DE SERRAGE | GRIP | HANDGRIFF | MANIGLIA | |
| 003 | 900742 | 001 | BAGUE ANTI-FRICTION | ANTI-FRICTION BUSHES | VERSCHLEISSRING | BOCCOLA | |
| 004 | 80061280 | 002 | VIS TETE HEXAGONALE FE/ZNXC3 | HEXAGON HEAD SCREW FE/ZNXC3 | SECHSKANTSCHRAUBE FE/ZNXC3 | VITE TESTA ESAGONALE FE/ZNXC3 | |
| 005 | 80061686 | 002 | VIS TETE HEXAGONALE FE/ZNXC3 | HEXAGON HEAD SCREW FE/ZNXC3 | SECHSKANTSCHRAUBE FE/ZNXC3 | VITE TESTA ESAGONALE FE/ZNXC3 | |
| 006 | 80201240 | 002 | ECROU HEX.BAS AUTOFR.FE/ZNXC3 | SELF-LOCKING NUT FE/ZNXC3 | SELBSTSICHERND.MUTTER FE/ZNXC3 | DADO AUTOBLOCCANTE FE/ZNXC3 | |
| 007 | 80201640 | 002 | ECROU HEX.BAS AUTOFR.FE/ZNXC3 | SELF-LOCKING NUT FE/ZNXC3 | SELBSTSICHERND.MUTTER FE/ZNXC3 | DADO AUTOBLOCCANTE FE/ZNXC3 | |
| 008 | 80203565 | 001 | ECROU A ENCOCH.AUOF.FE/ZNXC3 | SELF-LOCKING NUT FE/ZNXC3 | SELBSTSICHERN.MUTTER FE/ZNXC3 | DADO AUTOBLOCCANTE FE/ZNXC3 | |
| 009 | 80205566 | 001 | ECROU A ENCOCH.AUOF.FE/ZNXC3 | SELF-LOCKING NUT FE/ZNXC3 | SELBSTSICHERN.MUTTER FE/ZNXC3 | DADO AUTOBLOCCANTE FE/ZNXC3 | |
| 010 | 80251225 | 002 | RONDELLE PLATE FE/ZNXC3 | PLAIN WASHER FE/ZNXC3 | SCHEIBE FE/ZNXC3 | RONDELLA PIATTA FE/ZNXC3 | |
| 011 | 82201016 | 001 | GRAISSEUR AUTOTARAUDANT | SELF TAPPING GREASE NIPPLE | GEWINDESCHNEID-SCHMIERNIPPEL | INGRASSATORE | |
| 012 | 83014043 | 002 | BAGUE ROULEE | WRAPPED BUSH | GEROLLTE BUCHSE | ANELLO LUBRIFICATO | |
| 013 | 50086200 | 002 | CHAINETTE+GOUPILLES FE/ZNXC3 | CHAIN | KETTE | CATENETTA E COPPIGLIA | |
| 014 | H2104860 | 001 | CROISILLON | CROSS | KREUZGARNITUR | CROCIERA | |
| 015 | H2104870 | 001 | AXE | PIN | ACHSE | ASSE | |
| 016 | H2104880 | 001 | AXE | PIN | ACHSE | ASSE | |
| 017 | H2106440 | 001 | SUPPORT | SUPPORT | TRAEGER | SUPPORTO | |
| 018 | K1606340 | 002 | TOURILLON | PIN | BOLZEN | PERNO | |
| 019 | K2503780 | 001 | TETE D'ATTELAGE | HITCH, 2/3-POINT | ANBAUKOPFF | TESTA D'ATTACCO | |
| 020 | K2504040 | 002 | TUBE | TUBE | ROHR | TUBO | |





CULTIMER 1000

A0000 > B0000

H21R0107 B

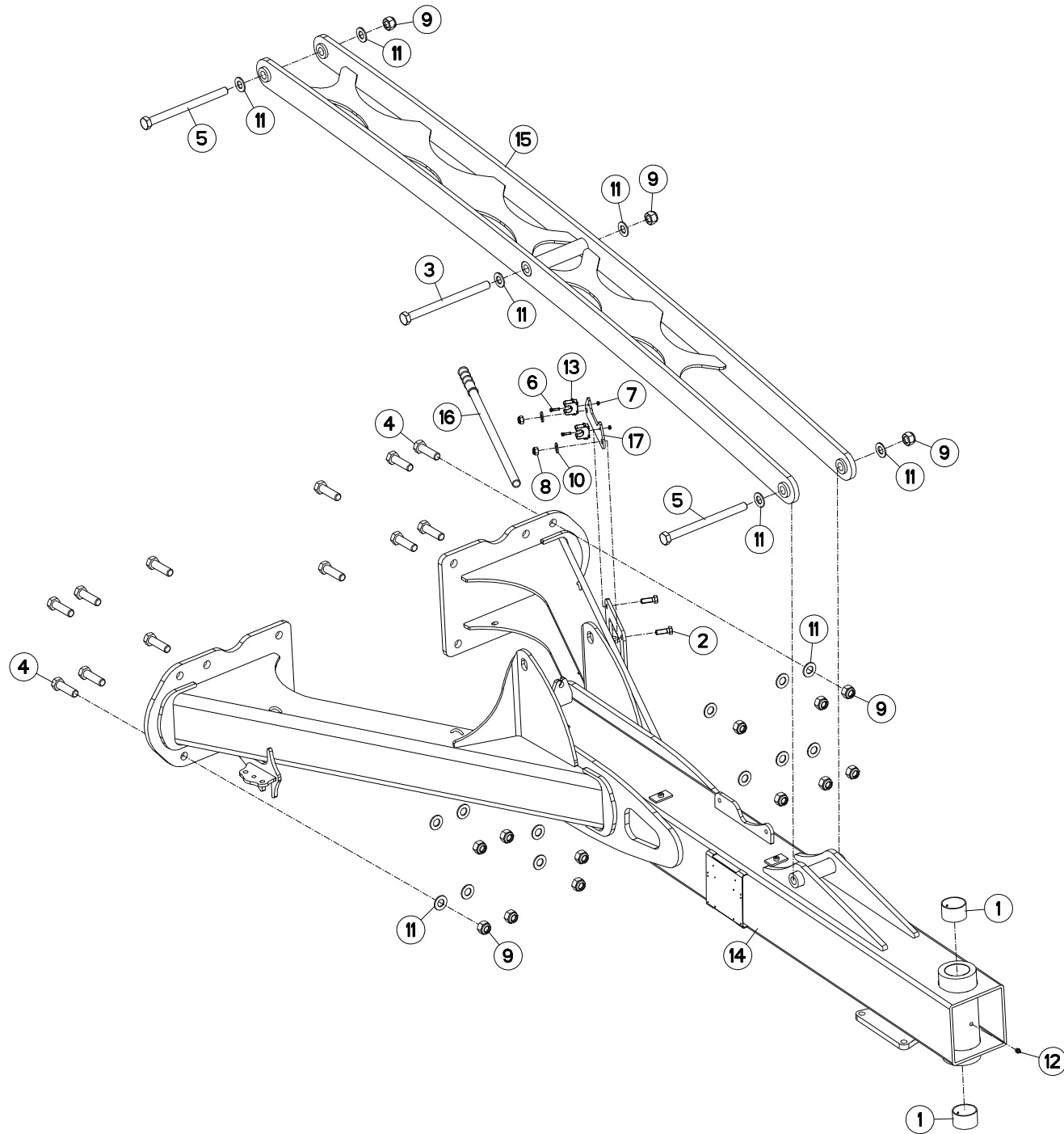
TIMON

DRAWBAR

DEICHSEL

TIMONE

| Rep | Nr | Qt | Designation | Description | Bezeichnung | Referenza | Remarque - Remark - Bemerkung - Osservazioni |
|-----|----------|-----|-------------------------------|-----------------------------|------------------------------|-------------------------------|--|
| 001 | 951242 | 002 | BAGUE ROULEE | WRAPPED BUSH | GEROLLTE BUCHSE MESSING | ANELLO LUBRIFICATO | |
| 002 | 80062004 | 001 | VIS TETE HEXAGONALE FLZNNC | HEXAGON HEAD SCREW FLZNNC | SECHSKANTSCHRAUBE FLZNNC | VITE TESTA ESAGONALE FLZNNC | |
| 003 | 80062064 | 012 | VIS TETE HEXAGONALE FLZNNC | HEXAGON HEAD SCREW FLZNNC | SECHSKANTSCHRAUBE FLZNNC | VITE TESTA ESAGONALE FLZNNC | |
| 004 | 80062098 | 002 | VIS TETE HEXAGONALE FE/ZNXC3 | HEXAGON HEAD SCREW FE/ZNXC3 | SECHSKANTSCHRAUBE FE/ZNXC3 | VITE TESTA ESAGONALE FE/ZNXC3 | |
| 005 | 80202030 | 015 | ECROU HEX.AUTOFREINE FE/ZNXC3 | SELF-LOCKING NUT FE/ZNXC3 | SELBSTSICH.MUTTER FE/ZNXC3 | DADO AUTOBLOCCANTE FE/ZNXC3 | |
| 006 | 80252026 | 018 | RONDELLE PLATE FE/ZNXC3 | PLAIN WASHER FE/ZNXC3 | SCHEIBE FE/ZNXC3 | RONDELLA PIATTA FE/ZNXC3 | |
| 007 | 82201016 | 001 | GRAISSEUR AUTOTARAUDANT | SELF TAPPING GREASE NIPPLE | GEWINDESCHNEID-SCHMIERNIPPEL | INGRASSATORE | |
| 008 | H2106510 | 001 | TIMON | TONGUE | DEICHSEL | TIMONE | |
| 009 | H2109280 | 001 | ENSEMBLE | ASSEMBLY | SATZ | INSIEME | |





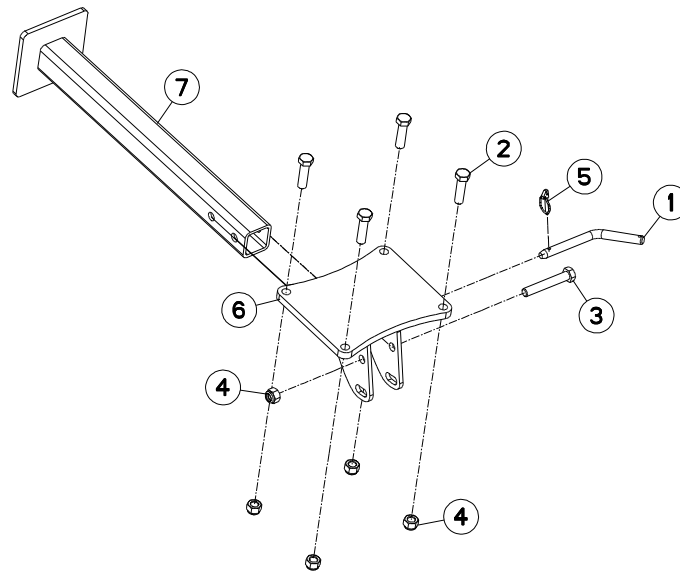
TIMON

DRAWBAR

DEICHSEL

TIMONE

| Rep | Nr | Qt | Designation | Description | Bezeichnung | Referenza | Remarque - Remark - Bemerkung - Osservazioni |
|-----|----------|-----|--------------------------------|--------------------------------|--------------------------------|--------------------------------|--|
| 001 | 951242 | 002 | BAGUE ROULEE | WRAPPED BUSH | GEROLLTE BUCHSE MESSING | ANELLO LUBRIFICATO | |
| 002 | 80061236 | 002 | VIS TETE HEXAGONALE FE/ZNXC3 | HEXAGON HEAD SCREW FE/ZNXC3 | SECHSKANTSCHRAUBE FE/ZNXC3 | VITE TESTA ESAGONALE FE/ZNXC3 | |
| 003 | 80062004 | 001 | VIS TETE HEXAGONALE FLZNNC | HEXAGON HEAD SCREW FLZNNC | SECHSKANTSCHRAUBE FLZNNC | VITE TESTA ESAGONALE FLZNNC | |
| 004 | 80062064 | 012 | VIS TETE HEXAGONALE FLZNNC | HEXAGON HEAD SCREW FLZNNC | SECHSKANTSCHRAUBE FLZNNC | VITE TESTA ESAGONALE FLZNNC | |
| 005 | 80062098 | 002 | VIS TETE HEXAGONALE FE/ZNXC3 | HEXAGON HEAD SCREW FE/ZNXC3 | SECHSKANTSCHRAUBE FE/ZNXC3 | VITE TESTA ESAGONALE FE/ZNXC3 | |
| 006 | 80080521 | 002 | VIS TETE CYL.SIX P.CR.FE/ZNXC3 | HEX.SOCK.HEAD CAP SCR.FE/ZNXC3 | ZYLINDERSCHR.INNENSEC.FE/ZNXC3 | VITE A TESTA CILINDR. FE/ZNXC3 | |
| 007 | 80200540 | 002 | ECROU HEX.BAS AUTOFR.FE/ZNXC3 | SELF-LOCKING NUT FE/ZNXC3 | SELBSTSICHERND.MUTTER FE/ZNXC3 | DADO AUTOBLOCCANTE FE/ZNXC3 | |
| 008 | 80201240 | 002 | ECROU HEX.BAS AUTOFR.FE/ZNXC3 | SELF-LOCKING NUT FE/ZNXC3 | SELBSTSICHERND.MUTTER FE/ZNXC3 | DADO AUTOBLOCCANTE FE/ZNXC3 | |
| 009 | 80202030 | 015 | ECROU HEX.AUTOFREINE FE/ZNXC3 | SELF-LOCKING NUT FE/ZNXC3 | SELBSTSICH.MUTTER FE/ZNXC3 | DADO AUTOBLOCCANTE FE/ZNXC3 | |
| 010 | 80251227 | 002 | RONDELLE PLATE FE/ZNXC3 | PLAIN WASHER FE/ZNXC3 | SCHEIBE FE/ZNXC3 | RONDELLA PIATTA FE/ZNXC3 | |
| 011 | 80252026 | 018 | RONDELLE PLATE FE/ZNXC3 | PLAIN WASHER FE/ZNXC3 | SCHEIBE FE/ZNXC3 | RONDELLA PIATTA FE/ZNXC3 | |
| 012 | 82201016 | 001 | GRAISSEUR AUTOTARAUDANT | SELF TAPPING GREASE NIPPLE | GEWINDESCHNEID-SCHMIERNIPPEL | INGRASSATORE | |
| 013 | 83090141 | 002 | COLLIER CLIP | CLAMP | KLAMMER | FERMO | |
| 014 | H2106510 | 001 | TIMON | TONGUE | DEICHSEL | TIMONE | |
| 015 | H2109280 | 001 | ENSEMBLE | ASSEMBLY | SATZ | INSIEME | |
| 016 | H2410880 | 001 | POIGNEE | HANDLE | HANDGRIFF | MANIGLIA | |
| 017 | H2415080 | 001 | SUPPORT | SUPPORT | TRAEGER | SUPPORTO | |





CULTIMER 1000

A0000 > C0000

H21R0115 A

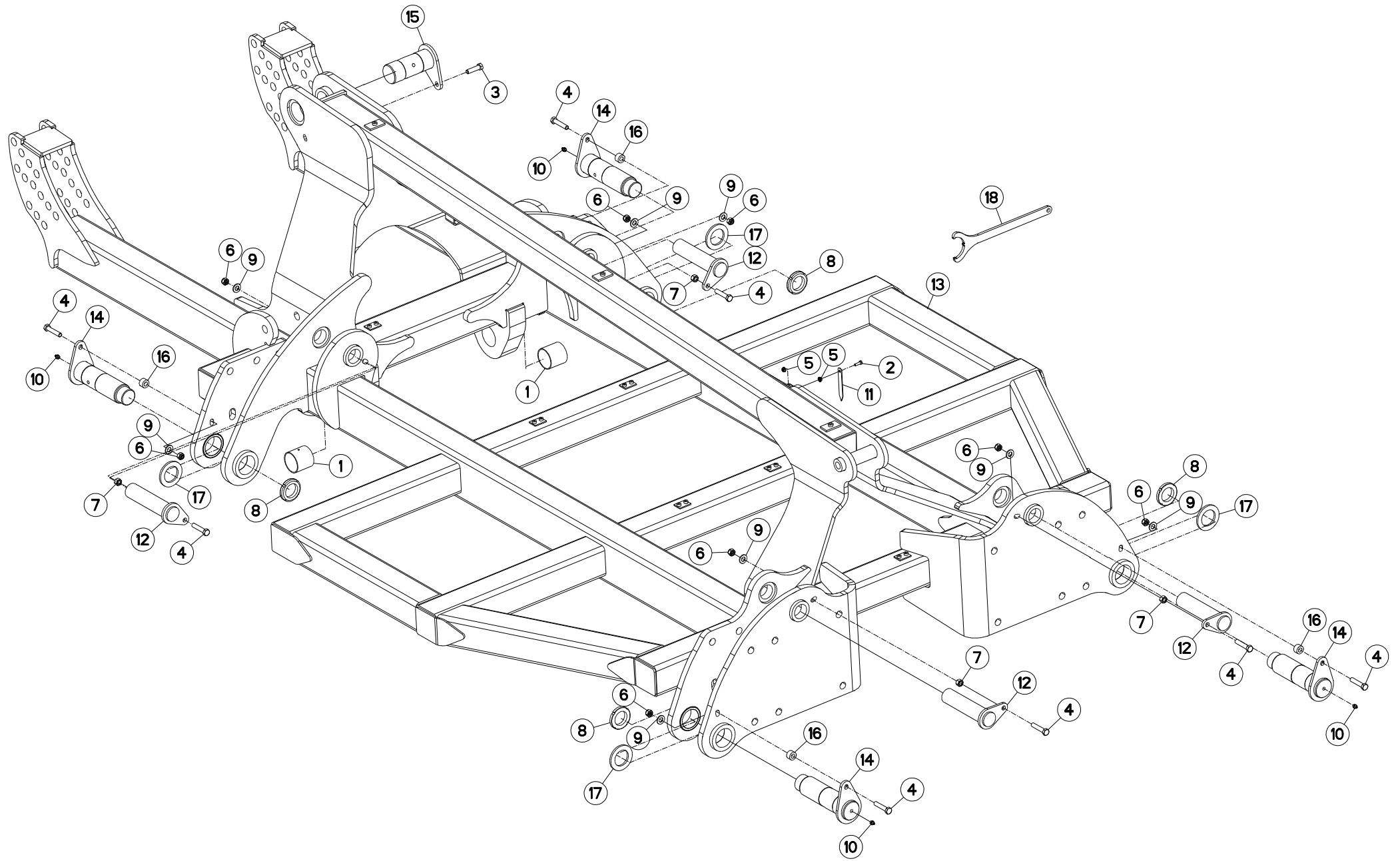
BEQUILLE DE DEPOSE

PARKING STAND

ABSTELLSTUETZE

PIEDINO D'APPOGGIO

| Rep | Nr | Qt | Designation | Description | Bezeichnung | Referenza | Remarque - Remark - Bemerkung - Osservazioni |
|-----|----------|-----|-------------------------------|-----------------------------|--------------------------------|-------------------------------|--|
| 001 | 139113 | 001 | BROCHE D'ATTELAGE | PIN, HITCH | ACHSE | PERNO | |
| 002 | 80061651 | 004 | VIS TETE HEXAGONALE FE/ZNXC3 | HEXAGON HEAD SCREW FE/ZNXC3 | SECHSKANTSCHRAUBE FE/ZNXC3 | VITE TESTA ESAGONALE FE/ZNXC3 | |
| 003 | 80061661 | 001 | VIS TETE HEXAGONALE FE/ZNXC3 | HEXAGON HEAD SCREW FE/ZNXC3 | SECHSKANTSCHRAUBE FE/ZNXC3 | VITE TESTA ESAGONALE FE/ZNXC3 | |
| 004 | 80201640 | 005 | ECROU HEX.BAS AUTOFR.FE/ZNXC3 | SELF-LOCKING NUT FE/ZNXC3 | SELBSTSICHERND.MUTTER FE/ZNXC3 | DADO AUTOBLOCCANTE FE/ZNXC3 | |
| 005 | 80560440 | 001 | GOUPILLE AUTOMATIQUE FE/ZNXC3 | LINCH PIN FE/ZNXC3 | KLAPPSTECKER FE/ZNXC3 | COPPIGLIA FE/ZNXC3 | |
| 006 | H2106790 | 001 | SUPPORT | SUPPORT | TRAEGER | SUPPORTO | |
| 007 | H2106800 | 001 | BEQUILLE | STAND | STÄNDER | SUPPORTO | |





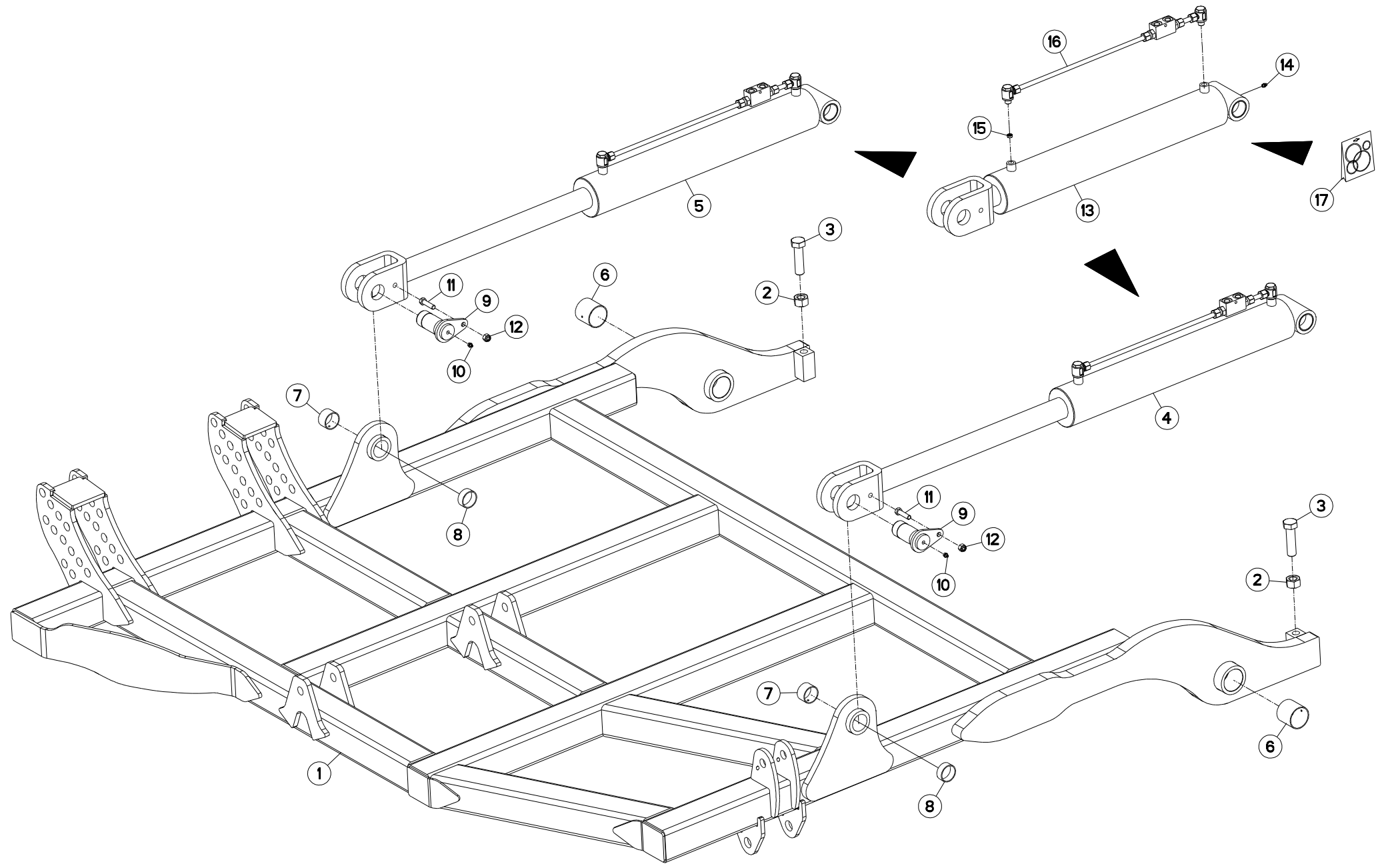
BATI

FRAME

RAHMEN

TELAIO

| Rep | Nr | Qt | Designation | Description | Bezeichnung | Referenza | Remarque - Remark - Bemerkung - Osservazioni |
|-----|----------|-----|-------------------------------|--------------------------------|--------------------------------|-------------------------------|--|
| 001 | 951448 | 002 | BAGUE ROULEE | WRAPPED BUSH | GEROLLTE BUCHSE MESSING | ANELLO LUBRIFICATO | |
| 002 | 80060620 | 001 | VIS TETE HEXAGONALE FE/ZNXC3 | HEXAGON HEAD SCREW FE/ZNXC3 | SECHSKANTSCHRAUBE FE/ZNXC3 | VITE TESTA ESAGONALE FE/ZNXC3 | |
| 003 | 80061245 | 001 | VIS TETE HEXAGONALE FE/ZNXC3 | HEXAGON HEAD SCREW FE/ZNXC3 | SECHSKANTSCHRAUBE FE/ZNXC3 | VITE TESTA ESAGONALE FE/ZNXC3 | |
| 004 | 80061278 | 008 | VIS TETE HEXAGONALE FE/ZNXC3 | HEXAGON HEAD SCREW FE/ZNXC3 | SECHSKANTSCHRAUBE FE/ZNXC3 | VITE TESTA ESAGONALE FE/ZNXC3 | |
| 005 | 80200665 | 002 | ECROU HEXAG.AUTOBL.FE/ZNXC3 | UNDERSERRAT.S.LOC.NUT FE/ZNXC3 | SPERRZAHN-BUNDMUTTER FE/ZNXC3 | DADO FE/ZNXC3 | |
| 006 | 80201240 | 008 | ECROU HEX.BAS AUTOFR.FE/ZNXC3 | SELF-LOCKING NUT FE/ZNXC3 | SELBSTSICHERND.MUTTER FE/ZNXC3 | DADO AUTOBLOCCANTE FE/ZNXC3 | |
| 007 | 80201270 | 004 | ECROU HEXAGONAL FE/ZNXC3 | NUT FE/ZNXC3 | SECHSKANTMUTTER FE/ZNXC3 | DADO FE/ZNXC3 | |
| 008 | 80205018 | 004 | ECROU A ENCOCHES | SLOTTED ROUND NUT | NUTMUTTER | DADO | |
| 009 | 80251227 | 008 | RONDELLE PLATE FE/ZNXC3 | PLAIN WASHER FE/ZNXC3 | SCHEIBE FE/ZNXC3 | RONDELLA PIATTA FE/ZNXC3 | |
| 010 | 82201016 | 005 | GRAISSEUR AUTOTARAUDANT | SELF TAPPING GREASE NIPPLE | GEWINDESCHNEID-SCHMIERNIPPEL | INGRASSATORE | |
| 011 | FDR0163 | 001 | AIGUILLE DE NIVEAU | LEVEL GAUGE | NEIGUNGSANZEIGER | INDICE DI LIVELLO | |
| 012 | H2102900 | 004 | AXE | PIN | ACHSE | ASSE | |
| 013 | H2106490 | 001 | CHASSIS | CHASSIS | HAUPTRAHMEN | TELAIO | |
| 014 | H2106530 | 004 | AXE | PIN | ACHSE | ASSE | |
| 015 | H2106540 | 001 | AXE | PIN | ACHSE | ASSE | |
| 016 | H2106630 | 004 | BAGUE | BUSHING | HUELSE | BOCCOLA | |
| 017 | H2107690 | 004 | RONDELLE PLATE | WASHER, FLAT | SCHEIBE | RONDELLA PIATTA | |
| 018 | H2413430 | 001 | CLE | WRENCH | SCHLUESSEL | CHIAVE | : 80205018 |





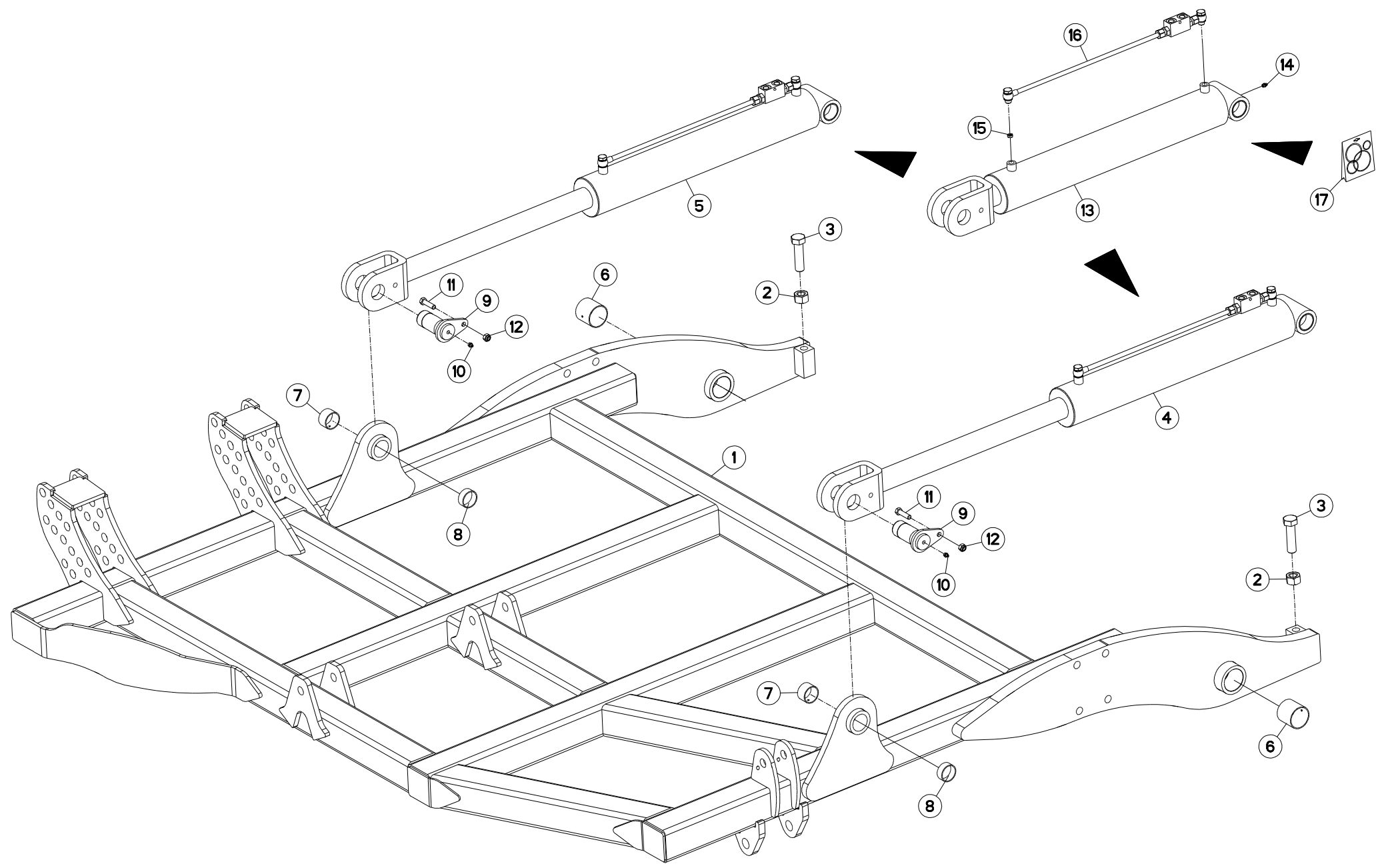
EXTENSION 6500 (DROITE)

EXTENSION 6500 (RIGHT)

ERWEITERUNG 6500 (RECHTS)

PROLUNGA 6500 (DX)

| Rep | Nr | Qt | Designation | Description | Bezeichnung | Referenza | Remarque - Remark - Bemerkung - Osservazioni |
|-----|-----------------|-----|-------------------------------|-----------------------------|------------------------------|-------------------------------|--|
| 001 | H2106570 | 001 | EXTENSION | EXTENSION | ERWEITERUNG | ESTENSIONE | |
| 002 | 80202400 | 002 | ECROU HEXAGONAL FE/ZNXC3 | NUT FE/ZNXC3 | SECHSKANTMUTTER FE/ZNXC3 | DADO FE/ZNXC3 | |
| 003 | 80062476 | 002 | VIS TETE HEXAGONALE FLZNNC | HEXAGON HEAD SCREW FLZNNC | SECHSKANTSCHRAUBE FLZNNC | VITE TESTA ESAGONALE FLZNNC | |
| 004 | H2407040 | 001 | VERIN | CYLINDER, HYDRAULIC | HYDRAULIKZYLINDER | CILINDRO | + [1] |
| 005 | H2407040 | 001 | VERIN | CYLINDER, HYDRAULIC | HYDRAULIKZYLINDER | CILINDRO | + [1] |
| 006 | 951448 | 002 | BAGUE ROULEE | WRAPPED BUSH | GEROLLTE BUCHSE MESSING | ANELLO LUBRIFICATO | |
| 007 | 83014550 | 002 | BAGUE ROULEE | WRAPPED BUSH | GEROLLTE BUCHSE | ANELLO LUBRIFICATO | |
| 008 | 951946 | 002 | BAGUE ROULEE | WRAPPED BUSH | GEROLLTE BUCHSE | ANELLO LUBRIFICATO | |
| 009 | H2106550 | 002 | AXE | PIN | ACHSE | ASSE | |
| 010 | 82201016 | 002 | GRAISSEUR AUTOTARAUDANT | SELF TAPPING GREASE NIPPLE | GEWINDESCHNEID-SCHMIERNIPPEL | INGRASSATORE | |
| 011 | 80061245 | 002 | VIS TETE HEXAGONALE FE/ZNXC3 | HEXAGON HEAD SCREW FE/ZNXC3 | SECHSKANTSCHRAUBE FE/ZNXC3 | VITE TESTA ESAGONALE FE/ZNXC3 | |
| 012 | 80201230 | 002 | ECROU HEX.AUTOFREINE FE/ZNXC3 | SELF-LOCKING NUT FE/ZNXC3 | SELBSTSICH.MUTTER FE/ZNXC3 | DADO AUTOBLOCCANTE FE/ZNXC3 | |
| 013 | H2407050 | 001 | VERIN | CYLINDER, HYDRAULIC | HYDRAULIKZYLINDER | CILINDRO | [1] |
| 014 | 82200800 | 001 | GRAISSEUR FE/ZNXC3 | GREASE NIPPLE FE/ZNXC3 | SCHMIERNIPPEL FE/ZNXC3 | INGRASSATORE FE/ZNXC3 | [1] |
| 015 | A4072014 | 001 | LIMITEUR DEBIT D0.8 TUBE D14 | DELIVERY LIMITER | MENGEN BEGRENZER | REGOLATORE D'ALIMENTAZIONE | [1] |
| 016 | 952365 | 001 | CLAPET ANTI-RETOUR | VALVE, CHECK | RUECKSCHLAGVENTIL | VALVOLA ANTI-RITORNO | [1] |
| 017 | H2407100 | 001 | POCHETTE DE JOINTS | KIT, SEAL | TACHE | SACCHE | : H2407050 |





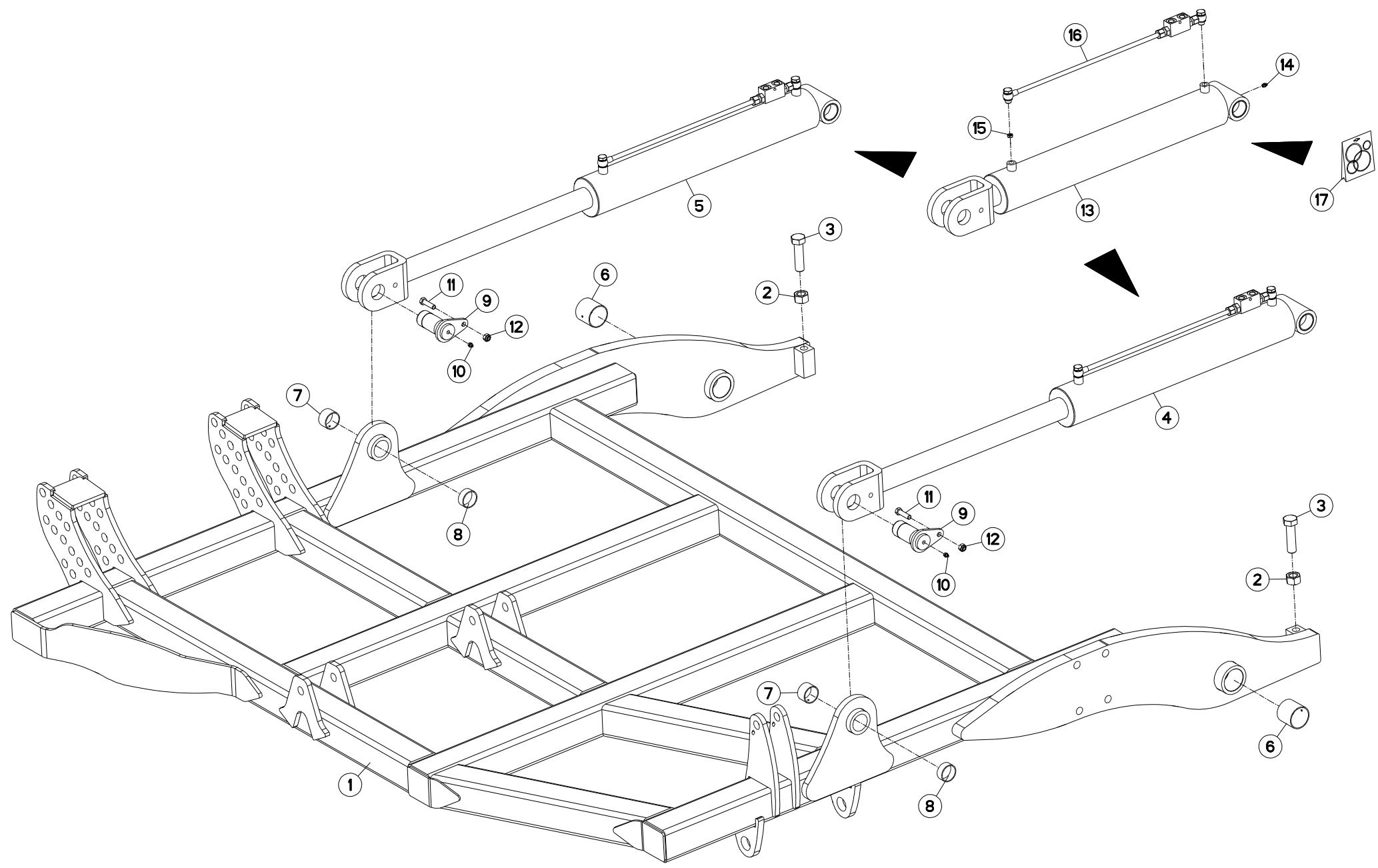
EXTENSION 6500 (DROITE)

EXTENSION 6500 (RIGHT)

ERWEITERUNG 6500 (RECHTS)

PROLUNGA 6500 (DX)

| Rep | Nr | Qt | Designation | Description | Bezeichnung | Referenza | Remarque - Remark - Bemerkung - Osservazioni |
|-----|----------|-----|-------------------------------|-----------------------------|--------------------------------|-------------------------------|--|
| 001 | H2109800 | 001 | EXTENSION | EXTENSION | ERWEITERUNG | ESTENSIONE | |
| 002 | 80202400 | 002 | ECROU HEXAGONAL FE/ZNXC3 | NUT FE/ZNXC3 | SECHSKANTMUTTER FE/ZNXC3 | DADO FE/ZNXC3 | |
| 003 | 80062476 | 002 | VIS TETE HEXAGONALE FLZNNC | HEXAGON HEAD SCREW FLZNNC | SECHSKANTSCHRAUBE FLZNNC | VITE TESTA ESAGONALE FLZNNC | |
| 004 | H2407040 | 001 | VERIN | CYLINDER, HYDRAULIC | HYDRAULIKZYLINDER | CILINDRO | + [1] |
| 005 | H2407040 | 001 | VERIN | CYLINDER, HYDRAULIC | HYDRAULIKZYLINDER | CILINDRO | + [1] |
| 006 | 951448 | 002 | BAGUE ROULEE | WRAPPED BUSH | GEROLLTE BUCHSE MESSING | ANELLO LUBRIFICATO | |
| 007 | 83014550 | 002 | BAGUE ROULEE | WRAPPED BUSH | GEROLLTE BUCHSE | ANELLO LUBRIFICATO | |
| 008 | 951946 | 002 | BAGUE ROULEE | WRAPPED BUSH | GEROLLTE BUCHSE | ANELLO LUBRIFICATO | |
| 009 | H2106550 | 002 | AXE | PIN | ACHSE | ASSE | |
| 010 | 82201016 | 002 | GRAISSEUR AUTOTARAUDANT | SELF TAPPING GREASE NIPPLE | GEWINDESCHNEID-SCHMIERNIPPEL | INGRASSATORE | |
| 011 | 80061245 | 002 | VIS TETE HEXAGONALE FE/ZNXC3 | HEXAGON HEAD SCREW FE/ZNXC3 | SECHSKANTSCHRAUBE FE/ZNXC3 | VITE TESTA ESAGONALE FE/ZNXC3 | |
| 012 | 80201240 | 002 | ECROU HEX.BAS AUTOFR.FE/ZNXC3 | SELF-LOCKING NUT FE/ZNXC3 | SELBSTSICHERND.MUTTER FE/ZNXC3 | DADO AUTOBLOCCANTE FE/ZNXC3 | |
| 013 | H2407050 | 001 | VERIN | CYLINDER, HYDRAULIC | HYDRAULIKZYLINDER | CILINDRO | [1] |
| 014 | 82200800 | 001 | GRAISSEUR FE/ZNXC3 | GREASE NIPPLE FE/ZNXC3 | SCHMIERNIPPEL FE/ZNXC3 | INGRASSATORE FE/ZNXC3 | [1] |
| 015 | A4072014 | 001 | LIMITEUR DEBIT D0.8 TUBE D14 | DELIVERY LIMITER | MENGEN BEGRENZER | REGOLATORE D'ALIMENTAZIONE | [1] |
| 016 | 952365 | 001 | CLAPET ANTI-RETOUR | VALVE, CHECK | RUECKSCHLAGVENTIL | VALVOLA ANTI-RITORNO | [1] |
| 017 | H2407100 | 001 | POCHETTE DE JOINTS | KIT, SEAL | TACHE | SACCHE | : H2407050 |





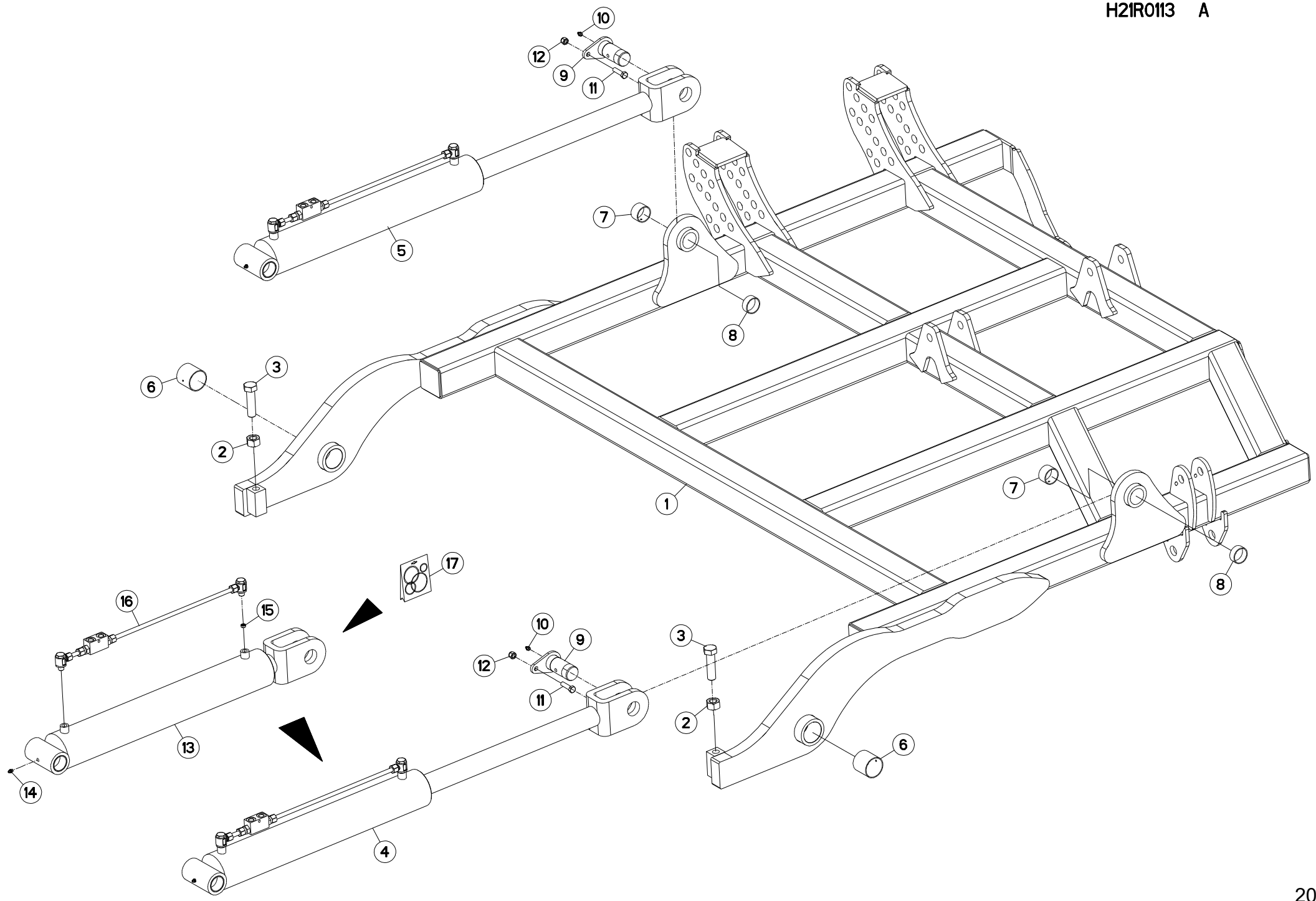
EXTENSION 6500 (DROITE)

EXTENSION 6500 (RIGHT)

ERWEITERUNG 6500 (RECHTS)

PROLUNGA 6500 (DX)

| Rep | Nr | Qt | Designation | Description | Bezeichnung | Referenza | Remarque - Remark - Bemerkung - Osservazioni |
|-----|----------|-----|-------------------------------|-----------------------------|--------------------------------|-------------------------------|--|
| 001 | H2109801 | 001 | EXTENSION | EXTENSION | ERWEITERUNG | ESTENSIONE | |
| 002 | 80202400 | 002 | ECROU HEXAGONAL FE/ZNXC3 | NUT FE/ZNXC3 | SECHSKANTMUTTER FE/ZNXC3 | DADO FE/ZNXC3 | |
| 003 | 80062476 | 002 | VIS TETE HEXAGONALE FLZNNC | HEXAGON HEAD SCREW FLZNNC | SECHSKANTSCHRAUBE FLZNNC | VITE TESTA ESAGONALE FLZNNC | |
| 004 | H2407040 | 001 | VERIN | CYLINDER, HYDRAULIC | HYDRAULIKZYLINDER | CILINDRO | [1] |
| 005 | H2407040 | 001 | VERIN | CYLINDER, HYDRAULIC | HYDRAULIKZYLINDER | CILINDRO | [1] |
| 006 | 951448 | 002 | BAGUE ROULEE | WRAPPED BUSH | GEROLLTE BUCHSE MESSING | ANELLO LUBRIFICATO | |
| 007 | 83014550 | 002 | BAGUE ROULEE | WRAPPED BUSH | GEROLLTE BUCHSE | ANELLO LUBRIFICATO | |
| 008 | 951946 | 002 | BAGUE ROULEE | WRAPPED BUSH | GEROLLTE BUCHSE | ANELLO LUBRIFICATO | |
| 009 | H2106550 | 002 | AXE | PIN | ACHSE | ASSE | |
| 010 | 82201016 | 002 | GRAISSEUR AUTOTARAUDANT | SELF TAPPING GREASE NIPPLE | GEWINDESCHNEID-SCHMIERNIPPEL | INGRASSATORE | |
| 011 | 80061245 | 002 | VIS TETE HEXAGONALE FE/ZNXC3 | HEXAGON HEAD SCREW FE/ZNXC3 | SECHSKANTSCHRAUBE FE/ZNXC3 | VITE TESTA ESAGONALE FE/ZNXC3 | |
| 012 | 80201240 | 002 | ECROU HEX.BAS AUTOFR.FE/ZNXC3 | SELF-LOCKING NUT FE/ZNXC3 | SELBSTSICHERND.MUTTER FE/ZNXC3 | DADO AUTOBLOCCANTE FE/ZNXC3 | |
| 013 | H2407050 | 001 | VERIN | CYLINDER, HYDRAULIC | HYDRAULIKZYLINDER | CILINDRO | [1] |
| 014 | 82200800 | 001 | GRAISSEUR FE/ZNXC3 | GREASE NIPPLE FE/ZNXC3 | SCHMIERNIPPEL FE/ZNXC3 | INGRASSATORE FE/ZNXC3 | [1] |
| 015 | A4072014 | 001 | LIMITEUR DEBIT D0.8 TUBE D14 | DELIVERY LIMITER | MENGEN BEGRENZER | REGOLATORE D'ALIMENTAZIONE | [1] |
| 016 | 952365 | 001 | CLAPET ANTI-RETOUR | VALVE, CHECK | RUECKSCHLAGVENTIL | VALVOLA ANTI-RITORNO | [1] |
| 017 | H2407100 | 001 | POCHETTE DE JOINTS | KIT, SEAL | TACHE | SACCHE | : H2407050 |





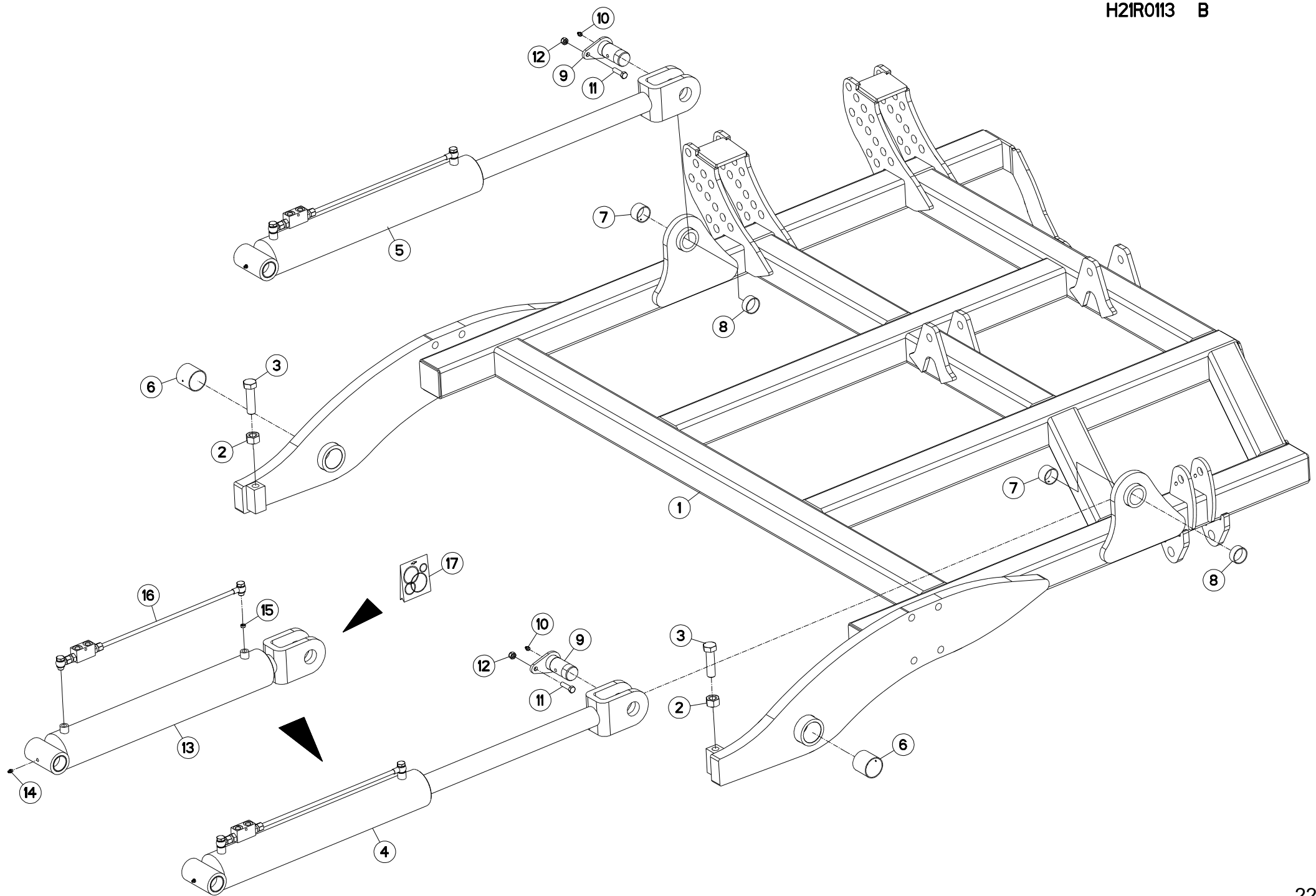
EXTENSION 6500 (GAUCHE)

EXTENSION 6500 (LEFT)

ERWEITERUNG 6500 (LINKS)

PROLUNGA 6500 (SX)

| Rep | Nr | Qt | Designation | Description | Bezeichnung | Referenza | Remarque - Remark - Bemerkung - Osservazioni |
|-----|-----------------|-----|-------------------------------|-----------------------------|------------------------------|-------------------------------|--|
| 001 | H2106500 | 001 | EXTENSION | EXTENSION | ERWEITERUNG | ESTENSIONE | |
| 002 | 80202400 | 002 | ECROU HEXAGONAL FE/ZNXC3 | NUT FE/ZNXC3 | SECHSKANTMUTTER FE/ZNXC3 | DADO FE/ZNXC3 | |
| 003 | 80062476 | 002 | VIS TETE HEXAGONALE FLZNNC | HEXAGON HEAD SCREW FLZNNC | SECHSKANTSCHRAUBE FLZNNC | VITE TESTA ESAGONALE FLZNNC | |
| 004 | H2407040 | 001 | VERIN | CYLINDER, HYDRAULIC | HYDRAULIKZYLINDER | CILINDRO | + [1] |
| 005 | H2407040 | 001 | VERIN | CYLINDER, HYDRAULIC | HYDRAULIKZYLINDER | CILINDRO | + [1] |
| 006 | 951448 | 002 | BAGUE ROULEE | WRAPPED BUSH | GEROLLTE BUCHSE MESSING | ANELLO LUBRIFICATO | |
| 007 | 83014550 | 002 | BAGUE ROULEE | WRAPPED BUSH | GEROLLTE BUCHSE | ANELLO LUBRIFICATO | |
| 008 | 951946 | 002 | BAGUE ROULEE | WRAPPED BUSH | GEROLLTE BUCHSE | ANELLO LUBRIFICATO | |
| 009 | H2106550 | 002 | AXE | PIN | ACHSE | ASSE | |
| 010 | 82201016 | 002 | GRAISSEUR AUTOTARAUDANT | SELF TAPPING GREASE NIPPLE | GEWINDESCHNEID-SCHMIERNIPPEL | INGRASSATORE | |
| 011 | 80061245 | 002 | VIS TETE HEXAGONALE FE/ZNXC3 | HEXAGON HEAD SCREW FE/ZNXC3 | SECHSKANTSCHRAUBE FE/ZNXC3 | VITE TESTA ESAGONALE FE/ZNXC3 | |
| 012 | 80201230 | 002 | ECROU HEX.AUTOFREINE FE/ZNXC3 | SELF-LOCKING NUT FE/ZNXC3 | SELBSTSICH.MUTTER FE/ZNXC3 | DADO AUTOBLOCCANTE FE/ZNXC3 | |
| 013 | H2407050 | 001 | VERIN | CYLINDER, HYDRAULIC | HYDRAULIKZYLINDER | CILINDRO | [1] |
| 014 | 82200800 | 001 | GRAISSEUR FE/ZNXC3 | GREASE NIPPLE FE/ZNXC3 | SCHMIERNIPPEL FE/ZNXC3 | INGRASSATORE FE/ZNXC3 | [1] |
| 015 | A4072014 | 001 | LIMITEUR DEBIT D0.8 TUBE D14 | DELIVERY LIMITER | MENGEN BEGRENZER | REGOLATORE D'ALIMENTAZIONE | [1] |
| 016 | 952365 | 001 | CLAPET ANTI-RETOUR | VALVE, CHECK | RUECKSCHLAGVENTIL | VALVOLA ANTI-RITORNO | [1] |
| 017 | H2407100 | 001 | POCHETTE DE JOINTS | KIT, SEAL | TACHE | SACCHE | : H2407050 |





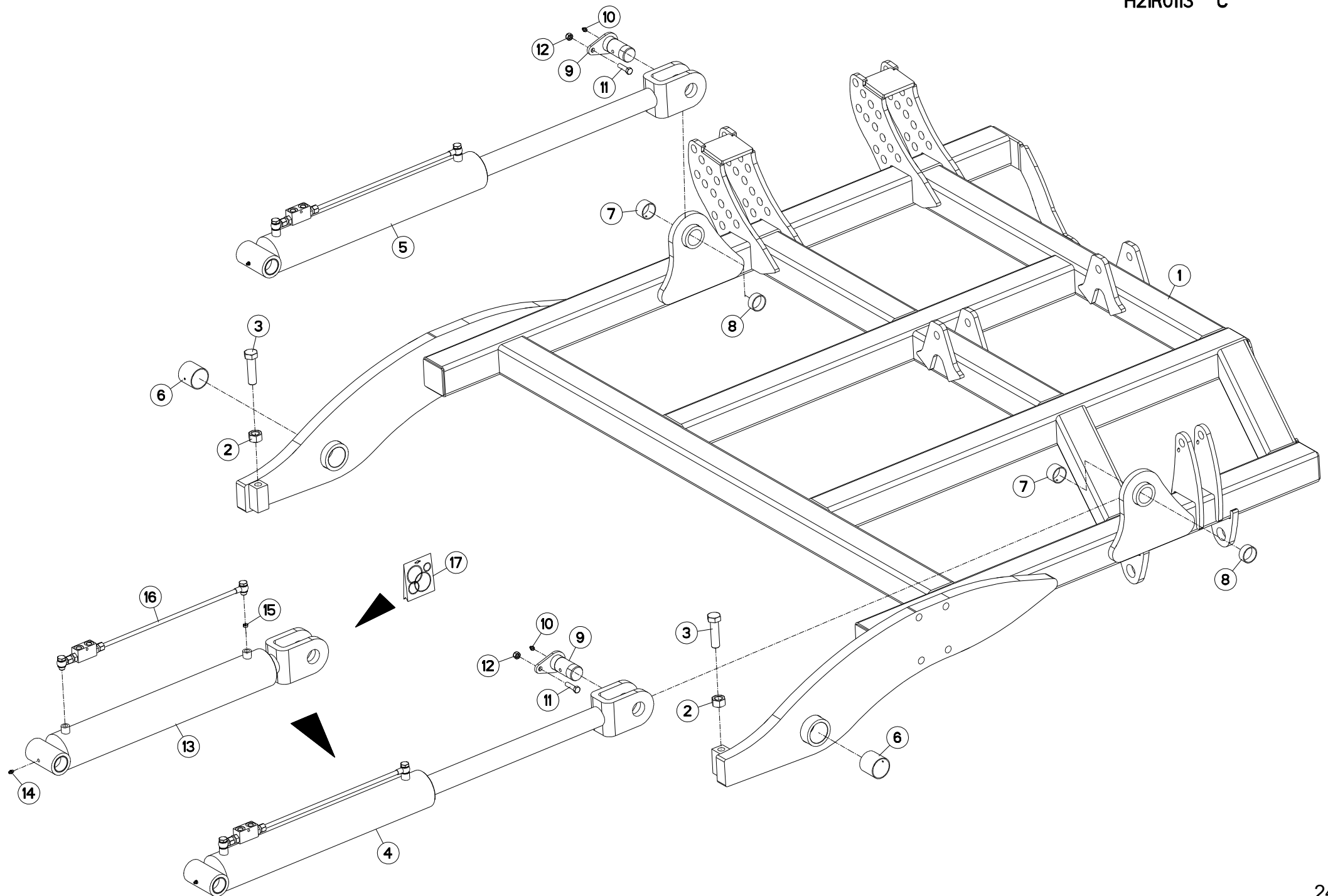
EXTENSION 6500 (GAUCHE)

EXTENSION 6500 (LEFT)

ERWEITERUNG 6500 (LINKS)

PROLUNGA 6500 (SX)

| Rep | Nr | Qt | Designation | Description | Bezeichnung | Referenza | Remarque - Remark - Bemerkung - Osservazioni |
|-----|----------|-----|-------------------------------|-----------------------------|--------------------------------|-------------------------------|--|
| 001 | H2109790 | 001 | EXTENSION | EXTENSION | ERWEITERUNG | ESTENSIONE | |
| 002 | 80202400 | 002 | ECROU HEXAGONAL FE/ZNXC3 | NUT FE/ZNXC3 | SECHSKANTMUTTER FE/ZNXC3 | DADO FE/ZNXC3 | |
| 003 | 80062476 | 002 | VIS TETE HEXAGONALE FLZNNC | HEXAGON HEAD SCREW FLZNNC | SECHSKANTSCHRAUBE FLZNNC | VITE TESTA ESAGONALE FLZNNC | |
| 004 | H2407040 | 001 | VERIN | CYLINDER, HYDRAULIC | HYDRAULIKZYLINDER | CILINDRO | [1] |
| 005 | H2407040 | 001 | VERIN | CYLINDER, HYDRAULIC | HYDRAULIKZYLINDER | CILINDRO | [1] |
| 006 | 951448 | 002 | BAGUE ROULEE | WRAPPED BUSH | GEROLLTE BUCHSE MESSING | ANELLO LUBRIFICATO | |
| 007 | 83014550 | 002 | BAGUE ROULEE | WRAPPED BUSH | GEROLLTE BUCHSE | ANELLO LUBRIFICATO | |
| 008 | 951946 | 002 | BAGUE ROULEE | WRAPPED BUSH | GEROLLTE BUCHSE | ANELLO LUBRIFICATO | |
| 009 | H2106550 | 002 | AXE | PIN | ACHSE | ASSE | |
| 010 | 82201016 | 002 | GRAISSEUR AUTOTARAUDANT | SELF TAPPING GREASE NIPPLE | GEWINDESCHNEID-SCHMIERNIPPEL | INGRASSATORE | |
| 011 | 80061245 | 002 | VIS TETE HEXAGONALE FE/ZNXC3 | HEXAGON HEAD SCREW FE/ZNXC3 | SECHSKANTSCHRAUBE FE/ZNXC3 | VITE TESTA ESAGONALE FE/ZNXC3 | |
| 012 | 80201240 | 002 | ECROU HEX.BAS AUTOFR.FE/ZNXC3 | SELF-LOCKING NUT FE/ZNXC3 | SELBSTSICHERND.MUTTER FE/ZNXC3 | DADO AUTOBLOCCANTE FE/ZNXC3 | |
| 013 | H2407050 | 001 | VERIN | CYLINDER, HYDRAULIC | HYDRAULIKZYLINDER | CILINDRO | [1] |
| 014 | 82200800 | 001 | GRAISSEUR FE/ZNXC3 | GREASE NIPPLE FE/ZNXC3 | SCHMIERNIPPEL FE/ZNXC3 | INGRASSATORE FE/ZNXC3 | [1] |
| 015 | A4072014 | 001 | LIMITEUR DEBIT D0.8 TUBE D14 | DELIVERY LIMITER | MENGEN BEGRENZER | REGOLATORE D'ALIMENTAZIONE | [1] |
| 016 | 952365 | 001 | CLAPET ANTI-RETOUR | VALVE, CHECK | RUECKSCHLAGVENTIL | VALVOLA ANTI-RITORNO | [1] |
| 017 | H2407100 | 001 | POCHETTE DE JOINTS | KIT, SEAL | TACHE | SACCHE | : H2407050 |





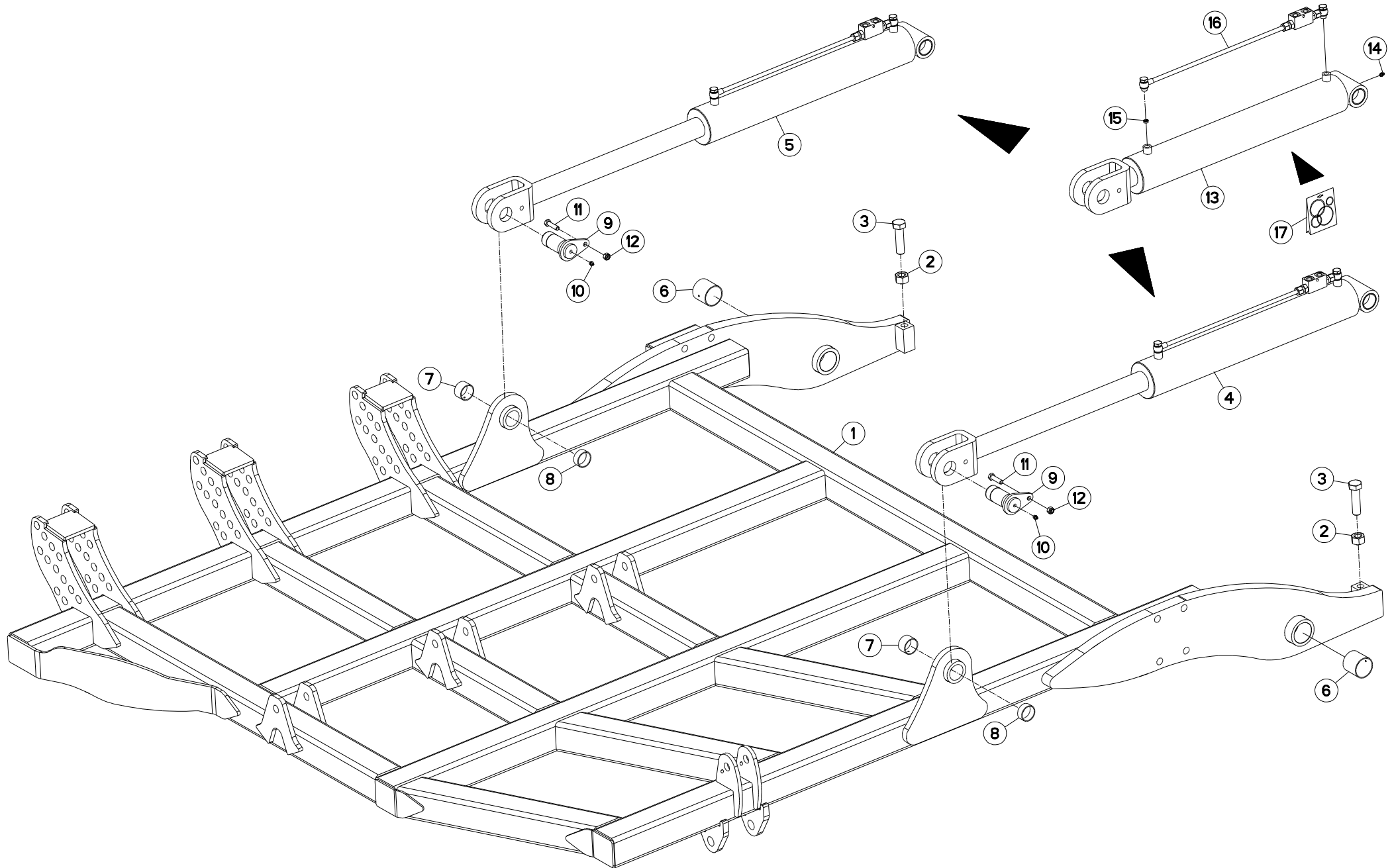
EXTENSION 6500 (GAUCHE)

EXTENSION 6500 (LEFT)

ERWEITERUNG 6500 (LINKS)

PROLUNGA 6500 (SX)

| Rep | Nr | Qt | Designation | Description | Bezeichnung | Referenza | Remarque - Remark - Bemerkung - Osservazioni |
|-----|-----------------|-----|-------------------------------|-----------------------------|--------------------------------|-------------------------------|--|
| 001 | H2109791 | 001 | EXTENSION | EXTENSION | ERWEITERUNG | ESTENSIONE | |
| 002 | 80202400 | 002 | ECROU HEXAGONAL FE/ZNXC3 | NUT FE/ZNXC3 | SECHSKANTMUTTER FE/ZNXC3 | DADO FE/ZNXC3 | |
| 003 | 80062476 | 002 | VIS TETE HEXAGONALE FLZNNC | HEXAGON HEAD SCREW FLZNNC | SECHSKANTSCHRAUBE FLZNNC | VITE TESTA ESAGONALE FLZNNC | |
| 004 | H2407040 | 001 | VERIN | CYLINDER, HYDRAULIC | HYDRAULIKZYLINDER | CILINDRO | + [1] |
| 005 | H2407040 | 001 | VERIN | CYLINDER, HYDRAULIC | HYDRAULIKZYLINDER | CILINDRO | + [1] |
| 006 | 951448 | 002 | BAGUE ROULEE | WRAPPED BUSH | GEROLLTE BUCHSE MESSING | ANELLO LUBRIFICATO | |
| 007 | 83014550 | 002 | BAGUE ROULEE | WRAPPED BUSH | GEROLLTE BUCHSE | ANELLO LUBRIFICATO | |
| 008 | 951946 | 002 | BAGUE ROULEE | WRAPPED BUSH | GEROLLTE BUCHSE | ANELLO LUBRIFICATO | |
| 009 | H2106550 | 002 | AXE | PIN | ACHSE | ASSE | |
| 010 | 82201016 | 002 | GRAISSEUR AUTOTARAUDANT | SELF TAPPING GREASE NIPPLE | GEWINDESCHNEID-SCHMIERNIPPEL | INGRASSATORE | |
| 011 | 80061245 | 002 | VIS TETE HEXAGONALE FE/ZNXC3 | HEXAGON HEAD SCREW FE/ZNXC3 | SECHSKANTSCHRAUBE FE/ZNXC3 | VITE TESTA ESAGONALE FE/ZNXC3 | |
| 012 | 80201240 | 002 | ECROU HEX.BAS AUTOFR.FE/ZNXC3 | SELF-LOCKING NUT FE/ZNXC3 | SELBSTSICHERND.MUTTER FE/ZNXC3 | DADO AUTOBLOCCANTE FE/ZNXC3 | |
| 013 | H2407050 | 001 | VERIN | CYLINDER, HYDRAULIC | HYDRAULIKZYLINDER | CILINDRO | [1] |
| 014 | 82200800 | 001 | GRAISSEUR FE/ZNXC3 | GREASE NIPPLE FE/ZNXC3 | SCHMIERNIPPEL FE/ZNXC3 | INGRASSATORE FE/ZNXC3 | [1] |
| 015 | A4072014 | 001 | LIMITEUR DEBIT D0.8 TUBE D14 | DELIVERY LIMITER | MENGEN BEGRENZER | REGOLATORE D'ALIMENTAZIONE | [1] |
| 016 | 952365 | 001 | CLAPET ANTI-RETOUR | VALVE, CHECK | RUECKSCHLAGVENTIL | VALVOLA ANTI-RITORNO | [1] |
| 017 | H2407100 | 001 | POCHETTE DE JOINTS | KIT, SEAL | TACHE | SACCHE | : H2407050 |





CULTIMER 8000

A0000 > B0000

H21R0109 B

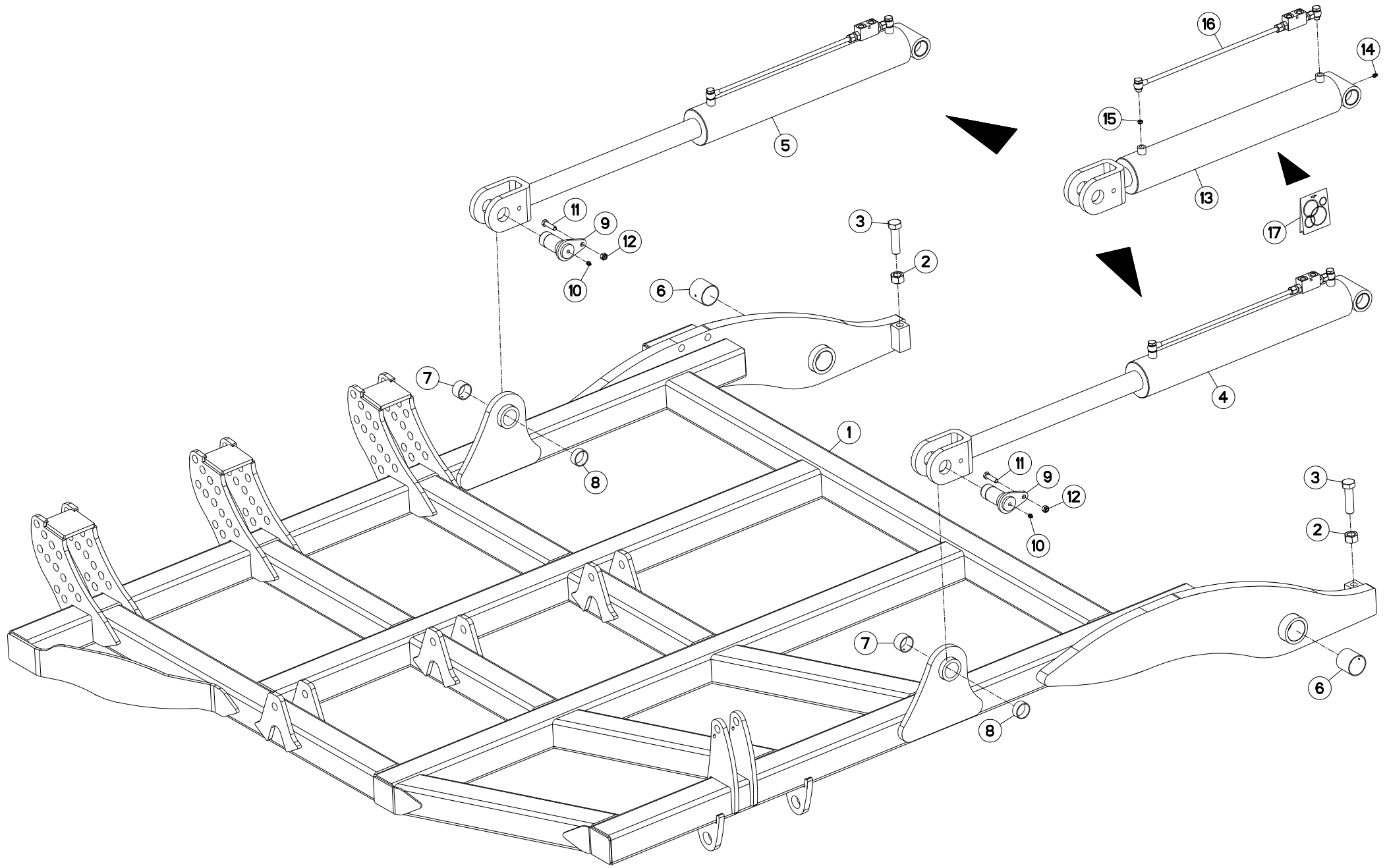
EXTENSION 8000 (DROITE)

EXTENSION 8000 (RIGHT)

ERWEITERUNG 8000 (RECHTS)

PROLUNGA 8000 (DX)

| Rep | Nr | Qt | Designation | Description | Bezeichnung | Referenza | Remarque - Remark - Bemerkung - Osservazioni |
|-----|-----------------|-----|-------------------------------|-----------------------------|--------------------------------|-------------------------------|--|
| 001 | H2109820 | 001 | EXTENSION | EXTENSION | ERWEITERUNG | ESTENSIONE | |
| 002 | 80202400 | 002 | ECROU HEXAGONAL FE/ZNXC3 | NUT FE/ZNXC3 | SECHSKANTMUTTER FE/ZNXC3 | DADO FE/ZNXC3 | |
| 003 | 80062476 | 002 | VIS TETE HEXAGONALE FLZNNC | HEXAGON HEAD SCREW FLZNNC | SECHSKANTSCHRAUBE FLZNNC | VITE TESTA ESAGONALE FLZNNC | |
| 004 | H2407040 | 001 | VERIN | CYLINDER, HYDRAULIC | HYDRAULIKZYLINDER | CILINDRO | + [1] |
| 005 | H2407040 | 001 | VERIN | CYLINDER, HYDRAULIC | HYDRAULIKZYLINDER | CILINDRO | + [1] |
| 006 | 951448 | 002 | BAGUE ROULEE | WRAPPED BUSH | GEROLLTE BUCHSE MESSING | ANELLO LUBRIFICATO | |
| 007 | 83014550 | 002 | BAGUE ROULEE | WRAPPED BUSH | GEROLLTE BUCHSE | ANELLO LUBRIFICATO | |
| 008 | 951946 | 002 | BAGUE ROULEE | WRAPPED BUSH | GEROLLTE BUCHSE | ANELLO LUBRIFICATO | |
| 009 | H2106550 | 002 | AXE | PIN | ACHSE | ASSE | |
| 010 | 82201016 | 002 | GRAISSEUR AUTOTARAUDANT | SELF TAPPING GREASE NIPPLE | GEWINDESCHNEID-SCHMIERNIPPEL | INGRASSATORE | |
| 011 | 80061245 | 002 | VIS TETE HEXAGONALE FE/ZNXC3 | HEXAGON HEAD SCREW FE/ZNXC3 | SECHSKANTSCHRAUBE FE/ZNXC3 | VITE TESTA ESAGONALE FE/ZNXC3 | |
| 012 | 80201240 | 002 | ECROU HEX.BAS AUTOFR.FE/ZNXC3 | SELF-LOCKING NUT FE/ZNXC3 | SELBSTSICHERND.MUTTER FE/ZNXC3 | DADO AUTOBLOCCANTE FE/ZNXC3 | |
| 013 | H2407050 | 001 | VERIN | CYLINDER, HYDRAULIC | HYDRAULIKZYLINDER | CILINDRO | [1] |
| 014 | 82200800 | 001 | GRAISSEUR FE/ZNXC3 | GREASE NIPPLE FE/ZNXC3 | SCHMIERNIPPEL FE/ZNXC3 | INGRASSATORE FE/ZNXC3 | [1] |
| 015 | A4072014 | 001 | LIMITEUR DEBIT D0.8 TUBE D14 | DELIVERY LIMITER | MENGEN BEGRENZER | REGOLATORE D'ALIMENTAZIONE | [1] |
| 016 | 952365 | 001 | CLAPET ANTI-RETOUR | VALVE, CHECK | RUECKSCHLAGVENTIL | VALVOLA ANTI-RITORNO | [1] |
| 017 | H2407100 | 001 | POCHETTE DE JOINTS | KIT, SEAL | TACHE | SACCHE | : H2407050 |





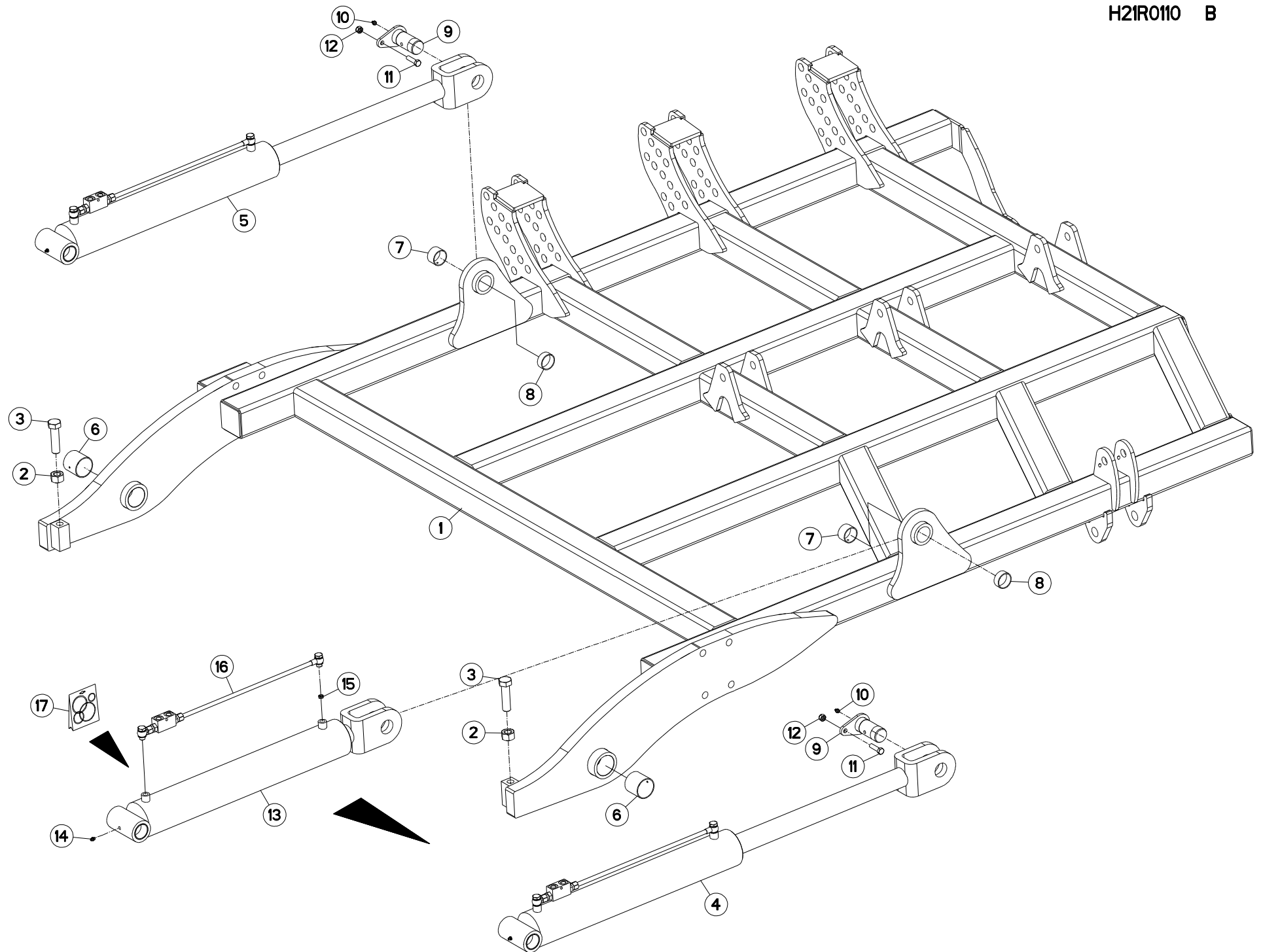
EXTENSION 8000 (DROITE)

EXTENSION 8000 (RIGHT)

ERWEITERUNG 8000 (RECHTS)

PROLUNGA 8000 (DX)

| Rep | Nr | Qt | Designation | Description | Bezeichnung | Referenza | Remarque - Remark - Bemerkung - Osservazioni |
|-----|-----------------|-----|-------------------------------|-----------------------------|--------------------------------|-------------------------------|--|
| 001 | H2109821 | 001 | EXTENSION | EXTENSION | ERWEITERUNG | ESTENSIONE | |
| 002 | 80202400 | 002 | ECROU HEXAGONAL FE/ZNXC3 | NUT FE/ZNXC3 | SECHSKANTMUTTER FE/ZNXC3 | DADO FE/ZNXC3 | |
| 003 | 80062476 | 002 | VIS TETE HEXAGONALE FLZNNC | HEXAGON HEAD SCREW FLZNNC | SECHSKANTSCHRAUBE FLZNNC | VITE TESTA ESAGONALE FLZNNC | |
| 004 | H2407040 | 001 | VERIN | CYLINDER, HYDRAULIC | HYDRAULIKZYLINDER | CILINDRO | + [1] |
| 005 | H2407040 | 001 | VERIN | CYLINDER, HYDRAULIC | HYDRAULIKZYLINDER | CILINDRO | + [1] |
| 006 | 951448 | 002 | BAGUE ROULEE | WRAPPED BUSH | GEROLLTE BUCHSE MESSING | ANELLO LUBRIFICATO | |
| 007 | 83014550 | 002 | BAGUE ROULEE | WRAPPED BUSH | GEROLLTE BUCHSE | ANELLO LUBRIFICATO | |
| 008 | 951946 | 002 | BAGUE ROULEE | WRAPPED BUSH | GEROLLTE BUCHSE | ANELLO LUBRIFICATO | |
| 009 | H2106550 | 002 | AXE | PIN | ACHSE | ASSE | |
| 010 | 82201016 | 002 | GRAISSEUR AUTOTARAUDANT | SELF TAPPING GREASE NIPPLE | GEWINDESCHNEID-SCHMIERNIPPEL | INGRASSATORE | |
| 011 | 80061245 | 002 | VIS TETE HEXAGONALE FE/ZNXC3 | HEXAGON HEAD SCREW FE/ZNXC3 | SECHSKANTSCHRAUBE FE/ZNXC3 | VITE TESTA ESAGONALE FE/ZNXC3 | |
| 012 | 80201240 | 002 | ECROU HEX.BAS AUTOFR.FE/ZNXC3 | SELF-LOCKING NUT FE/ZNXC3 | SELBSTSICHERND.MUTTER FE/ZNXC3 | DADO AUTOBLOCCANTE FE/ZNXC3 | |
| 013 | H2407050 | 001 | VERIN | CYLINDER, HYDRAULIC | HYDRAULIKZYLINDER | CILINDRO | [1] |
| 014 | 82200800 | 001 | GRAISSEUR FE/ZNXC3 | GREASE NIPPLE FE/ZNXC3 | SCHMIERNIPPEL FE/ZNXC3 | INGRASSATORE FE/ZNXC3 | [1] |
| 015 | A4072014 | 001 | LIMITEUR DEBIT D0.8 TUBE D14 | DELIVERY LIMITER | MENGEN BEGRENZER | REGOLATORE D'ALIMENTAZIONE | [1] |
| 016 | 952365 | 001 | CLAPET ANTI-RETOUR | VALVE, CHECK | RUECKSCHLAGVENTIL | VALVOLA ANTI-RITORNO | [1] |
| 017 | H2407100 | 001 | POCHETTE DE JOINTS | KIT, SEAL | TACHE | SACCHE | : H2407050 |





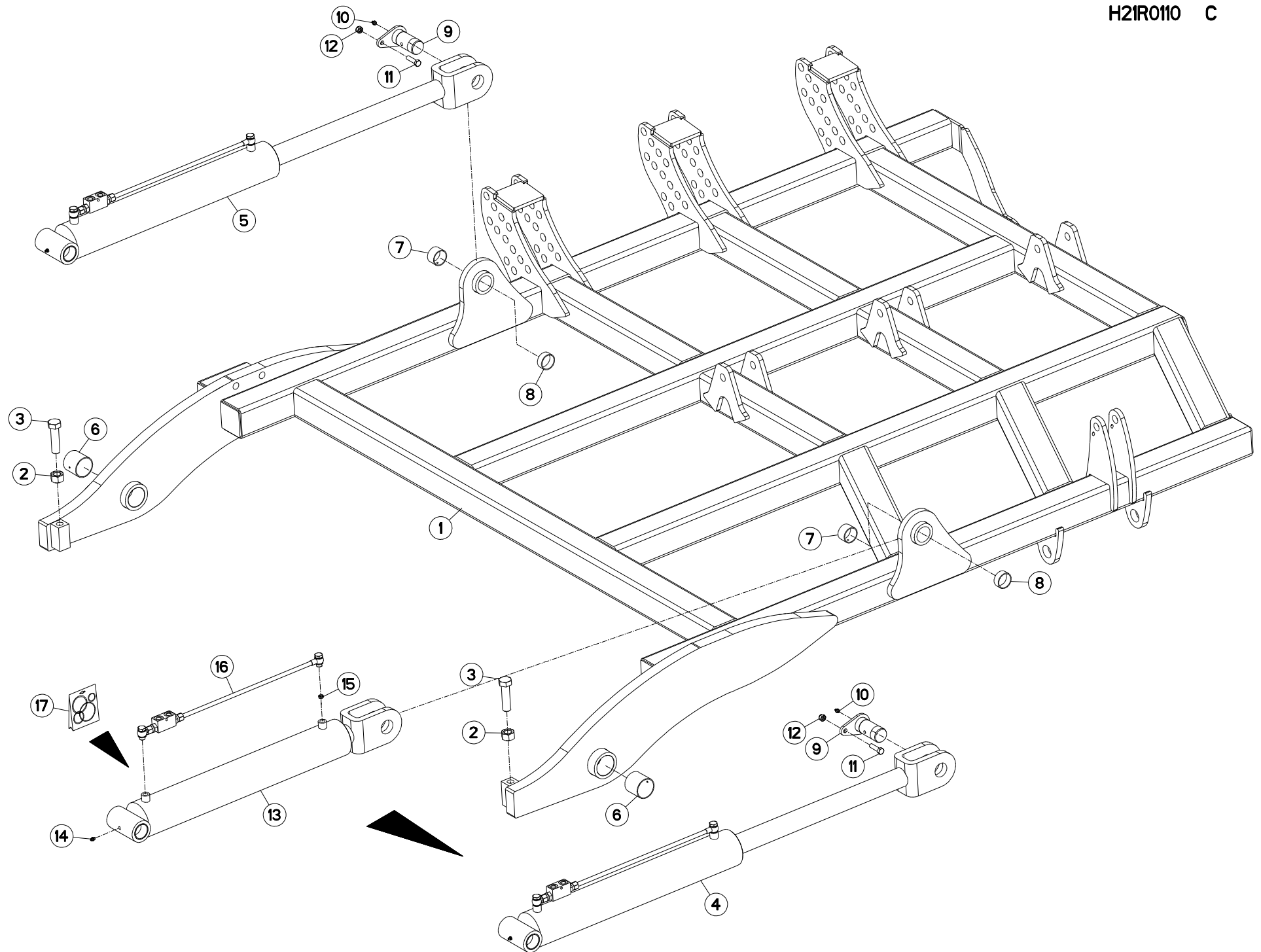
EXTENSION 8000 (GAUCHE)

EXTENSION 8000 (LEFT)

ERWEITERUNG 8000 (LINKS)

PROLUNGA 8000 (SX)

| Rep | Nr | Qt | Designation | Description | Bezeichnung | Referenza | Remarque - Remark - Bemerkung - Osservazioni |
|-----|-----------------|-----|-------------------------------|-----------------------------|--------------------------------|-------------------------------|--|
| 001 | H2109810 | 001 | EXTENSION | EXTENSION | ERWEITERUNG | ESTENSIONE | |
| 002 | 80202400 | 002 | ECROU HEXAGONAL FE/ZNXC3 | NUT FE/ZNXC3 | SECHSKANTMUTTER FE/ZNXC3 | DADO FE/ZNXC3 | |
| 003 | 80062476 | 002 | VIS TETE HEXAGONALE FLZNNC | HEXAGON HEAD SCREW FLZNNC | SECHSKANTSCHRAUBE FLZNNC | VITE TESTA ESAGONALE FLZNNC | |
| 004 | H2407040 | 001 | VERIN | CYLINDER, HYDRAULIC | HYDRAULIKZYLINDER | CILINDRO | + [1] |
| 005 | H2407040 | 001 | VERIN | CYLINDER, HYDRAULIC | HYDRAULIKZYLINDER | CILINDRO | + [1] |
| 006 | 951448 | 002 | BAGUE ROULEE | WRAPPED BUSH | GEROLLTE BUCHSE MESSING | ANELLO LUBRIFICATO | |
| 007 | 83014550 | 002 | BAGUE ROULEE | WRAPPED BUSH | GEROLLTE BUCHSE | ANELLO LUBRIFICATO | |
| 008 | 951946 | 002 | BAGUE ROULEE | WRAPPED BUSH | GEROLLTE BUCHSE | ANELLO LUBRIFICATO | |
| 009 | H2106550 | 002 | AXE | PIN | ACHSE | ASSE | |
| 010 | 82201016 | 002 | GRAISSEUR AUTOTARAUDANT | SELF TAPPING GREASE NIPPLE | GEWINDESCHNEID-SCHMIERNIPPEL | INGRASSATORE | |
| 011 | 80061245 | 002 | VIS TETE HEXAGONALE FE/ZNXC3 | HEXAGON HEAD SCREW FE/ZNXC3 | SECHSKANTSCHRAUBE FE/ZNXC3 | VITE TESTA ESAGONALE FE/ZNXC3 | |
| 012 | 80201240 | 002 | ECROU HEX.BAS AUTOFR.FE/ZNXC3 | SELF-LOCKING NUT FE/ZNXC3 | SELBSTSICHERND.MUTTER FE/ZNXC3 | DADO AUTOBLOCCANTE FE/ZNXC3 | |
| 013 | H2407050 | 001 | VERIN | CYLINDER, HYDRAULIC | HYDRAULIKZYLINDER | CILINDRO | [1] |
| 014 | 82200800 | 001 | GRAISSEUR FE/ZNXC3 | GREASE NIPPLE FE/ZNXC3 | SCHMIERNIPPEL FE/ZNXC3 | INGRASSATORE FE/ZNXC3 | [1] |
| 015 | A4072014 | 001 | LIMITEUR DEBIT D0.8 TUBE D14 | DELIVERY LIMITER | MENGEN BEGRENZER | REGOLATORE D'ALIMENTAZIONE | [1] |
| 016 | 952365 | 001 | CLAPET ANTI-RETOUR | VALVE, CHECK | RUECKSCHLAGVENTIL | VALVOLA ANTI-RITORNO | [1] |
| 017 | H2407100 | 001 | POCHETTE DE JOINTS | KIT, SEAL | TACHE | SACCHE | : H2407050 |





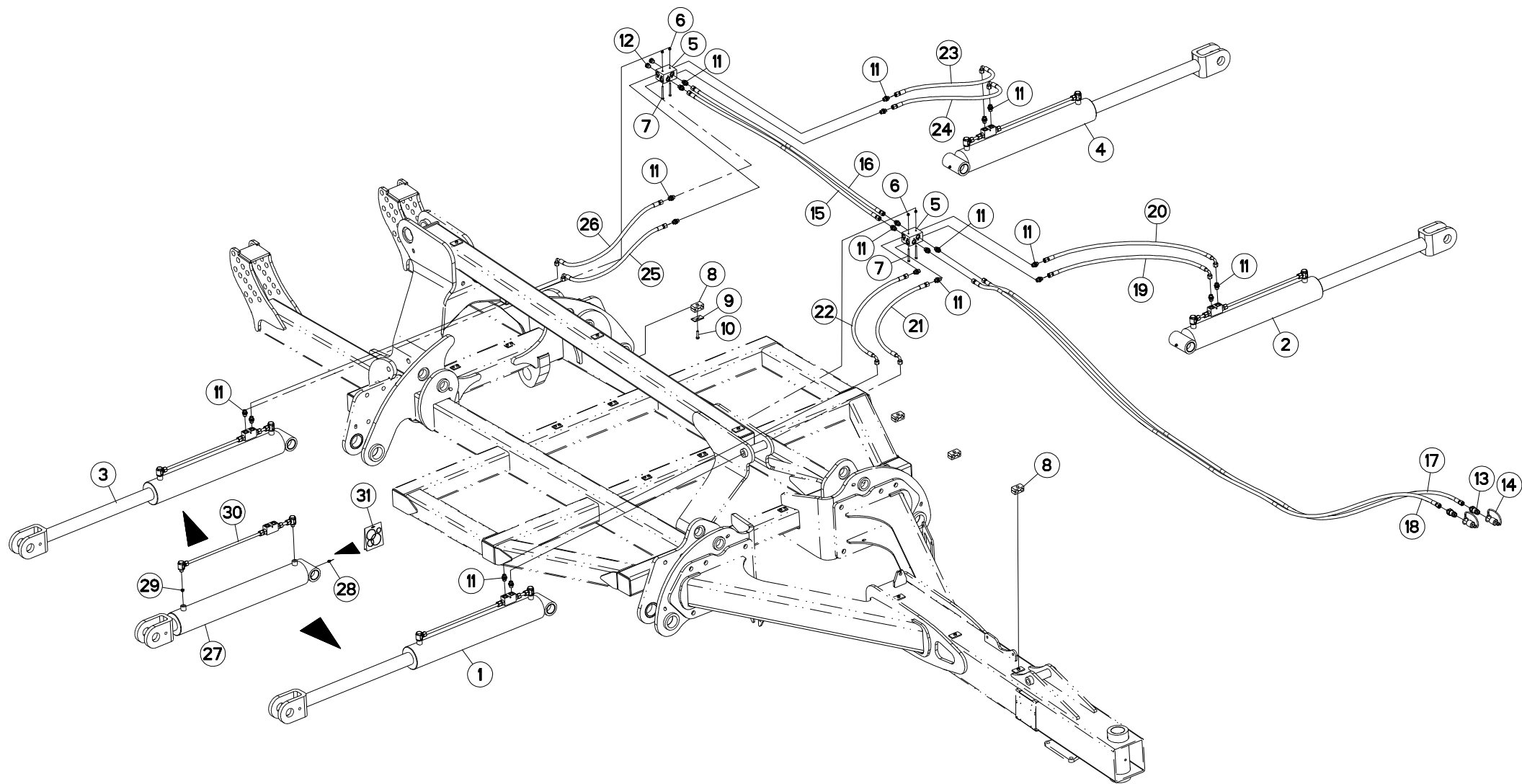
EXTENSION 8000 (GAUCHE)

EXTENSION 8000 (LEFT)

ERWEITERUNG 8000 (LINKS)

PROLUNGA 8000 (SX)

| Rep | Nr | Qt | Designation | Description | Bezeichnung | Referenza | Remarque - Remark - Bemerkung - Osservazioni |
|-----|----------|-----|-------------------------------|-----------------------------|--------------------------------|-------------------------------|--|
| 001 | H2109811 | 001 | EXTENSION | EXTENSION | ERWEITERUNG | ESTENSIONE | |
| 002 | 80202400 | 002 | ECROU HEXAGONAL FE/ZNXC3 | NUT FE/ZNXC3 | SECHSKANTMUTTER FE/ZNXC3 | DADO FE/ZNXC3 | |
| 003 | 80062476 | 002 | VIS TETE HEXAGONALE FLZNNC | HEXAGON HEAD SCREW FLZNNC | SECHSKANTSCHRAUBE FLZNNC | VITE TESTA ESAGONALE FLZNNC | |
| 004 | H2407040 | 001 | VERIN | CYLINDER, HYDRAULIC | HYDRAULIKZYLINDER | CILINDRO | + [1] |
| 005 | H2407040 | 001 | VERIN | CYLINDER, HYDRAULIC | HYDRAULIKZYLINDER | CILINDRO | + [1] |
| 006 | 951448 | 002 | BAGUE ROULEE | WRAPPED BUSH | GEROLLTE BUCHSE MESSING | ANELLO LUBRIFICATO | |
| 007 | 83014550 | 002 | BAGUE ROULEE | WRAPPED BUSH | GEROLLTE BUCHSE | ANELLO LUBRIFICATO | |
| 008 | 951946 | 002 | BAGUE ROULEE | WRAPPED BUSH | GEROLLTE BUCHSE | ANELLO LUBRIFICATO | |
| 009 | H2106550 | 002 | AXE | PIN | ACHSE | ASSE | |
| 010 | 82201016 | 002 | GRAISSEUR AUTOTARAUDANT | SELF TAPPING GREASE NIPPLE | GEWINDESCHNEID-SCHMIERNIPPEL | INGRASSATORE | |
| 011 | 80061245 | 002 | VIS TETE HEXAGONALE FE/ZNXC3 | HEXAGON HEAD SCREW FE/ZNXC3 | SECHSKANTSCHRAUBE FE/ZNXC3 | VITE TESTA ESAGONALE FE/ZNXC3 | |
| 012 | 80201240 | 002 | ECROU HEX.BAS AUTOFR.FE/ZNXC3 | SELF-LOCKING NUT FE/ZNXC3 | SELBSTSICHERND.MUTTER FE/ZNXC3 | DADO AUTOBLOCCANTE FE/ZNXC3 | |
| 013 | H2407050 | 001 | VERIN | CYLINDER, HYDRAULIC | HYDRAULIKZYLINDER | CILINDRO | [1] |
| 014 | 82200800 | 001 | GRAISSEUR FE/ZNXC3 | GREASE NIPPLE FE/ZNXC3 | SCHMIERNIPPEL FE/ZNXC3 | INGRASSATORE FE/ZNXC3 | [1] |
| 015 | A4072014 | 001 | LIMITEUR DEBIT D0.8 TUBE D14 | DELIVERY LIMITER | MENGEN BEGRENZER | REGOLATORE D'ALIMENTAZIONE | [1] |
| 016 | 952365 | 001 | CLAPET ANTI-RETOUR | VALVE, CHECK | RUECKSCHLAGVENTIL | VALVOLA ANTI-RITORNO | [1] |
| 017 | H2407100 | 001 | POCHETTE DE JOINTS | KIT, SEAL | TACHE | SACCHE | : H2407050 |



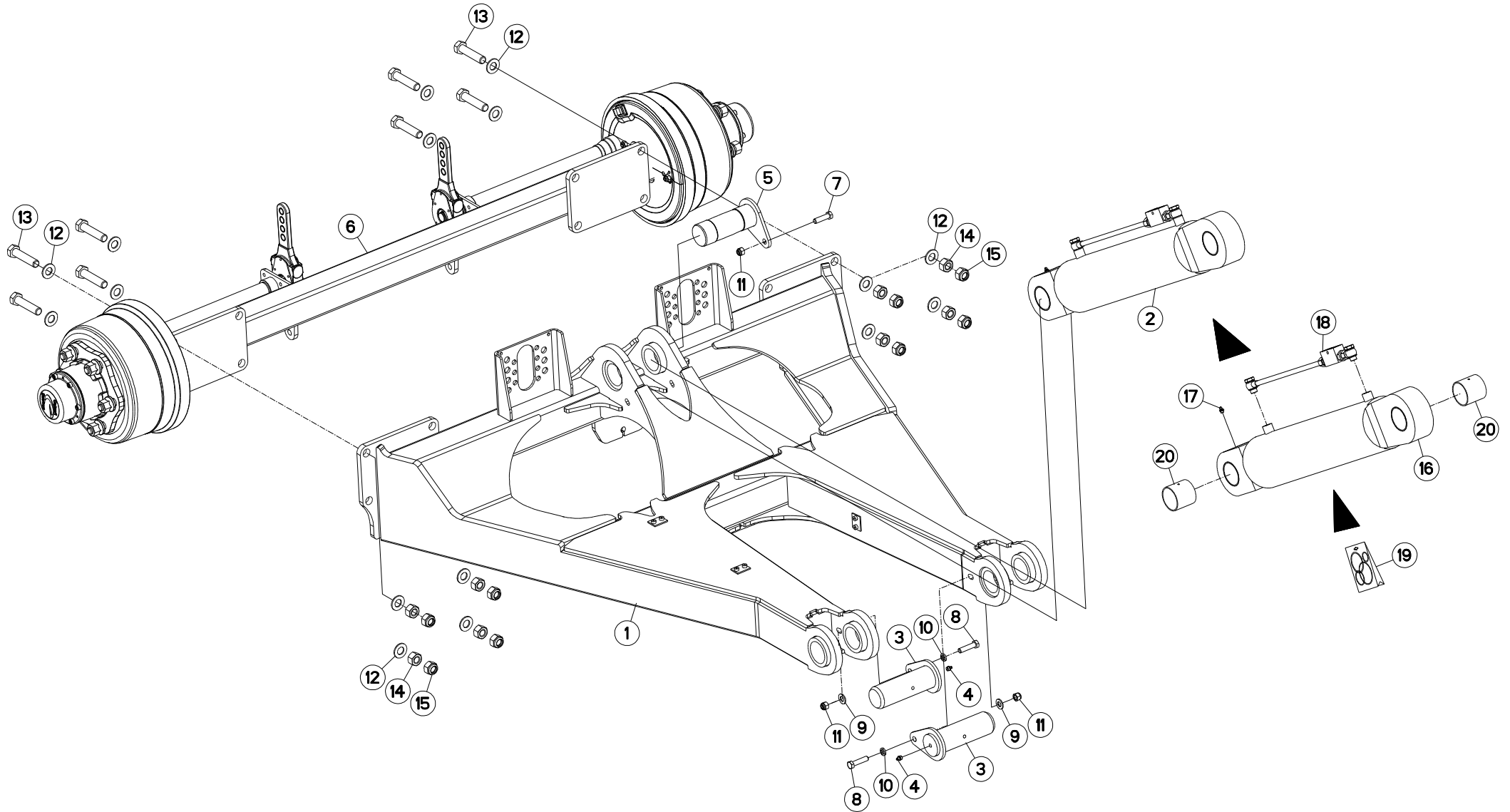


HYDRAULIQUE DE REPLIAGE

HYDRAULICS

HYDRAULIK RAHMENEINSCHWENKUNG TUBI FLESSIBILI IDRAULICI

| Rep | Nr | Qt | Designation | Description | Bezeichnung | Referenza | Remarque - Remark - Bemerkung - Osservazioni |
|-----|----------|-----|-------------------------------|-----------------------------|-------------------------------|-------------------------------|--|
| 001 | H2407040 | 001 | VERIN | CYLINDER, HYDRAULIC | HYDRAULIKZYLINDER | CILINDRO | [1] |
| 002 | H2407040 | 001 | VERIN | CYLINDER, HYDRAULIC | HYDRAULIKZYLINDER | CILINDRO | [1] |
| 003 | H2407040 | 001 | VERIN | CYLINDER, HYDRAULIC | HYDRAULIKZYLINDER | CILINDRO | [1] |
| 004 | H2407040 | 001 | VERIN | CYLINDER, HYDRAULIC | HYDRAULIKZYLINDER | CILINDRO | [1] |
| 005 | H2406830 | 002 | BLOC HYDRAULIQUE | MANIFOLD, HYDRAULIC | HYDRAULIK-STEUERBLOCK | BLOCCO IDRAULICO | |
| 006 | 80200630 | 004 | ECROU HEX.AUTOFREINE FE/ZNXC3 | SELF-LOCKING NUT FE/ZNXC3 | SELBSTSICHERNDE MUTT.FE/ZNXC3 | DADO AUTOBLOCCANTE FE/ZNXC3 | |
| 007 | 80060665 | 004 | VIS TETE HEXAGONALE FE/ZNXC3 | HEXAGON HEAD SCREW FE/ZNXC3 | SECHSKANTSCHRAUBE FE/ZNXC3 | VITE TESTA ESAGONALE FE/ZNXC3 | |
| 008 | A7260042 | 005 | COLLIER DOUBLE D15 NU | CLAMP D.15 | SHELLE D.15 | COLLARE D.15 | |
| 009 | A7260016 | 002 | PL SUP/C. DOUBLE D14/15/16/18 | UPPER PLATE | OBERE PLATTE | PIASTRA | |
| 010 | 80060835 | 002 | VIS TETE HEXAGONALE FE/ZNXC3 | HEXAGON HEAD SCREW FE/ZNXC3 | SECHSKANTSCHRAUBE FE/ZNXC3 | VITE TESTA ESAGONALE FE/ZNXC3 | |
| 011 | A4080401 | 022 | UNION MALE | MALE STUD CONNECTOR | GERADER EINSCHRAUBSTUTZEN | GIUZIONE DIRITTA ZBC | |
| 012 | A4061802 | 002 | BOUCHON | PLUG | VERSCHLUSSSCHRAUBE | TAPPO | |
| 013 | A4074017 | 002 | COUPLEUR MALE | CONNECTOR MALE | KUPPLUNGSTECKER | INNESTO M16X150 | |
| 014 | 82300026 | 002 | CAPUCHON COUPLEUR MALE | CAP MALE CONNECTOR | KAPPE KUPPLUNGSSTECKER | TAPPO | |
| 015 | A4921031 | 001 | FLEXIBLE HYDRAULIQUE | HYDRAULIC HOSE | HYDRAULIKSCHLAUCH | TUBO GOMMA | <->1530 mm |
| 016 | A4921031 | 001 | FLEXIBLE HYDRAULIQUE | HYDRAULIC HOSE | HYDRAULIKSCHLAUCH | TUBO GOMMA | <->1530 mm |
| 017 | A4921053 | 001 | FLEXIBLE HYDRAULIQUE | HYDRAULIC HOSE | HYDRAULIKSCHLAUCH | TUBO GOMMA | <->5200 mm |
| 018 | A4921053 | 001 | FLEXIBLE HYDRAULIQUE | HYDRAULIC HOSE | HYDRAULIKSCHLAUCH | TUBO GOMMA | <->5200 mm |
| 019 | A4921070 | 001 | FLEXIBLE HYDRAULIQUE | HYDRAULIC HOSE | HYDRAULIKSCHLAUCH | TUBO GOMMA | <->850 mm |
| 020 | A4921071 | 001 | FLEXIBLE HYDRAULIQUE | HYDRAULIC HOSE | HYDRAULIKSCHLAUCH | TUBO GOMMA | <->900 mm |
| 021 | A4921070 | 001 | FLEXIBLE HYDRAULIQUE | HYDRAULIC HOSE | HYDRAULIKSCHLAUCH | TUBO GOMMA | <->850 mm |
| 022 | A4921071 | 001 | FLEXIBLE HYDRAULIQUE | HYDRAULIC HOSE | HYDRAULIKSCHLAUCH | TUBO GOMMA | <->900 mm |
| 023 | A4921070 | 001 | FLEXIBLE HYDRAULIQUE | HYDRAULIC HOSE | HYDRAULIKSCHLAUCH | TUBO GOMMA | <->850 mm |
| 024 | A4921071 | 001 | FLEXIBLE HYDRAULIQUE | HYDRAULIC HOSE | HYDRAULIKSCHLAUCH | TUBO GOMMA | <->900 mm |
| 025 | A4921071 | 001 | FLEXIBLE HYDRAULIQUE | HYDRAULIC HOSE | HYDRAULIKSCHLAUCH | TUBO GOMMA | <->900 mm |
| 026 | A4921070 | 001 | FLEXIBLE HYDRAULIQUE | HYDRAULIC HOSE | HYDRAULIKSCHLAUCH | TUBO GOMMA | <->850 mm |
| 027 | H2407050 | 001 | VERIN | CYLINDER, HYDRAULIC | HYDRAULIKZYLINDER | CILINDRO | [1] |
| 028 | 82200800 | 001 | GRAISSEUR FE/ZNXC3 | GREASE NIPPLE FE/ZNXC3 | SCHMIERNIPPEL FE/ZNXC3 | INGRASSATORE FE/ZNXC3 | [1] |
| 029 | A4072014 | 001 | LIMITEUR DEBIT D0.8 TUBE D14 | DELIVERY LIMITER | MENGEN BEGRENZER | REGOLATORE D'ALIMENTAZIONE | [1] |
| 030 | 952365 | 001 | CLAPET ANTI-RETOUR | VALVE, CHECK | RUECKSCHLAGVENTIL | VALVOLA ANTI-RITORNO | [1] |
| 031 | H2407100 | 001 | POCHETTE DE JOINTS | KIT, SEAL | TACHE | SACCHE | : H2407050 |





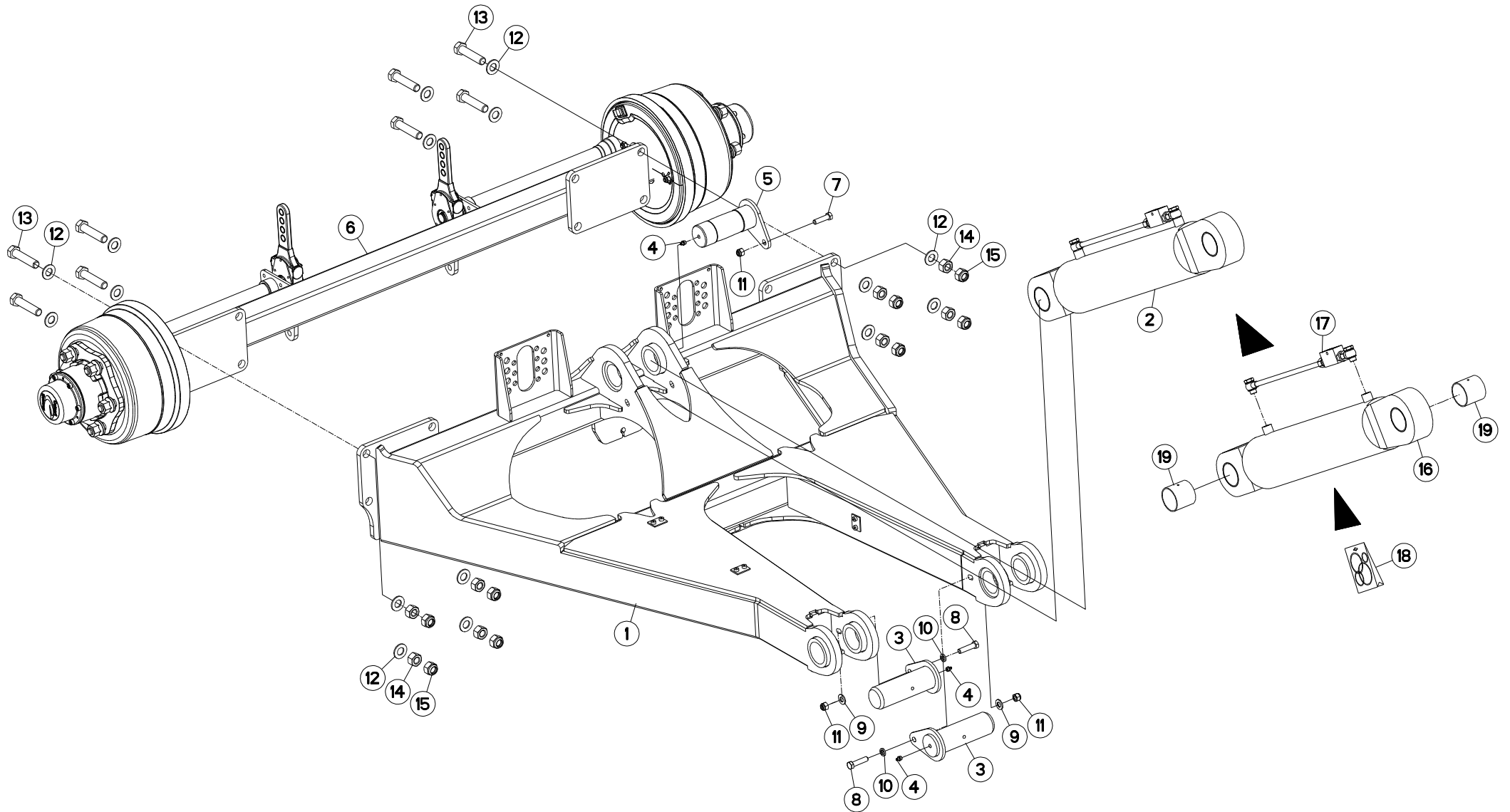
CHARIOT

CARRIAGE

FAHRWERK

CARRELLO

| Rep | Nr | Qt | Designation | Description | Bezeichnung | Referenza | Remarque - Remark - Bemerkung - Osservazioni |
|-----|----------|-----|-------------------------------|-----------------------------|--------------------------------|-------------------------------|--|
| 001 | H2108220 | 001 | CHARIOT | TRAILER | SCHUBRAHMEN | CARRELLO | |
| 002 | H2407070 | 001 | VERIN | CYLINDER, HYDRAULIC | HYDRAULIKZYLINDER | CILINDRO | + [1] |
| 003 | H2105640 | 002 | AXE | PIN | ACHSE | ASSE | |
| 004 | 82201016 | 002 | GRAISSEUR AUTOTARAUDANT | SELF TAPPING GREASE NIPPLE | GEWINDESCHNEID-SCHMIERNIPPEL | INGRASSATORE | |
| 005 | H2106560 | 001 | AXE | PIN | ACHSE | ASSE | |
| 006 | H2904160 | 001 | ESSIEU | AXLE | RADACHSE | ASSALE | |
| 007 | 80061245 | 001 | VIS TETE HEXAGONALE FE/ZNXC3 | HEXAGON HEAD SCREW FE/ZNXC3 | SECHSKANTSCHRAUBE FE/ZNXC3 | VITE TESTA ESAGONALE FE/ZNXC3 | |
| 008 | 80061249 | 002 | VIS TETE HEXAGONALE FE/ZNXC3 | HEXAGON HEAD SCREW FE/ZNXC3 | SECHSKANTSCHRAUBE FE/ZNXC3 | VITE TESTA ESAGONALE FE/ZNXC3 | |
| 009 | 80251227 | 002 | RONDELLE PLATE FE/ZNXC3 | PLAIN WASHER FE/ZNXC3 | SCHEIBE FE/ZNXC3 | RONDELLA PIATTA FE/ZNXC3 | |
| 010 | 80271203 | 002 | RONDELLE GROWER FE/ZNXC3 | SPRING LOCK WASHER FE/ZNXC3 | FEDERRING FE/ZNXC3 | RONDELLA GROWER FE/ZNXC3 | |
| 011 | 80201240 | 003 | ECROU HEX.BAS AUTOFR.FE/ZNXC3 | SELF-LOCKING NUT FE/ZNXC3 | SELBSTSICHERND.MUTTER FE/ZNXC3 | DADO AUTOBLOCCANTE FE/ZNXC3 | |
| 012 | 80252026 | 016 | RONDELLE PLATE FE/ZNXC3 | PLAIN WASHER FE/ZNXC3 | SCHEIBE FE/ZNXC3 | RONDELLA PIATTA FE/ZNXC3 | |
| 013 | 80062090 | 008 | VIS TETE HEXAGONALE FE/ZNXC3 | HEXAGON HEAD SCREW FE/ZNXC3 | SECHSKANTSCHRAUBE FE/ZNXC3 | VITE TESTA ESAGONALE FE/ZNXC3 | |
| 014 | 80202070 | 008 | ECROU HEXAGONAL FE/ZNXC3 | NUT FE/ZNXC3 | SECHSKANTMUTTER FE/ZNXC3 | DADO FE/ZNXC3 | |
| 015 | 80202040 | 008 | ECROU HEX.BAS AUTOFR.FE/ZNXC3 | SELF-LOCKING NUT FE/ZNXC3 | SELBSTSICHERND.MUTTER FE/ZNXC3 | DADO AUTOBLOCCANTE FE/ZNXC3 | |
| 016 | H2407080 | 001 | VERIN | CYLINDER, HYDRAULIC | HYDRAULIKZYLINDER | CILINDRO | [1] |
| 017 | 82200800 | 001 | GRAISSEUR FE/ZNXC3 | GREASE NIPPLE FE/ZNXC3 | SCHMIERNIPPEL FE/ZNXC3 | INGRASSATORE FE/ZNXC3 | [1] |
| 018 | 952365 | 001 | CLAPET ANTI-RETOUR | VALVE, CHECK | RUECKSCHLAGVENTIL | VALVOLA ANTI-RITORNO | [1] |
| 019 | H2407110 | 001 | POCHETTE DE JOINTS | KIT, SEAL | TACHE | SACCHE | : H2407080 |
| 020 | 951448 | 002 | BAGUE ROULEE | WRAPPED BUSH | GEROLLTE BUCHSE MESSING | ANELLO LUBRIFICATO | [1] |





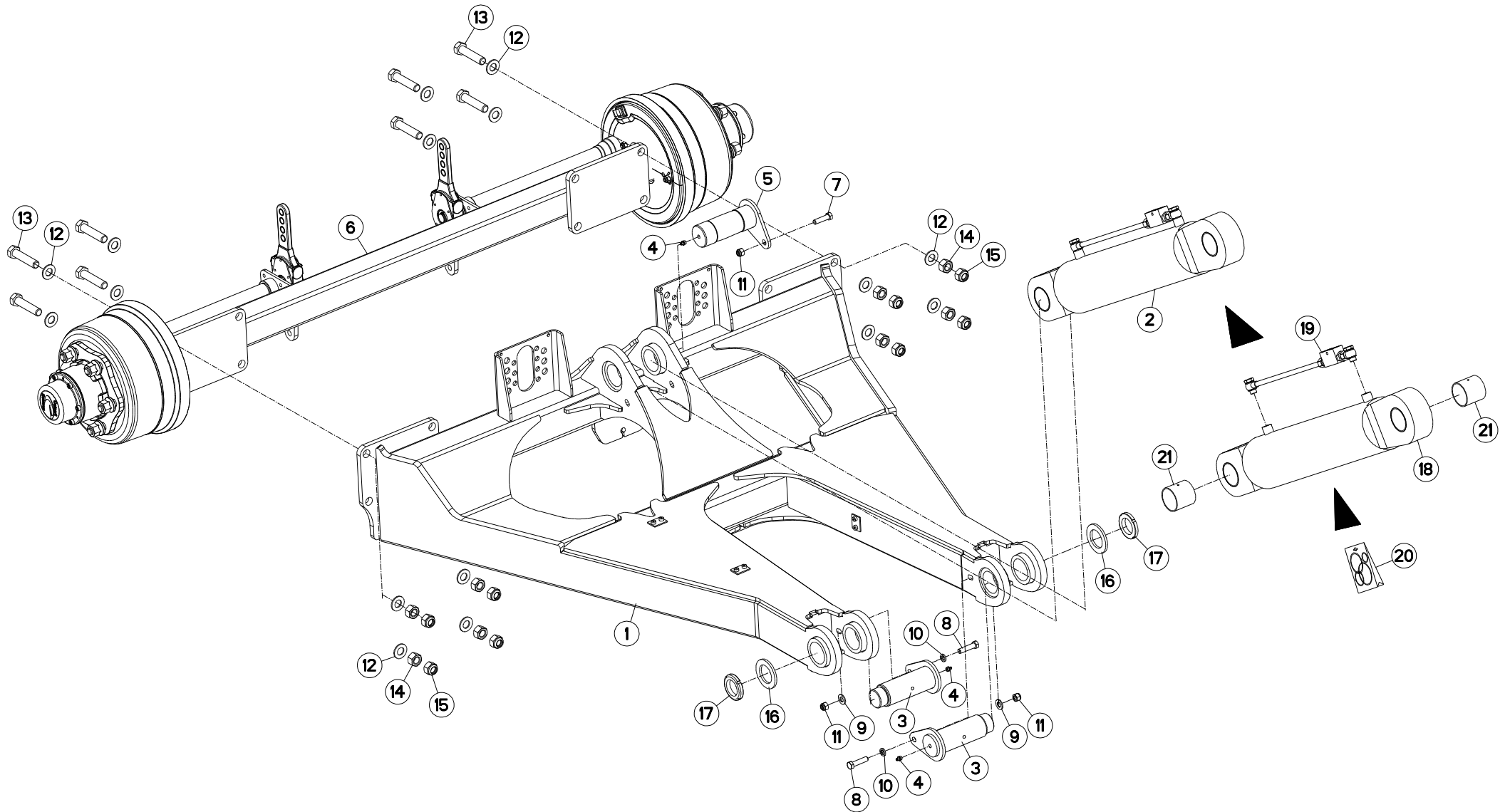
CHARIOT

CARRIAGE

FAHRWERK

CARRELLO

| Rep | Nr | Qt | Designation | Description | Bezeichnung | Referenza | Remarque - Remark - Bemerkung - Osservazioni |
|-----|-----------------|-----|-------------------------------|-----------------------------|--------------------------------|-------------------------------|--|
| 001 | H2108220 | 001 | CHARIOT | TRAILER | SCHUBRAHMEN | CARRELLO | |
| 002 | H2407071 | 001 | VERIN | CYLINDER, HYDRAULIC | HYDRAULIKZYLINDER | CILINDRO | [1] |
| 003 | H2105640 | 002 | AXE | PIN | ACHSE | ASSE | |
| 004 | 82201016 | 003 | GRAISSEUR AUTOTARAUDANT | SELF TAPPING GREASE NIPPLE | GEWINDESCHNEID-SCHMIERNIPPEL | INGRASSATORE | |
| 005 | H2106560 | 001 | AXE | PIN | ACHSE | ASSE | |
| 006 | H2904160 | 001 | ESSIEU | AXLE | RADACHSE | ASSALE | |
| 007 | 80061245 | 001 | VIS TETE HEXAGONALE FE/ZNXC3 | HEXAGON HEAD SCREW FE/ZNXC3 | SECHSKANTSCHRAUBE FE/ZNXC3 | VITE TESTA ESAGONALE FE/ZNXC3 | |
| 008 | 80061249 | 002 | VIS TETE HEXAGONALE FE/ZNXC3 | HEXAGON HEAD SCREW FE/ZNXC3 | SECHSKANTSCHRAUBE FE/ZNXC3 | VITE TESTA ESAGONALE FE/ZNXC3 | |
| 009 | 80251227 | 002 | RONDELLE PLATE FE/ZNXC3 | PLAIN WASHER FE/ZNXC3 | SCHEIBE FE/ZNXC3 | RONDELLA PIATTA FE/ZNXC3 | |
| 010 | 80271203 | 002 | RONDELLE GROWER FE/ZNXC3 | SPRING LOCK WASHER FE/ZNXC3 | FEDERRING FE/ZNXC3 | RONDELLA GROWER FE/ZNXC3 | |
| 011 | 80201240 | 003 | ECROU HEX.BAS AUTOFR.FE/ZNXC3 | SELF-LOCKING NUT FE/ZNXC3 | SELBSTSICHERND.MUTTER FE/ZNXC3 | DADO AUTOBLOCCANTE FE/ZNXC3 | |
| 012 | 80252026 | 016 | RONDELLE PLATE FE/ZNXC3 | PLAIN WASHER FE/ZNXC3 | SCHEIBE FE/ZNXC3 | RONDELLA PIATTA FE/ZNXC3 | |
| 013 | 80062090 | 008 | VIS TETE HEXAGONALE FE/ZNXC3 | HEXAGON HEAD SCREW FE/ZNXC3 | SECHSKANTSCHRAUBE FE/ZNXC3 | VITE TESTA ESAGONALE FE/ZNXC3 | |
| 014 | 80202070 | 008 | ECROU HEXAGONAL FE/ZNXC3 | NUT FE/ZNXC3 | SECHSKANTMUTTER FE/ZNXC3 | DADO FE/ZNXC3 | |
| 015 | 80202040 | 008 | ECROU HEX.BAS AUTOFR.FE/ZNXC3 | SELF-LOCKING NUT FE/ZNXC3 | SELBSTSICHERND.MUTTER FE/ZNXC3 | DADO AUTOBLOCCANTE FE/ZNXC3 | |
| 016 | H2407081 | 001 | VERIN | CYLINDER, HYDRAULIC | HYDRAULIKZYLINDER | CILINDRO | [1] |
| 017 | 952365 | 001 | CLAPET ANTI-RETOUR | VALVE, CHECK | RUECKSCHLAGVENTIL | VALVOLA ANTI-RITORNO | [1] |
| 018 | H2407110 | 001 | POCHETTE DE JOINTS | KIT, SEAL | TACHE | SACCHE | : H2407081 |
| 019 | 951448 | 002 | BAGUE ROULEE | WRAPPED BUSH | GEROLLTE BUCHSE MESSING | ANELLO LUBRIFICATO | [1] |





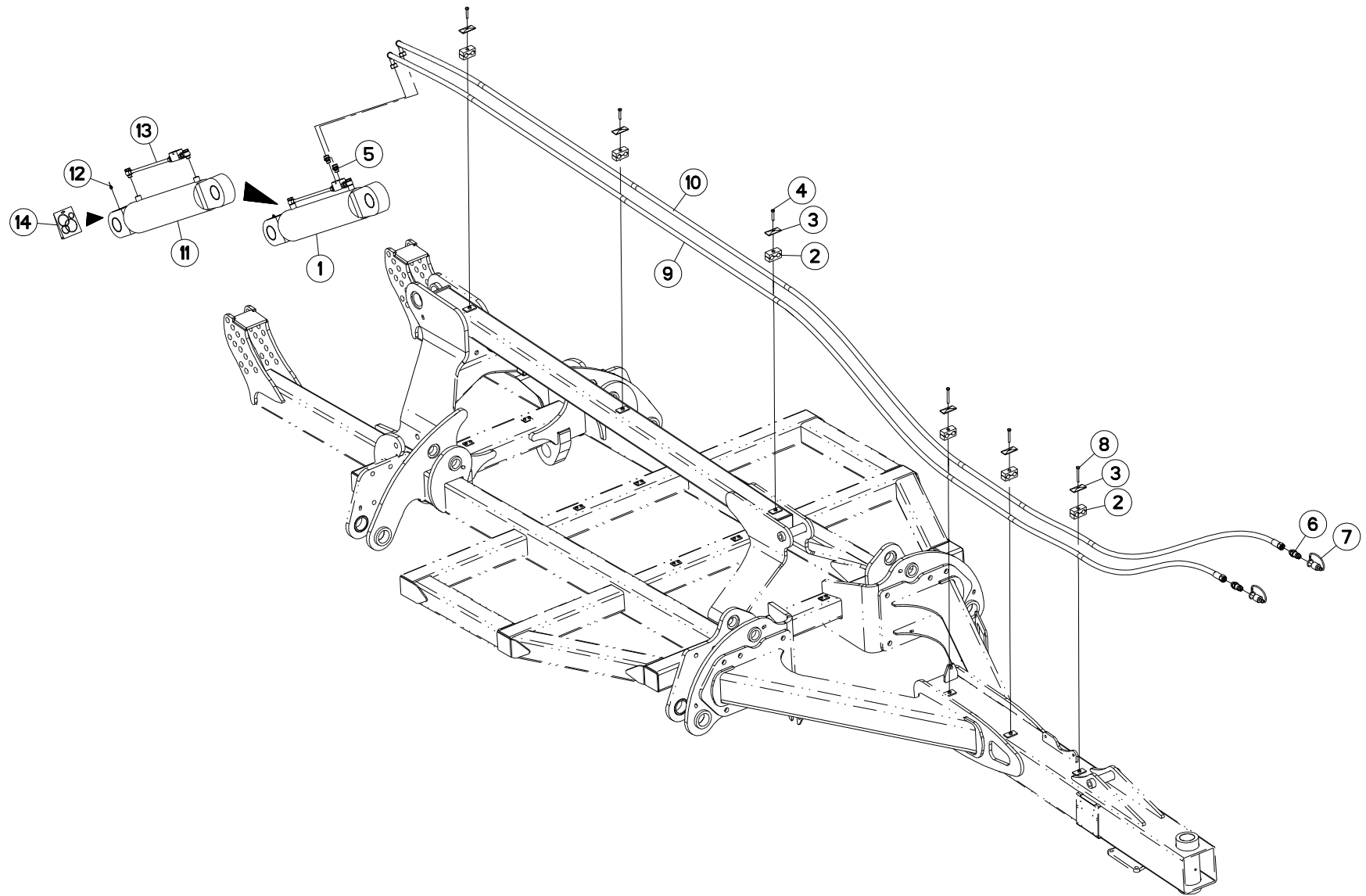
CHARIOT

CARRIAGE

FAHRWERK

CARRELLO

| Rep | Nr | Qt | Designation | Description | Bezeichnung | Referenza | Remarque - Remark - Bemerkung - Osservazioni |
|-----|-----------------|-----|-------------------------------|-----------------------------|------------------------------|-------------------------------|--|
| 001 | H2108220 | 001 | CHARIOT | TRAILER | SCHUBRAHMEN | CARRELLO | |
| 002 | H2407071 | 001 | VERIN | CYLINDER, HYDRAULIC | HYDRAULIKZYLINDER | CILINDRO | + [1] |
| 003 | H2111180 | 002 | AXE | PIN | ACHSE | ASSE | |
| 004 | 82201016 | 003 | GRAISSEUR AUTOTARAUDANT | SELF TAPPING GREASE NIPPLE | GEWINDESCHNEID-SCHMIERNIPPEL | INGRASSATORE | |
| 005 | H2106560 | 001 | AXE | PIN | ACHSE | ASSE | |
| 006 | H2904160 | 001 | ESSIEU | AXLE | RADACHSE | ASSALE | |
| 007 | 80061245 | 001 | VIS TETE HEXAGONALE FE/ZNXC3 | HEXAGON HEAD SCREW FE/ZNXC3 | SECHSKANTSCHRAUBE FE/ZNXC3 | VITE TESTA ESAGONALE FE/ZNXC3 | |
| 008 | 80061249 | 002 | VIS TETE HEXAGONALE FE/ZNXC3 | HEXAGON HEAD SCREW FE/ZNXC3 | SECHSKANTSCHRAUBE FE/ZNXC3 | VITE TESTA ESAGONALE FE/ZNXC3 | |
| 009 | 80251227 | 002 | RONDELLE PLATE FE/ZNXC3 | PLAIN WASHER FE/ZNXC3 | SCHEIBE FE/ZNXC3 | RONDELLA PIATTA FE/ZNXC3 | |
| 010 | 80271203 | 002 | RONDELLE GROWER FE/ZNXC3 | SPRING LOCK WASHER FE/ZNXC3 | FEDERRING FE/ZNXC3 | RONDELLA GROWER FE/ZNXC3 | |
| 011 | 80201230 | 003 | ECROU HEX.AUTOFREINE FE/ZNXC3 | SELF-LOCKING NUT FE/ZNXC3 | SELBSTSICH.MUTTER FE/ZNXC3 | DADO AUTOBLOCCANTE FE/ZNXC3 | |
| 012 | 80252026 | 016 | RONDELLE PLATE FE/ZNXC3 | PLAIN WASHER FE/ZNXC3 | SCHEIBE FE/ZNXC3 | RONDELLA PIATTA FE/ZNXC3 | |
| 013 | 80062090 | 008 | VIS TETE HEXAGONALE FE/ZNXC3 | HEXAGON HEAD SCREW FE/ZNXC3 | SECHSKANTSCHRAUBE FE/ZNXC3 | VITE TESTA ESAGONALE FE/ZNXC3 | |
| 014 | 80202070 | 008 | ECROU HEXAGONAL FE/ZNXC3 | NUT FE/ZNXC3 | SECHSKANTMUTTER FE/ZNXC3 | DADO FE/ZNXC3 | |
| 015 | 80202030 | 008 | ECROU HEX.AUTOFREINE FE/ZNXC3 | SELF-LOCKING NUT FE/ZNXC3 | SELBSTSICH.MUTTER FE/ZNXC3 | DADO AUTOBLOCCANTE FE/ZNXC3 | |
| 016 | H2107690 | 002 | RONDELLE PLATE | WASHER, FLAT | SCHEIBE | RONDELLA PIATTA | |
| 017 | 80205018 | 002 | ECROU A ENCOCHES | SLOTTED ROUND NUT | NUTMUTTER | DADO | |
| 018 | H2407081 | 001 | VERIN | CYLINDER, HYDRAULIC | HYDRAULIKZYLINDER | CILINDRO | [1] |
| 019 | 952365 | 001 | CLAPET ANTI-RETOUR | VALVE, CHECK | RUECKSCHLAGVENTIL | VALVOLA ANTI-RITORNO | [1] |
| 020 | H2407110 | 001 | POCHETTE DE JOINTS | KIT, SEAL | TACHE | SACCHE | : H2407081 |
| 021 | 951448 | 002 | BAGUE ROULEE | WRAPPED BUSH | GEROLLTE BUCHSE MESSING | ANELLO LUBRIFICATO | [1] |





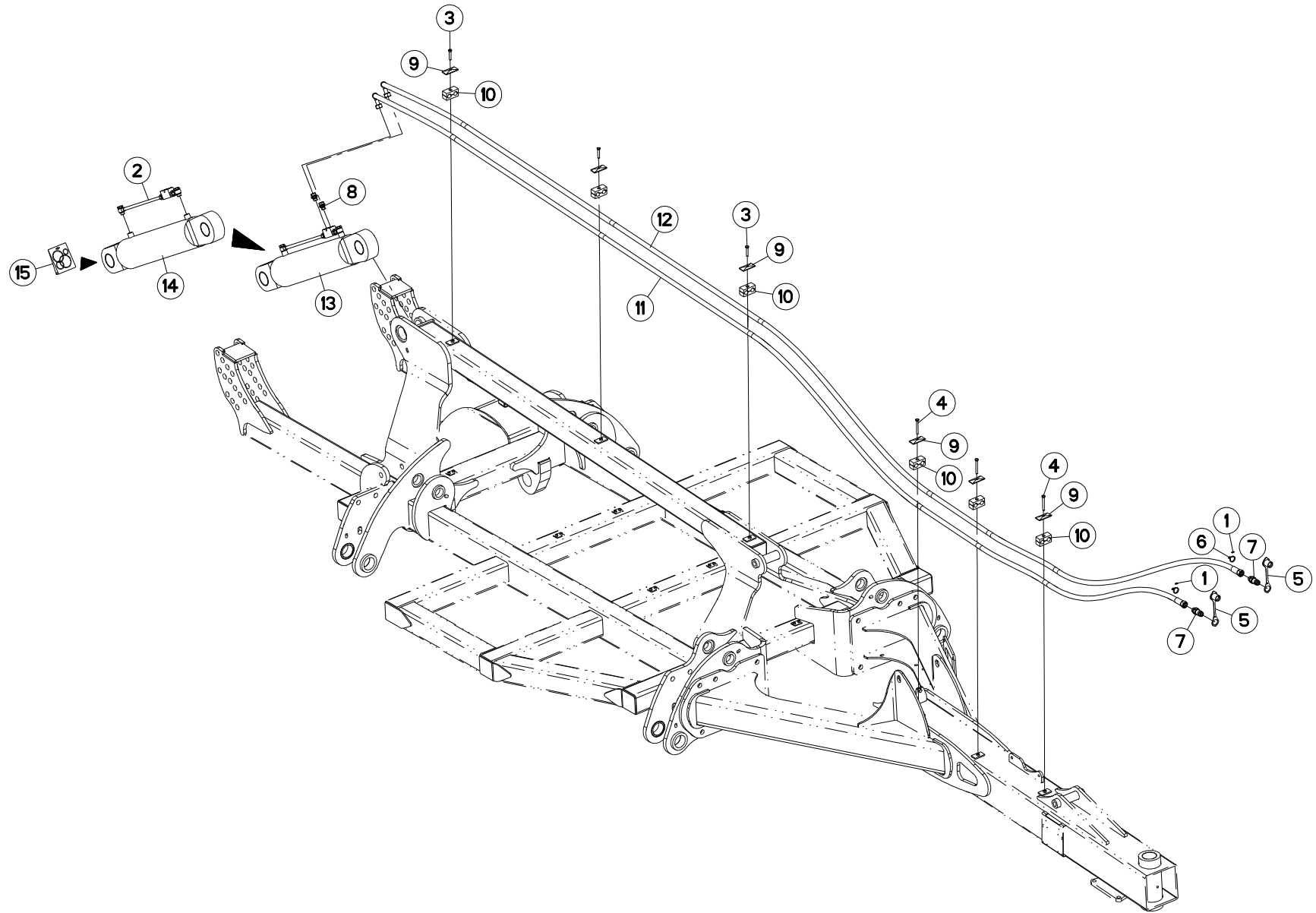
HYDRAULIQUE DE RELEVAGE

LIFTING HYDRAULIC

HYDRAULIKELEMENTE AUSHEBUNG

SIST. IDRAULICO SOLLEVAMENTO

| Rep | Nr | Qt | Designation | Description | Bezeichnung | Referenza | Remarque - Remark - Bemerkung - Osservazioni |
|-----|-----------------|-----|-------------------------------|-----------------------------|----------------------------|-------------------------------|--|
| 001 | H2407070 | 001 | VERIN | CYLINDER, HYDRAULIC | HYDRAULIKZYLINDER | CILINDRO | + [1] |
| 002 | A7260046 | 006 | COLLIER DOUBLE D20 NU | CLAMP D.20 | SCHELLE D.20 | COLLARE D.20 | |
| 003 | A7260017 | 006 | PL SUP/C. DOUBLE D19/20/22/25 | UPPER PLATE | PLATTE OBERE | PIASTRA | |
| 004 | 80060846 | 003 | VIS TETE HEXAGONALE FE/ZNXC3 | HEXAGON HEAD SCREW FE/ZNXC3 | SECHSKANTSCHRAUBE FE/ZNXC3 | VITE TESTA ESAGONALE FE/ZNXC3 | |
| 005 | A4080429 | 002 | UNION MALE | MALE STUD CONNECTOR | GERADER EINSCHRAUBSTUTZEN | GIUZIONE DIRITTA ZBC | |
| 006 | A4074018 | 002 | COUPLEUR MALE | CONNECTOR MALE | KUPPLUNGSTECKER | ATTACCO IDRAULICO | |
| 007 | 82300026 | 002 | CAPUCHON COUPLEUR MALE | CAP MALE CONNECTOR | KAPPE KUPPLUNGSSTECKER | TAPPO | |
| 008 | 80060871 | 002 | VIS TETE HEXAGONALE FE/ZNXC3 | HEXAGON HEAD SCREW FE/ZNXC3 | SECHSKANTSCHRAUBE FE/ZNXC3 | VITE TESTA ESAGONALE FE/ZNXC3 | |
| 009 | A4923043 | 001 | FLEXIBLE HYDRAULIQUE | HYDRAULIC HOSE | HYDRAULIKSCHLAUCH | TUBO GOMMA | <->7980 mm |
| 010 | A4923043 | 001 | FLEXIBLE HYDRAULIQUE | HYDRAULIC HOSE | HYDRAULIKSCHLAUCH | TUBO GOMMA | <->7980 mm |
| 011 | H2407080 | 001 | VERIN | CYLINDER, HYDRAULIC | HYDRAULIKZYLINDER | CILINDRO | [1] |
| 012 | 82200800 | 001 | GRAISSEUR FE/ZNXC3 | GREASE NIPPLE FE/ZNXC3 | SCHMIERNIPPEL FE/ZNXC3 | INGRASSATORE FE/ZNXC3 | [1] |
| 013 | 952365 | 001 | CLAPET ANTI-RETOUR | VALVE, CHECK | RUECKSCHLAGVENTIL | VALVOLA ANTI-RITORNO | [1] |
| 014 | H2407110 | 001 | POCHETTE DE JOINTS | KIT, SEAL | TACHE | SACCHE | : H2407080 |





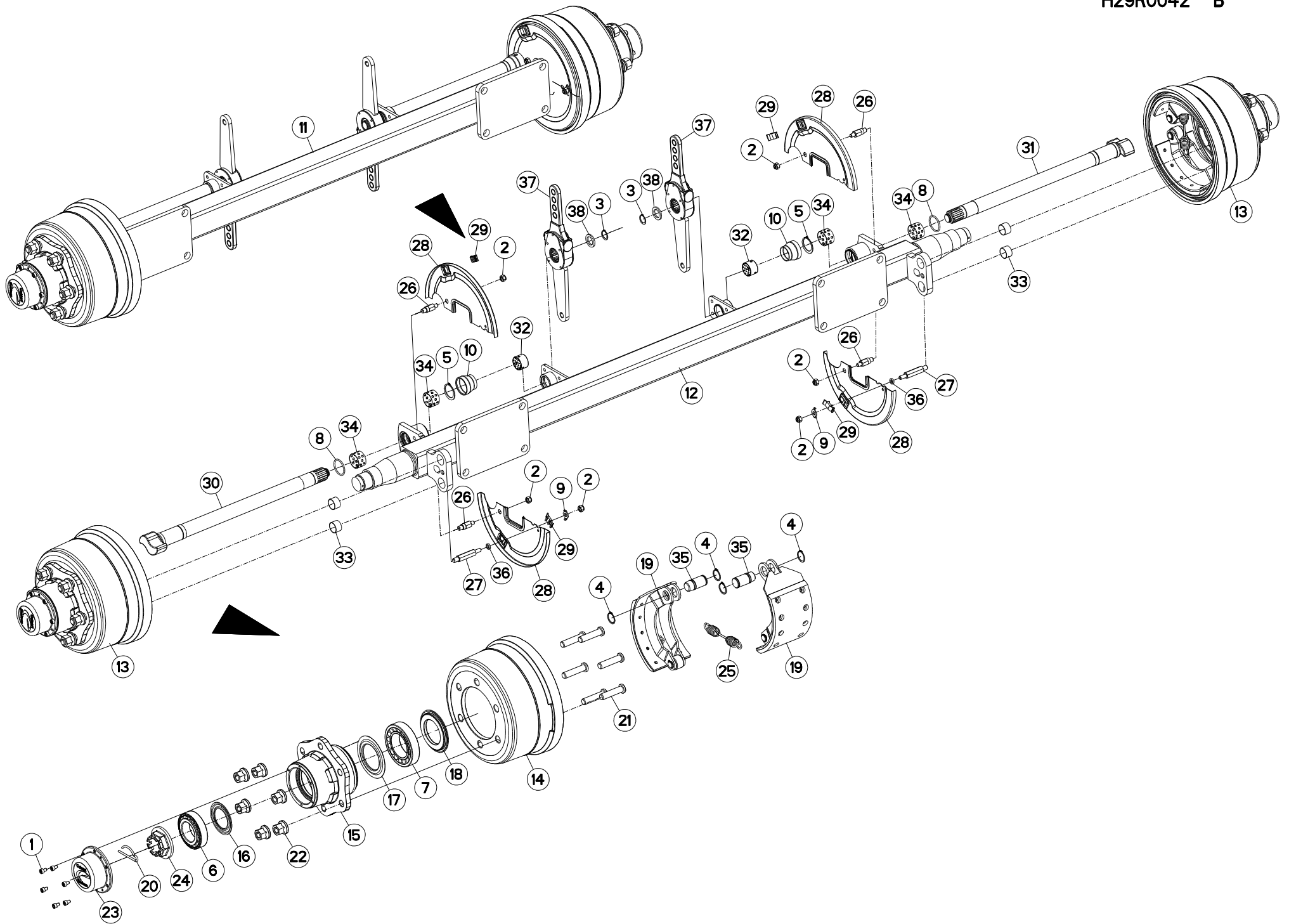
HYDRAULIQUE DE RELEVAGE

LIFTING HYDRAULIC

HYDRAULIKELEMENTE AUSHEBUNG

SIST. IDRAULICO SOLLEVAMENTO

| Rep | Nr | Qt | Designation | Description | Bezeichnung | Referenza | Remarque - Remark - Bemerkung - Osservazioni |
|-----|----------|-----|-------------------------------|-----------------------------|----------------------------|-------------------------------|--|
| 001 | 951212 | 002 | BAGUE | BUSHING | HUELSE | BOCCOLA | |
| 002 | 952365 | 001 | CLAPET ANTI-RETOUR | VALVE, CHECK | RUECKSCHLAGVENTIL | VALVOLA ANTI-RITORNO | [1] |
| 003 | 80060846 | 003 | VIS TETE HEXAGONALE FE/ZNXC3 | HEXAGON HEAD SCREW FE/ZNXC3 | SECHSKANTSCHRAUBE FE/ZNXC3 | VITE TESTA ESAGONALE FE/ZNXC3 | |
| 004 | 80060871 | 003 | VIS TETE HEXAGONALE FE/ZNXC3 | HEXAGON HEAD SCREW FE/ZNXC3 | SECHSKANTSCHRAUBE FE/ZNXC3 | VITE TESTA ESAGONALE FE/ZNXC3 | |
| 005 | 82300026 | 002 | CAPUCHON COUPLEUR MALE | CAP MALE CONNECTOR | KAPPE KUPPLUNGSSTECKER | TAPPO | |
| 006 | 83090093 | 002 | COLLIER PLASTIQUE | HOSE BINDER | SCHLAUCHBAND | FASCETTA | |
| 007 | A4074018 | 002 | COUPLEUR MALE | CONNECTOR MALE | KUPPLUNGSTECKER | ATTACCO IDRAULICO | |
| 008 | A4080429 | 002 | UNION MALE | MALE STUD CONNECTOR | GERADER EINSCHRAUBSTUTZEN | GIUZIONE DIRITTA ZBC | |
| 009 | A7260017 | 006 | PL SUP/C. DOUBLE D19/20/22/25 | UPPER PLATE | PLATTE OBERE | PIASTRA | |
| 010 | A7260046 | 006 | COLLIER DOUBLE D20 NU | CLAMP D.20 | SCHELLE D.20 | COLLARE D.20 | |
| 011 | A4923043 | 001 | FLEXIBLE HYDRAULIQUE | HYDRAULIC HOSE | HYDRAULIKSCHLAUCH | TUBO GOMMA | <->7980 mm |
| 012 | A4923043 | 001 | FLEXIBLE HYDRAULIQUE | HYDRAULIC HOSE | HYDRAULIKSCHLAUCH | TUBO GOMMA | <->7980 mm |
| 013 | H2407071 | 001 | VERIN | CYLINDER, HYDRAULIC | HYDRAULIKZYLINDER | CILINDRO | + [1] |
| 014 | H2407081 | 001 | VERIN | CYLINDER, HYDRAULIC | HYDRAULIKZYLINDER | CILINDRO | [1] |
| 015 | H2407110 | 001 | POCHETTE DE JOINTS | KIT, SEAL | TACHE | SACCHE | : H2407081 |





ESSIEU COLAERT

AXLE COLAERT

ACHSE COLAERT

ASSALE COLAERT

| Rep | Nr | Qt | Designation | Description | Bezeichnung | Referenza | Remarque - Remark - Bemerkung - Osservazioni |
|-----|----------|-----|--------------------------------|--------------------------------|--------------------------------|--------------------------------|--|
| 001 | 80080813 | 012 | VIS TETE CYL.SIX P.CR.FE/ZNXC3 | HEX.SOCK.HEAD CAP SCR.FE/ZNXC3 | ZYLINDERSCHR.INNENSEC.FE/ZNXC3 | VITE A TESTA CILINDR. FE/ZNXC3 | [2] |
| 002 | 80201030 | 006 | ECROU HEX.AUTOFREINE FE/ZNXC3 | SELF-LOCKING NUT FE/ZNXC3 | SELBSTSICH.MUTTER FE/ZNXC3 | DADO AUTOBLOCCANTE FE/ZNXC3 | [1] |
| 003 | 80582400 | 002 | CIRCLIP EXTERIEUR | RETAINING RING | SICHERUNGSRING | ANELLO | [1] |
| 004 | 80583000 | 008 | CIRCLIP EXTERIEUR | RETAINING RING | SICHERUNGSRING | ANELLO | [2] |
| 005 | 80584200 | 002 | CIRCLIP EXTERIEUR | RETAINING RING | SICHERUNGSRING | ANELLO | [1] |
| 006 | 81306097 | 002 | ROULEMENT A ROULEAUX CONIQUES | TAPERED ROLLER BEARING | KEGELROLLENLAGER | CUSCINETTO A RULLI | [2] |
| 007 | 81307514 | 002 | ROULEMENT A ROULEAUX CONIQUES | TAPERED ROLLER BEARING | KEGELROLLENLAGER | CUSCINETTO A RULLI | [2] |
| 008 | 82064350 | 002 | JOINT TORIQUE | O-RING | O-RING | GUARNIZIONE | [1] |
| 009 | H2902260 | 002 | ARRET | STOP | ANSCHLAG | ARRESTO | [1] |
| 010 | H2902270 | 002 | PROTECTION | SHIELD | SCHUTZ | PROTEZIONE | [1] |
| 011 | H2902910 | 001 | ESSIEU | AXLE | RADACHSE | ASSALE | + [1] |
| 012 | H2902920 | 001 | FUSEE | SPINDLE | DREHZAPFEN | FUSO | [1] |
| 013 | H2902930 | 002 | MOYEU | HUB | NABE | MOZZO | [1] + [2] |
| 014 | H2902940 | 002 | TAMBOUR DE FREIN | BRAKE DRUM | BREMSTROMMEL | TAMBURO DI FRENO | [2] |
| 015 | H2902950 | 002 | MOYEU | HUB | NABE | MOZZO | [2] |
| 016 | H2902960 | 002 | JOINT | SEAL | DICHTUNG | GUARNIZIONE | [2] |
| 017 | H2902970 | 002 | JOINT | SEAL | DICHTUNG | GUARNIZIONE | [2] |
| 018 | H2902980 | 002 | JOINT | SEAL | DICHTUNG | GUARNIZIONE | [2] |
| 019 | H2902990 | 004 | PATIN | SKID | GLEITKUFE | PATTINO | [2] |
| 020 | H2903000 | 002 | EPINGLE | PIN, COTTER, HAIRPIN | FEDERSTECKER | GRAFFA | [2] |
| 021 | H2903010 | 012 | GOUJON | STUD, THREADED | GEWINDESTIFT | SPINA | [2] |
| 022 | H2903020 | 012 | ECROU | NUT | MUTTER | DADO | [2] |
| 023 | H2903030 | 002 | CHAPEAU | DUST CAP | KAPPE | CAPPELLO | [2] |
| 024 | H2903040 | 002 | ECROU | NUT | MUTTER | DADO | [2] |
| 025 | H2903050 | 002 | RESSORT | SPRING | FEDER | MOLLA | [2] |
| 026 | H2903060 | 004 | ENTRETOISE | SPACER | DISTANZHUELSE | DISTANZIALE | [1] |
| 027 | H2903070 | 002 | ENTRETOISE | SPACER | DISTANZHUELSE | DISTANZIALE | [1] |
| 028 | H2903080 | 002 | ENSEMBLE | ASSEMBLY | SATZ | INSIEME | [1] |
| 029 | H2903090 | 004 | AGRAFE | STAPLE | KLAMMER | AGRAFE | [1] |
| 030 | H2903100 | 001 | AXE DROIT | PIN RIGHT | ACHSE RECHT | ASSE DX | [1] |
| 031 | H2903110 | 001 | AXE GAUCHE | PIN LEFT | ACHSE LINNK | ASSE SX | [1] |
| 032 | H2903120 | 002 | BAGUE | BUSHING | HUELSE | BOCCOLA | [1] |
| 033 | H2903130 | 004 | BAGUE | BUSHING | HUELSE | BOCCOLA | [1] |
| 034 | H2903140 | 004 | BAGUE | BUSHING | HUELSE | BOCCOLA | [1] |
| 035 | H2903150 | 004 | AXE | PIN | ACHSE | ASSE | [2] |
| 036 | H2903160 | 002 | RONDELLE | WASHER | SCHHEIBE | RONDELLA | [1] |
| 037 | H2903170 | 002 | LEVIER | LEVER | HEBEL | LEVA | [1] |
| 038 | H2903180 | 002 | RONDELLE PLATE | WASHER, FLAT | SCHHEIBE | RONDELLA PIATTA | [1] |



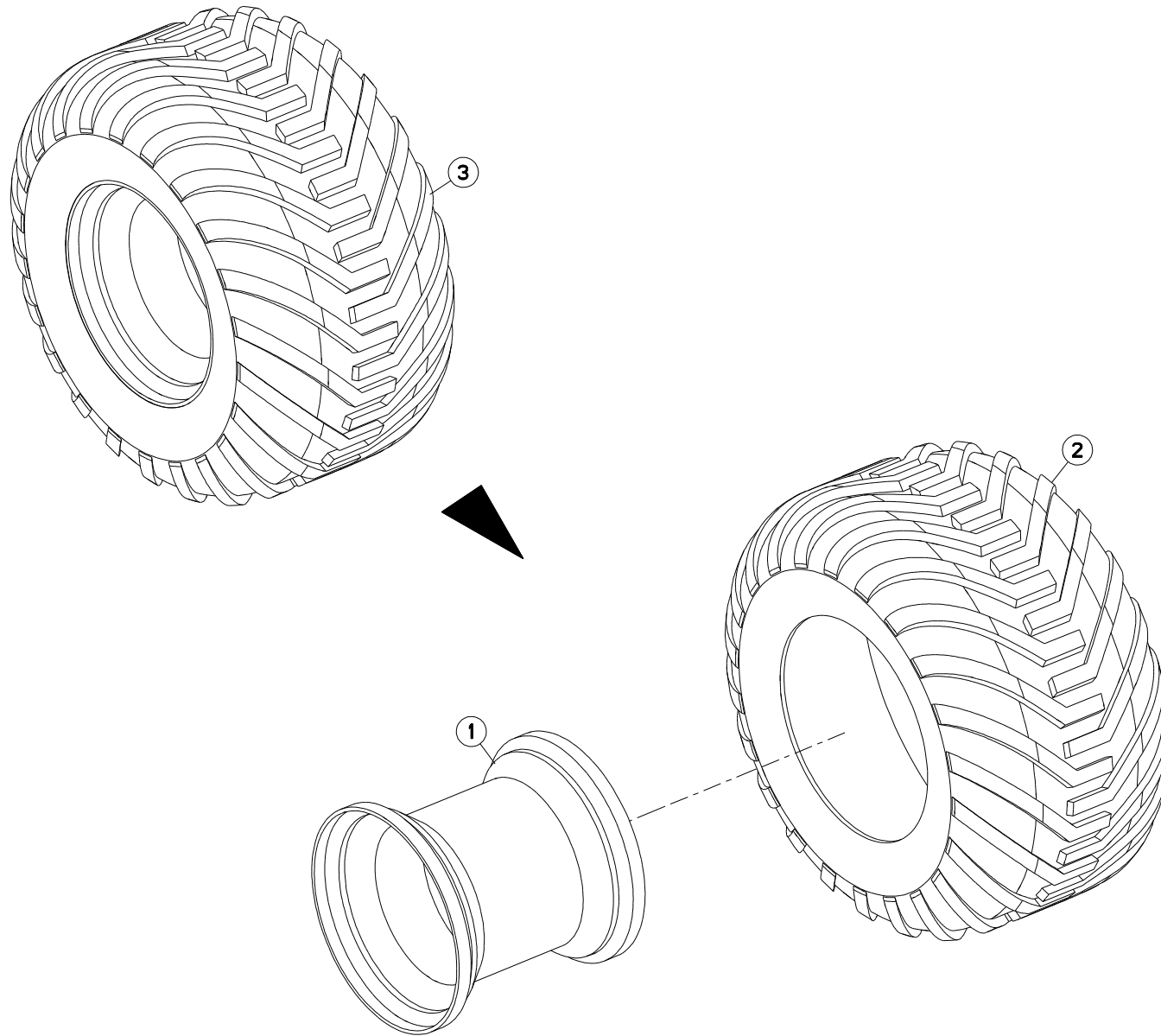
ESSIEU MONROC

AXLE MONROC

ACHSE MONROC

ASSALE MONROC

| Rep | Nr | Qt | Designation | Description | Bezeichnung | Referenza | Remarque - Remark - Bemerkung - Osservazioni |
|-----|----------|-----|-------------------------------|--------------------------------|--------------------------------|-----------------------|--|
| 001 | 80201850 | 012 | ECROU PORTEE SPHER.FE/ZNXC3 | WHEEL NUT FE/ZNXC3 | RADMUTTER FE/ZNXC3 | DADO FE/ZNXC3 | 27daN.m (199.14 lbf.ft) [2] |
| 002 | 952311 | 002 | RONDELLE D'APPUI 75X130X10 | WASHER | DISTANZRING | RONDELLA D'APPOGGIO | [2] |
| 003 | A7039044 | 012 | GOUJON D.18X150 <-> 46/70 | STUD, THREADED | GEWINDESTIFT | SPINA | [2] |
| 004 | A7039049 | 002 | RONDELLE PLATE D45X80X5 | WASHER | FLACHSCHEIBE | RONDELLA PIANA | [2] |
| 005 | A7039171 | 002 | ECROU HK M45X2 MONROC | NUT | MUTTER | DADO | [2] |
| 006 | 80500579 | 002 | GOUPILLE FENDUE FE/ZNXC3 | SPLIT PIN FE/ZNXC3 | SPLINT FE/ZNXC3 | COPPIGLIA FE/ZNXC3 | [2] |
| 007 | 80583000 | 002 | CIRCLIP EXTERIEUR | RETAINING RING | SICHERUNGSRING | ANELLO | [1] |
| 008 | 81305501 | 002 | ROULEMENT A ROULEAUX CONIQUES | TAPERED ROLLER BEARING | KEGELROLLENLAGER | CUSCINETTO A RULLI | [2] |
| 009 | 81307512 | 002 | ROULEMENT A ROULEAUX CONIQUES | TAPERED ROLLER BEARING | KEGELROLLENLAGER | CUSCINETTO A RULLI | [2] |
| 010 | 82200616 | 002 | GRAISSEUR AUTOTAR.FE/ZNXC3 | TAPPING GREASE NIPPLE FE/ZNXC3 | GEWINDESCH.SCHMIERNIP.FE/ZNXC3 | INGRASSATORE FE/ZNXC3 | [2] |
| 011 | H0501160 | 002 | CORPS | BODY | KÖRPER | CORPO | [2] |
| 012 | A7039168 | 002 | CHAPEAU M101,5X1,5 MONROC | CAP | DECKEL | CAPPELLO | [2] |
| 013 | H2402020 | 004 | RESSORT | SPRING | FEDER | MOLLA | [2] |
| 014 | H2903650 | 001 | ESSIEU | AXLE | RADACHSE | ASSALE | + [1] |
| 015 | H2903750 | 002 | CAME | CAME | STEUERSCHEIBE | CAMMA | [1] |
| 016 | H2903760 | 004 | MACHOIRE | PTO, YOKE | GELENKGABEL | FORCELLA | [2] |
| 017 | H2903810 | 002 | TAMBOUR DE FREIN | BRAKE DRUM | BREMSTROMMEL | TAMBURO DI FRENO | [2] |
| 018 | H2903850 | 002 | LEVIER | LEVER | HEBEL | LEVA | [1] |
| 019 | H2903870 | 001 | ESSIEU | AXLE | RADACHSE | ASSALE | [1] |
| 020 | H2904220 | 002 | MOYEU COMPLET | HUB, ASSEMBLY | NABE KPL. | MOZZO | [1] + [2] |





CULTIMER 6500

A0000 > C0000

H29R0035 A

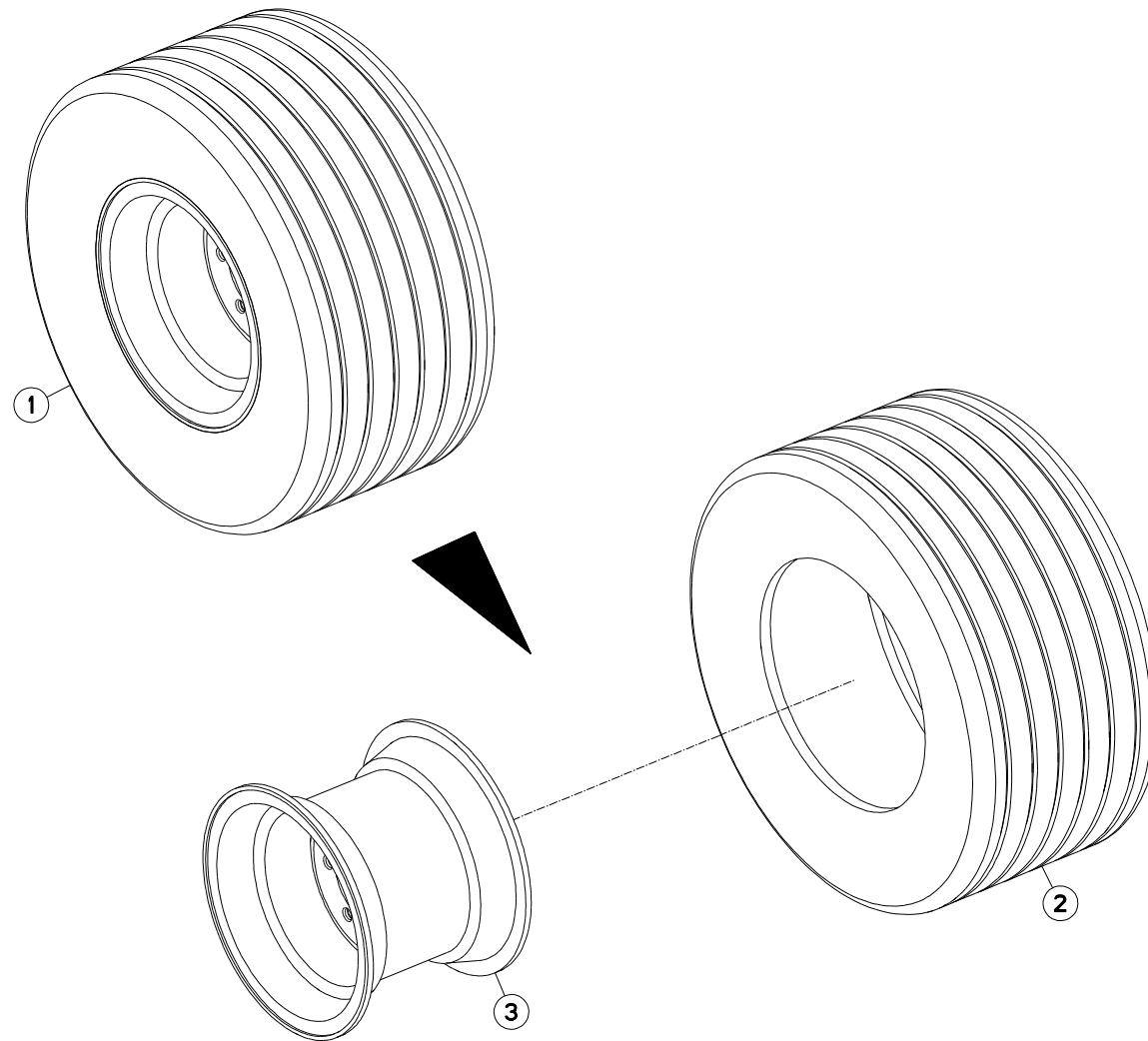
ROUES D950 L500

WHEELS D950 L500

RÄDER D950 L500

RUOTE D950 L500

| Rep | Nr | Qt | Designation | Description | Bezeichnung | Referenza | Remarque - Remark - Bemerkung - Osservazioni |
|-----|----------|-----|-------------|-------------------------|-------------|------------|--|
| 001 | H2901320 | 001 | JANTE | WHEEL | FELGE | CERCHIO | [1]TRELLEBORG |
| 001 | H2903280 | 001 | JANTE | WHEEL | FELGE | CERCHIO | [1]VREDESTEIN |
| 001 | H2903250 | 001 | JANTE | RIM | FELGE | CERCHIO | [1]BKT |
| 002 | H2901310 | 001 | PNEU | TIRE | REIFEN | PNEUMATICO | [1]TRELLEBORG |
| 002 | H2903290 | 001 | PNEU | TIRE | REIFEN | PNEUMATICO | [1]VREDESTEIN |
| 002 | H2903260 | 001 | PNEU | TIRE | REIFEN | PNEUMATICO | [1]BKT |
| 003 | H2901300 | 001 | ROUE | WHEEL AND TIRE ASSEMBLY | RAD | RUOTA | + [1]TRELLEBORG 3,6bars(52.21 |
| 003 | H2903270 | 001 | ROUE | WHEEL AND TIRE ASSEMBLY | RAD | RUOTA | + [1]VREDESTEIN 3,75bars(54.4 |
| 003 | H2903240 | 001 | ROUE | WHEEL AND TIRE ASSEMBLY | RAD | RUOTA | + [1]BKT 3,8bars(55.11PSI) |





CULTIMER 8000

A0000 > C0000

H29R0068 A

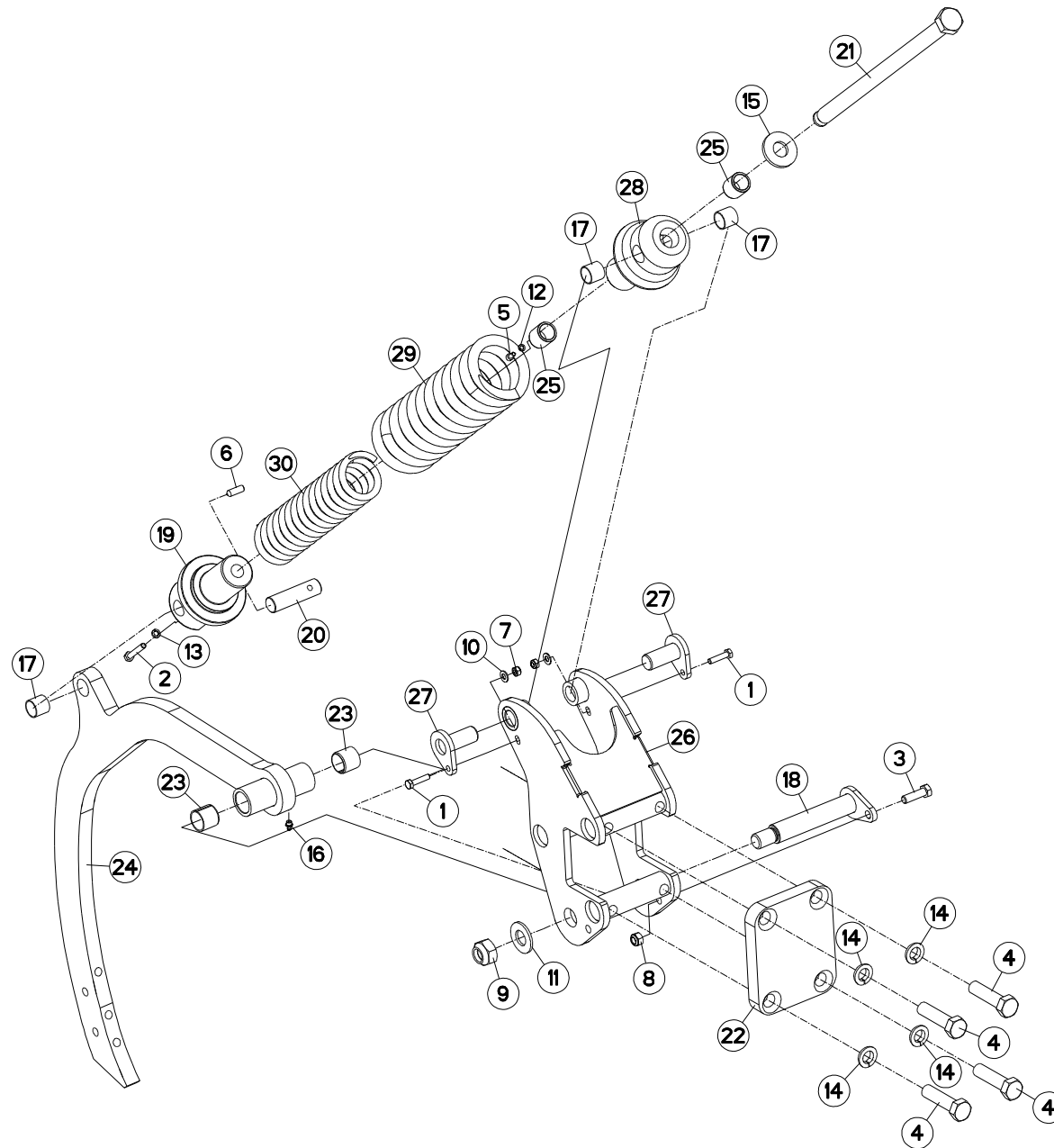
ROUE 445/45 R19.5 156J

WHEEL 445/45 R19.5 156J

RAD 445/45 R19.5 156J

RUOTA 445/45 R19.5 156J

| Rep | Nr | Qt | Designation | Description | Bezeichnung | Referenza | Remarque - Remark - Bemerkung - Osservazioni |
|-----|-----------------|-----|-------------|-------------------------|-------------|------------|--|
| 001 | H2904190 | 001 | ROUE | WHEEL AND TIRE ASSEMBLY | RAD | RUOTA | + [1] 8bars(116.03PSI) |
| 002 | H2904200 | 001 | PNEU | TIRE | REIFEN | PNEUMATICO | [1] |
| 003 | H2904210 | 001 | JANTE | WHEEL | FELGE | CERCHIO | [1] |





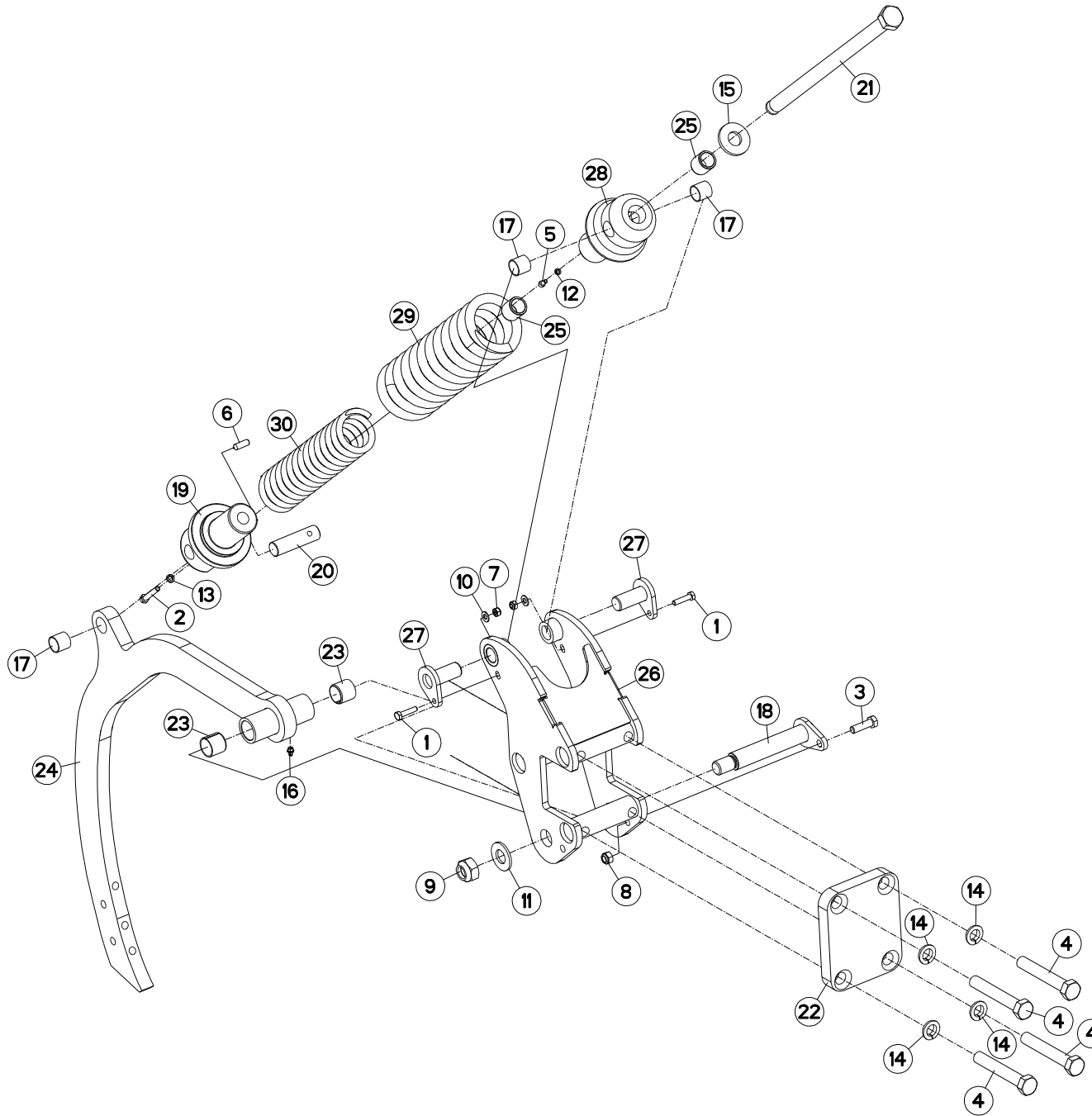
DENTS (A0000 -->)

TINES (A0000 -->)

ZINKEN (A0000 -->)

DENTI (A0000 -->)

| Rep | Nr | Qt | Designation | Description | Bezeichnung | Referenza | Remarque - Remark - Bemerkung - Osservazioni |
|-----|----------|-----|--------------------------------|--------------------------------|--------------------------------|--------------------------------|--|
| 001 | 80060829 | 002 | VIS TETE HEXAGONALE FLZNNC | HEXAGON HEAD SCREW FLZNNC | SECHSKANTSCHRAUBE FLZNNC | VITE TESTA ESAGONALE FLZNNC | |
| 002 | 80060850 | 001 | VIS TETE HEXAGONALE FE/ZNXC3 | HEXAGON HEAD SCREW FE/ZNXC3 | SECHSKANTSCHRAUBE FE/ZNXC3 | VITE TESTA ESAGONALE FE/ZNXC3 | |
| 003 | 80061248 | 001 | VIS TETE HEXAGONALE FE/ZNXC3 | HEXAGON HEAD SCREW FE/ZNXC3 | SECHSKANTSCHRAUBE FE/ZNXC3 | VITE TESTA ESAGONALE FE/ZNXC3 | |
| 004 | 80062068 | 004 | VIS TETE HEXAGONALE FLZNNC | HEXAGON HEAD SCREW FLZNNC | SECHSKANTSCHRAUBE FLZNNC | VITE TESTA ESAGONALE FLZNNC | 38daN.m (280.27 lbf.ft) |
| 005 | 80080612 | 001 | VIS TETE CYL.SIX P.CR.FE/ZNXC3 | HEX.SOCK.HEAD CAP SCR.FE/ZNXC3 | ZYLINDERSCHR.INNENSEC.FE/ZNXC3 | VITE A TESTA CILINDR. FE/ZNXC3 | |
| 006 | 80141031 | 001 | VIS S/TETE B.CONIQ.HC | SET SCREW WITH CONE | GEWINDESTIFT MIT SPITZE | | |
| 007 | 80200840 | 002 | ECROU HEX.BAS AUTOFR.FE/ZNXC3 | SELF-LOCKING NUT FE/ZNXC3 | SELBSTSICHERND.MUTTER FE/ZNXC3 | DADO AUTOBLOCCANTE FE/ZNXC3 | |
| 008 | 80201240 | 001 | ECROU HEX.BAS AUTOFR.FE/ZNXC3 | SELF-LOCKING NUT FE/ZNXC3 | SELBSTSICHERND.MUTTER FE/ZNXC3 | DADO AUTOBLOCCANTE FE/ZNXC3 | |
| 009 | 80202442 | 001 | ECROU HEX.BAS AUTOFR.FE/ZNXC3 | SELF-LOCKING NUT FE/ZNXC3 | SELBSTSICHERND.MUTTER FE/ZNXC3 | DADO AUTOBLOCCANTE FE/ZNXC3 | 0daN.m (0 lbf.ft) |
| 010 | 80250823 | 002 | RONDELLE PLATE FE/ZNXC3 | PLAIN WASHER FE/ZNXC3 | SCHEIBE FE/ZNXC3 | RONDELLA PIATTA FE/ZNXC3 | |
| 011 | 80252432 | 001 | RONDELLE PLATE FE/ZNXC3 | PLAIN WASHER FE/ZNXC3 | SCHEIBE FE/ZNXC3 | RONDELLA PIATTA FE/ZNXC3 | |
| 012 | 80270605 | 001 | RONDELLE GROWER FE/ZNXC3 | SPRING LOCK WASHER FE/ZNXC3 | FEDERRING FE/ZNXC3 | RONDELLA GROWER FE/ZNXC3 | |
| 013 | 80270803 | 001 | RONDELLE GROWER FE/ZNXC3 | SPRING LOCK WASHER FE/ZNXC3 | FEDERRING FE/ZNXC3 | RONDELLA GROWER FE/ZNXC3 | |
| 014 | 80272086 | 004 | RONDELLE RESSORT SP.FLZNNC | SPHERICAL SPRING WASH.FLZNNC | FEDERRING FLZNNC | RONDELLA A MOLLA FLZNNC | |
| 015 | 80282557 | 001 | RONDELLE RESSORT FLZNNC | CONICAL SPRING WASHER FLZNNC | SPANNSCHEIBE FLZNNC | RONDELLA A MOLLA FLZNNC | |
| 016 | 82200815 | 001 | GRAISSEUR AUTOTAR.FE/ZNXC3 | TAPPING GREASE NIPPLE FE/ZNXC3 | GEWINDESCH.SCHMIERNIP.FE/ZNXC3 | INGRASSATORE FE/ZNXC3 | |
| 017 | 83012528 | 003 | BAGUE ROULEE | WRAPPED BUSH | GEROLLTE BUCHSE | ANELLO LUBRIFICATO | |
| 018 | H2212610 | 001 | AXE | PIN | ACHSE | ASSE | |
| 019 | H2212630 | 001 | COUPELLE | CUP | SCHALE | COPPIGLIA | |
| 020 | H2212640 | 001 | AXE | PIN | ACHSE | ASSE | |
| 021 | H2212650 | 001 | VIS TETE HEXAGONALE | SCREW, HEX HEAD | SECHSKANTSCHRAUBE | VITE A TESTA ESAGONALE | |
| 022 | H2217410 | 001 | BRIDE | CLAMP | BUEGEL | STAFFA | |
| 023 | H2217520 | 002 | BAGUE ELASTIQUE | TENSION BUSH | EINSPANNBUECHSE | SPINA ELASTICA | |
| 024 | H2217750 | 001 | AGE | MOUNT, MOULDBOARD | GRINDEL | BURE | |
| 025 | H2217780 | 002 | BAGUE AUTOLUBRIFIANTE | SELF LUBRICATING BEARING | SELBSTSCHMIEREND.GLEITLAGER | ANELLO LUBRIFICATO | |
| 026 | H2219170 | 001 | BOITIER | HOUSING | GEHAEUSE | SCATOLA | |
| 027 | H2219660 | 002 | AXE | PIN | ACHSE | ASSE | |
| 028 | H2220020 | 001 | COUPELLE | CUP | SCHALE | COPPIGLIA | |
| 029 | H2212660 | 001 | RESSORT | SPRING | FEDER | MOLLA | |
| 030 | H2212670 | 001 | RESSORT | SPRING | FEDER | MOLLA | |





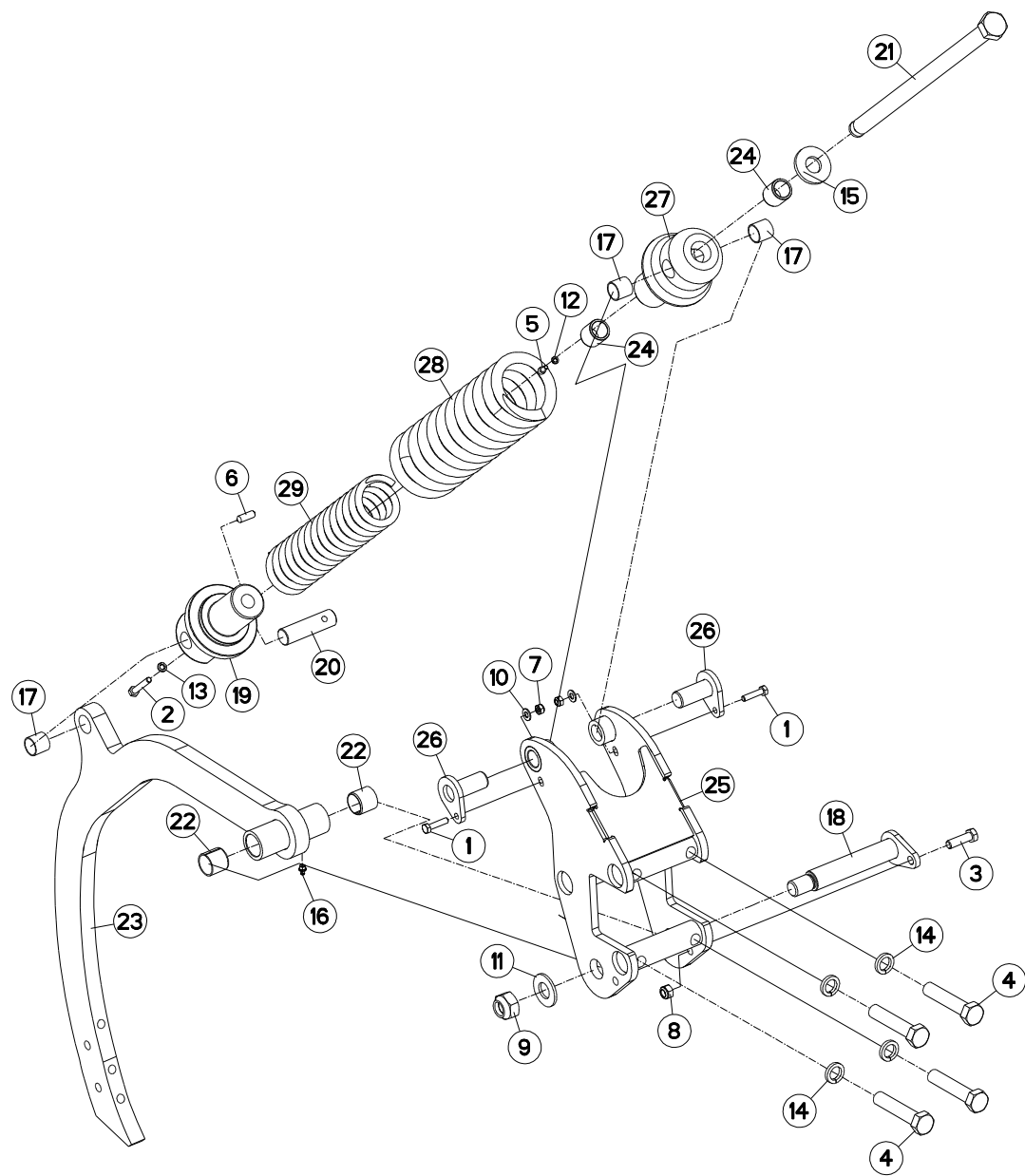
DENTS (A0000 -->)

TINES (A0000 -->)

ZINKEN (A0000 -->)

DENTI (A0000 -->)

| Rep | Nr | Qt | Designation | Description | Bezeichnung | Referenza | Remarque - Remark - Bemerkung - Osservazioni |
|-----|----------|-----|--------------------------------|--------------------------------|--------------------------------|--------------------------------|--|
| 001 | 80060829 | 002 | VIS TETE HEXAGONALE FLZNNC | HEXAGON HEAD SCREW FLZNNC | SECHSKANTSCHRAUBE FLZNNC | VITE TESTA ESAGONALE FLZNNC | |
| 002 | 80060850 | 001 | VIS TETE HEXAGONALE FE/ZNXC3 | HEXAGON HEAD SCREW FE/ZNXC3 | SECHSKANTSCHRAUBE FE/ZNXC3 | VITE TESTA ESAGONALE FE/ZNXC3 | |
| 003 | 80061248 | 001 | VIS TETE HEXAGONALE FE/ZNXC3 | HEXAGON HEAD SCREW FE/ZNXC3 | SECHSKANTSCHRAUBE FE/ZNXC3 | VITE TESTA ESAGONALE FE/ZNXC3 | |
| 004 | 80062005 | 004 | VIS TETE HEXAGONALE FLZNNC | HEXAGON HEAD SCREW FLZNNC | SECHSKANTSCHRAUBE FLZNNC | VITE A TESTA ESAGONALE FLZNNC | 38daN.m (280.27 lbf.ft) |
| 005 | 80080612 | 001 | VIS TETE CYL.SIX P.CR.FE/ZNXC3 | HEX.SOCK.HEAD CAP SCR.FE/ZNXC3 | ZYLINDERSCHR.INNENSEC.FE/ZNXC3 | VITE A TESTA CILINDR. FE/ZNXC3 | |
| 006 | 80141031 | 001 | VIS S/TETE B.CONIQ.HC | SET SCREW WITH CONE | GEWINDESTIFT MIT SPITZE | | |
| 007 | 80200840 | 002 | ECROU HEX.BAS AUTOFR.FE/ZNXC3 | SELF-LOCKING NUT FE/ZNXC3 | SELBSTSICHERND.MUTTER FE/ZNXC3 | DADO AUTOBLOCCANTE FE/ZNXC3 | |
| 008 | 80201240 | 001 | ECROU HEX.BAS AUTOFR.FE/ZNXC3 | SELF-LOCKING NUT FE/ZNXC3 | SELBSTSICHERND.MUTTER FE/ZNXC3 | DADO AUTOBLOCCANTE FE/ZNXC3 | |
| 009 | 80202442 | 001 | ECROU HEX.BAS AUTOFR.FE/ZNXC3 | SELF-LOCKING NUT FE/ZNXC3 | SELBSTSICHERND.MUTTER FE/ZNXC3 | DADO AUTOBLOCCANTE FE/ZNXC3 | 0daN.m (0 lbf.ft) |
| 010 | 80250823 | 002 | RONDELLE PLATE FE/ZNXC3 | PLAIN WASHER FE/ZNXC3 | SCHEIBE FE/ZNXC3 | RONDELLA PIATTA FE/ZNXC3 | |
| 011 | 80252432 | 001 | RONDELLE PLATE FE/ZNXC3 | PLAIN WASHER FE/ZNXC3 | SCHEIBE FE/ZNXC3 | RONDELLA PIATTA FE/ZNXC3 | |
| 012 | 80270605 | 001 | RONDELLE GROWER FE/ZNXC3 | SPRING LOCK WASHER FE/ZNXC3 | FEDERRING FE/ZNXC3 | RONDELLA GROWER FE/ZNXC3 | |
| 013 | 80270803 | 001 | RONDELLE GROWER FE/ZNXC3 | SPRING LOCK WASHER FE/ZNXC3 | FEDERRING FE/ZNXC3 | RONDELLA GROWER FE/ZNXC3 | |
| 014 | 80272086 | 004 | RONDELLE RESSORT SP.FLZNNC | SPHERICAL SPRING WASH.FLZNNC | FEDERRING FLZNNC | RONDELLA A MOLLA FLZNNC | |
| 015 | 80282557 | 001 | RONDELLE RESSORT FLZNNC | CONICAL SPRING WASHER FLZNNC | SPANNSCHEIBE FLZNNC | RONDELLA A MOLLA FLZNNC | |
| 016 | 82200815 | 001 | GRAISSEUR AUTOTAR.FE/ZNXC3 | TAPPING GREASE NIPPLE FE/ZNXC3 | GEWINDESCH.SCHMIERNIP.FE/ZNXC3 | INGRASSATORE FE/ZNXC3 | |
| 017 | 83012528 | 003 | BAGUE ROULEE | WRAPPED BUSH | GEROLLTE BUCHSE | ANELLO LUBRIFICATO | |
| 018 | H2212610 | 001 | AXE | PIN | ACHSE | ASSE | |
| 019 | H2212630 | 001 | COUPELLE | CUP | SCHALE | COPPIGLIA | |
| 020 | H2212640 | 001 | AXE | PIN | ACHSE | ASSE | |
| 021 | H2212650 | 001 | VIS TETE HEXAGONALE | SCREW, HEX HEAD | SECHSKANTSCHRAUBE | VITE A TESTA ESAGONALE | |
| 022 | H2217410 | 001 | BRIDE | CLAMP | BUEGEL | STAFFA | |
| 023 | H2217520 | 002 | BAGUE ELASTIQUE | TENSION BUSH | EINSPANNBUECHSE | SPINA ELASTICA | |
| 024 | H2217750 | 001 | AGE | MOUNT, MOULDBOARD | GRINDEL | BURE | |
| 025 | H2217780 | 002 | BAGUE AUTOLUBRIFIANTE | SELF LUBRICATING BEARING | SELBSTSCHMIEREND.GLEITLAGER | ANELLO LUBRIFICATO | |
| 026 | H2219170 | 001 | BOITIER | HOUSING | GEHAEUSE | SCATOLA | |
| 027 | H2219660 | 002 | AXE | PIN | ACHSE | ASSE | |
| 028 | H2220020 | 001 | COUPELLE | CUP | SCHALE | COPPIGLIA | |
| 029 | H2212660 | 001 | RESSORT | SPRING | FEDER | MOLLA | |
| 030 | H2212670 | 001 | RESSORT | SPRING | FEDER | MOLLA | |





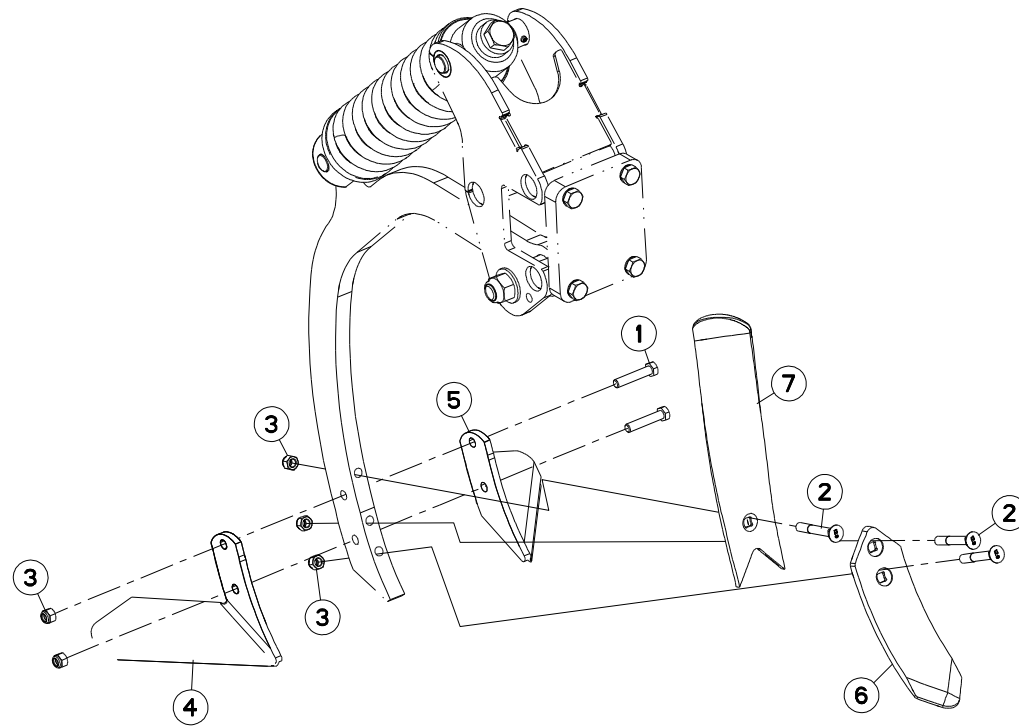
DENTS (A0000 -->)

TINES (A0000 -->)

ZINKEN (A0000 -->)

DENTI (A0000 -->)

| Rep | Nr | Qt | Designation | Description | Bezeichnung | Referenza | Remarque - Remark - Bemerkung - Osservazioni |
|-----|----------|-----|--------------------------------|--------------------------------|--------------------------------|--------------------------------|--|
| 001 | 80060829 | 002 | VIS TETE HEXAGONALE FLZNNC | HEXAGON HEAD SCREW FLZNNC | SECHSKANTSCHRAUBE FLZNNC | VITE TESTA ESAGONALE FLZNNC | |
| 002 | 80060850 | 001 | VIS TETE HEXAGONALE FE/ZNXC3 | HEXAGON HEAD SCREW FE/ZNXC3 | SECHSKANTSCHRAUBE FE/ZNXC3 | VITE TESTA ESAGONALE FE/ZNXC3 | |
| 003 | 80061248 | 001 | VIS TETE HEXAGONALE FE/ZNXC3 | HEXAGON HEAD SCREW FE/ZNXC3 | SECHSKANTSCHRAUBE FE/ZNXC3 | VITE TESTA ESAGONALE FE/ZNXC3 | |
| 004 | 80062074 | 004 | VIS TETE HEXAGONALE FLZNNC | HEXAGON HEAD SCREW FLZNNC | SECHSKANTSCHRAUBE FLZNNC | VITE TESTA ESAGONALE FLZNNC | 38daN.m (280.27 lbf.ft) |
| 005 | 80080612 | 001 | VIS TETE CYL.SIX P.CR.FE/ZNXC3 | HEX.SOCK.HEAD CAP SCR.FE/ZNXC3 | ZYLINDERSCHR.INNENSEC.FE/ZNXC3 | VITE A TESTA CILINDR. FE/ZNXC3 | |
| 006 | 80141031 | 001 | VIS S/TETE B.CONIQ.HC | SET SCREW WITH CONE | GEWINDESTIFT MIT SPITZE | | |
| 007 | 80200840 | 002 | ECROU HEX.BAS AUTOFR.FE/ZNXC3 | SELF-LOCKING NUT FE/ZNXC3 | SELBSTSICHERND.MUTTER FE/ZNXC3 | DADO AUTOBLOCCANTE FE/ZNXC3 | |
| 008 | 80201240 | 001 | ECROU HEX.BAS AUTOFR.FE/ZNXC3 | SELF-LOCKING NUT FE/ZNXC3 | SELBSTSICHERND.MUTTER FE/ZNXC3 | DADO AUTOBLOCCANTE FE/ZNXC3 | |
| 009 | 80202442 | 001 | ECROU HEX.BAS AUTOFR.FE/ZNXC3 | SELF-LOCKING NUT FE/ZNXC3 | SELBSTSICHERND.MUTTER FE/ZNXC3 | DADO AUTOBLOCCANTE FE/ZNXC3 | 0daN.m (0 lbf.ft) |
| 010 | 80250823 | 002 | RONDELLE PLATE FE/ZNXC3 | PLAIN WASHER FE/ZNXC3 | SCHEIBE FE/ZNXC3 | RONDELLA PIATTA FE/ZNXC3 | |
| 011 | 80252432 | 001 | RONDELLE PLATE FE/ZNXC3 | PLAIN WASHER FE/ZNXC3 | SCHEIBE FE/ZNXC3 | RONDELLA PIATTA FE/ZNXC3 | |
| 012 | 80270605 | 001 | RONDELLE GROWER FE/ZNXC3 | SPRING LOCK WASHER FE/ZNXC3 | FEDERRING FE/ZNXC3 | RONDELLA GROWER FE/ZNXC3 | |
| 013 | 80270803 | 001 | RONDELLE GROWER FE/ZNXC3 | SPRING LOCK WASHER FE/ZNXC3 | FEDERRING FE/ZNXC3 | RONDELLA GROWER FE/ZNXC3 | |
| 014 | 80272002 | 004 | RONDELLE GROWER FE/ZNXC3 | SPRING LOCK WASHER FE/ZNXC3 | FEDERRING FE/ZNXC3 | RONDELLA GROWER FE/ZNXC3 | |
| 015 | 80282557 | 001 | RONDELLE RESSORT FLZNNC | CONICAL SPRING WASHER FLZNNC | SPANNSCHEIBE FLZNNC | RONDELLA A MOLLA FLZNNC | |
| 016 | 82200815 | 001 | GRAISSEUR AUTOTAR.FE/ZNXC3 | TAPPING GREASE NIPPLE FE/ZNXC3 | GEWINDESCH.SCHMIERNIP.FE/ZNXC3 | INGRASSATORE FE/ZNXC3 | |
| 017 | 83012528 | 003 | BAGUE ROULEE | WRAPPED BUSH | GEROLLTE BUCHSE | ANELLO LUBRIFICATO | |
| 018 | H2212610 | 001 | AXE | PIN | ACHSE | ASSE | |
| 019 | H2212630 | 001 | COUPELLE | CUP | SCHALE | COPPIGLIA | |
| 020 | H2212640 | 001 | AXE | PIN | ACHSE | ASSE | |
| 021 | H2212650 | 001 | VIS TETE HEXAGONALE | SCREW, HEX HEAD | SECHSKANTSCHRAUBE | VITE A TESTA ESAGONALE | |
| 022 | H2217520 | 002 | BAGUE ELASTIQUE | TENSION BUSH | EINSPANNBUECHSE | SPINA ELASTICA | |
| 023 | H2217750 | 001 | AGE | MOUNT, MOULDBOARD | GRINDEL | BURE | |
| 024 | H2217780 | 002 | BAGUE AUTOLUBRIFIANTE | SELF LUBRICATING BEARING | SELBSTSCHMIEREND.GLEITLAGER | ANELLO LUBRIFICATO | |
| 025 | H2219170 | 001 | BOITIER | HOUSING | GEHAEUSE | SCATOLA | |
| 026 | H2219660 | 002 | AXE | PIN | ACHSE | ASSE | |
| 027 | H2220020 | 001 | COUPELLE | CUP | SCHALE | COPPIGLIA | |
| 028 | H2212660 | 001 | RESSORT | SPRING | FEDER | MOLLA | |
| 029 | H2212670 | 001 | RESSORT | SPRING | FEDER | MOLLA | |





CULTIMER 1000

A0000 > C0000

H22R0273 B

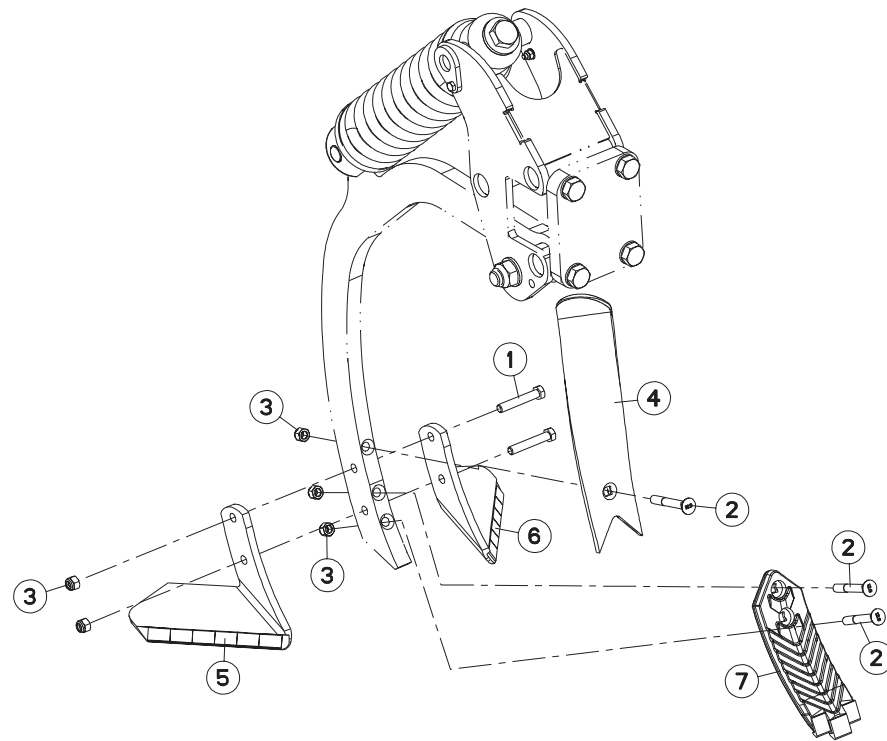
EQUIPEMENT DENTS

EQUIPMENT TINES

AUSRÜSTUNG ZINKEN

EQUIPAGGIAMENTO DENTI

| Rep | Nr | Qt | Designation | Description | Bezeichnung | Referenza | Remarque - Remark - Bemerkung - Osservazioni |
|-----|-----------------|-----|-------------------------------|-----------------------------|----------------------------|-------------------------------|--|
| 001 | 80061282 | 002 | VIS TETE HEXAGONALE FE/ZNXC3 | HEXAGON HEAD SCREW FE/ZNXC3 | SECHSKANTSCHRAUBE FE/ZNXC3 | VITE TESTA ESAGONALE FE/ZNXC3 | |
| 002 | 80111272 | 003 | VIS TETE FRAISEE 90° | COUNT.FLAT SQUARE BOLT | SENKSCHRAUBE 4-KANTANSATZ | VITE | |
| 003 | 80201230 | 006 | ECROU HEX.AUTOFREINE FE/ZNXC3 | SELF-LOCKING NUT FE/ZNXC3 | SELBSTSICH.MUTTER FE/ZNXC3 | DADO AUTOBLOCCANTE FE/ZNXC3 | |
| 004 | H2212500 | 001 | AILETTE | FIN | FLUEGEL | ALETTA | |
| 005 | H2212510 | 001 | AILETTE | FIN | FLUEGEL | ALETTA | |
| 006 | H2212540 | 001 | SOC | SHARE | SCHAR | VOMERE | |
| 007 | H2212680 | 001 | DEFLECTEUR DROIT | DEFLECTOR RIGHT | ABWEISER RECHT | DEFLETTORE DX | |
| 007 | H2212690 | 001 | DEFLECTEUR GAUCHE | DEFLECTOR LEFT | ABWEISER LINKS | DEFLETTORE SX | |



Positionnement des dents et des déflecteurs D/G sur le chassis --> Voir Annexe 1



CULTIMER 1000

A0000 > C0000

H22B0162 C

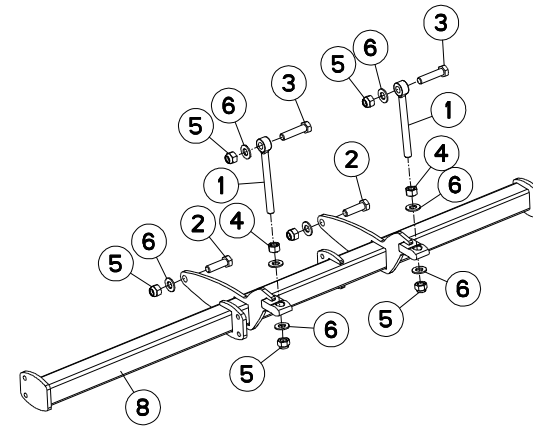
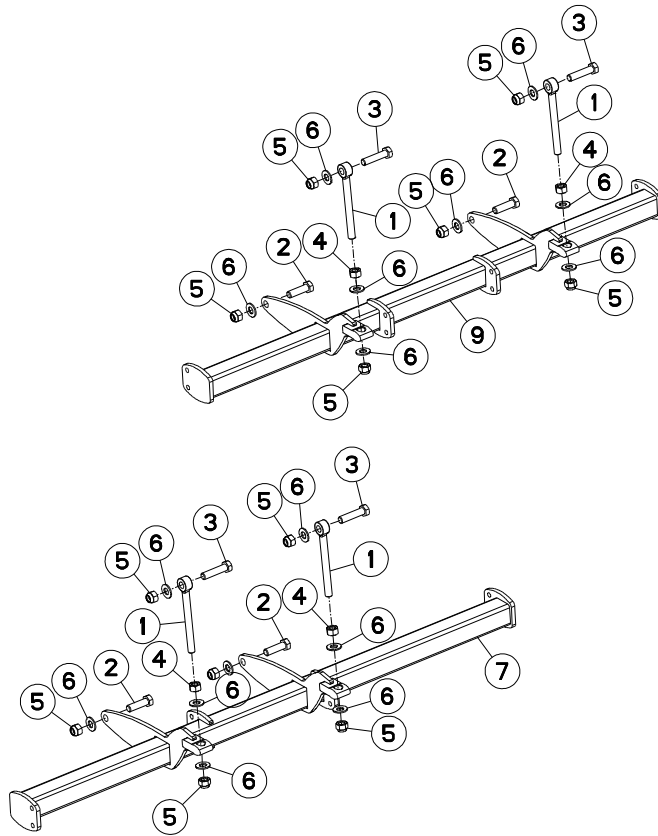
EQUIPEMENT (CARBURE) DENTS

EQUIPMENT (CARBURE) TINES

AUSRÜSTUNG (CARBURE) ZINKEN

EQUIPAGGIAMENTO (CARBURE) DE

| Rep | Nr | Qt | Designation | Description | Bezeichnung | Referenza | Remarque - Remark - Bemerkung - Osservazioni |
|-----|-----------------|-----|-------------------------------|-----------------------------|----------------------------|-------------------------------|--|
| 001 | 80061281 | 002 | VIS TETE HEXAGONALE FE/ZNXC3 | HEXAGON HEAD SCREW FE/ZNXC3 | SECHSKANTSCHRAUBE FE/ZNXC3 | VITE TESTA ESAGONALE FE/ZNXC3 | |
| 002 | 80111272 | 003 | VIS TETE FRAISEE 90° | COUNT.FLAT SQUARE BOLT | SENKSCRAUBE 4-KANTANSATZ | VITE | |
| 003 | 80201230 | 005 | ECROU HEX.AUTOFREINE FE/ZNXC3 | SELF-LOCKING NUT FE/ZNXC3 | SELBSTSICH.MUTTER FE/ZNXC3 | DADO AUTOBLOCCANTE FE/ZNXC3 | |
| 004 | H2212680 | 001 | DEFLECTEUR DROIT | DEFLECTOR RIGHT | ABWEISER RECHT | DEFLETTORE DX | |
| 005 | H2218181 | 001 | AILETTE CARBURE DROITE | BLADE RIGHT | FLUEGEL RECHT | ALETTA DX | |
| 006 | H2218191 | 001 | AILETTE CARBURE GAUCHE | BLADE LEFT | FLUEGEL LINKS | ALETTA SX | |
| 007 | H2220760 | 001 | SOC | SHARE | SCHAR | VOMERE | |





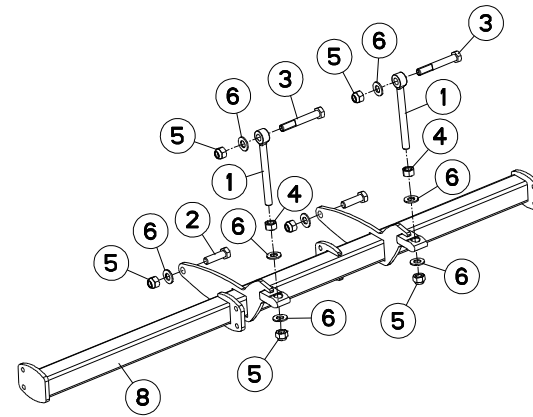
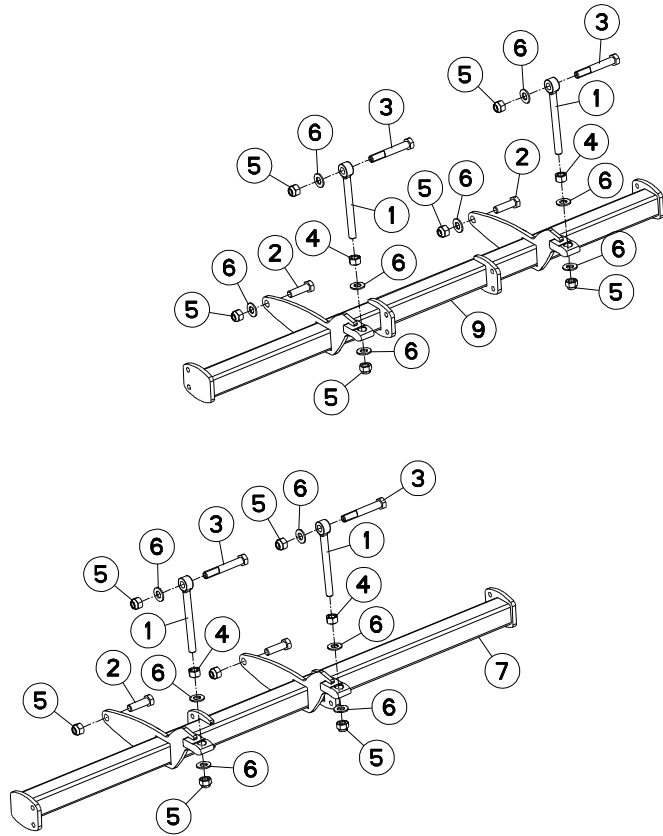
CHASSIS 6,5M (DISQUES)

FRAME 6,5M (DISCS)

RAHMEN 6,5M (SCHEIBEN)

TELAIO 6,5M (DISCHI)

| Rep | Nr | Qt | Designation | Description | Bezeichnung | Referenza | Remarque - Remark - Bemerkung - Osservazioni |
|-----|----------|-----|-------------------------------|-----------------------------|-------------------------------|-------------------------------|--|
| 001 | 951927 | 006 | TIRANT | TIE ROD | ZUGSTANGE | TIRANTE | |
| 002 | 80062480 | 006 | VIS TETE HEXAGONALE FE/ZNXC3 | HEXAGON HEAD SCREW FE/ZNXC3 | SECHSKANTSCHRAUBE FE/ZNXC3 | VITE TESTA ESAGONALE FE/ZNXC3 | |
| 003 | 80062484 | 006 | VIS TETE HEXAGONALE FLZNNC | HEXAGON HEAD SCREW FLZNNC | SECHSKANTSCHRAUBE FLZNNC | VITE TESTA ESAGONALE FLZNNC | |
| 004 | 80202400 | 006 | ECROU HEXAGONAL FE/ZNXC3 | NUT FE/ZNXC3 | SECHSKANTMUTTER FE/ZNXC3 | DADO FE/ZNXC3 | |
| 005 | 80202440 | 018 | ECROU HEX.AUTOFREINE FE/ZNXC3 | SELF-LOCKING NUT FE/ZNXC3 | SELBSTSICHERNDE MUTT.FE/ZNXC3 | DADO AUTOBLOCCANTE FE/ZNXC3 | |
| 006 | 80252432 | 024 | RONDELLE PLATE FE/ZNXC3 | PLAIN WASHER FE/ZNXC3 | SCHEIBE FE/ZNXC3 | RONDELLA PIATTA FE/ZNXC3 | |
| 007 | H2212430 | 001 | CHASSIS | CHASSIS | HAUPTRAHMEN | TELAIO | |
| 008 | H2212440 | 001 | CHASSIS | CHASSIS | HAUPTRAHMEN | TELAIO | |
| 009 | H2212460 | 001 | CHASSIS | CHASSIS | HAUPTRAHMEN | TELAIO | |





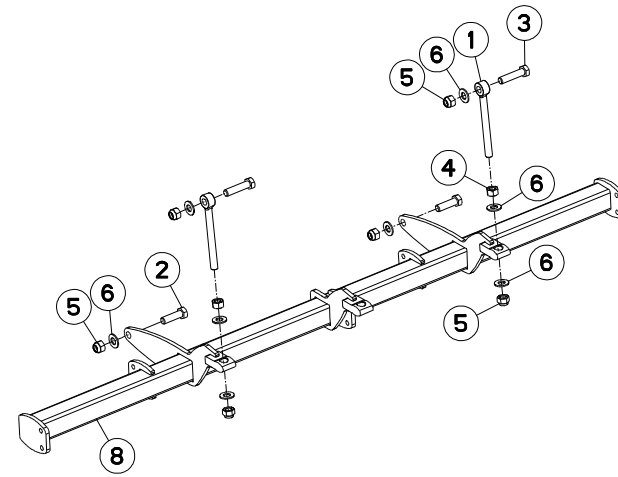
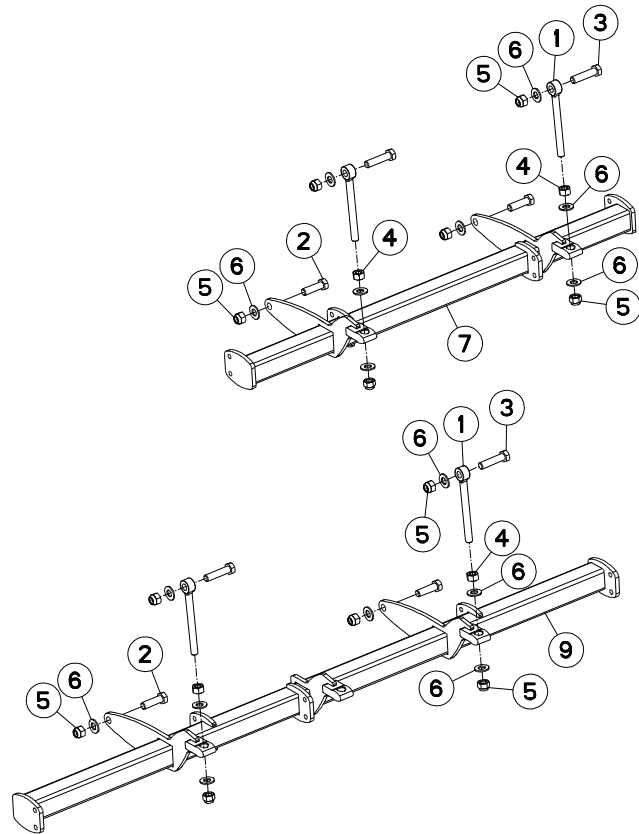
CHASSIS 6,5M (DISQUES)

FRAME 6,5M (DISCS)

RAHMEN 6,5M (SCHEIBEN)

TELAIO 6,5M (DISCHI)

| Rep | Nr | Qt | Designation | Description | Bezeichnung | Referenza | Remarque - Remark - Bemerkung - Osservazioni |
|-----|----------|-----|-------------------------------|-----------------------------|-------------------------------|-------------------------------|--|
| 001 | 951927 | 006 | TIRANT | TIE ROD | ZUGSTANGE | TIRANTE | |
| 002 | 80062480 | 006 | VIS TETE HEXAGONALE FE/ZNXC3 | HEXAGON HEAD SCREW FE/ZNXC3 | SECHSKANTSCHRAUBE FE/ZNXC3 | VITE TESTA ESAGONALE FE/ZNXC3 | |
| 003 | 80062495 | 006 | VIS TETE HEXAGONALE FE/ZNXC3 | HEXAGON HEAD SCREW FE/ZNXC3 | SECHSKANTSCHRAUBE FE/ZNXC3 | VITE TESTA ESAGONALE FE/ZNXC3 | |
| 004 | 80202400 | 006 | ECROU HEXAGONAL FE/ZNXC3 | NUT FE/ZNXC3 | SECHSKANTMUTTER FE/ZNXC3 | DADO FE/ZNXC3 | |
| 005 | 80202440 | 018 | ECROU HEX.AUTOFREINE FE/ZNXC3 | SELF-LOCKING NUT FE/ZNXC3 | SELBSTSICHERNDE MUTT.FE/ZNXC3 | DADO AUTOBLOCCANTE FE/ZNXC3 | |
| 006 | 80252432 | 022 | RONDELLE PLATE FE/ZNXC3 | PLAIN WASHER FE/ZNXC3 | SCHEIBE FE/ZNXC3 | RONDELLA PIATTA FE/ZNXC3 | |
| 007 | H2212430 | 001 | CHASSIS | CHASSIS | HAUPTRAHMEN | TELAIO | |
| 008 | H2212440 | 001 | CHASSIS | CHASSIS | HAUPTRAHMEN | TELAIO | |
| 009 | H2212460 | 001 | CHASSIS | CHASSIS | HAUPTRAHMEN | TELAIO | |





CULTIMER 8000

A0000 > B0000

H22R0323 B

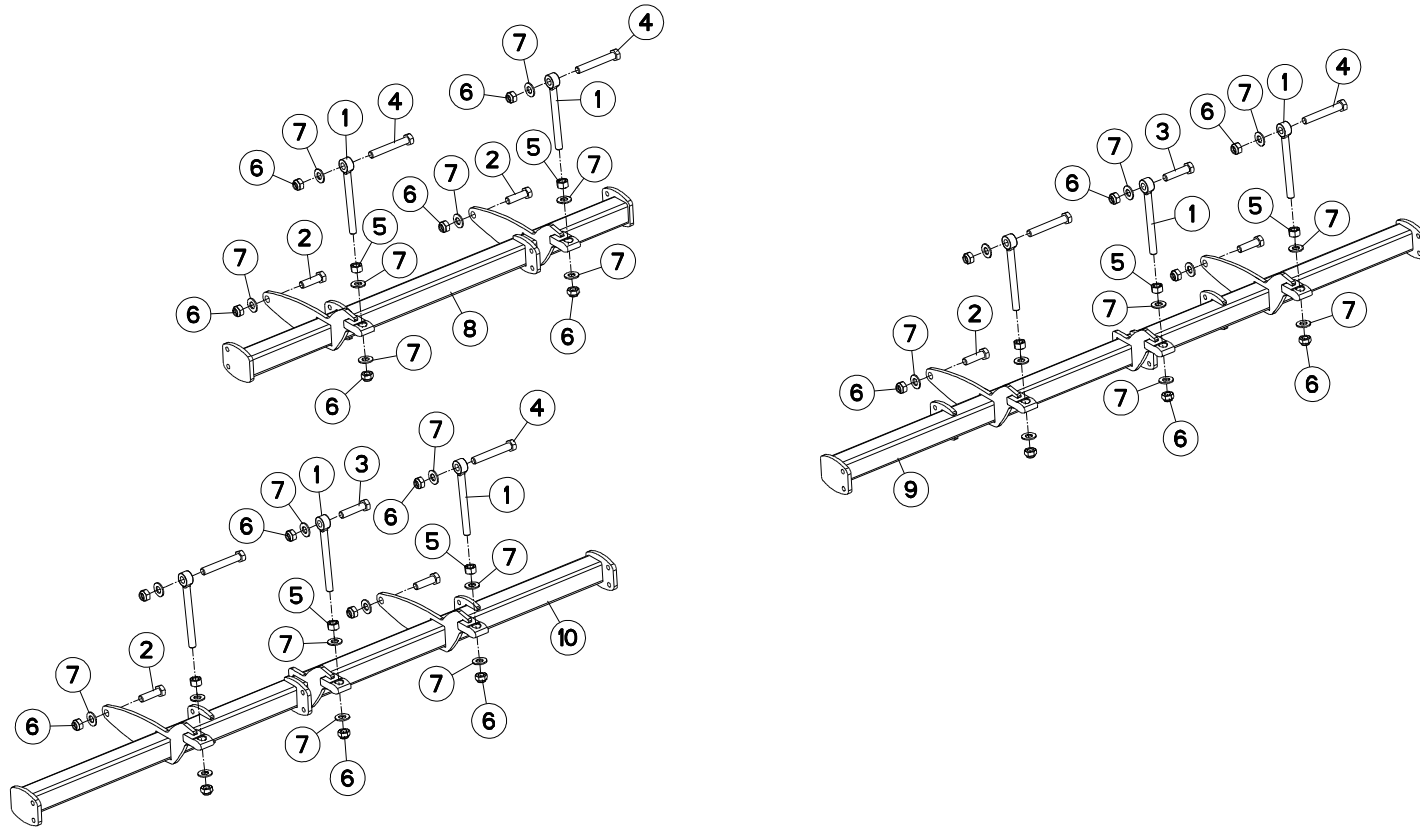
CHASSIS 8M (DISQUES)

FRAME 8M (DISCS)

RAHMEN 8M (SCHEIBEN)

TELAIO 8M (DISCHI)

| Rep | Nr | Qt | Designation | Description | Bezeichnung | Referenza | Remarque - Remark - Bemerkung - Osservazioni |
|-----|----------|-----|-------------------------------|-----------------------------|--------------------------------|-------------------------------|--|
| 001 | 951927 | 006 | TIRANT | TIE ROD | ZUGSTANGE | TIRANTE | |
| 002 | 80062480 | 006 | VIS TETE HEXAGONALE FE/ZNXC3 | HEXAGON HEAD SCREW FE/ZNXC3 | SECHSKANTSCHRAUBE FE/ZNXC3 | VITE TESTA ESAGONALE FE/ZNXC3 | |
| 003 | 80062484 | 006 | VIS TETE HEXAGONALE FLZNNC | HEXAGON HEAD SCREW FLZNNC | SECHSKANTSCHRAUBE FLZNNC | VITE TESTA ESAGONALE FLZNNC | |
| 004 | 80202400 | 006 | ECROU HEXAGONAL FE/ZNXC3 | NUT FE/ZNXC3 | SECHSKANTMUTTER FE/ZNXC3 | DADO FE/ZNXC3 | |
| 005 | 80202442 | 018 | ECROU HEX.BAS AUTOFR.FE/ZNXC3 | SELF-LOCKING NUT FE/ZNXC3 | SELBSTSICHERND.MUTTER FE/ZNXC3 | DADO AUTOBLOCCANTE FE/ZNXC3 | |
| 006 | 80252432 | 024 | RONDELLE PLATE FE/ZNXC3 | PLAIN WASHER FE/ZNXC3 | SCHEIBE FE/ZNXC3 | RONDELLA PIATTA FE/ZNXC3 | |
| 007 | H2212330 | 001 | CHASSIS | CHASSIS | HAUPTRAHMEN | TELAIO | |
| 008 | H2212350 | 001 | CHASSIS | CHASSIS | HAUPTRAHMEN | TELAIO | |
| 009 | H2212360 | 001 | CHASSIS | CHASSIS | HAUPTRAHMEN | TELAIO | |





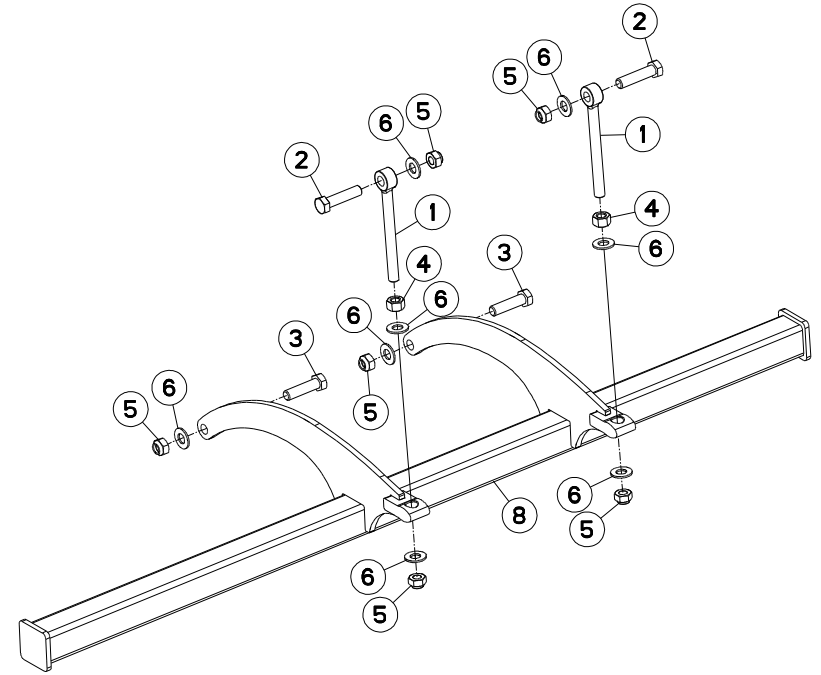
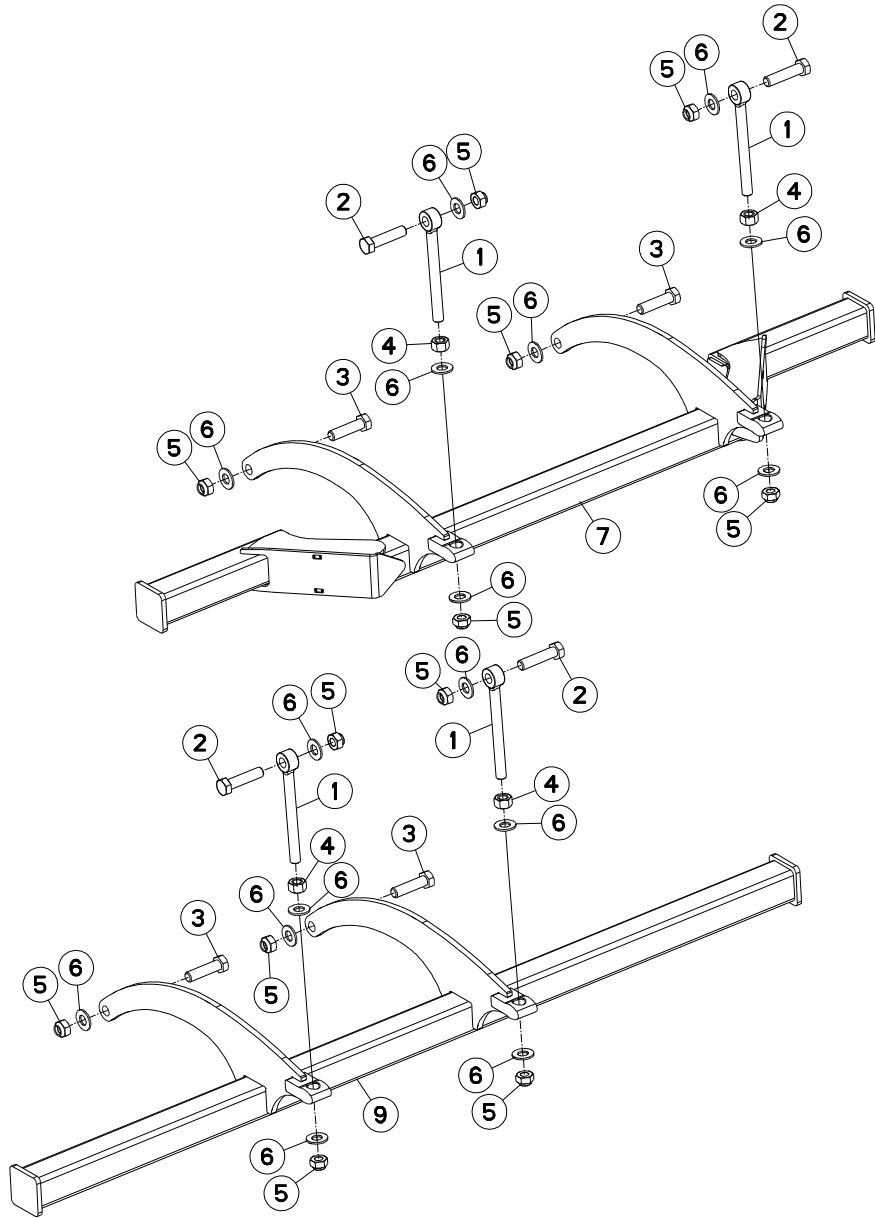
CHASSIS 8M (DISQUES)

FRAME 8M (DISCS)

RAHMEN 8M (SCHEIBEN)

TELAIO 8M (DISCHI)

| Rep | Nr | Qt | Designation | Description | Bezeichnung | Referenza | Remarque - Remark - Bemerkung - Osservazioni |
|-----|----------|-----|-------------------------------|-----------------------------|--------------------------------|-------------------------------|--|
| 001 | 951927 | 008 | TIRANT | TIE ROD | ZUGSTANGE | TIRANTE | |
| 002 | 80062480 | 006 | VIS TETE HEXAGONALE FE/ZNXC3 | HEXAGON HEAD SCREW FE/ZNXC3 | SECHSKANTSCHRAUBE FE/ZNXC3 | VITE TESTA ESAGONALE FE/ZNXC3 | |
| 003 | 80062484 | 002 | VIS TETE HEXAGONALE FLZNNC | HEXAGON HEAD SCREW FLZNNC | SECHSKANTSCHRAUBE FLZNNC | VITE TESTA ESAGONALE FLZNNC | |
| 004 | 80062495 | 006 | VIS TETE HEXAGONALE FE/ZNXC3 | HEXAGON HEAD SCREW FE/ZNXC3 | SECHSKANTSCHRAUBE FE/ZNXC3 | VITE TESTA ESAGONALE FE/ZNXC3 | |
| 005 | 80202400 | 008 | ECROU HEXAGONAL FE/ZNXC3 | NUT FE/ZNXC3 | SECHSKANTMUTTER FE/ZNXC3 | DADO FE/ZNXC3 | |
| 006 | 80202442 | 022 | ECROU HEX.BAS AUTOFR.FE/ZNXC3 | SELF-LOCKING NUT FE/ZNXC3 | SELBSTSICHERND.MUTTER FE/ZNXC3 | DADO AUTOBLOCCANTE FE/ZNXC3 | |
| 007 | 80252432 | 030 | RONDELLE PLATE FE/ZNXC3 | PLAIN WASHER FE/ZNXC3 | SCHEIBE FE/ZNXC3 | RONDELLA PIATTA FE/ZNXC3 | |
| 008 | H2212330 | 001 | CHASSIS | CHASSIS | HAUPTRAHMEN | TELAIO | |
| 009 | H2212350 | 001 | CHASSIS | CHASSIS | HAUPTRAHMEN | TELAIO | |
| 010 | H2212360 | 001 | CHASSIS | CHASSIS | HAUPTRAHMEN | TELAIO | |





CULTIMER 6500

A0000 > B0000

H22R0382 A

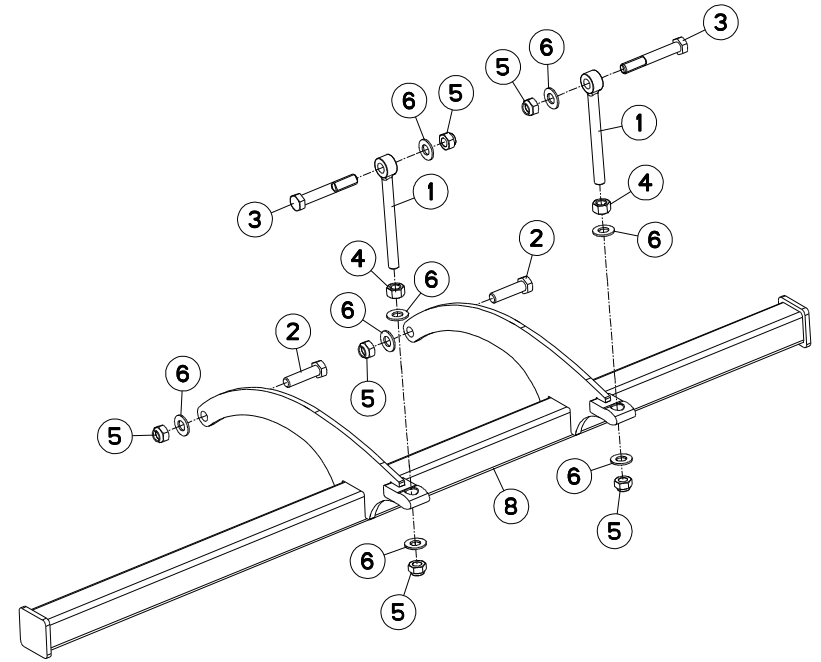
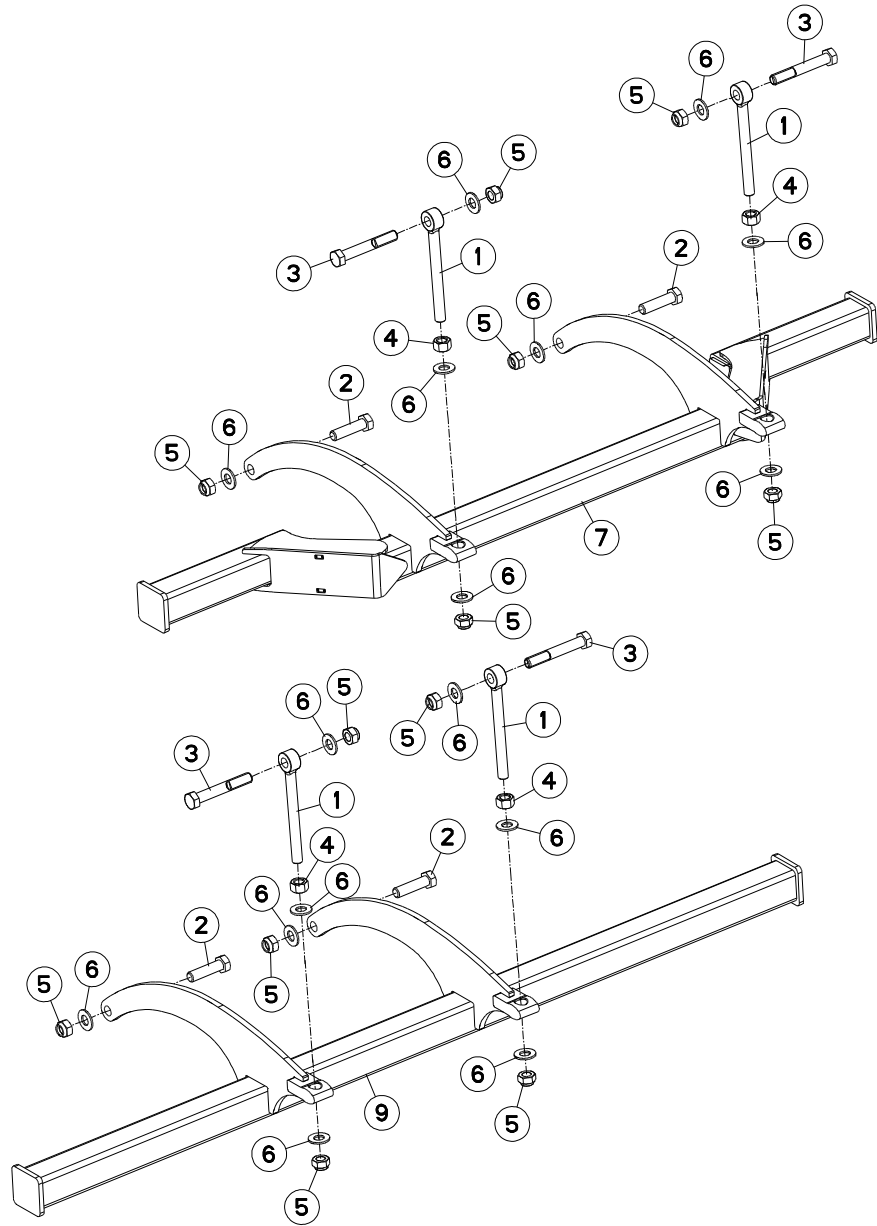
CHASSIS 6,5M (DISQUES)

FRAME 6,5M (DISCS)

RAHMEN 6,5M (SCHEIBEN)

TELAIO 6,5M (DISCHI)

| Rep | Nr | Qt | Designation | Description | Bezeichnung | Referenza | Remarque - Remark - Bemerkung - Osservazioni |
|-----|----------|-----|-------------------------------|-----------------------------|--------------------------------|-------------------------------|--|
| 001 | 951927 | 006 | TIRANT | TIE ROD | ZUGSTANGE | TIRANTE | |
| 002 | 80062484 | 006 | VIS TETE HEXAGONALE FLZNNC | HEXAGON HEAD SCREW FLZNNC | SECHSKANTSCHRAUBE FLZNNC | VITE TESTA ESAGONALE FLZNNC | |
| 003 | 80062490 | 006 | VIS TETE HEXAGONALE FE/ZNXC3 | HEXAGON HEAD SCREW FE/ZNXC3 | SECHSKANTSCHRAUBE FE/ZNXC3 | VITE TESTA ESAGONALE FE/ZNXC3 | |
| 004 | 80202400 | 006 | ECROU HEXAGONAL FE/ZNXC3 | NUT FE/ZNXC3 | SECHSKANTMUTTER FE/ZNXC3 | DADO FE/ZNXC3 | |
| 005 | 80202442 | 018 | ECROU HEX.BAS AUTOFR.FE/ZNXC3 | SELF-LOCKING NUT FE/ZNXC3 | SELBSTSICHERND.MUTTER FE/ZNXC3 | DADO AUTOBLOCCANTE FE/ZNXC3 | |
| 006 | 80252432 | 024 | RONDELLE PLATE FE/ZNXC3 | PLAIN WASHER FE/ZNXC3 | SCHEIBE FE/ZNXC3 | RONDELLA PIATTA FE/ZNXC3 | |
| 007 | H2221530 | 001 | CHASSIS | CHASSIS | HAUPTRAHMEN | TELAIO | |
| 008 | H2221540 | 001 | CHASSIS | CHASSIS | HAUPTRAHMEN | TELAIO | |
| 009 | H2221550 | 001 | CHASSIS | CHASSIS | HAUPTRAHMEN | TELAIO | |





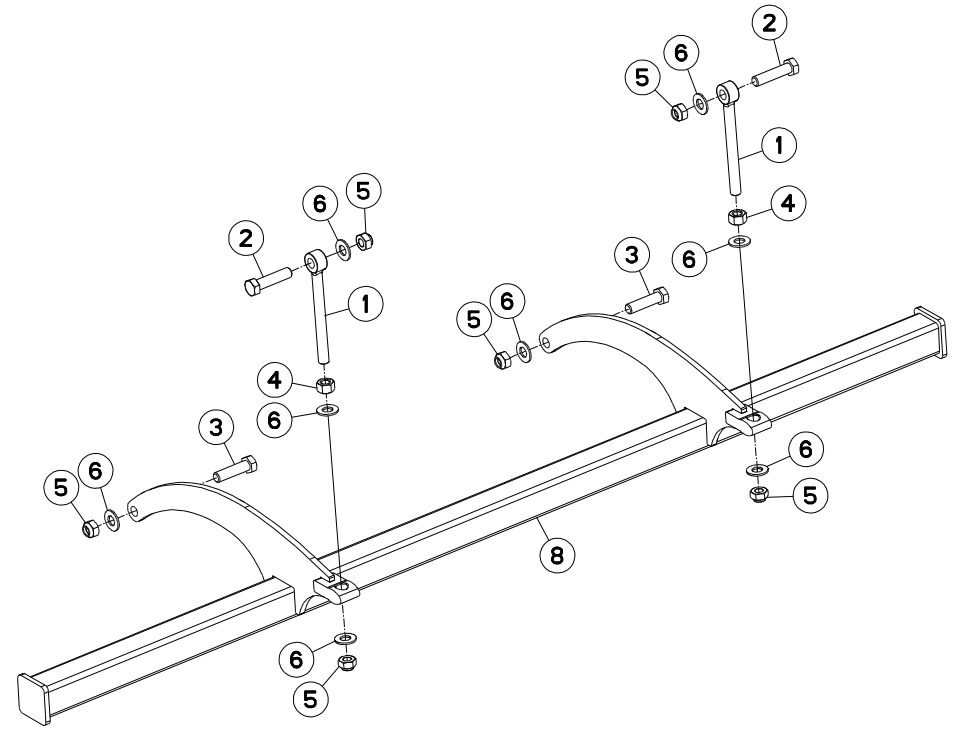
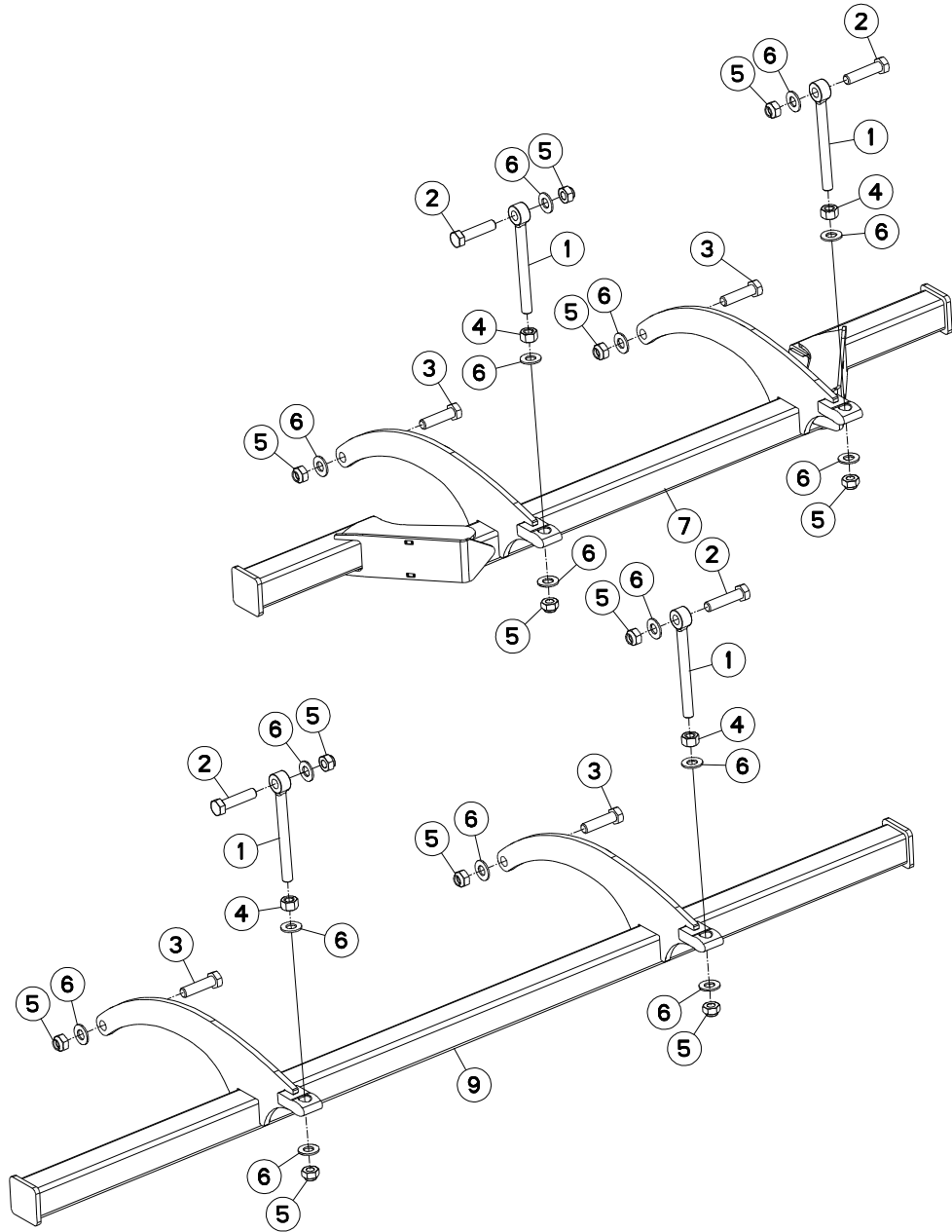
CHASSIS 6,5M (DISQUES)

FRAME 6,5M (DISCS)

RAHMEN 6,5M (SCHEIBEN)

TELAIO 6,5M (DISCHI)

| Rep | Nr | Qt | Designation | Description | Bezeichnung | Referenza | Remarque - Remark - Bemerkung - Osservazioni |
|-----|----------|-----|-------------------------------|-----------------------------|--------------------------------|-------------------------------|--|
| 001 | 951927 | 006 | TIRANT | TIE ROD | ZUGSTANGE | TIRANTE | |
| 002 | 80062490 | 006 | VIS TETE HEXAGONALE FE/ZNXC3 | HEXAGON HEAD SCREW FE/ZNXC3 | SECHSKANTSCHRAUBE FE/ZNXC3 | VITE TESTA ESAGONALE FE/ZNXC3 | |
| 003 | 80062495 | 006 | VIS TETE HEXAGONALE FE/ZNXC3 | HEXAGON HEAD SCREW FE/ZNXC3 | SECHSKANTSCHRAUBE FE/ZNXC3 | VITE TESTA ESAGONALE FE/ZNXC3 | |
| 004 | 80202400 | 006 | ECROU HEXAGONAL FE/ZNXC3 | NUT FE/ZNXC3 | SECHSKANTMUTTER FE/ZNXC3 | DADO FE/ZNXC3 | |
| 005 | 80202442 | 018 | ECROU HEX.BAS AUTOFR.FE/ZNXC3 | SELF-LOCKING NUT FE/ZNXC3 | SELBSTSICHERND.MUTTER FE/ZNXC3 | DADO AUTOBLOCCANTE FE/ZNXC3 | |
| 006 | 80252432 | 024 | RONDELLE PLATE FE/ZNXC3 | PLAIN WASHER FE/ZNXC3 | SCHEIBE FE/ZNXC3 | RONDELLA PIATTA FE/ZNXC3 | |
| 007 | H2221530 | 001 | CHASSIS | CHASSIS | HAUPTRAHMEN | TELAIO | |
| 008 | H2221540 | 001 | CHASSIS | CHASSIS | HAUPTRAHMEN | TELAIO | |
| 009 | H2221550 | 001 | CHASSIS | CHASSIS | HAUPTRAHMEN | TELAIO | |





CULTIMER 8000

A0000 > B0000

H22R0390 A

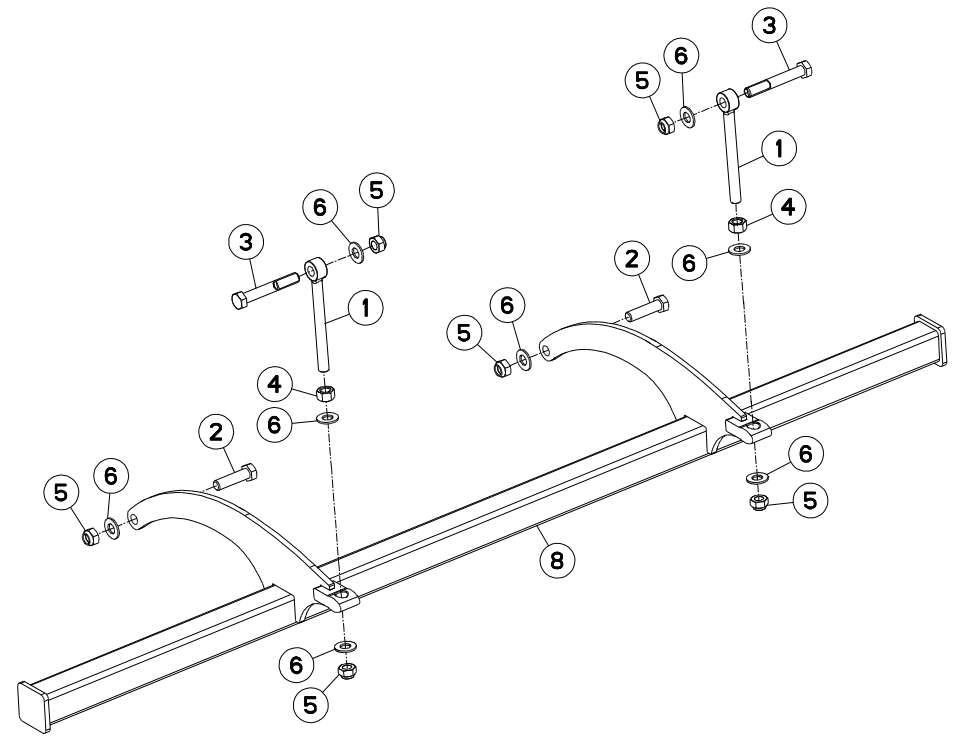
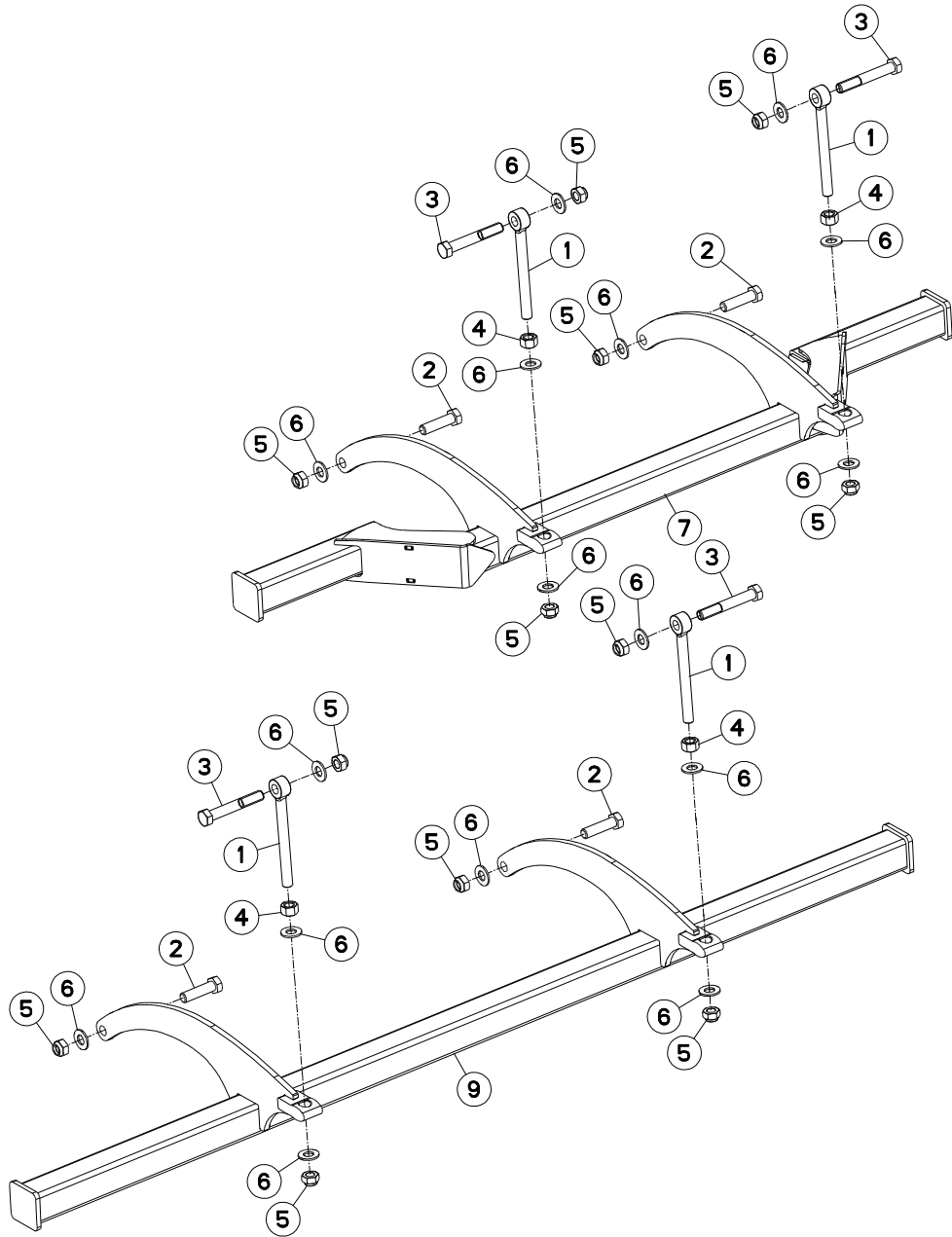
CHASSIS 8M (DISQUES)

FRAME 8M (DISCS)

RAHMEN 8M (SCHEIBEN)

TELAIO 8M (DISCHI)

| Rep | Nr | Qt | Designation | Description | Bezeichnung | Referenza | Remarque - Remark - Bemerkung - Osservazioni |
|-----|----------|-----|-------------------------------|-----------------------------|--------------------------------|-------------------------------|--|
| 001 | 951927 | 006 | TIRANT | TIE ROD | ZUGSTANGE | TIRANTE | |
| 002 | 80062484 | 006 | VIS TETE HEXAGONALE FLZNNC | HEXAGON HEAD SCREW FLZNNC | SECHSKANTSCHRAUBE FLZNNC | VITE TESTA ESAGONALE FLZNNC | |
| 003 | 80062490 | 006 | VIS TETE HEXAGONALE FE/ZNXC3 | HEXAGON HEAD SCREW FE/ZNXC3 | SECHSKANTSCHRAUBE FE/ZNXC3 | VITE TESTA ESAGONALE FE/ZNXC3 | |
| 004 | 80202400 | 006 | ECROU HEXAGONAL FE/ZNXC3 | NUT FE/ZNXC3 | SECHSKANTMUTTER FE/ZNXC3 | DADO FE/ZNXC3 | |
| 005 | 80202442 | 018 | ECROU HEX.BAS AUTOFR.FE/ZNXC3 | SELF-LOCKING NUT FE/ZNXC3 | SELBSTSICHERND.MUTTER FE/ZNXC3 | DADO AUTOBLOCCANTE FE/ZNXC3 | |
| 006 | 80252432 | 024 | RONDELLE PLATE FE/ZNXC3 | PLAIN WASHER FE/ZNXC3 | SCHEIBE FE/ZNXC3 | RONDELLA PIATTA FE/ZNXC3 | |
| 007 | H2221530 | 001 | CHASSIS | CHASSIS | HAUPTRAHMEN | TELAIO | |
| 008 | H2221560 | 001 | CHASSIS | CHASSIS | HAUPTRAHMEN | TELAIO | |
| 009 | H2221570 | 001 | CHASSIS | CHASSIS | HAUPTRAHMEN | TELAIO | |





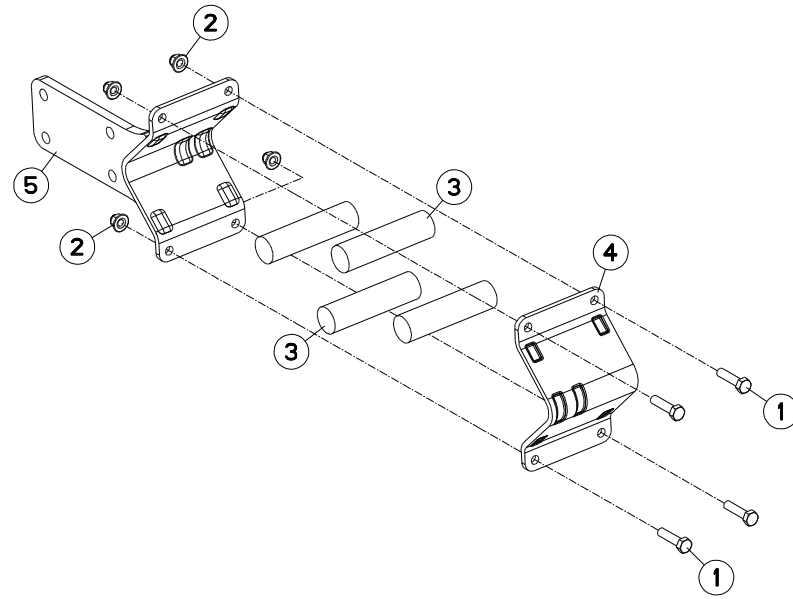
CHASSIS 8M (DISQUES)

FRAME 8M (DISCS)

RAHMEN 8M (SCHEIBEN)

TELAIO 8M (DISCHI)

| Rep | Nr | Qt | Designation | Description | Bezeichnung | Referenza | Remarque - Remark - Bemerkung - Osservazioni |
|-----|----------|-----|-------------------------------|-----------------------------|--------------------------------|-------------------------------|--|
| 001 | 951927 | 006 | TIRANT | TIE ROD | ZUGSTANGE | TIRANTE | |
| 002 | 80062490 | 006 | VIS TETE HEXAGONALE FE/ZNXC3 | HEXAGON HEAD SCREW FE/ZNXC3 | SECHSKANTSCHRAUBE FE/ZNXC3 | VITE TESTA ESAGONALE FE/ZNXC3 | |
| 003 | 80062495 | 006 | VIS TETE HEXAGONALE FE/ZNXC3 | HEXAGON HEAD SCREW FE/ZNXC3 | SECHSKANTSCHRAUBE FE/ZNXC3 | VITE TESTA ESAGONALE FE/ZNXC3 | |
| 004 | 80202400 | 006 | ECROU HEXAGONAL FE/ZNXC3 | NUT FE/ZNXC3 | SECHSKANTMUTTER FE/ZNXC3 | DADO FE/ZNXC3 | |
| 005 | 80202442 | 018 | ECROU HEX.BAS AUTOFR.FE/ZNXC3 | SELF-LOCKING NUT FE/ZNXC3 | SELBSTSICHERND.MUTTER FE/ZNXC3 | DADO AUTOBLOCCANTE FE/ZNXC3 | |
| 006 | 80252432 | 024 | RONDELLE PLATE FE/ZNXC3 | PLAIN WASHER FE/ZNXC3 | SCHEIBE FE/ZNXC3 | RONDELLA PIATTA FE/ZNXC3 | |
| 007 | H2221530 | 001 | CHASSIS | CHASSIS | HAUPTRAHMEN | TELAIO | |
| 008 | H2221560 | 001 | CHASSIS | CHASSIS | HAUPTRAHMEN | TELAIO | |
| 009 | H2221570 | 001 | CHASSIS | CHASSIS | HAUPTRAHMEN | TELAIO | |





CULTIMER 1000

A0000 > C0000

H22R0379 B

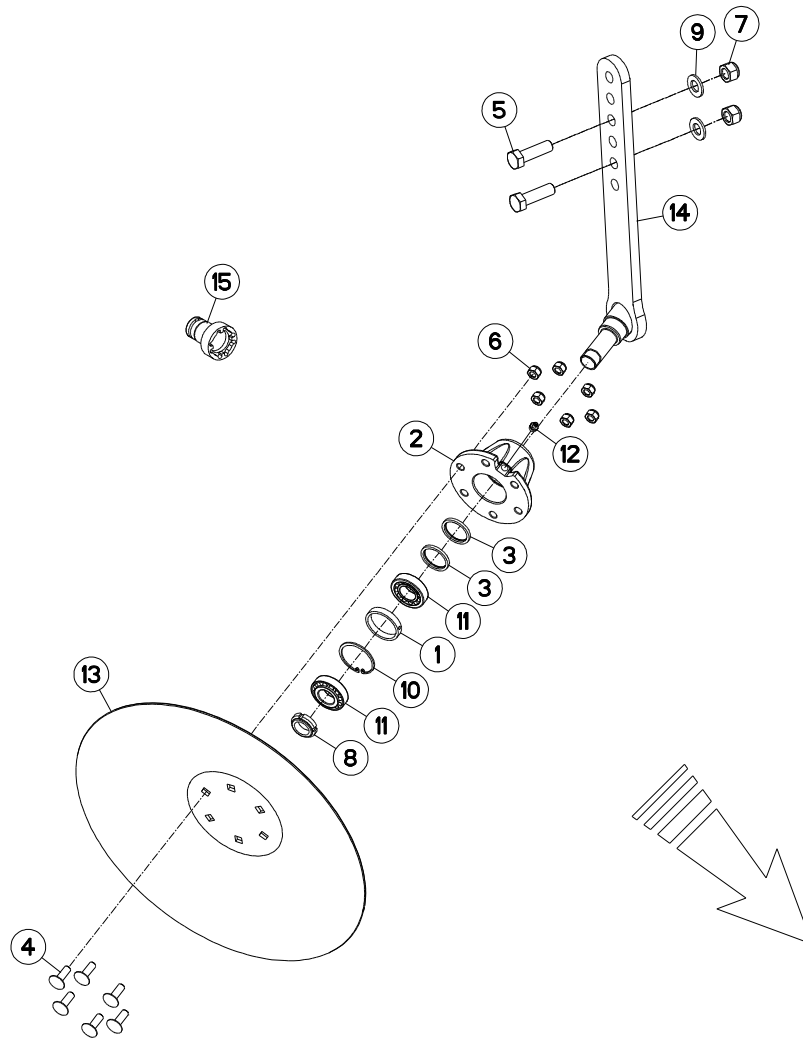
SECURITE (DISQUES)

SAFETY (DISCS)

SICHERHEIT (SCHEIBEN)

SICUREZZA (DISCHI)

| Rep | Nr | Qt | Designation | Description | Bezeichnung | Referenza | Remarque - Remark - Bemerkung - Osservazioni |
|-----|-----------------|-----|-----------------------------|---------------------------|-------------------------------|-----------------------------|--|
| 001 | 80061211 | 004 | VIS TETE HEXAGONALE FLZNNC | HEXAGON HEAD SCREW FLZNNC | SECHSKANTSCHRAUBE FLZNNC | VITE TESTA ESAGONALE FLZNNC | |
| 002 | 80201220 | 004 | ECROU HEX.EMB.AUTOFR.FLZNNC | SELF-LOCKING NUT FLZNNC | SELBSTSICHERNDE MUTTER FLZNNC | DADO AUTOBLOCCANTE FLZNNC | |
| 003 | H2213270 | 004 | AMORTISSEUR | SHOCK ABSORBER | STOSSDAEMPFER | AMMORTIZZATORE | |
| 004 | H2216750 | 001 | BRIDE | CLAMP | BUEGEL | STAFFA | |
| 005 | H2218390 | 001 | BRIDE | CLAMP | BUEGEL | STAFFA | |





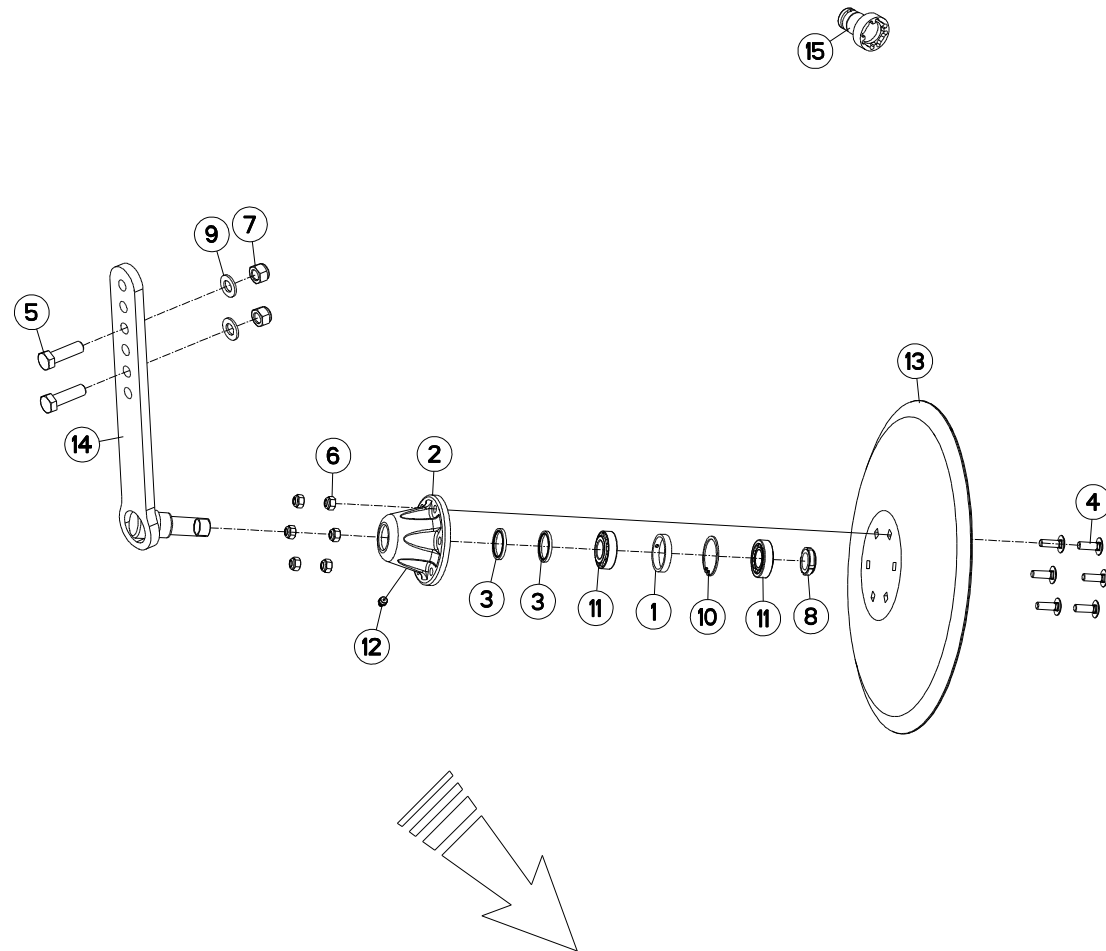
DISQUES (DROITE)

DISCS (RIGHT)

SCHEIBEN (RECHTS)

DISCHI (DX)

| Rep | Nr | Qt | Designation | Description | Bezeichnung | Referenza | Remarque - Remark - Bemerkung - Osservazioni |
|-----|----------|-----|-------------------------------|-----------------------------|-------------------------------|-------------------------------|--|
| 001 | 432023 | 001 | ENTRETOISE | SPACER | DISTANZHUELSE | DISTANZIALE | |
| 002 | 645317 | 001 | MOYEU | HUB | NABE | MOZZO | |
| 003 | 951166 | 002 | BAGUE NADELLA 35/43 | SEAL 35/43 | RING 35/43 | BOCCOLA | |
| 004 | 50002300 | 006 | VIS TBCC COURT | BOLT, CARRIAGE, SHORT NECK | FLACHRUNDSCHR.4KT ANSATZ | BULLONE | |
| 005 | 80061647 | 002 | VIS TETE HEXAGONALE FE/ZNXC3 | HEXAGON HEAD SCREW FE/ZNXC3 | SECHSKANTSCHRAUBE FE/ZNXC3 | VITE TESTA ESAGONALE FE/ZNXC3 | |
| 006 | 80201030 | 006 | ECROU HEX.AUTOFREINE FE/ZNXC3 | SELF-LOCKING NUT FE/ZNXC3 | SELBSTSICH.MUTTER FE/ZNXC3 | DADO AUTOBLOCCANTE FE/ZNXC3 | |
| 007 | 80201630 | 002 | ECROU HEX.AUTOFREINE FE/ZNXC3 | SELF-LOCKING NUT FE/ZNXC3 | SELBSTSICH.MUTTER FE/ZNXC3 | DADO AUTOBLOCCANTE FE/ZNXC3 | |
| 008 | 80202566 | 001 | ECROU A ENCOCH.AUTOF.FE/ZNXC3 | SELF-LOCKING NUT FE/ZNXC3 | SELBSTSICHERN.MUTTER FE/ZNXC3 | DADO AUTOBLOCCANTE FE/ZNXC3 | 60 daN.m (443 lbf.ft) |
| 009 | 80251624 | 002 | RONDELLE PLATE FE/ZNXC3 | PLAIN WASHER FE/ZNXC3 | SCHEIBE FE/ZNXC3 | RONDELLA PIATTA FE/ZNXC3 | |
| 010 | 80595200 | 001 | CIRCLIP INTERIEUR | RETAINING RING | SICHERUNGSRING | ANELLO | |
| 011 | 81302552 | 002 | ROULEMENT A ROULEAUX CONIQUES | TAPERED ROLLER BEARING | KEGELROLLENLAGER | CUSCINETTO A RULLO | |
| 012 | 82201016 | 001 | GRAISSEUR AUTOTARAUDANT | SELF TAPPING GREASE NIPPLE | GEWINDESCHNEID-SCHMIERNIPPEL | INGRASSATORE | |
| 013 | H2203660 | 001 | DISQUE Ø460 LISSE | DISC Ø460 | SCHEIBE Ø460 | DISCO Ø460 | |
| 014 | H2209540 | 001 | BRAS | ARM | ARM | BRACCIO | |
| 015 | H2219020 | 001 | EMBOUT | END PIECE | ENDSTUECK | GIUNTO | : 80202566 |





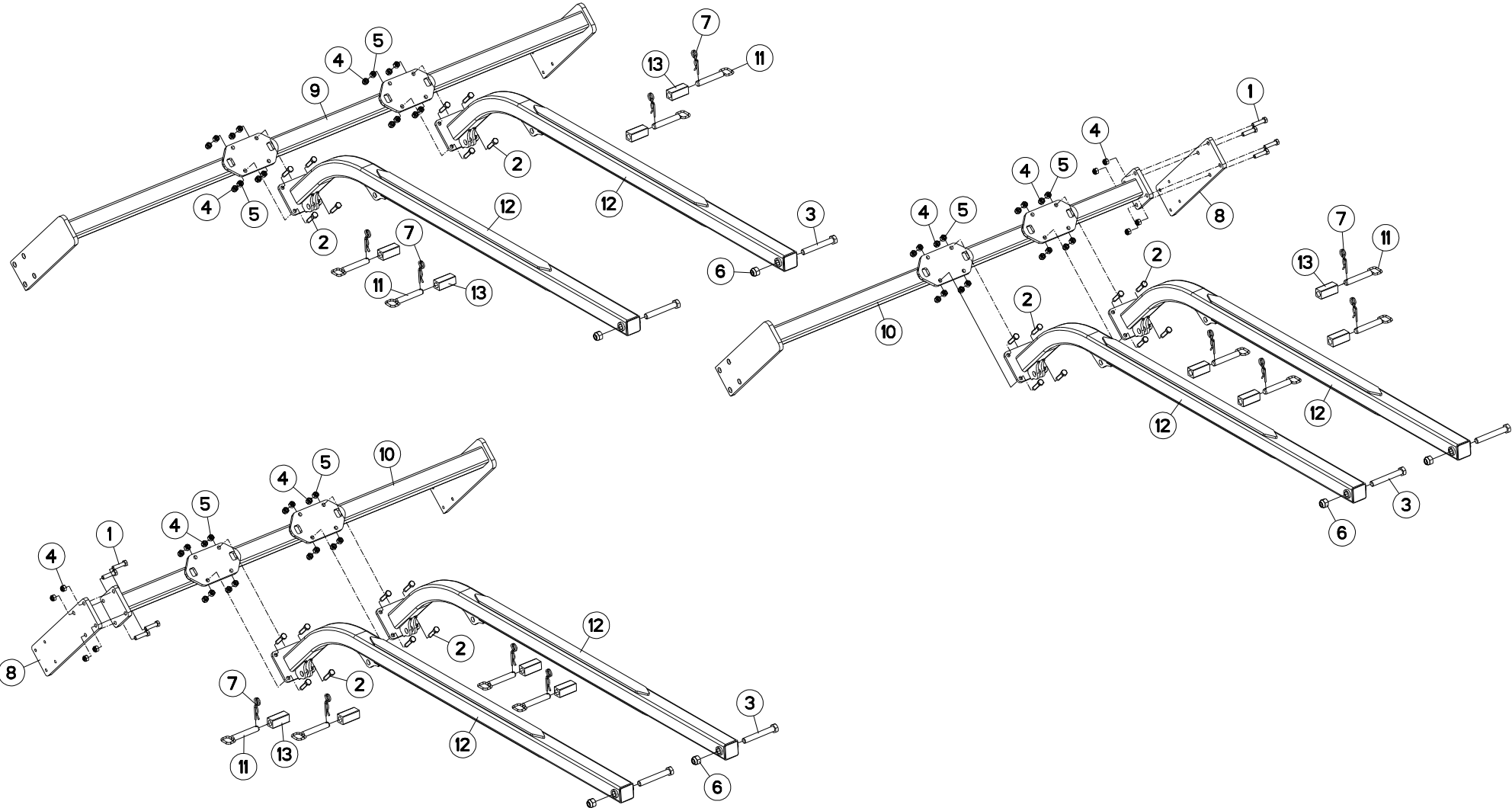
DISQUES (GAUCHE)

DISCS (LEFT)

SCHEIBEN (LINKS)

DISCHI (SX)

| Rep | Nr | Qt | Designation | Description | Bezeichnung | Referenza | Remarque - Remark - Bemerkung - Osservazioni |
|-----|----------|-----|-------------------------------|-----------------------------|-------------------------------|-------------------------------|--|
| 001 | 432023 | 001 | ENTRETOISE | SPACER | DISTANZHUELSE | DISTANZIALE | |
| 002 | 645317 | 001 | MOYEU | HUB | NABE | MOZZO | |
| 003 | 951166 | 002 | BAGUE NADELLA 35/43 | SEAL 35/43 | RING 35/43 | BOCCOLA | |
| 004 | 50002300 | 006 | VIS TBCC COURT | BOLT, CARRIAGE, SHORT NECK | FLACHRUNDSCHR.4KT ANSATZ | BULLONE | |
| 005 | 80061647 | 002 | VIS TETE HEXAGONALE FE/ZNXC3 | HEXAGON HEAD SCREW FE/ZNXC3 | SECHSKANTSCHRAUBE FE/ZNXC3 | VITE TESTA ESAGONALE FE/ZNXC3 | |
| 006 | 80201030 | 006 | ECROU HEX.AUTOFREINE FE/ZNXC3 | SELF-LOCKING NUT FE/ZNXC3 | SELBSTSICH.MUTTER FE/ZNXC3 | DADO AUTOBLOCCANTE FE/ZNXC3 | |
| 007 | 80201630 | 002 | ECROU HEX.AUTOFREINE FE/ZNXC3 | SELF-LOCKING NUT FE/ZNXC3 | SELBSTSICH.MUTTER FE/ZNXC3 | DADO AUTOBLOCCANTE FE/ZNXC3 | |
| 008 | 80202566 | 001 | ECROU A ENCOCH.AUTOF.FE/ZNXC3 | SELF-LOCKING NUT FE/ZNXC3 | SELBSTSICHERN.MUTTER FE/ZNXC3 | DADO AUTOBLOCCANTE FE/ZNXC3 | 60 daN.m (443 lbf.ft) |
| 009 | 80251624 | 002 | RONDELLE PLATE FE/ZNXC3 | PLAIN WASHER FE/ZNXC3 | SCHEIBE FE/ZNXC3 | RONDELLA PIATTA FE/ZNXC3 | |
| 010 | 80595200 | 001 | CIRCLIP INTERIEUR | RETAINING RING | SICHERUNGSRING | ANELLO | |
| 011 | 81302552 | 002 | ROULEMENT A ROULEAUX CONIQUES | TAPERED ROLLER BEARING | KEGELROLLENLAGER | CUSCINETTO A RULLO | |
| 012 | 82201016 | 001 | GRAISSEUR AUTOTARAUDANT | SELF TAPPING GREASE NIPPLE | GEWINDESCHNEID-SCHMIERNIPPEL | INGRASSATORE | |
| 013 | H2203660 | 001 | DISQUE Ø460 LISSE | DISC Ø460 | SCHEIBE Ø460 | DISCO Ø460 | |
| 014 | H2211270 | 001 | BRAS | ARM | ARM | BRACCIO | |
| 015 | H2219020 | 001 | EMBOUT | END PIECE | ENDSTUECK | GIUNTO | : 80202566 |





CULTIMER 6500

A0000 > B0000

H22R0314 B

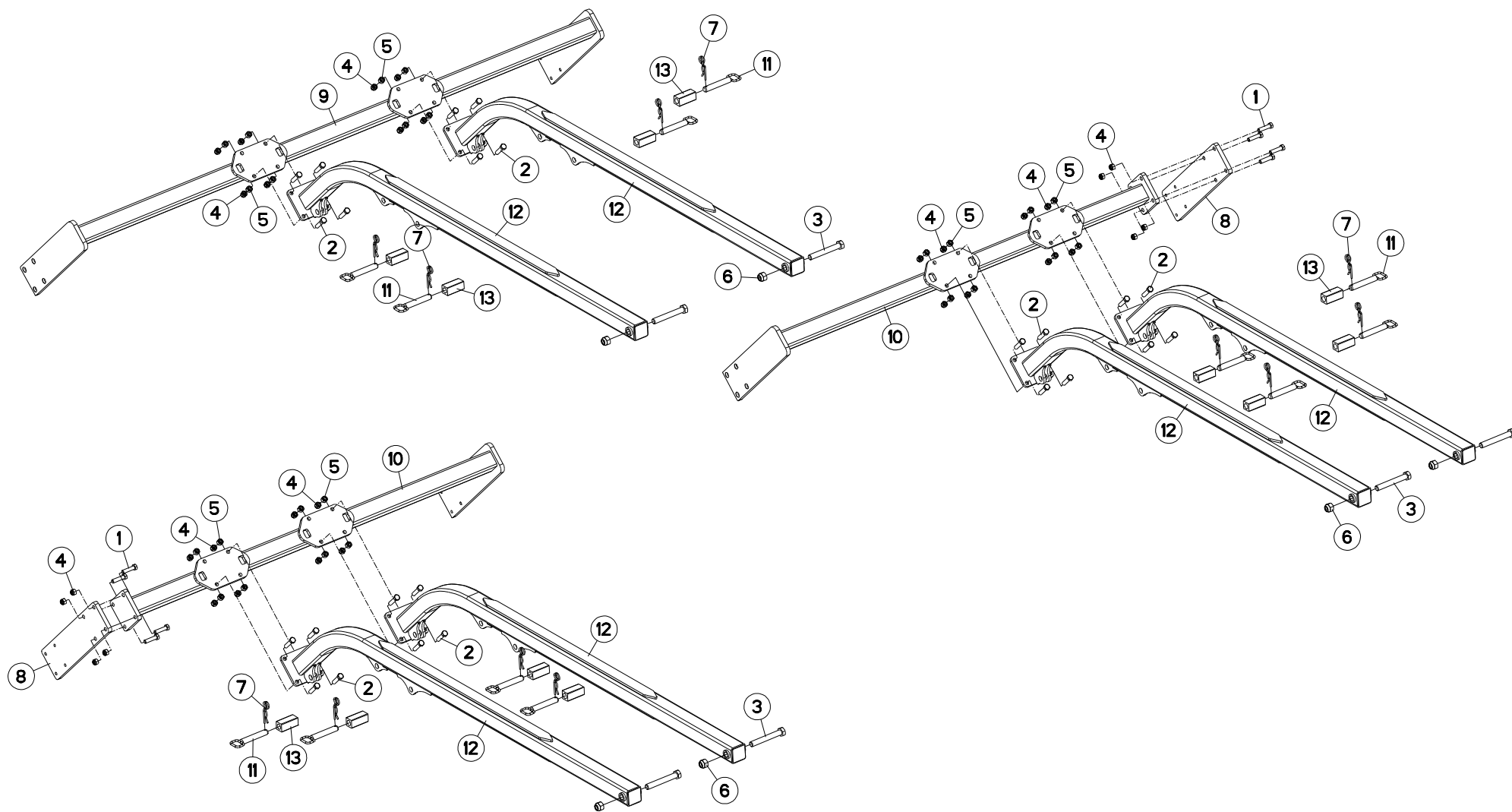
CHASSIS 6,5M (ROULEAU A TUBES)

FRAME 6,5M (CRUMBLER ROLLER)

RAHMEN 6,5M (ROHRWALZE)

TELAIO 6,5M (RULLO SMINUZZATO)

| Rep | Nr | Qt | Designation | Description | Bezeichnung | Referenza | Remarque - Remark - Bemerkung - Osservazioni |
|-----|----------|-----|-------------------------------|-----------------------------|-------------------------------|-------------------------------|--|
| 001 | 80061638 | 008 | VIS TETE HEXAGONALE FE/ZNXC3 | HEXAGON HEAD SCREW FE/ZNXC3 | SECHSKANTSCHRAUBE FE/ZNXC3 | VITE TESTA ESAGONALE FE/ZNXC3 | |
| 002 | 80061649 | 024 | VIS TETE HEXAGONALE FE/ZNXC3 | HEXAGON HEAD SCREW FE/ZNXC3 | SECHSKANTSCHRAUBE FE/ZNXC3 | VITE TESTA ESAGONALE FE/ZNXC3 | |
| 003 | 80062469 | 006 | VIS TETE HEXAGONALE FLZNNC | HEXAGON HEAD SCREW FLZNNC | SECHSKANTSCHRAUBE FLZNNC | VITE TESTA ESAGONALE FLZNNC | |
| 004 | 80201630 | 032 | ECROU HEX.AUTOFREINE FE/ZNXC3 | SELF-LOCKING NUT FE/ZNXC3 | SELBSTSICH.MUTTER FE/ZNXC3 | DADO AUTOBLOCCANTE FE/ZNXC3 | |
| 005 | 80201670 | 024 | ECROU HEXAGONAL FE/ZNXC3 | NUT FE/ZNXC3 | SECHSKANTMUTTER FE/ZNXC3 | DADO FE/ZNXC3 | |
| 006 | 80202440 | 006 | ECROU HEX.AUTOFREINE FE/ZNXC3 | SELF-LOCKING NUT FE/ZNXC3 | SELBSTSICHERNDE MUTT.FE/ZNXC3 | DADO AUTOBLOCCANTE FE/ZNXC3 | |
| 007 | 80570600 | 012 | GOUPILLE BETA SIMPLE FE/ZNXC3 | SPRING COTTER PIN FE/ZNXC3 | FEDERSTECKER FE/ZNXC3 | MOLLA FE/ZNXC3 | |
| 008 | H2205860 | 002 | EMBOUT | END | TERTEIL | GIUNTO | |
| 009 | H2212320 | 001 | CHASSIS | CHASSIS | HAUPTRAHMEN | TELAIO | |
| 010 | H2212470 | 002 | CHASSIS | CHASSIS | HAUPTRAHMEN | TELAIO | |
| 011 | H2212560 | 012 | BROCHE | PIN, HITCH | ACHSE | PERNO | |
| 012 | H2213250 | 006 | BRAS | ARM | ARM | BRACCIO | |
| 013 | H2214590 | 012 | ENTRETOISE | SPACER | DISTANZHUELSE | DISTANZIALE | |





CULTIMER 6500

A0000 > B0000

H22R0314 C

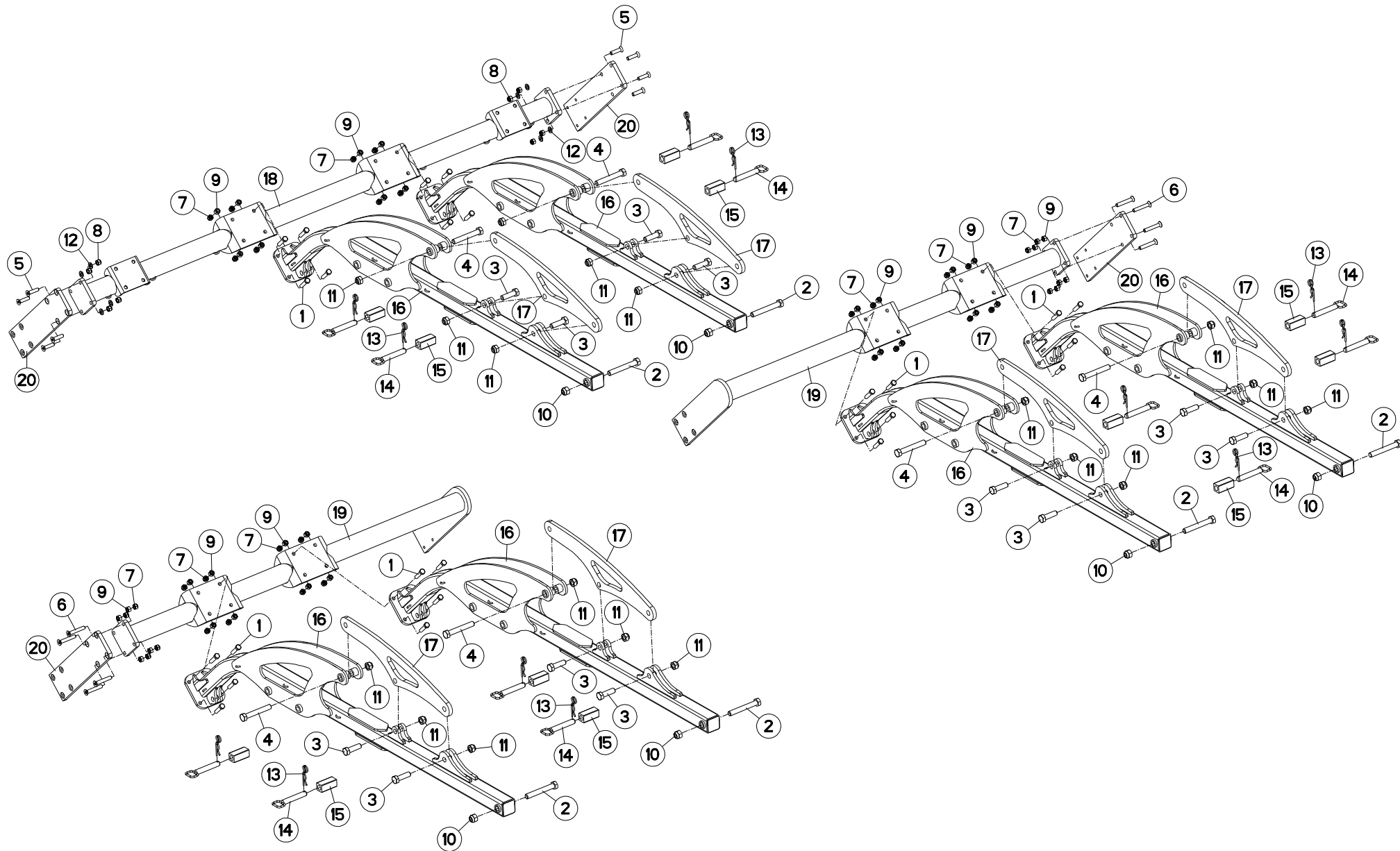
CHASSIS 6,5M (ROULEAU A TUBES)

FRAME 6,5M (CRUMBLER ROLLER)

RAHMEN 6,5M (ROHRWALZE)

TELAIO 6,5M (RULLO SMINUZZATO)

| Rep | Nr | Qt | Designation | Description | Bezeichnung | Referenza | Remarque - Remark - Bemerkung - Osservazioni |
|-----|----------|-----|-------------------------------|-----------------------------|-------------------------------|-------------------------------|--|
| 001 | 80061638 | 008 | VIS TETE HEXAGONALE FE/ZNXC3 | HEXAGON HEAD SCREW FE/ZNXC3 | SECHSKANTSCHRAUBE FE/ZNXC3 | VITE TESTA ESAGONALE FE/ZNXC3 | |
| 002 | 80061649 | 024 | VIS TETE HEXAGONALE FE/ZNXC3 | HEXAGON HEAD SCREW FE/ZNXC3 | SECHSKANTSCHRAUBE FE/ZNXC3 | VITE TESTA ESAGONALE FE/ZNXC3 | |
| 003 | 80062469 | 006 | VIS TETE HEXAGONALE FLZNNC | HEXAGON HEAD SCREW FLZNNC | SECHSKANTSCHRAUBE FLZNNC | VITE TESTA ESAGONALE FLZNNC | |
| 004 | 80201630 | 032 | ECROU HEX.AUTOFREINE FE/ZNXC3 | SELF-LOCKING NUT FE/ZNXC3 | SELBSTSICH.MUTTER FE/ZNXC3 | DADO AUTOBLOCCANTE FE/ZNXC3 | |
| 005 | 80201670 | 024 | ECROU HEXAGONAL FE/ZNXC3 | NUT FE/ZNXC3 | SECHSKANTMUTTER FE/ZNXC3 | DADO FE/ZNXC3 | |
| 006 | 80202440 | 006 | ECROU HEX.AUTOFREINE FE/ZNXC3 | SELF-LOCKING NUT FE/ZNXC3 | SELBSTSICHERNDE MUTT.FE/ZNXC3 | DADO AUTOBLOCCANTE FE/ZNXC3 | |
| 007 | 80570600 | 012 | GOUPILLE BETA SIMPLE FE/ZNXC3 | SPRING COTTER PIN FE/ZNXC3 | FEDERSTECKER FE/ZNXC3 | MOLLA FE/ZNXC3 | |
| 008 | H2205860 | 002 | EMBOUT | END | TERTEIL | GIUNTO | |
| 009 | H2212320 | 001 | CHASSIS | CHASSIS | HAUPTRAHMEN | TELAIO | |
| 010 | H2212470 | 002 | CHASSIS | CHASSIS | HAUPTRAHMEN | TELAIO | |
| 011 | H2212560 | 012 | BROCHE | PIN, HITCH | ACHSE | PERNO | |
| 012 | H2213251 | 006 | BRAS | ARM | ARM | BRACCIO | |
| 013 | H2214590 | 012 | ENTRETOISE | SPACER | DISTANZHUELSE | DISTANZIALE | |





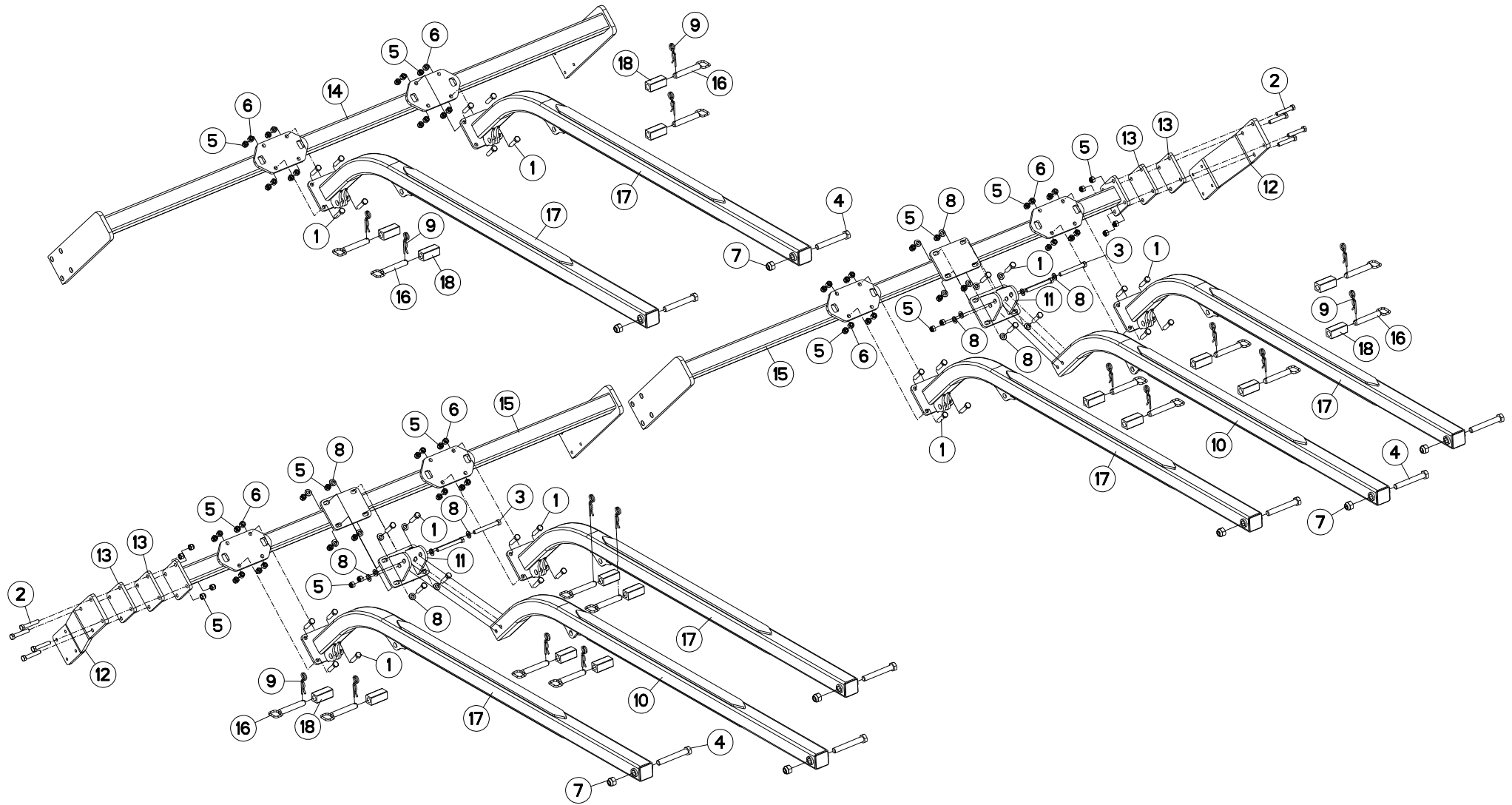
CHASSIS 6,5M (ROULEAU A TUBES)

FRAME 6,5M (CRUMBLER ROLLER)

RAHMEN 6,5M (ROHRWALZE)

TELAIO 6,5M (RULLO SMINUZZATOF

| Rep | Nr | Qt | Designation | Description | Bezeichnung | Referenza | Remarque - Remark - Bemerkung - Osservazioni |
|-----|----------|-----|-------------------------------|--------------------------------|--------------------------------|-------------------------------|--|
| 001 | 80061649 | 024 | VIS TETE HEXAGONALE FE/ZNXC3 | HEXAGON HEAD SCREW FE/ZNXC3 | SECHSKANTSCHRAUBE FE/ZNXC3 | VITE TESTA ESAGONALE FE/ZNXC3 | |
| 002 | 80062469 | 006 | VIS TETE HEXAGONALE FLZNNC | HEXAGON HEAD SCREW FLZNNC | SECHSKANTSCHRAUBE FLZNNC | VITE TESTA ESAGONALE FLZNNC | |
| 003 | 80062480 | 012 | VIS TETE HEXAGONALE FE/ZNXC3 | HEXAGON HEAD SCREW FE/ZNXC3 | SECHSKANTSCHRAUBE FE/ZNXC3 | VITE TESTA ESAGONALE FE/ZNXC3 | |
| 004 | 80062495 | 006 | VIS TETE HEXAGONALE FE/ZNXC3 | HEXAGON HEAD SCREW FE/ZNXC3 | SECHSKANTSCHRAUBE FE/ZNXC3 | VITE TESTA ESAGONALE FE/ZNXC3 | |
| 005 | 80111665 | 008 | VIS T.FRAI.SIX P.CR.FLZNNC | HEX.SOC.COUNT.HEAD SC.FLZNNC | SENKSCHRAUB.INNENSEC.FLZNNC | VITE FLZNNC | |
| 006 | 80111699 | 008 | VIS T.FRAI.SIX P.CR.FE/ZNXC3 | HEX.SOC.COUNT.HEAD SC.FE/ZNXC3 | SENKSCHRAUB.INNENSEC.FE/ZNXC3 | VITE FE/ZNXC3 | |
| 007 | 80201640 | 032 | ECROU HEX.BAS AUTOFR.FE/ZNXC3 | SELF-LOCKING NUT FE/ZNXC3 | SELBSTSICHERND.MUTTER FE/ZNXC3 | DADO AUTOBLOCCANTE FE/ZNXC3 | |
| 008 | 80201647 | 008 | ECROU HEX.AUTOFREINE FE/ZNXC3 | SELF-LOCKING NUT FE/ZNXC3 | SELBSTSICHERNDE MUTT.FE/ZNXC3 | DADO AUTOBLOCCANTE FE/ZNXC3 | |
| 009 | 80201670 | 032 | ECROU HEXAGONAL FE/ZNXC3 | NUT FE/ZNXC3 | SECHSKANTMUTTER FE/ZNXC3 | DADO FE/ZNXC3 | |
| 010 | 80202442 | 006 | ECROU HEX.BAS AUTOFR.FE/ZNXC3 | SELF-LOCKING NUT FE/ZNXC3 | SELBSTSICHERND.MUTTER FE/ZNXC3 | DADO AUTOBLOCCANTE FE/ZNXC3 | |
| 011 | 80202442 | 018 | ECROU HEX.BAS AUTOFR.FE/ZNXC3 | SELF-LOCKING NUT FE/ZNXC3 | SELBSTSICHERND.MUTTER FE/ZNXC3 | DADO AUTOBLOCCANTE FE/ZNXC3 | |
| 012 | 80251624 | 008 | RONDELLE PLATE FE/ZNXC3 | PLAIN WASHER FE/ZNXC3 | SCHEIBE FE/ZNXC3 | RONDELLA PIATTA FE/ZNXC3 | |
| 013 | 80570600 | 012 | GOUPILLE BETA SIMPLE FE/ZNXC3 | SPRING COTTER PIN FE/ZNXC3 | FEDERSTECKER FE/ZNXC3 | MOLLA FE/ZNXC3 | |
| 014 | H2212560 | 012 | BROCHE | PIN, HITCH | ACHSE | PERNO | |
| 015 | H2214590 | 012 | ENTRETOISE | SPACER | DISTANZHUELSE | DISTANZIALE | |
| 016 | H2222290 | 006 | BRAS | ARM | ARM | BRACCIO | |
| 017 | H2222340 | 006 | PLAT | FLAT | FLACHEISEN | PIATTO | |
| 018 | H2223160 | 001 | CHASSIS | CHASSIS | HAUPTRAHMEN | TELAIO | |
| 019 | H2223170 | 002 | CHASSIS | CHASSIS | HAUPTRAHMEN | TELAIO | |
| 020 | H2223870 | 004 | PLAT | FLAT | FLACHEISEN | PIATTO | |





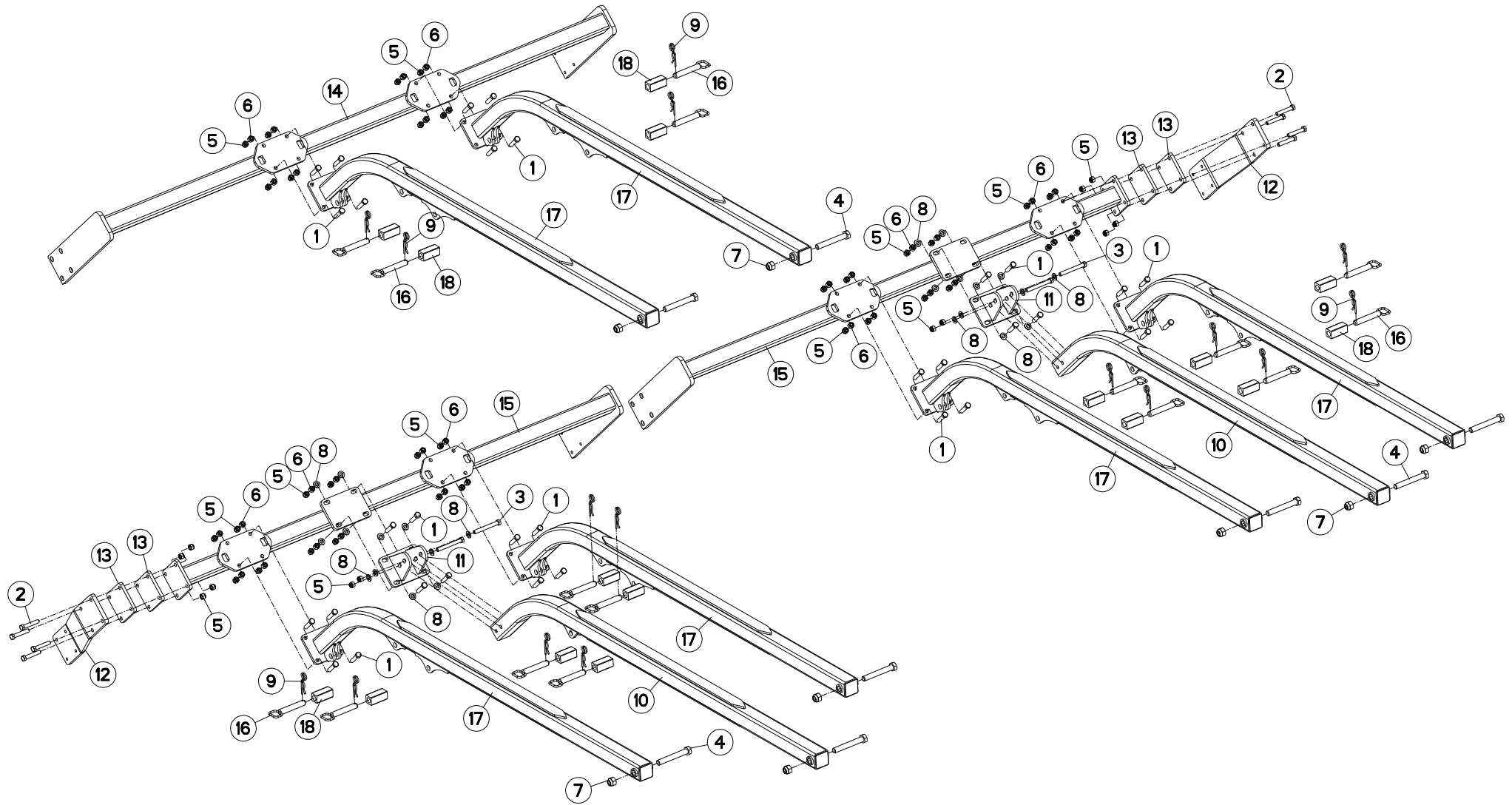
CHASSIS 8M (ROULEAU A TUBES)

FRAME 8M (CRUMBLER ROLLER)

RAHMEN 8M (ROHRWALZE)

TELAIO 8M (RULLO SMINUZZATORE)

| Rep | Nr | Qt | Designation | Description | Bezeichnung | Referenza | Remarque - Remark - Bemerkung - Osservazioni |
|-----|-----------------|-----|-------------------------------|-----------------------------|-------------------------------|-------------------------------|--|
| 001 | 80061649 | 032 | VIS TETE HEXAGONALE FE/ZNXC3 | HEXAGON HEAD SCREW FE/ZNXC3 | SECHSKANTSCHRAUBE FE/ZNXC3 | VITE TESTA ESAGONALE FE/ZNXC3 | |
| 002 | 80061678 | 008 | VIS TETE HEXAGONALE FE/ZNXC3 | HEXAGON HEAD SCREW FE/ZNXC3 | SECHSKANTSCHRAUBE FE/ZNXC3 | VITE TESTA ESAGONALE FE/ZNXC3 | |
| 003 | 80061686 | 004 | VIS TETE HEXAGONALE FE/ZNXC3 | HEXAGON HEAD SCREW FE/ZNXC3 | SECHSKANTSCHRAUBE FE/ZNXC3 | VITE TESTA ESAGONALE FE/ZNXC3 | |
| 004 | 80062469 | 008 | VIS TETE HEXAGONALE FLZNNC | HEXAGON HEAD SCREW FLZNNC | SECHSKANTSCHRAUBE FLZNNC | VITE TESTA ESAGONALE FLZNNC | |
| 005 | 80201630 | 044 | ECROU HEX.AUTOFREINE FE/ZNXC3 | SELF-LOCKING NUT FE/ZNXC3 | SELBSTSICH.MUTTER FE/ZNXC3 | DADO AUTOBLOCCANTE FE/ZNXC3 | |
| 006 | 80201670 | 024 | ECROU HEXAGONAL FE/ZNXC3 | NUT FE/ZNXC3 | SECHSKANTMUTTER FE/ZNXC3 | DADO FE/ZNXC3 | |
| 007 | 80202440 | 008 | ECROU HEX.AUTOFREINE FE/ZNXC3 | SELF-LOCKING NUT FE/ZNXC3 | SELBSTSICHERNDE MUTT.FE/ZNXC3 | DADO AUTOBLOCCANTE FE/ZNXC3 | |
| 008 | 80251624 | 024 | RONDELLE PLATE FE/ZNXC3 | PLAIN WASHER FE/ZNXC3 | SCHEIBE FE/ZNXC3 | RONDELLA PIATTA FE/ZNXC3 | |
| 009 | 80570600 | 016 | GOUPILLE BETA SIMPLE FE/ZNXC3 | SPRING COTTER PIN FE/ZNXC3 | FEDERSTECKER FE/ZNXC3 | MOLLA FE/ZNXC3 | |
| 010 | H2106720 | 002 | BRAS | ARM | ARM | BRACCIO | |
| 011 | H2106730 | 002 | PLATINE | PLATE, MOUNTING | TRAGPLATTE | PIASTRA-SUPPORTO | |
| 012 | H2204640 | 002 | EMBOUT | FITTING, HOSE | ENDSTÜCK | GIUNTO | |
| 013 | H2205780 | 004 | CALE | SHIM | DISTANZPLATTE | SPESSORE | |
| 014 | H2212320 | 001 | CHASSIS | CHASSIS | HAUPTRAHMEN | TELAIO | |
| 015 | H2212340 | 002 | CHASSIS | CHASSIS | HAUPTRAHMEN | TELAIO | |
| 016 | H2212560 | 016 | BROCHE | PIN, HITCH | ACHSE | PERNO | |
| 017 | H2213250 | 006 | BRAS | ARM | ARM | BRACCIO | |
| 018 | H2214590 | 016 | ENTRETOISE | SPACER | DISTANZHUELSE | DISTANZIALE | |





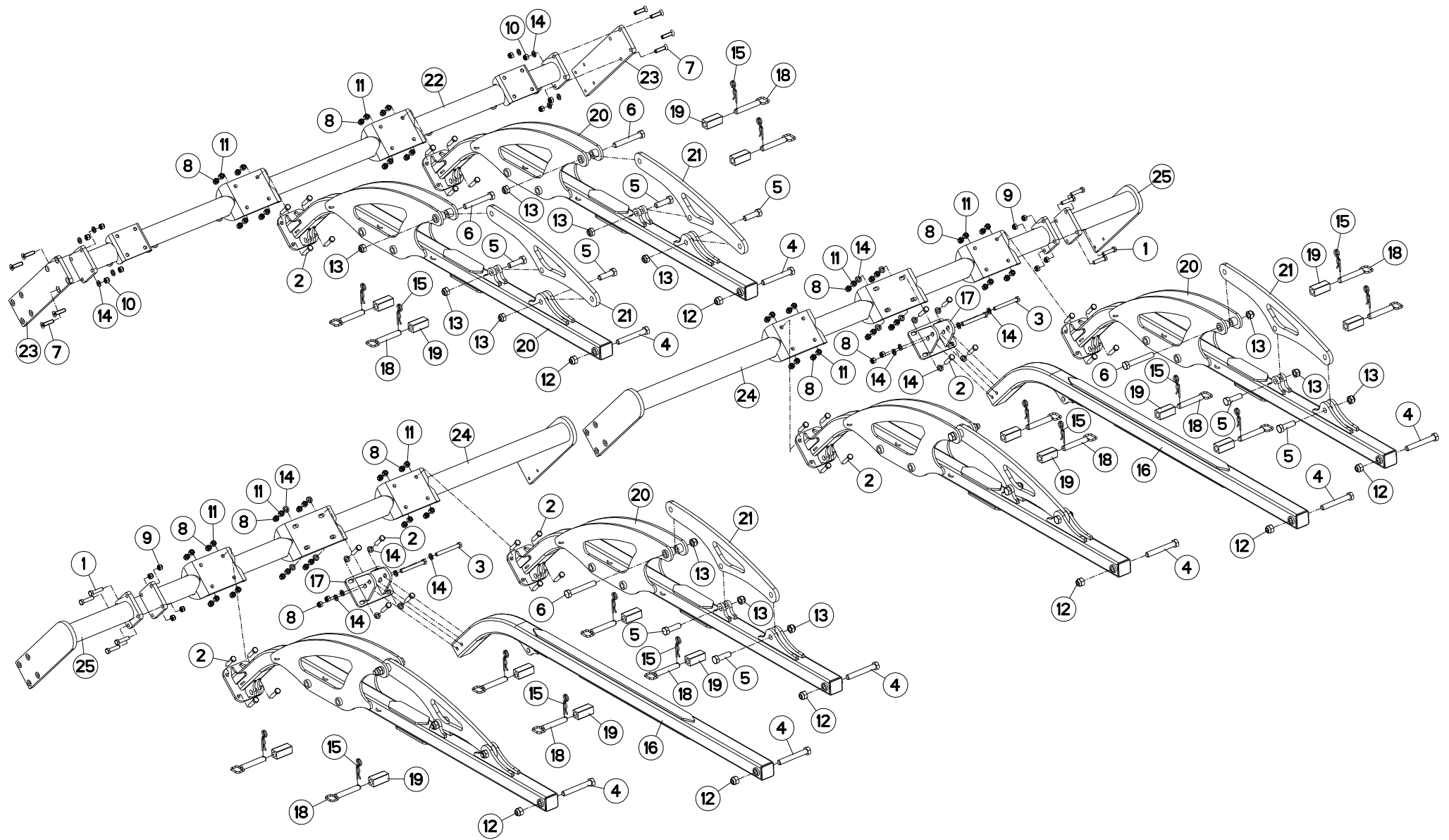
CHASSIS 8M (ROULEAU A TUBES)

FRAME 8M (CRUMBLER ROLLER)

RAHMEN 8M (ROHRWALZE)

TELAIO 8M (RULLO SMINUZZATORE)

| Rep | Nr | Qt | Designation | Description | Bezeichnung | Referenza | Remarque - Remark - Bemerkung - Osservazioni |
|-----|-----------------|-----|-------------------------------|-----------------------------|-------------------------------|-------------------------------|--|
| 001 | 80061649 | 032 | VIS TETE HEXAGONALE FE/ZNXC3 | HEXAGON HEAD SCREW FE/ZNXC3 | SECHSKANTSCHRAUBE FE/ZNXC3 | VITE TESTA ESAGONALE FE/ZNXC3 | |
| 002 | 80061678 | 008 | VIS TETE HEXAGONALE FE/ZNXC3 | HEXAGON HEAD SCREW FE/ZNXC3 | SECHSKANTSCHRAUBE FE/ZNXC3 | VITE TESTA ESAGONALE FE/ZNXC3 | |
| 003 | 80061686 | 004 | VIS TETE HEXAGONALE FE/ZNXC3 | HEXAGON HEAD SCREW FE/ZNXC3 | SECHSKANTSCHRAUBE FE/ZNXC3 | VITE TESTA ESAGONALE FE/ZNXC3 | |
| 004 | 80062469 | 008 | VIS TETE HEXAGONALE FLZNNC | HEXAGON HEAD SCREW FLZNNC | SECHSKANTSCHRAUBE FLZNNC | VITE TESTA ESAGONALE FLZNNC | |
| 005 | 80201630 | 044 | ECROU HEX.AUTOFREINE FE/ZNXC3 | SELF-LOCKING NUT FE/ZNXC3 | SELBSTSICH.MUTTER FE/ZNXC3 | DADO AUTOBLOCCANTE FE/ZNXC3 | |
| 006 | 80201670 | 032 | ECROU HEXAGONAL FE/ZNXC3 | NUT FE/ZNXC3 | SECHSKANTMUTTER FE/ZNXC3 | DADO FE/ZNXC3 | |
| 007 | 80202440 | 008 | ECROU HEX.AUTOFREINE FE/ZNXC3 | SELF-LOCKING NUT FE/ZNXC3 | SELBSTSICHERNDE MUTT.FE/ZNXC3 | DADO AUTOBLOCCANTE FE/ZNXC3 | |
| 008 | 80251624 | 024 | RONDELLE PLATE FE/ZNXC3 | PLAIN WASHER FE/ZNXC3 | SCHEIBE FE/ZNXC3 | RONDELLA PIATTA FE/ZNXC3 | |
| 009 | 80570600 | 016 | GOUPILLE BETA SIMPLE FE/ZNXC3 | SPRING COTTER PIN FE/ZNXC3 | FEDERSTECKER FE/ZNXC3 | MOLLA FE/ZNXC3 | |
| 010 | H2106720 | 002 | BRAS | ARM | ARM | BRACCIO | |
| 011 | H2106730 | 002 | PLATINE | PLATE, MOUNTING | TRAGPLATTE | PIASTRA-SUPPORTO | |
| 012 | H2204640 | 002 | EMBOUT | FITTING, HOSE | ENDSTÜCK | GIUNTO | |
| 013 | H2205780 | 004 | CALE | SHIM | DISTANZPLATTE | SPESSORE | |
| 014 | H2212320 | 001 | CHASSIS | CHASSIS | HAUPTRAHMEN | TELAIO | |
| 015 | H2212340 | 002 | CHASSIS | CHASSIS | HAUPTRAHMEN | TELAIO | |
| 016 | H2212560 | 016 | BROCHE | PIN, HITCH | ACHSE | PERNO | |
| 017 | H2213251 | 006 | BRAS | ARM | ARM | BRACCIO | |
| 018 | H2214590 | 016 | ENTRETOISE | SPACER | DISTANZHUELSE | DISTANZIALE | |





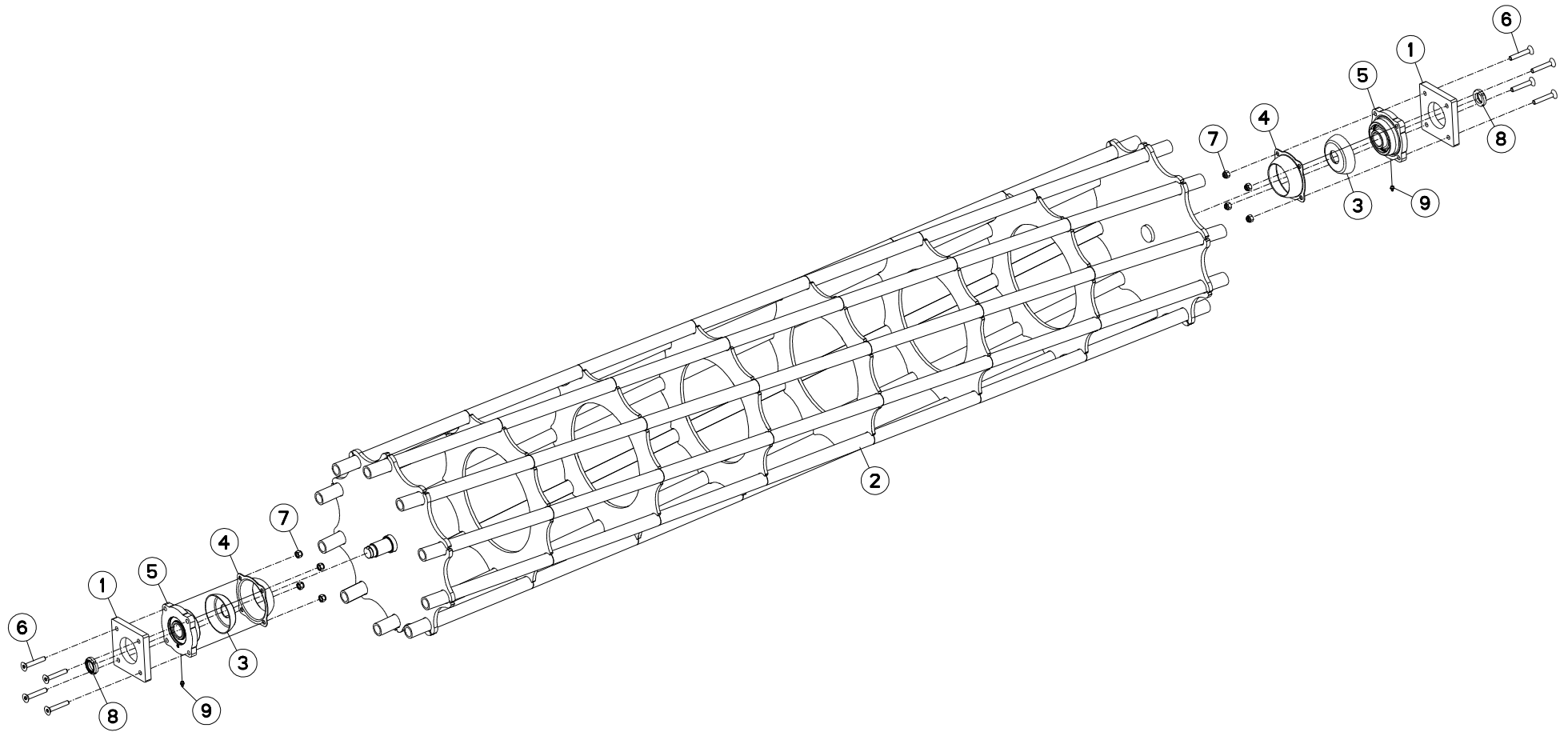
CHASSIS 8M (ROULEAU A TUBES)

FRAME 8M (CRUMBLER ROLLER)

RAHMEN 8M (ROHRWALZE)

TELAIO 8M (RULLO SMINUZZATORE)

| Rep | Nr | Qt | Designation | Description | Bezeichnung | Referenza | Remarque - Remark - Bemerkung - Osservazioni |
|-----|----------|-----|-------------------------------|------------------------------|--------------------------------|-------------------------------|--|
| 001 | 80061638 | 008 | VIS TETE HEXAGONALE FE/ZNXC3 | HEXAGON HEAD SCREW FE/ZNXC3 | SECHSKANTSCHRAUBE FE/ZNXC3 | VITE TESTA ESAGONALE FE/ZNXC3 | |
| 002 | 80061649 | 032 | VIS TETE HEXAGONALE FE/ZNXC3 | HEXAGON HEAD SCREW FE/ZNXC3 | SECHSKANTSCHRAUBE FE/ZNXC3 | VITE TESTA ESAGONALE FE/ZNXC3 | |
| 003 | 80061686 | 004 | VIS TETE HEXAGONALE FE/ZNXC3 | HEXAGON HEAD SCREW FE/ZNXC3 | SECHSKANTSCHRAUBE FE/ZNXC3 | VITE TESTA ESAGONALE FE/ZNXC3 | |
| 004 | 80062469 | 008 | VIS TETE HEXAGONALE FLZNNC | HEXAGON HEAD SCREW FLZNNC | SECHSKANTSCHRAUBE FLZNNC | VITE TESTA ESAGONALE FLZNNC | |
| 005 | 80062480 | 012 | VIS TETE HEXAGONALE FE/ZNXC3 | HEXAGON HEAD SCREW FE/ZNXC3 | SECHSKANTSCHRAUBE FE/ZNXC3 | VITE TESTA ESAGONALE FE/ZNXC3 | |
| 006 | 80062495 | 006 | VIS TETE HEXAGONALE FE/ZNXC3 | HEXAGON HEAD SCREW FE/ZNXC3 | SECHSKANTSCHRAUBE FE/ZNXC3 | VITE TESTA ESAGONALE FE/ZNXC3 | |
| 007 | 80111665 | 008 | VIS T.FRAI.SIX P.CR.FLZNNC | HEX.SOC.COUNT.HEAD SC.FLZNNC | SENKSCHRAUB.INNENSEC.FLZNNC | VITE FLZNNC | |
| 008 | 80201640 | 036 | ECROU HEX.BAS AUTOFR.FE/ZNXC3 | SELF-LOCKING NUT FE/ZNXC3 | SELBSTSICHERND.MUTTER FE/ZNXC3 | DADO AUTOBLOCCANTE FE/ZNXC3 | |
| 009 | 80201640 | 008 | ECROU HEX.BAS AUTOFR.FE/ZNXC3 | SELF-LOCKING NUT FE/ZNXC3 | SELBSTSICHERND.MUTTER FE/ZNXC3 | DADO AUTOBLOCCANTE FE/ZNXC3 | |
| 010 | 80201647 | 008 | ECROU HEX.AUTOFREINE FE/ZNXC3 | SELF-LOCKING NUT FE/ZNXC3 | SELBSTSICHERNDE MUTT.FE/ZNXC3 | DADO AUTOBLOCCANTE FE/ZNXC3 | |
| 011 | 80201670 | 032 | ECROU HEXAGONAL FE/ZNXC3 | NUT FE/ZNXC3 | SECHSKANTMUTTER FE/ZNXC3 | DADO FE/ZNXC3 | |
| 012 | 80202442 | 008 | ECROU HEX.BAS AUTOFR.FE/ZNXC3 | SELF-LOCKING NUT FE/ZNXC3 | SELBSTSICHERND.MUTTER FE/ZNXC3 | DADO AUTOBLOCCANTE FE/ZNXC3 | |
| 013 | 80202442 | 018 | ECROU HEX.BAS AUTOFR.FE/ZNXC3 | SELF-LOCKING NUT FE/ZNXC3 | SELBSTSICHERND.MUTTER FE/ZNXC3 | DADO AUTOBLOCCANTE FE/ZNXC3 | |
| 014 | 80251624 | 032 | RONDELLE PLATE FE/ZNXC3 | PLAIN WASHER FE/ZNXC3 | SCHEIBE FE/ZNXC3 | RONDELLA PIATTA FE/ZNXC3 | |
| 015 | 80570600 | 016 | GOUPILLE BETA SIMPLE FE/ZNXC3 | SPRING COTTER PIN FE/ZNXC3 | FEDERSTECKER FE/ZNXC3 | MOLLA FE/ZNXC3 | |
| 016 | H2106720 | 002 | BRAS | ARM | ARM | BRACCIO | |
| 017 | H2106730 | 002 | PLATINE | PLATE, MOUNTING | TRAGPLATTE | PIASTRA-SUPPORTO | |
| 018 | H2212560 | 016 | BROCHE | PIN, HITCH | ACHSE | PERNO | |
| 019 | H2214590 | 016 | ENTRETOISE | SPACER | DISTANZHUELSE | DISTANZIALE | |
| 020 | H2222290 | 006 | BRAS | ARM | ARM | BRACCIO | |
| 021 | H2222340 | 006 | PLAT | FLAT | FLACHEISEN | PIATTO | |
| 022 | H2223160 | 001 | CHASSIS | CHASSIS | HAUPTRAHMEN | TELAIO | |
| 023 | H2223870 | 002 | PLAT | FLAT | FLACHEISEN | PIATTO | |
| 024 | H2223890 | 002 | CHASSIS | CHASSIS | HAUPTRAHMEN | TELAIO | |
| 025 | H2223960 | 002 | BRAS | ARM | ARM | BRACCIO | |





CULTIMER 1000

A0000 > B0000

H22R0270 A

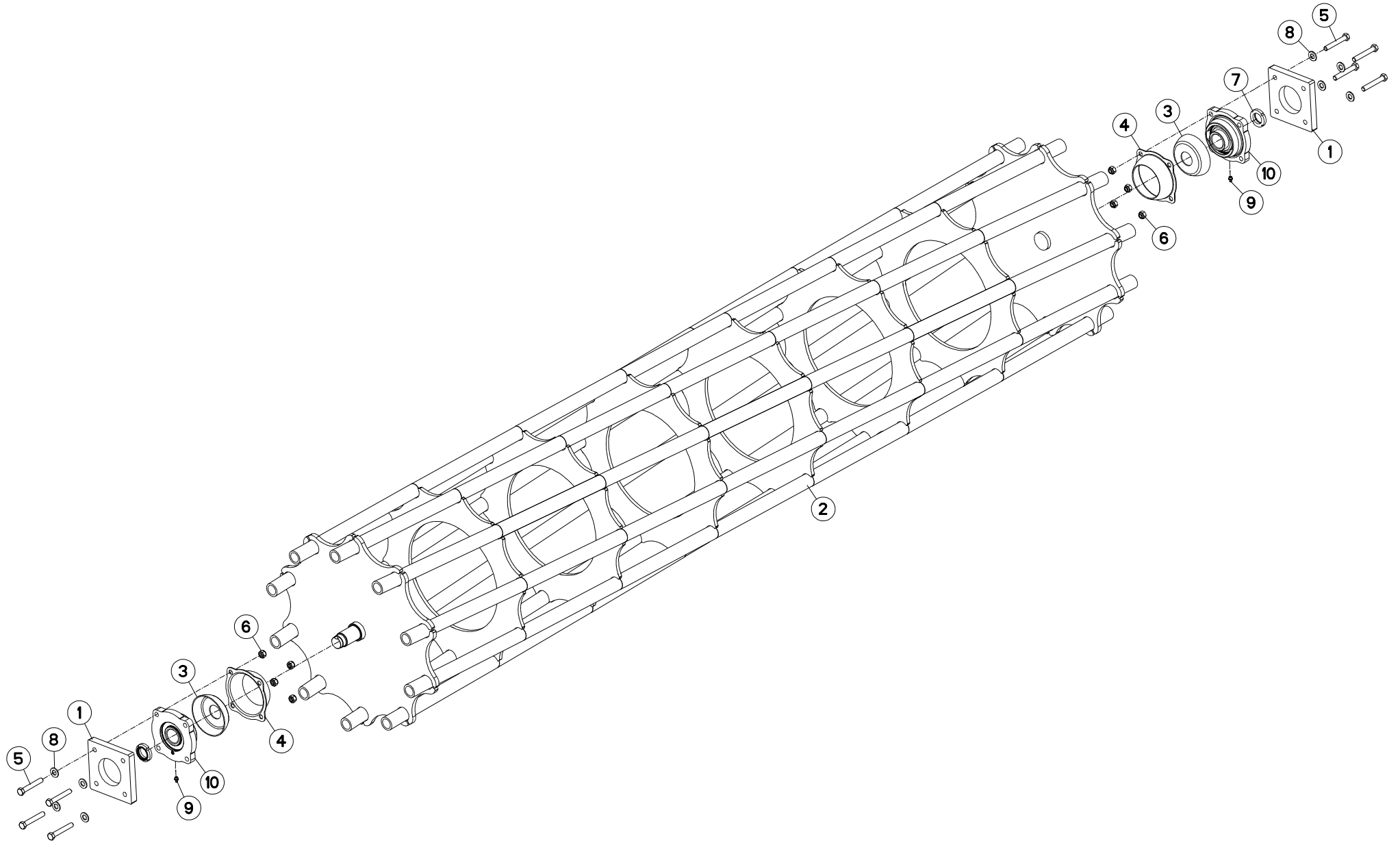
ROULEAU A TUBES 3M

CRUMBLER ROLLER 3M

ROHRWALZE 3M

RULLO SMINUZZATORE 3M

| Rep | Nr | Qt | Designation | Description | Bezeichnung | Referenza | Remarque - Remark - Bemerkung - Osservazioni |
|-----|----------|-----|-------------------------------|--------------------------------|--------------------------------|-----------------------------|--|
| 001 | 211957 | 002 | ENTRETOISE P. ROTOR | SPACER | DISTANZSCHEIBE | DISTANZIALE | |
| 002 | 582984 | 001 | ROULEAU 3M | ROLLER | WALZE | RULLO | |
| 003 | 52514000 | 002 | DEFLECTEUR DU PALIER | COVER | LAGERSCHUTZ | DEFLETTORE SUPPORTO | |
| 004 | 52563600 | 002 | PROTECTEUR | GUARD | SCHUTZ | PROTEZIONE | |
| 005 | H2222130 | 002 | PALIER | BEARING, PILLOW BLOCK | LAGER | SUPPORTO | |
| 006 | 80111280 | 008 | VIS T.FRAI.SIX P.CR.FE/ZNXC3 | HEX.SOC.COUNT.HEAD SC.FE/ZNXC3 | SENKSCRAUB.INNENSEC.FE/ZNXC3 | VITE FE/ZNXC3 | |
| 007 | 80201230 | 008 | ECROU HEX.AUTOFREINE FE/ZNXC3 | SELF-LOCKING NUT FE/ZNXC3 | SELBSTSICH.MUTTER FE/ZNXC3 | DADO AUTOBLOCCANTE FE/ZNXC3 | |
| 008 | 80203565 | 002 | ECROU A ENCOCH.AUOF.FE/ZNXC3 | SELF-LOCKING NUT FE/ZNXC3 | SELBSTSICHERN.MUTTER FE/ZNXC3 | DADO AUTOBLOCCANTE FE/ZNXC3 | |
| 009 | 82200815 | 002 | GRAISSEUR AUTOTAR.FE/ZNXC3 | TAPPING GREASE NIPPLE FE/ZNXC3 | GEWINDESCH.SCHMIERNIP.FE/ZNXC3 | INGRASSATORE FE/ZNXC3 | |





CULTIMER 1000

B0001 > C0000

H22R0415 B

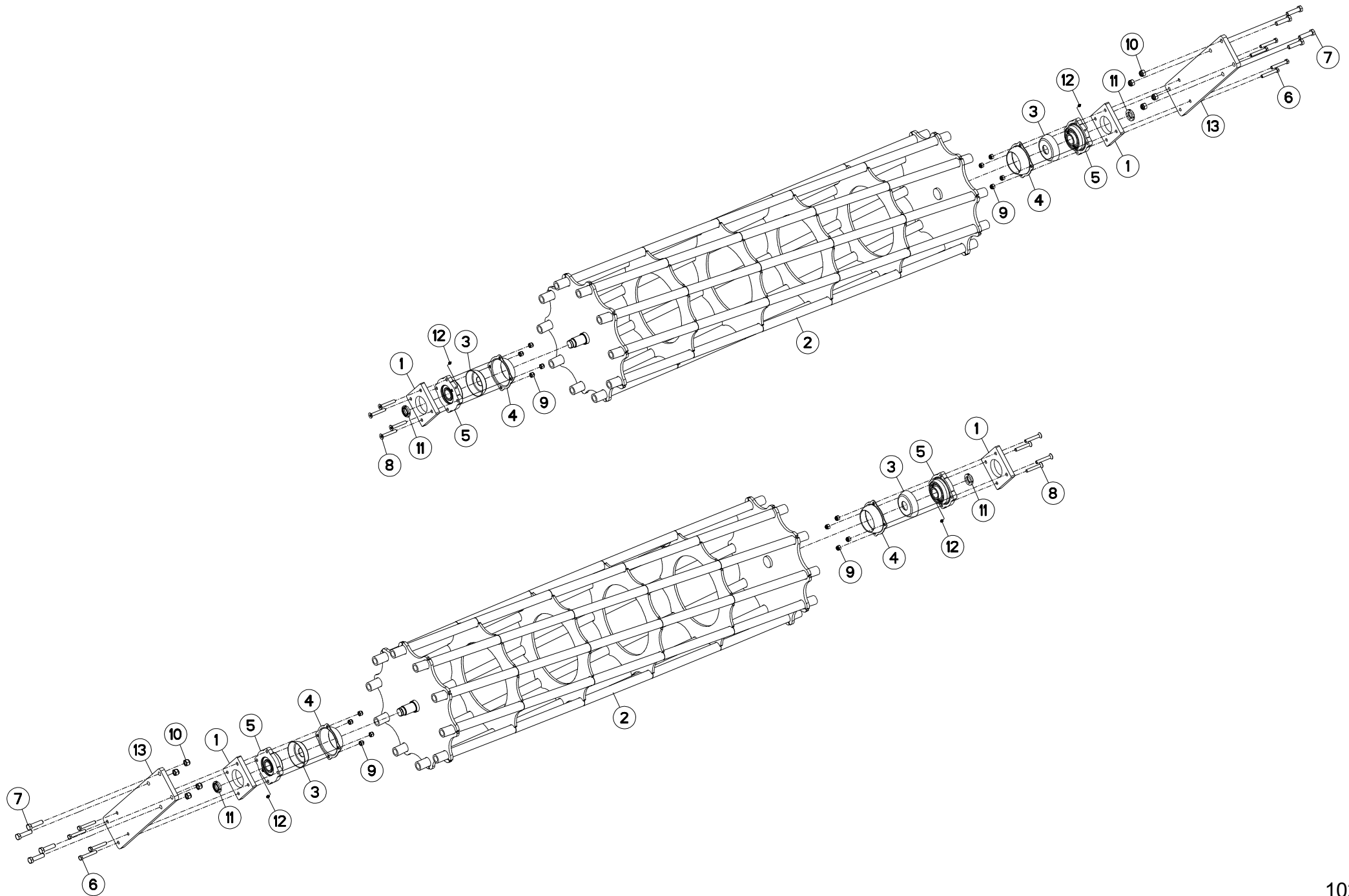
ROULEAU A TUBES CULT.3/6,5/8M

CRUMBLER ROLLER CULT.3/6,5/8M

ROHRWALZE CULT.3/6,5/8M

RULLO SMINUZZATORE CULT.3/6,5/

| Rep | Nr | Qt | Designation | Description | Bezeichnung | Referenza | Remarque - Remark - Bemerkung - Osservazioni |
|-----|----------|-----|-------------------------------|--------------------------------|--------------------------------|-------------------------------|--|
| 001 | 211957 | 002 | ENTRETOISE P. ROTOR | SPACER | DISTANZSCHEIBE | DISTANZIALE | |
| 002 | 582984 | 001 | ROULEAU 3M | ROLLER | WALZE | RULLO | |
| 003 | 52514000 | 002 | DEFLECTEUR DU PALIER | COVER | LAGERSCHUTZ | DEFLETTORE SUPPORTO | |
| 004 | 52563600 | 002 | PROTECTEUR | GUARD | SCHUTZ | PROTEZIONE | |
| 005 | 80061291 | 008 | VIS TETE HEXAGONALE FLZNNC | HEXAGON HEAD SCREW FLZNNC | SECHSKANTSCHRAUBE FLZNNC | VITE A TESTA ESAGONALE FLZNNC | |
| 006 | 80201240 | 008 | ECROU HEX.BAS AUTOFR.FE/ZNXC3 | SELF-LOCKING NUT FE/ZNXC3 | SELBSTSICHERND.MUTTER FE/ZNXC3 | DADO AUTOBLOCCANTE FE/ZNXC3 | |
| 007 | 80203565 | 002 | ECROU A ENCOCH.AUTOF.FE/ZNXC3 | SELF-LOCKING NUT FE/ZNXC3 | SELBSTSICHERN.MUTTER FE/ZNXC3 | DADO AUTOBLOCCANTE FE/ZNXC3 | |
| 008 | 80251227 | 008 | RONDELLE PLATE FE/ZNXC3 | PLAIN WASHER FE/ZNXC3 | SCHEIBE FE/ZNXC3 | RONDELLA PIATTA FE/ZNXC3 | |
| 009 | 82200815 | 002 | GRAISSEUR AUTOTAR.FE/ZNXC3 | TAPPING GREASE NIPPLE FE/ZNXC3 | GEWINDESCH.SCHMIERNIP.FE/ZNXC3 | INGRASSATORE FE/ZNXC3 | |
| 010 | H2222130 | 002 | PALIER | BEARING, PILLOW BLOCK | LAGER | SUPPORTO | |





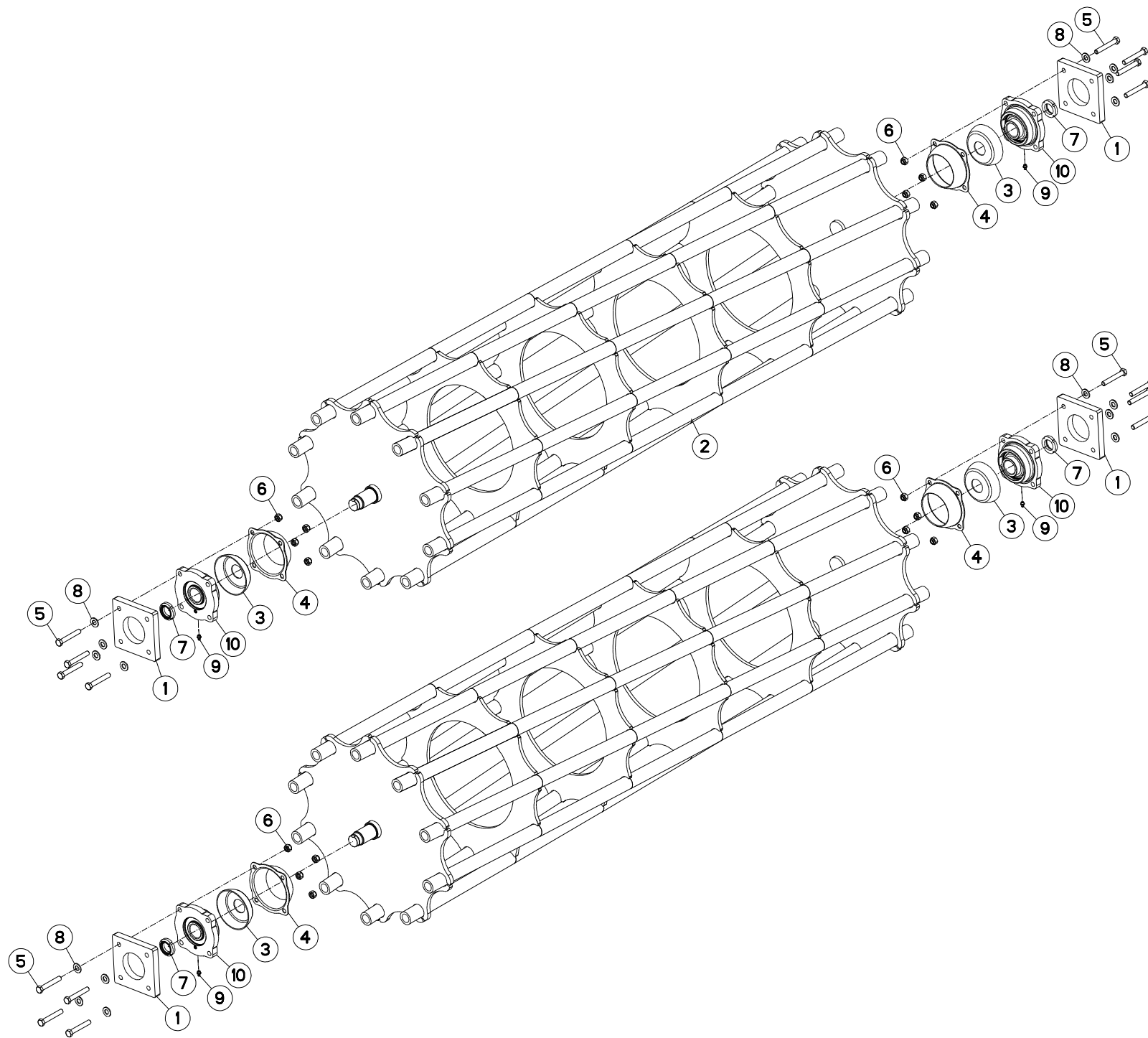
ROULEAU A TUBES 2 X 2M

CRUMBLER ROLLER 2 X 2M

ROHRWALZE 2 X 2M

RULLO SMINUZZATORE 2 X 2M

| Rep | Nr | Qt | Designation | Description | Bezeichnung | Referenza | Remarque - Remark - Bemerkung - Osservazioni |
|-----|----------|-----|-------------------------------|--------------------------------|--------------------------------|-------------------------------|--|
| 001 | 211957 | 004 | ENTRETOISE P. ROTOR | SPACER | DISTANZSCHEIBE | DISTANZIALE | |
| 002 | 582831 | 002 | ROULEAU | ROLLER | ROLLE | RULLO | |
| 003 | 52514000 | 004 | DEFLECTEUR DU PALIER | COVER | LAGERSCHUTZ | DEFLETTORE SUPPORTO | |
| 004 | 52563600 | 004 | PROTECTEUR | GUARD | SCHUTZ | PROTEZIONE | |
| 005 | H2222130 | 004 | PALIER | BEARING, PILLOW BLOCK | LAGER | SUPPORTO | |
| 006 | 80061294 | 008 | VIS TETE HEXAGONALE FE/ZNXC3 | HEXAGON HEAD SCREW FE/ZNXC3 | SECHSKANTSCHRAUBE FE/ZNXC3 | VITE TESTA ESAGONALE FE/ZNXC3 | |
| 007 | 80061638 | 008 | VIS TETE HEXAGONALE FE/ZNXC3 | HEXAGON HEAD SCREW FE/ZNXC3 | SECHSKANTSCHRAUBE FE/ZNXC3 | VITE TESTA ESAGONALE FE/ZNXC3 | |
| 008 | 80111280 | 008 | VIS T.FRAI.SIX P.CR.FE/ZNXC3 | HEX.SOC.COUNT.HEAD SC.FE/ZNXC3 | SENKSCHRAUB.INNENSEC.FE/ZNXC3 | VITE FE/ZNXC3 | |
| 009 | 80201240 | 016 | ECROU HEX.BAS AUTOFR.FE/ZNXC3 | SELF-LOCKING NUT FE/ZNXC3 | SELBSTSICHERND.MUTTER FE/ZNXC3 | DADO AUTOBLOCCANTE FE/ZNXC3 | |
| 010 | 80201640 | 008 | ECROU HEX.BAS AUTOFR.FE/ZNXC3 | SELF-LOCKING NUT FE/ZNXC3 | SELBSTSICHERND.MUTTER FE/ZNXC3 | DADO AUTOBLOCCANTE FE/ZNXC3 | |
| 011 | 80203565 | 004 | ECROU A ENCOCH.AUOF.FE/ZNXC3 | SELF-LOCKING NUT FE/ZNXC3 | SELBSTSICHERN.MUTTER FE/ZNXC3 | DADO AUTOBLOCCANTE FE/ZNXC3 | |
| 012 | 82200815 | 004 | GRAISSEUR AUTOTAR.FE/ZNXC3 | TAPPING GREASE NIPPLE FE/ZNXC3 | GEWINDESCH.SCHMIERNIP.FE/ZNXC3 | INGRASSATORE FE/ZNXC3 | |
| 013 | H2205860 | 002 | EMBOUT | END | TERTEIL | GIUNTO | |





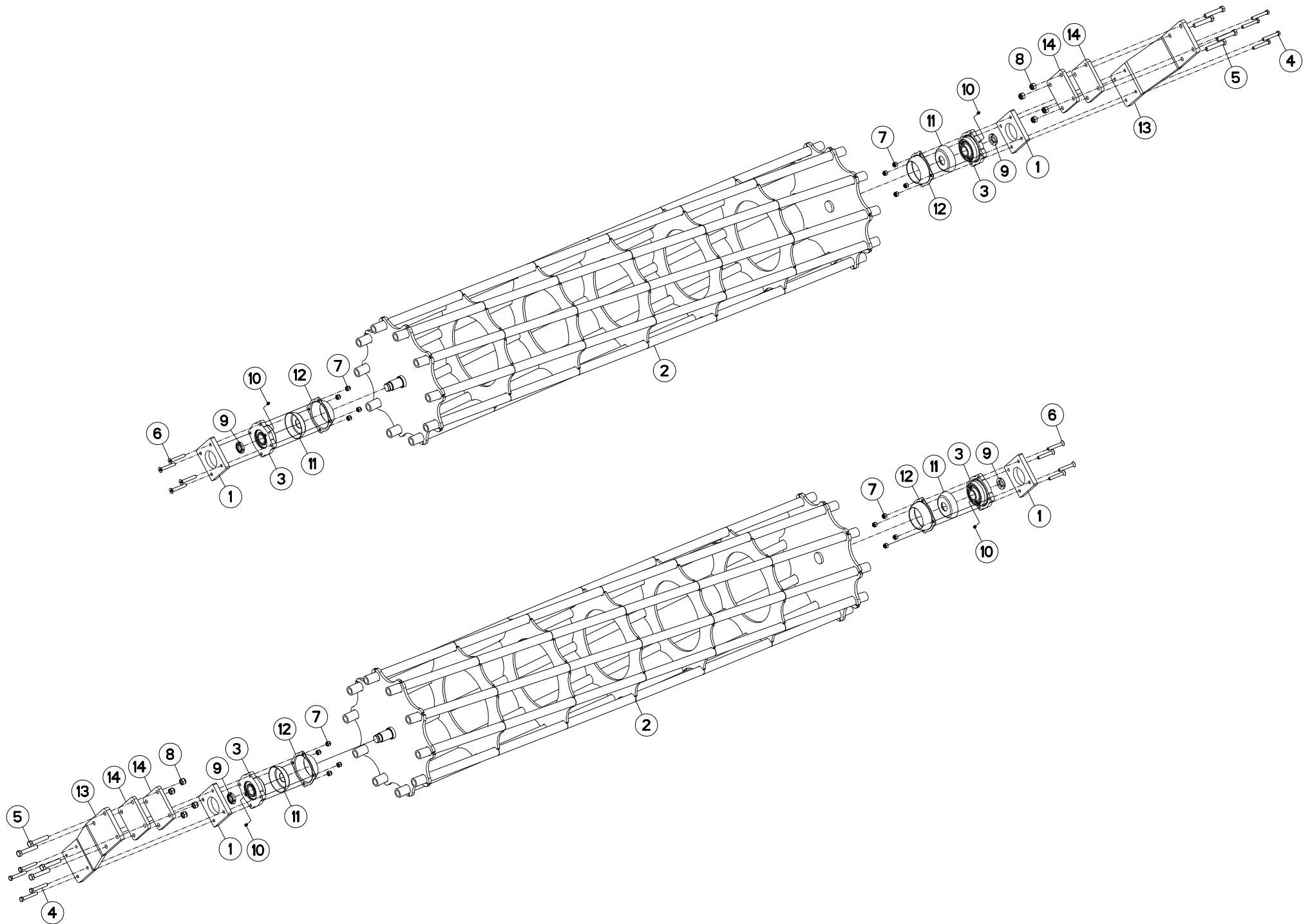
ROULEAU A TUBES 2 X 2M

CRUMBLER ROLLER 2 X 2M

ROHRWALZE 2 X 2M

RULLO SMINUZZATORE 2 X 2M

| Rep | Nr | Qt | Designation | Description | Bezeichnung | Referenza | Remarque - Remark - Bemerkung - Osservazioni |
|-----|-----------------|-----|-------------------------------|--------------------------------|--------------------------------|-------------------------------|--|
| 001 | 211957 | 004 | ENTRETOISE P. ROTOR | SPACER | DISTANZSCHEIBE | DISTANZIALE | |
| 002 | 582831 | 002 | ROULEAU | ROLLER | ROLLE | RULLO | |
| 003 | 52514000 | 004 | DEFLECTEUR DU PALIER | COVER | LAGERSCHUTZ | DEFLETTORE SUPPORTO | |
| 004 | 52563600 | 004 | PROTECTEUR | GUARD | SCHUTZ | PROTEZIONE | |
| 005 | 80061291 | 016 | VIS TETE HEXAGONALE FLZNNC | HEXAGON HEAD SCREW FLZNNC | SECHSKANTSCHRAUBE FLZNNC | VITE A TESTA ESAGONALE FLZNNC | |
| 006 | 80201240 | 016 | ECROU HEX.BAS AUTOFR.FE/ZNXC3 | SELF-LOCKING NUT FE/ZNXC3 | SELBSTSICHERND.MUTTER FE/ZNXC3 | DADO AUTOBLOCCANTE FE/ZNXC3 | |
| 007 | 80203565 | 004 | ECROU A ENCOCH.AUTOF.FE/ZNXC3 | SELF-LOCKING NUT FE/ZNXC3 | SELBSTSICHERN.MUTTER FE/ZNXC3 | DADO AUTOBLOCCANTE FE/ZNXC3 | |
| 008 | 80251227 | 016 | RONDELLE PLATE FE/ZNXC3 | PLAIN WASHER FE/ZNXC3 | SCHEIBE FE/ZNXC3 | RONDELLA PIATTA FE/ZNXC3 | |
| 009 | 82200815 | 004 | GRAISSEUR AUTOTAR.FE/ZNXC3 | TAPPING GREASE NIPPLE FE/ZNXC3 | GEWINDESCH.SCHMIERNIP.FE/ZNXC3 | INGRASSATORE FE/ZNXC3 | |
| 010 | H2222130 | 004 | PALIER | BEARING, PILLOW BLOCK | LAGER | SUPPORTO | |





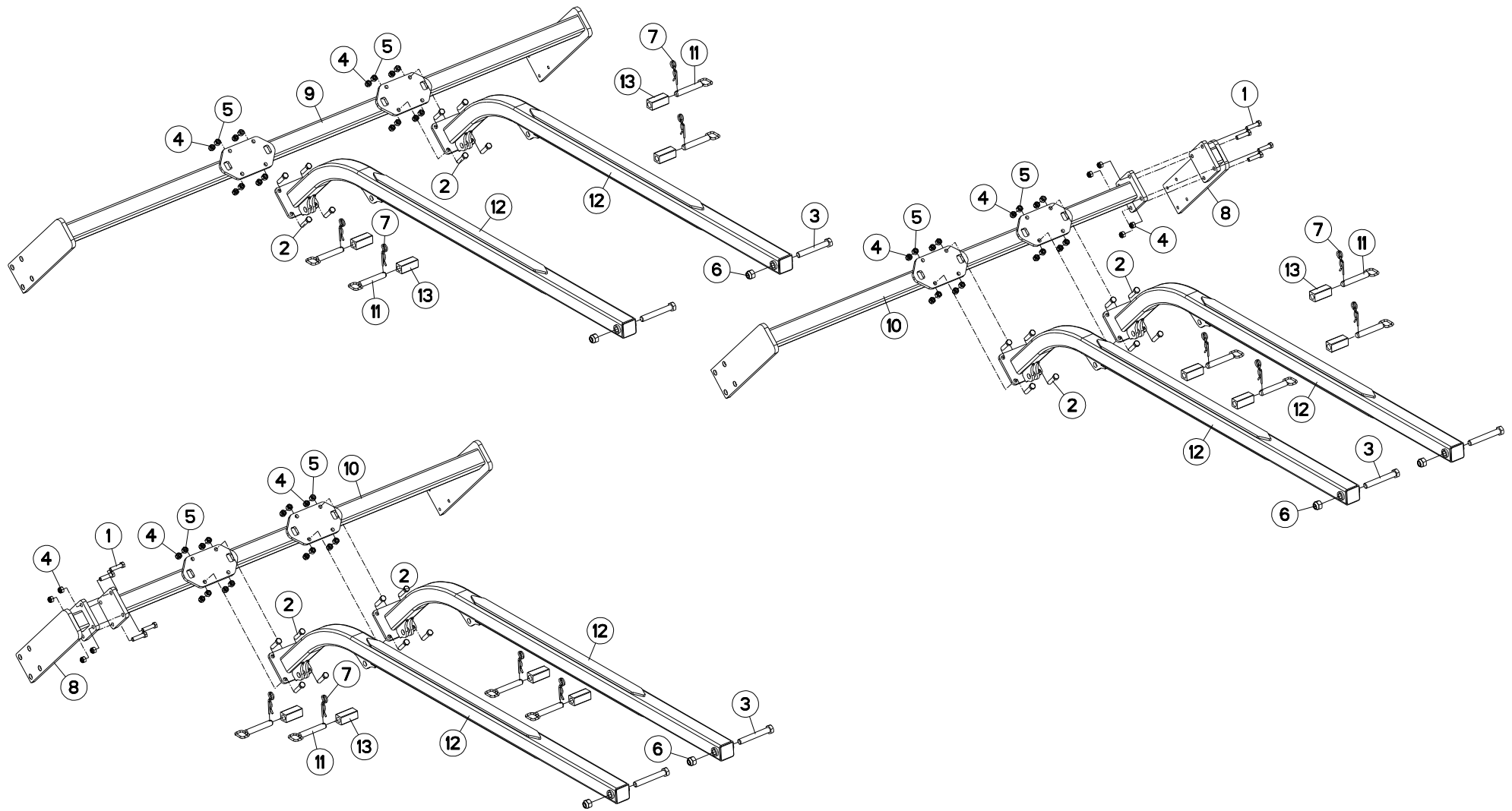
ROULEAU A TUBES 2 X 2,5M

CRUMBLER ROLLER 2 X 2,5M

ROHRWALZE 2 X 2,5M

RULLO SMINUZZATORE 2 X 2,5M

| Rep | Nr | Qt | Designation | Description | Bezeichnung | Referenza | Remarque - Remark - Bemerkung - Osservazioni |
|-----|----------|-----|-------------------------------|--------------------------------|--------------------------------|-------------------------------|--|
| 001 | 211957 | 004 | ENTRETOISE P. ROTOR | SPACER | DISTANZSCHEIBE | DISTANZIALE | |
| 002 | 582833 | 002 | ROULEAU | ROLLER | ROLLE | RULLO | |
| 003 | H2222130 | 004 | PALIER | BEARING, PILLOW BLOCK | LAGER | SUPPORTO | |
| 004 | 80061294 | 008 | VIS TETE HEXAGONALE FE/ZNXC3 | HEXAGON HEAD SCREW FE/ZNXC3 | SECHSKANTSCHRAUBE FE/ZNXC3 | VITE TESTA ESAGONALE FE/ZNXC3 | |
| 005 | 80061661 | 008 | VIS TETE HEXAGONALE FE/ZNXC3 | HEXAGON HEAD SCREW FE/ZNXC3 | SECHSKANTSCHRAUBE FE/ZNXC3 | VITE TESTA ESAGONALE FE/ZNXC3 | |
| 006 | 80111280 | 008 | VIS T.FRAI.SIX P.CR.FE/ZNXC3 | HEX.SOC.COUNT.HEAD SC.FE/ZNXC3 | SENKSCHRAUB.INNENSEC.FE/ZNXC3 | VITE FE/ZNXC3 | |
| 007 | 80201240 | 016 | ECROU HEX.BAS AUTOFR.FE/ZNXC3 | SELF-LOCKING NUT FE/ZNXC3 | SELBSTSICHERND.MUTTER FE/ZNXC3 | DADO AUTOBLOCCANTE FE/ZNXC3 | |
| 008 | 80201640 | 008 | ECROU HEX.BAS AUTOFR.FE/ZNXC3 | SELF-LOCKING NUT FE/ZNXC3 | SELBSTSICHERND.MUTTER FE/ZNXC3 | DADO AUTOBLOCCANTE FE/ZNXC3 | |
| 009 | 80203565 | 004 | ECROU A ENCOCH.AUOF.FE/ZNXC3 | SELF-LOCKING NUT FE/ZNXC3 | SELBSTSICHERN.MUTTER FE/ZNXC3 | DADO AUTOBLOCCANTE FE/ZNXC3 | |
| 010 | 82200815 | 004 | GRAISSEUR AUTOTAR.FE/ZNXC3 | TAPPING GREASE NIPPLE FE/ZNXC3 | GEWINDESCH.SCHMIERNIP.FE/ZNXC3 | INGRASSATORE FE/ZNXC3 | |
| 011 | 52514000 | 004 | DEFLECTEUR DU PALIER | COVER | LAGERSCHUTZ | DEFLETTORE SUPPORTO | |
| 012 | 52563600 | 004 | PROTECTEUR | GUARD | SCHUTZ | PROTEZIONE | |
| 013 | H2204640 | 002 | EMBOUIT | FITTING, HOSE | ENDSTÜCK | GIUNTO | |
| 014 | H2205780 | 004 | CALE | SHIM | DISTANZPLATTE | SPESSORE | |





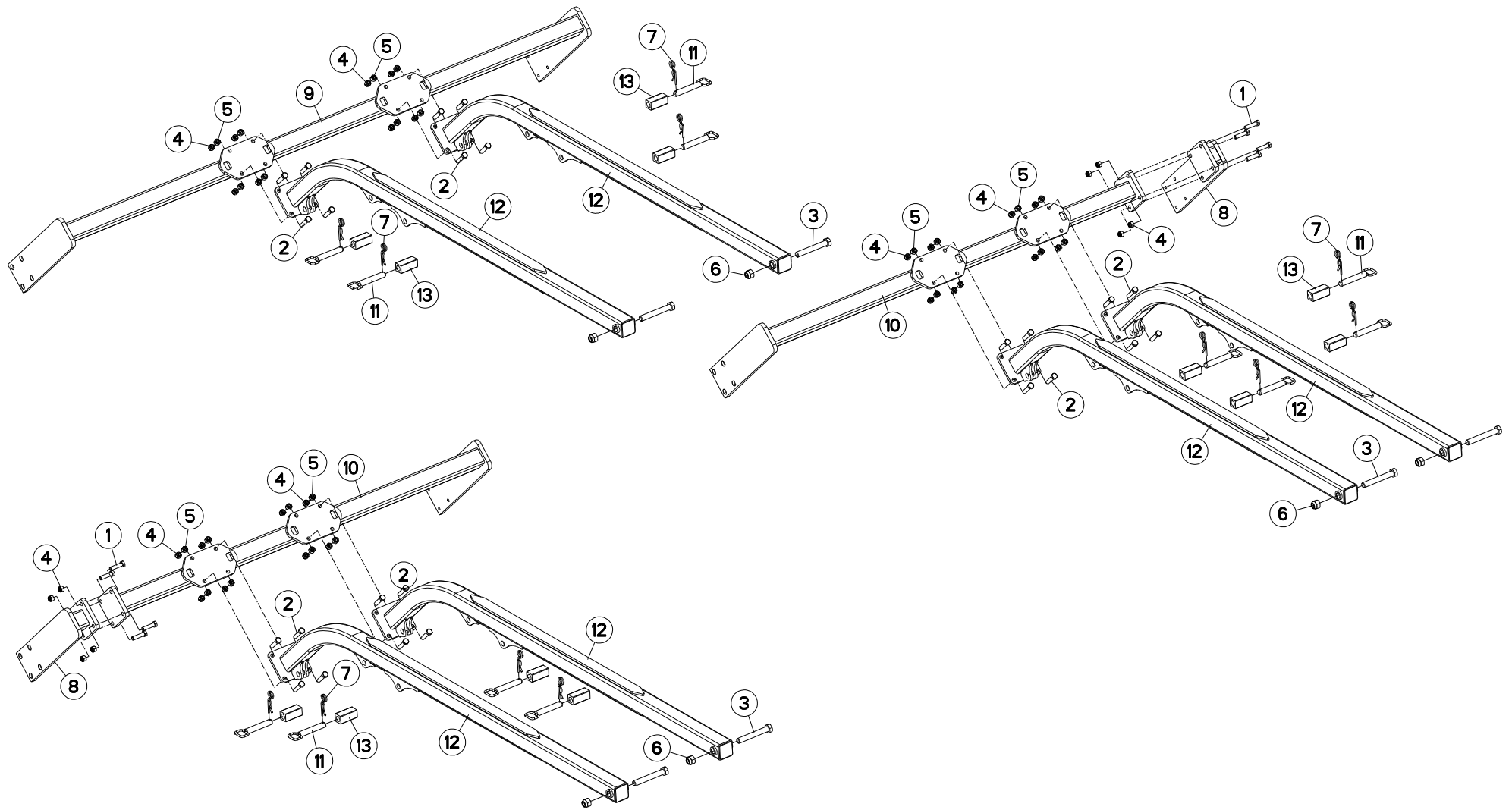
CHASSIS 6,5M (ROULEAU)

FRAME 6,5M (ROLLER)

RAHMEN 6,5M (WALZE)

TELAIO 6,5M (RULLO)

| Rep | Nr | Qt | Designation | Description | Bezeichnung | Referenza | Remarque - Remark - Bemerkung - Osservazioni |
|-----|----------|-----|-------------------------------|-----------------------------|-------------------------------|-------------------------------|--|
| 001 | 80061638 | 008 | VIS TETE HEXAGONALE FE/ZNXC3 | HEXAGON HEAD SCREW FE/ZNXC3 | SECHSKANTSCHRAUBE FE/ZNXC3 | VITE TESTA ESAGONALE FE/ZNXC3 | |
| 002 | 80061649 | 024 | VIS TETE HEXAGONALE FE/ZNXC3 | HEXAGON HEAD SCREW FE/ZNXC3 | SECHSKANTSCHRAUBE FE/ZNXC3 | VITE TESTA ESAGONALE FE/ZNXC3 | |
| 003 | 80062469 | 006 | VIS TETE HEXAGONALE FLZNNC | HEXAGON HEAD SCREW FLZNNC | SECHSKANTSCHRAUBE FLZNNC | VITE TESTA ESAGONALE FLZNNC | |
| 004 | 80201630 | 032 | ECROU HEX.AUTOFREINE FE/ZNXC3 | SELF-LOCKING NUT FE/ZNXC3 | SELBSTSICH.MUTTER FE/ZNXC3 | DADO AUTOBLOCCANTE FE/ZNXC3 | |
| 005 | 80201670 | 024 | ECROU HEXAGONAL FE/ZNXC3 | NUT FE/ZNXC3 | SECHSKANTMUTTER FE/ZNXC3 | DADO FE/ZNXC3 | |
| 006 | 80202440 | 006 | ECROU HEX.AUTOFREINE FE/ZNXC3 | SELF-LOCKING NUT FE/ZNXC3 | SELBSTSICHERNDE MUTT.FE/ZNXC3 | DADO AUTOBLOCCANTE FE/ZNXC3 | |
| 007 | 80570600 | 012 | GOUPILLE BETA SIMPLE FE/ZNXC3 | SPRING COTTER PIN FE/ZNXC3 | FEDERSTECKER FE/ZNXC3 | MOLLA FE/ZNXC3 | |
| 008 | H2208950 | 002 | BRAS | ARM | ARM | BRACCIO | |
| 009 | H2212320 | 001 | CHASSIS | CHASSIS | HAUPTRAHMEN | TELAIO | |
| 010 | H2212470 | 002 | CHASSIS | CHASSIS | HAUPTRAHMEN | TELAIO | |
| 011 | H2212560 | 012 | BROCHE | PIN, HITCH | ACHSE | PERNO | |
| 012 | H2213250 | 006 | BRAS | ARM | ARM | BRACCIO | |
| 013 | H2214590 | 012 | ENTRETOISE | SPACER | DISTANZHUELSE | DISTANZIALE | |





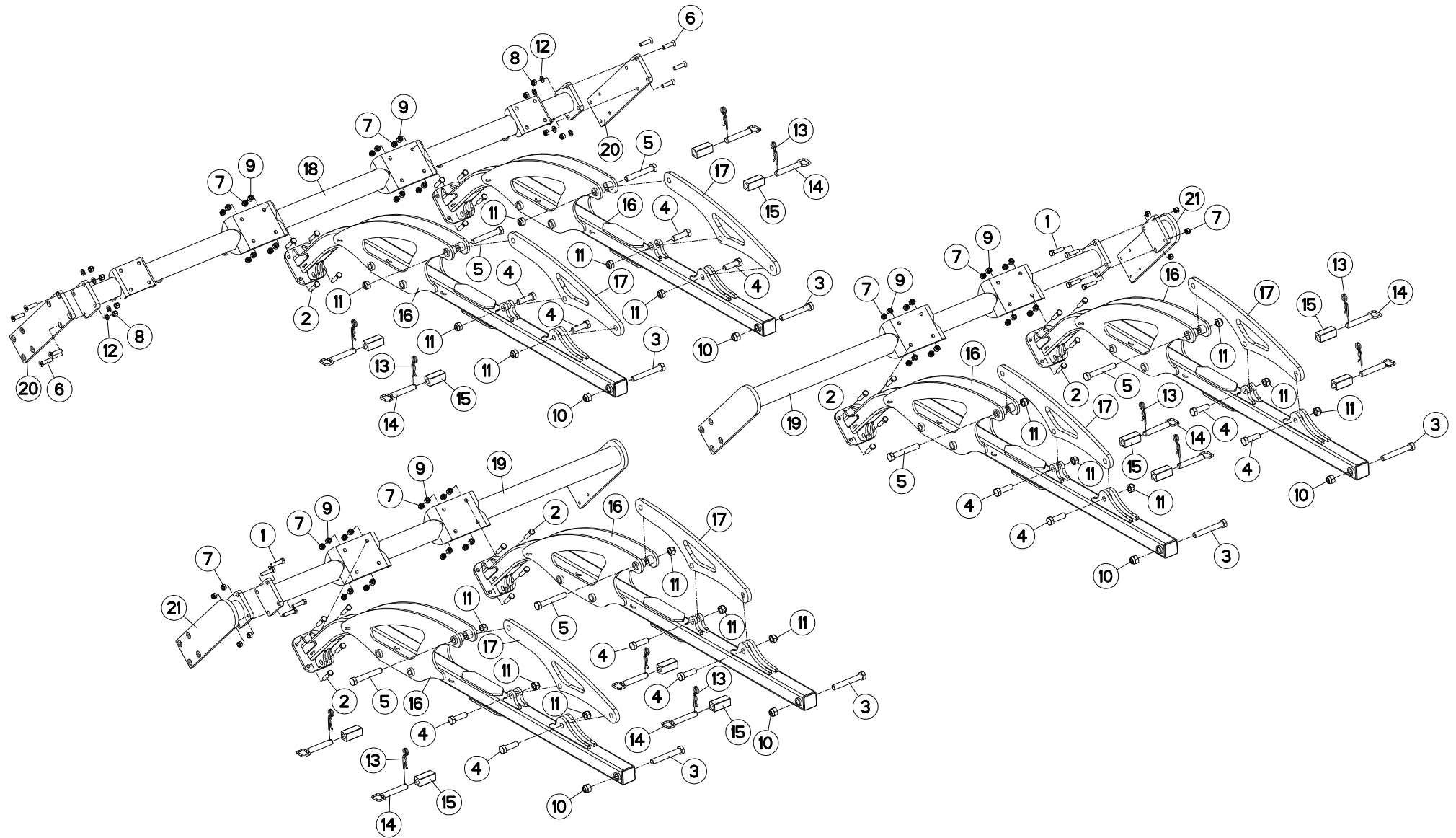
CHASSIS 6,5M (ROULEAUX)

FRAME 6,5M (ROLLERS)

RAHMEN 6,5M (QUETSCHWALZEN)

TELAIO 6,5M (RULLI)

| Rep | Nr | Qt | Designation | Description | Bezeichnung | Referenza | Remarque - Remark - Bemerkung - Osservazioni |
|-----|-----------------|-----|-------------------------------|-----------------------------|-------------------------------|-------------------------------|--|
| 001 | 80061638 | 008 | VIS TETE HEXAGONALE FE/ZNXC3 | HEXAGON HEAD SCREW FE/ZNXC3 | SECHSKANTSCHRAUBE FE/ZNXC3 | VITE TESTA ESAGONALE FE/ZNXC3 | |
| 002 | 80061649 | 024 | VIS TETE HEXAGONALE FE/ZNXC3 | HEXAGON HEAD SCREW FE/ZNXC3 | SECHSKANTSCHRAUBE FE/ZNXC3 | VITE TESTA ESAGONALE FE/ZNXC3 | |
| 003 | 80062469 | 006 | VIS TETE HEXAGONALE FLZNNC | HEXAGON HEAD SCREW FLZNNC | SECHSKANTSCHRAUBE FLZNNC | VITE TESTA ESAGONALE FLZNNC | |
| 004 | 80201630 | 032 | ECROU HEX.AUTOFREINE FE/ZNXC3 | SELF-LOCKING NUT FE/ZNXC3 | SELBSTSICH.MUTTER FE/ZNXC3 | DADO AUTOBLOCCANTE FE/ZNXC3 | |
| 005 | 80201670 | 024 | ECROU HEXAGONAL FE/ZNXC3 | NUT FE/ZNXC3 | SECHSKANTMUTTER FE/ZNXC3 | DADO FE/ZNXC3 | |
| 006 | 80202440 | 006 | ECROU HEX.AUTOFREINE FE/ZNXC3 | SELF-LOCKING NUT FE/ZNXC3 | SELBSTSICHERNDE MUTT.FE/ZNXC3 | DADO AUTOBLOCCANTE FE/ZNXC3 | |
| 007 | 80570600 | 012 | GOUPILLE BETA SIMPLE FE/ZNXC3 | SPRING COTTER PIN FE/ZNXC3 | FEDERSTECKER FE/ZNXC3 | MOLLA FE/ZNXC3 | |
| 008 | H2208950 | 002 | BRAS | ARM | ARM | BRACCIO | |
| 009 | H2212320 | 001 | CHASSIS | CHASSIS | HAUPTRAHMEN | TELAIO | |
| 010 | H2212470 | 002 | CHASSIS | CHASSIS | HAUPTRAHMEN | TELAIO | |
| 011 | H2212560 | 012 | BROCHE | PIN, HITCH | ACHSE | PERNO | |
| 012 | H2213251 | 006 | BRAS | ARM | ARM | BRACCIO | |
| 013 | H2214590 | 012 | ENTRETOISE | SPACER | DISTANZHUELSE | DISTANZIALE | |





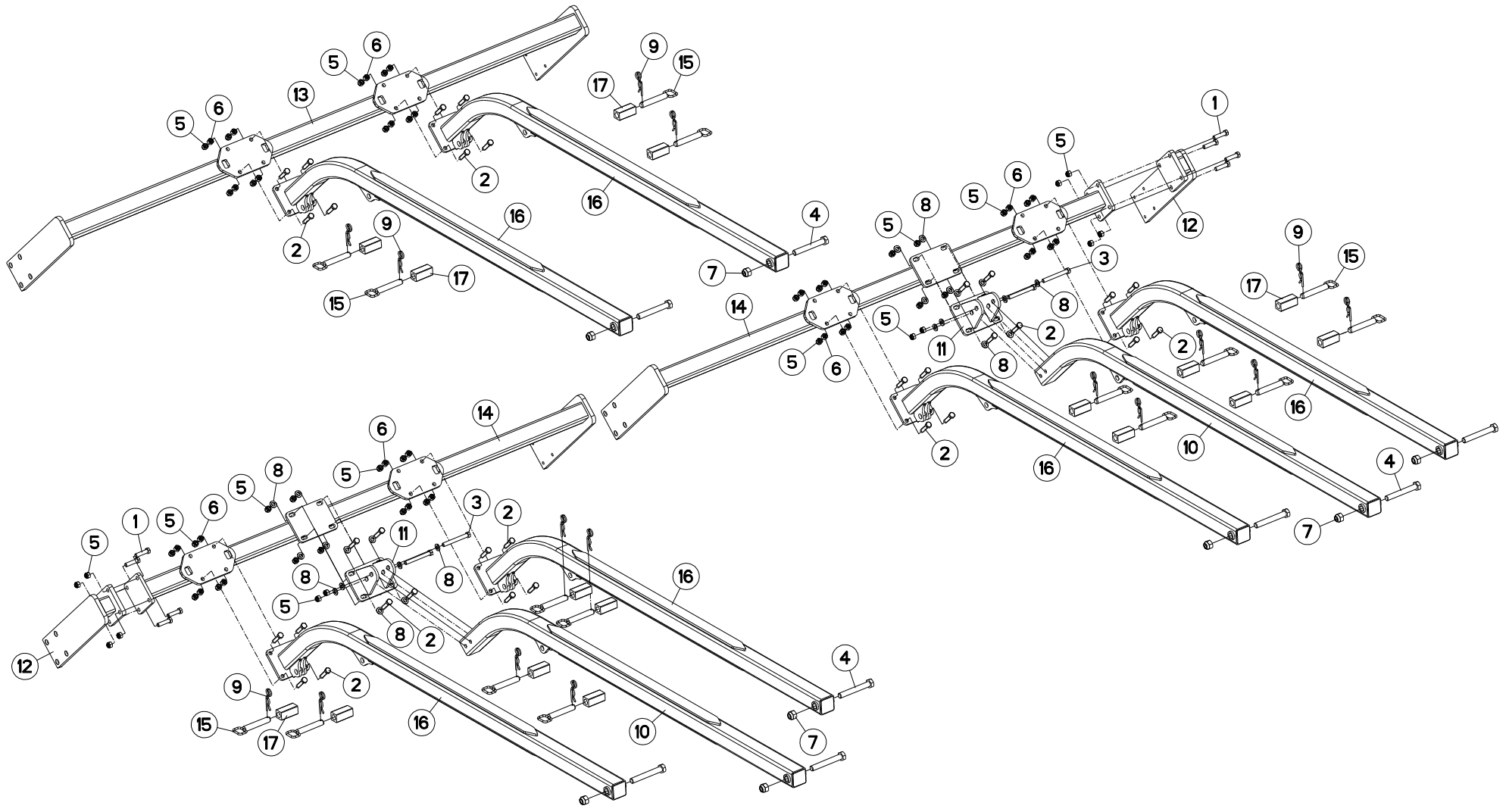
CHASSIS 6,5M (ROULEAU)

FRAME 6,5M (ROLLER)

RAHMEN 6,5M (WALZE)

TELAIO 6,5M (RULLO)

| Rep | Nr | Qt | Designation | Description | Bezeichnung | Referenza | Remarque - Remark - Bemerkung - Osservazioni |
|-----|----------|-----|-------------------------------|------------------------------|--------------------------------|-------------------------------|--|
| 001 | 80061638 | 008 | VIS TETE HEXAGONALE FE/ZNXC3 | HEXAGON HEAD SCREW FE/ZNXC3 | SECHSKANTSCHRAUBE FE/ZNXC3 | VITE TESTA ESAGONALE FE/ZNXC3 | |
| 002 | 80061649 | 024 | VIS TETE HEXAGONALE FE/ZNXC3 | HEXAGON HEAD SCREW FE/ZNXC3 | SECHSKANTSCHRAUBE FE/ZNXC3 | VITE TESTA ESAGONALE FE/ZNXC3 | |
| 003 | 80062469 | 006 | VIS TETE HEXAGONALE FLZNNC | HEXAGON HEAD SCREW FLZNNC | SECHSKANTSCHRAUBE FLZNNC | VITE TESTA ESAGONALE FLZNNC | |
| 004 | 80062480 | 012 | VIS TETE HEXAGONALE FE/ZNXC3 | HEXAGON HEAD SCREW FE/ZNXC3 | SECHSKANTSCHRAUBE FE/ZNXC3 | VITE TESTA ESAGONALE FE/ZNXC3 | |
| 005 | 80062495 | 006 | VIS TETE HEXAGONALE FE/ZNXC3 | HEXAGON HEAD SCREW FE/ZNXC3 | SECHSKANTSCHRAUBE FE/ZNXC3 | VITE TESTA ESAGONALE FE/ZNXC3 | |
| 006 | 80111665 | 008 | VIS T.FRAI.SIX P.CR.FLZNNC | HEX.SOC.COUNT.HEAD SC.FLZNNC | SENKSCHRAUB.INNENSEC.FLZNNC | VITE FLZNNC | |
| 007 | 80201640 | 032 | ECROU HEX.BAS AUTOFR.FE/ZNXC3 | SELF-LOCKING NUT FE/ZNXC3 | SELBSTSICHERND.MUTTER FE/ZNXC3 | DADO AUTOBLOCCANTE FE/ZNXC3 | |
| 008 | 80201647 | 008 | ECROU HEX.AUTOFREINE FE/ZNXC3 | SELF-LOCKING NUT FE/ZNXC3 | SELBSTSICHERNDE MUTT.FE/ZNXC3 | DADO AUTOBLOCCANTE FE/ZNXC3 | |
| 009 | 80201670 | 024 | ECROU HEXAGONAL FE/ZNXC3 | NUT FE/ZNXC3 | SECHSKANTMUTTER FE/ZNXC3 | DADO FE/ZNXC3 | |
| 010 | 80202442 | 006 | ECROU HEX.BAS AUTOFR.FE/ZNXC3 | SELF-LOCKING NUT FE/ZNXC3 | SELBSTSICHERND.MUTTER FE/ZNXC3 | DADO AUTOBLOCCANTE FE/ZNXC3 | |
| 011 | 80202442 | 018 | ECROU HEX.BAS AUTOFR.FE/ZNXC3 | SELF-LOCKING NUT FE/ZNXC3 | SELBSTSICHERND.MUTTER FE/ZNXC3 | DADO AUTOBLOCCANTE FE/ZNXC3 | |
| 012 | 80251624 | 008 | RONDELLE PLATE FE/ZNXC3 | PLAIN WASHER FE/ZNXC3 | SCHEIBE FE/ZNXC3 | RONDELLA PIATTA FE/ZNXC3 | |
| 013 | 80570600 | 012 | GOUPILLE BETA SIMPLE FE/ZNXC3 | SPRING COTTER PIN FE/ZNXC3 | FEDERSTECKER FE/ZNXC3 | MOLLA FE/ZNXC3 | |
| 014 | H2212560 | 012 | BROCHE | PIN, HITCH | ACHSE | PERNO | |
| 015 | H2214590 | 012 | ENTRETOISE | SPACER | DISTANZHUELSE | DISTANZIALE | |
| 016 | H2222290 | 006 | BRAS | ARM | ARM | BRACCIO | |
| 017 | H2222340 | 006 | PLAT | FLAT | FLACHEISEN | PIATTO | |
| 018 | H2223160 | 001 | CHASSIS | CHASSIS | HAUPTRAHMEN | TELAIO | |
| 019 | H2223170 | 002 | CHASSIS | CHASSIS | HAUPTRAHMEN | TELAIO | |
| 020 | H2223870 | 002 | PLAT | FLAT | FLACHEISEN | PIATTO | |
| 021 | H2223880 | 002 | ENTRETOISE | SPACER | DISTANZHUELSE | DISTANZIALE | |





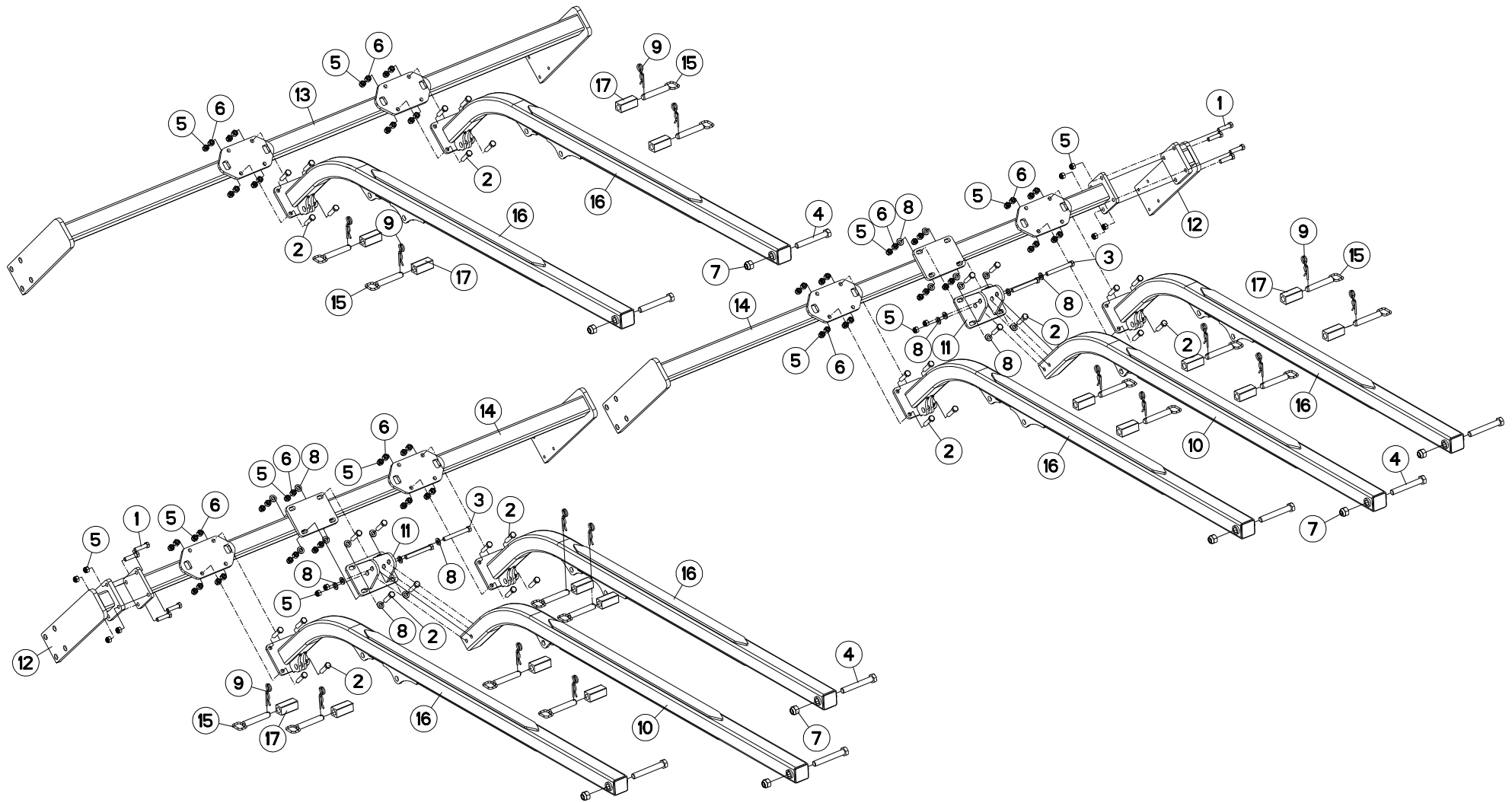
CHASSIS 8M (ROULEAU)

FRAME 8M (ROLLER)

RAHMEN 8M (WALZE)

TELAIO 8M (RULLO)

| Rep | Nr | Qt | Designation | Description | Bezeichnung | Referenza | Remarque - Remark - Bemerkung - Osservazioni |
|-----|-----------------|-----|-------------------------------|-----------------------------|-------------------------------|-------------------------------|--|
| 001 | 80061638 | 008 | VIS TETE HEXAGONALE FE/ZNXC3 | HEXAGON HEAD SCREW FE/ZNXC3 | SECHSKANTSCHRAUBE FE/ZNXC3 | VITE TESTA ESAGONALE FE/ZNXC3 | |
| 002 | 80061649 | 032 | VIS TETE HEXAGONALE FE/ZNXC3 | HEXAGON HEAD SCREW FE/ZNXC3 | SECHSKANTSCHRAUBE FE/ZNXC3 | VITE TESTA ESAGONALE FE/ZNXC3 | |
| 003 | 80061686 | 004 | VIS TETE HEXAGONALE FE/ZNXC3 | HEXAGON HEAD SCREW FE/ZNXC3 | SECHSKANTSCHRAUBE FE/ZNXC3 | VITE TESTA ESAGONALE FE/ZNXC3 | |
| 004 | 80062469 | 008 | VIS TETE HEXAGONALE FLZNNC | HEXAGON HEAD SCREW FLZNNC | SECHSKANTSCHRAUBE FLZNNC | VITE TESTA ESAGONALE FLZNNC | |
| 005 | 80201630 | 044 | ECROU HEX.AUTOFREINE FE/ZNXC3 | SELF-LOCKING NUT FE/ZNXC3 | SELBSTSICH.MUTTER FE/ZNXC3 | DADO AUTOBLOCCANTE FE/ZNXC3 | |
| 006 | 80201670 | 024 | ECROU HEXAGONAL FE/ZNXC3 | NUT FE/ZNXC3 | SECHSKANTMUTTER FE/ZNXC3 | DADO FE/ZNXC3 | |
| 007 | 80202440 | 008 | ECROU HEX.AUTOFREINE FE/ZNXC3 | SELF-LOCKING NUT FE/ZNXC3 | SELBSTSICHERNDE MUTT.FE/ZNXC3 | DADO AUTOBLOCCANTE FE/ZNXC3 | |
| 008 | 80251624 | 024 | RONDELLE PLATE FE/ZNXC3 | PLAIN WASHER FE/ZNXC3 | SCHEIBE FE/ZNXC3 | RONDELLA PIATTA FE/ZNXC3 | |
| 009 | 80570600 | 016 | GOUPILLE BETA SIMPLE FE/ZNXC3 | SPRING COTTER PIN FE/ZNXC3 | FEDERSTECKER FE/ZNXC3 | MOLLA FE/ZNXC3 | |
| 010 | H2106720 | 002 | BRAS | ARM | ARM | BRACCIO | |
| 011 | H2106730 | 002 | PLATINE | PLATE, MOUNTING | TRAGPLATTE | PIASTRA-SUPPORTO | |
| 012 | H2208950 | 002 | BRAS | ARM | ARM | BRACCIO | |
| 013 | H2212320 | 001 | CHASSIS | CHASSIS | HAUPTRAHMEN | TELAIO | |
| 014 | H2212340 | 002 | CHASSIS | CHASSIS | HAUPTRAHMEN | TELAIO | |
| 015 | H2212560 | 016 | BROCHE | PIN, HITCH | ACHSE | PERNO | |
| 016 | H2213250 | 006 | BRAS | ARM | ARM | BRACCIO | |
| 017 | H2214590 | 016 | ENTRETOISE | SPACER | DISTANZHUELSE | DISTANZIALE | |





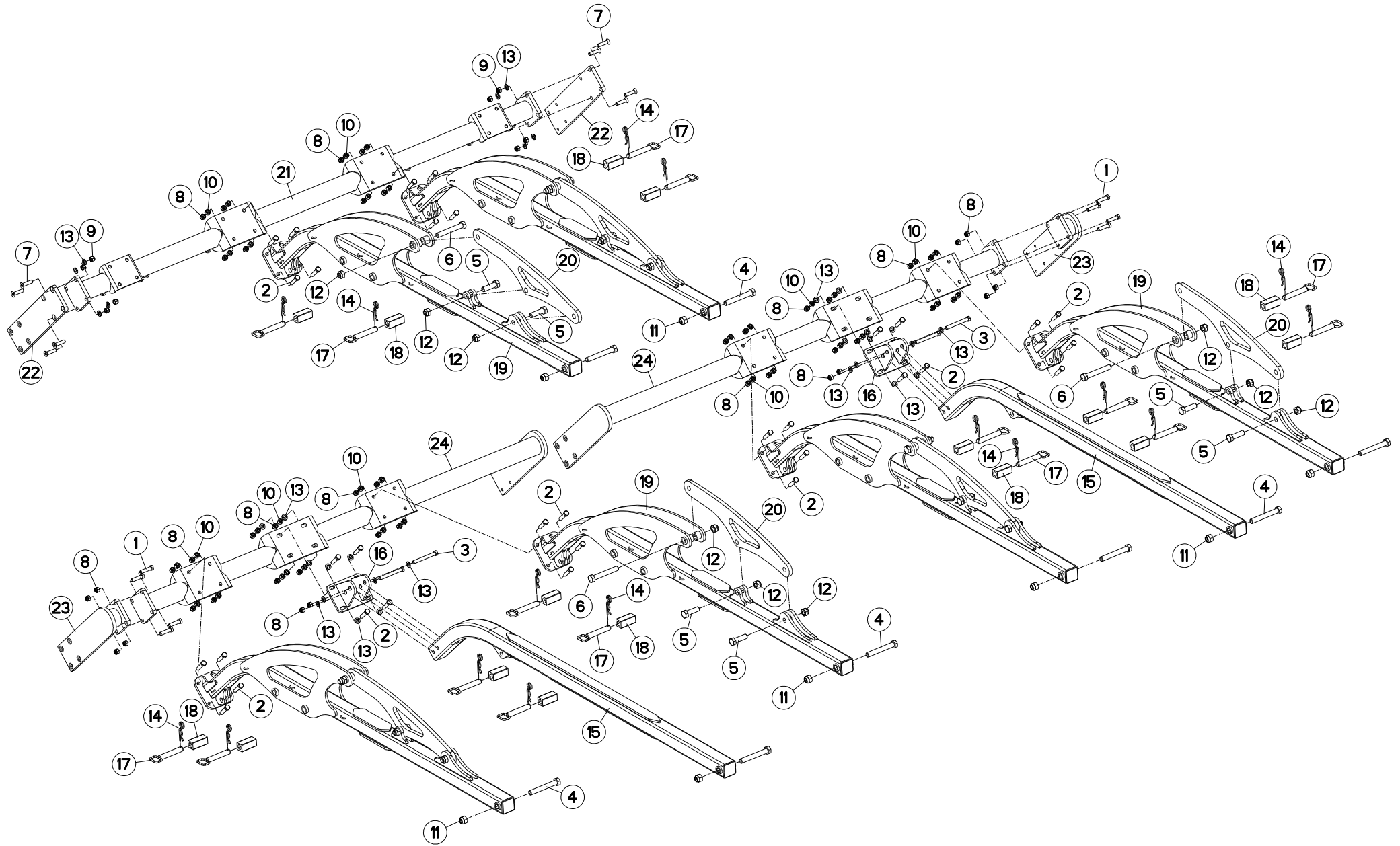
CHASSIS 8M (ROULEAUX)

FRAME 8M (ROLLERS)

RAHMEN 8M (QUETSCHWALZEN)

TELAIO 8M (RULLI)

| Rep | Nr | Qt | Designation | Description | Bezeichnung | Referenza | Remarque - Remark - Bemerkung - Osservazioni |
|-----|----------|-----|-------------------------------|-----------------------------|-------------------------------|-------------------------------|--|
| 001 | 80061638 | 008 | VIS TETE HEXAGONALE FE/ZNXC3 | HEXAGON HEAD SCREW FE/ZNXC3 | SECHSKANTSCHRAUBE FE/ZNXC3 | VITE TESTA ESAGONALE FE/ZNXC3 | |
| 002 | 80061649 | 032 | VIS TETE HEXAGONALE FE/ZNXC3 | HEXAGON HEAD SCREW FE/ZNXC3 | SECHSKANTSCHRAUBE FE/ZNXC3 | VITE TESTA ESAGONALE FE/ZNXC3 | |
| 003 | 80061686 | 004 | VIS TETE HEXAGONALE FE/ZNXC3 | HEXAGON HEAD SCREW FE/ZNXC3 | SECHSKANTSCHRAUBE FE/ZNXC3 | VITE TESTA ESAGONALE FE/ZNXC3 | |
| 004 | 80062469 | 008 | VIS TETE HEXAGONALE FLZNNC | HEXAGON HEAD SCREW FLZNNC | SECHSKANTSCHRAUBE FLZNNC | VITE TESTA ESAGONALE FLZNNC | |
| 005 | 80201630 | 044 | ECROU HEX.AUTOFREINE FE/ZNXC3 | SELF-LOCKING NUT FE/ZNXC3 | SELBSTSICH.MUTTER FE/ZNXC3 | DADO AUTOBLOCCANTE FE/ZNXC3 | |
| 006 | 80201670 | 032 | ECROU HEXAGONAL FE/ZNXC3 | NUT FE/ZNXC3 | SECHSKANTMUTTER FE/ZNXC3 | DADO FE/ZNXC3 | |
| 007 | 80202440 | 008 | ECROU HEX.AUTOFREINE FE/ZNXC3 | SELF-LOCKING NUT FE/ZNXC3 | SELBSTSICHERNDE MUTT.FE/ZNXC3 | DADO AUTOBLOCCANTE FE/ZNXC3 | |
| 008 | 80251624 | 024 | RONDELLE PLATE FE/ZNXC3 | PLAIN WASHER FE/ZNXC3 | SCHEIBE FE/ZNXC3 | RONDELLA PIATTA FE/ZNXC3 | |
| 009 | 80570600 | 016 | GOUPILLE BETA SIMPLE FE/ZNXC3 | SPRING COTTER PIN FE/ZNXC3 | FEDERSTECKER FE/ZNXC3 | MOLLA FE/ZNXC3 | |
| 010 | H2106720 | 002 | BRAS | ARM | ARM | BRACCIO | |
| 011 | H2106730 | 002 | PLATINE | PLATE, MOUNTING | TRAGPLATTE | PIASTRA-SUPPORTO | |
| 012 | H2208950 | 002 | BRAS | ARM | ARM | BRACCIO | |
| 013 | H2212320 | 001 | CHASSIS | CHASSIS | HAUPTRAHMEN | TELAIO | |
| 014 | H2212340 | 002 | CHASSIS | CHASSIS | HAUPTRAHMEN | TELAIO | |
| 015 | H2212560 | 016 | BROCHE | PIN, HITCH | ACHSE | PERNO | |
| 016 | H2213251 | 006 | BRAS | ARM | ARM | BRACCIO | |
| 017 | H2214590 | 016 | ENTRETOISE | SPACER | DISTANZHUELSE | DISTANZIALE | |





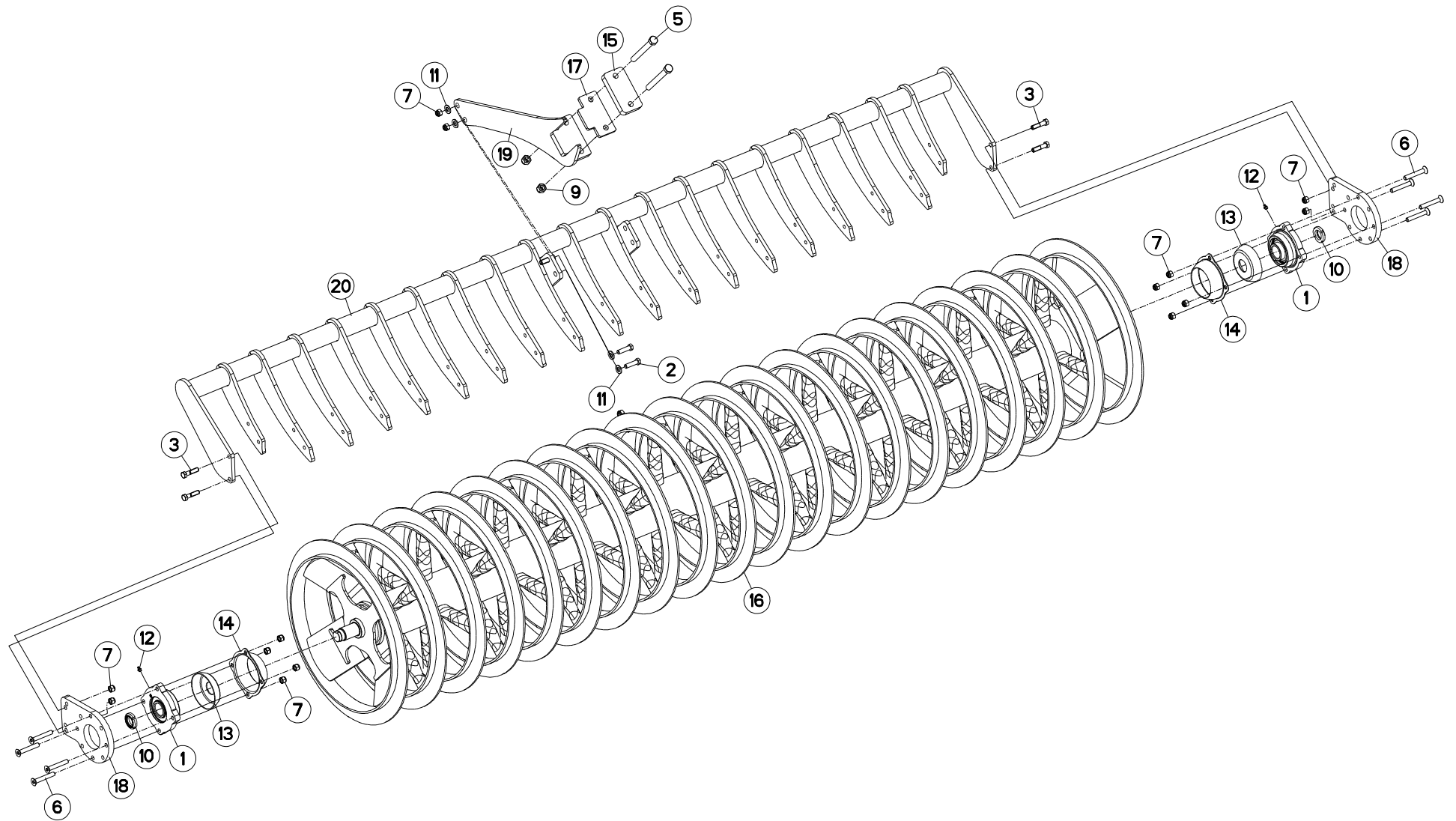
CHASSIS 8M (ROULEAU)

FRAME 8M (ROLLER)

RAHMEN 8M (WALZE)

TELAIO 8M (RULLO)

| Rep | Nr | Qt | Designation | Description | Bezeichnung | Referenza | Remarque - Remark - Bemerkung - Osservazioni |
|-----|----------|-----|-------------------------------|------------------------------|--------------------------------|-------------------------------|--|
| 001 | 80061638 | 008 | VIS TETE HEXAGONALE FE/ZNXC3 | HEXAGON HEAD SCREW FE/ZNXC3 | SECHSKANTSCHRAUBE FE/ZNXC3 | VITE TESTA ESAGONALE FE/ZNXC3 | |
| 002 | 80061649 | 032 | VIS TETE HEXAGONALE FE/ZNXC3 | HEXAGON HEAD SCREW FE/ZNXC3 | SECHSKANTSCHRAUBE FE/ZNXC3 | VITE TESTA ESAGONALE FE/ZNXC3 | |
| 003 | 80061686 | 004 | VIS TETE HEXAGONALE FE/ZNXC3 | HEXAGON HEAD SCREW FE/ZNXC3 | SECHSKANTSCHRAUBE FE/ZNXC3 | VITE TESTA ESAGONALE FE/ZNXC3 | |
| 004 | 80062469 | 008 | VIS TETE HEXAGONALE FLZNNC | HEXAGON HEAD SCREW FLZNNC | SECHSKANTSCHRAUBE FLZNNC | VITE TESTA ESAGONALE FLZNNC | |
| 005 | 80062480 | 012 | VIS TETE HEXAGONALE FE/ZNXC3 | HEXAGON HEAD SCREW FE/ZNXC3 | SECHSKANTSCHRAUBE FE/ZNXC3 | VITE TESTA ESAGONALE FE/ZNXC3 | |
| 006 | 80062495 | 006 | VIS TETE HEXAGONALE FE/ZNXC3 | HEXAGON HEAD SCREW FE/ZNXC3 | SECHSKANTSCHRAUBE FE/ZNXC3 | VITE TESTA ESAGONALE FE/ZNXC3 | |
| 007 | 80111665 | 008 | VIS T.FRAI.SIX P.CR.FLZNNC | HEX.SOC.COUNT.HEAD SC.FLZNNC | SENKSCHRAUB.INNENSEC.FLZNNC | VITE FLZNNC | |
| 008 | 80201640 | 044 | ECROU HEX.BAS AUTOFR.FE/ZNXC3 | SELF-LOCKING NUT FE/ZNXC3 | SELBSTSICHERND.MUTTER FE/ZNXC3 | DADO AUTOBLOCCANTE FE/ZNXC3 | |
| 009 | 80201647 | 008 | ECROU HEX.AUTOFREINE FE/ZNXC3 | SELF-LOCKING NUT FE/ZNXC3 | SELBSTSICHERNDE MUTT.FE/ZNXC3 | DADO AUTOBLOCCANTE FE/ZNXC3 | |
| 010 | 80201670 | 032 | ECROU HEXAGONAL FE/ZNXC3 | NUT FE/ZNXC3 | SECHSKANTMUTTER FE/ZNXC3 | DADO FE/ZNXC3 | |
| 011 | 80202442 | 008 | ECROU HEX.BAS AUTOFR.FE/ZNXC3 | SELF-LOCKING NUT FE/ZNXC3 | SELBSTSICHERND.MUTTER FE/ZNXC3 | DADO AUTOBLOCCANTE FE/ZNXC3 | |
| 012 | 80202442 | 018 | ECROU HEX.BAS AUTOFR.FE/ZNXC3 | SELF-LOCKING NUT FE/ZNXC3 | SELBSTSICHERND.MUTTER FE/ZNXC3 | DADO AUTOBLOCCANTE FE/ZNXC3 | |
| 013 | 80251624 | 032 | RONDELLE PLATE FE/ZNXC3 | PLAIN WASHER FE/ZNXC3 | SCHEIBE FE/ZNXC3 | RONDELLA PIATTA FE/ZNXC3 | |
| 014 | 80570600 | 016 | GOUPILLE BETA SIMPLE FE/ZNXC3 | SPRING COTTER PIN FE/ZNXC3 | FEDERSTECKER FE/ZNXC3 | MOLLA FE/ZNXC3 | |
| 015 | H2106720 | 002 | BRAS | ARM | ARM | BRACCIO | |
| 016 | H2106730 | 002 | PLATINE | PLATE, MOUNTING | TRAGPLATTE | PIASTRA-SUPPORTO | |
| 017 | H2212560 | 016 | BROCHE | PIN, HITCH | ACHSE | PERNO | |
| 018 | H2214590 | 016 | ENTRETOISE | SPACER | DISTANZHUELSE | DISTANZIALE | |
| 019 | H2222290 | 006 | BRAS | ARM | ARM | BRACCIO | |
| 020 | H2222340 | 006 | PLAT | FLAT | FLACHEISEN | PIATTO | |
| 021 | H2223160 | 001 | CHASSIS | CHASSIS | HAUPTRAHMEN | TELAIO | |
| 022 | H2223870 | 002 | PLAT | FLAT | FLACHEISEN | PIATTO | |
| 023 | H2223880 | 002 | ENTRETOISE | SPACER | DISTANZHUELSE | DISTANZIALE | |
| 024 | H2223890 | 002 | CHASSIS | CHASSIS | HAUPTRAHMEN | TELAIO | |





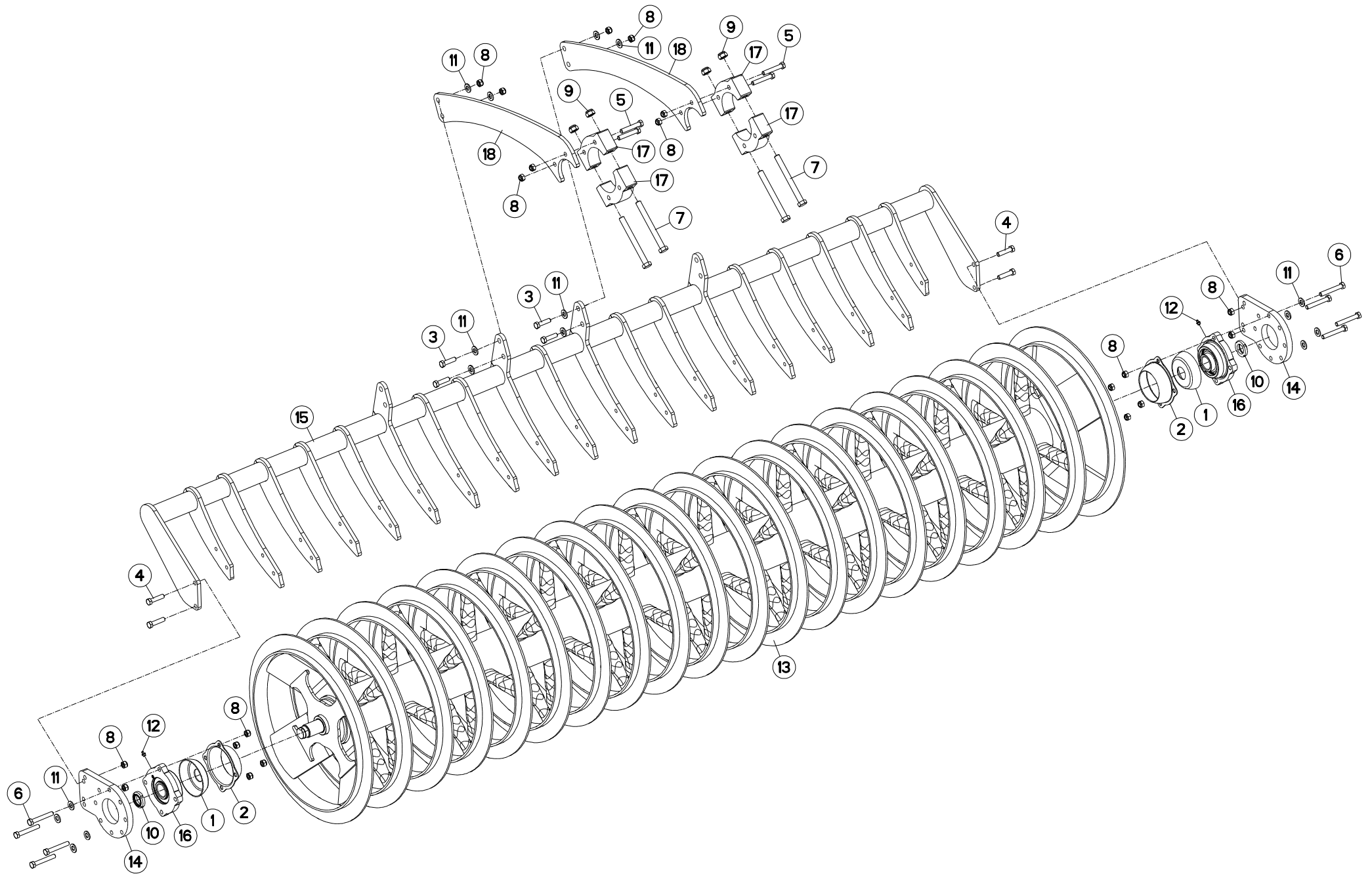
ROULEAU T-RING 3M

ROLLER T-RING 3M

WALZE T-RING 3M

RULLO T-RING 3M

| Rep | Nr | Qt | Designation | Description | Bezeichnung | Referenza | Remarque - Remark - Bemerkung - Osservazioni |
|-----|----------|-----|-------------------------------|--------------------------------|--------------------------------|-------------------------------|--|
| 001 | H2222130 | 002 | PALIER | BEARING, PILLOW BLOCK | LAGER | SUPPORTO | |
| 002 | 80061245 | 002 | VIS TETE HEXAGONALE FE/ZNXC3 | HEXAGON HEAD SCREW FE/ZNXC3 | SECHSKANTSCHRAUBE FE/ZNXC3 | VITE TESTA ESAGONALE FE/ZNXC3 | |
| 003 | 80061249 | 004 | VIS TETE HEXAGONALE FE/ZNXC3 | HEXAGON HEAD SCREW FE/ZNXC3 | SECHSKANTSCHRAUBE FE/ZNXC3 | VITE TESTA ESAGONALE FE/ZNXC3 | |
| 004 | 80061441 | 002 | VIS TETE HEXAGONALE FE/ZNXC3 | HEXAGON HEAD SCREW FE/ZNXC3 | SECHSKANTSCHRAUBE FE/ZNXC3 | VITE TESTA ESAGONALE FE/ZNXC3 | |
| 005 | 80061666 | 002 | VIS TETE HEXAGONALE FE/ZNXC3 | HEXAGON HEAD SCREW FE/ZNXC3 | SECHSKANTSCHRAUBE FE/ZNXC3 | VITE TESTA ESAGONALE FE/ZNXC3 | |
| 006 | 80111280 | 008 | VIS T.FRAI.SIX P.CR.FE/ZNXC3 | HEX.SOC.COUNT.HEAD SC.FE/ZNXC3 | SENKSCHRAUB.INNENSEC.FE/ZNXC3 | VITE FE/ZNXC3 | |
| 007 | 80201230 | 014 | ECROU HEX.AUTOFREINE FE/ZNXC3 | SELF-LOCKING NUT FE/ZNXC3 | SELBSTSICH.MUTTER FE/ZNXC3 | DADO AUTOBLOCCANTE FE/ZNXC3 | |
| 008 | 80201440 | 002 | ECROU HEX.BAS AUTOFR.FE/ZNXC3 | SELF-LOCKING NUT FE/ZNXC3 | SELBSTSICHERND.MUTTER FE/ZNXC3 | DADO AUTOBLOCCANTE FE/ZNXC3 | |
| 009 | 80201630 | 002 | ECROU HEX.AUTOFREINE FE/ZNXC3 | SELF-LOCKING NUT FE/ZNXC3 | SELBSTSICH.MUTTER FE/ZNXC3 | DADO AUTOBLOCCANTE FE/ZNXC3 | |
| 010 | 80203565 | 002 | ECROU A ENCOCH.AUTOF.FE/ZNXC3 | SELF-LOCKING NUT FE/ZNXC3 | SELBSTSICHERN.MUTTER FE/ZNXC3 | DADO AUTOBLOCCANTE FE/ZNXC3 | |
| 011 | 80251227 | 004 | RONDELLE PLATE FE/ZNXC3 | PLAIN WASHER FE/ZNXC3 | SCHEIBE FE/ZNXC3 | RONDELLA PIATTA FE/ZNXC3 | |
| 012 | 82200815 | 002 | GRAISSEUR AUTOTAR.FE/ZNXC3 | TAPPING GREASE NIPPLE FE/ZNXC3 | GEWINDESCH.SCHMIERNIP.FE/ZNXC3 | INGRASSATORE FE/ZNXC3 | |
| 013 | 52514000 | 002 | DEFLECTEUR DU PALIER | COVER | LAGERSCHUTZ | DEFLETTORE SUPPORTO | |
| 014 | 52563600 | 002 | PROTECTEUR | GUARD | SCHUTZ | PROTEZIONE | |
| 015 | H2205580 | 001 | PLAT | FLAT | FLACHEISEN | PIATTO | |
| 016 | H2208250 | 001 | ROULEAU | ROLLER | ROLLE | RULLO | |
| 017 | H2210490 | 001 | PLAT | FLAT | FLACHEISEN | PIATTO | |
| 018 | H2213820 | 002 | ENTRETOISE | SPACER | DISTANZHUELSE | DISTANZIALE | |
| 019 | H2213950 | 001 | BRAS | ARM | ARM | BRACCIO | |
| 020 | H2213960 | 001 | DECROTTOIR | SCRAPER, DIRT | ABSTREIFER | RASCHIATORE | |





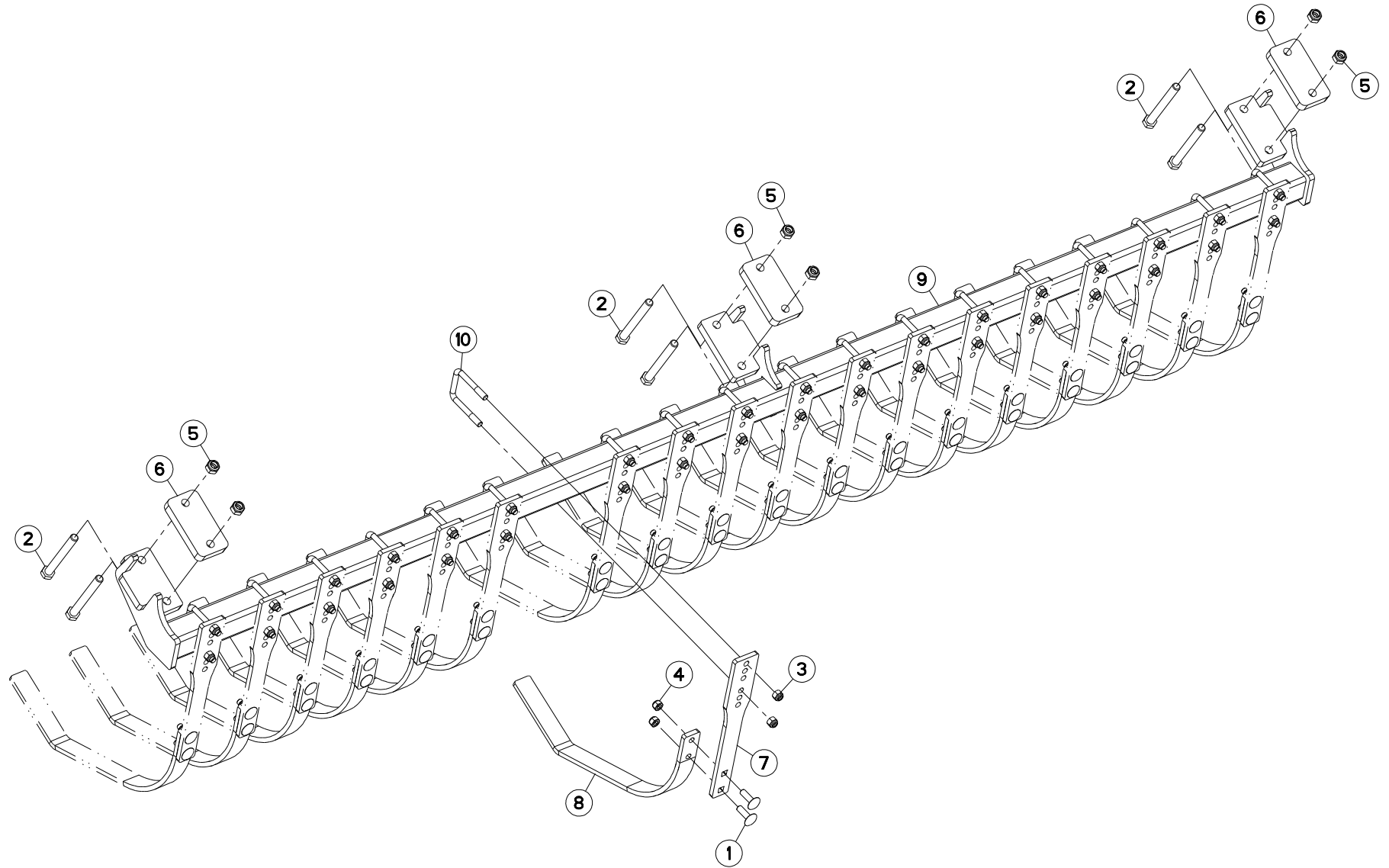
ROULEAU T-RING 3M

ROLLER T-RING 3M

WALZE T-RING 3M

RULLO T-RING 3M

| Rep | Nr | Qt | Designation | Description | Bezeichnung | Referenza | Remarque - Remark - Bemerkung - Osservazioni |
|-----|----------|-----|-------------------------------|--------------------------------|--------------------------------|-------------------------------|--|
| 001 | 52514000 | 002 | DEFLECTEUR DU PALIER | COVER | LAGERSCHUTZ | DEFLETTORE SUPPORTO | |
| 002 | 52563600 | 002 | PROTECTEUR | GUARD | SCHUTZ | PROTEZIONE | |
| 003 | 80061245 | 004 | VIS TETE HEXAGONALE FE/ZNXC3 | HEXAGON HEAD SCREW FE/ZNXC3 | SECHSKANTSCHRAUBE FE/ZNXC3 | VITE TESTA ESAGONALE FE/ZNXC3 | |
| 004 | 80061249 | 004 | VIS TETE HEXAGONALE FE/ZNXC3 | HEXAGON HEAD SCREW FE/ZNXC3 | SECHSKANTSCHRAUBE FE/ZNXC3 | VITE TESTA ESAGONALE FE/ZNXC3 | |
| 005 | 80061281 | 004 | VIS TETE HEXAGONALE FE/ZNXC3 | HEXAGON HEAD SCREW FE/ZNXC3 | SECHSKANTSCHRAUBE FE/ZNXC3 | VITE TESTA ESAGONALE FE/ZNXC3 | |
| 006 | 80061291 | 008 | VIS TETE HEXAGONALE FLZNNC | HEXAGON HEAD SCREW FLZNNC | SECHSKANTSCHRAUBE FLZNNC | VITE A TESTA ESAGONALE FLZNNC | |
| 007 | 80061665 | 004 | VIS TETE HEXAGONALE FE/ZNXC3 | HEXAGON HEAD SCREW FE/ZNXC3 | SECHSKANTSCHRAUBE FE/ZNXC3 | VITE TESTA ESAGONALE FE/ZNXC3 | |
| 008 | 80201240 | 020 | ECROU HEX.BAS AUTOFR.FE/ZNXC3 | SELF-LOCKING NUT FE/ZNXC3 | SELBSTSICHERND.MUTTER FE/ZNXC3 | DADO AUTOBLOCCANTE FE/ZNXC3 | |
| 009 | 80201640 | 004 | ECROU HEX.BAS AUTOFR.FE/ZNXC3 | SELF-LOCKING NUT FE/ZNXC3 | SELBSTSICHERND.MUTTER FE/ZNXC3 | DADO AUTOBLOCCANTE FE/ZNXC3 | |
| 010 | 80203565 | 002 | ECROU A ENCOCH.AUOF.FE/ZNXC3 | SELF-LOCKING NUT FE/ZNXC3 | SELBSTSICHERN.MUTTER FE/ZNXC3 | DADO AUTOBLOCCANTE FE/ZNXC3 | |
| 011 | 80251227 | 016 | RONDELLE PLATE FE/ZNXC3 | PLAIN WASHER FE/ZNXC3 | SCHEIBE FE/ZNXC3 | RONDELLA PIATTA FE/ZNXC3 | |
| 012 | 82200815 | 002 | GRAISSEUR AUTOTAR.FE/ZNXC3 | TAPPING GREASE NIPPLE FE/ZNXC3 | GEWINDESCH.SCHMIERNIP.FE/ZNXC3 | INGRASSATORE FE/ZNXC3 | |
| 013 | H2208250 | 001 | ROULEAU | ROLLER | ROLLE | RULLO | |
| 014 | H2213820 | 002 | ENTRETOISE | SPACER | DISTANZHUELSE | DISTANZIALE | |
| 015 | H2213961 | 001 | DECROTTOIR | SCRAPER, DIRT | ABSTREIFER | RASCHIATORE | |
| 016 | H2222130 | 002 | PALIER | BEARING, PILLOW BLOCK | LAGER | SUPPORTO | |
| 017 | H2223190 | 004 | BRIDE | CLAMP | BUEGEL | STAFFA | |
| 018 | H2223900 | 002 | PLAT | FLAT | FLACHEISEN | PIATTO | |





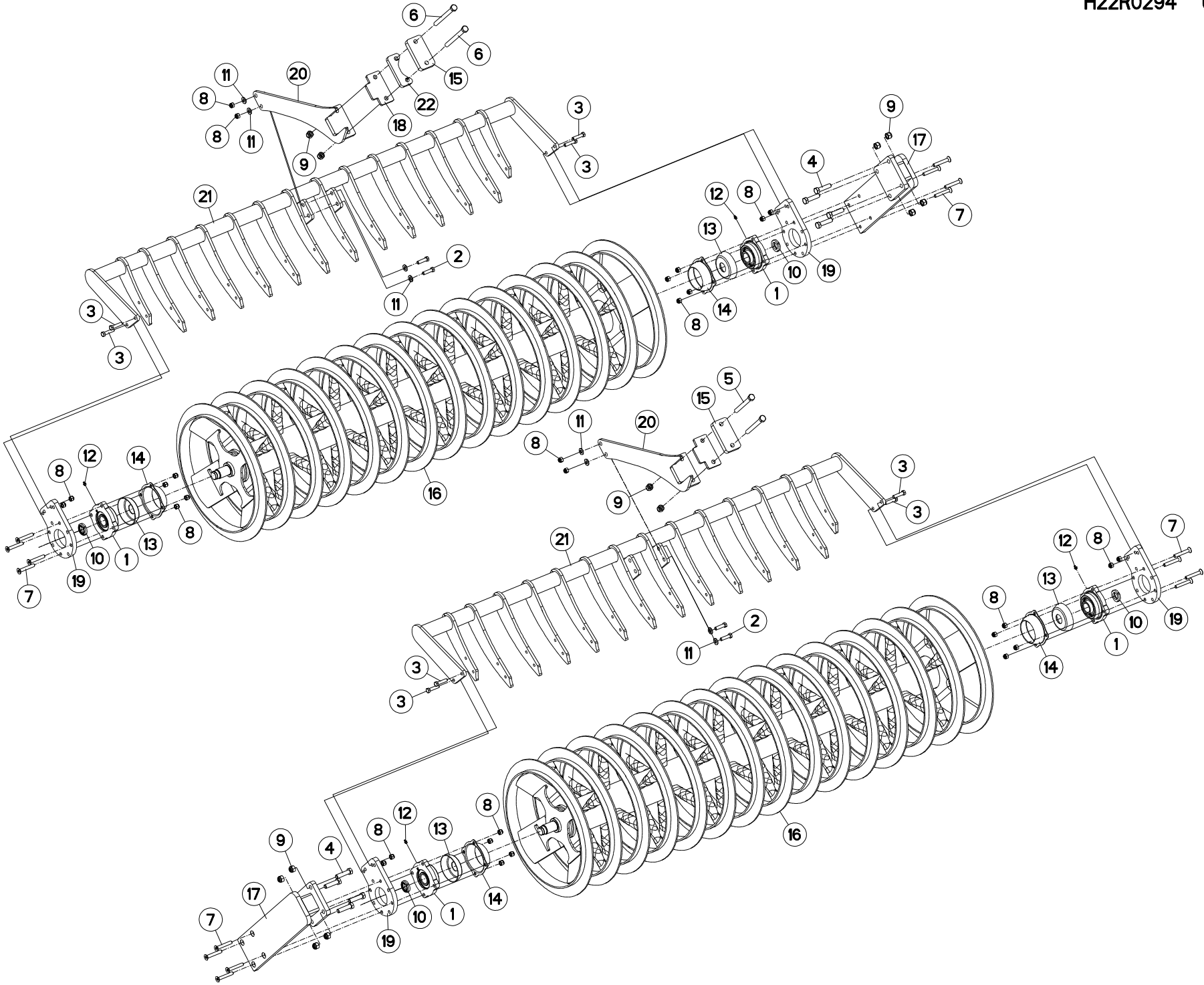
DECROTTOIR T-RING 3M (LAMES)

SCRAPER T-RING 3M (BLADES)

ABSTREIFER T-RING 3M (ZINKEN)

POLITIRE T-RING 3M (LAME)

| Rep | Nr | Qt | Designation | Description | Bezeichnung | Referenza | Remarque - Remark - Bemerkung - Osservazioni |
|-----|-----------------|-----|-------------------------------|-----------------------------|--------------------------------|-------------------------------|--|
| 001 | 50074500 | 038 | VIS TBCC COURT | BOLT, CARRIAGE, SHORT NECK | FLACHRUNDSCHR.4KT ANSATZ | BULLONE | |
| 002 | 80061666 | 006 | VIS TETE HEXAGONALE FE/ZNXC3 | HEXAGON HEAD SCREW FE/ZNXC3 | SECHSKANTSCHRAUBE FE/ZNXC3 | VITE TESTA ESAGONALE FE/ZNXC3 | |
| 003 | 80201240 | 038 | ECROU HEX.BAS AUTOFR.FE/ZNXC3 | SELF-LOCKING NUT FE/ZNXC3 | SELBSTSICHERND.MUTTER FE/ZNXC3 | DADO AUTOBLOCCANTE FE/ZNXC3 | |
| 004 | 80201240 | 038 | ECROU HEX.BAS AUTOFR.FE/ZNXC3 | SELF-LOCKING NUT FE/ZNXC3 | SELBSTSICHERND.MUTTER FE/ZNXC3 | DADO AUTOBLOCCANTE FE/ZNXC3 | |
| 005 | 80201640 | 006 | ECROU HEX.BAS AUTOFR.FE/ZNXC3 | SELF-LOCKING NUT FE/ZNXC3 | SELBSTSICHERND.MUTTER FE/ZNXC3 | DADO AUTOBLOCCANTE FE/ZNXC3 | |
| 006 | H2205580 | 003 | PLAT | FLAT | FLACHEISEN | PIATTO | |
| 007 | H2219350 | 019 | DECROTTOIR | SCRAPER, DIRT | ABSTREIFER | RASCHIATORE | |
| 008 | H2219360 | 019 | DECROTTOIR | SCRAPER, DIRT | ABSTREIFER | RASCHIATORE | |
| 009 | H2221460 | 001 | CADRE | FRAME | RAHMEN | TELAIO | |
| 010 | H2300470 | 019 | ETRIER | U-BOLT | BUEGEL | CAVALLOTTO | |





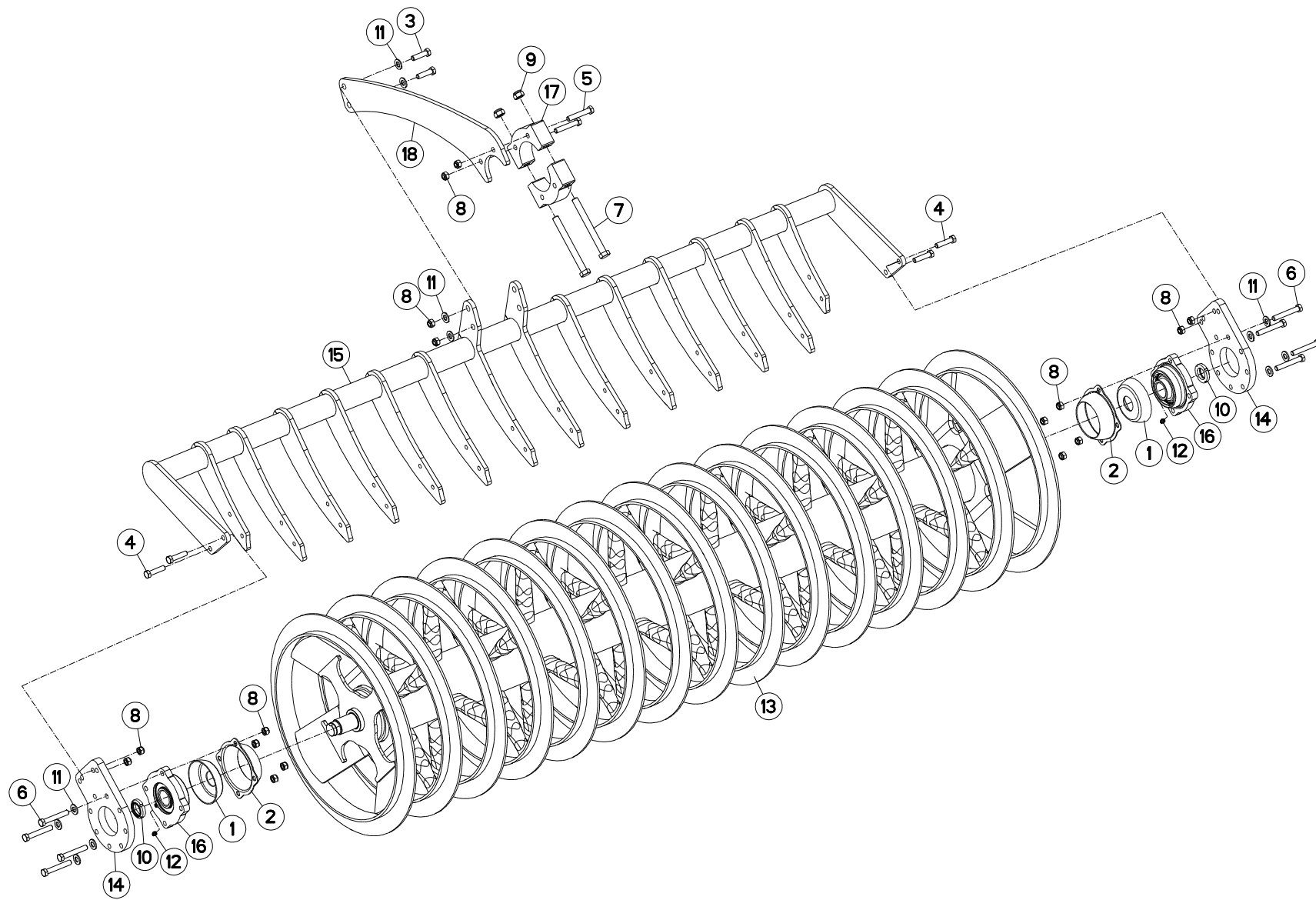
ROULEAUX T-RING 2 X 2M

ROLLERS T-RING 2 X 2M

QUETSCHWALZEN T-RING 2 X 2M

RULLI T-RING 2 X 2M

| Rep | Nr | Qt | Designation | Description | Bezeichnung | Referenza | Remarque - Remark - Bemerkung - Osservazioni |
|-----|----------|-----|-------------------------------|--------------------------------|--------------------------------|-------------------------------|--|
| 001 | H2222130 | 004 | PALIER | BEARING, PILLOW BLOCK | LAGER | SUPPORTO | |
| 002 | 80061245 | 004 | VIS TETE HEXAGONALE FE/ZNXC3 | HEXAGON HEAD SCREW FE/ZNXC3 | SECHSKANTSCHRAUBE FE/ZNXC3 | VITE TESTA ESAGONALE FE/ZNXC3 | |
| 003 | 80061249 | 008 | VIS TETE HEXAGONALE FE/ZNXC3 | HEXAGON HEAD SCREW FE/ZNXC3 | SECHSKANTSCHRAUBE FE/ZNXC3 | VITE TESTA ESAGONALE FE/ZNXC3 | |
| 004 | 80061638 | 008 | VIS TETE HEXAGONALE FE/ZNXC3 | HEXAGON HEAD SCREW FE/ZNXC3 | SECHSKANTSCHRAUBE FE/ZNXC3 | VITE TESTA ESAGONALE FE/ZNXC3 | |
| 005 | 80061666 | 000 | VIS TETE HEXAGONALE FE/ZNXC3 | HEXAGON HEAD SCREW FE/ZNXC3 | SECHSKANTSCHRAUBE FE/ZNXC3 | VITE TESTA ESAGONALE FE/ZNXC3 | Q? CULT400=4 CULT6500=2 |
| 006 | 80061687 | 002 | VIS TETE HEXAGONALE FE/ZNXC3 | HEXAGON HEAD SCREW FE/ZNXC3 | SECHSKANTSCHRAUBE FE/ZNXC3 | VITE TESTA ESAGONALE FE/ZNXC3 | : CULTIMER6500 |
| 007 | 80111280 | 016 | VIS T.FRAI.SIX P.CR.FE/ZNXC3 | HEX.SOC.COUNT.HEAD SC.FE/ZNXC3 | SENKSCHR.AUB.INNENSEC.FE/ZNXC3 | VITE FE/ZNXC3 | |
| 008 | 80201230 | 028 | ECROU HEX.AUTOFREINE FE/ZNXC3 | SELF-LOCKING NUT FE/ZNXC3 | SELBSTSICH.MUTTER FE/ZNXC3 | DADO AUTOBLOCCANTE FE/ZNXC3 | |
| 009 | 80201630 | 012 | ECROU HEX.AUTOFREINE FE/ZNXC3 | SELF-LOCKING NUT FE/ZNXC3 | SELBSTSICH.MUTTER FE/ZNXC3 | DADO AUTOBLOCCANTE FE/ZNXC3 | |
| 010 | 80203565 | 004 | ECROU A ENCOCH.AUTOF.FE/ZNXC3 | SELF-LOCKING NUT FE/ZNXC3 | SELBSTSICHERN.MUTTER FE/ZNXC3 | DADO AUTOBLOCCANTE FE/ZNXC3 | |
| 011 | 80251227 | 008 | RONDELLE PLATE FE/ZNXC3 | PLAIN WASHER FE/ZNXC3 | SCHEIBE FE/ZNXC3 | RONDELLA PIATTA FE/ZNXC3 | |
| 012 | 82200815 | 004 | GRAISSEUR AUTOTAR.FE/ZNXC3 | TAPPING GREASE NIPPLE FE/ZNXC3 | GEWINDESCH.SCHMIERNIP.FE/ZNXC3 | INGRASSATORE FE/ZNXC3 | |
| 013 | 52514000 | 004 | DEFLECTEUR DU PALIER | COVER | LAGERSCHUTZ | DEFLETTORE SUPPORTO | |
| 014 | 52563600 | 004 | PROTECTEUR | GUARD | SCHUTZ | PROTEZIONE | |
| 015 | H2205580 | 002 | PLAT | FLAT | FLACHEISEN | PIATTO | |
| 016 | H2208720 | 002 | ROULEAU | ROLLER | ROLLE | RULLO | |
| 017 | H2208950 | 002 | BRAS | ARM | ARM | BRACCIO | |
| 018 | H2210490 | 002 | PLAT | FLAT | FLACHEISEN | PIATTO | |
| 019 | H2213820 | 004 | ENTRETOISE | SPACER | DISTANZHUELSE | DISTANZIALE | |
| 020 | H2213950 | 002 | BRAS | ARM | ARM | BRACCIO | |
| 021 | H2213980 | 002 | DECROTTOIR | SCRAPER, DIRT | ABSTREIFER | RASCHIATORE | |
| 022 | H2218730 | 001 | PLAT | FLAT | FLACHEISEN | PIATTO | : CULTIMER6500 |





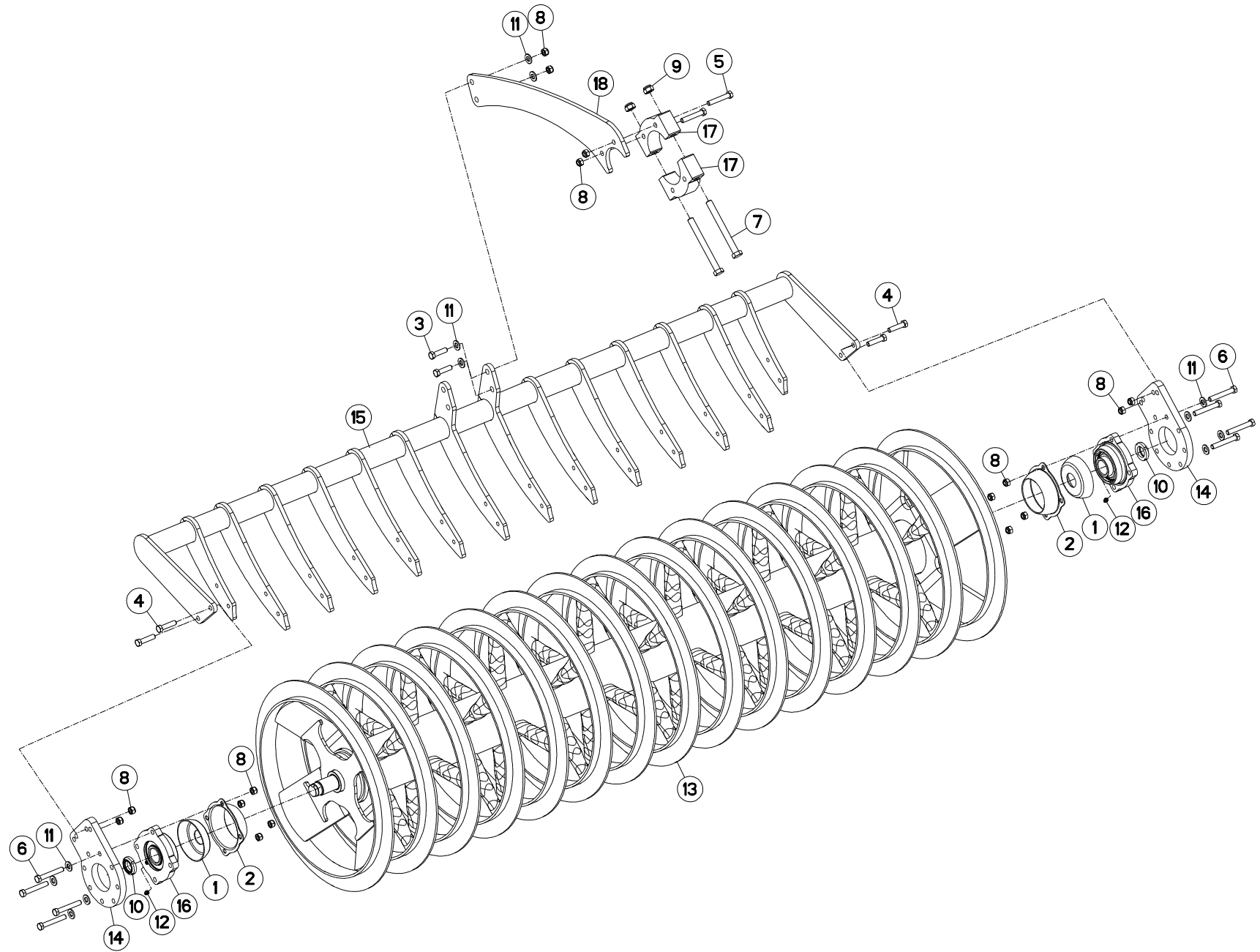
ROULEAU T-RING CULT6500 DROIT

ROLLER T-RING CULT6500 RIGHT

WALZE T-RING CULT6500 RECHTS

RULLO T-RING CULT6500 DESTRO

| Rep | Nr | Qt | Designation | Description | Bezeichnung | Referenza | Remarque - Remark - Bemerkung - Osservazioni |
|-----|-----------------|-----|-------------------------------|--------------------------------|--------------------------------|-------------------------------|--|
| 001 | 52514000 | 002 | DEFLECTEUR DU PALIER | COVER | LAGERSCHUTZ | DEFLETTORE SUPPORTO | |
| 002 | 52563600 | 002 | PROTECTEUR | GUARD | SCHUTZ | PROTEZIONE | |
| 003 | 80061245 | 002 | VIS TETE HEXAGONALE FE/ZNXC3 | HEXAGON HEAD SCREW FE/ZNXC3 | SECHSKANTSCHRAUBE FE/ZNXC3 | VITE TESTA ESAGONALE FE/ZNXC3 | |
| 004 | 80061249 | 004 | VIS TETE HEXAGONALE FE/ZNXC3 | HEXAGON HEAD SCREW FE/ZNXC3 | SECHSKANTSCHRAUBE FE/ZNXC3 | VITE TESTA ESAGONALE FE/ZNXC3 | |
| 005 | 80061281 | 002 | VIS TETE HEXAGONALE FE/ZNXC3 | HEXAGON HEAD SCREW FE/ZNXC3 | SECHSKANTSCHRAUBE FE/ZNXC3 | VITE TESTA ESAGONALE FE/ZNXC3 | |
| 006 | 80061291 | 008 | VIS TETE HEXAGONALE FLZNNC | HEXAGON HEAD SCREW FLZNNC | SECHSKANTSCHRAUBE FLZNNC | VITE A TESTA ESAGONALE FLZNNC | |
| 007 | 80061665 | 002 | VIS TETE HEXAGONALE FE/ZNXC3 | HEXAGON HEAD SCREW FE/ZNXC3 | SECHSKANTSCHRAUBE FE/ZNXC3 | VITE TESTA ESAGONALE FE/ZNXC3 | |
| 008 | 80201240 | 016 | ECROU HEX.BAS AUTOFR.FE/ZNXC3 | SELF-LOCKING NUT FE/ZNXC3 | SELBSTSICHERND.MUTTER FE/ZNXC3 | DADO AUTOBLOCCANTE FE/ZNXC3 | |
| 009 | 80201640 | 002 | ECROU HEX.BAS AUTOFR.FE/ZNXC3 | SELF-LOCKING NUT FE/ZNXC3 | SELBSTSICHERND.MUTTER FE/ZNXC3 | DADO AUTOBLOCCANTE FE/ZNXC3 | |
| 010 | 80203565 | 002 | ECROU A ENCOCH.AUOF.FE/ZNXC3 | SELF-LOCKING NUT FE/ZNXC3 | SELBSTSICHERN.MUTTER FE/ZNXC3 | DADO AUTOBLOCCANTE FE/ZNXC3 | |
| 011 | 80251227 | 012 | RONDELLE PLATE FE/ZNXC3 | PLAIN WASHER FE/ZNXC3 | SCHEIBE FE/ZNXC3 | RONDELLA PIATTA FE/ZNXC3 | |
| 012 | 82200815 | 002 | GRAISSEUR AUTOTAR.FE/ZNXC3 | TAPPING GREASE NIPPLE FE/ZNXC3 | GEWINDESCH.SCHMIERNIP.FE/ZNXC3 | INGRASSATORE FE/ZNXC3 | |
| 013 | H2208720 | 001 | ROULEAU | ROLLER | ROLLE | RULLO | |
| 014 | H2213820 | 002 | ENTRETOISE | SPACER | DISTANZHUELSE | DISTANZIALE | |
| 015 | H2213981 | 001 | DECROTTOIR | SCRAPER, DIRT | ABSTREIFER | RASCHIATORE | |
| 016 | H2222130 | 002 | PALIER | BEARING, PILLOW BLOCK | LAGER | SUPPORTO | |
| 017 | H2223190 | 002 | BRIDE | CLAMP | BUEGEL | STAFFA | |
| 018 | H2223900 | 001 | PLAT | FLAT | FLACHEISEN | PIATTO | |





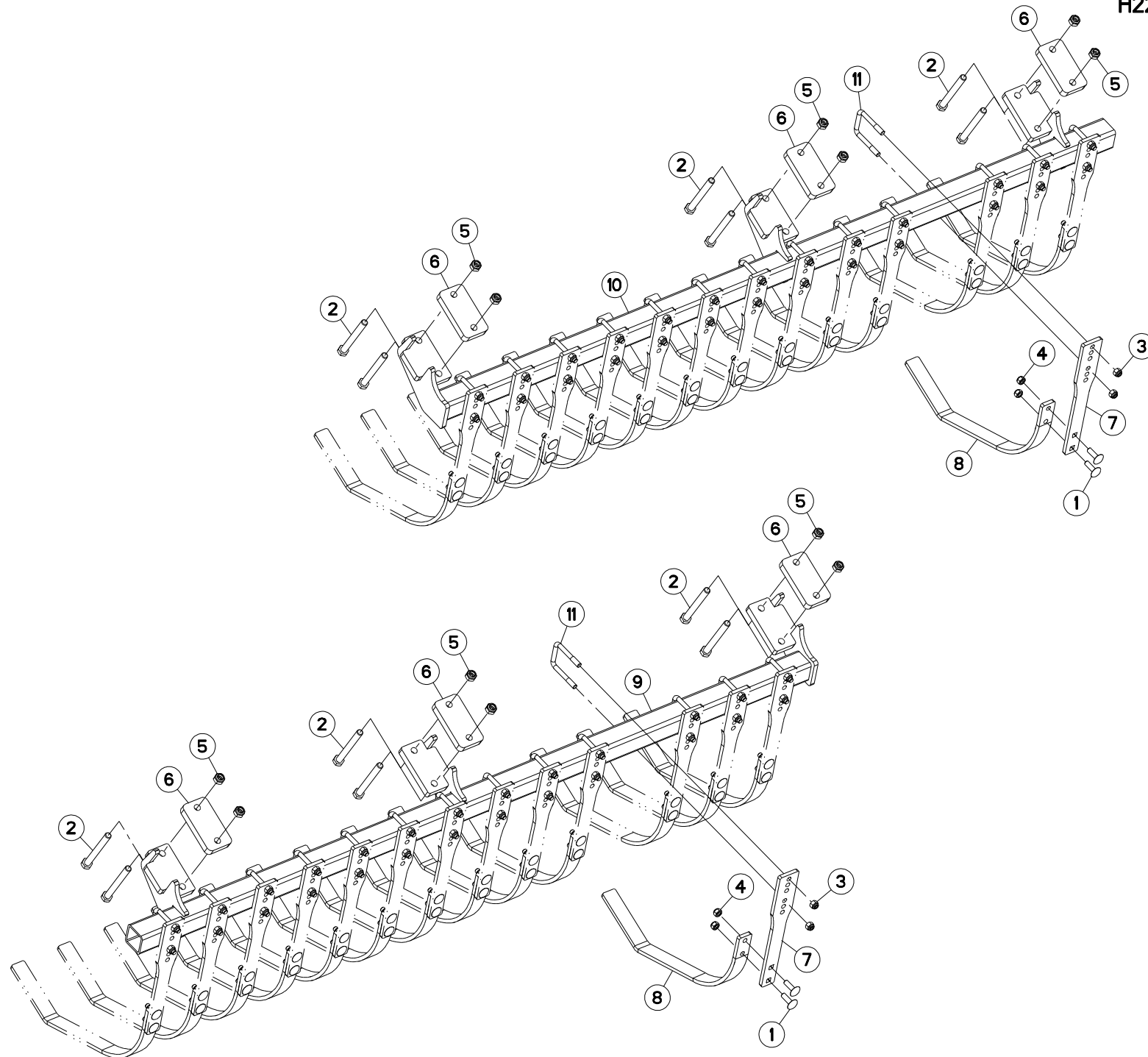
ROULEAU T-RING CULT6500 GAUCHE

ROLLER T-RING CULT6500 LEFT

WALZE T-RING CULT6500 LINKS

RULLO T-RING CULT6500 SX

| Rep | Nr | Qt | Designation | Description | Bezeichnung | Referenza | Remarque - Remark - Bemerkung - Osservazioni |
|-----|----------|-----|-------------------------------|--------------------------------|--------------------------------|-------------------------------|--|
| 001 | 52514000 | 002 | DEFLECTEUR DU PALIER | COVER | LAGERSCHUTZ | DEFLETTORE SUPPORTO | |
| 002 | 52563600 | 002 | PROTECTEUR | GUARD | SCHUTZ | PROTEZIONE | |
| 003 | 80061245 | 002 | VIS TETE HEXAGONALE FE/ZNXC3 | HEXAGON HEAD SCREW FE/ZNXC3 | SECHSKANTSCHRAUBE FE/ZNXC3 | VITE TESTA ESAGONALE FE/ZNXC3 | |
| 004 | 80061249 | 004 | VIS TETE HEXAGONALE FE/ZNXC3 | HEXAGON HEAD SCREW FE/ZNXC3 | SECHSKANTSCHRAUBE FE/ZNXC3 | VITE TESTA ESAGONALE FE/ZNXC3 | |
| 005 | 80061281 | 002 | VIS TETE HEXAGONALE FE/ZNXC3 | HEXAGON HEAD SCREW FE/ZNXC3 | SECHSKANTSCHRAUBE FE/ZNXC3 | VITE TESTA ESAGONALE FE/ZNXC3 | |
| 006 | 80061291 | 008 | VIS TETE HEXAGONALE FLZNNC | HEXAGON HEAD SCREW FLZNNC | SECHSKANTSCHRAUBE FLZNNC | VITE A TESTA ESAGONALE FLZNNC | |
| 007 | 80061665 | 002 | VIS TETE HEXAGONALE FE/ZNXC3 | HEXAGON HEAD SCREW FE/ZNXC3 | SECHSKANTSCHRAUBE FE/ZNXC3 | VITE TESTA ESAGONALE FE/ZNXC3 | |
| 008 | 80201240 | 016 | ECROU HEX.BAS AUTOFR.FE/ZNXC3 | SELF-LOCKING NUT FE/ZNXC3 | SELBSTSICHERND.MUTTER FE/ZNXC3 | DADO AUTOBLOCCANTE FE/ZNXC3 | |
| 009 | 80201640 | 002 | ECROU HEX.BAS AUTOFR.FE/ZNXC3 | SELF-LOCKING NUT FE/ZNXC3 | SELBSTSICHERND.MUTTER FE/ZNXC3 | DADO AUTOBLOCCANTE FE/ZNXC3 | |
| 010 | 80203565 | 002 | ECROU A ENCOCH.AUOF.FE/ZNXC3 | SELF-LOCKING NUT FE/ZNXC3 | SELBSTSICHERN.MUTTER FE/ZNXC3 | DADO AUTOBLOCCANTE FE/ZNXC3 | |
| 011 | 80251227 | 012 | RONDELLE PLATE FE/ZNXC3 | PLAIN WASHER FE/ZNXC3 | SCHEIBE FE/ZNXC3 | RONDELLA PIATTA FE/ZNXC3 | |
| 012 | 82200815 | 002 | GRAISSEUR AUTOTAR.FE/ZNXC3 | TAPPING GREASE NIPPLE FE/ZNXC3 | GEWINDESCH.SCHMIERNIP.FE/ZNXC3 | INGRASSATORE FE/ZNXC3 | |
| 013 | H2208720 | 001 | ROULEAU | ROLLER | ROLLE | RULLO | |
| 014 | H2213820 | 002 | ENTRETOISE | SPACER | DISTANZHUELSE | DISTANZIALE | |
| 015 | H2213981 | 001 | DECROTTOIR | SCRAPER, DIRT | ABSTREIFER | RASCHIATORE | |
| 016 | H2222130 | 002 | PALIER | BEARING, PILLOW BLOCK | LAGER | SUPPORTO | |
| 017 | H2223190 | 002 | BRIDE | CLAMP | BUEGEL | STAFFA | |
| 018 | H2223900 | 001 | PLAT | FLAT | FLACHEISEN | PIATTO | |





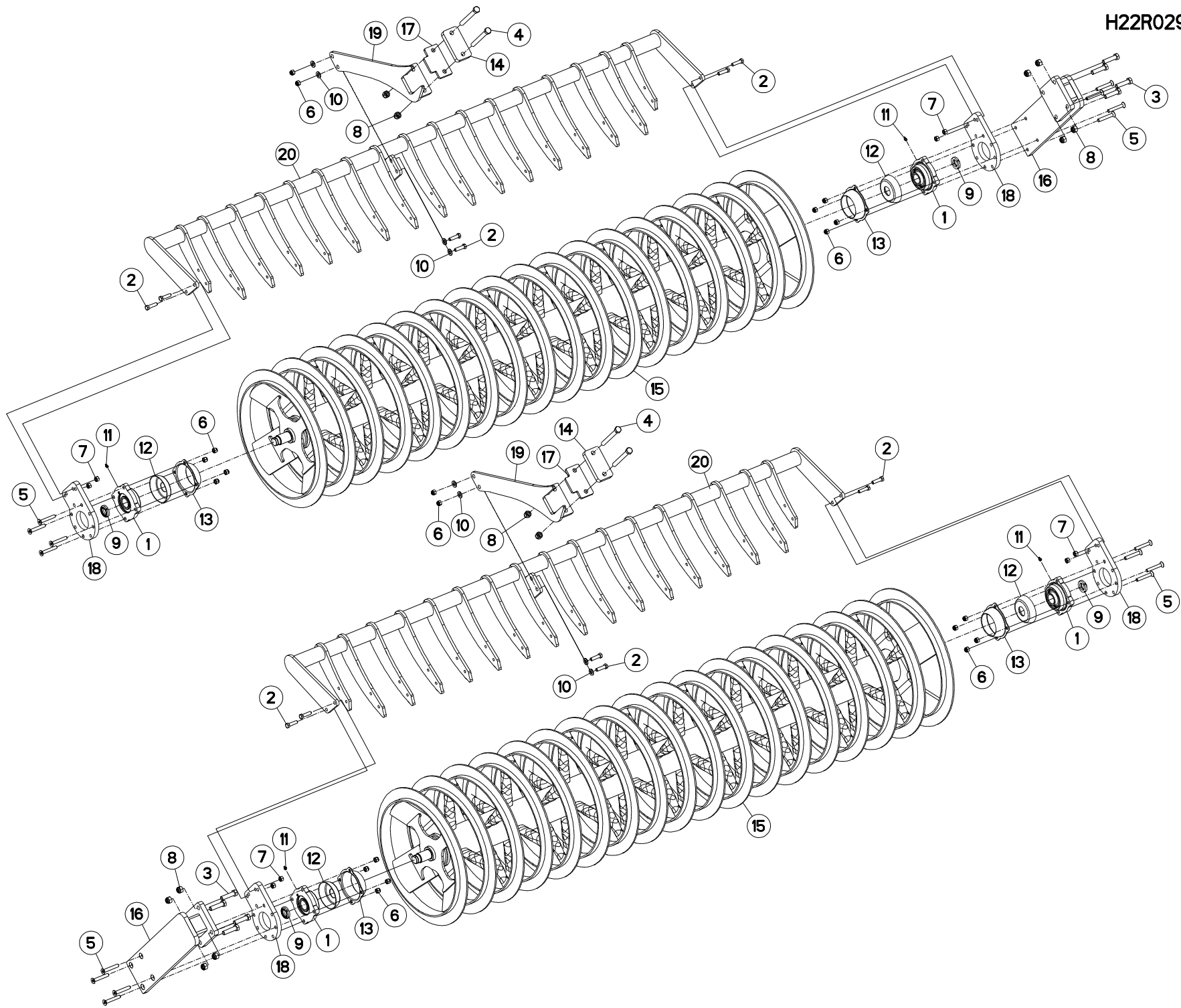
DECROTTOIR T-RING 2X2M (LAMES)

SCRAPER T-RING 2X2M (BLADES)

ABSTREIFER T-RING 2X2M (ZINKEN)

POLITIRE T-RING 2X2M (LAME)

| Rep | Nr | Qt | Designation | Description | Bezeichnung | Referenza | Remarque - Remark - Bemerkung - Osservazioni |
|-----|-----------------|-----|-------------------------------|-----------------------------|--------------------------------|-------------------------------|--|
| 001 | 50074500 | 056 | VIS TBCC COURT | BOLT, CARRIAGE, SHORT NECK | FLACHRUNDSCHR.4KT ANSATZ | BULLONE | |
| 002 | 80061666 | 012 | VIS TETE HEXAGONALE FE/ZNXC3 | HEXAGON HEAD SCREW FE/ZNXC3 | SECHSKANTSCHRAUBE FE/ZNXC3 | VITE TESTA ESAGONALE FE/ZNXC3 | |
| 003 | 80201240 | 056 | ECROU HEX.BAS AUTOFR.FE/ZNXC3 | SELF-LOCKING NUT FE/ZNXC3 | SELBSTSICHERND.MUTTER FE/ZNXC3 | DADO AUTOBLOCCANTE FE/ZNXC3 | |
| 004 | 80201240 | 056 | ECROU HEX.BAS AUTOFR.FE/ZNXC3 | SELF-LOCKING NUT FE/ZNXC3 | SELBSTSICHERND.MUTTER FE/ZNXC3 | DADO AUTOBLOCCANTE FE/ZNXC3 | |
| 005 | 80201640 | 012 | ECROU HEX.BAS AUTOFR.FE/ZNXC3 | SELF-LOCKING NUT FE/ZNXC3 | SELBSTSICHERND.MUTTER FE/ZNXC3 | DADO AUTOBLOCCANTE FE/ZNXC3 | |
| 006 | H2205580 | 006 | PLAT | FLAT | FLACHEISEN | PIATTO | |
| 007 | H2219350 | 028 | DECROTTOIR | SCRAPER, DIRT | ABSTREIFER | RASCHIATORE | |
| 008 | H2219360 | 028 | DECROTTOIR | SCRAPER, DIRT | ABSTREIFER | RASCHIATORE | |
| 009 | H2221470 | 001 | CADRE | FRAME | RAHMEN | TELAIO | |
| 010 | H2221480 | 001 | CADRE | FRAME | RAHMEN | TELAIO | |
| 011 | H2300470 | 028 | ETRIER | U-BOLT | BUEGEL | CAVALLOTTO | |





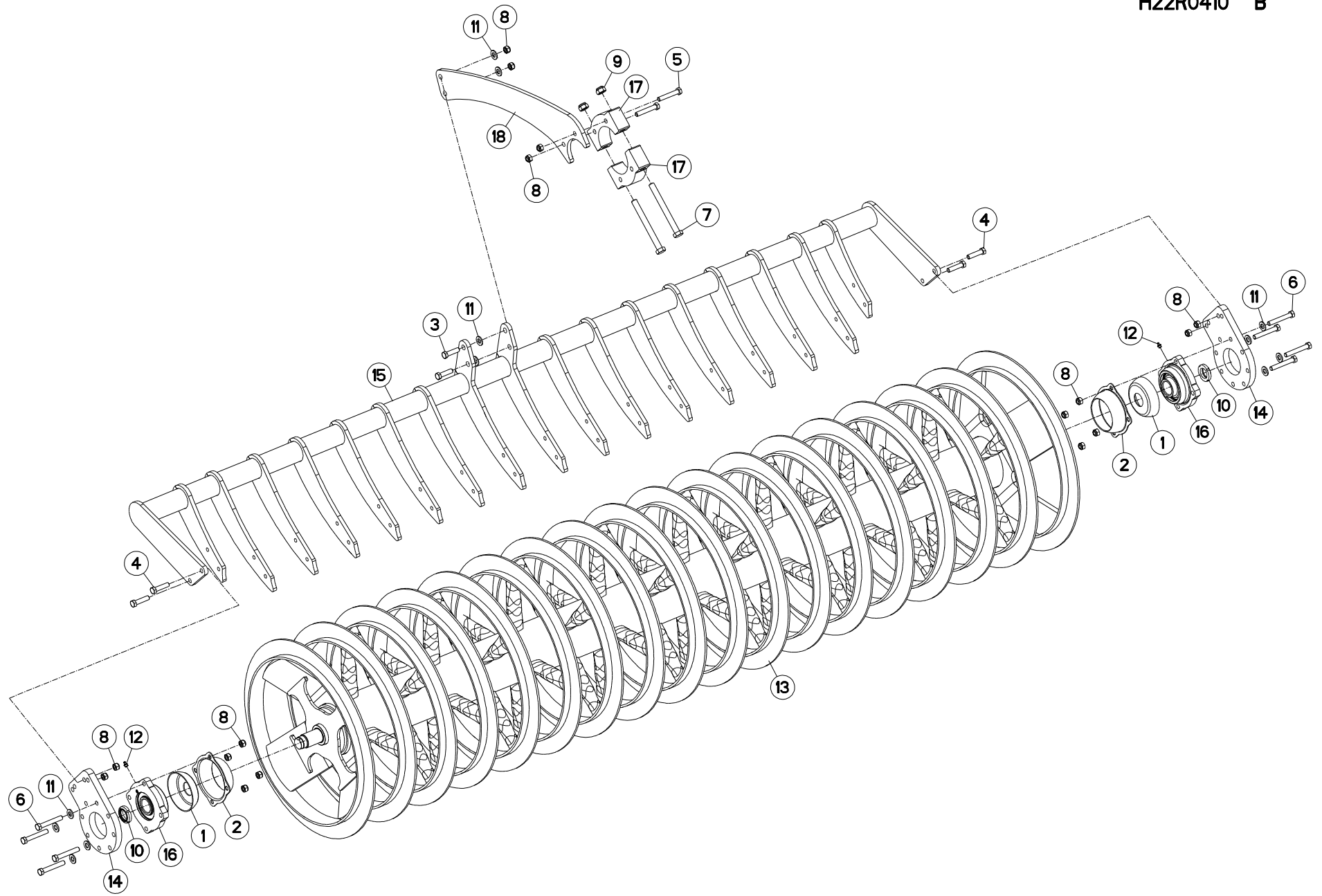
ROULEAUX T-RING 2 X 2,5M

ROLLERS T-RING 2 X 2,5M

QUETSCHWALZEN T-RING 2 X 2,5M

RULLI T-RING 2 X 2,5M

| Rep | Nr | Qt | Designation | Description | Bezeichnung | Referenza | Remarque - Remark - Bemerkung - Osservazioni |
|-----|-----------------|-----|-------------------------------|--------------------------------|--------------------------------|-------------------------------|--|
| 001 | H2222130 | 004 | PALIER | BEARING, PILLOW BLOCK | LAGER | SUPPORTO | |
| 002 | 80061245 | 012 | VIS TETE HEXAGONALE FE/ZNXC3 | HEXAGON HEAD SCREW FE/ZNXC3 | SECHSKANTSCHRAUBE FE/ZNXC3 | VITE TESTA ESAGONALE FE/ZNXC3 | |
| 003 | 80061638 | 008 | VIS TETE HEXAGONALE FE/ZNXC3 | HEXAGON HEAD SCREW FE/ZNXC3 | SECHSKANTSCHRAUBE FE/ZNXC3 | VITE TESTA ESAGONALE FE/ZNXC3 | |
| 004 | 80061666 | 004 | VIS TETE HEXAGONALE FE/ZNXC3 | HEXAGON HEAD SCREW FE/ZNXC3 | SECHSKANTSCHRAUBE FE/ZNXC3 | VITE TESTA ESAGONALE FE/ZNXC3 | |
| 005 | 80111280 | 016 | VIS T.FRAI.SIX P.CR.FE/ZNXC3 | HEX.SOC.COUNT.HEAD SC.FE/ZNXC3 | SENKSCHRAUB.INNENSEC.FE/ZNXC3 | VITE FE/ZNXC3 | |
| 006 | 80201230 | 020 | ECROU HEX.AUTOFREINE FE/ZNXC3 | SELF-LOCKING NUT FE/ZNXC3 | SELBSTSICH.MUTTER FE/ZNXC3 | DADO AUTOBLOCCANTE FE/ZNXC3 | |
| 007 | 80201270 | 008 | ECROU HEXAGONAL FE/ZNXC3 | NUT FE/ZNXC3 | SECHSKANTMUTTER FE/ZNXC3 | DADO FE/ZNXC3 | |
| 008 | 80201630 | 012 | ECROU HEX.AUTOFREINE FE/ZNXC3 | SELF-LOCKING NUT FE/ZNXC3 | SELBSTSICH.MUTTER FE/ZNXC3 | DADO AUTOBLOCCANTE FE/ZNXC3 | |
| 009 | 80203565 | 004 | ECROU A ENCOCH.AUTOF.FE/ZNXC3 | SELF-LOCKING NUT FE/ZNXC3 | SELBSTSICHERN.MUTTER FE/ZNXC3 | DADO AUTOBLOCCANTE FE/ZNXC3 | |
| 010 | 80251227 | 008 | RONDELLE PLATE FE/ZNXC3 | PLAIN WASHER FE/ZNXC3 | SCHEIBE FE/ZNXC3 | RONDELLA PIATTA FE/ZNXC3 | |
| 011 | 82200815 | 004 | GRAISSEUR AUTOTAR.FE/ZNXC3 | TAPPING GREASE NIPPLE FE/ZNXC3 | GEWINDESCH.SCHMIERNIP.FE/ZNXC3 | INGRASSATORE FE/ZNXC3 | |
| 012 | 52514000 | 004 | DEFLECTEUR DU PALIER | COVER | LAGERSCHUTZ | DEFLETTORE SUPPORTO | |
| 013 | 52563600 | 004 | PROTECTEUR | GUARD | SCHUTZ | PROTEZIONE | |
| 014 | H2205580 | 002 | PLAT | FLAT | FLACHEISEN | PIATTO | |
| 015 | H2208740 | 002 | ROULEAU | ROLLER | ROLLE | RULLO | |
| 016 | H2208950 | 002 | BRAS | ARM | ARM | BRACCIO | |
| 017 | H2210490 | 002 | PLAT | FLAT | FLACHEISEN | PIATTO | |
| 018 | H2213820 | 004 | ENTRETOISE | SPACER | DISTANZHUELSE | DISTANZIALE | |
| 019 | H2213950 | 002 | BRAS | ARM | ARM | BRACCIO | |
| 020 | H2213990 | 002 | DECROTTOIR | SCRAPER, DIRT | ABSTREIFER | RASCHIATORE | |





ROULEAU T-RING CULT8000

ROLLER T-RING CULT8000

WALZE T-RING CULT8000

RULLO T-RING CULT8000

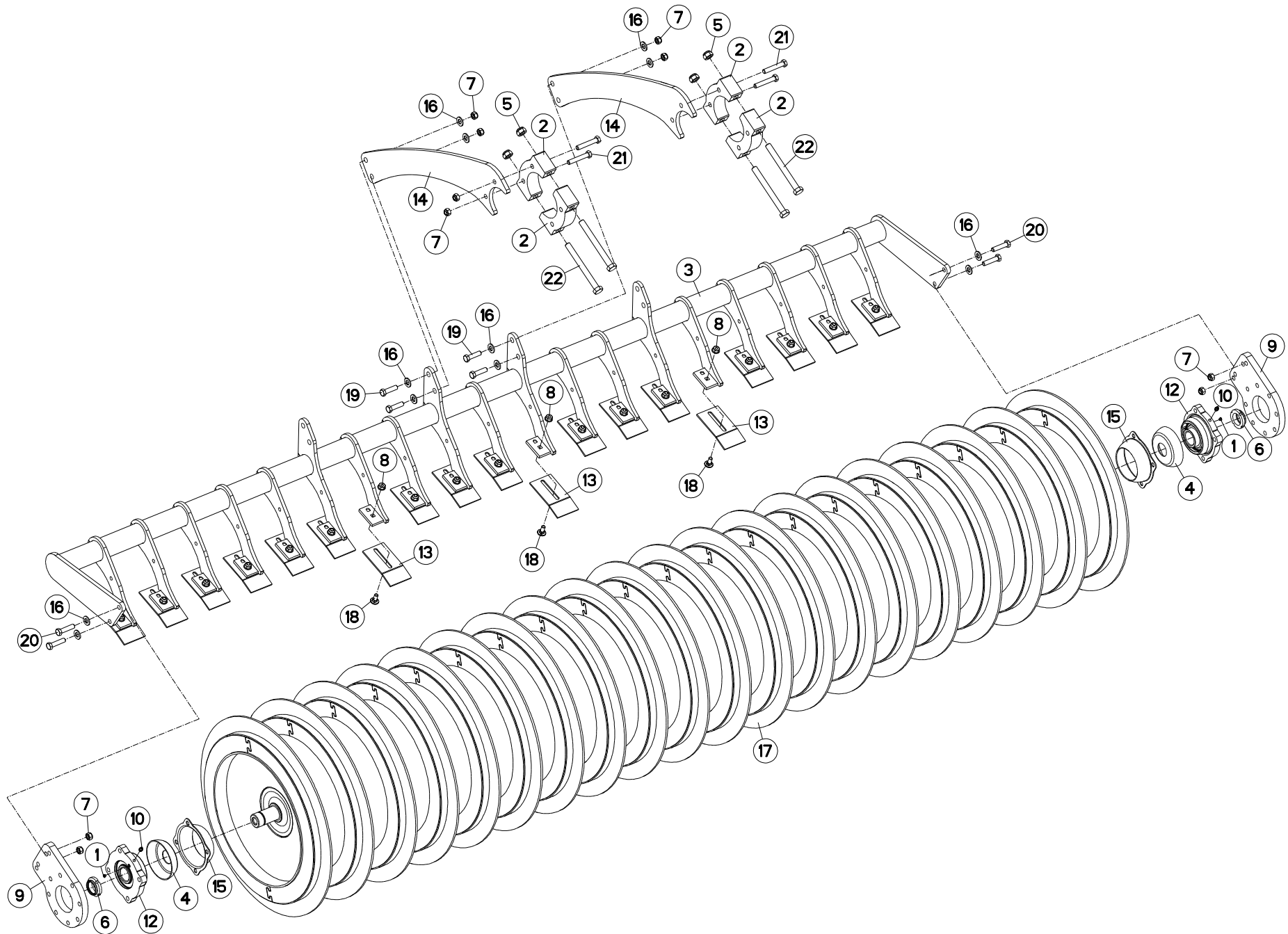
| Rep | Nr | Qt | Designation | Description | Bezeichnung | Referenza | Remarque - Remark - Bemerkung - Osservazioni |
|-----|-----------------|-----|-------------------------------|--------------------------------|--------------------------------|-------------------------------|--|
| 001 | 52514000 | 002 | DEFLECTEUR DU PALIER | COVER | LAGERSCHUTZ | DEFLETTORE SUPPORTO | |
| 002 | 52563600 | 002 | PROTECTEUR | GUARD | SCHUTZ | PROTEZIONE | |
| 003 | 80061245 | 002 | VIS TETE HEXAGONALE FE/ZNXC3 | HEXAGON HEAD SCREW FE/ZNXC3 | SECHSKANTSCHRAUBE FE/ZNXC3 | VITE TESTA ESAGONALE FE/ZNXC3 | |
| 004 | 80061249 | 004 | VIS TETE HEXAGONALE FE/ZNXC3 | HEXAGON HEAD SCREW FE/ZNXC3 | SECHSKANTSCHRAUBE FE/ZNXC3 | VITE TESTA ESAGONALE FE/ZNXC3 | |
| 005 | 80061281 | 002 | VIS TETE HEXAGONALE FE/ZNXC3 | HEXAGON HEAD SCREW FE/ZNXC3 | SECHSKANTSCHRAUBE FE/ZNXC3 | VITE TESTA ESAGONALE FE/ZNXC3 | |
| 006 | 80061291 | 008 | VIS TETE HEXAGONALE FLZNNC | HEXAGON HEAD SCREW FLZNNC | SECHSKANTSCHRAUBE FLZNNC | VITE A TESTA ESAGONALE FLZNNC | |
| 007 | 80061665 | 002 | VIS TETE HEXAGONALE FE/ZNXC3 | HEXAGON HEAD SCREW FE/ZNXC3 | SECHSKANTSCHRAUBE FE/ZNXC3 | VITE TESTA ESAGONALE FE/ZNXC3 | |
| 008 | 80201240 | 016 | ECROU HEX.BAS AUTOFR.FE/ZNXC3 | SELF-LOCKING NUT FE/ZNXC3 | SELBSTSICHERND.MUTTER FE/ZNXC3 | DADO AUTOBLOCCANTE FE/ZNXC3 | |
| 009 | 80201640 | 002 | ECROU HEX.BAS AUTOFR.FE/ZNXC3 | SELF-LOCKING NUT FE/ZNXC3 | SELBSTSICHERND.MUTTER FE/ZNXC3 | DADO AUTOBLOCCANTE FE/ZNXC3 | |
| 010 | 80203565 | 002 | ECROU A ENCOCH.AUTOF.FE/ZNXC3 | SELF-LOCKING NUT FE/ZNXC3 | SELBSTSICHERN.MUTTER FE/ZNXC3 | DADO AUTOBLOCCANTE FE/ZNXC3 | |
| 011 | 80251227 | 012 | RONDELLE PLATE FE/ZNXC3 | PLAIN WASHER FE/ZNXC3 | SCHEIBE FE/ZNXC3 | RONDELLA PIATTA FE/ZNXC3 | |
| 012 | 82200815 | 002 | GRAISSEUR AUTOTAR.FE/ZNXC3 | TAPPING GREASE NIPPLE FE/ZNXC3 | GEWINDESCH.SCHMIERNIP.FE/ZNXC3 | INGRASSATORE FE/ZNXC3 | |
| 013 | H2208740 | 001 | ROULEAU | ROLLER | ROLLE | RULLO | |
| 014 | H2213820 | 002 | ENTRETOISE | SPACER | DISTANZHUELSE | DISTANZIALE | |
| 015 | H2213991 | 001 | DECROTTOIR | SCRAPER, DIRT | ABSTREIFER | RASCHIATORE | |
| 016 | H2222130 | 002 | PALIER | BEARING, PILLOW BLOCK | LAGER | SUPPORTO | |
| 017 | H2223190 | 002 | BRIDE | CLAMP | BUEGEL | STAFFA | |
| 018 | H2223900 | 001 | PLAT | FLAT | FLACHEISEN | PIATTO | |

Nombre de composants sur l'ensemble de la machine = Quantité (Qt) x 002

Gesamtanzahl der in dieser Teilegruppe für die Maschine verwendeten Teile = Menge (Qt) x 002

Number of service parts and service parts assemblies used on the machine = Quantity (Qt) x 002

Quantita di componenti sul complessivo della macchina = Quantita (Qtà) x 002





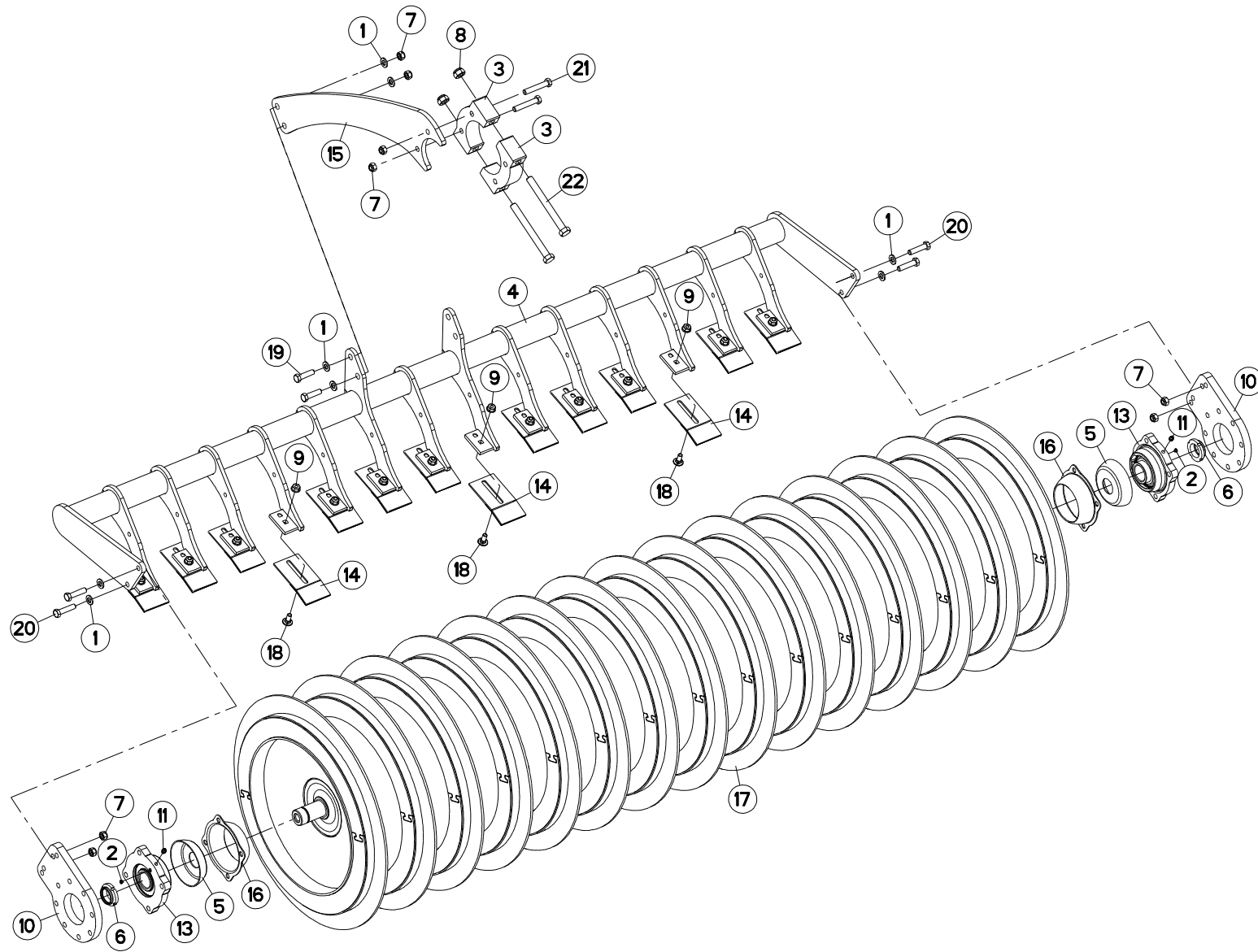
ROULEAU T-LINER 3M

ROLLER T-LINER 3M

WALZE T-LINER 3M

RULLO T-LINER 3M

| Rep | Nr | Qt | Designation | Description | Bezeichnung | Referenza | Remarque - Remark - Bemerkung - Osservazioni |
|-----|----------|-----|-------------------------------|--------------------------------|--------------------------------|-------------------------------|--|
| 001 | 83040072 | 002 | BOUCHON D'OBTURATION | END PLUG | KEGELSTOPFEN | TAPPO DI CHIUSURA | |
| 002 | H2223190 | 004 | BRIDE | CLAMP | BUEGEL | STAFFA | |
| 003 | H2224490 | 001 | DECROTTOIR | SCRAPER, DIRT | ABSTREIFER | RASCHIATORE | |
| 004 | 52514000 | 002 | DEFLECTEUR DU PALIER | COVER | LAGERSCHUTZ | DEFLETTORE SUPPORTO | |
| 005 | 80201640 | 004 | ECROU HEX.BAS AUTOFR.FE/ZNXC3 | SELF-LOCKING NUT FE/ZNXC3 | SELBSTSICHERND.MUTTER FE/ZNXC3 | DADO AUTOBLOCCANTE FE/ZNXC3 | |
| 006 | 80204063 | 002 | ECROU AUTOFREINE FE/ZNXC3 | SELF-LOCKING NUT FE/ZNXC3 | SELBSTSICHERND.MUTTER FE/ZNXC3 | DADO AUTOBLOCCANTE FE/ZNXC3 | |
| 007 | 80201240 | 012 | ECROU HEX.BAS AUTOFR.FE/ZNXC3 | SELF-LOCKING NUT FE/ZNXC3 | SELBSTSICHERND.MUTTER FE/ZNXC3 | DADO AUTOBLOCCANTE FE/ZNXC3 | |
| 008 | 80201062 | 019 | ECROU TWOLOK FLZNNC | SELF-LOCKING NUT FLZNNC | SELBSTSICHERNDE MUTTER FLZNNC | DADO TWOLOCK FLZNNC | |
| 009 | H2213820 | 002 | ENTRETOISE | SPACER | DISTANZHUELSE | DISTANZIALE | |
| 010 | 82200815 | 002 | GRAISSEUR AUTOTAR.FE/ZNXC3 | TAPPING GREASE NIPPLE FE/ZNXC3 | GEWINDESCH.SCHMIERNIP.FE/ZNXC3 | INGRASSATORE FE/ZNXC3 | |
| 011 | 2550012 | 002 | LOCTITE PATE 8150 | GREASE | FETT | | |
| 012 | 52563800 | 002 | PALIER | BEARING, PILLOW BLOCK | LAGER | SUPPORTO | |
| 013 | 52532130 | 019 | PLAQUETTE | SCRAPER PLATE | ABSTREIFERPLATTE | RASCHIATORE | |
| 014 | H2223900 | 002 | PLAT | FLAT | FLACHEISEN | PIATTO | |
| 015 | 52563600 | 002 | PROTECTEUR | GUARD | SCHUTZ | PROTEZIONE | |
| 016 | 80251227 | 012 | RONDELLE PLATE FE/ZNXC3 | PLAIN WASHER FE/ZNXC3 | SCHEIBE FE/ZNXC3 | RONDELLA PIATTA FE/ZNXC3 | |
| 017 | H2224410 | 001 | ROULEAU | ROLLER | ROLLE | RULLO | |
| 018 | 50005500 | 019 | VIS J | BOLT, J | FLACHRUNDSCHR.4KT ANSATZ | BULLONE | |
| 019 | 80061245 | 004 | VIS TETE HEXAGONALE FE/ZNXC3 | HEXAGON HEAD SCREW FE/ZNXC3 | SECHSKANTSCHRAUBE FE/ZNXC3 | VITE TESTA ESAGONALE FE/ZNXC3 | |
| 020 | 80061249 | 004 | VIS TETE HEXAGONALE FE/ZNXC3 | HEXAGON HEAD SCREW FE/ZNXC3 | SECHSKANTSCHRAUBE FE/ZNXC3 | VITE TESTA ESAGONALE FE/ZNXC3 | |
| 021 | 80061281 | 004 | VIS TETE HEXAGONALE FE/ZNXC3 | HEXAGON HEAD SCREW FE/ZNXC3 | SECHSKANTSCHRAUBE FE/ZNXC3 | VITE TESTA ESAGONALE FE/ZNXC3 | |
| 022 | 80061665 | 004 | VIS TETE HEXAGONALE FE/ZNXC3 | HEXAGON HEAD SCREW FE/ZNXC3 | SECHSKANTSCHRAUBE FE/ZNXC3 | VITE TESTA ESAGONALE FE/ZNXC3 | |





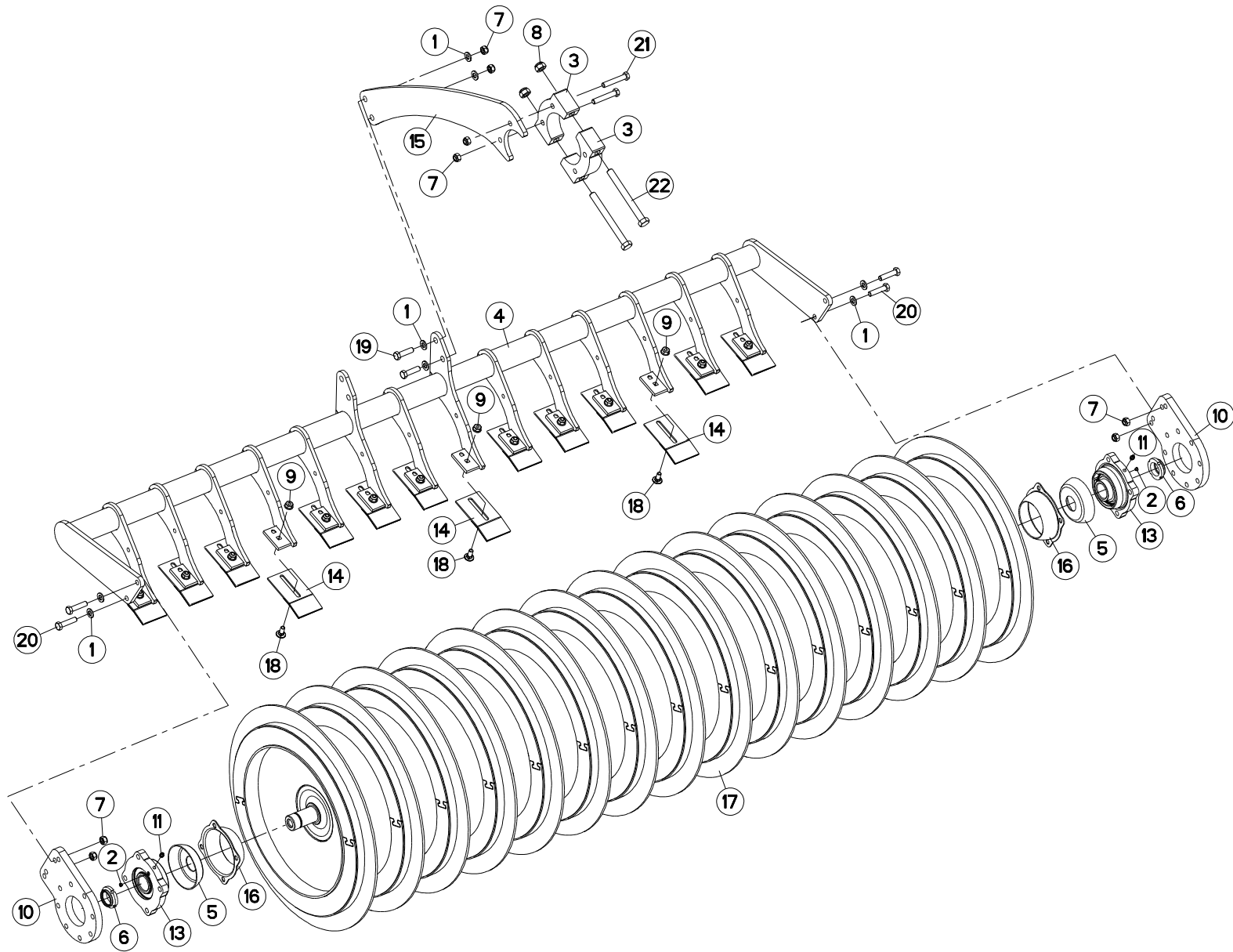
ROULEAU T-RING FL. D600 D

ROLLER T-RING FL. D600 D

WALZE T-RING FL. D600 D

RULLO T-RING FL. D600 D

| Rep | Nr | Qt | Designation | Description | Bezeichnung | Referenza | Remarque - Remark - Bemerkung - Osservazioni |
|-----|----------|-----|-------------------------------|--------------------------------|--------------------------------|-------------------------------|--|
| 001 | 80251227 | 008 | RONDELLE PLATE FE/ZNXC3 | PLAIN WASHER FE/ZNXC3 | SCHEIBE FE/ZNXC3 | RONDELLA PIATTA FE/ZNXC3 | |
| 002 | 83040072 | 002 | BOUCHON D'OBTURATION | END PLUG | KEGELSTOPFEN | TAPPO DI CHIUSURA | |
| 003 | H2223190 | 002 | BRIDE | CLAMP | BUEGEL | STAFFA | |
| 004 | H2224450 | 001 | DECROTTOIR | SCRAPER, DIRT | ABSTREIFER | RASCHIATORE | |
| 005 | 52514000 | 002 | DEFLECTEUR DU PALIER | COVER | LAGERSCHUTZ | DEFLETTORE SUPPORTO | |
| 006 | 80204063 | 002 | ECROU AUTOFREINE FE/ZNXC3 | SELF-LOCKING NUT FE/ZNXC3 | SELBSTSICHERND.MUTTER FE/ZNXC3 | DADO AUTOBLOCCANTE FE/ZNXC3 | |
| 007 | 80201240 | 008 | ECROU HEX.BAS AUTOFR.FE/ZNXC3 | SELF-LOCKING NUT FE/ZNXC3 | SELBSTSICHERND.MUTTER FE/ZNXC3 | DADO AUTOBLOCCANTE FE/ZNXC3 | |
| 008 | 80201640 | 002 | ECROU HEX.BAS AUTOFR.FE/ZNXC3 | SELF-LOCKING NUT FE/ZNXC3 | SELBSTSICHERND.MUTTER FE/ZNXC3 | DADO AUTOBLOCCANTE FE/ZNXC3 | |
| 009 | 80201062 | 014 | ECROU TWOLOCK FLZNNC | SELF-LOCKING NUT FLZNNC | SELBSTSICHERNDE MUTTER FLZNNC | DADO TWOLOCK FLZNNC | |
| 010 | H2213820 | 002 | ENTRETOISE | SPACER | DISTANZHUELSE | DISTANZIALE | |
| 011 | 82200815 | 002 | GRAISSEUR AUTOTAR.FE/ZNXC3 | TAPPING GREASE NIPPLE FE/ZNXC3 | GEWINDESCH.SCHMIERNIP.FE/ZNXC3 | INGRASSATORE FE/ZNXC3 | |
| 012 | 2550012 | 002 | LOCTITE PATE 8150 | GREASE | FETT | | |
| 013 | 52563800 | 002 | PALIER | BEARING, PILLOW BLOCK | LAGER | SUPPORTO | |
| 014 | 52560010 | 014 | PLAQUETTE | SCRAPER HARDCOATED HD | ABSTREIFERPLATTE BESCHICHT. HD | PIASTRA RASCHIAT.CON RINFORZO | |
| 015 | H2223900 | 001 | PLAT | FLAT | FLACHEISEN | PIATTO | |
| 016 | 52563600 | 002 | PROTECTEUR | GUARD | SCHUTZ | PROTEZIONE | |
| 017 | H2224440 | 001 | ROULEAU | ROLLER | ROLLE | RULLO | |
| 018 | 50005500 | 014 | VIS J | BOLT, J | FLACHRUNDSCHR.4KT ANSATZ | BULLONE | |
| 019 | 80061245 | 002 | VIS TETE HEXAGONALE FE/ZNXC3 | HEXAGON HEAD SCREW FE/ZNXC3 | SECHSKANTSCHRAUBE FE/ZNXC3 | VITE TESTA ESAGONALE FE/ZNXC3 | |
| 020 | 80061249 | 004 | VIS TETE HEXAGONALE FE/ZNXC3 | HEXAGON HEAD SCREW FE/ZNXC3 | SECHSKANTSCHRAUBE FE/ZNXC3 | VITE TESTA ESAGONALE FE/ZNXC3 | |
| 021 | 80061281 | 002 | VIS TETE HEXAGONALE FE/ZNXC3 | HEXAGON HEAD SCREW FE/ZNXC3 | SECHSKANTSCHRAUBE FE/ZNXC3 | VITE TESTA ESAGONALE FE/ZNXC3 | |
| 022 | 80061665 | 002 | VIS TETE HEXAGONALE FE/ZNXC3 | HEXAGON HEAD SCREW FE/ZNXC3 | SECHSKANTSCHRAUBE FE/ZNXC3 | VITE TESTA ESAGONALE FE/ZNXC3 | |





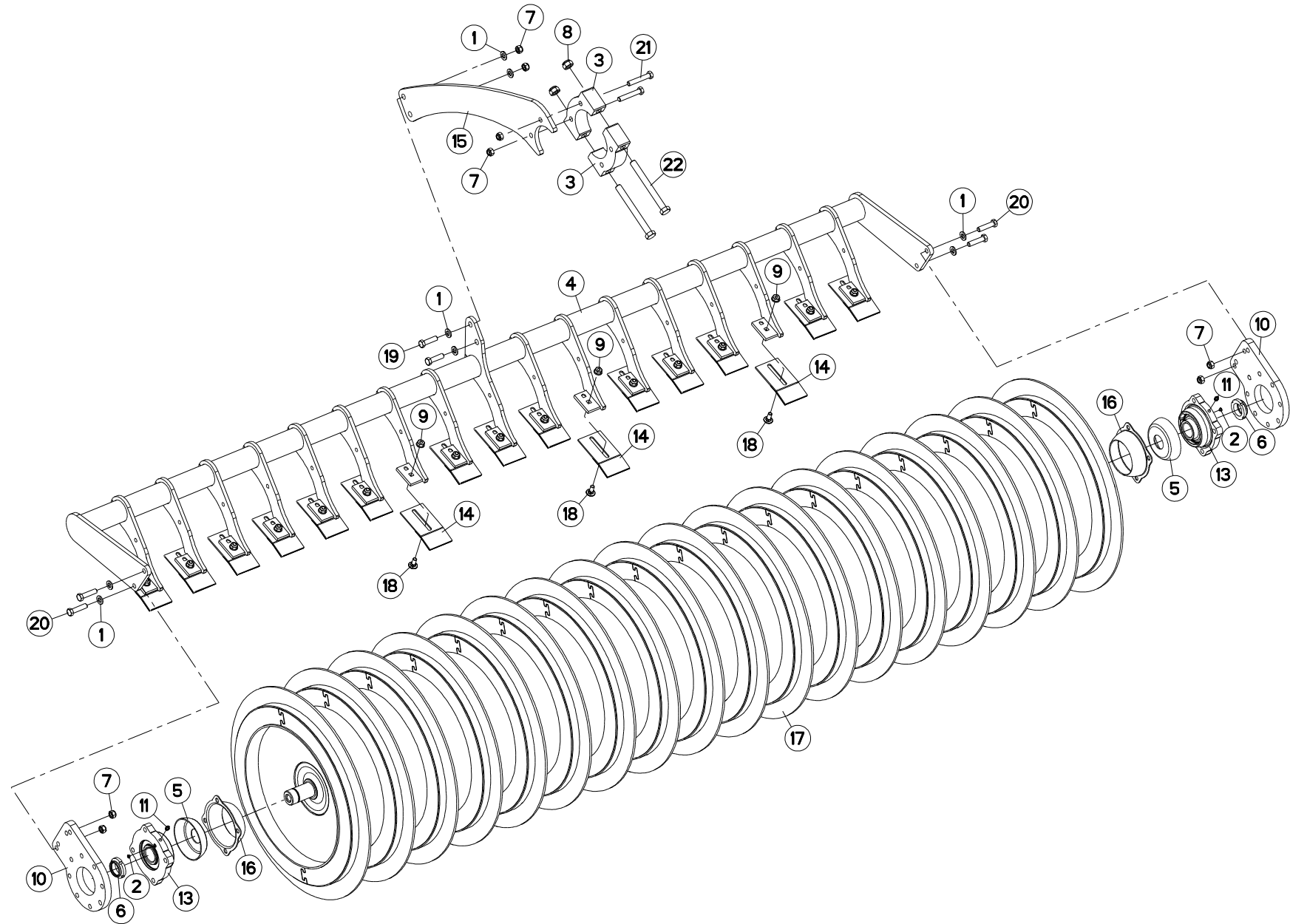
ROULEAU T-RING FL. D600 G

ROLLER T-RING FL. D600 G

WALZE T-RING FL. D600 G

RULLO T-RING FL. D600 G

| Rep | Nr | Qt | Designation | Description | Bezeichnung | Referenza | Remarque - Remark - Bemerkung - Osservazioni |
|-----|----------|-----|-------------------------------|--------------------------------|--------------------------------|-------------------------------|--|
| 001 | 80251227 | 008 | RONDELLE PLATE FE/ZNXC3 | PLAIN WASHER FE/ZNXC3 | SCHEIBE FE/ZNXC3 | RONDELLA PIATTA FE/ZNXC3 | |
| 002 | 83040072 | 002 | BOUCHON D'OBTURATION | END PLUG | KEGELSTOPFEN | TAPPO DI CHIUSURA | |
| 003 | H2223190 | 002 | BRIDE | CLAMP | BUEGEL | STAFFA | |
| 004 | H2224450 | 001 | DECROTTOIR | SCRAPER, DIRT | ABSTREIFER | RASCHIATORE | |
| 005 | 52514000 | 002 | DEFLECTEUR DU PALIER | COVER | LAGERSCHUTZ | DEFLETTORE SUPPORTO | |
| 006 | 80204063 | 002 | ECROU AUTOFREINE FE/ZNXC3 | SELF-LOCKING NUT FE/ZNXC3 | SELBSTSICHERND.MUTTER FE/ZNXC3 | DADO AUTOBLOCCANTE FE/ZNXC3 | |
| 007 | 80201240 | 008 | ECROU HEX.BAS AUTOFR.FE/ZNXC3 | SELF-LOCKING NUT FE/ZNXC3 | SELBSTSICHERND.MUTTER FE/ZNXC3 | DADO AUTOBLOCCANTE FE/ZNXC3 | |
| 008 | 80201640 | 002 | ECROU HEX.BAS AUTOFR.FE/ZNXC3 | SELF-LOCKING NUT FE/ZNXC3 | SELBSTSICHERND.MUTTER FE/ZNXC3 | DADO AUTOBLOCCANTE FE/ZNXC3 | |
| 009 | 80201062 | 014 | ECROU TWOLOCK FLZNNC | SELF-LOCKING NUT FLZNNC | SELBSTSICHERNDE MUTTER FLZNNC | DADO TWOLOCK FLZNNC | |
| 010 | H2213820 | 002 | ENTRETOISE | SPACER | DISTANZHUELSE | DISTANZIALE | |
| 011 | 82200815 | 002 | GRAISSEUR AUTOTAR.FE/ZNXC3 | TAPPING GREASE NIPPLE FE/ZNXC3 | GEWINDESCH.SCHMIERNIP.FE/ZNXC3 | INGRASSATORE FE/ZNXC3 | |
| 012 | 2550012 | 002 | LOCTITE PATE 8150 | GREASE | FETT | | |
| 013 | 52563800 | 002 | PALIER | BEARING, PILLOW BLOCK | LAGER | SUPPORTO | |
| 014 | 52560010 | 014 | PLAQUETTE | SCRAPER HARDCOATED HD | ABSTREIFERPLATTE BESCHICHT. HD | PIASTRA RASCHIAT.CON RINFORZO | |
| 015 | H2223900 | 001 | PLAT | FLAT | FLACHEISEN | PIATTO | |
| 016 | 52563600 | 002 | PROTECTEUR | GUARD | SCHUTZ | PROTEZIONE | |
| 017 | H2224440 | 001 | ROULEAU | ROLLER | ROLLE | RULLO | |
| 018 | 50005500 | 014 | VIS J | BOLT, J | FLACHRUNDSCHR.4KT ANSATZ | BULLONE | |
| 019 | 80061245 | 002 | VIS TETE HEXAGONALE FE/ZNXC3 | HEXAGON HEAD SCREW FE/ZNXC3 | SECHSKANTSCHRAUBE FE/ZNXC3 | VITE TESTA ESAGONALE FE/ZNXC3 | |
| 020 | 80061249 | 004 | VIS TETE HEXAGONALE FE/ZNXC3 | HEXAGON HEAD SCREW FE/ZNXC3 | SECHSKANTSCHRAUBE FE/ZNXC3 | VITE TESTA ESAGONALE FE/ZNXC3 | |
| 021 | 80061281 | 002 | VIS TETE HEXAGONALE FE/ZNXC3 | HEXAGON HEAD SCREW FE/ZNXC3 | SECHSKANTSCHRAUBE FE/ZNXC3 | VITE TESTA ESAGONALE FE/ZNXC3 | |
| 022 | 80061665 | 002 | VIS TETE HEXAGONALE FE/ZNXC3 | HEXAGON HEAD SCREW FE/ZNXC3 | SECHSKANTSCHRAUBE FE/ZNXC3 | VITE TESTA ESAGONALE FE/ZNXC3 | |





ROULEAU T-RING FL. D600 2M

ROLLER T-RING FL. D600 2M

WALZE T-RING FL. D600 2M

RULLO T-RING FL. D600 2M

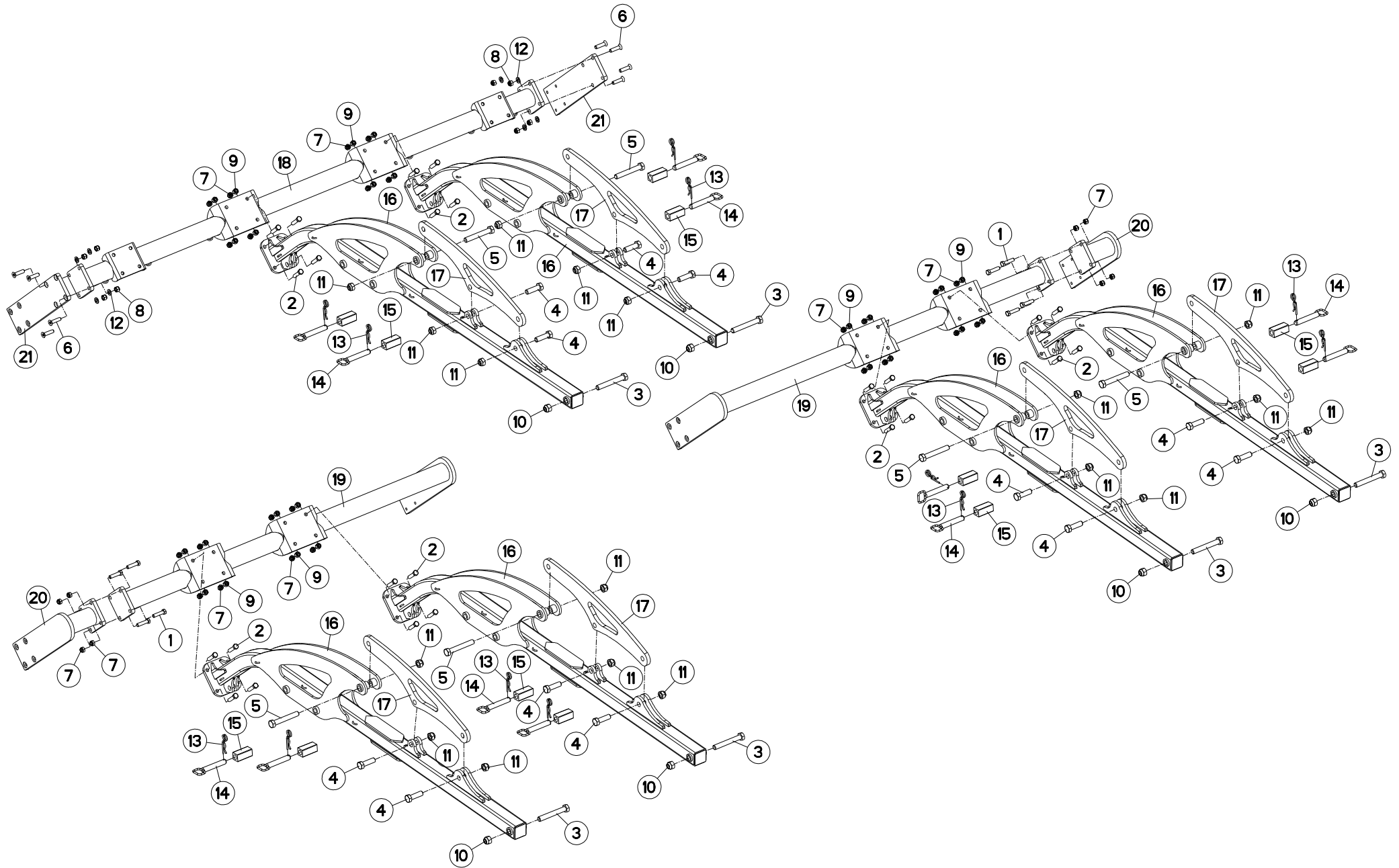
| Rep | Nr | Qt | Designation | Description | Bezeichnung | Referenza | Remarque - Remark - Bemerkung - Osservazioni |
|-----|----------|-----|-------------------------------|--------------------------------|--------------------------------|-------------------------------|--|
| 001 | 80251227 | 008 | RONDELLE PLATE FE/ZNXC3 | PLAIN WASHER FE/ZNXC3 | SCHEIBE FE/ZNXC3 | RONDELLA PIATTA FE/ZNXC3 | |
| 002 | 83040072 | 002 | BOUCHON D'OBTURATION | END PLUG | KEGELSTOPFEN | TAPPO DI CHIUSURA | |
| 003 | H2223190 | 002 | BRIDE | CLAMP | BUEGEL | STAFFA | |
| 004 | H2224460 | 001 | DECROTTOIR | SCRAPER, DIRT | ABSTREIFER | RASCHIATORE | |
| 005 | 52514000 | 002 | DEFLECTEUR DU PALIER | COVER | LAGERSCHUTZ | DEFLETTORE SUPPORTO | |
| 006 | 80204063 | 002 | ECROU AUTOFREINE FE/ZNXC3 | SELF-LOCKING NUT FE/ZNXC3 | SELBSTSICHERND.MUTTER FE/ZNXC3 | DADO AUTOBLOCCANTE FE/ZNXC3 | |
| 007 | 80201240 | 008 | ECROU HEX.BAS AUTOFR.FE/ZNXC3 | SELF-LOCKING NUT FE/ZNXC3 | SELBSTSICHERND.MUTTER FE/ZNXC3 | DADO AUTOBLOCCANTE FE/ZNXC3 | |
| 008 | 80201640 | 002 | ECROU HEX.BAS AUTOFR.FE/ZNXC3 | SELF-LOCKING NUT FE/ZNXC3 | SELBSTSICHERND.MUTTER FE/ZNXC3 | DADO AUTOBLOCCANTE FE/ZNXC3 | |
| 009 | 80201062 | 017 | ECROU TWOLOCK FLZNNC | SELF-LOCKING NUT FLZNNC | SELBSTSICHERNDE MUTTER FLZNNC | DADO TWOLOCK FLZNNC | |
| 010 | H2213820 | 002 | ENTRETOISE | SPACER | DISTANZHUELSE | DISTANZIALE | |
| 011 | 82200815 | 002 | GRAISSEUR AUTOTAR.FE/ZNXC3 | TAPPING GREASE NIPPLE FE/ZNXC3 | GEWINDESCH.SCHMIERNIP.FE/ZNXC3 | INGRASSATORE FE/ZNXC3 | |
| 012 | 2550012 | 002 | LOCTITE PATE 8150 | GREASE | FETT | | |
| 013 | 52563800 | 002 | PALIER | BEARING, PILLOW BLOCK | LAGER | SUPPORTO | |
| 014 | 52560010 | 017 | PLAQUETTE | SCRAPER HARDCOATED HD | ABSTREIFERPLATTE BESCHICHT. HD | PIASTRA RASCHIAT.CON RINFORZO | |
| 015 | H2223900 | 001 | PLAT | FLAT | FLACHEISEN | PIATTO | |
| 016 | 52563600 | 002 | PROTECTEUR | GUARD | SCHUTZ | PROTEZIONE | |
| 017 | H2224570 | 001 | ROULEAU | ROLLER | ROLLE | RULLO | |
| 018 | 50005500 | 017 | VIS J | BOLT, J | FLACHRUNDSCHR.4KT ANSATZ | BULLONE | |
| 019 | 80061245 | 002 | VIS TETE HEXAGONALE FE/ZNXC3 | HEXAGON HEAD SCREW FE/ZNXC3 | SECHSKANTSCHRAUBE FE/ZNXC3 | VITE TESTA ESAGONALE FE/ZNXC3 | |
| 020 | 80061249 | 004 | VIS TETE HEXAGONALE FE/ZNXC3 | HEXAGON HEAD SCREW FE/ZNXC3 | SECHSKANTSCHRAUBE FE/ZNXC3 | VITE TESTA ESAGONALE FE/ZNXC3 | |
| 021 | 80061281 | 002 | VIS TETE HEXAGONALE FE/ZNXC3 | HEXAGON HEAD SCREW FE/ZNXC3 | SECHSKANTSCHRAUBE FE/ZNXC3 | VITE TESTA ESAGONALE FE/ZNXC3 | |
| 022 | 80061665 | 002 | VIS TETE HEXAGONALE FE/ZNXC3 | HEXAGON HEAD SCREW FE/ZNXC3 | SECHSKANTSCHRAUBE FE/ZNXC3 | VITE TESTA ESAGONALE FE/ZNXC3 | |

Nombre de composants sur l'ensemble de la machine = Quantité (Qt) x 002

Gesamtanzahl der in dieser Teilegruppe für die Maschine verwendeten Teile = Menge (Qt) x 002

Number of service parts and service parts assemblies used on the machine = Quantity (Qt) x 002

Quantità di componenti sul complessivo della macchina = Quantità (Qtà) x 002





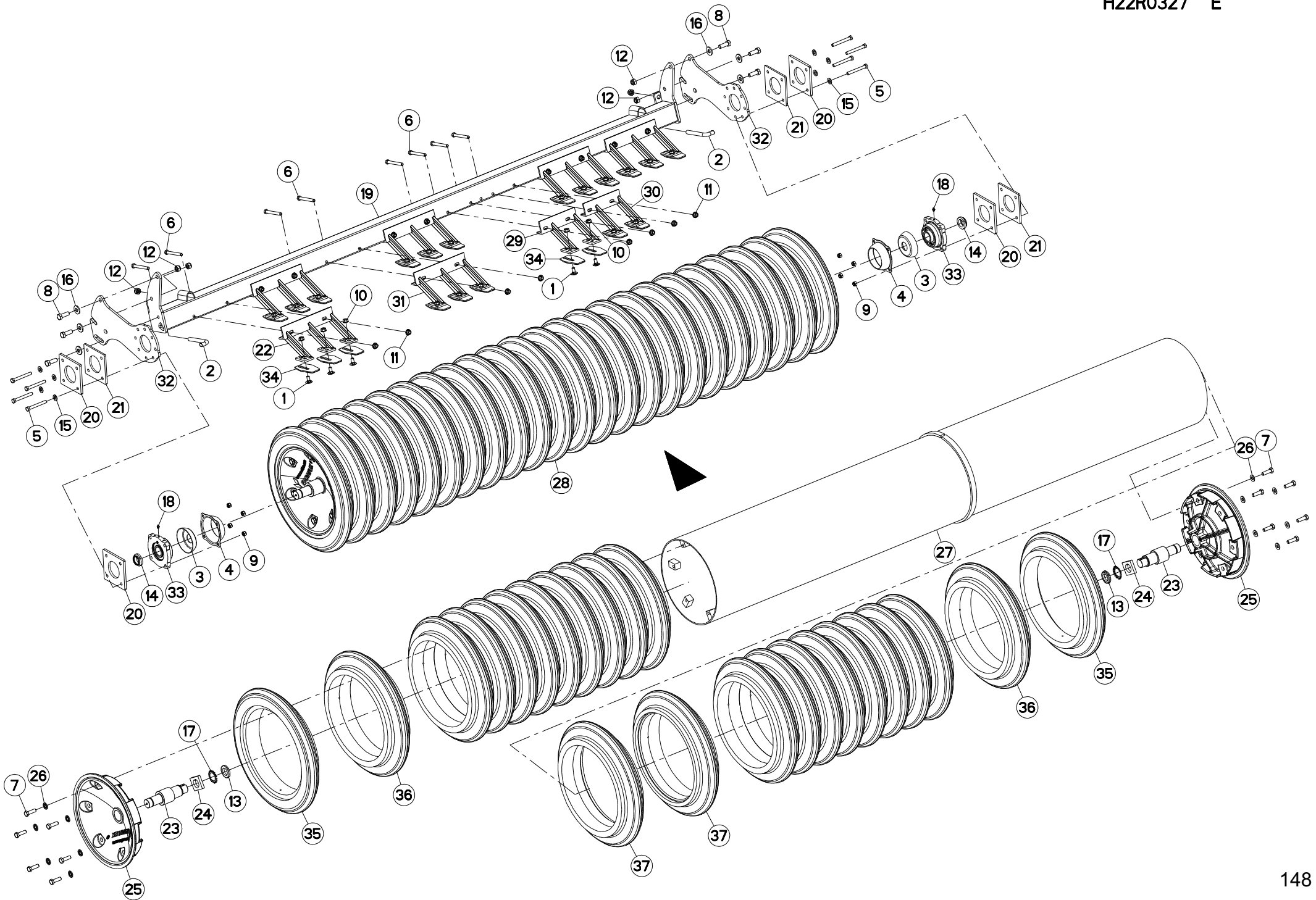
CHASSIS 6,5M (ROULEAU PACKLINE)

FRAME 6,5M (PACKLINER ROLLER)

RAHMEN 6,5M (PACKLINER-WALZE)

TELAIO 6,5M (RULLO PACKLINER)

| Rep | Nr | Qt | Designation | Description | Bezeichnung | Referenza | Remarque - Remark - Bemerkung - Osservazioni |
|-----|----------|-----|-------------------------------|------------------------------|--------------------------------|-------------------------------|--|
| 001 | 80061638 | 008 | VIS TETE HEXAGONALE FE/ZNXC3 | HEXAGON HEAD SCREW FE/ZNXC3 | SECHSKANTSCHRAUBE FE/ZNXC3 | VITE TESTA ESAGONALE FE/ZNXC3 | |
| 002 | 80061649 | 024 | VIS TETE HEXAGONALE FE/ZNXC3 | HEXAGON HEAD SCREW FE/ZNXC3 | SECHSKANTSCHRAUBE FE/ZNXC3 | VITE TESTA ESAGONALE FE/ZNXC3 | |
| 003 | 80062469 | 006 | VIS TETE HEXAGONALE FLZNNC | HEXAGON HEAD SCREW FLZNNC | SECHSKANTSCHRAUBE FLZNNC | VITE TESTA ESAGONALE FLZNNC | |
| 004 | 80062480 | 012 | VIS TETE HEXAGONALE FE/ZNXC3 | HEXAGON HEAD SCREW FE/ZNXC3 | SECHSKANTSCHRAUBE FE/ZNXC3 | VITE TESTA ESAGONALE FE/ZNXC3 | |
| 005 | 80062495 | 006 | VIS TETE HEXAGONALE FE/ZNXC3 | HEXAGON HEAD SCREW FE/ZNXC3 | SECHSKANTSCHRAUBE FE/ZNXC3 | VITE TESTA ESAGONALE FE/ZNXC3 | |
| 006 | 80111665 | 008 | VIS T.FRAI.SIX P.CR.FLZNNC | HEX.SOC.COUNT.HEAD SC.FLZNNC | SENKSCHRAUB.INNENSEC.FLZNNC | VITE FLZNNC | |
| 007 | 80201640 | 032 | ECROU HEX.BAS AUTOFR.FE/ZNXC3 | SELF-LOCKING NUT FE/ZNXC3 | SELBSTSICHERND.MUTTER FE/ZNXC3 | DADO AUTOBLOCCANTE FE/ZNXC3 | |
| 008 | 80201647 | 008 | ECROU HEX.AUTOFREINE FE/ZNXC3 | SELF-LOCKING NUT FE/ZNXC3 | SELBSTSICHERNDE MUTT.FE/ZNXC3 | DADO AUTOBLOCCANTE FE/ZNXC3 | |
| 009 | 80201670 | 024 | ECROU HEXAGONAL FE/ZNXC3 | NUT FE/ZNXC3 | SECHSKANTMUTTER FE/ZNXC3 | DADO FE/ZNXC3 | |
| 010 | 80202442 | 006 | ECROU HEX.BAS AUTOFR.FE/ZNXC3 | SELF-LOCKING NUT FE/ZNXC3 | SELBSTSICHERND.MUTTER FE/ZNXC3 | DADO AUTOBLOCCANTE FE/ZNXC3 | |
| 011 | 80202442 | 018 | ECROU HEX.BAS AUTOFR.FE/ZNXC3 | SELF-LOCKING NUT FE/ZNXC3 | SELBSTSICHERND.MUTTER FE/ZNXC3 | DADO AUTOBLOCCANTE FE/ZNXC3 | |
| 012 | 80251624 | 008 | RONDELLE PLATE FE/ZNXC3 | PLAIN WASHER FE/ZNXC3 | SCHEIBE FE/ZNXC3 | RONDELLA PIATTA FE/ZNXC3 | |
| 013 | 80570600 | 012 | GOUPILLE BETA SIMPLE FE/ZNXC3 | SPRING COTTER PIN FE/ZNXC3 | FEDERSTECKER FE/ZNXC3 | MOLLA FE/ZNXC3 | |
| 014 | H2212560 | 012 | BROCHE | PIN, HITCH | ACHSE | PERNO | |
| 015 | H2214590 | 012 | ENTRETOISE | SPACER | DISTANZHUELSE | DISTANZIALE | |
| 016 | H2222290 | 006 | BRAS | ARM | ARM | BRACCIO | |
| 017 | H2222340 | 006 | PLAT | FLAT | FLACHEISEN | PIATTO | |
| 018 | H2223160 | 001 | CHASSIS | CHASSIS | HAUPTRAHMEN | TELAIO | |
| 019 | H2223170 | 002 | CHASSIS | CHASSIS | HAUPTRAHMEN | TELAIO | |
| 020 | H2223180 | 002 | BRAS | ARM | ARM | BRACCIO | |
| 021 | H2223870 | 002 | PLAT | FLAT | FLACHEISEN | PIATTO | |





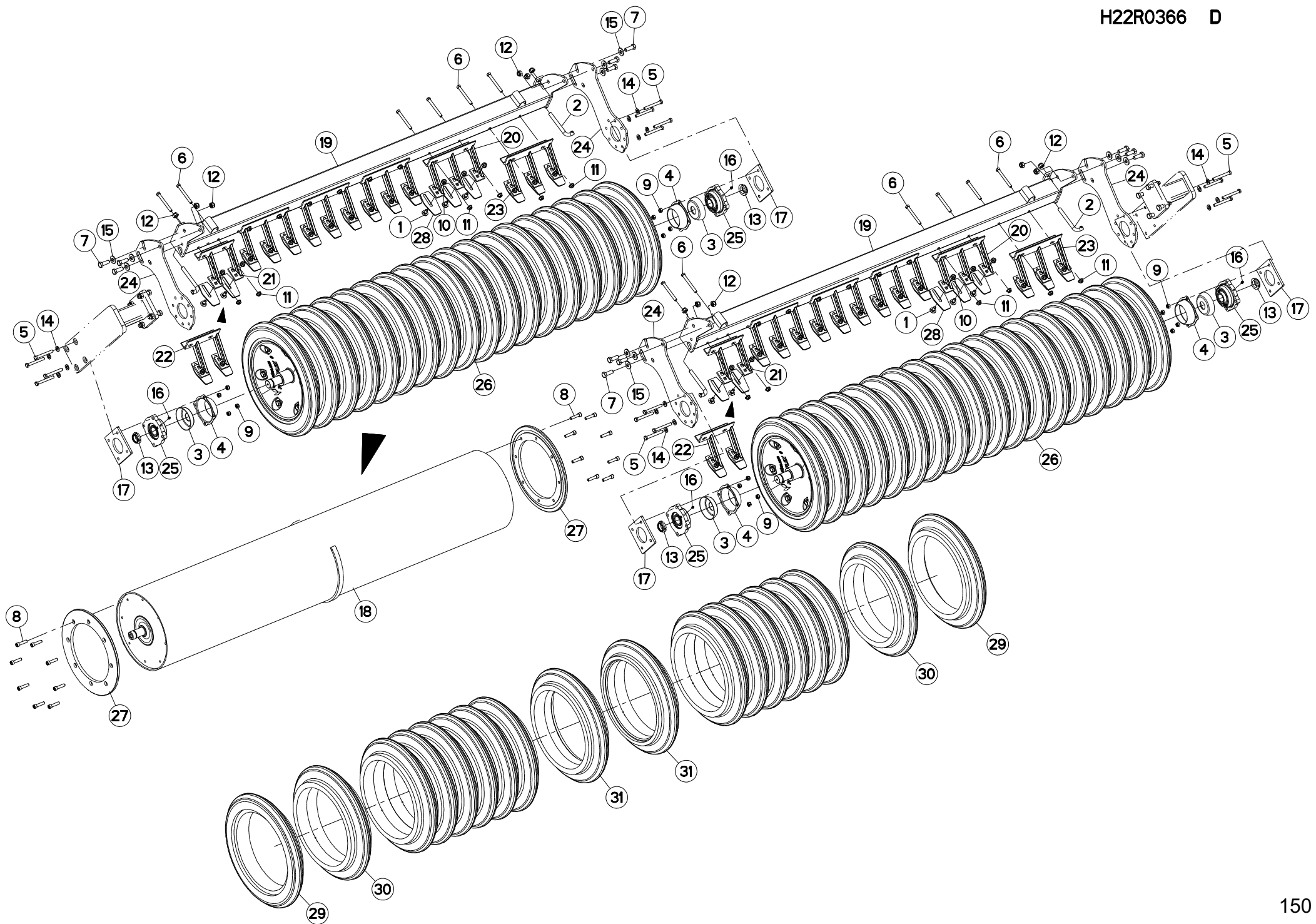
ROULEAU PACKLINER 3M

PACKLINER ROLLER 3M

PACKLINER-WALZE 3M

RULLO PACKLINER 3M

| Rep | Nr | Qt | Designation | Description | Bezeichnung | Referenza | Remarque - Remark - Bemerkung - Osservazioni |
|-----|----------|-----|-------------------------------|--------------------------------|--------------------------------|-------------------------------|--|
| 001 | 50068100 | 022 | VIS J | BOLT, J | FLACHRUNDSCHR.4KT ANSATZ | VITE | |
| 002 | 50068200 | 002 | GRIFFE | BOLT | SCHRAUBE | GANCIO | |
| 003 | 52514000 | 002 | DEFLECTEUR DU PALIER | COVER | LAGERSCHUTZ | DEFLETTORE SUPPORTO | |
| 004 | 52563600 | 002 | PROTECTEUR | GUARD | SCHUTZ | PROTEZIONE | |
| 005 | 80061224 | 008 | VIS TETE HEXAGONALE FLZNNC | HEXAGON HEAD SCREW FLZNNC | SECHSKANTSCHRAUBE FLZNNC | VITE TESTA ESAGONALE FLZNNC | |
| 006 | 80061268 | 016 | VIS TETE HEXAGONALE FE/ZNXC3 | HEXAGON HEAD SCREW FE/ZNXC3 | SECHSKANTSCHRAUBE FE/ZNXC3 | VITE TESTA ESAGONALE FE/ZNXC3 | |
| 007 | 80061447 | 012 | VIS TETE HEXAGONALE FE/ZNXC3 | HEXAGON HEAD SCREW FE/ZNXC3 | SECHSKANTSCHRAUBE FE/ZNXC3 | VITE TESTA ESAGONALE FE/ZNXC3 | [1] |
| 008 | 80061646 | 006 | VIS TETE HEXAGONALE FE/ZNXC3 | HEXAGON HEAD SCREW FE/ZNXC3 | SECHSKANTSCHRAUBE FE/ZNXC3 | VITE TESTA ESAGONALE FE/ZNXC3 | |
| 009 | 80201240 | 008 | ECROU HEX.BAS AUTOFR.FE/ZNXC3 | SELF-LOCKING NUT FE/ZNXC3 | SELBSTSICHERND.MUTTER FE/ZNXC3 | DADO AUTOBLOCCANTE FE/ZNXC3 | |
| 010 | 80201262 | 022 | ECROU TWOLOK FLZNNC | SELF-LOCKING NUT FLZNNC | SELBSTSICHERNDE MUTTER FLZNNC | DADO TWOLOCK FLZNNC | |
| 011 | 80201265 | 016 | ECROU HEWISTOP FE/ZNXC3 | SELF-LOCKING NUT FE/ZNXC3 | SELBSTSICHERNDE MUTT.FE/ZNXC | DADO FE/ZNXC3 | |
| 012 | 80201640 | 006 | ECROU HEX.BAS AUTOFR.FE/ZNXC3 | SELF-LOCKING NUT FE/ZNXC3 | SELBSTSICHERND.MUTTER FE/ZNXC3 | DADO AUTOBLOCCANTE FE/ZNXC3 | |
| 013 | 80204018 | 002 | ECROU A ENCOCHES | SLOTTED ROUND NUT | NUTMUTTER | DADO | [1] |
| 014 | 80204063 | 002 | ECROU AUTOFREINE FE/ZNXC3 | SELF-LOCKING NUT FE/ZNXC3 | SELBSTSICHERND.MUTTER FE/ZNXC3 | DADO AUTOBLOCCANTE FE/ZNXC3 | |
| 015 | 80251227 | 008 | RONDELLE PLATE FE/ZNXC3 | PLAIN WASHER FE/ZNXC3 | SCHEIBE FE/ZNXC3 | RONDELLA PIATTA FE/ZNXC3 | |
| 016 | 80281639 | 006 | RONDELLE RESSORT FLZNNC | CONICAL SPRING WASHER FLZNNC | SPANNSCHEIBE FLZNNC | RONDELLA A MOLLA FLZNNC | |
| 017 | 80294020 | 004 | RONDELLE-FREIN | LOCK WASHER | SICHERUNGSBLECH | RONDELLA-FRENO | [1] |
| 018 | 82200815 | 002 | GRAISSEUR AUTOTAR.FE/ZNXC3 | TAPPING GREASE NIPPLE FE/ZNXC3 | GEWINDESCH.SCHMIERNIP.FE/ZNXC3 | INGRASSATORE FE/ZNXC3 | |
| 019 | H2204950 | 001 | TRAVERSE | TUBE, CROSS | QUERTRAEGER | TRAVERSA | |
| 020 | H2204960 | 004 | ENTRETOISE | SPACER | DISTANZHUELSE | DISTANZIALE | |
| 021 | H2207350 | 004 | ENTRETOISE | SPACER | DISTANZHUELSE | DISTANZIALE | |
| 022 | H2214560 | 006 | MODULE | MODULE | MODUL | MODULE | |
| 023 | H2219700 | 002 | AXE | PIN | ACHSE | ASSE | [1] |
| 024 | H2219710 | 002 | ENTRETOISE | SPACER | DISTANZHUELSE | DISTANZIALE | [1] |
| 025 | H2219720 | 002 | FLASQUE | FLANGE | FLANSCH | FLANGIA | [1] |
| 026 | H2219730 | 012 | RONDELLE D'AJUSTAGE | SHIM WASHER | PASSSCHEIBE | RONDELLA | [1] |
| 027 | H2219750 | 001 | ROULEAU | ROLLER | ROLLE | RULLO | [1] |
| 028 | H2219760 | 001 | ROULEAU | ROLLER | ROLLE | RULLO | + [1] |
| 029 | H2219780 | 002 | MODULE | MODULE | MODUL | MODULE | |
| 030 | H2219970 | 002 | DECROTTOIR | SCRAPER, DIRT | ABSTREIFER | RASCHIATORE | |
| 031 | H2219980 | 006 | DECROTTOIR | SCRAPER, DIRT | ABSTREIFER | RASCHIATORE | |
| 032 | H2219990 | 002 | BRAS | ARM | ARM | BRACCIO | |
| 033 | H2222130 | 002 | PALIER | BEARING, PILLOW BLOCK | LAGER | SUPPORTO | |
| 034 | K2501310 | 022 | PLAQUETTE | SCRAPER | ABSTREIFER | RASCHIETTO | |
| 035 | K2500312 | 002 | ELEMENT D'EXTREMITÉ | OUTER ELEMENT | AUSSENELEMENT | ELEMENTO | [1] |
| 036 | K2500352 | 019 | ELEMENT STANDARD | STANDARD ELEMENT | STANDARD ELEMENT | ELEMENTO | [1] |
| 037 | K2501290 | 002 | ELEMENT MILIEU | INNER ELEMENT | INNENELEMENT | ELEMENTO INTERIORE | [1] |





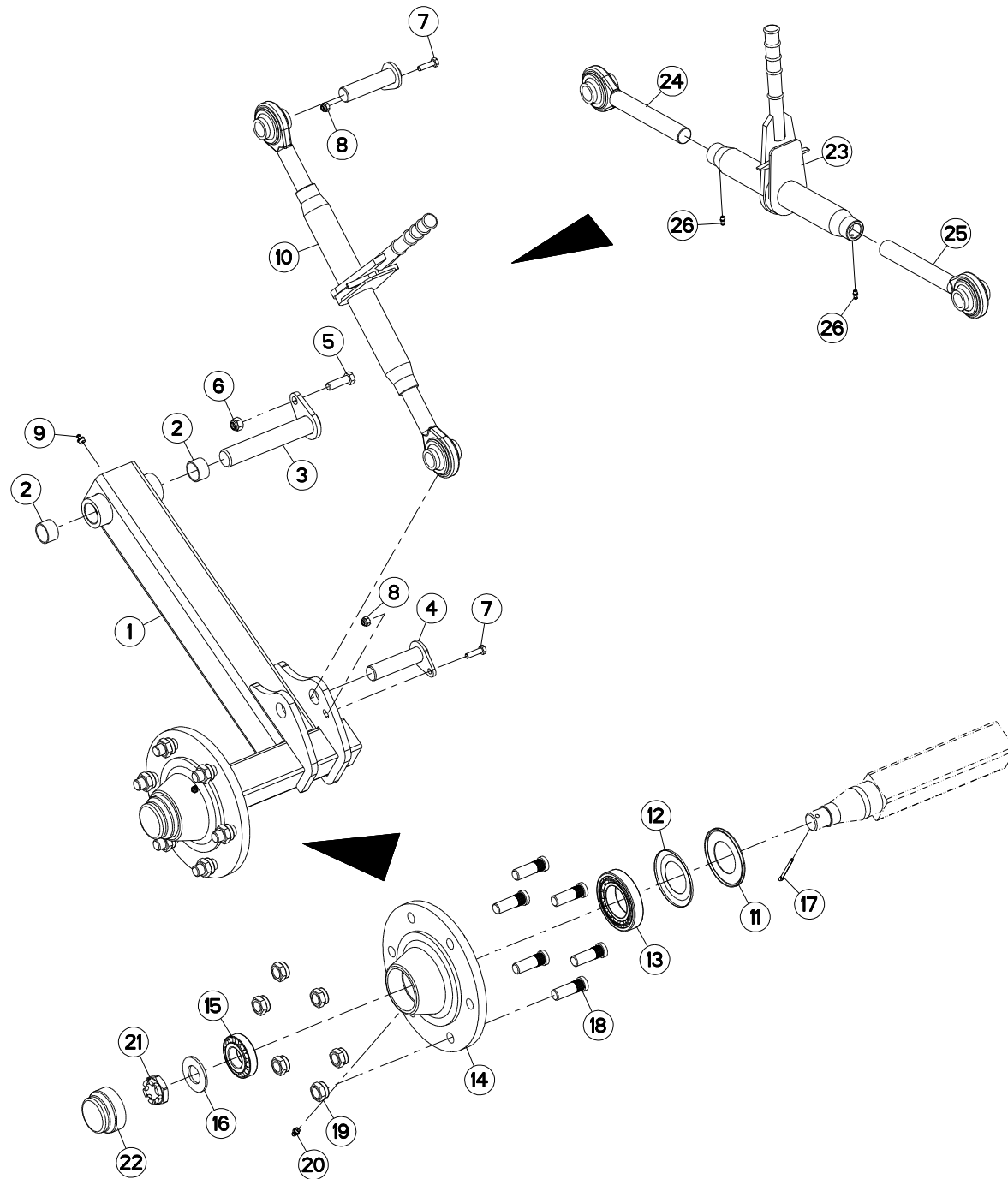
ROULEAU PACKLINER 2 X 2M

PACKLINER ROLLER 2 X 2M

PACKLINER-WALZE 2 X 2M

RULLO PACKLINER 2 X 2M

| Rep | Nr | Qt | Designation | Description | Bezeichnung | Referenza | Remarque - Remark - Bemerkung - Osservazioni |
|-----|----------|-----|--------------------------------|--------------------------------|--------------------------------|--------------------------------|--|
| 001 | 50068100 | 034 | VIS J | BOLT, J | FLACHRUNDSCHR.4KT ANSATZ | VITE | [2] [3] |
| 002 | 50068200 | 004 | GRIFFE | BOLT | SCHRAUBE | GANCIO | |
| 003 | 52514000 | 004 | DEFLECTEUR DU PALIER | COVER | LAGERSCHUTZ | DEFLETTORE SUPPORTO | |
| 004 | 52563600 | 004 | PROTECTEUR | GUARD | SCHUTZ | PROTEZIONE | |
| 005 | 80061224 | 016 | VIS TETE HEXAGONALE FLZNNC | HEXAGON HEAD SCREW FLZNNC | SECHSKANTSCHRAUBE FLZNNC | VITE TESTA ESAGONALE FLZNNC | |
| 006 | 80061268 | 024 | VIS TETE HEXAGONALE FE/ZNXC3 | HEXAGON HEAD SCREW FE/ZNXC3 | SECHSKANTSCHRAUBE FE/ZNXC3 | VITE TESTA ESAGONALE FE/ZNXC3 | |
| 007 | 80061646 | 012 | VIS TETE HEXAGONALE FE/ZNXC3 | HEXAGON HEAD SCREW FE/ZNXC3 | SECHSKANTSCHRAUBE FE/ZNXC3 | VITE TESTA ESAGONALE FE/ZNXC3 | |
| 008 | 80081250 | 016 | VIS TETE CYL.SIX P.CR.FE/ZNXC3 | HEX.SOCK.HEAD CAP SCR.FE/ZNXC3 | ZYLINDERSCHR.INNENSEC.FE/ZNXC3 | VITE A TESTA CILINDR. FE/ZNXC3 | [1] |
| 009 | 80201240 | 016 | ECROU HEX.BAS AUTOFR.FE/ZNXC3 | SELF-LOCKING NUT FE/ZNXC3 | SELBSTSICHERND.MUTTER FE/ZNXC3 | DADO AUTOBLOCCANTE FE/ZNXC3 | |
| 010 | 80201262 | 034 | ECROU TWOLOK FLZNNC | SELF-LOCKING NUT FLZNNC | SELBSTSICHERNDE MUTTER FLZNNC | DADO TWOLOCK FLZNNC | [2] [3] |
| 011 | 80201265 | 024 | ECROU HEWISTOP FE/ZNXC3 | SELF-LOCKING NUT FE/ZNXC3 | SELBSTSICHERNDE MUTT.FE/ZNXC | DADO FE/ZNXC3 | |
| 012 | 80201640 | 012 | ECROU HEX.BAS AUTOFR.FE/ZNXC3 | SELF-LOCKING NUT FE/ZNXC3 | SELBSTSICHERND.MUTTER FE/ZNXC3 | DADO AUTOBLOCCANTE FE/ZNXC3 | |
| 013 | 80204063 | 004 | ECROU AUTOFREINE FE/ZNXC3 | SELF-LOCKING NUT FE/ZNXC3 | SELBSTSICHERND.MUTTER FE/ZNXC3 | DADO AUTOBLOCCANTE FE/ZNXC3 | |
| 014 | 80251227 | 016 | RONDELLE PLATE FE/ZNXC3 | PLAIN WASHER FE/ZNXC3 | SCHEIBE FE/ZNXC3 | RONDELLA PIATTA FE/ZNXC3 | |
| 015 | 80281639 | 012 | RONDELLE RESSORT FLZNNC | CONICAL SPRING WASHER FLZNNC | SPANNSCHEIBE FLZNNC | RONDELLA A MOLLA FLZNNC | |
| 016 | 82200815 | 004 | GRAISSEUR AUTOTAR.FE/ZNXC3 | TAPPING GREASE NIPPLE FE/ZNXC3 | GEWINDESCH.SCHMIERNIP.FE/ZNXC3 | INGRASSATORE FE/ZNXC3 | |
| 017 | H2204960 | 004 | ENTRETOISE | SPACER | DISTANZHUELSE | DISTANZIALE | |
| 018 | H2210560 | 001 | ROULEAU | ROLLER | ROLLE | RULLO | [1] |
| 019 | H2210570 | 002 | TRAVERSE | TUBE, CROSS | QUERTRAEGER | TRAVERSA | |
| 020 | H2214560 | 010 | MODULE | MODULE | MODUL | MODULE | [3] |
| 021 | H2219780 | 002 | MODULE | MODULE | MODUL | MODULE | [2] |
| 022 | H2219970 | 002 | DECROTTOIR | SCRAPER, DIRT | ABSTREIFER | RASCHIATORE | + [2] |
| 023 | H2219980 | 010 | DECROTTOIR | SCRAPER, DIRT | ABSTREIFER | RASCHIATORE | |
| 024 | H2219990 | 004 | BRAS | ARM | ARM | BRACCIO | |
| 025 | H2222130 | 004 | PALIER | BEARING, PILLOW BLOCK | LAGER | SUPPORTO | |
| 026 | H2222180 | 002 | ROULEAU | ROLLER | ROLLE | RULLO | + [1] |
| 027 | K2500230 | 002 | DISQUE | DISC | SCHEIBE | DISCO | [1] |
| 028 | K2501310 | 034 | PLAQUETTE | SCRAPER | ABSTREIFER | RASCHIETTO | [2] [3] |
| 029 | K2500312 | 002 | ELEMENT D'EXTREMITE | OUTER ELEMENT | AUSSENELEMENT | ELEMENTO | [1] |
| 030 | K2500352 | 014 | ELEMENT STANDARD | STANDARD ELEMENT | STANDARD ELEMENT | ELEMENTO | [1] |
| 031 | K2501290 | 002 | ELEMENT MILIEU | INNER ELEMENT | INNENELEMENT | ELEMENTO INTERORE | [1] |





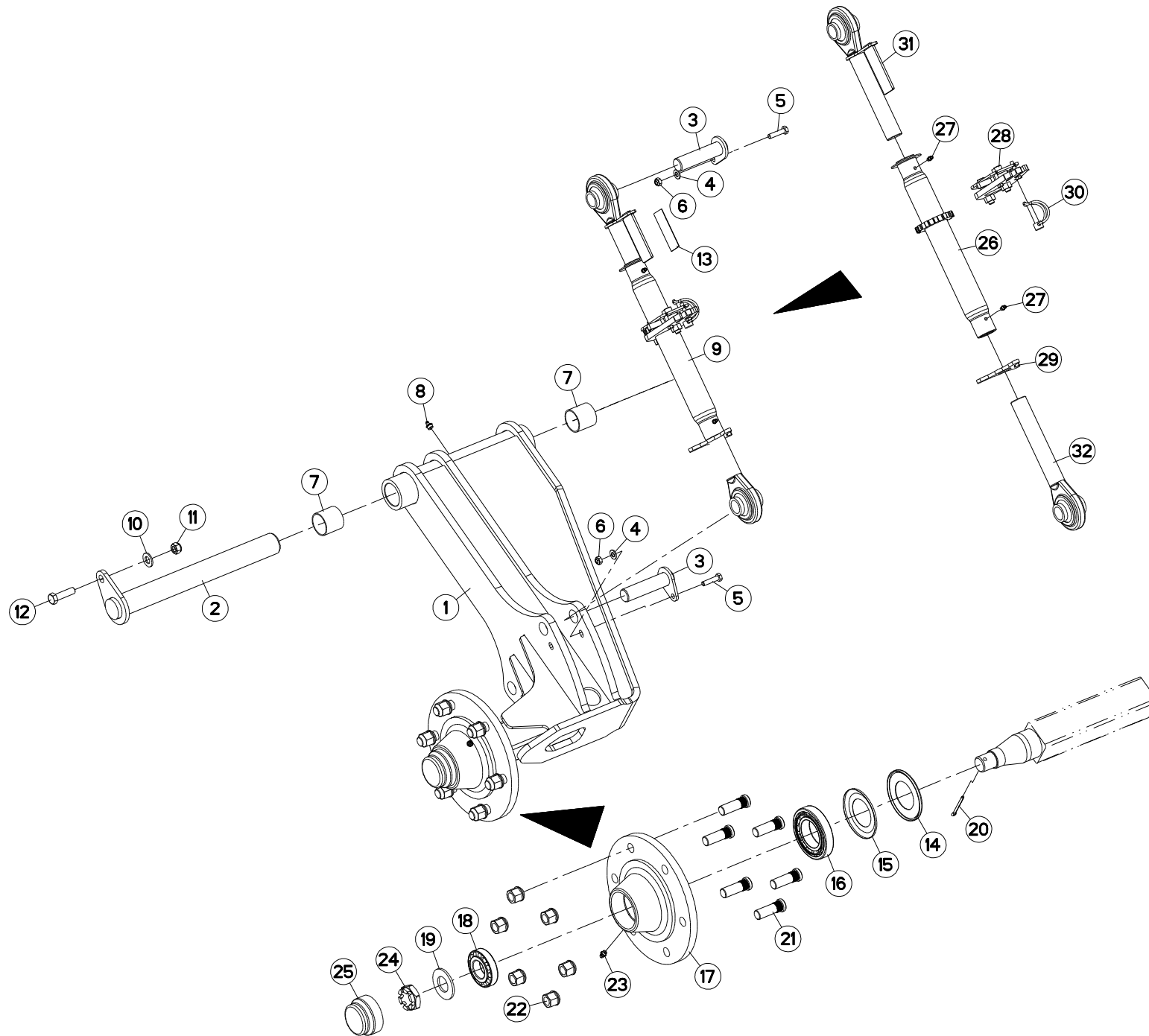
SUPPORT DE ROUE (DROIT)

WHEEL SUPPORT (RIGHT)

RADHALTERUNG (RECHTS)

SUPPORTO RUOTA (DX)

| Rep | Nr | Qt | Designation | Description | Bezeichnung | Referenza | Remarque - Remark - Bemerkung - Osservazioni |
|-----|-----------------|-----|-------------------------------|--------------------------------|--------------------------------|--------------------------------|--|
| 001 | H2902780 | 001 | BRAS DE ROUE | ARM, WHEEL | RADARM | BRACCIO PER RUOTA | + [1] |
| 002 | 83013034 | 002 | BAGUE ROULEE | WRAPPED BUSH | GEROLLE BUCHSE | ANELLO LUBRIFICATO | |
| 003 | H2700660 | 001 | AXE | PIN | ACHSE | ASSE | |
| 004 | 583181 | 002 | PIVOT | PIVOT | GELENKBOLZEN | PERNO | |
| 005 | 80061241 | 001 | VIS TETE HEXAGONALE FE/ZNXC3 | HEXAGON HEAD SCREW FE/ZNXC3 | SECHSKANTSCHRAUBE FE/ZNXC3 | VITE TESTA ESAGONALE FE/ZNXC3 | |
| 006 | 80201230 | 001 | ECROU HEX.AUTOFREINE FE/ZNXC3 | SELF-LOCKING NUT FE/ZNXC3 | SELBSTSICH.MUTTER FE/ZNXC3 | DADO AUTOBLOCCANTE FE/ZNXC3 | |
| 007 | 80060832 | 002 | VIS TETE HEXAGONALE INOX A2 | HEXAGON HEAD SCREW INOX A2 | SECHSKANTSCHRAUBE INOX A2 | VITE A TESTA ESAGONALE INOX A2 | |
| 008 | 80200830 | 002 | ECROU HEX.AUTOFREINE FE/ZNXC3 | SELF-LOCKING NUT FE/ZNXC3 | SELBSTSICHERNDE MUTT.FE/ZNXC3 | DADO AUTOBLOCCANTE FE/ZNXC3 | |
| 009 | 82201016 | 001 | GRAISSEUR AUTOTARAUDANT | SELF TAPPING GREASE NIPPLE | GEWINDESCHNEID-SCHMIERNIPPEL | INGRASSATORE | |
| 010 | H2208530 | 001 | TIRANT | TIE ROD | ZUGSTANGE | TIRANTE | + [2] |
| 011 | 900918 | 001 | RONDELLE DE PROTECTION | PROTECTOR WASHER | SCHEIBE | RONDELLA | [1] |
| 012 | 900451 | 001 | COUPELLE ETANCHEITE | PROTECTOR | SCHEIBE | RONDELLA DI TENUTA | [1] |
| 013 | 81305504 | 001 | RLT A ROULEAUX CONIQUES | TAPERED ROLLER BEARING | KEGELROLLENLAGER | CUSCINETTO A RULLI | [1] |
| 014 | 952226 | 001 | MOYEU NU 606A | HUB BASIC | NABE | MOZZO | [1] |
| 015 | 81303572 | 001 | ROULEMENT A ROULEAUX CONIQUES | TAPERED ROLLER BEARING | KEGELROLLENLAGER | CUSCINETTO A RULLO | [1] |
| 016 | 80253034 | 001 | RONDELLE PLATE FE/ZNXC3 | PLAIN WASHER FE/ZNXC3 | SCHEIBE FE/ZNXC3 | RONDELLA PIATTA FE/ZNXC3 | [1] |
| 017 | 80500451 | 001 | GOUPILLE FENDUE FE/ZNXC3 | SPLIT PIN FE/ZNXC3 | SPLINT FE/ZNXC3 | COPPIGLIA FE/ZNXC3 | [1] |
| 018 | A7039023 | 006 | GOUJON CRANTE 18X150 LG54/39 | STUD | STIFTSCHRAUBE | SPINA | [1] |
| 019 | 80201850 | 006 | ECROU PORTEE SPHER.FE/ZNXC3 | WHEEL NUT FE/ZNXC3 | RADMUTTER FE/ZNXC3 | DADO FE/ZNXC3 | [1] |
| 020 | 82200800 | 001 | GRAISSEUR FE/ZNXC3 | GREASE NIPPLE FE/ZNXC3 | SCHMIERNIPPEL FE/ZNXC3 | INGRASSATORE FE/ZNXC3 | [1] |
| 021 | 80203017 | 001 | ECROU HK BAS FE/ZNXC3 | HEXAGON CASTLE NUT FE/ZNXC3 | FLACHE KRONENMUTTER FE/ZNXC3 | DADO FE/ZNXC3 | [1] |
| 022 | A7039024 | 001 | CHAPEAU PROTECTION D73,5 P1,5 | CAP | DECKEL | CAPPELLO | [1] |
| 023 | H2208540 | 001 | TIRANT | TIE ROD | ZUGSTANGE | TIRANTE | [2] |
| 024 | H2208550 | 001 | EMBOUT | END PIECE | ENDSTUECK | GIUNTO | [2] |
| 025 | H2208560 | 001 | EMBOUT | END PIECE | ENDSTUECK | GIUNTO | [2] |
| 026 | 82200616 | 002 | GRAISSEUR AUTOTAR.FE/ZNXC3 | TAPPING GREASE NIPPLE FE/ZNXC3 | GEWINDESCH.SCHMIERNIP.FE/ZNXC3 | INGRASSATORE FE/ZNXC3 | [2] |





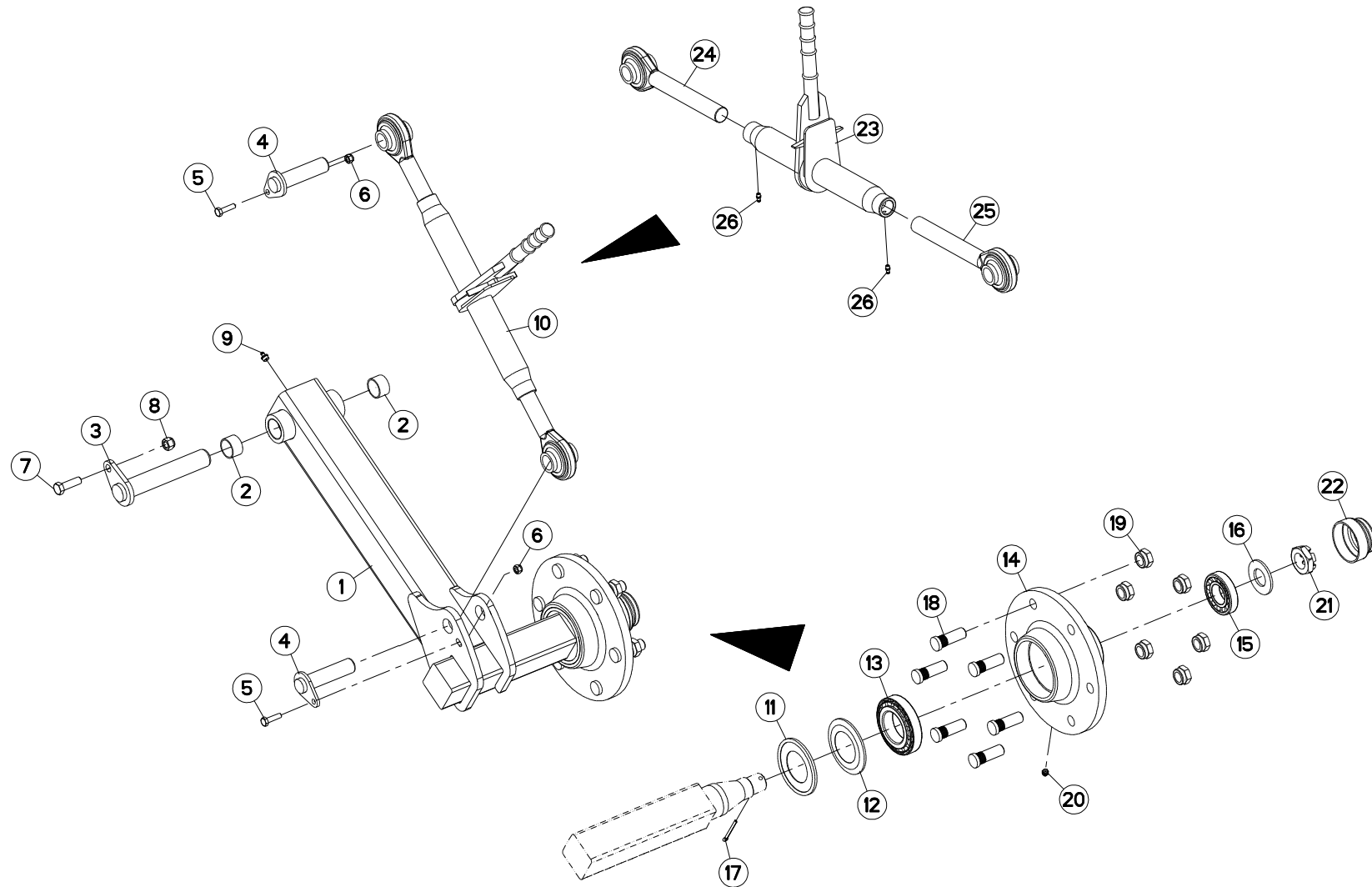
SUPPORT DE ROUE (DROIT)

WHEEL SUPPORT (RIGHT)

RADHALTERUNG (RECHTS)

SUPPORTO RUOTA (DESTRO)

| Rep | Nr | Qt | Designation | Description | Bezeichnung | Referenza | Remarque - Remark - Bemerkung - Osservazioni |
|-----|----------|-----|-------------------------------|--------------------------------|--------------------------------|-------------------------------|--|
| 001 | H2904740 | 001 | BRAS DE ROUE | ARM, WHEEL | RADARM | BRACCIO PER RUOTA | + [1] |
| 002 | H2111160 | 001 | AXE | PIN | ACHSE | ASSE | |
| 003 | 583181 | 002 | PIVOT | PIVOT | GELENKBOLZEN | PERNO | |
| 004 | 80250823 | 002 | RONDELLE PLATE FE/ZNXC3 | PLAIN WASHER FE/ZNXC3 | SCHEIBE FE/ZNXC3 | RONDELLA PIATTA FE/ZNXC3 | |
| 005 | 80060835 | 002 | VIS TETE HEXAGONALE FE/ZNXC3 | HEXAGON HEAD SCREW FE/ZNXC3 | SECHSKANTSCHRAUBE FE/ZNXC3 | VITE TESTA ESAGONALE FE/ZNXC3 | |
| 006 | 80200840 | 002 | ECROU HEX.BAS AUTOFR.FE/ZNXC3 | SELF-LOCKING NUT FE/ZNXC3 | SELBSTSICHERND.MUTTER FE/ZNXC3 | DADO AUTOBLOCCANTE FE/ZNXC3 | |
| 007 | 83014043 | 002 | BAGUE ROULEE | WRAPPED BUSH | GEROLLTE BUCHSE | ANELLO LUBRIFICATO | |
| 008 | 82201016 | 001 | GRAISSEUR AUTOTARAUDANT | SELF TAPPING GREASE NIPPLE | GEWINDESCHNEID-SCHMIERNIPPEL | INGRASSATORE | |
| 009 | H2904750 | 001 | TIRANT | TIE ROD | ZUGSTANGE | TIRANTE | + [2] |
| 010 | 80251227 | 001 | RONDELLE PLATE FE/ZNXC3 | PLAIN WASHER FE/ZNXC3 | SCHEIBE FE/ZNXC3 | RONDELLA PIATTA FE/ZNXC3 | |
| 011 | 80201240 | 001 | ECROU HEX.BAS AUTOFR.FE/ZNXC3 | SELF-LOCKING NUT FE/ZNXC3 | SELBSTSICHERND.MUTTER FE/ZNXC3 | DADO AUTOBLOCCANTE FE/ZNXC3 | |
| 012 | 80061245 | 001 | VIS TETE HEXAGONALE FE/ZNXC3 | HEXAGON HEAD SCREW FE/ZNXC3 | SECHSKANTSCHRAUBE FE/ZNXC3 | VITE TESTA ESAGONALE FE/ZNXC3 | |
| 013 | H2411240 | 001 | ETIQ.ADH. | DECAL | AUFKLEBER | ADESIVO | |
| 014 | 900918 | 001 | RONDELLE DE PROTECTION | PROTECTOR WASHER | SCHEIBE | RONDELLA | [1] |
| 015 | 900451 | 001 | COUPELLE ETANCHEITE | PROTECTOR | SCHEIBE | RONDELLA DI TENUTA | [1] |
| 016 | 81305504 | 001 | RLT A ROULEAUX CONIQUES | TAPERED ROLLER BEARING | KEGELROLLENLAGER | CUSCINETTO A RULLI | [1] |
| 017 | 952226 | 001 | MOYEU NU 606A | HUB BASIC | NABE | MOZZO | [1] |
| 018 | 81303572 | 001 | ROULEMENT A ROULEAUX CONIQUES | TAPERED ROLLER BEARING | KEGELROLLENLAGER | CUSCINETTO A RULLO | [1] |
| 019 | 80253034 | 001 | RONDELLE PLATE FE/ZNXC3 | PLAIN WASHER FE/ZNXC3 | SCHEIBE FE/ZNXC3 | RONDELLA PIATTA FE/ZNXC3 | [1] |
| 020 | 80500451 | 001 | GOUPILLE FENDUE FE/ZNXC3 | SPLIT PIN FE/ZNXC3 | SPLINT FE/ZNXC3 | COPPIGLIA FE/ZNXC3 | [1] |
| 021 | A7039023 | 006 | GOUJON CRANTE 18X150 LG54/39 | STUD | STIFTSCHRAUBE | SPINA | [1] |
| 022 | 80201850 | 006 | ECROU PORTEE SPHER.FE/ZNXC3 | WHEEL NUT FE/ZNXC3 | RADMUTTER FE/ZNXC3 | DADO FE/ZNXC3 | [1] |
| 023 | 82200800 | 001 | GRAISSEUR FE/ZNXC3 | GREASE NIPPLE FE/ZNXC3 | SCHMIERNIPPEL FE/ZNXC3 | INGRASSATORE FE/ZNXC3 | [1] |
| 024 | 80203017 | 001 | ECROU HK BAS FE/ZNXC3 | HEXAGON CASTLE NUT FE/ZNXC3 | FLACHE KRONENMUTTER FE/ZNXC3 | DADO FE/ZNXC3 | [1] |
| 025 | A7039024 | 001 | CHAPEAU PROTECTION D73,5 P1,5 | CAP | DECKEL | CAPPELLO | [1] |
| 026 | H2415070 | 001 | TUBE | TUBE | ROHR | TUBO | [2] |
| 027 | 82200616 | 002 | GRAISSEUR AUTOTAR.FE/ZNXC3 | TAPPING GREASE NIPPLE FE/ZNXC3 | GEWINDESCH.SCHMIERNIP.FE/ZNXC3 | INGRASSATORE FE/ZNXC3 | [2] |
| 028 | H2411210 | 001 | CLIQUET | RATCHET | SPERRKLINKE | NOTTOLINO | [2] |
| 029 | H2411250 | 001 | PLAQUETTE | PLATE | PLATTE | PIASTRINA | [2] |
| 030 | 80560801 | 001 | GOUPILLE CAVALIERE FE/ZNXC3 | TUBE PIN FE/ZNXC3 | ROHRKLAPPSTECKER FE/ZNXC3 | PERNO FE/ZNXC3 | [2] |
| 031 | H2411420 | 001 | EMBOUT | END PIECE | ENDSTUECK | GIUNTO | [2] |
| 032 | H2106850 | 001 | EMBOUT | END PIECE | ENDSTUECK | GIUNTO | [2] |





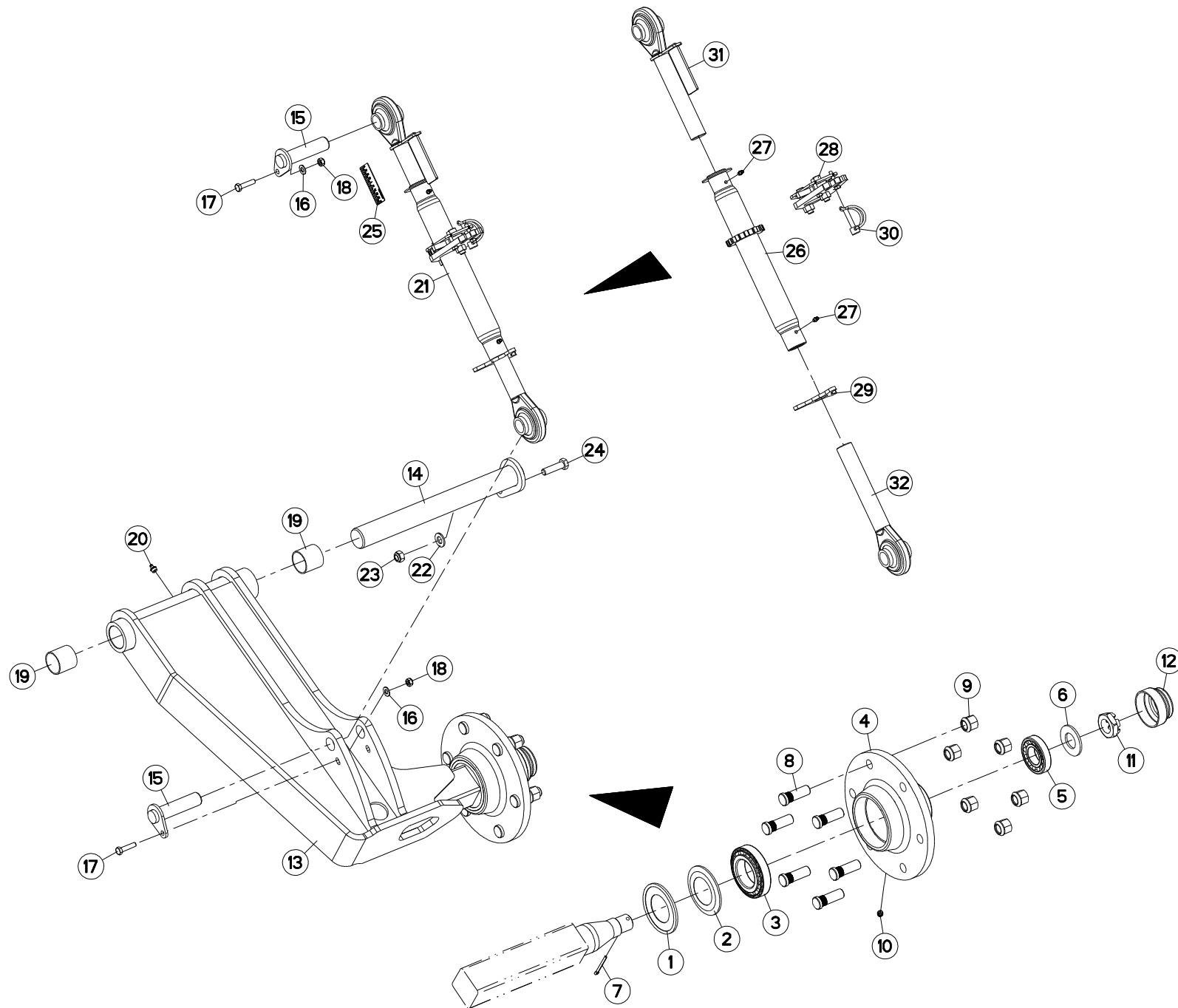
SUPPORT DE ROUE (GAUCHE)

WHEEL SUPPORT (LEFT)

RADHALTERUNG (LINKS)

SUPPORTO RUOTA (SX)

| Rep | Nr | Qt | Designation | Description | Bezeichnung | Referenza | Remarque - Remark - Bemerkung - Osservazioni |
|-----|----------|-----|-------------------------------|--------------------------------|--------------------------------|--------------------------------|--|
| 001 | H2902750 | 001 | BRAS DE ROUE | ARM, WHEEL | RADARM | BRACCIO PER RUOTA | + [1] |
| 002 | 83013034 | 002 | BAGUE ROULEE | WRAPPED BUSH | GEROLLETE BUCHSE | ANELLO LUBRIFICATO | |
| 003 | H2700660 | 001 | AXE | PIN | ACHSE | ASSE | |
| 004 | 583181 | 002 | PIVOT | PIVOT | GELENKBOLZEN | PERNO | |
| 005 | 80060832 | 002 | VIS TETE HEXAGONALE INOX A2 | HEXAGON HEAD SCREW INOX A2 | SECHSKANTSCHRAUBE INOX A2 | VITE A TESTA ESAGONALE INOX A2 | |
| 006 | 80200830 | 002 | ECROU HEX.AUTOFREINE FE/ZNXC3 | SELF-LOCKING NUT FE/ZNXC3 | SELBSTSICHERNDE MUTT.FE/ZNXC3 | DADO AUTOBLOCCANTE FE/ZNXC3 | |
| 007 | 80061241 | 001 | VIS TETE HEXAGONALE FE/ZNXC3 | HEXAGON HEAD SCREW FE/ZNXC3 | SECHSKANTSCHRAUBE FE/ZNXC3 | VITE TESTA ESAGONALE FE/ZNXC3 | |
| 008 | 80201230 | 001 | ECROU HEX.AUTOFREINE FE/ZNXC3 | SELF-LOCKING NUT FE/ZNXC3 | SELBSTSICH.MUTTER FE/ZNXC3 | DADO AUTOBLOCCANTE FE/ZNXC3 | |
| 009 | 82201016 | 001 | GRAISSEUR AUTOTARAUDANT | SELF TAPPING GREASE NIPPLE | GEWINDESCHNEID-SCHMIERNIPPEL | INGRASSATORE | |
| 010 | H2208530 | 001 | TIRANT | TIE ROD | ZUGSTANGE | TIRANTE | + [2] |
| 011 | 900918 | 001 | RONDELLE DE PROTECTION | PROTECTOR WASHER | SCHEIBE | RONDELLA | [1] |
| 012 | 900451 | 001 | COUPELLE ETANCHEITE | PROTECTOR | SCHEIBE | RONDELLA DI TENUTA | [1] |
| 013 | 81305504 | 001 | RLT A ROULEAUX CONIQUES | TAPERED ROLLER BEARING | KEGELROLLENLAGER | CUSCINETTO A RULLI | [1] |
| 014 | 952226 | 001 | MOYEU NU 606A | HUB BASIC | NABE | MOZZO | [1] |
| 015 | 81303572 | 001 | ROULEMENT A ROULEAUX CONIQUES | TAPERED ROLLER BEARING | KEGELROLLENLAGER | CUSCINETTO A RULLO | [1] |
| 016 | 80253034 | 001 | RONDELLE PLATE FE/ZNXC3 | PLAIN WASHER FE/ZNXC3 | SCHEIBE FE/ZNXC3 | RONDELLA PIATTA FE/ZNXC3 | [1] |
| 017 | 80500451 | 001 | GOUPILLE FENDUE FE/ZNXC3 | SPLIT PIN FE/ZNXC3 | SPLINT FE/ZNXC3 | COPPIGLIA FE/ZNXC3 | [1] |
| 018 | A7039023 | 006 | GOUJON CRANTE 18X150 LG54/39 | STUD | STIFTSCHRAUBE | SPINA | [1] |
| 019 | 80201850 | 006 | ECROU PORTEE SPHER.FE/ZNXC3 | WHEEL NUT FE/ZNXC3 | RADMUTTER FE/ZNXC3 | DADO FE/ZNXC3 | [1] |
| 020 | 82200800 | 001 | GRAISSEUR FE/ZNXC3 | GREASE NIPPLE FE/ZNXC3 | SCHMIERNIPPEL FE/ZNXC3 | INGRASSATORE FE/ZNXC3 | [1] |
| 021 | 80203017 | 001 | ECROU HK BAS FE/ZNXC3 | HEXAGON CASTLE NUT FE/ZNXC3 | FLACHE KRONENMUTTER FE/ZNXC3 | DADO FE/ZNXC3 | [1] |
| 022 | A7039024 | 001 | CHAPEAU PROTECTION D73,5 P1,5 | CAP | DECKEL | CAPPELLO | [1] |
| 023 | H2208540 | 001 | TIRANT | TIE ROD | ZUGSTANGE | TIRANTE | [2] |
| 024 | H2208550 | 001 | EMBOUT | END PIECE | ENDSTUECK | GIUNTO | [2] |
| 025 | H2208560 | 001 | EMBOUT | END PIECE | ENDSTUECK | GIUNTO | [2] |
| 026 | 82200616 | 002 | GRAISSEUR AUTOTAR.FE/ZNXC3 | TAPPING GREASE NIPPLE FE/ZNXC3 | GEWINDESCH.SCHMIERNIP.FE/ZNXC3 | INGRASSATORE FE/ZNXC3 | [2] |





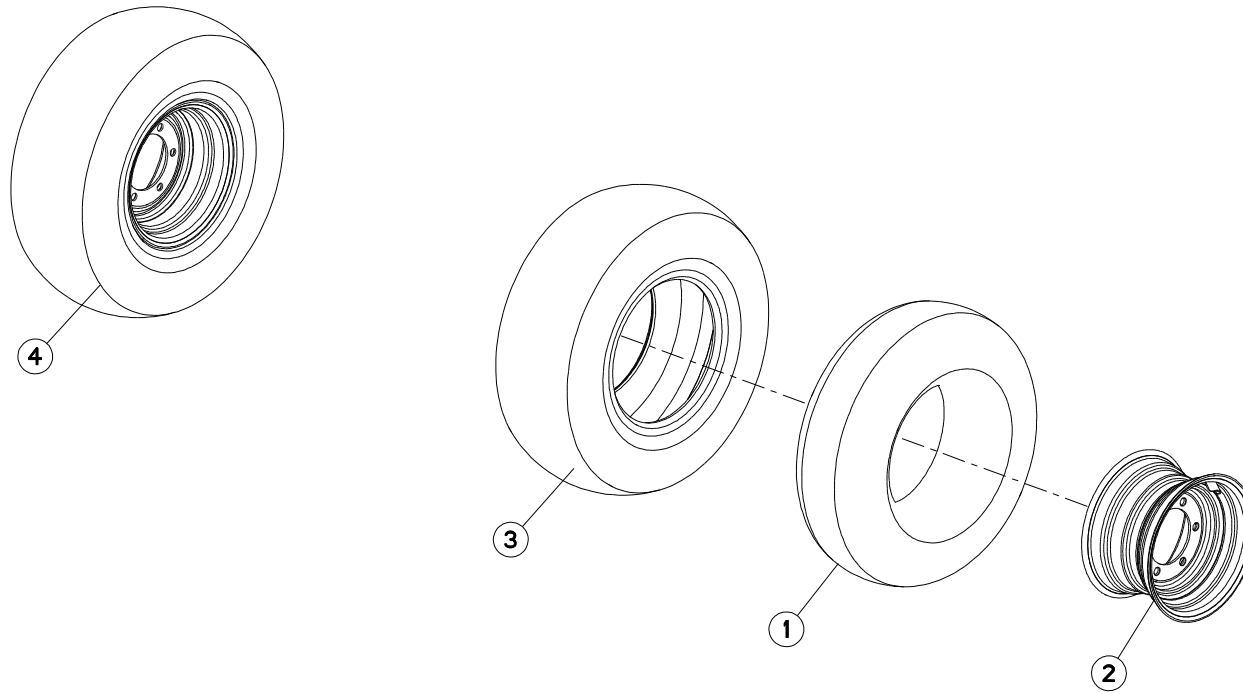
SUPPORT DE ROUE (GAUCHE)

WHEEL SUPPORT (LEFT)

RADHALTERUNG (LINKS)

SUPPORTO RUOTA (SX)

| Rep | Nr | Qt | Designation | Description | Bezeichnung | Referenza | Remarque - Remark - Bemerkung - Osservazioni |
|-----|----------|-----|-------------------------------|--------------------------------|--------------------------------|-------------------------------|--|
| 001 | 900918 | 001 | RONDELLE DE PROTECTION | PROTECTOR WASHER | SCHEIBE | RONDELLA | [1] |
| 002 | 900451 | 001 | COUPELLE ETANCHEITE | PROTECTOR | SCHEIBE | RONDELLA DI TENUTA | [1] |
| 003 | 81305504 | 001 | RLT A ROULEAUX CONIQUES | TAPERED ROLLER BEARING | KEGELROLLENLAGER | CUSCINETTO A RULLI | [1] |
| 004 | 952226 | 001 | MOYEU NU 606A | HUB BASIC | NABE | MOZZO | [1] |
| 005 | 81303572 | 001 | ROULEMENT A ROULEAUX CONIQUES | TAPERED ROLLER BEARING | KEGELROLLENLAGER | CUSCINETTO A RULLO | [1] |
| 006 | 80253034 | 001 | RONDELLE PLATE FE/ZNXC3 | PLAIN WASHER FE/ZNXC3 | SCHEIBE FE/ZNXC3 | RONDELLA PIATTA FE/ZNXC3 | [1] |
| 007 | 80500451 | 001 | GOUPILLE FENDUE FE/ZNXC3 | SPLIT PIN FE/ZNXC3 | SPLINT FE/ZNXC3 | COPPIGLIA FE/ZNXC3 | [1] |
| 008 | A7039023 | 006 | GOUJON CRANTE 18X150 LG54/39 | STUD | STIFTSCHRAUBE | SPINA | [1] |
| 009 | 80201850 | 006 | ECROU PORTEE SPHER.FE/ZNXC3 | WHEEL NUT FE/ZNXC3 | RADMUTTER FE/ZNXC3 | DADO FE/ZNXC3 | [1] |
| 010 | 82200800 | 001 | GRAISSEUR FE/ZNXC3 | GREASE NIPPLE FE/ZNXC3 | SCHMIERNIPPEL FE/ZNXC3 | INGRASSATORE FE/ZNXC3 | [1] |
| 011 | 80203017 | 001 | ECROU HK BAS FE/ZNXC3 | HEXAGON CASTLE NUT FE/ZNXC3 | FLACHE KRONENMUTTER FE/ZNXC3 | DADO FE/ZNXC3 | [1] |
| 012 | A7039024 | 001 | CHAPEAU PROTECTION D73,5 P1,5 | CAP | DECKEL | CAPPELLO | [1] |
| 013 | H2904740 | 001 | BRAS DE ROUE | ARM, WHEEL | RADARM | BRACCIO PER RUOTA | + [1] |
| 014 | H2111160 | 001 | AXE | PIN | ACHSE | ASSE | |
| 015 | 583181 | 002 | PIVOT | PIVOT | GELENKBOLZEN | PERNO | |
| 016 | 80250823 | 002 | RONDELLE PLATE FE/ZNXC3 | PLAIN WASHER FE/ZNXC3 | SCHEIBE FE/ZNXC3 | RONDELLA PIATTA FE/ZNXC3 | |
| 017 | 80060835 | 002 | VIS TETE HEXAGONALE FE/ZNXC3 | HEXAGON HEAD SCREW FE/ZNXC3 | SECHSKANTSCHRAUBE FE/ZNXC3 | VITE TESTA ESAGONALE FE/ZNXC3 | |
| 018 | 80200840 | 002 | ECROU HEX.BAS AUTOFR.FE/ZNXC3 | SELF-LOCKING NUT FE/ZNXC3 | SELBSTSICHERND.MUTTER FE/ZNXC3 | DADO AUTOBLOCCANTE FE/ZNXC3 | |
| 019 | 83014043 | 002 | BAGUE ROULEE | WRAPPED BUSH | GEROLLTE BUCHSE | ANELLO LUBRIFICATO | |
| 020 | 82201016 | 001 | GRAISSEUR AUTOTARAUDANT | SELF TAPPING GREASE NIPPLE | GEWINDESCHNEID-SCHMIERNIPPEL | INGRASSATORE | |
| 021 | H2904750 | 001 | TIRANT | TIE ROD | ZUGSTANGE | TIRANTE | + [2] |
| 022 | 80251227 | 001 | RONDELLE PLATE FE/ZNXC3 | PLAIN WASHER FE/ZNXC3 | SCHEIBE FE/ZNXC3 | RONDELLA PIATTA FE/ZNXC3 | |
| 023 | 80201240 | 001 | ECROU HEX.BAS AUTOFR.FE/ZNXC3 | SELF-LOCKING NUT FE/ZNXC3 | SELBSTSICHERND.MUTTER FE/ZNXC3 | DADO AUTOBLOCCANTE FE/ZNXC3 | |
| 024 | 80061245 | 001 | VIS TETE HEXAGONALE FE/ZNXC3 | HEXAGON HEAD SCREW FE/ZNXC3 | SECHSKANTSCHRAUBE FE/ZNXC3 | VITE TESTA ESAGONALE FE/ZNXC3 | |
| 025 | H2411510 | 001 | ETIQ.ADH. | DECAL | AUFKLEBER | ADESIVO | |
| 026 | H2415070 | 001 | TUBE | TUBE | ROHR | TUBO | [2] |
| 027 | 82200616 | 002 | GRAISSEUR AUTOTAR.FE/ZNXC3 | TAPPING GREASE NIPPLE FE/ZNXC3 | GEWINDESCH.SCHMIERNIP.FE/ZNXC3 | INGRASSATORE FE/ZNXC3 | [2] |
| 028 | H2411210 | 001 | CLIQUET | RATCHET | SPERRKLINKE | NOTTOLINO | [2] |
| 029 | H2411250 | 001 | PLAQUETTE | PLATE | PLATTE | PIASTRINA | [2] |
| 030 | 80560801 | 001 | GOUPILLE CAVALIERE FE/ZNXC3 | TUBE PIN FE/ZNXC3 | ROHRKLAPPSTECKER FE/ZNXC3 | PERNO FE/ZNXC3 | [2] |
| 031 | H2411420 | 001 | EMBOUT | END PIECE | ENDSTUECK | GIUNTO | [2] |
| 032 | H2106850 | 001 | EMBOUT | END PIECE | ENDSTUECK | GIUNTO | [2] |





CULTIMER 1000

A0000 > B0000

H29R0002 A

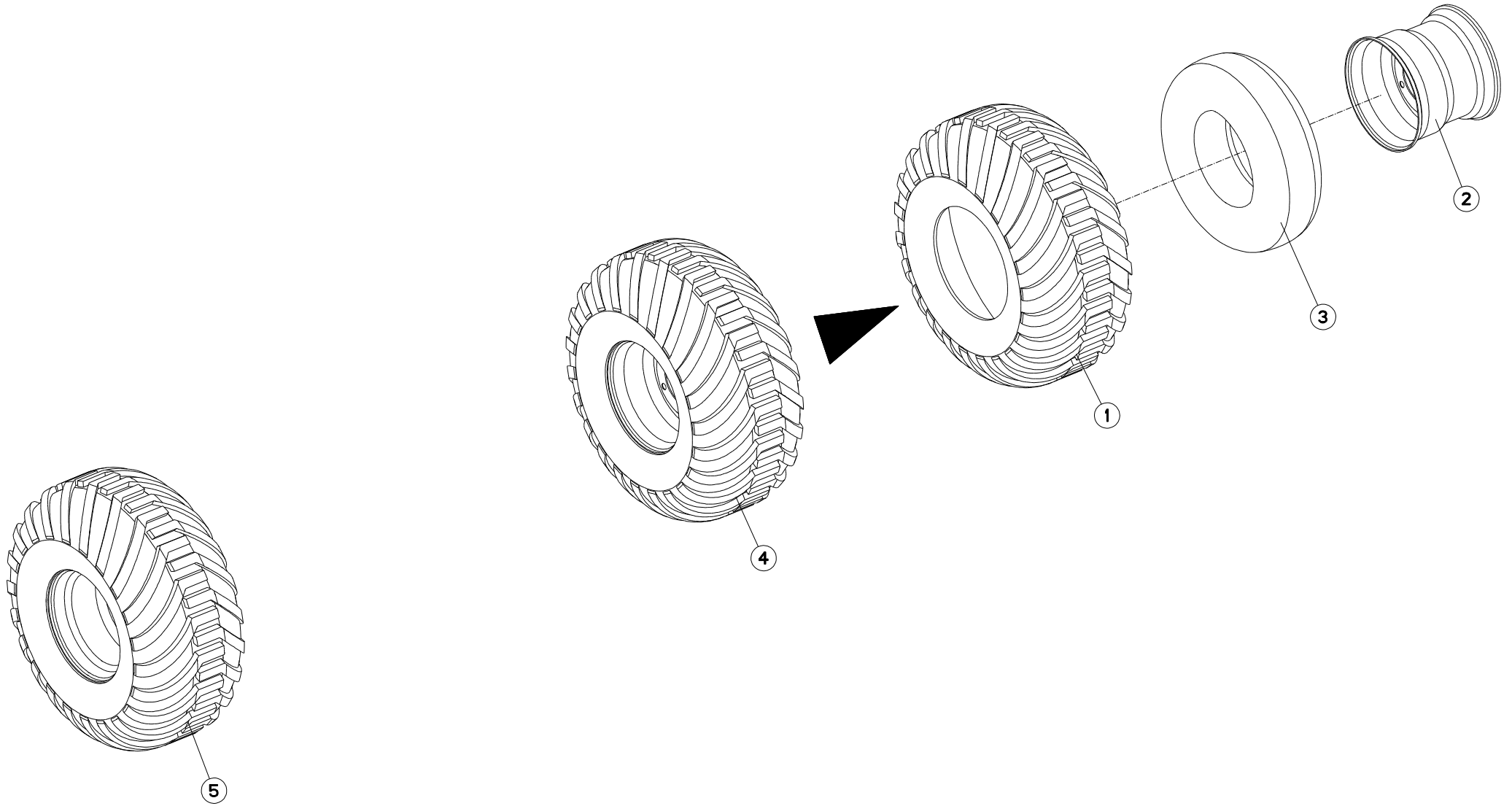
ROUE 11,5/80-15

WHEEL 11,5/80-15

RAD 11,5/80-15

RUOTA 11,5/80-15

| Rep | Nr | Qt | Designation | Description | Bezeichnung | Referenza | Remarque - Remark - Bemerkung - Osservazioni |
|-----|--------|-----|------------------------------|-------------------------|------------------------|-------------------------|--|
| 001 | 951396 | 002 | CHAMBRE A AIR ROUE 569112 | INNER TUBE WHEEL 569112 | SCHLAUCH | CAMERA D'ARIA | [1] |
| 002 | 951397 | 002 | JANTE ROUE 569112 | WHEEL RIM 569112 | FELGE 569112 | CERCHIONE RUOTA | [1] |
| 003 | 951395 | 002 | PNEU 11,5/80-15 12PR /569112 | TYRE WHEEL 569112 | REIFEN 11.5/80-15 12PR | PNEUMATICO 11,5/80-15PR | [1] |
| 004 | 569112 | 002 | ROUE D 868-11,5/80-15 | WHEEL | RAD | RUOTA | + [1] 5bars (72.52PSI) |





CULTIMER 1000

B0001 > C0000

H29R0001 B

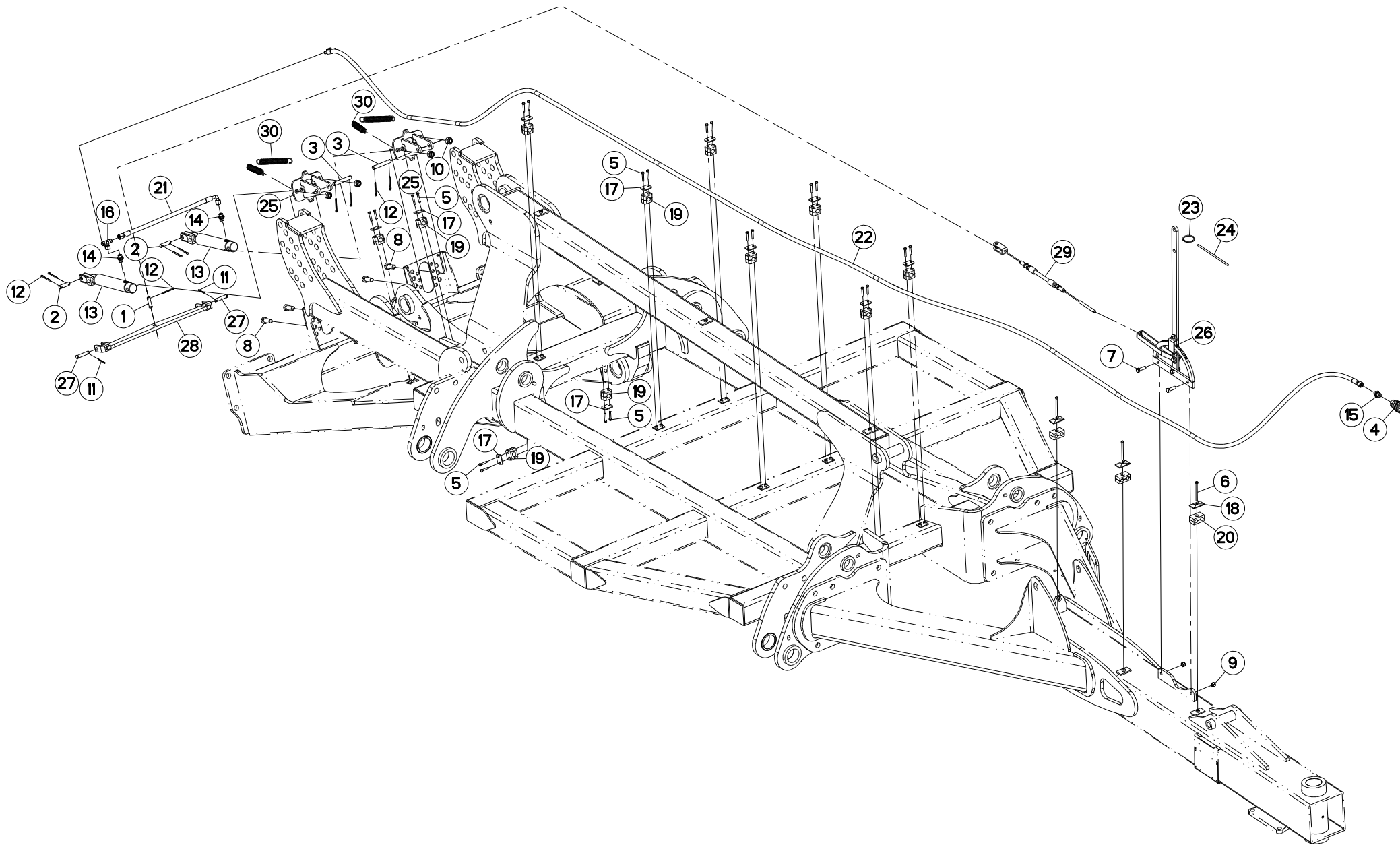
ROUE 400/60-15.

WHEEL 400/60-15.

RAD 400/60-15.

RUOTA 400/60-15.

| Rep | Nr | Qt | Designation | Description | Bezeichnung | Referenza | Remarque - Remark - Bemerkung - Osservazioni |
|-----|----------|-----|---------------|-------------------------|-------------|---------------|--|
| 001 | 900007 | 001 | PNEU | TIRE | REIFEN | PNEUMATICO | [1] |
| 002 | 951175 | 001 | JANTE | RIM | FELGE | CERCHIO | [1] |
| 003 | 900016 | 001 | CHAMBRE A AIR | INNER TUBE | SCHLAUCH | CAMERA D'ARIA | [1]OPT |
| 004 | H2900700 | 001 | ROUE | WHEEL AND TIRE ASSEMBLY | RAD | RUOTA | + [1] 3,5 bar (50,77 PSI) |
| 005 | H2900710 | 001 | ROUE | WHEEL AND TIRE ASSEMBLY | RAD | RUOTA | + [1] 3,5 bar (50,77 PSI) |





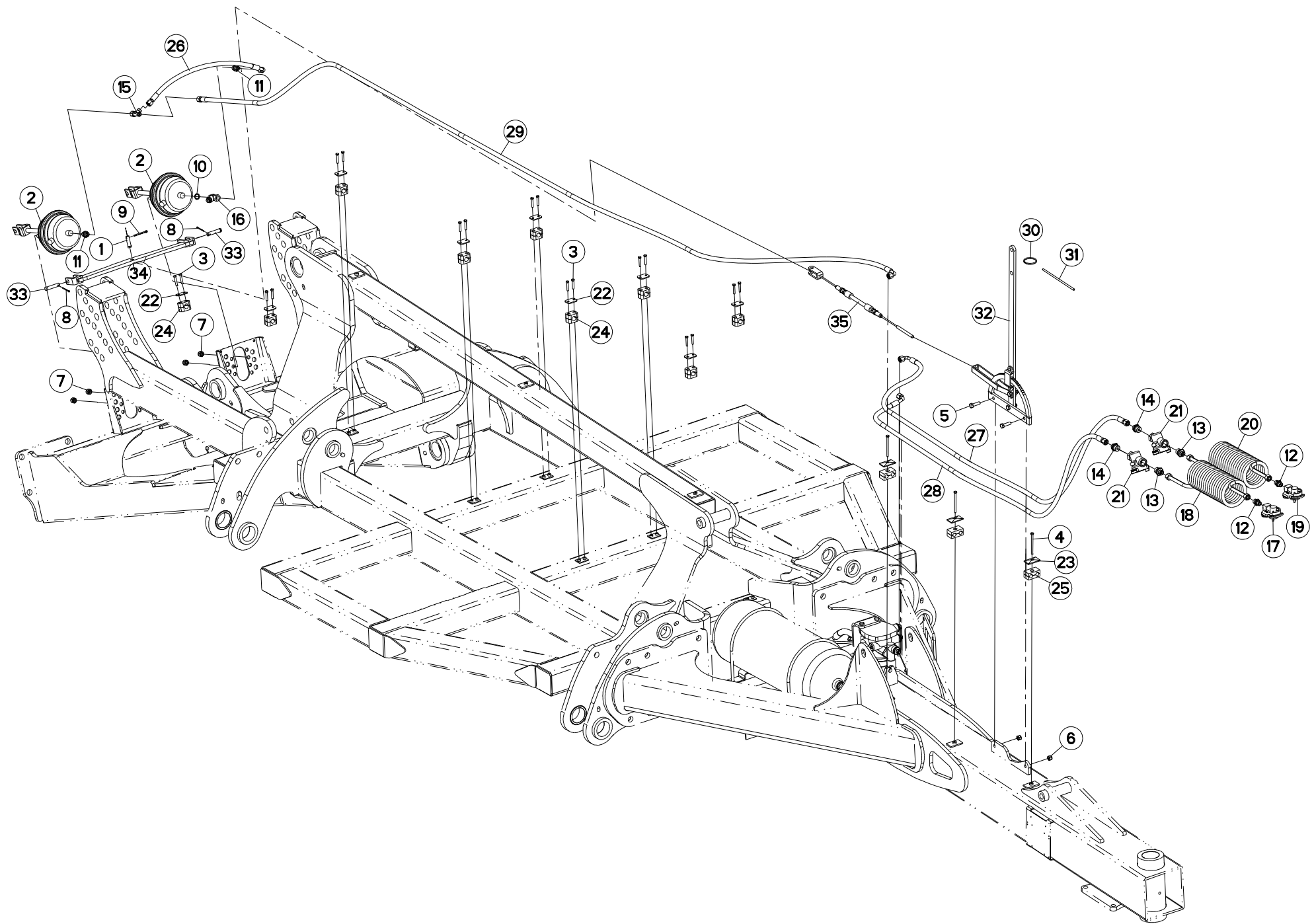
FREINAGE HYDRAULIQUE

HYDRAULIC BRAKE

HYDRAULISCHE BREMSANLAGE

FRENO IDRAULICO

| Rep | Nr | Qt | Designation | Description | Bezeichnung | Referenza | Remarque - Remark - Bemerkung - Osservazioni |
|-----|----------|-----|-------------------------------|-------------------------------|--------------------------------|--------------------------------|--|
| 001 | 720119 | 001 | AXE CABLE DE FREIN | PIN | ACHSE | PERNO | |
| 002 | 720262 | 002 | AXE | PIN | ACHSE | ASSE | |
| 003 | 720270 | 002 | AXE | PIN | ACHSE | ASSE | |
| 004 | 952211 | 001 | RACCORD DE FREINAGE | HYDRAULIC BRAKE VALVE | STECKER VON HYDRAULIKBREMSE | RACCORDO | |
| 005 | 80060635 | 022 | VIS TETE HEXAGONALE FE/ZNXC3 | HEXAGON HEAD SCREW FE/ZNXC3 | SECHSKANTSCHRAUBE FE/ZNXC3 | VITE TESTA ESAGONALE FE/ZNXC3 | |
| 006 | 80060685 | 003 | VIS TETE HEXAGONALE FE/ZNXC3 | HEXAGON HEAD SCREW FE/ZNXC3 | SECHSKANTSCHRAUBE FE/ZNXC3 | VITE TESTA ESAGONALE FE/ZNXC3 | |
| 007 | 80061036 | 004 | VIS TETE HEXAGONALE FE/ZNXC3 | HEXAGON HEAD SCREW FE/ZNXC3 | SECHSKANTSCHRAUBE FE/ZNXC3 | VITE TESTA ESAGONALE FE/ZNXC3 | |
| 008 | 80061641 | 004 | VIS TETE HEXAGONALE FE/ZNXC3 | HEXAGON HEAD SCREW FE/ZNXC3 | SECHSKANTSCHRAUBE FE/ZNXC3 | VITE TESTA ESAGONALE FE/ZNXC3 | |
| 009 | 80201030 | 004 | ECROU HEX.AUTOFREINE FE/ZNXC3 | SELF-LOCKING NUT FE/ZNXC3 | SELBSTSICH.MUTTER FE/ZNXC3 | DADO AUTOBLOCCANTE FE/ZNXC3 | |
| 010 | 80201630 | 004 | ECROU HEX.AUTOFREINE FE/ZNXC3 | SELF-LOCKING NUT FE/ZNXC3 | SELBSTSICH.MUTTER FE/ZNXC3 | DADO AUTOBLOCCANTE FE/ZNXC3 | |
| 011 | 80500236 | 002 | GOUPILLE FENDUE | SPLIT PIN | SPLINT | COPPIGLIA | |
| 012 | 80500451 | 009 | GOUPILLE FENDUE FE/ZNXC3 | SPLIT PIN FE/ZNXC3 | SPLINT FE/ZNXC3 | COPPIGLIA FE/ZNXC3 | |
| 013 | 951906 | 002 | VERIN Ø25-C.110 | CYLINDER D25 C110 | ZYLINDER D25 C110 | MARTINETTO | |
| 014 | A4080401 | 002 | UNION MALE | MALE STUD CONNECTOR | GERADER EINSCHRAUBSTUTZEN | GIUZIONE DIRITTA ZBC | |
| 015 | A4080426 | 001 | UNION MALE | MALE STUD CONNECTOR | GERADER EINSCHRAUBSTUTZEN | GIUZIONE DIRITTA ZBC | |
| 016 | A4083206 | 001 | TE ADAPTABLE NU FE/ZNXC3 | ADJUSTABLE EQUAL TEE FE/ZNXC3 | EINSTELLB.T VERSCHRAU.FE/ZNXC3 | GIUNZIONE A T ORIENTA.FE/ZNXC3 | |
| 017 | A7260011 | 011 | PL SUP/C. SIMPLE D14/15/16/18 | UPPER PLATE | PLATTE OBERE | PIASTRA | |
| 018 | A7260016 | 003 | PL SUP/C. DOUBLE D14/15/16/18 | UPPER PLATE | OBERE PLATTE | PIASTRA | |
| 019 | A7260027 | 011 | COLLIER SIMPLE D18 NU | CLAMP D.18 | SHELLE D.18 | COLLARE D.18 | |
| 020 | A7260042 | 003 | COLLIER DOUBLE D15 NU | CLAMP D.15 | SHELLE D.15 | COLLARE D.15 | |
| 021 | A4921065 | 001 | FLEXIBLE HYDRAULIQUE | HYDRAULIC HOSE | HYDRAULIKSCHLAUCH | TUBO GOMMA | <->500 mm |
| 022 | A4921095 | 001 | FLEXIBLE HYDRAULIQUE | HYDRAULIC HOSE | HYDRAULIKSCHLAUCH | TUBO GOMMA | <->7800 mm |
| 023 | H2400670 | 001 | ANNEAU DE FREINAGE | RING | RING | ANELLO | |
| 024 | H2400710 | 001 | CABLE POLYPROPYLENE Ø6 LG5000 | CABLE | DRAHTSEIL | CAVO | |
| 025 | H2403390 | 002 | SUPPORT | SUPPORT | TRAEGER | SUPPORTO | |
| 026 | H2405660 | 001 | FREIN | BRAKE | BREMSE | FRENO | |
| 027 | H2902460 | 002 | AXE | PIN | ACHSE | ASSE | |
| 028 | H2903210 | 001 | PALONNIER | SPREADER BAR | LASTTRAVERSE | TIMONE | |
| 029 | H2903220 | 001 | CABLE | WIRE | DRAHTSEIL | CAVO | |
| 030 | H2400520 | 004 | RESSORT | SPRING | FEDER | MOLLA | |





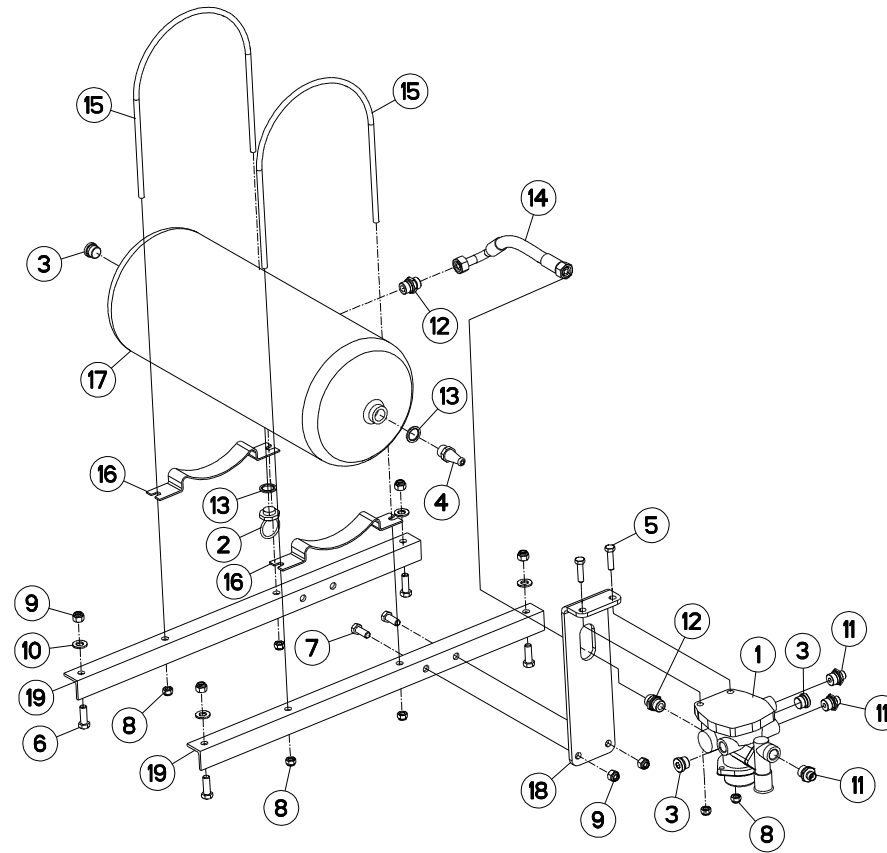
FREINAGE PNEUMATIQUE

PNEUMATIC BRAKE

DRUCKLUFT-BREMSANLAGE

FRENO PNEUMATICO

| Rep | Nr | Qt | Designation | Description | Bezeichnung | Referenza | Remarque - Remark - Bemerkung - Osservazioni |
|-----|-----------------|-----|--------------------------------|--------------------------------|--------------------------------|--------------------------------|--|
| 001 | 720119 | 001 | AXE CABLE DE FREIN | PIN | ACHSE | PERNO | |
| 002 | 951603 | 002 | VASE DE FREIN | 16CL CONTAINER | GEFAESS 16'CL | CONTENITORE 16CL | |
| 003 | 80060635 | 018 | VIS TETE HEXAGONALE FE/ZNXC3 | HEXAGON HEAD SCREW FE/ZNXC3 | SECHSKANTSCHRAUBE FE/ZNXC3 | VITE TESTA ESAGONALE FE/ZNXC3 | |
| 004 | 80060685 | 003 | VIS TETE HEXAGONALE FE/ZNXC3 | HEXAGON HEAD SCREW FE/ZNXC3 | SECHSKANTSCHRAUBE FE/ZNXC3 | VITE TESTA ESAGONALE FE/ZNXC3 | |
| 005 | 80061036 | 002 | VIS TETE HEXAGONALE FE/ZNXC3 | HEXAGON HEAD SCREW FE/ZNXC3 | SECHSKANTSCHRAUBE FE/ZNXC3 | VITE TESTA ESAGONALE FE/ZNXC3 | |
| 006 | 80201030 | 002 | ECROU HEX.AUTOFREINE FE/ZNXC3 | SELF-LOCKING NUT FE/ZNXC3 | SELBSTSICH.MUTTER FE/ZNXC3 | DADO AUTOBLOCCANTE FE/ZNXC3 | |
| 007 | 80201230 | 004 | ECROU HEX.AUTOFREINE FE/ZNXC3 | SELF-LOCKING NUT FE/ZNXC3 | SELBSTSICH.MUTTER FE/ZNXC3 | DADO AUTOBLOCCANTE FE/ZNXC3 | |
| 008 | 80500236 | 002 | GOUPILLE FENDUE | SPLIT PIN | SPLINT | COPPIGLIA | |
| 009 | 80500451 | 001 | GOUPILLE FENDUE FE/ZNXC3 | SPLIT PIN FE/ZNXC3 | SPLINT FE/ZNXC3 | COPPIGLIA FE/ZNXC3 | |
| 010 | 82101622 | 001 | JOINT CUIVRE | SEALING RING | DICHTRING | RONDELLA RAME | |
| 011 | A4080403 | 002 | UNION MALE | MALE STUD CONNECTOR | GERADER EINSCHRAUBSTUTZEN | GIUZIONE DIRITTA ZBC | |
| 012 | A4080413 | 002 | UNION MALE | MALE STUD CONNECTOR | GERADER EINSCHRAUBSTUTZEN | GIUZIONE DIRITTA ZBC | |
| 013 | A4080414 | 002 | UNION MALE | MALE STUD CONNECTOR | GERADER EINSCHRAUBSTUTZEN | GIUZIONE DIRITTA ZBC | |
| 014 | A4080435 | 002 | UNION MALE | MALE STUD CONNECTOR | GERADER EINSCHRAUBSTUTZEN | GIUZIONE DIRITTA ZBC | |
| 015 | A4083100 | 001 | TE ADAPTABLE RENVERSE FE/ZNXC3 | ADJ.MALE STUD TEE-STU.FE/ZNXC3 | EINSTELLB.T-VERSCHRAU.FE/ZNXC3 | TERMINALE A T ORIENTA.FE/ZNXC3 | |
| 016 | A7181108 | 001 | PRISE DE PRESSION EN T | PRESSURE PORT T | DRUCKANSCHLUSS T | PRESA DI PRESSIONE | |
| 017 | A7181122 | 001 | TETE D'ACCOUPLLEMENT ROUGE | RED COUPLING HEAD | ANSCHLUSSKOPF ROT | TESTA ACCOPPIAMENTO ROSSO | |
| 018 | A7181124 | 001 | FLEXIBLE SPIRALE ROUGE LG1500 | RED HOSE | DRUCKSCHLAUCH ROT | TUBO IN GOMMA | |
| 019 | A7181125 | 001 | TETE D'ACCOUPLLEMENT ISO JAUNE | YELLOW COUPLING HEAD | ANSCHLUSSKOPF GELB | TESTA ACCOPPIAMENTO GIALLO | |
| 020 | A7181126 | 001 | FLEXIBLE SPIRALE JAUNE LG1500 | YELLOW HOSE | DRUCKSCHLAUCH GELB | TUBO IN GOMMA | |
| 021 | A7181144 | 002 | FILTRE DE CONDUITE | FILTER | FILTER | FILTRO | |
| 022 | A7260011 | 009 | PL SUP/C. SIMPLE D14/15/16/18 | UPPER PLATE | PLATTE OBERE | PIASTRA | |
| 023 | A7260016 | 003 | PL SUP/C. DOUBLE D14/15/16/18 | UPPER PLATE | OBERE PLATTE | PIASTRA | |
| 024 | A7260027 | 009 | COLLIER SIMPLE D18 NU | CLAMP D.18 | SHELLE D.18 | COLLARE D.18 | |
| 025 | A7260042 | 003 | COLLIER DOUBLE D15 NU | CLAMP D.15 | SHELLE D.15 | COLLARE D.15 | |
| 026 | A4921066 | 001 | FLEXIBLE HYDRAULIQUE | HYDRAULIC HOSE | HYDRAULIKSCHLAUCH | TUBO GOMMA | <->600 mm |
| 027 | A4921080 | 001 | FLEXIBLE HYDRAULIQUE | HYDRAULIC HOSE | HYDRAULIKSCHLAUCH | TUBO GOMMA | <->2200 mm |
| 028 | A4921080 | 001 | FLEXIBLE HYDRAULIQUE | HYDRAULIC HOSE | HYDRAULIKSCHLAUCH | TUBO GOMMA | <->2200 mm |
| 029 | A4921088 | 001 | FLEXIBLE HYDRAULIQUE | HYDRAULIC HOSE | HYDRAULIKSCHLAUCH | TUBO GOMMA | <->4550 mm |
| 030 | H2400670 | 001 | ANNEAU DE FREINAGE | RING | RING | ANELLO | |
| 031 | H2400710 | 001 | CABLE POLYPROPYLENE Ø6 LG5000 | CABLE | DRAHTSEIL | CAVO | |
| 032 | H2405660 | 001 | FREIN | BRAKE | BREMSE | FRENO | |
| 033 | H2902460 | 002 | AXE | PIN | ACHSE | ASSE | |
| 034 | H2903210 | 001 | PALONNIER | SPREADER BAR | LASTTRAVERSE | TIMONE | |
| 035 | H2903220 | 001 | CABLE | WIRE | DRAHTSEIL | CAVO | |





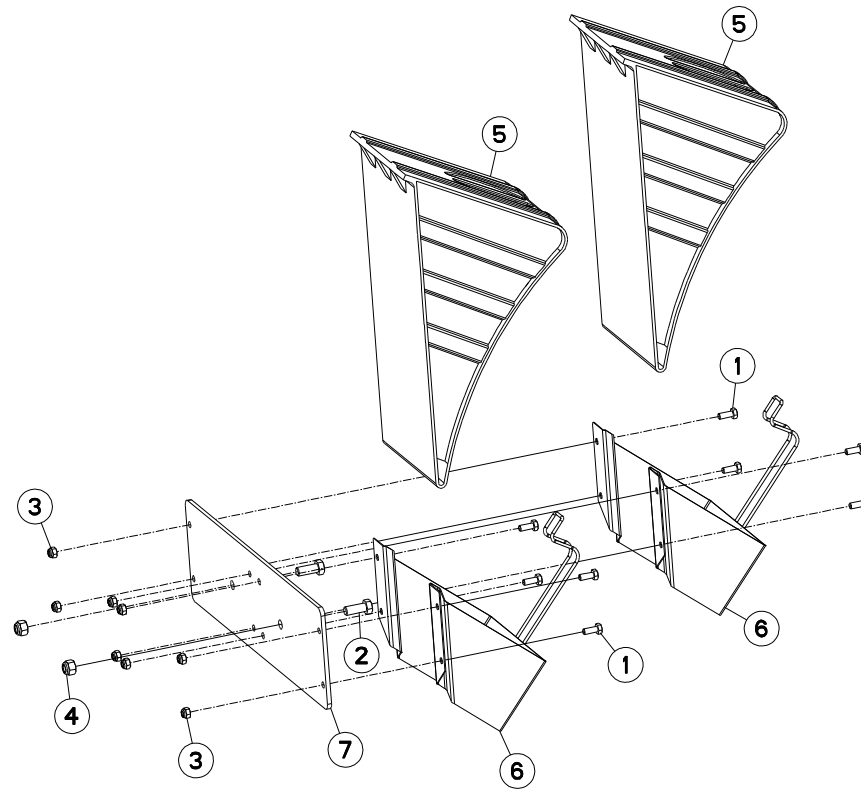
RESERVOIR (PNEUMATIQUE)

TANK (TYRE)

TANK (REIFEN)

SERBATOIO (PNEUMATICO)

| Rep | Nr | Qt | Designation | Description | Bezeichnung | Referenza | Remarque - Remark - Bemerkung - Osservazioni |
|-----|----------|-----|-------------------------------|-----------------------------|----------------------------|-------------------------------|--|
| 001 | 951601 | 001 | VALVE DE COMMANDE | COMMAND VALVE | VENTIL COMMANDE | VALVOLA DI COMANDO | |
| 002 | 951602 | 001 | VALVE DE PURGE | PURGE VALVE | ENTLUEFTUNGSVENTIL | VALVOLA | |
| 003 | A7181115 | 003 | BOUCHON M22X150 ZBC | PLUG | STOPFEN | TAPPO | |
| 004 | 951617 | 001 | PRISE DE PRESSION | PRESSURE PLUG | DRUCKSTECKER | PRESA DI PRESSIONE | |
| 005 | 80061040 | 002 | VIS TETE HEXAGONALE FE/ZNXC3 | HEXAGON HEAD SCREW FE/ZNXC3 | SECHSKANTSCHRAUBE FE/ZNXC3 | VITE TESTA ESAGONALE FE/ZNXC3 | |
| 006 | 80061236 | 004 | VIS TETE HEXAGONALE FE/ZNXC3 | HEXAGON HEAD SCREW FE/ZNXC3 | SECHSKANTSCHRAUBE FE/ZNXC3 | VITE TESTA ESAGONALE FE/ZNXC3 | |
| 007 | 80061271 | 002 | VIS TETE HEXAGONALE FE/ZNXC3 | HEXAGON HEAD SCREW FE/ZNXC3 | SECHSKANTSCHRAUBE FE/ZNXC3 | VITE TESTA ESAGONALE FE/ZNXC3 | |
| 008 | 80201030 | 006 | ECROU HEX.AUTOFREINE FE/ZNXC3 | SELF-LOCKING NUT FE/ZNXC3 | SELBSTSICH.MUTTER FE/ZNXC3 | DADO AUTOBLOCCANTE FE/ZNXC3 | |
| 009 | 80201230 | 006 | ECROU HEX.AUTOFREINE FE/ZNXC3 | SELF-LOCKING NUT FE/ZNXC3 | SELBSTSICH.MUTTER FE/ZNXC3 | DADO AUTOBLOCCANTE FE/ZNXC3 | |
| 010 | 80251227 | 004 | RONDELLE PLATE FE/ZNXC3 | PLAIN WASHER FE/ZNXC3 | SCHEIBE FE/ZNXC3 | RONDELLA PIATTA FE/ZNXC3 | |
| 011 | A4080435 | 003 | UNION MALE | MALE STUD CONNECTOR | GERADER EINSCHRAUBSTUTZEN | GIUZIONE DIRITTA ZBC | |
| 012 | A4080466 | 002 | UNION MALE | MALE STUD CONNECTOR | GERADER EINSCHRAUBSTUTZEN | GIUZIONE DIRITTA ZBC | |
| 013 | A4230002 | 002 | BAGUE BS C22 | SEAL | DICHTUNGSRING | BOCCOLA | |
| 014 | A4923067 | 001 | FLEXIBLE HYDRAULIQUE | HYDRAULIC HOSE | HYDRAULIKSCHLAUCH | TUBO GOMMA | <->375 mm |
| 015 | H2402780 | 002 | COLLIER | CLAMP, HOSE | SCHLAUCHSCHELLE | COLLARE | |
| 016 | H2402790 | 002 | SUPPORT | SUPPORT | TRAEGER | SUPPORTO | |
| 017 | H2402800 | 001 | RESERVOIR | RESERVOIR | TANK | SERBATOIO | |
| 018 | H2408150 | 001 | SUPPORT | SUPPORT | TRAEGER | SUPPORTO | |
| 019 | H2408160 | 002 | CORNIERE | CORNER PROFIL | WINKEL | CORNIERA | |





CULTIMER 1000

A0000 > C0000

H24R0159 A

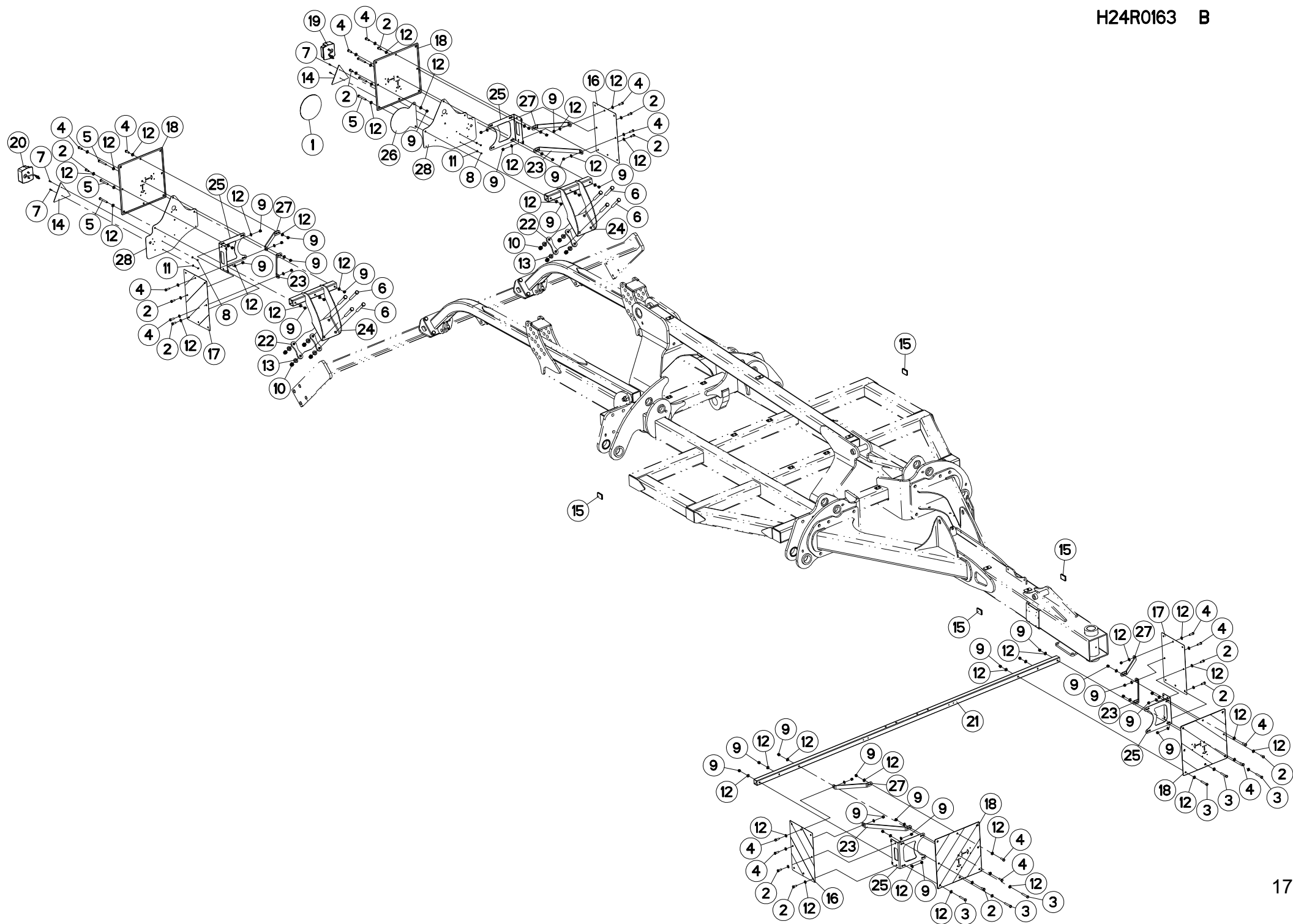
CALE DE ROUE

FIX OF WHEEL

BREMSKLOTZ

TENUTA DI RUO

| Rep | Nr | Qt | Designation | Description | Bezeichnung | Referenza | Remarque - Remark - Bemerkung - Osservazioni |
|-----|-----------------|-----|-------------------------------|-----------------------------|--------------------------------|-------------------------------|--|
| 001 | 80060820 | 008 | VIS TETE HEXAGONALE FE/ZNXC3 | HEXAGON HEAD SCREW FE/ZNXC3 | SECHSKANTSCHRAUBE FE/ZNXC3 | VITE TESTA ESAGONALE FE/ZNXC3 | |
| 002 | 80061271 | 002 | VIS TETE HEXAGONALE FE/ZNXC3 | HEXAGON HEAD SCREW FE/ZNXC3 | SECHSKANTSCHRAUBE FE/ZNXC3 | VITE TESTA ESAGONALE FE/ZNXC3 | |
| 003 | 80200840 | 008 | ECROU HEX.BAS AUTOFR.FE/ZNXC3 | SELF-LOCKING NUT FE/ZNXC3 | SELBSTSICHERND.MUTTER FE/ZNXC3 | DADO AUTOBLOCCANTE FE/ZNXC3 | |
| 004 | 80201240 | 002 | ECROU HEX.BAS AUTOFR.FE/ZNXC3 | SELF-LOCKING NUT FE/ZNXC3 | SELBSTSICHERND.MUTTER FE/ZNXC3 | DADO AUTOBLOCCANTE FE/ZNXC3 | |
| 005 | A7021004 | 002 | CALE | SHIM | DISTANZPLATTE | SPESSORE | |
| 006 | A7021005 | 002 | SUPPORT | SUPPORT | TRAEGER | SUPPORTO | |
| 007 | H2402530 | 001 | SUPPORT | SUPPORT | TRAEGER | SUPPORTO | |





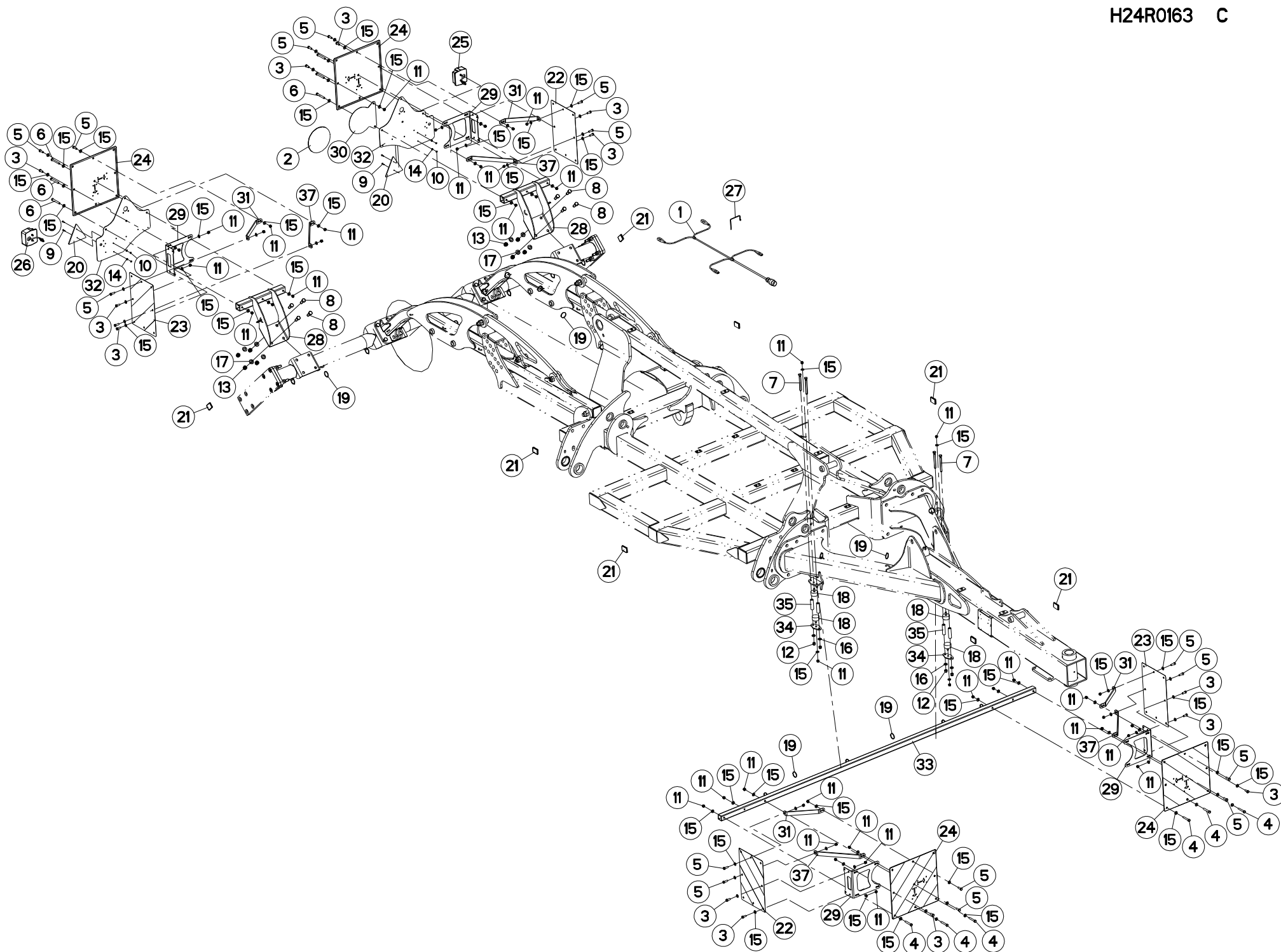
SIGNALISATION

SIGNALLING

BELEUCHTUNG U. WARNTAFELN

SEGNALAZIONE

| Rep | Nr | Qt | Designation | Description | Bezeichnung | Referenza | Remarque - Remark - Bemerkung - Osservazioni |
|-----|----------|-----|--------------------------------|-----------------------------|--------------------------------|-------------------------------|--|
| 001 | 09968300 | 001 | ETIQ.ADHESIVE | TRANSFER MAX.25 | AUFKLEBER MAX.25 | ADESIVO LIMITE VELOC. MAX.25 | |
| 002 | 80061026 | 013 | VIS TETE HEXAGONALE FE/ZNXC3 | HEXAGON HEAD SCREW FE/ZNXC3 | SECHSKANTSCHRAUBE FE/ZNXC3 | VITE TESTA ESAGONALE FE/ZNXC3 | |
| 003 | 80061055 | 006 | VIS TETE HEXAGONALE FE/ZNXC3 | HEXAGON HEAD SCREW FE/ZNXC3 | SECHSKANTSCHRAUBE FE/ZNXC3 | VITE TESTA ESAGONALE FE/ZNXC3 | |
| 004 | 80061073 | 016 | VIS TETE HEXAGONALE FE/ZNXC3 | HEXAGON HEAD SCREW FE/ZNXC3 | SECHSKANTSCHRAUBE FE/ZNXC3 | VITE TESTA ESAGONALE FE/ZNXC3 | |
| 005 | 80061080 | 006 | VIS TETE HEXAGONALE FE/ZNXC3 | HEXAGON HEAD SCREW FE/ZNXC3 | SECHSKANTSCHRAUBE FE/ZNXC3 | VITE TESTA ESAGONALE FE/ZNXC3 | |
| 006 | 80061669 | 008 | VIS TETE HEXAGONALE FE/ZNXC3 | HEXAGON HEAD SCREW FE/ZNXC3 | SECHSKANTSCHRAUBE FE/ZNXC3 | VITE TESTA ESAGONALE FE/ZNXC3 | |
| 007 | 80080516 | 004 | VIS TETE CYL.SIX P.CREUX | HEX.SOCKET HEAD CAP SCREW | ZYLINDERSCHR.INNENSECHSKANT | VITE A TESTA CILINDRICA | |
| 008 | 80200540 | 004 | ECROU HEX.BAS AUTOFR.FE/ZNXC3 | SELF-LOCKING NUT FE/ZNXC3 | SELBSTSICHERND.MUTTER FE/ZNXC3 | DADO AUTOBLOCCANTE FE/ZNXC3 | |
| 009 | 80201030 | 041 | ECROU HEX.AUTOFREINE FE/ZNXC3 | SELF-LOCKING NUT FE/ZNXC3 | SELBSTSICH.MUTTER FE/ZNXC3 | DADO AUTOBLOCCANTE FE/ZNXC3 | |
| 010 | 80201640 | 008 | ECROU HEX.BAS AUTOFR.FE/ZNXC3 | SELF-LOCKING NUT FE/ZNXC3 | SELBSTSICHERND.MUTTER FE/ZNXC3 | DADO AUTOBLOCCANTE FE/ZNXC3 | |
| 011 | 80250512 | 004 | RONDELLE PLATE FE/ZNXC3 | PLAIN WASHER FE/ZNXC3 | SCHEIBE FE/ZNXC3 | RONDELLA PIATTA FE/ZNXC3 | |
| 012 | 80251021 | 082 | RONDELLE PLATE FE/ZNXC3 | PLAIN WASHER FE/ZNXC3 | SCHEIBE FE/ZNXC3 | RONDELLA PIATTA FE/ZNXC3 | |
| 013 | 80251624 | 008 | RONDELLE PLATE FE/ZNXC3 | PLAIN WASHER FE/ZNXC3 | SCHEIBE FE/ZNXC3 | RONDELLA PIATTA FE/ZNXC3 | |
| 014 | 83240007 | 002 | CATADIOPTRE TRIAN.ROUGE 160 | REFLECTOR RED 160 | RUECKSTRAHLER ROT 160 | CATADIOTTRO | |
| 015 | 83240017 | 006 | CATADIOPTRE ORANGE ADHESIF | REFLECTOR ADHESIVE | RUECKSTRAHLER S.KLEB. | CATADIOTTRO | |
| 016 | 83240209 | 002 | PANNEAU DE SIGNAL.RECT.ARD-AVG | WARNING PLATE | WARNTAFEL HI-RE + VO-LI | PANNELLO | |
| 017 | 83240210 | 002 | PANNEAU DE SIGNAL.RECT.ARG-AVD | WARNING PLATE | WARNTAFEL HI-LI + VO-RE | PANNELLO | |
| 018 | 83240212 | 004 | PANNEAU CARRE SIMPLE-FACE | WARNING PLATE | WARNTAFEL | PANNELLO B/R ANT. | |
| 019 | 83240400 | 001 | FEU ARRIERE GAUCHE | REAR LAMP LEFT | RUECKLICHT LINKS | FANALINO COMPLETO POST. SX | |
| 020 | 83240401 | 001 | FEU ARRIERE DROIT | REAR LAMP RIGHT | RUECKLICHT RECHTS | FANALINO COMPLETO POST. DX | |
| 021 | H2401870 | 001 | TUBE | TUBE | ROHR | TUBO | |
| 022 | H2404650 | 004 | BRIDE | CLAMP | BUEGEL | STAFFA | |
| 023 | H2406180 | 004 | RENFORT | REINFORCEMENT | VERSTAERKUNG | RINFORZO | |
| 024 | H2406220 | 002 | SUPPORT | SUPPORT | TRAEGER | SUPPORTO | |
| 025 | H2406960 | 004 | SUPPORT | SUPPORT | TRAEGER | SUPPORTO | |
| 026 | H2407030 | 001 | SUPPORT | SUPPORT | TRAEGER | SUPPORTO | |
| 027 | H2407280 | 004 | RENFORT | REINFORCEMENT | VERSTAERKUNG | RINFORZO | |
| 028 | H2409080 | 002 | SUPPORT | SUPPORT | TRAEGER | SUPPORTO | |





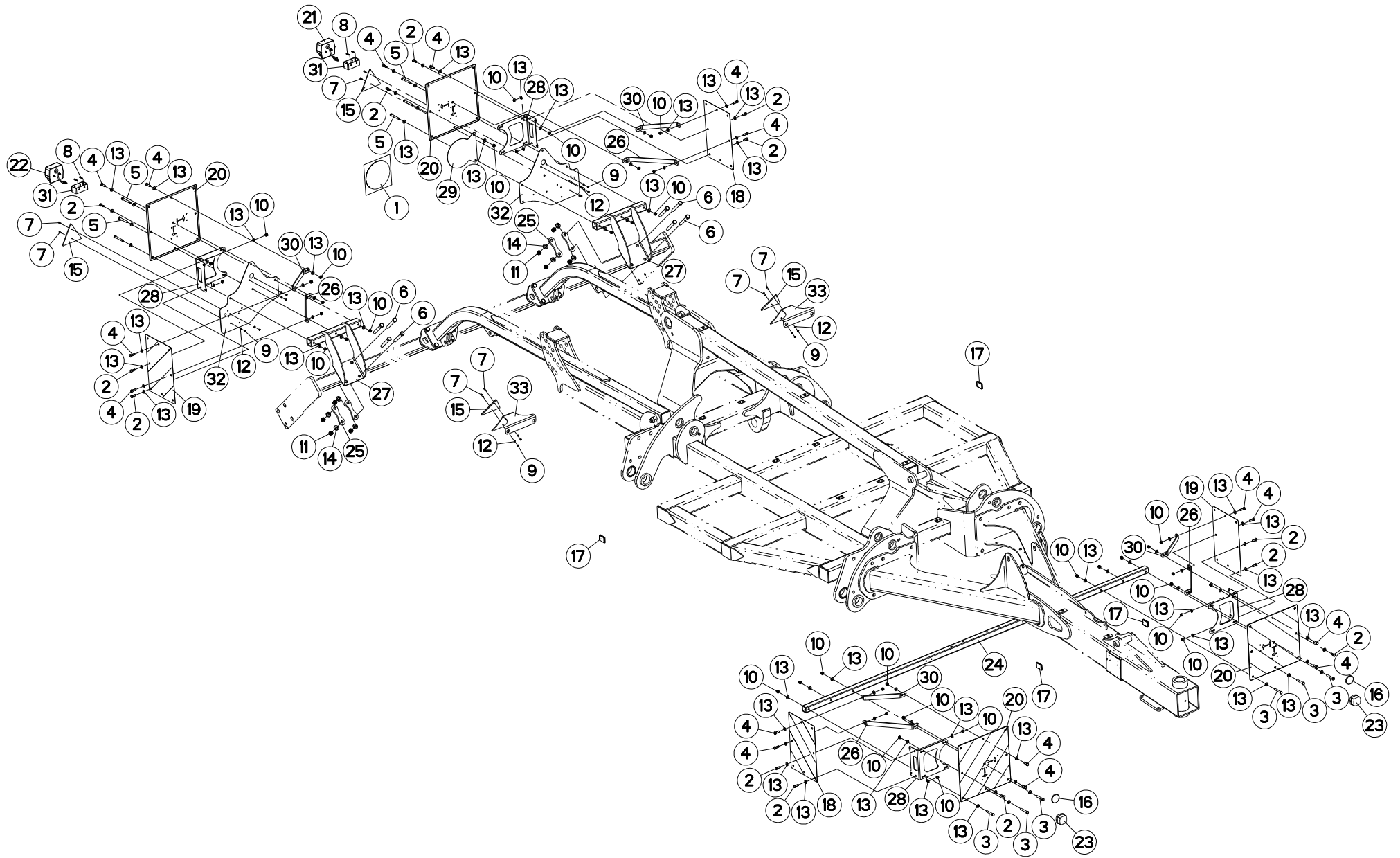
SIGNALISATION

SIGNALLING

BELEUCHTUNG U. WARNTAFELN

SEGNALAZIONE

| Rep | Nr | Qt | Designation | Description | Bezeichnung | Referenza | Remarque - Remark - Bemerkung - Osservazioni |
|-----|----------|-----|--------------------------------|-----------------------------|--------------------------------|-------------------------------|--|
| 001 | 952164 | 001 | FAISCEAU ELECTRIQUE | HARNES, WIRING | KABELBAUM | CAVO ELETTRICO | |
| 002 | 09968300 | 001 | ETIQ.ADHESIVE | TRANSFER MAX.25 | AUFKLEBER MAX.25 | ADESIVO LIMITE VELOC. MAX.25 | |
| 003 | 80061026 | 013 | VIS TETE HEXAGONALE FE/ZNXC3 | HEXAGON HEAD SCREW FE/ZNXC3 | SECHSKANTSCHRAUBE FE/ZNXC3 | VITE TESTA ESAGONALE FE/ZNXC3 | |
| 004 | 80061055 | 006 | VIS TETE HEXAGONALE FE/ZNXC3 | HEXAGON HEAD SCREW FE/ZNXC3 | SECHSKANTSCHRAUBE FE/ZNXC3 | VITE TESTA ESAGONALE FE/ZNXC3 | |
| 005 | 80061073 | 016 | VIS TETE HEXAGONALE FE/ZNXC3 | HEXAGON HEAD SCREW FE/ZNXC3 | SECHSKANTSCHRAUBE FE/ZNXC3 | VITE TESTA ESAGONALE FE/ZNXC3 | |
| 006 | 80061080 | 006 | VIS TETE HEXAGONALE FE/ZNXC3 | HEXAGON HEAD SCREW FE/ZNXC3 | SECHSKANTSCHRAUBE FE/ZNXC3 | VITE TESTA ESAGONALE FE/ZNXC3 | |
| 007 | 80061233 | 004 | VIS TETE HEXAGONALE FE/ZNXC3 | HEXAGON HEAD SCREW FE/ZNXC3 | SECHSKANTSCHRAUBE FE/ZNXC3 | VITE TESTA ESAGONALE FE/ZNXC3 | |
| 008 | 80061641 | 008 | VIS TETE HEXAGONALE FE/ZNXC3 | HEXAGON HEAD SCREW FE/ZNXC3 | SECHSKANTSCHRAUBE FE/ZNXC3 | VITE TESTA ESAGONALE FE/ZNXC3 | |
| 009 | 80080516 | 004 | VIS TETE CYL.SIX P.CREUX | HEX.SOCKET HEAD CAP SCREW | ZYLINDERSCHR.INNENSECHSKANT | VITE A TESTA CILINDRICA | |
| 010 | 80200540 | 004 | ECROU HEX.BAS AUTOFR.FE/ZNXC3 | SELF-LOCKING NUT FE/ZNXC3 | SELBSTSICHERND.MUTTER FE/ZNXC3 | DADO AUTOBLOCCANTE FE/ZNXC3 | |
| 011 | 80201030 | 045 | ECROU HEX.AUTOFREINE FE/ZNXC3 | SELF-LOCKING NUT FE/ZNXC3 | SELBSTSICH.MUTTER FE/ZNXC3 | DADO AUTOBLOCCANTE FE/ZNXC3 | |
| 012 | 80201230 | 004 | ECROU HEX.AUTOFREINE FE/ZNXC3 | SELF-LOCKING NUT FE/ZNXC3 | SELBSTSICH.MUTTER FE/ZNXC3 | DADO AUTOBLOCCANTE FE/ZNXC3 | |
| 013 | 80201640 | 008 | ECROU HEX.BAS AUTOFR.FE/ZNXC3 | SELF-LOCKING NUT FE/ZNXC3 | SELBSTSICHERND.MUTTER FE/ZNXC3 | DADO AUTOBLOCCANTE FE/ZNXC3 | |
| 014 | 80250512 | 004 | RONDELLE PLATE FE/ZNXC3 | PLAIN WASHER FE/ZNXC3 | SCHEIBE FE/ZNXC3 | RONDELLA PIATTA FE/ZNXC3 | |
| 015 | 80251021 | 086 | RONDELLE PLATE FE/ZNXC3 | PLAIN WASHER FE/ZNXC3 | SCHEIBE FE/ZNXC3 | RONDELLA PIATTA FE/ZNXC3 | |
| 016 | 80251325 | 004 | RONDELLE PLATE FE/ZNXC3 | PLAIN WASHER FE/ZNXC3 | SCHEIBE FE/ZNXC3 | RONDELLA PIATTA FE/ZNXC3 | |
| 017 | 80251624 | 008 | RONDELLE PLATE FE/ZNXC3 | PLAIN WASHER FE/ZNXC3 | SCHEIBE FE/ZNXC3 | RONDELLA PIATTA FE/ZNXC3 | |
| 018 | 83030015 | 004 | BUTEE ELASTIQUE | RUBBER STOP | GUMMIPUFFER | GOMMINO | |
| 019 | 83090039 | 032 | COLLIER PLASTIQUE | COLLAR | HALTEBAND | COLLARE | |
| 020 | 83240007 | 002 | CATADIOPTRE TRIAN.ROUGE 160 | REFLECTOR RED 160 | RUECKSTRAHLER ROT 160 | CATADIOTTRO | |
| 021 | 83240017 | 008 | CATADIOPTRE ORANGE ADHESIF | REFLECTOR ADHESIVE | RUECKSTRAHLER S.KLEB. | CATADIOTTRO | |
| 022 | 83240209 | 002 | PANNEAU DE SIGNAL.RECT.ARD-AVG | WARNING PLATE | WARNTAFEL HI-RE + VO-LI | PANNELLO | |
| 023 | 83240210 | 002 | PANNEAU DE SIGNAL.RECT.ARG-AVD | WARNING PLATE | WARNTAFEL HI-LI + VO-RE | PANNELLO | |
| 024 | 83240212 | 004 | PANNEAU CARRE SIMPLE-FACE | WARNING PLATE | WARNTAFEL | PANNELLO B/R ANT. | |
| 025 | 83240400 | 001 | FEU ARRIERE GAUCHE | REAR LAMP LEFT | RUECKLICHT LINKS | FANALINO COMPLETO POST. SX | |
| 026 | 83240401 | 001 | FEU ARRIERE DROIT | REAR LAMP RIGHT | RUECKLICHT RECHTS | FANALINO COMPLETO POST. DX | |
| 027 | 83090093 | 001 | COLLIER PLASTIQUE | HOSE BINDER | SCHLAUCHBAND | FASCETTA | |
| 028 | H2406220 | 002 | SUPPORT | SUPPORT | TRAEGER | SUPPORTO | |
| 029 | H2406960 | 004 | SUPPORT | SUPPORT | TRAEGER | SUPPORTO | |
| 030 | H2407030 | 001 | SUPPORT | SUPPORT | TRAEGER | SUPPORTO | |
| 031 | H2407280 | 004 | RENFORT | REINFORCEMENT | VERSTAERKUNG | RINFORZO | |
| 032 | H2409080 | 002 | SUPPORT | SUPPORT | TRAEGER | SUPPORTO | |
| 033 | H2410280 | 001 | TUBE | TUBE | ROHR | TUBO | |
| 034 | H2413130 | 002 | BRIDE | CLAMP | BUEGEL | STAFFA | |
| 035 | H2413320 | 004 | ENTRETOISE | SPACER | DISTANZHUELSE | DISTANZIALE | |
| 036 | H2413330 | 001 | TUBE | TUBE | ROHR | TUBO | |
| 037 | H2415140 | 004 | RENFORT | REINFORCEMENT | VERSTAERKUNG | RINFORZO | |



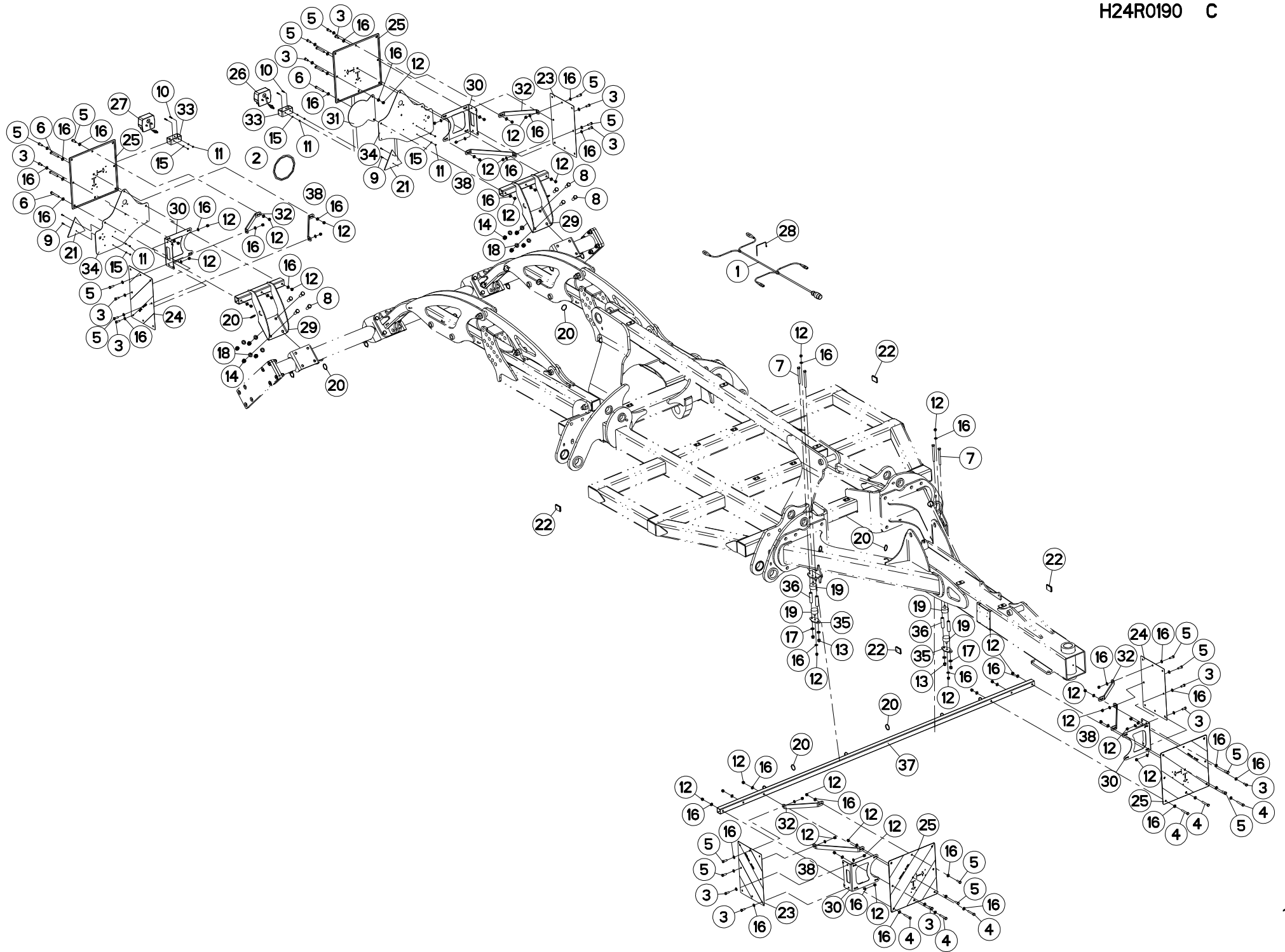


SIGNALISATION (TÜV)

SIGNALLING (TÜV)

BELEUCHTUNG U. WARNSCHILDER (TÜV) SEGNALAZIONE (TÜV)

| Rep | Nr | Qt | Designation | Description | Bezeichnung | Referenza | Remarque - Remark - Bemerkung - Osservazioni |
|-----|----------|-----|--------------------------------|--------------------------------|--------------------------------|-------------------------------|--|
| 001 | 09968300 | 001 | ETIQ.ADHESIVE | TRANSFER MAX.25 | AUFKLEBER MAX.25 | ADESIVO LIMITE VELOC. MAX.25 | |
| 002 | 80061026 | 013 | VIS TETE HEXAGONALE FE/ZNXC3 | HEXAGON HEAD SCREW FE/ZNXC3 | SECHSKANTSCHRAUBE FE/ZNXC3 | VITE TESTA ESAGONALE FE/ZNXC3 | |
| 003 | 80061055 | 006 | VIS TETE HEXAGONALE FE/ZNXC3 | HEXAGON HEAD SCREW FE/ZNXC3 | SECHSKANTSCHRAUBE FE/ZNXC3 | VITE TESTA ESAGONALE FE/ZNXC3 | |
| 004 | 80061073 | 016 | VIS TETE HEXAGONALE FE/ZNXC3 | HEXAGON HEAD SCREW FE/ZNXC3 | SECHSKANTSCHRAUBE FE/ZNXC3 | VITE TESTA ESAGONALE FE/ZNXC3 | |
| 005 | 80061080 | 006 | VIS TETE HEXAGONALE FE/ZNXC3 | HEXAGON HEAD SCREW FE/ZNXC3 | SECHSKANTSCHRAUBE FE/ZNXC3 | VITE TESTA ESAGONALE FE/ZNXC3 | |
| 006 | 80061669 | 008 | VIS TETE HEXAGONALE FE/ZNXC3 | HEXAGON HEAD SCREW FE/ZNXC3 | SECHSKANTSCHRAUBE FE/ZNXC3 | VITE TESTA ESAGONALE FE/ZNXC3 | |
| 007 | 80080516 | 008 | VIS TETE CYL.SIX P.CREUX | HEX.SOCKET HEAD CAP SCREW | ZYLINDERSCHR.INNENSECHSKANT | VITE A TESTA CILINDRICA | |
| 008 | 80080520 | 004 | VIS TETE CYL.SIX P.CRE.INOX A2 | HEX.SOCKET HEAD CAP SCREW INOX | ZYLINDERSCHR.INNENSECHSK.INOX | VITE A TESTA CILINDRICA INOX | |
| 009 | 80200540 | 012 | ECROU HEX.BAS AUTOFR.FE/ZNXC3 | SELF-LOCKING NUT FE/ZNXC3 | SELBSTSICHERND.MUTTER FE/ZNXC3 | DADO AUTOBLOCCANTE FE/ZNXC3 | |
| 010 | 80201030 | 041 | ECROU HEX.AUTOFREINE FE/ZNXC3 | SELF-LOCKING NUT FE/ZNXC3 | SELBSTSICH.MUTTER FE/ZNXC3 | DADO AUTOBLOCCANTE FE/ZNXC3 | |
| 011 | 80201640 | 008 | ECROU HEX.BAS AUTOFR.FE/ZNXC3 | SELF-LOCKING NUT FE/ZNXC3 | SELBSTSICHERND.MUTTER FE/ZNXC3 | DADO AUTOBLOCCANTE FE/ZNXC3 | |
| 012 | 80250512 | 012 | RONDELLE PLATE FE/ZNXC3 | PLAIN WASHER FE/ZNXC3 | SCHEIBE FE/ZNXC3 | RONDELLA PIATTA FE/ZNXC3 | |
| 013 | 80251021 | 082 | RONDELLE PLATE FE/ZNXC3 | PLAIN WASHER FE/ZNXC3 | SCHEIBE FE/ZNXC3 | RONDELLA PIATTA FE/ZNXC3 | |
| 014 | 80251624 | 008 | RONDELLE PLATE FE/ZNXC3 | PLAIN WASHER FE/ZNXC3 | SCHEIBE FE/ZNXC3 | RONDELLA PIATTA FE/ZNXC3 | |
| 015 | 83240007 | 004 | CATADIOPTRE TRIAN.ROUGE 160 | REFLECTOR RED 160 | RUECKSTRAHLER ROT 160 | CATADIOTTRO | |
| 016 | 83240010 | 002 | CATADIOPTRE BLANC 60 ADHESIF | REFLECTOR WHITE 60 ADHESIVE | RUECKSTRAH.60 WEISS SELBSTKL. | CATADIOTTRO BIANCO | |
| 017 | 83240017 | 006 | CATADIOPTRE ORANGE ADHESIF | REFLECTOR ADHESIVE | RUECKSTRAHLER S.KLEB. | CATADIOTTRO | |
| 018 | 83240209 | 002 | PANNEAU DE SIGNAL.RECT.ARD-AVG | WARNING PLATE | WARNTAFEL HI-RE + VO-LI | PANNELLO | |
| 019 | 83240210 | 002 | PANNEAU DE SIGNAL.RECT.ARG-AVD | WARNING PLATE | WARNTAFEL HI-LI + VO-RE | PANNELLO | |
| 020 | 83240212 | 004 | PANNEAU CARRE SIMPLE-FACE | WARNING PLATE | WARNTAFEL | PANNELLO B/R ANT. | |
| 021 | 83240400 | 001 | FEU ARRIERE GAUCHE | REAR LAMP LEFT | RUECKLICHT LINKS | FANALINO COMPLETO POST. SX | |
| 022 | 83240401 | 001 | FEU ARRIERE DROIT | REAR LAMP RIGHT | RUECKLICHT RECHTS | FANALINO COMPLETO POST. DX | |
| 023 | 83240404 | 002 | FEU DE POSITION BLANC | FRONT LAMP WHITE | BEGRENZUNGSLICHT WEISS | FANALINO BIANCO | |
| 024 | H2401870 | 001 | TUBE | TUBE | ROHR | TUBO | |
| 025 | H2404650 | 004 | BRIDE | CLAMP | BUEGEL | STAFFA | |
| 026 | H2406180 | 004 | RENFORT | REINFORCEMENT | VERSTAERKUNG | RINFORZO | |
| 027 | H2406220 | 002 | SUPPORT | SUPPORT | TRAEGER | SUPPORTO | |
| 028 | H2406960 | 004 | SUPPORT | SUPPORT | TRAEGER | SUPPORTO | |
| 029 | H2407030 | 001 | SUPPORT | SUPPORT | TRAEGER | SUPPORTO | |
| 030 | H2407280 | 004 | RENFORT | REINFORCEMENT | VERSTAERKUNG | RINFORZO | |
| 031 | H2408860 | 002 | CALE | SHIM | DISTANZPLATTE | SPESSORE | |
| 032 | H2409080 | 002 | SUPPORT | SUPPORT | TRAEGER | SUPPORTO | |
| 033 | H2411940 | 002 | SUPPORT | SUPPORT | TRAEGER | SUPPORTO | |





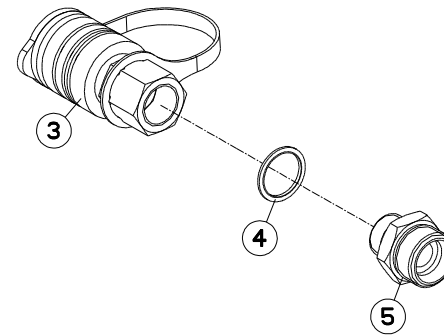
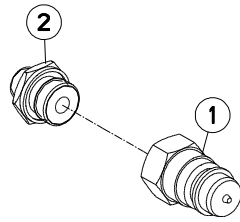
SIGNALISATION (TÜV)

SIGNALLING (TÜV)

BELEUCHTUNG U. WARNTAFELN (TÜV)

SEGNALAZIONE (TÜV)

| Rep | Nr | Qt | Designation | Description | Bezeichnung | Referenza | Remarque - Remark - Bemerkung - Osservazioni |
|-----|----------|-----|--------------------------------|--------------------------------|--------------------------------|-------------------------------|--|
| 001 | 952164 | 001 | FAISCEAU ELECTRIQUE | HARNES, WIRING | KABELBAUM | CAVO ELETTRICO | |
| 002 | 09968300 | 001 | ETIQ.ADHESIVE | TRANSFER MAX.25 | AUFKLEBER MAX.25 | ADESIVO LIMITE VELOC. MAX.25 | |
| 003 | 80061026 | 013 | VIS TETE HEXAGONALE FE/ZNXC3 | HEXAGON HEAD SCREW FE/ZNXC3 | SECHSKANTSCHRAUBE FE/ZNXC3 | VITE TESTA ESAGONALE FE/ZNXC3 | |
| 004 | 80061055 | 006 | VIS TETE HEXAGONALE FE/ZNXC3 | HEXAGON HEAD SCREW FE/ZNXC3 | SECHSKANTSCHRAUBE FE/ZNXC3 | VITE TESTA ESAGONALE FE/ZNXC3 | |
| 005 | 80061073 | 016 | VIS TETE HEXAGONALE FE/ZNXC3 | HEXAGON HEAD SCREW FE/ZNXC3 | SECHSKANTSCHRAUBE FE/ZNXC3 | VITE TESTA ESAGONALE FE/ZNXC3 | |
| 006 | 80061080 | 006 | VIS TETE HEXAGONALE FE/ZNXC3 | HEXAGON HEAD SCREW FE/ZNXC3 | SECHSKANTSCHRAUBE FE/ZNXC3 | VITE TESTA ESAGONALE FE/ZNXC3 | |
| 007 | 80061233 | 004 | VIS TETE HEXAGONALE FE/ZNXC3 | HEXAGON HEAD SCREW FE/ZNXC3 | SECHSKANTSCHRAUBE FE/ZNXC3 | VITE TESTA ESAGONALE FE/ZNXC3 | |
| 008 | 80061641 | 008 | VIS TETE HEXAGONALE FE/ZNXC3 | HEXAGON HEAD SCREW FE/ZNXC3 | SECHSKANTSCHRAUBE FE/ZNXC3 | VITE TESTA ESAGONALE FE/ZNXC3 | |
| 009 | 80080516 | 004 | VIS TETE CYL.SIX P.CREUX | HEX.SOCKET HEAD CAP SCREW | ZYLINDERSCHR.INNENSECHSKANT | VITE A TESTA CILINDRICA | |
| 010 | 80080520 | 004 | VIS TETE CYL.SIX P.CRE.INOX A2 | HEX.SOCKET HEAD CAP SCREW INOX | ZYLINDERSCHR.INNENSECHSK.INOX | VITE A TESTA CILINDRICA INOX | |
| 011 | 80200540 | 008 | ECROU HEX.BAS AUTOFR.FE/ZNXC3 | SELF-LOCKING NUT FE/ZNXC3 | SELBSTSICHERND.MUTTER FE/ZNXC3 | DADO AUTOBLOCCANTE FE/ZNXC3 | |
| 012 | 80201030 | 045 | ECROU HEX.AUTOFREINE FE/ZNXC3 | SELF-LOCKING NUT FE/ZNXC3 | SELBSTSICH.MUTTER FE/ZNXC3 | DADO AUTOBLOCCANTE FE/ZNXC3 | |
| 013 | 80201230 | 004 | ECROU HEX.AUTOFREINE FE/ZNXC3 | SELF-LOCKING NUT FE/ZNXC3 | SELBSTSICH.MUTTER FE/ZNXC3 | DADO AUTOBLOCCANTE FE/ZNXC3 | |
| 014 | 80201640 | 008 | ECROU HEX.BAS AUTOFR.FE/ZNXC3 | SELF-LOCKING NUT FE/ZNXC3 | SELBSTSICHERND.MUTTER FE/ZNXC3 | DADO AUTOBLOCCANTE FE/ZNXC3 | |
| 015 | 80250512 | 008 | RONDELLE PLATE FE/ZNXC3 | PLAIN WASHER FE/ZNXC3 | SCHIEBE FE/ZNXC3 | RONDELLA PIATTA FE/ZNXC3 | |
| 016 | 80251021 | 086 | RONDELLE PLATE FE/ZNXC3 | PLAIN WASHER FE/ZNXC3 | SCHIEBE FE/ZNXC3 | RONDELLA PIATTA FE/ZNXC3 | |
| 017 | 80251325 | 004 | RONDELLE PLATE FE/ZNXC3 | PLAIN WASHER FE/ZNXC3 | SCHIEBE FE/ZNXC3 | RONDELLA PIATTA FE/ZNXC3 | |
| 018 | 80251624 | 008 | RONDELLE PLATE FE/ZNXC3 | PLAIN WASHER FE/ZNXC3 | SCHIEBE FE/ZNXC3 | RONDELLA PIATTA FE/ZNXC3 | |
| 019 | 83030015 | 004 | BUTEE ELASTIQUE | RUBBER STOP | GUMMIPUFFER | GOMMINO | |
| 020 | 83090039 | 032 | COLLIER PLASTIQUE | COLLAR | HALTEBAND | COLLARE | |
| 021 | 83240007 | 002 | CATADIOPTRE TRIAN.ROUGE 160 | REFLECTOR RED 160 | RUECKSTRAHLER ROT 160 | CATADIOTTRO | |
| 022 | 83240017 | 004 | CATADIOPTRE ORANGE ADHESIF | REFLECTOR ADHESIVE | RUECKSTRAHLER S.KLEB. | CATADIOTTRO | |
| 023 | 83240209 | 002 | PANNEAU DE SIGNAL.RECT.ARD-AVG | WARNING PLATE | WARNTAFEL HI-RE + VO-LI | PANNELLO | |
| 024 | 83240210 | 002 | PANNEAU DE SIGNAL.RECT.ARG-AVD | WARNING PLATE | WARNTAFEL HI-LI + VO-RE | PANNELLO | |
| 025 | 83240212 | 004 | PANNEAU CARRE SIMPLE-FACE | WARNING PLATE | WARNTAFEL | PANNELLO B/R ANT. | |
| 026 | 83240400 | 001 | FEU ARRIERE GAUCHE | REAR LAMP LEFT | RUECKLICHT LINKS | FANALINO COMPLETO POST. SX | |
| 027 | 83240401 | 001 | FEU ARRIERE DROIT | REAR LAMP RIGHT | RUECKLICHT RECHTS | FANALINO COMPLETO POST. DX | |
| 028 | 83090093 | 001 | COLLIER PLASTIQUE | HOSE BINDER | SCHLAUCHBAND | FASCETTA | |
| 029 | H2406220 | 002 | SUPPORT | SUPPORT | TRAEGER | SUPPORTO | |
| 030 | H2406960 | 004 | SUPPORT | SUPPORT | TRAEGER | SUPPORTO | |
| 031 | H2407030 | 001 | SUPPORT | SUPPORT | TRAEGER | SUPPORTO | |
| 032 | H2407280 | 004 | RENFORT | REINFORCEMENT | VERSTAERKUNG | RINFORZO | |
| 033 | H2408860 | 002 | CALE | SHIM | DISTANZPLATTE | SPESSORE | |
| 034 | H2409080 | 002 | SUPPORT | SUPPORT | TRAEGER | SUPPORTO | |
| 035 | H2413130 | 002 | BRIDE | CLAMP | BUEGEL | STAFFA | |
| 036 | H2413320 | 004 | ENTRETOISE | SPACER | DISTANZHUELSE | DISTANZIALE | |
| 037 | H2413330 | 001 | TUBE | TUBE | ROHR | TUBO | |
| 038 | H2415140 | 004 | RENFORT | REINFORCEMENT | VERSTAERKUNG | RINFORZO | |





CULTIMER 1000

A0000 > C0000

H02R0204 A

COUPLEURS HYDRAULIQUES RUSSE

HYDRAULIC COUPLERS RUSSE

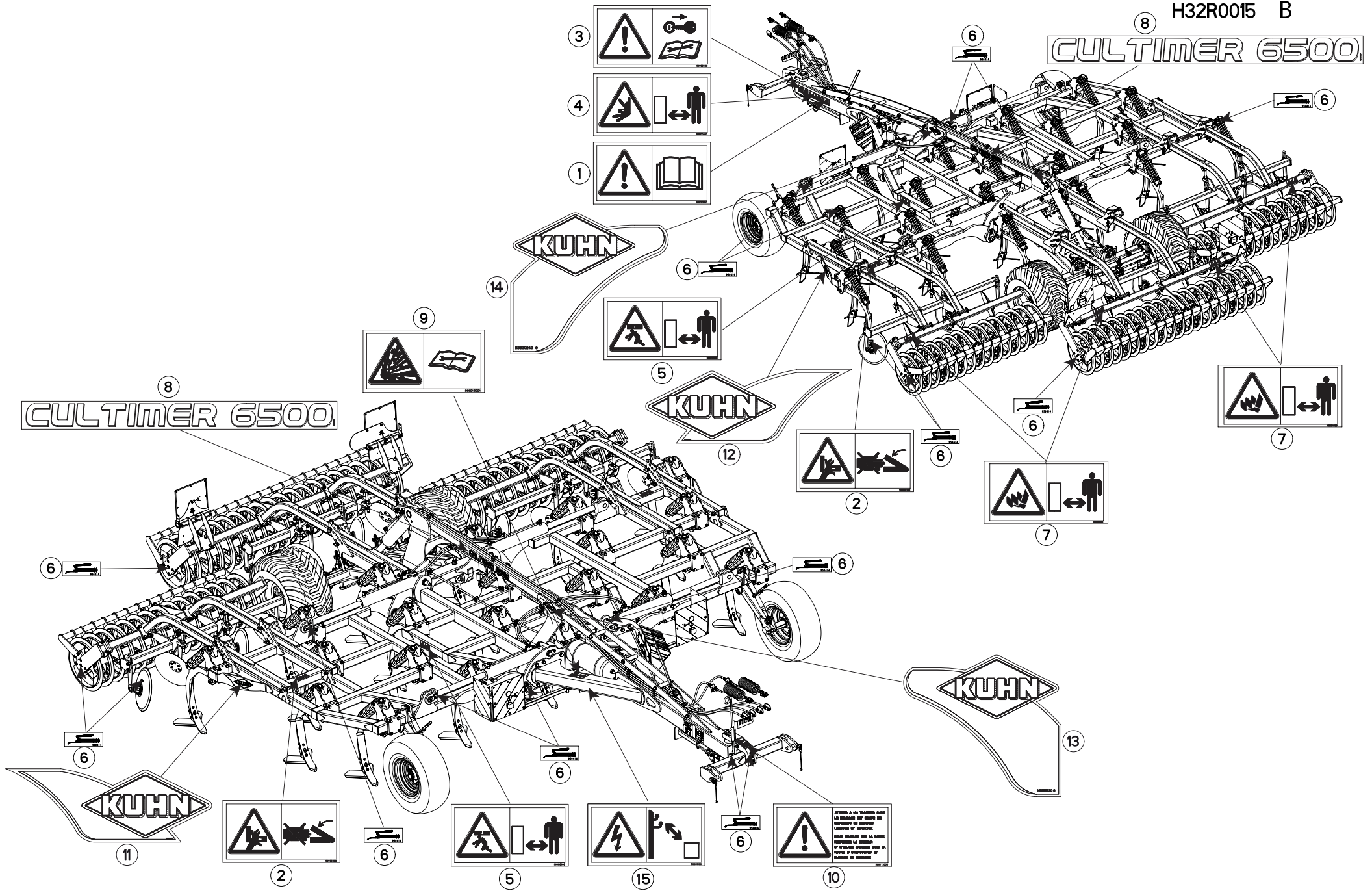
HYDRAULIKANSCHLUESSE RUSSE

CONNETTORI IDRAULICI RUSSE

| Rep | Nr | Qt | Designation | Description | Bezeichnung | Referenza | Remarque - Remark - Bemerkung - Osservazioni |
|-----|-----------------|-----|------------------|-----------------------------|---------------------------|----------------------|--|
| 001 | A4074001 | 001 | COUPLEUR | COUPLER | KUPLER | GIUNTO | |
| 002 | A4080402 | 001 | UNION MALE | MALE STUD CONNECTOR | GERADER EINSCHRAUBSTUTZEN | GIUZIONE DIRITTA ZBC | |
| 003 | A4074000 | 001 | COUPLEUR FEMELLE | CONNECTOR FEMALE | KUPPLUNGSMUFFE | GIUNTO | |
| 004 | A4230021 | 001 | BAGUE BS21 | BUSH BS | BUCHSE BS | BOCCOLA | |
| 005 | 951453 | 001 | ADAPTATEUR | FITTING, HYDRAULIC, ADAPTER | ANBAUELEMENT | ADATTATORE | |

H32R0015 B

CULTIMER 6500





CULTIMER 6500

A0000 > C0000

H32R0015 B

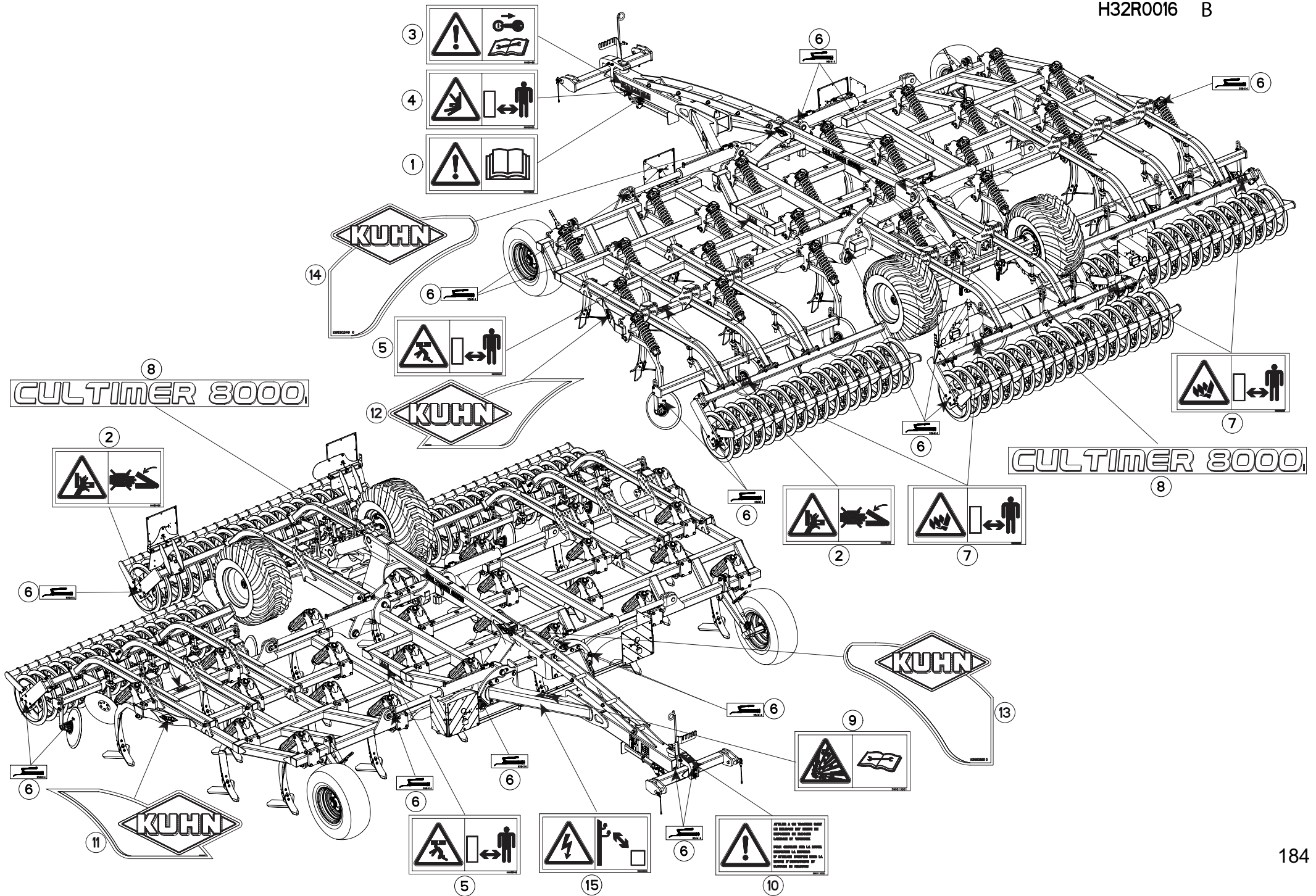
COLL.ETIQUETTES ADHESIVES CULT

SET OF STICKERS CULT

SATZ AUFKLEBER CULT

SERIE ADESIVI CULT

| Rep | Nr | Qt | Designation | Description | Bezeichnung | Referenza | Remarque - Remark - Bemerkung - Osservazioni |
|-----|----------|-----|----------------------------|--------------------------------|--------------------------------|-----------|--|
| 001 | 59900000 | 001 | PICTOGR.H NOTICE D'INSTR | PICTORIAL H INSTRUCTIONS | PIKTOGR.H BETRIEBSANLEITUNG | ADESIVO | |
| 002 | 59900300 | 002 | PICTOGR.H ECRASEM.MAIN | PICTORIAL H CRUSH.DANGER HAND | PIKTOGR.H QUETSCHGEFAHR HAND | ADESIVO | |
| 003 | 59900400 | 001 | PICTOGR.H ARRETER MOTEUR | PICTORIAL H STOP ENGINE | PIKTOGR.H MOTOR ABSTELLEN | ADESIVO | |
| 004 | 59900600 | 001 | PICTOGR.H ECRASEM.TORSE | PICTORIAL H CRUSH.DANG.TORSO | PIKTOGR.H QUETSCHGEF.BRUSTK | ADESIVO | |
| 005 | 59900500 | 002 | PICTOGR.H ECRASEM.CORPS | PICTORIAL H CRUSH. DANGER BODY | PIKTOGR.H QUETSCHGEF.KOERPER | ADESIVO | |
| 006 | 950414 | 045 | AUTOCOL.POMPE A GRAISSE | STICKER OIL PUMP | AUFKLEBER SCHMIERUNG | ADESIVO | |
| 007 | H2404660 | 004 | AUTOCOLLANT | STICKER | AUFKLEBER | ADESIVO | |
| 008 | H2407220 | 002 | ETIQ.ADH. | DECAL | AUFKLEBER | ADESIVO | |
| 009 | 59901300 | 001 | PICTOGR.H DANGER ACCUMULAT | PICTORIAL H DANGER ACCUMULATOR | PIKTOGR.H GEFAHR HYDROSPEICHER | ADESIVO | OPT |
| 010 | 59911200 | 001 | PICTOGR.ATTELAGE 2 POINTS | PICTOGR.TWO POINT LINKAGE | PIKTOGR.ZWEIPUNKT-ANBAU | ADESIVO | |
| 011 | K9530070 | 001 | ETIQ.ADH. | DECAL | AUFKLEBER | ADESIVO | |
| 012 | K9530080 | 001 | ETIQ.ADH. | DECAL | AUFKLEBER | ADESIVO | |
| 013 | K9530230 | 001 | ETIQ.ADH. | DECAL | AUFKLEBER | ADESIVO | |
| 014 | K9530240 | 001 | ETIQ.ADH. | DECAL | AUFKLEBER | ADESIVO | |
| 015 | 59901500 | 001 | PICTOGR.H DANGER L.ELECTR | PICTORIAL H ELECTR.POWER LINE | PIKTOGR.H STROMLEITUNG | ADESIVO | |





CULTIMER 8000

A0000 > C0000

H32R0016 B

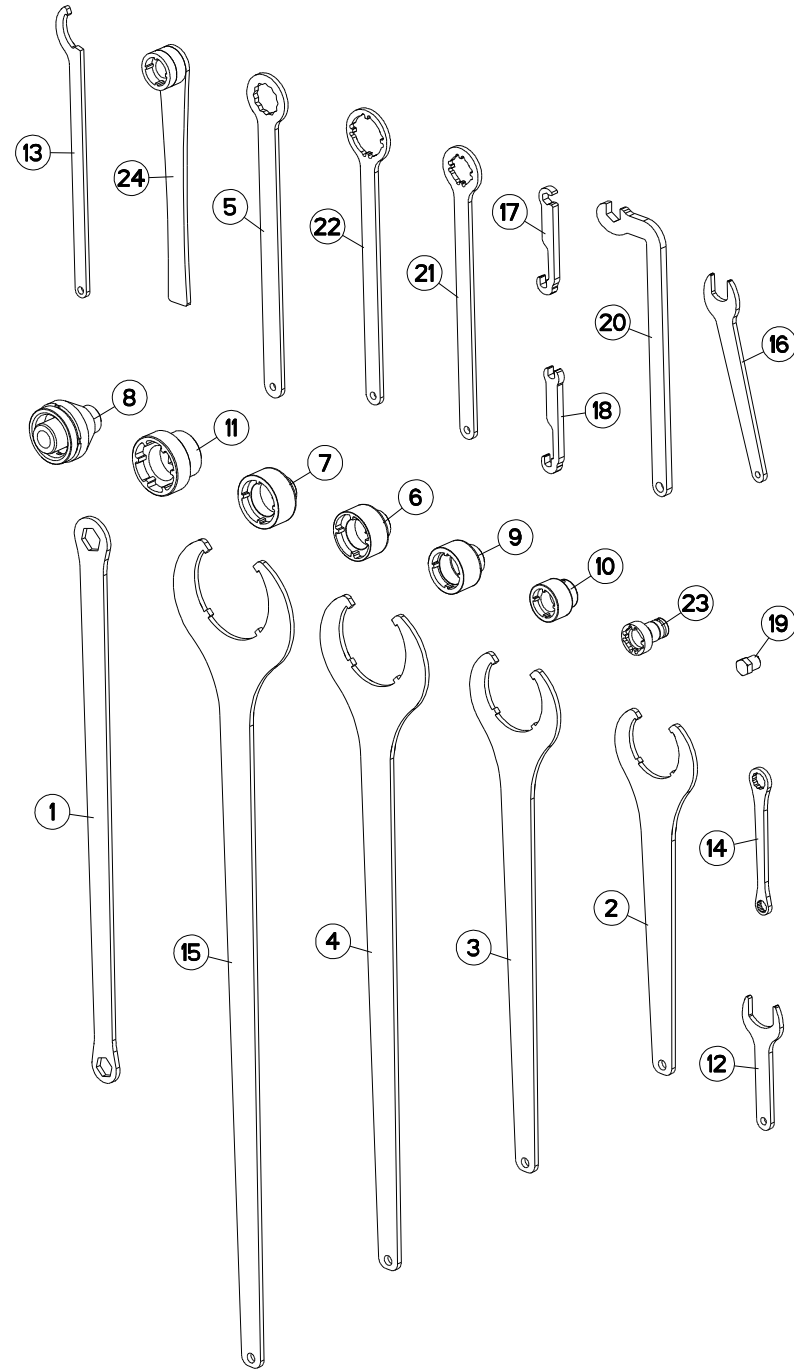
COLL.ETIQUETTES ADHESIVES CULT

SET OF STICKERS CULT

SATZ AUFKLEBER CULT

SERIE ADESIVI CULT

| Rep | Nr | Qt | Designation | Description | Bezeichnung | Referenza | Remarque - Remark - Bemerkung - Osservazioni |
|-----|-----------------|-----|----------------------------|--------------------------------|--------------------------------|-----------|--|
| 001 | 59900000 | 001 | PICTOGR.H NOTICE D'INSTR | PICTORIAL H INSTRUCTIONS | PIKTOGR.H BETRIEBSANLEITUNG | ADESIVO | |
| 002 | 59900300 | 002 | PICTOGR.H ECRASEM.MAIN | PICTORIAL H CRUSH.DANGER HAND | PIKTOGR.H QUETSCHGEFAHR HAND | ADESIVO | |
| 003 | 59900400 | 001 | PICTOGR.H ARRETER MOTEUR | PICTORIAL H STOP ENGINE | PIKTOGR.H MOTOR ABSTELLEN | ADESIVO | |
| 004 | 59900600 | 001 | PICTOGR.H ECRASEM.TORSE | PICTORIAL H CRUSH.DANG.TORSO | PIKTOGR.H QUETSCHGEF.BRUSTK | ADESIVO | |
| 005 | 59900500 | 002 | PICTOGR.H ECRASEM.CORPS | PICTORIAL H CRUSH. DANGER BODY | PIKTOGR.H QUETSCHGEF.KOERPER | ADESIVO | |
| 006 | 950414 | 049 | AUTOCOL.POMPE A GRAISSE | STICKER OIL PUMP | AUFKLEBER SCHMIERUNG | ADESIVO | |
| 007 | H2404660 | 004 | AUTOCOLLANT | STICKER | AUFKLEBER | ADESIVO | |
| 008 | H2407230 | 002 | ETIQ.ADH. | DECAL | AUFKLEBER | ADESIVO | |
| 009 | 59901300 | 001 | PICTOGR.H DANGER ACCUMULAT | PICTORIAL H DANGER ACCUMULATOR | PIKTOGR.H GEFAHR HYDROSPEICHER | ADESIVO | OPT |
| 010 | 59911200 | 001 | PICTOGR.ATTELAGE 2 POINTS | PICTOGR.TWO POINT LINKAGE | PIKTOGR.ZWEIPUNKT-ANBAU | ADESIVO | |
| 011 | K9530070 | 001 | ETIQ.ADH. | DECAL | AUFKLEBER | ADESIVO | |
| 012 | K9530080 | 001 | ETIQ.ADH. | DECAL | AUFKLEBER | ADESIVO | |
| 013 | K9530230 | 001 | ETIQ.ADH. | DECAL | AUFKLEBER | ADESIVO | |
| 014 | K9530240 | 001 | ETIQ.ADH. | DECAL | AUFKLEBER | ADESIVO | |
| 015 | 59901500 | 001 | PICTOGR.H DANGER L.ELECTR | PICTORIAL H ELECTR.POWER LINE | PIKTOGR.H STROMLEITUNG | ADESIVO | |





OUTILLAGE

TOOLS

WERKZEUG

ATTREZZI

| Rep | Nr | Qt | Designation | Description | Bezeichnung | Referenza | Remarque - Remark - Bemerkung - Osservazioni |
|-----|----------|-----|--------------------------------|--------------------------|-------------------|-----------------|--|
| 001 | 211664 | 001 | CLE 30/36 | SPANNER 30/36 | SCHLUESSEL 30/36 | CHIAVE | : M20 / M24 |
| 002 | 211828 | 001 | CLE SPECIALE | SPANNER | SCHLUESSEL | CHIAVE | : KM M80 / 971101 |
| 003 | 211829 | 001 | CLE SPECIALE | SPANNER | SCHLUESSEL | CHIAVE | : KM M90 / 951115 |
| 004 | 211830 | 001 | CLE SPECIALE | SPANNER | SCHLUESSEL | CHIAVE | : KM M105 / 951180 |
| 005 | 780104 | 001 | CLE A OEIL 46/PLATS | SPANNER 46 | | CHIAVE | : M30 |
| 006 | 3104124 | 001 | DOUILLE | SPECIAL SOCKET->80204519 | SPEZIAL STECKNUSS | CHIAVE SPECIALE | : KM M10 / 80204519 / 80204566 |
| 007 | 3119467 | 001 | DOUILLE | SPECIAL SOCKET | SPEZIAL-STECKNUSS | CHIAVE SPECIALE | : KM M50 / 50019600 |
| 008 | 3125420 | 001 | DOUILLE | SPECIAL SOCKET->52502300 | SPEZIAL STECKNUSS | CHIAVE SPECIALE | : 5250230 |
| 009 | 3125587 | 001 | DOUILLE SERR./ENCOCHES:M40X1,5 | SPECIAL SOCKET->80204063 | SPEZIAL STECKNUSS | CHIAVE SPECIALE | : KM M40 / 80204063 |
| 010 | 3157109 | 001 | DOUILLE SERR./ENCOCHES:M30X1,5 | SPECIAL SOCKET->80203065 | SPEZIAL STECKNUSS | CHIAVE SPECIALE | : KM M30 / 80203065 |
| 011 | 3177802 | 001 | DOUILLE SERR./ENCOCHES:M55X2,0 | SPECIAL SOCKET->80205519 | SPEZIAL-STECKNUSS | CHIAVE SPECIALE | : KM M55 / 80205519 |
| 012 | H0301420 | 001 | CLE | WRENCH | SCHLUESSEL | CHIAVE | : M33 / H0201280 |
| 013 | H0333500 | 001 | CLE A ERGOTS | SPANNER | SCHLUESSEL | CHIAVE | : KM M25 / H0333270 |
| 014 | H0600040 | 001 | CLE 18 / 24 | SPANNER | SCHLUESSEL | CHIAVE | : M12 / M16 |
| 015 | H0600770 | 001 | CLE SPECIALE | SPANNER | SCHLUESSEL | CHIAVE | : KM M120 / 951813 |
| 016 | H0600780 | 001 | CLE SPECIALE | SPANNER | SCHLUESSEL | CHIAVE | : M22 |
| 017 | H0600790 | 001 | CLE SPECIALE | SPANNER | SCHLUESSEL | CHIAVE | : A4083100 |
| 018 | H0600800 | 001 | CLE SPECIALE | SPANNER | SCHLUESSEL | CHIAVE | : A4083100 |
| 019 | H0600810 | 001 | CLE BLOC POWER PACKER | SPANNER | SCHLUESSEL | CHIAVE | : BLOC POWER PACKER |
| 020 | H0600960 | 001 | CLE SPECIALE (CHAISE HX-1ER PR | SPANNER | SCHLUESSEL | CHIAVE | : M20 / 80202040 |
| 021 | H0602770 | 001 | CLE | WRENCH | SCHLUESSEL | CHIAVE | : KM M30 / 80203018 |
| 022 | H0602780 | 001 | CLE | WRENCH | SCHLUESSEL | CHIAVE | : KM M45 / 80204517 |
| 023 | H2219020 | 001 | EMBOUT | END PIECE | ENDSTUECK | GIUNTO | : KM M25 / 80202566 |
| 024 | H2400640 | 001 | CLE SPECIALE (POUR ECROU MCR 3 | SPANNER | SCHLUESSEL | CHIAVE | : KM30 / 80203066 |



INDEX NUMERIQUE - NUMERICAL INDEX TEILENUMMERN-INDEX - INDICE NUMERICO

| Nr | Page | Rep. | Nr | Page | Rep. | Nr | Page | Rep. | Nr | Page | Rep. | Nr | Page | Rep. | Nr | Page | Rep. | Nr | Page | Rep. | Nr | Page | Rep. |
|----------|------|------|----------|------|------|----------|------|------|----------|------|------|----------|------|------|----------|------|------|----------|------|------|----------|------|------|
| A4061802 | 035 | 012 | A4921071 | 035 | 025 | H0301420 | 187 | 012 | H2106720 | 095 | 010 | H2205780 | 093 | 013 | H2212340 | 095 | 015 | H2212660 | 057 | 029 | H2214590 | 109 | 013 |
| A4072014 | 015 | 015 | A4921080 | 167 | 027 | H0333500 | 187 | 013 | H2106720 | 097 | 016 | H2205780 | 095 | 013 | H2212340 | 115 | 014 | H2212660 | 059 | 028 | H2214590 | 111 | 013 |
| A4072014 | 017 | 015 | A4921080 | 167 | 028 | H0501160 | 049 | 011 | H2106720 | 115 | 010 | H2205780 | 107 | 014 | H2212340 | 117 | 014 | H2212670 | 055 | 030 | H2214590 | 113 | 015 |
| A4072014 | 019 | 015 | A4921088 | 167 | 029 | H0600040 | 187 | 014 | H2106720 | 117 | 010 | H0600860 | 087 | 008 | H2212350 | 069 | 008 | H2212670 | 057 | 030 | H2214590 | 115 | 017 |
| A4072014 | 021 | 015 | A4921095 | 165 | 022 | H0600770 | 187 | 015 | H2106720 | 119 | 015 | H2205860 | 089 | 008 | H2212350 | 071 | 009 | H2212670 | 059 | 029 | H2214590 | 117 | 017 |
| A4072014 | 023 | 015 | A4923043 | 043 | 009 | H0600780 | 187 | 016 | H2106730 | 093 | 011 | H2205860 | 103 | 013 | H2212360 | 069 | 009 | H2212680 | 061 | 007 | H2214590 | 119 | 018 |
| A4072014 | 025 | 015 | A4923043 | 043 | 010 | H0600790 | 187 | 017 | H2106730 | 095 | 011 | H2207350 | 149 | 021 | H2212360 | 071 | 010 | H2212680 | 063 | 004 | H2214590 | 147 | 015 |
| A4072014 | 027 | 015 | A4923043 | 045 | 011 | H0600800 | 187 | 018 | H2106730 | 097 | 017 | H2208250 | 121 | 016 | H2212430 | 065 | 007 | H2212690 | 061 | 007 | H2216750 | 081 | 004 |
| A4072014 | 029 | 015 | A4923043 | 045 | 012 | H0600810 | 187 | 019 | H2106730 | 115 | 011 | H2208250 | 123 | 013 | H2212430 | 067 | 007 | H2213250 | 087 | 012 | H2217410 | 055 | 022 |
| A4072014 | 031 | 015 | A4923067 | 169 | 014 | H0600960 | 187 | 020 | H2106730 | 117 | 011 | H2208530 | 153 | 010 | H2212440 | 065 | 008 | H2213250 | 093 | 017 | H2217410 | 057 | 022 |
| A4072014 | 033 | 015 | A7021004 | 171 | 005 | H0602770 | 187 | 021 | H2106730 | 119 | 016 | H2208530 | 157 | 010 | H2212440 | 067 | 008 | H2213250 | 109 | 012 | H2217520 | 055 | 023 |
| A4072014 | 035 | 029 | A7021005 | 171 | 006 | H0602780 | 187 | 022 | H2106790 | 011 | 006 | H0602850 | 153 | 023 | H2212460 | 065 | 009 | H2213250 | 115 | 016 | H2217520 | 057 | 023 |
| A4074000 | 181 | 003 | A7039023 | 153 | 018 | H2102900 | 013 | 012 | H2106800 | 011 | 007 | H2208540 | 157 | 023 | H2212460 | 067 | 009 | H2213251 | 089 | 012 | H2217520 | 059 | 022 |
| A4074001 | 181 | 001 | A7039023 | 155 | 021 | H2104850 | 003 | 016 | H2106850 | 155 | 032 | H2208550 | 153 | 024 | H2212470 | 087 | 010 | H2213251 | 095 | 017 | H2217750 | 055 | 024 |
| A4074017 | 035 | 013 | A7039023 | 157 | 018 | H2104860 | 003 | 017 | H2106850 | 159 | 032 | H2208550 | 157 | 024 | H2212470 | 089 | 010 | H2213251 | 111 | 012 | H2217750 | 057 | 024 |
| A4074018 | 043 | 006 | A7039023 | 159 | 008 | H2104860 | 005 | 014 | H2107690 | 013 | 017 | H2208560 | 153 | 025 | H2212470 | 109 | 010 | H2213251 | 117 | 016 | H2217750 | 059 | 023 |
| A4074018 | 045 | 007 | A7039024 | 153 | 022 | H2104870 | 003 | 018 | H2107690 | 041 | 016 | H2208560 | 157 | 025 | H2212470 | 111 | 010 | H2213270 | 081 | 003 | H2217780 | 055 | 025 |
| A4080401 | 035 | 011 | A7039024 | 155 | 025 | H2104870 | 005 | 015 | H2108220 | 037 | 001 | H2208720 | 127 | 016 | H2212500 | 061 | 004 | H2213820 | 121 | 018 | H2217780 | 057 | 025 |
| A4080401 | 165 | 014 | A7039024 | 157 | 022 | H2104880 | 003 | 019 | H2108220 | 039 | 001 | H2208720 | 129 | 013 | H2212510 | 061 | 005 | H2213820 | 123 | 014 | H2217780 | 059 | 024 |
| A4080402 | 181 | 002 | A7039024 | 159 | 012 | H2104880 | 005 | 016 | H2108220 | 041 | 001 | H2208720 | 131 | 013 | H2212540 | 061 | 006 | H2213820 | 127 | 019 | H2218181 | 063 | 005 |
| A4080403 | 167 | 011 | A7039044 | 049 | 003 | H2105640 | 037 | 003 | H2109280 | 007 | 009 | H2208740 | 135 | 015 | H2212560 | 087 | 011 | H2213820 | 129 | 014 | H2218191 | 063 | 006 |
| A4080413 | 167 | 012 | A7039049 | 049 | 004 | H2105640 | 039 | 003 | H2109280 | 009 | 015 | H2208740 | 137 | 013 | H2212560 | 089 | 011 | H2213820 | 131 | 014 | H2218390 | 081 | 005 |
| A4080414 | 167 | 013 | A7039168 | 049 | 012 | H2106440 | 003 | 020 | H2109790 | 023 | 001 | H2208950 | 109 | 008 | H2212560 | 091 | 014 | H2213820 | 135 | 018 | H2218730 | 127 | 022 |
| A4080426 | 165 | 015 | A7039171 | 049 | 005 | H2106440 | 005 | 017 | H2109791 | 025 | 001 | H2208950 | 111 | 008 | H2212560 | 093 | 016 | H2213820 | 137 | 014 | H2219020 | 083 | 015 |
| A4080429 | 043 | 005 | A7181108 | 167 | 016 | H2106490 | 013 | 013 | H2109800 | 017 | 001 | H2208950 | 115 | 012 | H2212560 | 095 | 016 | H2213820 | 139 | 009 | H2219020 | 085 | 015 |
| A4080429 | 045 | 008 | A7181115 | 169 | 003 | H2106500 | 021 | 001 | H2109801 | 019 | 001 | H2208950 | 117 | 012 | H2212560 | 097 | 018 | H2213820 | 141 | 010 | H2219020 | 187 | 023 |
| A4080435 | 167 | 014 | A7181122 | 167 | 017 | H2106510 | 007 | 008 | H2109810 | 031 | 001 | H2208950 | 127 | 017 | H2212560 | 109 | 011 | H2213820 | 143 | 010 | H2219170 | 055 | 026 |
| A4080435 | 169 | 011 | A7181124 | 167 | 018 | H2106510 | 009 | 014 | H2109811 | 033 | 001 | H2208950 | 135 | 016 | H2212560 | 111 | 011 | H2213820 | 145 | 010 | H2219170 | 057 | 026 |
| A4080466 | 169 | 012 | A7181125 | 167 | 019 | H2106530 | 013 | 014 | H2109820 | 027 | 001 | H2209540 | 083 | 014 | H2212560 | 113 | 014 | H2213950 | 121 | 019 | H2219170 | 059 | 025 |
| A4083100 | 167 | 015 | A7181126 | 167 | 020 | H2106540 | 013 | 015 | H2109821 | 029 | 001 | H2210490 | 121 | 017 | H2212560 | 115 | 015 | H2213950 | 127 | 020 | H2219350 | 125 | 007 |
| A4083206 | 165 | 016 | A7181144 | 167 | 021 | H2106550 | 015 | 009 | H2111160 | 155 | 002 | H2210490 | 127 | 018 | H2212560 | 117 | 015 | H2213950 | 135 | 019 | H2219350 | 133 | 007 |
| A4230002 | 169 | 013 | A7260011 | 165 | 017 | H2106550 | 017 | 009 | H2111160 | 159 | 014 | H2210490 | 135 | 017 | H2212560 | 119 | 017 | H2213960 | 121 | 020 | H2219360 | 125 | 008 |
| A4230021 | 181 | 004 | A7260011 | 167 | 022 | H2106550 | 019 | 009 | H2111180 | 041 | 003 | H2210560 | 151 | 018 | H2212560 | 147 | 014 | H2213961 | 123 | 015 | H2219360 | 133 | 008 |
| A4921031 | 035 | 015 | A7260016 | 035 | 009 | H2106550 | 021 | 009 | H2203660 | 083 | 013 | H2210570 | 151 | 019 | H2212610 | 055 | 018 | H2213980 | 127 | 021 | H2219660 | 055 | 027 |
| A4921031 | 035 | 016 | A7260016 | 165 | 018 | H2106550 | 023 | 009 | H2203660 | 085 | 013 | H2211270 | 085 | 014 | H2212610 | 057 | 018 | H2213981 | 129 | 015 | H2219660 | 057 | 027 |
| A4921053 | 035 | 017 | A7260016 | 167 | 023 | H2106550 | 025 | 009 | H2204640 | 093 | 012 | H2212320 | 087 | 009 | H2212610 | 059 | 018 | H2213981 | 131 | 015 | H2219660 | 059 | 026 |
| A4921053 | 035 | 018 | A7260017 | 043 | 003 | H2106550 | 027 | 009 | H2204640 | 095 | 012 | H2212320 | 089 | 009 | H2212630 | 055 | 019 | H2213990 | 135 | 020 | H2219700 | 149 | 023 |
| A4921065 | 165 | 021 | A7260017 | 045 | 009 | H2106550 | 029 | 009 | H2204640 | 107 | 013 | H2212320 | 093 | 014 | H2212630 | 057 | 019 | H2213991 | 137 | 015 | H2219710 | 149 | 024 |
| A4921066 | 167 | 026 | A7260027 | 165 | 019 | H2106550 | 031 | 009 | H2204950 | 149 | 019 | H2212320 | 095 | 014 | H2212630 | 059 | 019 | H2214560 | 149 | 022 | H2219720 | 149 | 025 |
| A4921070 | 035 | 019 | A7260027 | 167 | 024 | H2106550 | 033 | 009 | H2204960 | 149 | 020 | H2212320 | 109 | 009 | H2212640 | 055 | 020 | H2214560 | 151 | 020 | H2219730 | 149 | 026 |
| A4921070 | 035 | 021 | A7260042 | 035 | 008 | H2106560 | 037 | 005 | H2204960 | 151 | 017 | H2212320 | 111 | 009 | H2212640 | 057 | 020 | H2214590 | 087 | 013 | H2219750 | 149 | 027 |
| A4921070 | 035 | 023 | A7260042 | 165 | 020 | H2106560 | 039 | 005 | H2205580 | 121 | 015 | H2212320 | 115 | 013 | H2212640 | 059 | 020 | H2214590 | 089 | 013 | H2219760 | 149 | 028 |
| A4921070 | 035 | 026 | A7260042 | 167 | 025 | H2106560 | 041 | 005 | H2205580 | 125 | 006 | H2212320 | 117 | 013 | H2212650 | 055 | 021 | H2214590 | 091 | 015 | H2219780 | 149 | 029 |
| A4921071 | 035 | 020 | A7260046 | 043 | 002 | H2106570 | 015 | 001 | H2205580 | 127 | 015 | H2212330 | 069 | 007 | H2212650 | 057 | 021 | H2214590 | 093 | 018 | H2219780 | 151 | 021 |
| A4921071 | 035 | 022 | A7260046 | 045 | 010 | H2106630 | 013 | 016 | H2205580 | 133 | 006 | H2212330 | 071 | 008 | H2212650 | 059 | 021 | H2214590 | 095 | 018 | H2219970 | 149 | 030 |
| A4921071 | 035 | 024 | FDR0163 | 013 | 011 | H2106720 | 093 | 010 | H2205580 | 135 | 014 | H2212340 | 093 | 015 | H2212660 | 055 | 029 | H2214590 | 097 | 019 | H2219970 | 151 | 022 |



INDEX NUMERIQUE - NUMERICAL INDEX

TEILENUMMERN-INDEX - INDICE NUMERICO

| Nr | Page | Rep. | Nr | Page | Rep. | Nr | Page | Rep. | Nr | Page | Rep. | Nr | Page | Rep. | Nr | Page | Rep. | Nr | Page | Rep. | Nr | Page | Rep. |
|----------|------|------|----------|------|------|----------|------|------|----------|------|------|----------|------|------|----------|------|------|----------|------|------|----------|------|------|
| H2219980 | 149 | 031 | H2223160 | 091 | 018 | H2400670 | 167 | 030 | H2407040 | 031 | 004 | H2407280 | 175 | 031 | H2902920 | 047 | 012 | H2904210 | 053 | 003 | 3125420 | 187 | 008 |
| H2219980 | 151 | 023 | H2223160 | 097 | 022 | H2400710 | 165 | 024 | H2407040 | 031 | 005 | H2407280 | 177 | 030 | H2902930 | 047 | 013 | H2904220 | 049 | 020 | 3125587 | 187 | 009 |
| H2219990 | 149 | 032 | H2223160 | 113 | 018 | H2400710 | 167 | 031 | H2407040 | 033 | 004 | H2407280 | 179 | 032 | H2902940 | 047 | 014 | H2904740 | 155 | 001 | 3157109 | 187 | 010 |
| H2219990 | 151 | 024 | H2223160 | 119 | 021 | H2401870 | 173 | 021 | H2407040 | 033 | 005 | H2408150 | 169 | 018 | H2902950 | 047 | 015 | H2904740 | 159 | 013 | 3177802 | 187 | 011 |
| H2220020 | 055 | 028 | H2223160 | 147 | 018 | H2401870 | 177 | 024 | H2407040 | 035 | 001 | H2408160 | 169 | 019 | H2902960 | 047 | 016 | H2904750 | 155 | 009 | 432023 | 083 | 001 |
| H2220020 | 057 | 028 | H2223170 | 091 | 019 | H2402020 | 049 | 013 | H2407040 | 035 | 002 | H2408860 | 177 | 031 | H2902970 | 047 | 017 | H2904750 | 159 | 021 | 432023 | 085 | 001 |
| H2220020 | 059 | 027 | H2223170 | 113 | 019 | H2402530 | 171 | 007 | H2407040 | 035 | 003 | H2408860 | 179 | 033 | H2902980 | 047 | 018 | K1606340 | 005 | 018 | 50002300 | 083 | 004 |
| H2220760 | 063 | 007 | H2223170 | 147 | 019 | H2402780 | 169 | 015 | H2407040 | 035 | 004 | H2409080 | 173 | 028 | H2902990 | 047 | 019 | K2500230 | 151 | 027 | 50002300 | 085 | 004 |
| H2221460 | 125 | 009 | H2223180 | 147 | 020 | H2402790 | 169 | 016 | H2407050 | 015 | 013 | H2409080 | 175 | 032 | H2903000 | 047 | 020 | K2500312 | 149 | 035 | 50005500 | 139 | 018 |
| H2221470 | 133 | 009 | H2223190 | 123 | 017 | H2402800 | 169 | 017 | H2407050 | 017 | 013 | H2409080 | 177 | 032 | H2903010 | 047 | 021 | K2500312 | 151 | 029 | 50005500 | 141 | 018 |
| H2221480 | 133 | 010 | H2223190 | 129 | 017 | H2403390 | 165 | 025 | H2407050 | 019 | 013 | H2409080 | 179 | 034 | H2903020 | 047 | 022 | K2500352 | 149 | 036 | 50005500 | 143 | 018 |
| H2221530 | 073 | 007 | H2223190 | 131 | 017 | H2404650 | 173 | 022 | H2407050 | 021 | 013 | H2410280 | 175 | 033 | H2903030 | 047 | 023 | K2500352 | 151 | 030 | 50005500 | 145 | 018 |
| H2221530 | 075 | 007 | H2223190 | 137 | 017 | H2404650 | 177 | 025 | H2407050 | 023 | 013 | H2410880 | 009 | 016 | H2903040 | 047 | 024 | K2501290 | 149 | 037 | 50068100 | 149 | 001 |
| H2221530 | 077 | 007 | H2223190 | 139 | 002 | H2404660 | 183 | 007 | H2407050 | 025 | 013 | H2411210 | 155 | 028 | H2903050 | 047 | 025 | K2501290 | 151 | 031 | 50068100 | 151 | 001 |
| H2221530 | 079 | 007 | H2223190 | 141 | 003 | H2404660 | 185 | 007 | H2407050 | 027 | 013 | H2411210 | 159 | 028 | H2903060 | 047 | 026 | K2501310 | 149 | 034 | 50068200 | 149 | 002 |
| H2221540 | 073 | 008 | H2223190 | 143 | 003 | H2405660 | 165 | 026 | H2407050 | 029 | 013 | H2411240 | 155 | 013 | H2903070 | 047 | 027 | K2501310 | 151 | 028 | 50068200 | 151 | 002 |
| H2221540 | 075 | 008 | H2223190 | 145 | 003 | H2405660 | 167 | 032 | H2407050 | 031 | 013 | H2411250 | 155 | 029 | H2903080 | 047 | 028 | K2503780 | 005 | 019 | 50074500 | 125 | 001 |
| H2221550 | 073 | 009 | H2223870 | 091 | 020 | H2406180 | 173 | 023 | H2407050 | 033 | 013 | H2411250 | 159 | 029 | H2903090 | 047 | 029 | K2504040 | 005 | 020 | 50074500 | 133 | 001 |
| H2221550 | 075 | 009 | H2223870 | 097 | 023 | H2406180 | 177 | 026 | H2407050 | 035 | 027 | H2411420 | 155 | 031 | H2903100 | 047 | 030 | K9530070 | 183 | 011 | 50086200 | 005 | 013 |
| H2221560 | 077 | 008 | H2223870 | 113 | 020 | H2406220 | 173 | 024 | H2407070 | 037 | 002 | H2411420 | 159 | 031 | H2903110 | 047 | 031 | K9530070 | 185 | 011 | 52514000 | 099 | 003 |
| H2221560 | 079 | 008 | H2223870 | 119 | 022 | H2406220 | 175 | 028 | H2407070 | 043 | 001 | H2411510 | 159 | 025 | H2903120 | 047 | 032 | K9530080 | 183 | 012 | 52514000 | 101 | 003 |
| H2221570 | 077 | 009 | H2223870 | 147 | 021 | H2406220 | 177 | 027 | H2407071 | 039 | 002 | H2411940 | 177 | 033 | H2903130 | 047 | 033 | K9530080 | 185 | 012 | 52514000 | 103 | 003 |
| H2221570 | 079 | 009 | H2223880 | 113 | 021 | H2406220 | 179 | 029 | H2407071 | 041 | 002 | H2413130 | 175 | 034 | H2903140 | 047 | 034 | K9530230 | 183 | 013 | 52514000 | 105 | 003 |
| H2222130 | 099 | 005 | H2223880 | 119 | 023 | H2406830 | 035 | 005 | H2407071 | 045 | 013 | H2413130 | 179 | 035 | H2903150 | 047 | 035 | K9530230 | 185 | 013 | 52514000 | 107 | 011 |
| H2222130 | 101 | 010 | H2223890 | 097 | 024 | H2406960 | 173 | 025 | H2407080 | 037 | 016 | H2413320 | 175 | 035 | H2903160 | 047 | 036 | K9530240 | 183 | 014 | 52514000 | 121 | 013 |
| H2222130 | 103 | 005 | H2223890 | 119 | 024 | H2406960 | 175 | 029 | H2407080 | 043 | 011 | H2413320 | 179 | 036 | H2903170 | 047 | 037 | K9530240 | 185 | 014 | 52514000 | 123 | 001 |
| H2222130 | 105 | 010 | H2223900 | 123 | 018 | H2406960 | 177 | 028 | H2407081 | 039 | 016 | H2413330 | 175 | 036 | H2903180 | 047 | 038 | 09968300 | 173 | 001 | 52514000 | 127 | 013 |
| H2222130 | 107 | 003 | H2223900 | 129 | 018 | H2406960 | 179 | 030 | H2407081 | 041 | 018 | H2413330 | 179 | 037 | H2903210 | 165 | 028 | 09968300 | 175 | 002 | 52514000 | 129 | 001 |
| H2222130 | 121 | 001 | H2223900 | 131 | 018 | H2407030 | 173 | 026 | H2407081 | 045 | 014 | H2413430 | 013 | 018 | H2903210 | 167 | 034 | 09968300 | 177 | 001 | 52514000 | 131 | 001 |
| H2222130 | 123 | 016 | H2223900 | 137 | 018 | H2407030 | 175 | 030 | H2407100 | 015 | 017 | H2415070 | 155 | 026 | H2903220 | 165 | 029 | 09968300 | 179 | 002 | 52514000 | 135 | 012 |
| H2222130 | 127 | 001 | H2223900 | 139 | 014 | H2407030 | 177 | 029 | H2407100 | 017 | 017 | H2415070 | 159 | 026 | H2903220 | 167 | 035 | 139113 | 011 | 001 | 52514000 | 137 | 001 |
| H2222130 | 129 | 016 | H2223900 | 141 | 015 | H2407030 | 179 | 031 | H2407100 | 019 | 017 | H2415080 | 009 | 017 | H2903240 | 051 | 003 | 140314 | 003 | 001 | 52514000 | 139 | 004 |
| H2222130 | 131 | 016 | H2223900 | 143 | 015 | H2407040 | 015 | 004 | H2407100 | 021 | 017 | H2415140 | 175 | 037 | H2903250 | 051 | 001 | 140314 | 005 | 001 | 52514000 | 141 | 005 |
| H2222130 | 135 | 001 | H2223900 | 145 | 015 | H2407040 | 015 | 005 | H2407100 | 023 | 017 | H2415140 | 179 | 038 | H2903260 | 051 | 002 | 211664 | 187 | 001 | 52514000 | 143 | 005 |
| H2222130 | 137 | 016 | H2223960 | 097 | 025 | H2407040 | 017 | 004 | H2407100 | 025 | 017 | H2700660 | 153 | 003 | H2903270 | 051 | 003 | 211828 | 187 | 002 | 52514000 | 145 | 005 |
| H2222130 | 149 | 033 | H2224410 | 139 | 017 | H2407040 | 017 | 005 | H2407100 | 027 | 017 | H2700660 | 157 | 003 | H2903280 | 051 | 001 | 211829 | 187 | 003 | 52514000 | 149 | 003 |
| H2222130 | 151 | 025 | H2224440 | 141 | 017 | H2407040 | 019 | 004 | H2407100 | 029 | 017 | H2900700 | 163 | 004 | H2903290 | 051 | 002 | 211830 | 187 | 004 | 52514000 | 151 | 003 |
| H2222180 | 151 | 026 | H2224440 | 143 | 017 | H2407040 | 019 | 005 | H2407100 | 031 | 017 | H2900710 | 163 | 005 | H2903650 | 049 | 014 | 211957 | 099 | 001 | 52532130 | 139 | 013 |
| H2222290 | 091 | 016 | H2224450 | 141 | 004 | H2407040 | 021 | 004 | H2407100 | 033 | 017 | H2901300 | 051 | 003 | H2903750 | 049 | 015 | 211957 | 101 | 001 | 52560010 | 141 | 014 |
| H2222290 | 097 | 020 | H2224450 | 143 | 004 | H2407040 | 021 | 005 | H2407100 | 035 | 031 | H2901310 | 051 | 002 | H2903760 | 049 | 016 | 211957 | 103 | 001 | 52560010 | 143 | 014 |
| H2222290 | 113 | 016 | H2224460 | 145 | 004 | H2407040 | 023 | 004 | H2407110 | 037 | 019 | H2901320 | 051 | 001 | H2903810 | 049 | 017 | 211957 | 105 | 001 | 52560010 | 145 | 014 |
| H2222290 | 119 | 019 | H2224490 | 139 | 003 | H2407040 | 023 | 005 | H2407110 | 039 | 018 | H2902260 | 047 | 009 | H2903850 | 049 | 018 | 211957 | 107 | 001 | 52563600 | 099 | 004 |
| H2222290 | 147 | 016 | H2224570 | 145 | 017 | H2407040 | 025 | 004 | H2407110 | 041 | 020 | H2902270 | 047 | 010 | H2903870 | 049 | 019 | 2550012 | 139 | 011 | 52563600 | 101 | 004 |
| H2222340 | 091 | 017 | H2300470 | 125 | 010 | H2407040 | 025 | 005 | H2407110 | 043 | 014 | H2902460 | 165 | 027 | H2904160 | 037 | 006 | 2550012 | 141 | 012 | 52563600 | 103 | 004 |
| H2222340 | 097 | 021 | H2300470 | 133 | 011 | H2407040 | 027 | 004 | H2407110 | 045 | 015 | H2902460 | 167 | 033 | H2904160 | 039 | 006 | 2550012 | 143 | 012 | 52563600 | 105 | 004 |
| H2222340 | 113 | 017 | H2400520 | 165 | 030 | H2407040 | 027 | 005 | H2407220 | 183 | 008 | H2902750 | 157 | 001 | H2904160 | 041 | 006 | 2550012 | 145 | 012 | 52563600 | 107 | 012 |
| H2222340 | 119 | 020 | H2400640 | 187 | 024 | H2407040 | 029 | 004 | H2407230 | 185 | 008 | H2902780 | 153 | 001 | H2904190 | 053 | 001 | 3104124 | 187 | 006 | 52563600 | 121 | 014 |
| H2222340 | 147 | 017 | H2400670 | 165 | 023 | H2407040 | 029 | 005 | H2407280 | 173 | 027 | H2902910 | 047 | 011 | H2904200 | 053 | 002 | 3119467 | 187 | 007 | 52563600 | 123 | 002 |



INDEX NUMERIQUE - NUMERICAL INDEX

TEILENUMMERN-INDEX - INDICE NUMERICO

| Nr | Page | Rep. | Nr | Page | Rep. | Nr | Page | Rep. | Nr | Page | Rep. | Nr | Page | Rep. | Nr | Page | Rep. | Nr | Page | Rep. | Nr | Page | Rep. | Nr | Page | Rep. |
|----------|------|------|----------|------|------|----------|------|------|----------|------|------|----------|------|------|----------|------|------|----------|------|------|----------|------|------|----|------|------|
| 52563600 | 127 | 014 | 645317 | 085 | 002 | 80061080 | 179 | 006 | 80061249 | 129 | 004 | 80061638 | 147 | 001 | 80061686 | 115 | 003 | 80062480 | 119 | 005 | 80141031 | 055 | 006 | | | |
| 52563600 | 129 | 002 | 720119 | 165 | 001 | 80061211 | 081 | 001 | 80061249 | 131 | 004 | 80061641 | 165 | 008 | 80061686 | 117 | 003 | 80062480 | 147 | 004 | 80141031 | 057 | 006 | | | |
| 52563600 | 131 | 002 | 720119 | 167 | 001 | 80061224 | 149 | 005 | 80061249 | 137 | 004 | 80061641 | 175 | 008 | 80061686 | 119 | 003 | 80062484 | 065 | 003 | 80141031 | 059 | 006 | | | |
| 52563600 | 135 | 013 | 720262 | 165 | 002 | 80061224 | 151 | 005 | 80061249 | 139 | 020 | 80061641 | 179 | 008 | 80061687 | 127 | 006 | 80062484 | 069 | 003 | 80200540 | 009 | 007 | | | |
| 52563600 | 137 | 002 | 720270 | 165 | 003 | 80061233 | 175 | 007 | 80061249 | 141 | 020 | 80061646 | 149 | 008 | 80062004 | 007 | 002 | 80062484 | 071 | 003 | 80200540 | 173 | 008 | | | |
| 52563600 | 139 | 015 | 780104 | 187 | 005 | 80061233 | 179 | 007 | 80061249 | 143 | 020 | 80061646 | 151 | 007 | 80062004 | 009 | 003 | 80062484 | 073 | 002 | 80200540 | 175 | 010 | | | |
| 52563600 | 141 | 016 | 80060620 | 013 | 002 | 80061236 | 009 | 002 | 80061249 | 145 | 020 | 80061647 | 083 | 005 | 80062005 | 057 | 004 | 80062484 | 077 | 002 | 80200540 | 177 | 009 | | | |
| 52563600 | 143 | 016 | 80060635 | 165 | 005 | 80061236 | 169 | 006 | 80061268 | 149 | 006 | 80061647 | 085 | 005 | 80062006 | 007 | 003 | 80062490 | 073 | 003 | 80200540 | 179 | 011 | | | |
| 52563600 | 145 | 016 | 80060635 | 167 | 003 | 80061241 | 153 | 005 | 80061268 | 151 | 006 | 80061649 | 087 | 002 | 80062064 | 009 | 004 | 80062490 | 075 | 002 | 80200630 | 035 | 006 | | | |
| 52563600 | 149 | 004 | 80060665 | 035 | 007 | 80061241 | 157 | 007 | 80061271 | 169 | 007 | 80061649 | 089 | 002 | 80062068 | 055 | 004 | 80062490 | 077 | 003 | 80200665 | 013 | 005 | | | |
| 52563600 | 151 | 004 | 80060685 | 165 | 006 | 80061245 | 013 | 003 | 80061271 | 171 | 002 | 80061649 | 091 | 001 | 80062074 | 059 | 004 | 80062490 | 079 | 002 | 80200830 | 153 | 008 | | | |
| 52563800 | 139 | 012 | 80060685 | 167 | 004 | 80061245 | 015 | 011 | 80061278 | 013 | 004 | 80061649 | 093 | 001 | 80062090 | 037 | 013 | 80062495 | 067 | 003 | 80200830 | 157 | 006 | | | |
| 52563800 | 141 | 013 | 80060820 | 171 | 001 | 80061245 | 017 | 011 | 80061280 | 003 | 006 | 80061649 | 095 | 001 | 80062090 | 039 | 013 | 80062495 | 071 | 004 | 80200840 | 055 | 007 | | | |
| 52563800 | 143 | 013 | 80060829 | 055 | 001 | 80061245 | 019 | 011 | 80061280 | 005 | 004 | 80061649 | 097 | 002 | 80062090 | 041 | 013 | 80062495 | 075 | 003 | 80200840 | 057 | 007 | | | |
| 52563800 | 145 | 013 | 80060829 | 057 | 001 | 80061245 | 021 | 011 | 80061281 | 063 | 001 | 80061649 | 109 | 002 | 80062098 | 007 | 004 | 80062495 | 079 | 003 | 80200840 | 059 | 007 | | | |
| 541001 | 003 | 002 | 80060829 | 059 | 001 | 80061245 | 023 | 011 | 80061281 | 123 | 005 | 80061649 | 111 | 002 | 80062098 | 009 | 005 | 80062495 | 091 | 004 | 80200840 | 155 | 006 | | | |
| 569112 | 161 | 004 | 80060832 | 153 | 007 | 80061245 | 025 | 011 | 80061281 | 129 | 005 | 80061649 | 113 | 002 | 80062469 | 087 | 003 | 80062495 | 097 | 006 | 80200840 | 159 | 018 | | | |
| 581706 | 003 | 003 | 80060832 | 157 | 005 | 80061245 | 027 | 011 | 80061281 | 131 | 005 | 80061649 | 115 | 002 | 80062469 | 089 | 003 | 80062495 | 113 | 005 | 80200840 | 171 | 003 | | | |
| 582831 | 103 | 002 | 80060835 | 035 | 010 | 80061245 | 029 | 011 | 80061281 | 137 | 005 | 80061649 | 117 | 002 | 80062469 | 091 | 002 | 80062495 | 119 | 006 | 80201030 | 047 | 002 | | | |
| 582831 | 105 | 002 | 80060835 | 155 | 005 | 80061245 | 031 | 011 | 80061281 | 139 | 021 | 80061649 | 119 | 002 | 80062469 | 093 | 004 | 80062495 | 147 | 005 | 80201030 | 083 | 006 | | | |
| 582833 | 107 | 002 | 80060835 | 159 | 017 | 80061245 | 033 | 011 | 80061281 | 141 | 021 | 80061649 | 147 | 002 | 80062469 | 095 | 004 | 80080516 | 173 | 007 | 80201030 | 085 | 006 | | | |
| 582836 | 003 | 004 | 80060846 | 043 | 004 | 80061245 | 037 | 007 | 80061281 | 143 | 021 | 80061651 | 011 | 002 | 80062469 | 097 | 004 | 80080516 | 175 | 009 | 80201030 | 165 | 009 | | | |
| 582836 | 005 | 002 | 80060846 | 045 | 003 | 80061245 | 039 | 007 | 80061281 | 145 | 021 | 80061661 | 011 | 003 | 80062469 | 109 | 003 | 80080516 | 177 | 007 | 80201030 | 167 | 006 | | | |
| 582984 | 099 | 002 | 80060850 | 055 | 002 | 80061245 | 041 | 007 | 80061282 | 061 | 001 | 80061661 | 107 | 005 | 80062469 | 111 | 003 | 80080516 | 179 | 009 | 80201030 | 169 | 008 | | | |
| 582984 | 101 | 002 | 80060850 | 057 | 002 | 80061245 | 121 | 002 | 80061291 | 101 | 005 | 80061665 | 123 | 007 | 80062469 | 113 | 003 | 80080520 | 177 | 008 | 80201030 | 173 | 009 | | | |
| 583181 | 153 | 004 | 80060850 | 059 | 002 | 80061245 | 123 | 003 | 80061291 | 105 | 005 | 80061665 | 129 | 007 | 80062469 | 115 | 004 | 80080520 | 179 | 010 | 80201030 | 175 | 011 | | | |
| 583181 | 155 | 003 | 80060871 | 043 | 008 | 80061245 | 127 | 002 | 80061291 | 123 | 006 | 80061665 | 131 | 007 | 80062469 | 117 | 004 | 80080521 | 009 | 006 | 80201030 | 177 | 010 | | | |
| 583181 | 157 | 004 | 80060871 | 045 | 004 | 80061245 | 129 | 003 | 80061291 | 129 | 006 | 80061665 | 137 | 007 | 80062469 | 119 | 004 | 80080612 | 055 | 005 | 80201030 | 179 | 012 | | | |
| 583181 | 159 | 015 | 80061026 | 173 | 002 | 80061245 | 131 | 003 | 80061291 | 131 | 006 | 80061665 | 139 | 022 | 80062469 | 147 | 003 | 80080612 | 057 | 005 | 80201062 | 139 | 008 | | | |
| 59900000 | 183 | 001 | 80061026 | 175 | 003 | 80061245 | 135 | 002 | 80061291 | 137 | 006 | 80061665 | 141 | 022 | 80062476 | 015 | 003 | 80080612 | 059 | 005 | 80201062 | 141 | 009 | | | |
| 59900000 | 185 | 001 | 80061026 | 177 | 002 | 80061245 | 137 | 003 | 80061294 | 103 | 006 | 80061665 | 143 | 022 | 80062476 | 017 | 003 | 80080813 | 047 | 001 | 80201062 | 143 | 009 | | | |
| 59900300 | 183 | 002 | 80061026 | 179 | 003 | 80061245 | 139 | 019 | 80061294 | 107 | 004 | 80061665 | 145 | 022 | 80062476 | 019 | 003 | 80081250 | 151 | 008 | 80201062 | 145 | 009 | | | |
| 59900300 | 185 | 002 | 80061036 | 165 | 007 | 80061245 | 141 | 019 | 80061441 | 121 | 004 | 80061666 | 121 | 005 | 80062476 | 021 | 003 | 80111272 | 061 | 002 | 80201220 | 081 | 002 | | | |
| 59900400 | 183 | 003 | 80061036 | 167 | 005 | 80061245 | 143 | 019 | 80061447 | 149 | 007 | 80061666 | 125 | 002 | 80062476 | 023 | 003 | 80111272 | 063 | 002 | 80201230 | 015 | 012 | | | |
| 59900400 | 185 | 003 | 80061040 | 169 | 005 | 80061245 | 145 | 019 | 80061638 | 087 | 001 | 80061666 | 127 | 005 | 80062476 | 025 | 003 | 80111280 | 099 | 006 | 80201230 | 021 | 012 | | | |
| 59900500 | 183 | 005 | 80061055 | 173 | 003 | 80061245 | 155 | 012 | 80061638 | 089 | 001 | 80061666 | 133 | 002 | 80062476 | 027 | 003 | 80111280 | 103 | 008 | 80201230 | 041 | 011 | | | |
| 59900500 | 185 | 005 | 80061055 | 175 | 004 | 80061245 | 159 | 024 | 80061638 | 097 | 001 | 80061666 | 135 | 004 | 80062476 | 029 | 003 | 80111280 | 107 | 006 | 80201230 | 061 | 003 | | | |
| 59900600 | 183 | 004 | 80061055 | 177 | 003 | 80061248 | 055 | 003 | 80061638 | 103 | 007 | 80061669 | 173 | 006 | 80062476 | 031 | 003 | 80111280 | 121 | 006 | 80201230 | 063 | 003 | | | |
| 59900600 | 185 | 004 | 80061055 | 179 | 004 | 80061248 | 057 | 003 | 80061638 | 109 | 001 | 80061669 | 177 | 006 | 80062476 | 033 | 003 | 80111280 | 127 | 007 | 80201230 | 099 | 007 | | | |
| 59901300 | 183 | 009 | 80061073 | 173 | 004 | 80061248 | 059 | 003 | 80061638 | 111 | 001 | 80061678 | 093 | 002 | 80062480 | 065 | 002 | 80111280 | 135 | 005 | 80201230 | 121 | 007 | | | |
| 59901300 | 185 | 009 | 80061073 | 175 | 005 | 80061249 | 037 | 008 | 80061638 | 113 | 001 | 80061678 | 095 | 002 | 80062480 | 067 | 002 | 80111665 | 091 | 005 | 80201230 | 127 | 008 | | | |
| 59901500 | 183 | 015 | 80061073 | 177 | 004 | 80061249 | 039 | 008 | 80061638 | 115 | 001 | 80061686 | 003 | 007 | 80062480 | 069 | 002 | 80111665 | 097 | 007 | 80201230 | 135 | 006 | | | |
| 59901500 | 185 | 015 | 80061073 | 179 | 005 | 80061249 | 041 | 008 | 80061638 | 117 | 001 | 80061686 | 005 | 005 | 80062480 | 071 | 002 | 80111665 | 113 | 006 | 80201230 | 153 | 006 | | | |
| 59911200 | 183 | 010 | 80061080 | 173 | 005 | 80061249 | 121 | 003 | 80061638 | 119 | 001 | 80061686 | 003 | 003 | 80062480 | 091 | 003 | 80111665 | 119 | 007 | 80201230 | 157 | 008 | | | |
| 59911200 | 185 | 010 | 80061080 | 175 | 006 | 80061249 | 123 | 004 | 80061638 | 127 | 004 | 80061686 | 005 | 003 | 80062480 | 097 | 005 | 80111665 | 147 | 006 | 80201230 | 167 | 007 | | | |
| 645317 | 083 | 002 | 80061080 | 177 | 005 | 80061249 | 127 | 003 | 80061638 | 135 | 003 | 80061686 | 007 | 003 | 80062480 | 113 | 004 | 80111699 | 091 | 006 | 80201230 | 169 | 009 | | | |



INDEX NUMERIQUE - NUMERICAL INDEX

TEILENUMMERN-INDEX - INDICE NUMERICO

| Nr | Page | Rep. | Nr | Page | Rep. | Nr | Page | Rep. | Nr | Page | Rep. | Nr | Page | Rep. | Nr | Page | Rep. | Nr | Page | Rep. | Nr | Page | Rep. |
|----------|------|------|----------|------|------|----------|------|------|----------|------|------|----------|------|------|----------|------|------|----------|------|------|----------|------|------|
| 80201230 | 175 | 012 | 80201630 | 085 | 007 | 80201670 | 093 | 006 | 80202440 | 111 | 006 | 80204063 | 151 | 013 | 80251624 | 093 | 008 | 80282557 | 059 | 015 | 82101622 | 167 | 010 |
| 80201230 | 179 | 013 | 80201630 | 087 | 004 | 80201670 | 095 | 006 | 80202440 | 115 | 007 | 80205018 | 013 | 008 | 80251624 | 095 | 008 | 80294020 | 149 | 017 | 82200616 | 049 | 010 |
| 80201240 | 003 | 008 | 80201630 | 089 | 004 | 80201670 | 097 | 011 | 80202440 | 117 | 007 | 80205018 | 041 | 017 | 80251624 | 097 | 014 | 80500236 | 165 | 011 | 82200616 | 153 | 026 |
| 80201240 | 005 | 006 | 80201630 | 093 | 005 | 80201670 | 109 | 005 | 80202442 | 055 | 009 | 80205566 | 003 | 011 | 80251624 | 113 | 012 | 80500236 | 167 | 008 | 82200616 | 155 | 027 |
| 80201240 | 009 | 008 | 80201630 | 095 | 005 | 80201670 | 111 | 005 | 80202442 | 057 | 009 | 80205566 | 005 | 009 | 80251624 | 115 | 008 | 80500451 | 153 | 017 | 82200616 | 157 | 026 |
| 80201240 | 013 | 006 | 80201630 | 109 | 004 | 80201670 | 113 | 009 | 80202442 | 059 | 009 | 80250512 | 173 | 011 | 80251624 | 117 | 008 | 80500451 | 155 | 020 | 82200616 | 159 | 027 |
| 80201240 | 017 | 012 | 80201630 | 111 | 004 | 80201670 | 115 | 006 | 80202442 | 069 | 005 | 80250512 | 175 | 014 | 80251624 | 119 | 013 | 80500451 | 157 | 017 | 82200800 | 015 | 014 |
| 80201240 | 019 | 012 | 80201630 | 115 | 005 | 80201670 | 117 | 006 | 80202442 | 071 | 006 | 80250512 | 177 | 012 | 80251624 | 147 | 012 | 80500451 | 159 | 007 | 82200800 | 017 | 014 |
| 80201240 | 023 | 012 | 80201630 | 117 | 005 | 80201670 | 119 | 010 | 80202442 | 073 | 005 | 80250512 | 179 | 015 | 80251624 | 173 | 013 | 80500451 | 165 | 012 | 82200800 | 019 | 014 |
| 80201240 | 025 | 012 | 80201630 | 121 | 009 | 80201670 | 147 | 009 | 80202442 | 075 | 005 | 80250823 | 055 | 010 | 80251624 | 175 | 017 | 80500451 | 167 | 009 | 82200800 | 021 | 014 |
| 80201240 | 027 | 012 | 80201630 | 127 | 009 | 80201850 | 049 | 001 | 80202442 | 077 | 005 | 80250823 | 057 | 010 | 80251624 | 177 | 014 | 80500579 | 049 | 006 | 82200800 | 023 | 014 |
| 80201240 | 029 | 012 | 80201630 | 135 | 008 | 80201850 | 153 | 019 | 80202442 | 079 | 005 | 80250823 | 059 | 010 | 80251624 | 179 | 018 | 80560440 | 011 | 005 | 82200800 | 025 | 014 |
| 80201240 | 031 | 012 | 80201630 | 165 | 010 | 80201850 | 155 | 022 | 80202442 | 091 | 010 | 80250823 | 155 | 004 | 80252026 | 007 | 006 | 80560801 | 155 | 030 | 82200800 | 027 | 014 |
| 80201240 | 033 | 012 | 80201640 | 003 | 009 | 80201850 | 157 | 019 | 80202442 | 091 | 011 | 80250823 | 159 | 016 | 80252026 | 009 | 011 | 80560801 | 159 | 030 | 82200800 | 029 | 014 |
| 80201240 | 037 | 011 | 80201640 | 005 | 007 | 80201850 | 159 | 009 | 80202442 | 097 | 012 | 80251021 | 173 | 012 | 80252026 | 037 | 012 | 80570600 | 087 | 007 | 82200800 | 031 | 014 |
| 80201240 | 039 | 011 | 80201640 | 011 | 004 | 80202030 | 007 | 005 | 80202442 | 097 | 013 | 80251021 | 175 | 015 | 80252026 | 039 | 012 | 80570600 | 089 | 007 | 82200800 | 033 | 014 |
| 80201240 | 055 | 008 | 80201640 | 091 | 007 | 80202030 | 009 | 009 | 80202442 | 113 | 010 | 80251021 | 177 | 013 | 80252026 | 041 | 012 | 80570600 | 091 | 013 | 82200800 | 035 | 028 |
| 80201240 | 057 | 008 | 80201640 | 097 | 008 | 80202030 | 041 | 015 | 80202442 | 113 | 011 | 80251021 | 179 | 016 | 80252432 | 055 | 011 | 80570600 | 093 | 009 | 82200800 | 037 | 017 |
| 80201240 | 059 | 008 | 80201640 | 097 | 009 | 80202040 | 037 | 015 | 80202442 | 119 | 011 | 80251225 | 003 | 012 | 80252432 | 057 | 011 | 80570600 | 095 | 009 | 82200800 | 043 | 012 |
| 80201240 | 101 | 006 | 80201640 | 103 | 010 | 80202040 | 039 | 015 | 80202442 | 119 | 012 | 80251225 | 005 | 010 | 80252432 | 059 | 011 | 80570600 | 097 | 015 | 82200800 | 153 | 020 |
| 80201240 | 103 | 009 | 80201640 | 107 | 008 | 80202070 | 037 | 014 | 80202442 | 147 | 010 | 80251227 | 009 | 010 | 80252432 | 065 | 006 | 80570600 | 109 | 007 | 82200800 | 155 | 023 |
| 80201240 | 105 | 006 | 80201640 | 113 | 007 | 80202070 | 039 | 014 | 80202442 | 147 | 011 | 80251227 | 013 | 009 | 80252432 | 067 | 006 | 80570600 | 111 | 007 | 82200800 | 157 | 020 |
| 80201240 | 107 | 007 | 80201640 | 119 | 008 | 80202070 | 041 | 014 | 80202566 | 083 | 008 | 80251227 | 037 | 009 | 80252432 | 069 | 006 | 80570600 | 113 | 013 | 82200800 | 159 | 010 |
| 80201240 | 123 | 008 | 80201640 | 123 | 009 | 80202400 | 015 | 002 | 80202566 | 085 | 008 | 80251227 | 039 | 009 | 80252432 | 071 | 007 | 80570600 | 115 | 009 | 82200815 | 055 | 016 |
| 80201240 | 125 | 003 | 80201640 | 125 | 005 | 80202400 | 017 | 002 | 80203017 | 153 | 021 | 80251227 | 041 | 009 | 80252432 | 073 | 006 | 80570600 | 117 | 009 | 82200815 | 057 | 016 |
| 80201240 | 125 | 004 | 80201640 | 129 | 009 | 80202400 | 019 | 002 | 80203017 | 155 | 024 | 80251227 | 101 | 008 | 80252432 | 075 | 006 | 80570600 | 119 | 014 | 82200815 | 059 | 016 |
| 80201240 | 129 | 008 | 80201640 | 131 | 009 | 80202400 | 021 | 002 | 80203017 | 157 | 021 | 80251227 | 105 | 008 | 80252432 | 077 | 006 | 80570600 | 147 | 013 | 82200815 | 099 | 009 |
| 80201240 | 131 | 008 | 80201640 | 133 | 005 | 80202400 | 023 | 002 | 80203017 | 159 | 011 | 80251227 | 121 | 011 | 80252432 | 079 | 006 | 80582400 | 047 | 003 | 82200815 | 101 | 009 |
| 80201240 | 133 | 003 | 80201640 | 137 | 009 | 80202400 | 025 | 002 | 80203565 | 003 | 010 | 80251227 | 123 | 011 | 80253034 | 153 | 016 | 80583000 | 047 | 004 | 82200815 | 103 | 012 |
| 80201240 | 133 | 004 | 80201640 | 139 | 005 | 80202400 | 027 | 002 | 80203565 | 005 | 008 | 80251227 | 127 | 011 | 80253034 | 155 | 019 | 80583000 | 049 | 007 | 82200815 | 105 | 009 |
| 80201240 | 137 | 008 | 80201640 | 141 | 008 | 80202400 | 029 | 002 | 80203565 | 099 | 008 | 80251227 | 129 | 011 | 80253034 | 157 | 016 | 80584200 | 047 | 005 | 82200815 | 107 | 010 |
| 80201240 | 139 | 007 | 80201640 | 143 | 008 | 80202400 | 031 | 002 | 80203565 | 101 | 007 | 80251227 | 131 | 011 | 80253034 | 159 | 006 | 80595200 | 083 | 010 | 82200815 | 121 | 012 |
| 80201240 | 141 | 007 | 80201640 | 145 | 008 | 80202400 | 033 | 002 | 80203565 | 103 | 011 | 80251227 | 135 | 010 | 80270605 | 055 | 012 | 80595200 | 085 | 010 | 82200815 | 123 | 012 |
| 80201240 | 143 | 007 | 80201640 | 147 | 007 | 80202400 | 065 | 004 | 80203565 | 105 | 007 | 80251227 | 137 | 011 | 80270605 | 057 | 012 | 81302552 | 083 | 011 | 82200815 | 127 | 012 |
| 80201240 | 145 | 007 | 80201640 | 149 | 012 | 80202400 | 067 | 004 | 80203565 | 107 | 009 | 80251227 | 139 | 016 | 80270605 | 059 | 012 | 81302552 | 085 | 011 | 82200815 | 129 | 012 |
| 80201240 | 149 | 009 | 80201640 | 151 | 012 | 80202400 | 069 | 004 | 80203565 | 121 | 010 | 80251227 | 141 | 001 | 80270803 | 055 | 013 | 81303572 | 153 | 015 | 82200815 | 131 | 012 |
| 80201240 | 151 | 009 | 80201640 | 173 | 010 | 80202400 | 071 | 005 | 80203565 | 123 | 010 | 80251227 | 143 | 001 | 80270803 | 057 | 013 | 81303572 | 155 | 018 | 82200815 | 135 | 011 |
| 80201240 | 155 | 011 | 80201640 | 175 | 013 | 80202400 | 073 | 004 | 80203565 | 127 | 010 | 80251227 | 145 | 001 | 80270803 | 059 | 013 | 81303572 | 157 | 015 | 82200815 | 137 | 012 |
| 80201240 | 159 | 023 | 80201640 | 177 | 011 | 80202400 | 075 | 004 | 80203565 | 129 | 010 | 80251227 | 149 | 015 | 80271203 | 037 | 010 | 81303572 | 159 | 005 | 82200815 | 139 | 010 |
| 80201240 | 171 | 004 | 80201640 | 179 | 014 | 80202400 | 077 | 004 | 80203565 | 131 | 010 | 80251227 | 151 | 014 | 80271203 | 039 | 010 | 81305501 | 049 | 008 | 82200815 | 141 | 011 |
| 80201262 | 149 | 010 | 80201647 | 091 | 008 | 80202400 | 079 | 004 | 80203565 | 135 | 009 | 80251227 | 155 | 010 | 80271203 | 041 | 010 | 81305504 | 153 | 013 | 82200815 | 143 | 011 |
| 80201262 | 151 | 010 | 80201647 | 097 | 010 | 80202440 | 065 | 005 | 80203565 | 137 | 010 | 80251227 | 159 | 022 | 80272002 | 059 | 014 | 81305504 | 155 | 016 | 82200815 | 145 | 011 |
| 80201265 | 149 | 011 | 80201647 | 113 | 008 | 80202440 | 067 | 005 | 80204018 | 149 | 013 | 80251227 | 169 | 010 | 80272086 | 055 | 014 | 81305504 | 157 | 013 | 82200815 | 149 | 018 |
| 80201265 | 151 | 011 | 80201647 | 119 | 009 | 80202440 | 087 | 006 | 80204063 | 139 | 006 | 80251325 | 175 | 016 | 80272086 | 057 | 014 | 81305504 | 159 | 003 | 82200815 | 151 | 016 |
| 80201270 | 013 | 007 | 80201647 | 147 | 008 | 80202440 | 089 | 006 | 80204063 | 141 | 006 | 80251325 | 179 | 017 | 80281639 | 149 | 016 | 81306097 | 047 | 006 | 82201016 | 003 | 013 |
| 80201270 | 135 | 007 | 80201670 | 087 | 005 | 80202440 | 093 | 007 | 80204063 | 143 | 006 | 80251624 | 083 | 009 | 80281639 | 151 | 015 | 81307512 | 049 | 009 | 82201016 | 005 | 011 |
| 80201440 | 121 | 008 | 80201670 | 089 | 005 | 80202440 | 095 | 007 | 80204063 | 145 | 006 | 80251624 | 085 | 009 | 80282557 | 055 | 015 | 81307514 | 047 | 007 | 82201016 | 007 | 007 |
| 80201630 | 083 | 007 | 80201670 | 091 | 009 | 80202440 | 109 | 006 | 80204063 | 149 | 014 | 80251624 | 091 | 012 | 80282557 | 057 | 015 | 82064350 | 047 | 008 | 82201016 | 009 | 012 |



INDEX NUMERIQUE - NUMERICAL INDEX TEILENUMMERN-INDEX - INDICE NUMERICO

| Nr | Page | Rep. | Nr | Page | Rep. | Nr | Page | Rep. | Nr | Page | Rep. | Nr | Page | Rep. | Nr | Page | Rep. | Nr | Page | Rep. | |
|----------|------|------|----------|------|------|--------|------|------|--------|------|------|----|------|------|----|------|------|----|------|------|--|
| 82201016 | 013 | 010 | 83040072 | 143 | 002 | 900742 | 005 | 003 | 951946 | 019 | 008 | | | | | | | | | | |
| 82201016 | 015 | 010 | 83040072 | 145 | 002 | 900918 | 153 | 011 | 951946 | 021 | 008 | | | | | | | | | | |
| 82201016 | 017 | 010 | 83070064 | 003 | 014 | 900918 | 155 | 014 | 951946 | 023 | 008 | | | | | | | | | | |
| 82201016 | 019 | 010 | 83090039 | 175 | 019 | 900918 | 157 | 011 | 951946 | 025 | 008 | | | | | | | | | | |
| 82201016 | 021 | 010 | 83090039 | 179 | 020 | 900918 | 159 | 001 | 951946 | 027 | 008 | | | | | | | | | | |
| 82201016 | 023 | 010 | 83090093 | 045 | 006 | 950414 | 183 | 006 | 951946 | 029 | 008 | | | | | | | | | | |
| 82201016 | 025 | 010 | 83090093 | 175 | 027 | 950414 | 185 | 006 | 951946 | 031 | 008 | | | | | | | | | | |
| 82201016 | 027 | 010 | 83090093 | 179 | 028 | 951166 | 083 | 003 | 951946 | 033 | 008 | | | | | | | | | | |
| 82201016 | 029 | 010 | 83090141 | 009 | 013 | 951166 | 085 | 003 | 952164 | 175 | 001 | | | | | | | | | | |
| 82201016 | 031 | 010 | 83240007 | 173 | 014 | 951175 | 163 | 002 | 952164 | 179 | 001 | | | | | | | | | | |
| 82201016 | 033 | 010 | 83240007 | 175 | 020 | 951212 | 045 | 001 | 952211 | 165 | 004 | | | | | | | | | | |
| 82201016 | 037 | 004 | 83240007 | 177 | 015 | 951242 | 007 | 001 | 952226 | 153 | 014 | | | | | | | | | | |
| 82201016 | 039 | 004 | 83240007 | 179 | 021 | 951242 | 009 | 001 | 952226 | 155 | 017 | | | | | | | | | | |
| 82201016 | 041 | 004 | 83240010 | 177 | 016 | 951395 | 161 | 003 | 952226 | 157 | 014 | | | | | | | | | | |
| 82201016 | 083 | 012 | 83240017 | 173 | 015 | 951396 | 161 | 001 | 952226 | 159 | 004 | | | | | | | | | | |
| 82201016 | 085 | 012 | 83240017 | 175 | 021 | 951397 | 161 | 002 | 952311 | 049 | 002 | | | | | | | | | | |
| 82201016 | 153 | 009 | 83240017 | 177 | 017 | 951448 | 013 | 001 | 952365 | 015 | 016 | | | | | | | | | | |
| 82201016 | 155 | 008 | 83240017 | 179 | 022 | 951448 | 015 | 006 | 952365 | 017 | 016 | | | | | | | | | | |
| 82201016 | 157 | 009 | 83240209 | 173 | 016 | 951448 | 017 | 006 | 952365 | 019 | 016 | | | | | | | | | | |
| 82201016 | 159 | 020 | 83240209 | 175 | 022 | 951448 | 019 | 006 | 952365 | 021 | 016 | | | | | | | | | | |
| 82300026 | 035 | 014 | 83240209 | 177 | 018 | 951448 | 021 | 006 | 952365 | 023 | 016 | | | | | | | | | | |
| 82300026 | 043 | 007 | 83240209 | 179 | 023 | 951448 | 023 | 006 | 952365 | 025 | 016 | | | | | | | | | | |
| 82300026 | 045 | 005 | 83240210 | 173 | 017 | 951448 | 025 | 006 | 952365 | 027 | 016 | | | | | | | | | | |
| 83012528 | 055 | 017 | 83240210 | 175 | 023 | 951448 | 027 | 006 | 952365 | 029 | 016 | | | | | | | | | | |
| 83012528 | 057 | 017 | 83240210 | 177 | 019 | 951448 | 029 | 006 | 952365 | 031 | 016 | | | | | | | | | | |
| 83012528 | 059 | 017 | 83240210 | 179 | 024 | 951448 | 031 | 006 | 952365 | 033 | 016 | | | | | | | | | | |
| 83013034 | 153 | 002 | 83240212 | 173 | 018 | 951448 | 033 | 006 | 952365 | 035 | 030 | | | | | | | | | | |
| 83013034 | 157 | 002 | 83240212 | 175 | 024 | 951448 | 037 | 020 | 952365 | 037 | 018 | | | | | | | | | | |
| 83014043 | 005 | 012 | 83240212 | 177 | 020 | 951448 | 039 | 019 | 952365 | 039 | 017 | | | | | | | | | | |
| 83014043 | 155 | 007 | 83240212 | 179 | 025 | 951448 | 041 | 021 | 952365 | 041 | 019 | | | | | | | | | | |
| 83014043 | 159 | 019 | 83240400 | 173 | 019 | 951453 | 181 | 005 | 952365 | 043 | 013 | | | | | | | | | | |
| 83014044 | 003 | 015 | 83240400 | 175 | 025 | 951601 | 169 | 001 | 952365 | 045 | 002 | | | | | | | | | | |
| 83014550 | 015 | 007 | 83240400 | 177 | 021 | 951602 | 169 | 002 | | | | | | | | | | | | | |
| 83014550 | 017 | 007 | 83240400 | 179 | 026 | 951603 | 167 | 002 | | | | | | | | | | | | | |
| 83014550 | 019 | 007 | 83240401 | 173 | 020 | 951617 | 169 | 004 | | | | | | | | | | | | | |
| 83014550 | 021 | 007 | 83240401 | 175 | 026 | 951906 | 165 | 013 | | | | | | | | | | | | | |
| 83014550 | 023 | 007 | 83240401 | 177 | 022 | 951927 | 065 | 001 | | | | | | | | | | | | | |
| 83014550 | 025 | 007 | 83240401 | 179 | 027 | 951927 | 067 | 001 | | | | | | | | | | | | | |
| 83014550 | 027 | 007 | 83240404 | 177 | 023 | 951927 | 069 | 001 | | | | | | | | | | | | | |
| 83014550 | 029 | 007 | 900007 | 163 | 001 | 951927 | 071 | 001 | | | | | | | | | | | | | |
| 83014550 | 031 | 007 | 900016 | 163 | 003 | 951927 | 073 | 001 | | | | | | | | | | | | | |
| 83014550 | 033 | 007 | 900451 | 153 | 012 | 951927 | 075 | 001 | | | | | | | | | | | | | |
| 83030015 | 175 | 018 | 900451 | 155 | 015 | 951927 | 077 | 001 | | | | | | | | | | | | | |
| 83030015 | 179 | 019 | 900451 | 157 | 012 | 951927 | 079 | 001 | | | | | | | | | | | | | |
| 83040072 | 139 | 001 | 900451 | 159 | 002 | 951946 | 015 | 008 | | | | | | | | | | | | | |
| 83040072 | 141 | 002 | 900742 | 003 | 005 | 951946 | 017 | 008 | | | | | | | | | | | | | |

EXTRAIT DES CONDITIONS DE GARANTIE ET CONDITIONS SPECIFIQUES PIECES DE RECHANGE

Nous garantissons notre matériel durant une année à partir du jour de livraison, c'est-à-dire que nous nous engageons à rembourser les pièces qui auront été reconnues défectueuses en nos usines, par notre service technique.

Bien entendu, la garantie ne s'applique pas en cas d'usure normale, ni en cas de détériorations résultant de négligences ou de défauts de surveillance, d'un mauvais usage, d'un manque d'entretien ou d'un accident. La garantie ne s'applique pas non plus si la machine a été prêtée ou utilisée pour un usage non conforme à sa destination prévue par la société.

La garantie ne s'applique pas aux pièces d'usure.

Les pièces de rechange sont soumises aux mêmes conditions de garantie que le matériel sous réserve qu'elles aient été montées selon les règles de l'art et utilisées conformément à nos recommandations.

EXTRACT FROM OUR CONDITIONS OF LIMITED WARRANTY AND SPARE PARTS WARRANTY POLICY

Our equipment is warranted for a period of one year from the date of delivery. We guarantee the reimbursement of all parts proven to be faulty by our technical division in material or manufacturing.

The warranty is not applicable in the following cases : normal wear, accident or negligence in operation, repairs using parts other than genuine KUHN parts, products altered or modified without the expressed permission of the company or if the machine is not used and serviced in accordance with the recommendations of the operator's manual. Wearing items are not covered under these conditions of limited warranty.

Spare parts are subject to the same warranty conditions than the equipment providing they have been installed with proficiency and are used in accordance with our recommendations.

AUSZUG AUS UNSEREN GARANTIEBEDINGUNGEN UND SONDERBEDINGUNGEN FÜR ERSATZTEILE

Wir garantieren unsere Ware für ein Jahr ab dem Tag der Lieferung und verpflichten uns, die Teile zu ersetzen, die im Werk als fehlerhaft anerkannt wurden.

Die Garantie ist ausgeschlossen für Teile, die einem normalen Verschleiß unterliegen, sowie im Fall von nachlässiger Behandlung oder mangelhafter Wartung oder eines Unfalls. Die Garantie erlischt auch, wenn die Maschine ausgeliehen oder unter Umständen eingesetzt wurde, die dem ursprünglichen Verwendungszweck und den Hinweisen in der Betriebsanleitung nicht entsprechen.

Verschleißteile sind von der Garantie ausgeschlossen

Ersatzteile unterliegen den gleichen Garantiebedingungen wie komplette Maschinen, vorausgesetzt, dass sie sachgerecht eingebaut und entsprechend unseren Empfehlungen verwendet wurden.

ESTRATTO DELLE CONDIZIONI DI GARANZIA E CONDIZIONI SPECIFICHE GARANZIA RICAMBI

Le nostre macchine sono garantite per un anno a partire dal giorno della consegna: ci impegnamo a rimborsare i componenti che saranno riconosciuti difettosi dai nostri servizi tecnici presso le nostre officine.

La garanzia non è applicabile nei seguenti casi: usura normale, incidente o negligenza nell'impiego, riparazioni utilizzando ricambi non originali KUHN, prodotti alterati o modificati senza il permesso dell'azienda. La garanzia non viene riconosciuta se la macchina è stata prestata o non è utilizzata o mantenuta in conformità alle raccomandazioni previste dalla società. La garanzia non copre i componenti soggetti ad usura.

I pezzi di ricambio sono soggetti agli stessi termini di garanzia della macchina, purchè siano stati installati con competenza e utilizzati conformemente alle nostre raccomandazioni.



**Pour votre sécurité et le bon fonctionnement de votre machine,
utilisez uniquement des pièces d'origine KUHN**

**For your safety and to get the best from your machine,
use only genuine KUHN parts**

**Zu ihrer Sicherheit und zur einwandfreien Funktion Ihrer
Maschine sollten Sie nur Original-KUHN-Ersatzteile verwenden**

**Per la vostra sicurezza, e per il buon funzionamento della vostra macchina,
usate esclusivamente i ricambi originali KUHN**

KUHN PARTS Parc de la Faisanderie F - 67700 MONSWILLER (FRANCE)

Tél.: + 33 (0) 3 88 01 81 00 - Fax : + 33 (0) 3 88 01 81 03

www.kuhn.com

Imprimé en France par KUHN
Printed in France by KUHN