

VBP 2160

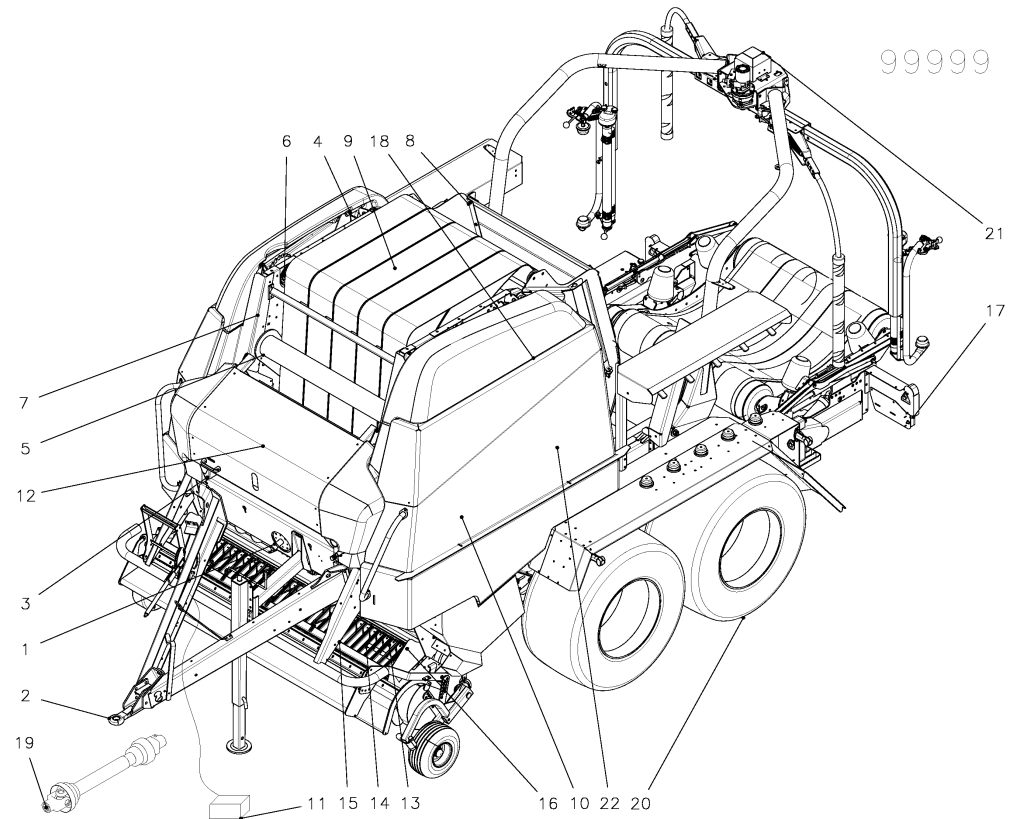
Spare Parts Manual

Article number: ZRA004EN
Language: EN
Production year (from): 2009
Prod. Series nr (from): 04RW01
VGRW000390 < Mach. ID <=

VBP 2160 / Table of Contents



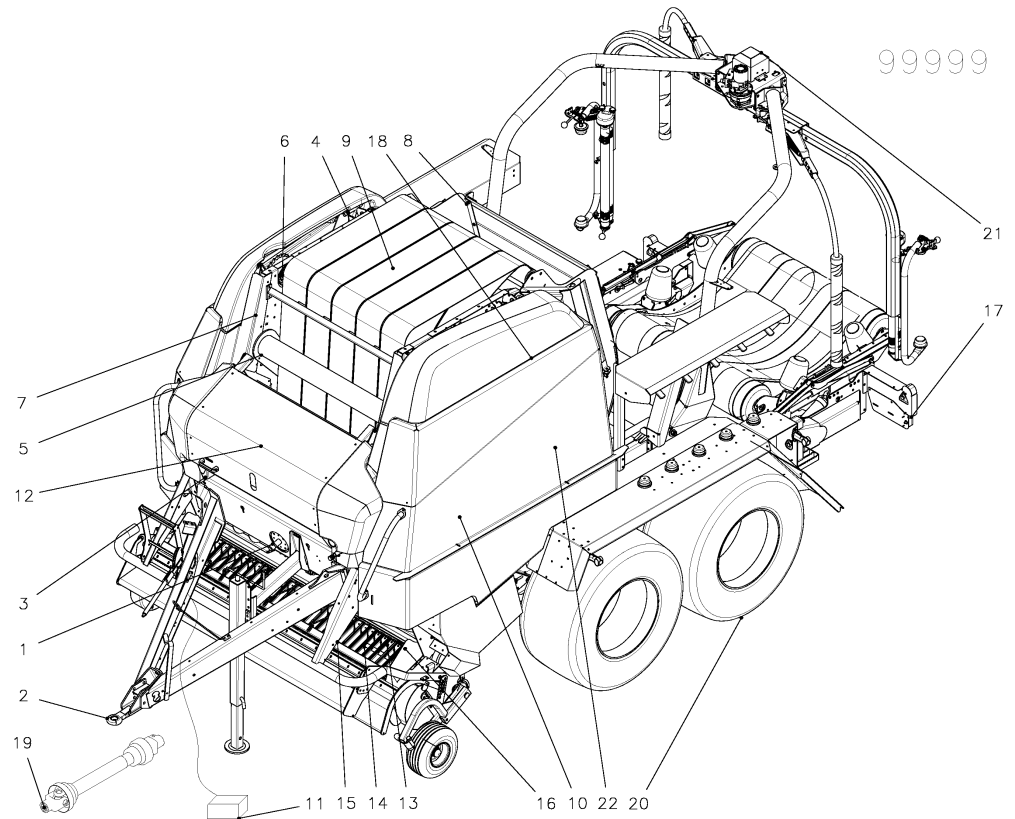
PosNo.	Assembly group	Page
1	DRIVE PRIMARY	1
1	DRIVE, MAIN	2
2	HITCHING EQUIPMENT	3
2	EYE, DRAW BAR	4
3	CHOPPING ROLLER	5
4	ROLLERS, TOP	6
5	TENSIONER, BELT	7
6	ROLLERS	8
6	ROLLERS, L	9
6	ROLLERS, R	10
7	DRIVE, CHAIN - MIDDLE- R	11
7	DRIVE, CHAIN - DOWN - R	12
7	DRIVE, CHAIN - MIDDLE - L	13
7	DRIVE, CHAIN - DOWN - L	14
7	DRIVE, CHAIN + TENSIONER	15
8	TAILGATE	16
9	BELTS	17
10	HYDRAULICS	18
11	CONNECTIONS, ELEC.	19
11	CONNECTIONS, ELEC.	20
11	CONTROL BOX	21
11	INDICATOR	22
12	NET WRAP SET	23
12	NET WRAP SET	24
12	DRIVE, NET WRAP	25
12	GUIDE CPL.	26
12	GUIDE CPL.	27
12	TWINE TIE FRAME	28
12	TWINE TIE SYSTEM	29
12	BOX, TWINE	30
13	PICK-UP, CPL. (WPU)	31
13	AXLE, TINE CARR. (WPU)	32
13	DRIVE (WPU)	33
13	GAUGE WHEEL,PICK-UP,CPL.(WPU)	34
13	GAUGE WHEEL, PICK-UP, CPL.	35
13	PLATE, GUIDE (WPU)	36
13	CROP GUIDE CPL. (WPU)	37
13	CYLINDER, PICK-UP (WPU)	38
14	DRIVE (R+14-OC +XL-R+OC23)	39
14	TENSIONER, CHAIN (R+OC-14)	40



VBP 2160 / Table of Contents



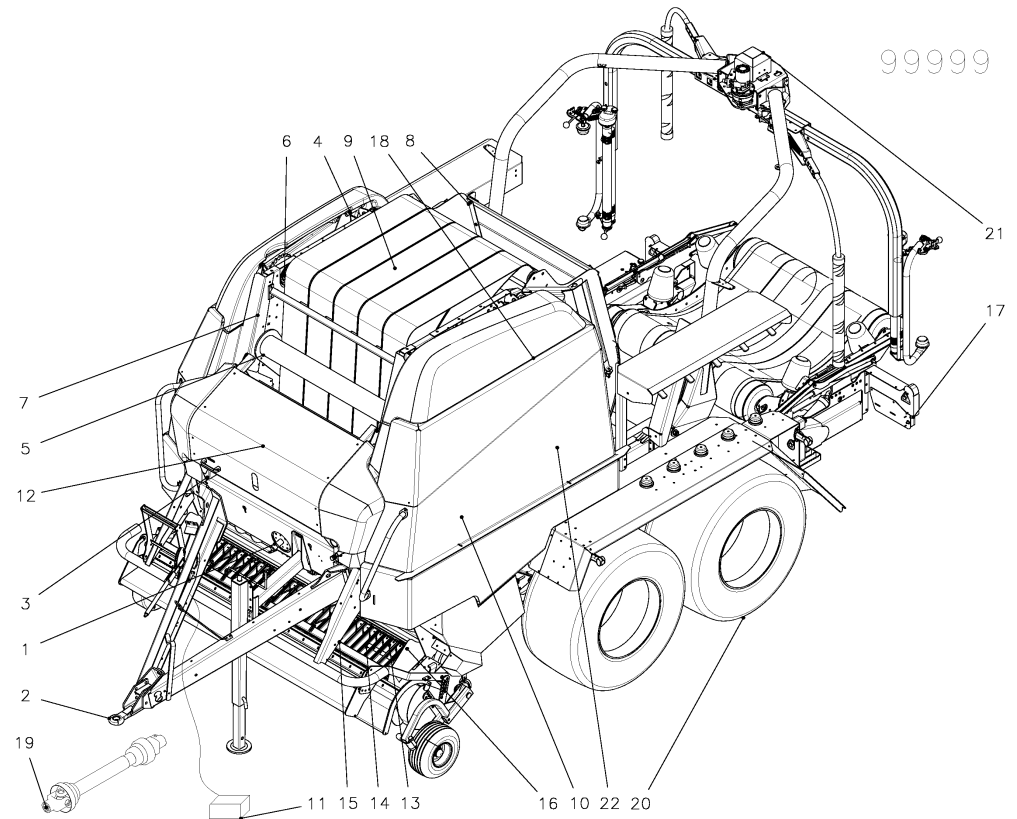
PosNo.	Assembly group	Page
14	GATHERING ROLLER (R+14-OC)	41
14	GAUGE WHEEL, PICK-UP (R+14-OC + XLR +23-OC)	42
14	CROP GUIDE CPL. (R+14-OC + XL-R + 23-OC)	43
14	PICK-UP, CPL. (R+14-OC)	44
14	FRAME, PICK-UP (R+14-OC)	45
14	FRAME (R + 14-OC)	46
14	FRAME, KNIVES 14-OC	47
14	CYLINDER, PICK-UP (14-OC + 23-OC SS)	48
14	SENSOR ASSY	49
14	CYLINDER, PICK-UP (R + XL-R)	50
15	DRIVE (23-OC)	51
15	FRAME, KNIVES (23OC-SS)	52
15	FRAME, KNIVES (23-OC HP)	53
15	CILINDER, PICK-UP (23-OC HP)	54
15	FRAME, GUIDE (23-OC)	55
15	PICK-UP ASSY (XL-R, OC-23)	56
15	CHAIN TENSIONER (23OC+23OC-SS)	57
15	PROTECTION (23-OC + XL-R)	58
16	FRAME, GUIDE (XL-R)	59
17	LIGHTING SET	60
18	PROTECTION	61
18	RAIL, GUARD	62
18	TWINE ONLY	63
19	SHAFT, UNIV. JOINT (R+14-OC + XL-R)	64
19	SHAFT, UNIV. JOINT (23-OC)	65
19	SHAFT, UNIV. JOINT (WPU)	66
20	UNDERCARRIAGE, TANDEM	67
20	HANDBRAKE	68
20	CYLINDER, BRAKE, HYDR.	69
20	RESERVOIR, AIR	70
20	CYLINDER, BRAKE, PNEU.	71
20	WHEEL, CPL.	72
20	HYDRAULIC PARTS	73
20	CARRIER	74
20	MUDGUARDS	75
20	SUPPORT, FOIL ROLL,	76
21	WRAPPER, FRAME	77
21	WRAPPER, FRAME	78



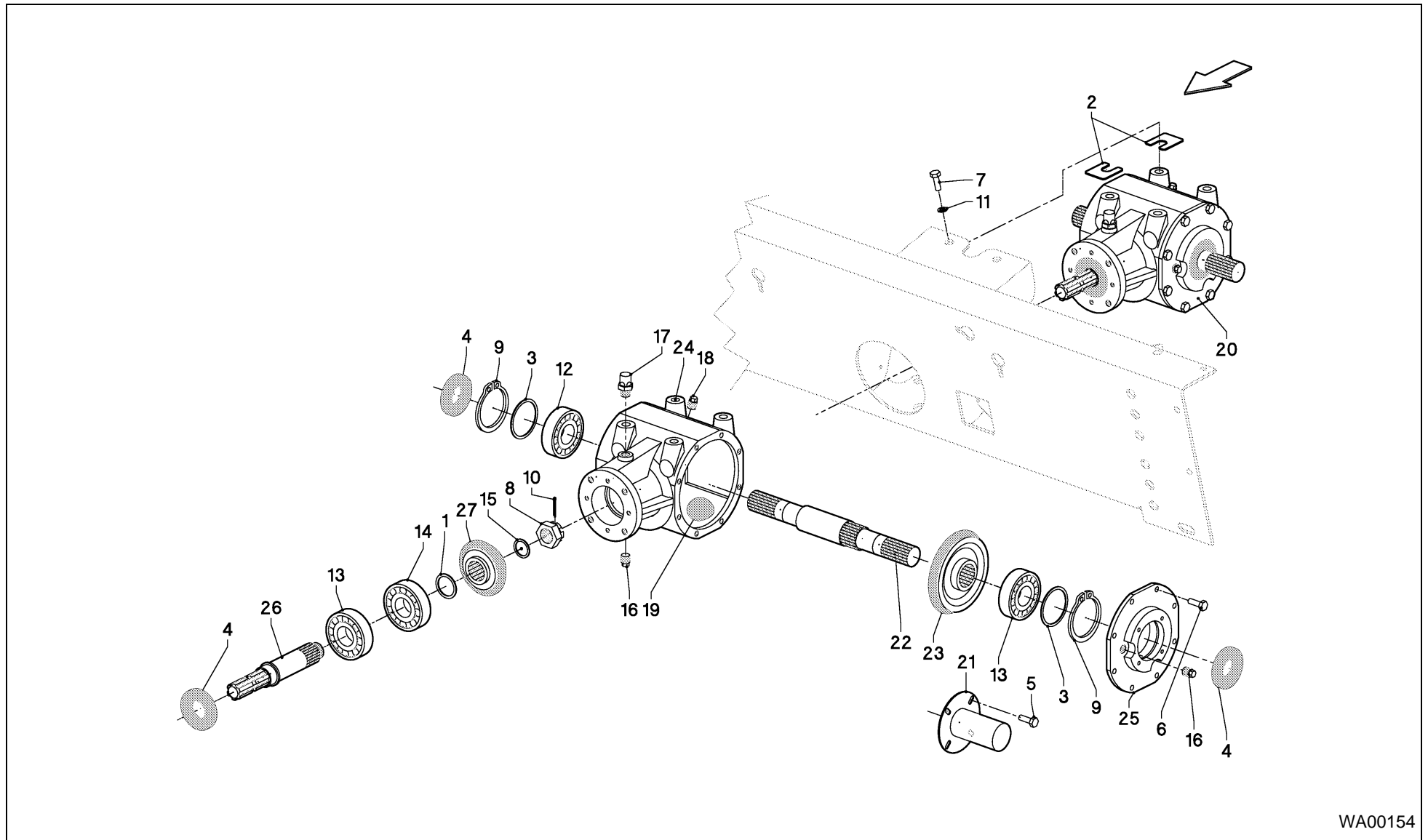
VBP 2160 / Table of Contents



PosNo.	Assembly group	Page
21	TOWER	79
21	APPLICUTTER	80
21	GEAR DRIVE UNIT BP	81
21	DRIVE UNIT BP 2D	82
21	DRIVE UNIT BP 3D	83
21	BRACKET, CPL. BP 3D	84
21	FRAME, BELT	85
21	PRE-STRETCHER	86
21	PRE-STRETCHER	87
21	PRE-STRETCHER FILM	88
21	RF FILMBREAKKIT BP 3D	89
21	SENSOR BRACKETS	90
21	CONTROL BOX	91
21	CONNECTIONS, ELEC., WRAPPER	92
21	CONNECTIONS, ELEC., WRAPPER	93
21	SENSORS AND CABLES	94
21	LIGHTING SET	95
21	BODY, VALVE	96
21	HYDRAULICS	97
21	HYDRAULICS BP 3D	98
22	DECAL SCHEME WRAPPER	99
22	DECAL SCHEME	100
22	DOCUMENTATION	101
99999	LUBRICATION SYSTEM	102
99999	LUBRICATION SYSTEM	103
99999	FLAX KIT	104
99999	MIXED CHAMBER OPTION	105
99999	GUIDE CPL.	106
99999	OIL FLOW DIVIDER	107
99999	DETACHING SET	108
99999	BALE TURNER	109
99999	OPTIONS VARIOUS	110
99999	BALE FALL GUIDE	111
99999	PICK-UP ROLLER	112
99999	PICK-UP ROLLER	113
99999	TUBE, CPL.	114
99999	POWER PUSH DEVICE	115
99999	SWIVEL UNIT, CPL. 14-OC	116
99999	SWIVEL UNIT, CPL. 23-OC	117



VBP 2160 / DRIVE PRIMARY

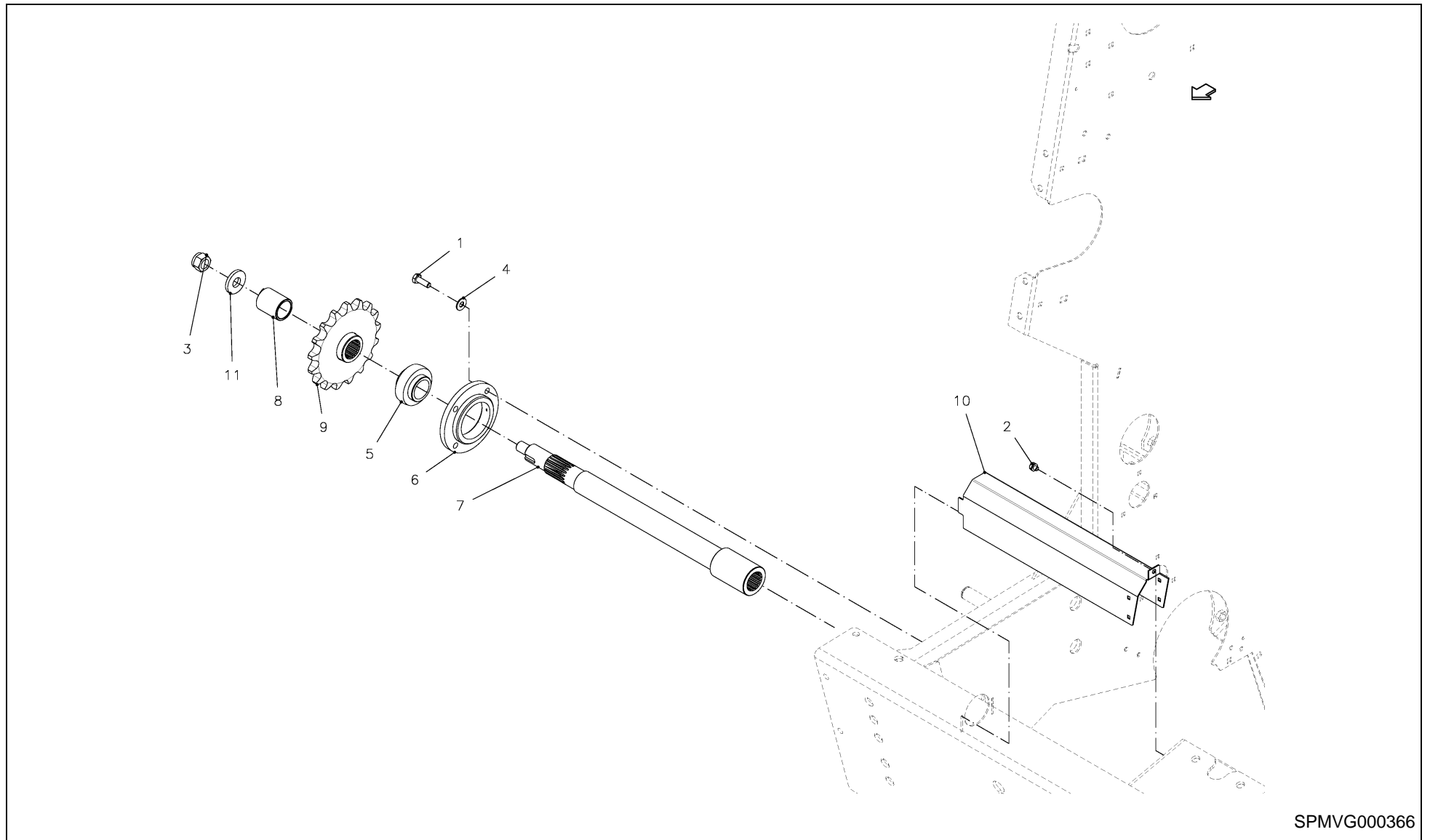


WA00154

VBP 2160 / DRIVE PRIMARY



PosNo.	Part No.	Qty.	Description	Remark
1	VG AH00132		SHIM SET	
2	VG GP611V		PLATE, SHIM	GIVE QUANTITY WHEN ORDERING
3	VG GS0089		SHIM SET	
4	KG00160200	3	RADIAL SHAFT SEAL - AS 40X80X10	
5	KG00471761	4	HEX. SCREW M8X16 8.8	
6	KG00474261	8	HEX. SCREW M10X25 8.8	
7	KG00480161	6	HEX. SCREW M16X35 8.8	
8	KG01081800	1	CASTLE NUT M30X1.5 8	
9	KG01119100	2	CIRCLIP-B 80 X 4	
10	KG01252061	1	SPLIT PIN 4X50 ST	
11	KG01282061	6	SPRING WASHER M16	
12	KG01382800	1	BALL BEARING 6208	
13	KG01799800	2	TAPER ROLLER BEARING 30208	
14	KG01800100	1	TAPER ROLLER BEARING 30308	
15	VG MT00310	1	SHIM SET	
16	VG ND92092V	3	PLUG	
17	VG ND92093V	1	BREATHER	
18	VG ND92155V	1	PLUG, MAGNETIC	
19	VG ND9824		OMALA 100 SHELL(OLIE/LTR.BULK)	2 L.
20	VG WA00154	1	GEARBOX ASSY	
21	VG WA1809	1	COVER, PLASTIC	
22	VG WA734	1	AXLE	
23	VG WA735	1	WHEEL, TOOTHED	
24	VG WA736	1	GEARBOX	
25	VG WA737	1	LID	
26	VG WA738	1	AXLE	
27	VG WA739	1	WHEEL, TOOTHED	



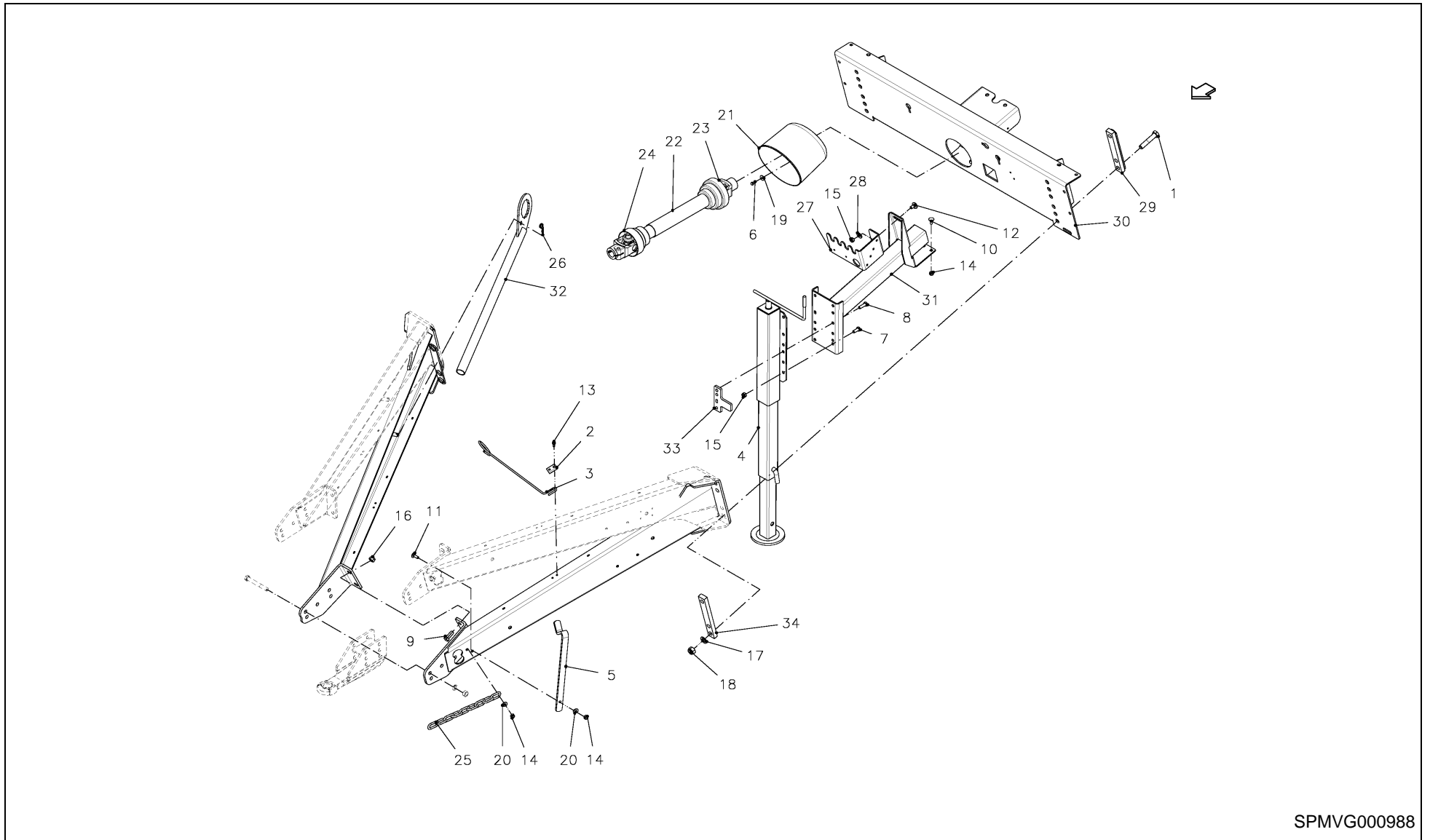
SPMVG000366

VBP 2160 / DRIVE, MAIN



PosNo.	Part No.	Qty.	Description	Remark
1	KG00474361	4	HEX. SCREW M10X30 8.8	
2	KG01000661	1	FLANGED BOLT M8X15	
3	KG01069261	1	NUT, LOCK	
4	VGND3147V	4	RING	
5	VGND5022	1	CUSHION, BALL, SPEC.	
6	VGND5117	1	HOUSING, CUSHION	
7	VGRL062K0	1	SHAFT, DRIVE	
8	VGUH697V	1	SLEEVE	TWINE ONLY
9	VGWA02070	1	SPROCKET	
10	VGWA490	1	GUARD, PROTECT.	
11	VGWA491V	1	RING	

VBP 2160 / HITCHING EQUIPMENT



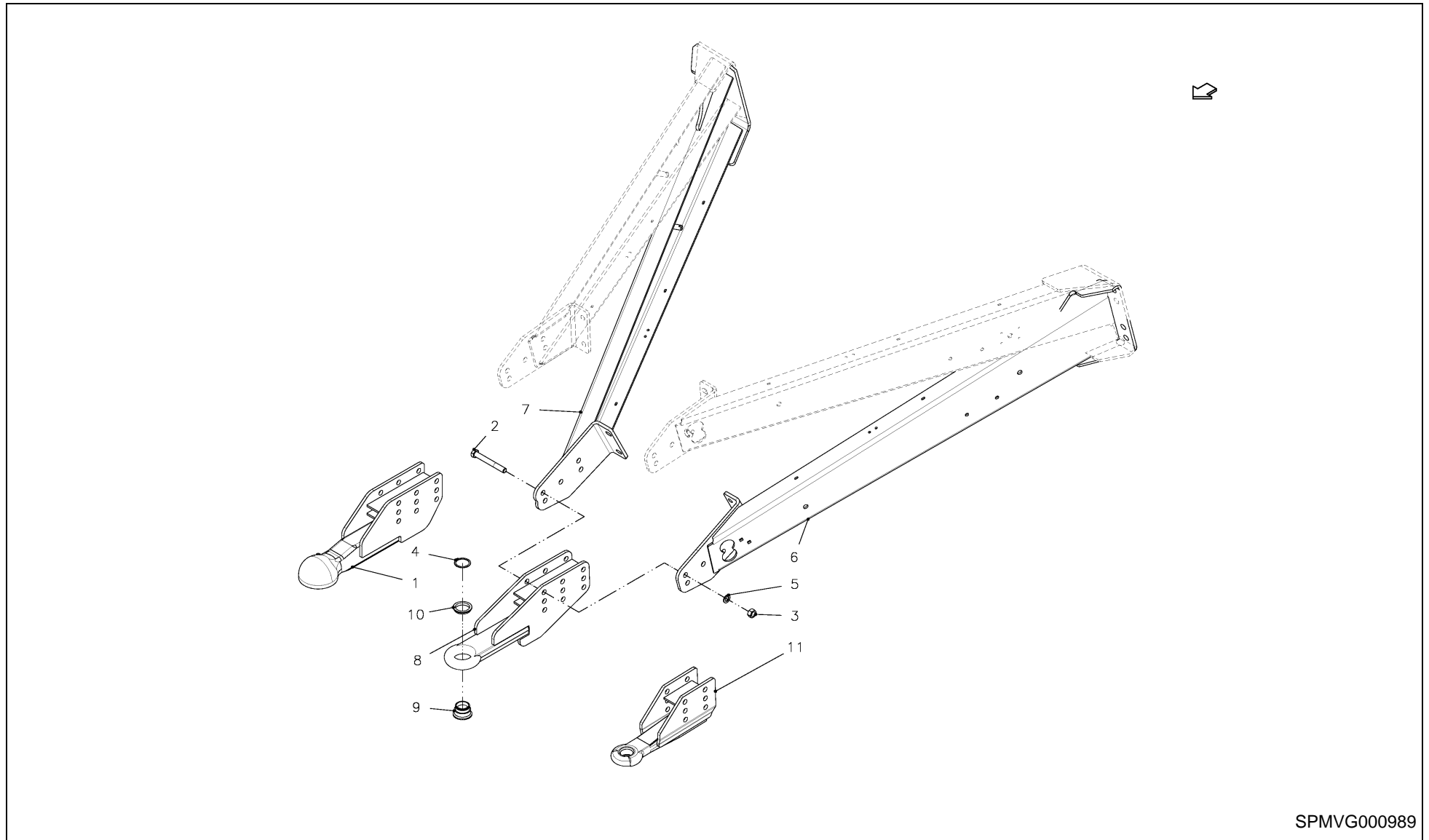
SPMVG000988

VBP 2160 / HITCHING EQUIPMENT



PosNo.	Part No.	Qty.	Description	Remark
1	VF16618111	6	HEX. HEAD SCREW	
2	VG19017027V	1	BRACE	
3	VG19157033V	1	STAY	
4	VGBR001029	1	JACK STAND	
5	VGBR155	1	SUPPORT	
6	KG00471761	2	HEX. SCREW M8X16 8.8	
7	KG00476561	4	HEX. SCREW M12X30 8.8	
8	KG00476761	2	HEX. SCREW M12X40 8.8	
9	KG00480261	2	HEX. SCREW M16X40 8.8	
10	KG00641461	2	CARRIAGE BOLT M10X25 8.8	
11	KG00641561	2	CARRIAGE BOLT M10X30 8.8	
12	KG00644761	1	CARRIAGE BOLT M12X25 8.8	
13	KG01000861	2	FLANGED BOLT M8X25	
14	KG01068861	4	LOCK NUT M10 10	
15	KG01068961	7	LOCK NUT M12 10	
16	KG01069161	2	LOCK NUT M16 10	
17	KG01267961	6	WASHER M20	
18	KG01840561	1	NUT, LOCK	
19	VGND3030V	1	WASHER, PLAIN	
20	VGND3147V	2	RING	
21	VGND94053	1	GUARD CONE	
22	VGND94117	1	SHAFT, UNIV. JOINT	R+XL-R+14-OC
23	VGND94118	1	SHAFT, UNIV. JOINT	23-OC
24	VGND94119	1	SHAFT, UNIV. JOINT	WPU
25	VGND98137V	1	CHAIN	
26	VGPZ160V	1	SPRING CLIP	
27	VGRL442K0	1	SUPPORT	
28	VGTH100V	1	RING	
29	VGWA01048	2	STRIP	
30	VGWA0142	1	BEAM, INTERMEDIATE	
31	VGWA0512	1	SUPPORT	
32	VGWA0912	1	SPANNER	R+XL-R+14-OC+23-OC
33	VGWA1991	1	PLATE	
34	VGWA625	2	STRIP	

VBP 2160 / EYE, DRAW BAR



SPMVG000989

VBP 2160 / EYE, DRAW BAR



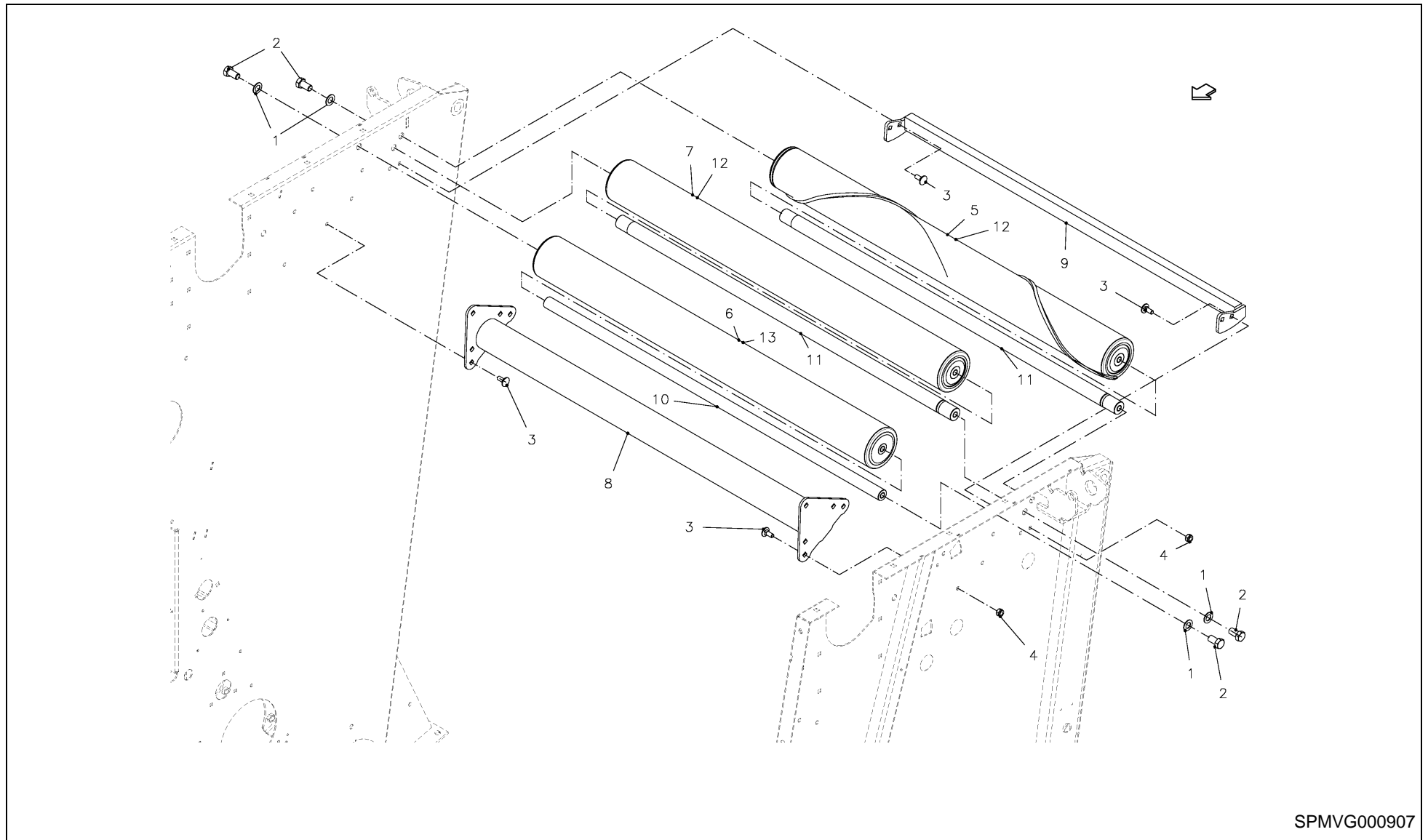
PosNo.	Part No.	Qty.	Description	Remark
1	VF16659365.86	1	DRAW BAR, BALL-	
2	VG37305654V	4	BOLT, NUTTED	
3	KG01052361	4	HEX. NUT M16 8	
4	KG01110162	1	CIRCLIP-A 45 X 1.75	
5	KG01282061	4	SPRING WASHER M16	
6	VGRL0630K0	1	DRAW BAR HALF, RH	
7	VGRL0631K0	1	DRAW BAR HALF, LH	
8	VGRV0108K0	1	EYE, DRAW BAR	
9	UH301275	1	BUSHING	
10	UH301276	1	RING	
11	VGWP0132	1	EYE, DRAW BAR	

VBP 2160 / CHOPPING ROLLER



PosNo.	Part No.	Qty.	Description	Remark
1	VF16653934	1	WASHER	
2	VR30392640	4	BOLT, TAPTITE	
3	VGBP505V	1	PIN	
4	KG00476261	1	HEX. SCREW M12X20 8.8	
5	KG00641761	4	CARRIAGE BOLT M10X40 8.8	
6	KG01052061	2	HEX. NUT M10 8	
7	KG01052361	2	HEX. NUT M16 8	
8	KG01068861	4	LOCK NUT M10 10	
9	KG01069261	1	NUT, LOCK	
10	KG01108362	1	CIRCLIP-A 25 X 1.2	
11	KG01129000	2	CIRCLIP-B 52 X 2	
12	KG01249861	1	SPLIT PIN 3.2X25 ST	
13	KG01267561	1	WASHER M12	
14	KG01378900	2	BALL BEARING 6205-2RS	
15	VGMT0062	1	SHIM SET	
16	VGND3147V	6	RING	
17	VGND3148V	1	CIRCLIP	
18	VGND5286	2	CUSHION, ADJUSTABLE	
19	VGND92174	2	STUD COUPLING, MALE	
20	VGND98026V	2	GREASE NIPPLE	
21	VGZ451K0	1	SPRING, COMPRESSION	
22	VGRL0887K0	1	ROLLER	
23	VGRL821K0	2	PLATE	
24	VGRL849	1	SPROCKET	
25	VGRL862V	2	PIECE, CONNECTING	
26	VGWA02089K0	1	SUPPORT	
27	VGWA02092V	1	TENSIONNER	
28	VGWA2086	2	SPROCKET	
29	VGWA491V	1	RING	
30	VGWA707	2	SLEEVE, CUSHION	
31	VGXD296V	2	CARRIAGE BOLT	
32	VGND5287	2	CUSHION, BALL, ADJUSTABLE	
33	VGND92212	2	STUD COUPLING, ELBOW	
34	VGND92176	2	HOSE, HP	GIVE LENGTH WHEN ORDERING

VBP 2160 / ROLLERS, TOP



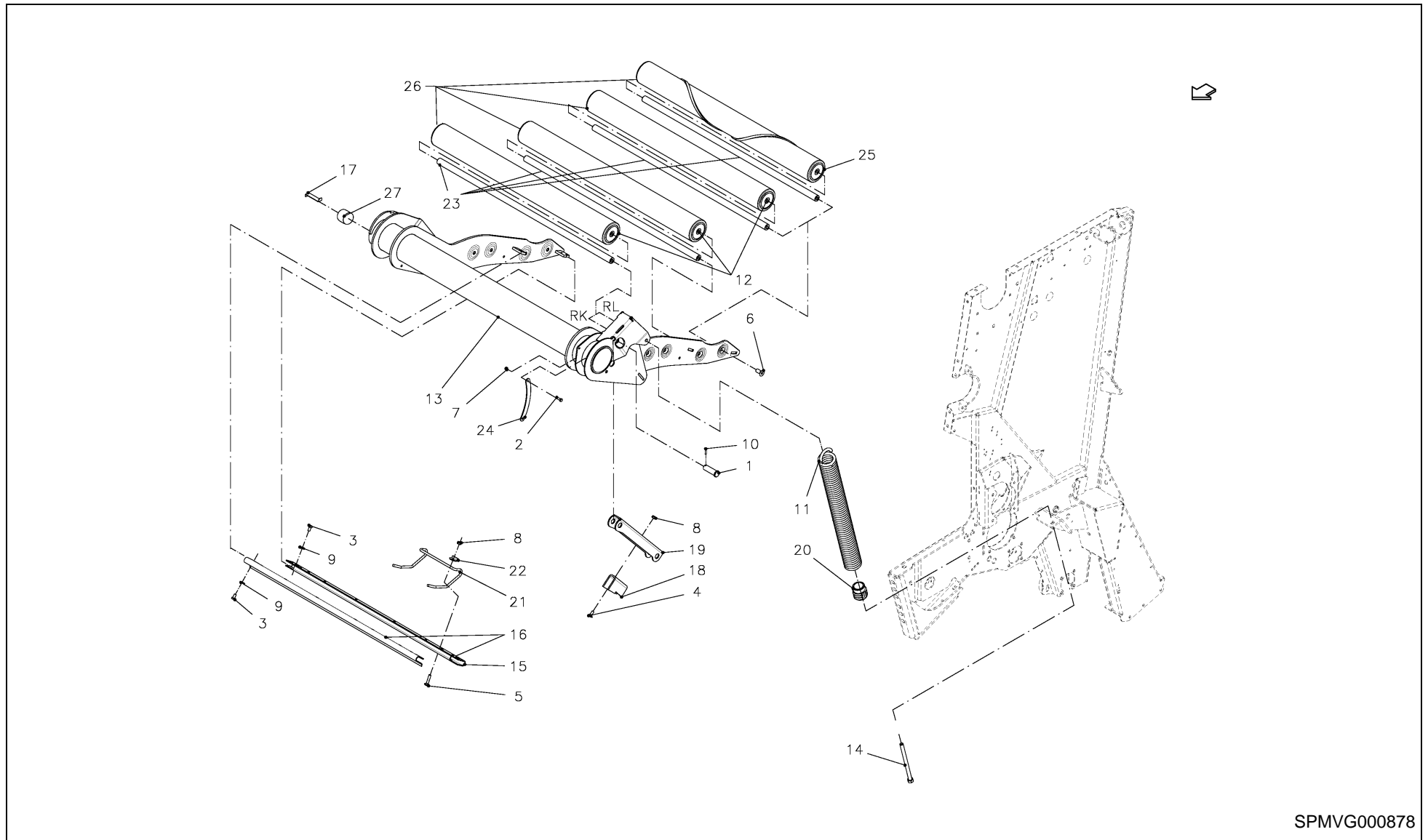
SPMVG000907

VBP 2160 / ROLLERS, TOP



PosNo.	Part No.	Qty.	Description	Remark
1	VG37129064V	4	WASHER, BELLEVILLE	
2	KG00480061	4	HEX. SCREW M16X30 8.8	
3	KG00641461	10	CARRIAGE BOLT M10X25 8.8	
4	KG01068861	10	LOCK NUT M10 10	
5	VGWA001418	1	ROLLER	SILAGE EXEC.
6	VGWA0043	1	ROLLER LONG	
7	VGWA00633	1	ROLLER ASSY, LONG	
8	VGWA077	1	PIPE, TORSION	
9	VGWA0920	1	SCRAPER	SILAGE EXEC.
10	VGWA44	1	AXLE	
11	VGWA633	2	AXLE	
12	VGBR00344	2	REPAIR SET, ROLLERS	
13	VGWA00368	1	REPAIR SET, ROLLERS	

VBP 2160 / TENSIONER, BELT



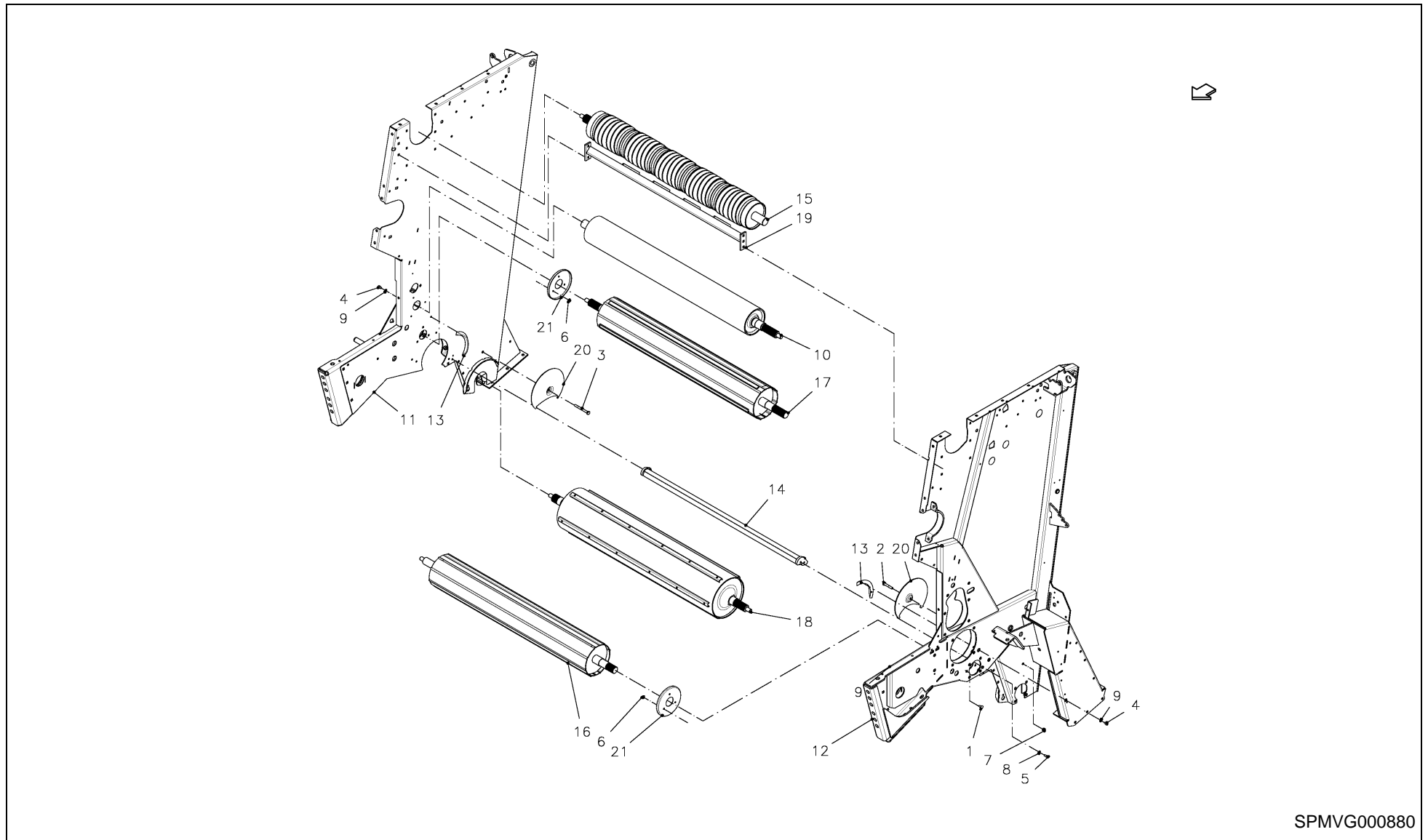
SPMVG000878

VBP 2160 / TENSIONER, BELT



PosNo.	Part No.	Qty.	Description	Remark
1	VGEU40V	1	PIN	
2	KG00472161	1	HEX. SCREW M8X25 8.8	
3	KG00474061	4	HEX. SCREW M10X20 8.8	
4	KG00641461	1	CARRIAGE BOLT M10X25 8.8	
5	KG00641961	4	CARRIAGE BOLT M10X50 8.8	
6	KG00853061	6	COUNTERSUNK HEAD SCREW M16X35 10.9	
7	KG01068761	1	LOCK NUT M8 10	
8	KG01068861	5	LOCK NUT M10 10	
9	VGND3147V	4	RING	
10	VGND4030V	1	PIN, TENSION	
11	VGZ465	1	SPRING, TENSION	
12	VGRL00613K0	3	ROLLER	
13	VGWA01325	1	TENSIONER, BELT	
14	VGWA01374V	1	BOLT, SCREW	
15	VGWA01800	1	SCRAPER	SILAGE EXEC.
16	VGWA02028	2	SCRAPER	
17	VGWA1072	2	HOLDER	
18	VGWA1327	1	SUPPORT	
19	VGWA1328	1	LEVER	
20	VGWA1389V	1	HOLDER, SPRING	
21	VGWA1589	2	GUIDE	
22	VGWA2018V	4	BRACKET, CLAMP	
23	VGWA4	4	AXLE	
24	VGWA492V	1	STRIP	
25	VGWS0077	1	ROLLER	SILAGE EXEC.
26	VGWA00368	1	REPAIR SET, ROLLERS	
27	VGWA767	2	PROTECTION	

VBP 2160 / ROLLERS

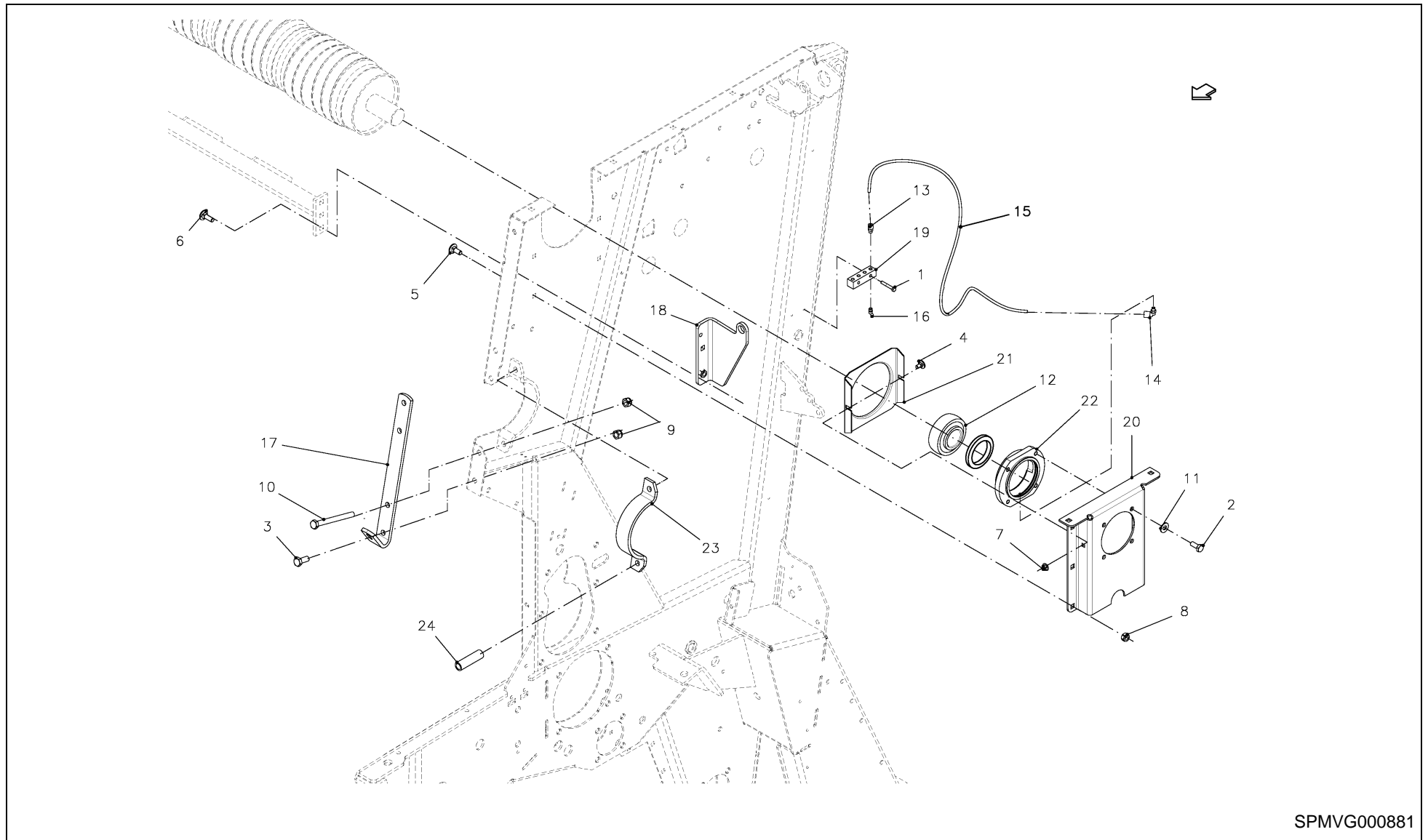


VBP 2160 / ROLLERS



PosNo.	Part No.	Qty.	Description	Remark
1	VGGM152V	6	CARRIAGE BOLT	
2	KG00355661	1	HEX. BOLT M10X60 8.8	
3	KG00356361	1	HEX. BOLT M10X100 8.8	
4	KG00544761	4	CHEESE HEAD SCREW M8X10 8.8	
5	KG00545061	4	CHEESE HEAD SCREW M8X20 8.8	
6	KG01061261	6	LOCK NUT M8 8	
7	KG01068861	2	LOCK NUT M10 10	
8	KG01281661	4	SPRING WASHER M8	
9	VGND3146V	4	RING	
10	VGRL0603K0	1	ROLLER	
11	VGRL0844K0	1	PLATE, SIDE, RH	
12	VGRL0845K0	1	PLATE, SIDE, LH	
13	VGRL872V	2	SHELL	
14	VGWA01595	1	PLATE, GUIDE	WPU
15	VGWA02050	1	ROLLER WITH RUBBER	
16	VGWA02063K0	1	ROLLER	
17	VGWA02067K0	1	ROLLER	
18	VGWA02077K0	1	STARTER ROLLER	
19	VGWA0258	1	GUIDE, BELT	
20	VGWA234	2	DISC, RESTRICTOR	
21	VGWA451	2	PLATE, FILLER	

VBP 2160 / ROLLERS, L

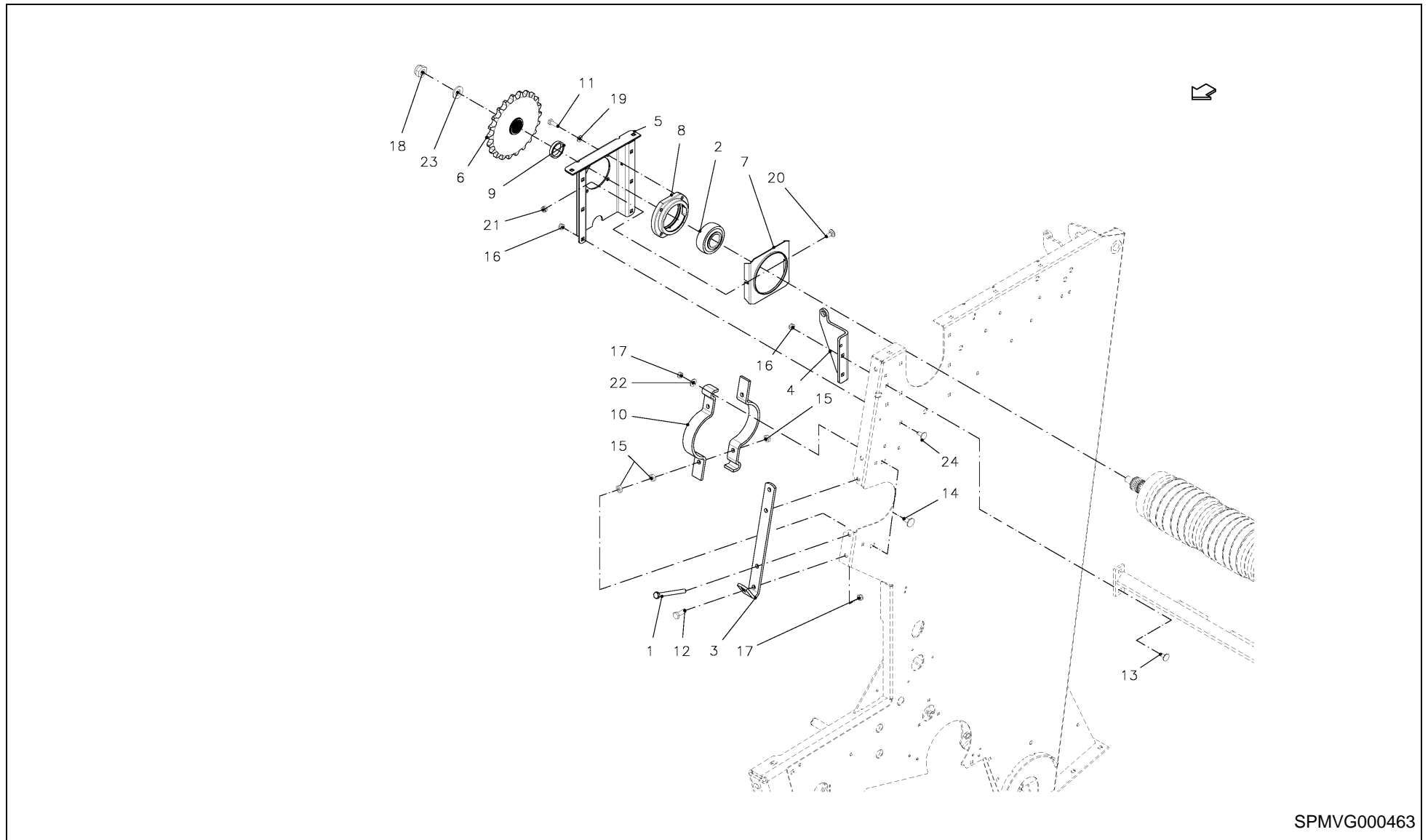


SPMVG000881

VBP 2160 / ROLLERS, L



PosNo.	Part No.	Qty.	Description	Remark
1	VR30392640	4	BOLT, TAPTITE	
2	KG00474261	2	HEX. SCREW M10X25 8.8	
3	KG00476561	5	HEX. SCREW M12X30 8.8	
4	KG00638961	1	CARRIAGE BOLT M8X16 8.8	
5	KG00641461	1	CARRIAGE BOLT M10X25 8.8	
6	KG00641561	2	CARRIAGE BOLT M10X30 8.8	
7	KG01061261	1	LOCK NUT M8 8	
8	KG01068861	8	LOCK NUT M10 10	
9	KG01068961	4	LOCK NUT M12 10	
10	KG01840161	2	BOLT, SCREW	
11	VGND3147V	4	RING	
12	VGND5277	1	CUSHION, BALL, ADJUSTABLE	
13	VGND92174	2	STUD COUPLING, MALE	
14	VGND92175	2	ELBOW COUPLING	
15	VGND92176	2	HOSE, HP	GIVE LENGTH WHEN ORDERING
16	VGND98026V	2	GREASE NIPPLE	
17	VGRL287K0	1	STRIP	
18	VGRL347K0	1	SUPPORT, LH	
19	VGRL862V	2	PIECE, CONNECTING	
20	VGWA02054K0	1	SUPPORT	
21	VGWA1363V	1	PLATE, FILLER	
22	VGWA2055	1	HOUSING, CUSHION	
23	VGWA498	1	BRACE	
24	VGWA699V	2	PIPE	



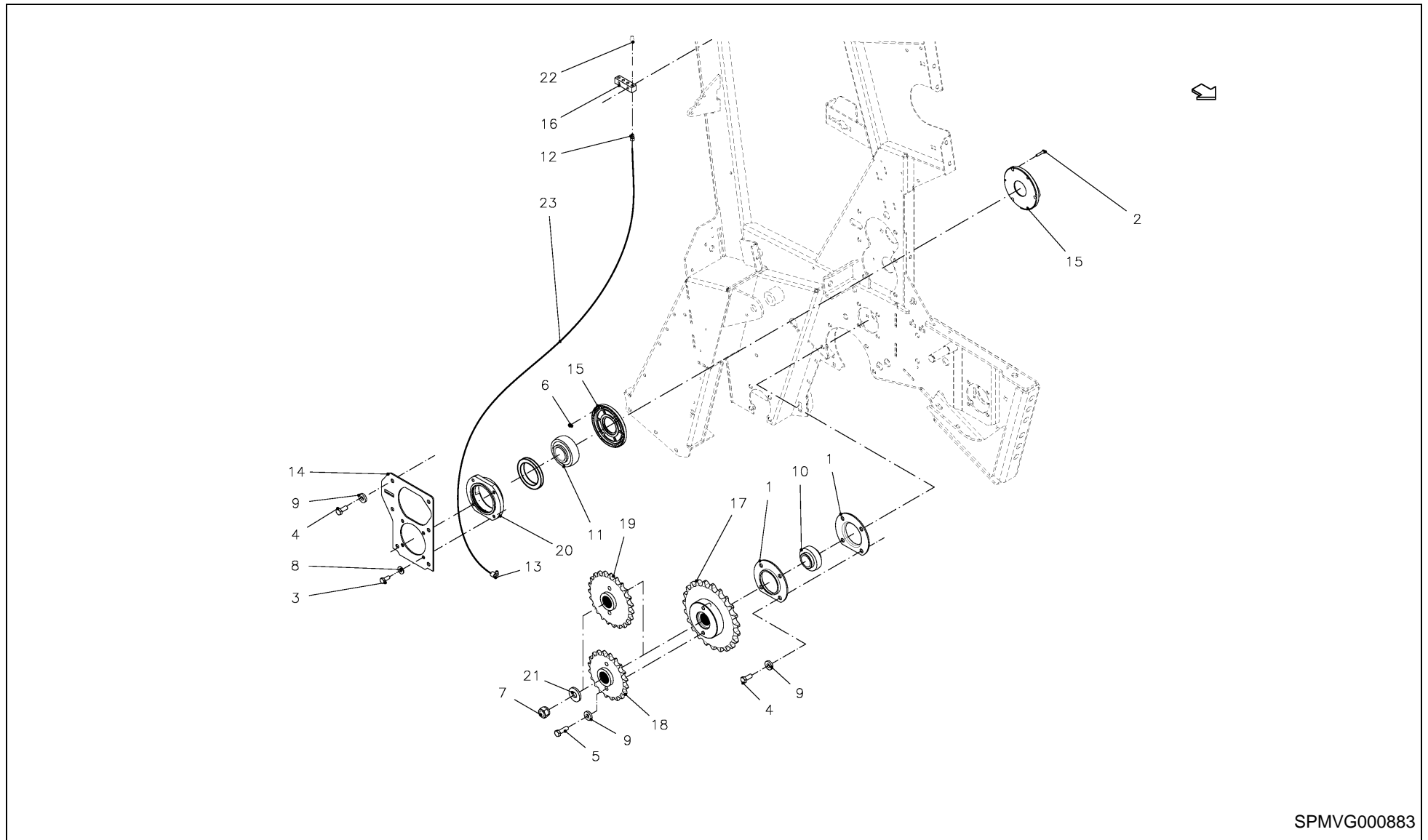
SPMVG000463

VBP 2160 / ROLLERS, R



PosNo.	Part No.	Qty.	Description	Remark
1	KG01840161	2	BOLT, SCREW	
2	VGND5277	1	CUSHION, BALL, ADJUSTABLE	
3	VGRL287K0	1	STRIP	
4	VGRL346K0	1	SUPPORT, RH	
5	VGWA02054K0	1	SUPPORT	
6	VGWA02057	1	SPROCKET	
7	VGWA1363V	1	PLATE, FILLER	
8	VGWA2055	1	HOUSING, CUSHION	
9	VGWA2069V	1	SLEEVE, SPACING	
10	VGWA366	2	BRACE	
11	KG00474261	4	HEX. SCREW M10X25 8.8	
12	KG00476561	2	HEX. SCREW M12X30 8.8	
13	KG00641561	2	CARRIAGE BOLT M10X30 8.8	
14	KG00641961	2	CARRIAGE BOLT M10X50 8.8	
15	KG01052161	6	HEX. NUT M12 8	
16	KG01068861	8	LOCK NUT M10 10	
17	KG01068961	4	LOCK NUT M12 10	
18	KG01069261	1	NUT, LOCK	
19	VGND3147V	8	RING	
20	KG00638961	2	CARRIAGE BOLT M8X16 8.8	
21	KG01061261	2	LOCK NUT M8 8	
22	VGTH100V	2	RING	
23	VGWA491V	1	RING	
24	KG00641461	6	CARRIAGE BOLT M10X25 8.8	

VBP 2160 / DRIVE, CHAIN - MIDDLE- R



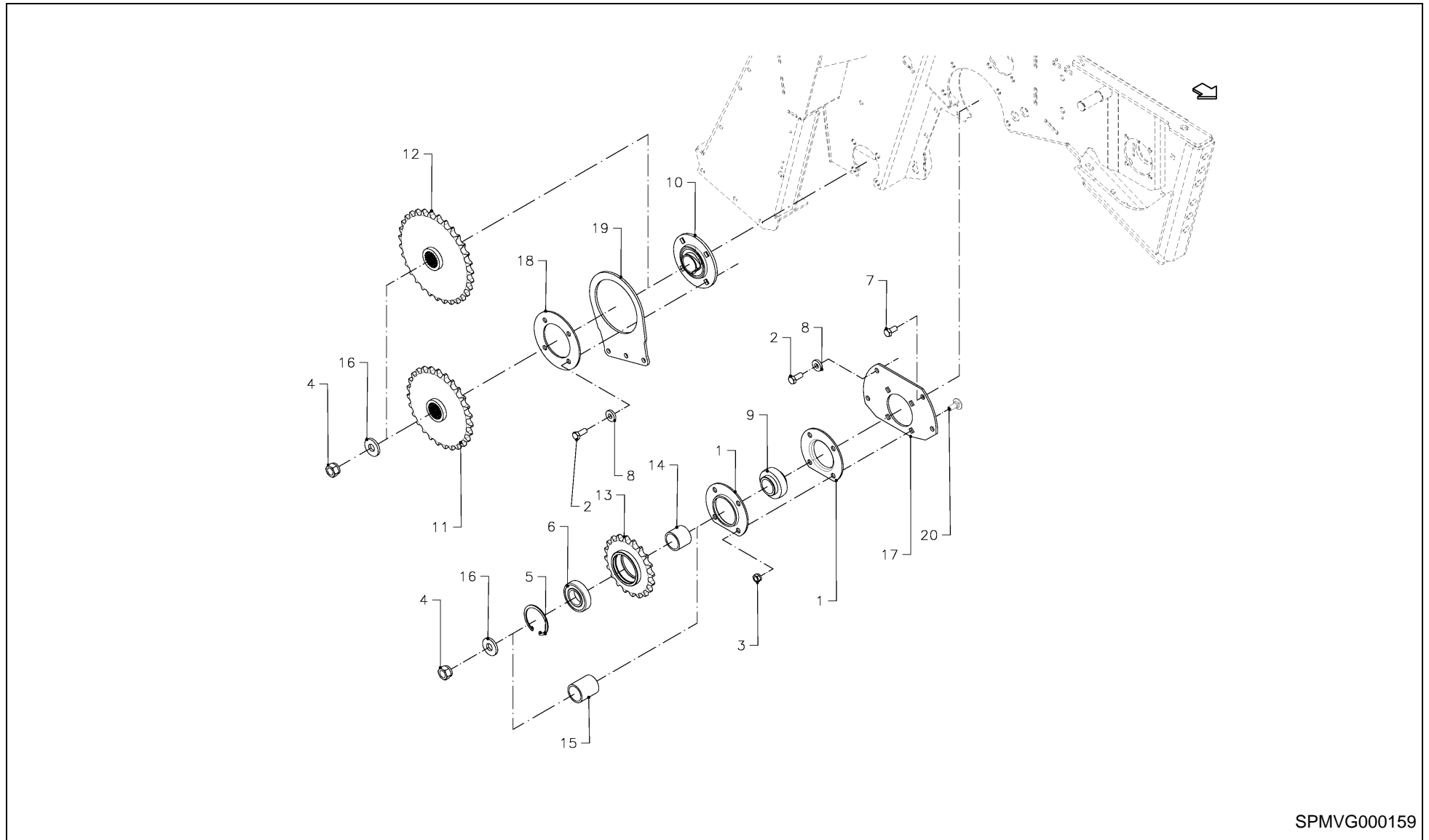
SPMVG000883

VBP 2160 / DRIVE, CHAIN - MIDDLE- R



PosNo.	Part No.	Qty.	Description	Remark
1	VG18940610V	2	HOUSING, FLANGED	
2	KG00350861	3	HEX. BOLT M6X30 8.8	
3	KG00474261	4	HEX. SCREW M10X25 8.8	
4	KG00476561	10	HEX. SCREW M12X30 8.8	
5	KG00476761	2	HEX. SCREW M12X40 8.8	
6	KG01067361	3	LOCK NUT M6 8	
7	KG01069261	1	NUT, LOCK	
8	VGND3147V	4	RING	
9	VGND3148V	12	CIRCLIP	
10	VGND5022	1	CUSHION, BALL, SPEC.	
11	VGND5277	1	CUSHION, BALL, ADJUSTABLE	
12	VGND92174	1	STUD COUPLING, MALE	
13	VGND92175	1	ELBOW COUPLING	
14	VGRL486K0	1	PLATE	
15	VGRL494	2	SEAL	
16	VGRL862V	1	PIECE, CONNECTING	
17	VGWA02019	1	SPROCKET	
18	VGWA02073	1	SPROCKET	WPU
19	VGWA02084	1	SPROCKET	R + XL-R + 14-OC +23-OC
20	VGWA2055	1	HOUSING, CUSHION	
21	VGWA491V	1	RING	
22	VGND98026V	1	GREASE NIPPLE	
23	VGND92176	1	HOSE, HP	GIVE WHEN LENGTH WHEN ORDERING

VBP 2160 / DRIVE, CHAIN - DOWN - R



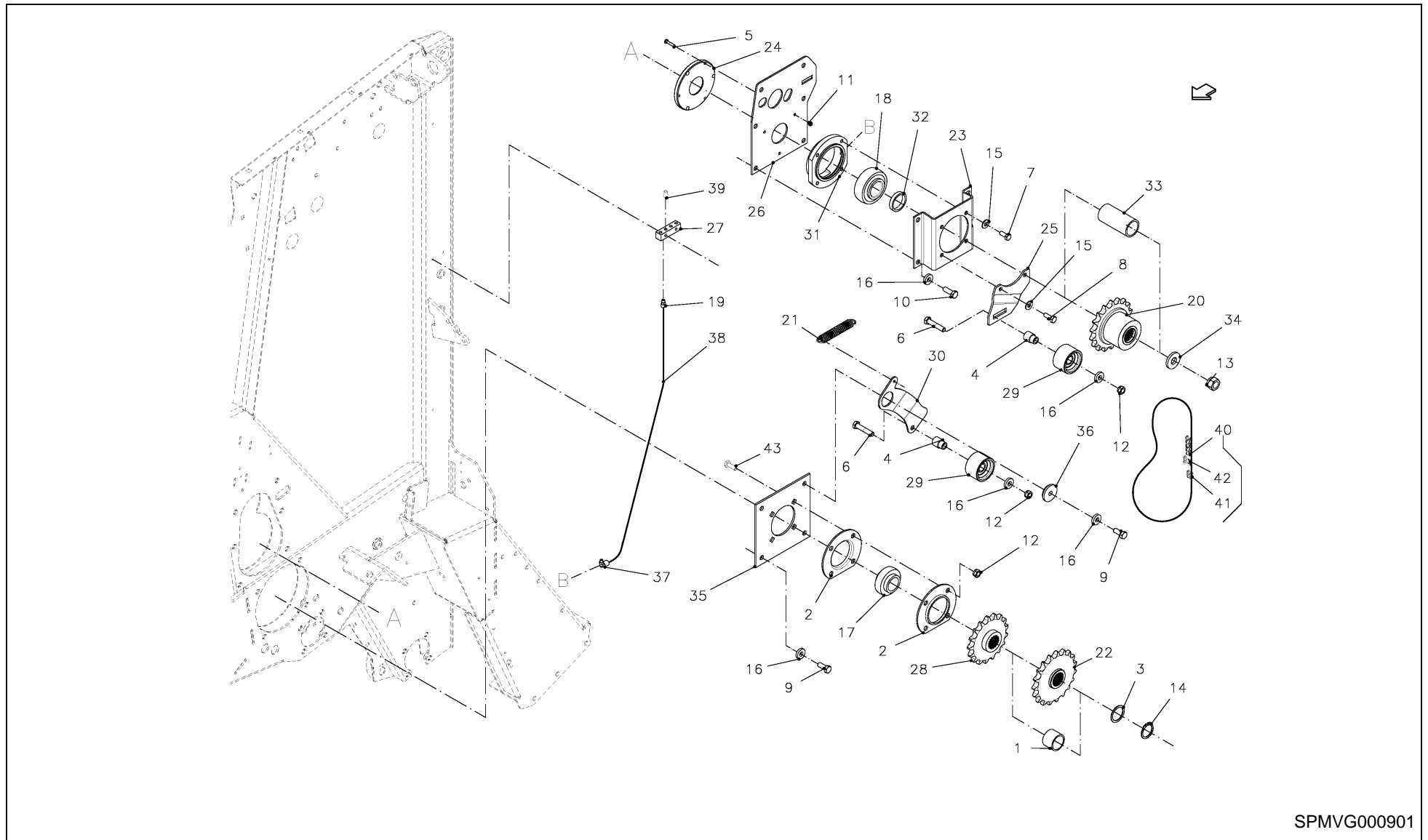
SPMVG000159

VBP 2160 / DRIVE, CHAIN - DOWN - R



PosNo.	Part No.	Qty.	Description	Remark
1	VG18940610V	2	HOUSING, FLANGED	
2	KG00476561	7	HEX. SCREW M12X30 8.8	
3	KG01068961	4	LOCK NUT M12 10	
4	KG01069261	2	NUT, LOCK	
5	KG01130900	1	CIRCLIP-B 80 X 2.5	WPU
6	KG01382000	1	BALL BEARING 6208-2RS	WPU
7	VGND1402V	1	BOLT, LOCK, SPEC.	
8	VGND3148V	7	CIRCLIP	
9	VGND5022	1	CUSHION, BALL, SPEC.	
10	VGND5238	1	CUSHION, BALL, ADJUSTABLE	
11	VGWA02065	1	SPROCKET	WPU
12	VGWA02085	1	SPROCKET	R+ XL-R +14-OC +23-OC
13	VGWA083	1	SPROCKET	WPU
14	VGWA2064V	1	SLEEVE, SPACING	
15	VGWA2087V	1	SLEEVE, SPACING	R + XL-R +14-OC +23-OC
16	VGWA491V	2	RING	WPU
17	VGWA506	1	LID, RH	
18	VGXD296V	1	CARRIAGE BOLT	
19	VGWA900	1	PLATE	
20	VF01142791	4	TRUSS-HEAD SCREW	

VBP 2160 / DRIVE, CHAIN - MIDDLE - L



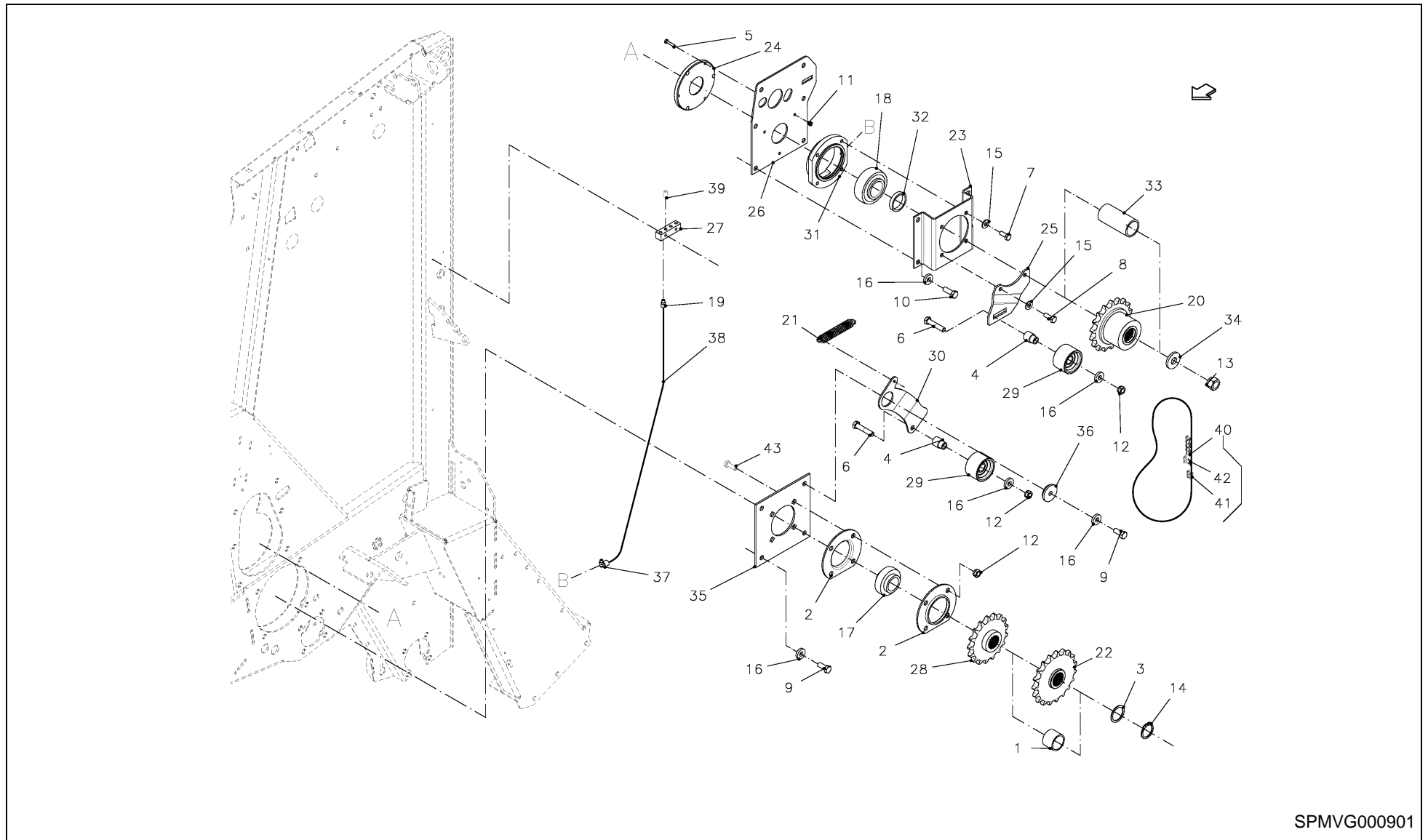
SPMVG000901

VBP 2160 / DRIVE, CHAIN - MIDDLE - L



PosNo.	Part No.	Qty.	Description	Remark
1	VG13929020V	1	SLEEVE, SPACING	STANDARD
2	VG18940610V	2	HOUSING, FLANGED	
3	VGAH00132	1	SHIM SET	
4	VGBR1086V	2	BUSH	
5	KG00350861	3	HEX. BOLT M6X30 8.8	
6	KG00357761	2	HEX. BOLT M12X60 8.8	
7	KG00474261	2	HEX. SCREW M10X25 8.8	
8	KG00474361	2	HEX. SCREW M10X30 8.8	
9	KG00476561	4	HEX. SCREW M12X30 8.8	
10	KG00476661	6	HEX. SCREW M12X35 8.8	
11	KG01067361	3	LOCK NUT M6 8	
12	KG01068961	6	LOCK NUT M12 10	
13	KG01069261	1	NUT, LOCK	
14	KG01099600	1	CIRCLIP-A 40 X 2.5	
15	VGND3147V	4	RING	
16	VGND3148V	10	CIRCLIP	
17	VGND5022	1	CUSHION, BALL, SPEC.	
18	VGND5277	1	CUSHION, BALL, ADJUSTABLE	
19	VGND92174	1	STUD COUPLING, MALE	
20	VGND94085	1	KEY-TYPE OVERRUNNING CLUTCH	EXTRA DRIVE
21	VGPZ302V	1	SPRING, TENSION	
22	VGRL0382	1	SPROCKET	EXTRA DRIVE
23	VGRL484K0	1	SUPPORT	
24	VGRL494	1	SEAL	
25	VGRL501K0	1	PLATE	
26	VGRL848K0	1	PLATE	
27	VGRL862V	1	PIECE, CONNECTING	
28	VGWA01576	1	SPROCKET	
29	VGWA02015	2	ROLLER, NYLON	
30	VGWA2008	1	TENSIONNER	
31	VGWA2055	1	HOUSING, CUSHION	
32	VGWA2069V	1	SLEEVE, SPACING	
33	VGWA2096V	1	SLEEVE, SPACING	STANDARD
34	VGWA491V	1	RING	
35	VGWA507	1	LID, LH	
36	VGWA528V	1	RING	
37	VGND92196	1	STUD COUPLING, MALE	
38	VGND92176	1	HOSE, HP	GIVE LENGTH WHEN ORDERING
39	VGND98026V	1	GREASE NIPPLE	
40	VGND96129	1	CHAIN, ROLLER, SIMPLEX	

VBP 2160 / DRIVE, CHAIN - MIDDLE - L



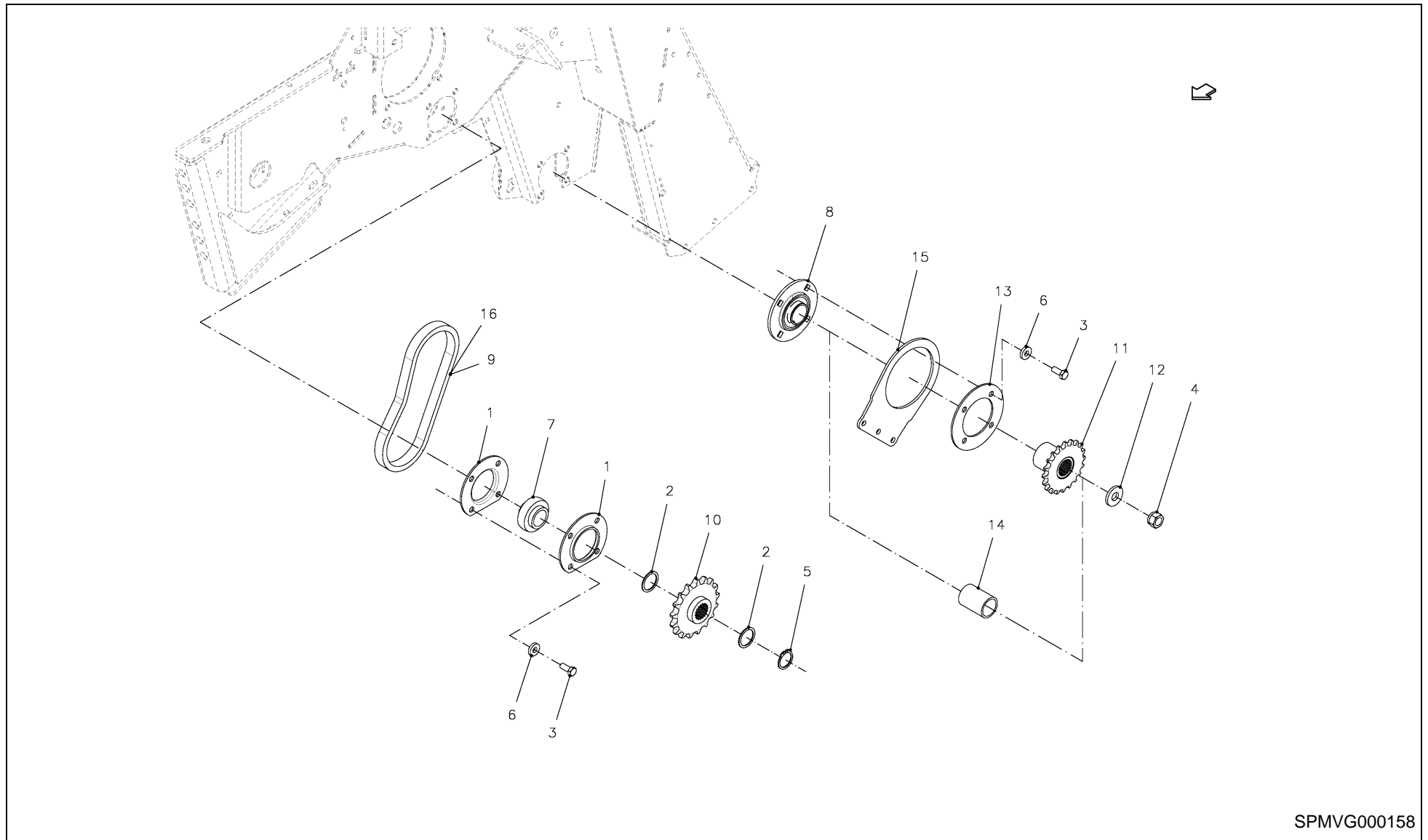
SPMVG000901

VBP 2160 / DRIVE, CHAIN - MIDDLE - L



PosNo.	Part No.	Qty.	Description	Remark
41	VGND96088	1	LINK, OFFSET	
42	VGND9295	1	LINK, SIMPL.	
43	VF01142791	1	TRUSS-HEAD SCREW	

VBP 2160 / DRIVE, CHAIN - DOWN - L



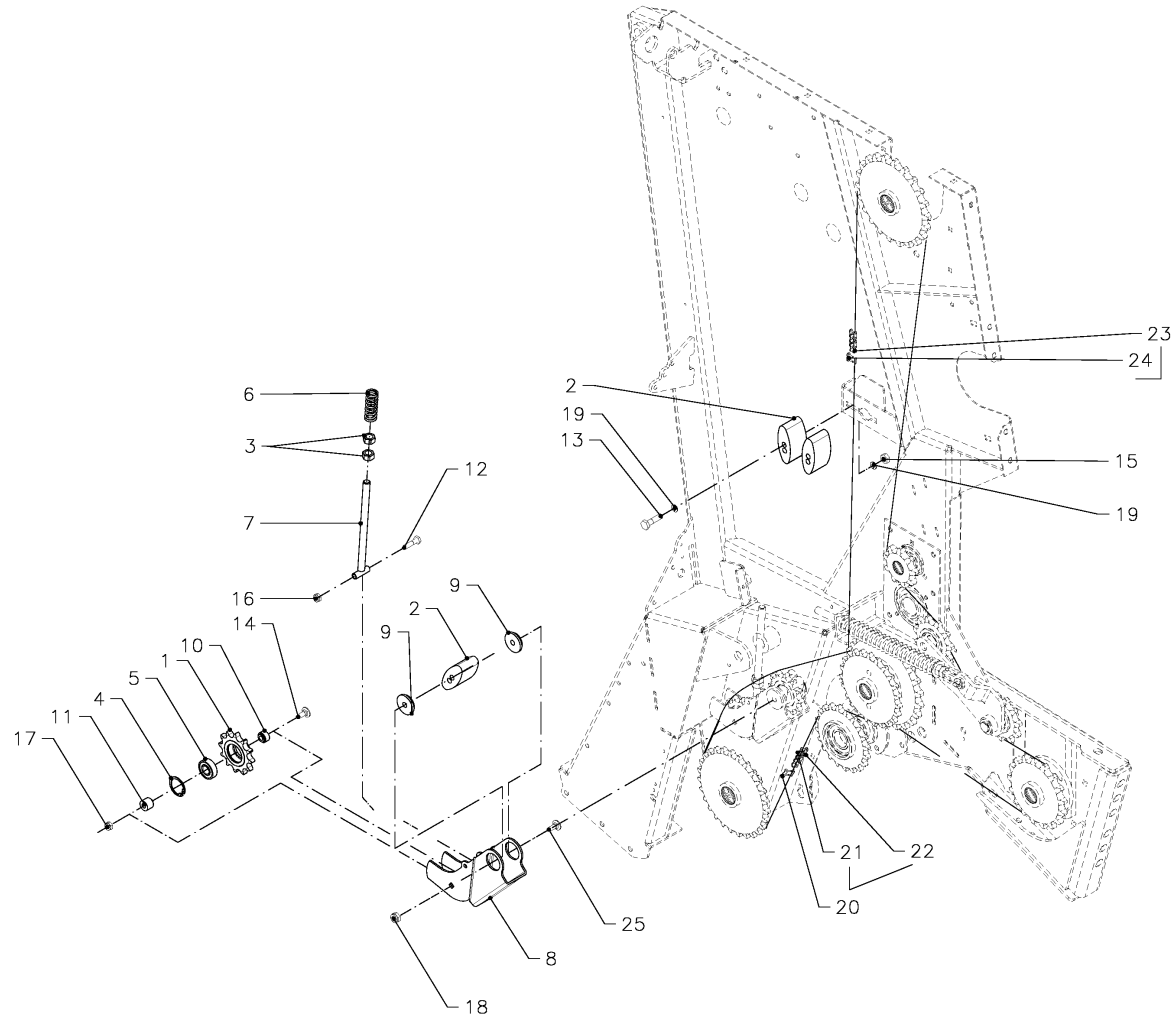
SPMVG000158

VBP 2160 / DRIVE, CHAIN - DOWN - L



PosNo.	Part No.	Qty.	Description	Remark
1	VG18940610V	2	HOUSING, FLANGED	
2	VGAH00132	2	SHIM SET	
3	KG00476561	8	HEX. SCREW M12X30 8.8	
4	KG01069261	1	NUT, LOCK	
5	KG01099600	1	CIRCLIP-A 40 X 2.5	
6	VGND3148V	8	CIRCLIP	
7	VGND5022	1	CUSHION, BALL, SPEC.	
8	VGND5238	1	CUSHION, BALL, ADJUSTABLE	
9	VGND96127	1	CHAIN, ROLLER, SIMPLEX	
10	VGWA01576	1	SPROCKET	
11	VGWA056	1	SPROCKET	WPU
12	VGWA491V	1	RING	
13	VGWA54V	1	RING	
14	VGWA552V	1	BUSH	R + XL-R + 14-OC + 23-OC
15	VGWA900	1	PLATE	
16	VGND9295	1	LINK, SIMPL.	

VBP 2160 / DRIVE, CHAIN + TENSIONER



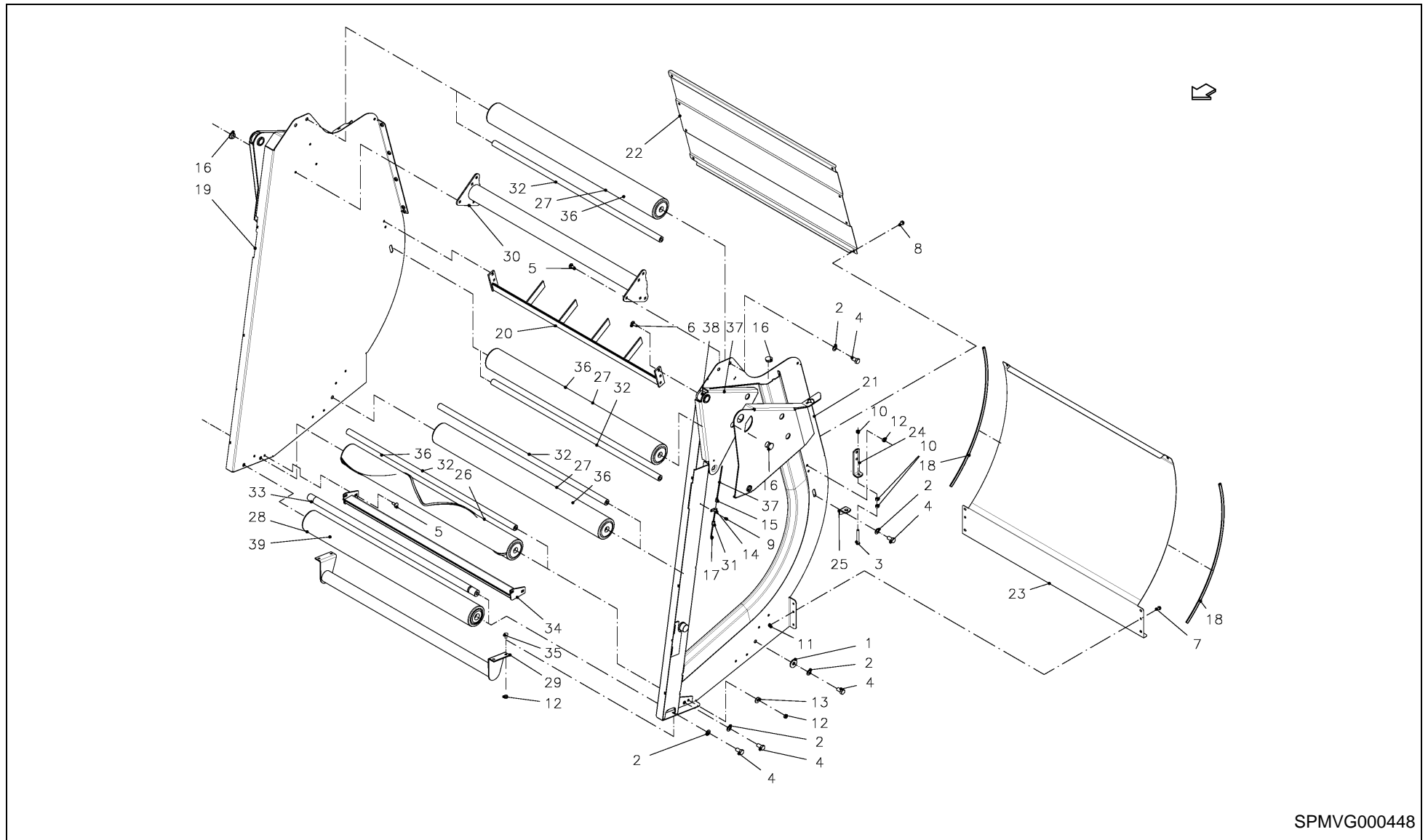
SPMVG000174

VBP 2160 / DRIVE, CHAIN + TENSIONER



PosNo.	Part No.	Qty.	Description	Remark
1	VG13378002	1	SPROCKET	
2	VGBV189	3	TENSIONER, CHAIN	
3	KG01052361	2	HEX. NUT M16 8	
4	KG01128700	1	CIRCLIP-B 47 X 1.75	
5	KG01377800	1	BALL BEARING 6204-2RS	
6	VGPZ19V	1	SPRING, COMPRESSION	
7	VGWA0601V	1	TENSIONNER	
8	VGWA527	1	SUPPORT	
9	VGWA528V	2	RING	
10	VGWA540V	1	BUSH	
11	VGWA541V	1	BUSH	
12	KG00353761	1	HEX. BOLT M8X65 8.8	
13	KG00358161	2	HEX. BOLT M12X80 8.8	
14	KG00642261	1	CARRIAGE BOLT M10X65 8.8	
15	KG01052161	2	HEX. NUT M12 8	
16	KG01068761	1	LOCK NUT M8 10	
17	KG01068861	1	LOCK NUT M10 10	
18	KG01068961	1	LOCK NUT M12 10	
19	VGND3148V	4	CIRCLIP	
20	VGND9295	2	LINK, SIMPL.	
21	VGND96104	1	CHAIN, ROLLER, SIMPLEX	R + XL- R +14-OC + 23-OC
22	VGND96105	1	CHAIN, ROLLER, SIMPLEX	WPU
23	VGND96130	1	CHAIN, ROLLER, SIMPLEX	
24	VF06213194	1	CHAIN LINK	
25	VGWA949V	1	CARRIAGE BOLT, SPEC.	

VBP 2160 / TAILGATE

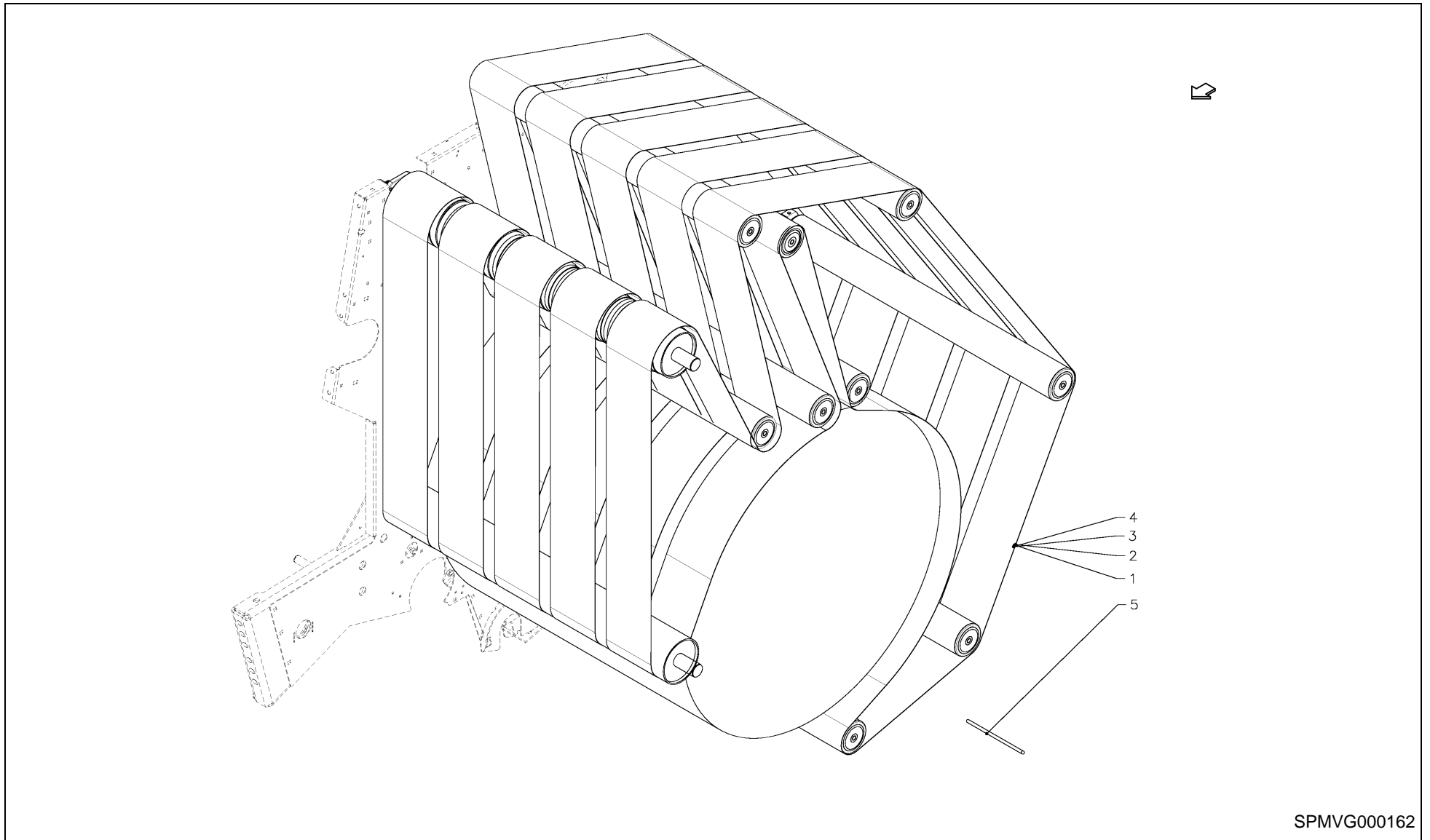


SPMVG000448

VBP 2160 / TAILGATE



PosNo.	Part No.	Qty.	Description	Remark
1	VG13925028V	1	RING	
2	VG37129064V	5	WASHER, BELLEVILLE	
3	KG00475361	1	HEX. SCREW M10X80 8.8	
4	KG00480061	8	HEX. SCREW M16X30 8.8	
5	KG00641461	6	CARRIAGE BOLT M10X25 8.8	
6	KG00641561	4	CARRIAGE BOLT M10X30 8.8	
7	KG00981161	2	FLANGED BOLT M8X16 90	
8	KG00981761	8	FLANGED BOLT M10X16 90	
9	KG01000161	2	FLANGED BOLT M6X12	
10	KG01052061	6	HEX. NUT M10 8	
11	KG01061261	2	LOCK NUT M8 8	
12	KG01068861	14	LOCK NUT M10 10	
13	VGMT152V	6	RING	
14	VGND90033	1	CLAMP HOSE-	
15	VGND92174	1	STUD COUPLING, MALE	
16	VGND95061	7	CAP, PLASTIC	
17	VGND98026V	1	GREASE NIPPLE	
18	VGND98132	2	PROFILE, RUBBER	
19	VGRK010K0	1	TAILGATE, RH	
20	VGRK06K0	1	GUIDE, BELT	
21	VGRK09K0	1	TAILGATE, LH	
22	VGRK16K0	1	GUARD, PROTECT.	
23	VGRK24K0	1	GUARD, PROTECT.	
24	VGRL522K0	1	SUPPORT	
25	VGRL523K0	1	SUPPORT	
26	VGWA00373	1	ROLLER	
27	VGWA0043	3	ROLLER LONG	
28	VGWA00633	1	ROLLER ASSY, LONG	
29	VGWA0455	1	SUPPORT	
30	VGWA077	2	PIPE, TORSION	
31	VGWA1444V	1	NUT	
32	VGWA44	4	AXLE	
33	VGWA633	1	AXLE	
34	VGWG019	1	SCRAPER	
35	VGXD296V	4	CARRIAGE BOLT	
36	VGWA00368	4	REPAIR SET, ROLLERS	
37	VGND92176	2	HOSE, HP	
38	VGND92177	1	ELBOW COUPLING	
39	VGBR00344	1	REPAIR SET, ROLLERS	

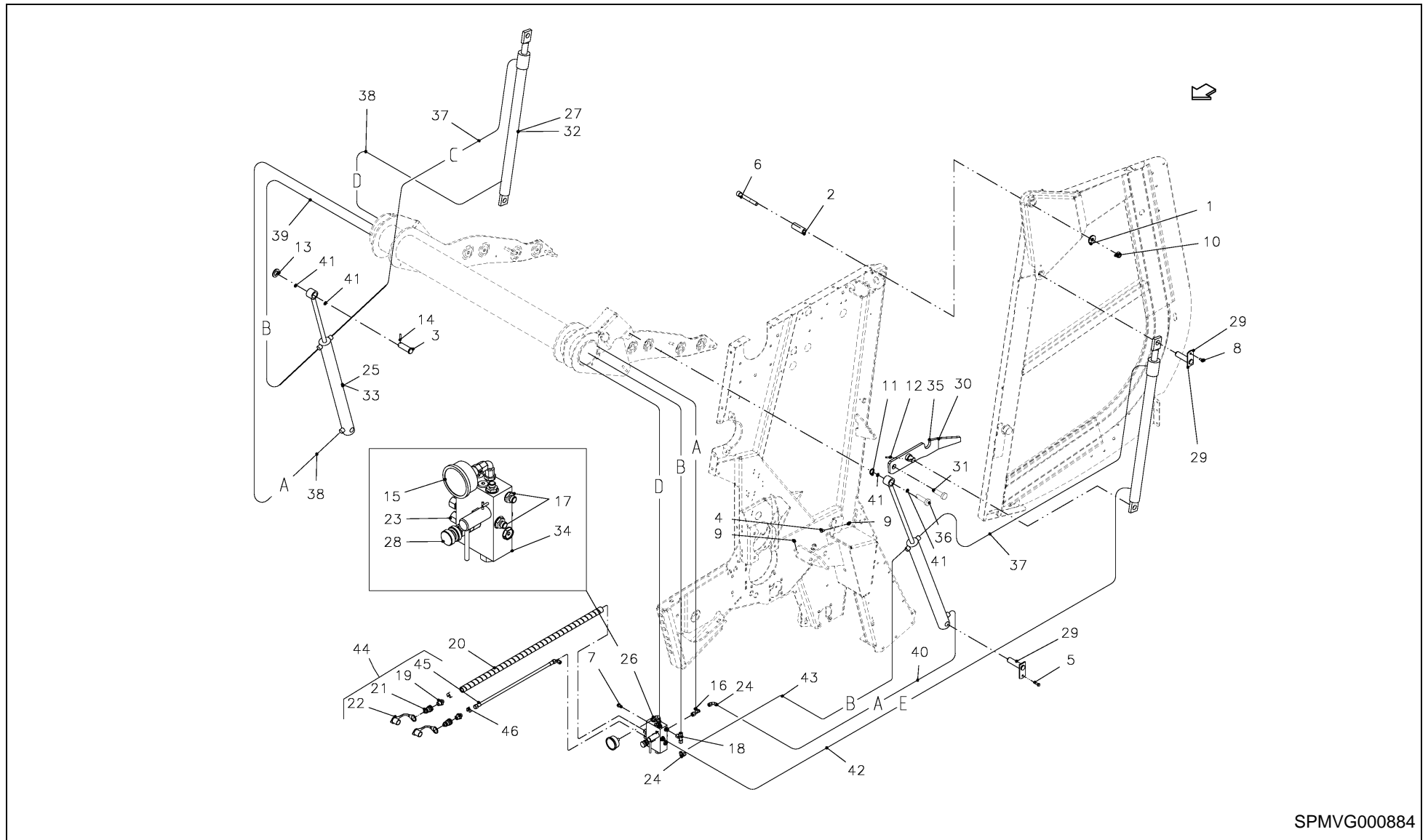


SPMVG000162

VBP 2160 / BELTS



PosNo.	Part No.	Qty.	Description	Remark
1	VGWD0029	1	BELTS SET ENDLESS (FACTORY FITTED)	
2	VGWD29	5	BELT	
3	VGWD40	5	BELT, MULTIGRIP, SING.PROFILE	
4	VGWD6	5	BELT, 2XPROF.	
5	VGWA158	1	PIN 3.5X200	GIVE QUANTITY WHEN ORDERING

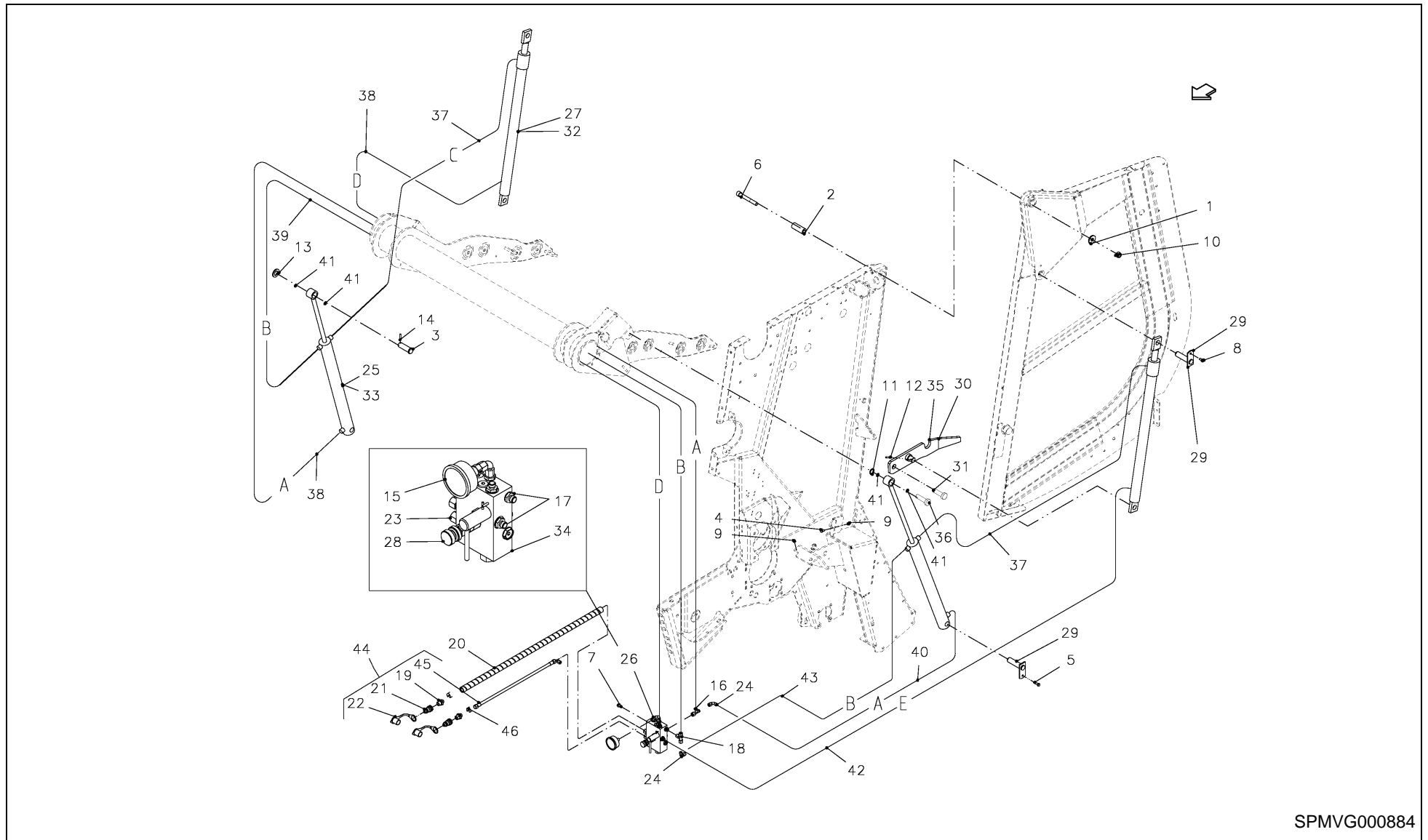


SPMVG000884

VBP 2160 / HYDRAULICS



PosNo.	Part No.	Qty.	Description	Remark
1	VG13925028V	2	RING	
2	VG13974003V	2	BUSH	
3	VGEU40V	1	PIN	
4	KG00471761	2	HEX. SCREW M8X16 8.8	
5	KG00472161	2	HEX. SCREW M8X25 8.8	
6	KG00555861	2	CHEESE HEAD SCREW M16X120 8.8	
7	KG00981061	2	FLANGED BOLT M8X12 90	
8	KG01000861	2	FLANGED BOLT M8X25	
9	KG01068761	3	LOCK NUT M8 10	
10	KG01069161	2	LOCK NUT M16 10	
11	KG01098562	1	CIRCLIP-A 25 X 2	
12	KG01189662	2	TENSION PIN 6X40	
13	KG01268161	1	WASHER M24	
14	VGND4030V	1	PIN, TENSION	
15	VGND92026	1	PRESSURE GAUGE	
16	VGND92032V	1	MALE STUD TEE STUD BARREL, ADJ	
17	VGND92104V	2	STUD COUPLING	
18	VGND92154V	1	T-COUPLING, ADJUSTABLE	
19	VGND9393V	2	ADAPTOR	
20	VGND95066		PROTECTION	GIVE LENGTH WHEN ORDERING
21	VGTP00512	2	QUICK-DISCONNECT PLUG, MALE	
22	VGND9607	2	COVER, DUST	
23	VGND9808V	2	STUD COUPLING	
24	VGND9906V	2	ELBOW COUPLING, ADJUSTABLE	
25	VGWA001342	2	CYLINDER	
26	VGWA00252	1	BLOCK, HYDR.	
27	VGWA0051	1	CYLINDER ASSY, HYDR.	
28	VGWA00686	1	VALVE	
29	VGWA0168V	4	PIN	
30	VGWA037	1	LOCKING LEVER, LH	
31	VG11697010V	2	PIN	
32	VGND6344	1	REPAIR SET	
33	VGND6352	1	REPAIR SET	
34	VGWA00763	1	REPAIR SET	
35	VGWA036	1	LOCKING LEVER, RH	
36	VGWA297V	1	PIN	
37	VGWA513	2	HOSE, HP	
38	VGWA515	2	HOSE, HP	
39	VGXD64	1	HOSE, HP	
40	VGWA549	1	HOSE, HP	

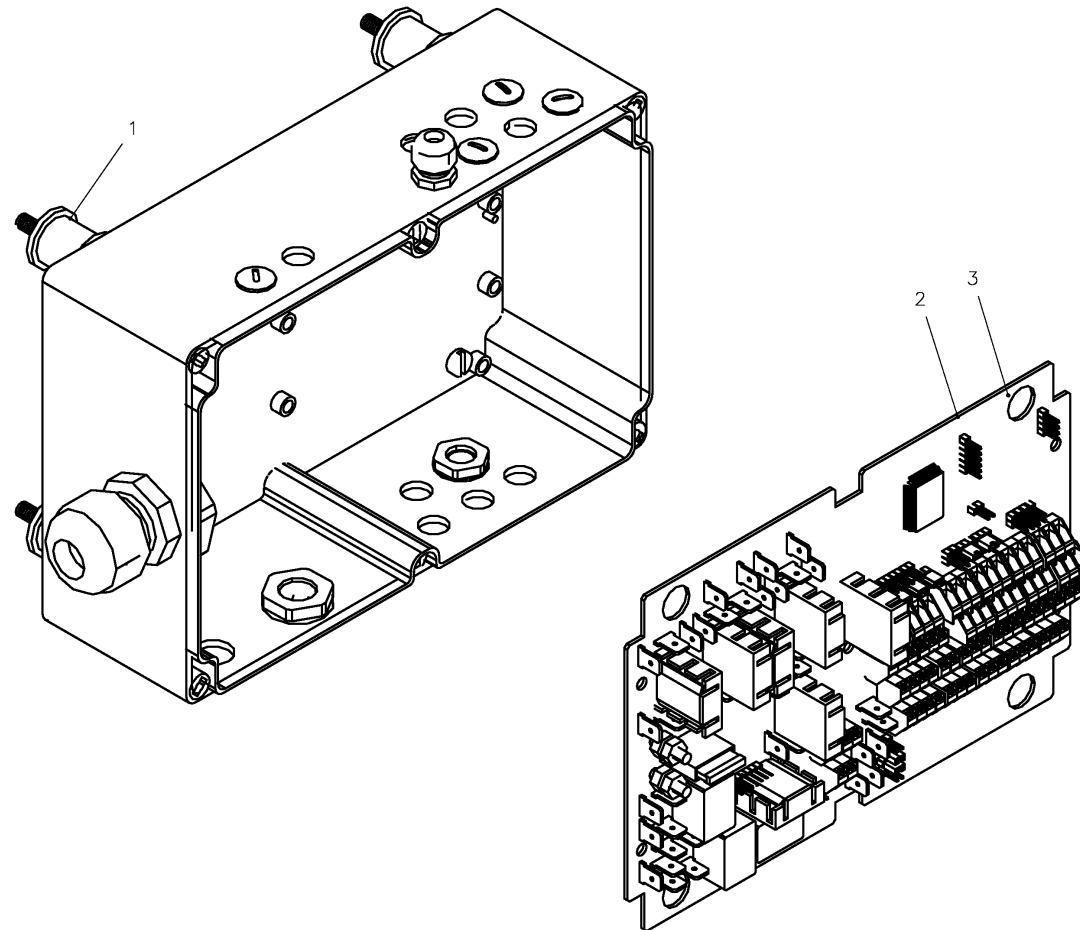


SPMVG000884

VBP 2160 / HYDRAULICS



PosNo.	Part No.	Qty.	Description	Remark
41	VGWA707	4	SLEEVE, CUSHION	
42	VGXD62	1	HOSE, HP	
43	VGRL299	1	HOSE, HP	
44	VGRL00637	2	HOSE, HP	
45	VGRL637	2	HOSE, HP	
46	AC351803	1	SET TUBE CLIP RED-GREEN-YELLOW-BLUE 16PC	

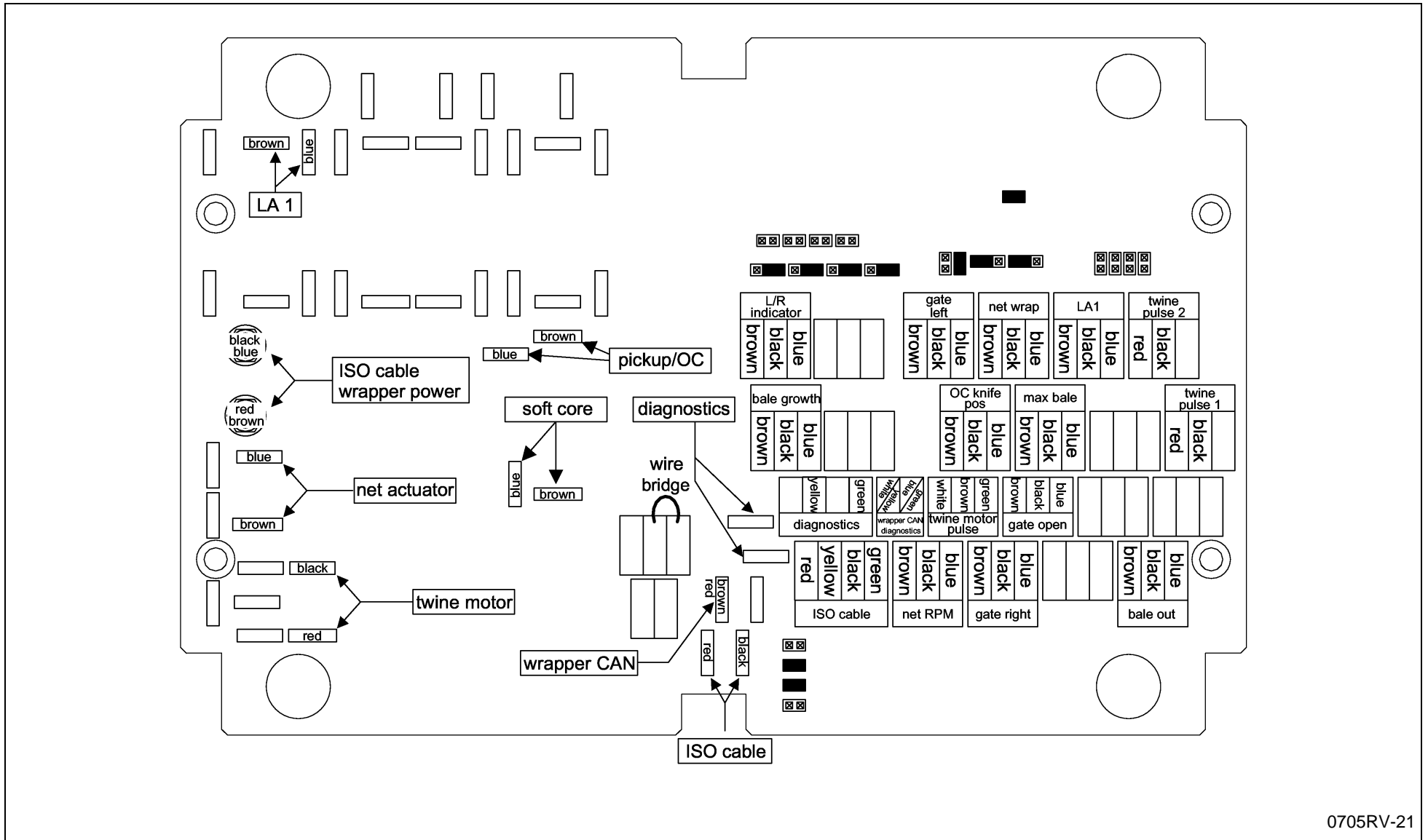


SPMVG000510

VBP 2160 / CONNECTIONS, ELEC.



PosNo.	Part No.	Qty.	Description	Remark
1	VNB2541878	1	SHOCKABSORBER M6 20X20	
2	MT00000962	1	PCB ISO BP BALER FIX V1.06	ISO BP BALER VAR PROGRAMMED
3	VNB0631273	1	PCB BIP FULL CONFIG NO SW	NO SOFTWARE



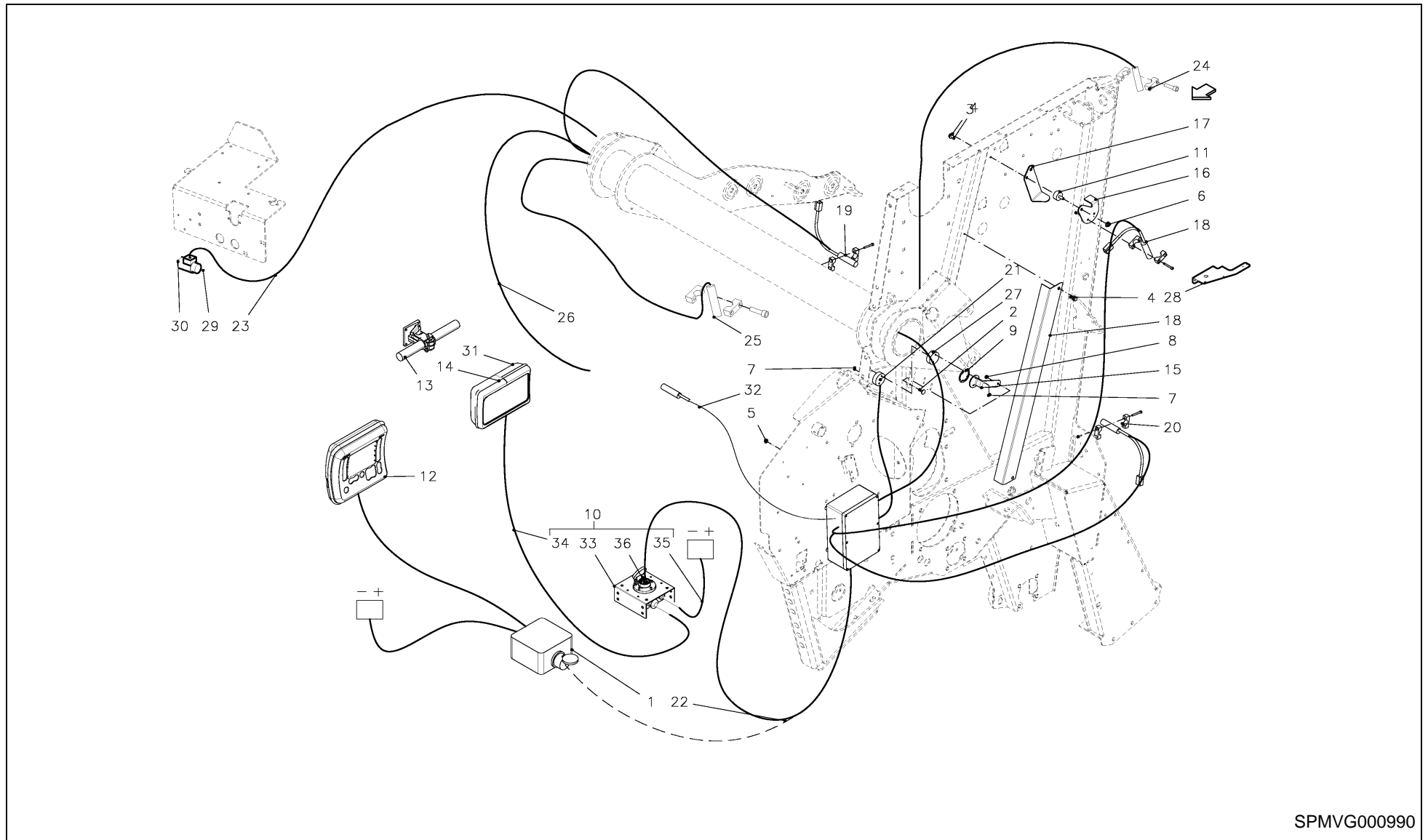
0705RV-21

VBP 2160 / CONNECTIONS, ELEC.



PosNo.	Part No.	Qty.	Description	Remark
--------	----------	------	-------------	--------

VBP 2160 / CONTROL BOX

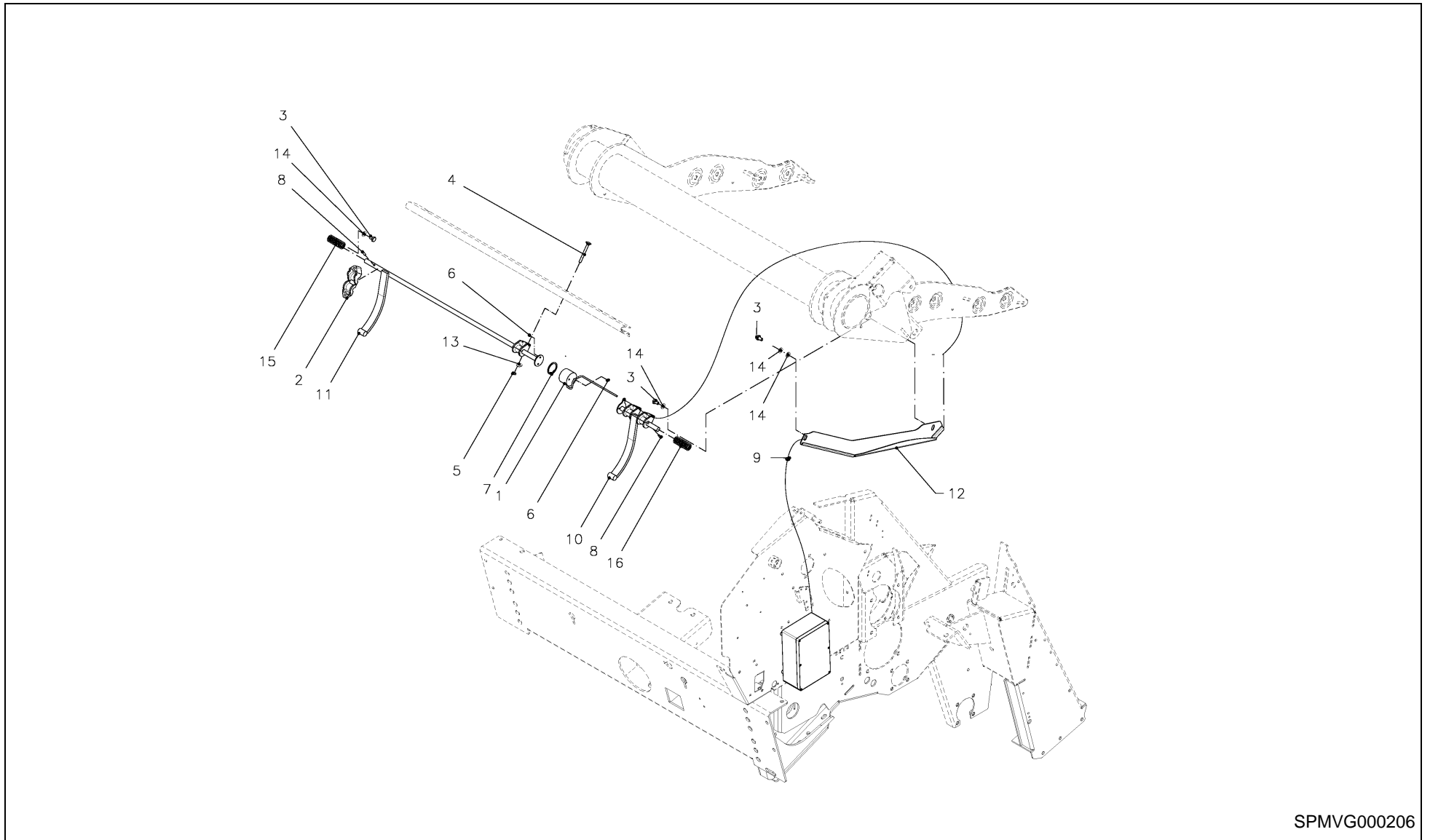


SPMVG000990

VBP 2160 / CONTROL BOX



PosNo.	Part No.	Qty.	Description	Remark
1	VN79730385	1	BB TRACTOR ISO UPGRADE SET	
2	KG00637061	1	CARRIAGE BOLT M6X16 8.8	
3	KG00981061	1	FLANGED BOLT M8X12 90	
4	KG01000661	4	FLANGED BOLT M8X15	
5	KG01061161	4	LOCK NUT M6 8	
6	KG01061261	1	LOCK NUT M8 8	
7	KG01067261	4	LOCK NUT M5	
8	KG01067361	1	LOCK NUT M6 8	
9	KG01128700	1	CIRCLIP-B 47 X 1.75	
10	MT00000644	1	BB ISO TRACTOR HARNESS	
11	VGND90040	1	DAMPER VIBRATION	
12	VN79730309	1	BB TELLUS VIRTUAL TERMINAL	
13	VNB0542973	1	CLAMP SET	
14	VNB0567973	1	PILOTBOX FOCUS2	
15	VGWA442V	1	LEVER	
16	VGWA708V	1	LEVER	
17	VGWA709V	1	PLATE	
18	VGWA722	2	PROFILE	
19	MT00000124	1	SENSOR ASSY PROX PLAST L=7M	
20	MT00000124	1	SENSOR ASSY PROX PLAST L=7M	
21	VNB0443173	1	SENSOR ASSY ANG 90DEG L=2.5M	
22	VNB0270473	1	CABLE ISO CONNECTION L=6M	
23	MT00000126	1	CABLE VALVE L=4.5M	
24	MT00000124	1	SENSOR ASSY PROX PLAST L=7M	
25	MT00000124	1	SENSOR ASSY PROX PLAST L=7M	
26	MT00000539	1	CABLE BALE OUT L=7M	
27	VNB0443173	1	SENSOR ASSY ANG 90DEG L=2.5M	
28	VGWP62K0	1	SUPPORT	
29	VGND92172	1	VALVE	
30	VGND92169V	1	BLOCK, HYDR.	
31	VNB0266373	2	CONNECTOR ASSY BUZZER	
32	VNB0260073	1	CABLE MOTOR L=1.5M	
33	MT00000949	1	PLATE ITH	
34	MT00000645	1	CABLE CAN ITH L=3M	
35	MT00000646	1	CABLE POWER ITH L=4.5M	
36	MT00000500	1	CONNECTOR 9M IBBC ACTIVE	



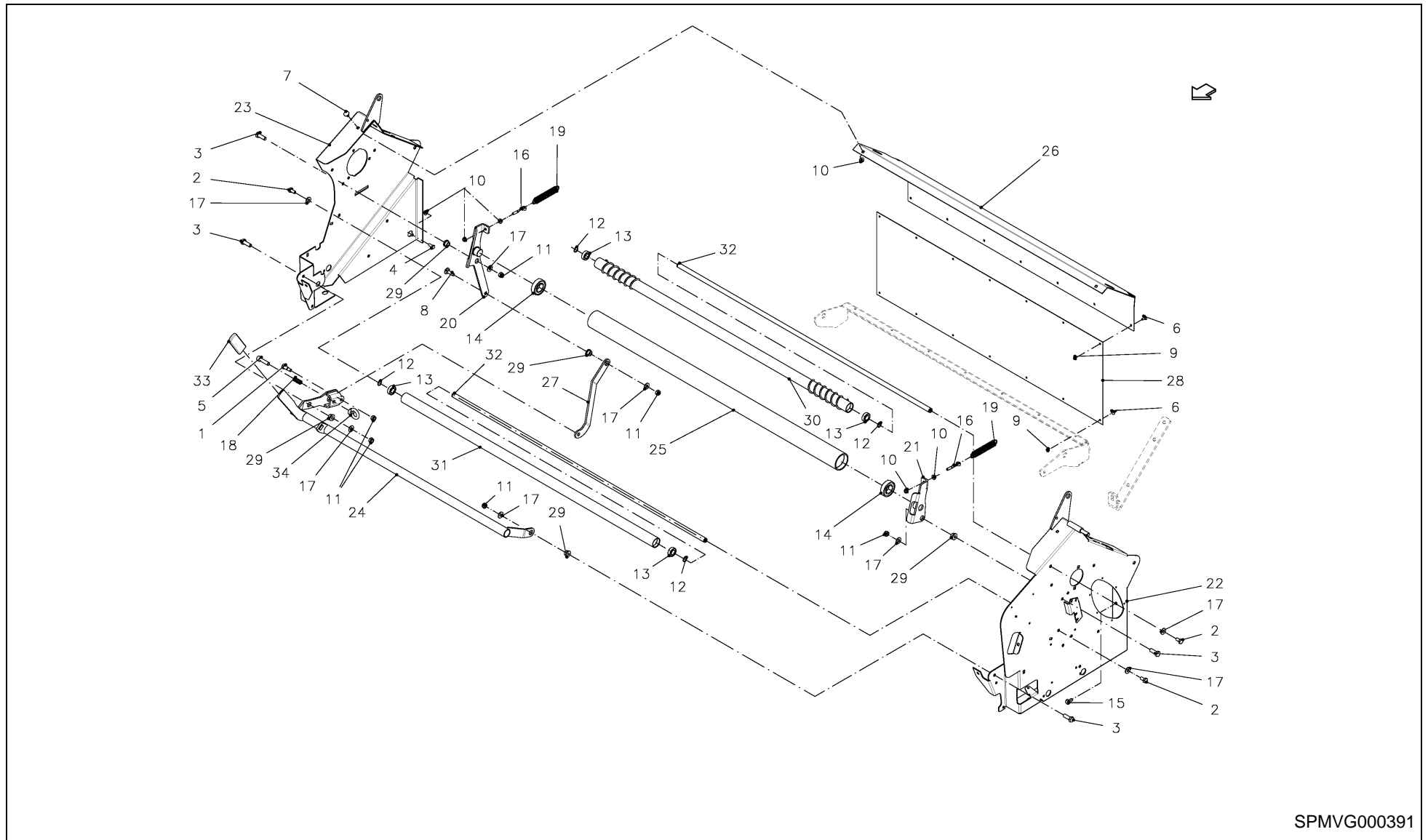
SPMVG000206

VBP 2160 / INDICATOR



PosNo.	Part No.	Qty.	Description	Remark
1	VNB0443173	1	SENSOR ASSY ANG 90DEG L=2.5M	
2	VGBR785	4	HOLDER	
3	KG00473961	4	HEX. SCREW M10X16 8.8	
4	KG00640261	4	CARRIAGE BOLT M8X80 8.8	
5	KG01051961	4	HEX. NUT M8 8	
6	KG01067261	4	LOCK NUT M5	
7	KG01128700	1	CIRCLIP-B 47 X 1.75	
8	KG01189262	2	TENSION PIN 6X24	
9	VGND9844	1	SLEEVE, CONDUCT THROUGH	
10	VGWA0523	1	INDICATOR, LH	
11	VGWA0524	1	INDICATOR, RH	
12	VGWA1159	1	GUIDE, CABLE	
13	VGND3146V	4	RING	
14	VGND3147V	4	RING	
15	VGPZ100	1	SPRING, TORSION, RH	
16	VGPZ99	1	SPRING, TORSION, LH	

VBP 2160 / NET WRAP SET



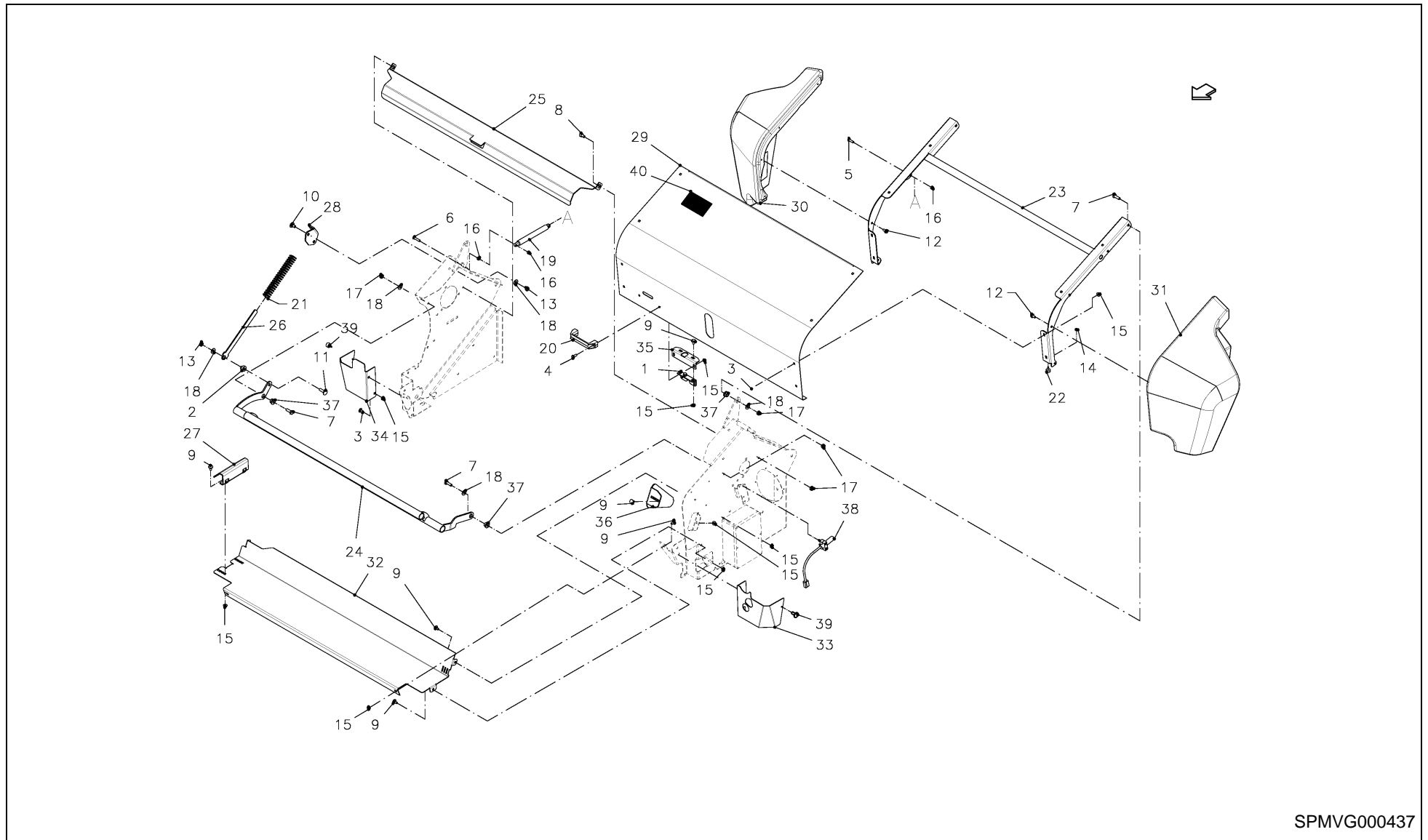
SPMVG000391

VBP 2160 / NET WRAP SET



PosNo.	Part No.	Qty.	Description	Remark
1	VGEP227V	1	BOLT, TIGHT-FIT	
2	KG00456361	4	HEX. SCREW M10X20 10.9	
3	KG00456561	4	HEX. SCREW M10X30 10.9	
4	KG00471961	1	HEX. SCREW M8X20 8.8	
5	KG00549761	1	CHEESE HEAD SCREW M12X45 8.8	
6	KG00637061	14	CARRIAGE BOLT M6X16 8.8	
7	KG00638961	4	CARRIAGE BOLT M8X16 8.8	
8	KG00641661	1	CARRIAGE BOLT M10X35 8.8	
9	KG01061161	14	LOCK NUT M6 8	
10	KG01061261	9	LOCK NUT M8 8	
11	KG01068861	6	LOCK NUT M10 10	
12	KG01107562	4	CIRCLIP-A 17 X 1	
13	KG01354500	4	BALL BEARING 6003-2RS	
14	KG01380000	2	BALL BEARING 6206-2RS	
15	VGND1461V	1	BOLT, TAPTITE	
16	VGND1607V	2	BOLT, EYE	
17	VGND3147V	8	RING	
18	VGPZ170V	1	SPRING, COMPRESSION	
19	VGPZ302V	2	SPRING, TENSION	
20	VGRL0144K0	1	SUPPORT, RH	
21	VGRL0145K0	1	SUPPORT, LH	
22	VGRL0383K0	1	SUPPORT, LH	
23	VGRL0384K0	1	SUPPORT, RH	
24	VGRL0411K0	1	FRAME	
25	VGRL38V	1	PIPE	
26	VGRL414K0	1	PLATE	
27	VGRL418K0	1	BAR, PUSH	
28	VGRL54	1	PROTECTION CURTAIN	
29	UH300562	5	BUSHING Ø11X13-Ø19/9	
30	VGWA01490K0	1	ROLLER	
31	VGWA1490K1	1	ROLLER	
32	VGWA1493	2	AXLE	
33	VGWA453	1	GRIP	
34	KG01094161	1	EYE NUT M12 C15	

VBP 2160 / NET WRAP SET

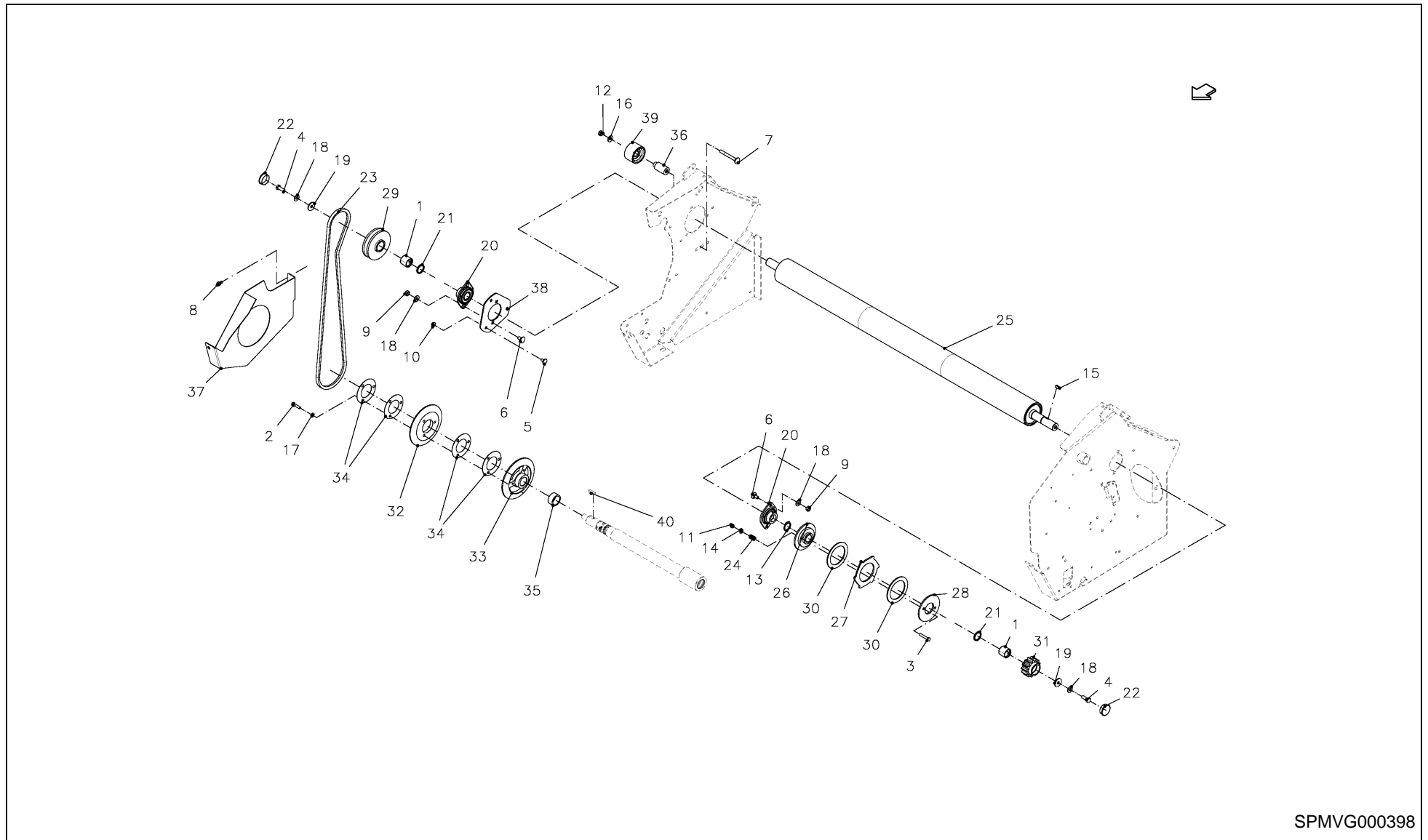


SPMVG000437

VBP 2160 / NET WRAP SET



PosNo.	Part No.	Qty.	Description	Remark
1	VF16611457	1	LOCK	
2	VGDN807V	1	SLEEVE	
3	VGGM152V	10	CARRIAGE BOLT	
4	KG00471961	1	HEX. SCREW M8X20 8.8	
5	KG00472161	1	HEX. SCREW M8X25 8.8	
6	KG00472361	1	HEX. SCREW M8X35 8.8	
7	KG00474361	4	HEX. SCREW M10X30 8.8	
8	KG00546661	2	CHEESE HEAD SCREW M10X16 8.8	
9	KG00638961	11	CARRIAGE BOLT M8X16 8.8	
10	KG00641361	2	CARRIAGE BOLT M10X20 8.8	
11	KG00641661	1	CARRIAGE BOLT M10X35 8.8	
12	KG00981161	8	FLANGED BOLT M8X16 90	
13	KG01052061	2	HEX. NUT M10 8	
14	KG01061161	2	LOCK NUT M6 8	
15	KG01061261	21	LOCK NUT M8 8	
16	KG01068761	3	LOCK NUT M8 10	
17	KG01068861	6	LOCK NUT M10 10	
18	VGND3147V	7	RING	
19	VGND90038	1	SPRING, GAS	
20	VGND95068	1	GRIP	
21	VGZ480V	1	SPRING, COMPRESSION	
22	VRR0096801	1	STOP	
23	VGRL0387K0	1	FRAME	
24	VGRL0421K0	1	FRAME	
25	VGRL133K0	1	PLATE	
26	VGRL140K0	1	PLATE	
27	VGRL147K0	1	PLATE	
28	VGRL16K0	1	SUPPORT	
29	VGRL389K0	1	COVER,	
30	VGRL390	1	COVER, RH	
31	VGRL391	1	COVER, LH	
32	VGRL419K0	1	PLATE	
33	VGRL429K0	1	GUARD, PROTECT., LH	
34	VGRL430K0	1	GUARD, PROTECT., RH	
35	VGRL466K0	1	SUPPORT	
36	VGRL481K0	1	SUPPORT	
37	UH300562	4	BUSHING Ø11X13-Ø19/9	
38	MT00000124	1	SENSOR ASSY PROX PLAST L=7M	
39	VGND95049	2	PLUG, PLASTIC	
40	VGTR3097	1	DECAL	

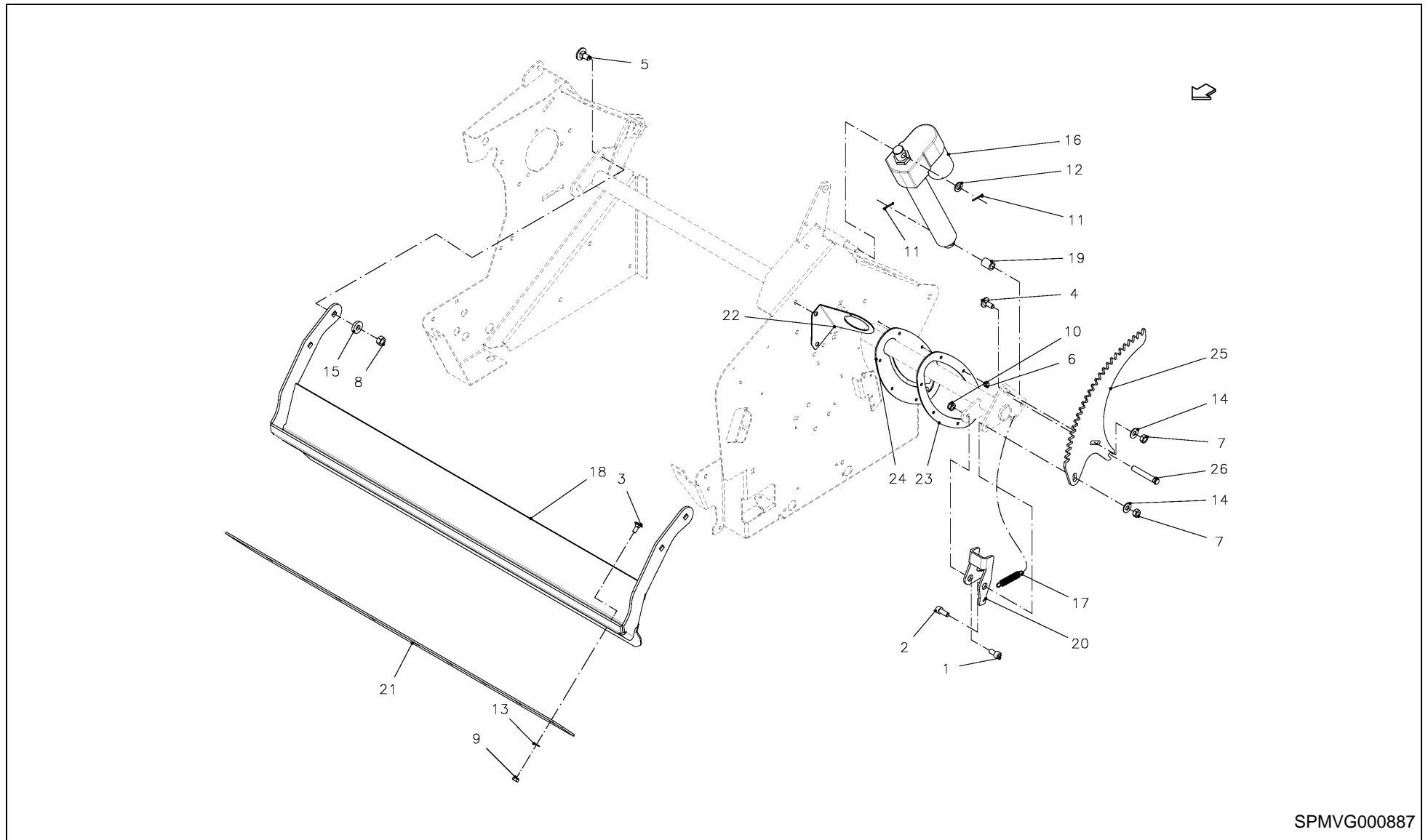


SPMVG000398

VBP 2160 / DRIVE, NET WRAP



PosNo.	Part No.	Qty.	Description	Remark
1	AC674143	2	INA FREE WHEEL HFL 3030	
2	KG00353161	3	HEX. BOLT M8X35 8.8	
3	KG00472561	2	HEX. SCREW M8X45 8.8	
4	KG00474361	2	HEX. SCREW M10X30 8.8	
5	KG00638961	3	CARRIAGE BOLT M8X16 8.8	
6	KG00641361	4	CARRIAGE BOLT M10X20 8.8	
7	KG00642661	1	CARRIAGE BOLT M10X90 8.8	
8	KG01000661	1	FLANGED BOLT M8X15	
9	KG01052061	4	HEX. NUT M10 8	
10	KG01061261	3	LOCK NUT M8 8	
11	KG01068761	2	LOCK NUT M8 10	
12	KG01068861	3	LOCK NUT M10 10	
13	KG01099062	1	CIRCLIP-A 30 X 2	
14	KG01267361	2	WASHER M8	
15	KG01306400	1	KEY 8X7X20	
16	VGMH416V	1	RING	
17	VGND3146V	3	RING	
18	VGND3147V	6	RING	
19	VGND3177V	2	WASHER, PLAIN	
20	VGND5141	2	CUSHION, BALL, ADJUSTABLE	
21	VGND6372	2	RING, SEALING	
22	VGND95057	2	CAP, PLASTIC	
23	VGND96132	1	V-BELT	
24	VGZ477V	1	SPRING, COMPRESSION	
25	VGRL02	1	ROLLER	
26	VGRL1V	1	PULLEY, V-BELT	
27	VGRL171V	1	HUB	
28	VGRL172V	1	DISC ROTOR	
29	VGRL173V	1	DISC ROTOR	
30	VGRL224	2	BRAKE LINING	
31	VGRL265V	1	PINION	
32	VGRL50V	1	DISC ROTOR	
33	VGRL51V	1	DISC ROTOR	
34	VGRL52V	4	RING	
35	VGRL55V	1	SLEEVE	
36	VGRL56V	1	SLEEVE	
37	VGRL569K0	1	COVER,	
38	VGRL8K0	1	PLATE	
39	VGWA02015	1	ROLLER, NYLON	
40	KG01308600	1	KEY 10X8X28	

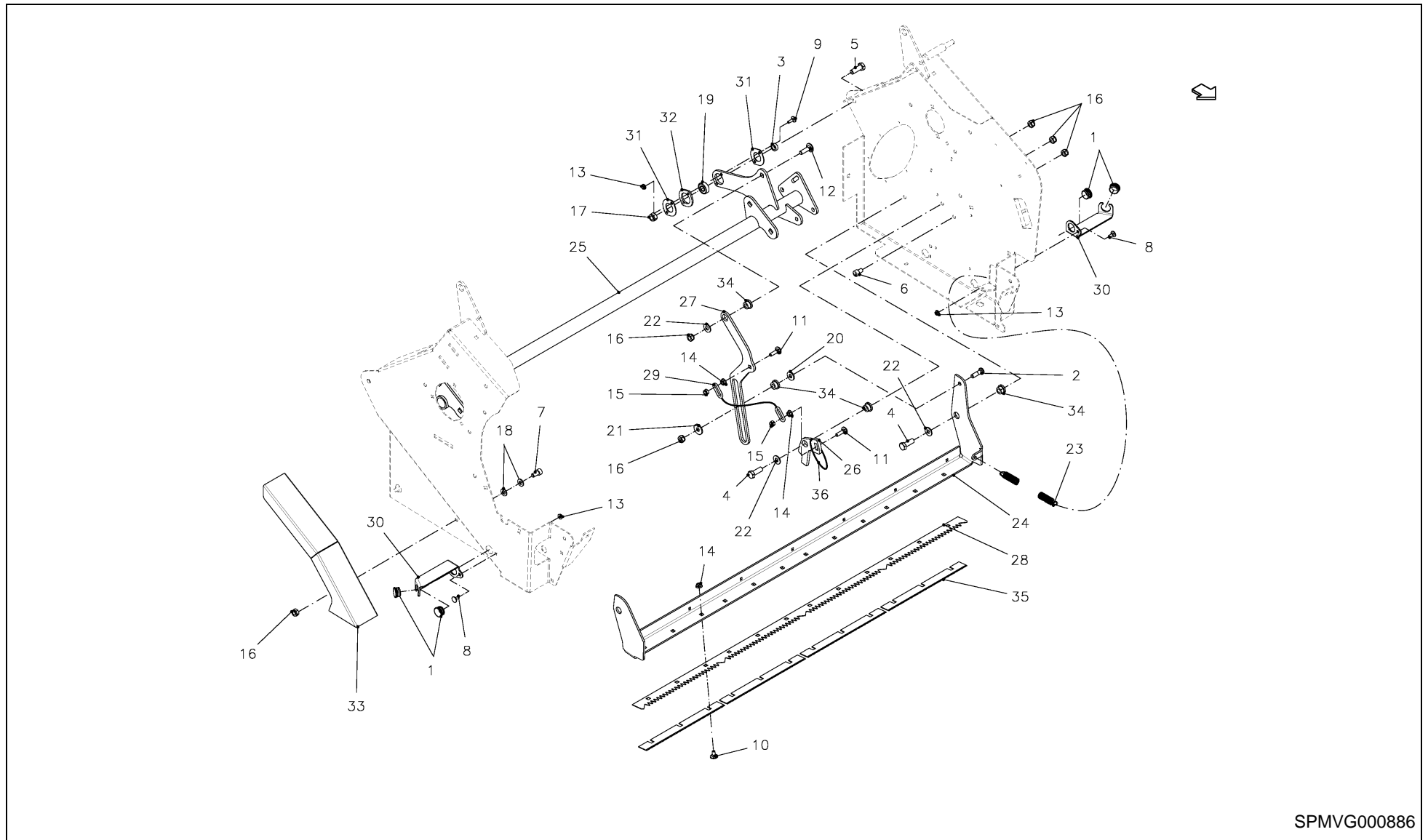


SPMVG000887

VBP 2160 / GUIDE CPL.



PosNo.	Part No.	Qty.	Description	Remark
1	KG00546761	4	CHEESE HEAD SCREW M10X20 8.8	
2	KG00546861	1	CHEESE HEAD SCREW M10X25 8.8	
3	KG00639061	10	CARRIAGE BOLT M8X20 8.8	
4	KG00641461	1	CARRIAGE BOLT M10X25 8.8	
5	KG00644761	4	CARRIAGE BOLT M12X25 8.8	
6	KG01000161	6	FLANGED BOLT M6X12	
7	KG01052061	2	HEX. NUT M10 8	
8	KG01052161	4	HEX. NUT M12 8	
9	KG01068761	10	LOCK NUT M8 10	
10	KG01068861	1	LOCK NUT M10 10	
11	KG01249861	1	SPLIT PIN 3.2X25 ST	
12	KG01267561	1	WASHER M12	
13	VGND3030V	10	WASHER, PLAIN	
14	VGND3147V	2	RING	
15	VGND3148V	4	CIRCLIP	
16	VGND91037	1	ACTUATOR	
17	VGPZ474V	1	SPRING, TENSION	
18	VGRL0156K0	1	NET INTAKE PLATE	
19	VGRL227V	1	SLEEVE	
20	VGRL257K0	1	CAM	
21	VGRL31	1	PLATE, PLASTIC	
22	VGRL467K0	1	SUPPORT	
23	VGRL468K0	1	RING	
24	VGRL475	1	SEAL	
25	VGRL878K0	1	GEAR RIM	
26	VGRL879V	1	PIN	



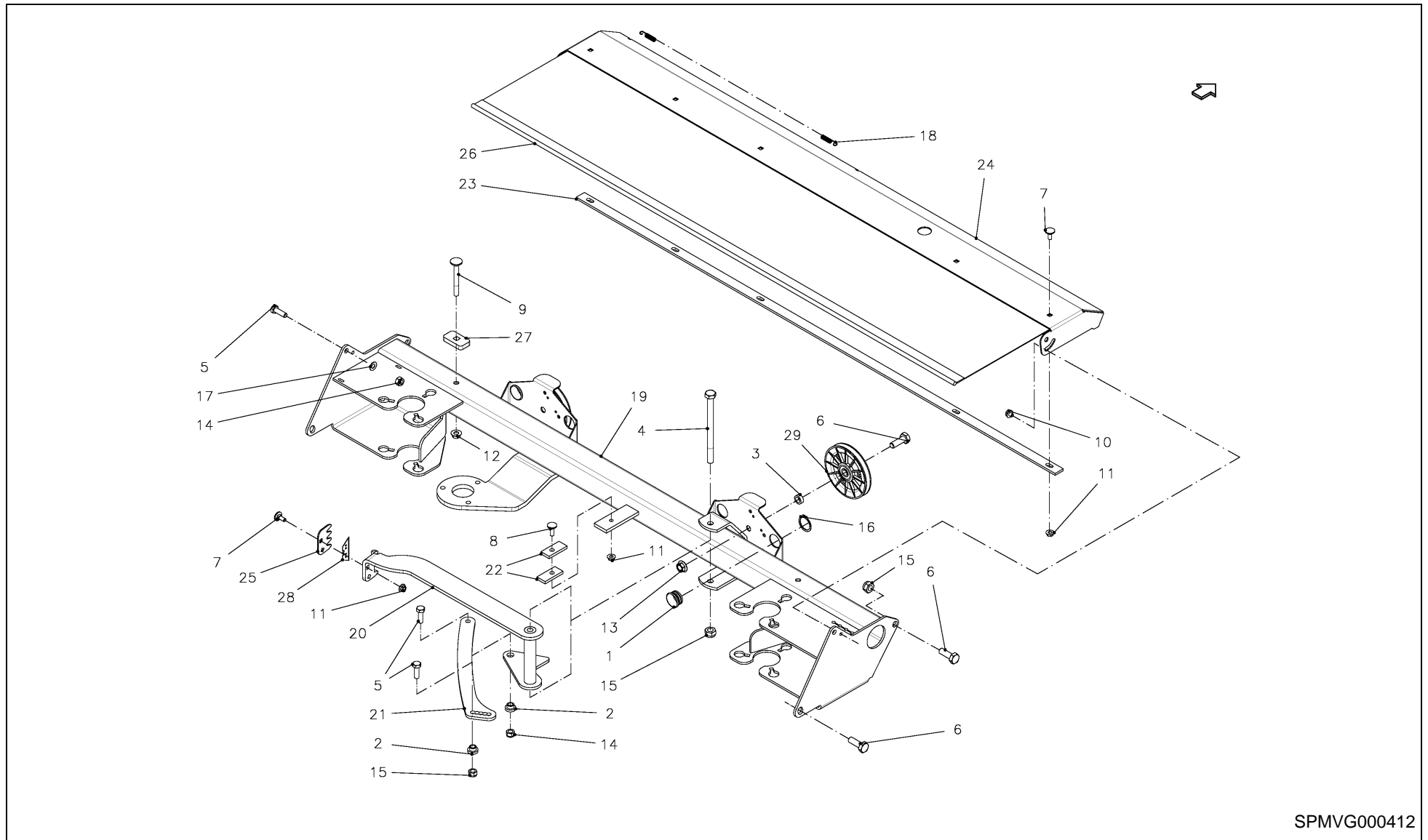
SPMVG000886

VBP 2160 / GUIDE CPL.



PosNo.	Part No.	Qty.	Description	Remark
1	VG13128001V	4	GUIDE	
2	VGET312V	1	SCREW, KNURLED STUD	
3	VGGP899V	1	SLEEVE	
4	KG00456561	2	HEX. SCREW M10X30 10.9	
5	KG00457361	1	HEX. SCREW M12X35 10.9	
6	KG00546661	1	CHEESE HEAD SCREW M10X16 8.8	
7	KG00546761	1	CHEESE HEAD SCREW M10X20 8.8	
8	KG00637061	2	CARRIAGE BOLT M6X16 8.8	
9	KG00637161	4	CARRIAGE BOLT M6X20 8.8	
10	KG00638961	13	CARRIAGE BOLT M8X16 8.8	
11	KG00639261	2	CARRIAGE BOLT M8X30 8.8	
12	KG00641661	1	CARRIAGE BOLT M10X35 8.8	
13	KG01061161	4	LOCK NUT M6 8	
14	KG01061261	15	LOCK NUT M8 8	
15	KG01068761	2	LOCK NUT M8 10	
16	KG01068861	6	LOCK NUT M10 10	
17	KG01068961	2	LOCK NUT M12 10	
18	KG01267461	2	WASHER M10	
19	KG01374500	2	BALL BEARING 6201-2RS	
20	VGMH416V	1	RING	
21	VGMT152V	1	RING	
22	VGND3147V	3	RING	
23	VGpz483V	1	SPRING, TENSION	
24	VGRL0128K0	1	HOLDER, BLADE	
25	VGRL0499K0	1	SUPPORT	
26	VGRL131V	1	PLATE	
27	VGRL132K0	1	ARM	
28	VGRL22K0	1	GUARD, PROTECT.	
29	VGRL260V	1	CHAIN	
30	VGRL263V	2	PLATE	
31	VGRL473V	4	RING	
32	VGRL474V	2	RING	
33	VGRL599K0	1	COVER,	
34	UH300562	5	BUSHING Ø11X13-Ø19/9	
35	UH453537	4	BLADE	
36	VGWA1250	1	RUBBER	

VBP 2160 / TWINE TIE FRAME



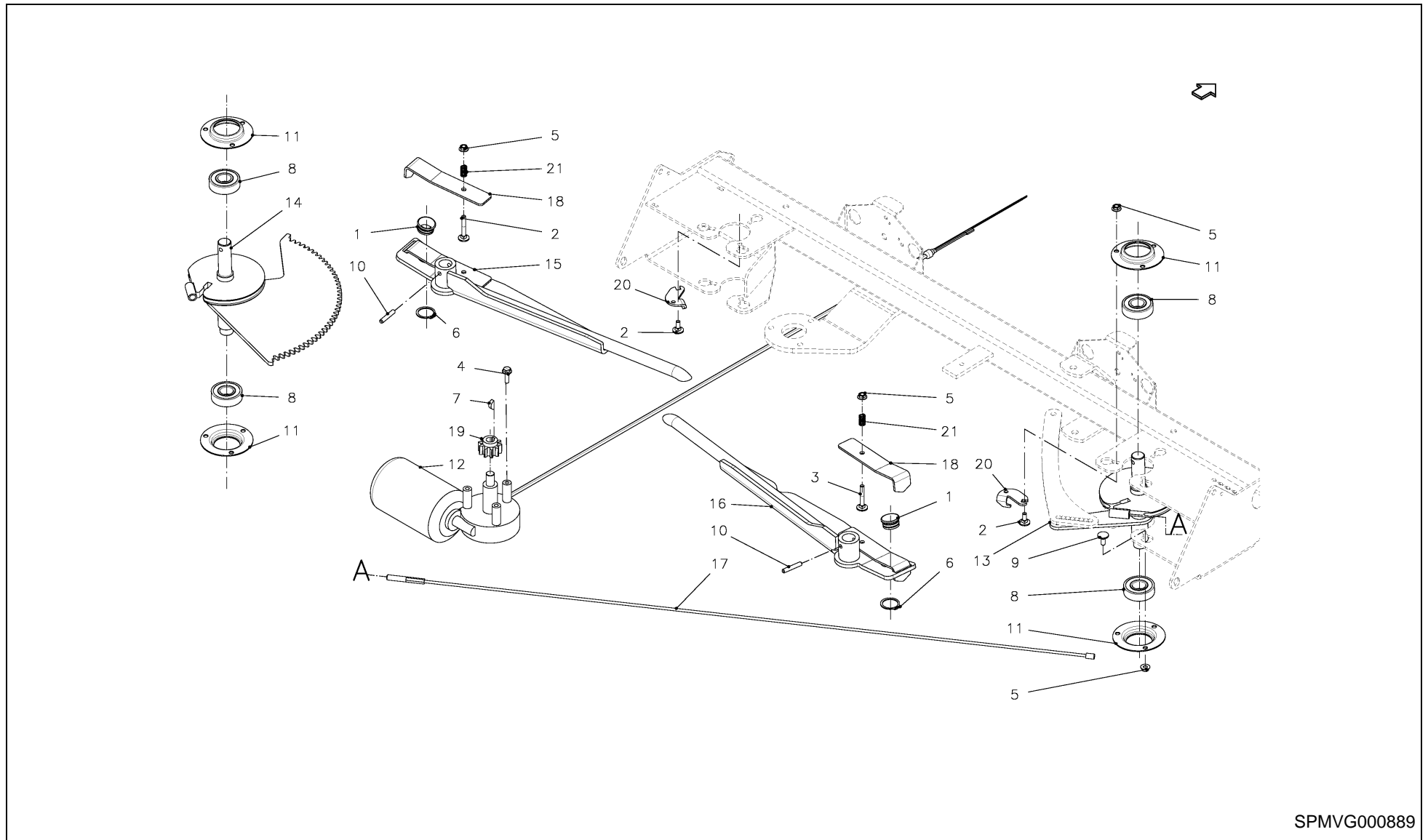
SPMVG000412

VBP 2160 / TWINE TIE FRAME



PosNo.	Part No.	Qty.	Description	Remark
1	VG13128001V	2	GUIDE	
2	VR13698033	2	SLEEVE	
3	VGBP906V	2	BUSH	
4	KG00356761	1	HEX. BOLT M10X140 8.8	
5	KG00472100	4	HEX. SCREW M8X25 8.8	
6	KG00474361	6	HEX. SCREW M10X30 8.8	
7	KG00637061	7	CARRIAGE BOLT M6X16 8.8	
8	KG00637161	1	CARRIAGE BOLT M6X20 8.8	
9	KG00640061	2	CARRIAGE BOLT M8X70 8.8	
10	KG01000161	2	FLANGED BOLT M6X12	
11	KG01061161	8	LOCK NUT M6 8	
12	KG01061261	2	LOCK NUT M8 8	
13	KG01061361	2	LOCK NUT M10 8	
14	KG01068761	4	LOCK NUT M8 10	
15	KG01068861	5	LOCK NUT M10 10	
16	KG01108362	2	CIRCLIP-A 25 X 1.2	
17	KG01294162	2	DISC SPRING 16X8.2X0.9	
18	VGPZ479	1	SPRING, TENSION	
19	VGRL0178K0	1	FRAME	
20	VGRL0233K0	1	HOLDER, BLADE	
21	VGRL247V	1	STRIP	
22	VGRL248	2	PLATE	
23	VGRL469K0	1	STRIP	
24	VGRL470K0	1	GUARD PLATE	
25	VGRL472V	1	GUARD PLATE	
26	VGRL479	1	PROTECTION CURTAIN	
27	VGRL863V	2	STRIP	
28	UH411750	5	KNIFE	
29	VGWA909	2	PULLEY, CABLE	

VBP 2160 / TWINE TIE SYSTEM

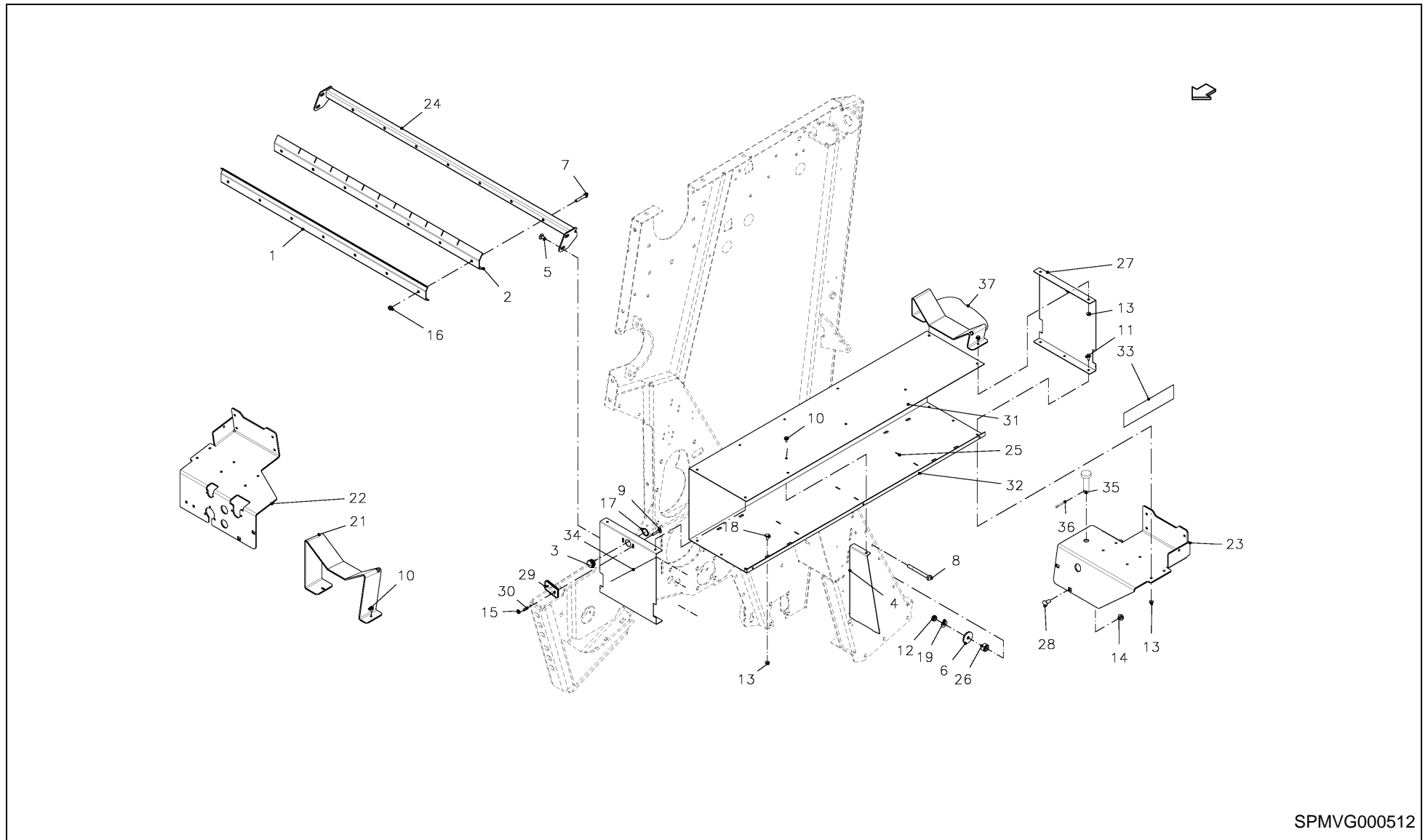


SPMVG000889

VBP 2160 / TWINE TIE SYSTEM



PosNo.	Part No.	Qty.	Description	Remark
1	VG13128001V	2	GUIDE	
2	KG00637061	2	CARRIAGE BOLT M6X16 8.8	
3	KG00637561	2	CARRIAGE BOLT M6X40 8.8	
4	KG00980761	3	FLANGED BOLT M6X20 90	
5	KG01067361	12	LOCK NUT M6 8	
6	KG01108362	2	CIRCLIP-A 25 X 1.2	
7	KG01300800	1	KEY	
8	KG01377800	4	BALL BEARING 6204-2RS	
9	VGND1176V	10	CARRIAGE BOLT	
10	VGND4030V	2	PIN, TENSION	
11	VGNK622V	4	LID	
12	VGRL00461	1	MOTOR, ELECTRIC	
13	VGRL0187K0	1	AXLE, RH	
14	VGRL0189K0	1	AXLE, LH	
15	VGRL0251K0	1	PIPE, TWINE FEED LH	
16	VGRL0252K0	1	PIPE, TWINE FEED RH	
17	VGRL310	1	CABLE, STEEL	
18	VGRL311V	2	BRAKE	
19	VGRL335	1	SPROCKET	
20	VGRL864V	2	SCRAPER	
21	VGPZ482	2	SPRING, COMPRESSION	



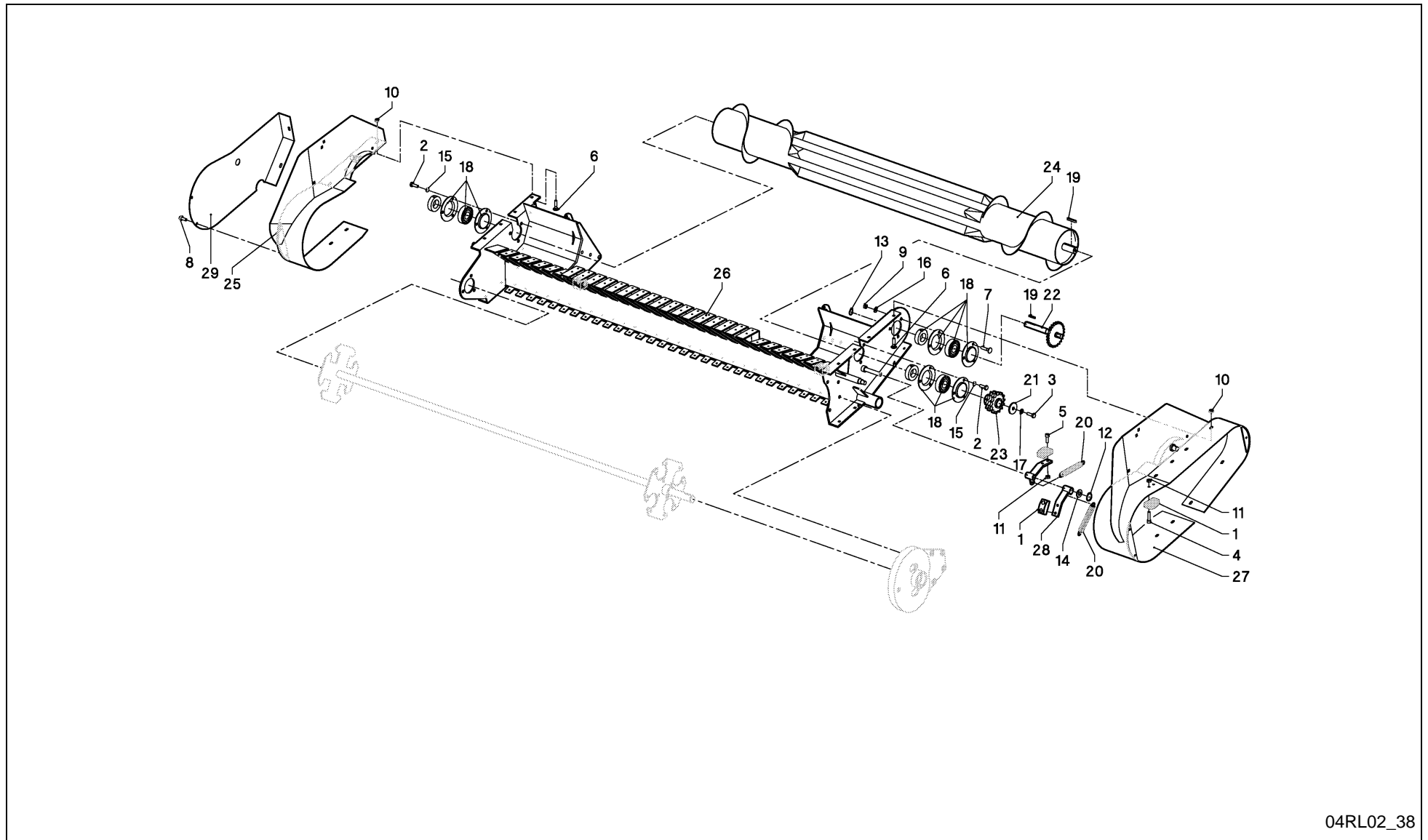
SPMVG000512

VBP 2160 / BOX, TWINE



PosNo.	Part No.	Qty.	Description	Remark
1	VF06576898.86	1	TERMINAL STRIP	
2	VF06576899	1	STRIPPER	
3	VG13128001V	2	GUIDE	
4	VGBR859	6	BULKHEAD	
5	VGGM152V	4	CARRIAGE BOLT	
6	VGHK116V	2	RING	
7	KG00353361	7	HEX. BOLT M8X45 8.8	
8	KG00356361	2	HEX. BOLT M10X100 8.8	
9	KG00637461	4	CARRIAGE BOLT M6X35 8.8	
10	KG00980561	20	FLANGED BOLT M6X12 90	
11	KG00980661	6	FLANGED BOLT M6X16 90	
12	KG01052061	2	HEX. NUT M10 8	
13	KG01061161	34	LOCK NUT M6 8	
14	KG01061361	4	LOCK NUT M10 8	
15	KG01067361	4	LOCK NUT M6 8	
16	KG01068761	14	LOCK NUT M8 10	
17	KG01108362	2	CIRCLIP-A 25 X 1.2	
18	VGND1176V	4	CARRIAGE BOLT	
19	VGND3147V	2	RING	
20	VGRL407K0	2	SUPPORT, NET ROLL,	
21	VGRL408K0	1	SUPPORT, NET ROLL,	NET ONLY
22	VGRV84K0	1	SUPPORT, RH	
23	VGRV85K0	1	SUPPORT, LH	
24	VGWA0467	1	HOLDER	
25	VGWA497	2	BOX, TWINE	
26	VGWA540V	2	BUSH	
27	VGWA691	4	PLATE	
28	VGXD296V	4	CARRIAGE BOLT	
29	VGBR132V	2	STRIP	
30	VGPZ457	1	SPRING, COMPRESSION	
31	VGND98110	1	PROFILE, KLEM-	GIVE LENGTH WHEN ORDERING
32	VGND98109	1	PROFILE, KLEM-	GIVE LENGTH WHEN ORDERING
33	VGND98048	1	PACKING	GIVE LENGTH WHEN ORDERING
34	VGPZ456	1	SPRING, TENSION	
35	VGMT98V	1	PIN	
36	VGPZ25V	1	SPRING CLIP	
37	VGEF75	2	RUBBER	

VBP 2160 / PICK-UP, CPL. (WPU)



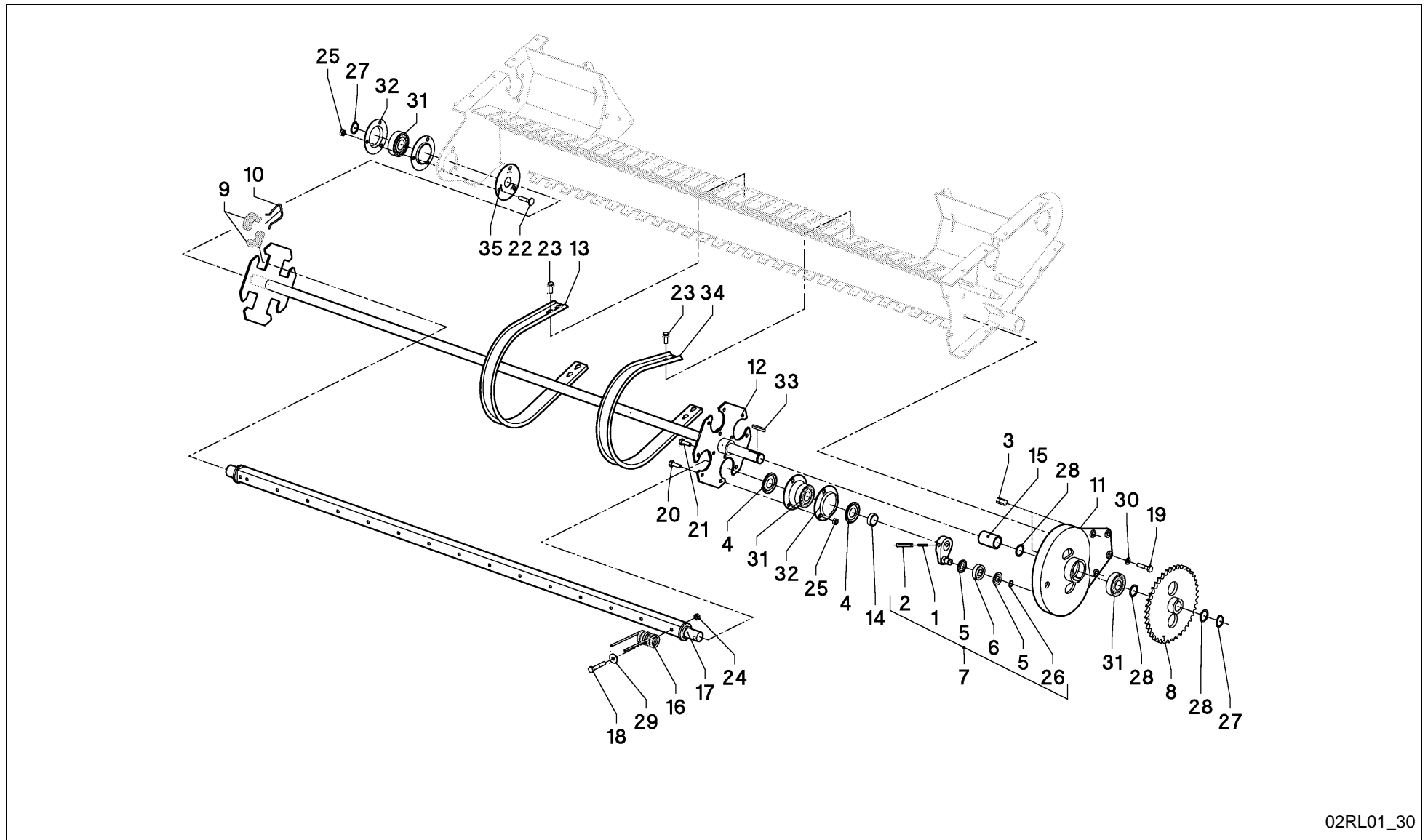
04RL02_38

VBP 2160 / PICK-UP, CPL. (WPU)



PosNo.	Part No.	Qty.	Description	Remark
1	VF06246785	3	BLOC	
2	KG00474261	6	HEX. SCREW M10X25 8.8	
3	KG00476561	1	HEX. SCREW M12X30 8.8	
4	KG00545061	2	CHEESE HEAD SCREW M8X20 8.8	
5	KG00545161	4	CHEESE HEAD SCREW M8X25 8.8	
6	KG00639061	16	CARRIAGE BOLT M8X20 8.8	
7	KG00641461	3	CARRIAGE BOLT M10X25 8.8	
8	KG01000661	4	FLANGED BOLT M8X15	
9	KG01052061	3	HEX. NUT M10 8	
10	KG01061261	16	LOCK NUT M8 8	
11	KG01068761	6	LOCK NUT M8 10	
12	KG01107462	1	CIRCLIP-A 16 X 1	
13	KG01108862	1	CIRCLIP-A 30 X 1.5	
14	KG01267761	1	WASHER M16	
15	KG01281761	6	SPRING WASHER M10	
16	VGND3147V	3	RING	
17	VGND3148V	1	CIRCLIP	
18	VGND5187	3	CUSHION, BALL	
19	VGND7027	2	KEY	
20	VGPZ302V	2	SPRING, TENSION	
21	VGTA195V	1	RING	
22	VGRL0766	1	SPROCKET	
23	VGWA0219	1	SPROCKET	
24	VGWA0225	1	AUGER-ROLLER	
25	VGWA0570	1	PLATE, SIDE, RH	
26	VGWA0887	1	FRAME, PICK-UP	
27	VGWA0891	1	PLATE, SIDE, LH	
28	VGWA0899	2	TENSIONER, CHAIN	
29	VGWA592	1	GUARD, PROTECT., RH	

VBP 2160 / AXLE, TINE CARR. (WPU)

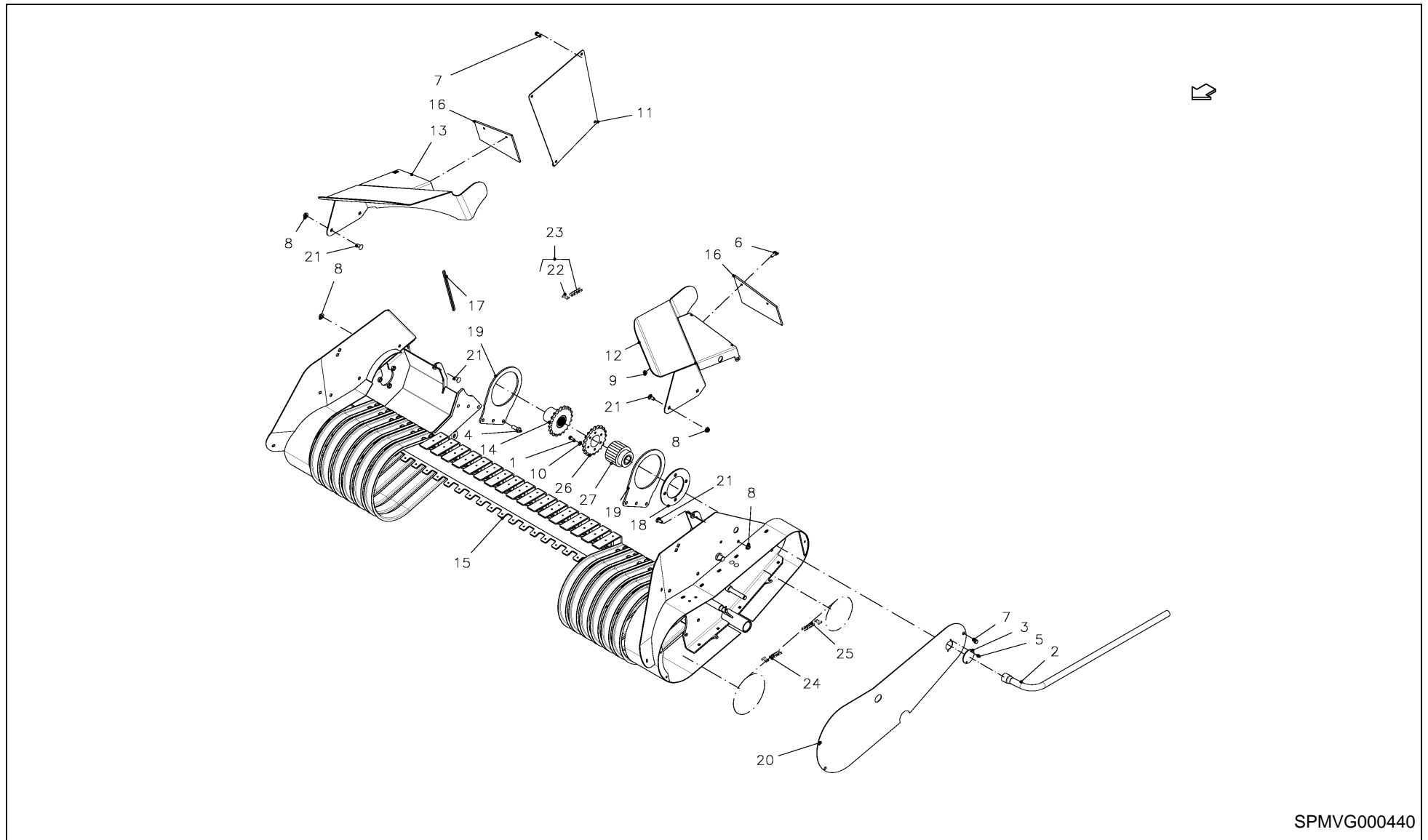


02RL01_30

VBP 2160 / AXLE, TINE CARR. (WPU)



PosNo.	Part No.	Qty.	Description	Remark
1	KG01190062	4	TENSION PIN 6X70	
2	VG61.05.04	4	PIN, TENSION	
3	VF01157427	2	DOWEL PIN	
4	VF01170940	2	NILOS-RING	
5	VF06214938	8	NILOSRING 6303 ZAV	
6	VF06215027	4	ROLLER	
7	VF16615203.86	4	CONTROL ARM	
8	VF16616460.86	1	SPROCKET	
9	VF16616480	8	TERMINAL RING	
10	VF16616481	4	CLIP	
11	VF16617225.86	1	GUIDE	
12	VF16617227	1	SHAFT, DRIVE	
13	VF16617244	17	SHEET	
14	VF16617910	4	INTERMEDIATE TUBE	
15	VF16618011.86	1	SPACER TUBE	
16	VF16618868.86	60	FEDERZINKEN PU 4 WIND. MP 122	
17	VF16618872	4	RAKE	
18	KG00353661	60	HEX. BOLT M8X60 8.8	
19	KG00355461	4	HEX. BOLT M10X50 8.8	
20	KG00474161	8	HEX. SCREW M10X22 8.8	
21	KG00474361	4	HEX. SCREW M10X30 8.8	
22	KG00641461	3	CARRIAGE BOLT M10X25 8.8	
23	KG01000161	16	FLANGED BOLT M6X12	
24	KG01068761	60	LOCK NUT M8 10	
25	KG01068861	12	LOCK NUT M10 10	
26	KG01107562	4	CIRCLIP-A 17 X 1	
27	KG01108862	2	CIRCLIP-A 30 X 1.5	
28	VGMT00310	3	SHIM SET	
29	VGND3030V	60	WASHER, PLAIN	
30	VGND3147V	4	RING	
31	VGND5120	3	CUSHION, ADJUSTABLE	
32	VGND5239	4	FLANGE, CUSHION	
33	VGND7002	1	KEY	
34	VGWA440	12	GUIDE	
35	VGWA649V	1	PLATE, FILLER	



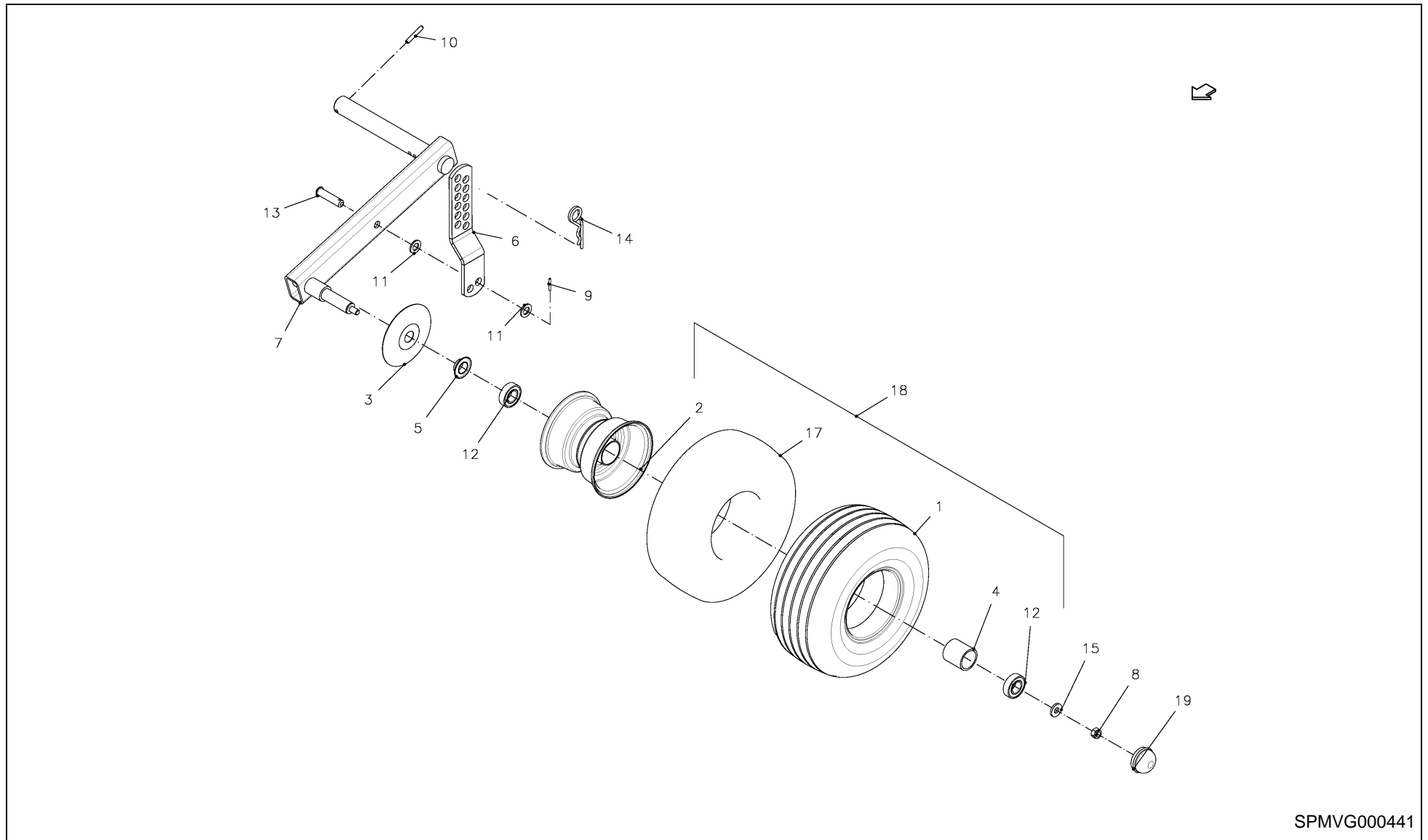
SPMVG000440

VBP 2160 / DRIVE (WPU)



PosNo.	Part No.	Qty.	Description	Remark
1	VF01173381	6	HEX.HEAD SCREW	
2	VGBR0755	1	SPANNER	
3	VGEP402V	1	LID	
4	KG00476561	6	HEX. SCREW M12X30 8.8	
5	KG00745463	2	TAPPING SCREW 6.3X13 4.8	
6	KG00981261	4	FLANGED BOLT M8X20 90	
7	KG01000661	5	FLANGED BOLT M8X15	
8	KG01061361	8	LOCK NUT M10 8	
9	KG01068761	4	LOCK NUT M8 10	
10	VGND3146V	6	RING	
11	VGRL517K0	1	GUARD, PROTECT.	
12	VGWA01177	1	GUIDE FOURRAGE LH	
13	VGWA01178	1	GUIDE FOURRAGE RH	
14	VGWA056	1	SPROCKET	
15	VGWA0887	1	FRAME, PICK-UP	
16	VGWA1249	2	SEAL	
17	VGWA1250	1	RUBBER	
18	VGWA54V	2	RING	
19	VGWA900	2	PLATE	
20	VGWA908	1	GUARD, PROTECT., LH	
21	VGXD296V	8	CARRIAGE BOLT	
22	VGND96086	1	LINK, DUPL.	
23	VG17654007	1	CHAIN, ROLLER, DUPLEX	
24	VGND96098	1	CHAIN, ROLLER, SIMPLEX	
25	VGND96107	1	CHAIN, ROLLER, SIMPLEX	
26	VG13813004	1	SPROCKET	
27	VGND94058	1	SLIP CLUTCH ASSY	

VBP 2160 / GAUGE WHEEL,PICK-UP,CPL.(WPU)



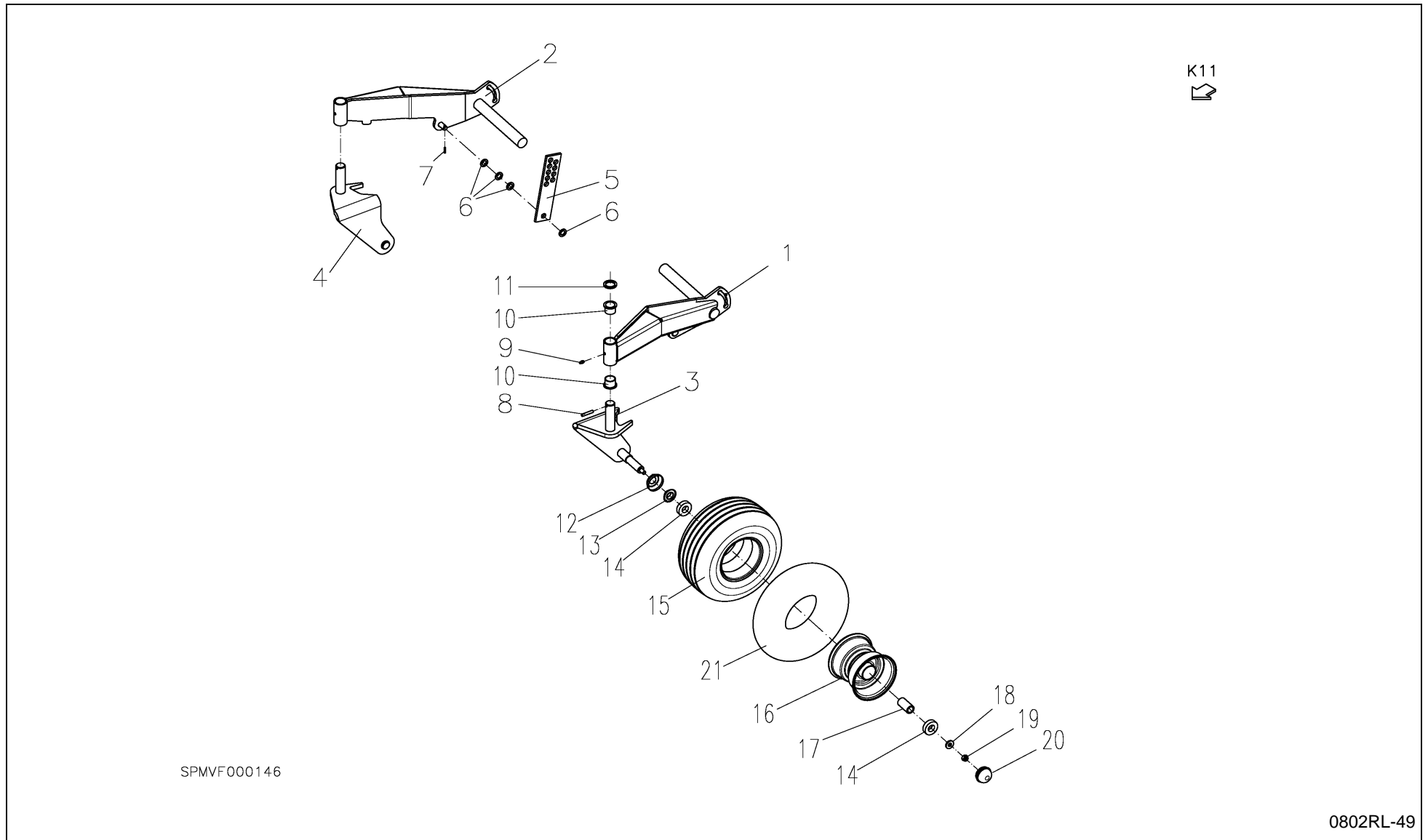
SPMVG000441

VBP 2160 / GAUGE WHEEL,PICK-UP,CPL.(WPU)



PosNo.	Part No.	Qty.	Description	Remark
1	VF01141364	2	TYRE	
2	VF06564735.98	2	RIM	
3	VF16622598	2	PROTECTION CAP 25X62	
4	VF06249879	2	SPACER	
5	VF06567492	2	GASKET	
6	VF16514204.86	2	PERFORADED RAIL	
7	VF16618815.86	2	AXLE LINK	
8	KG01068961	2	LOCK NUT M12 10	
9	KG01186562	2	TENSION PIN 4X30	
10	KG01192062	2	TENSION PIN 8X50	
11	KG01267761	2	WASHER M16	
12	KG01378900	4	BALL BEARING 6205-2RS	
13	VGMT97V	2	PIN	
14	VGPZ160V	2	SPRING CLIP	
15	VGTH100V	2	RING	
17	VGND9779	2	AIR CHAMBER	
18	VF06564733	2	WHEEL	
19	VF06580546	2	CAP	

VBP 2160 / GAUGE WHEEL, PICK-UP, CPL.

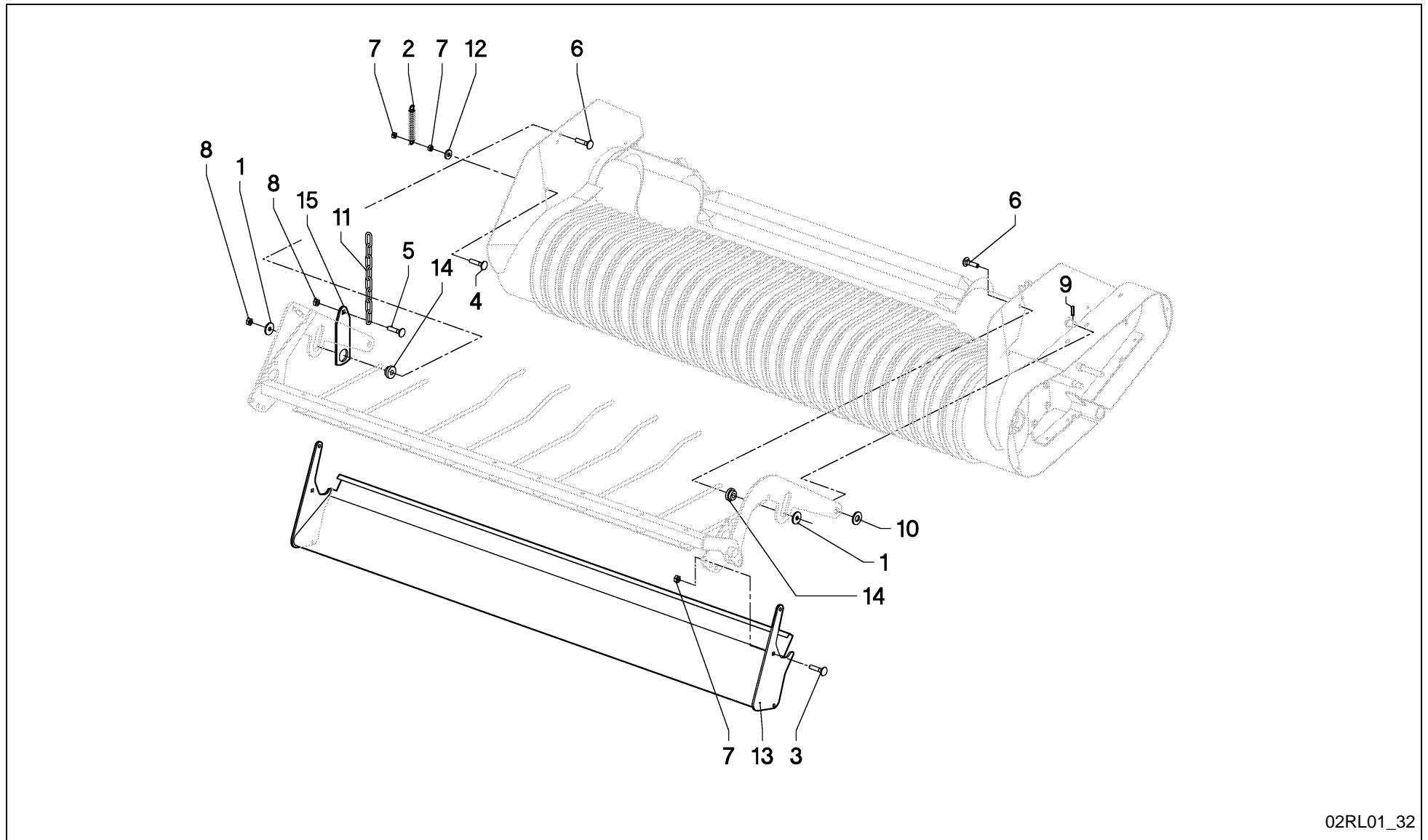


VBP 2160 / GAUGE WHEEL, PICK-UP, CPL.



PosNo.	Part No.	Qty.	Description	Remark
1	VF16654682.86	1	AXLE LINK LEFT	
2	VF16654683.86	1	AXLE LINK RIGHT	
3	VF16654690.86	1	WHEEL AXLE LEFT	
4	VF16654691.86	1	WHEEL AXLE RIGHT	
5	VF16652392.86	2	PERFORATED RAIL	
6	KG01267761	8	WASHER M16	
7	KG01187662	2	TENSION PIN 5X24	
8	KG01191962	2	TENSION PIN 8X45	
9	VGND9813V	2	GREASE NIPPLE	
10	VF06229502	4	BUSH	
11	VF06214421	2	WASHER	
12	VF16622598	2	PROTECTION CAP 25X62	
13	VF06567492	2	GASKET	
14	KG01379500	4	ALL BEARING 6205-RS	
15	VF01141364	2	TYRE	
16	VF06564735.98	2	RIM	
17	VF06249879	2	SPACER	
18	VGTH100V	2	RING	
19	KG01068961	2	LOCK NUT M12 10	
20	VF06580546	2	CAP	
21	VGND9779	2	AIR CHAMBER	

VBP 2160 / PLATE, GUIDE (WPU)



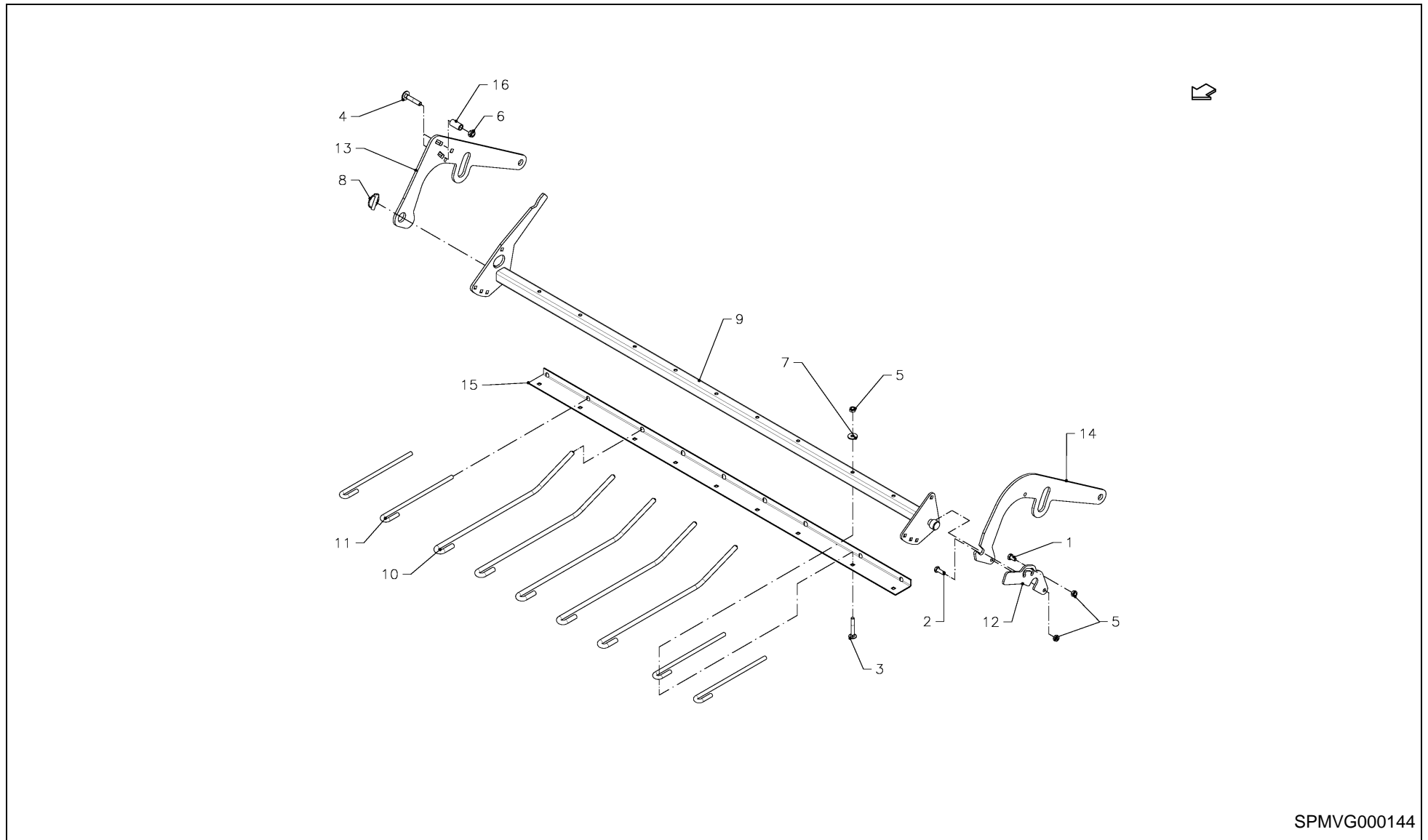
02RL01_32

VBP 2160 / PLATE, GUIDE (WPU)



PosNo.	Part No.	Qty.	Description	Remark
1	VG13925033V	2	RING	
2	VG18601321V	2	SPRING, TENSION	
3	KG00641461	4	CARRIAGE BOLT M10X25 8.8	
4	KG00641661	2	CARRIAGE BOLT M10X35 8.8	
5	KG00644761	2	CARRIAGE BOLT M12X25 8.8	
6	KG00645061	2	CARRIAGE BOLT M12X40 8.8	
7	KG01068861	8	LOCK NUT M10 10	
8	KG01068961	4	LOCK NUT M12 10	
9	KG01188162	2	TENSION PIN 5X36	
10	KG01267961	2	WASHER M20	
11	VGND98102V	2	CHAIN	
12	VGTH100V	2	RING	
13	VGWA0244	1	PLATE, GUIDE	
14	VGWA246	2	SLEEVE, CUSHION	
15	VGWA670	2	STRIP	

VBP 2160 / CROP GUIDE CPL. (WPU)



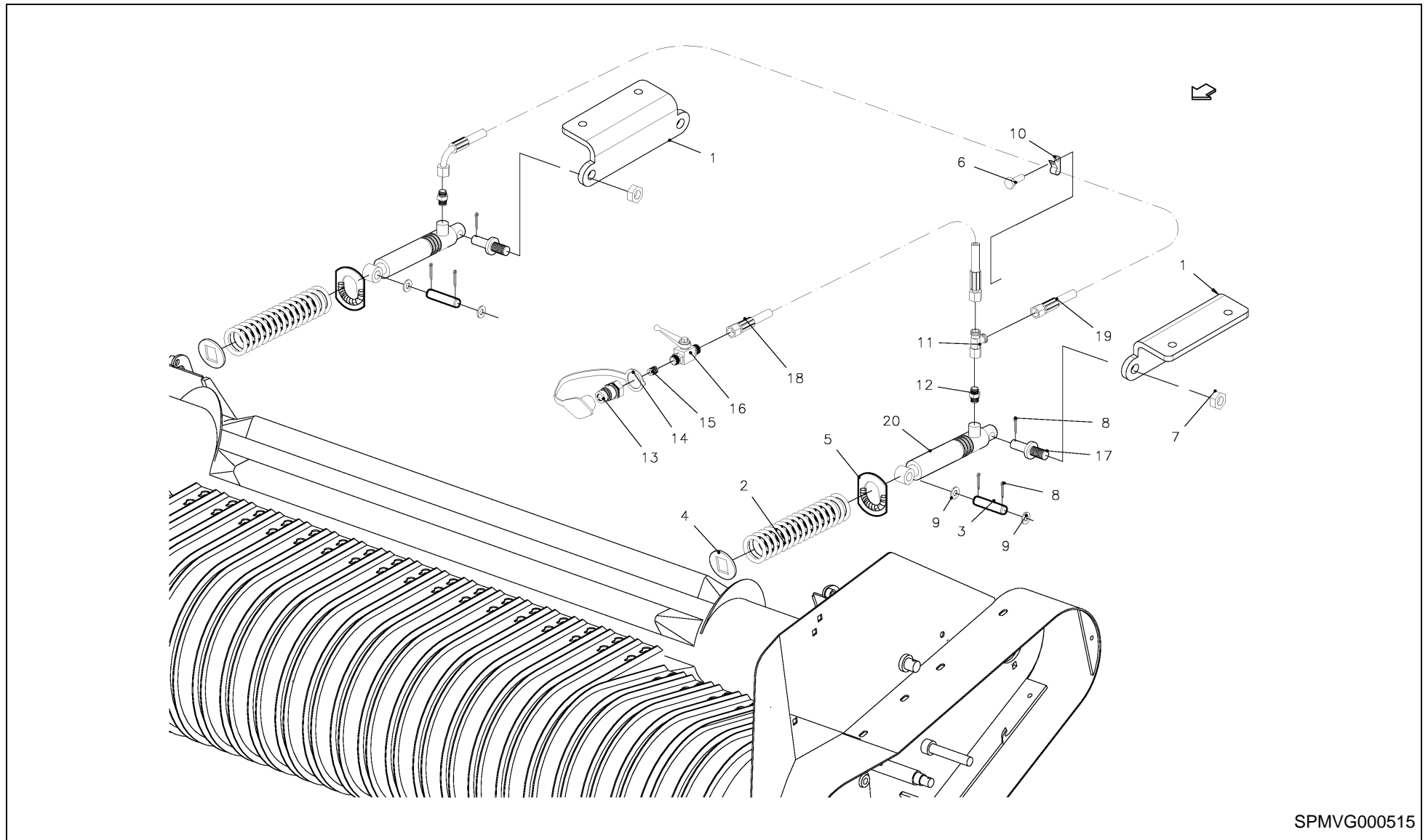
SPMVG000144

VBP 2160 / CROP GUIDE CPL. (WPU)



PosNo.	Part No.	Qty.	Description	Remark
1	KG00474061	1	HEX. SCREW M10X20 8.8	
2	KG00474361	1	HEX. SCREW M10X30 8.8	
3	KG00642361	9	CARRIAGE BOLT M10X70 8.8	
4	KG00645561	2	CARRIAGE BOLT M12X65 8.8	
5	KG01068861	11	LOCK NUT M10 10	
6	KG01068961	2	LOCK NUT M12 10	
7	VGMT152V	9	RING	
8	VGND9031V	1	FERGUSON BORG PEN 10	
9	VGWA0637	1	WIND GUARD	
10	VGWA1213V	5	TINE	
11	VGWA262V	4	TINE, SPRING	
12	VGWA568	1	LOCKING LEVER	
13	VGWA606	1	HOLDER, RH	
14	VGWA635	1	HOLDER, LH	
15	VGWA638	1	SUPPORT	
16	VGXD233V	2	BUSH	

VBP 2160 / CYLINDER, PICK-UP (WPU)

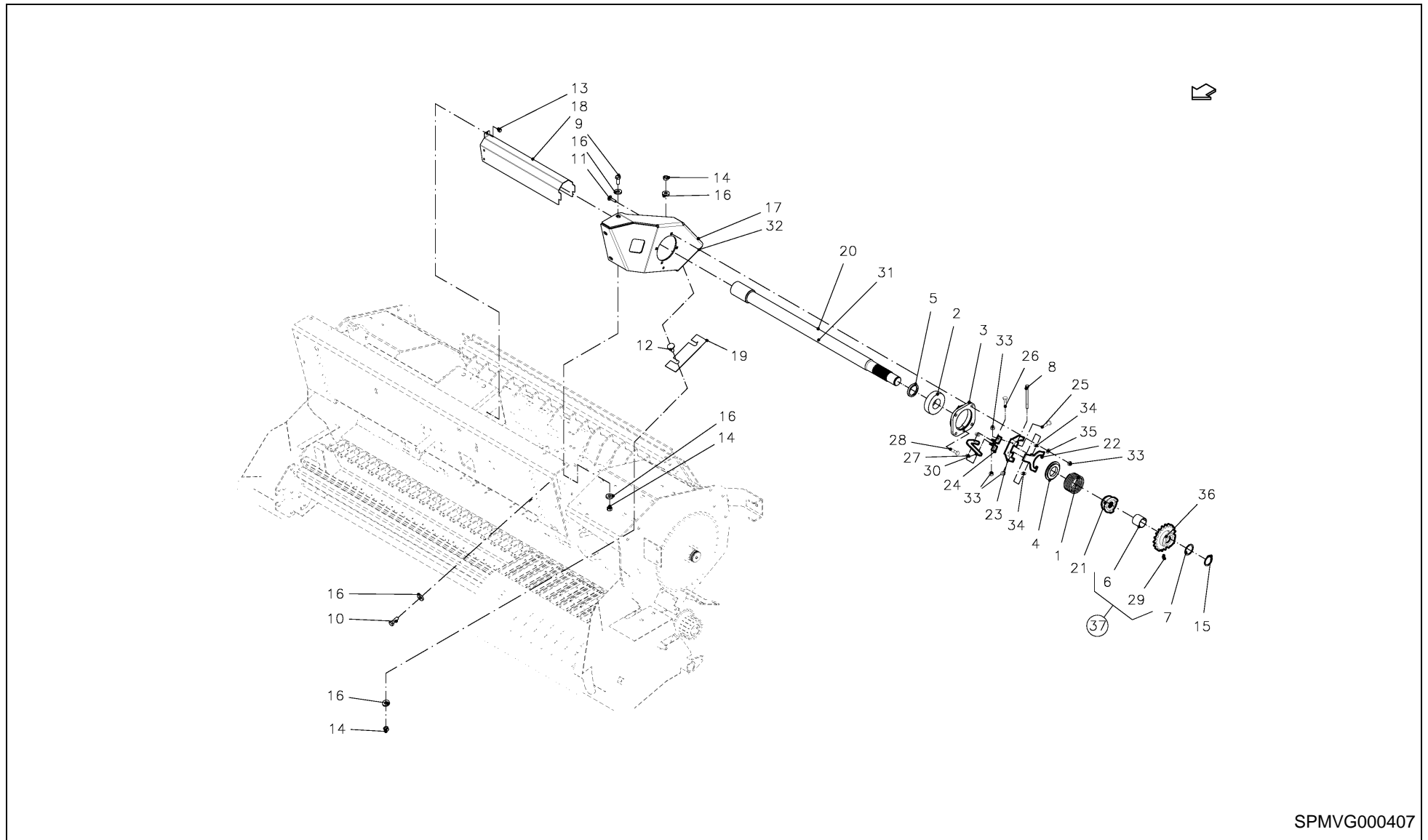


SPMVG000515

VBP 2160 / CYLINDER, PICK-UP (WPU)



PosNo.	Part No.	Qty.	Description	Remark
1	VGWP152K0	2	SUPPORT	
2	VF06215425	2	COMPRESSION SPRING	
3	VF06576501	2	PIN	
4	VF16519184	2	WASHER/DISC/PLATE	
5	VF16618323	2	CLIP	
6	KG01000161	3	FLANGED BOLT M6X12	
7	KG01069161	2	LOCK NUT M16 10	
8	KG01251561	6	SPLIT PIN 4X25 ST	
9	KG01267761	4	WASHER M16	
10	VGND90033	3	CLAMP HOSE-	
11	VGND92032V	1	MALE STUD TEE STUD BARREL, ADJ	
12	VGND92114V	2	COUPLING	
13	VGTP00512	1	QUICK-DISCONNECT PLUG, MALE	
14	VGND9607	1	COVER, DUST	
15	VGTP438	1	THROTTLE, SCREW	
16	VGWA00659	1	VALVE, SHUT-OFF	
17	VGWA183V	2	PIN	
18	VGWA548	1	HOSE, HP	
19	VGWA549	1	HOSE, HP	
20	VF16514629	1	CYLINDER, HYDR.	

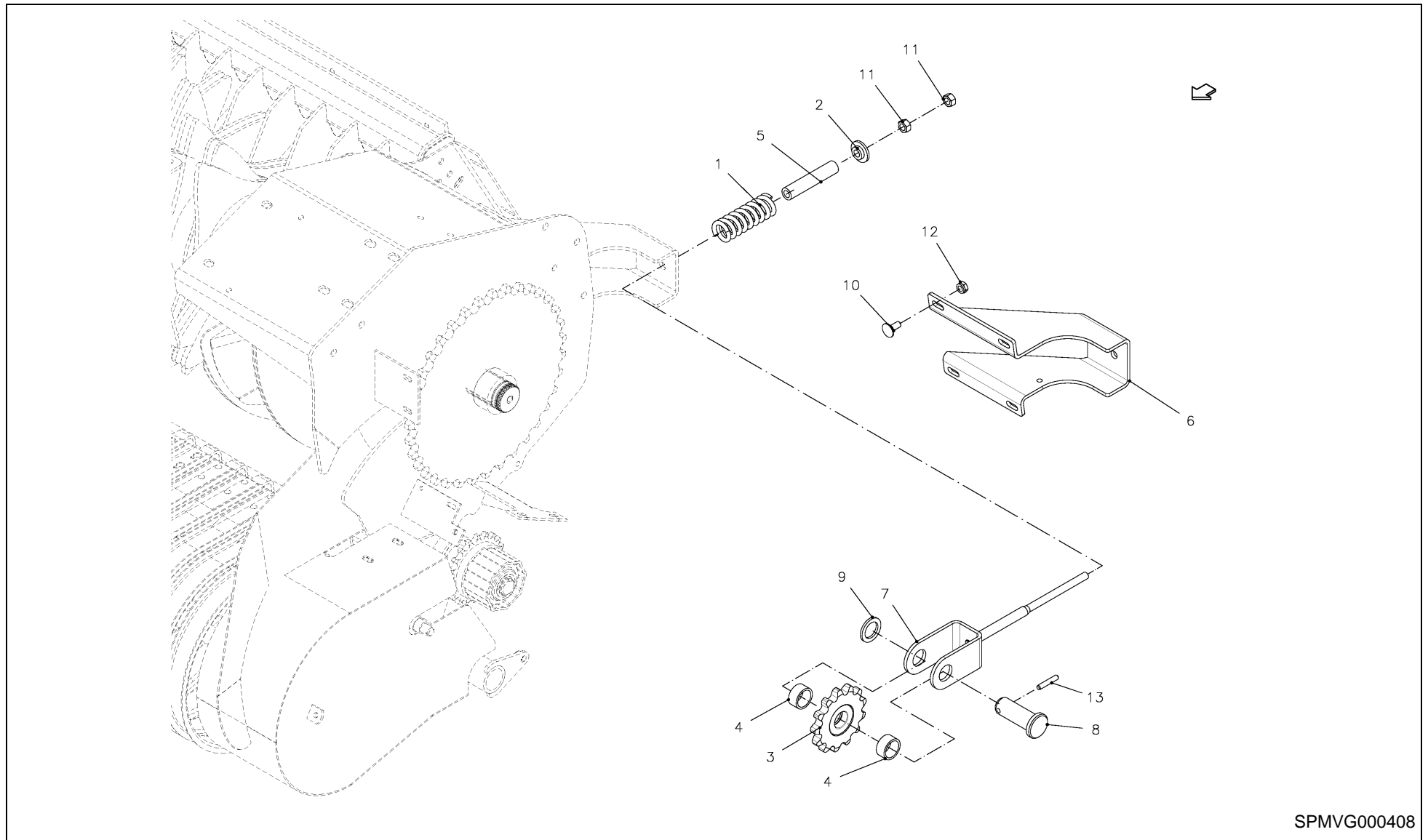


VBP 2160 / DRIVE (R+14-OC +XL-R+OC23)



PosNo.	Part No.	Qty.	Description	Remark
1	VF06215408	1	COMPRESSION SPRING	
2	VF16614109	1	CUSHION, ADJUSTABLE	
3	VF16614253.86	1	BEARING RACE	
4	VF16614279	1	WASHER	
5	VF16616328	1	BEARING RACE	XL-R + 23-OC
6	VF16618198	1	BUSH	
7	VG AH00132	1	SHIM SET	GIVE QUANTITY WHEN ORDERING
8	KG00354361	1	HEX. BOLT M8X110 8.8	
9	KG00476561	1	HEX. SCREW M12X30 8.8	
10	KG00476661	2	HEX. SCREW M12X35 8.8	
11	KG00639361	4	CARRIAGE BOLT M8X35 8.8	
12	KG00644861	2	CARRIAGE BOLT M12X30 8.8	
13	KG01000661	1	FLANGED BOLT M8X15	
14	KG01052161	5	HEX. NUT M12 8	
15	KG01109862	1	CIRCLIP-A 40 X 1.75	
16	VGND3148V	8	CIRCLIP	
17	VGWA02076K0	1	SUPPORT	R + OC-14
18	VGWA490	1	GUARD, PROTECT.	
19	VGWA904V	1	PLATE, SHIM	
20	VGWS0183	1	SHAFT, DRIVE	XL-R + 23-OC
21	VF16614276.86	1	SLIDING DOG	
22	VF16615219.86	1	LEVER	
23	VF16615220.86	1	ANGLE	
24	VF16615236.86	1	BEARING	
25	KG00353161	2	HEX. BOLT M8X35 8.8	
26	KG00472461	1	HEX. SCREW M8X40 8.8	
27	VGMH416V	2	RING	
28	VF16616404	1	GREASE NIPPLE	
29	VGND9813V	2	GREASE NIPPLE	
30	VGWS134	1	HANDLE	
31	VGWS060	1	SHAFT, DRIVE	R + OC-14
32	VGRL0502K0	1	SUPPORT	XL-R + 23-OC
33	KG01068761	8	LOCK NUT M8 10	
34	VGND3146V	2	RING	
35	KG01267361	1	WASHER M8	
36	VF16619984	1	CHAIN WHEEL	XL-R + 23-OC
37	VGWS00149	1	SPROCKET ASSY	R + OC-14

VBP 2160 / TENSIONER, CHAIN (R+OC-14)

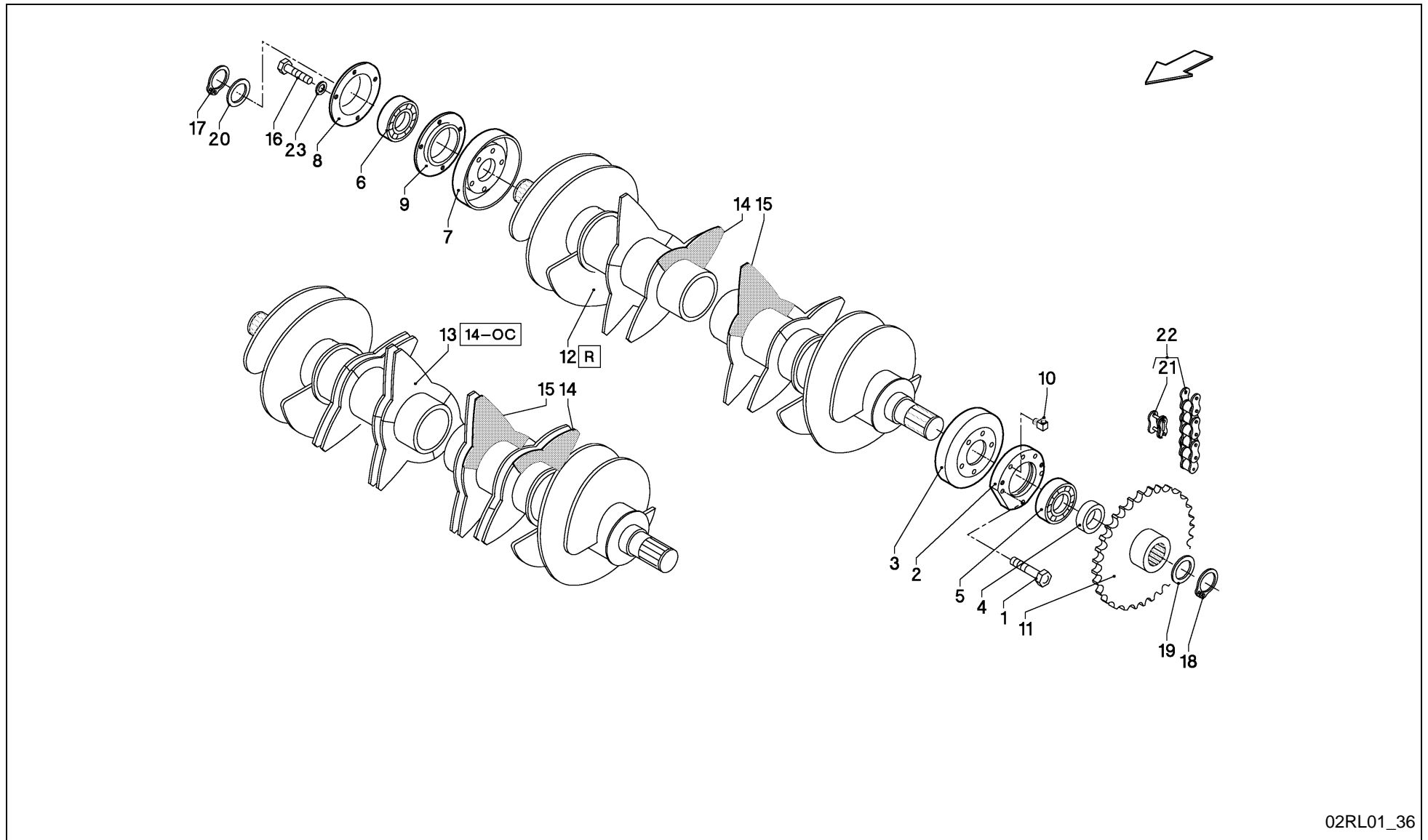


VBP 2160 / TENSIONER, CHAIN (R+OC-14)



PosNo.	Part No.	Qty.	Description	Remark
1	VF06215432	1	COMPRESSION SPRING	
2	VF06550817	1	SPRING CUP	
3	VF06554382.86	1	CHAIN WHEEL	
4	VF16614124	2	SPACER TUBE	
5	VF16619185	1	PIPE/TUBE	
6	VF16653138	1	SUPPORT	
7	VF16614227.86	1	TENSIONER CHAIN	
8	VF16654530	1	PIN	
9	VGDS59V	1	RING	
10	KG00641461	4	CARRIAGE BOLT M10X25 8.8	
11	KG01052161	2	HEX. NUT M12 8	
12	KG01068861	4	LOCK NUT M10 10	
13	KG01191962	1	TENSION PIN 8X45	

VBP 2160 / GATHERING ROLLER (R+14-OC)



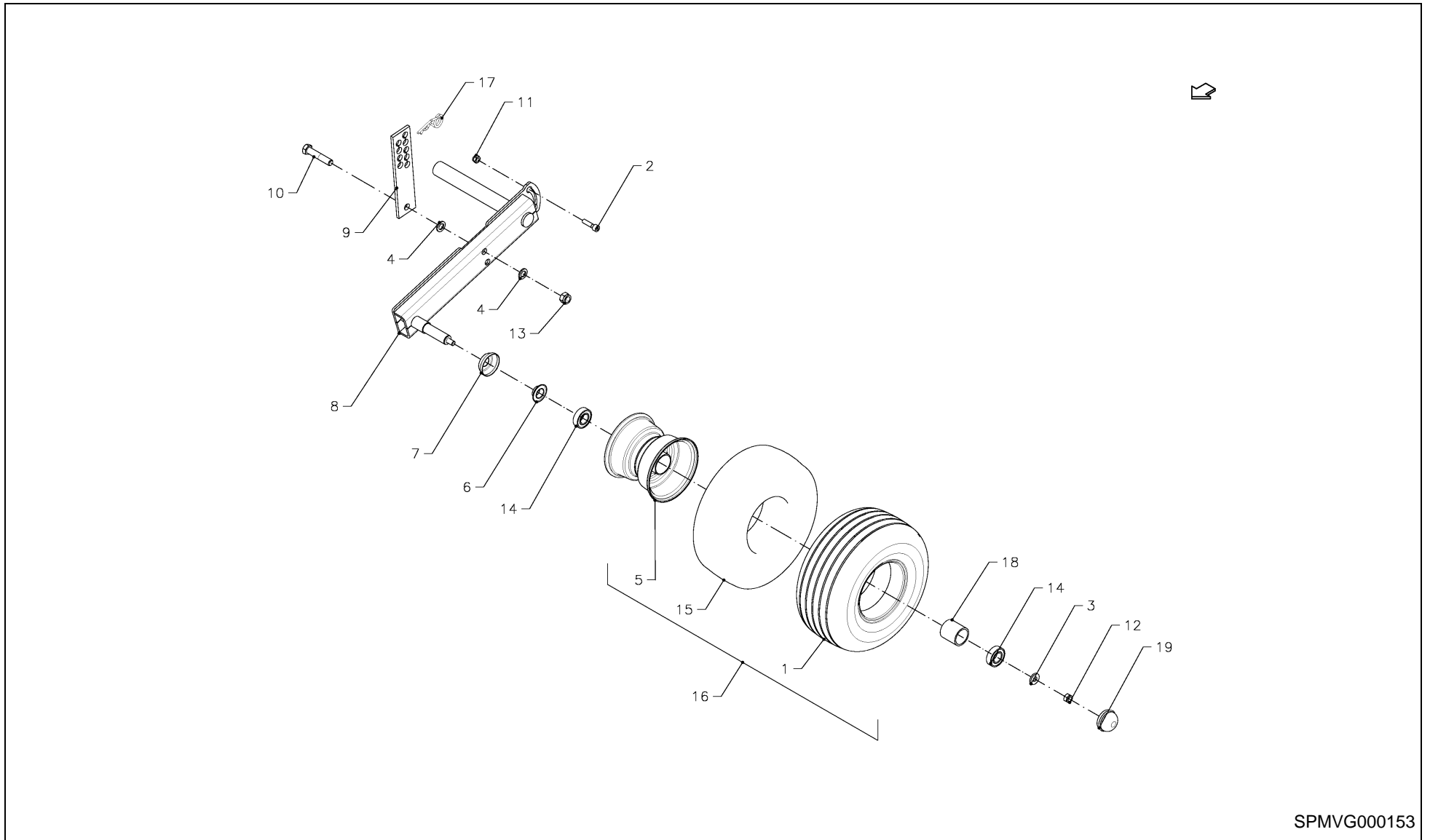
02RL01_36

VBP 2160 / GATHERING ROLLER (R+14-OC)



PosNo.	Part No.	Qty.	Description	Remark
1	VF06209240	8	BOLT, NUTTED	
2	VF16613954.86	1	SUPPORT RIGHT	
3	VF16613956.86	1	ANTI WRAPPING DEVICE	
4	VF16614025	2	SPACER RING	
5	VF16614126	1	BALL BEARING	
6	VF16614169	1	BALL BEARING	
7	VF16615109	1	ANTI WRAPPING DEVICE	
8	VF16615114	1	HALF HOUSING	
9	VF16615117	1	HALF HOUSING	
10	VF16616404	1	GREASE NIPPLE	
11	VF16616797.86	1	SPROCKET	
12	VF16618150	1	ROLLER, SMOOTH	R
13	VF16619420	1	TINE ROLLER	14-OC
14	VF16611577	1	TINE	
15	VF16616807	1	TINE	
16	KG00476561	10	HEX. SCREW M12X30 8.8	
17	KG01109862	1	CIRCLIP-A 40 X 1.75	
18	KG01110462	1	CIRCLIP-A 50 X 2	
19	VGMT0063		SHIM SET	GIVE QUANTITY WHEN ORDERING
20	VGND3126	1	RING	
21	VGND9295	1	LINK, SIMPL.	
22	VGND96133	1	CHAIN, ROLLER, SIMPLEX	
23	VGTH100V	4	RING	

VBP 2160 / GAUGE WHEEL, PICK-UP (R+14-OC + XLR +23-OC)



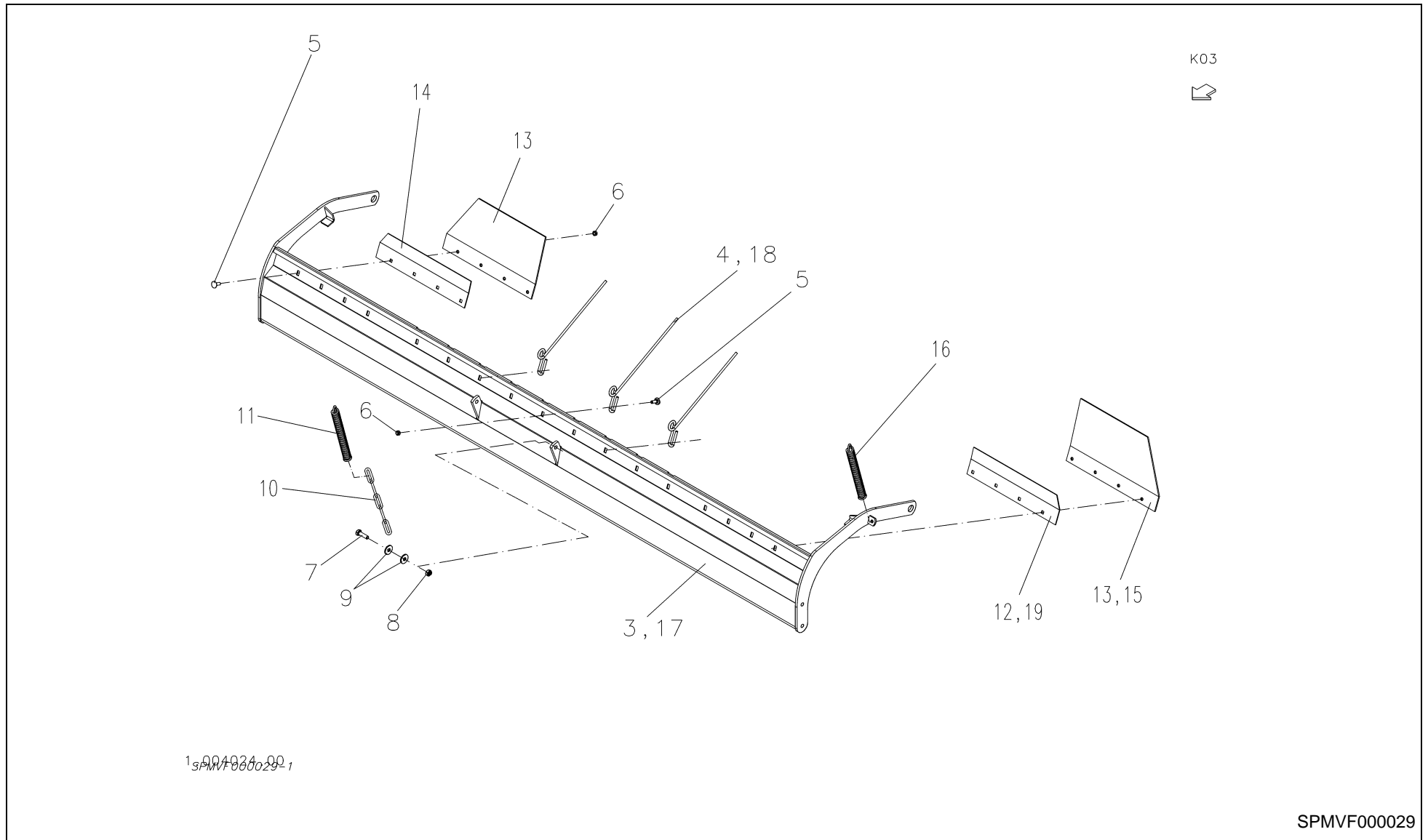
SPMVG000153

VBP 2160 / GAUGE WHEEL, PICK-UP (R+14-OC + XLR +23-OC)



PosNo.	Part No.	Qty.	Description	Remark
1	VF01141364	2	TYRE	
2	VF01397983	2	CHEESE-HEAD SCREW	
3	VGTH100V	2	RING	
4	KG01267761	4	WASHER M16	
5	VF06564735.98	2	RIM	
6	VF06567492	2	GASKET	
7	VF16622598	2	PROTECTION CAP 25X62	
8	VF16652374.86	2	AXLE LINK	
9	VF16652392.86	2	PERFORATED RAIL	
10	KG00362661	2	HEX. BOLT M16X90 8.8	
11	KG01068861	2	LOCK NUT M10 10	
12	KG01068961	2	LOCK NUT M12 10	
13	KG01069161	2	LOCK NUT M16 10	
14	KG01476400	2	BALL BEARING 6205-2RS C3	
15	VGND9779	2	AIR CHAMBER	
16	VF06564733	2	WHEEL	
17	VGPZ160V	2	SPRING CLIP	
18	VF06249879	2	SPACER	
19	VF06580546	2	CAP	

VBP 2160 / CROP GUIDE CPL. (R+14-OC + XL-R + 23-OC)



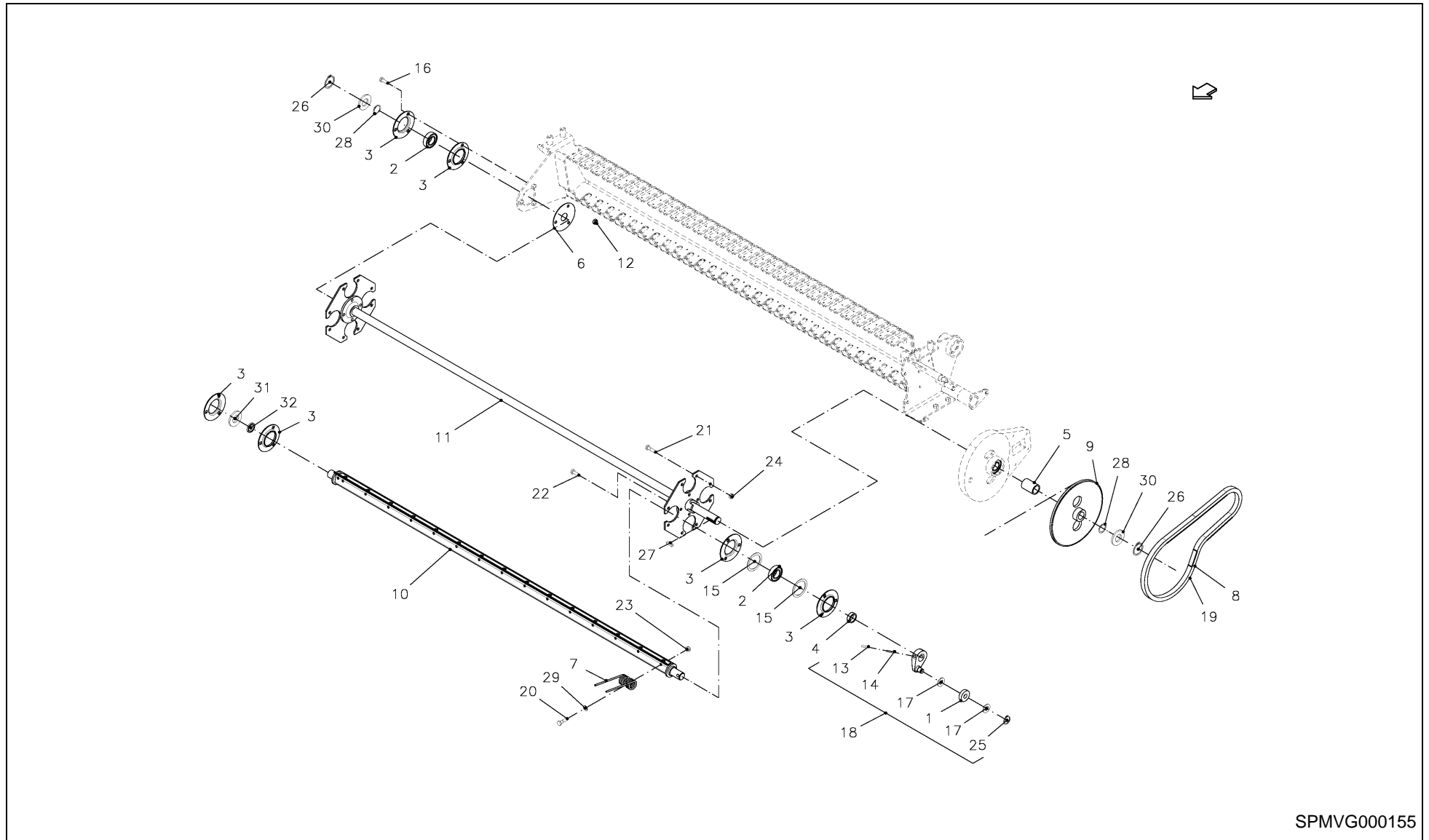
1_001024_00
SPMV000029_1

SPMV000029

VBP 2160 / CROP GUIDE CPL. (R+14-OC + XL-R + 23-OC)



PosNo.	Part No.	Qty.	Description	Remark
3	VF16654389.86	1	DEFLECTOR PLATE	
4	VF16514266	3	SPRING TINE	
5	KG00639061	12	CARRIAGE BOLT M8X20 8.8	
6	VF01397863	12	HEX.NUT	
7	KG00474461	2	HEX. SCREW M10X35 8.8	
8	KG01068861	2	LOCK NUT M10 10	
9	VGMT152V	4	RING	
10	VF01397910	2	CHAIN/TRACK	
11	VGPZ365V	2	SPRING, TENSION	
12	VF16517258.86	1	BAFFLE LEFT	
13	VF16517301	1	TAPE/STRAP/ RIGHT	
14	VF16517302.86	1	BAFFLE RIGHT	
15	VF16517257	1	TAPE/STRAP/BAND LEFT	
16	VF01141494	1	TENSION SRING	
17	VF16652199.86	1	BAFFLE PLATE	OC 23 + XL-R
18	VF16618436	3	SPRING TINE	OC 23 + XL-R
19	VF16619481.86	1	BAFFLE	OC 23 + XL-R



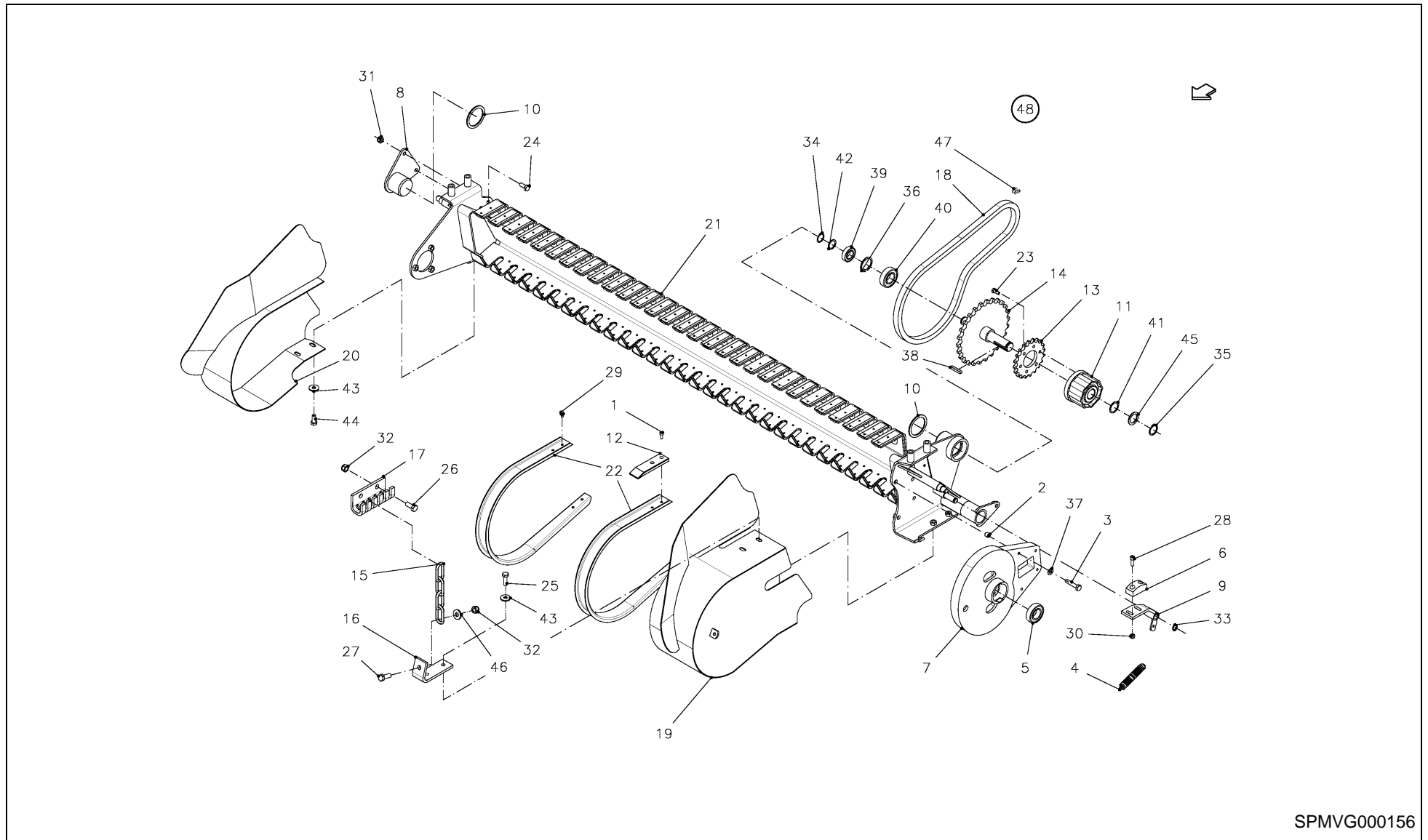
SPMVG000155

VBP 2160 / PICK-UP, CPL. (R+14-OC)



PosNo.	Part No.	Qty.	Description	Remark
1	VF06215027	4	ROLLER	
2	VF06215766	5	ROLLER BEARING	
3	VF06215783	18	HOUSING, FLANGED	
4	VF16617910	4	INTERMEDIATE TUBE	
5	VF16618011.86	1	SPACER TUBE	
6	VF16618811.86	1	WASHER	
7	VF16618868.86	60	FEDERZINKEN PU 4 WIND. MP 122	
8	VF16618449	1	CHAIN	
9	VF16619858.86	1	SPROCKET	
10	VF16654387.86	4	TUBE	
11	VF16654388.86	1	DRIVE SHAFT	
12	KG01043261	3	HEX. NUT M10 8	
13	KG01190062	4	TENSION PIN 6X70	
14	VG61.05.04	4	PIN, TENSION	
15	VF01170940	8	NILOS-RING	
16	VF01177466	3	HEX.BOLT	
17	VF06214938	8	NILOSRING 6303 ZAV	
18	VF16615203.86	4	CONTROL ARM	
19	VGND9346	1	LINK, SIMPL.	
20	KG00353661	60	HEX. BOLT M8X60 8.8	
21	KG00474261	8	HEX. SCREW M10X25 8.8	
22	KG00474361	4	HEX. SCREW M10X30 8.8	
23	KG01061261	60	LOCK NUT M8 8	
24	KG01068861	12	LOCK NUT M10 10	
25	KG01107562	4	CIRCLIP-A 17 X 1	
26	KG01108862	2	CIRCLIP-A 30 X 1.5	
27	KG01306900	1	KEY 8X7X32	
28	VGMT00310	2	SHIM SET	GIVE QUANTITY WHEN ORDERING
29	KG01273561	60	WASHER M8	
30	VGND3138V	2	RING	
31	VF16655023	4	WASHER	
32	VF16655049	4	TIGHTENING BEARING DIN 626 RAE 30 NPPB	

VBP 2160 / FRAME, PICK-UP (R+14-OC)



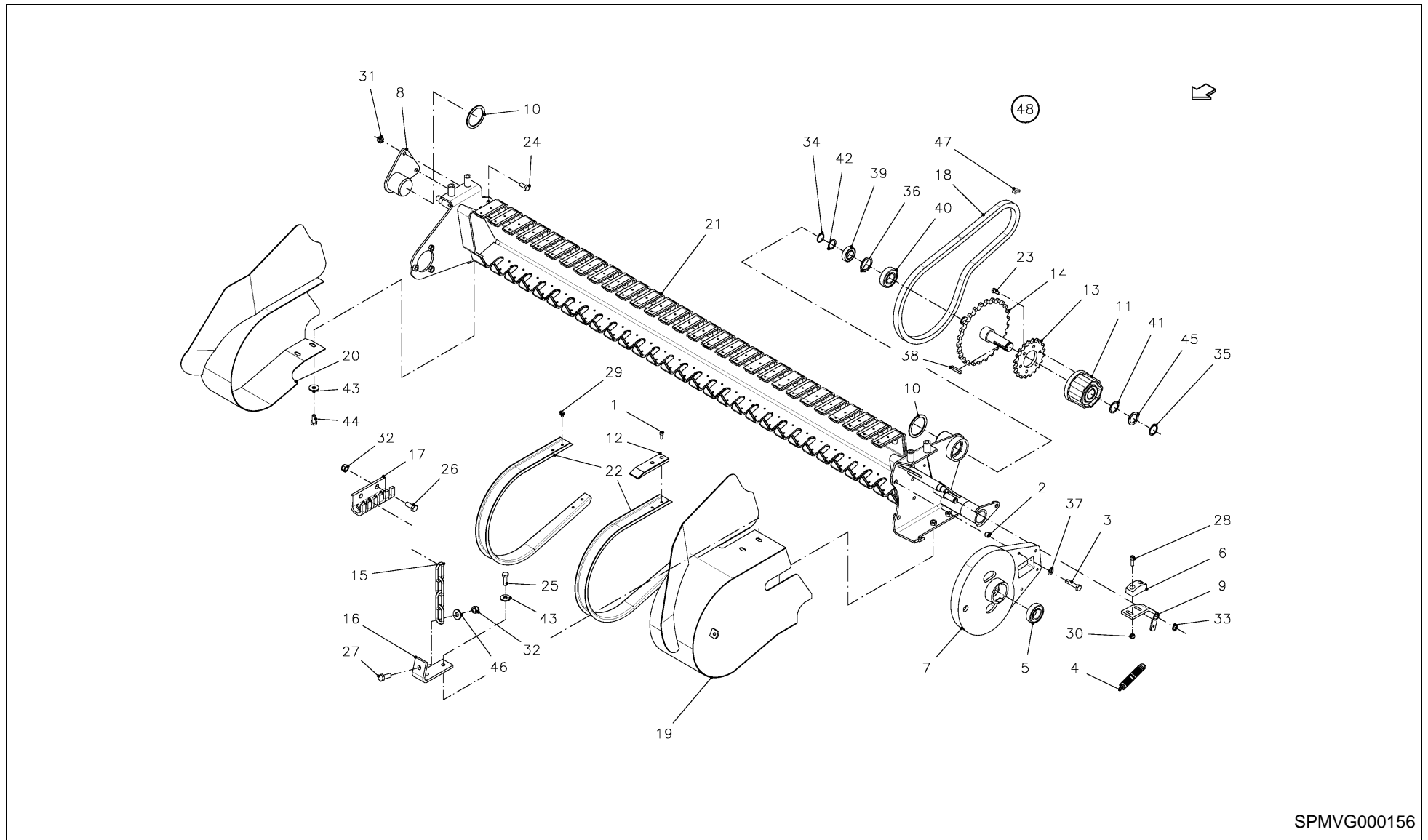
SPMVG000156

VBP 2160 / FRAME, PICK-UP (R+14-OC)



PosNo.	Part No.	Qty.	Description	Remark
1	VF01104181	20	CYLINDR. SCREW	
2	VF01157427	2	DOWEL PIN	
3	VF06209483	4	HEX.HEAD SCREW	
4	VF06215540	1	TENSION SPRING	
5	VF06215766	1	ROLLER BEARING	
6	VF06246785	1	BLOC	
7	VF16617225.86	1	GUIDE	
8	VF16616475	1	PIVOT PIN	
9	VF16617204.86	1	TENSIONER CHAIN	
10	VF16617206	2	SHIM	
11	VF16617905.86	1	CLUTCH	
12	VF16618012	10	PLASTIC SEGMENT	
13	VF16618017.86	1	SPROCKET	
14	VF16618729.86	1	SPROCKET	
15	VF16618864	2	CHAIN/TRACK	
16	VF16618876	2	FIXING ANGLE	
17	VF16618891	2	SUPPORT	
18	VF16619824	1	CHAIN	
19	VF16651180.86	1	SIDE PART LEFT	
20	VF16651190.86	1	SIDE PART RIGHT	
21	VF16654305.86	1	SUPPORT	
22	VF16655994	29	STREIFBLECH	
23	KG00471961	6	HEX. SCREW M8X20 8.8	
24	KG00474261	2	HEX. SCREW M10X25 8.8	
25	KG00474461	4	HEX. SCREW M10X35 8.8	
26	KG00476561	4	HEX. SCREW M12X30 8.8	
27	KG00476661	2	HEX. SCREW M12X35 8.8	
28	KG00545161	2	CHEESE HEAD SCREW M8X25 8.8	
29	KG00980461	96	FLANGED BOLT M6X10 90	
30	KG01068761	2	LOCK NUT M8 10	
31	KG01068861	2	LOCK NUT M10 10	
32	KG01068961	6	LOCK NUT M12 10	
33	KG01107462	1	CIRCLIP-A 16 X 1	
34	KG01108362	1	CIRCLIP-A 25 X 1.2	
35	KG01108862	1	CIRCLIP-A 30 X 1.5	
36	KG01128700	1	CIRCLIP-B 47 X 1.75	
37	KG01267461	4	WASHER M10	
38	KG01307200	1	KEY 8X7X45	
39	KG01356100	1	BALL BEARING 6005-2RS	
40	KG01380000	1	BALL BEARING 6206-2RS	

VBP 2160 / FRAME, PICK-UP (R+14-OC)



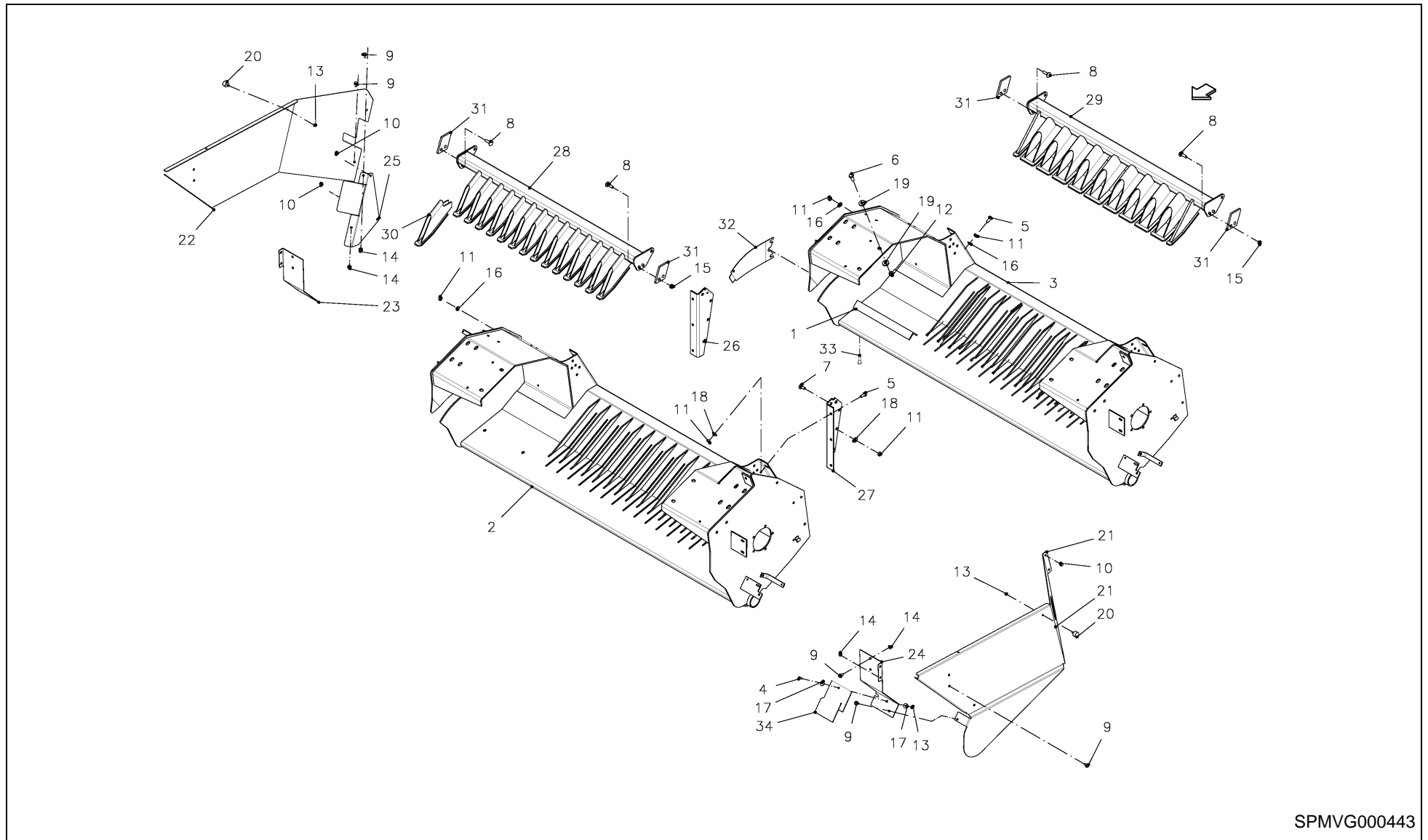
SPMVG000156

VBP 2160 / FRAME, PICK-UP (R+14-OC)



PosNo.	Part No.	Qty.	Description	Remark
41	VGMT00310	1	SHIM SET	
42	VGMT0062	1	SHIM SET	
43	VGMT152V	8	RING	
44	VGND1481V	4	BOLT, LOCK, SPEC.	
45	VGND3138V	1	RING	
46	VGTH100V	2	RING	
47	VGND9346	1	LINK, SIMPL.	
48	VF16653600	1	PICK-UP ASSEMBLED	

VBP 2160 / FRAME (R + 14-OC)

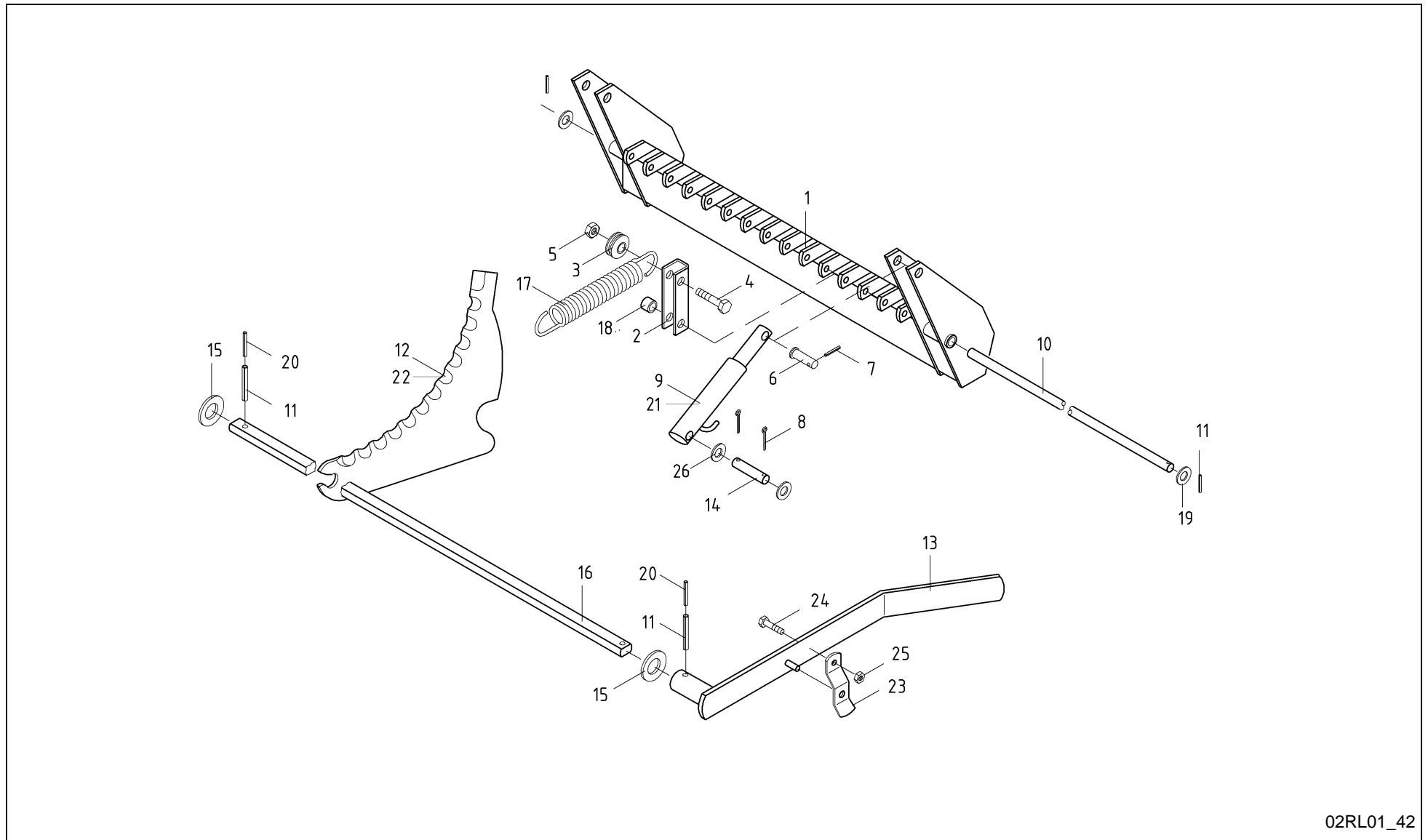


SPMVG000443

VBP 2160 / FRAME (R + 14-OC)



PosNo.	Part No.	Qty.	Description	Remark
1	VF16617478	2	SCRAPER/WIPER	
2	VF16653020	1	FRAME, CUTTING	OC-14
3	VF16653180	1	FRAME, INTAKE ROTOR	R
4	KG00468961	2	HEX. SCREW M6X20 8.8	
5	KG00474261	12	HEX. SCREW M10X25 8.8	
6	KG00476561	4	HEX. SCREW M12X30 8.8	
7	KG00641461	6	CARRIAGE BOLT M10X25 8.8	
8	KG00641661	6	CARRIAGE BOLT M10X35 8.8	
9	KG00981161	11	FLANGED BOLT M8X16 90	
10	KG01000661	4	FLANGED BOLT M8X15	
11	KG01052061	24	HEX. NUT M10 8	
12	KG01052161	6	HEX. NUT M12 8	
13	KG01061161	4	LOCK NUT M6 8	
14	KG01061261	10	LOCK NUT M8 8	
15	KG01068861	4	LOCK NUT M10 10	
16	KG01267461	10	WASHER M10	
17	VGND3034V	4	WASHER, PLAIN	
18	VGND3147V	14	RING	
19	VGND3148V	12	CIRCLIP	
20	VGND90007	2	DAMPER VIBRATION	
21	VGRL399K0	1	GUARD, PROTECT., LH	
22	VGRL400K0	1	GUARD, PROTECT., RH	
23	VGRL406K0	1	PLATE, RH	
24	VGRL435K0	1	PLATE, LH	
25	VGRL567K0	1	PLATE	
26	VGWA1600	1	PLATE, RH	
27	VGWA2145K0	1	PLATE, LH	
28	VGWS0137	1	FRAME	OC-14
29	VGWS0145	1	FRAME	R
30	VGWS0177	1	WELDING PART	
31	VGWS142	2	STRIP	
32	VGWS147	1	PLATE	
33	VF06209465	4	HEX.HEAD SCREW	
34	VGWS146	1	SEAL	

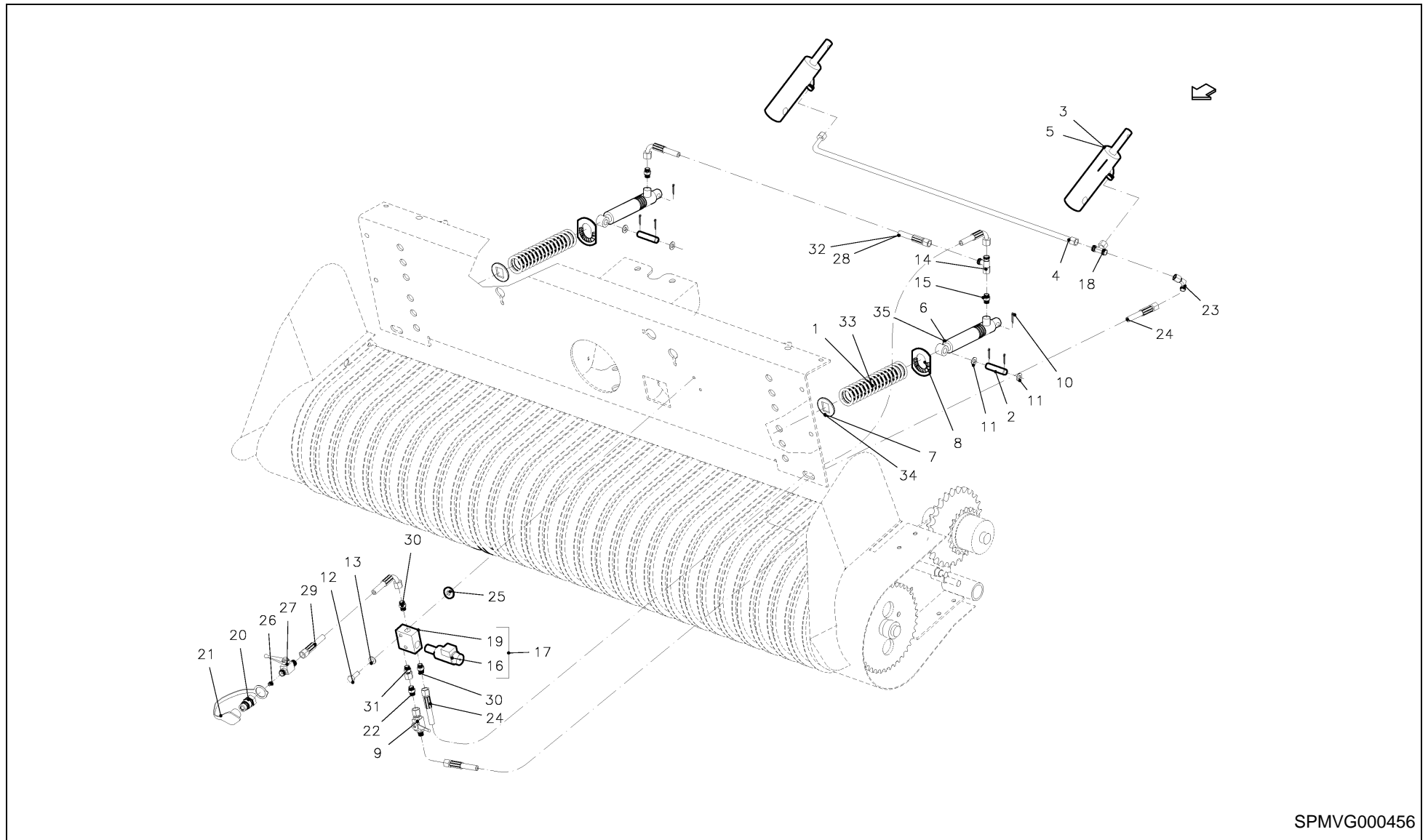


VBP 2160 / FRAME, KNIVES 14-OC



PosNo.	Part No.	Qty.	Description	Remark
1	VF16613976.86	1	FRAME	
2	VF06579564.86	14	YOKE/RETAINER	
3	VF16618515	14	ROLLER	
4	KG00355661	14	HEX. BOLT M10X60 8.8	
5	KG01068861	14	LOCK NUT M10 10	
6	VF16512862	2	PIN	
7	KG01186662	4	TENSION PIN 4X32	
8	VF01122071	4	SPLIT PIN	
9	VF06579628	2	HYDR. CYLINDER	
10	VF16655089	1	SHAFT	
11	VGND4030V	3	PIN, TENSION	
12	VF16613168	14	KNIFE	
13	VF16617521.86	1	LEVER	
14	VF06277506	2	PIN	
15	VF06214306	4	WASHER	
16	VF06579571	1	AXLE	
17	VF16618516	14	TENSION SPRING	
18	VF16512934	13	PIPE	
19	KG01267961	4	WASHER M20	
20	VF01157314	1	DOWEL PIN	
21	VF16513632		SEALING SET	
22	VF16653188	14	BLADE, HARDENED	
23	VF06552557	1	LEAF SPRING	
24	KG00468761	1	HEX. SCREW M6X16 8.8	
25	KG01067361	1	LOCK NUT M6 8	
26	VF06214306	4	WASHER	

VBP 2160 / CYLINDER, PICK-UP (14-OC + 23-OC SS)

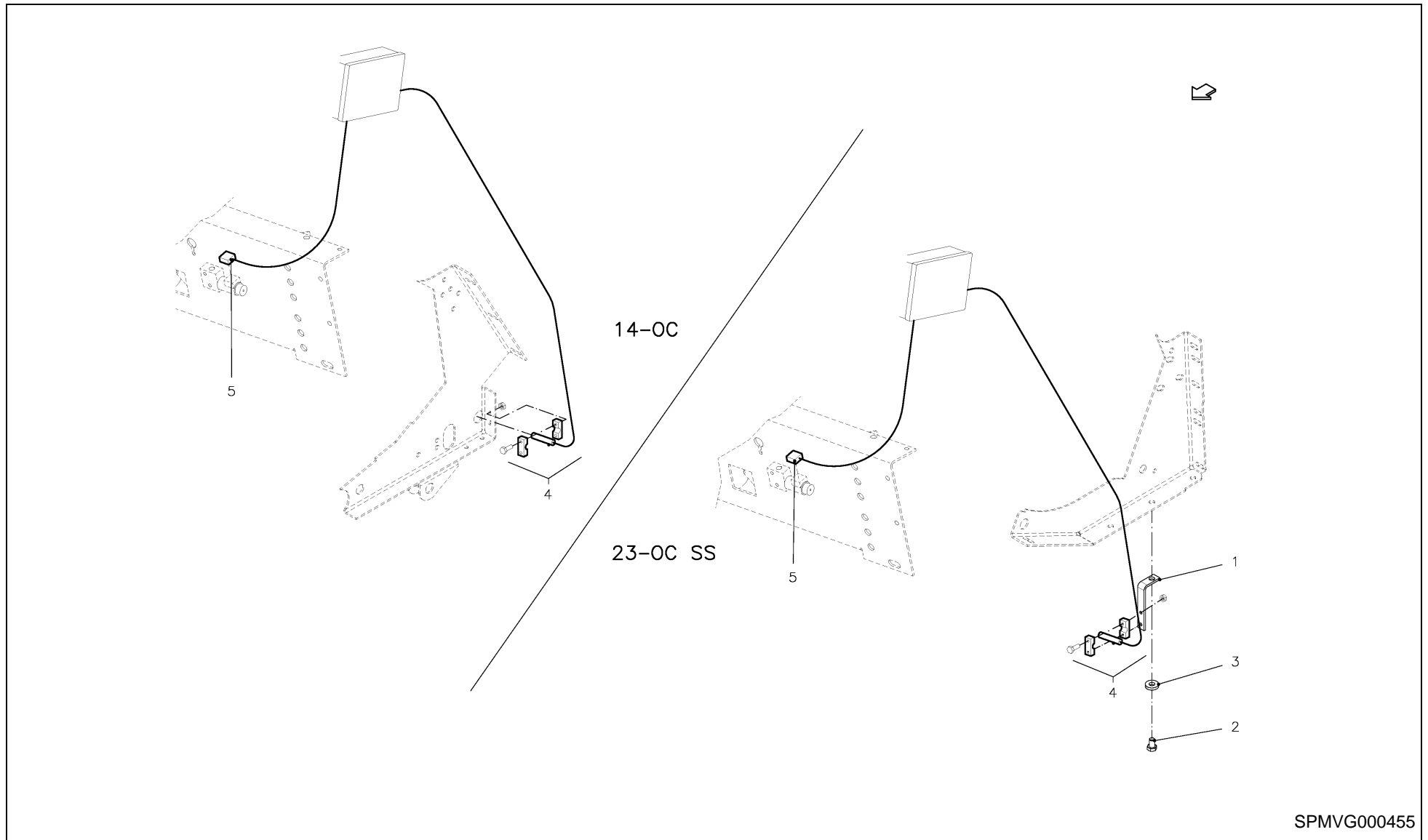


SPMVG000456

VBP 2160 / CYLINDER, PICK-UP (14-OC + 23-OC SS)



PosNo.	Part No.	Qty.	Description	Remark
1	VF06215425	2	COMPRESSION SPRING	
2	VF16652834	2	PIN	
3	VF06579628	2	HYDR. CYLINDER	
4	VF16512957	1	PIPE/LINE	
5	VF16513632	1	SEALING SET	GIVE QUANTITY WHEN ORDERING
6	VF16514629	1	CYLINDER, HYDR.	
7	VF16519184	2	WASHER/DISC/PLATE	
8	VF16618323	2	CLIP	
9	VGBF00349	1	VALVE ASSY, SHUT-OFF	
10	KG01251561	6	SPLIT PIN 4X25 ST	
11	KG01267761	4	WASHER M16	
12	VGND1472V	2	BOLT, TAPTITE	
13	VGND3122V	2	WASHER, PLAIN	
14	VGND92032V	1	MALE STUD TEE STUD BARREL, ADJ	
15	VGND92114V	2	COUPLING	
16	VGND92198	1	SELECTOR VALVE	
17	VGND92197	1	BODY, VALVE	
18	VGND92154V	1	T-COUPLING, ADJUSTABLE	
19	VGND92159	1	BLOCK, HYDR.	
20	VGTP00512	1	QUICK-DISCONNECT PLUG, MALE	
21	VGND9607	1	COVER, DUST	
22	VGND9807V	1	STUD COUPLING, MALE	
23	VGND9906V	1	ELBOW COUPLING, ADJUSTABLE	
24	VGRL299	2	HOSE, HP	
25	VGTH100V	2	RING	
26	VGTP438	1	THROTTLE, SCREW	
27	VGWA00659	1	VALVE, SHUT-OFF	
28	VGWA549	1	HOSE, HP	14-OC
29	VGXD64	1	HOSE, HP	
30	VGND9869V	2	STUD COUPLING	
31	VGND9392V	1	COUPLING	
32	VGXD314	1	HOSE, HP	23-OC SS
33	VF16654457	2	DRUCKFEDER 6,3/44,0 /185	23-OC
34	VF16652343	2	HYDRAULIC CYLINDER	23-OC
35	VF06214411	2	WASHER	23-OC



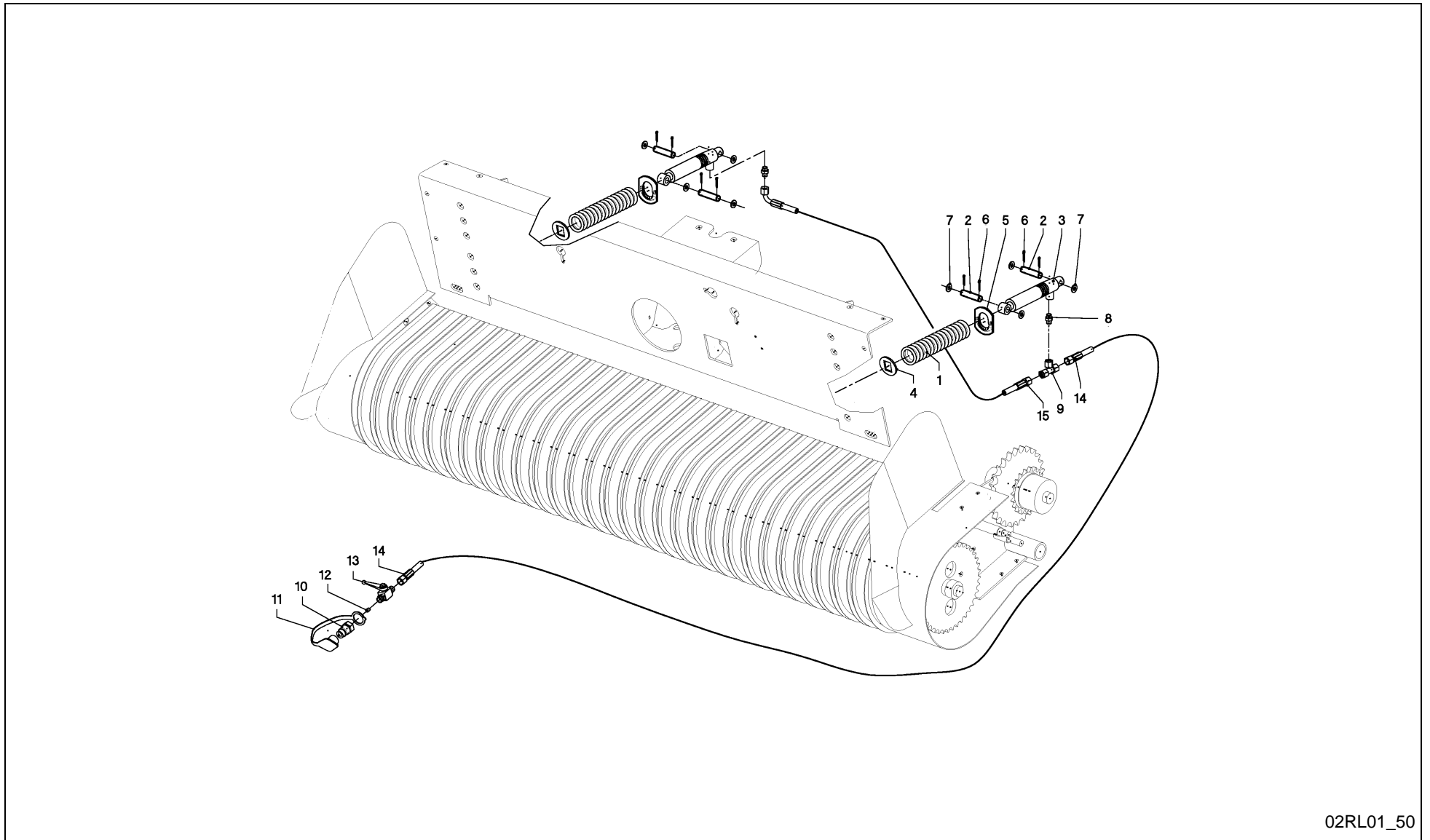
SPMVG000455

VBP 2160 / SENSOR ASSY



PosNo.	Part No.	Qty.	Description	Remark
1	VF16657711.86	1	HOLDER	
2	KG00476261	1	HEX. SCREW M12X20 8.8	
3	VGND3148V	1	CIRCLIP	
4	MT00000124	2	SENSOR ASSY PROX PLAST L=7M	
5	VNB0271073	2	CABLE VALVE L=1.1M	

VBP 2160 / CYLINDER, PICK-UP (R + XL-R)



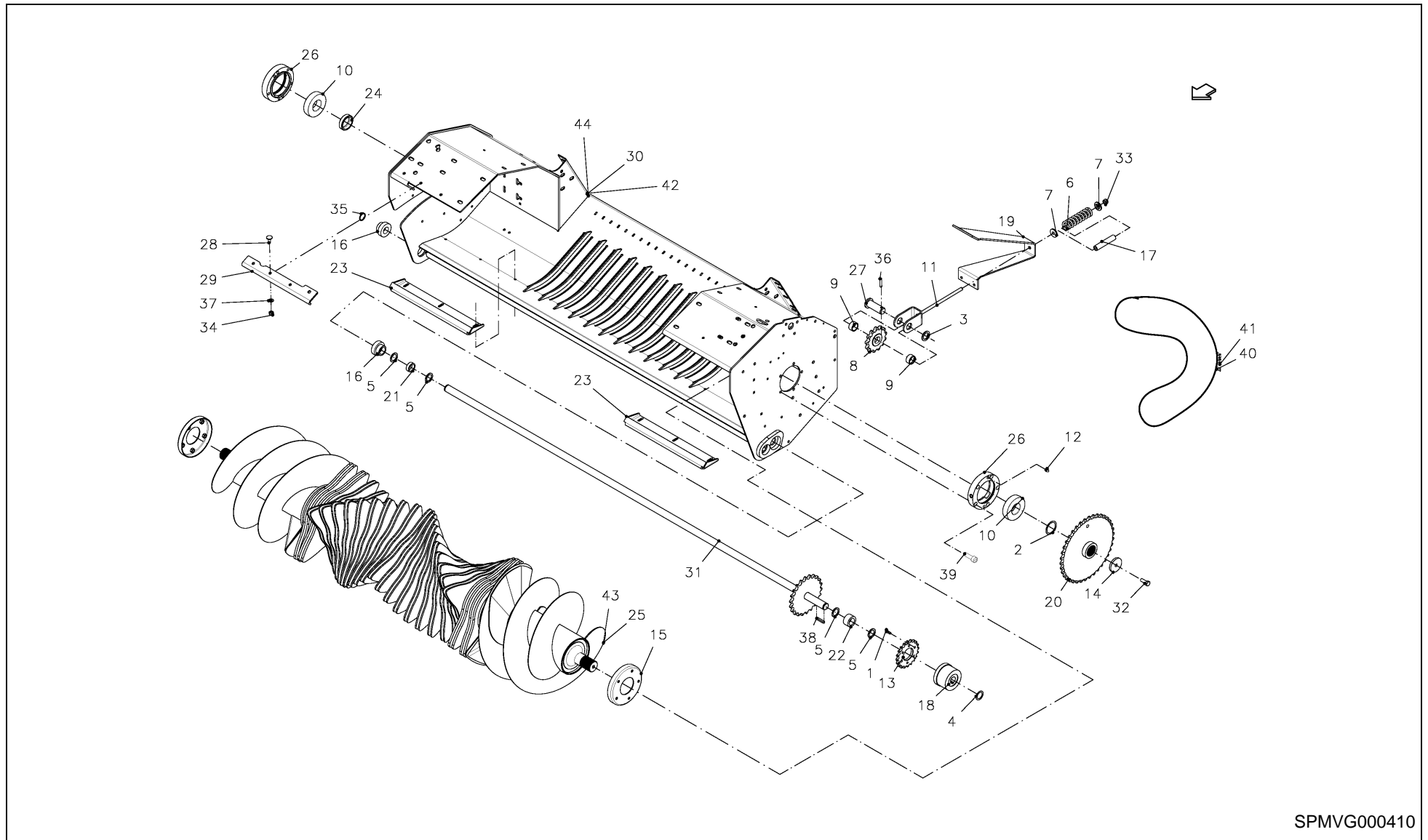
02RL01_50

VBP 2160 / CYLINDER, PICK-UP (R + XL-R)



PosNo.	Part No.	Qty.	Description	Remark
1	VF06215425	2	COMPRESSION SPRING	
2	VF16652834	4	PIN	
3	VF16514629	2	CYLINDER, HYDR.	
4	VF16519184	2	WASHER/DISC/PLATE	
5	VF16618323	2	CLIP	
6	KG01251561	8	SPLIT PIN 4X25 ST	
7	KG01267761	8	WASHER M16	
8	VGND92114V	2	COUPLING	
9	VGND92154V	1	T-COUPLING, ADJUSTABLE	
10	VGTP00512	1	QUICK-DISCONNECT PLUG, MALE	
11	VGND9607	1	COVER, DUST	
12	VGTP438	1	THROTTLE, SCREW	
13	VGWA00659	1	VALVE, SHUT-OFF	
14	VGWA548	1	HOSE, HP	
15	VGWA549	1	HOSE, HP	

VBP 2160 / DRIVE (23-OC)



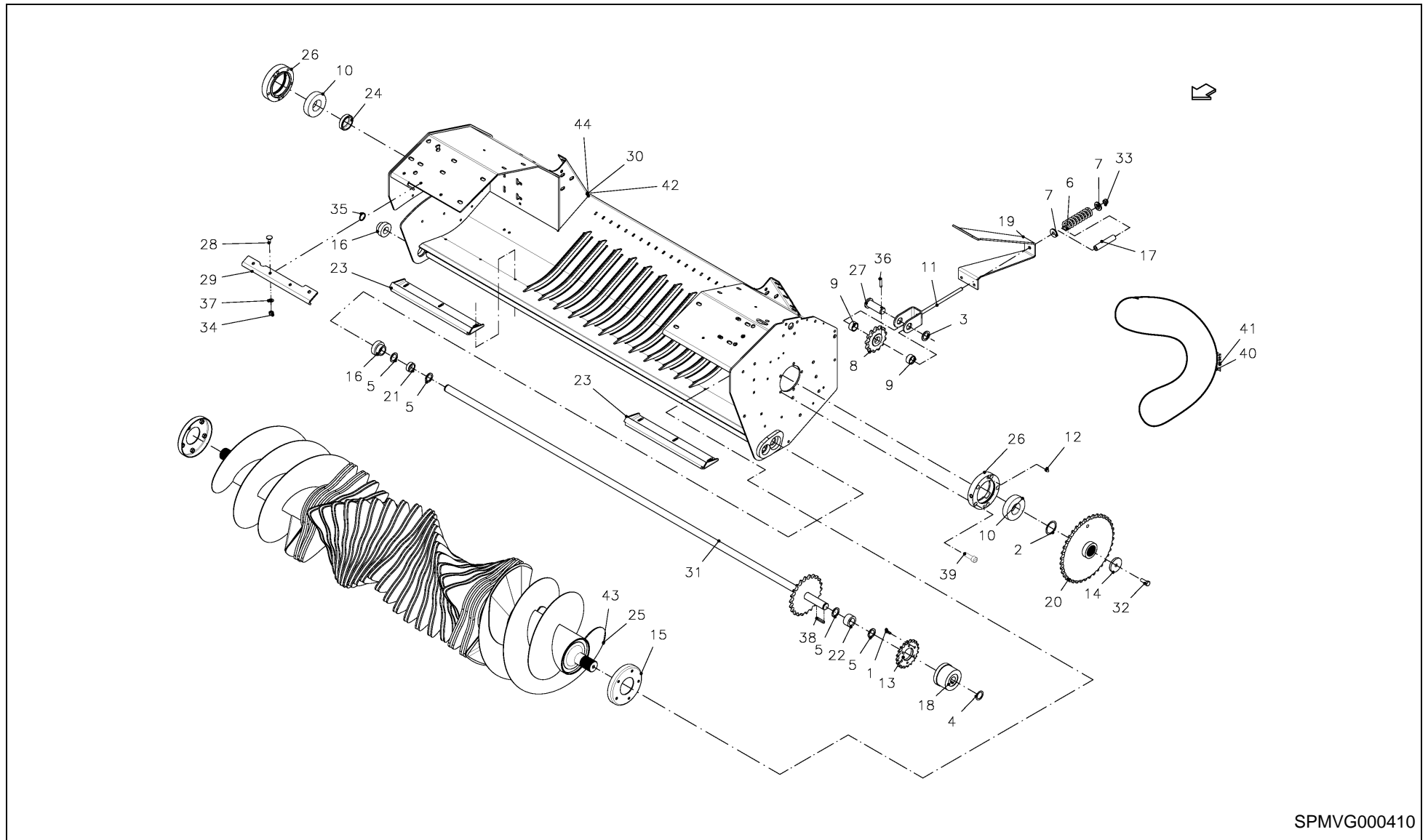
SPMVG000410

VBP 2160 / DRIVE (23-OC)



PosNo.	Part No.	Qty.	Description	Remark
1	VF01173381	6	HEX.HEAD SCREW	
2	VGMT0063	1	SHIM SET	
3	VF06214321	1	WASHER	
4	VGMT00310	1	SHIM SET	
5	VGND3138V	4	RING	
6	VF06215432	1	COMPRESSION SPRING	
7	VF06550817	2	SPRING CUP	
8	VF06554382.86	1	CHAIN WHEEL	
9	VF16614124	2	SPACER TUBE	
10	VF16614126	2	BALL BEARING	
11	VF16614227.86	1	TENSIONER CHAIN	
12	VF16616404	1	GREASE NIPPLE	
13	VF16618017.86	1	SPROCKET	
14	VF16618448	1	WASHER	
15	VF16619098.61	2	PROTECTIVE DEVICE	
16	VF16619111	2	BEARING	
17	VF16619185	1	PIPE/TUBE	
18	VF16617905.86	1	CLUTCH	
19	VF16619877	1	SUPPORT	
20	VF16619892.86	1	SPROCKET	
21	VF16619893	1	SPACING TUBE	
22	VF16650327	2	PIPE, SPACING	
23	VF16651307.86	2	SCRAPER	
24	VF16651696	1	BEARING RACE	
25	VF16652480.86	1	ROTOR	
26	VF16654252.86	2	LAGERUNG RE. REV.	
27	VF16654530	1	PIN	
28	VF16654751	5	SCREW 10X25	
29	VF16655141	1	FIXING ANGLE	
30	VF16655895.86	1	FRAME, ROTOR	SUPER SILAGE
31	VGGB0205	1	SHAFT, DRIVE	
32	KG00476661	1	HEX. SCREW M12X35 8.8	
33	KG01068961	1	LOCK NUT M12 10	
34	KG01068861	5	LOCK NUT M10 10	
35	KG01108862	2	CIRCLIP-A 30 X 1.5	
36	KG01191962	1	TENSION PIN 8X45	
37	KG01267461	5	WASHER M10	
38	KG01307200	1	KEY 8X7X45	
39	VF06273756	10	SOCKET HEAD SCREW	
40	VGND96112	1	LINK	

VBP 2160 / DRIVE (23-OC)



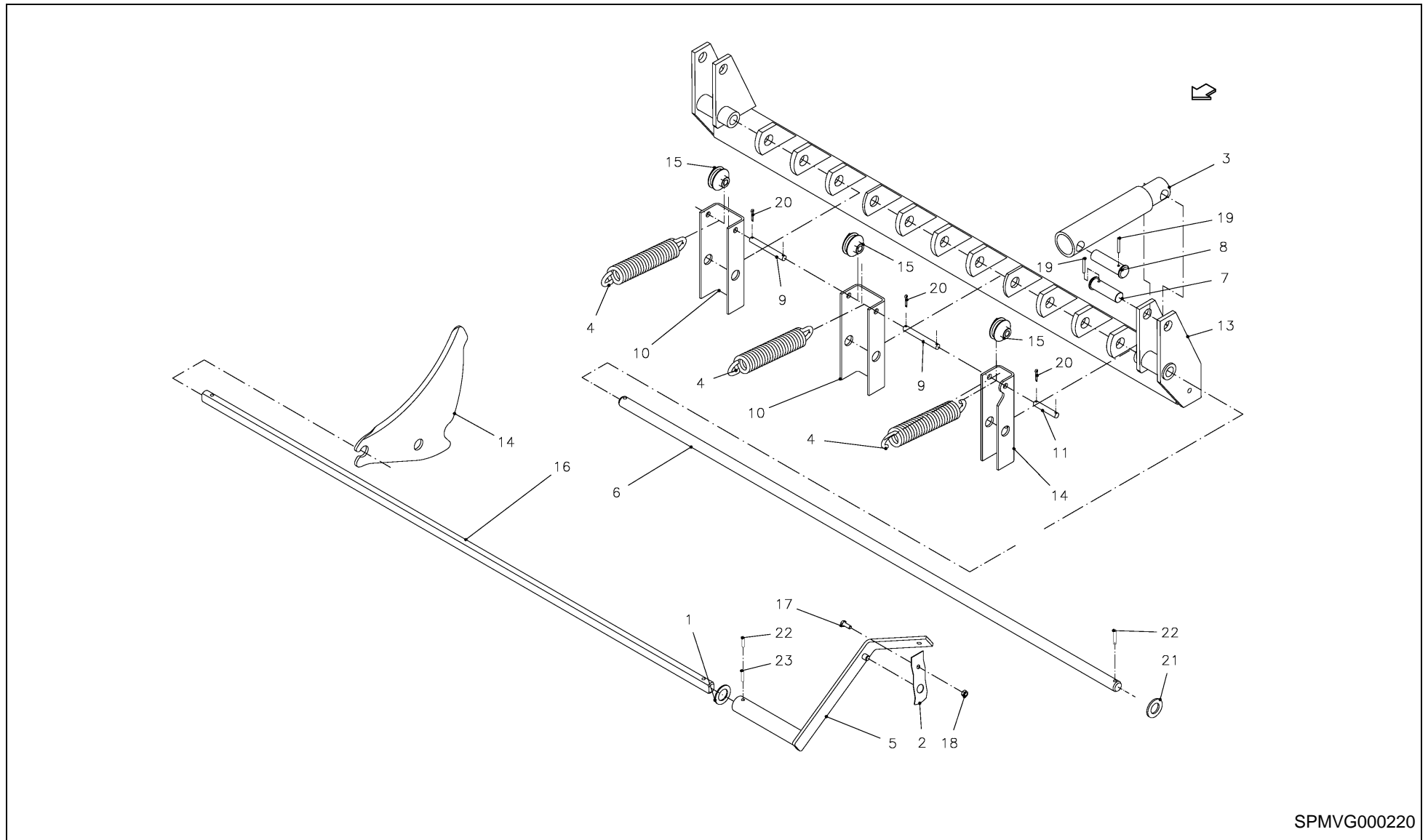
SPMVG000410

VBP 2160 / DRIVE (23-OC)



PosNo.	Part No.	Qty.	Description	Remark
41	VGND96136	1	CHAIN, ROLLER, SIMPLEX	
42	VF16619855.86	1	FRAME	HYDRO PROTECT
43	VF16650850	1	F#RDERROTOR GSW.	XL-R
44	VF16650855	1	FRAME, ROTOR	XL-R

VBP 2160 / FRAME, KNIVES (230C-SS)



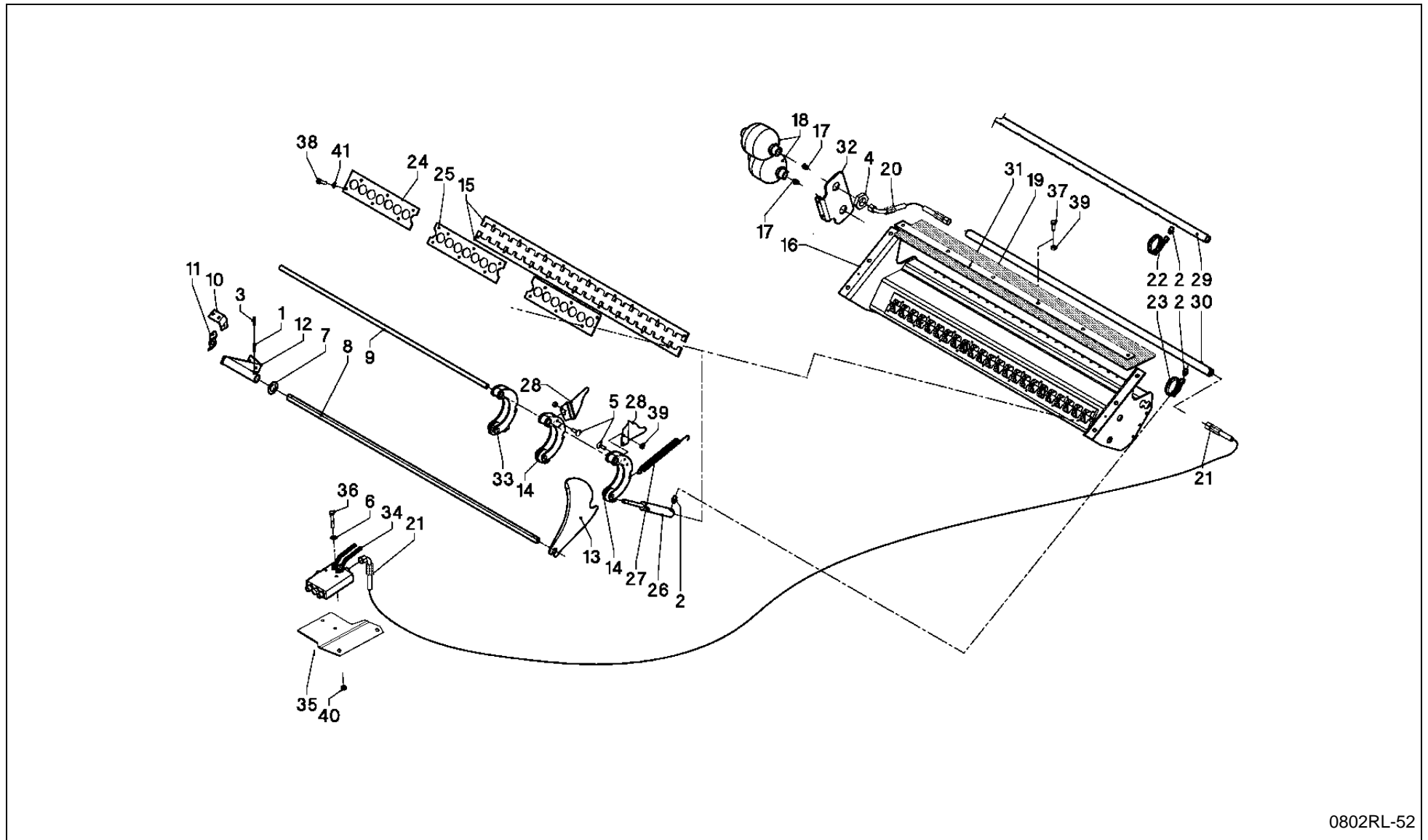
SPMVG000220

VBP 2160 / FRAME, KNIVES (23OC-SS)



PosNo.	Part No.	Qty.	Description	Remark
1	VF06214306	4	WASHER	
2	VF06552557	1	LEAF SPRING	
3	VF06579628	1	HYDR. CYLINDER	
4	VF16618516	12	TENSION SPRING	
5	VF16619724.86	1	LEVER	
6	VF16655089	1	SHAFT	
7	VF16655813	1	PIN	
8	VF16655849	1	PIN	
9	VF16655861	11	PIN	
10	VF16655862.86	11	BRACE	
11	VF16655863	1	PIN	
13	VF16655875.86	1	FRAMEWORK WELDED	
14	VF16655935	23	KNIFE OC23LC	
15	VF16657772.61	23	ROLLER	
16	VF16658677	1	AXLE	
17	KG00468761	1	HEX. SCREW M6X16 8.8	
18	KG01067361	1	LOCK NUT M6 8	
19	KG01186662	4	TENSION PIN 4X32	
20	KG01249661	24	SPLIT PIN 3.2X16 ST	
21	KG01267961	4	WASHER M20	
22	VGND4030V	4	PIN, TENSION	
23	VF01157314	2	DOWEL PIN	

VBP 2160 / FRAME, KNIVES (23-OC HP)



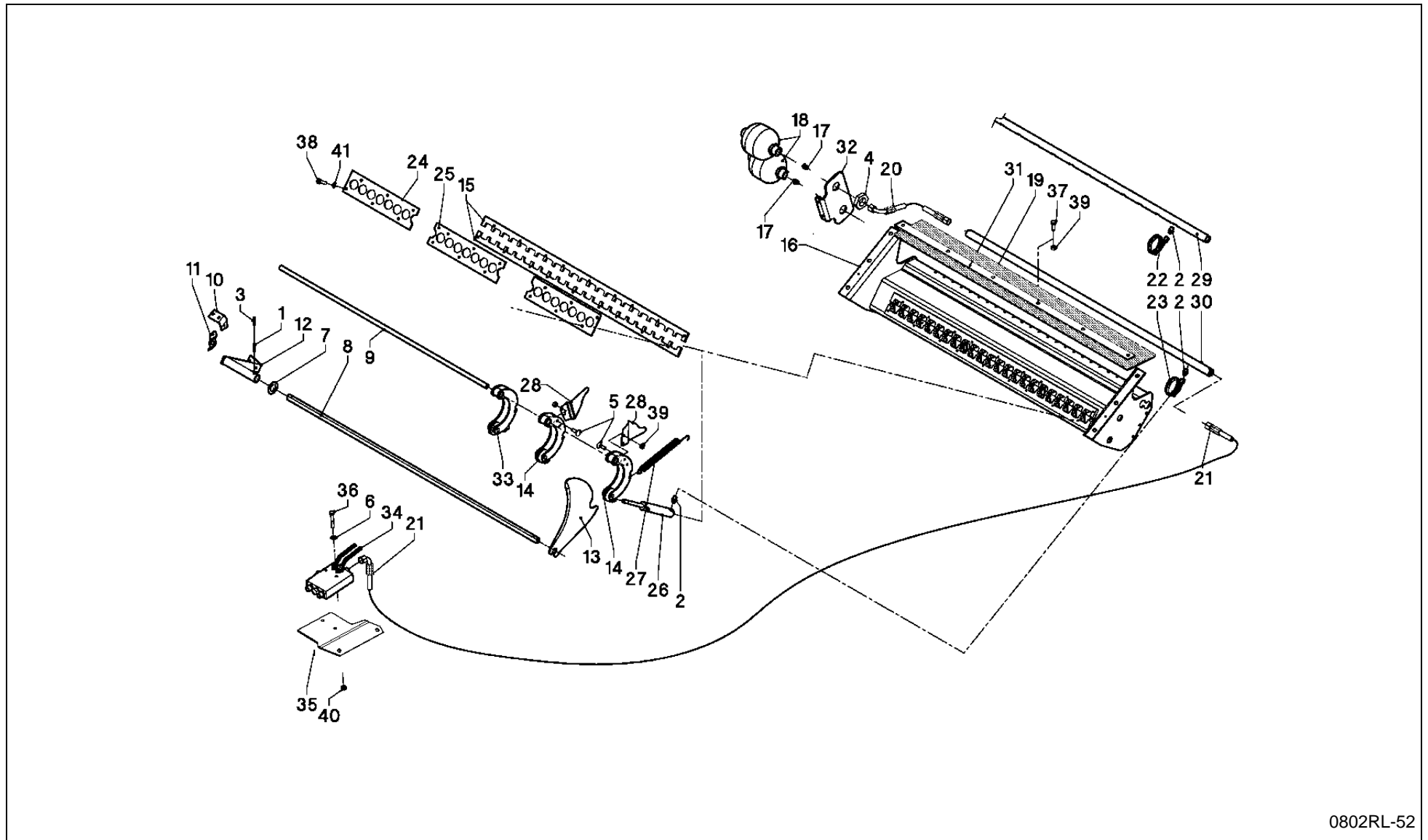
0802RL-52

VBP 2160 / FRAME, KNIVES (23-OC HP)



PosNo.	Part No.	Qty.	Description	Remark
1	VGND4030V	2	PIN, TENSION	
2	VF01116677	46	ERMETO NIPPLE	
3	VF01157314	2	DOWEL PIN	
4	VF06209627	2	CASTELATED NUT	
5	VF06214132	4	TRUSS-HEAD SCREW	
6	VF06214246	2	WASHER	
7	VF06214306	4	WASHER	
8	VF06579571	1	AXLE	
9	VF16619106	1	BAR	
10	VF16619169.86	1	RETRAINER	
11	VF16619716	1	SPRING	
12	VF16619724.86	1	LEVER	
13	VF16650699	23	KNIFE	
13	ACCESSOIRE	1	PLEASE CONTACT YOUR DEALER	23-OC
14	VF16652067	2	SUPPORT	
15	VF16650998	2	LEDGE	
16	VF16651042.86	1	SUPPORT	
17	VF16651185	2	PIPE CONNECTION	
18	VF16651114	2	ACCUMULATOR	
19	VF16651157	1	PROTECTION CURTAIN	
20	VF16651183	2	HOSE	
21	VGLG200	2	HOSE, HP	
22	VF16651186	11	TUBE	
23	VF16651188	12	TUBE	
24	VF16651203	2	PLATE	
25	VF16651204.86	1	PLATE	
26	VF16651207	23	HYDR.RAM	
27	VF16651304	23	SPRING	
28	VGGP1419K0	2	PLATE	
29	VF16651327	1	PIPE	
30	VF16651329	1	PIPE	
31	VF16651331	1	LEDGE	
32	VF16651337.86	1	GRANARY SUPPORT	
33	VF16652067	21	SUPPORT	
34	VF16651638	1	BALL-TYPE VALVE	
35	VGWP140	1	PLATE	BALE PACK ONLY
36	KG00353461	2	HEX. BOLT M8X50 8.8	
37	KG00468961	6	HEX. SCREW M6X20 8.8	
38	KG00471900	15	HEX. SCREW M8X20 8.8	
39	KG01067361	10	LOCK NUT M6 8	

VBP 2160 / FRAME, KNIVES (23-OC HP)



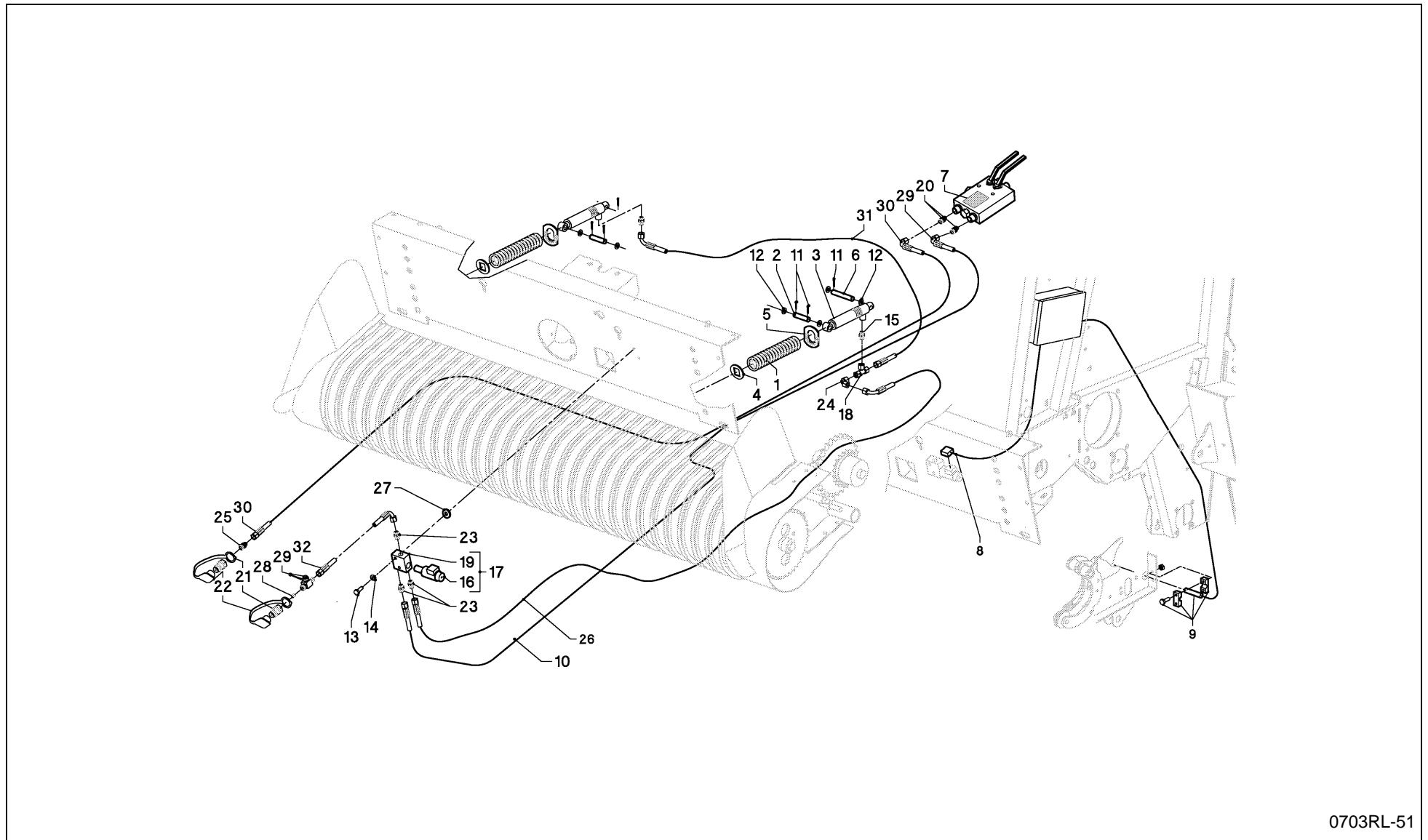
0802RL-52

VBP 2160 / FRAME, KNIVES (23-OC HP)



PosNo.	Part No.	Qty.	Description	Remark
40	KG01068761	2	LOCK NUT M8 10	
41	KG01281661	15	SPRING WASHER M8	

VBP 2160 / CILINDER, PICK-UP (23-OC HP)

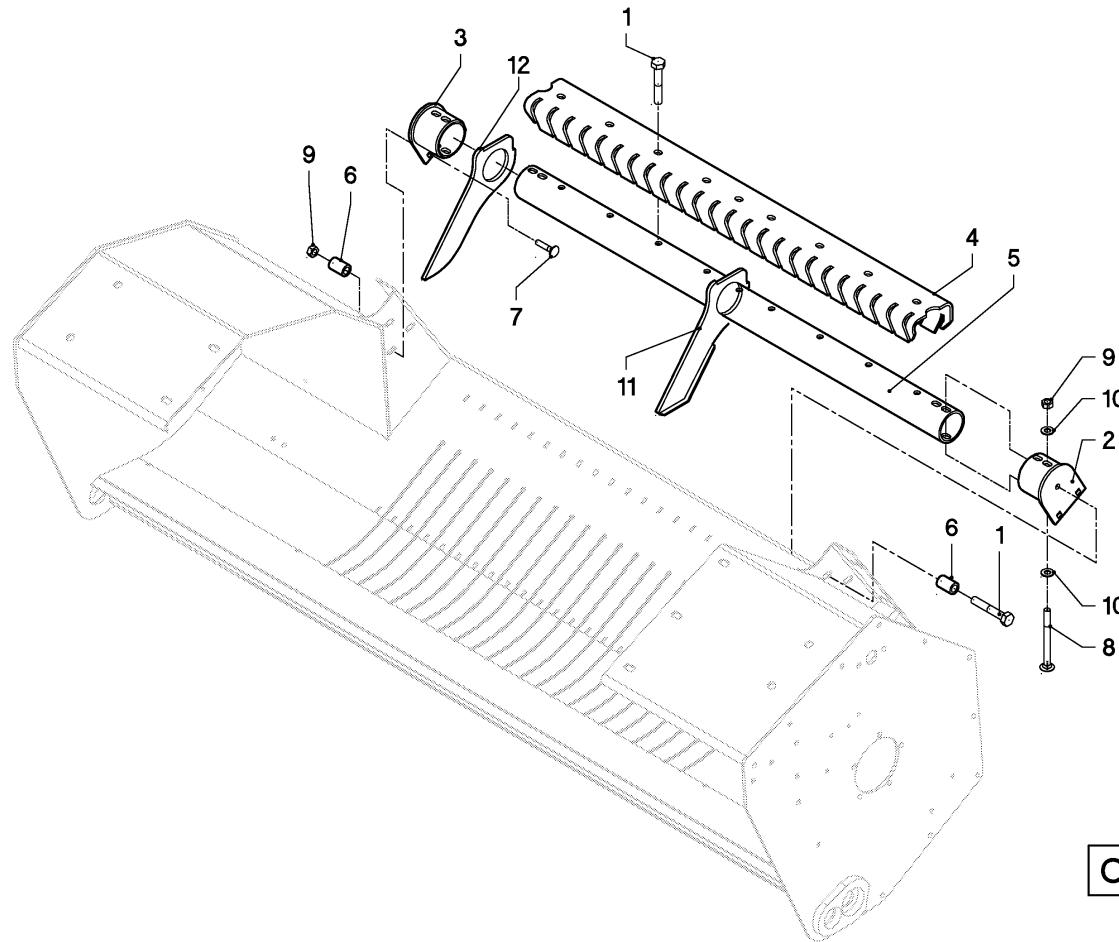


0703RL-51

VBP 2160 / CILINDER, PICK-UP (23-OC HP)



PosNo.	Part No.	Qty.	Description	Remark
1	VF16654457	2	DRUCKFEDER 6,3/44,0 /185	
2	VF06576501	2	PIN	
3	VF16652343	2	HYDRAULIC CYLINDER	
4	VF06214411	2	WASHER	
5	VF16618323	2	CLIP	
6	VF16652834	2	PIN	
7	VF16653051	1	WARNING PLATE	
8	VNB0271073	1	CABLE VALVE L=1.1M	
9	MT00000124	1	SENSOR ASSY PROX PLAST L=7M	
10	VGFS97	1	HOSE, HP	
11	KG01251561	8	SPLIT PIN 4X25 ST	
12	KG01267761	8	WASHER M16	
13	VGND1472V	2	BOLT, TAPTITE	
14	VGND3122V	2	WASHER, PLAIN	
15	VGND92114V	2	COUPLING	
16	VGND92198	1	SELECTOR VALVE	
17	VGND92197	1	BODY, VALVE	
18	VGND92154V	1	T-COUPLING, ADJUSTABLE	
19	VGND92159	1	BLOCK, HYDR.	
20	VGND92168V	2	PIPE	
21	VGTP00512	2	QUICK-DISCONNECT PLUG, MALE	
22	VGND9607	2	COVER, DUST	
23	VGND9869V	3	STUD COUPLING	
24	VGND9906V	1	ELBOW COUPLING, ADJUSTABLE	
25	VGND9954V	1	STUD COUPLING, MALE	
26	VGRL299	1	HOSE, HP	
27	VGTH100V	1	RING	
28	VGTP438	1	THROTTLE, SCREW	
29	VGWA00659	1	VALVE, SHUT-OFF	
30	VGWA515	1	HOSE, HP	
31	VGXD314	1	HOSE, HP	
32	VGXD64	1	HOSE, HP	



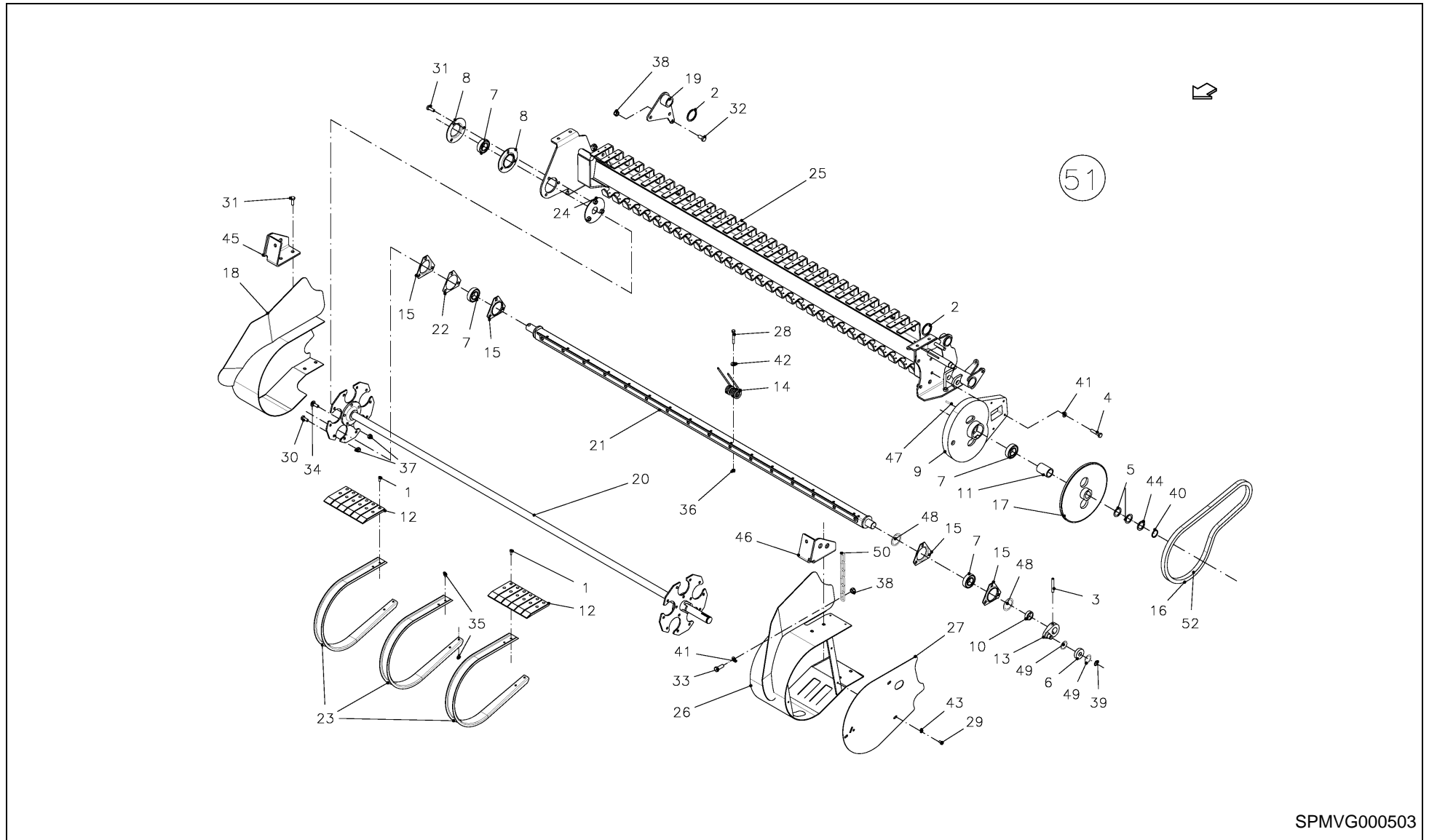
OC-23

VBP 2160 / FRAME, GUIDE (23-OC)



PosNo.	Part No.	Qty.	Description	Remark
1	VGND1495V	11	BOLT, NUTTED, SPEC.	
2	VF16619091	1	HOLDER	
3	VF16619092	1	HOLDER	
4	VF16619199	1	COMB	
5	VF16619797	1	PIPE	
6	VF16650801	6	PIPE	
7	KG00645261	4	CARRIAGE BOLT M12X50 8.8	
8	KG00646061	4	CARRIAGE BOLT M12X100 8.8	
9	KG01068961	19	LOCK NUT M12 10	
10	KG01267561	13	WASHER M12	
11	VGWA01411	18	SCRAPER	
12	VGWA1413	6	SCRAPER	

VBP 2160 / PICK-UP ASSY (XL-R, OC-23)



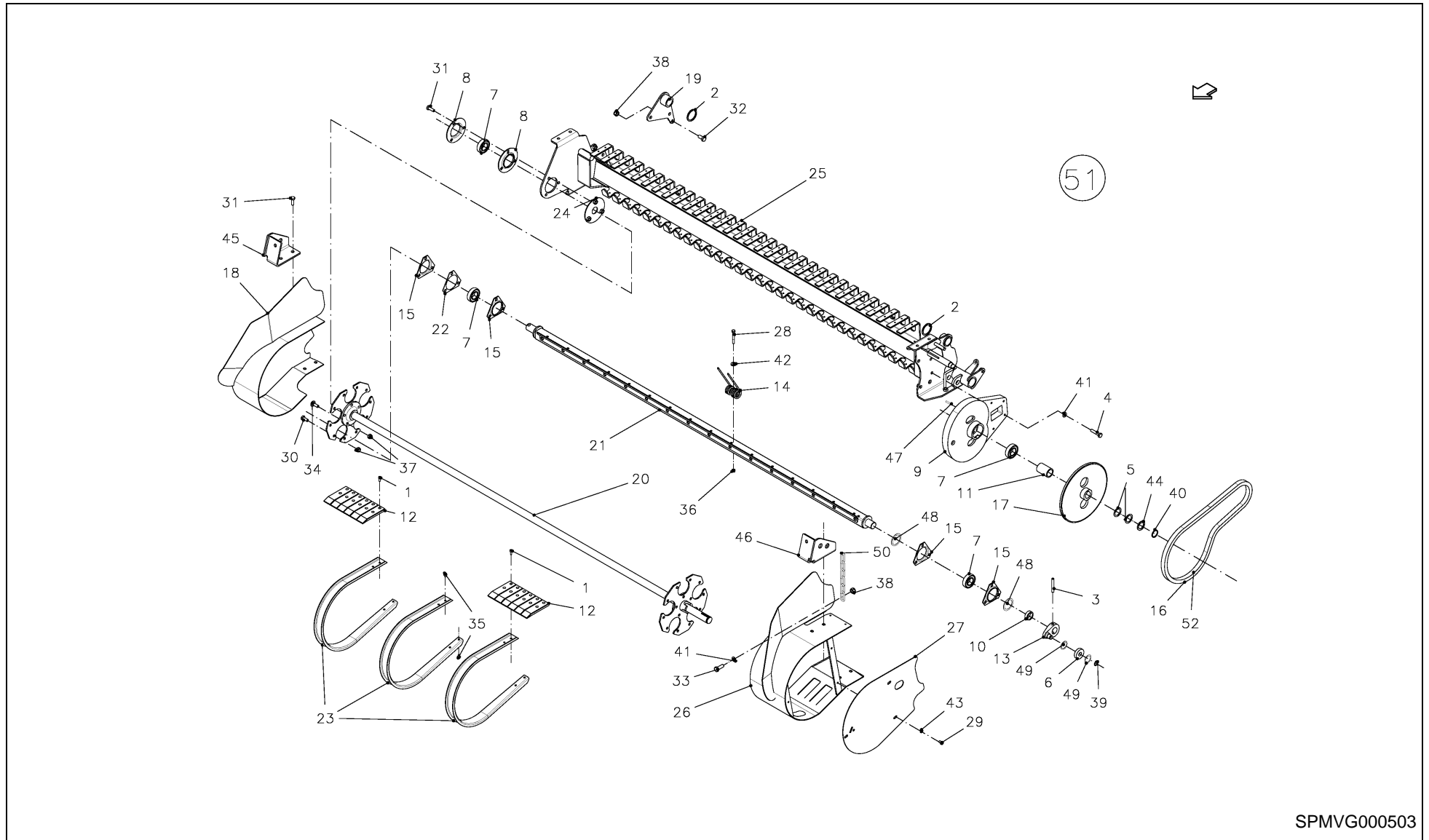
SPMVG000503

VBP 2160 / PICK-UP ASSY (XL-R, OC-23)



PosNo.	Part No.	Qty.	Description	Remark
1	VF01104181	12	CYLINDR. SCREW	
2	VF01137130	2	SPACER RING 45X55X3	
3	KG01190062	5	TENSION PIN 6X70	
4	VF06209483	2	HEX.HEAD SCREW	
5	VGMT00310	2	SHIM SET	
6	VF06215027	5	ROLLER	
7	VF06215766	12	ROLLER BEARING	
8	VF06215783	2	HOUSING, FLANGED	
9	VF16617225.86	1	GUIDE	
10	VF16617910	5	INTERMEDIATE TUBE	
11	VF16618011.86	1	SPACER TUBE	
12	VF16618012	12	PLASTIC SEGMENT	
13	VF16615203.86	5	CONTROL ARM	
14	VF16618868.86	80	FEDERZINKEN PU 4 WIND. MP 122	
15	VF16619739	20	BEARING FLANGE	
16	VF16618449	1	CHAIN	
17	VF16619858.86	1	SPROCKET	
18	VF16652328.86	1	SIDE PART RIGHT	
19	VF16653304.86	1	BEARING FLANGE	
20	VF16654308.86	1	DRIVE SHAFT	
21	VF16654311.86	5	PIPE	
22	VF16655023	5	WASHER	
23	VF16655943	31	PICK UP GLEITBLECH	
24	VF16656715	1	SCHEIBE GSW.	
25	VF16656726.86	1	PU TRAEGER 2300 GP GSW.	
26	VGGP02000K0	1	PLATE, SIDE, LH	
27	VGGP1098K0	1	LID	
28	KG00353661	80	HEX. BOLT M8X60 8.8	
29	KG00471561	3	HEX. SCREW M8X12 8.8	
30	KG00474261	20	HEX. SCREW M10X25 8.8	
31	KG00474361	10	HEX. SCREW M10X30 8.8	
32	KG00476461	2	HEX. SCREW M12X25 8.8	
33	KG00476661	2	HEX. SCREW M12X35 8.8	
34	KG00641561	5	CARRIAGE BOLT M10X30 8.8	
35	KG00980461	100	FLANGED BOLT M6X10 90	
36	KG01068761	80	LOCK NUT M8 10	
37	KG01068861	30	LOCK NUT M10 10	
38	KG01068961	4	LOCK NUT M12 10	
39	KG01107562	5	CIRCLIP-A 17 X 1	
40	KG01108862	1	CIRCLIP-A 30 X 1.5	

VBP 2160 / PICK-UP ASSY (XL-R, OC-23)



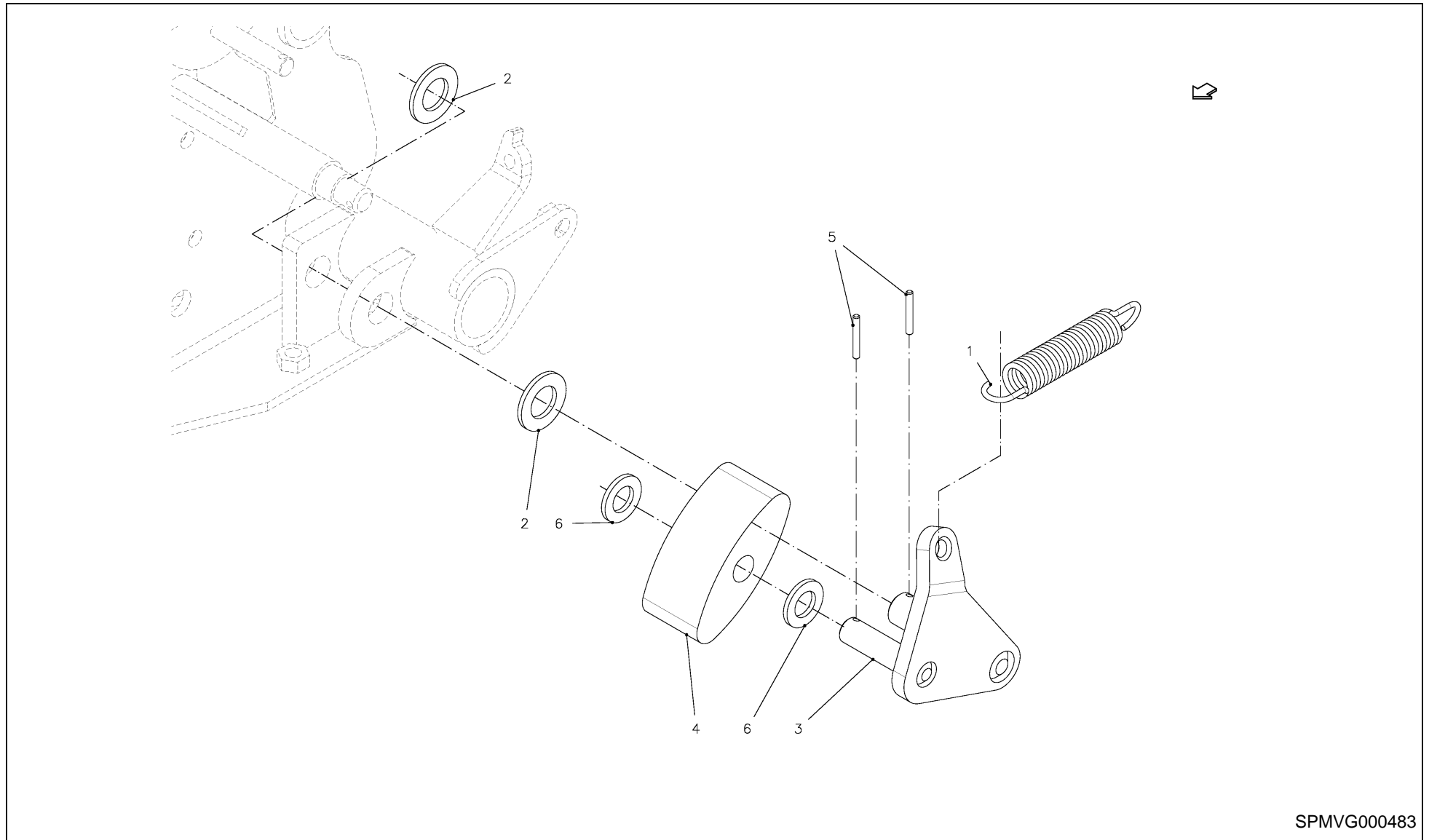
SPMVG000503

VBP 2160 / PICK-UP ASSY (XL-R, OC-23)



PosNo.	Part No.	Qty.	Description	Remark
41	KG01267461	4	WASHER M10	
42	KG01273561	80	WASHER M8	
43	KG01281661	3	SPRING WASHER M8	
44	VGND3138V	4	RING	
45	VGWS0222	1	HOLDER, RH	
46	VGWS0223	1	HOLDER, LH	
47	VF01157427	1	DOWEL PIN	
48	VF01170940	10	NILOS-RING	
49	VF06214938	10	NILOSRING 6303 ZAV	
50	VF16618864	2	CHAIN/TRACK	
51	VF16656700	1	PU 2300 GP VORM.	
52	VGND9346	1	LINK, SIMPL.	

VBP 2160 / CHAIN TENSIONER (230C+230C-SS)



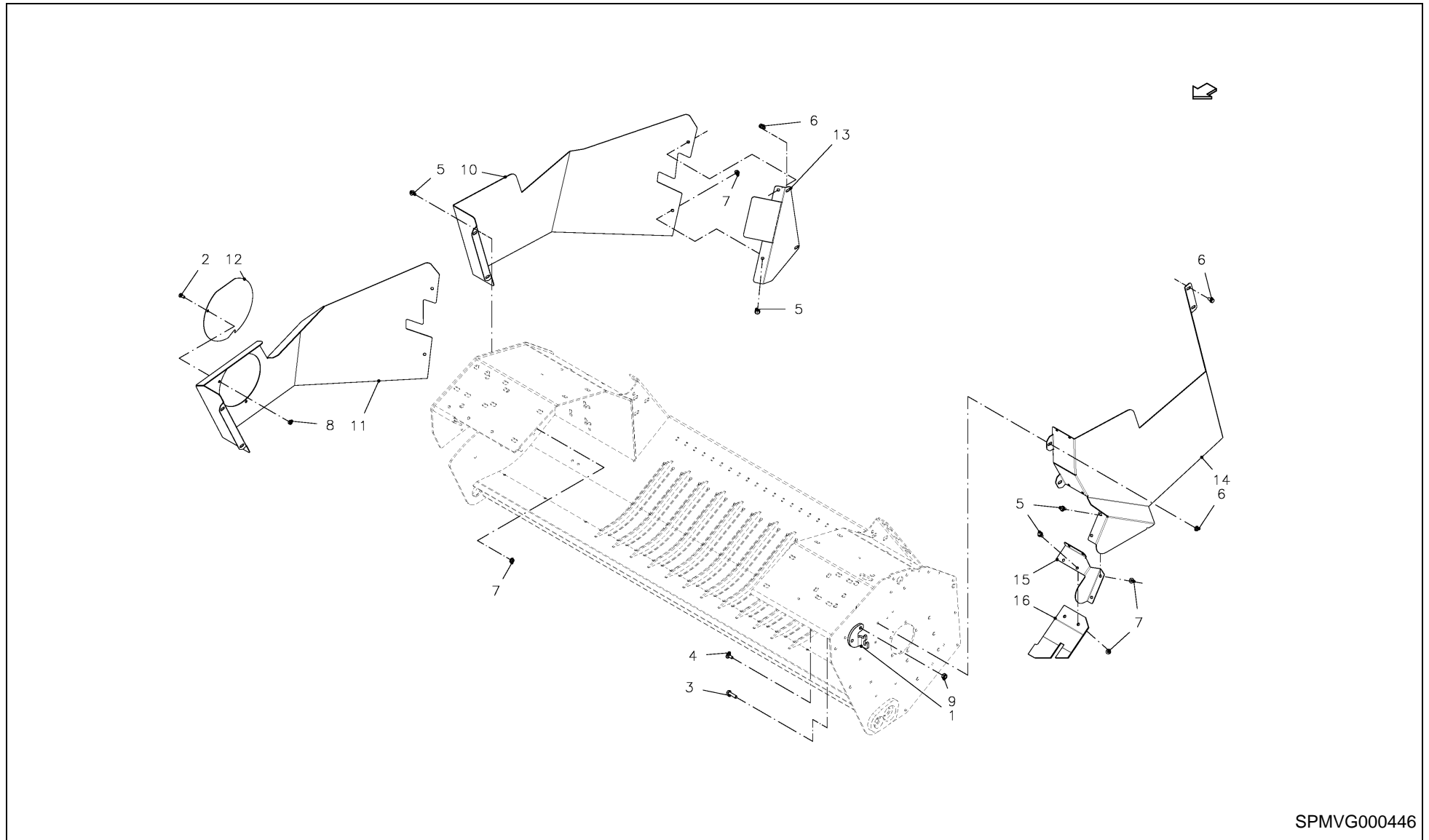
SPMVG000483

VBP 2160 / CHAIN TENSIONER (23OC+23OC-SS)



PosNo.	Part No.	Qty.	Description	Remark
1	VF06215541	1	TENSION SPRING	
2	VEGH00102	4	SHIM SET	
3	VGGP01856K0	1	SUPPORT	
4	VGGP1855	1	TENSIONNER	
5	KG01186562	2	TENSION PIN 4X30	
6	KG01267761	2	WASHER M16	

VBP 2160 / PROTECTION (23-OC + XL-R)

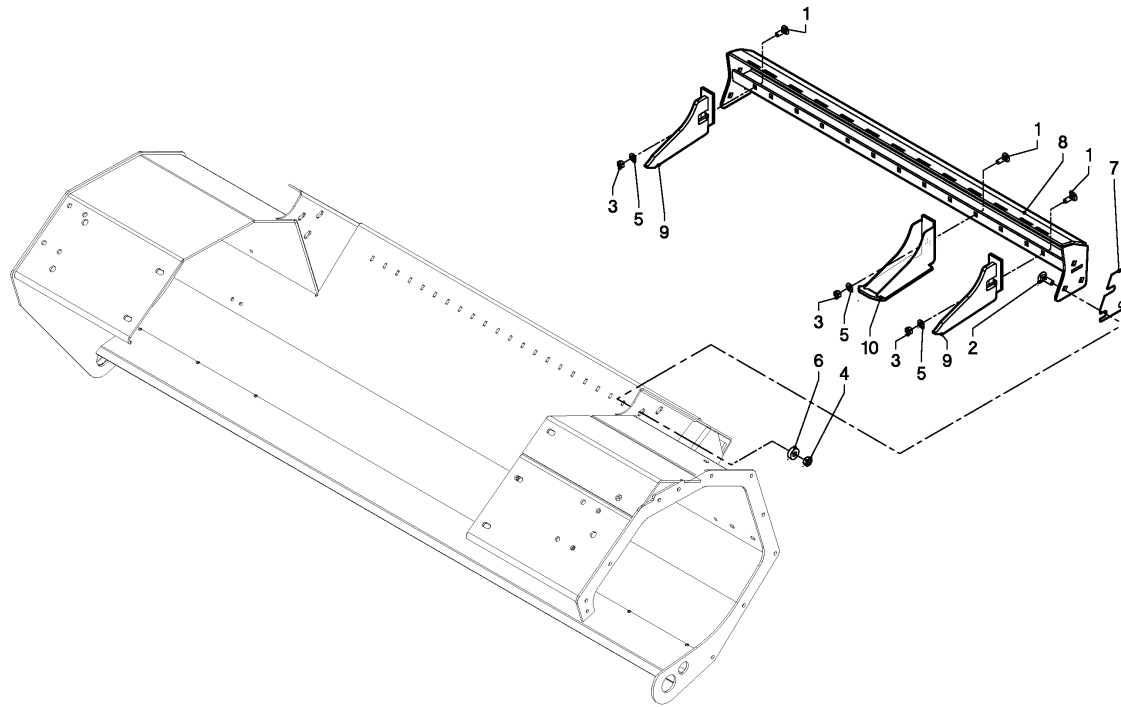


SPMVG000446

VBP 2160 / PROTECTION (23-OC + XL-R)



PosNo.	Part No.	Qty.	Description	Remark
1	VGGP455K0	2	BRACE	
2	KG00471761	2	HEX. SCREW M8X16 8.8	
3	KG00474461	4	HEX. SCREW M10X35 8.8	
4	KG00639061	2	CARRIAGE BOLT M8X20 8.8	
5	KG00981161	9	FLANGED BOLT M8X16 90	
6	KG01000661	4	FLANGED BOLT M8X15	
7	KG01061261	11	LOCK NUT M8 8	
8	KG01068761	2	LOCK NUT M8 10	
9	KG01068861	4	LOCK NUT M10 10	
10	VGRL444K0	1	GUARD, PROTECT., RH	
11	VGRL538K0	1	GUARD, PROTECT., RH	POWER PUSH
12	VGRL540K0	1	PLATE	POWER PUSH
13	VGRL567K0	1	PLATE	
14	VGRL627K0	1	GUARD, PROTECT., LH	
15	VGRL628K0	1	GUARD, PROTECT., LH	
16	VGWS200	1	SEAL	

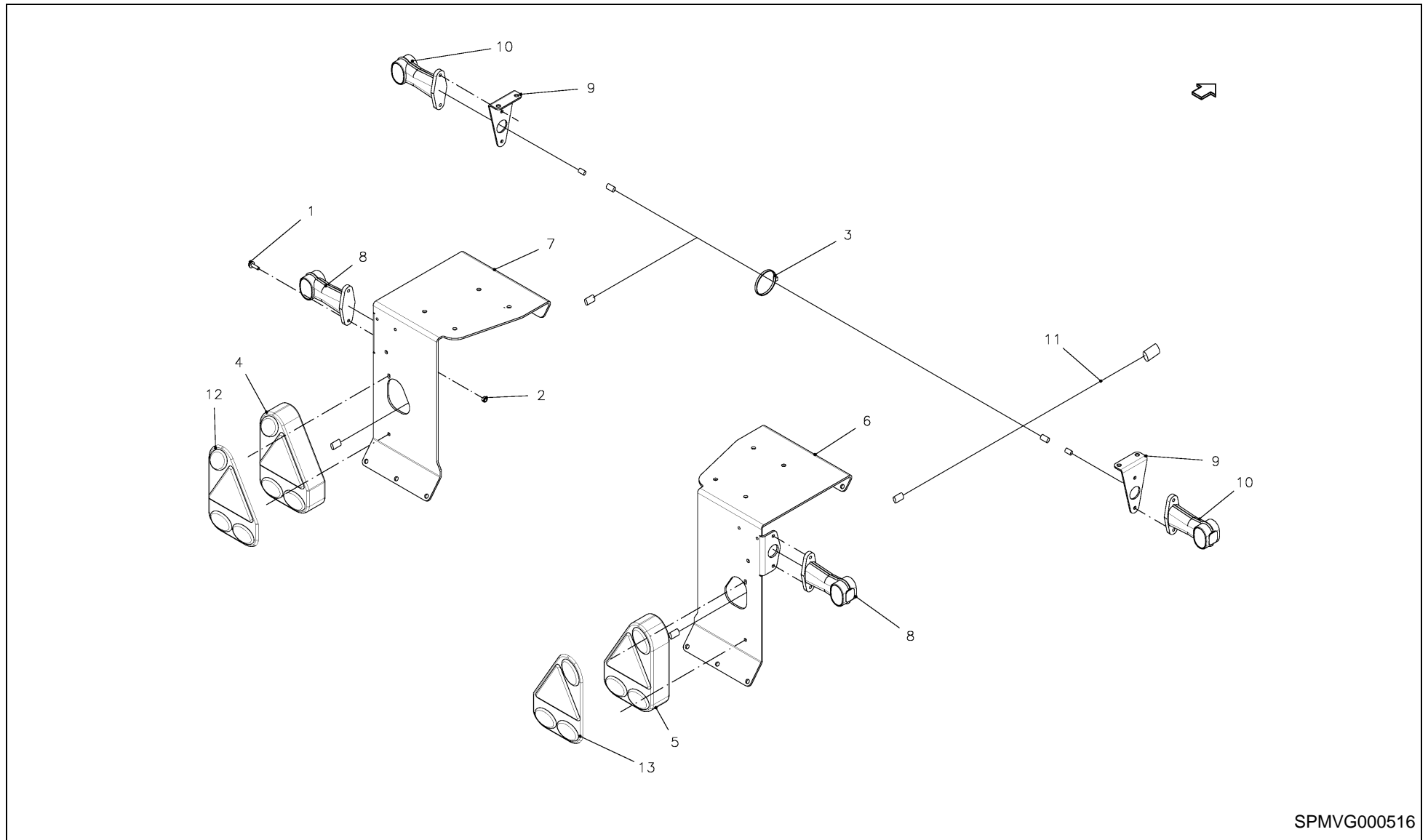


VBP 2160 / FRAME, GUIDE (XL-R)



PosNo.	Part No.	Qty.	Description	Remark
1	KG00641561	13	CARRIAGE BOLT M10X30 8.8	
2	KG00645261	6	CARRIAGE BOLT M12X50 8.8	
3	KG01068861	13	LOCK NUT M10 10	
4	KG01068961	6	LOCK NUT M12 10	
5	KG01267461	13	WASHER M10	
6	VRR0050093	6	SLEEVE	
7	VRR0703293	6	PLATE, SHIM	
8	VGWA01455	1	BEAM	
9	VGWA01460	2	SCRAPER	
10	VGWA01590	11	SCRAPER	

VBP 2160 / LIGHTING SET

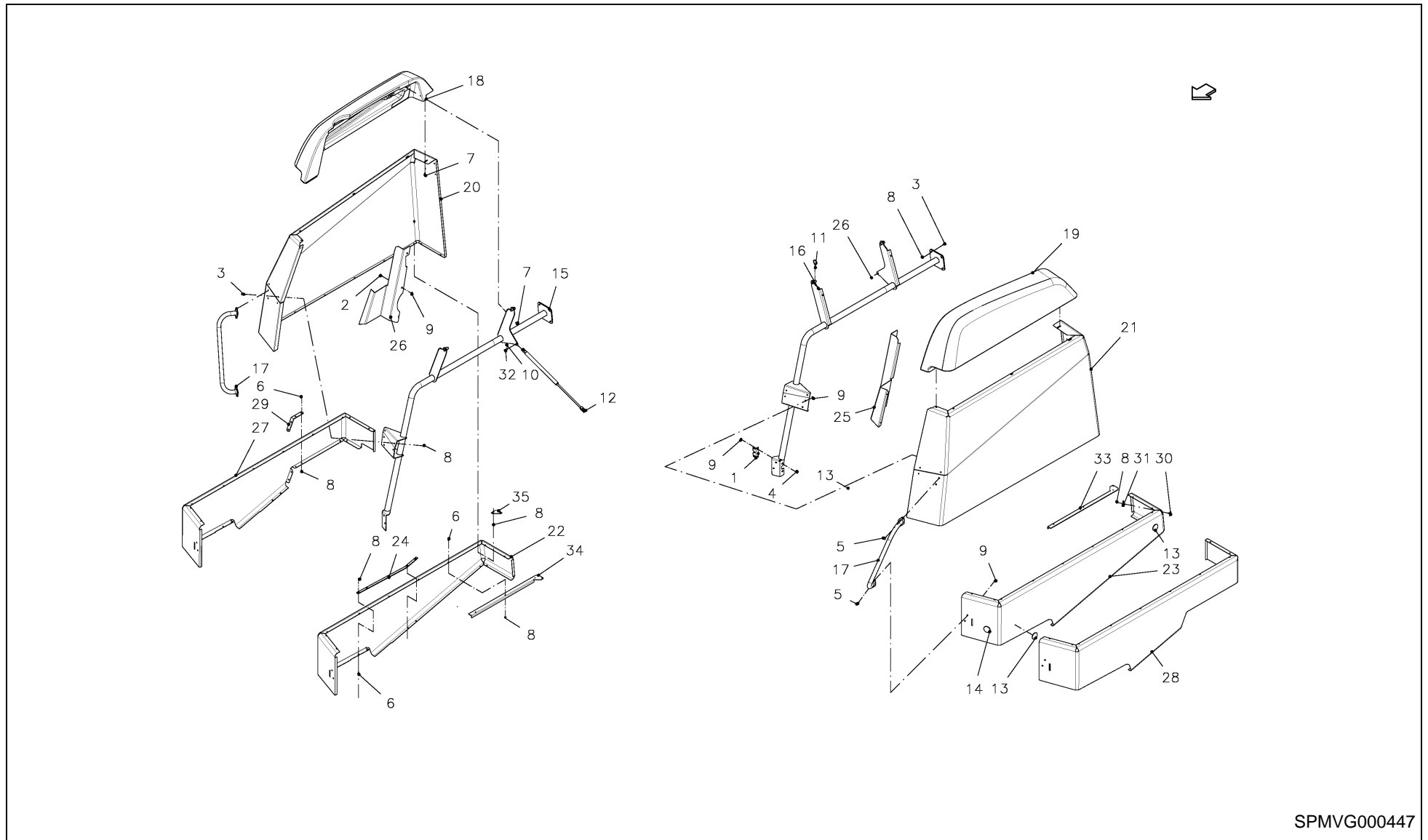


SPMVG000516

VBP 2160 / LIGHTING SET



PosNo.	Part No.	Qty.	Description	Remark
1	KG00980761	8	FLANGED BOLT M6X20 90	
2	KG01067361	8	LOCK NUT M6 8	
3	VGND9843	20	CABLE TIE	
4	VGRK3	1	LIGHT, TAIL, LH	
5	VGRK4	1	LIGHT, TAIL, RH	
6	VGRV104K0	1	SUPPORT, RH	
7	VGRV105K0	1	SUPPORT, LH	
8	VGRV43	2	LAMP ASSY	REAR
9	VGRV72K0	2	SUPPORT	
10	VGRV82	2	LAMP ASSY	FRONT
11	VGRV66	1	CABLE ASSY	
12	VGRK29	1	GLASS, LIGHT, TAIL,	
13	VGRK30	1	GLASS, LIGHT, TAIL,	



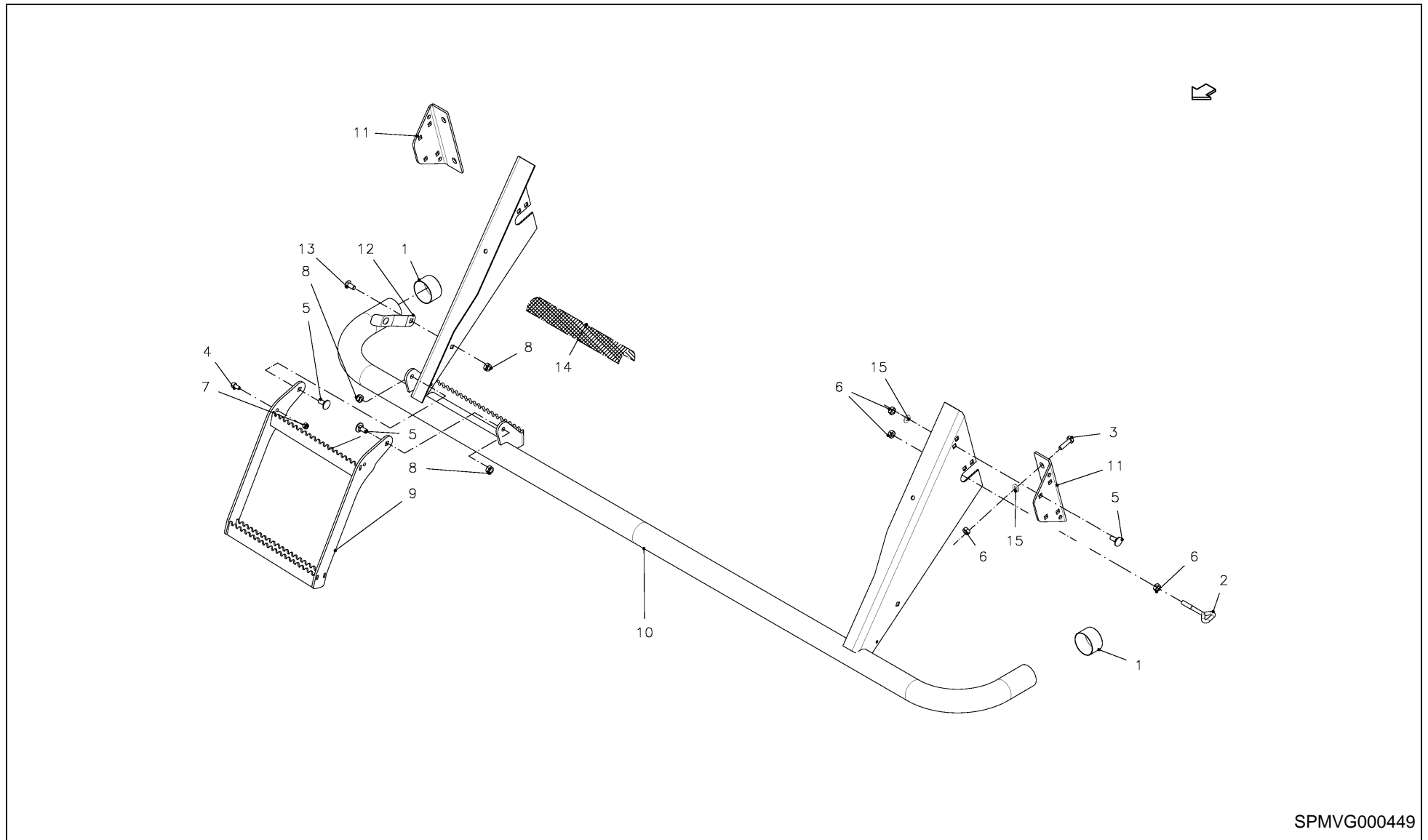
SPMVG000447

VBP 2160 / PROTECTION



PosNo.	Part No.	Qty.	Description	Remark
1	VF16611457	2	LOCK	
2	VGGM152V	6	CARRIAGE BOLT	
3	KG00637061	14	CARRIAGE BOLT M6X16 8.8	
4	KG00638961	4	CARRIAGE BOLT M8X16 8.8	
5	KG00639061	8	CARRIAGE BOLT M8X20 8.8	
6	KG00980661	44	FLANGED BOLT M6X16 90	
7	KG00981161	14	FLANGED BOLT M8X16 90	
8	KG01061161	58	LOCK NUT M6 8	
9	KG01061261	18	LOCK NUT M8 8	
10	KG01249761	4	SPLIT PIN 3.2X20 ST	
11	VGND90003V	4	LINCH PIN FERGUSON-	
12	VGND90028	2	SPRING, GAS	
13	VGND9889	4	REFLECTOR, YELLOW	
14	VRR0298401	2	REFLECTOR, WHITE	
15	VGRL0376K0	1	FRAME, RH	
16	VGRL0377K0	1	FRAME, LH	
17	VGRL0401K0	2	BRACE, LH	
18	VGRL362	1	COVER, RH, TOP	
19	VGRL363	1	COVER, LH, TOP	
20	VGRL368K2	1	GUARD, PROTECT., RH, CTR.	
21	VGRL369K2	2	GUARD, PROTECT., LH, CTR.	
22	VGRL370K2	1	GUARD, PROTECT., RH, BOTTOM	NOT BALEPACK
23	VGRL371K2	1	GUARD, PROTECT., LH, BOTTOM	NOT BALEPACK
24	VGRL403K0	2	STRIP	
25	VGRL409K0	1	GUARD, PROTECT., RH	
26	VGRL410K0	1	GUARD, PROTECT., RH	
27	VGRV70K2	1	GUARD, PROTECT., RH, BOTTOM	BALEPACK
28	VGRV71K2	1	GUARD, PROTECT., LH, BOTTOM	BALEPACK
29	VGRV73V	2	STRIP	
30	VGWA01002K0	6	COVER,	
31	VGWA1038V	6	RING	
32	VGWA1040V	4	PIN	
33	VGWA1075K0	1	PLATE, LH	
34	VGWA1076K0	1	PLATE	
35	VGWA989V	6	PLATE	

VBP 2160 / RAIL, GUARD

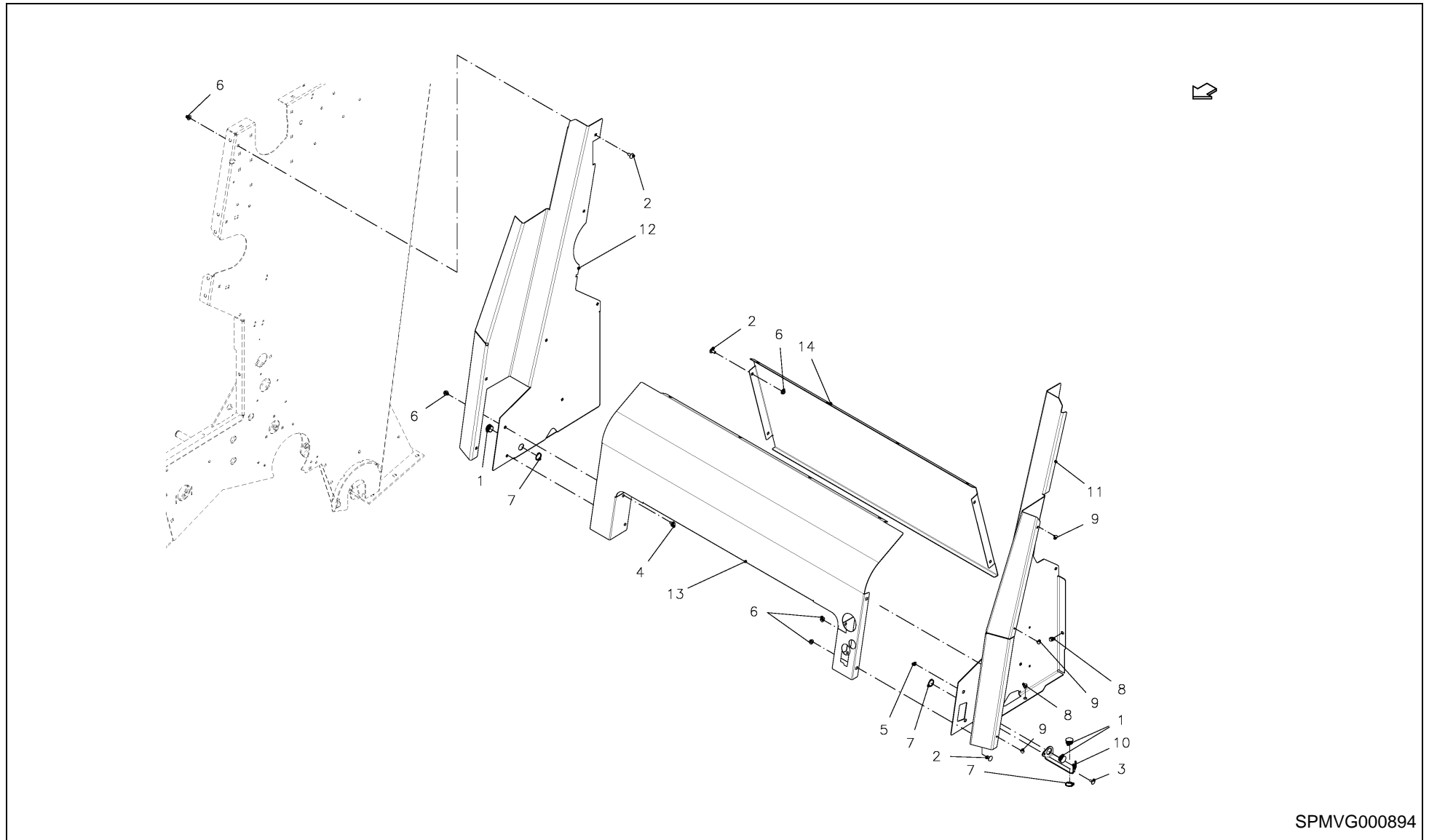


SPMVG000449

VBP 2160 / RAIL, GUARD



PosNo.	Part No.	Qty.	Description	Remark
1	VF16615400	2	CAP, PLASTIC	
2	VGBR739V	1	BOLT, EYE	
3	KG00474461	4	HEX. SCREW M10X35 8.8	
4	KG00544961	1	CHEESE HEAD SCREW M8X16 8.8	
5	KG00641461	6	CARRIAGE BOLT M10X25 8.8	
6	KG01052061	12	HEX. NUT M10 8	
7	KG01068761	1	LOCK NUT M8 10	
8	KG01068861	3	LOCK NUT M10 10	
9	VGRL0426K0	1	STEP	
10	VGRL0427K0	1	RAIL, GUARD	
11	VGRL404K0	2	SUPPORT	
12	VGRL505	1	SPRING, LEAF	
13	VGXD296V	1	CARRIAGE BOLT	
14	VR39000001	1	BANDE	
15	VGND3147V	8	RING	



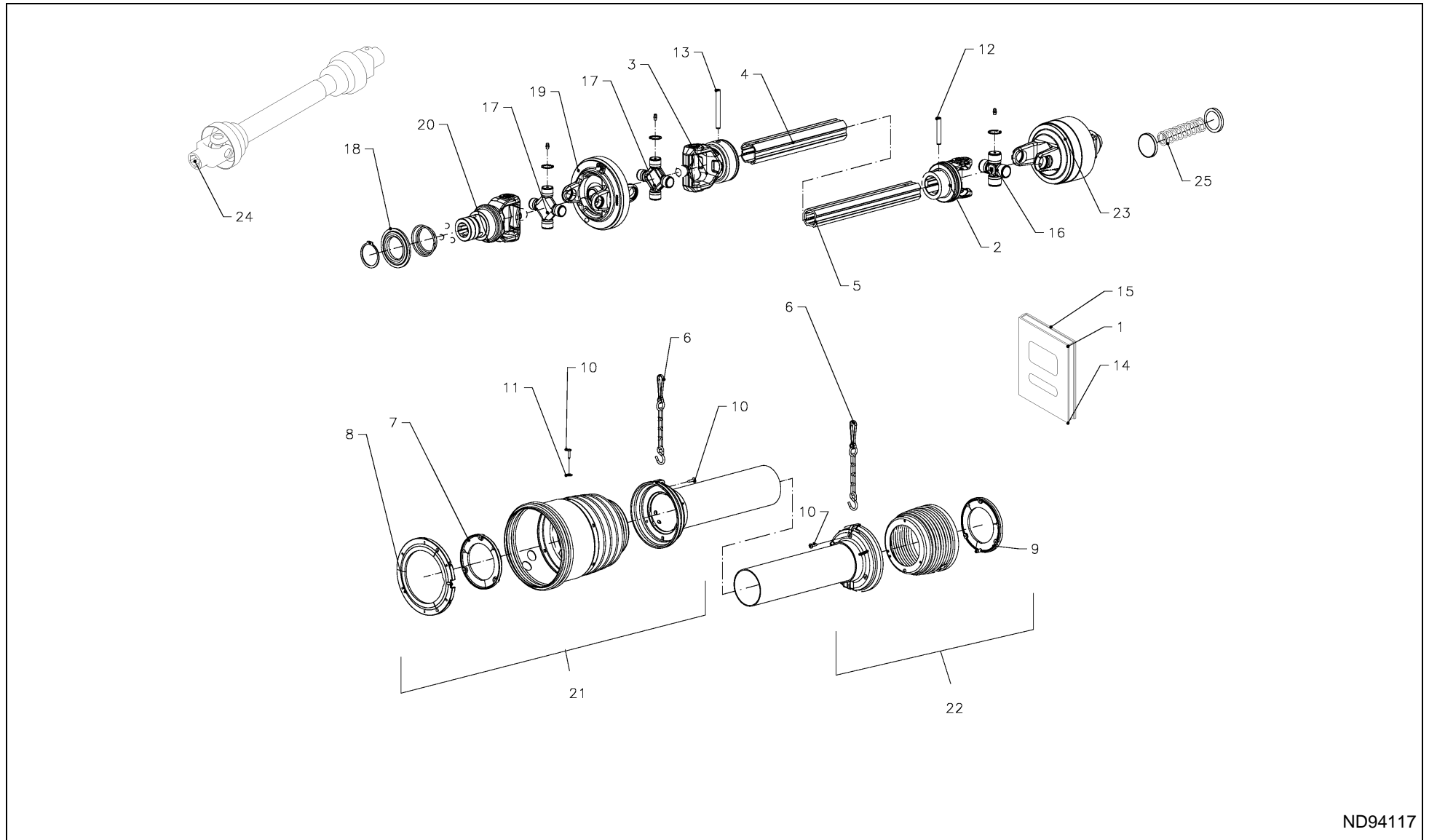
SPMVG000894

VBP 2160 / TWINE ONLY



PosNo.	Part No.	Qty.	Description	Remark
1	VG13128001V	3	GUIDE	
2	VGGM152V	20	CARRIAGE BOLT	
3	KG00637061	1	CARRIAGE BOLT M6X16 8.8	
4	KG00981061	1	FLANGED BOLT M8X12 90	
5	KG01061161	1	LOCK NUT M6 8	
6	KG01061261	22	LOCK NUT M8 8	
7	KG01108362	3	CIRCLIP-A 25 X 1.2	
8	VGND1461V	6	BOLT, TAPTITE	
9	VGND95049	3	PLUG, PLASTIC	
10	VGRL263V	2	PLATE	
11	VGRL551K0	1	GUARD, PROTECT., LH	
12	VGRL552K0	1	GUARD, PROTECT., RH	
13	VGRL642K0	1	PLATE	
14	VGRL643K0	1	PLATE	

VBP 2160 / SHAFT, UNIV. JOINT (R+14-OC + XL-R)



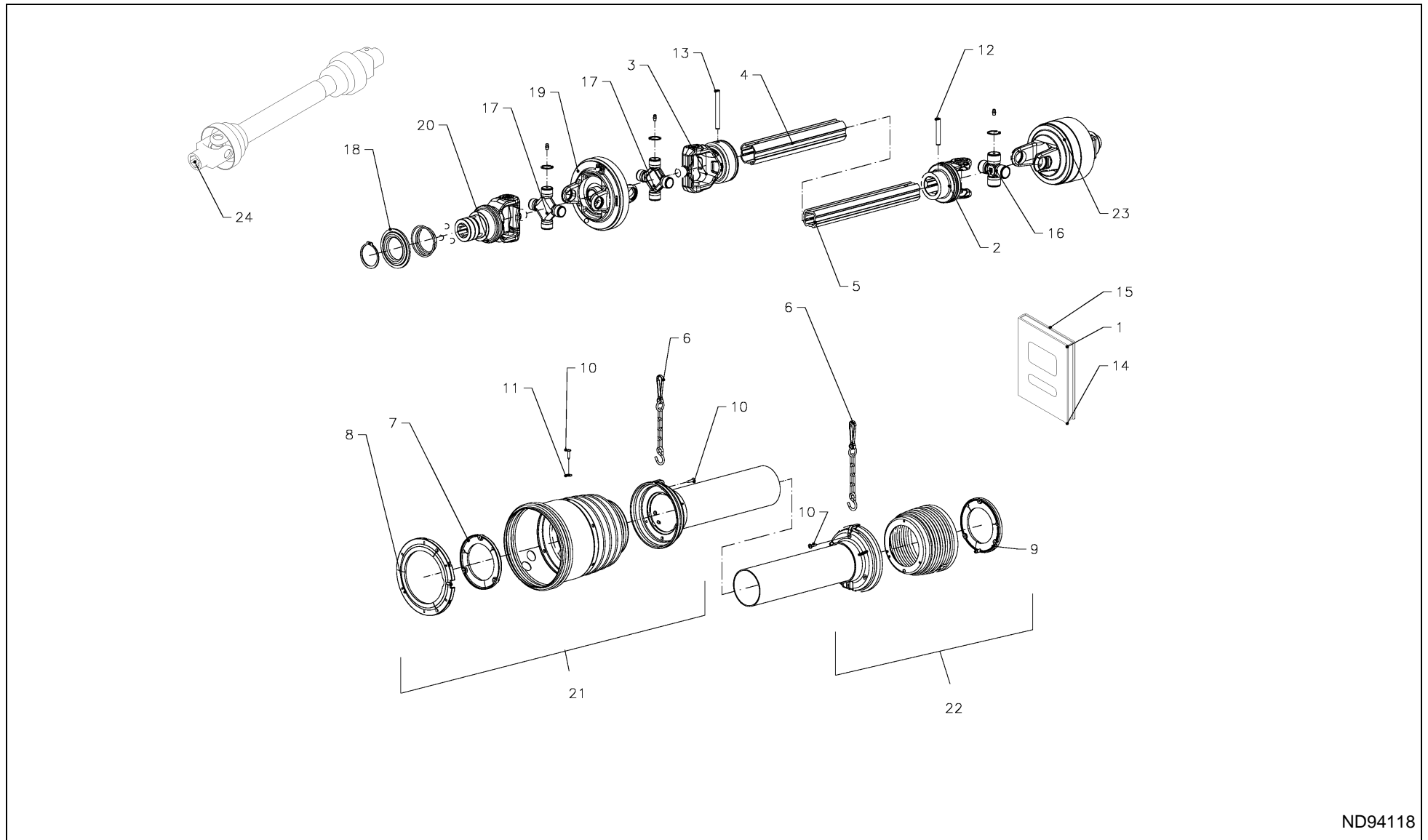
ND94117

VBP 2160 / SHAFT, UNIV. JOINT (R+14-OC + XL-R)



PosNo.	Part No.	Qty.	Description	Remark
1	BV399143000	1	SAFETY DECAL	
2	BV204S66854	1	YOKE	
3	BV2150G6871	1	YOKE	
4	BV2253Q1055	1	PIPE, PROFILE, OUTER	
5	BV2453N1070	1	PIPE, PROFILE, INNER	
6	VG82.36.08	2	SAVETY CHAIN L=600 MM	
7	BV2550G0001R02	1	RING	
8	BV2550G0024R02	1	RING	
9	BV2550G0002R02	1	RING	
10	BV310001431R30	3	SCREW	
11	BV332001020R30	1	WASHER, PLAIN	
12	VG61.05.04	1	PIN, TENSION	
13	BV341103000R10	1	PIN, TENSION	
14	BV399CEE051	1	SAFETY DECAL UNIV.JOINT SHAFT	
15	BV399CEE053	1	OPERATION MANUAL	
16	BV4120G0012R40	1	CROSS ASSY	
17	BV4120G0051R30	2	CROSS ASSY	
18	BV435000323R	1	LOCK ASSY	
19	BV5110G0061	1	YOKE, DOUBLE	
20	BV5730G0384	1	YOKE, QUICK-DISCONNECT	
21	BV5ES6121CEWS	1	GUARD HALF, OUTER	
22	BV5IS6121CEWS	1	GUARD HALF, INNER	
23	BV6WG159003R	1	COUPLING, CAM	
24	VGND94117	1	SHAFT, UNIV. JOINT	
25	BV421155901R	1	SPRING SET	1900 Nm

VBP 2160 / SHAFT, UNIV. JOINT (23-OC)



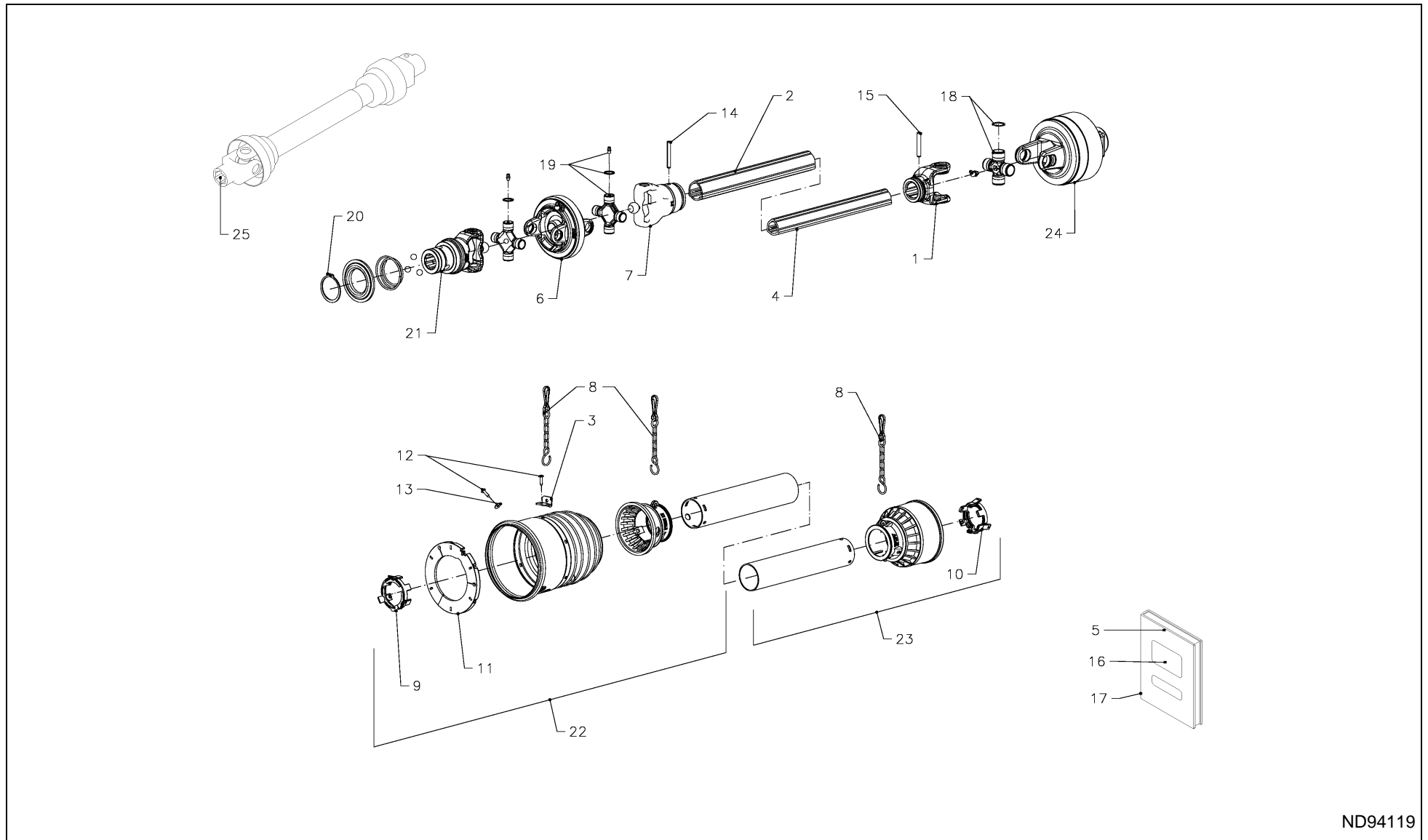
ND94118

VBP 2160 / SHAFT, UNIV. JOINT (23-OC)



PosNo.	Part No.	Qty.	Description	Remark
1	BV399143000	1	SAFETY DECAL	
2	BV204S66854	1	YOKE	
3	BV2150G6871	1	YOKE	
4	BV2253Q1055	1	PIPE, PROFILE, OUTER	
5	BV2453N1070	1	PIPE, PROFILE, INNER	
6	VG82.36.08	2	SAVETY CHAIN L=600 MM	
7	BV2550G0001R02	1	RING	
8	BV2550G0024R02	1	RING	
9	BV2550G0002R02	1	RING	
10	BV310001431R30	3	SCREW	
11	BV332001020R30	1	WASHER, PLAIN	
12	VG61.05.04	1	PIN, TENSION	
13	BV341103000R10	1	PIN, TENSION	
14	BV399CEE051	1	SAFETY DECAL UNIV.JOINT SHAFT	
15	BV399CEE053	1	OPERATION MANUAL	
16	BV4120G0012R40	1	CROSS ASSY	
17	BV4120G0051R30	2	CROSS ASSY	
18	BV435000323R	1	LOCK ASSY	
19	BV5110G0061	1	YOKE, DOUBLE	
20	BV5730G0384	1	YOKE, QUICK-DISCONNECT	
21	BV5ES6121CEWS	1	GUARD HALF, OUTER	
22	BV5IS6121CEWS	1	GUARD HALF, INNER	
23	BV6WG161003R	1	COUPLING	
24	VGND94118	1	SHAFT, UNIV. JOINT	

VBP 2160 / SHAFT, UNIV. JOINT (WPU)



ND94119

VBP 2160 / SHAFT, UNIV. JOINT (WPU)

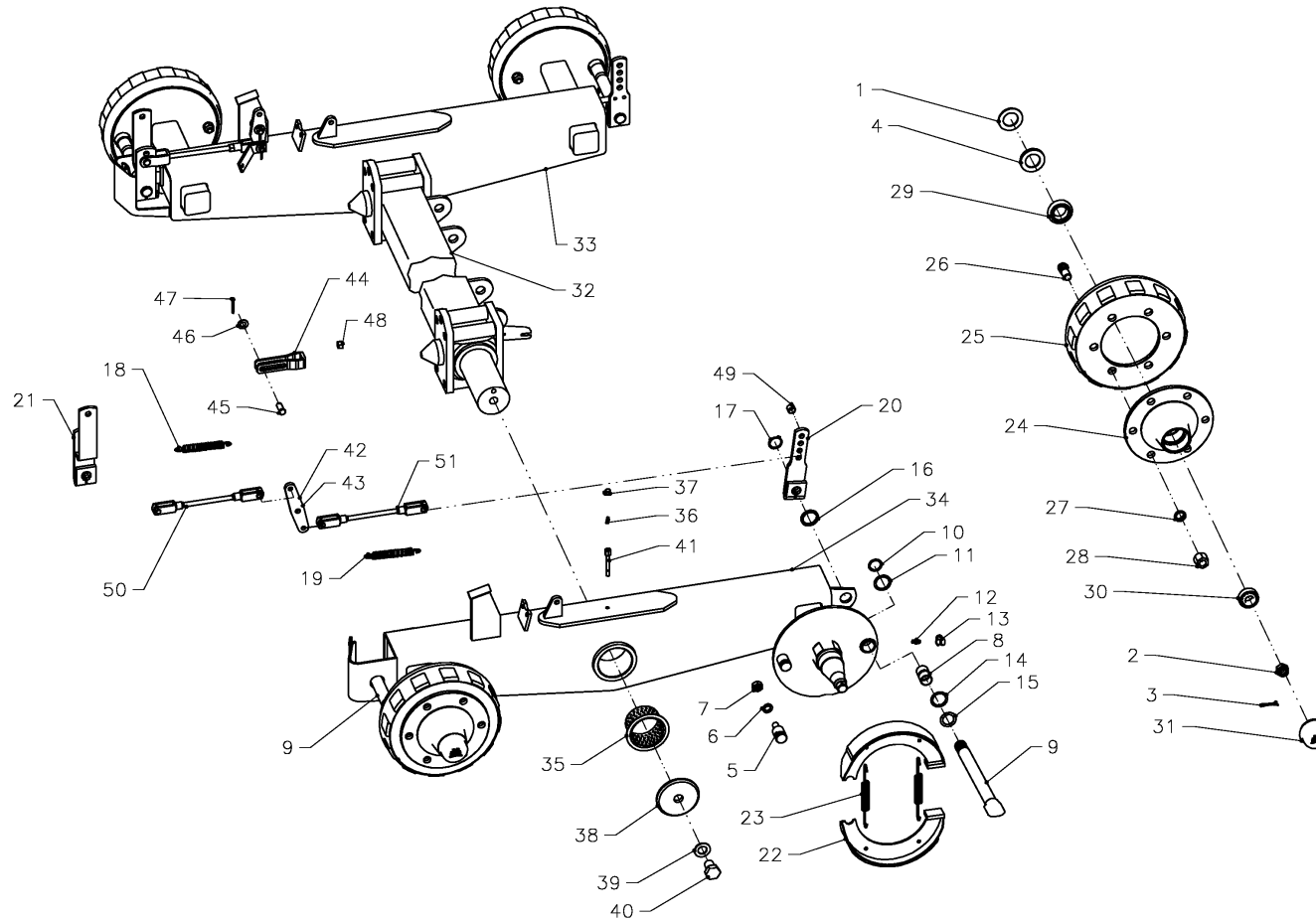


PosNo.	Part No.	Qty.	Description	Remark
1	BV204046852	1	YOKE	
2	BV225311060	1	PIPE, PROFILE, OUTER	
3	BV240001063	1	HOOK	
4	BV245101060	1	PIPE, PROFILE, INNER	
5	BV399143000	1	SAFETY DECAL	
6	BV5110E0052	1	YOKE, DOUBLE	
7	BV2150E6885	1	YOKE	
8	VG82.36.08	3	SAVETY CHAIN L=600 MM	
9	BV255040005R02	1	RING	
10	BV255040006R02	1	RING	
11	BV2550E0005R02	1	RING	
12	BV310001431R30	6	SCREW	
13	BV332001020R30	5	WASHER, PLAIN	
14	KG01192162	1	TENSION PIN 8X60	
15	BV341048000R10	1	PIN, TENSION	
16	BV399CEE051	1	SAFETY DECAL UNIV.JOINT SHAFT	
17	BV399CEE063	1	OPERATION MANUAL	
18	BV4120E0011R25	1	CROSS ASSY	
19	BV4120E0051R40	2	CROSS ASSY	
20	BV435000323R	1	LOCK ASSY	
21	BV5730E0384	1	YOKE, QUICK-DISCONNECT	
22	BV5FE4121W1CE	1	GUARD HALF, OUTER	
23	BV5FI4121FFCE	1	GUARD HALF, INNER	
24	BV6WE154003R	1	COUPLING	
25	VGND94119	1	SHAFT, UNIV. JOINT	

VBP 2160 / UNDERCARRIAGE, TANDEM



C02



SPMVF000315

SPMVF000315

VBP 2160 / UNDERCARRIAGE, TANDEM

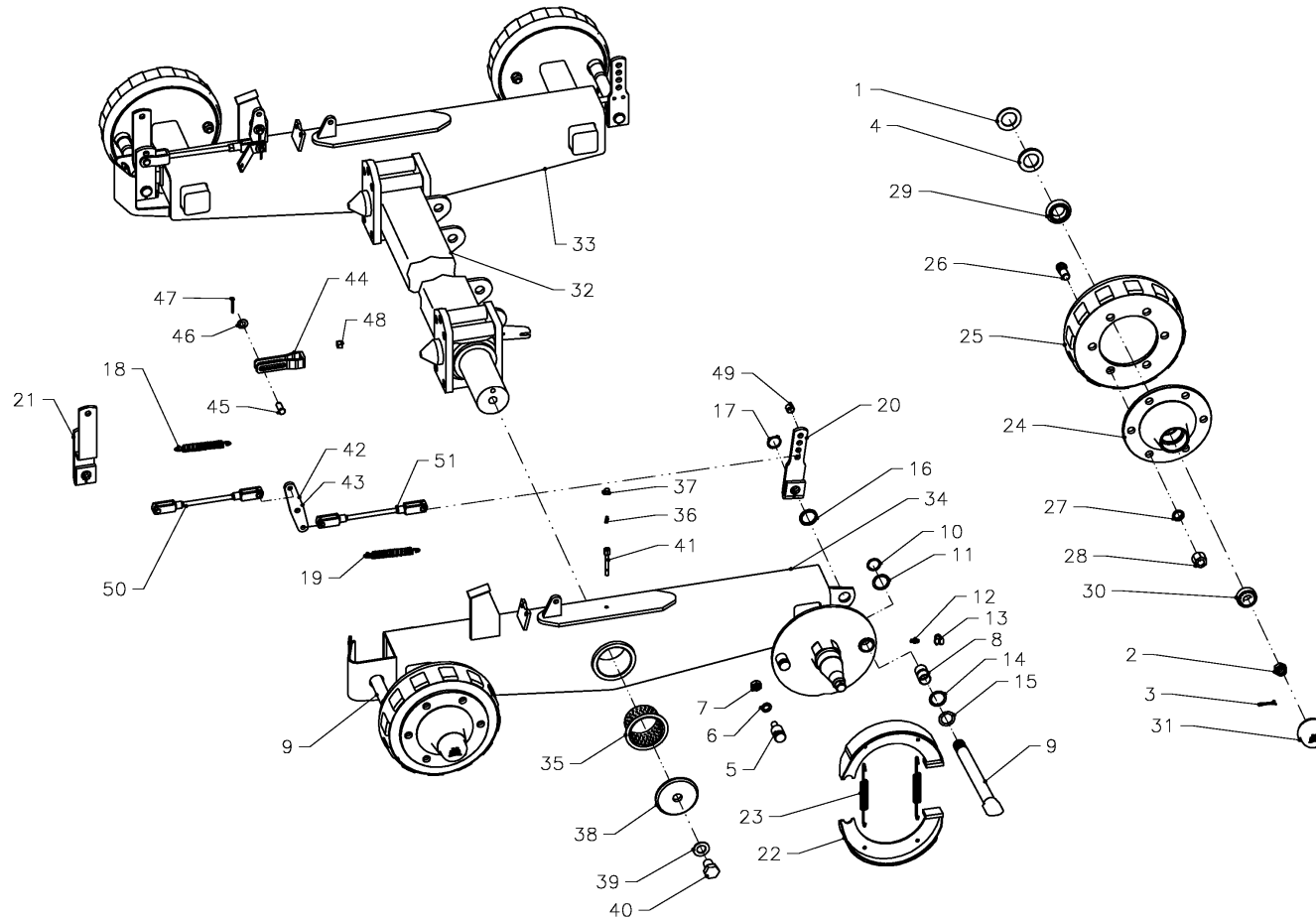


PosNo.	Part No.	Qty.	Description	Remark
1	VF16602597	4	RING	
2	VF16612406	4	CASTLE NUT	
3	KG01252961	4	SPLIT PIN 5X45 ST	
4	VF16602598	4	SEAL RING	
5	VF16602599	4	THREADED PIN	
6	VF16602600	4	WASHER	
7	VF16602601	4	LOCKING NUT	
8	VF16602602	4	BUSH	
9	VF16657252	8	SHAFT	
10	VF16602604	4	CIRCLIP	
11	VF16602605	4	RING	
12	VF16657254	4	GREASE NIPPLE	
13	VF16602606	4	PROTECTING CAP	
14	VF16624943	4	O-SEAL	
15	VF16602608	4	RING	
16	VF16657255	4	WASHER 30X42X2	
17	VF16618627	4	CIRCLIP	
18	VF16657256	2	SHAFT	
19	VF16657257	2	SHAFT	
20	VF16657258	2	SHAFT	
21	VF16657259	2	SHAFT	
22	VF16602612	8	BRAKE SHOE	
23	VF16617332	8	TENSION SPRING	
24	VF16618665	4	WHEEL HUB	
25	VF16617330.86	4	BRAKE DRUM	
26	VF16612402	24	WHEEL STUD	
27	VF01121808	24	SPRING LOCKWASHER	
28	VGND2134V	24	NUT, WHEEL	
29	VF16602614	4	TENSION SPRING	
30	KG01799200	4	TAPER ROLLER BEARING 32207	
31	VF16612405	4	WHEEL CAP	
32	VF16657261	1	AXLE SUPPORT	
33	VF16657262	1	PENDULUM ARM LEFT	
34	VF16657263	1	PENDELUM ARM RIGHT	
35	VF16653708	4	BUSH	
36	VF16602619	2	GREASE NIPPLE	
37	VF16602606	2	PROTECTING CAP	
38	VF16657264	2	PENDELUM ARM RIGHT	
39	VF16602622	2	WASHER	
40	VF16602623	2	WASHER	

VBP 2160 / UNDERCARRIAGE, TANDEM



C02
↩



SPMVF000315

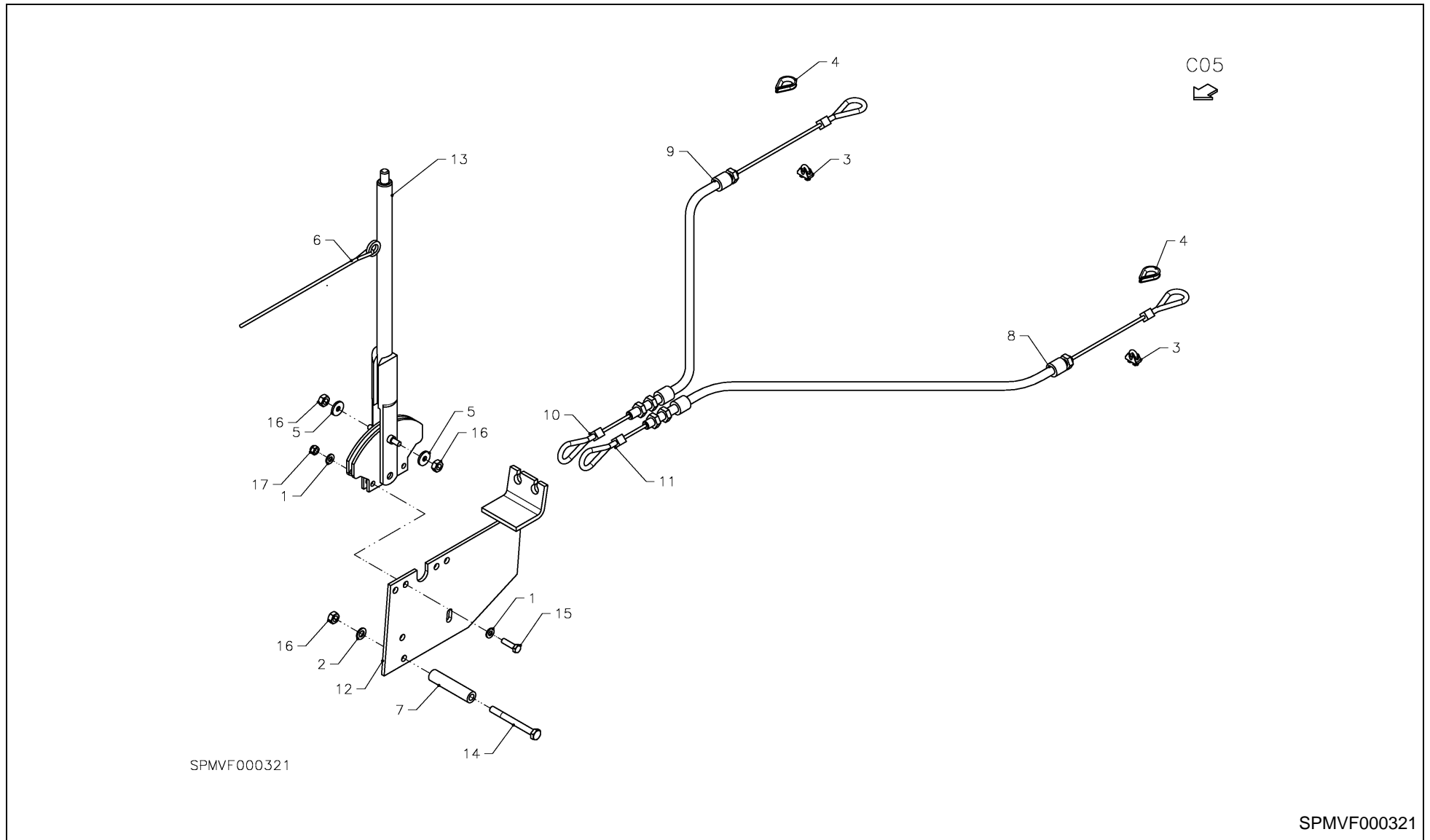
SPMVF000315

VBP 2160 / UNDERCARRIAGE, TANDEM



PosNo.	Part No.	Qty.	Description	Remark
41	VF16657265	2	PENDELUM ARM RIGHT	
42	VF16657266	1	PENDELUM ARM RIGHT	
43	VF16657267	1	PENDELUM ARM RIGHT	
44	VRR0205101	2	YOKE ASSY	
45	VF16618617	2	PIN	
46	VF16657269	2	PENDELUM ARM RIGHT	
47	VF16657270	2	SPLINT 3,2X28ISO1234	
48	VF16657271	2	SKT-MUTTER M16X1,5 DIN934	
49	VF16657272	4	HUELSE 14/12X10	
50	VF16657273	1	ZUGSTANGE L=374	
51	VF16657274	1	ZUGSTANGE L=980	

VBP 2160 / HANDBRAKE

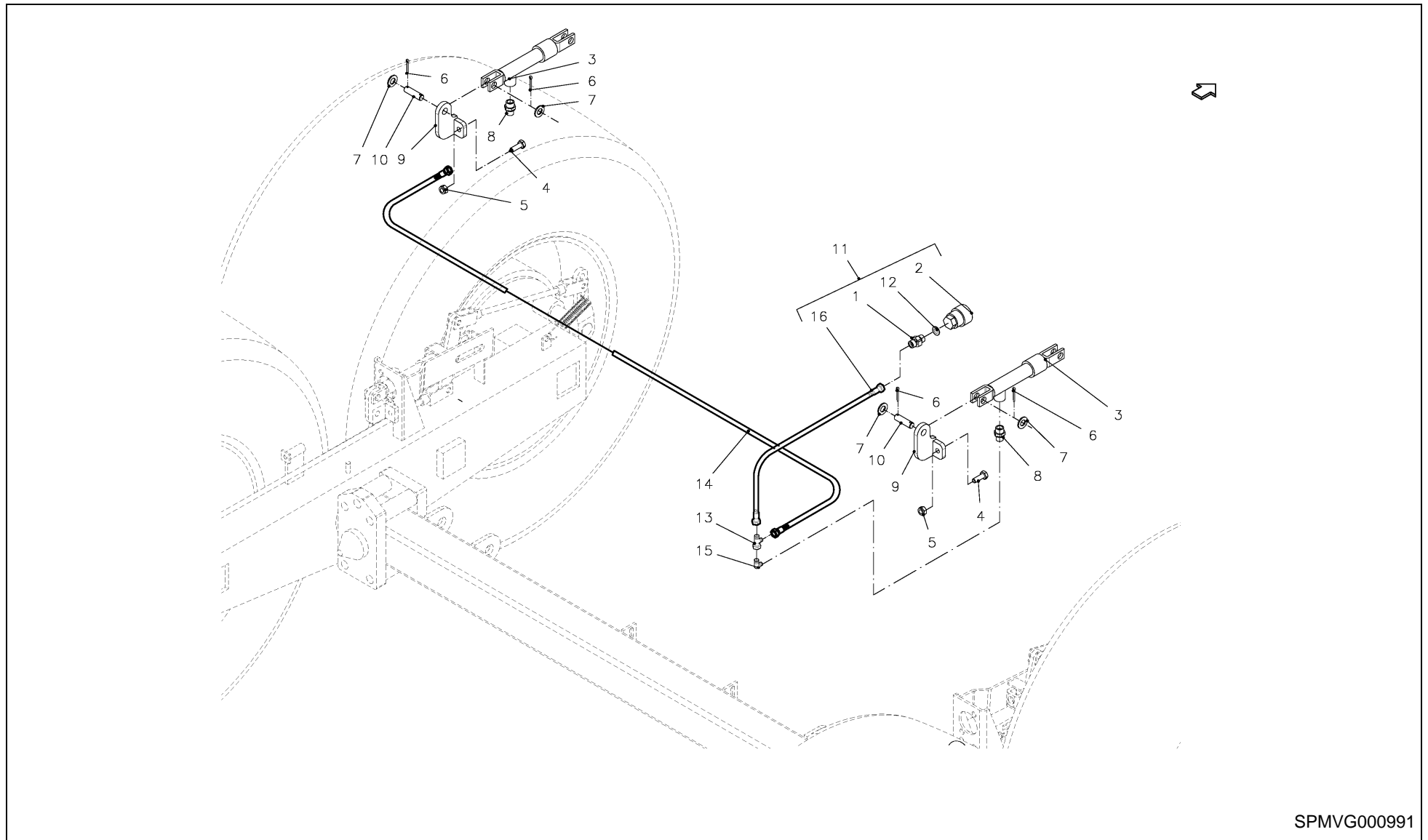


VBP 2160 / HANDBRAKE



PosNo.	Part No.	Qty.	Description	Remark
1	KG01267361	4	WASHER M8	
2	KG01267461	2	WASHER M10	
3	VGND9190V	2	CLAMP, CABLE	
4	VF01139169	2	THIMBLE	
5	VGND3030V	2	WASHER, PLAIN	
6	VF06560636	1	PULL ROPE	
7	VF16620260	2	TUBE	
8	VF16650102	1	CABLE HOSE	
9	VF16650103	1	CABLE HOSE	
10	VF16657299	1	CABLE	
11	VF16657298	1	CABLE	
12	VF16650129.86	1	BASE PLATE	
13	VF16650192	1	HAND BRAKE LEVER	
14	KG00356361	2	HEX. BOLT M10X100 8.8	
15	KG00472261	2	HEX. SCREW M8X30 8.8	
16	KG01052061	4	HEX. NUT M10 8	
17	KG01068761	2	LOCK NUT M8 10	

VBP 2160 / CYLINDER, BRAKE, HYDR.



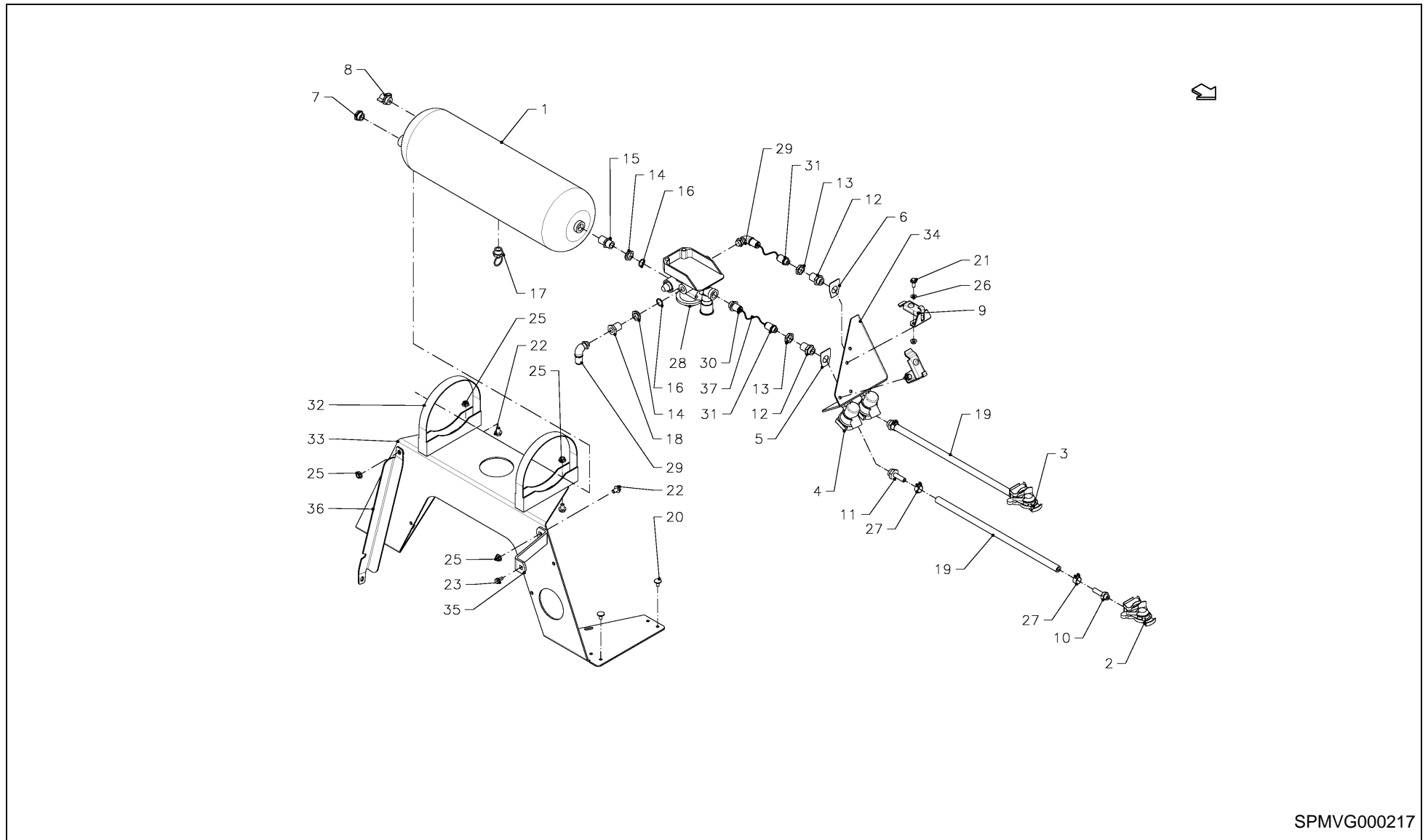
SPMVG000991

VBP 2160 / CYLINDER, BRAKE, HYDR.



PosNo.	Part No.	Qty.	Description	Remark
1	VF01116682	1	ERMETO NIPPLE	
2	VF16613256	1	HYDR.PIPE	
3	VGGB00253K0	2	CYLINDER	
4	KG00474361	4	HEX. SCREW M10X30 8.8	
5	KG01068861	4	LOCK NUT M10 10	
6	KG01251561	4	SPLIT PIN 4X25 ST	
7	KG01267661	4	WASHER M14	
8	VGND9172V	2	STUD COUPLING	
9	VGRV0110K0	2	SUPPORT	
10	VGWA1749V	2	PIN	
11	VF16615956	1	HYDR. HOSE	
12	VGND3156	1	RING, SEALING	
13	VF16618209	1	THREADED UNION	
14	VF16655946	1	HYDR. SCHLAUCH DN10X3700 90	
15	VGND92056	1	ELBOW COUPLING	
16	VF16615955	1	HYDR. HOSE	

VBP 2160 / RESERVOIR, AIR



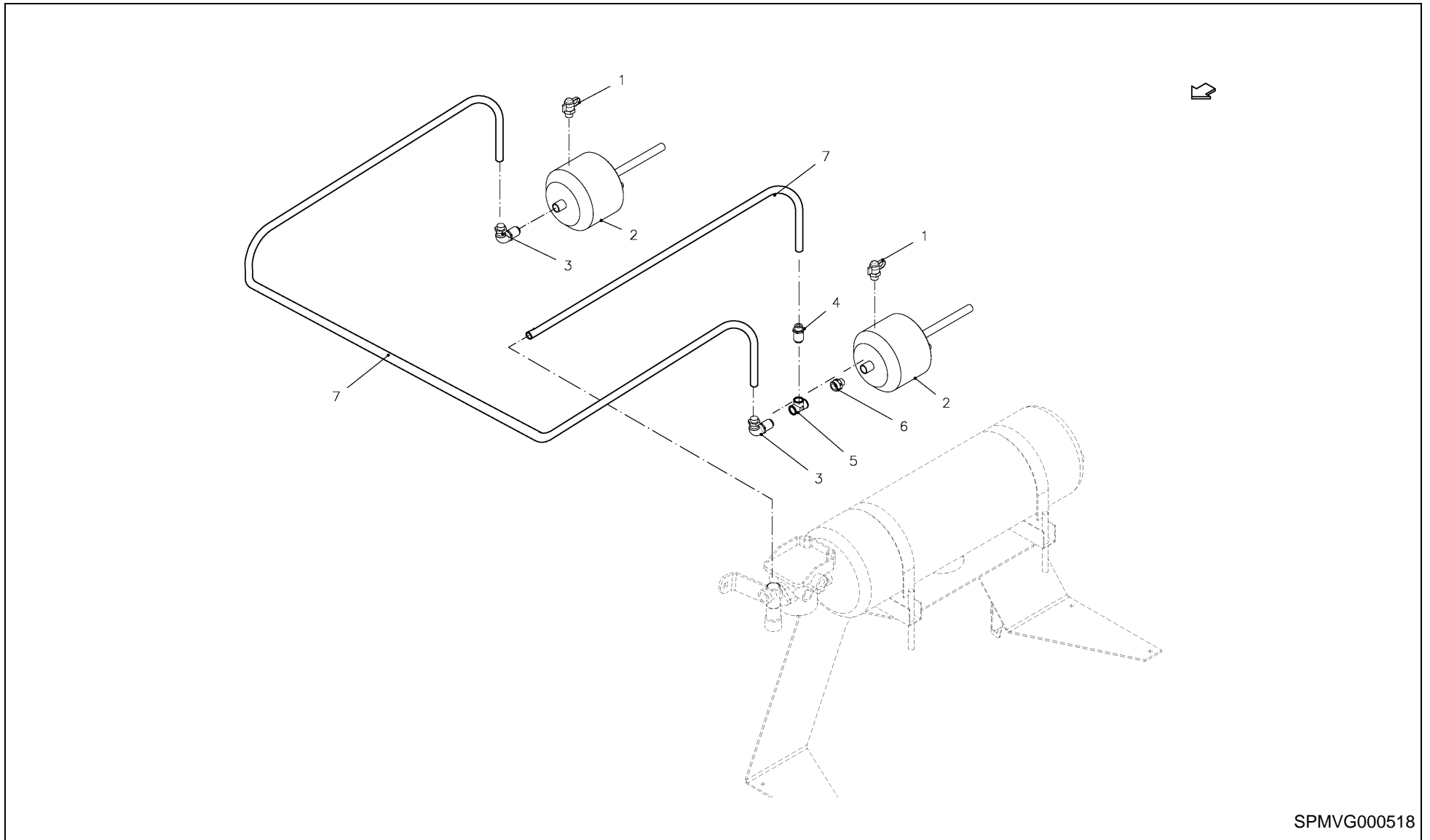
SPMVG000217

VBP 2160 / RESERVOIR, AIR



PosNo.	Part No.	Qty.	Description	Remark
1	VF16619998	1	AIR TANK	
2	VR38222301	1	COUPLING	
3	VR38222302	1	CONNECTOR	
4	VR38222304	2	FILTER	
5	VR38222309	1	PLATE	
6	VR38222310	1	PLATE	
7	VR38222324	3	COVEHOOD	
8	VR38222331	1	CONNECTOR	
9	VR38222333	1	SUPPORT	
10	VGGP377	2	STUD, HOSE	
11	VGGP379	2	STUD, HOSE	
12	VGGP380	2	COUPLING	
13	VGGP381	2	NUT	
14	VGGP385	2	NUT	
15	VGGP386	1	COUPLING	
16	VGGP387	3	O-RING	
17	VGGP388	1	VALVE	
18	VGGP493	1	STUD, REDUCING	
19	VGGP590	1	HOSE	GIVE LENGTH WHEN ORDERING
20	KG00637261	4	CARRIAGE BOLT M6X25 8.8	
21	KG00981261	4	FLANGED BOLT M8X20 90	
22	KG00981761	6	FLANGED BOLT M10X16 90	
23	KG01000861	1	FLANGED BOLT M8X25	
24	KG01061261	4	LOCK NUT M8 8	
25	KG01061361	6	LOCK NUT M10 8	
26	VGND3146V	4	RING	
27	VGND9419	4	CLAMP, WORM DRIVE	
28	VRR0535801	1	VALVE UNIT, PNEUM.	
29	VRR0546101	2	COUPLING	
30	VRR0546201	1	COUPLING	
31	VRR0546501	2	COUPLING	
32	VGWP00118	2	CLAMP	
33	VGWP119K0	1	SUPPORT	
34	VGWP121K0	1	SUPPORT	
35	VGWP124K0	1	STRIP	
36	VGWP125K0	1	SUPPORT	
37	VGGP588	1	HOSE	GIVE LENGTH WHEN ORDERING

VBP 2160 / CYLINDER, BRAKE, PNEU.



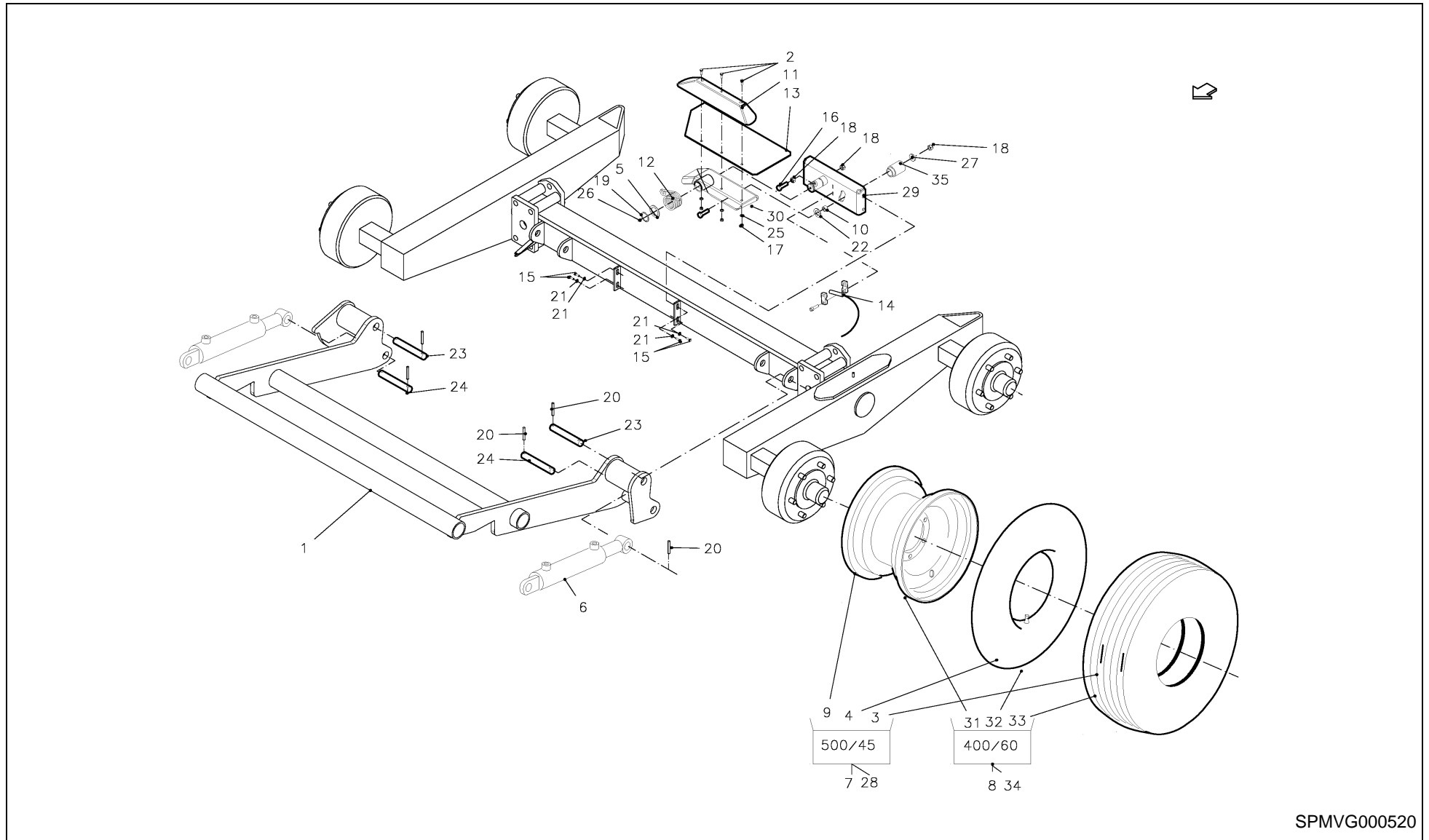
SPMVG000518

VBP 2160 / CYLINDER, BRAKE, PNEU.



PosNo.	Part No.	Qty.	Description	Remark
1	VF16652105	2	TEST CONECTOR	
2	VRR0205001	2	CYLINDER, BRAKE	
3	VRR0546101	2	COUPLING	
4	VRR0546501	1	COUPLING	
5	VGWP129	1	STUD COUPLING, T-	
6	VGWP130	1	COUPLING	
7	VGGP588	2	HOSE	GIVE LENGTH WHEN ORDERING

VBP 2160 / WHEEL, CPL.



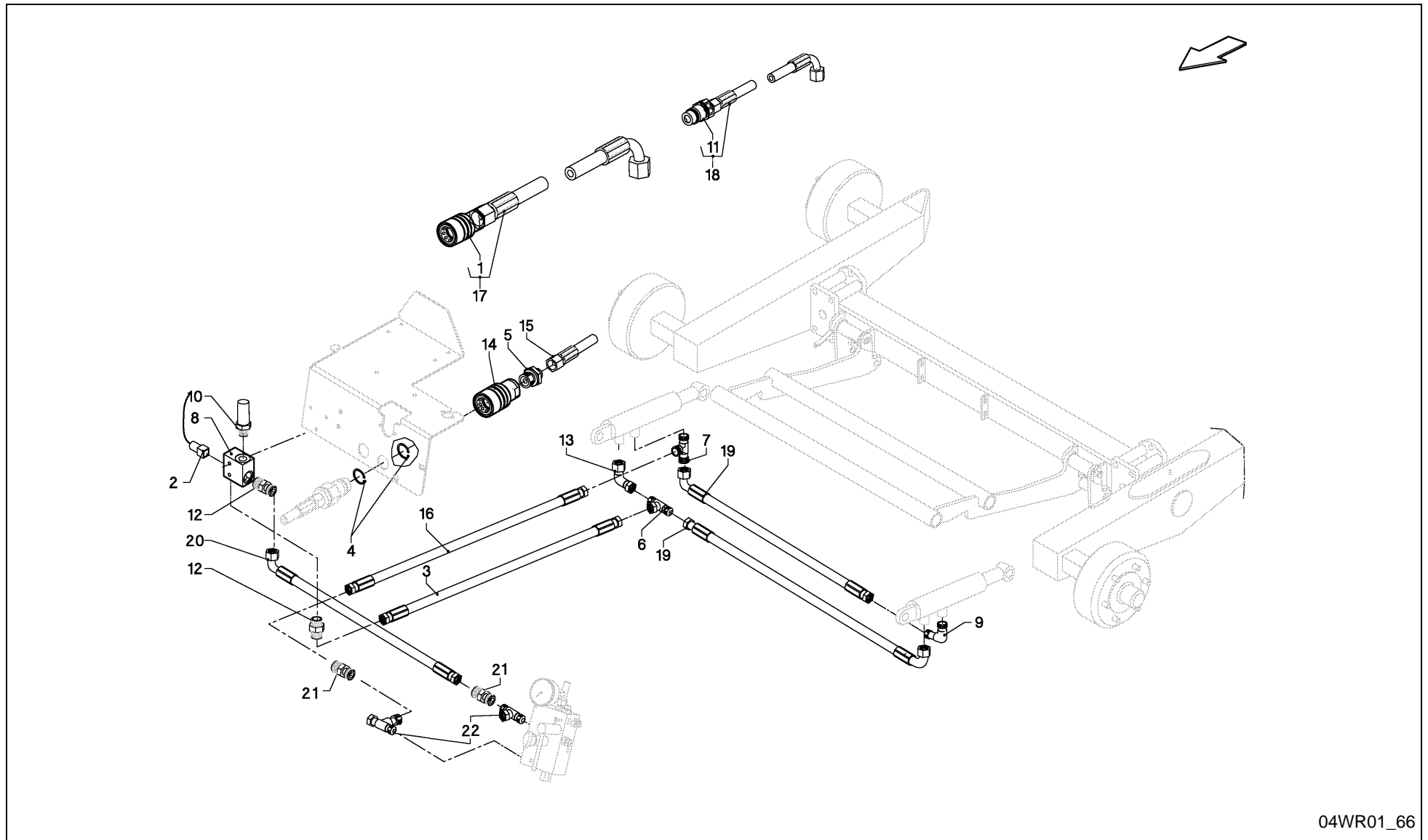
SPMVG000520

VBP 2160 / WHEEL, CPL.



PosNo.	Part No.	Qty.	Description	Remark
1	VGRV0130K0	1	LOADING ARM	
2	VF01141006	3	TRUSS-HEAD SCREW	
3	VF16657582	4	TYRE	
4	VF16657584	4	INNER TUBE	
5	VF06214329	1	WASHER	
6	VF16619675	2	HYDRAULIC CYLINDER	
7	VF16656655	4	RAD LI. 500/45-22,5 AS ET-95	
8	VF16655409	4	WHEEL 400/60-22.5 LEFT	
9	VF16657583	4	RIM	
10	VF16650225	1	SPACER SLEEVE	
11	VF16650957.86	1	WINKEL GSW.	
12	VF16650787	1	TORSION SPRING	
13	VF16650960	1	RUBBER PACKING	
14	VNB0377273	1	SENSOR ASSY PROX PLAST L=0.3M	
15	KG00474061	4	HEX. SCREW M10X20 8.8	
16	KG00476761	2	HEX. SCREW M12X40 8.8	
17	KG01068761	3	LOCK NUT M8 10	
18	KG01068961	3	LOCK NUT M12 10	
19	KG01109362	1	CIRCLIP-A 35 X 1.5	
20	KG01191962	5	TENSION PIN 8X45	
21	KG01267461	4	WASHER M10	
22	KG01267961	1	WASHER M20	
23	VGLG60V	2	PIN	
24	VGMC387V	2	PIN	
25	VGND3030V	3	WASHER, PLAIN	
26	VGND9813V	1	GREASE NIPPLE	
27	VGTH100V	1	RING	
28	VF16656656	4	RAD RE. 500/45-22,5 AS ET-95	
29	VGWP092K0	1	SUPPORT	
30	VGWP093K0	1	HOLDER	
31	VF16657580	4	RIM	
32	VF16657581	4	INNER TUBE	
33	VF16657579	4	TYRE	
34	VF16655410	4	WHEEL 400/60-22.5 ET-40 RIGHT	
35	VF16659344.61	1	BUSH	

VBP 2160 / HYDRAULIC PARTS

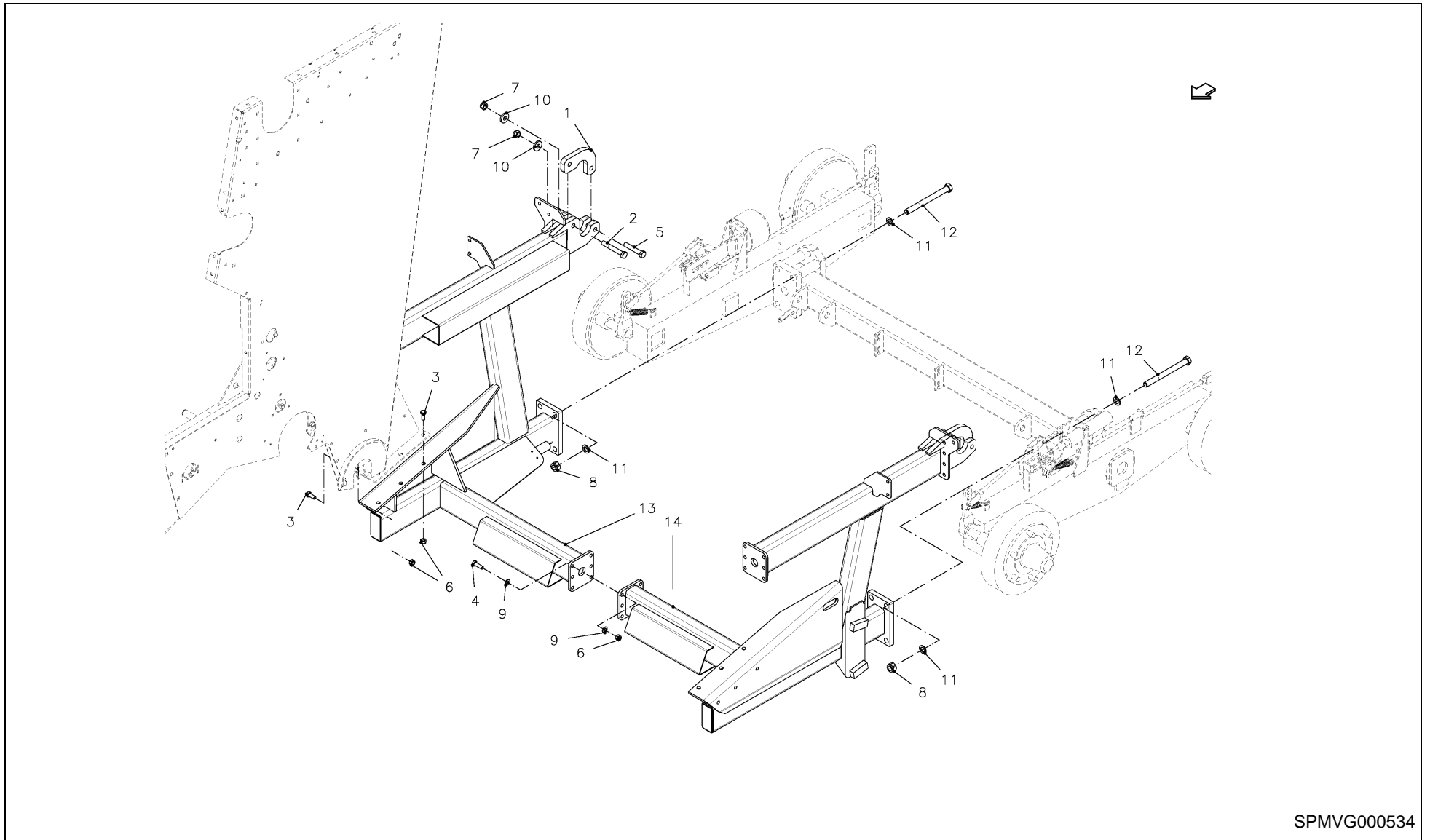


04WR01_66

VBP 2160 / HYDRAULIC PARTS



PosNo.	Part No.	Qty.	Description	Remark
1	VF16651398	1	SLEEVE	
2	MT00000126	1	CABLE VALVE L=4.5M	
3	VGFB47	1	HOSE, HP	
4	KG01119100	4	CIRCLIP-B 80 X 4	
5	VGND92003V	2	STUD COUPLING	
6	VGND92032V	1	MALE STUD TEE STUD BARREL, ADJ	
7	VGND92043V	1	T-COUPLING, ADJUSTABLE	
8	VGND92169V	1	BLOCK, HYDR.	
9	VGND92171V	1	STUD COUPLING	
10	VGND92172	1	VALVE	
11	VGTP00512	1	QUICK-DISCONNECT PLUG, MALE	
12	VGND9869V	2	STUD COUPLING	
13	VGND9906V	1	ELBOW COUPLING, ADJUSTABLE	
14	VGND9986	2	QUICK-DISCONNECT PLUG, FEMALE	
15	UH444734	2	HYDR.HOSE 1/2"-2700 1/2" 2700	
16	VGWA515	1	HOSE, HP	
17	VGWP00116	1	HOSE ASSY, HP	
18	VGWP00117	1	HOSE ASSY, HP	
19	VGXD62	2	HOSE, HP	
20	VGXD64	1	HOSE, HP	
21	VGND9872V	2	REDUCING COUPLING	
22	VGND9770V	2	STUD COUPLING, ELBOW	



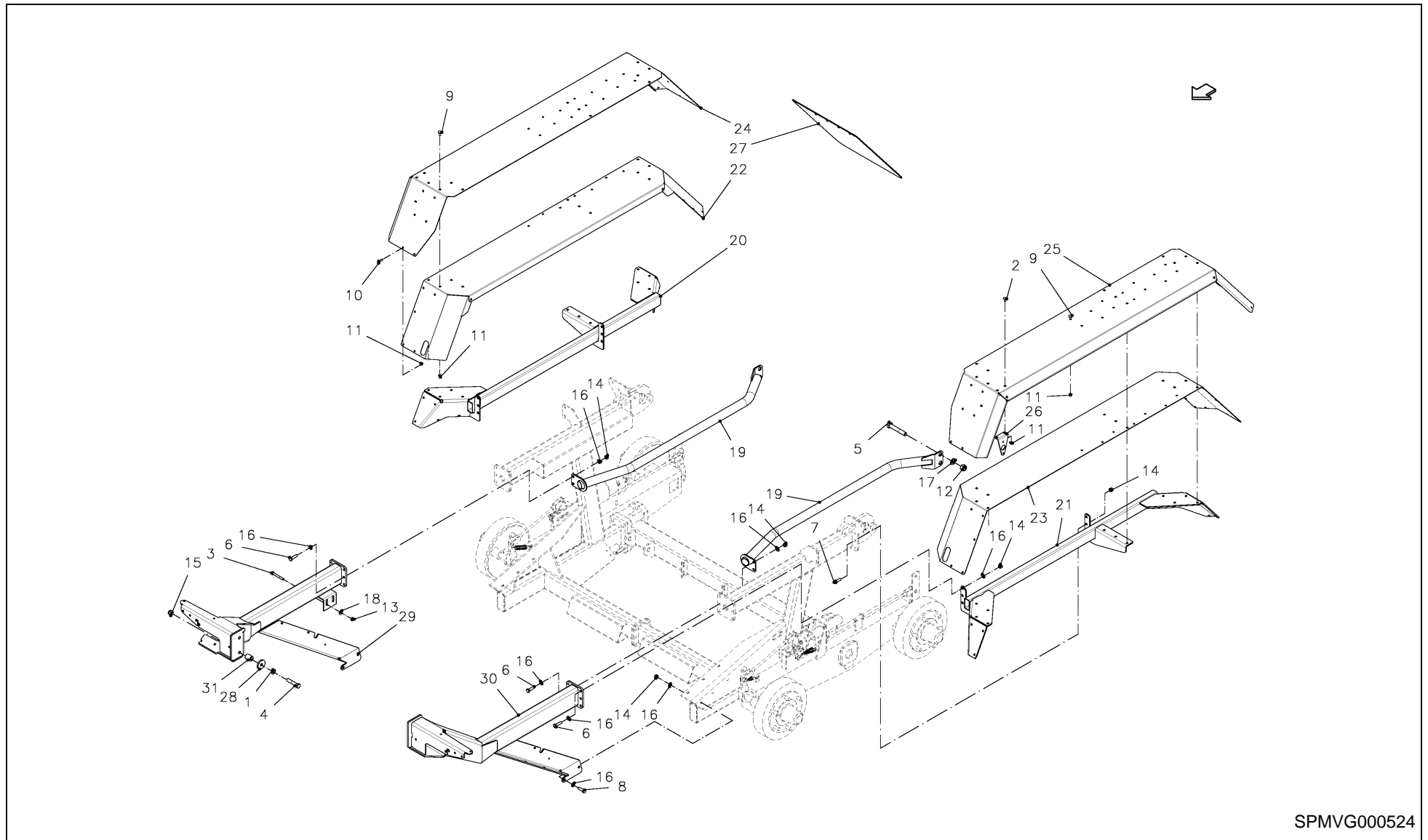
SPMVG000534

VBP 2160 / CARRIER



PosNo.	Part No.	Qty.	Description	Remark
1	VF16655612	2	HAKEN	
2	KG00362861	1	HEX. BOLT M16X110 8.8	
3	KG00476561	12	HEX. SCREW M12X30 8.8	
4	KG00476761	6	HEX. SCREW M12X40 8.8	
5	KG00481161	2	HEX. SCREW M16X90 8.8	
6	KG01068961	18	LOCK NUT M12 10	
7	KG01069161	4	LOCK NUT M16 10	
8	KG01069261	8	NUT, LOCK	
9	KG01267561	12	WASHER M12	
10	KG01273961	4	WASHER M16	
11	KG01282261	14	SPRING WASHER M20	
12	VGND1599V	8	BOLT, NUTTED	
13	VGRV052K0	1	FRAME, RH	
14	VGRV053K0	1	FRAME, LH	

VBP 2160 / MUDGUARDS



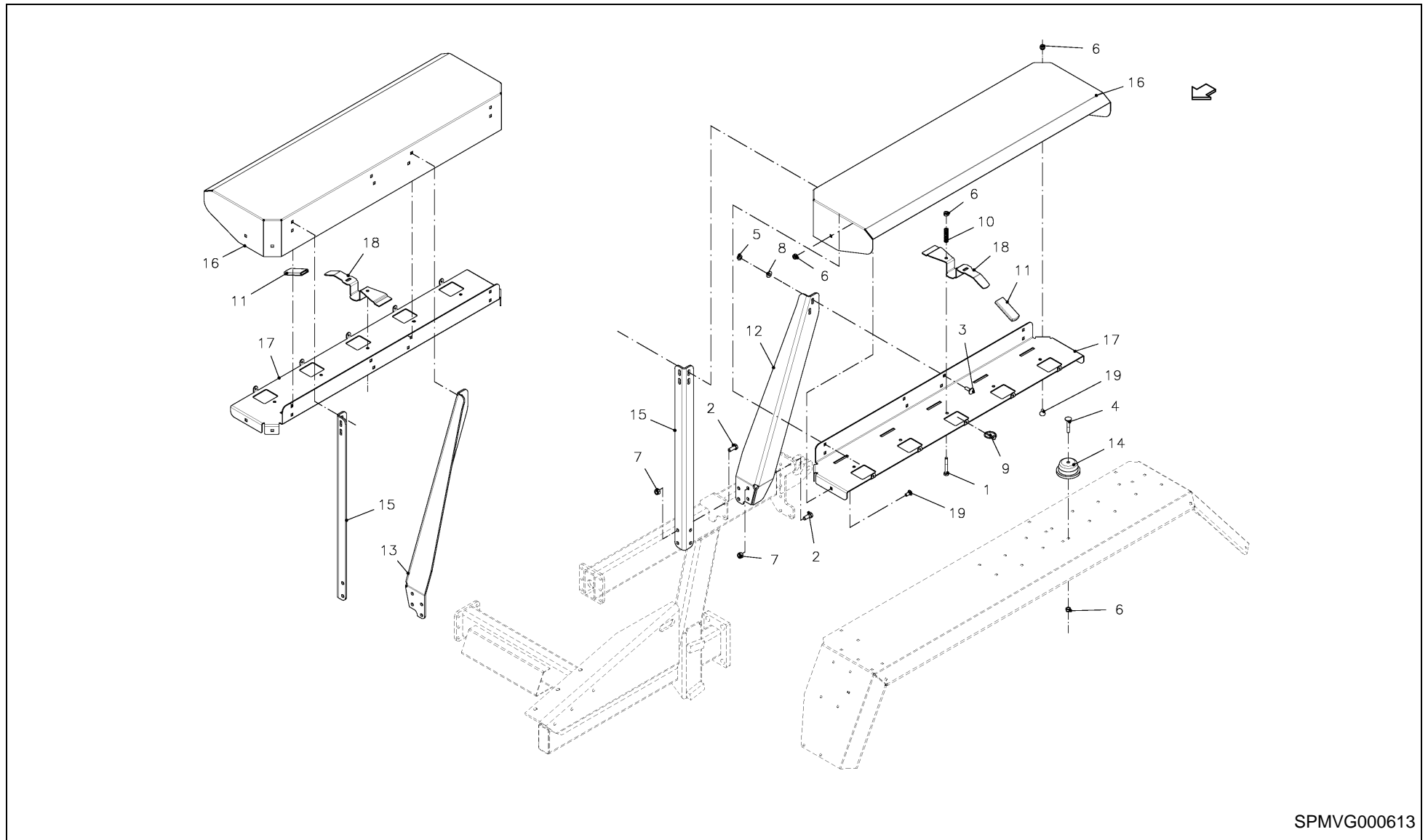
SPMVG000524

VBP 2160 / MUDGUARDS



PosNo.	Part No.	Qty.	Description	Remark
1	VG37129064V	4	WASHER, BELLEVILLE	
2	VGGM152V	12	CARRIAGE BOLT	
3	KG00356061	4	HEX. BOLT M10X80 8.8	
4	KG00362561	4	HEX. BOLT M16X80 8.8	
5	KG00367361	4	HEX. BOLT M20X120 8.8	
6	KG00457561	12	HEX. SCREW M12X45 10.9	
7	KG00476661	6	HEX. SCREW M12X35 8.8	
8	KG00476761	4	HEX. SCREW M12X40 8.8	
9	KG00639061	18	CARRIAGE BOLT M8X20 8.8	
10	KG00981361	6	FLANGED BOLT M8X25 90	
11	KG01061261	18	LOCK NUT M8 8	
12	KG01068161	4	LOCK NUT M20 8	
13	KG01068861	4	LOCK NUT M10 10	
14	KG01068961	22	LOCK NUT M12 10	
15	KG01069161	4	LOCK NUT M16 10	
16	KG01267561	44	WASHER M12	
17	KG01267961	4	WASHER M20	
18	VGND3147V	4	RING	
19	VGRV049K0	2	GUIDE	
20	VGRV056K0	1	FRAME, RH	
21	VGRV057K0	1	FRAME, LH	
22	VGRV100K0	1	MUDGUARD, INNER, RH	
23	VGRV101K0	1	MUDGUARD, INNER, LH	
24	VGRV102K0	1	MUDGUARD, OUTER, RH	
25	VGRV103K0	1	MUDGUARD, OUTER, LH	
26	VGRV72K0	2	SUPPORT	
27	VGRV90	2	MUD FLAP	
28	VGTP193V	4	RING	
29	VGWP0156K0	1	FRAME, RH	
30	VGWP0157K0	1	FRAME, LH	
31	VGWP49V	4	SLEEVE	

VBP 2160 / SUPPORT, FOIL ROLL,



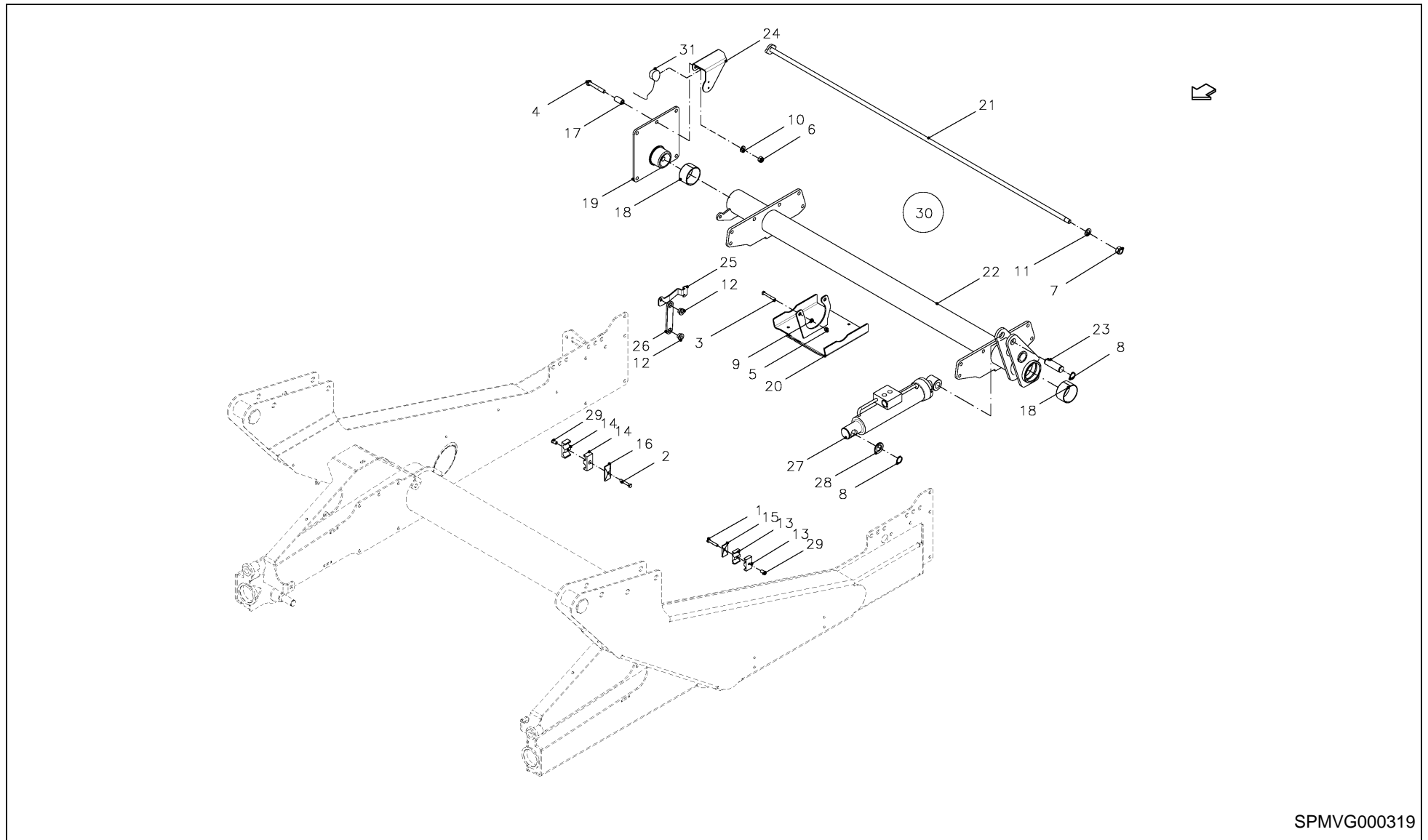
SPMVG000613

VBP 2160 / SUPPORT, FOIL ROLL,



PosNo.	Part No.	Qty.	Description	Remark
1	KG00355861	10	HEX. BOLT M10X70 8.8	
2	KG00476561	10	HEX. SCREW M12X30 8.8	
3	KG00641561	8	CARRIAGE BOLT M10X30 8.8	
4	KG00642161	10	CARRIAGE BOLT M10X60 8.8	
5	KG01061361	8	LOCK NUT M10 8	
6	KG01068861	28	LOCK NUT M10 10	
7	KG01068961	10	LOCK NUT M12 10	
8	VGND3147V	8	RING	
9	VGND90003V	10	LINCH PIN FERGUSON-	
10	VGZ473	10	SPRING, COMPRESSION	
11	VGWA453	10	GRIP	
12	VGWP081K0	1	PLATE, LH	
13	VGWP082K0	1	PLATE, RH	
14	VGWP113	10	HOLDER, NYLON	
15	VGWP54K0	2	PROFILE	
16	VGWP94K0	2	GUARD, PROTECT.	
17	VGWP95K0	2	HOLDER	
18	VGWP96K0	10	HOLDER	
19	VGXD296V	8	CARRIAGE BOLT	

VBP 2160 / WRAPPER, FRAME



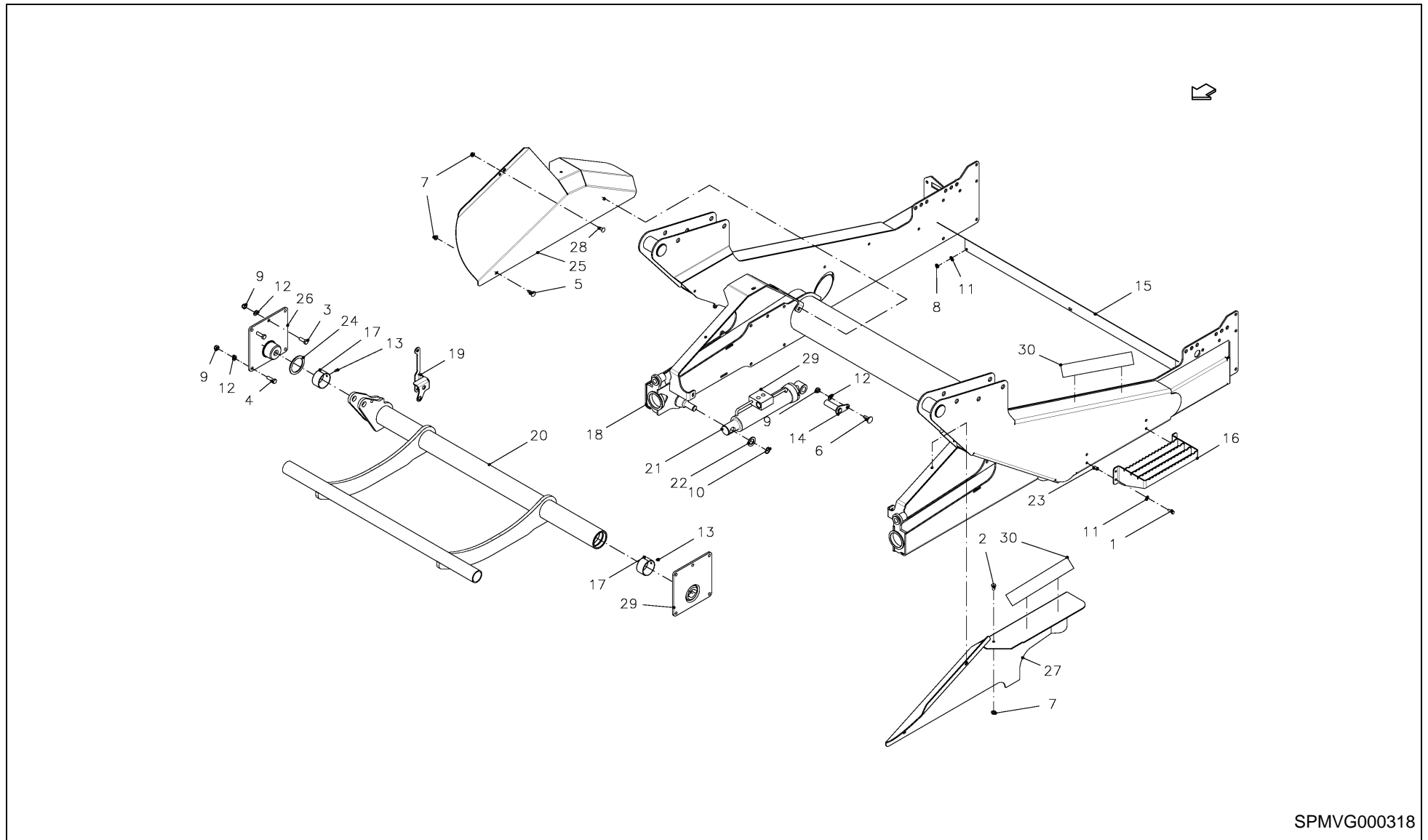
SPMVG000319

VBP 2160 / WRAPPER, FRAME



PosNo.	Part No.	Qty.	Description	Remark
1	KG00353361	1	HEX. BOLT M8X45 8.8	
2	KG00353461	3	HEX. BOLT M8X50 8.8	
3	KG00353661	2	HEX. BOLT M8X60 8.8	
4	KG00358161	10	HEX. BOLT M12X80 8.8	
5	KG01068761	1	LOCK NUT M8 10	
6	KG01068961	2	LOCK NUT M12 10	
7	KG01069161	1	LOCK NUT M16 10	
8	KG01108362	4	CIRCLIP-A 25 X 1.2	
9	KG01267361	9	WASHER M8	
10	KG01267561	20	WASHER M12	
11	KG01267761	1	WASHER M16	
12	UH300562	2	BUSHING Ø11X13-Ø19/9	
13	UH300876	2	CLAMP HALF Ø18	
14	UH300877	6	SADDLE ASSY, DOUBLE	
15	VGND92009B	1	SHIELD	
16	UH300886	3	PLATE 20-25	
17	UH415414	10	COLLAR Ø12,4/Ø19X34	
18	UH444198	2	SLIDE BEARING 7040	
19	VGUW0342K0	1	FLANGE, CUSHION	
20	UH444220-K	1	HOSE PROTECTION	
21	UH444225-K	1	PULL ROD	
22	UH444233-K	1	TIP FRAME	
23	UH444236	1	PIN	
24	UH444701	1	SENSOR BRACKET	
25	UH444702	1	SENSOR ARM	
26	UH444703	1	STAY	
27	UH444790-K	1	CYLINDER DA Ø63-Ø32X450+250	
28	KG01268161	2	WASHER M24	
29	UH862138	7	BLIND RIVET NUT	
30	UH444232-K	1	TIP FRAME ASSY	
31	VNB0527773	1	SENSOR ASSY ANG 90DEG L=1.7M	

VBP 2160 / WRAPPER, FRAME

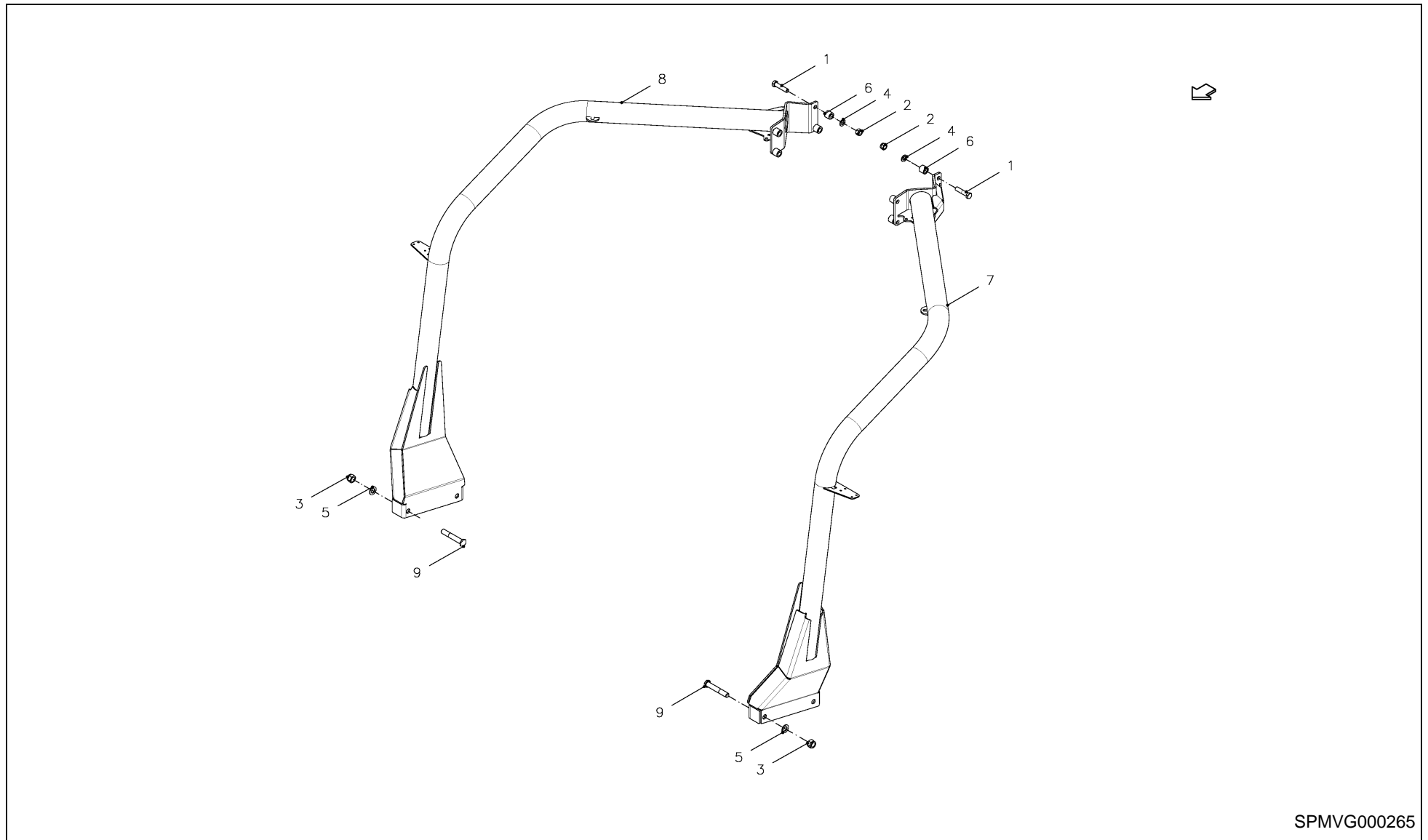


SPMVG000318

VBP 2160 / WRAPPER, FRAME



PosNo.	Part No.	Qty.	Description	Remark
1	KG00472161	4	HEX. SCREW M8X25 8.8	
2	KG00474061	2	HEX. SCREW M10X20 8.8	
3	KG00476661	8	HEX. SCREW M12X35 8.8	
4	KG00476761	4	HEX. SCREW M12X40 8.8	
5	KG00641561	4	CARRIAGE BOLT M10X30 8.8	
6	KG00644961	1	CARRIAGE BOLT M12X35 8.8	
7	KG01061361	8	LOCK NUT M10 8	
8	KG01068761	5	LOCK NUT M8 10	
9	KG01068961	4	LOCK NUT M12 10	
10	KG01108362	4	CIRCLIP-A 25 X 1.2	
11	KG01267361	9	WASHER M8	
12	KG01267561	34	WASHER M12	
13	VGND9004V	2	GREASE NIPPLE	
14	UH442126	1	PIN	
15	UH444123-K	1	GUARD, PROTECT.	
16	UH444130-K	1	WEB/LAND	
17	UH444235	2	SLIDING BEARING FRIMIX TFP 7040	
18	UH444240-K	1	FRAME	
19	UH444518	1	BRACKET	
20	UH444520-K	1	LOADING ARM	
21	UH444790-K	1	CYLINDER DA Ø63-Ø32X450+250	
22	KG01268161	1	WASHER M24	
23	UH862138	1	BLIND RIVET NUT	
24	UH868614	1	SUPPORT RING 70X90X3.5	
25	VGUW0332K0	1	PLATE, GUIDE	
26	VGUW0342K0	2	FLANGE, CUSHION	
27	VGWP0115K0	1	PLATE, LH	
28	VGXD296V	1	CARRIAGE BOLT	
29	VGUW000227	1	SEALS, SET	
30	VR39000001	2	BANDE	



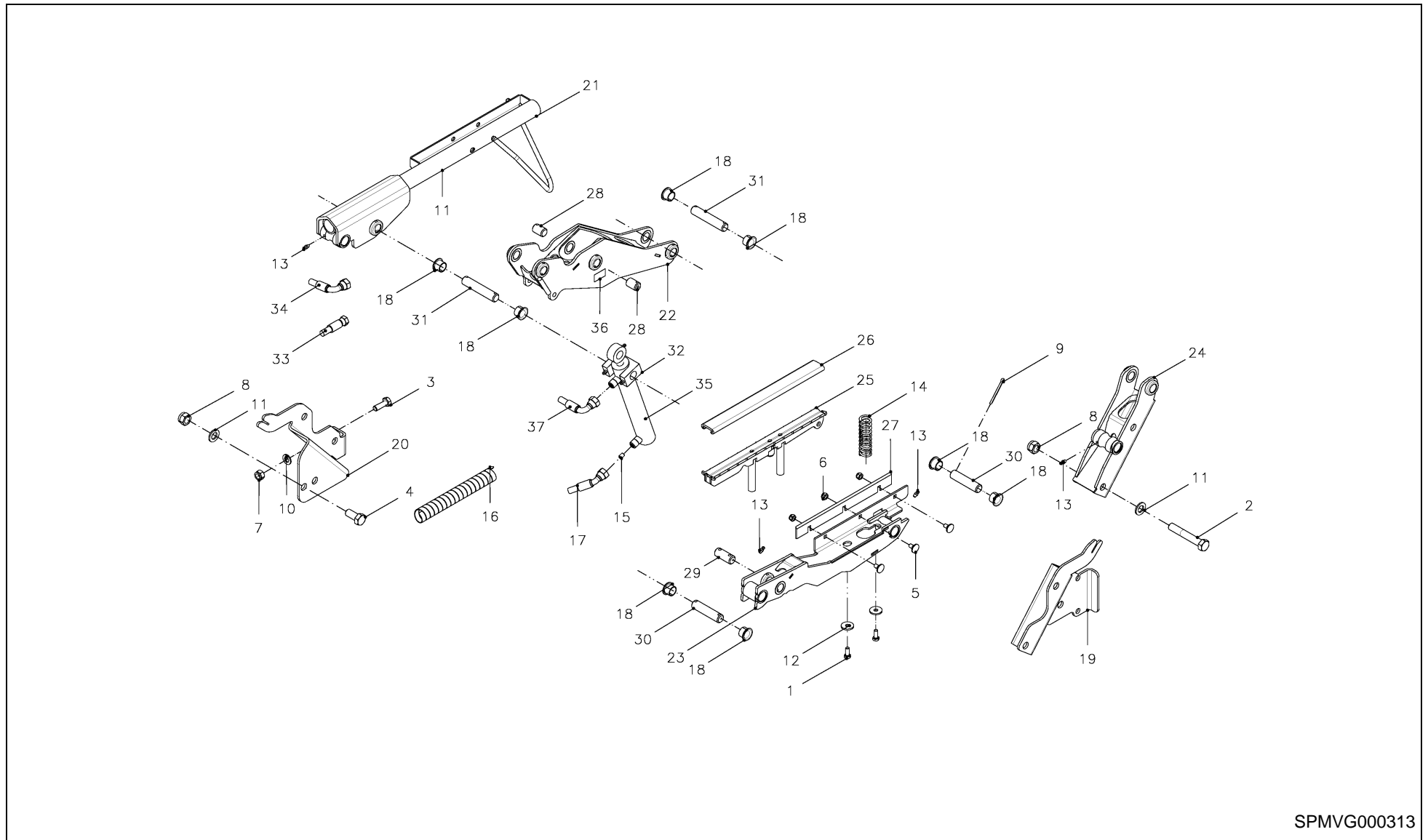
SPMVG000265

VBP 2160 / TOWER



PosNo.	Part No.	Qty.	Description	Remark
1	KG00362361	4	HEX. BOLT M16X70 8.8	
2	KG01069161	4	LOCK NUT M16 10	
3	KG01069261	4	NUT, LOCK	
4	KG01267761	4	WASHER M16	
5	KG01267961	4	WASHER M20	
6	UH410958	8	COLLAR 17-30X26	
7	UH444310-K	1	TOWER BP160 LH	
8	UH444311-K	1	TOWER BP160 RH	
9	KG00367361	4	HEX. BOLT M20X120 8.8	

VBP 2160 / APPLICUTTER



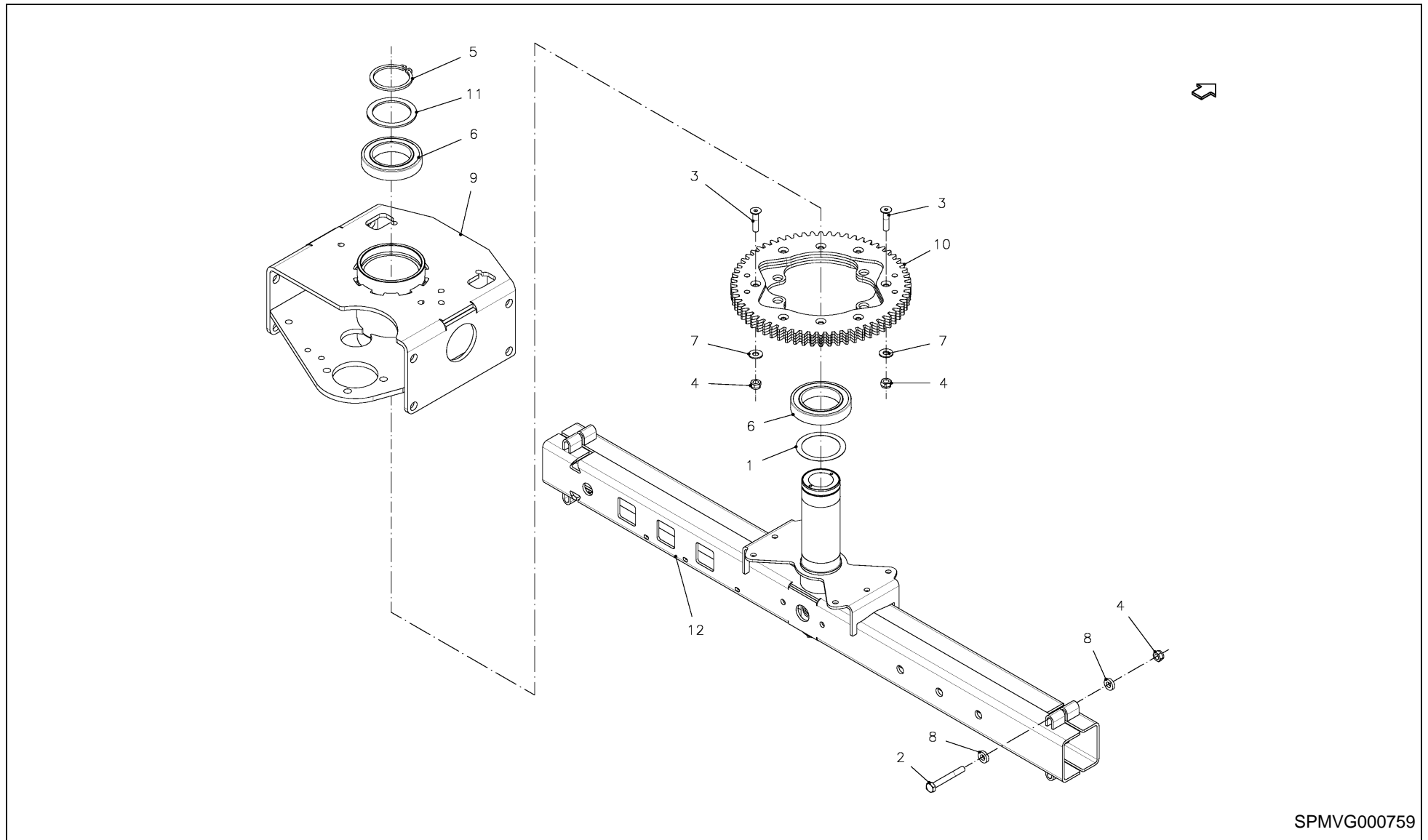
SPMVG000313

VBP 2160 / APPLICUTTER



PosNo.	Part No.	Qty.	Description	Remark
1	VF01173381	2	HEX.HEAD SCREW	
2	KG00362761	4	HEX. BOLT M16X100 8.8	
3	KG00476661	1	HEX. SCREW M12X35 8.8	
4	KG00480161	4	HEX. SCREW M16X35 8.8	
5	KG00638961	3	CARRIAGE BOLT M8X16 8.8	
6	KG01068761	3	LOCK NUT M8 10	
7	KG01068961	1	LOCK NUT M12 10	
8	KG01069161	4	LOCK NUT M16 10	
9	KG01253061	7	SPLIT PIN 5X50 ST	
10	KG01267561	2	WASHER M12	
11	KG01267761	8	WASHER M16	
12	VGND3122V	2	WASHER, PLAIN	
13	VGND9004V	4	GREASE NIPPLE	
14	UH282751	1	SPRING	
15	UH410730	2	RESTRICTOR M8 Ø 1.4 MM	
16	UH440093	4	PROTECTION SPIRAL	
17	UH444750	1	HOSE, HP	
18	UH450312	8	SLIDING BEARING W/FLANGE 2016.5	
19	UH453465-K	1	CARRIER LEFT BP	
20	UH453468-K	1	CARRIER RIGHT BP	
21	UH453502	1	ARM TOP	
22	UH453507-K	1	HALTER GSW.	
23	UH453511-K	1	STAY UPPER WELD.	
24	UH453520-K	1	STEERING ARM WELD.	
25	UH453526	1	HOLDER	
26	UH453536	1	PLASTIC PROFILE	
27	UH453537	1	BLADE	
28	UH453543	2	BOLT D20 5X25	
29	UH453544	1	BOLT D20 5 5X31	
30	UH453545	2	BOLT D20 5 5X74	
31	UH453546	2	BOLT D20 D5 D5X91	
32	UH453550-K	1	HYDR. ZYLINDER 32-16-175-45	
33	UH335790	1	HOSE, HP	
34	UH332643	1	HOSE, HP	
35	UH453551	1	DICHTSAETZE UH453550	
36	VGTR2067	1	SAFETY DECAL	
37	UH332645	1	HOSE, HP	

VBP 2160 / GEAR DRIVE UNIT BP



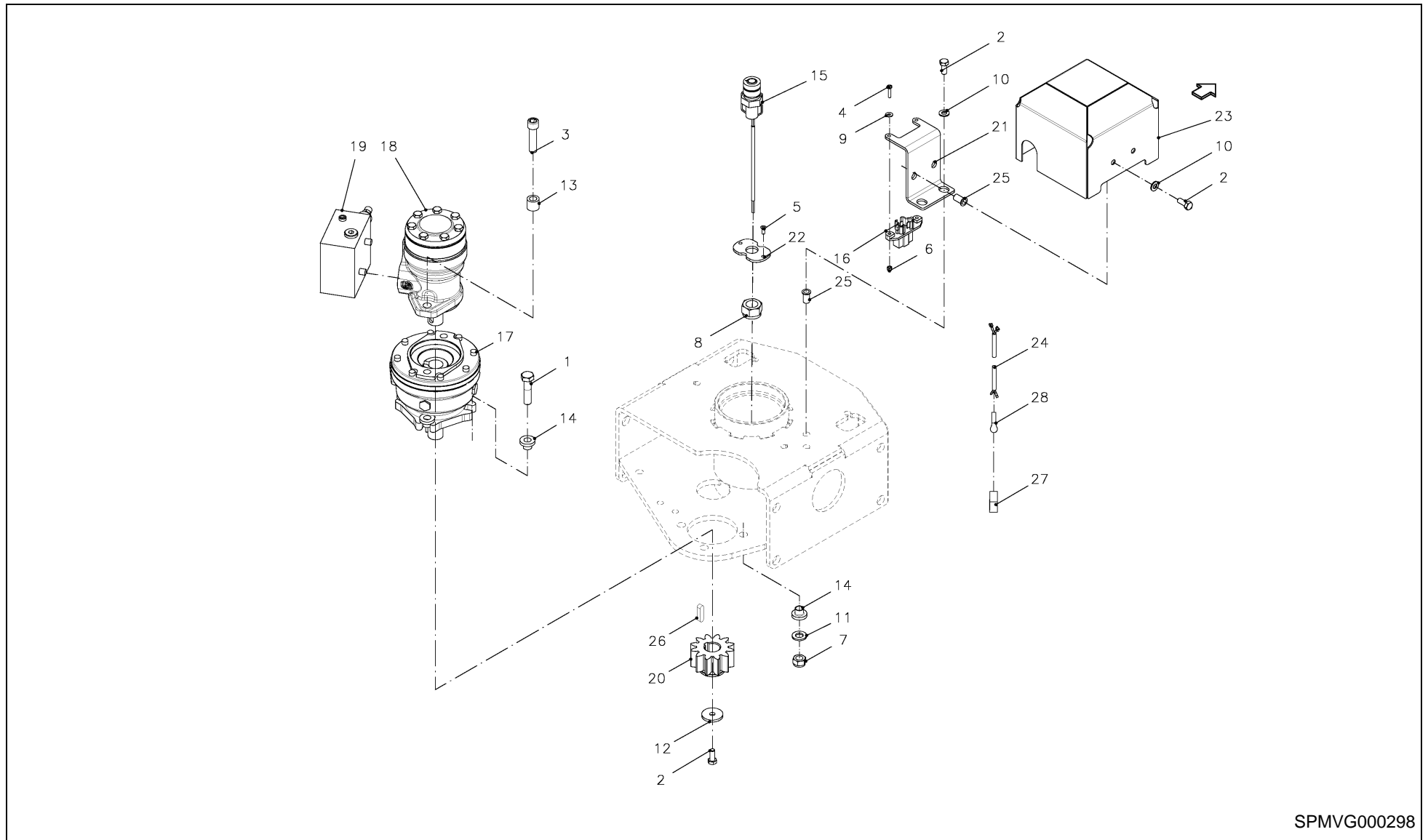
SPMVG000759

VBP 2160 / GEAR DRIVE UNIT BP



PosNo.	Part No.	Qty.	Description	Remark
1	VF06214528	1	SPACER	70X90X0,5
2	KG00336661	4	HEX. BOLT M10X80 10.9	
3	KG00849561	8	COUNTERSUNK HEAD SCREW M10X45 10.9	
4	KG01068861	12	LOCK NUT M10 10	
5	KG01111700	1	CIRCLIP-A 70 X 2.5	
6	KG01362800	2	BALL BEARING 6014-2RS	
7	VGND3147V	2	RING	
8	UH231499	8	WASHER Ø11-Ø22X5	
9	UH453310-K	1	HOUSING	
10	UH453317-K	1	GEAR M5 64T ASSEMBLED	
11	UH868614	1	SUPPORT RING 70X90X3.5	
12	VGUW0316K0	1	ARM	

VBP 2160 / DRIVE UNIT BP 2D



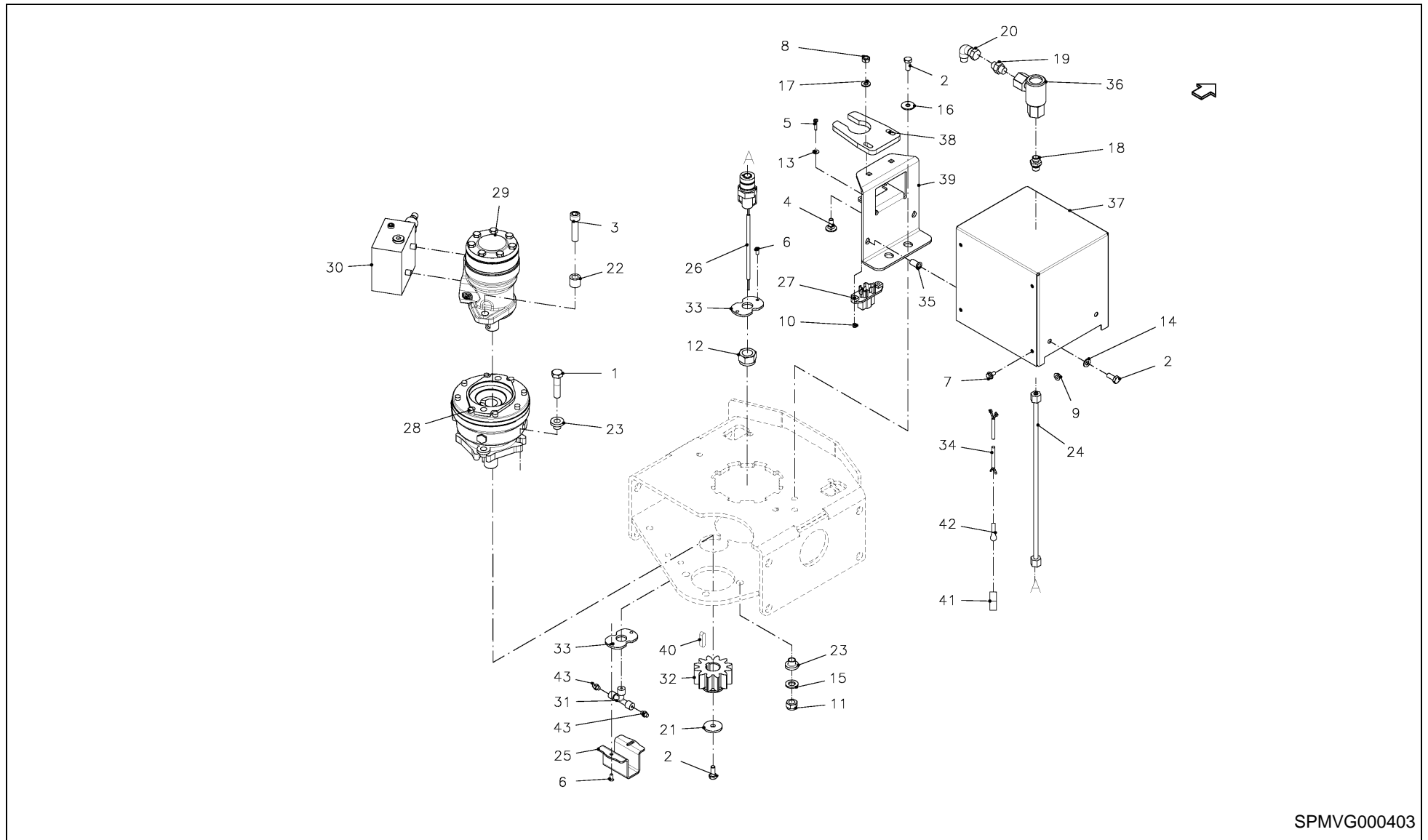
SPMVG000298

VBP 2160 / DRIVE UNIT BP 2D



PosNo.	Part No.	Qty.	Description	Remark
1	KG00357561	3	HEX. BOLT M12X50 8.8	
2	KG00471961	4	HEX. SCREW M8X20 8.8	
3	KG00596600	1	CHEESE HEAD SCREW M12X50 12.9	
4	KG00672963	2	CHEESE HEAD SCREW M4X20 4.8	
5	KG00892563	4	COUNTERSUNK HEAD SCREW M5X10 4.8	
6	KG01067161	2	LOCK NUT M4 8	
7	KG01068961	3	LOCK NUT M12 10	
8	KG01069261	1	NUT, LOCK	
9	KG01267061	2	WASHER M4	
10	KG01267361	4	WASHER M8	
11	KG01267561	3	WASHER M12	
12	UH410141	1	WASHER	
13	UH440136	2	COLLAR Ø12.2-Ø20X18	
14	VGUW129V	6	SLEEVE	
15	UH444925	1	AXLE W/SLIP RING	
16	UH450585	1	BRUSH FOR COLLECTOR	
17	UH451101	1	DISC BRAKE DG-RF/288 OMR	
18	UH453150	1	OILMOTOR OMR 125 HPS 25MM	
19	UH453152	1	BREAK VALVE	
20	UH453318	1	WHEEL, TOOTHED	
21	UH453335	1	BRACKET FOR SLIPRING	
22	UH453338	1	WASHER Ø20,5	
23	UH453345	1	BOX FOR COLLECTOR	
24	UH454420	1	CABLE	
25	UH862138	2	BLIND RIVET NUT	
26	KG01306800	1	KEY 8X7X30	
27	VF06217088	1	RD-STECKHUELSE 4-ROT	
28	VF06217089	1	CAP	

VBP 2160 / DRIVE UNIT BP 3D

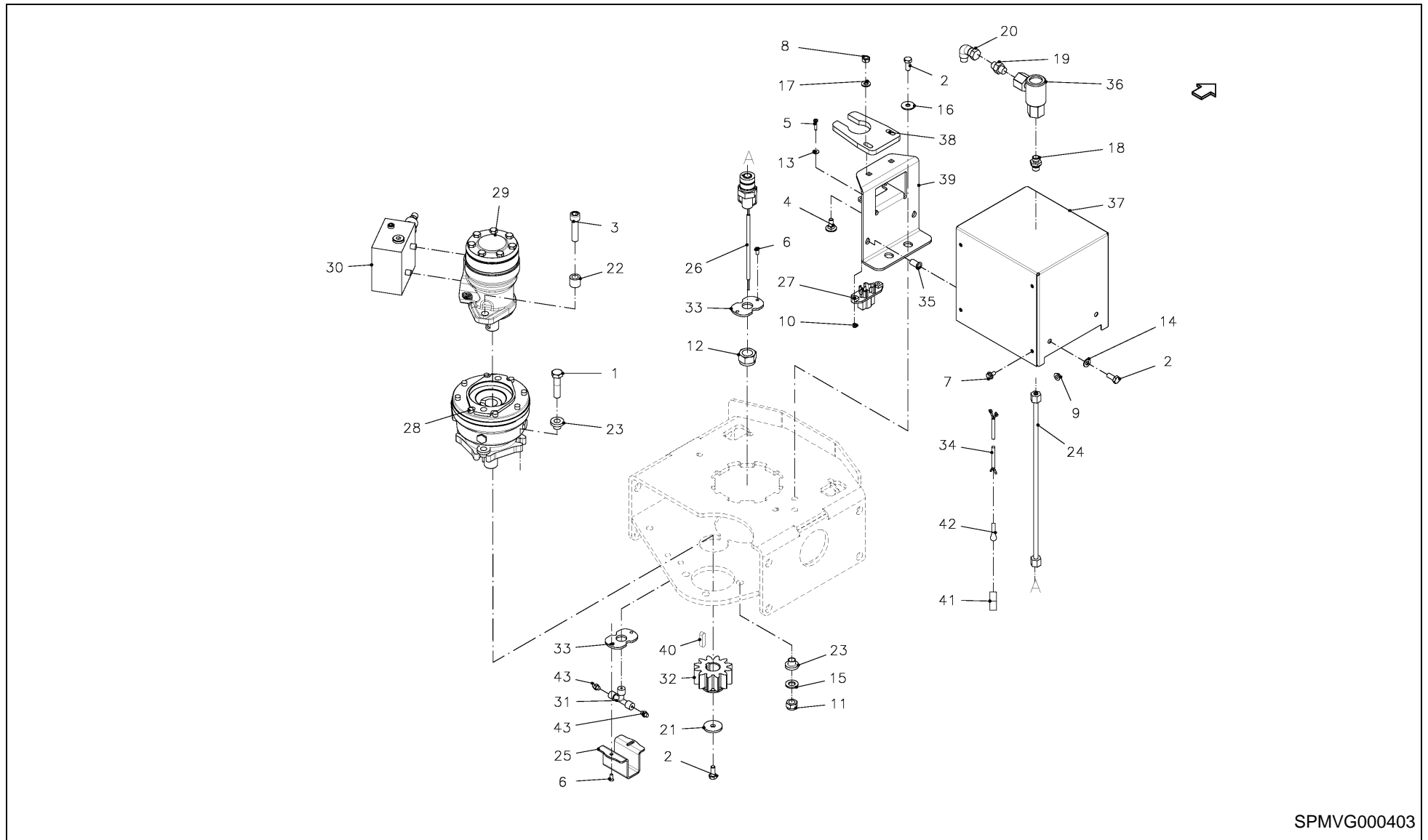


SPMVG000403

VBP 2160 / DRIVE UNIT BP 3D



PosNo.	Part No.	Qty.	Description	Remark
1	KG00357561	3	HEX. BOLT M12X50 8.8	
2	KG00471961	5	HEX. SCREW M8X20 8.8	
3	KG00596600	2	CHEESE HEAD SCREW M12X50 12.9	
4	KG00639061	2	CARRIAGE BOLT M8X20 8.8	
5	KG00672963	2	CHEESE HEAD SCREW M4X20 4.8	
6	KG00892563	4	COUNTERSUNK HEAD SCREW M5X10 4.8	
7	KG00980561	4	FLANGED BOLT M6X12 90	
8	KG01043161	2	HEX. NUT M8 8	
9	KG01061161	4	LOCK NUT M6 8	
10	KG01067161	2	LOCK NUT M4 8	
11	KG01068961	3	LOCK NUT M12 10	
12	KG01069261	1	NUT, LOCK	
13	KG01267061	2	WASHER M4	
14	KG01267361	2	WASHER M8	
15	KG01267561	3	WASHER M12	
16	VGND3030V	3	WASHER, PLAIN	
17	VGND3146V	2	RING	
18	VGND92201V	1	STUD COUPLING	
19	UH300957	1	NIPPLE R1/4"-R1/4"	
20	UH307824	1	THREADED UNION	
21	UH410141	1	WASHER	
22	UH440136	2	COLLAR Ø12.2-Ø20X18	
23	VGUW129V	6	SLEEVE	
24	VGUW244	1	PIPE, HYDR.	
25	UH444922	1	CLAMP	
26	UH444925	1	AXLE W/SLIP RING	
27	UH450585	1	BRUSH FOR COLLECTOR	
28	UH451101	1	DISC BRAKE DG-RF/288 OMR	
29	UH453150	1	OILMOTOR OMR 125 HPS 25MM	
30	UH453152	1	BREAK VALVE	
31	VG38612666	1	T-COUPLING, ADJUSTABLE	
32	UH453318	1	WHEEL, TOOTHED	
33	UH453338	2	WASHER Ø20,5	
34	UH454420	1	CABLE	
35	UH862138	5	BLIND RIVET NUT	
36	VGUW00151	1	ELBOW COUPLING	
37	VGUW150K0	1	COVER,	
38	VGUW164V	1	PLATE	
39	VGUW165V	1	PLATE	
40	KG01306800	1	KEY 8X7X30	



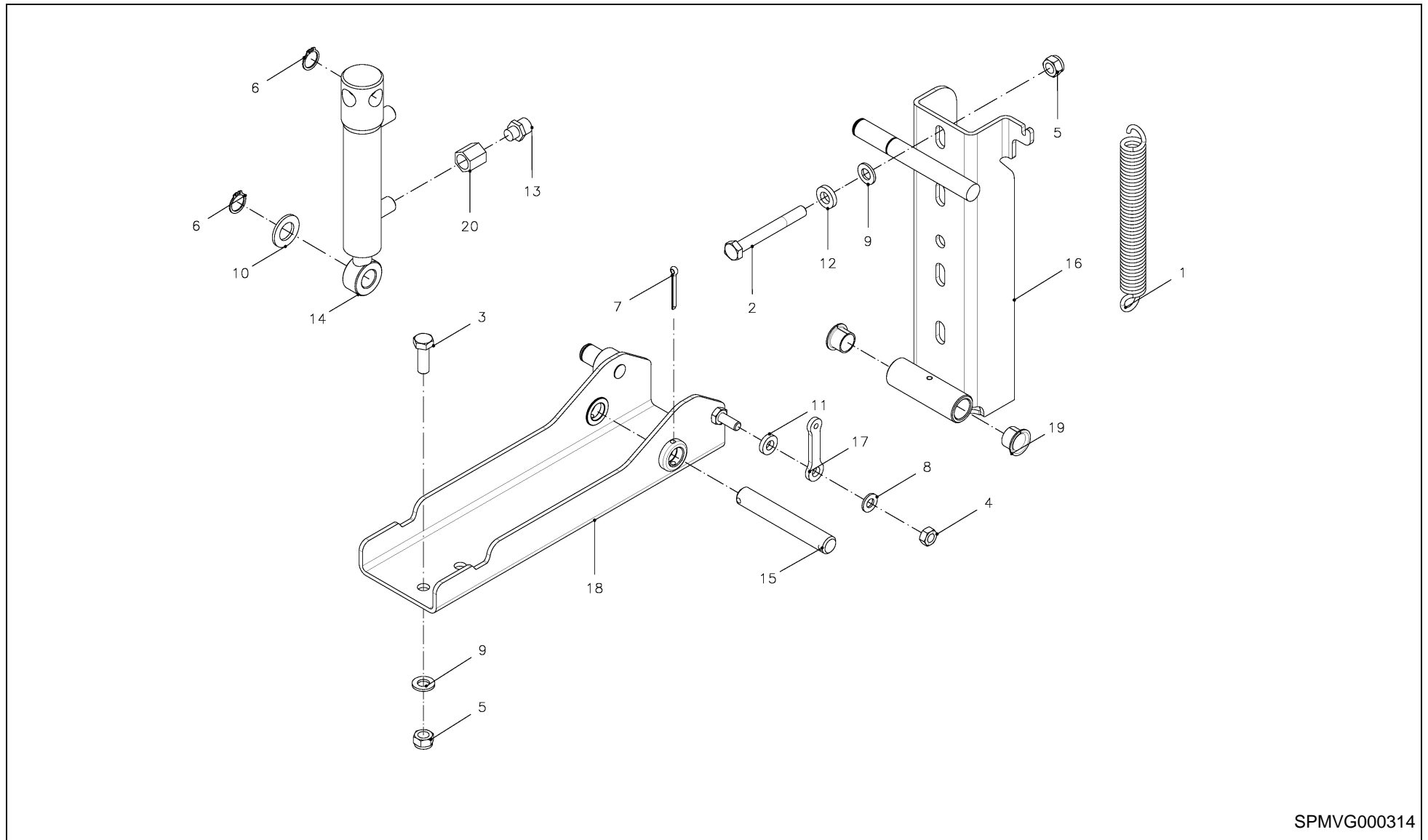
SPMVG000403

VBP 2160 / DRIVE UNIT BP 3D



PosNo.	Part No.	Qty.	Description	Remark
41	VF06217088	1	RD-STECKHUELSE 4-ROT	
42	VF06217089	1	CAP	
43	VGND92173V	1	STUD, REDUCING, MALE	

VBP 2160 / BRACKET, CPL. BP 3D



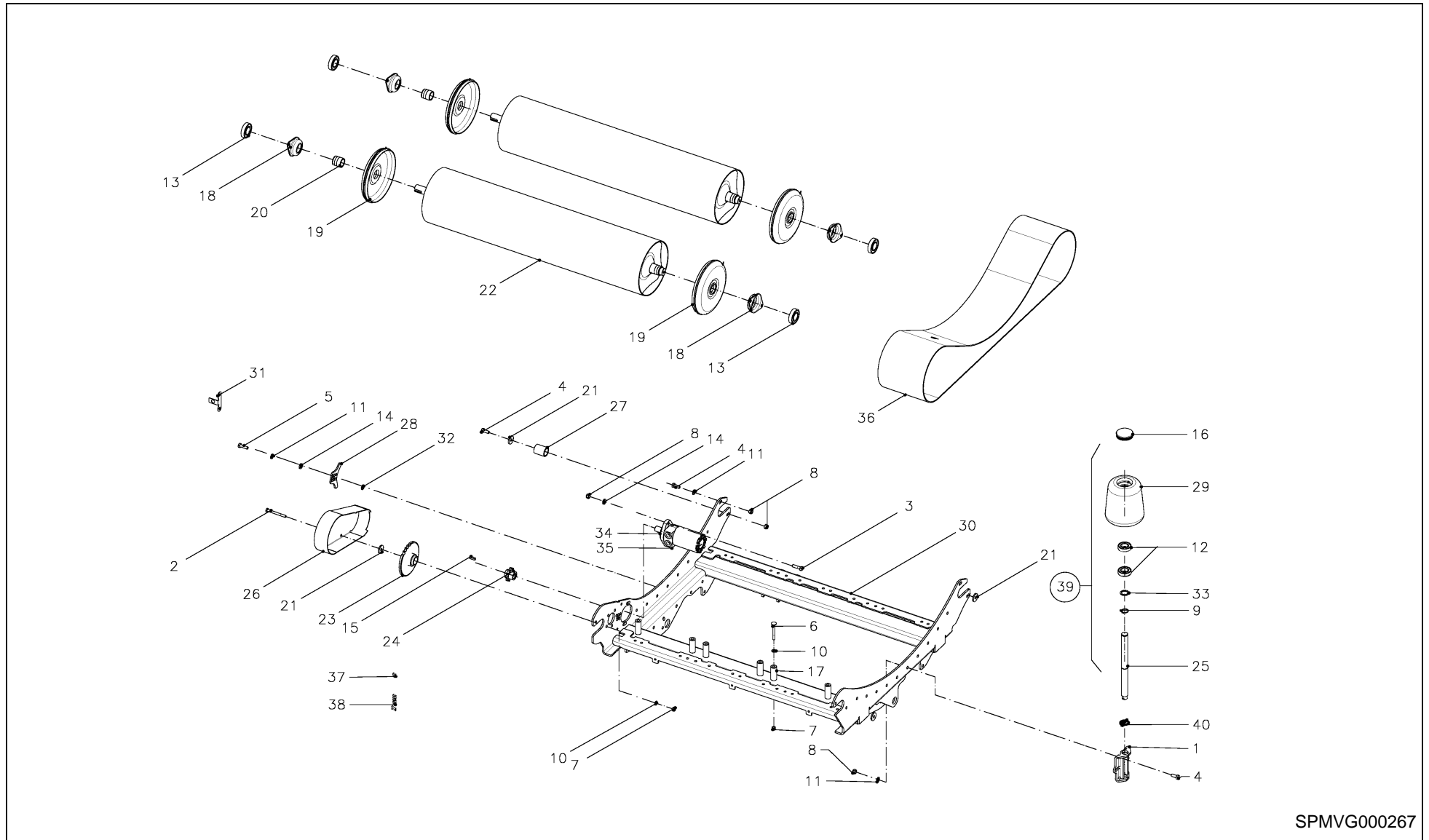
SPMVG000314

VBP 2160 / BRACKET, CPL. BP 3D



PosNo.	Part No.	Qty.	Description	Remark
1	VF01397582	1	DRAW SPRING	
2	KG00358361	4	HEX. BOLT M12X100 8.8	
3	KG00476661	4	HEX. SCREW M12X35 8.8	
4	KG01052061	1	HEX. NUT M10 8	
5	KG01068961	4	LOCK NUT M12 10	
6	KG01107862	6	CIRCLIP-A 20 X 1.2	
7	KG01252861	2	SPLIT PIN 5X40 ST	
8	KG01267461	1	WASHER M10	
9	KG01267561	4	WASHER M12	
10	KG01267961	2	WASHER M20	
11	UH231499	1	WASHER Ø11-Ø22X5	
12	VGTH100V	4	RING	
13	UH440884	2	BREATHING NIPPLE 1/4"	
14	UH443280-K	1	CYLINDER DA D32-20X 240+80	
15	UH444903	2	AXLE 20 6X122	
16	UH444905-K	2	3D BRACKET ARM	
17	UH444909	1	PLATE	
18	UH444915-K	1	3D BRACKET FILM	
19	UH450312	2	SLIDING BEARING W/FLANGE 2016.5	
20	UH453161	1	MUFF 1/4" X 3/8	

VBP 2160 / FRAME, BELT



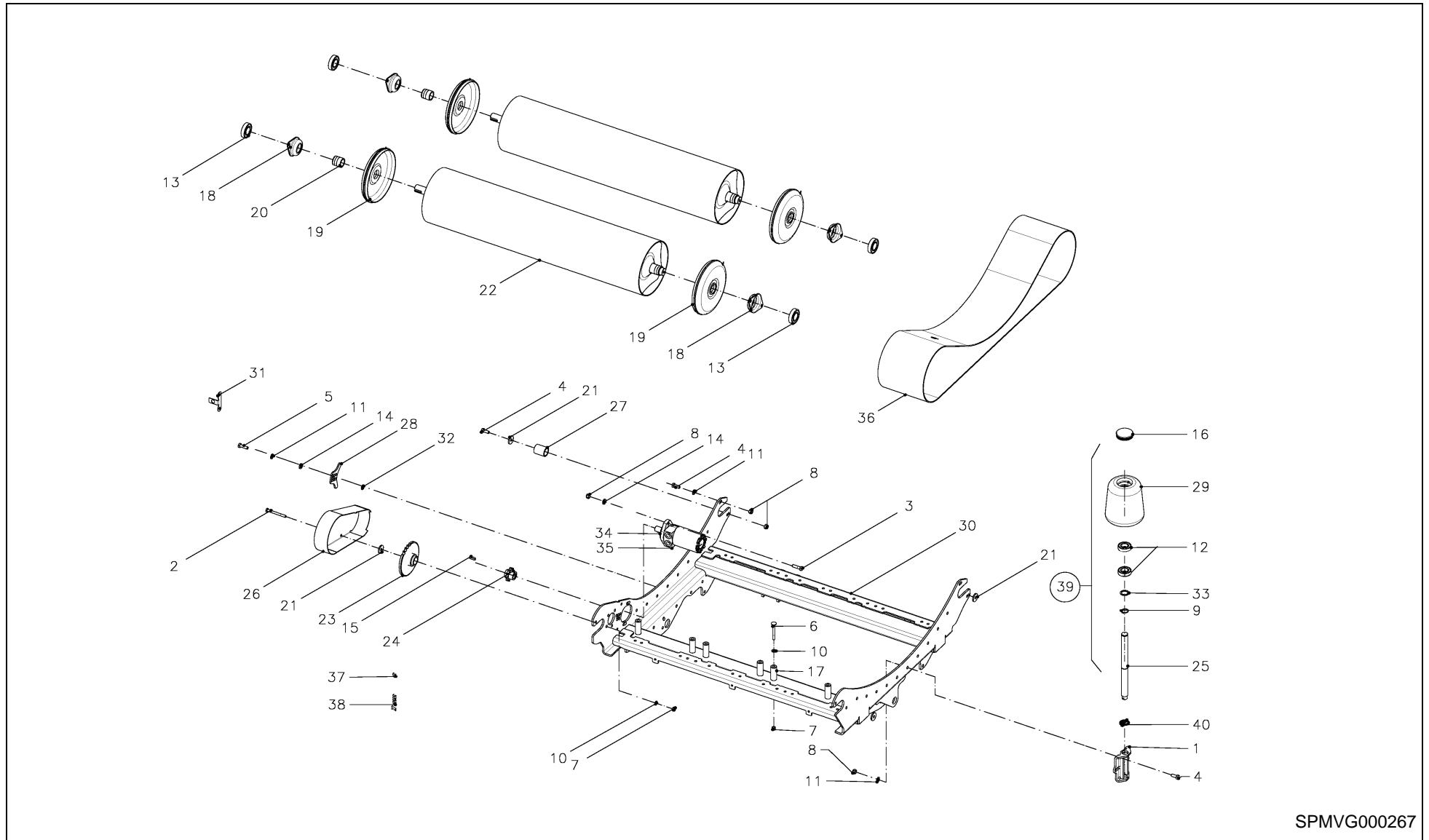
SPMVG000267

VBP 2160 / FRAME, BELT



PosNo.	Part No.	Qty.	Description	Remark
1	VF16656012.86	4	HALTER STUETZROLLE	
2	KG00356361	2	HEX. BOLT M10X100 8.8	
3	KG00357461	2	HEX. BOLT M12X45 8.8	
4	KG00476561	12	HEX. SCREW M12X30 8.8	
5	KG00476761	2	HEX. SCREW M12X40 8.8	
6	KG00642661	10	CARRIAGE BOLT M10X90 8.8	
7	KG01068861	10	LOCK NUT M10 10	
8	KG01068961	22	LOCK NUT M12 10	
9	KG01108862	4	CIRCLIP-A 30 X 1.5	
10	KG01267461	10	WASHER M10	
11	KG01267561	18	WASHER M12	
12	KG01380000	8	BALL BEARING 6206-2RS	
13	KG01477400	4	BALL BEARING 6207-2RS C3	
14	VGTH100V	2	RING	
15	KG01308900	1	KEY 10X8X40	
16	UH410230	4	END PLUG Ø80	
17	UH410575	8	GUIDE ROLLER	
18	UH411648	4	BEARING HOUSING	
19	UH414037	4	COVER	
20	UH414168	2	COLLAR	
21	UH440180	4	WASHER Ø12.5-Ø40X5	
22	VGUW0285K0	2	ROLLER	
23	UH442233	1	SPROCKET 27T Ø35	
24	UH442237	1	SPROCKET 10T Ø25	
25	UH442243	4	PIN	
26	UH442245-K	1	GUARD	
27	UH442259	1	SLEEVE	
28	UH442260-K	2	SUPPORT	
29	UH442262-K	4	ADDITIONAL BALE SUPPORT ROLLER	
30	UH443610-K	1	TABLE	
31	UH444923	1	BRACKET	3D
32	KG01267561	4	WASHER M12	
33	VGND3138V	4	RING	
34	UH900514	1	OIL MOTOR 390CCM SHAFT Ø25 TE390 (MF761)	
34	UH900507	1	OIL MOTOR 130CCM SHA FT D25	3D
35	UH900501	1	SEAL KIT FOR MF761 MOTOR	
36	UH4414172	4	86570134 TABLE BELT	
37	VGND9346	1	LINK, SIMPL.	
38	UH901823	1	CHAIN 3/4"X819	
39	UH442261-K	4	FUEHRUNGSROLLER MONT.	

VBP 2160 / FRAME, BELT



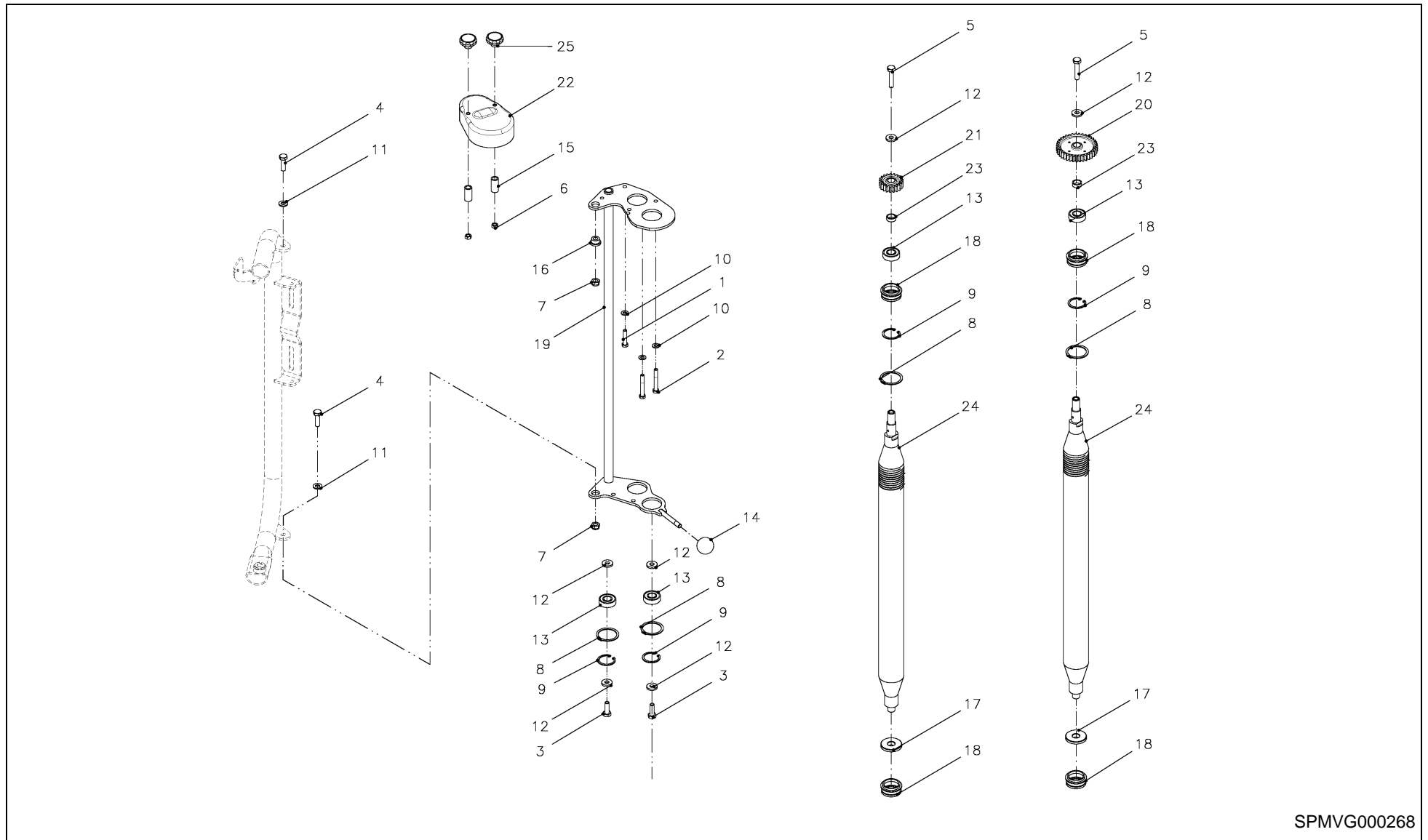
SPMVG000267

VBP 2160 / FRAME, BELT



PosNo.	Part No.	Qty.	Description	Remark
40	UH867056	1	RING PIN 6 GALV	

VBP 2160 / PRE-STRETCHER



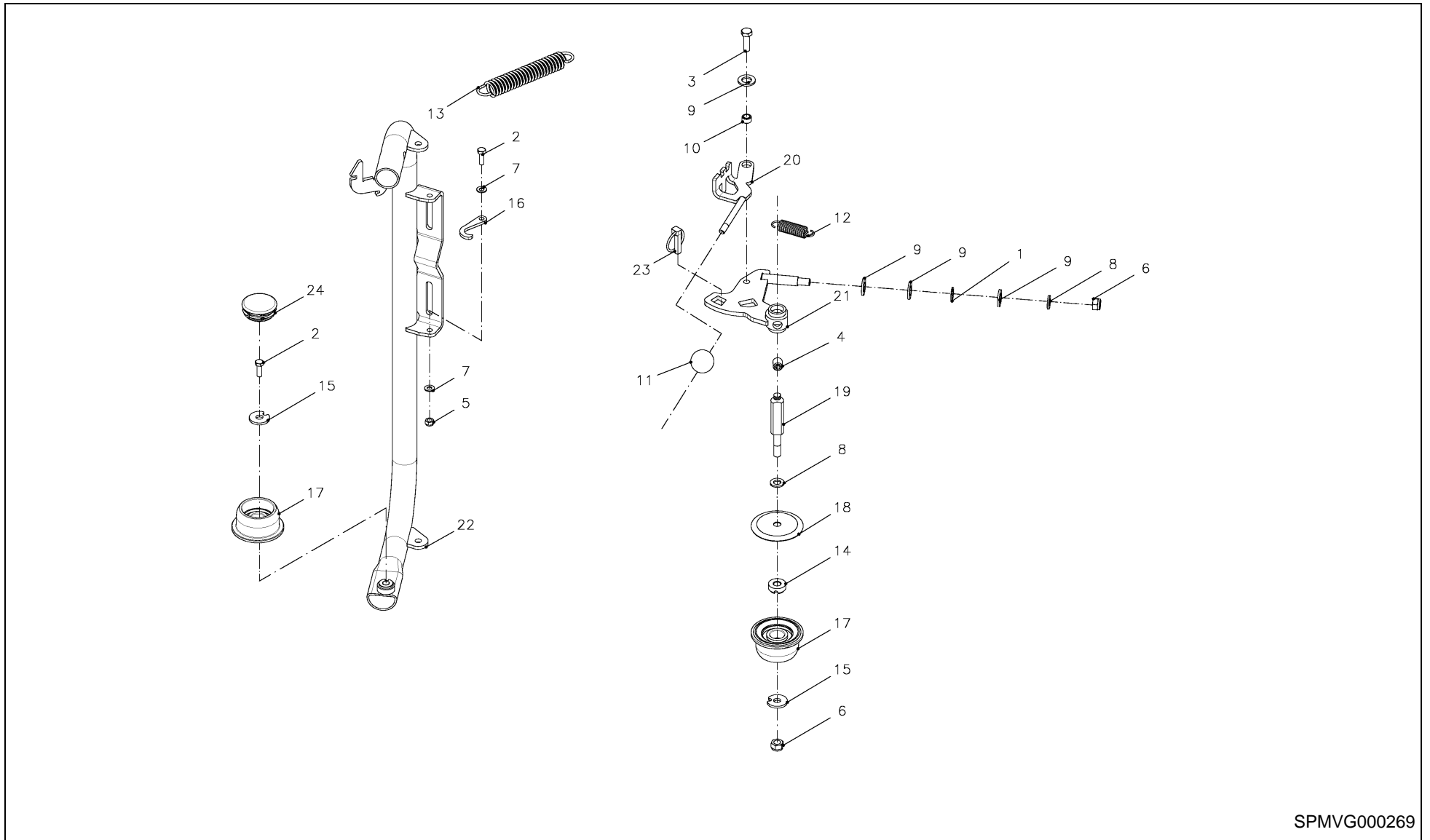
SPMVG000268

VBP 2160 / PRE-STRETCHER



PosNo.	Part No.	Qty.	Description	Remark
1	KG00353261	1	HEX. BOLT M8X40 8.8	
2	KG00353661	2	HEX. BOLT M8X60 8.8	
3	KG00474361	2	HEX. SCREW M10X30 8.8	
4	KG00474461	2	HEX. SCREW M10X35 8.8	
5	KG00474761	2	HEX. SCREW M10X50 8.8	
6	KG01051961	3	HEX. NUT M8 8	
7	KG01068861	2	LOCK NUT M10 10	
8	KG01110200	4	CIRCLIP-A 47 X 1.75	
9	KG01128000	4	CIRCLIP-B 40 X 1.75	
10	KG01267361	3	WASHER M8	
11	KG01267461	2	WASHER M10	
12	KG01273661	6	WASHER M10	
13	KG01475400	4	BALL BEARING 6203-2RS C3	
14	UH255767	1	KNOB	
15	UH256941	2	SLEEVE	
16	UH300562	2	BUSHING Ø11X13-Ø19/9	
17	UH410883	2	BEARING COVER	
18	UH410884	4	BEARING HOUSING	
19	UH442966-K	1	ROLL HOLDER W.	
20	UH442970	1	SPROCKET M2.5/37-Ø17	
21	UH442971	1	SPROCKET M2.5/21T-Ø17	
22	UH442973	1	COVER	
23	UH442976	2	BUSHING 17,5-22X8	
24	UH442990	2	PRESTRECHER ROLLER 750MM ALU	
25	UH855378	2	HANDWHEEL M8	

VBP 2160 / PRE-STRETCHER



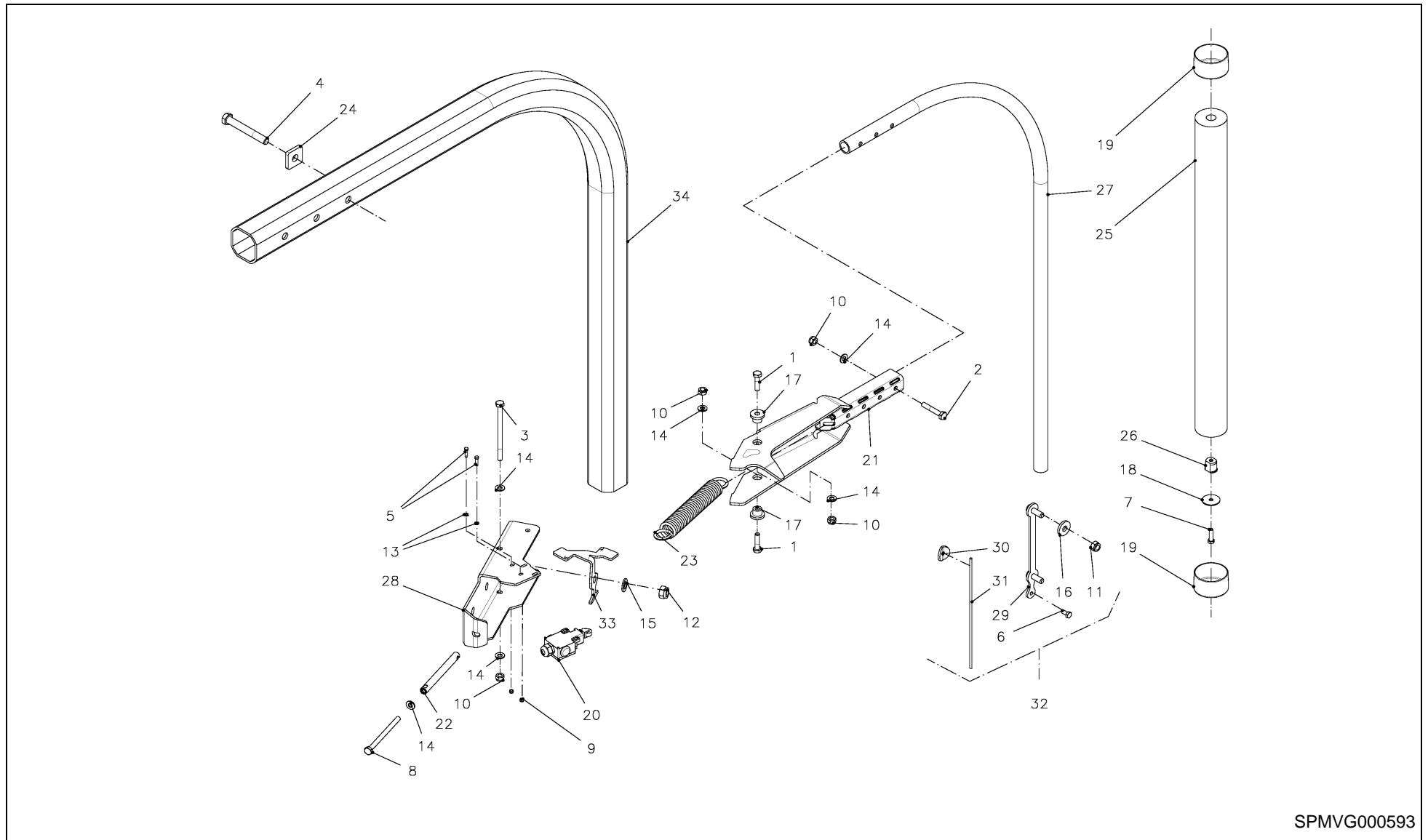
SPMVG000269

VBP 2160 / PRE-STRETCHER



PosNo.	Part No.	Qty.	Description	Remark
1	VF06214586	1	WASHER	
2	KG00472161	2	HEX. SCREW M8X25 8.8	
3	KG00474461	1	HEX. SCREW M10X35 8.8	
4	KG00939300	1	SET SCREW M16X20 45H	
5	KG01068761	1	LOCK NUT M8 10	
6	KG01068961	1	LOCK NUT M12 10	
7	KG01267361	2	WASHER M8	
8	KG01267561	2	WASHER M12	
9	KG01267761	4	WASHER M16	
10	UH215069	1	SLEEVE	
11	UH255767	1	KNOB	
12	UH300666	1	TENSION-SPRING	
13	UH334540	1	SPRING Ø4-Ø26X140	
14	UH415058	1	BUSHING 12X13-24 8/ 4	
15	UH442954	2	WASHER 12,5-35X4 W/NOTCH OUTS.	
16	UH442959	1	LOCKING HOOK	
17	UH442972	2	FLANGE ROLLER Ø74	
18	UH442982	1	CAP	
19	UH443040	1	ROLLER ADJUSTER	
20	UH443042	1	LOCK	
21	UH443046	1	ROLLER ARM	
22	UH443050-K	1	FILMROLLER HOLDER	
23	UH867061	1	RING PIN 12 (7/16") GALV.	
24	UH911266	1	END PLUGG Ø60	

VBP 2160 / PRE-STRETCHER FILM

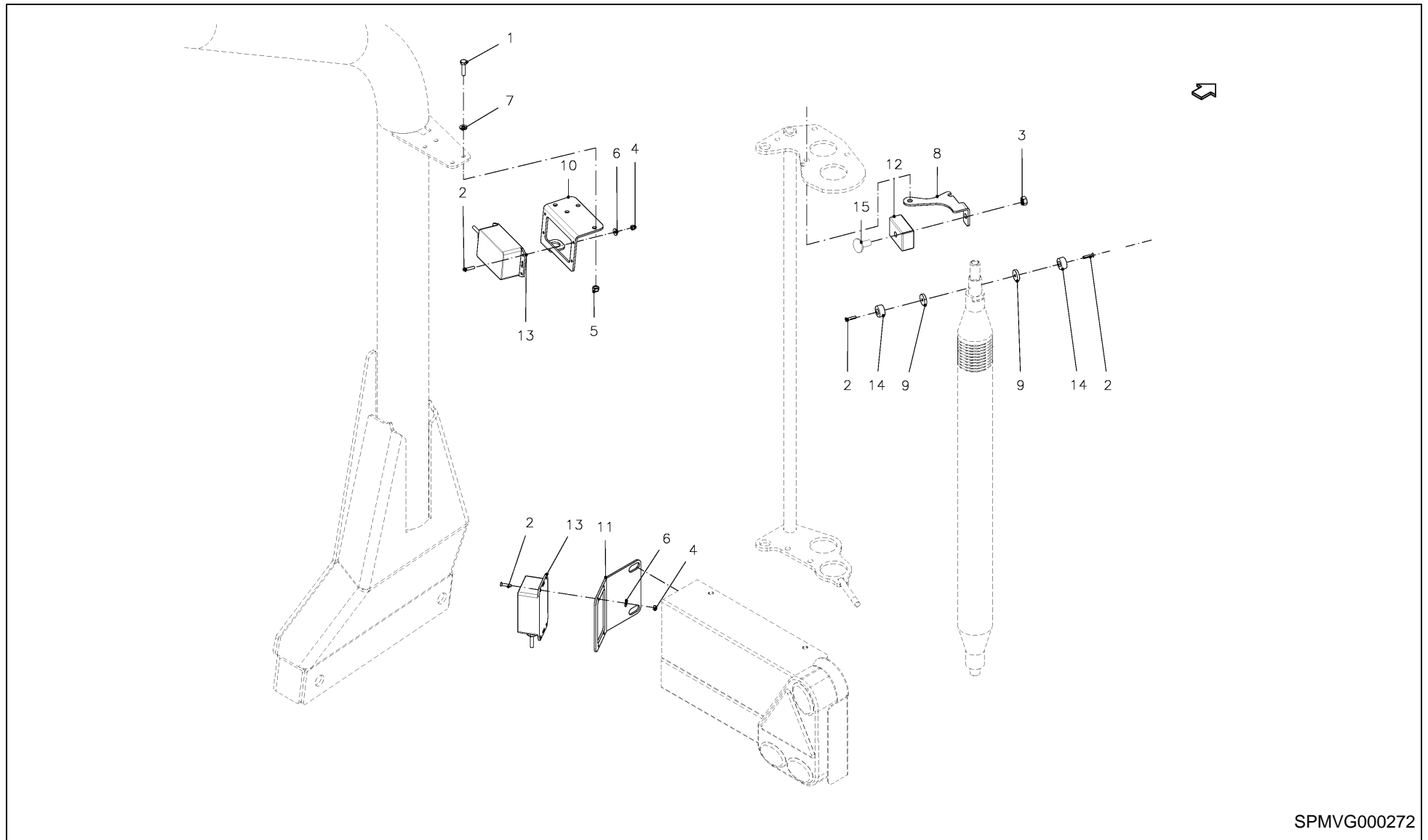


SPMVG000593

VBP 2160 / PRE-STRETCHER FILM



PosNo.	Part No.	Qty.	Description	Remark
1	KG00355261	1	HEX. BOLT M10X40 8.8	
2	KG00355661	2	HEX. BOLT M10X60 8.8	
3	KG00356861	1	HEX. BOLT M10X150 8.8	
4	KG00363061	3	HEX. BOLT M16X130 8.8	
5	KG00467461	2	HEX. SCREW M5X20 8.8	
6	KG00471761	1	HEX. SCREW M8X16 8.8	
7	KG00472261	1	HEX. SCREW M8X30 8.8	
8	KG00475961	1	HEX. SCREW M10X140 8.8	
9	KG01067261	2	LOCK NUT M5	
10	KG01068861	3	LOCK NUT M10 10	
11	KG01068961	1	LOCK NUT M12 10	
12	KG01069161	3	LOCK NUT M16 10	
13	KG01267161	4	WASHER M5	
14	KG01267461	4	WASHER M10	
15	KG01267761	1	WASHER M16	
16	UH228577	1	WASHER Ø13.5-Ø35X5	
17	UH410844	2	BUSHING Ø10.2X19-Ø20/14	
18	UH440323	1	WASHER Ø9-Ø40X2	
19	UH440344	2	CAP	
20	VNB0552073	1	SWITCH ASSY EMERGENCY	
21	UH441406-K	1	BRACKET	
22	UH441411	1	BUSHING	
23	UH441412	1	SPRING Ø6-Ø40X260	
24	UH441415	3	SQUARE WASHER	
25	UH441442	1	LINING TUBE Ø72XØ28X1000	
26	UH441443	1	ENDPLUG	
27	UH442585	1	SAFETY ARM SHORT ALU	
28	UH442588-K	1	BRACKET	
29	UH442958	1	STAY	
30	UH442977	1	WASHER	
31	UH442978	1	STAY Ø5X300	
32	UH442993	1	BRACKET ASSY	
33	UH444654	1	SENSOR BRACKET SECTO R	
34	VGUW351	1	ARM, SATELLITE-	



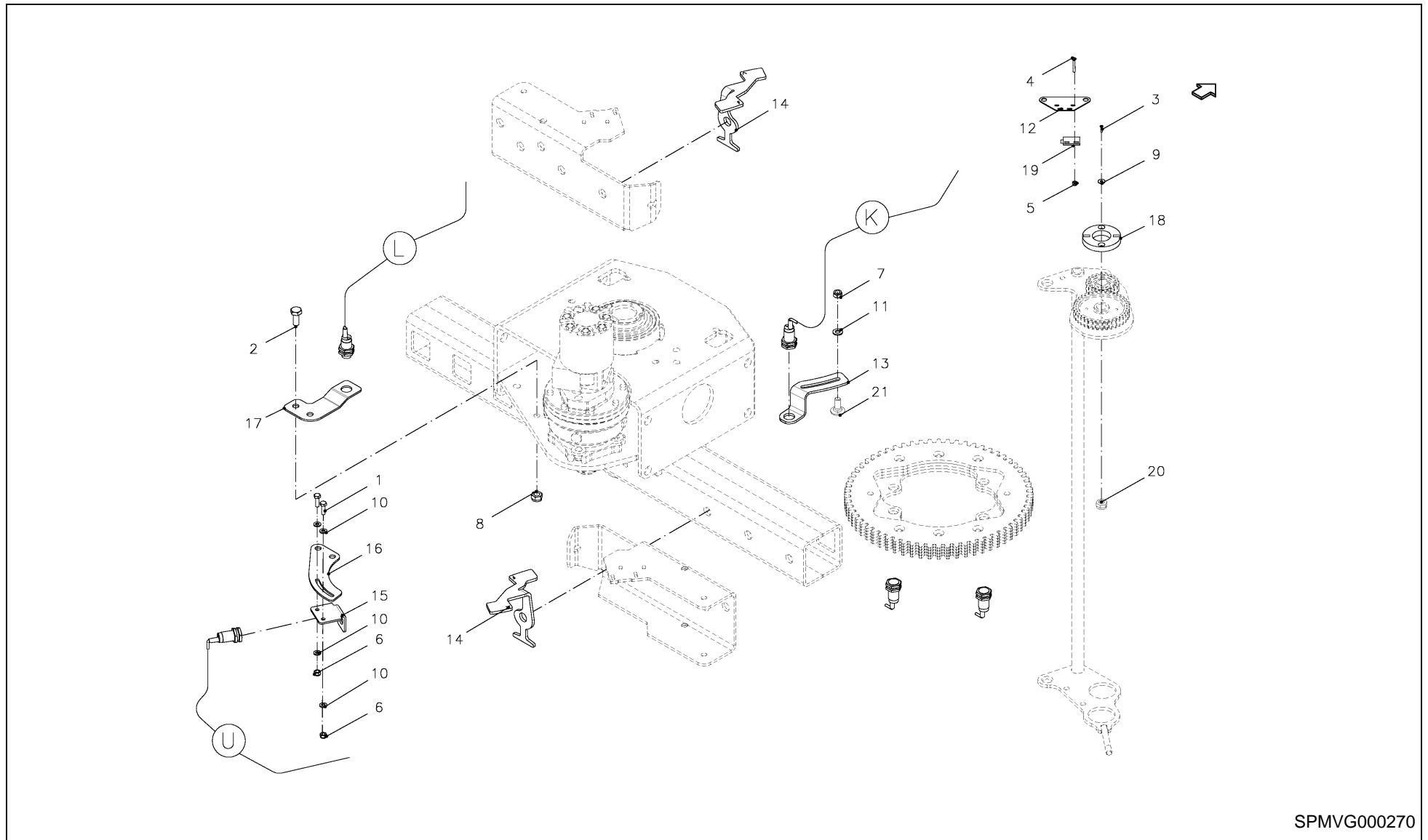
SPMVG000272

VBP 2160 / RF FILMBREAKKIT BP 3D



PosNo.	Part No.	Qty.	Description	Remark
1	KG00469161	2	HEX. SCREW M6X25 8.8	
2	KG00891763	8	COUNTERSUNK HEAD SCREW M4X16 4.8	
3	KG01051961	1	HEX. NUT M8 8	
4	KG01067161	4	LOCK NUT M4 8	
5	KG01067361	2	LOCK NUT M6 8	
6	KG01267061	4	WASHER M4	
7	KG01267261	4	WASHER M6	
8	UH453993	1	SUPPORT	
9	UH453994	2	WASHER D4,5-D20-4	
10	UH453995	1	SUPPORT	
11	VGUW286V	1	SUPPORT	
12	VNB0556273	1	TRANSMITTER FILM BRAKE SET	
13	VNB0556373	1	RECEIVER FILM BRAKE SET	
14	VNB0176473	2	RING MAGNET 18.75X6.35X10	
15	VNB0162173	1	BOLT CUSTOM MADE M8X34	

VBP 2160 / SENSOR BRACKETS



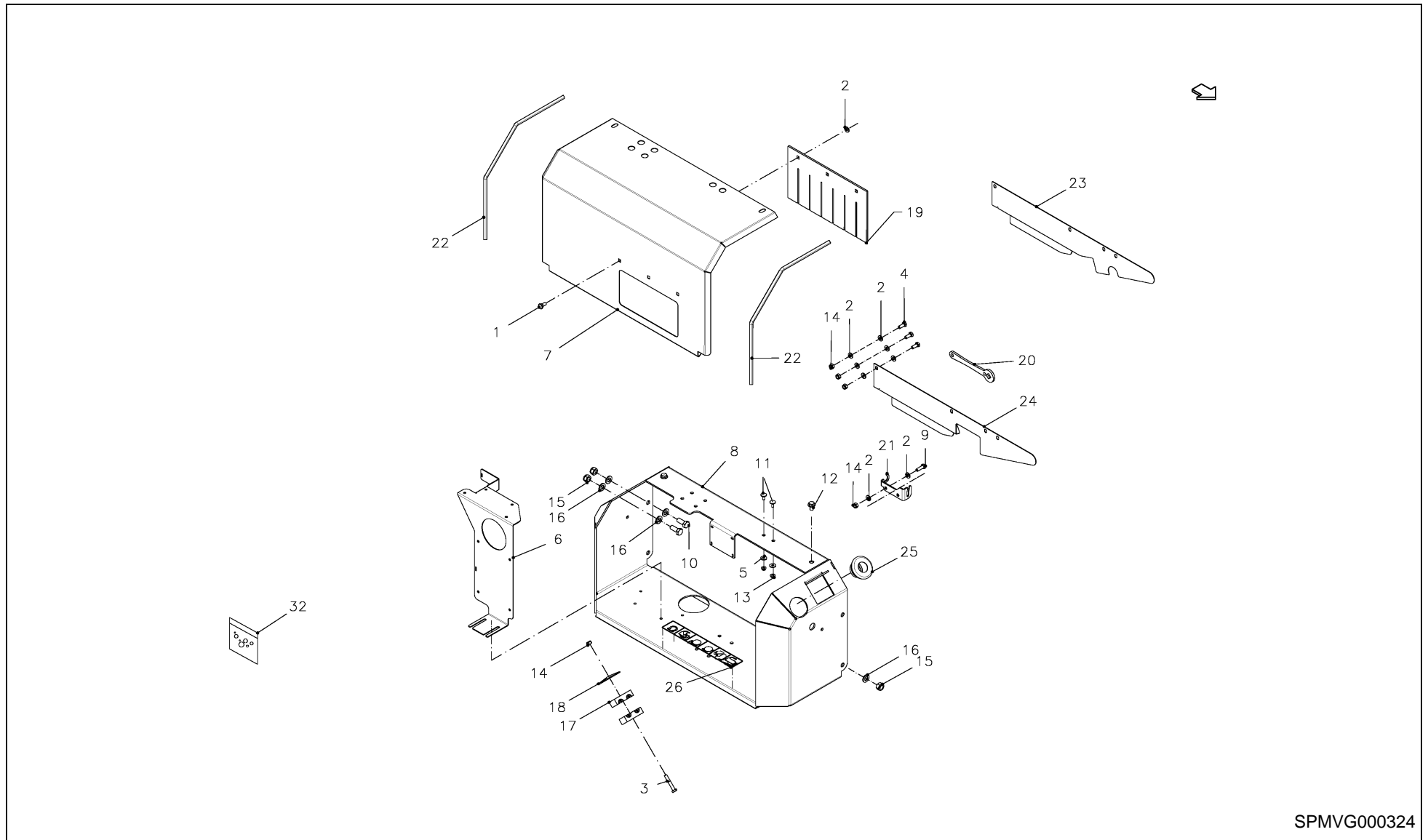
SPMVG000270

VBP 2160 / SENSOR BRACKETS



PosNo.	Part No.	Qty.	Description	Remark
1	KG00468961	2	HEX. SCREW M6X20 8.8	
2	KG00474261	2	HEX. SCREW M10X25 8.8	
3	KG00890763	2	COUNTERSUNK HEAD SCREW M3X10 4.8	
4	KG00891963	8	COUNTERSUNK HEAD SCREW M4X25 4.8	
5	KG01067161	8	LOCK NUT M4 8	
6	KG01067361	2	LOCK NUT M6 8	
7	KG01068761	2	LOCK NUT M8 10	
8	KG01068861	2	LOCK NUT M10 10	
9	KG01267061	4	WASHER M4	
10	KG01267361	2	WASHER M8	
11	KG01267261	4	WASHER M6	
12	UH442760	1	PLATE	
13	UH444653	1	SENSOR BRACKET STOP	
14	UH444654	2	SENSOR BRACKET SECTO R	
15	UH444928	1	HOLDER	3D
16	UH444929	1	HOLDER	3D
17	UH453365	1	SENSORBRACKET SD2	2D
18	VNB0561173	1	RING ASSY FILM BRAKE	
19	VNB0528373	2	SENSOR FILM BRAKE TRANSMITTER	
20	KG01840361	2	NUT, LOCK	
21	KG00639061	2	CARRIAGE BOLT M8X20 8.8	

VBP 2160 / CONTROL BOX

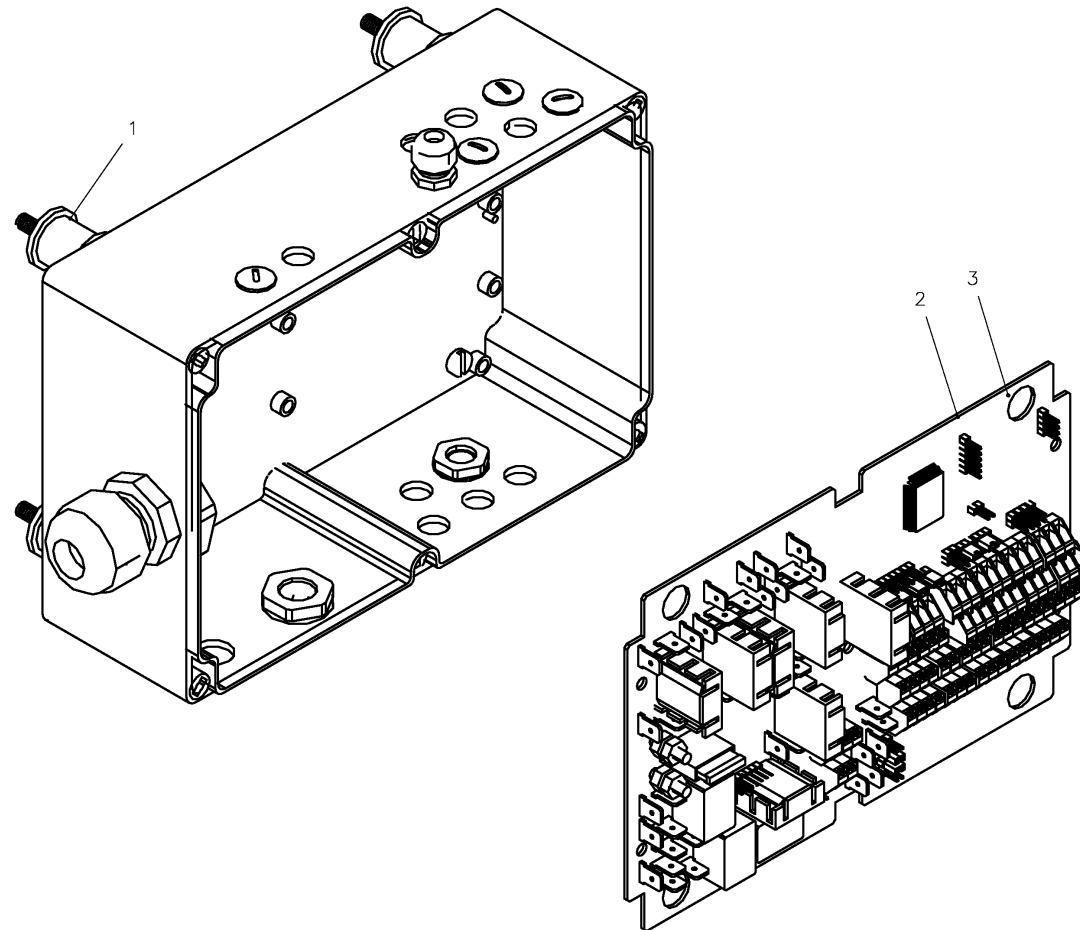


SPMVG000324

VBP 2160 / CONTROL BOX



PosNo.	Part No.	Qty.	Description	Remark
1	VF01102104	1	TRUSS-HEAD SCREW	
2	KG01267361	9	WASHER M8	
3	KG00353461	1	HEX. BOLT M8X50 8.8	
4	KG00471961	3	HEX. SCREW M8X20 8.8	
5	VF06214189	3	WASHER	
6	VF16655911.86	1	HALTER	
7	VF16655912.86	1	COVEHOOD	
8	VF16655930.86	1	HYDR. KASTEN GSW.	
9	KG00472100	1	HEX. SCREW M8X25 8.8	
10	KG00476561	2	HEX. SCREW M12X30 8.8	
11	KG00637061	2	CARRIAGE BOLT M6X16 8.8	
12	KG00981761	2	FLANGED BOLT M10X16 90	
13	KG01061161	2	LOCK NUT M6 8	
14	KG01068761	6	LOCK NUT M8 10	
15	KG01068961	3	LOCK NUT M12 10	
16	KG01267561	5	WASHER M12	
17	UH300877	2	SADDLE ASSY, DOUBLE	
18	UH300886	1	PLATE 20-25	
19	UH442673	1	RUBBER PLATE	
20	UH442927	1	SPANNER	
21	UH444690	1	TEKST	
22	UH444699	2	PIPE/TUBE	
23	UH444785-K	1	COVER	
24	UH444786-K	1	COVER	
25	UH911401	1	SLEEVE, CONDUCT THROUGH	
26	VGUW180	1	DECAL	
32	VF16651320	1	SEALING SET	

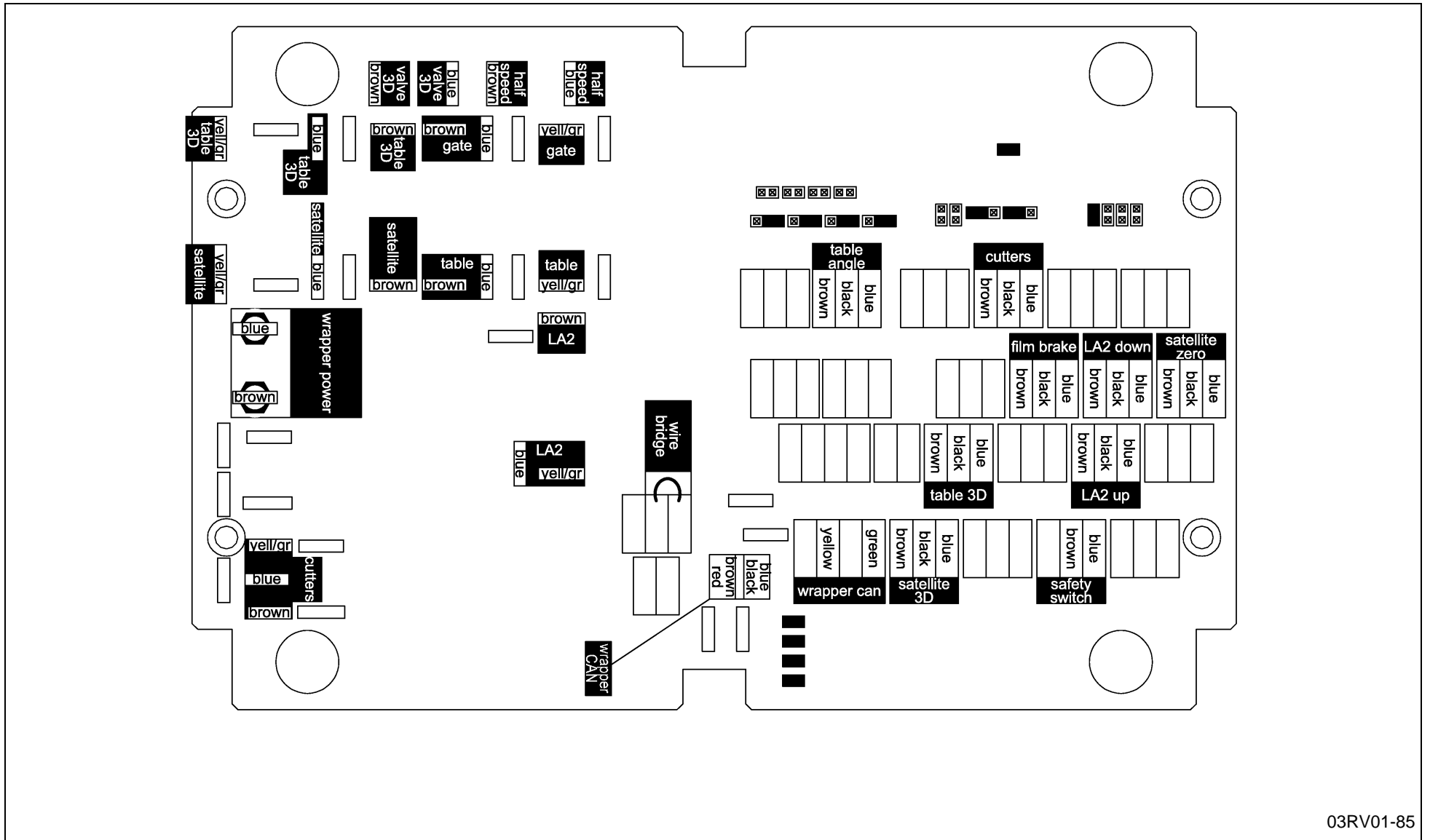


SPMVG000510

VBP 2160 / CONNECTIONS, ELEC., WRAPPER



PosNo.	Part No.	Qty.	Description	Remark
1	VNB2541878	1	SHOCKABSORBER M6 20X20	
2	MT00000961	1	PCB ISO BP WRAPPER V1.06	ISO BP BALER VAR PROGRAMMED
3	VNB0631273	1	PCB BIP FULL CONFIG NO SW	NO SOFTWARE

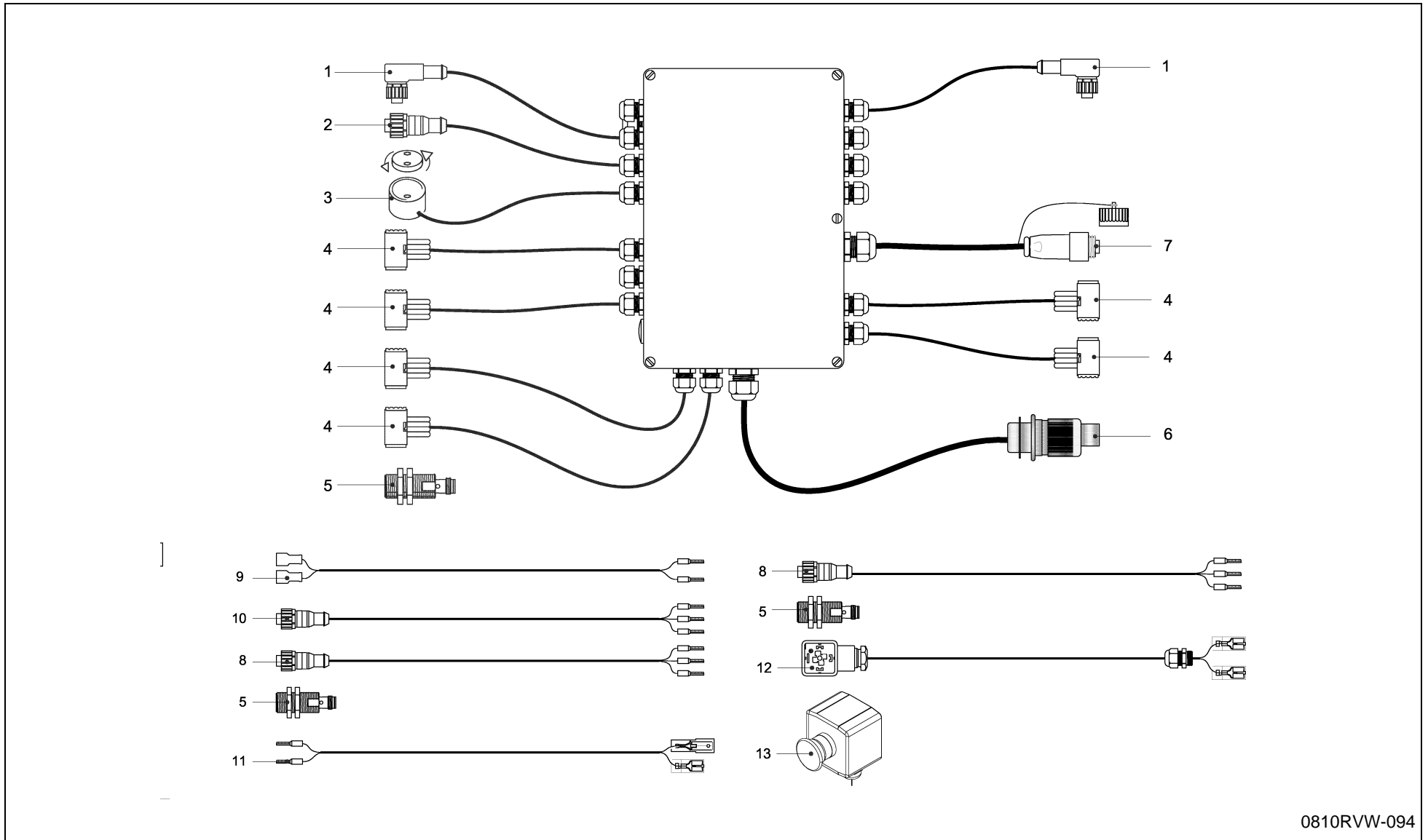


VBP 2160 / CONNECTIONS, ELEC., WRAPPER



PosNo.	Part No.	Qty.	Description	Remark

VBP 2160 / SENSORS AND CABLES



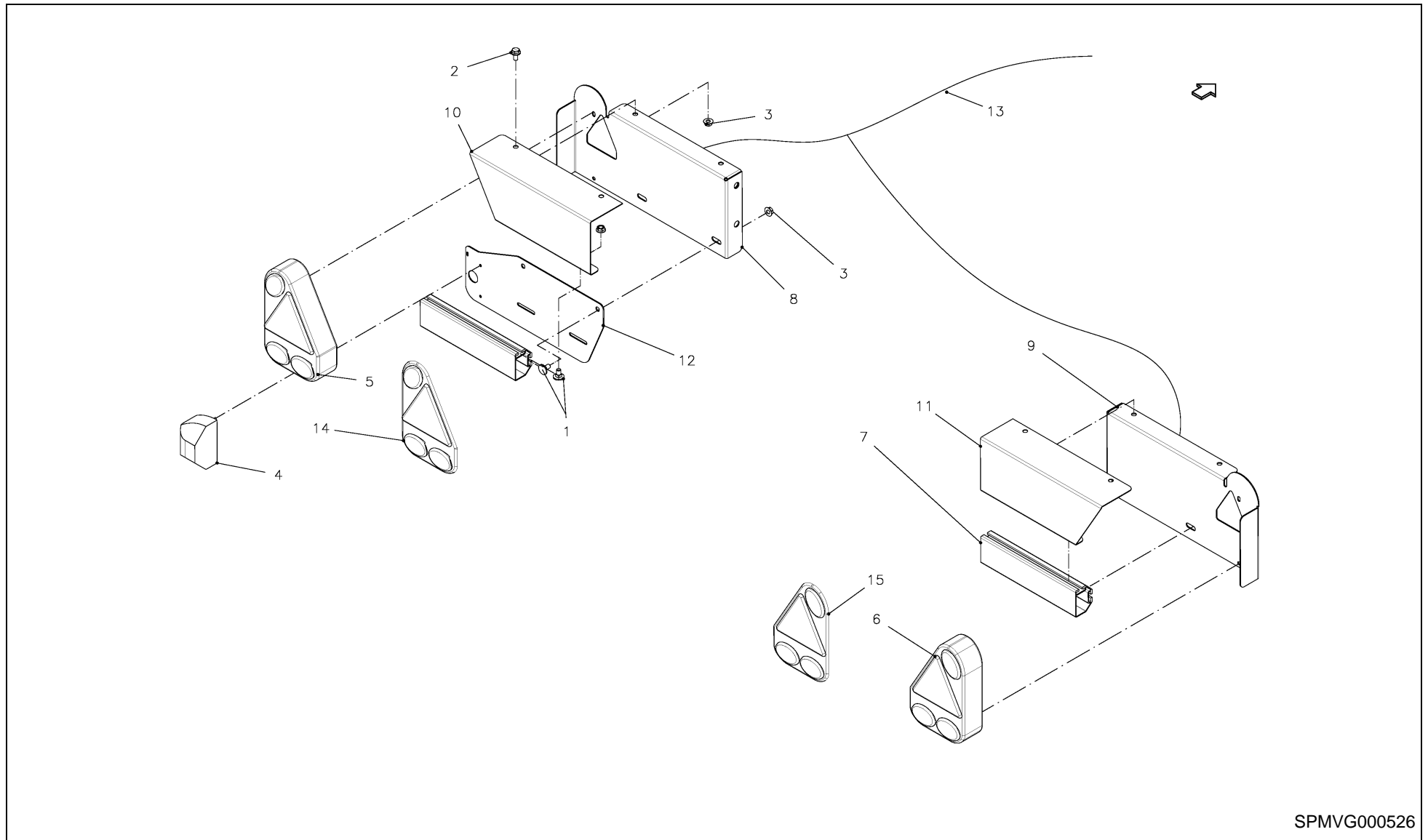
0810RVW-094

VBP 2160 / SENSORS AND CABLES



PosNo.	Part No.	Qty.	Description	Remark
1	MT00000765	2	CABLE SENSOR 90 DEGR L=10M	LOADING ARM
2	MT00001143	1	SENSOR CABLE	CUTTER
3	VNB0443173	1	SENSOR ASSY ANG 90DEG L=2.5M	
4	VNB0268473	6	CABLE VALVE L=1M	
5	MT00000086	6	SENSOR PROX M18 S	
6	MT00000098	1	CABLE POWER L=6M	
7	MT00000097	1	CABLE CAN L=6M	
8	MT00001143	2	SENSOR CABLE	SATELLITE
9	VNB0390573	1	CABLE SAFETY SWITCH	
10	MT00001143	1	SENSOR CABLE	TABLE 3D
11	MT00000502	1	CABLE EMERGENCY L=4.5M	
12	VNB0268573	1	CABLE VALVE L=1M	VALVE 3D
13	UH451178	1	EMERGENCY STOP KNOB XALK174	

VBP 2160 / LIGHTING SET



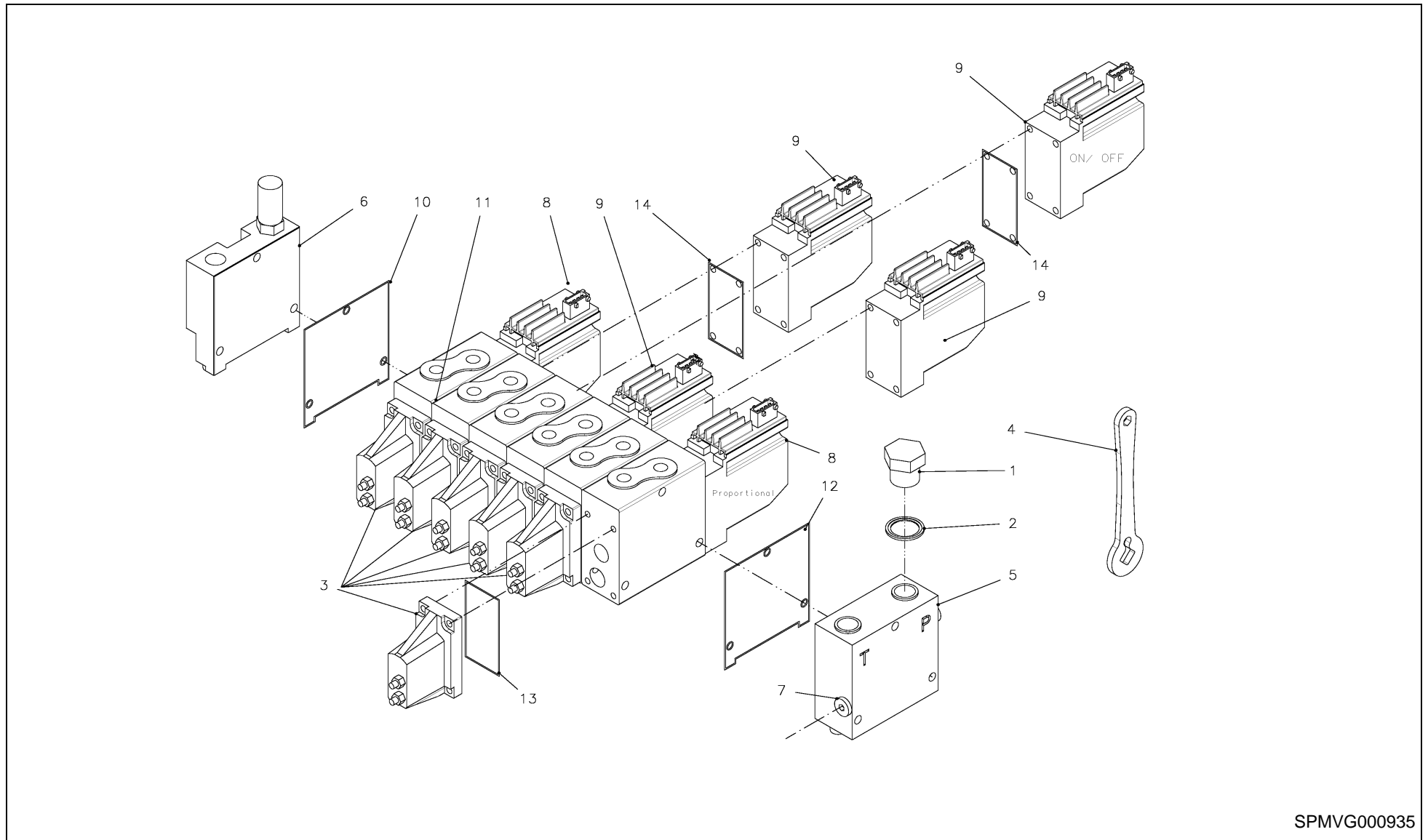
SPMVG000526

VBP 2160 / LIGHTING SET



PosNo.	Part No.	Qty.	Description	Remark
1	KG00638961	4	CARRIAGE BOLT M8X16 8.8	
2	KG00981161	2	FLANGED BOLT M8X16 90	
3	KG01061261	6	LOCK NUT M8 8	
4	VGRK27	1	LIGHTING	
5	VGRK3	1	LIGHT, TAIL, LH	
6	VGRK4	1	LIGHT, TAIL, RH	
7	VGRV74	2	PROFILE	
8	VGRV75K0	1	PLATE, LH	
9	VGRV76K0	1	PLATE, RH	
10	VGRV77K2	1	PLATE, LH	
11	VGRV78K2	1	PLATE, RH	
12	VGRV79K0	1	PLATE	
13	VGRK26	1	CABLE	
14	VGRK29	1	GLASS, LIGHT, TAIL,	
15	VGRK30	1	GLASS, LIGHT, TAIL,	

VBP 2160 / BODY, VALVE

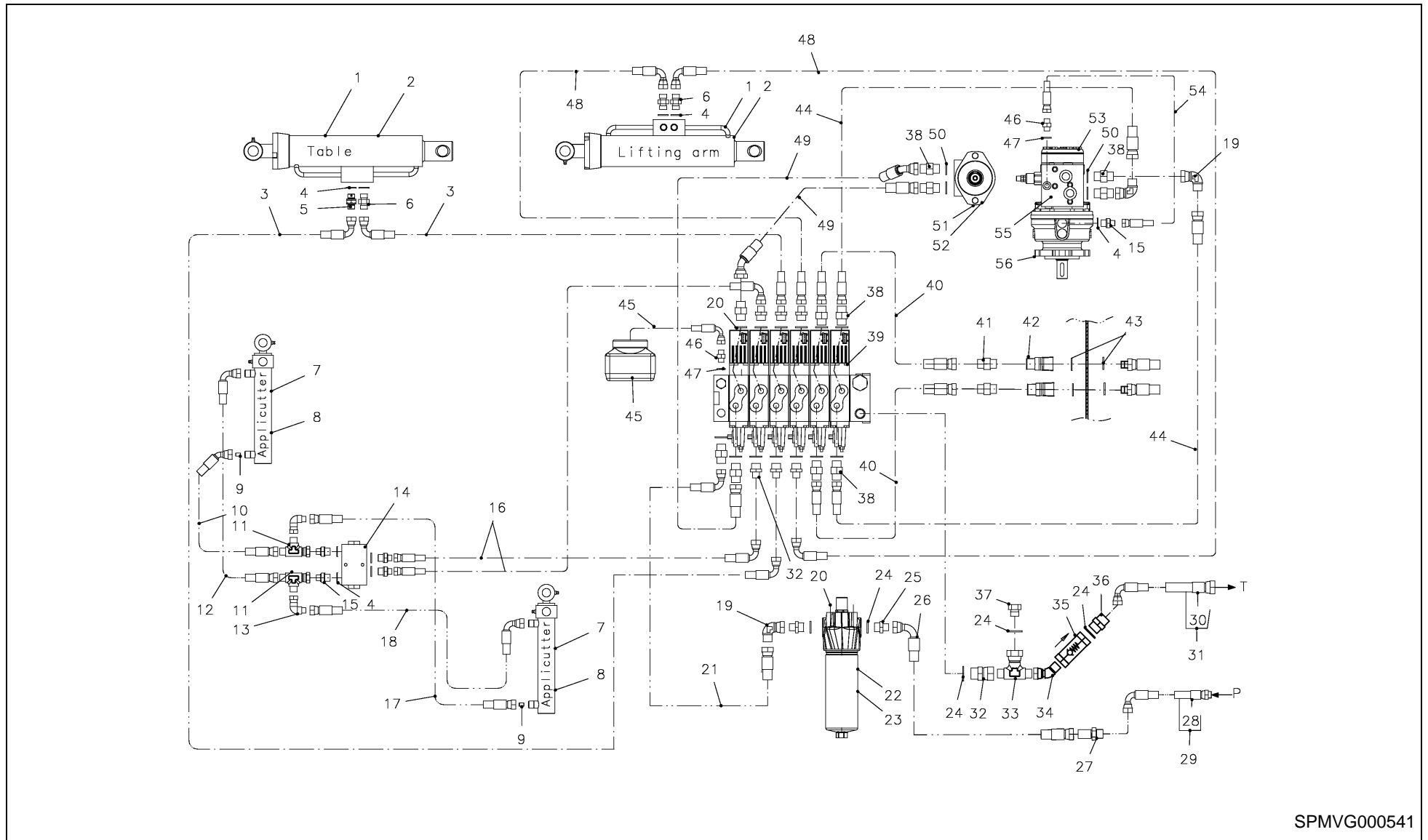


SPMVG000935

VBP 2160 / BODY, VALVE



PosNo.	Part No.	Qty.	Description	Remark
1	UH306573	1	PLUG 3/4" BSP	
2	UH306757	1	SEALRING	
3	UH442920	6	LEVER HOUSING DANFOSS PVG 32	
4	UH442927	1	SPANNER	
5	UH442937	1	PUMP SIDE MODULE PVP	
6	UH442941	1	END PLATE W/PRESSURE PROT.	
7	UH442938	1	PLUG KIT CLOSED CENTER PVG32	
8	UH442936	2	MAGNETSPULE PVEB_4921 (AMP)	
9	UH442934	4	MAGNETSPULE VEO_4901 (AMP)	
10	VF16651322	1	DICHTSATZ PVG GRUNDMODUL	
11	VF16651323	1	DICHTSATZ ENDPLATTE	
12	VF16651321	1	DICHTSATZ PVG	
13	VF16651324	6	DICHTSATZ MECH.BETAET	
14	VF16651325	6	DICHTSATZ EL. BETAET.	

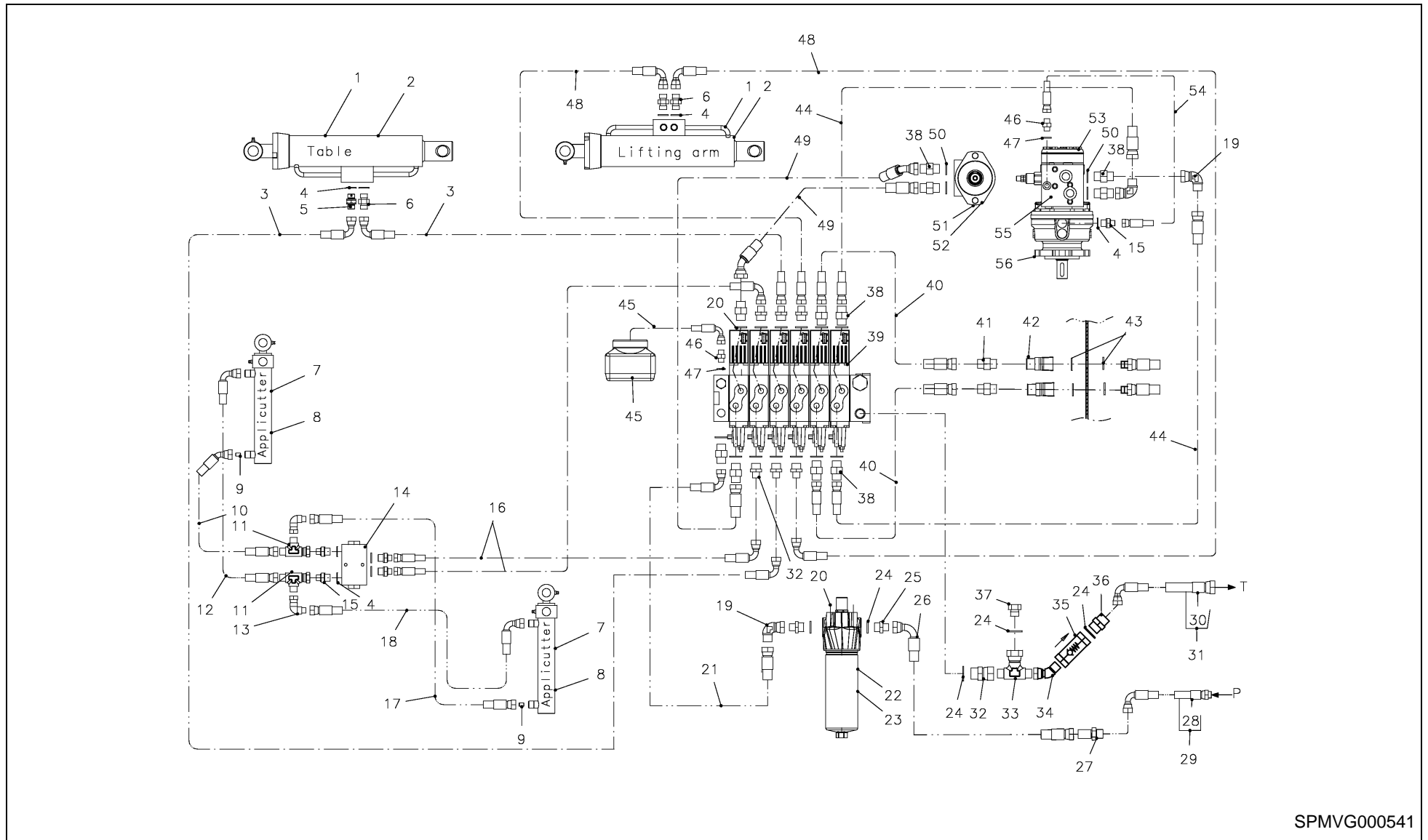


SPMVG000541

VBP 2160 / HYDRAULICS



PosNo.	Part No.	Qty.	Description	Remark
1	UH444790-K	2	CYLINDER DA Ø63-Ø32X450+250	
2	VGUW00227	2	SEALS, SET	
3	UH444749	2	HYDR.HOSE 3/8"-2900 3/8" 2900	
4	UH410746	9	RING, SEALING	
5	KK012077	1	COUPLING 3/8 D1.7 RESTRICTOR	
6	UH410748	2	NIPPLE	
7	UH453550-K	2	HYDR. ZYLINDER 32-16-175-45	
8	UH453551	2	DICHTSAETZE UH453550	
9	UH410730	2	RESTRICTOR M8 Ø 1.4 MM	
10	UH444750	1	HOSE, HP	
11	UH307823	4	T-JUNCTION 1/4" BSP UUI	
12	UH332645	1	HOSE, HP	
13	UH307824	3	THREADED UNION	
14	UH451755	1	SAFETY VALVE 3/8"	
15	UH300972	5	UNION R1/4"-R3/8"	
16	UH300989	2	HYDR.HOSE 1/4"-1200 1/4" 1200	
17	UH335790	1	HOSE, HP	
18	UH332643	1	HOSE, HP	
19	UH430828	3	BSP 90DEG.O.-IN.1/2"ADJUSTABL	
20	KG01051961	2	HEX. NUT M8 8	
21	UH332662	2	HYDR.HOSE 1/2"-560	
22	VF16655855	1	HYDR.FILT. HYDAC MFM BV/HC 95	
23	UH453411	1	FILTERELEMENT HYDAC	
24	UH306757	4	SEALRING	
25	UH306756	1	UNION 1/2-3/4	
26	UH300987	1	HYDR. HOSE 1/2" 600	
27	UH332545	1	BULKHEAD COUPLING 1/2" BSP UU	
29	VGWP00117	1	HOSE ASSY, HP	
30	VF16651398	1	SLEEVE	
31	VGWP00116	1	HOSE ASSY, HP	
32	UH410747	8	MALE ADAPTOR 3/8"-1/2"	
33	UH444775	1	T-CUPLING 3/4" BSP	
34	UH444760	1	ELBOW	
35	UH444765	1	NON RETURN VALVE 3/4"-3/4"	
36	UH320186	1	NIPPLE 3/4"-3/4" BSP	
37	UH306573	1	PLUG 3/4" BSP	
38	UH300971	11	UNION 1/2"-1/2" BSP	
39	UH444773	1	HYDR. BLOKK 3D PVG32 6 SL	
40	UH444734	2	HYDR.HOSE 1/2"-2700 1/2" 2700	
41	VGND92003V	1	STUD COUPLING	

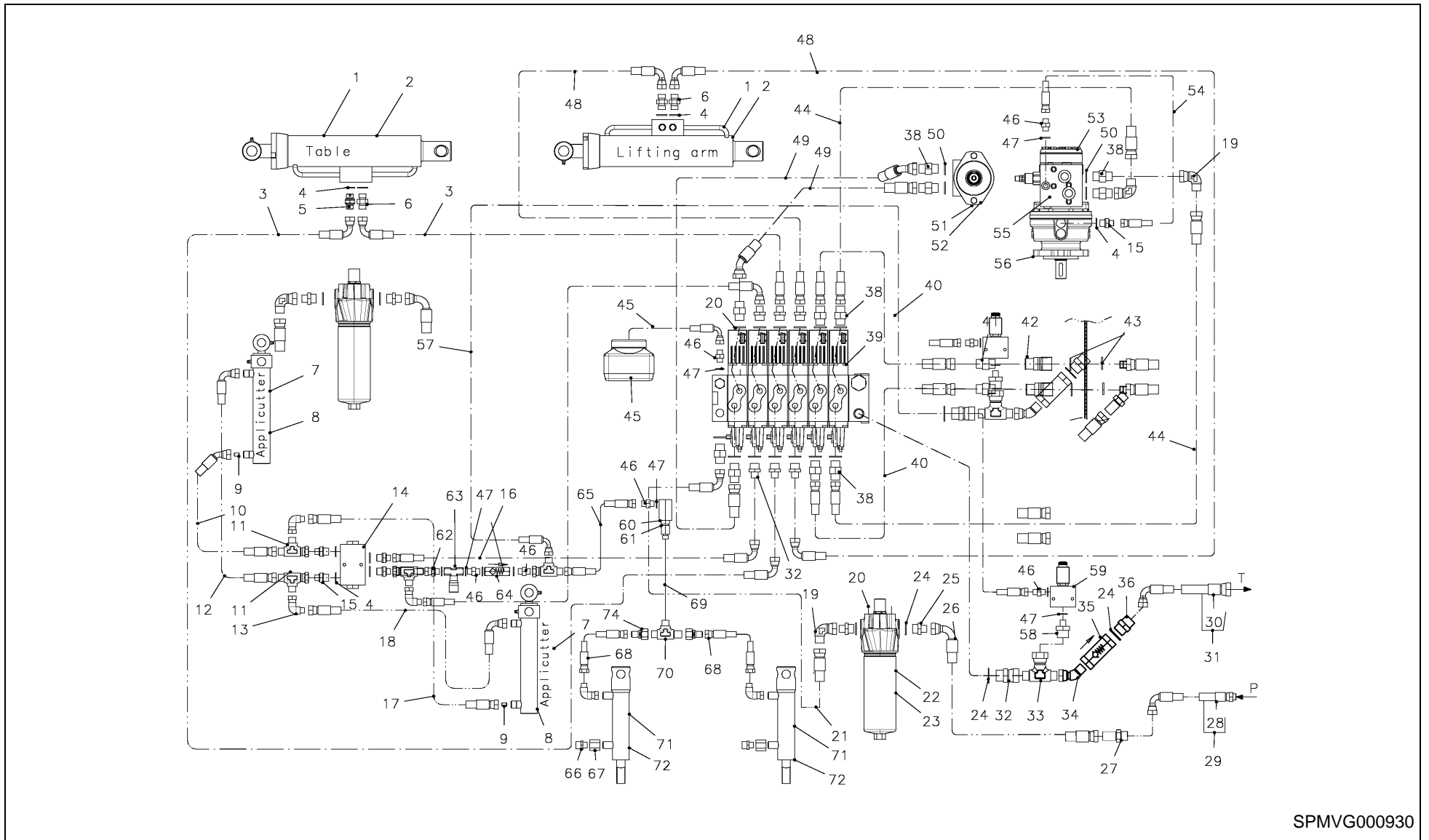


SPMVG000541

VBP 2160 / HYDRAULICS



PosNo.	Part No.	Qty.	Description	Remark
42	VGND9986	1	QUICK-DISCONNECT PLUG, FEMALE	
43	KG01119100	1	CIRCLIP-B 80 X 4	
44	UH444757	2	HYDR.HOSE 1/2-5500	
45	UH442918	2	OIL RESERVOIR FOR CHECK VALVE	
46	UH300957	6	NIPPLE R1/4"-R1/4"	
47	UH300966	9	SEAL 1/4"	
48	UH444748	2	HYDR.HOSE 3/8"-1520 3/8" 1520	
49	UH444749	2	HYDR.HOSE 3/8"-2900 3/8" 2900	
50	UH219669	19	SEAL RING 1/2"	
51	UH900507	1	OIL MOTOR 130CCM SHA FT D25	
52	UH900501	1	SEAL KIT FOR MF761 MOTOR	
53	UH453150	1	OILMOTOR OMR 125 HPS 25MM	
54	UH440053	1	HYDR. HOSE 1/4" 470	
55	UH453152	1	BREAK VALVE	
56	UH451101	1	DISC BRAKE DG-RF/288 OMR	

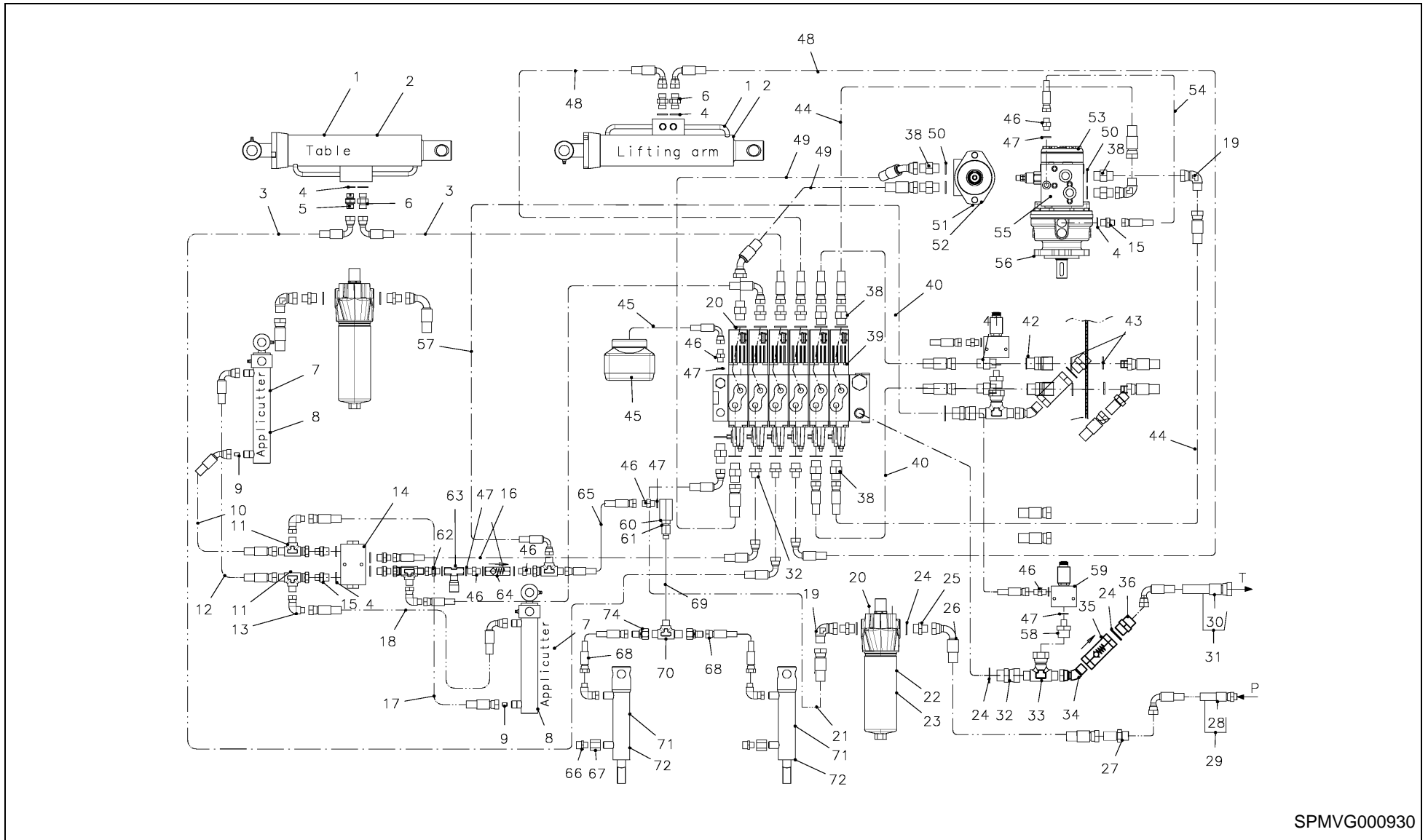


SPMVG000930

VBP 2160 / HYDRAULICS BP 3D



PosNo.	Part No.	Qty.	Description	Remark
1	UH444790-K	2	CYLINDER DA Ø63-Ø32X450+250	
2	VGUW00227	2	SEALS, SET	
3	UH410748	2	NIPPLE	
4	UH410746	4	RING, SEALING	
5	KK012077	1	COUPLING 3/8 D1.7 RESTRICTOR	
6	UH410748	2	NIPPLE	
7	UH453550-K	2	HYDR. ZYLINDER 32-16-175-45	
8	UH453551	2	DICHTSAETZE UH453550	
9	UH410730	2	RESTRICTOR M8 Ø 1.4 MM	
10	UH444750	1	HOSE, HP	
11	UH307823	2	T-JUNCTION 1/4" BSP UUI	
12	UH332645	1	HOSE, HP	
13	UH307824	1	THREADED UNION	
14	UH451755	1	SAFETY VALVE 3/8"	
15	UH300972	2	UNION R1/4"-R3/8"	
16	UH300989	1	HYDR.HOSE 1/4"-1200 1/4" 1200	
17	UH335790	1	HOSE, HP	
18	UH332643	1	HOSE, HP	
19	UH430828	2	BSP 90DEG.O.-IN.1/2"ADJUSTABL	
20	KG01051961	2	HEX. NUT M8 8	
21	UH332662	1	HYDR.HOSE 1/2"-560	
22	VF16655855	1	HYDR.FILT. HYDAC MFM BV/HC 95	
23	UH453411	1	FILTERELEMENT HYDAC	
24	UH306757	3	SEALRING	
25	UH306756	1	UNION 1/2-3/4	
26	UH300987	1	HYDR. HOSE 1/2" 600	
27	UH332545	1	BULKHEAD COUPLING 1/2" BSP UU	
29	VGWP00117	1	HOSE ASSY, HP	
30	VF16651398	1	SLEEVE	
31	VGWP00116	1	HOSE ASSY, HP	
32	UH410747	2	MALE ADAPTOR 3/8"-1/2"	
33	UH444775	1	T-CUPLING 3/4" BSP	
34	UH444760	1	ELBOW	
35	UH444765	1	NON RETURN VALVE 3/4"-3/4"	
36	UH320186	1	NIPPLE 3/4"-3/4" BSP	
38	UH300971	4	UNION 1/2"-1/2" BSP	
39	UH444773	1	HYDR. BLOKK 3D PVG32 6 SL	
40	UH444734	2	HYDR.HOSE 1/2"-2700 1/2" 2700	
41	VGND92003V	1	STUD COUPLING	
42	VGND9986	1	QUICK-DISCONNECT PLUG, FEMALE	



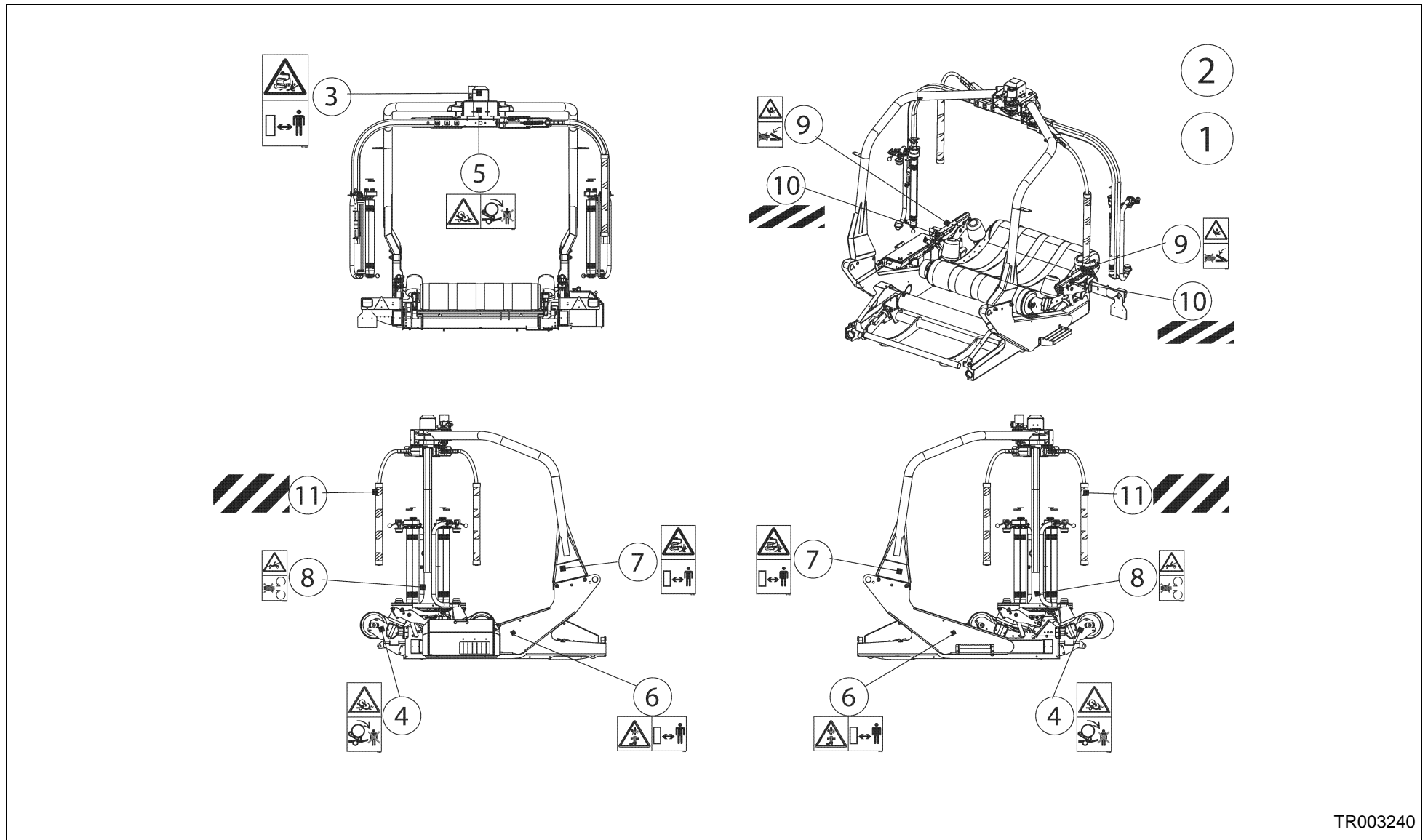
SPMVG000930

VBP 2160 / HYDRAULICS BP 3D



PosNo.	Part No.	Qty.	Description	Remark
43	KG01119100	1	CIRCLIP-B 80 X 4	
44	UH444757	2	HYDR.HOSE 1/2-5500	
45	UH444754	2	HYDR. HOSE	
46	UH300957	6	NIPPLE R1/4"-R1/4"	
47	UH300966	5	SEAL 1/4"	
48	UH444748	2	HYDR.HOSE 3/8"-1520 3/8" 1520	
49	UH444749	2	HYDR.HOSE 3/8"-2900 3/8" 2900	
50	UH219669	2	SEAL RING 1/2"	
51	UH900507	1	OIL MOTOR 130CCM SHA FT D25	
52	UH900501	1	SEAL KIT FOR MF761 MOTOR	
53	UH453150	1	OILMOTOR OMR 125 HPS 25MM	
54	UH440053	1	HYDR. HOSE 1/4" 470	
55	UH453152	1	BREAK VALVE	
56	UH451101	1	DISC BRAKE DG-RF/288 OMR	
57	UH415603	1	HYDR.HOSE 1/4" 700	
58	UH444770	1	NIPPLE 1/4"-3/4" UU	
59	UH453159	1	VALVE 2/2 EVK 04/C1-12 C-A-DG 1/4"	
60	VGUW00151	1	ELBOW COUPLING	
61	VGND92201V	1	STUD COUPLING	
62	UH300979	1	ADAPTOR 1/4"	
63	UH451205	1	NEEDLE VALVE 1/4"	
64	UH453160	1	CHECK VALVE	
65	UH444758	1	HYDRAULIK HOSE 1/4 ZOLL 5000	
66	UH440884	1	BREATHING NIPPLE 1/4"	
67	UH453161	1	MUFF 1/4" X 3/8	
68	VGND92207V	2	ELBOW COUPLING	
68	VGUW365	2	HOSE ASSY, HP	
69	VGUW244	1	PIPE, HYDR.	
70	VG38612666	1	T-COUPLING, ADJUSTABLE	
71	UH443280-K	2	CYLINDER DA D32-20X 240+80	
72	UH218027	2	SEALING	
74	VGND92173V	1	STUD, REDUCING, MALE	

VBP 2160 / DECAL SCHEME WRAPPER



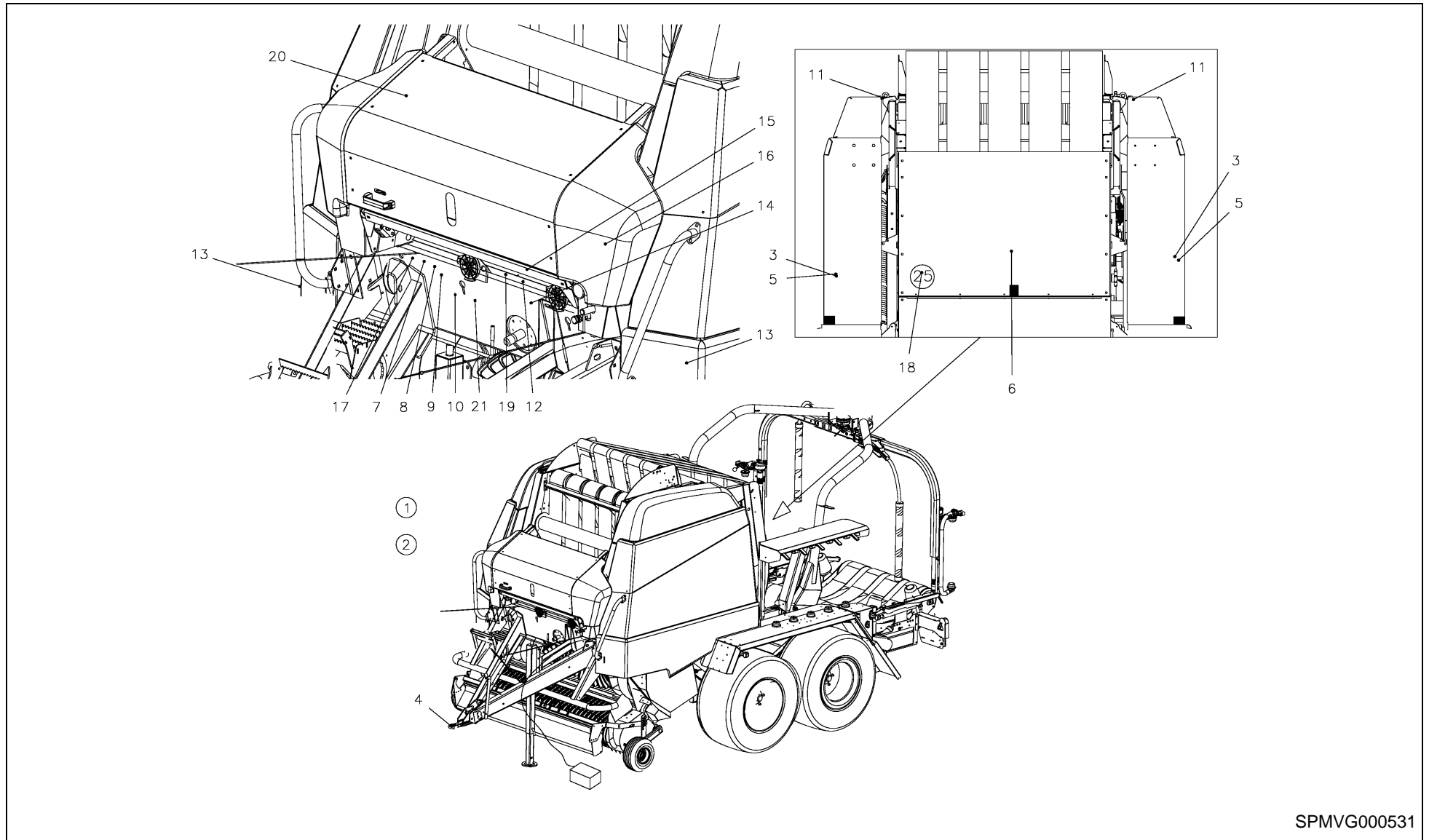
TR003240

VBP 2160 / DECAL SCHEME WRAPPER



PosNo.	Part No.	Qty.	Description	Remark
1	VGTR003239	1	DECAL SET	
2	VGTR003240	1	SAFETY DECALS SET	
3	VGTR1081	1	STAY CLEAR CRUSHING OF BODY	
4	VGTR1603	2	SAFETY DECAL	
5	VGTR1604	1	SAFETY DECAL	
6	VGTR1616	2	SAFETY DECAL	
7	VGTR1621	2	SAFETY DECAL	
8	VGTR2021	2	SAFETY DECAL	
9	VGTR2067	2	SAFETY DECAL	
10	VGTR3260	2	SAFETY DECAL	
11	UH220493	8	STICKER SECURING ARM	

VBP 2160 / DECAL SCHEME

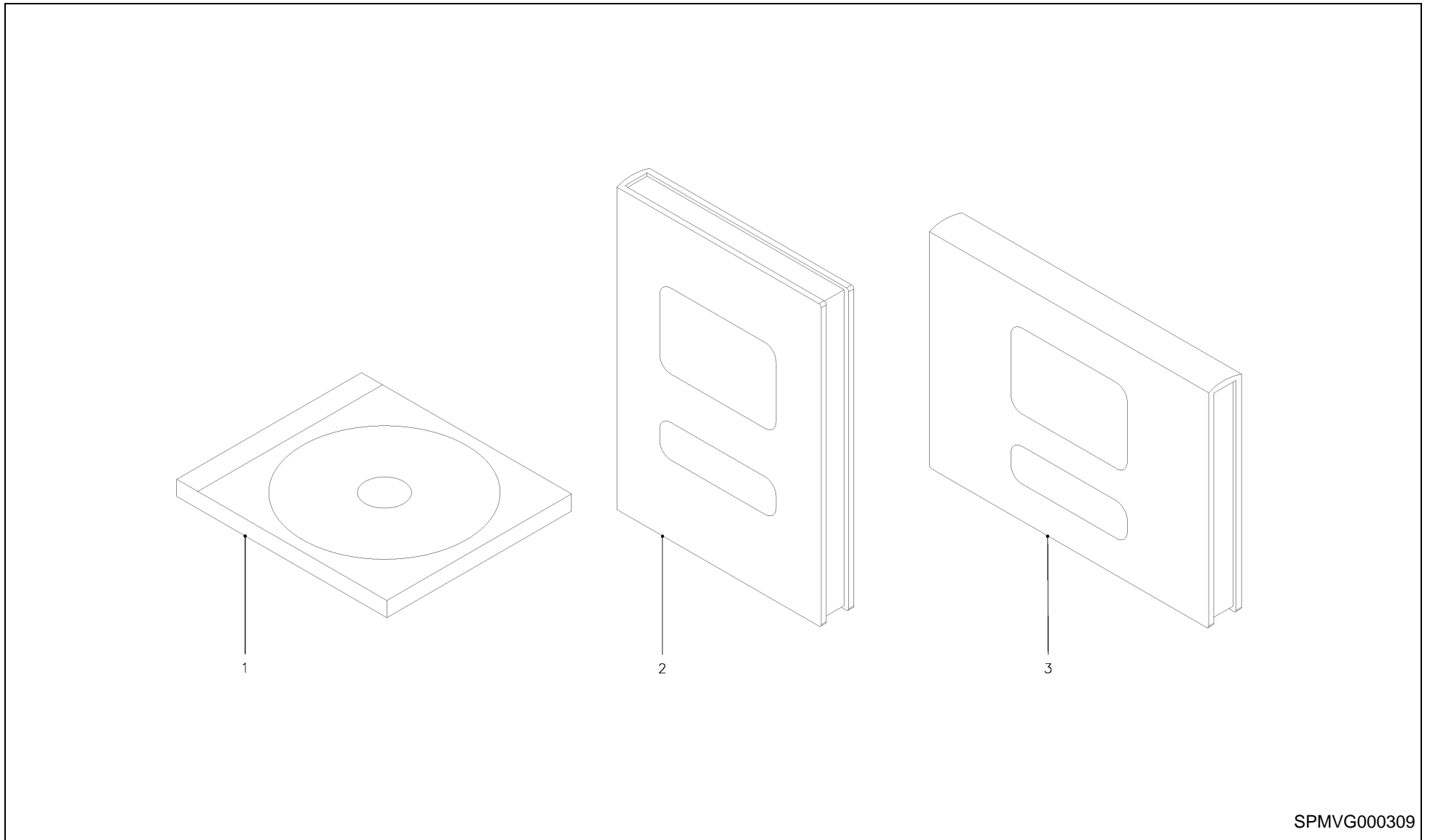


SPMVG000531

VBP 2160 / DECAL SCHEME



PosNo.	Part No.	Qty.	Description	Remark
1	VGTR003096	1	DECAL SET	SAFETY DECAL SET
2	VGTR003377	1	DECAL SET	KUHN LABELING
3	VGTR2001	2	SAFETY DECAL	
4	VGTR2011	1	CRUSHING BODY STAY CLEAR OF	
5	VGTR2013	2	SAFETY DECAL	
6	VGTR2017	1	SAFETY DECAL	
7	VGTR2029	1	SAFETY DECAL	
8	VGTR2033	1	SAFETY DECAL	
9	VGTR2035	1	SAFETY DECAL	
10	VGTR2037	1	DECAL	
11	VGTR2039	2	DECAL	
12	VGTR2069	1	SAFETY DECAL	
13	VGTR2071	4	SAFETY DECAL	
14	VGTR2073	1	DECAL	
15	VGTR2075	1	SAFETY DECAL	
16	VGTR2077	1	SAFETY DECAL	
17	VGTR1086	1	CAREFULLY READ OPERATOR MANUAL	
18	VNB1357574	1	DECAL	
19	VGTR3105	1	DECAL	
20	VGTR3097	1	DECAL	
21	VGTR3113	1	DECAL	



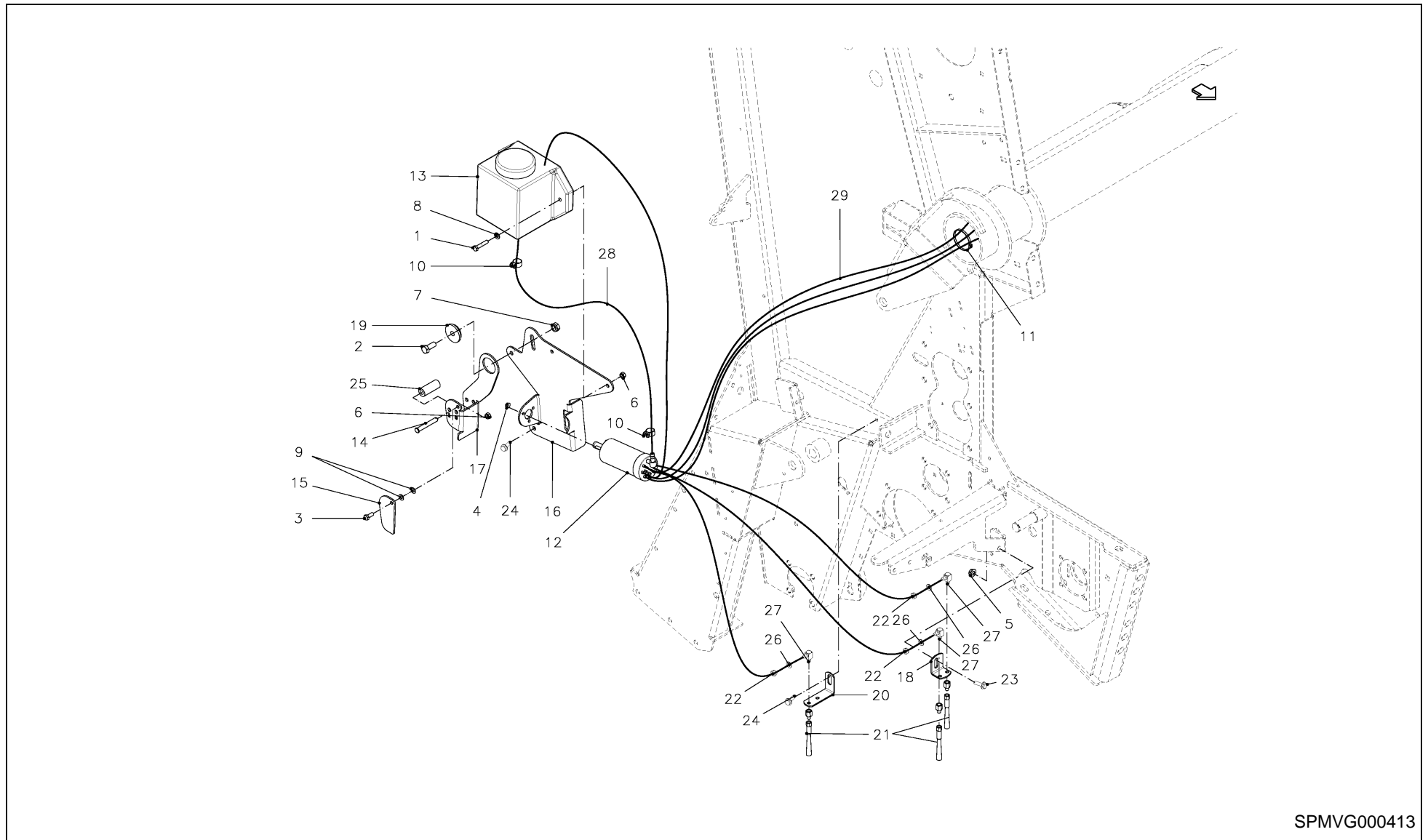
SPMVG000309

VBP 2160 / DOCUMENTATION



PosNo.	Part No.	Qty.	Description	Remark
2	ZNA005	1	OPERATION MANUAL A	
3	ZRA004	1	PARTS BOOK A	

VBP 2160 / LUBRICATION SYSTEM



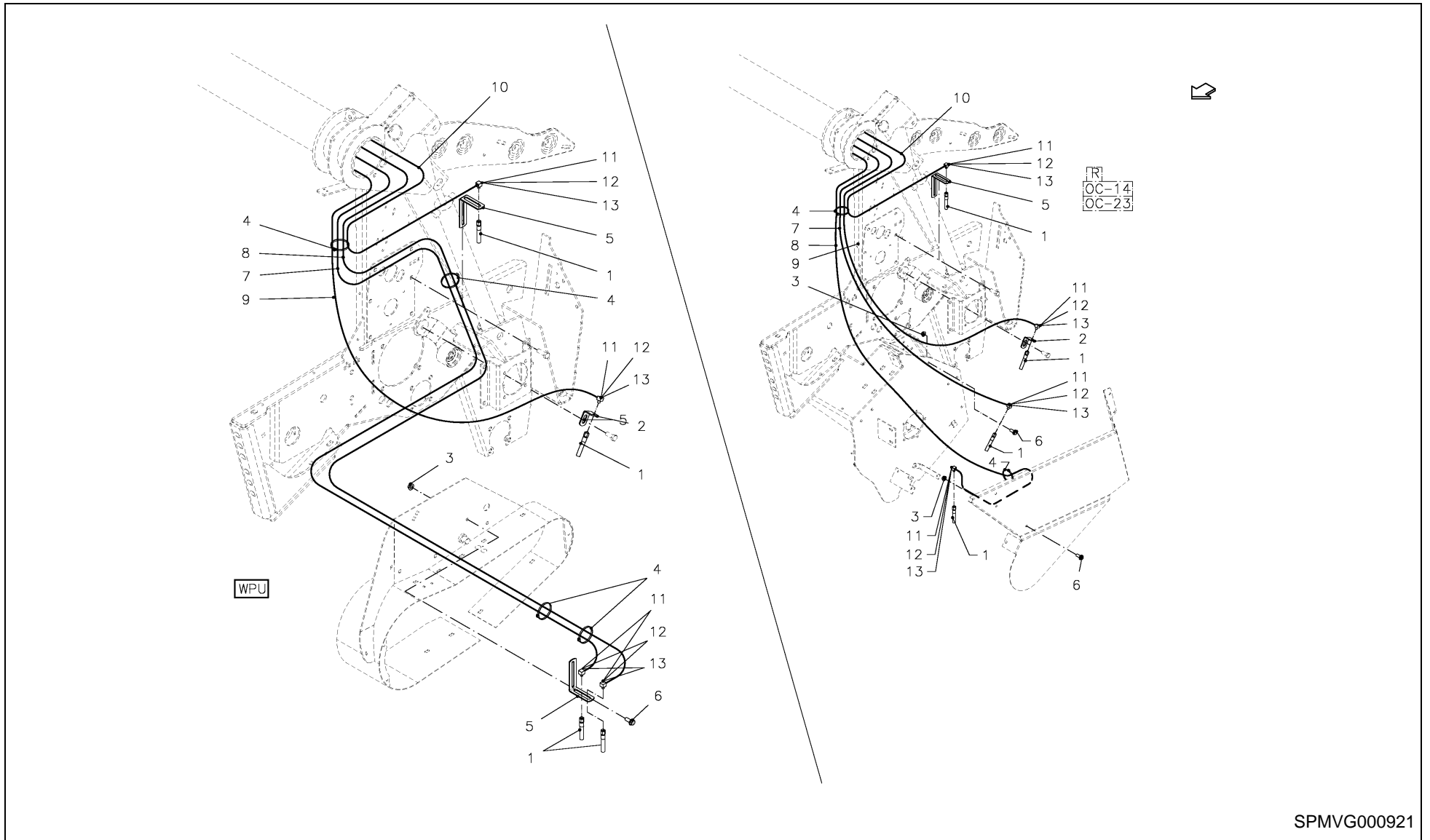
SPMVG000413

VBP 2160 / LUBRICATION SYSTEM



PosNo.	Part No.	Qty.	Description	Remark
1	KG00353261	2	HEX. BOLT M8X40 8.8	
2	KG00457261	1	HEX. SCREW M12X30 10.9	
3	KG00471961	1	HEX. SCREW M8X20 8.8	
4	KG01061161	3	LOCK NUT M6 8	
5	KG01061361	1	LOCK NUT M10 8	
6	KG01068761	3	LOCK NUT M8 10	
7	KG01068961	1	LOCK NUT M12 10	
8	KG01267361	2	WASHER M8	
9	KG01294162	2	DISC SPRING 16X8.2X0.9	
10	VGND9419	2	CLAMP, WORM DRIVE	
11	VGND9843	7	CABLE TIE	
12	VGRL00280	1	PUMP-UNIT	
13	VGRL00281	1	RESERVOIR, OIL	
14	VGRL282V	1	PIN	
15	VGRL309V	1	PLATE	
16	VGRL506K0	1	PLATE	
17	VGRL507K0	1	HOLDER	
18	VGRL510V	1	BRACE	
19	VGWA528V	1	RING	
20	VGRL617V	1	BRACKET	
21	VR38228059	3	BRUSH, LUBRICATION	
22	VR38279004	3	NUT	
23	VGND1221V	1	SCREW, KNURLED STUD	
24	VGND1461V	3	BOLT, TAPTITE	
25	VGND95059	1	SLEEVE, PLASTIC	
26	VRR0480114	3	RING	
27	VR38228055	3	ELBOW COUPLING	
28	VGND95067	1	HOSE, PLASTIC	
29	VGRL290	1	LINE, LUBRICATION	

VBP 2160 / LUBRICATION SYSTEM

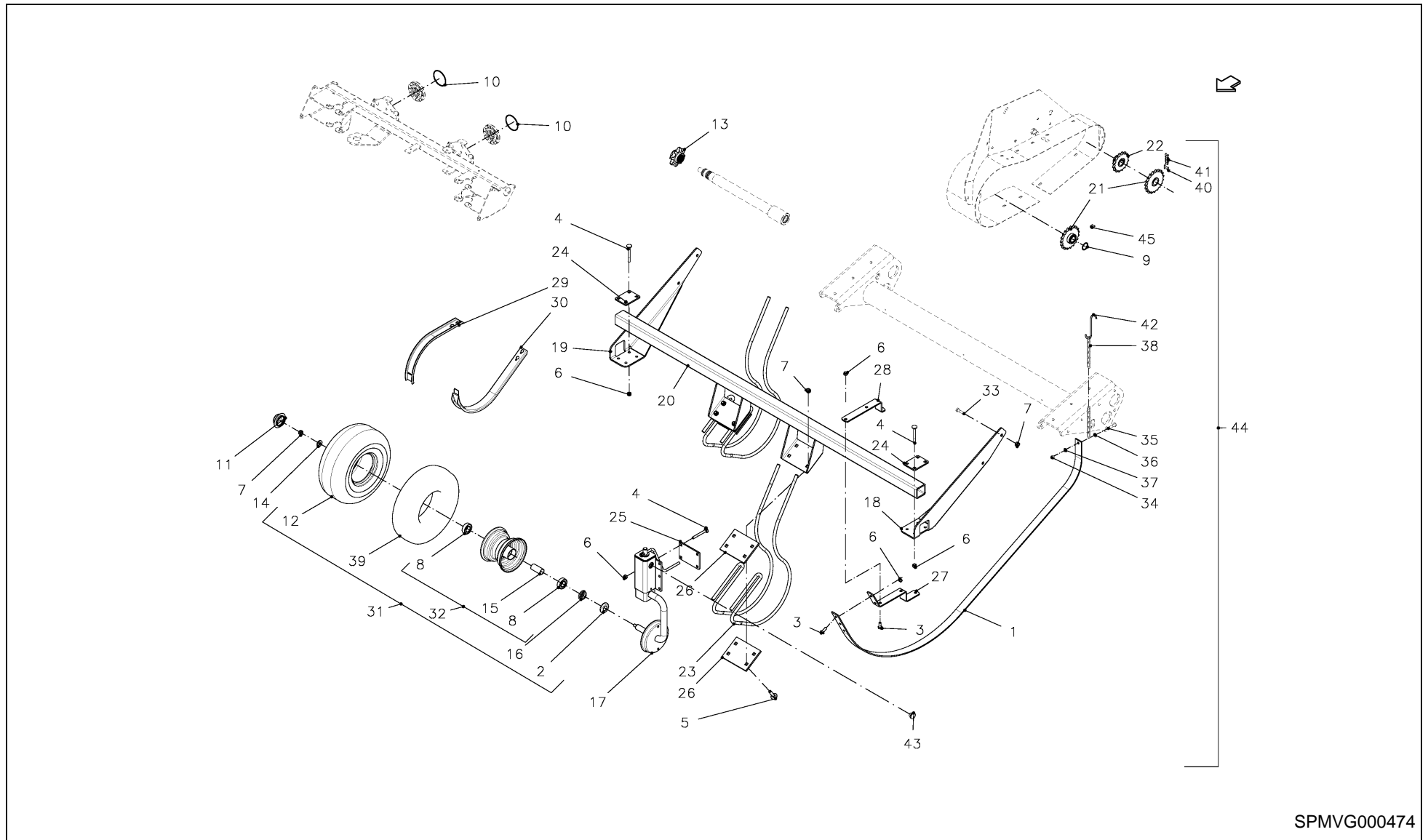


VBP 2160 / LUBRICATION SYSTEM



PosNo.	Part No.	Qty.	Description	Remark
1	VR38228059	4	BRUSH, LUBRICATION	
2	VGBR660V	1	HOLDER	
3	KG01061361	2	LOCK NUT M10 8	
4	VGND9843	4	CABLE TIE	
5	VGRL617V	4	BRACKET	
6	VGND1221V	2	SCREW, KNURLED STUD	
7	VGRL290	1	LINE, LUBRICATION	
8	VGRL290	1	LINE, LUBRICATION	
9	VGRL290	1	LINE, LUBRICATION	
10	VGRL290	1	LINE, LUBRICATION	
11	VR38228055	4	ELBOW COUPLING	
12	VR38279004	4	NUT	
13	VRR0480114	4	RING	

VBP 2160 / FLAX KIT



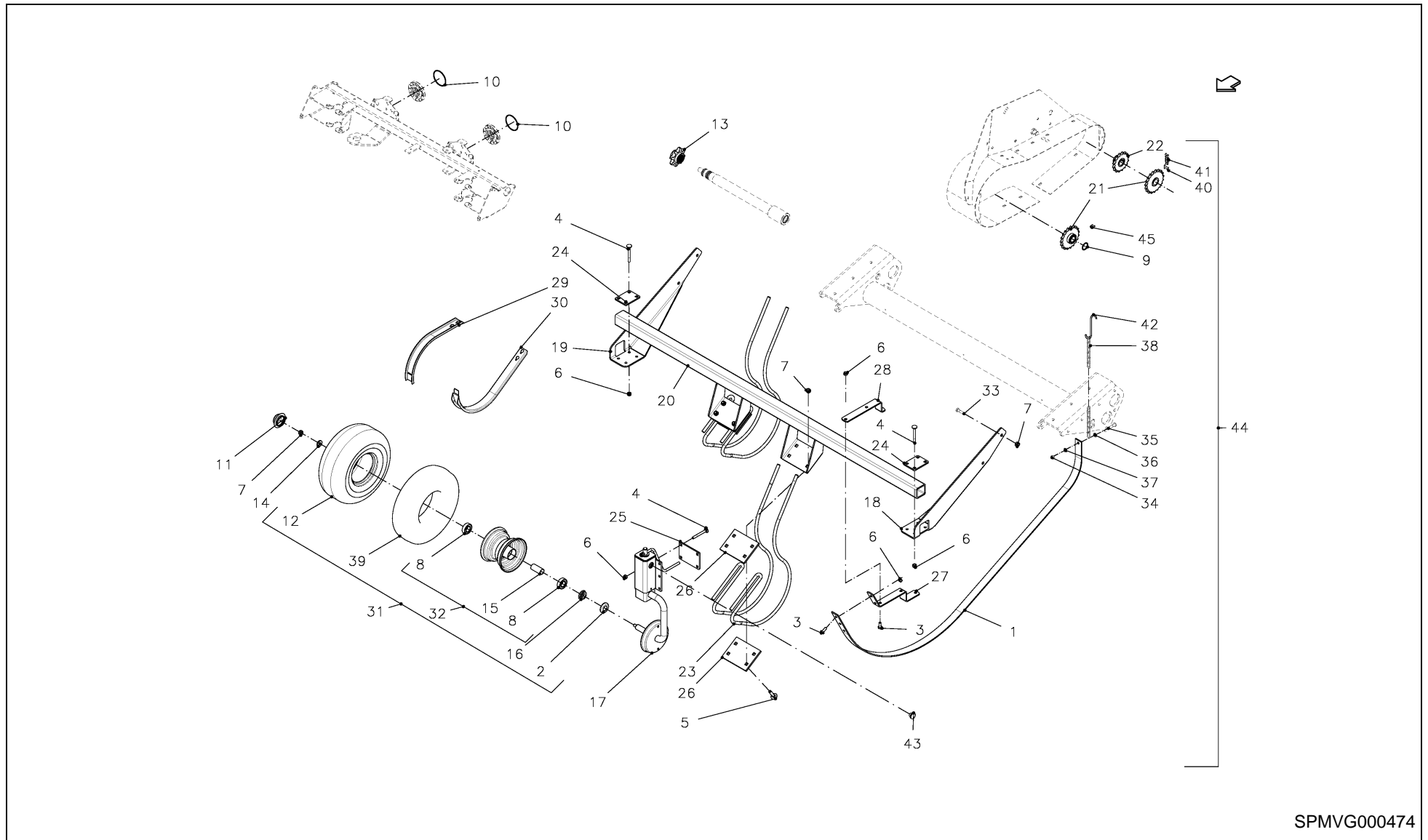
SPMVG000474

VBP 2160 / FLAX KIT



PosNo.	Part No.	Qty.	Description	Remark
1	VG19154022	1	SPRING, LEAF	
2	VGBP402V	1	COVER, DUST	
3	KG00474200	2	HEX. SCREW M10X25 8.8	
4	KG00642661	12	CARRIAGE BOLT M10X90 8.8	
5	KG00645261	8	CARRIAGE BOLT M12X50 8.8	
6	KG01068861	18	LOCK NUT M10 10	
7	KG01068961	13	LOCK NUT M12 10	
8	KG01378900	2	BALL BEARING 6205-2RS	
9	VGMT00310	1	SHIM SET	WPU ONLY
10	VGND6127	2	O-RING	
11	VGND9620V	1	COVER, WHEEL	
12	VGND9778	1	TYRE	
13	VGRL693	1	SPROCKET	
14	VGTH100V	1	RING	
15	VGTH66	1	SLEEVE, SPACING	
16	VGTH9	1	RING, DUST	
17	VGWA002189K0	1	WHEEL, SUPPORT, CPL.	
18	VGWA01851K0	1	SUPPORT, LH	
19	VGWA01852K0	1	SUPPORT, RH	
20	VGWA01853K0	1	FRAME	
21	VGWA0611	2	SPROCKET	WPU ONLY
22	VGWA0612	1	SPROCKET	WPU ONLY
23	VGWA1235	4	TINE, FLAX	
24	VGWA1855K0	2	PLATE	
25	VGWA2188K0	1	PLATE	
26	VGWA855	2	PLATE	
27	VGWA860	1	BRACE	
28	VGWA861	1	STRIP	
29	VGWA862	10	GUIDE	
30	VGWA863	10	GUIDE	
31	VGND9780	1	WHEEL, CPL.	
32	VGND9827	1	RIM	
33	KG00476461	1	HEX. SCREW M12X25 8.8	
34	KG01051961	1	HEX. NUT M8 8	
35	KG00472161	1	HEX. SCREW M8X25 8.8	
36	KG01267361	1	WASHER M8	
37	KG01281661	1	SPRING WASHER M8	
38	VG17662018V	2	CHAIN	
39	VGND9779	1	AIR CHAMBER	
40	VG37658602	1	LINK, OFFSET, DOUBLE	WPU ONLY

VBP 2160 / FLAX KIT

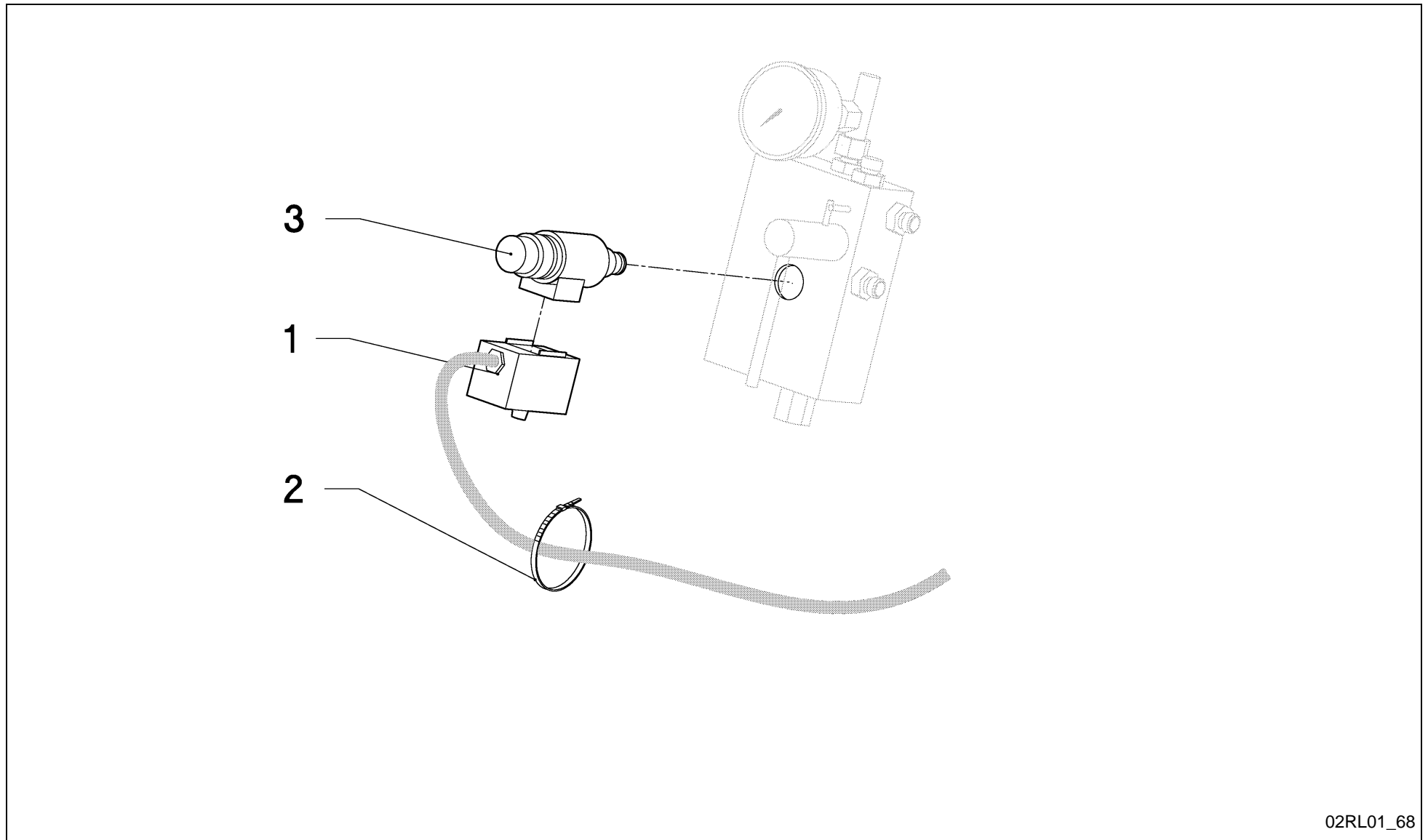


SPMVG000474

VBP 2160 / FLAX KIT



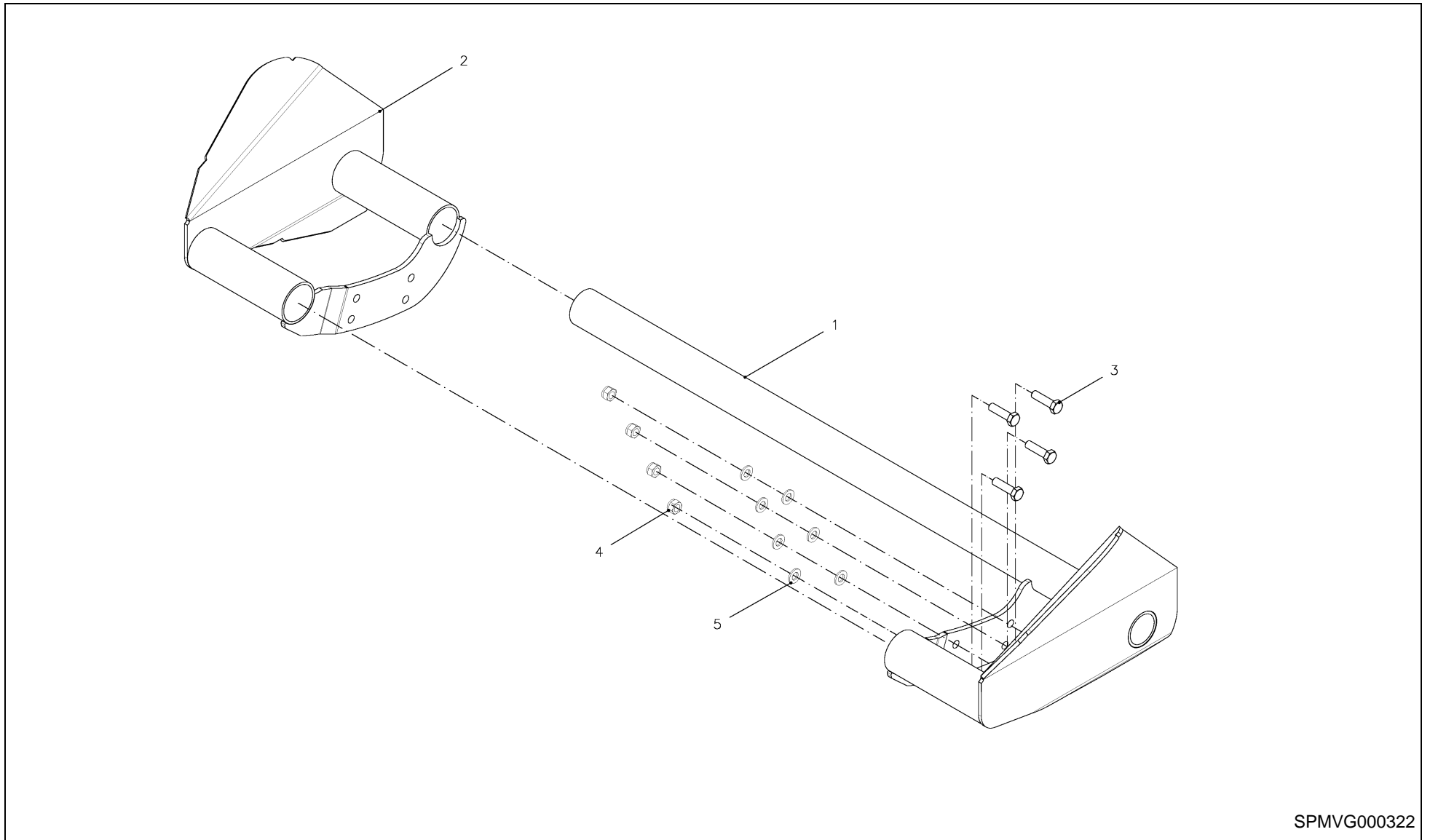
PosNo.	Part No.	Qty.	Description	Remark
41	VGND9346	1	LINK, SIMPL.	WPU ONLY
42	VG19077005V	1	HOOK	
43	VGND95055	1	CAP	
44	ACCESSOIRE	1	PLEASE CONTACT YOUR DEALER	
45	VGND9751	1	LINK, SIMPL.	WPU ONLY



VBP 2160 / MIXED CHAMBER OPTION



PosNo.	Part No.	Qty.	Description	Remark
1	VNB0274673	1	CABLE VALVE LED L=0.7M	
2	VGND9843	1	CABLE TIE	
3	VGRL00518	1	PRESSURE VALVE, PROPORTIONAL	



SPMVG000322

VBP 2160 / GUIDE CPL.

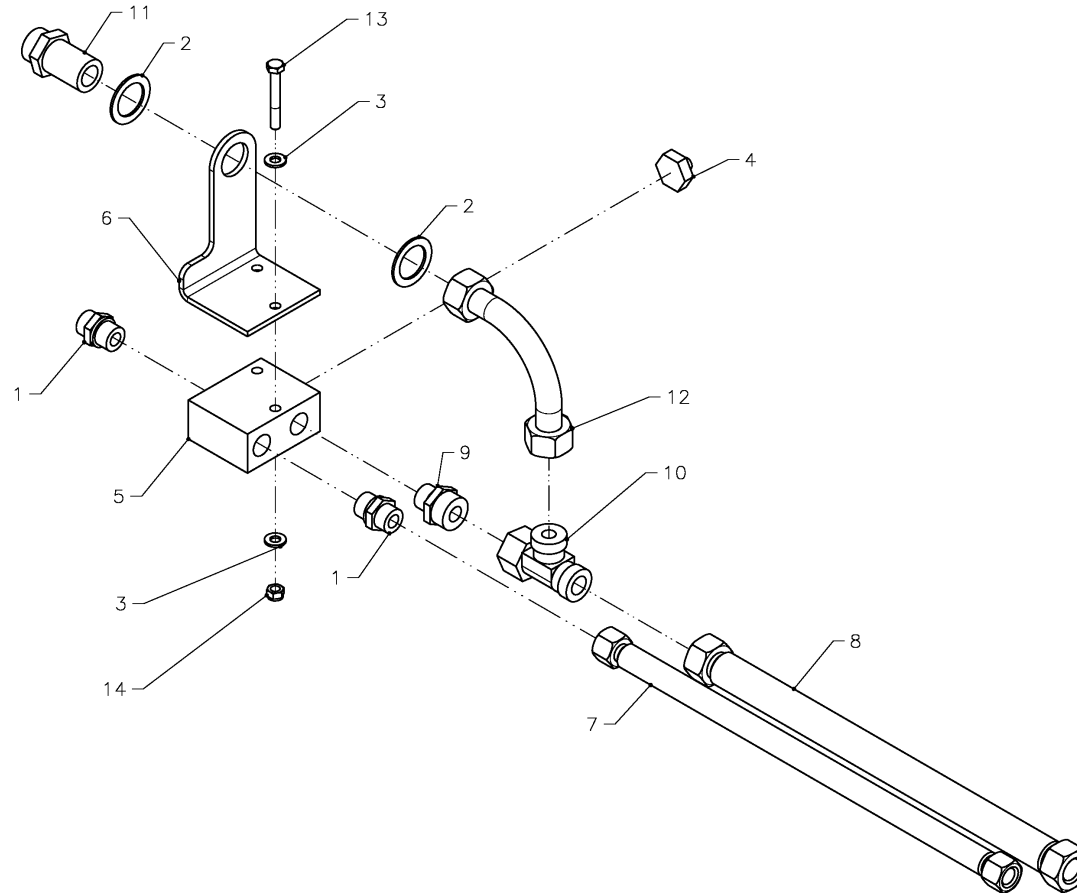


PosNo.	Part No.	Qty.	Description	Remark
1	VF16655566	1	FUEHRUNG GSW.	
2	VF16655573	1	FUEHRUNG GSW.	
3	KG00476861	8	HEX. SCREW M12X45 8.8	
4	KG01068961	8	LOCK NUT M12 10	
5	KG01267561	16	WASHER M12	

VBP 2160 / OIL FLOW DIVIDER



D04



SPMVF000326

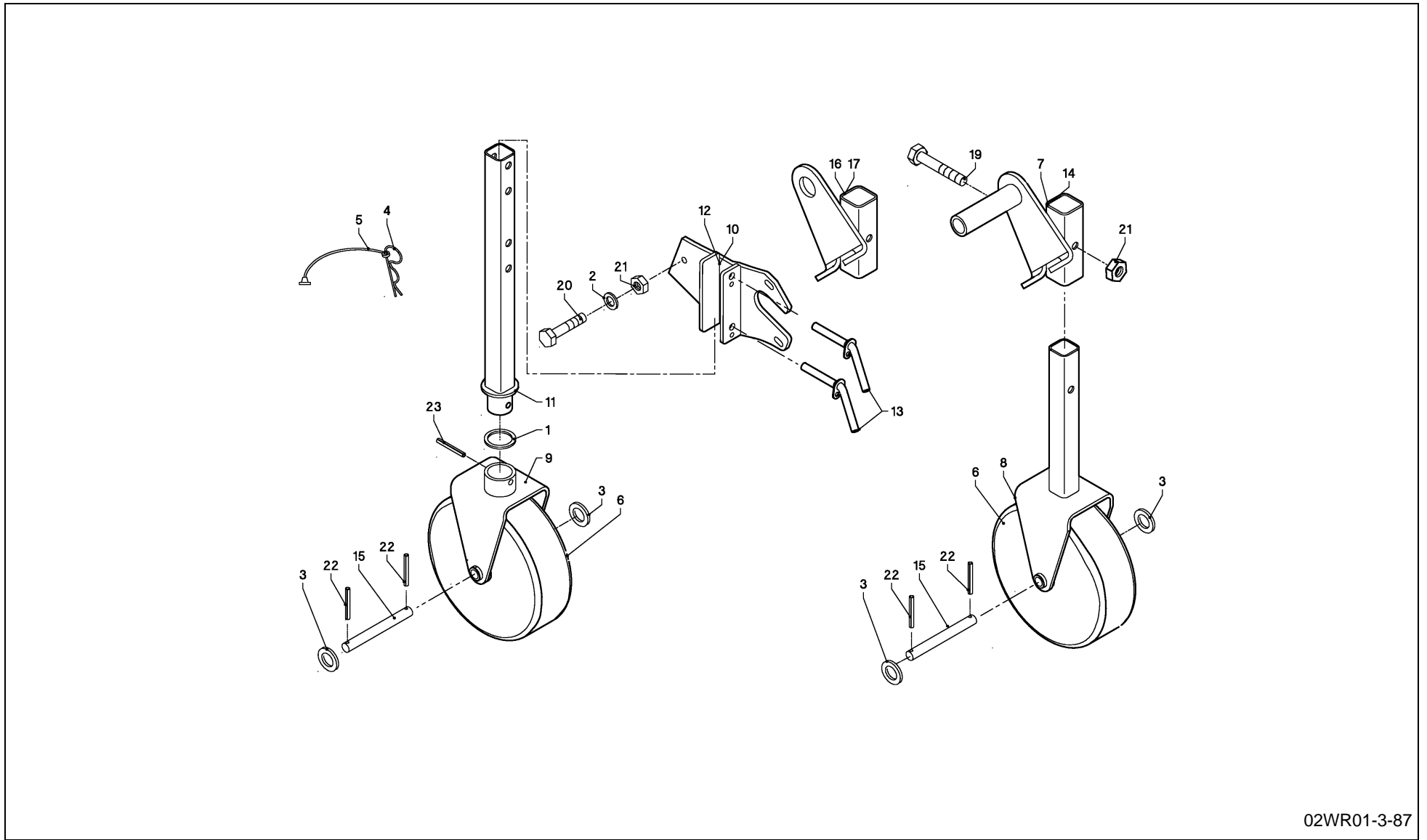
SPMVF000326

VBP 2160 / OIL FLOW DIVIDER



PosNo.	Part No.	Qty.	Description	Remark
1	VF02953373	2	SCREW-IN NIPPLE	
2	VF06214234	2	WASHER	
3	VF06214246	4	WASHER	
4	VF16650881	1	VALVE	
5	VF16650882	1	HOUSING	
6	VF16651169	1	SUPPORT	
7	VF16651171	1	HYDR.HOSE	
8	VF16651172	1	HYDR.HOSE	
9	VF16651173	1	THREADED UNION	
10	VF16651174	1	THREADED UNION	
11	VF16651176	1	THREADED UNION	
12	VF16651178	1	HYDR. PIPE	
13	KG00353661	2	HEX. BOLT M8X60 8.8	
14	KG01068761	2	LOCK NUT M8 10	

VBP 2160 / DETACHING SET



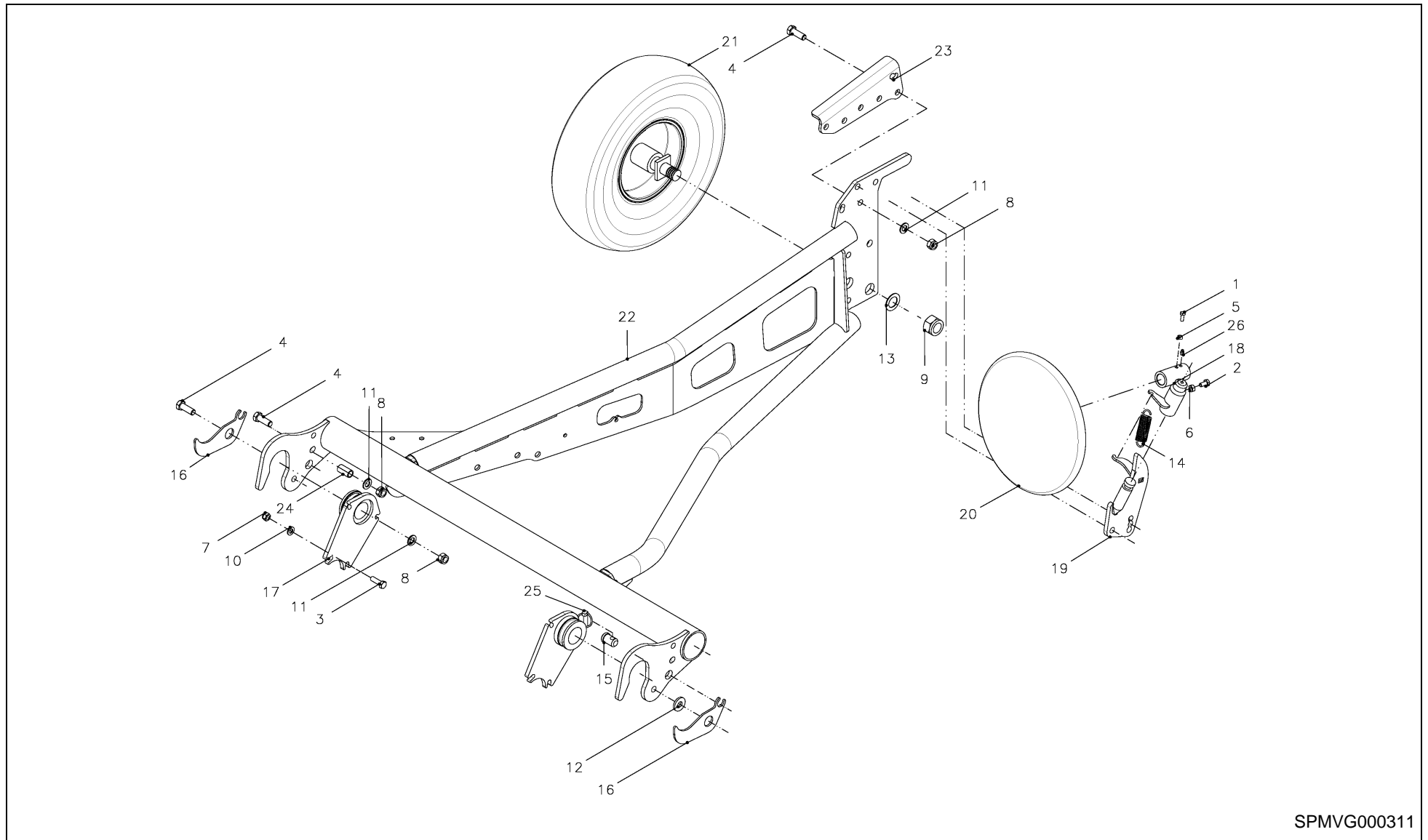
02WR01-3-87

VBP 2160 / DETACHING SET



PosNo.	Part No.	Qty.	Description	Remark
1	VGND3126	2	RING	
2	KG01267561	12	WASHER M12	
3	VF06214321	8	WASHER	
4	VGPZ160V	2	SPRING CLIP	
5	VF06564448	2	CORD	
6	VF16616479	4	SHEET WHEEL	
7	VF16650071	1	RETAINER	
8	VF16650075	2	STRUT	
9	VF16650079	2	LAND WHEEL	
10	VF16650085	1	RETAINER	
11	VF16650088	2	RETAINER	
12	VF16650099	1	RETAINER	
13	VF16650406	2	PIN	
14	VF16650436	1	RETAINER	
15	VF16650129.86	4	BASE PLATE	
16	VF16652081	1	RETRAINER	
17	VF16652091	1	RETRAINER	
19	KG00358061	2	HEX. BOLT M12X75 8.8	
20	KG00457361	6	HEX. SCREW M12X35 10.9	
21	KG01068961	8	LOCK NUT M12 10	
22	KG01188462	8	TENSION PIN 5X50	
23	KG01189862	2	TUBULAR SPLITED PIN 6X50 ZN DIN 1481	

VBP 2160 / BALE TURNER

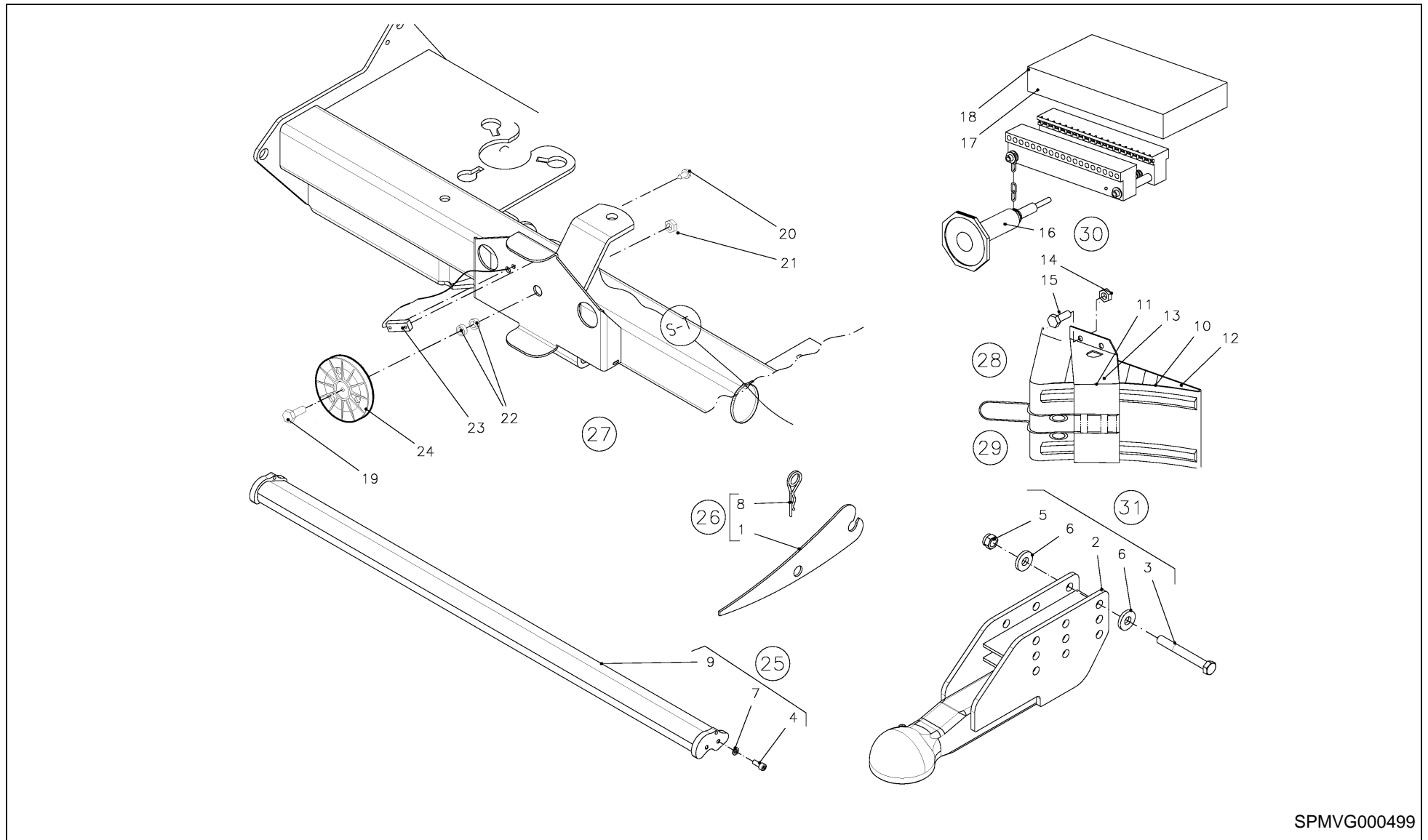


SPMVG000311

VBP 2160 / BALE TURNER



PosNo.	Part No.	Qty.	Description	Remark
1	KG00471961	1	HEX. SCREW M8X20 8.8	
2	KG00474061	1	HEX. SCREW M10X20 8.8	
3	KG00476761	6	HEX. SCREW M12X40 8.8	
4	KG00480361	6	HEX. SCREW M16X45 8.8	
5	KG01051961	1	HEX. NUT M8 8	
6	KG01052061	1	HEX. NUT M10 8	
7	KG01068961	6	LOCK NUT M12 10	
8	KG01069161	8	LOCK NUT M16 10	
9	KG01069561	1	NUT, LOCK	
10	KG01267561	12	WASHER M12	
11	KG01267761	16	WASHER M16	
12	UH300520	2	WASHER Ø17-Ø40X5	
13	UH311773	1	WASHER Ø32-Ø51X2	
14	UH324105	1	TENSION SPRING Ø3.5-Ø26.5X104	
15	UH412611	2	PIN	
16	UH442604-K	2	LOCK	
17	UH442605-K	2	BRACKET	
18	UH450146	1	DISC BRACKET WELDED	
19	UH450147-K	1	BRACKET	
20	UH450310-K	1	SUPPORT DISC Ø400	
21	UH454100	1	WHEEL 6.00X9 ASSY W/ AXLE	
22	UH454120-K	1	SUPPORT WELD.	
23	UH454122-K	1	PLATE EXTENDENER	
24	UH454129	1	SLEEVE	
25	UH867061	2	RING PIN 12 (7/16") GALV.	
26	VG38229007	2	GREASE NIPPLE	

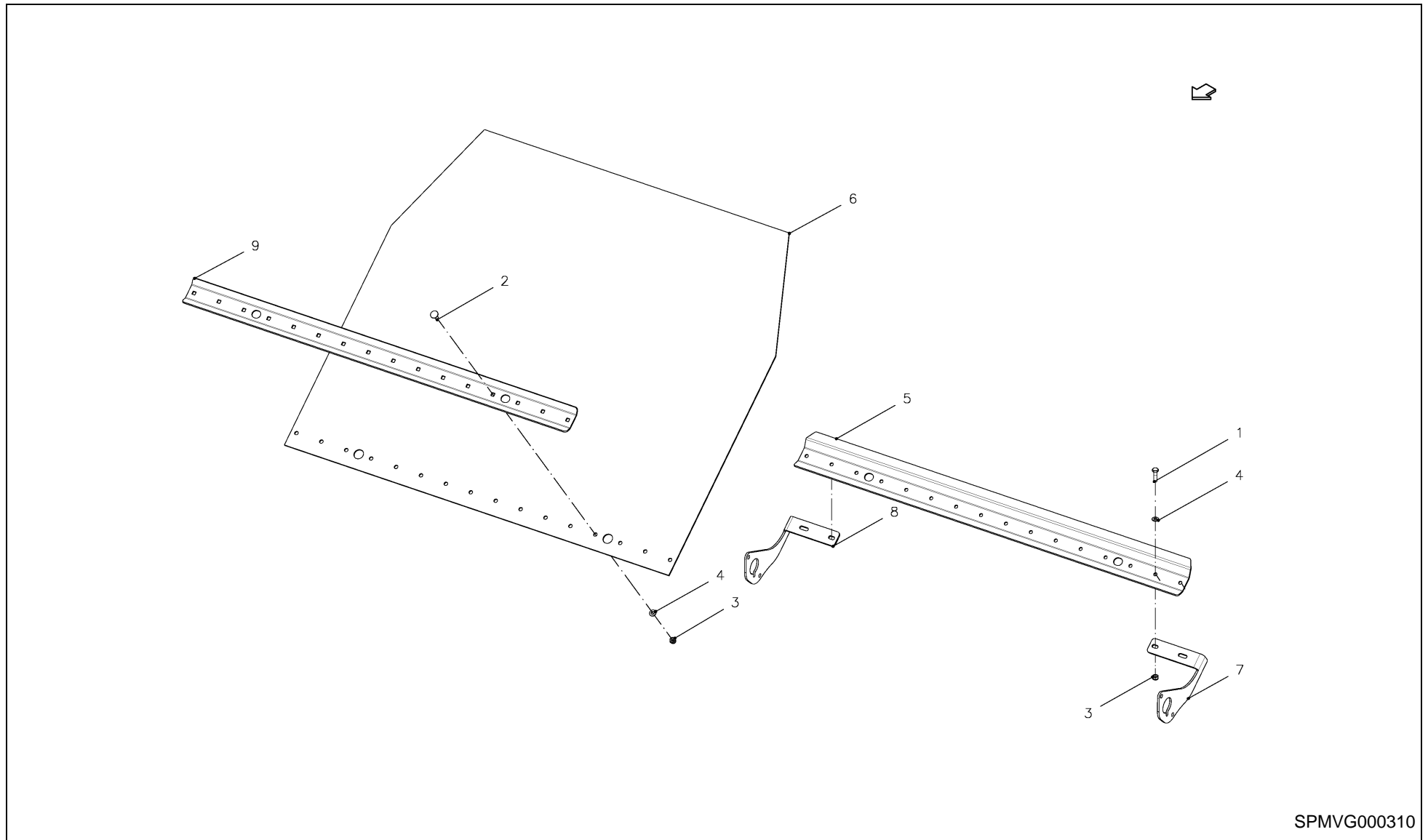


SPMVG000499

VBP 2160 / OPTIONS VARIOUS



PosNo.	Part No.	Qty.	Description	Remark
1	VF16613171	14	FILLER PLATE	
2	VF16659365.86	1	DRAW BAR, BALL-	
3	VG37305654V	1	BOLT, NUTTED	
4	KG00545061	4	CHEESE HEAD SCREW M8X20 8.8	
5	KG01069161	1	LOCK NUT M16 10	
6	KG01273961	2	WASHER M16	
7	KG01281661	4	SPRING WASHER M8	
8	VGPZ160V	2	SPRING CLIP	
9	VGWA01595	1	PLATE, GUIDE	
10	VGND97066	2	CHOCK	400/60x22.5
11	VGND97067	2	HOLDER	400/60x22.5
12	VGND97068	2	CHOCK	500/45x22.5
13	VGND97069	2	HOLDER	500/45x22.5
14	KG01061161	8	LOCK NUT M6 8	
15	KG00980761	8	FLANGED BOLT M6X20 90	
16	VGWA1489	1	PUNCH DRIVE	
17	ACCESSOIRE	1	PLEASE CONTACT YOUR DEALER	
18	ACCESSOIRE	2	PLEASE CONTACT YOUR DEALER	
19	KG00474461	2	HEX. SCREW M10X35 8.8	
20	KG00742063	2	TAPPING SCREW 3.5X9.5 4.8	
21	KG01068861	2	LOCK NUT M10 10	
22	VGBP906V	4	BUSH	
23	VGND91008	2	SWITCH	
24	VGWA00909	2	PULLEY, CABLE	
25	ACCESSOIRE	1	PLEASE CONTACT YOUR DEALER	
26	ACCESSOIRE	1	PLEASE CONTACT YOUR DEALER	
27	ACCESSOIRE	1	PLEASE CONTACT YOUR DEALER	
28	ACCESSOIRE	1	PLEASE CONTACT YOUR DEALER	
29	ACCESSOIRE	1	PLEASE CONTACT YOUR DEALER	400/60x22.5
30	ACCESSOIRE	1	PLEASE CONTACT YOUR DEALER	500/45x22.5
31	ACCESSOIRE	1	PLEASE CONTACT YOUR DEALER	



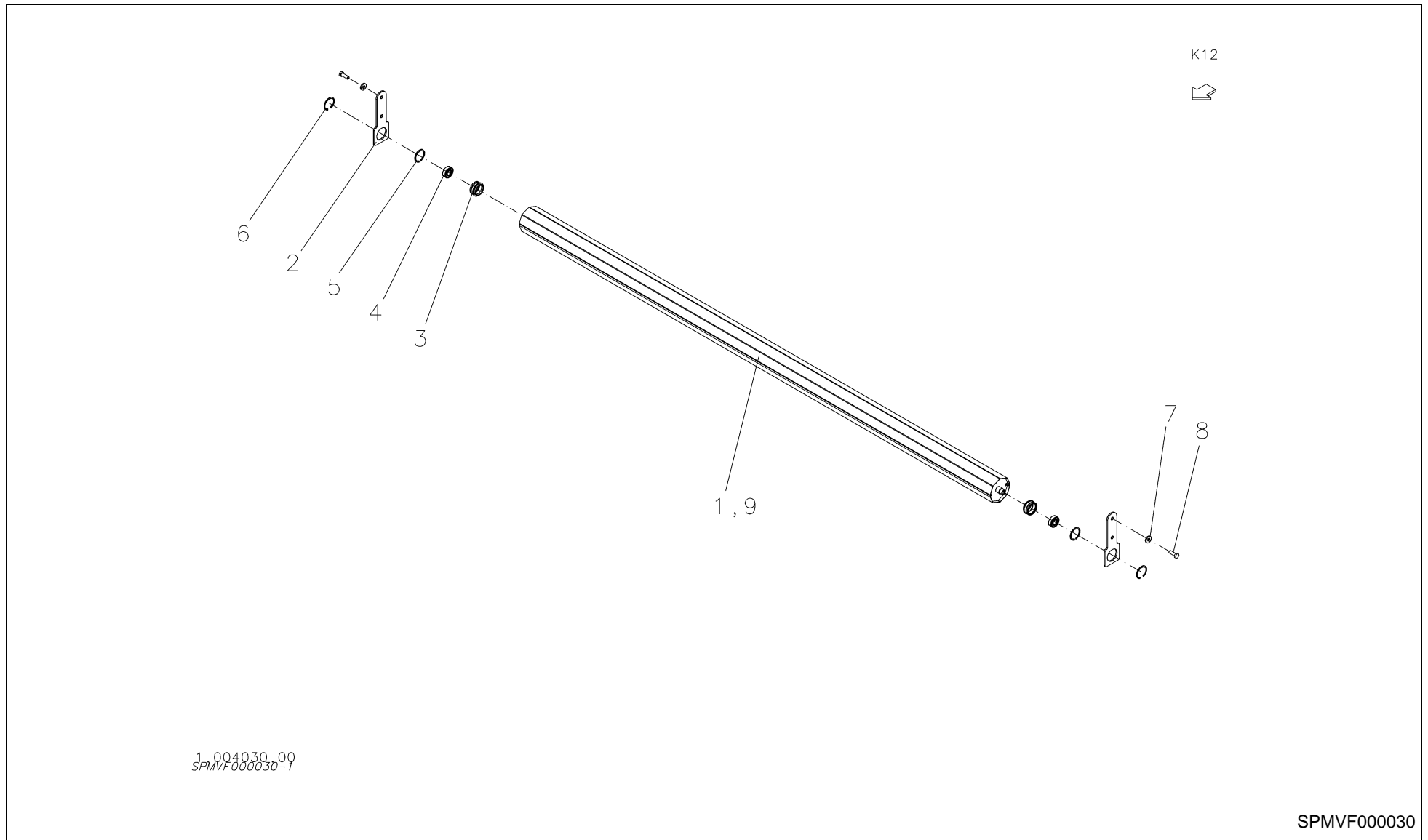
SPMVG000310

VBP 2160 / BALE FALL GUIDE



PosNo.	Part No.	Qty.	Description	Remark
1	KG00355261	4	HEX. BOLT M10X40 8.8	
2	KG00641561	12	CARRIAGE BOLT M10X30 8.8	
3	KG01068861	4	LOCK NUT M10 10	
4	KG01267461	20	WASHER M10	
5	UH414235-K	1	BAR	
6	UH443292	1	DROP MAT	
7	UH443294-K	1	BRACKET LH	
8	UH443295-K	1	BRACKET RH	
9	UH443297-K	1	BAR	

VBP 2160 / PICK-UP ROLLER



1_004030_00
SPMVF000030-1

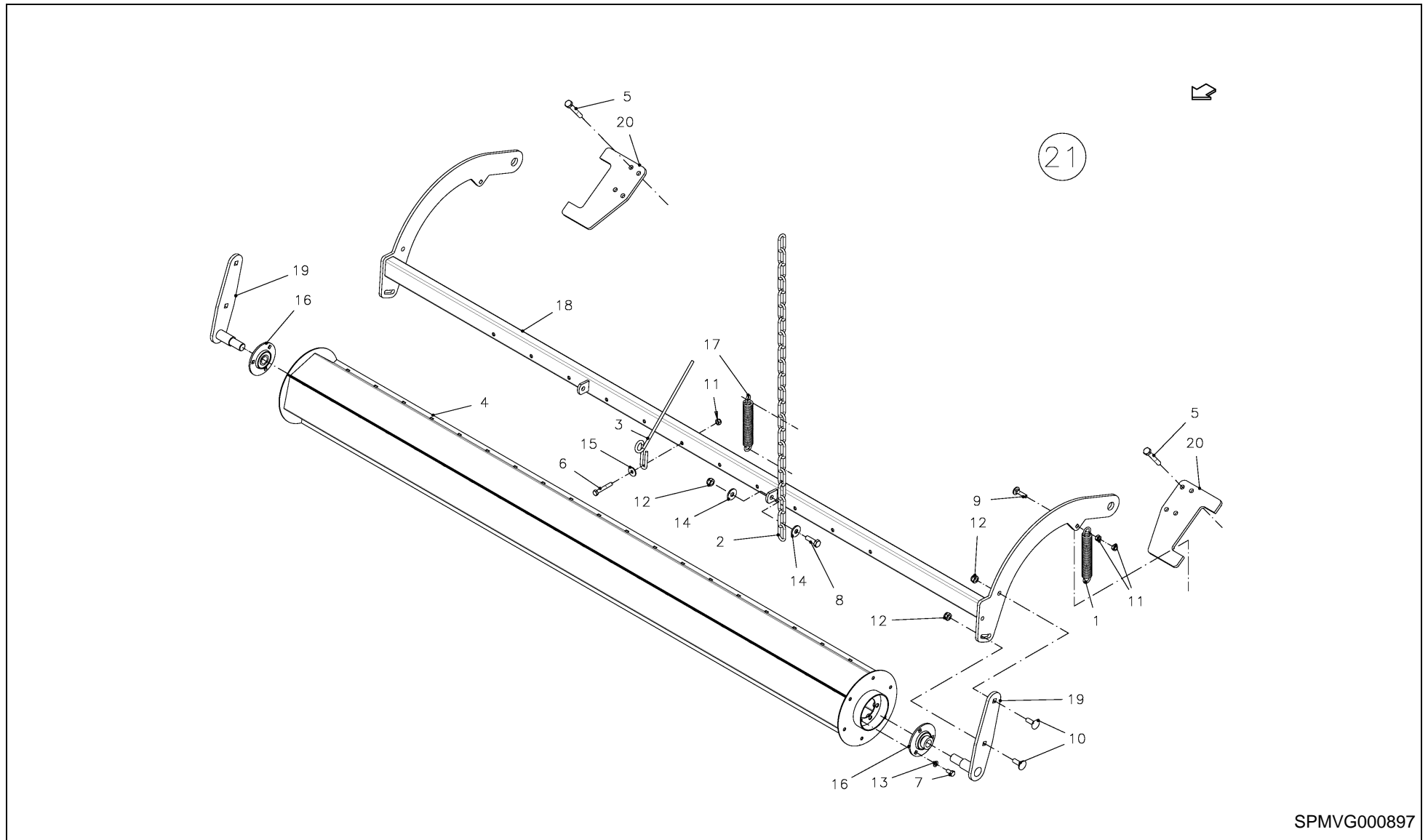
SPMVF000030

VBP 2160 / PICK-UP ROLLER



PosNo.	Part No.	Qty.	Description	Remark
1	VF16652161.86	1	PU-DRUM 23COUTEAUX 2300MM	
2	VF16652187.86	2	HOUSING	
3	UH410884	2	BEARING HOUSING	
4	KG01475400	2	BALL BEARING 6203-2RS C3	
5	KG01128062	2	CIRCLIP-B 40 X 1.75	
6	KG01110200	2	CIRCLIP-A 47 X 1.75	
7	KG01273661	4	WASHER M10	
8	VF01177466	4	HEX.BOLT	
9	VF16654361.86	1	PU-DRUM	OC-14

VBP 2160 / PICK-UP ROLLER

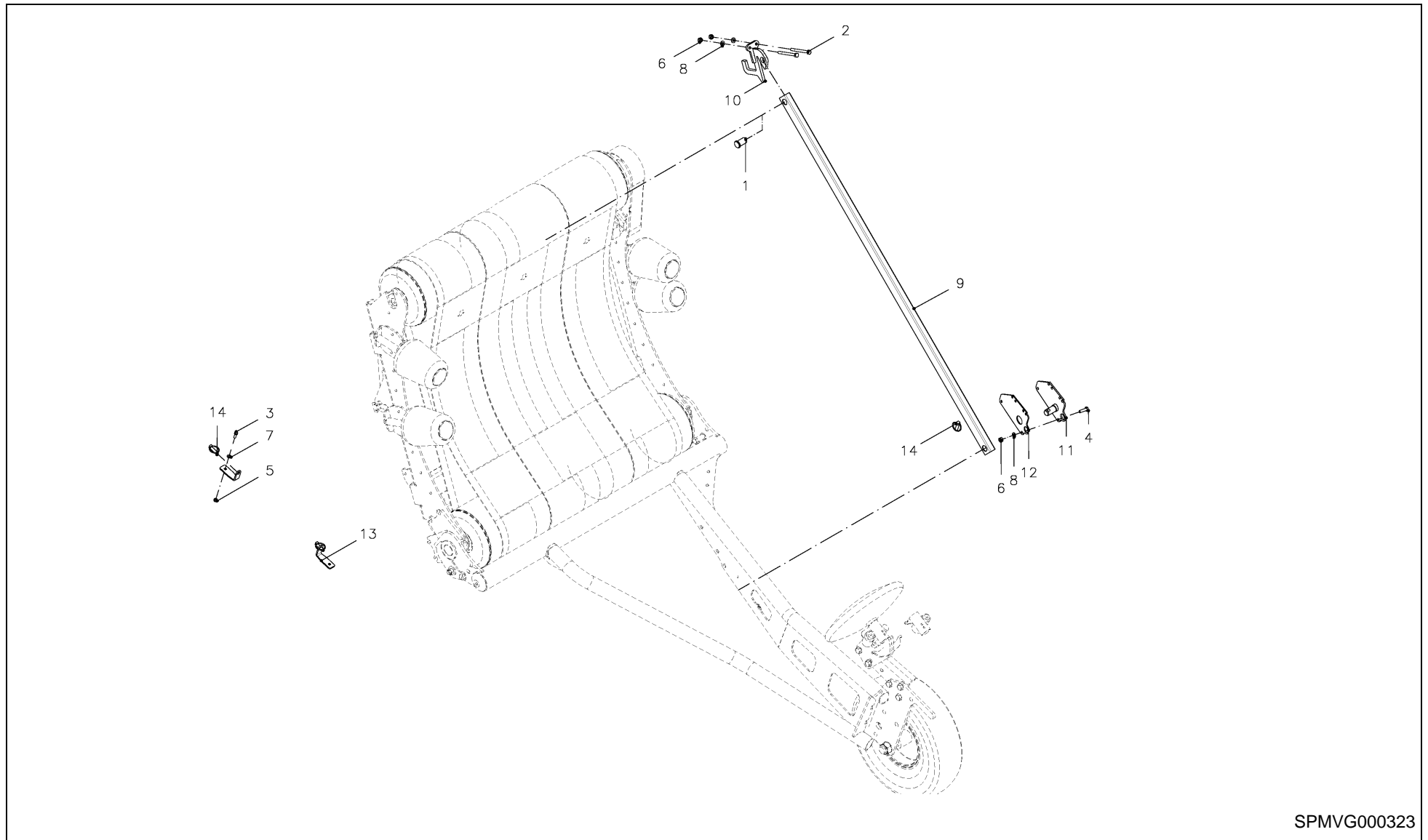


SPMVG000897

VBP 2160 / PICK-UP ROLLER



PosNo.	Part No.	Qty.	Description	Remark
1	VF01141494	1	TENSION SRING	
2	VF01397910	2	CHAIN/TRACK	
3	VF16618436	11	SPRING TINE	
4	VGGP0919K0	1	ROLLER	
5	KG00336561	4	HEX. BOLT M10X70 10.9	
6	KG00353561	11	HEX. BOLT M8X55 8.8	
7	KG00471761	6	HEX. SCREW M8X16 8.8	
8	KG00474461	2	HEX. SCREW M10X35 8.8	
9	KG00639361	1	CARRIAGE BOLT M8X35 8.8	
10	KG00641561	4	CARRIAGE BOLT M10X30 8.8	
11	KG01068761	13	LOCK NUT M8 10	
12	KG01068861	6	LOCK NUT M10 10	
13	KG01281661	6	SPRING WASHER M8	
14	VGMT152V	4	RING	
15	VGND3030V	11	WASHER, PLAIN	
16	VGND5279	2	CUSHION, ADJUSTABLE	
17	VGPZ365V	2	SPRING, TENSION	
18	VGRL0658K0	1	SUPPORT	
19	VGRL0660K0	2	SUPPORT	
20	VGRL661K0	2	SUPPORT	
21	ACCESSOIRE	1	PLEASE CONTACT YOUR DEALER	



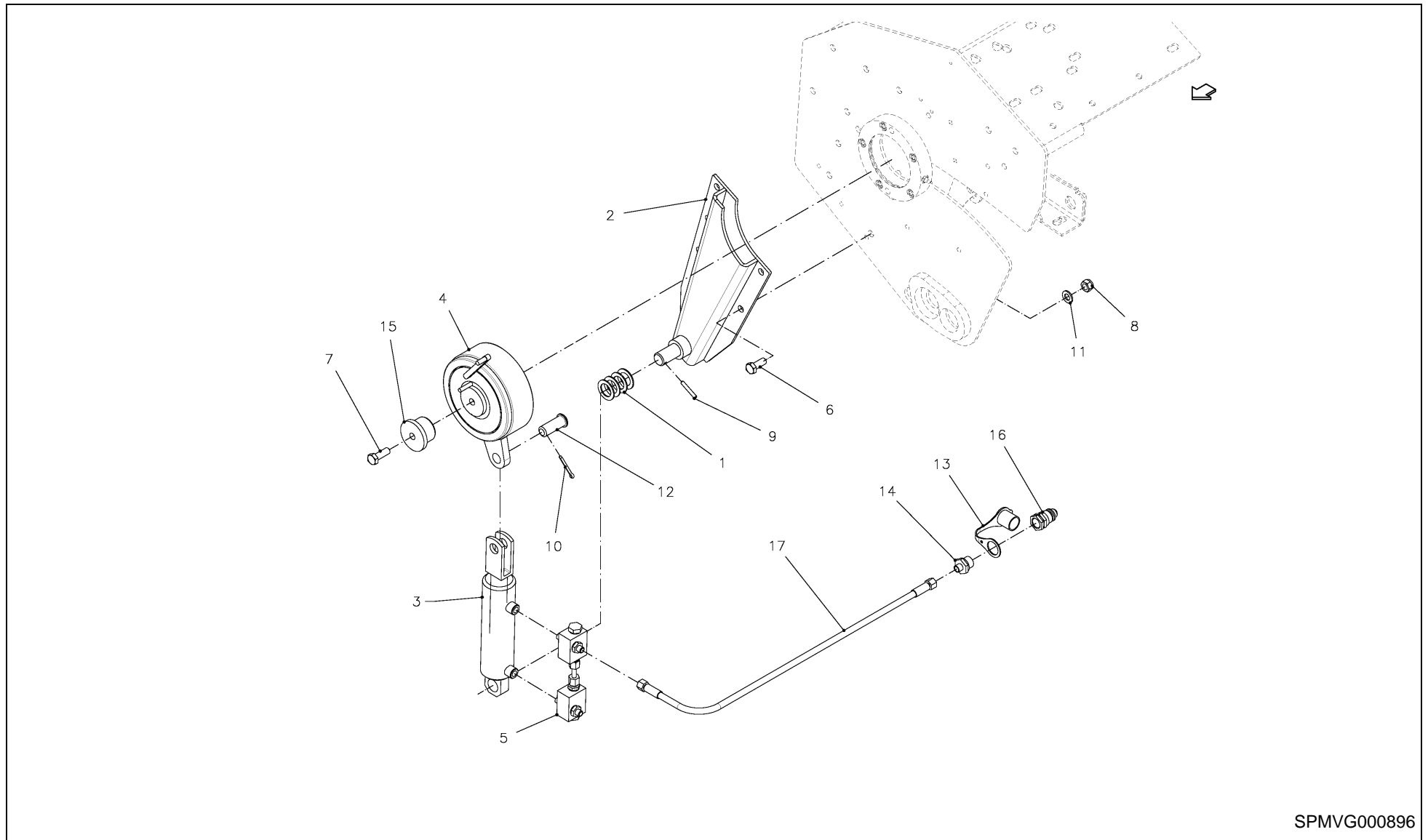
SPMVG000323

VBP 2160 / TUBE, CPL.



PosNo.	Part No.	Qty.	Description	Remark
1	VF16642142	1	PIN	
2	KG00356461	2	HEX. BOLT M10X110 8.8	
3	KG00472161	2	HEX. SCREW M8X25 8.8	
4	KG00474461	4	HEX. SCREW M10X35 8.8	
5	KG01068761	2	LOCK NUT M8 10	
6	KG01068861	6	LOCK NUT M10 10	
7	KG01267361	2	WASHER M8	
8	KG01267461	12	WASHER M10	
9	UH444387-K	1	TUBE, RHS	
10	UH444388-K	1	PLATE	
11	UH444391-K	1	SUPPORT	
12	UH444394-K	1	PLATE	
13	UH444395-K	2	PLATE	
14	UH867061	2	RING PIN 12 (7/16") GALV.	

VBP 2160 / POWER PUSH DEVICE



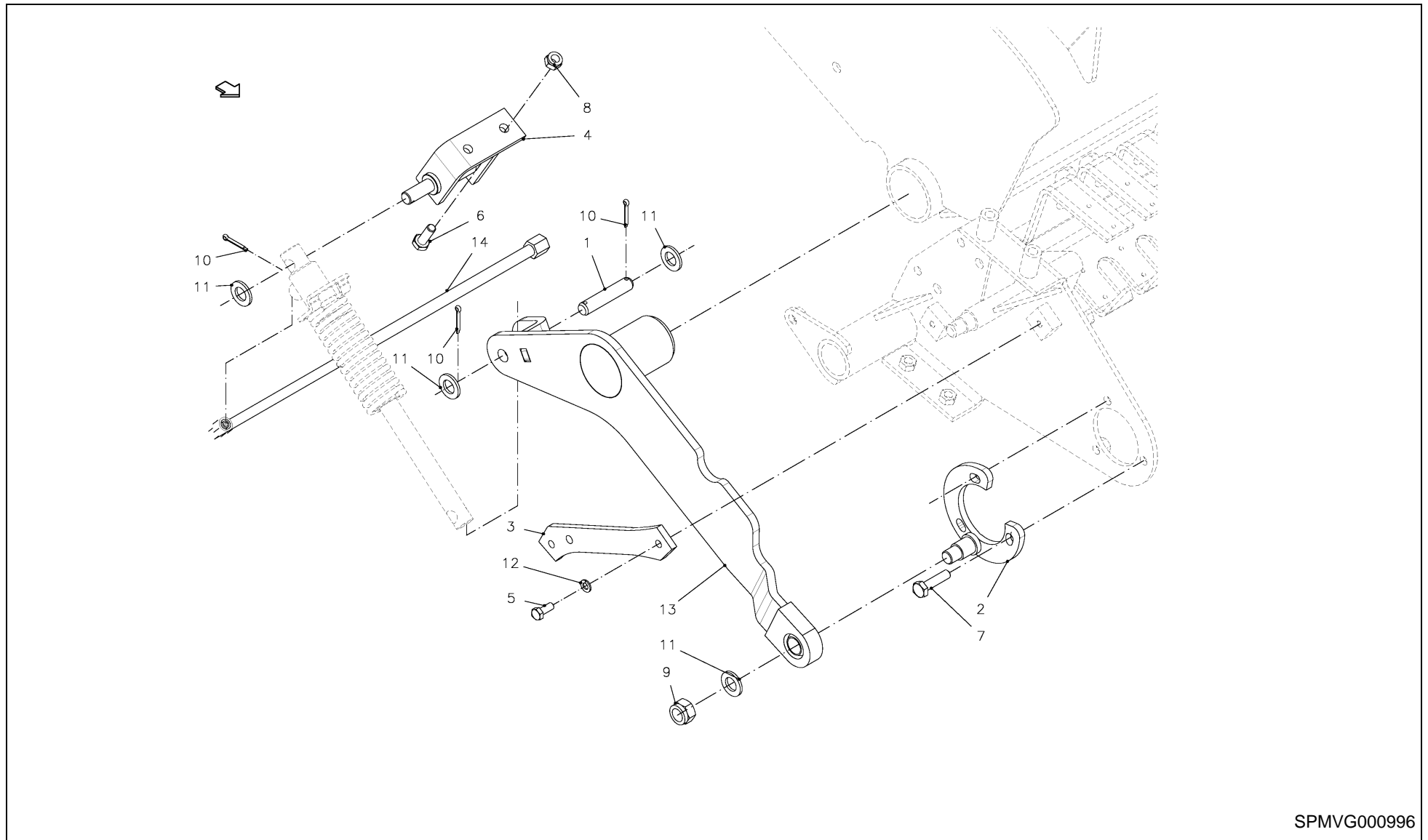
SPMVG000896

VBP 2160 / POWER PUSH DEVICE



PosNo.	Part No.	Qty.	Description	Remark
1	VGGZ124V	4	RING	
2	VF16613668	1	ZYL.LAGERUNG RE.GSW.	
3	VF16651675	1	HYDRAULIKZYLINDER 50-30-0062	
4	VF16654232.86	1	FREILAUFKUPPLUNG UMSCHALTBAR	
5	VF16654269	2	DOPPEL DBV 170 BAR 2 FACH	
6	KG00476561	5	HEX. SCREW M12X30 8.8	
7	KG00476661	1	HEX. SCREW M12X35 8.8	
8	KG01068961	5	LOCK NUT M12 10	
9	KG01189662	1	TENSION PIN 6X40	
10	KG01252661	1	SPLIT PIN 5X32 ST	
11	KG01267561	5	WASHER M12	
12	VGMT100V	1	PIN	
13	VGND9607	2	COVER, DUST	
14	VGND9954V	2	STUD COUPLING, MALE	
15	VGRL939V	1	BUSH	
16	VGTP00512	2	QUICK-DISCONNECT PLUG, MALE	
17	VGWA548	2	HOSE, HP	

VBP 2160 / SWIVEL UNIT, CPL. 14-OC

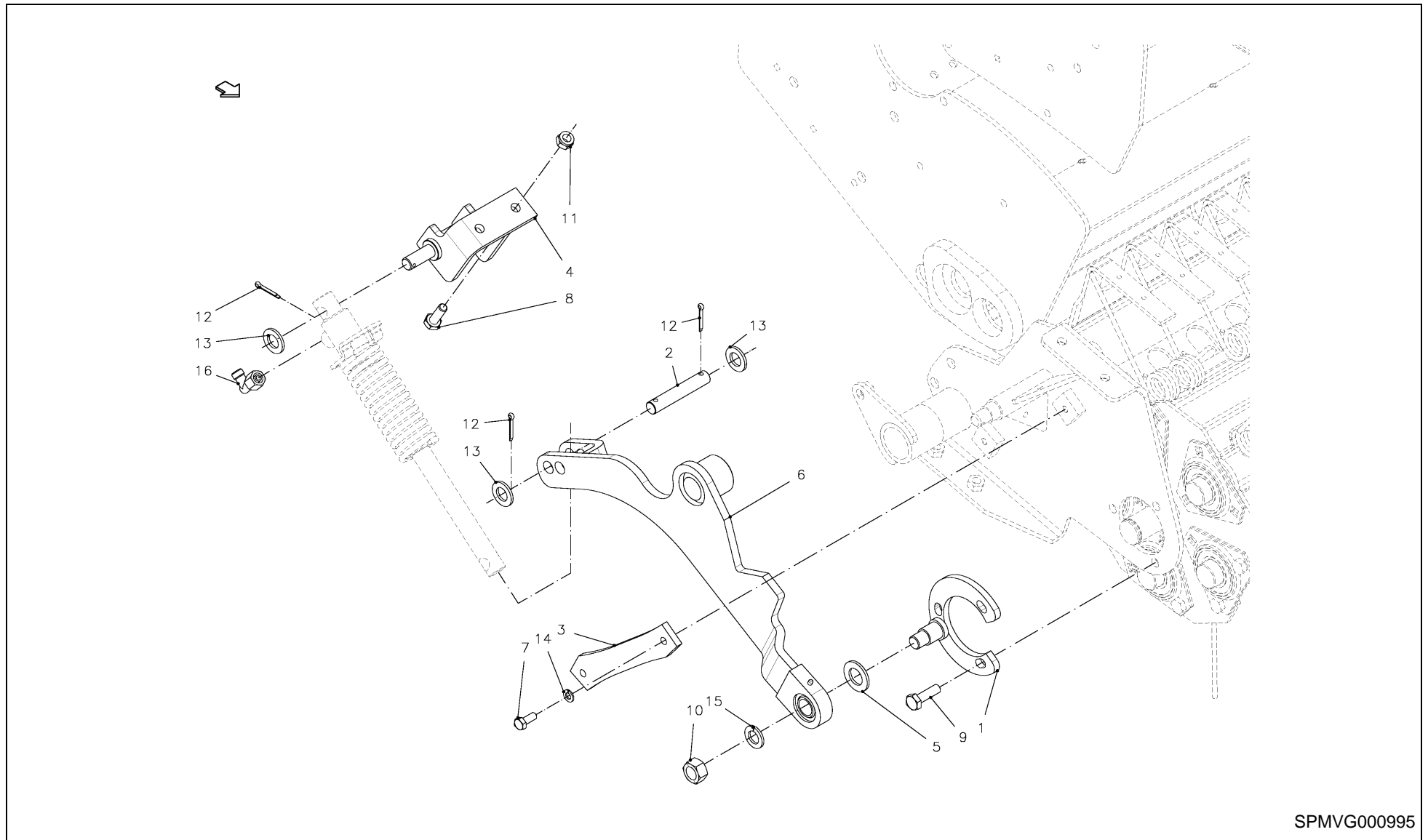


SPMVG000996

VBP 2160 / SWIVEL UNIT, CPL. 14-OC



PosNo.	Part No.	Qty.	Description	Remark
1	VF16652834	1	PIN	
2	VF16658795.61	1	HOLDER	
3	VF16659072.86	1	PLATE	
4	VF16659108.86	1	HALTER GSW	
5	KG00471961	2	HEX. SCREW M8X20 8.8	
6	KG00474361	2	HEX. SCREW M10X30 8.8	
7	KG00474561	3	HEX. SCREW M10X40 8.8	
8	KG01068861	2	LOCK NUT M10 10	
9	KG01069161	1	LOCK NUT M16 10	
10	KG01251561	3	SPLIT PIN 4X25 ST	
11	KG01267761	4	WASHER M16	
12	KG01281661	2	SPRING WASHER M8	
13	VGRL0701K0	1	SUPPORT	
14	VRR0491902	1	HOSE	



SPMVG000995

VBP 2160 / SWIVEL UNIT, CPL. 23-OC



PosNo.	Part No.	Qty.	Description	Remark
1	VF16658795.61	1	HOLDER	
2	VF16659071.61	1	PIN	
3	VF16659192.86	1	PLATE	
4	VF16659205.86	1	HOLDER	
5	VEGH102(10)	1	WASHER 20	
6	VGJC0107K0	1	SUPPORT	
7	KG00471961	2	HEX. SCREW M8X20 8.8	
8	KG00474361	2	HEX. SCREW M10X30 8.8	
9	KG00474461	3	HEX. SCREW M10X35 8.8	
10	KG01052361	1	HEX. NUT M16 8	
11	KG01068861	2	LOCK NUT M10 10	
12	KG01251561	3	SPLIT PIN 4X25 ST	
13	KG01267761	3	WASHER M16	
14	KG01281661	2	SPRING WASHER M8	
15	KG01282061	1	SPRING WASHER M16	
16	VGND9906V	1	ELBOW COUPLING, ADJUSTABLE	

VBP 2160 / Part No Index



Part No.	Page	Pos No	Part No.	Page	Pos No	Part No.	Page	Pos No	Part No.	Page	Pos No
AC351803	18	46	BV2550G0002R02	65	9	BV5110G0061	65	19	KG00353661	107	13
AC674143	25	1	BV2550G0024R02	64	8	BV5730E0384	66	21	KG00353761	15	12
ACCESSOIRE	53	13	BV2550G0024R02	65	8	BV5730G0384	64	20	KG00354361	39	8
ACCESSOIRE	104	44	BV310001431R30	64	10	BV5730G0384	65	20	KG00355261	88	1
ACCESSOIRE	110	17	BV310001431R30	65	10	BV5ES6121CEWS	64	21	KG00355261	111	1
ACCESSOIRE	110	18	BV310001431R30	66	12	BV5ES6121CEWS	65	21	KG00355461	32	19
ACCESSOIRE	110	25	BV332001020R30	64	11	BV5FE4121W1CE	66	22	KG00355661	8	2
ACCESSOIRE	110	26	BV332001020R30	65	11	BV5FI4121FFCE	66	23	KG00355661	47	4
ACCESSOIRE	110	27	BV332001020R30	66	13	BV5IS6121CEWS	64	22	KG00355661	88	2
ACCESSOIRE	110	28	BV341048000R10	66	15	BV5IS6121CEWS	65	22	KG00355861	76	1
ACCESSOIRE	110	29	BV341103000R10	64	13	BV6WE154003R	66	24	KG00356061	75	3
ACCESSOIRE	110	30	BV341103000R10	65	13	BV6WG159003R	64	23	KG00356361	8	3
ACCESSOIRE	110	31	BV399143000	64	1	BV6WG161003R	65	23	KG00356361	30	8
ACCESSOIRE	113	21	BV399143000	65	1	KG00160200	1	4	KG00356361	68	14
BV204046852	66	1	BV399143000	66	5	KG00336561	113	5	KG00356361	85	2
BV204S66854	64	2	BV399CEE051	64	14	KG00336661	81	2	KG00356461	114	2
BV204S66854	65	2	BV399CEE051	65	14	KG00350861	11	2	KG00356761	28	4
BV2150E6885	66	7	BV399CEE051	66	16	KG00350861	13	5	KG00356861	88	3
BV2150G6871	64	3	BV399CEE053	64	15	KG00353161	25	2	KG00357461	85	3
BV2150G6871	65	3	BV399CEE053	65	15	KG00353161	39	25	KG00357561	82	1
BV225311060	66	2	BV399CEE063	66	17	KG00353261	86	1	KG00357561	83	1
BV2253Q1055	64	4	BV4120E0011R25	66	18	KG00353261	102	1	KG00357761	13	6
BV2253Q1055	65	4	BV4120E0051R40	66	19	KG00353361	30	7	KG00358061	108	19
BV240001063	66	3	BV4120G0012R40	64	16	KG00353361	77	1	KG00358161	15	13
BV245101060	66	4	BV4120G0012R40	65	16	KG00353461	53	36	KG00358161	77	4
BV2453N1070	64	5	BV4120G0051R30	64	17	KG00353461	77	2	KG00358361	84	2
BV2453N1070	65	5	BV4120G0051R30	65	17	KG00353461	91	3	KG00362361	79	1
BV255040005R02	66	9	BV421155901R	64	25	KG00353561	113	6	KG00362561	75	4
BV255040006R02	66	10	BV435000323R	64	18	KG00353661	32	18	KG00362661	42	10
BV2550E0005R02	66	11	BV435000323R	65	18	KG00353661	44	20	KG00362761	80	2
BV2550G0001R02	64	7	BV435000323R	66	20	KG00353661	56	28	KG00362861	74	2
BV2550G0001R02	65	7	BV5110E0052	66	6	KG00353661	77	3	KG00363061	88	4
BV2550G0002R02	64	9	BV5110G0061	64	19	KG00353661	86	2	KG00367361	75	5

VBP 2160 / Part No Index



Part No.	Page	Pos No	Part No.	Page	Pos No	Part No.	Page	Pos No	Part No.	Page	Pos No
KG00367361	79	9	KG00472100	28	5	KG00474361	2	1	KG00476561	10	12
KG00456361	23	2	KG00472100	91	9	KG00474361	13	8	KG00476561	11	4
KG00456561	23	3	KG00472161	7	2	KG00474361	24	7	KG00476561	12	2
KG00456561	27	4	KG00472161	18	5	KG00474361	25	4	KG00476561	13	9
KG00457261	102	2	KG00472161	24	5	KG00474361	28	6	KG00476561	14	3
KG00457361	27	5	KG00472161	78	1	KG00474361	32	21	KG00476561	31	3
KG00457361	108	20	KG00472161	87	2	KG00474361	37	2	KG00476561	33	4
KG00457561	75	6	KG00472161	104	35	KG00474361	44	22	KG00476561	39	9
KG00467461	88	5	KG00472161	114	3	KG00474361	56	31	KG00476561	41	16
KG00468761	47	24	KG00472261	68	15	KG00474361	69	4	KG00476561	45	26
KG00468761	52	17	KG00472261	88	7	KG00474361	86	3	KG00476561	46	6
KG00468961	46	4	KG00472361	24	6	KG00474361	116	6	KG00476561	74	3
KG00468961	53	37	KG00472461	39	26	KG00474361	117	8	KG00476561	76	2
KG00468961	90	1	KG00472561	25	3	KG00474461	43	7	KG00476561	85	4
KG00469161	89	1	KG00473961	22	3	KG00474461	45	25	KG00476561	91	10
KG00471561	56	29	KG00474061	7	3	KG00474461	58	3	KG00476561	115	6
KG00471761	1	5	KG00474061	37	1	KG00474461	62	3	KG00476661	13	10
KG00471761	3	6	KG00474061	72	15	KG00474461	86	4	KG00476661	39	10
KG00471761	18	4	KG00474061	78	2	KG00474461	87	3	KG00476661	45	27
KG00471761	58	2	KG00474061	109	2	KG00474461	110	19	KG00476661	51	32
KG00471761	88	6	KG00474161	32	20	KG00474461	113	8	KG00476661	56	33
KG00471761	113	7	KG00474200	104	3	KG00474461	114	4	KG00476661	75	7
KG00471900	53	38	KG00474261	1	6	KG00474461	117	9	KG00476661	78	3
KG00471961	23	4	KG00474261	9	2	KG00474561	116	7	KG00476661	80	3
KG00471961	24	4	KG00474261	10	11	KG00474761	86	5	KG00476661	84	3
KG00471961	45	23	KG00474261	11	3	KG00475361	16	3	KG00476661	115	7
KG00471961	82	2	KG00474261	13	7	KG00475961	88	8	KG00476761	3	8
KG00471961	83	2	KG00474261	31	2	KG00476261	5	4	KG00476761	11	5
KG00471961	91	4	KG00474261	44	21	KG00476261	49	2	KG00476761	72	16
KG00471961	102	3	KG00474261	45	24	KG00476461	56	32	KG00476761	74	4
KG00471961	109	1	KG00474261	46	5	KG00476461	104	33	KG00476761	75	8
KG00471961	116	5	KG00474261	56	30	KG00476561	3	7	KG00476761	78	4
KG00471961	117	7	KG00474261	90	2	KG00476561	9	3	KG00476761	85	5

VBP 2160 / Part No Index



Part No.	Page	Pos No	Part No.	Page	Pos No	Part No.	Page	Pos No	Part No.	Page	Pos No
KG00476761	109	3	KG00637161	27	9	KG00641461	10	24	KG00644761	3	12
KG00476861	106	3	KG00637161	28	8	KG00641461	16	5	KG00644761	26	5
KG00480061	6	2	KG00637261	70	20	KG00641461	26	4	KG00644761	36	5
KG00480061	16	4	KG00637461	30	9	KG00641461	31	7	KG00644861	39	12
KG00480161	1	7	KG00637561	29	3	KG00641461	32	22	KG00644961	78	6
KG00480161	80	4	KG00638961	9	4	KG00641461	36	3	KG00645061	36	6
KG00480261	3	9	KG00638961	10	20	KG00641461	40	10	KG00645261	55	7
KG00480361	109	4	KG00638961	23	7	KG00641461	46	7	KG00645261	59	2
KG00481161	74	5	KG00638961	24	9	KG00641461	62	5	KG00645261	104	5
KG00544761	8	4	KG00638961	25	5	KG00641561	3	11	KG00645561	37	4
KG00544961	62	4	KG00638961	27	10	KG00641561	9	6	KG00646061	55	8
KG00545061	8	5	KG00638961	61	4	KG00641561	10	13	KG00672963	82	4
KG00545061	31	4	KG00638961	80	5	KG00641561	16	6	KG00672963	83	5
KG00545061	110	4	KG00638961	95	1	KG00641561	56	34	KG00742063	110	20
KG00545161	31	5	KG00639061	26	3	KG00641561	59	1	KG00745463	33	5
KG00545161	45	28	KG00639061	31	6	KG00641561	76	3	KG00849561	81	3
KG00546661	24	8	KG00639061	43	5	KG00641561	78	5	KG00853061	7	6
KG00546661	27	6	KG00639061	58	4	KG00641561	111	2	KG00890763	90	3
KG00546761	26	1	KG00639061	61	5	KG00641561	113	10	KG00891763	89	2
KG00546761	27	7	KG00639061	75	9	KG00641661	23	8	KG00891963	90	4
KG00546861	26	2	KG00639061	83	4	KG00641661	24	11	KG00892563	82	5
KG00549761	23	5	KG00639061	90	21	KG00641661	27	12	KG00892563	83	6
KG00555861	18	6	KG00639261	27	11	KG00641661	36	4	KG00939300	87	4
KG00596600	82	3	KG00639361	39	11	KG00641661	46	8	KG00980461	45	29
KG00596600	83	3	KG00639361	113	9	KG00641761	5	5	KG00980461	56	35
KG00637061	21	2	KG00640061	28	9	KG00641961	7	5	KG00980561	30	10
KG00637061	23	6	KG00640261	22	4	KG00641961	10	14	KG00980561	83	7
KG00637061	27	8	KG00641361	24	10	KG00642161	76	4	KG00980661	30	11
KG00637061	28	7	KG00641361	25	6	KG00642261	15	14	KG00980661	61	6
KG00637061	29	2	KG00641461	3	10	KG00642361	37	3	KG00980761	29	4
KG00637061	61	3	KG00641461	6	3	KG00642661	25	7	KG00980761	60	1
KG00637061	63	3	KG00641461	7	4	KG00642661	85	6	KG00980761	110	15
KG00637061	91	11	KG00641461	9	5	KG00642661	104	4	KG00981061	18	7

VBP 2160 / Part No Index



Part No.	Page	Pos No	Part No.	Page	Pos No	Part No.	Page	Pos No	Part No.	Page	Pos No
KG00981061	21	3	KG01051961	86	6	KG01061161	30	13	KG01061361	102	5
KG00981061	63	4	KG01051961	89	3	KG01061161	46	13	KG01061361	103	3
KG00981161	16	7	KG01051961	97	20	KG01061161	61	8	KG01067161	82	6
KG00981161	24	12	KG01051961	98	20	KG01061161	63	5	KG01067161	83	10
KG00981161	46	9	KG01051961	104	34	KG01061161	83	9	KG01067161	89	4
KG00981161	58	5	KG01051961	109	5	KG01061161	91	13	KG01067161	90	5
KG00981161	61	7	KG01052061	5	6	KG01061161	102	4	KG01067261	21	7
KG00981161	95	2	KG01052061	16	10	KG01061161	110	14	KG01067261	22	6
KG00981261	33	6	KG01052061	24	13	KG01061261	8	6	KG01067261	88	9
KG00981261	70	21	KG01052061	25	9	KG01061261	9	7	KG01067361	11	6
KG00981361	75	10	KG01052061	26	7	KG01061261	10	21	KG01067361	13	11
KG00981761	16	8	KG01052061	30	12	KG01061261	16	11	KG01067361	21	8
KG00981761	70	22	KG01052061	31	9	KG01061261	21	6	KG01067361	29	5
KG00981761	91	12	KG01052061	46	11	KG01061261	23	10	KG01067361	30	15
KG01000161	16	9	KG01052061	62	6	KG01061261	24	15	KG01067361	47	25
KG01000161	26	6	KG01052061	68	16	KG01061261	25	10	KG01067361	52	18
KG01000161	28	10	KG01052061	84	4	KG01061261	27	14	KG01067361	53	39
KG01000161	32	23	KG01052061	109	6	KG01061261	28	12	KG01067361	60	2
KG01000161	38	6	KG01052161	10	15	KG01061261	31	10	KG01067361	89	5
KG01000661	2	2	KG01052161	15	15	KG01061261	44	23	KG01067361	90	6
KG01000661	21	4	KG01052161	26	8	KG01061261	46	14	KG01068161	75	12
KG01000661	25	8	KG01052161	39	14	KG01061261	58	7	KG01068761	7	7
KG01000661	31	8	KG01052161	40	11	KG01061261	61	9	KG01068761	15	16
KG01000661	33	7	KG01052161	46	12	KG01061261	63	6	KG01068761	18	9
KG01000661	39	13	KG01052361	4	3	KG01061261	70	24	KG01068761	24	16
KG01000661	46	10	KG01052361	5	7	KG01061261	75	11	KG01068761	25	11
KG01000661	58	6	KG01052361	15	3	KG01061261	95	3	KG01068761	26	9
KG01000861	3	13	KG01052361	117	10	KG01061361	28	13	KG01068761	27	15
KG01000861	18	8	KG01061161	21	5	KG01061361	30	14	KG01068761	28	14
KG01000861	70	23	KG01061161	23	9	KG01061361	33	8	KG01068761	30	16
KG01043161	83	8	KG01061161	24	14	KG01061361	70	25	KG01068761	31	11
KG01043261	44	12	KG01061161	27	13	KG01061361	76	5	KG01068761	32	24
KG01051961	22	5	KG01061161	28	11	KG01061361	78	7	KG01068761	33	9

VBP 2160 / Part No Index



Part No.	Page	Pos No	Part No.	Page	Pos No	Part No.	Page	Pos No	Part No.	Page	Pos No
KG01068761	39	33	KG01068861	32	25	KG01068961	12	3	KG01068961	115	8
KG01068761	45	30	KG01068861	36	7	KG01068961	13	12	KG01069161	3	16
KG01068761	53	40	KG01068861	37	5	KG01068961	15	18	KG01069161	18	10
KG01068761	56	36	KG01068861	40	12	KG01068961	27	17	KG01069161	38	7
KG01068761	58	8	KG01068861	42	11	KG01068961	34	8	KG01069161	42	13
KG01068761	62	7	KG01068861	43	8	KG01068961	35	19	KG01069161	74	7
KG01068761	68	17	KG01068861	44	24	KG01068961	36	8	KG01069161	75	15
KG01068761	72	17	KG01068861	45	31	KG01068961	37	6	KG01069161	77	7
KG01068761	77	5	KG01068861	46	15	KG01068961	42	12	KG01069161	79	2
KG01068761	78	8	KG01068861	47	5	KG01068961	45	32	KG01069161	80	8
KG01068761	80	6	KG01068861	51	34	KG01068961	51	33	KG01069161	88	12
KG01068761	87	5	KG01068861	56	37	KG01068961	55	9	KG01069161	109	8
KG01068761	90	7	KG01068861	58	9	KG01068961	56	38	KG01069161	110	5
KG01068761	91	14	KG01068861	59	3	KG01068961	59	4	KG01069161	116	9
KG01068761	102	6	KG01068861	62	8	KG01068961	72	18	KG01069261	2	3
KG01068761	107	14	KG01068861	69	5	KG01068961	74	6	KG01069261	5	9
KG01068761	113	11	KG01068861	75	13	KG01068961	75	14	KG01069261	10	18
KG01068761	114	5	KG01068861	76	6	KG01068961	76	7	KG01069261	11	7
KG01068861	3	14	KG01068861	81	4	KG01068961	77	6	KG01069261	12	4
KG01068861	5	8	KG01068861	85	7	KG01068961	78	9	KG01069261	13	13
KG01068861	6	4	KG01068861	86	7	KG01068961	80	7	KG01069261	14	4
KG01068861	7	8	KG01068861	88	10	KG01068961	82	7	KG01069261	74	8
KG01068861	8	7	KG01068861	90	8	KG01068961	83	11	KG01069261	79	3
KG01068861	9	8	KG01068861	104	6	KG01068961	84	5	KG01069261	82	8
KG01068861	10	16	KG01068861	110	21	KG01068961	85	8	KG01069261	83	12
KG01068861	15	17	KG01068861	111	3	KG01068961	87	6	KG01069561	109	9
KG01068861	16	12	KG01068861	113	12	KG01068961	88	11	KG01081800	1	8
KG01068861	23	11	KG01068861	114	6	KG01068961	91	15	KG01094161	23	34
KG01068861	24	17	KG01068861	116	8	KG01068961	102	7	KG01098562	18	11
KG01068861	25	12	KG01068861	117	11	KG01068961	104	7	KG01099062	25	13
KG01068861	26	10	KG01068961	3	15	KG01068961	106	4	KG01099600	13	14
KG01068861	27	16	KG01068961	9	9	KG01068961	108	21	KG01099600	14	5
KG01068861	28	15	KG01068961	10	17	KG01068961	109	7	KG01107462	31	12

VBP 2160 / Part No Index



Part No.	Page	Pos No	Part No.	Page	Pos No	Part No.	Page	Pos No	Part No.	Page	Pos No
KG01107462	45	33	KG01128000	86	9	KG01251561	48	10	KG01267461	45	37
KG01107562	23	12	KG01128062	112	5	KG01251561	50	6	KG01267461	46	16
KG01107562	32	26	KG01128700	15	4	KG01251561	54	11	KG01267461	51	37
KG01107562	44	25	KG01128700	21	9	KG01251561	69	6	KG01267461	56	41
KG01107562	56	39	KG01128700	22	7	KG01251561	116	10	KG01267461	59	5
KG01107862	84	6	KG01128700	45	36	KG01251561	117	12	KG01267461	68	2
KG01108362	5	10	KG01129000	5	11	KG01252061	1	10	KG01267461	72	21
KG01108362	28	16	KG01130900	12	5	KG01252661	115	10	KG01267461	84	8
KG01108362	29	6	KG01186562	34	9	KG01252861	84	7	KG01267461	85	10
KG01108362	30	17	KG01186562	57	5	KG01252961	67	3	KG01267461	86	11
KG01108362	45	34	KG01186662	47	7	KG01253061	80	9	KG01267461	88	14
KG01108362	63	7	KG01186662	52	19	KG01267061	82	9	KG01267461	111	4
KG01108362	77	8	KG01187662	35	7	KG01267061	83	13	KG01267461	114	8
KG01108362	78	10	KG01188162	36	9	KG01267061	89	6	KG01267561	5	13
KG01108862	31	13	KG01188462	108	22	KG01267061	90	9	KG01267561	26	12
KG01108862	32	27	KG01189262	22	8	KG01267161	88	13	KG01267561	55	10
KG01108862	44	26	KG01189662	18	12	KG01267261	89	7	KG01267561	74	9
KG01108862	45	35	KG01189662	115	9	KG01267261	90	11	KG01267561	75	16
KG01108862	51	35	KG01189862	108	23	KG01267361	25	14	KG01267561	77	10
KG01108862	56	40	KG01190062	32	1	KG01267361	39	35	KG01267561	78	12
KG01108862	85	9	KG01190062	44	13	KG01267361	68	1	KG01267561	80	10
KG01109362	72	19	KG01190062	56	3	KG01267361	77	9	KG01267561	82	11
KG01109862	39	15	KG01191962	35	8	KG01267361	78	11	KG01267561	83	15
KG01109862	41	17	KG01191962	40	13	KG01267361	82	10	KG01267561	84	9
KG01110162	4	4	KG01191962	51	36	KG01267361	83	14	KG01267561	85	11
KG01110200	86	8	KG01191962	72	20	KG01267361	86	10	KG01267561	85	32
KG01110200	112	6	KG01192062	34	10	KG01267361	87	7	KG01267561	87	8
KG01110462	41	18	KG01192162	66	14	KG01267361	90	10	KG01267561	91	16
KG01111700	81	5	KG01249661	52	20	KG01267361	91	2	KG01267561	106	5
KG01119100	1	9	KG01249761	61	10	KG01267361	102	8	KG01267561	108	2
KG01119100	73	4	KG01249861	5	12	KG01267361	104	36	KG01267561	109	10
KG01119100	97	43	KG01249861	26	11	KG01267361	114	7	KG01267561	115	11
KG01119100	98	43	KG01251561	38	8	KG01267461	27	18	KG01267661	69	7

VBP 2160 / Part No Index



Part No.	Page	Pos No	Part No.	Page	Pos No	Part No.	Page	Pos No	Part No.	Page	Pos No
KG01267761	31	14	KG01273961	110	6	KG01378900	104	8	MT00000502	94	11
KG01267761	34	11	KG01281661	8	8	KG01379500	35	14	MT00000539	21	26
KG01267761	35	6	KG01281661	53	41	KG01380000	23	14	MT00000644	21	10
KG01267761	38	9	KG01281661	56	43	KG01380000	45	40	MT00000645	21	34
KG01267761	42	4	KG01281661	104	37	KG01380000	85	12	MT00000646	21	35
KG01267761	48	11	KG01281661	110	7	KG01382000	12	6	MT00000765	94	1
KG01267761	50	7	KG01281661	113	13	KG01382800	1	12	MT00000949	21	33
KG01267761	54	12	KG01281661	116	12	KG01475400	86	13	MT00000961	92	2
KG01267761	57	6	KG01281661	117	14	KG01475400	112	4	MT00000962	19	2
KG01267761	77	11	KG01281761	31	15	KG01476400	42	14	MT00001143	94	10
KG01267761	79	4	KG01282061	1	11	KG01477400	85	13	MT00001143	94	2
KG01267761	80	11	KG01282061	4	5	KG01799200	67	30	MT00001143	94	8
KG01267761	87	9	KG01282061	117	15	KG01799800	1	13	UH215069	87	10
KG01267761	88	15	KG01282261	74	11	KG01800100	1	14	UH218027	98	72
KG01267761	109	11	KG01294162	28	17	KG01840161	9	10	UH219669	97	50
KG01267761	116	11	KG01294162	102	9	KG01840161	10	1	UH219669	98	50
KG01267761	117	13	KG01300800	29	7	KG01840361	90	20	UH220493	99	11
KG01267961	3	17	KG01306400	25	15	KG01840561	3	18	UH228577	88	16
KG01267961	36	10	KG01306800	82	26	KK012077	97	5	UH231499	81	8
KG01267961	47	19	KG01306800	83	40	KK012077	98	5	UH231499	84	11
KG01267961	52	21	KG01306900	44	27	MT00000086	94	5	UH255767	86	14
KG01267961	72	22	KG01307200	45	38	MT00000097	94	7	UH255767	87	11
KG01267961	75	17	KG01307200	51	38	MT00000098	94	6	UH256941	86	15
KG01267961	79	5	KG01308600	25	40	MT00000124	21	19	UH282751	80	14
KG01267961	84	10	KG01308900	85	15	MT00000124	21	20	UH300520	109	12
KG01268161	18	13	KG01354500	23	13	MT00000124	21	24	UH300562	23	29
KG01268161	77	28	KG01356100	45	39	MT00000124	21	25	UH300562	24	37
KG01268161	78	22	KG01362800	81	6	MT00000124	24	38	UH300562	27	34
KG01273561	44	29	KG01374500	27	19	MT00000124	49	4	UH300562	77	12
KG01273561	56	42	KG01377800	15	5	MT00000124	54	9	UH300562	86	16
KG01273661	86	12	KG01377800	29	8	MT00000126	21	23	UH300666	87	12
KG01273661	112	7	KG01378900	5	14	MT00000126	73	2	UH300876	77	13
KG01273961	74	10	KG01378900	34	12	MT00000500	21	36	UH300877	77	14

VBP 2160 / Part No Index



Part No.	Page	Pos No	Part No.	Page	Pos No	Part No.	Page	Pos No	Part No.	Page	Pos No
UH300877	91	17	UH320186	98	36	UH410884	112	3	UH442243	85	25
UH300886	77	16	UH324105	109	14	UH410958	79	6	UH442245-K	85	26
UH300886	91	18	UH332545	97	27	UH411648	85	18	UH442259	85	27
UH300957	83	19	UH332545	98	27	UH411750	28	28	UH442260-K	85	28
UH300957	97	46	UH332643	80	34	UH412611	109	15	UH442261-K	85	39
UH300957	98	46	UH332643	97	18	UH414037	85	19	UH442262-K	85	29
UH300966	97	47	UH332643	98	18	UH414168	85	20	UH442585	88	27
UH300966	98	47	UH332645	80	37	UH414235-K	111	5	UH442588-K	88	28
UH300971	97	38	UH332645	97	12	UH415058	87	14	UH442604-K	109	16
UH300971	98	38	UH332645	98	12	UH415414	77	17	UH442605-K	109	17
UH300972	97	15	UH332662	97	21	UH415603	98	57	UH442673	91	19
UH300972	98	15	UH332662	98	21	UH430828	97	19	UH442760	90	12
UH300979	98	62	UH334540	87	13	UH430828	98	19	UH442918	97	45
UH300987	97	26	UH335790	80	33	UH440053	97	54	UH442920	96	3
UH300987	98	26	UH335790	97	17	UH440053	98	54	UH442927	91	20
UH300989	97	16	UH335790	98	17	UH440093	80	16	UH442927	96	4
UH300989	98	16	UH410141	82	12	UH440136	82	13	UH442934	96	9
UH301275	4	9	UH410141	83	21	UH440136	83	22	UH442936	96	8
UH301276	4	10	UH410230	85	16	UH440180	85	21	UH442937	96	5
UH306573	96	1	UH410575	85	17	UH440323	88	18	UH442938	96	7
UH306573	97	37	UH410730	80	15	UH440344	88	19	UH442941	96	6
UH306756	97	25	UH410730	97	9	UH440884	84	13	UH442954	87	15
UH306756	98	25	UH410730	98	9	UH440884	98	66	UH442958	88	29
UH306757	96	2	UH410746	97	4	UH441406-K	88	21	UH442959	87	16
UH306757	97	24	UH410746	98	4	UH441411	88	22	UH442966-K	86	19
UH306757	98	24	UH410747	97	32	UH441412	88	23	UH442970	86	20
UH307823	97	11	UH410747	98	32	UH441415	88	24	UH442971	86	21
UH307823	98	11	UH410748	97	6	UH4414172	85	36	UH442972	87	17
UH307824	83	20	UH410748	98	3	UH441442	88	25	UH442973	86	22
UH307824	97	13	UH410748	98	6	UH441443	88	26	UH442976	86	23
UH307824	98	13	UH410844	88	17	UH442126	78	14	UH442977	88	30
UH311773	109	13	UH410883	86	17	UH442233	85	23	UH442978	88	31
UH320186	97	36	UH410884	86	18	UH442237	85	24	UH442982	87	18

VBP 2160 / Part No Index



Part No.	Page	Pos No	Part No.	Page	Pos No	Part No.	Page	Pos No	Part No.	Page	Pos No
UH442990	86	24	UH444654	88	33	UH444790-K	77	27	UH453152	82	19
UH442993	88	32	UH444654	90	14	UH444790-K	78	21	UH453152	83	30
UH443040	87	19	UH444690	91	21	UH444790-K	97	1	UH453152	97	55
UH443042	87	20	UH444699	91	22	UH444790-K	98	1	UH453152	98	55
UH443046	87	21	UH444701	77	24	UH444903	84	15	UH453159	98	59
UH443050-K	87	22	UH444702	77	25	UH444905-K	84	16	UH453160	98	64
UH443280-K	84	14	UH444703	77	26	UH444909	84	17	UH453161	84	20
UH443280-K	98	71	UH444734	73	15	UH444915-K	84	18	UH453161	98	67
UH443292	111	6	UH444734	97	40	UH444922	83	25	UH453310-K	81	9
UH443294-K	111	7	UH444734	98	40	UH444923	85	31	UH453317-K	81	10
UH443295-K	111	8	UH444748	97	48	UH444925	82	15	UH453318	82	20
UH443297-K	111	9	UH444748	98	48	UH444925	83	26	UH453318	83	32
UH443610-K	85	30	UH444749	97	3	UH444928	90	15	UH453335	82	21
UH444123-K	78	15	UH444749	97	49	UH444929	90	16	UH453338	82	22
UH444130-K	78	16	UH444749	98	49	UH450146	109	18	UH453338	83	33
UH444198	77	18	UH444750	80	17	UH450147-K	109	19	UH453345	82	23
UH444220-K	77	20	UH444750	97	10	UH450310-K	109	20	UH453365	90	17
UH444225-K	77	21	UH444750	98	10	UH450312	80	18	UH453411	97	23
UH444232-K	77	30	UH444754	98	45	UH450312	84	19	UH453411	98	23
UH444233-K	77	22	UH444757	97	44	UH450585	82	16	UH453465-K	80	19
UH444235	78	17	UH444757	98	44	UH450585	83	27	UH453468-K	80	20
UH444236	77	23	UH444758	98	65	UH451101	82	17	UH453502	80	21
UH444240-K	78	18	UH444760	97	34	UH451101	83	28	UH453507-K	80	22
UH444310-K	79	7	UH444760	98	34	UH451101	97	56	UH453511-K	80	23
UH444311-K	79	8	UH444765	97	35	UH451101	98	56	UH453520-K	80	24
UH444387-K	114	9	UH444765	98	35	UH451178	94	13	UH453526	80	25
UH444388-K	114	10	UH444770	98	58	UH451205	98	63	UH453536	80	26
UH444391-K	114	11	UH444773	97	39	UH451755	97	14	UH453537	27	35
UH444394-K	114	12	UH444773	98	39	UH451755	98	14	UH453537	80	27
UH444395-K	114	13	UH444775	97	33	UH453150	82	18	UH453543	80	28
UH444518	78	19	UH444775	98	33	UH453150	83	29	UH453544	80	29
UH444520-K	78	20	UH444785-K	91	23	UH453150	97	53	UH453545	80	30
UH444653	90	13	UH444786-K	91	24	UH453150	98	53	UH453546	80	31

VBP 2160 / Part No Index



Part No.	Page	Pos No	Part No.	Page	Pos No	Part No.	Page	Pos No	Part No.	Page	Pos No
UH453550-K	80	32	UH901823	85	38	VF01177466	112	8	VF06215027	32	6
UH453550-K	97	7	UH911266	87	24	VF01397582	84	1	VF06215027	44	1
UH453550-K	98	7	UH911401	91	25	VF01397863	43	6	VF06215027	56	6
UH453551	80	35	VF01102104	91	1	VF01397910	43	10	VF06215408	39	1
UH453551	97	8	VF01104181	45	1	VF01397910	113	2	VF06215425	38	2
UH453551	98	8	VF01104181	56	1	VF01397983	42	2	VF06215425	48	1
UH453993	89	8	VF01116677	53	2	VF02953373	107	1	VF06215425	50	1
UH453994	89	9	VF01116682	69	1	VF06209240	41	1	VF06215432	40	1
UH453995	89	10	VF01121808	67	27	VF06209465	46	33	VF06215432	51	6
UH454100	109	21	VF01122071	47	8	VF06209483	45	3	VF06215540	45	4
UH454120-K	109	22	VF01137130	56	2	VF06209483	56	4	VF06215541	57	1
UH454122-K	109	23	VF01139169	68	4	VF06209627	53	4	VF06215766	44	2
UH454129	109	24	VF01141006	72	2	VF06213194	15	24	VF06215766	45	5
UH454420	82	24	VF01141364	34	1	VF06214132	53	5	VF06215766	56	7
UH454420	83	34	VF01141364	35	15	VF06214189	91	5	VF06215783	44	3
UH855378	86	25	VF01141364	42	1	VF06214234	107	2	VF06215783	56	8
UH862138	77	29	VF01141494	43	16	VF06214246	53	6	VF06217088	82	27
UH862138	78	23	VF01141494	113	1	VF06214246	107	3	VF06217088	83	41
UH862138	82	25	VF01142791	12	20	VF06214306	47	15	VF06217089	82	28
UH862138	83	35	VF01142791	13	43	VF06214306	47	26	VF06217089	83	42
UH867056	85	40	VF01157314	47	20	VF06214306	52	1	VF06229502	35	10
UH867061	87	23	VF01157314	52	23	VF06214306	53	7	VF06246785	31	1
UH867061	109	25	VF01157314	53	3	VF06214321	51	3	VF06246785	45	6
UH867061	114	14	VF01157427	32	3	VF06214321	108	3	VF06249879	34	4
UH868614	78	24	VF01157427	45	2	VF06214329	72	5	VF06249879	35	17
UH868614	81	11	VF01157427	56	47	VF06214411	48	35	VF06249879	42	18
UH900501	85	35	VF01170940	32	4	VF06214411	54	4	VF06273756	51	39
UH900501	97	52	VF01170940	44	15	VF06214421	35	11	VF06277506	47	14
UH900501	98	52	VF01170940	56	48	VF06214528	81	1	VF06550817	40	2
UH900507	85	34	VF01173381	33	1	VF06214586	87	1	VF06550817	51	7
UH900507	97	51	VF01173381	51	1	VF06214938	32	5	VF06552557	47	23
UH900507	98	51	VF01173381	80	1	VF06214938	44	17	VF06552557	52	2
UH900514	85	34	VF01177466	44	16	VF06214938	56	49	VF06554382.86	40	3

VBP 2160 / Part No Index



Part No.	Page	Pos No	Part No.	Page	Pos No	Part No.	Page	Pos No	Part No.	Page	Pos No
VF06554382.86	51	8	VF16514629	50	3	VF16613668	115	2	VF16616475	45	8
VF06560636	68	6	VF16517257	43	15	VF16613954.86	41	2	VF16616479	108	6
VF06564448	108	5	VF16517258.86	43	12	VF16613956.86	41	3	VF16616480	32	9
VF06564733	34	18	VF16517301	43	13	VF16613976.86	47	1	VF16616481	32	10
VF06564733	42	16	VF16517302.86	43	14	VF16614025	41	4	VF16616797.86	41	11
VF06564735.98	34	2	VF16519184	38	4	VF16614109	39	2	VF16616807	41	15
VF06564735.98	35	16	VF16519184	48	7	VF16614124	40	4	VF16617204.86	45	9
VF06564735.98	42	5	VF16519184	50	4	VF16614124	51	9	VF16617206	45	10
VF06567492	34	5	VF16602597	67	1	VF16614126	41	5	VF16617225.86	32	11
VF06567492	35	13	VF16602598	67	4	VF16614126	51	10	VF16617225.86	45	7
VF06567492	42	6	VF16602599	67	5	VF16614169	41	6	VF16617225.86	56	9
VF06576501	38	3	VF16602600	67	6	VF16614227.86	40	7	VF16617227	32	12
VF06576501	54	2	VF16602601	67	7	VF16614227.86	51	11	VF16617244	32	13
VF06576898.86	30	1	VF16602602	67	8	VF16614253.86	39	3	VF16617330.86	67	25
VF06576899	30	2	VF16602604	67	10	VF16614276.86	39	21	VF16617332	67	23
VF06579564.86	47	2	VF16602605	67	11	VF16614279	39	4	VF16617478	46	1
VF06579571	47	16	VF16602606	67	13	VF16615109	41	7	VF16617521.86	47	13
VF06579571	53	8	VF16602606	67	37	VF16615114	41	8	VF16617905.86	45	11
VF06579628	47	9	VF16602608	67	15	VF16615117	41	9	VF16617905.86	51	18
VF06579628	48	3	VF16602612	67	22	VF16615203.86	32	7	VF16617910	32	14
VF06579628	52	3	VF16602614	67	29	VF16615203.86	44	18	VF16617910	44	4
VF06580546	34	19	VF16602619	67	36	VF16615203.86	56	13	VF16617910	56	10
VF06580546	35	20	VF16602622	67	39	VF16615219.86	39	22	VF16618011.86	32	15
VF06580546	42	19	VF16602623	67	40	VF16615220.86	39	23	VF16618011.86	44	5
VF16512862	47	6	VF16611457	24	1	VF16615236.86	39	24	VF16618011.86	56	11
VF16512934	47	18	VF16611457	61	1	VF16615400	62	1	VF16618012	45	12
VF16512957	48	4	VF16611577	41	14	VF16615955	69	16	VF16618012	56	12
VF16513632	47	21	VF16612402	67	26	VF16615956	69	11	VF16618017.86	45	13
VF16513632	48	5	VF16612405	67	31	VF16616328	39	5	VF16618017.86	51	13
VF16514204.86	34	6	VF16612406	67	2	VF16616404	39	28	VF16618111	3	1
VF16514266	43	4	VF16613168	47	12	VF16616404	41	10	VF16618150	41	12
VF16514629	38	20	VF16613171	110	1	VF16616404	51	12	VF16618198	39	6
VF16514629	48	6	VF16613256	69	2	VF16616460.86	32	8	VF16618209	69	13

VBP 2160 / Part No Index



Part No.	Page	Pos No	Part No.	Page	Pos No	Part No.	Page	Pos No	Part No.	Page	Pos No
VF16618323	38	5	VF16619185	51	17	VF16650129.86	68	12	VF16651203	53	24
VF16618323	48	8	VF16619199	55	4	VF16650129.86	108	15	VF16651204.86	53	25
VF16618323	50	5	VF16619420	41	13	VF16650192	68	13	VF16651207	53	26
VF16618323	54	5	VF16619481.86	43	19	VF16650225	72	10	VF16651304	53	27
VF16618436	43	18	VF16619675	72	6	VF16650327	51	22	VF16651307.86	51	23
VF16618436	113	3	VF16619716	53	11	VF16650406	108	13	VF16651320	91	32
VF16618448	51	14	VF16619724.86	52	5	VF16650436	108	14	VF16651321	96	12
VF16618449	44	8	VF16619724.86	53	12	VF16650699	53	13	VF16651322	96	10
VF16618449	56	16	VF16619739	56	15	VF16650787	72	12	VF16651323	96	11
VF16618515	47	3	VF16619797	55	5	VF16650801	55	6	VF16651324	96	13
VF16618516	47	17	VF16619824	45	18	VF16650850	51	43	VF16651325	96	14
VF16618516	52	4	VF16619855.86	51	42	VF16650855	51	44	VF16651327	53	29
VF16618617	67	45	VF16619858.86	44	9	VF16650881	107	4	VF16651329	53	30
VF16618627	67	17	VF16619858.86	56	17	VF16650882	107	5	VF16651331	53	31
VF16618665	67	24	VF16619877	51	19	VF16650957.86	72	11	VF16651337.86	53	32
VF16618729.86	45	14	VF16619892.86	51	20	VF16650960	72	13	VF16651398	73	1
VF16618811.86	44	6	VF16619893	51	21	VF16650998	53	15	VF16651398	97	30
VF16618815.86	34	7	VF16619984	39	36	VF16651042.86	53	16	VF16651398	98	30
VF16618864	45	15	VF16619998	70	1	VF16651114	53	18	VF16651638	53	34
VF16618864	56	50	VF16620260	68	7	VF16651157	53	19	VF16651675	115	3
VF16618868.86	32	16	VF16622598	34	3	VF16651169	107	6	VF16651696	51	24
VF16618868.86	44	7	VF16622598	35	12	VF16651171	107	7	VF16652067	53	14
VF16618868.86	56	14	VF16622598	42	7	VF16651172	107	8	VF16652067	53	33
VF16618872	32	17	VF16624943	67	14	VF16651173	107	9	VF16652081	108	16
VF16618876	45	16	VF16642142	114	1	VF16651174	107	10	VF16652091	108	17
VF16618891	45	17	VF16650071	108	7	VF16651176	107	11	VF16652105	71	1
VF16619091	55	2	VF16650075	108	8	VF16651178	107	12	VF16652161.86	112	1
VF16619092	55	3	VF16650079	108	9	VF16651180.86	45	19	VF16652187.86	112	2
VF16619098.61	51	15	VF16650085	108	10	VF16651183	53	20	VF16652199.86	43	17
VF16619106	53	9	VF16650088	108	11	VF16651185	53	17	VF16652328.86	56	18
VF16619111	51	16	VF16650099	108	12	VF16651186	53	22	VF16652343	48	34
VF16619169.86	53	10	VF16650102	68	8	VF16651188	53	23	VF16652343	54	3
VF16619185	40	5	VF16650103	68	9	VF16651190.86	45	20	VF16652374.86	42	8

VBP 2160 / Part No Index



Part No.	Page	Pos No	Part No.	Page	Pos No	Part No.	Page	Pos No	Part No.	Page	Pos No
VF16652392.86	35	5	VF16654691.86	35	4	VF16656715	56	24	VF16658795.61	116	2
VF16652392.86	42	9	VF16654751	51	28	VF16656726.86	56	25	VF16658795.61	117	1
VF16652480.86	51	25	VF16655023	44	31	VF16657252	67	9	VF16659071.61	117	2
VF16652834	48	2	VF16655023	56	22	VF16657254	67	12	VF16659072.86	116	3
VF16652834	50	2	VF16655049	44	32	VF16657255	67	16	VF16659108.86	116	4
VF16652834	54	6	VF16655089	47	10	VF16657256	67	18	VF16659192.86	117	3
VF16652834	116	1	VF16655089	52	6	VF16657257	67	19	VF16659205.86	117	4
VF16653020	46	2	VF16655141	51	29	VF16657258	67	20	VF16659344.61	72	35
VF16653051	54	7	VF16655409	72	8	VF16657259	67	21	VF16659365.86	4	1
VF16653138	40	6	VF16655410	72	34	VF16657261	67	32	VF16659365.86	110	2
VF16653180	46	3	VF16655566	106	1	VF16657262	67	33	VG11697010V	18	31
VF16653188	47	22	VF16655573	106	2	VF16657263	67	34	VG13128001V	27	1
VF16653304.86	56	19	VF16655612	74	1	VF16657264	67	38	VG13128001V	28	1
VF16653600	45	48	VF16655813	52	7	VF16657265	67	41	VG13128001V	29	1
VF16653708	67	35	VF16655849	52	8	VF16657266	67	42	VG13128001V	30	3
VF16653934	5	1	VF16655855	97	22	VF16657267	67	43	VG13128001V	63	1
VF16654232.86	115	4	VF16655855	98	22	VF16657269	67	46	VG13378002	15	1
VF16654252.86	51	26	VF16655861	52	9	VF16657270	67	47	VG13813004	33	26
VF16654269	115	5	VF16655862.86	52	10	VF16657271	67	48	VG13925028V	16	1
VF16654305.86	45	21	VF16655863	52	11	VF16657272	67	49	VG13925028V	18	1
VF16654308.86	56	20	VF16655875.86	52	13	VF16657273	67	50	VG13925033V	36	1
VF16654311.86	56	21	VF16655895.86	51	30	VF16657274	67	51	VG13929020V	13	1
VF16654361.86	112	9	VF16655911.86	91	6	VF16657298	68	11	VG13974003V	18	2
VF16654387.86	44	10	VF16655912.86	91	7	VF16657299	68	10	VG17654007	33	23
VF16654388.86	44	11	VF16655930.86	91	8	VF16657579	72	33	VG17662018V	104	38
VF16654389.86	43	3	VF16655935	52	14	VF16657580	72	31	VG18601321V	36	2
VF16654457	48	33	VF16655943	56	23	VF16657581	72	32	VG18940610V	11	1
VF16654457	54	1	VF16655946	69	14	VF16657582	72	3	VG18940610V	12	1
VF16654530	40	8	VF16655994	45	22	VF16657583	72	9	VG18940610V	13	2
VF16654530	51	27	VF16656012.86	85	1	VF16657584	72	4	VG18940610V	14	1
VF16654682.86	35	1	VF16656655	72	7	VF16657711.86	49	1	VG19017027V	3	2
VF16654683.86	35	2	VF16656656	72	28	VF16657772.61	52	15	VG19077005V	104	42
VF16654690.86	35	3	VF16656700	56	51	VF16658677	52	16	VG19154022	104	1

VBP 2160 / Part No Index



Part No.	Page	Pos No	Part No.	Page	Pos No	Part No.	Page	Pos No	Part No.	Page	Pos No
VG19157033V	3	3	VGBR660V	103	2	VGGP380	70	12	VGMT0063	51	2
VG37129064V	6	1	VGBR739V	62	2	VGGP381	70	13	VGMT100V	115	12
VG37129064V	16	2	VGBR785	22	2	VGGP385	70	14	VGMT152V	16	13
VG37129064V	75	1	VGBR859	30	4	VGGP386	70	15	VGMT152V	27	21
VG37305654V	4	2	VGBV189	15	2	VGGP387	70	16	VGMT152V	37	7
VG37305654V	110	3	VGDN807V	24	2	VGGP388	70	17	VGMT152V	43	9
VG37658602	104	40	VGDS59V	40	9	VGGP455K0	58	1	VGMT152V	45	43
VG38229007	109	26	VGEF75	30	37	VGGP493	70	18	VGMT152V	113	14
VG38612666	83	31	VGEH00102	57	2	VGGP588	70	37	VGMT97V	34	13
VG38612666	98	70	VGEH102(10)	117	5	VGGP588	71	7	VGMT98V	30	35
VG61.05.04	32	2	VGEP227V	23	1	VGGP590	70	19	VGND1176V	29	9
VG61.05.04	44	14	VGEP402V	33	3	VGGP611V	1	2	VGND1176V	30	18
VG61.05.04	64	12	VGET312V	27	2	VGGP899V	27	3	VGND1221V	102	23
VG61.05.04	65	12	VGEU40V	7	1	VGGS0089	1	3	VGND1221V	103	6
VG82.36.08	64	6	VGEU40V	18	3	VGGZ124V	115	1	VGND1402V	12	7
VG82.36.08	65	6	VGFB47	73	3	VGHK116V	30	6	VGND1461V	23	15
VG82.36.08	66	8	VGFS97	54	10	VGJC0107K0	117	6	VGND1461V	63	8
VGAH00132	1	1	VGGB00253K0	69	3	VGLG200	53	21	VGND1461V	102	24
VGAH00132	13	3	VGGB0205	51	31	VGLG60V	72	23	VGND1472V	48	12
VGAH00132	14	2	VGGM152V	8	1	VGMC387V	72	24	VGND1472V	54	13
VGAH00132	39	7	VGGM152V	24	3	VGMH416V	25	16	VGND1481V	45	44
VGBF00349	48	9	VGGM152V	30	5	VGMH416V	27	20	VGND1495V	55	1
VGBP402V	104	2	VGGM152V	61	2	VGMH416V	39	27	VGND1599V	74	12
VGBP505V	5	3	VGGM152V	63	2	VGMT00310	1	15	VGND1607V	23	16
VGBP906V	28	3	VGGM152V	75	2	VGMT00310	32	28	VGND2134V	67	28
VGBP906V	110	22	VGGP01856K0	57	3	VGMT00310	44	28	VGND3030V	3	19
VGBR001029	3	4	VGGP02000K0	56	26	VGMT00310	45	41	VGND3030V	26	13
VGBR00344	6	12	VGGP0919K0	113	4	VGMT00310	51	4	VGND3030V	32	29
VGBR00344	16	39	VGGP1098K0	56	27	VGMT00310	56	5	VGND3030V	68	5
VGBR0755	33	2	VGGP1419K0	53	28	VGMT00310	104	9	VGND3030V	72	25
VGBR1086V	13	4	VGGP1855	57	4	VGMT0062	5	15	VGND3030V	83	16
VGBR132V	30	29	VGGP377	70	10	VGMT0062	45	42	VGND3030V	113	15
VGBR155	3	5	VGGP379	70	11	VGMT0063	41	19	VGND3034V	46	17

VBP 2160 / Part No Index



Part No.	Page	Pos No	Part No.	Page	Pos No	Part No.	Page	Pos No	Part No.	Page	Pos No
VGND3122V	48	13	VGND3147V	32	30	VGND5187	31	18	VGND92003V	97	41
VGND3122V	54	14	VGND3147V	46	18	VGND5238	12	10	VGND92003V	98	41
VGND3122V	80	12	VGND3147V	62	15	VGND5238	14	8	VGND92009B	77	15
VGND3126	41	20	VGND3147V	75	18	VGND5239	32	32	VGND92026	18	15
VGND3126	108	1	VGND3147V	76	8	VGND5277	9	12	VGND92032V	18	16
VGND3138V	44	30	VGND3147V	81	7	VGND5277	10	2	VGND92032V	38	11
VGND3138V	45	45	VGND3148V	5	17	VGND5277	11	11	VGND92032V	48	14
VGND3138V	51	5	VGND3148V	11	9	VGND5277	13	18	VGND92032V	73	6
VGND3138V	56	44	VGND3148V	12	8	VGND5279	113	16	VGND92043V	73	7
VGND3138V	85	33	VGND3148V	13	16	VGND5286	5	18	VGND92056	69	15
VGND3146V	8	9	VGND3148V	14	6	VGND5287	5	32	VGND92092V	1	16
VGND3146V	22	13	VGND3148V	15	19	VGND6127	104	10	VGND92093V	1	17
VGND3146V	25	17	VGND3148V	26	15	VGND6344	18	32	VGND92104V	18	17
VGND3146V	33	10	VGND3148V	31	17	VGND6352	18	33	VGND92114V	38	12
VGND3146V	39	34	VGND3148V	39	16	VGND6372	25	21	VGND92114V	48	15
VGND3146V	70	26	VGND3148V	46	19	VGND7002	32	33	VGND92114V	50	8
VGND3146V	83	17	VGND3148V	49	3	VGND7027	31	19	VGND92114V	54	15
VGND3147V	2	4	VGND3156	69	12	VGND90003V	61	11	VGND92154V	18	18
VGND3147V	3	20	VGND3177V	25	19	VGND90003V	76	9	VGND92154V	48	18
VGND3147V	5	16	VGND4030V	7	10	VGND90007	46	20	VGND92154V	50	9
VGND3147V	7	9	VGND4030V	18	14	VGND90028	61	12	VGND92154V	54	18
VGND3147V	9	11	VGND4030V	29	10	VGND90033	16	14	VGND92155V	1	18
VGND3147V	10	19	VGND4030V	47	11	VGND90033	38	10	VGND92159	48	19
VGND3147V	11	8	VGND4030V	52	22	VGND90038	24	19	VGND92159	54	19
VGND3147V	13	15	VGND4030V	53	1	VGND90040	21	11	VGND92168V	54	20
VGND3147V	22	14	VGND5022	2	5	VGND9004V	78	13	VGND92169V	21	30
VGND3147V	23	17	VGND5022	11	10	VGND9004V	80	13	VGND92169V	73	8
VGND3147V	24	18	VGND5022	12	9	VGND9031V	37	8	VGND92171V	73	9
VGND3147V	25	18	VGND5022	13	17	VGND91008	110	23	VGND92172	21	29
VGND3147V	26	14	VGND5022	14	7	VGND91037	26	16	VGND92172	73	10
VGND3147V	27	22	VGND5117	2	6	VGND9172V	69	8	VGND92173V	83	43
VGND3147V	30	19	VGND5120	32	31	VGND9190V	68	3	VGND92173V	98	74
VGND3147V	31	16	VGND5141	25	20	VGND92003V	73	5	VGND92174	5	19

VBP 2160 / Part No Index



Part No.	Page	Pos No	Part No.	Page	Pos No	Part No.	Page	Pos No	Part No.	Page	Pos No
VGND92174	9	13	VGND94058	33	27	VGND96129	13	40	VGND9813V	72	26
VGND92174	11	12	VGND94085	13	20	VGND96130	15	23	VGND9824	1	19
VGND92174	13	19	VGND94117	3	22	VGND96132	25	23	VGND9827	104	32
VGND92174	16	15	VGND94117	64	24	VGND96133	41	22	VGND9843	60	3
VGND92175	9	14	VGND94118	3	23	VGND96136	51	41	VGND9843	102	11
VGND92175	11	13	VGND94118	65	24	VGND9620V	104	11	VGND9843	103	4
VGND92176	5	34	VGND94119	3	24	VGND97066	110	10	VGND9843	105	2
VGND92176	9	15	VGND94119	66	25	VGND97067	110	11	VGND9844	22	9
VGND92176	11	23	VGND9419	70	27	VGND97068	110	12	VGND9869V	48	30
VGND92176	13	38	VGND9419	102	10	VGND97069	110	13	VGND9869V	54	23
VGND92176	16	37	VGND95049	24	39	VGND9751	104	45	VGND9869V	73	12
VGND92177	16	38	VGND95049	63	9	VGND9770V	73	22	VGND9872V	73	21
VGND92196	13	37	VGND95055	104	43	VGND9778	104	12	VGND9889	61	13
VGND92197	48	17	VGND95057	25	22	VGND9779	34	17	VGND9906V	18	24
VGND92197	54	17	VGND95059	102	25	VGND9779	35	21	VGND9906V	48	23
VGND92198	48	16	VGND95061	16	16	VGND9779	42	15	VGND9906V	54	24
VGND92198	54	16	VGND95066	18	20	VGND9779	104	39	VGND9906V	73	13
VGND92201V	83	18	VGND95067	102	28	VGND9780	104	31	VGND9906V	117	16
VGND92201V	98	61	VGND95068	24	20	VGND98026V	5	20	VGND9954V	54	25
VGND92207V	98	68	VGND9607	18	22	VGND98026V	9	16	VGND9954V	115	14
VGND92212	5	33	VGND9607	38	14	VGND98026V	11	22	VGND9986	73	14
VGND9295	13	42	VGND9607	48	21	VGND98026V	13	39	VGND9986	97	42
VGND9295	14	16	VGND9607	50	11	VGND98026V	16	17	VGND9986	98	42
VGND9295	15	20	VGND9607	54	22	VGND98048	30	33	VGNK622V	29	11
VGND9295	41	21	VGND9607	115	13	VGND9807V	48	22	VGPZ100	22	15
VGND9346	44	19	VGND96086	33	22	VGND9808V	18	23	VGPZ160V	3	26
VGND9346	45	47	VGND96088	13	41	VGND98102V	36	11	VGPZ160V	34	14
VGND9346	56	52	VGND96098	33	24	VGND98109	30	32	VGPZ160V	42	17
VGND9346	85	37	VGND96104	15	21	VGND98110	30	31	VGPZ160V	108	4
VGND9346	104	41	VGND96105	15	22	VGND98132	16	18	VGPZ160V	110	8
VGND9392V	48	31	VGND96107	33	25	VGND98137V	3	25	VGPZ170V	23	18
VGND9393V	18	19	VGND96112	51	40	VGND9813V	35	9	VGPZ19V	15	6
VGND94053	3	21	VGND96127	14	9	VGND9813V	39	29	VGPZ25V	30	36

VBP 2160 / Part No Index



Part No.	Page	Pos No	Part No.	Page	Pos No	Part No.	Page	Pos No	Part No.	Page	Pos No
VGPZ302V	13	21	VGRL00281	102	13	VGRL0658K0	113	18	VGRL290	103	8
VGPZ302V	23	19	VGRL00461	29	12	VGRL0660K0	113	19	VGRL290	103	9
VGPZ302V	31	20	VGRL00518	105	3	VGRL0701K0	116	13	VGRL299	18	43
VGPZ365V	43	11	VGRL00613K0	7	12	VGRL0766	31	22	VGRL299	48	24
VGPZ365V	113	17	VGRL00637	18	44	VGRL0844K0	8	11	VGRL299	54	26
VGPZ451K0	5	21	VGRL0128K0	27	24	VGRL0845K0	8	12	VGRL309V	102	15
VGPZ456	30	34	VGRL0144K0	23	20	VGRL0887K0	5	22	VGRL31	26	21
VGPZ457	30	30	VGRL0145K0	23	21	VGRL131V	27	26	VGRL310	29	17
VGPZ465	7	11	VGRL0156K0	26	18	VGRL132K0	27	27	VGRL311V	29	18
VGPZ473	76	10	VGRL0178K0	28	19	VGRL133K0	24	25	VGRL335	29	19
VGPZ474V	26	17	VGRL0187K0	29	13	VGRL140K0	24	26	VGRL346K0	10	4
VGPZ477V	25	24	VGRL0189K0	29	14	VGRL147K0	24	27	VGRL347K0	9	18
VGPZ479	28	18	VGRL02	25	25	VGRL16K0	24	28	VGRL362	61	18
VGPZ480V	24	21	VGRL0233K0	28	20	VGRL171V	25	27	VGRL363	61	19
VGPZ482	29	21	VGRL0251K0	29	15	VGRL172V	25	28	VGRL368K2	61	20
VGPZ483V	27	23	VGRL0252K0	29	16	VGRL173V	25	29	VGRL369K2	61	21
VGPZ99	22	16	VGRL0376K0	61	15	VGRL1V	25	26	VGRL370K2	61	22
VGRK010K0	16	19	VGRL0377K0	61	16	VGRL224	25	30	VGRL371K2	61	23
VGRK06K0	16	20	VGRL0382	13	22	VGRL227V	26	19	VGRL389K0	24	29
VGRK09K0	16	21	VGRL0383K0	23	22	VGRL22K0	27	28	VGRL38V	23	25
VGRK16K0	16	22	VGRL0384K0	23	23	VGRL247V	28	21	VGRL390	24	30
VGRK24K0	16	23	VGRL0387K0	24	23	VGRL248	28	22	VGRL391	24	31
VGRK26	95	13	VGRL0401K0	61	17	VGRL257K0	26	20	VGRL399K0	46	21
VGRK27	95	4	VGRL0411K0	23	24	VGRL260V	27	29	VGRL400K0	46	22
VGRK29	60	12	VGRL0421K0	24	24	VGRL263V	27	30	VGRL403K0	61	24
VGRK29	95	14	VGRL0426K0	62	9	VGRL263V	63	10	VGRL404K0	62	11
VGRK3	60	4	VGRL0427K0	62	10	VGRL265V	25	31	VGRL406K0	46	23
VGRK3	95	5	VGRL0499K0	27	25	VGRL282V	102	14	VGRL407K0	30	20
VGRK30	60	13	VGRL0502K0	39	32	VGRL287K0	9	17	VGRL408K0	30	21
VGRK30	95	15	VGRL0603K0	8	10	VGRL287K0	10	3	VGRL409K0	61	25
VGRK4	60	5	VGRL062K0	2	7	VGRL290	102	29	VGRL410K0	61	26
VGRK4	95	6	VGRL0630K0	4	6	VGRL290	103	10	VGRL414K0	23	26
VGRL00280	102	12	VGRL0631K0	4	7	VGRL290	103	7	VGRL418K0	23	27

VBP 2160 / Part No Index



Part No.	Page	Pos No	Part No.	Page	Pos No	Part No.	Page	Pos No	Part No.	Page	Pos No
VGRL419K0	24	32	VGRL54	23	28	VGRV0108K0	4	8	VGTH100V	10	22
VGRL429K0	24	33	VGRL540K0	58	12	VGRV0110K0	69	9	VGTH100V	34	15
VGRL430K0	24	34	VGRL551K0	63	11	VGRV0130K0	72	1	VGTH100V	35	18
VGRL435K0	46	24	VGRL552K0	63	12	VGRV049K0	75	19	VGTH100V	36	12
VGRL442K0	3	27	VGRL55V	25	35	VGRV052K0	74	13	VGTH100V	41	23
VGRL444K0	58	10	VGRL567K0	46	25	VGRV053K0	74	14	VGTH100V	42	3
VGRL466K0	24	35	VGRL567K0	58	13	VGRV056K0	75	20	VGTH100V	45	46
VGRL467K0	26	22	VGRL569K0	25	37	VGRV057K0	75	21	VGTH100V	48	25
VGRL468K0	26	23	VGRL56V	25	36	VGRV100K0	75	22	VGTH100V	54	27
VGRL469K0	28	23	VGRL599K0	27	33	VGRV101K0	75	23	VGTH100V	72	27
VGRL470K0	28	24	VGRL617V	102	20	VGRV102K0	75	24	VGTH100V	84	12
VGRL472V	28	25	VGRL617V	103	5	VGRV103K0	75	25	VGTH100V	85	14
VGRL473V	27	31	VGRL627K0	58	14	VGRV104K0	60	6	VGTH100V	104	14
VGRL474V	27	32	VGRL628K0	58	15	VGRV105K0	60	7	VGTH66	104	15
VGRL475	26	24	VGRL637	18	45	VGRV43	60	8	VGTH9	104	16
VGRL479	28	26	VGRL642K0	63	13	VGRV66	60	11	VGTP00512	18	21
VGRL481K0	24	36	VGRL643K0	63	14	VGRV70K2	61	27	VGTP00512	38	13
VGRL484K0	13	23	VGRL661K0	113	20	VGRV71K2	61	28	VGTP00512	48	20
VGRL486K0	11	14	VGRL693	104	13	VGRV72K0	60	9	VGTP00512	50	10
VGRL494	11	15	VGRL821K0	5	23	VGRV72K0	75	26	VGTP00512	54	21
VGRL494	13	24	VGRL848K0	13	26	VGRV73V	61	29	VGTP00512	73	11
VGRL501K0	13	25	VGRL849	5	24	VGRV74	95	7	VGTP00512	115	16
VGRL505	62	12	VGRL862V	5	25	VGRV75K0	95	8	VGTP193V	75	28
VGRL506K0	102	16	VGRL862V	9	19	VGRV76K0	95	9	VGTP438	38	15
VGRL507K0	102	17	VGRL862V	11	16	VGRV77K2	95	10	VGTP438	48	26
VGRL50V	25	32	VGRL862V	13	27	VGRV78K2	95	11	VGTP438	50	12
VGRL510V	102	18	VGRL863V	28	27	VGRV79K0	95	12	VGTP438	54	28
VGRL517K0	33	11	VGRL864V	29	20	VGRV82	60	10	VGTR003096	100	1
VGRL51V	25	33	VGRL872V	8	13	VGRV84K0	30	22	VGTR003239	99	1
VGRL522K0	16	24	VGRL878K0	26	25	VGRV85K0	30	23	VGTR003240	99	2
VGRL523K0	16	25	VGRL879V	26	26	VGRV90	75	27	VGTR003377	100	2
VGRL52V	25	34	VGRL8K0	25	38	VGTA195V	31	21	VGTR1081	99	3
VGRL538K0	58	11	VGRL939V	115	15	VGTH100V	3	28	VGTR1086	100	17

VBP 2160 / Part No Index



Part No.	Page	Pos No	Part No.	Page	Pos No	Part No.	Page	Pos No	Part No.	Page	Pos No
VGTR1603	99	4	VGUW0316K0	81	12	VGWA00686	18	28	VGWA02065	12	11
VGTR1604	99	5	VGUW0332K0	78	25	VGWA00763	18	34	VGWA02067K0	8	17
VGTR1616	99	6	VGUW0342K0	77	19	VGWA00909	110	24	VGWA02070	2	9
VGTR1621	99	7	VGUW0342K0	78	26	VGWA01002K0	61	30	VGWA02073	11	18
VGTR2001	100	3	VGUW129V	82	14	VGWA01048	3	29	VGWA02076K0	39	17
VGTR2011	100	4	VGUW129V	83	23	VGWA01177	33	12	VGWA02077K0	8	18
VGTR2013	100	5	VGUW150K0	83	37	VGWA01178	33	13	VGWA02084	11	19
VGTR2017	100	6	VGUW164V	83	38	VGWA01325	7	13	VGWA02085	12	12
VGTR2021	99	8	VGUW165V	83	39	VGWA01374V	7	14	VGWA02089K0	5	26
VGTR2029	100	7	VGUW180	91	26	VGWA01411	55	11	VGWA02092V	5	27
VGTR2033	100	8	VGUW244	83	24	VGWA0142	3	30	VGWA0219	31	23
VGTR2035	100	9	VGUW244	98	69	VGWA01455	59	8	VGWA0225	31	24
VGTR2037	100	10	VGUW286V	89	11	VGWA01460	59	9	VGWA0244	36	13
VGTR2039	100	11	VGUW351	88	34	VGWA01490K0	23	30	VGWA0258	8	19
VGTR2067	80	36	VGUW365	98	68	VGWA01576	13	28	VGWA036	18	35
VGTR2067	99	9	VGWA001342	18	25	VGWA01576	14	10	VGWA037	18	30
VGTR2069	100	12	VGWA001418	6	5	VGWA01590	59	10	VGWA0455	16	29
VGTR2071	100	13	VGWA00154	1	20	VGWA01595	8	14	VGWA0467	30	24
VGTR2073	100	14	VGWA002189K0	104	17	VGWA01595	110	9	VGWA0512	3	31
VGTR2075	100	15	VGWA00252	18	26	VGWA0168V	18	29	VGWA0523	22	10
VGTR2077	100	16	VGWA00368	6	13	VGWA01800	7	15	VGWA0524	22	11
VGTR3097	24	40	VGWA00368	7	26	VGWA01851K0	104	18	VGWA056	14	11
VGTR3097	100	20	VGWA00368	16	36	VGWA01852K0	104	19	VGWA056	33	14
VGTR3105	100	19	VGWA00373	16	26	VGWA01853K0	104	20	VGWA0570	31	25
VGTR3113	100	21	VGWA0043	6	6	VGWA02015	13	29	VGWA0601V	15	7
VGTR3260	99	10	VGWA0043	16	27	VGWA02015	25	39	VGWA0611	104	21
VGUH697V	2	8	VGWA0051	18	27	VGWA02019	11	17	VGWA0612	104	22
VGUW000227	78	29	VGWA00633	6	7	VGWA02028	7	16	VGWA0637	37	9
VGUW00151	83	36	VGWA00633	16	28	VGWA02050	8	15	VGWA077	6	8
VGUW00151	98	60	VGWA00659	38	16	VGWA02054K0	9	20	VGWA077	16	30
VGUW00227	97	2	VGWA00659	48	27	VGWA02054K0	10	5	VGWA083	12	13
VGUW00227	98	2	VGWA00659	50	13	VGWA02057	10	6	VGWA0887	31	26
VGUW0285K0	85	22	VGWA00659	54	29	VGWA02063K0	8	16	VGWA0887	33	15

VBP 2160 / Part No Index



Part No.	Page	Pos No	Part No.	Page	Pos No	Part No.	Page	Pos No	Part No.	Page	Pos No
VGWA0891	31	27	VGWA2008	13	30	VGWA491V	12	16	VGWA633	6	11
VGWA0899	31	28	VGWA2018V	7	22	VGWA491V	13	34	VGWA633	16	33
VGWA0912	3	32	VGWA2055	9	22	VGWA491V	14	12	VGWA635	37	14
VGWA0920	6	9	VGWA2055	10	8	VGWA492V	7	24	VGWA638	37	15
VGWA1038V	61	31	VGWA2055	11	20	VGWA497	30	25	VGWA649V	32	35
VGWA1040V	61	32	VGWA2055	13	31	VGWA498	9	23	VGWA670	36	15
VGWA1072	7	17	VGWA2064V	12	14	VGWA506	12	17	VGWA691	30	27
VGWA1075K0	61	33	VGWA2069V	10	9	VGWA507	13	35	VGWA699V	9	24
VGWA1076K0	61	34	VGWA2069V	13	32	VGWA513	18	37	VGWA707	5	30
VGWA1159	22	12	VGWA2086	5	28	VGWA515	18	38	VGWA707	18	41
VGWA1213V	37	10	VGWA2087V	12	15	VGWA515	54	30	VGWA708V	21	16
VGWA1235	104	23	VGWA2096V	13	33	VGWA515	73	16	VGWA709V	21	17
VGWA1249	33	16	VGWA2145K0	46	27	VGWA527	15	8	VGWA722	21	18
VGWA1250	27	36	VGWA2188K0	104	25	VGWA528V	13	36	VGWA734	1	22
VGWA1250	33	17	VGWA234	8	20	VGWA528V	15	9	VGWA735	1	23
VGWA1327	7	18	VGWA246	36	14	VGWA528V	102	19	VGWA736	1	24
VGWA1328	7	19	VGWA262V	37	11	VGWA540V	15	10	VGWA737	1	25
VGWA1363V	9	21	VGWA297V	18	36	VGWA540V	30	26	VGWA738	1	26
VGWA1363V	10	7	VGWA366	10	10	VGWA541V	15	11	VGWA739	1	27
VGWA1389V	7	20	VGWA4	7	23	VGWA548	38	18	VGWA767	7	27
VGWA1413	55	12	VGWA44	6	10	VGWA548	50	14	VGWA855	104	26
VGWA1444V	16	31	VGWA44	16	32	VGWA548	115	17	VGWA860	104	27
VGWA1489	110	16	VGWA440	32	34	VGWA549	18	40	VGWA861	104	28
VGWA1490K1	23	31	VGWA442V	21	15	VGWA549	38	19	VGWA862	104	29
VGWA1493	23	32	VGWA451	8	21	VGWA549	48	28	VGWA863	104	30
VGWA158	17	5	VGWA453	23	33	VGWA549	50	15	VGWA900	12	19
VGWA1589	7	21	VGWA453	76	11	VGWA54V	14	13	VGWA900	14	15
VGWA1600	46	26	VGWA490	2	10	VGWA54V	33	18	VGWA900	33	19
VGWA1749V	69	10	VGWA490	39	18	VGWA552V	14	14	VGWA904V	39	19
VGWA1809	1	21	VGWA491V	2	11	VGWA568	37	12	VGWA908	33	20
VGWA183V	38	17	VGWA491V	5	29	VGWA592	31	29	VGWA909	28	29
VGWA1855K0	104	24	VGWA491V	10	23	VGWA606	37	13	VGWA949V	15	25
VGWA1991	3	33	VGWA491V	11	21	VGWA625	3	34	VGWA989V	61	35

VBP 2160 / Part No Index



Part No.	Page	Pos No	Part No.	Page	Pos No	Part No.	Page	Pos No	Part No.	Page	Pos No
VGWD0029	17	1	VGWP95K0	76	17	VN79730309	21	12	VR30392640	9	1
VGWD29	17	2	VGWP96K0	76	18	VN79730385	21	1	VR38222301	70	2
VGWD40	17	3	VGWS00149	39	37	VNB0162173	89	15	VR38222302	70	3
VGWD6	17	4	VGWS0077	7	25	VNB0176473	89	14	VR38222304	70	4
VGWG019	16	34	VGWS0137	46	28	VNB0260073	21	32	VR38222309	70	5
VGWP00116	73	17	VGWS0145	46	29	VNB0266373	21	31	VR38222310	70	6
VGWP00116	97	31	VGWS0177	46	30	VNB0268473	94	4	VR38222324	70	7
VGWP00116	98	31	VGWS0183	39	20	VNB0268573	94	12	VR38222331	70	8
VGWP00117	73	18	VGWS0222	56	45	VNB0270473	21	22	VR38222333	70	9
VGWP00117	97	29	VGWS0223	56	46	VNB0271073	49	5	VR38228055	102	27
VGWP00117	98	29	VGWS060	39	31	VNB0271073	54	8	VR38228055	103	11
VGWP00118	70	32	VGWS134	39	30	VNB0274673	105	1	VR38228059	102	21
VGWP0115K0	78	27	VGWS142	46	31	VNB0377273	72	14	VR38228059	103	1
VGWP0132	4	11	VGWS146	46	34	VNB0390573	94	9	VR38279004	102	22
VGWP0156K0	75	29	VGWS147	46	32	VNB0443173	21	21	VR38279004	103	12
VGWP0157K0	75	30	VGWS200	58	16	VNB0443173	21	27	VR39000001	62	14
VGWP081K0	76	12	VGXD233V	37	16	VNB0443173	22	1	VR39000001	78	30
VGWP082K0	76	13	VGXD296V	5	31	VNB0443173	94	3	VRR0050093	59	6
VGWP092K0	72	29	VGXD296V	12	18	VNB0527773	77	31	VRR0096801	24	22
VGWP093K0	72	30	VGXD296V	16	35	VNB0528373	90	19	VRR0205001	71	2
VGWP113	76	14	VGXD296V	30	28	VNB0542973	21	13	VRR0205101	67	44
VGWP119K0	70	33	VGXD296V	33	21	VNB0552073	88	20	VRR0298401	61	14
VGWP121K0	70	34	VGXD296V	62	13	VNB0556273	89	12	VRR0480114	102	26
VGWP124K0	70	35	VGXD296V	76	19	VNB0556373	89	13	VRR0480114	103	13
VGWP125K0	70	36	VGXD296V	78	28	VNB0561173	90	18	VRR0491902	116	14
VGWP129	71	5	VGXD314	48	32	VNB0567973	21	14	VRR0535801	70	28
VGWP130	71	6	VGXD314	54	31	VNB0631273	19	3	VRR0546101	70	29
VGWP140	53	35	VGXD62	18	42	VNB0631273	92	3	VRR0546101	71	3
VGWP152K0	38	1	VGXD62	73	19	VNB1357574	100	18	VRR0546201	70	30
VGWP49V	75	31	VGXD64	18	39	VNB2541878	19	1	VRR0546501	70	31
VGWP54K0	76	15	VGXD64	48	29	VNB2541878	92	1	VRR0546501	71	4
VGWP62K0	21	28	VGXD64	54	32	VR13698033	28	2	VRR0703293	59	7
VGWP94K0	76	16	VGXD64	73	20	VR30392640	5	2	ZNA005	101	2

VBP 2160 / Part No Index



Part No.	Page	Pos No			
ZRA004	101	3			



VBP 2160

VGRW000390 < Mach. ID <=

KUHN-GELDROP B.V.
Nuenenseweg 165
5660 AA Geldrop
The Netherlands
+31 40 289 33 00
+31 40 285 32 15

© KUHN-GELDROP BV

All rights reserved. No parts of this book may be reproduced, stored in a database or retrieval system, or published in any form or in any way, electronically, mechanically, optically, by print, photo print, microfilm (including micro and macro fiche), or any other means, including all video and CD systems, without prior written permission from the publisher.

Print date: 2009-05-18