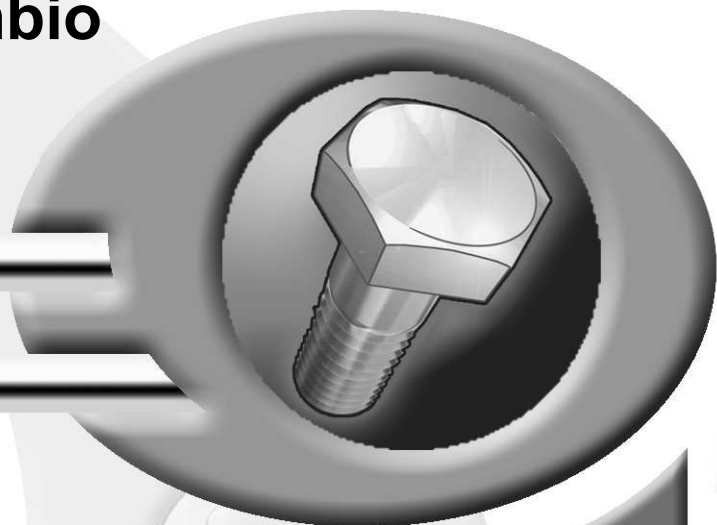


**Pièces de rechange**  
**Spare parts list**  
**Ersatzteilliste**  
**Catalogo Pezzi di Ricambio**



Faucheuse-Conditionneuse  
Mower Conditioner  
Mähknickzetter  
Falciacondizionatrice



C 00001 > D 00000

**FC353 RGC NV**







## SIGNES CODIFIÉS - STANDARD SYMBOLS - SYMBOLE - SIMBOLI CODIFICATI

|            |                                      |
|------------|--------------------------------------|
| <b>OPT</b> | Equipement optionnel                 |
| <b>STD</b> | Equipement livré de série            |
| <b>ESP</b> | Equipement livré suivant pays        |
| :          | Pour ...                             |
| >          | De ... à ...                         |
| <b>RPL</b> | Remplace ...                         |
| ∅          | Diamètre                             |
| > <        | Epaisseur                            |
| <->        | Longueur                             |
| <m>        | Vendu au mètre                       |
| <b>Q?</b>  | Quantité selon besoin                |
| *          | Voir note                            |
| [n]        | Composant d'un assemblage            |
| + [n]      | Assemblage comprenant les pièces [n] |
| <-]        | Pièce gauche                         |
| [->        | Pièce droite                         |

|            |   |
|------------|---|
| <b>OPT</b> | Optional equipment                        |
| <b>STD</b> | Equipment supplied as standard            |
| <b>ESP</b> | Equipment supplied for specific countries |
| :          | For ...                                   |
| >          | From ... to ...                           |
| <b>RPL</b> | Replaces ...                              |
| ∅          | Diameter                                  |
| > <        | Thickness                                 |
| <->        | Length                                    |
| <m>        | Sold by the metre                         |
| <b>Q?</b>  | Quantity as required                      |
| *          | See note                                  |
| [n]        | Items making up assembly                  |
| + [n]      | Assembly made up by items [n]             |
| <-]        | Left part                                 |
| [->        | Right part                                |

|            |   |
|------------|---|
| <b>OPT</b> | Sonderausrüstung  |
| <b>STD</b> | Serienausrüstung  |
| <b>ESP</b> | Länderabhängige Ausrüstung                              |
| :          | Für ...   |
| >          | Von ... bis ...   |
| <b>RPL</b> | Ersetzt ...   |
| ∅          | Durchmesser   |
| > <        | Stärke  |
| <->        | Länge   |
| <m>        | Meterware   |
| <b>Q?</b>  | Stückzahl nach Bedarf                                   |
| *          | Siehe Nota  |
| [n]        | Teil einer Baugruppe                                    |
| + [n]      | Baugruppe bestehend aus den mit [n] bezeichneten Teilen |
| <-]        | Links Teil  |
| [->        | Rechts Teil   |

|            |                                       |
|------------|---------------------------------------|
| <b>OPT</b> | Attrezzatura opzionale                |
| <b>STD</b> | Attrezzatura fornita di serie         |
| <b>ESP</b> | Attrezzatura fornita secondo il paese |
| :          | Per ...                               |
| >          | Da ... A ...                          |
| <b>RPL</b> | Sostituisce ...                       |
| ∅          | Diametro                              |
| > <        | Spessore                              |
| <->        | Lunghezza                             |
| <m>        | venduto a metro                       |
| <b>Q?</b>  | Quantità richiesta                    |
| *          | Vedi nota                             |
| [n]        | Componente di un assieme              |
| + [n]      | Assieme comprendente i componenti [n] |
| <-]        | Sx componente                         |
| [->        | Dx componente                         |

### POUR COMMANDER DES PIÈCES DE RECHANGE, VEUILLEZ INDIQUER:

- Le numéro de fabrication de la machine
- Le numéro de la pièce
- La quantité désirée

### WHEN ORDERING SERVICE-PARTS, WILL YOU PLEASE MENTION:

- The machine type and serial number
- The part number
- The quantity of parts

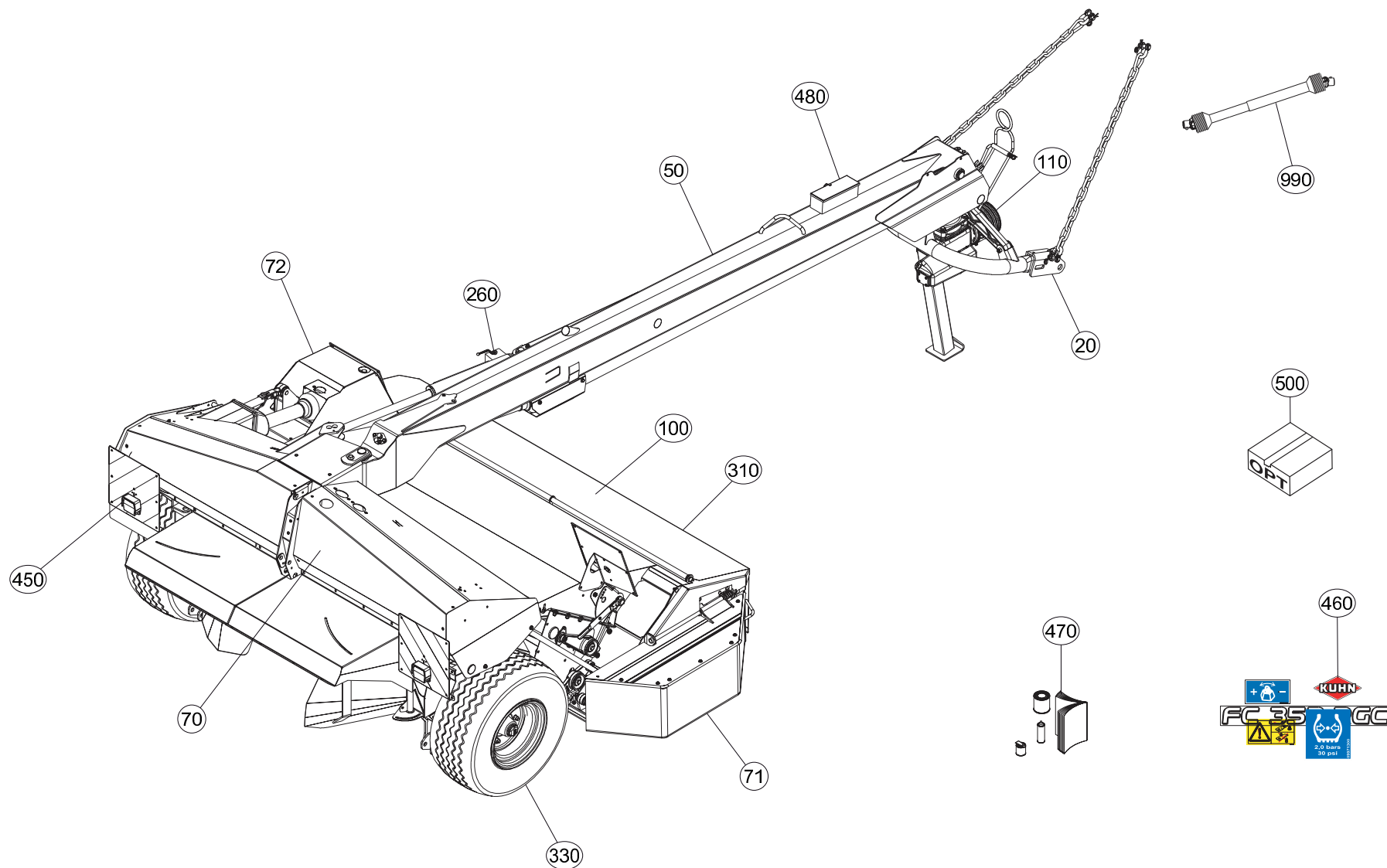
### BEI DER BESTELLUNG VON ERSATZTEILEN IMMER ANGEBEN:

- Die Seriennummer der Maschine
- Die Nummer des Teiles
- Die gewünschte Stückzahl

### NELL'ORDINARE I RICAMBI, SI PREGA DI INDICARE:

- Il tipo ed il numero di serie della macchina
- Il codice del componente
- La quantità desiderata

- Toutes les pièces détachées et sous-ensembles sont à commander au magasin pièces de rechange.
- **Les équipements optionnels (OPT)** ainsi que les **notices d'instructions** sont à commander auprès des **services commerciaux**.
- Service parts and service part assemblies are to be ordered through the spare parts department.
- **Optional equipment (OPT)** and **assembly operator's manuals** should be ordered through the **wholegood sales department**.
- Bestellungen für Ersatzteile und Baugruppen sind an die Ersatzteilabteilung zu richten.
- **Sonderausrüstungen (OPT)** sowie **Montage- und Betriebsanleitungen**, bestellen Sie bitte bei der **Verkaufsabteilung für Maschinen**.
- I ricambi e i sotto-assiemi devono essere ordinati al Magazzino Ricambi.
- **Le attrezzature opzionali (OPT)** ed i **manuali dell'operatore** devono essere ordinati al **Servizio Commerciale**.





# TABLE DES MATIERES - TABLE OF CONTENTS - INHALTSVERZEICHNIS - INDICE

K56R0340 B

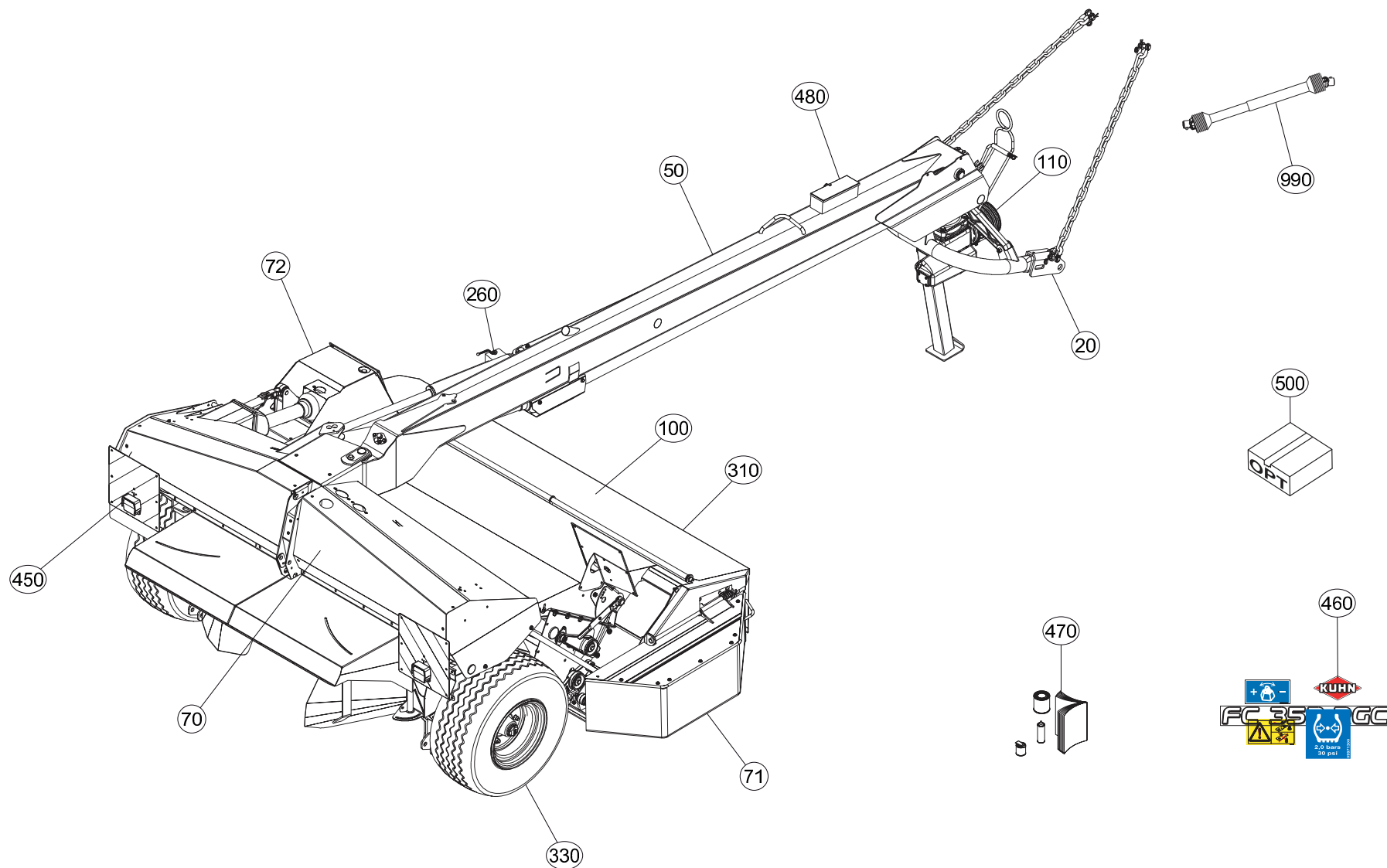
Catalogue P.D.R. - Spare parts list - Ersatzteilliste - Pezzi di Ricambio :

**KR069CTL G**

Annule et remplace - Cancels and replaces - Annulliert und ersetzt - Annulla e sostituisce :

**KR069CTL F**

| Grp | Page | Opt | Groupe de pièces          | Parts group index       | Teilegruppe                    | Gruppo di parti                |
|-----|------|-----|---------------------------|-------------------------|--------------------------------|--------------------------------|
| 020 | 003  |     | ATTELAGE                  | HITCH                   | ANBAUBOCK                      | ATTACCO                        |
| 020 | 005  |     | CHAINES DE LIMITATION     | LIMITER CHAINS          | BEGRENZUNGSKETTEN              | CATENE LIMITAZIONE             |
| 110 | 007  |     | CARTER GIRODYNE SUPÉRIEUR | UPPER GIRODYNE GEARCASE | GIRODYNE SCHWENKGETRIEBE UNTEN | CARTER GIRODYNE SUPERIORE      |
| 110 | 009  |     | CARTER GIRODYNE INFÉRIEUR | LOWER GIRODYNE GEARCASE | GIRODYNE SCHWENKGETRIEBE OBEN  | CARTER GIRODYNE INFERIORE      |
| 050 | 013  |     | TIMON GIRODYNE            | GYRODINE HITCH DRAWBAR  | ZUGDEICHSEL GIRODYNE           | BARRA DI ATTACCO GIRODYNE      |
| 050 | 015  |     | TIMON GIRODYNE            | GYRODINE HITCH DRAWBAR  | ZUGDEICHSEL GIRODYNE           | BARRA DI ATTACCO GIRODYNE      |
| 050 | 017  |     | TIMON GIRODYNE            | GYRODINE HITCH DRAWBAR  | ZUGDEICHSEL GIRODYNE           | BARRA DI ATTACCO GIRODYNE      |
| 050 | 019  |     | CHASSIS                   | FRAME                   | RAHMEN                         | TELAIO                         |
| 050 | 021  |     | CHASSIS                   | FRAME                   | RAHMEN                         | TELAIO                         |
| 260 | 023  |     | HYDRAULIQUE               | HYDRAULIC               | HYDRAULIK                      | IDRAULICO                      |
| 260 | 025  |     | HYDRAULIQUE               | HYDRAULIC               | HYDRAULIK                      | IDRAULICO                      |
| 330 | 027  |     | ROUE                      | WHEEL                   | RAD                            | RUOTA                          |
| 330 | 029  |     | ROUE                      | WHEEL                   | RAD                            | RUOTA                          |
| 050 | 031  |     | SYSTEME D'ALLÈGEMENT      | SUSPENSION SYSTEM       | ENTLASTUNGSSYSTEM              | SISTEMA DELLE SOSPENSIONI      |
| 110 | 033  |     | ENTRAINEMENT (PALIER)     | DRIVE (BEARING)         | ANTRIEB (LAGERUNG)             | TRASCINAMENTO (CUSCINETTO)     |
| 050 | 035  |     | BIELLE                    | PULL BAR                | LENKER                         | BIELLA                         |
| 050 | 037  |     | PORTE DISQUES             | CUTTERBAR               | MÄHBALKEN                      | PORTADISCO                     |
| 050 | 039  |     | PORTE DISQUES             | CUTTERBAR               | MÄHBALKEN                      | PORTADISCO                     |
| 110 | 041  |     | BARRE ANTI-COUPLE         | ANTI-TORQUE BAR         | DREHMOMENTSTUETZE              | ARRA-TUBO                      |
| 500 | 043  | OPT | COLL.REPARATION K5611470  | REPAIR KIT K5611470     | REPARATURSATZ K5611470         | RIPARAZIONE KIT K5611470       |
| 050 | 047  |     | PALIER EXTERIEUR          | OUTER BEARING CARRIER   | ÄUSSERES LAGERGEHÄUSE          | SUPPORTO CUSCINETTO ESTERNO    |
| 050 | 049  |     | PALIER EXTERIEUR          | OUTER BEARING CARRIER   | ÄUSSERES LAGERGEHÄUSE          | SUPPORTO CUSCINETTO ESTERNO    |
| 110 | 051  |     | CARTER LATÉRAL            | SIDE GEARBOX            | SEITENGETRIEBE                 | RIDUTTORE LATERALE             |
| 050 | 053  |     | TUBE PORTEUR              | SUPPORT TUBE            | TRAGROHR                       | TUBO SUPPORTO                  |
| 100 | 055  |     | CAISSON                   | COVER                   | ABDECKHAUBE                    | CASSONCINO                     |
| 110 | 057  |     | ENTRAINEMENT DES ROULEAUX | ROLL DRIVE              | QUETSCHWALZENANTRIEB           | TRASMISSIONE A RULLI           |
| 110 | 059  |     | TENDEUR                   | TENSIONER               | SPANNER                        | TENDITORE                      |
| 310 | 061  |     | ROULEAUX                  | ROLLERS                 | QUETSCHWALZEN                  | RULLI                          |
| 100 | 063  |     | CAISSON                   | COVER                   | ABDECKHAUBE                    | CASSONCINO                     |
| 070 | 065  |     | CAPOTS (ARRIERE)          | BONNETS (REAR)          | HAUBEN (HINTEN)                | COFANI (POSTERIORE)            |
| 072 | 067  |     | PROTECTEUR (GAUCHE)       | SAFETY GUARDS (LEFT)    | SCHUTZVORRICHTUNG (LINKS)      | PARAPETTI (SX)                 |
| 070 | 069  |     | PROTECTEURS               | SAFETY GUARDS           | SCHUTZVORRICHTUNGEN            | PARAPETTI                      |
| 071 | 071  |     | PROTECTEUR (DROIT)        | SAFETY GUARDS (RIGHT)   | SCHUTZVORRICHTUNG (RECHTS)     | PARAPETTI (DX)                 |
| 450 | 073  |     | SIGNALISATION             | SIGNALLING              | BELEUCHTUNG U.WARNTAFELN       | SEGNALAZIONE                   |
| 500 | 075  | OPT | SIGNALISATION ITALIE      | SIGNALING ITALY         | BELEUCHTUNG ITALIEN            | SEGNALAZIONE ITALIA            |
| 480 | 077  |     | CONTENU BOITE A OUTILS    | COMPONENTS OF TOOL BOX  | WERKZEUGKASTENINHALT           | COMPONENTI D. SCATOLA ATTREZZI |
| 470 | 079  |     | DIVERS                    | MISCELLANEOUS           | VERSCHIEDENES                  | VARIE                          |
| 470 | 081  |     | DIVERS                    | MISCELLANEOUS           | VERSCHIEDENES                  | VARIE                          |
| 460 | 083  |     | COLL.ETIQUETTES ADHESIVES | SET OF STICKERS         | SATZ AUFKLEBER                 | SERIE ADESIVI                  |
| 500 | 085  | OPT | DISQUES (LIFTER)          | DISCS (LIFTER)          | SCHEIBEN (LIFTER)              | DISCI (LIFTER)                 |





# TABLE DES MATIERES - TABLE OF CONTENTS - INHALTSVERZEICHNIS - INDICE

K56R0340 B

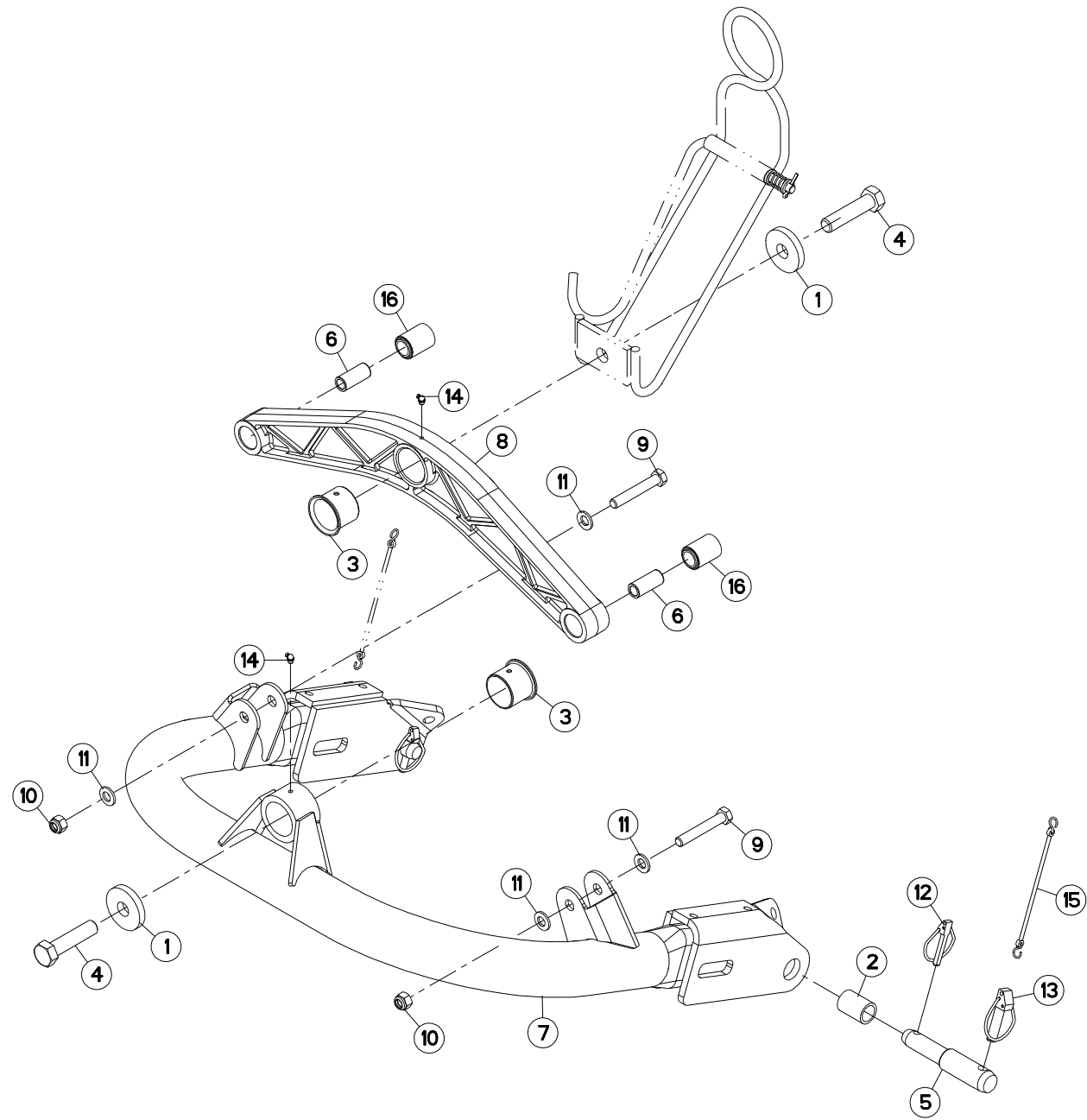
Catalogue P.D.R. - Spare parts list - Ersatzteilliste - Pezzi di Ricambio :

**KR069CTL G**

Annule et remplace - Cancels and replaces - Annulliert und ersetzt - Annulla e sostituisce :

**KR069CTL F**

| Grp | Page | Opt | Groupe de pièces               | Parts group index           | Teilegruppe                | Gruppo di parti                |
|-----|------|-----|--------------------------------|-----------------------------|----------------------------|--------------------------------|
| 500 | 087  | OPT | VERIN HYDR.REGLAGE TIMON       | SET HYDRAULIC CYLINDER      | BAUSATZ HYDRAULIKZYLINDER  | PISTONE PREASSEMBLATO          |
| 500 | 089  | OPT | VERIN HYDRAULIQUE : FC313F     | HYDRAULIC CYLINDER : FC313F | HYDRAULIKZYLINDER : FC313F | CILINDRO IDRAULICA : FC313F    |
| 990 | 091  |     | TRANSMISSION 4800601           | TRANSMISSION 4800601        | GELENKWELLE 4800601        | TRANSMISSIONE 4800601          |
| 990 | 093  |     | TRANSMISSION 4800620           | TRANSMISSION 4800620        | GELENKWELLE 4800620        | TRANSMISSIONE 4800620          |
| 500 | 095  | OPT | TRANSMISSION 4800606           | TRANSMISSION 4800606        | GELENKWELLE 4800606        | TRANSMISSIONE 4800606          |
| 500 | 097  | OPT | TRANSMISSION 4800621           | TRANSMISSION 4800621        | GELENKWELLE 4800621        | TRANSMISSIONE 4800621          |
| 500 | 099  | OPT | TRANSMISSION 4800611           | TRANSMISSION 4800611        | GELENKWELLE 4800611        | TRANSMISSIONE 4800611          |
| 500 | 101  | OPT | TRANSMISSION 4800622           | TRANSMISSION 4800622        | GELENKWELLE 4800622        | TRANSMISSIONE 4800622          |
| 500 | 103  | OPT | TRANSMISSION 4800616           | TRANSMISSION 4800616        | GELENKWELLE 4800616        | TRANSMISSIONE 4800616          |
| 500 | 105  | OPT | TRANSMISSION 4800623           | TRANSMISSION 4800623        | GELENKWELLE 4800623        | TRANSMISSIONE 4800623          |
| 500 | 107  | OPT | TRANSMISSION 4800617           | TRANSMISSION 4800617        | GELENKWELLE 4800617        | TRANSMISSIONE 4800617          |
| 500 | 109  | OPT | TRANSMISSION 4800624           | TRANSMISSION 4800624        | GELENKWELLE 4800624        | TRANSMISSIONE 4800624          |
| 990 | 111  |     | TRANSMISSION A CARDANS SECOND. | SECONDARY PTO SHAFT         | ZWISCHENGELENKWELLE        | ALBERO PRESA DI FORZA SECOND.  |
| 990 | 113  |     | TRANSMISSION A CARDANS         | PTO SHAFT                   | GELENKWELLE                | ALBERO PRESA DI FORZA          |
| 990 | 115  |     | ARBRE DE TRANSMISSION 55819210 | TRANSMISSION SHAFT 55819210 | ANTRIEBSWELLE 55819210     | ALBERO DI TRASMISSIONE 5581921 |







FC353RGC NV

C 0001 &gt; D 0000

K56R0033 B

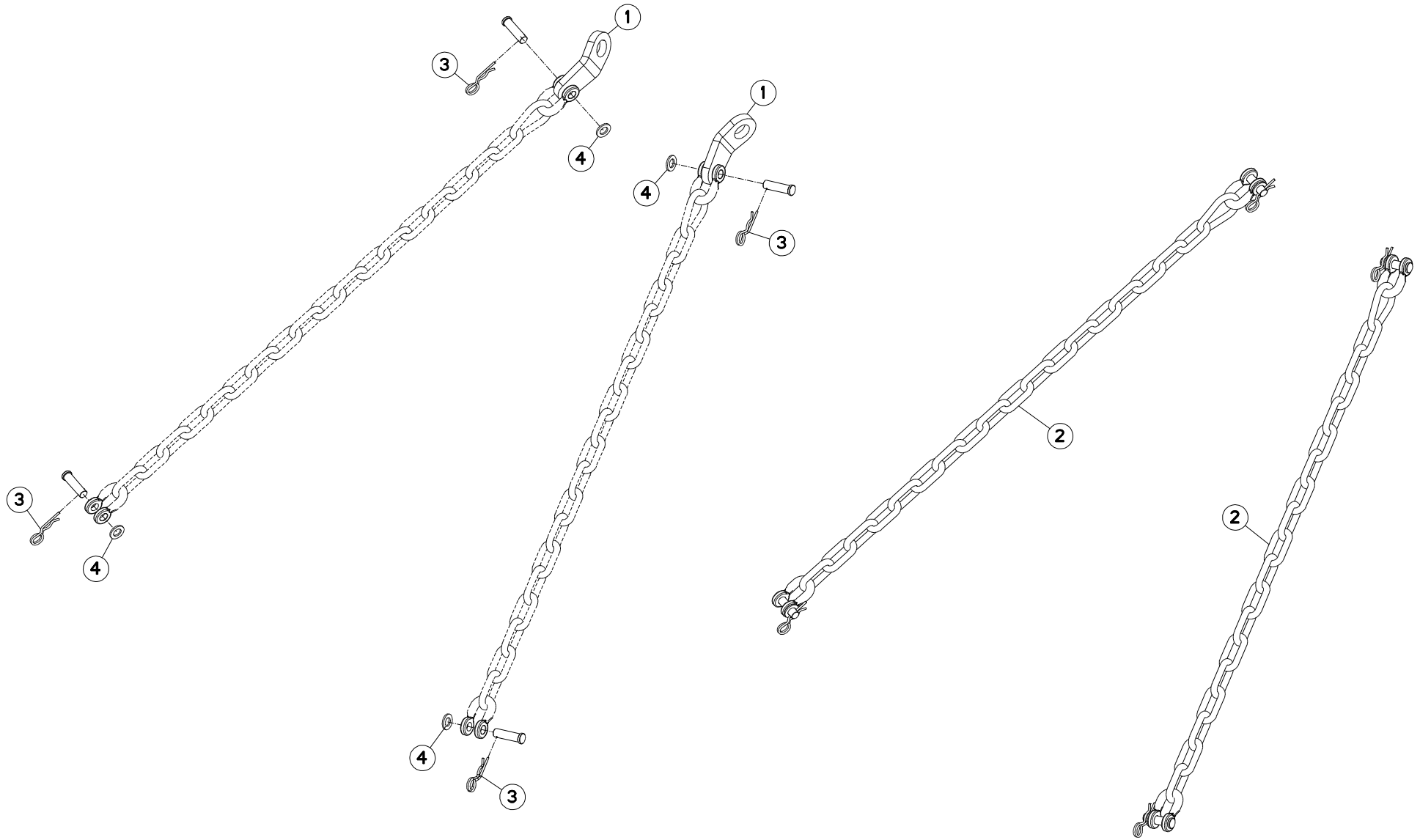
## ATTELAGE

## HITCH

## ANBAUBOCK

## ATTACCO

| Rep | Nr       | Qt  | Designation                   | Description                    | Bezeichnung                 | Referenza                     | Remarque - Remark - Bemerkung - Osservazioni |
|-----|----------|-----|-------------------------------|--------------------------------|-----------------------------|-------------------------------|--|
| 001 | 50017800 | 002 | RONDELLE                      | WASHER                         | SCHEIBE                     | RONDELLA                      |  |
| 002 | 50030600 | 002 | ENTRETOISE                    | SPACER                         | DISTANZHUELSE               | DISTANZIALE                   |  |
| 003 | 50030700 | 002 | BAGUE ROULEE A COLLERETTE     | FLANGED WRAPPED BUSH           | GEROLLTE BUCHSE MIT FLANSCH | ANELLO LUBRIFICATO            |  |
| 004 | 50066000 | 002 | VIS AVEC REVÊTEMENT ADHESIF   | SCREW WITH ADHESIVE COATING    | KLEBE BESCHICHTETE SCHRAUBE | VITE AUTOBLOCCANTE            | 50 daN m (369 lbf ft)                        |
| 005 | 52528500 | 002 | TOURILLON                     | TRUNNION                       | DREHZAPFEN                  | PERNO                         |  |
| 006 | 52801410 | 002 | ENTRETOISE                    | SPACER                         | DISTANZHUELSE               | DISTANZIALE                   |  |
| 007 | 55735610 | 001 | CINTRE                        | CONNECTING TUBE                | VERBINDUNGSROHR             | STAFFA                        |  |
| 008 | 55735700 | 001 | PONT                          | CONNECTING TUBE                | VERBINDUNGSRAHMEN           |                               |  |
| 009 | 80061661 | 002 | VIS TETE HEXAGONALE FE/ZNXC3  | HEXAGON HEAD SCREW FE/ZNXC3    | SECHSKANTSCHRAUBE FE/ZNXC3  | VITE TESTA ESAGONALE FE/ZNXC3 |  |
| 010 | 80201630 | 002 | ECROU HEX.AUTOFREINE FE/ZNXC3 | SELF-LOCKING NUT FE/ZNXC3      | SELBSTSICH.MUTTER FE/ZNXC3  | DADO AUTOBLOCCANTE FE/ZNXC3   | 21 daN m (155 lbf ft)                        |
| 011 | 80281600 | 004 | RONDELLE CONIQUE BLOC.FLZNNC  | CONICAL SPRING WASHER FLZNNC   | SPANNSCHEIBE FLZNNC         | RONDELLA CONICA FLZNNC        |  |
| 012 | 80561155 | 002 | GOUPILLE AUTOMATIQUE          | LINCH PIN                      | KLAPPSTECKER                | SPINA DI FERMO                |  |
| 013 | 80561760 | 002 | GOUPILLE AUTOMATIQUE          | LINCH PIN                      | KLAPPSTECKER                | COPPIGLIA                     |  |
| 014 | 82200804 | 002 | GRAISSEUR A TETE SPHERIQUE    | CURVED GREASER 90 DEGREES M 8X | KEGELSCHMIERNIPPEL          | INGRASSATORE FE/ZNXC3         |  |
| 015 | 83070063 | 004 | LIEN PVC                      | PVC CORD                       | SICHERUNGSBAND              | CAVETTO                       |  |
| 016 | 83030014 | 002 | ARTICULATION ELASTIQUE        | ELASTIC-COUPLING               | ELASTIK-GELENK              | GIUNTO                        |  |





FC353RGC NV

C 0001 &gt; D 0000

K65R0002 A

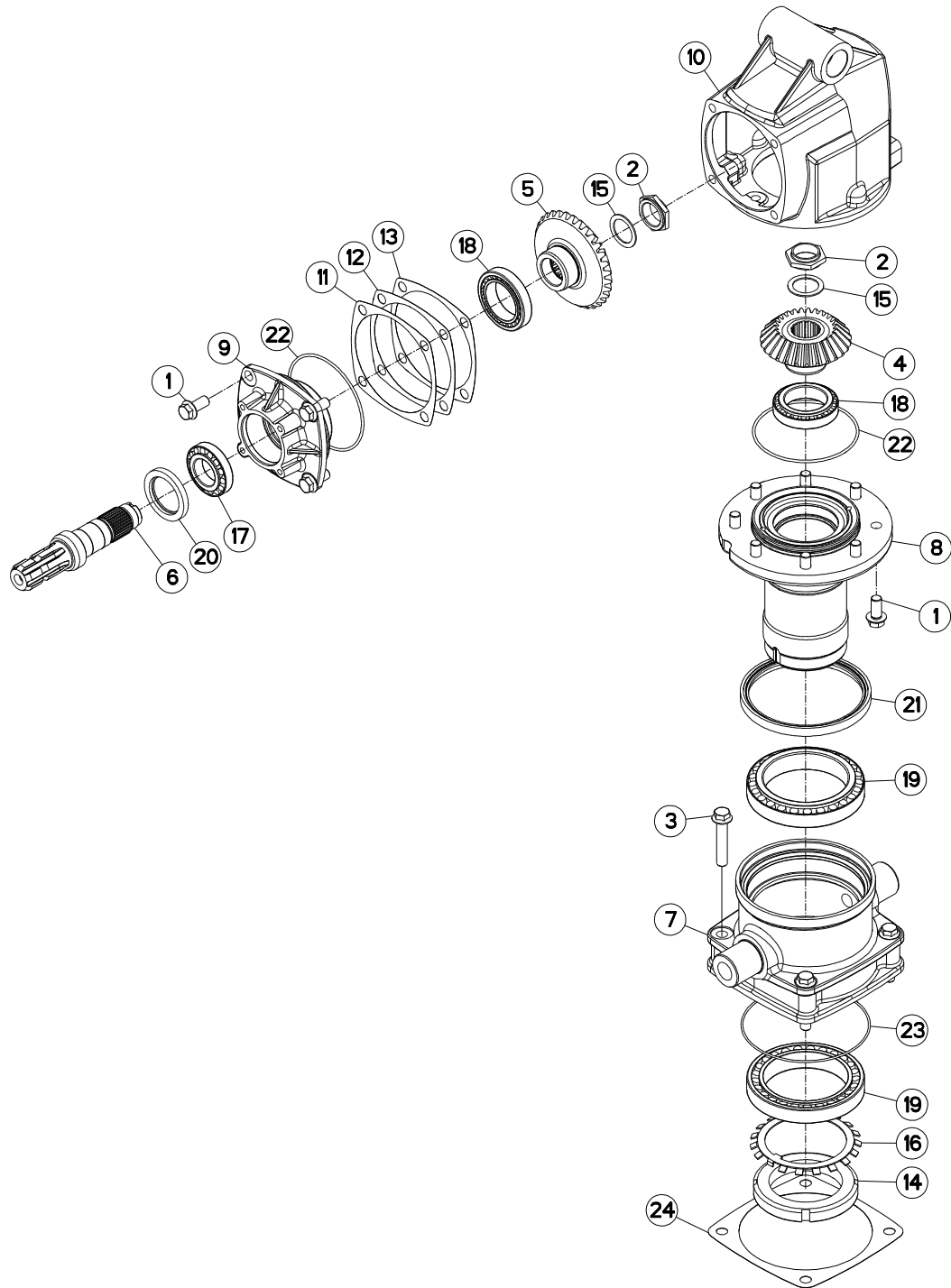
## CHAINES DE LIMITATION

## LIMITER CHAINS

## BEGRENZUNGSKETTEN

## CATENE LIMITAZIONE

| Rep | Nr              | Qt  | Designation             | Description             | Bezeichnung        | Referenza                | Remarque - Remark - Bemerkung - Osservazioni |
|-----|-----------------|-----|-------------------------|-------------------------|--------------------|--------------------------|--|
| 001 | <b>55835710</b> | 002 | PATTE DE RETENUE ZBC    | BRACKET ZBC             | LASCHE ZBC         | FAZZOLETTO               |  |
| 002 | <b>56530110</b> | 002 | CHAINE DE RETENUE       | SUPPORT CHAIN           | KETTE              | CATENA                   | + [1]  |
| 003 | <b>80570476</b> | 004 | GOUPILLE BETA FE/ZN     | SPRING COTTER PIN FE/ZN | FEDERSTECKER FE/ZN | MOLLA FE/ZN              | [1]  |
| 004 | <b>80251624</b> | 004 | RONDELLE PLATE FE/ZNXC3 | PLAIN WASHER M16        | SCHEIBE FE/ZNXC3   | RONDELLA PIATTA FE/ZNXC3 | [1]  |





## CARTER GIRODYNE SUPÉRIEUR

## UPPER GIRODYNE GEARCASE

## GIRODYNE SCHWENKGETRIEBE UNTEN CARTER GIRODYNE SUPERIORE

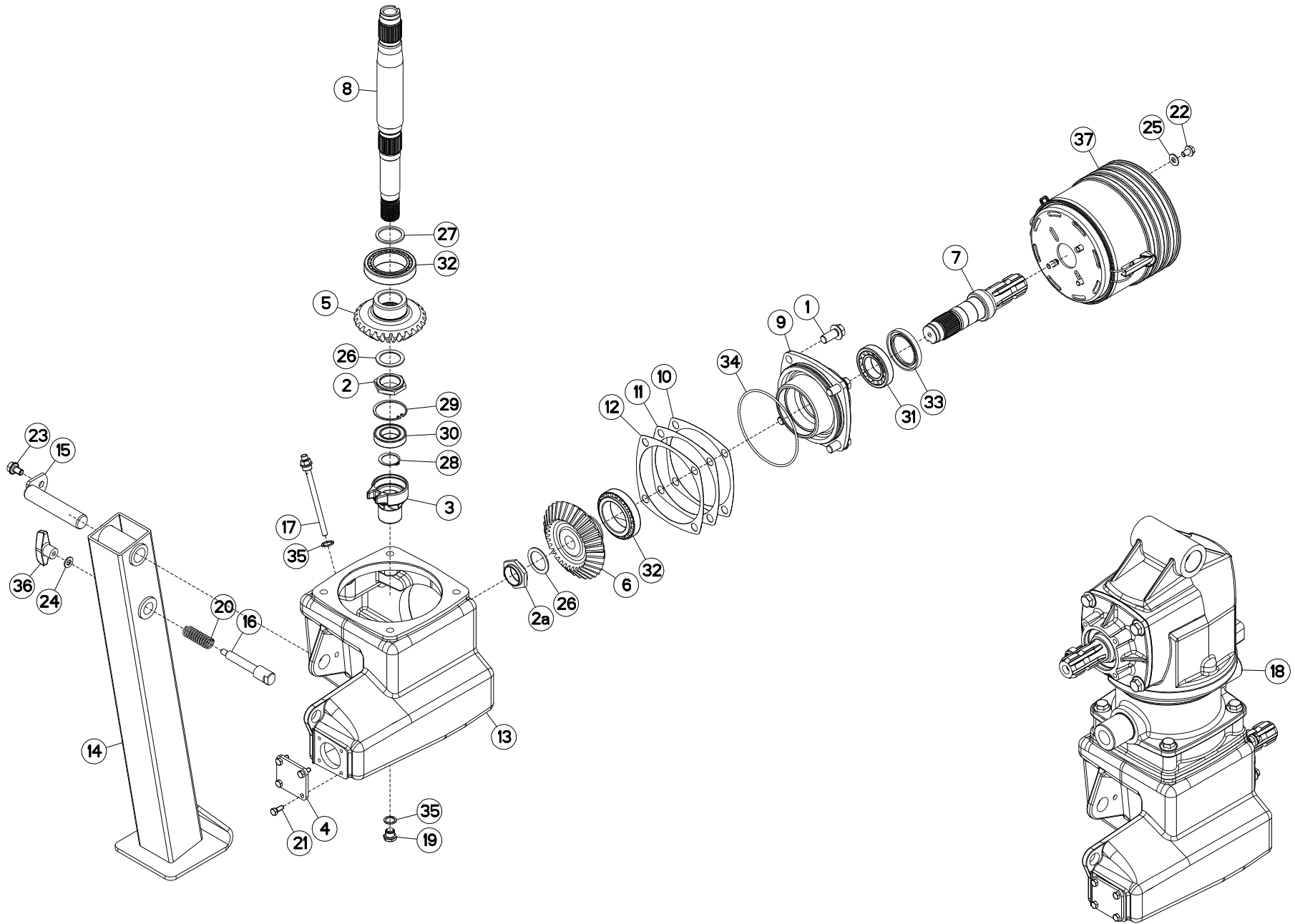
| Rep | Nr       | Qt  | Designation                   | Description            | Bezeichnung              | Referenza          | Remarque - Remark - Bemerkung - Osservazioni |
|-----|----------|-----|-------------------------------|------------------------|--------------------------|--------------------|--|
| 001 | 50007700 | 012 | VIS AUTOFREINEE               | SCREW, SELF-LOCKING    | SELBSTSICHERNDE SCHRAUBE | VITE AUTOBLOCCANTE | [1] 21 daN m (155 lbf ft)                    |
| 002 | 50009900 | 002 | ECROU                         | NUT                    | MUTTER                   | DADO               | [1] *  |
| 003 | 50066100 | 004 | VIS AUTOFREINEE               | SCREW, SELF-LOCKING    | SELBSTSICHERNDE SCHRAUBE | VITE AUTOBLOCCANTE | [1] 21 daN m (155 lbf ft)                    |
| 004 | 55732800 | 001 | PIGNON CONIQUE 27 DENTS       | GEAR WHEEL Z.27        | ZAHNRAD 27 Z.            | PIGNONE            | [1] Z=27                                     |
| 005 | 55732900 | 001 | ROUE CONIQUE 32 DENTS         | GEAR WHEEL Z.32        | ZAHNRAD 32 Z.            | PIGNONE            | [1] Z=32                                     |
| 006 | 55733000 | 001 | ARBRE CANNELE                 | SPLINED SHAFT          | PROFILWELLE              | ALBERO CALETTATO   | [1]  |
| 007 | 55733200 | 001 | BOITIER INTERMEDIAIRE         | INTERMEDIATE HOUSING   | ZWISCHENGEHAEUSE         |                    | [1]  |
| 008 | 55733300 | 001 | FUT DU CARTER SUPERIEUR       | HUB                    | NABE                     |                    | [1]  |
| 009 | 55733410 | 001 | COUVERCLE                     | LID                    | DECKEL                   | COPERCHIO          | [1]  |
| 010 | 55733500 | 001 | CARTER                        | HOUSING                | GEHAEUSE                 | SCATOLA            | [1]  |
| 011 | 55733600 | 001 | CALE DE REGLAGE 0.1           | DISTANCE WASHER 0,1    | DISTANZSCHEIBE 0,1       | SPESSORE           | [1] Q?                                       |
| 012 | 55733700 | 001 | CALE DE REGLAGE 0.3           | DISTANCE WASHER 0,3    | DISTANZSCHEIBE 0,3       | SPESSORE           | [1] Q?                                       |
| 013 | 55733800 | 001 | CALE DE REGLAGE 0.5           | DISTANCE WASHER 0,5    | DISTANZSCHEIBE 0,5       | SPESSORE           | [1] Q?                                       |
| 014 | 80209010 | 001 | ECROU A ENCOCHES              | SLOTTED ROUND NUT      | NUTMUTTER                | GHIERA             | [1] 45 daN m (332 lbf ft)                    |
| 015 | 80254055 | 002 | RONDELLE PLATE                | PLAIN WASHER           | SCHIEBE                  | RONDELLA PIATTA    | [1]  |
| 016 | 80299010 | 001 | RONDELLE-FREIN                | TAB WASHER             | SICHERUNGSBLECH          | RONDELLA-FRENO     | [1]  |
| 017 | 81304585 | 001 | ROULEMENT A ROULEAUX CONIQUES | TAPERED ROLLER BEARING | KEGELROLLENLAGER         | CUSCINETTO A RULLO | [1]  |
| 018 | 81306500 | 002 | ROULEMENT A ROULEAUX CONIQUES | TAPERED ROLLER BEARING | KEGELROLLENLAGER         | CUSCINETTO A RULLI | [1]  |
| 019 | 81309011 | 002 | ROULEMENT A ROULEAUX CONIQUES | TAPERED ROLLER BEARING | KEGELROLLENLAGER         | CUSCINETTO A RULLI | [1]  |
| 020 | 82016086 | 001 | BAGUE D'ETANCHEITE            | OIL SEAL               | RADIALDICHTRING          | PARAOLIO HR        | [1]  |
| 021 | 82019918 | 001 | BAGUE D'ETANCHEITE            | OIL SEAL               | RADIALDICHTRING          | PARAOLIO           | [1]  |
| 022 | 82060048 | 002 | JOINT TORIQUE                 | O-RING                 | O-RING                   | GUARNIZIONE        | [1]  |
| 023 | 82060057 | 001 | JOINT TORIQUE                 | O-RING                 | O-RING                   | GUARNIZIONE        | [1]  |
| 024 | K5609780 | 001 | CALE                          | SHIM                   | DISTANZPLATTE            | SPESSORE           | [1]  |

\* 30 daN m et desserrer de 80°.

\* 221 lbf ft and back off 80°.

\* 30 daN m und lösen um 80°.

\* 30 daN m e svitare di 80°.





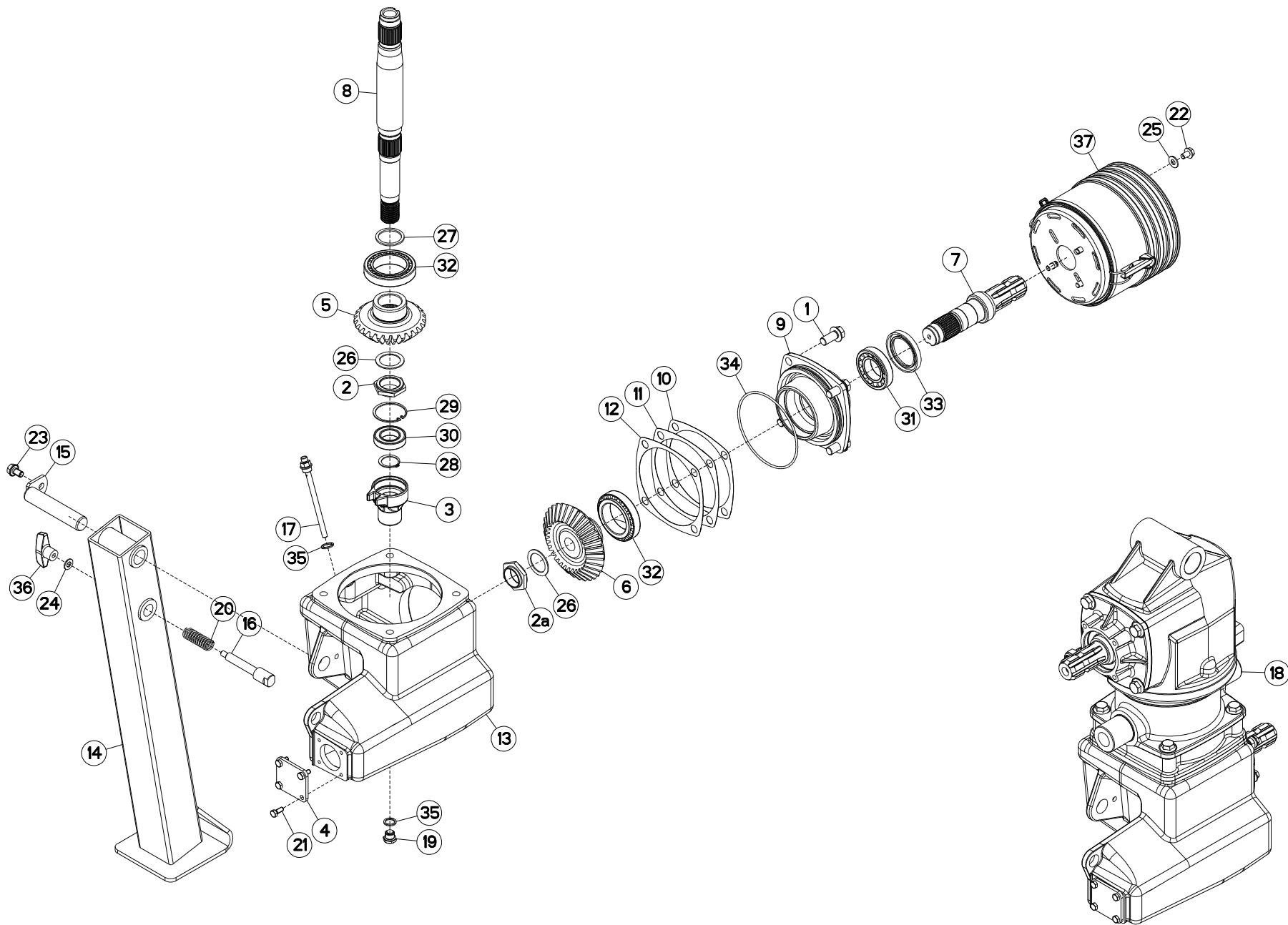
## CARTER GIRODYNE INFÉRIEUR

## LOWER GIRODYNE GEARCASE

## GIRODYNE SCHWENKGETRIEBE OBEN

## CARTER GIRODYNE INFERIORE

| Rep  | Nr       | Qt  | Designation                   | Description                        | Bezeichnung                 | Referenza                     | Remarque - Remark - Bemerkung - Osservazioni |
|------|----------|-----|-------------------------------|------------------------------------|-----------------------------|-------------------------------|--|
| 001  | 50007700 | 004 | VIS AUTOFREINEE               | SCREW, SELF-LOCKING                | SELBSTSICHERNDE SCHRAUBE    | VITE AUTOBLOCCANTE            | [1] 21 daN m (155 lbf ft)                    |
| 002  | 50009900 | 001 | ECROU                         | NUT                                | MUTTER                      | DADO                          | * 1 [1]                                      |
| 002a | 50009900 | 001 | ECROU                         | NUT                                | MUTTER                      | DADO                          | * 2 [1]                                      |
| 003  | 55724700 | 001 | CORPS DE POMPE                | PUMP BODY                          | PUMPENGEHAEUSE              | CORPO                         | [1]  |
| 004  | 55732700 | 001 | COUVERCLE                     | LID                                | DECKEL                      | COPERCHIO                     | [1]  |
| 005  | 55732800 | 001 | PIGNON CONIQUE 27 DENTS       | GEAR WHEEL Z.27                    | ZAHNRAD 27 Z.               | PIGNONE                       | [1] Z=27                                     |
| 006  | 55732900 | 001 | ROUE CONIQUE 32 DENTS         | GEAR WHEEL Z.32                    | ZAHNRAD 32 Z.               | PIGNONE                       | [1] Z=32                                     |
| 007  | 55733000 | 001 | ARBRE CANNELE                 | SPLINED SHAFT                      | PROFILWELLE                 | ALBERO CALETTATO              | [1]  |
| 008  | 55733100 | 001 | ARBRE D'ENTRAINEMENT          | SHAFT, DRIVE                       | ANTRIEBSWELLE               | ALBERO                        | [1]  |
| 009  | 55733410 | 001 | COUVERCLE                     | LID                                | DECKEL                      | COPERCHIO                     | [1]  |
| 010  | 55733600 | 001 | CALE DE REGLAGE 0.1           | DISTANCE WASHER 0,1                | DISTANZSCHEIBE 0,1          | SPESSORE                      | Q? [1]                                       |
| 011  | 55733700 | 001 | CALE DE REGLAGE 0.3           | DISTANCE WASHER 0,3                | DISTANZSCHEIBE 0,3          | SPESSORE                      | Q? [1]                                       |
| 012  | 55733800 | 001 | CALE DE REGLAGE 0.5           | DISTANCE WASHER 0,5                | DISTANZSCHEIBE 0,5          | SPESSORE                      | Q? [1]                                       |
| 013  | 55733910 | 001 | CARTER                        | HOUSING                            | GEHAEUSE                    | SCATOLA                       | [1]  |
| 014  | 55736510 | 001 | BEQUILLE                      | STAND                              | STAENDER                    | SUPPORTO                      |  |
| 015  | 55736610 | 001 | AXE                           | PIN                                | ACHSE                       | ASSE                          |  |
| 016  | 55736700 | 001 | VERROU                        | LATCH                              | RIEGEL                      | LEVA                          |  |
| 017  | 55764900 | 001 | RENIFLARD-JAUGE               | BREATHER W/ GAUGE                  | ENTLUEFTUNG/MESSSTAB        | ASTINA                        | [1]  |
| 018  | 55780320 | 001 | TETE                          | SWINGING HEAD GEARBOX              | SCHWENKKOPFGETRIEBE         | SCATOLA                       | * 3 [1]                                      |
| 019  | 56145700 | 001 | BOUCHON MAGNETIQUE            | PLUG, MAGNETIC                     | MAGNET-VERSCHLUSSSCHRAUBE   | TAPPO CALAMITATO              | [1]  |
| 020  | 58722600 | 001 | RESSORT DE PRESSION           | PRESSURE SPRING                    | FEDER                       | MOLLA                         | [1]  |
| 021  | 80060820 | 004 | VIS TETE HEXAGONALE FE/ZNXC3  | HEXAGON HEAD SCREW FE/ZNXC3        | SECHSKANTSCHRAUBE FE/ZNXC3  | VITE TESTA ESAGONALE FE/ZNXC3 | [1] 2,5 daN m (19 lbf ft)                    |
| 022  | 80131017 | 004 | VIS AUTOBLOQUANTE FLZNNC      | UNDERSERR.S-LOC.SCREW FLZNNC       | SPERRZAHN-BUNDSCHRAU.FLZNNC | VITE FLZNNC                   | 4 daN m (30 lbf ft)                          |
| 023  | 80131220 | 001 | VIS AUTOBLOQUANTE FLZNNC      | UNDERSERR.S-LOC.SCREW FLZNNC       | SPERRZAHN-BUNDSCHRAU.FLZNNC | VITE FLZNNC                   |  |
| 024  | 80251021 | 001 | RONDELLE PLATE FE/ZNXC3       | PLAIN WASHER M10                   | SCHEIBE FE/ZNXC3            | RONDELLA PIATTA FE/ZNXC3      |  |
| 025  | 80251176 | 004 | RONDELLE PLATE FE/ZNXC3       | PLAIN WASHER FE/ZNXC3              | SCHEIBE FE/ZNXC3            | RONDELLA PIATTA FE/ZNXC3      |  |
| 026  | 80254055 | 002 | RONDELLE PLATE                | PLAIN WASHER                       | SCHEIBE                     | RONDELLA PIATTA               | [1]  |
| 027  | 80254552 | 001 | RONDELLE D'APPUI              | SUPPORTING RING                    | STUETZSCHEIBE               | RONDELLA DI SPINTA            | [1]  |
| 028  | 80583500 | 001 | CIRCLIP EXTERIEUR             | ELASTIC RING E 35                  | SICHERUNGSRING              | ANELLO                        | [1]  |
| 029  | 80596200 | 001 | CIRCLIP INTERIEUR             | ELASTIC RING I 62                  | SICHERUNGSRING              | ANELLO                        | [1]  |
| 030  | 81003566 | 001 | ROULEMENT A BILLES            | BALL BEARING                       | KUGELLAGER                  | CUSCINETTO A SFERE            | [1]  |
| 031  | 81304585 | 001 | ROULEMENT A ROULEAUX CONIQUES | TAPERED ROLLER BEARING             | KEGELROLLENLAGER            | CUSCINETTO A RULLO            | [1]  |
| 032  | 81306500 | 002 | ROULEMENT A ROULEAUX CONIQUES | TAPERED ROLLER BEARING             | KEGELROLLENLAGER            | CUSCINETTO A RULLI            | [1]  |
| 033  | 82016086 | 001 | BAGUE D'ETANCHEITE            | OIL SEAL                           | RADIALDICHTRING             | PARAOILIO HR                  | [1]  |
| 034  | 82060048 | 001 | JOINT TORIQUE                 | O-RING                             | O-RING                      | GUARNIZIONE                   | [1]  |
| 035  | 82131824 | 002 | JOINT CUIVRE                  | SEALING RING                       | DICHTRING                   | RONDELLA RAME                 | [1]  |
| 036  | 83050010 | 001 | POIGNEE                       | HANDLE                             | HANDGRIFF                   | MANIGLIA                      |  |
| 037  | 4821000  | 001 | BOL DE PROTECTION CPLT        | GUARD CONE CPLT                    | SCHUTZTRICHTER KPLT         | CONTROCUFFIA COMPLETA         |  |
|      |          |     |                               | * 1) 50 daN m                      |                             |                               |  |
|      |          |     |                               | * 1) 369 lbf ft                    |                             |                               |  |
|      |          |     |                               | * 1) 50 daN m                      |                             |                               |  |
|      |          |     |                               | * 1) 50 daN m                      |                             |                               |  |
|      |          |     |                               | * 2) 30 daN m et desserrer de 80°. |                             |                               |  |
|      |          |     |                               | * 2) 221 lbf ft and back off 80°.  |                             |                               |  |
|      |          |     |                               | * 2) 30 daN m und lösen um 80°.    |                             |                               |  |
|      |          |     |                               | * 2) 30 daN m e svitare di 80°.    |                             |                               |  |







FC353RGC NV

C 0001 > D 0000

K56R0035 A

CARTER GIRODYNE INFÉRIEUR

LOWER GIRODYNE GEARCASE

GIRODYNE SCHWENKGETRIEBE OBEN

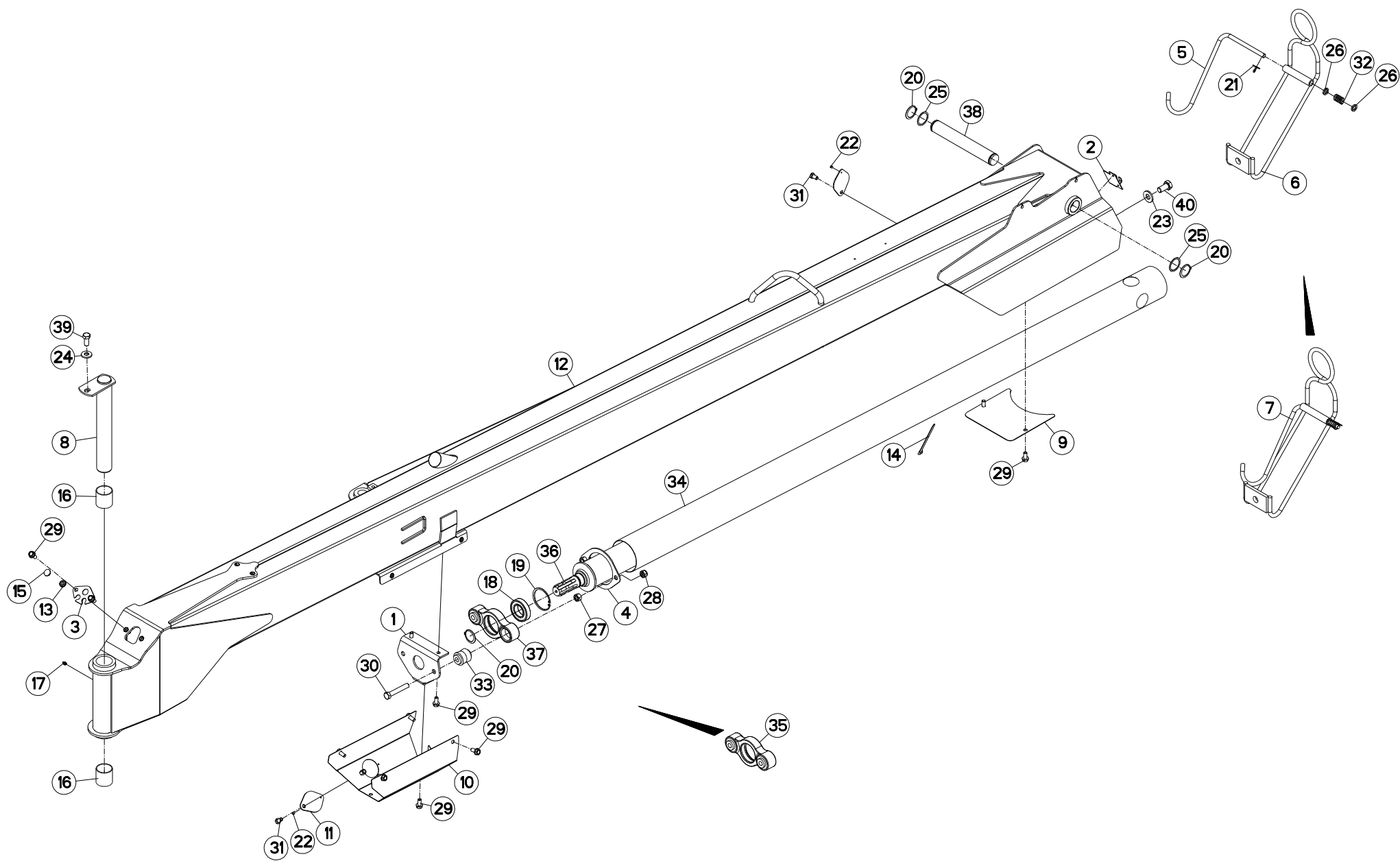
CARTER GIRODYNE INFERIORE

| Rep | Nr | Qt | Designation | Description | Bezeichnung | Referenza | Remarque - Remark - Bemerkung - Osservazioni |
|-----|----|----|-------------|-------------|-------------|-----------|--|
|-----|----|----|-------------|-------------|-------------|-----------|--|

\* 3)Collection comprenant le groupe de pièces [1] "CARTER GIRODYNE SUPERIEURE" et le groupe de pièces [1] "CARTER GIRODYNE INFERIEUR"

\* 3)Kit comprising the parts, marked [1] in remark section,of page "SWIVEL HEAD UPPER" and the parts, marked [1] in remark section of page "SWIVELD LOWER".

\* 3)Satz bestehend aus den Teilen [1] Teilegruppe "SCHWENKKOPF GIRODYNE OBEN" und den Teilen [1] der Teilegruppe "SCHWENKKOPF GIRODYNE UNTEN".





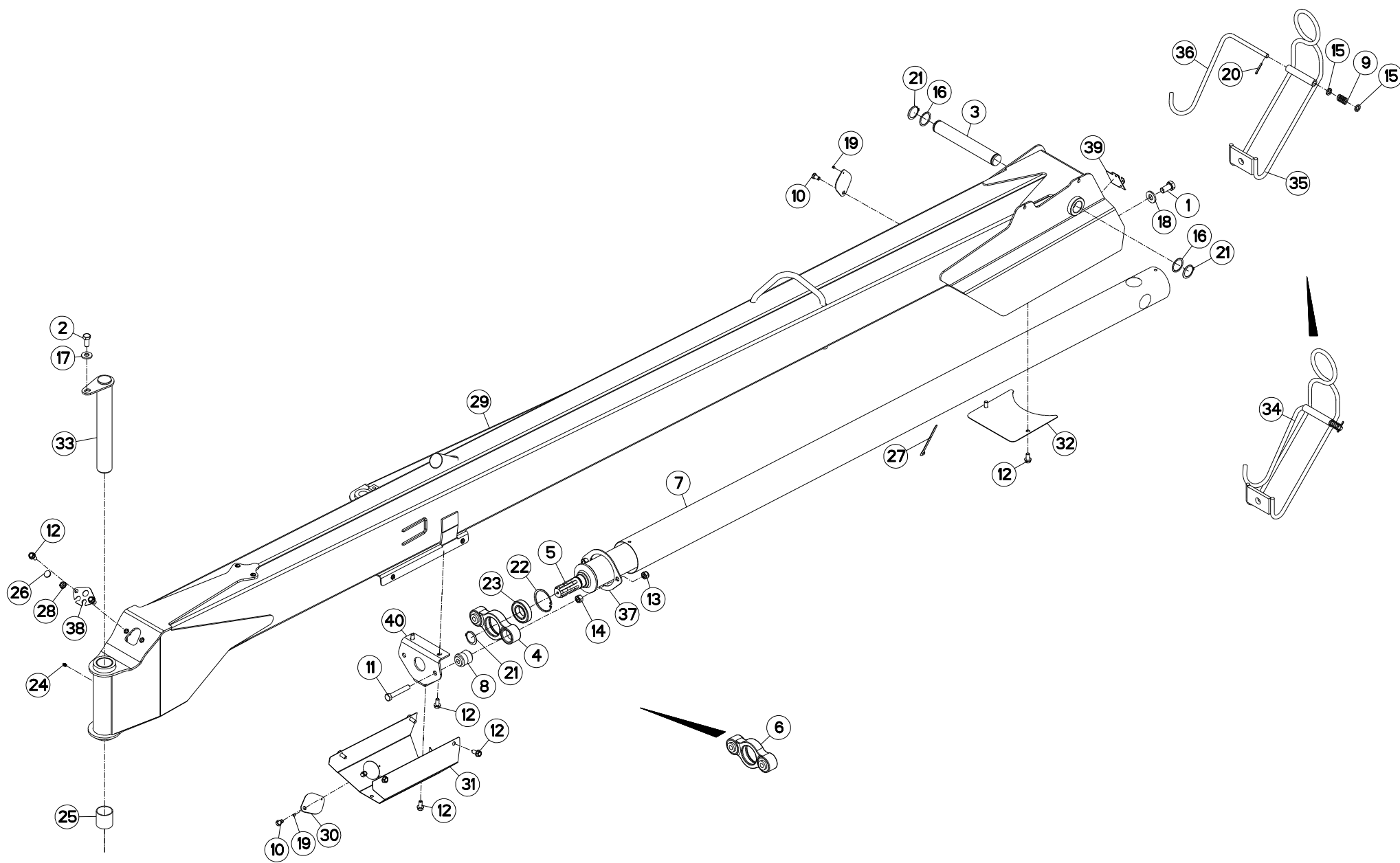
## TIMON GIRODYNE

## GYRODINE HITCH DRAWBAR

## ZUGDEICHSEL GIRODYNE

## BARRA DI ATTACCO GIRODYNE

| Rep | Nr       | Qt  | Designation                   | Description                    | Bezeichnung                    | Referenza                     | Remarque - Remark - Bemerkung - Osservazioni |
|-----|----------|-----|-------------------------------|--------------------------------|--------------------------------|-------------------------------|--|
| 001 | K5609440 | 001 | SUPPORT                       | SUPPORT                        | TRAEGER                        | SUPPORTO                      |  |
| 002 | K5608700 | 001 | SUPPORT                       | SUPPORT                        | TRAEGER                        | SUPPORTO                      |  |
| 003 | K5607190 | 001 | PLAQUETTE                     | PLAQUE                         | PLATTE                         | PIASTRINA                     |  |
| 004 | K5605970 | 001 | GOUSSET                       | GUSSET                         | BEFESTIGUNGSBLECH              | BRACCIOLO FISSAGGIO           |  |
| 005 | K5601230 | 001 | SUPPORT DE TRANSMISSION       | PTO-S.HAFT SUPPORT             | GELENKWELLENHALTERUNG          | SUPPORTO                      | [2]  |
| 006 | K5601220 | 001 | SUPPORT DE TRANSMISSION       | PTO-S.HAFT SUPPORT             | GELENKWELLENHALTERUNG          | SUPPORTO                      | [2]  |
| 007 | K5601210 | 001 | SUPPORT                       | SUPPORT                        | TRAEGER                        | SUPPORTO                      | + [2]  |
| 008 | K5601161 | 001 | AXE                           | PIN                            | ACHSE                          | ASSE                          |  |
| 009 | K5600590 | 001 | COUVERCLE COTE GIRODYNE       | COVER                          | DECKEL                         | COPERCHIO                     |  |
| 010 | K5600490 | 001 | PROTECTEUR DE TRANSMISSION    | PTO SHAFT GUARD                | GELENKWELLENSCHUTZ             | PROTEZIONE                    |  |
| 011 | K5600450 | 002 | OBTURATEUR                    | COVER                          | DECKEL                         | OTTURATORE                    |  |
| 012 | K5600303 | 001 | TIMON                         | TONGUE                         | ZUGDEICHSEL                    | TIMONE                        |  |
| 013 | 83200808 | 001 | PASSE FIL                     | RUBBER PASS WIRE               | GUMMI-TUELLE                   | PASSAFILO                     |  |
| 014 | 83090086 | 001 | COLLIER PLASTIQUE             | CABLE TIE PLASTIC              | KABELBINDER PLASTIK            | FASCETTA                      |  |
| 015 | 83040158 | 001 | BOUCHON D'OBTURATION          | END PLUG                       | VERSCHLUSSSTOPFEN              | TAPPO DI CHIUSURA             |  |
| 016 | 83015562 | 002 | BAGUE ROULEE                  | WRAPPED BUSH                   | GEROLLTE BUCHSE                | ANELLO LUBRIFICATO            |  |
| 017 | 82200800 | 001 | GRAISSEUR A TETE SPHERIQUE    | GRESE NIPPLE B M8X1,25         | KEGELSCHMIERNIPPEL             | INGRASSATORE FE/ZNXC3         |  |
| 018 | 81004587 | 001 | ROULEMENT A BILLES            | BALL BEARING                   | KUGELLAGER                     | CUSCINETTO A SFERE            |  |
| 019 | 80598500 | 001 | CIRCLIP INTERIEUR             | RETAINING RING                 | SICHERUNGSRING                 | ANELLO                        |  |
| 020 | 80584500 | 003 | CIRCLIP EXTERIEUR             | RETAINING RING                 | SICHERUNGSRING                 | ANELLO                        |  |
| 021 | 80500432 | 001 | GOUPILLE FENDUE FE/ZNXC3      | PIN DIN94 3-16" X 1.1-4"       | SPLINT FE/ZNXC3                | COPPIGLIA FE/ZNXC3            | [2]  |
| 022 | 80370408 | 002 | RIVET CLOU ALU                | BLIND RIVET                    | BLINDNIETE                     | RIVETTO                       |  |
| 023 | 80282045 | 002 | RONDELLE RESSORT FLZNNC       | CONICAL SPRING WASHER FLZNNC   | SPANNSCHEIBE FLZNNC            | RONDELLA A MOLLA FLZNNC       |  |
| 024 | 80281639 | 001 | RONDELLE RESSORT FLZNNC       | CONICAL SPRING WASHER FLZNNC   | SPANNSCHEIBE FLZNNC            | RONDELLA A MOLLA FLZNNC       |  |
| 025 | 80254556 | 004 | RONDELLE D'AJUSTAGE PS 1,0    | SHIM RING PS 1,0               | PASSSCHEIBE PS 1,0             | SPESSORE                      | Q?   |
| 026 | 80251625 | 002 | RONDELLE PLATE FE/ZNXC3       | PLAIN WASHER FE/ZNXC3          | SCHEIBE FE/ZNXC3               | RONDELLA PIATTA FE/ZNXC3      | [2]  |
| 027 | 80201670 | 002 | ECROU HEXAGONAL FE/ZNXC3      | NUT FE/ZNXC3                   | SECHSKANTMUTTER FE/ZNXC3       | DADO FE/ZNXC3                 |  |
| 028 | 80201640 | 002 | ECROU HEX.BAS AUTOFR.FE/ZNXC3 | SELF-LOCKING NUT M16 DIN 985 B | SELBSTSICHERND.MUTTER FE/ZNXC3 | DADO AUTOBLOCCANTE FE/ZNXC3   |  |
| 029 | 80131225 | 011 | VIS AUTOBLOQUANTE FLZNNC      | UNDERSERR.S-LOC.SCREW FLZNNC   | SPERRZAHN-BUNDSCHRAU.FLZNNC    | VITE FLZNNC                   | 8,5 daN m (63 lbf ft)                        |
| 030 | 80061661 | 002 | VIS TETE HEXAGONALE FE/ZNXC3  | HEXAGON HEAD SCREW FE/ZNXC3    | SECHSKANTSCHRAUBE FE/ZNXC3     | VITE TESTA ESAGONALE FE/ZNXC3 |  |
| 031 | 80061220 | 002 | VIS TETE HEXAGONALE FLZNNC    | HEX BOLT M12X20 CL 5.8 DIN933  | SECHSKANTSCHRAUBE FLZNNC       | VITE TESTA ESAGONALE FLZNNC   |  |
| 032 | 57525600 | 001 | RESSORT DE PRESSION ZBC       | PRESSURE SPRING                | DRUCKFEDER                     | MOLLA DI PRESSIONE            | [2]  |
| 033 | 56568500 | 002 | ARTICULATION ELASTIQUE        | ELASTIC-COUPLING               | ELASTIK-GELENK                 | SNODO ELASTICO                | [1]  |
| 034 | 55820000 | 001 | PROTECTEUR                    | GUARD                          | SCHUTZ                         | PROTEZIONE                    |  |
| 035 | 55819400 | 001 | PALIER COMPLET                | HOUSING                        | LAGERGEHAEUSE                  | SUPPORTO                      | + [1]  |
| 036 | 55819210 | 001 | TRANSMISSION                  | PTO-SHAFT                      | GELENKWELLE                    | CARDANO                       |  |
| 037 | 55817600 | 001 | PALIER                        | BEARING, PILLOW BLOCK          | LAGER                          | SUPPORTO                      | [1]  |
| 038 | 55700610 | 001 | AXE VERROUILLAGE GIRODYNE     | PIN                            | BOLZEN                         | ASSE                          |  |
| 039 | 50068400 | 001 | VIS AVEC REVÊTEMENT ADHESIF   | SCREW WITH ADHESIVE COATING    | KLEBE BESCHICHTETE SCHRAUBE    | VITE FLZNNC                   |  |
| 040 | 50065800 | 002 | VIS AVEC REVÊTEMENT ADHESIF   | SCREW WITH ADHESIVE COATING    | KLEBE BESCHICHTETE SCHRAUBE    | VITE AUTOBLOCCANTE            |  |





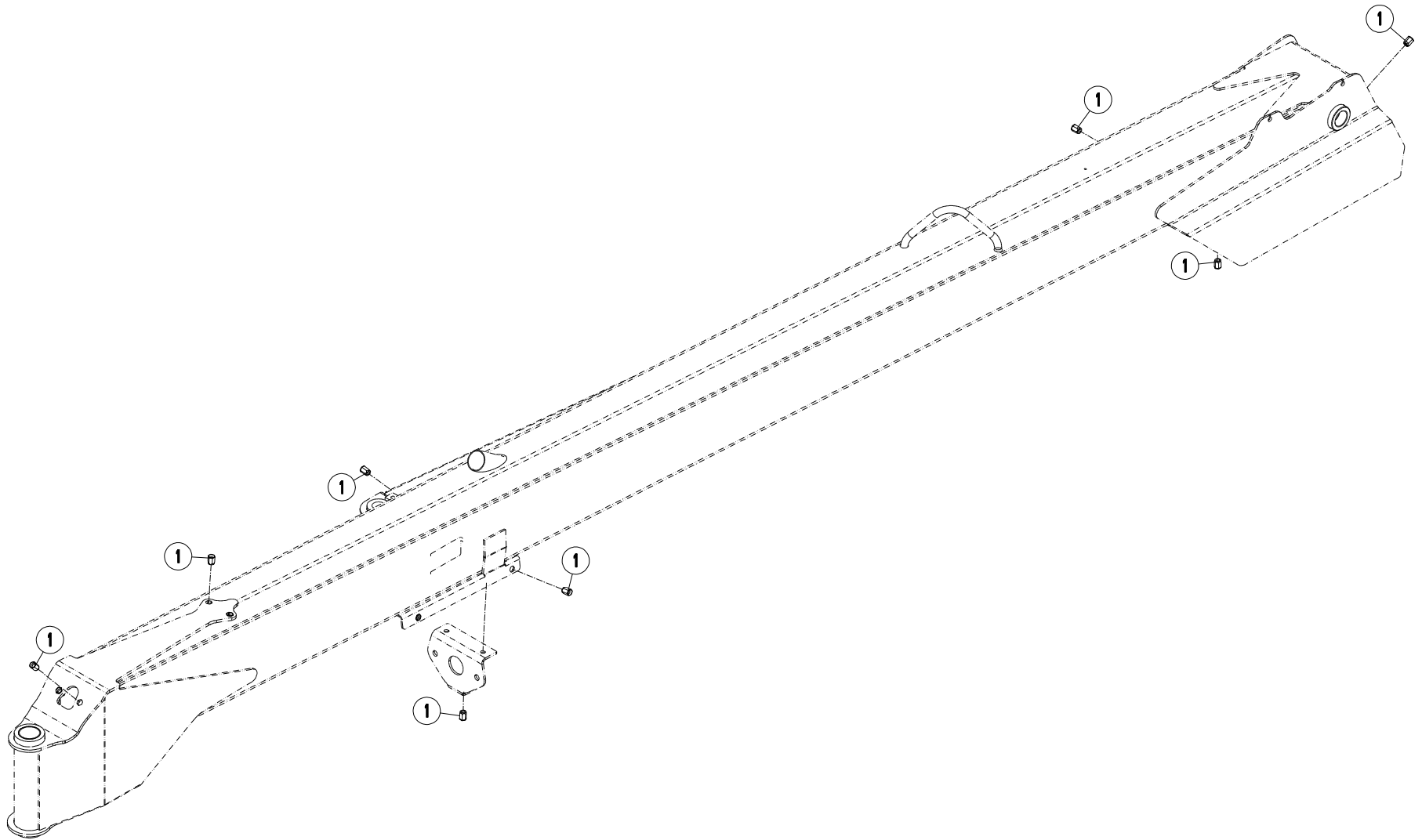
## TIMON GIRODYNE

## GYRODINE HITCH DRAWBAR

## ZUGDEICHSEL GIRODYNE

## BARRA DI ATTACCO GIRODYNE

| Rep | Nr       | Qt  | Designation                   | Description                    | Bezeichnung                    | Referenza                     | Remarque - Remark - Bemerkung - Osservazioni |
|-----|----------|-----|-------------------------------|--------------------------------|--------------------------------|-------------------------------|--|
| 001 | 50065800 | 002 | VIS AVEC REVÊTEMENT ADHESIF   | SCREW WITH ADHESIVE COATING    | KLEBE BESCHICHTETE SCHRAUBE    | VITE AUTOBLOCCANTE            |  |
| 002 | 50068400 | 001 | VIS AVEC REVÊTEMENT ADHESIF   | SCREW WITH ADHESIVE COATING    | KLEBE BESCHICHTETE SCHRAUBE    | VITE FLZNNC                   |  |
| 003 | 55700610 | 001 | AXE VERROUILLAGE GIRODYNE     | PIN                            | BOLZEN                         | ASSE                          |  |
| 004 | 55817600 | 001 | PALIER                        | BEARING, PILLOW BLOCK          | LAGER                          | SUPPORTO                      | [1]  |
| 005 | 55819210 | 001 | TRANSMISSION                  | PTO-SHAFT                      | GELENKWELLE                    | CARDANO                       |  |
| 006 | 55819400 | 001 | PALIER COMPLET                | HOUSING                        | LAGERGEHAEUSE                  | SUPPORTO                      | + [1]  |
| 007 | 55820000 | 001 | PROTECTEUR                    | GUARD                          | SCHUTZ                         | PROTEZIONE                    |  |
| 008 | 56568500 | 002 | ARTICULATION ELASTIQUE        | ELASTIC-COUPLING               | ELASTIK-GELENK                 | SNODO ELASTICO                | [1]  |
| 009 | 57525600 | 001 | RESSORT DE PRESSION ZBC       | PRESSURE SPRING                | DRUCKFEDER                     | MOLLA DI PRESSIONE            | [2]  |
| 010 | 80061220 | 002 | VIS TETE HEXAGONALE FLZNNC    | HEX BOLT M12X20 CL 5.8 DIN933  | SECHSKANTSCHRAUBE FLZNNC       | VITE TESTA ESAGONALE FLZNNC   |  |
| 011 | 80061661 | 002 | VIS TETE HEXAGONALE FE/ZNXC3  | HEXAGON HEAD SCREW FE/ZNXC3    | SECHSKANTSCHRAUBE FE/ZNXC3     | VITE TESTA ESAGONALE FE/ZNXC3 |  |
| 012 | 80131225 | 011 | VIS AUTOBLOQUANTE FLZNNC      | UNDERSERR.S-LOC.SCREW FLZNNC   | SPERRZAHN-BUNDSCHRAU.FLZNNC    | VITE FLZNNC                   | 8,5 daN m (63 lbf ft)                        |
| 013 | 80201640 | 002 | ECROU HEX.BAS AUTOFR.FE/ZNXC3 | SELF-LOCKING NUT M16 DIN 985 B | SELBSTSICHERND.MUTTER FE/ZNXC3 | DADO AUTOBLOCCANTE FE/ZNXC3   |  |
| 014 | 80201670 | 002 | ECROU HEXAGONAL FE/ZNXC3      | NUT FE/ZNXC3                   | SECHSKANTMUTTER FE/ZNXC3       | DADO FE/ZNXC3                 |  |
| 015 | 80251625 | 002 | RONDELLE PLATE FE/ZNXC3       | PLAIN WASHER FE/ZNXC3          | SCHIBE FE/ZNXC3                | RONDELLA PIATTA FE/ZNXC3      | [2]  |
| 016 | 80254556 | 002 | RONDELLE D'AJUSTAGE PS 1,0    | SHIM RING PS 1,0               | PASSSCHEIBE PS 1,0             | SPESSORE                      | Q?   |
| 017 | 80281639 | 001 | RONDELLE RESSORT FLZNNC       | CONICAL SPRING WASHER FLZNNC   | SPANNSCHEIBE FLZNNC            | RONDELLA A MOLLA FLZNNC       |  |
| 018 | 80282045 | 002 | RONDELLE RESSORT FLZNNC       | CONICAL SPRING WASHER FLZNNC   | SPANNSCHEIBE FLZNNC            | RONDELLA A MOLLA FLZNNC       |  |
| 019 | 80370408 | 002 | RIVET CLOU ALU                | BLIND RIVET                    | BLINDNIETE                     | RIVETTO                       |  |
| 020 | 80500432 | 001 | GOUPILLE FENDUE FE/ZNXC3      | PIN DIN94 3-16" X 1.1-4"       | SPLINT FE/ZNXC3                | COPPIGLIA FE/ZNXC3            | [2]  |
| 021 | 80584500 | 003 | CIRCLIP EXTERIEUR             | RETAINING RING                 | SICHERUNGSRING                 | ANELLO                        |  |
| 022 | 80598500 | 001 | CIRCLIP INTERIEUR             | RETAINING RING                 | SICHERUNGSRING                 | ANELLO                        |  |
| 023 | 81004587 | 001 | ROULEMENT A BILLES            | BALL BEARING                   | KUGELLAGER                     | CUSCINETTO A SFERE            |  |
| 024 | 82200800 | 001 | GRAISSEUR A TETE SPHERIQUE    | GRESE NIPPLE B M8X1,25         | KEGELSCHMIERNIPPEL             | INGRASSATORE FE/ZNXC3         |  |
| 025 | 83015562 | 002 | BAGUE ROULEE                  | WRAPPED BUSH                   | GEROLLTE BUCHSE                | ANELLO LUBRIFICATO            |  |
| 026 | 83040158 | 001 | BOUCHON D'OBTURATION          | END PLUG                       | VERSCHLUSSSTOPFEN              | TAPPO DI CHIUSURA             |  |
| 027 | 83090086 | 002 | COLLIER PLASTIQUE             | CABLE TIE PLASTIC              | KABELBINDER PLASTIK            | FASCETTA                      |  |
| 028 | 83200808 | 001 | PASSE FIL                     | RUBBER PASS WIRE               | GUMMI-TUELLE                   | PASSAFILO                     |  |
| 029 | K5600304 | 001 | TIMON                         | TONGUE                         | ZUGDEICHSEL                    | TIMONE                        |  |
| 030 | K5600450 | 002 | OBTURATEUR                    | COVER                          | DECKEL                         | OTTURATORE                    |  |
| 031 | K5600490 | 001 | PROTECTEUR DE TRANSMISSION    | PTO SHAFT GUARD                | GELENKWELLENSCHUTZ             | PROTEZIONE                    |  |
| 032 | K5600590 | 001 | COUVERCLE COTE GIRODYNE       | COVER                          | DECKEL                         | COPERCHIO                     |  |
| 033 | K5601161 | 001 | AXE                           | PIN                            | ACHSE                          | ASSE                          |  |
| 034 | K5601210 | 001 | SUPPORT                       | SUPPORT                        | TRAEGER                        | SUPPORTO                      | + [2]  |
| 035 | K5601220 | 001 | SUPPORT DE TRANSMISSION       | PTO-S.HAFT SUPPORT             | GELENKWELLENHALTERUNG          | SUPPORTO                      | [2]  |
| 036 | K5601230 | 001 | SUPPORT DE TRANSMISSION       | PTO-S.HAFT SUPPORT             | GELENKWELLENHALTERUNG          | SUPPORTO                      | [2]  |
| 037 | K5605970 | 001 | GOUSSET                       | GUSSET                         | BEFESTIGUNGSBLECH              | BRACCIOLO FISSAGGIO           |  |
| 038 | K5607190 | 001 | PLAQUETTE                     | PLAQUE                         | PLATTE                         | PIASTRINA                     |  |
| 039 | K5608700 | 001 | SUPPORT                       | SUPPORT                        | TRAEGER                        | SUPPORTO                      |  |
| 040 | K5609440 | 001 | SUPPORT                       | SUPPORT                        | TRAEGER                        | SUPPORTO                      |  |





FC353RGC NV

C 0001 > D 0000

K56R0154 B

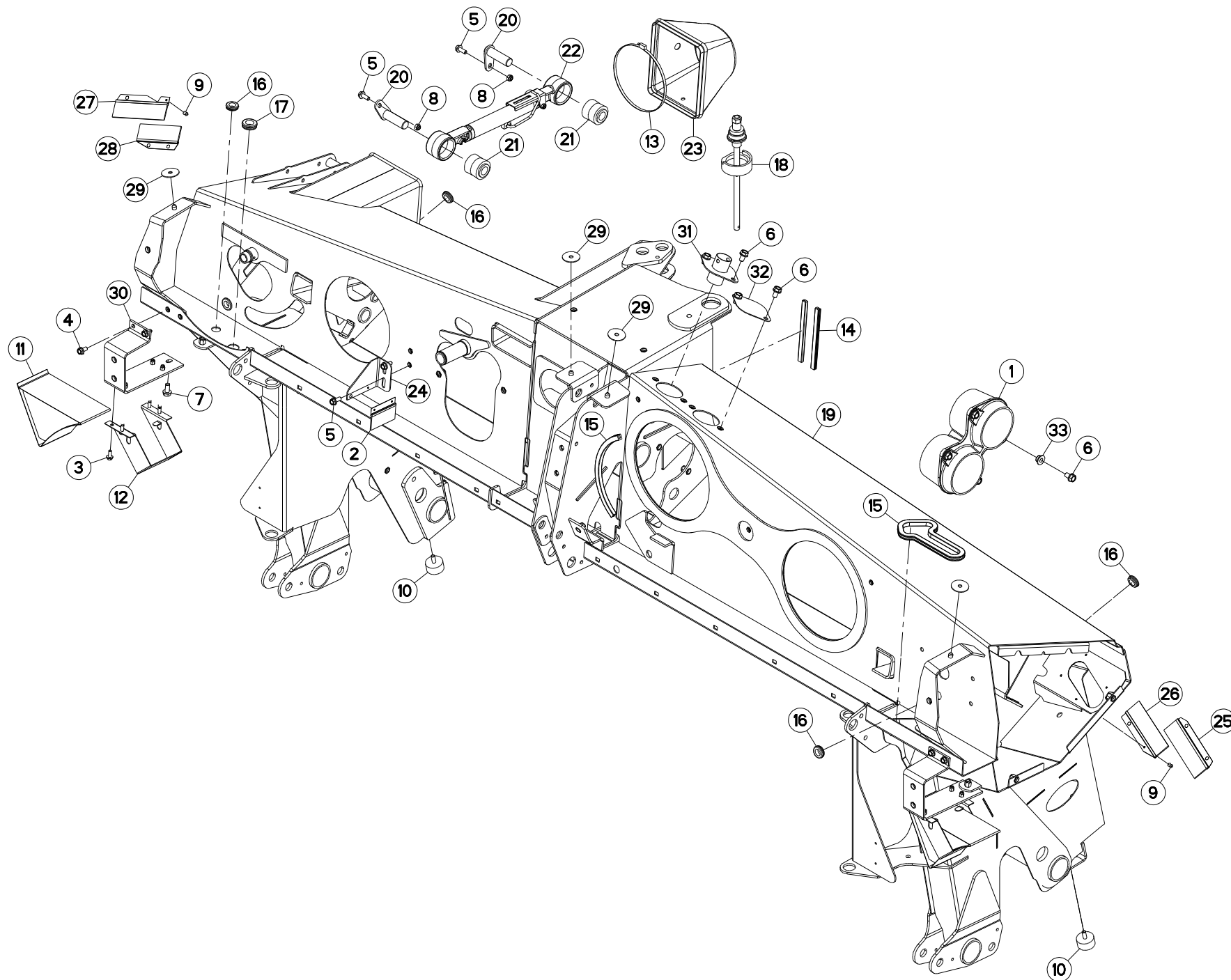
TIMON GIRODYNE

GYRODINE HITCH DRAWBAR

ZUGDEICHSEL GIRODYNE

BARRA DI ATTACCO GIRODYNE

| Rep | Nr       | Qt  | Designation             | Description        | Bezeichnung            | Referenza     | Remarque - Remark - Bemerkung - Osservazioni |
|-----|----------|-----|-------------------------|--------------------|------------------------|---------------|--|
| 001 | 80201291 | 014 | ECROU A SERTIR FE/ZNXC3 | CRIMP NUT FE/ZNXC3 | EINNIETMUTTER FE/ZNXC3 | DADO FE/ZNXC3 |  |







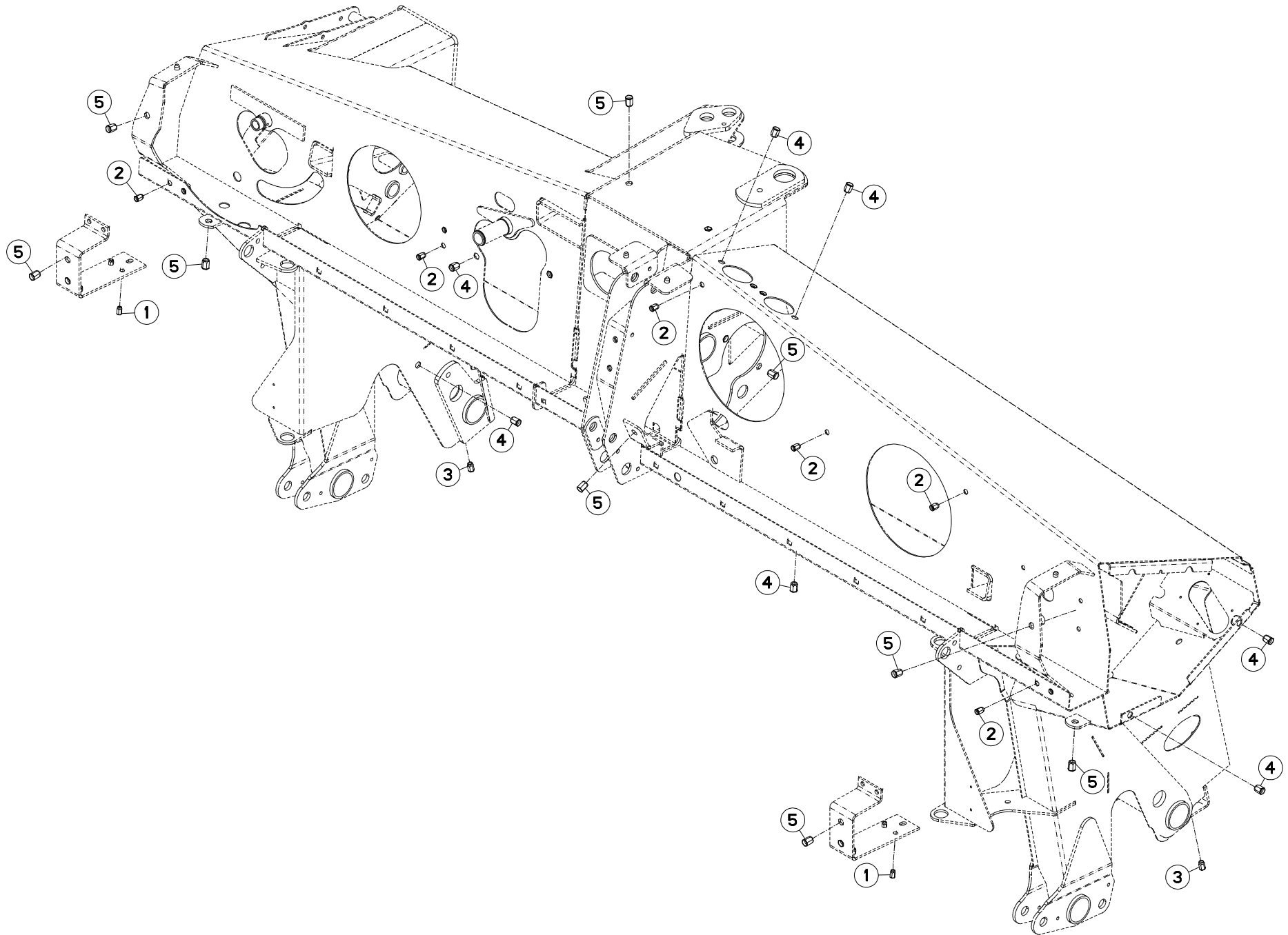
## CHASSIS

## FRAME

## RAHMEN

## TELAIO

| Rep | Nr       | Qt  | Designation                   | Description                    | Bezeichnung                    | Referenza                   | Remarque - Remark - Bemerkung - Osservazioni |
|-----|----------|-----|-------------------------------|--------------------------------|--------------------------------|-----------------------------|--|
| 001 | 55834910 | 001 | GUIDE DE RESSORT              | SPRING GUIDE                   | FEDERFUEHRUNG                  | GUIDA                       |  |
| 002 | 56586600 | 001 | BROSSE D'ETANCHEITE           | BRUSH                          | BUERSTE                        | SPAZZOLA                    |  |
| 003 | 80130820 | 008 | VIS AUTOBLOQUANTE FLZNNC      | UNDERSERR.S-LOC.SCREW FLZNNC   | SPERRZAHN-BUNDSCHRAU.FLZNNC    | VITE FLZNNC                 | 2,5 daN m (19 lbf ft)                        |
| 004 | 80131020 | 004 | VIS AUTOBLOQUANTE FLZNNC      | UNDERSERRATED S-LOCKING FLZNNC | SPERRZAHN-BUNDSCHRAUBE FLZNNC  | VITE FLZNNC                 |  |
| 005 | 80131026 | 004 | VIS AUTOBLOQUANTE FLZNNC      | UNDERSERR.S-LOC.SCREW FLZNNC   | SPERRZAHN-BUNDSCHRAU.FLZNNC    | VITE FLZNNC                 | 5 daN m (37 lbf ft)                          |
| 006 | 80131220 | 008 | VIS AUTOBLOQUANTE FLZNNC      | UNDERSERR.S-LOC.SCREW FLZNNC   | SPERRZAHN-BUNDSCHRAU.FLZNNC    | VITE FLZNNC                 | 8,5 daN m (63 lbf ft)                        |
| 007 | 80131225 | 002 | VIS AUTOBLOQUANTE FLZNNC      | UNDERSERR.S-LOC.SCREW FLZNNC   | SPERRZAHN-BUNDSCHRAU.FLZNNC    | VITE FLZNNC                 |  |
| 008 | 80201040 | 002 | ECROU HEX.BAS AUTOFR.FE/ZNXC3 | SELF LOCKING NUT M10 DIN 985   | SELBSTSICHERND.MUTTER FE/ZNXC3 | DADO AUTOBLOCCANTE FE/ZNXC3 | 5 daN m (37 lbf ft)                          |
| 009 | 80370415 | 010 | RIVET AVEUGLE T NORM.ALU      | RIVET                          | NIETE                          | RIVETTO                     |  |
| 010 | 83030015 | 002 | BUTEE ELASTIQUE               | RUBBER STOP                    | GUMMIPUFFER                    | GOMMINO                     |  |
| 011 | 83090042 | 002 | CALE DE ROUE RAYON DE 360     | WHEEL CHOCK R360               | UNTERLEGKEIL R360              | CUNEO PER RUOTE R360        |  |
| 012 | 83090043 | 002 | SUPPORT DE CALE DE ROUE       | BRACKET FOR WHEEL CHOCK        | BEFESTIGUNGSBUEGEL             | SUPPORTO                    |  |
| 013 | 83090061 | 001 | COLLIER VIS SANS FIN          | COLLAR                         | HALTEBAND                      | COLLARE                     |  |
| 014 | 83090202 | 002 | PROFIL DE PROTECTION          | CORNER GUARD                   | KANTENSCHUTZ                   | COPRIBORDO                  |  |
| 015 | 83090205 | 002 | PROFIL DE PROTECTION          | CORNER GUARD                   | KANTENSCHUTZ                   | COPRIBORDO                  |  |
| 016 | 83200801 | 005 | PASSE FIL                     | RUBBER PASS WIRE               | GUMMI-TUELLE                   | PASSAFILO                   |  |
| 017 | 83200803 | 002 | PASSE FIL                     | RUBBER PASS WIRE               | GUMMI-TUELLE                   | PASSAFILO                   |  |
| 018 | 3156097  | 001 | DISPOSITIF DE MONTAGE         | ASSEMBLY KIT                   | MONTEGESATZ                    | KIT DI MONTAGGIO            | OPT : K5600690                               |
| 019 | K5600122 | 001 | CHASSIS                       | CHASSIS                        | HAUPTRAHMEN                    | TELAIO                      |  |
| 020 | K5600670 | 002 | AXE                           | PIN                            | ACHSE                          | ASSE                        |  |
| 021 | K5600690 | 002 | ARTICULATION                  | ARTICULATION                   | GELENKSTUECK                   | ARTICOLAZIONE               |  |
| 022 | K5600951 | 001 | BIELLE                        | LINK, CONNECTING               | LENKER                         | BIELLA                      |  |
| 023 | K5601200 | 001 | SOUFFLET                      | BELLOWS                        | FALTENBALG                     | SOFFIETTO                   |  |
| 024 | K5601350 | 001 | ATTACHE DE BROSSE             | BRACKET                        | HALTERUNG                      | ATTACCO                     |  |
| 025 | K5601540 | 001 | BROSSE D'ETANCHEITE           | BRUSH                          | BUERSTE                        | SPAZZOLA                    |  |
| 026 | K5601550 | 001 | BROSSE D'ETANCHEITE           | BRUSH                          | BUERSTE                        | SPAZZOLA                    |  |
| 027 | K5601560 | 001 | BROSSE D'ETANCHEITE           | BRUSH                          | BUERSTE                        | SPAZZOLA                    |  |
| 028 | K5601570 | 001 | BROSSE D'ETANCHEITE           | BRUSH                          | BUERSTE                        | SPAZZOLA                    |  |
| 029 | K5601630 | 004 | RONDELLE CAOUTCHOUC           | RUBBER WASHER                  | GUMMISCHEIBE                   | RONDELLA                    |  |
| 030 | K5606530 | 002 | SUPPORT DE FEU                | SUPPORT                        | TRAEGER                        | SUPPORTO                    |  |
| 031 | K5607150 | 001 | MANCHON                       | SLEEVE                         | MUFFE                          | MANICOTTO                   |  |
| 032 | K5608710 | 001 | FLASQUE                       | FLANGE                         | FLANSCH                        | FLANGIA                     |  |
| 033 | K5800480 | 004 | ENTRETOISE ZBC                | SPACER ZBC                     | DISTANZHUELSE ZBC              | DISTANZIALE                 |  |





FC353RGC NV

C 0001 &gt; D 0000

K56R0165 A

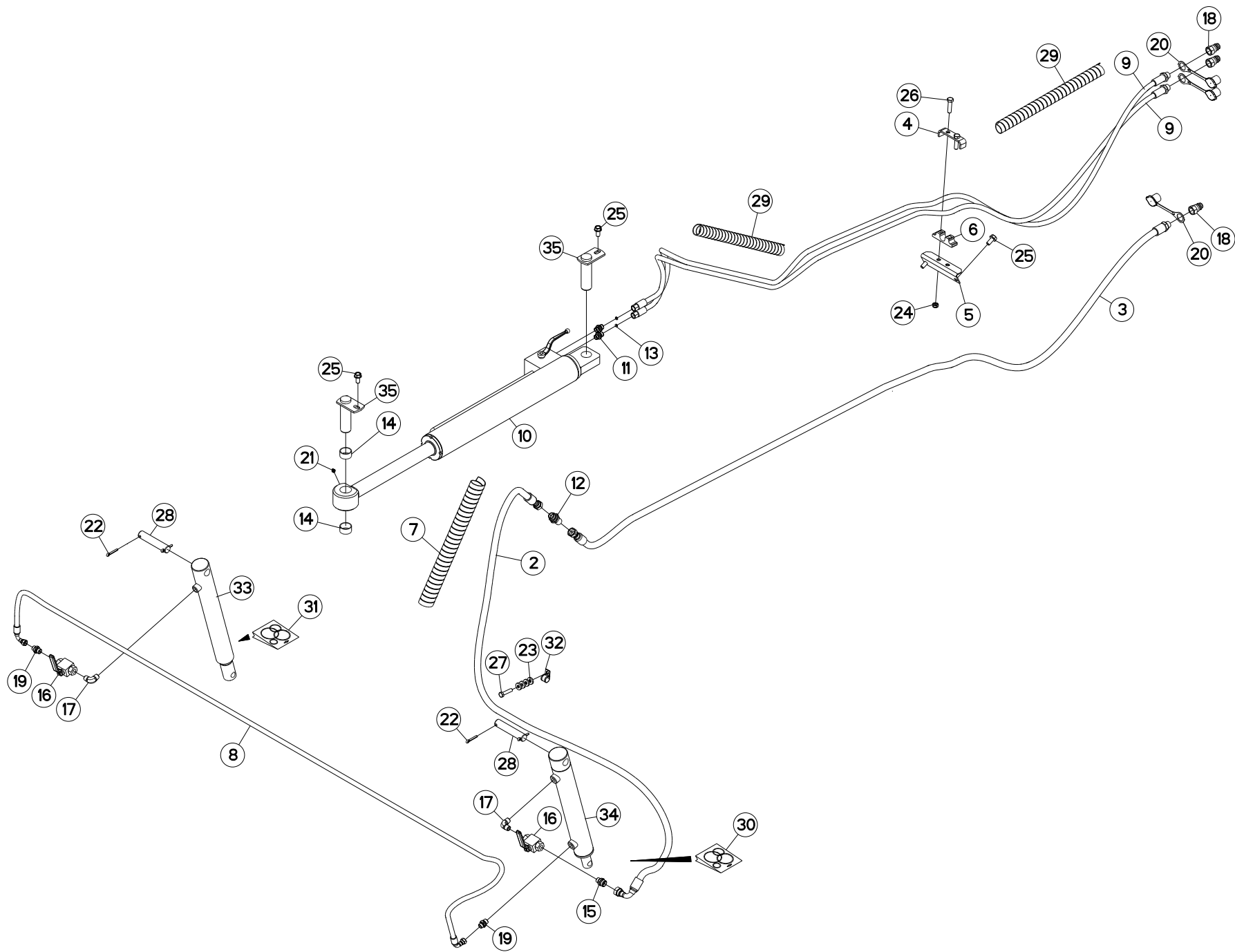
## CHASSIS

## FRAME

## RAHMEN

## TELAIO

| Rep | Nr       | Qt  | Designation             | Description        | Bezeichnung            | Referenza     | Remarque - Remark - Bemerkung - Osservazioni |
|-----|----------|-----|-------------------------|--------------------|------------------------|---------------|--|
| 001 | 80200891 | 008 | ECROU A SERTIR FE/ZNXC3 | CRIMP NUT FE/ZNXC3 | EINNIETMUTTER FE/ZNXC3 | DADO FE/ZNXC3 |  |
| 002 | 80201090 | 009 | ECROU A SERTIR FE/ZNXC3 | CRIMP NUT FE/ZNXC3 | EINNIETMUTTER FE/ZNXC3 | DADO FE/ZNXC3 |  |
| 003 | 80201091 | 002 | ECROU A SERTIR FE/ZNXC3 | CRIMP NUT FE/ZNXC3 | EINNIETMUTTER FE/ZNXC3 | DADO FE/ZNXC3 |  |
| 004 | 80201290 | 038 | ECROU A SERTIR FE/ZNXC3 | CRIMP NUT FE/ZNXC3 | EINNIETMUTTER FE/ZNXC3 | DADO FE/ZNXC3 |  |
| 005 | 80201291 | 016 | ECROU A SERTIR FE/ZNXC3 | CRIMP NUT FE/ZNXC3 | EINNIETMUTTER FE/ZNXC3 | DADO FE/ZNXC3 |  |





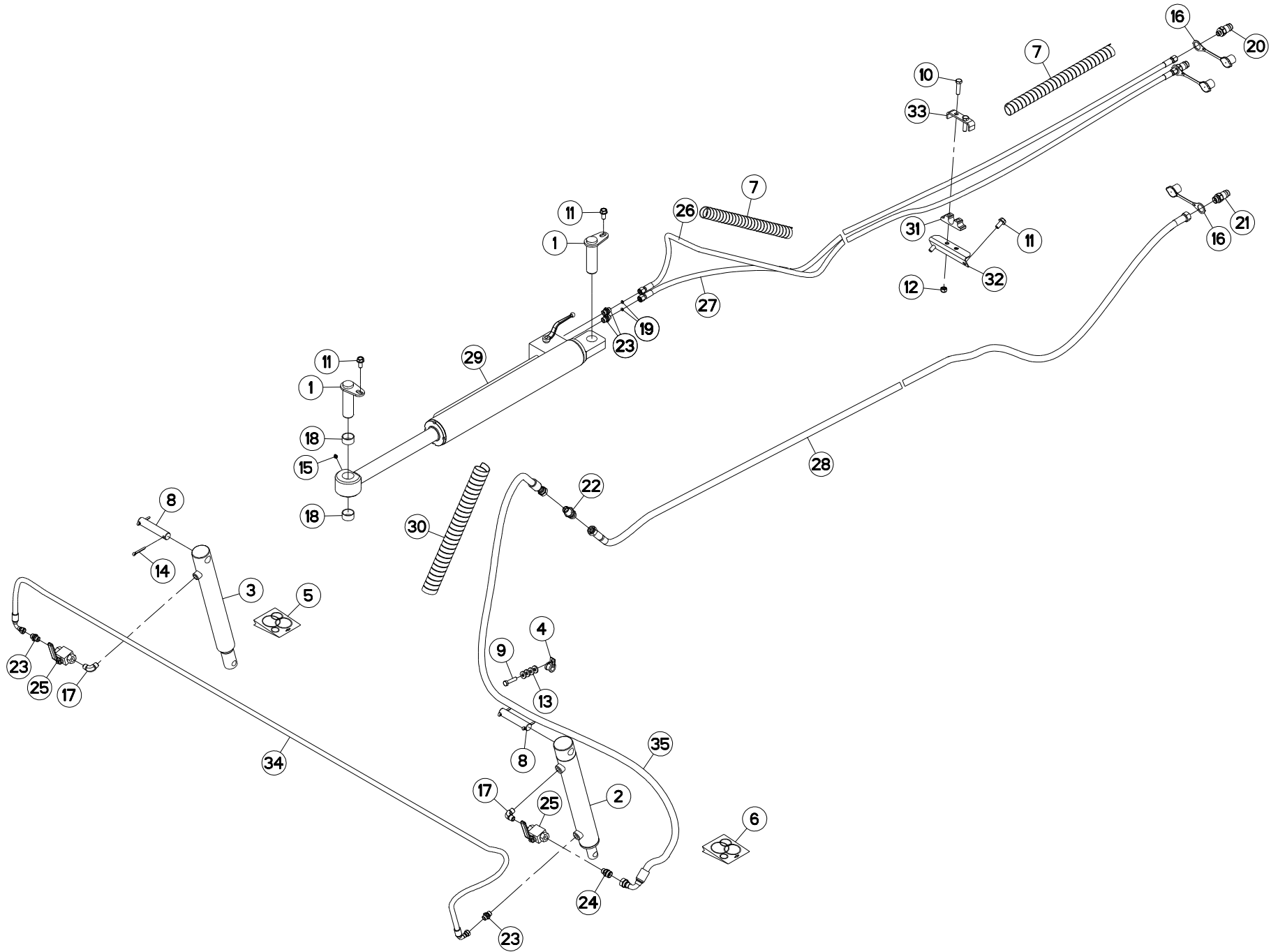
## HYDRAULIQUE

## HYDRAULIC

## HYDRAULIK

## IDRAULICO

| Rep | Nr       | Qt  | Designation                   | Description                    | Bezeichnung                    | Referenza                     | Remarque - Remark - Bemerkung - Osservazioni |
|-----|----------|-----|-------------------------------|--------------------------------|--------------------------------|-------------------------------|--|
| 002 | K5607230 | 001 | FLEXIBLE                      | HYDRAULIC HOSE                 | HYDRAULIKSCHLAUCH              | TUBO IN GOMMA                 | <-> 2500 mm                                  |
| 003 | K5607220 | 001 | FLEXIBLE                      | HYDRAULIC HOSE                 | HYDRAULIKSCHLAUCH              | TUBO IN GOMMA                 | <-> 7100 mm                                  |
| 004 | K5607210 | 001 | BRIDE                         | CLAMP                          | BUEGEL                         | STAFFA                        |  |
| 005 | K5607200 | 001 | EQUERRE                       | GUSSET, CORNER                 | WINKEL                         | SQUADRA                       |  |
| 006 | K5607180 | 001 | SUPPORT                       | SUPPORT                        | TRAEGER                        | SUPPORTO                      |  |
| 007 | K5602910 | 001 | GAINÉ SPIRALE                 | SPIRAL WRAP                    | SCHUTZSPIRALE                  | PROTEZIONE                    |  |
| 008 | K5601320 | 001 | FLEXIBLE                      | HYDRAULIC HOSE                 | HYDRAULIKSCHLAUCH              | TUBO IN GOMMA                 | <-> 3400 mm                                  |
| 009 | K5601250 | 002 | FLEXIBLE                      | HYDRAULIC HOSE                 | HYDRAULIKSCHLAUCH              | TUBO IN GOMMA                 | <-> 6550 mm                                  |
| 010 | K5600421 | 001 | VERIN                         | HYDRAULIC CYLINDER             | HYDRAULIKZYLINDER              | CILINDRO                      |  |
| 011 | A4080401 | 002 | UNION MALE                    | MALE STUD CONNECTOR            | GERADER EINSCHRAUBSTUTZEN      | GIUZIONE DIRITTA ZBC          |  |
| 012 | A4080315 | 001 | UNION DOUBLE / CLOISON        | BULKHEAD UNION                 | VERBINDUNGSNIPEL               | CONNETTORE                    |  |
| 013 | A4072026 | 002 | LIMITEUR DEBIT D10+D2.5 EP1.5 | DELIVERY LIMITER               | MENGEN BEGRENZER               | REGOLATORE D'ALIMENTAZIONE    |  |
| 014 | 83013539 | 002 | BAGUE ROULEE                  | WRAPPED BUSH                   | GEROLLTE BUCHSE                | ANELLO LUBRIFICATO            |  |
| 015 | A4080429 | 001 | UNION MALE                    | MALE STUD CONNECTOR            | GERADER EINSCHRAUBSTUTZEN      | GIUZIONE DIRITTA ZBC          |  |
| 016 | A4075005 | 002 | ROBINET                       | VALVE, BALL                    | KUGELHAHN                      | ROBINETTO                     |  |
| 017 | 82301214 | 002 | COUDE MALE NU FE/ZNXC3        | ANGLE SCREW SCREW-JOI.FE/ZNXC3 | WINKEL EINSCHRAUBVERS.FE/ZNXC3 | RACCORDO FE/ZNXC3             |  |
| 018 | A4074001 | 003 | COUPLEUR                      | COUPLER                        | KUPPLER                        | GIUNTO                        |  |
| 019 | A4080401 | 002 | UNION MALE                    | MALE STUD CONNECTOR            | GERADER EINSCHRAUBSTUTZEN      | GIUZIONE DIRITTA ZBC          |  |
| 020 | 82300026 | 003 | CAPUCHON COUPLEUR MALE        | CAP MALE CONNECTOR             | KAPPE KUPPLUNGSSTECKER         | TAPPO                         |  |
| 021 | 82200910 | 001 | GRAISSEUR A TETE SPHERIQUE    | LUBRICATING NIPPLE: CONE TYPE  | KEGELSCHMIERNIPPEL             | INGRASSATORE                  |  |
| 022 | 80500541 | 004 | GOUPILLE FENDUE FE/ZNXC3      | SPLIT PIN FE/ZNXC3             | SPLINT FE/ZNXC3                | COPPIGLIA FE/ZNXC3            |  |
| 023 | 80251127 | 004 | RONDELLE PLATE FE/ZNXC3       | PLAIN WASHER FE/ZNXC3          | SCHEIBE FE/ZNXC3               | RONDELLA PIATTA FE/ZNXC3      |  |
| 024 | 80201240 | 002 | ECROU HEX.BAS AUTOFR.FE/ZNXC3 | SELF-LOCKING NUT M 12 DIN-985  | SELBSTSICHERND.MUTTER FE/ZNXC3 | DADO AUTOBLOCCANTE FE/ZNXC3   |  |
| 025 | 80131225 | 004 | VIS AUTOBLOQUANTE FLZNNC      | UNDERSERR.S-LOC.SCREW FLZNNC   | SPERRZAHN-BUNDSCHRAU.FLZNNC    | VITE FLZNNC                   |  |
| 026 | 80061249 | 002 | VIS TETE HEXAGONALE FE/ZNXC3  | HEXAGON HEAD SCREW FE/ZNXC3    | SECHSKANTSCHRAUBE FE/ZNXC3     | VITE TESTA ESAGONALE FE/ZNXC3 |  |
| 027 | 80061046 | 001 | VIS TETE HEXAGONALE FE/ZNXC3  | HEXAGON HEAD SCREW FE/ZNXC3    | SECHSKANTSCHRAUBE FE/ZNXC3     | VITE TESTA ESAGONALE FE/ZNXC3 |  |
| 028 | 58742110 | 002 | AXE ZBC                       | PIN                            | BOLZEN                         | ASSE                          |  |
| 029 | 56541100 | 002 | GAINÉ SPIRALE                 | SPIRAL WRAP                    | SCHUTZSPIRALE                  | PROTEZIONE                    |  |
| 030 | 56046420 | 001 | COLL.JOINTS-VERIN 55830220    | OIL SEAL SET                   | SATZ DICHTUNGEN                | SERIE GUARNIZIONI             |  |
| 031 | 56046310 | 001 | COLL.JOINTS-VERIN 55830310    | OIL SEAL SET                   | SATZ DICHTUNGEN                | SERIE GUARNIZIONI             |  |
| 032 | 56001600 | 002 | COLLIER                       | CLAMP, HOSE                    | SCHLAUCHSCHELLE                | COLLARE                       |  |
| 033 | 55830310 | 001 | VERIN                         | CYLINDER, HYDRAULIC            | HYDRAULIKZYLINDER              | CILINDRO                      |  |
| 034 | 55830220 | 001 | VERIN                         | CYLINDER, HYDRAULIC            | HYDRAULIKZYLINDER              | CILINDRO                      |  |
| 035 | 55803400 | 002 | AXE                           | PIN                            | ACHSE                          | ASSE                          |  |





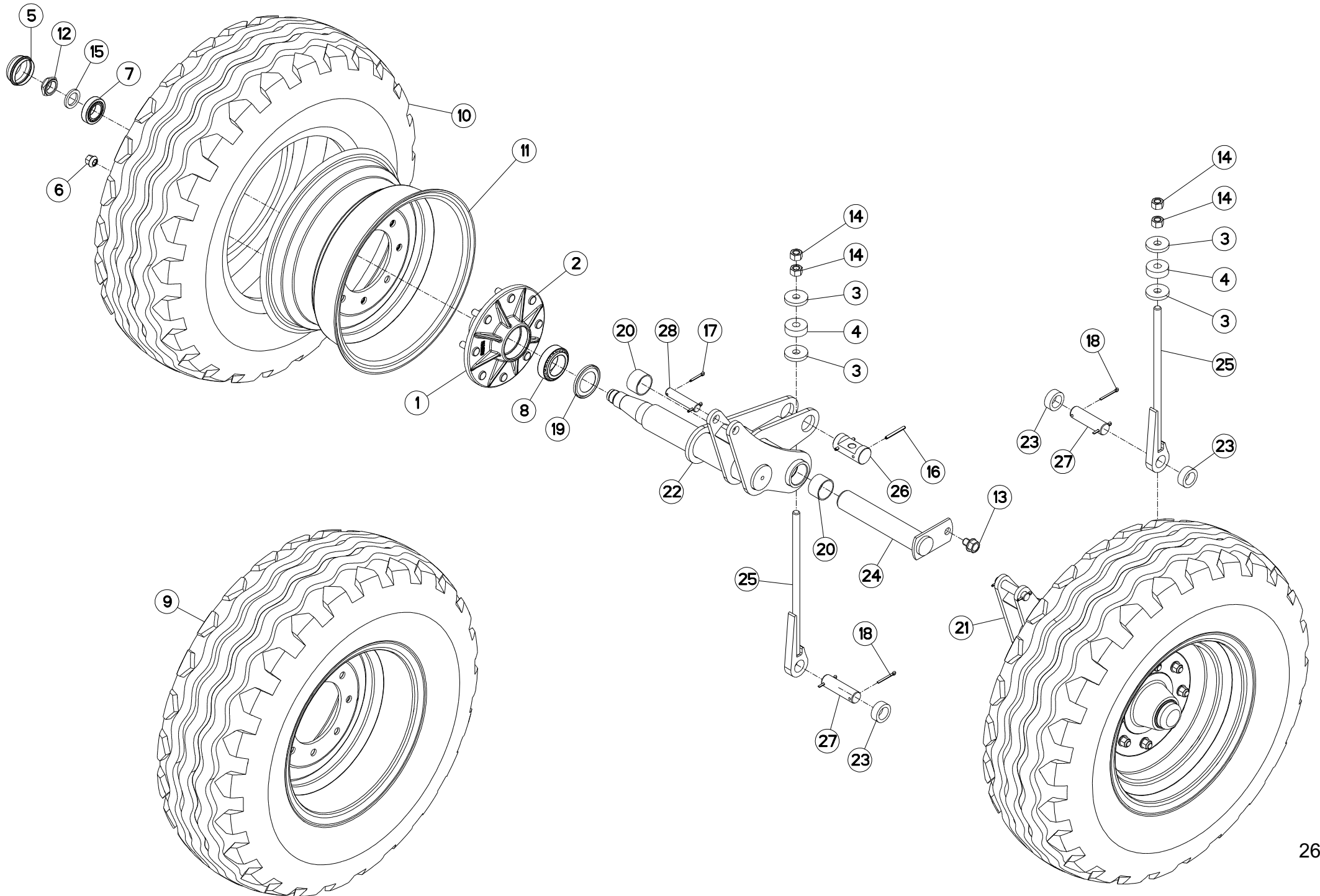
## HYDRAULIQUE

## HYDRAULIC

## HYDRAULIK

## IDRAULICO

| Rep | Nr       | Qt  | Designation                   | Description                    | Bezeichnung                    | Referenza                     | Remarque - Remark - Bemerkung - Osservazioni |
|-----|----------|-----|-------------------------------|--------------------------------|--------------------------------|-------------------------------|--|
| 001 | 55803400 | 002 | AXE                           | PIN                            | ACHSE                          | ASSE                          |  |
| 002 | 55830220 | 001 | VERIN                         | CYLINDER, HYDRAULIC            | HYDRAULIKZYLINDER              | CILINDRO                      |  |
| 003 | 55830310 | 001 | VERIN                         | CYLINDER, HYDRAULIC            | HYDRAULIKZYLINDER              | CILINDRO                      |  |
| 004 | 56001600 | 002 | COLLIER                       | CLAMP, HOSE                    | SCHLAUCHSCHELLE                | COLLARE                       |  |
| 005 | 56046310 | 001 | COLL.JOINTS-VERIN 55830310    | OIL SEAL SET                   | SATZ DICHTUNGEN                | SERIE GUARNIZIONI             |  |
| 006 | 56046420 | 001 | COLL.JOINTS-VERIN 55830220    | OIL SEAL SET                   | SATZ DICHTUNGEN                | SERIE GUARNIZIONI             |  |
| 007 | 56541100 | 002 | GAINÉ SPIRALE                 | SPIRAL WRAP                    | SCHUTZSPIRALE                  | PROTEZIONE                    |  |
| 008 | 58742110 | 002 | AXE ZBC                       | PIN                            | BOLZEN                         | ASSE                          |  |
| 009 | 80061046 | 001 | VIS TETE HEXAGONALE FE/ZNXC3  | HEXAGON HEAD SCREW FE/ZNXC3    | SECHSKANTSCHRAUBE FE/ZNXC3     | VITE TESTA ESAGONALE FE/ZNXC3 |  |
| 010 | 80061245 | 002 | VIS TETE HEXAGONALE FE/ZNXC3  | HEXAGON HEAD SCREW FE/ZNXC3    | SECHSKANTSCHRAUBE FE/ZNXC3     | VITE TESTA ESAGONALE FE/ZNXC3 |  |
| 011 | 80131225 | 004 | VIS AUTOBLOQUANTE FLZNNC      | UNDERSERR.S-LOC.SCREW FLZNNC   | SPERRZAHN-BUNDSCHRAU.FLZNNC    | VITE FLZNNC                   |  |
| 012 | 80201240 | 002 | ECROU HEX.BAS AUTOFR.FE/ZNXC3 | SELF-LOCKING NUT M 12 DIN-985  | SELBSTSICHERND.MUTTER FE/ZNXC3 | DADO AUTOBLOCCANTE FE/ZNXC3   |  |
| 013 | 80251127 | 004 | RONDELLE PLATE FE/ZNXC3       | PLAIN WASHER FE/ZNXC3          | SCHEIBE FE/ZNXC3               | RONDELLA PIATTA FE/ZNXC3      |  |
| 014 | 80500541 | 004 | GOUPILLE FENDUE FE/ZNXC3      | SPLIT PIN FE/ZNXC3             | SPLINT FE/ZNXC3                | COPPIGLIA FE/ZNXC3            |  |
| 015 | 82200910 | 001 | GRAISSEUR A TETE SPHERIQUE    | LUBRICATING NIPPLE: CONE TYPE  | KEGELSCHMIERNIPPEL             | INGRASSATORE                  |  |
| 016 | 82300026 | 003 | CAPUCHON COUPLEUR MALE        | CAP MALE CONNECTOR             | KAPPE KUPPLUNGSSTECKER         | TAPPO                         |  |
| 017 | 82301214 | 002 | COUDE MALE NU FE/ZNXC3        | ANGLE SCREW SCREW-JOI.FE/ZNXC3 | WINKEL EINSCHRAUBVERS.FE/ZNXC3 | RACCORDO FE/ZNXC3             |  |
| 018 | 83013539 | 002 | BAGUE ROULEE                  | WRAPPED BUSH                   | GEROLLTE BUCHSE                | ANELLO LUBRIFICATO            |  |
| 019 | A4072026 | 002 | LIMITEUR DEBIT D10+D2.5 EP1.5 | DELIVERY LIMITER               | MENGEN BEGRENZER               | REGOLATORE D'ALIMENTAZIONE    |  |
| 020 | A4074017 | 002 | COUPLEUR MALE                 | CONNECTOR MALE                 | KUPPLUNGSTECKER                | INNESTO M16X150               |  |
| 021 | A4074018 | 001 | COUPLEUR MALE                 | CONNECTOR MALE                 | KUPPLUNGSTECKER                | ATTACCO IDRAULICO             |  |
| 022 | A4080315 | 001 | UNION DOUBLE / CLOISON        | BULKHEAD UNION                 | VERBINDUNGSNIPEL               | CONNETTORE                    |  |
| 023 | A4080401 | 004 | UNION MALE                    | MALE STUD CONNECTOR            | GERADER EINSCHRAUBSTUTZEN      | GIUZIONE DIRITTA ZBC          |  |
| 024 | A4080429 | 001 | UNION MALE                    | MALE STUD CONNECTOR            | GERADER EINSCHRAUBSTUTZEN      | GIUZIONE DIRITTA ZBC          |  |
| 025 | A4075005 | 002 | ROBINET                       | VALVE, BALL                    | KUGELHAHN                      | ROBINETTO                     |  |
| 026 | A4921138 | 001 | FLEXIBLE                      | HOSE, HYDRAULIC                | HYDRAULIKSCHLAUCH              | TUBO IN GOMMA                 | <->6600 mm                                   |
| 027 | A4921138 | 001 | FLEXIBLE                      | HOSE, HYDRAULIC                | HYDRAULIKSCHLAUCH              | TUBO IN GOMMA                 | <->6600 mm                                   |
| 028 | A4923114 | 001 | FLEXIBLE                      | HOSE, HYDRAULIC                | HYDRAULIKSCHLAUCH              | TUBO IN GOMMA                 | <->440 mm                                    |
| 029 | K5600421 | 001 | VERIN                         | HYDRAULIC CYLINDER             | HYDRAULIKZYLINDER              | CILINDRO                      |  |
| 030 | K5602910 | 002 | GAINÉ SPIRALE                 | SPIRAL WRAP                    | SCHUTZSPIRALE                  | PROTEZIONE                    |  |
| 031 | K5607180 | 001 | SUPPORT                       | SUPPORT                        | TRAEGER                        | SUPPORTO                      |  |
| 032 | K5607200 | 001 | EQUERRE                       | GUSSET, CORNER                 | WINKEL                         | SQUADRA                       |  |
| 033 | K5607210 | 001 | BRIDE                         | CLAMP                          | BUEGEL                         | STAFFA                        |  |
| 034 | K5601320 | 001 | FLEXIBLE                      | HYDRAULIC HOSE                 | HYDRAULIKSCHLAUCH              | TUBO IN GOMMA                 | <-> 3400 mm                                  |
| 035 | K5607230 | 001 | FLEXIBLE                      | HYDRAULIC HOSE                 | HYDRAULIKSCHLAUCH              | TUBO IN GOMMA                 | <-> 2500 mm                                  |







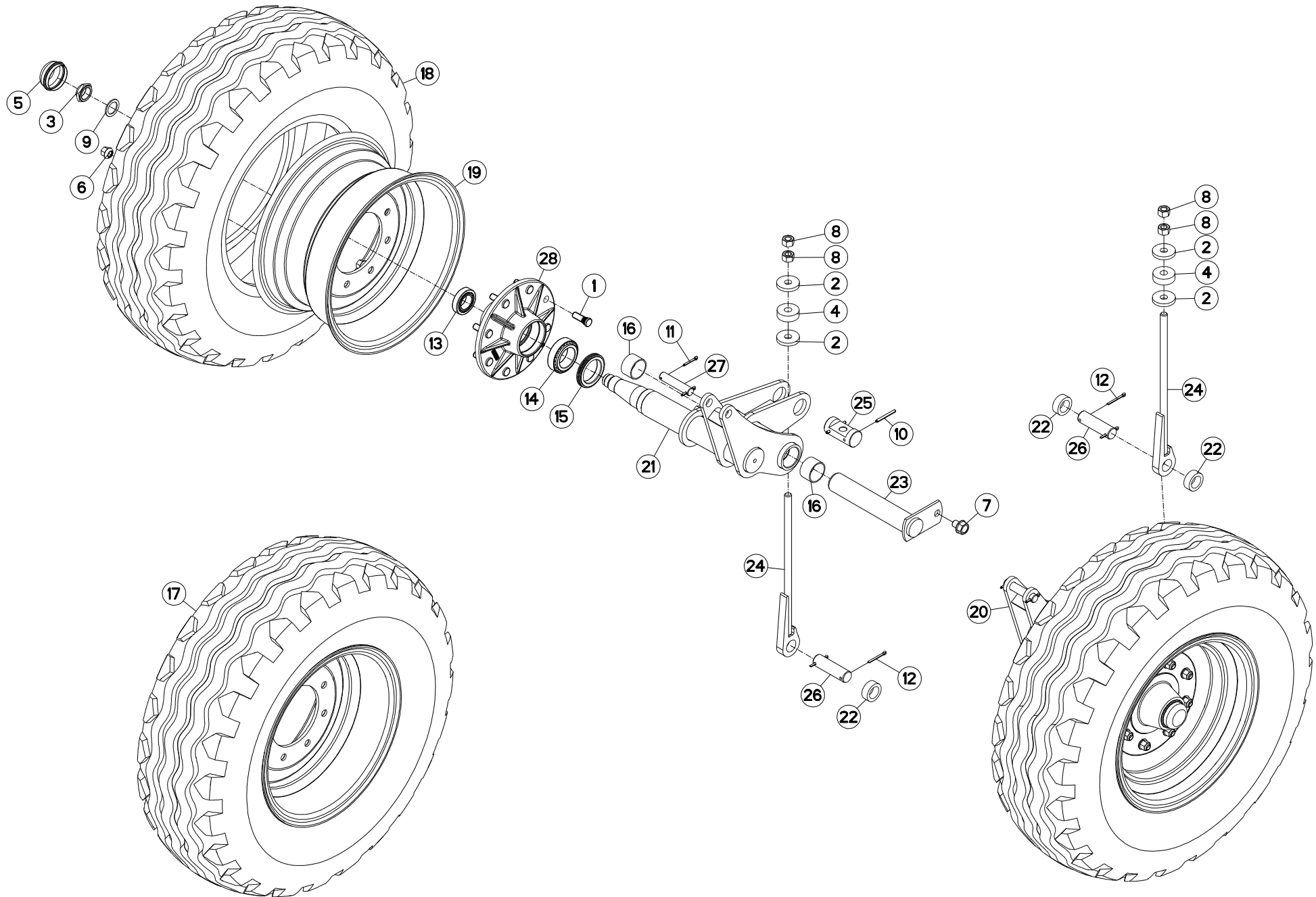
## ROUE

## WHEEL

## RAD

## RUOTA

| Rep | Nr       | Qt  | Designation                    | Description                   | Bezeichnung                   | Referenza                | Remarque - Remark - Bemerkung - Osservazioni |
|-----|----------|-----|--------------------------------|-------------------------------|-------------------------------|--------------------------|--|
| 001 | 55724210 | 002 | MOYEU PREMONTE                 | HUB                           | NABE                          | MOZZO PRE-MONTATO        | + [1]  |
| 002 | 50000000 | 016 | VIS                            | SCREW                         | SCHRAUBE                      | VITE                     | [1]  |
| 003 | 50019700 | 004 | RONDELLE FE/ZN                 | WASHER FE/ZN                  | SCHEIBE FE/ZN                 | RONDELLA                 |  |
| 004 | 55836300 | 002 | ENTRETOISE                     | SPACER                        | DISTANZHUELSE                 | DISTANZIALE              |  |
| 005 | 56039800 | 002 | CHAPEAU DE ROUE                | WHEEL CAP                     | RADKAPPE                      | FERMO                    |  |
| 006 | 59002600 | 016 | ECROU                          | NUT                           | MUTTER                        | DADO                     | 10 daN m (74 lbf ft)                         |
| 007 | 81303562 | 002 | ROULEMENT A ROULEAUX CONIQUES  | TAPERED ROLLER BEARING        | KEGELROLLENLAGER              | CUSCINETTO A RULLO       |  |
| 008 | 81305080 | 002 | ROULEMENT A ROULEAUX CONIQUES  | TAPERED ROLLER BEARING        | KEGELROLLENLAGER              | CUSCINETTO A RULLI       |  |
| 009 | 83300105 | 002 | ROUE COMPLETE (PNEU PROFIL AW) | WHEEL COMPLETE                | RAD KOMPLETT                  | RUOTA COMPLETA           |  |
| 010 | 83300106 | 002 | PNEU                           | TYRE                          | REIFEN                        | PNEUMATICO               |  |
| 011 | 83300107 | 002 | JANTE 15.3 8 TROUS             | RIM 15.3 8                    | FELGE 15.3 8-LOCH             | CERCHIONE 15.3 8         |  |
| 012 | 50067400 | 002 | ECROU HEXAGONAL A RABATTRE     | NUT                           | SECHSKANTMUTTER               | DADO                     | [2] 10 daN m (74 lbf ft)                     |
| 013 | 80131620 | 002 | VIS AUTOBLOQUANTE FLZNNC       | UNDERSERRATED S-LOCKING SCREW | SPERRZAHN-BUNDSCHRAUBE FLZNNC | VITE FLZNNC              |  |
| 014 | 80201670 | 004 | ECROU HEXAGONAL FE/ZNXC3       | NUT FE/ZNXC3                  | SECHSKANTMUTTER FE/ZNXC3      | DADO FE/ZNXC3            |  |
| 015 | 80253146 | 002 | RONDELLE PLATE FE/ZNXC3        | PLAIN WASHER FE/ZNXC3         | SCHEIBE FE/ZNXC3              | RONDELLA PIATTA FE/ZNXC3 |  |
| 016 | 80450660 | 004 | GOUPILLE ELASTIQUE FLZNNC      | ROLL PIN FLZNNC               | SPANNHUELSE FLZNNC            | SPINA ELASTICA FLZNNC    |  |
| 017 | 80500428 | 004 | GOUPILLE FENDUE FE/ZNXC3       | SPLIT PIN FE/ZNXC3            | SPLINT FE/ZNXC3               | COPPIGLIA FE/ZNXC3       |  |
| 018 | 80500445 | 004 | GOUPILLE FENDUE FE/ZNXC3       | SPLIT PIN FE/ZNXC3            | SPLINT FE/ZNXC3               | COPPIGLIA FE/ZNXC3       |  |
| 019 | 82155078 | 002 | ANNEAU NILOS                   | FLEXIBLE AXIAL SEAL WASHER    | FEDERENDE AXIALDICHTSCHEIBE   | ANELLO DI TENUTA         |  |
| 020 | 83014550 | 004 | BAGUE ROULEE                   | WRAPPED BUSH                  | GEROLLTE BUCHSE               | ANELLO LUBRIFICATO       |  |
| 021 | K5600790 | 001 | BRAS DE ROUE                   | ARM, WHEEL                    | RADARM                        | BRACCIO PER RUOTA        | + [2]  |
| 022 | K5600800 | 001 | BRAS DE ROUE                   | ARM, WHEEL                    | RADARM                        | BRACCIO PER RUOTA        | + [2]  |
| 023 | K5601090 | 003 | DOUILLE                        | BUSH                          | HUELSE                        | BUSSOLA                  |  |
| 024 | K5601100 | 002 | AXE                            | PIN                           | ACHSE                         | ASSE                     |  |
| 025 | K5601110 | 002 | TIRANT ZBC                     | TIE ROD ZBC                   | ZUGSTANGE ZBC                 | TIRANTE                  |  |
| 026 | K5601120 | 002 | NOIX                           | YOKE                          | GELENKBOLZEN                  |                          |  |
| 027 | K5601130 | 002 | AXE DE BIELLE ZBC              | PIN                           | BOLZEN                        | ASSE                     |  |
| 028 | K5601240 | 002 | AXE                            | PIN                           | ACHSE                         | ASSE                     |  |





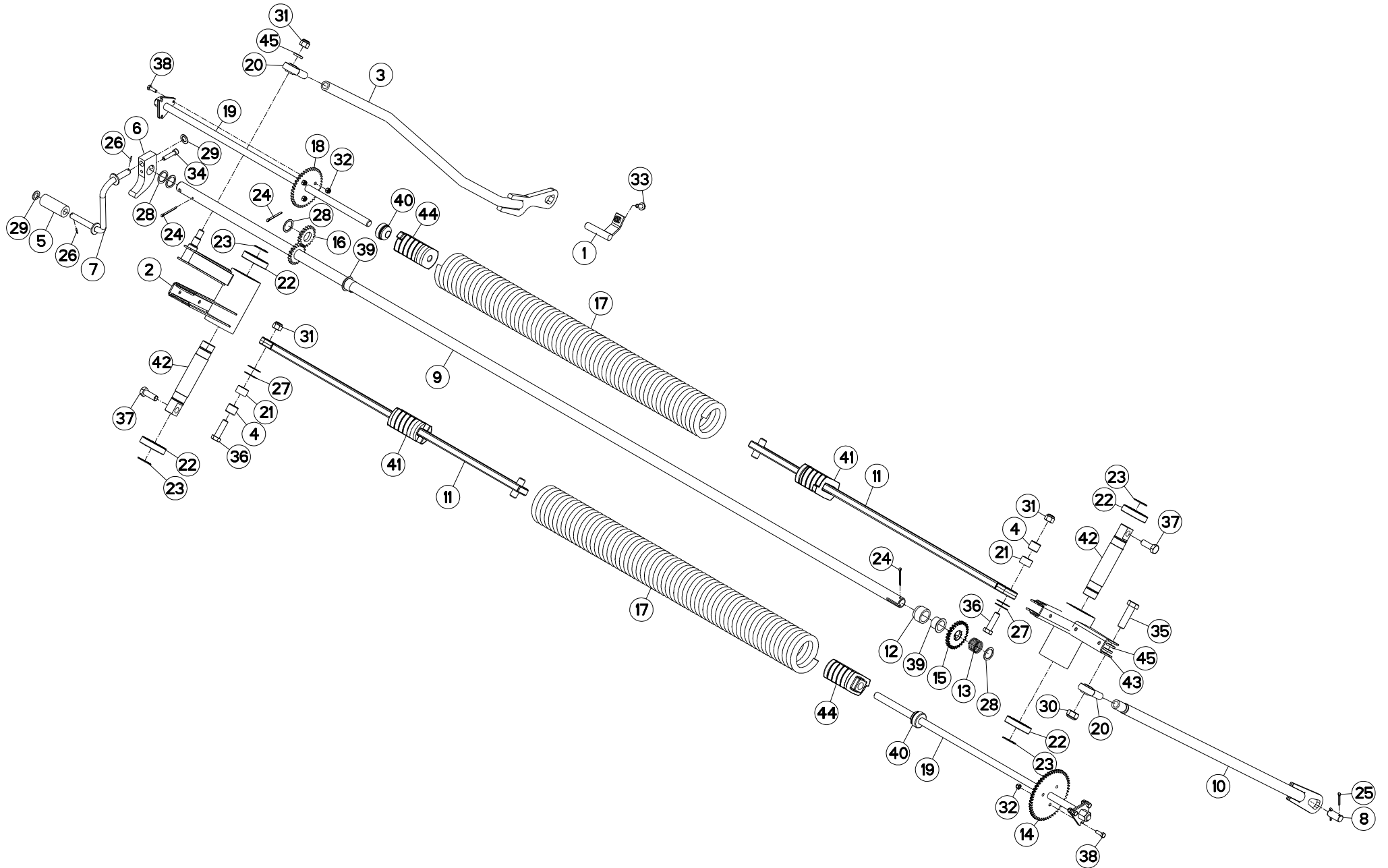
## ROUE

## WHEEL

## RAD

## RUOTA

| Rep | Nr       | Qt  | Designation                    | Description                   | Bezeichnung                   | Referenza             | Remarque - Remark - Bemerkung - Osservazioni |
|-----|----------|-----|--------------------------------|-------------------------------|-------------------------------|-----------------------|--|
| 001 | 50000000 | 016 | VIS                            | SCREW                         | SCHRAUBE                      | VITE                  | [1]  |
| 002 | 50019700 | 004 | RONDELLE FE/ZN                 | WASHER FE/ZN                  | SCHEIBE FE/ZN                 | RONDELLA              |  |
| 003 | 50067400 | 002 | ECROU HEXAGONAL A RABATTRE     | NUT                           | SECHSKANTMUTTER               | DADO                  | [2] 8,5 daN m (63 lbf ft)                    |
| 004 | 55836300 | 002 | ENTRETOISE                     | SPACER                        | DISTANZHUELSE                 | DISTANZIALE           |  |
| 005 | 56039800 | 002 | CHAPEAU DE ROUE                | WHEEL CAP                     | RADKAPPE                      | FERMO                 |  |
| 006 | 59002600 | 016 | ECROU                          | NUT                           | MUTTER                        | DADO                  | 8,5 daN m (63 lbf ft)                        |
| 007 | 80131620 | 002 | VIS AUTOBLOQUANTE FLZNNC       | UNDERSERRATED S-LOCKING SCREW | SPERRZAHN-BUNDSCHRAUBE FLZNNC | VITE FLZNNC           |  |
| 008 | 80201670 | 004 | ECROU HEXAGONAL FE/ZNXC3       | NUT FE/ZNXC3                  | SECHSKANTMUTTER FE/ZNXC3      | DADO FE/ZNXC3         |  |
| 009 | 80253042 | 002 | RONDELLE D'APPUI SS 2,5        | SUPPORTING RING SS 2,5        | STUETZSCHEIBE SS 2,5          | SPESSORE              |  |
| 010 | 80450650 | 004 | GOUPILLE ELASTIQUE FLZNNC      | ROLL PIN FLZNNC               | SPANNHUELSE FLZNNC            | SPINA ELASTICA FLZNNC |  |
| 011 | 80500432 | 004 | GOUPILLE FENDUE FE/ZNXC3       | PIN DIN94 3-16" X 1.1-4"      | SPLINT FE/ZNXC3               | COPPIGLIA FE/ZNXC3    |  |
| 012 | 80500445 | 004 | GOUPILLE FENDUE FE/ZNXC3       | SPLIT PIN FE/ZNXC3            | SPLINT FE/ZNXC3               | COPPIGLIA FE/ZNXC3    |  |
| 013 | 81303562 | 002 | ROULEMENT A ROULEAUX CONIQUES  | TAPERED ROLLER BEARING        | KEGELROLLENLAGER              | CUSCINETTO A RULLO    |  |
| 014 | 81305080 | 002 | ROULEMENT A ROULEAUX CONIQUES  | TAPERED ROLLER BEARING        | KEGELROLLENLAGER              | CUSCINETTO A RULLI    |  |
| 015 | 82015882 | 002 | BAGUE D'ETANCHEITE SPECIALE    | OIL SEAL                      | RADIALDICHRING                | PARAOILIO             |  |
| 016 | 83014550 | 004 | BAGUE ROULEE                   | WRAPPED BUSH                  | GEROLLTE BUCHSE               | ANELLO LUBRIFICATO    |  |
| 017 | 83300105 | 002 | ROUE COMPLETE (PNEU PROFIL AW) | WHEEL COMPLETE                | RAD KOMPLETT                  | RUOTA COMPLETA        |  |
| 018 | 83300106 | 002 | PNEU                           | TYRE                          | REIFEN                        | PNEUMATICO            |  |
| 019 | 83300107 | 002 | JANTE 15.3 8 TROUS             | RIM 15.3 8                    | FELGE 15.3 8-LOCH             | CERCHIONE 15.3 8      |  |
| 020 | K5600791 | 001 | BRAS DE ROUE                   | ARM, WHEEL                    | RADARM                        | BRACCIO PER RUOTA     | + [2]  |
| 021 | K5600801 | 001 | BRAS DE ROUE                   | ARM, WHEEL                    | RADARM                        | BRACCIO PER RUOTA     | + [2]  |
| 022 | K5601090 | 003 | DOUILLE                        | BUSH                          | HUELSE                        | BUSSOLA               |  |
| 023 | K5601100 | 002 | AXE                            | PIN                           | ACHSE                         | ASSE                  |  |
| 024 | K5601110 | 002 | TIRANT ZBC                     | TIE ROD ZBC                   | ZUGSTANGE ZBC                 | TIRANTE               |  |
| 025 | K5601120 | 002 | NOIX                           | YOKE                          | GELENKBOLZEN                  |                       |  |
| 026 | K5601130 | 002 | AXE DE BIELLE ZBC              | PIN                           | BOLZEN                        | ASSE                  |  |
| 027 | K5601240 | 002 | AXE                            | PIN                           | ACHSE                         | ASSE                  |  |
| 028 | K5610460 | 002 | MOYEU                          | HUB                           | NABE                          | MOZZO                 | + [1]  |





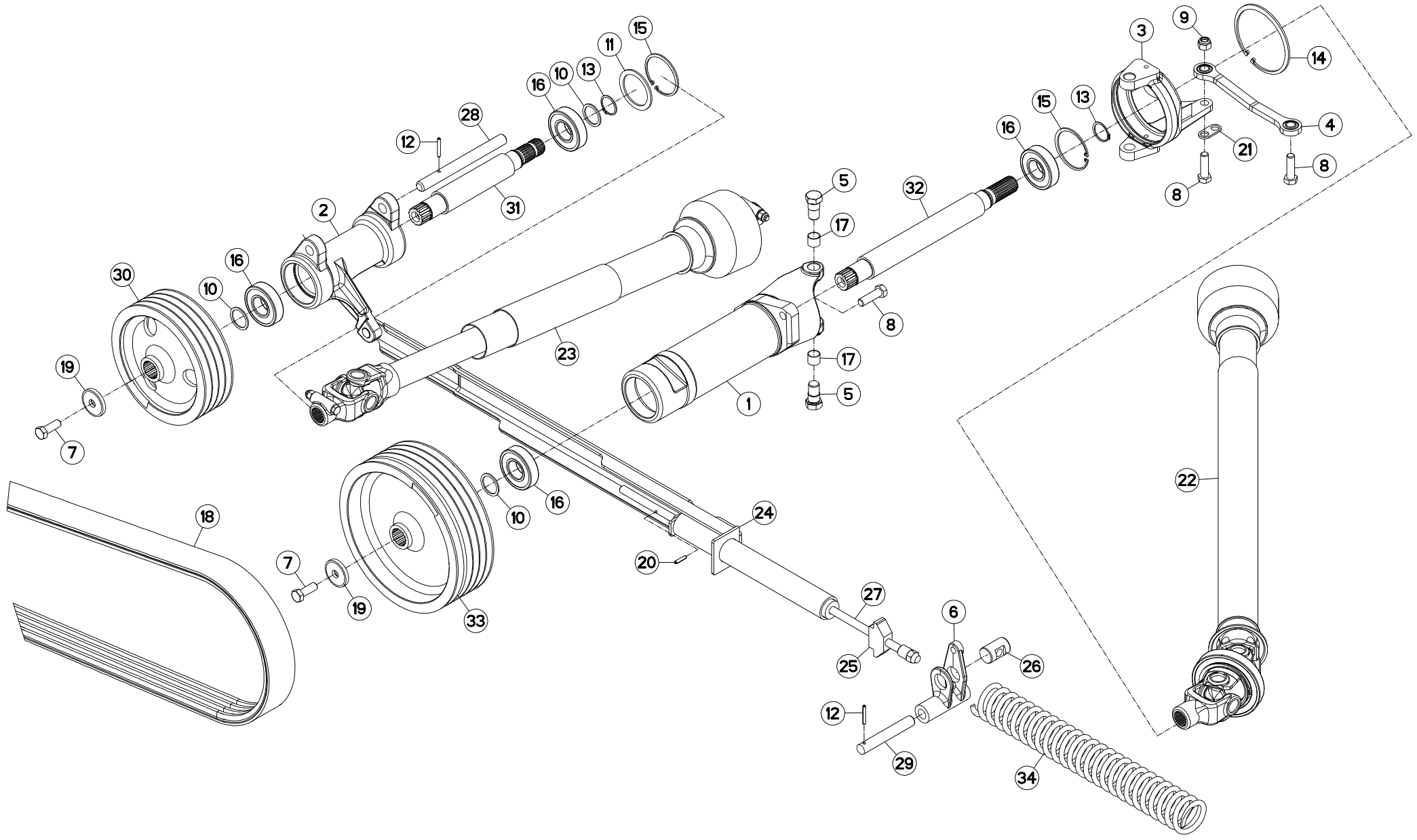
## SYSTEME D'ALLÈGEMENT

## SUSPENSION SYSTEM

## ENTLASTUNGSSYSTEM

## SISTEMA DELLE SOSPENSIONI

| Rep | Nr       | Qt  | Designation                    | Description                    | Bezeichnung                    | Referenza                      | Remarque - Remark - Bemerkung - Osservazioni |
|-----|----------|-----|--------------------------------|--------------------------------|--------------------------------|--------------------------------|--|
| 001 | K5609690 | 001 | BROCHE                         | PIN, HITCH                     | ACHSE                          | PERNO                          |  |
| 002 | K5606250 | 001 | BASCULEUR                      | WEIGHING                       | WAAGE                          | BASCULLA                       |  |
| 003 | K5605140 | 001 | TIRANT ROULEAUX                | TIE ROD                        | ZUGSTANGE                      | REGISTRO                       |  |
| 004 | K5601340 | 002 | DOUILLE                        | BUSH                           | HUELSE                         | BUSSOLA                        |  |
| 005 | K5601190 | 001 | TUBE POUR MANIVELLE            | TUBE                           | ROHR                           | TUBO                           |  |
| 006 | K5601180 | 001 | BUTEE                          | STOP                           | ANSCHLAG                       | LIMITATORE                     |  |
| 007 | K5601170 | 001 | MANIVELLE                      | CRANK                          | KURBEL                         | MANOVELLA                      |  |
| 008 | K5601140 | 001 | AXE DU TIRANT                  | PIN                            | ACHSE                          | PERNO DEL TIRANTE              |  |
| 009 | K5601040 | 001 | ARBRE                          | SHAFT                          | WELLE                          | ALBERO                         |  |
| 010 | K5600940 | 001 | TIRANT DROIT ZBC               | TIE ROD RIGHT ZBC              | ZUGSTANGE RECHTS ZBC           | TIRANTE                        |  |
| 011 | K5600920 | 002 | TIRANT DE NOIX                 | LIFT PLATE                     | ZUGSTANGE                      | TIRANTE                        |  |
| 012 | K5600880 | 001 | ENTRETOISE                     | SPACER                         | DISTANZHUELSE                  | DISTANZIALE                    |  |
| 013 | K5600870 | 001 | RESSORT D'APPUI                | SPRING                         | FEDER                          | MOLLA                          |  |
| 014 | K5600860 | 001 | PIGNON 52 DENTS                | GEAR WHEEL 52 T.               | ZAHNRAD 52 Z.                  | PIGNONE                        | Z=52   |
| 015 | K5600850 | 001 | PIGNON 26 DENTS                | PINION Z.26                    | ZAHNRAD Z.26                   | PIGNONE Z.26                   | Z=26   |
| 016 | K5600840 | 001 | PIGNON                         | GEAR, PINION                   | RITZEL                         | PIGNONE                        | Z=20   |
| 017 | K5600830 | 002 | RESSORT D'ALLEGEMENT           | SPRING                         | FEDER                          | MOLLA                          |  |
| 018 | K5600820 | 001 | PIGNON 40D                     | GEAR WHEEL 40 T.               | ZAHNRAD 40 Z.                  | PIGNONE                        | Z=40   |
| 019 | K5600810 | 002 | TIRANT                         | TIE ROD                        | ZUGSTANGE                      | TIRANTE                        |  |
| 020 | 83090058 | 002 | ROTULE A TIGE FILETE           | BALL JOINT                     | KUGELGELENK                    | TIRANTE                        |  |
| 021 | 83013034 | 002 | BAGUE ROULEE                   | WRAPPED BUSH                   | GEROLLTE BUCHSE                | ANELLO LUBRIFICATO             |  |
| 022 | 81004082 | 004 | ROULEMENT A BILLES             | BALL BEARING                   | KUGELLAGER                     | CUSCINETTO A SFERE             |  |
| 023 | 80584000 | 004 | CIRCLIP EXTERIEUR              | ELASTIC RING E 40              | SICHERUNGSRING                 | ANELLO                         |  |
| 024 | 80500451 | 003 | GOUPILLE FENDUE FE/ZNXC3       | SPLIT PIN FE/ZNXC3             | SPLINT FE/ZNXC3                | COPPIGLIA FE/ZNXC3             |  |
| 025 | 80500432 | 002 | GOUPILLE FENDUE FE/ZNXC3       | PIN DIN94 3-16" X 1.1-4"       | SPLINT FE/ZNXC3                | COPPIGLIA FE/ZNXC3             |  |
| 026 | 80450320 | 002 | GOUPILLE ELASTIQUE INOX        | ROLL PIN INOX                  | SPANNHUELSE INOX               | SPINA ELASTICA INOX            |  |
| 027 | 80253044 | 004 | RONDELLE D'AJUSTAGE            | SHIM WASHER                    | PASSSCHEIBE                    | RONDELLA                       |  |
| 028 | 80253041 | 004 | RONDELLE PLATE                 | PLAIN WASHER                   | SCHEIBE                        | RONDELLA                       |  |
| 029 | 80251728 | 002 | RONDELLE PLATE FE/ZNXC3        | PLAIN WASHER FE/ZNXC3          | SCHEIBE FE/ZNXC3               | RONDELLA PIATTA FE/ZNXC3       |  |
| 030 | 80202040 | 001 | ECROU HEX.BAS AUTOFR.FE/ZNXC3  | SELF-LOCKING NUT FE/ZNXC3      | SELBSTSICHERND.MUTTER FE/ZNXC3 | DADO AUTOBLOCCANTE FE/ZNXC3    |  |
| 031 | 80201630 | 003 | ECROU HEX.AUTOFREINE FE/ZNXC3  | SELF-LOCKING NUT FE/ZNXC3      | SELBSTSICH.MUTTER FE/ZNXC3     | DADO AUTOBLOCCANTE FE/ZNXC3    |  |
| 032 | 80200830 | 006 | ECROU HEX.AUTOFREINE FE/ZNXC3  | SELFLOCKING NUT M8 DIN 982     | SELBSTSICHERNDE MUTT.FE/ZNXC3  | DADO AUTOBLOCCANTE FE/ZNXC3    |  |
| 033 | 80131026 | 001 | VIS AUTOBLOQUANTE FLZNNC       | UNDERSERR.S-LOC.SCREW FLZNNC   | SPERRZAHN-BUNDSCHRAU.FLZNNC    | VITE FLZNNC                    |  |
| 034 | 80081075 | 001 | VIS TETE CYL.SIX P.CR.FE/ZNXC3 | SCREW, SOCKET HEAD FE/ZNXC3    | ZYLINDERSCHR.INNENSEC.FE/ZNXC3 | VITE A TESTA CILINDR. FE/ZNXC3 |  |
| 035 | 80062060 | 001 | VIS TETE HEXAGONALE FE/ZNXC3   | HEXAGON HEAD SCREW FE/ZNXC3    | SECHSKANTSCHRAUBE FE/ZNXC3     | VITE TESTA ESAGONALE FE/ZNXC3  | 42 daN m (310 lbf ft)                        |
| 036 | 80061647 | 002 | VIS TETE HEXAGONALE FE/ZNXC3   | HEXAGON HEAD SCREW FE/ZNXC3    | SECHSKANTSCHRAUBE FE/ZNXC3     | VITE TESTA ESAGONALE FE/ZNXC3  | 21 daN m (155 lbf ft)                        |
| 037 | 80061646 | 002 | VIS TETE HEXAGONALE FE/ZNXC3   | HEXAGON HEAD SCREW FE/ZNXC3    | SECHSKANTSCHRAUBE FE/ZNXC3     | VITE TESTA ESAGONALE FE/ZNXC3  | 21 daN m (155 lbf ft)                        |
| 038 | 80060826 | 006 | VIS TETE HEXAGONALE FE/ZNXC3   | HEAD HEX SCREW M8X25 CL8.8 DIN | SECHSKANTSCHRAUBE FE/ZNXC3     | VITE TESTA ESAGONALE FE/ZNXC3  | 2,5 daN m (19 lbf ft)                        |
| 039 | 56540200 | 002 | BAGUE PLASTIQUE A COLLERETTE   | NYLON BEARING                  | KUNSTSTOFF-GLEITLAGER          | ANELLO PLASTICA                |  |
| 040 | 55835500 | 002 | BUTEE                          | STOP                           | ANSCHLAG                       | LIMITATORE                     |  |
| 041 | 55830000 | 002 | NOIX DU RESSORT                | SPECIAL NUT                    | EINSCHRAUBMUTTER               | REGISTRO                       |  |
| 042 | 55828600 | 002 | AXE DU BASCULEUR               | AXLE                           | ACHSE                          | ASSE                           |  |
| 043 | 55827900 | 001 | BASCULEUR                      | WEIGHING                       | WAAGE                          | BASCULLA                       |  |
| 044 | 55826700 | 002 | NOIX DU RESSORT                | SPECIAL NUT                    | EINSCHRAUBMUTTER               | REGISTRO                       |  |
| 045 | 50017710 | 003 | RONDELLE PLATE                 | WASHER, FLAT                   | SCHEIBE                        | RONDELLA PIATTA                |  |





ENTRAINEMENT (PALIER)

DRIVE (BEARING)

ANTRIEB (LAGERUNG)

TRASCINAMENTO (CUSCINETTO)

| Rep | Nr       | Qt  | Designation                   | Description                    | Bezeichnung                | Referenza                     | Remarque - Remark - Bemerkung - Osservazioni |
|-----|----------|-----|-------------------------------|--------------------------------|----------------------------|-------------------------------|--|
| 001 | 55826810 | 001 | PALIER                        | BEARING, PILLOW BLOCK          | LAGER                      | SUPPORTO                      |  |
| 002 | 55826910 | 001 | PALIER                        | BEARING, PILLOW BLOCK          | LAGER                      | SUPPORTO                      |  |
| 003 | 55828000 | 001 | LUNETTE D'ORIENTATION         | INTERMEDIATE SUPPORT           | ZWISCHENHALTERUNG          | SNODO                         |  |
| 004 | 55828400 | 001 | BIELLETTE                     | LINK                           | SHUBSTANGE                 | BIELLA                        |  |
| 005 | 55828500 | 002 | PIVOT ZBC                     | PIN                            | BOLZEN                     | PERNO                         | 21 daN m (155 lbf ft)                        |
| 006 | 55833600 | 001 | BASCULEUR                     | WEIGHING                       | WAAGE                      | BASCULLA                      |  |
| 007 | 80061646 | 002 | VIS TETE HEXAGONALE FE/ZNXC3  | HEXAGON HEAD SCREW FE/ZNXC3    | SECHSKANTSCHRAUBE FE/ZNXC3 | VITE TESTA ESAGONALE FE/ZNXC3 | 21 daN m (155 lbf ft)                        |
| 008 | 80061647 | 004 | VIS TETE HEXAGONALE FE/ZNXC3  | HEXAGON HEAD SCREW FE/ZNXC3    | SECHSKANTSCHRAUBE FE/ZNXC3 | VITE TESTA ESAGONALE FE/ZNXC3 |  |
| 009 | 80201630 | 001 | ECROU HEX.AUTOFREINE FE/ZNXC3 | SELF-LOCKING NUT FE/ZNXC3      | SELBSTSICH.MUTTER FE/ZNXC3 | DADO AUTOBLOCCANTE FE/ZNXC3   | 21 daN m (155 lbf ft)                        |
| 010 | 80254043 | 003 | RONDELLE D'APPUI SS 2,5       | SUPPORTING RING SS 2,5         | STUETZSCHEIBE SS 2,5       | RONDELLA D'APPOGGIO           |  |
| 011 | 80257078 | 001 | RONDELLE D'APPUI SS 3,5       | SUPPORTING RING SS 3,5         | STUETZSCHEIBE SS 3,5       | RONDELLA D'APPOGGIO           |  |
| 012 | 80450645 | 002 | GOUPILLE ELASTIQUE FLZNNC     | ROLL PIN FLZNNC                | SPANNHUELSE FLZNNC         | SPINA ELASTICA FLZNNC         |  |
| 013 | 80584000 | 002 | CIRCLIP EXTERIEUR             | ELASTIC RING E 40              | SICHERUNGSRING             | ANELLO                        |  |
| 014 | 80590008 | 001 | CIRCLIP INTERIEUR             | RETAINING RING                 | SICHERUNGSRING             | ANELLO                        |  |
| 015 | 80599000 | 002 | CIRCLIP INTERIEUR             | ELASTIC RING I 90              | SICHERUNGSRING             | ANELLO                        |  |
| 016 | 81004096 | 004 | ROULEMENT A BILLES            | BALL BEARING                   | KUGELLAGER                 | CUSCINETTO A SFERE            |  |
| 017 | 83012225 | 002 | BAGUE ROULEE                  | WRAPPED BUSH                   | GEROLLTE BUCHSE            | ANELLO LUBRIFICATO            |  |
| 018 | 83111683 | 001 | COURROIE TRAPEZOIDALE JUMEE   | BELT                           | KEILRIEMEN                 | CINGHIA                       |  |
| 019 | 50013100 | 002 | RONDELLE                      | WASHER                         | SCHIEBE                    | RONDELLA PIATTA               |  |
| 020 | 80450631 | 001 | GOUPILLE ELASTIQUE FLZNNC     | ELASTIC PIN 6 X 30 HEAVY CLASS | SPANNHUELSE FLZNNC         | SPINA ELASTICA FLZNNC         |  |
| 021 | K5600400 | 001 | ATTACHE ZBC                   | FASTENER ZBC                   | LASCHE ZBC                 | ATTACCO                       |  |
| 022 | K5600511 | 001 | TRANSMISSION SECONDAIRE       | PTO-SHAFT                      | GELENKWELLE                | CARDANO                       | * 1  |
| 023 | K5600610 | 001 | TRANSMISSION TERTIAIRE        | PTO-SHAFT                      | GELENKWELLE                | CARDANO                       | * 2  |
| 024 | K5600730 | 001 | BRAS                          | ARM                            | ARM                        | BRACCIO                       |  |
| 025 | K5600750 | 001 | NOIX                          | YOKE                           | ANSCHLAG                   |                               |  |
| 026 | K5600760 | 001 | AXE D'ARTICULATION            | HINGE PIN                      | GELENKBOLZEN               | ASSE D'ARTICOLAZIONE          |  |
| 027 | K5600770 | 001 | TIRANT DU TENDEUR ARRIERE     | TIE ROD                        | ZUGSTANGE                  | TIRANTE                       |  |
| 028 | K5601290 | 001 | AXE TENDEUR                   | AXLE                           | ACHSE                      | ASSE                          |  |
| 029 | K5602090 | 001 | AXE BALANCIER                 | AXLE                           | ACHSE                      | ASSE                          |  |
| 030 | K5608300 | 001 | POULIE                        | PULLEY                         | RIEMENSCHIEBE              | PULEGGIA                      |  |
| 031 | K5608310 | 001 | ARBRE                         | SHAFT                          | WELLE                      | ALBERO                        |  |
| 032 | K5608320 | 001 | ARBRE                         | SHAFT                          | WELLE                      | ALBERO                        |  |
| 033 | K5608330 | 001 | POULIE                        | PULLEY                         | RIEMENSCHIEBE              | PULEGGIA                      |  |
| 034 | K5600780 | 001 | RESSORT DU TENDEUR AR         | SPRING                         | FEDER                      | MOLLA                         |  |

\*1: Voir page "TRANSMISSION A CARDANS SECOND."

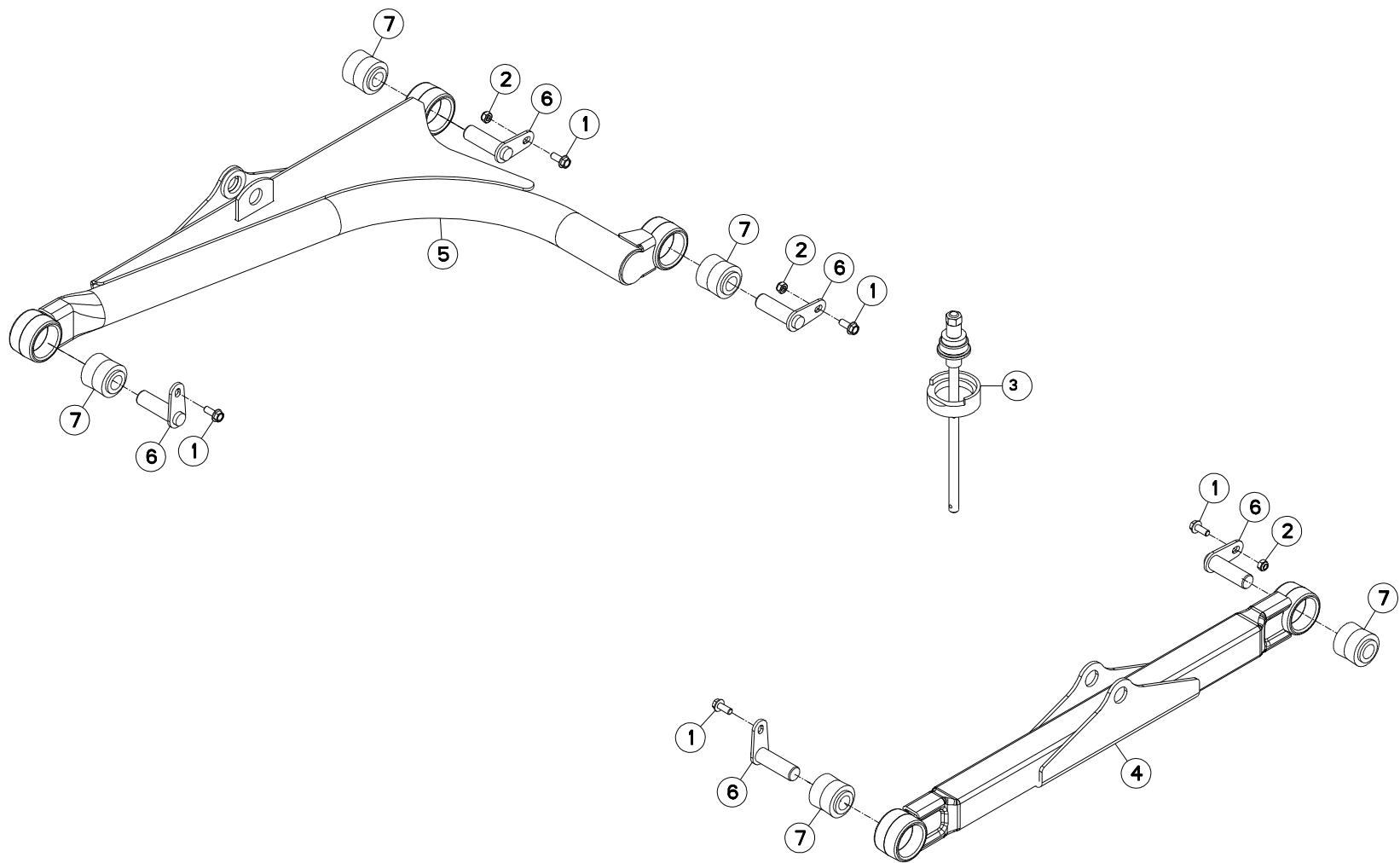
\*1: See page "SECONDARY PTO SHAFT".

\*1: Siehe Seite "SEKUNDÄRGELENKWELLE".

\*2: Voir page "TRANSMISSION A CARDANS".

\*2: See page "PTO SHAFT".

\*2: Siehe Seite "GELENKWELLE".







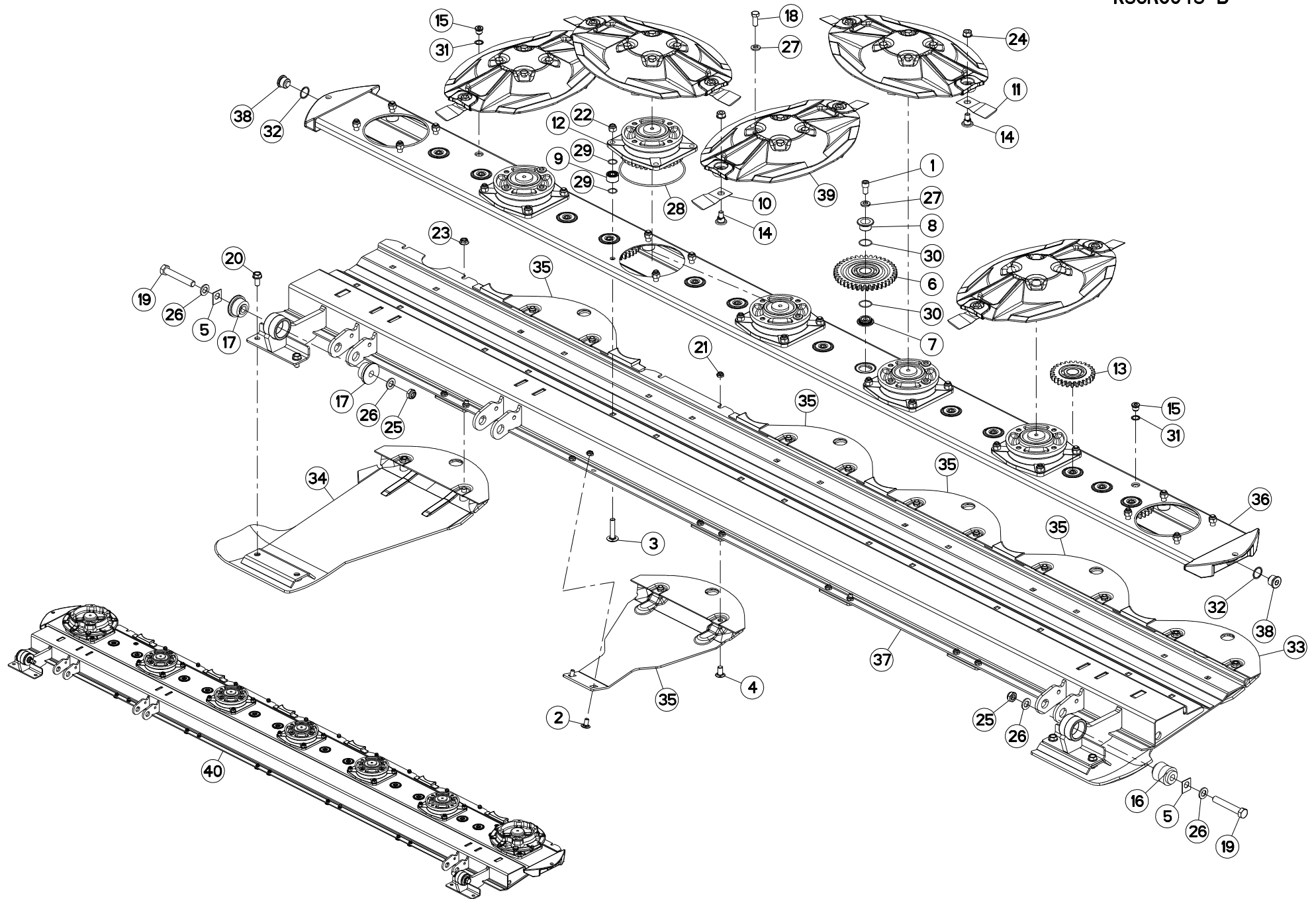
## BIELLE

## PULL BAR

## LENKER

## BIELLA

| Rep | Nr              | Qt  | Designation                   | Description                  | Bezeichnung                    | Referenza                   | Remarque - Remark - Bemerkung - Osservazioni |
|-----|-----------------|-----|-------------------------------|------------------------------|--------------------------------|-----------------------------|--|
| 001 | <b>80131026</b> | 005 | VIS AUTOBLOQUANTE FLZNNC      | UNDERSERR.S-LOC.SCREW FLZNNC | SPERRZAHN-BUNDSCHRAU.FLZNNC    | VITE FLZNNC                 | 5 daN m (37 lbf ft)                          |
| 002 | <b>80201040</b> | 003 | ECROU HEX.BAS AUTOFR.FE/ZNXC3 | SELF LOCKING NUT M10 DIN 985 | SELBSTSICHERND.MUTTER FE/ZNXC3 | DADO AUTOBLOCCANTE FE/ZNXC3 | 5 daN m (37 lbf ft)                          |
| 003 | <b>3156097</b>  | 001 | DISPOSITIF DE MONTAGE         | ASSEMBLY KIT                 | MONTEGESATZ                    | KIT DI MONTAGGIO            | OPT : K5600690                               |
| 004 | <b>K5600370</b> | 001 | BIELLE DROITE                 | PUSH BAR                     | SCHUBSTANGE                    | BIELLA                      | + [1]  |
| 005 | <b>K5600380</b> | 001 | BIELLE TRIANGULEE             | PUSH BAR                     | SCHUBSTANGE                    | BIELLA                      | + [1]  |
| 006 | <b>K5600670</b> | 005 | AXE                           | PIN                          | ACHSE                          | ASSE                        |  |
| 007 | <b>K5600690</b> | 005 | ARTICULATION                  | ARTICULATION                 | GELENKSTUECK                   | ARTICOLAZIONE               | [1]  |





PORTE DISQUES

CUTTERBAR

MÄHBALKEN

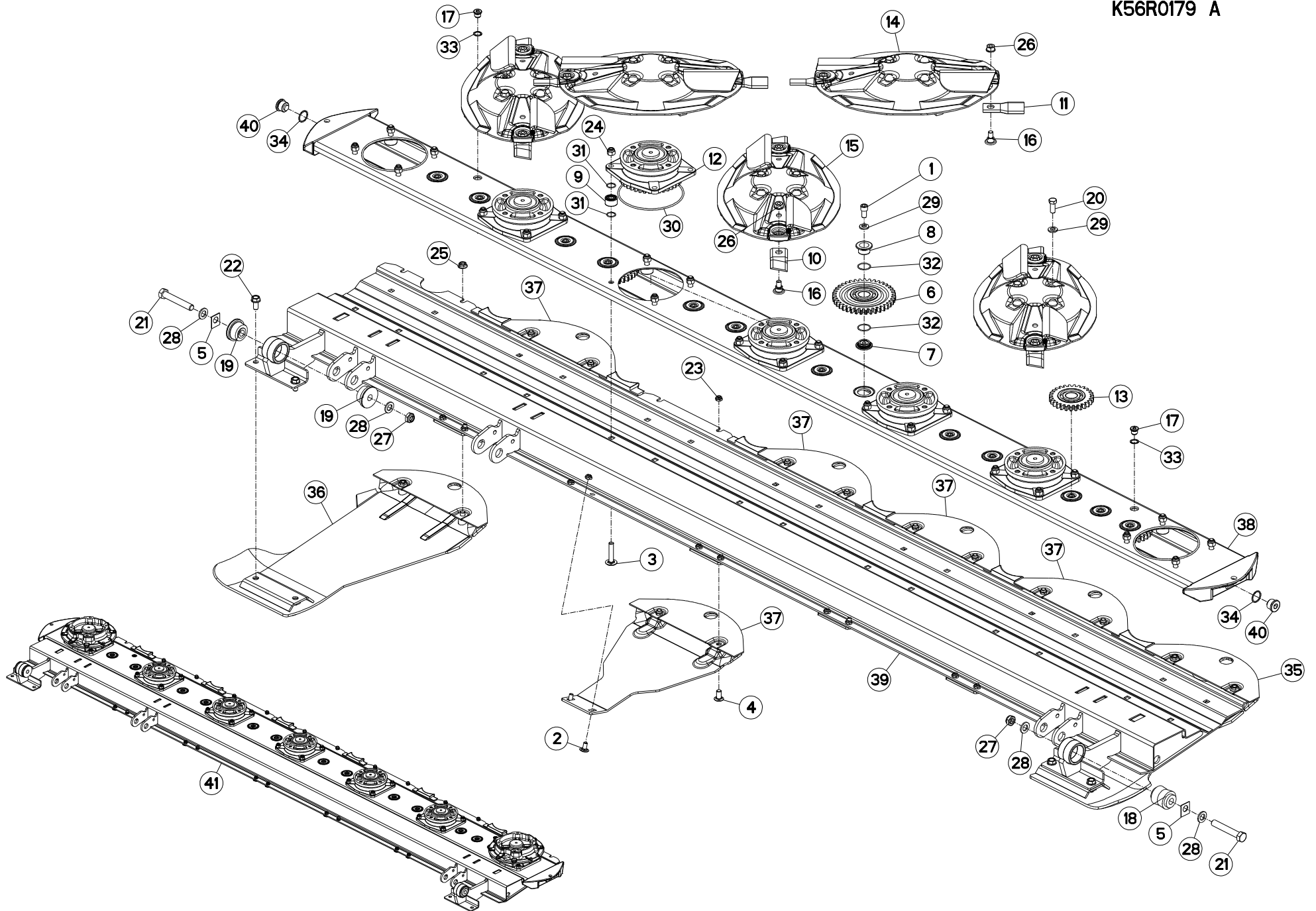
PORTADISCO

| Rep | Nr       | Qt  | Designation                   | Description                    | Bezeichnung                    | Referenza                      | Remarque - Remark - Bemerkung - Osservazioni |
|-----|----------|-----|-------------------------------|--------------------------------|--------------------------------|--------------------------------|--|
| 001 | 50002900 | 013 | VIS AUTOFREINEE CHC           | SELF-LOCKING SCREW             | SELBSTSICHERNDE SCHRAUBE       | VITE AUTOBLOCCANTE             | [1] 14 daN m (103 lbf ft)                    |
| 002 | 50003200 | 010 | VIS TBCC COURT                | BOLT, CARRIAGE, SHORT NECK     | FLACHRUNDSCHR.4KT ANSATZ       | BULLONE                        |  |
| 003 | 50004200 | 028 | VIS TBCC COURT                | BOLT, CARRIAGE, SHORT NECK     | FLACHRUNDSCHR.4KT ANSATZ       | BULLONE                        | [1]  |
| 004 | 50066700 | 010 | VIS TBCC COURT                | BOLT, CARRIAGE, SHORT NECK     | FLACHRUNDSCHR.4KT ANSATZ       | BULLONE                        |  |
| 005 | 55808300 | 012 | CALE                          | SPACER PLATE                   | UNTERLEGPLATTE                 | SPESSORE                       |  |
| 006 | 55900110 | 010 | ROUE INTERMEDIAIRE 39 DTS     | IDLER GEAR Z.39 CPL            | ZAHNRAD 39 Z. KPL              | INGRANAGGIO Z.39               | [1] Z=39                                     |
| 007 | 55900220 | 013 | CUVETTE INFERIEURE ZBC        | LOWER SUPPORT                  | ZAHNRADLAGER UNTEN             | RONDELLA                       | [1]  |
| 008 | 55900320 | 013 | CUVETTE SUPERIEURE            | UPPER SUPPORT                  | ZAHNRADLAGER OBEN              | RULLINO                        | [1]  |
| 009 | 55900510 | 028 | ENTRETOISE                    | SPACER                         | DISTANZHUELSE                  | DISTANZIALE                    | [1]  |
| 010 | 55903210 | 006 | COUTEAU VRILLE T.A.G ISO5718  | ANGLED BLADE LEFT TURN.ISO5718 | GEKROEP.MESS.LINKSDREH.ISO5718 | COLTEL.PIEGATO STD-SX ISO5718  |  |
| 011 | 55903310 | 004 | COUTEAU VRILLE T.A.D ISO5718  | ANGLED BLAD.RIGHT TURN.ISO5718 | GEKROEP.MESS.RECHTSDRE.ISO5718 | COLTEL.PIEGATO STD-DX ISO5718  |  |
| 012 | 55921000 | 005 | PALIER DE DISQUE COMPLET      | DISC BEARING UNIT              | SCHEIBENLAGER KPL              | SUPPORTO COMPLETO VEDI55921010 |  |
| 013 | 55930500 | 003 | ROUE INTERM.27 DENTS CPLTE    | IDLER GEAR Z.27 CPL            | ZAHNRAD Z.27 KPL               | INGRANAGGIO INTERMEDIO Z=27    | [1] Z=27                                     |
| 014 | 56115800 | 010 | VIS AUTOFREINEE               | SCREW, SELF-LOCKING            | SELBSTSICHERNDE SCHRAUBE       | VITE AUTOBLOCCANTE             |  |
| 015 | 56207000 | 002 | BOUCHON MAGNETIQUE            | PLUG, MAGNETIC                 | MAGNET-VERSCHLUSSSCHRAUBE      | TAPPO CALAMITATO               | [1]  |
| 016 | 56568500 | 001 | ARTICULATION ELASTIQUE        | ELASTIC-COUPLING               | ELASTIK-GELENK                 | SNODO ELASTICO                 | [2]  |
| 017 | 56572600 | 002 | SILENTBLOC EPAULE             | SILENTBLOC                     | GUMMIPUFFER                    | TAMPONE DI GOMMA               | [2]  |
| 018 | 80061231 | 020 | VIS TETE HEXAGONALE FLZNNC    | HEXAGON HEAD SCREW FLZNNC      | SECHSKANTSCHRAUBE FLZNNC       | VITE TESTA ESAGONALE FLZNNC    |  |
| 019 | 80061661 | 002 | VIS TETE HEXAGONALE FE/ZNXC3  | HEXAGON HEAD SCREW FE/ZNXC3    | SECHSKANTSCHRAUBE FE/ZNXC3     | VITE TESTA ESAGONALE FE/ZNXC3  |  |
| 020 | 80131225 | 004 | VIS AUTOBLOQUANTE FLZNNC      | UNDERSERR.S-LOC.SCREW FLZNNC   | SPERRZAHN-BUNDSCHRAU.FLZNNC    | VITE FLZNNC                    |  |
| 021 | 80201040 | 020 | ECROU HEX.BAS AUTOFR.FE/ZNXC3 | SELF LOCKING NUT M10 DIN 985   | SELBSTSICHERND.MUTTER FE/ZNXC3 | DADO AUTOBLOCCANTE FE/ZNXC3    | 6 daN m (44 lbf ft)                          |
| 022 | 80201237 | 028 | ECROU HEX.AUTOFREINE FE/ZNXC3 | SELF-LOCKING NUT FE/ZNXC3      | SELBSTSICHERNDE MUTT.FE/ZNXC3  | DADO AUTOBLOCCANTE FE/ZNXC3    | [1] 12 daN m (89 lbf ft)                     |
| 023 | 80201253 | 004 | ECROU AUTOBLOQUANT FE/ZNXC3   | UNDERSERRAT.S.LOC.NUT FE/ZNXC3 | SPERRZAHN-BUNDMUTTER FE/ZNXC3  | DADO FE/ZNXC3                  | 12 daN m (89 lbf ft)                         |
| 024 | 80201262 | 010 | ECROU TWOLOK FLZNNC           | SELF-LOCKING NUT FLZNNC        | SELBSTSICHERNDE MUTTER FLZNNC  | DADO TWOLOCK FLZNNC            | 12 daN m (89 lbf ft)                         |
| 025 | 80201640 | 002 | ECROU HEX.BAS AUTOFR.FE/ZNXC3 | SELF-LOCKING NUT M16 DIN 985 B | SELBSTSICHERND.MUTTER FE/ZNXC3 | DADO AUTOBLOCCANTE FE/ZNXC3    | 21 daN m (155 lbf ft)                        |
| 026 | 80251631 | 004 | RONDELLE PLATE FE/ZNXC3       | PLAIN WASHER FE/ZNXC3          | SCHEIBE FE/ZNXC3               | RONDELLA PIATTA FE/ZNXC3       |  |
| 027 | 80281254 | 033 | RONDELLE CONIQUE BLOC.FLZNNC  | CONICAL SPRING WASHER FLZNNC   | SPANNSCHEIBE FLZNNC            | RONDELLA CONICA FLZNNC         | [1]  |
| 028 | 82060050 | 007 | JOINT TORIQUE                 | O-RING                         | O-RING                         | GUARNIZIONE                    | [1]  |
| 029 | 82062024 | 056 | JOINT TORIQUE VITON VERT      | O-RING                         | O-RING                         | GUARNIZIONE                    | [1]  |
| 030 | 82063034 | 026 | JOINT TORIQUE                 | O-RING                         | O-RING                         | GUARNIZIONE                    | [1]  |
| 031 | 82101622 | 002 | JOINT CUIVRE                  | SEALING RING                   | DICHRING                       | RONDELLA RAME                  | [1]  |
| 032 | 82102732 | 002 | JOINT CUIVRE                  | COPPER RING D 32X27X1.5 MM     | DICHRING                       | RONDELLA RAME                  | [1]  |
| 033 | K5600070 | 001 | SEMELLE EXTERIEURE DROITE     | OUTER SKID RIGHT               | AUSSENKUFE RECHTS              | SLITTA ESTERNA                 |  |
| 034 | K5600080 | 001 | SEMELLE EXTERIEURE GAUCHE     | OUTER SKID LEFT                | AUSSENKUFE LINKS               | SLITTA ESTERNA                 |  |
| 035 | K5600091 | 005 | PATIN INTERMEDIAIRE           | INTERMEDIAT SKID               | ZWISCHENKUFE                   | SLITTA INTERNA                 |  |
| 036 | K5600150 | 001 | CARTER D'ENGRENAGES           | GEAR CASE                      | MAEHBALKENGEHAEUSE             | SCATOLA                        | [1]  |
| 037 | K5600170 | 001 | RAIDISSEUR 3.5M               | REINFORCING PLATE              | VERSTEIFUNGSPLATTE             | BALESTRA                       | [1] +[2]                                     |
| 038 | K5600230 | 002 | BOUCHON MAGNETIQUE            | PLUG, MAGNETIC                 | MAGNET-VERSCHLUSSSCHRAUBE      | TAPPO CALAMITATO               | [1]  |
| 039 | K5602590 | 005 | DISQUE                        | DISC                           | SCHEIBE                        | DISCO                          |  |
| 040 | 1043600  | 001 | PD RECH.FC353                 | FC353 CUTTER                   | FC353 ERSATZBALKEN             | BARRA PD FC353                 | *  |

\* Collection comprenant le groupe de pièces [1] "PORTE DISQUES" et le groupe de pièces [1] "PALIER EXTERIEUR".

\* Kit comprising the parts, marked [1] in remark section, of page "DISC HOLDER" and the parts, marked [1] in remark section of page "OUTER BEARING CARRIERS".

\* Satz bestehend aus den Teilen [1] der Teilegruppe "SCHEIBENTRÄGER" und den Teilen [1] der Teilegruppe "ÄUSSERE MÄHSCHNEIBEN"





## PORTE DISQUES

## CUTTERBAR

## MÄHBALKEN

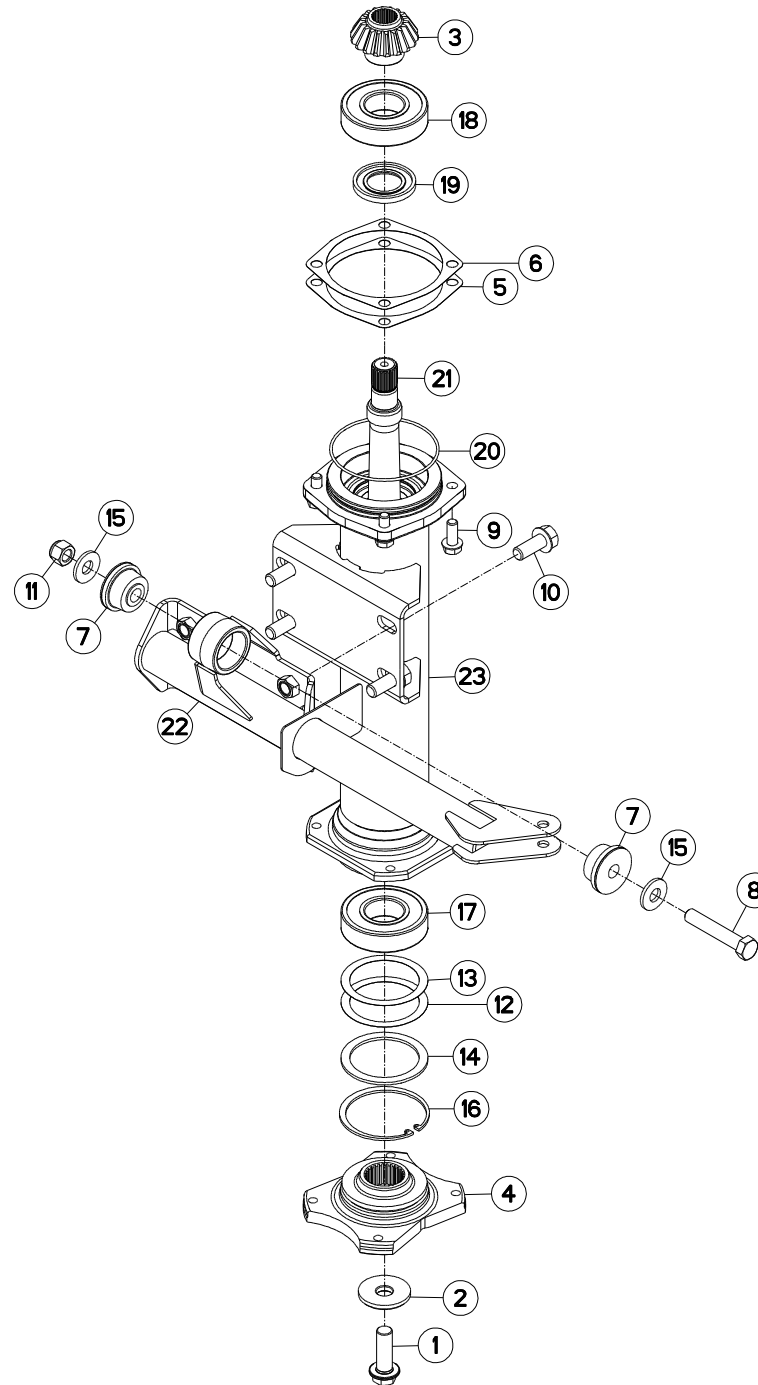
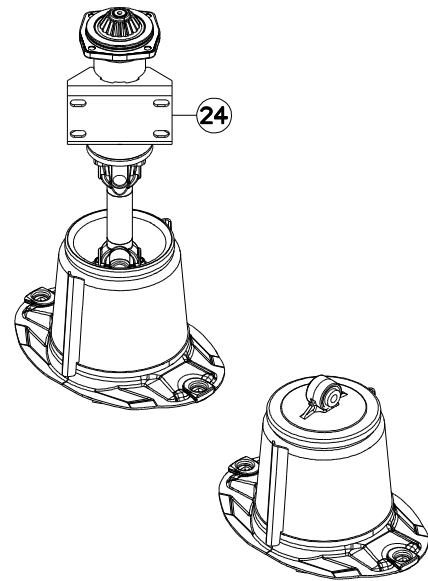
## PORTADISCO

| Rep | Nr       | Qt  | Designation                   | Description                    | Bezeichnung                    | Referenza                      | Remarque - Remark - Bemerkung - Osservazioni |
|-----|----------|-----|-------------------------------|--------------------------------|--------------------------------|--------------------------------|--|
| 001 | 50002900 | 013 | VIS AUTOFREINEE CHC           | SELF-LOCKING SCREW             | SELBSTSICHERNDE SCHRAUBE       | VITE AUTOBLOCCANTE             | [1] 14 daN m (103 lbf ft)                    |
| 002 | 50003200 | 010 | VIS TBCC COURT                | BOLT, CARRIAGE, SHORT NECK     | FLACHRUNDSCHR.4KT ANSATZ       | BULLONE                        |  |
| 003 | 50004200 | 028 | VIS TBCC COURT                | BOLT, CARRIAGE, SHORT NECK     | FLACHRUNDSCHR.4KT ANSATZ       | BULLONE                        | [1]  |
| 004 | 50066700 | 010 | VIS TBCC COURT                | BOLT, CARRIAGE, SHORT NECK     | FLACHRUNDSCHR.4KT ANSATZ       | BULLONE                        |  |
| 005 | 55808300 | 012 | CALE                          | SPACER PLATE                   | UNTERLEGPLATTE                 | SPESSORE                       |  |
| 006 | 55900110 | 010 | ROUE INTERMEDIAIRE 39 DTS     | IDLER GEAR Z.39 CPL            | ZAHNRAD 39 Z. KPL              | INGRANAGGIO Z.39               | [1] Z=39                                     |
| 007 | 55900220 | 013 | CUVETTE INFERIEURE ZBC        | LOWER SUPPORT                  | ZAHNRADLAGER UNTEN             | RONDELLA                       | [1]  |
| 008 | 55900320 | 013 | CUVETTE SUPERIEURE            | UPPER SUPPORT                  | ZAHNRADLAGER OBEN              | RULLINO                        | [1]  |
| 009 | 55900510 | 028 | ENTRETOISE                    | SPACER                         | DISTANZHUELSE                  | DISTANZIALE                    | [1]  |
| 010 | 55903210 | 006 | COUTEAU VRILLE T.A.G ISO5718  | ANGLED BLADE LEFT TURN.ISO5718 | GEKROEP.MESS.LINKSDREH.ISO5718 | COLTEL.PIEGATO STD-SX ISO5718  |  |
| 011 | 55903310 | 004 | COUTEAU VRILLE T.A.D ISO5718  | ANGLED BLAD.RIGHT TURN.ISO5718 | GEKROEP.MESS.RECHTSDRE.ISO5718 | COLTEL.PIEGATO STD-DX ISO5718  |  |
| 012 | 55921000 | 005 | PALIER DE DISQUE COMPLET      | DISC BEARING UNIT              | SCHEIBENLAGER KPL              | SUPPORTO COMPLETO VEDI55921010 |  |
| 013 | 55930500 | 003 | ROUE INTERM.27 DENTS CPLTE    | IDLER GEAR Z.27 CPL            | ZAHNRAD Z.27 KPL               | INGRANAGGIO INTERMEDIO Z=27    | [1] Z=27                                     |
| 014 | 55932320 | 002 | DISQUE "LIFTER" DROIT REVETU  | DISC, LIFTER, HARDCOATED RIGHT | LIFTERSCHIEBE RECHTS BESCHICHT | DISCO "LIFTER" DESTRO          |  |
| 015 | 55932420 | 003 | DISQUE "LIFTER" GAUCHE REVETU | DISC, LIFTER, HARDCOATED LEFT  | LIFTERSCHIEBE LINKS BESCHICHT. | DISCO INTERMEDIO SINISTRO      |  |
| 016 | 56115800 | 010 | VIS AUTOFREINEE               | SCREW, SELF-LOCKING            | SELBSTSICHERNDE SCHRAUBE       | VITE AUTOBLOCCANTE             |  |
| 017 | 56207000 | 002 | BOUCHON MAGNETIQUE            | PLUG, MAGNETIC                 | MAGNET-VERSCHLUSSSCHRAUBE      | TAPPO CALAMITATO               | [1]  |
| 018 | 56568500 | 001 | ARTICULATION ELASTIQUE        | ELASTIC-COUPLING               | ELASTIK-GELENK                 | SNODO ELASTICO                 | [2]  |
| 019 | 56572600 | 002 | SILENTBLOC EPAULE             | SILENTBLOC                     | GUMMIPUFFER                    | TAMPONE DI GOMMA               | [2]  |
| 020 | 80061231 | 020 | VIS TETE HEXAGONALE FLZNNC    | HEXAGON HEAD SCREW FLZNNC      | SECHSKANTSCHRAUBE FLZNNC       | VITE TESTA ESAGONALE FLZNNC    |  |
| 021 | 80061661 | 002 | VIS TETE HEXAGONALE FE/ZNXC3  | HEXAGON HEAD SCREW FE/ZNXC3    | SECHSKANTSCHRAUBE FE/ZNXC3     | VITE TESTA ESAGONALE FE/ZNXC3  |  |
| 022 | 80131225 | 004 | VIS AUTOBLOQUANTE FLZNNC      | UNDERSERR.S-LOC.SCREW FLZNNC   | SPERRZAHN-BUNDSCHRAU.FLZNNC    | VITE FLZNNC                    |  |
| 023 | 80201040 | 020 | ECROU HEX.BAS AUTOFR.FE/ZNXC3 | SELF LOCKING NUT M10 DIN 985   | SELBSTSICHERND.MUTTER FE/ZNXC3 | DADO AUTOBLOCCANTE FE/ZNXC3    | 6 daN m (44 lbf ft)                          |
| 024 | 80201237 | 028 | ECROU HEX.AUTOFREINE FE/ZNXC3 | SELF-LOCKING NUT FE/ZNXC3      | SELBSTSICHERNDE MUTT.FE/ZNXC3  | DADO AUTOBLOCCANTE FE/ZNXC3    | [1] 12 daN m (89 lbf ft)                     |
| 025 | 80201253 | 004 | ECROU AUTOBLOQUANT FE/ZNXC3   | UNDERSERRAT.S.LOC.NUT FE/ZNXC3 | SPERRZAHN-BUNDMUTTER FE/ZNXC3  | DADO FE/ZNXC3                  | 12 daN m (89 lbf ft)                         |
| 026 | 80201262 | 010 | ECROU TWOLOCK FLZNNC          | SELF-LOCKING NUT FLZNNC        | SELBSTSICHERNDE MUTTER FLZNNC  | DADO TWOLOCK FLZNNC            | 12 daN m (89 lbf ft)                         |
| 027 | 80201640 | 002 | ECROU HEX.BAS AUTOFR.FE/ZNXC3 | SELF-LOCKING NUT M16 DIN 985 B | SELBSTSICHERND.MUTTER FE/ZNXC3 | DADO AUTOBLOCCANTE FE/ZNXC3    | 21 daN m (155 lbf ft)                        |
| 028 | 80251631 | 004 | RONDELLE PLATE FE/ZNXC3       | PLAIN WASHER FE/ZNXC3          | SCHIEBE FE/ZNXC3               | RONDELLA PIATTA FE/ZNXC3       |  |
| 029 | 80281254 | 033 | RONDELLE CONIQUE BLOC.FLZNNC  | CONICAL SPRING WASHER FLZNNC   | SPANNSCHIEBE FLZNNC            | RONDELLA CONICA FLZNNC         | [1]  |
| 030 | 82060050 | 007 | JOINT TORIQUE                 | O-RING                         | O-RING                         | GUARNIZIONE                    | [1]  |
| 031 | 82062024 | 056 | JOINT TORIQUE VITON VERT      | O-RING                         | O-RING                         | GUARNIZIONE                    | [1]  |
| 032 | 82063034 | 026 | JOINT TORIQUE                 | O-RING                         | O-RING                         | GUARNIZIONE                    | [1]  |
| 033 | 82101622 | 002 | JOINT CUIVRE                  | SEALING RING                   | DICHTRING                      | RONDELLA RAME                  | [1]  |
| 034 | 82102732 | 002 | JOINT CUIVRE                  | COPPER RING D 32X27X1.5 MM     | DICHTRING                      | RONDELLA RAME                  | [1]  |
| 035 | K5600070 | 001 | SEMELLE EXTERIEURE DROITE     | OUTER SKID RIGHT               | AUSSENKUFE RECHTS              | SLITTA ESTERNA                 |  |
| 036 | K5600080 | 001 | SEMELLE EXTERIEURE GAUCHE     | OUTER SKID LEFT                | AUSSENKUFE LINKS               | SLITTA ESTERNA                 |  |
| 037 | K5600091 | 005 | PATIN INTERMEDIAIRE           | INTERMEDIAT SKID               | ZWISCHENKUFE                   | SLITTA INTERNA                 |  |
| 038 | K5600150 | 001 | CARTER D'ENGRENAGES           | GEAR CASE                      | MAEHBALKENGEHAEUSE             | SCATOLA                        | [1]  |
| 039 | K5600170 | 001 | RAIDISSEUR 3.5M               | REINFORCING PLATE              | VERSTEIFUNGSPLATTE             | BALESTRA                       | [1] +[2]                                     |
| 040 | K5600230 | 002 | BOUCHON MAGNETIQUE            | PLUG, MAGNETIC                 | MAGNET-VERSCHLUSSSCHRAUBE      | TAPPO CALAMITATO               | [1]  |
| 041 | 1043600  | 001 | PD RECH.FC353                 | FC353 CUTTER                   | FC353 ERSATZBALKEN             | BARRA PD FC353                 | *  |

\* Collection comprenant le groupe de pièces [1] "PORTE DISQUES" et le groupe de pièces [1] "PALIER EXTERIEUR".

\* Kit comprising the parts, marked [1] in remark section, of page "DISC HOLDER" and the parts, marked [1] in remark section of page "OUTER BEARING CARRIERS".

\* Satz bestehend aus den Teilen [1] der Teilegruppe "SCHEIBENTRÄGER" und den Teilen [1] der Teilegruppe "ÄUSSERE MÄHSCHIEBEN"





## BARRE ANTI-COUPLE

## ANTI-TORQUE BAR

## DREHMOMENTSTUETZE

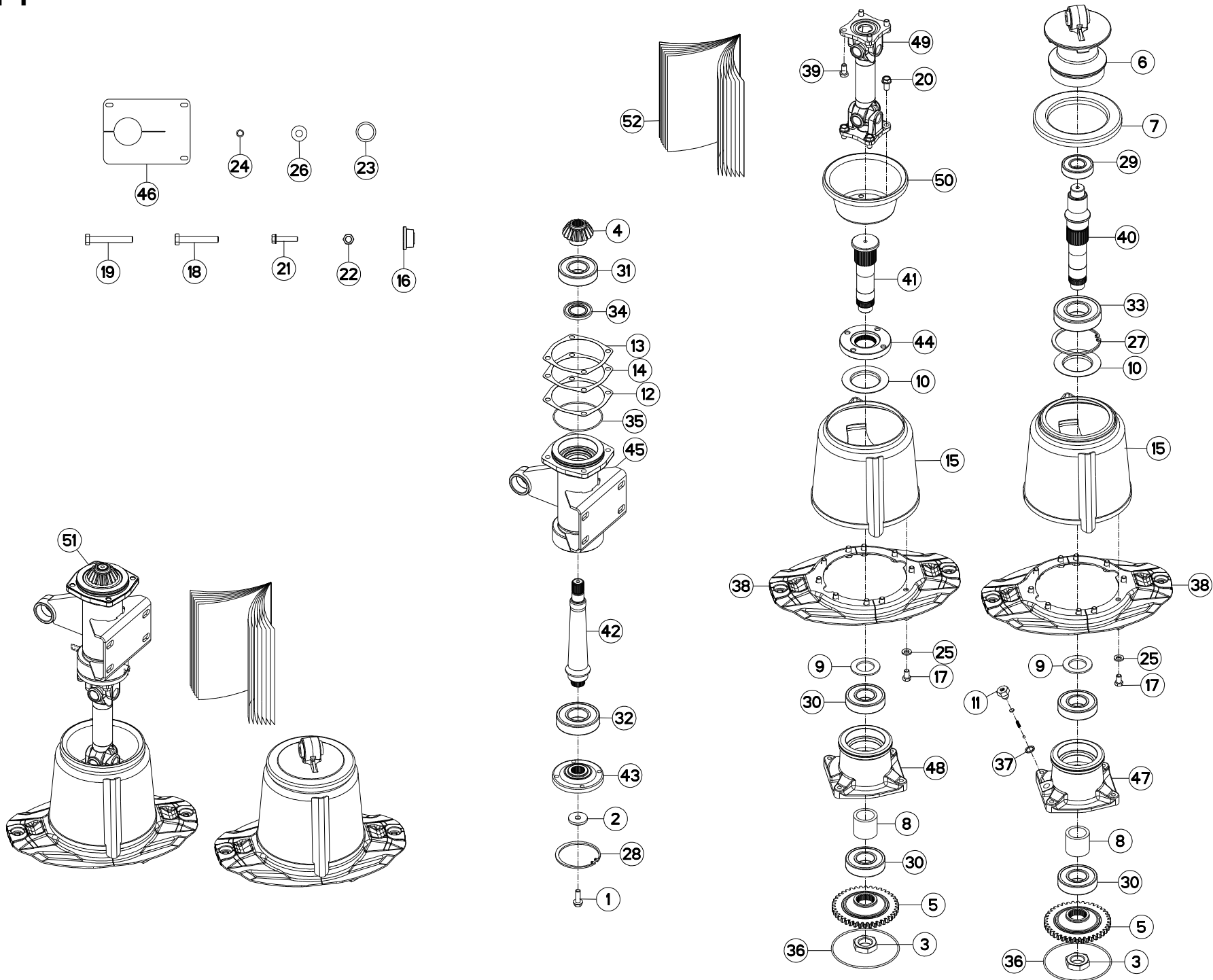
## ARRA-TUBO

| Rep | Nr       | Qt  | Designation                    | Description                  | Bezeichnung                 | Referenza                     | Remarque - Remark - Bemerkung - Osservazioni |
|-----|----------|-----|--------------------------------|------------------------------|-----------------------------|-------------------------------|--|
| 001 | 50005600 | 001 | VIS AUTOFREINEE H A EMBASE     | SELF-LOCKING SCREW           | SELBSTSICHERNDE SCHRAUBE    | VITE AUTOBLOCCANTE            | 50 daN m(369 lbf ft)                         |
| 002 | 50014110 | 001 | RONDELLE SPECIALE              | SPECIAL WASHER               | SPEZIALSCHEIBE              | RONDELLA                      |  |
| 003 | 55742700 | 001 | PIGNON 18 DENTS                | PINION Z.18                  | ZAHNRAD Z.18                | PIGNONE Z.18                  | Z=18   |
| 004 | 55831520 | 001 | ETOILE D'ENTRAINEMENT          | DRIVE HUB                    | ANTRIEBSTERN                |                               |  |
| 005 | 56549000 | 001 | CALE                           | SHIM                         | BEILAGE                     | SPESSORE                      |  |
| 006 | 56549100 | 001 | CALE                           | SHIM                         | BEILAGE                     | SPESSORE                      |  |
| 007 | 56572600 | 002 | SILENTBLOC EPAULE              | SILENTBLOC                   | GUMMIPUFFER                 | TAMPONE DI GOMMA              |  |
| 008 | 80061659 | 001 | VIS TETE HEXAGONALE FLZNNC     | SCREW, HEX HEAD FLZNNC       | SECHSKANTSCHRAUBE FLZNNC    | VITE A TESTA ESAGONALE FLZNNC |  |
| 009 | 80131232 | 004 | VIS AUTOBLOQUANTE FLZNNC KL105 | UNDERSERR.S-LOC.SCREW FLZNNC | SPERRZAHN-BUNDSCHRAU.FLZNNC | VITE FLZNNC KL105             | 10 daN m (74 lbf ft)                         |
| 010 | 80131640 | 004 | VIS AUTOBLOQUANTE FLZNNC       | UNDERSERR.S-LOC.SCREW FLZNNC | SPERRZAHN-BUNDSCHRAU.FLZNNC | VITE FLZNNC                   |  |
| 011 | 80201630 | 001 | ECROU HEX.AUTOFREINE FE/ZNXC3  | SELF-LOCKING NUT FE/ZNXC3    | SELBSTSICH.MUTTER FE/ZNXC3  | DADO AUTOBLOCCANTE FE/ZNXC3   |  |
| 012 | 80258070 | 001 | RONDELLE D'AJUSTAGE PS 0,1     | SHIM RING PS 0,1             | PASSSCHEIBE PS 0,1          | ANELLO                        |  |
| 013 | 80258071 | 001 | RONDELLE D'AJUSTAGE PS 0,3     | SHIM RING PS 0,3             | PASSSCHEIBE PS 0,3          | SPESSORE                      |  |
| 014 | 80258075 | 001 | RONDELLE D'APPUI SS 3,5        | SUPPORTING RING SS 3,5       | STUETZSCHEIBE SS 3,5        | RONDELLA D'APPOGGIO           |  |
| 015 | 80281639 | 002 | RONDELLE RESSORT FLZNNC        | CONICAL SPRING WASHER FLZNNC | SPANNSCHEIBE FLZNNC         | RONDELLA A MOLLA FLZNNC       |  |
| 016 | 80590000 | 001 | CIRCLIP INTERIEUR              | ELASTIC RING I 100           | SICHERUNGSRING              | ANELLO                        |  |
| 017 | 81004505 | 001 | ROULEMENT A BILLES             | BALL BEARING                 | KUGELLAGER                  | CUSCINETTO A SFERE            |  |
| 018 | 81004507 | 001 | ROULEMENT A BILLES             | BALL BEARING                 | KUGELLAGER                  | CUSCINETTO A SFERE            |  |
| 019 | 82014073 | 001 | BAGUE D'ETANCHEITE             | OIL SEAL                     | RADIALDICHRING              | PARAOLIO                      |  |
| 020 | 82060022 | 001 | JOINT TORIQUE                  | O-RING                       | O-RING                      | GUARNIZIONE                   |  |
| 021 | K5600440 | 001 | ARBRE                          | SHAFT                        | WELLE                       | ALBERO                        |  |
| 022 | K5603300 | 001 | BARRE                          | BAR                          | BALKEN                      | BARRA                         |  |
| 023 | K5608230 | 001 | FUT D'ENTRAINEMENT             | HUB                          | NABE                        |                               |  |
| 024 | K5611470 | 001 | COLL.REMP.TRANSM.FC303R/353R   | BEARING STATION REWORK KIT   | UMBAUSATZ                   |                               | *  |

\*: Voir Coll.rempl.K5611470

\*: See Coll.rempl.K5611470

\*: Siehe Coll.rempl.K5611470







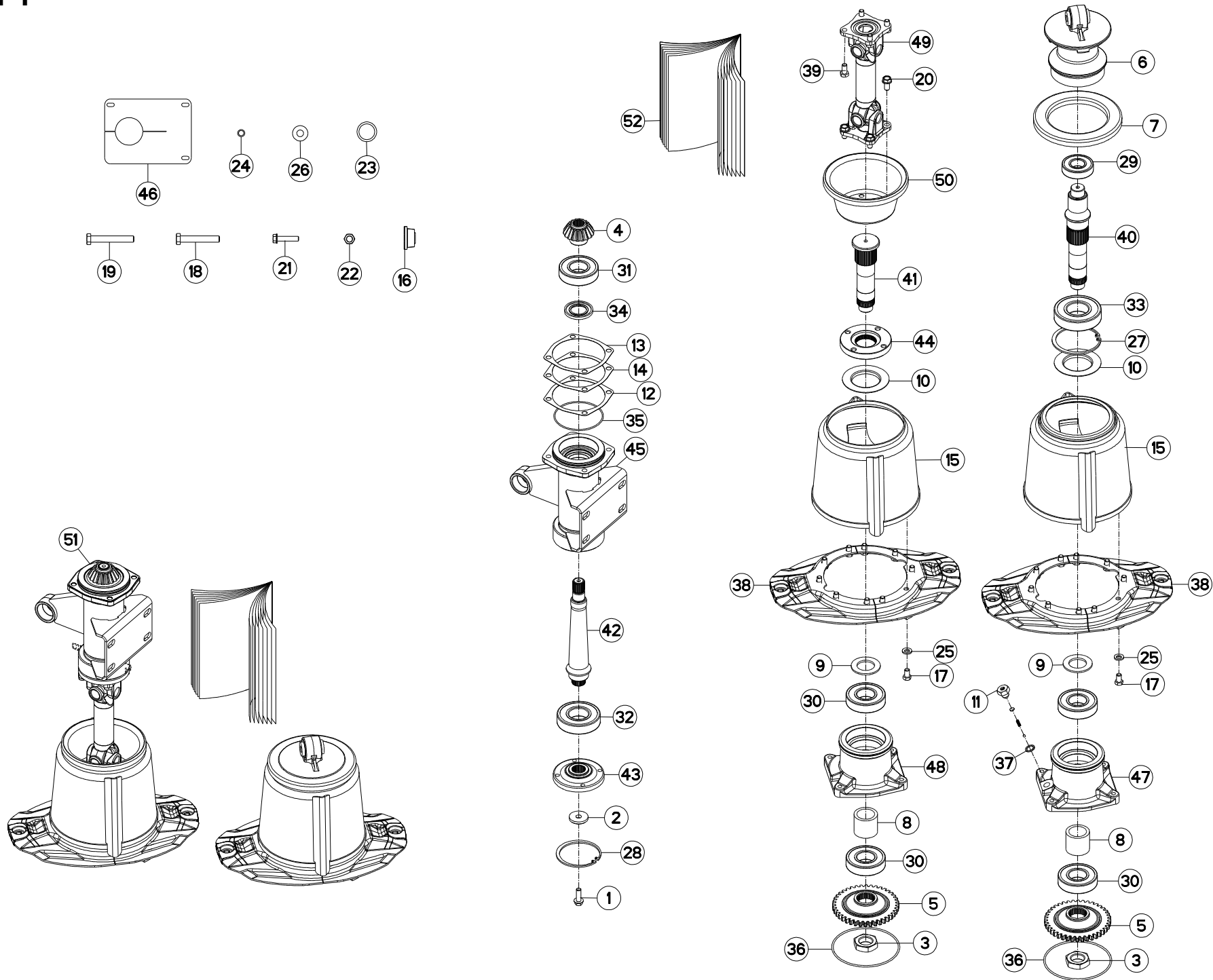
## COLL.REPARATION K5611470

## REPAIR KIT K5611470

## REPARATURSATZ K5611470

## RIPARAZIONE KIT K5611470

| Rep | Nr       | Qt  | Designation                    | Description                    | Bezeichnung                 | Referenza                     | Remarque - Remark - Bemerkung - Osservazioni |
|-----|----------|-----|--------------------------------|--------------------------------|-----------------------------|-------------------------------|--|
| 001 | 50007000 | 001 | VIS AUTOFR.H A EMBASE DACROMET | SELF-LOCKING SCREW             | SELBSTSICHERNDE SCHRAUBE    | VITE                          | [1] 14 daN m (106 lbf ft)                    |
| 002 | 50019110 | 001 | RONDELLE DACRO                 | WASHER                         | SCHEIBE                     | RONDELLA                      | [1]  |
| 003 | 50071300 | 002 | ECROU SPECIAL                  | SPECIAL NUT                    | SPEZIALMUTTER               | GHIERA                        | [1]  |
| 004 | 55742700 | 001 | PIGNON 18 DENTS                | PINION Z.18                    | ZAHNRAD Z.18                | PIGNONE Z.18                  | [1] Z=18                                     |
| 005 | 55754900 | 002 | ROUE                           | GEAR WHEEL                     | RAD                         | RUOTA                         | [1] Z=40                                     |
| 006 | 55818200 | 001 | PALIER FLOTTANT                | HOUSING                        | LAGERGEHAEUSE               | SUPPORTO                      | [1]  |
| 007 | 55908800 | 001 | COUVERCLE INTERIEUR            | DISC COVER                     | SCHEIBENDECKEL              | COPERCHIO                     | [1]  |
| 008 | 55911900 | 002 | ENTRETOISE                     | SPACER                         | DISTANZHUELSE               | DISTANZIALE                   | [1]  |
| 009 | 55912000 | 002 | RONDELLE ENTRETOISE            | WASHER                         | SCHEIBE                     | SPESSORE                      | [1]  |
| 010 | 55912100 | 002 | DEFLECTEUR                     | DEFLECTOR                      | ABWEISER                    | DEFLETTORE                    | [1]  |
| 011 | 56185700 | 001 | BOUCHON                        | PLUG                           | VERSCHLUSSSCHRAUBE          | TAPPO                         | [1]  |
| 012 | 56549000 | 001 | CALE                           | SHIM                           | BEILAGE                     | SPESSORE                      | [1] Q?                                       |
| 013 | 56549100 | 001 | CALE                           | SHIM                           | BEILAGE                     | SPESSORE                      | [1] Q?                                       |
| 014 | 56549200 | 001 | CALE                           | SHIM                           | BEILAGE                     | SPESSORE                      | [1] Q?                                       |
| 015 | 56566130 | 002 | TAMBOUR                        | DRUM                           | TROMMEL                     | TAMBURO                       | [1]  |
| 016 | 56572600 | 006 | SILENTBLOC EPAULE              | SILENTBLOC                     | GUMMIPUFFER                 | TAMPONE DI GOMMA              | [1]  |
| 017 | 80061220 | 020 | VIS TETE HEXAGONALE FLZNNC     | HEX BOLT M12X20 CL 5.8 DIN933  | SECHSKANTSCHRAUBE FLZNNC    | VITE TESTA ESAGONALE FLZNNC   | [1] 12 daN m (90 lbf ft)                     |
| 018 | 80061661 | 002 | VIS TETE HEXAGONALE FE/ZNXC3   | HEXAGON HEAD SCREW FE/ZNXC3    | SECHSKANTSCHRAUBE FE/ZNXC3  | VITE TESTA ESAGONALE FE/ZNXC3 | [1]  |
| 019 | 80061663 | 001 | VIS TETE HEXAGONALE FE/ZNXC3   | HEXAGON HEAD SCREW FE/ZNXC3    | SECHSKANTSCHRAUBE FE/ZNXC3  | VITE TESTA ESAGONALE FE/ZNXC3 | [1]  |
| 020 | 80131225 | 004 | VIS AUTOBLOQUANTE FLZNNC       | UNDERSERR.S-LOC.SCREW FLZNNC   | SPERRZAHN-BUNDSCHRAU.FLZNNC | VITE FLZNNC                   | [1] 12 daN m (90 lbf ft)                     |
| 021 | 80131255 | 008 | VIS AUTOBLOQUANTE FLZNNC       | UNDERSERR.S-LOC.SCREW FLZNNC   | SPERRZAHN-BUNDSCHRAU.FLZNNC | VITE FLZNNC                   | [1]  |
| 022 | 80201630 | 002 | ECROU HEX.AUTOFREINE FE/ZNXC3  | SELF-LOCKING NUT FE/ZNXC3      | SELBSTSICH.MUTTER FE/ZNXC3  | DADO AUTOBLOCCANTE FE/ZNXC3   | [1]  |
| 023 | 80254043 | 002 | RONDELLE D'APPUI SS 2,5        | SUPPORTING RING SS 2,5         | STUETZSCHEIBE SS 2,5        | RONDELLA D'APPOGGIO           | [1]  |
| 024 | 80281220 | 004 | RONDELLE RESSORT CRANTEE       | CONICAL SPRING WASHER          | SPANNSCHEIBE                | RONDELLA A MOLLA              | [1]  |
| 025 | 80281254 | 020 | RONDELLE CONIQUE BLOC.FLZNNC   | CONICAL SPRING WASHER FLZNNC   | SPANNSCHEIBE FLZNNC         | RONDELLA CONICA FLZNNC        | [1]  |
| 026 | 80281639 | 002 | RONDELLE RESSORT FLZNNC        | CONICAL SPRING WASHER FLZNNC   | SPANNSCHEIBE FLZNNC         | RONDELLA A MOLLA FLZNNC       | [1]  |
| 027 | 80590001 | 001 | CIRCLIP INTERIEUR              | RETAINING RING                 | SICHERUNGSRING              | ANELLO                        | [1]  |
| 028 | 80590002 | 001 | CIRCLIP INTERIEUR              | RETAINING RING                 | SICHERUNGSRING              | ANELLO                        | [1]  |
| 029 | 81003584 | 001 | ROULEMENT A BILLES             | BALL BEARING                   | KUGELLAGER                  | CUSCINETTO A SFERE            | [1]  |
| 030 | 81004505 | 004 | ROULEMENT A BILLES             | BALL BEARING                   | KUGELLAGER                  | CUSCINETTO A SFERE            | [1]  |
| 031 | 81004507 | 001 | ROULEMENT A BILLES             | BALL BEARING                   | KUGELLAGER                  | CUSCINETTO A SFERE            | [1]  |
| 032 | 81005096 | 001 | ROULEMENT A BILLES             | BALL BEARING                   | KUGELLAGER                  | CUSCINETTO A SFERE            | [1]  |
| 033 | 81005524 | 001 | ROULEMENT A BILLES             | BALL BEARING                   | KUGELLAGER                  | CUSCINETTO A SFERE            | [1]  |
| 034 | 82014073 | 001 | BAGUE D'ETANCHEITE             | OIL SEAL                       | RADIALDICHRING              | PARAOILIO                     | [1]  |
| 035 | 82060022 | 001 | JOINT TORIQUE                  | O-RING                         | O-RING                      | GUARNIZIONE                   | [1]  |
| 036 | 82060050 | 002 | JOINT TORIQUE                  | O-RING                         | O-RING                      | GUARNIZIONE                   | [1]  |
| 037 | 82131824 | 001 | JOINT CUIVRE                   | SEALING RING                   | DICHRING                    | RONDELLA RAME                 | [1]  |
| 038 | 55913700 | 002 | PAIRE DE DEMI-DISQUES EXT.RENF | HALF OUTER DISC SET            | SATZ AUSSENSCHIEBEHAELFTEN  | COPPIA SEMI-DISCO             |  |
| 039 | 800612A5 | 004 | VIS TETE HEXAGONALE FLZNNC     | HEX. HEAD SCREW M12X25MM CL10. | SECHSKANTSCHRAUBE FLZNNC    | VITE TESTA ESAGONALE FLZNNC   | [1] 12 daN m (90 lbf ft)                     |
| 040 | K5611360 | 001 | ARBRE                          | SHAFT                          | WELLE                       | ALBERO                        | [1]  |
| 041 | K5611370 | 001 | ARBRE                          | SHAFT                          | WELLE                       | ALBERO                        | [1]  |
| 042 | K5611380 | 001 | AXE                            | PIN                            | ACHSE                       | ASSE                          | [1]  |
| 043 | K5611390 | 001 | FLASQUE                        | FLANGE                         | FLANSCH                     | FLANGIA                       | [1]  |
| 044 | K5611410 | 001 | GALET                          | ROLLER                         | ROLLE                       | RULLO                         | [1]  |
| 045 | K5611440 | 001 | PALIER                         | BEARING, PILLOW BLOCK          | LAGER                       | SUPPORTO                      | [1]  |
| 046 | K5611570 | 001 | TOLE                           | SHEET                          | BLECH                       | TELA                          | [1]  |
| 047 | K5801480 | 001 | PALIER D'ENTREE                | HOUSING                        | LAGER                       | SUPPORTO                      | [1]  |
| 048 | K5801490 | 001 | PALIER EXTERIEUR M12, SANS REN | HOUSING                        | LAGER                       | SUPPORTO                      | [1]  |





FC353RGC NV

C 0001 &gt; C 0068

K56R0441 A

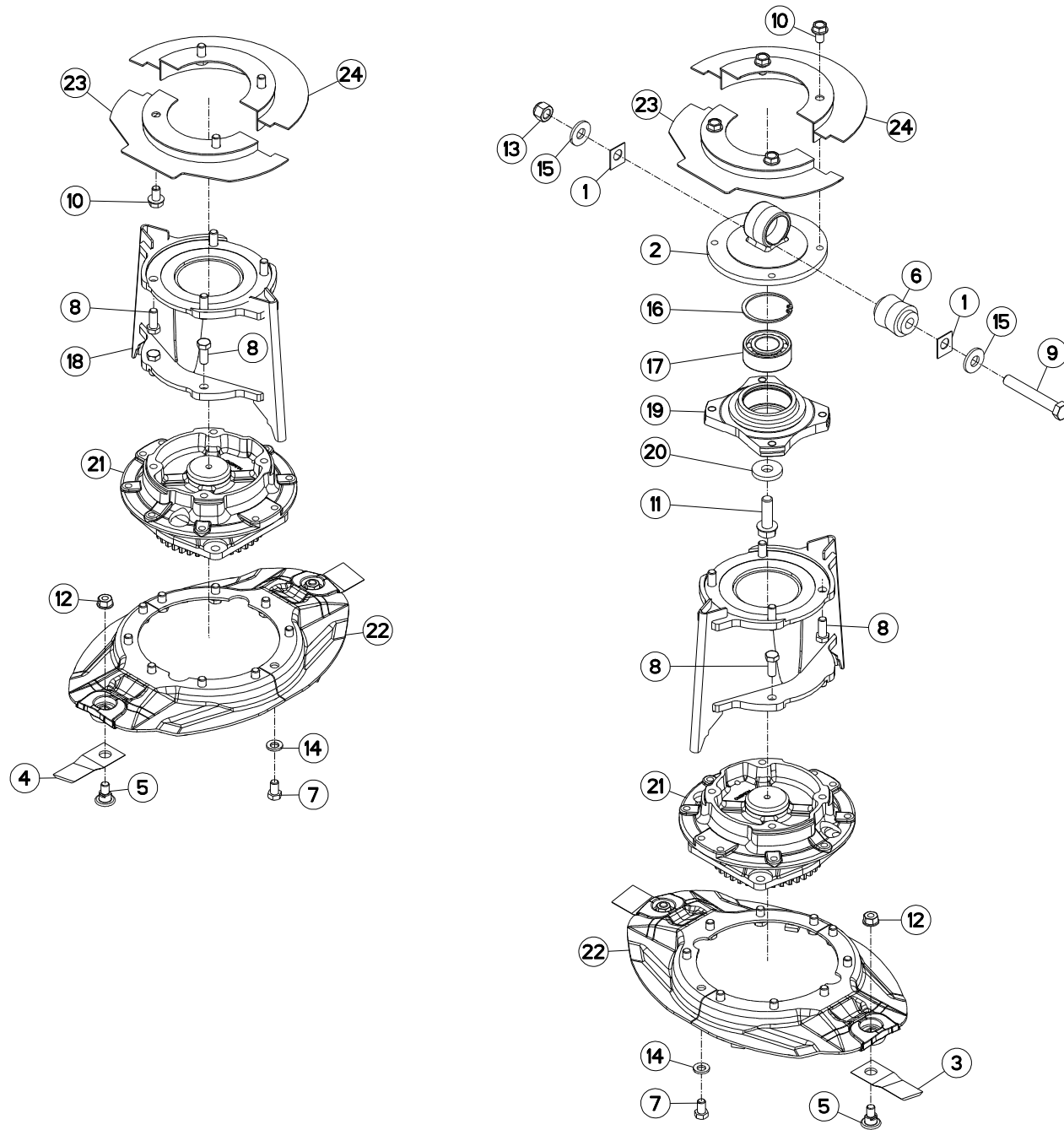
COLL.REPARATION K5611470

REPAIR KIT K5611470

REPARATURSATZ K5611470

RIPARAZIONE KIT K5611470

| Rep | Nr              | Qt  | Designation                    | Description                         | Bezeichnung               | Referenza | Remarque - Remark - Bemerkung - Osservazioni |
|-----|-----------------|-----|--------------------------------|-------------------------------------|---------------------------|-----------|--|
| 049 | <b>K6000020</b> | 001 | TRANSMISSION                   | PTO SHAFT                           | GELENKWELLE               | CARDANO   | [1]  |
| 050 | <b>K5611350</b> | 001 | CONE                           | CONE                                | KEGEL                     | CONO      | [1]  |
| 051 | <b>K5611470</b> | 001 | COLL.REMP.TRANSM.FC303R/353R   | BEARING STATION REWORK KIT          | UMBAUSATZ                 |           | OPT +[1]                                     |
| 052 | <b>KV0236TL</b> | 001 | NOTICE D'ASSISTANCE T.K5611470 | MAINTENANCE SERVICE MANUAL K5611470 | ASSISTANZLEITUNG K5611470 |           |  |





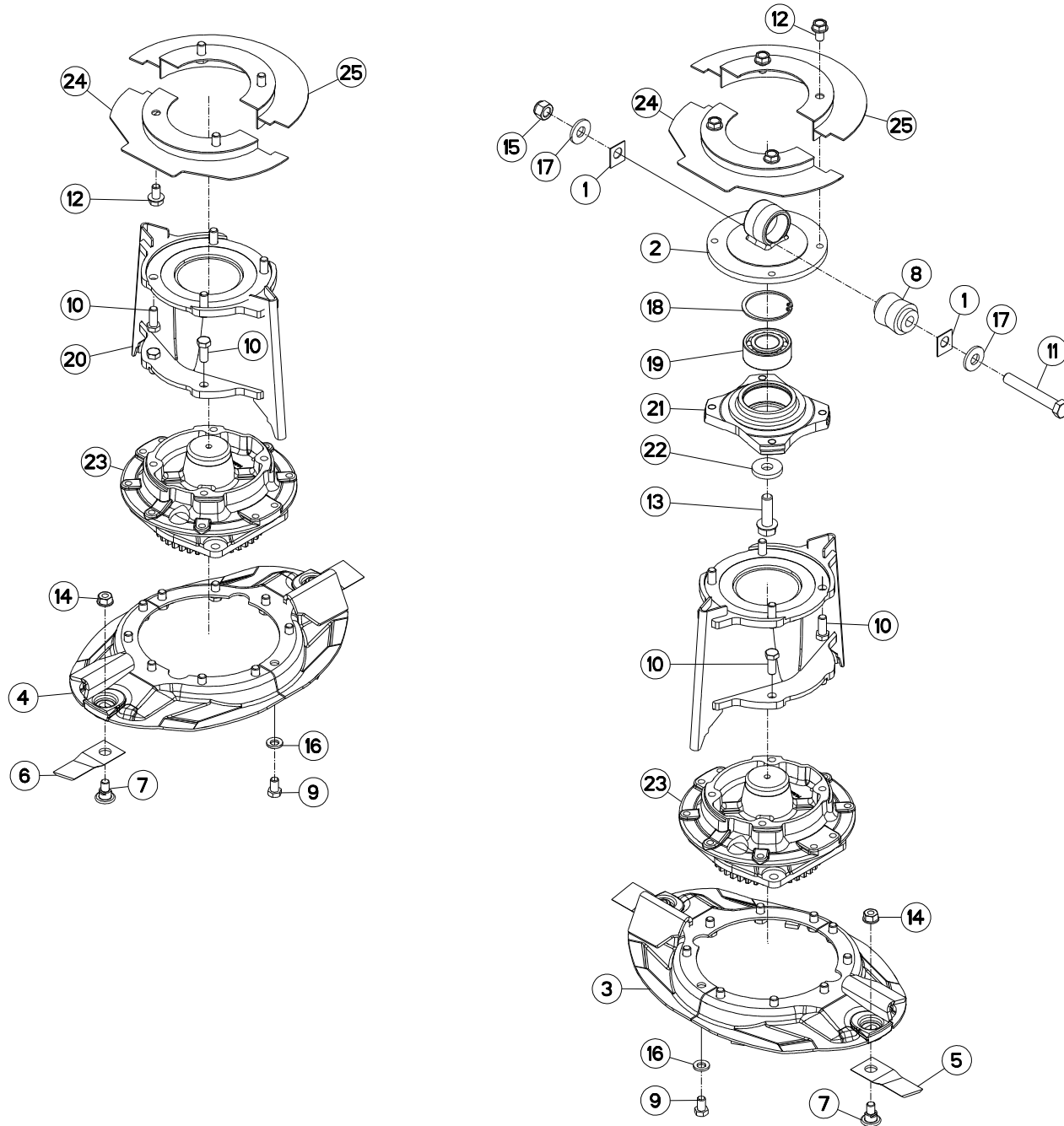
## PALIER EXTERIEUR

## OUTER BEARING CARRIER

## ÄUSSERES LAGERGEHÄUSE

## SUPPORTO CUSCINETTO ESTERNO

| Rep | Nr       | Qt  | Designation                    | Description                    | Bezeichnung                    | Referenza                     | Remarque - Remark - Bemerkung - Osservazioni |
|-----|----------|-----|--------------------------------|--------------------------------|--------------------------------|-------------------------------|--|
| 001 | 55808300 | 008 | CALE                           | SPACER PLATE                   | UNTERLEGPLATTE                 | SPESSORE                      | Q?   |
| 002 | K5600250 | 001 | PALIER                         | FLANGED GUIDE                  | LAGER                          | SUPPORTO                      | + [2]  |
| 003 | 55903210 | 002 | COUTEAU VRILLE T.A.G ISO5718   | ANGLED BLADE LEFT TURN.ISO5718 | GEKROEP.MESS.LINKSDREH.ISO5718 | COLTEL.PIEGATO STD-SX ISO5718 |  |
| 004 | 55903310 | 002 | COUTEAU VRILLE T.A.D ISO5718   | ANGLED BLAD.RIGHT TURN.ISO5718 | GEKROEP.MESS.RECHTSDRE.ISO5718 | COLTEL.PIEGATO STD-DX ISO5718 |  |
| 005 | 56115800 | 004 | VIS AUTOFREINEE                | SCREW, SELF-LOCKING            | SELBSTSICHERNDE SCHRAUBE       | VITE AUTOBLOCCANTE            |  |
| 006 | 56568500 | 001 | ARTICULATION ELASTIQUE         | ELASTIC-COUPLING               | ELASTIK-GELENK                 | SNODO ELASTICO                | [2]  |
| 007 | 80061220 | 020 | VIS TETE HEXAGONALE FLZNNC     | HEX BOLT M12X20 CL 5.8 DIN933  | SECHSKANTSCHRAUBE FLZNNC       | VITE TESTA ESAGONALE FLZNNC   | 8,5 daN m (63 lbf ft)                        |
| 008 | 80061231 | 016 | VIS TETE HEXAGONALE FLZNNC     | HEXAGON HEAD SCREW FLZNNC      | SECHSKANTSCHRAUBE FLZNNC       | VITE TESTA ESAGONALE FLZNNC   | 12 daN m (89 lbf ft)                         |
| 009 | 80061663 | 001 | VIS TETE HEXAGONALE FE/ZNXC3   | HEXAGON HEAD SCREW FE/ZNXC3    | SECHSKANTSCHRAUBE FE/ZNXC3     | VITE TESTA ESAGONALE FE/ZNXC3 |  |
| 010 | 80131220 | 008 | VIS AUTOBLOQUANTE FLZNNC       | UNDERSERR.S-LOC.SCREW FLZNNC   | SPERRZAHN-BUNDSCHRAU.FLZNNC    | VITE FLZNNC                   | 8,5 daN m (63 lbf ft)                        |
| 011 | 80131650 | 001 | VIS AUTOBLOQUANTE FLZNNC       | UNDERSERR.S-LOC.SCREW FLZNNC   | SPERRZAHN-BUNDSCHRAU.FLZNNC    | VITE FLZNNC                   | 21 daN m (155 lbf ft)                        |
| 012 | 80201262 | 004 | ECROU TWOLOK FLZNNC            | SELF-LOCKING NUT FLZNNC        | SELBSTSICHERNDE MUTTER FLZNNC  | DADO TWOLOCK FLZNNC           | 12 daN m (89 lbf ft)                         |
| 013 | 80201630 | 001 | ECROU HEX.AUTOFREINE FE/ZNXC3  | SELF-LOCKING NUT FE/ZNXC3      | SELBSTSICH.MUTTER FE/ZNXC3     | DADO AUTOBLOCCANTE FE/ZNXC3   |  |
| 014 | 80281254 | 020 | RONDELLE CONIQUE BLOC.FLZNNC   | CONICAL SPRING WASHER FLZNNC   | SPANNSCHEIBE FLZNNC            | RONDELLA CONICA FLZNNC        |  |
| 015 | 80251631 | 002 | RONDELLE PLATE FE/ZNXC3        | PLAIN WASHER FE/ZNXC3          | SCHIEBE FE/ZNXC3               | RONDELLA PIATTA FE/ZNXC3      |  |
| 016 | 80597200 | 001 | CIRCLIP INTERIEUR              | RETAINING RING                 | SICHERUNGSRING                 | ANELLO                        |  |
| 017 | 81103575 | 001 | ROULEMENT 2 R.BILLES CONT.OBL  | ANG.CONT.DOUBLE ROW B.BEARING  | 2-REIHIGES SCHRAEGKUGELLAGER   | CUSCINETTO                    |  |
| 018 | K5600240 | 002 | RABATTEUR                      | DEFLECTOR                      | ABWEISBLECH                    | DEFLETTORE                    |  |
| 019 | K5600320 | 001 | PALIER                         | BEARING, PILLOW BLOCK          | LAGER                          | SUPPORTO                      |  |
| 020 | K5600330 | 001 | RONDELLE PLATE                 | WASHER, FLAT                   | SCHIEBE                        | RONDELLA PIATTA               |  |
| 021 | K5602621 | 002 | BOITIER                        | HOUSING                        | GEHAUSE                        | SCATOLA                       | [1]  |
| 022 | K5606920 | 002 | PAIRE DE DEMI-DISQUES EXT.RENF | HALF OUTER DISC SET            | SATZ AUSSENSCHIEBEHAELFTEN     | COPPIA SEMI-DISCO             |  |
| 023 | K5608260 | 002 | COUVERCLE                      | LID                            | DECKEL                         | COPERCHIO                     |  |
| 024 | K5608270 | 002 | COUVERCLE                      | LID                            | DECKEL                         | COPERCHIO                     |  |





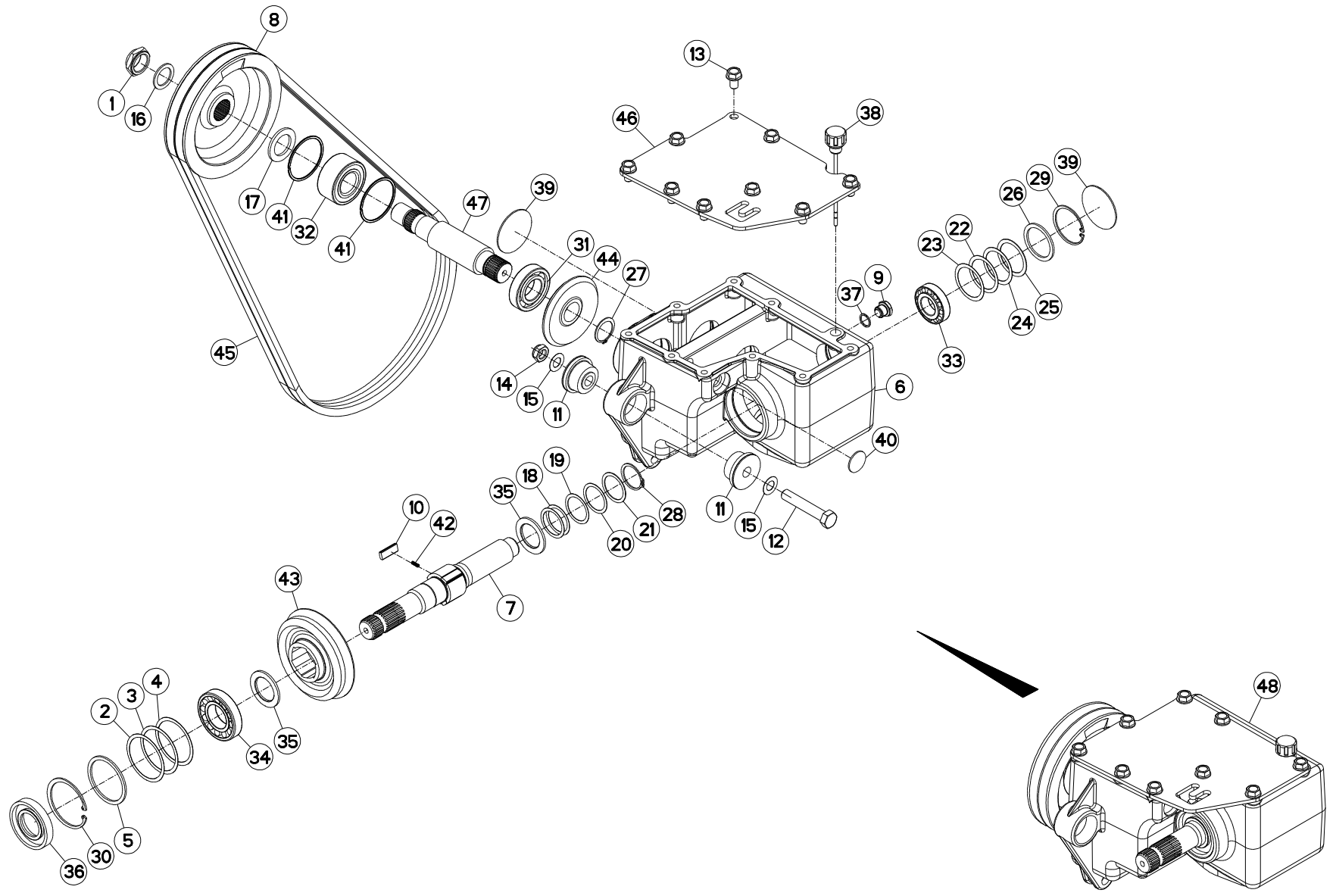
## PALIER EXTERIEUR

## OUTER BEARING CARRIER

## ÄUSSERES LAGERGEHÄUSE

## SUPPORTO CUSCINETTO ESTERNO

| Rep | Nr       | Qt  | Designation                      | Description                    | Bezeichnung                      | Referenza                      | Remarque - Remark - Bemerkung - Osservazioni |
|-----|----------|-----|----------------------------------|--------------------------------|----------------------------------|--------------------------------|--|
| 001 | 55808300 | 008 | CALE                             | SPACER PLATE                   | UNTERLEGPLATTE                   | SPESORE                        | Q?   |
| 002 | K5600250 | 001 | PALIER                           | FLANGED GUIDE                  | LAGER                            | SUPPORTO                       | + [1]  |
| 003 | 55834620 | 001 | PAIR. 1/2 DISQ. T.A G "LIF."REV. | 1/2 LIFTER DISCS LEFT HARDCOT. | LIFTERHALBSCHIEBEN LINKS BESCH   | COPPIA SEMI-DISCHI "LIFTER" SX |  |
| 004 | 55834720 | 001 | PAIR. 1/2 DISQ. T.A D "LIF."REV. | 1/2 LIFTER DISCS RIGHT HARDCO. | LIFTERHALBSCHIEBEN RECHTS BESCH. | COPPIA SEMI-DISCHI "LIFTER" DX |  |
| 005 | 55903210 | 002 | COUTEAU VRILLE T.A.G ISO5718     | ANGLED BLADE LEFT TURN.ISO5718 | GEKROEP.MESS.LINKSDREH.ISO5718   | COLTEL.PIEGATO STD-SX ISO5718  |  |
| 006 | 55903310 | 002 | COUTEAU VRILLE T.A.D ISO5718     | ANGLED BLAD.RIGHT TURN.ISO5718 | GEKROEP.MESS.RECHTSDRE.ISO5718   | COLTEL.PIEGATO STD-DX ISO5718  |  |
| 007 | 56115800 | 004 | VIS AUTOFREINEE                  | SCREW, SELF-LOCKING            | SELBSTSICHERNDE SCHRAUBE         | VITE AUTOBLOCCANTE             |  |
| 008 | 56568500 | 001 | ARTICULATION ELASTIQUE           | ELASTIC-COUPLING               | ELASTIK-GELENK                   | SNODO ELASTICO                 | [1]  |
| 009 | 80061220 | 020 | VIS TETE HEXAGONALE FLZNNC       | HEX BOLT M12X20 CL 5.8 DIN933  | SECHSKANTSCHRAUBE FLZNNC         | VITE TESTA ESAGONALE FLZNNC    | 8,5 daN m (63 lbf ft)                        |
| 010 | 80061231 | 016 | VIS TETE HEXAGONALE FLZNNC       | HEXAGON HEAD SCREW FLZNNC      | SECHSKANTSCHRAUBE FLZNNC         | VITE TESTA ESAGONALE FLZNNC    | 12 daN m (89 lbf ft)                         |
| 011 | 80061663 | 001 | VIS TETE HEXAGONALE FE/ZNXC3     | HEXAGON HEAD SCREW FE/ZNXC3    | SECHSKANTSCHRAUBE FE/ZNXC3       | VITE TESTA ESAGONALE FE/ZNXC3  |  |
| 012 | 80131220 | 008 | VIS AUTOBLOQUANTE FLZNNC         | UNDERSERR.S-LOC.SCREW FLZNNC   | SPERRZAHN-BUNDSCHRAU.FLZNNC      | VITE FLZNNC                    | 8,5 daN m (63 lbf ft)                        |
| 013 | 80131650 | 001 | VIS AUTOBLOQUANTE FLZNNC         | UNDERSERR.S-LOC.SCREW FLZNNC   | SPERRZAHN-BUNDSCHRAU.FLZNNC      | VITE FLZNNC                    | 21 daN m (155 lbf ft)                        |
| 014 | 80201262 | 004 | ECROU TWOLOK FLZNNC              | SELF-LOCKING NUT FLZNNC        | SELBSTSICHERNDE MUTTER FLZNNC    | DADO TWOLOCK FLZNNC            | 12 daN m (89 lbf ft)                         |
| 015 | 80201630 | 001 | ECROU HEX.AUTOFREINE FE/ZNXC3    | SELF-LOCKING NUT FE/ZNXC3      | SELBSTSICH.MUTTER FE/ZNXC3       | DADO AUTOBLOCCANTE FE/ZNXC3    |  |
| 016 | 80281254 | 020 | RONDELLE CONIQUE BLOC.FLZNNC     | CONICAL SPRING WASHER FLZNNC   | SPANNSCHIEBE FLZNNC              | RONDELLA CONICA FLZNNC         |  |
| 017 | 80281639 | 002 | RONDELLE RESSORT FLZNNC          | CONICAL SPRING WASHER FLZNNC   | SPANNSCHIEBE FLZNNC              | RONDELLA A MOLLA FLZNNC        |  |
| 018 | 80597200 | 001 | CIRCLIP INTERIEUR                | RETAINING RING                 | SICHERUNGSRING                   | ANELLO                         |  |
| 019 | 81103575 | 001 | ROULEMENT 2 R.BILLES CONT.OBL    | ANG.CONT.DOUBLE ROW B.BEARING  | 2-REIHIGES SCHRAEGKUGELLAGER     | CUSCINETTO                     |  |
| 020 | K5600240 | 002 | RABATTEUR                        | DEFLECTOR                      | ABWEISBLECH                      | DEFLETTORE                     |  |
| 021 | K5600320 | 001 | PALIER                           | BEARING, PILLOW BLOCK          | LAGER                            | SUPPORTO                       |  |
| 022 | K5600330 | 001 | RONDELLE PLATE                   | WASHER, FLAT                   | SCHEIBE                          | RONDELLA PIATTA                |  |
| 023 | K5602621 | 002 | BOITIER                          | HOUSING                        | GEHAEUSE                         | SCATOLA                        |  |
| 024 | K5608260 | 002 | COUVERCLE                        | LID                            | DECKEL                           | COPERCHIO                      |  |
| 025 | K5608270 | 002 | COUVERCLE                        | LID                            | DECKEL                           | COPERCHIO                      |  |







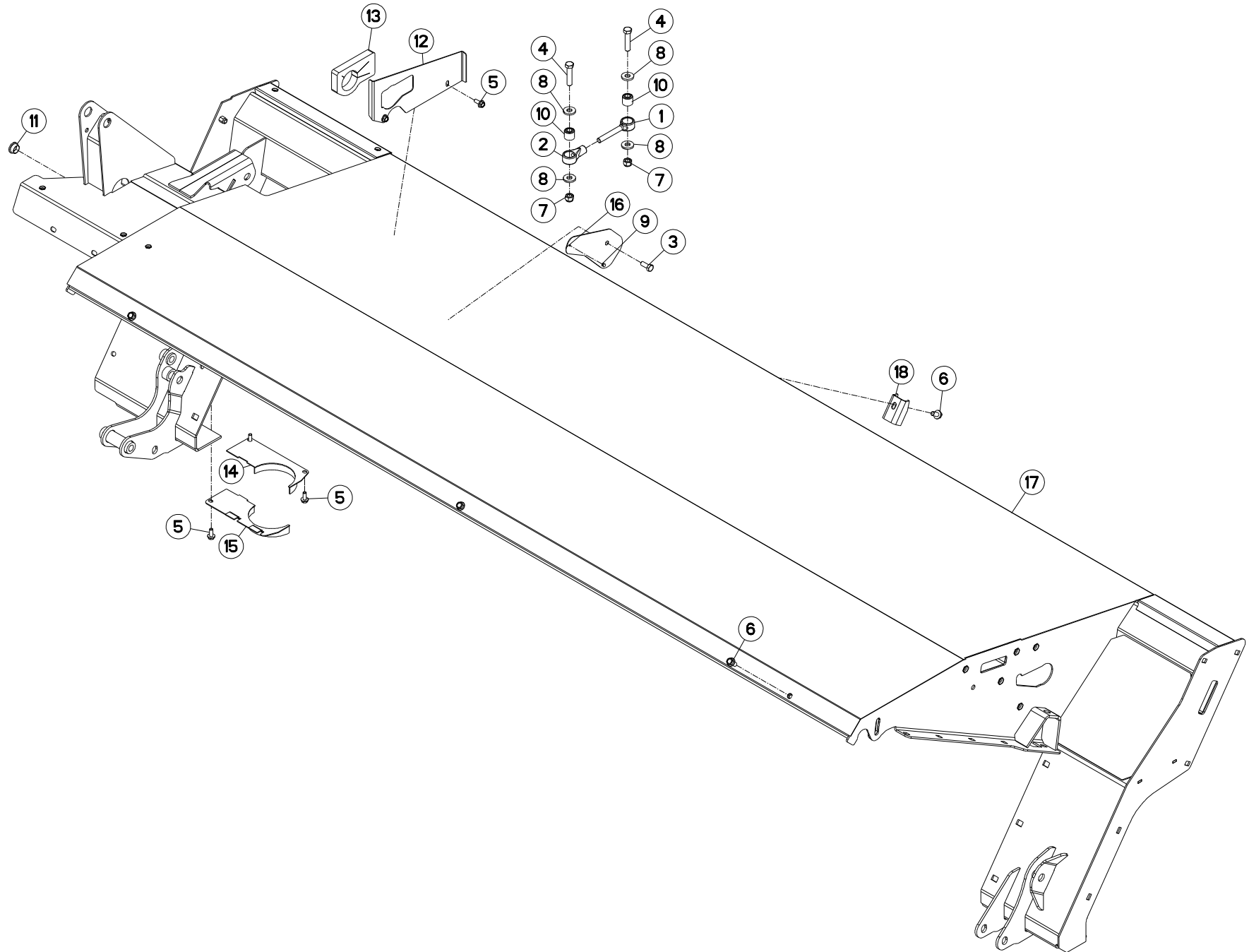
## CARTER LATÉRAL

## SIDE GEARBOX

## SEITENGETRIEBE

## RIDUTTORE LATERALE

| Rep | Nr       | Qt  | Designation                   | Description                    | Bezeichnung                    | Referenza                     | Remarque - Remark - Bemerkung - Osservazioni |
|-----|----------|-----|-------------------------------|--------------------------------|--------------------------------|-------------------------------|--|
| 001 | 50067400 | 001 | ECROU HEXAGONAL A RABATTRE    | NUT                            | SECHSKANTMUTTER                | DADO                          | [1] 30 daN m (221 lbf ft)                    |
| 002 | 80257055 | 001 | RONDELLE D'AJUSTAGE PS 0,1    | SHIM RING PS 0,1               | PASSSCHEIBE PS 0,1             | SPESSORE                      | [1]  |
| 003 | 52239100 | 001 | RONDELLE                      | WASHER                         | SCHEIBE                        | SPESSORE                      | [1]  |
| 004 | 52239200 | 001 | RONDELLE                      | WASHER                         | SCHEIBE                        | SPESSORE                      | [1]  |
| 005 | 52505800 | 001 | RONDELLE                      | WASHER                         | SCHEIBE                        | SPESSORE                      | [1]  |
| 006 | 55824000 | 001 | CARTER                        | HOUSING                        | GEHAEUSE                       | SCATOLA                       | [1]  |
| 007 | 55824500 | 001 | ARBRE SUPERIEUR               | SHAFT                          | WELLE                          | ALBERO                        | [1]  |
| 008 | 55826500 | 001 | POULIE 2G. - DP 200           | PULLEY                         | KEILRIEMENSCHLEIBE             | PULEGGIA                      | [1]  |
| 009 | 56145700 | 001 | BOUCHON MAGNETIQUE            | PLUG, MAGNETIC                 | MAGNET-VERSCHLUSSSCHRAUBE      | TAPPO CALAMITATO              | [1]  |
| 010 | 56548700 | 003 | CLIQUET                       | RATCHET                        | SPERRKLINKE                    | NOTTOLINO                     | [1]  |
| 011 | 56572600 | 002 | SILENTBLOC EPAULE             | SILENTBLOC                     | GUMMIPUFFER                    | TAMPONE DI GOMMA              |  |
| 012 | 80061659 | 001 | VIS TETE HEXAGONALE FLZNNC    | SCREW, HEX HEAD FLZNNC         | SECHSKANTSCHRAUBE FLZNNC       | VITE A TESTA ESAGONALE FLZNNC |  |
| 013 | 80131220 | 009 | VIS AUTOBLOQUANTE FLZNNC      | UNDERSERR.S-LOC.SCREW FLZNNC   | SPERRZAHN-BUNDSCHRAU.FLZNNC    | VITE FLZNNC                   | [1] 10 daN m (74 lbf ft)                     |
| 014 | 80201640 | 001 | ECROU HEX.BAS AUTOFR.FE/ZNXC3 | SELF-LOCKING NUT M16 DIN 985 B | SELBSTSICHERND.MUTTER FE/ZNXC3 | DADO AUTOBLOCCANTE FE/ZNXC3   | 21 daN m (155 lbf ft)                        |
| 015 | 80251631 | 002 | RONDELLE PLATE FE/ZNXC3       | PLAIN WASHER FE/ZNXC3          | SCHEIBE FE/ZNXC3               | RONDELLA PIATTA FE/ZNXC3      |  |
| 016 | 80253042 | 001 | RONDELLE D'APPUI SS 2,5       | SUPPORTING RING SS 2,5         | STUETZSCHEIBE SS 2,5           | SPESSORE                      | [1]  |
| 017 | 80253556 | 001 | RONDELLE PLATE FE/ZNXC3       | PLAIN WASHER FE/ZNXC3          | SCHEIBE FE/ZNXC3               | RONDELLA PIATTA FE/ZNXC3      | [1]  |
| 018 | 80254040 | 002 | RONDELLE D'AJUSTAGE PS 0,1    | SHIM RING PS 0,1               | PASSSCHEIBE PS 0,1             | SPESSORE                      | [1]  |
| 019 | 80254041 | 001 | RONDELLE D'AJUSTAGE PS 0,3    | SHIM RING PS 0,3               | PASSSCHEIBE PS 0,3             | SPESSORE                      | [1]  |
| 020 | 80254042 | 001 | RONDELLE D'AJUSTAGE PS 0,5    | SHIM RING PS 0,5               | PASSSCHEIBE PS 0,5             | RONDELLA                      | [1]  |
| 021 | 80254054 | 001 | RONDELLE D'AJUSTAGE PS 1,0    | SHIM RING PS 1,0               | PASSSCHEIBE PS 1,0             | SPESSORE                      | [1]  |
| 022 | 80255062 | 001 | RONDELLE D'AJUSTAGE PS 0,2    | SHIM RING PS 0,2               | PASSSCHEIBE PS 0,2             | SPESSORE                      | [1]  |
| 023 | 80255067 | 001 | RONDELLE D'AJUSTAGE PS 0,1    | SHIM RING PS 0,1               | PASSSCHEIBE PS 0,1             | SPESSORE                      | [1]  |
| 024 | 80255068 | 001 | RONDELLE D'AJUSTAGE PS 0,5    | SHIM RING PS 0,5               | PASSSCHEIBE PS 0,5             | SPESSORE                      | [1]  |
| 025 | 80255070 | 001 | RONDELLE D'AJUSTAGE PS 1,0    | SHIM RING PS 1,0               | PASSSCHEIBE PS 1,0             | SPESSORE                      | [1]  |
| 026 | 80255071 | 001 | RONDELLE D'AJUSTAGE SS 3,0    | SUPPORTING RING SS 3,0         | STUETZSCHEIBE SS 3,0           | SPESSORE                      | [1]  |
| 027 | 80583500 | 001 | CIRCLIP EXTERIEUR             | ELASTIC RING E 35              | SICHERUNGSRING                 | ANELLO                        | [1]  |
| 028 | 80584000 | 001 | CIRCLIP EXTERIEUR             | ELASTIC RING E 40              | SICHERUNGSRING                 | ANELLO                        | [1]  |
| 029 | 80596200 | 001 | CIRCLIP INTERIEUR             | ELASTIC RING I 62              | SICHERUNGSRING                 | ANELLO                        | [1]  |
| 030 | 80598000 | 001 | CIRCLIP INTERIEUR             | ELASTIC RING I80 BLACK (DIN 47 | SICHERUNGSRING                 | ANELLO                        | [1]  |
| 031 | 81003572 | 001 | ROULEMENT A BILLES            | BALL BEARING                   | KUGELLAGER                     | CUSCINETTO A SFERE            | [1]  |
| 032 | 81103578 | 001 | ROULEMENT 2 R.BILLES CONT.OBL | ANG.CONT.DOUBLE ROW B.BEARING  | 2-REIHIGES SCHRAEGKUGELLAGER   | CUSCINETTO                    | [1]  |
| 033 | 81303062 | 001 | ROULEMENT A ROULEAUX CONIQUES | TAPERED ROLLER BEARING         | KEGELROLLENLAGER               | CUSCINETTO A RULLO            | [1]  |
| 034 | 81304079 | 001 | ROULEMENT A ROULEAUX CONIQUES | ROLLER BEARING 30208 TAPERED   | KEGELROLLENLAGER               | CUSCINETTO A RULLO            | [1]  |
| 035 | 81434060 | 002 | RONDELLE BUTEE                | STOP WASHER                    | ANSCHLAGSCHEIBE                | RONDELLA                      | [1]  |
| 036 | 82014080 | 001 | BAGUE D'ETANCHEITE            | OIL SEAL                       | RADIALDICHTRING                | PARAOLIO                      | [1]  |
| 037 | 82131824 | 001 | JOINT CUIVRE                  | SEALING RING                   | DICHTRING                      | RONDELLA RAME                 | [1]  |
| 038 | 82230017 | 001 | RENIFLARD-JAUGE TIGE FE/ZNXC3 | PRESSURE RELIEF/DIPSTICK PLUG  | ENTLUEFTUNGSSCHRAUBE/MESSSTAB  | ASTINA FE/ZNXC3               | [1]  |
| 039 | 83040002 | 002 | BOUCHON EXPANSIBLE            | EXPANDING CAP                  | VERSCHLUSSSCHEIBE              | TAPPO                         | [1]  |
| 040 | 83040010 | 001 | BOUCHON EXPANSIBLE            | EXPANDING CAP                  | VERSCHLUSSSCHEIBE              | TAPPO                         | [1]  |
| 041 | 50030200 | 002 | SEGMENT D'ARRET               | RETAINING RING                 | SICHERUNGSRING                 | ANELLO DI FERMO               | [1]  |
| 042 | 55745700 | 003 | RESSORT                       | SPRING                         | FEDER                          | MOLLA                         | [1]  |
| 043 | 55824100 | 001 | PIGNON DOUBLE 37D-45D         | DOUBLE GEAR WHEEL              | ZAHNRAD                        | PIGNONE                       | [1]  |
| 044 | 55824200 | 001 | ROUE CONIQUE 38 DENTS         | BEVEL GEAR WHEEL 38T           | KEGELRAD                       | RUOTA                         | [1] Z=38                                     |
| 045 | 83101797 | 001 | JEU 2 COURROIES TRAPEZOIDALES | SET OF 2 V-BELTS               | SATZ 2 KEILRIEMEN              | SERIE 2 CINGHIE               |  |
| 046 | K5600470 | 001 | COUVERCLE DU CARTER           | COVER                          | DECKEL                         | COPERCHIO                     | [1]  |
| 047 | K5602630 | 001 | AXE INFERIEUR                 | AXLE                           | ACHSE                          | ASSE                          | [1]  |
| 048 | K5606580 | 001 | CARTER MONOVITESSE PREM.      | HOUSING                        | GEHAEUSE                       | SCATOLA                       | + [1]  |





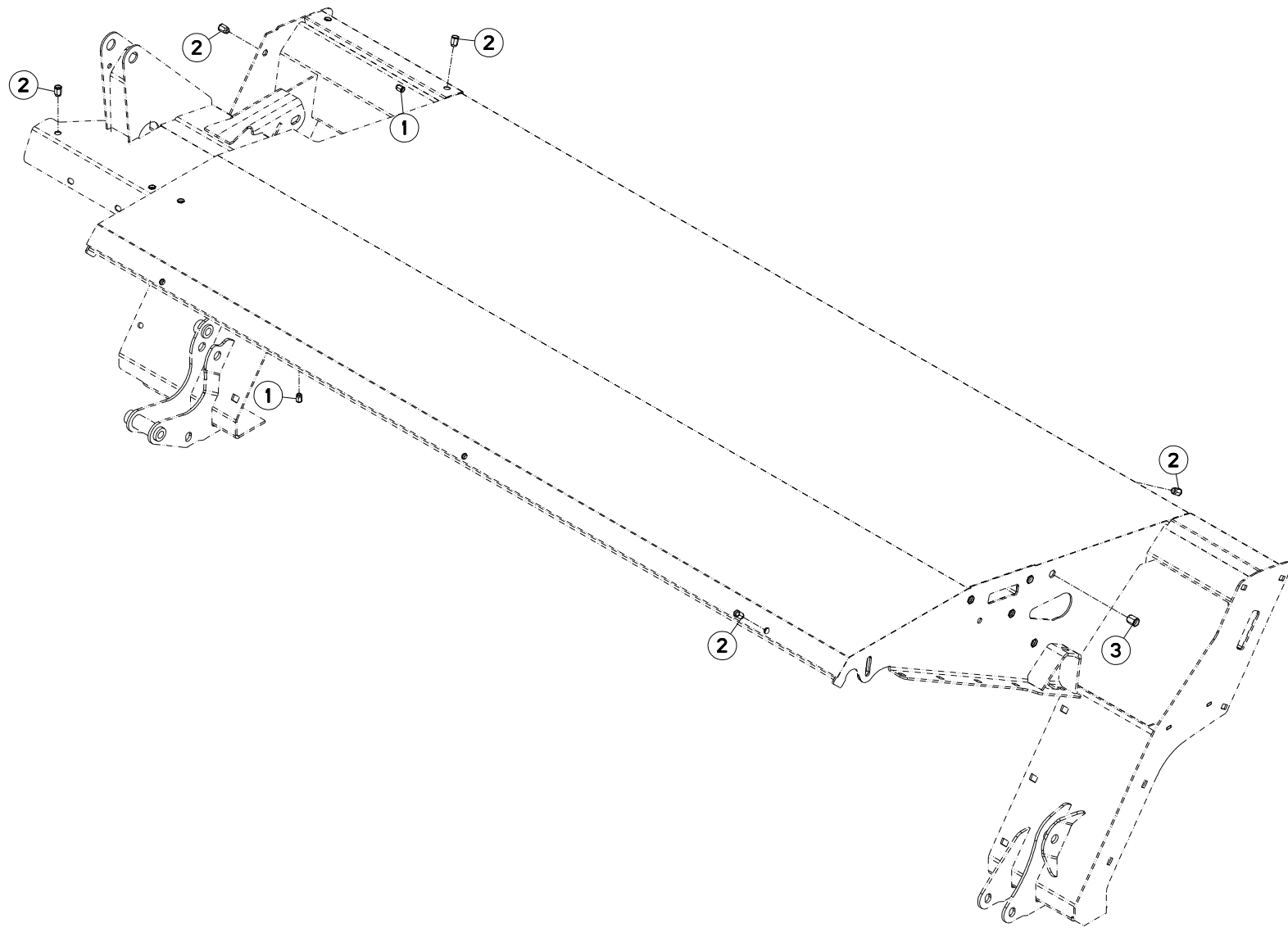
## TUBE PORTEUR

## SUPPORT TUBE

## TRAGROHR

## TUBO SUPPORTO

| Rep | Nr              | Qt  | Designation                   | Description                    | Bezeichnung                   | Referenza                     | Remarque - Remark - Bemerkung - Osservazioni |
|-----|-----------------|-----|-------------------------------|--------------------------------|-------------------------------|-------------------------------|--|
| 001 | <b>55814900</b> | 001 | TIRANT DE BIELLETTE           | TIE ROD                        | ZUGSTANGE                     | TIRANTE                       |  |
| 002 | <b>55815000</b> | 001 | BIELLETTE                     | PULL BAR                       | SCHUBSTANGE                   | BIELLA                        |  |
| 003 | <b>80061026</b> | 001 | VIS TETE HEXAGONALE FE/ZNXC3  | HEXAGON HEAD SCREW FE/ZNXC3    | SECHSKANTSCHRAUBE FE/ZNXC3    | VITE TESTA ESAGONALE FE/ZNXC3 |  |
| 004 | <b>80061258</b> | 002 | VIS TETE HEXAGONALE           | HEXAGON HEAD SCREW             | SECHSKANTSCHRAUBE             | VITE A TESTA ESAGONALE        |  |
| 005 | <b>80130820</b> | 005 | VIS AUTOBLOQUANTE FLZNNC      | UNDERSERR.S-LOC.SCREW FLZNNC   | SPERRZAHN-BUNDSCHRAU.FLZNNC   | VITE FLZNNC                   |  |
| 006 | <b>80131020</b> | 006 | VIS AUTOBLOQUANTE FLZNNC      | UNDERSERRATED S-LOCKING FLZNNC | SPERRZAHN-BUNDSCHRAUBE FLZNNC | VITE FLZNNC                   |  |
| 007 | <b>80201230</b> | 002 | ECROU HEX.AUTOFREINE FE/ZNXC3 | SELF-LOCKING NUT FE/ZNXC3      | SELBSTSICH.MUTTER FE/ZNXC3    | DADO AUTOBLOCCANTE FE/ZNXC3   |  |
| 008 | <b>80251331</b> | 004 | RONDELLE PLATE FE/ZNXC3       | PLAIN WASHER FE/ZNXC3          | SCHEIBE FE/ZNXC3              | RONDELLA PIATTA FE/ZNXC3      |  |
| 009 | <b>80370408</b> | 001 | RIVET CLOU ALU                | BLIND RIVET                    | BLINDNIETE                    | RIVETTO                       |  |
| 010 | <b>83030018</b> | 002 | ARTICULATION ELASTIQUE        | ELASTIC-COUPLING               | ELASTIK-GELENK                | GOMMINO                       |  |
| 011 | <b>83040059</b> | 001 | BOUCHON D'OBTURATION          | END PLUG                       | VERSCHLUSSSTOPFEN             | TAPPO DI CHIUSURA             |  |
| 012 | <b>K5603550</b> | 001 | COUVERCLE                     | LID                            | DECKEL                        | COPERCHIO                     |  |
| 013 | <b>K5603820</b> | 001 | MOUSSE                        | FOAM                           | SCHAUMSTOFF                   | GUARNIZIONE                   |  |
| 014 | <b>K5604220</b> | 001 | CACHE AVANT                   | GUARD                          | SCHUTZ                        | PROTEZIONE                    |  |
| 015 | <b>K5604230</b> | 001 | CACHE ARRIERE                 | GUARD                          | SCHUTZ                        | PROTEZIONE                    |  |
| 016 | <b>K5605630</b> | 001 | OBTURATEUR                    | COVER, PLUG                    | VERSCHLUSS                    | OTTURATORE                    |  |
| 017 | <b>K5607980</b> | 001 | TUBE                          | TUBE                           | ROHR                          | TUBO                          |  |
| 018 | <b>K5609420</b> | 001 | BUTEE                         | STOP                           | ANSCHLAG                      | LIMITATORE                    |  |





FC353RGC NV

C 0001 > D 0000

K56R0191 A

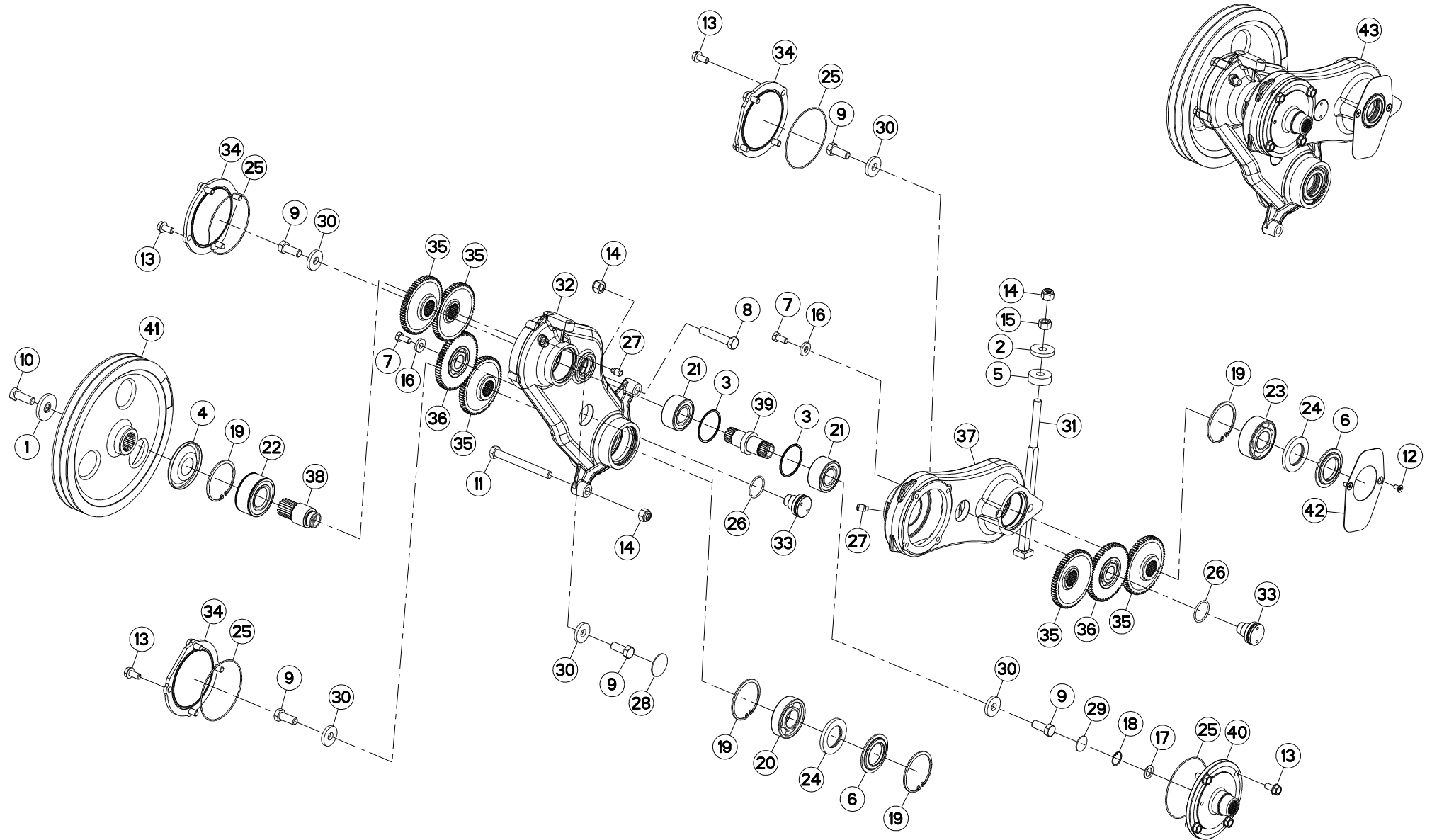
CAISSON

COVER

ABDECKHAUBE

CASSONCINO

| Rep | Nr              | Qt  | Designation             | Description        | Bezeichnung            | Referenza     | Remarque - Remark - Bemerkung - Osservazioni |
|-----|-----------------|-----|-------------------------|--------------------|------------------------|---------------|--|
| 001 | <b>80200890</b> | 005 | ECROU A SERTIR FE/ZNXC3 | CRIMP NUT FE/ZNXC3 | EINNIETMUTTER FE/ZNXC3 | DADO FE/ZNXC3 |  |
| 002 | <b>80201090</b> | 014 | ECROU A SERTIR FE/ZNXC3 | CRIMP NUT FE/ZNXC3 | EINNIETMUTTER FE/ZNXC3 | DADO FE/ZNXC3 |  |
| 003 | <b>80201290</b> | 005 | ECROU A SERTIR FE/ZNXC3 | CRIMP NUT FE/ZNXC3 | EINNIETMUTTER FE/ZNXC3 | DADO FE/ZNXC3 |  |





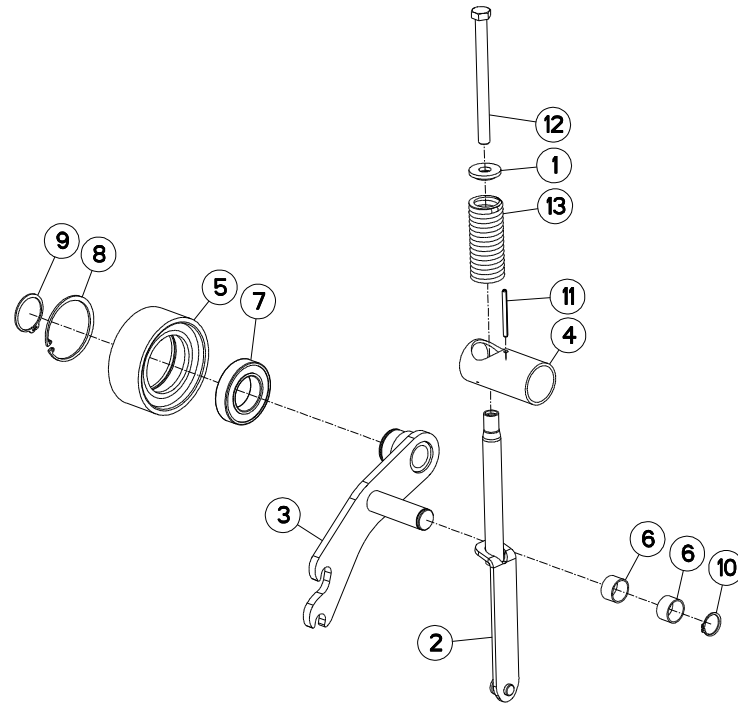
## ENTRAINEMENT DES ROULEAUX

## ROLL DRIVE

## QUETSCHWALZENANTRIEB

## TRASMISSIONE A RULLI

| Rep | Nr       | Qt  | Designation                    | Description                    | Bezeichnung                    | Referenza                      | Remarque - Remark - Bemerkung - Osservazioni |
|-----|----------|-----|--------------------------------|--------------------------------|--------------------------------|--------------------------------|--|
| 001 | 50013100 | 001 | RONDELLE                       | WASHER                         | SCHEIBE                        | RONDELLA PIATTA                | [1]  |
| 002 | 50019700 | 001 | RONDELLE FE/ZN                 | WASHER FE/ZN                   | SCHEIBE FE/ZN                  | RONDELLA                       |  |
| 003 | 50030200 | 002 | SEGMENT D'ARRET                | RETAINING RING                 | SICHERUNGSRING                 | ANELLO DI FERMO                | [1]  |
| 004 | 55728400 | 001 | ANNEAU DE PROTECTION           | GUARD RING                     | SCHUTZRING                     | ANELLO DI PROTEZIONE           | [1]  |
| 005 | 55836300 | 001 | ENTRETOISE                     | SPACER                         | DISTANZHUELSE                  | DISTANZIALE                    |  |
| 006 | 56063810 | 002 | FLASQUE D'ETANCHEITE INTERIEUR | FLANGE                         | FLANSCH                        | FLANGIA                        | [1]  |
| 007 | 80061225 | 002 | VIS TETE HEXAGONALE FE/ZNXC3   | HEXAGON HEAD SCREW FE/ZNXC3    | SECHSKANTSCHRAUBE FE/ZNXC3     | VITE TESTA ESAGONALE FE/ZNXC3  |  |
| 008 | 80061634 | 001 | VIS TETE HEXAGONALE FE/ZNXC3   | HEXAGON HEAD SCREW FE/ZNXC3    | SECHSKANTSCHRAUBE FE/ZNXC3     | VITE TESTA ESAGONALE FE/ZNXC3  |  |
| 009 | 80061641 | 005 | VIS TETE HEXAGONALE FE/ZNXC3   | HEXAGON HEAD SCREW FE/ZNXC3    | SECHSKANTSCHRAUBE FE/ZNXC3     | VITE TESTA ESAGONALE FE/ZNXC3  |  |
| 010 | 80061646 | 001 | VIS TETE HEXAGONALE FE/ZNXC3   | HEXAGON HEAD SCREW FE/ZNXC3    | SECHSKANTSCHRAUBE FE/ZNXC3     | VITE TESTA ESAGONALE FE/ZNXC3  | [1] 21 daN m (155 lbf ft)                    |
| 011 | 80061666 | 001 | VIS TETE HEXAGONALE FE/ZNXC3   | HEXAGON HEAD SCREW FE/ZNXC3    | SECHSKANTSCHRAUBE FE/ZNXC3     | VITE TESTA ESAGONALE FE/ZNXC3  |  |
| 012 | 80110806 | 002 | VIS T.FRAI.SIX P.CR.FE/ZNXC3   | HEX. SCREW WITH FLAT HEAD M8X1 | SENKSCHAUB.INNENSEC.FE/ZNXC3   | VITE FE/ZNXC3                  | [1]  |
| 013 | 80131225 | 016 | VIS AUTOBLOQUANTE FLZNNC       | UNDERSERR.S-LOC.SCREW FLZNNC   | SPERRZAHN-BUNDSCHRAU.FLZNNC    | VITE FLZNNC                    | [1] 5 daN m (37 lbf ft)                      |
| 014 | 80201630 | 003 | ECROU HEX.AUTOFREINE FE/ZNXC3  | SELF-LOCKING NUT FE/ZNXC3      | SELBSTSICH.MUTTER FE/ZNXC3     | DADO AUTOBLOCCANTE FE/ZNXC3    |  |
| 015 | 80201670 | 001 | ECROU HEXAGONAL FE/ZNXC3       | NUT FE/ZNXC3                   | SECHSKANTMUTTER FE/ZNXC3       | DADO FE/ZNXC3                  |  |
| 016 | 80251338 | 002 | RONDELLE PLATE FE/ZNXC3        | PLAIN WASHER FE/ZNXC3          | SCHEIBE FE/ZNXC3               | RONDELLA PIATTA FE/ZNXC3       | [1]  |
| 017 | 80251930 | 001 | RONDELLE PLATE                 | PLAIN WASHER                   | SCHEIBE                        | RONDELLA PIATTA                | [1]  |
| 018 | 80593000 | 001 | CIRCLIP INTERIEUR              | ELASTIC RING I 30              | SICHERUNGSRING                 | ANELLO                         | [1]  |
| 019 | 80599000 | 004 | CIRCLIP INTERIEUR              | ELASTIC RING I 90              | SICHERUNGSRING                 | ANELLO                         | [1]  |
| 020 | 81004095 | 001 | ROULEMENT A BILLES             | BALL BEARING                   | KUGELLAGER                     | CUSCINETTO A SFERE             | [1]  |
| 021 | 81103578 | 002 | ROULEMENT 2 R.BILLES CONT.OBL  | ANG.CONT.DOUBLE ROW B.BEARING  | 2-REIHIGES SCHRAEGKUGELLAGER   | CUSCINETTO                     | [1]  |
| 022 | 81104588 | 001 | ROULEMENT 2 R.B.C.OBL.SPECIAL  | ANG.CONT.DOUBLE ROW B.BEARING  | ZWEIREIHIGES SCHRAEGKUGELLAGER | CUSCINETTO SPECIALE            | [1]  |
| 023 | 81124090 | 001 | ROULEMENT A ROTULE 2 R.BILLES  | SELF-ALIGNING BALL BEARING     | PENDELKUGELLAGER               | CUSCINETTO ORIENTABILI A SFERE | [1]  |
| 024 | 82015080 | 002 | BAGUE D'ETANCHEITE             | OIL SEAL                       | RADIALDICHTRING                | PARAOLIO                       | [1]  |
| 025 | 82060035 | 004 | JOINT TORIQUE                  | O-RING                         | O-RING                         | GUARNIZIONE                    | [1]  |
| 026 | 82064350 | 002 | JOINT TORIQUE                  | O-RING                         | O-RING                         | GUARNIZIONE                    | [1]  |
| 027 | 82230000 | 002 | CLAPET DE DECHARGE             | PRESSURE RELIEF VALVE          | ENTLUEFTUNGSSCHRAUBE           | SFIATATOIO                     | [1]  |
| 028 | 83040005 | 001 | BOUCHON EXPANSIBLE             | EXPANDING CAP                  | VERSCHLUSSSCHEIBE              | TAPPO                          | [1]  |
| 029 | 83040010 | 001 | BOUCHON EXPANSIBLE             | EXPANDING CAP                  | VERSCHLUSSSCHEIBE              | TAPPO                          | [1]  |
| 030 | K5600330 | 005 | RONDELLE PLATE                 | WASHER, FLAT                   | SCHEIBE                        | RONDELLA PIATTA                | [1]  |
| 031 | K5602560 | 001 | TIRANT                         | TIE ROD                        | ZUGSTANGE                      | TIRANTE                        |  |
| 032 | K5604580 | 001 | CARTER                         | HOUSING                        | GEHAEUSE                       | SCATOLA                        | [1]  |
| 033 | K5604610 | 002 | AXE                            | PIN                            | ACHSE                          | ASSE                           | [1]  |
| 034 | K5604620 | 003 | COUVERCLE                      | LID                            | DECKEL                         | COPERCHIO                      | [1]  |
| 035 | K5604630 | 005 | ROUE DENTEE                    | GEAR                           | STIRNRAD                       | PINIONE                        | [1] Z=64                                     |
| 036 | K5604640 | 002 | ROUE 64 DENTS                  | GEAR                           | STIRNRAD                       | RUOTA                          | [1] Z=64                                     |
| 037 | K5604660 | 001 | CARTER                         | HOUSING                        | GEHAEUSE                       | SCATOLA                        | [1]  |
| 038 | K5604670 | 001 | AXE                            | PIN                            | ACHSE                          | ASSE                           | [1]  |
| 039 | K5604680 | 001 | AXE                            | PIN                            | ACHSE                          | ASSE                           | [1]  |
| 040 | K5604730 | 001 | COUVERCLE                      | LID                            | DECKEL                         | COPERCHIO                      | [1]  |
| 041 | K5604760 | 001 | POULIE 2G. - DP 353            |                                |                                | PULEGGIA                       | [1]  |
| 042 | K5606000 | 001 | DEFLECTEUR                     | DEFLECTOR                      | ABWEISER                       | DEFLETTORE                     |  |
| 043 | K5606610 | 001 | CARTER COMPLET                 | GEARBOX CPL.                   | GETRIEBE KPL.                  | SCATOLA CPLT.                  | + [1]  |







FC353RGC NV

C 0001 &gt; D 0000

K56R0114 A

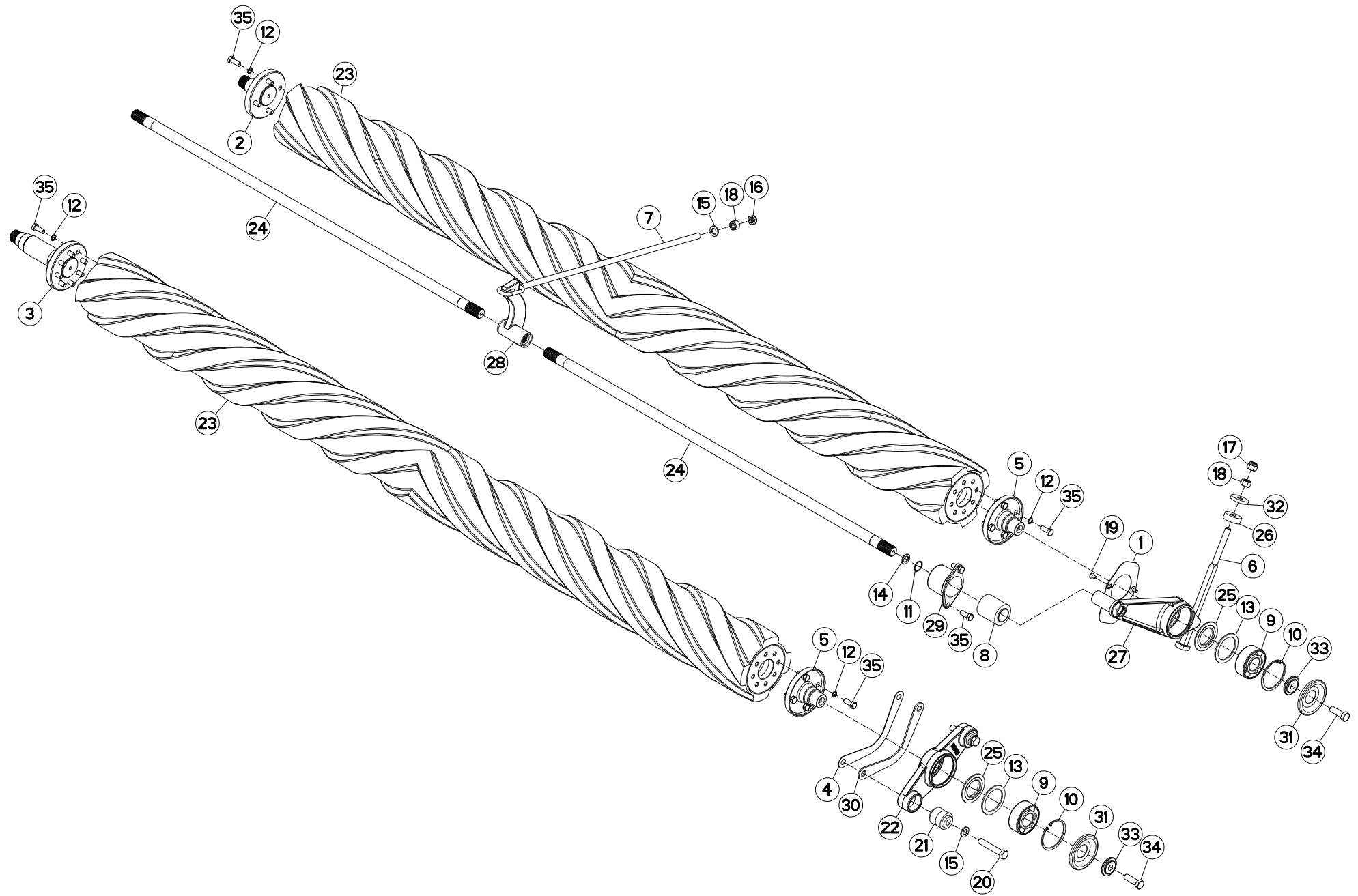
## TENDEUR

## TENSIONER

## SPANNER

## TENDITORE

| Rep | Nr              | Qt  | Designation                  | Description                    | Bezeichnung                | Referenza                     | Remarque - Remark - Bemerkung - Osservazioni |
|-----|-----------------|-----|------------------------------|--------------------------------|----------------------------|-------------------------------|--|
| 001 | <b>K5606630</b> | 001 | RONDELLE                     | WASHER                         | SCHEIBE                    | RONDELLA                      |  |
| 002 | <b>K5604870</b> | 001 | TIRANT FC CENTRALE           | TIE ROD                        | ZUGSTANGE                  | REGISTRO                      |  |
| 003 | <b>K5604830</b> | 001 | TENDEUR NU                   | TENSIONER                      | SPANNER                    | TENDITORE                     |  |
| 004 | <b>K5603460</b> | 001 | TUBE                         | TUBE                           | ROHR                       | TUBO                          |  |
| 005 | <b>K5603450</b> | 001 | GALET TENDEUR                | CAM ROLLER                     | ROLLE                      |                               |  |
| 006 | <b>83013034</b> | 002 | BAGUE ROULEE                 | WRAPPED BUSH                   | GEROLLTE BUCHSE            | ANELLO LUBRIFICATO            |  |
| 007 | <b>81005091</b> | 001 | ROULEMENT A BILLES           | BALL BEARING                   | KUGELLAGER                 | CUSCINETTO A SFERE            |  |
| 008 | <b>80599000</b> | 001 | CIRCLIP INTERIEUR            | ELASTIC RING I 90              | SICHERUNGSRING             | ANELLO                        |  |
| 009 | <b>80585000</b> | 001 | CIRCLIP EXTERIEUR            | ELASTIC RING E 50              | SICHERUNGSRING             | ANELLO                        |  |
| 010 | <b>80583000</b> | 001 | CIRCLIP EXTERIEUR            | ELASTIC RING B,VOLUX E30 DIN 4 | SICHERUNGSRING             | ANELLO                        |  |
| 011 | <b>80450666</b> | 001 | GOUPILLE ELASTIQUE FLZNNC    | ROLL PIN FLZNNC                | SPANNHUELSE FLZNNC         | SPINA ELASTICA FLZNNC         |  |
| 012 | <b>80061690</b> | 001 | VIS TETE HEXAGONALE FE/ZNXC3 | HEXAGON HEAD SCREW FE/ZNXC3    | SECHSKANTSCHRAUBE FE/ZNXC3 | VITE TESTA ESAGONALE FE/ZNXC3 |  |
| 013 | <b>58733700</b> | 001 | RESSORT DE PRESSION ZBC      | PRESSURE SPRING ZBC            | FEDER ZBC                  | MOLLA DI PRESSIONE ZBC        |  |





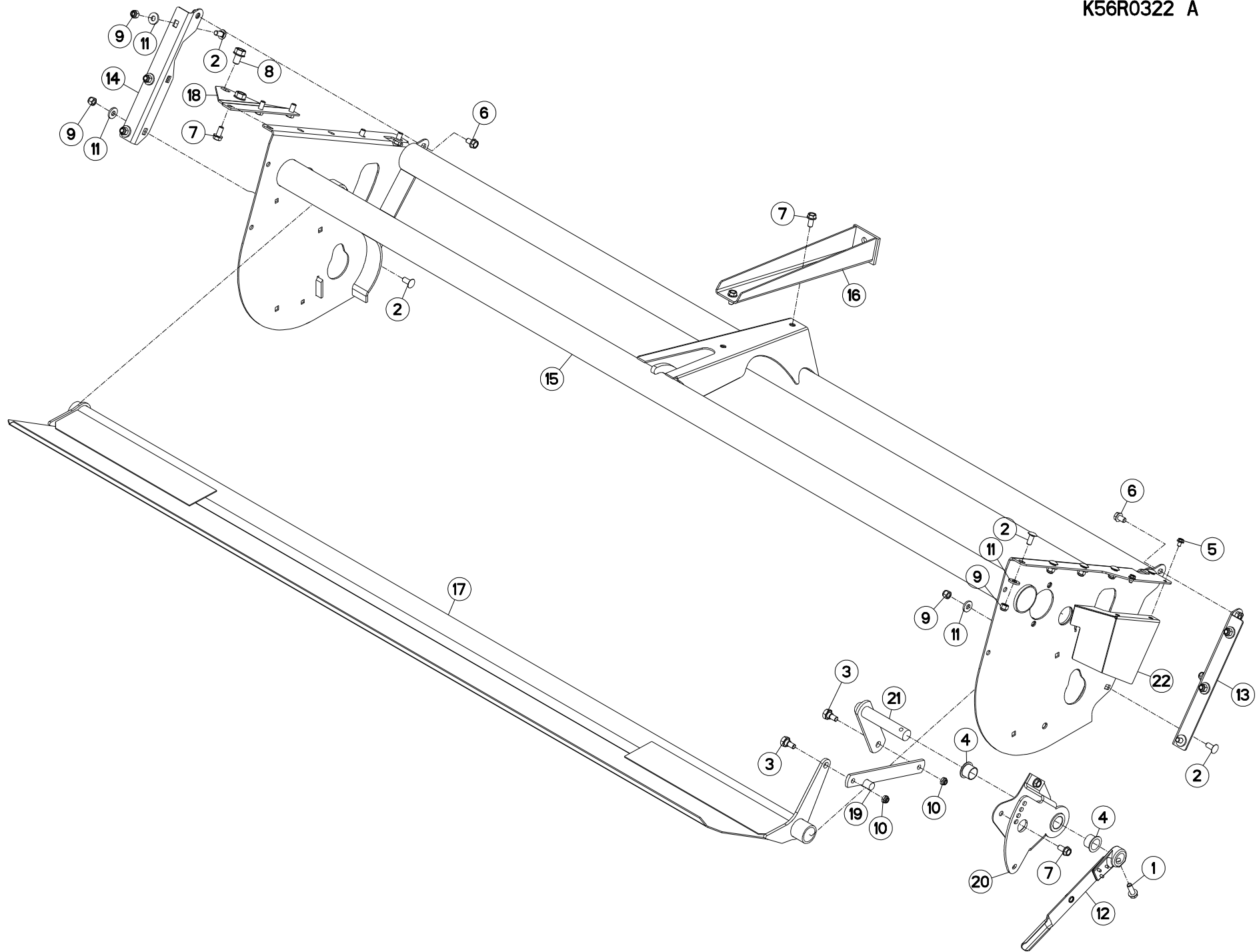
## ROULEAUX

## ROLLERS

## QUETSCHWALZEN

## RULLI

| Rep | Nr       | Qt  | Designation                    | Description                    | Bezeichnung                    | Referenza                      | Remarque - Remark - Bemerkung - Osservazioni |
|-----|----------|-----|--------------------------------|--------------------------------|--------------------------------|--------------------------------|--|
| 001 | K5606000 | 001 | DEFLECTEUR                     | DEFLECTOR                      | ABWEISER                       | DEFLETTORE                     |  |
| 002 | K5604750 | 001 | EMBOUT                         | END PIECE                      | ENDSTUECK                      | GIUNTO                         |  |
| 003 | K5604740 | 001 | EMBOUT                         | END PIECE                      | ENDSTUECK                      | GIUNTO                         |  |
| 004 | K5604281 | 001 | CALE 1.5MM                     | DISTANCE PLATE                 | DISTANZPLATTE                  | SPESSORE 1,5                   |  |
| 005 | K5602730 | 002 | EMBOUT                         | END PIECE                      | ENDSTUECK                      | GIUNTO                         |  |
| 006 | K5602560 | 001 | TIRANT                         | TIE ROD                        | ZUGSTANGE                      | TIRANTE                        |  |
| 007 | K5602251 | 001 | TIRANT                         | TIE ROD                        | ZUGSTANGE                      | TIRANTE                        |  |
| 008 | 83030020 | 001 | ARTICULATION ELASTIQUE         | ELASTIC-COUPLING               | ELASTIK-GELENK                 | GOMMINO                        |  |
| 009 | 81124090 | 002 | ROULEMENT A ROTULE 2 R.BILLES  | SELF-ALIGNING BALL BEARING     | PENDELKUGELLAGER               | CUSCINETTO ORIENTABILI A SFERE |  |
| 010 | 80599000 | 002 | CIRCLIP INTERIEUR              | ELASTIC RING I 90              | SICHERUNGSRING                 | ANELLO                         |  |
| 011 | 80593000 | 001 | CIRCLIP INTERIEUR              | ELASTIC RING I 30              | SICHERUNGSRING                 | ANELLO                         |  |
| 012 | 80281220 | 020 | RONDELLE RESSORT CRANTEE       | CONICAL SPRING WASHER          | SPANNSCHEIBE                   | RONDELLA A MOLLA               |  |
| 013 | 80257078 | 002 | RONDELLE D'APPUI SS 3,5        | SUPPORTING RING SS 3,5         | STUETZSCHEIBE SS 3,5           | RONDELLA D'APPOGGIO            |  |
| 014 | 80251930 | 001 | RONDELLE PLATE                 | PLAIN WASHER                   | SCHEIBE                        | RONDELLA PIATTA                |  |
| 015 | 80251631 | 003 | RONDELLE PLATE FE/ZNXC3        | PLAIN WASHER FE/ZNXC3          | SCHEIBE FE/ZNXC3               | RONDELLA PIATTA FE/ZNXC3       |  |
| 016 | 80201640 | 001 | ECROU HEX.BAS AUTOFR.FE/ZNXC3  | SELF-LOCKING NUT M16 DIN 985 B | SELBSTSICHERND.MUTTER FE/ZNXC3 | DADO AUTOBLOCCANTE FE/ZNXC3    |  |
| 017 | 80201630 | 001 | ECROU HEX.AUTOFREINE FE/ZNXC3  | SELF-LOCKING NUT FE/ZNXC3      | SELBSTSICH.MUTTER FE/ZNXC3     | DADO AUTOBLOCCANTE FE/ZNXC3    |  |
| 018 | 80201670 | 002 | ECROU HEXAGONAL FE/ZNXC3       | NUT FE/ZNXC3                   | SECHSKANTMUTTER FE/ZNXC3       | DADO FE/ZNXC3                  |  |
| 019 | 80110806 | 002 | VIS T.FRAI.SIX P.CR.FE/ZNXC3   | HEX. SCREW WITH FLAT HEAD M8X1 | SENKSCHAUB.INNENSEC.FE/ZNXC3   | VITE FE/ZNXC3                  |  |
| 020 | 80061659 | 002 | VIS TETE HEXAGONALE FLZNNC     | SCREW, HEX HEAD FLZNNC         | SECHSKANTSCHRAUBE FLZNNC       | VITE A TESTA ESAGONALE FLZNNC  |  |
| 021 | 56568500 | 002 | ARTICULATION ELASTIQUE         | ELASTIC-COUPLING               | ELASTIK-GELENK                 | SNODO ELASTICO                 | [1]  |
| 022 | 56559100 | 001 | PALIER PREMONTE                | HOUSING                        | LAGER                          | SUPPORTO                       | + [1]  |
| 023 | 56532700 | 002 | ROULEAU                        | ROLLER                         | ROLLE                          | RULLO                          |  |
| 024 | 56532500 | 002 | BARRE DE TORSION               | TORSION BAR                    | TORSIONSSTAB                   |                                |  |
| 025 | 56063810 | 002 | FLASQUE D'ETANCHEITE INTERIEUR | FLANGE                         | FLANSCH                        | FLANGIA                        |  |
| 026 | 55836300 | 001 | ENTRETOISE                     | SPACER                         | DISTANZHUELSE                  | DISTANZIALE                    |  |
| 027 | 55834500 | 001 | BRAS DE ROULEAU                | ROLLER ARM                     | WALZENARM                      | BRACCIO RULLO                  |  |
| 028 | 55818000 | 001 | LEVIER                         | LEVER                          | HEBEL                          | LEVA                           |  |
| 029 | 55801500 | 001 | PALIER INTERIEUR               | BEARING HOUSING                | LAGERGEHAEUSE                  | SUPPORTO                       |  |
| 030 | 55737010 | 001 | CALE 4MM                       | SHIM                           | BEILAGE                        | BLOCCO 4MM                     |  |
| 031 | 55728400 | 002 | ANNEAU DE PROTECTION           | GUARD RING                     | SCHUTZRING                     | ANELLO DI PROTEZIONE           |  |
| 032 | 50019700 | 001 | RONDELLE FE/ZN                 | WASHER FE/ZN                   | SCHEIBE FE/ZN                  | RONDELLA                       |  |
| 033 | 50017900 | 002 | RONDELLE FE/ZN                 | WASHER FE/ZN                   | SCHEIBE FE/ZN                  | RONDELLA FE/ZN                 |  |
| 034 | 50005700 | 002 | VIS AVEC REVÊTEMENT ADHESIF    | SCREW WITH ADHESIVE COATING    | KLEBE BESCHICHTETE SCHRAUBE    | VITE AUTOBLOCCANTE             |  |
| 035 | 50003600 | 022 | VIS AVEC REVÊTEMENT ADHESIF    | SCREW WITH ADHESIVE COATING    | KLEBE BESCHICHTETE SCHRAUBE    | VITE AUTOBLOCCANTE             |  |





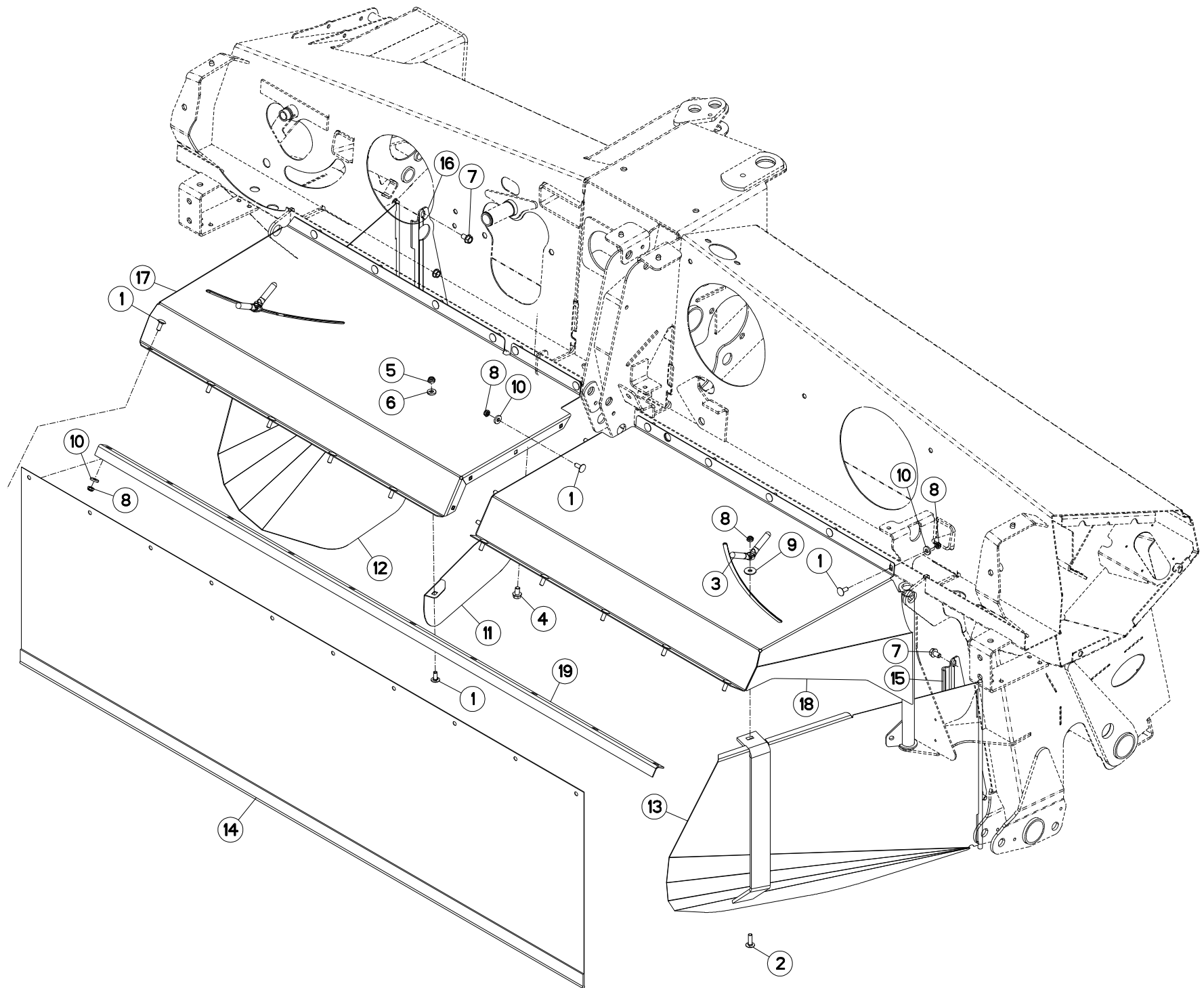
## CAISSON

## COVER

## ABDECKHAUBE

## CASSONCINO

| Rep | Nr       | Qt  | Designation                    | Description                   | Bezeichnung                    | Referenza                   | Remarque - Remark - Bemerkung - Osservazioni |
|-----|----------|-----|--------------------------------|-------------------------------|--------------------------------|-----------------------------|--|
| 001 | 50007000 | 001 | VIS AUTOFR.H A EMBASE DACROMET | SELF-LOCKING SCREW            | SELBSTSICHERNDE SCHRAUBE       | VITE                        |  |
| 002 | 50008200 | 015 | VIS TBCC COURT                 | BOLT, CARRIAGE, SHORT NECK    | FLACHRUNDSCHR.4KT ANSATZ       | BULLONE                     |  |
| 003 | 50066600 | 002 | VIS                            | SCREW                         | SCHRAUBE                       | VITE                        |  |
| 004 | 56540200 | 002 | BAGUE PLASTIQUE A COLLERETTE   | NYLON BEARING                 | KUNSTSTOFF-GLEITLAGER          | ANELLO PLASTICA             |  |
| 005 | 80130812 | 002 | VIS AUTOBLOQUANTE FLZNNC       | UNDERSERR.S-LOC.SCREW FLZNNC  | SPERRZAHN-BUNDSCHRAU.FLZNNC    | VITE FLZNNC                 |  |
| 006 | 80131220 | 004 | VIS AUTOBLOQUANTE FLZNNC       | UNDERSERR.S-LOC.SCREW FLZNNC  | SPERRZAHN-BUNDSCHRAU.FLZNNC    | VITE FLZNNC                 |  |
| 007 | 80131225 | 008 | VIS AUTOBLOQUANTE FLZNNC       | UNDERSERR.S-LOC.SCREW FLZNNC  | SPERRZAHN-BUNDSCHRAU.FLZNNC    | VITE FLZNNC                 |  |
| 008 | 80131625 | 002 | VIS AUTOBLOQUANTE FLZNNC       | UNDERSERR.S-LOC.SCREW FLZNNC  | SPERRZAHN-BUNDSCHRAU.FLZNNC    | VITE FLZNNC                 |  |
| 009 | 80201230 | 015 | ECROU HEX.AUTOFREINE FE/ZNXC3  | SELF-LOCKING NUT FE/ZNXC3     | SELBSTSICH.MUTTER FE/ZNXC3     | DADO AUTOBLOCCANTE FE/ZNXC3 |  |
| 010 | 80201240 | 002 | ECROU HEX.BAS AUTOFR.FE/ZNXC3  | SELF-LOCKING NUT M 12 DIN-985 | SELBSTSICHERND.MUTTER FE/ZNXC3 | DADO AUTOBLOCCANTE FE/ZNXC3 |  |
| 011 | 80251331 | 015 | RONDELLE PLATE FE/ZNXC3        | PLAIN WASHER FE/ZNXC3         | SCHIEBE FE/ZNXC3               | RONDELLA PIATTA FE/ZNXC3    |  |
| 012 | K5600640 | 001 | LEVIER                         | LEVER                         | HEBEL                          | LEVA                        |  |
| 013 | K5603650 | 001 | CORNIERE                       | CORNER PROFIL                 | WINKEL                         | CORNIERA                    |  |
| 014 | K5603660 | 001 | CORNIERE                       | CORNER PROFIL                 | WINKEL                         | CORNIERA                    |  |
| 015 | K5605490 | 001 | TUBE                           | TUBE                          | ROHR                           | TUBO                        |  |
| 016 | K5605510 | 001 | FOURREAU                       | SHEATH, RIGID                 | KULISSE                        | FODERO                      |  |
| 017 | K5605520 | 001 | TOLE                           | SHEET                         | BLECH                          | TELA                        |  |
| 018 | K5605620 | 001 | TOLE                           | SHEET                         | BLECH                          | TELA                        |  |
| 019 | K5605650 | 001 | TIRANT                         | TIE ROD                       | ZUGSTANGE                      | TIRANTE                     |  |
| 020 | K5605660 | 001 | EMBASE                         | BASE                          | GRUNDPLATTE                    | BASE                        |  |
| 021 | K5605670 | 001 | AXE                            | PIN                           | ACHSE                          | ASSE                        |  |
| 022 | K5609650 | 001 | PROTECTEUR                     | GUARD                         | SCHUTZ                         | PROTEZIONE                  |  |





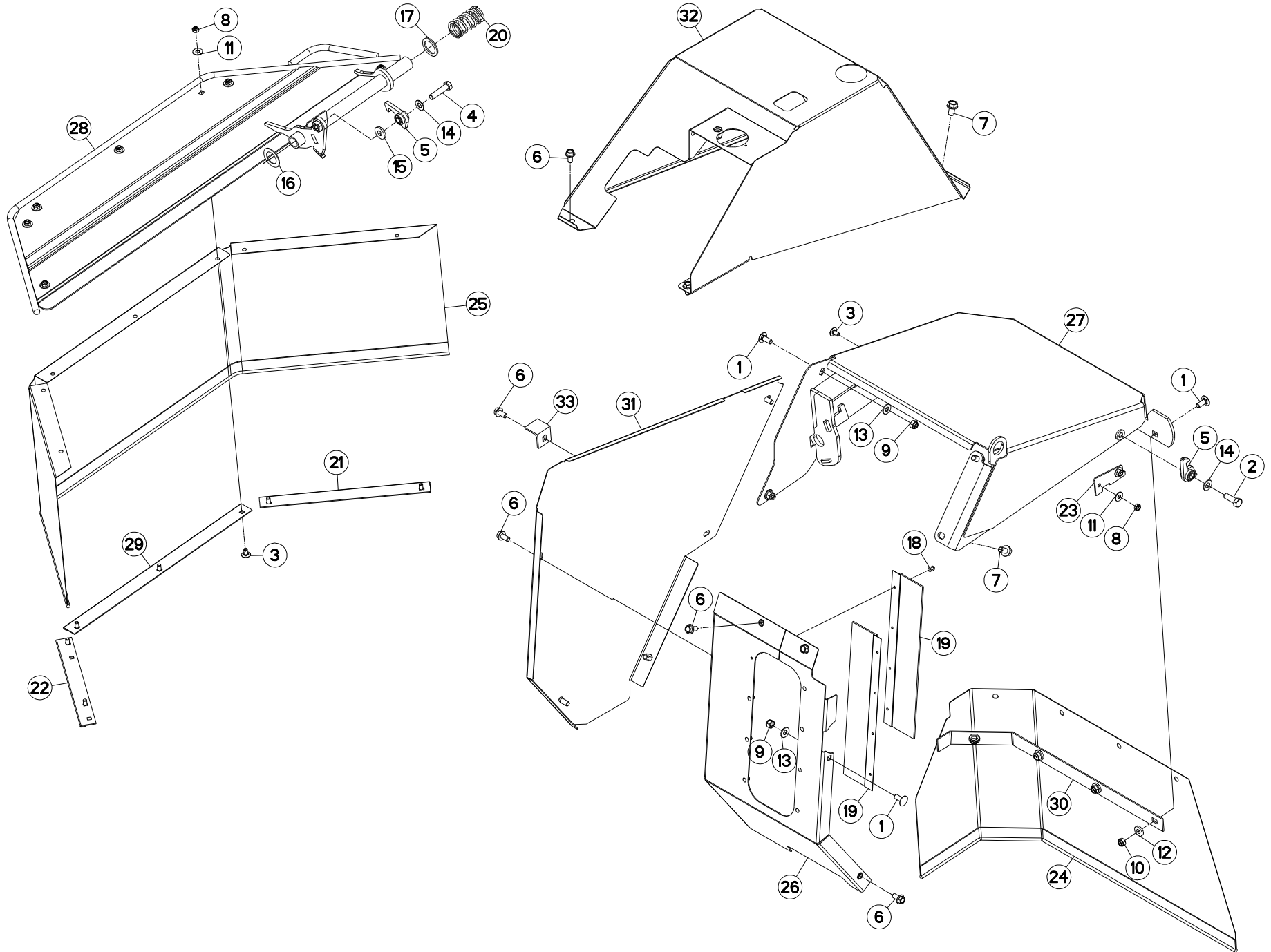
## CAPOTS (ARRIERE)

## BONNETS (REAR)

## HAUBEN (HINTEN)

## COFANI (POSTERIORE)

| Rep | Nr              | Qt  | Designation                   | Description                   | Bezeichnung                    | Referenza                   | Remarque - Remark - Bemerkung - Osservazioni |
|-----|-----------------|-----|-------------------------------|-------------------------------|--------------------------------|-----------------------------|--|
| 001 | <b>50002200</b> | 026 | VIS TBCC COURT                | BOLT, CARRIAGE, SHORT NECK    | FLACHRUNDSCHR.4KT ANSATZ       | BULLONE                     |  |
| 002 | <b>50007300</b> | 002 | VIS TBCC COURT                | BOLT, CARRIAGE, SHORT NECK    | FLACHRUNDSCHR.4KT ANSATZ       | BULLONE                     |  |
| 003 | <b>56529000</b> | 002 | POIGNEE                       | HANDLE                        | HANDGRIFF                      | MANIGLIA                    |  |
| 004 | <b>80131220</b> | 001 | VIS AUTOBLOQUANTE FLZNNC      | UNDERSERR.S-LOC.SCREW FLZNNC  | SPERRZAHN-BUNDSCHRAU.FLZNNC    | VITE FLZNNC                 |  |
| 005 | <b>80201240</b> | 001 | ECROU HEX.BAS AUTOFR.FE/ZNXC3 | SELF-LOCKING NUT M 12 DIN-985 | SELBSTSICHERND.MUTTER FE/ZNXC3 | DADO AUTOBLOCCANTE FE/ZNXC3 |  |
| 006 | <b>80251127</b> | 001 | RONDELLE PLATE FE/ZNXC3       | PLAIN WASHER FE/ZNXC3         | SCHEIBE FE/ZNXC3               | RONDELLA PIATTA FE/ZNXC3    |  |
| 007 | <b>80131220</b> | 006 | VIS AUTOBLOQUANTE FLZNNC      | UNDERSERR.S-LOC.SCREW FLZNNC  | SPERRZAHN-BUNDSCHRAU.FLZNNC    | VITE FLZNNC                 |  |
| 008 | <b>80201040</b> | 027 | ECROU HEX.BAS AUTOFR.FE/ZNXC3 | SELF LOCKING NUT M10 DIN 985  | SELBSTSICHERND.MUTTER FE/ZNXC3 | DADO AUTOBLOCCANTE FE/ZNXC3 |  |
| 009 | <b>80251032</b> | 002 | RONDELLE PLATE                | PLAIN WASHER                  | SCHEIBE                        | RONDELLA PIATTA             |  |
| 010 | <b>80251127</b> | 025 | RONDELLE PLATE FE/ZNXC3       | PLAIN WASHER FE/ZNXC3         | SCHEIBE FE/ZNXC3               | RONDELLA PIATTA FE/ZNXC3    |  |
| 011 | <b>K5600210</b> | 001 | DEFLECTEUR                    | DEFLECTOR                     | ABWEISER                       | DEFLETTORE                  |  |
| 012 | <b>K5601841</b> | 001 | TOLE A ANDAIN GAUCHE          | SWATH BOARD LEFT              | SCHWADBLECH LINKS              | LAMIERA ANDANATRICE         |  |
| 013 | <b>K5601851</b> | 001 | TOLE A ANDAIN DROITE          | SWATH BOARD RIGHT             | SCHWADBLECH RECHTS             | LAMIERA ANDANATRICE         |  |
| 014 | <b>K5601932</b> | 001 | TOILE                         | CURTAIN                       | SCHUTZTUCH                     | TELO POSTERIORE             |  |
| 015 | <b>K5602940</b> | 001 | CHARNIERE DROITE              | RIGHT HINGE                   | SCHARNIER RECHTS               | SNODO                       |  |
| 016 | <b>K5602950</b> | 001 | CHARNIERE GAUCHE              | HINGE LEFT                    | GELENK LINKS                   | SNODO                       |  |
| 017 | <b>K5602970</b> | 001 | CAPOT                         | HOOD                          | HAUBE                          | COFANO                      |  |
| 018 | <b>K5602990</b> | 001 | CAPOT                         | HOOD                          | HAUBE                          | COFANO                      |  |
| 019 | <b>K5603000</b> | 001 | RAIDISSEUR                    | REINFORCING PLATE             | VERSTEIFUNGSPLATTE             | BALESTRA                    |  |







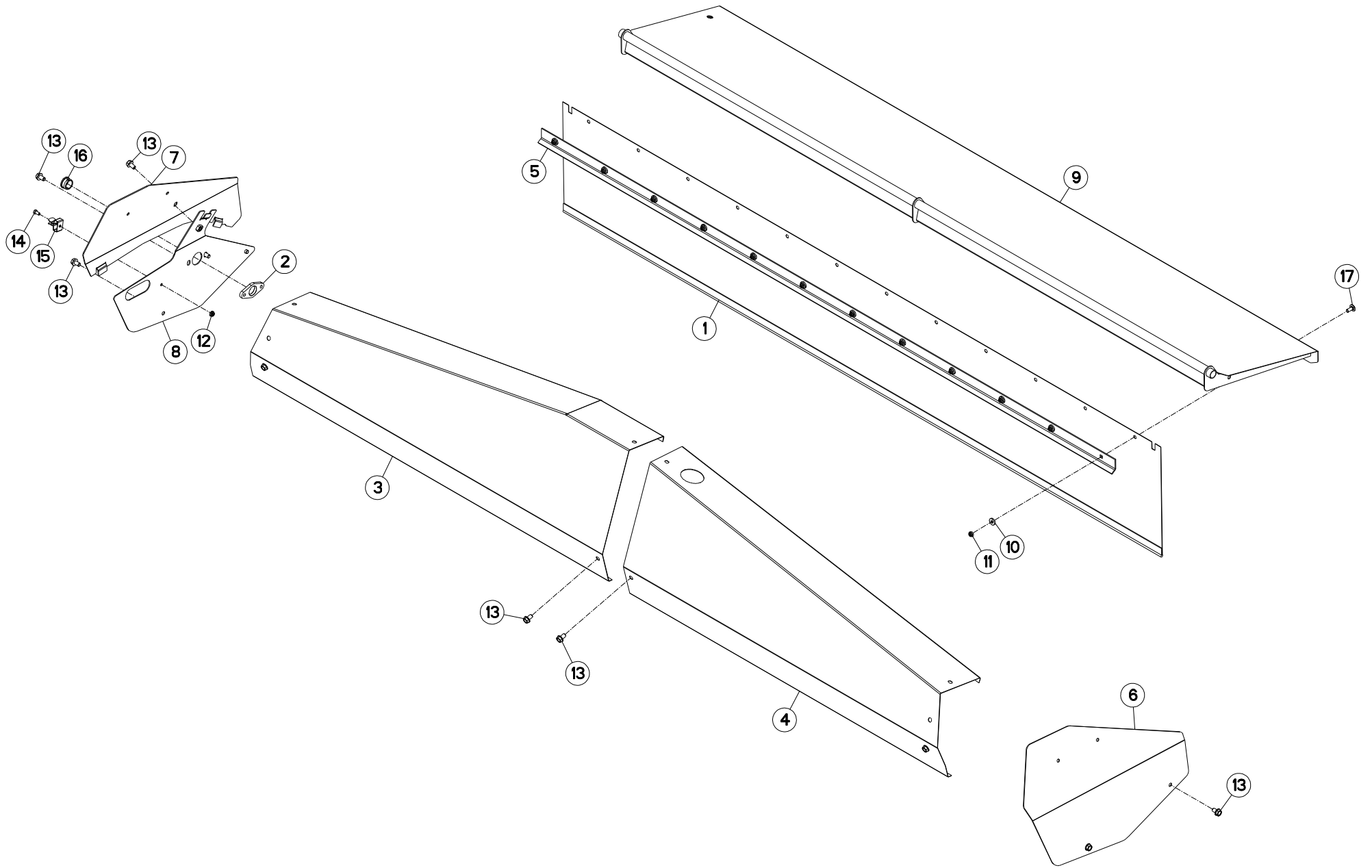
## PROTECTEUR (GAUCHE)

## SAFETY GUARDS (LEFT)

## SCHUTZVORRICHTUNG (LINKS)

## PARAPETTI (SX)

| Rep | Nr       | Qt  | Designation                   | Description                    | Bezeichnung                    | Referenza                   | Remarque - Remark - Bemerkung - Osservazioni |
|-----|----------|-----|-------------------------------|--------------------------------|--------------------------------|-----------------------------|--|
| 001 | 50002200 | 007 | VIS TBCC COURT                | BOLT, CARRIAGE, SHORT NECK     | FLACHRUNDSCHR.4KT ANSATZ       | BULLONE                     |  |
| 002 | 80071232 | 001 | VIS AVEC REVÊTEMENT ADHESIF   | SCREW WITH ADHESIVE COATING    | KLEBE BESCHICHTETE SCHRAUBE    | VITE FE/ZNXC3               |  |
| 003 | 50067100 | 009 | VIS TBCC COURT                | BOLT, CARRIAGE, SHORT NECK     | FLACHRUNDSCHR.4KT ANSATZ       | BULLONE                     |  |
| 004 | 50067700 | 001 | VIS AVEC REVÊTEMENT ADHESIF   | SCREW WITH ADHESIVE COATING    | KLEBE BESCHICHTETE SCHRAUBE    | VITE AUTOBLOCCANTE          |  |
| 005 | 55749800 | 002 | VERROU                        | LATCH                          | RIEGEL                         | LEVA                        |  |
| 006 | 80131020 | 010 | VIS AUTOBLOQUANTE FLZNNC      | UNDERSERRATED S-LOCKING FLZNNC | SPERRZAHN-BUNDSCHRAUBE FLZNNC  | VITE FLZNNC                 |  |
| 007 | 80131220 | 004 | VIS AUTOBLOQUANTE FLZNNC      | UNDERSERR.S-LOC.SCREW FLZNNC   | SPERRZAHN-BUNDSCHRAU.FLZNNC    | VITE FLZNNC                 |  |
| 008 | 80200840 | 009 | ECROU HEX.BAS AUTOFR.FE/ZNXC3 | SELF-LOCKING NUT FE/ZNXC3      | SELBSTSICHERND.MUTTER FE/ZNXC3 | DADO AUTOBLOCCANTE FE/ZNXC3 |  |
| 009 | 80201030 | 003 | ECROU HEX.AUTOFREINE FE/ZNXC3 | SELF-LOCKING NUT FE/ZNXC3      | SELBSTSICH.MUTTER FE/ZNXC3     | DADO AUTOBLOCCANTE FE/ZNXC3 |  |
| 010 | 80201040 | 004 | ECROU HEX.BAS AUTOFR.FE/ZNXC3 | SELF LOCKING NUT M10 DIN 985   | SELBSTSICHERND.MUTTER FE/ZNXC3 | DADO AUTOBLOCCANTE FE/ZNXC3 |  |
| 011 | 80250970 | 009 | RONDELLE PLATE FE/ZNXC3       | PLAIN WASHER M8 DIN125         | SCHIEBE FE/ZNXC3               | RONDELLA PIATTA FE/ZNXC3    |  |
| 012 | 80251127 | 004 | RONDELLE PLATE FE/ZNXC3       | PLAIN WASHER FE/ZNXC3          | SCHIEBE FE/ZNXC3               | RONDELLA PIATTA FE/ZNXC3    |  |
| 013 | 80251176 | 003 | RONDELLE PLATE FE/ZNXC3       | PLAIN WASHER FE/ZNXC3          | SCHIEBE FE/ZNXC3               | RONDELLA PIATTA FE/ZNXC3    |  |
| 014 | 80251225 | 002 | RONDELLE PLATE FE/ZNXC3       | PLAIN WASHER FE/ZNXC3          | SCHIEBE FE/ZNXC3               | RONDELLA PIATTA FE/ZNXC3    |  |
| 015 | 80251331 | 001 | RONDELLE PLATE FE/ZNXC3       | PLAIN WASHER FE/ZNXC3          | SCHIEBE FE/ZNXC3               | RONDELLA PIATTA FE/ZNXC3    |  |
| 016 | 80253046 | 001 | RONDELLE PLATE FE/ZNXC3       | PLAIN WASHER FE/ZNXC3          | SCHIEBE FE/ZNXC3               | RONDELLA PIATTA FE/ZNXC3    |  |
| 017 | 80253248 | 001 | RONDELLE PLATE FE/ZNXC3       | PLAIN WASHER FE/ZNXC3          | SCHIEBE FE/ZNXC3               | RONDELLA PIATTA FE/ZNXC3    |  |
| 018 | 80370415 | 008 | RIVET AVEUGLE T NORM.ALU      | RIVET                          | NIETE                          | RIVETTO                     |  |
| 019 | K5606100 | 002 | BROSSE D'ETANCHEITE L400      | BRUSH                          | BUERSTE                        | SPAZZOLA                    |  |
| 020 | K5606440 | 001 | RESSORT                       | SPRING                         | FEDER                          | MOLLA                       |  |
| 021 | K5606500 | 001 | CONTRE-PLAQUE                 | PLATE, BACKER                  | BEFESTIGUNGSPLATTE             | PIASTRINA                   |  |
| 022 | K5606510 | 001 | CONTRE-PLAQUE                 | PLATE, BACKER                  | BEFESTIGUNGSPLATTE             | PIASTRINA                   |  |
| 023 | K5606520 | 001 | BUTEE                         | STOP                           | ANSCHLAG                       | LIMITATORE                  |  |
| 024 | K5608050 | 001 | TOILE                         | CURTAIN                        | SCHUTZTUCH                     | TELO POSTERIORE             |  |
| 025 | K5608080 | 001 | TOILE                         | CURTAIN                        | SCHUTZTUCH                     | TELO POSTERIORE             |  |
| 026 | K5608091 | 001 | CAPOT                         | HOOD                           | HAUBE                          | COFANO                      |  |
| 027 | K5608100 | 001 | PRESOUDURE                    | HOOD                           | HAUBE                          | COFANO                      |  |
| 028 | K5608120 | 001 | VOLET GAUCHE                  | DEFLECTOR                      | KLAPPE                         | DEFLETTORE                  |  |
| 029 | K5608130 | 001 | CONTRE-PLAQUE                 | PLATE, BACKER                  | BEFESTIGUNGSPLATTE             | PIASTRINA                   |  |
| 030 | K5608140 | 001 | CONTRE-PLAT GAUCHE            | BRACKET                        | BEFESTIGUNGSPLATTE             | PIATTO                      |  |
| 031 | K5608170 | 001 | CAPOT DE POULIE               | HOOD                           | HAUBE                          | COFANO                      |  |
| 032 | K5608190 | 001 | CAPOT PREMONTE                | HOOD                           | HAUBE                          | COFANO                      |  |
| 033 | K5608400 | 001 | ARRET                         | STOP                           | ANSCHLAG                       | ARRESTO                     |  |





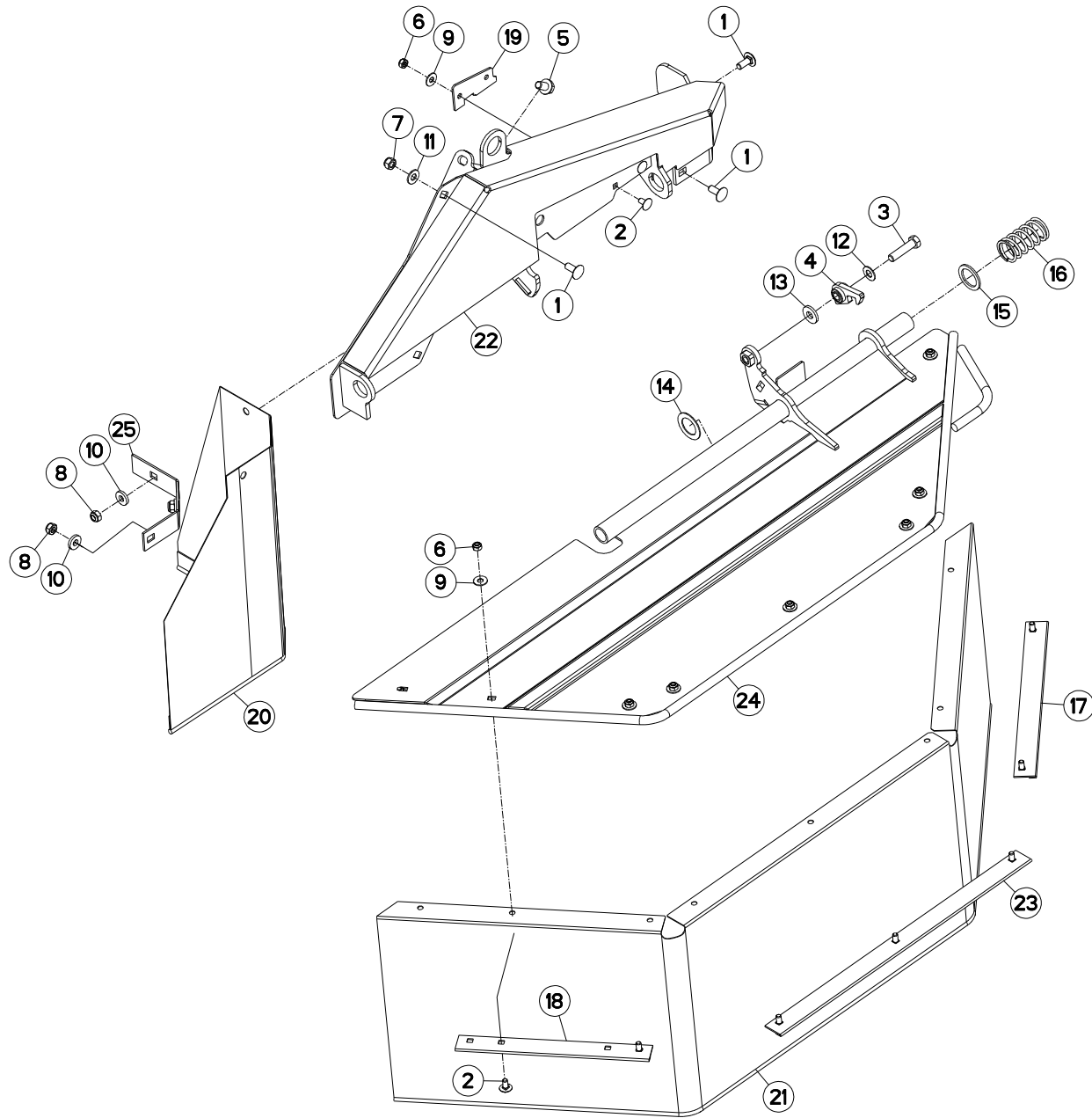
## PROTECTEURS

## SAFETY GUARDS

## SCHUTZVORRICHTUNGEN

## PARAPETTI

| Rep | Nr              | Qt  | Designation                   | Description                    | Bezeichnung                    | Referenza                     | Remarque - Remark - Bemerkung - Osservazioni |
|-----|-----------------|-----|-------------------------------|--------------------------------|--------------------------------|-------------------------------|--|
| 001 | <b>K5601901</b> | 001 | TOILE                         | CURTAIN                        | SCHUTZTUCH                     | TELO POSTERIORE               |  |
| 002 | <b>K5601790</b> | 001 | PALIER                        | HOUSING                        | LAGERGEHAEUSE                  | SUPPORTO                      |  |
| 003 | <b>K5601501</b> | 001 | PROTECTEUR AR GAUCHE          | REAR GUARD LEFT                | HINTERER SCHUTZ LINKS          | PROTEZIONE                    |  |
| 004 | <b>K5601491</b> | 001 | PROTECTEUR AR DROIT           | REAR GUARD RIGHT               | HINTERER SCHUTZ RECHTS         | PROTEZIONE                    |  |
| 005 | <b>K5601460</b> | 001 | CONTRE-PLAT AVANT             | BRACKET                        | BEFESTIGUNGSPLATTE             |                               |  |
| 006 | <b>K5601440</b> | 001 | CAPOT                         | HOOD                           | HAUBE                          | COFANO                        |  |
| 007 | <b>K5601430</b> | 001 | DEMI-CAPOT GAUCHE             | HALF HOOD LEFT                 | HAUBENHAELFTE LINKS            | COFANO                        |  |
| 008 | <b>K5601420</b> | 001 | DEMI-CAPOT GAUCHE             | HALF HOOD LEFT                 | HAUBENHAELFTE LINKS            | COFANO                        |  |
| 009 | <b>K5601410</b> | 001 | CAPOT                         | HOOD                           | HAUBE                          | COFANO                        |  |
| 010 | <b>80251127</b> | 012 | RONDELLE PLATE FE/ZNXC3       | PLAIN WASHER FE/ZNXC3          | SCHEIBE FE/ZNXC3               | RONDELLA PIATTA FE/ZNXC3      |  |
| 011 | <b>80201040</b> | 012 | ECROU HEX.BAS AUTOFR.FE/ZNXC3 | SELF LOCKING NUT M10 DIN 985   | SELBSTSICHERND.MUTTER FE/ZNXC3 | DADO AUTOBLOCCANTE FE/ZNXC3   |  |
| 012 | <b>80200851</b> | 001 | ECROU AUTOBLOQUANT FE/ZNXC3   | UNDERSERRAT.S.LOC.NUT FE/ZNXC3 | SPERRZAHN-BUNDMUTTER FE/ZNXC3  | DADO FE/ZNXC3                 |  |
| 013 | <b>80131220</b> | 011 | VIS AUTOBLOQUANTE FLZNNC      | UNDERSERR.S-LOC.SCREW FLZNNC   | SPERRZAHN-BUNDSCHRAU.FLZNNC    | VITE FLZNNC                   |  |
| 014 | <b>80060820</b> | 001 | VIS TETE HEXAGONALE FE/ZNXC3  | HEXAGON HEAD SCREW FE/ZNXC3    | SECHSKANTSCHRAUBE FE/ZNXC3     | VITE TESTA ESAGONALE FE/ZNXC3 |  |
| 015 | <b>59402900</b> | 001 | RESSORT                       | SPRING                         | FEDER                          | MOLLA                         |  |
| 016 | <b>57721600</b> | 001 | BAGUE PLASTIQUE A COLLERETTE  | NYLON BEARING                  | KUNSTSTOFF-GLEITLAGER          | ANELLO PLASTICA               |  |
| 017 | <b>50002200</b> | 012 | VIS TBCC COURT                | BOLT, CARRIAGE, SHORT NECK     | FLACHRUNDSCHR.4KT ANSATZ       | BULLONE                       |  |





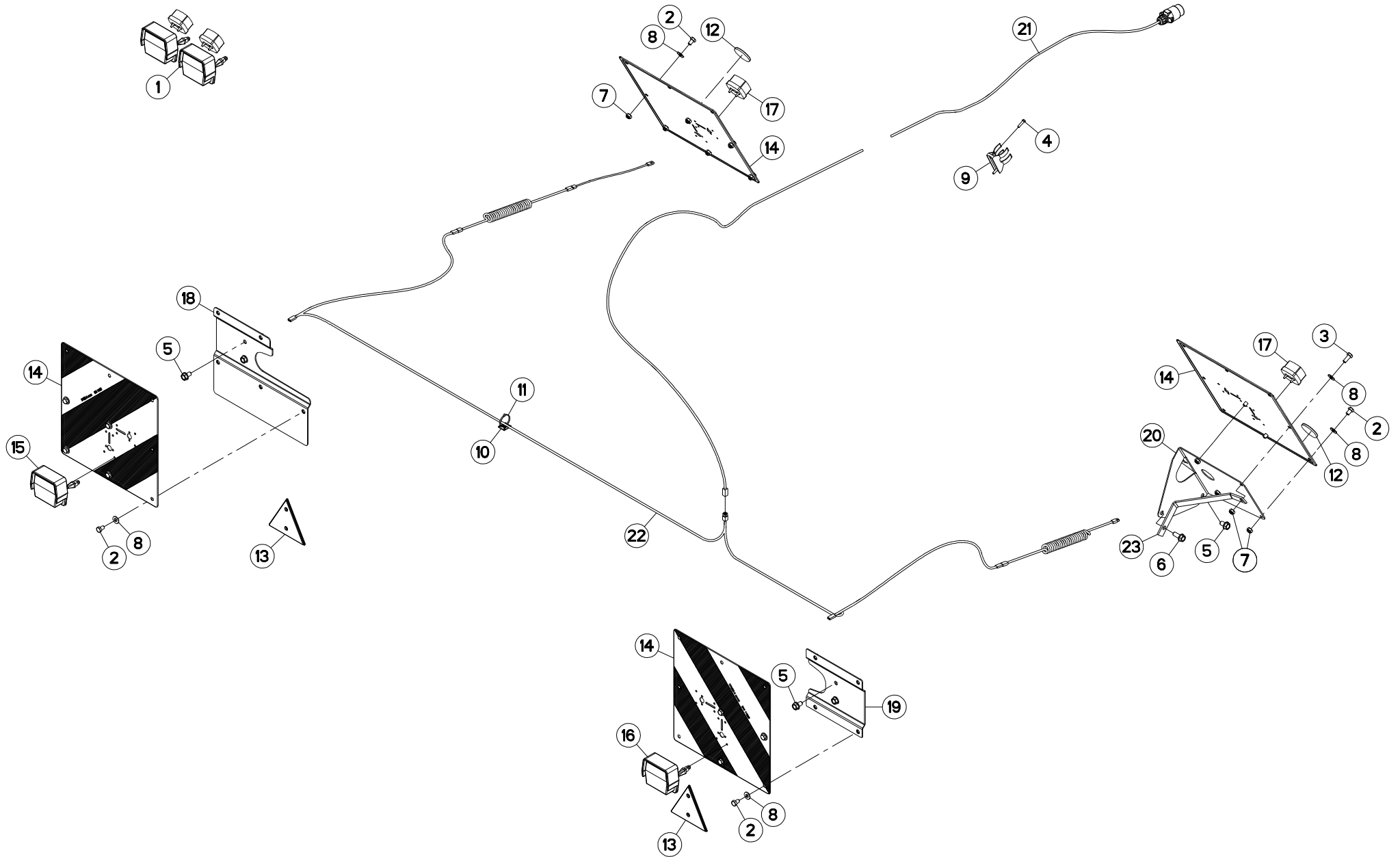
## PROTECTEUR (DROIT)

## SAFETY GUARDS (RIGHT)

## SCHUTZVORRICHTUNG (RECHTS)

## PARAPETTI (DX)

| Rep | Nr       | Qt  | Designation                   | Description                  | Bezeichnung                    | Referenza                   | Remarque - Remark - Bemerkung - Osservazioni |
|-----|----------|-----|-------------------------------|------------------------------|--------------------------------|-----------------------------|--|
| 001 | 50002200 | 005 | VIS TBCC COURT                | BOLT, CARRIAGE, SHORT NECK   | FLACHRUNDSCHR.4KT ANSATZ       | BULLONE                     |  |
| 002 | 50067100 | 010 | VIS TBCC COURT                | BOLT, CARRIAGE, SHORT NECK   | FLACHRUNDSCHR.4KT ANSATZ       | BULLONE                     |  |
| 003 | 50067700 | 001 | VIS AVEC REVÊTEMENT ADHESIF   | SCREW WITH ADHESIVE COATING  | KLEBE BESCHICHTETE SCHRAUBE    | VITE AUTOBLOCCANTE          |  |
| 004 | 55749800 | 001 | VERROU                        | LATCH                        | RIEGEL                         | LEVA                        |  |
| 005 | 80131220 | 002 | VIS AUTOBLOQUANTE FLZNNC      | UNDERSERR.S-LOC.SCREW FLZNNC | SPERRZAHN-BUNDSCHRAU.FLZNNC    | VITE FLZNNC                 |  |
| 006 | 80200840 | 010 | ECROU HEX.BAS AUTOFR.FE/ZNXC3 | SELF-LOCKING NUT FE/ZNXC3    | SELBSTSICHERND.MUTTER FE/ZNXC3 | DADO AUTOBLOCCANTE FE/ZNXC3 |  |
| 007 | 80201030 | 002 | ECROU HEX.AUTOFREINE FE/ZNXC3 | SELF-LOCKING NUT FE/ZNXC3    | SELBSTSICH.MUTTER FE/ZNXC3     | DADO AUTOBLOCCANTE FE/ZNXC3 |  |
| 008 | 80201040 | 003 | ECROU HEX.BAS AUTOFR.FE/ZNXC3 | SELF LOCKING NUT M10 DIN 985 | SELBSTSICHERND.MUTTER FE/ZNXC3 | DADO AUTOBLOCCANTE FE/ZNXC3 |  |
| 009 | 80250970 | 010 | RONDELLE PLATE FE/ZNXC3       | PLAIN WASHER M8 DIN125       | SCHEIBE FE/ZNXC3               | RONDELLA PIATTA FE/ZNXC3    |  |
| 010 | 80251127 | 003 | RONDELLE PLATE FE/ZNXC3       | PLAIN WASHER FE/ZNXC3        | SCHEIBE FE/ZNXC3               | RONDELLA PIATTA FE/ZNXC3    |  |
| 011 | 80251176 | 002 | RONDELLE PLATE FE/ZNXC3       | PLAIN WASHER FE/ZNXC3        | SCHEIBE FE/ZNXC3               | RONDELLA PIATTA FE/ZNXC3    |  |
| 012 | 80251225 | 001 | RONDELLE PLATE FE/ZNXC3       | PLAIN WASHER FE/ZNXC3        | SCHEIBE FE/ZNXC3               | RONDELLA PIATTA FE/ZNXC3    |  |
| 013 | 80251331 | 001 | RONDELLE PLATE FE/ZNXC3       | PLAIN WASHER FE/ZNXC3        | SCHEIBE FE/ZNXC3               | RONDELLA PIATTA FE/ZNXC3    |  |
| 014 | 80253046 | 001 | RONDELLE PLATE FE/ZNXC3       | PLAIN WASHER FE/ZNXC3        | SCHEIBE FE/ZNXC3               | RONDELLA PIATTA FE/ZNXC3    |  |
| 015 | 80253248 | 001 | RONDELLE PLATE FE/ZNXC3       | PLAIN WASHER FE/ZNXC3        | SCHEIBE FE/ZNXC3               | RONDELLA PIATTA FE/ZNXC3    |  |
| 016 | K5606440 | 001 | RESSORT                       | SPRING                       | FEDER                          | MOLLA                       |  |
| 017 | K5606500 | 001 | CONTRE-PLAQUE                 | PLATE, BACKER                | BEFESTIGUNGSPLATTE             | PIASTRINA                   |  |
| 018 | K5606510 | 001 | CONTRE-PLAQUE                 | PLATE, BACKER                | BEFESTIGUNGSPLATTE             | PIASTRINA                   |  |
| 019 | K5606520 | 001 | BUTEE                         | STOP                         | ANSCHLAG                       | LIMITATORE                  |  |
| 020 | K5608060 | 001 | TOILE                         | CURTAIN                      | SCHUTZTUCH                     | TELO POSTERIORE             |  |
| 021 | K5608070 | 001 | TOILE                         | CURTAIN                      | SCHUTZTUCH                     | TELO POSTERIORE             |  |
| 022 | K5608111 | 001 | PRESOUDURE                    | HOOD                         | HAUBE                          | COFANO                      |  |
| 023 | K5608130 | 001 | CONTRE-PLAQUE                 | PLATE, BACKER                | BEFESTIGUNGSPLATTE             | PIASTRINA                   |  |
| 024 | K5608150 | 001 | VOLET                         | LOUVER                       | KLAPPE                         | TRAPPOLA                    |  |
| 025 | K5608160 | 001 | CONTRE-PLAT DROIT             | BRACKET                      | BEFESTIGUNGSPLATTE             | PIATTO                      |  |





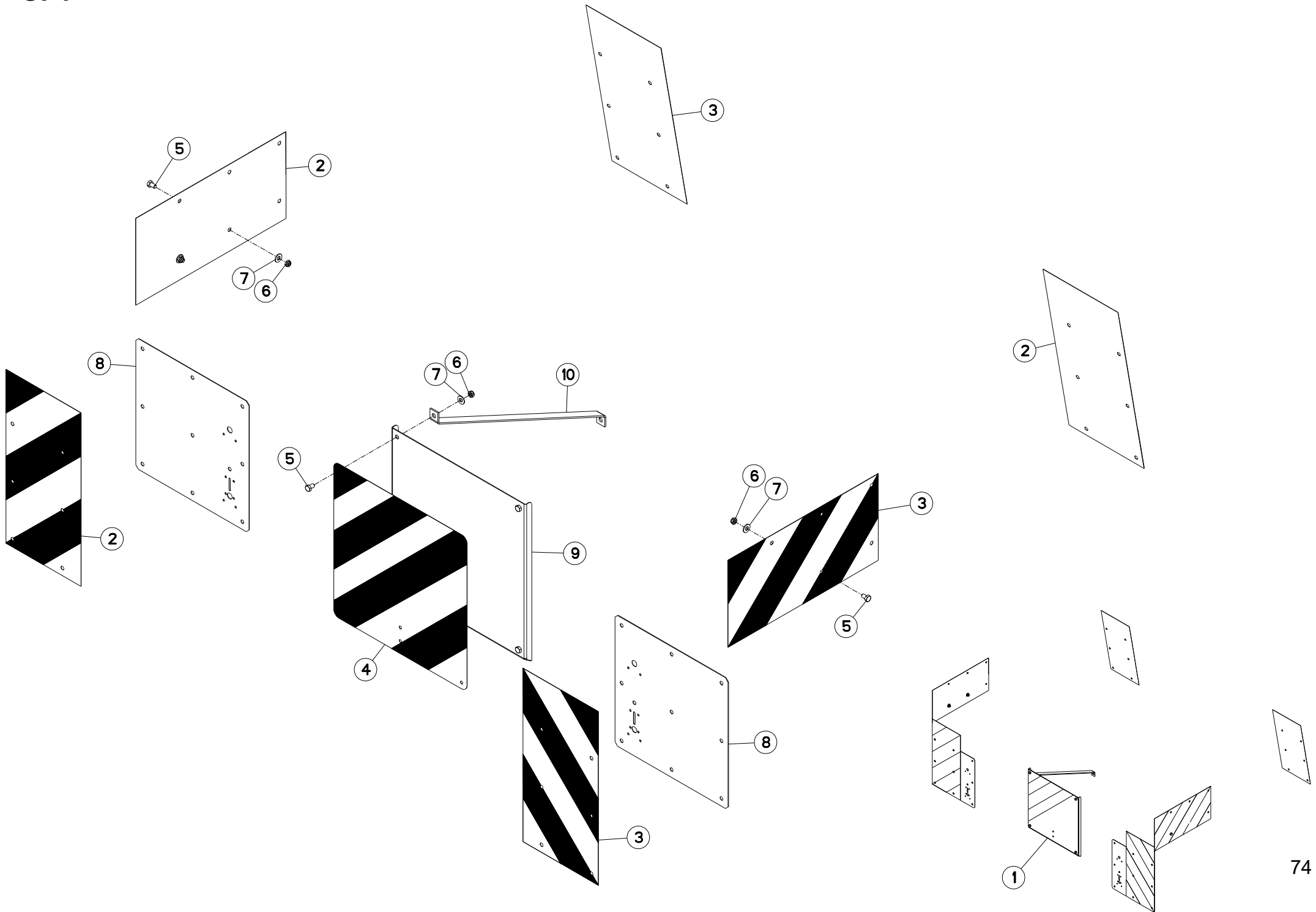
## SIGNALISATION

## SIGNALLING

## BELEUCHTUNG U. WARNTAFELN

## SEGNALAZIONE

| Rep | Nr              | Qt  | Designation                    | Description                   | Bezeichnung                    | Referenza                      | Remarque - Remark - Bemerkung - Osservazioni |
|-----|-----------------|-----|--------------------------------|-------------------------------|--------------------------------|--------------------------------|--|
| 001 | <b>56537400</b> | 001 | COLL.FEUX DE SIGNALISATION     | WARNING LAMPS SET             | BELEUCHTUNG                    | KIT LUCI DI SEGNALAZIONE       | + [1]  |
| 002 | <b>80061016</b> | 018 | VIS TETE HEXAGONALE FE/ZNXC3   | HEXAGON HEAD SCREW FE/ZNXC3   | SECHSKANTSCHRAUBE FE/ZNXC3     | VITE TESTA ESAGONALE FE/ZNXC3  |  |
| 003 | <b>80061026</b> | 001 | VIS TETE HEXAGONALE FE/ZNXC3   | HEXAGON HEAD SCREW FE/ZNXC3   | SECHSKANTSCHRAUBE FE/ZNXC3     | VITE TESTA ESAGONALE FE/ZNXC3  |  |
| 004 | <b>80080626</b> | 002 | VIS TETE CYL.SIX P.CR.FE/ZNXC3 | SCREW, SOCKET HEAD FE/ZNXC3   | ZYLINDERSCHR.INNENSEC.FE/ZNXC3 | VITE A TESTA CILINDR. FE/ZNXC3 |  |
| 005 | <b>80131220</b> | 005 | VIS AUTOBLOQUANTE FLZNNC       | UNDERSERR.S-LOC.SCREW FLZNNC  | SPERRZAHN-BUNDSCHRAU.FLZNNC    | VITE FLZNNC                    |  |
| 006 | <b>80131232</b> | 001 | VIS AUTOBLOQUANTE FLZNNC KL105 | UNDERSERR.S-LOC.SCREW FLZNNC  | SPERRZAHN-BUNDSCHRAU.FLZNNC    | VITE FLZNNC KL105              |  |
| 007 | <b>80201040</b> | 010 | ECROU HEX.BAS AUTOFR.FE/ZNXC3  | SELF LOCKING NUT M10 DIN 985  | SELBSTSICHERND.MUTTER FE/ZNXC3 | DADO AUTOBLOCCANTE FE/ZNXC3    |  |
| 008 | <b>80251176</b> | 019 | RONDELLE PLATE FE/ZNXC3        | PLAIN WASHER FE/ZNXC3         | SCHEIBE FE/ZNXC3               | RONDELLA PIATTA FE/ZNXC3       |  |
| 009 | <b>83090037</b> | 001 | SUPPORT DE PRISE 7 POLES       | PLUG SUPPORT                  | STECKERHALTERUNG               | SUPPORTO                       |  |
| 010 | <b>83090038</b> | 030 | EMBASE AUTOADHESIVE            | SELF STIKING CABLE GUIDE      | KABELKONSOLE SELBSTKLEBEND     | BASAMENTO                      |  |
| 011 | <b>83090039</b> | 030 | COLLIER PLASTIQUE              | CABLE TIE PLASTIC             | KABELBINDER PLASTIK            | FASCETTA                       |  |
| 012 | <b>83240010</b> | 002 | CATADIOPTRE                    | REFLECTOR                     | RUECKSTRAHLER                  | CATADIOTTRO                    |  |
| 013 | <b>83240013</b> | 002 | CATADIOP.TRIAN.ROUGE 160 ADHES | REFLECTOR RED 160 SELF-ADHES. | RUECKSTRAHLER ROT 160 SELBSTKL | CATADIOTTRO 160                |  |
| 014 | <b>83240212</b> | 004 | PANNEAU CARRE SIMPLE-FACE      | WARNING PLATE                 | WARNTAFEL                      | PANNELLO B/R ANT.              |  |
| 015 | <b>83240400</b> | 001 | FEU ARRIERE GAUCHE             | REAR LAMP LEFT                | RUECKLICHT LINKS               | FANALINO COMPLETO POST. SX     | [1]  |
| 016 | <b>83240401</b> | 001 | FEU ARRIERE DROIT              | REAR LAMP RIGHT               | RUECKLICHT RECHTS              | FANALINO COMPLETO POST. DX     | [1]  |
| 017 | <b>83240404</b> | 002 | FEU DE POSITION BLANC          | FRONT LAMP WHITE              | BEGRENZUNGSLICHT WEISS         | FANALINO BIANCO                | [1]  |
| 018 | <b>K5601360</b> | 001 | SUPPORT DE PANNEAU GAUCHE      | SUPPORT LEFT                  | HALTERUNG LINKS                | SUPPORTO                       |  |
| 019 | <b>K5601370</b> | 001 | SUPPORT DE PANNEAU DROIT       | SUPPORT RIGHT                 | HALTERUNG RECHTS               | SUPPORTO                       |  |
| 020 | <b>K5603930</b> | 001 | SUPPORT DE PANNEAU             | SUPPORT                       | TRAEGER                        | SUPPORTO                       |  |
| 021 | <b>K5607240</b> | 001 | FAISCEAU ELECTRIQUE AVANT      | REAR WIRING HARNESS           | KABELNETZ HINTEN               | FASCIO DE CONDUTTORI           |  |
| 022 | <b>K5607250</b> | 001 | FAISCEAU ELECTRIQUE ARRIERE    | REAR WIRING HARNESS           | KABELNETZ HINTEN               | FASCIO DE CONDUTTORI           |  |
| 023 | <b>K5609521</b> | 001 | RENFORT                        | REINFORCEMENT                 | VERSTAERKUNG                   | RINFORZO                       |  |







FC353RGC NV

C 0001 &gt; D 0000

K88R0001 A

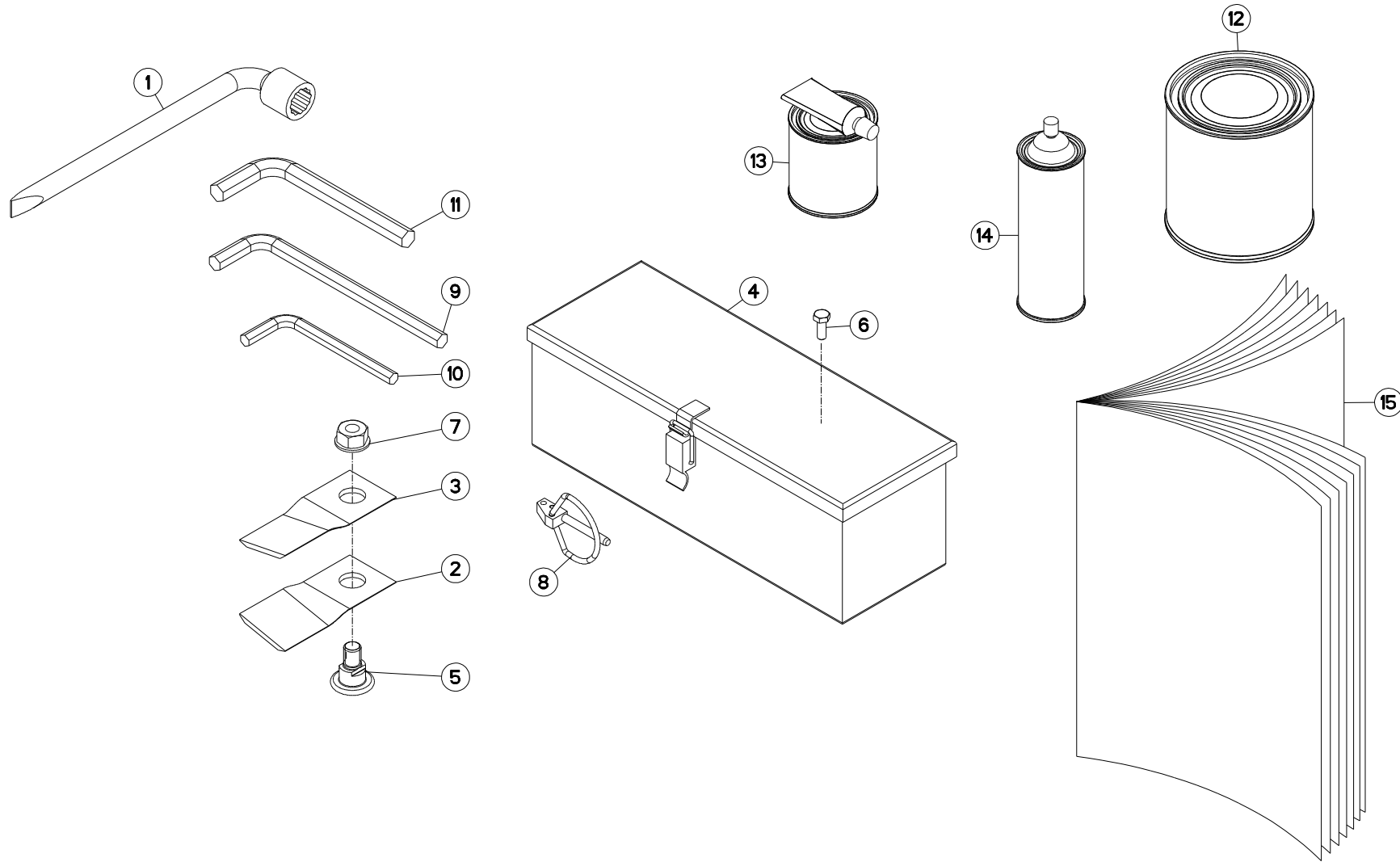
## SIGNALISATION ITALIE

## SIGNALING ITALY

## BELEUCHTUNG ITALIEN

## SEGNALAZIONE ITALIA

| Rep | Nr              | Qt  | Designation                    | Description                  | Bezeichnung                    | Referenza                     | Remarque - Remark - Bemerkung - Osservazioni |
|-----|-----------------|-----|--------------------------------|------------------------------|--------------------------------|-------------------------------|--|
| 001 | <b>1096080</b>  | 001 | COLL.SIGNAL.FC303/353 ITALIE   |                              |                                |                               | OPT +[1]                                     |
| 002 | <b>83240205</b> | 003 | PANNEAU SIGNALISATION ARG / AV | WARNING PLATE                | WARNTAFEL                      | PANNELLO DI SEGNALAZIONE G/R  | [1]  |
| 003 | <b>83240206</b> | 003 | PANNEAU SIGNALISATION ARD / AV | WARNING PLATE                | WARNTAFEL                      | PANNELLO DI SEGNALAZIONE G/R  | [1]  |
| 004 | <b>83240208</b> | 001 | PANNEAU DE SIGNALISATION C     | WARNING PLATE C              | WARNTAFEL C                    | PANNELLO DI SEGNALAZIONE      | [1]  |
| 005 | <b>80061016</b> | 008 | VIS TETE HEXAGONALE FE/ZNXC3   | HEXAGON HEAD SCREW FE/ZNXC3  | SECHSKANTSCHRAUBE FE/ZNXC3     | VITE TESTA ESAGONALE FE/ZNXC3 | [1]  |
| 006 | <b>80201040</b> | 008 | ECROU HEX.BAS AUTOFR.FE/ZNXC3  | SELF LOCKING NUT M10 DIN 985 | SELBSTSICHERND.MUTTER FE/ZNXC3 | DADO AUTOBLOCCANTE FE/ZNXC3   | [1]  |
| 007 | <b>80251176</b> | 008 | RONDELLE PLATE FE/ZNXC3        | PLAIN WASHER FE/ZNXC3        | SCHEIBE FE/ZNXC3               | RONDELLA PIATTA FE/ZNXC3      | [1]  |
| 008 | <b>83240207</b> | 002 | SUPPORT DE PANNEAU             | SUPPORT PLATE                | HALTEPLATTE                    | PIASTRA DI SUPPORTO           | [1]  |
| 009 | <b>K5600360</b> | 001 | SUPPORT DE PANNEAU             | SUPPORT                      | TRAEGER                        | SUPPORTO                      | [1]  |
| 010 | <b>K5607260</b> | 001 | CONTREFORT                     | REINFORCING BAR              | VERSTAERKUNGSSTREBE            | RINFORZO                      | [1]  |





FC353RGC NV

C 0001 &gt; C 0121

K56R0198 A

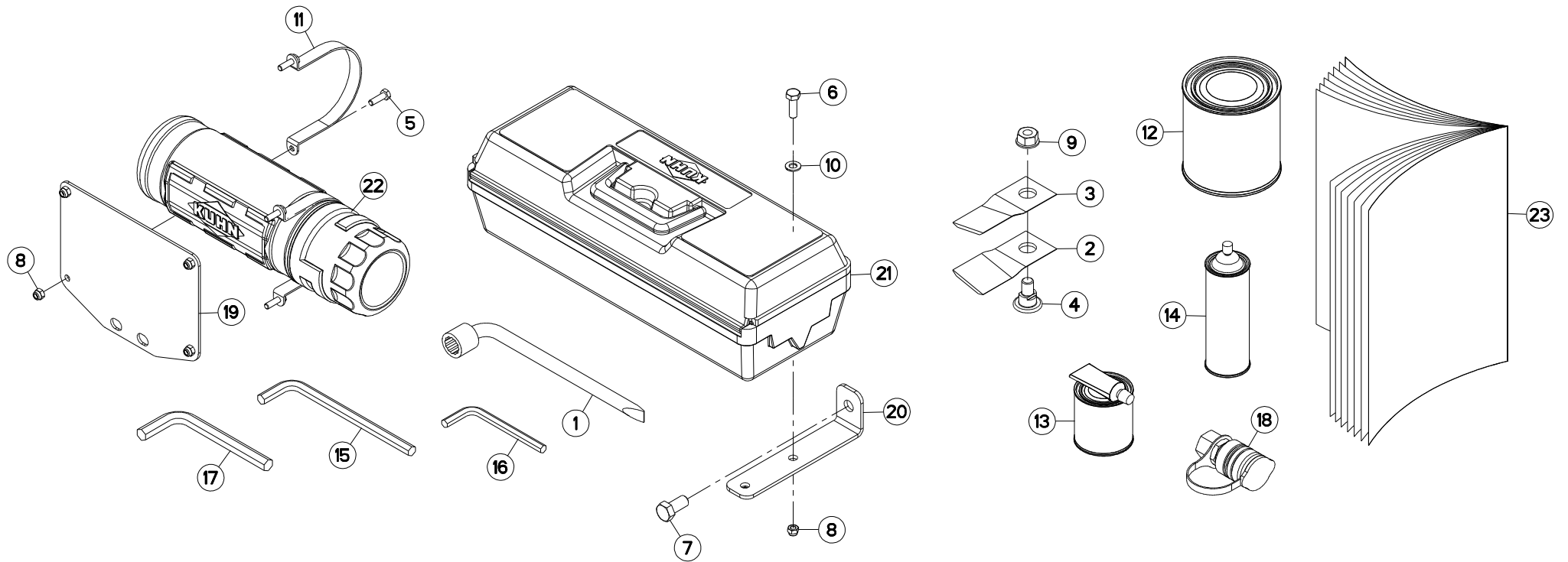
## CONTENU BOITE A OUTILS

## COMPONENTS OF TOOL BOX

## WERKZEUGKASTENINHALT

## COMPONENTI D. SCATOLA ATTREZZI

| Rep | Nr              | Qt  | Designation                   | Description                    | Bezeichnung                    | Referenza                     | Remarque - Remark - Bemerkung - Osservazioni |
|-----|-----------------|-----|-------------------------------|--------------------------------|--------------------------------|-------------------------------|--|
| 001 | <b>50080200</b> | 001 | CLE A PIPE DE 18 (12PANS)     | BOX SPANNER 18                 | PFEIFENSCHLUESSEL 18           | CHIAVE X FC 280F MATR.95      |  |
| 002 | <b>55903210</b> | 008 | COUTEAU VRILLE T.A.G ISO5718  | ANGLED BLADE LEFT TURN.ISO5718 | GEKROEP.MESS.LINKSDREH.ISO5718 | COLTEL.PIEGATO STD-SX ISO5718 |  |
| 003 | <b>55903310</b> | 006 | COUTEAU VRILLE T.A.D ISO5718  | ANGLED BLAD.RIGHT TURN.ISO5718 | GEKROEP.MESS.RECHTSDRE.ISO5718 | COLTEL.PIEGATO STD-DX ISO5718 |  |
| 004 | <b>56019000</b> | 001 | BOITE A OUTILS                | TOOLBOX                        | WERKZEUGKASTEN                 | CASSETTO                      |  |
| 005 | <b>56115800</b> | 007 | VIS AUTOFREINEE               | SCREW, SELF-LOCKING            | SELBSTSICHERNDE SCHRAUBE       | VITE AUTOBLOCCANTE            |  |
| 006 | <b>80060616</b> | 002 | VIS TETE HEXAGONALE FE/ZNXC3  | HEXAGON HEAD SCREW FE/ZNXC3    | SECHSKANTSCHRAUBE FE/ZNXC3     | VITE TESTA ESAGONALE FE/ZNXC3 |  |
| 007 | <b>80201262</b> | 007 | ECROU TWOLOK FLZNNC           | SELF-LOCKING NUT FLZNNC        | SELBSTSICHERNDE MUTTER FLZNNC  | DADO TWOLOCK FLZNNC           |  |
| 008 | <b>80560540</b> | 001 | GOUPILLE AUTOMATIQUE FE/ZNXC3 | LINCH PIN FE/ZNXC3             | KLAPPSTECKER FE/ZNXC3          | COPPIGLIA FE/ZNXC3            |  |
| 009 | <b>83450003</b> | 001 | CLE MALE 10                   | ALLEN WRENCH 10                | 6KT.STIFTSCHLUESSEL 10         | CHIAVE                        |  |
| 010 | <b>83450005</b> | 001 | CLE MALE 8                    | ALLEN WRENCH 8                 | 6KT.STIFTSCHLUESSEL 8          | CHIAVE                        |  |
| 011 | <b>83450019</b> | 001 | CLE MALE 12                   | ALLEN WRENCH 12                | 6KT.STIFTSCHLUESSEL 12         | CHIAVE                        |  |
| 012 | <b>83503018</b> | 001 | BOITE 1L PEINT.ROUGE          | 1L RED PAINT CAN,              | DOSE FARBE ROT,1L              | VERNICE ROSSA KUHN            | OPT  |
| 013 | <b>83503019</b> | 001 | BOITE 0,6L PEIN.ROU.2K+DURCIS | 0,6L RED PAINT CAN,+HARDENER   | DOSE 0,6L FARBE ROT, 2KOMP.    | VERNICE ROSSA KUHN 2K 0,6L    |  |
| 014 | <b>83503026</b> | 001 | BOMBE AEROSOL ROUGE KUHN      | RED SPRAY PAINT                | FARBSPRUEHDOSE KUHN ROT        | VERNICE SPRAY ROSSA           | OPT  |
| 015 | <b>KN069C</b>   | 001 | NOTICE D'INST.FC353RGC NV     | OPERATORS MANUAL FC353RGC      | BETR-ANL.FC353RGC              | MAN.USO MANUT.FC353RGC        |  |





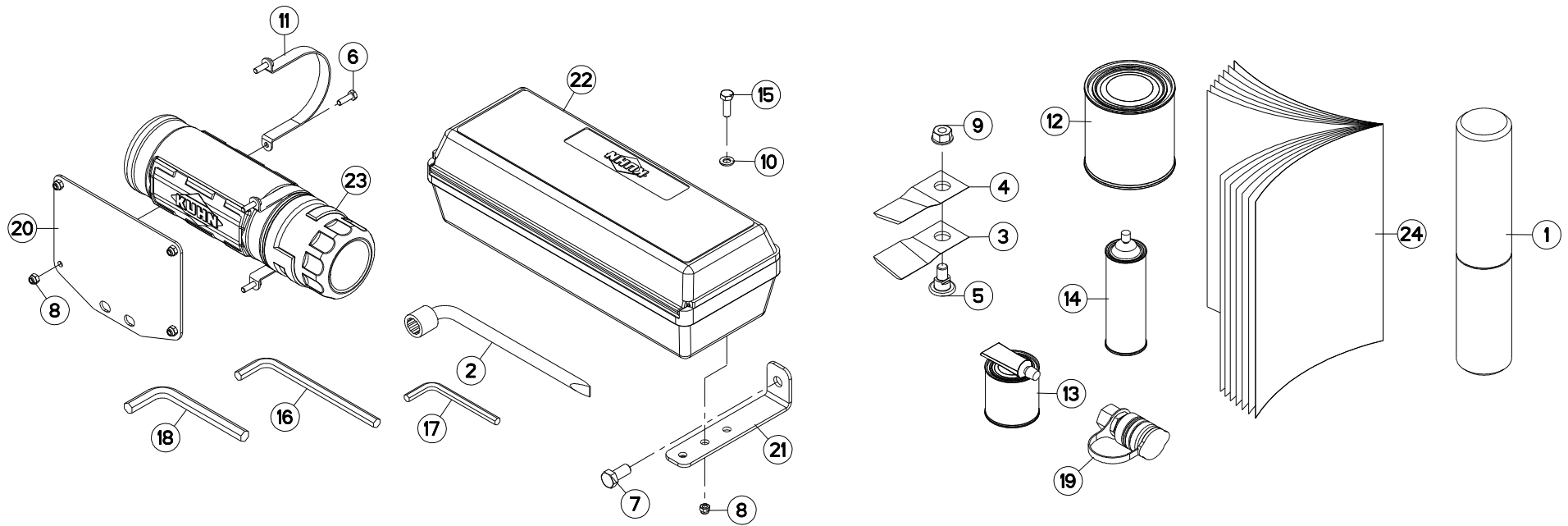
DIVERS

MISCELLANEOUS

VERSCHIEDENES

VARIE

| Rep | Nr       | Qt  | Designation                   | Description                    | Bezeichnung                    | Referenza                     | Remarque - Remark - Bemerkung - Osservazioni |
|-----|----------|-----|-------------------------------|--------------------------------|--------------------------------|-------------------------------|--|
| 001 | 50080200 | 001 | CLE A PIPE DE 18 (12PANS)     | BOX SPANNER 18                 | PFEIFENSCHLUESSEL 18           | CHIAVE X FC 280F MATR.95      |  |
| 002 | 55903210 | 008 | COUTEAU VRILLE T.A.G ISO5718  | ANGLED BLADE LEFT TURN.ISO5718 | GEKROEP.MESS.LINKSDREH.ISO5718 | COLTEL.PIEGATO STD-SX ISO5718 |  |
| 003 | 55903310 | 006 | COUTEAU VRILLE T.A.D ISO5718  | ANGLED BLAD.RIGHT TURN.ISO5718 | GEKROEP.MESS.RECHTSDRE.ISO5718 | COLTEL.PIEGATO STD-DX ISO5718 |  |
| 004 | 56115800 | 007 | VIS AUTOFREINEE               | SCREW, SELF-LOCKING            | SELBSTSICHERNDE SCHRAUBE       | VITE AUTOBLOCCANTE            |  |
| 005 | 80060616 | 004 | VIS TETE HEXAGONALE FE/ZNXC3  | HEXAGON HEAD SCREW FE/ZNXC3    | SECHSKANTSCHRAUBE FE/ZNXC3     | VITE TESTA ESAGONALE FE/ZNXC3 |  |
| 006 | 80060826 | 004 | VIS TETE HEXAGONALE FE/ZNXC3  | HEAD HEX SCREW M8X25 CL8.8 DIN | SECHSKANTSCHRAUBE FE/ZNXC3     | VITE TESTA ESAGONALE FE/ZNXC3 |  |
| 007 | 80061225 | 002 | VIS TETE HEXAGONALE FE/ZNXC3  | HEXAGON HEAD SCREW FE/ZNXC3    | SECHSKANTSCHRAUBE FE/ZNXC3     | VITE TESTA ESAGONALE FE/ZNXC3 |  |
| 008 | 80200630 | 008 | ECROU HEX.AUTOFREINE FE/ZNXC3 | SELF LOCKING NUT M6 DIN 982    | SELBSTSICHERNDE MUTT.FE/ZNXC3  | DADO AUTOBLOCCANTE FE/ZNXC3   |  |
| 009 | 80201262 | 007 | ECROU TWOLOCK FLZNNC          | SELF-LOCKING NUT FLZNNC        | SELBSTSICHERNDE MUTTER FLZNNC  | DADO TWOLOCK FLZNNC           |  |
| 010 | 80250823 | 004 | RONDELLE PLATE FE/ZNXC3       | PLAIN WASHER FE/ZNXC3          | SCHEIBE FE/ZNXC3               | RONDELLA PIATTA FE/ZNXC3      |  |
| 011 | 83090596 | 002 | COLLIER                       | CLAMP, HOSE                    | SCHLAUCHSCHELLE                | COLLARE                       |  |
| 012 | 83503018 | 001 | BOITE 1L PEINT.ROUGE          | 1L RED PAINT CAN,              | DOSE FARBE ROT,1L              | VERNICE ROSSA KUHN            | OPT  |
| 013 | 83503019 | 001 | BOITE 0,6L PEIN.ROU.2K+DURCIS | 0,6L RED PAINT CAN,+HARDENER   | DOSE 0,6L FARBE ROT, 2KOMP.    | VERNICE ROSSA KUHN 2K 0,6L    | OPT  |
| 014 | 83503026 | 001 | BOMBE AEROSOL ROUGE KUHN      | RED SPRAY PAINT                | FARBSPRUEHDOSE KUHN ROT        | VERNICE SPRAY ROSSA           | OPT  |
| 015 | 83450003 | 001 | CLE MALE 10                   | ALLEN WRENCH 10                | 6KT.STIFTSCHLUESSEL 10         | CHIAVE                        |  |
| 016 | 83450005 | 001 | CLE MALE 8                    | ALLEN WRENCH 8                 | 6KT.STIFTSCHLUESSEL 8          | CHIAVE                        |  |
| 017 | 83450019 | 001 | CLE MALE 12                   | ALLEN WRENCH 12                | 6KT.STIFTSCHLUESSEL 12         | CHIAVE                        |  |
| 018 | A4074000 | 001 | COUPLEUR                      | COUPLER                        | KUPPLER                        | GIUNTO                        | ESP: RU                                      |
| 019 | K5611250 | 001 | SUPPORT                       | SUPPORT                        | TRAEGER                        | SUPPORTO                      |  |
| 020 | K5611260 | 002 | SUPPORT                       | SUPPORT                        | TRAEGER                        | SUPPORTO                      |  |
| 021 | K7024080 | 001 | BOITE A OUTILS                | TOOLBOX                        | WERKZEUGKASTEN                 | CASSETTO                      |  |
| 022 | K7024100 | 001 | BOITE                         | BOX                            | KASTEN                         | SCATOLA                       |  |
| 023 | KN069C   | 001 | NOTICE D'INST.FC353RGC NV     | OPERATORS MANUAL FC353RGC      | BETR-ANL.FC353RGC              | MAN.USO MANUT.FC353RGC        |  |





## DIVERS

## MISCELLANEOUS

## VERSCHIEDENES

## VARIE

| Rep | Nr       | Qt  | Designation                   | Description                    | Bezeichnung                    | Referenza                     | Remarque - Remark - Bemerkung - Osservazioni |
|-----|----------|-----|-------------------------------|--------------------------------|--------------------------------|-------------------------------|--|
| 001 | 9006600  | 001 | PORTE-DOCUMENTS TUBULAIRE     | DOCUMENT BOX                   | GEWINDEPACK                    | PORTADUCOMANTI TUBOLARE       |  |
| 002 | 50080200 | 001 | CLE A PIPE DE 18 (12PANS)     | BOX SPANNER 18                 | PFEIFENSCHLUESSEL 18           | CHIAVE X FC 280F MATR.95      |  |
| 003 | 55903210 | 008 | COUTEAU VRILLE T.A.G ISO5718  | ANGLED BLADE LEFT TURN.ISO5718 | GEKROEP.MESS.LINKSDREH.ISO5718 | COLTEL.PIEGATO STD-SX ISO5718 |  |
| 004 | 55903310 | 006 | COUTEAU VRILLE T.A.D ISO5718  | ANGLED BLAD.RIGHT TURN.ISO5718 | GEKROEP.MESS.RECHTSdre.ISO5718 | COLTEL.PIEGATO STD-DX ISO5718 |  |
| 005 | 56115800 | 007 | VIS AUTOFREINEE               | SCREW, SELF-LOCKING            | SELBSTSICHERNDE SCHRAUBE       | VITE AUTOBLOCCANTE            |  |
| 006 | 80060620 | 004 | VIS TETE HEXAGONALE FE/ZNXC3  | HEX BOLT M6X20 CL5.8 DIN933 R. | SECHSKANTSCHRAUBE FE/ZNXC3     | VITE TESTA ESAGONALE FE/ZNXC3 |  |
| 007 | 80061225 | 002 | VIS TETE HEXAGONALE FE/ZNXC3  | HEXAGON HEAD SCREW FE/ZNXC3    | SECHSKANTSCHRAUBE FE/ZNXC3     | VITE TESTA ESAGONALE FE/ZNXC3 |  |
| 008 | 80200630 | 008 | ECROU HEX.AUTOFREINE FE/ZNXC3 | SELF LOCKING NUT M6 DIN 982    | SELBSTSICHERNDE MUTT.FE/ZNXC3  | DADO AUTOBLOCCANTE FE/ZNXC3   |  |
| 009 | 80201262 | 007 | ECROU TWOLOCK FLZNNC          | SELF-LOCKING NUT FLZNNC        | SELBSTSICHERNDE MUTTER FLZNNC  | DADO TWOLOCK FLZNNC           |  |
| 010 | 80250823 | 004 | RONDELLE PLATE FE/ZNXC3       | PLAIN WASHER FE/ZNXC3          | SCHEIBE FE/ZNXC3               | RONDELLA PIATTA FE/ZNXC3      |  |
| 011 | 83090596 | 002 | COLLIER                       | CLAMP, HOSE                    | SCHLAUCHSCHELLE                | COLLARE                       |  |
| 012 | 83503018 | 001 | BOITE 1L PEINT.ROUGE          | 1L RED PAINT CAN,              | DOSE FARBE ROT,1L              | VERNICE ROSSA KUHN            | OPT  |
| 013 | 83503019 | 001 | BOITE 0,6L PEIN.ROU.2K+DURCIS | 0,6L RED PAINT CAN,+HARDENER   | DOSE 0,6L FARBE ROT, 2KOMP.    | VERNICE ROSSA KUHN 2K 0,6L    | OPT  |
| 014 | 83503026 | 001 | BOMBE AEROSOL ROUGE KUHN      | RED SPRAY PAINT                | FARBSPRUEHDOSE KUHN ROT        | VERNICE SPRAY ROSSA           | OPT  |
| 015 | 80060826 | 004 | VIS TETE HEXAGONALE FE/ZNXC3  | HEAD HEX SCREW M8X25 CL8.8 DIN | SECHSKANTSCHRAUBE FE/ZNXC3     | VITE TESTA ESAGONALE FE/ZNXC3 |  |
| 016 | 83450003 | 001 | CLE MALE 10                   | ALLEN WRENCH 10                | 6KT.STIFTSCHLUESSEL 10         | CHIAVE                        |  |
| 017 | 83450005 | 001 | CLE MALE 8                    | ALLEN WRENCH 8                 | 6KT.STIFTSCHLUESSEL 8          | CHIAVE                        |  |
| 018 | 83450019 | 001 | CLE MALE 12                   | ALLEN WRENCH 12                | 6KT.STIFTSCHLUESSEL 12         | CHIAVE                        |  |
| 019 | A4074000 | 001 | COUPLEUR                      | COUPLER                        | KUPPLER                        | GIUNTO                        | ESP : RU                                     |
| 020 | K5611250 | 001 | SUPPORT                       | SUPPORT                        | TRAEGER                        | SUPPORTO                      |  |
| 021 | K5611260 | 002 | SUPPORT                       | SUPPORT                        | TRAEGER                        | SUPPORTO                      |  |
| 022 | K7024080 | 001 | BOITE A OUTILS                | TOOLBOX                        | WERKZEUGKASTEN                 | CASSETTO                      |  |
| 023 | K7024100 | 001 | BOITE                         | BOX                            | KASTEN                         | SCATOLA                       |  |
| 024 | KN034B   | 001 | NOTICE D'INST.FC353GC         | OPERATORS MANUAL FC353GC       | BETR-ANL.FC353GC               | MAN.USO MANUT.FC353GC         |  |







## COLL.ETIQUETTES ADHESIVES

## SET OF STICKERS

## SATZ AUFKLEBER

## SERIE ADESIVI

| Rep | Nr              | Qt  | Designation                    | Description                   | Bezeichnung                  | Referenza                    | Remarque - Remark - Bemerkung - Osservazioni |
|-----|-----------------|-----|--------------------------------|-------------------------------|------------------------------|------------------------------|--|
| 001 | <b>K9500080</b> | 002 | LOGO KUHN 207R BLANC/ROUGE     | LOGO KUHN 207R                | LOGO KUHN 207R               | LOGO KUHN 207R               | [1]  |
| 003 | <b>K9500120</b> | 001 | LOGO KUHN 414R BLANC/ROUGE     | LOGO KUHN 414R                | LOGO KUHN 414R               | LOGO KUHN 414R ROSSO-BIANCO  | [1]  |
| 004 | <b>K9530070</b> | 001 | ETIQ.ADH.                      | DECAL                         | AUFKLEBER                    | ADESIVO                      | [1]  |
| 005 | <b>K9502521</b> | 004 | ETIQ.ADH.                      | DECAL                         | AUFKLEBER                    | ADESIVO                      | [1]  |
| 006 | <b>K9530080</b> | 001 | ETIQ.ADH.                      | DECAL                         | AUFKLEBER                    | ADESIVO                      | [1]  |
| 007 | <b>K9530340</b> | 001 | ETIQ.ADH.                      | DECAL                         | AUFKLEBER                    | ADESIVO                      | [1]  |
| 008 | <b>09905400</b> | 006 | ETIQ.ADHESIVE IND.GRAISSEURS   | TRANSFER                      | AUFKLEBER                    | ADESIVO                      | [1]  |
| 009 | <b>09905510</b> | 003 | ETIQ.ADHESIVE POINT DE LEVAGE  | DECAL LIFTING POINT           | AUFKLEBER ANSCHLAGPUNKT      | ADESIVO                      | [1]  |
| 010 | <b>09915200</b> | 001 | ETIQ.ADHESIVE 1000 MIN-1 A G.  | DECAL 1000 MIN-1 LE.          | AUFKLEBER 1000 MIN-1 LI.     | ADESIVO                      | [1]  |
| 011 | <b>09971300</b> | 002 | ETIQ.ADH.                      | DECAL                         | AUFKLEBER                    | ADESIVO                      | [1]  |
| 012 | <b>09970500</b> | 001 | ETIQ.ADHESIVE REGLAGE POIDS    | TRANSFER                      | AUFKLEBER                    | ADESIVO                      | [1]  |
| 013 | <b>09970600</b> | 001 | ETIQ.ADHESIVE POSITION VERIN   | TRANSFER                      | AUFKLEBER                    | ADESIVO                      | [1]  |
| 014 | <b>09968310</b> | 001 | ETIQ.ADHES.VITESSE LIMIT.25 FR | TRANSFER MAX.25               | AUFKLEBER MAX.25             | ADESIVO LIMITE VELOC. MAX.25 | ESP:FR                                       |
| 014 | <b>09968300</b> | 001 | ETIQ.ADHESIVE                  | TRANSFER MAX.25               | AUFKLEBER MAX.25             | ADESIVO LIMITE VELOC. MAX.25 | ESP:DE                                       |
| 015 | <b>59900000</b> | 001 | PICTOGR.H NOTICE D'INSTR       | PICTORIAL H INSTRUCTIONS      | PIKTOGR.H BETRIEBSANLEITUNG  | ADESIVO                      | *  |
| 016 | <b>59900200</b> | 002 | PICTOGR.H DANGER PROJEC        | PICTORIAL H DANGER PROJECTION | PIKTOGR.H GEFAHR FORTGESCHL. | ADESIVO                      | [1] *  |
| 017 | <b>59900400</b> | 001 | PICTOGR.H ARRETER MOTEUR       | PICTORIAL H STOP ENGINE       | PIKTOGR.H MOTOR ABSTELLEN    | ADESIVO                      | [1] *  |
| 018 | <b>59900600</b> | 003 | PICTOGR.H ECRASEM.TORSE        | PICTORIAL H CRUSH.DANG.TORSO  | PIKTOGR.H QUETSCHGEF.BRUSTK  | ADESIVO                      | [1] *  |
| 019 | <b>59900800</b> | 004 | PICTOGR.H BLESSURE PIED        | PICTORIAL H SEVERING OF FOOT  | PIKTOGR.H FUSSVERLETZUNG     | ADESIVO                      | [1] *  |
| 020 | <b>59901100</b> | 001 | PICTOGR.H PIECES D'ORIGINE     | PICTORIAL GENNINE PARTS       | PIKTOGR.H ORIGINALTEILE      | ADESIVO PEZZI ORIGINAL       | [1] *  |
| 021 | <b>59910300</b> | 003 | PICTOGR.H DEVERROUILLAGE       | PICTORIAL H UNLOCKING         | PIKTOGR.H ENTRIEGELUNG       | ADESIVO                      | [1] *  |
| 022 | <b>83240014</b> | 006 | CATADIOPTRE                    | REFLECTOR                     | RUECKSTRAHLER                | CATADIOTTRO                  |  |
| 023 | <b>59953100</b> | 003 | PICTOGR.VERROUILLAGE           | PICTORIAL LOCKING             | PIKTOGR.VERRIEGLUNG          | ADESIVO                      | [1] *  |
| 024 | <b>59950000</b> | 001 | PICTOGR.H TENSION COURROIES    | PICTORIAL H BELT TENSION      | PIKTOGR.H RIEMENSPPANNUNG    | ADESIVO TENSIONE CINGHIA     | [1] *  |
| 025 | <b>K5602831</b> | 001 | COLL.ETIQ.ADHES.FC353RGC       | SET OF STICKERS               | SATZ AUFKLEBER               | SERIE ADESIVI                | + [1]  |
| 025 | <b>K5602837</b> | 001 | COLL.ETIQ.ADHES.FC353RGC CA    | SET OF STICKERS CA            | SATZ AUFKLEBER CA            | SERIE ADESIVI CDN            | + [1]  |
| 025 | <b>K5602838</b> | 001 | COLL.ETIQ.ADHES.FC353RGC US    | SET OF STICKERS US            | SATZ AUFKLEBER US            | SERIE ADESIVI USA            | + [1]  |
| 026 | <b>59911200</b> | 001 | PICTOGR.ATTELAGE 2 POINTS      | PICTOGR.TWO POINT LINKAGE     | PIKTOGR.ZWEIPUNKT-ANBAU      | ADESIVO                      |  |

Pour les pictogrammes sans texte (standard CE) dont le code commence par 599xxxxx, le 7° chiffre est 0 ou 5.

Pour les pictogrammes avec texte, le 7° chiffre est respectivement:

1 ou 6 pour les pictogrammes avec texte français (standard du Canada francophone).

2 ou 7 pour les pictogrammes avec texte anglais (standard de pays anglophones non européens).

Safety pictorials without text (CE standard) with part no. starting with 599xxxxx, use 0 or 5 as the 7th digit of the number.

In the corresponding pictorials with text the 7th digit of the number is :

1 or 6 respectively for pictorials with French text as used in French Canada.

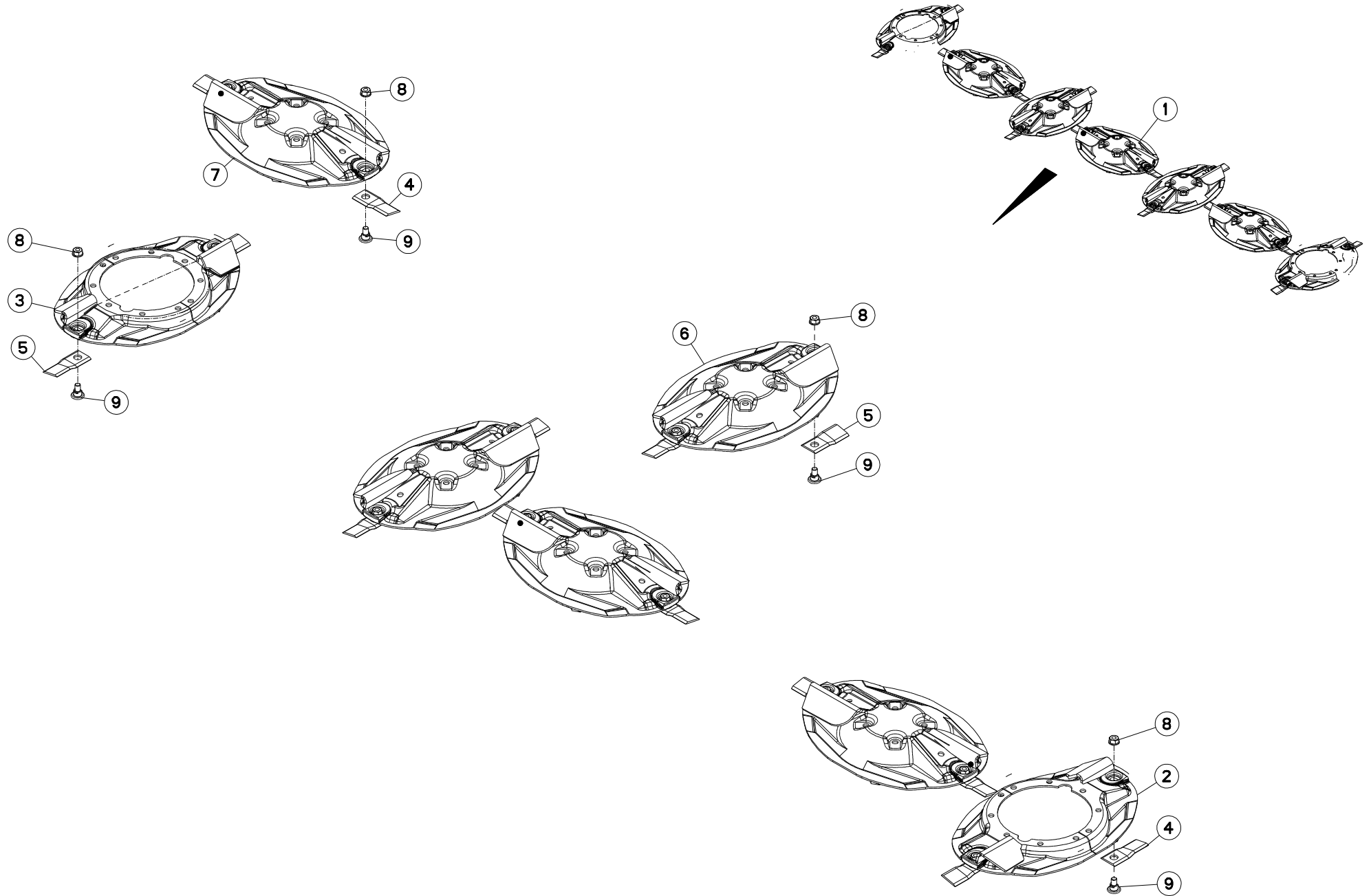
2 or 7 respectively for pictorials with English text as used in non-European English speaking countries.

Bei Sicherheitsaufklebern/Piktogrammen ohne Text (CE-Standard) mit Art.-Nr. 599xxxxx ist die 7. Ziffer 0 oder 5.

Bei den entsprechenden Sicherheitsaufklebern/Piktogrammen mit Text ist die 7. Ziffer:

1 oder 6 für Sicherheitsaufkleber/Piktogramme mit französischem Text (Serie im französischsprachigem Kanada)

2 oder 7 für Sicherheitsaufkleber/Piktogramme mit englischem Text (Serie in außereuropäischen englischsprachigen Ländern).





FC353RGC NV

C 0001 &gt; C 0030

K56R0171 A

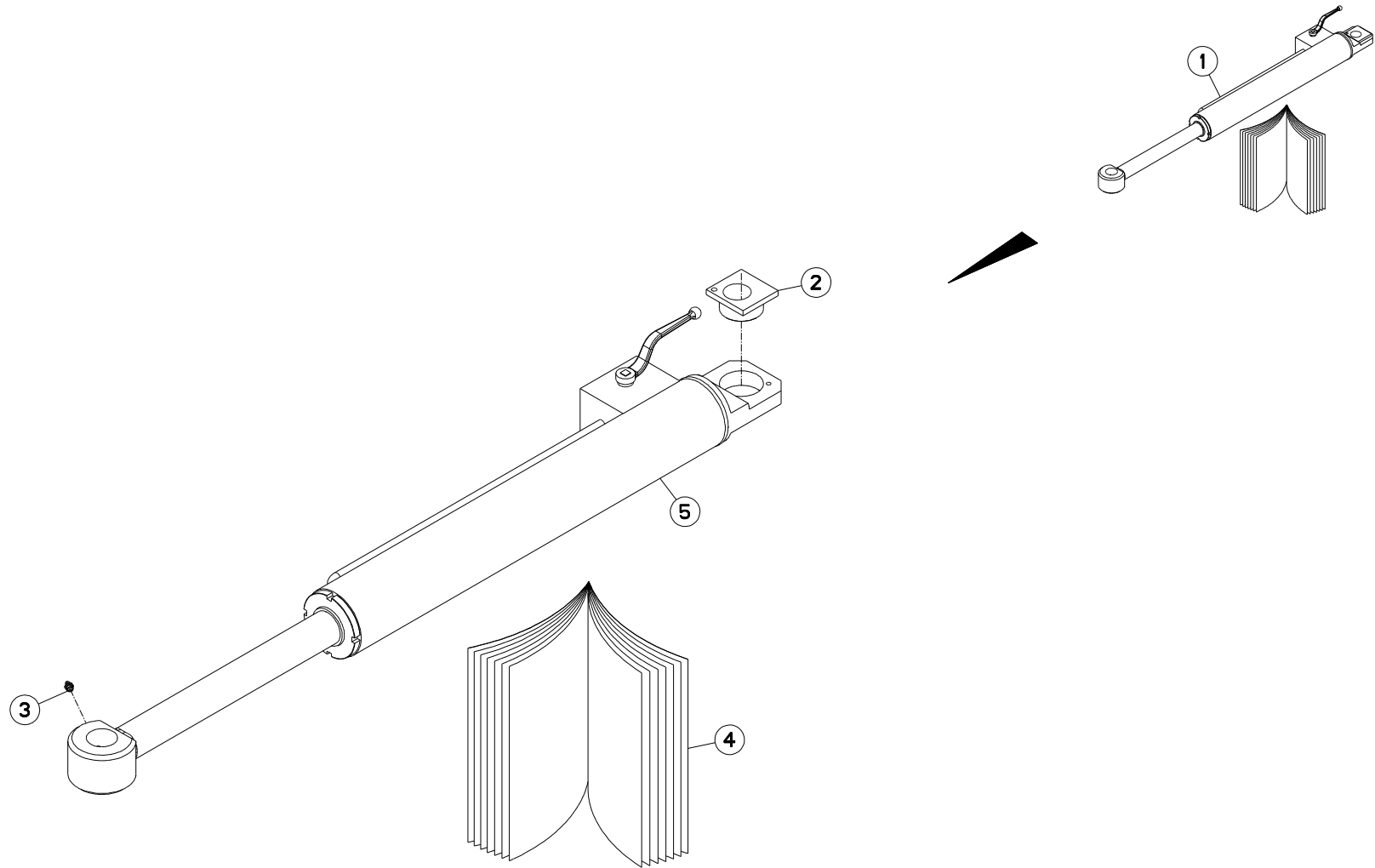
## DISQUES (LIFTER)

## DISCS (LIFTER)

## SCHEIBEN (LIFTER)

## DISCHI (LIFTER)

| Rep | Nr       | Qt  | Designation                  | Description                    | Bezeichnung                    | Referenza                     | Remarque - Remark - Bemerkung - Osservazioni |
|-----|----------|-----|------------------------------|--------------------------------|--------------------------------|-------------------------------|--|
| 001 | 1096040  | 001 | COLL.DISQUES A LIFTERS FC353 | SET LIFTER DISCS FC353         | SATZ LIFTERSCHIEBEN FC353      | KIT DISCHI LIFTER FC353       |  |
| 002 | 55834610 | 001 | PAIRE 1/2 DISQUES G."LIFTER" | 1/2 LIFTER DISCS LEFT          | LIFTERHALBSCHIEBEN LINKS       | SET DI 1/2 DISCHI "LIFTER" SX |  |
| 003 | 55834710 | 001 | PAIRE 1/2 DISQUES D."LIFTER" | 1/2 LIFTER DISCS RIGHT         | LIFTERHALBSCHIEBEN RECHTS      | SET DI 1/2 DISCHI "LIFTER" DX |  |
| 004 | 55903210 | 008 | COUTEAU VRILLE T.A.G ISO5718 | ANGLED BLADE LEFT TURN.ISO5718 | GEKROEP.MESS.LINKSDREH.ISO5718 | COLTEL.PIEGATO STD-SX ISO5718 |  |
| 005 | 55903310 | 006 | COUTEAU VRILLE T.A.D ISO5718 | ANGLED BLAD.RIGHT TURN.ISO5718 | GEKROEP.MESS.RECHTSDRE.ISO5718 | COLTEL.PIEGATO STD-DX ISO5718 |  |
| 006 | 55932310 | 002 | DISQUE "LIFTER" DROIT        | LIFTER DISC RIGHT              | LIFTERSCHIEBE RECHTS           | DISCO "LIFTER" DESTRO         |  |
| 007 | 55932410 | 003 | DISQUE "LIFTER" GAUCHE       | LIFTER DISC LEFT               | LIFTERSCHIEBE LINKS            | DISCO "LIFTER" SINISTRO       |  |
| 008 | 80201262 | 014 | ECROU TWOLOK FLZNNC          | SELF-LOCKING NUT FLZNNC        | SELBSTSICHERNDE MUTTER FLZNNC  | DADO TWOLOCK FLZNNC           |  |
| 009 | 56115800 | 014 | VIS AUTOFREINEE              | SCREW, SELF-LOCKING            | SELBSTSICHERNDE SCHRAUBE       | VITE AUTOBLOCCANTE            |  |





FC353RGC NV

C 0001 &gt; D 0000

K56R0170 A

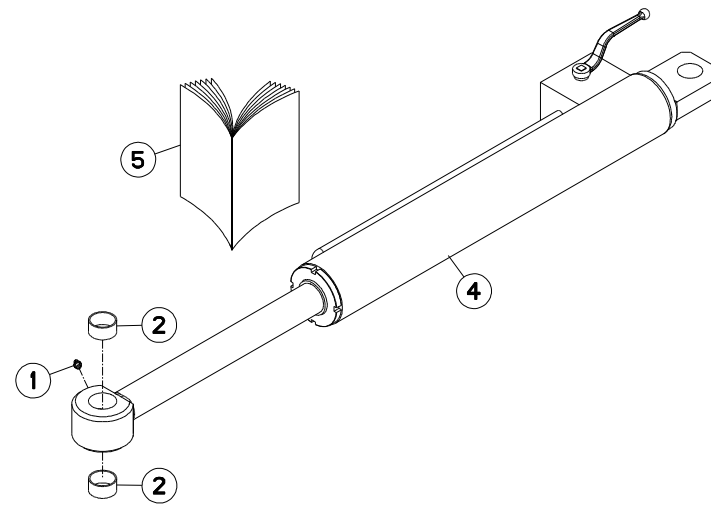
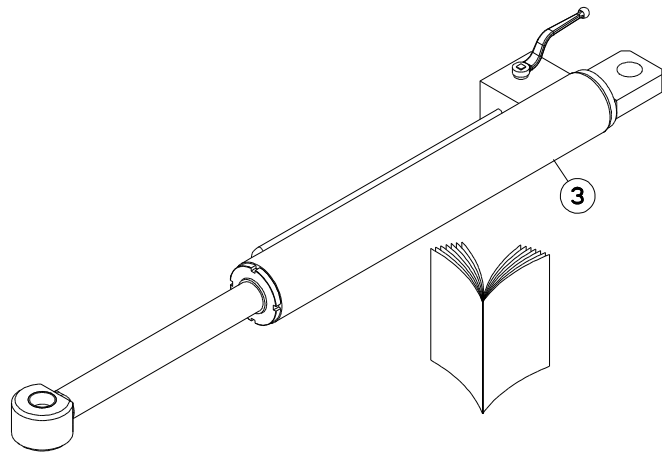
## VERIN HYDR.REGLAGE TIMON

## SET HYDRAULIC CYLINDER

## BAUSATZ HYDRAULIKZYLINDER

## PISTONE PREASSEMBLATO

| Rep | Nr              | Qt  | Designation                      | Description                   | Bezeichnung         | Referenza                | Remarque - Remark - Bemerkung - Osservazioni |
|-----|-----------------|-----|----------------------------------|-------------------------------|---------------------|--------------------------|--|
| 001 | <b>1096140</b>  | 001 | SUPPL.VERIN REGLAGE TIM. FC353   | SET HYDRAULIC CYLINDER        | BAUSATZ HUBZYLINDER | PISTONE PREASSEMBLATO    | +[1]   |
| 002 | <b>K5603730</b> | 001 | CAME DE REGLAGE                  | CAM                           | STEUERSCHEIBE       | CAMMA                    | [1]  |
| 003 | <b>82200910</b> | 001 | GRAISSEUR A TETE SPHERIQUE       | LUBRICATING NIPPLE: CONE TYPE | KEGELSCHMIERNIPPEL  | INGRASSATORE             | [1]  |
| 004 | <b>L5610350</b> | 001 | NOTICE MONT. COLL. VER. REGLABLE |                               |                     |                          | [1]  |
| 005 | <b>K5607460</b> | 001 | VERIN DU TIMON 353               | HYDRAULIC CYLINDER            | HYDRAULIKZYLINDER   | PISTONE DEL TIMONE FC353 | [1]  |





FC353RGC NV

C 0001 &gt; D 0000

K56R0358 A

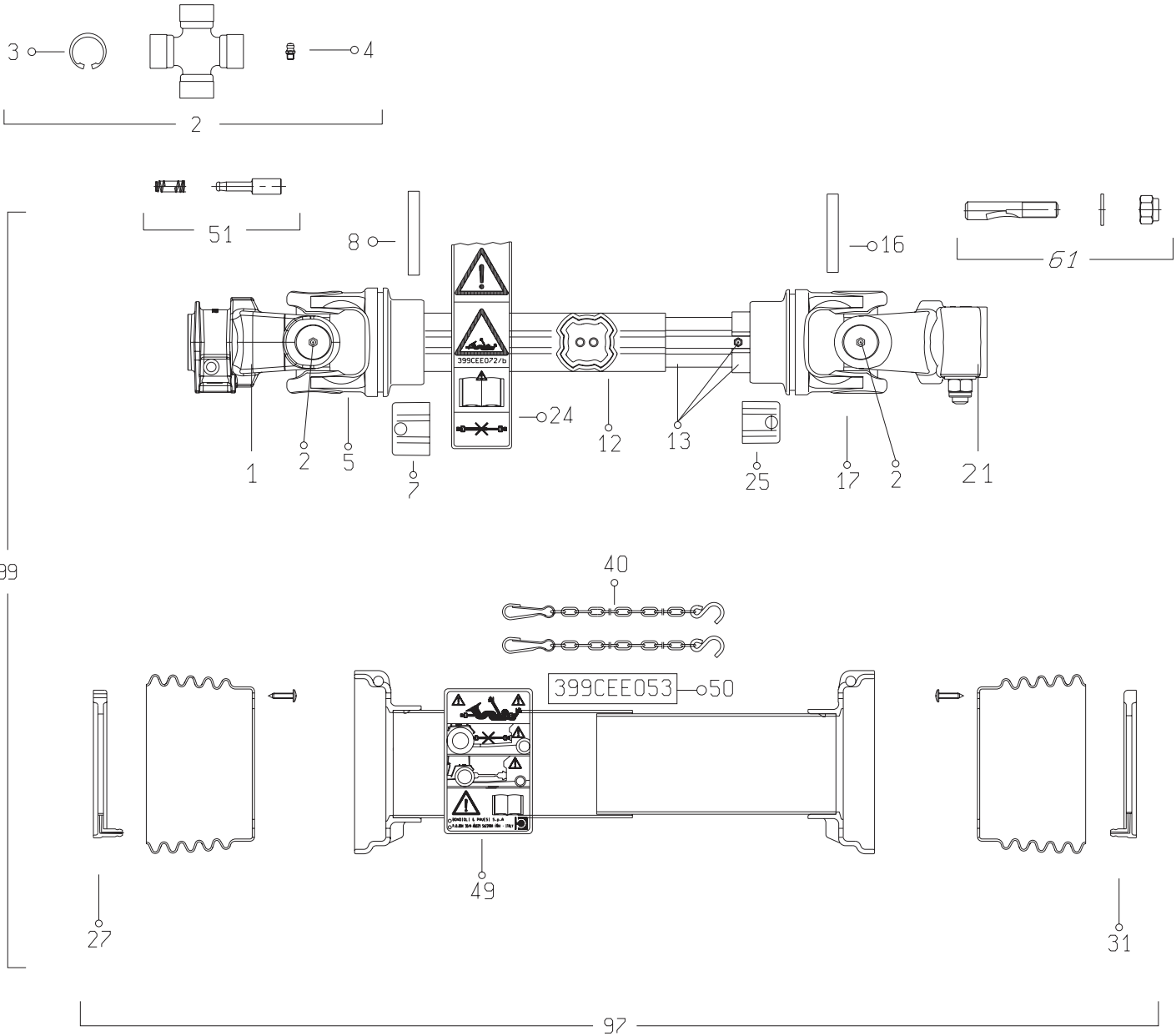
VERIN HYDRAULIQUE : FC313F

HYDRAULIC CYLINDER : FC313F

HYDRAULIKZYLINDER : FC313F

CILINDRO IDRAULICA : FC313F

| Rep | Nr              | Qt  | Designation                    | Description                   | Bezeichnung                | Referenza                    | Remarque - Remark - Bemerkung - Osservazioni |
|-----|-----------------|-----|--------------------------------|-------------------------------|----------------------------|------------------------------|--|
| 001 | <b>82200910</b> | 001 | GRAISSEUR A TETE SPHERIQUE     | LUBRICATING NIPPLE: CONE TYPE | KEGELSCHMIERNIPPEL         | INGRASSATORE                 | [2]  |
| 002 | <b>83013539</b> | 002 | BAGUE ROULEE                   | WRAPPED BUSH                  | GEROLLTE BUCHSE            | ANELLO LUBRIFICATO           | [2]  |
| 003 | <b>1096260</b>  | 001 | COLL. VERIN ADAPT.FC353-FC313F | FC353 - FC313F ADAPTION       | FC353 - FC313F ANBAUSATZ   |                              | OPT +[1]                                     |
| 004 | <b>K5610470</b> | 001 | VERIN                          | CYLINDER, HYDRAULIC           | HYDRAULIKZYLINDER          | CILINDRO                     | [1] +[2]                                     |
| 005 | <b>KE0036TL</b> | 001 | NOTICE D'EQUIP.COL.1096260     | MANUAL OPTIONAL EQUIPMENT     | ANLEITUNG SONDERAUSRÜSTUNG | MAN. EQUIPAGGIAMENTI OPZIONE | [1]  |







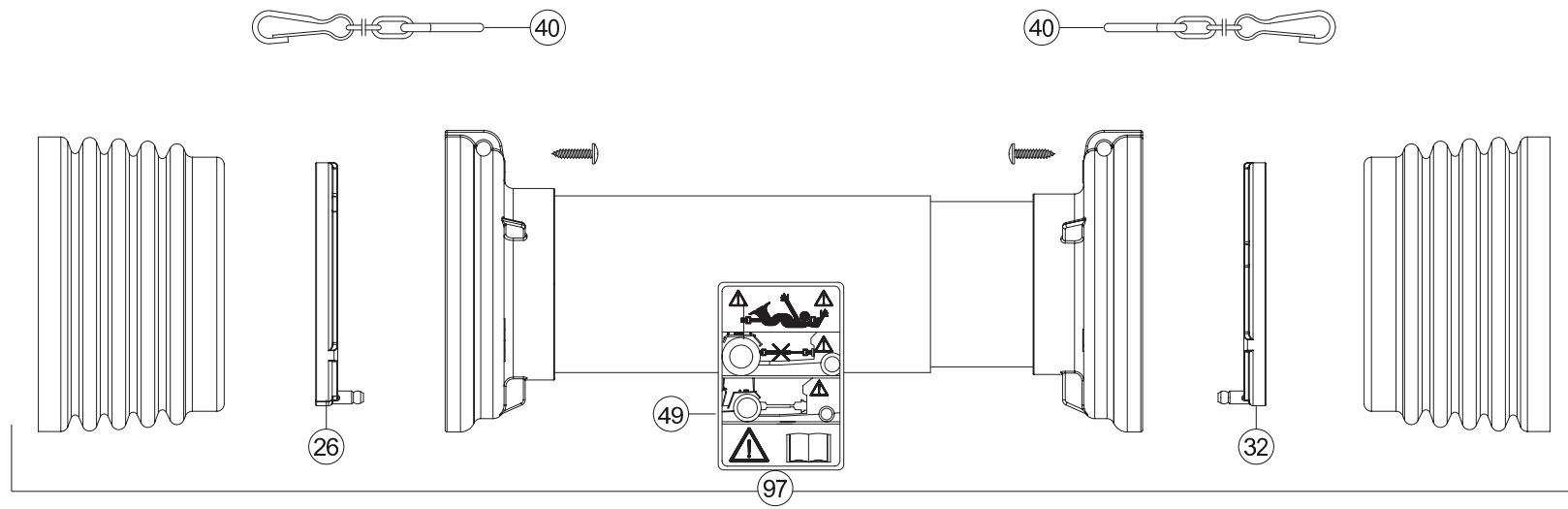
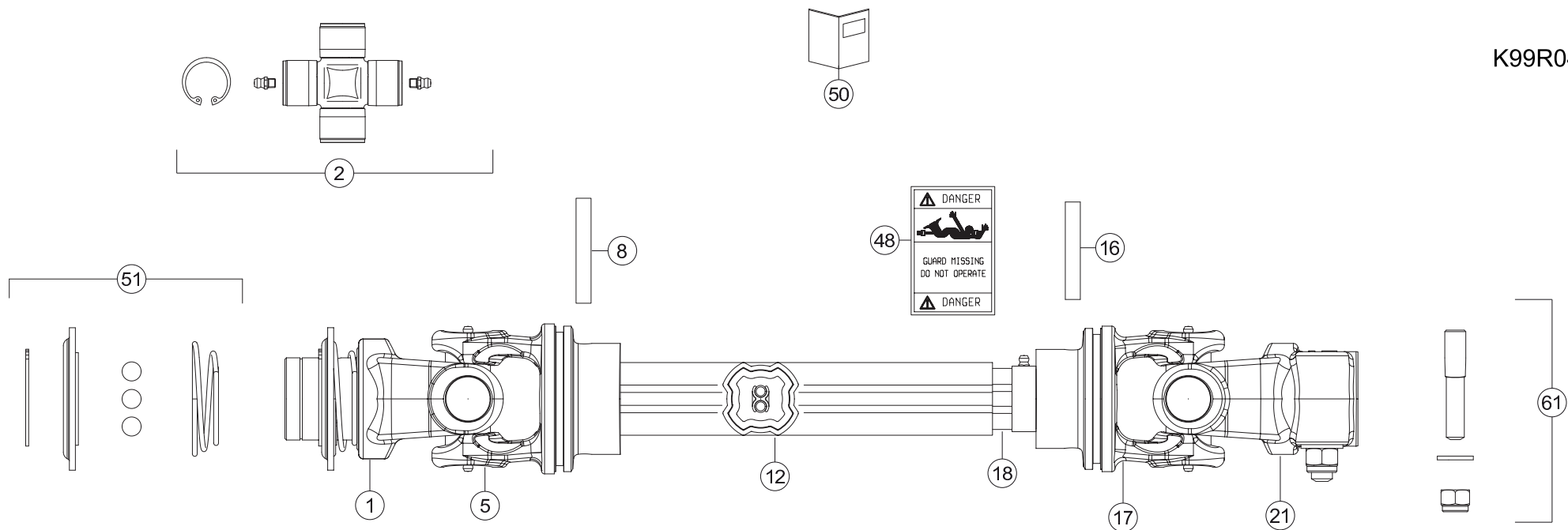
## TRANSMISSION 4800601

## TRANSMISSION 4800601

## GELENKWELLE 4800601

## TRANSMISSIONE 4800601

| Rep | Nr       | Qt  | Designation                 | Description                   | Bezeichnung                    | Referenza               | Remarque - Remark - Bemerkung - Osservazioni |
|-----|----------|-----|-----------------------------|-------------------------------|--------------------------------|-------------------------|--|
| 001 | 4803056  | 001 | MACHOIRE                    | YOKE                          | RILLEGABEL                     | FORCELLA                |  |
| 002 | 4805001  | 002 | CROISSILLON CPL             | CROSS JOURNAL CPL             | KREUZGARNITUR KPL              | CROCIERA                |  |
| 003 | A7905003 | 008 | CIRCLIPS                    | RETAINING RING                | SICHERUNGSRING                 | ANNELLO ELASTICO        |  |
| 004 | 4505051  | 004 | GRAISSEUR                   | GREASE NIPPLE                 | SCHMIERNIPPEL                  | INGRASSATORE            |  |
| 005 | 4803001  | 001 | MACHOIRE TUBE EXTERIEUR     | YOKE OUTER TUBE               | RILLEGABEL AUSSENROHR          | FORCELLA                |  |
| 007 | 4811100  | 001 | BOUCHON                     | END PLUG                      | VERSCHLUSSSTOPFEN              | TAPPO DI CHIUSURA       |  |
| 008 | 80451058 | 001 | GOUPILLE ELASTIQUE FLZNNC   | ROLL PIN FLZNNC               | SPANNHUELSE FLZNNC             | SPINA ELASTICA FLZNNC   |  |
| 012 | 4808150  | 001 | TUBE PROFILE EXTERIEUR      | PROFILE TUBE                  | PROFILROHR                     | PROFILATO               |  |
| 013 | 4808005  | 001 | TUBE PROFILE INTERIEUR      | PROFILE TUBE                  | PROFILROHR                     | PROFILATO               |  |
| 016 | 80451059 | 001 | GOUPILLE ELASTIQUE FLZNNC   | ROLL PIN FLZNNC               | SPANNHUELSE FLZNNC             | SPINA ELASTICA FLZNNC   |  |
| 017 | 4803007  | 001 | MACHOIRE TUBE INTERIEUR     | YOKE INNER TUBE               | RILLEGABEL INNENROHR           | FORCELLA                |  |
| 021 | 4803003  | 001 | MACHOIRE                    | YOKE                          | RILLEGABEL                     | FORCELLA                |  |
| 024 | A7926009 | 001 | ETIQUETTES                  | STICKER                       | AUFKLEBER                      | ADESIVO                 |  |
| 025 | 4811101  | 001 | BOUCHON                     | END PLUG                      | VERSCHLUSSSTOPFEN              | TAPPO DI CHIUSURA       |  |
| 027 | 4820100  | 001 | PALIER                      | SLIDING RING                  | GLEITRING                      | SUPPORTO                |  |
| 031 | 4820101  | 001 | PALIER                      | SLIDING RING                  | GLEITRING                      | SUPPORTO                |  |
| 040 | 4821024  | 002 | CHAINETTE                   | CHAIN                         | HALTEKETTE                     | CATENELLA               |  |
| 049 | 4831002  | 001 | PICTOGRAMME                 | PICTORIAL                     | PIKTOGRAMM                     | ADESIVO                 |  |
| 050 | 4831003  | 001 | COLL.PICTOGRAMMES ET NOTICE | SET PICTORIALS & INSTRUCTIONS | SATZ PIKTOGRAMME UND ANLEITUNG | SERIE ADESIVI E NOTIZIE |  |
| 051 | 40330050 | 002 | POUSSOIR CPLT               | PUSH BUTTON CPLT              | SCHIEBESTIEFT KPLT             | PULSANTE                |  |
| 061 | 4505227  | 001 | BOULON CONIQUE CPLT         | CONICAL BOLT CPLT             | KEGELSCHRAUBE KPLT             | DADO CONICO             |  |
| 097 | 4819601  | 001 | PROTECTEUR COMPLET          | GUARD COMPLET                 | SCHUTZ KOMPLET                 | PROTEZIONE              |  |
| 099 | 4800601  | 001 | TRAN.SFTS6 1 3/8-6 873      | PTO-S.SFTS6 1 3/8-6 873       | GELEN.SFTS6 1 3/8-6 873        | CARDA.SFTS6 1 3/8-6 873 |  |





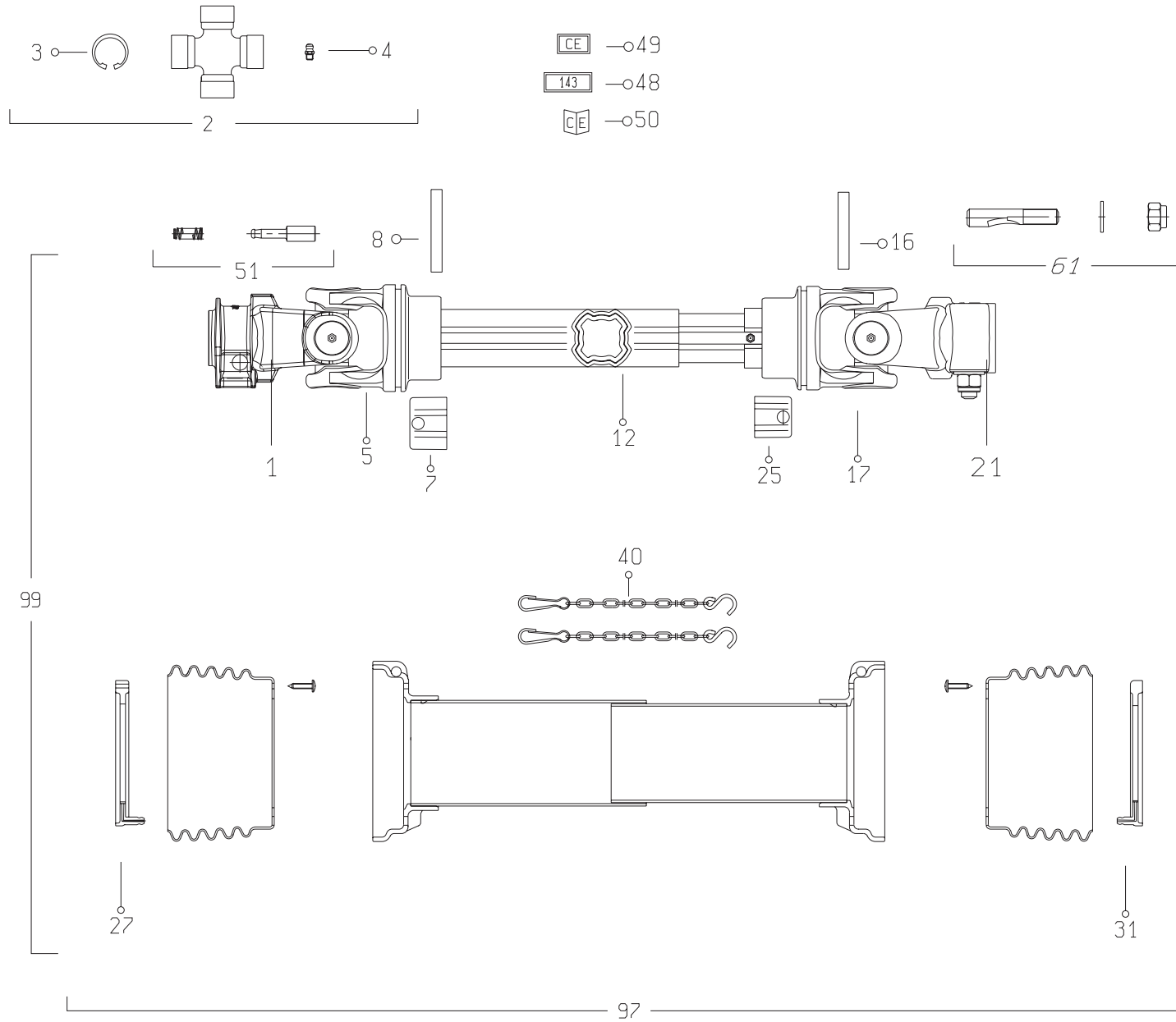
## TRANSMISSION 4800620

## TRANSMISSION 4800620

## GELENKWELLE 4800620

## TRANSMISSIONE 4800620

| Rep | Nr       | Qt  | Designation                    | Description                   | Bezeichnung                    | Referenza                  | Remarque - Remark - Bemerkung - Osservazioni |
|-----|----------|-----|--------------------------------|-------------------------------|--------------------------------|----------------------------|--|
| 001 | 4803092  | 001 | MACHOIRE VERROUILLAGE A BILLES | BALL LOCKING YOKE             | AUFSTECKGABEL MIT KUGELVERSCHL | FORCELLA CHIUSURA A BIGLIE |  |
| 002 | 4805001  | 002 | CROISILLON CPL                 | CROSS JOURNAL CPL             | KREUZGARNITUR KPL              | CROCIERA                   |  |
| 005 | 4803012  | 001 | MACHOIRE TUBE EXTERIEUR        | YOKE OUTER TUBE               | RILLEGABEL AUSSENROHR          | FORCELLA                   |  |
| 008 | 80451059 | 001 | GOUPILLE ELASTIQUE FLZNNC      | ROLL PIN FLZNNC               | SPANNHUELSE FLZNNC             | SPINA ELASTICA FLZNNC      |  |
| 012 | 4808074  | 001 | TUBE PROFILE EXTERIEUR         | PROFILE TUBE                  | PROFILROHR                     | PROFILATO                  |  |
| 016 | 80451057 | 001 | GOUPILLE ELASTIQUE FLZNNC      | ROLL PIN FLZNNC               | SPANNHUELSE FLZNNC             | SPINA ELASTICA FLZNNC      |  |
| 017 | 4803013  | 001 | MACHOIRE TUBE INTERIEUR        | YOKE INNER TUBE               | RILLEGABEL INNENROHR           | FORCELLA                   |  |
| 018 | 4808075  | 001 | TUBE PROFILE INTERIEUR         | PROFILE TUBE                  | PROFILROHR                     | PROFILATO                  |  |
| 021 | 4803003  | 001 | MACHOIRE                       | YOKE                          | RILLEGABEL                     | FORCELLA                   |  |
| 026 | 4820100  | 001 | PALIER                         | SLIDING RING                  | GLEITRING                      | SUPPORTO                   |  |
| 032 | 4820101  | 001 | PALIER                         | SLIDING RING                  | GLEITRING                      | SUPPORTO                   |  |
| 040 | 4821024  | 002 | CHAINETTE                      | CHAIN                         | HALTEKETTE                     | CATENELLA                  |  |
| 048 | A7926009 | 001 | ETIQUETTES                     | STICKER                       | AUFKLEBER                      | ADESIVO                    |  |
| 049 | 4831002  | 001 | PICTOGRAMME                    | PICTORIAL                     | PIKTOGRAMM                     | ADESIVO                    |  |
| 050 | 4831003  | 001 | COLL.PICTOGRAMMES ET NOTICE    | SET PICTORIALS & INSTRUCTIONS | SATZ PIKTOGRAMME UND ANLEITUNG | SERIE ADESIVI E NOTIZIE    |  |
| 051 | 4805258  | 001 | VERROUILLAGE A BILLES          | BALL COLLAR KIT               | ZIEHVERSCHLUSS                 | KIT COLLARE A SFERE        |  |
| 061 | 4511055  | 001 | BOULON TANGENTIEL              | SCREW WITH NUT                | SCHRAUBE MIT MUTTER            | BULLONE                    |  |
| 097 | 4819621  | 001 | PROTECTEUR COMPLET             | GUARD COMPLET                 | SCHUTZ KOMPLET                 | PROTEZIONE                 |  |
| 099 | 4800620  | 001 | TRAN.SFTS6 1 3/8-6 873         | PTO-S.SFTS6 1 3/8-6 873       | GELEN.SFTS6 1 3/8-6 873        | CARDA.SFTS6 1 3/4-6 873    |  |





## TRANSMISSION 4800606

## TRANSMISSION 4800606

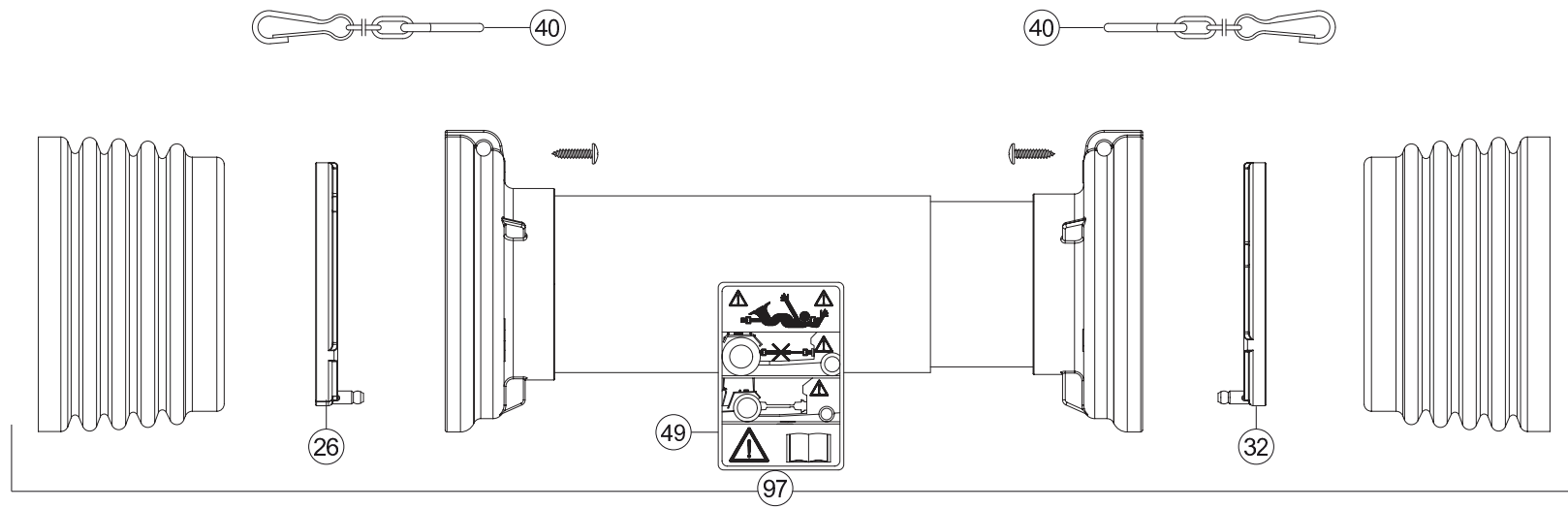
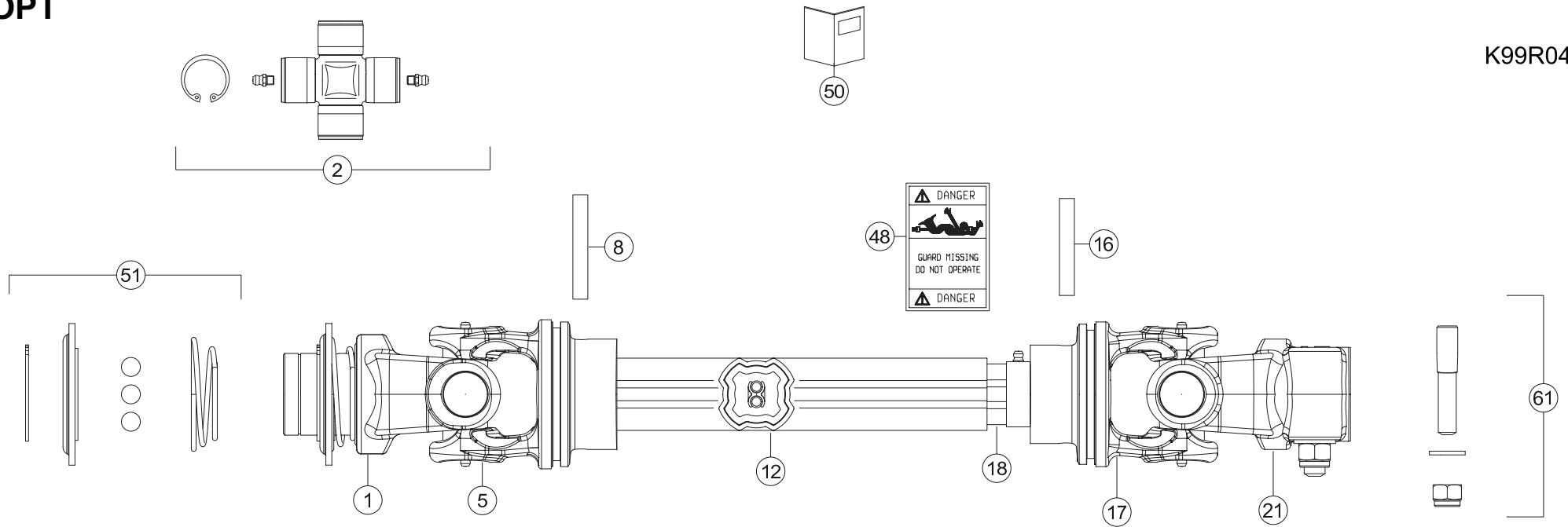
## GELENKWELLE 4800606

## TRANSMISSIONE 4800606

| Rep | Nr       | Qt  | Designation                 | Description                   | Bezeichnung                    | Referenza                | Remarque - Remark - Bemerkung - Osservazioni |
|-----|----------|-----|-----------------------------|-------------------------------|--------------------------------|--------------------------|--|
| 001 | 4803057  | 001 | MACHOIRE                    | YOKE                          | RILLEGABEL                     | FORCELLA                 |  |
| 002 | 4805001  | 002 | CROISILLON CPL              | CROSS JOURNAL CPL             | KREUZGARNITUR KPL              | CROCIERA                 |  |
| 003 | 4505037  | 008 | CIRCLIP                     | RETAINING RING                | SICHERUNGSRING                 | ANNELLO ELASTICO         |  |
| 004 | 4505051  | 004 | GRAISSEUR                   | GREASE NIPPLE                 | SCHMIERNIPPEL                  | INGRASSATORE             |  |
| 005 | 4803001  | 001 | MACHOIRE TUBE EXTERIEUR     | YOKE OUTER TUBE               | RILLEGABEL AUSSENROHR          | FORCELLA                 |  |
| 007 | 4811100  | 001 | BOUCHON                     | END PLUG                      | VERSCHLUSSSTOPFEN              | TAPPO DI CHIUSURA        |  |
| 008 | 80451058 | 001 | GOUPILLE ELASTIQUE FLZNNC   | ROLL PIN FLZNNC               | SPANNHUELSE FLZNNC             | SPINA ELASTICA FLZNNC    |  |
| 012 | 4808150  | 001 | TUBE PROFILE EXTERIEUR      | PROFILE TUBE                  | PROFILROHR                     | PROFILATO                |  |
| 016 | 80451059 | 001 | GOUPILLE ELASTIQUE FLZNNC   | ROLL PIN FLZNNC               | SPANNHUELSE FLZNNC             | SPINA ELASTICA FLZNNC    |  |
| 017 | 4803007  | 001 | MACHOIRE TUBE INTERIEUR     | YOKE INNER TUBE               | RILLEGABEL INNENROHR           | FORCELLA                 |  |
| 021 | 4803003  | 001 | MACHOIRE                    | YOKE                          | RILLEGABEL                     | FORCELLA                 |  |
| 025 | 4811101  | 001 | BOUCHON                     | END PLUG                      | VERSCHLUSSSTOPFEN              | TAPPO DI CHIUSURA        |  |
| 027 | 4820100  | 001 | PALIER                      | SLIDING RING                  | GLEITRING                      | SUPPORTO                 |  |
| 031 | 4820101  | 001 | PALIER                      | SLIDING RING                  | GLEITRING                      | SUPPORTO                 |  |
| 040 | 4821024  | 002 | CHAINETTE                   | CHAIN                         | HALTEKETTE                     | CATENELLA                |  |
| 048 | A7926009 | 001 | ETIQUETTES                  | STICKER                       | AUFKLEBER                      | ADESIVO                  |  |
| 049 | 4831002  | 001 | PICTOGRAMME                 | PICTORIAL                     | PIKTOGRAMM                     | ADESIVO                  |  |
| 050 | 4831003  | 001 | COLL.PICTOGRAMMES ET NOTICE | SET PICTORIALS & INSTRUCTIONS | SATZ PIKTOGRAMME UND ANLEITUNG | SERIE ADESIVI E NOTIZIE  |  |
| 051 | 40330050 | 001 | POUSSOIR CPLT               | PUSH BUTTON CPLT              | SCHIEBESTIEFT KPLT             | PULSANTE                 |  |
| 061 | 4505227  | 001 | BOULON CONIQUE CPLT         | CONICAL BOLT CPLT             | KEGELSCHRAUBE KPLT             | DADO CONICO              |  |
| 097 | 4819601  | 001 | PROTECTEUR COMPLET          | GUARD COMPLET                 | SCHUTZ KOMPLET                 | PROTEZIONE               |  |
| 099 | 4800606  | 001 | TRAN.SFTS6 1 3/8-21 873     | PTO-S.SFTS6 1 3/8-21 873      | GELEN.SFTS6 1 3/8-21 873       | CARDA.SFTS6 1 3/8-21 873 |  |

OPT

K99R0439 A





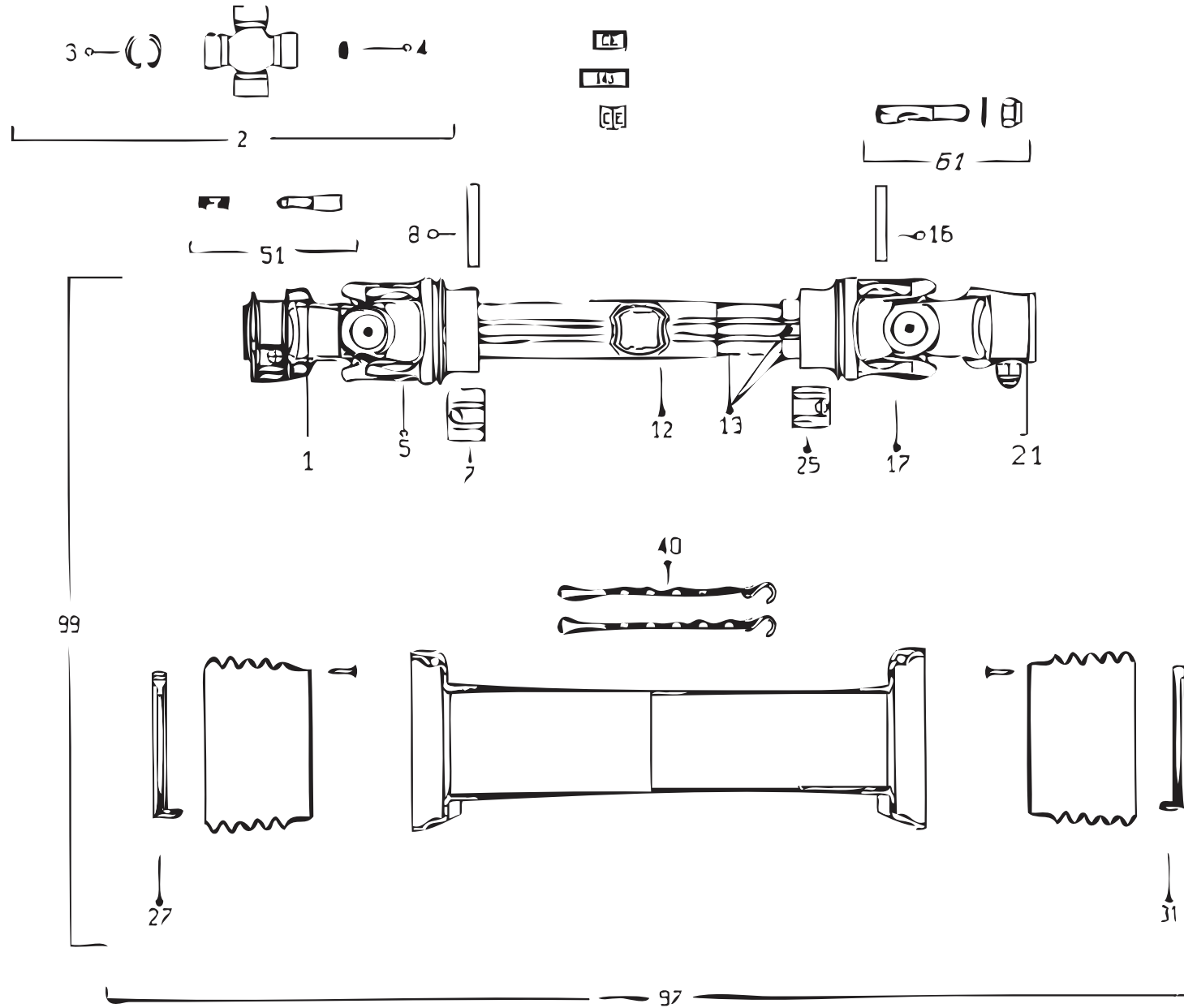
## TRANSMISSION 4800621

## TRANSMISSION 4800621

## GELENKWELLE 4800621

## TRANSMISSIONE 4800621

| Rep | Nr       | Qt  | Designation                    | Description                   | Bezeichnung                    | Referenza                  | Remarque - Remark - Bemerkung - Osservazioni |
|-----|----------|-----|--------------------------------|-------------------------------|--------------------------------|----------------------------|--|
| 001 | 4803026  | 001 | MACHOIRE VERROUILLAGE A BILLES | BALL LOCKING YOKE             | AUFSTECKGABEL MIT KUGELVERSCHL | FORCELLA CHIUSURA A BIGLIE |  |
| 002 | 4805001  | 002 | CROISILLON CPL                 | CROSS JOURNAL CPL             | KREUZGARNITUR KPL              | CROCIERA                   |  |
| 005 | 4803012  | 001 | MACHOIRE TUBE EXTERIEUR        | YOKE OUTER TUBE               | RILLEGABEL AUSSENROHR          | FORCELLA                   |  |
| 008 | 80451059 | 001 | GOUPILLE ELASTIQUE FLZNNC      | ROLL PIN FLZNNC               | SPANNHUELSE FLZNNC             | SPINA ELASTICA FLZNNC      |  |
| 012 | 4808074  | 001 | TUBE PROFILE EXTERIEUR         | PROFILE TUBE                  | PROFILROHR                     | PROFILATO                  |  |
| 016 | 80451057 | 001 | GOUPILLE ELASTIQUE FLZNNC      | ROLL PIN FLZNNC               | SPANNHUELSE FLZNNC             | SPINA ELASTICA FLZNNC      |  |
| 017 | 4803013  | 001 | MACHOIRE TUBE INTERIEUR        | YOKE INNER TUBE               | RILLEGABEL INNENROHR           | FORCELLA                   |  |
| 018 | 4808075  | 001 | TUBE PROFILE INTERIEUR         | PROFILE TUBE                  | PROFILROHR                     | PROFILATO                  |  |
| 021 | 4803003  | 001 | MACHOIRE                       | YOKE                          | RILLEGABEL                     | FORCELLA                   |  |
| 026 | 4820100  | 001 | PALIER                         | SLIDING RING                  | GLEITRING                      | SUPPORTO                   |  |
| 032 | 4820101  | 001 | PALIER                         | SLIDING RING                  | GLEITRING                      | SUPPORTO                   |  |
| 040 | 4821024  | 002 | CHAINETTE                      | CHAIN                         | HALTEKETTE                     | CATENELLA                  |  |
| 048 | A7926009 | 001 | ETIQUETTES                     | STICKER                       | AUFKLEBER                      | ADESIVO                    |  |
| 049 | 4831002  | 001 | PICTOGRAMME                    | PICTORIAL                     | PIKTOGRAMM                     | ADESIVO                    |  |
| 050 | 4831003  | 001 | COLL.PICTOGRAMMES ET NOTICE    | SET PICTORIALS & INSTRUCTIONS | SATZ PIKTOGRAMME UND ANLEITUNG | SERIE ADESIVI E NOTIZIE    |  |
| 051 | 4805258  | 001 | VERROUILLAGE A BILLES          | BALL COLLAR KIT               | ZIEHVERSCHLUSS                 | KIT COLLARE A SFERE        |  |
| 061 | 4511055  | 001 | BOULON TANGENTIEL              | SCREW WITH NUT                | SCHRAUBE MIT MUTTER            | BULLONE                    |  |
| 097 | 4819621  | 001 | PROTECTEUR COMPLET             | GUARD COMPLET                 | SCHUTZ KOMPLET                 | PROTEZIONE                 |  |
| 099 | 4800621  | 001 | TRAN.SFTS6 1 3/8-21 873        | PTO-S.SFTS6 1 3/8-21 873      | GELEN.SFTS6 1 3/8-21 873       | CARDA.SFTS6 1 3/8-21 873   |  |







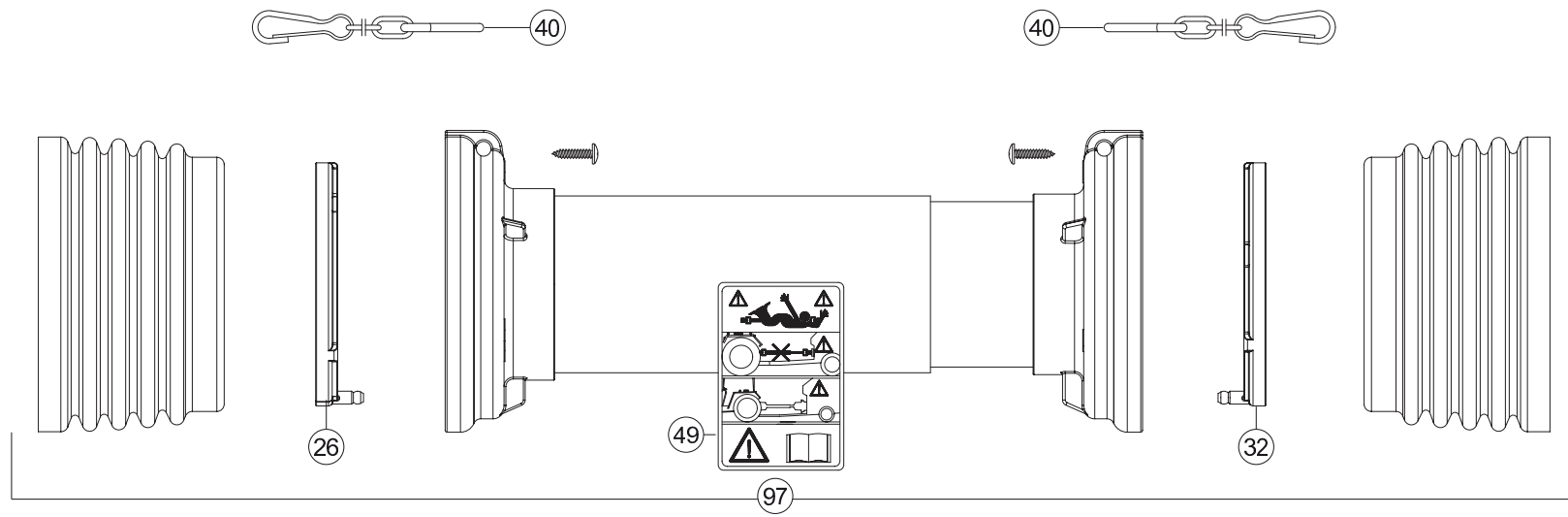
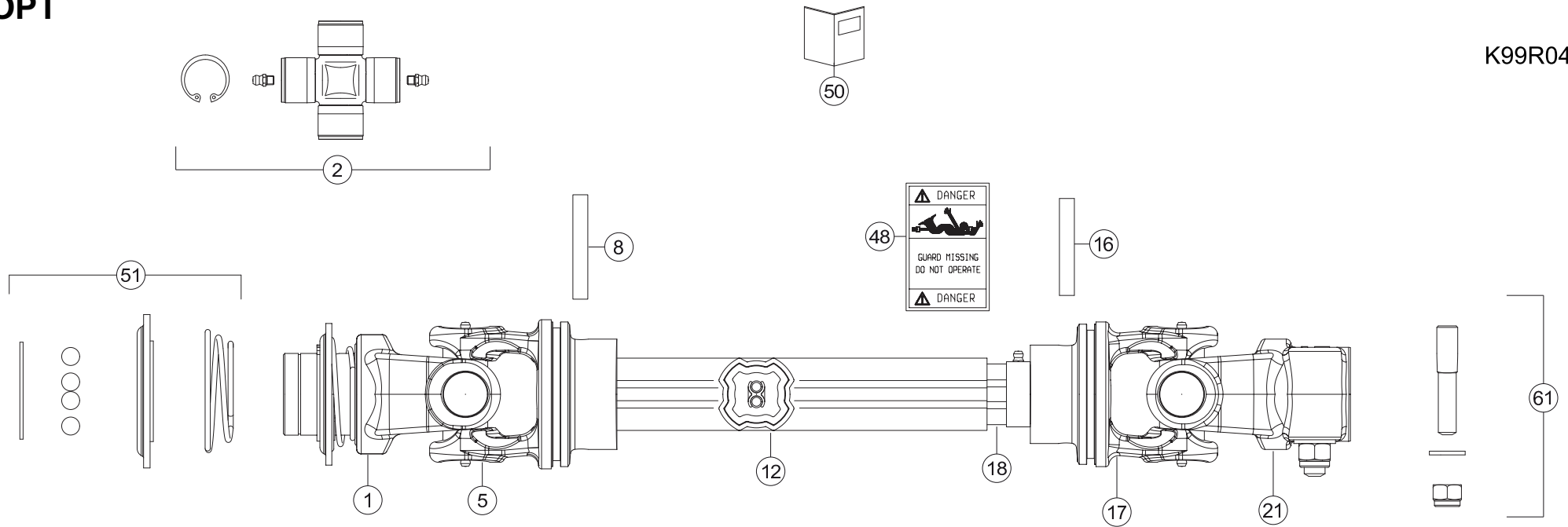
TRANSMISSION 4800611

TRANSMISSION 4800611

GELENKWELLE 4800611

TRANSMISSIONE 4800611

| Rep | Nr       | Qt  | Designation               | Description             | Bezeichnung             | Referenza               | Remarque - Remark - Bemerkung - Osservazioni |     |
|-----|----------|-----|---------------------------|-------------------------|-------------------------|-------------------------|--|-----|
| 001 | 4803560  | 001 | MACHOIRE "8"              | YOKE "8"                | RILLEGABEL "8"          | MANICOTTO "8"           |  |     |
| 002 | 4805001  | 002 | CROISILLON CPL            | CROSS JOURNAL CPL       | KREUZGARNITUR KPL       | CROCIERA                |  |     |
| 003 | A7905003 | 008 | CIRCLIPS                  | RETAINING RING          | SICHERUNGSRING          | ANNELLO ELASTICO        |  |     |
| 004 | 4505051  | 004 | GRAISSEUR                 | GREASE NIPPLE           | SCHMIERNIPPEL           | INGRASSATORE            |  |     |
| 005 | 4803001  | 001 | MACHOIRE TUBE EXTERIEUR   | YOKE OUTER TUBE         | RILLEGABEL AUSSENROHR   | FORCELLA                |  |     |
| 007 | 4811100  | 001 | BOUCHON                   | END PLUG                | VERSCHLUSSSTOPFEN       | TAPPO DI CHIUSURA       |  |     |
| 008 | 80451058 | 001 | GOUPILLE ELASTIQUE FLZNNC | ROLL PIN FLZNNC         | SPANNHUELSE FLZNNC      | SPINA ELASTICA FLZNNC   |  |     |
| 012 | 4808004  | 001 | TUBE PROFILE EXTERIEUR    | PROFILE TUBE            | PROFILROHR              | PROFILATO               | <-> 486 mm                                   |     |
| 013 | 4808155  | 001 | TUBE PROFILE INTERIEUR    | PROFILE TUBE            | PROFILROHR              | PROFILATO               |  |     |
| 016 | A7925000 | 001 | GOUPILLE ELASTIQUE        | PIN                     | STIFT                   | COPPIGLIA TUBOLARE      |  |     |
| 017 | 4803007  | 001 | MACHOIRE TUBE INTERIEUR   | YOKE INNER TUBE         | RILLEGABEL INNENROHR    | FORCELLA                |  |     |
| 021 | 4803180  | 001 | MACHOIRE                  | YOKE                    | RILLEGABEL              | FORCELLA                |  |     |
| 025 | 4811101  | 001 | BOUCHON                   | END PLUG                | VERSCHLUSSSTOPFEN       | TAPPO DI CHIUSURA       |  |     |
| 027 | 4820100  | 001 | PALIER                    | SLIDING RING            | GLEITRING               | SUPPORTO                |  |     |
| 031 | 4820101  | 001 | PALIER                    | SLIDING RING            | GLEITRING               | SUPPORTO                |  |     |
| 040 | 4521021  | 002 | CHAINETTE                 | CHAIN                   | HALTEKETTE              | CATENELLA               |  |     |
| 051 | 4505215  | 001 | POUSSOIR CPL              | PUSH BUTTON             | SCHIEBESTIEFT           |                         |  |     |
| 061 | 4511056  | 001 | BOULON TANGENTIEL         | SCREW WITH NUT          | SCHRAUBE MIT MUTTER     | BULLONE                 |  |     |
| 097 | 4819601  | 001 | PROTECTEUR COMPLET        | GUARD COMPLET           | SCHUTZ KOMPLET          | PROTEZIONE              |  |     |
| 099 | 4800611  | 001 | TRAN.SFTS6 8/32/38 873    | PTO-S.SFTS6 8/32/38 873 | GELEN.SFTS6 8/32/38 873 | CARDA.SFTS6 8/32/38 873 | 1"3/4-6                                      | OPT |





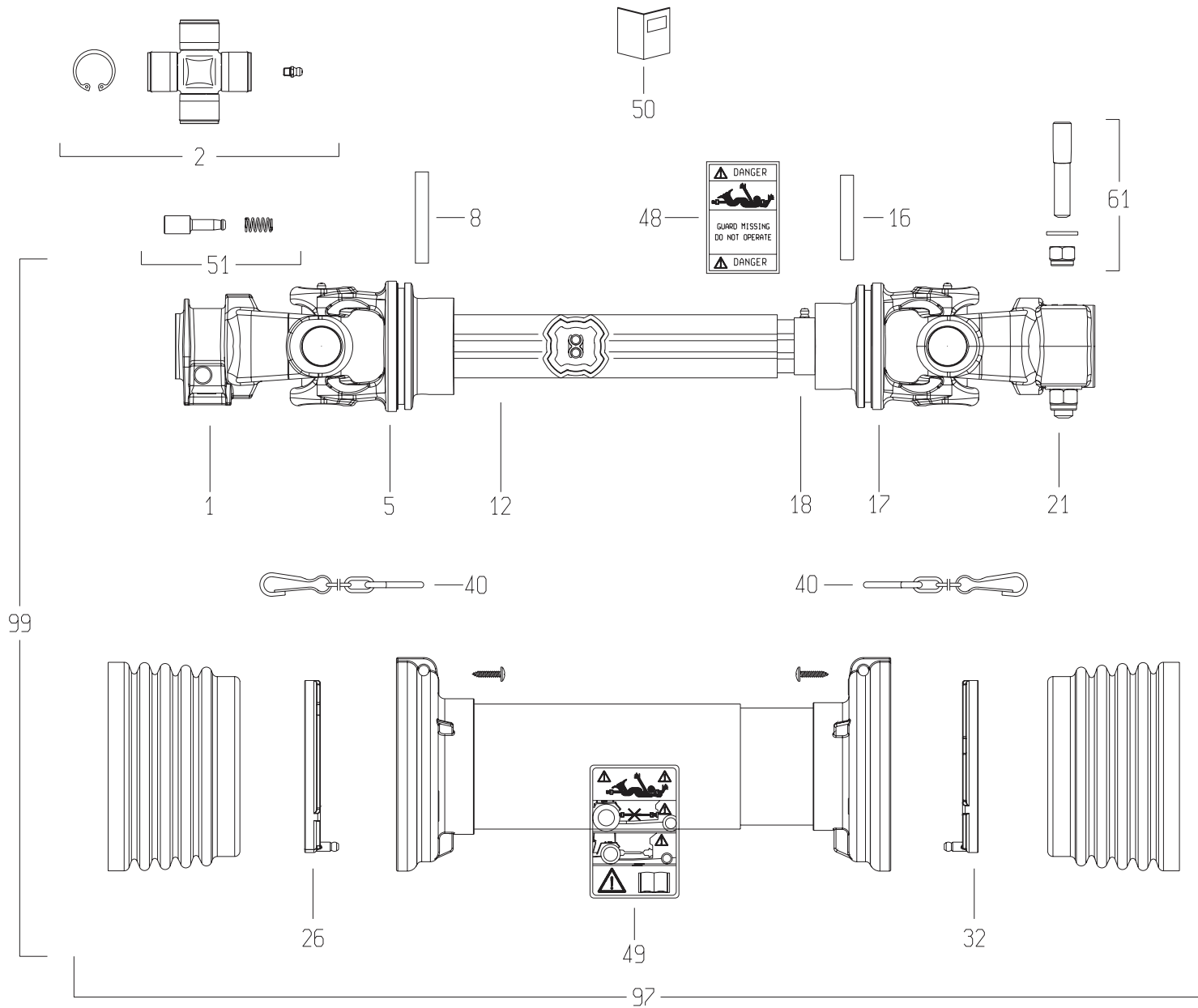
## TRANSMISSION 4800622

## TRANSMISSION 4800622

## GELENKWELLE 4800622

## TRANSMISSIONE 4800622

| Rep | Nr       | Qt  | Designation                    | Description                   | Bezeichnung                    | Referenza                  | Remarque - Remark - Bemerkung - Osservazioni |
|-----|----------|-----|--------------------------------|-------------------------------|--------------------------------|----------------------------|--|
| 001 | 4803093  | 001 | MACHOIRE VERROUILLAGE A BILLES | BALL LOCKING YOKE             | AUFSTECKGABEL MIT KUGELVERSCHL | FORCELLA CHIUSURA A BIGLIE |  |
| 002 | 4805001  | 002 | CROISILLON CPL                 | CROSS JOURNAL CPL             | KREUZGARNITUR KPL              | CROCIERA                   |  |
| 005 | 4803012  | 001 | MACHOIRE TUBE EXTERIEUR        | YOKE OUTER TUBE               | RILLEGABEL AUSSENROHR          | FORCELLA                   |  |
| 008 | 80451059 | 001 | GOUPILLE ELASTIQUE FLZNNC      | ROLL PIN FLZNNC               | SPANNHUELSE FLZNNC             | SPINA ELASTICA FLZNNC      |  |
| 012 | 4808074  | 001 | TUBE PROFILE EXTERIEUR         | PROFILE TUBE                  | PROFILROHR                     | PROFILATO                  |  |
| 016 | 80451057 | 001 | GOUPILLE ELASTIQUE FLZNNC      | ROLL PIN FLZNNC               | SPANNHUELSE FLZNNC             | SPINA ELASTICA FLZNNC      |  |
| 017 | 4803013  | 001 | MACHOIRE TUBE INTERIEUR        | YOKE INNER TUBE               | RILLEGABEL INNENROHR           | FORCELLA                   |  |
| 018 | 4808075  | 001 | TUBE PROFILE INTERIEUR         | PROFILE TUBE                  | PROFILROHR                     | PROFILATO                  |  |
| 021 | 4803003  | 001 | MACHOIRE                       | YOKE                          | RILLEGABEL                     | FORCELLA                   |  |
| 026 | 4820100  | 001 | PALIER                         | SLIDING RING                  | GLEITRING                      | SUPPORTO                   |  |
| 032 | 4820101  | 001 | PALIER                         | SLIDING RING                  | GLEITRING                      | SUPPORTO                   |  |
| 040 | 4821024  | 002 | CHAINETTE                      | CHAIN                         | HALTEKETTE                     | CATENELLA                  |  |
| 048 | A7926009 | 001 | ETIQUETTES                     | STICKER                       | AUFKLEBER                      | ADESIVO                    |  |
| 049 | 4831002  | 001 | PICTOGRAMME                    | PICTORIAL                     | PIKTOGRAMM                     | ADESIVO                    |  |
| 050 | 4831003  | 001 | COLL.PICTOGRAMMES ET NOTICE    | SET PICTORIALS & INSTRUCTIONS | SATZ PIKTOGRAMME UND ANLEITUNG | SERIE ADESIVI E NOTIZIE    |  |
| 051 | 4805262  | 001 | VERROUILLAGE A BILLES          | BALL COLLAR KIT               | ZIEHVERSCHLUSS                 | KIT COLLARE A SFERE        |  |
| 061 | 4511055  | 001 | BOULON TANGENTIEL              | SCREW WITH NUT                | SCHRAUBE MIT MUTTER            | BULLONE                    |  |
| 097 | 4819621  | 001 | PROTECTEUR COMPLET             | GUARD COMPLET                 | SCHUTZ KOMPLET                 | PROTEZIONE                 |  |
| 099 | 4800622  | 001 | TRAN.SFTS6 8X32X38 873         | PTO-S.SFTS6 8X32X38 873       | GELEN.SFTS6 8X32X38 873        | CARDA.SFTS6 8X32X38 873    |  |





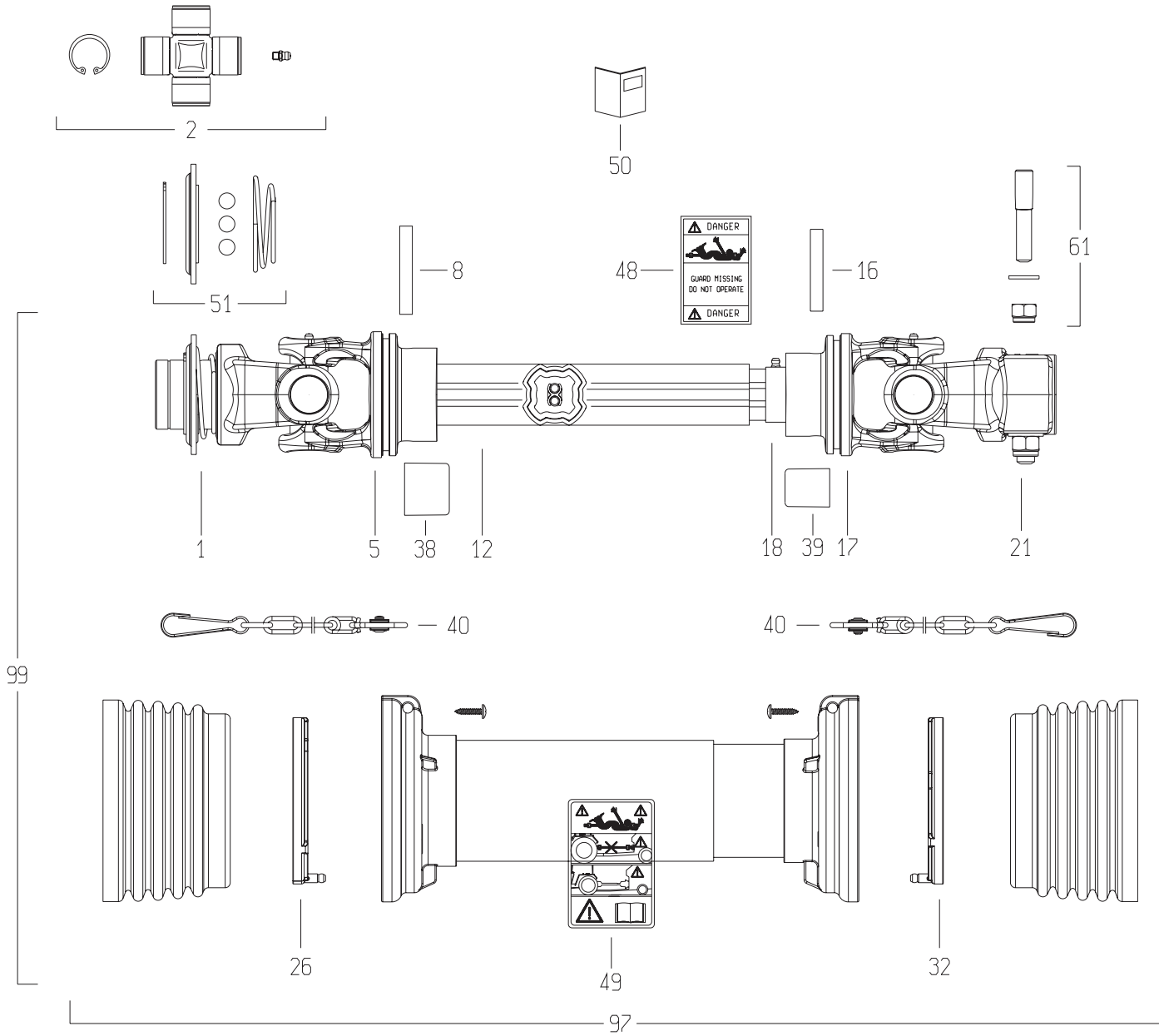
TRANSMISSION 4800616

TRANSMISSION 4800616

GELENKWELLE 4800616

TRANSMISSIONE 4800616

| Rep | Nr       | Qt  | Designation                 | Description                   | Bezeichnung                    | Referenza                | Remarque - Remark - Bemerkung - Osservazioni |
|-----|----------|-----|-----------------------------|-------------------------------|--------------------------------|--------------------------|--|
| 001 | 4803056  | 001 | MACHOIRE                    | YOKE                          | RILLEGABEL                     | FORCELLA                 |  |
| 002 | 4805078  | 002 | CROISILLON CPL              | CROSS JOURNAL                 | KREUZGARNITUR                  | CROCIERA                 |  |
| 005 | 4803012  | 001 | MACHOIRE TUBE EXTERIEUR     | YOKE OUTER TUBE               | RILLEGABEL AUSSENROHR          | FORCELLA                 |  |
| 008 | 80451059 | 001 | GOUPILLE ELASTIQUE FLZNNC   | ROLL PIN FLZNNC               | SPANNHUELSE FLZNNC             | SPINA ELASTICA FLZNNC    |  |
| 012 | 4808157  | 001 | TUBE PROFILE EXTERIEUR      | PROFILE TUBE                  | PROFILROHR                     | PROFILATO                |  |
| 016 | 80451057 | 001 | GOUPILLE ELASTIQUE FLZNNC   | ROLL PIN FLZNNC               | SPANNHUELSE FLZNNC             | SPINA ELASTICA FLZNNC    |  |
| 017 | 4803013  | 001 | MACHOIRE TUBE INTERIEUR     | YOKE INNER TUBE               | RILLEGABEL INNENROHR           | FORCELLA                 |  |
| 018 | 4808143  | 001 | TUBE PROFILE INTERIEUR      | PROFILE TUBE                  | PROFILROHR                     | PROFILATO                |  |
| 021 | 4803003  | 001 | MACHOIRE                    | YOKE                          | RILLEGABEL                     | FORCELLA                 |  |
| 026 | 4820100  | 001 | PALIER                      | SLIDING RING                  | GLEITRING                      | SUPPORTO                 |  |
| 032 | 4820101  | 001 | PALIER                      | SLIDING RING                  | GLEITRING                      | SUPPORTO                 |  |
| 040 | 4821021  | 002 | CHAINETTE                   | CHAIN                         | HALTEKETTE                     | CATENELLA                |  |
| 048 | A7926009 | 001 | ETIQUETTES                  | STICKER                       | AUFKLEBER                      | ADESIVO                  |  |
| 049 | 4831002  | 001 | PICTOGRAMME                 | PICTORIAL                     | PIKTOGRAMM                     | ADESIVO                  |  |
| 050 | 4831001  | 001 | COLL.PICTOGRAMMES ET NOTICE | SET PICTORIALS & INSTRUCTIONS | SATZ PIKTOGRAMME UND ANLEITUNG | SERIE ADESIVI E NOTIZIE  |  |
| 051 | 40330050 | 001 | POUSSOIR CPLT               | PUSH BUTTON CPLT              | SCHIEBESTIEFT KPLT             | PULSANTE                 |  |
| 061 | 4511055  | 001 | BOULON TANGENTIEL           | SCREW WITH NUT                | SCHRAUBE MIT MUTTER            | BULLONE                  |  |
| 097 | 4819623  | 001 | PROTECTEUR COMPLET          | GUARD COMPLET                 | SCHUTZ KOMPLET                 | PROTEZIONE               |  |
| 099 | 4800616  | 001 | TRAN.SFTS6 1 3/8-6 1135     | PTO-S.SFTS6 1 3/8-6 1135      | GELEN.SFTS6 1 3/8-6 1135       | CARDA.SFTS6 1 3/8-6 1135 |  |





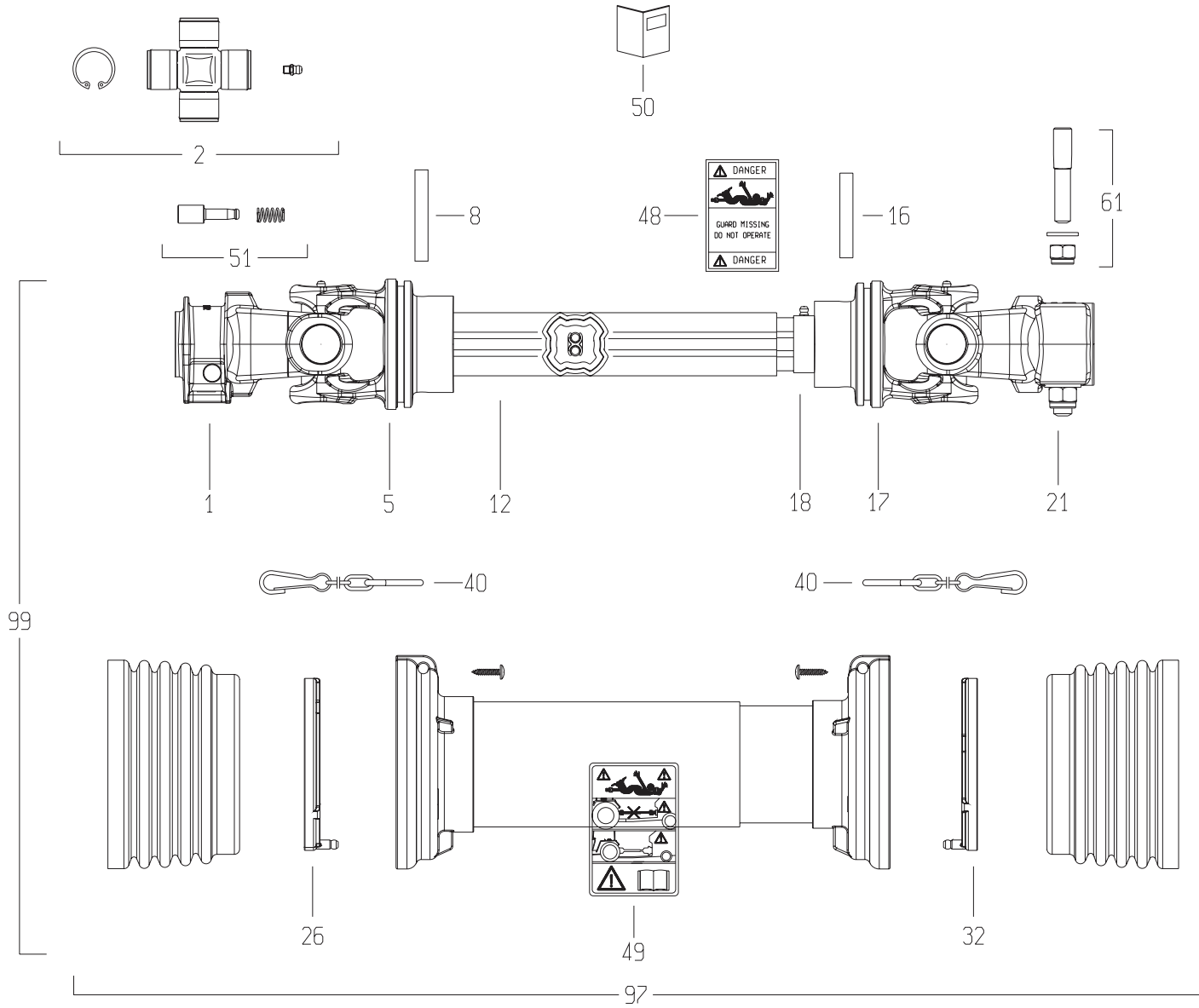
## TRANSMISSION 4800623

## TRANSMISSION 4800623

## GELENKWELLE 4800623

## TRANSMISSIONE 4800623

| Rep | Nr              | Qt  | Designation                    | Description                   | Bezeichnung                    | Referenza                  | Remarque - Remark - Bemerkung - Osservazioni |
|-----|-----------------|-----|--------------------------------|-------------------------------|--------------------------------|----------------------------|--|
| 001 | <b>4803092</b>  | 001 | MACHOIRE VERROUILLAGE A BILLES | BALL LOCKING YOKE             | AUFSTECKGABEL MIT KUGELVERSCHL | FORCELLA CHIUSURA A BIGLIE |  |
| 002 | <b>4805078</b>  | 002 | CROISSILLON CPL                | CROSS JOURNAL                 | KREUZGARNITUR                  | CROCIERA                   |  |
| 005 | <b>4803012</b>  | 001 | MACHOIRE TUBE EXTERIEUR        | YOKE OUTER TUBE               | RILLEGABEL AUSSENROHR          | FORCELLA                   |  |
| 008 | <b>80451059</b> | 001 | GOUPILLE ELASTIQUE FLZNNC      | ROLL PIN FLZNNC               | SPANNHUELSE FLZNNC             | SPINA ELASTICA FLZNNC      |  |
| 012 | <b>4808157</b>  | 001 | TUBE PROFILE EXTERIEUR         | PROFILE TUBE                  | PROFILROHR                     | PROFILATO                  |  |
| 016 | <b>80451057</b> | 001 | GOUPILLE ELASTIQUE FLZNNC      | ROLL PIN FLZNNC               | SPANNHUELSE FLZNNC             | SPINA ELASTICA FLZNNC      |  |
| 017 | <b>4803013</b>  | 001 | MACHOIRE TUBE INTERIEUR        | YOKE INNER TUBE               | RILLEGABEL INNENROHR           | FORCELLA                   |  |
| 018 | <b>4808143</b>  | 001 | TUBE PROFILE INTERIEUR         | PROFILE TUBE                  | PROFILROHR                     | PROFILATO                  |  |
| 021 | <b>4803003</b>  | 001 | MACHOIRE                       | YOKE                          | RILLEGABEL                     | FORCELLA                   |  |
| 026 | <b>4820100</b>  | 001 | PALIER                         | SLIDING RING                  | GLEITRING                      | SUPPORTO                   |  |
| 032 | <b>4820101</b>  | 001 | PALIER                         | SLIDING RING                  | GLEITRING                      | SUPPORTO                   |  |
| 038 | <b>4811112</b>  | 001 | BOUCHON                        | END PLUG                      | VERSCHLUSSSTOPFEN              | TAPPO DI CHIUSURA          |  |
| 039 | <b>4811113</b>  | 001 | BOUCHON                        | END PLUG                      | VERSCHLUSSSTOPFEN              | TAPPO DI CHIUSURA          |  |
| 040 | <b>4821024</b>  | 002 | CHAINETTE                      | CHAIN                         | HALTEKETTE                     | CATENELLA                  |  |
| 048 | <b>A7926009</b> | 001 | ETIQUETTES                     | STICKER                       | AUFKLEBER                      | ADESIVO                    |  |
| 049 | <b>4831002</b>  | 001 | PICTOGRAMME                    | PICTORIAL                     | PIKTOGRAMM                     | ADESIVO                    |  |
| 050 | <b>4831003</b>  | 001 | COLL.PICTOGRAMMES ET NOTICE    | SET PICTORIALS & INSTRUCTIONS | SATZ PIKTOGRAMME UND ANLEITUNG | SERIE ADESIVI E NOTIZIE    |  |
| 051 | <b>4805258</b>  | 001 | VERROUILLAGE A BILLES          | BALL COLLAR KIT               | ZIEHVERSCHLUSS                 | KIT COLLARE A SFERE        |  |
| 061 | <b>4511055</b>  | 001 | BOULON TANGENTIEL              | SCREW WITH NUT                | SCHRAUBE MIT MUTTER            | BULLONE                    |  |
| 097 | <b>4819623</b>  | 001 | PROTECTEUR COMPLET             | GUARD COMPLET                 | SCHUTZ KOMPLET                 | PROTEZIONE                 |  |
| 099 | <b>4800623</b>  | 001 | TRAN.SFTS6 1 3/8-6 1135        | PTO-S.SFTS6 1 3/8-6 1135      | GELEN.SFTS6 1 3/8-6 1135       | CARDA.SFTS6 1 3/8-6 1135   |  |







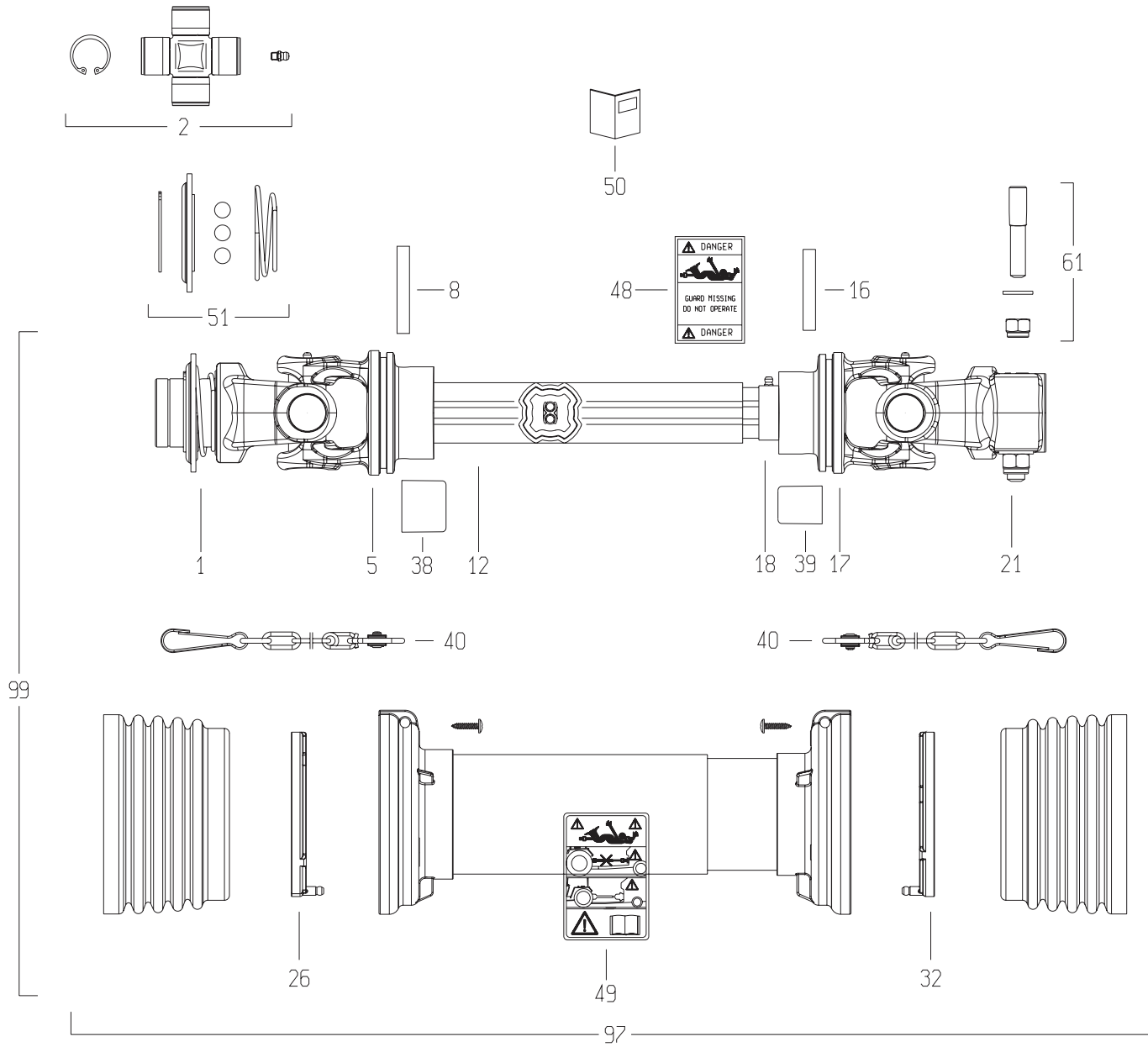
## TRANSMISSION 4800617

## TRANSMISSION 4800617

## GELENKWELLE 4800617

## TRANSMISSIONE 4800617

| Rep | Nr       | Qt  | Designation                 | Description                   | Bezeichnung                    | Referenza                 | Remarque - Remark - Bemerkung - Osservazioni |
|-----|----------|-----|-----------------------------|-------------------------------|--------------------------------|---------------------------|--|
| 001 | 4803057  | 001 | MACHOIRE                    | YOKE                          | RILLEGABEL                     | FORCELLA                  |  |
| 002 | 4805078  | 002 | CROISILLON CPL              | CROSS JOURNAL                 | KREUZGARNITUR                  | CROCIERA                  |  |
| 005 | 4803012  | 001 | MACHOIRE TUBE EXTERIEUR     | YOKE OUTER TUBE               | RILLEGABEL AUSSENROHR          | FORCELLA                  |  |
| 008 | 80451059 | 001 | GOUPILLE ELASTIQUE FLZNNC   | ROLL PIN FLZNNC               | SPANNHUELSE FLZNNC             | SPINA ELASTICA FLZNNC     |  |
| 012 | 4808157  | 001 | TUBE PROFILE EXTERIEUR      | PROFILE TUBE                  | PROFILROHR                     | PROFILATO                 |  |
| 016 | 80451057 | 001 | GOUPILLE ELASTIQUE FLZNNC   | ROLL PIN FLZNNC               | SPANNHUELSE FLZNNC             | SPINA ELASTICA FLZNNC     |  |
| 017 | 4803013  | 001 | MACHOIRE TUBE INTERIEUR     | YOKE INNER TUBE               | RILLEGABEL INNENROHR           | FORCELLA                  |  |
| 018 | 4808143  | 001 | TUBE PROFILE INTERIEUR      | PROFILE TUBE                  | PROFILROHR                     | PROFILATO                 |  |
| 021 | 4803003  | 001 | MACHOIRE                    | YOKE                          | RILLEGABEL                     | FORCELLA                  |  |
| 026 | 4820100  | 001 | PALIER                      | SLIDING RING                  | GLEITRING                      | SUPPORTO                  |  |
| 032 | 4820101  | 001 | PALIER                      | SLIDING RING                  | GLEITRING                      | SUPPORTO                  |  |
| 040 | 4821021  | 002 | CHAINETTE                   | CHAIN                         | HALTEKETTE                     | CATENELLA                 |  |
| 048 | A7926009 | 001 | ETIQUETTES                  | STICKER                       | AUFKLEBER                      | ADESIVO                   |  |
| 049 | 4831002  | 001 | PICTOGRAMME                 | PICTORIAL                     | PIKTOGRAMM                     | ADESIVO                   |  |
| 050 | 4831001  | 001 | COLL.PICTOGRAMMES ET NOTICE | SET PICTORIALS & INSTRUCTIONS | SATZ PIKTOGRAMME UND ANLEITUNG | SERIE ADESIVI E NOTIZIE   |  |
| 051 | 40330050 | 001 | POUSSOIR CPLT               | PUSH BUTTON CPLT              | SCHIEBESTIEFT KPLT             | PULSANTE                  |  |
| 061 | 4511055  | 001 | BOULON TANGENTIEL           | SCREW WITH NUT                | SCHRAUBE MIT MUTTER            | BULLONE                   |  |
| 097 | 4819623  | 001 | PROTECTEUR COMPLET          | GUARD COMPLET                 | SCHUTZ KOMPLET                 | PROTEZIONE                |  |
| 099 | 4800617  | 001 | TRAN.SFTS6 1 3/8-21 1135    | PTO-S.SFTS6 1 3/8-21 1135     | GELEN.SFTS6 1 3/8-21 1135      | CARDA.SFTS6 1 3/8-21 1135 |  |





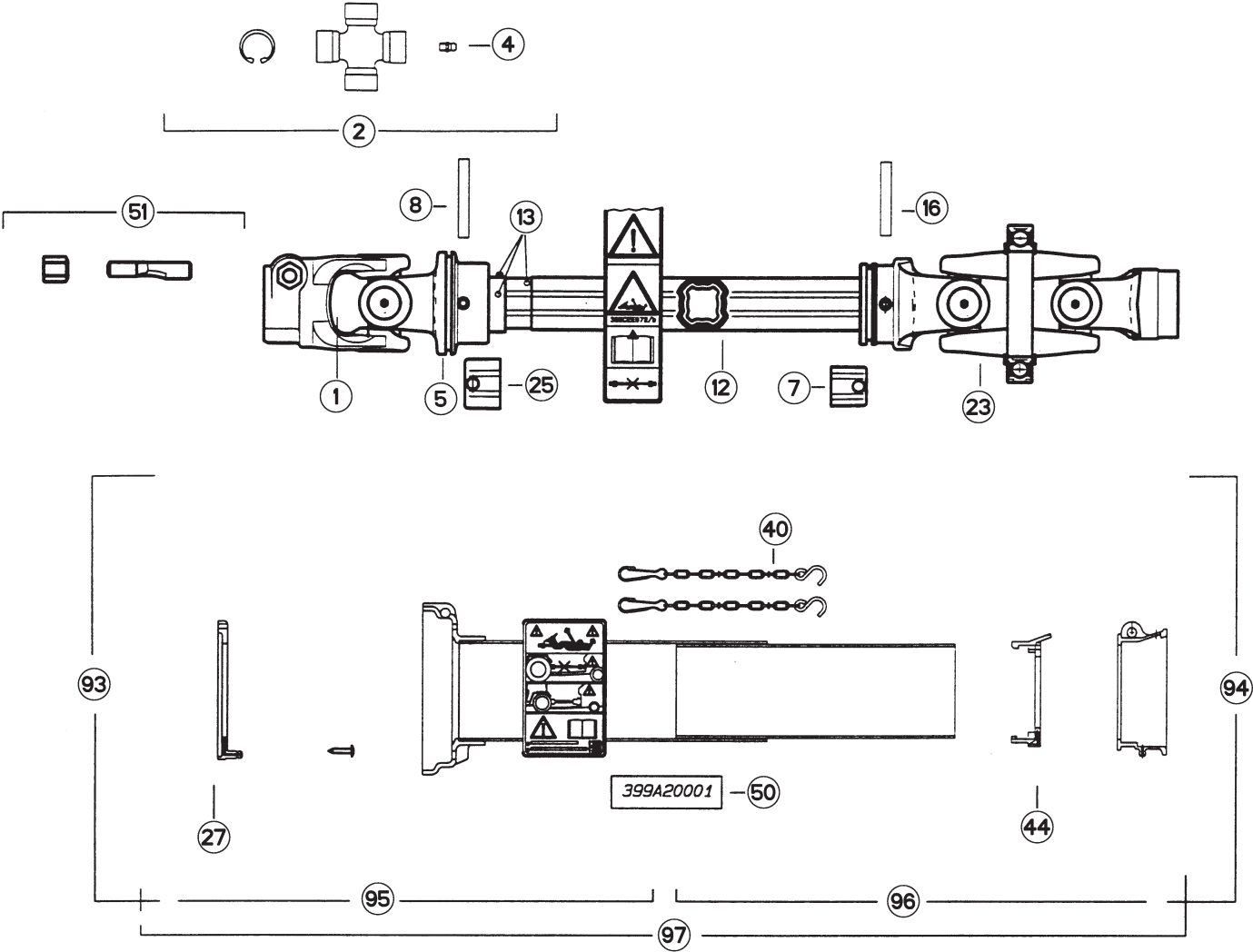
## TRANSMISSION 4800624

## TRANSMISSION 4800624

## GELENKWELLE 4800624

## TRANSMISSIONE 4800624

| Rep | Nr              | Qt  | Designation                    | Description                   | Bezeichnung                    | Referenza                  | Remarque - Remark - Bemerkung - Osservazioni |
|-----|-----------------|-----|--------------------------------|-------------------------------|--------------------------------|----------------------------|--|
| 001 | <b>4803026</b>  | 001 | MACHOIRE VERROUILLAGE A BILLES | BALL LOCKING YOKE             | AUFSTECKGABEL MIT KUGELVERSCHL | FORCELLA CHIUSURA A BIGLIE |  |
| 002 | <b>4805078</b>  | 002 | CROISSILLON CPL                | CROSS JOURNAL                 | KREUZGARNITUR                  | CROCIERA                   |  |
| 005 | <b>4803012</b>  | 001 | MACHOIRE TUBE EXTERIEUR        | YOKE OUTER TUBE               | RILLEGABEL AUSSENROHR          | FORCELLA                   |  |
| 008 | <b>80451059</b> | 001 | GOUPILLE ELASTIQUE FLZNNC      | ROLL PIN FLZNNC               | SPANNHUELSE FLZNNC             | SPINA ELASTICA FLZNNC      |  |
| 012 | <b>4808157</b>  | 001 | TUBE PROFILE EXTERIEUR         | PROFILE TUBE                  | PROFILROHR                     | PROFILATO                  |  |
| 016 | <b>80451057</b> | 001 | GOUPILLE ELASTIQUE FLZNNC      | ROLL PIN FLZNNC               | SPANNHUELSE FLZNNC             | SPINA ELASTICA FLZNNC      |  |
| 017 | <b>4803013</b>  | 001 | MACHOIRE TUBE INTERIEUR        | YOKE INNER TUBE               | RILLEGABEL INNENROHR           | FORCELLA                   |  |
| 018 | <b>4808143</b>  | 001 | TUBE PROFILE INTERIEUR         | PROFILE TUBE                  | PROFILROHR                     | PROFILATO                  |  |
| 021 | <b>4803003</b>  | 001 | MACHOIRE                       | YOKE                          | RILLEGABEL                     | FORCELLA                   |  |
| 026 | <b>4820100</b>  | 001 | PALIER                         | SLIDING RING                  | GLEITRING                      | SUPPORTO                   |  |
| 032 | <b>4820101</b>  | 001 | PALIER                         | SLIDING RING                  | GLEITRING                      | SUPPORTO                   |  |
| 038 | <b>4811112</b>  | 001 | BOUCHON                        | END PLUG                      | VERSCHLUSSSTOPFEN              | TAPPO DI CHIUSURA          |  |
| 039 | <b>4811113</b>  | 001 | BOUCHON                        | END PLUG                      | VERSCHLUSSSTOPFEN              | TAPPO DI CHIUSURA          |  |
| 040 | <b>4821024</b>  | 002 | CHAINETTE                      | CHAIN                         | HALTEKETTE                     | CATENELLA                  |  |
| 048 | <b>A7926009</b> | 001 | ETIQUETTES                     | STICKER                       | AUFKLEBER                      | ADESIVO                    |  |
| 049 | <b>4831002</b>  | 001 | PICTOGRAMME                    | PICTORIAL                     | PIKTOGRAMM                     | ADESIVO                    |  |
| 050 | <b>4831003</b>  | 001 | COLL.PICTOGRAMMES ET NOTICE    | SET PICTORIALS & INSTRUCTIONS | SATZ PIKTOGRAMME UND ANLEITUNG | SERIE ADESIVI E NOTIZIE    |  |
| 051 | <b>4805258</b>  | 001 | VERROUILLAGE A BILLES          | BALL COLLAR KIT               | ZIEHVERSCHLUSS                 | KIT COLLARE A SFERE        |  |
| 061 | <b>4511055</b>  | 001 | BOULON TANGENTIEL              | SCREW WITH NUT                | SCHRAUBE MIT MUTTER            | BULLONE                    |  |
| 097 | <b>4819623</b>  | 001 | PROTECTEUR COMPLET             | GUARD COMPLET                 | SCHUTZ KOMPLET                 | PROTEZIONE                 |  |
| 099 | <b>4800624</b>  | 001 | TRAN.SFTS6 1 3/8-21 1135       | PTO-S.SFTS6 1 3/8-21 1135     | GELEN.SFTS6 1 3/8-21 1135      | CARDA.SFTS6 1 3/8-21 1135  |  |



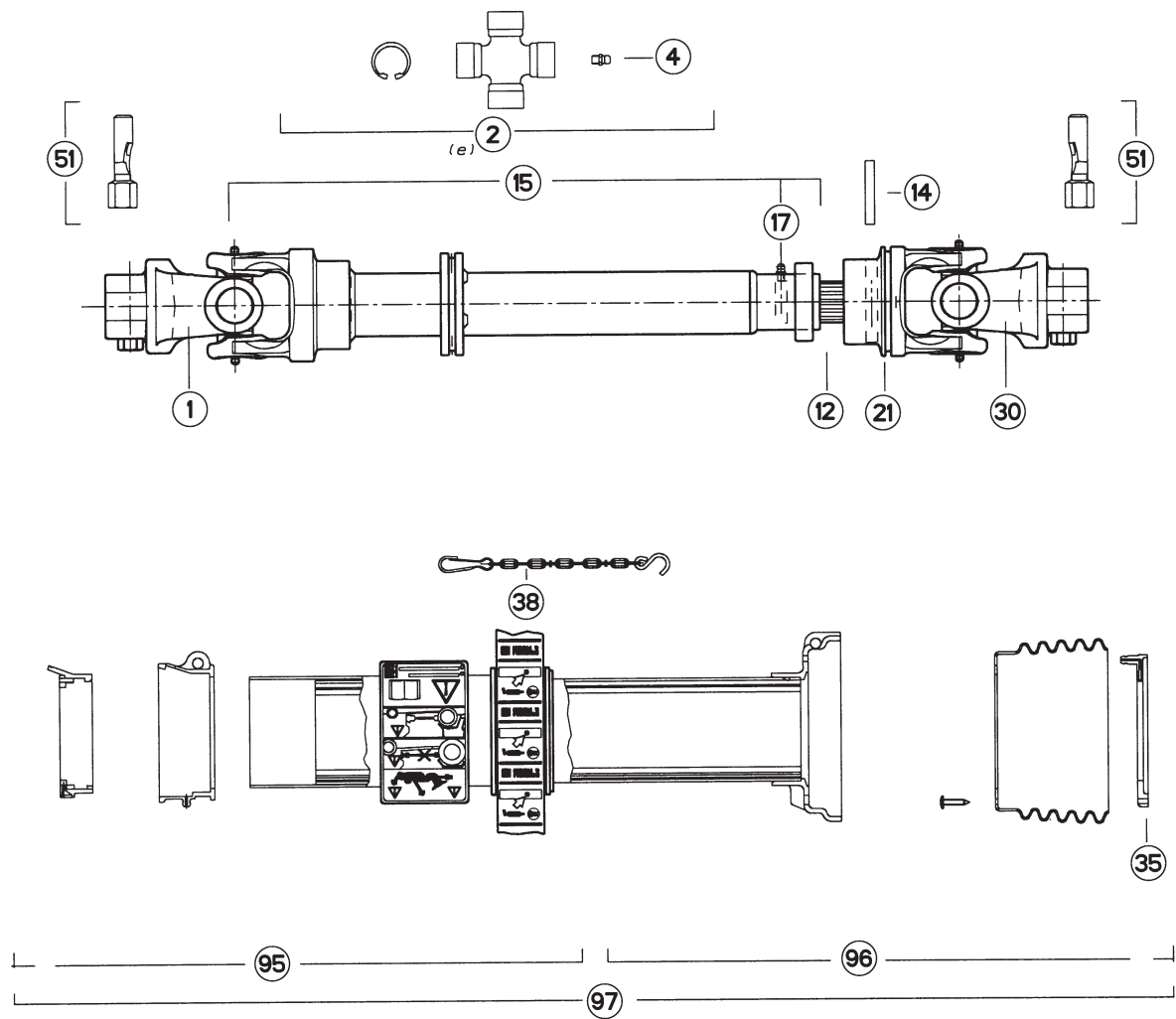


## TRANSMISSION A CARDANS SECOND. SECONDARY PTO SHAFT

## ZWISCHENGELENKWELLE

## ALBERO PRESA DI FORZA SECOND

| Rep | Nr              | Qt  | Designation                 | Description                   | Bezeichnung                    | Referenza               | Remarque - Remark - Bemerkung - Osservazioni |
|-----|-----------------|-----|-----------------------------|-------------------------------|--------------------------------|-------------------------|--|
| 001 | <b>4803004</b>  | 001 | MACHOIRE                    | YOKE                          | RILLEGABEL                     | FORCELLA                | 1"3/4-6                                      |
| 002 | <b>4805001</b>  | 003 | CROISILLON CPL              | CROSS JOURNAL CPL             | KREUZGARNITUR KPL              | CROCIERA                |  |
| 004 | <b>4505051</b>  | 006 | GRAISSEUR                   | GREASE NIPPLE                 | SCHMIERNIPPEL                  | INGRASSATORE            |  |
| 005 | <b>4803001</b>  | 001 | MACHOIRE TUBE EXTERIEUR     | YOKE OUTER TUBE               | RILLEGABEL AUSSENROHR          | FORCELLA                |  |
| 007 | <b>4811100</b>  | 001 | BOUCHON                     | END PLUG                      | VERSCHLUSSSTOPFEN              | TAPPO DI CHIUSURA       |  |
| 008 | <b>80451058</b> | 001 | GOUPILLE ELASTIQUE FLZNNC   | ROLL PIN FLZNNC               | SPANNHUELSE FLZNNC             | SPINA ELASTICA FLZNNC   |  |
| 012 | <b>4808002</b>  | 001 | TUBE PROFILE EXTERIEUR      | PROFILE TUBE                  | PROFILROHR                     | PROFILATO               | <->1104mm                                    |
| 013 | <b>4808003</b>  | 001 | TUBE PROFILE INTERIEUR      | PROFILE TUBE                  | PROFILROHR                     | PROFILATO               | <->1020mm                                    |
| 016 | <b>80451059</b> | 001 | GOUPILLE ELASTIQUE FLZNNC   | ROLL PIN FLZNNC               | SPANNHUELSE FLZNNC             | SPINA ELASTICA FLZNNC   |  |
| 023 | <b>4830000</b>  | 001 | JOINT DOUBLE COMPLET        | UNIVERSAL JOINT CPLT          | KREUZGELENK KPL                |                         |  |
| 025 | <b>4811101</b>  | 001 | BOUCHON                     | END PLUG                      | VERSCHLUSSSTOPFEN              | TAPPO DI CHIUSURA       |  |
| 027 | <b>4820100</b>  | 001 | PALIER                      | SLIDING RING                  | GLEITRING                      | SUPPORTO                |  |
| 040 | <b>4521021</b>  | 002 | CHAINETTE                   | CHAIN                         | HALTEKETTE                     | CATENELLA               |  |
| 044 | <b>4520020</b>  | 001 | PALIER                      | SLIDING RING                  | GLEITRING                      | SUPPORTO                |  |
| 050 | <b>4831000</b>  | 001 | COLL.PICTOGRAMMES ET NOTICE | SET PICTORIALS & INSTRUCTIONS | SATZ PIKTOGRAMME UND ANLEITUNG | SERIE ADESIVI E NOTIZIE |  |
| 051 | <b>4511055</b>  | 001 | BOULON TANGENTIEL           | SCREW WITH NUT                | SCHRAUBE MIT MUTTER            | BULLONE                 | 15 daN m (111 lbf ft)                        |
| 093 | <b>K5600511</b> | 001 | TRANSMISSION SECONDAIRE     | PTO-SHAFT                     | GELENKWELLE                    | CARDANO                 |  |
| 094 | <b>K5600511</b> | 001 | TRANSMISSION SECONDAIRE     | PTO-SHAFT                     | GELENKWELLE                    | CARDANO                 |  |
| 095 | <b>K5603400</b> | 001 | 1/2 PROTECTEUR EXTERIEUR    | OUTER GUARD-HALF              | AEUSSERE SCHUTZHAELFTE         | 1/2 PROTEZIONE ESTERNA  |  |
| 096 | <b>K5603410</b> | 001 | 1/2 PROTECTEUR INTERIEUR    | INNER GUARD-HALF              | INNERE SCHUTZHAELFTE           | 1/2 PROTEZIONE INTERNA  |  |
| 097 | <b>K5600511</b> | 001 | TRANSMISSION SECONDAIRE     | PTO-SHAFT                     | GELENKWELLE                    | CARDANO                 |  |





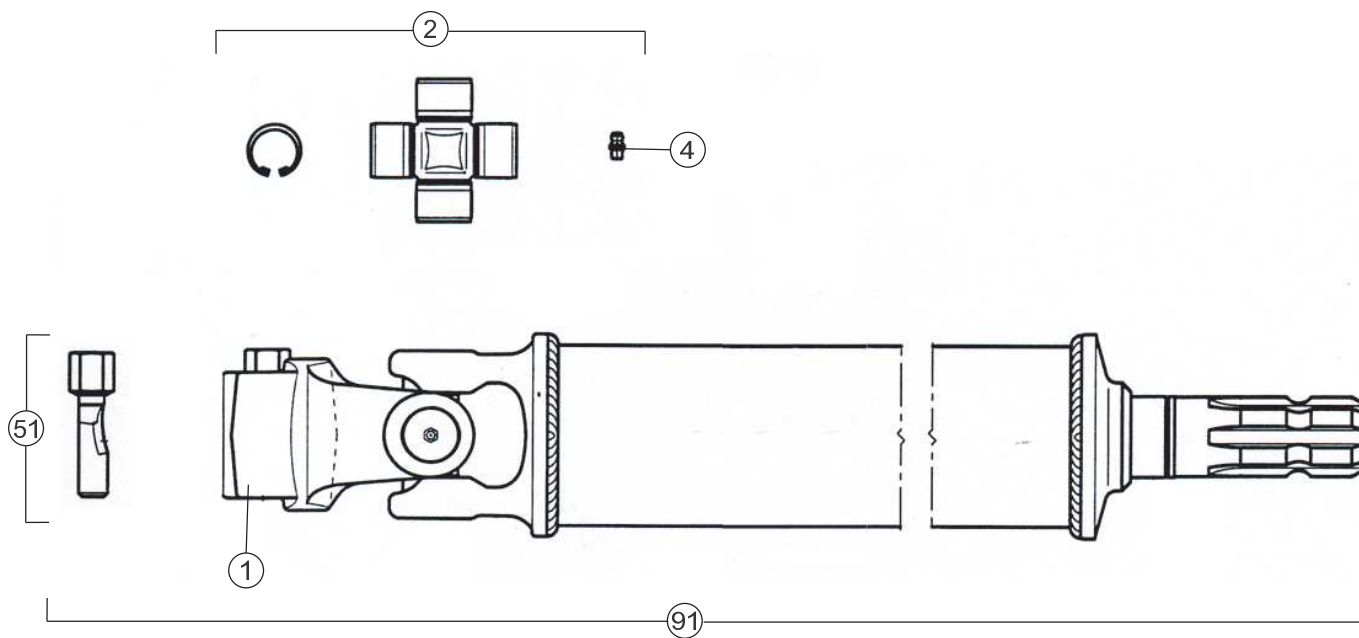
## TRANSMISSION A CARDANS

## PTO SHAFT

## GELENKWELLE

## ALBERO PRESA DI FORZA

| Rep | Nr              | Qt  | Designation                 | Description       | Bezeichnung            | Referenza              | Remarque - Remark - Bemerkung - Osservazioni |
|-----|-----------------|-----|-----------------------------|-------------------|------------------------|------------------------|--|
| 001 | <b>4803009</b>  | 001 | MACHOIRE Z=21               | YOKE              | RILLEGABEL             | FORCELLA               |  |
| 002 | <b>4805001</b>  | 002 | CROISILLON CPL              | CROSS JOURNAL CPL | KREUZGARNITUR KPL      | CROCIERA               |  |
| 004 | <b>4505051</b>  | 004 | GRAISSEUR                   | GREASE NIPPLE     | SCHMIERNIPPEL          | INGRASSATORE           |  |
| 012 | <b>4808006</b>  | 001 | ARBRE PROFILE               | PROFILE           | PROFILWELLE            | PROFILATO              | <-> 390mm                                    |
| 014 | <b>4505118</b>  | 001 | GOUPILLE ELASTIQUE          | ROLL PIN          | SPANNHUELSE            | COPPIGLIA TUBOLARE     |  |
| 015 | <b>4808007</b>  | 001 | TUBE PROFILE EXT.+ MACHOIRE | PROFILE TUBE      | PROFILROHR             | PROFILATO              | <-> 598mm 1"3/8-21                           |
| 017 | <b>4505056</b>  | 001 | GRAISSEUR                   | GREASE NIPPLE     | SCHMIERNIPPEL          | INGRASSATORE           |  |
| 021 | <b>4803010</b>  | 001 | MACHOIRE CANNELEE           | YOKE              | GELENKGABEL            | FORCELLA               |  |
| 030 | <b>4803011</b>  | 001 | MACHOIRE                    | YOKE              | GELENKGABEL            | FORCELLA               | 1"3/8-21                                     |
| 035 | <b>4820101</b>  | 001 | PALIER                      | SLIDING RING      | GLEITRING              | SUPPORTO               |  |
| 038 | <b>4521021</b>  | 001 | CHAINETTE                   | CHAIN             | HALTEKETTE             | CATENELLA              |  |
| 051 | <b>4511054</b>  | 002 | BOULON TANGENTIEL           | SCREW WITH NUT    | SCHRAUBE MIT MUTTER    | BULLONE                | 15 daN m (111 lbf.ft)                        |
| 095 | <b>4817605</b>  | 001 | 1/2 PROTECTEUR EXTERIEUR    | OUTER GUARD-HALF  | AEUSSERE SCHUTZHAELFTE | 1/2 PROTEZIONE ESTERNA |  |
| 096 | <b>4816605</b>  | 001 | 1/2 PROTECTEUR INTERIEUR    | INNER GUARD-HALF  | INNERE SCHUTZHAELFTE   | 1/2 PROTEZIONE INTERNA |  |
| 097 | <b>K5600610</b> | 001 | TRANSMISSION TERTIAIRE      | PTO-SHAFT         | GELENKWELLE            | CARDANO                |  |







FC353RGC NV

C 0001 &gt; D 0000

K99R0182 A

ARBRE DE TRANSMISSION 55819210

TRANSMISSION SHAFT 55819210

ANTRIEBSWELLE 55819210

ALBERO DI TRASMISSIONE 55819210

| Rep | Nr              | Qt  | Designation       | Description       | Bezeichnung         | Referenza    | Remarque - Remark - Bemerkung - Osservazioni |
|-----|-----------------|-----|-------------------|-------------------|---------------------|--------------|--|
| 001 | <b>4803003</b>  | 001 | MACHOIRE          | YOKE              | RILLEGABEL          | FORCELLA     | 1"3/4-6                                      |
| 002 | <b>4805001</b>  | 001 | CROISILLON CPL    | CROSS JOURNAL CPL | KREUZGARNITUR KPL   | CROCIERA     |  |
| 004 | <b>4505051</b>  | 002 | GRAISSEUR         | GREASE NIPPLE     | SCHMIERNIPPEL       | INGRASSATORE |  |
| 051 | <b>4511055</b>  | 001 | BOULON TANGENTIEL | SCREW WITH NUT    | SCHRAUBE MIT MUTTER | BULLONE      |  |
| 091 | <b>55819210</b> | 001 | TRANSMISSION      | PTO-SHAFT         | GELENKWELLE         | CARDANO      |  |



# INDEX NUMERIQUE - NUMERICAL INDEX

## TEILENUMMERN-INDEX - INDICE NUMERICO

| Nr       | Page | Rep. | Nr       | Page | Rep. | Nr       | Page | Rep. | Nr       | Page | Rep. | Nr       | Page | Rep. | Nr       | Page | Rep. | Nr       | Page | Rep. | Nr       | Page | Rep. |
|----------|------|------|----------|------|------|----------|------|------|----------|------|------|----------|------|------|----------|------|------|----------|------|------|----------|------|------|
| A4072026 | 023  | 013  | K5600170 | 039  | 039  | K5600791 | 029  | 020  | K5601360 | 073  | 018  | K5603730 | 087  | 002  | K5606630 | 059  | 001  | K5608710 | 019  | 032  | 09971300 | 083  | 011  |
| A4072026 | 025  | 019  | K5600210 | 065  | 011  | K5600800 | 027  | 022  | K5601370 | 073  | 019  | K5603820 | 053  | 013  | K5606920 | 047  | 022  | K5609420 | 053  | 018  | 1043600  | 037  | 040  |
| A4074000 | 079  | 018  | K5600230 | 037  | 038  | K5600801 | 029  | 021  | K5601410 | 069  | 009  | K5603930 | 073  | 020  | K5607150 | 019  | 031  | K5609440 | 013  | 001  | 1043600  | 039  | 041  |
| A4074000 | 081  | 019  | K5600230 | 039  | 040  | K5600810 | 031  | 019  | K5601420 | 069  | 008  | K5604220 | 053  | 014  | K5607180 | 023  | 006  | K5609440 | 015  | 040  | 1096040  | 085  | 001  |
| A4074001 | 023  | 018  | K5600240 | 047  | 018  | K5600820 | 031  | 018  | K5601430 | 069  | 007  | K5604230 | 053  | 015  | K5607180 | 025  | 031  | K5609521 | 073  | 023  | 1096080  | 075  | 001  |
| A4074017 | 025  | 020  | K5600240 | 049  | 020  | K5600830 | 031  | 017  | K5601440 | 069  | 006  | K5604281 | 061  | 004  | K5607190 | 013  | 003  | K5609650 | 063  | 022  | 1096140  | 087  | 001  |
| A4074018 | 025  | 021  | K5600250 | 047  | 002  | K5600840 | 031  | 016  | K5601460 | 069  | 005  | K5604580 | 057  | 032  | K5607190 | 015  | 038  | K5609690 | 031  | 001  | 1096260  | 089  | 003  |
| A4075005 | 023  | 016  | K5600250 | 049  | 002  | K5600850 | 031  | 015  | K5601491 | 069  | 004  | K5604610 | 057  | 033  | K5607200 | 023  | 005  | K5609780 | 007  | 024  | 3156097  | 019  | 018  |
| A4075005 | 025  | 025  | K5600303 | 013  | 012  | K5600860 | 031  | 014  | K5601501 | 069  | 003  | K5604620 | 057  | 034  | K5607200 | 025  | 032  | K5610460 | 029  | 028  | 3156097  | 035  | 003  |
| A4080315 | 023  | 012  | K5600304 | 015  | 029  | K5600870 | 031  | 013  | K5601540 | 019  | 025  | K5604630 | 057  | 035  | K5607210 | 023  | 004  | K5610470 | 089  | 004  | 40330050 | 091  | 051  |
| A4080315 | 025  | 022  | K5600320 | 047  | 019  | K5600880 | 031  | 012  | K5601550 | 019  | 026  | K5604640 | 057  | 036  | K5607210 | 025  | 033  | K5611250 | 079  | 019  | 40330050 | 095  | 051  |
| A4080401 | 023  | 011  | K5600320 | 049  | 021  | K5600920 | 031  | 011  | K5601560 | 019  | 027  | K5604660 | 057  | 037  | K5607220 | 023  | 003  | K5611250 | 081  | 020  | 40330050 | 103  | 051  |
| A4080401 | 023  | 019  | K5600330 | 047  | 020  | K5600940 | 031  | 010  | K5601570 | 019  | 028  | K5604670 | 057  | 038  | K5607230 | 023  | 002  | K5611260 | 079  | 020  | 40330050 | 107  | 051  |
| A4080401 | 025  | 023  | K5600330 | 049  | 022  | K5600951 | 019  | 022  | K5601630 | 019  | 029  | K5604680 | 057  | 039  | K5607230 | 025  | 035  | K5611260 | 081  | 021  | 4505037  | 095  | 003  |
| A4080429 | 023  | 015  | K5600330 | 057  | 030  | K5601040 | 031  | 009  | K5601790 | 069  | 002  | K5604730 | 057  | 040  | K5607240 | 073  | 021  | K5611350 | 045  | 050  | 4505051  | 091  | 004  |
| A4080429 | 025  | 024  | K5600360 | 075  | 009  | K5601090 | 027  | 023  | K5601841 | 065  | 012  | K5604740 | 061  | 003  | K5607250 | 073  | 022  | K5611360 | 043  | 040  | 4505051  | 095  | 004  |
| A4921138 | 025  | 026  | K5600370 | 035  | 004  | K5601090 | 029  | 022  | K5601851 | 065  | 013  | K5604750 | 061  | 002  | K5607260 | 075  | 010  | K5611370 | 043  | 041  | 4505051  | 099  | 004  |
| A4921138 | 025  | 027  | K5600380 | 035  | 005  | K5601100 | 027  | 024  | K5601901 | 069  | 001  | K5604760 | 057  | 041  | K5607460 | 087  | 005  | K5611380 | 043  | 042  | 4505051  | 111  | 004  |
| A4923114 | 025  | 028  | K5600400 | 033  | 021  | K5601100 | 029  | 023  | K5601932 | 065  | 014  | K5604830 | 059  | 003  | K5607980 | 053  | 017  | K5611390 | 043  | 043  | 4505051  | 113  | 004  |
| A7905003 | 091  | 003  | K5600421 | 023  | 010  | K5601110 | 027  | 025  | K5602090 | 033  | 029  | K5604870 | 059  | 002  | K5608050 | 067  | 024  | K5611410 | 043  | 044  | 4505051  | 115  | 004  |
| A7905003 | 099  | 003  | K5600421 | 025  | 029  | K5601110 | 029  | 024  | K5602251 | 061  | 007  | K5605140 | 031  | 003  | K5608060 | 071  | 020  | K5611440 | 043  | 045  | 4505056  | 113  | 017  |
| A7925000 | 099  | 016  | K5600440 | 041  | 021  | K5601120 | 027  | 026  | K5602560 | 057  | 031  | K5605490 | 063  | 015  | K5608070 | 071  | 021  | K5611470 | 041  | 024  | 4505118  | 113  | 014  |
| A7926009 | 091  | 024  | K5600450 | 013  | 011  | K5601120 | 029  | 025  | K5602560 | 061  | 006  | K5605510 | 063  | 016  | K5608080 | 067  | 025  | K5611470 | 045  | 051  | 4505215  | 099  | 051  |
| A7926009 | 093  | 048  | K5600450 | 015  | 030  | K5601130 | 027  | 027  | K5602590 | 037  | 039  | K5605520 | 063  | 017  | K5608091 | 067  | 026  | K5611570 | 043  | 046  | 4505227  | 091  | 061  |
| A7926009 | 095  | 048  | K5600470 | 051  | 046  | K5601130 | 029  | 026  | K5602621 | 047  | 021  | K5605620 | 063  | 018  | K5608100 | 067  | 027  | K5800480 | 019  | 033  | 4505227  | 095  | 061  |
| A7926009 | 097  | 048  | K5600490 | 013  | 010  | K5601140 | 031  | 008  | K5602621 | 049  | 023  | K5605630 | 053  | 016  | K5608111 | 071  | 022  | K5801480 | 043  | 047  | 4511054  | 113  | 051  |
| A7926009 | 101  | 048  | K5600490 | 015  | 031  | K5601161 | 013  | 008  | K5602630 | 051  | 047  | K5605650 | 063  | 019  | K5608120 | 067  | 028  | K5801490 | 043  | 048  | 4511055  | 093  | 061  |
| A7926009 | 103  | 048  | K5600511 | 033  | 022  | K5601161 | 015  | 033  | K5602730 | 061  | 005  | K5605660 | 063  | 020  | K5608130 | 067  | 029  | K6000020 | 045  | 049  | 4511055  | 097  | 061  |
| A7926009 | 105  | 048  | K5600511 | 111  | 093  | K5601170 | 031  | 007  | K5602831 | 083  | 025  | K5605670 | 063  | 021  | K5608130 | 071  | 023  | K7024080 | 079  | 021  | 4511055  | 101  | 061  |
| A7926009 | 107  | 048  | K5600511 | 111  | 094  | K5601180 | 031  | 006  | K5602837 | 083  | 025  | K5605970 | 013  | 004  | K5608140 | 067  | 030  | K7024080 | 081  | 022  | 4511055  | 103  | 061  |
| A7926009 | 109  | 048  | K5600511 | 111  | 097  | K5601190 | 031  | 005  | K5602838 | 083  | 025  | K5605970 | 015  | 037  | K5608150 | 071  | 024  | K7024100 | 079  | 022  | 4511055  | 105  | 061  |
| KE0036TL | 089  | 005  | K5600590 | 013  | 009  | K5601200 | 019  | 023  | K5602910 | 023  | 007  | K5606000 | 057  | 042  | K5608160 | 071  | 025  | K7024100 | 081  | 023  | 4511055  | 107  | 061  |
| KN034B   | 081  | 024  | K5600590 | 015  | 032  | K5601210 | 013  | 007  | K5602910 | 025  | 030  | K5606000 | 061  | 001  | K5608170 | 067  | 031  | K9500080 | 083  | 001  | 4511055  | 109  | 061  |
| KN069C   | 077  | 015  | K5600610 | 033  | 023  | K5601210 | 015  | 034  | K5602940 | 065  | 015  | K5606100 | 067  | 019  | K5608190 | 067  | 032  | K9500120 | 083  | 003  | 4511055  | 111  | 051  |
| KN069C   | 079  | 023  | K5600610 | 113  | 097  | K5601220 | 013  | 006  | K5602950 | 065  | 016  | K5606250 | 031  | 002  | K5608230 | 041  | 023  | K9502521 | 083  | 005  | 4511055  | 115  | 051  |
| KV0236TL | 045  | 052  | K5600640 | 063  | 012  | K5601220 | 015  | 035  | K5602970 | 065  | 017  | K5606440 | 067  | 020  | K5608260 | 047  | 023  | K9530070 | 083  | 004  | 4511056  | 099  | 061  |
| K5600070 | 037  | 033  | K5600670 | 019  | 020  | K5601230 | 013  | 005  | K5602990 | 065  | 018  | K5606440 | 071  | 016  | K5608260 | 049  | 024  | K9530080 | 083  | 006  | 4520020  | 111  | 044  |
| K5600070 | 039  | 035  | K5600670 | 035  | 006  | K5601230 | 015  | 036  | K5603000 | 065  | 019  | K5606500 | 067  | 021  | K5608270 | 047  | 024  | K9530340 | 083  | 007  | 4521021  | 099  | 040  |
| K5600080 | 037  | 034  | K5600690 | 019  | 021  | K5601240 | 027  | 028  | K5603300 | 041  | 022  | K5606500 | 071  | 017  | K5608270 | 049  | 025  | L5610350 | 087  | 004  | 4521021  | 111  | 040  |
| K5600080 | 039  | 036  | K5600690 | 035  | 007  | K5601240 | 029  | 027  | K5603400 | 111  | 095  | K5606510 | 067  | 022  | K5608300 | 033  | 030  | 09905400 | 083  | 008  | 4521021  | 113  | 038  |
| K5600091 | 037  | 035  | K5600730 | 033  | 024  | K5601250 | 023  | 009  | K5603410 | 111  | 096  | K5606510 | 071  | 018  | K5608310 | 033  | 031  | 09905510 | 083  | 009  | 4800601  | 091  | 099  |
| K5600091 | 039  | 037  | K5600750 | 033  | 025  | K5601290 | 033  | 028  | K5603450 | 059  | 005  | K5606520 | 067  | 023  | K5608320 | 033  | 032  | 09915200 | 083  | 010  | 4800606  | 095  | 099  |
| K5600122 | 019  | 019  | K5600760 | 033  | 026  | K5601320 | 023  | 008  | K5603460 | 059  | 004  | K5606520 | 071  | 019  | K5608330 | 033  | 033  | 09968300 | 083  | 014  | 4800611  | 099  | 099  |
| K5600150 | 037  | 036  | K5600770 | 033  | 027  | K5601320 | 025  | 034  | K5603550 | 053  | 012  | K5606530 | 019  | 030  | K5608400 | 067  | 033  | 09968310 | 083  | 014  | 4800616  | 103  | 099  |
| K5600150 | 039  | 038  | K5600780 | 033  | 034  | K5601340 | 031  | 004  | K5603650 | 063  | 013  | K5606580 | 051  | 048  | K5608700 | 013  | 002  | 09970500 | 083  | 012  | 4800617  | 107  | 099  |
| K5600170 | 037  | 037  | K5600790 | 027  | 021  | K5601350 | 019  | 024  | K5603660 | 063  | 014  | K5606610 | 057  | 043  | K5608700 | 015  | 039  | 09970600 | 083  | 013  | 4800620  | 093  | 099  |



# INDEX NUMERIQUE - NUMERICAL INDEX

## TEILENUMMERN-INDEX - INDICE NUMERICO

| Nr      | Page | Rep. | Nr      | Page | Rep. | Nr      | Page | Rep. | Nr       | Page | Rep. | Nr       | Page | Rep. | Nr       | Page | Rep. | Nr       | Page | Rep. | Nr       | Page | Rep. |
|---------|------|------|---------|------|------|---------|------|------|----------|------|------|----------|------|------|----------|------|------|----------|------|------|----------|------|------|
| 4800621 | 097  | 099  | 4803180 | 099  | 021  | 4811101 | 095  | 025  | 4821024  | 101  | 040  | 50013100 | 057  | 001  | 55732900 | 007  | 005  | 55819400 | 015  | 006  | 55903210 | 079  | 002  |
| 4800622 | 101  | 099  | 4803560 | 099  | 001  | 4811101 | 099  | 025  | 4821024  | 105  | 040  | 50014110 | 041  | 002  | 55732900 | 009  | 006  | 55820000 | 013  | 034  | 55903210 | 081  | 003  |
| 4800623 | 105  | 099  | 4805001 | 091  | 002  | 4811101 | 111  | 025  | 4821024  | 109  | 040  | 50017710 | 031  | 045  | 55733000 | 007  | 006  | 55820000 | 015  | 007  | 55903210 | 085  | 004  |
| 4800624 | 109  | 099  | 4805001 | 093  | 002  | 4811112 | 105  | 038  | 4830000  | 111  | 023  | 50017800 | 003  | 001  | 55733000 | 009  | 007  | 55824000 | 051  | 006  | 55903310 | 037  | 011  |
| 4803001 | 091  | 005  | 4805001 | 095  | 002  | 4811112 | 109  | 038  | 4831000  | 111  | 050  | 50017900 | 061  | 033  | 55733100 | 009  | 008  | 55824100 | 051  | 043  | 55903310 | 039  | 011  |
| 4803001 | 095  | 005  | 4805001 | 097  | 002  | 4811113 | 105  | 039  | 4831001  | 103  | 050  | 50019110 | 043  | 002  | 55733200 | 007  | 007  | 55824200 | 051  | 044  | 55903310 | 047  | 004  |
| 4803001 | 099  | 005  | 4805001 | 099  | 002  | 4811113 | 109  | 039  | 4831001  | 107  | 050  | 50019700 | 027  | 003  | 55733300 | 007  | 008  | 55824500 | 051  | 007  | 55903310 | 049  | 006  |
| 4803001 | 111  | 005  | 4805001 | 101  | 002  | 4816605 | 113  | 096  | 4831002  | 091  | 049  | 50019700 | 029  | 002  | 55733410 | 007  | 009  | 55826500 | 051  | 008  | 55903310 | 077  | 003  |
| 4803003 | 091  | 021  | 4805001 | 111  | 002  | 4817605 | 113  | 095  | 4831002  | 093  | 049  | 50019700 | 057  | 002  | 55733410 | 009  | 009  | 55826700 | 031  | 044  | 55903310 | 079  | 003  |
| 4803003 | 093  | 021  | 4805001 | 113  | 002  | 4819601 | 091  | 097  | 4831002  | 095  | 049  | 50019700 | 061  | 032  | 55733500 | 007  | 010  | 55826810 | 033  | 001  | 55903310 | 081  | 004  |
| 4803003 | 095  | 021  | 4805001 | 115  | 002  | 4819601 | 095  | 097  | 4831002  | 097  | 049  | 50030200 | 051  | 041  | 55733600 | 007  | 011  | 55826910 | 033  | 002  | 55903310 | 085  | 005  |
| 4803003 | 097  | 021  | 4805078 | 103  | 002  | 4819601 | 099  | 097  | 4831002  | 101  | 049  | 50030200 | 057  | 003  | 55733600 | 009  | 010  | 55827900 | 031  | 043  | 55908800 | 043  | 007  |
| 4803003 | 101  | 021  | 4805078 | 105  | 002  | 4819621 | 093  | 097  | 4831002  | 103  | 049  | 50030600 | 003  | 002  | 55733700 | 007  | 012  | 55828000 | 033  | 003  | 55911900 | 043  | 008  |
| 4803003 | 103  | 021  | 4805078 | 107  | 002  | 4819621 | 097  | 097  | 4831002  | 105  | 049  | 50030700 | 003  | 003  | 55733700 | 009  | 011  | 55828400 | 033  | 004  | 55912000 | 043  | 009  |
| 4803003 | 105  | 021  | 4805078 | 109  | 002  | 4819621 | 101  | 097  | 4831002  | 107  | 049  | 50065800 | 013  | 040  | 55733800 | 007  | 013  | 55828500 | 033  | 005  | 55912100 | 043  | 010  |
| 4803003 | 107  | 021  | 4805258 | 093  | 051  | 4819623 | 103  | 097  | 4831002  | 109  | 049  | 50065800 | 015  | 001  | 55733800 | 009  | 012  | 55828600 | 031  | 042  | 55913700 | 043  | 038  |
| 4803003 | 109  | 021  | 4805258 | 097  | 051  | 4819623 | 105  | 097  | 4831003  | 091  | 050  | 50066000 | 003  | 004  | 55733910 | 009  | 013  | 55830000 | 031  | 041  | 55921000 | 037  | 012  |
| 4803003 | 115  | 001  | 4805258 | 105  | 051  | 4819623 | 107  | 097  | 4831003  | 093  | 050  | 50066100 | 007  | 003  | 55735610 | 003  | 007  | 55830220 | 023  | 034  | 55921000 | 039  | 012  |
| 4803004 | 111  | 001  | 4805258 | 109  | 051  | 4819623 | 109  | 097  | 4831003  | 095  | 050  | 50066600 | 063  | 003  | 55735700 | 003  | 008  | 55830220 | 025  | 002  | 55930500 | 037  | 013  |
| 4803007 | 091  | 017  | 4805262 | 101  | 051  | 4820100 | 091  | 027  | 4831003  | 097  | 050  | 50066700 | 037  | 004  | 55736510 | 009  | 014  | 55830310 | 023  | 033  | 55930500 | 039  | 013  |
| 4803007 | 095  | 017  | 4808002 | 111  | 012  | 4820100 | 093  | 026  | 4831003  | 101  | 050  | 50066700 | 039  | 004  | 55736610 | 009  | 015  | 55830310 | 025  | 003  | 55932310 | 085  | 006  |
| 4803007 | 099  | 017  | 4808003 | 111  | 013  | 4820100 | 095  | 027  | 4831003  | 105  | 050  | 50067100 | 067  | 003  | 55736700 | 009  | 016  | 55831520 | 041  | 004  | 55932320 | 039  | 014  |
| 4803009 | 113  | 001  | 4808004 | 099  | 012  | 4820100 | 097  | 026  | 4831003  | 109  | 050  | 50067100 | 071  | 002  | 55737010 | 061  | 030  | 55833600 | 033  | 006  | 55932410 | 085  | 007  |
| 4803010 | 113  | 021  | 4808005 | 091  | 013  | 4820100 | 099  | 027  | 50000000 | 027  | 002  | 50067400 | 027  | 012  | 55742700 | 041  | 003  | 55834500 | 061  | 027  | 55932420 | 039  | 015  |
| 4803011 | 113  | 030  | 4808006 | 113  | 012  | 4820100 | 101  | 026  | 50000000 | 029  | 001  | 50067400 | 029  | 003  | 55742700 | 043  | 004  | 55834610 | 085  | 002  | 56001600 | 023  | 032  |
| 4803012 | 093  | 005  | 4808007 | 113  | 015  | 4820100 | 103  | 026  | 50002200 | 065  | 001  | 50067400 | 051  | 001  | 55745700 | 051  | 042  | 55834620 | 049  | 003  | 56001600 | 025  | 004  |
| 4803012 | 097  | 005  | 4808074 | 093  | 012  | 4820100 | 105  | 026  | 50002200 | 067  | 001  | 50067700 | 067  | 004  | 55749800 | 067  | 005  | 55834710 | 085  | 003  | 56019000 | 077  | 004  |
| 4803012 | 101  | 005  | 4808074 | 097  | 012  | 4820100 | 107  | 026  | 50002200 | 069  | 017  | 50067700 | 071  | 003  | 55749800 | 071  | 004  | 55834720 | 049  | 004  | 56039800 | 027  | 005  |
| 4803012 | 103  | 005  | 4808074 | 101  | 012  | 4820100 | 109  | 026  | 50002200 | 071  | 001  | 50068400 | 013  | 039  | 55754900 | 043  | 005  | 55834910 | 019  | 001  | 56039800 | 029  | 005  |
| 4803012 | 105  | 005  | 4808075 | 093  | 018  | 4820100 | 111  | 027  | 50002900 | 037  | 001  | 50068400 | 015  | 002  | 55764900 | 009  | 017  | 55835500 | 031  | 040  | 56046310 | 023  | 031  |
| 4803012 | 107  | 005  | 4808075 | 097  | 018  | 4820101 | 091  | 031  | 50002900 | 039  | 001  | 50071300 | 043  | 003  | 55780320 | 009  | 018  | 55835710 | 005  | 001  | 56046310 | 025  | 005  |
| 4803012 | 109  | 005  | 4808075 | 101  | 018  | 4820101 | 093  | 032  | 50003200 | 037  | 002  | 50080200 | 077  | 001  | 55801500 | 061  | 029  | 55836300 | 027  | 004  | 56046420 | 023  | 030  |
| 4803013 | 093  | 017  | 4808143 | 103  | 018  | 4820101 | 095  | 031  | 50003200 | 039  | 002  | 50080200 | 079  | 001  | 55803400 | 023  | 035  | 55836300 | 029  | 004  | 56046420 | 025  | 006  |
| 4803013 | 097  | 017  | 4808143 | 105  | 018  | 4820101 | 097  | 032  | 50003600 | 061  | 035  | 50080200 | 081  | 002  | 55803400 | 025  | 001  | 55836300 | 057  | 005  | 56063810 | 057  | 006  |
| 4803013 | 101  | 017  | 4808143 | 107  | 018  | 4820101 | 099  | 031  | 50004200 | 037  | 003  | 52239100 | 051  | 003  | 55808300 | 037  | 005  | 55836300 | 061  | 026  | 56063810 | 061  | 025  |
| 4803013 | 103  | 017  | 4808143 | 109  | 018  | 4820101 | 101  | 032  | 50004200 | 039  | 003  | 52239200 | 051  | 004  | 55808300 | 039  | 005  | 55900110 | 037  | 006  | 56115800 | 037  | 014  |
| 4803013 | 105  | 017  | 4808150 | 091  | 012  | 4820101 | 103  | 032  | 50005600 | 041  | 001  | 52505800 | 051  | 005  | 55808300 | 047  | 001  | 55900110 | 039  | 006  | 56115800 | 039  | 016  |
| 4803013 | 107  | 017  | 4808150 | 095  | 012  | 4820101 | 105  | 032  | 50005700 | 061  | 034  | 52528500 | 003  | 005  | 55808300 | 049  | 001  | 55900220 | 037  | 007  | 56115800 | 047  | 005  |
| 4803013 | 109  | 017  | 4808155 | 099  | 013  | 4820101 | 107  | 032  | 50007000 | 043  | 001  | 52801410 | 003  | 006  | 55814900 | 053  | 001  | 55900220 | 039  | 007  | 56115800 | 049  | 007  |
| 4803026 | 097  | 001  | 4808157 | 103  | 012  | 4820101 | 109  | 032  | 50007000 | 063  | 001  | 55700610 | 013  | 038  | 55815000 | 053  | 002  | 55900320 | 037  | 008  | 56115800 | 077  | 005  |
| 4803026 | 109  | 001  | 4808157 | 105  | 012  | 4820101 | 113  | 035  | 50007300 | 065  | 002  | 55700610 | 015  | 003  | 55817600 | 013  | 037  | 55900320 | 039  | 008  | 56115800 | 079  | 004  |
| 4803056 | 091  | 001  | 4808157 | 107  | 012  | 4821000 | 009  | 037  | 50007700 | 007  | 001  | 55724210 | 027  | 001  | 55817600 | 015  | 004  | 55900510 | 037  | 009  | 56115800 | 081  | 005  |
| 4803056 | 103  | 001  | 4808157 | 109  | 012  | 4821021 | 103  | 040  | 50007700 | 009  | 001  | 55724700 | 009  | 003  | 55818000 | 061  | 028  | 55900510 | 039  | 009  | 56115800 | 085  | 009  |
| 4803057 | 095  | 001  | 4811100 | 091  | 007  | 4821021 | 107  | 040  | 50008200 | 063  | 002  | 55728400 | 057  | 004  | 55818200 | 043  | 006  | 55903210 | 037  | 010  | 56145700 | 009  | 019  |
| 4803057 | 107  | 001  | 4811100 | 095  | 007  | 4821024 | 091  | 040  | 50009900 | 007  | 002  | 55728400 | 061  | 031  | 55819210 | 013  | 036  | 55903210 | 039  | 010  | 56145700 | 051  | 009  |
| 4803092 | 093  | 001  | 4811100 | 099  | 007  | 4821024 | 093  | 040  | 50009900 | 009  | 002  | 55732700 | 009  | 004  | 55819210 | 015  | 005  | 55903210 | 047  | 003  | 56185700 | 043  | 011  |
| 4803092 | 105  | 001  | 4811100 | 111  | 007  | 4821024 | 095  | 040  | 50009900 | 009  | 002  | 55732800 | 007  | 004  | 55819210 | 115  | 091  | 55903210 | 049  | 005  | 56207000 | 037  | 015  |
| 4803093 | 101  | 001  | 4811101 | 091  | 025  | 4821024 | 097  | 040  | 50013100 | 033  | 019  | 55732800 | 009  | 005  | 55819400 | 013  | 035  | 55903210 | 077  | 002  | 56207000 | 039  | 017  |



# INDEX NUMERIQUE - NUMERICAL INDEX

## TEILENUMMERN-INDEX - INDICE NUMERICO

| Nr       | Page | Rep. | Nr       | Page | Rep. | Nr       | Page | Rep. | Nr       | Page | Rep. | Nr       | Page | Rep. | Nr       | Page | Rep. | Nr       | Page | Rep. | Nr       | Page | Rep. |
|----------|------|------|----------|------|------|----------|------|------|----------|------|------|----------|------|------|----------|------|------|----------|------|------|----------|------|------|
| 56529000 | 065  | 003  | 59910300 | 083  | 021  | 80061661 | 015  | 011  | 80131225 | 063  | 007  | 80201262 | 049  | 014  | 80251176 | 067  | 013  | 80255070 | 051  | 025  | 80451059 | 091  | 016  |
| 56530110 | 005  | 002  | 59911200 | 083  | 026  | 80061661 | 037  | 019  | 80131232 | 041  | 009  | 80201262 | 077  | 007  | 80251176 | 071  | 011  | 80255071 | 051  | 026  | 80451059 | 093  | 008  |
| 56532500 | 061  | 024  | 59950000 | 083  | 024  | 80061661 | 039  | 021  | 80131232 | 073  | 006  | 80201262 | 079  | 009  | 80251176 | 073  | 008  | 80257055 | 051  | 002  | 80451059 | 095  | 016  |
| 56532700 | 061  | 023  | 59953100 | 083  | 023  | 80061661 | 043  | 018  | 80131255 | 043  | 021  | 80201262 | 081  | 009  | 80251176 | 075  | 007  | 80257078 | 033  | 011  | 80451059 | 097  | 008  |
| 56537400 | 073  | 001  | 80060616 | 077  | 006  | 80061663 | 043  | 019  | 80131620 | 027  | 013  | 80201262 | 085  | 008  | 80251225 | 067  | 014  | 80257078 | 061  | 013  | 80451059 | 101  | 008  |
| 56540200 | 031  | 039  | 80060616 | 079  | 005  | 80061663 | 047  | 009  | 80131620 | 029  | 007  | 80201290 | 021  | 004  | 80251225 | 071  | 012  | 80258070 | 041  | 012  | 80451059 | 103  | 008  |
| 56540200 | 063  | 004  | 80060620 | 081  | 006  | 80061663 | 049  | 011  | 80131625 | 063  | 008  | 80201290 | 055  | 003  | 80251331 | 053  | 008  | 80258071 | 041  | 013  | 80451059 | 105  | 008  |
| 56541100 | 023  | 029  | 80060820 | 009  | 021  | 80061666 | 057  | 011  | 80131640 | 041  | 010  | 80201291 | 017  | 001  | 80251331 | 063  | 011  | 80258075 | 041  | 014  | 80451059 | 107  | 008  |
| 56541100 | 025  | 007  | 80060820 | 069  | 014  | 80061690 | 059  | 012  | 80131650 | 047  | 011  | 80201291 | 021  | 005  | 80251331 | 067  | 015  | 80281220 | 043  | 024  | 80451059 | 109  | 008  |
| 56548700 | 051  | 010  | 80060826 | 031  | 038  | 80062060 | 031  | 035  | 80131650 | 049  | 013  | 80201630 | 003  | 010  | 80251331 | 071  | 013  | 80281220 | 061  | 012  | 80451059 | 111  | 016  |
| 56549000 | 041  | 005  | 80060826 | 079  | 006  | 80071232 | 067  | 002  | 80200630 | 079  | 008  | 80201630 | 031  | 031  | 80251338 | 057  | 016  | 80281254 | 037  | 027  | 80500428 | 027  | 017  |
| 56549000 | 043  | 012  | 80060826 | 081  | 015  | 80080626 | 073  | 004  | 80200630 | 081  | 008  | 80201630 | 033  | 009  | 80251624 | 005  | 004  | 80281254 | 039  | 029  | 80500432 | 013  | 021  |
| 56549100 | 041  | 006  | 80061016 | 073  | 002  | 80081075 | 031  | 034  | 80200830 | 031  | 032  | 80201630 | 041  | 011  | 80251625 | 013  | 026  | 80281254 | 043  | 025  | 80500432 | 015  | 020  |
| 56549100 | 043  | 013  | 80061016 | 075  | 005  | 80110806 | 057  | 012  | 80200840 | 067  | 008  | 80201630 | 043  | 022  | 80251625 | 015  | 015  | 80281254 | 047  | 014  | 80500432 | 029  | 011  |
| 56549200 | 043  | 014  | 80061026 | 053  | 003  | 80110806 | 061  | 019  | 80200840 | 071  | 006  | 80201630 | 047  | 013  | 80251631 | 037  | 026  | 80281254 | 049  | 016  | 80500432 | 031  | 025  |
| 56559100 | 061  | 022  | 80061026 | 073  | 003  | 80130812 | 063  | 005  | 80200851 | 069  | 012  | 80201630 | 049  | 015  | 80251631 | 039  | 028  | 80281600 | 003  | 011  | 80500445 | 027  | 018  |
| 56566130 | 043  | 015  | 80061046 | 023  | 027  | 80130820 | 019  | 003  | 80200890 | 055  | 001  | 80201630 | 057  | 014  | 80251631 | 047  | 015  | 80281639 | 013  | 024  | 80500445 | 029  | 012  |
| 56568500 | 013  | 033  | 80061046 | 025  | 009  | 80130820 | 053  | 005  | 80200891 | 021  | 001  | 80201630 | 061  | 017  | 80251631 | 051  | 015  | 80281639 | 015  | 017  | 80500451 | 031  | 024  |
| 56568500 | 015  | 008  | 800612A5 | 043  | 039  | 80131017 | 009  | 022  | 80201030 | 067  | 009  | 80201640 | 013  | 028  | 80251631 | 061  | 015  | 80281639 | 041  | 015  | 80500541 | 023  | 022  |
| 56568500 | 037  | 016  | 80061220 | 013  | 031  | 80131020 | 019  | 004  | 80201030 | 071  | 007  | 80201640 | 015  | 013  | 80251728 | 031  | 029  | 80281639 | 043  | 026  | 80500541 | 025  | 014  |
| 56568500 | 039  | 018  | 80061220 | 015  | 010  | 80131020 | 053  | 006  | 80201040 | 019  | 008  | 80201640 | 037  | 025  | 80251930 | 057  | 017  | 80281639 | 049  | 017  | 80560540 | 077  | 008  |
| 56568500 | 047  | 006  | 80061220 | 043  | 017  | 80131020 | 067  | 006  | 80201040 | 035  | 002  | 80201640 | 039  | 027  | 80251930 | 061  | 014  | 80282045 | 013  | 023  | 80561155 | 003  | 012  |
| 56568500 | 049  | 008  | 80061220 | 047  | 007  | 80131026 | 019  | 005  | 80201040 | 037  | 021  | 80201640 | 051  | 014  | 80253041 | 031  | 028  | 80282045 | 015  | 018  | 80561760 | 003  | 013  |
| 56568500 | 061  | 021  | 80061220 | 049  | 009  | 80131026 | 031  | 033  | 80201040 | 039  | 023  | 80201640 | 061  | 016  | 80253042 | 029  | 009  | 80299010 | 007  | 016  | 80570476 | 005  | 003  |
| 56572600 | 037  | 017  | 80061225 | 057  | 007  | 80131026 | 035  | 001  | 80201040 | 065  | 008  | 80201670 | 013  | 027  | 80253042 | 051  | 016  | 80370408 | 013  | 022  | 80583000 | 059  | 010  |
| 56572600 | 039  | 019  | 80061225 | 079  | 007  | 80131220 | 009  | 023  | 80201040 | 067  | 010  | 80201670 | 015  | 014  | 80253044 | 031  | 027  | 80370408 | 015  | 019  | 80583500 | 009  | 028  |
| 56572600 | 041  | 007  | 80061225 | 081  | 007  | 80131220 | 019  | 006  | 80201040 | 069  | 011  | 80201670 | 027  | 014  | 80253046 | 067  | 016  | 80370408 | 053  | 009  | 80583500 | 051  | 027  |
| 56572600 | 043  | 016  | 80061231 | 037  | 018  | 80131220 | 047  | 010  | 80201040 | 071  | 008  | 80201670 | 029  | 008  | 80253046 | 071  | 014  | 80370415 | 019  | 009  | 80584000 | 031  | 023  |
| 56572600 | 051  | 011  | 80061231 | 039  | 020  | 80131220 | 049  | 012  | 80201040 | 073  | 007  | 80201670 | 057  | 015  | 80253146 | 027  | 015  | 80370415 | 067  | 018  | 80584000 | 033  | 013  |
| 56586600 | 019  | 002  | 80061231 | 047  | 008  | 80131220 | 051  | 013  | 80201040 | 075  | 006  | 80201670 | 061  | 018  | 80253248 | 067  | 017  | 80450320 | 031  | 026  | 80584000 | 051  | 028  |
| 57525600 | 013  | 032  | 80061231 | 049  | 010  | 80131220 | 063  | 006  | 80201090 | 021  | 002  | 80202040 | 031  | 030  | 80253248 | 071  | 015  | 80450631 | 033  | 020  | 80584500 | 013  | 020  |
| 57525600 | 015  | 009  | 80061245 | 025  | 010  | 80131220 | 065  | 004  | 80201090 | 055  | 002  | 80209010 | 007  | 014  | 80253556 | 051  | 017  | 80450645 | 033  | 012  | 80584500 | 015  | 021  |
| 57721600 | 069  | 016  | 80061249 | 023  | 026  | 80131220 | 065  | 007  | 80201091 | 021  | 003  | 80250823 | 079  | 010  | 80254040 | 051  | 018  | 80450650 | 029  | 010  | 80585000 | 059  | 009  |
| 58722600 | 009  | 020  | 80061258 | 053  | 004  | 80131220 | 067  | 007  | 80201230 | 053  | 007  | 80250823 | 081  | 010  | 80254041 | 051  | 019  | 80450660 | 027  | 016  | 80590000 | 041  | 016  |
| 58733700 | 059  | 013  | 80061634 | 057  | 008  | 80131220 | 069  | 013  | 80201230 | 063  | 009  | 80250970 | 067  | 011  | 80254042 | 051  | 020  | 80450666 | 059  | 011  | 80590001 | 043  | 027  |
| 58742110 | 023  | 028  | 80061641 | 057  | 009  | 80131220 | 071  | 005  | 80201237 | 037  | 022  | 80250970 | 071  | 009  | 80254043 | 033  | 010  | 80451057 | 093  | 016  | 80590002 | 043  | 028  |
| 58742110 | 025  | 008  | 80061646 | 031  | 037  | 80131220 | 073  | 005  | 80201237 | 039  | 024  | 80251021 | 009  | 024  | 80254043 | 043  | 023  | 80451057 | 097  | 016  | 80590008 | 033  | 014  |
| 59002600 | 027  | 006  | 80061646 | 033  | 007  | 80131225 | 013  | 029  | 80201240 | 023  | 024  | 80251032 | 065  | 009  | 80254054 | 051  | 021  | 80451057 | 101  | 016  | 80593000 | 057  | 018  |
| 59002600 | 029  | 006  | 80061646 | 057  | 010  | 80131225 | 015  | 012  | 80201240 | 025  | 012  | 80251127 | 023  | 023  | 80254055 | 007  | 015  | 80451057 | 103  | 016  | 80593000 | 061  | 011  |
| 59402900 | 069  | 015  | 80061647 | 031  | 036  | 80131225 | 019  | 007  | 80201240 | 063  | 010  | 80251127 | 025  | 013  | 80254055 | 009  | 026  | 80451057 | 105  | 016  | 80596200 | 009  | 029  |
| 59900000 | 083  | 015  | 80061647 | 033  | 008  | 80131225 | 023  | 025  | 80201240 | 065  | 005  | 80251127 | 065  | 006  | 80254552 | 009  | 027  | 80451057 | 107  | 016  | 80596200 | 051  | 029  |
| 59900200 | 083  | 016  | 80061659 | 041  | 008  | 80131225 | 025  | 011  | 80201253 | 037  | 023  | 80251127 | 065  | 010  | 80254556 | 013  | 025  | 80451057 | 109  | 016  | 80597200 | 047  | 016  |
| 59900400 | 083  | 017  | 80061659 | 051  | 012  | 80131225 | 037  | 020  | 80201253 | 039  | 025  | 80251127 | 067  | 012  | 80254556 | 015  | 016  | 80451058 | 091  | 008  | 80597200 | 049  | 018  |
| 59900600 | 083  | 018  | 80061659 | 061  | 020  | 80131225 | 039  | 022  | 80201262 | 037  | 024  | 80251127 | 069  | 010  | 80255062 | 051  | 022  | 80451058 | 095  | 008  | 80598000 | 051  | 030  |
| 59900800 | 083  | 019  | 80061661 | 003  | 009  | 80131225 | 043  | 020  | 80201262 | 039  | 026  | 80251127 | 071  | 010  | 80255067 | 051  | 023  | 80451058 | 099  | 008  | 80598500 | 013  | 019  |
| 59901100 | 083  | 020  | 80061661 | 013  | 030  | 80131225 | 057  | 013  | 80201262 | 047  | 012  | 80251176 | 009  | 025  | 80255068 | 051  | 024  | 80451058 | 111  | 008  | 80598500 | 015  | 022  |



# INDEX NUMERIQUE - NUMERICAL INDEX TEILENUMMERN-INDEX - INDICE NUMERICO

| Nr       | Page | Rep. | Nr       | Page | Rep. | Nr       | Page | Rep. | Nr       | Page | Rep. | Nr | Page | Rep. | Nr | Page | Rep. | Nr | Page | Rep. |  |
|----------|------|------|----------|------|------|----------|------|------|----------|------|------|----|------|------|----|------|------|----|------|------|--|
| 80599000 | 033  | 015  | 82060035 | 057  | 025  | 83040005 | 057  | 028  | 83450005 | 079  | 016  |    |      |      |    |      |      |    |      |      |  |
| 80599000 | 057  | 019  | 82060048 | 007  | 022  | 83040010 | 051  | 040  | 83450005 | 081  | 017  |    |      |      |    |      |      |    |      |      |  |
| 80599000 | 059  | 008  | 82060048 | 009  | 034  | 83040010 | 057  | 029  | 83450019 | 077  | 011  |    |      |      |    |      |      |    |      |      |  |
| 80599000 | 061  | 010  | 82060050 | 037  | 028  | 83040059 | 053  | 011  | 83450019 | 079  | 017  |    |      |      |    |      |      |    |      |      |  |
| 81003566 | 009  | 030  | 82060050 | 039  | 030  | 83040158 | 013  | 015  | 83450019 | 081  | 018  |    |      |      |    |      |      |    |      |      |  |
| 81003572 | 051  | 031  | 82060050 | 043  | 036  | 83040158 | 015  | 026  | 83503018 | 077  | 012  |    |      |      |    |      |      |    |      |      |  |
| 81003584 | 043  | 029  | 82060057 | 007  | 023  | 83050010 | 009  | 036  | 83503018 | 079  | 012  |    |      |      |    |      |      |    |      |      |  |
| 81004082 | 031  | 022  | 82062024 | 037  | 029  | 83070063 | 003  | 015  | 83503018 | 081  | 012  |    |      |      |    |      |      |    |      |      |  |
| 81004095 | 057  | 020  | 82062024 | 039  | 031  | 83090037 | 073  | 009  | 83503019 | 077  | 013  |    |      |      |    |      |      |    |      |      |  |
| 81004096 | 033  | 016  | 82063034 | 037  | 030  | 83090038 | 073  | 010  | 83503019 | 079  | 013  |    |      |      |    |      |      |    |      |      |  |
| 81004505 | 041  | 017  | 82063034 | 039  | 032  | 83090039 | 073  | 011  | 83503019 | 081  | 013  |    |      |      |    |      |      |    |      |      |  |
| 81004505 | 043  | 030  | 82064350 | 057  | 026  | 83090042 | 019  | 011  | 83503026 | 077  | 014  |    |      |      |    |      |      |    |      |      |  |
| 81004507 | 041  | 018  | 82101622 | 037  | 031  | 83090043 | 019  | 012  | 83503026 | 079  | 014  |    |      |      |    |      |      |    |      |      |  |
| 81004507 | 043  | 031  | 82101622 | 039  | 033  | 83090058 | 031  | 020  | 83503026 | 081  | 014  |    |      |      |    |      |      |    |      |      |  |
| 81004587 | 013  | 018  | 82102732 | 037  | 032  | 83090061 | 019  | 013  | 9006600  | 081  | 001  |    |      |      |    |      |      |    |      |      |  |
| 81004587 | 015  | 023  | 82102732 | 039  | 034  | 83090086 | 013  | 014  |          |      |      |    |      |      |    |      |      |    |      |      |  |
| 81005091 | 059  | 007  | 82131824 | 009  | 035  | 83090086 | 015  | 027  |          |      |      |    |      |      |    |      |      |    |      |      |  |
| 81005096 | 043  | 032  | 82131824 | 043  | 037  | 83090202 | 019  | 014  |          |      |      |    |      |      |    |      |      |    |      |      |  |
| 81005524 | 043  | 033  | 82131824 | 051  | 037  | 83090205 | 019  | 015  |          |      |      |    |      |      |    |      |      |    |      |      |  |
| 81103575 | 047  | 017  | 82155078 | 027  | 019  | 83090596 | 079  | 011  |          |      |      |    |      |      |    |      |      |    |      |      |  |
| 81103575 | 049  | 019  | 82200800 | 013  | 017  | 83090596 | 081  | 011  |          |      |      |    |      |      |    |      |      |    |      |      |  |
| 81103578 | 051  | 032  | 82200800 | 015  | 024  | 83101797 | 051  | 045  |          |      |      |    |      |      |    |      |      |    |      |      |  |
| 81103578 | 057  | 021  | 82200804 | 003  | 014  | 83111683 | 033  | 018  |          |      |      |    |      |      |    |      |      |    |      |      |  |
| 81104588 | 057  | 022  | 82200910 | 023  | 021  | 83200801 | 019  | 016  |          |      |      |    |      |      |    |      |      |    |      |      |  |
| 81124090 | 057  | 023  | 82200910 | 025  | 015  | 83200803 | 019  | 017  |          |      |      |    |      |      |    |      |      |    |      |      |  |
| 81124090 | 061  | 009  | 82200910 | 087  | 003  | 83200808 | 013  | 013  |          |      |      |    |      |      |    |      |      |    |      |      |  |
| 81303062 | 051  | 033  | 82200910 | 089  | 001  | 83200808 | 015  | 028  |          |      |      |    |      |      |    |      |      |    |      |      |  |
| 81303562 | 027  | 007  | 82230000 | 057  | 027  | 83240010 | 073  | 012  |          |      |      |    |      |      |    |      |      |    |      |      |  |
| 81303562 | 029  | 013  | 82230017 | 051  | 038  | 83240013 | 073  | 013  |          |      |      |    |      |      |    |      |      |    |      |      |  |
| 81304079 | 051  | 034  | 82300026 | 023  | 020  | 83240014 | 083  | 022  |          |      |      |    |      |      |    |      |      |    |      |      |  |
| 81304585 | 007  | 017  | 82300026 | 025  | 016  | 83240205 | 075  | 002  |          |      |      |    |      |      |    |      |      |    |      |      |  |
| 81304585 | 009  | 031  | 82301214 | 023  | 017  | 83240206 | 075  | 003  |          |      |      |    |      |      |    |      |      |    |      |      |  |
| 81305080 | 027  | 008  | 82301214 | 025  | 017  | 83240207 | 075  | 008  |          |      |      |    |      |      |    |      |      |    |      |      |  |
| 81305080 | 029  | 014  | 83012225 | 033  | 017  | 83240208 | 075  | 004  |          |      |      |    |      |      |    |      |      |    |      |      |  |
| 81306500 | 007  | 018  | 83013034 | 031  | 021  | 83240212 | 073  | 014  |          |      |      |    |      |      |    |      |      |    |      |      |  |
| 81306500 | 009  | 032  | 83013034 | 059  | 006  | 83240400 | 073  | 015  |          |      |      |    |      |      |    |      |      |    |      |      |  |
| 81309011 | 007  | 019  | 83013539 | 023  | 014  | 83240401 | 073  | 016  |          |      |      |    |      |      |    |      |      |    |      |      |  |
| 81434060 | 051  | 035  | 83013539 | 025  | 018  | 83240404 | 073  | 017  |          |      |      |    |      |      |    |      |      |    |      |      |  |
| 82014073 | 041  | 019  | 83013539 | 089  | 002  | 83300105 | 027  | 009  |          |      |      |    |      |      |    |      |      |    |      |      |  |
| 82014073 | 043  | 034  | 83014550 | 027  | 020  | 83300105 | 029  | 017  |          |      |      |    |      |      |    |      |      |    |      |      |  |
| 82014080 | 051  | 036  | 83014550 | 029  | 016  | 83300106 | 027  | 010  |          |      |      |    |      |      |    |      |      |    |      |      |  |
| 82015080 | 057  | 024  | 83015562 | 013  | 016  | 83300106 | 029  | 018  |          |      |      |    |      |      |    |      |      |    |      |      |  |
| 82015882 | 029  | 015  | 83015562 | 015  | 025  | 83300107 | 027  | 011  |          |      |      |    |      |      |    |      |      |    |      |      |  |
| 82016086 | 007  | 020  | 83030014 | 003  | 016  | 83300107 | 029  | 019  |          |      |      |    |      |      |    |      |      |    |      |      |  |
| 82016086 | 009  | 033  | 83030015 | 019  | 010  | 83450003 | 077  | 009  |          |      |      |    |      |      |    |      |      |    |      |      |  |
| 82019918 | 007  | 021  | 83030018 | 053  | 010  | 83450003 | 079  | 015  |          |      |      |    |      |      |    |      |      |    |      |      |  |
| 82060022 | 041  | 020  | 83030020 | 061  | 008  | 83450003 | 081  | 016  |          |      |      |    |      |      |    |      |      |    |      |      |  |
| 82060022 | 043  | 035  | 83040002 | 051  | 039  | 83450005 | 077  | 010  |          |      |      |    |      |      |    |      |      |    |      |      |  |



## **EXTRAIT DES CONDITIONS DE GARANTIE ET CONDITIONS SPECIFIQUES PIECES DE RECHANGE**

Nous garantissons notre matériel durant une année à partir du jour de livraison, c'est-à-dire que nous nous engageons à rembourser les pièces qui auront été reconnues défectueuses en nos usines, par notre service technique.

Bien entendu, la garantie ne s'applique pas en cas d'usure normale, ni en cas de détériorations résultant de négligences ou de défauts de surveillance, d'un mauvais usage, d'un manque d'entretien ou d'un accident. La garantie ne s'applique pas non plus si la machine a été prêtée ou utilisée pour un usage non conforme à sa destination prévue par la société.

La garantie ne s'applique pas aux pièces d'usure.

Les pièces de rechange sont soumises aux mêmes conditions de garantie que le matériel sous réserve qu'elles aient été montées selon les règles de l'art et utilisées conformément à nos recommandations.

## **EXTRACT FROM OUR CONDITIONS OF LIMITED WARRANTY AND SPARE PARTS WARRANTY POLICY**

Our equipment is warranted for a period of one year from the date of delivery. We guarantee the reimbursement of all parts proven to be faulty by our technical division in material or manufacturing.

The warranty is not applicable in the following cases : normal wear, accident or negligence in operation, repairs using parts other than genuine KUHN parts, products altered or modified without the expressed permission of the company or if the machine is not used and serviced in accordance with the recommendations of the operator's manual. Wearing items are not covered under these conditions of limited warranty.

Spare parts are subject to the same warranty conditions than the equipment providing they have been installed with proficiency and are used in accordance with our recommendations.

## **AUSZUG AUS UNSEREN GARANTIEBEDINGUNGEN UND SONDERBEDINGUNGEN FÜR ERSATZTEILE**

Wir garantieren unsere Ware für ein Jahr ab dem Tag der Lieferung und verpflichten uns, die Teile zu ersetzen, die im Werk als fehlerhaft anerkannt wurden.

Die Garantie ist ausgeschlossen für Teile, die einem normalen Verschleiß unterliegen, sowie im Fall von nachlässiger Behandlung oder mangelhafter Wartung oder eines Unfalls. Die Garantie erlischt auch, wenn die Maschine ausgeliehen oder unter Umständen eingesetzt wurde, die dem ursprünglichen Verwendungszweck und den Hinweisen in der Betriebsanleitung nicht entsprechen.

Verschleißteile sind von der Garantie ausgeschlossen

Ersatzteile unterliegen den gleichen Garantiebedingungen wie komplette Maschinen, vorausgesetzt, dass sie sachgerecht eingebaut und entsprechend unseren Empfehlungen verwendet wurden.

## **ESTRATTO DELLE CONDIZIONI DI GARANZIA E CONDIZIONI SPECIFICHE GARANZIA RICAMBI**

Le nostre macchine sono garantite per un anno a partire dal giorno della consegna: ci impegnamo a rimborsare i componenti che saranno riconosciuti difettosi dai nostri servizi tecnici presso le nostre officine.

La garanzia non è applicabile nei seguenti casi: usura normale, incidente o negligenza nell'impiego, riparazioni utilizzando ricambi non originali KUHN, prodotti alterati o modificati senza il permesso dell'azienda. La garanzia non viene riconosciuta se la macchina è stata prestata o non è utilizzata o mantenuta in conformità alle raccomandazioni previste dalla società. La garanzia non copre i componenti soggetti ad usura.

I pezzi di ricambio sono soggetti agli stessi termini di garanzia della macchina, purchè siano stati installati con competenza e utilizzati conformemente alle nostre raccomandazioni.



**Pour votre sécurité et le bon fonctionnement de votre machine,  
utilisez uniquement des pièces d'origine KUHN**

---

**For your safety and to get the best from your machine,  
use only genuine KUHN parts**

---

**Zu ihrer Sicherheit und zur einwandfreien Funktion Ihrer  
Maschine sollten Sie nur Original-KUHN-Ersatzteile verwenden**

---

**Per la vostra sicurezza, e per il buon funzionamento della vostra macchina,  
usate esclusivamente i ricambi originali KUHN**

**KUHN PARTS Parc de la Faisanderie F - 67700 MONSWILLER (FRANCE)  
[www.kuhn.com](http://www.kuhn.com)**

Imprimé en France par KUHN  
Printed in France by KUHN