

Pièces de rechange
Spare parts list
Ersatzteilliste
Catalogo Pezzi di Ricambio



Faucheuse-Conditionneuse
Mower Conditioner
Mähknickzetter
Falciacondizionatrice



D 00001 > E 00000

FC353 RGC NV (NA)





SIGNES CODIFIÉS - STANDARD SYMBOLS - SYMBOLE - SIMBOLI CODIFICATI

| | |
|------------|--------------------------------------|
| OPT | Equipement optionnel |
| STD | Equipement livré de série |
| ESP | Equipement livré suivant pays |
| : | Pour ... |
| > | De ... à ... |
| RPL | Remplace ... |
| ∅ | Diamètre |
| > < | Epaisseur |
| <-> | Longueur |
| <m> | Vendu au mètre |
| Q? | Quantité selon besoin |
| * | Voir note |
| [n] | Composant d'un assemblage |
| + [n] | Assemblage comprenant les pièces [n] |
| <-] | Pièce gauche |
| [-> | Pièce droite |

| | |
|------------|---|
| OPT | Optional equipment |
| STD | Equipment supplied as standard |
| ESP | Equipment supplied for specific countries |
| : | For ... |
| > | From ... to ... |
| RPL | Replaces ... |
| ∅ | Diameter |
| > < | Thickness |
| <-> | Length |
| <m> | Sold by the metre |
| Q? | Quantity as required |
| * | See note |
| [n] | Items making up assembly |
| + [n] | Assembly made up by items [n] |
| <-] | Left part |
| [-> | Right part |

| | |
|------------|---|
| OPT | Sonderausrüstung |
| STD | Serienausrüstung |
| ESP | Länderabhängige Ausrüstung |
| : | Für ... |
| > | Von ... bis ... |
| RPL | Ersetzt ... |
| ∅ | Durchmesser |
| > < | Stärke |
| <-> | Länge |
| <m> | Meterware |
| Q? | Stückzahl nach Bedarf |
| * | Siehe Nota |
| [n] | Teil einer Baugruppe |
| + [n] | Baugruppe bestehend aus den mit [n] bezeichneten Teilen |
| <-] | Links Teil |
| [-> | Rechts Teil |

| | |
|------------|---------------------------------------|
| OPT | Attrezzatura opzionale |
| STD | Attrezzatura fornita di serie |
| ESP | Attrezzatura fornita secondo il paese |
| : | Per ... |
| > | Da ... A ... |
| RPL | Sostituisce ... |
| ∅ | Diametro |
| > < | Spessore |
| <-> | Lunghezza |
| <m> | venduto a metro |
| Q? | Quantità richiesta |
| * | Vedi nota |
| [n] | Componente di un assieme |
| + [n] | Assieme comprendente i componenti [n] |
| <-] | Sx componente |
| [-> | Dx componente |

POUR COMMANDER DES PIÈCES DE RECHANGE, VEUILLEZ INDIQUER:

- Le numéro de fabrication de la machine
- Le numéro de la pièce
- La quantité désirée

WHEN ORDERING SERVICE-PARTS, WILL YOU PLEASE MENTION:

- The machine type and serial number
- The part number
- The quantity of parts

BEI DER BESTELLUNG VON ERSATZTEILEN IMMER ANGEBEN:

- Die Seriennummer der Maschine
- Die Nummer des Teiles
- Die gewünschte Stückzahl

NELL'ORDINARE I RICAMBI, SI PREGA DI INDICARE:

- Il tipo ed il numero di serie della macchina
- Il codice del componente
- La quantità desiderata

- Toutes les pièces détachées et sous-ensembles sont à commander au magasin pièces de rechange.
- **Les équipements optionnels (OPT)** ainsi que les **notices d'instructions** sont à commander auprès des **services commerciaux**.
- Service parts and service part assemblies are to be ordered through the spare parts department.
- **Optional equipment (OPT)** and **assembly operator's manuals** should be ordered through the **wholegood sales department**.
- Bestellungen für Ersatzteile und Baugruppen sind an die Ersatzteilabteilung zu richten.
- **Sonderausrüstungen (OPT)** sowie **Montage- und Betriebsanleitungen**, bestellen Sie bitte bei der **Verkaufsabteilung für Maschinen**.
- I ricambi e i sotto-assiemi devono essere ordinati al Magazzino Ricambi.
- **Le attrezzature opzionali (OPT)** ed i **manuali dell'operatore** devono essere ordinati al **Servizio Commerciale**.

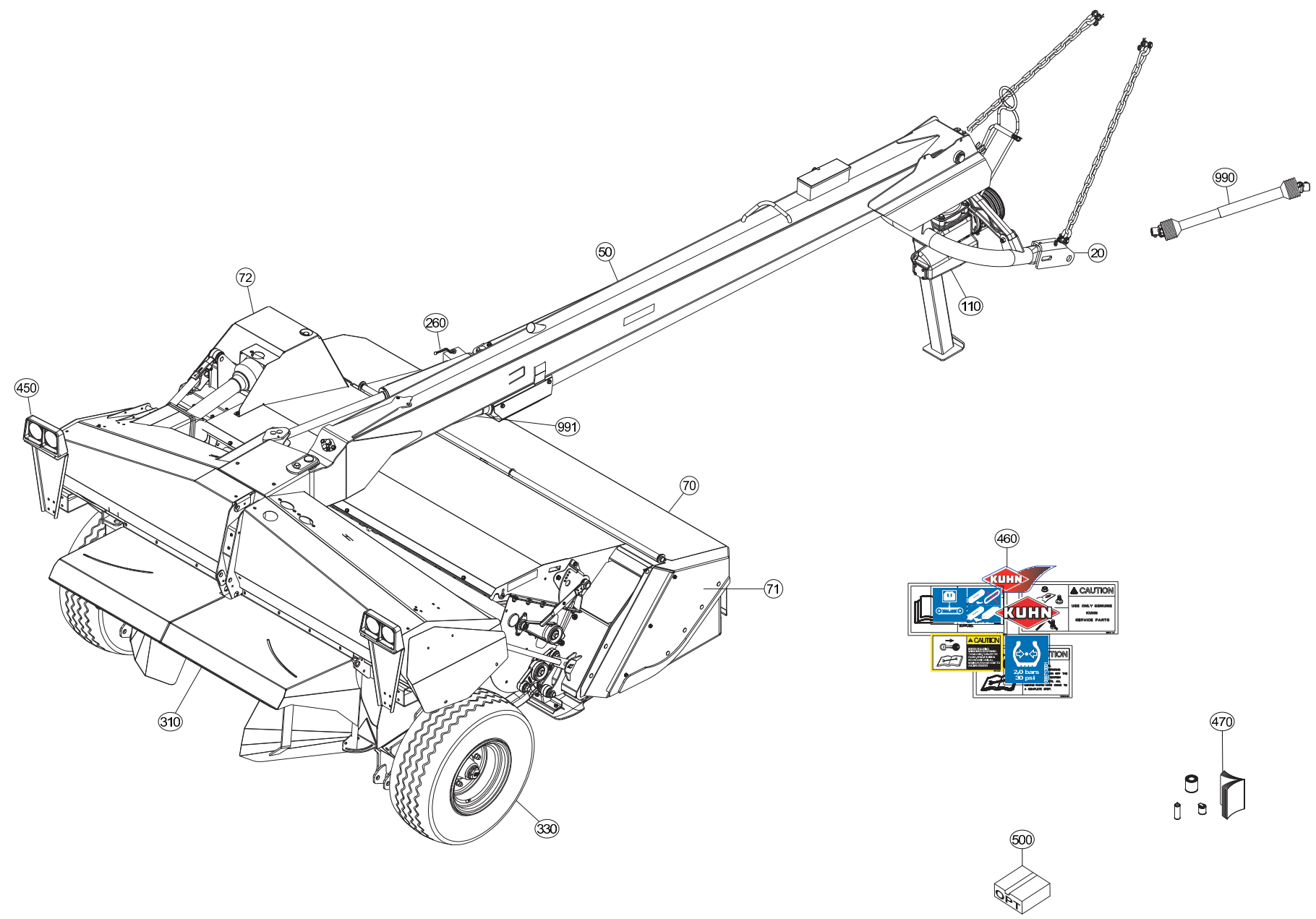




TABLE DES MATIERES - TABLE OF CONTENTS - INHALTSVERZEICHNIS - INDICE

K56R0333 D

Catalogue P.D.R. - Spare parts list - Ersatzteilliste - Pezzi di Ricambio :

KR078DTL D

Annule et remplace - Cancels and replaces - Annulliert und ersetzt - Annulla e sostituisce :

KR078DTL C

| Grp | Page | Opt | Groupe de pièces | Parts group index | Teilegruppe | Gruppo di parti |
|-----|------|-----|------------------------------|-----------------------------|--------------------------------|-----------------------------|
| 020 | 003 | | ATTELAGE | HITCH | ANBAUBOCK | ATTACCO |
| 020 | 005 | | CHAINES DE LIMITATION | LIMITER CHAINS | BEGRENZUNGSKETTEN | CATENE LIMITAZIONE |
| 110 | 007 | | CARTER GIRODYNE SUPÉRIEUR | UPPER GIRODYNE GEARCASE | GIRODYNE SCHWENKGETRIEBE UNTEN | CARTER GIRODYNE SUPERIORE |
| 110 | 009 | | CARTER GIRODYNE INFÉRIEUR | LOWER GIRODYNE GEARCASE | GIRODYNE SCHWENKGETRIEBE OBEN | CARTER GIRODYNE INFERIORE |
| 110 | 013 | | CARTER GIRODYNE INFÉRIEUR | LOWER GIRODYNE GEARCASE | GIRODYNE SCHWENKGETRIEBE OBEN | CARTER GIRODYNE INFERIORE |
| 050 | 015 | | TIMON GIRODYNE | GYRODINE HITCH DRAWBAR | ZUGDEICHSEL GIRODYNE | BARRA DI ATTACCO GIRODYNE |
| 050 | 017 | | TIMON GIRODYNE | GYRODINE HITCH DRAWBAR | ZUGDEICHSEL GIRODYNE | BARRA DI ATTACCO GIRODYNE |
| 050 | 019 | | CHASSIS | FRAME | RAHMEN | TELAIO |
| 050 | 021 | | CHASSIS | FRAME | RAHMEN | TELAIO |
| 260 | 023 | | HYDRAULIQUE | HYDRAULIC | HYDRAULIK | IDRAULICO |
| 330 | 025 | | ROUES | WHEELS | RAEDER | RUOTE |
| 050 | 027 | | SYSTEME D'ALLÈGEMENT | SUSPENSION SYSTEM | ENTLASTUNGSSYSTEM | SISTEMA DELLE SOSPENSIONI |
| 110 | 029 | | ENTRAINEMENT (PALIER) | DRIVE (BEARING) | ANTRIEB (LAGERUNG) | TRASCINAMENTO (CUSCINETTO) |
| 110 | 031 | | ENTRAINEMENT (PALIER) | DRIVE (BEARING) | ANTRIEB (LAGERUNG) | TRASCINAMENTO (CUSCINETTO) |
| 050 | 033 | | BIELLE | PULL BAR | LENKER | BIELLA |
| 050 | 035 | | PORTE DISQUES | CUTTERBAR | MÄHBALEN | PORTADISCO |
| 110 | 037 | | BARRE ANTI-COUPLE | ANTI-TORQUE BAR | DREHMOMENTSTUETZE | ARRA-TUBO |
| 050 | 039 | | PALIER EXTERIEUR | OUTER BEARING CARRIER | ÄUSSERES LAGERGEHÄUSE | SUPPORTO CUSCINETTO ESTERNO |
| 110 | 041 | | CARTER LATÉRAL | SIDE GEARBOX | SEITENGETRIEBE | RIDUTTORE LATERALE |
| 050 | 043 | | TUBE PORTEUR | SUPPORT TUBE | TRAGROHR | TUBO SUPPORTO |
| 050 | 045 | | CAISSON | COVER | ABDECKHAUBE | CASSONCINO |
| 110 | 047 | | ENTRAINEMENT DES ROULEAUX | ROLL DRIVE | QUETSCHWALZENANTRIEB | TRASMISSIONE A RULLI |
| 110 | 049 | | TENDEUR | TENSIONER | SPANNER | TENDITORE |
| 310 | 051 | | ROULEAUX | ROLLERS | QUETSCHWALZEN | RULLI |
| 050 | 053 | | CAISSON | COVER | ABDECKHAUBE | CASSONCINO |
| 070 | 055 | | CAPOTS (ARRIERE) | BONNETS (REAR) | HAUBEN (HINTEN) | COFANI (POSTERIORE) |
| 072 | 057 | | PROTECTEUR (GAUCHE) | SAFETY GUARDS (LEFT) | SCHUTZVORRICHTUNG (LINKS) | PARAPETTI (SX) |
| 070 | 059 | | PROTECTEURS | SAFETY GUARDS | SCHUTZVORRICHTUNGEN | PARAPETTI |
| 071 | 061 | | PROTECTEUR (DROIT) | SAFETY GUARDS (RIGHT) | SCHUTZVORRICHTUNG (RECHTS) | PARAPETTI (DX) |
| 450 | 063 | | SIGNALISATION | SIGNALLING | BELEUCHTUNG U.WARNTAFELN | SEGNALAZIONE |
| 470 | 065 | | DIVERS | MISCELLANEOUS | VERSCHIEDENES | VARIE |
| 470 | 067 | | DIVERS | MISCELLANEOUS | VERSCHIEDENES | VARIE |
| 460 | 069 | | COLL.ETIQUETTES ADHESIVES | SET OF STICKERS | SATZ AUFKLEBER | SERIE ADESIVI |
| 500 | 071 | OPT | VERIN HYDR.REGLAGE TIMON | SET HYDRAULIC CYLINDER | BAUSATZ HYDRAULIKZYLINDER | PISTONE PREASSEMBLATO |
| 500 | 073 | OPT | COLL.SUPPORT TRIANGLE SMV CE | SMV EMBLEM HOLDER KIT CE | SATZ SMV-WARNTAFELHALTERUNG CE | KIT PORTA-STEMMA SMV CE |
| 500 | 075 | OPT | COLL.TOLES ASSYMETRIQUES | SWATHBOARDS SET | SATZ ASYM.SCHWADBLECHE | KIT TELA ASIMMETRICO |
| 500 | 077 | OPT | DISQUES (LIFTER) | DISCS (LIFTER) | SCHEIBEN (LIFTER) | DISCI (LIFTER) |
| 500 | 079 | OPT | VERIN HYDRAULIQUE : FC313F | HYDRAULIC CYLINDER : FC313F | HYDRAULIKZYLINDER : FC313F | CILINDRO IDRAULICA : FC313F |
| 990 | 081 | | TRANSMISSION 4800621 | TRANSMISSION 4800621 | GELENKWELLE 4800621 | TRANSMISSIONE 4800621 |
| 990 | 083 | OPT | TRANSMISSION 4800617 | TRANSMISSION 4800617 | GELENKWELLE 4800617 | TRANSMISSIONE 4800617 |

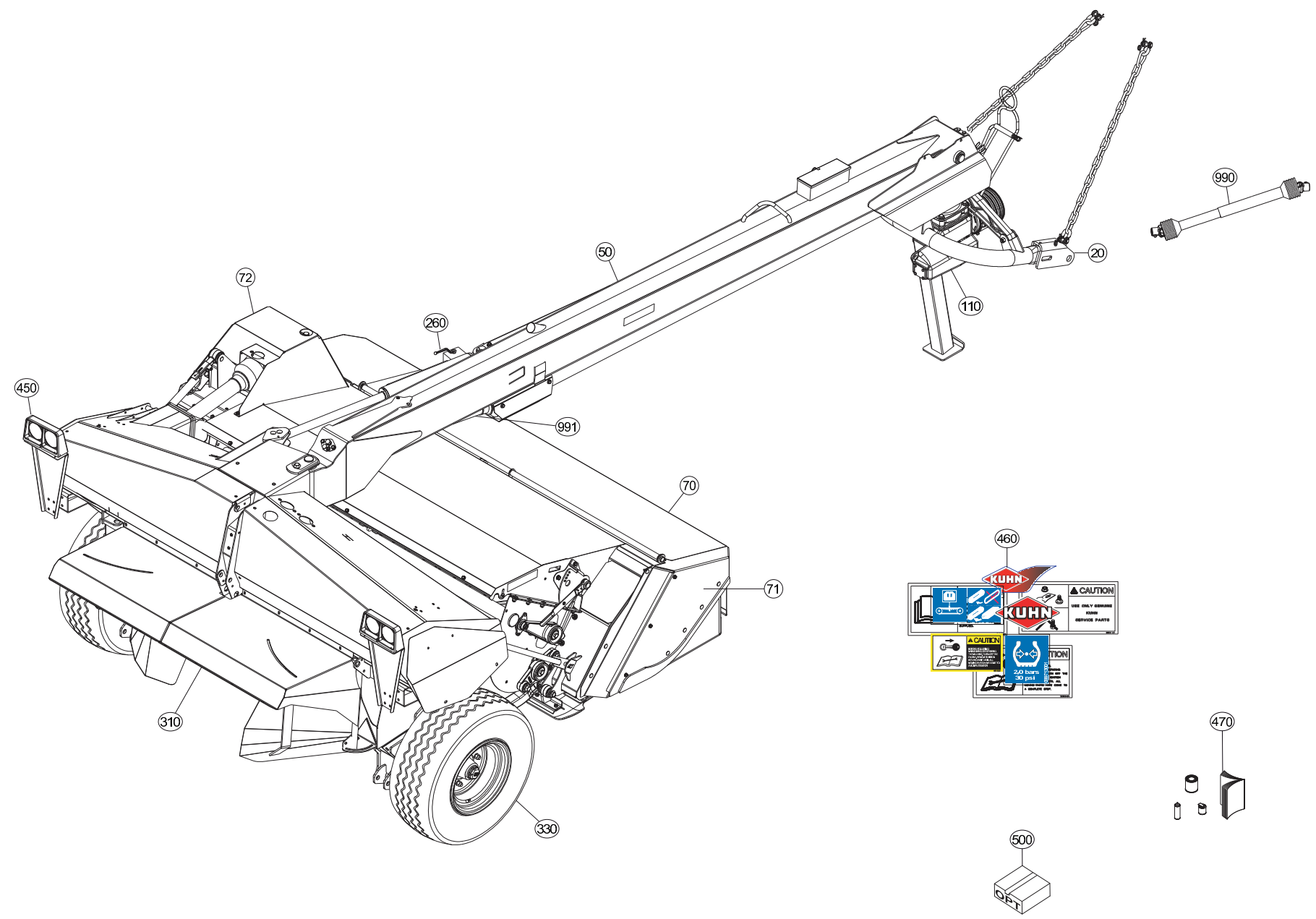




TABLE DES MATIERES - TABLE OF CONTENTS - INHALTSVERZEICHNIS - INDICE

K56R0333 D

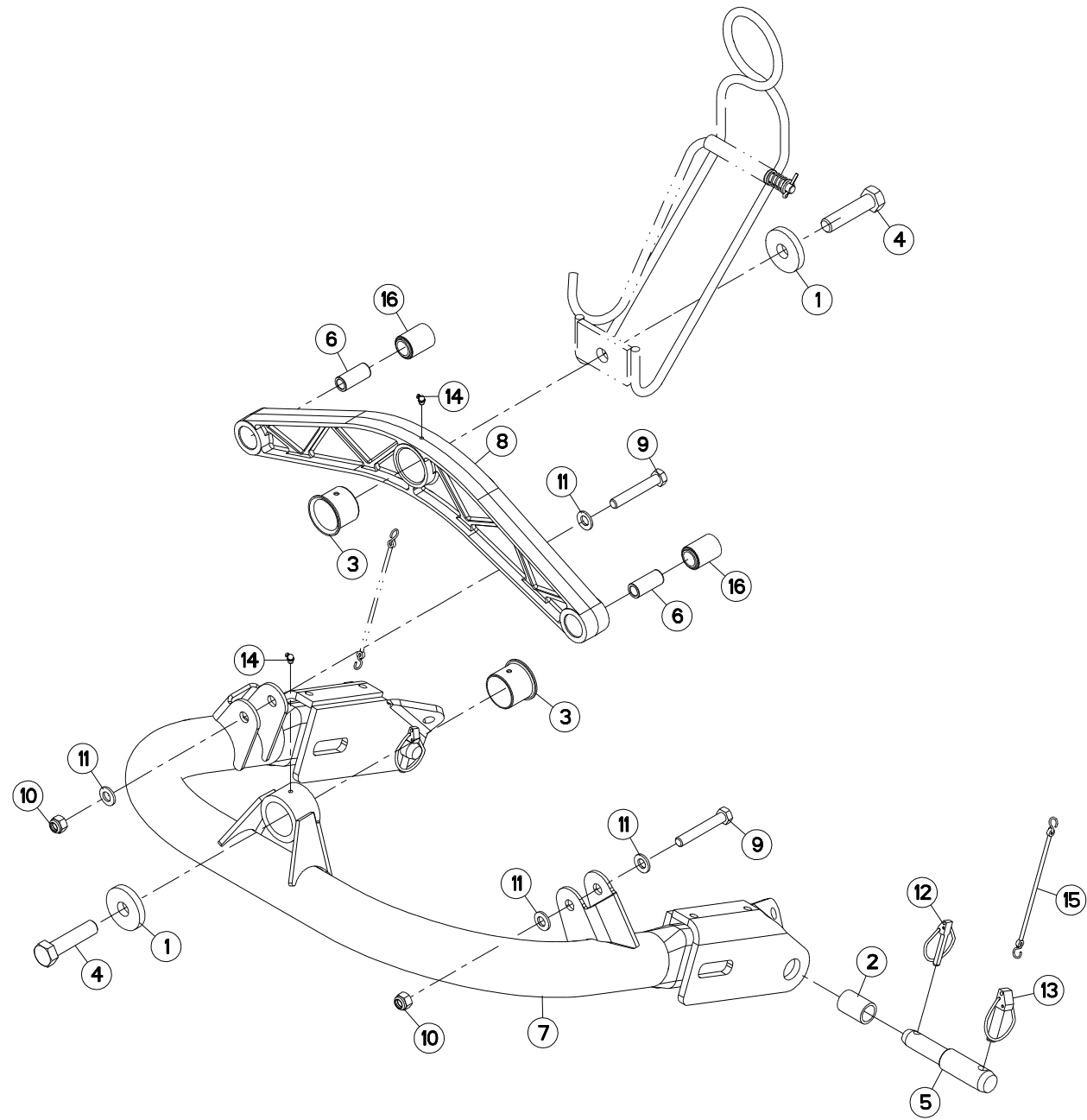
Catalogue P.D.R. - Spare parts list - Ersatzteilliste - Pezzi di Ricambio :

KR078DTL D

Annule et remplace - Cancels and replaces - Annulliert und ersetzt - Annulla e sostituisce :

KR078DTL C

| Grp | Page | Opt | Groupe de pièces | Parts group index | Teilegruppe | Gruppo di parti |
|-----|------|-----|--------------------------------|------------------------------|------------------------------|--------------------------------|
| 991 | 085 | | TRANSMISSION A CARDANS SECOND. | SECONDARY PTO SHAFT | ZWISCHENGELENKWELLE | ALBERO PRESA DI FORZA SECOND. |
| 991 | 087 | | TRANSMISSION A CARDANS SECOND. | SECONDARY PTO SHAFT K5600512 | ZWISCHENGELENKWELLE K5600512 | ALBERO PRESA DI FORZA SECOND. |
| 991 | 089 | | TRANSMISSION A CARDANS | PTO SHAFT | GELENKWELLE | ALBERO PRESA DI FORZA |
| 991 | 091 | | ARBRE DE TRANSMISSION 55819210 | TRANSMISSION SHAFT 55819210 | ANTRIEBSWELLE 55819210 | ALBERO DI TRASMISSIONE 5581921 |





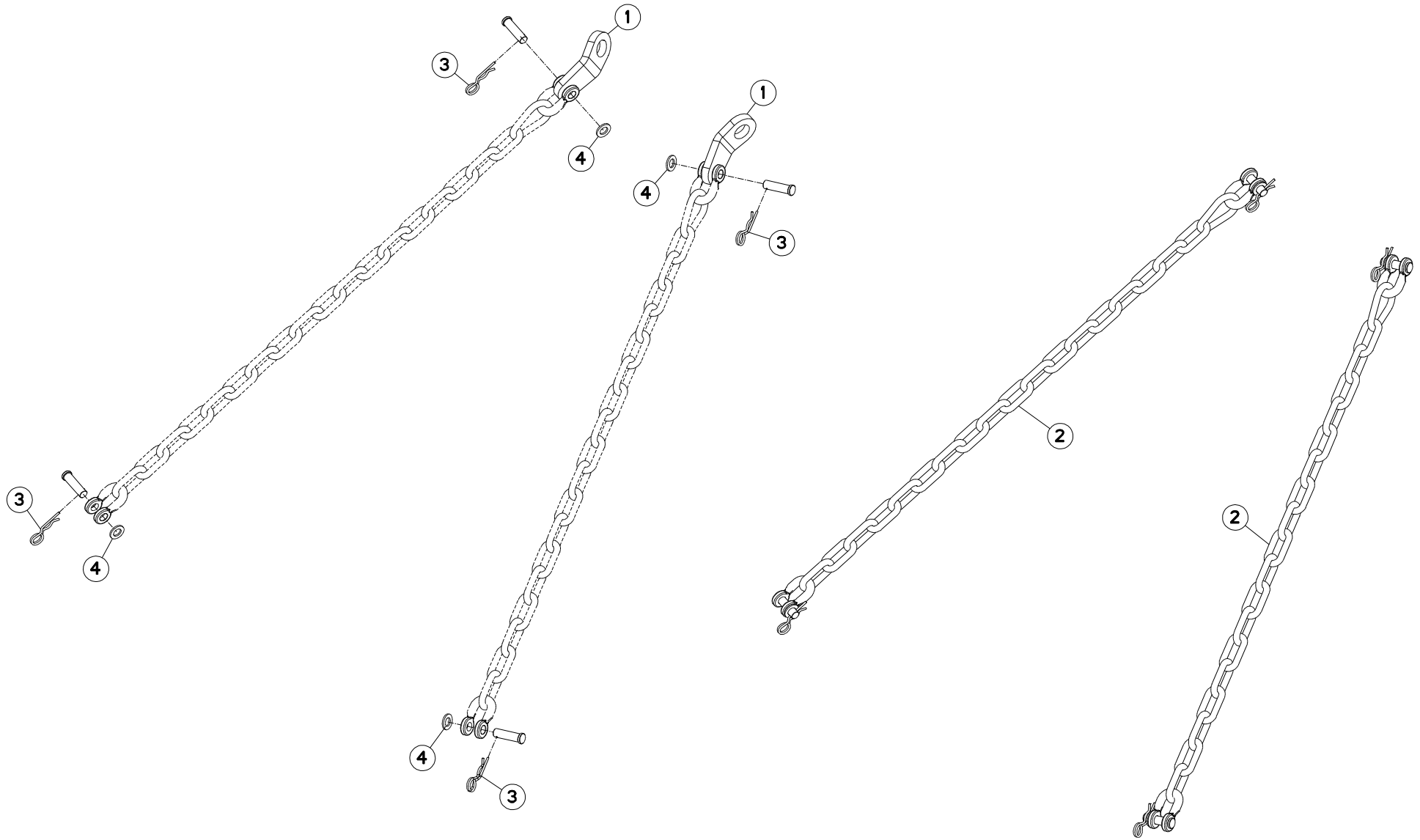
ATTELAGE

HITCH

ANBAUBOCK

ATTACCO

| Rep | Nr | Qt | Designation | Description | Bezeichnung | Referenza | Remarque - Remark - Bemerkung - Osservazioni |
|-----|----------|-----|-------------------------------|--------------------------------|-----------------------------|-------------------------------|--|
| 001 | 50017800 | 002 | RONDELLE | WASHER | SCHEIBE | RONDELLA | |
| 002 | 50030600 | 002 | ENTRETOISE | SPACER | DISTANZHUELSE | DISTANZIALE | |
| 003 | 50030700 | 002 | BAGUE ROULEE A COLLERETTE | FLANGED WRAPPED BUSH | GEROLLTE BUCHSE MIT FLANSCH | ANELLO LUBRIFICATO | |
| 004 | 50066000 | 002 | VIS AVEC REVÊTEMENT ADHESIF | SCREW WITH ADHESIVE COATING | KLEBE BESCHICHTETE SCHRAUBE | VITE AUTOBLOCCANTE | 50 daN m (369 lbf ft) |
| 005 | 52528500 | 002 | TOURILLON | TRUNNION | DREHZAPFEN | PERNO | |
| 006 | 52801410 | 002 | ENTRETOISE | SPACER | DISTANZHUELSE | DISTANZIALE | |
| 007 | 55735610 | 001 | CINTRE | CONNECTING TUBE | VERBINDUNGSROHR | STAFFA | |
| 008 | 55735700 | 001 | PONT | CONNECTING TUBE | VERBINDUNGSRAHMEN | | |
| 009 | 80061661 | 002 | VIS TETE HEXAGONALE FE/ZNXC3 | HEXAGON HEAD SCREW FE/ZNXC3 | SECHSKANTSCHRAUBE FE/ZNXC3 | VITE TESTA ESAGONALE FE/ZNXC3 | |
| 010 | 80201630 | 002 | ECROU HEX.AUTOFREINE FE/ZNXC3 | SELF-LOCKING NUT FE/ZNXC3 | SELBSTSICH.MUTTER FE/ZNXC3 | DADO AUTOBLOCCANTE FE/ZNXC3 | 21 daN m (155 lbf ft) |
| 011 | 80281600 | 004 | RONDELLE CONIQUE BLOC.FLZNNC | CONICAL SPRING WASHER FLZNNC | SPANNSCHEIBE FLZNNC | RONDELLA CONICA FLZNNC | |
| 012 | 80561155 | 002 | GOUPILLE AUTOMATIQUE | LINCH PIN | KLAPPSTECKER | SPINA DI FERMO | |
| 013 | 80561760 | 002 | GOUPILLE AUTOMATIQUE | LINCH PIN | KLAPPSTECKER | COPPIGLIA | |
| 014 | 82200804 | 002 | GRAISSEUR A TETE SPHERIQUE | CURVED GREASER 90 DEGREES M 8X | KEGELSCHMIERNIPPEL | INGRASSATORE FE/ZNXC3 | |
| 015 | 83070063 | 004 | LIEN PVC | PVC CORD | SICHERUNGSBAND | CAVETTO | |
| 016 | 83030014 | 002 | ARTICULATION ELASTIQUE | ELASTIC-COUPLING | ELASTIK-GELENK | GIUNTO | |





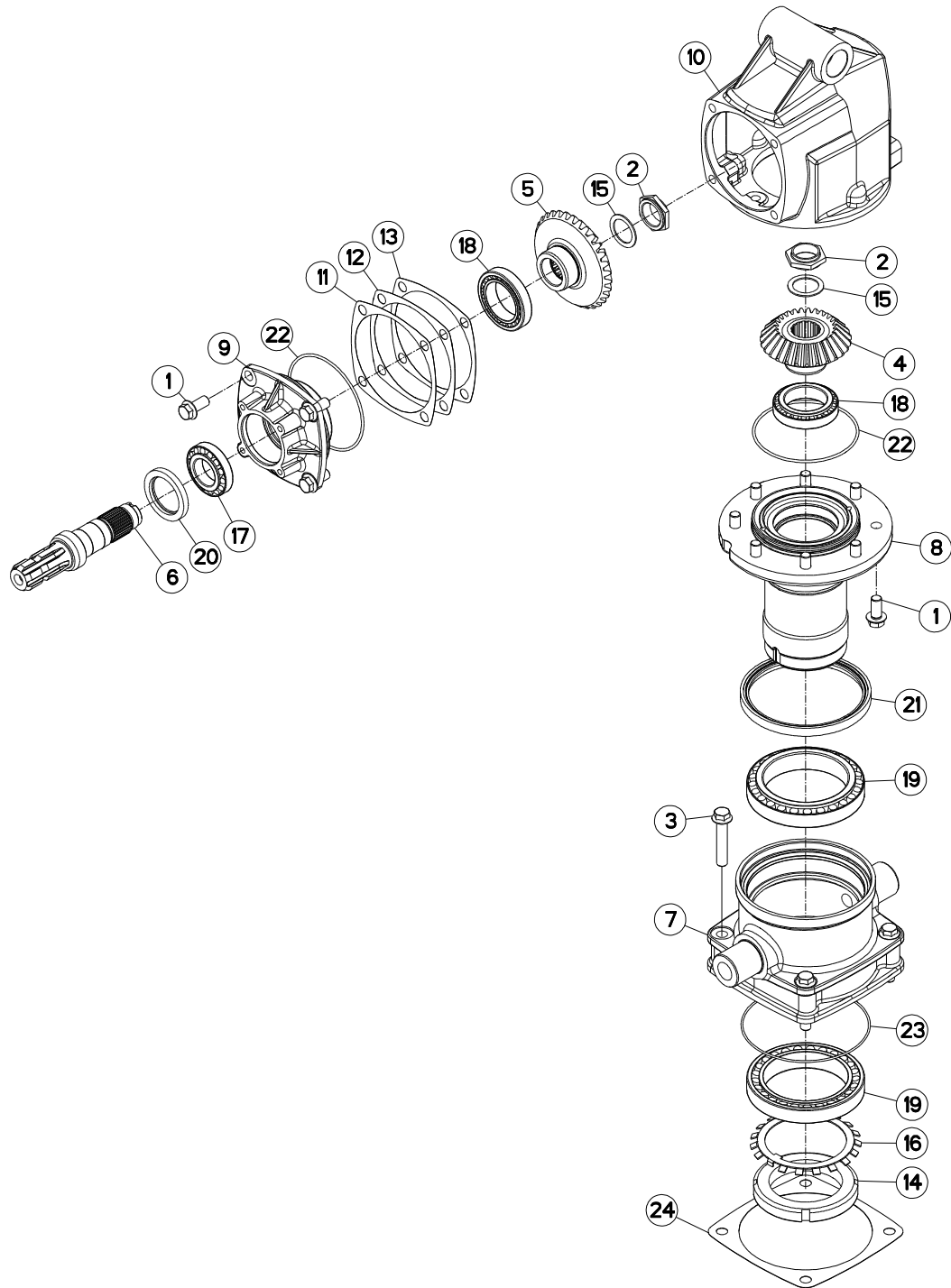
CHAINES DE LIMITATION

LIMITER CHAINS

BEGRENZUNGSKETTEN

CATENE LIMITAZIONE

| Rep | Nr | Qt | Designation | Description | Bezeichnung | Referenza | Remarque - Remark - Bemerkung - Osservazioni |
|-----|-----------------|-----|-------------------------|----------------------------|-----------------------|--------------------------|--|
| 001 | 55835710 | 002 | PATTE DE RETENUE ZBC | BRACKET ZBC | LASCHE ZBC | FAZZOLETTO | |
| 002 | 56530110 | 002 | CHAINE DE RETENUE | SUPPORT CHAIN | KETTE | CATENA | + [1] |
| 003 | 80570476 | 004 | GOUPILLE BETA FE/ZNXC3 | SPRING COTTER PIN FE/ZNXC3 | FEDERSTECKER FE/ZNXC3 | MOLLA FE/ZNXC3 | [1] |
| 004 | 80251624 | 004 | RONDELLE PLATE FE/ZNXC3 | PLAIN WASHER M16 | SCHEIBE FE/ZNXC3 | RONDELLA PIATTA FE/ZNXC3 | [1] |





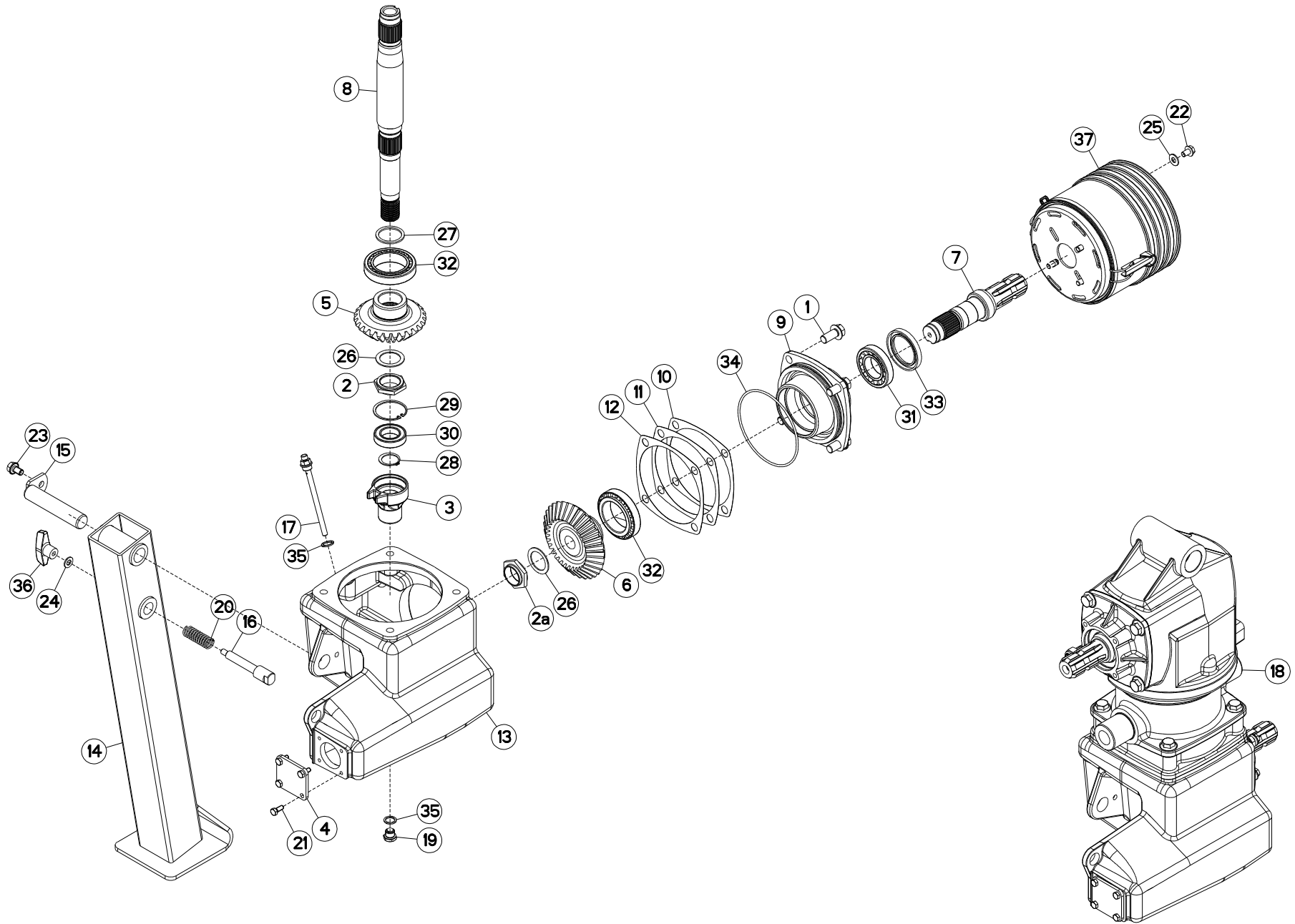
CARTER GIRODYNE SUPÉRIEUR

UPPER GIRODYNE GEARCASE

GIRODYNE SCHWENKGETRIEBE UNTEN CARTER GIRODYNE SUPERIORE

| Rep | Nr | Qt | Designation | Description | Bezeichnung | Referenza | Remarque - Remark - Bemerkung - Osservazioni |
|-----|----------|-----|-------------------------------|------------------------|--------------------------|--------------------|--|
| 001 | 50007700 | 012 | VIS AUTOFREINEE | SCREW, SELF-LOCKING | SELBSTSICHERNDE SCHRAUBE | VITE AUTOBLOCCANTE | [1] 21 daN m (155 lbf ft) |
| 002 | 50009900 | 002 | ECROU | NUT | MUTTER | DADO | [1] * |
| 003 | 50066100 | 004 | VIS AUTOFREINEE | SCREW, SELF-LOCKING | SELBSTSICHERNDE SCHRAUBE | VITE AUTOBLOCCANTE | [1] 21 daN m (155 lbf ft) |
| 004 | 55732800 | 001 | PIGNON CONIQUE 27 DENTS | GEAR WHEEL Z.27 | ZAHNRAD 27 Z. | PIGNONE | [1] Z=27 |
| 005 | 55732900 | 001 | ROUE CONIQUE 32 DENTS | GEAR WHEEL Z.32 | ZAHNRAD 32 Z. | PIGNONE | [1] Z=32 |
| 006 | 55733000 | 001 | ARBRE CANNELE | SPLINED SHAFT | PROFILWELLE | ALBERO CALETTATO | [1] |
| 007 | 55733200 | 001 | BOITIER INTERMEDIAIRE | INTERMEDIATE HOUSING | ZWISCHENGEHAEUSE | | [1] |
| 008 | 55733300 | 001 | FUT DU CARTER SUPERIEUR | HUB | NABE | | [1] |
| 009 | 55733410 | 001 | COUVERCLE | LID | DECKEL | COPERCHIO | [1] |
| 010 | 55733500 | 001 | CARTER | HOUSING | GEHAEUSE | SCATOLA | [1] |
| 011 | 55733600 | 001 | CALE DE REGLAGE 0.1 | DISTANCE WASHER 0,1 | DISTANZSCHEIBE 0,1 | SPESSORE | [1] Q? |
| 012 | 55733700 | 001 | CALE DE REGLAGE 0.3 | DISTANCE WASHER 0,3 | DISTANZSCHEIBE 0,3 | SPESSORE | [1] Q? |
| 013 | 55733800 | 001 | CALE DE REGLAGE 0.5 | DISTANCE WASHER 0,5 | DISTANZSCHEIBE 0,5 | SPESSORE | [1] Q? |
| 014 | 80209010 | 001 | ECROU A ENCOCHES | SLOTTED ROUND NUT | NUTMUTTER | GHIERA | [1] 45 daN m (332 lbf ft) |
| 015 | 80254055 | 002 | RONDELLE PLATE | PLAIN WASHER | SCHIEBE | RONDELLA PIATTA | [1] |
| 016 | 80299010 | 001 | RONDELLE-FREIN | TAB WASHER | SICHERUNGSBLECH | RONDELLA-FRENO | [1] |
| 017 | 81304585 | 001 | ROULEMENT A ROULEAUX CONIQUES | TAPERED ROLLER BEARING | KEGELROLLENLAGER | CUSCINETTO A RULLO | [1] |
| 018 | 81306500 | 002 | ROULEMENT A ROULEAUX CONIQUES | TAPERED ROLLER BEARING | KEGELROLLENLAGER | CUSCINETTO A RULLI | [1] |
| 019 | 81309011 | 002 | ROULEMENT A ROULEAUX CONIQUES | TAPERED ROLLER BEARING | KEGELROLLENLAGER | CUSCINETTO A RULLI | [1] |
| 020 | 82016086 | 001 | BAGUE D'ETANCHEITE | OIL SEAL | RADIALDICHTRING | PARAOLIO HR | [1] |
| 021 | 82019918 | 001 | BAGUE D'ETANCHEITE | OIL SEAL | RADIALDICHTRING | PARAOLIO | [1] |
| 022 | 82060048 | 002 | JOINT TORIQUE | O-RING | O-RING | GUARNIZIONE | [1] |
| 023 | 82060057 | 001 | JOINT TORIQUE | O-RING | O-RING | GUARNIZIONE | [1] |
| 024 | K5609780 | 001 | CALE | SHIM | DISTANZPLATTE | SPESSORE | [1] |

* 30 daN m et desserrer de 80°.
 * 221 lbf ft and back off 80°.
 * 30 daN m und lösen um 80°.
 * 30 daN m e svitare di 80°.





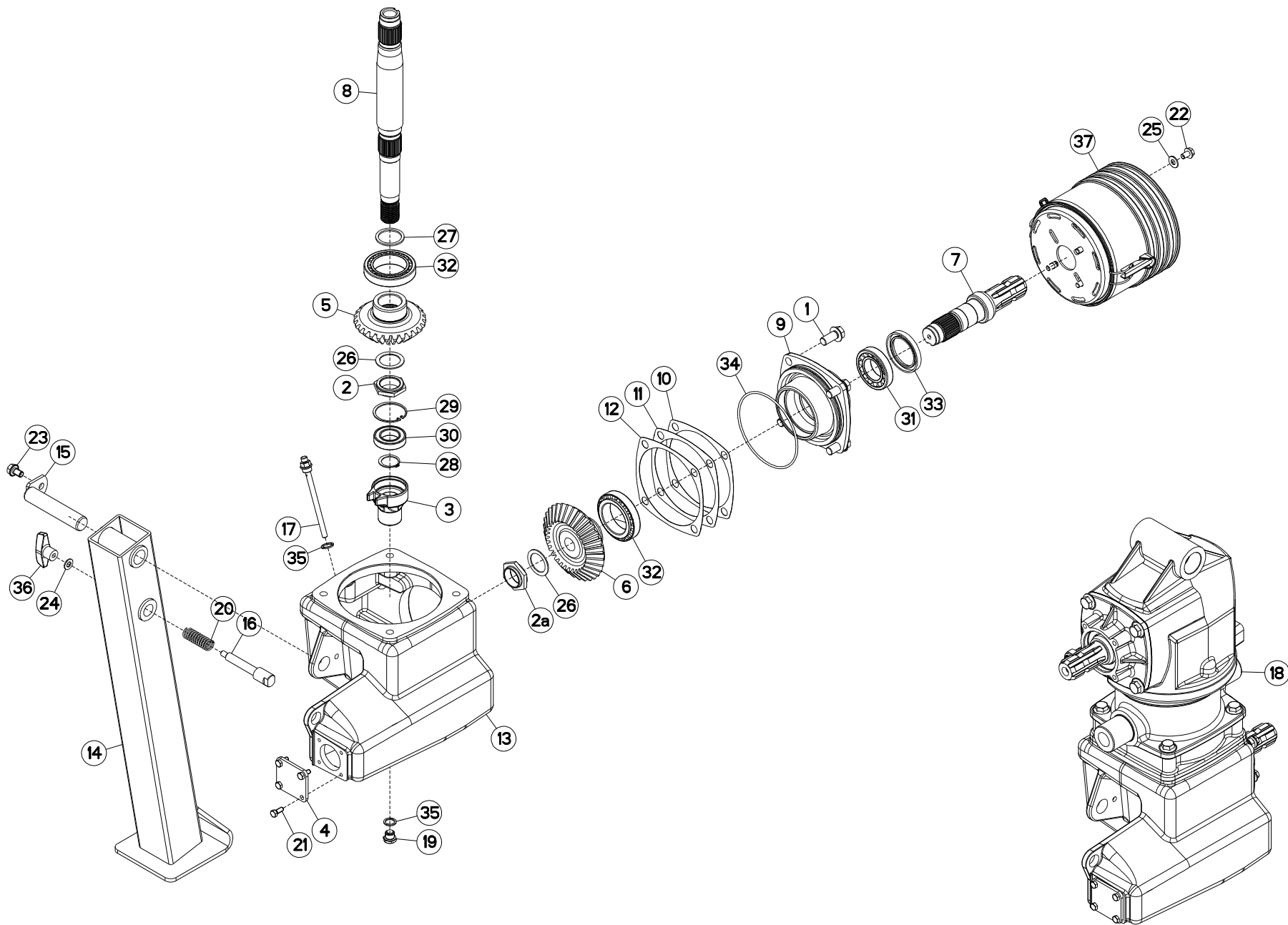
CARTER GIRODYNE INFÉRIEUR

LOWER GIRODYNE GEARCASE

GIRODYNE SCHWENKGETRIEBE OBEN

CARTER GIRODYNE INFERIORE

| Rep | Nr | Qt | Designation | Description | Bezeichnung | Referenza | Remarque - Remark - Bemerkung - Osservazioni |
|------|----------|-----|-------------------------------|------------------------------------|-----------------------------|-------------------------------|--|
| 001 | 50007700 | 004 | VIS AUTOFREINEE | SCREW, SELF-LOCKING | SELBSTSICHERNDE SCHRAUBE | VITE AUTOBLOCCANTE | [1] 21 daN m (155 lbf ft) |
| 002 | 50009900 | 001 | ECROU | NUT | MUTTER | DADO | * 1 [1] |
| 002a | 50009900 | 001 | ECROU | NUT | MUTTER | DADO | * 2 [1] |
| 003 | 55724700 | 001 | CORPS DE POMPE | PUMP BODY | PUMPENGEHAEUSE | CORPO | [1] |
| 004 | 55732700 | 001 | COUVERCLE | LID | DECKEL | COPERCHIO | [1] |
| 005 | 55732800 | 001 | PIGNON CONIQUE 27 DENTS | GEAR WHEEL Z.27 | ZAHNRAD 27 Z. | PIGNONE | [1] Z=27 |
| 006 | 55732900 | 001 | ROUE CONIQUE 32 DENTS | GEAR WHEEL Z.32 | ZAHNRAD 32 Z. | PIGNONE | [1] Z=32 |
| 007 | 55733000 | 001 | ARBRE CANNELE | SPLINED SHAFT | PROFILWELLE | ALBERO CALETTATO | [1] |
| 008 | 55733100 | 001 | ARBRE D'ENTRAINEMENT | SHAFT, DRIVE | ANTRIEBSWELLE | ALBERO | [1] |
| 009 | 55733410 | 001 | COUVERCLE | LID | DECKEL | COPERCHIO | [1] |
| 010 | 55733600 | 001 | CALE DE REGLAGE 0.1 | DISTANCE WASHER 0,1 | DISTANZSCHEIBE 0,1 | SPESSORE | Q? [1] |
| 011 | 55733700 | 001 | CALE DE REGLAGE 0.3 | DISTANCE WASHER 0,3 | DISTANZSCHEIBE 0,3 | SPESSORE | Q? [1] |
| 012 | 55733800 | 001 | CALE DE REGLAGE 0.5 | DISTANCE WASHER 0,5 | DISTANZSCHEIBE 0,5 | SPESSORE | Q? [1] |
| 013 | 55733910 | 001 | CARTER | HOUSING | GEHAEUSE | SCATOLA | [1] |
| 014 | 55736510 | 001 | BEQUILLE | STAND | STAENDER | SUPPORTO | |
| 015 | 55736610 | 001 | AXE | PIN | ACHSE | ASSE | |
| 016 | 55736700 | 001 | VERROU | LATCH | RIEGEL | LEVA | |
| 017 | 55764900 | 001 | RENIFLARD-JAUGE | BREATHER W/ GAUGE | ENTLUEFTUNG/MESSSTAB | ASTINA | [1] |
| 018 | 55780320 | 001 | TETE | SWINGING HEAD GEARBOX | SCHWENKKOPFGETRIEBE | SCATOLA | * 3 [1] |
| 019 | 56145700 | 001 | BOUCHON MAGNETIQUE | PLUG, MAGNETIC | MAGNET-VERSCHLUSSSCHRAUBE | TAPPO CALAMITATO | [1] |
| 020 | 58722600 | 001 | RESSORT DE PRESSION | PRESSURE SPRING | FEDER | MOLLA | [1] |
| 021 | 80060820 | 004 | VIS TETE HEXAGONALE FE/ZNXC3 | HEXAGON HEAD SCREW FE/ZNXC3 | SECHSKANTSCHRAUBE FE/ZNXC3 | VITE TESTA ESAGONALE FE/ZNXC3 | [1] 2,5 daN m (19 lbf ft) |
| 022 | 80131017 | 004 | VIS AUTOBLOQUANTE FLZNNC | UNDERSERR.S-LOC.SCREW FLZNNC | SPERRZAHN-BUNDSCHRAU.FLZNNC | VITE FLZNNC | 4 daN m (30 lbf ft) |
| 023 | 80131220 | 001 | VIS AUTOBLOQUANTE FLZNNC | UNDERSERR.S-LOC.SCREW FLZNNC | SPERRZAHN-BUNDSCHRAU.FLZNNC | VITE FLZNNC | |
| 024 | 80251021 | 001 | RONDELLE PLATE FE/ZNXC3 | PLAIN WASHER M10 | SCHEIBE FE/ZNXC3 | RONDELLA PIATTA FE/ZNXC3 | |
| 025 | 80251176 | 004 | RONDELLE PLATE FE/ZNXC3 | PLAIN WASHER FE/ZNXC3 | SCHEIBE FE/ZNXC3 | RONDELLA PIATTA FE/ZNXC3 | |
| 026 | 80254055 | 002 | RONDELLE PLATE | PLAIN WASHER | SCHEIBE | RONDELLA PIATTA | [1] |
| 027 | 80254552 | 001 | RONDELLE D'APPUI | SUPPORTING RING | STUETZSCHEIBE | RONDELLA DI SPINTA | [1] |
| 028 | 80583500 | 001 | CIRCLIP EXTERIEUR | ELASTIC RING E 35 | SICHERUNGSRING | ANELLO | [1] |
| 029 | 80596200 | 001 | CIRCLIP INTERIEUR | ELASTIC RING I 62 | SICHERUNGSRING | ANELLO | [1] |
| 030 | 81003566 | 001 | ROULEMENT A BILLES | BALL BEARING | KUGELLAGER | CUSCINETTO A SFERE | [1] |
| 031 | 81304585 | 001 | ROULEMENT A ROULEAUX CONIQUES | TAPERED ROLLER BEARING | KEGELROLLENLAGER | CUSCINETTO A RULLO | [1] |
| 032 | 81306500 | 002 | ROULEMENT A ROULEAUX CONIQUES | TAPERED ROLLER BEARING | KEGELROLLENLAGER | CUSCINETTO A RULLI | [1] |
| 033 | 82016086 | 001 | BAGUE D'ETANCHEITE | OIL SEAL | RADIALDICHTRING | PARAOILIO HR | [1] |
| 034 | 82060048 | 001 | JOINT TORIQUE | O-RING | O-RING | GUARNIZIONE | [1] |
| 035 | 82131824 | 002 | JOINT CUIVRE | SEALING RING | DICHTRING | RONDELLA RAME | [1] |
| 036 | 83050010 | 001 | POIGNEE | HANDLE | HANDGRIFF | MANIGLIA | |
| 037 | 4821000 | 001 | BOL DE PROTECTION CPLT | GUARD CONE CPLT | SCHUTZTRICHTER KPLT | CONTROCUFFIA COMPLETA | |
| | | | | * 1) 50 daN m | | | |
| | | | | * 1) 369 lbf ft | | | |
| | | | | * 1) 50 daN m | | | |
| | | | | * 1) 50 daN m | | | |
| | | | | * 2) 30 daN m et desserrer de 80°. | | | |
| | | | | * 2) 221 lbf ft and back off 80°. | | | |
| | | | | * 2) 30 daN m und lösen um 80°. | | | |
| | | | | * 2) 30 daN m e svitare di 80°. | | | |





CARTER GIRODYNE INFÉRIEUR

LOWER GIRODYNE GEARCASE

GIRODYNE SCHWENKGETRIEBE OBEN

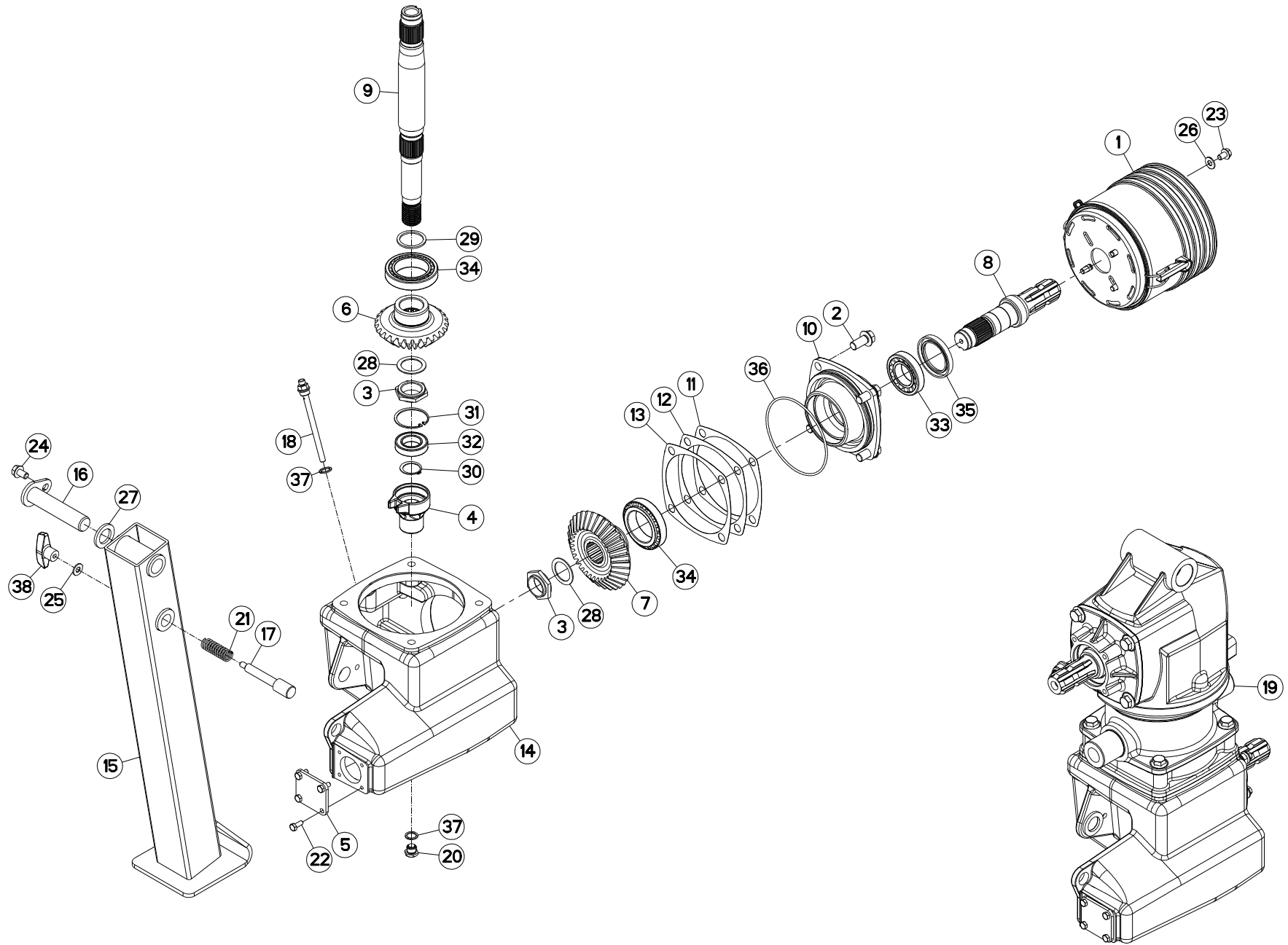
CARTER GIRODYNE INFERIORE

| Rep | Nr | Qt | Designation | Description | Bezeichnung | Referenza | Remarque - Remark - Bemerkung - Osservazioni |
|-----|----|----|-------------|-------------|-------------|-----------|--|
|-----|----|----|-------------|-------------|-------------|-----------|--|

* 3)Collection comprenant le groupe de pièces [1] "CARTER GIRODYNE SUPERIEURE" et le groupe de pièces [1] "CARTER GIRODYNE INFERIEUR"

* 3)Kit comprising the parts, marked [1] in remark section,of page "SWIVEL HEAD UPPER" and the parts, marked [1] in remark section of page "SWIVELD LOWER".

* 3)Satz bestehend aus den Teilen [1] Teilegruppe "SCHWENKKOPF GIRODYNE OBEN" und den Teilen [1] der Teilegruppe "SCHWENKKOPF GIRODYNE UNTEN".





CARTER GIRODYNE INFÉRIEUR

LOWER GIRODYNE GEARCASE

GIRODYNE SCHWENKGETRIEBE OBEN

CARTER GIRODYNE INFERIORE

| Rep | Nr | Qt | Designation | Description | Bezeichnung | Referenza | Remarque - Remark - Bemerkung - Osservazioni |
|-----|----------|-----|-------------------------------|------------------------------|-----------------------------|-------------------------------|--|
| 001 | 4821000 | 001 | BOL DE PROTECTION CPLT | GUARD CONE CPLT | SCHUTZTRICHTER KPLT | CONTROCUFFIA COMPLETA | |
| 002 | 50007700 | 004 | VIS AUTOFREINEE | SCREW, SELF-LOCKING | SELBSTSICHERNDE SCHRAUBE | VITE AUTOBLOCCANTE | [1] 21 daN m (155 lbf ft) |
| 003 | 50009900 | 002 | ECROU | NUT | MUTTER | DADO | * 1 [1] |
| 004 | 55724700 | 001 | CORPS DE POMPE | PUMP BODY | PUMPENGEHAEUSE | CORPO | [1] |
| 005 | 55732700 | 001 | COUVERCLE | LID | DECKEL | COPERCHIO | [1] |
| 006 | 55732800 | 001 | PIGNON CONIQUE 27 DENTS | GEAR WHEEL Z.27 | ZAHNRAD 27 Z. | PIGNONE | [1] Z=27 |
| 007 | 55732900 | 001 | ROUE CONIQUE 32 DENTS | GEAR WHEEL Z.32 | ZAHNRAD 32 Z. | PIGNONE | [1] Z=32 |
| 008 | 55733000 | 001 | ARBRE CANNELE | SPLINED SHAFT | PROFILWELLE | ALBERO CALETTATO | [1] |
| 009 | 55733100 | 001 | ARBRE D'ENTRAINEMENT | SHAFT, DRIVE | ANTRIEBSWELLE | ALBERO | [1] |
| 010 | 55733410 | 001 | COUVERCLE | LID | DECKEL | COPERCHIO | [1] |
| 011 | 55733600 | 001 | CALE DE REGLAGE 0.1 | DISTANCE WASHER 0,1 | DISTANZSCHEIBE 0,1 | SPESSORE | Q? [1] |
| 012 | 55733700 | 001 | CALE DE REGLAGE 0.3 | DISTANCE WASHER 0,3 | DISTANZSCHEIBE 0,3 | SPESSORE | Q? [1] |
| 013 | 55733800 | 001 | CALE DE REGLAGE 0.5 | DISTANCE WASHER 0,5 | DISTANZSCHEIBE 0,5 | SPESSORE | Q? [1] |
| 014 | 55733910 | 001 | CARTER | HOUSING | GEHAEUSE | SCATOLA | [1] |
| 015 | 55736510 | 001 | BEQUILLE | STAND | STAENDER | SUPPORTO | |
| 016 | 55736610 | 001 | AXE | PIN | ACHSE | ASSE | |
| 017 | 55736700 | 001 | VERROU | LATCH | RIEGEL | LEVA | |
| 018 | 55764900 | 001 | RENIFLARD-JAUGE | BREATHER W/ GAUGE | ENTLUEFTUNG/MESSSTAB | ASTINA | [1] |
| 019 | 55780320 | 001 | TETE | SWINGING HEAD GEARBOX | SCHWENKKOPFGETRIEBE | SCATOLA | * 3 [1] |
| 020 | 56145700 | 001 | BOUCHON MAGNETIQUE | PLUG, MAGNETIC | MAGNET-VERSCHLUSSSCHRAUBE | TAPPO CALAMITATO | [1] |
| 021 | 58722600 | 001 | RESSORT DE PRESSION | PRESSURE SPRING | FEDER | MOLLA | [1] |
| 022 | 80060820 | 004 | VIS TETE HEXAGONALE FE/ZNXC3 | HEXAGON HEAD SCREW FE/ZNXC3 | SECHSKANTSCHRAUBE FE/ZNXC3 | VITE TESTA ESAGONALE FE/ZNXC3 | [1] 2,5 daN m (19 lbf ft) |
| 023 | 80131017 | 004 | VIS AUTOBLOQUANTE FLZNNC | UNDERSERR.S-LOC.SCREW FLZNNC | SPERRZAHN-BUNDSCHRAU.FLZNNC | VITE FLZNNC | 4 daN m (30 lbf ft) |
| 024 | 80131220 | 001 | VIS AUTOBLOQUANTE FLZNNC | UNDERSERR.S-LOC.SCREW FLZNNC | SPERRZAHN-BUNDSCHRAU.FLZNNC | VITE FLZNNC | |
| 025 | 80251176 | 001 | RONDELLE PLATE FE/ZNXC3 | PLAIN WASHER FE/ZNXC3 | SCHEIBE FE/ZNXC3 | RONDELLA PIATTA FE/ZNXC3 | |
| 026 | 80251176 | 004 | RONDELLE PLATE FE/ZNXC3 | PLAIN WASHER FE/ZNXC3 | SCHEIBE FE/ZNXC3 | RONDELLA PIATTA FE/ZNXC3 | |
| 027 | 80253149 | 001 | RONDELLE PLATE FE/ZNXC3 | PLAIN WASHER FE/ZNXC3 | SCHEIBE FE/ZNXC3 | RONDELLA PIATTA FE/ZNXC3 | |
| 028 | 80254055 | 002 | RONDELLE PLATE | PLAIN WASHER | SCHEIBE | RONDELLA PIATTA | [1] |
| 029 | 80254552 | 001 | RONDELLE D'APPUI | SUPPORTING RING | STUETZSCHEIBE | RONDELLA DI SPINTA | [1] |
| 030 | 80583500 | 001 | CIRCLIP EXTERIEUR | ELASTIC RING E 35 | SICHERUNGSRING | ANELLO | [1] |
| 031 | 80596200 | 001 | CIRCLIP INTERIEUR | ELASTIC RING I 62 | SICHERUNGSRING | ANELLO | [1] |
| 032 | 81003566 | 001 | ROULEMENT A BILLES | BALL BEARING | KUGELLAGER | CUSCINETTO A SFERE | [1] |
| 033 | 81304585 | 001 | ROULEMENT A ROULEAUX CONIQUES | TAPERED ROLLER BEARING | KEGELROLLENLAGER | CUSCINETTO A RULLO | [1] |
| 034 | 81306500 | 002 | ROULEMENT A ROULEAUX CONIQUES | TAPERED ROLLER BEARING | KEGELROLLENLAGER | CUSCINETTO A RULLI | [1] |
| 035 | 82016086 | 001 | BAGUE D'ETANCHEITE | OIL SEAL | RADIALDICHTRING | PARAOILIO HR | [1] |
| 036 | 82060048 | 001 | JOINT TORIQUE | O-RING | O-RING | GUARNIZIONE | [1] |
| 037 | 82131824 | 002 | JOINT CUIVRE | SEALING RING | DICHTRING | RONDELLA RAME | [1] |
| 038 | 83050010 | 001 | POIGNEE | HANDLE | HANDGRIFF | MANIGLIA | |

* 1) 50 daN m

* 1) 369 lbf ft

* 1) 50 daN m

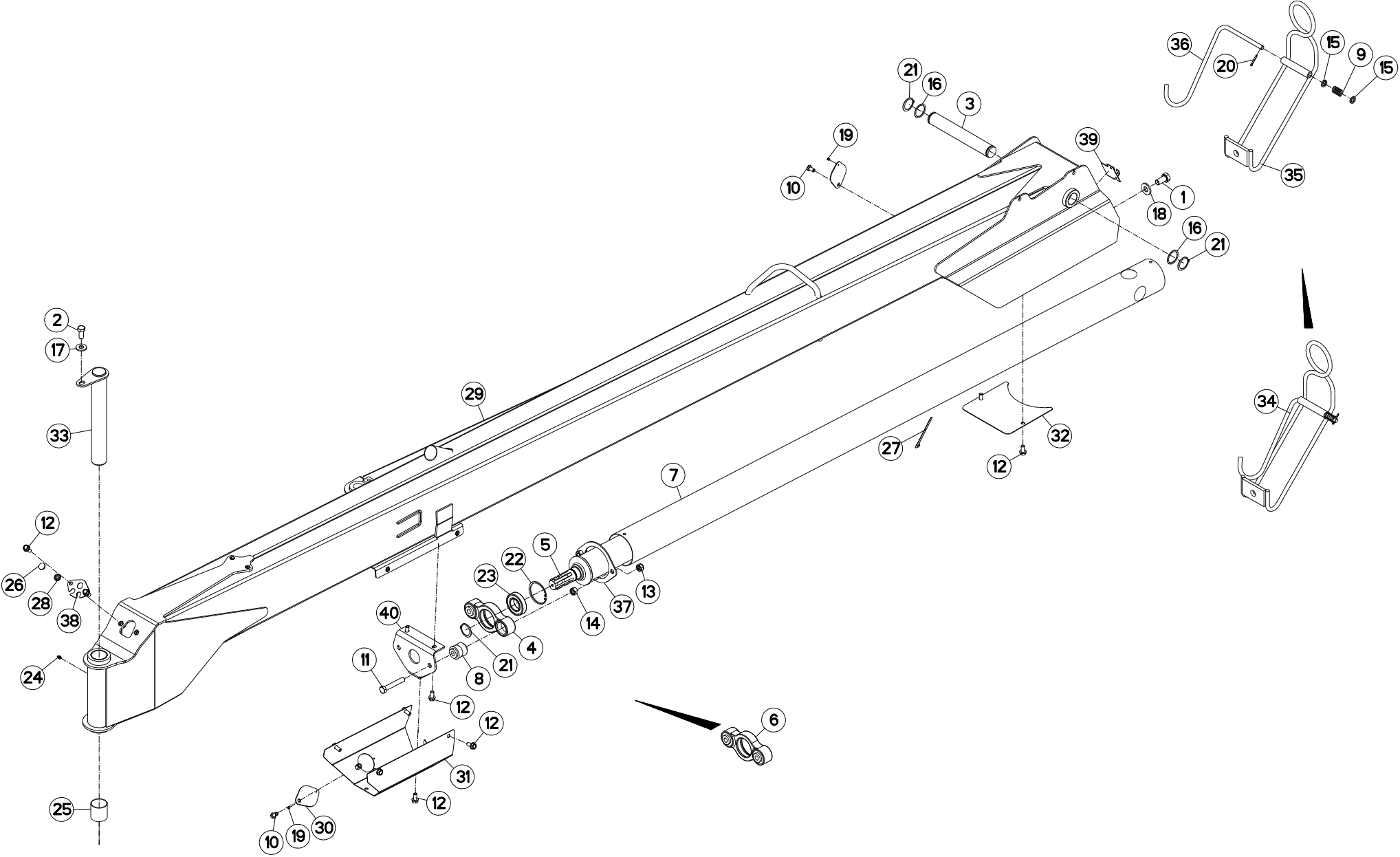
* 1) 50 daN m

* 3)Collection comprenant le groupe de pièces [1] "CARTER GIRODYNE SUPERIEURE" et le groupe de pièces [1]

"CARTER GIRODYNE INFERIEUR"

* 3)Kit comprising the parts, marked [1] in remark section,of page "SWIVEL HEAD UPPER" and the parts, marked [1] in remark section of page "SWIVELD LOWER".

* 3)Satz bestehend aus den Teilen [1] Teilegruppe "SCHWENKKOPF GIRODYNE OBEN" und den Teilen [1] der Teilegruppe "SCHWENKKOPF GIRODYNE UNTEN".





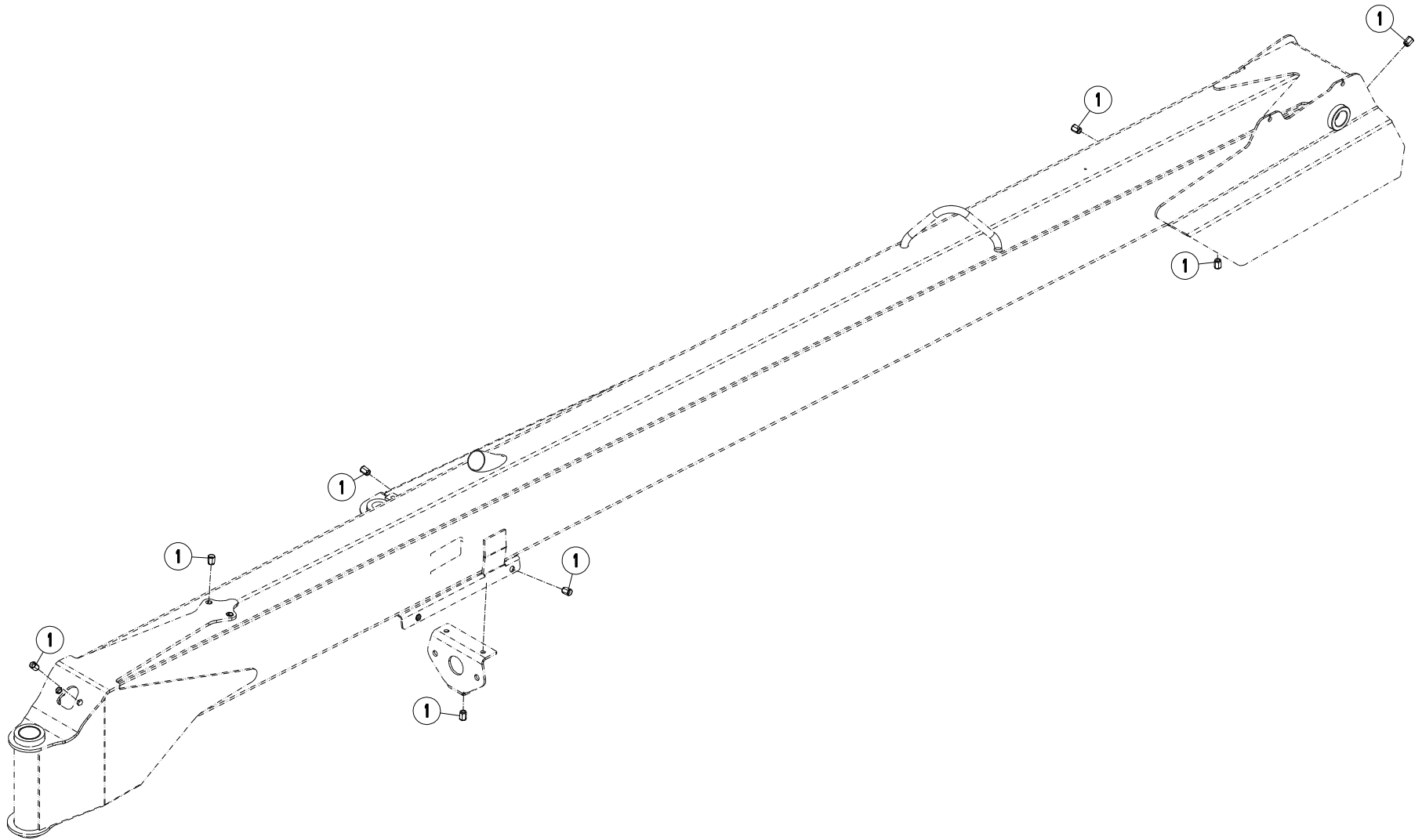
TIMON GIRODYNE

GYRODINE HITCH DRAWBAR

ZUGDEICHSEL GIRODYNE

BARRA DI ATTACCO GIRODYNE

| Rep | Nr | Qt | Designation | Description | Bezeichnung | Referenza | Remarque - Remark - Bemerkung - Osservazioni |
|-----|----------|-----|-------------------------------|--------------------------------|--------------------------------|-------------------------------|--|
| 001 | 50065800 | 002 | VIS AVEC REVÊTEMENT ADHESIF | SCREW WITH ADHESIVE COATING | KLEBE BESCHICHTETE SCHRAUBE | VITE AUTOBLOCCANTE | |
| 002 | 50068400 | 001 | VIS AVEC REVÊTEMENT ADHESIF | SCREW WITH ADHESIVE COATING | KLEBE BESCHICHTETE SCHRAUBE | VITE FLZNNC | |
| 003 | 55700610 | 001 | AXE VERROUILLAGE GIRODYNE | PIN | BOLZEN | ASSE | |
| 004 | 55817600 | 001 | PALIER | BEARING, PILLOW BLOCK | LAGER | SUPPORTO | [1] |
| 005 | 55819210 | 001 | TRANSMISSION | PTO-SHAFT | GELENKWELLE | CARDANO | |
| 006 | 55819400 | 001 | PALIER COMPLET | HOUSING | LAGERGEHAEUSE | SUPPORTO | + [1] |
| 007 | 55820000 | 001 | PROTECTEUR | GUARD | SCHUTZ | PROTEZIONE | |
| 008 | 56568500 | 002 | ARTICULATION ELASTIQUE | ELASTIC-COUPLING | ELASTIK-GELENK | SNODO ELASTICO | [1] |
| 009 | 57525600 | 001 | RESSORT DE PRESSION ZBC | PRESSURE SPRING | DRUCKFEDER | MOLLA DI PRESSIONE | [2] |
| 010 | 80061220 | 002 | VIS TETE HEXAGONALE FLZNNC | HEX BOLT M12X20 CL 5.8 DIN933 | SECHSKANTSCHRAUBE FLZNNC | VITE TESTA ESAGONALE FLZNNC | |
| 011 | 80061661 | 002 | VIS TETE HEXAGONALE FE/ZNXC3 | HEXAGON HEAD SCREW FE/ZNXC3 | SECHSKANTSCHRAUBE FE/ZNXC3 | VITE TESTA ESAGONALE FE/ZNXC3 | |
| 012 | 80131225 | 011 | VIS AUTOBLOQUANTE FLZNNC | UNDERSERR.S-LOC.SCREW FLZNNC | SPERRZAHN-BUNDSCHRAU.FLZNNC | VITE FLZNNC | 8,5 daN m (63 lbf ft) |
| 013 | 80201640 | 002 | ECROU HEX.BAS AUTOFR.FE/ZNXC3 | SELF-LOCKING NUT M16 DIN 985 B | SELBSTSICHERND.MUTTER FE/ZNXC3 | DADO AUTOBLOCCANTE FE/ZNXC3 | |
| 014 | 80201670 | 002 | ECROU HEXAGONAL FE/ZNXC3 | NUT FE/ZNXC3 | SECHSKANTMUTTER FE/ZNXC3 | DADO FE/ZNXC3 | |
| 015 | 80251625 | 002 | RONDELLE PLATE FE/ZNXC3 | PLAIN WASHER FE/ZNXC3 | SCHIBE FE/ZNXC3 | RONDELLA PIATTA FE/ZNXC3 | [2] |
| 016 | 80254556 | 002 | RONDELLE D'AJUSTAGE PS 1,0 | SHIM RING PS 1,0 | PASSSCHEIBE PS 1,0 | SPESSORE | Q? |
| 017 | 80281639 | 001 | RONDELLE RESSORT FLZNNC | CONICAL SPRING WASHER FLZNNC | SPANNSCHEIBE FLZNNC | RONDELLA A MOLLA FLZNNC | |
| 018 | 80282045 | 002 | RONDELLE RESSORT FLZNNC | CONICAL SPRING WASHER FLZNNC | SPANNSCHEIBE FLZNNC | RONDELLA A MOLLA FLZNNC | |
| 019 | 80370408 | 002 | RIVET CLOU ALU | BLIND RIVET | BLINDNIETE | RIVETTO | |
| 020 | 80500432 | 001 | GOUPILLE FENDUE FE/ZNXC3 | PIN DIN94 3-16" X 1.1-4" | SPLINT FE/ZNXC3 | COPPIGLIA FE/ZNXC3 | [2] |
| 021 | 80584500 | 003 | CIRCLIP EXTERIEUR | RETAINING RING | SICHERUNGSRING | ANELLO | |
| 022 | 80598500 | 001 | CIRCLIP INTERIEUR | RETAINING RING | SICHERUNGSRING | ANELLO | |
| 023 | 81004587 | 001 | ROULEMENT A BILLES | BALL BEARING | KUGELLAGER | CUSCINETTO A SFERE | |
| 024 | 82200800 | 001 | GRAISSEUR A TETE SPHERIQUE | GRESE NIPPLE B M8X1,25 | KEGELSCHMIERNIPPEL | INGRASSATORE FE/ZNXC3 | |
| 025 | 83015562 | 002 | BAGUE ROULEE | WRAPPED BUSH | GEROLLTE BUCHSE | ANELLO LUBRIFICATO | |
| 026 | 83040158 | 001 | BOUCHON D'OBTURATION | END PLUG | VERSCHLUSSSTOPFEN | TAPPO DI CHIUSURA | |
| 027 | 83090086 | 002 | COLLIER PLASTIQUE | CABLE TIE PLASTIC | KABELBINDER PLASTIK | FASCETTA | |
| 028 | 83200808 | 001 | PASSE FIL | RUBBER PASS WIRE | GUMMI-TUELLE | PASSAFILO | |
| 029 | K5600304 | 001 | TIMON | TONGUE | ZUGDEICHSEL | TIMONE | |
| 030 | K5600450 | 002 | OBTURATEUR | COVER | DECKEL | OTTURATORE | |
| 031 | K5600490 | 001 | PROTECTEUR DE TRANSMISSION | PTO SHAFT GUARD | GELENKWELLENSCHUTZ | PROTEZIONE | |
| 032 | K5600590 | 001 | COUVERCLE COTE GIRODYNE | COVER | DECKEL | COPERCHIO | |
| 033 | K5601161 | 001 | AXE | PIN | ACHSE | ASSE | |
| 034 | K5601210 | 001 | SUPPORT | SUPPORT | TRAEGER | SUPPORTO | + [2] |
| 035 | K5601220 | 001 | SUPPORT DE TRANSMISSION | PTO-S.HAFT SUPPORT | GELENKWELLENHALTERUNG | SUPPORTO | [2] |
| 036 | K5601230 | 001 | SUPPORT DE TRANSMISSION | PTO-S.HAFT SUPPORT | GELENKWELLENHALTERUNG | SUPPORTO | [2] |
| 037 | K5605970 | 001 | GOUSSET | GUSSET | BEFESTIGUNGSBLECH | BRACCIOLO FISSAGGIO | |
| 038 | K5607190 | 001 | PLAQUETTE | PLAQUE | PLATTE | PIASTRINA | |
| 039 | K5608700 | 001 | SUPPORT | SUPPORT | TRAEGER | SUPPORTO | |
| 040 | K5609440 | 001 | SUPPORT | SUPPORT | TRAEGER | SUPPORTO | |





FC353RGC NV (NA)

D 0001 > E 0000

K56R0154 B

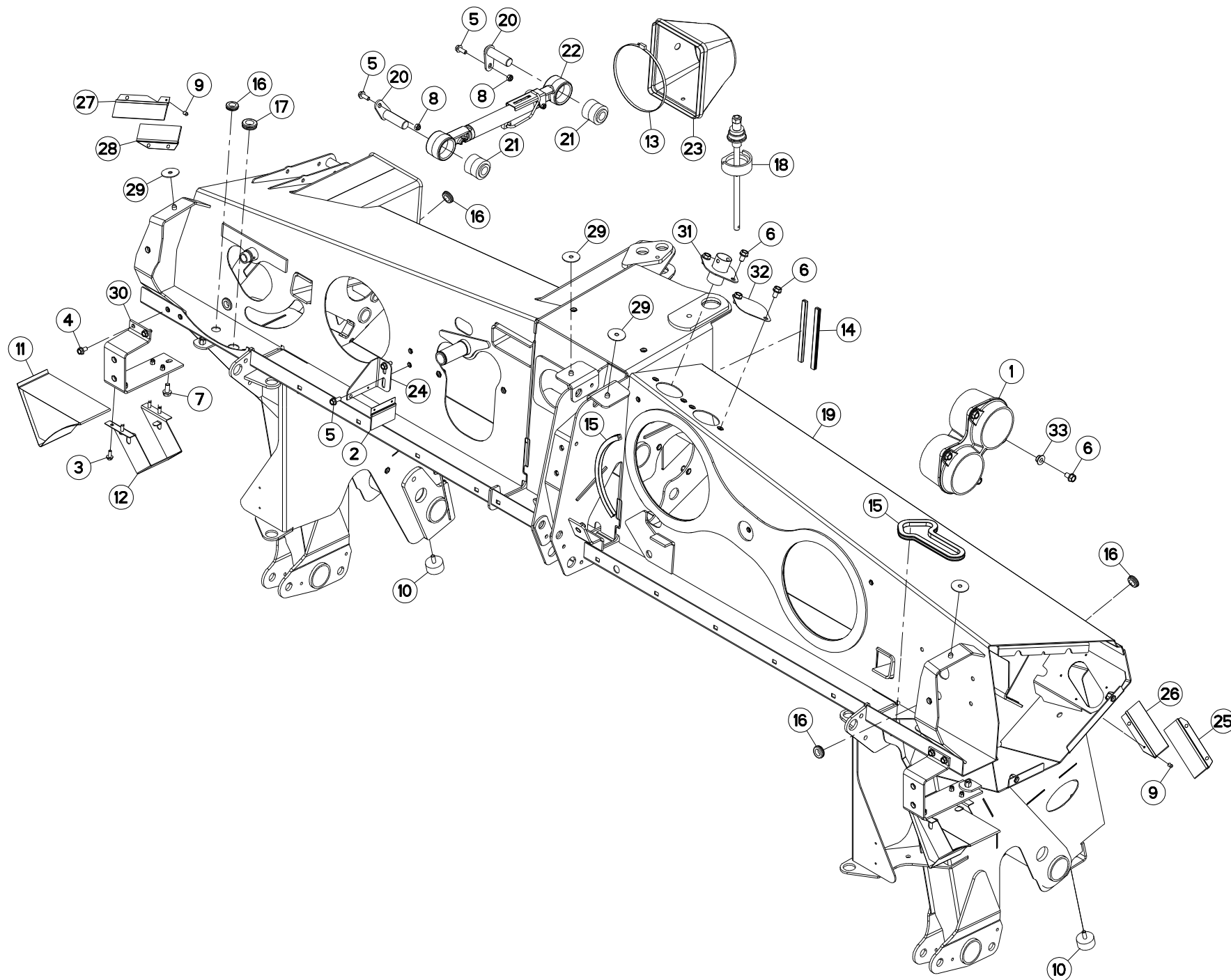
TIMON GIRODYNE

GYRODINE HITCH DRAWBAR

ZUGDEICHSEL GIRODYNE

BARRA DI ATTACCO GIRODYNE

| Rep | Nr | Qt | Designation | Description | Bezeichnung | Referenza | Remarque - Remark - Bemerkung - Osservazioni |
|-----|----------|-----|-------------------------|--------------------|------------------------|---------------|--|
| 001 | 80201291 | 014 | ECROU A SERTIR FE/ZNXC3 | CRIMP NUT FE/ZNXC3 | EINNIETMUTTER FE/ZNXC3 | DADO FE/ZNXC3 | |





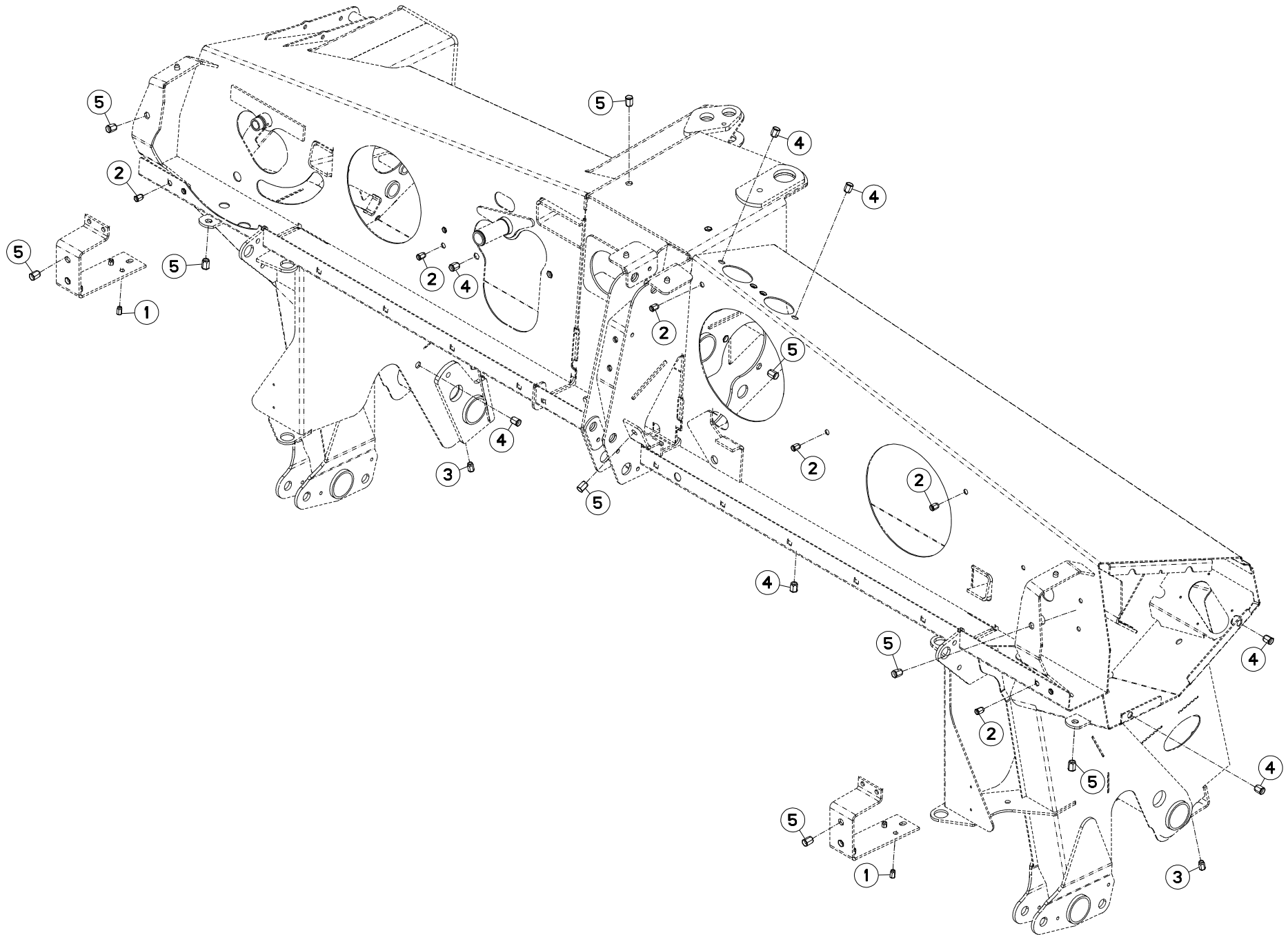
CHASSIS

FRAME

RAHMEN

TELAIO

| Rep | Nr | Qt | Designation | Description | Bezeichnung | Referenza | Remarque - Remark - Bemerkung - Osservazioni |
|-----|----------|-----|-------------------------------|--------------------------------|--------------------------------|-----------------------------|--|
| 001 | 55834910 | 001 | GUIDE DE RESSORT | SPRING GUIDE | FEDERFUEHRUNG | GUIDA | |
| 002 | 56586600 | 001 | BROSSE D'ETANCHEITE | BRUSH | BUERSTE | SPAZZOLA | |
| 003 | 80130820 | 008 | VIS AUTOBLOQUANTE FLZNNC | UNDERSERR.S-LOC.SCREW FLZNNC | SPERRZAHN-BUNDSCHRAU.FLZNNC | VITE FLZNNC | 2,5 daN m (19 lbf ft) |
| 004 | 80131020 | 004 | VIS AUTOBLOQUANTE FLZNNC | UNDERSERRATED S-LOCKING FLZNNC | SPERRZAHN-BUNDSCHRAUBE FLZNNC | VITE FLZNNC | |
| 005 | 80131026 | 004 | VIS AUTOBLOQUANTE FLZNNC | UNDERSERR.S-LOC.SCREW FLZNNC | SPERRZAHN-BUNDSCHRAU.FLZNNC | VITE FLZNNC | 5 daN m (37 lbf ft) |
| 006 | 80131220 | 008 | VIS AUTOBLOQUANTE FLZNNC | UNDERSERR.S-LOC.SCREW FLZNNC | SPERRZAHN-BUNDSCHRAU.FLZNNC | VITE FLZNNC | 8,5 daN m (63 lbf ft) |
| 007 | 80131225 | 002 | VIS AUTOBLOQUANTE FLZNNC | UNDERSERR.S-LOC.SCREW FLZNNC | SPERRZAHN-BUNDSCHRAU.FLZNNC | VITE FLZNNC | |
| 008 | 80201040 | 002 | ECROU HEX.BAS AUTOFR.FE/ZNXC3 | SELF LOCKING NUT M10 DIN 985 | SELBSTSICHERND.MUTTER FE/ZNXC3 | DADO AUTOBLOCCANTE FE/ZNXC3 | 5 daN m (37 lbf ft) |
| 009 | 80370415 | 010 | RIVET AVEUGLE T NORM.ALU | RIVET | NIETE | RIVETTO | |
| 010 | 83030015 | 002 | BUTEE ELASTIQUE | RUBBER STOP | GUMMIPUFFER | GOMMINO | |
| 011 | 83090042 | 002 | CALE DE ROUE RAYON DE 360 | WHEEL CHOCK R360 | UNTERLEGKEIL R360 | CUNEO PER RUOTE R360 | |
| 012 | 83090043 | 002 | SUPPORT DE CALE DE ROUE | BRACKET FOR WHEEL CHOCK | BEFESTIGUNGSBUEGEL | SUPPORTO | |
| 013 | 83090061 | 001 | COLLIER VIS SANS FIN | COLLAR | HALTEBAND | COLLARE | |
| 014 | 83090202 | 002 | PROFIL DE PROTECTION | CORNER GUARD | KANTENSCHUTZ | COPRIBORDO | |
| 015 | 83090205 | 002 | PROFIL DE PROTECTION | CORNER GUARD | KANTENSCHUTZ | COPRIBORDO | |
| 016 | 83200801 | 005 | PASSE FIL | RUBBER PASS WIRE | GUMMI-TUELLE | PASSAFILO | |
| 017 | 83200803 | 002 | PASSE FIL | RUBBER PASS WIRE | GUMMI-TUELLE | PASSAFILO | |
| 018 | 3156097 | 001 | DISPOSITIF DE MONTAGE | ASSEMBLY KIT | MONTEGESATZ | KIT DI MONTAGGIO | OPT : K5600690 |
| 019 | K5600122 | 001 | CHASSIS | CHASSIS | HAUPTRAHMEN | TELAIO | |
| 020 | K5600670 | 002 | AXE | PIN | ACHSE | ASSE | |
| 021 | K5600690 | 002 | ARTICULATION | ARTICULATION | GELENKSTUECK | ARTICOLAZIONE | |
| 022 | K5600951 | 001 | BIELLE | LINK, CONNECTING | LENKER | BIELLA | |
| 023 | K5601200 | 001 | SOUFFLET | BELLOWS | FALTENBALG | SOFFIETTO | |
| 024 | K5601350 | 001 | ATTACHE DE BROSSE | BRACKET | HALTERUNG | ATTACCO | |
| 025 | K5601540 | 001 | BROSSE D'ETANCHEITE | BRUSH | BUERSTE | SPAZZOLA | |
| 026 | K5601550 | 001 | BROSSE D'ETANCHEITE | BRUSH | BUERSTE | SPAZZOLA | |
| 027 | K5601560 | 001 | BROSSE D'ETANCHEITE | BRUSH | BUERSTE | SPAZZOLA | |
| 028 | K5601570 | 001 | BROSSE D'ETANCHEITE | BRUSH | BUERSTE | SPAZZOLA | |
| 029 | K5601630 | 004 | RONDELLE CAOUTCHOUC | RUBBER WASHER | GUMMISCHEIBE | RONDELLA | |
| 030 | K5606530 | 002 | SUPPORT DE FEU | SUPPORT | TRAEGER | SUPPORTO | |
| 031 | K5607150 | 001 | MANCHON | SLEEVE | MUFFE | MANICOTTO | |
| 032 | K5608710 | 001 | FLASQUE | FLANGE | FLANSCH | FLANGIA | |
| 033 | K5800480 | 004 | ENTRETOISE ZBC | SPACER ZBC | DISTANZHUELSE ZBC | DISTANZIALE | |





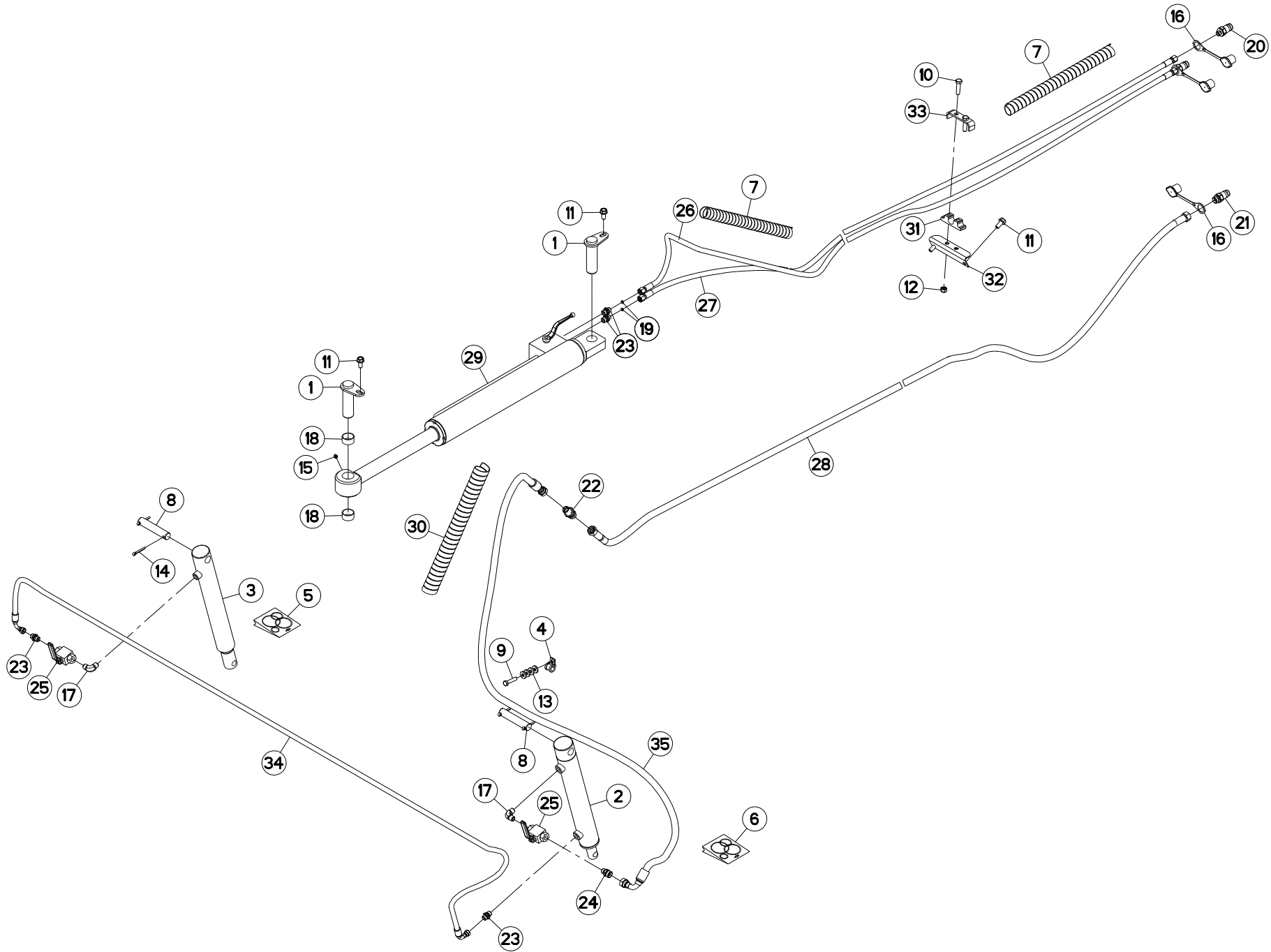
CHASSIS

FRAME

RAHMEN

TELAIO

| Rep | Nr | Qt | Designation | Description | Bezeichnung | Referenza | Remarque - Remark - Bemerkung - Osservazioni |
|-----|----------|-----|-------------------------|--------------------|------------------------|---------------|--|
| 001 | 80200891 | 008 | ECROU A SERTIR FE/ZNXC3 | CRIMP NUT FE/ZNXC3 | EINNIETMUTTER FE/ZNXC3 | DADO FE/ZNXC3 | |
| 002 | 80201090 | 009 | ECROU A SERTIR FE/ZNXC3 | CRIMP NUT FE/ZNXC3 | EINNIETMUTTER FE/ZNXC3 | DADO FE/ZNXC3 | |
| 003 | 80201091 | 002 | ECROU A SERTIR FE/ZNXC3 | CRIMP NUT FE/ZNXC3 | EINNIETMUTTER FE/ZNXC3 | DADO FE/ZNXC3 | |
| 004 | 80201290 | 038 | ECROU A SERTIR FE/ZNXC3 | CRIMP NUT FE/ZNXC3 | EINNIETMUTTER FE/ZNXC3 | DADO FE/ZNXC3 | |
| 005 | 80201291 | 016 | ECROU A SERTIR FE/ZNXC3 | CRIMP NUT FE/ZNXC3 | EINNIETMUTTER FE/ZNXC3 | DADO FE/ZNXC3 | |





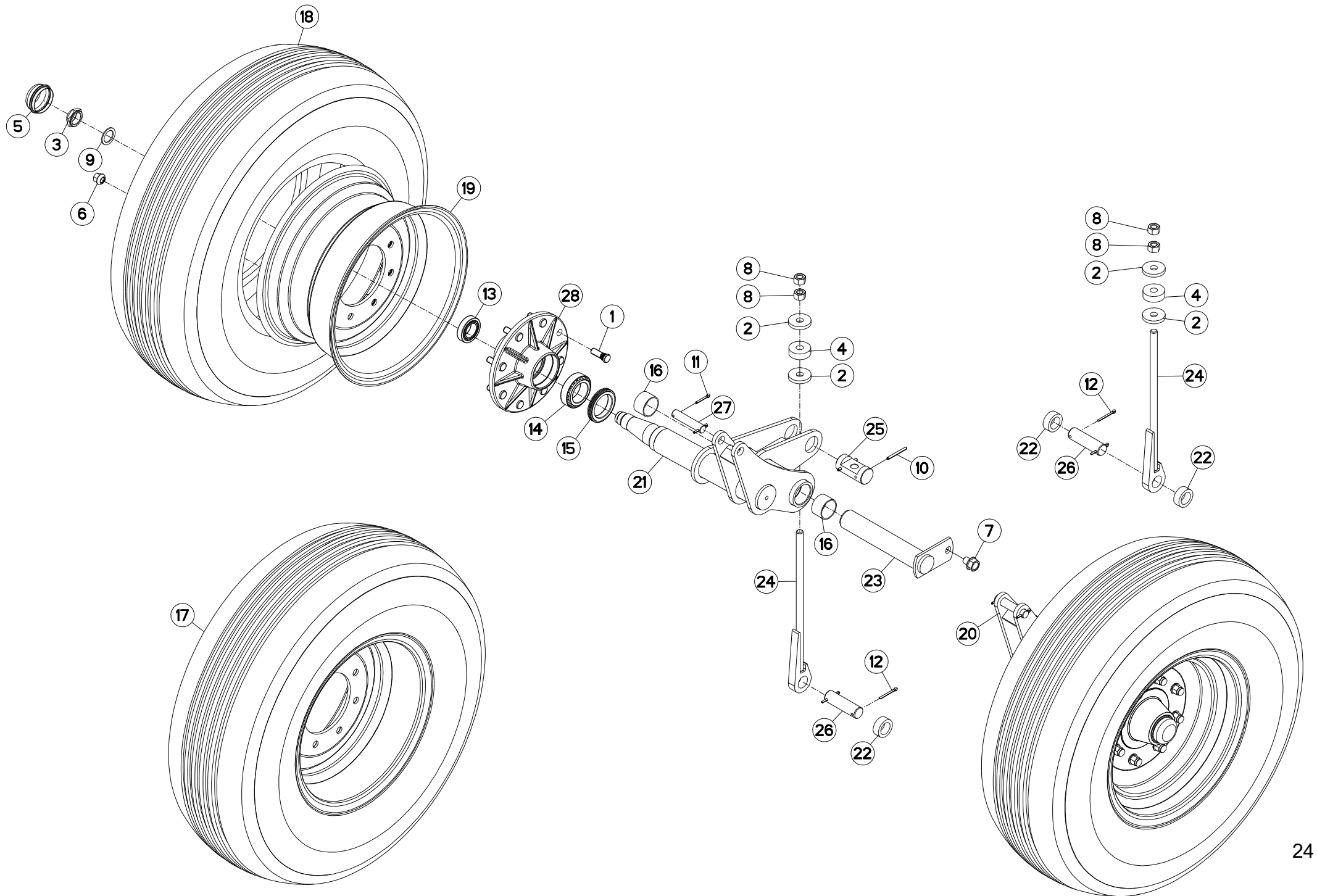
HYDRAULIQUE

HYDRAULIC

HYDRAULIK

IDRAULICO

| Rep | Nr | Qt | Designation | Description | Bezeichnung | Referenza | Remarque - Remark - Bemerkung - Osservazioni |
|-----|----------|-----|-------------------------------|--------------------------------|--------------------------------|-------------------------------|--|
| 001 | 55803400 | 002 | AXE | PIN | ACHSE | ASSE | |
| 002 | 55830220 | 001 | VERIN | CYLINDER, HYDRAULIC | HYDRAULIKZYLINDER | CILINDRO | |
| 003 | 55830310 | 001 | VERIN | CYLINDER, HYDRAULIC | HYDRAULIKZYLINDER | CILINDRO | |
| 004 | 56001600 | 002 | COLLIER | CLAMP, HOSE | SCHLAUCHSCHELLE | COLLARE | |
| 005 | 56046310 | 001 | COLL.JOINTS-VERIN 55830310 | OIL SEAL SET | SATZ DICHTUNGEN | SERIE GUARNIZIONI | |
| 006 | 56046420 | 001 | COLL.JOINTS-VERIN 55830220 | OIL SEAL SET | SATZ DICHTUNGEN | SERIE GUARNIZIONI | |
| 007 | 56541100 | 002 | GAINÉ SPIRALE | SPIRAL WRAP | SCHUTZSPIRALE | PROTEZIONE | |
| 008 | 58742110 | 002 | AXE ZBC | PIN | BOLZEN | ASSE | |
| 009 | 80061046 | 001 | VIS TETE HEXAGONALE FE/ZNXC3 | HEXAGON HEAD SCREW FE/ZNXC3 | SECHSKANTSCHRAUBE FE/ZNXC3 | VITE TESTA ESAGONALE FE/ZNXC3 | |
| 010 | 80061245 | 002 | VIS TETE HEXAGONALE FE/ZNXC3 | HEXAGON HEAD SCREW FE/ZNXC3 | SECHSKANTSCHRAUBE FE/ZNXC3 | VITE TESTA ESAGONALE FE/ZNXC3 | |
| 011 | 80131225 | 004 | VIS AUTOBLOQUANTE FLZNNC | UNDERSERR.S-LOC.SCREW FLZNNC | SPERRZAHN-BUNDSCHRAU.FLZNNC | VITE FLZNNC | |
| 012 | 80201240 | 002 | ECROU HEX.BAS AUTOFR.FE/ZNXC3 | SELF-LOCKING NUT M 12 DIN-985 | SELBSTSICHERND.MUTTER FE/ZNXC3 | DADO AUTOBLOCCANTE FE/ZNXC3 | |
| 013 | 80251127 | 004 | RONDELLE PLATE FE/ZNXC3 | PLAIN WASHER FE/ZNXC3 | SCHEIBE FE/ZNXC3 | RONDELLA PIATTA FE/ZNXC3 | |
| 014 | 80500541 | 004 | GOUPILLE FENDUE FE/ZNXC3 | SPLIT PIN FE/ZNXC3 | SPLINT FE/ZNXC3 | COPPIGLIA FE/ZNXC3 | |
| 015 | 82200910 | 001 | GRAISSEUR A TETE SPHERIQUE | LUBRICATING NIPPLE: CONE TYPE | KEGELSCHMIERNIPPEL | INGRASSATORE | |
| 016 | 82300026 | 003 | CAPUCHON COUPLEUR MALE | CAP MALE CONNECTOR | KAPPE KUPPLUNGSSTECKER | TAPPO | |
| 017 | 82301214 | 002 | COUDE MALE NU FE/ZNXC3 | ANGLE SCREW SCREW-JOI.FE/ZNXC3 | WINKEL EINSCHRAUBVERS.FE/ZNXC3 | RACCORDO FE/ZNXC3 | |
| 018 | 83013539 | 002 | BAGUE ROULEE | WRAPPED BUSH | GEROLLTE BUCHSE | ANELLO LUBRIFICATO | |
| 019 | A4072026 | 002 | LIMITEUR DEBIT D10+D2.5 EP1.5 | DELIVERY LIMITER | MENGEN BEGRENZER | REGOLATORE D'ALIMENTAZIONE | |
| 020 | A4074017 | 002 | COUPLEUR MALE | CONNECTOR MALE | KUPPLUNGSTECKER | INNESTO M16X150 | |
| 021 | A4074018 | 001 | COUPLEUR MALE | CONNECTOR MALE | KUPPLUNGSTECKER | ATTACCO IDRAULICO | |
| 022 | A4080315 | 001 | UNION DOUBLE / CLOISON | BULKHEAD UNION | VERBINDUNGSNIPEL | CONNETTORE | |
| 023 | A4080401 | 004 | UNION MALE | MALE STUD CONNECTOR | GERADER EINSCHRAUBSTUTZEN | GIUZIONE DIRITTA ZBC | |
| 024 | A4080429 | 001 | UNION MALE | MALE STUD CONNECTOR | GERADER EINSCHRAUBSTUTZEN | GIUZIONE DIRITTA ZBC | |
| 025 | A4075005 | 002 | ROBINET | VALVE, BALL | KUGELHAHN | ROBINETTO | |
| 026 | A4921138 | 001 | FLEXIBLE | HOSE, HYDRAULIC | HYDRAULIKSCHLAUCH | TUBO IN GOMMA | <->6600 mm |
| 027 | A4921138 | 001 | FLEXIBLE | HOSE, HYDRAULIC | HYDRAULIKSCHLAUCH | TUBO IN GOMMA | <->6600 mm |
| 028 | A4923114 | 001 | FLEXIBLE | HOSE, HYDRAULIC | HYDRAULIKSCHLAUCH | TUBO IN GOMMA | <->440 mm |
| 029 | K5600421 | 001 | VERIN | HYDRAULIC CYLINDER | HYDRAULIKZYLINDER | CILINDRO | |
| 030 | K5602910 | 002 | GAINÉ SPIRALE | SPIRAL WRAP | SCHUTZSPIRALE | PROTEZIONE | |
| 031 | K5607180 | 001 | SUPPORT | SUPPORT | TRAEGER | SUPPORTO | |
| 032 | K5607200 | 001 | EQUERRE | GUSSET, CORNER | WINKEL | SQUADRA | |
| 033 | K5607210 | 001 | BRIDE | CLAMP | BUEGEL | STAFFA | |
| 034 | K5601320 | 001 | FLEXIBLE | HYDRAULIC HOSE | HYDRAULIKSCHLAUCH | TUBO IN GOMMA | <-> 3400 mm |
| 035 | K5607230 | 001 | FLEXIBLE | HYDRAULIC HOSE | HYDRAULIKSCHLAUCH | TUBO IN GOMMA | <-> 2500 mm |





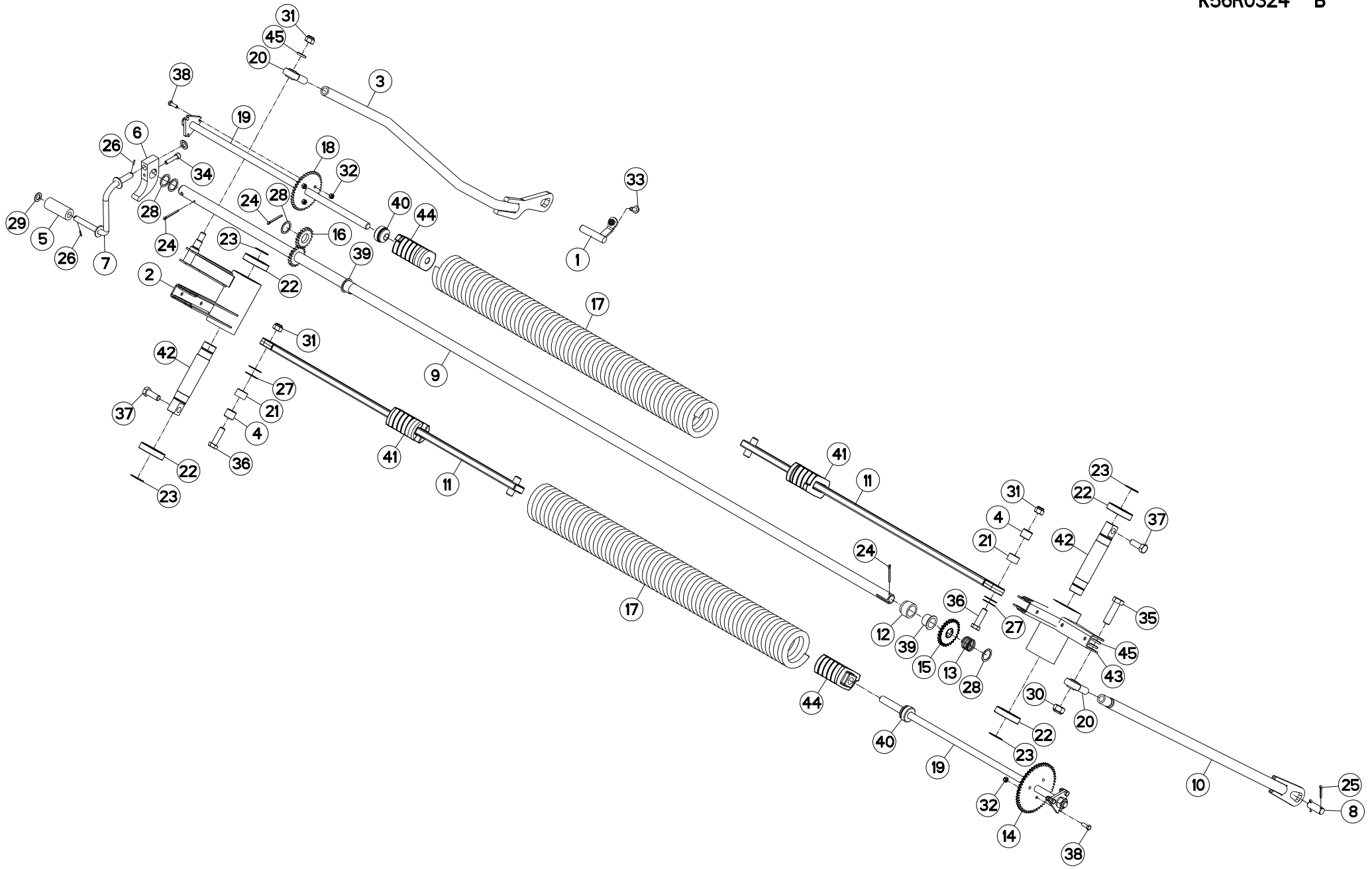
ROUES

WHEELS

RAEDER

RUOTE

| Rep | Nr | Qt | Designation | Description | Bezeichnung | Referenza | Remarque - Remark - Bemerkung - Osservazioni |
|-----|----------|-----|-------------------------------|-------------------------------|-------------------------------|-----------------------|--|
| 001 | 50000000 | 016 | VIS | SCREW | SCHRAUBE | VITE | [1] |
| 002 | 50019700 | 004 | RONDELLE FE/ZN | WASHER FE/ZN | SCHEIBE FE/ZN | RONDELLA | |
| 003 | 50067400 | 002 | ECROU HEXAGONAL A RABATTRE | NUT | SECHSKANTMUTTER | DADO | [2] 8,5 daN m (63 lbf ft) |
| 004 | 55836300 | 002 | ENTRETOISE | SPACER | DISTANZHUELSE | DISTANZIALE | |
| 005 | 56039800 | 002 | CHAPEAU DE ROUE | WHEEL CAP | RADKAPPE | FERMO | |
| 006 | 59002600 | 016 | ECROU | NUT | MUTTER | DADO | 8,5 daN m (63 lbf ft) |
| 007 | 80131620 | 002 | VIS AUTOBLOQUANTE FLZNNC | UNDERSERRATED S-LOCKING SCREW | SPERRZAHN-BUNDSCHRAUBE FLZNNC | VITE FLZNNC | |
| 008 | 80201670 | 004 | ECROU HEXAGONAL FE/ZNXC3 | NUT FE/ZNXC3 | SECHSKANTMUTTER FE/ZNXC3 | DADO FE/ZNXC3 | |
| 009 | 80253042 | 002 | RONDELLE D'APPUI SS 2,5 | SUPPORTING RING SS 2,5 | STUETZSCHEIBE SS 2,5 | SPESSORE | |
| 010 | 80450660 | 004 | GOUPILLE ELASTIQUE FLZNNC | ROLL PIN FLZNNC | SPANNHUELSE FLZNNC | SPINA ELASTICA FLZNNC | |
| 011 | 80500432 | 004 | GOUPILLE FENDUE FE/ZNXC3 | PIN DIN94 3-16" X 1.1-4" | SPLINT FE/ZNXC3 | COPPIGLIA FE/ZNXC3 | |
| 012 | 80500445 | 004 | GOUPILLE FENDUE FE/ZNXC3 | SPLIT PIN FE/ZNXC3 | SPLINT FE/ZNXC3 | COPPIGLIA FE/ZNXC3 | |
| 013 | 81303562 | 002 | ROULEMENT A ROULEAUX CONIQUES | TAPERED ROLLER BEARING | KEGELROLLENLAGER | CUSCINETTO A RULLO | |
| 014 | 81305080 | 002 | ROULEMENT A ROULEAUX CONIQUES | TAPERED ROLLER BEARING | KEGELROLLENLAGER | CUSCINETTO A RULLI | |
| 015 | 82015882 | 002 | BAGUE D'ETANCHEITE SPECIALE | OIL SEAL | RADIALDICHRING | PARAOILIO | |
| 016 | 83014550 | 004 | BAGUE ROULEE | WRAPPED BUSH | GEROLLTE BUCHSE | ANELLO LUBRIFICATO | |
| 017 | 83300111 | 002 | ROUE COMPLETE 12.5LX16SL USA | WHEEL COMPLETE | RAD KOMPLETT | RUOTA COMPLETA | |
| 018 | 83300112 | 002 | PNEU 12.5LX16SL-14PLY I1 HFL | TYRE | REIFEN | PNEUMATICO | |
| 019 | 83300113 | 002 | JANTE 16XW10L 8-8.0 6.0 USA | RIM | FELGE | CERCHIONE | |
| 020 | K5600791 | 001 | BRAS DE ROUE | ARM, WHEEL | RADARM | BRACCIO PER RUOTA | + [2] |
| 021 | K5600801 | 001 | BRAS DE ROUE | ARM, WHEEL | RADARM | BRACCIO PER RUOTA | + [2] |
| 022 | K5601090 | 003 | DOUILLE | BUSH | HUELSE | BUSSOLA | |
| 023 | K5601100 | 002 | AXE | PIN | ACHSE | ASSE | |
| 024 | K5601110 | 002 | TIRANT ZBC | TIE ROD ZBC | ZUGSTANGE ZBC | TIRANTE | |
| 025 | K5601120 | 002 | NOIX | YOKE | GELENKBOLZEN | | |
| 026 | K5601130 | 002 | AXE DE BIELLE ZBC | PIN | BOLZEN | ASSE | |
| 027 | K5601240 | 002 | AXE | PIN | ACHSE | ASSE | |
| 028 | K5610460 | 002 | MOYEU | HUB | NABE | MOZZO | + [1] |





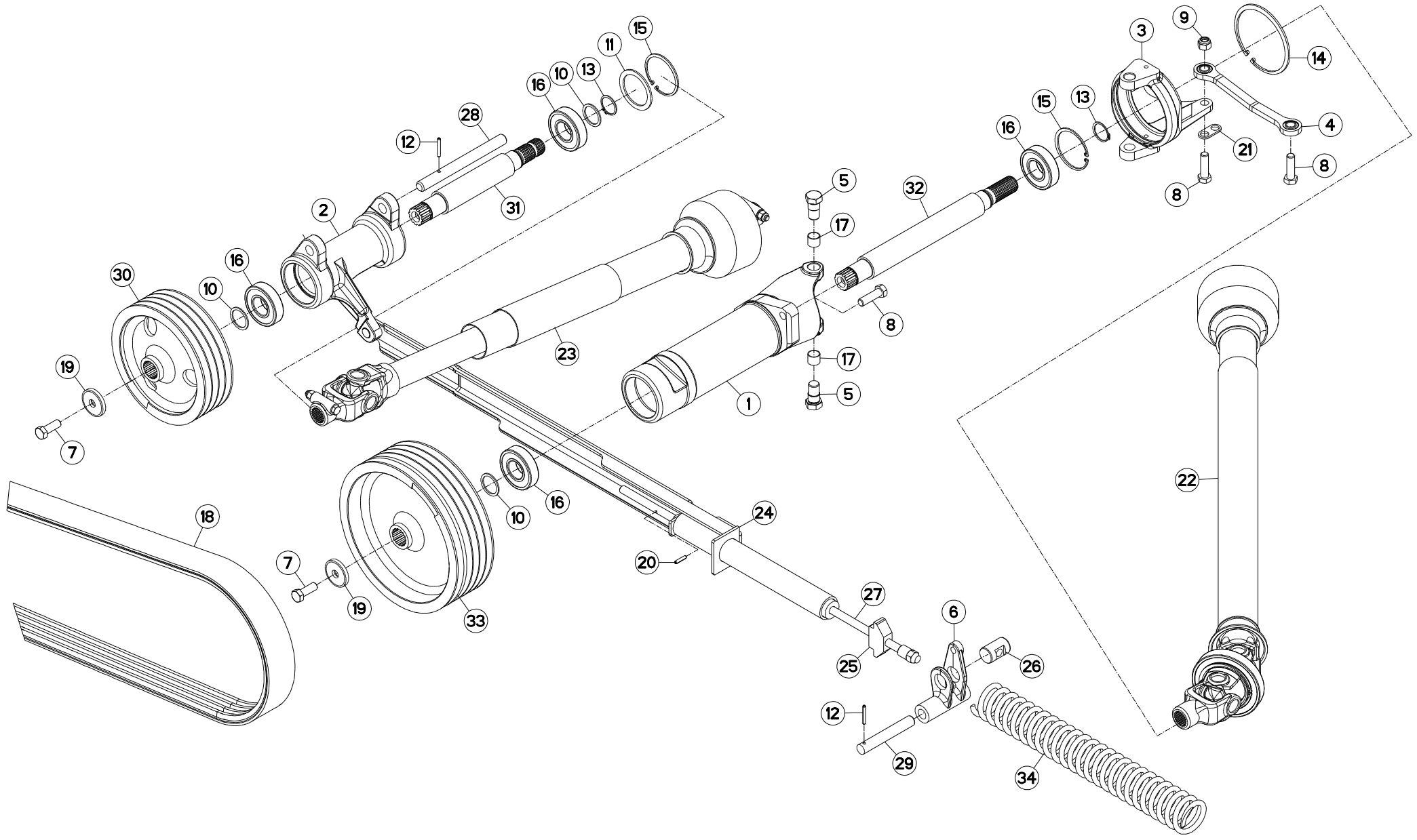
SYSTEME D'ALLÈGEMENT

SUSPENSION SYSTEM

ENTLASTUNGSSYSTEM

SISTEMA DELLE SOSPENSIONI

| Rep | Nr | Qt | Designation | Description | Bezeichnung | Referenza | Remarque - Remark - Bemerkung - Osservazioni |
|-----|----------|-----|--------------------------------|--------------------------------|--------------------------------|--------------------------------|--|
| 001 | K5609690 | 001 | BROCHE | PIN, HITCH | ACHSE | PERNO | |
| 002 | K5606250 | 001 | BASCULEUR | WEIGHING | WAAGE | BASCULLA | |
| 003 | K5605140 | 001 | TIRANT ROULEAUX | TIE ROD | ZUGSTANGE | REGISTRO | |
| 004 | K5601340 | 002 | DOUILLE | BUSH | HUELSE | BUSSOLA | |
| 005 | K5601190 | 001 | TUBE POUR MANIVELLE | TUBE | ROHR | TUBO | |
| 006 | K5601180 | 001 | BUTEE | STOP | ANSCHLAG | LIMITATORE | |
| 007 | K5601170 | 001 | MANIVELLE | CRANK | KURBEL | MANOVELLA | |
| 008 | K5601140 | 001 | AXE DU TIRANT | PIN | ACHSE | PERNO DEL TIRANTE | |
| 009 | K5601040 | 001 | ARBRE | SHAFT | WELLE | ALBERO | |
| 010 | K5600940 | 001 | TIRANT DROIT ZBC | TIE ROD RIGHT ZBC | ZUGSTANGE RECHTS ZBC | TIRANTE | |
| 011 | K5600920 | 002 | TIRANT DE NOIX | LIFT PLATE | ZUGSTANGE | TIRANTE | |
| 012 | K5600880 | 001 | ENTRETOISE | SPACER | DISTANZHUELSE | DISTANZIALE | |
| 013 | K5600870 | 001 | RESSORT D'APPUI | SPRING | FEDER | MOLLA | |
| 014 | K5600860 | 001 | PIGNON 52 DENTS | GEAR WHEEL 52 T. | ZAHNRAD 52 Z. | PIGNONE | |
| 015 | K5600850 | 001 | PIGNON 26 DENTS | PINION Z.26 | ZAHNRAD Z.26 | PIGNONE Z.26 | |
| 016 | K5600840 | 001 | PIGNON | GEAR, PINION | RITZEL | PIGNONE | |
| 017 | K5600830 | 002 | RESSORT D'ALLEGEMENT | SPRING | FEDER | MOLLA | |
| 018 | K5600820 | 001 | PIGNON 40D | GEAR WHEEL 40 T. | ZAHNRAD 40 Z. | PIGNONE | |
| 019 | K5600810 | 002 | TIRANT | TIE ROD | ZUGSTANGE | TIRANTE | |
| 020 | 83090058 | 002 | ROTULE A TIGE FILETE | BALL JOINT | KUGELGELENK | TIRANTE | |
| 021 | 83013034 | 002 | BAGUE ROULEE | WRAPPED BUSH | GEROLLTE BUCHSE | ANELLO LUBRIFICATO | |
| 022 | 81004082 | 004 | ROULEMENT A BILLES | BALL BEARING | KUGELLAGER | CUSCINETTO A SFERE | |
| 023 | 80584000 | 004 | CIRCLIP EXTERIEUR | ELASTIC RING E 40 | SICHERUNGSRING | ANELLO | |
| 024 | 80500451 | 003 | GOUPILLE FENDUE FE/ZNXC3 | SPLIT PIN FE/ZNXC3 | SPLINT FE/ZNXC3 | COPPIGLIA FE/ZNXC3 | |
| 025 | 80500432 | 002 | GOUPILLE FENDUE FE/ZNXC3 | PIN DIN94 3-16" X 1.1-4" | SPLINT FE/ZNXC3 | COPPIGLIA FE/ZNXC3 | |
| 026 | 80450320 | 002 | GOUPILLE ELASTIQUE INOX | ROLL PIN INOX | SPANNHUELSE INOX | SPINA ELASTICA INOX | |
| 027 | 80253044 | 004 | RONDELLE D'AJUSTAGE | SHIM WASHER | PASSSCHEIBE | RONDELLA | |
| 028 | 80253041 | 004 | RONDELLE PLATE | PLAIN WASHER | SCHEIBE | RONDELLA | |
| 029 | 80251631 | 002 | RONDELLE PLATE FE/ZNXC3 | PLAIN WASHER FE/ZNXC3 | SCHEIBE FE/ZNXC3 | RONDELLA PIATTA FE/ZNXC3 | |
| 030 | 80202040 | 001 | ECROU HEX.BAS AUTOFR.FE/ZNXC3 | SELF-LOCKING NUT FE/ZNXC3 | SELBSTSICHERND.MUTTER FE/ZNXC3 | DADO AUTOBLOCCANTE FE/ZNXC3 | |
| 031 | 80201630 | 003 | ECROU HEX.AUTOFREINE FE/ZNXC3 | SELF-LOCKING NUT FE/ZNXC3 | SELBSTSICH.MUTTER FE/ZNXC3 | DADO AUTOBLOCCANTE FE/ZNXC3 | |
| 032 | 80200830 | 006 | ECROU HEX.AUTOFREINE FE/ZNXC3 | SELFLOCKING NUT M8 DIN 982 | SELBSTSICHERNDE MUTT.FE/ZNXC3 | DADO AUTOBLOCCANTE FE/ZNXC3 | |
| 033 | 80131026 | 001 | VIS AUTOBLOQUANTE FLZNNC | UNDERSERR.S-LOC.SCREW FLZNNC | SPERRZAHN-BUNDSCHRAU.FLZNNC | VITE FLZNNC | |
| 034 | 80081075 | 001 | VIS TETE CYL.SIX P.CR.FE/ZNXC3 | SCREW, SOCKET HEAD FE/ZNXC3 | ZYLINDERSCHR.INNENSEC.FE/ZNXC3 | VITE A TESTA CILINDR. FE/ZNXC3 | |
| 035 | 80062060 | 001 | VIS TETE HEXAGONALE FE/ZNXC3 | HEXAGON HEAD SCREW FE/ZNXC3 | SECHSKANTSCHRAUBE FE/ZNXC3 | VITE TESTA ESAGONALE FE/ZNXC3 | 42 daN m (310 lbf ft) |
| 036 | 80061647 | 002 | VIS TETE HEXAGONALE FE/ZNXC3 | HEXAGON HEAD SCREW FE/ZNXC3 | SECHSKANTSCHRAUBE FE/ZNXC3 | VITE TESTA ESAGONALE FE/ZNXC3 | 21 daN m (155 lbf ft) |
| 037 | 80061646 | 002 | VIS TETE HEXAGONALE FE/ZNXC3 | HEXAGON HEAD SCREW FE/ZNXC3 | SECHSKANTSCHRAUBE FE/ZNXC3 | VITE TESTA ESAGONALE FE/ZNXC3 | 21 daN m (155 lbf ft) |
| 038 | 80060826 | 006 | VIS TETE HEXAGONALE FE/ZNXC3 | HEAD HEX SCREW M8X25 CL8.8 DIN | SECHSKANTSCHRAUBE FE/ZNXC3 | VITE TESTA ESAGONALE FE/ZNXC3 | 2,5 daN m (19 lbf ft) |
| 039 | 56540200 | 002 | BAGUE PLASTIQUE A COLLERETTE | NYLON BEARING | KUNSTSTOFF-GLEITLAGER | ANELLO PLASTICA | |
| 040 | 55835500 | 002 | BUTEE | STOP | ANSCHLAG | LIMITATORE | |
| 041 | 55830000 | 002 | NOIX DU RESSORT | SPECIAL NUT | EINSCHRAUBMUTTER | REGISTRO | |
| 042 | 55828600 | 002 | AXE DU BASCULEUR | AXLE | ACHSE | ASSE | |
| 043 | 55827900 | 001 | BASCULEUR | WEIGHING | WAAGE | BASCULLA | |
| 044 | 55826700 | 002 | NOIX DU RESSORT | SPECIAL NUT | EINSCHRAUBMUTTER | REGISTRO | |
| 045 | 50017710 | 003 | RONDELLE PLATE | WASHER, FLAT | SCHEIBE | RONDELLA PIATTA | |





ENTRAINEMENT (PALIER)

DRIVE (BEARING)

ANTRIEB (LAGERUNG)

TRASCINAMENTO (CUSCINETTO)

| Rep | Nr | Qt | Designation | Description | Bezeichnung | Referenza | Remarque - Remark - Bemerkung - Osservazioni |
|-----|----------|-----|-------------------------------|--------------------------------|----------------------------|-------------------------------|--|
| 001 | 55826810 | 001 | PALIER | BEARING, PILLOW BLOCK | LAGER | SUPPORTO | |
| 002 | 55826910 | 001 | PALIER | BEARING, PILLOW BLOCK | LAGER | SUPPORTO | |
| 003 | 55828000 | 001 | LUNETTE D'ORIENTATION | INTERMEDIATE SUPPORT | ZWISCHENHALTERUNG | SNODO | |
| 004 | 55828400 | 001 | BIELLETTE | LINK | SHUBSTANGE | BIELLA | |
| 005 | 55828500 | 002 | PIVOT ZBC | PIN | BOLZEN | PERNO | 21 daN m (155 lbf ft) |
| 006 | 55833600 | 001 | BASCULEUR | WEIGHING | WAAGE | BASCULLA | |
| 007 | 80061646 | 002 | VIS TETE HEXAGONALE FE/ZNXC3 | HEXAGON HEAD SCREW FE/ZNXC3 | SECHSKANTSCHRAUBE FE/ZNXC3 | VITE TESTA ESAGONALE FE/ZNXC3 | 21 daN m (155 lbf ft) |
| 008 | 80061647 | 004 | VIS TETE HEXAGONALE FE/ZNXC3 | HEXAGON HEAD SCREW FE/ZNXC3 | SECHSKANTSCHRAUBE FE/ZNXC3 | VITE TESTA ESAGONALE FE/ZNXC3 | |
| 009 | 80201630 | 001 | ECROU HEX.AUTOFREINE FE/ZNXC3 | SELF-LOCKING NUT FE/ZNXC3 | SELBSTSICH.MUTTER FE/ZNXC3 | DADO AUTOBLOCCANTE FE/ZNXC3 | 21 daN m (155 lbf ft) |
| 010 | 80254043 | 003 | RONDELLE D'APPUI SS 2,5 | SUPPORTING RING SS 2,5 | STUETZSCHEIBE SS 2,5 | RONDELLA D'APPOGGIO | |
| 011 | 80257078 | 001 | RONDELLE D'APPUI SS 3,5 | SUPPORTING RING SS 3,5 | STUETZSCHEIBE SS 3,5 | RONDELLA D'APPOGGIO | |
| 012 | 80450645 | 002 | GOUPILLE ELASTIQUE FLZNNC | ROLL PIN FLZNNC | SPANNHUELSE FLZNNC | SPINA ELASTICA FLZNNC | |
| 013 | 80584000 | 002 | CIRCLIP EXTERIEUR | ELASTIC RING E 40 | SICHERUNGSRING | ANELLO | |
| 014 | 80590008 | 001 | CIRCLIP INTERIEUR | RETAINING RING | SICHERUNGSRING | ANELLO | |
| 015 | 80599000 | 002 | CIRCLIP INTERIEUR | ELASTIC RING I 90 | SICHERUNGSRING | ANELLO | |
| 016 | 81004096 | 004 | ROULEMENT A BILLES | BALL BEARING | KUGELLAGER | CUSCINETTO A SFERE | |
| 017 | 83012225 | 002 | BAGUE ROULEE | WRAPPED BUSH | GEROLLTE BUCHSE | ANELLO LUBRIFICATO | |
| 018 | 83111683 | 001 | COURROIE TRAPEZOIDALE JUMEE | BELT | KEILRIEMEN | CINGHIA | |
| 019 | 50013100 | 002 | RONDELLE | WASHER | SCHEIBE | RONDELLA PIATTA | |
| 020 | 80450631 | 001 | GOUPILLE ELASTIQUE FLZNNC | ELASTIC PIN 6 X 30 HEAVY CLASS | SPANNHUELSE FLZNNC | SPINA ELASTICA FLZNNC | |
| 021 | K5600400 | 001 | ATTACHE ZBC | FASTENER ZBC | LASCHE ZBC | ATTACCO | |
| 022 | K5600511 | 001 | TRANSMISSION SECONDAIRE | PTO-SHAFT | GELENKWELLE | CARDANO | * 1 |
| 023 | K5600610 | 001 | TRANSMISSION TERTIAIRE | PTO-SHAFT | GELENKWELLE | CARDANO | * 2 |
| 024 | K5600730 | 001 | BRAS | ARM | ARM | BRACCIO | |
| 025 | K5600750 | 001 | NOIX | YOKE | ANSCHLAG | | |
| 026 | K5600760 | 001 | AXE D'ARTICULATION | HINGE PIN | GELENKBOLZEN | ASSE D'ARTICOLAZIONE | |
| 027 | K5600770 | 001 | TIRANT DU TENDEUR ARRIERE | TIE ROD | ZUGSTANGE | TIRANTE | |
| 028 | K5601290 | 001 | AXE TENDEUR | AXLE | ACHSE | ASSE | |
| 029 | K5602090 | 001 | AXE BALANCIER | AXLE | ACHSE | ASSE | |
| 030 | K5608300 | 001 | POULIE | PULLEY | RIEMENSCHLEIBE | PULEGGIA | |
| 031 | K5608310 | 001 | ARBRE | SHAFT | WELLE | ALBERO | |
| 032 | K5608320 | 001 | ARBRE | SHAFT | WELLE | ALBERO | |
| 033 | K5608330 | 001 | POULIE | PULLEY | RIEMENSCHLEIBE | PULEGGIA | |
| 034 | K5600780 | 001 | RESSORT DU TENDEUR AR | SPRING | FEDER | MOLLA | |

*1: Voir page "TRANSMISSION A CARDANS SECOND."

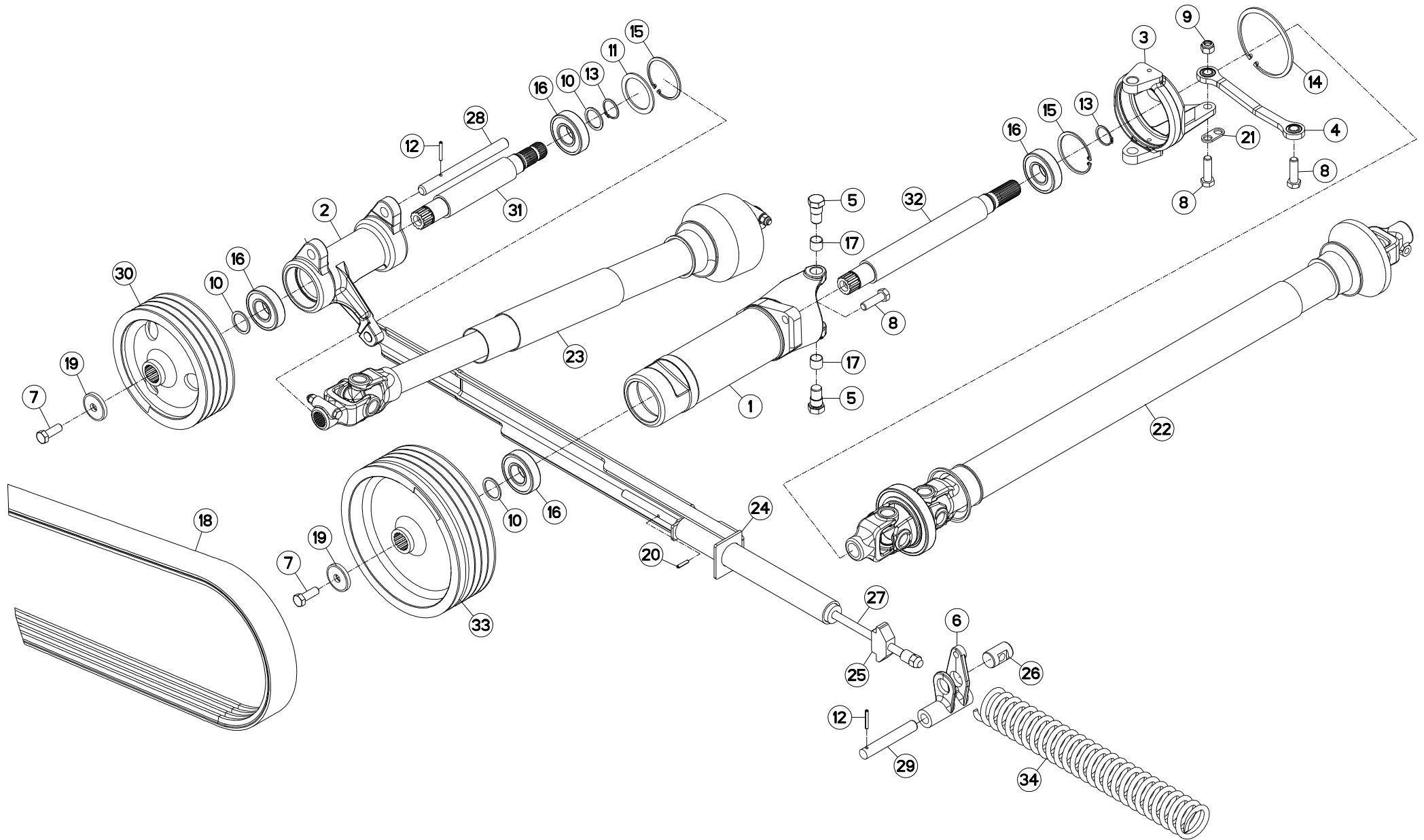
*1: See page "SECONDARY PTO SHAFT".

*1: Siehe Seite "SEKUNDÄRGELENKWELLE".

*2: Voir page "TRANSMISSION A CARDANS".

*2: See page "PTO SHAFT".

*2: Siehe Seite "GELENKWELLE".





ENTRAINEMENT (PALIER)

DRIVE (BEARING)

ANTRIEB (LAGERUNG)

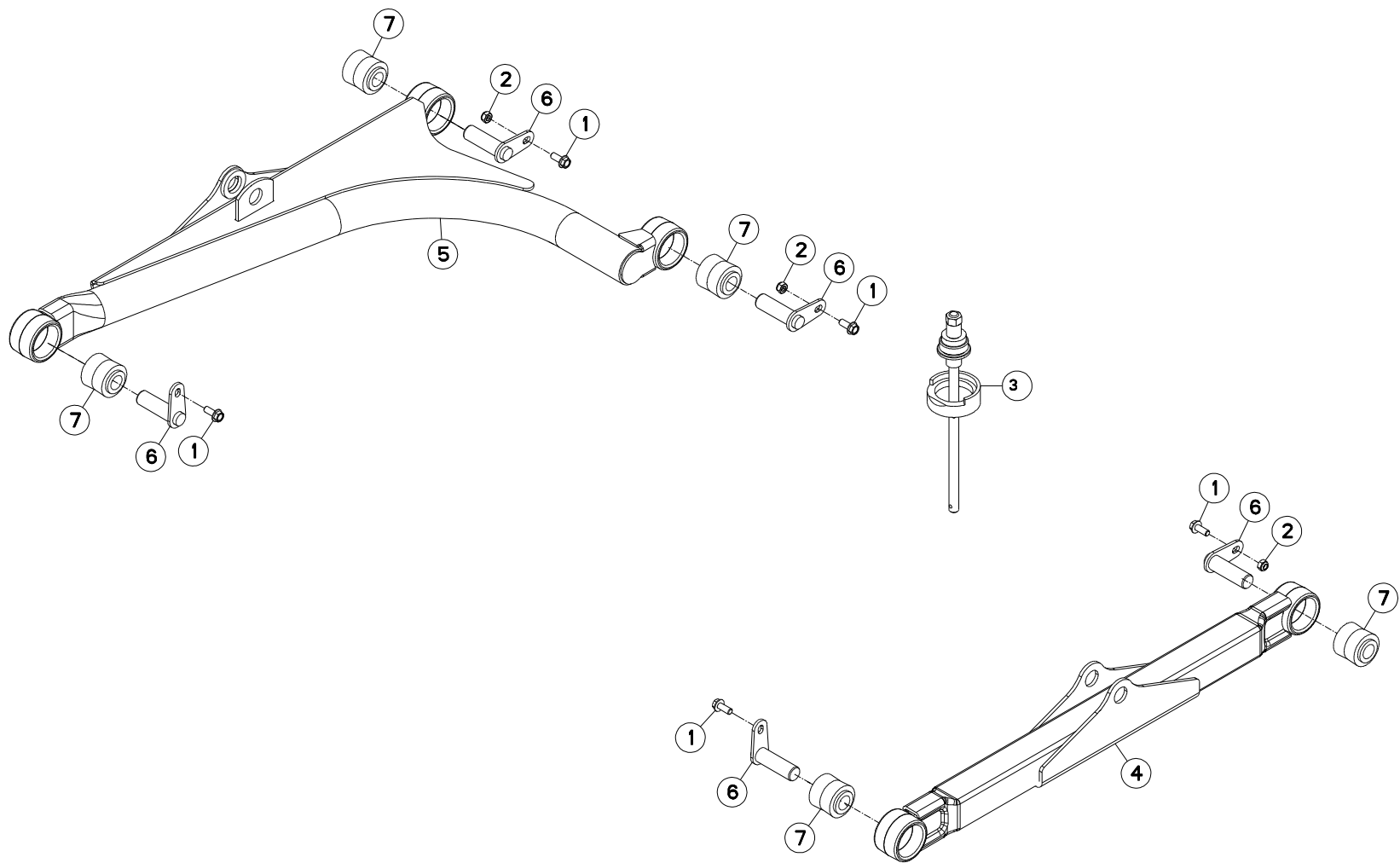
TRASCINAMENTO (CUSCINETTO)

| Rep | Nr | Qt | Designation | Description | Bezeichnung | Referenza | Remarque - Remark - Bemerkung - Osservazioni |
|-----|----------|-----|--------------------------------|--------------------------------|----------------------------|-------------------------------|--|
| 001 | 55826810 | 001 | PALIER | BEARING, PILLOW BLOCK | LAGER | SUPPORTO | |
| 002 | 55826910 | 001 | PALIER | BEARING, PILLOW BLOCK | LAGER | SUPPORTO | |
| 003 | 55828000 | 001 | LUNETTE D'ORIENTATION | INTERMEDIATE SUPPORT | ZWISCHENHALTERUNG | SNODO | |
| 004 | 55828400 | 001 | BIELLETTE | LINK | SHUBSTANGE | BIELLA | |
| 005 | 55828500 | 002 | PIVOT ZBC | PIN | BOLZEN | PERNO | 21 daN m (155 lbf ft) |
| 006 | 55833600 | 001 | BASCULEUR | WEIGHING | WAAGE | BASCULLA | |
| 007 | 80061646 | 002 | VIS TETE HEXAGONALE FE/ZNXC3 | HEXAGON HEAD SCREW FE/ZNXC3 | SECHSKANTSCHRAUBE FE/ZNXC3 | VITE TESTA ESAGONALE FE/ZNXC3 | 21 daN m (155 lbf ft) |
| 008 | 80061647 | 004 | VIS TETE HEXAGONALE FE/ZNXC3 | HEXAGON HEAD SCREW FE/ZNXC3 | SECHSKANTSCHRAUBE FE/ZNXC3 | VITE TESTA ESAGONALE FE/ZNXC3 | |
| 009 | 80201630 | 001 | ECROU HEX.AUTOFREINE FE/ZNXC3 | SELF-LOCKING NUT FE/ZNXC3 | SELBSTSICH.MUTTER FE/ZNXC3 | DADO AUTOBLOCCANTE FE/ZNXC3 | 21 daN m (155 lbf ft) |
| 010 | 80254043 | 003 | RONDELLE D'APPUI SS 2,5 | SUPPORTING RING SS 2,5 | STUETZSCHEIBE SS 2,5 | RONDELLA D'APPOGGIO | |
| 011 | 80257078 | 001 | RONDELLE D'APPUI SS 3,5 | SUPPORTING RING SS 3,5 | STUETZSCHEIBE SS 3,5 | RONDELLA D'APPOGGIO | |
| 012 | 80450645 | 002 | GOUPILLE ELASTIQUE FLZNNC | ROLL PIN FLZNNC | SPANNHUELSE FLZNNC | SPINA ELASTICA FLZNNC | |
| 013 | 80584000 | 002 | CIRCLIP EXTERIEUR | ELASTIC RING E 40 | SICHERUNGSRING | ANELLO | |
| 014 | 80590008 | 001 | CIRCLIP INTERIEUR | RETAINING RING | SICHERUNGSRING | ANELLO | |
| 015 | 80599000 | 002 | CIRCLIP INTERIEUR | ELASTIC RING I 90 | SICHERUNGSRING | ANELLO | |
| 016 | 81004096 | 004 | ROULEMENT A BILLES | BALL BEARING | KUGELLAGER | CUSCINETTO A SFERE | |
| 017 | 83012225 | 002 | BAGUE ROULEE | WRAPPED BUSH | GEROLLTE BUCHSE | ANELLO LUBRIFICATO | |
| 018 | 83111683 | 001 | COURROIE TRAPEZOIDALE JUMEELEE | BELT | KEILRIEMEN | CINGHIA | |
| 019 | 50013100 | 002 | RONDELLE | WASHER | SCHEIBE | RONDELLA PIATTA | |
| 020 | 80450631 | 001 | GOUPILLE ELASTIQUE FLZNNC | ELASTIC PIN 6 X 30 HEAVY CLASS | SPANNHUELSE FLZNNC | SPINA ELASTICA FLZNNC | |
| 021 | K5600400 | 001 | ATTACHE ZBC | FASTENER ZBC | LASCHE ZBC | ATTACCO | |
| 022 | K5600512 | 001 | TRANSMISSION A CARDANS | PTO SHAFT | GELENKWELLE | ALBERO PRESA DI FORZA | |
| 023 | K5600610 | 001 | TRANSMISSION TERTIAIRE | PTO-SHAFT | GELENKWELLE | CARDANO | * 2 |
| 024 | K5600730 | 001 | BRAS | ARM | ARM | BRACCIO | |
| 025 | K5600750 | 001 | NOIX | YOKE | ANSCHLAG | | |
| 026 | K5600760 | 001 | AXE D'ARTICULATION | HINGE PIN | GELENKBOLZEN | ASSE D'ARTICOLAZIONE | |
| 027 | K5600770 | 001 | TIRANT DU TENDEUR ARRIERE | TIE ROD | ZUGSTANGE | TIRANTE | |
| 028 | K5601290 | 001 | AXE TENDEUR | AXLE | ACHSE | ASSE | |
| 029 | K5602090 | 001 | AXE BALANCIER | AXLE | ACHSE | ASSE | |
| 030 | K5608300 | 001 | POULIE | PULLEY | RIEMENSCHLEIBE | PULEGGIA | |
| 031 | K5608310 | 001 | ARBRE | SHAFT | WELLE | ALBERO | |
| 032 | K5608320 | 001 | ARBRE | SHAFT | WELLE | ALBERO | |
| 033 | K5608330 | 001 | POULIE | PULLEY | RIEMENSCHLEIBE | PULEGGIA | |
| 034 | K5600780 | 001 | RESSORT DU TENDEUR AR | SPRING | FEDER | MOLLA | |

*2: Voir page "TRANSMISSION A CARDANS".

*2: See page "PTO SHAFT".

*2: Siehe Seite "GELENKWELLE".





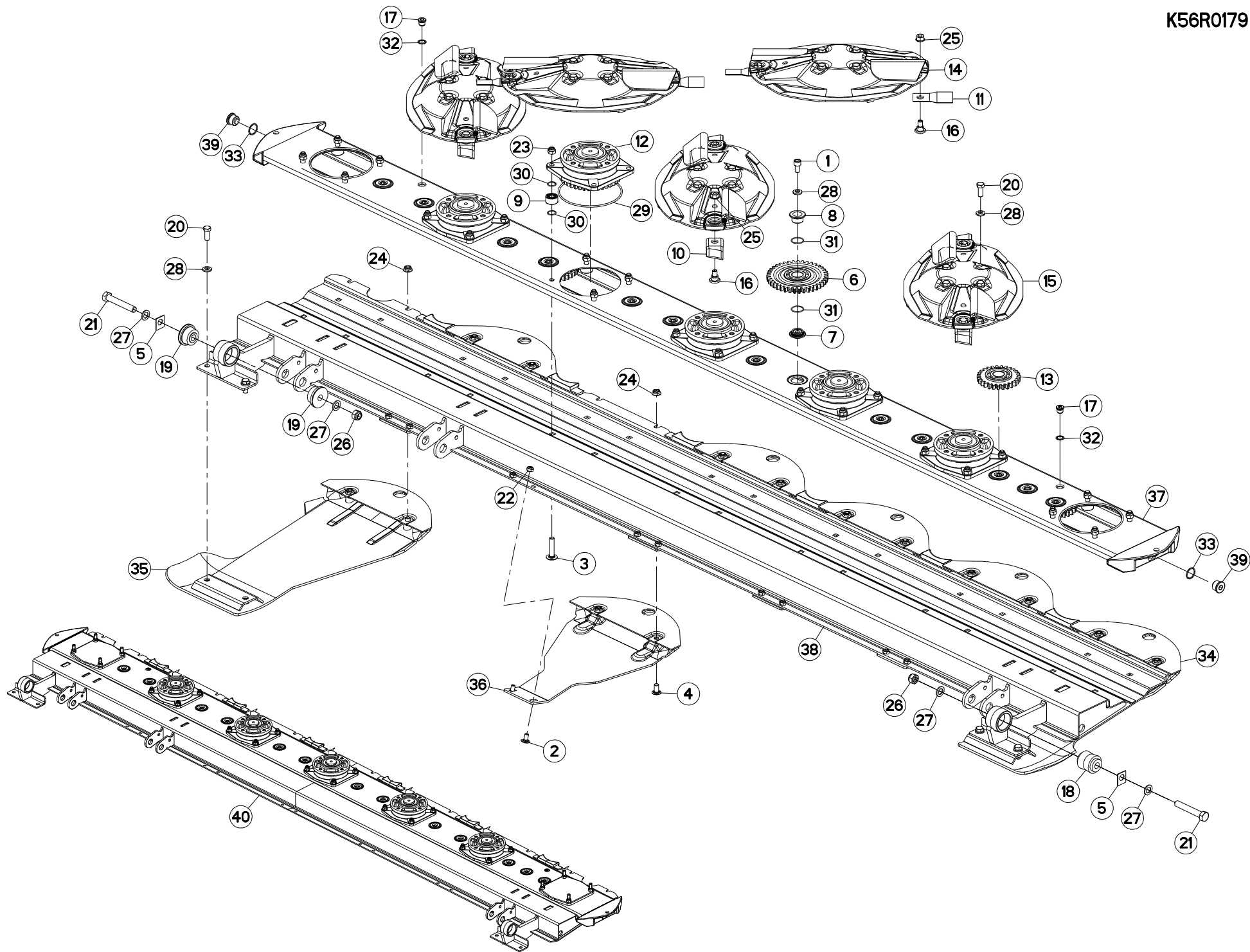
BIELLE

PULL BAR

LENKER

BIELLA

| Rep | Nr | Qt | Designation | Description | Bezeichnung | Referenza | Remarque - Remark - Bemerkung - Osservazioni |
|-----|-----------------|-----|-------------------------------|------------------------------|--------------------------------|-----------------------------|--|
| 001 | 80131026 | 005 | VIS AUTOBLOQUANTE FLZNNC | UNDERSERR.S-LOC.SCREW FLZNNC | SPERRZAHN-BUNDSCHRAU.FLZNNC | VITE FLZNNC | 5 daN m (37 lbf ft) |
| 002 | 80201040 | 003 | ECROU HEX.BAS AUTOFR.FE/ZNXC3 | SELF LOCKING NUT M10 DIN 985 | SELBSTSICHERND.MUTTER FE/ZNXC3 | DADO AUTOBLOCCANTE FE/ZNXC3 | 5 daN m (37 lbf ft) |
| 003 | 3156097 | 001 | DISPOSITIF DE MONTAGE | ASSEMBLY KIT | MONTEGESATZ | KIT DI MONTAGGIO | OPT : K5600690 |
| 004 | K5600370 | 001 | BIELLE DROITE | PUSH BAR | SCHUBSTANGE | BIELLA | +[1] |
| 005 | K5600380 | 001 | BIELLE TRIANGULEE | PUSH BAR | SCHUBSTANGE | BIELLA | +[1] |
| 006 | K5600670 | 005 | AXE | PIN | ACHSE | ASSE | |
| 007 | K5600690 | 005 | ARTICULATION | ARTICULATION | GELENKSTUECK | ARTICOLAZIONE | [1] |





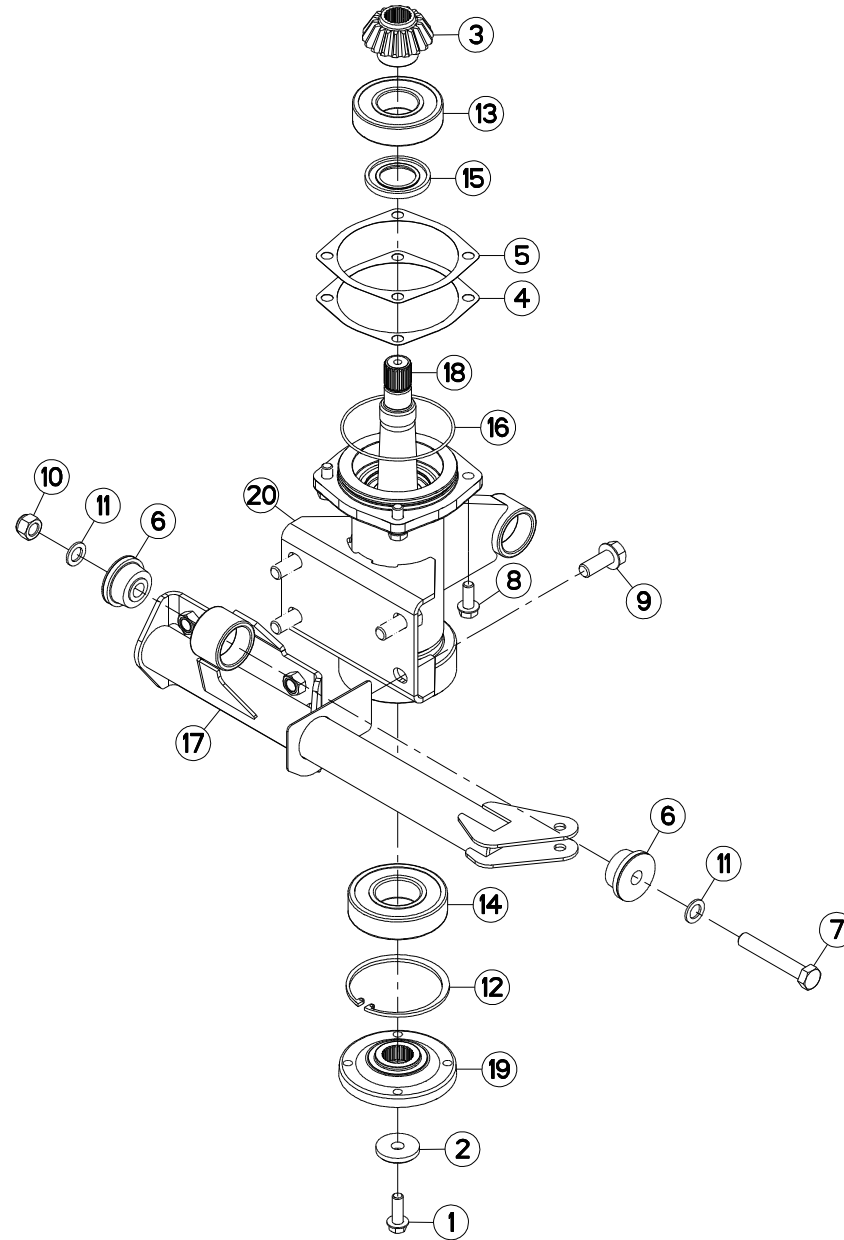
PORTE DISQUES

CUTTERBAR

MÄHBALKEN

PORTADISCO

| Rep | Nr | Qt | Designation | Description | Bezeichnung | Referenza | Remarque - Remark - Bemerkung - Osservazioni |
|-----|----------|-----|-------------------------------|--------------------------------|--------------------------------|--------------------------------|--|
| 001 | 50002900 | 013 | VIS AUTOFREINEE CHC | SELF-LOCKING SCREW | SELBSTSICHERNDE SCHRAUBE | VITE AUTOBLOCCANTE | [1] 14 daN m (103 lbf ft) |
| 002 | 50003200 | 010 | VIS TBCC COURT | BOLT, CARRIAGE, SHORT NECK | FLACHRUNDSCHR.4KT ANSATZ | BULLONE | |
| 003 | 50004200 | 028 | VIS TBCC COURT | BOLT, CARRIAGE, SHORT NECK | FLACHRUNDSCHR.4KT ANSATZ | BULLONE | [1] |
| 004 | 50066700 | 010 | VIS TBCC COURT | BOLT, CARRIAGE, SHORT NECK | FLACHRUNDSCHR.4KT ANSATZ | BULLONE | |
| 005 | 55808300 | 002 | CALE | SPACER PLATE | UNTERLEGPLATTE | SPESSORE | |
| 006 | 55900110 | 010 | ROUE INTERMEDIAIRE 39 DTS | IDLER GEAR Z.39 CPL | ZAHNRAD 39 Z. KPL | INGRANAGGIO Z.39 | [1] |
| 007 | 55900220 | 013 | CUVETTE INFERIEURE ZBC | LOWER SUPPORT | ZAHNRADLAGER UNTEN | RONDELLA | [1] |
| 008 | 55900320 | 013 | CUVETTE SUPERIEURE | UPPER SUPPORT | ZAHNRADLAGER OBEN | RULLINO | [1] |
| 009 | 55900510 | 028 | ENTRETOISE | SPACER | DISTANZHUELSE | DISTANZIALE | [1] |
| 010 | 55903210 | 006 | COUTEAU VRILLE T.A.G ISO5718 | ANGLED BLADE LEFT TURN.ISO5718 | GEKROEP.MESS.LINKSDREH.ISO5718 | COLTEL.PIEGATO STD-SX ISO5718 | |
| 011 | 55903310 | 004 | COUTEAU VRILLE T.A.D ISO5718 | ANGLED BLAD.RIGHT TURN.ISO5718 | GEKROEP.MESS.RECHTSDRE.ISO5718 | COLTEL.PIEGATO STD-DX ISO5718 | |
| 012 | 55921000 | 005 | PALIER DE DISQUE COMPLET | DISC BEARING UNIT | SCHEIBENLAGER KPL | SUPPORTO COMPLETO VEDI55921010 | |
| 013 | 55930500 | 003 | ROUE INTERM.27 DENTS CPLTE | IDLER GEAR Z.27 CPL | ZAHNRAD Z.27 KPL | INGRANAGGIO INTERMEDIO Z=27 | [1] |
| 014 | 55932320 | 002 | DISQUE "LIFTER" DROIT REVETU | DISC, LIFTER, HARDCOATED RIGHT | LIFTERSCHIEBE RECHTS BESCHICHT | DISCO "LIFTER" DESTRO | |
| 015 | 55932420 | 003 | DISQUE "LIFTER" GAUCHE REVETU | DISC, LIFTER, HARDCOATED LEFT | LIFTERSCHIEBE LINKS BESCHICHT. | DISCO INTERMEDIO SINISTRO | |
| 016 | 56115800 | 010 | VIS AUTOFREINEE | SCREW, SELF-LOCKING | SELBSTSICHERNDE SCHRAUBE | VITE AUTOBLOCCANTE | |
| 017 | 56207000 | 002 | BOUCHON MAGNETIQUE | PLUG, MAGNETIC | MAGNET-VERSCHLUSSSCHRAUBE | TAPPO CALAMITATO | [1] |
| 018 | 56568500 | 001 | ARTICULATION ELASTIQUE | ELASTIC-COUPLING | ELASTIK-GELENK | SNODO ELASTICO | |
| 019 | 56572600 | 002 | SILENTBLOC EPAULE | SILENTBLOC | GUMMIPUFFER | TAMPONE DI GOMMA | |
| 020 | 80061231 | 024 | VIS TETE HEXAGONALE FLZNNC | HEXAGON HEAD SCREW FLZNNC | SECHSKANTSCHRAUBE FLZNNC | VITE TESTA ESAGONALE FLZNNC | |
| 021 | 80061661 | 002 | VIS TETE HEXAGONALE FE/ZNXC3 | HEXAGON HEAD SCREW FE/ZNXC3 | SECHSKANTSCHRAUBE FE/ZNXC3 | VITE TESTA ESAGONALE FE/ZNXC3 | |
| 022 | 80201040 | 010 | ECROU HEX.BAS AUTOFR.FE/ZNXC3 | SELF LOCKING NUT M10 DIN 985 | SELBSTSICHERND.MUTTER FE/ZNXC3 | DADO AUTOBLOCCANTE FE/ZNXC3 | 6 daN m (44 lbf ft) |
| 023 | 80201237 | 028 | ECROU HEX.AUTOFREINE FE/ZNXC3 | SELF-LOCKING NUT FE/ZNXC3 | SELBSTSICHERNDE MUTT.FE/ZNXC3 | DADO AUTOBLOCCANTE FE/ZNXC3 | [1] 12 daN m (89 lbf ft) |
| 024 | 80201253 | 014 | ECROU AUTOBLOQUANT FE/ZNXC3 | UNDERSERRAT.S.LOC.NUT FE/ZNXC3 | SPERRZAHN-BUNDMUTTER FE/ZNXC3 | DADO FE/ZNXC3 | 12 daN m (89 lbf ft) |
| 025 | 80201262 | 010 | ECROU TWOLOCK FLZNNC | SELF-LOCKING NUT FLZNNC | SELBSTSICHERNDE MUTTER FLZNNC | DADO TWOLOCK FLZNNC | 12 daN m (89 lbf ft) |
| 026 | 80201640 | 002 | ECROU HEX.BAS AUTOFR.FE/ZNXC3 | SELF-LOCKING NUT M16 DIN 985 B | SELBSTSICHERND.MUTTER FE/ZNXC3 | DADO AUTOBLOCCANTE FE/ZNXC3 | 21 daN m (155 lbf ft) |
| 027 | 80251631 | 004 | RONDELLE PLATE FE/ZNXC3 | PLAIN WASHER FE/ZNXC3 | SCHEIBE FE/ZNXC3 | RONDELLA PIATTA FE/ZNXC3 | |
| 028 | 80281254 | 037 | RONDELLE CONIQUE BLOC.FLZNNC | CONICAL SPRING WASHER FLZNNC | SPANNSCHIEBE FLZNNC | RONDELLA CONICA FLZNNC | [1] |
| 029 | 82060050 | 007 | JOINT TORIQUE | O-RING | O-RING | GUARNIZIONE | [1] |
| 030 | 82062024 | 056 | JOINT TORIQUE VITON VERT | O-RING | O-RING | GUARNIZIONE | [1] |
| 031 | 82063034 | 026 | JOINT TORIQUE | O-RING | O-RING | GUARNIZIONE | [1] |
| 032 | 82101622 | 002 | JOINT CUIVRE | SEALING RING | DICHTRING | RONDELLA RAME | [1] |
| 033 | 82102732 | 002 | JOINT CUIVRE | COPPER RING D 32X27X1.5 MM | DICHTRING | RONDELLA RAME | [1] |
| 034 | K5600070 | 001 | SEMELLE EXTERIEURE DROITE | OUTER SKID RIGHT | AUSSENKUFE RECHTS | SLITTA ESTERNA | |
| 035 | K5600080 | 001 | SEMELLE EXTERIEURE GAUCHE | OUTER SKID LEFT | AUSSENKUFE LINKS | SLITTA ESTERNA | |
| 036 | K5600091 | 005 | PATIN INTERMEDIAIRE | INTERMEDIAT SKID | ZWISCHENKUFE | SLITTA INTERNA | |
| 037 | K5600150 | 001 | CARTER D'ENGRENAGES | GEAR CASE | MAEHBALKEGEHAEUSE | SCATOLA | [1] |
| 038 | K5600170 | 001 | RAIDISSEUR 3.5M | REINFORCING PLATE | VERSTEIFUNGSPLATTE | BALESTRA | [1] +[2] |
| 039 | K5600230 | 002 | BOUCHON MAGNETIQUE | PLUG, MAGNETIC | MAGNET-VERSCHLUSSSCHRAUBE | TAPPO CALAMITATO | [1] |
| 040 | K5611620 | 001 | PD RECH.FC353 | EXCHANGE CUTTER BAR FC353 | ERSATZBALKEN FC353 | BARRA FC353 | |





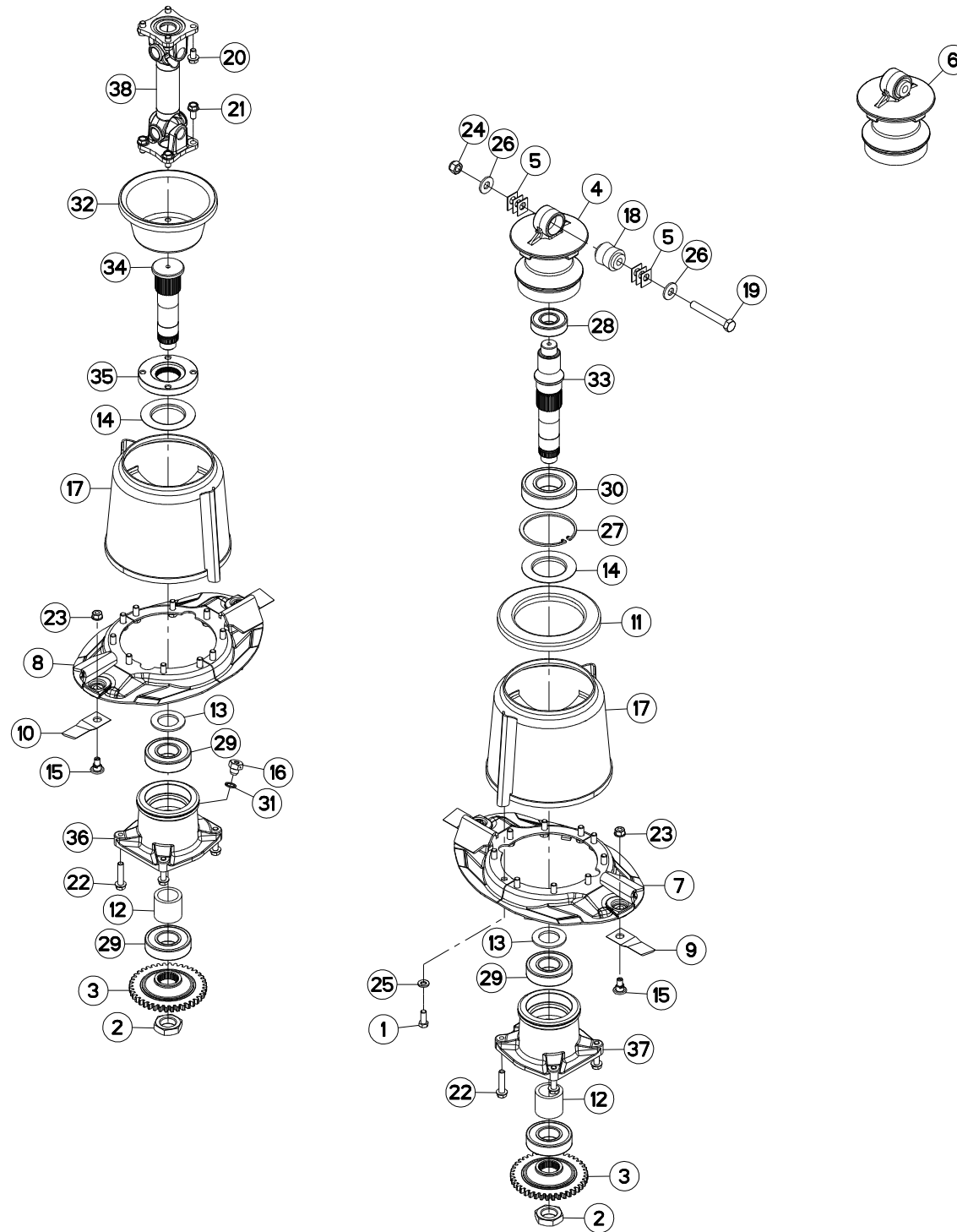
BARRE ANTI-COUPLE

ANTI-TORQUE BAR

DREHMOMENTSTUETZE

ARRA-TUBO

| Rep | Nr | Qt | Designation | Description | Bezeichnung | Referenza | Remarque - Remark - Bemerkung - Osservazioni |
|-----|-----------------|-----|--------------------------------|------------------------------|-----------------------------|-------------------------------|--|
| 001 | 50007000 | 001 | VIS AUTOFR.H A EMBASE DACROMET | SELF-LOCKING SCREW | SELBSTSICHERNDE SCHRAUBE | VITE | 15 daN m (111 lbf ft) |
| 002 | 50019110 | 001 | RONDELLE DACRO | WASHER | SCHEIBE | RONDELLA | |
| 003 | 55742700 | 001 | PIGNON 18 DENTS | PINION Z.18 | ZAHNRAD Z.18 | PIGNONE Z.18 | Z=18 |
| 004 | 56549000 | 001 | CALE | SHIM | BEILAGE | SPESSORE | |
| 005 | 56549100 | 001 | CALE | SHIM | BEILAGE | SPESSORE | |
| 006 | 56572600 | 002 | SILENTBLOC EPAULE | SILENTBLOC | GUMMIPUFFER | TAMPONE DI GOMMA | |
| 007 | 80061661 | 001 | VIS TETE HEXAGONALE FE/ZNXC3 | HEXAGON HEAD SCREW FE/ZNXC3 | SECHSKANTSCHRAUBE FE/ZNXC3 | VITE TESTA ESAGONALE FE/ZNXC3 | |
| 008 | 80131232 | 004 | VIS AUTOBLOQUANTE FLZNNC KL105 | UNDERSERR.S-LOC.SCREW FLZNNC | SPERRZAHN-BUNDSCHRAU.FLZNNC | VITE FLZNNC KL105 | 10 daN m (74 lbf ft) |
| 009 | 80131640 | 004 | VIS AUTOBLOQUANTE FLZNNC | UNDERSERR.S-LOC.SCREW FLZNNC | SPERRZAHN-BUNDSCHRAU.FLZNNC | VITE FLZNNC | |
| 010 | 80201630 | 001 | ECROU HEX.AUTOFREINE FE/ZNXC3 | SELF-LOCKING NUT FE/ZNXC3 | SELBSTSICH.MUTTER FE/ZNXC3 | DADO AUTOBLOCCANTE FE/ZNXC3 | |
| 011 | 80251631 | 002 | RONDELLE PLATE FE/ZNXC3 | PLAIN WASHER FE/ZNXC3 | SCHEIBE FE/ZNXC3 | RONDELLA PIATTA FE/ZNXC3 | |
| 012 | 80590002 | 001 | CIRCLIP INTERIEUR | RETAINING RING | SICHERUNGSRING | ANELLO | |
| 013 | 81004507 | 001 | ROULEMENT A BILLES | BALL BEARING | KUGELLAGER | CUSCINETTO A SFERE | |
| 014 | 81005096 | 001 | ROULEMENT A BILLES | BALL BEARING | KUGELLAGER | CUSCINETTO A SFERE | |
| 015 | 82014073 | 001 | BAGUE D'ETANCHEITE | OIL SEAL | RADIALDICHRING | PARAOLIO | |
| 016 | 82060022 | 001 | JOINT TORIQUE | O-RING | O-RING | GUARNIZIONE | |
| 017 | K5603300 | 001 | BARRE | BAR | BALKEN | BARRA | |
| 018 | K5611380 | 001 | AXE | PIN | ACHSE | ASSE | |
| 019 | K5611390 | 001 | FLASQUE | FLANGE | FLANSCH | FLANGIA | |
| 020 | K5611440 | 001 | PALIER | BEARING, PILLOW BLOCK | LAGER | SUPPORTO | |





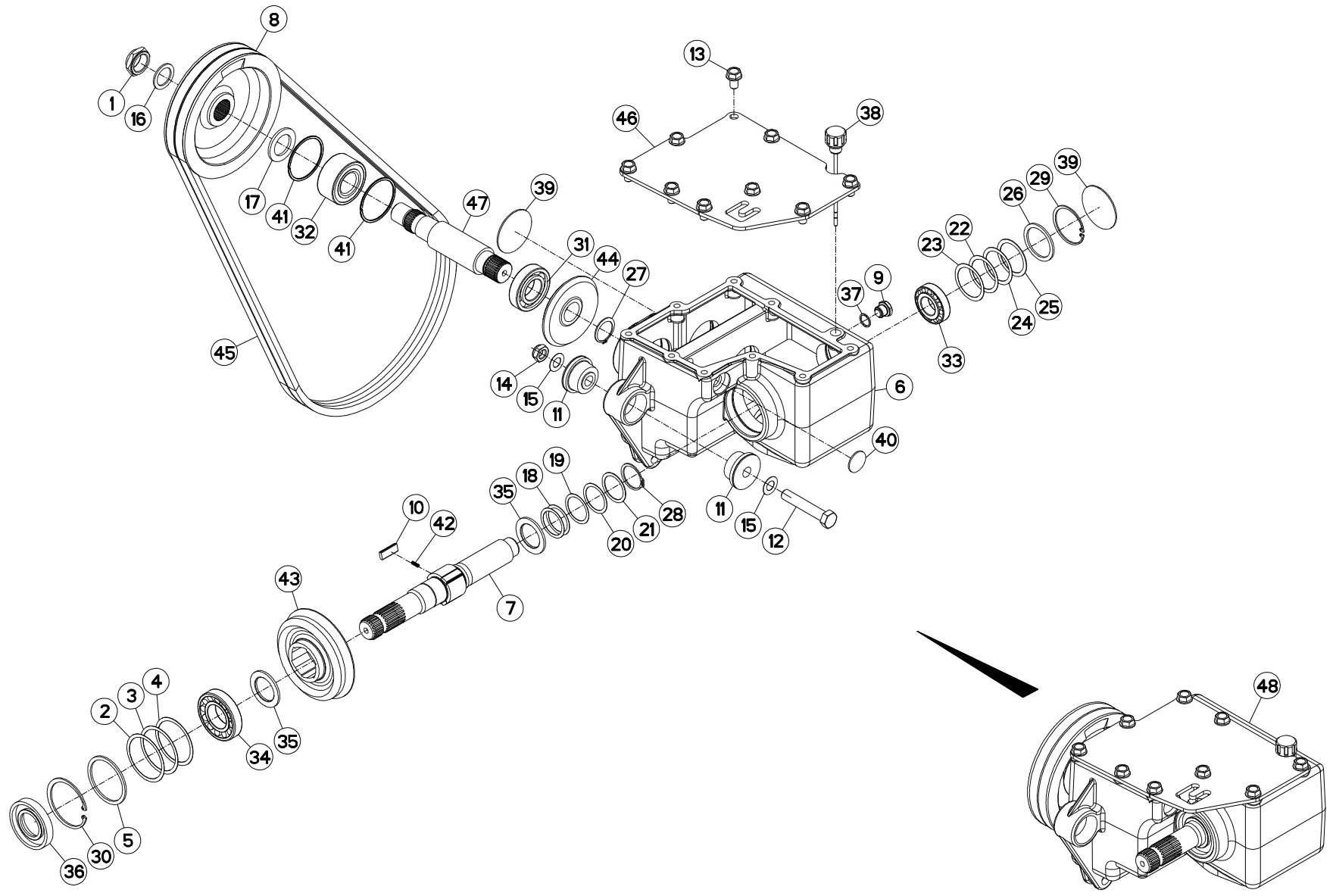
PALIER EXTERIEUR

OUTER BEARING CARRIER

ÄUSSERES LAGERGEHÄUSE

SUPPORTO CUSCINETTO ESTERNO

| Rep | Nr | Qt | Designation | Description | Bezeichnung | Referenza | Remarque - Remark - Bemerkung - Osservazioni |
|-----|----------|-----|----------------------------------|--------------------------------|----------------------------------|--------------------------------|--|
| 001 | 50071100 | 020 | VIS AVEC REVÊTEMENT ADHESIF | SCREW WITH ADHESIVE COATING | KLEBE BESCHICHTETE SCHRAUBE | VITE AUTOBLOCCANTE | 8,5 daN m (63 lbf ft) |
| 002 | 50071300 | 002 | ECROU SPECIAL | SPECIAL NUT | SPEZIALMUTTER | GHIERA | 50 daN m (369 lbf ft) |
| 003 | 55754900 | 002 | ROUE | GEAR WHEEL | RAD | RUOTA | Z=40 |
| 004 | 55804300 | 001 | PALIER FLOTTANT | HOUSING | LAGERGEHAEUSE | SUPPORTO | [1] |
| 005 | 55808300 | 006 | CALE | SPACER PLATE | UNTERLEGPLATTE | SPESSORE | Q? |
| 006 | 55818200 | 001 | PALIER FLOTTANT | HOUSING | LAGERGEHAEUSE | SUPPORTO | + [1] |
| 007 | 55834620 | 001 | PAIR. 1/2 DISQ. T.A G "LIF."REV. | 1/2 LIFTER DISCS LEFT HARDCOT. | LIFTERHALBSCHIEBEN LINKS BESCH | COPPIA SEMI-DISCHI "LIFTER" SX | |
| 008 | 55834720 | 001 | PAIR. 1/2 DISQ. T.A D "LIF."REV. | 1/2 LIFTER DISCS RIGHT HARDCO. | LIFTERHALBSCHIEBEN RECHTS BESCH. | COPPIA SEMI-DISCHI "LIFTER" DX | |
| 009 | 55903210 | 002 | COUTEAU VRILLE T.A.G ISO5718 | ANGLED BLADE LEFT TURN.ISO5718 | GEKROEP.MESS.LINKSDREH.ISO5718 | COLTEL.PIEGATO STD-SX ISO5718 | |
| 010 | 55903310 | 002 | COUTEAU VRILLE T.A.D ISO5718 | ANGLED BLAD.RIGHT TURN.ISO5718 | GEKROEP.MESS.RECHTS DRE.ISO5718 | COLTEL.PIEGATO STD-DX ISO5718 | |
| 011 | 55908800 | 001 | COUVERCLE INTERIEUR | DISC COVER | SCHIEBENDECKEL | COPERCHIO | |
| 012 | 55911900 | 002 | ENTRETOISE | SPACER | DISTANZHUELSE | DISTANZIALE | |
| 013 | 55912000 | 002 | RONDELLE ENTRETOISE | WASHER | SCHIEBE | SPESSORE | |
| 014 | 55912100 | 002 | DEFLECTEUR | DEFLECTOR | ABWEISER | DEFLETTORE | |
| 015 | 56115800 | 004 | VIS AUTOFREINEE | SCREW, SELF-LOCKING | SELBSTSICHERNDE SCHRAUBE | VITE AUTOBLOCCANTE | |
| 016 | 56185700 | 001 | BOUCHON | PLUG | VERSCHLUSSSCHRAUBE | TAPPO | |
| 017 | 56566130 | 002 | TAMBOUR | DRUM | TROMMEL | TAMBURO | |
| 018 | 56568500 | 001 | ARTICULATION ELASTIQUE | ELASTIC-COUPLING | ELASTIK-GELENK | SNODO ELASTICO | [1] |
| 019 | 80061663 | 001 | VIS TETE HEXAGONALE FE/ZNXC3 | HEXAGON HEAD SCREW FE/ZNXC3 | SECHSKANTSCHRAUBE FE/ZNXC3 | VITE TESTA ESAGONALE FE/ZNXC3 | |
| 020 | 80131220 | 004 | VIS AUTOBLOQUANTE FLZNNC | UNDERSERR.S-LOC.SCREW FLZNNC | SPERRZAHN-BUNDSCHRAU.FLZNNC | VITE FLZNNC | 12,3 daN m (90,7 lbf ft) |
| 021 | 80131225 | 004 | VIS AUTOBLOQUANTE FLZNNC | UNDERSERR.S-LOC.SCREW FLZNNC | SPERRZAHN-BUNDSCHRAU.FLZNNC | VITE FLZNNC | 12,3 daN m (90,7 lbf ft) |
| 022 | 80131255 | 008 | VIS AUTOBLOQUANTE FLZNNC | UNDERSERR.S-LOC.SCREW FLZNNC | SPERRZAHN-BUNDSCHRAU.FLZNNC | VITE FLZNNC | 12 daN m (89 lbf ft) |
| 023 | 80201262 | 004 | ECROU TWOLOK FLZNNC | SELF-LOCKING NUT FLZNNC | SELBSTSICHERNDE MUTTER FLZNNC | DADO TWOLOCK FLZNNC | 12,3 daN m (90,7 lbf ft) |
| 024 | 80201630 | 001 | ECROU HEX.AUTOFREINE FE/ZNXC3 | SELF-LOCKING NUT FE/ZNXC3 | SELBSTSICH.MUTTER FE/ZNXC3 | DADO AUTOBLOCCANTE FE/ZNXC3 | |
| 025 | 80281254 | 020 | RONDELLE CONIQUE BLOC.FLZNNC | CONICAL SPRING WASHER FLZNNC | SPANNSCHIEBE FLZNNC | RONDELLA CONICA FLZNNC | |
| 026 | 80281639 | 002 | RONDELLE RESSORT FLZNNC | CONICAL SPRING WASHER FLZNNC | SPANNSCHIEBE FLZNNC | RONDELLA A MOLLA FLZNNC | |
| 027 | 80590001 | 001 | CIRCLIP INTERIEUR | RETAINING RING | SICHERUNGSRING | ANELLO | |
| 028 | 81003584 | 001 | ROULEMENT A BILLES | BALL BEARING | KUGELLAGER | CUSCINETTO A SFERE | |
| 029 | 81004505 | 004 | ROULEMENT A BILLES | BALL BEARING | KUGELLAGER | CUSCINETTO A SFERE | |
| 030 | 81005524 | 001 | ROULEMENT A BILLES | BALL BEARING | KUGELLAGER | CUSCINETTO A SFERE | |
| 031 | 82131824 | 001 | JOINT CUIVRE | SEALING RING | DICHTRING | RONDELLA RAME | |
| 032 | K5611350 | 001 | CONE | CONE | KEGEL | CONO | |
| 033 | K5611360 | 001 | ARBRE | SHAFT | WELLE | ALBERO | |
| 034 | K5611370 | 001 | ARBRE | SHAFT | WELLE | ALBERO | |
| 035 | K5611410 | 001 | GALET | ROLLER | ROLLE | RULLO | |
| 036 | K5801480 | 001 | PALIER D'ENTREE | HOUSING | LAGER | SUPPORTO | |
| 037 | K5801490 | 001 | PALIER EXTERIEUR M12, SANS REN | HOUSING | LAGER | SUPPORTO | |
| 038 | K6000020 | 001 | TRANSMISSION | PTO SHAFT | GELENKWELLE | CARDANO | |





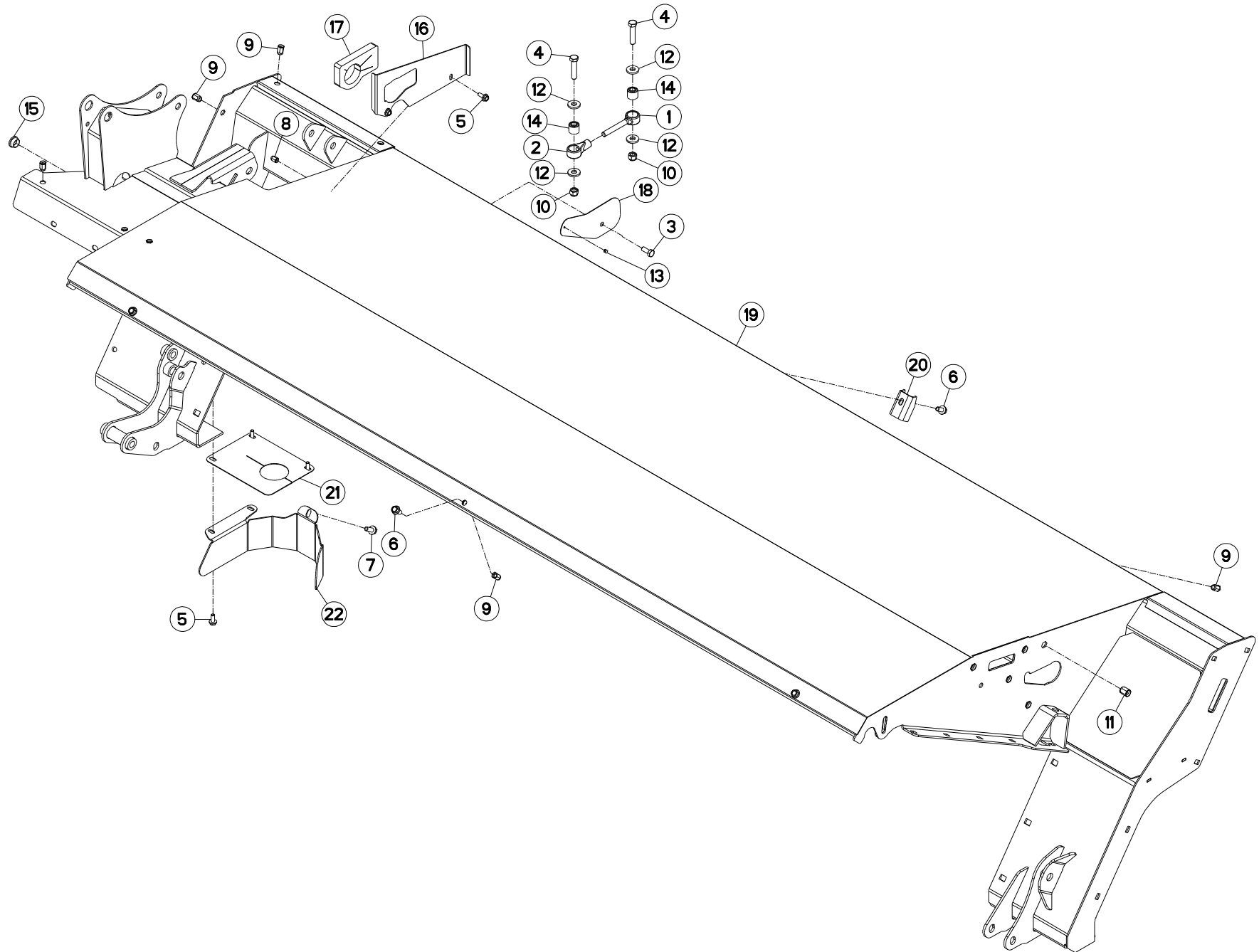
CARTER LATÉRAL

SIDE GEARBOX

SEITENGETRIEBE

RIDUTTORE LATERALE

| Rep | Nr | Qt | Designation | Description | Bezeichnung | Referenza | Remarque - Remark - Bemerkung - Osservazioni |
|-----|----------|-----|-------------------------------|--------------------------------|--------------------------------|-------------------------------|--|
| 001 | 50067400 | 001 | ECROU HEXAGONAL A RABATTRE | NUT | SECHSKANTMUTTER | DADO | [1] 30 daN m (221 lbf ft) |
| 002 | 80257055 | 001 | RONDELLE D'AJUSTAGE PS 0,1 | SHIM RING PS 0,1 | PASSSCHEIBE PS 0,1 | SPESSORE | [1] |
| 003 | 52239100 | 001 | RONDELLE | WASHER | SCHEIBE | SPESSORE | [1] |
| 004 | 52239200 | 001 | RONDELLE | WASHER | SCHEIBE | SPESSORE | [1] |
| 005 | 52505800 | 001 | RONDELLE | WASHER | SCHEIBE | SPESSORE | [1] |
| 006 | 55824000 | 001 | CARTER | HOUSING | GEHAEUSE | SCATOLA | [1] |
| 007 | 55824500 | 001 | ARBRE SUPERIEUR | SHAFT | WELLE | ALBERO | [1] |
| 008 | 55826500 | 001 | POULIE 2G. - DP 200 | PULLEY | KEILRIEMENSCHLEIBE | PULEGGIA | [1] |
| 009 | 56145700 | 001 | BOUCHON MAGNETIQUE | PLUG, MAGNETIC | MAGNET-VERSCHLUSSSCHRAUBE | TAPPO CALAMITATO | [1] |
| 010 | 56548700 | 003 | CLIQUET | RATCHET | SPERRKLINKE | NOTTOLINO | [1] |
| 011 | 56572600 | 002 | SILENTBLOC EPAULE | SILENTBLOC | GUMMIPUFFER | TAMPONE DI GOMMA | |
| 012 | 80061659 | 001 | VIS TETE HEXAGONALE FLZNNC | SCREW, HEX HEAD FLZNNC | SECHSKANTSCHRAUBE FLZNNC | VITE A TESTA ESAGONALE FLZNNC | |
| 013 | 80131220 | 009 | VIS AUTOBLOQUANTE FLZNNC | UNDERSERR.S-LOC.SCREW FLZNNC | SPERRZAHN-BUNDSCHRAU.FLZNNC | VITE FLZNNC | [1] 10 daN m (74 lbf ft) |
| 014 | 80201640 | 001 | ECROU HEX.BAS AUTOFR.FE/ZNXC3 | SELF-LOCKING NUT M16 DIN 985 B | SELBSTSICHERND.MUTTER FE/ZNXC3 | DADO AUTOBLOCCANTE FE/ZNXC3 | 21 daN m (155 lbf ft) |
| 015 | 80251631 | 002 | RONDELLE PLATE FE/ZNXC3 | PLAIN WASHER FE/ZNXC3 | SCHEIBE FE/ZNXC3 | RONDELLA PIATTA FE/ZNXC3 | |
| 016 | 80253042 | 001 | RONDELLE D'APPUI SS 2,5 | SUPPORTING RING SS 2,5 | STUETZSCHEIBE SS 2,5 | SPESSORE | [1] |
| 017 | 80253556 | 001 | RONDELLE PLATE FE/ZNXC3 | PLAIN WASHER FE/ZNXC3 | SCHEIBE FE/ZNXC3 | RONDELLA PIATTA FE/ZNXC3 | [1] |
| 018 | 80254040 | 002 | RONDELLE D'AJUSTAGE PS 0,1 | SHIM RING PS 0,1 | PASSSCHEIBE PS 0,1 | SPESSORE | [1] |
| 019 | 80254041 | 001 | RONDELLE D'AJUSTAGE PS 0,3 | SHIM RING PS 0,3 | PASSSCHEIBE PS 0,3 | SPESSORE | [1] |
| 020 | 80254042 | 001 | RONDELLE D'AJUSTAGE PS 0,5 | SHIM RING PS 0,5 | PASSSCHEIBE PS 0,5 | RONDELLA | [1] |
| 021 | 80254054 | 001 | RONDELLE D'AJUSTAGE PS 1,0 | SHIM RING PS 1,0 | PASSSCHEIBE PS 1,0 | SPESSORE | [1] |
| 022 | 80255062 | 001 | RONDELLE D'AJUSTAGE PS 0,2 | SHIM RING PS 0,2 | PASSSCHEIBE PS 0,2 | SPESSORE | [1] |
| 023 | 80255067 | 001 | RONDELLE D'AJUSTAGE PS 0,1 | SHIM RING PS 0,1 | PASSSCHEIBE PS 0,1 | SPESSORE | [1] |
| 024 | 80255068 | 001 | RONDELLE D'AJUSTAGE PS 0,5 | SHIM RING PS 0,5 | PASSSCHEIBE PS 0,5 | SPESSORE | [1] |
| 025 | 80255070 | 001 | RONDELLE D'AJUSTAGE PS 1,0 | SHIM RING PS 1,0 | PASSSCHEIBE PS 1,0 | SPESSORE | [1] |
| 026 | 80255071 | 001 | RONDELLE D'AJUSTAGE SS 3,0 | SUPPORTING RING SS 3,0 | STUETZSCHEIBE SS 3,0 | SPESSORE | [1] |
| 027 | 80583500 | 001 | CIRCLIP EXTERIEUR | ELASTIC RING E 35 | SICHERUNGSRING | ANELLO | [1] |
| 028 | 80584000 | 001 | CIRCLIP EXTERIEUR | ELASTIC RING E 40 | SICHERUNGSRING | ANELLO | [1] |
| 029 | 80596200 | 001 | CIRCLIP INTERIEUR | ELASTIC RING I 62 | SICHERUNGSRING | ANELLO | [1] |
| 030 | 80598000 | 001 | CIRCLIP INTERIEUR | ELASTIC RING I80 BLACK (DIN 47 | SICHERUNGSRING | ANELLO | [1] |
| 031 | 81003572 | 001 | ROULEMENT A BILLES | BALL BEARING | KUGELLAGER | CUSCINETTO A SFERE | [1] |
| 032 | 81103578 | 001 | ROULEMENT 2 R.BILLES CONT.OBL | ANG.CONT.DOUBLE ROW B.BEARING | 2-REIHIGES SCHRAEGKUGELLAGER | CUSCINETTO | [1] |
| 033 | 81303062 | 001 | ROULEMENT A ROULEAUX CONIQUES | TAPERED ROLLER BEARING | KEGELROLLENLAGER | CUSCINETTO A RULLO | [1] |
| 034 | 81304079 | 001 | ROULEMENT A ROULEAUX CONIQUES | ROLLER BEARING 30208 TAPERED | KEGELROLLENLAGER | CUSCINETTO A RULLO | [1] |
| 035 | 81434060 | 002 | RONDELLE BUTEE | STOP WASHER | ANSCHLAGSCHEIBE | RONDELLA | [1] |
| 036 | 82014080 | 001 | BAGUE D'ETANCHEITE | OIL SEAL | RADIALDICHTRING | PARAOLIO | [1] |
| 037 | 82131824 | 001 | JOINT CUIVRE | SEALING RING | DICHTRING | RONDELLA RAME | [1] |
| 038 | 82230017 | 001 | RENIFLARD-JAUGE TIGE FE/ZNXC3 | PRESSURE RELIEF/DIPSTICK PLUG | ENTLUEFTUNGSSCHRAUBE/MESSSTAB | ASTINA FE/ZNXC3 | [1] |
| 039 | 83040002 | 002 | BOUCHON EXPANSIBLE | EXPANDING CAP | VERSCHLUSSSCHEIBE | TAPPO | [1] |
| 040 | 83040010 | 001 | BOUCHON EXPANSIBLE | EXPANDING CAP | VERSCHLUSSSCHEIBE | TAPPO | [1] |
| 041 | 50030200 | 002 | SEGMENT D'ARRET | RETAINING RING | SICHERUNGSRING | ANELLO DI FERMO | [1] |
| 042 | 55745700 | 003 | RESSORT | SPRING | FEDER | MOLLA | [1] |
| 043 | 55824100 | 001 | PIGNON DOUBLE 37D-45D | DOUBLE GEAR WHEEL | ZAHNRAD | PIGNONE | [1] |
| 044 | 55824200 | 001 | ROUE CONIQUE 38 DENTS | BEVEL GEAR WHEEL 38T | KEGELRAD | RUOTA | [1] Z=38 |
| 045 | 83101797 | 001 | JEU 2 COURROIES TRAPEZOIDALES | SET OF 2 V-BELTS | SATZ 2 KEILRIEMEN | SERIE 2 CINGHIE | |
| 046 | K5600470 | 001 | COUVERCLE DU CARTER | COVER | DECKEL | COPERCHIO | [1] |
| 047 | K5602630 | 001 | AXE INFERIEUR | AXLE | ACHSE | ASSE | [1] |
| 048 | K5606580 | 001 | CARTER MONOVITESSE PREM. | HOUSING | GEHAEUSE | SCATOLA | + [1] |





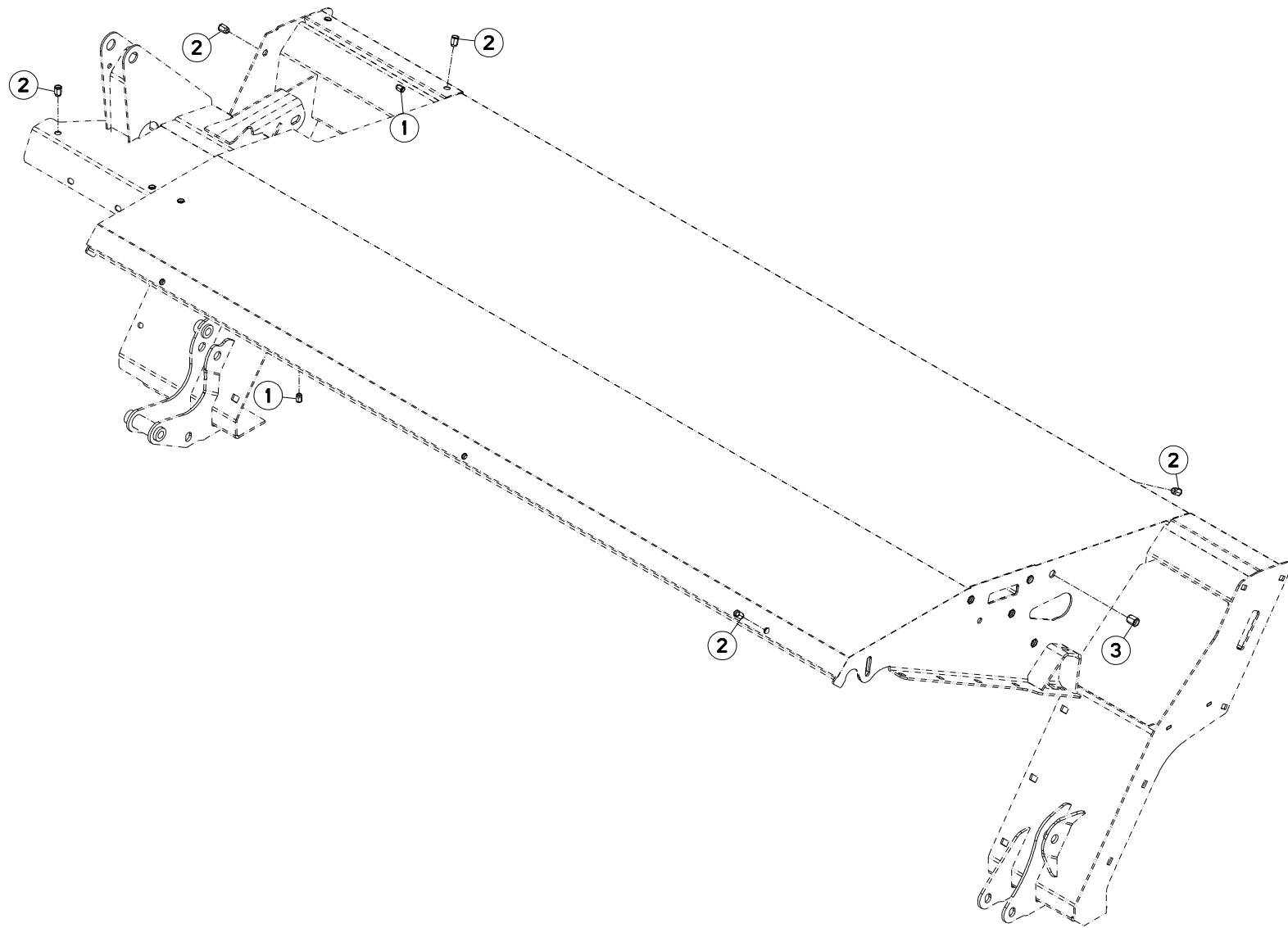
TUBE PORTEUR

SUPPORT TUBE

TRAGROHR

TUBO SUPPORTO

| Rep | Nr | Qt | Designation | Description | Bezeichnung | Referenza | Remarque - Remark - Bemerkung - Osservazioni |
|-----|----------|-----|-------------------------------|--------------------------------|-------------------------------|-------------------------------|--|
| 001 | 55814900 | 001 | TIRANT DE BIELLETTE | TIE ROD | ZUGSTANGE | TIRANTE | |
| 002 | 55815000 | 001 | BIELLETTE | PULL BAR | SCHUBSTANGE | BIELLA | |
| 003 | 80061026 | 001 | VIS TETE HEXAGONALE FE/ZNXC3 | HEXAGON HEAD SCREW FE/ZNXC3 | SECHSKANTSCHRAUBE FE/ZNXC3 | VITE TESTA ESAGONALE FE/ZNXC3 | |
| 004 | 80061258 | 002 | VIS TETE HEXAGONALE | HEXAGON HEAD SCREW | SECHSKANTSCHRAUBE | VITE A TESTA ESAGONALE | |
| 005 | 80130820 | 005 | VIS AUTOBLOQUANTE FLZNNC | UNDERSERR.S-LOC.SCREW FLZNNC | SPERRZAHN-BUNDSCHRAU.FLZNNC | VITE FLZNNC | |
| 006 | 80131020 | 006 | VIS AUTOBLOQUANTE FLZNNC | UNDERSERRATED S-LOCKING FLZNNC | SPERRZAHN-BUNDSCHRAUBE FLZNNC | VITE FLZNNC | |
| 007 | 80131026 | 001 | VIS AUTOBLOQUANTE FLZNNC | UNDERSERR.S-LOC.SCREW FLZNNC | SPERRZAHN-BUNDSCHRAU.FLZNNC | VITE FLZNNC | |
| 008 | 80200890 | 005 | ECROU A SERTIR FE/ZNXC3 | CRIMP NUT FE/ZNXC3 | EINNIETMUTTER FE/ZNXC3 | DADO FE/ZNXC3 | |
| 009 | 80201090 | 014 | ECROU A SERTIR FE/ZNXC3 | CRIMP NUT FE/ZNXC3 | EINNIETMUTTER FE/ZNXC3 | DADO FE/ZNXC3 | |
| 010 | 80201230 | 002 | ECROU HEX.AUTOFREINE FE/ZNXC3 | SELF-LOCKING NUT FE/ZNXC3 | SELBSTSICH.MUTTER FE/ZNXC3 | DADO AUTOBLOCCANTE FE/ZNXC3 | |
| 011 | 80201290 | 005 | ECROU A SERTIR FE/ZNXC3 | CRIMP NUT FE/ZNXC3 | EINNIETMUTTER FE/ZNXC3 | DADO FE/ZNXC3 | |
| 012 | 80251331 | 004 | RONDELLE PLATE FE/ZNXC3 | PLAIN WASHER FE/ZNXC3 | SCHEIBE FE/ZNXC3 | RONDELLA PIATTA FE/ZNXC3 | |
| 013 | 80370408 | 001 | RIVET CLOU ALU | BLIND RIVET | BLINDNIETE | RIVETTO | |
| 014 | 83030018 | 002 | ARTICULATION ELASTIQUE | ELASTIC-COUPLING | ELASTIK-GELENK | GOMMINO | |
| 015 | 83040059 | 001 | BOUCHON D'OBTURATION | END PLUG | VERSCHLUSSSTOPFEN | TAPPO DI CHIUSURA | |
| 016 | K5603550 | 001 | COUVERCLE | LID | DECKEL | COPERCHIO | |
| 017 | K5603820 | 001 | MOUSSE | FOAM | SCHAUMSTOFF | GUARNIZIONE | |
| 018 | K5605630 | 001 | OBTURATEUR | COVER, PLUG | VERSCHLUSS | OTTURATORE | |
| 019 | K5607981 | 001 | TUBE | TUBE | ROHR | TUBO | |
| 020 | K5609420 | 001 | BUTEE | STOP | ANSCHLAG | LIMITATORE | |
| 021 | K5611570 | 001 | TOLE | SHEET | BLECH | TELA | |
| 022 | K5611670 | 001 | TOLE | SHEET | BLECH | TELA | |





FC353RGC NV (NA)

D 0001 > D 0010

K56R0191 A

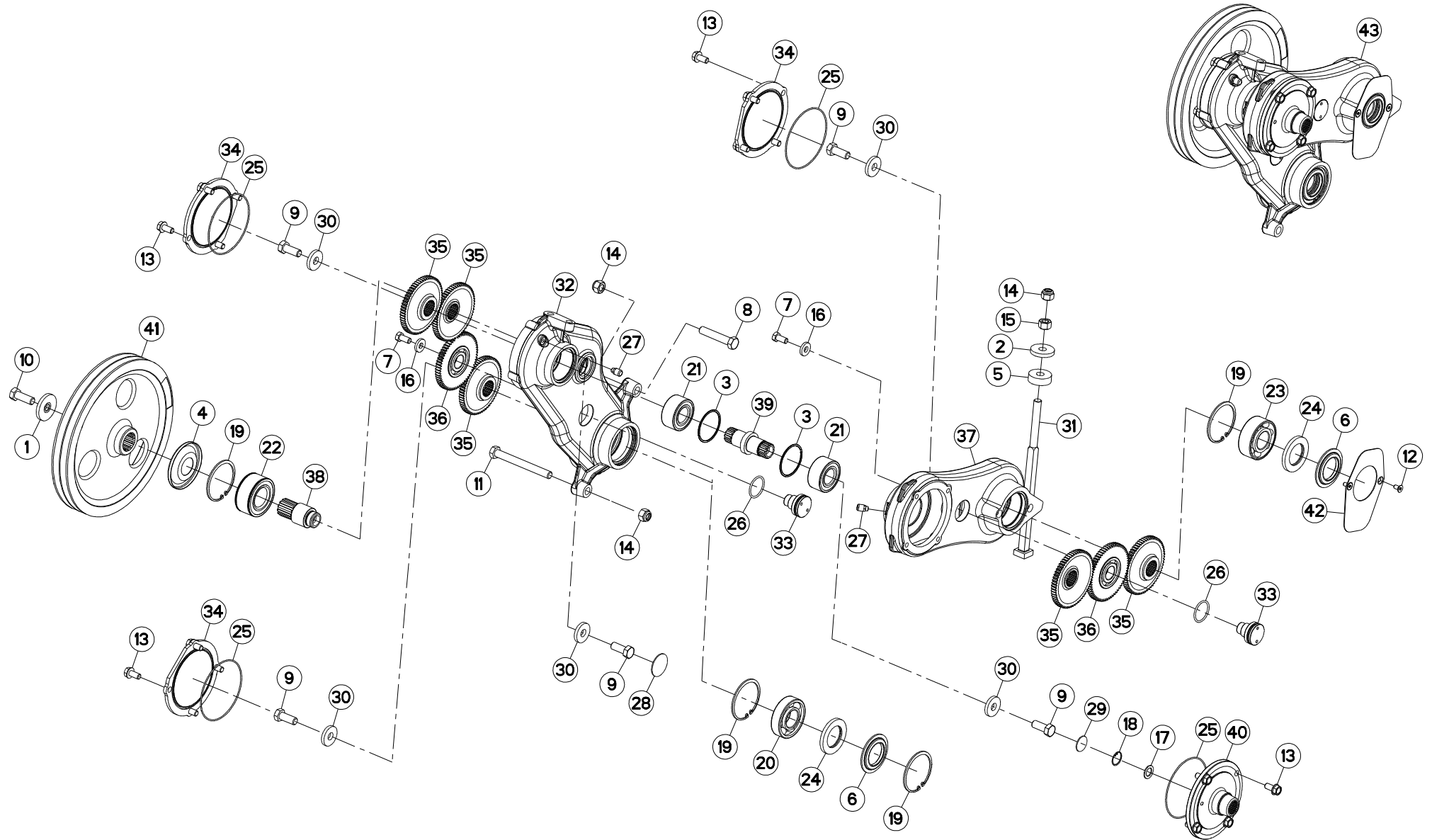
CAISSON

COVER

ABDECKHAUBE

CASSONCINO

| Rep | Nr | Qt | Designation | Description | Bezeichnung | Referenza | Remarque - Remark - Bemerkung - Osservazioni |
|-----|-----------------|-----|-------------------------|--------------------|------------------------|---------------|--|
| 001 | 80200890 | 005 | ECROU A SERTIR FE/ZNXC3 | CRIMP NUT FE/ZNXC3 | EINNIETMUTTER FE/ZNXC3 | DADO FE/ZNXC3 | |
| 002 | 80201090 | 014 | ECROU A SERTIR FE/ZNXC3 | CRIMP NUT FE/ZNXC3 | EINNIETMUTTER FE/ZNXC3 | DADO FE/ZNXC3 | |
| 003 | 80201290 | 005 | ECROU A SERTIR FE/ZNXC3 | CRIMP NUT FE/ZNXC3 | EINNIETMUTTER FE/ZNXC3 | DADO FE/ZNXC3 | |





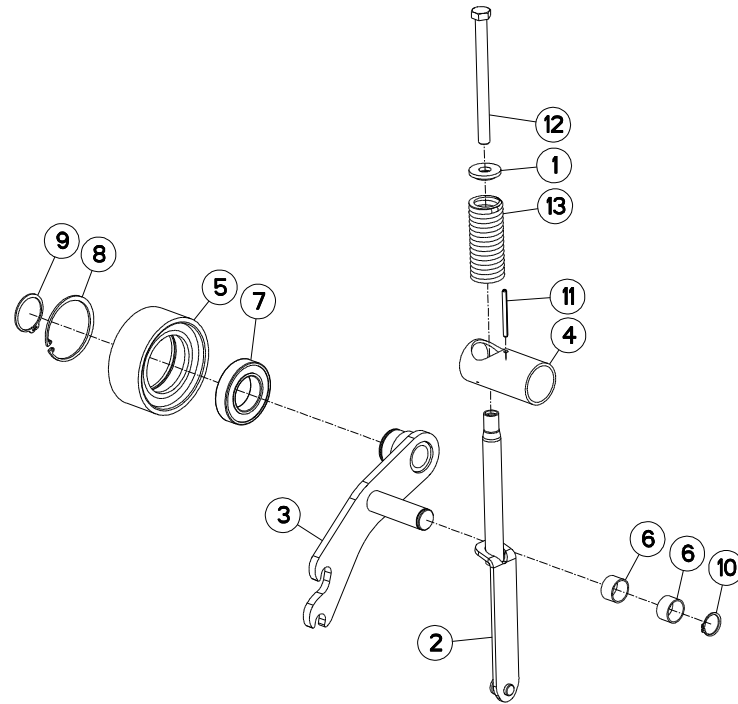
ENTRAINEMENT DES ROULEAUX

ROLL DRIVE

QUETSCHWALZENANTRIEB

TRASMISSIONE A RULLI

| Rep | Nr | Qt | Designation | Description | Bezeichnung | Referenza | Remarque - Remark - Bemerkung - Osservazioni |
|-----|----------|-----|--------------------------------|--------------------------------|-------------------------------------|--------------------------------|--|
| 001 | 50013100 | 001 | RONDELLE | WASHER | SCHEIBE | RONDELLA PIATTA | [1] |
| 002 | 50019700 | 001 | RONDELLE FE/ZN | WASHER FE/ZN | SCHEIBE FE/ZN | RONDELLA | |
| 003 | 50030200 | 002 | SEGMENT D'ARRET | RETAINING RING | SICHERUNGSRING | ANELLO DI FERMO | [1] |
| 004 | 55728400 | 001 | ANNEAU DE PROTECTION | GUARD RING | SCHUTZRING | ANELLO DI PROTEZIONE | [1] |
| 005 | 55836300 | 001 | ENTRETOISE | SPACER | DISTANZHUELSE | DISTANZIALE | |
| 006 | 56063810 | 002 | FLASQUE D'ETANCHEITE INTERIEUR | FLANGE | FLANSCH | FLANGIA | [1] |
| 007 | 80061225 | 002 | VIS TETE HEXAGONALE FE/ZNXC3 | HEXAGON HEAD SCREW FE/ZNXC3 | SECHSKANTSCHRAUBE FE/ZNXC3 | VITE TESTA ESAGONALE FE/ZNXC3 | |
| 008 | 80061634 | 001 | VIS TETE HEXAGONALE FE/ZNXC3 | HEXAGON HEAD SCREW FE/ZNXC3 | SECHSKANTSCHRAUBE FE/ZNXC3 | VITE TESTA ESAGONALE FE/ZNXC3 | |
| 009 | 80061641 | 005 | VIS TETE HEXAGONALE FE/ZNXC3 | HEXAGON HEAD SCREW FE/ZNXC3 | SECHSKANTSCHRAUBE FE/ZNXC3 | VITE TESTA ESAGONALE FE/ZNXC3 | |
| 010 | 80061646 | 001 | VIS TETE HEXAGONALE FE/ZNXC3 | HEXAGON HEAD SCREW FE/ZNXC3 | SECHSKANTSCHRAUBE FE/ZNXC3 | VITE TESTA ESAGONALE FE/ZNXC3 | [1] 21 daN m (155 lbf ft) |
| 011 | 80061666 | 001 | VIS TETE HEXAGONALE FE/ZNXC3 | HEXAGON HEAD SCREW FE/ZNXC3 | SECHSKANTSCHRAUBE FE/ZNXC3 | VITE TESTA ESAGONALE FE/ZNXC3 | |
| 012 | 80110806 | 002 | VIS T.FRAI.SIX P.CR.FE/ZNXC3 | HEX. SCREW WITH FLAT HEAD M8X1 | SENKSCHEIBSCHRAUB.INNENSEC.FE/ZNXC3 | VITE FE/ZNXC3 | [1] |
| 013 | 80131225 | 016 | VIS AUTOBLOQUANTE FLZNNC | UNDERSERR.S-LOC.SCREW FLZNNC | SPERRZAHN-BUNDSCHRAU.FLZNNC | VITE FLZNNC | [1] 5 daN m (37 lbf ft) |
| 014 | 80201630 | 003 | ECROU HEX.AUTOFREINE FE/ZNXC3 | SELF-LOCKING NUT FE/ZNXC3 | SELBSTSICH.MUTTER FE/ZNXC3 | DADO AUTOBLOCCANTE FE/ZNXC3 | |
| 015 | 80201670 | 001 | ECROU HEXAGONAL FE/ZNXC3 | NUT FE/ZNXC3 | SECHSKANTMUTTER FE/ZNXC3 | DADO FE/ZNXC3 | |
| 016 | 80251338 | 002 | RONDELLE PLATE FE/ZNXC3 | PLAIN WASHER FE/ZNXC3 | SCHEIBE FE/ZNXC3 | RONDELLA PIATTA FE/ZNXC3 | [1] |
| 017 | 80251930 | 001 | RONDELLE PLATE | PLAIN WASHER | SCHEIBE | RONDELLA PIATTA | [1] |
| 018 | 80593000 | 001 | CIRCLIP INTERIEUR | ELASTIC RING I 30 | SICHERUNGSRING | ANELLO | [1] |
| 019 | 80599000 | 004 | CIRCLIP INTERIEUR | ELASTIC RING I 90 | SICHERUNGSRING | ANELLO | [1] |
| 020 | 81004095 | 001 | ROULEMENT A BILLES | BALL BEARING | KUGELLAGER | CUSCINETTO A SFERE | [1] |
| 021 | 81103578 | 002 | ROULEMENT 2 R.BILLES CONT.OBL | ANG.CONT.DOUBLE ROW B.BEARING | 2-REIHIGES SCHRAEGKUGELLAGER | CUSCINETTO | [1] |
| 022 | 81104588 | 001 | ROULEMENT 2 R.B.C.OBL.SPECIAL | ANG.CONT.DOUBLE ROW B.BEARING | ZWEIREIHIGES SCHRAEGKUGELLAGER | CUSCINETTO SPECIALE | [1] |
| 023 | 81124090 | 001 | ROULEMENT A ROTULE 2 R.BILLES | SELF-ALIGNING BALL BEARING | PENDELKUGELLAGER | CUSCINETTO ORIENTABILI A SFERE | [1] |
| 024 | 82015080 | 002 | BAGUE D'ETANCHEITE | OIL SEAL | RADIALDICHTRING | PARAOILIO | [1] |
| 025 | 82060035 | 004 | JOINT TORIQUE | O-RING | O-RING | GUARNIZIONE | [1] |
| 026 | 82064350 | 002 | JOINT TORIQUE | O-RING | O-RING | GUARNIZIONE | [1] |
| 027 | 82230000 | 002 | CLAPET DE DECHARGE | PRESSURE RELIEF VALVE | ENTLUEFTUNGSSCHRAUBE | SFIATATOIO | [1] |
| 028 | 83040005 | 001 | BOUCHON EXPANSIBLE | EXPANDING CAP | VERSCHLUSSSCHEIBE | TAPPO | [1] |
| 029 | 83040010 | 001 | BOUCHON EXPANSIBLE | EXPANDING CAP | VERSCHLUSSSCHEIBE | TAPPO | [1] |
| 030 | K5600330 | 005 | RONDELLE PLATE | WASHER, FLAT | SCHEIBE | RONDELLA PIATTA | [1] |
| 031 | K5602560 | 001 | TIRANT | TIE ROD | ZUGSTANGE | TIRANTE | |
| 032 | K5604580 | 001 | CARTER | HOUSING | GEHAEUSE | SCATOLA | [1] |
| 033 | K5604610 | 002 | AXE | PIN | ACHSE | ASSE | [1] |
| 034 | K5604620 | 003 | COUVERCLE | LID | DECKEL | COPERCHIO | [1] |
| 035 | K5604630 | 005 | ROUE DENTEE | GEAR | STIRNRAD | PINIONE | [1] Z=64 |
| 036 | K5604640 | 002 | ROUE 64 DENTS | GEAR | STIRNRAD | RUOTA | [1] Z=64 |
| 037 | K5604660 | 001 | CARTER | HOUSING | GEHAEUSE | SCATOLA | [1] |
| 038 | K5604670 | 001 | AXE | PIN | ACHSE | ASSE | [1] |
| 039 | K5604680 | 001 | AXE | PIN | ACHSE | ASSE | [1] |
| 040 | K5604730 | 001 | COUVERCLE | LID | DECKEL | COPERCHIO | [1] |
| 041 | K5604760 | 001 | POULIE 2G. - DP 353 | | | PULEGGIA | [1] |
| 042 | K5606000 | 001 | DEFLECTEUR | DEFLECTOR | ABWEISER | DEFLETTORE | |
| 043 | K5606610 | 001 | CARTER COMPLET | GEARBOX CPL. | GETRIEBE KPL. | SCATOLA CPLT. | + [1] |





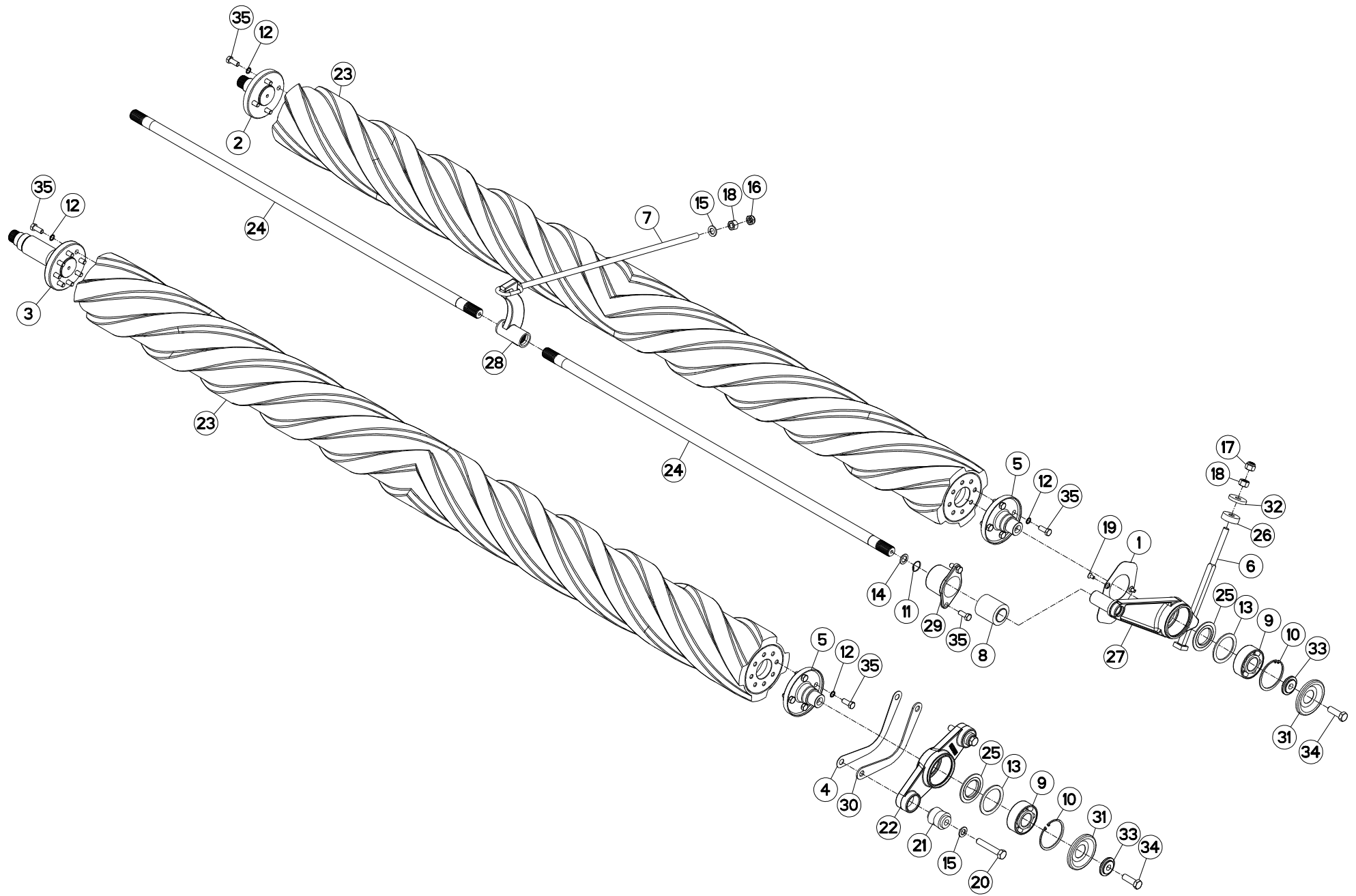
TENDEUR

TENSIONER

SPANNER

TENDITORE

| Rep | Nr | Qt | Designation | Description | Bezeichnung | Referenza | Remarque - Remark - Bemerkung - Osservazioni |
|-----|-----------------|-----|------------------------------|--------------------------------|----------------------------|-------------------------------|--|
| 001 | K5606630 | 001 | RONDELLE | WASHER | SCHEIBE | RONDELLA | |
| 002 | K5604870 | 001 | TIRANT FC CENTRALE | TIE ROD | ZUGSTANGE | REGISTRO | |
| 003 | K5604830 | 001 | TENDEUR NU | TENSIONER | SPANNER | TENDITORE | |
| 004 | K5603460 | 001 | TUBE | TUBE | ROHR | TUBO | |
| 005 | K5603450 | 001 | GALET TENDEUR | CAM ROLLER | ROLLE | | |
| 006 | 83013034 | 002 | BAGUE ROULEE | WRAPPED BUSH | GEROLLTE BUCHSE | ANELLO LUBRIFICATO | |
| 007 | 81005091 | 001 | ROULEMENT A BILLES | BALL BEARING | KUGELLAGER | CUSCINETTO A SFERE | |
| 008 | 80599000 | 001 | CIRCLIP INTERIEUR | ELASTIC RING I 90 | SICHERUNGSRING | ANELLO | |
| 009 | 80585000 | 001 | CIRCLIP EXTERIEUR | ELASTIC RING E 50 | SICHERUNGSRING | ANELLO | |
| 010 | 80583000 | 001 | CIRCLIP EXTERIEUR | ELASTIC RING B,VOLUX E30 DIN 4 | SICHERUNGSRING | ANELLO | |
| 011 | 80450666 | 001 | GOUPILLE ELASTIQUE FLZNNC | ROLL PIN FLZNNC | SPANNHUELSE FLZNNC | SPINA ELASTICA FLZNNC | |
| 012 | 80061690 | 001 | VIS TETE HEXAGONALE FE/ZNXC3 | HEXAGON HEAD SCREW FE/ZNXC3 | SECHSKANTSCHRAUBE FE/ZNXC3 | VITE TESTA ESAGONALE FE/ZNXC3 | |
| 013 | 58733700 | 001 | RESSORT DE PRESSION ZBC | PRESSURE SPRING ZBC | FEDER ZBC | MOLLA DI PRESSIONE ZBC | |





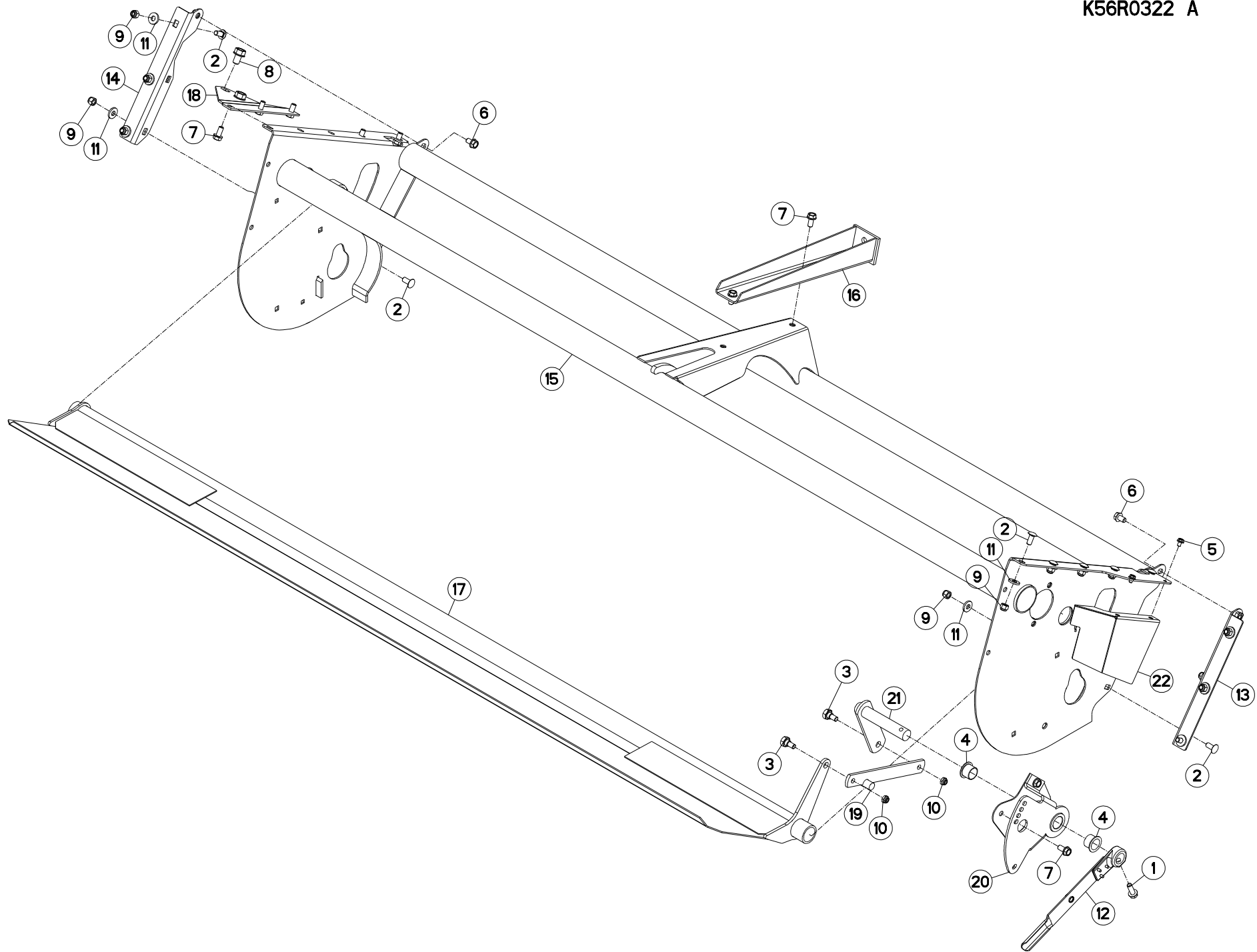
ROULEAUX

ROLLERS

QUETSCHWALZEN

RULLI

| Rep | Nr | Qt | Designation | Description | Bezeichnung | Referenza | Remarque - Remark - Bemerkung - Osservazioni |
|-----|----------|-----|--------------------------------|--------------------------------|--------------------------------|--------------------------------|--|
| 001 | K5606000 | 001 | DEFLECTEUR | DEFLECTOR | ABWEISER | DEFLETTORE | |
| 002 | K5604750 | 001 | EMBOUT | END PIECE | ENDSTUECK | GIUNTO | |
| 003 | K5604740 | 001 | EMBOUT | END PIECE | ENDSTUECK | GIUNTO | |
| 004 | K5604281 | 001 | CALE 1.5MM | DISTANCE PLATE | DISTANZPLATTE | SPESSORE 1,5 | |
| 005 | K5602730 | 002 | EMBOUT | END PIECE | ENDSTUECK | GIUNTO | |
| 006 | K5602560 | 001 | TIRANT | TIE ROD | ZUGSTANGE | TIRANTE | |
| 007 | K5602251 | 001 | TIRANT | TIE ROD | ZUGSTANGE | TIRANTE | |
| 008 | 83030020 | 001 | ARTICULATION ELASTIQUE | ELASTIC-COUPLING | ELASTIK-GELENK | GOMMINO | |
| 009 | 81124090 | 002 | ROULEMENT A ROTULE 2 R.BILLES | SELF-ALIGNING BALL BEARING | PENDELKUGELLAGER | CUSCINETTO ORIENTABILI A SFERE | |
| 010 | 80599000 | 002 | CIRCLIP INTERIEUR | ELASTIC RING I 90 | SICHERUNGSRING | ANELLO | |
| 011 | 80593000 | 001 | CIRCLIP INTERIEUR | ELASTIC RING I 30 | SICHERUNGSRING | ANELLO | |
| 012 | 80281220 | 020 | RONDELLE RESSORT CRANTEE | CONICAL SPRING WASHER | SPANNSCHEIBE | RONDELLA A MOLLA | |
| 013 | 80257078 | 002 | RONDELLE D'APPUI SS 3,5 | SUPPORTING RING SS 3,5 | STUETZSCHEIBE SS 3,5 | RONDELLA D'APPOGGIO | |
| 014 | 80251930 | 001 | RONDELLE PLATE | PLAIN WASHER | SCHEIBE | RONDELLA PIATTA | |
| 015 | 80251631 | 003 | RONDELLE PLATE FE/ZNXC3 | PLAIN WASHER FE/ZNXC3 | SCHEIBE FE/ZNXC3 | RONDELLA PIATTA FE/ZNXC3 | |
| 016 | 80201640 | 001 | ECROU HEX.BAS AUTOFR.FE/ZNXC3 | SELF-LOCKING NUT M16 DIN 985 B | SELBSTSICHERND.MUTTER FE/ZNXC3 | DADO AUTOBLOCCANTE FE/ZNXC3 | |
| 017 | 80201630 | 001 | ECROU HEX.AUTOFREINE FE/ZNXC3 | SELF-LOCKING NUT FE/ZNXC3 | SELBSTSICH.MUTTER FE/ZNXC3 | DADO AUTOBLOCCANTE FE/ZNXC3 | |
| 018 | 80201670 | 002 | ECROU HEXAGONAL FE/ZNXC3 | NUT FE/ZNXC3 | SECHSKANTMUTTER FE/ZNXC3 | DADO FE/ZNXC3 | |
| 019 | 80110806 | 002 | VIS T.FRAI.SIX P.CR.FE/ZNXC3 | HEX. SCREW WITH FLAT HEAD M8X1 | SENKSCHRAUB.INNENSEC.FE/ZNXC3 | VITE FE/ZNXC3 | |
| 020 | 80061659 | 002 | VIS TETE HEXAGONALE FLZNNC | SCREW, HEX HEAD FLZNNC | SECHSKANTSCHRAUBE FLZNNC | VITE A TESTA ESAGONALE FLZNNC | |
| 021 | 56568500 | 002 | ARTICULATION ELASTIQUE | ELASTIC-COUPLING | ELASTIK-GELENK | SNODO ELASTICO | [1] |
| 022 | 56559100 | 001 | PALIER PREMONTE | HOUSING | LAGER | SUPPORTO | + [1] |
| 023 | 56532700 | 002 | ROULEAU | ROLLER | ROLLE | RULLO | |
| 024 | 56532500 | 002 | BARRE DE TORSION | TORSION BAR | TORSIONSSTAB | | |
| 025 | 56063810 | 002 | FLASQUE D'ETANCHEITE INTERIEUR | FLANGE | FLANSCH | FLANGIA | |
| 026 | 55836300 | 001 | ENTRETOISE | SPACER | DISTANZHUELSE | DISTANZIALE | |
| 027 | 55834500 | 001 | BRAS DE ROULEAU | ROLLER ARM | WALZENARM | BRACCIO RULLO | |
| 028 | 55818000 | 001 | LEVIER | LEVER | HEBEL | LEVA | |
| 029 | 55801500 | 001 | PALIER INTERIEUR | BEARING HOUSING | LAGERGEHAEUSE | SUPPORTO | |
| 030 | 55737010 | 001 | CALE 4MM | SHIM | BEILAGE | BLOCCO 4MM | |
| 031 | 55728400 | 002 | ANNEAU DE PROTECTION | GUARD RING | SCHUTZRING | ANELLO DI PROTEZIONE | |
| 032 | 50019700 | 001 | RONDELLE FE/ZN | WASHER FE/ZN | SCHEIBE FE/ZN | RONDELLA | |
| 033 | 50017900 | 002 | RONDELLE FE/ZN | WASHER FE/ZN | SCHEIBE FE/ZN | RONDELLA FE/ZN | |
| 034 | 50005700 | 002 | VIS AVEC REVÊTEMENT ADHESIF | SCREW WITH ADHESIVE COATING | KLEBE BESCHICHTETE SCHRAUBE | VITE AUTOBLOCCANTE | |
| 035 | 50003600 | 022 | VIS AVEC REVÊTEMENT ADHESIF | SCREW WITH ADHESIVE COATING | KLEBE BESCHICHTETE SCHRAUBE | VITE AUTOBLOCCANTE | |





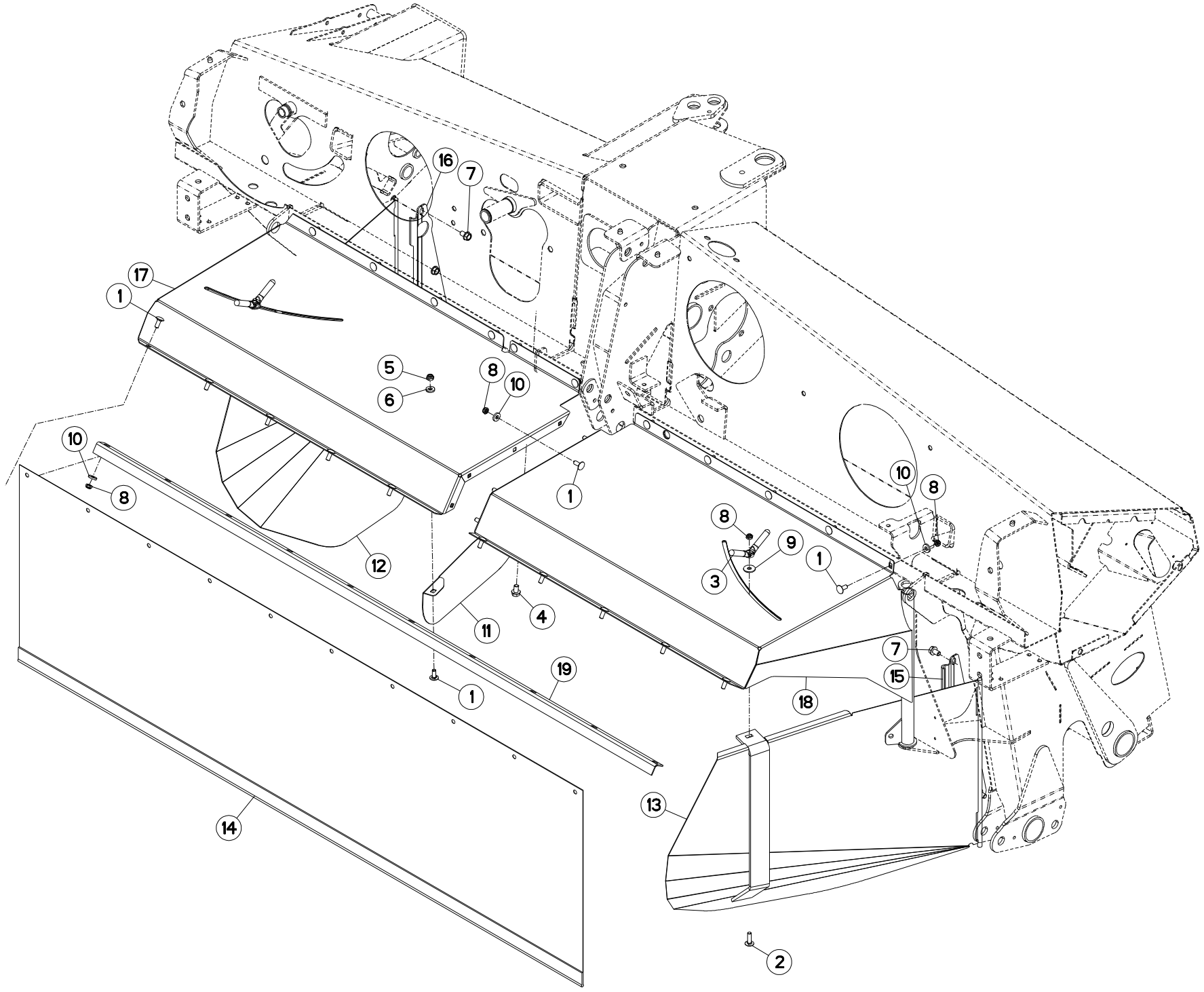
CAISSON

COVER

ABDECKHAUBE

CASSONCINO

| Rep | Nr | Qt | Designation | Description | Bezeichnung | Referenza | Remarque - Remark - Bemerkung - Osservazioni |
|-----|-----------------|-----|--------------------------------|-------------------------------|--------------------------------|-----------------------------|--|
| 001 | 50007000 | 001 | VIS AUTOFR.H A EMBASE DACROMET | SELF-LOCKING SCREW | SELBSTSICHERNDE SCHRAUBE | VITE | |
| 002 | 50008200 | 015 | VIS TBCC COURT | BOLT, CARRIAGE, SHORT NECK | FLACHRUNDSCHR.4KT ANSATZ | BULLONE | |
| 003 | 50066600 | 002 | VIS | SCREW | SCHRAUBE | VITE | |
| 004 | 56540200 | 002 | BAGUE PLASTIQUE A COLLERETTE | NYLON BEARING | KUNSTSTOFF-GLEITLAGER | ANELLO PLASTICA | |
| 005 | 80130812 | 002 | VIS AUTOBLOQUANTE FLZNNC | UNDERSERR.S-LOC.SCREW FLZNNC | SPERRZAHN-BUNDSCHRAU.FLZNNC | VITE FLZNNC | |
| 006 | 80131220 | 004 | VIS AUTOBLOQUANTE FLZNNC | UNDERSERR.S-LOC.SCREW FLZNNC | SPERRZAHN-BUNDSCHRAU.FLZNNC | VITE FLZNNC | |
| 007 | 80131225 | 008 | VIS AUTOBLOQUANTE FLZNNC | UNDERSERR.S-LOC.SCREW FLZNNC | SPERRZAHN-BUNDSCHRAU.FLZNNC | VITE FLZNNC | |
| 008 | 80131625 | 002 | VIS AUTOBLOQUANTE FLZNNC | UNDERSERR.S-LOC.SCREW FLZNNC | SPERRZAHN-BUNDSCHRAU.FLZNNC | VITE FLZNNC | |
| 009 | 80201230 | 015 | ECROU HEX.AUTOFREINE FE/ZNXC3 | SELF-LOCKING NUT FE/ZNXC3 | SELBSTSICH.MUTTER FE/ZNXC3 | DADO AUTOBLOCCANTE FE/ZNXC3 | |
| 010 | 80201240 | 002 | ECROU HEX.BAS AUTOFR.FE/ZNXC3 | SELF-LOCKING NUT M 12 DIN-985 | SELBSTSICHERND.MUTTER FE/ZNXC3 | DADO AUTOBLOCCANTE FE/ZNXC3 | |
| 011 | 80251331 | 015 | RONDELLE PLATE FE/ZNXC3 | PLAIN WASHER FE/ZNXC3 | SCHIEBE FE/ZNXC3 | RONDELLA PIATTA FE/ZNXC3 | |
| 012 | K5600640 | 001 | LEVIER | LEVER | HEBEL | LEVA | |
| 013 | K5603650 | 001 | CORNIERE | CORNER PROFIL | WINKEL | CORNIERA | |
| 014 | K5603660 | 001 | CORNIERE | CORNER PROFIL | WINKEL | CORNIERA | |
| 015 | K5605490 | 001 | TUBE | TUBE | ROHR | TUBO | |
| 016 | K5605510 | 001 | FOURREAU | SHEATH, RIGID | KULISSE | FODERO | |
| 017 | K5605520 | 001 | TOLE | SHEET | BLECH | TELA | |
| 018 | K5605620 | 001 | TOLE | SHEET | BLECH | TELA | |
| 019 | K5605650 | 001 | TIRANT | TIE ROD | ZUGSTANGE | TIRANTE | |
| 020 | K5605660 | 001 | EMBASE | BASE | GRUNDPLATTE | BASE | |
| 021 | K5605670 | 001 | AXE | PIN | ACHSE | ASSE | |
| 022 | K5609650 | 001 | PROTECTEUR | GUARD | SCHUTZ | PROTEZIONE | |





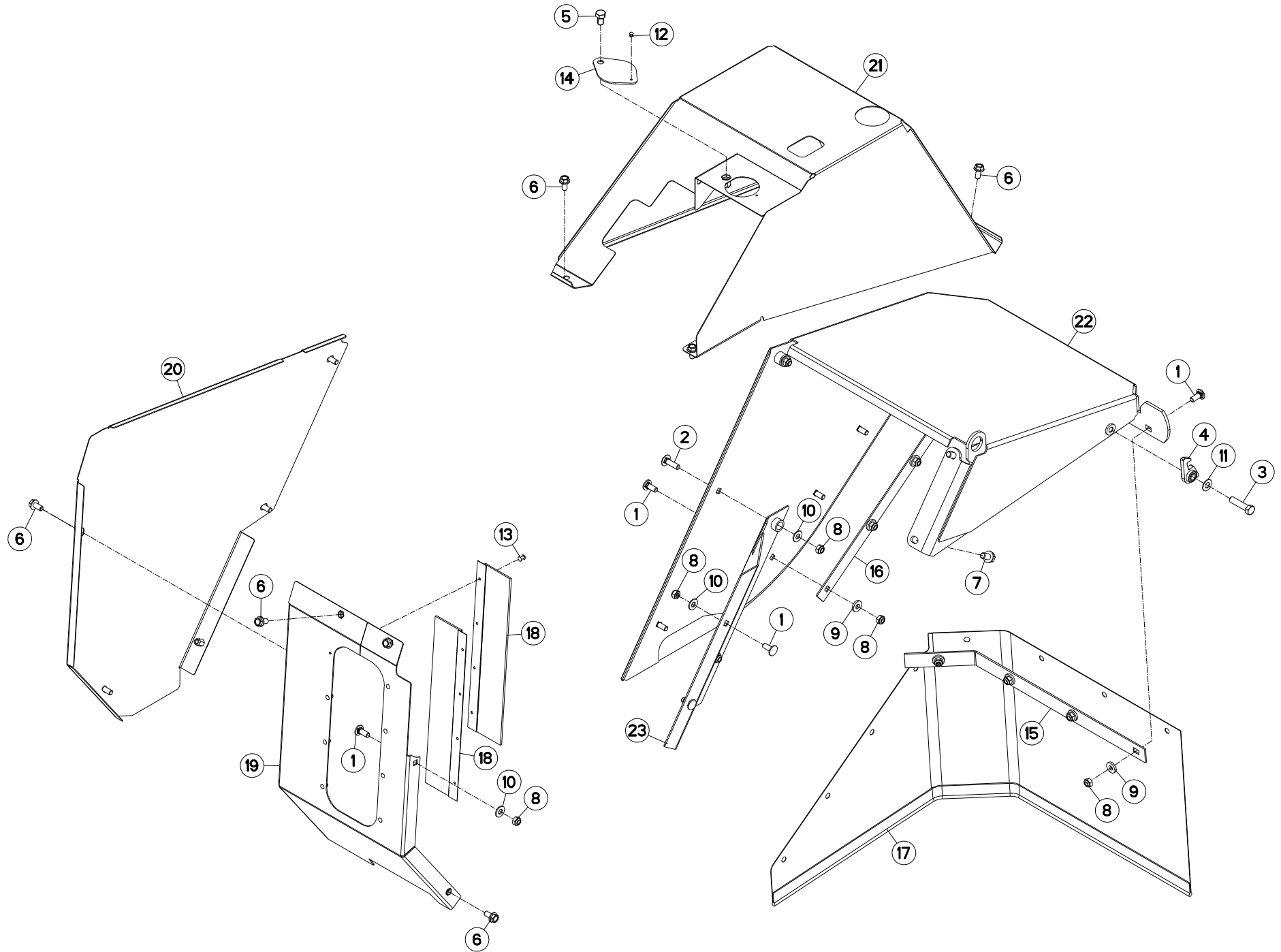
CAPOTS (ARRIERE)

BONNETS (REAR)

HAUBEN (HINTEN)

COFANI (POSTERIORE)

| Rep | Nr | Qt | Designation | Description | Bezeichnung | Referenza | Remarque - Remark - Bemerkung - Osservazioni |
|-----|-----------------|-----|-------------------------------|-------------------------------|--------------------------------|-----------------------------|--|
| 001 | 50002200 | 026 | VIS TBCC COURT | BOLT, CARRIAGE, SHORT NECK | FLACHRUNDSCHR.4KT ANSATZ | BULLONE | |
| 002 | 50007300 | 002 | VIS TBCC COURT | BOLT, CARRIAGE, SHORT NECK | FLACHRUNDSCHR.4KT ANSATZ | BULLONE | |
| 003 | 56529000 | 002 | POIGNEE | HANDLE | HANDGRIFF | MANIGLIA | |
| 004 | 80131220 | 001 | VIS AUTOBLOQUANTE FLZNNC | UNDERSERR.S-LOC.SCREW FLZNNC | SPERRZAHN-BUNDSCHRAU.FLZNNC | VITE FLZNNC | |
| 005 | 80201240 | 001 | ECROU HEX.BAS AUTOFR.FE/ZNXC3 | SELF-LOCKING NUT M 12 DIN-985 | SELBSTSICHERND.MUTTER FE/ZNXC3 | DADO AUTOBLOCCANTE FE/ZNXC3 | |
| 006 | 80251127 | 001 | RONDELLE PLATE FE/ZNXC3 | PLAIN WASHER FE/ZNXC3 | SCHEIBE FE/ZNXC3 | RONDELLA PIATTA FE/ZNXC3 | |
| 007 | 80131220 | 006 | VIS AUTOBLOQUANTE FLZNNC | UNDERSERR.S-LOC.SCREW FLZNNC | SPERRZAHN-BUNDSCHRAU.FLZNNC | VITE FLZNNC | |
| 008 | 80201040 | 027 | ECROU HEX.BAS AUTOFR.FE/ZNXC3 | SELF LOCKING NUT M10 DIN 985 | SELBSTSICHERND.MUTTER FE/ZNXC3 | DADO AUTOBLOCCANTE FE/ZNXC3 | |
| 009 | 80251032 | 002 | RONDELLE PLATE | PLAIN WASHER | SCHEIBE | RONDELLA PIATTA | |
| 010 | 80251127 | 025 | RONDELLE PLATE FE/ZNXC3 | PLAIN WASHER FE/ZNXC3 | SCHEIBE FE/ZNXC3 | RONDELLA PIATTA FE/ZNXC3 | |
| 011 | K5600210 | 001 | DEFLECTEUR | DEFLECTOR | ABWEISER | DEFLETTORE | |
| 012 | K5601841 | 001 | TOLE A ANDAIN GAUCHE | SWATH BOARD LEFT | SCHWADBLECH LINKS | LAMIERA ANDANATRICE | |
| 013 | K5601851 | 001 | TOLE A ANDAIN DROITE | SWATH BOARD RIGHT | SCHWADBLECH RECHTS | LAMIERA ANDANATRICE | |
| 014 | K5601932 | 001 | TOILE | CURTAIN | SCHUTZTUCH | TELO POSTERIORE | |
| 015 | K5602940 | 001 | CHARNIERE DROITE | RIGHT HINGE | SCHARNIER RECHTS | SNODO | |
| 016 | K5602950 | 001 | CHARNIERE GAUCHE | HINGE LEFT | GELENK LINKS | SNODO | |
| 017 | K5602970 | 001 | CAPOT | HOOD | HAUBE | COFANO | |
| 018 | K5602990 | 001 | CAPOT | HOOD | HAUBE | COFANO | |
| 019 | K5603000 | 001 | RAIDISSEUR | REINFORCING PLATE | VERSTEIFUNGSPLATTE | BALESTRA | |





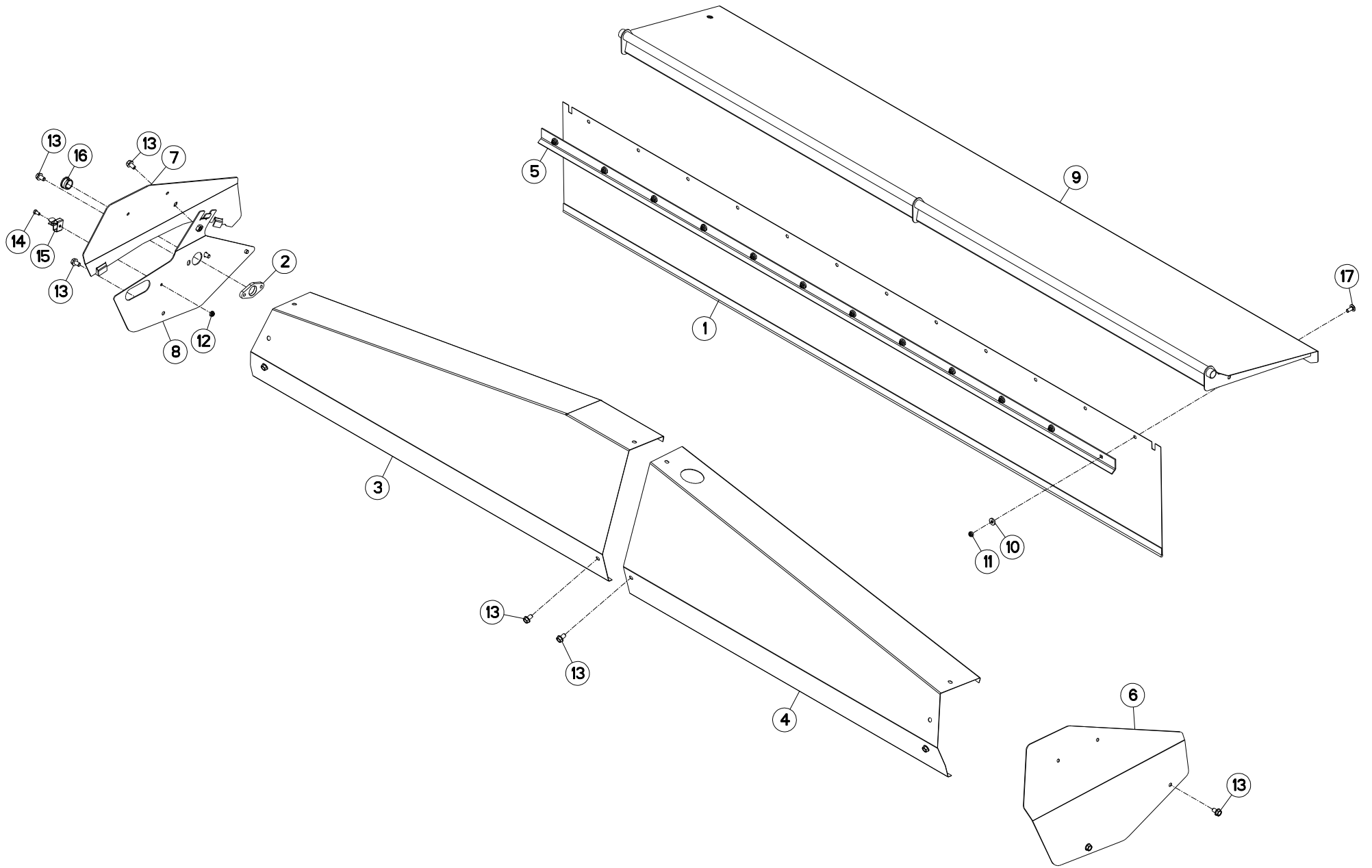
PROTECTEUR (GAUCHE)

SAFETY GUARDS (LEFT)

SCHUTZVORRICHTUNG (LINKS)

PARAPETTI (SX)

| Rep | Nr | Qt | Designation | Description | Bezeichnung | Referenza | Remarque - Remark - Bemerkung - Osservazioni |
|-----|----------|-----|-------------------------------|--------------------------------|--------------------------------|-----------------------------|--|
| 001 | 50002200 | 012 | VIS TBCC COURT | BOLT, CARRIAGE, SHORT NECK | FLACHRUNDSCHR.4KT ANSATZ | BULLONE | |
| 002 | 50007300 | 002 | VIS TBCC COURT | BOLT, CARRIAGE, SHORT NECK | FLACHRUNDSCHR.4KT ANSATZ | BULLONE | |
| 003 | 50067700 | 001 | VIS AVEC REVÊTEMENT ADHESIF | SCREW WITH ADHESIVE COATING | KLEBE BESCHICHTETE SCHRAUBE | VITE AUTOBLOCCANTE | |
| 004 | 55749800 | 001 | VERROU | LATCH | RIEGEL | LEVA | |
| 005 | 80061220 | 001 | VIS TETE HEXAGONALE FLZNNC | HEX BOLT M12X20 CL 5.8 DIN933 | SECHSKANTSCHRAUBE FLZNNC | VITE TESTA ESAGONALE FLZNNC | |
| 006 | 80131020 | 012 | VIS AUTOBLOQUANTE FLZNNC | UNDERSERRATED S-LOCKING FLZNNC | SPERRZAHN-BUNDSCHRAUBE FLZNNC | VITE FLZNNC | |
| 007 | 80131220 | 002 | VIS AUTOBLOQUANTE FLZNNC | UNDERSERR.S-LOC.SCREW FLZNNC | SPERRZAHN-BUNDSCHRAU.FLZNNC | VITE FLZNNC | |
| 008 | 80201040 | 014 | ECROU HEX.BAS AUTOFR.FE/ZNXC3 | SELF LOCKING NUT M10 DIN 985 | SELBSTSICHERND.MUTTER FE/ZNXC3 | DADO AUTOBLOCCANTE FE/ZNXC3 | |
| 009 | 80251127 | 008 | RONDELLE PLATE FE/ZNXC3 | PLAIN WASHER FE/ZNXC3 | SCHEIBE FE/ZNXC3 | RONDELLA PIATTA FE/ZNXC3 | |
| 010 | 80251176 | 006 | RONDELLE PLATE FE/ZNXC3 | PLAIN WASHER FE/ZNXC3 | SCHEIBE FE/ZNXC3 | RONDELLA PIATTA FE/ZNXC3 | |
| 011 | 80251225 | 001 | RONDELLE PLATE FE/ZNXC3 | PLAIN WASHER FE/ZNXC3 | SCHEIBE FE/ZNXC3 | RONDELLA PIATTA FE/ZNXC3 | |
| 012 | 80370408 | 001 | RIVET CLOU ALU | BLIND RIVET | BLINDNIETE | RIVETTO | |
| 013 | 80370415 | 008 | RIVET AVEUGLE T NORM.ALU | RIVET | NIETE | RIVETTO | |
| 014 | K5600450 | 001 | OBTURATEUR | COVER | DECKEL | OTTURATORE | |
| 015 | K5601610 | 001 | CONTRE-PLAT GAUCHE | BRACKET LEFT | BEFESTIGUNGSPLATTE LINKS | | |
| 016 | K5601660 | 001 | CONTRE-PLAT LATERAL | BRACKET | BEFESTIGUNGSPLATTE | | |
| 017 | K5601881 | 001 | TOILE | CURTAIN | SCHUTZTUCH | TELO POSTERIORE | |
| 018 | K5606100 | 002 | BROSSE D'ETANCHEITE L400 | BRUSH | BUERSTE | SPAZZOLA | |
| 019 | K5608091 | 001 | CAPOT | HOOD | HAUBE | COFANO | |
| 020 | K5608170 | 001 | CAPOT DE POULIE | HOOD | HAUBE | COFANO | |
| 021 | K5608190 | 001 | CAPOT PREMONTE | HOOD | HAUBE | COFANO | |
| 022 | K5609310 | 001 | CAPOT | HOOD | HAUBE | COFANO | |
| 023 | K5609330 | 001 | ENTRETOISE | SPACER | DISTANZHUELSE | DISTANZIALE | |





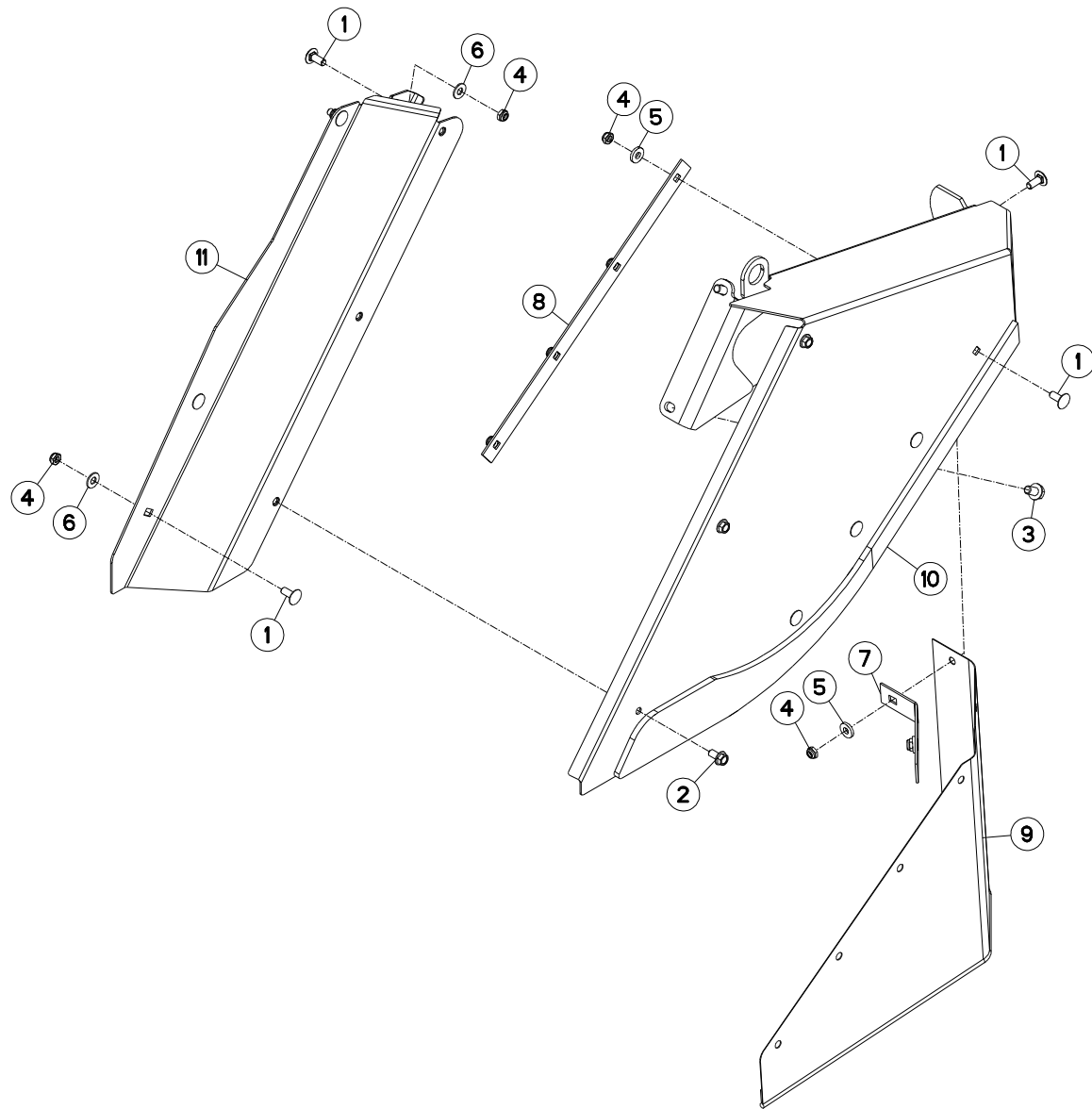
PROTECTEURS

SAFETY GUARDS

SCHUTZVORRICHTUNGEN

PARAPETTI

| Rep | Nr | Qt | Designation | Description | Bezeichnung | Referenza | Remarque - Remark - Bemerkung - Osservazioni |
|-----|-----------------|-----|-------------------------------|--------------------------------|--------------------------------|-------------------------------|--|
| 001 | K5601901 | 001 | TOILE | CURTAIN | SCHUTZTUCH | TELO POSTERIORE | |
| 002 | K5601790 | 001 | PALIER | HOUSING | LAGERGEHAEUSE | SUPPORTO | |
| 003 | K5601501 | 001 | PROTECTEUR AR GAUCHE | REAR GUARD LEFT | HINTERER SCHUTZ LINKS | PROTEZIONE | |
| 004 | K5601491 | 001 | PROTECTEUR AR DROIT | REAR GUARD RIGHT | HINTERER SCHUTZ RECHTS | PROTEZIONE | |
| 005 | K5601460 | 001 | CONTRE-PLAT AVANT | BRACKET | BEFESTIGUNGSPLATTE | | |
| 006 | K5601440 | 001 | CAPOT | HOOD | HAUBE | COFANO | |
| 007 | K5601430 | 001 | DEMI-CAPOT GAUCHE | HALF HOOD LEFT | HAUBENHAELFTE LINKS | COFANO | |
| 008 | K5601420 | 001 | DEMI-CAPOT GAUCHE | HALF HOOD LEFT | HAUBENHAELFTE LINKS | COFANO | |
| 009 | K5601410 | 001 | CAPOT | HOOD | HAUBE | COFANO | |
| 010 | 80251127 | 012 | RONDELLE PLATE FE/ZNXC3 | PLAIN WASHER FE/ZNXC3 | SCHEIBE FE/ZNXC3 | RONDELLA PIATTA FE/ZNXC3 | |
| 011 | 80201040 | 012 | ECROU HEX.BAS AUTOFR.FE/ZNXC3 | SELF LOCKING NUT M10 DIN 985 | SELBSTSICHERND.MUTTER FE/ZNXC3 | DADO AUTOBLOCCANTE FE/ZNXC3 | |
| 012 | 80200851 | 001 | ECROU AUTOBLOQUANT FE/ZNXC3 | UNDERSERRAT.S.LOC.NUT FE/ZNXC3 | SPERRZAHN-BUNDMUTTER FE/ZNXC3 | DADO FE/ZNXC3 | |
| 013 | 80131220 | 011 | VIS AUTOBLOQUANTE FLZNNC | UNDERSERR.S-LOC.SCREW FLZNNC | SPERRZAHN-BUNDSCHRAU.FLZNNC | VITE FLZNNC | |
| 014 | 80060820 | 001 | VIS TETE HEXAGONALE FE/ZNXC3 | HEXAGON HEAD SCREW FE/ZNXC3 | SECHSKANTSCHRAUBE FE/ZNXC3 | VITE TESTA ESAGONALE FE/ZNXC3 | |
| 015 | 59402900 | 001 | RESSORT | SPRING | FEDER | MOLLA | |
| 016 | 57721600 | 001 | BAGUE PLASTIQUE A COLLERETTE | NYLON BEARING | KUNSTSTOFF-GLEITLAGER | ANELLO PLASTICA | |
| 017 | 50002200 | 012 | VIS TBCC COURT | BOLT, CARRIAGE, SHORT NECK | FLACHRUNDSCHR.4KT ANSATZ | BULLONE | |





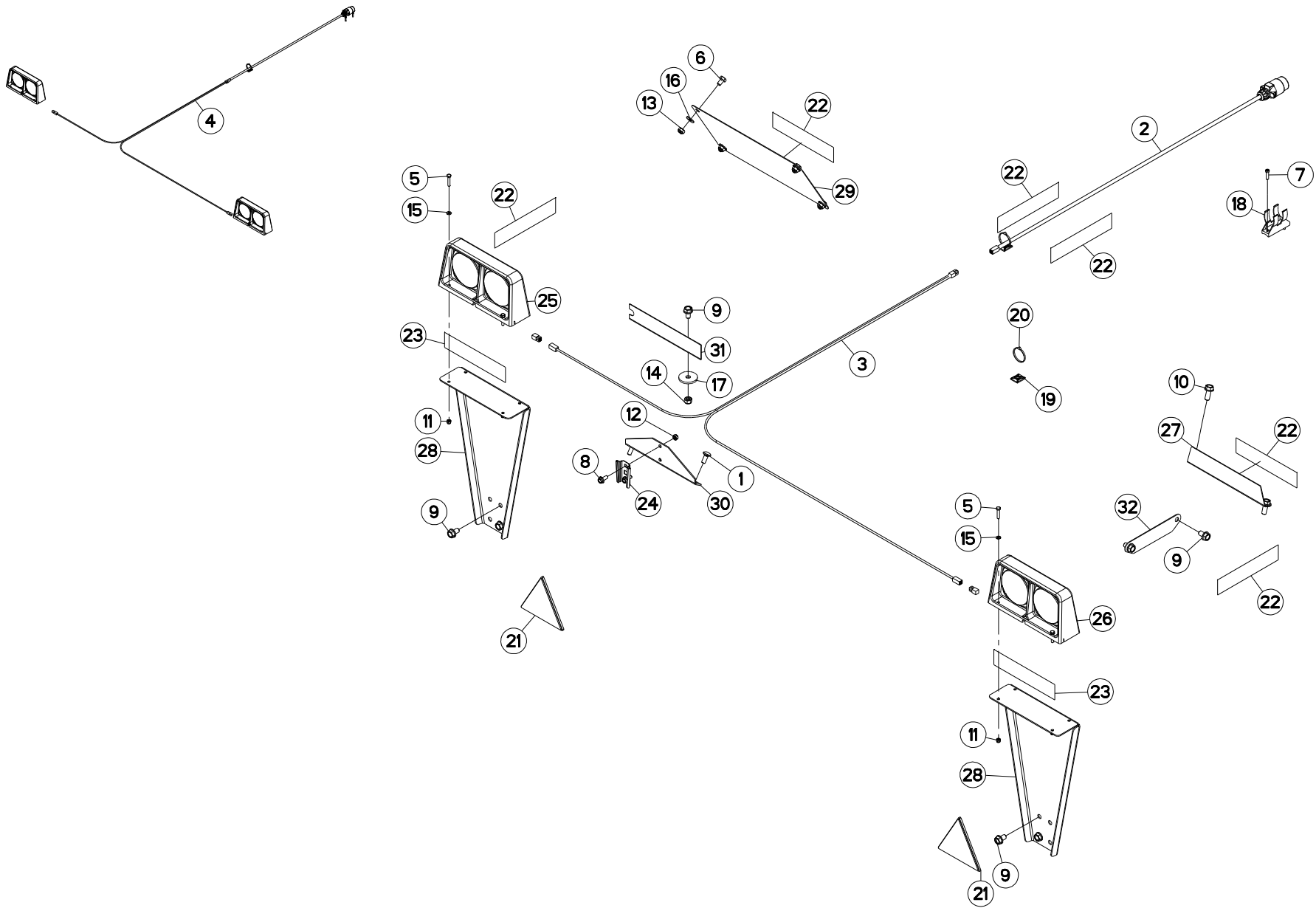
PROTECTEUR (DROIT)

SAFETY GUARDS (RIGHT)

SCHUTZVORRICHTUNG (RECHTS)

PARAPETTI (DX)

| Rep | Nr | Qt | Designation | Description | Bezeichnung | Referenza | Remarque - Remark - Bemerkung - Osservazioni |
|-----|-----------------|-----|-------------------------------|--------------------------------|--------------------------------|-----------------------------|--|
| 001 | 50002200 | 011 | VIS TBCC COURT | BOLT, CARRIAGE, SHORT NECK | FLACHRUNDSCHR.4KT ANSATZ | BULLONE | |
| 002 | 80131020 | 003 | VIS AUTOBLOQUANTE FLZNNC | UNDERSERRATED S-LOCKING FLZNNC | SPERRZAHN-BUNDSCHRAUBE FLZNNC | VITE FLZNNC | |
| 003 | 80131220 | 002 | VIS AUTOBLOQUANTE FLZNNC | UNDERSERR.S-LOC.SCREW FLZNNC | SPERRZAHN-BUNDSCHRAU.FLZNNC | VITE FLZNNC | |
| 004 | 80201040 | 010 | ECROU HEX.BAS AUTOFR.FE/ZNXC3 | SELF LOCKING NUT M10 DIN 985 | SELBSTSICHERND.MUTTER FE/ZNXC3 | DADO AUTOBLOCCANTE FE/ZNXC3 | |
| 005 | 80251127 | 006 | RONDELLE PLATE FE/ZNXC3 | PLAIN WASHER FE/ZNXC3 | SCHEIBE FE/ZNXC3 | RONDELLA PIATTA FE/ZNXC3 | |
| 006 | 80251176 | 004 | RONDELLE PLATE FE/ZNXC3 | PLAIN WASHER FE/ZNXC3 | SCHEIBE FE/ZNXC3 | RONDELLA PIATTA FE/ZNXC3 | |
| 007 | K5601650 | 001 | CONTRE-PLAT DROIT | BRACKET RIGHT | BEFESTIGUNGSPLATTE RECHTS | | |
| 008 | K5601660 | 001 | CONTRE-PLAT LATERAL | BRACKET | BEFESTIGUNGSPLATTE | | |
| 009 | K5601871 | 001 | TOILE | CURTAIN | SCHUTZTUCH | TELO POSTERIORE | |
| 010 | K5609320 | 001 | CAPOT | HOOD | HAUBE | COFANO | |
| 011 | K5609340 | 001 | PROTECTEUR | GUARD | SCHUTZ | PROTEZIONE | |





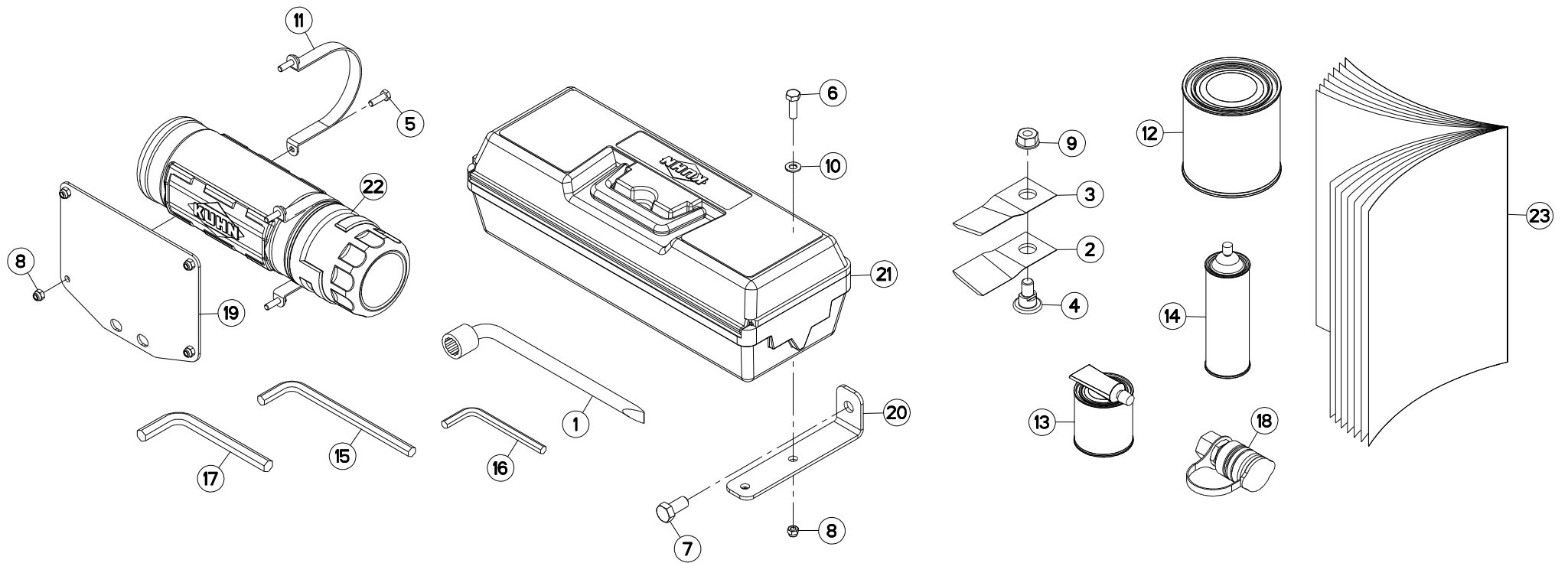
SIGNALISATION

SIGNALLING

BELEUCHTUNG U. WARNTAFELN

SEGNALAZIONE

| Rep | Nr | Qt | Designation | Description | Bezeichnung | Referenza | Remarque - Remark - Bemerkung - Osservazioni |
|-----|----------|-----|--------------------------------|--------------------------------|--------------------------------|--------------------------------|--|
| 001 | 50002200 | 002 | VIS TBCC COURT | BOLT, CARRIAGE, SHORT NECK | FLACHRUNDSCHR.4KT ANSATZ | BULLONE | |
| 002 | 55828700 | 001 | FAISCEAU ELECTRIQUE AVANT | FRONT WIRING HARNESS | KABELNETZ VORN | FASCIO DE CONDUTTORI | [1] |
| 003 | 55828800 | 001 | FAISCEAU ELECTRIQUE ARRIERE | REAR WIRING HARNESS | KABELNETZ HINTEN | FASCIO DE CONDUTTORI | [1] |
| 004 | 55829200 | 001 | FAISCEAU ELECTRIQUE | WIRING HARNESS | KABELNETZ | CAVO ELETTRICO | + [1] |
| 005 | 80060630 | 008 | VIS TETE HEXAGONALE FE/ZNXC3 | HEX BOLT M6X30 CL5.8 DIN933 R. | SECHSKANTSCHRAUBE FE/ZNXC3 | VITE TESTA ESAGONALE FE/ZNXC3 | |
| 006 | 80061016 | 004 | VIS TETE HEXAGONALE FE/ZNXC3 | HEXAGON HEAD SCREW FE/ZNXC3 | SECHSKANTSCHRAUBE FE/ZNXC3 | VITE TESTA ESAGONALE FE/ZNXC3 | |
| 007 | 80080626 | 002 | VIS TETE CYL.SIX P.CR.FE/ZNXC3 | SCREW, SOCKET HEAD FE/ZNXC3 | ZYLINDERSCHR.INNENSEC.FE/ZNXC3 | VITE A TESTA CILINDR. FE/ZNXC3 | |
| 008 | 80130820 | 002 | VIS AUTOBLOQUANTE FLZNNC | UNDERSERR.S-LOC.SCREW FLZNNC | SPERRZAHN-BUNDSCHRAU.FLZNNC | VITE FLZNNC | |
| 009 | 80131220 | 007 | VIS AUTOBLOQUANTE FLZNNC | UNDERSERR.S-LOC.SCREW FLZNNC | SPERRZAHN-BUNDSCHRAU.FLZNNC | VITE FLZNNC | |
| 010 | 80131232 | 002 | VIS AUTOBLOQUANTE FLZNNC KL105 | UNDERSERR.S-LOC.SCREW FLZNNC | SPERRZAHN-BUNDSCHRAU.FLZNNC | VITE FLZNNC KL105 | |
| 011 | 80200630 | 008 | ECROU HEX.AUTOFREINE FE/ZNXC3 | SELF LOCKING NUT M6 DIN 982 | SELBSTSICHERNDE MUTT.FE/ZNXC3 | DADO AUTOBLOCCANTE FE/ZNXC3 | |
| 012 | 80200830 | 002 | ECROU HEX.AUTOFREINE FE/ZNXC3 | SELFLOCKING NUT M8 DIN 982 | SELBSTSICHERNDE MUTT.FE/ZNXC3 | DADO AUTOBLOCCANTE FE/ZNXC3 | |
| 013 | 80201040 | 004 | ECROU HEX.BAS AUTOFR.FE/ZNXC3 | SELF LOCKING NUT M10 DIN 985 | SELBSTSICHERND.MUTTER FE/ZNXC3 | DADO AUTOBLOCCANTE FE/ZNXC3 | |
| 014 | 80201240 | 001 | ECROU HEX.BAS AUTOFR.FE/ZNXC3 | SELF-LOCKING NUT M 12 DIN-985 | SELBSTSICHERND.MUTTER FE/ZNXC3 | DADO AUTOBLOCCANTE FE/ZNXC3 | |
| 015 | 80250611 | 008 | RONDELLE PLATE FE/ZNXC3 | PLAIN WASHER M6 DIN 125 FE/ZNX | SCHEIBE FE/ZNXC3 | RONDELLA PIATTA FE/ZNXC3 | |
| 016 | 80251176 | 004 | RONDELLE PLATE FE/ZNXC3 | PLAIN WASHER FE/ZNXC3 | SCHEIBE FE/ZNXC3 | RONDELLA PIATTA FE/ZNXC3 | |
| 017 | 80251345 | 001 | RONDELLE PLATE FE/ZNXC3 | PLAIN WASHER FE/ZNXC3 | SCHEIBE FE/ZNXC3 | RONDELLA PIATTA FE/ZNXC3 | |
| 018 | 83090037 | 001 | SUPPORT DE PRISE 7 POLES | PLUG SUPPORT | STECKERHALTERUNG | SUPPORTO | |
| 019 | 83090038 | 030 | EMBASE AUTOADHESIVE | SELF STIKING CABLE GUIDE | KABELKONSOLE SELBSTKLEBEND | BASAMENTO | |
| 020 | 83090039 | 030 | COLLIER PLASTIQUE | CABLE TIE PLASTIC | KABELBINDER PLASTIK | FASCETTA | |
| 021 | 83240013 | 002 | CATADIOP.TRIAN.ROUGE 160 ADHES | REFLECTOR RED 160 SELF-ADHES. | RUECKSTRAHLER ROT 160 SELBSTKL | CATADIOTTRO 160 | |
| 022 | 83240019 | 006 | CATADIOPTRE ADHESIF JAUNE | REFLECTOR YELLOW | RUECKSTRAHLER GELB | CATADIOTTRO | |
| 023 | 83240021 | 002 | CATADIOPTRE ADHESIF ROUGE | REFLECTOR RED | RUECKSTRAHLER ROT | CATADIOTTRO | |
| 024 | 83240200 | 001 | SUPPORT TRIANGLE SMV FE/ZNXC3 | BRACKET SMV EMBLEM FE/ZNXC3 | SMV RUECKSTRAHLERHALT.FE/ZNXC3 | SUPPORTO FE/ZNXC3 | |
| 025 | 83240402 | 001 | FEU ARRIERE GAUCHE | REAR LAMP LEFT | RUECKLICHT LINKS | FANALINO COMPLETO SX | [1] |
| 026 | 83240403 | 001 | FEU ARRIERE DROIT | REAR LAMP RIGHT | RUECKLICHT RECHTS | FANALINO COMPLETO DX | [1] |
| 027 | K5600390 | 001 | EQUERRE | GUSSET, CORNER | WINKEL | SQUADRA | |
| 028 | K5603120 | 002 | ADAPTATEUR | ADAPTER | ANBAUELEMENT | ADATTATORE | |
| 029 | K5606800 | 001 | PLAQUE | PLATE | PLATTE | PIASTRA | |
| 030 | K5606810 | 001 | SUPPORT | SUPPORT | TRAEGER | SUPPORTO | |
| 031 | K5606830 | 001 | COUVERCLE | LID | DECKEL | COPERCHIO | |
| 032 | K5609630 | 001 | COUVERCLE | LID | DECKEL | COPERCHIO | |





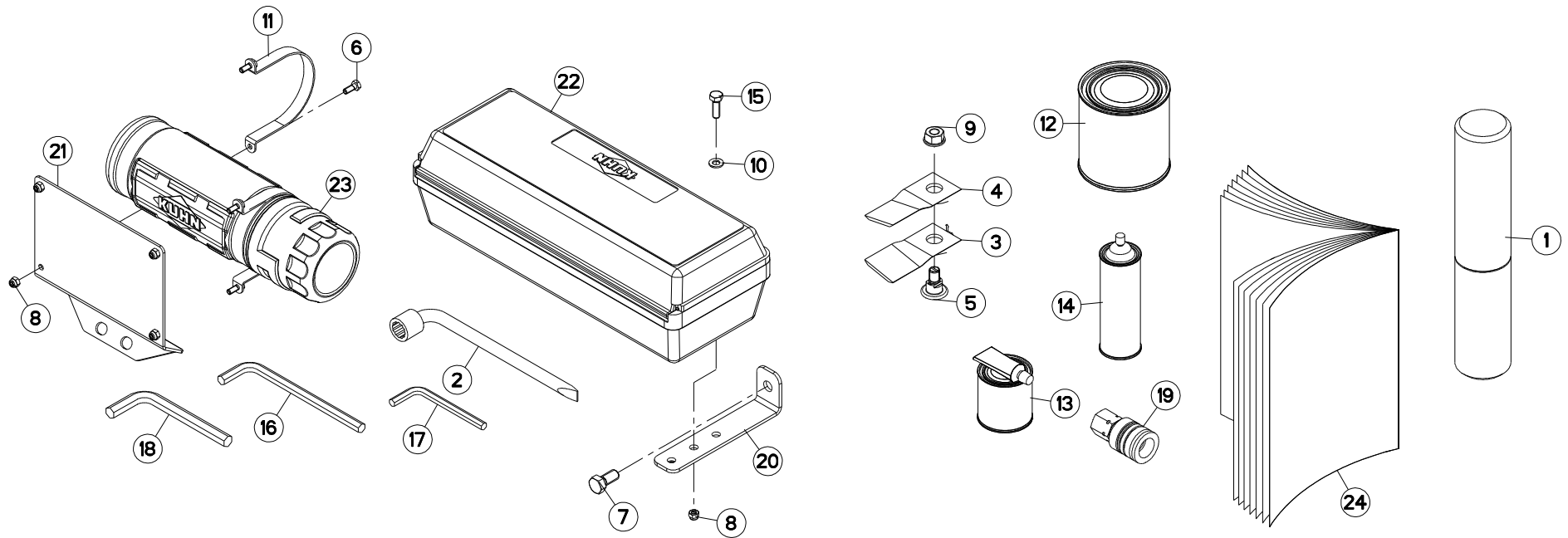
DIVERS

MISCELLANEOUS

VERSCHIEDENES

VARIE

| Rep | Nr | Qt | Designation | Description | Bezeichnung | Referenza | Remarque - Remark - Bemerkung - Osservazioni |
|-----|----------|-----|-------------------------------|--------------------------------|--------------------------------|-------------------------------|--|
| 001 | 50080200 | 001 | CLE A PIPE DE 18 (12PANS) | BOX SPANNER 18 | PFEIFENSCHLUESSEL 18 | CHIAVE X FC 280F MATR.95 | |
| 002 | 55903210 | 008 | COUTEAU VRILLE T.A.G ISO5718 | ANGLED BLADE LEFT TURN.ISO5718 | GEKROEP.MESS.LINKSDREH.ISO5718 | COLTEL.PIEGATO STD-SX ISO5718 | |
| 003 | 55903310 | 006 | COUTEAU VRILLE T.A.D ISO5718 | ANGLED BLAD.RIGHT TURN.ISO5718 | GEKROEP.MESS.RECHTSDRE.ISO5718 | COLTEL.PIEGATO STD-DX ISO5718 | |
| 004 | 56115800 | 007 | VIS AUTOFREINEE | SCREW, SELF-LOCKING | SELBSTSICHERNDE SCHRAUBE | VITE AUTOBLOCCANTE | |
| 005 | 80060616 | 004 | VIS TETE HEXAGONALE FE/ZNXC3 | HEXAGON HEAD SCREW FE/ZNXC3 | SECHSKANTSCHRAUBE FE/ZNXC3 | VITE TESTA ESAGONALE FE/ZNXC3 | |
| 006 | 80060826 | 004 | VIS TETE HEXAGONALE FE/ZNXC3 | HEAD HEX SCREW M8X25 CL8.8 DIN | SECHSKANTSCHRAUBE FE/ZNXC3 | VITE TESTA ESAGONALE FE/ZNXC3 | |
| 007 | 80061225 | 002 | VIS TETE HEXAGONALE FE/ZNXC3 | HEXAGON HEAD SCREW FE/ZNXC3 | SECHSKANTSCHRAUBE FE/ZNXC3 | VITE TESTA ESAGONALE FE/ZNXC3 | |
| 008 | 80200630 | 008 | ECROU HEX.AUTOFREINE FE/ZNXC3 | SELF LOCKING NUT M6 DIN 982 | SELBSTSICHERNDE MUTT.FE/ZNXC3 | DADO AUTOBLOCCANTE FE/ZNXC3 | |
| 009 | 80201262 | 007 | ECROU TWOLOCK FLZNNC | SELF-LOCKING NUT FLZNNC | SELBSTSICHERNDE MUTTER FLZNNC | DADO TWOLOCK FLZNNC | |
| 010 | 80250823 | 004 | RONDELLE PLATE FE/ZNXC3 | PLAIN WASHER FE/ZNXC3 | SCHEIBE FE/ZNXC3 | RONDELLA PIATTA FE/ZNXC3 | |
| 011 | 83090596 | 002 | COLLIER | CLAMP, HOSE | SCHLAUCHSCHELLE | COLLARE | |
| 012 | 83503018 | 001 | BOITE 1L PEINT.ROUGE | 1L RED PAINT CAN, | DOSE FARBE ROT,1L | VERNICE ROSSA KUHN | OPT |
| 013 | 83503019 | 001 | BOITE 0,6L PEIN.ROU.2K+DURCIS | 0,6L RED PAINT CAN,+HARDENER | DOSE 0,6L FARBE ROT, 2KOMP. | VERNICE ROSSA KUHN 2K 0,6L | OPT |
| 014 | 83503026 | 001 | BOMBE AEROSOL ROUGE KUHN | RED SPRAY PAINT | FARBSPRUEHDOSE KUHN ROT | VERNICE SPRAY ROSSA | OPT |
| 015 | 83450003 | 001 | CLE MALE 10 | ALLEN WRENCH 10 | 6KT.STIFTSCHLUESSEL 10 | CHIAVE | |
| 016 | 83450005 | 001 | CLE MALE 8 | ALLEN WRENCH 8 | 6KT.STIFTSCHLUESSEL 8 | CHIAVE | |
| 017 | 83450019 | 001 | CLE MALE 12 | ALLEN WRENCH 12 | 6KT.STIFTSCHLUESSEL 12 | CHIAVE | |
| 018 | A4074000 | 001 | COUPLEUR | COUPLER | KUPPLER | GIUNTO | ESP: RU |
| 019 | K5611250 | 001 | SUPPORT | SUPPORT | TRAEGER | SUPPORTO | |
| 020 | K5611260 | 002 | SUPPORT | SUPPORT | TRAEGER | SUPPORTO | |
| 021 | K7024080 | 001 | BOITE A OUTILS | TOOLBOX | WERKZEUGKASTEN | CASSETTO | |
| 022 | K7024100 | 001 | BOITE | BOX | KASTEN | SCATOLA | |
| 023 | KN069C | 001 | NOTICE D'INST.FC353RGC NV | OPERATORS MANUAL FC353RGC | BETR-ANL.FC353RGC | MAN.USO MANUT.FC353RGC | |





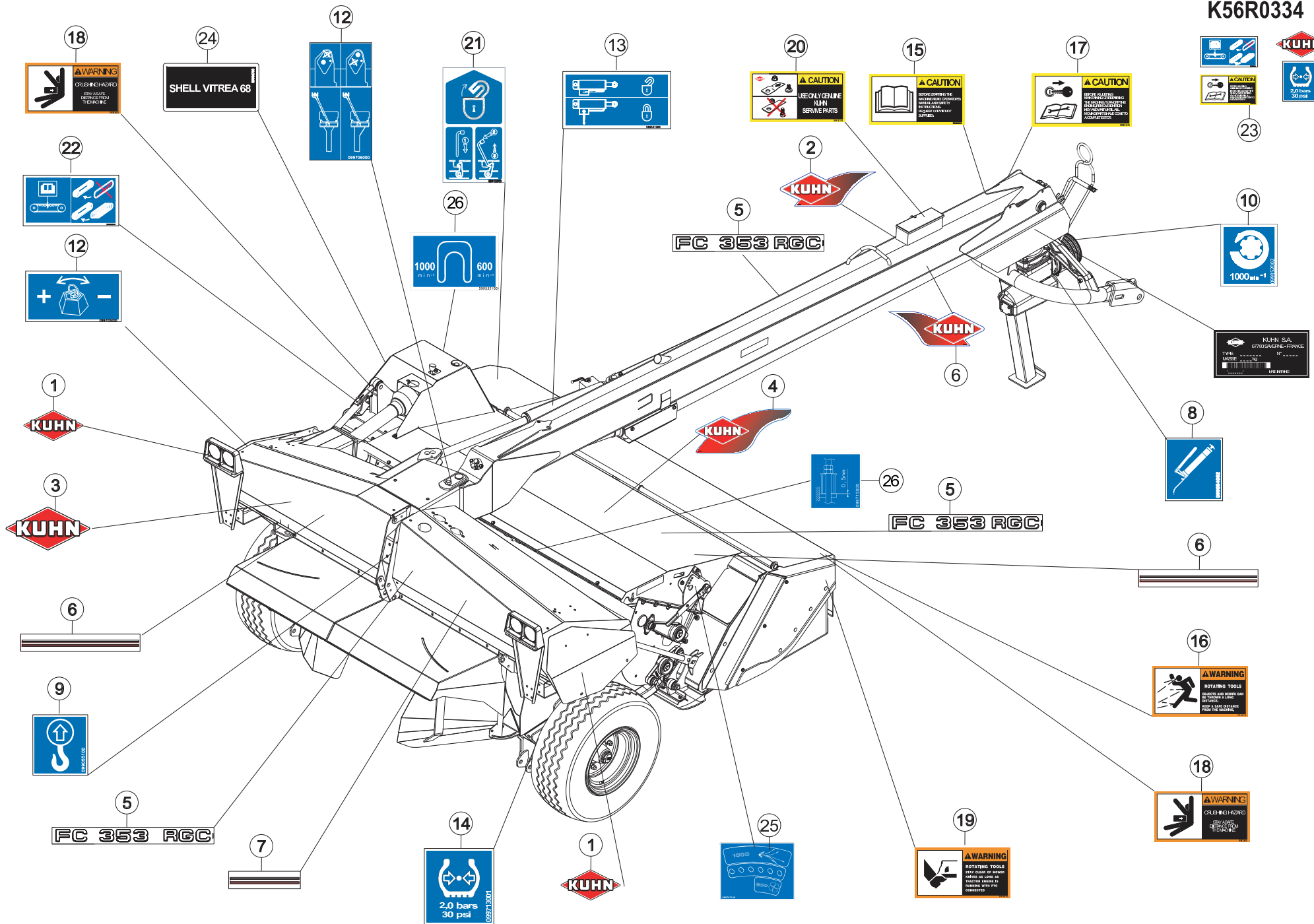
DIVERS

MISCELLANEOUS

VERSCHIEDENES

VARIE

| Rep | Nr | Qt | Designation | Description | Bezeichnung | Referenza | Remarque - Remark - Bemerkung - Osservazioni |
|-----|----------|-----|-------------------------------|--------------------------------|--------------------------------|-------------------------------|--|
| 001 | 9006600 | 001 | PORTE-DOCUMENTS TUBULAIRE | DOCUMENT BOX | GEWINDEPACK | PORTADUCOMANTI TUBOLARE | |
| 002 | 50080200 | 001 | CLE A PIPE DE 18 (12PANS) | BOX SPANNER 18 | PFEIFENSCHLUESSEL 18 | CHIAVE X FC 280F MATR.95 | |
| 003 | 55903210 | 008 | COUTEAU VRILLE T.A.G ISO5718 | ANGLED BLADE LEFT TURN.ISO5718 | GEKROEP.MESS.LINKSDREH.ISO5718 | COLTEL.PIEGATO STD-SX ISO5718 | |
| 004 | 55903310 | 006 | COUTEAU VRILLE T.A.D ISO5718 | ANGLED BLAD.RIGHT TURN.ISO5718 | GEKROEP.MESS.RECHTSDRE.ISO5718 | COLTEL.PIEGATO STD-DX ISO5718 | |
| 005 | 56115800 | 007 | VIS AUTOFREINEE | SCREW, SELF-LOCKING | SELBSTSICHERNDE SCHRAUBE | VITE AUTOBLOCCANTE | |
| 006 | 80060616 | 004 | VIS TETE HEXAGONALE FE/ZNXC3 | HEXAGON HEAD SCREW FE/ZNXC3 | SECHSKANTSCHRAUBE FE/ZNXC3 | VITE TESTA ESAGONALE FE/ZNXC3 | |
| 007 | 80061225 | 002 | VIS TETE HEXAGONALE FE/ZNXC3 | HEXAGON HEAD SCREW FE/ZNXC3 | SECHSKANTSCHRAUBE FE/ZNXC3 | VITE TESTA ESAGONALE FE/ZNXC3 | |
| 008 | 80200630 | 008 | ECROU HEX.AUTOFREINE FE/ZNXC3 | SELF LOCKING NUT M6 DIN 982 | SELBSTSICHERNDE MUTT.FE/ZNXC3 | DADO AUTOBLOCCANTE FE/ZNXC3 | |
| 009 | 80201262 | 007 | ECROU TWOLOCK FLZNNC | SELF-LOCKING NUT FLZNNC | SELBSTSICHERNDE MUTTER FLZNNC | DADO TWOLOCK FLZNNC | |
| 010 | 80250823 | 004 | RONDELLE PLATE FE/ZNXC3 | PLAIN WASHER FE/ZNXC3 | SCHEIBE FE/ZNXC3 | RONDELLA PIATTA FE/ZNXC3 | |
| 011 | 83090596 | 002 | COLLIER | CLAMP, HOSE | SCHLAUCHSCHELLE | COLLARE | |
| 012 | 83503018 | 001 | BOITE 1L PEINT.ROUGE | 1L RED PAINT CAN, | DOSE FARBE ROT,1L | VERNICE ROSSA KUHN | OPT |
| 013 | 83503019 | 001 | BOITE 0,6L PEIN.ROU.2K+DURCIS | 0,6L RED PAINT CAN,+HARDENER | DOSE 0,6L FARBE ROT, 2KOMP. | VERNICE ROSSA KUHN 2K 0,6L | OPT |
| 014 | 83503026 | 001 | BOMBE AEROSOL ROUGE KUHN | RED SPRAY PAINT | FARBSPRUEHDOSE KUHN ROT | VERNICE SPRAY ROSSA | OPT |
| 015 | 80060826 | 004 | VIS TETE HEXAGONALE FE/ZNXC3 | HEAD HEX SCREW M8X25 CL8.8 DIN | SECHSKANTSCHRAUBE FE/ZNXC3 | VITE TESTA ESAGONALE FE/ZNXC3 | |
| 016 | 83450003 | 001 | CLE MALE 10 | ALLEN WRENCH 10 | 6KT.STIFTSCHLUESSEL 10 | CHIAVE | |
| 017 | 83450005 | 001 | CLE MALE 8 | ALLEN WRENCH 8 | 6KT.STIFTSCHLUESSEL 8 | CHIAVE | |
| 018 | 83450019 | 001 | CLE MALE 12 | ALLEN WRENCH 12 | 6KT.STIFTSCHLUESSEL 12 | CHIAVE | |
| 019 | A4074000 | 001 | COUPLEUR | COUPLER | KUPPLER | GIUNTO | |
| 020 | K5611260 | 002 | SUPPORT | SUPPORT | TRAEGER | SUPPORTO | |
| 021 | K5611710 | 001 | SUPPORT | SUPPORT | TRAEGER | SUPPORTO | |
| 022 | K7024080 | 001 | BOITE A OUTILS | TOOLBOX | WERKZEUGKASTEN | CASSETTO | |
| 023 | K7024100 | 001 | BOITE | BOX | KASTEN | SCATOLA | |
| 024 | KN034C | 001 | NOTICE D'INST. | OPERATOR'S MANUAL | BETRIEBSANLEITUNG | MANUALE D'USO E MANUTENZIONE | |





COLL.ETIQUETTES ADHESIVES

SET OF STICKERS

SATZ AUFKLEBER

SERIE ADESIVI

| Rep | Nr | Qt | Designation | Description | Bezeichnung | Referenza | Remarque - Remark - Bemerkung - Osservazioni |
|-----|-----------------|-----|-------------------------------|-------------------------------|--------------------------------|-----------------------------|--|
| 001 | K9500080 | 002 | LOGO KUHN 207R BLANC/ROUGE | LOGO KUHN 207R | LOGO KUHN 207R | LOGO KUHN 207R | [1] |
| 003 | K9500120 | 001 | LOGO KUHN 414R BLANC/ROUGE | LOGO KUHN 414R | LOGO KUHN 414R | LOGO KUHN 414R ROSSO-BIANCO | [1] |
| 004 | K9530340 | 001 | ETIQ.ADH. | DECAL | AUFKLEBER | ADESIVO | [1] |
| 005 | K9502521 | 004 | ETIQ.ADH. | DECAL | AUFKLEBER | ADESIVO | [1] |
| 006 | K9530070 | 001 | ETIQ.ADH. | DECAL | AUFKLEBER | ADESIVO | [1] |
| 007 | K9530080 | 001 | ETIQ.ADH. | DECAL | AUFKLEBER | ADESIVO | [1] |
| 008 | 09905400 | 006 | ETIQ.ADHESIVE IND.GRAISSEURS | TRANSFER | AUFKLEBER | ADESIVO | [1] |
| 009 | 09905510 | 004 | ETIQ.ADHESIVE POINT DE LEVAGE | DECAL LIFTING POINT | AUFKLEBER ANSCHLAGPUNKT | ADESIVO | [1] |
| 010 | 09915200 | 001 | ETIQ.ADHESIVE 1000 MIN-1 A G. | DECAL 1000 MIN-1 LE. | AUFKLEBER 1000 MIN-1 LI. | ADESIVO | [1] |
| 011 | 09970500 | 001 | ETIQ.ADHESIVE REGLAGE POIDS | TRANSFER | AUFKLEBER | ADESIVO | [1] |
| 012 | 09970600 | 001 | ETIQ.ADHESIVE POSITION VERIN | TRANSFER | AUFKLEBER | ADESIVO | [1] |
| 013 | 59953100 | 001 | PICTOGR.VERROUILLAGE | PICTORIAL LOCKING | PIKTOGR.VERRIEGLUNG | ADESIVO | [1] |
| 014 | 09971300 | 002 | ETIQ.ADH. | DECAL | AUFKLEBER | ADESIVO | [1] |
| 015 | 59900020 | 001 | PICTOGR.H NOTICE D'INSTR US | PICTORIAL H INSTRUCTIONS US | PIKTOGR.H BETRIEBSANLEITUN. US | ADESIVO | [1] |
| 016 | 59900220 | 002 | PICTOGR.H DANGER PROJEC US | PICTORIAL H DANGER PROJECT US | PIKTOGR.H GEFAHR FORTGESCH. US | ADESIVO | [1] |
| 017 | 59900420 | 001 | PICTOGR.H ARRETER MOTEUR US | PICTORIAL H TURN OFF ENG. US | PIKTOGR.H MOTOR ABSTELLEN US | ADESIVO | [1] |
| 018 | 59900620 | 002 | PICTOGR.H ECRASEM.TORSE US | PICTORIAL H CRUSHING TORSO US | | ADESIVO | [1] |
| 019 | 59900820 | 002 | PICTOGR.H BLESSURE PIED US | PICTORIAL H SEVERING OF FOOT | | ADESIVO | [1] |
| 020 | 59901120 | 001 | PICTOGR.H PIECES D'ORIGINE US | PICTORIAL H GENUINE PARTS US | | ADESIVO | [1] |
| 021 | 59910300 | 001 | PICTOGR.H DEVERROUILLAGE | PICTORIAL H UNLOCKING | PIKTOGR.H ENTRIEGELUNG | ADESIVO | [1] |
| 022 | 59950000 | 001 | PICTOGR.H TENSION COURROIES | PICTORIAL H BELT TENSION | PIKTOGR.H RIEMENSANNUNG | ADESIVO TENSIONE CINGHIA | [1] |
| 023 | K5602838 | 001 | COLL.ETIQ.ADHES.FC353RGC US | SET OF STICKERS US | SATZ AUFKLEBER US | SERIE ADESIVI USA | + [1] |
| 024 | 09906700 | 001 | ETIQ.ADH. | DECAL | AUFKLEBER | ADESIVO | |
| 025 | 09970710 | 001 | ETIQ.ADHESIVE VIT.DE ROTAT. | TRANSFER | AUFKLEBER | ADESIVO | [1] |
| 026 | 09971500 | 001 | ETIQ.ADHESIVE REGLAGE | TRANSFER | AUFKLEBER | ADESIVO | [1] |
| 027 | 59953210 | 001 | PICTOGR.SELECTEUR | PICTORIAL | PIKTOGRAM. | ADESIVO | [1] |

Pour les pictogrammes sans texte (standard CE) dont le code commence par 599xxxxx, le 7^e chiffre est 0 ou 5.

Pour les pictogrammes avec texte, le 7^e chiffre est respectivement:

1 ou 6 pour les pictogrammes avec texte français (standard du Canada francophone).

2 ou 7 pour les pictogrammes avec texte anglais (standard de pays anglophones non européens).

Safety pictorials without text (CE standard) with part no. starting with 599xxxxx, use 0 or 5 as the 7th digit of the number.

In the corresponding pictorials with text the 7th digit of the number is :

1 or 6 respectively for pictorials with French text as used in French Canada.

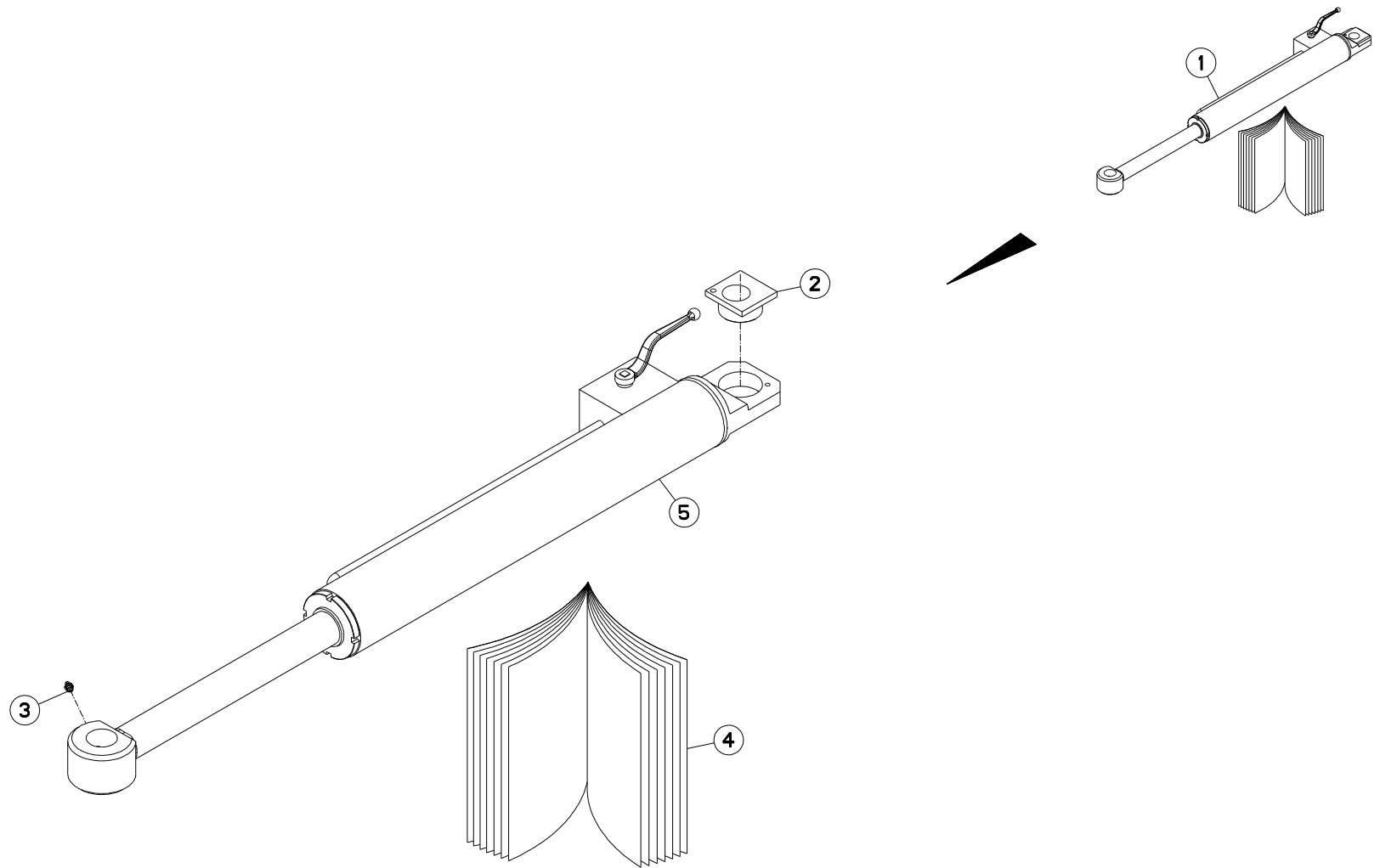
2 or 7 respectively for pictorials with English text as used in non-European English speaking countries.

Bei Sicherheitsaufklebern/Piktogrammen ohne Text (CE-Standard) mit Art.-Nr. 599xxxxx ist die 7.Ziffer 0 oder 5.

Bei den entsprechenden Sicherheitsaufklebern/Piktogrammen mit Text ist die 7. Ziffer:

1 oder 6 für Sicherheitsaufkleber/Piktogramme mit französischem Text (Serie im französischsprachigem Kanada)

2 oder 7 für Sicherheitsaufkleber/Piktogramme mit englischem Text (Serie in außereuropäischen englischsprachigen Ländern).





FC353RGC NV (NA)

D 0001 > E 0000

K56R0170 A

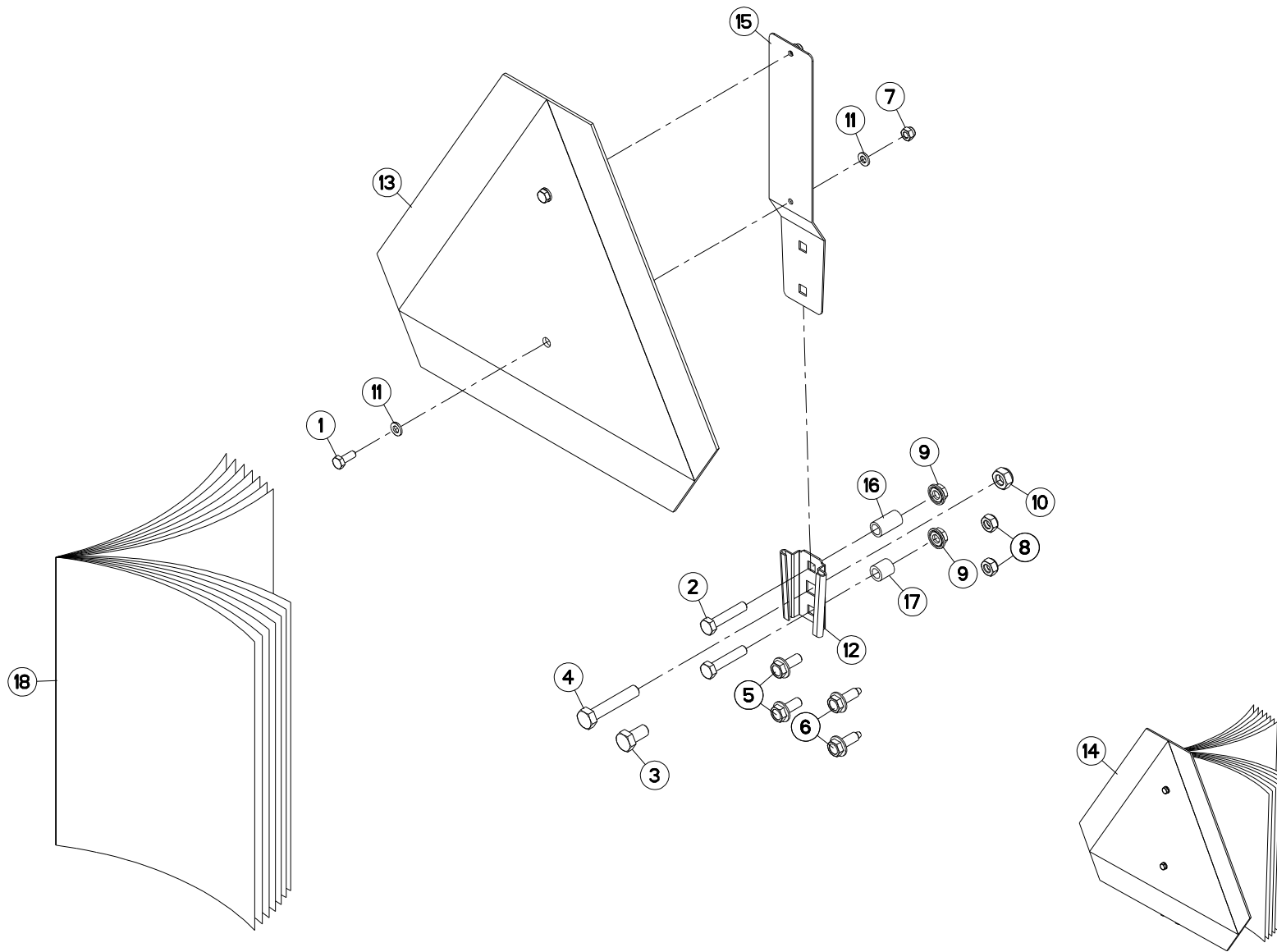
VERIN HYDR.REGLAGE TIMON

SET HYDRAULIC CYLINDER

BAUSATZ HYDRAULIKZYLINDER

PISTONE PREASSEMBLATO

| Rep | Nr | Qt | Designation | Description | Bezeichnung | Referenza | Remarque - Remark - Bemerkung - Osservazioni |
|-----|-----------------|-----|----------------------------------|-------------------------------|---------------------|--------------------------|--|
| 001 | 1096140 | 001 | SUPPL.VERIN REGLAGE TIM. FC353 | SET HYDRAULIC CYLINDER | BAUSATZ HUBZYLINDER | PISTONE PREASSEMBLATO | +[1] |
| 002 | K5603730 | 001 | CAME DE REGLAGE | CAM | STEUERSCHEIBE | CAMMA | [1] |
| 003 | 82200910 | 001 | GRAISSEUR A TETE SPHERIQUE | LUBRICATING NIPPLE: CONE TYPE | KEGELSCHMIERNIPPEL | INGRASSATORE | [1] |
| 004 | L5610350 | 001 | NOTICE MONT. COLL. VER. REGLABLE | | | | [1] |
| 005 | K5607460 | 001 | VERIN DU TIMON 353 | HYDRAULIC CYLINDER | HYDRAULIKZYLINDER | PISTONE DEL TIMONE FC353 | [1] |



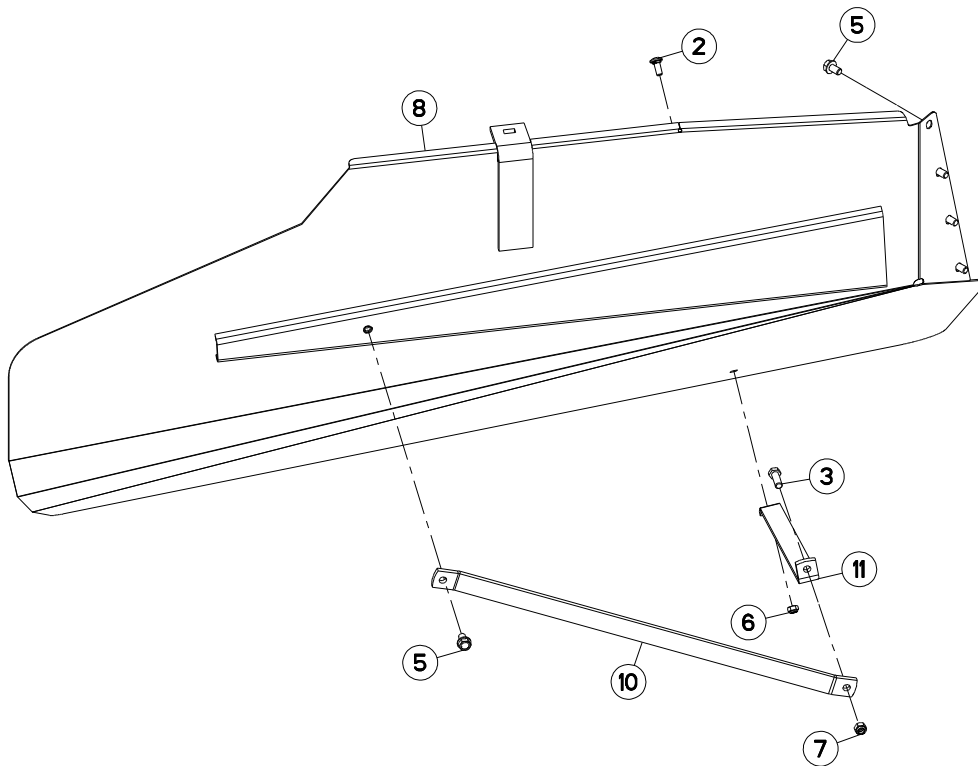
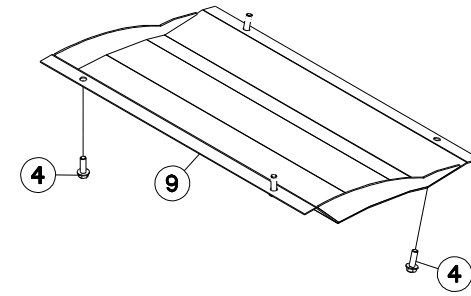
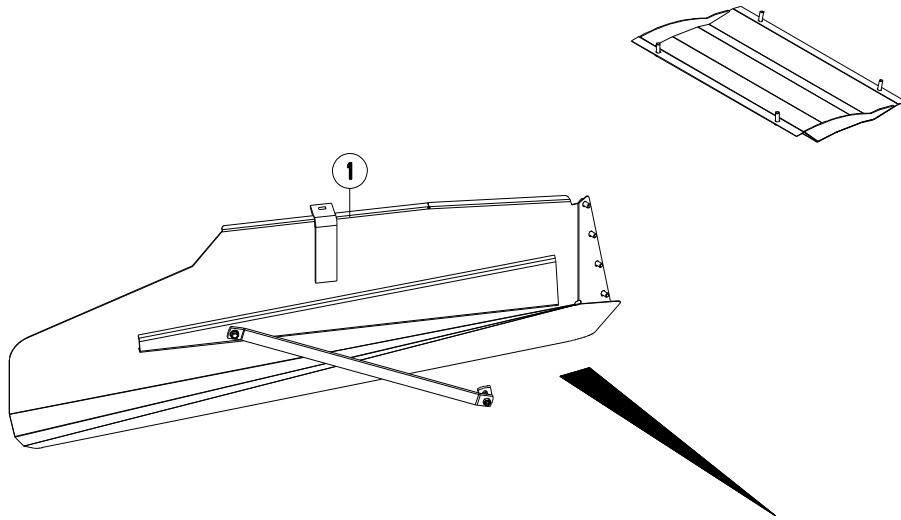


COLL.SUPPORT TRIANGLE SMV CE

SMV EMBLEM HOLDER KIT CE

SATZ SMV-WARNTAFELHALTERUNG CE KIT PORTA-STEMMA SMV CE

| Rep | Nr | Qt | Designation | Description | Bezeichnung | Referenza | Remarque - Remark - Bemerkung - Osservazioni |
|-----|-----------------|-----|--------------------------------|--------------------------------|--------------------------------|---------------------------------|--|
| 001 | 80060616 | 002 | VIS TETE HEXAGONALE FE/ZNXC3 | HEXAGON HEAD SCREW FE/ZNXC3 | SECHSKANTSCHRAUBE FE/ZNXC3 | VITE TESTA ESAGONALE FE/ZNXC3 | [1] |
| 002 | 80060839 | 002 | VIS TETE HEXAGONALE FE/ZNXC3 | HEXAGON HEAD SCREW FE/ZNXC3 | SECHSKANTSCHRAUBE FE/ZNXC3 | VITE TESTA ESAGONALE FE/ZNXC3 | |
| 003 | 80061020 | 002 | VIS TETE HEXAGONALE FE/ZNXC3 | HEX. HEAD SCREW M10 X 20 MM CL | SECHSKANTSCHRAUBE FE/ZNXC3 | VITE A TESTA ESAGONALE FE/ZNXC3 | |
| 004 | 80061051 | 001 | VIS TETE HEXAGONALE FE/ZNXC3 | HEXAGON HEAD SCREW FE/ZNXC3 | SECHSKANTSCHRAUBE FE/ZNXC3 | VITE TESTA ESAGONALE FE/ZNXC3 | |
| 005 | 80130820 | 002 | VIS AUTOBLOQUANTE FLZNNC | UNDERSERR.S.LOC.SCREW FLZNNC | SPERRZAHN-BUNDSCHRAU.FLZNNC | VITE FLZNNC | |
| 006 | 80190820 | 002 | VIS AUTOTARAU.FE/ZNXC3 TAPTITE | SELF-CUTTING SCREW FE/ZNXC3 | GEWINDE-SCHNEIDSCHRAU.FE/ZNXC3 | VITE AUTOBLOCCANTE | |
| 007 | 80200630 | 002 | ECROU HEX.AUTOFREINE FE/ZNXC3 | SELF LOCKING NUT M6 DIN 982 | SELBSTSICHERNDE MUTT.FE/ZNXC3 | DADO AUTOBLOCCANTE FE/ZNXC3 | [1] |
| 008 | 80200840 | 002 | ECROU HEX.BAS AUTOFR.FE/ZNXC3 | SELF-LOCKING NUT FE/ZNXC3 | SELBSTSICHERND.MUTTER FE/ZNXC3 | DADO AUTOBLOCCANTE FE/ZNXC3 | |
| 009 | 80200851 | 002 | ECROU AUTOBLOQUANT FE/ZNXC3 | UNDERSERRAT.S.LOC.NUT FE/ZNXC3 | SPERRZAHN-BUNDMUTTER FE/ZNXC3 | DADO FE/ZNXC3 | |
| 010 | 80201040 | 002 | ECROU HEX.BAS AUTOFR.FE/ZNXC3 | SELF LOCKING NUT M10 DIN 985 | SELBSTSICHERND.MUTTER FE/ZNXC3 | DADO AUTOBLOCCANTE FE/ZNXC3 | |
| 011 | 80250611 | 004 | RONDELLE PLATE FE/ZNXC3 | PLAIN WASHER M6 DIN 125 FE/ZNX | SCHEIBE FE/ZNXC3 | RONDELLA PIATTA FE/ZNXC3 | [1] |
| 012 | 83240200 | 001 | SUPPORT TRIANGLE SMV FE/ZNXC3 | BRACKET SMV EMBLEM FE/ZNXC3 | SMV RUECKSTRAHLERHALT.FE/ZNXC3 | SUPPORTO FE/ZNXC3 | [1] |
| 013 | 83240220 | 001 | PANNEAU DE SIGNALISATION | SIGN, TRANSPORT | WARNTAFEL | PANNELLO DI SEGNALAZIONE | [1] |
| 014 | 1016530 | 001 | COLL.SMV CE | SET SMV CE | SATZ SMV CE | IMP.SMV CE | OPT ESP: CE +[1] |
| 015 | 83240214 | 001 | SUPPORT TRIANGLE SMV | SUPPORT SECURITY TRIANGLE | HALTERUNG DREIECK SMV | | [1] |
| 016 | FLA2165 | 001 | ENTRETOISE ROULEAU 9/13X25 ZB | SPACER | DISTANZHUELSE | DISTANZIALE | |
| 017 | K8808920 | 001 | ENTRETOISE | SPACER | DISTANZHUELSE | DISTANZIALE | |
| 018 | KE0386TL | 001 | NOTICE D'EQUIP.COLL.1016530 | OPTIONAL EQUIPMENT MANUAL | ANLEITUNG FÜR SONDERAUSRÜSTUNG | MANUALE EQUIPAGGIAMENTI OPZ. | [1] |





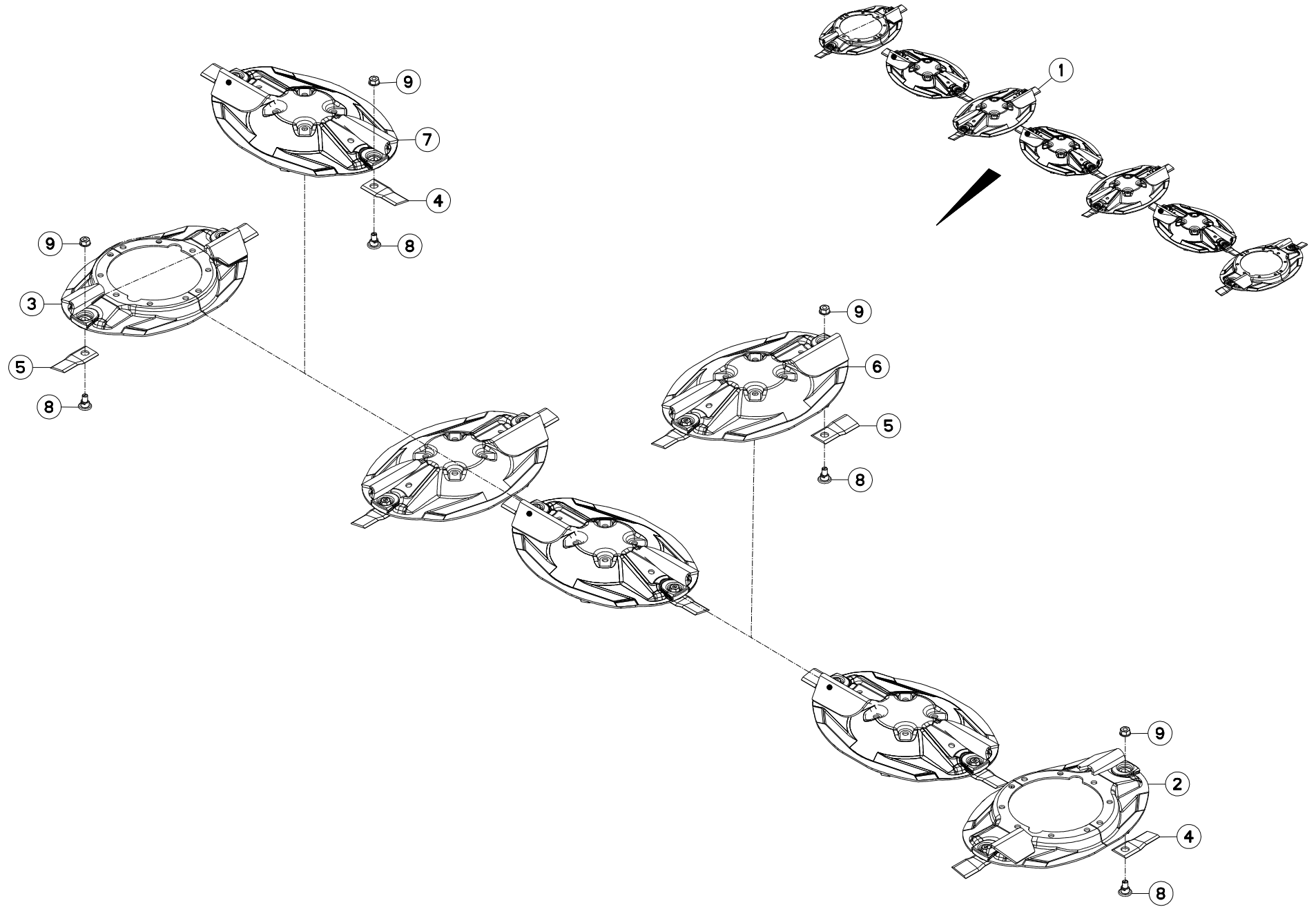
COLL.TOLES ASSYMETRIQUES

SWATHBOARDS SET

SATZ ASYM.SCHWADBLECHE

KIT TELA ASIMMETRICO

| Rep | Nr | Qt | Designation | Description | Bezeichnung | Referenza | Remarque - Remark - Bemerkung - Osservazioni |
|-----|-----------------|-----|-------------------------------|--------------------------------|--------------------------------|-------------------------------|--|
| 001 | 1096020 | 001 | COLL.TOLES ASYM.FC303/353 | SWATHBOARDS SET | SATZ ASYM. SCHWADBLECHE | | OPT +[1] |
| 002 | 50002200 | 001 | VIS TBCC COURT | BOLT, CARRIAGE, SHORT NECK | FLACHRUNDSCHR.4KT ANSATZ | BULLONE | [1] |
| 003 | 80061236 | 001 | VIS TETE HEXAGONALE FE/ZNXC3 | HEX BOLT M12X35 CL8.8 DIN933 R | SECHSKANTSCHRAUBE FE/ZNXC3 | VITE TESTA ESAGONALE FE/ZNXC3 | [1] |
| 004 | 80131031 | 004 | VIS AUTOBLOQUANTE FLZNNC | UNDERSERR.S-LOC.SCREW FLZNNC | SPERRZAHN-BUNDSCHRAU.FLZNNC | VITE FLZNNC | [1] |
| 005 | 80131220 | 005 | VIS AUTOBLOQUANTE FLZNNC | UNDERSERR.S-LOC.SCREW FLZNNC | SPERRZAHN-BUNDSCHRAU.FLZNNC | VITE FLZNNC | [1] |
| 006 | 80201040 | 001 | ECROU HEX.BAS AUTOFR.FE/ZNXC3 | SELF LOCKING NUT M10 DIN 985 | SELBSTSICHERND.MUTTER FE/ZNXC3 | DADO AUTOBLOCCANTE FE/ZNXC3 | [1] |
| 007 | 80201240 | 001 | ECROU HEX.BAS AUTOFR.FE/ZNXC3 | SELF-LOCKING NUT M 12 DIN-985 | SELBSTSICHERND.MUTTER FE/ZNXC3 | DADO AUTOBLOCCANTE FE/ZNXC3 | [1] |
| 008 | K5602421 | 001 | TOLE A ANDAIN | SWATH BOARD | SCHWADBLECH | LAMIERA ANDANATRICE | [1] |
| 009 | K5602900 | 001 | TOLE VOLUTE | SHIELD | BLECH | TELA | [1] |
| 010 | K5602920 | 001 | PATTE | PLATE | LASCHE | FAZZOLETTO | [1] |
| 011 | K5602930 | 001 | PATTE | PLATE | LASCHE | FAZZOLETTO | [1] |





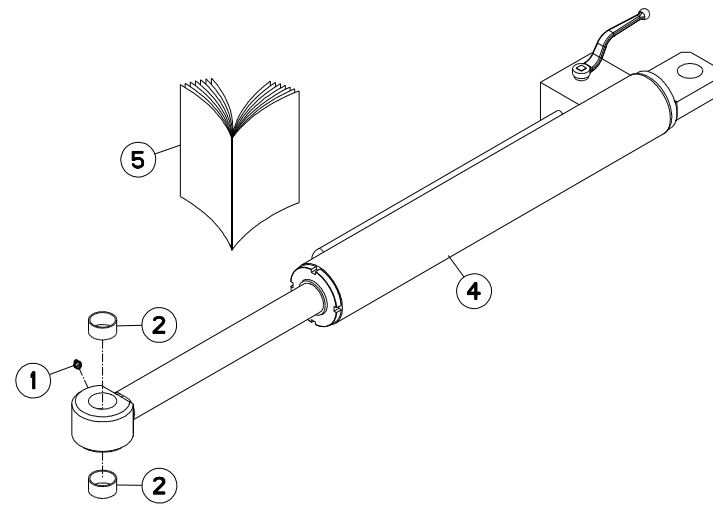
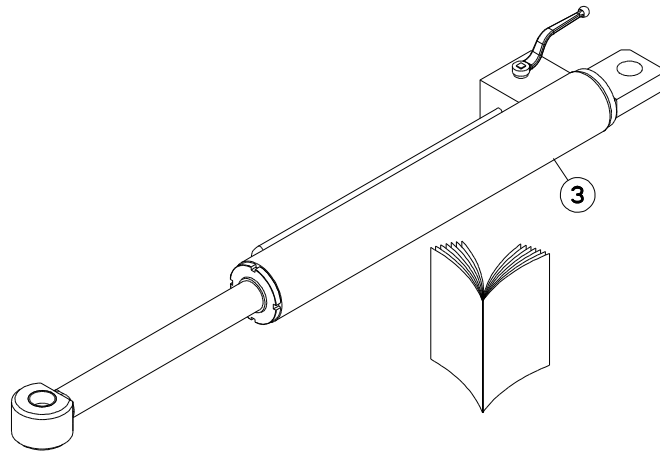
DISQUES (LIFTER)

DISCS (LIFTER)

SCHEIBEN (LIFTER)

DISCHI (LIFTER)

| Rep | Nr | Qt | Designation | Description | Bezeichnung | Referenza | Remarque - Remark - Bemerkung - Osservazioni |
|-----|-----------------|-----|--------------------------------|--------------------------------|--------------------------------|--------------------------------|--|
| 001 | 1096040 | 001 | COLL.DISQUES A LIFTERS FC353 | SET LIFTER DISCS FC353 | SATZ LIFTERSCHIEBEN FC353 | KIT DISCHI LIFTER FC353 | |
| 002 | 55834620 | 001 | PAIR.1/2 DISQ.T.A G "LIF."REV. | 1/2 LIFTER DISCS LEFT HARDCO. | LIFTERHALBSCHIEBEN LINKS BESCH | COPPIA SEMI-DISCHI "LIFTER" SX | |
| 003 | 55834720 | 001 | PAIR.1/2 DISQ.T.A D "LIF."REV. | 1/2 LIFTER DISCS RIGHT HARDCO. | LIFTERHALBSCHIEB.RECHTS BESCH. | COPPIA SEMI-DISCHI "LIFTER" DX | |
| 004 | 55903210 | 008 | COUTEAU VRILLE T.A.G ISO5718 | ANGLED BLADE LEFT TURN.ISO5718 | GEKROEP.MESS.LINKSDREH.ISO5718 | COLTEL.PIEGATO STD-SX ISO5718 | |
| 005 | 55903310 | 006 | COUTEAU VRILLE T.A.D ISO5718 | ANGLED BLAD.RIGHT TURN.ISO5718 | GEKROEP.MESS.RECHTSDRE.ISO5718 | COLTEL.PIEGATO STD-DX ISO5718 | |
| 006 | 55932320 | 002 | DISQUE "LIFTER" DROIT REVETU | DISC, LIFTER, HARDCOATED RIGHT | LIFTERSCHIEBE RECHTS BESCHICHT | DISCO "LIFTER" DESTRO | |
| 007 | 55932420 | 003 | DISQUE "LIFTER" GAUCHE REVETU | DISC, LIFTER, HARDCOATED LEFT | LIFTERSCHIEBE LINKS BESCHICHT. | DISCO INTERMEDIO SINISTRO | |
| 008 | 56115800 | 014 | VIS AUTOFREINEE | SCREW, SELF-LOCKING | SELBSTSICHERNDE SCHRAUBE | VITE AUTOBLOCCANTE | |
| 009 | 80201262 | 014 | ECROU TWOLOCK FLZNNC | SELF-LOCKING NUT FLZNNC | SELBSTSICHERNDE MUTTER FLZNNC | DADO TWOLOCK FLZNNC | |





FC353RGC NV (NA)

D 0001 > E 0000

K56R0358 A

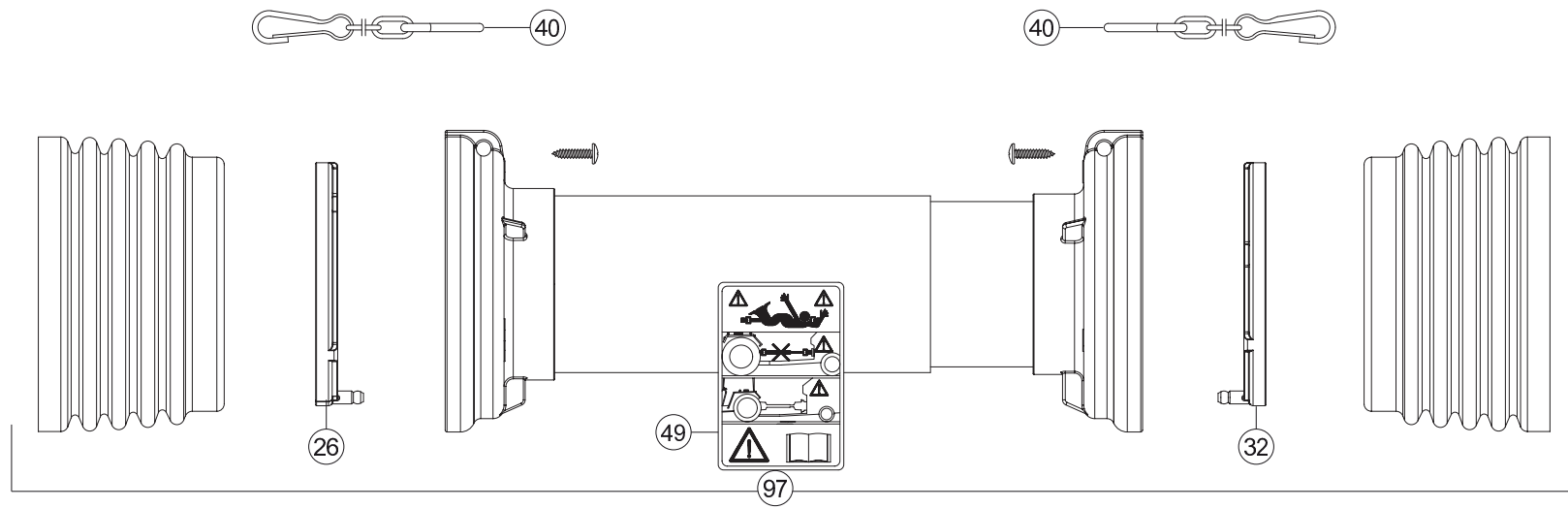
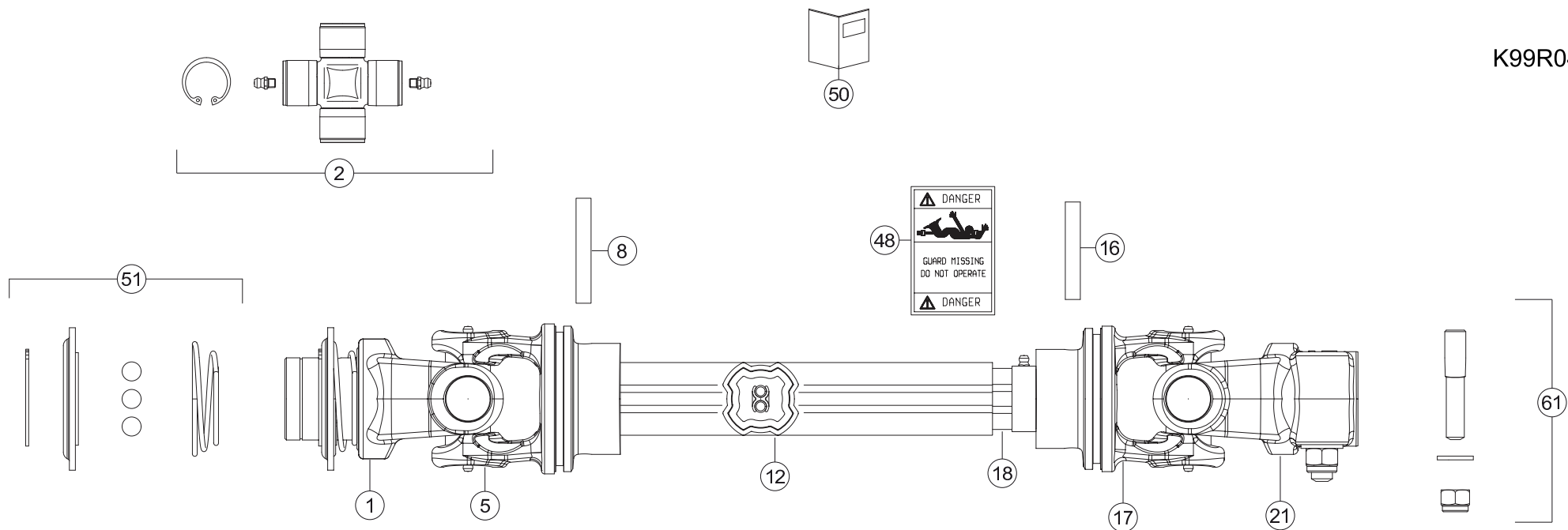
VERIN HYDRAULIQUE : FC313F

HYDRAULIC CYLINDER : FC313F

HYDRAULIKZYLINDER : FC313F

CILINDRO IDRAULICA : FC313F

| Rep | Nr | Qt | Designation | Description | Bezeichnung | Referenza | Remarque - Remark - Bemerkung - Osservazioni |
|-----|-----------------|-----|---------------------------------|-------------------------------|----------------------------|------------------------------|--|
| 001 | 82200910 | 001 | GRAISSEUR A TETE SPHERIQUE | LUBRICATING NIPPLE: CONE TYPE | KEGELSCHMIERNIPPEL | INGRASSATORE | [2] |
| 002 | 83013539 | 002 | BAGUE ROULEE | WRAPPED BUSH | GEROLLTE BUCHSE | ANELLO LUBRIFICATO | [2] |
| 003 | 1096260 | 001 | COLL. VERIN ADAPT. FC353-FC313F | FC353 - FC313F ADAPTION | FC353 - FC313F ANBAUSATZ | | OPT +[1] |
| 004 | K5610470 | 001 | VERIN | CYLINDER, HYDRAULIC | HYDRAULIKZYLINDER | CILINDRO | [1] +[2] |
| 005 | KE0036TL | 001 | NOTICE D'EQUIP. COLL. 1096260 | MANUAL OPTIONAL EQUIPMENT | ANLEITUNG SONDERAUSRÜSTUNG | MAN. EQUIPAGGIAMENTI OPZIONE | [1] |





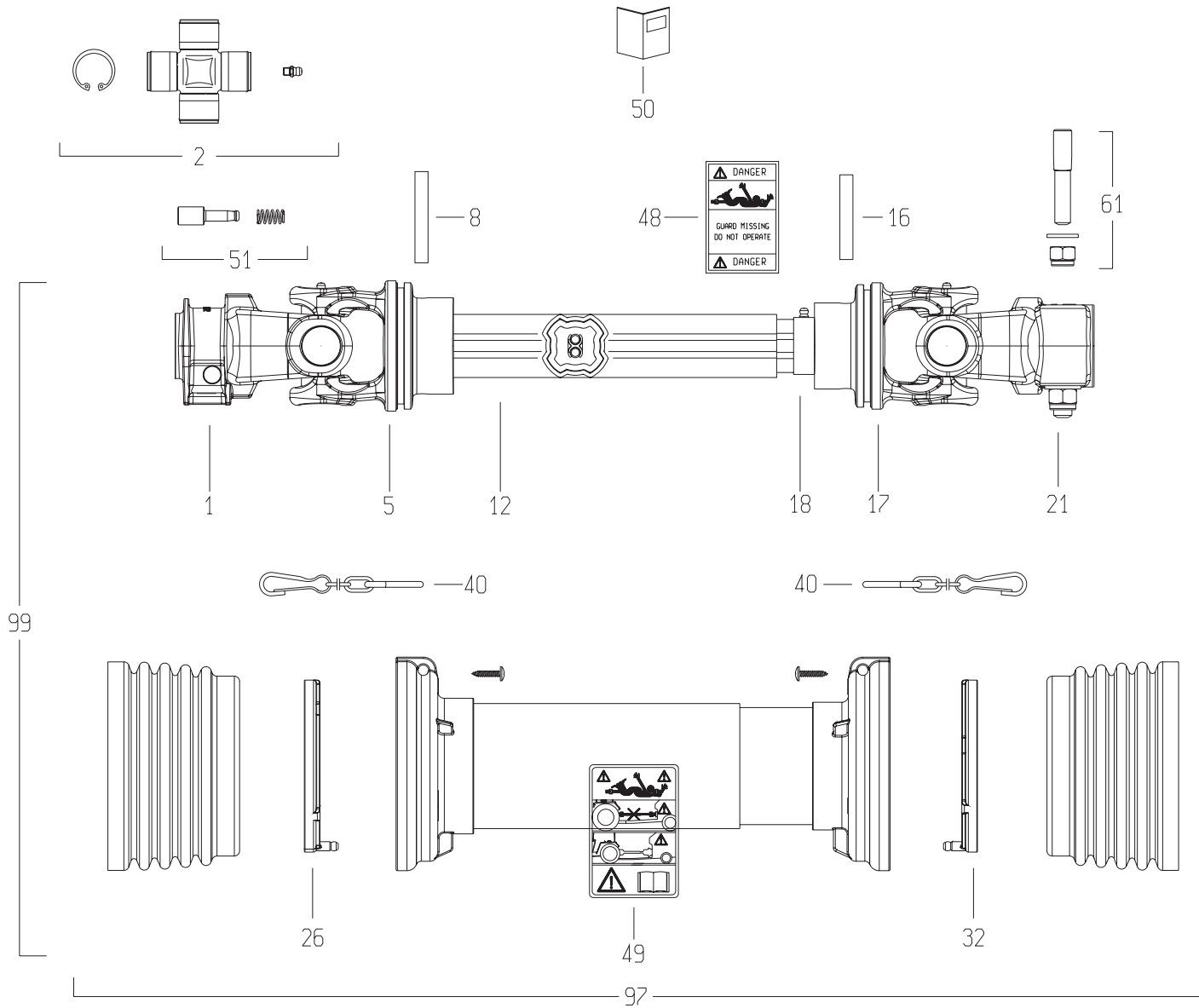
TRANSMISSION 4800621

TRANSMISSION 4800621

GELENKWELLE 4800621

TRANSMISSIONE 4800621

| Rep | Nr | Qt | Designation | Description | Bezeichnung | Referenza | Remarque - Remark - Bemerkung - Osservazioni |
|-----|----------|-----|--------------------------------|-------------------------------|--------------------------------|----------------------------|--|
| 001 | 4803026 | 001 | MACHOIRE VERROUILLAGE A BILLES | BALL LOCKING YOKE | AUFSTECKGABEL MIT KUGELVERSCHL | FORCELLA CHIUSURA A BIGLIE | |
| 002 | 4805001 | 002 | CROISILLON CPL | CROSS JOURNAL CPL | KREUZGARNITUR KPL | CROCIERA | |
| 005 | 4803012 | 001 | MACHOIRE TUBE EXTERIEUR | YOKE OUTER TUBE | RILLEGABEL AUSSENROHR | FORCELLA | |
| 008 | 80451059 | 001 | GOUPILLE ELASTIQUE FLZNNC | ROLL PIN FLZNNC | SPANNHUELSE FLZNNC | SPINA ELASTICA FLZNNC | |
| 012 | 4808074 | 001 | TUBE PROFILE EXTERIEUR | PROFILE TUBE | PROFILROHR | PROFILATO | |
| 016 | 80451057 | 001 | GOUPILLE ELASTIQUE FLZNNC | ROLL PIN FLZNNC | SPANNHUELSE FLZNNC | SPINA ELASTICA FLZNNC | |
| 017 | 4803013 | 001 | MACHOIRE TUBE INTERIEUR | YOKE INNER TUBE | RILLEGABEL INNENROHR | FORCELLA | |
| 018 | 4808075 | 001 | TUBE PROFILE INTERIEUR | PROFILE TUBE | PROFILROHR | PROFILATO | |
| 021 | 4803003 | 001 | MACHOIRE | YOKE | RILLEGABEL | FORCELLA | |
| 026 | 4820100 | 001 | PALIER | SLIDING RING | GLEITRING | SUPPORTO | |
| 032 | 4820101 | 001 | PALIER | SLIDING RING | GLEITRING | SUPPORTO | |
| 040 | 4821024 | 002 | CHAINETTE | CHAIN | HALTEKETTE | CATENELLA | |
| 048 | A7926009 | 001 | ETIQUETTES | STICKER | AUFKLEBER | ADESIVO | |
| 049 | 4831002 | 001 | PICTOGRAMME | PICTORIAL | PIKTOGRAMM | ADESIVO | |
| 050 | 4831003 | 001 | COLL.PICTOGRAMMES ET NOTICE | SET PICTORIALS & INSTRUCTIONS | SATZ PIKTOGRAMME UND ANLEITUNG | SERIE ADESIVI E NOTIZIE | |
| 051 | 4805258 | 001 | VERROUILLAGE A BILLES | BALL COLLAR KIT | ZIEHVERSCHLUSS | KIT COLLARE A SFERE | |
| 061 | 4511055 | 001 | BOULON TANGENTIEL | SCREW WITH NUT | SCHRAUBE MIT MUTTER | BULLONE | |
| 097 | 4819621 | 001 | PROTECTEUR COMPLET | GUARD COMPLET | SCHUTZ KOMPLET | PROTEZIONE | |
| 099 | 4800621 | 001 | TRAN.SFTS6 1 3/8-21 873 | PTO-S.SFTS6 1 3/8-21 873 | GELEN.SFTS6 1 3/8-21 873 | CARDA.SFTS6 1 3/8-21 873 | |





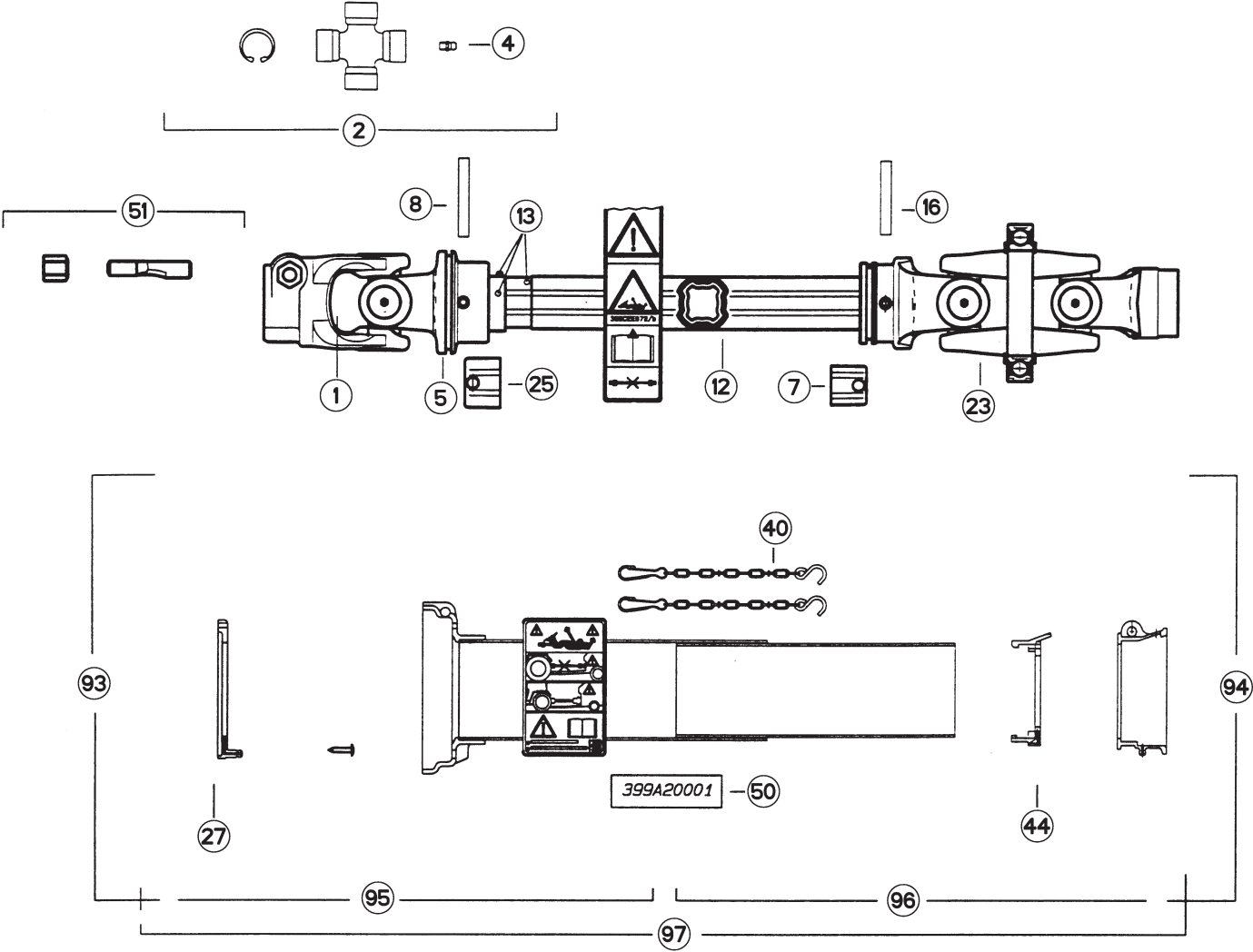
TRANSMISSION 4800617

TRANSMISSION 4800617

GELENKWELLE 4800617

TRANSMISSIONE 4800617

| Rep | Nr | Qt | Designation | Description | Bezeichnung | Referenza | Remarque - Remark - Bemerkung - Osservazioni |
|-----|----------|-----|-----------------------------|-------------------------------|--------------------------------|---------------------------|--|
| 001 | 4803057 | 001 | MACHOIRE | YOKE | RILLEGABEL | FORCELLA | |
| 002 | 4805078 | 002 | CROISILLON CPL | CROSS JOURNAL | KREUZGARNITUR | CROCIERA | |
| 005 | 4803012 | 001 | MACHOIRE TUBE EXTERIEUR | YOKE OUTER TUBE | RILLEGABEL AUSSENROHR | FORCELLA | |
| 008 | 80451059 | 001 | GOUPILLE ELASTIQUE FLZNNC | ROLL PIN FLZNNC | SPANNHUELSE FLZNNC | SPINA ELASTICA FLZNNC | |
| 012 | 4808157 | 001 | TUBE PROFILE EXTERIEUR | PROFILE TUBE | PROFILROHR | PROFILATO | |
| 016 | 80451057 | 001 | GOUPILLE ELASTIQUE FLZNNC | ROLL PIN FLZNNC | SPANNHUELSE FLZNNC | SPINA ELASTICA FLZNNC | |
| 017 | 4803013 | 001 | MACHOIRE TUBE INTERIEUR | YOKE INNER TUBE | RILLEGABEL INNENROHR | FORCELLA | |
| 018 | 4808143 | 001 | TUBE PROFILE INTERIEUR | PROFILE TUBE | PROFILROHR | PROFILATO | |
| 021 | 4803003 | 001 | MACHOIRE | YOKE | RILLEGABEL | FORCELLA | |
| 026 | 4820100 | 001 | PALIER | SLIDING RING | GLEITRING | SUPPORTO | |
| 032 | 4820101 | 001 | PALIER | SLIDING RING | GLEITRING | SUPPORTO | |
| 040 | 4821021 | 002 | CHAINETTE | CHAIN | HALTEKETTE | CATENELLA | |
| 048 | A7926009 | 001 | ETIQUETTES | STICKER | AUFKLEBER | ADESIVO | |
| 049 | 4831002 | 001 | PICTOGRAMME | PICTORIAL | PIKTOGRAMM | ADESIVO | |
| 050 | 4831001 | 001 | COLL.PICTOGRAMMES ET NOTICE | SET PICTORIALS & INSTRUCTIONS | SATZ PIKTOGRAMME UND ANLEITUNG | SERIE ADESIVI E NOTIZIE | |
| 051 | 40330050 | 001 | POUSSOIR CPLT | PUSH BUTTON CPLT | SCHIEBESTIEFT KPLT | PULSANTE | |
| 061 | 4511055 | 001 | BOULON TANGENTIEL | SCREW WITH NUT | SCHRAUBE MIT MUTTER | BULLONE | |
| 097 | 4819623 | 001 | PROTECTEUR COMPLET | GUARD COMPLET | SCHUTZ KOMPLET | PROTEZIONE | |
| 099 | 4800617 | 001 | TRAN.SFTS6 1 3/8-21 1135 | PTO-S.SFTS6 1 3/8-21 1135 | GELEN.SFTS6 1 3/8-21 1135 | CARDA.SFTS6 1 3/8-21 1135 | |



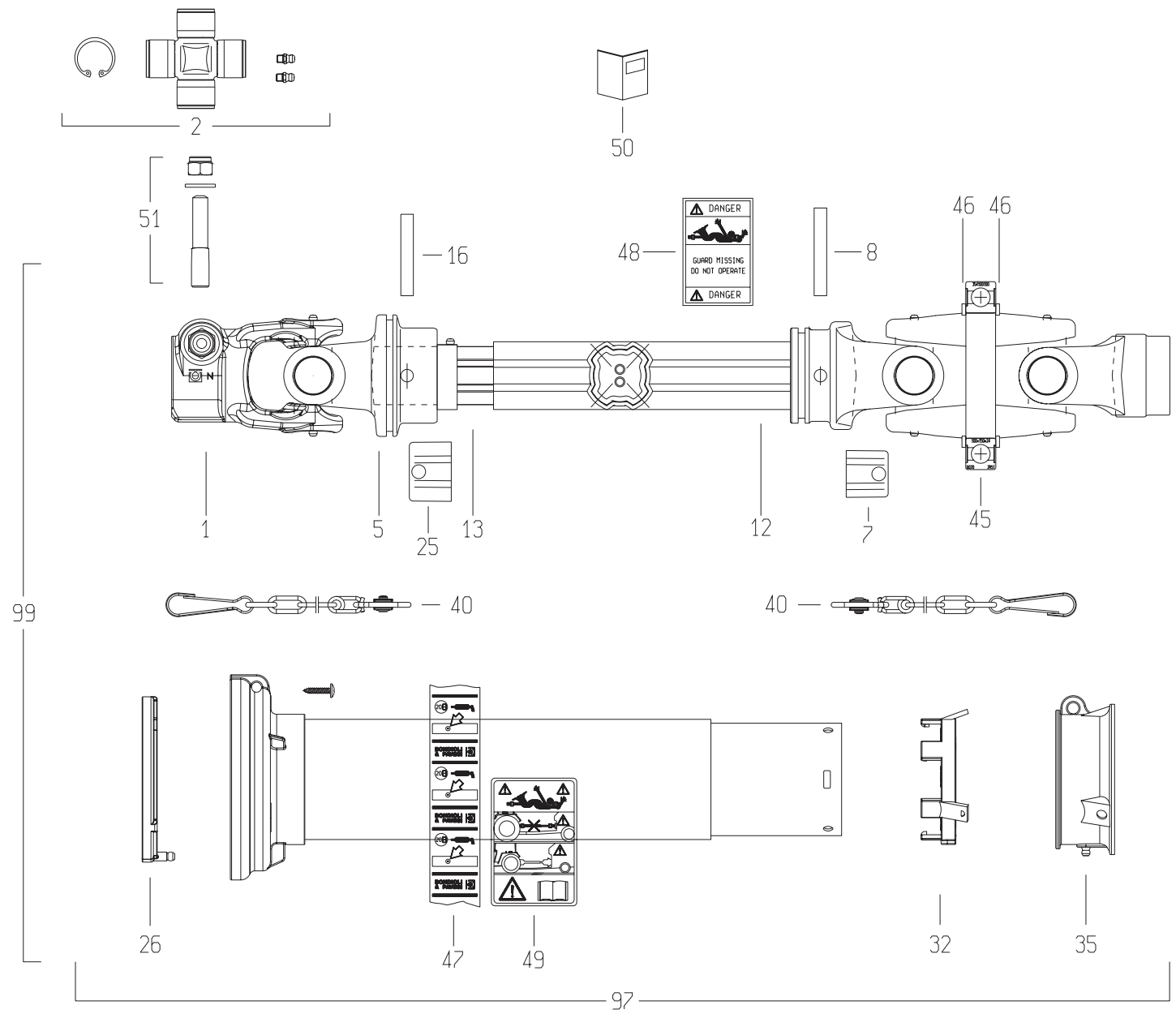


TRANSMISSION A CARDANS SECOND. SECONDARY PTO SHAFT

ZWISCHENGELLENKWELLE

ALBERO PRESA DI FORZA SECOND

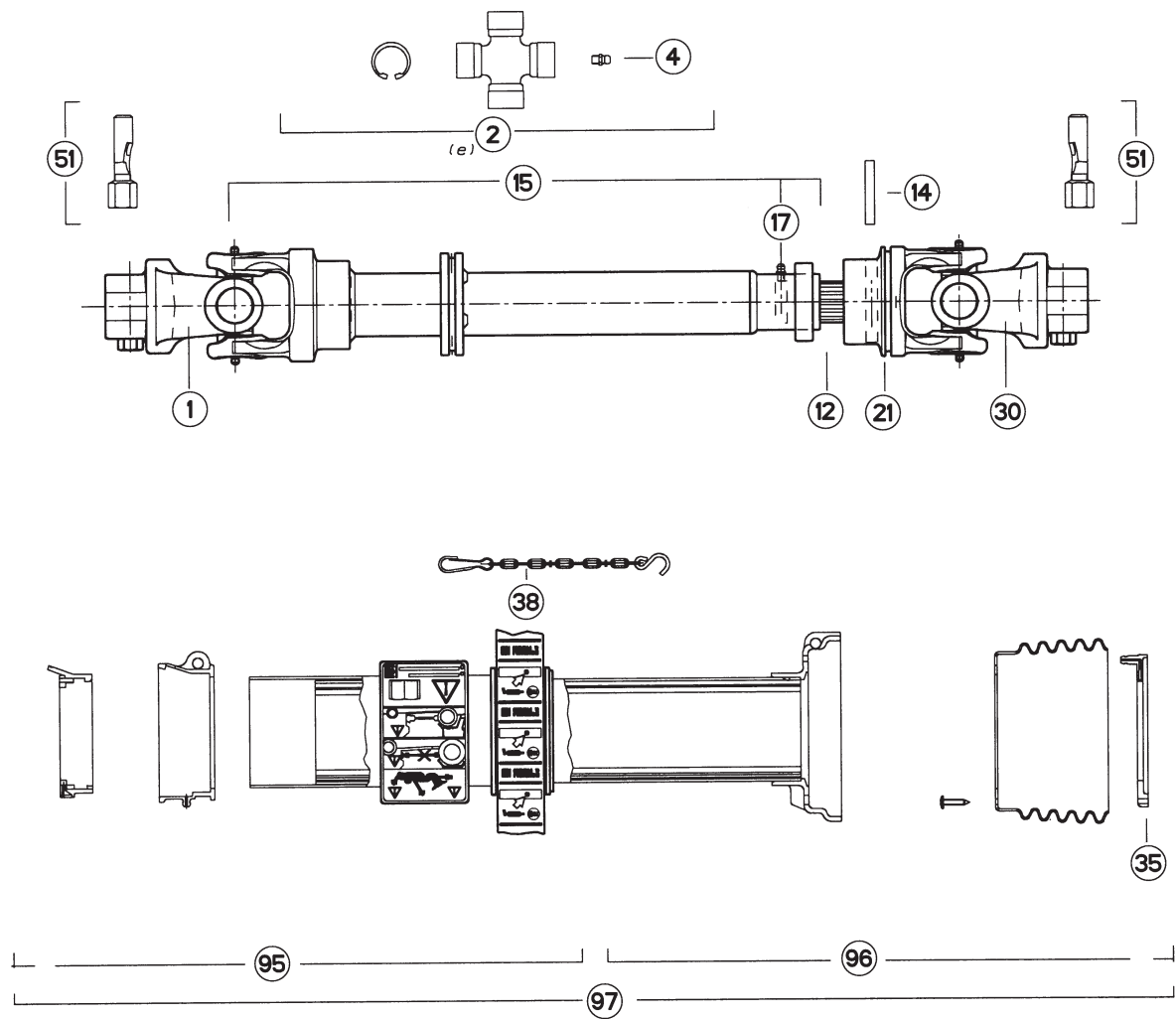
| Rep | Nr | Qt | Designation | Description | Bezeichnung | Referenza | Remarque - Remark - Bemerkung - Osservazioni |
|-----|----------|-----|-----------------------------|-------------------------------|--------------------------------|-------------------------|--|
| 001 | 4803004 | 001 | MACHOIRE | YOKE | RILLEGABEL | FORCELLA | 1"3/4-6 |
| 002 | 4805001 | 003 | CROISILLON CPL | CROSS JOURNAL CPL | KREUZGARNITUR KPL | CROCIERA | |
| 004 | 4505051 | 006 | GRAISSEUR | GREASE NIPPLE | SCHMIERNIPPEL | INGRASSATORE | |
| 005 | 4803001 | 001 | MACHOIRE TUBE EXTERIEUR | YOKE OUTER TUBE | RILLEGABEL AUSSENROHR | FORCELLA | |
| 007 | 4811100 | 001 | BOUCHON | END PLUG | VERSCHLUSSSTOPFEN | TAPPO DI CHIUSURA | |
| 008 | 80451058 | 001 | GOUPILLE ELASTIQUE FLZNNC | ROLL PIN FLZNNC | SPANNHUELSE FLZNNC | SPINA ELASTICA FLZNNC | |
| 012 | 4808002 | 001 | TUBE PROFILE EXTERIEUR | PROFILE TUBE | PROFILROHR | PROFILATO | <->1104mm |
| 013 | 4808003 | 001 | TUBE PROFILE INTERIEUR | PROFILE TUBE | PROFILROHR | PROFILATO | <->1020mm |
| 016 | 80451059 | 001 | GOUPILLE ELASTIQUE FLZNNC | ROLL PIN FLZNNC | SPANNHUELSE FLZNNC | SPINA ELASTICA FLZNNC | |
| 023 | 4830000 | 001 | JOINT DOUBLE COMPLET | UNIVERSAL JOINT CPLT | KREUZGELENK KPL | | |
| 025 | 4811101 | 001 | BOUCHON | END PLUG | VERSCHLUSSSTOPFEN | TAPPO DI CHIUSURA | |
| 027 | 4820100 | 001 | PALIER | SLIDING RING | GLEITRING | SUPPORTO | |
| 040 | 4521021 | 002 | CHAINETTE | CHAIN | HALTEKETTE | CATENELLA | |
| 044 | 4520020 | 001 | PALIER | SLIDING RING | GLEITRING | SUPPORTO | |
| 050 | 4831000 | 001 | COLL.PICTOGRAMMES ET NOTICE | SET PICTORIALS & INSTRUCTIONS | SATZ PIKTOGRAMME UND ANLEITUNG | SERIE ADESIVI E NOTIZIE | |
| 051 | 4511055 | 001 | BOULON TANGENTIEL | SCREW WITH NUT | SCHRAUBE MIT MUTTER | BULLONE | 15 daN m (111 lbf ft) |
| 093 | K5600511 | 001 | TRANSMISSION SECONDAIRE | PTO-SHAFT | GELLENKWELLE | CARDANO | |
| 094 | K5600511 | 001 | TRANSMISSION SECONDAIRE | PTO-SHAFT | GELLENKWELLE | CARDANO | |
| 095 | K5603400 | 001 | 1/2 PROTECTEUR EXTERIEUR | OUTER GUARD-HALF | AEUSSERE SCHUTZHAELFTE | 1/2 PROTEZIONE ESTERNA | |
| 096 | K5603410 | 001 | 1/2 PROTECTEUR INTERIEUR | INNER GUARD-HALF | INNERE SCHUTZHAELFTE | 1/2 PROTEZIONE INTERNA | |
| 097 | K5600511 | 001 | TRANSMISSION SECONDAIRE | PTO-SHAFT | GELLENKWELLE | CARDANO | |





TRANSMISSION A CARDANS SECOND. SECONDARY PTO SHAFT K5600512 ZWISCHENGELENKWELLE K5600512 ALBERO PRESA DI FORZA SECOND

| Rep | Nr | Qt | Designation | Description | Bezeichnung | Referenza | Remarque - Remark - Bemerkung - Osservazioni |
|-----|-----------------|-----|-----------------------------|-------------------------------|--------------------------------|-------------------------|--|
| 001 | 4803004 | 001 | MACHOIRE | YOKE | RILLEGABEL | FORCELLA | |
| 002 | 4805001 | 002 | CROISILLON CPL | CROSS JOURNAL CPL | KREUZGARNITUR KPL | CROCIERA | |
| 005 | 4803109 | 001 | MACHOIRE TUBE EXTERIEUR | YOKE OUTER TUBE | RILLEGABEL AUSSENROHR | FORCELLA | |
| 007 | 4811100 | 001 | BOUCHON | END PLUG | VERSCHLUSSSTOPFEN | TAPPO DI CHIUSURA | |
| 008 | 80451058 | 001 | GOUPILLE ELASTIQUE FLZNNC | ROLL PIN FLZNNC | SPANNHUELSE FLZNNC | SPINA ELASTICA FLZNNC | |
| 012 | 4808094 | 001 | TUBE PROFILE EXTERIEUR | PROFILE TUBE | PROFILROHR | PROFILATO | |
| 013 | 4808095 | 001 | TUBE PROFILE INTERIEUR | PROFILE TUBE | PROFILROHR | PROFILATO | |
| 016 | 80451058 | 001 | GOUPILLE ELASTIQUE FLZNNC | ROLL PIN FLZNNC | SPANNHUELSE FLZNNC | SPINA ELASTICA FLZNNC | |
| 025 | 4811101 | 001 | BOUCHON | END PLUG | VERSCHLUSSSTOPFEN | TAPPO DI CHIUSURA | |
| 026 | 4820100 | 001 | PALIER | SLIDING RING | GLEITRING | SUPPORTO | |
| 032 | 4520020 | 001 | PALIER | SLIDING RING | GLEITRING | SUPPORTO | |
| 035 | 4520022 | 001 | COLLIER | BEARING RING | LAGERRING | COLLARE | |
| 040 | 4821024 | 002 | CHAINETTE | CHAIN | HALTEKETTE | CATENELLA | |
| 045 | 4805150 | 001 | ROULEMENT A BILLES | BALL BEARING | KUGELLAGER | CUSCINETTO A SFERE | |
| 046 | 4805100 | 002 | CIRCLIP | RETAINING RING | SICHERUNGSRING | ANNELLO ELASTICO | |
| 047 | 4831005 | 001 | PICTOGRAMME GRAISSAGE | PICTORIAL | PIKTOGRAMM | ADESIVO | |
| 048 | A7926009 | 001 | ETIQUETTES | STICKER | AUFKLEBER | ADESIVO | |
| 049 | 4831002 | 001 | PICTOGRAMME | PICTORIAL | PIKTOGRAMM | ADESIVO | |
| 050 | 4831004 | 001 | COLL.PICTOGRAMMES ET NOTICE | SET PICTORIALS & INSTRUCTIONS | SATZ PIKTOGRAMME UND ANLEITUNG | SERIE ADESIVI E NOTIZIE | |
| 051 | 4511055 | 001 | BOULON TANGENTIEL | SCREW WITH NUT | SCHRAUBE MIT MUTTER | BULLONE | 15 daN m (111 lbf ft) |
| 097 | K5611700 | 001 | PROTECTEUR COMPLET | GUARD COMPLET | SCHUTZ KOMPLET | PROTEZIONE | |
| 099 | K5600512 | 001 | TRANSMISSION A CARDANS | PTO SHAFT | GELENKWELLE | ALBERO PRESA DI FORZA | |





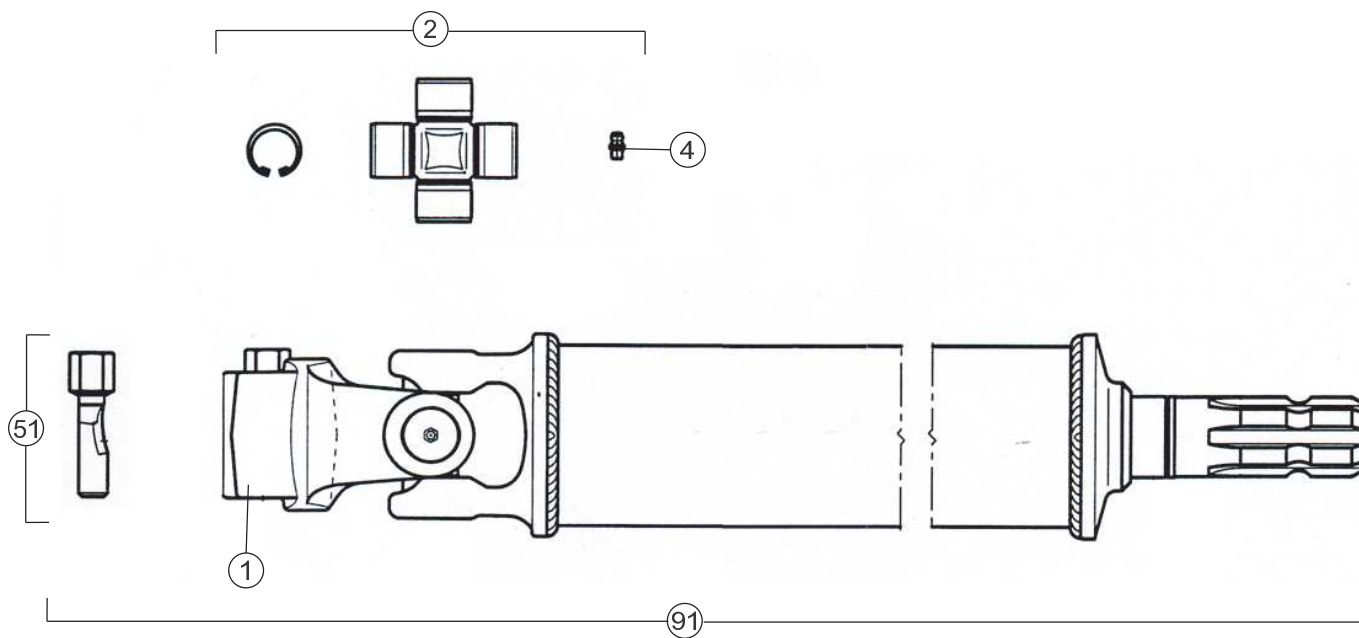
TRANSMISSION A CARDANS

PTO SHAFT

GELENKWELLE

ALBERO PRESA DI FORZA

| Rep | Nr | Qt | Designation | Description | Bezeichnung | Referenza | Remarque - Remark - Bemerkung - Osservazioni |
|-----|-----------------|-----|-----------------------------|-------------------|------------------------|------------------------|--|
| 001 | 4803009 | 001 | MACHOIRE Z=21 | YOKE | RILLEGABEL | FORCELLA | |
| 002 | 4805001 | 002 | CROISSILLON CPL | CROSS JOURNAL CPL | KREUZGARNITUR KPL | CROCIERA | |
| 004 | 4505051 | 004 | GRAISSEUR | GREASE NIPPLE | SCHMIERNIPPEL | INGRASSATORE | |
| 012 | 4808006 | 001 | ARBRE PROFILE | PROFILE | PROFILWELLE | PROFILATO | <-> 390mm |
| 014 | 4505118 | 001 | GOUPILLE ELASTIQUE | ROLL PIN | SPANNHUELSE | COPPIGLIA TUBOLARE | |
| 015 | 4808007 | 001 | TUBE PROFILE EXT.+ MACHOIRE | PROFILE TUBE | PROFILROHR | PROFILATO | <-> 598mm 1"3/8-21 |
| 017 | 4505056 | 001 | GRAISSEUR | GREASE NIPPLE | SCHMIERNIPPEL | INGRASSATORE | |
| 021 | 4803010 | 001 | MACHOIRE CANNELEE | YOKE | GELENKGABEL | FORCELLA | |
| 030 | 4803011 | 001 | MACHOIRE | YOKE | GELENKGABEL | FORCELLA | 1"3/8-21 |
| 035 | 4820101 | 001 | PALIER | SLIDING RING | GLEITRING | SUPPORTO | |
| 038 | 4521021 | 001 | CHAINETTE | CHAIN | HALTEKETTE | CATENELLA | |
| 051 | 4511054 | 002 | BOULON TANGENTIEL | SCREW WITH NUT | SCHRAUBE MIT MUTTER | BULLONE | 15 daN m (111 lbf.ft) |
| 095 | 4817605 | 001 | 1/2 PROTECTEUR EXTERIEUR | OUTER GUARD-HALF | AEUSSERE SCHUTZHAELFTE | 1/2 PROTEZIONE ESTERNA | |
| 096 | 4816605 | 001 | 1/2 PROTECTEUR INTERIEUR | INNER GUARD-HALF | INNERE SCHUTZHAELFTE | 1/2 PROTEZIONE INTERNA | |
| 097 | K5600610 | 001 | TRANSMISSION TERTIAIRE | PTO-SHAFT | GELENKWELLE | CARDANO | |





FC353RGC NV (NA)

D 0001 > E 0000

K99R0182 A

ARBRE DE TRANSMISSION 55819210

TRANSMISSION SHAFT 55819210

ANTRIEBSWELLE 55819210

ALBERO DI TRASMISSIONE 55819210

| Rep | Nr | Qt | Designation | Description | Bezeichnung | Referenza | Remarque - Remark - Bemerkung - Osservazioni |
|-----|-----------------|-----|-------------------|-------------------|---------------------|--------------|--|
| 001 | 4803003 | 001 | MACHOIRE | YOKE | RILLEGABEL | FORCELLA | 1"3/4-6 |
| 002 | 4805001 | 001 | CROISILLON CPL | CROSS JOURNAL CPL | KREUZGARNITUR KPL | CROCIERA | |
| 004 | 4505051 | 002 | GRAISSEUR | GREASE NIPPLE | SCHMIERNIPPEL | INGRASSATORE | |
| 051 | 4511055 | 001 | BOULON TANGENTIEL | SCREW WITH NUT | SCHRAUBE MIT MUTTER | BULLONE | |
| 091 | 55819210 | 001 | TRANSMISSION | PTO-SHAFT | GELENKWELLE | CARDANO | |



INDEX NUMERIQUE - NUMERICAL INDEX TEILENUMMERN-INDEX - INDICE NUMERICO

| Nr | Page | Rep. | Nr | Page | Rep. | Nr | Page | Rep. | Nr | Page | Rep. | Nr | Page | Rep. | Nr | Page | Rep. | Nr | Page | Rep. | Nr | Page | Rep. |
|----------|------|------|----------|------|------|----------|------|------|----------|------|------|----------|------|------|----------|------|------|---------|------|------|----------|------|------|
| A4072026 | 023 | 019 | K5600590 | 015 | 032 | K5601230 | 015 | 036 | K5602990 | 055 | 018 | K5606800 | 063 | 029 | K5611570 | 043 | 021 | 4511055 | 085 | 051 | 4811100 | 087 | 007 |
| A4074000 | 065 | 018 | K5600610 | 029 | 023 | K5601240 | 025 | 027 | K5603000 | 055 | 019 | K5606810 | 063 | 030 | K5611620 | 035 | 040 | 4511055 | 087 | 051 | 4811101 | 085 | 025 |
| A4074000 | 067 | 019 | K5600610 | 031 | 023 | K5601290 | 029 | 028 | K5603120 | 063 | 028 | K5606830 | 063 | 031 | K5611670 | 043 | 022 | 4511055 | 091 | 051 | 4811101 | 087 | 025 |
| A4074017 | 023 | 020 | K5600610 | 089 | 097 | K5601290 | 031 | 028 | K5603300 | 037 | 017 | K5607150 | 019 | 031 | K5611700 | 087 | 097 | 4520020 | 085 | 044 | 4816605 | 089 | 096 |
| A4074018 | 023 | 021 | K5600640 | 053 | 012 | K5601320 | 023 | 034 | K5603400 | 085 | 095 | K5607180 | 023 | 031 | K5611710 | 067 | 021 | 4520020 | 087 | 032 | 4817605 | 089 | 095 |
| A4075005 | 023 | 025 | K5600670 | 019 | 020 | K5601340 | 027 | 004 | K5603410 | 085 | 096 | K5607190 | 015 | 038 | K5800480 | 019 | 033 | 4520022 | 087 | 035 | 4819621 | 081 | 097 |
| A4080315 | 023 | 022 | K5600670 | 033 | 006 | K5601350 | 019 | 024 | K5603450 | 049 | 005 | K5607200 | 023 | 032 | K5801480 | 039 | 036 | 4521021 | 085 | 040 | 4819623 | 083 | 097 |
| A4080401 | 023 | 023 | K5600690 | 019 | 021 | K5601410 | 059 | 009 | K5603460 | 049 | 004 | K5607210 | 023 | 033 | K5801490 | 039 | 037 | 4521021 | 089 | 038 | 4820100 | 081 | 026 |
| A4080429 | 023 | 024 | K5600690 | 033 | 007 | K5601420 | 059 | 008 | K5603550 | 043 | 016 | K5607230 | 023 | 035 | K6000020 | 039 | 038 | 4800617 | 083 | 099 | 4820100 | 083 | 026 |
| A4921138 | 023 | 026 | K5600730 | 029 | 024 | K5601430 | 059 | 007 | K5603650 | 053 | 013 | K5607460 | 071 | 005 | K7024080 | 065 | 021 | 4800621 | 081 | 099 | 4820100 | 085 | 027 |
| A4921138 | 023 | 027 | K5600730 | 031 | 024 | K5601440 | 059 | 006 | K5603660 | 053 | 014 | K5607981 | 043 | 019 | K7024080 | 067 | 022 | 4803001 | 085 | 005 | 4820100 | 087 | 026 |
| A4923114 | 023 | 028 | K5600750 | 029 | 025 | K5601460 | 059 | 005 | K5603730 | 071 | 002 | K5608091 | 057 | 019 | K7024100 | 065 | 022 | 4803003 | 081 | 021 | 4820101 | 081 | 032 |
| A7926009 | 081 | 048 | K5600750 | 031 | 025 | K5601491 | 059 | 004 | K5603820 | 043 | 017 | K5608170 | 057 | 020 | K7024100 | 067 | 023 | 4803003 | 083 | 021 | 4820101 | 083 | 032 |
| A7926009 | 083 | 048 | K5600760 | 029 | 026 | K5601501 | 059 | 003 | K5604281 | 051 | 004 | K5608190 | 057 | 021 | K8808920 | 073 | 017 | 4803003 | 091 | 001 | 4820101 | 089 | 035 |
| A7926009 | 087 | 048 | K5600760 | 031 | 026 | K5601540 | 019 | 025 | K5604580 | 047 | 032 | K5608300 | 029 | 030 | K9500080 | 069 | 001 | 4803004 | 085 | 001 | 4821000 | 009 | 037 |
| FLA2165 | 073 | 016 | K5600770 | 029 | 027 | K5601550 | 019 | 026 | K5604610 | 047 | 033 | K5608300 | 031 | 030 | K9500120 | 069 | 003 | 4803004 | 087 | 001 | 4821000 | 013 | 001 |
| KE0036TL | 079 | 005 | K5600770 | 031 | 027 | K5601560 | 019 | 027 | K5604620 | 047 | 034 | K5608310 | 029 | 031 | K9502521 | 069 | 005 | 4803009 | 089 | 001 | 4821021 | 083 | 040 |
| KE0386TL | 073 | 018 | K5600780 | 029 | 034 | K5601570 | 019 | 028 | K5604630 | 047 | 035 | K5608310 | 031 | 031 | K9530070 | 069 | 006 | 4803010 | 089 | 021 | 4821024 | 081 | 040 |
| KN034C | 067 | 024 | K5600780 | 031 | 034 | K5601610 | 057 | 015 | K5604640 | 047 | 036 | K5608320 | 029 | 032 | K9530080 | 069 | 007 | 4803011 | 089 | 030 | 4821024 | 087 | 040 |
| KN069C | 065 | 023 | K5600791 | 025 | 020 | K5601630 | 019 | 029 | K5604660 | 047 | 037 | K5608320 | 031 | 032 | K9530340 | 069 | 004 | 4803012 | 081 | 005 | 4830000 | 085 | 023 |
| K5600070 | 035 | 034 | K5600801 | 025 | 021 | K5601650 | 061 | 007 | K5604670 | 047 | 038 | K5608330 | 029 | 033 | L5610350 | 071 | 004 | 4803012 | 083 | 005 | 4831000 | 085 | 050 |
| K5600080 | 035 | 035 | K5600810 | 027 | 019 | K5601660 | 057 | 016 | K5604680 | 047 | 039 | K5608330 | 031 | 033 | 09905400 | 069 | 008 | 4803013 | 081 | 017 | 4831001 | 083 | 050 |
| K5600091 | 035 | 036 | K5600820 | 027 | 018 | K5601660 | 061 | 008 | K5604730 | 047 | 040 | K5608700 | 015 | 039 | 09905510 | 069 | 009 | 4803013 | 083 | 017 | 4831002 | 081 | 049 |
| K5600122 | 019 | 019 | K5600830 | 027 | 017 | K5601790 | 059 | 002 | K5604740 | 051 | 003 | K5608710 | 019 | 032 | 09906700 | 069 | 024 | 4803026 | 081 | 001 | 4831002 | 083 | 049 |
| K5600150 | 035 | 037 | K5600840 | 027 | 016 | K5601841 | 055 | 012 | K5604750 | 051 | 002 | K5609310 | 057 | 022 | 09915200 | 069 | 010 | 4803057 | 083 | 001 | 4831002 | 087 | 049 |
| K5600170 | 035 | 038 | K5600850 | 027 | 015 | K5601851 | 055 | 013 | K5604760 | 047 | 041 | K5609320 | 061 | 010 | 09970500 | 069 | 011 | 4803109 | 087 | 005 | 4831003 | 081 | 050 |
| K5600210 | 055 | 011 | K5600860 | 027 | 014 | K5601871 | 061 | 009 | K5604830 | 049 | 003 | K5609330 | 057 | 023 | 09970600 | 069 | 012 | 4805001 | 081 | 002 | 4831004 | 087 | 050 |
| K5600230 | 035 | 039 | K5600870 | 027 | 013 | K5601881 | 057 | 017 | K5604870 | 049 | 002 | K5609340 | 061 | 011 | 09970710 | 069 | 025 | 4805001 | 085 | 002 | 4831005 | 087 | 047 |
| K5600304 | 015 | 029 | K5600880 | 027 | 012 | K5601901 | 059 | 001 | K5605140 | 027 | 003 | K5609420 | 043 | 020 | 09971300 | 069 | 014 | 4805001 | 087 | 002 | 50000000 | 025 | 001 |
| K5600330 | 047 | 030 | K5600920 | 027 | 011 | K5601932 | 055 | 014 | K5605490 | 053 | 015 | K5609440 | 015 | 040 | 09971500 | 069 | 026 | 4805001 | 089 | 002 | 50002200 | 055 | 001 |
| K5600370 | 033 | 004 | K5600940 | 027 | 010 | K5602090 | 029 | 029 | K5605510 | 053 | 016 | K5609630 | 063 | 032 | 10165300 | 073 | 014 | 4805001 | 091 | 002 | 50002200 | 057 | 001 |
| K5600380 | 033 | 005 | K5600951 | 019 | 022 | K5602090 | 031 | 029 | K5605520 | 053 | 017 | K5609650 | 053 | 022 | 10960200 | 075 | 001 | 4805078 | 083 | 002 | 50002200 | 059 | 017 |
| K5600390 | 063 | 027 | K5601040 | 027 | 009 | K5602251 | 051 | 007 | K5605620 | 053 | 018 | K5609690 | 027 | 001 | 10960400 | 077 | 001 | 4805100 | 087 | 046 | 50002200 | 061 | 001 |
| K5600400 | 029 | 021 | K5601090 | 025 | 022 | K5602421 | 075 | 008 | K5605630 | 043 | 018 | K5609780 | 007 | 024 | 10961400 | 071 | 001 | 4805150 | 087 | 045 | 50002200 | 063 | 001 |
| K5600400 | 031 | 021 | K5601100 | 025 | 023 | K5602560 | 047 | 031 | K5605650 | 053 | 019 | K5610460 | 025 | 028 | 10962600 | 079 | 003 | 4805258 | 081 | 051 | 50002200 | 075 | 002 |
| K5600421 | 023 | 029 | K5601110 | 025 | 024 | K5602560 | 051 | 006 | K5605660 | 053 | 020 | K5610470 | 079 | 004 | 31560970 | 019 | 018 | 4808002 | 085 | 012 | 50002900 | 035 | 001 |
| K5600450 | 015 | 030 | K5601120 | 025 | 025 | K5602630 | 041 | 047 | K5605670 | 053 | 021 | K5611250 | 065 | 019 | 31560970 | 033 | 003 | 4808003 | 085 | 013 | 50003200 | 035 | 002 |
| K5600450 | 057 | 014 | K5601130 | 025 | 026 | K5602730 | 051 | 005 | K5605970 | 015 | 037 | K5611260 | 065 | 020 | 40330050 | 083 | 051 | 4808006 | 089 | 012 | 50003600 | 051 | 035 |
| K5600470 | 041 | 046 | K5601140 | 027 | 008 | K5602838 | 069 | 023 | K5606000 | 047 | 042 | K5611260 | 067 | 020 | 45050510 | 085 | 004 | 4808007 | 089 | 015 | 50004200 | 035 | 003 |
| K5600490 | 015 | 031 | K5601161 | 015 | 033 | K5602900 | 075 | 009 | K5606000 | 051 | 001 | K5611350 | 039 | 032 | 45050510 | 089 | 004 | 4808074 | 081 | 012 | 50005700 | 051 | 034 |
| K5600511 | 029 | 022 | K5601170 | 027 | 007 | K5602910 | 023 | 030 | K5606100 | 057 | 018 | K5611360 | 039 | 033 | 45050510 | 091 | 004 | 4808075 | 081 | 018 | 50007000 | 037 | 001 |
| K5600511 | 085 | 093 | K5601180 | 027 | 006 | K5602920 | 075 | 010 | K5606250 | 027 | 002 | K5611370 | 039 | 034 | 45050560 | 089 | 017 | 4808094 | 087 | 012 | 50007000 | 053 | 001 |
| K5600511 | 085 | 094 | K5601190 | 027 | 005 | K5602930 | 075 | 011 | K5606530 | 019 | 030 | K5611380 | 037 | 018 | 45051180 | 089 | 014 | 4808095 | 087 | 013 | 50007300 | 055 | 002 |
| K5600511 | 085 | 097 | K5601200 | 019 | 023 | K5602940 | 055 | 015 | K5606580 | 041 | 048 | K5611390 | 037 | 019 | 45110540 | 089 | 051 | 4808143 | 083 | 018 | 50007300 | 057 | 002 |
| K5600512 | 031 | 022 | K5601210 | 015 | 034 | K5602950 | 055 | 016 | K5606610 | 047 | 043 | K5611410 | 039 | 035 | 45110550 | 081 | 061 | 4808157 | 083 | 012 | 50007700 | 007 | 001 |
| K5600512 | 087 | 099 | K5601220 | 015 | 035 | K5602970 | 055 | 017 | K5606630 | 049 | 001 | K5611440 | 037 | 020 | 45110550 | 083 | 061 | 4811100 | 085 | 007 | 50007700 | 009 | 001 |



INDEX NUMERIQUE - NUMERICAL INDEX

TEILENUMMERN-INDEX - INDICE NUMERICO

| Nr | Page | Rep. | Nr | Page | Rep. | Nr | Page | Rep. | Nr | Page | Rep. | Nr | Page | Rep. | Nr | Page | Rep. | Nr | Page | Rep. | Nr | Page | Rep. |
|----------|------|------|----------|------|------|----------|------|------|----------|------|------|----------|------|------|----------|------|------|----------|------|------|----------|------|------|
| 50007700 | 013 | 002 | 55732900 | 007 | 005 | 55815000 | 043 | 002 | 55900510 | 035 | 009 | 56566130 | 039 | 017 | 80061231 | 035 | 020 | 80131220 | 053 | 006 | 80201230 | 053 | 009 |
| 50008200 | 053 | 002 | 55732900 | 009 | 006 | 55817600 | 015 | 004 | 55903210 | 035 | 010 | 56568500 | 015 | 008 | 80061236 | 075 | 003 | 80131220 | 055 | 004 | 80201237 | 035 | 023 |
| 50009900 | 007 | 002 | 55732900 | 013 | 007 | 55818000 | 051 | 028 | 55903210 | 039 | 009 | 56568500 | 035 | 018 | 80061245 | 023 | 010 | 80131220 | 055 | 007 | 80201240 | 023 | 012 |
| 50009900 | 009 | 002 | 55733000 | 007 | 006 | 55818200 | 039 | 006 | 55903210 | 065 | 002 | 56568500 | 039 | 018 | 80061258 | 043 | 004 | 80131220 | 057 | 007 | 80201240 | 053 | 010 |
| 50009900 | 009 | 002 | 55733000 | 009 | 007 | 55819210 | 015 | 005 | 55903210 | 067 | 003 | 56568500 | 051 | 021 | 80061634 | 047 | 008 | 80131220 | 059 | 013 | 80201240 | 055 | 005 |
| 50009900 | 013 | 003 | 55733000 | 013 | 008 | 55819210 | 091 | 091 | 55903210 | 077 | 004 | 56572600 | 035 | 019 | 80061641 | 047 | 009 | 80131220 | 061 | 003 | 80201240 | 063 | 014 |
| 50013100 | 029 | 019 | 55733100 | 009 | 008 | 55819400 | 015 | 006 | 55903310 | 035 | 011 | 56572600 | 037 | 006 | 80061646 | 027 | 037 | 80131220 | 063 | 009 | 80201240 | 075 | 007 |
| 50013100 | 031 | 019 | 55733100 | 013 | 009 | 55820000 | 015 | 007 | 55903310 | 039 | 010 | 56572600 | 041 | 011 | 80061646 | 029 | 007 | 80131220 | 075 | 005 | 80201253 | 035 | 024 |
| 50013100 | 047 | 001 | 55733200 | 007 | 007 | 55824000 | 041 | 006 | 55903310 | 065 | 003 | 56586600 | 019 | 002 | 80061646 | 031 | 007 | 80131225 | 015 | 012 | 80201262 | 035 | 025 |
| 50017710 | 027 | 045 | 55733300 | 007 | 008 | 55824100 | 041 | 043 | 55903310 | 067 | 004 | 57525600 | 015 | 009 | 80061646 | 047 | 010 | 80131225 | 019 | 007 | 80201262 | 039 | 023 |
| 50017800 | 003 | 001 | 55733410 | 007 | 009 | 55824200 | 041 | 044 | 55903310 | 077 | 005 | 57721600 | 059 | 016 | 80061647 | 027 | 036 | 80131225 | 023 | 011 | 80201262 | 065 | 009 |
| 50017900 | 051 | 033 | 55733410 | 009 | 009 | 55824500 | 041 | 007 | 55908800 | 039 | 011 | 58722600 | 009 | 020 | 80061647 | 029 | 008 | 80131225 | 039 | 021 | 80201262 | 067 | 009 |
| 50019110 | 037 | 002 | 55733410 | 013 | 010 | 55826500 | 041 | 008 | 55911900 | 039 | 012 | 58722600 | 013 | 021 | 80061647 | 031 | 008 | 80131225 | 047 | 013 | 80201262 | 077 | 009 |
| 50019700 | 025 | 002 | 55733500 | 007 | 010 | 55826700 | 027 | 044 | 55912000 | 039 | 013 | 58733700 | 049 | 013 | 80061659 | 041 | 012 | 80131225 | 053 | 007 | 80201290 | 021 | 004 |
| 50019700 | 047 | 002 | 55733600 | 007 | 011 | 55826810 | 029 | 001 | 55912100 | 039 | 014 | 58742110 | 023 | 008 | 80061659 | 051 | 020 | 80131232 | 037 | 008 | 80201290 | 043 | 011 |
| 50019700 | 051 | 032 | 55733600 | 009 | 010 | 55826810 | 031 | 001 | 55921000 | 035 | 012 | 59002600 | 025 | 006 | 80061661 | 003 | 020 | 80131232 | 063 | 010 | 80201290 | 045 | 003 |
| 50030200 | 041 | 041 | 55733600 | 013 | 011 | 55826910 | 029 | 002 | 55930500 | 035 | 013 | 59402900 | 059 | 015 | 80061661 | 015 | 011 | 80131255 | 039 | 022 | 80201291 | 017 | 001 |
| 50030200 | 047 | 003 | 55733700 | 007 | 012 | 55826910 | 031 | 002 | 55932320 | 035 | 014 | 59900020 | 069 | 015 | 80061661 | 035 | 021 | 80131620 | 025 | 007 | 80201291 | 021 | 005 |
| 50030600 | 003 | 002 | 55733700 | 009 | 011 | 55827900 | 027 | 043 | 55932320 | 077 | 006 | 59900220 | 069 | 016 | 80061661 | 037 | 007 | 80131625 | 053 | 008 | 80201630 | 003 | 010 |
| 50030700 | 003 | 003 | 55733700 | 013 | 012 | 55828000 | 029 | 003 | 55932420 | 035 | 015 | 59900420 | 069 | 017 | 80061663 | 039 | 019 | 80131640 | 037 | 009 | 80201630 | 027 | 031 |
| 50065800 | 015 | 001 | 55733800 | 007 | 013 | 55828000 | 031 | 003 | 55932420 | 077 | 007 | 59900620 | 069 | 018 | 80061666 | 047 | 011 | 80190820 | 073 | 006 | 80201630 | 029 | 009 |
| 50066000 | 003 | 004 | 55733800 | 009 | 012 | 55828400 | 029 | 004 | 56001600 | 023 | 004 | 59900820 | 069 | 019 | 80061690 | 049 | 012 | 80200630 | 063 | 011 | 80201630 | 031 | 009 |
| 50066100 | 007 | 003 | 55733800 | 013 | 013 | 55828400 | 031 | 004 | 56039800 | 025 | 005 | 59901120 | 069 | 020 | 80062060 | 027 | 035 | 80200630 | 065 | 008 | 80201630 | 037 | 010 |
| 50066600 | 053 | 003 | 55733910 | 009 | 013 | 55828500 | 029 | 005 | 56046310 | 023 | 005 | 59910300 | 069 | 021 | 80080626 | 063 | 007 | 80200630 | 067 | 008 | 80201630 | 039 | 024 |
| 50066700 | 035 | 004 | 55733910 | 013 | 014 | 55828500 | 031 | 005 | 56046420 | 023 | 006 | 59950000 | 069 | 022 | 80081075 | 027 | 034 | 80200630 | 073 | 007 | 80201630 | 047 | 014 |
| 50067400 | 025 | 003 | 55735610 | 003 | 007 | 55828600 | 027 | 042 | 56063810 | 047 | 006 | 59953100 | 069 | 013 | 80110806 | 047 | 012 | 80200830 | 027 | 032 | 80201630 | 051 | 017 |
| 50067400 | 041 | 001 | 55735700 | 003 | 008 | 55828700 | 063 | 002 | 56063810 | 051 | 025 | 59953210 | 069 | 027 | 80110806 | 051 | 019 | 80200830 | 063 | 012 | 80201640 | 015 | 013 |
| 50067700 | 057 | 003 | 55736510 | 009 | 014 | 55828800 | 063 | 003 | 56115800 | 035 | 016 | 80060616 | 065 | 005 | 80130812 | 053 | 005 | 80200840 | 073 | 008 | 80201640 | 035 | 026 |
| 50068400 | 015 | 002 | 55736510 | 013 | 015 | 55829200 | 063 | 004 | 56115800 | 039 | 015 | 80060616 | 067 | 006 | 80130820 | 019 | 003 | 80200851 | 059 | 012 | 80201640 | 041 | 014 |
| 50071100 | 039 | 001 | 55736610 | 009 | 015 | 55830000 | 027 | 041 | 56115800 | 065 | 004 | 80060616 | 073 | 001 | 80130820 | 043 | 005 | 80200851 | 073 | 009 | 80201640 | 051 | 016 |
| 50071300 | 039 | 002 | 55736610 | 013 | 016 | 55830220 | 023 | 002 | 56115800 | 067 | 005 | 80060630 | 063 | 005 | 80130820 | 063 | 008 | 80200890 | 043 | 008 | 80201670 | 015 | 014 |
| 50080200 | 065 | 001 | 55736700 | 009 | 016 | 55830310 | 023 | 003 | 56115800 | 077 | 008 | 80060820 | 009 | 021 | 80130820 | 073 | 005 | 80200890 | 045 | 001 | 80201670 | 025 | 008 |
| 50080200 | 067 | 002 | 55736700 | 013 | 017 | 55833600 | 029 | 006 | 56145700 | 009 | 019 | 80060820 | 013 | 022 | 80131017 | 009 | 022 | 80200891 | 021 | 001 | 80201670 | 047 | 015 |
| 52239100 | 041 | 003 | 55737010 | 051 | 030 | 55833600 | 031 | 006 | 56145700 | 013 | 020 | 80060820 | 059 | 014 | 80131017 | 013 | 023 | 80201040 | 019 | 008 | 80201670 | 051 | 018 |
| 52239200 | 041 | 004 | 55742700 | 037 | 003 | 55834500 | 051 | 027 | 56145700 | 041 | 009 | 80060826 | 027 | 038 | 80131020 | 019 | 004 | 80201040 | 033 | 002 | 80202040 | 027 | 030 |
| 52505800 | 041 | 005 | 55745700 | 041 | 042 | 55834620 | 039 | 007 | 56185700 | 039 | 016 | 80060826 | 065 | 006 | 80131020 | 043 | 006 | 80201040 | 035 | 022 | 80209010 | 007 | 014 |
| 52528500 | 003 | 005 | 55749800 | 057 | 004 | 55834620 | 077 | 002 | 56207000 | 035 | 017 | 80060826 | 067 | 015 | 80131020 | 057 | 006 | 80201040 | 055 | 008 | 80250611 | 063 | 015 |
| 52801410 | 003 | 006 | 55754900 | 039 | 003 | 55834720 | 039 | 008 | 56529000 | 055 | 003 | 80060839 | 073 | 002 | 80131020 | 061 | 002 | 80201040 | 057 | 008 | 80250611 | 073 | 011 |
| 55700610 | 015 | 003 | 55764900 | 009 | 017 | 55834720 | 077 | 003 | 56530110 | 005 | 002 | 80061016 | 063 | 006 | 80131026 | 019 | 005 | 80201040 | 059 | 011 | 80250823 | 065 | 010 |
| 55724700 | 009 | 003 | 55764900 | 013 | 018 | 55834910 | 019 | 001 | 56532500 | 051 | 024 | 80061020 | 073 | 003 | 80131026 | 027 | 033 | 80201040 | 061 | 004 | 80250823 | 067 | 010 |
| 55724700 | 013 | 004 | 55780320 | 009 | 018 | 55835500 | 027 | 040 | 56532700 | 051 | 023 | 80061026 | 043 | 003 | 80131026 | 033 | 013 | 80201040 | 063 | 013 | 80251021 | 009 | 024 |
| 55728400 | 047 | 004 | 55780320 | 013 | 019 | 55835710 | 005 | 001 | 56540200 | 027 | 039 | 80061046 | 023 | 009 | 80131026 | 043 | 007 | 80201040 | 073 | 010 | 80251032 | 055 | 009 |
| 55728400 | 051 | 031 | 55801500 | 051 | 029 | 55836300 | 025 | 004 | 56540200 | 053 | 004 | 80061051 | 073 | 004 | 80131031 | 075 | 004 | 80201040 | 075 | 006 | 80251127 | 023 | 013 |
| 55732700 | 009 | 004 | 55803400 | 023 | 001 | 55836300 | 047 | 005 | 56541100 | 023 | 007 | 80061220 | 015 | 010 | 80131220 | 009 | 023 | 80201090 | 021 | 002 | 80251127 | 055 | 006 |
| 55732700 | 013 | 005 | 55804300 | 039 | 004 | 55836300 | 051 | 026 | 56548700 | 041 | 010 | 80061220 | 057 | 005 | 80131220 | 013 | 024 | 80201090 | 043 | 009 | 80251127 | 055 | 010 |
| 55732800 | 007 | 004 | 55808300 | 035 | 005 | 55900110 | 035 | 006 | 56549000 | 037 | 004 | 80061225 | 047 | 007 | 80131220 | 019 | 006 | 80201090 | 045 | 002 | 80251127 | 057 | 009 |
| 55732800 | 009 | 005 | 55808300 | 039 | 005 | 55900220 | 035 | 007 | 56549100 | 037 | 005 | 80061225 | 065 | 007 | 80131220 | 039 | 020 | 80201091 | 021 | 003 | 80251127 | 059 | 010 |
| 55732800 | 013 | 006 | 55814900 | 043 | 001 | 55900320 | 035 | 008 | 56559100 | 051 | 022 | 80061225 | 067 | 007 | 80131220 | 041 | 013 | 80201230 | 043 | 010 | 80251127 | 061 | 005 |



INDEX NUMERIQUE - NUMERICAL INDEX

TEILENUMMERN-INDEX - INDICE NUMERICO

| Nr | Page | Rep. | Nr | Page | Rep. | Nr | Page | Rep. | Nr | Page | Rep. | Nr | Page | Rep. | Nr | Page | Rep. | Nr | Page | Rep. |
|----------|------|------|----------|------|------|----------|------|------|----------|------|------|----------|------|------|----------|------|------|----|------|------|
| 80251176 | 009 | 025 | 80257078 | 051 | 013 | 80584500 | 015 | 021 | 81306500 | 013 | 034 | 83030018 | 043 | 014 | 83450019 | 067 | 018 | | | |
| 80251176 | 013 | 025 | 80281220 | 051 | 012 | 80585000 | 049 | 009 | 81309011 | 007 | 019 | 83030020 | 051 | 008 | 83503018 | 065 | 012 | | | |
| 80251176 | 013 | 026 | 80281254 | 035 | 028 | 80590001 | 039 | 027 | 81434060 | 041 | 035 | 83040002 | 041 | 039 | 83503018 | 067 | 012 | | | |
| 80251176 | 057 | 010 | 80281254 | 039 | 025 | 80590002 | 037 | 012 | 82014073 | 037 | 015 | 83040005 | 047 | 028 | 83503019 | 065 | 013 | | | |
| 80251176 | 061 | 006 | 80281600 | 003 | 011 | 80590008 | 029 | 014 | 82014080 | 041 | 036 | 83040010 | 041 | 040 | 83503019 | 067 | 013 | | | |
| 80251176 | 063 | 016 | 80281639 | 015 | 017 | 80590008 | 031 | 014 | 82015080 | 047 | 024 | 83040010 | 047 | 029 | 83503026 | 065 | 014 | | | |
| 80251225 | 057 | 011 | 80281639 | 039 | 026 | 80593000 | 047 | 018 | 82015882 | 025 | 015 | 83040059 | 043 | 015 | 83503026 | 067 | 014 | | | |
| 80251331 | 043 | 012 | 80282045 | 015 | 018 | 80593000 | 051 | 011 | 82016086 | 007 | 020 | 83040158 | 015 | 026 | 9006600 | 067 | 001 | | | |
| 80251331 | 053 | 011 | 80299010 | 007 | 016 | 80596200 | 009 | 029 | 82016086 | 009 | 033 | 83050010 | 009 | 036 | | | | | | |
| 80251338 | 047 | 016 | 80370408 | 015 | 019 | 80596200 | 013 | 031 | 82016086 | 013 | 035 | 83050010 | 013 | 038 | | | | | | |
| 80251345 | 063 | 017 | 80370408 | 043 | 013 | 80596200 | 041 | 029 | 82019918 | 007 | 021 | 83070063 | 003 | 015 | | | | | | |
| 80251624 | 005 | 004 | 80370408 | 057 | 012 | 80598000 | 041 | 030 | 82060022 | 037 | 016 | 83090037 | 063 | 018 | | | | | | |
| 80251625 | 015 | 015 | 80370415 | 019 | 009 | 80598500 | 015 | 022 | 82060035 | 047 | 025 | 83090038 | 063 | 019 | | | | | | |
| 80251631 | 027 | 029 | 80370415 | 057 | 013 | 80599000 | 029 | 015 | 82060048 | 007 | 022 | 83090039 | 063 | 020 | | | | | | |
| 80251631 | 035 | 027 | 80450320 | 027 | 026 | 80599000 | 031 | 015 | 82060048 | 009 | 034 | 83090042 | 019 | 011 | | | | | | |
| 80251631 | 037 | 011 | 80450631 | 029 | 020 | 80599000 | 047 | 019 | 82060048 | 013 | 036 | 83090043 | 019 | 012 | | | | | | |
| 80251631 | 041 | 015 | 80450631 | 031 | 020 | 80599000 | 049 | 008 | 82060050 | 035 | 029 | 83090058 | 027 | 020 | | | | | | |
| 80251631 | 051 | 015 | 80450645 | 029 | 012 | 80599000 | 051 | 010 | 82060057 | 007 | 023 | 83090061 | 019 | 013 | | | | | | |
| 80251930 | 047 | 017 | 80450645 | 031 | 012 | 81003566 | 009 | 030 | 82062024 | 035 | 030 | 83090086 | 015 | 027 | | | | | | |
| 80251930 | 051 | 014 | 80450660 | 025 | 010 | 81003566 | 013 | 032 | 82063034 | 035 | 031 | 83090202 | 019 | 014 | | | | | | |
| 80253041 | 027 | 028 | 80450666 | 049 | 011 | 81003572 | 041 | 031 | 82064350 | 047 | 026 | 83090205 | 019 | 015 | | | | | | |
| 80253042 | 025 | 009 | 80451057 | 081 | 016 | 81003584 | 039 | 028 | 82101622 | 035 | 032 | 83090596 | 065 | 011 | | | | | | |
| 80253042 | 041 | 016 | 80451057 | 083 | 016 | 81004082 | 027 | 022 | 82102732 | 035 | 033 | 83090596 | 067 | 011 | | | | | | |
| 80253044 | 027 | 027 | 80451058 | 085 | 008 | 81004095 | 047 | 020 | 82131824 | 009 | 035 | 83101797 | 041 | 045 | | | | | | |
| 80253149 | 013 | 027 | 80451058 | 087 | 008 | 81004096 | 029 | 016 | 82131824 | 013 | 037 | 83111683 | 029 | 018 | | | | | | |
| 80253556 | 041 | 017 | 80451058 | 087 | 016 | 81004096 | 031 | 016 | 82131824 | 039 | 031 | 83111683 | 031 | 018 | | | | | | |
| 80254040 | 041 | 018 | 80451059 | 081 | 008 | 81004505 | 039 | 029 | 82131824 | 041 | 037 | 83200801 | 019 | 016 | | | | | | |
| 80254041 | 041 | 019 | 80451059 | 083 | 008 | 81004507 | 037 | 013 | 82200800 | 015 | 024 | 83200803 | 019 | 017 | | | | | | |
| 80254042 | 041 | 020 | 80451059 | 085 | 016 | 81004587 | 015 | 023 | 82200804 | 003 | 014 | 83200808 | 015 | 028 | | | | | | |
| 80254043 | 029 | 010 | 80500432 | 015 | 020 | 81005091 | 049 | 007 | 82200910 | 023 | 015 | 83240013 | 063 | 021 | | | | | | |
| 80254043 | 031 | 010 | 80500432 | 025 | 011 | 81005096 | 037 | 014 | 82200910 | 071 | 003 | 83240019 | 063 | 022 | | | | | | |
| 80254054 | 041 | 021 | 80500432 | 027 | 025 | 81005524 | 039 | 030 | 82200910 | 079 | 001 | 83240021 | 063 | 023 | | | | | | |
| 80254055 | 007 | 015 | 80500445 | 025 | 012 | 81103578 | 041 | 032 | 82230000 | 047 | 027 | 83240200 | 063 | 024 | | | | | | |
| 80254055 | 009 | 026 | 80500451 | 027 | 024 | 81103578 | 047 | 021 | 82230017 | 041 | 038 | 83240200 | 073 | 012 | | | | | | |
| 80254055 | 013 | 028 | 80500541 | 023 | 014 | 81104588 | 047 | 022 | 82300026 | 023 | 016 | 83240214 | 073 | 015 | | | | | | |
| 80254552 | 009 | 027 | 80561155 | 003 | 012 | 81124090 | 047 | 023 | 82301214 | 023 | 017 | 83240220 | 073 | 013 | | | | | | |
| 80254552 | 013 | 029 | 80561760 | 003 | 013 | 81124090 | 051 | 009 | 83012225 | 029 | 017 | 83240402 | 063 | 025 | | | | | | |
| 80254556 | 015 | 016 | 80570476 | 005 | 003 | 81303062 | 041 | 033 | 83012225 | 031 | 017 | 83240403 | 063 | 026 | | | | | | |
| 80255062 | 041 | 022 | 80583000 | 049 | 010 | 81303562 | 025 | 013 | 83013034 | 027 | 021 | 83300111 | 025 | 017 | | | | | | |
| 80255067 | 041 | 023 | 80583500 | 009 | 028 | 81304079 | 041 | 034 | 83013034 | 049 | 006 | 83300112 | 025 | 018 | | | | | | |
| 80255068 | 041 | 024 | 80583500 | 013 | 030 | 81304585 | 007 | 017 | 83013539 | 023 | 018 | 83300113 | 025 | 019 | | | | | | |
| 80255070 | 041 | 025 | 80583500 | 041 | 027 | 81304585 | 009 | 031 | 83013539 | 079 | 002 | 83450003 | 065 | 015 | | | | | | |
| 80255071 | 041 | 026 | 80584000 | 027 | 023 | 81304585 | 013 | 033 | 83014550 | 025 | 016 | 83450003 | 067 | 016 | | | | | | |
| 80257055 | 041 | 002 | 80584000 | 029 | 013 | 81305080 | 025 | 014 | 83015562 | 015 | 025 | 83450005 | 065 | 016 | | | | | | |
| 80257078 | 029 | 011 | 80584000 | 031 | 013 | 81306500 | 007 | 018 | 83030014 | 003 | 016 | 83450005 | 067 | 017 | | | | | | |
| 80257078 | 031 | 011 | 80584000 | 041 | 028 | 81306500 | 009 | 032 | 83030015 | 019 | 010 | 83450019 | 065 | 017 | | | | | | |

EXTRAIT DES CONDITIONS DE GARANTIE ET CONDITIONS SPECIFIQUES PIECES DE RECHANGE

Nous garantissons notre matériel durant une année à partir du jour de livraison, c'est-à-dire que nous nous engageons à rembourser les pièces qui auront été reconnues défectueuses en nos usines, par notre service technique.

Bien entendu, la garantie ne s'applique pas en cas d'usure normale, ni en cas de détériorations résultant de négligences ou de défauts de surveillance, d'un mauvais usage, d'un manque d'entretien ou d'un accident. La garantie ne s'applique pas non plus si la machine a été prêtée ou utilisée pour un usage non conforme à sa destination prévue par la société.

La garantie ne s'applique pas aux pièces d'usure.

Les pièces de rechange sont soumises aux mêmes conditions de garantie que le matériel sous réserve qu'elles aient été montées selon les règles de l'art et utilisées conformément à nos recommandations.

EXTRACT FROM OUR CONDITIONS OF LIMITED WARRANTY AND SPARE PARTS WARRANTY POLICY

Our equipment is warranted for a period of one year from the date of delivery. We guarantee the reimbursement of all parts proven to be faulty by our technical division in material or manufacturing.

The warranty is not applicable in the following cases : normal wear, accident or negligence in operation, repairs using parts other than genuine KUHN parts, products altered or modified without the expressed permission of the company or if the machine is not used and serviced in accordance with the recommendations of the operator's manual. Wearing items are not covered under these conditions of limited warranty.

Spare parts are subject to the same warranty conditions than the equipment providing they have been installed with proficiency and are used in accordance with our recommendations.

AUSZUG AUS UNSEREN GARANTIEBEDINGUNGEN UND SONDERBEDINGUNGEN FÜR ERSATZTEILE

Wir garantieren unsere Ware für ein Jahr ab dem Tag der Lieferung und verpflichten uns, die Teile zu ersetzen, die im Werk als fehlerhaft anerkannt wurden.

Die Garantie ist ausgeschlossen für Teile, die einem normalen Verschleiß unterliegen, sowie im Fall von nachlässiger Behandlung oder mangelhafter Wartung oder eines Unfalls. Die Garantie erlischt auch, wenn die Maschine ausgeliehen oder unter Umständen eingesetzt wurde, die dem ursprünglichen Verwendungszweck und den Hinweisen in der Betriebsanleitung nicht entsprechen.

Verschleißteile sind von der Garantie ausgeschlossen

Ersatzteile unterliegen den gleichen Garantiebedingungen wie komplette Maschinen, vorausgesetzt, dass sie sachgerecht eingebaut und entsprechend unseren Empfehlungen verwendet wurden.

ESTRATTO DELLE CONDIZIONI DI GARANZIA E CONDIZIONI SPECIFICHE GARANZIA RICAMBI

Le nostre macchine sono garantite per un anno a partire dal giorno della consegna: ci impegnamo a rimborsare i componenti che saranno riconosciuti difettosi dai nostri servizi tecnici presso le nostre officine.

La garanzia non è applicabile nei seguenti casi: usura normale, incidente o negligenza nell'impiego, riparazioni utilizzando ricambi non originali KUHN, prodotti alterati o modificati senza il permesso dell'azienda. La garanzia non viene riconosciuta se la macchina è stata prestata o non è utilizzata o mantenuta in conformità alle raccomandazioni previste dalla società. La garanzia non copre i componenti soggetti ad usura.

I pezzi di ricambio sono soggetti agli stessi termini di garanzia della macchina, purchè siano stati installati con competenza e utilizzati conformemente alle nostre raccomandazioni.



**Pour votre sécurité et le bon fonctionnement de votre machine,
utilisez uniquement des pièces d'origine KUHN**

**For your safety and to get the best from your machine,
use only genuine KUHN parts**

**Zu ihrer Sicherheit und zur einwandfreien Funktion Ihrer
Maschine sollten Sie nur Original-KUHN-Ersatzteile verwenden**

**Per la vostra sicurezza, e per il buon funzionamento della vostra macchina,
usate esclusivamente i ricambi originali KUHN**

**KUHN PARTS Parc de la Faisanderie F - 67700 MONSWILLER (FRANCE)
www.kuhn.com**

Imprimé en France par KUHN
Printed in France by KUHN