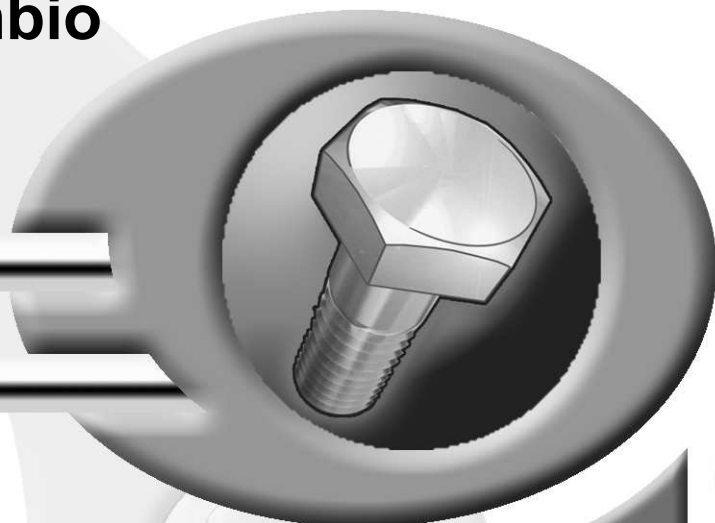


Pièces de rechange
Spare parts list
Ersatzteilliste
Catalogo Pezzi di Ricambio



Faucheuse-Conditionneuse
Mower Conditioner
Mähknickzetter
Falciacondizionatrice



B 0001 > L 0000

FC 313 TG-RA





SIGNES CODIFIÉS - STANDARD SYMBOLS - SYMBOLE - SIMBOLI CODIFICATI

| | |
|------------|--------------------------------------|
| OPT | Equipement optionnel |
| STD | Equipement livré de série |
| ESP | Equipement livré suivant pays |
| : | Pour ... |
| > | De ... à ... |
| RPL | Remplace ... |
| ∅ | Diamètre |
| > < | Epaisseur |
| <-> | Longueur |
| <m> | Vendu au mètre |
| Q? | Quantité selon besoin |
| * | Voir note |
| [n] | Composant d'un assemblage |
| + [n] | Assemblage comprenant les pièces [n] |
| <-] | Pièce gauche |
| [-> | Pièce droite |

| | |
|------------|---|
| OPT | Optional equipment |
| STD | Equipment supplied as standard |
| ESP | Equipment supplied for specific countries |
| : | For ... |
| > | From ... to ... |
| RPL | Replaces ... |
| ∅ | Diameter |
| > < | Thickness |
| <-> | Length |
| <m> | Sold by the metre |
| Q? | Quantity as required |
| * | See note |
| [n] | Items making up assembly |
| + [n] | Assembly made up by items [n] |
| <-] | Left part |
| [-> | Right part |

| | |
|------------|---|
| OPT | Sonderausrüstung |
| STD | Serienausrüstung |
| ESP | Länderabhängige Ausrüstung |
| : | Für ... |
| > | Von ... bis ... |
| RPL | Ersetzt ... |
| ∅ | Durchmesser |
| > < | Stärke |
| <-> | Länge |
| <m> | Meterware |
| Q? | Stückzahl nach Bedarf |
| * | Siehe Nota |
| [n] | Teil einer Baugruppe |
| + [n] | Baugruppe bestehend aus den mit [n] bezeichneten Teilen |
| <-] | Links Teil |
| [-> | Rechts Teil |

| | |
|------------|---------------------------------------|
| OPT | Attrezzatura opzionale |
| STD | Attrezzatura fornita di serie |
| ESP | Attrezzatura fornita secondo il paese |
| : | Per ... |
| > | Da ... A ... |
| RPL | Sostituisce ... |
| ∅ | Diametro |
| > < | Spessore |
| <-> | Lunghezza |
| <m> | venduto a metro |
| Q? | Quantità richiesta |
| * | Vedi nota |
| [n] | Componente di un assieme |
| + [n] | Assieme comprendente i componenti [n] |
| <-] | Sx componente |
| [-> | Dx componente |

POUR COMMANDER DES PIÈCES DE RECHANGE, VEUILLEZ INDIQUER:

- Le numéro de fabrication de la machine
- Le numéro de la pièce
- La quantité désirée

WHEN ORDERING SERVICE-PARTS, WILL YOU PLEASE MENTION:

- The machine type and serial number
- The part number
- The quantity of parts

BEI DER BESTELLUNG VON ERSATZTEILEN IMMER ANGEBEN:

- Die Seriennummer der Maschine
- Die Nummer des Teiles
- Die gewünschte Stückzahl

NELL'ORDINARE I RICAMBI, SI PREGA DI INDICARE:

- Il tipo ed il numero di serie della macchina
- Il codice del componente
- La quantità desiderata

- Toutes les pièces détachées et sous-ensembles sont à commander au magasin pièces de rechange.
- **Les équipements optionnels (OPT)** ainsi que les **notices d'instructions** sont à commander auprès des **services commerciaux**.
- Service parts and service part assemblies are to be ordered through the spare parts department.
- **Optional equipment (OPT)** and **assembly operator's manuals** should be ordered through the **wholegood sales department**.
- Bestellungen für Ersatzteile und Baugruppen sind an die Ersatzteilabteilung zu richten.
- **Sonderausrüstungen (OPT)** sowie **Montage- und Betriebsanleitungen**, bestellen Sie bitte bei der **Verkaufsabteilung für Maschinen**.
- I ricambi e i sotto-assiemi devono essere ordinati al Magazzino Ricambi.
- **Le attrezzature opzionali (OPT)** ed i **manuali dell'operatore** devono essere ordinati al **Servizio Commerciale**.

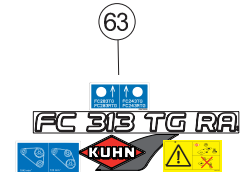
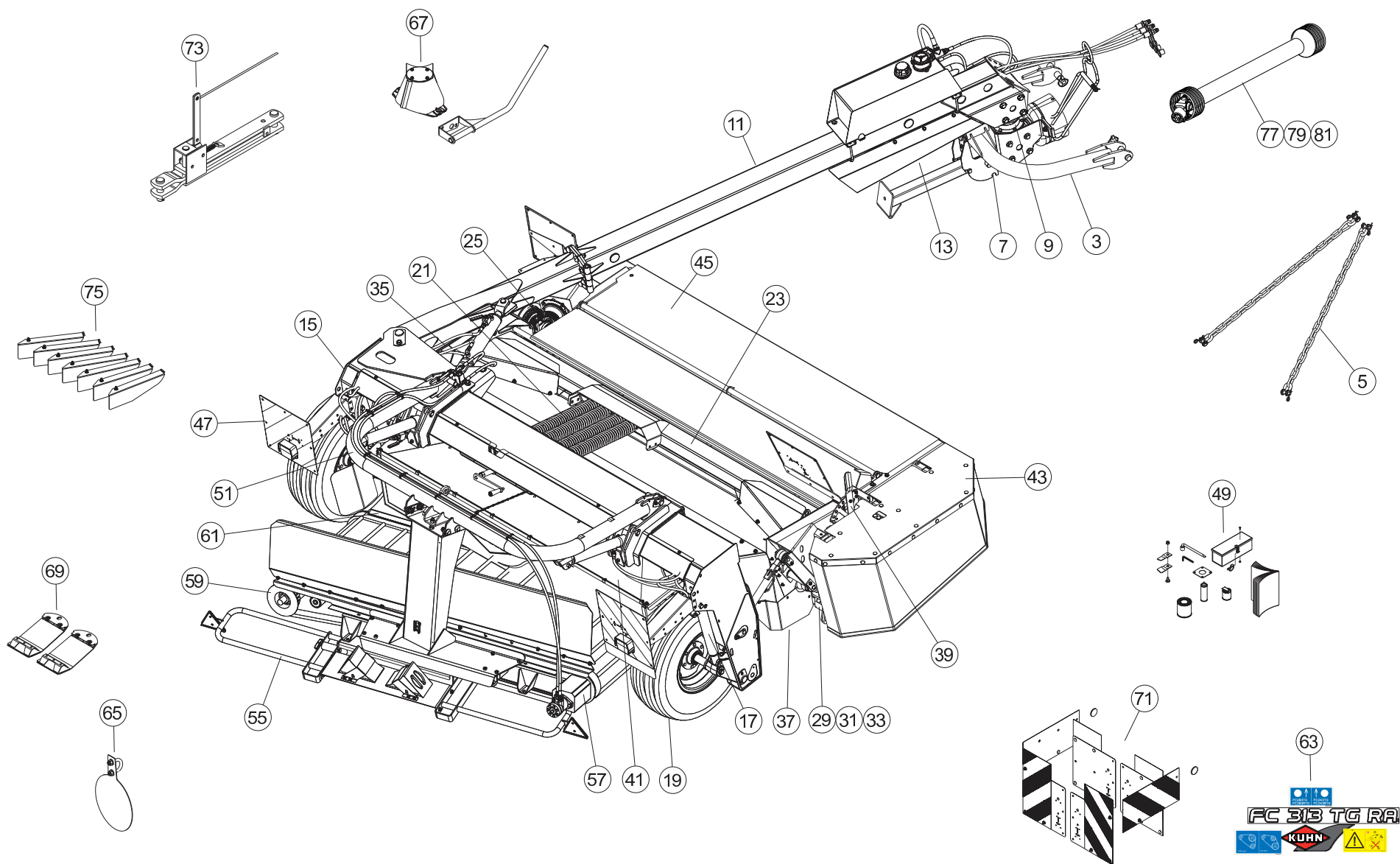




TABLE DES MATIERES - TABLE OF CONTENTS - INHALTSVERZEICHNIS - INDICE

K70R0667 A

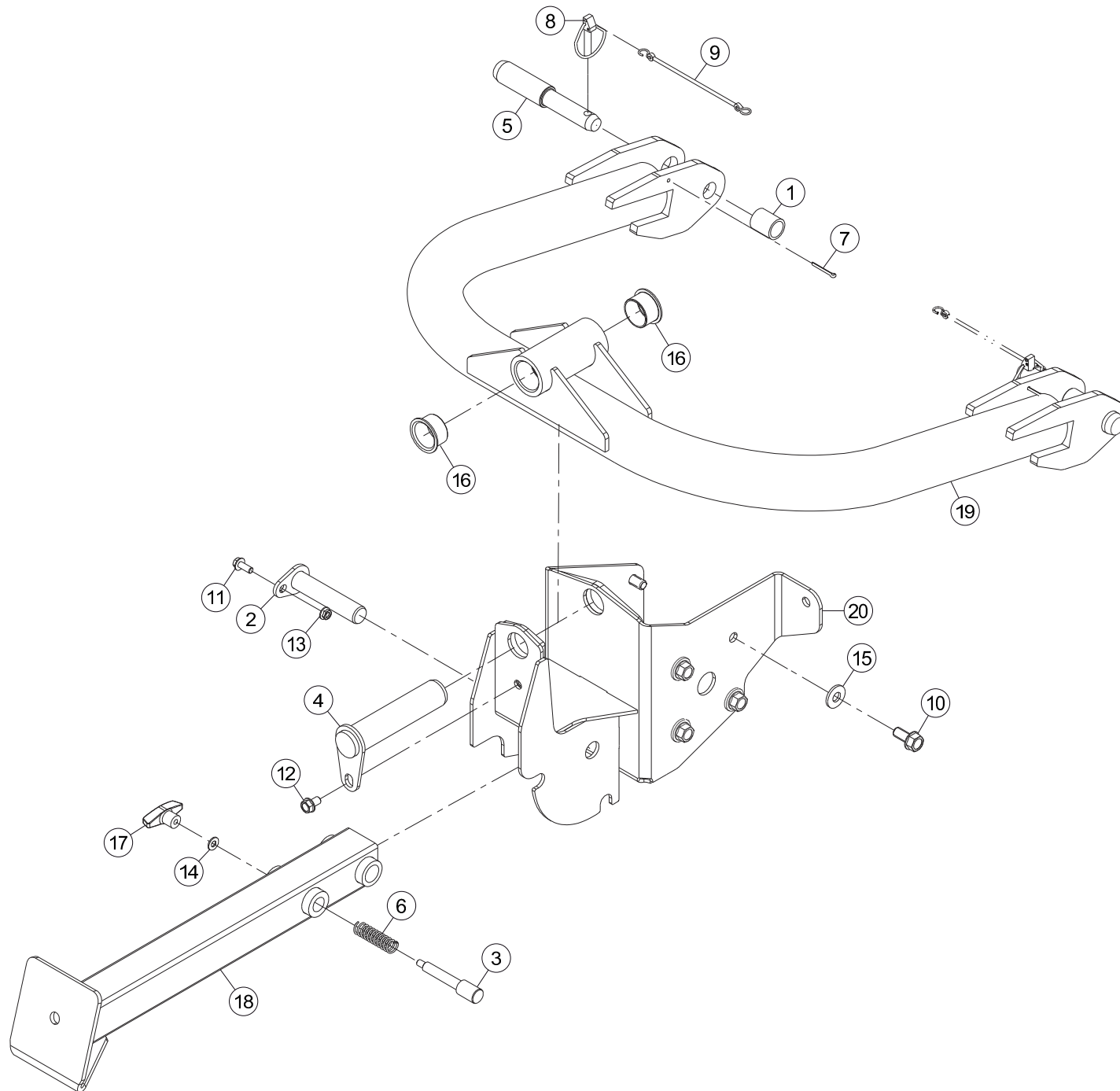
Catalogue P.D.R. - Spare parts list - Ersatzteilliste - Pezzi di Ricambio :

KR098BTL B

Annule et remplace - Cancels and replaces - Annulliert und ersetzt - Annulla e sostituisce :

KR098BTL A

| Grp | Page | Opt | Groupe de pièces | Parts group index | Teilegruppe | Gruppo di parti |
|-----|------|-----|--------------------------------|---------------------------|--------------------------------|--------------------------------|
| 003 | 003 | | CINTRE "GIRODYNE" | GYRODYNE 2 PT ATTACHMENT | "GIRODYNE"-2-PUNKT-ANBAU | |
| 005 | 005 | | CHAÎNES DE RETENUE | CHECK CHAINS | HALTEKETTEN | |
| 007 | 007 | | LIMITEUR DE COUPLE A FRICTION | FRICTION TORQUE LIMITER | ÜBERLASTRUTSCHKUPPLUNG | LIMITATORE COPPIA AD ATTRITO |
| 009 | 009 | | CARTER "GIRODYNE" | GYRODYNE GEARBOX | SCHWENKKOPF "GIRODYNE" | |
| 011 | 011 | | TIMON GIRODYNE | GYRODYNE HITCH DRAWBAR | ZUGDEICHSEL GIRODYNE | BARRA DI ATTACCO GIRODYNE |
| 013 | 013 | | POMPE | PUMP | PUMPE | POMPA |
| 015 | 015 | | CHASSIS | FRAME | FRAMEN | TELAIO |
| 017 | 017 | | RELEVAGE (CHASSIS) | LIFT (FRAME) | AUSHEBUNG (RAHMEN) | SOLLEVAMENTO (TELAIO) |
| 019 | 019 | | ROUES | WHEELS | RAEDER | RUOTE |
| 021 | 021 | | SYSTEME D'ALLEGEMENT | SUSPENSION SYSTEM | ENTLASTUNGSSYSTEM | |
| 023 | 023 | | TUBE PORTEUR | SUPPORT TUBE | TRAGRAHMEN | TUBO SUPPORTO |
| 025 | 025 | | CARTER DE RENVOI | BEVEL GEARBOX | WINKELGETRIEBE | CARTER DI RINVIO |
| 029 | 029 | | CARTER DU PORTE - DISQUES | CUTTERBAR GEAR CASE | MÄHBALKEN | SCATOLA INGRAN. BARRA COLTELLI |
| 031 | 031 | | DISQUES, PATINS, SEMELLES | DISCS, DISCGUARDS, SKIDS | SCHEIBEN, SCHUTZKUFEN | |
| 033 | 033 | | VISSERIE | BOLTS AND NUTS | SCHRAUBEN UND MUTTERN | BULLONI E DADI |
| 035 | 035 | | TENDEUR DE COURROIES | TIGHTENER | RIEMENSPANNER | TENDICINGHIA |
| 037 | 037 | | ROTOR A DOIGTS | ROTOR | FINGERROTOR | ROTORE A DITA |
| 039 | 039 | | PEIGNE - DEFLECTEUR | COMB - DEFLECTOR | KAMM - PRALLBLECH | |
| 041 | 041 | | CAPOTS (ARRIERE) | BONNETS (REAR) | HAUBEN (HINTEN) | COFANI (POSTERIORE) |
| 043 | 043 | | PROTECTEURS (DROIT) | SAFETY GUARDS (RIGHT) | SCHUTZVORRICHTUNGEN (RECHTS) | PARAPETTI (DX) |
| 045 | 045 | | PROTECTEURS (GAUCHE) | SAFETY GUARDS (LEFT) | SCHUTZVORRICHTUNGEN (LINKS) | PARAPETTI (SX) |
| 047 | 047 | | SIGNALISATION | SIGNALLING | BELEUCHTUNG U. WARNTAFELN | SEGNALAZIONE |
| 049 | 049 | | DIVERS | MISCELLANEOUS | VERSCHIEDENES | VARIE |
| 051 | 051 | | RELEVAGE (CONVOYEUR) | LIFT (CONVEYOR) | AUSHEBUNG (BANDFÖRDERER) | SOLLEVAMENTO (CONVOGLIATORE) |
| 055 | 055 | | SUPPORT (CONVOYEUR) | SUPPORT (CONVEYOR) | TRAEGER (BANDFÖRDERER) | SUPPORTO (CONVOGLIATORE) |
| 057 | 057 | | CONVOYEUR (ENTRAINEMENT) | CONVEYOR (DRIVE) | BANDFÖRDERER (ANTRIEB) | CONVOGLIATORE (TRASCINAMENTO) |
| 059 | 059 | | CONVOYEUR (TENDEUR) | CONVEYOR (TENSIONER) | BANDFÖRDERER (SPANNER) | CONVOGLIATORE (TENDITORE) |
| 061 | 061 | | PROTECTEURS | SAFETY GUARDS | SCHUTZVORRICHTUNGEN | PARAPETTI |
| 063 | 063 | | COLL.ETIQUETTES ADHESIVES | SET OF STICKERS | SATZ AUFKLEBER | SERIE ADESIVI |
| 065 | 065 | | COLL.SUPPORT LIMIT.VITESSE | SPEED LIMIT.SUPPORT SET | GESCHWIND.BEGRENZ.HALT.SATZ | |
| 067 | 067 | OPT | DISQUE CONE LARGE | DISC WITH LARGE CONE | SCHEIBE MIT BREITEM KEGEL | DISCO A LARGO CONO |
| 069 | 069 | OPT | COLL.SEMELLES SURELEVEES | RAISED SKID SHOE SET | SATZ HOCHSCHNITTKUFEN | KIT SLITTE RIALZATE |
| 071 | 071 | OPT | COLL. SIGNALISATION ITALIE | WARNING BOARDS ITALY | WARNTAFELN ITALIEN | KIT ILLUM. SEGN. ITALY |
| 073 | 073 | OPT | DIS.PIV.MANUEL TIMON FC250/300 | MECHANICAL LOCKING DEVICE | MECHAN.ZUGDEICHSELVERRIEGELUNG | SPOST.TIMONE MAN. DALLA R0001 |
| 075 | 075 | OPT | COLL.EPANDAGE LARGE | WIDE SPREAD SET | BREITSTREUSATZ | KIT ANDANA LARGA |
| 077 | 077 | | COLL. TRANSMISSION HOMOCINET. | KIT WIDE ANGLE PTO | SATZ WEITWINKELGELENKWELLE | |
| 079 | 079 | | TRANSMISSION 4800800 | TRANSMISSION 4800800 | GELENKWELLE 4800800 | TRANSMISSIONE 4800800 |
| 081 | 081 | | TRANSMISSION 4800612 | TRANSMISSION 4800612 | GELENKWELLE 4800612 | TRANSMISSIONE 4800612 |



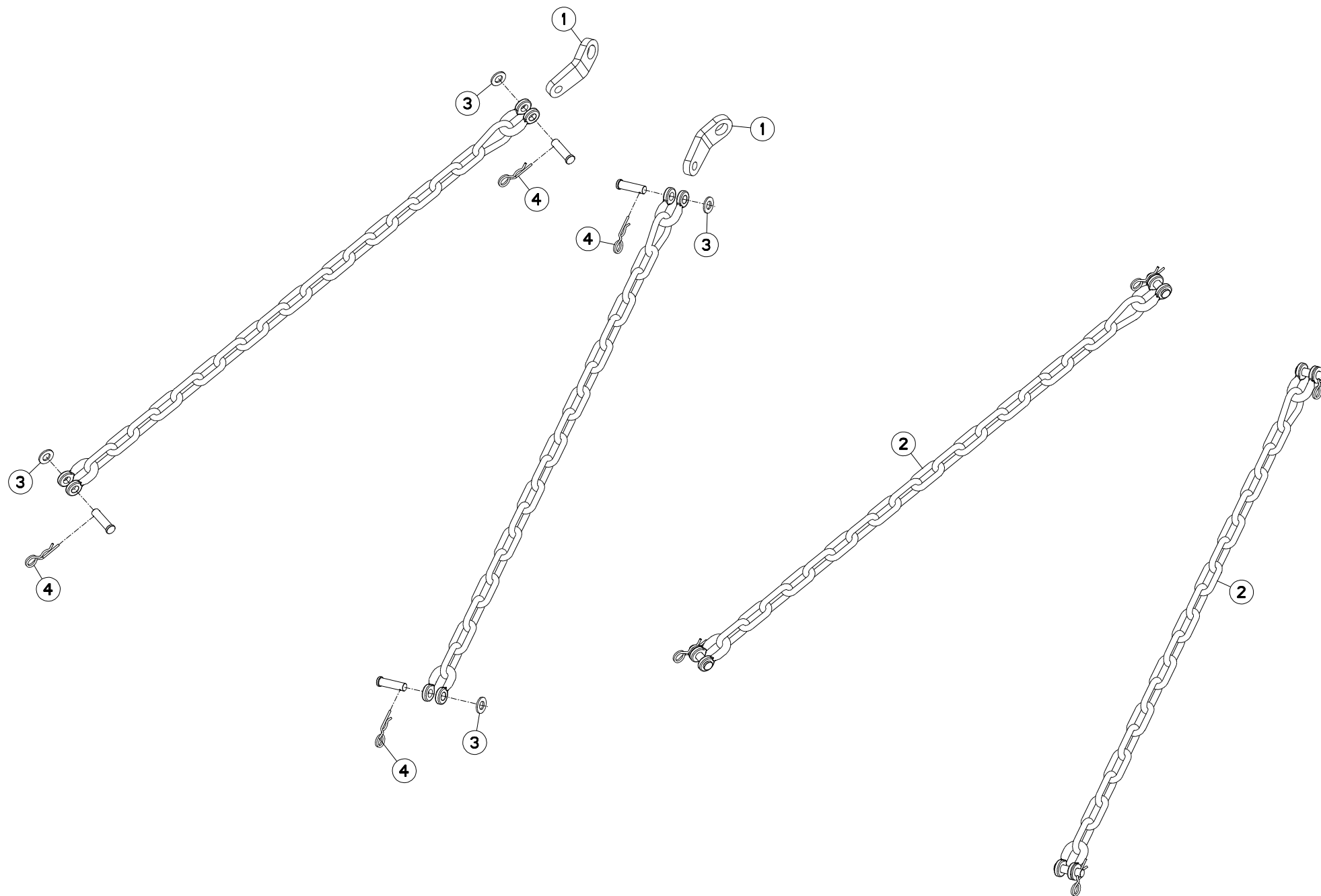


CINTRE "GIRODYNE"

GYRODINE 2 PT ATTACHMENT

"GIRODYNE"-2-PUNKT-ANBAU

| Rep | Nr | Qt | Designation | Description | Bezeichnung | Referenza | Remarque - Remark - Bemerkung - Osservazioni |
|-----|----------|-----|------------------------------|--------------------------------|-------------------------------|-------------------------------|--|
| 001 | 50030800 | 002 | ENTRETOISE ZBC | SOCKET ZBC | BUECHSE ZBC | BOCCOLA ZBC | |
| 002 | 55736610 | 001 | AXE | PIN | ACHSE | ASSE | |
| 003 | 55736700 | 001 | VERROU | LATCH | RIEGEL | LEVA | |
| 004 | 55814600 | 001 | BROCHE | PIN, HITCH | ACHSE | PERNO | |
| 005 | 55836100 | 002 | TOURILLON | TRUNNION | DREHZAPFEN | PERNO FE/ZN | |
| 006 | 58722600 | 001 | RESSORT DE PRESSION | PRESSURE SPRING | FEDER | MOLLA | |
| 007 | 80500470 | 002 | GOUPILLE FENDUE FE/ZNXC3 | SPLIT PIN FE/ZNXC3 | SPLINT FE/ZNXC3 | COPPIGLIA FE/ZNXC3 | |
| 008 | 80561155 | 002 | GOUPILLE AUTOMATIQUE | LINCH PIN | KLAPPSTECKER | SPINA DI FERMO | |
| 009 | 83070063 | 002 | LIEN PVC | PVC CORD | SICHERUNGSBAND | CAVETTO | |
| 010 | 80061635 | 008 | VIS TETE HEXAGONALE FE/ZNXC3 | HEXAGON HEAD SCREW FE/ZNXC3 | SECHSKANTSCHRAUBE FE/ZNXC3 | VITE TESTA ESAGONALE FE/ZNXC3 | 21 daN m (155 lbf ft) |
| 011 | 80131026 | 001 | VIS AUTOBLOQUANTE FLZNNC | UNDERSERR.S-LOC.SCREW FLZNNC | SPERRZAHN-BUNDSCHRAU.FLZNNC | VITE FLZNNC | |
| 012 | 80131220 | 001 | VIS AUTOBLOQUANTE FLZNNC | UNDERSERR.S-LOC.SCREW FLZNNC | SPERRZAHN-BUNDSCHRAU.FLZNNC | VITE FLZNNC | |
| 013 | 80201053 | 001 | ECROU AUTOBLOQUANT FE/ZNXC3 | UNDERSERRAT.S.LOC.NUT FE/ZNXC3 | SPERRZAHN-BUNDMUTTER FE/ZNXC3 | DADO FE/ZNXC3 | |
| 014 | 80251021 | 001 | RONDELLE PLATE FE/ZNXC3 | PLAIN WASHER M10 | SCHEIBE FE/ZNXC3 | RONDELLA PIATTA FE/ZNXC3 | |
| 015 | 80281639 | 008 | RONDELLE RESSORT FLZNNC | CONICAL SPRING WASHER FLZNNC | SPANNSCHEIBE FLZNNC | RONDELLA A MOLLA FLZNNC | |
| 016 | 83014555 | 002 | BAGUE ROULEE A COLLERETTE | FLANGED WRAPPED BUSH | GEROLLTE BUCHSE MIT FLANSCH | ANELLO LUBRIFICATO | |
| 017 | 83050010 | 001 | POIGNEE | HANDLE | HANDGRIFF | MANIGLIA | |
| 018 | K7005410 | 001 | BEQUILLE | STAND | STAENDER | SUPPORTO | |
| 019 | K7005720 | 001 | CINTRE SOUDE | CONNECTING TUBE | BUEGEL | | |
| 020 | K7005770 | 001 | FIXATION INFERIEURE | SUPPORT | HALTERUNG UNTEN | | |





FC313TGRA

B 0001 > L 0000

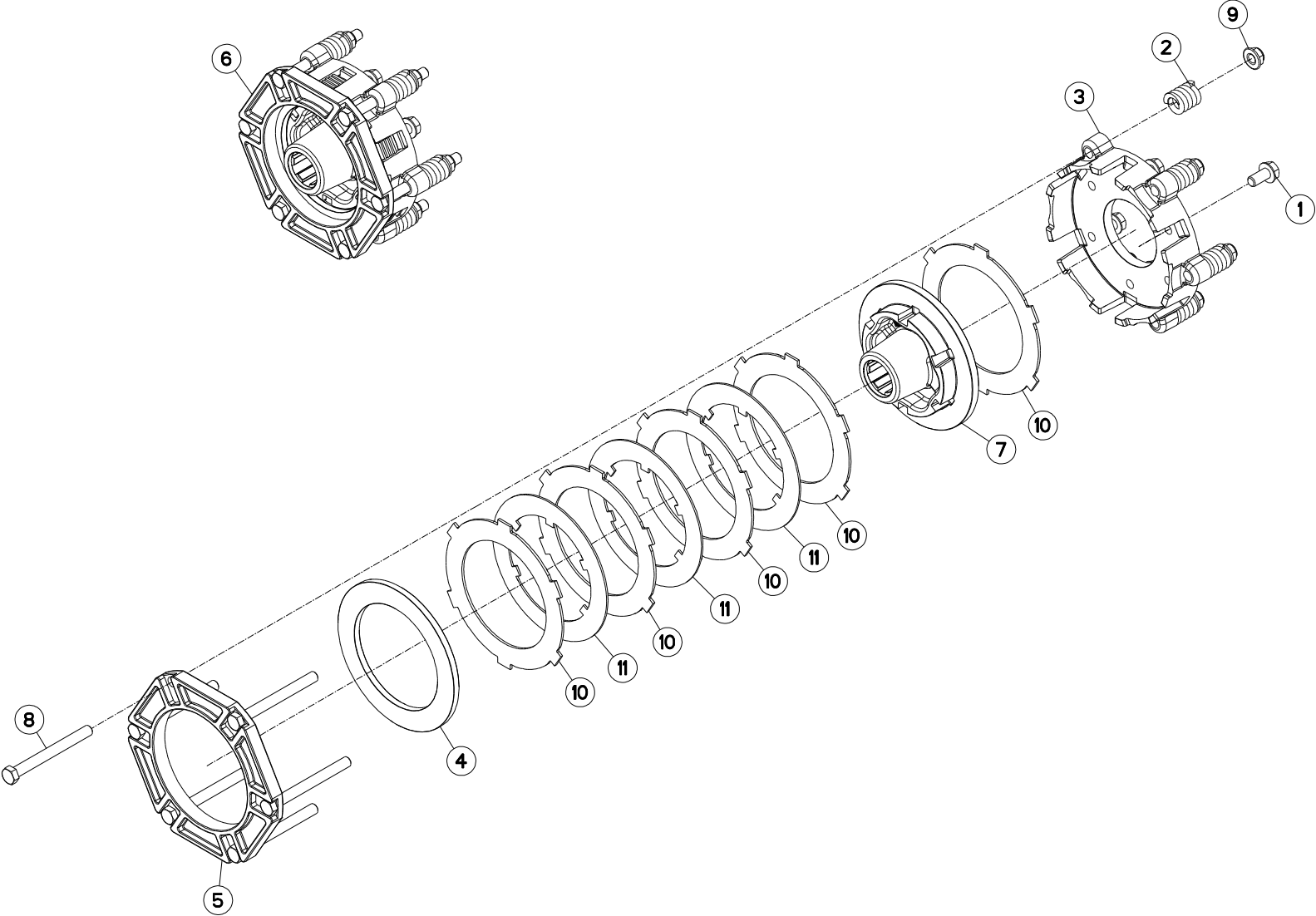
K70R0154 B

CHAÎNES DE RETENUE

CHECK CHAINS

HALTEKETTEN

| Rep | Nr | Qt | Designation | Description | Bezeichnung | Referenza | Remarque - Remark - Bemerkung - Osservazioni |
|-----|-----------------|-----|-------------------------|-------------------------|--------------------|--------------------------|--|
| 001 | 55835700 | 002 | PATTE ZBC | BRACKET | LASCHE | FAZZOLETTO | |
| 002 | 56530110 | 002 | CHAINE DE RETENUE | SUPPORT CHAIN | KETTE | CATENA | +[1] |
| 003 | 80251624 | 004 | RONDELLE PLATE FE/ZNXC3 | PLAIN WASHER M16 | SCHEIBE FE/ZNXC3 | RONDELLA PIATTA FE/ZNXC3 | [1] |
| 004 | 80570476 | 004 | GOUPILLE BETA FE/ZN | SPRING COTTER PIN FE/ZN | FEDERSTECKER FE/ZN | MOLLA FE/ZN | [1] |





FC313TGRA

B 0001 > L 0000

K25R0001 A

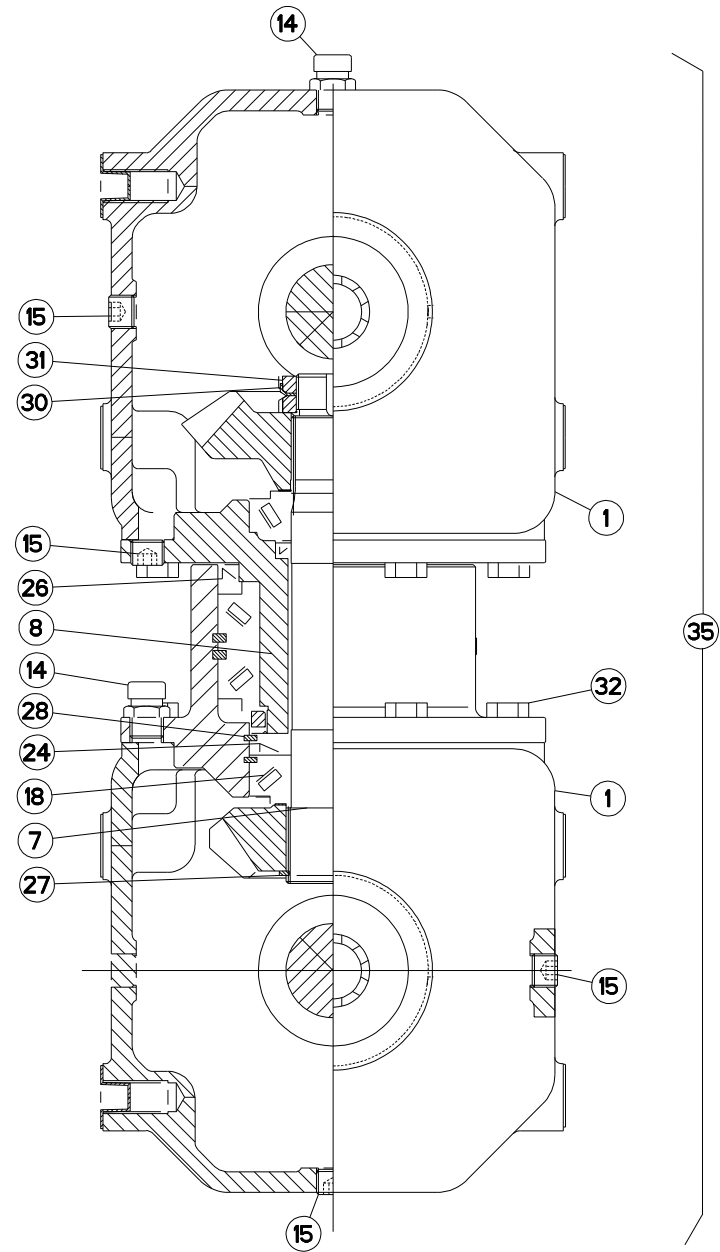
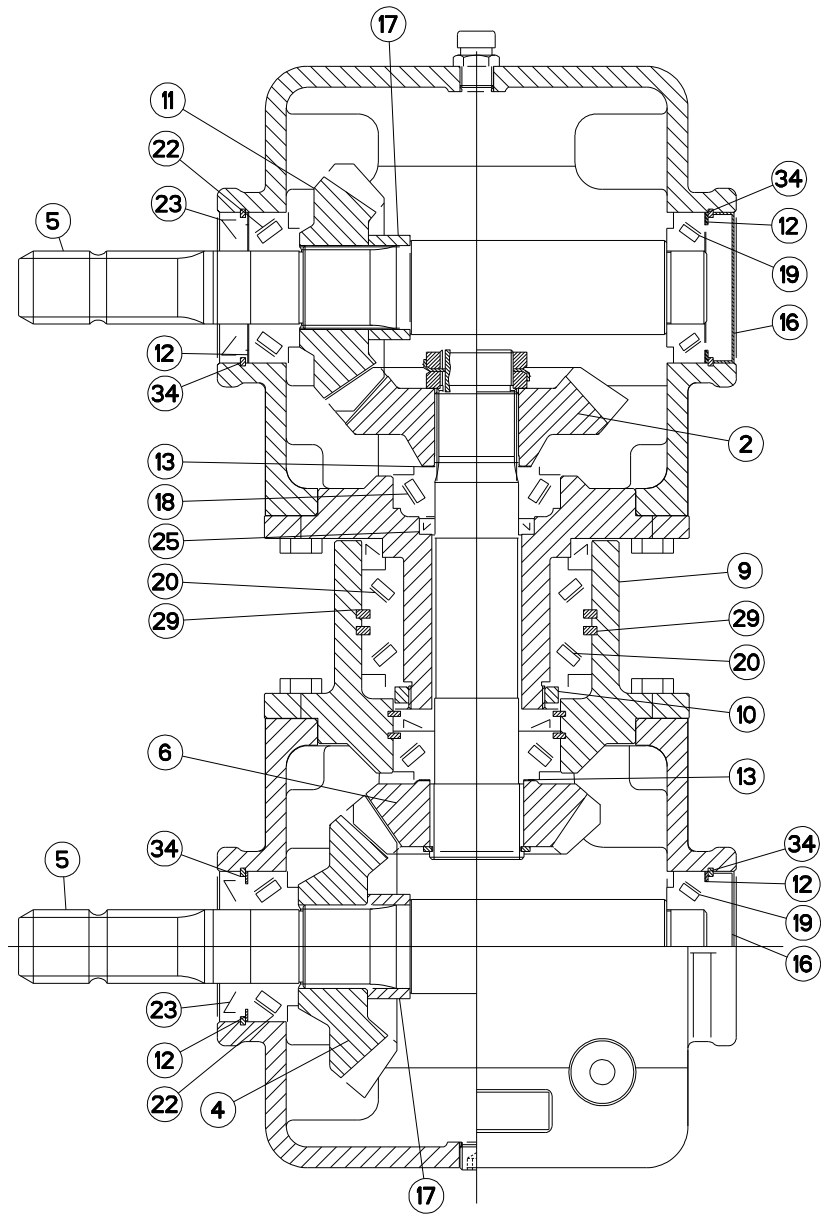
LIMITEUR DE COUPLE A FRICTION

FRICTION TORQUE LIMITER

ÜBERLASTRUTSCHKUPPLUNG

LIMITATORE COPPIA AD ATTRITO

| Rep | Nr | Qt | Designation | Description | Bezeichnung | Referenza | Remarque - Remark - Bemerkung - Osservazioni |
|-----|-----------------|-----|-------------------------------|------------------------------|--------------------------------|-------------------------------|--|
| 001 | 50003300 | 006 | VIS AUTOFREINEE | SCREW, SELF-LOCKING | SELBSTSICHERNDE SCHRAUBE | VITE AUTOBLOCCANTE | [1] 12 daN m (89 lbf ft) |
| 002 | 52228500 | 006 | RESSORT DE PRESSION | PRESSURE SPRING | DRUCKFEDER | MOLLA DI PRESSIONE | [1] |
| 003 | 52514110 | 001 | COURONNE | GEAR, SUN | TELLERRAD | CORONA | [1] |
| 004 | 52536600 | 001 | RONDELLE D'EXTREMITÉ | WASHER | SCHEIBE | DISCO | [1] |
| 005 | 52536700 | 001 | BRIDE | CLAMP | BUEGEL | STAFFA | [1] |
| 006 | 52583500 | 001 | LIMITEUR DE COUPLE A FRICTION | TORQUE LIMIT.FRICTION CLUTCH | RUTSCHKUPPLUNG | FRIZIONE | + [1] |
| 007 | 56010300 | 001 | MOYEU | HUB | NABE | MOZZO | [1] |
| 008 | 80061269 | 006 | VIS TETE HEXAGONALE FE/ZNXC3 | HEXAGON HEAD SCREW FE/ZNXC3 | SECHSKANTSCHRAUBE FE/ZNXC3 | VITE TESTA ESAGONALE FE/ZNXC3 | [1] |
| 009 | 80201260 | 006 | ECROU HEX.EMB.AUTOFR.FE/ZNXC3 | NUT M12 DIN 6926-10 | SELBSTSICHERNDE FLANSCH-MUTTER | DADO | [1] |
| 010 | 83250001 | 005 | LAMELLE EXTERIEURE | CLUTCH DISC OUTER | LAMELLE AUSSEN | LAMELLA PER FRIZIONE | [1] |
| 011 | 83250050 | 003 | LAMELLE INTERIEURE | CLUTCH PLATE | LAMELLE INNEN | DISCO FRIZIONE | [1] |



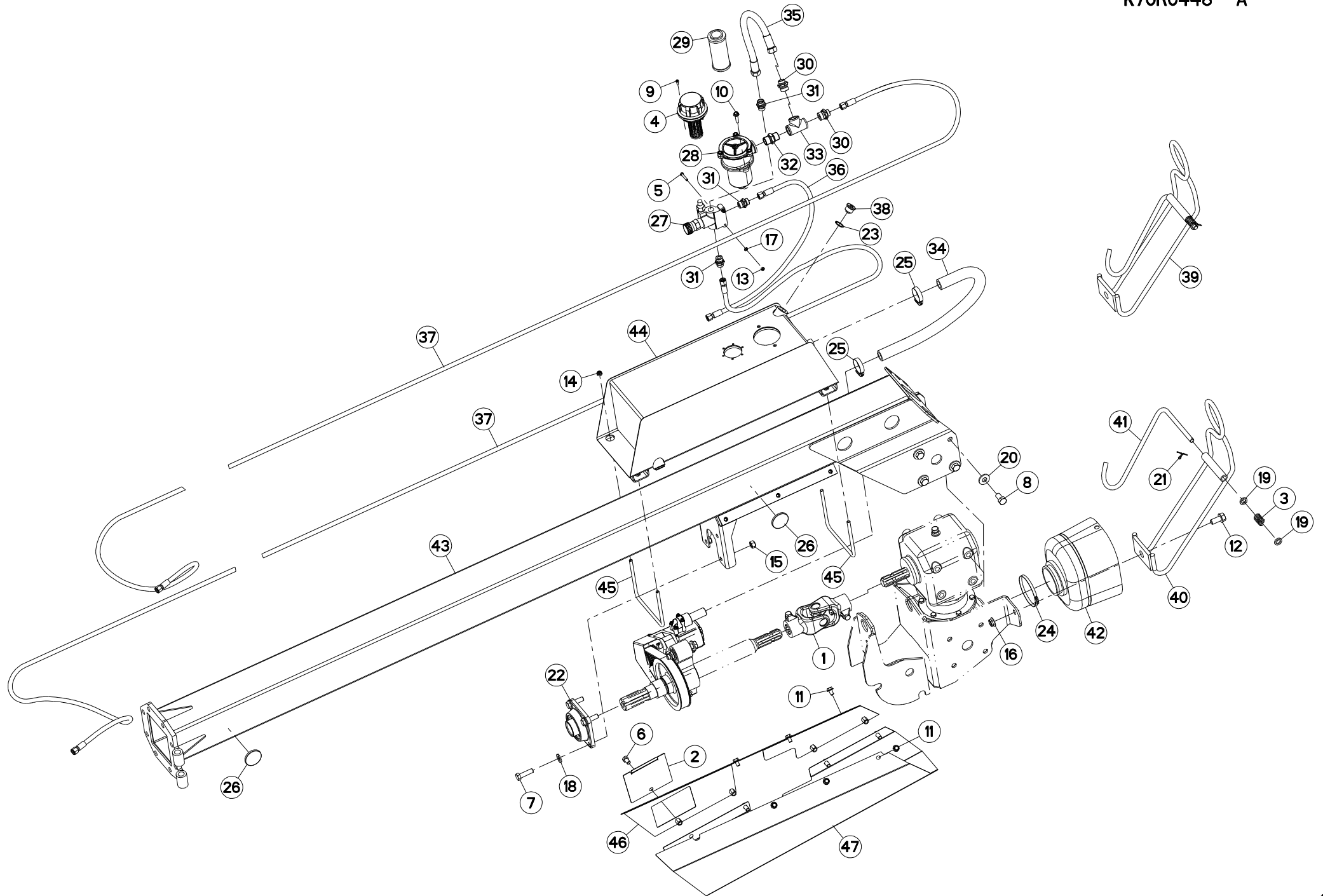


CARTER "GIRODYNE"

GYRODINE GEARBOX

SCHWENKKOPF "GIRODYNE"

| Rep | Nr | Qt | Designation | Description | Bezeichnung | Referenza | Remarque - Remark - Bemerkung - Osservazioni |
|-----|-----------------|-----|-------------------------------|--------------------------------|----------------------------|-------------------------------|--|
| 001 | K7006860 | 002 | CARTER | HOUSING | GETRIEBEGEHAEUSE | LAMIERA | [1] |
| 002 | K7006870 | 001 | ROUE CONIQUE 21 DENTS | BEVEL GEAR WHEEL Z.21 | KEGELRAD 21 Z. | RUOTA | [1] Z=21 |
| 004 | K7006880 | 001 | ROUE CONIQUE 21 DENTS | BEVEL GEAR WHEEL Z.21 | KEGELRAD 21 Z. | RUOTA | [1] Z=21 |
| 005 | K7006890 | 002 | ARBRE D'ENTRAINEMENT | PRIMARY SHAFT | ANTRIEBSWELLE | ALBERO | [1] |
| 006 | K7006900 | 001 | ROUE CONIQUE 18 DENTS | BEVEL GEAR WHEEL Z.18 | KEGELRAD 18 Z. | RUOTA | [1] Z=18 |
| 007 | K7006910 | 001 | ARBRE INTERMEDIAIRE | INTERMEDIATE SHAFT | ZWISCHENWELLE | ALBERO | [1] |
| 008 | K7006920 | 001 | PALIER INTERIEUR | BEARING HOUSING | LAGERGEHAEUSE | SUPPORTO | [1] |
| 009 | K7006930 | 001 | PALIER EXTERIEUR | HOUSING | LAGER | SUPPORTO | [1] |
| 010 | K7006940 | 001 | ECROU | NUT | MUTTER | DADO | [1] 36 daN m (266 lbf ft) |
| 011 | K7006950 | 001 | ROUE CONIQUE 18 DENTS | BEVEL GEAR WHEEL Z.18 | KEGELRAD 18 Z. | RUOTA | [1] Z=18 |
| 012 | K7006960 | 002 | RONDELLE D'AJUSTAGE PS | SHIM RING PS | PASSSCHEIBE PS | SPESSORE | [1] |
| 013 | 80254040 | 001 | RONDELLE D'AJUSTAGE PS 0,1 | SHIM RING PS 0,1 | PASSSCHEIBE PS 0,1 | SPESSORE | [1] > <0,1 Q? |
| 013 | 80254041 | 001 | RONDELLE D'AJUSTAGE PS 0,3 | SHIM RING PS 0,3 | PASSSCHEIBE PS 0,3 | SPESSORE | [1] > <0,3 Q? |
| 013 | 80254054 | 001 | RONDELLE D'AJUSTAGE PS 1,0 | SHIM RING PS 1,0 | PASSSCHEIBE PS 1,0 | SPESSORE | [1] > <1 Q? |
| 014 | A7011511 | 002 | RENIFLARD 3/8 GAZ | BREATHER | ENTLUEFTER | SFIATATOIO | [1] |
| 015 | 82230009 | 004 | BOUCHON | PLUG | VERSCHLUSSSCHRAUBE | TAPPO | [1] |
| 016 | K7006990 | 002 | BOUCHON | CAP PLUG | VERSCHLUSSDECKEL | TAPPO | [1] |
| 017 | K7007000 | 002 | ENTRETOISE | SPACER | DISTANZHUELSE | DISTANZIALE | [1] |
| 018 | 81304079 | 002 | ROULEMENT A ROULEAUX CONIQUES | ROLLER BEARING 30208 TAPERED | KEGELROLLENLAGER | CUSCINETTO A RULLO | [1] |
| 019 | 81303572 | 002 | ROULEMENT A ROULEAUX CONIQUES | TAPERED ROLLER BEARING | KEGELROLLENLAGER | CUSCINETTO A RULLO | [1] |
| 020 | 81307011 | 002 | ROULEMENT A ROULEAUX CONIQUES | TAPERED ROLLER BEARING | KEGELROLLENLAGER | CUSCINETTO A RULLI | [1] |
| 022 | 81303571 | 002 | ROULEMENT A ROULEAUX CONIQUES | TAPERED ROLLER BEARING | KEGELROLLENLAGER | CUSCINETTO A RULLO | [1] |
| 023 | 82013571 | 002 | BAGUE D'ETANCHEITE | OIL SEAL | RADIALDICHRING | PARAOLIO | [1] |
| 024 | K7007010 | 001 | BAGUE D'ETANCHEITE | OIL SEAL | RADIALDICHRING | PARAOLIO | [1] |
| 025 | K7007020 | 001 | BAGUE D'ETANCHEITE | OIL SEAL | RADIALDICHRING | PARAOLIO | [1] |
| 026 | 82019014 | 001 | BAGUE D'ETANCHEITE | OIL SEAL | RADIALDICHRING | PARAOLIO | [1] |
| 027 | 80584500 | 001 | CIRCLIP EXTERIEUR | RETAINING RING | SICHERUNGSRING | ANELLO | [1] |
| 028 | 80598000 | 002 | CIRCLIP INTERIEUR | ELASTIC RING 180 BLACK (DIN 47 | SICHERUNGSRING | ANELLO | [1] |
| 029 | 80590002 | 001 | CIRCLIP INTERIEUR | RETAINING RING | SICHERUNGSRING | ANELLO | [1] |
| 030 | K7007030 | 001 | RONDELLE-FREIN | LOCK WASHER | SICHERUNGSBLECH | RONDELLA-FRENO | [1] |
| 031 | 80203518 | 002 | ECROU A ENCOCHES | SLOTTED ROUND NUT | NUTMUTTER | GHIERA | [1] 16 daN m (118 lbf ft) |
| 032 | 80061035 | 016 | VIS TETE HEXAGONALE FE/ZNXC3 | HEX. HEAD SCREW M10 X 35 MM CL | SECHSKANTSCHRAUBE FE/ZNXC3 | VITE TESTA ESAGONALE FE/ZNXC3 | [1] 4,8 daN m (37 lbf ft) |
| 034 | 80597200 | 004 | CIRCLIP INTERIEUR | RETAINING RING | SICHERUNGSRING | ANELLO | [1] |
| 035 | K7005730 | 001 | CARTER COMPLET | GEARBOX ASSEMBLY | GETRIEBE KPL. | SCATOLA CPL. | + [1] |





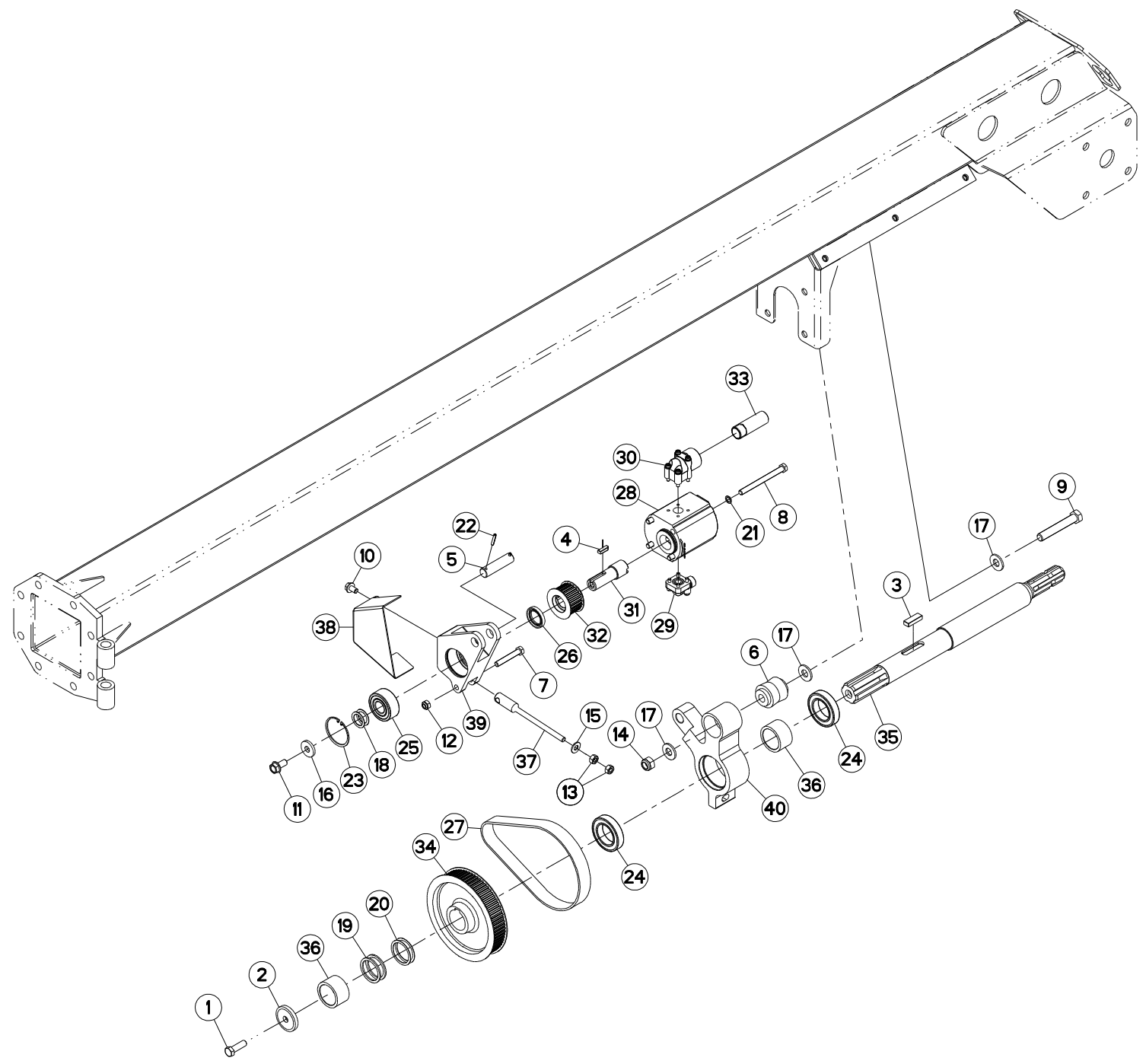
TIMON GIRODYNE

GYRODINE HITCH DRAWBAR

ZUGDEICHSEL GIRODYNE

BARRA DI ATTACCO GIRODYNE

| Rep | Nr | Qt | Designation | Description | Bezeichnung | Referenza | Remarque - Remark - Bemerkung - Osservazioni |
|-----|----------|-----|--------------------------------|--------------------------------|--------------------------------|--------------------------------|--|
| 001 | 4630000 | 001 | CARDAN | JOINT, UNIVERSAL | KREUZGELENK | CARDANO | |
| 002 | 56674010 | 001 | COUVERCLE | LID | DECKEL | COPERCHIO | |
| 003 | 57525600 | 001 | RESSORT DE PRESSION ZBC | PRESSURE SPRING | DRUCKFEDER | MOLLA DI PRESSIONE | [1] |
| 004 | 57866400 | 001 | BOUCHON | PLUG | VERSCHLUSSSCHRAUBE | TAPPO | |
| 005 | 80060635 | 002 | VIS TETE HEXAGONALE FE/ZNXC3 | HEX BOLT M6X35 CL5.8 DIN931 R. | SECHSKANTSCHRAUBE FE/ZNXC3 | VITE TESTA ESAGONALE FE/ZNXC3 | |
| 006 | 80061220 | 004 | VIS TETE HEXAGONALE FLZNNC | HEX BOLT M12X20 CL 5.8 DIN933 | SECHSKANTSCHRAUBE FLZNNC | VITE TESTA ESAGONALE FLZNNC | |
| 007 | 80061449 | 004 | VIS TETE HEXAGONALE FE/ZNXC3 | HEXAGON HEAD SCREW FE/ZNXC3 | SECHSKANTSCHRAUBE FE/ZNXC3 | VITE TESTA ESAGONALE FE/ZNXC3 | 13,5 daN m (100 lbf ft) |
| 008 | 80061630 | 008 | VIS TETE HEXAGONALE FE/ZNXC3 | HEXAGON HEAD SCREW FE/ZNXC3 | SECHSKANTSCHRAUBE FE/ZNXC3 | VITE TESTA ESAGONALE FE/ZNXC3 | 21 daN m (155 lbf ft) |
| 009 | 80080512 | 006 | VIS TETE CYL.SIX P.CR.FE/ZNXC3 | HEX.SOCK.HEAD CAP SCR.FE/ZNXC3 | ZYLINDERSCHR.INNENSEC.FE/ZNXC3 | VITE A TESTA CILINDR. FE/ZNXC3 | |
| 010 | 80130835 | 002 | VIS AUTOBLOQUANTE FLZNNC | UNDERSERR.S-LOCK.SCREW FLZNNC | SPERRZAHN-BUNDSCHRAUBE FLZNNC | VITE FLZNNC | |
| 011 | 80131017 | 006 | VIS AUTOBLOQUANTE FLZNNC | UNDERSERR.S-LOC.SCREW FLZNNC | SPERRZAHN-BUNDSCHRAU.FLZNNC | VITE FLZNNC | |
| 012 | 80131636 | 001 | VIS AUTOBLOQUANTE FLZNNC | UNDERSERR.S-LOC.SCREW FLZNNC | SPERRZAHN-BUNDSCHRAU.FLZNNC | VITE FLZNNC | |
| 013 | 80200640 | 002 | ECROU HEX.BAS AUTOFR.FE/ZNXC3 | SELF-LOCKING NUT FE/ZNXC3 | SELBSTSICHERND.MUTTER FE/ZNXC3 | DADO AUTOBLOCCANTE FE/ZNXC3 | |
| 014 | 80201040 | 004 | ECROU HEX.BAS AUTOFR.FE/ZNXC3 | SELF LOCKING NUT M10 DIN 985 | SELBSTSICHERND.MUTTER FE/ZNXC3 | DADO AUTOBLOCCANTE FE/ZNXC3 | |
| 015 | 80201430 | 004 | ECROU HEX.AUTOFREINE FE/ZNXC3 | SELF-LOCKING NUT M14 DIN-982 | SELBSTSICHERNDE MUTT.FE/ZNXC3 | DADO AUTOBLOCCANTE FE/ZNXC3 | |
| 016 | 80201651 | 001 | ECROU AUTOBLOQUANT FE/ZNXC3 | UNDERSERRAT.S.LOC.NUT FE/ZNXC3 | SPERRZAHN-BUNDMUTTER FE/ZNXC3 | DADO FE/ZNXC3 | |
| 017 | 80250611 | 002 | RONDELLE PLATE FE/ZNXC3 | PLAIN WASHER M6 DIN 125 FE/ZNX | SCHEIBE FE/ZNXC3 | RONDELLA PIATTA FE/ZNXC3 | |
| 018 | 80251430 | 004 | RONDELLE PLATE FE/ZNXC3 | PLAIN WASHER M14 | SCHEIBE FE/ZNXC3 | RONDELLA PIATTA FE/ZNXC3 | |
| 019 | 80251625 | 002 | RONDELLE PLATE FE/ZNXC3 | PLAIN WASHER FE/ZNXC3 | SCHEIBE FE/ZNXC3 | RONDELLA PIATTA FE/ZNXC3 | [1] |
| 020 | 80281639 | 008 | RONDELLE RESSORT FLZNNC | CONICAL SPRING WASHER FLZNNC | SPANNSCHEIBE FLZNNC | RONDELLA A MOLLA FLZNNC | |
| 021 | 80500428 | 001 | GOUPILLE FENDUE FE/ZNXC3 | SPLIT PIN FE/ZNXC3 | SPLINT FE/ZNXC3 | COPPIGLIA FE/ZNXC3 | [1] |
| 022 | 81504501 | 001 | PALIER | FLANGE BEARING UNIT | FLANSCHLAGER | SUPPORTO | |
| 023 | 82102732 | 002 | JOINT CUIVRE | COPPER RING D 32X27X1.5 MM | DICHTRING | RONDELLA RAME | |
| 024 | 83090053 | 001 | COLLIER | COLLAR | SCHELLE | ANELLO | [2] |
| 025 | 83090075 | 002 | COLLIER VIS SANS FIN INOX W4 | COLLAR | HALTEBAND | COLLARE | |
| 026 | 83240014 | 004 | CATADIOPTRE | REFLECTOR | RUECKSTRAHLER | CATADIOTTRO | |
| 027 | A4073031 | 001 | REGULATEUR | REGULATOR | STEUERVORRICHTUNG | CORRETTORE | |
| 028 | A4079080 | 001 | FILTRE | FILTER | FILTERPATRONE | FILTRO | |
| 029 | A4079081 | 001 | FILTRE CARTOUCHE | FILTER | FILTER | FILTRO | |
| 030 | A4080431 | 002 | UNION MALE | MALE STUD CONNECTOR | GERADER EINSCHRAUBSTUTZEN | GIUZIONE DIRITTA ZBC | |
| 031 | A4080466 | 003 | UNION MALE | M 22 X 1,5 PLUG STEEL ADAPTER | GERADER EINSCHRAUBSTUTZEN | GIUZIONE DIRITTA ZBC | |
| 032 | A4089802 | 001 | UNION DOUBLE MALE GALVA | STRAIGHT COUPLING | GERADEVERSCHRAUBUNG | GIUNZIONE DIRITTA | |
| 033 | A4089803 | 001 | TE | FITTING, HYDRAULIC, TEE | T-STUCK | RACCORDO A T | |
| 034 | A4906005 | 001 | TUYAU | PIPE | ROHR | TUBO | <->2310 mm |
| 035 | A4923011 | 001 | FLEXIBLE HYDRAULIQUE | HYDRAULIC HOSE | HYDRAULIKSCHLAUCH | TUBO GOMMA | <->450 mm |
| 036 | A4923012 | 001 | FLEXIBLE HYDRAULIQUE | HYDRAULIC HOSE | HYDRAULIKSCHLAUCH | TUBO GOMMA | <->850 mm |
| 037 | A4923064 | 002 | FLEXIBLE HYDRAULIQUE | HYDRAULIC HOSE | HYDRAULIKSCHLAUCH | TUBO GOMMA | <->530 mm |
| 038 | K5600230 | 002 | BOUCHON MAGNETIQUE | PLUG, MAGNETIC | MAGNET-VERSCHLUSSSCHRAUBE | TAPPO CALAMITATO | |
| 039 | K5601210 | 001 | SUPPORT | SUPPORT | TRAEGER | SUPPORTO | + [1] |
| 040 | K5601220 | 001 | SUPPORT DE TRANSMISSION | PTO-S.HAFT SUPPORT | GELENKWELLENHALTERUNG | SUPPORTO | [1] |
| 041 | K5601230 | 001 | SUPPORT DE TRANSMISSION | PTO-S.HAFT SUPPORT | GELENKWELLENHALTERUNG | SUPPORTO | [1] |
| 042 | K7007300 | 001 | BOL DE PROTECTION | GUARD CONE | SCHUTZTRICHTER | MANICOTTO PROTEZIONE | + [2] |
| 043 | K7007521 | 001 | TIMON | TONGUE | ZUGDEICHSEL | TIMONE | |
| 044 | K7010510 | 001 | RESERVOIR | RESERVOIR | TANK | SERBATOIO | |
| 045 | K7010520 | 002 | ETRIER | U-BOLT | BUEGEL | CAVALLOTTO | |
| 046 | K7010531 | 001 | PROTECTEUR | GUARD | SCHUTZ | PROTEZIONE | |
| 047 | K7010541 | 001 | PROTECTEUR | GUARD | SCHUTZ | PROTEZIONE | |





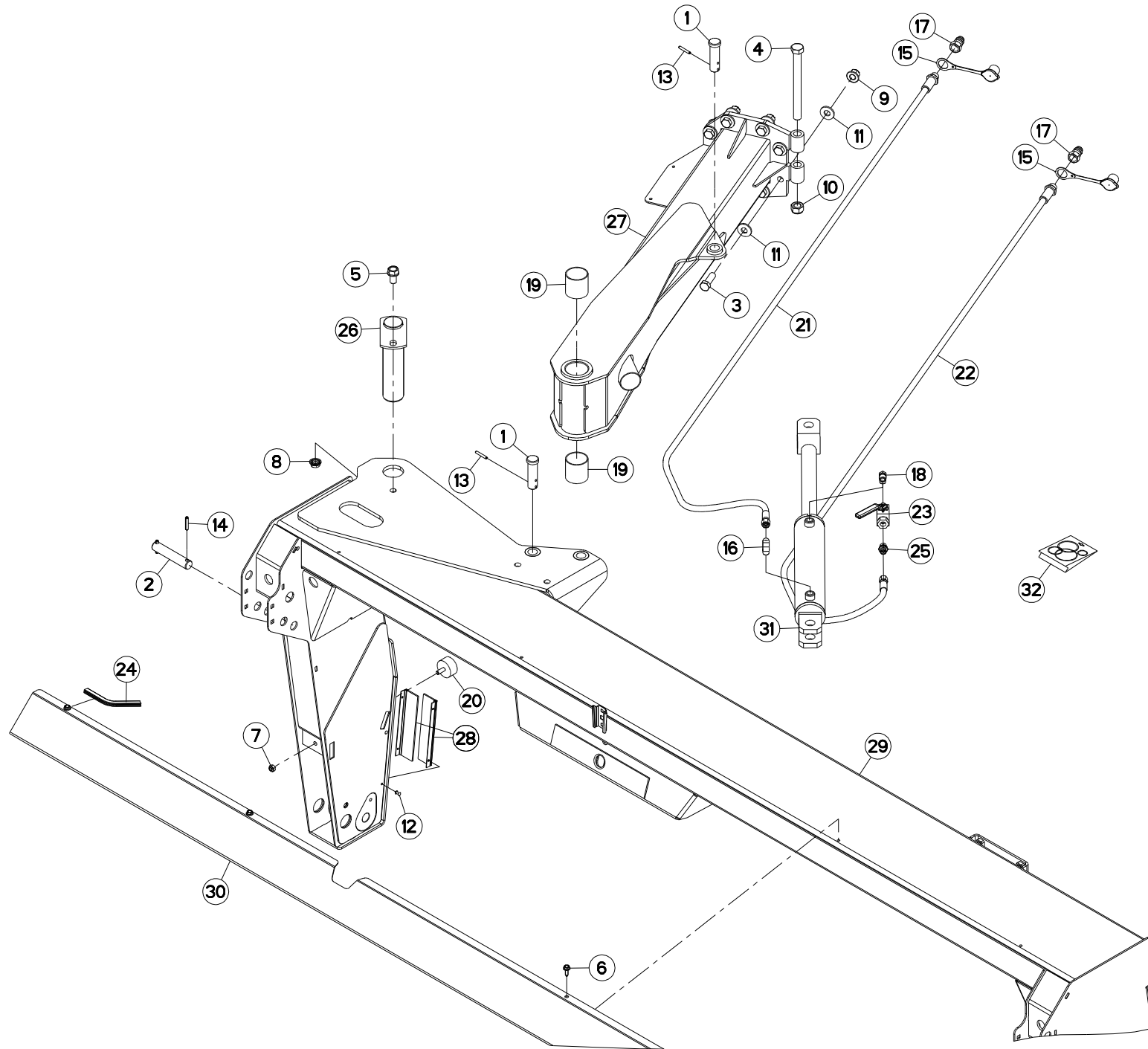
POMPE

PUMP

PUMPE

POMPA

| Rep | Nr | Qt | Designation | Description | Bezeichnung | Referenza | Remarque - Remark - Bemerkung - Osservazioni |
|-----|----------|-----|-------------------------------|--------------------------------|--------------------------------|-------------------------------|--|
| 001 | 80071233 | 001 | VIS AVEC REVÊTEMENT ADHESIF | SCREW WITH ADHESIVE COATING | KLEBE BESCHICHTETE SCHRAUBE | VITE FLZNNC | |
| 002 | 50015100 | 001 | RONDELLE | WASHER | SCHEIBE | RONDELLA PIATTA | |
| 003 | 50025500 | 001 | CLAVETTE PARALLELE | KEY, PARALLEL | PASSFEDER | CHIAVETTA | |
| 004 | 50027800 | 001 | CLAVETTE PARALLELE | KEY, PARALLEL | PASSFEDER | CHIAVETTA | |
| 005 | 56112900 | 001 | AXE | PIN | ACHSE | ASSE | |
| 006 | 56568500 | 001 | ARTICULATION ELASTIQUE | ELASTIC-COUPLING | ELASTIK-GELENK | SNODO ELASTICO | |
| 007 | 80061056 | 001 | VIS TETE HEXAGONALE FE/ZNXC3 | HEXAGON HEAD SCREW FE/ZNXC3 | SECHSKANTSCHRAUBE FE/ZNXC3 | VITE TESTA ESAGONALE FE/ZNXC3 | |
| 008 | 80061064 | 004 | VIS TETE HEXAGONALE FE/ZNXC3 | HEX. HEAD SCREW M10X120 CL.8.8 | SECHSKANTSCHRAUBE FE/ZNXC3 | VITE TESTA ESAGONALE FE/ZNXC3 | |
| 009 | 80061661 | 001 | VIS TETE HEXAGONALE FE/ZNXC3 | HEXAGON HEAD SCREW FE/ZNXC3 | SECHSKANTSCHRAUBE FE/ZNXC3 | VITE TESTA ESAGONALE FE/ZNXC3 | |
| 010 | 80131017 | 002 | VIS AUTOBLOQUANTE FLZNNC | UNDERSERR.S-LOC.SCREW FLZNNC | SPERRZAHN-BUNDSCHRAU.FLZNNC | VITE FLZNNC | |
| 011 | 80131225 | 001 | VIS AUTOBLOQUANTE FLZNNC | UNDERSERR.S-LOC.SCREW FLZNNC | SPERRZAHN-BUNDSCHRAU.FLZNNC | VITE FLZNNC | |
| 012 | 80201040 | 001 | ECROU HEX.BAS AUTOFR.FE/ZNXC3 | SELF LOCKING NUT M10 DIN 985 | SELBSTSICHERND.MUTTER FE/ZNXC3 | DADO AUTOBLOCCANTE FE/ZNXC3 | |
| 013 | 80201070 | 002 | ECROU HEXAGONAL FE/ZNXC3 | NUT FE/ZNXC3 | SECHSKANTMUTTER FE/ZNXC3 | DADO FE/ZNXC3 | |
| 014 | 80201640 | 001 | ECROU HEX.BAS AUTOFR.FE/ZNXC3 | SELF-LOCKING NUT M16 DIN 985 B | SELBSTSICHERND.MUTTER FE/ZNXC3 | DADO AUTOBLOCCANTE FE/ZNXC3 | |
| 015 | 80251176 | 001 | RONDELLE PLATE FE/ZNXC3 | PLAIN WASHER FE/ZNXC3 | SCHIEBE FE/ZNXC3 | RONDELLA PIATTA FE/ZNXC3 | |
| 016 | 80251340 | 001 | RONDELLE PLATE FE/ZNXC3 | PLAIN WASHER FE/ZNXC3 | SCHEIBE FE/ZNXC3 | RONDELLA PIATTA FE/ZNXC3 | |
| 017 | 80251635 | 003 | RONDELLE PLATE | PLAIN WASHER | SCHEIBE | RONDELLA PIATTA | |
| 018 | 80252534 | 002 | RONDELLE D'AJUSTAGE PS 1,0 | SHIM RING PS 1,0 | PASSSCHEIBE PS 1,0 | SPESSORE | |
| 019 | 80254552 | 002 | RONDELLE D'APPUI | SUPPORTING RING | STUETZSCHEIBE | RONDELLA DI SPINTA | |
| 020 | 80254554 | 002 | RONDELLE D'AJUSTAGE PS 0,5 | SHIM RING PS 0,5 | PASSSCHEIBE PS 0,5 | SPESSORE | |
| 021 | 80281020 | 004 | RONDELLE RESSORT CRANTEE | CONICAL SPRING WASHER | SPANNSCHEIBE | RONDELLA CONICA | |
| 022 | 80450530 | 002 | GOUPILLE ELASTIQUE FLZNNC | ROLL PIN FLZNNC | SPANNHUELSE FLZNNC | SPINA ELASTICA FLZNNC | |
| 023 | 80596200 | 001 | CIRCLIP INTERIEUR | ELASTIC RING I 62 | SICHERUNGSRING | ANELLO | |
| 024 | 81004578 | 002 | ROULEMENT A BILLES | BALL BEARING | KUGELLAGER | CUSCINETTO A SFERE | |
| 025 | 81102562 | 001 | ROULEMENT 2 R.BILLES CONT.OBL | ANG.CONT.DOUBLE ROW B.BEARING | 2-REIHIGES SCHRAEGKUGELLAGER | CUSCINETTO | |
| 026 | 82013045 | 001 | BAGUE D'ETANCHEITE | OIL SEAL | RADIALDICHTRING | PARAOILIO 30X45X7 BA | |
| 027 | 83163000 | 001 | COURROIE CRANTEE | NOTCHED BELT | ZAHNRIEMEN | CINGHIA DENTATA | |
| 028 | A4020022 | 001 | MOTEUR HYDRAULIQUE | MOTOR, HYDRAULIC | MOTOR | MOTORE | |
| 029 | A4069812 | 001 | BRIDE 90° BOSCH 15L D35 | FLANGE 90° BOSCH | FLANSCH 90° BOSCH | STAFFA | |
| 030 | A4069816 | 001 | BRIDE HYDRAULIQUE | FLANGE | FLANSCH | STAFFA | |
| 031 | K5603571 | 001 | AXE | PIN | ACHSE | ASSE | |
| 032 | K5603590 | 001 | POULIE | PULLEY | RIEMENSCHIEBE | PULEGGIA | |
| 033 | K5606620 | 001 | TUBE | TUBE | ROHR | TUBO | |
| 034 | K7010470 | 001 | POULIE | PULLEY | RIEMENSCHIEBE | PULEGGIA | |
| 035 | K7010480 | 001 | ARBRE | SHAFT | WELLE | ALBERO | |
| 036 | K7011760 | 002 | ENTRETOISE | SPACER | DISTANZHUELSE | DISTANZIALE | |
| 037 | K7011810 | 001 | TENDEUR | TENSIONER | SPANNER | TENDITORE | |
| 038 | K7013590 | 001 | CACHE | COVER | SCHUTZ | PROTEZIONE | |
| 039 | K7013600 | 001 | PALIER | BEARING, PILLOW BLOCK | LAGER | SUPPORTO | |
| 040 | K7013610 | 001 | PALIER | BEARING, PILLOW BLOCK | LAGER | SUPPORTO | |





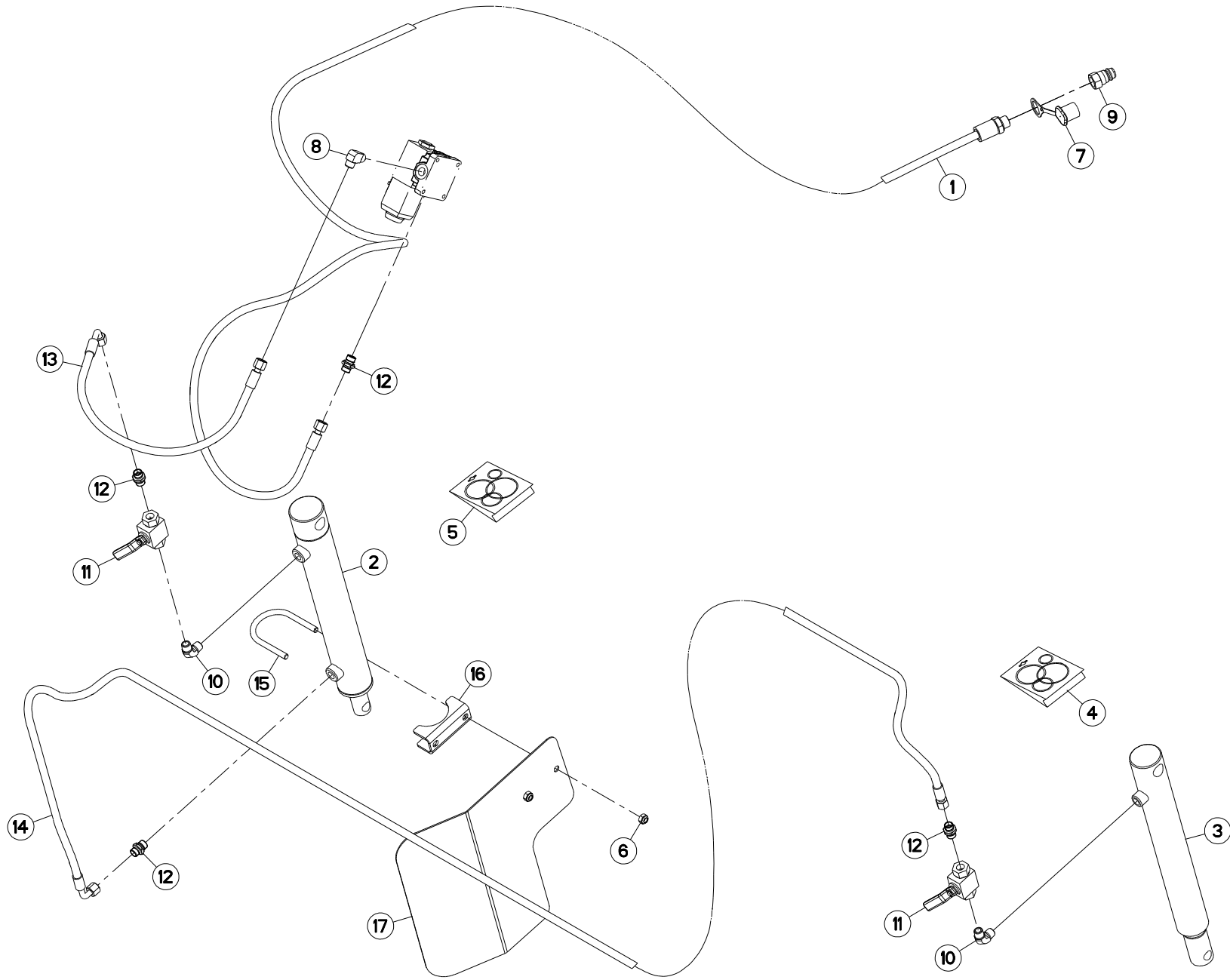
CHASSIS

FRAME

RAHMEN

TELAIO

| Rep | Nr | Qt | Designation | Description | Bezeichnung | Referenza | Remarque - Remark - Bemerkung - Osservazioni |
|-----|----------|-----|--------------------------------|--------------------------------|--------------------------------|-------------------------------|--|
| 001 | 56540910 | 002 | AXE ZBC | PIN | BOLZEN | ASSE ZBC | |
| 002 | 58742110 | 002 | AXE ZBC | PIN | BOLZEN | ASSE | |
| 003 | 80061673 | 008 | VIS TETE HEXAGONALE FLZNNC | SCREW, HEX HEAD FLZNNC | SECHSKANTSCHRAUBE FLZNNC | VITE A TESTA ESAGONALE FLZNNC | |
| 004 | 80062095 | 001 | VIS TETE HEXAGONALE FE/ZNXC3 | HEXAGON HEAD SCREW FE/ZNXC3 | SECHSKANTSCHRAUBE FE/ZNXC3 | VITE TESTA ESAGONALE FE/ZNXC3 | |
| 005 | 80131630 | 001 | VIS AUTOBLOQUANTE FLZNNC | UNDERSERRATED S-LOCKING SCREW | SPERRZAHN-BUNDSCHRAUBE FLZNNC | VITE FLZNNC | |
| 006 | 80190820 | 007 | VIS AUTOTARAU.FE/ZNXC3 TAPTITE | SELF-CUTTING SCREW FE/ZNXC3 | GEWINDE-SCHNEIDSCHRAU.FE/ZNXC3 | VITE AUTOBLOCCANTE | |
| 007 | 80201040 | 002 | ECROU HEX.BAS AUTOFR.FE/ZNXC3 | SELF LOCKING NUT M10 DIN 985 | SELBSTSICHERND.MUTTER FE/ZNXC3 | DADO AUTOBLOCCANTE FE/ZNXC3 | |
| 008 | 80201651 | 001 | ECROU AUTOBLOQUANT FE/ZNXC3 | UNDERSERRAT.S.LOC.NUT FE/ZNXC3 | SPERRZAHN-BUNDMUTTER FE/ZNXC3 | DADO FE/ZNXC3 | |
| 009 | 80201662 | 008 | ECROU HEXAG.EMBASE POLYSTOP | SELF-LOCKING NUT W.COLLAR | SELBSTSICHERNDE BUNDMUTTER | DADO AUTOBLOCCANTE | |
| 010 | 80202040 | 001 | ECROU HEX.BAS AUTOFR.FE/ZNXC3 | SELF-LOCKING NUT FE/ZNXC3 | SELBSTSICHERND.MUTTER FE/ZNXC3 | DADO AUTOBLOCCANTE FE/ZNXC3 | |
| 011 | 80281639 | 016 | RONDELLE RESSORT FLZNNC | CONICAL SPRING WASHER FLZNNC | SPANNSCHEIBE FLZNNC | RONDELLA A MOLLA FLZNNC | |
| 012 | 80370415 | 008 | RIVET AVEUGLE T NORM.ALU | RIVET | NIETE | RIVETTO | |
| 013 | 80450641 | 002 | GOUPILLE ELASTIQUE FLZNNC | ELASTIC PIN 6X40 HEAVY DUTY | SPANNHUELSE FLZNNC | SPINA ELASTICA FLZNNC | |
| 014 | 80450841 | 004 | GOUPILLE ELASTIQUE FLZNNC | ROLL PIN FLZNNC | SPANNHUELSE FLZNNC | SPINA ELASTICA FLZNNC | |
| 015 | 82300026 | 002 | CAPUCHON COUPLEUR MALE | CAP MALE CONNECTOR | KAPPE KUPPLUNGSSTECKER | TAPPO | |
| 016 | 82301002 | 001 | EQUERRE MALE NUE FE/ZNXC3 | MALE CONNECTOR FE/ZNXC3 | VERBINDUNGSSCHRAUBE FE/ZNXC3 | RACCORDO FE/ZNXC3 | |
| 017 | A4074001 | 002 | COUPLEUR | COUPLER | KUPPLER | GIUNTO | |
| 018 | 82301214 | 001 | COUDE MALE NU FE/ZNXC3 | ANGLE SCREW SCREW-JOI.FE/ZNXC3 | WINKEL EINSCHRAUBVERS.FE/ZNXC3 | RACCORDO FE/ZNXC3 | |
| 019 | 83015562 | 002 | BAGUE ROULEE | WRAPPED BUSH | GEROLLTE BUCHSE | ANELLO LUBRIFICATO | |
| 020 | 83030015 | 002 | BUTEE ELASTIQUE | RUBBER STOP | GUMMIPUFFER | GOMMINO | |
| 021 | 55710100 | 001 | FLEXIBLE B | HYDRAULIC HOSE | SCHLAUCH | TUBO GOMMA | |
| 022 | 55710100 | 001 | FLEXIBLE B | HYDRAULIC HOSE | SCHLAUCH | TUBO GOMMA | |
| 023 | A4075005 | 001 | ROBINET | VALVE, BALL | KUGELHAHN | ROBINETTO | |
| 024 | 83090202 | 002 | PROFIL DE PROTECTION | CORNER GUARD | KANTENSCHUTZ | COPRIBORDO | |
| 025 | A4080401 | 001 | UNION MALE | MALE STUD CONNECTOR | GERADER EINSCHRAUBSTUTZEN | GIUZIONE DIRITTA ZBC | |
| 026 | K7004260 | 001 | BROCHE | PIN, HITCH | ACHSE | PERNO | |
| 027 | K7004380 | 001 | TIMON | TONGUE | ZUGDEICHSEL | TIMONE | |
| 028 | K7007140 | 004 | BROSSE | BRUSH | BUERSTE | SPAZZOLA | |
| 029 | K7007611 | 001 | CHASSIS | CHASSIS | HAUPTRAHMEN | TELAIO | |
| 030 | K7007631 | 001 | CACHE | COVER | SCHUTZ | PROTEZIONE | |
| 031 | K7006590 | 001 | VERIN DOUBLE EFFET | HYDRAULIC DOUBLE ACTING RAM | HYDRAULIKZYLINDER | CILINDRO | |
| 032 | K7007120 | 001 | COLL.JOINTS-VERIN K7006590 | SET OIL SEALS FOR K7006590 | SATZ DICHTUNGEN F.K7006590 | KIT GUARNIZ.PISTO.K7006590 | |





FC313TGRA

B 0001 > L 0000

K70R0447 B

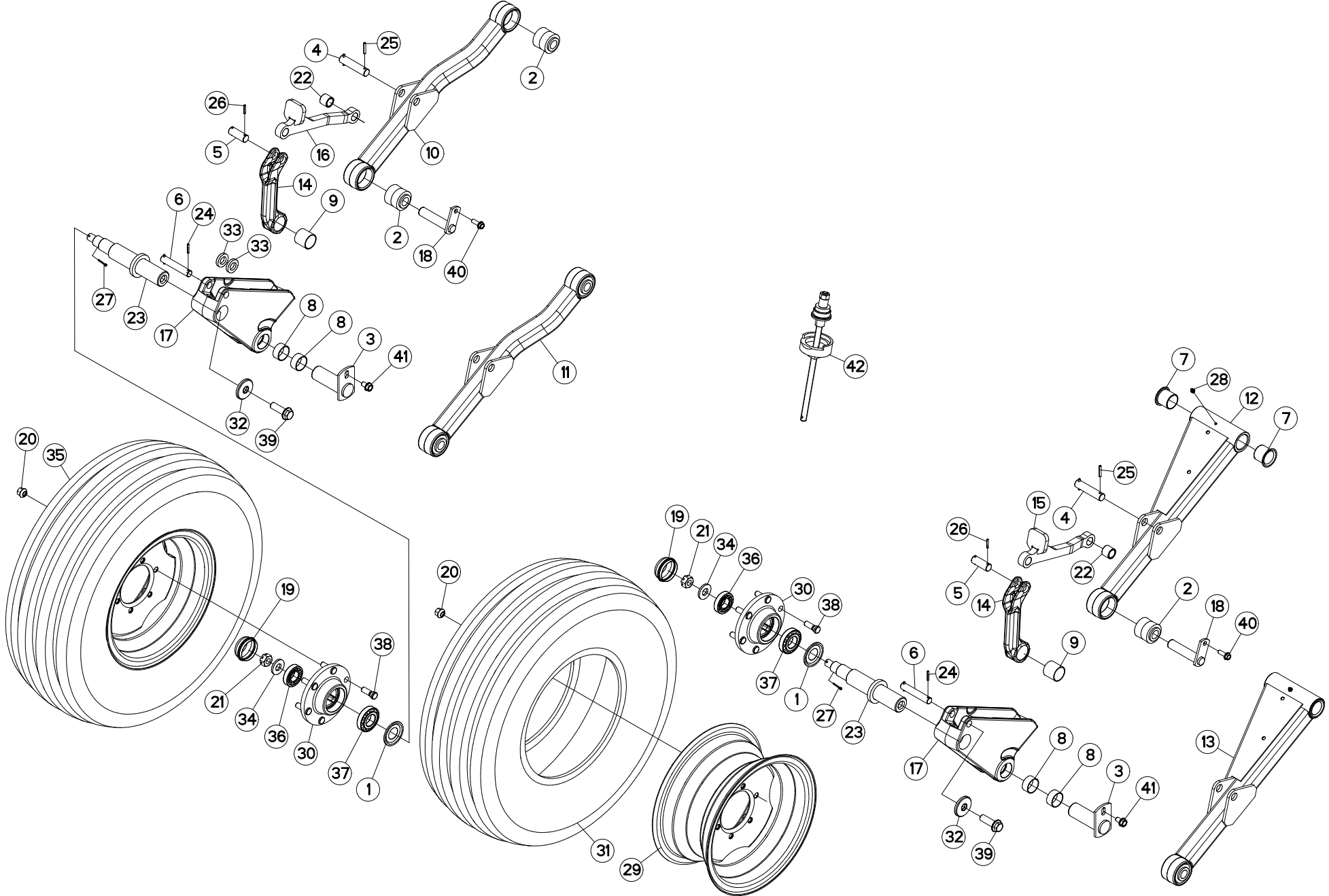
RELEVAGE (CHASSIS)

LIFT (FRAME)

AUSHEBUNG (RAHMEN)

SOLLEVAMENTO (TELAIO)

| Rep | Nr | Qt | Designation | Description | Bezeichnung | Referenza | Remarque - Remark - Bemerkung - Osservazioni |
|-----|----------|-----|-------------------------------|--------------------------------|--------------------------------|-----------------------------|--|
| 001 | 55710100 | 001 | FLEXIBLE B | HYDRAULIC HOSE | SCHLAUCH | TUBO GOMMA | <-> 7120 mm |
| 002 | 55830220 | 001 | VERIN | CYLINDER, HYDRAULIC | HYDRAULIKZYLINDER | CILINDRO | |
| 003 | 55830310 | 001 | VERIN | CYLINDER, HYDRAULIC | HYDRAULIKZYLINDER | CILINDRO | |
| 004 | 56046310 | 001 | COLL.JOINTS-VERIN 55830310 | OIL SEAL SET | SATZ DICHTUNGEN | SERIE GUARNIZIONI | : 55830310 |
| 005 | 56046420 | 001 | COLL.JOINTS-VERIN 55830220 | OIL SEAL SET | SATZ DICHTUNGEN | SERIE GUARNIZIONI | : 55830220 |
| 006 | 80201040 | 002 | ECROU HEX.BAS AUTOFR.FE/ZNXC3 | SELF LOCKING NUT M10 DIN 985 | SELBSTSICHERND.MUTTER FE/ZNXC3 | DADO AUTOBLOCCANTE FE/ZNXC3 | |
| 007 | 82300026 | 001 | CAPUCHON COUPLEUR MALE | CAP MALE CONNECTOR | KAPPE KUPPLUNGSSTECKER | TAPPO | |
| 008 | 82301002 | 001 | EQUERRE MALE NUE FE/ZNXC3 | MALE CONNECTOR FE/ZNXC3 | VERBINDUNGSSCHRAUBE FE/ZNXC3 | RACCORDO FE/ZNXC3 | |
| 009 | A4074001 | 001 | COUPLEUR | COUPLER | KUPPLER | GIUNTO | |
| 010 | 82301214 | 002 | COUDE MALE NU FE/ZNXC3 | ANGLE SCREW SCREW-JOI.FE/ZNXC3 | WINKEL EINSCHRAUBVERS.FE/ZNXC3 | RACCORDO FE/ZNXC3 | |
| 011 | A4075005 | 002 | ROBINET | VALVE, BALL | KUGELHAHN | ROBINETTO | |
| 012 | A4080401 | 004 | UNION MALE | MALE STUD CONNECTOR | GERADER EINSCHRAUBSTUTZEN | GIUZIONE DIRITTA ZBC | |
| 013 | A4921070 | 001 | FLEXIBLE HYDRAULIQUE | HYDRAULIC HOSE | HYDRAULIKSCHLAUCH | TUBO GOMMA | <->850 mm |
| 014 | A4921121 | 001 | FLEXIBLE HYDRAULIQUE | HYDRAULIC HOSE | HYDRAULIKSCHLAUCH | TUBO GOMMA | <-> 3900 mm |
| 015 | K7010560 | 001 | ETRIER | U-BOLT | BUEGEL | CAVALLOTTO | |
| 016 | K7010570 | 001 | ETRIER | U-BOLT | BUEGEL | CAVALLOTTO | |
| 017 | K7017720 | 001 | TOLE | SHEET | BLECH | TELA | |





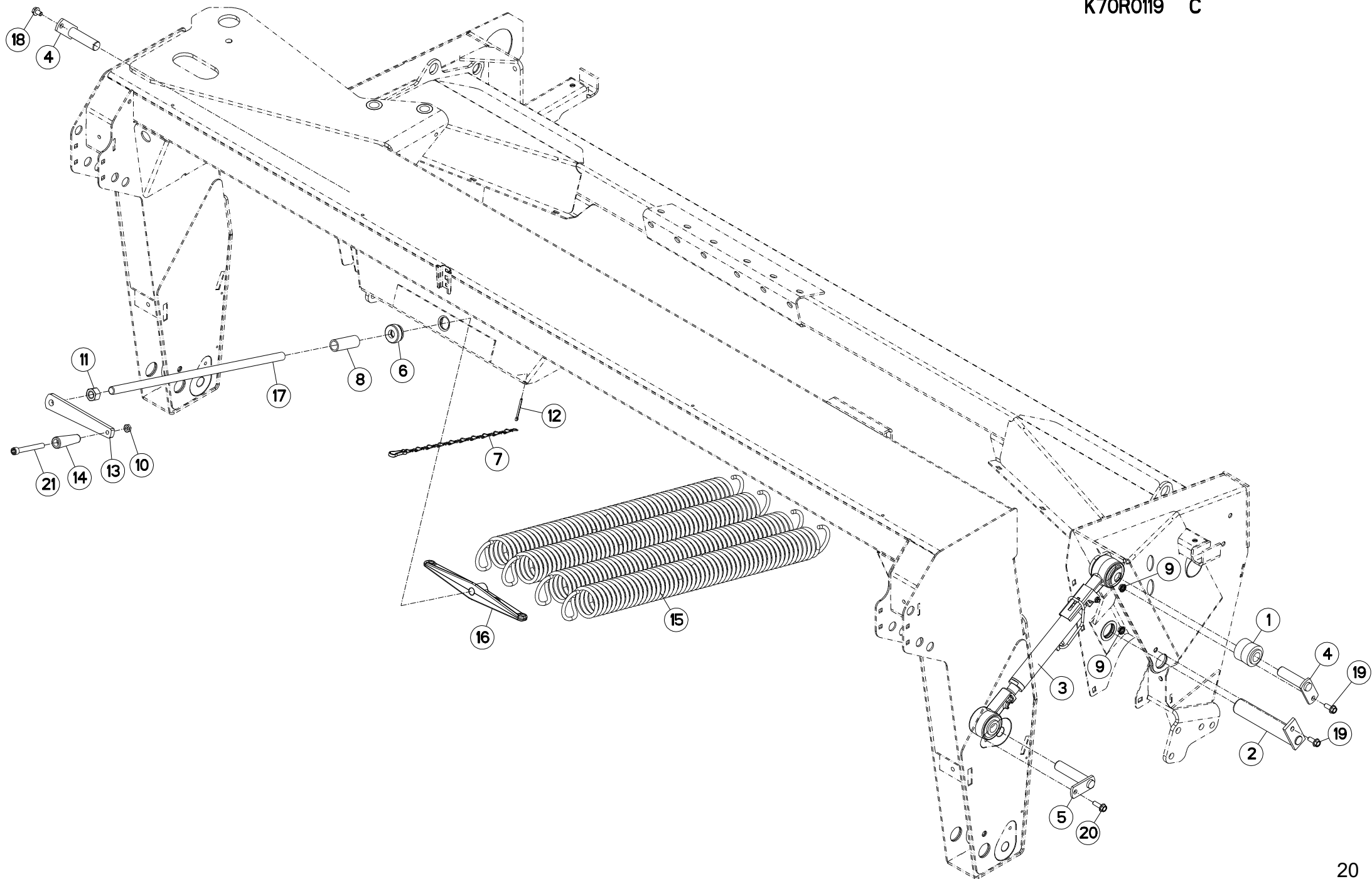
ROUES

WHEELS

RAEDER

RUOTE

| Rep | Nr | Qt | Designation | Description | Bezeichnung | Referenza | Remarque - Remark - Bemerkung - Osservazioni |
|-----|----------|-----|-------------------------------|------------------------------|-----------------------------|--------------------------|--|
| 001 | 82153573 | 002 | ANNEAU NILOS | FLEXIBLE AXIAL SEAL WASHER | FEDERENDE AXIALDICHTSCHEIBE | ANELLO | |
| 002 | K5600690 | 003 | ARTICULATION | ARTICULATION | GELENKSTUECK | ARTICOLAZIONE | [1][2] |
| 003 | 55803510 | 002 | AXE | PIN | ACHSE | ASSE | |
| 004 | 56829400 | 002 | AXE DU DECLENCHEMENT | PIN | BOLZEN | ASSE | |
| 005 | K7005521 | 002 | AXE | PIN | ACHSE | ASSE | |
| 006 | K7006250 | 002 | AXE INFERIEUR DU VERIN | PIN | BOLZEN | PERNO INFERIORE PISTONE | |
| 007 | 83014045 | 002 | BAGUE ROULEE A COLLERETTE | FLANGED WRAPPED BUSH | GEROLLTE BUCHSE MIT FLANSCH | ANELLO LUBRIFICATO | [1] |
| 008 | 83014042 | 004 | BAGUE ROULEE | WRAPPED BUSH | GEROLLTE BUCHSE | ANELLO LUBRIFICATO | |
| 009 | 83014043 | 002 | BAGUE ROULEE | WRAPPED BUSH | GEROLLTE BUCHSE | ANELLO LUBRIFICATO | |
| 010 | K7004921 | 001 | BIELLE GAUCHE | LINK LEFT | LENKER LINKS | BIELLA | [2] |
| 011 | K7004931 | 001 | BIELLE PREMONTTEE | ROD CPLTE | LENKER VORMONTIERT | BIELLA | + [2] |
| 012 | K7004940 | 001 | BIELLE DROITE | RODE RIGHT | LENKER RECHTS | BIELLA | [1] |
| 013 | K7004950 | 001 | BIELLE DROITE PREMONTTEE | ROD CPLTE | LENKER RECHTS VORMONTIERT | BIELLA | + [1] |
| 014 | K7006280 | 002 | BIELLE | LINK, CONNECTING | LENKER | BIELLA | |
| 015 | K7005640 | 001 | BIELLETTE | ROD RIGHT | LENKER RECHTS | BIELLA | |
| 016 | K7005650 | 001 | BIELLETTE | ROD LEFT | LENKER LINKS | BIELLA | |
| 017 | K7007190 | 002 | BRAS DE ROUE | ARM, WHEEL | RADARM | BRACCIO PER RUOTA | |
| 018 | K7004150 | 002 | AXE | PIN | ACHSE | ASSE | |
| 019 | 56039800 | 002 | CHAPEAU DE ROUE | WHEEL CAP | RADKAPPE | FERMO | |
| 020 | 59002600 | 012 | ECROU | NUT | MUTTER | DADO | 10 daN m (74 lbf ft) |
| 021 | 80202018 | 002 | ECROU HK | CASTLE NUT | KRONENMUTTER | DADO | |
| 022 | K7004140 | 002 | ENTRETOISE ZBC | SPACER | DISTANZHUELSE | DISTANZIALE | |
| 023 | K7003910 | 002 | FUSEE DE ROUE | SPINDLE, WHEEL | RADACHSE | FUSELLO DELLA RUOTA | |
| 024 | 80450530 | 004 | GOUPILLE ELASTIQUE FLZNNC | ROLL PIN FLZNNC | SPANNHUELSE FLZNNC | SPINA ELASTICA FLZNNC | |
| 025 | 80450637 | 004 | GOUPILLE ELASTIQUE FLZNNC | ROLL PIN FLZNNC | SPANNHUELSE FLZNNC | SPINA ELASTICA FLZNNC | |
| 026 | 80450529 | 004 | GOUPILLE ELASTIQUE FLZNNC | ROLL PIN FLZNNC | SPANNHUELSE FLZNNC | SPINA ELASTICA FLZNNC | |
| 027 | 80500336 | 002 | GOUPILLE FENDUE FE/ZNXC3 | SPLIT PIN FE/ZNXC3 | SPLINT FE/ZNXC3 | COPPIGLIA FE/ZNXC3 | |
| 028 | 82200800 | 001 | GRAISSEUR A TETE SPHERIQUE | GRESE NIPPLE B M8X1,25 | KEGELSCHIERNIPPEL | INGRASSATORE FE/ZNXC3 | [1] |
| 029 | 83300117 | 002 | JANTE NOIRE | RIM | FELGE | CERCHIONE | [3] |
| 030 | K7005400 | 002 | MOYEU PRE-MONTE | HUB | NABE | MOZZO PRE-MONTATO | + [4] |
| 031 | 83300118 | 002 | PNEU 11L15SL | TYRE 11L15SL | REIFEN 11L15SL | PNEUMATICO 11L15SL | [3] |
| 032 | 50014110 | 002 | RONDELLE SPECIALE | SPECIAL WASHER | SPEZIALSCHEIBE | RONDELLA | |
| 033 | 80252341 | 002 | RONDELLE PLATE FE/ZNXC3 | PLAIN WASHER FE/ZNXC3 | SCHEIBE FE/ZNXC3 | RONDELLA PIATTA FE/ZNXC3 | |
| 034 | 80282045 | 002 | RONDELLE RESSORT FLZNNC | CONICAL SPRING WASHER FLZNNC | SPANNSCHEIBE FLZNNC | RONDELLA A MOLLA FLZNNC | |
| 035 | 83300116 | 002 | ROUE COMPLETE 1,2BARS/18PSI | WHEEL COMPLETE | RAD KOMPLETT | RUOTA COMPLETA | + [3] |
| 036 | 81303062 | 002 | ROULEMENT A ROULEAUX CONIQUES | TAPERED ROLLER BEARING | KEGELROLLENLAGER | CUSCINETTO A RULLO | |
| 037 | 81303572 | 002 | ROULEMENT A ROULEAUX CONIQUES | TAPERED ROLLER BEARING | KEGELROLLENLAGER | CUSCINETTO A RULLO | |
| 038 | 50000000 | 012 | VIS | SCREW | SCHRAUBE | VITE | [4] |
| 039 | 50005600 | 002 | VIS AUTOFREINEE H A EMBASE | SELF-LOCKING SCREW | SELBSTSICHERNDE SCHRAUBE | VITE AUTOBLOCCANTE | |
| 040 | 80131031 | 002 | VIS AUTOBLOQUANTE FLZNNC | UNDERSERR.S-LOC.SCREW FLZNNC | SPERRZAHN-BUNDSCHRAU.FLZNNC | VITE FLZNNC | |
| 041 | 80131220 | 002 | VIS AUTOBLOQUANTE FLZNNC | UNDERSERR.S-LOC.SCREW FLZNNC | SPERRZAHN-BUNDSCHRAU.FLZNNC | VITE FLZNNC | |
| 042 | 3156097 | 001 | DISPOSITIF DE MONTAGE | ASSEMBLY KIT | MONTEGESATZ | KIT DI MONTAGGIO | OPT : K5600690 |





FC313TGRA

B 0001 > L 0000

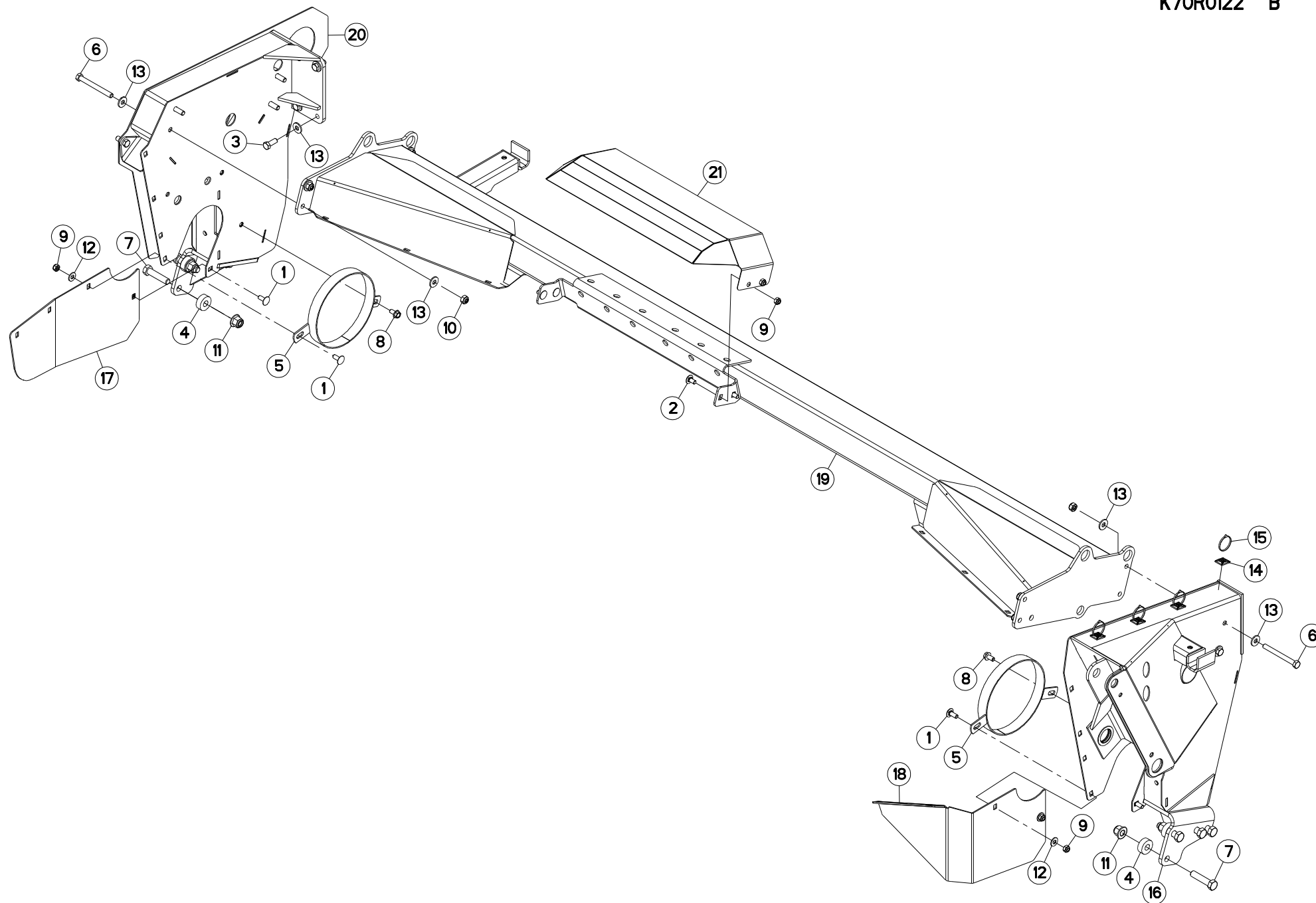
K70R0119 C

SYSTEME D'ALLEGEMENT

SUSPENSION SYSTEM

ENTLASTUNGSSYSTEM

| Rep | Nr | Qt | Designation | Description | Bezeichnung | Referenza | Remarque - Remark - Bemerkung - Osservazioni |
|-----|-----------------|-----|--------------------------------|--------------------------------|--------------------------------|--------------------------------|--|
| 001 | K5600690 | 002 | ARTICULATION | ARTICULATION | GELENKSTUECK | ARTICOLAZIONE | |
| 002 | 56528910 | 001 | AXE DE BIELLE GAUCHE | LINK PIN | LENKERBOLZEN | PERNO | |
| 003 | K7005790 | 001 | BIELLE | LINK, CONNECTING | LENKER | BIELLA | |
| 004 | K5801300 | 002 | BROCHE | PIN, HITCH | ACHSE | PERNO | |
| 005 | K7004150 | 001 | AXE | PIN | ACHSE | ASSE | |
| 006 | 55835500 | 001 | BUTEE | STOP | ANSCHLAG | LIMITATORE | |
| 007 | 50086400 | 001 | CHAINETTE DE BLOCAGE FE/ZNXC3 | CHAIN | KETTE | CATENA | |
| 008 | 52234500 | 001 | DOUILLE | SPACER | HUELSE | BUSSOLA | |
| 009 | 80201053 | 002 | ECROU AUTOBLOQUANT FE/ZNXC3 | UNDERSERRAT.S.LOC.NUT FE/ZNXC3 | SPERRZAHN-BUNDMUTTER FE/ZNXC3 | DADO FE/ZNXC3 | |
| 010 | 80201271 | 001 | ECROU HEXAGONAL BAS FE/ZNXC3 | NUT SEXT. M 12 - BAIXA 6MM | SECHSKANTMUTTER FE/ZNXC3 | DADO FE/ZNXC3 | |
| 011 | 80202070 | 001 | ECROU HEXAGONAL FE/ZNXC3 | NUT FE/ZNXC3 | SECHSKANTMUTTER FE/ZNXC3 | DADO FE/ZNXC3 | |
| 012 | 80500451 | 001 | GOUPILLE FENDUE FE/ZNXC3 | SPLIT PIN FE/ZNXC3 | SPLINT FE/ZNXC3 | COPPIGLIA FE/ZNXC3 | |
| 013 | 55803300 | 001 | MANIVELLE | CRANK | KURBEL | MANOVELLA | |
| 014 | 83050005 | 001 | POIGNEE | HANDLE | HANDGRIFF | MANIGLIA | |
| 015 | K7006570 | 004 | RESSORT DE TRACTION | SPRING | ZUGFEDER | MOLLA DI TRAZIONE | |
| 016 | K7004251 | 001 | TENDEUR | TENSIONER | SPANNER | TENDITORE | |
| 017 | 55820500 | 001 | TIGE FILETEE ZBC | THREADED ROD | GEWINDESTANGE | STELO | |
| 018 | 80131017 | 001 | VIS AUTOBLOQUANTE FLZNNC | UNDERSERR.S-LOC.SCREW FLZNNC | SPERRZAHN-BUNDSCHRAU.FLZNNC | VITE FLZNNC | |
| 019 | 80131026 | 002 | VIS AUTOBLOQUANTE FLZNNC | UNDERSERR.S-LOC.SCREW FLZNNC | SPERRZAHN-BUNDSCHRAU.FLZNNC | VITE FLZNNC | |
| 020 | 80131031 | 001 | VIS AUTOBLOQUANTE FLZNNC | UNDERSERR.S-LOC.SCREW FLZNNC | SPERRZAHN-BUNDSCHRAU.FLZNNC | VITE FLZNNC | |
| 021 | 80081216 | 001 | VIS TETE CYL.SIX P.CR.FE/ZNXC3 | HEX.SOCK.HEAD CAP SCR.FE/ZNXC3 | ZYLINDERSCHR.INNENSEC.FE/ZNXC3 | VITE A TESTA CILINDR. FE/ZNXC3 | |





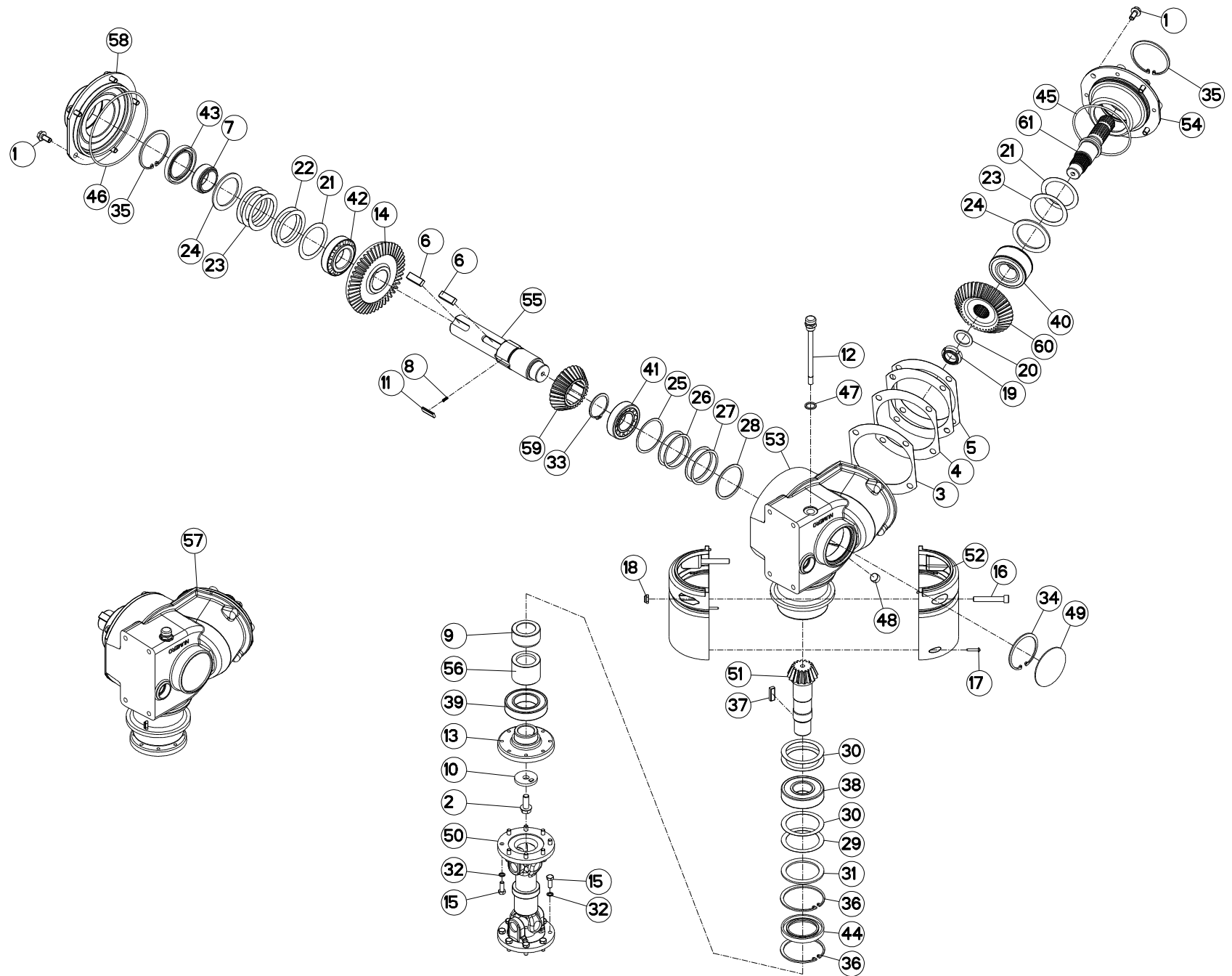
TUBE PORTEUR

SUPPORT TUBE

TRAGRAHMEN

TUBO SUPPORTO

| Rep | Nr | Qt | Designation | Description | Bezeichnung | Referenza | Remarque - Remark - Bemerkung - Osservazioni |
|-----|----------|-----|-------------------------------|-------------------------------|--------------------------------|-----------------------------|--|
| 001 | 50002200 | 004 | VIS TBCC COURT | BOLT, CARRIAGE, SHORT NECK | FLACHRUNDSCHR.4KT ANSATZ | BULLONE | |
| 002 | 50003200 | 004 | VIS TBCC COURT | BOLT, CARRIAGE, SHORT NECK | FLACHRUNDSCHR.4KT ANSATZ | BULLONE | |
| 003 | 50003600 | 004 | VIS AVEC REVÊTEMENT ADHESIF | SCREW WITH ADHESIVE COATING | KLEBE BESCHICHTETE SCHRAUBE | VITE AUTOBLOCCANTE | 14 daN m (103 lbf ft) |
| 004 | 56202300 | 008 | DOUILLE | WASHER | DISTANZSCHEIBE | RONDELLA | |
| 005 | 56699310 | 002 | ANNEAU | RING | RING | ANELLO | |
| 006 | 80061262 | 008 | VIS TETE HEXAGONALE FLZNNC | HEXAGON HEAD SCREW FLZNNC | SECHSKANTSCHRAUBE FLZNNC | VITE TESTA ESAGONALE FLZNNC | 12,5 daN m (93 lbf ft) |
| 007 | 80061683 | 008 | VIS TETE HEXAGONALE | HEXAGON HEAD SCREW | SECHSKANTSCHRAUBE | VITE A TESTA ESAGONALE | 33 daN m (244 lbf ft) |
| 008 | 80131020 | 002 | VIS AUTOBLOQUANTE FLZNNC | UNDERSERRATED S-LOCKING SCREW | SPERRZAHN-BUNDSCHRAUBE FLZNNC | VITE FLZNNC | |
| 009 | 80201040 | 008 | ECROU HEX.BAS AUTOFR.FE/ZNXC3 | SELF LOCKING NUT M10 DIN 985 | SELBSTSICHERND.MUTTER FE/ZNXC3 | DADO AUTOBLOCCANTE FE/ZNXC3 | |
| 010 | 80201248 | 008 | ECROU HEX.BAS AUTOFR.FLZNNC | SELF-LOCKING NUT FLZNNC | SELBSTSICHERND.MUTTER FLZNNC | DADO AUTOBLOCCANTE FLZNNC | |
| 011 | 80201662 | 008 | ECROU HEXAG.EMBASSE POLYSTOP | SELF-LOCKING NUT W.COLLAR | SELBSTSICHERNDE BUNDMUTTER | DADO AUTOBLOCCANTE | |
| 012 | 80251176 | 004 | RONDELLE PLATE FE/ZNXC3 | PLAIN WASHER FE/ZNXC3 | SCHEIBE FE/ZNXC3 | RONDELLA PIATTA FE/ZNXC3 | |
| 013 | 80281230 | 020 | RONDELLE RESSORT FLZNNC | CONICAL SPRING WASHER FLZNNC | SPANNSCHEIBE FLZNNC | RONDELLA MOLLA FLZNNC | |
| 014 | 83090038 | 004 | EMBASSE AUTOADHESIVE | SELF STIKING CABLE GUIDE | KABELKONSOLE SELBSTKLEBEND | BASAMENTO | |
| 015 | 83090039 | 004 | COLLIER PLASTIQUE | CABLE TIE PLASTIC | KABELBINDER PLASTIK | FASCETTA | |
| 016 | K7004612 | 001 | OSSATURE DROITE SOUDEE | FRAME RIGHT | RAHMEN RECHTS | OSSATURA | |
| 017 | K7005191 | 001 | TOLE DE FERMETURE | GUARD | SCHUTZBLECH | TELA | |
| 018 | K7005211 | 001 | TOLE DE FERMETURE DROITE | SHIELD RIGHT | ABSCHLUSSBLECH RECHTS | TELA | |
| 019 | K7007571 | 001 | CADRE | FRAME | RAHMEN | TELAIO | |
| 020 | K7007870 | 001 | CADRE | FRAME | RAHMEN | TELAIO | |
| 021 | K7019440 | 001 | CAPOT | HOOD | HAUBE | COFANO | |





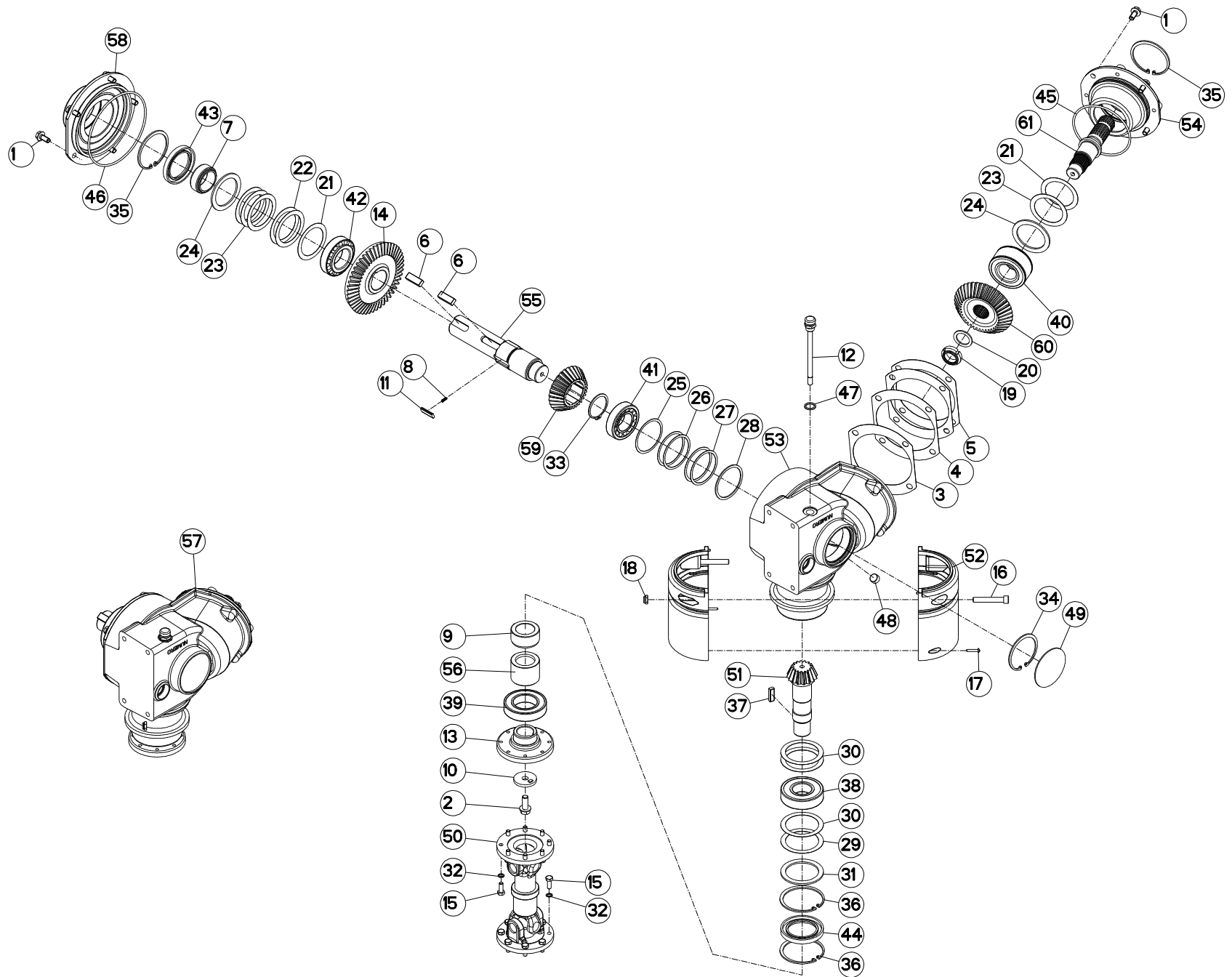
CARTER DE RENVOI

BEVEL GEARBOX

WINKELGETRIEBE

CARTER DI RINVIO

| Rep | Nr | Qt | Designation | Description | Bezeichnung | Referenza | Remarque - Remark - Bemerkung - Osservazioni |
|-----|----------|-----|--------------------------------|--------------------------------|--------------------------------|--------------------------------|--|
| 001 | 50002100 | 009 | VIS AUTOFREINEE | SCREW, SELF-LOCKING | SELBSTSICHERNDE SCHRAUBE | VITE AUTOBLOCCANTE | [1] 7 daN m (52 lbf ft) |
| 002 | 50006200 | 001 | VIS | SCREW | SCHRAUBE | VITE | [1] 12 daN m (89 lbf ft) |
| 003 | 50017210 | 001 | RONDELLE | WASHER | SCHEIBE | RONDELLA | [1] Q? |
| 004 | 50017310 | 001 | RONDELLE | WASHER | SCHEIBE | RONDELLA | [1] Q? |
| 005 | 50017410 | 002 | RONDELLE | WASHER | SCHEIBE | RONDELLA | [1] Q? |
| 006 | 50025500 | 002 | CLAVETTE PARALLELE | KEY, PARALLEL | PASSFEDER | CHIAVETTA | [1] |
| 007 | 52527600 | 001 | ENTRETOISE | SPACER | DISTANZHUELSE | DISTANZIALE | [1] |
| 008 | 55745700 | 003 | RESSORT | SPRING | FEDER | MOLLA | [1] |
| 009 | 56009200 | 001 | ENTRETOISE | SPACER | DISTANZHUELSE | DISTANZIALE | [1] |
| 010 | 56145200 | 001 | RONDELLE BUTEE | LOCK WASHER | SICHERUNGSSCHEIBE | RONDELLA | [1] |
| 011 | 56548700 | 003 | CLIQUET | RATCHET | SPERRKLINKE | NOTTOLINO | [1] |
| 012 | 56613600 | 001 | BOUCHON | PLUG | VERSCHLUSSSCHRAUBE | TAPPO | [1] |
| 013 | 56630200 | 001 | FLASQUE | FLANGE | FLANSCH | FLANGIA | [1] |
| 014 | K7006611 | 001 | COUPLE CONIQUE 16/47 DENTS | GEAR WHEEL AND PINION Z.16/47 | KEGELRADPAAR Z.16/47 | | [1] |
| 015 | 80060822 | 016 | VIS TETE HEXAGONALE | HEXAGON HEAD SCREW | SECHSKANTSCHRAUBE | VITE A TESTA ESAGONALE | 2,5 daN m (19 lbf ft) |
| 016 | 80081065 | 002 | VIS TETE CYL.SIX P.CR.FE/ZNXC3 | SCREW, SOCKET HEAD FE/ZNXC3 | ZYLINDERSCHR.INNENSEC.FE/ZNXC3 | VITE A TESTA CILINDR. FE/ZNXC3 | |
| 017 | 80190425 | 002 | VIS A TOLE T/CYL.BOMB.INOX | PEN HEAD TAPPING SCREW INOX | LINSEN-BLECHSCHRAUBE INOX | VITE INOX | |
| 018 | 80201030 | 002 | ECROU HEX.AUTOFREINE FE/ZNXC3 | SELF-LOCKING NUT FE/ZNXC3 | SELBSTSICH.MUTTER FE/ZNXC3 | DADO AUTOBLOCCANTE FE/ZNXC3 | |
| 019 | 80203065 | 001 | ECROU A ENCOCHES AUTOFREINE | SELF-LOCKING SLOTTED ROUND | SELBSTICHERND NUTMUTTER | DADO AUTOBLOCCANTE FE/ZNXC3 | [1] 30 daN m (221 lbf ft) |
| 020 | 80253042 | 001 | RONDELLE D'APPUI SS 2,5 | SUPPORTING RING SS 2,5 | STUETZSCHEIBE SS 2,5 | SPESSORE | [1] |
| 021 | 80256565 | 002 | RONDELLE D'AJUSTAGE PS 0,1 | SHIM RING PS 0,1 | PASSSCHEIBE PS 0,1 | SPESSORE | [1] |
| 022 | 80256566 | 002 | RONDELLE D'AJUSTAGE PS 0,2 | SHIM RING PS 0,2 | PASSSCHEIBE PS 0,2 | SPESSORE | [1] Q? |
| 023 | 80256567 | 004 | RONDELLE D'AJUSTAGE PS 0,5 | SHIM RING PS 0,5 | PASSSCHEIBE PS 0,5 | SPESSORE | [1] Q? |
| 024 | 80256570 | 002 | RONDELLE D'APPUI SS 3,5 | SUPPORTING RING SS 3,5 | STUETZSCHEIBE SS 3,5 | RONDELLA D'APPOGGIO | [1] |
| 025 | 80257055 | 001 | RONDELLE D'AJUSTAGE PS 0,1 | SHIM RING PS 0,1 | PASSSCHEIBE PS 0,1 | SPESSORE | [1] |
| 026 | 80257056 | 002 | RONDELLE D'AJUSTAGE PS 0,3 | SHIM RING PS 0,3 | PASSSCHEIBE PS 0,3 | SPESSORE | [1] Q? |
| 027 | 80257057 | 002 | RONDELLE D'AJUSTAGE PS 0,5 | SHIM RING PS 0,5 | PASSSCHEIBE PS 0,5 | SPESSORE | [1] Q? |
| 028 | 80257059 | 001 | RONDELLE D'APPUI SS 2 | SUPPORTING RING SS 2 | STUETZSCHEIBE SS 2 | RONDELLA D'APPOGGIO | [1] |
| 029 | 80257070 | 001 | RONDELLE D'AJUSTAGE PS 0,1 | SHIM RING PS 0,1 | PASSSCHEIBE PS 0,1 | SPESSORE | [1] |
| 030 | 80257071 | 003 | RONDELLE D'AJUSTAGE PS 0,2 | SHIM RING PS 0,2 | PASSSCHEIBE PS 0,2 | SPESSORE | [1] Q? |
| 031 | 80257078 | 001 | RONDELLE D'APPUI SS 3,5 | SUPPORTING RING SS 3,5 | STUETZSCHEIBE SS 3,5 | RONDELLA D'APPOGGIO | [1] |
| 032 | 80280820 | 016 | RONDELLE RESSORT CRANTEE | CONICAL SPRING WASHER | SPANNSCHEIBE | RONDELLA MOLLA | |
| 033 | 80585200 | 001 | CIRCLIP EXTERIEUR | RETAINING RING | SICHERUNGSRING | ANELLO | [1] |
| 034 | 80598000 | 001 | CIRCLIP INTERIEUR | ELASTIC RING 180 BLACK (DIN 47 | SICHERUNGSRING | ANELLO | [1] |
| 035 | 80598500 | 002 | CIRCLIP INTERIEUR | RETAINING RING | SICHERUNGSRING | ANELLO | [1] |
| 036 | 80599000 | 002 | CIRCLIP INTERIEUR | ELASTIC RING I 90 | SICHERUNGSRING | ANELLO | [1] |
| 037 | 80651031 | 001 | CLAVETTE PARALLELE | KEY, PARALLEL | PASSFEDER | CHIAVETTA | [1] |
| 038 | 81004093 | 001 | ROULEMENT A BILLES | BALL BEARING | KUGELLAGER | CUSCINETTO A SFERE | [1] |
| 039 | 81005091 | 001 | ROULEMENT A BILLES | BALL BEARING | KUGELLAGER | CUSCINETTO A SFERE | [1] |
| 040 | 81104083 | 001 | ROULEMENT 2 R.B.C.OBL.SPECIAL | ANG.CONT.DOUBLE ROW B.BEARING | ZWEIREIHIGES SCHRAEGKUGELLAGER | CUSCINETTO SPECIALE | [1] |
| 041 | 81304080 | 001 | ROULEMENT A ROULEAUX CONIQUES | TAPERED ROLLER BEARING | KEGELROLLENLAGER | CUSCINETTO A RULLO | [1] |
| 042 | 81304587 | 001 | ROULEMENT A ROULEAUX CONIQUES | TAPERED ROLLER BEARING | KEGELROLLENLAGER | CUSCINETTO A RULLO | [1] |
| 043 | 82016087 | 001 | BAGUE D'ETANCHEITE | OIL SEAL | RADIALDICHRING | PARAOLIO | [1] |
| 044 | 82016090 | 001 | BAGUE D'ETANCHEITE | OIL SEAL | RADIALDICHRING | PARAOLIO | [1] |
| 045 | 82060026 | 001 | JOINT TORIQUE | O-RING | O-RING | GUARNIZIONE | [1] |
| 046 | 82060050 | 001 | JOINT TORIQUE | O-RING | O-RING | GUARNIZIONE | [1] |
| 047 | 82131824 | 001 | JOINT CUIVRE | SEALING RING | DICHRING | RONDELLA RAME | [1] |
| 048 | 82230003 | 001 | BOUCHON FE/ZNXC3 | PLUG FE/ZNXC3 | VERSCHLUSSSCHRAUBE FE/ZNXC3 | TAPPO FE/ZNXC3 | [1] |





FC313TGRA

B 0001 > L 0000

K70R0029 B

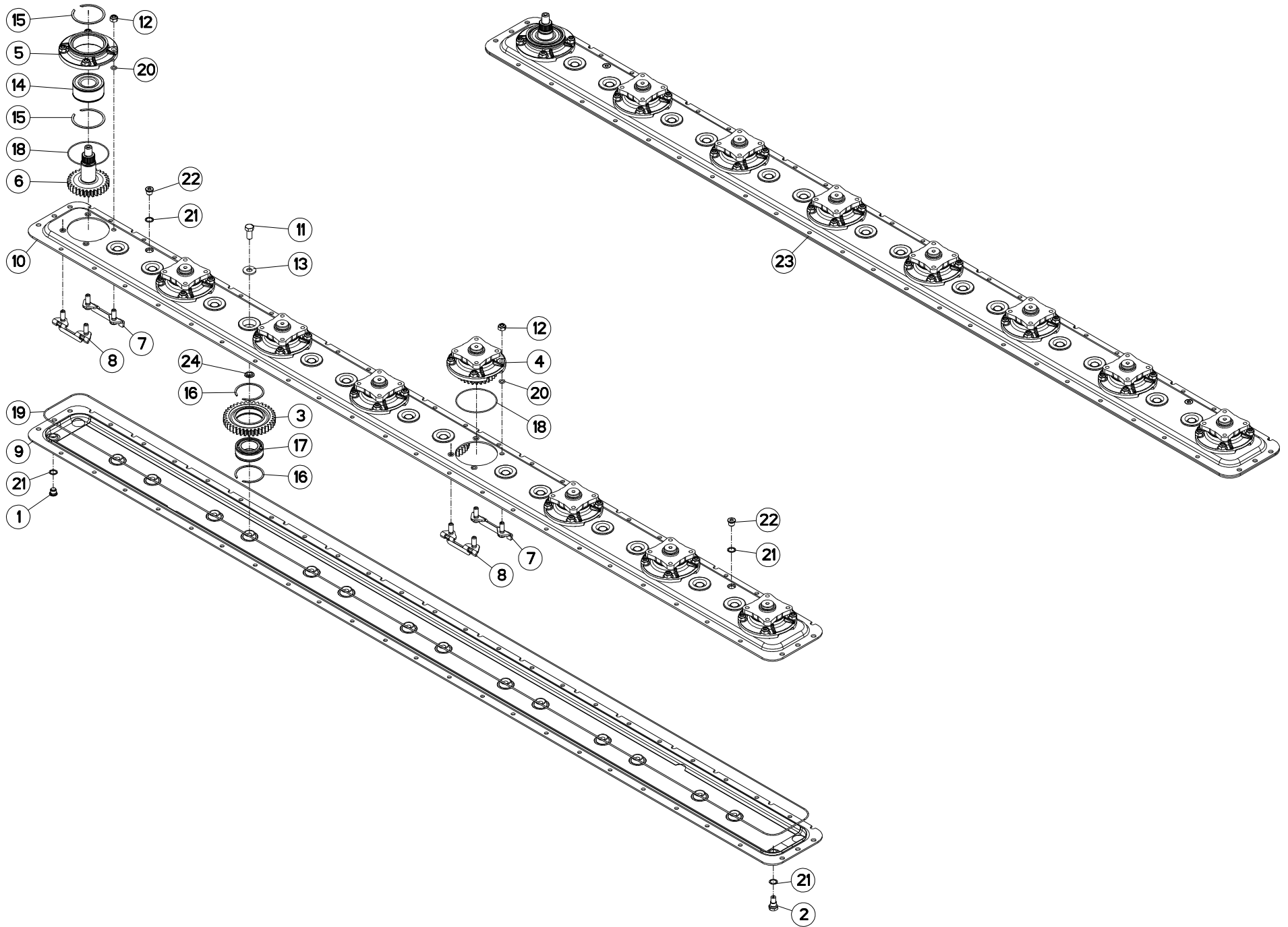
CARTER DE RENVOI

BEVEL GEARBOX

WINKELGETRIEBE

CARTER DI RINVIO

| Rep | Nr | Qt | Designation | Description | Bezeichnung | Referenza | Remarque - Remark - Bemerkung - Osservazioni |
|-----|-----------------|-----|----------------------------|-------------------------------|----------------------|---------------|--|
| 049 | 83040004 | 001 | BOUCHON EXPANSIBLE | EXPANDING CAP | VERSCHLUSSSCHEIBE | TAPPO | [1] |
| 050 | 56806510 | 001 | TRANSMISSION | PTO SHAFT | GELENKWELLE | CARDANO | |
| 051 | K7006611 | 001 | COUPLE CONIQUE 16/47 DENTS | GEAR WHEEL AND PINION Z.16/47 | KEGELRADPAAR Z.16/47 | | [1] |
| 052 | K7003170 | 002 | COQUILLE DE PROTECTION | COVER | SCHALE | LAMIERA | |
| 053 | K7004000 | 001 | CARTER | HOUSING | GEHAEUSE | SCATOLA | [1] |
| 054 | K7004010 | 001 | BOITIER | HOUSING | GEHAEUSE | SCATOLA | [1] |
| 055 | K7004880 | 001 | ARBRE D'ENTRAINEMENT | SHAFT, DRIVE | ANTRIEBSWELLE | ALBERO | [1] |
| 056 | K7004890 | 001 | ENTRETOISE | SPACER | DISTANZHUELSE | DISTANZIALE | [1] |
| 057 | K7006061 | 001 | CARTER COMPLET | GEARBOX ASSEMBLY | GETRIEBE KPL. | SCATOLA CPL. | + [1] |
| 058 | K7006150 | 001 | FLASQUE | FLANGE | FLANSCH | FLANGIA | [1] |
| 059 | K7006190 | 001 | COUPLE CONIQUE 28/38 DENTS | GEAR WHEEL AND PINION Z.28/38 | KEGELRADPAAR Z.28/38 | COPPIA CONICA | [1] |
| 060 | K7006190 | 001 | COUPLE CONIQUE 28/38 DENTS | GEAR WHEEL AND PINION Z.28/38 | KEGELRADPAAR Z.28/38 | COPPIA CONICA | [1] |
| 061 | K7006201 | 001 | ARBRE | SHAFT | WELLE | ALBERO | [1] |





FC313TGRA

B 0001 > L 0000

K70R0124 A

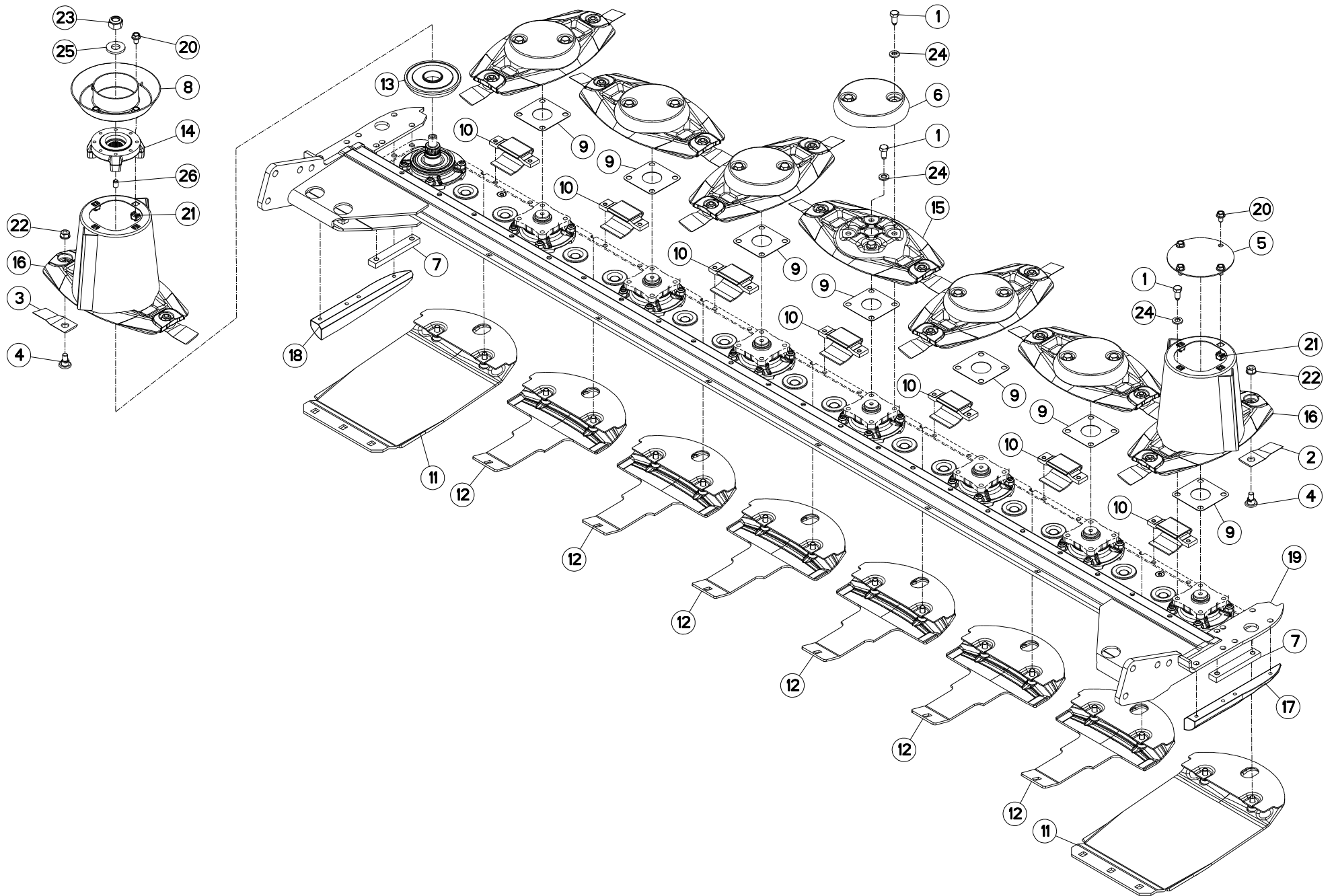
CARTER DU PORTE - DISQUES

CUTTERBAR GEAR CASE

MÄHBALKEN

SCATOLA INGRAN. BARRA COLTELI

| Rep | Nr | Qt | Designation | Description | Bezeichnung | Referenza | Remarque - Remark - Bemerkung - Osservazioni |
|-----|----------|-----|-------------------------------|-------------------------------|--------------------------------|-------------------------------|--|
| 001 | 56207000 | 001 | BOUCHON MAGNETIQUE | PLUG, MAGNETIC | MAGNET-VERSCHLUSSSCHRAUBE | TAPPO CALAMITATO | |
| 002 | 56212300 | 001 | BOUCHON TROP PLEIN/AERATION | OVERFLOW VALVE | ENTLUEFTUNGS-/UEBERLAUFSTOPFEN | TAPPO | |
| 003 | 56800600 | 014 | ROUE DENTEE | GEAR | STIRNRAD | PINIONE | Z=38 |
| 004 | 56803940 | 007 | BOITIER DE DISQUE CPLT | DISC HOUSING UNIT CPLT | SCHEIBENLAGERGEHAEUSE KPLT | MODULO DEL DISCO CPLT | [1] |
| 005 | 56809700 | 001 | BOITIER DE DISQUE | DISC BEARING HOUSING | LAGERGEHAEUSE | SCATOLA DISCHI | |
| 006 | 56809800 | 001 | PIGNON | GEAR, PINION | RITZEL | PIGNONE | Z=30 |
| 007 | 56814600 | 008 | PLAQUETTE AVANT | STUD BRACKET FRONT | LASCHE VORN | PIASTRA ANTERIORE | |
| 008 | 56814700 | 008 | PLAQUETTE ARRIERE | STUD BRACKET REAR | LASCHE HINTEN | PIASTRA POSTERIORE | |
| 009 | 56833010 | 001 | DEMI-CARTER INFERIEUR | GEARBOX, BOTTOM | UNTERES MAEHBALKENGEHAEUSE | MEZZO-CARTER INFERIORE | |
| 010 | 56833110 | 001 | DEMI-CARTER SUPERIEUR | GEARBOX, TOP | OBERES MAEHBALKENGEHAEUSE | COPERCHIO SUPERIORE | |
| 011 | 80061431 | 014 | VIS TETE HEXAGONALE FLZNNC | SCREW, HEX HEAD FLZNNC | SECHSKANTSCHRAUBE FLZNNC | VITE A TESTA ESAGONALE FLZNNC | 21 daN m (155 lbf ft) |
| 012 | 80201248 | 032 | ECROU HEX.BAS AUTOFR.FLZNNC | SELF-LOCKING NUT FLZNNC | SELBSTSICHERND.MUTTER FLZNNC | DADO AUTOBLOCCANTE FLZNNC | 12 daN m (89 lbf ft) |
| 013 | 80281414 | 014 | RONDELLE RESSORT FLZNNC | CONICAL SPRING WASHER FLZNNC | SPANNSCHEIBE FLZNNC | RONDELLA MOLLA FLZNNC | |
| 014 | 81104083 | 001 | ROULEMENT 2 R.B.C.OBL.SPECIAL | ANG.CONT.DOUBLE ROW B.BEARING | ZWEIREIHIGES SCHRAEGKUGELLAGER | CUSCINETTO SPECIALE | |
| 015 | 81104084 | 002 | SEGMENT D'ARRET SPECIAL | SNAP RING | SPRENGRING | SPESSORE | |
| 016 | 81104576 | 028 | SEGMENT D'ARRET SPECIAL | SNAP RING | SPRENGRING | SEGMENTO | |
| 017 | 81104577 | 014 | ROULEMENT 2 R.B.C.OBL.SPECIAL | ANG.CONT.DOUBLE ROW B.BEARING | ZWEIREIHIGES SCHRAEGKUGELLAGER | CUSCINETTO SPECIALE | |
| 018 | 82060007 | 008 | JOINT TORIQUE | O-RING | O-RING | GUARNIZIONE | [1] |
| 019 | 82060094 | 001 | JOINT TORIQUE | O-RING | O-RING | GUARNIZIONE | |
| 020 | 82061015 | 032 | JOINT TORIQUE | O-RING | O-RING | GUARNIZIONE | [1] |
| 021 | 82101622 | 004 | JOINT CUIVRE | SEALING RING | DICHTRING | RONDELLA RAME | |
| 022 | 82230006 | 002 | BOUCHON FE/ZNXC3 | PLUG FE/ZNXC3 | VERSCHLUSSSCHRAUBE FE/ZNXC3 | TAPPO FE/ZNXC3 | |
| 023 | 1045410 | 001 | PD RECH.GMD801/802/FC313/883 | REPLACEMENT CUTTER BAR | ERSATZBALKEN GMD801/802/FC313 | PR BARRA | 1>22+24 |
| 024 | 56801000 | 014 | BAGUE PLASTIQUE | NYLON BEARING | KUNSTSTOFF-GLEITLAGER | ANELLO PLASTICA | |



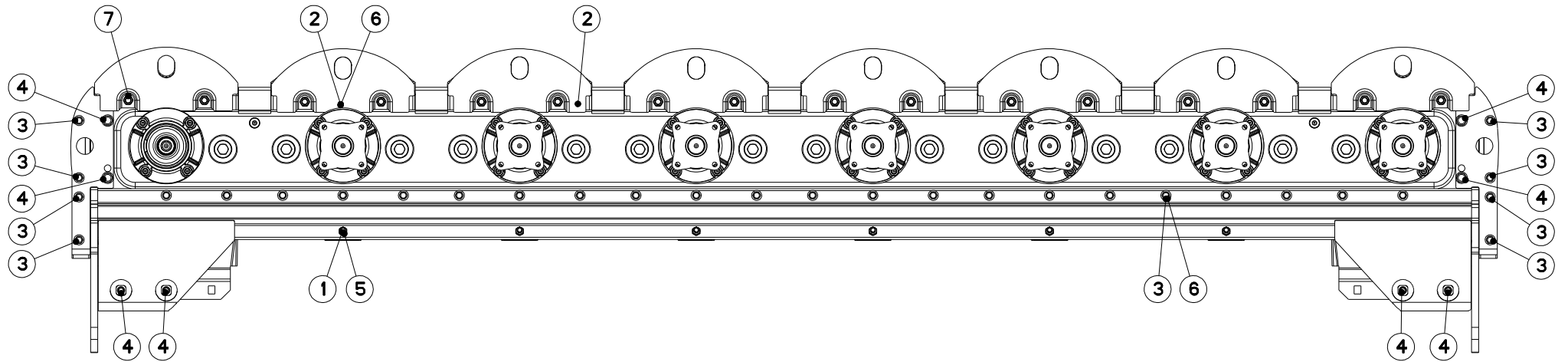


DISQUES, PATINS, SEMELLES

DISCS, DISCGUARDS, SKIDS

SCHEIBEN, SCHUTZKUFEN

| Rep | Nr | Qt | Designation | Description | Bezeichnung | Referenza | Remarque - Remark - Bemerkung - Osservazioni |
|-----|----------|-----|------------------------------|------------------------------|--------------------------------|-----------------------------|--|
| 001 | 50068500 | 028 | VIS | SCREW | SCHRAUBE | VITE | 12 daN m (89 lbf ft) |
| 002 | 55903210 | 008 | COUTEAU VRILLE DISQUE T.A G. | ANGLED BLADE - LEFT | MAEHLINGE GEDREHT - LINKS | COLTELLO PIEGATO - SINISTRO | |
| 003 | 55903310 | 008 | COUTEAU VRILLE DISQUE T.A D. | ANGLED BLADE - RIGHT | MAEHLINGE GEDREHT - RECHTS | COLTELLO PIEGATO - DESTRO | |
| 004 | 56115800 | 016 | VIS AUTOFREINEE | SCREW, SELF-LOCKING | SELBSTSICHERNDE SCHRAUBE | VITE AUTOBLOCCANTE | |
| 005 | 56803400 | 001 | VIROLE DU CONE EXTERIEUR | DISC COVER, OUTER | SCHEIBENDECKEL, AUSSEN | COPERCHIO | |
| 006 | 56804510 | 006 | CACHE DE DISQUE PLAT | COVER FOR FLAT DISC | KAPPE FUER FLACHE MAEHSCHIEBE | COPERCHIO DISCHIO PIATTO | |
| 007 | 56806310 | 002 | RENFORT | REINFORCEMENT | VERSTAERKUNG | RINFORZO | |
| 008 | 56806610 | 001 | VIROLE | DISC COVER | SCHEIBENDECKEL | COPERCHIO DEL CONO | |
| 009 | 56807100 | 007 | ENTRETOISE | SPACER | DISTANZSCHEIBE | DISTANZIALE | [1] |
| 010 | 56808510 | 007 | PATIN D'USURE COURT | WEAR PLATE, SHORT | VERSCHLEISSSCHUTZBRUECKE,KURZ | PATTINO USURA CORTO | |
| 011 | 56809020 | 002 | SEMELLE EXTERIEURE SOUDEE | OUTER SKID SHOE | SCHUTZKUFE AUSSEN | SLITTE ESTERNA | |
| 012 | 56809300 | 006 | PATIN DE DISQUE 5MM | DISC GUARD | SCHUTZKUFE | PATTINO DEL DISCO | |
| 013 | 56809510 | 001 | FLASQUE INFERIEUR | FLANGE LOWER | FLANSCH UNTEN | FLENGIA INFERIORE | |
| 014 | 56809610 | 001 | FLASQUE | FLANGE | FLANSCH | FLANGIA | |
| 015 | 56812600 | 006 | DISQUE PLAT | DISC FLAT | MAEHSCHIEBE FLACH | DISCO PIATTO | + [1] |
| 016 | 56812700 | 002 | DISQUE CONE HAUT CPLT | OUTER DISC CPLT | AUSSENSCHIEBE | DISCO CONO ALTO | + [1] |
| 017 | 56812300 | 001 | PATIN LATERAL DROIT | LATERAL SKID RIGHT | SEITENKUFE RECHTS | PATTINO LATERALE DX | |
| 018 | 56812400 | 001 | PATIN LATERAL GAUCHE | LATERAL SKID LEFT | SEITENKUFE LINKS | PATTINO LATERALE SX | |
| 019 | 56814500 | 001 | RAIDISSEUR | STIFFENER | VERSTEIFUNGSPLATTE | BALESTRA | |
| 020 | 80131017 | 008 | VIS AUTOBLOQUANTE FLZNNC | UNDERSERR.S-LOC.SCREW FLZNNC | SPERRZAHN-BUNDSCHRAU.FLZNNC | VITE FLZNNC | 6 daN m (44 lbf ft) |
| 021 | 80201055 | 008 | ECROU CAGE | CLAMP NUT | KLEMMKAEFIG-MUTTER | DADO | |
| 022 | 80201262 | 016 | ECROU TWOLOCK FLZNNC | SELF-LOCKING NUT FLZNNC | SELBSTSICHERNDE MUTTER FLZNNC | DADO TWOLOCK FLZNNC | 12 daN m (89 lbf ft) |
| 023 | 80202048 | 001 | ECROU AUTOFREINE FE/ZNXC3 | SELF-LOCKING NUT FE/ZNXC3 | SELBSTSICHERND.MUTTER FE/ZNXC3 | DADO AUTOBLOCCANTE FE/ZNXC3 | 30 daN m (221 lbf ft) |
| 024 | 80281254 | 028 | RONDELLE CONIQUE BLOC.FLZNNC | CONICAL SPRING WASHER FLZNNC | SPANNSCHIEBE FLZNNC | RONDELLA CONICA FLZNNC | |
| 025 | 80282045 | 001 | RONDELLE RESSORT FLZNNC | CONICAL SPRING WASHER FLZNNC | SPANNSCHIEBE FLZNNC | RONDELLA A MOLLA FLZNNC | |
| 026 | 80451216 | 002 | GOUPILLE ELASTIQUE FLZNNC | ROLL PIN FLZNNC | SPANNHUELSE FLZNNC | SPINA ELASTICA FLZNNC | |





FC313TGRA

B 0001 > L 0000

K70R0128 A

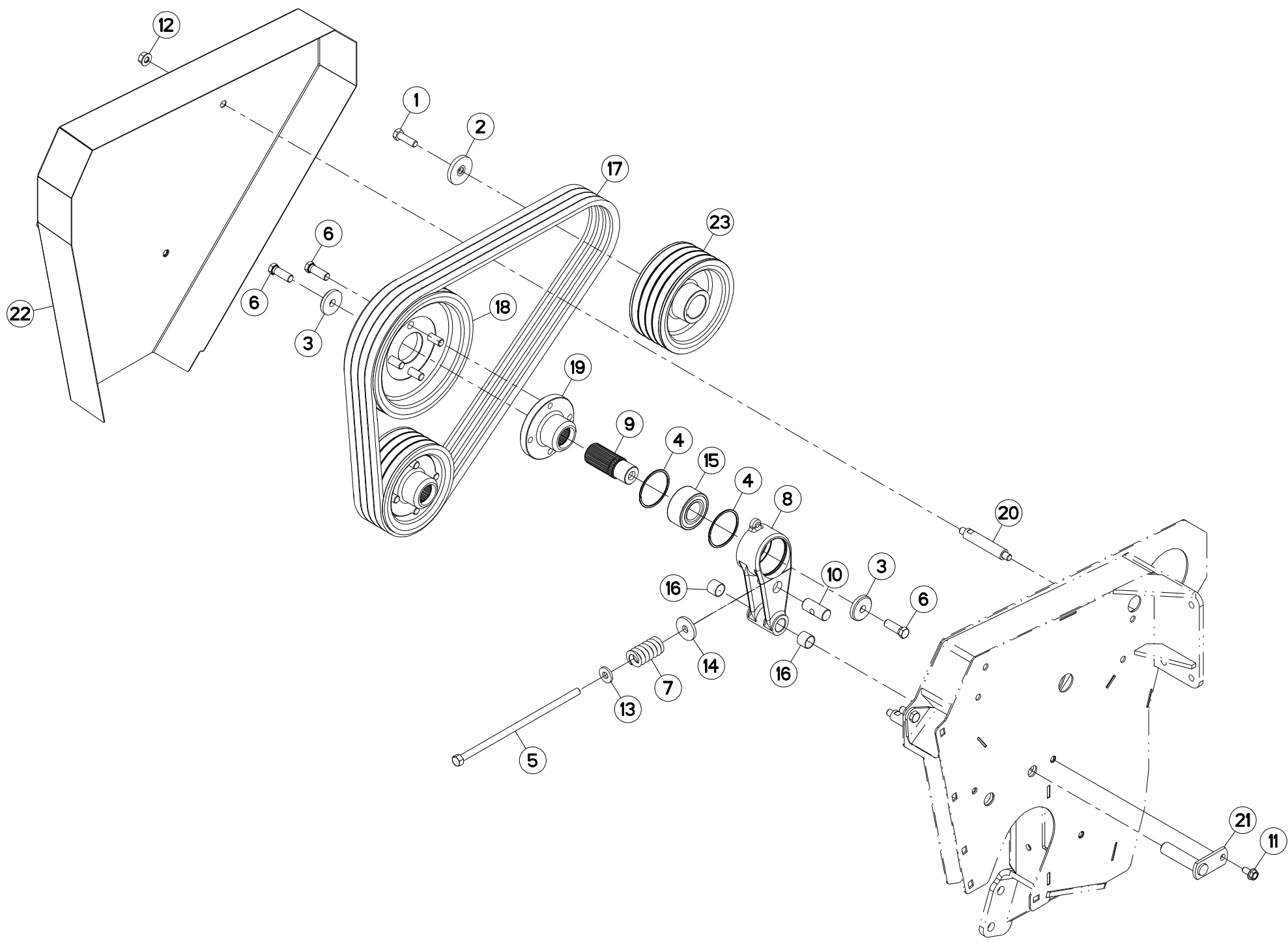
VISSERIE

BOLTS AND NUTS

SCHRAUBEN UND MUTTERN

BULLONI E DADI

| Rep | Nr | Qt | Designation | Description | Bezeichnung | Referenza | Remarque - Remark - Bemerkung - Osservazioni |
|-----|-----------------|-----|--------------------------------|--------------------------------|--------------------------------|-----------------------------|--|
| 001 | 50002200 | 006 | VIS TBCC COURT | BOLT, CARRIAGE, SHORT NECK | FLACHRUNDSCHR.4KT ANSATZ | BULLONE | |
| 002 | 80131018 | 022 | VIS AUTOBLOQUANTE | UNDERSERRATED S-LOCKING SCREW | SPERRZAHN-BUNDSCHRAUBE | VITE | 8,5 daN m (63 lbf ft) |
| 003 | 80131026 | 030 | VIS AUTOBLOQUANTE FLZNNC | UNDERSERR.S-LOC.SCREW FLZNNC | SPERRZAHN-BUNDSCHRAU.FLZNNC | VITE FLZNNC | 8,5 daN m (63 lbf ft) |
| 004 | 80131232 | 008 | VIS AUTOBLOQUANTE FLZNNC KL105 | UNDERSERR.S-LOC.SCREW FLZNNC | SPERRZAHN-BUNDSCHRAU.FLZNNC | VITE FLZNNC KL105 | 10,5 daN m (78 lbf ft) |
| 005 | 80201040 | 006 | ECROU HEX.BAS AUTOFR.FE/ZNXC3 | SELF LOCKING NUT M10 DIN 985 | SELBSTSICHERND.MUTTER FE/ZNXC3 | DADO AUTOBLOCCANTE FE/ZNXC3 | 6 daN m (44 lbf ft) |
| 006 | 80201053 | 030 | ECROU AUTOBLOQUANT FE/ZNXC3 | UNDERSERRAT.S.LOC.NUT FE/ZNXC3 | SPERRZAHN-BUNDMUTTER FE/ZNXC3 | DADO FE/ZNXC3 | 8,5 daN m (63 lbf ft) |
| 007 | 80201240 | 016 | ECROU HEX.BAS AUTOFR.FE/ZNXC3 | SELF-LOCKING NUT M 12 DIN-985 | SELBSTSICHERND.MUTTER FE/ZNXC3 | DADO AUTOBLOCCANTE FE/ZNXC3 | 8,5 daN m (63 lbf ft) |





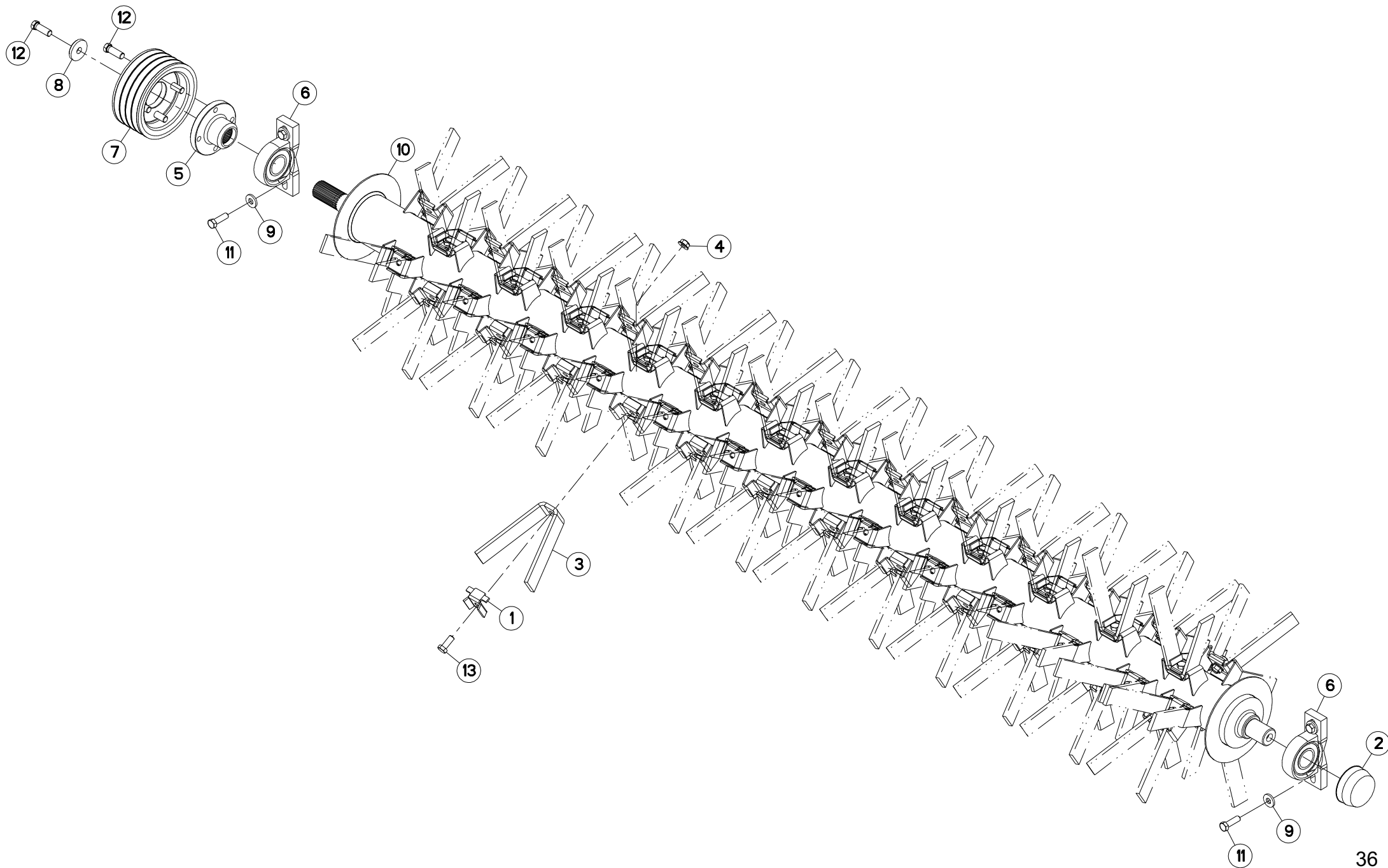
TENDEUR DE COURROIES

TIGHTENER

RIEMENSPANNER

TENDICINGHIA

| Rep | Nr | Qt | Designation | Description | Bezeichnung | Referenza | Remarque - Remark - Bemerkung - Osservazioni |
|-----|-----------------|-----|-------------------------------|-------------------------------|-------------------------------|--------------------------|--|
| 001 | 80071233 | 001 | VIS AVEC REVÊTEMENT ADHESIF | SCREW WITH ADHESIVE COATING | KLEBE BESCHICHTETE SCHRAUBE | VITE FLZNNC | 12 daN m (89 lbf ft) |
| 002 | 50015100 | 001 | RONDELLE | WASHER | SCHEIBE | RONDELLA PIATTA | |
| 003 | 50019110 | 002 | RONDELLE DACRO | WASHER | SCHEIBE | RONDELLA | |
| 004 | 50030200 | 002 | SEGMENT D'ARRET | RETAINING RING | SICHERUNGSRING | ANELLO DI FERMO | |
| 005 | 50069500 | 001 | VIS SPECIALE H ZBC | SPECIAL SCREW | SPEZIALSCHRAUBE | BULLONE | |
| 006 | 50069600 | 006 | VIS | SCREW | SCHRAUBE | VITE | 12 daN m (89 lbf ft) |
| 007 | 56532800 | 001 | RESSORT DE PRESSION ZBC | PRESSURE SPRING ZBC | FEDER ZBC | MOLLE PER PULEGGIA ZBC | |
| 008 | 56656820 | 001 | CORPS DU TENDEUR DE COURROIES | TENSIONER | SPANNER | CORPO | |
| 009 | 56656910 | 001 | ARBRE CANNELE | SPLINED SHAFT | PROFILWELLE | ALBERO CALETTATO | |
| 010 | 56692300 | 001 | ECROU ARTICULE | NUT | MUTTER | DADO | |
| 011 | 80131020 | 001 | VIS AUTOBLOQUANTE FLZNNC | UNDERSERRATED S-LOCKING SCREW | SPERRZAHN-BUNDSCHRAUBE FLZNNC | VITE FLZNNC | |
| 012 | 80201262 | 003 | ECROU TWOLOK FLZNNC | SELF-LOCKING NUT FLZNNC | SELBSTSICHERNDE MUTTER FLZNNC | DADO TWOLOCK FLZNNC | |
| 013 | 80251331 | 001 | RONDELLE PLATE FE/ZNXC3 | PLAIN WASHER FE/ZNXC3 | SCHEIBE FE/ZNXC3 | RONDELLA PIATTA FE/ZNXC3 | |
| 014 | 80251345 | 001 | RONDELLE PLATE FE/ZNXC3 | PLAIN WASHER FE/ZNXC3 | SCHEIBE FE/ZNXC3 | RONDELLA PIATTA FE/ZNXC3 | |
| 015 | 81103578 | 001 | ROULEMENT 2 R.BILLES CONT.OBL | ANG.CONT.DOUBLE ROW B.BEARING | 2-REIHIGES SCHRAEGKUGELLAGER | CUSCINETTO | |
| 016 | 83012225 | 002 | BAGUE ROULEE | WRAPPED BUSH | GEROLLTE BUCHSE | ANELLO LUBRIFICATO | |
| 017 | 83101688 | 001 | JEU 4 COURROIES TRAPEZOIDALES | SET OF 4 V-BELTS | SATZ 4 KEILRIEMEN | SERIE 4 CINGHIE | |
| 018 | K7001700 | 001 | POULIE DP246 - 4G | PULLEY | KEILRIEMENSCHLEIBE | PULEGGIA | |
| 019 | K7001710 | 001 | MOYEU | HUB | NABE | MOZZO | |
| 020 | K7002270 | 003 | ENTRETOISE | SPACER | DISTANZHUELSE | DISTANZIALE | |
| 021 | K7004160 | 001 | AXE | PIN | ACHSE | ASSE | |
| 022 | K7007881 | 001 | PROTECTEUR | GUARD | SCHUTZ | PROTEZIONE | |
| 023 | K7012000 | 001 | POULIE | PULLEY | RIEMENSCHLEIBE | PULEGGIA | |





FC313TGRA

B 0001 > L 0000

K70R0132 C

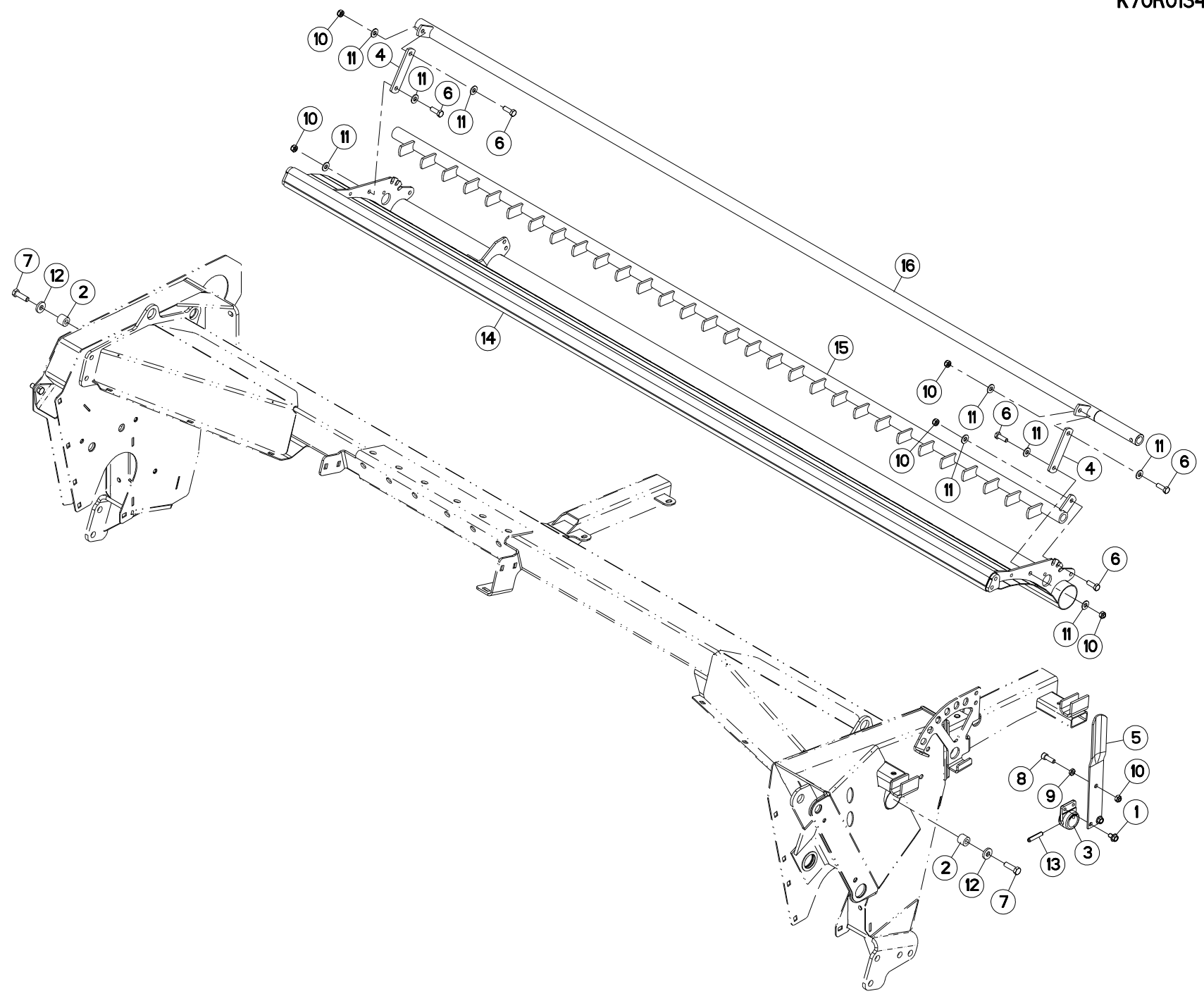
ROTOR A DOIGTS

ROTOR

FINGERROTOR

ROTORE A DITA

| Rep | Nr | Qt | Designation | Description | Bezeichnung | Referenza | Remarque - Remark - Bemerkung - Osservazioni |
|-----|-----------------|-----|------------------------------|--------------------------------|------------------------------|-------------------------------|--|
| 001 | 56601300 | 075 | CONTRE PLAQUETTE ZBC | BRACKET | BEFESTIGUNGSPLATTE | PIASTRINA | |
| 002 | 81504011 | 001 | COUVERCLE DE PROTECTION | PROTECTION COVER | SCHUTZHAUBE | COPERCHIO DI PROTEZIONE | |
| 003 | 56600110 | 075 | DOIGT | FINGER | FINGER | DENTE | |
| 004 | 80201265 | 075 | ECROU HEWISTOP FE/ZNXC3 | SELF-LOCKING NUT FE/ZNXC3 | SELBSTSICHERNDE MUTT.FE/ZNXC | DADO FE/ZNXC3 | |
| 005 | K7001710 | 001 | MOYEU | HUB | NABE | MOZZO | |
| 006 | 81504010 | 002 | PALIER A SEMELLE | FLANGE BEARING UNIT | FLANSCHLAGER | FLANGIA | |
| 007 | K7001690 | 001 | POULIE DP 174 - 4G | PULLEY | KEILRIEMENSCHLEIBE | PULEGGIA | |
| 008 | 50019110 | 001 | RONDELLE DACRO | WASHER | SCHEIBE | RONDELLA | |
| 009 | 80251331 | 004 | RONDELLE PLATE FE/ZNXC3 | PLAIN WASHER FE/ZNXC3 | SCHEIBE FE/ZNXC3 | RONDELLA PIATTA FE/ZNXC3 | |
| 010 | K7013531 | 001 | ROTOR | ROTOR | ROTOR | ROTORE | |
| 011 | 80071233 | 004 | VIS AVEC REVÊTEMENT ADHESIF | SCREW WITH ADHESIVE COATING | KLEBE BESCHICHTETE SCHRAUBE | VITE FLZNNC | 12 daN m (89 lbf ft) |
| 012 | 50069600 | 005 | VIS | SCREW | SCHRAUBE | VITE | 12 daN m (89 lbf ft) |
| 013 | 80061271 | 075 | VIS TETE HEXAGONALE FE/ZNXC3 | HEX BOLT M12X30 CL5.8 DIN933 R | SECHSKANTSCHRAUBE FE/ZNXC3 | VITE TESTA ESAGONALE FE/ZNXC3 | |





FC313TGRA

B 0001 > L 0000

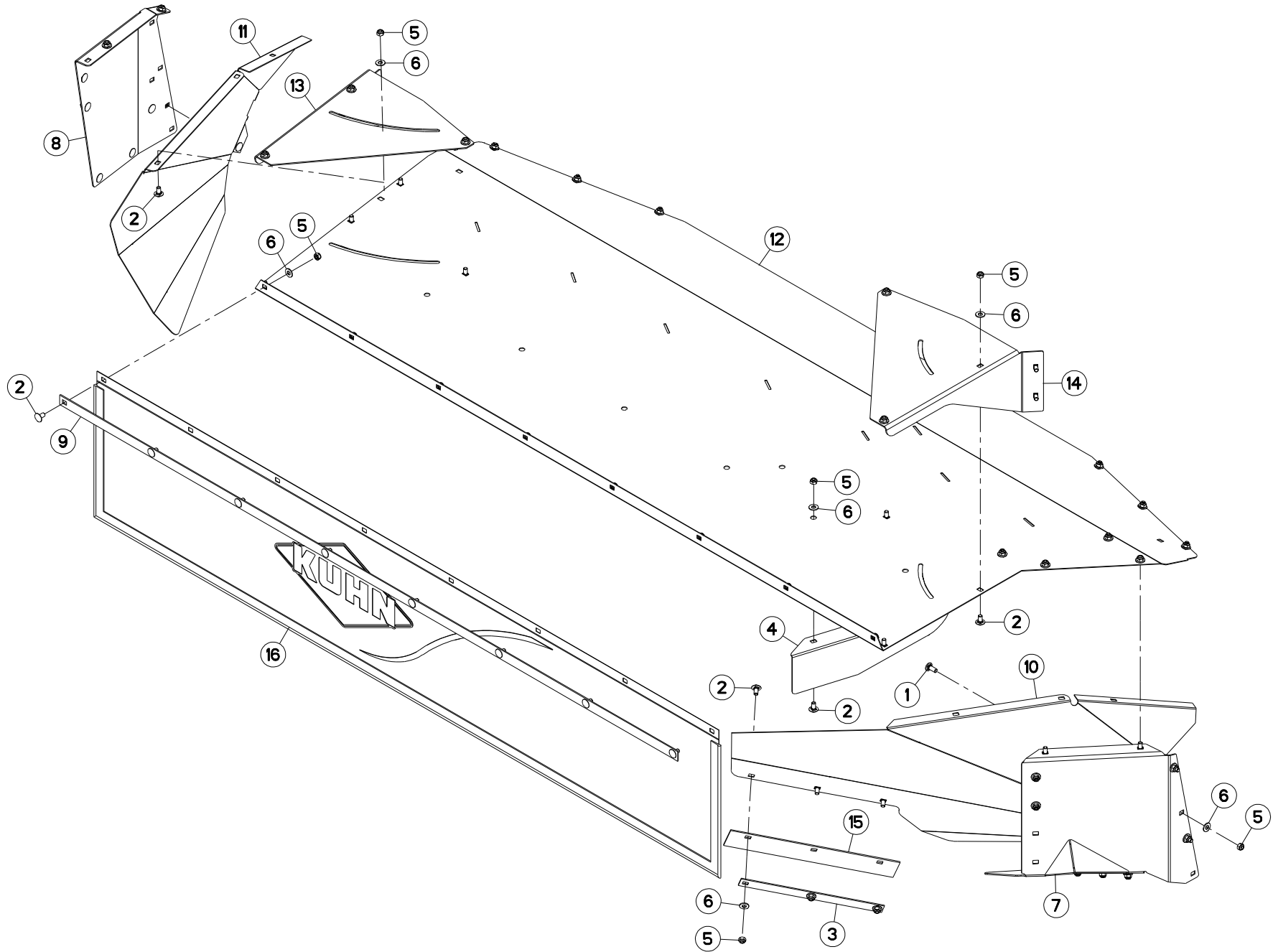
K70R0134 A

PEIGNE - DEFLECTEUR

COMB - DEFLECTOR

KAMM - PRALLBLECH

| Rep | Nr | Qt | Designation | Description | Bezeichnung | Referenza | Remarque - Remark - Bemerkung - Osservazioni |
|-----|----------|-----|--------------------------------|--------------------------------|--------------------------------|--------------------------------|--|
| 001 | 5000900 | 002 | VIS | SCREW | SCHRAUBE | VITE | |
| 002 | 56637100 | 002 | ENTRETOISE ZBC | SPACER | DISTANZHUELSE | DISTANZIALE | |
| 003 | 56656710 | 001 | MOYEU | HUB | NABE | MOZZO | |
| 004 | 56691300 | 002 | PATTE | BRACKET | BEFESTIGUNGSEISEN | FAZZOLETTO | |
| 005 | 56699500 | 001 | LEVIER DE REGLAGE DEFLECTEUR | ADJUSTING LEVER | STELLHEBEL | LEVA | |
| 006 | 80061073 | 005 | VIS TETE HEXAGONALE FE/ZNXC3 | HEXAGON HEAD SCREW FE/ZNXC3 | SECHSKANTSCHRAUBE FE/ZNXC3 | VITE TESTA ESAGONALE FE/ZNXC3 | |
| 007 | 80061242 | 002 | VIS TETE HEXAGONALE FLZNNC | HEXAGON HEAD SCREW FLZNNC | SECHSKANTSCHRAUBE FLZNNC | VITE TESTA ESAGONALE FLZNNC | |
| 008 | 80081006 | 001 | VIS TETE CYL.SIX P.CR.FE/ZNXC3 | HEX.SOCK.HEAD CAP SCR.FE/ZNXC3 | ZYLINDERSCHR.INNENSEC.FE/ZNXC3 | VITE A TESTA CILINDR. FE/ZNXC3 | |
| 009 | 80201001 | 001 | ECROU HEXAGONAL BAS FE/ZNXC3 | NUT FE/ZNXC3 | SECHSKANTMUTTER FE/ZNXC3 | DADO FE/ZNXC3 | |
| 010 | 80201040 | 006 | ECROU HEX.BAS AUTOFR.FE/ZNXC3 | SELF LOCKING NUT M10 DIN 985 | SELBSTSICHERND.MUTTER FE/ZNXC3 | DADO AUTOBLOCCANTE FE/ZNXC3 | |
| 011 | 80251176 | 009 | RONDELLE PLATE FE/ZNXC3 | PLAIN WASHER FE/ZNXC3 | SCHEIBE FE/ZNXC3 | RONDELLA PIATTA FE/ZNXC3 | |
| 012 | 80251338 | 002 | RONDELLE PLATE FE/ZNXC3 | PLAIN WASHER FE/ZNXC3 | SCHEIBE FE/ZNXC3 | RONDELLA PIATTA FE/ZNXC3 | |
| 013 | 80451050 | 001 | GOUPILLE ELASTIQUE FLZNNC | ROLL PIN FLZNNC | SPANNHUELSE FLZNNC | SPINA ELASTICA FLZNNC | |
| 014 | K7000311 | 001 | DEFLECTEUR | DEFLECTOR | ABWEISER | DEFLETTORE | |
| 015 | K7002120 | 001 | PEIGNE | COMB | KAMM | PETTINE | |
| 016 | K7007600 | 001 | TUBE | TUBE | ROHR | TUBO | |





FC313TGRA

B 0001 > L 0000

K70R0663 B

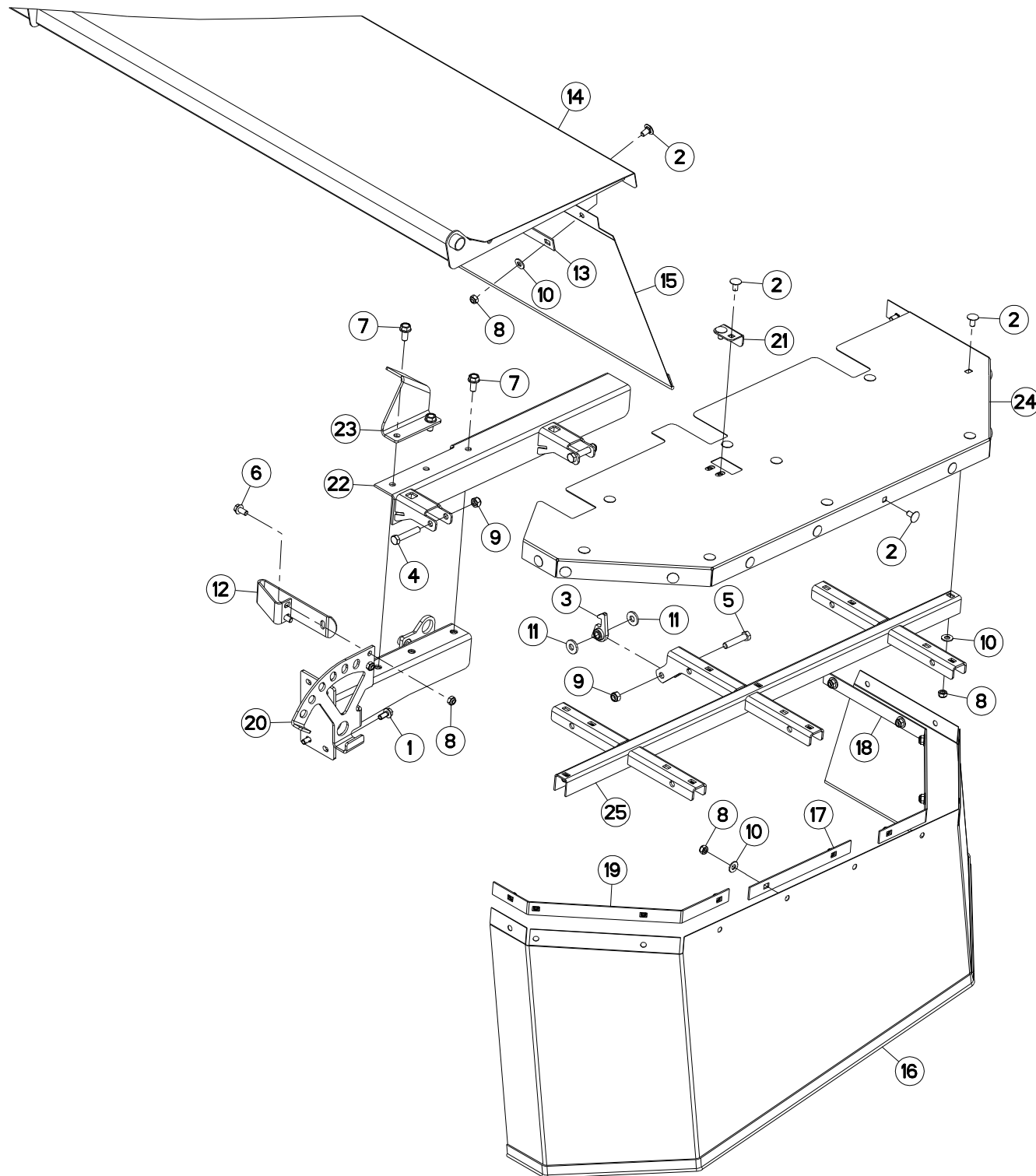
CAPOTS (ARRIERE)

BONNETS (REAR)

HAUBEN (HINTEN)

COFANI (POSTERIORE)

| Rep | Nr | Qt | Designation | Description | Bezeichnung | Referenza | Remarque - Remark - Bemerkung - Osservazioni |
|-----|----------|-----|-------------------------------|------------------------------|--------------------------------|-----------------------------|--|
| 001 | 50002200 | 003 | VIS TBCC COURT | BOLT, CARRIAGE, SHORT NECK | FLACHRUNDSCHR.4KT ANSATZ | BULLONE | |
| 002 | 50003200 | 042 | VIS TBCC COURT | BOLT, CARRIAGE, SHORT NECK | FLACHRUNDSCHR.4KT ANSATZ | BULLONE | |
| 003 | 56643900 | 001 | BARRETTE | BLOCK, TERMINAL | STOLLE | BARRETTA | |
| 004 | 56698120 | 001 | DEFLECTEUR | DEFLECTOR | ABWEISER | DEFLETTORE | |
| 005 | 80201040 | 045 | ECROU HEX.BAS AUTOFR.FE/ZNXC3 | SELF LOCKING NUT M10 DIN 985 | SELBSTSICHERND.MUTTER FE/ZNXC3 | DADO AUTOBLOCCANTE FE/ZNXC3 | |
| 006 | 80251176 | 045 | RONDELLE PLATE FE/ZNXC3 | PLAIN WASHER FE/ZNXC3 | SCHEIBE FE/ZNXC3 | RONDELLA PIATTA FE/ZNXC3 | |
| 007 | K7001860 | 001 | PAROI | PARTITION | BLECH | TELA | |
| 008 | K7001880 | 001 | PAROI | PARTITION | BLECH | TELA | |
| 009 | K7007790 | 001 | PLAT | FLAT | FLACHEISEN | PIATTO | |
| 010 | K7012770 | 001 | TOLE | SHEET | BLECH | TELA | |
| 011 | K7012780 | 001 | TOLE | SHEET | BLECH | TELA | |
| 012 | K7015700 | 001 | RABAT | COVER PLATE | ABDECKBLECH | PROTEZIONE | |
| 013 | K7015710 | 001 | DOUBLURE | DOUBLER | VERSTAERKUNGSPLATTE | PIASTRA DI RINFORZO | |
| 014 | K7015720 | 001 | DOUBLURE | DOUBLER | VERSTAERKUNGSPLATTE | PIASTRA DI RINFORZO | |
| 015 | K7017500 | 001 | RALLONGE | EXTENSION | VERLAENGERUNG | ESTENSIONE | |
| 016 | K7007780 | 001 | TOILE | CURTAIN | SCHUTZTUCH | TELO POSTERIORE | |





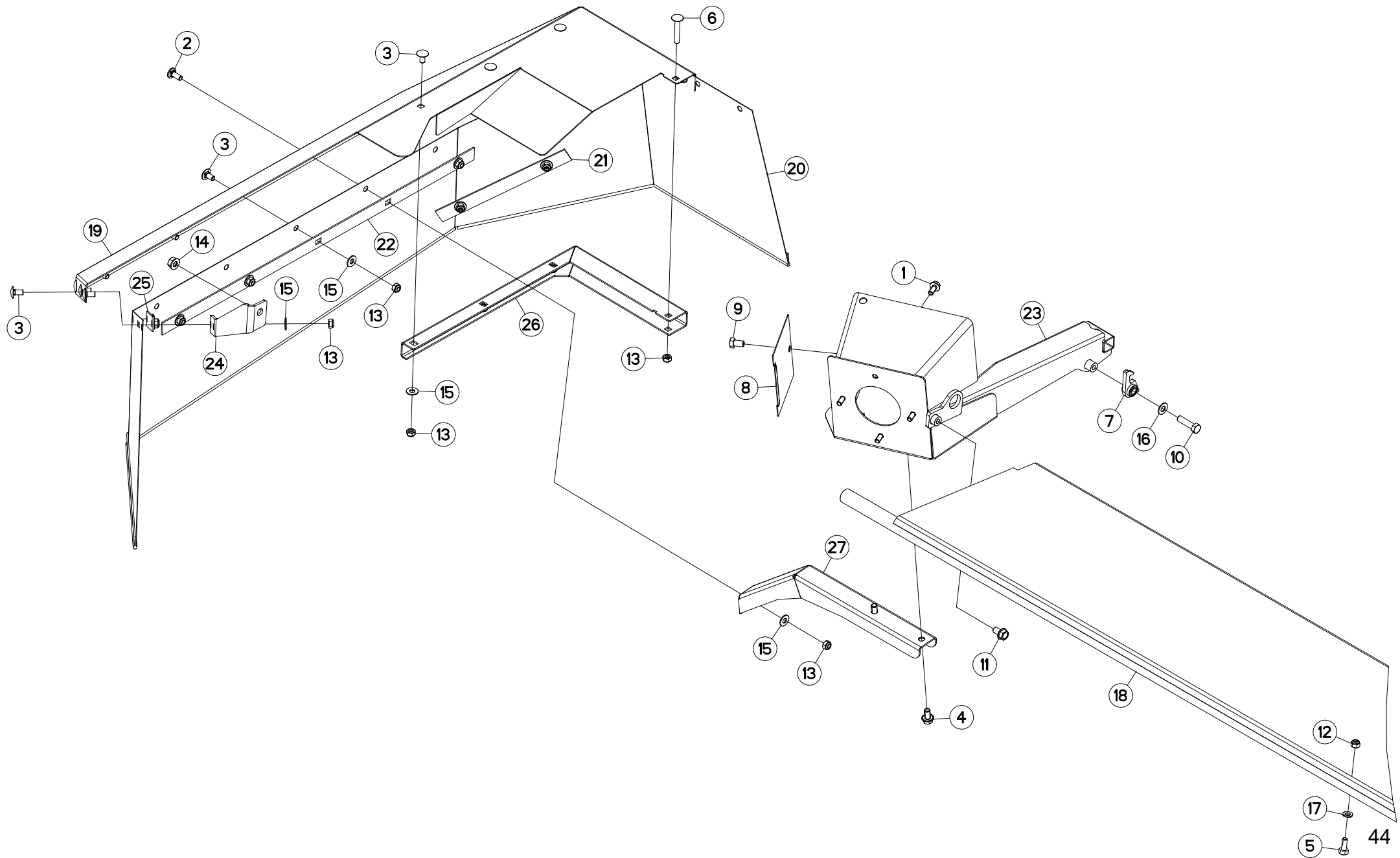
PROTECTEURS (DROIT)

SAFETY GUARDS (RIGHT)

SCHUTZVORRICHTUNGEN (RECHTS)

PARAPETTI (DX)

| Rep | Nr | Qt | Designation | Description | Bezeichnung | Referenza | Remarque - Remark - Bemerkung - Osservazioni |
|-----|----------|-----|-------------------------------|--------------------------------|--------------------------------|-------------------------------|--|
| 001 | 50002100 | 004 | VIS AUTOFREINEE | SCREW, SELF-LOCKING | SELBSTSICHERNDE SCHRAUBE | VITE AUTOBLOCCANTE | |
| 002 | 50003200 | 034 | VIS TBCC COURT | BOLT, CARRIAGE, SHORT NECK | FLACHRUNDSCHR.4KT ANSATZ | BULLONE | |
| 003 | 55749800 | 001 | VERROU | LATCH | RIEGEL | LEVA | |
| 004 | 80061279 | 002 | VIS TETE HEXAGONALE FE/ZNXC3 | HEXAGON HEAD SCREW FE/ZNXC3 | SECHSKANTSCHRAUBE FE/ZNXC3 | VITE TESTA ESAGONALE FE/ZNXC3 | |
| 005 | 80061282 | 001 | VIS TETE HEXAGONALE FE/ZNXC3 | HEX BOLT M12X60 CL5.8 DIN931 R | SECHSKANTSCHRAUBE FE/ZNXC3 | VITE TESTA ESAGONALE FE/ZNXC3 | |
| 006 | 80131020 | 002 | VIS AUTOBLOQUANTE FLZNNC | UNDERSERRATED S-LOCKING SCREW | SPERRZAHN-BUNDSCHRAUBE FLZNNC | VITE FLZNNC | |
| 007 | 80131225 | 003 | VIS AUTOBLOQUANTE FLZNNC | UNDERSERR.S-LOC.SCREW FLZNNC | SPERRZAHN-BUNDSCHRAU.FLZNNC | VITE FLZNNC | |
| 008 | 80201040 | 036 | ECROU HEX.BAS AUTOFR.FE/ZNXC3 | SELF LOCKING NUT M10 DIN 985 | SELBSTSICHERND.MUTTER FE/ZNXC3 | DADO AUTOBLOCCANTE FE/ZNXC3 | |
| 009 | 80201240 | 003 | ECROU HEX.BAS AUTOFR.FE/ZNXC3 | SELF-LOCKING NUT M 12 DIN-985 | SELBSTSICHERND.MUTTER FE/ZNXC3 | DADO AUTOBLOCCANTE FE/ZNXC3 | |
| 010 | 80251176 | 034 | RONDELLE PLATE FE/ZNXC3 | PLAIN WASHER FE/ZNXC3 | SCHEIBE FE/ZNXC3 | RONDELLA PIATTA FE/ZNXC3 | |
| 011 | 80251331 | 002 | RONDELLE PLATE FE/ZNXC3 | PLAIN WASHER FE/ZNXC3 | SCHEIBE FE/ZNXC3 | RONDELLA PIATTA FE/ZNXC3 | |
| 012 | K7004790 | 001 | LAME RESSORT | SPRING BLADE | FEDERELEMENT | MOLLA PIATTA | |
| 013 | K7009570 | 001 | PLAT | FLAT | FLACHEISEN | PIATTO | |
| 014 | K7009580 | 001 | CAPOT | HOOD | HAUBE | COFANO | |
| 015 | K7009590 | 001 | TOILE | CURTAIN | SCHUTZTUCH | TELO POSTERIORE | |
| 016 | K7019190 | 001 | TOILE | CURTAIN | SCHUTZTUCH | TELO POSTERIORE | |
| 017 | K7019230 | 001 | GOUSSET | GUSSET | BEFESTIGUNGSBLECH | BRACCIOLO FISSAGGIO | |
| 018 | K7019260 | 001 | PLAT | FLAT | FLACHEISEN | PIATTO | |
| 019 | K7019280 | 001 | PLAT | FLAT | FLACHEISEN | PIATTO | |
| 020 | K7019310 | 001 | SUPPORT | SUPPORT | TRAEGER | SUPPORTO | |
| 021 | K7019370 | 001 | PATTE | PLATE | LASCHE | FAZZOLETTO | |
| 022 | K7019410 | 001 | BRAS | ARM | ARM | BRACCIO | |
| 023 | K7019450 | 001 | BUTEE | STOP | ANSCHLAG | LIMITATORE | |
| 024 | K7019500 | 001 | CAPOT | HOOD | HAUBE | COFANO | |
| 025 | K7019510 | 001 | SUPPORT DE PROTECTEUR | SUPPORT, GUARD | SCHUTZHALTERUNG | SUPPORTO PROTEZIONE | |





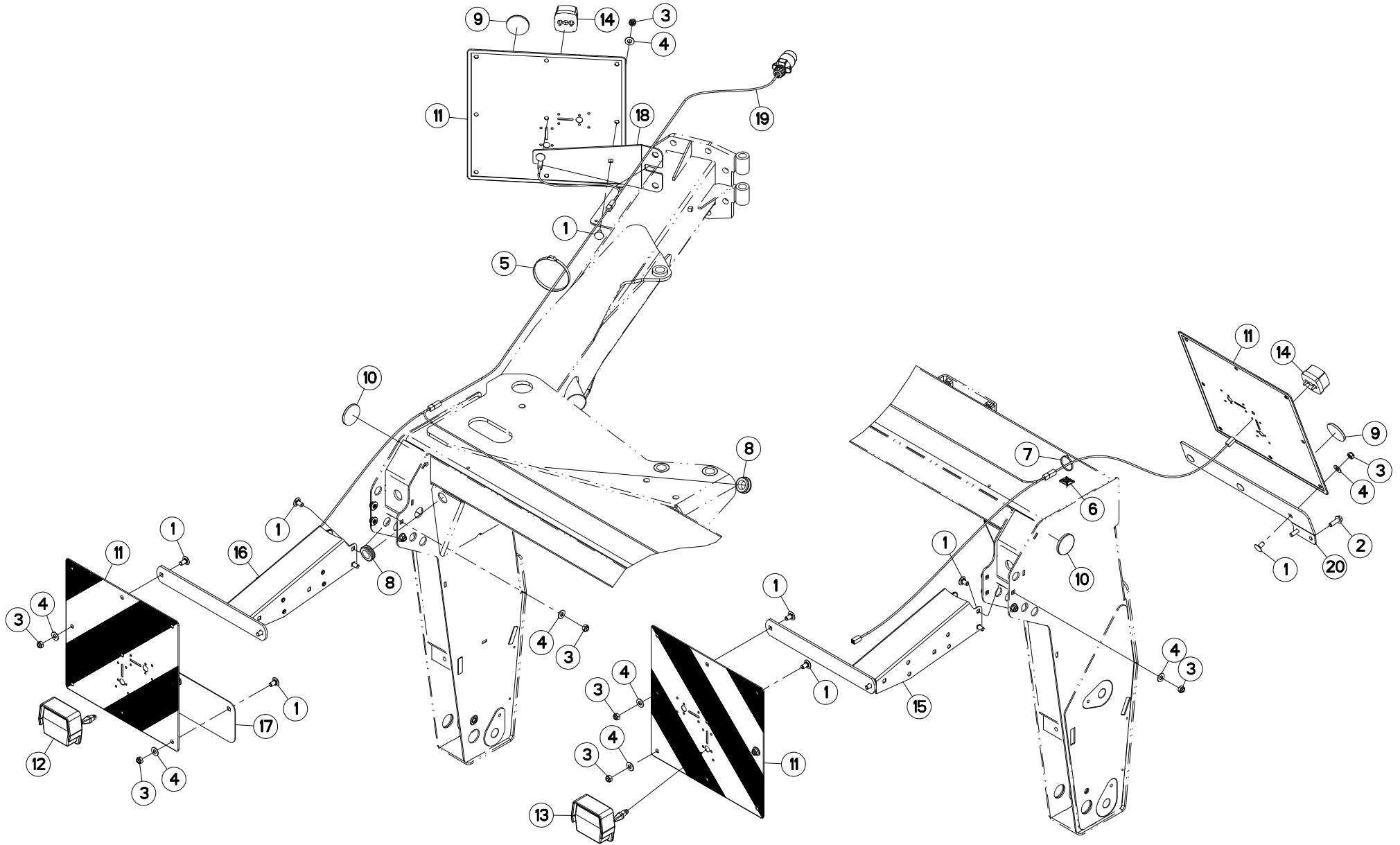
PROTECTEURS (GAUCHE)

SAFETY GUARDS (LEFT)

SCHUTZVORRICHTUNGEN (LINKS)

PARAPETTI (SX)

| Rep | Nr | Qt | Designation | Description | Bezeichnung | Referenza | Remarque - Remark - Bemerkung - Osservazioni |
|-----|----------|-----|-------------------------------|-------------------------------|--------------------------------|-------------------------------|--|
| 001 | 50002100 | 004 | VIS AUTOFREINEE | SCREW, SELF-LOCKING | SELBSTSICHERNDE SCHRAUBE | VITE AUTOBLOCCANTE | |
| 002 | 50002200 | 001 | VIS TBCC COURT | BOLT, CARRIAGE, SHORT NECK | FLACHRUNDSCHR.4KT ANSATZ | BULLONE | |
| 003 | 50003200 | 016 | VIS TBCC COURT | BOLT, CARRIAGE, SHORT NECK | FLACHRUNDSCHR.4KT ANSATZ | BULLONE | |
| 004 | 50007500 | 002 | VIS AUTOFREINEE H A EMBASE | SELF-LOCKING SCREW | SELBSTSICHERNDE SCHRAUBE | BULLONE CR | |
| 005 | 80071030 | 001 | VIS AVEC REVÊTEMENT ADHESIF | SCREW WITH ADHESIVE COATING | KLEBE BESCHICHTETE SCHRAUBE | VITE FE/ZNXC3 | |
| 006 | 50069800 | 001 | VIS TBCC COURT | BOLT, CARRIAGE, SHORT NECK | FLACHRUNDSCHR.4KT ANSATZ | BULLONE | |
| 007 | 55749800 | 001 | VERROU | LATCH | RIEGEL | LEVA | |
| 008 | 56674010 | 001 | COUVERCLE | LID | DECKEL | COPERCHIO | |
| 009 | 80061220 | 001 | VIS TETE HEXAGONALE FLZNNC | HEX BOLT M12X20 CL 5.8 DIN933 | SECHSKANTSCHRAUBE FLZNNC | VITE TESTA ESAGONALE FLZNNC | |
| 010 | 80061245 | 001 | VIS TETE HEXAGONALE FE/ZNXC3 | HEXAGON HEAD SCREW FE/ZNXC3 | SECHSKANTSCHRAUBE FE/ZNXC3 | VITE TESTA ESAGONALE FE/ZNXC3 | |
| 011 | 80131220 | 002 | VIS AUTOBLOQUANTE FLZNNC | UNDERSERR.S-LOC.SCREW FLZNNC | SPERRZAHN-BUNDSCHRAU.FLZNNC | VITE FLZNNC | |
| 012 | 80201030 | 001 | ECROU HEX.AUTOFREINE FE/ZNXC3 | SELF-LOCKING NUT FE/ZNXC3 | SELBSTSICH.MUTTER FE/ZNXC3 | DADO AUTOBLOCCANTE FE/ZNXC3 | |
| 013 | 80201040 | 018 | ECROU HEX.BAS AUTOFR.FE/ZNXC3 | SELF LOCKING NUT M10 DIN 985 | SELBSTSICHERND.MUTTER FE/ZNXC3 | DADO AUTOBLOCCANTE FE/ZNXC3 | |
| 014 | 80201262 | 001 | ECROU TWOLOK FLZNNC | SELF-LOCKING NUT FLZNNC | SELBSTSICHERNDE MUTTER FLZNNC | DADO TWOLOCK FLZNNC | |
| 015 | 80251176 | 017 | RONDELLE PLATE FE/ZNXC3 | PLAIN WASHER FE/ZNXC3 | SCHIEBE FE/ZNXC3 | RONDELLA PIATTA FE/ZNXC3 | |
| 016 | 80251225 | 001 | RONDELLE PLATE FE/ZNXC3 | PLAIN WASHER FE/ZNXC3 | SCHIEBE FE/ZNXC3 | RONDELLA PIATTA FE/ZNXC3 | |
| 017 | 80281052 | 001 | RONDELLE CONIQUE BLOC.FLZNNC | CONICAL SPRING WASHER FLZNNC | SPANNSCHIEBE FLZNNC | RONDELLA CONICA FLZNNC | |
| 018 | K7009551 | 001 | CAPOT | HOOD | HAUBE | COFANO | |
| 019 | K7019200 | 001 | PROTECTEUR | GUARD | SCHUTZ | PROTEZIONE | |
| 020 | K7019210 | 001 | TOILE | CURTAIN | SCHUTZTUCH | TELO POSTERIORE | |
| 021 | K7019230 | 001 | GOUSSET | GUSSET | BEFESTIGUNGSBLECH | BRACCIOLO FISSAGGIO | |
| 022 | K7019240 | 001 | PLAT | FLAT | FLACHEISEN | PIATTO | |
| 023 | K7019340 | 001 | PROTECTEUR | GUARD | SCHUTZ | PROTEZIONE | |
| 024 | K7019380 | 001 | PATTE | PLATE | LASCHE | FAZZOLETTO | |
| 025 | K7019390 | 001 | GOUSSET | GUSSET | BEFESTIGUNGSBLECH | BRACCIOLO FISSAGGIO | |
| 026 | K7019400 | 001 | SUPPORT DE PROTECTEUR | SUPPORT, GUARD | SCHUTZHALTERUNG | SUPPORTO PROTEZIONE | |
| 027 | K7024730 | 001 | SUPPORT DE PROTECTEUR | SUPPORT, GUARD | SCHUTZHALTERUNG | SUPPORTO PROTEZIONE | |





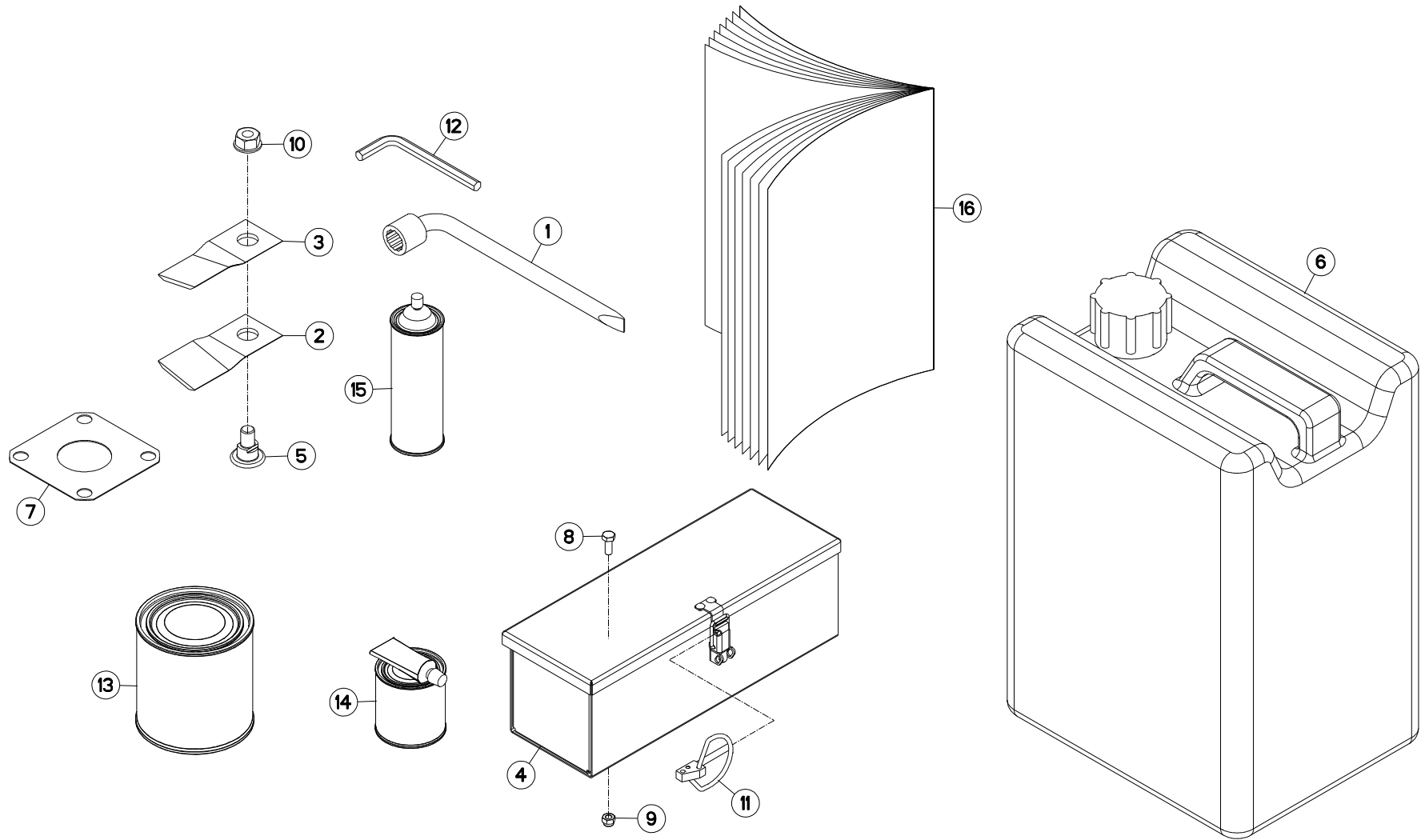
SIGNALISATION

SIGNALLING

BELEUCHTUNG U. WARNTAFELN

SEGNALAZIONE

| Rep | Nr | Qt | Designation | Description | Bezeichnung | Referenza | Remarque - Remark - Bemerkung - Osservazioni |
|-----|----------|-----|-------------------------------|------------------------------|--------------------------------|-----------------------------|--|
| 001 | 50003200 | 021 | VIS TBCC COURT | BOLT, CARRIAGE, SHORT NECK | FLACHRUNDSCHR.4KT ANSATZ | BULLONE | |
| 002 | 80131031 | 002 | VIS AUTOBLOQUANTE FLZNNC | UNDERSERR.S-LOC.SCREW FLZNNC | SPERRZAHN-BUNDSCHRAU.FLZNNC | VITE FLZNNC | |
| 003 | 80201040 | 021 | ECROU HEX.BAS AUTOFR.FE/ZNXC3 | SELF LOCKING NUT M10 DIN 985 | SELBSTSICHERND.MUTTER FE/ZNXC3 | DADO AUTOBLOCCANTE FE/ZNXC3 | |
| 004 | 80251176 | 021 | RONDELLE PLATE FE/ZNXC3 | PLAIN WASHER FE/ZNXC3 | SCHEIBE FE/ZNXC3 | RONDELLA PIATTA FE/ZNXC3 | |
| 005 | 83090192 | 001 | COLLIER | CABLE TIE PLASTIC | KABELBINDER PLASTIK | ANELLO | |
| 006 | 83090038 | 001 | EMBASE AUTOADHESIVE | SELF STIKING CABLE GUIDE | KABELKONSOLE SELBSTKLEBEND | BASAMENTO | |
| 007 | 83090039 | 001 | COLLIER PLASTIQUE | CABLE TIE PLASTIC | KABELBINDER PLASTIK | FASCETTA | |
| 008 | 83200804 | 002 | PASSE FIL | RUBBER PASS WIRE | GUMMITUELLE | PASSAFILO | |
| 009 | 83240010 | 002 | CATADIOPTRE | REFLECTOR | RUECKSTRAHLER | CATADIOTTRO | |
| 010 | 83240014 | 002 | CATADIOPTRE | REFLECTOR | RUECKSTRAHLER | CATADIOTTRO | |
| 011 | 83240212 | 004 | PANNEAU CARRE SIMPLE-FACE | WARNING PLATE | WARNTAFEL | PANNELLO B/R ANT. | |
| 012 | 83240400 | 001 | FEU ARRIERE GAUCHE | REAR LAMP LEFT | RUECKLICHT LINKS | FANALINO COMPLETO POST. SX | |
| 013 | 83240401 | 001 | FEU ARRIERE DROIT | REAR LAMP RIGHT | RUECKLICHT RECHTS | FANALINO COMPLETO POST. DX | |
| 014 | 83240404 | 002 | FEU DE POSITION BLANC | FRONT LAMP WHITE | BEGRENZUNGSLICHT WEISS | FANALINO BIANCO | |
| 015 | K7001680 | 001 | BRAS SUPPORT DROIT MONTE | SUPPORT ARM RIGHT | TRAGARM RECHTS | SUPPORTO BRACCIO DX. | |
| 016 | K7005690 | 001 | BRAS SUPPORT GAUCHE | SUPPORT ARM LEFT | TRAGARM LINKS | SUPPORTO BRACCIO SX | |
| 017 | K7005810 | 001 | TOLE | SHEET | BLECH | TELA | |
| 018 | K7006260 | 001 | SUPPORT ZBC | SUPPORT | HALTER | SUPPORTO ZBC | |
| 019 | K7006761 | 001 | FAISCEAU ELECTRIQUE | WIRING HARNESS | KABELNETZ | CAVO ELETTRICO | |
| 020 | K7019460 | 001 | SUPPORT | SUPPORT | TRAEGER | SUPPORTO | |





FC313TGRA

B 0001 > L 0000

K70R0453 B

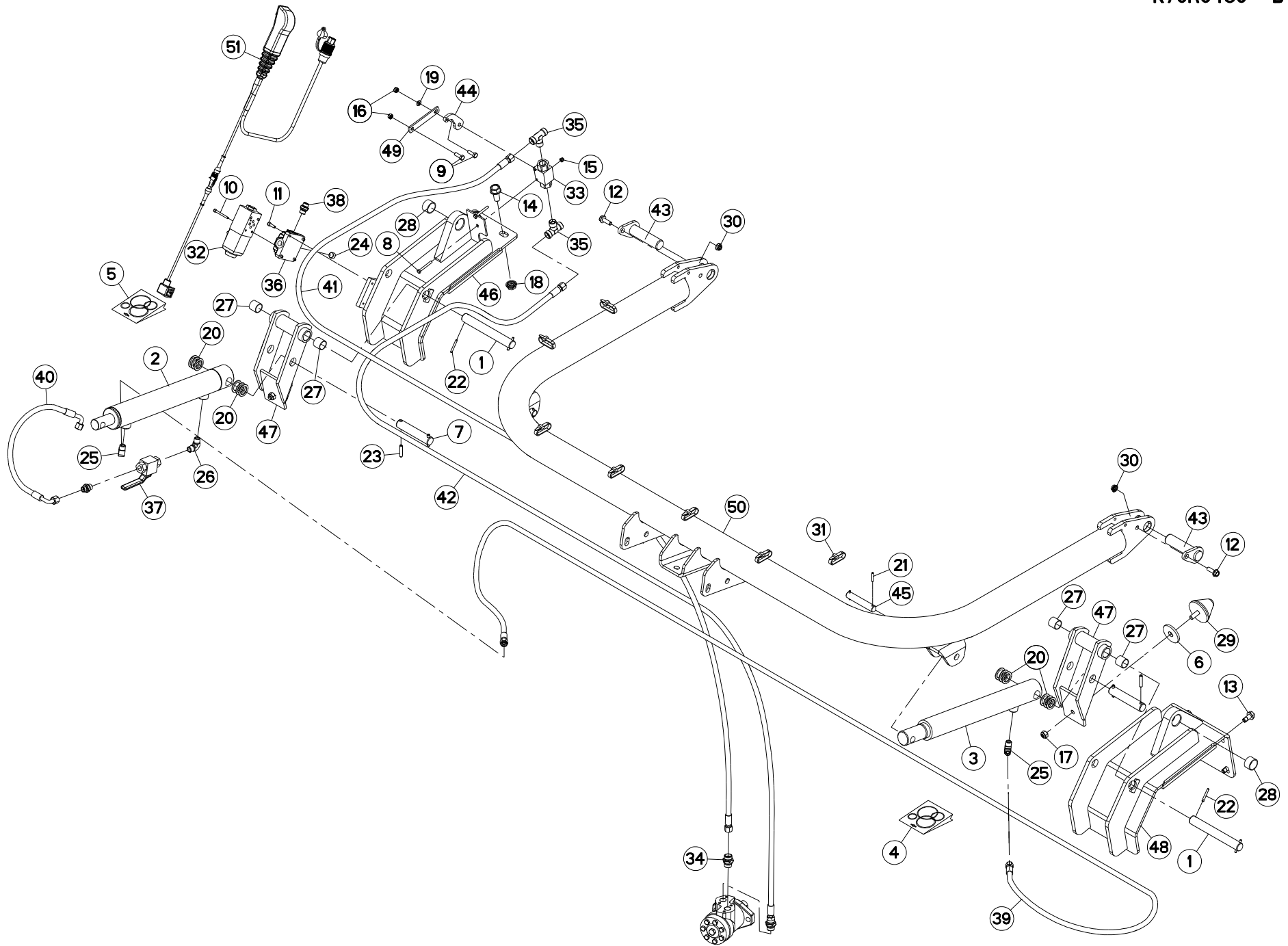
DIVERS

MISCELLANEOUS

VERSCHIEDENES

VARIE

| Rep | Nr | Qt | Designation | Description | Bezeichnung | Referenza | Remarque - Remark - Bemerkung - Osservazioni |
|-----|-----------------|-----|-------------------------------|------------------------------|-------------------------------|-------------------------------|--|
| 001 | 50080200 | 001 | CLE A PIPE DE 18 (12PANS) | BOX SPANNER 18 | PFEIFENSCHLUESSEL 18 | CHIAVE X FC 280F MATR.95 | |
| 002 | 55903210 | 008 | COUTEAU VRILLE DISQUE T.A G. | ANGLED BLADE - LEFT | MAEHLINGE GEDREHT - LINKS | COLTELLO PIEGATO - SINISTRO | |
| 003 | 55903310 | 008 | COUTEAU VRILLE DISQUE T.A D. | ANGLED BLADE - RIGHT | MAEHLINGE GEDREHT - RECHTS | COLTELLO PIEGATO - DESTRO | |
| 004 | 56019000 | 001 | BOITE A OUTILS | TOOLBOX | WERKZEUGKASTEN | CASSETTO | |
| 005 | 56115800 | 008 | VIS AUTOFREINEE | SCREW, SELF-LOCKING | SELBSTSICHERNDE SCHRAUBE | VITE AUTOBLOCCANTE | |
| 006 | 56553200 | 002 | BIDON 20L HUILE AZOLLA ZS46 | OIL CAN 20L | ÖL KANISTER 20L | BIDONE D'OLIO 20L | |
| 007 | 56807100 | 005 | ENTRETOISE | SPACER | DISTANZSCHEIBE | DISTANZIALE | |
| 008 | 80060616 | 002 | VIS TETE HEXAGONALE FE/ZNXC3 | HEXAGON HEAD SCREW FE/ZNXC3 | SECHSKANTSCHRAUBE FE/ZNXC3 | VITE TESTA ESAGONALE FE/ZNXC3 | |
| 009 | 80200630 | 002 | ECROU HEX.AUTOFREINE FE/ZNXC3 | SELF LOCKING NUT M6 DIN 982 | SELBSTSICHERNDE MUTT.FE/ZNXC3 | DADO AUTOBLOCCANTE FE/ZNXC3 | |
| 010 | 80201262 | 008 | ECROU TWOLOCK FLZNNC | SELF-LOCKING NUT FLZNNC | SELBSTSICHERNDE MUTTER FLZNNC | DADO TWOLOCK FLZNNC | |
| 011 | 80560540 | 001 | GOUPILLE AUTOMATIQUE FE/ZNXC3 | LINCH PIN FE/ZNXC3 | KLAPPSTECKER FE/ZNXC3 | COPPIGLIA FE/ZNXC3 | |
| 012 | 83450005 | 001 | CLE MALE 8 | ALLEN WRENCH 8 | 6KT.STIFTSCHLUESSEL 8 | CHIAVE | |
| 013 | 83503018 | 001 | BOITE 1L PEINT.ROUGE | 1L RED PAINT CAN, | DOSE FARBE ROT,1L | VERNICE ROSSA KUHN | OPT |
| 014 | 83503019 | 001 | BOITE 0,6L PEIN.ROU.2K+DURCIS | 0,6L RED PAINT CAN,+HARDENER | DOSE 0,6L FARBE ROT, 2KOMP. | VERNICE ROSSA KUHN 2K 0,6L | OPT |
| 015 | 83503026 | 001 | BOMBE AEROSOL ROUGE KUHN | RED SPRAY PAINT | FARBSPRUEHDOSE KUHN ROT | VERNICE SPRAY ROSSA | OPT |
| 016 | KN098B | 001 | NOTICE D'INST.FC313TG RA | OPERATORS MANUAL FC313TG RA | BETR-ANL.FC313TG RA | MAN.USO MANUT.FC313TG RA | |





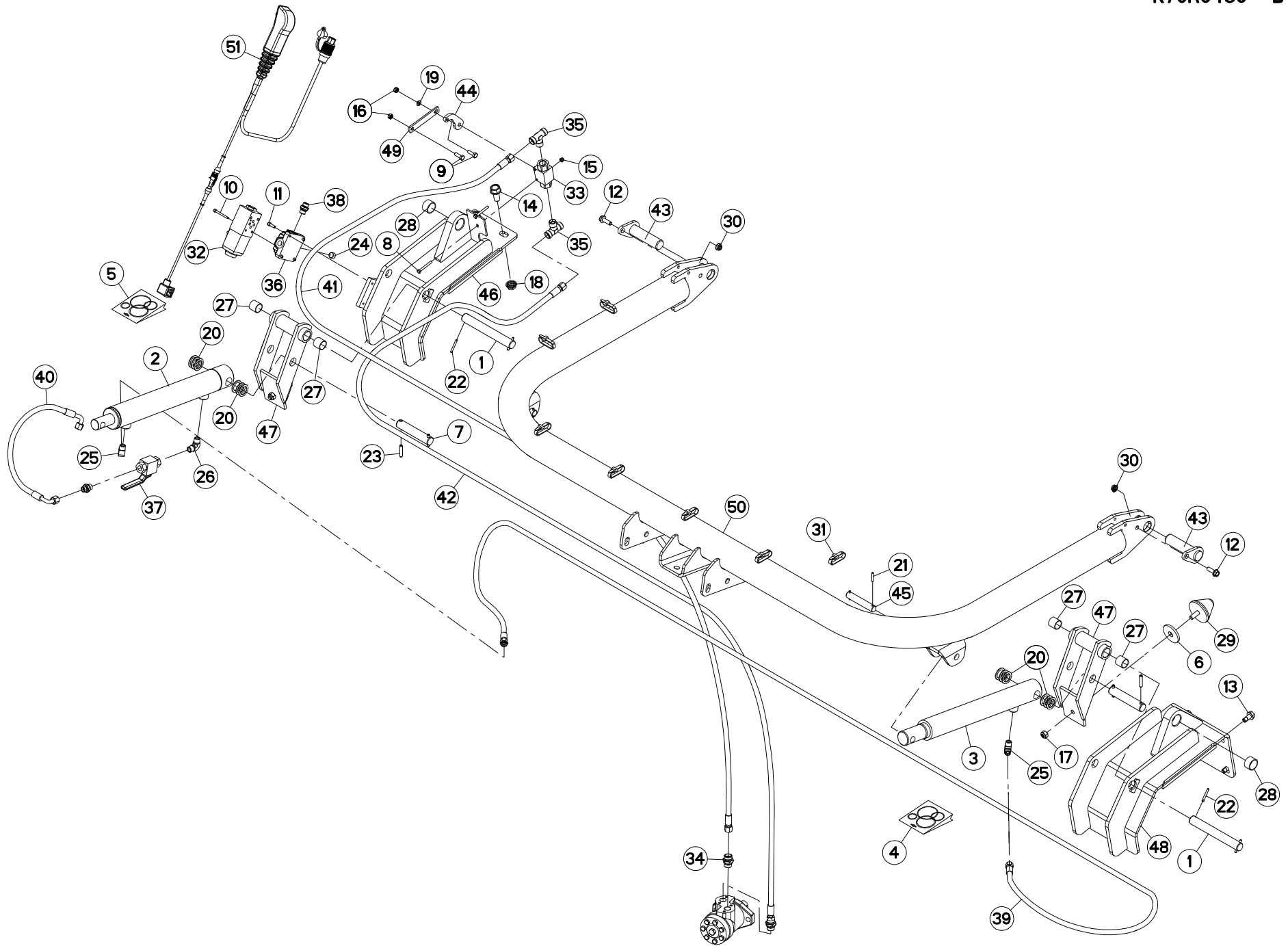
RELEVAGE (CONVOYEUR)

LIFT (CONVEYOR)

AUSHEBUNG (BANDFÖRDERER)

SOLLEVAMENTO (CONVOGLIATORE)

| Rep | Nr | Qt | Designation | Description | Bezeichnung | Referenza | Remarque - Remark - Bemerkung - Osservazioni |
|-----|----------|-----|--------------------------------|--------------------------------|--------------------------------|--------------------------------|--|
| 001 | 55825600 | 002 | AXE DE BLOCAGE | LOCK PIN | VERRIEGELUNGSBOLZEN | SPINOTTO | |
| 002 | 55830220 | 001 | VERIN | CYLINDER, HYDRAULIC | HYDRAULIKZYLINDER | CILINDRO | |
| 003 | 55830310 | 001 | VERIN | CYLINDER, HYDRAULIC | HYDRAULIKZYLINDER | CILINDRO | |
| 004 | 56046310 | 001 | COLL.JOINTS-VERIN 55830310 | OIL SEAL SET | SATZ DICHTUNGEN | SERIE GUARNIZIONI | |
| 005 | 56046420 | 001 | COLL.JOINTS-VERIN 55830220 | OIL SEAL SET | SATZ DICHTUNGEN | SERIE GUARNIZIONI | |
| 006 | 56543000 | 002 | RONDELLE | SPECIAL WASHER | SPEZIALSCHEIBE | RONDELLA | |
| 007 | 58742110 | 002 | AXE ZBC | PIN | BOLZEN | ASSE | |
| 008 | 80060650 | 002 | VIS TETE HEXAGONALE FE/ZNXC3 | HEX. HEAD SCREW M6 X 50 MM CL8 | SECHSKANTSCHRAUBE FE/ZNXC3 | VITE TESTA ESAGONALE FE/ZNXC3 | |
| 009 | 80060826 | 002 | VIS TETE HEXAGONALE FE/ZNXC3 | HEAD HEX SCREW M8X25 CL8.8 DIN | SECHSKANTSCHRAUBE FE/ZNXC3 | VITE TESTA ESAGONALE FE/ZNXC3 | |
| 010 | 80080550 | 004 | VIS TETE CYL.SIX P.CR.FE/ZNXC3 | ALLEN BOLT M5 X 50 DIN 912 | ZYLINDERSCHR.INNENSEC.FE/ZNXC3 | VITE A TESTA CILINDR. FE/ZNXC3 | |
| 011 | 80080620 | 004 | VIS TETE CYL.SIX P.CR.FE/ZNXC3 | HEX.SOCK.HEAD CAP SCR.FE/ZNXC3 | ZYLINDERSCHR.INNENSEC.FE/ZNXC3 | VITE A TESTA CILINDR. FE/ZNXC3 | |
| 012 | 80131031 | 002 | VIS AUTOBLOQUANTE FLZNNC | UNDERSERR.S-LOC.SCREW FLZNNC | SPERRZAHN-BUNDSCHRAU.FLZNNC | VITE FLZNNC | |
| 013 | 80131225 | 004 | VIS AUTOBLOQUANTE FLZNNC | UNDERSERR.S-LOC.SCREW FLZNNC | SPERRZAHN-BUNDSCHRAU.FLZNNC | VITE FLZNNC | |
| 014 | 80131636 | 002 | VIS AUTOBLOQUANTE FLZNNC | UNDERSERR.S-LOC.SCREW FLZNNC | SPERRZAHN-BUNDSCHRAU.FLZNNC | VITE FLZNNC | |
| 015 | 80200630 | 002 | ECROU HEX.AUTOFREINE FE/ZNXC3 | SELF LOCKING NUT M6 DIN 982 | SELBSTSICHERNDE MUTT.FE/ZNXC3 | DADO AUTOBLOCCANTE FE/ZNXC3 | |
| 016 | 80200840 | 002 | ECROU HEX.BAS AUTOFR.FE/ZNXC3 | SELF-LOCKING NUT FE/ZNXC3 | SELBSTSICHERND.MUTTER FE/ZNXC3 | DADO AUTOBLOCCANTE FE/ZNXC3 | |
| 017 | 80201248 | 002 | ECROU HEX.BAS AUTOFR.FLZNNC | SELF-LOCKING NUT FLZNNC | SELBSTSICHERND.MUTTER FLZNNC | DADO AUTOBLOCCANTE FLZNNC | |
| 018 | 80201651 | 002 | ECROU AUTOBLOQUANT FE/ZNXC3 | UNDERSERRAT.S.LOC.NUT FE/ZNXC3 | SPERRZAHN-BUNDMUTTER FE/ZNXC3 | DADO FE/ZNXC3 | |
| 019 | 80250823 | 001 | RONDELLE PLATE FE/ZNXC3 | PLAIN WASHER DIA 8.4 *DIA 17*1 | SCHEIBE FE/ZNXC3 | RONDELLA PIATTA FE/ZNXC3 | |
| 020 | 80252637 | 012 | RONDELLE D'APPUI SS 2 FE/ZNXC3 | SUPPORTING RING SS 2 FE/ZNXC3 | STUETZSCHEIBE SS 2 FE/ZNXC3 | RONDELLA FE/ZNXC3 | |
| 021 | 80450530 | 004 | GOUPILLE ELASTIQUE FLZNNC | ROLL PIN FLZNNC | SPANNHUELSE FLZNNC | SPINA ELASTICA FLZNNC | |
| 022 | 80450540 | 004 | GOUPILLE ELASTIQUE FLZNNC | ROLL PIN FLZNNC | SPANNHUELSE FLZNNC | SPINA ELASTICA FLZNNC | |
| 023 | 80450841 | 004 | GOUPILLE ELASTIQUE FLZNNC | ROLL PIN FLZNNC | SPANNHUELSE FLZNNC | SPINA ELASTICA FLZNNC | |
| 024 | 82230009 | 001 | BOUCHON | PLUG | VERSCHLUSSSCHRAUBE | TAPPO | |
| 025 | 82301002 | 002 | EQUERRE MALE NUE FE/ZNXC3 | MALE CONNECTOR FE/ZNXC3 | VERBINDUNGSSCHRAUBE FE/ZNXC3 | RACCORDO FE/ZNXC3 | |
| 026 | 82301214 | 001 | COUDE MALE NU FE/ZNXC3 | ANGLE SCREW SCREW-JOI.FE/ZNXC3 | WINKEL EINSCHRAUBVERS.FE/ZNXC3 | RACCORDO FE/ZNXC3 | |
| 027 | 83012528 | 004 | BAGUE ROULEE | WRAPPED BUSH | GEROLLTE BUCHSE | ANELLO LUBRIFICATO | |
| 028 | 83013034 | 002 | BAGUE ROULEE | WRAPPED BUSH | GEROLLTE BUCHSE | ANELLO LUBRIFICATO | |
| 029 | 83030008 | 002 | BUTEE ELASTIQUE CONIQUE | RUBBER STOP | GUMMIPUFFER | GOMMINO | |
| 030 | 80201053 | 002 | ECROU AUTOBLOQUANT FE/ZNXC3 | UNDERSERRAT.S.LOC.NUT FE/ZNXC3 | SPERRZAHN-BUNDMUTTER FE/ZNXC3 | DADO FE/ZNXC3 | |
| 031 | 83090086 | 007 | COLLIER PLASTIQUE | CABLE TIE PLASTIC | KABELBINDER PLASTIK | FASCETTA | |
| 032 | A4050012 | 001 | DISTRIBUTEUR | VALVE, DIVERTER | VERTEILER | DISTRIBUTORE | |
| 033 | A4075013 | 001 | ROBINET 2 VOIES | TWO-WAY VALVE | ZWEI-WEGE-HAHN | RUBINETTO | |
| 034 | A4080430 | 002 | UNION MALE | MALE STUD CONNECTOR | GERADER EINSCHRAUBSTUTZEN | GIUZIONE DIRITTA ZBC | |
| 035 | A4080850 | 002 | TE MALE | T SCREW IN SCREW JOINT FE/ZNXC | T-EINSCHRAUBVERSCHRAUBUNG FE/Z | TERMINALE A T FE/ZNXC3 | |
| 036 | A4101014 | 001 | EMBASE 1 EL CETOP3 MR.S.L-3-3/ | MOUNTING BASE CETOP | BODENPLATTE CETOP | SPESSORE | |
| 037 | A4075005 | 001 | ROBINET | VALVE, BALL | KUGELHAHN | ROBINETTO | |
| 038 | A4080401 | 002 | UNION MALE | MALE STUD CONNECTOR | GERADER EINSCHRAUBSTUTZEN | GIUZIONE DIRITTA ZBC | |
| 039 | A4921047 | 001 | FLEXIBLE HYDRAULIQUE | HYDRAULIC HOSE | HYDRAULIKSCHLAUCH | TUBO GOMMA | <->4000 mm |
| 040 | A4921125 | 001 | FLEXIBLE HYDRAULIQUE | HYDRAULIC HOSE | HYDRAULIKSCHLAUCH | TUBO GOMMA | <->510 mm |
| 041 | A4923021 | 001 | FLEXIBLE HYDRAULIQUE | HYDRAULIC HOSE | HYDRAULIKSCHLAUCH | TUBO GOMMA | <->3650 mm |
| 042 | A4923021 | 001 | FLEXIBLE HYDRAULIQUE | HYDRAULIC HOSE | HYDRAULIKSCHLAUCH | TUBO GOMMA | <->3650 mm |
| 043 | K5602610 | 002 | AXE | PIN | ACHSE | ASSE | |
| 044 | K5605870 | 001 | LEVIER | LEVER | HEBEL | LEVA | |
| 045 | K7006250 | 002 | AXE INFERIEUR DU VERIN | PIN | BOLZEN | PERNO INFERIORE PISTONE | |
| 046 | K7010700 | 001 | SUPPORT | SUPPORT | TRAEGER | SUPPORTO | |
| 047 | K7010710 | 002 | BIELLE | LINK, CONNECTING | LENKER | BIELLA | |
| 048 | K7010720 | 001 | SUPPORT | SUPPORT | TRAEGER | SUPPORTO | |





FC313TGRA

B 0001 > L 0000

K70R0450 B

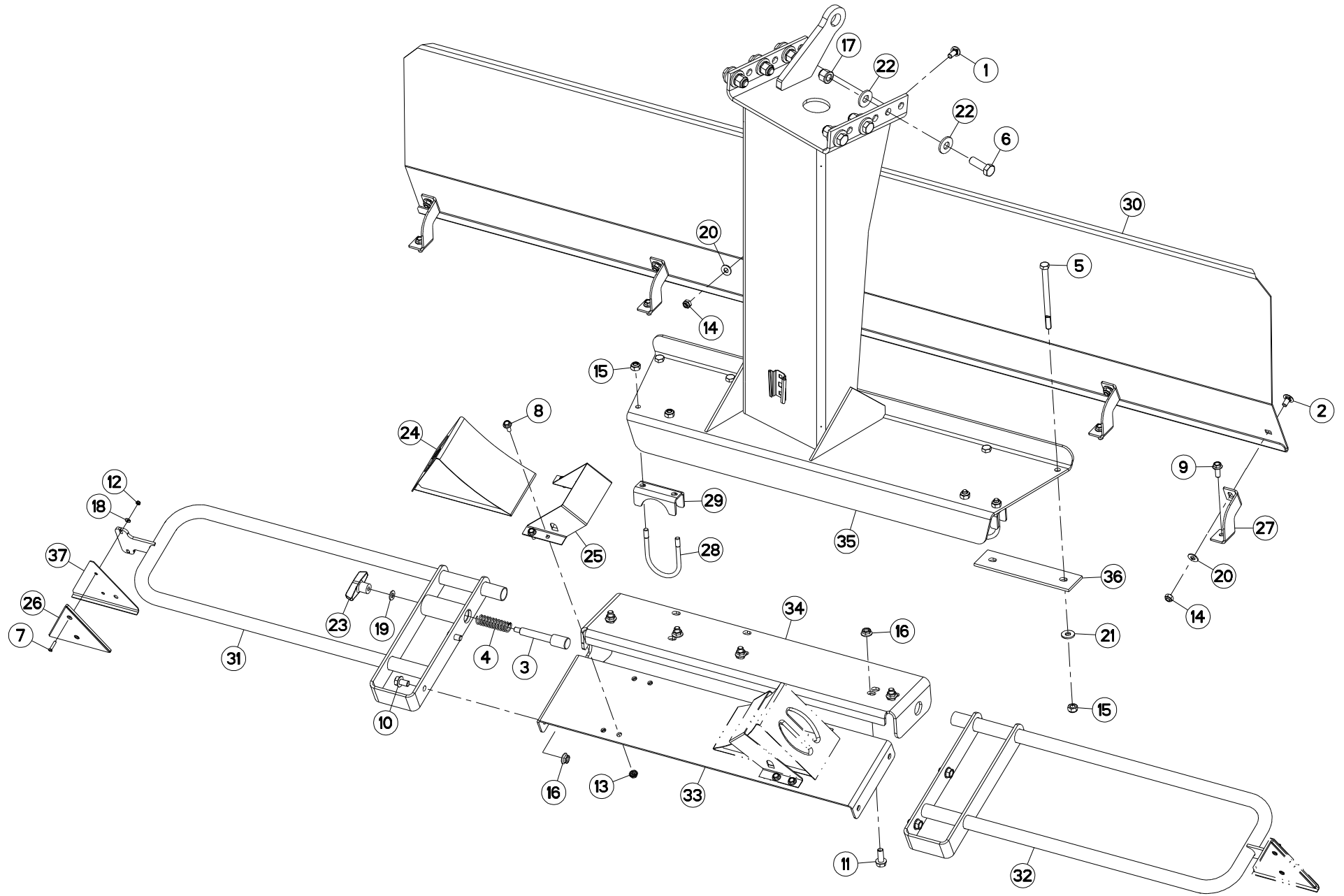
RELEVAGE (CONVOYEUR)

LIFT (CONVEYOR)

AUSHEBUNG (BANDFÖRDERER)

SOLLEVAMENTO (CONVOGLIATORE)

| Rep | Nr | Qt | Designation | Description | Bezeichnung | Referenza | Remarque - Remark - Bemerkung - Osservazioni |
|-----|-----------------|-----|-------------|-------------------|-------------|-----------|--|
| 049 | K7010730 | 001 | PLAT | FLAT | FLACHEISEN | PIATTO | |
| 050 | K7010750 | 001 | CINTRE | TUBE, FORMED | BOGEN | ARCO | |
| 051 | K8006830 | 001 | COMMANDE | SYSTEM, ACTUATION | BEDIENUNG | COMANDO | |





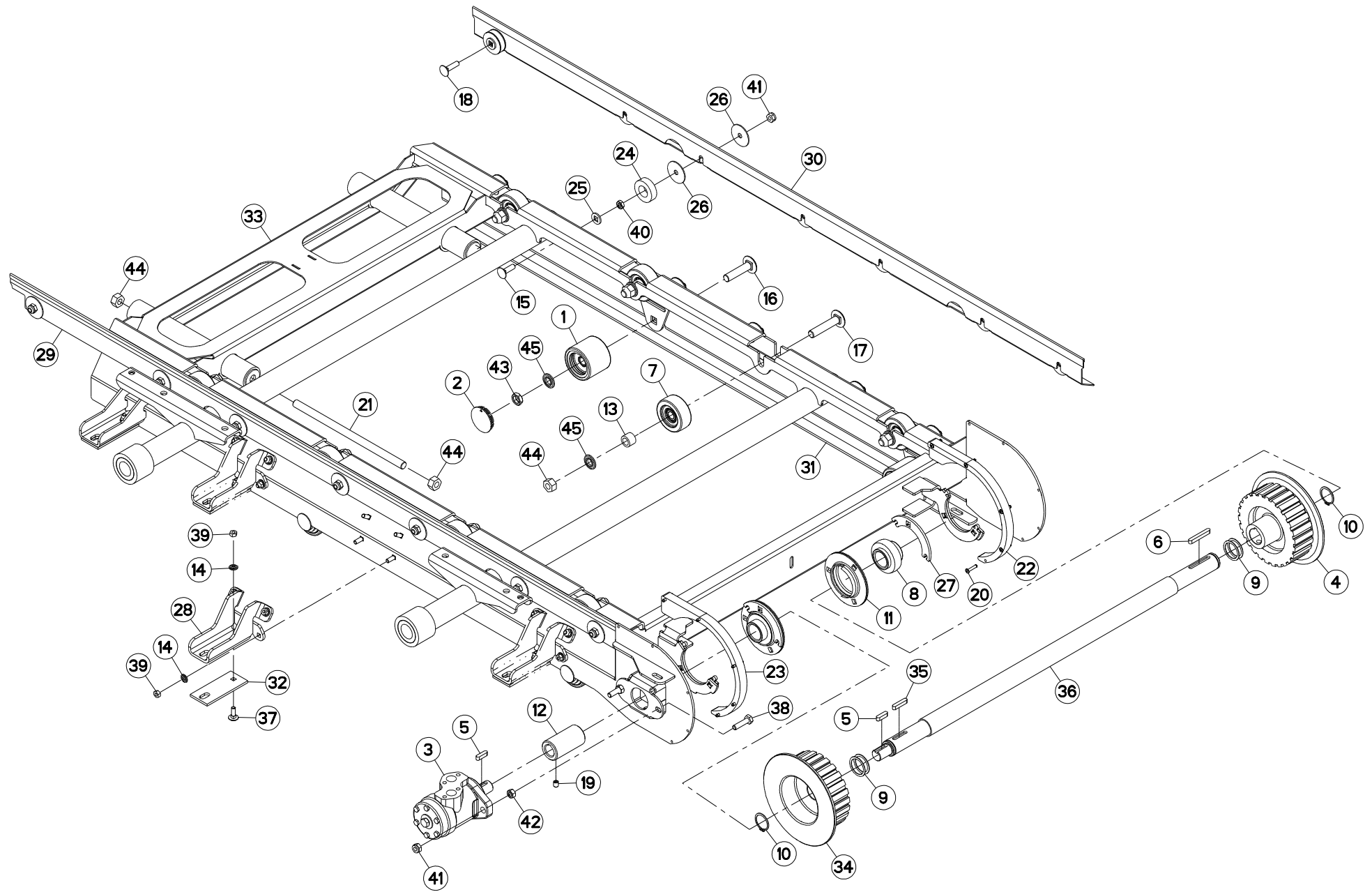
SUPPORT (CONVOYEUR)

SUPPORT (CONVEYOR)

TRAEGER (BANDFÖRDERER)

SUPPORTO (CONVOGLIATORE)

| Rep | Nr | Qt | Designation | Description | Bezeichnung | Referenza | Remarque - Remark - Bemerkung - Osservazioni |
|-----|----------|-----|--------------------------------|--------------------------------|--------------------------------|-------------------------------|--|
| 001 | 50002200 | 002 | VIS TBCC COURT | BOLT, CARRIAGE, SHORT NECK | FLACHRUNDSCHR.4KT ANSATZ | BULLONE | |
| 002 | 50003200 | 004 | VIS TBCC COURT | BOLT, CARRIAGE, SHORT NECK | FLACHRUNDSCHR.4KT ANSATZ | BULLONE | |
| 003 | 55736700 | 001 | VERROU | LATCH | RIEGEL | LEVA | |
| 004 | 58722600 | 001 | RESSORT DE PRESSION | PRESSURE SPRING | FEDER | MOLLA | |
| 005 | 80061209 | 004 | VIS TETE HEXAGONALE FE/ZNXC3 | HEXAGON HEAD SCREW FE/ZNXC3 | SECHSKANTSCHRAUBE FE/ZNXC3 | VITE TESTA ESAGONALE FE/ZNXC3 | |
| 006 | 80061673 | 006 | VIS TETE HEXAGONALE FLZNNC | SCREW, HEX HEAD FLZNNC | SECHSKANTSCHRAUBE FLZNNC | VITE A TESTA ESAGONALE FLZNNC | |
| 007 | 80110525 | 004 | VIS F/90 FE/ZNXC3 | COUNTERS.HEAD SCREW FE/ZNXC3 | SENKSCHRAUBE FE/ZNXC3 | VITE FE/ZNXC3 | |
| 008 | 80130820 | 008 | VIS AUTOBLOQUANTE FLZNNC | UNDERSERR.S-LOC.SCREW FLZNNC | SPERRZAHN-BUNDSCHRAU.FLZNNC | VITE FLZNNC | |
| 009 | 80131026 | 004 | VIS AUTOBLOQUANTE FLZNNC | UNDERSERR.S-LOC.SCREW FLZNNC | SPERRZAHN-BUNDSCHRAU.FLZNNC | VITE FLZNNC | |
| 010 | 80131220 | 004 | VIS AUTOBLOQUANTE FLZNNC | UNDERSERR.S-LOC.SCREW FLZNNC | SPERRZAHN-BUNDSCHRAU.FLZNNC | VITE FLZNNC | |
| 011 | 80131232 | 005 | VIS AUTOBLOQUANTE FLZNNC KL105 | UNDERSERR.S-LOC.SCREW FLZNNC | SPERRZAHN-BUNDSCHRAU.FLZNNC | VITE FLZNNC KL105 | |
| 012 | 80200540 | 004 | ECROU HEX.BAS AUTOFR.FE/ZNXC3 | SELF-LOCKING NUT FE/ZNXC3 | SELBSTSICHERND.MUTTER FE/ZNXC3 | DADO AUTOBLOCCANTE FE/ZNXC3 | |
| 013 | 80200851 | 008 | ECROU AUTOBLOQUANT FE/ZNXC3 | UNDERSERRAT.S.LOC.NUT FE/ZNXC3 | SPERRZAHN-BUNDMUTTER FE/ZNXC3 | DADO FE/ZNXC3 | |
| 014 | 80201040 | 006 | ECROU HEX.BAS AUTOFR.FE/ZNXC3 | SELF LOCKING NUT M10 DIN 985 | SELBSTSICHERND.MUTTER FE/ZNXC3 | DADO AUTOBLOCCANTE FE/ZNXC3 | |
| 015 | 80201248 | 008 | ECROU HEX.BAS AUTOFR.FLZNNC | SELF-LOCKING NUT FLZNNC | SELBSTSICHERND.MUTTER FLZNNC | DADO AUTOBLOCCANTE FLZNNC | |
| 016 | 80201253 | 009 | ECROU AUTOBLOQUANT FE/ZNXC3 | UNDERSERRAT.S.LOC.NUT FE/ZNXC3 | SPERRZAHN-BUNDMUTTER FE/ZNXC3 | DADO FE/ZNXC3 | |
| 017 | 80201662 | 006 | ECROU HEXAG.EMBASE POLYSTOP | SELF-LOCKING NUT W.COLLAR | SELBSTSICHERNDE BUNDMUTTER | DADO AUTOBLOCCANTE | |
| 018 | 80250510 | 004 | RONDELLE PLATE FE/ZNXC3 | PLAIN WASHER FE/ZNXC3 | SCHEIBE FE/ZNXC3 | RONDELLA PIATTA FE/ZNXC3 | |
| 019 | 80251021 | 001 | RONDELLE PLATE FE/ZNXC3 | PLAIN WASHER M10 | SCHEIBE FE/ZNXC3 | RONDELLA PIATTA FE/ZNXC3 | |
| 020 | 80251176 | 006 | RONDELLE PLATE FE/ZNXC3 | PLAIN WASHER FE/ZNXC3 | SCHEIBE FE/ZNXC3 | RONDELLA PIATTA FE/ZNXC3 | |
| 021 | 80281230 | 004 | RONDELLE RESSORT FLZNNC | CONICAL SPRING WASHER FLZNNC | SPANNSCHEIBE FLZNNC | RONDELLA MOLLA FLZNNC | |
| 022 | 80281639 | 012 | RONDELLE RESSORT FLZNNC | CONICAL SPRING WASHER FLZNNC | SPANNSCHEIBE FLZNNC | RONDELLA A MOLLA FLZNNC | |
| 023 | 83050010 | 001 | POIGNEE | HANDLE | HANDGRIFF | MANIGLIA | |
| 024 | 83090042 | 002 | CALE DE ROUE RAYON DE 360 | WHEEL CHOCK R360 | UNTERLEGKEIL R360 | CUNEO PER RUOTE R360 | |
| 025 | 83090043 | 002 | SUPPORT DE CALE DE ROUE | BRACKET FOR WHEEL CHOCK | BEFESTIGUNGSBUEGEL | SUPPORTO | |
| 026 | 83240007 | 002 | CATADIOPTRE TRIAN.ROUGE 160 | REFLECTOR RED 160 | RUECKSTRAHLER ROT 160 | CATADIOTTRO | |
| 027 | K5605571 | 004 | SUPPORT | SUPPORT | TRAEGER | SUPPORTO | |
| 028 | K7010560 | 002 | ETRIER | U-BOLT | BUEGEL | CAVALLOTTO | |
| 029 | K7010570 | 002 | ETRIER | U-BOLT | BUEGEL | CAVALLOTTO | |
| 030 | K7010581 | 001 | TOLE | SHEET | BLECH | TELA | |
| 031 | K7010620 | 001 | RAMBARDE | HAND RAIL | SCHUTZ | PROTEZIONE | |
| 032 | K7010630 | 001 | RAMBARDE | HAND RAIL | SCHUTZ | PROTEZIONE | |
| 033 | K7010640 | 001 | TOLE | SHEET | BLECH | TELA | |
| 034 | K7010901 | 001 | TOLE | SHEET | BLECH | TELA | |
| 035 | K7013640 | 001 | POUTRE | BEAM | TRAGEBALKEN | TRAVE | |
| 036 | K7016570 | 001 | RENFORT | REINFORCEMENT | VERSTAERKUNG | RINFORZO | |
| 037 | K8009230 | 002 | SUPPORT DE TRIANGLE | SUPPORT | TRAEGER | SUPPORTO | |





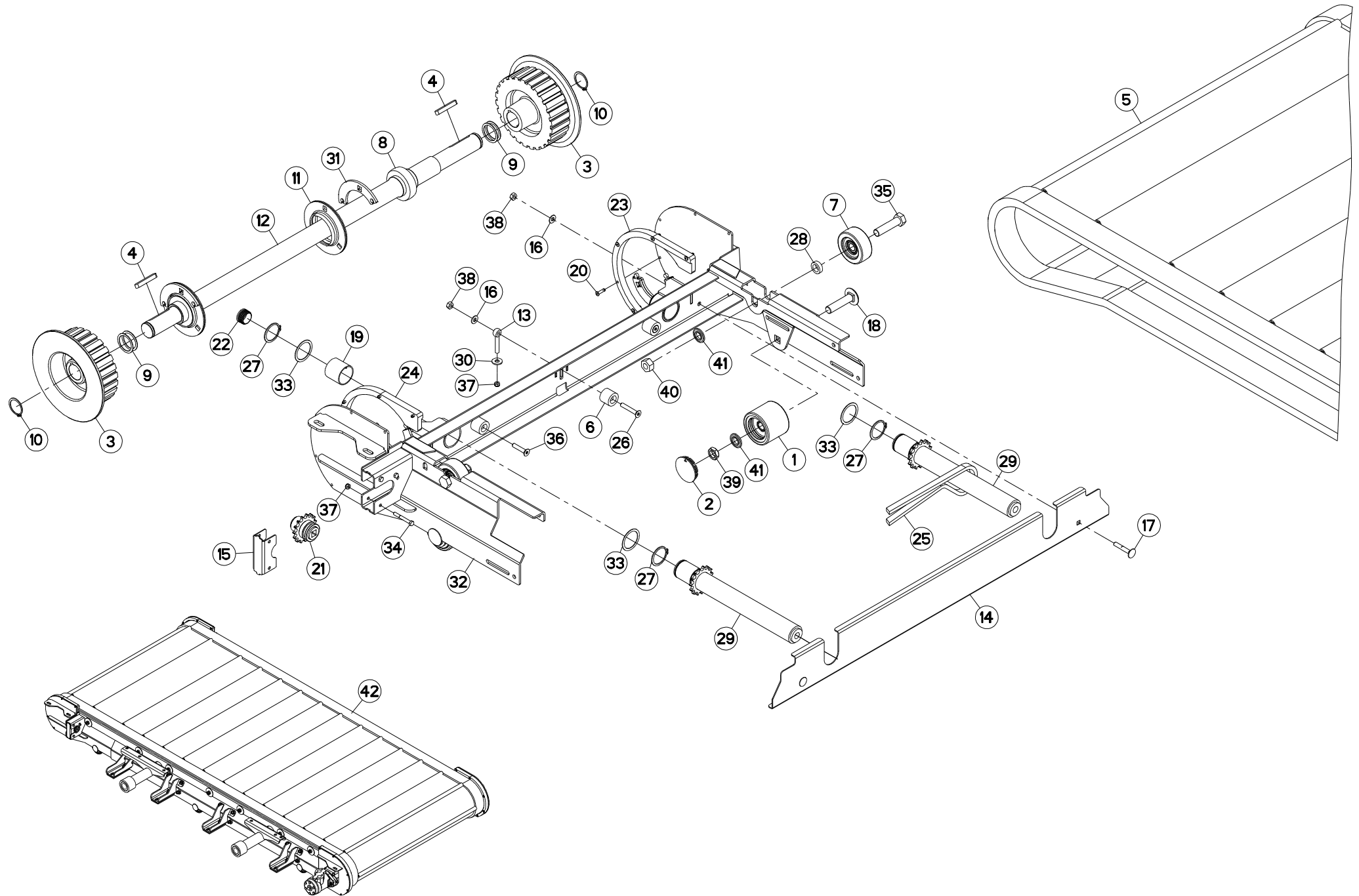
CONVOYEUR (ENTRAINEMENT)

CONVEYOR (DRIVE)

BANDFÖRDERER (ANTRIEB)

CONVOGLIATORE (TRASCINAMENT)

| Rep | Nr | Qt | Designation | Description | Bezeichnung | Referenza | Remarque - Remark - Bemerkung - Osservazioni |
|-----|----------|-----|-------------------------------|------------------------------|--------------------------------|-------------------------------|--|
| 001 | 6170047 | 004 | ROULEAU | ROLL | ROLLE | RULLO | [1] |
| 002 | 6170048 | 004 | COUVERCLE | COVER | DECKEL | COPERCHIO | [1] |
| 003 | 6170049 | 001 | MOTEUR HYDRAULIQUE | HYDRAULIC MOTOR | HYDRAULIKMOTOR | MOTORE IDRAULICO | [1] |
| 004 | 6170051 | 001 | ENTRAINEUR | DRIVE PIECE | ANTRIEBSRING | FLANGIA | [1] |
| 005 | 6170052 | 002 | CLAVETTE A | PARALLEL KEY A | PASSFEDER A | CHIAVETTA A | [1] |
| 006 | 6170053 | 001 | CLAVETTE A | PARALLEL KEY A | PASSFEDER A | CHIAVETTA A | [1] |
| 007 | 6170098 | 008 | GALET | ROLLER | ROLLER | | [1] |
| 008 | 6170129 | 002 | ROULEMENT AUTO-ALIGNEUR | BALL BEARING | KUGELLAGER | CUSCINETTO | [1] |
| 009 | 6170130 | 004 | RONDELLE D'AJUSTAGE | SHIM RING | PASSSCHEIBE | RONDELLA | [1] |
| 010 | 6170131 | 002 | CIRCLIP | SNAP RING | SICHERUNGSRING | ANNELLO ELASTICO | [1] |
| 011 | 6170132 | 002 | FLASQUE | FLANGE | FLANSCH | FLANGIA | [1] |
| 012 | 6170143 | 001 | MANCHON | SLEEVE | MUFFE | MANICOTTO | [1] |
| 013 | 6170144 | 008 | ENTRETOISE | SPACER | DISTANZHUELSE | DISTANZIALE | [1] |
| 014 | 6170145 | 016 | RONDELLE PLATE | WASHER, FLAT | SCHEIBE | RONDELLA PIATTA | [1] |
| 015 | 6170146 | 012 | VIS TETE BOMBEE COLLET CARRE | BOLT, CARRIAGE | FLACHRUNDSCHR.4KT ANSATZ | BULLONE | [1] |
| 016 | 6170149 | 004 | VIS TETE BOMBEE COLLET CARRE | BOLT, CARRIAGE | FLACHRUNDSCHR.4KT ANSATZ | BULLONE | [1] |
| 017 | 6170150 | 008 | VIS TETE BOMBEE COLLET CARRE | BOLT, CARRIAGE | FLACHRUNDSCHR.4KT ANSATZ | BULLONE | [1] |
| 018 | 6170151 | 002 | VIS TETE BOMBEE COLLET CARRE | BOLT, CARRIAGE | FLACHRUNDSCHR.4KT ANSATZ | BULLONE | [1] |
| 019 | 80151015 | 001 | VIS S/TETE B.CUVET.HC | SOCKET SET SCREW | GEWINDESTIFT MIT RINGSCHNEIDE | | [1] |
| 020 | 6170155 | 010 | RIVET | RIVET | NIETE | RIVETTO | [1] |
| 021 | 6170156 | 002 | TIGE FILETEE | ROD, THREADED | SPINDELGEWINDE | ASTA FILETTATA | [1] |
| 022 | 6170161 | 001 | OBTURATEUR | COVER, PLUG | VERSCHLUSS | OTTURATORE | [1] |
| 023 | 6170162 | 001 | OBTURATEUR | COVER, PLUG | VERSCHLUSS | OTTURATORE | [1] |
| 024 | 6170168 | 014 | ENTRETOISE | SPACER | DISTANZHUELSE | DISTANZIALE | [1] |
| 025 | 6170170 | 016 | RONDELLE PLATE | WASHER, FLAT | SCHEIBE | RONDELLA PIATTA | [1] |
| 026 | 6170174 | 030 | RONDELLE PLATE | WASHER, FLAT | SCHEIBE | RONDELLA PIATTA | [1] |
| 027 | 6170175 | 002 | TOLE | SHEET METAL | BLECH | TELA | [1] |
| 028 | 6170178 | 003 | SUPPORT | SUPPORT | TRAEGER | SUPPORTO | [1] |
| 029 | 6170181 | 001 | PROTECTEUR | GUARD | SCHUTZ | PROTEZIONE | [1] |
| 030 | 6170182 | 001 | PROTECTEUR | GUARD | SCHUTZ | PROTEZIONE | [1] |
| 031 | 6170184 | 001 | PLAT | FLAT | FLACHEISEN | PIATTO | [1] |
| 032 | 6170185 | 004 | CALE | SHIM | DISTANZPLATTE | SPESSORE | [1] |
| 033 | 6170186 | 001 | CHASSIS | CHASSIS | HAUPTRAHMEN | TELAIO | [1] |
| 034 | 6170193 | 001 | ENTRAINEUR | DRIVE PIECE | MITNEHMER | FLANGIA | [1] |
| 035 | 6170194 | 001 | CLAVETTE A | KEY, PARALLEL | PASSFEDER A | CHIAVETTA A | [1] |
| 036 | 6170195 | 001 | ARBRE | SHAFT | WELLE | ALBERO | [1] |
| 037 | 80030825 | 016 | VIS J FE/ZNXC3 | CUP SQUARE BOLT FE/ZNXC3 | FLACHRUNDSCHRAUBE FE/ZNXC3 | BULLONE FE/ZNXC3 | [1] |
| 038 | 80061041 | 002 | VIS TETE HEXAGONALE FE/ZNXC3 | HEXAGON HEAD SCREW FE/ZNXC3 | SECHSKANTSCHRAUBE FE/ZNXC3 | VITE TESTA ESAGONALE FE/ZNXC3 | [1] |
| 039 | 80200870 | 016 | ECROU HEXAGONAL FE/ZNXC3 | NUT FE/ZNXC3 | SECHSKANTMUTTER FE/ZNXC3 | DADO FE/ZNXC3 | [1] |
| 040 | 80201001 | 014 | ECROU HEXAGONAL BAS FE/ZNXC3 | NUT FE/ZNXC3 | SECHSKANTMUTTER FE/ZNXC3 | DADO FE/ZNXC3 | [1] |
| 041 | 80201040 | 016 | ECROU HEX.BAS AUTOFR.FE/ZNXC3 | SELF LOCKING NUT M10 DIN 985 | SELBSTSICHERND.MUTTER FE/ZNXC3 | DADO AUTOBLOCCANTE FE/ZNXC3 | [1] |
| 042 | 80201070 | 002 | ECROU HEXAGONAL FE/ZNXC3 | NUT FE/ZNXC3 | SECHSKANTMUTTER FE/ZNXC3 | DADO FE/ZNXC3 | [1] |
| 043 | 80201601 | 004 | ECROU HEXAGONAL BAS | HEXAGON THIN NUT | FLACHE SECHSKANTMUTTER | DADO | [1] |
| 044 | 80201670 | 012 | ECROU HEXAGONAL FE/ZNXC3 | NUT FE/ZNXC3 | SECHSKANTMUTTER FE/ZNXC3 | DADO FE/ZNXC3 | [1] |
| 045 | 80281600 | 013 | RONDELLE CONIQUE BLOC.FLZNNC | CONICAL SPRING WASHER FLZNNC | SPANNSCHEIBE FLZNNC | RONDELLA CONICA FLZNNC | [1] |





CONVOYEUR (TENDEUR)

CONVEYOR (TENSIONER)

BANDFÖRDERER (SPANNER)

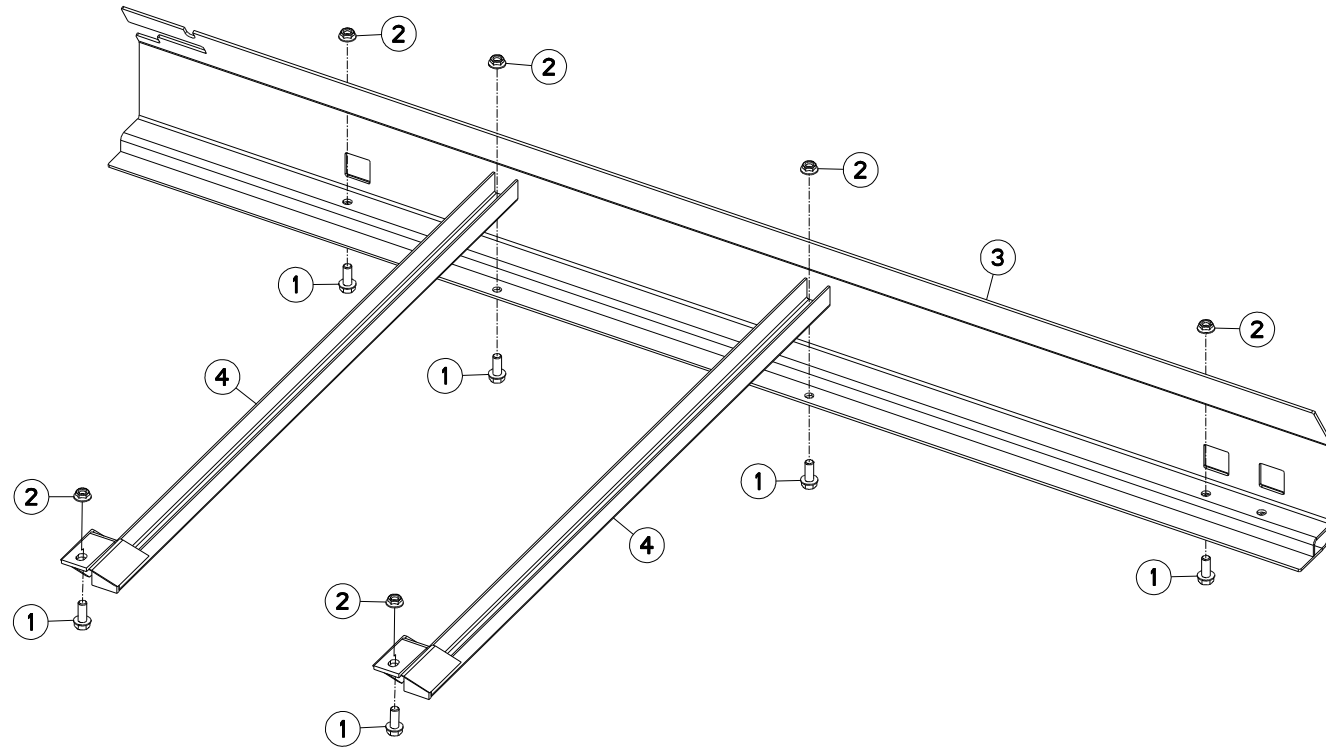
CONVOGLIATORE (TENDITORE)

| Rep | Nr | Qt | Designation | Description | Bezeichnung | Referenza | Remarque - Remark - Bemerkung - Osservazioni |
|-----|----------|-----|--------------------------------|--------------------------------|--------------------------------|-------------------------------|--|
| 001 | 6170047 | 002 | ROULEAU | ROLL | ROLLE | RULLO | [1] |
| 002 | 6170048 | 002 | COUVERCLE | COVER | DECKEL | COPERCHIO | [1] |
| 003 | 6170051 | 002 | ENTRAINEUR | DRIVE PIECE | ANTRIEBSRING | FLANGIA | [1] |
| 004 | 6170053 | 002 | CLAVETTE A | PARALLEL KEY A | PASSFEDER A | CHIAVETTA A | [1] |
| 005 | 6170072 | 001 | TAPIS CPLT | CONVEYOR BELT CPLT | ABLEGEBAND KPLT | CONVOGLIATORE | [1] |
| 006 | 6170096 | 004 | GALET | ROLLER | ROLLE | | [1] |
| 007 | 6170098 | 002 | GALET | ROLLER | ROLLE | | [1] |
| 008 | 6170129 | 002 | ROULEMENT AUTO-ALIGNEUR | BALL BEARING | KUGELLAGER | CUSCINETTO | [1] |
| 009 | 6170130 | 004 | RONDELLE D'AJUSTAGE | SHIM RING | PASSSCHEIBE | RONDELLA | [1] |
| 010 | 6170131 | 002 | CIRCLIP | SNAP RING | SICHERUNGSRING | ANNELLO ELASTICO | [1] |
| 011 | 6170132 | 002 | FLASQUE | FLANGE | FLANSCH | FLANGIA | [1] |
| 012 | 6170133 | 001 | ARBRE | SHAFT | WELLE | ALBERO | [1] |
| 013 | 6170136 | 001 | TIRANT | TIE ROD | ZUGSTANGE | TIRANTE | [1] |
| 014 | 6170137 | 001 | PROTECTEUR | GUARD | SCHUTZ | PROTEZIONE | [1] |
| 015 | 6170140 | 001 | CACHE | COVER | SCHUTZ | PROTEZIONE | [1] |
| 016 | 6170145 | 006 | RONDELLE PLATE | WASHER, FLAT | SCHLEIBE | RONDELLA PIATTA | [1] |
| 017 | 6170147 | 002 | VIS TETE BOMBEE COLLET CARRE | BOLT, CARRIAGE | FLACHRUNDSCHR.4KT ANSATZ | BULLONE | [1] |
| 018 | 6170149 | 002 | VIS TETE BOMBEE COLLET CARRE | BOLT, CARRIAGE | FLACHRUNDSCHR.4KT ANSATZ | BULLONE | [1] |
| 019 | 6170153 | 002 | BAGUE DE GUIDAGE | BUSHING, GUIDE | GLEITLAGER | BOCCOLA DI GUIDA | [1] |
| 020 | 6170154 | 010 | RIVET | RIVET | NIETE | RIVETTO | [1] |
| 021 | 6170158 | 001 | PIGNON | GEAR, PINION | RITZEL | PIGNONE | [1] |
| 022 | 6170159 | 002 | BOUCHON | PLUG | VERSCHLUSSSCHRAUBE | TAPPO | [1] |
| 023 | 6170160 | 001 | OBTURATEUR | COVER, PLUG | VERSCHLUSS | OTTURATORE | [1] |
| 024 | 6170163 | 001 | OBTURATEUR | COVER, PLUG | VERSCHLUSS | OTTURATORE | [1] |
| 025 | 6170164 | 001 | CHAINE | CHAIN | KETTE | CATENA | [1] |
| 026 | 6170165 | 001 | VIS T.FRAI.SIX P.CREU FE/ZNXC3 | SCREW, FLAT HEAD FE/ZNXC3 | SENKSCHAUB.INNENSECH.FE/ZNXC3 | VITE FHC/90 FE/ZNXC3 | [1] |
| 027 | 6170166 | 004 | CIRCLIP | SNAP RING | SICHERUNGSRING | ANNELLO ELASTICO | [1] |
| 028 | 6170169 | 002 | ENTRETOISE | SPACER | DISTANZHUELSE | DISTANZIALE | [1] |
| 029 | 6170171 | 002 | TENDEUR | TENSIONER | SPANNER | TENDITORE | [1] |
| 030 | 6170173 | 001 | RONDELLE PLATE | WASHER, FLAT | SCHLEIBE | RONDELLA PIATTA | [1] |
| 031 | 6170175 | 002 | TOLE | SHEET METAL | BLECH | TELA | [1] |
| 032 | 6170180 | 001 | SUPPORT | SUPPORT | TRAEGER | SUPPORTO | [1] |
| 033 | 80254054 | 004 | RONDELLE D'AJUSTAGE PS 1,0 | SHIM RING PS 1,0 | PASSSCHEIBE PS 1,0 | SPESSORE | [1] |
| 034 | 80060650 | 003 | VIS TETE HEXAGONALE FE/ZNXC3 | HEX. HEAD SCREW M6 X 50 MM CL8 | SECHSKANTSCHRAUBE FE/ZNXC3 | VITE TESTA ESAGONALE FE/ZNXC3 | [1] |
| 035 | 80061638 | 002 | VIS TETE HEXAGONALE FE/ZNXC3 | HEXAGON HEAD SCREW FE/ZNXC3 | SECHSKANTSCHRAUBE FE/ZNXC3 | VITE TESTA ESAGONALE FE/ZNXC3 | [1] |
| 036 | 80110840 | 003 | VIS T.FRAI.SIX P.CR.FE/ZNXC3 | HEX.SOC.COUNT.HEAD SC.FE/ZNXC3 | SECHSKANTMUTTER.FE/ZNXC3 | VITE FE/ZNXC3 | [1] |
| 037 | 80200640 | 004 | ECROU HEX.BAS AUTOFR.FE/ZNXC3 | SELF-LOCKING NUT FE/ZNXC3 | SELBSTSICHERND.MUTTER FE/ZNXC3 | DADO AUTOBLOCCANTE FE/ZNXC3 | [1] |
| 038 | 80200870 | 006 | ECROU HEXAGONAL FE/ZNXC3 | NUT FE/ZNXC3 | SECHSKANTMUTTER FE/ZNXC3 | DADO FE/ZNXC3 | [1] |
| 039 | 80201601 | 002 | ECROU HEXAGONAL BAS | HEXAGON THIN NUT | FLACHE SECHSKANTMUTTER | DADO | [1] |
| 040 | 80201670 | 002 | ECROU HEXAGONAL FE/ZNXC3 | NUT FE/ZNXC3 | SECHSKANTMUTTER FE/ZNXC3 | DADO FE/ZNXC3 | [1] |
| 041 | 80281600 | 004 | RONDELLE CONIQUE BLOC.FLZNNC | CONICAL SPRING WASHER FLZNNC | SPANNSCHLEIBE FLZNNC | RONDELLA CONICA FLZNNC | [1] |
| 042 | K5608602 | 001 | CONVOYEUR | CONVEYOR | FOEDERER | CONVOGLIATORE | * |

*: Collection comprenant le groupe de pièces [1] "CONVOYEUR (TENDEUR)" et le groupe de pièces [1] "CONVOYEUR (ENTRAINEMENT)".

*: Kit comprising the parts, marked [1] in remark section, of page "CONVEYOR (TENSIONER)" and the parts, marked [1] in remark section, of page "CONVEYOR (DRIVE)".

*:Satz bestehend aus den Teilen [1] Teilegruppe "BANDFÖRDERER (SPANNER)" und den Teilen [1] der Teilegruppe "BANDFÖRDERER (ANTRIEB)".





FC313TGRA

B 0001 > L 0000

K70R0456 B

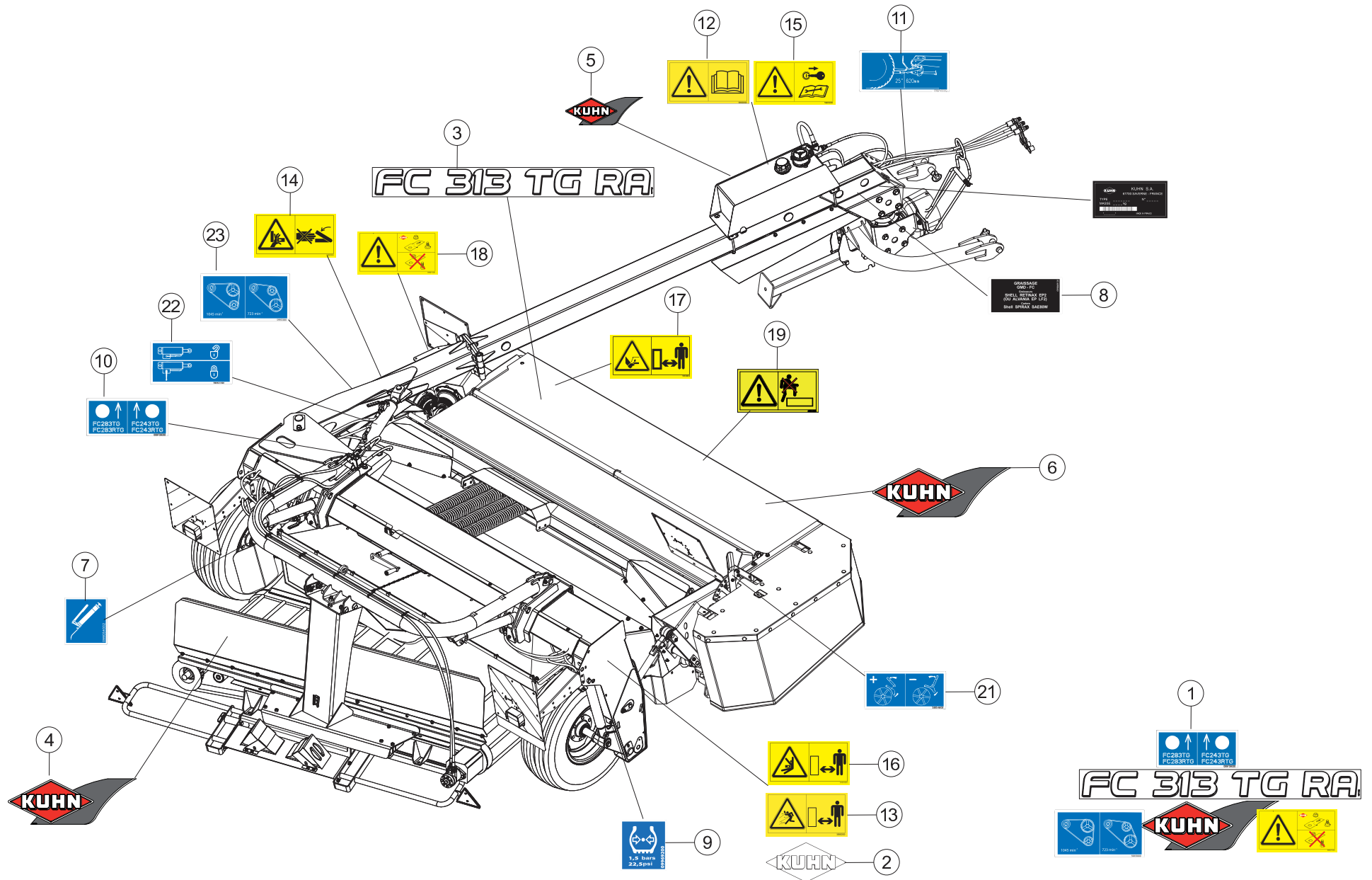
PROTECTEURS

SAFETY GUARDS

SCHUTZVORRICHTUNGEN

PARAPETTI

| Rep | Nr | Qt | Designation | Description | Bezeichnung | Referenza | Remarque - Remark - Bemerkung - Osservazioni |
|-----|-----------------|-----|--------------------------------|--------------------------------|-------------------------------|---------------------|--|
| 001 | 80131232 | 006 | VIS AUTOBLOQUANTE FLZNNC KL105 | UNDERSERR.S-LOC.SCREW FLZNNC | SPERRZAHN-BUNDSCHRAU.FLZNNC | VITE FLZNNC KL105 | |
| 002 | 80201253 | 006 | ECROU AUTOBLOQUANT FE/ZNXC3 | UNDERSERRAT.S.LOC.NUT FE/ZNXC3 | SPERRZAHN-BUNDMUTTER FE/ZNXC3 | DADO FE/ZNXC3 | |
| 003 | K7010950 | 001 | GOUSSET | GUSSET | BEFESTIGUNGSBLECH | BRACCIOLO FISSAGGIO | |
| 004 | K7016430 | 002 | TRAVERSE | TUBE, CROSS | QUERTRAEGER | TRAVERSA | |





FC313TGRA

B 0001 > L 0000

K70R0666 B

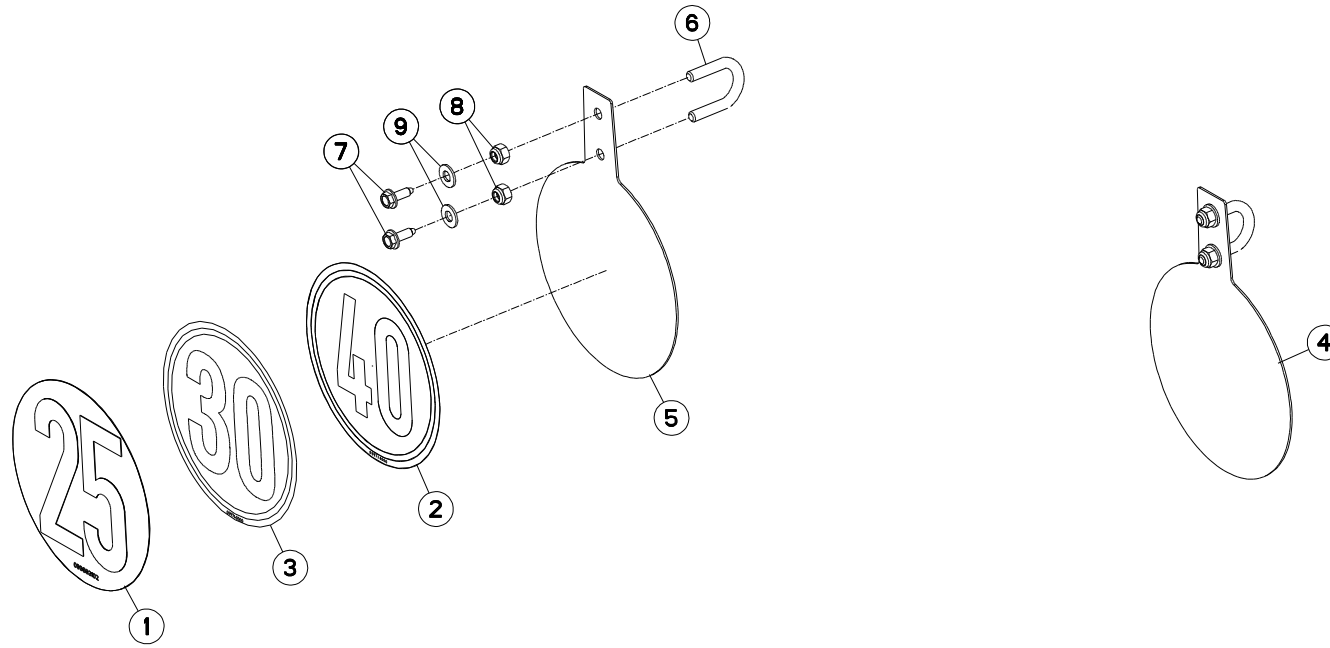
COLL.ETIQUETTES ADHESIVES

SET OF STICKERS

SATZ AUFKLEBER

SERIE ADESIVI

| Rep | Nr | Qt | Designation | Description | Bezeichnung | Referenza | Remarque - Remark - Bemerkung - Osservazioni |
|-----|-----------------|-----|--------------------------------|-------------------------------|------------------------------|--------------------------------|--|
| 001 | K7015741 | 001 | COLL.ETIQ.ADHES.FC313TG RA | SET OF STICKERS | SATZ AUFKLEBER | SERIE ADESIVI | + [1] |
| 002 | K9500070 | 002 | LOGO KUHN 207 BLANC/TRANSP. | LOGO KUHN 207 | LOGO KUHN 207 WEISS/TRANSP. | LOGO KUHN 207 BIANCO TRASP. | [1] |
| 003 | K9504850 | 003 | ETIQ.ADH. | DECAL | AUFKLEBER | ADESIVO | [1] |
| 004 | K9530110 | 001 | ETIQ.ADH. | DECAL | AUFKLEBER | ADESIVO | [1] |
| 005 | K9530260 | 002 | ETIQ.ADH. | DECAL | AUFKLEBER | ADESIVO | [1] |
| 006 | K9530340 | 001 | ETIQ.ADH. | DECAL | AUFKLEBER | ADESIVO | [1] |
| 007 | 09905400 | 004 | ETIQ.ADHESIVE IND.GRAISSEURS | TRANSFER | AUFKLEBER | ADESIVO | [1] |
| 008 | 09906910 | 001 | ETIQ.ADHESIVE GRAISS.SHELL GMD | TRANSFER | AUFKLEBER | ADESIVO | [1] |
| 009 | 09969200 | 002 | ETIQ.ADH. | DECAL | AUFKLEBER | ADESIVO | [1] |
| 010 | 09970900 | 001 | ETIQ.ADHESIVE DISP.PIVOTEMENT | TRANSFER | AUFKLEBER | ADESIVO DISPOSITIVO PIVOTTANTE | [1] |
| 011 | 09971000 | 001 | PICTOGR.REGLAGAGE TOURILLONS | PICTORIAL AJUST | PIKTOGRAM.EINSTELLUNG | ADESIVO | [1] |
| 012 | 59900000 | 001 | PICTOGR.H NOTICE D'INSTR | PICTORIAL H INSTRUCTIONS | PIKTOGR.H BETRIEBSANLEITUNG | ADESIVO | [1] * |
| 013 | 59900200 | 003 | PICTOGR.H DANGER PROJEC | PICTORIAL H DANGER PROJECTION | PIKTOGR.H GEFAHR FORTGESCHL. | ADESIVO | [1] * |
| 014 | 59900300 | 001 | PICTOGR.H ECRASEM.MAIN | PICTORIAL H CRUSH.DANGER HAND | PIKTOGR.H QUETSCHGEFAHR HAND | ADESIVO | [1] * |
| 015 | 59900400 | 001 | PICTOGR.H ARRETER MOTEUR | PICTORIAL H STOP ENGINE | PIKTOGR.H MOTOR ABSTELLEN | ADESIVO | [1] * |
| 016 | 59900600 | 002 | PICTOGR.H ECRASEM.TORSE | PICTORIAL H CRUSH.DANG.TORSO | PIKTOGR.H QUETSCHGEF.BRUSTK | ADESIVO | [1] * |
| 017 | 59900800 | 003 | PICTOGR.H BLESSURE PIED | PICTORIAL H SEVERING OF FOOT | PIKTOGR.H FUSSVERLETZUNG | ADESIVO | [1] * |
| 018 | 59901100 | 001 | PICTOGR.H PIECES D'ORIGINE | PICTORIAL GENUINE PARTS | PIKTOGR.H ORIGINALTEILE | ADESIVO PEZZI ORIGINAL | [1] * |
| 019 | 59901200 | 001 | PICTOGR.H NE PAS MONTER | PICTORIAL H DO NOT STEP | PIKTOGR.H NICHT AUFSTEIGEN | ADESIVO | [1] * |
| 021 | 59951800 | 001 | PICTOGR.H REGLAGE TOLE DEFLECT | PICTOR.PPOSITION | PIKTOGR.EINSTELLUNG | ADESIVO | [1] * |
| 022 | 59953100 | 003 | PICTOGR.VERROUILLAGE | PICTORIAL LOCKING | PIKTOGR.VERRIEGLUNG | ADESIVO | [1] * |
| 023 | 59955000 | 001 | PICTO.H | DECAL, SAFETY | PIKTOGR.H | ADESIVO | [1] [1] |



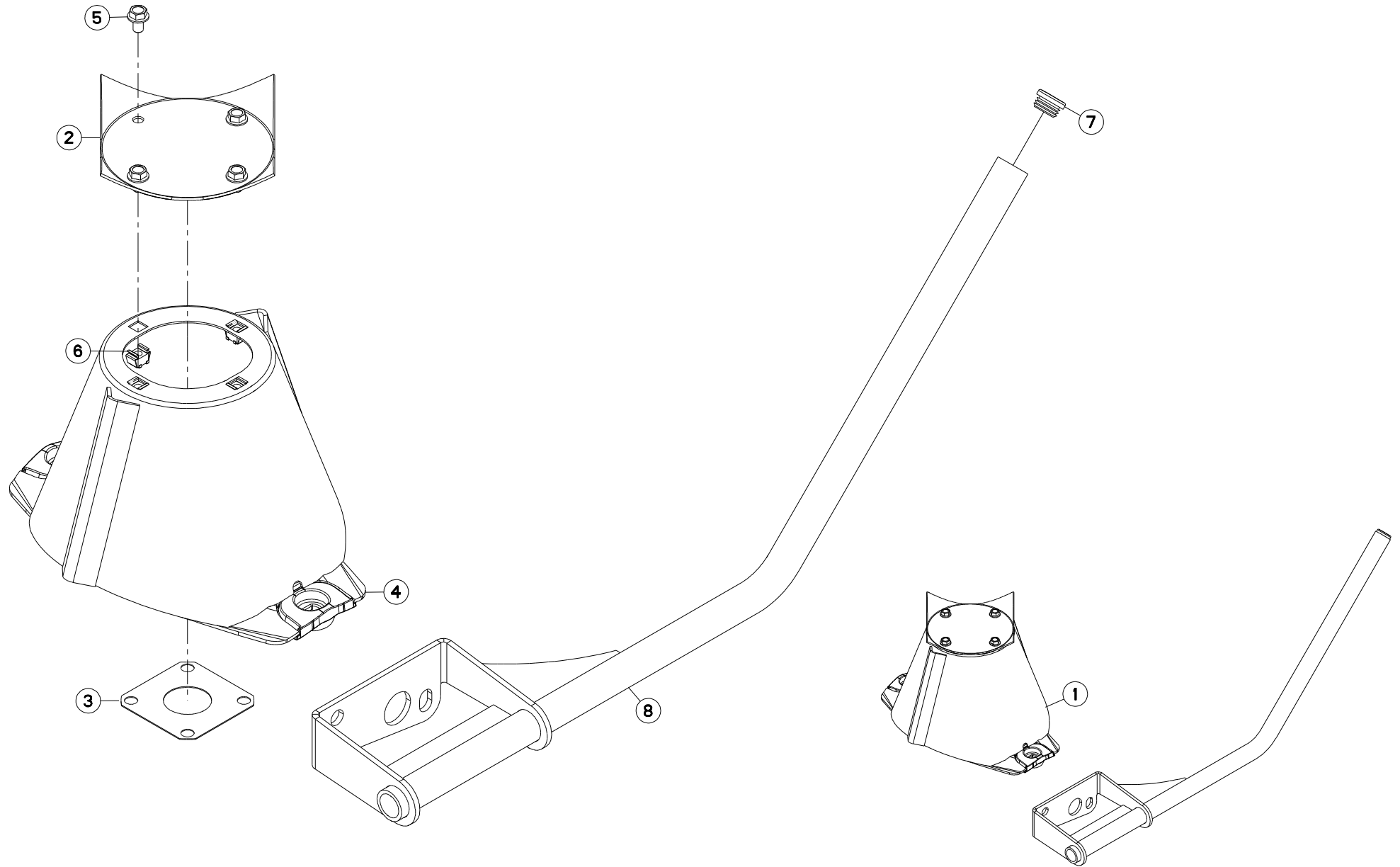


COLL.SUPPORT LIMIT.VITESSE

SPEED LIMIT.SUPPORT SET

GESCHWIND.BEGRENZ.HALT.SATZ

| Rep | Nr | Qt | Designation | Description | Bezeichnung | Referenza | Remarque - Remark - Bemerkung - Osservazioni |
|-----|-----------------|-----|---------------------------------|-----------------------------|--------------------------------|------------------------------|--|
| 001 | 09968310 | 001 | ETIQ.ADHES.VITESSE LIMIT.25 FR | TRANSFER MAX.25 | AUKLEBER MAX.25 | ADESIVO LIMITE VELOC .MAX.25 | ESP FR |
| 002 | 09971400 | 001 | ETIQ.ADHESIVE | TRANSFER MAX.40 | ABZIEHBILD MAX.40 | ADESIVO VEL.MAX.40 | ESP DE *1 |
| 003 | 09974000 | 001 | ETIQ.ADHESIVE | TRANSFER MAX.30 | ABZIEHBILD MAX.30 | ADESIVO LIMITE VELOC. MAX.30 | ESP DE *2 |
| 004 | 57814910 | 001 | COLL.SUPPORT LIMIT.VITESSE | SPEED LIMIT.SUPPORT SET | GESCHWIND.BEGRENZ.HALT.SATZ | | + [1] ESP FR DE |
| 005 | 57836010 | 001 | SUPPORT ETIQ.LIMIT.VITESSE ZBC | SUPPORT | TRAEGER | SUPPORTO | [1] |
| 006 | 58533200 | 001 | ETRIER | U-BOLT | BUEGEL | CAVALLOTTO | [1] |
| 007 | 80190820 | 002 | VIS AUTOTARAU.FE/ZNXC3 TAPTITE | SELF-CUTTING SCREW FE/ZNXC3 | GEWINDE-SCHNEIDSCHRAU.FE/ZNXC3 | VITE AUTOBLOCCANTE | [1] |
| 008 | 80201030 | 002 | ECROU HEX.AUTOFREINE FE/ZNXC3 | SELF-LOCKING NUT FE/ZNXC3 | SELBSTSICH.MUTTER FE/ZNXC3 | DADO AUTOBLOCCANTE FE/ZNXC3 | [1] |
| 009 | 80251021 | 002 | RONDELLE PLATE FE/ZNXC3 | PLAIN WASHER M10 | SCHEIBE FE/ZNXC3 | RONDELLA PIATTA FE/ZNXC3 | [1] |
| | | | *1: Pour machine avec freins. | | | | |
| | | | *1: For machine with brakes. | | | | |
| | | | *1: Für Maschine mit Bremsen. | | | | |
| | | | *1: Pour machine sans freins. | | | | |
| | | | *1: For machine without brakes. | | | | |
| | | | *1: Für Maschine ohne Bremsen. | | | | |





FC313TGRA

B 0001 > L 0000

K70R0659 A

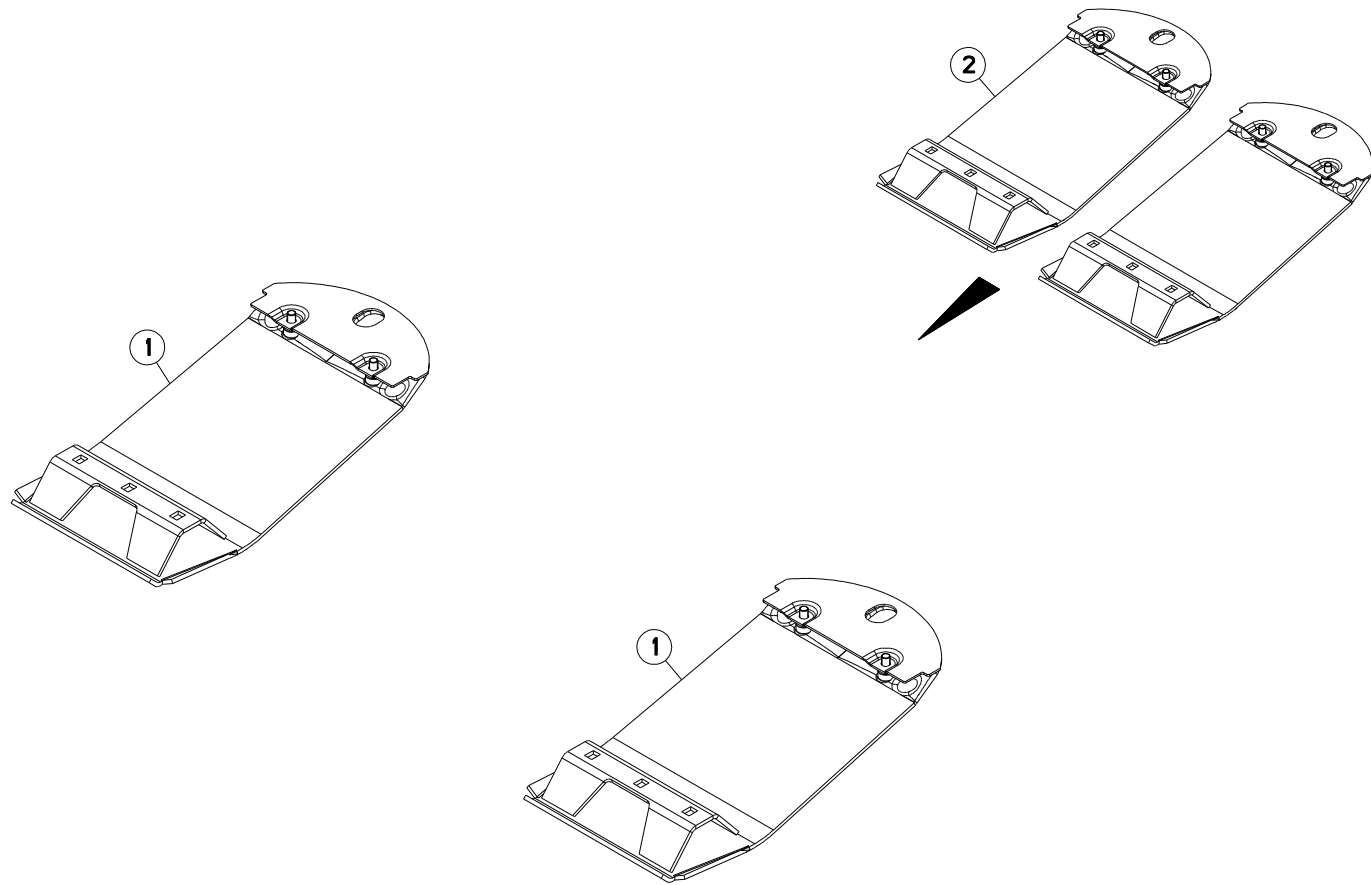
DISQUE CONE LARGE

DISC WITH LARGE CONE

SCHEIBE MIT BREITEM KEGEL

DISCO A LARGO CONO

| Rep | Nr | Qt | Designation | Description | Bezeichnung | Referenza | Remarque - Remark - Bemerkung - Osservazioni |
|-----|-----------------|-----|-------------------------------|------------------------------|-----------------------------|------------------|--|
| 001 | 1036460 | 001 | COLL.RABATTEUR DR.+CONE LARGE | SIDE DEFLECTOR+WIDE CONE SET | SEIT.GRASABWE.SATZ | KIT DEFLETT.LAT. | OPT +[1] |
| 002 | 56803420 | 001 | VIROLE DU CONE EXTERIEUR | DISC COVER | SCHEIBENDECKEL | PIASTRA | [1] |
| 003 | 56807100 | 001 | ENTRETOISE | SPACER | DISTANZSCHEIBE | DISTANZIALE | [2] |
| 004 | 56812010 | 001 | DISQUE CONE LARGE CPLT | DISC WITH LARGE CONE | SCHEIBE MIT KONUS BREIT | DISCO CONO LARGO | [1] +[2] |
| 005 | 80131017 | 004 | VIS AUTOBLOQUANTE FLZNNC | UNDERSERR.S-LOC.SCREW FLZNNC | SPERRZAHN-BUNDSCHRAU.FLZNNC | VITE FLZNNC | [1] |
| 006 | 80201055 | 004 | ECROU CAGE | CLAMP NUT | KLEMMKAEFIG-MUTTER | DADO | [1] |
| 007 | 83040099 | 001 | BOUCHON D'OBTURATION | END PLUG | ROHRSCHUTZKAPPE | TAPPO | [1] |
| 008 | K7013620 | 001 | RABATTEUR | DEFLECTOR | ABWEISBLECH | DEFLETTORE | [1] |





FC313TGRA

B 0001 > L 0000

K70R0234 A

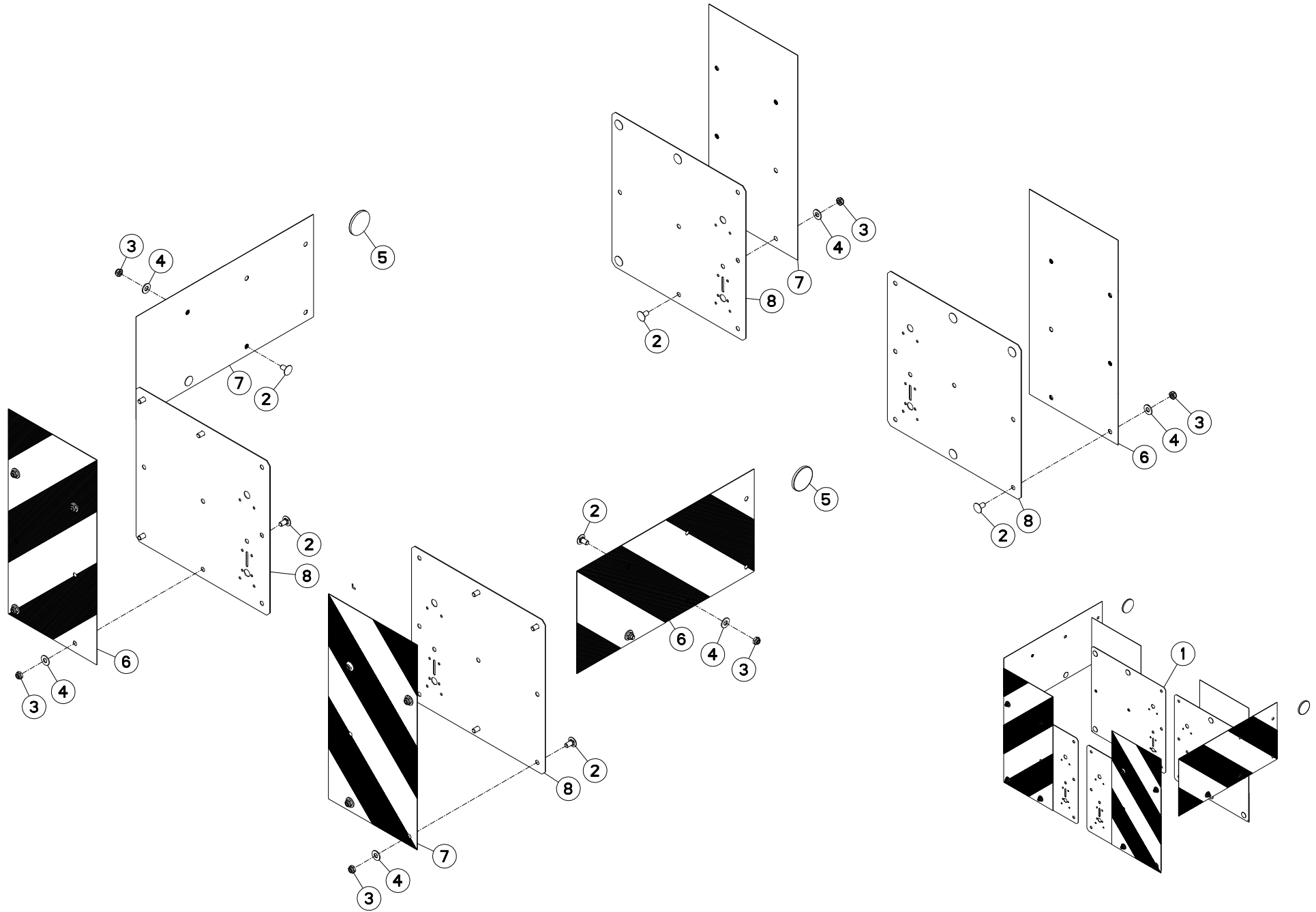
COLL.SEMELLES SURELEVEES

RAISED SKID SHOE SET

SATZ HOCHSCHNITTKUFEN

KIT SLITTE RIALZATE

| Rep | Nr | Qt | Designation | Description | Bezeichnung | Referenza | Remarque - Remark - Bemerkung - Osservazioni |
|-----|-----------------|-----|---------------------------|------------------------|------------------------------|---------------------|--|
| 001 | 56835920 | 002 | SEMELLE SURELEVEE SOUDEE | RAISED SKID SHOE | HOCHSCHNITT-SCHUTZKUFE | SLITTE RIALZATE | [1] |
| 002 | 1076440 | 001 | COLL.SEMELLES SUREL.120MM | RAISED SKID SET 120 MM | SATZ HOCHSCHNITTKUFEN 120 MM | KIT SLITTE RIALZATE | OPT +[1] |





FC313TGRA

B 0001 > L 0000

K70R0312 A

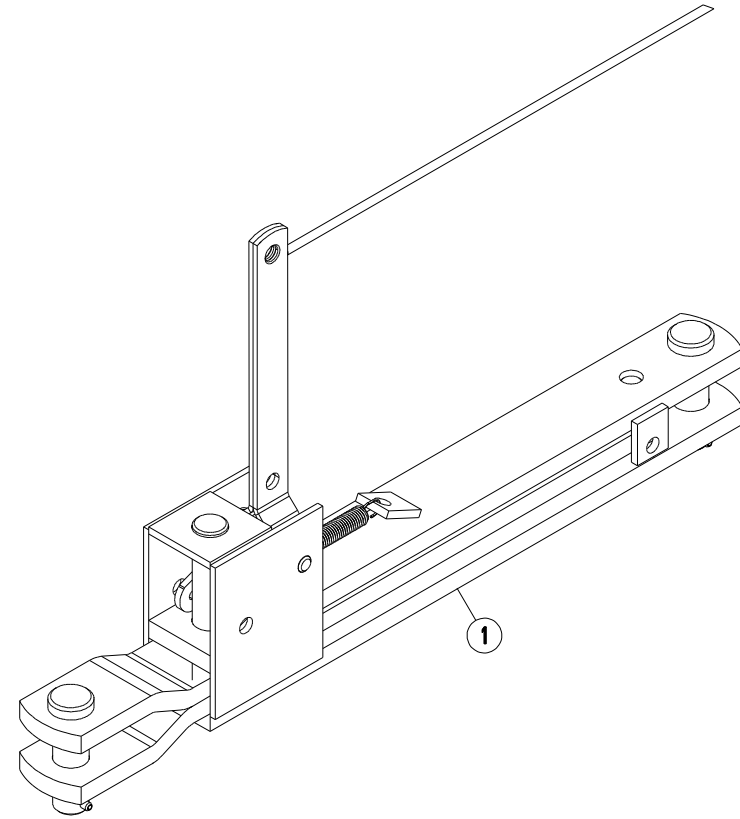
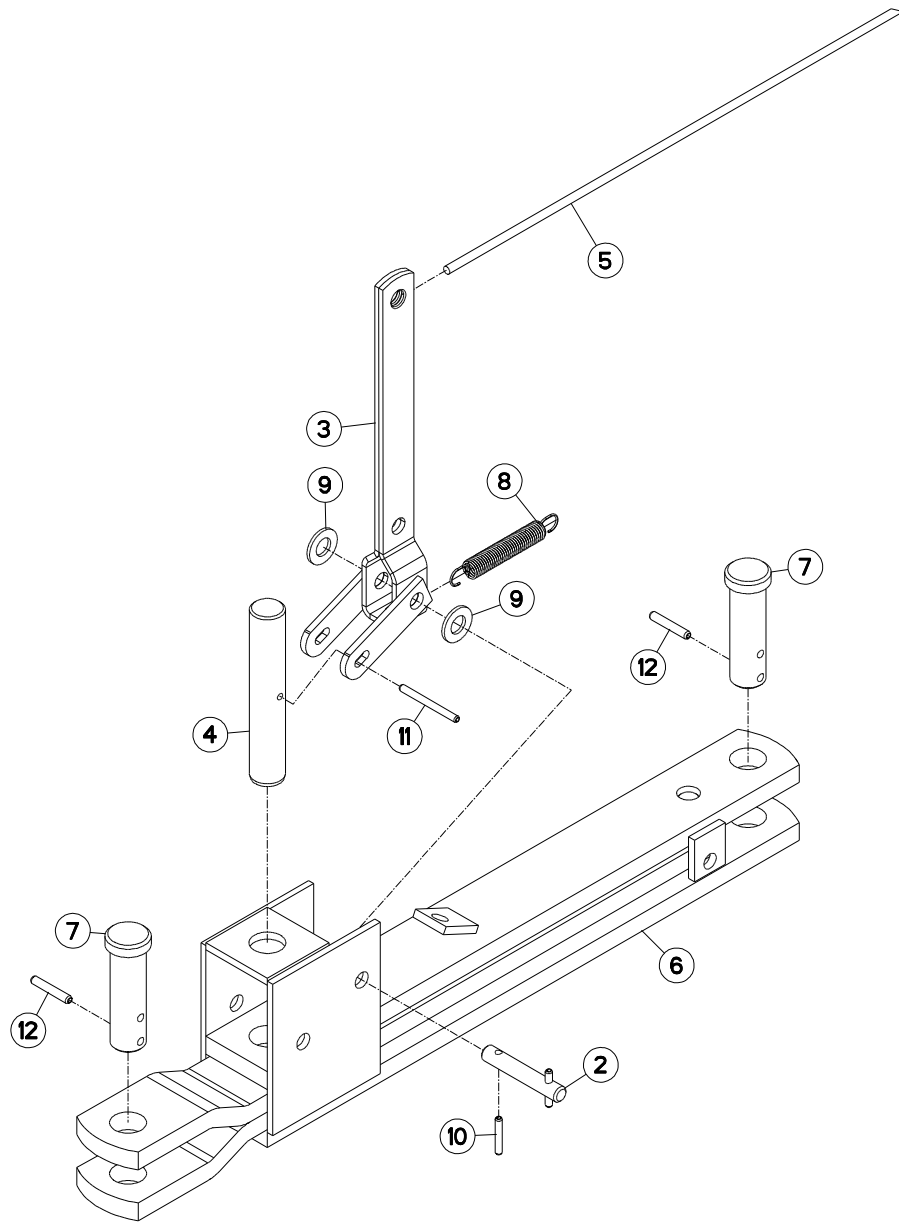
COLL. SIGNALISATION ITALIE

WARNING BOARDS ITALY

WARNTAFELN ITALIEN

KIT ILLUM. SEGN. ITALY

| Rep | Nr | Qt | Designation | Description | Bezeichnung | Referenza | Remarque - Remark - Bemerkung - Osservazioni |
|-----|-----------------|-----|--------------------------------|--------------------------------|--------------------------------|--------------------------------|--|
| 001 | 1076500 | 001 | SIGNAL.ITALIE FC243-283TG/RTG | WARNING BOARDS FC243-283TG/RTG | WARNTAFELN FC243-283TG/RTG | KIT ILLUM.SEGN.FC243-283TG/RTG | +[1] |
| 002 | 50003200 | 020 | VIS TBCC COURT | BOLT, CARRIAGE, SHORT NECK | FLACHRUNDSCHR.4KT ANSATZ | BULLONE | [1] |
| 003 | 80201040 | 020 | ECROU HEX.BAS AUTOFR.FE/ZNXC3 | SELF LOCKING NUT M10 DIN 985 | SELBSTSICHERND.MUTTER FE/ZNXC3 | DADO AUTOBLOCCANTE FE/ZNXC3 | [1] |
| 004 | 80251176 | 020 | RONDELLE PLATE FE/ZNXC3 | PLAIN WASHER FE/ZNXC3 | SCHEIBE FE/ZNXC3 | RONDELLA PIATTA FE/ZNXC3 | [1] |
| 005 | 83240014 | 002 | CATADIOPTRE | REFLECTOR | RUECKSTRAHLER | CATADIOTTRO | [1] |
| 006 | 83240205 | 003 | PANNEAU SIGNALISATION ARG / AV | WARNING PLATE | WARNTAFEL | PANNELLO DI SEGNALAZIONE G/R | [1] |
| 007 | 83240206 | 003 | PANNEAU SIGNALISATION ARD / AV | WARNING PLATE | WARNTAFEL | PANNELLO DI SEGNALAZIONE G/R | [1] |
| 008 | 83240207 | 004 | SUPPORT DE PANNEAU | SUPPORT PLATE | HALTEPLATTE | PIASTRA DI SUPPORTO | [1] |





FC313TGRA

B 0001 > L 0000

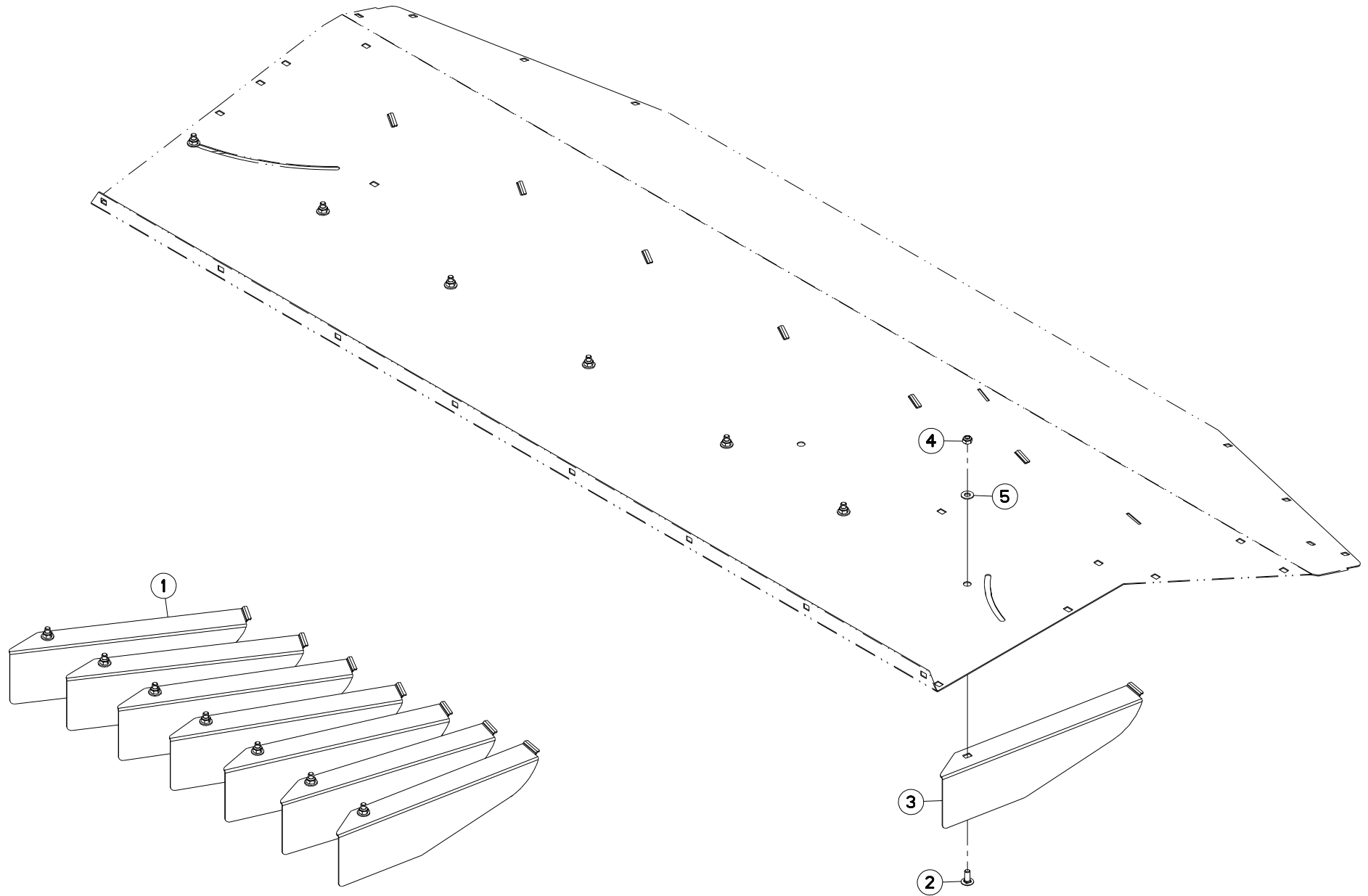
K70R0314 A

DIS.PIV.MANUEL TIMON FC250/300

MECHANICAL LOCKING DEVICE

MECHAN.ZUGDEICHSELVERRIEGELUNG SPOST.TIMONE MAN. DALLA R0001

| Rep | Nr | Qt | Designation | Description | Bezeichnung | Referenza | Remarque - Remark - Bemerkung - Osservazioni |
|-----|-----------------|-----|--------------------------------|---------------------------|--------------------------------|-------------------------------|--|
| 001 | 1086280 | 001 | DIS.PIV.MANUEL TIMON FC250/300 | MECHANICAL LOCKING DEVICE | MECHAN.ZUGDEICHSELVERRIEGELUNG | SPOST.TIMONE MAN. DALLA R0001 | OPT +[1] |
| 002 | 56010710 | 001 | AXE | PIN | BOLZEN | ASSE | [2] |
| 003 | 56010800 | 001 | BRAS | ARM | HEBEL | BRACCIO | [2] |
| 004 | 56010910 | 001 | PENE | PIN | BOLZEN | | [2] |
| 005 | 56036900 | 001 | CORDE NYLON | CORD | SEIL | FUNE | [1] |
| 006 | 56505420 | 001 | VERROU | LOCKING DEVICE | RIEGEL | CHIAVISTELLO | [1] +[2] |
| 007 | 56540910 | 002 | AXE ZBC | PIN | BOLZEN | ASSE ZBC | [2] |
| 008 | 59801900 | 001 | RESSORT DE TRACTION | SPRING, EXTENSION | ZUGFEDER | MOLLA DI TRAZIONE | [2] |
| 009 | 80251227 | 002 | RONDELLE PLATE FE/ZNXC3 | PLAIN WASHER M12 | SCHEIBE FE/ZNXC3 | RONDELLA PIATTA FE/ZNXC3 | [2] |
| 010 | 80450530 | 002 | GOUPILLE ELASTIQUE FLZNNC | ROLL PIN FLZNNC | SPANNHUELSE FLZNNC | SPINA ELASTICA FLZNNC | [2] |
| 011 | 80450555 | 001 | GOUPILLE ELASTIQUE FLZNNC | ROLL PIN FLZNNC | SPANNHUELSE FLZNNC | SPINA ELASTICA FLZNNC | [2] |
| 012 | 80450637 | 002 | GOUPILLE ELASTIQUE FLZNNC | ROLL PIN FLZNNC | SPANNHUELSE FLZNNC | SPINA ELASTICA FLZNNC | [2] |





FC313TGRA

B 0001 > L 0000

K70R0665 A

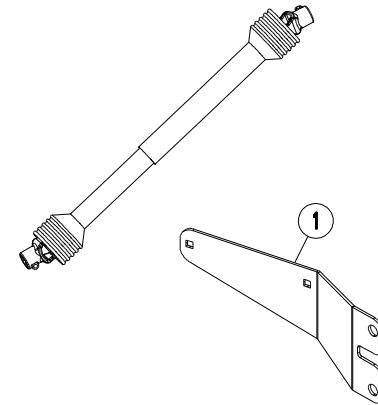
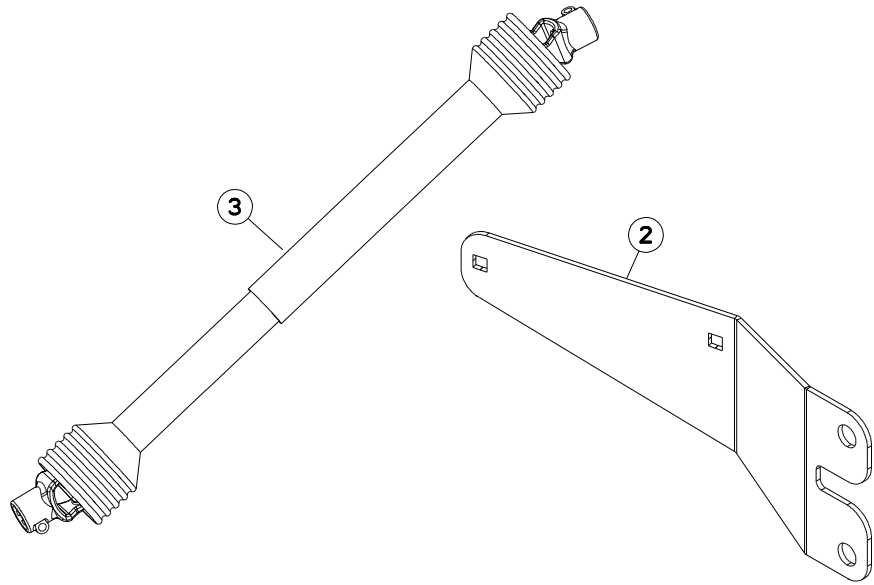
COLL.EPANDAGE LARGE

WIDE SPREAD SET

BREITSTREUSATZ

KIT ANDANA LARGA

| Rep | Nr | Qt | Designation | Description | Bezeichnung | Referenza | Remarque - Remark - Bemerkung - Osservazioni |
|-----|-----------------|-----|-------------------------------|------------------------------|--------------------------------|--------------------------------|--|
| 001 | 1076540 | 001 | COLL.DEFLECT.FC283TG/313TG US | SET OF DEFLECT.FC283TG/313TG | SATZ ABWEISSER FC283TG/313TG | SERIE DEFLETTORI FC283TG/313TG | OPT +[1] |
| 002 | 50002200 | 007 | VIS TBCC COURT | BOLT, CARRIAGE, SHORT NECK | FLACHRUNDSCHR.4KT ANSATZ | BULLONE | [1] |
| 003 | 56698120 | 007 | DEFLECTEUR | DEFLECTOR | ABWEISER | DEFLETTORE | [1] |
| 004 | 80201040 | 007 | ECROU HEX.BAS AUTOFR.FE/ZNXC3 | SELF LOCKING NUT M10 DIN 985 | SELBSTSICHERND.MUTTER FE/ZNXC3 | DADO AUTOBLOCCANTE FE/ZNXC3 | [1] |
| 005 | 80251176 | 007 | RONDELLE PLATE FE/ZNXC3 | PLAIN WASHER FE/ZNXC3 | SCHEIBE FE/ZNXC3 | RONDELLA PIATTA FE/ZNXC3 | [1] |





FC313TGRA

B 0001 > L 0000

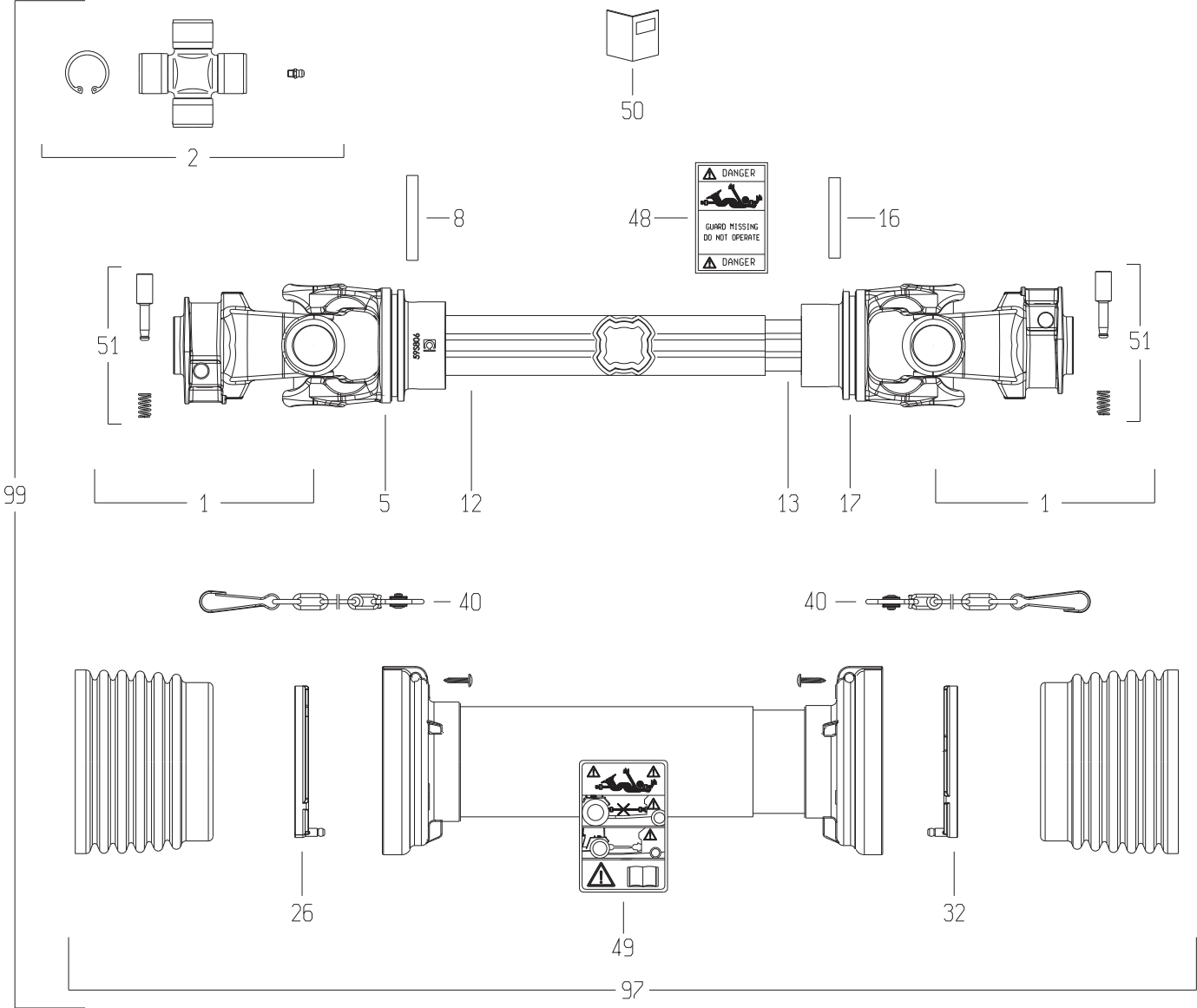
K70R0292 B

COLL. TRANSMISSION HOMOCINET.

KIT WIDE ANGLE PTO

SATZ WEITWINKELGELENKWELLE

| Rep | Nr | Qt | Designation | Description | Bezeichnung | Referenza | Remarque - Remark - Bemerkung - Osservazioni |
|-----|-----------------|-----|--------------------------------|--------------------------------|--------------------------------|--------------------------------|--|
| 001 | 1076620 | 001 | COLL.TRAN.SEC.HOM.FC313TG/RTG | WIDE ANGLE PTO FC313TG/RTG | WEITWINKELGELENKWELLE FC313TG | TRASM.OMOCINETICA FC313TG/RTG | OPT +[1] |
| 002 | K7006261 | 001 | SUPPORT ZBC | SUPPORT | HALTER | SUPPORTO ZBC | [1] |
| 003 | 4800613 | 001 | TRAN.SFTS6 G.A. PLAT.6 TR.2037 | PTO-S.SFTS6 G.A.PLAT.6 TR.2037 | GELEN.SFTS6 G.A.PLAT.6 TR.2037 | CARDA.SFTS6 G.A.PLAT.6 TR.2037 | [1] |





FC313TGRA

B 0001 > L 0000

K99R0402 C

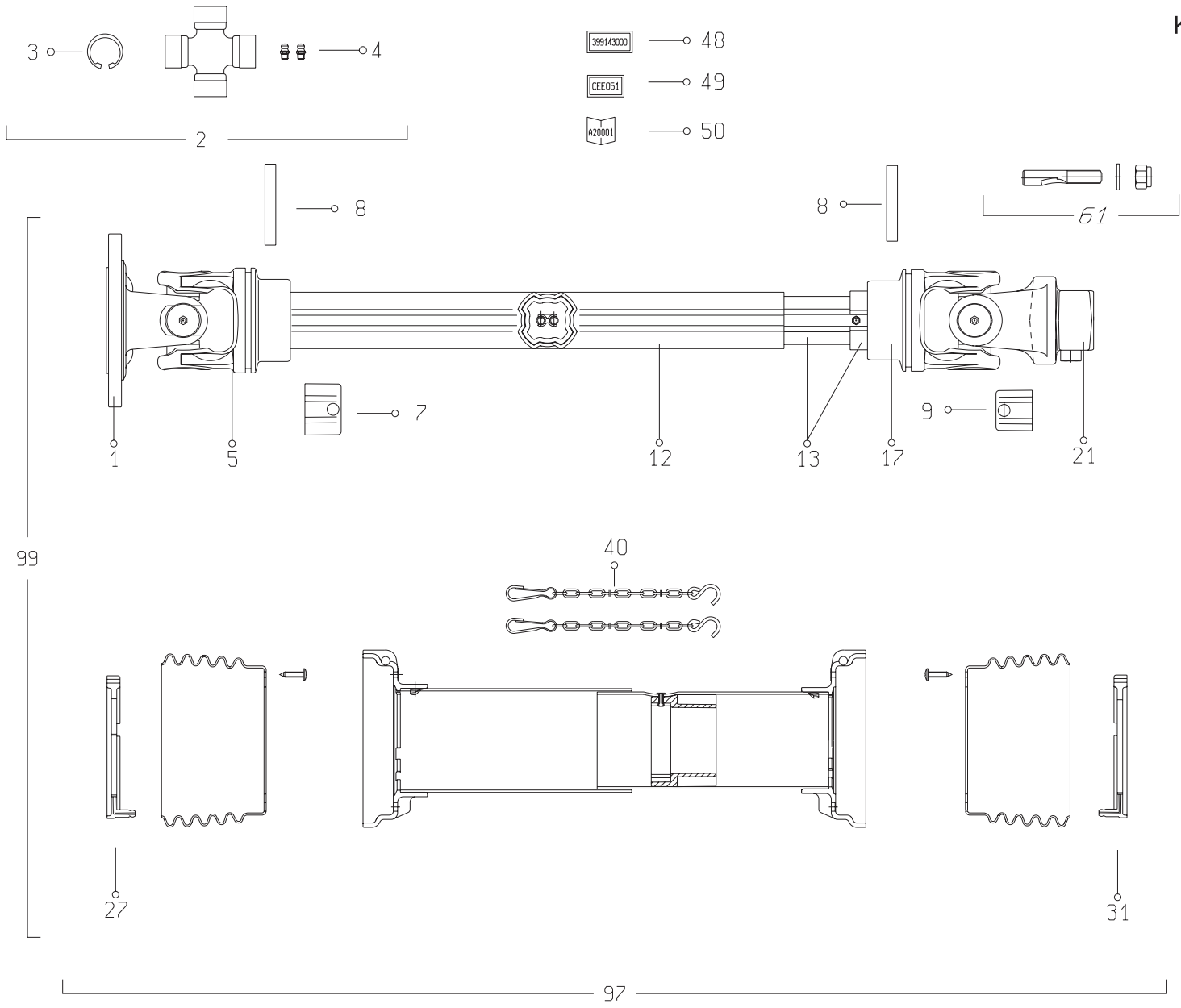
TRANSMISSION 4800800

TRANSMISSION 4800800

GELENKWELLE 4800800

TRANSMISSIONE 4800800

| Rep | Nr | Qt | Designation | Description | Bezeichnung | Referenza | Remarque - Remark - Bemerkung - Osservazioni |
|-----|----------|-----|-----------------------------|-------------------------------|--------------------------------|-------------------------|--|
| 001 | 4803014 | 002 | MACHOIRE | YOKE | RILLEGABEL | FORCELLA | |
| 002 | 4805062 | 002 | CROISILLON CPL | CROSS JOURNAL | KREUZGARNITUR | CROCIERA | |
| 005 | 4803015 | 001 | MACHOIRE TUBE EXTERIEUR | YOKE OUTER TUBE | RILLEGABEL AUSSENROHR | FORCELLA | |
| 008 | 80451058 | 001 | GOUPILLE ELASTIQUE FLZNNC | ROLL PIN FLZNNC | SPANNHUELSE FLZNNC | SPINA ELASTICA FLZNNC | |
| 012 | 4808114 | 001 | TUBE PROFILE EXTERIEUR | PROFILE TUBE | PROFILROHR | PROFILATO | |
| 013 | 4808017 | 001 | TUBE PROFILE INTERIEUR | PROFILE TUBE | PROFILROHR | PROFILATO | |
| 016 | 80451059 | 001 | GOUPILLE ELASTIQUE FLZNNC | ROLL PIN FLZNNC | SPANNHUELSE FLZNNC | SPINA ELASTICA FLZNNC | |
| 017 | 4803016 | 001 | MACHOIRE TUBE INTERIEUR | YOKE INNER TUBE | RILLEGABEL INNENROHR | FORCELLA | |
| 026 | 4820100 | 001 | PALIER | SLIDING RING | GLEITRING | SUPPORTO | |
| 032 | 4820101 | 001 | PALIER | SLIDING RING | GLEITRING | SUPPORTO | |
| 040 | 4821024 | 002 | CHAINETTE | CHAIN | HALTEKETTE | CATENELLA | |
| 048 | A7926009 | 001 | ETIQUETTES | STICKER | AUFKLEBER | ADESIVO | |
| 049 | 4831002 | 001 | PICTOGRAMME | PICTORIAL | PIKTOGRAMM | ADESIVO | |
| 050 | 4831003 | 001 | COLL.PICTOGRAMMES ET NOTICE | SET PICTORIALS & INSTRUCTIONS | SATZ PIKTOGRAMME UND ANLEITUNG | SERIE ADESIVI E NOTIZIE | |
| 051 | 4505231 | 002 | POUSSOIR CPL | PUSH BUTTON | SCHIEBESTIEFT | | |
| 097 | 4819800 | 001 | PROTECTEUR COMPLET | GUARD COMPLET | SCHUTZ KOMPLET | PROTEZIONE | |
| 099 | 4800800 | 001 | TRAN.SFT80 1 3/8-6 710 | PTO-S.SFT80 1 3/8-6 710 | GELEN.SFT80 1 3/8-6 710 | CARDA.SFT80 1 3/8-6 710 | |





FC313TGRA

B 0001 > L 0000

K99R0727 B

TRANSMISSION 4800612

TRANSMISSION 4800612

GELENKWELLE 4800612

TRANSMISSIONE 4800612

| Rep | Nr | Qt | Designation | Description | Bezeichnung | Referenza | Remarque - Remark - Bemerkung - Osservazioni |
|-----|----------|-----|-------------------------------|-------------------------------|--------------------------------|-------------------------|--|
| 001 | 4503617 | 001 | MACHOIRE A PLATEAU | FLANGE YOKE | FLANSCHGABEL | FORCELLA | |
| 002 | 4805001 | 002 | CROISSILLON CPL | CROSS JOURNAL CPL | KREUZGARNITUR KPL | CROCIERA | |
| 003 | A7905003 | 008 | CIRCLIPS | RETAINING RING | SICHERUNGSRING | ANNELLO ELASTICO | |
| 004 | 4505051 | 004 | GRAISSEUR | GREASE NIPPLE | SCHMIERNIPPEL | INGRASSATORE | |
| 005 | 4803001 | 001 | MACHOIRE TUBE EXTERIEUR | YOKE OUTER TUBE | RILLEGABEL AUSSENROHR | FORCELLA | |
| 007 | 4811100 | 001 | BOUCHON | END PLUG | VERSCHLUSSSTOPFEN | TAPPO DI CHIUSURA | |
| 008 | 80451058 | 002 | GOUPILLE ELASTIQUE FLZNNC | ROLL PIN FLZNNC | SPANNHUELSE FLZNNC | SPINA ELASTICA FLZNNC | |
| 009 | 4811101 | 001 | BOUCHON | END PLUG | VERSCHLUSSSTOPFEN | TAPPO DI CHIUSURA | |
| 012 | 4808020 | 001 | TUBE PROFILE EXTERIEUR | PROFILE TUBE | PROFILROHR | PROFILATO | |
| 013 | 4808021 | 001 | TUBE PROFILE INTERIEUR | PROFILE TUBE | PROFILROHR | PROFILATO | |
| 017 | 4803007 | 001 | MACHOIRE TUBE INTERIEUR | YOKE INNER TUBE | RILLEGABEL INNENROHR | FORCELLA | |
| 021 | 4803009 | 001 | MACHOIRE Z=21 | YOKE | RILLEGABEL | FORCELLA | |
| 027 | 4820100 | 001 | PALIER | SLIDING RING | GLEITRING | SUPPORTO | |
| 031 | 4820101 | 001 | PALIER | SLIDING RING | GLEITRING | SUPPORTO | |
| 040 | 4821024 | 002 | CHAINETTE | CHAIN | HALTEKETTE | CATENELLA | |
| 048 | A7926009 | 001 | ETIQUETTES | STICKER | AUFKLEBER | ADESIVO | |
| 049 | 4831002 | 001 | PICTOGRAMME | PICTORIAL | PIKTOGRAMM | ADESIVO | |
| 050 | 4831004 | 001 | COLL.PICTOGRAMMES ET NOTICE | SET PICTORIALS & INSTRUCTIONS | SATZ PIKTOGRAMME UND ANLEITUNG | SERIE ADESIVI E NOTIZIE | |
| 061 | 4505233 | 001 | KIT BOULON CONIQUE | KIT CONICAL BOLT | KEGELSCHRAUBESATZ | KIT DADO CONICO | |
| 097 | 4819612 | 001 | PROTECTEUR COMPLET | GUARD COMPLET | SCHUTZ KOMPLET | PROTEZIONE | |
| 099 | 4800612 | 001 | TRAN.SFTS6 PLATEAU 6 TR. 2029 | PTO-S.SFTS6 2029 | GELEN.SFTS6 2029 | CARDA.SFTS6 2029 | |



INDEX NUMERIQUE - NUMERICAL INDEX TEILENUMMERN-INDEX - INDICE NUMERICO

| Nr | Page | Rep. | Nr | Page | Rep. | Nr | Page | Rep. | Nr | Page | Rep. | Nr | Page | Rep. | Nr | Page | Rep. | Nr | Page | Rep. | Nr | Page | Rep. | Nr | Page | Rep. |
|----------|------|------|----------|------|------|----------|------|------|----------|------|------|----------|------|------|----------|------|------|----------|------|------|----------|------|------|----|------|------|
| A4020022 | 013 | 028 | K5603590 | 013 | 032 | K7005790 | 021 | 003 | K7009551 | 045 | 018 | K7019210 | 045 | 020 | 4630000 | 011 | 001 | 50003200 | 055 | 002 | 55820500 | 021 | 017 | | | |
| A4050012 | 051 | 032 | K5605571 | 055 | 027 | K7005810 | 047 | 017 | K7009570 | 043 | 013 | K7019230 | 043 | 017 | 4800612 | 081 | 099 | 50003200 | 071 | 002 | 55825600 | 051 | 001 | | | |
| A4069812 | 013 | 029 | K5605870 | 051 | 044 | K7006061 | 027 | 057 | K7009580 | 043 | 014 | K7019230 | 045 | 021 | 4800613 | 077 | 003 | 50003300 | 007 | 001 | 55830220 | 017 | 002 | | | |
| A4069816 | 013 | 030 | K5606620 | 013 | 033 | K7006150 | 027 | 058 | K7009590 | 043 | 015 | K7019240 | 045 | 022 | 4800800 | 079 | 099 | 50003600 | 023 | 003 | 55830220 | 051 | 002 | | | |
| A4073031 | 011 | 027 | K5608602 | 059 | 042 | K7006190 | 027 | 059 | K7010470 | 013 | 034 | K7019260 | 043 | 018 | 4803001 | 081 | 005 | 50005600 | 019 | 039 | 55830310 | 017 | 003 | | | |
| A4074001 | 015 | 017 | K5801300 | 021 | 004 | K7006190 | 027 | 060 | K7010480 | 013 | 035 | K7019280 | 043 | 019 | 4803007 | 081 | 017 | 50006200 | 025 | 002 | 55830310 | 051 | 003 | | | |
| A4074001 | 017 | 009 | K7000311 | 039 | 014 | K7006201 | 027 | 061 | K7010510 | 011 | 044 | K7019310 | 043 | 020 | 4803009 | 081 | 021 | 50007500 | 045 | 004 | 55835500 | 021 | 006 | | | |
| A4075005 | 015 | 023 | K7001680 | 047 | 015 | K7006250 | 019 | 006 | K7010520 | 011 | 045 | K7019340 | 045 | 023 | 4803014 | 079 | 001 | 50014110 | 019 | 032 | 55835700 | 005 | 001 | | | |
| A4075005 | 017 | 011 | K7001690 | 037 | 007 | K7006250 | 051 | 045 | K7010531 | 011 | 046 | K7019370 | 043 | 021 | 4803015 | 079 | 005 | 50015100 | 013 | 002 | 55836100 | 003 | 005 | | | |
| A4075005 | 051 | 037 | K7001700 | 035 | 018 | K7006260 | 047 | 018 | K7010541 | 011 | 047 | K7019380 | 045 | 024 | 4803016 | 079 | 017 | 50015100 | 035 | 002 | 55903210 | 031 | 002 | | | |
| A4075013 | 051 | 033 | K7001710 | 035 | 019 | K7006261 | 077 | 002 | K7010560 | 017 | 015 | K7019390 | 045 | 025 | 4805001 | 081 | 002 | 50017210 | 025 | 003 | 55903210 | 049 | 002 | | | |
| A4079080 | 011 | 028 | K7001710 | 037 | 005 | K7006280 | 019 | 014 | K7010560 | 055 | 028 | K7019400 | 045 | 026 | 4805062 | 079 | 002 | 50017310 | 025 | 004 | 55903310 | 031 | 003 | | | |
| A4079081 | 011 | 029 | K7001860 | 041 | 007 | K7006570 | 021 | 015 | K7010570 | 017 | 016 | K7019410 | 043 | 022 | 4808017 | 079 | 013 | 50017410 | 025 | 005 | 55903310 | 049 | 003 | | | |
| A4080401 | 015 | 025 | K7001880 | 041 | 008 | K7006590 | 015 | 031 | K7010570 | 055 | 029 | K7019440 | 023 | 021 | 4808020 | 081 | 012 | 50019110 | 035 | 003 | 56009200 | 025 | 009 | | | |
| A4080401 | 017 | 012 | K7002120 | 039 | 015 | K7006611 | 025 | 014 | K7010581 | 055 | 030 | K7019450 | 043 | 023 | 4808021 | 081 | 013 | 50019110 | 037 | 008 | 56010300 | 007 | 007 | | | |
| A4080401 | 051 | 038 | K7002270 | 035 | 020 | K7006611 | 027 | 051 | K7010620 | 055 | 031 | K7019460 | 047 | 020 | 4808114 | 079 | 012 | 50025500 | 013 | 003 | 56010710 | 073 | 002 | | | |
| A4080430 | 051 | 034 | K7003170 | 027 | 052 | K7006761 | 047 | 019 | K7010630 | 055 | 032 | K7019500 | 043 | 024 | 4811100 | 081 | 007 | 50025500 | 025 | 006 | 56010800 | 073 | 003 | | | |
| A4080431 | 011 | 030 | K7003910 | 019 | 023 | K7006860 | 009 | 001 | K7010640 | 055 | 033 | K7019510 | 043 | 025 | 4811101 | 081 | 009 | 50027800 | 013 | 004 | 56010910 | 073 | 004 | | | |
| A4080466 | 011 | 031 | K7004000 | 027 | 053 | K7006870 | 009 | 002 | K7010700 | 051 | 046 | K7024730 | 045 | 027 | 4819612 | 081 | 097 | 50030200 | 035 | 004 | 56019000 | 049 | 004 | | | |
| A4080850 | 051 | 035 | K7004010 | 027 | 054 | K7006880 | 009 | 004 | K7010710 | 051 | 047 | K8006830 | 053 | 051 | 4819800 | 079 | 097 | 50030800 | 003 | 001 | 56036900 | 073 | 005 | | | |
| A4089802 | 011 | 032 | K7004140 | 019 | 022 | K7006890 | 009 | 005 | K7010720 | 051 | 048 | K8009230 | 055 | 037 | 4820100 | 079 | 026 | 50068500 | 031 | 001 | 56039800 | 019 | 019 | | | |
| A4089803 | 011 | 033 | K7004150 | 019 | 018 | K7006900 | 009 | 006 | K7010730 | 053 | 049 | K9500070 | 063 | 002 | 4820100 | 081 | 027 | 50069500 | 035 | 005 | 56046310 | 017 | 004 | | | |
| A4101014 | 051 | 036 | K7004150 | 021 | 005 | K7006910 | 009 | 007 | K7010750 | 053 | 050 | K9504850 | 063 | 003 | 4820101 | 079 | 032 | 50069600 | 035 | 006 | 56046310 | 051 | 004 | | | |
| A4906005 | 011 | 034 | K7004160 | 035 | 021 | K7006920 | 009 | 008 | K7010901 | 055 | 034 | K9530110 | 063 | 004 | 4820101 | 081 | 031 | 50069600 | 037 | 012 | 56046420 | 017 | 005 | | | |
| A4921047 | 051 | 039 | K7004251 | 021 | 016 | K7006930 | 009 | 009 | K7010950 | 061 | 003 | K9530260 | 063 | 005 | 4821024 | 079 | 040 | 50069800 | 045 | 006 | 56046420 | 051 | 005 | | | |
| A4921070 | 017 | 013 | K7004260 | 015 | 026 | K7006940 | 009 | 010 | K7011760 | 013 | 036 | K9530340 | 063 | 006 | 4821024 | 081 | 040 | 50080200 | 049 | 001 | 56112900 | 013 | 005 | | | |
| A4921121 | 017 | 014 | K7004380 | 015 | 027 | K7006950 | 009 | 011 | K7011810 | 013 | 037 | 09905400 | 063 | 007 | 4831002 | 079 | 049 | 50086400 | 021 | 007 | 56115800 | 031 | 004 | | | |
| A4921125 | 051 | 040 | K7004612 | 023 | 016 | K7006960 | 009 | 012 | K7012000 | 035 | 023 | 09906910 | 063 | 008 | 4831002 | 081 | 049 | 52228500 | 007 | 002 | 56115800 | 049 | 005 | | | |
| A4923011 | 011 | 035 | K7004790 | 043 | 012 | K7006990 | 009 | 016 | K7012770 | 041 | 010 | 09968310 | 065 | 001 | 4831003 | 079 | 050 | 52234500 | 021 | 008 | 56145200 | 025 | 010 | | | |
| A4923012 | 011 | 036 | K7004880 | 027 | 055 | K7007000 | 009 | 017 | K7012780 | 041 | 011 | 09969200 | 063 | 009 | 4831004 | 081 | 050 | 52514110 | 007 | 003 | 56202300 | 023 | 004 | | | |
| A4923021 | 051 | 041 | K7004890 | 027 | 056 | K7007010 | 009 | 024 | K7013531 | 037 | 010 | 09970900 | 063 | 010 | 50000000 | 019 | 038 | 52527600 | 025 | 007 | 56207000 | 029 | 001 | | | |
| A4923021 | 051 | 042 | K7004921 | 019 | 010 | K7007020 | 009 | 025 | K7013590 | 013 | 038 | 09971000 | 063 | 011 | 50000900 | 039 | 001 | 52536600 | 007 | 004 | 56212300 | 029 | 002 | | | |
| A4923064 | 011 | 037 | K7004931 | 019 | 011 | K7007030 | 009 | 030 | K7013600 | 013 | 039 | 09971400 | 065 | 002 | 50002100 | 025 | 001 | 52536700 | 007 | 005 | 56505420 | 073 | 006 | | | |
| A7011511 | 009 | 014 | K7004940 | 019 | 012 | K7007120 | 015 | 032 | K7013610 | 013 | 040 | 09974000 | 065 | 003 | 50002100 | 043 | 001 | 52583500 | 007 | 006 | 56528910 | 021 | 002 | | | |
| A7905003 | 081 | 003 | K7004950 | 019 | 013 | K7007140 | 015 | 028 | K7013620 | 067 | 008 | 1036460 | 067 | 001 | 50002100 | 045 | 001 | 55710100 | 015 | 021 | 56530110 | 005 | 002 | | | |
| A7926009 | 079 | 048 | K7005191 | 023 | 017 | K7007190 | 019 | 017 | K7013640 | 055 | 035 | 1045410 | 029 | 023 | 50002200 | 023 | 001 | 55710100 | 015 | 022 | 56532800 | 035 | 007 | | | |
| A7926009 | 081 | 048 | K7005211 | 023 | 018 | K7007300 | 011 | 042 | K7015700 | 041 | 012 | 1076440 | 069 | 002 | 50002200 | 033 | 001 | 55710100 | 017 | 001 | 56540910 | 015 | 001 | | | |
| KN098B | 049 | 016 | K7005400 | 019 | 030 | K7007521 | 011 | 043 | K7015710 | 041 | 013 | 1076500 | 071 | 001 | 50002200 | 041 | 001 | 55736610 | 003 | 002 | 56540910 | 073 | 007 | | | |
| K5600230 | 011 | 038 | K7005410 | 003 | 018 | K7007571 | 023 | 019 | K7015720 | 041 | 014 | 1076540 | 075 | 001 | 50002200 | 045 | 002 | 55736700 | 003 | 003 | 56543000 | 051 | 006 | | | |
| K5600690 | 019 | 002 | K7005521 | 019 | 005 | K7007600 | 039 | 016 | K7015741 | 063 | 001 | 1076620 | 077 | 001 | 50002200 | 055 | 001 | 55736700 | 055 | 003 | 56548700 | 025 | 011 | | | |
| K5600690 | 021 | 001 | K7005640 | 019 | 015 | K7007611 | 015 | 029 | K7016430 | 061 | 004 | 1086280 | 073 | 001 | 50002200 | 075 | 002 | 55745700 | 025 | 008 | 56553200 | 049 | 006 | | | |
| K5601210 | 011 | 039 | K7005650 | 019 | 016 | K7007631 | 015 | 030 | K7016570 | 055 | 036 | 3156097 | 019 | 042 | 50003200 | 023 | 002 | 55749800 | 043 | 003 | 56568500 | 013 | 006 | | | |
| K5601220 | 011 | 040 | K7005690 | 047 | 016 | K7007780 | 041 | 016 | K7017500 | 041 | 015 | 4503617 | 081 | 001 | 50003200 | 041 | 002 | 55749800 | 045 | 007 | 56600110 | 037 | 003 | | | |
| K5601230 | 011 | 041 | K7005720 | 003 | 019 | K7007790 | 041 | 009 | K7017720 | 017 | 017 | 4505051 | 081 | 004 | 50003200 | 043 | 002 | 55803300 | 021 | 013 | 56601300 | 037 | 001 | | | |
| K5602610 | 051 | 043 | K7005730 | 009 | 035 | K7007870 | 023 | 020 | K7019190 | 043 | 016 | 4505231 | 079 | 051 | 50003200 | 045 | 003 | 55803510 | 019 | 003 | 56613600 | 025 | 012 | | | |
| K5603571 | 013 | 031 | K7005770 | 003 | 020 | K7007881 | 035 | 022 | K7019200 | 045 | 019 | 4505233 | 081 | 061 | 50003200 | 047 | 001 | 55814600 | 003 | 004 | 56630200 | 025 | 013 | | | |



INDEX NUMERIQUE - NUMERICAL INDEX TEILENUMMERN-INDEX - INDICE NUMERICO

| Nr | Page | Rep. | Nr | Page | Rep. | Nr | Page | Rep. | Nr | Page | Rep. | Nr | Page | Rep. | Nr | Page | Rep. | Nr | Page | Rep. | Nr | Page | Rep. |
|----------|------|------|----------|------|------|----------|------|------|----------|------|------|----------|------|------|----------|------|------|----------|------|------|----------|------|------|
| 56637100 | 039 | 002 | 58533200 | 065 | 006 | 6170146 | 057 | 015 | 80061073 | 039 | 006 | 80131031 | 019 | 040 | 80201040 | 071 | 003 | 80251021 | 065 | 009 | 80281230 | 055 | 021 |
| 56643900 | 041 | 003 | 58722600 | 003 | 006 | 6170147 | 059 | 017 | 80061209 | 055 | 005 | 80131031 | 021 | 020 | 80201040 | 075 | 004 | 80251176 | 013 | 015 | 80281254 | 031 | 024 |
| 56656710 | 039 | 003 | 58722600 | 055 | 004 | 6170149 | 057 | 016 | 80061220 | 011 | 006 | 80131031 | 047 | 002 | 80201053 | 003 | 013 | 80251176 | 023 | 012 | 80281414 | 029 | 013 |
| 56656820 | 035 | 008 | 58742110 | 015 | 002 | 6170149 | 059 | 018 | 80061220 | 045 | 009 | 80131031 | 051 | 012 | 80201053 | 021 | 009 | 80251176 | 039 | 011 | 80281600 | 057 | 045 |
| 56656910 | 035 | 009 | 58742110 | 051 | 007 | 6170150 | 057 | 017 | 80061242 | 039 | 007 | 80131220 | 003 | 012 | 80201053 | 033 | 006 | 80251176 | 041 | 006 | 80281600 | 059 | 041 |
| 56674010 | 011 | 002 | 59002600 | 019 | 020 | 6170151 | 057 | 018 | 80061245 | 045 | 010 | 80131220 | 019 | 041 | 80201053 | 051 | 030 | 80251176 | 043 | 010 | 80281639 | 003 | 015 |
| 56674010 | 045 | 008 | 59801900 | 073 | 008 | 6170153 | 059 | 019 | 80061262 | 023 | 006 | 80131220 | 045 | 011 | 80201055 | 031 | 021 | 80251176 | 045 | 015 | 80281639 | 011 | 020 |
| 56691300 | 039 | 004 | 59900000 | 063 | 012 | 6170154 | 059 | 020 | 80061269 | 007 | 008 | 80131220 | 055 | 010 | 80201055 | 067 | 006 | 80251176 | 047 | 004 | 80281639 | 015 | 011 |
| 56692300 | 035 | 010 | 59900200 | 063 | 013 | 6170155 | 057 | 020 | 80061271 | 037 | 013 | 80131225 | 013 | 011 | 80201070 | 013 | 013 | 80251176 | 055 | 020 | 80281639 | 055 | 022 |
| 56698120 | 041 | 004 | 59900300 | 063 | 014 | 6170156 | 057 | 021 | 80061279 | 043 | 004 | 80131225 | 043 | 007 | 80201070 | 057 | 042 | 80251176 | 071 | 004 | 80282045 | 019 | 034 |
| 56698120 | 075 | 003 | 59900400 | 063 | 015 | 6170158 | 059 | 021 | 80061282 | 043 | 005 | 80131225 | 051 | 013 | 80201240 | 033 | 007 | 80251176 | 075 | 005 | 80282045 | 031 | 025 |
| 56699310 | 023 | 005 | 59900600 | 063 | 016 | 6170159 | 059 | 022 | 80061431 | 029 | 011 | 80131232 | 033 | 004 | 80201240 | 043 | 009 | 80251225 | 045 | 016 | 80370415 | 015 | 012 |
| 56699500 | 039 | 005 | 59900800 | 063 | 017 | 6170160 | 059 | 023 | 80061449 | 011 | 007 | 80131232 | 055 | 011 | 80201248 | 023 | 010 | 80251227 | 073 | 009 | 80450529 | 019 | 026 |
| 56800600 | 029 | 003 | 59901100 | 063 | 018 | 6170161 | 057 | 022 | 80061630 | 011 | 008 | 80131232 | 061 | 001 | 80201248 | 029 | 012 | 80251331 | 035 | 013 | 80450530 | 013 | 022 |
| 56801000 | 029 | 024 | 59901200 | 063 | 019 | 6170162 | 057 | 023 | 80061635 | 003 | 010 | 80131630 | 015 | 005 | 80201248 | 051 | 017 | 80251331 | 037 | 009 | 80450530 | 019 | 024 |
| 56803400 | 031 | 005 | 59951800 | 063 | 021 | 6170163 | 059 | 024 | 80061638 | 059 | 035 | 80131636 | 011 | 012 | 80201248 | 055 | 015 | 80251331 | 043 | 011 | 80450530 | 051 | 021 |
| 56803420 | 067 | 002 | 59953100 | 063 | 022 | 6170164 | 059 | 025 | 80061661 | 013 | 009 | 80131636 | 051 | 014 | 80201253 | 055 | 016 | 80251338 | 039 | 012 | 80450530 | 073 | 010 |
| 56803940 | 029 | 004 | 59955000 | 063 | 023 | 6170165 | 059 | 026 | 80061673 | 015 | 003 | 80151015 | 057 | 019 | 80201253 | 061 | 002 | 80251340 | 013 | 016 | 80450540 | 051 | 022 |
| 56804510 | 031 | 006 | 6170047 | 057 | 001 | 6170166 | 059 | 027 | 80061673 | 055 | 006 | 80190425 | 025 | 017 | 80201260 | 007 | 009 | 80251345 | 035 | 014 | 80450555 | 073 | 011 |
| 56806310 | 031 | 007 | 6170047 | 059 | 001 | 6170168 | 057 | 024 | 80061683 | 023 | 007 | 80190820 | 015 | 006 | 80201262 | 031 | 022 | 80251430 | 011 | 018 | 80450637 | 019 | 025 |
| 56806510 | 027 | 050 | 6170048 | 057 | 002 | 6170169 | 059 | 028 | 80062095 | 015 | 004 | 80190820 | 065 | 007 | 80201262 | 035 | 012 | 80251624 | 005 | 003 | 80450637 | 073 | 012 |
| 56806610 | 031 | 008 | 6170048 | 059 | 002 | 6170170 | 057 | 025 | 80071030 | 045 | 005 | 80200540 | 055 | 012 | 80201262 | 045 | 014 | 80251625 | 011 | 019 | 80450641 | 015 | 013 |
| 56807100 | 031 | 009 | 6170049 | 057 | 003 | 6170171 | 059 | 029 | 80071233 | 013 | 001 | 80200630 | 049 | 009 | 80201262 | 049 | 010 | 80251635 | 013 | 017 | 80450841 | 015 | 014 |
| 56807100 | 049 | 007 | 6170051 | 057 | 004 | 6170173 | 059 | 030 | 80071233 | 035 | 001 | 80200630 | 051 | 015 | 80201265 | 037 | 004 | 80252341 | 019 | 033 | 80450841 | 051 | 023 |
| 56807100 | 067 | 003 | 6170051 | 059 | 003 | 6170174 | 057 | 026 | 80071233 | 037 | 011 | 80200640 | 011 | 013 | 80201271 | 021 | 010 | 80252534 | 013 | 018 | 80451050 | 039 | 013 |
| 56808510 | 031 | 010 | 6170052 | 057 | 005 | 6170175 | 057 | 027 | 80080512 | 011 | 009 | 80200640 | 059 | 037 | 80201430 | 011 | 015 | 80252637 | 051 | 020 | 80451058 | 079 | 008 |
| 56809020 | 031 | 011 | 6170053 | 057 | 006 | 6170175 | 059 | 031 | 80080550 | 051 | 010 | 80200840 | 051 | 016 | 80201601 | 057 | 043 | 80253042 | 025 | 020 | 80451058 | 081 | 008 |
| 56809300 | 031 | 012 | 6170053 | 059 | 004 | 6170178 | 057 | 028 | 80080620 | 051 | 011 | 80200851 | 055 | 013 | 80201601 | 059 | 039 | 80254040 | 009 | 013 | 80451059 | 079 | 016 |
| 56809510 | 031 | 013 | 6170072 | 059 | 005 | 6170180 | 059 | 032 | 80081006 | 039 | 008 | 80200870 | 057 | 039 | 80201640 | 013 | 014 | 80254041 | 009 | 013 | 80451216 | 031 | 026 |
| 56809610 | 031 | 014 | 6170096 | 059 | 006 | 6170181 | 057 | 029 | 80081065 | 025 | 016 | 80200870 | 059 | 038 | 80201651 | 011 | 016 | 80254054 | 009 | 013 | 80500336 | 019 | 027 |
| 56809700 | 029 | 005 | 6170098 | 057 | 007 | 6170182 | 057 | 030 | 80081216 | 021 | 021 | 80201001 | 039 | 009 | 80201651 | 015 | 008 | 80254054 | 059 | 033 | 80500428 | 011 | 021 |
| 56809800 | 029 | 006 | 6170098 | 059 | 007 | 6170184 | 057 | 031 | 80110525 | 055 | 007 | 80201001 | 057 | 040 | 80201651 | 051 | 018 | 80254552 | 013 | 019 | 80500451 | 021 | 012 |
| 56812010 | 067 | 004 | 6170129 | 057 | 008 | 6170185 | 057 | 032 | 80110840 | 059 | 036 | 80201030 | 025 | 018 | 80201662 | 015 | 009 | 80254554 | 013 | 020 | 80500470 | 003 | 007 |
| 56812300 | 031 | 017 | 6170129 | 059 | 008 | 6170186 | 057 | 033 | 80130820 | 055 | 008 | 80201030 | 045 | 012 | 80201662 | 023 | 011 | 80256565 | 025 | 021 | 80560540 | 049 | 011 |
| 56812400 | 031 | 018 | 6170130 | 057 | 009 | 6170193 | 057 | 034 | 80130835 | 011 | 010 | 80201030 | 065 | 008 | 80201662 | 055 | 017 | 80256566 | 025 | 022 | 80561155 | 003 | 008 |
| 56812600 | 031 | 015 | 6170130 | 059 | 009 | 6170194 | 057 | 035 | 80131017 | 011 | 011 | 80201040 | 011 | 014 | 80201670 | 057 | 044 | 80256567 | 025 | 023 | 80570476 | 005 | 004 |
| 56812700 | 031 | 016 | 6170131 | 057 | 010 | 6170195 | 057 | 036 | 80131017 | 013 | 010 | 80201040 | 013 | 012 | 80201670 | 059 | 040 | 80256570 | 025 | 024 | 80584500 | 009 | 027 |
| 56814500 | 031 | 019 | 6170131 | 059 | 010 | 80030825 | 057 | 037 | 80131017 | 021 | 018 | 80201040 | 015 | 007 | 80202018 | 019 | 021 | 80257055 | 025 | 025 | 80585200 | 025 | 033 |
| 56814600 | 029 | 007 | 6170132 | 057 | 011 | 80060616 | 049 | 008 | 80131017 | 031 | 020 | 80201040 | 017 | 006 | 80202040 | 015 | 010 | 80257056 | 025 | 026 | 80590002 | 009 | 029 |
| 56814700 | 029 | 008 | 6170132 | 059 | 011 | 80060635 | 011 | 005 | 80131017 | 067 | 005 | 80201040 | 023 | 009 | 80202048 | 031 | 023 | 80257057 | 025 | 027 | 80596200 | 013 | 023 |
| 56829400 | 019 | 004 | 6170133 | 059 | 012 | 80060650 | 051 | 008 | 80131018 | 033 | 002 | 80201040 | 033 | 005 | 80202070 | 021 | 011 | 80257059 | 025 | 028 | 80597200 | 009 | 034 |
| 56833010 | 029 | 009 | 6170136 | 059 | 013 | 80060650 | 059 | 034 | 80131020 | 023 | 008 | 80201040 | 039 | 010 | 80203065 | 025 | 019 | 80257070 | 025 | 029 | 80598000 | 009 | 028 |
| 56833110 | 029 | 010 | 6170137 | 059 | 014 | 80060822 | 025 | 015 | 80131020 | 035 | 011 | 80201040 | 041 | 005 | 80203518 | 009 | 031 | 80257071 | 025 | 030 | 80598000 | 025 | 034 |
| 56835920 | 069 | 001 | 6170140 | 059 | 015 | 80060826 | 051 | 009 | 80131020 | 043 | 006 | 80201040 | 043 | 008 | 80250510 | 055 | 018 | 80257078 | 025 | 031 | 80598500 | 025 | 035 |
| 57525600 | 011 | 003 | 6170143 | 057 | 012 | 80061035 | 009 | 032 | 80131026 | 003 | 011 | 80201040 | 045 | 013 | 80250611 | 011 | 017 | 80280820 | 025 | 032 | 80599000 | 025 | 036 |
| 57814910 | 065 | 004 | 6170144 | 057 | 013 | 80061041 | 057 | 038 | 80131026 | 021 | 019 | 80201040 | 047 | 003 | 80250823 | 051 | 019 | 80281020 | 013 | 021 | 80651031 | 025 | 037 |
| 57836010 | 065 | 005 | 6170145 | 057 | 014 | 80061056 | 013 | 007 | 80131026 | 033 | 003 | 80201040 | 055 | 014 | 80251021 | 003 | 014 | 80281052 | 045 | 017 | 81004093 | 025 | 038 |
| 57866400 | 011 | 004 | 6170145 | 059 | 016 | 80061064 | 013 | 008 | 80131026 | 055 | 009 | 80201040 | 057 | 041 | 80251021 | 055 | 019 | 80281230 | 023 | 013 | 81004578 | 013 | 024 |



INDEX NUMERIQUE - NUMERICAL INDEX TEILENUMMERN-INDEX - INDICE NUMERICO

| Nr | Page | Rep. | Nr | Page | Rep. | Nr | Page | Rep. | Nr | Page | Rep. | Nr | Page | Rep. | Nr | Page | Rep. | Nr | Page | Rep. |
|----------|------|------|----------|------|------|----------|------|------|----|------|------|----|------|------|----|------|------|----|------|------|
| 81005091 | 025 | 039 | 83012225 | 035 | 016 | 83300118 | 019 | 031 | | | | | | | | | | | | |
| 81102562 | 013 | 025 | 83012528 | 051 | 027 | 83450005 | 049 | 012 | | | | | | | | | | | | |
| 81103578 | 035 | 015 | 83013034 | 051 | 028 | 83503018 | 049 | 013 | | | | | | | | | | | | |
| 81104083 | 025 | 040 | 83014042 | 019 | 008 | 83503019 | 049 | 014 | | | | | | | | | | | | |
| 81104083 | 029 | 014 | 83014043 | 019 | 009 | 83503026 | 049 | 015 | | | | | | | | | | | | |
| 81104084 | 029 | 015 | 83014045 | 019 | 007 | | | | | | | | | | | | | | | |
| 81104576 | 029 | 016 | 83014555 | 003 | 016 | | | | | | | | | | | | | | | |
| 81104577 | 029 | 017 | 83015562 | 015 | 019 | | | | | | | | | | | | | | | |
| 81303062 | 019 | 036 | 83030008 | 051 | 029 | | | | | | | | | | | | | | | |
| 81303571 | 009 | 022 | 83030015 | 015 | 020 | | | | | | | | | | | | | | | |
| 81303572 | 009 | 019 | 83040004 | 027 | 049 | | | | | | | | | | | | | | | |
| 81303572 | 019 | 037 | 83040099 | 067 | 007 | | | | | | | | | | | | | | | |
| 81304079 | 009 | 018 | 83050005 | 021 | 014 | | | | | | | | | | | | | | | |
| 81304080 | 025 | 041 | 83050010 | 003 | 017 | | | | | | | | | | | | | | | |
| 81304587 | 025 | 042 | 83050010 | 055 | 023 | | | | | | | | | | | | | | | |
| 81307011 | 009 | 020 | 83070063 | 003 | 009 | | | | | | | | | | | | | | | |
| 81504010 | 037 | 006 | 83090038 | 023 | 014 | | | | | | | | | | | | | | | |
| 81504011 | 037 | 002 | 83090038 | 047 | 006 | | | | | | | | | | | | | | | |
| 81504501 | 011 | 022 | 83090039 | 023 | 015 | | | | | | | | | | | | | | | |
| 82013045 | 013 | 026 | 83090039 | 047 | 007 | | | | | | | | | | | | | | | |
| 82013571 | 009 | 023 | 83090042 | 055 | 024 | | | | | | | | | | | | | | | |
| 82016087 | 025 | 043 | 83090043 | 055 | 025 | | | | | | | | | | | | | | | |
| 82016090 | 025 | 044 | 83090053 | 011 | 024 | | | | | | | | | | | | | | | |
| 82019014 | 009 | 026 | 83090075 | 011 | 025 | | | | | | | | | | | | | | | |
| 82060007 | 029 | 018 | 83090086 | 051 | 031 | | | | | | | | | | | | | | | |
| 82060026 | 025 | 045 | 83090192 | 047 | 005 | | | | | | | | | | | | | | | |
| 82060050 | 025 | 046 | 83090202 | 015 | 024 | | | | | | | | | | | | | | | |
| 82060094 | 029 | 019 | 83101688 | 035 | 017 | | | | | | | | | | | | | | | |
| 82061015 | 029 | 020 | 83163000 | 013 | 027 | | | | | | | | | | | | | | | |
| 82101622 | 029 | 021 | 83200804 | 047 | 008 | | | | | | | | | | | | | | | |
| 82102732 | 011 | 023 | 83240007 | 055 | 026 | | | | | | | | | | | | | | | |
| 82131824 | 025 | 047 | 83240010 | 047 | 009 | | | | | | | | | | | | | | | |
| 82153573 | 019 | 001 | 83240014 | 011 | 026 | | | | | | | | | | | | | | | |
| 82200800 | 019 | 028 | 83240014 | 047 | 010 | | | | | | | | | | | | | | | |
| 82230003 | 025 | 048 | 83240014 | 071 | 005 | | | | | | | | | | | | | | | |
| 82230006 | 029 | 022 | 83240205 | 071 | 006 | | | | | | | | | | | | | | | |
| 82230009 | 009 | 015 | 83240206 | 071 | 007 | | | | | | | | | | | | | | | |
| 82230009 | 051 | 024 | 83240207 | 071 | 008 | | | | | | | | | | | | | | | |
| 82300026 | 015 | 015 | 83240212 | 047 | 011 | | | | | | | | | | | | | | | |
| 82300026 | 017 | 007 | 83240400 | 047 | 012 | | | | | | | | | | | | | | | |
| 82301002 | 015 | 016 | 83240401 | 047 | 013 | | | | | | | | | | | | | | | |
| 82301002 | 017 | 008 | 83240404 | 047 | 014 | | | | | | | | | | | | | | | |
| 82301002 | 051 | 025 | 83250001 | 007 | 010 | | | | | | | | | | | | | | | |
| 82301214 | 015 | 018 | 83250050 | 007 | 011 | | | | | | | | | | | | | | | |
| 82301214 | 017 | 010 | 83300116 | 019 | 035 | | | | | | | | | | | | | | | |
| 82301214 | 051 | 026 | 83300117 | 019 | 029 | | | | | | | | | | | | | | | |

EXTRAIT DES CONDITIONS DE GARANTIE ET CONDITIONS SPECIFIQUES PIECES DE RECHANGE

Nous garantissons notre matériel durant une année à partir du jour de livraison, c'est-à-dire que nous nous engageons à rembourser les pièces qui auront été reconnues défectueuses en nos usines, par notre service technique.

Bien entendu, la garantie ne s'applique pas en cas d'usure normale, ni en cas de détériorations résultant de négligences ou de défauts de surveillance, d'un mauvais usage, d'un manque d'entretien ou d'un accident. La garantie ne s'applique pas non plus si la machine a été prêtée ou utilisée pour un usage non conforme à sa destination prévue par la société.

La garantie ne s'applique pas aux pièces d'usure.

Les pièces de rechange sont soumises aux mêmes conditions de garantie que le matériel sous réserve qu'elles aient été montées selon les règles de l'art et utilisées conformément à nos recommandations.

EXTRACT FROM OUR CONDITIONS OF LIMITED WARRANTY AND SPARE PARTS WARRANTY POLICY

Our equipment is warranted for a period of one year from the date of delivery. We guarantee the reimbursement of all parts proven to be faulty by our technical division in material or manufacturing.

The warranty is not applicable in the following cases : normal wear, accident or negligence in operation, repairs using parts other than genuine KUHN parts, products altered or modified without the expressed permission of the company or if the machine is not used and serviced in accordance with the recommendations of the operator's manual. Wearing items are not covered under these conditions of limited warranty.

Spare parts are subject to the same warranty conditions than the equipment providing they have been installed with proficiency and are used in accordance with our recommendations.

AUSZUG AUS UNSEREN GARANTIEBEDINGUNGEN UND SONDERBEDINGUNGEN FÜR ERSATZTEILE

Wir garantieren unsere Ware für ein Jahr ab dem Tag der Lieferung und verpflichten uns, die Teile zu ersetzen, die im Werk als fehlerhaft anerkannt wurden.

Die Garantie ist ausgeschlossen für Teile, die einem normalen Verschleiß unterliegen, sowie im Fall von nachlässiger Behandlung oder mangelhafter Wartung oder eines Unfalls. Die Garantie erlischt auch, wenn die Maschine ausgeliehen oder unter Umständen eingesetzt wurde, die dem ursprünglichen Verwendungszweck und den Hinweisen in der Betriebsanleitung nicht entsprechen.

Verschleißteile sind von der Garantie ausgeschlossen

Ersatzteile unterliegen den gleichen Garantiebedingungen wie komplette Maschinen, vorausgesetzt, dass sie sachgerecht eingebaut und entsprechend unseren Empfehlungen verwendet wurden.

ESTRATTO DELLE CONDIZIONI DI GARANZIA E CONDIZIONI SPECIFICHE GARANZIA RICAMBI

Le nostre macchine sono garantite per un anno a partire dal giorno della consegna: ci impegnamo a rimborsare i componenti che saranno riconosciuti difettosi dai nostri servizi tecnici presso le nostre officine.

La garanzia non è applicabile nei seguenti casi: usura normale, incidente o negligenza nell'impiego, riparazioni utilizzando ricambi non originali KUHN, prodotti alterati o modificati senza il permesso dell'azienda. La garanzia non viene riconosciuta se la macchina è stata prestata o non è utilizzata o mantenuta in conformità alle raccomandazioni previste dalla società. La garanzia non copre i componenti soggetti ad usura.

I pezzi di ricambio sono soggetti agli stessi termini di garanzia della macchina, purchè siano stati installati con competenza e utilizzati conformemente alle nostre raccomandazioni.



**Pour votre sécurité et le bon fonctionnement de votre machine,
utilisez uniquement des pièces d'origine KUHN**

**For your safety and to get the best from your machine,
use only genuine KUHN parts**

**Zu ihrer Sicherheit und zur einwandfreien Funktion Ihrer
Maschine sollten Sie nur Original-KUHN-Ersatzteile verwenden**

**Per la vostra sicurezza, e per il buon funzionamento della vostra macchina,
usate esclusivamente i ricambi originali KUHN**

**KUHN PARTS Parc de la Faisanderie F - 67700 MONSWILLER (FRANCE)
www.kuhn.com**

Imprimé en France par KUHN
Printed in France by KUHN