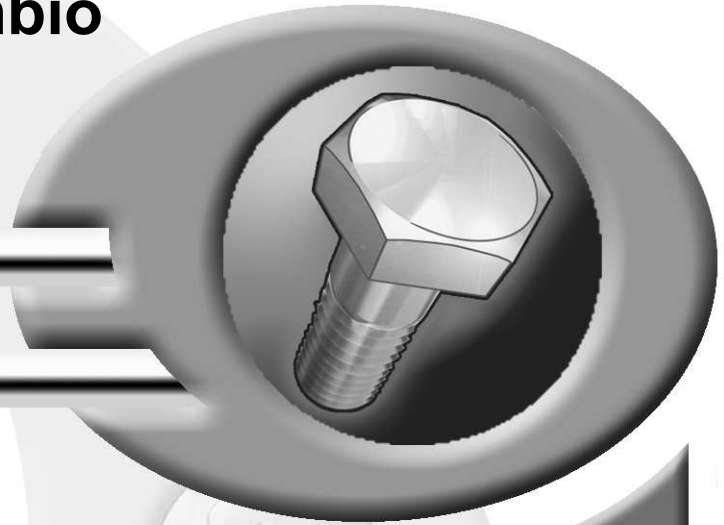


Pièces de rechange
Spare parts list
Ersatzteilliste
Catalogo Pezzi di Ricambio



Faucheuse-Conditionneuse
 Mower Conditioner
 Mähknickzetter
 Falciacondizionatrice



* KR036ETL C *

E0001 >

FC 303 GL NV





SIGNES CODIFIÉS - STANDARD SYMBOLS - SYMBOLE - SIMBOLI CODIFICATI

| | |
|------------|--------------------------------------|
| OPT | Equipement optionnel |
| STD | Equipement livré de série |
| ESP | Equipement livré suivant pays |
| : | Pour ... |
| > | De ... à ... |
| RPL | Remplace ... |
| ∅ | Diamètre |
| > < | Epaisseur |
| <-> | Longueur |
| <m> | Vendu au mètre |
| Q? | Quantité selon besoin |
| * | Voir note |
| [n] | Composant d'un assemblage |
| + [n] | Assemblage comprenant les pièces [n] |
| <-] | Pièce gauche |
| [-> | Pièce droite |

| | |
|------------|---|
| OPT | Optional equipment |
| STD | Equipment supplied as standard |
| ESP | Equipment supplied for specific countries |
| : | For ... |
| > | From ... to ... |
| RPL | Replaces ... |
| ∅ | Diameter |
| > < | Thickness |
| <-> | Length |
| <m> | Sold by the metre |
| Q? | Quantity as required |
| * | See note |
| [n] | Items making up assembly |
| + [n] | Assembly made up by items [n] |
| <-] | Left part |
| [-> | Right part |

| | |
|------------|---|
| OPT | Sonderausrüstung |
| STD | Serienausrüstung |
| ESP | Länderabhängige Ausrüstung |
| : | Für ... |
| > | Von ... bis ... |
| RPL | Ersetzt ... |
| ∅ | Durchmesser |
| > < | Stärke |
| <-> | Länge |
| <m> | Meterware |
| Q? | Stückzahl nach Bedarf |
| * | Siehe Nota |
| [n] | Teil einer Baugruppe |
| + [n] | Baugruppe bestehend aus den mit [n] bezeichneten Teilen |
| <-] | Links Teil |
| [-> | Rechts Teil |

| | |
|------------|---------------------------------------|
| OPT | Attrezzatura opzionale |
| STD | Attrezzatura fornita di serie |
| ESP | Attrezzatura fornita secondo il paese |
| : | Per ... |
| > | Da ... A ... |
| RPL | Sostituisce ... |
| ∅ | Diametro |
| > < | Spessore |
| <-> | Lunghezza |
| <m> | venduto a metro |
| Q? | Quantità richiesta |
| * | Vedi nota |
| [n] | Componente di un assieme |
| + [n] | Assieme comprendente i componenti [n] |
| <-] | Sx componente |
| [-> | Dx componente |

POUR COMMANDER DES PIÈCES DE RECHANGE, VEUILLEZ INDIQUER:

- Le numéro de fabrication de la machine
- Le numéro de la pièce
- La quantité désirée

WHEN ORDERING SERVICE-PARTS, WILL YOU PLEASE MENTION:

- The machine type and serial number
- The part number
- The quantity of parts

BEI DER BESTELLUNG VON ERSATZTEILEN IMMER ANGEBEN:

- Die Seriennummer der Maschine
- Die Nummer des Teiles
- Die gewünschte Stückzahl

NELL'ORDINARE I RICAMBI, SI PREGA DI INDICARE:

- Il tipo ed il numero di serie della macchina
- Il codice del componente
- La quantità desiderata

- Toutes les pièces détachées et sous-ensembles sont à commander au magasin pièces de rechange.
- **Les équipements optionnels (OPT)** ainsi que les **notices d'instructions** sont à commander auprès des **services commerciaux**.
- Service parts and service part assemblies are to be ordered through the spare parts department.
- **Optional equipment (OPT)** and **assembly operator's manuals** should be ordered through the **wholegood sales department**.
- Bestellungen für Ersatzteile und Baugruppen sind an die Ersatzteilabteilung zu richten.
- **Sonderausrüstungen (OPT)** sowie **Montage- und Betriebsanleitungen**, bestellen Sie bitte bei der **Verkaufsabteilung für Maschinen**.
- I ricambi e i sotto-assiemi devono essere ordinati al Magazzino Ricambi.
- **Le attrezzature opzionali (OPT)** ed i **manuali dell'operatore** devono essere ordinati al **Servizio Commerciale**.

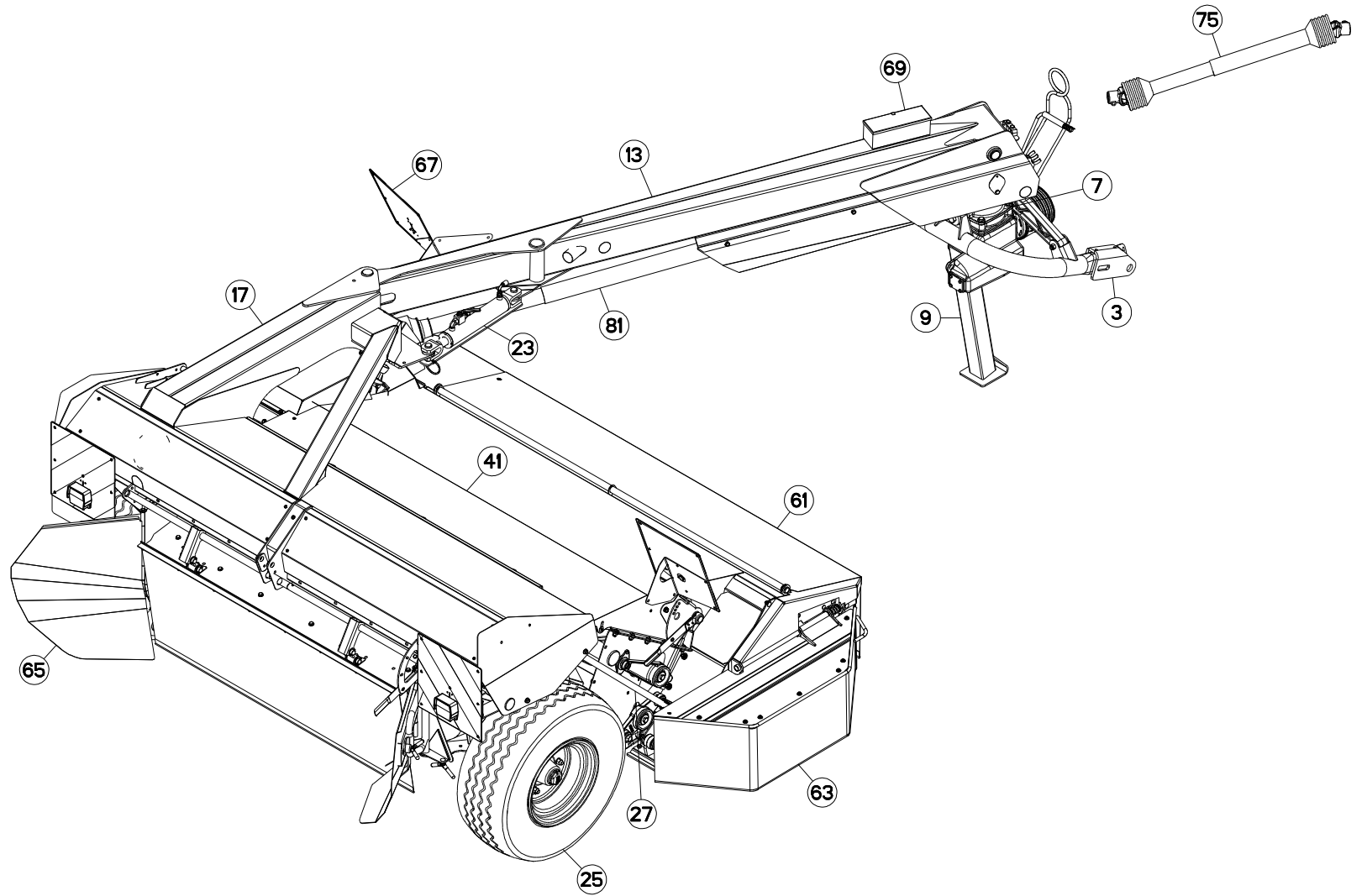




TABLE DES MATIERES - TABLE OF CONTENTS - INHALTSVERZEICHNIS - INDICE

K56R0181 A

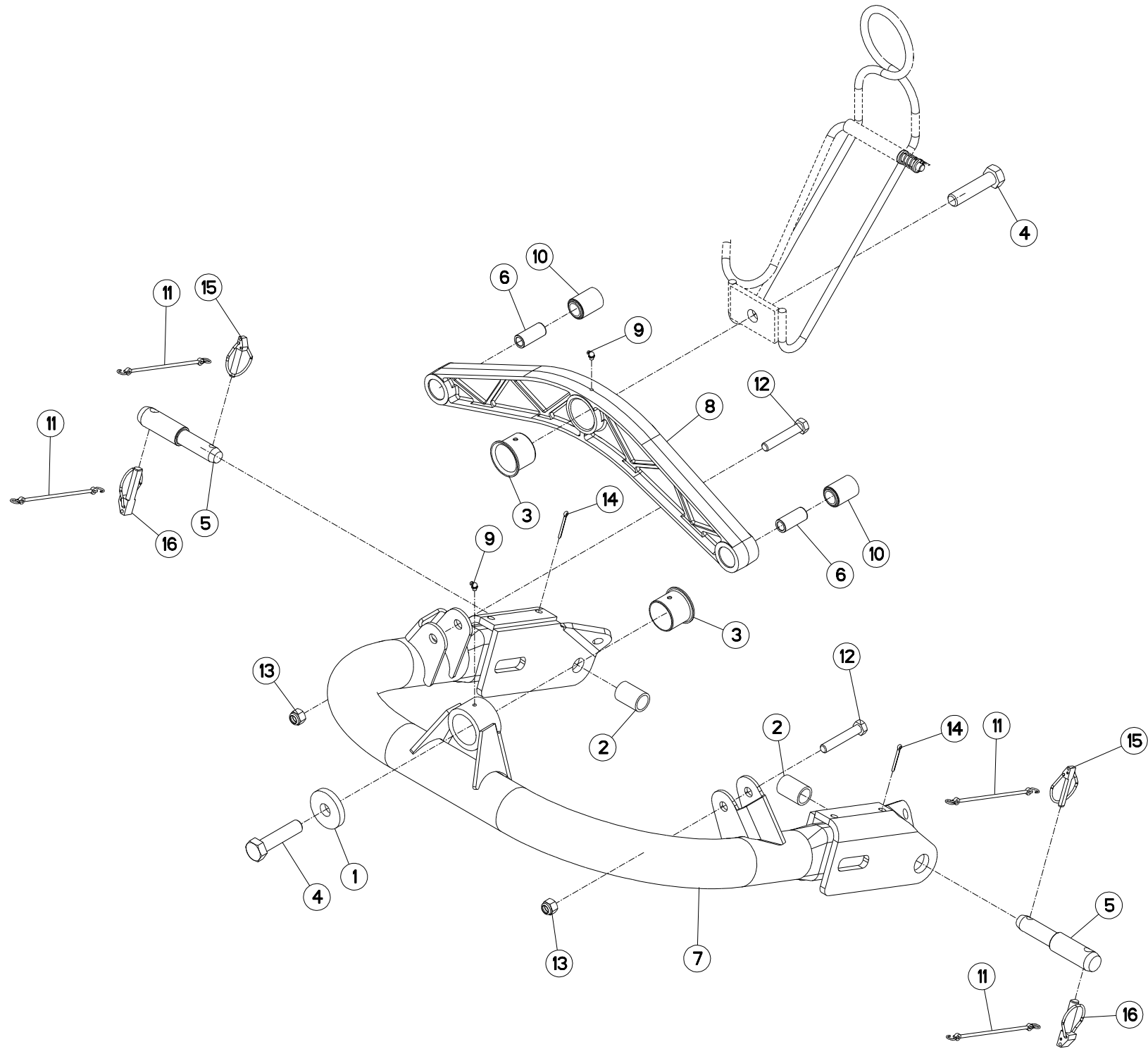
Catalogue P.D.R. - Spare parts list - Ersatzteilliste - Pezzi di Ricambio :

KR036ETL C

Annule et remplace - Cancels and replaces - Annulliert und ersetzt - Annulla e sostituisce :

KR036ETL B

| Grp | Page | Opt | Groupe de pièces | Parts group index | Teilegruppe | Gruppo di parti |
|-----|------|-----|-------------------------------|-----------------------------|--------------------------------|--------------------------------|
| 003 | 003 | | ATTELAGE "GIRODYNE" | CONNECTING FRAME "GIRODYNE" | ANBAUBOCK "GIRODYNE" | ATTACCO "GIRODYNE" |
| 005 | 005 | | CHAINES DE LIMITATION | LIMITER CHAINS | BEGRENZUNGSKETTEN | CATENE LIMITAZIONE |
| 007 | 007 | | CARTER GIRODYNE SUPÉRIEUR | UPPER GIRODYNE GEARCASE | GIRODYNE SCHWENKGETRIEBE UNTEN | CARTER GIRODYNE SUPERIORE |
| 009 | 009 | | CARTER GIRODYNE INFÉRIEUR | LOWER GIRODYNE GEARCASE | GIRODYNE SCHWENKGETRIEBE OBEN | CARTER GIRODYNE INFERIORE |
| 013 | 013 | | TIMON GIRODYNE | GYRODYNE HITCH DRAWBAR | ZUGDEICHSEL GIRODYNE | BARRA DI ATTACCO GIRODYNE |
| 015 | 015 | | LIMITEUR DE COUPLE A FRICTION | FRICTION TORQUE LIMITER | ÜBERLASTRUTSCHKUPPLUNG | LIMITATORE COPPIA AD ATTRITO |
| 017 | 017 | | TIMON GIRODYNE | GYRODYNE HITCH DRAWBAR | ZUGDEICHSEL GIRODYNE | BARRA DI ATTACCO GIRODYNE |
| 019 | 019 | | CHASSIS | FRAME | RAHMEN | TELAIO |
| 021 | 021 | | CHASSIS | FRAME | RAHMEN | TELAIO |
| 023 | 023 | | HYDRAULIQUE | HYDRAULIC | HYDRAULIK | IDRAULICO |
| 025 | 025 | | ROUE | WHEEL | RAD | RUOTA |
| 027 | 027 | | SYSTEME D'ALLÈGEMENT | SUSPENSION SYSTEM | ENTLASTUNGSSYSTEM | SISTEMA DELLE SOSPENSIONI |
| 029 | 029 | | BIELLE | PULL BAR | LENKER | BIELLA |
| 031 | 031 | | PORTE DISQUES | CUTTERBAR | MÄHBALEN | PORTADISCO |
| 033 | 033 | | BARRE ANTI-COUPLE | ANTI-TORQUE BAR | DREHMOMENTSTUETZE | ARRA-TUBO |
| 035 | 035 | | PALIER EXTERIEUR | OUTER BEARING CARRIER | ÄUSSERES LAGERGEHÄUSE | SUPPORTO CUSCINETTO ESTERNO |
| 037 | 037 | | CARTER D'ENTREE | CUTTERBAR INPUT DRIVE | EINGANGSGETRIEBE | COMANDO ENTRATA BARRA COLTELLI |
| 041 | 041 | | CAISSON | COVER | ABDECKHAUBE | CASSONCINO |
| 043 | 043 | | CAISSON | COVER | ABDECKHAUBE | CASSONCINO |
| 045 | 045 | | DEFLECTEURS LATÉRAUX | SIDE DEFLECTORS | SEITLICHE ABSCHLUSSPLATTEN | DEFLETTORI LATERALI |
| 047 | 047 | | PEIGNE | COMB | KAMM | PETTINE |
| 049 | 049 | | ROTOR A DOIGTS | FINGER ROTOR | FINGERROTOR | ROTORE A DITA |
| 051 | 051 | | TENDEUR | TENSIONER | SPANNER | TENDITORE |
| 053 | 053 | | DEFLECTEUR | DEFLECTOR | ABWEISER | DEFLETTORE |
| 055 | 055 | | PAROI LATÉRALE (DROITE) | SIDE PLATE ASSEMBLY (RIGHT) | SEITENWAND (RECHTS) | COMPLESSIVO PIASTRE LATERALI (|
| 057 | 057 | | PAROI LATÉRALE (GAUCHE) | SIDE PLATE ASSEMBLY (LEFT) | SEITENWAND (LINKS) | COMPLESSIVO PIASTRE LATERALI (|
| 059 | 059 | | PROTECTEUR (GAUCHE) | SAFETY GUARDS (LEFT) | SCHUTZVORRICHTUNG (LINKS) | PARAPETTI (SX) |
| 061 | 061 | | PROTECTEURS | SAFETY GUARDS | SCHUTZVORRICHTUNGEN | PARAPETTI |
| 063 | 063 | | PROTECTEUR (DROIT) | SAFETY GUARDS (RIGHT) | SCHUTZVORRICHTUNG (RECHTS) | PARAPETTI (DX) |
| 065 | 065 | | COLL.EPANDAGE LARGE | WIDE SPREAD SET | BREITSTREUSATZ | KIT ANDANA LARGA |
| 067 | 067 | | SIGNALISATION | SIGNALLING | BELEUCHTUNG U.WARNTAFELN | SEGNALAZIONE |
| 069 | 069 | | CONTENU BOITE A OUTILS | COMPONENTS OF TOOL BOX | WERKZEUGKASTENINHALT | COMPONENTI D. SCATOLA ATTREZZI |
| 071 | 071 | | COLL.ETIQUETTES ADHESIVES | SET OF STICKERS | SATZ AUFKLEBER | SERIE ADESIVI |
| 073 | 073 | | TRANSM.HOMOCINET. | WIDE ANGLE PTO | WEITWINKELGELENKW. | TRASM.OMOCINET. |
| 075 | 075 | | TRANSMISSION 4800601 | TRANSMISSION 4800601 | GELENKWELLE 4800601 | TRANSMISSIONE 4800601 |
| 077 | 077 | OPT | TRANSMISSION 4800611 | TRANSMISSION 4800611 | GELENKWELLE 4800611 | TRANSMISSIONE 4800611 |
| 079 | 079 | OPT | TRANSMISSION 4800606 | TRANSMISSION 4800606 | GELENKWELLE 4800606 | TRANSMISSIONE 4800606 |
| 081 | 081 | | TRANSMISSION 4800614 | TRANSMISSION 4800614 | GELENKWELLE 4800614 | TRANSMISSIONE 4800614 |
| 083 | 083 | OPT | TRANSMISSION 4800610 | TRANSMISSION 4800610 | GELENKWELLE 4800610 | TRANSMISSIONE 4800610 |





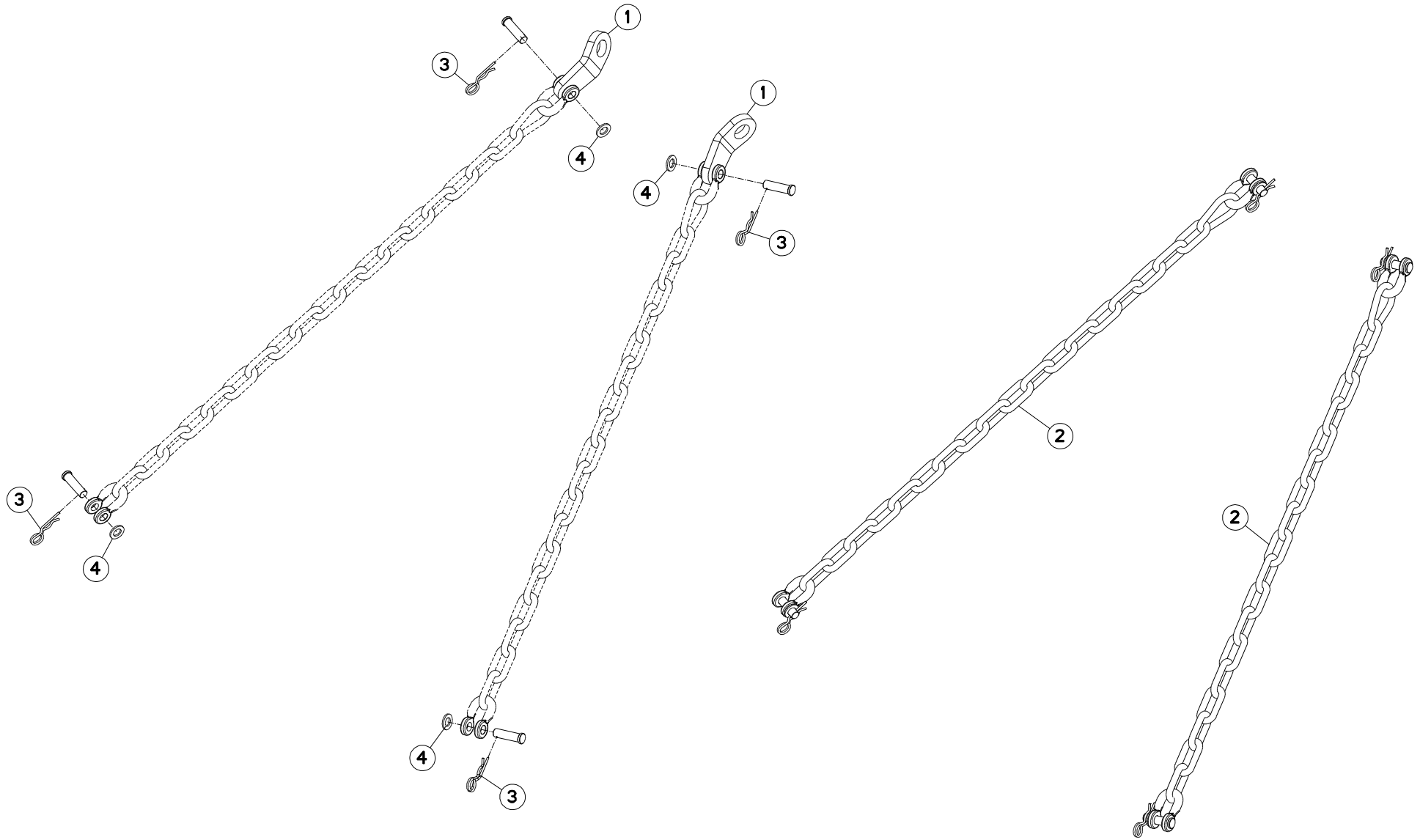
ATTELAGE "GIRODYNE"

CONNECTING FRAME "GIRODYNE"

ANBAUBOCK "GIRODYNE"

ATTACCO "GIRODYNE"

| Rep | Nr | Qt | Designation | Description | Bezeichnung | Referenza | Remarque - Remark - Bemerkung - Osservazioni |
|-----|----------|-----|-------------------------------|--------------------------------|-----------------------------|-------------------------------|--|
| 001 | 50017800 | 001 | RONDELLE | WASHER | SCHEIBE | RONDELLA | |
| 002 | 50030600 | 002 | ENTRETOISE | SPACER | DISTANZHUELSE | DISTANZIALE | |
| 003 | 50030700 | 002 | BAGUE ROULEE A COLLERETTE | FLANGED WRAPPED BUSH | GEROLLTE BUCHSE MIT FLANSCH | ANELLO LUBRIFICATO | |
| 004 | 50066000 | 002 | VIS AVEC REVÊTEMENT ADHESIF | SCREW WITH ADHESIVE COATING | KLEBE BESCHICHTETE SCHRAUBE | VITE AUTOBLOCCANTE | 50 daN m (369 lbf ft) |
| 005 | 52528500 | 002 | TOURILLON | TRUNNION | DREHZAPFEN | PERNO | |
| 006 | 52801410 | 002 | ENTRETOISE | SPACER | DISTANZHUELSE | DISTANZIALE | |
| 007 | 55735610 | 001 | CINTRE | CONNECTING TUBE | VERBINDUNGSRÖHR | STAFFA | |
| 008 | 55735700 | 001 | PONT | CONNECTING TUBE | VERBINDUNGSRAHMEN | | |
| 009 | 82200804 | 002 | GRAISSEUR A TETE SPHERIQUE | CURVED GREASER 90 DEGREES M 8X | KEGELSCHMIERNIPPEL | INGRASSATORE FE/ZNXC3 | |
| 010 | 83030014 | 002 | ARTICULATION ELASTIQUE | ELASTIC-COUPLING | ELASTIK-GELENK | GIUNTO | |
| 011 | 83070063 | 004 | LIEN PVC | PVC CORD | SICHERUNGSBAND | CAVETTO | |
| 012 | 80061661 | 002 | VIS TETE HEXAGONALE FE/ZNXC3 | HEXAGON HEAD SCREW FE/ZNXC3 | SECHSKANTSCHRAUBE FE/ZNXC3 | VITE TESTA ESAGONALE FE/ZNXC3 | |
| 013 | 80201630 | 002 | ECROU HEX.AUTOFREINE FE/ZNXC3 | SELF-LOCKING NUT FE/ZNXC3 | SELBSTSICH.MUTTER FE/ZNXC3 | DADO AUTOBLOCCANTE FE/ZNXC3 | 21 daN m (155 lbf ft) |
| 014 | 80500470 | 002 | GOUPILLE FENDUE FE/ZNXC3 | SPLIT PIN FE/ZNXC3 | SPLINT FE/ZNXC3 | COPPIGLIA FE/ZNXC3 | |
| 015 | 80561155 | 002 | GOUPILLE AUTOMATIQUE | LINCH PIN | KLAPPSTECKER | SPINA DI FERMO | |
| 016 | 80561760 | 002 | GOUPILLE AUTOMATIQUE | LINCH PIN | KLAPPSTECKER | COPPIGLIA | |





FC303GL NV

E0001 >

K65R0002 A

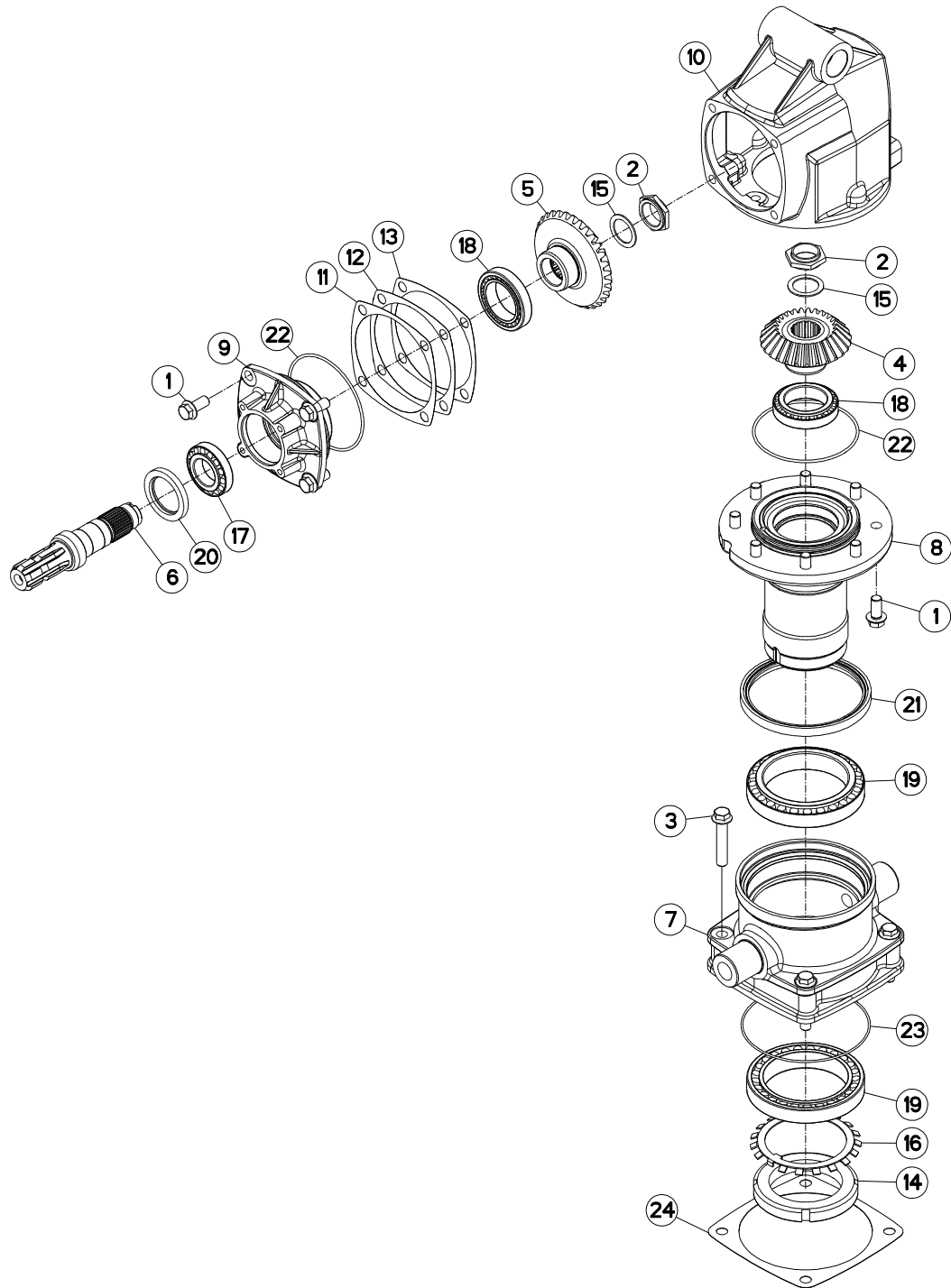
CHAINES DE LIMITATION

LIMITER CHAINS

BEGRENZUNGSKETTEN

CATENE LIMITAZIONE

| Rep | Nr | Qt | Designation | Description | Bezeichnung | Referenza | Remarque - Remark - Bemerkung - Osservazioni |
|-----|-----------------|-----|-------------------------|----------------------------|-----------------------|--------------------------|--|
| 001 | 55835710 | 002 | PATTE DE RETENUE ZBC | BRACKET ZBC | LASCHE ZBC | FAZZOLETTO | |
| 002 | 56530110 | 002 | CHAINE DE RETENUE | SUPPORT CHAIN | KETTE | CATENA | + [1] |
| 003 | 80570476 | 004 | GOUPILLE BETA FE/ZNXC3 | SPRING COTTER PIN FE/ZNXC3 | FEDERSTECKER FE/ZNXC3 | MOLLA FE/ZNXC3 | [1] |
| 004 | 80251624 | 004 | RONDELLE PLATE FE/ZNXC3 | PLAIN WASHER M16 | SCHEIBE FE/ZNXC3 | RONDELLA PIATTA FE/ZNXC3 | [1] |





CARTER GIRODYNE SUPÉRIEUR

UPPER GIRODYNE GEARCASE

GIRODYNE SCHWENKGETRIEBE UNTEN CARTER GIRODYNE SUPERIORE

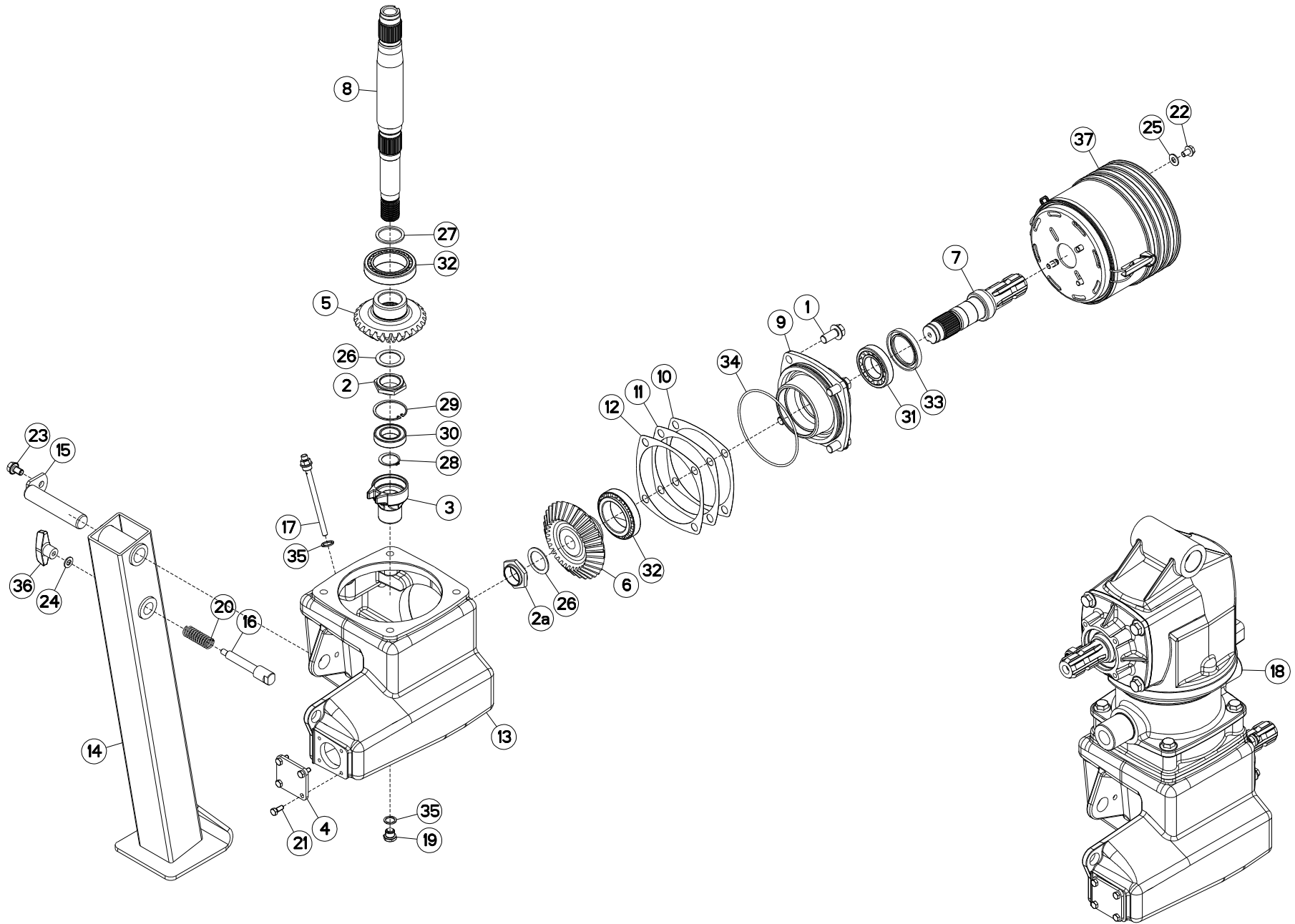
| Rep | Nr | Qt | Designation | Description | Bezeichnung | Referenza | Remarque - Remark - Bemerkung - Osservazioni |
|-----|-----------------|-----|-------------------------------|------------------------|--------------------------|--------------------|--|
| 001 | 50007700 | 012 | VIS AUTOFREINEE | SCREW, SELF-LOCKING | SELBSTSICHERNDE SCHRAUBE | VITE AUTOBLOCCANTE | [1] 21 daN m (155 lbf ft) |
| 002 | 50009900 | 002 | ECROU | NUT | MUTTER | DADO | [1] * |
| 003 | 50066100 | 004 | VIS AUTOFREINEE | SCREW, SELF-LOCKING | SELBSTSICHERNDE SCHRAUBE | VITE AUTOBLOCCANTE | [1] 21 daN m (155 lbf ft) |
| 004 | 55732800 | 001 | PIGNON CONIQUE 27 DENTS | GEAR WHEEL Z.27 | ZAHNRAD 27 Z. | PIGNONE | [1] Z=27 |
| 005 | 55732900 | 001 | ROUE CONIQUE 32 DENTS | GEAR WHEEL Z.32 | ZAHNRAD 32 Z. | PIGNONE | [1] Z=32 |
| 006 | 55733000 | 001 | ARBRE CANNELE | SPLINED SHAFT | PROFILWELLE | ALBERO CALETTATO | [1] |
| 007 | 55733200 | 001 | BOITIER INTERMEDIAIRE | INTERMEDIATE HOUSING | ZWISCHENGEHAEUSE | | [1] |
| 008 | 55733300 | 001 | FUT DU CARTER SUPERIEUR | HUB | NABE | | [1] |
| 009 | 55733410 | 001 | COUVERCLE | LID | DECKEL | COPERCHIO | [1] |
| 010 | 55733500 | 001 | CARTER | HOUSING | GEHAEUSE | SCATOLA | [1] |
| 011 | 55733600 | 001 | CALE DE REGLAGE 0.1 | DISTANCE WASHER 0,1 | DISTANZSCHEIBE 0,1 | SPESSORE | [1] Q? |
| 012 | 55733700 | 001 | CALE DE REGLAGE 0.3 | DISTANCE WASHER 0,3 | DISTANZSCHEIBE 0,3 | SPESSORE | [1] Q? |
| 013 | 55733800 | 001 | CALE DE REGLAGE 0.5 | DISTANCE WASHER 0,5 | DISTANZSCHEIBE 0,5 | SPESSORE | [1] Q? |
| 014 | 80209010 | 001 | ECROU A ENCOCHES | SLOTTED ROUND NUT | NUTMUTTER | GHIERA | [1] 45 daN m (332 lbf ft) |
| 015 | 80254055 | 002 | RONDELLE PLATE | PLAIN WASHER | SCHIEBE | RONDELLA PIATTA | [1] |
| 016 | 80299010 | 001 | RONDELLE-FREIN | TAB WASHER | SICHERUNGSBLECH | RONDELLA-FRENO | [1] |
| 017 | 81304585 | 001 | ROULEMENT A ROULEAUX CONIQUES | TAPERED ROLLER BEARING | KEGELROLLENLAGER | CUSCINETTO A RULLO | [1] |
| 018 | 81306500 | 002 | ROULEMENT A ROULEAUX CONIQUES | TAPERED ROLLER BEARING | KEGELROLLENLAGER | CUSCINETTO A RULLI | [1] |
| 019 | 81309011 | 002 | ROULEMENT A ROULEAUX CONIQUES | TAPERED ROLLER BEARING | KEGELROLLENLAGER | CUSCINETTO A RULLI | [1] |
| 020 | 82016086 | 001 | BAGUE D'ETANCHEITE | OIL SEAL | RADIALDICHTRING | PARAOLIO HR | [1] |
| 021 | 82019918 | 001 | BAGUE D'ETANCHEITE | OIL SEAL | RADIALDICHTRING | PARAOLIO | [1] |
| 022 | 82060048 | 002 | JOINT TORIQUE | O-RING | O-RING | GUARNIZIONE | [1] |
| 023 | 82060057 | 001 | JOINT TORIQUE | O-RING | O-RING | GUARNIZIONE | [1] |
| 024 | K5609780 | 001 | CALE | SHIM | DISTANZPLATTE | SPESSORE | [1] |

* 30 daN m et desserrer de 80°.

* 221 lbf ft and back off 80°.

* 30 daN m und lösen um 80°.

* 30 daN m e svitare di 80°.





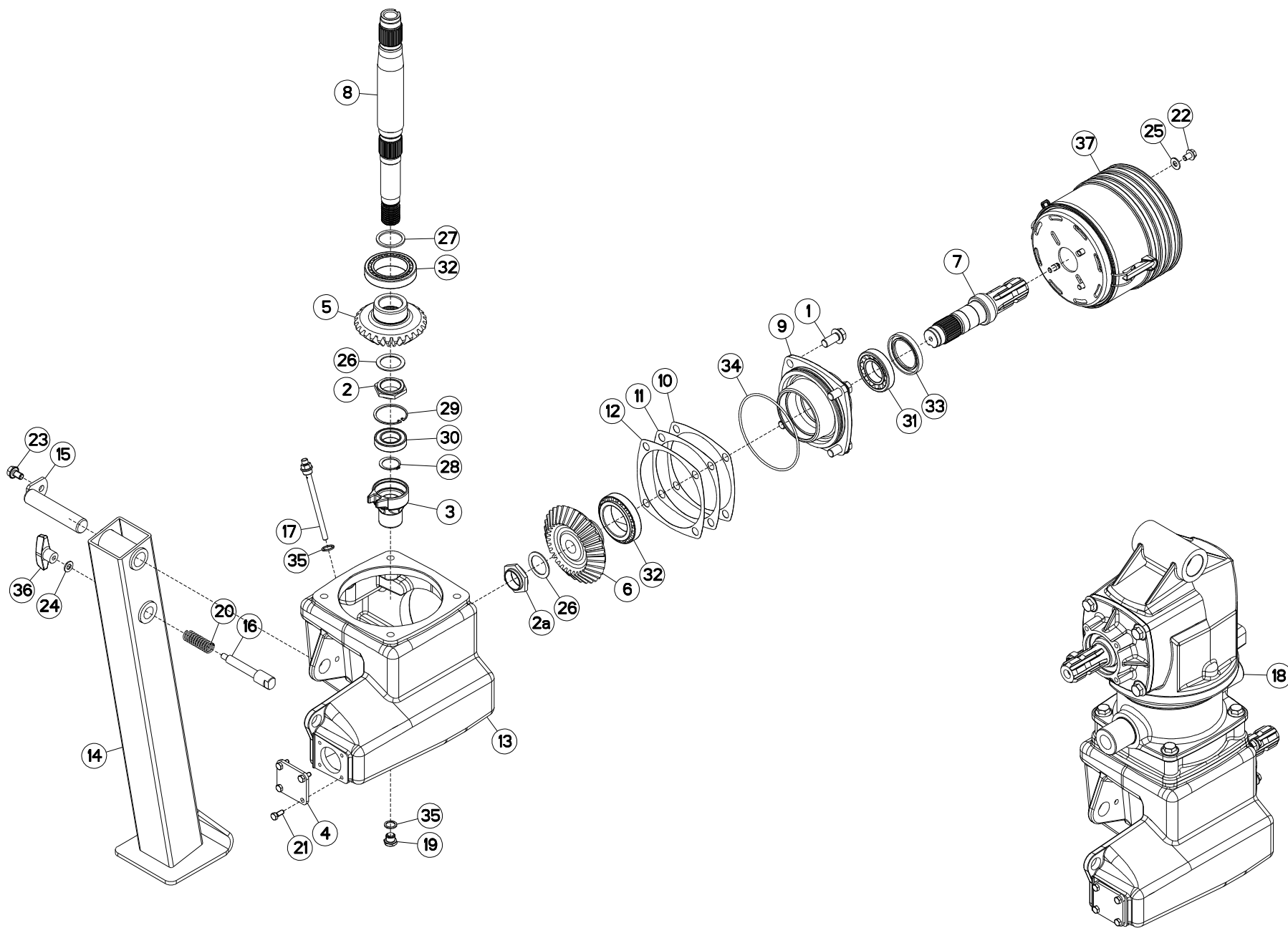
CARTER GIRODYNE INFÉRIEUR

LOWER GIRODYNE GEARCASE

GIRODYNE SCHWENKGETRIEBE OBEN

CARTER GIRODYNE INFERIORE

| Rep | Nr | Qt | Designation | Description | Bezeichnung | Referenza | Remarque - Remark - Bemerkung - Osservazioni |
|------|----------|-----|-------------------------------|------------------------------------|-----------------------------|-------------------------------|--|
| 001 | 50007700 | 004 | VIS AUTOFREINEE | SCREW, SELF-LOCKING | SELBSTSICHERNDE SCHRAUBE | VITE AUTOBLOCCANTE | [1] 21 daN m (155 lbf ft) |
| 002 | 50009900 | 001 | ECROU | NUT | MUTTER | DADO | * 1 [1] |
| 002a | 50009900 | 001 | ECROU | NUT | MUTTER | DADO | * 2 [1] |
| 003 | 55724700 | 001 | CORPS DE POMPE | PUMP BODY | PUMPENGEHAEUSE | CORPO | [1] |
| 004 | 55732700 | 001 | COUVERCLE | LID | DECKEL | COPERCHIO | [1] |
| 005 | 55732800 | 001 | PIGNON CONIQUE 27 DENTS | GEAR WHEEL Z.27 | ZAHNRAD 27 Z. | PIGNONE | [1] Z=27 |
| 006 | 55732900 | 001 | ROUE CONIQUE 32 DENTS | GEAR WHEEL Z.32 | ZAHNRAD 32 Z. | PIGNONE | [1] Z=32 |
| 007 | 55733000 | 001 | ARBRE CANNELE | SPLINED SHAFT | PROFILWELLE | ALBERO CALETTATO | [1] |
| 008 | 55733100 | 001 | ARBRE D'ENTRAINEMENT | SHAFT, DRIVE | ANTRIEBSWELLE | ALBERO | [1] |
| 009 | 55733410 | 001 | COUVERCLE | LID | DECKEL | COPERCHIO | [1] |
| 010 | 55733600 | 001 | CALE DE REGLAGE 0.1 | DISTANCE WASHER 0,1 | DISTANZSCHEIBE 0,1 | SPESSORE | Q? [1] |
| 011 | 55733700 | 001 | CALE DE REGLAGE 0.3 | DISTANCE WASHER 0,3 | DISTANZSCHEIBE 0,3 | SPESSORE | Q? [1] |
| 012 | 55733800 | 001 | CALE DE REGLAGE 0.5 | DISTANCE WASHER 0,5 | DISTANZSCHEIBE 0,5 | SPESSORE | Q? [1] |
| 013 | 55733910 | 001 | CARTER | HOUSING | GEHAEUSE | SCATOLA | [1] |
| 014 | 55736510 | 001 | BEQUILLE | STAND | STAENDER | SUPPORTO | |
| 015 | 55736610 | 001 | AXE | PIN | ACHSE | ASSE | |
| 016 | 55736700 | 001 | VERROU | LATCH | RIEGEL | LEVA | |
| 017 | 55764900 | 001 | RENIFLARD-JAUGE | BREATHER W/ GAUGE | ENTLUEFTUNG/MESSSTAB | ASTINA | [1] |
| 018 | 55780320 | 001 | TETE | SWINGING HEAD GEARBOX | SCHWENKOPFGETRIEBE | SCATOLA | * 3 [1] |
| 019 | 56145700 | 001 | BOUCHON MAGNETIQUE | PLUG, MAGNETIC | MAGNET-VERSCHLUSSSCHRAUBE | TAPPO CALAMITATO | [1] |
| 020 | 58722600 | 001 | RESSORT DE PRESSION | PRESSURE SPRING | FEDER | MOLLA | [1] |
| 021 | 80060820 | 004 | VIS TETE HEXAGONALE FE/ZNXC3 | HEXAGON HEAD SCREW FE/ZNXC3 | SECHSKANTSCHRAUBE FE/ZNXC3 | VITE TESTA ESAGONALE FE/ZNXC3 | [1] 2,5 daN m (19 lbf ft) |
| 022 | 80131017 | 004 | VIS AUTOBLOQUANTE FLZNNC | UNDERSERR.S-LOC.SCREW FLZNNC | SPERRZAHN-BUNDSCHRAU.FLZNNC | VITE FLZNNC | 4 daN m (30 lbf ft) |
| 023 | 80131220 | 001 | VIS AUTOBLOQUANTE FLZNNC | UNDERSERR.S-LOC.SCREW FLZNNC | SPERRZAHN-BUNDSCHRAU.FLZNNC | VITE FLZNNC | |
| 024 | 80251021 | 001 | RONDELLE PLATE FE/ZNXC3 | PLAIN WASHER M10 | SCHEIBE FE/ZNXC3 | RONDELLA PIATTA FE/ZNXC3 | |
| 025 | 80251176 | 004 | RONDELLE PLATE FE/ZNXC3 | PLAIN WASHER FE/ZNXC3 | SCHEIBE FE/ZNXC3 | RONDELLA PIATTA FE/ZNXC3 | |
| 026 | 80254055 | 002 | RONDELLE PLATE | PLAIN WASHER | SCHEIBE | RONDELLA PIATTA | [1] |
| 027 | 80254552 | 001 | RONDELLE D'APPUI | SUPPORTING RING | STUETZSCHEIBE | RONDELLA DI SPINTA | [1] |
| 028 | 80583500 | 001 | CIRCLIP EXTERIEUR | ELASTIC RING E 35 | SICHERUNGSRING | ANELLO | [1] |
| 029 | 80596200 | 001 | CIRCLIP INTERIEUR | ELASTIC RING I 62 | SICHERUNGSRING | ANELLO | [1] |
| 030 | 81003566 | 001 | ROULEMENT A BILLES | BALL BEARING | KUGELLAGER | CUSCINETTO A SFERE | [1] |
| 031 | 81304585 | 001 | ROULEMENT A ROULEAUX CONIQUES | TAPERED ROLLER BEARING | KEGELROLLENLAGER | CUSCINETTO A RULLO | [1] |
| 032 | 81306500 | 002 | ROULEMENT A ROULEAUX CONIQUES | TAPERED ROLLER BEARING | KEGELROLLENLAGER | CUSCINETTO A RULLI | [1] |
| 033 | 82016086 | 001 | BAGUE D'ETANCHEITE | OIL SEAL | RADIALDICHTRING | PARAOILIO HR | [1] |
| 034 | 82060048 | 001 | JOINT TORIQUE | O-RING | O-RING | GUARNIZIONE | [1] |
| 035 | 82131824 | 002 | JOINT CUIVRE | SEALING RING | DICHTRING | RONDELLA RAME | [1] |
| 036 | 83050010 | 001 | POIGNEE | HANDLE | HANDGRIFF | MANIGLIA | |
| 037 | 4821000 | 001 | BOL DE PROTECTION CPLT | GUARD CONE CPLT | SCHUTZTRICHTER KPLT | CONTROCUFFIA COMPLETA | |
| | | | | * 1) 50 daN m | | | |
| | | | | * 1) 369 lbf ft | | | |
| | | | | * 1) 50 daN m | | | |
| | | | | * 1) 50 daN m | | | |
| | | | | * 2) 30 daN m et desserrer de 80°. | | | |
| | | | | * 2) 221 lbf ft and back off 80°. | | | |
| | | | | * 2) 30 daN m und lösen um 80°. | | | |
| | | | | * 2) 30 daN m e svitare di 80°. | | | |





CARTER GIRODYNE INFÉRIEUR

LOWER GIRODYNE GEARCASE

GIRODYNE SCHWENKGETRIEBE OBEN

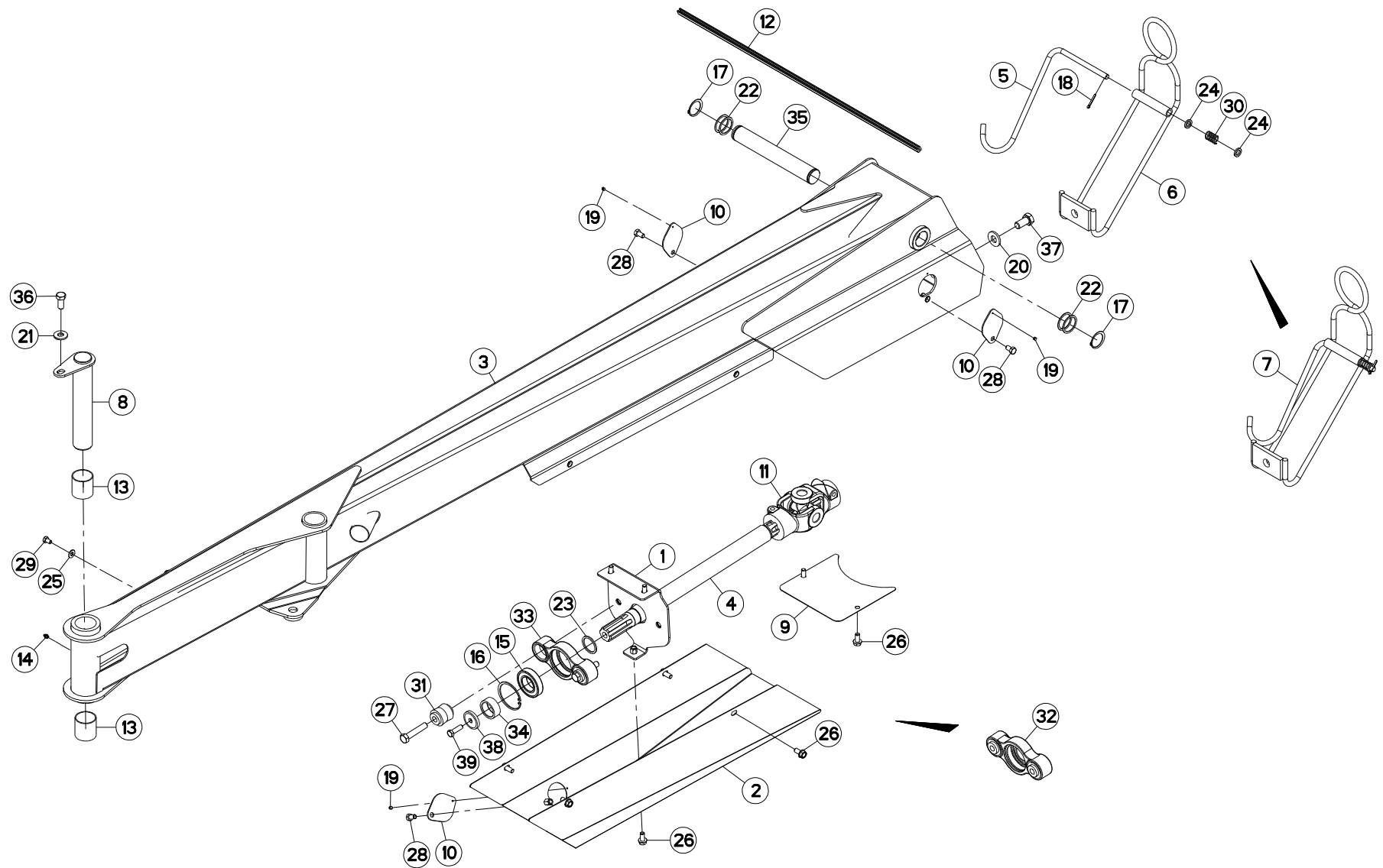
CARTER GIRODYNE INFERIORE

| Rep | Nr | Qt | Designation | Description | Bezeichnung | Referenza | Remarque - Remark - Bemerkung - Osservazioni |
|-----|----|----|-------------|-------------|-------------|-----------|--|
|-----|----|----|-------------|-------------|-------------|-----------|--|

* 3)Collection comprenant le groupe de pièces [1] "CARTER GIRODYNE SUPERIEURE" et le groupe de pièces [1] "CARTER GIRODYNE INFERIEUR"

* 3)Kit comprising the parts, marked [1] in remark section,of page "SWIVEL HEAD UPPER" and the parts, marked [1] in remark section of page "SWIVELD LOWER".

* 3)Satz bestehend aus den Teilen [1] Teilegruppe "SCHWENKKOPF GIRODYNE OBEN" und den Teilen [1] der Teilegruppe "SCHWENKKOPF GIRODYNE UNTEN".





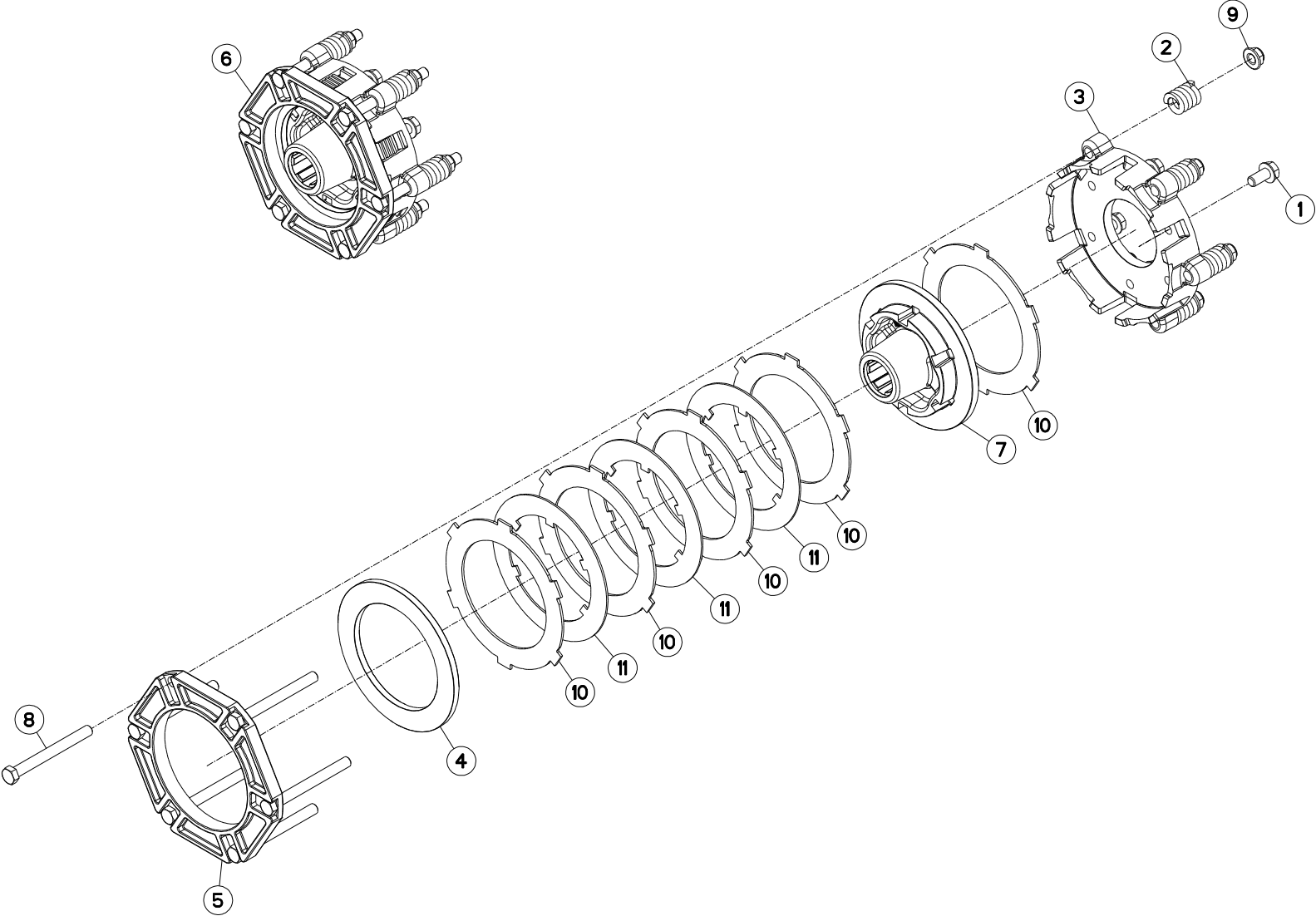
TIMON GIRODYNE

GYRODINE HITCH DRAWBAR

ZUGDEICHSEL GIRODYNE

BARRA DI ATTACCO GIRODYNE

| Rep | Nr | Qt | Designation | Description | Bezeichnung | Referenza | Remarque - Remark - Bemerkung - Osservazioni |
|-----|----------|-----|------------------------------|-------------------------------|-----------------------------|-------------------------------|--|
| 001 | K5602310 | 001 | SUPPORT | SUPPORT | TRAEGER | SUPPORTO | |
| 002 | K5602300 | 001 | PROTECTEUR | GUARD | SCHUTZ | PROTEZIONE | |
| 003 | K5601992 | 001 | TIMON | TONGUE | ZUGDEICHSEL | TIMONE | |
| 004 | K5601750 | 001 | ARBRE DE TRANSMISSION | SHAFT, TRANSMISSION | ANTRIEBSWELLE | ALBERO DI TRASMISSIONE | |
| 005 | K5601230 | 001 | SUPPORT DE TRANSMISSION | PTO-S.HAFT SUPPORT | GELENKWELLENHALTERUNG | SUPPORTO | [1] |
| 006 | K5601220 | 001 | SUPPORT DE TRANSMISSION | PTO-S.HAFT SUPPORT | GELENKWELLENHALTERUNG | SUPPORTO | [1] |
| 007 | K5601210 | 001 | SUPPORT | SUPPORT | TRAEGER | SUPPORTO | + [1] |
| 008 | K5601151 | 001 | AXE | PIN | ACHSE | ASSE | |
| 009 | K5600590 | 001 | COUVERCLE COTE GYRODYNE | COVER | DECKEL | COPERCHIO | |
| 010 | K5600450 | 003 | OBTURATEUR | COVER | DECKEL | OTTURATORE | |
| 011 | 4806600 | 001 | JOINT SIMPLE | SINGLE JOINT | GELENK | GIUNTO | |
| 012 | 83090205 | 001 | PROFIL DE PROTECTION | CORNER GUARD | KANTENSCHUTZ | COPRIBORDO | |
| 013 | 83015562 | 002 | BAGUE ROULEE | WRAPPED BUSH | GEROLLTE BUCHSE | ANELLO LUBRIFICATO | |
| 014 | 82200800 | 001 | GRAISSEUR A TETE SPHERIQUE | GRESE NIPPLE B M8X1,25 | KEGELSCHMIERNIPPEL | INGRASSATORE FE/ZNXC3 | |
| 015 | 81004587 | 001 | ROULEMENT A BILLES | BALL BEARING | KUGELLAGER | CUSCINETTO A SFERE | |
| 016 | 80598500 | 001 | CIRCLIP INTERIEUR | RETAINING RING | SICHERUNGSRING | ANELLO | |
| 017 | 80584500 | 002 | CIRCLIP EXTERIEUR | RETAINING RING | SICHERUNGSRING | ANELLO | |
| 018 | 80500432 | 001 | GOUPILLE FENDUE FE/ZNXC3 | PIN DIN94 3-16" X 1.1-4" | SPLINT FE/ZNXC3 | COPPIGLIA FE/ZNXC3 | |
| 019 | 80370408 | 003 | RIVET CLOU ALU | BLIND RIVET | BLINDNIETE | RIVETTO | |
| 020 | 80282045 | 002 | RONDELLE RESSORT FLZNNC | CONICAL SPRING WASHER FLZNNC | SPANNSCHEIBE FLZNNC | RONDELLA A MOLLA FLZNNC | |
| 021 | 80281639 | 001 | RONDELLE RESSORT FLZNNC | CONICAL SPRING WASHER FLZNNC | SPANNSCHEIBE FLZNNC | RONDELLA A MOLLA FLZNNC | |
| 022 | 80254556 | 004 | RONDELLE D'AJUSTAGE PS 1,0 | SHIM RING PS 1,0 | PASSSCHEIBE PS 1,0 | SPESSORE | |
| 023 | 80254552 | 001 | RONDELLE D'APPUI | SUPPORTING RING | STUETZSCHEIBE | RONDELLA DI SPINTA | |
| 024 | 80251625 | 002 | RONDELLE PLATE FE/ZNXC3 | PLAIN WASHER FE/ZNXC3 | SCHEIBE FE/ZNXC3 | RONDELLA PIATTA FE/ZNXC3 | [1] |
| 025 | 80251176 | 003 | RONDELLE PLATE FE/ZNXC3 | PLAIN WASHER FE/ZNXC3 | SCHEIBE FE/ZNXC3 | RONDELLA PIATTA FE/ZNXC3 | |
| 026 | 80131225 | 009 | VIS AUTOBLOQUANTE FLZNNC | UNDERSERR.S-LOC.SCREW FLZNNC | SPERRZAHN-BUNDSCHRAU.FLZNNC | VITE FLZNNC | |
| 027 | 80061657 | 002 | VIS TETE HEXAGONALE FE/ZNXC3 | HEXAGON HEAD SCREW FE/ZNXC3 | SECHSKANTSCHRAUBE FE/ZNXC3 | VITE TESTA ESAGONALE FE/ZNXC3 | |
| 028 | 80061220 | 003 | VIS TETE HEXAGONALE FLZNNC | HEX BOLT M12X20 CL 5.8 DIN933 | SECHSKANTSCHRAUBE FLZNNC | VITE TESTA ESAGONALE FLZNNC | |
| 029 | 80061016 | 003 | VIS TETE HEXAGONALE FE/ZNXC3 | HEXAGON HEAD SCREW FE/ZNXC3 | SECHSKANTSCHRAUBE FE/ZNXC3 | VITE TESTA ESAGONALE FE/ZNXC3 | |
| 030 | 57525600 | 001 | RESSORT DE PRESSION ZBC | PRESSURE SPRING | DRUCKFEDER | MOLLA DI PRESSIONE | [1] |
| 031 | 56568500 | 002 | ARTICULATION ELASTIQUE | ELASTIC-COUPLING | ELASTIK-GELENK | SNODO ELASTICO | [2] |
| 032 | 55819400 | 001 | PALIER COMPLET | HOUSING | LAGERGEHAEUSE | SUPPORTO | + [2] |
| 033 | 55817600 | 001 | PALIER | BEARING, PILLOW BLOCK | LAGER | SUPPORTO | [2] |
| 034 | 55735500 | 001 | ENTRETOISE | SPACER | DISTANZHUELSE | DISTANZIALE | |
| 035 | 55700610 | 001 | AXE VERROUILLAGE GIRODYNE | PIN | BOLZEN | ASSE | |
| 036 | 50068400 | 001 | VIS AVEC REVÊTEMENT ADHESIF | SCREW WITH ADHESIVE COATING | KLEBE BESCHICHTETE SCHRAUBE | VITE FLZNNC | |
| 037 | 50065800 | 002 | VIS AVEC REVÊTEMENT ADHESIF | SCREW WITH ADHESIVE COATING | KLEBE BESCHICHTETE SCHRAUBE | VITE AUTOBLOCCANTE | |
| 038 | 50015100 | 001 | RONDELLE | WASHER | SCHEIBE | RONDELLA PIATTA | |
| 039 | 80071233 | 001 | VIS AVEC REVÊTEMENT ADHESIF | SCREW WITH ADHESIVE COATING | KLEBE BESCHICHTETE SCHRAUBE | VITE FLZNNC | |





FC303GL NV

E0001 >

K25R0001 A

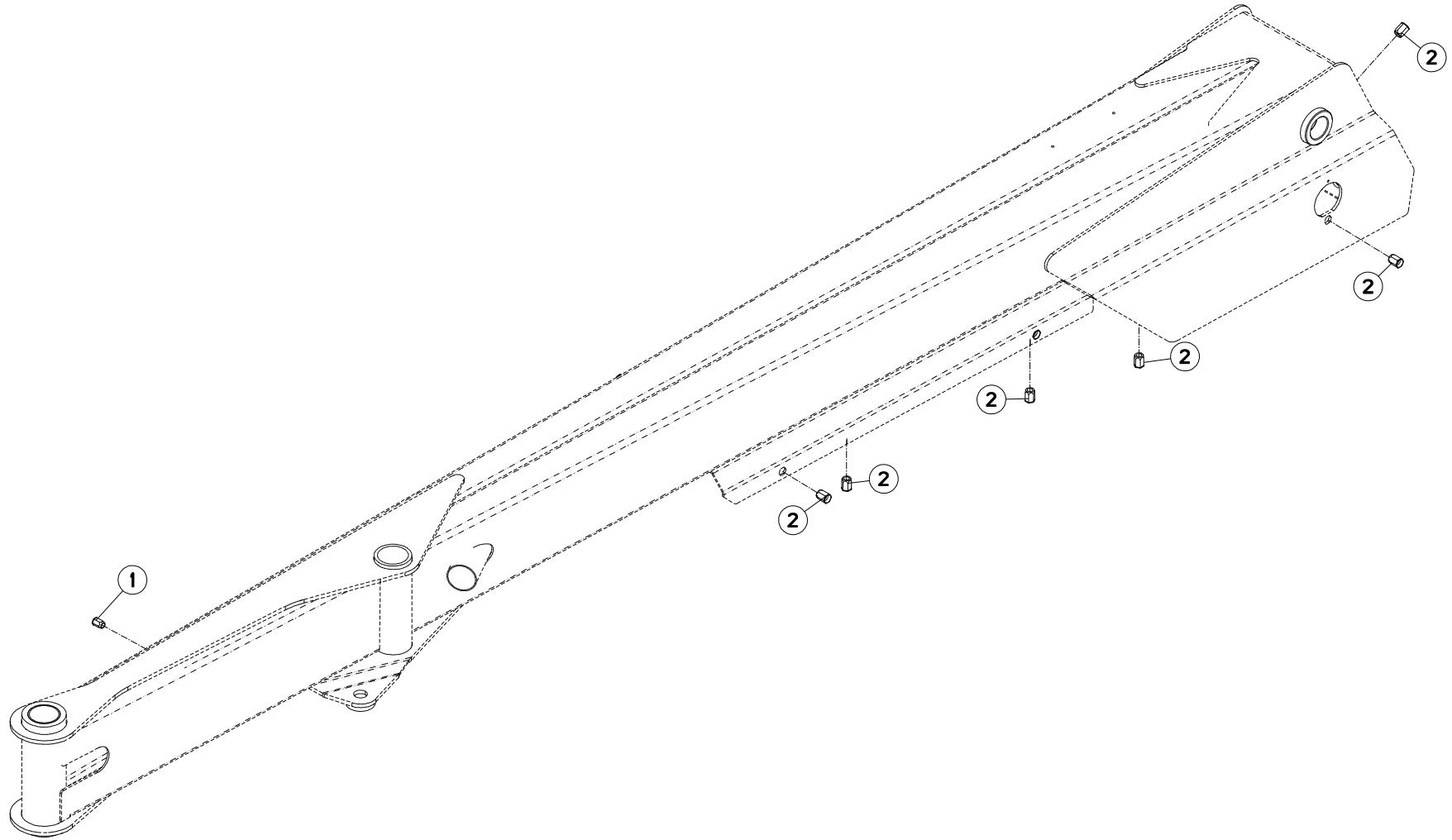
LIMITEUR DE COUPLE A FRICTION

FRICTION TORQUE LIMITER

ÜBERLASTRUTSCHKUPPLUNG

LIMITATORE COPPIA AD ATTRITO

| Rep | Nr | Qt | Designation | Description | Bezeichnung | Referenza | Remarque - Remark - Bemerkung - Osservazioni |
|-----|-----------------|-----|-------------------------------|------------------------------|--------------------------------|-------------------------------|--|
| 001 | 50003300 | 006 | VIS AUTOFREINEE | SCREW, SELF-LOCKING | SELBSTSICHERNDE SCHRAUBE | VITE AUTOBLOCCANTE | [1] 12 daN m (89 lbf ft) |
| 002 | 52228500 | 006 | RESSORT DE PRESSION | PRESSURE SPRING | DRUCKFEDER | MOLLA DI PRESSIONE | [1] |
| 003 | 52514110 | 001 | COURONNE | GEAR, SUN | TELLERRAD | CORONA | [1] |
| 004 | 52536600 | 001 | RONDELLE D'EXTREMITÉ | WASHER | SCHEIBE | DISCO | [1] |
| 005 | 52536700 | 001 | BRIDE | CLAMP | BUEGEL | STAFFA | [1] |
| 006 | 52583500 | 001 | LIMITEUR DE COUPLE A FRICTION | TORQUE LIMIT.FRICTION CLUTCH | RUTSCHKUPPLUNG | FRIZIONE | + [1] |
| 007 | 56010300 | 001 | MOYEU | HUB | NABE | MOZZO | [1] |
| 008 | 80061269 | 006 | VIS TETE HEXAGONALE FE/ZNXC3 | HEXAGON HEAD SCREW FE/ZNXC3 | SECHSKANTSCHRAUBE FE/ZNXC3 | VITE TESTA ESAGONALE FE/ZNXC3 | [1] |
| 009 | 80201260 | 006 | ECROU HEX.EMB.AUTOFR.FE/ZNXC3 | NUT M12 DIN 6926-10 | SELBSTSICHERNDE FLANSCH-MUTTER | DADO | [1] |
| 010 | 83250001 | 005 | LAMELLE EXTERIEURE | CLUTCH DISC OUTER | LAMELLE AUSSEN | LAMELLA PER FRIZIONE | [1] |
| 011 | 83250050 | 003 | LAMELLE INTERIEURE | CLUTCH PLATE | LAMELLE INNEN | DISCO FRIZIONE | [1] |





FC303GL NV

E0001 >

K56R0159 A

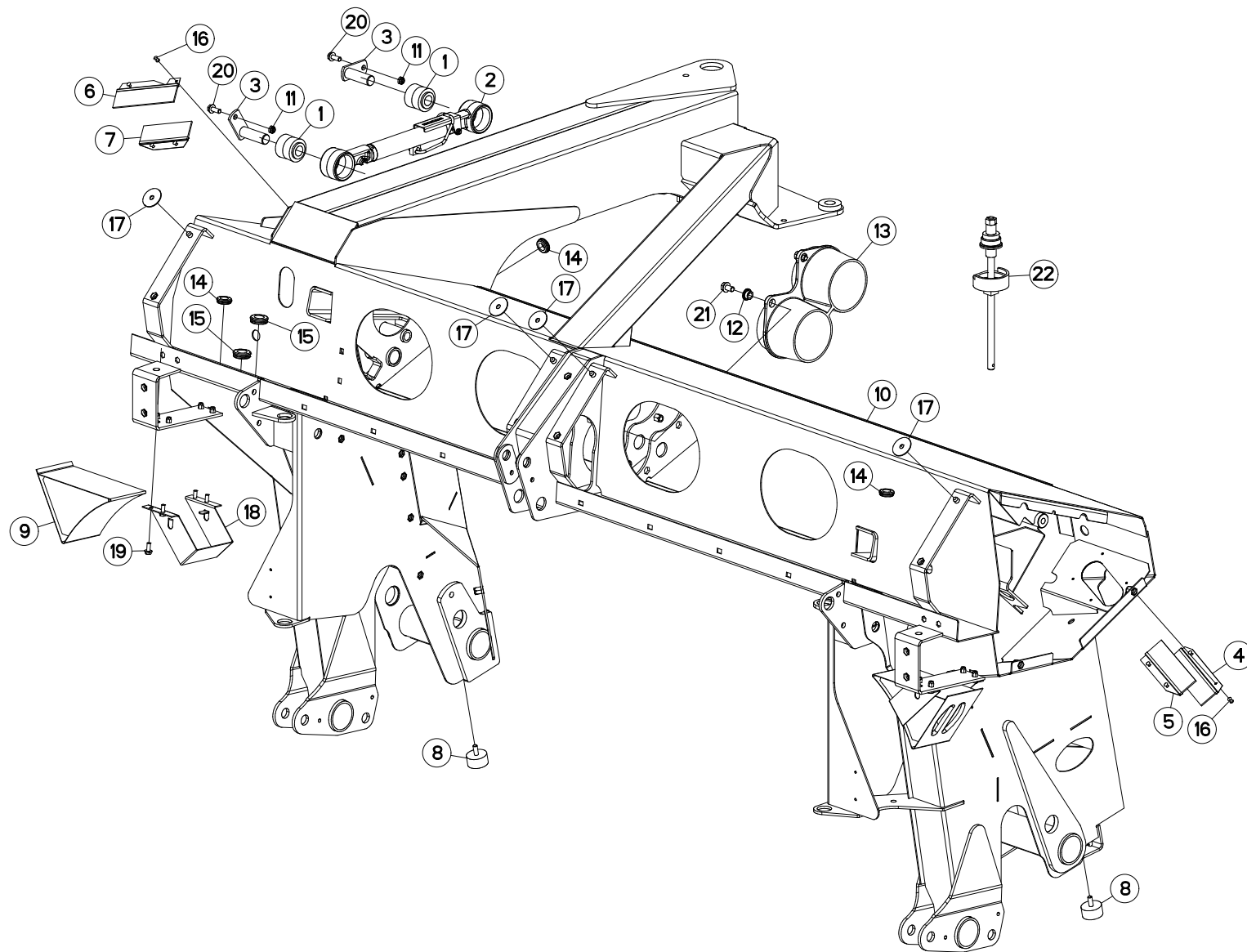
TIMON GIRODYNE

GYRODINE HITCH DRAWBAR

ZUGDEICHSEL GIRODYNE

BARRA DI ATTACCO GIRODYNE

| Rep | Nr | Qt | Designation | Description | Bezeichnung | Referenza | Remarque - Remark - Bemerkung - Osservazioni |
|-----|-----------------|-----|-------------------------|--------------------|------------------------|---------------|--|
| 001 | 80201090 | 003 | ECROU A SERTIR FE/ZNXC3 | CRIMP NUT FE/ZNXC3 | EINNIETMUTTER FE/ZNXC3 | DADO FE/ZNXC3 | |
| 002 | 80201291 | 013 | ECROU A SERTIR FE/ZNXC3 | CRIMP NUT FE/ZNXC3 | EINNIETMUTTER FE/ZNXC3 | DADO FE/ZNXC3 | |





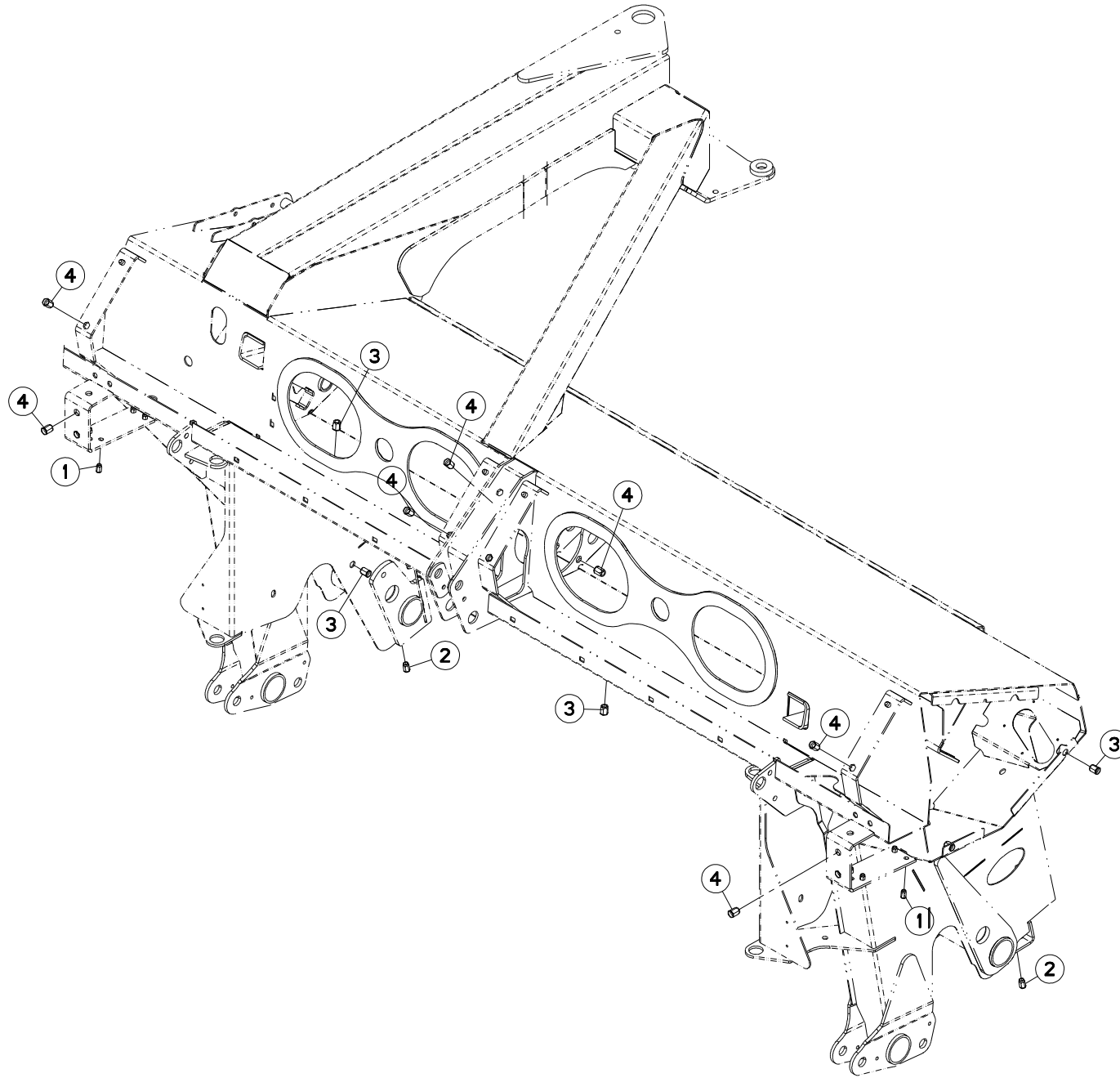
CHASSIS

FRAME

RAHMEN

TELAIO

| Rep | Nr | Qt | Designation | Description | Bezeichnung | Referenza | Remarque - Remark - Bemerkung - Osservazioni |
|-----|-----------------|-----|-------------------------------|------------------------------|--------------------------------|-----------------------------|--|
| 001 | K5600690 | 002 | ARTICULATION | ARTICULATION | GELENKSTUECK | ARTICOLAZIONE | |
| 002 | K5600951 | 001 | BIELLE | LINK, CONNECTING | LENKER | BIELLA | |
| 003 | K5600670 | 002 | AXE | PIN | ACHSE | ASSE | |
| 004 | K5601540 | 001 | BROSSE D'ETANCHEITE | BRUSH | BUERSTE | SPAZZOLA | |
| 005 | K5601550 | 001 | BROSSE D'ETANCHEITE | BRUSH | BUERSTE | SPAZZOLA | |
| 006 | K5601560 | 001 | BROSSE D'ETANCHEITE | BRUSH | BUERSTE | SPAZZOLA | |
| 007 | K5601570 | 001 | BROSSE D'ETANCHEITE | BRUSH | BUERSTE | SPAZZOLA | |
| 008 | 83030015 | 002 | BUTEE ELASTIQUE | RUBBER STOP | GUMMIPUFFER | GOMMINO | |
| 009 | 83090042 | 002 | CALE DE ROUE RAYON DE 360 | WHEEL CHOCK R360 | UNTERLEGKEIL R360 | CUNEO PER RUOTE R360 | |
| 010 | K5600142 | 001 | CHASSIS SOUDE | MAIN FRAME | HAUPTRAHMEN | TELAIO | |
| 011 | 80201040 | 002 | ECROU HEX.BAS AUTOFR.FE/ZNXC3 | SELF LOCKING NUT M10 DIN 985 | SELBSTSICHERND.MUTTER FE/ZNXC3 | DADO AUTOBLOCCANTE FE/ZNXC3 | |
| 012 | K5800480 | 004 | ENTRETOISE ZBC | SPACER ZBC | DISTANZHUELSE ZBC | DISTANZIALE | |
| 013 | 55834910 | 001 | GUIDE DE RESSORT | SPRING GUIDE | FEDERFUEHRUNG | GUIDA | |
| 014 | 83200801 | 004 | PASSE FIL | RUBBER PASS WIRE | GUMMI-TUELLE | PASSAFILO | |
| 015 | 83200803 | 006 | PASSE FIL | RUBBER PASS WIRE | GUMMI-TUELLE | PASSAFILO | |
| 016 | 80370415 | 008 | RIVET AVEUGLE T NORM.ALU | RIVET | NIETE | RIVETTO | |
| 017 | K5601630 | 004 | RONDELLE CAOUTCHOUC | RUBBER WASHER | GUMMISCHEIBE | RONDELLA | |
| 018 | 83090043 | 002 | SUPPORT DE CALE DE ROUE | BRACKET FOR WHEEL CHOCK | BEFESTIGUNGSBUEGEL | SUPPORTO | |
| 019 | 80130820 | 008 | VIS AUTOBLOQUANTE FLZNNC | UNDERSERR.S-LOC.SCREW FLZNNC | SPERRZAHN-BUNDSCHRAU.FLZNNC | VITE FLZNNC | |
| 020 | 80131026 | 002 | VIS AUTOBLOQUANTE FLZNNC | UNDERSERR.S-LOC.SCREW FLZNNC | SPERRZAHN-BUNDSCHRAU.FLZNNC | VITE FLZNNC | |
| 021 | 80131220 | 004 | VIS AUTOBLOQUANTE FLZNNC | UNDERSERR.S-LOC.SCREW FLZNNC | SPERRZAHN-BUNDSCHRAU.FLZNNC | VITE FLZNNC | |
| 022 | 3156097 | 001 | DISPOSITIF DE MONTAGE | ASSEMBLY KIT | MONTEGESATZ | KIT DI MONTAGGIO | |





FC303GL NV

E0001 >

K56R0158 A

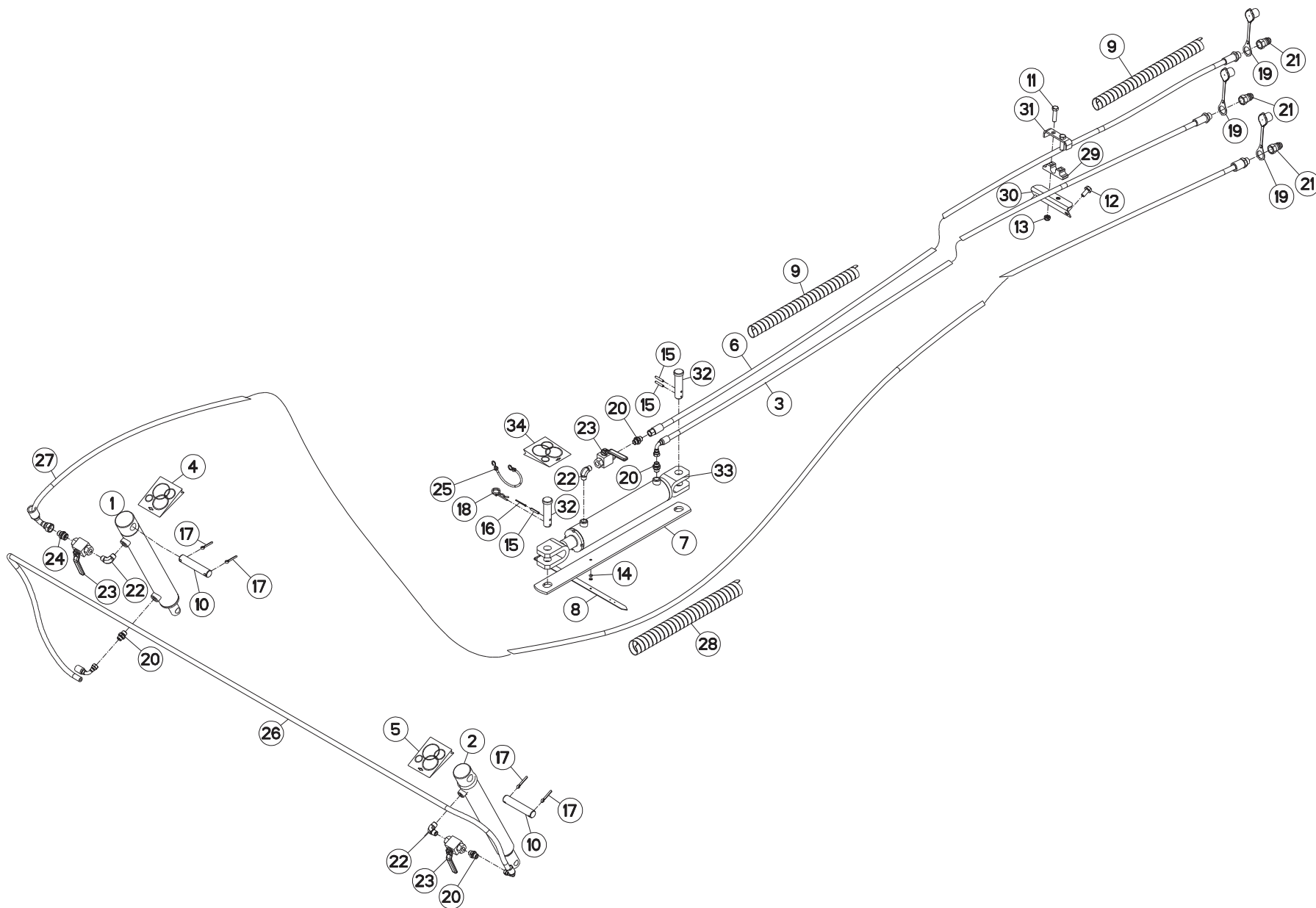
CHASSIS

FRAME

RAHMEN

TELAIO

| Rep | Nr | Qt | Designation | Description | Bezeichnung | Referenza | Remarque - Remark - Bemerkung - Osservazioni |
|-----|-----------------|-----|-------------------------|--------------------|------------------------|---------------|--|
| 001 | 80200891 | 008 | ECROU A SERTIR FE/ZNXC3 | CRIMP NUT FE/ZNXC3 | EINNIETMUTTER FE/ZNXC3 | DADO FE/ZNXC3 | |
| 002 | 80201091 | 002 | ECROU A SERTIR FE/ZNXC3 | CRIMP NUT FE/ZNXC3 | EINNIETMUTTER FE/ZNXC3 | DADO FE/ZNXC3 | |
| 003 | 80201290 | 030 | ECROU A SERTIR FE/ZNXC3 | CRIMP NUT FE/ZNXC3 | EINNIETMUTTER FE/ZNXC3 | DADO FE/ZNXC3 | |
| 004 | 80201291 | 013 | ECROU A SERTIR FE/ZNXC3 | CRIMP NUT FE/ZNXC3 | EINNIETMUTTER FE/ZNXC3 | DADO FE/ZNXC3 | |





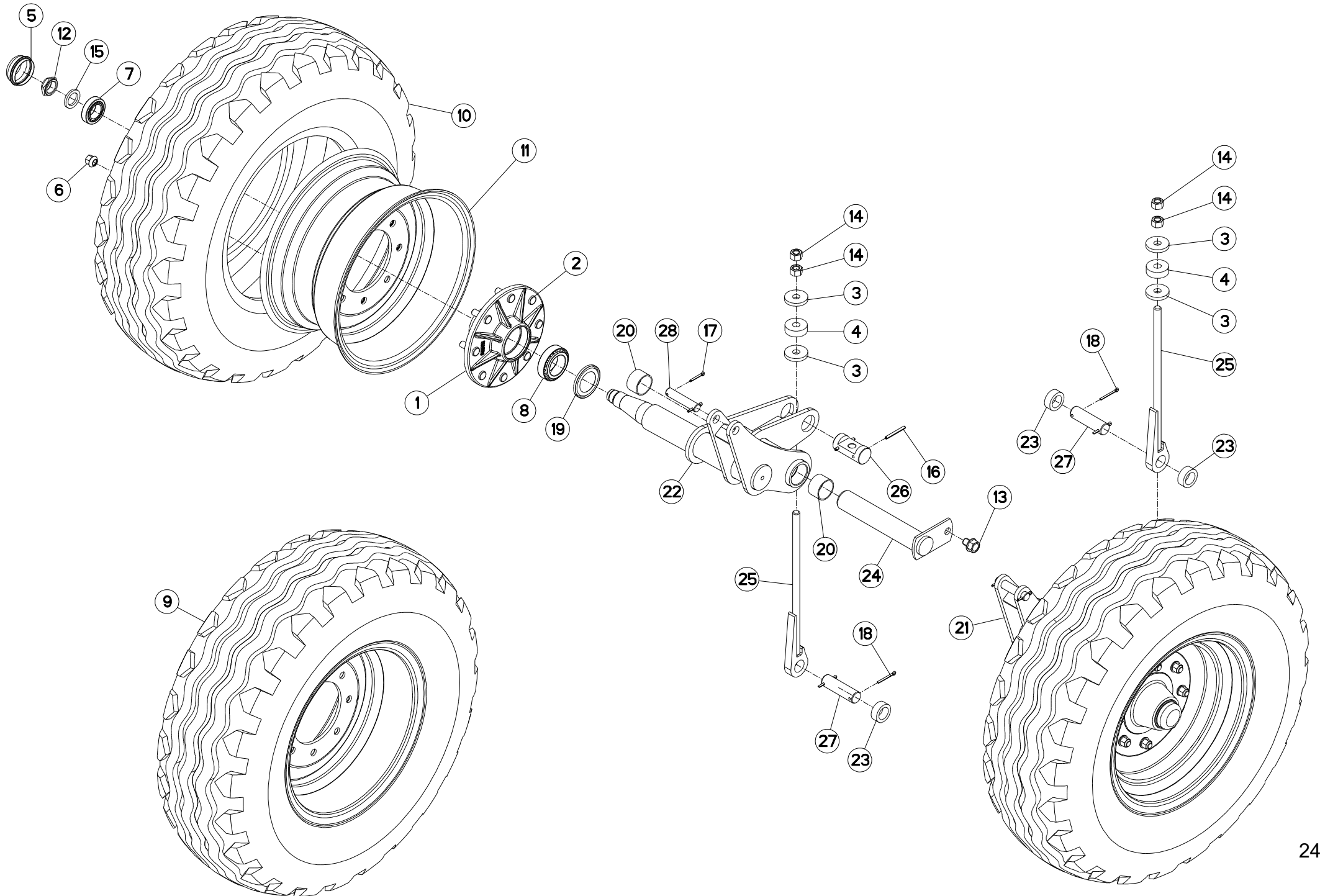
HYDRAULIQUE

HYDRAULIC

HYDRAULIK

IDRAULICO

| Rep | Nr | Qt | Designation | Description | Bezeichnung | Referenza | Remarque - Remark - Bemerkung - Osservazioni |
|-----|-----------------|-----|-------------------------------|--------------------------------|--------------------------------|-------------------------------|--|
| 001 | 55830220 | 001 | VERIN | CYLINDER, HYDRAULIC | HYDRAULIKZYLINDER | CILINDRO | |
| 002 | 55830310 | 001 | VERIN | CYLINDER, HYDRAULIC | HYDRAULIKZYLINDER | CILINDRO | |
| 003 | 56022310 | 001 | FLEXIBLE LG.4700 | HYDRAULIC HOSE | ZYLINDERSCHLAUCH | TUBO | <->4700 mm |
| 004 | 56046420 | 001 | COLL.JOINTS-VERIN 55830220 | OIL SEAL SET | SATZ DICHTUNGEN | SERIE GUARNIZIONI | |
| 005 | 56046310 | 001 | COLL.JOINTS-VERIN 55830310 | OIL SEAL SET | SATZ DICHTUNGEN | SERIE GUARNIZIONI | |
| 006 | 56524500 | 001 | FLEXIBLE | HYDRAULIC HOSE | HYDRAULIKSCHLAUCH | TUBO IN GOMMA | <->4700 mm |
| 007 | 56540810 | 001 | VERRQU | LATCH | RIEGEL | LEVA | |
| 008 | 56541000 | 001 | LANIERE D'ACCROCHAGE | STRAP | BEFESTIGUNGSRIEMEN | GUAINA DI FERMO | |
| 009 | 56541100 | 002 | GAINÉ SPIRALE | SPIRAL WRAP | SCHUTZSPIRALE | PROTEZIONE | |
| 010 | 58742110 | 002 | AXE ZBC | PIN | BOLZEN | ASSE | |
| 011 | 80061245 | 002 | VIS TETE HEXAGONALE FE/ZNXC3 | HEXAGON HEAD SCREW FE/ZNXC3 | SECHSKANTSCHRAUBE FE/ZNXC3 | VITE TESTA ESAGONALE FE/ZNXC3 | |
| 012 | 80131225 | 002 | VIS AUTOBLOQUANTE FLZNNC | UNDERSERR.S-LOC.SCREW FLZNNC | SPERRZAHN-BUNDSCHRAU.FLZNNC | VITE FLZNNC | |
| 013 | 80201240 | 002 | ECROU HEX.BAS AUTOFR.FE/ZNXC3 | SELF-LOCKING NUT M 12 DIN-985 | SELBSTSICHERND.MUTTER FE/ZNXC3 | DADO AUTOBLOCCANTE FE/ZNXC3 | |
| 014 | 80370515 | 001 | RIVET TUBULAIRE | TUBULAR RIVET | ROHRNIETE | RIVETTO | |
| 015 | 80450637 | 003 | GOUPILLE ELASTIQUE FLZNNC | ROLL PIN FLZNNC | SPANNHUELSE FLZNNC | SPINA ELASTICA FLZNNC | |
| 016 | 80500240 | 001 | GOUPILLE FENDUE FE/ZNXC3 | SPLIT PIN FE/ZNXC3 | SPLINT FE/ZNXC3 | COPPIGLIA FE/ZNXC3 | |
| 017 | 80500536 | 004 | GOUPILLE FENDUE FE/ZNXC3 | SPLIT PIN FE/ZNXC3 | SPLINT FE/ZNXC3 | COPPIGLIA FE/ZNXC3 | |
| 018 | 80570476 | 001 | GOUPILLE BETA FE/ZNXC3 | SPRING COTTER PIN FE/ZNXC3 | FEDERSTECKER FE/ZNXC3 | MOLLA FE/ZNXC3 | |
| 019 | 82300026 | 003 | CAPUCHON COUPLEUR MALE | CAP MALE CONNECTOR | KAPPE KUPPLUNGSSTECKER | TAPPO | |
| 020 | A4080401 | 004 | UNION MALE | MALE STUD CONNECTOR | GERADER EINSCHRAUBSTUTZEN | GIUZIONE DIRITTA ZBC | |
| 021 | A4074001 | 003 | COUPLEUR | COUPLER | KUPPLER | GIUNTO | |
| 022 | 82301214 | 003 | COUDE MALE NU FE/ZNXC3 | ANGLE SCREW SCREW-JOI.FE/ZNXC3 | WINKEL EINSCHRAUBVERS.FE/ZNXC3 | RACCORDO FE/ZNXC3 | |
| 023 | A4075005 | 003 | ROBINET | VALVE, BALL | KUGELHAHN | ROBINETTO | |
| 024 | A4080429 | 001 | UNION MALE | MALE STUD CONNECTOR | GERADER EINSCHRAUBSTUTZEN | GIUZIONE DIRITTA ZBC | |
| 025 | 83070063 | 001 | LIEN PVC | PVC CORD | SICHERUNGSBAND | CAVETTO | |
| 026 | K5601310 | 001 | FLEXIBLE | HYDRAULIC HOSE | HYDRAULIKSCHLAUCH | TUBO IN GOMMA | <->2900 mm |
| 027 | K5602410 | 001 | FLEXIBLE | HYDRAULIC HOSE | HYDRAULIKSCHLAUCH | TUBO IN GOMMA | <->7300 mm |
| 028 | K5602910 | 001 | GAINÉ SPIRALE | SPIRAL WRAP | SCHUTZSPIRALE | PROTEZIONE | |
| 029 | K5607180 | 001 | SUPPORT | SUPPORT | TRAEGER | SUPPORTO | |
| 030 | K5607200 | 001 | EQUERRE | GUSSET, CORNER | WINKEL | SQUADRA | |
| 031 | K5607210 | 001 | BRIDE | CLAMP | BUEGEL | STAFFA | |
| 032 | K5607270 | 002 | AXE COTE TIGE | PIN ZBC | BOLZEN ZBC | ASSE | |
| 033 | K7006590 | 001 | VERIN DOUBLE EFFET | HYDRAULIC DOUBLE ACTING RAM | HYDRAULIKZYLINDER | CILINDRO | |
| 034 | K7007120 | 001 | COL.JOINTS-VERIN K7006590+K60 | SET OIL SEALS FOR K7006590 | SATZ DICHTUNGEN F.K7006590 | KIT GUARNIZ.PISTO.K7006590 | |





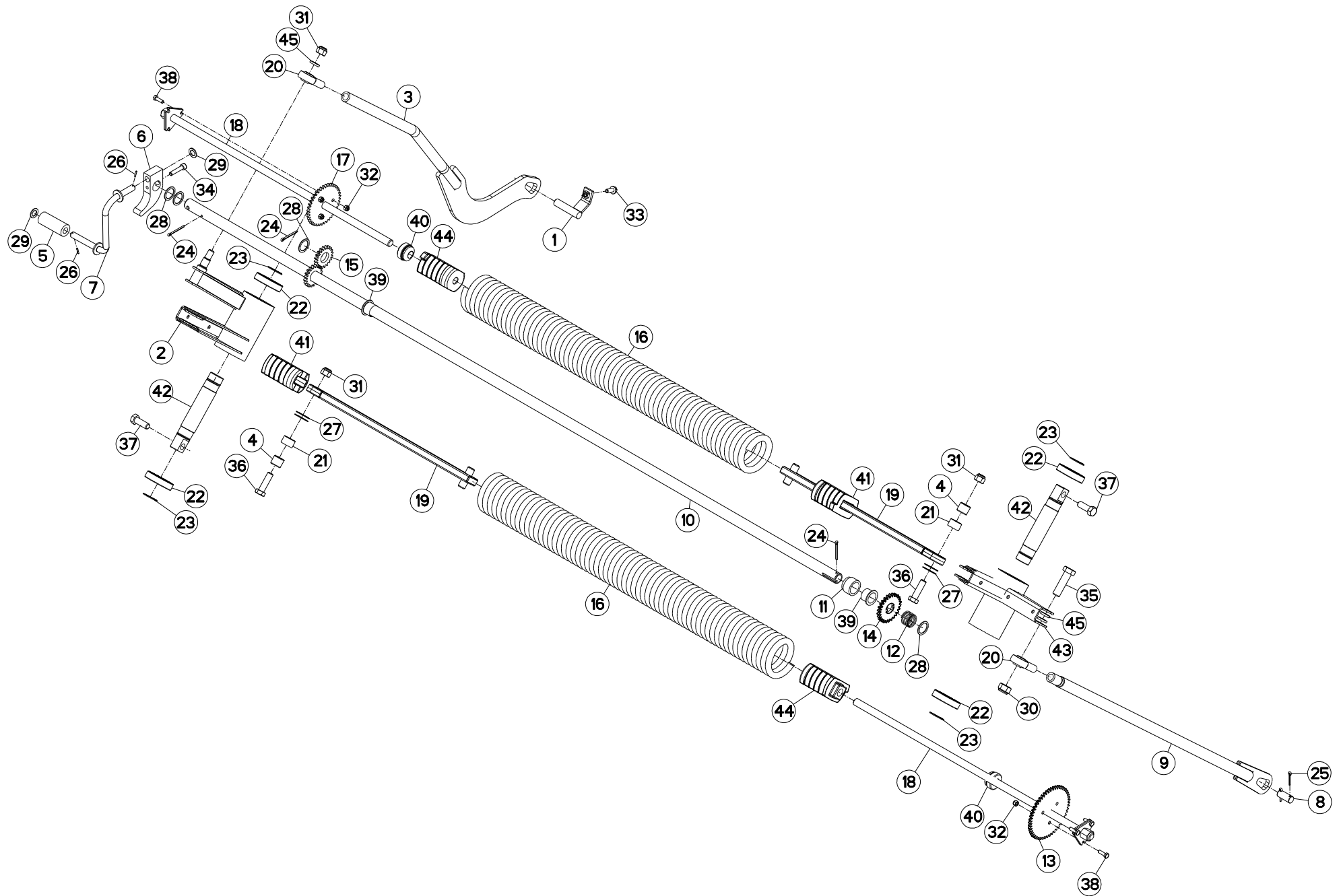
ROUE

WHEEL

RAD

RUOTA

| Rep | Nr | Qt | Designation | Description | Bezeichnung | Referenza | Remarque - Remark - Bemerkung - Osservazioni |
|-----|----------|-----|--------------------------------|-------------------------------|-------------------------------|--------------------------|--|
| 001 | 55724210 | 002 | MOYEU PREMONTE | HUB | NABE | MOZZO PRE-MONTATO | + [1] |
| 002 | 50000000 | 016 | VIS | SCREW | SCHRAUBE | VITE | [1] |
| 003 | 50019700 | 004 | RONDELLE FE/ZN | WASHER FE/ZN | SCHEIBE FE/ZN | RONDELLA | |
| 004 | 55836300 | 002 | ENTRETOISE | SPACER | DISTANZHUELSE | DISTANZIALE | |
| 005 | 56039800 | 002 | CHAPEAU DE ROUE | WHEEL CAP | RADKAPPE | FERMO | |
| 006 | 59002600 | 016 | ECROU | NUT | MUTTER | DADO | 10 daN m (74 lbf ft) |
| 007 | 81303562 | 002 | ROULEMENT A ROULEAUX CONIQUES | TAPERED ROLLER BEARING | KEGELROLLENLAGER | CUSCINETTO A RULLO | |
| 008 | 81305080 | 002 | ROULEMENT A ROULEAUX CONIQUES | TAPERED ROLLER BEARING | KEGELROLLENLAGER | CUSCINETTO A RULLI | |
| 009 | 83300105 | 002 | ROUE COMPLETE (PNEU PROFIL AW) | WHEEL COMPLETE | RAD KOMPLETT | RUOTA COMPLETA | |
| 010 | 83300106 | 002 | PNEU | TYRE | REIFEN | PNEUMATICO | |
| 011 | 83300107 | 002 | JANTE 15.3 8 TROUS | RIM 15.3 8 | FELGE 15.3 8-LOCH | CERCHIONE 15.3 8 | |
| 012 | 50067400 | 002 | ECROU HEXAGONAL A RABATTRE | NUT | SECHSKANTMUTTER | DADO | [2] 10 daN m (74 lbf ft) |
| 013 | 80131620 | 002 | VIS AUTOBLOQUANTE FLZNNC | UNDERSERRATED S-LOCKING SCREW | SPERRZAHN-BUNDSCHRAUBE FLZNNC | VITE FLZNNC | |
| 014 | 80201670 | 004 | ECROU HEXAGONAL FE/ZNXC3 | NUT FE/ZNXC3 | SECHSKANTMUTTER FE/ZNXC3 | DADO FE/ZNXC3 | |
| 015 | 80253146 | 002 | RONDELLE PLATE FE/ZNXC3 | PLAIN WASHER FE/ZNXC3 | SCHEIBE FE/ZNXC3 | RONDELLA PIATTA FE/ZNXC3 | |
| 016 | 80450660 | 004 | GOUPILLE ELASTIQUE FLZNNC | ROLL PIN FLZNNC | SPANNHUELSE FLZNNC | SPINA ELASTICA FLZNNC | |
| 017 | 80500428 | 004 | GOUPILLE FENDUE FE/ZNXC3 | SPLIT PIN FE/ZNXC3 | SPLINT FE/ZNXC3 | COPPIGLIA FE/ZNXC3 | |
| 018 | 80500445 | 004 | GOUPILLE FENDUE FE/ZNXC3 | SPLIT PIN FE/ZNXC3 | SPLINT FE/ZNXC3 | COPPIGLIA FE/ZNXC3 | |
| 019 | 82155078 | 002 | ANNEAU NILOS | FLEXIBLE AXIAL SEAL WASHER | FEDERNDE AXIALDICHTSCHEIBE | ANELLO DI TENUTA | |
| 020 | 83014550 | 004 | BAGUE ROULEE | WRAPPED BUSH | GEROLLTE BUCHSE | ANELLO LUBRIFICATO | |
| 021 | K5600790 | 001 | BRAS DE ROUE | ARM, WHEEL | RADARM | BRACCIO PER RUOTA | + [2] |
| 022 | K5600800 | 001 | BRAS DE ROUE | ARM, WHEEL | RADARM | BRACCIO PER RUOTA | + [2] |
| 023 | K5601090 | 003 | DOUILLE | BUSH | HUELSE | BUSSOLA | |
| 024 | K5601100 | 002 | AXE | PIN | ACHSE | ASSE | |
| 025 | K5601110 | 002 | TIRANT ZBC | TIE ROD ZBC | ZUGSTANGE ZBC | TIRANTE | |
| 026 | K5601120 | 002 | NOIX | YOKE | GELENKBOLZEN | | |
| 027 | K5601130 | 002 | AXE DE BIELLE ZBC | PIN | BOLZEN | ASSE | |
| 028 | K5601240 | 002 | AXE | PIN | ACHSE | ASSE | |





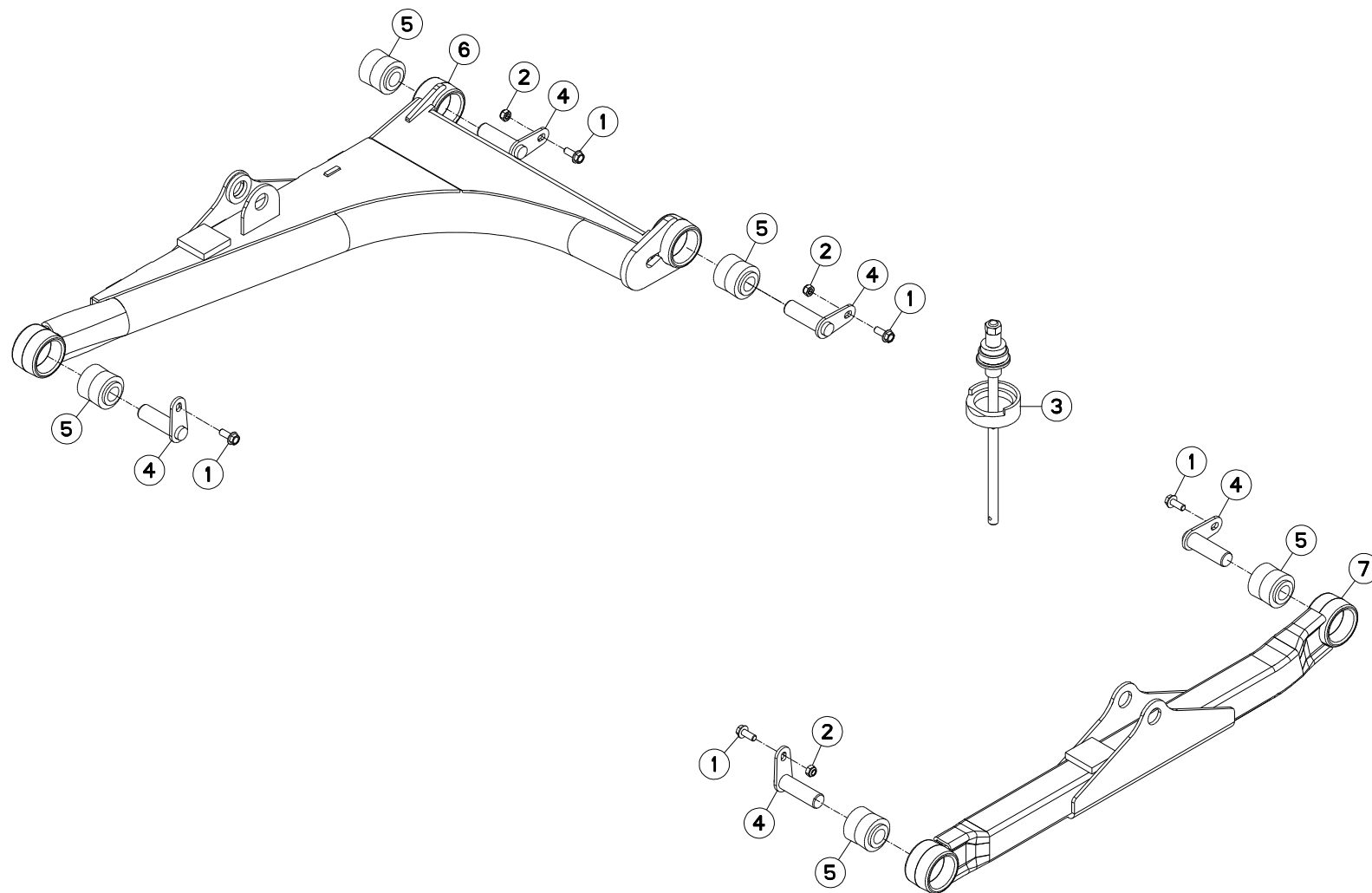
SYSTEME D'ALLÈGEMENT

SUSPENSION SYSTEM

ENTLASTUNGSSYSTEM

SISTEMA DELLE SOSPENSIONI

| Rep | Nr | Qt | Designation | Description | Bezeichnung | Referenza | Remarque - Remark - Bemerkung - Osservazioni |
|-----|----------|-----|--------------------------------|--------------------------------|--------------------------------|--------------------------------|--|
| 001 | K5609690 | 001 | BROCHE | PIN, HITCH | ACHSE | PERNO | |
| 002 | K5606250 | 001 | BASCULEUR | WEIGHING | WAAGE | BASCULLA | |
| 003 | K5605150 | 001 | TIRANT FLEAUX | TIE ROD | ZUGSTANGE | REGISTRO | |
| 004 | K5601340 | 002 | DOUILLE | BUSH | HUELSE | BUSSOLA | |
| 005 | K5601190 | 001 | TUBE POUR MANIVELLE | TUBE | ROHR | TUBO | |
| 006 | K5601180 | 001 | BUTEE | STOP | ANSCHLAG | LIMITATORE | |
| 007 | K5601170 | 001 | MANIVELLE | CRANK | KURBEL | MANOVELLA | |
| 008 | K5601140 | 001 | AXE DU TIRANT | PIN | ACHSE | PERNO DEL TIRANTE | |
| 009 | K5600940 | 001 | TIRANT DROIT ZBC | TIE ROD RIGHT ZBC | ZUGSTANGE RECHTS ZBC | TIRANTE | |
| 010 | K5600890 | 001 | ARBRE | SHAFT | WELLE | ALBERO | |
| 011 | K5600880 | 001 | ENTRETOISE | SPACER | DISTANZHUELSE | DISTANZIALE | |
| 012 | K5600870 | 001 | RESSORT D'APPUI | SPRING | FEDER | MOLLA | |
| 013 | K5600860 | 001 | PIGNON 52 DENTS | GEAR WHEEL 52 T. | ZAHNRAD 52 Z. | PIGNONE | Z=52 |
| 014 | K5600850 | 001 | PIGNON 26 DENTS | PINION Z.26 | ZAHNRAD Z.26 | PIGNONE Z.26 | Z=26 |
| 015 | K5600840 | 002 | PIGNON | GEAR, PINION | RITZEL | PIGNONE | Z=20 |
| 016 | K5600830 | 002 | RESSORT D'ALLEGEMENT | SPRING | FEDER | MOLLA | |
| 017 | K5600820 | 001 | PIGNON 40D | GEAR WHEEL 40 T. | ZAHNRAD 40 Z. | PIGNONE | Z=40 |
| 018 | K5600810 | 002 | TIRANT | TIE ROD | ZUGSTANGE | TIRANTE | |
| 019 | K5600190 | 002 | TIRANT DE NOIX | LIFT PLATE | ZUGSTANGE | TIRANTE | |
| 020 | 83090058 | 002 | ROTULE A TIGE FILETE | BALL JOINT | KUGELGELENK | TIRANTE | |
| 021 | 83013034 | 002 | BAGUE ROULEE | WRAPPED BUSH | GEROLLTE BUCHSE | ANELLO LUBRIFICATO | |
| 022 | 81004082 | 004 | ROULEMENT A BILLES | BALL BEARING | KUGELLAGER | CUSCINETTO A SFERE | |
| 023 | 80584000 | 004 | CIRCLIP EXTERIEUR | ELASTIC RING E 40 | SICHERUNGSRING | ANELLO | |
| 024 | 80500451 | 003 | GOUPILLE FENDUE FE/ZNXC3 | SPLIT PIN FE/ZNXC3 | SPLINT FE/ZNXC3 | COPPIGLIA FE/ZNXC3 | |
| 025 | 80500432 | 002 | GOUPILLE FENDUE FE/ZNXC3 | PIN DIN94 3-16" X 1.1-4" | SPLINT FE/ZNXC3 | COPPIGLIA FE/ZNXC3 | |
| 026 | 80450320 | 002 | GOUPILLE ELASTIQUE INOX | ROLL PIN INOX | SPANNHUELSE INOX | SPINA ELASTICA INOX | |
| 027 | 80253044 | 004 | RONDELLE D'AJUSTAGE | SHIM WASHER | PASSSCHEIBE | RONDELLA | |
| 028 | 80253041 | 004 | RONDELLE PLATE | PLAIN WASHER | SCHEIBE | RONDELLA | |
| 029 | 80251728 | 002 | RONDELLE PLATE FE/ZNXC3 | PLAIN WASHER FE/ZNXC3 | SCHEIBE FE/ZNXC3 | RONDELLA PIATTA FE/ZNXC3 | |
| 030 | 80202040 | 001 | ECROU HEX.BAS AUTOFR.FE/ZNXC3 | SELF-LOCKING NUT FE/ZNXC3 | SELBSTSICHERND.MUTTER FE/ZNXC3 | DADO AUTOBLOCCANTE FE/ZNXC3 | |
| 031 | 80201630 | 003 | ECROU HEX.AUTOFREINE FE/ZNXC3 | SELF-LOCKING NUT FE/ZNXC3 | SELBSTSICH.MUTTER FE/ZNXC3 | DADO AUTOBLOCCANTE FE/ZNXC3 | |
| 032 | 80200830 | 006 | ECROU HEX.AUTOFREINE FE/ZNXC3 | SELFLOCKING NUT M8 DIN 982 | SELBSTSICHERNDE MUTT.FE/ZNXC3 | DADO AUTOBLOCCANTE FE/ZNXC3 | |
| 033 | 80131026 | 001 | VIS AUTOBLOQUANTE FLZNNC | UNDERSERR.S-LOC.SCREW FLZNNC | SPERRZAHN-BUNDSCHRAU.FLZNNC | VITE FLZNNC | |
| 034 | 80081075 | 001 | VIS TETE CYL.SIX P.CR.FE/ZNXC3 | SCREW, SOCKET HEAD FE/ZNXC3 | ZYLINDERSCHR.INNENSEC.FE/ZNXC3 | VITE A TESTA CILINDR. FE/ZNXC3 | |
| 035 | 80062060 | 001 | VIS TETE HEXAGONALE FE/ZNXC3 | HEXAGON HEAD SCREW FE/ZNXC3 | SECHSKANTSCHRAUBE FE/ZNXC3 | VITE TESTA ESAGONALE FE/ZNXC3 | 42 daN m (310 lbf ft) |
| 036 | 80061647 | 002 | VIS TETE HEXAGONALE FE/ZNXC3 | HEXAGON HEAD SCREW FE/ZNXC3 | SECHSKANTSCHRAUBE FE/ZNXC3 | VITE TESTA ESAGONALE FE/ZNXC3 | 21 daN m (155 lbf ft) |
| 037 | 80061646 | 002 | VIS TETE HEXAGONALE FE/ZNXC3 | HEXAGON HEAD SCREW FE/ZNXC3 | SECHSKANTSCHRAUBE FE/ZNXC3 | VITE TESTA ESAGONALE FE/ZNXC3 | 21 daN m (155 lbf ft) |
| 038 | 80060826 | 006 | VIS TETE HEXAGONALE FE/ZNXC3 | HEAD HEX SCREW M8X25 CL8.8 DIN | SECHSKANTSCHRAUBE FE/ZNXC3 | VITE TESTA ESAGONALE FE/ZNXC3 | 2,5 daN m (19 lbf ft) |
| 039 | 56540200 | 002 | BAGUE PLASTIQUE A COLLERETTE | NYLON BEARING | KUNSTSTOFF-GLEITLAGER | ANELLO PLASTICA | |
| 040 | 55835500 | 002 | BUTEE | STOP | ANSCHLAG | LIMITATORE | |
| 041 | 55830000 | 002 | NOIX DU RESSORT | SPECIAL NUT | EINSCHRAUBMUTTER | REGISTRO | |
| 042 | 55828600 | 002 | AXE DU BASCULEUR | AXLE | ACHSE | ASSE | |
| 043 | 55827900 | 001 | BASCULEUR | WEIGHING | WAAGE | BASCULLA | |
| 044 | 55826700 | 002 | NOIX DU RESSORT | SPECIAL NUT | EINSCHRAUBMUTTER | | |
| 045 | 50017710 | 003 | RONDELLE PLATE | WASHER, FLAT | SCHEIBE | RONDELLA PIATTA | |





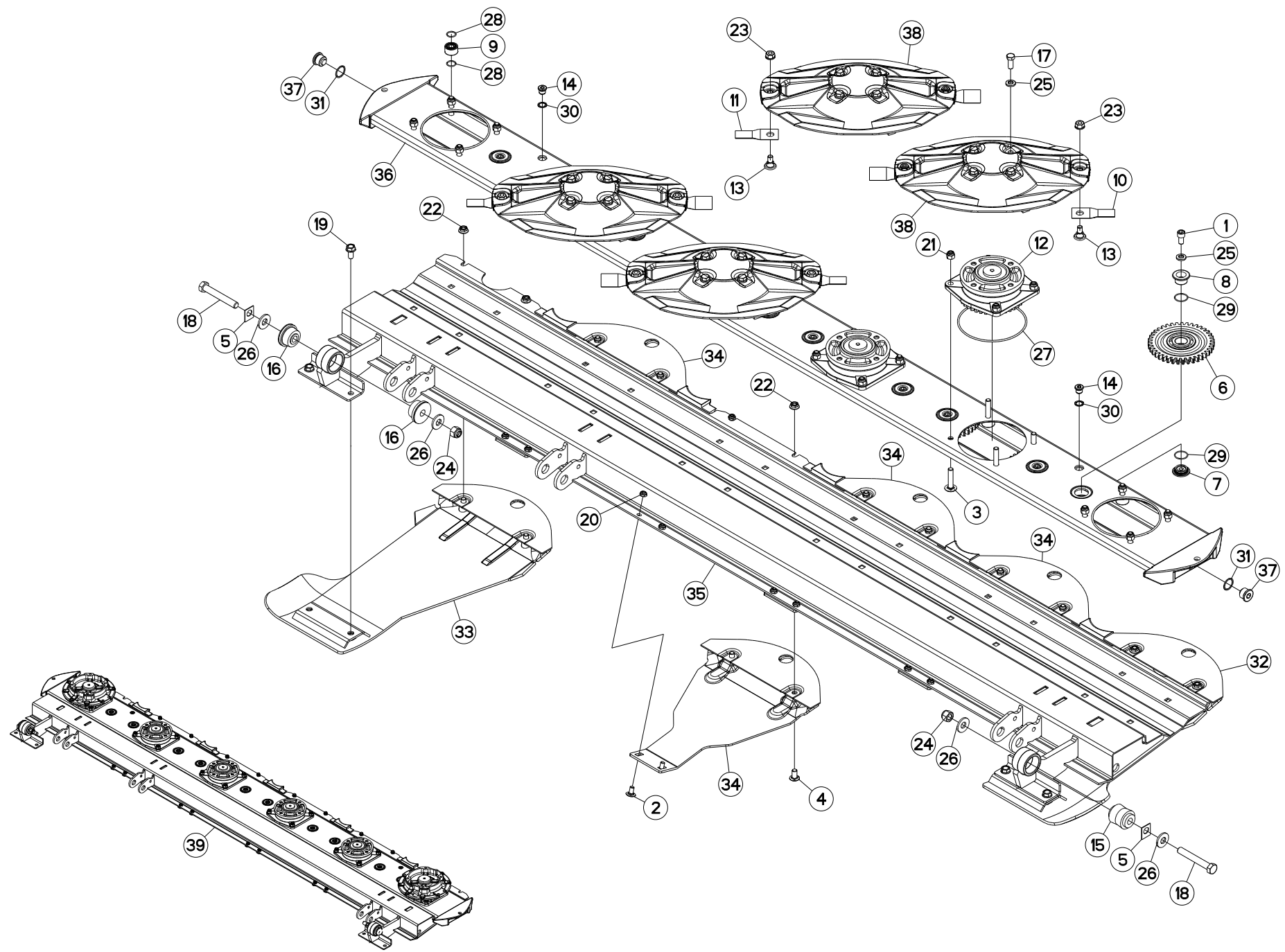
BIELLE

PULL BAR

LENKER

BIELLA

| Rep | Nr | Qt | Designation | Description | Bezeichnung | Referenza | Remarque - Remark - Bemerkung - Osservazioni |
|-----|-----------------|-----|-------------------------------|------------------------------|--------------------------------|-----------------------------|--|
| 001 | 80131026 | 005 | VIS AUTOBLOQUANTE FLZNNC | UNDERSERR.S-LOC.SCREW FLZNNC | SPERRZAHN-BUNDSCHRAU.FLZNNC | VITE FLZNNC | 5 daN m (37 lbf ft) |
| 002 | 80201040 | 003 | ECROU HEX.BAS AUTOFR.FE/ZNXC3 | SELF LOCKING NUT M10 DIN 985 | SELBSTSICHERND.MUTTER FE/ZNXC3 | DADO AUTOBLOCCANTE FE/ZNXC3 | 5 daN m (37 lbf ft) |
| 003 | 3156097 | 001 | DISPOSITIF DE MONTAGE | ASSEMBLY KIT | MONTEGESATZ | KIT DI MONTAGGIO | OPT : K5600690 |
| 004 | K5600670 | 005 | AXE | PIN | ACHSE | ASSE | |
| 005 | K5600690 | 005 | ARTICULATION | ARTICULATION | GELENKSTUECK | ARTICOLAZIONE | [1] |
| 006 | K5607991 | 001 | BIELLE | LINK, CONNECTING | LENKER | BIELLA | + [1] |
| 007 | K5608001 | 001 | BIELLE | LINK, CONNECTING | LENKER | BIELLA | + [1] |





PORTE DISQUES

CUTTERBAR

MÄHBALKEN

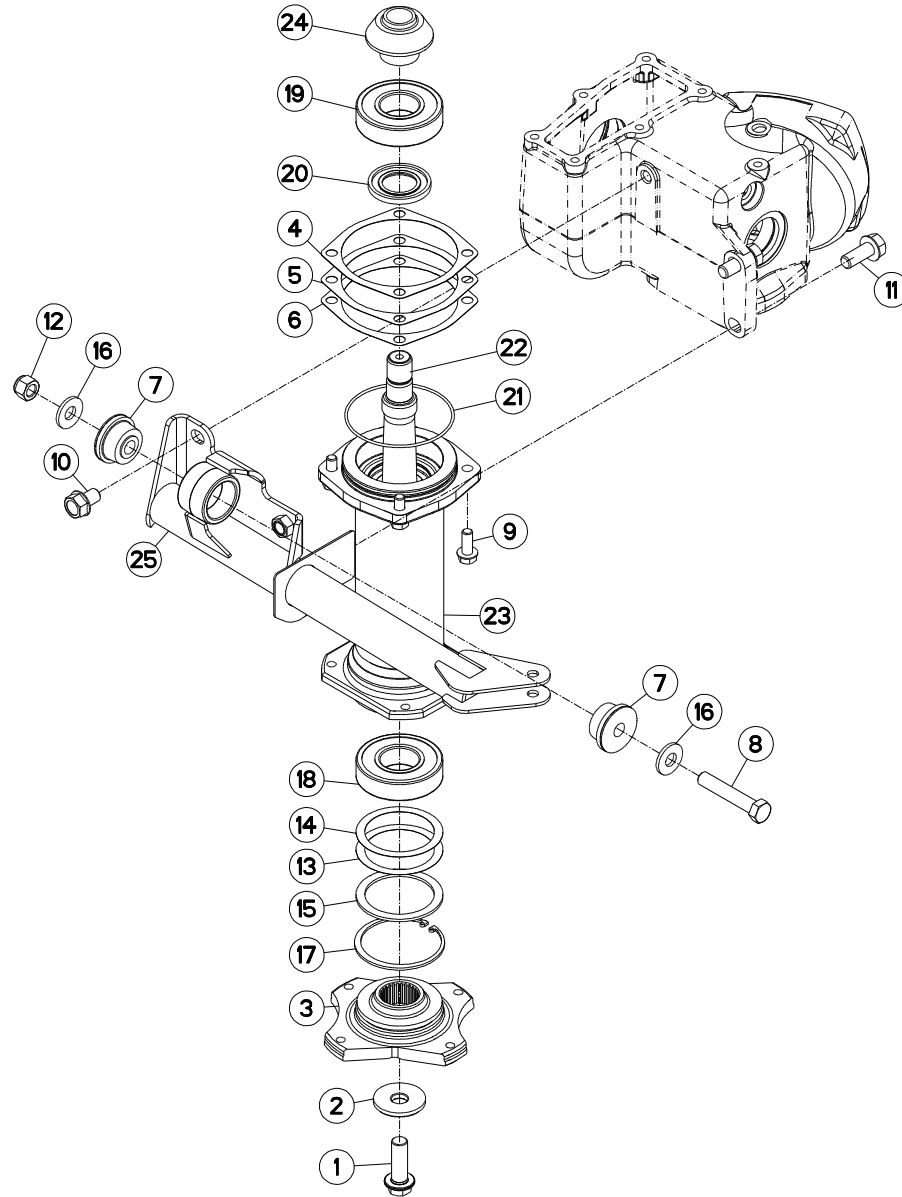
PORTADISCO

| Rep | Nr | Qt | Designation | Description | Bezeichnung | Referenza | Remarque - Remark - Bemerkung - Osservazioni |
|-----|----------|-----|-------------------------------|--------------------------------|--------------------------------|--------------------------------|--|
| 001 | 50002900 | 010 | VIS AUTOFREINEE CHC | SELF-LOCKING SCREW | SELBSTSICHERNDE SCHRAUBE | VITE AUTOBLOCCANTE | [1] 14 daN m (103 lbf ft) |
| 002 | 50003200 | 008 | VIS TBCC COURT | BOLT, CARRIAGE, SHORT NECK | FLACHRUNDSCHR.4KT ANSATZ | BULLONE | |
| 003 | 50004200 | 024 | VIS TBCC COURT | BOLT, CARRIAGE, SHORT NECK | FLACHRUNDSCHR.4KT ANSATZ | BULLONE | [1] |
| 004 | 50066700 | 008 | VIS TBCC COURT | BOLT, CARRIAGE, SHORT NECK | FLACHRUNDSCHR.4KT ANSATZ | BULLONE | |
| 005 | 55808300 | 012 | CALE | SPACER PLATE | UNTERLEGPLATTE | SPESSORE | Q? |
| 006 | 55900110 | 010 | ROUE INTERMEDIAIRE 39 DTS | IDLER GEAR Z.39 CPL | ZAHNRAD 39 Z. KPL | INGRANAGGIO Z.39 | [1] Z=39 |
| 007 | 55900220 | 010 | CUVETTE INFERIEURE ZBC | LOWER SUPPORT | ZAHNRADLAGER UNTEN | RONDELLA | [1] |
| 008 | 55900320 | 010 | CUVETTE SUPERIEURE | UPPER SUPPORT | ZAHNRADLAGER OBEN | RULLINO | [1] |
| 009 | 55900510 | 024 | ENTRETOISE | SPACER | DISTANZHUELSE | DISTANZIALE | [1] |
| 010 | 55903210 | 004 | COUTEAU VRILLE T.A.G ISO5718 | ANGLED BLADE LEFT TURN.ISO5718 | GEKROEP.MESS.LINKSDREH.ISO5718 | COLTEL.PIEGATO STD-SX ISO5718 | |
| 011 | 55903310 | 004 | COUTEAU VRILLE T.A.D ISO5718 | ANGLED BLAD.RIGHT TURN.ISO5718 | GEKROEP.MESS.RECHTSDRE.ISO5718 | COLTEL.PIEGATO STD-DX ISO5718 | |
| 012 | 55921000 | 004 | PALIER DE DISQUE COMPLET | DISC BEARING UNIT | SCHEIBENLAGER KPL | SUPPORTO COMPLETO VEDI55921010 | [1] |
| 013 | 56115800 | 008 | VIS AUTOFREINEE | SCREW, SELF-LOCKING | SELBSTSICHERNDE SCHRAUBE | VITE AUTOBLOCCANTE | |
| 014 | 56207000 | 002 | BOUCHON MAGNETIQUE | PLUG, MAGNETIC | MAGNET-VERSCHLUSSSCHRAUBE | TAPPO CALAMITATO | [1] |
| 015 | 56568500 | 001 | ARTICULATION ELASTIQUE | ELASTIC-COUPLING | ELASTIK-GELENK | SNODO ELASTICO | [2] |
| 016 | 56572600 | 002 | SILENTBLOC EPAULE | SILENTBLOC | GUMMIPUFFER | TAMPONE DI GOMMA | [2] |
| 017 | 80061231 | 016 | VIS TETE HEXAGONALE FLZNNC | HEXAGON HEAD SCREW FLZNNC | SECHSKANTSCHRAUBE FLZNNC | VITE TESTA ESAGONALE FLZNNC | |
| 018 | 80061663 | 002 | VIS TETE HEXAGONALE FE/ZNXC3 | HEXAGON HEAD SCREW FE/ZNXC3 | SECHSKANTSCHRAUBE FE/ZNXC3 | VITE TESTA ESAGONALE FE/ZNXC3 | |
| 019 | 80131225 | 004 | VIS AUTOBLOQUANTE FLZNNC | UNDERSERR.S-LOC.SCREW FLZNNC | SPERRZAHN-BUNDSCHRAU.FLZNNC | VITE FLZNNC | |
| 020 | 80201040 | 008 | ECROU HEX.BAS AUTOFR.FE/ZNXC3 | SELF LOCKING NUT M10 DIN 985 | SELBSTSICHERND.MUTTER FE/ZNXC3 | DADO AUTOBLOCCANTE FE/ZNXC3 | 6 daN m (44 lbf ft) |
| 021 | 80201237 | 024 | ECROU HEX.AUTOFREINE FE/ZNXC3 | SELF-LOCKING NUT FE/ZNXC3 | SELBSTSICHERNDE MUTT.FE/ZNXC3 | DADO AUTOBLOCCANTE FE/ZNXC3 | [1] 12 daN m (89 lbf ft) |
| 022 | 80201253 | 012 | ECROU AUTOBLOQUANT FE/ZNXC3 | UNDERSERRAT.S.LOC.NUT FE/ZNXC3 | SPERRZAHN-BUNDMUTTER FE/ZNXC3 | DADO FE/ZNXC3 | 12 daN m (89 lbf ft) |
| 023 | 80201262 | 008 | ECROU TWOLOK FLZNNC | SELF-LOCKING NUT FLZNNC | SELBSTSICHERNDE MUTTER FLZNNC | DADO TWOLOCK FLZNNC | 12 daN m (89 lbf ft) |
| 024 | 80201630 | 002 | ECROU HEX.AUTOFREINE FE/ZNXC3 | SELF-LOCKING NUT FE/ZNXC3 | SELBSTSICH.MUTTER FE/ZNXC3 | DADO AUTOBLOCCANTE FE/ZNXC3 | |
| 025 | 80281254 | 026 | RONDELLE CONIQUE BLOC.FLZNNC | CONICAL SPRING WASHER FLZNNC | SPANNSCHEIBE FLZNNC | RONDELLA CONICA FLZNNC | [1] |
| 026 | 80281639 | 004 | RONDELLE RESSORT FLZNNC | CONICAL SPRING WASHER FLZNNC | SPANNSCHEIBE FLZNNC | RONDELLA A MOLLA FLZNNC | |
| 027 | 82060050 | 006 | JOINT TORIQUE | O-RING | O-RING | GUARNIZIONE | [1] |
| 028 | 82062024 | 048 | JOINT TORIQUE VITON VERT | O-RING | O-RING | GUARNIZIONE | [1] |
| 029 | 82063034 | 020 | JOINT TORIQUE | O-RING | O-RING | GUARNIZIONE | [1] |
| 030 | 82101622 | 002 | JOINT CUIVRE | SEALING RING | DICHTRING | RONDELLA RAME | [1] |
| 031 | 82102732 | 002 | JOINT CUIVRE | COPPER RING D 32X27X1.5 MM | DICHTRING | RONDELLA RAME | [1] |
| 032 | K5600070 | 001 | SEMELLE EXTERIEURE DROITE | OUTER SKID RIGHT | AUSSENKUFE RECHTS | SLITTA ESTERNA | |
| 033 | K5600080 | 001 | SEMELLE EXTERIEURE GAUCHE | OUTER SKID LEFT | AUSSENKUFE LINKS | SLITTA ESTERNA | |
| 034 | K5600091 | 004 | PATIN INTERMEDIAIRE | INTERMEDIAT SKID | ZWISCHENKUFE | SLITTA INTERNA | |
| 035 | K5600180 | 001 | RAIDISSEUR 3.M | REINFORCING PLATE | VERSTEIFUNGSPLATTE | BALESTRA | [1] +[2] |
| 036 | K5600160 | 001 | CARTER D'ENGRENAGES | GEAR CASE | MAEHBALKENGEHAEUSE | SCATOLA | [1] |
| 037 | K5600230 | 002 | BOUCHON MAGNETIQUE | PLUG, MAGNETIC | MAGNET-VERSCHLUSSSCHRAUBE | TAPPO CALAMITATO | [1] |
| 038 | K5602590 | 004 | DISQUE | DISC | SCHIEBE | DISCO | |
| 039 | 1033600 | 001 | PD RECH.FC303 | FC303 CUTTERBAR | FC303 ERSATZBALKEN | BARRA PD FC303 | * |

* Collection comprenant le groupe de pièces [1] "PORTE-DISQUES" et le groupe de pièces [1] "PALIERS EXTERIEURS"

* Kit comprising the parts, marked [1] in remark section, of page "CUTTERBAR" and the parts, marked [1] in remark section of page "CUTTERBAR DRIVEN CONES".

* Satz bestehend aus den Teilen [1] der Teilegruppe "MÄHBALKEN" und den Teilen [1] der Teilegruppe "ÄUSSERE MÄHSCHIEBEN".





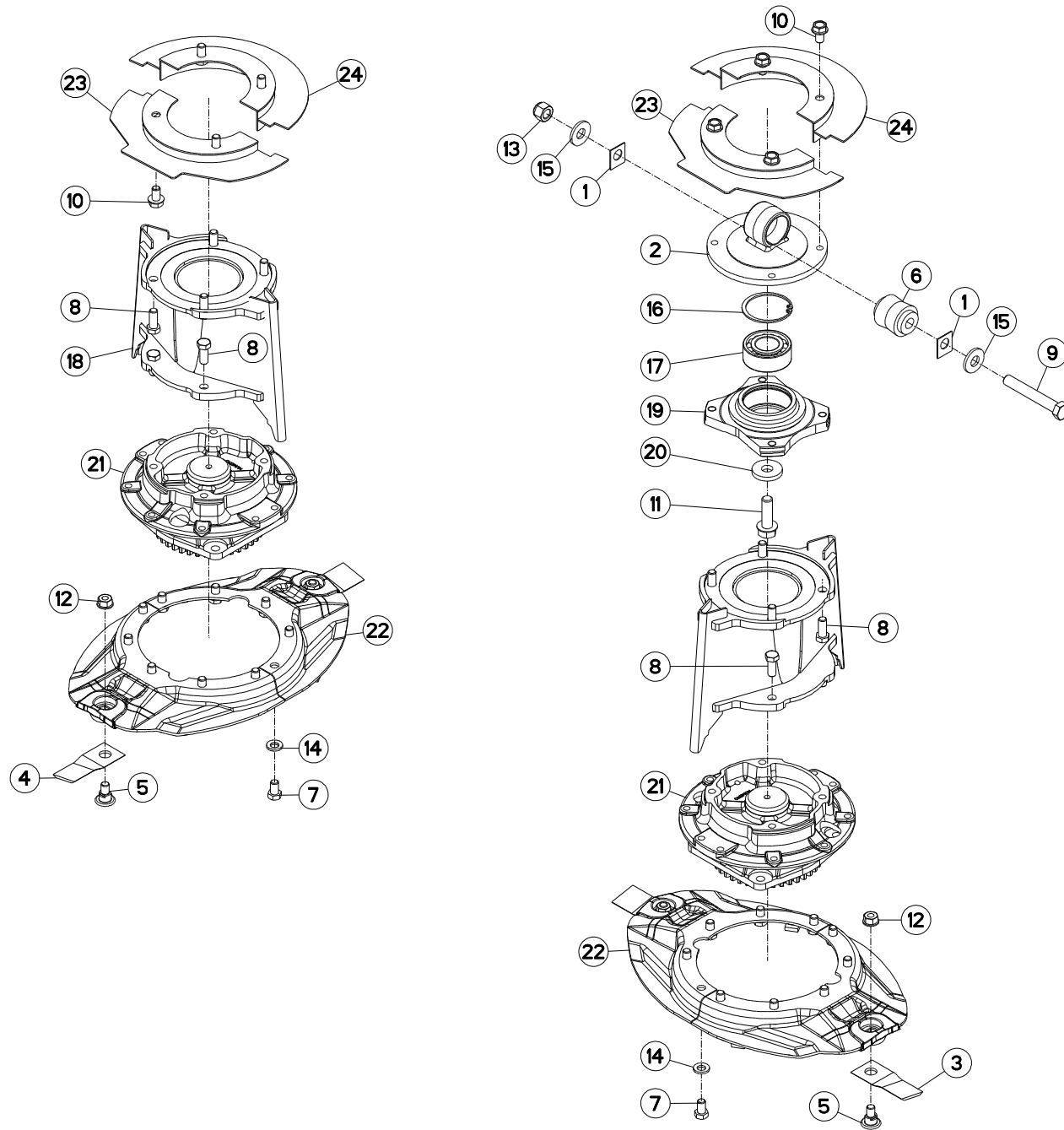
BARRE ANTI-COUPLE

ANTI-TORQUE BAR

DREHMOMENTSTUETZE

ARRA-TUBO

| Rep | Nr | Qt | Designation | Description | Bezeichnung | Referenza | Remarque - Remark - Bemerkung - Osservazioni |
|-----|-----------------|-----|--------------------------------|------------------------------|-----------------------------|-------------------------------|--|
| 001 | 50005600 | 001 | VIS AUTOFREINEE H A EMBASE | SELF-LOCKING SCREW | SELBSTSICHERNDE SCHRAUBE | VITE AUTOBLOCCANTE | 50 daN m (369 lbf ft) |
| 002 | 50014110 | 001 | RONDELLE SPECIALE | SPECIAL WASHER | SPEZIALSCHEIBE | RONDELLA | |
| 003 | 55831520 | 001 | ETOILE D'ENTRAINEMENT | DRIVE HUB | ANTRIEBSTERN | | |
| 004 | 56549000 | 001 | CALE | SHIM | BEILAGE | SPESSORE | |
| 005 | 56549100 | 001 | CALE | SHIM | BEILAGE | SPESSORE | |
| 006 | 56549200 | 001 | CALE | SHIM | BEILAGE | SPESSORE | |
| 007 | 56572600 | 002 | SILENTBLOC EPAULE | SILENTBLOC | GUMMIPUFFER | TAMPONE DI GOMMA | |
| 008 | 80061659 | 001 | VIS TETE HEXAGONALE FLZNNC | SCREW, HEX HEAD FLZNNC | SECHSKANTSCHRAUBE FLZNNC | VITE A TESTA ESAGONALE FLZNNC | |
| 009 | 80131232 | 004 | VIS AUTOBLOQUANTE FLZNNC KL105 | UNDERSERR.S-LOC.SCREW FLZNNC | SPERRZAHN-BUNDSCHRAU.FLZNNC | VITE FLZNNC KL105 | |
| 010 | 80131625 | 001 | VIS AUTOBLOQUANTE FLZNNC | UNDERSERR.S-LOC.SCREW FLZNNC | SPERRZAHN-BUNDSCHRAU.FLZNNC | VITE FLZNNC | |
| 011 | 80131640 | 002 | VIS AUTOBLOQUANTE FLZNNC | UNDERSERR.S-LOC.SCREW FLZNNC | SPERRZAHN-BUNDSCHRAU.FLZNNC | VITE FLZNNC | |
| 012 | 80201630 | 001 | ECROU HEX.AUTOFREINE FE/ZNXC3 | SELF-LOCKING NUT FE/ZNXC3 | SELBSTSICH.MUTTER FE/ZNXC3 | DADO AUTOBLOCCANTE FE/ZNXC3 | |
| 013 | 80258070 | 001 | RONDELLE D'AJUSTAGE PS 0,1 | SHIM RING PS 0,1 | PASSSCHEIBE PS 0,1 | ANELLO | |
| 014 | 80258071 | 001 | RONDELLE D'AJUSTAGE PS 0,3 | SHIM RING PS 0,3 | PASSSCHEIBE PS 0,3 | SPESSORE | |
| 015 | 80258075 | 001 | RONDELLE D'APPUI SS 3,5 | SUPPORTING RING SS 3,5 | STUETZSCHEIBE SS 3,5 | RONDELLA D'APPOGGIO | |
| 016 | 80281639 | 002 | RONDELLE RESSORT FLZNNC | CONICAL SPRING WASHER FLZNNC | SPANNSCHEIBE FLZNNC | RONDELLA A MOLLA FLZNNC | |
| 017 | 80590000 | 001 | CIRCLIP INTERIEUR | ELASTIC RING I 100 | SICHERUNGSRING | ANELLO | |
| 018 | 81004505 | 001 | ROULEMENT A BILLES | BALL BEARING | KUGELLAGER | CUSCINETTO A SFERE | |
| 019 | 81004507 | 001 | ROULEMENT A BILLES | BALL BEARING | KUGELLAGER | CUSCINETTO A SFERE | |
| 020 | 82014073 | 001 | BAGUE D'ETANCHEITE | OIL SEAL | RADIALDICHTRING | PARAOILIO | |
| 021 | 82060022 | 001 | JOINT TORIQUE | O-RING | O-RING | GUARNIZIONE | |
| 022 | K5600270 | 001 | ARBRE | SHAFT | WELLE | ALBERO | |
| 023 | K5600280 | 001 | FUT D'ENTRAINEMENT | HUB | NABE | | |
| 024 | K5600290 | 001 | PIGNON | GEAR, PINION | RITZEL | PIGNONE | |
| 025 | K5603420 | 001 | BARRE | BAR | BALKEN | BARRA | |





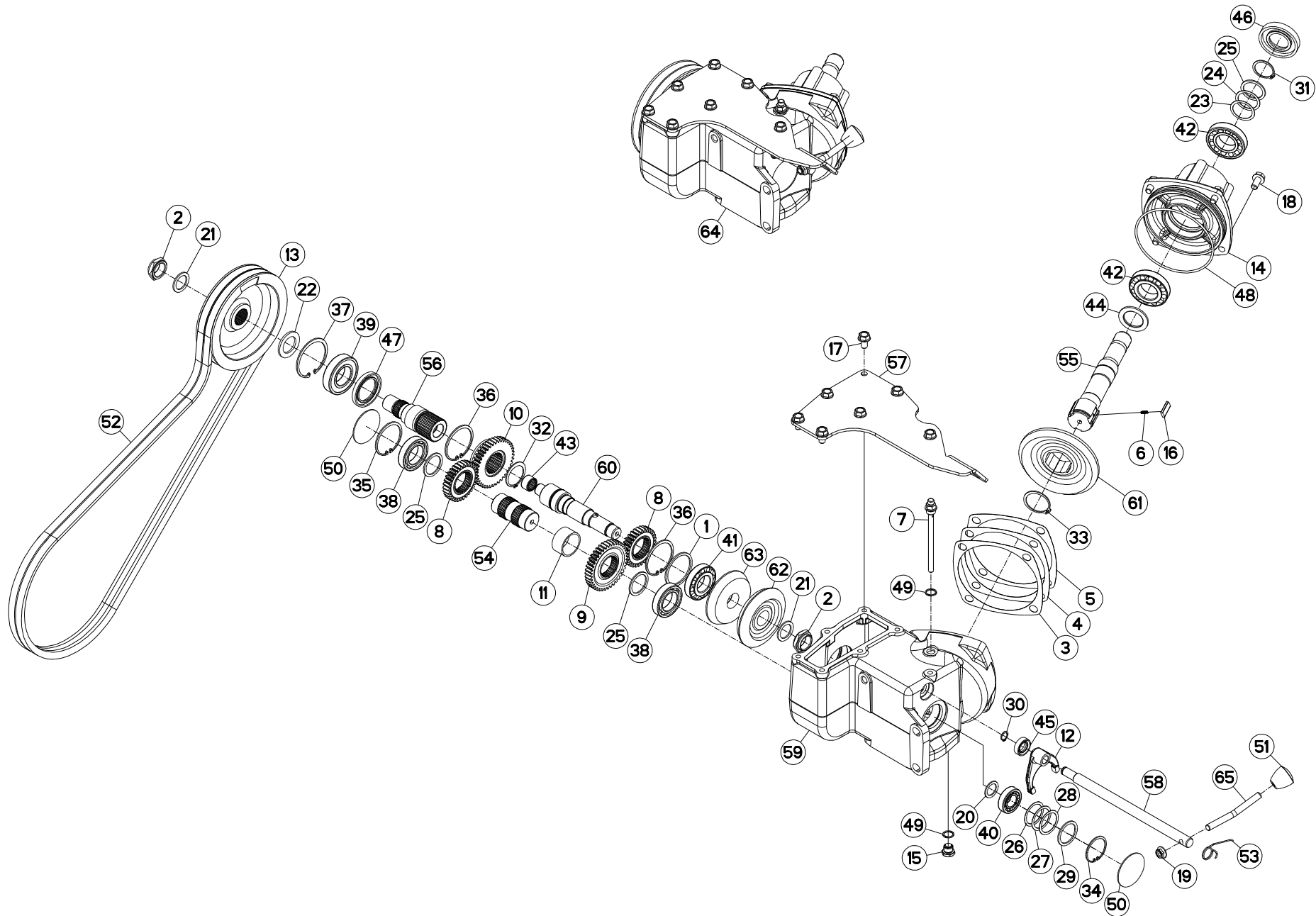
PALIER EXTERIEUR

OUTER BEARING CARRIER

ÄUSSERES LAGERGEHÄUSE

SUPPORTO CUSCINETTO ESTERNO

| Rep | Nr | Qt | Designation | Description | Bezeichnung | Referenza | Remarque - Remark - Bemerkung - Osservazioni |
|-----|----------|-----|--------------------------------|--------------------------------|--------------------------------|-------------------------------|--|
| 001 | 55808300 | 008 | CALE | SPACER PLATE | UNTERLEGPLATTE | SPESSORE | Q? |
| 002 | K5600250 | 001 | PALIER | FLANGED GUIDE | LAGER | SUPPORTO | + [2] |
| 003 | 55903210 | 002 | COUTEAU VRILLE T.A.G ISO5718 | ANGLED BLADE LEFT TURN.ISO5718 | GEKROEP.MESS.LINKSDREH.ISO5718 | COLTEL.PIEGATO STD-SX ISO5718 | |
| 004 | 55903310 | 002 | COUTEAU VRILLE T.A.D ISO5718 | ANGLED BLAD.RIGHT TURN.ISO5718 | GEKROEP.MESS.RECHTSDRE.ISO5718 | COLTEL.PIEGATO STD-DX ISO5718 | |
| 005 | 56115800 | 004 | VIS AUTOFREINEE | SCREW, SELF-LOCKING | SELBSTSICHERNDE SCHRAUBE | VITE AUTOBLOCCANTE | |
| 006 | 56568500 | 001 | ARTICULATION ELASTIQUE | ELASTIC-COUPLING | ELASTIK-GELENK | SNODO ELASTICO | [2] |
| 007 | 80061220 | 020 | VIS TETE HEXAGONALE FLZNNC | HEX BOLT M12X20 CL 5.8 DIN933 | SECHSKANTSCHRAUBE FLZNNC | VITE TESTA ESAGONALE FLZNNC | 8,5 daN m (63 lbf ft) |
| 008 | 80061231 | 016 | VIS TETE HEXAGONALE FLZNNC | HEXAGON HEAD SCREW FLZNNC | SECHSKANTSCHRAUBE FLZNNC | VITE TESTA ESAGONALE FLZNNC | 12 daN m (89 lbf ft) |
| 009 | 80061663 | 001 | VIS TETE HEXAGONALE FE/ZNXC3 | HEXAGON HEAD SCREW FE/ZNXC3 | SECHSKANTSCHRAUBE FE/ZNXC3 | VITE TESTA ESAGONALE FE/ZNXC3 | |
| 010 | 80131220 | 008 | VIS AUTOBLOQUANTE FLZNNC | UNDERSERR.S-LOC.SCREW FLZNNC | SPERRZAHN-BUNDSCHRAU.FLZNNC | VITE FLZNNC | 8,5 daN m (63 lbf ft) |
| 011 | 80131650 | 001 | VIS AUTOBLOQUANTE FLZNNC | UNDERSERR.S-LOC.SCREW FLZNNC | SPERRZAHN-BUNDSCHRAU.FLZNNC | VITE FLZNNC | 21 daN m (155 lbf ft) |
| 012 | 80201262 | 004 | ECROU TWOLOK FLZNNC | SELF-LOCKING NUT FLZNNC | SELBSTSICHERNDE MUTTER FLZNNC | DADO TWOLOCK FLZNNC | 12 daN m (89 lbf ft) |
| 013 | 80201630 | 001 | ECROU HEX.AUTOFREINE FE/ZNXC3 | SELF-LOCKING NUT FE/ZNXC3 | SELBSTSICH.MUTTER FE/ZNXC3 | DADO AUTOBLOCCANTE FE/ZNXC3 | |
| 014 | 80281254 | 020 | RONDELLE CONIQUE BLOC.FLZNNC | CONICAL SPRING WASHER FLZNNC | SPANNSCHEIBE FLZNNC | RONDELLA CONICA FLZNNC | |
| 015 | 80251631 | 002 | RONDELLE PLATE FE/ZNXC3 | PLAIN WASHER FE/ZNXC3 | SCHIEBE FE/ZNXC3 | RONDELLA PIATTA FE/ZNXC3 | |
| 016 | 80597200 | 001 | CIRCLIP INTERIEUR | RETAINING RING | SICHERUNGSRING | ANELLO | |
| 017 | 81103575 | 001 | ROULEMENT 2 R.BILLES CONT.OBL | ANG.CONT.DOUBLE ROW B.BEARING | 2-REIHIGES SCHRAEGKUGELLAGER | CUSCINETTO | |
| 018 | K5600240 | 002 | RABATTEUR | DEFLECTOR | ABWEISBLECH | DEFLETTORE | |
| 019 | K5600320 | 001 | PALIER | BEARING, PILLOW BLOCK | LAGER | SUPPORTO | |
| 020 | K5600330 | 001 | RONDELLE PLATE | WASHER, FLAT | SCHIEBE | RONDELLA PIATTA | |
| 021 | K5602621 | 002 | BOITIER | HOUSING | GEHAEUSE | SCATOLA | [1] |
| 022 | K5606920 | 002 | PAIRE DE DEMI-DISQUES EXT.RENF | HALF OUTER DISC SET | SATZ AUSSENSCHIEBEHAELFTEN | COPPIA SEMI-DISCO | |
| 023 | K5608260 | 002 | COUVERCLE | LID | DECKEL | COPERCHIO | |
| 024 | K5608270 | 002 | COUVERCLE | LID | DECKEL | COPERCHIO | |





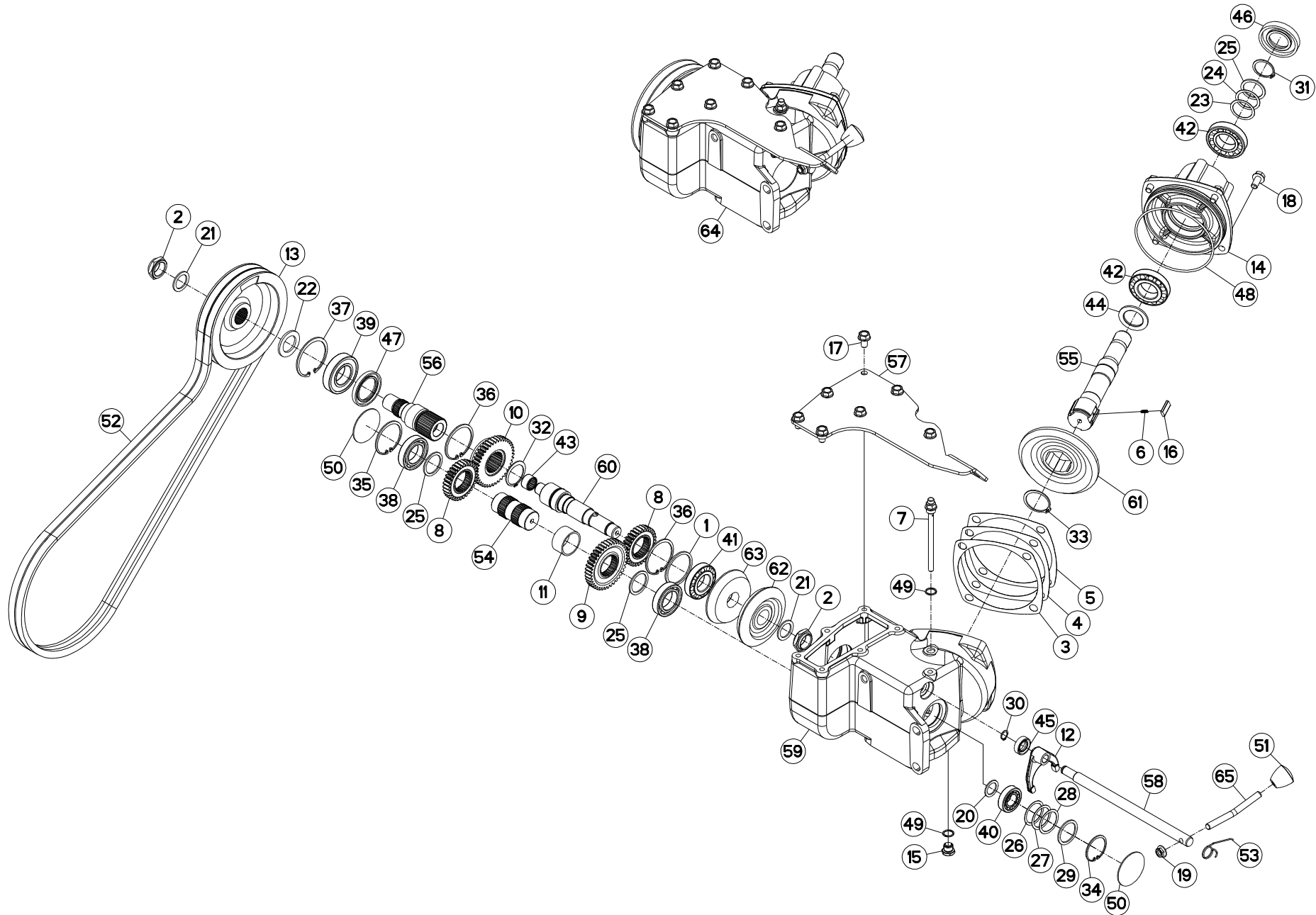
CARTER D'ENTREE

CUTTERBAR INPUT DRIVE

EINGANGSGETRIEBE

COMANDO ENTRATA BARRA COLTE

| Rep | Nr | Qt | Designation | Description | Bezeichnung | Referenza | Remarque - Remark - Bemerkung - Osservazioni |
|-----|----------|-----|-------------------------------|--------------------------------|-------------------------------|--------------------------|--|
| 001 | 50012200 | 001 | RONDELLE PLATE | WASHER, FLAT | SCHEIBE | RONDELLA PIATTA | |
| 002 | 50067400 | 002 | ECROU HEXAGONAL A RABATTRE | NUT | SECHSKANTMUTTER | DADO | |
| 003 | 55733600 | 001 | CALE DE REGLAGE 0.1 | DISTANCE WASHER 0,1 | DISTANZSCHEIBE 0,1 | SPESSORE | |
| 004 | 55733700 | 001 | CALE DE REGLAGE 0.3 | DISTANCE WASHER 0,3 | DISTANZSCHEIBE 0,3 | SPESSORE | |
| 005 | 55733800 | 001 | CALE DE REGLAGE 0.5 | DISTANCE WASHER 0,5 | DISTANZSCHEIBE 0,5 | SPESSORE | |
| 006 | 55745700 | 003 | RESSORT | SPRING | FEDER | MOLLA | |
| 007 | 55764900 | 001 | RENIFLARD-JAUGE | BREATHER W/ GAUGE | ENTLUEFTUNG/MESSSTAB | ASTINA | |
| 008 | 55824300 | 002 | ROUE CYLINDRIQUE 31 DENTS | PINION | RITZEL | RUOTA | Z=31 |
| 009 | 55824400 | 001 | PIGNON | GEAR, PINION | RITZEL | PIGNONE | Z=40 |
| 010 | 55824800 | 001 | PIGNON | GEAR, PINION | RITZEL | PIGNONE | Z=40 |
| 011 | 55825000 | 001 | ENTRETOISE | SPACER | DISTANZHUELSE | DISTANZIALE | |
| 012 | 55825200 | 001 | FOURCHETTE | SHIFT FORK | SCHALTGABEL | FORCELLA | |
| 013 | 55826500 | 001 | POULIE 2G. - DP 200 | PULLEY | KEILRIEMENSCHLEIBE | PULEGGIA | |
| 014 | 55834000 | 001 | PALIER | BEARING, PILLOW BLOCK | LAGER | SUPPORTO | |
| 015 | 56145700 | 001 | BOUCHON MAGNETIQUE | PLUG, MAGNETIC | MAGNET-VERSCHLUSSSCHRAUBE | TAPPO CALAMITATO | |
| 016 | 56548700 | 003 | CLIQUET | RATCHET | SPERRKLINKE | NOTTOLINO | |
| 017 | 80131220 | 007 | VIS AUTOBLOQUANTE FLZNNC | UNDERSERR.S.LOC.SCREW FLZNNC | SPERRZAHN-BUNDSCHRAU.FLZNNC | VITE FLZNNC | |
| 018 | 80131225 | 004 | VIS AUTOBLOQUANTE FLZNNC | UNDERSERR.S.LOC.SCREW FLZNNC | SPERRZAHN-BUNDSCHRAU.FLZNNC | VITE FLZNNC | |
| 019 | 80201253 | 001 | ECROU AUTOBLOQUANT FE/ZNXC3 | UNDERSERRAT.S.LOC.NUT FE/ZNXC3 | SPERRZAHN-BUNDMUTTER FE/ZNXC3 | DADO FE/ZNXC3 | |
| 020 | 80252536 | 001 | RONDELLE D'APPUI SS 2 | SUPPORTING RING SS 2 | STUETZSCHEIBE SS 2 | RONDELLA | |
| 021 | 80253042 | 002 | RONDELLE D'APPUI SS 2,5 | SUPPORTING RING SS 2,5 | STUETZSCHEIBE SS 2,5 | SPESSORE | |
| 022 | 80253556 | 001 | RONDELLE PLATE FE/ZNXC3 | PLAIN WASHER FE/ZNXC3 | SCHEIBE FE/ZNXC3 | RONDELLA PIATTA FE/ZNXC3 | |
| 023 | 80254040 | 001 | RONDELLE D'AJUSTAGE PS 0,1 | SHIM RING PS 0,1 | PASSSCHEIBE PS 0,1 | SPESSORE | |
| 024 | 80254042 | 001 | RONDELLE D'AJUSTAGE PS 0,5 | SHIM RING PS 0,5 | PASSSCHEIBE PS 0,5 | RONDELLA | |
| 025 | 80254043 | 003 | RONDELLE D'APPUI SS 2,5 | SUPPORTING RING SS 2,5 | STUETZSCHEIBE SS 2,5 | RONDELLA D'APPOGGIO | |
| 026 | 80254252 | 001 | RONDELLE D'AJUSTAGE PS 0,1 | SHIM RING PS 0,1 | PASSSCHEIBE PS 0,1 | SPESSORE | |
| 027 | 80254253 | 001 | RONDELLE D'AJUSTAGE PS 0,3 | SHIM RING PS 0,3 | PASSSCHEIBE PS 0,3 | SPESSORE | |
| 028 | 80254254 | 001 | RONDELLE D'AJUSTAGE PS 0,5 | SHIM RING PS 0,5 | PASSSCHEIBE PS 0,5 | SPESSORE | |
| 029 | 80254255 | 001 | RONDELLE D'AJUSTAGE PS 2,5 | SHIM RING PS 2,5 | PASSSCHEIBE PS 2,5 | SPESSORE | |
| 030 | 80581600 | 001 | CIRCLIP EXTERIEUR | RETAINING RING | SICHERUNGSRING | ANELLO | |
| 031 | 80584000 | 001 | CIRCLIP EXTERIEUR | ELASTIC RING E 40 | SICHERUNGSRING | ANELLO | |
| 032 | 80584500 | 001 | CIRCLIP EXTERIEUR | RETAINING RING | SICHERUNGSRING | ANELLO | |
| 033 | 80585000 | 001 | CIRCLIP EXTERIEUR | ELASTIC RING E 50 | SICHERUNGSRING | ANELLO | |
| 034 | 80595200 | 001 | CIRCLIP INTERIEUR | RETAINING RING | SICHERUNGSRING | ANELLO | |
| 035 | 80596800 | 001 | CIRCLIP INTERIEUR | ELASTIC RING I 68 | SICHERUNGSRING | ANELLO | |
| 036 | 80597200 | 002 | CIRCLIP INTERIEUR | RETAINING RING | SICHERUNGSRING | ANELLO | |
| 037 | 80598000 | 001 | CIRCLIP INTERIEUR | ELASTIC RING I80 BLACK (DIN 47 | SICHERUNGSRING | ANELLO | |
| 038 | 81004068 | 002 | ROULEMENT A BILLES | BALL BEARING | KUGELLAGER | CUSCINETTO A SFERE | |
| 039 | 81004082 | 001 | ROULEMENT A BILLES | BALL BEARING | KUGELLAGER | CUSCINETTO A SFERE | |
| 040 | 81302552 | 001 | ROULEMENT A ROULEAUX CONIQUES | TAPERED ROLLER BEARING | KEGELROLLENLAGER | CUSCINETTO A RULLO | |
| 041 | 81303572 | 001 | ROULEMENT A ROULEAUX CONIQUES | TAPERED ROLLER BEARING | KEGELROLLENLAGER | CUSCINETTO A RULLO | |
| 042 | 81304079 | 002 | ROULEMENT A ROULEAUX CONIQUES | ROLLER BEARING TAPERED | KEGELROLLENLAGER | CUSCINETTO A RULLO | |
| 043 | 81422228 | 001 | DOUILLE A AIGUILLES | NEEDLE BEARING | NADELLAGER | BUSSOLA | |
| 044 | 81434060 | 001 | RONDELLE BUTEE | STOP WASHER | ANSCHLAGSCHEIBE | RONDELLA | |
| 045 | 82012035 | 001 | BAGUE D'ETANCHEITE | OIL SEAL | RADIALDICHRING | PARAOILIO | |
| 046 | 82014080 | 001 | BAGUE D'ETANCHEITE | OIL SEAL | RADIALDICHRING | PARAOILIO | |
| 047 | 82014871 | 001 | BAGUE D'ETANCHEITE | OIL SEAL | RADIALDICHRING | PARAOILIO | |
| 048 | 82060048 | 001 | JOINT TORIQUE | O-RING | O-RING | GUARNIZIONE | |





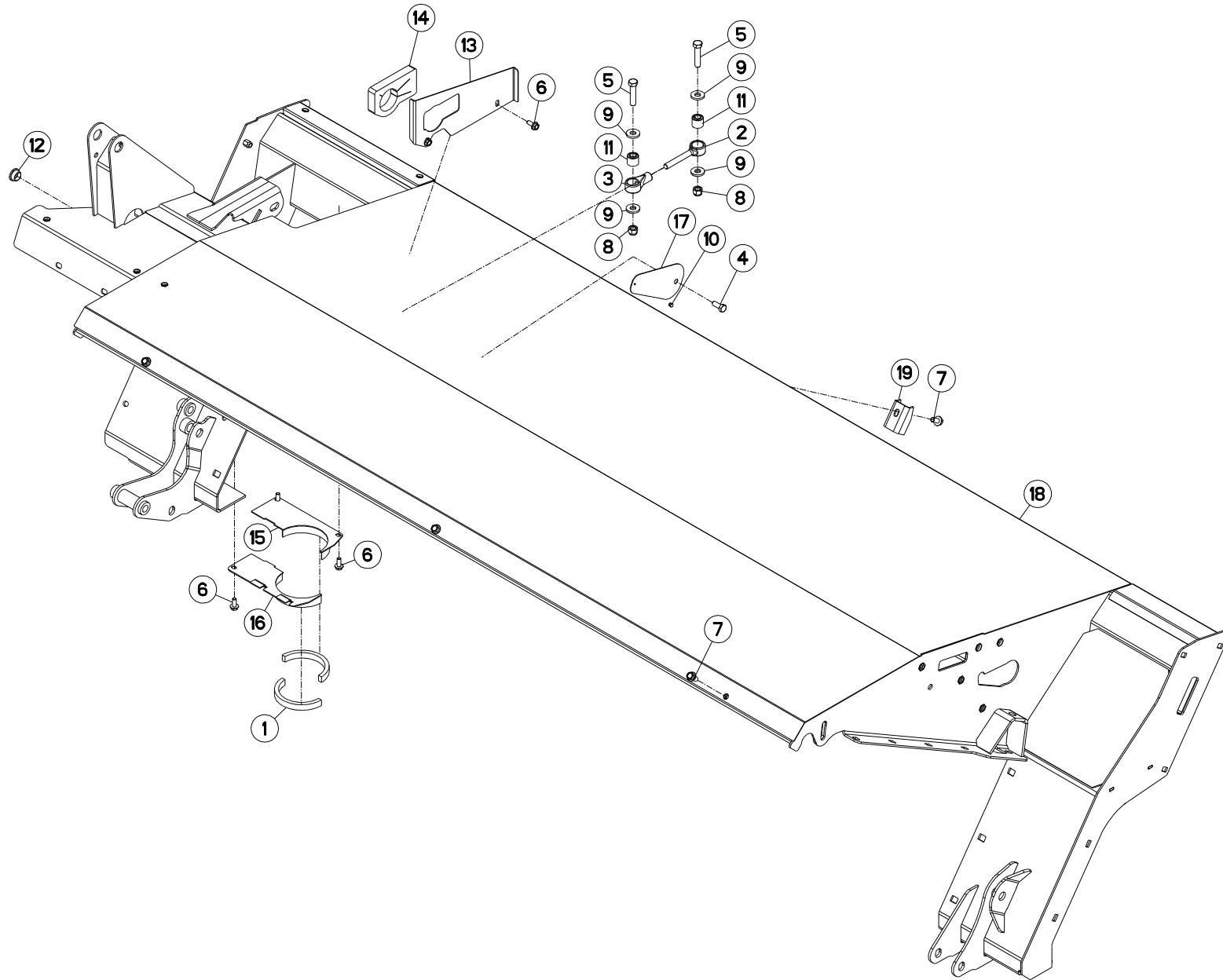
CARTER D'ENTREE

CUTTERBAR INPUT DRIVE

EINGANGSGETRIEBE

COMANDO ENTRATA BARRA COLTE

| Rep | Nr | Qt | Designation | Description | Bezeichnung | Referenza | Remarque - Remark - Bemerkung - Osservazioni |
|-----|----------|-----|-------------------------------|----------------------------|-------------------|------------------|--|
| 049 | 82101822 | 002 | JOINT CUIVRE | COPPER RING D 22X18X1.5 MM | DICHTRING CU | PARAOLIO | |
| 050 | 83040002 | 002 | BOUCHON EXPANSIBLE | EXPANDING CAP | VERSCHLUSSSCHEIBE | TAPPO | |
| 051 | 83050006 | 001 | POIGNEE | HANDLE | HANDGRIFF | MANIGLIA | |
| 052 | 83101796 | 001 | JEU 2 COURROIES TRAPEZOIDALES | SET OF 2 V-BELTS | SATZ 2 KEILRIEMEN | SERIE 2 CINGHIE | |
| 053 | K5600480 | 001 | RESSORT DE RAPPEL ZBC | TRACTION SPRING | ZUGFEDER | MOLLA | |
| 054 | K5600500 | 001 | ARBRE INTERMEDIAIRE | INTERMEDIATE SHAFT | ZWISCHENWELLE | ALBERO | |
| 055 | K5600560 | 001 | ARBRE D'ENTREE | PRIMARY SHAFT | ANTRIEBSWELLE | ALBERO | |
| 056 | K5602680 | 001 | AXE INFERIEUR | PIN | BOLZEN | ASSE | |
| 057 | K5602700 | 001 | COUVERCLE DU CARTER | COVER | GEHAEUSEDECKEL | COPERCHIO CARTER | |
| 058 | K5602710 | 001 | TIGE DE FOURCHETTE | TIE-ROD | EINSTELLHEBEL | STELO | |
| 059 | K5607770 | 001 | CARTER | HOUSING | GEHAEUSE | SCATOLA | |
| 060 | K5607910 | 001 | ARBRE SUPERIEUR | SHAFT | WELLE | ALBERO | |
| 061 | K5600520 | 001 | ROUE 41 DENTS | GEAR WHEEL | ZAHNRAD 41 Z. | RUOTA | Z=41 |
| 062 | K5600530 | 001 | ROUE 31 DENTS | GEAR WHEEL | ZAHNRAD | RUOTA | Z=31 |
| 063 | K5600540 | 001 | PIGNON 27 DENTS | PINION Z.27 | ZAHNRAD Z.27 | PIGNONE Z.27 | Z=27 |
| 064 | K5609390 | 001 | PREMONTAGE | PRE-ASSEMBLY | VORMONTAGE | PREMONTAGGIO | |
| 065 | K5610570 | 001 | LEVIER | LEVER | HEBEL | LEVA | |





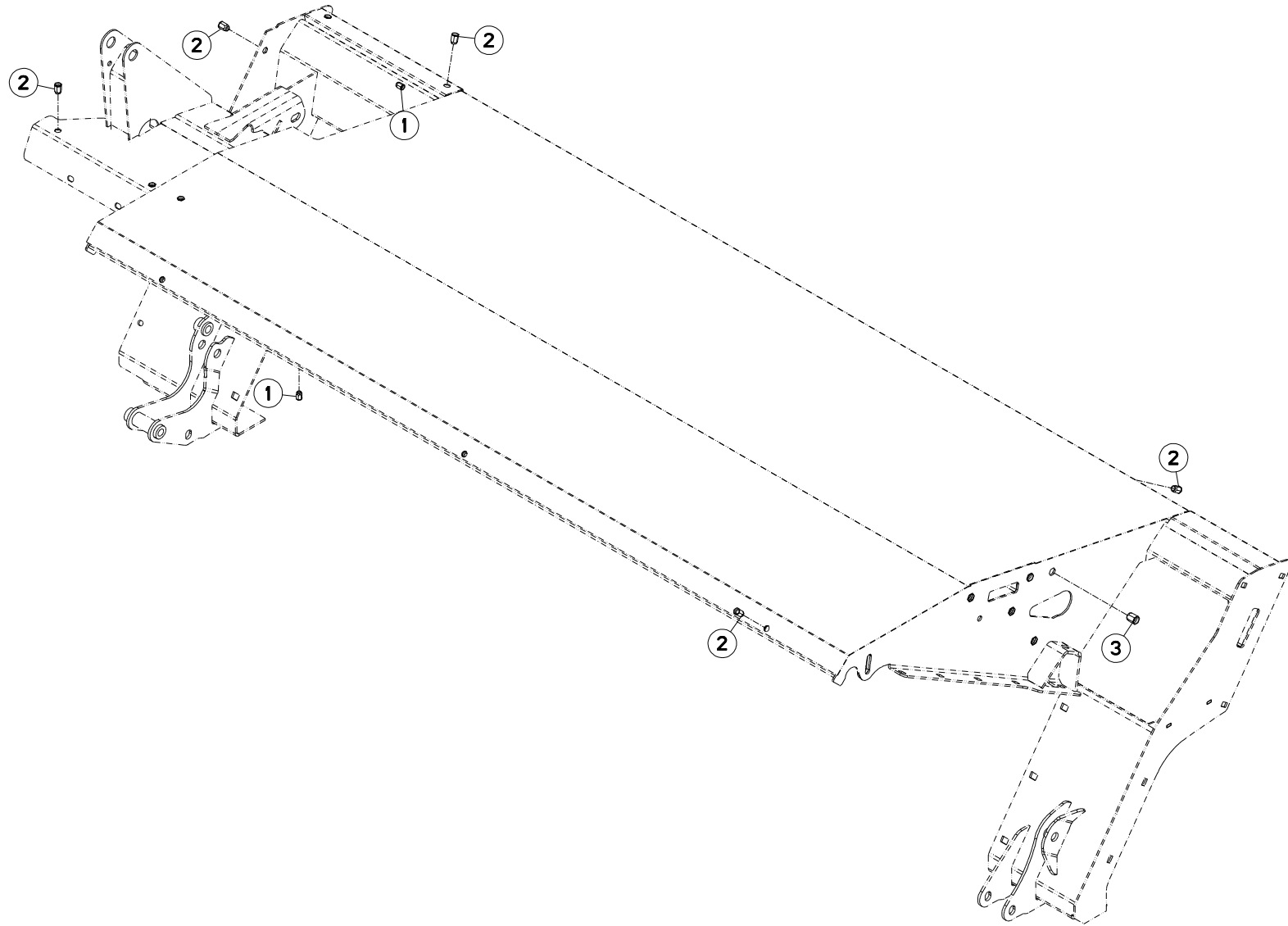
CAISSON

COVER

ABDECKHAUBE

CASSONCINO

| Rep | Nr | Qt | Designation | Description | Bezeichnung | Referenza | Remarque - Remark - Bemerkung - Osservazioni |
|-----|-----------------|-----|-------------------------------|--------------------------------|-------------------------------|-------------------------------|--|
| 001 | 2560002 | 001 | MOUSSE NEOPRENE 15X9X2000 | SPONGE BAND 15X9X2000 | SCHAUMGUMMIBAND 15X9X2000 | GUARNIZIONE 15X9X2000 | |
| 002 | 55814900 | 001 | TIRANT DE BIELLETTE | TIE ROD | ZUGSTANGE | TIRANTE | |
| 003 | 55815000 | 001 | BIELLETTE | PULL BAR | SCHUBSTANGE | BIELLA | |
| 004 | 80061026 | 001 | VIS TETE HEXAGONALE FE/ZNXC3 | HEXAGON HEAD SCREW FE/ZNXC3 | SECHSKANTSCHRAUBE FE/ZNXC3 | VITE TESTA ESAGONALE FE/ZNXC3 | |
| 005 | 80061258 | 002 | VIS TETE HEXAGONALE | HEXAGON HEAD SCREW | SECHSKANTSCHRAUBE | VITE A TESTA ESAGONALE | |
| 006 | 80130820 | 005 | VIS AUTOBLOQUANTE FLZNNC | UNDERSERR.S-LOC.SCREW FLZNNC | SPERRZAHN-BUNDSCHRAU.FLZNNC | VITE FLZNNC | |
| 007 | 80131020 | 006 | VIS AUTOBLOQUANTE FLZNNC | UNDERSERRATED S-LOCKING FLZNNC | SPERRZAHN-BUNDSCHRAUBE FLZNNC | VITE FLZNNC | |
| 008 | 80201230 | 002 | ECROU HEX.AUTOFREINE FE/ZNXC3 | SELF-LOCKING NUT FE/ZNXC3 | SELBSTSICH.MUTTER FE/ZNXC3 | DADO AUTOBLOCCANTE FE/ZNXC3 | |
| 009 | 80251331 | 004 | RONDELLE PLATE FE/ZNXC3 | PLAIN WASHER FE/ZNXC3 | SCHEIBE FE/ZNXC3 | RONDELLA PIATTA FE/ZNXC3 | |
| 010 | 80370408 | 001 | RIVET CLOU ALU | BLIND RIVET | BLINDNIETE | RIVETTO | |
| 011 | 83030018 | 002 | ARTICULATION ELASTIQUE | ELASTIC-COUPLING | ELASTIK-GELENK | GOMMINO | |
| 012 | 83040059 | 001 | BOUCHON D'OBTURATION | END PLUG | VERSCHLUSSSTOPFEN | TAPPO DI CHIUSURA | |
| 013 | K5603550 | 001 | COUVERCLE | LID | DECKEL | COPERCHIO | |
| 014 | K5603820 | 001 | MOUSSE | FOAM | SCHAUMSTOFF | GUARNIZIONE | |
| 015 | K5604220 | 001 | CACHE AVANT | GUARD | SCHUTZ | PROTEZIONE | |
| 016 | K5604230 | 001 | CACHE ARRIERE | GUARD | SCHUTZ | PROTEZIONE | |
| 017 | K5605630 | 001 | OBTURATEUR | COVER, PLUG | VERSCHLUSS | OTTURATORE | |
| 018 | K5606550 | 001 | TUBE | TUBE | ROHR | TUBO | |
| 019 | K5609420 | 001 | BUTEE | STOP | ANSCHLAG | LIMITATORE | |





FC303GL NV

E0001 >

K56R0191 A

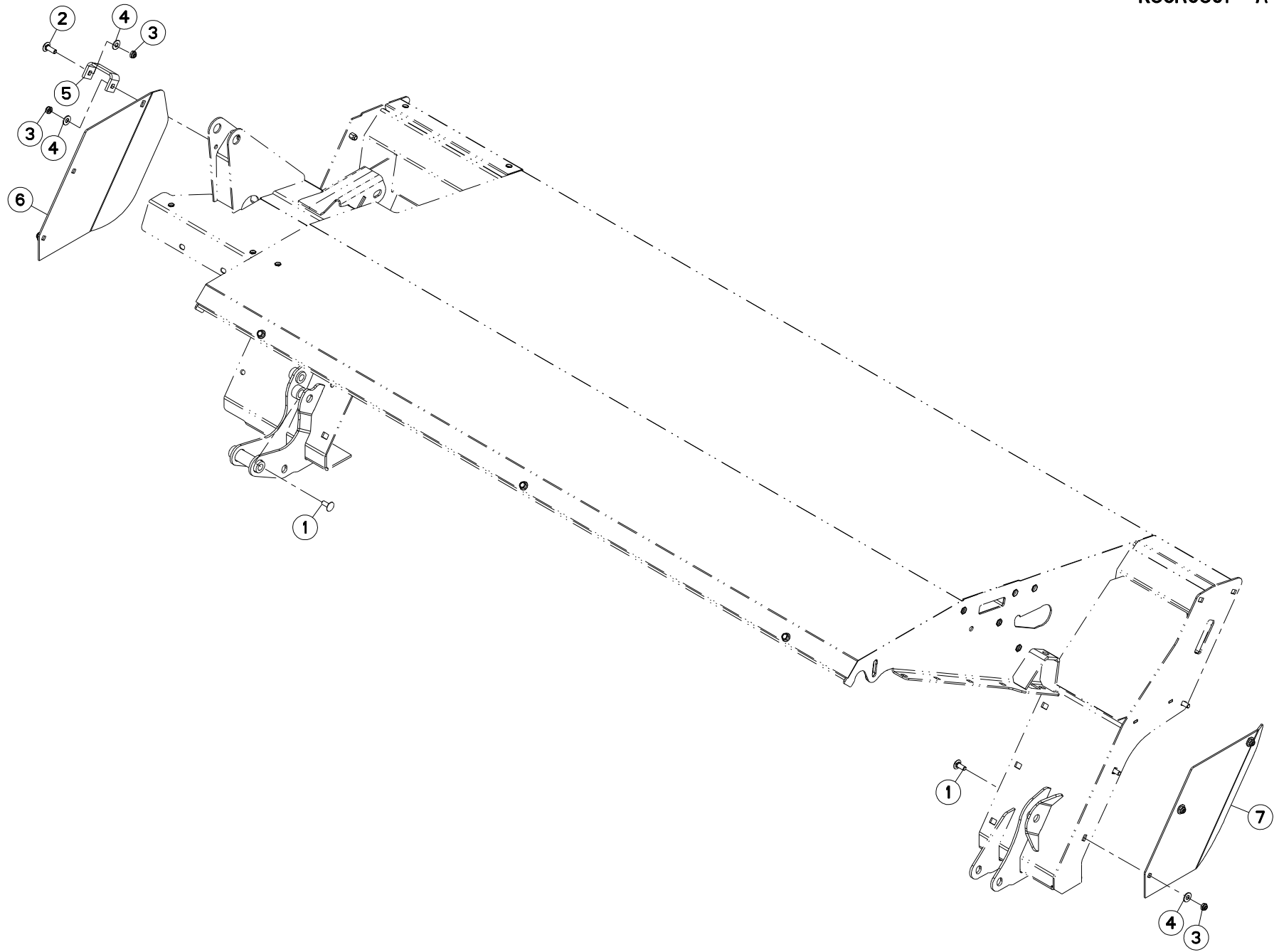
CAISSON

COVER

ABDECKHAUBE

CASSONCINO

| Rep | Nr | Qt | Designation | Description | Bezeichnung | Referenza | Remarque - Remark - Bemerkung - Osservazioni |
|-----|-----------------|-----|-------------------------|--------------------|------------------------|---------------|--|
| 001 | 80200890 | 005 | ECROU A SERTIR FE/ZNXC3 | CRIMP NUT FE/ZNXC3 | EINNIETMUTTER FE/ZNXC3 | DADO FE/ZNXC3 | |
| 002 | 80201090 | 014 | ECROU A SERTIR FE/ZNXC3 | CRIMP NUT FE/ZNXC3 | EINNIETMUTTER FE/ZNXC3 | DADO FE/ZNXC3 | |
| 003 | 80201290 | 005 | ECROU A SERTIR FE/ZNXC3 | CRIMP NUT FE/ZNXC3 | EINNIETMUTTER FE/ZNXC3 | DADO FE/ZNXC3 | |





FC303GL NV

E0001 >

K56R0301 A

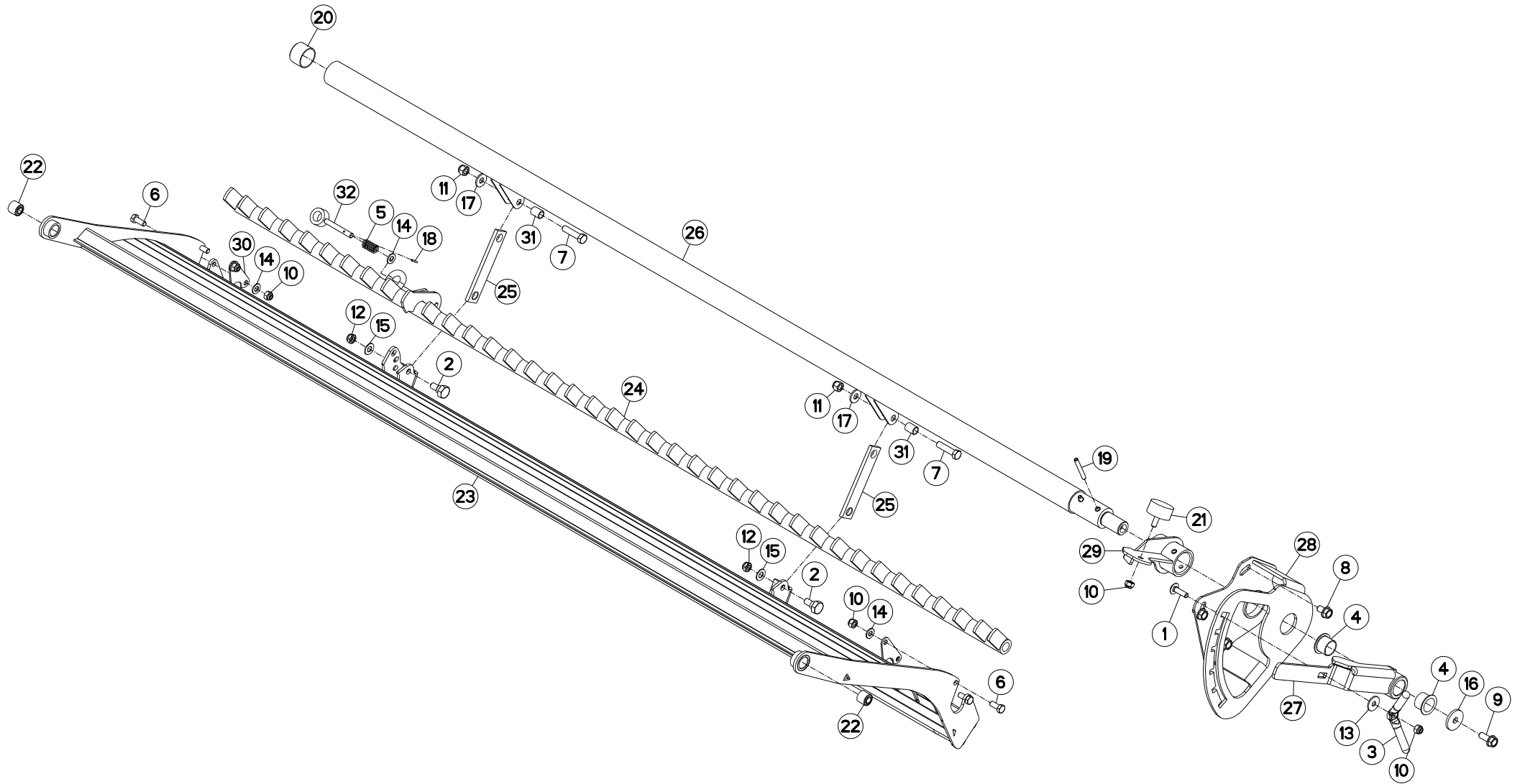
DEFLECTEURS LATÉRAUX

SIDE DEFLECTORS

SEITLICHE ABSCHLUSSPLATTEN

DEFLETTORI LATERALI

| Rep | Nr | Qt | Designation | Description | Bezeichnung | Referenza | Remarque - Remark - Bemerkung - Osservazioni |
|-----|-----------------|-----|-------------------------------|------------------------------|--------------------------------|-----------------------------|--|
| 001 | 50002200 | 005 | VIS TBCC COURT | BOLT, CARRIAGE, SHORT NECK | FLACHRUNDSCHR.4KT ANSATZ | BULLONE | |
| 002 | 50002300 | 002 | VIS TBCC COURT | BOLT, CARRIAGE, SHORT NECK | FLACHRUNDSCHR.4KT ANSATZ | BULLONE | |
| 003 | 80201040 | 007 | ECROU HEX.BAS AUTOFR.FE/ZNXC3 | SELF LOCKING NUT M10 DIN 985 | SELBSTSICHERND.MUTTER FE/ZNXC3 | DADO AUTOBLOCCANTE FE/ZNXC3 | |
| 004 | 80251176 | 007 | RONDELLE PLATE FE/ZNXC3 | PLAIN WASHER FE/ZNXC3 | SCHEIBE FE/ZNXC3 | RONDELLA PIATTA FE/ZNXC3 | |
| 005 | K5609830 | 001 | ENTRETOISE | SPACER | DISTANZHUELSE | DISTANZIALE | |
| 006 | K5609840 | 001 | DEFLECTEUR | DEFLECTOR | ABWEISER | DEFLETTORE | |
| 007 | K5609850 | 001 | DEFLECTEUR | DEFLECTOR | ABWEISER | DEFLETTORE | |





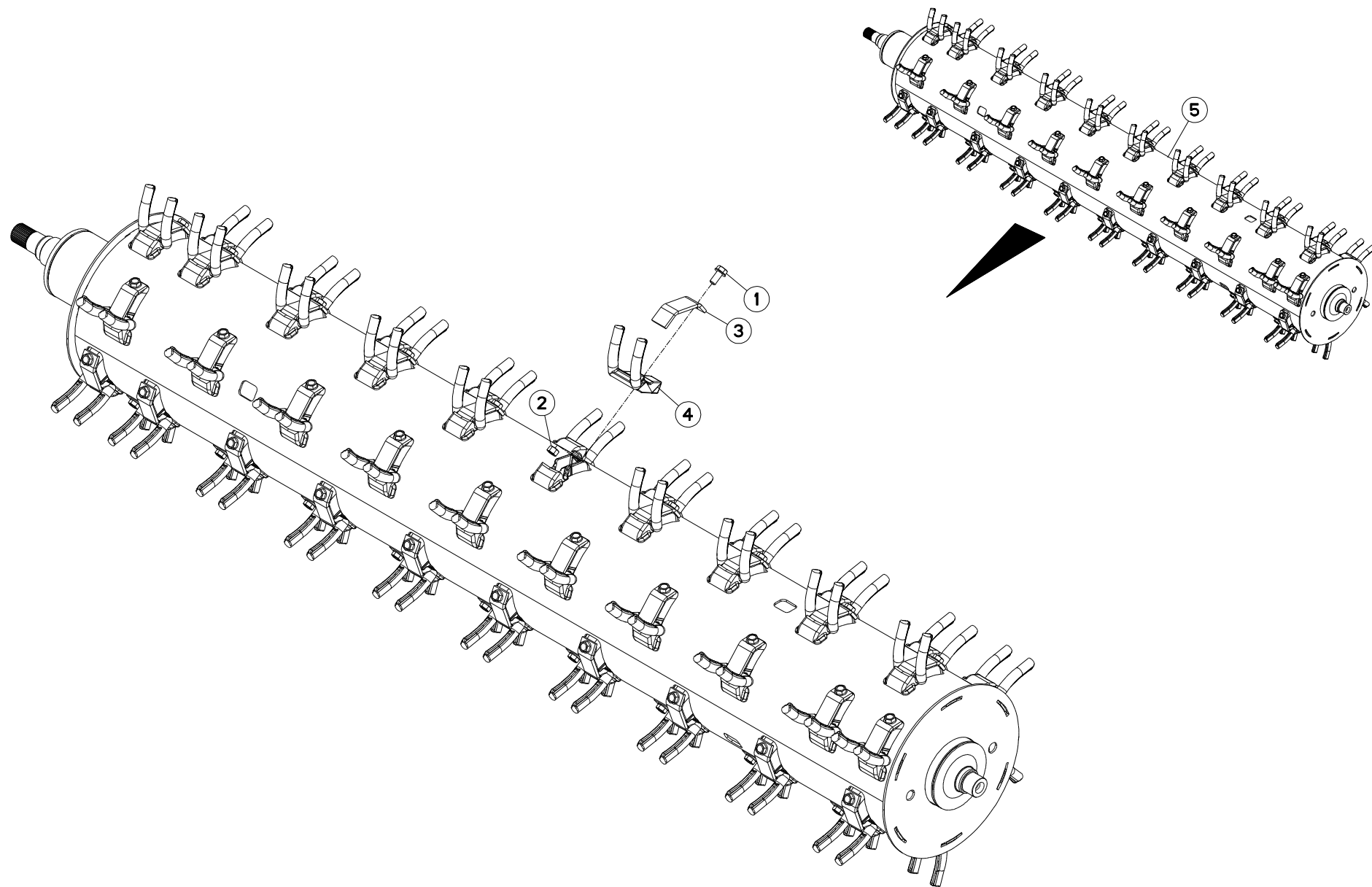
PEIGNE

COMB

KAMM

PETTINE

| Rep | Nr | Qt | Designation | Description | Bezeichnung | Referenza | Remarque - Remark - Bemerkung - Osservazioni |
|-----|-----------------|-----|--------------------------------|-------------------------------|--------------------------------|-------------------------------|--|
| 001 | 50007300 | 001 | VIS TBCC COURT | BOLT, CARRIAGE, SHORT NECK | FLACHRUNDSCHR.4KT ANSATZ | BULLONE | |
| 002 | 50066600 | 002 | VIS | SCREW | SCHRAUBE | VITE | |
| 003 | 56529000 | 001 | POIGNEE | HANDLE | HANDGRIFF | MANIGLIA | |
| 004 | 56540200 | 002 | BAGUE PLASTIQUE A COLLERETTE | NYLON BEARING | KUNSTSTOFF-GLEITLAGER | ANELLO PLASTICA | |
| 005 | 58527300 | 001 | RESSORT | SPRING | FEDER | MOLLA | |
| 006 | 80061026 | 004 | VIS TETE HEXAGONALE FE/ZNXC3 | HEXAGON HEAD SCREW FE/ZNXC3 | SECHSKANTSCHRAUBE FE/ZNXC3 | VITE TESTA ESAGONALE FE/ZNXC3 | |
| 007 | 80061249 | 002 | VIS TETE HEXAGONALE FE/ZNXC3 | HEXAGON HEAD SCREW FE/ZNXC3 | SECHSKANTSCHRAUBE FE/ZNXC3 | VITE TESTA ESAGONALE FE/ZNXC3 | |
| 008 | 80131220 | 003 | VIS AUTOBLOQUANTE FLZNNC | UNDERSERR.S-LOC.SCREW FLZNNC | SPERRZAHN-BUNDSCHRAU.FLZNNC | VITE FLZNNC | |
| 009 | 80131232 | 001 | VIS AUTOBLOQUANTE FLZNNC KL105 | UNDERSERR.S-LOC.SCREW FLZNNC | SPERRZAHN-BUNDSCHRAU.FLZNNC | VITE FLZNNC KL105 | |
| 010 | 80201030 | 006 | ECROU HEX.AUTOFREINE FE/ZNXC3 | SELF-LOCKING NUT FE/ZNXC3 | SELBSTSICH.MUTTER FE/ZNXC3 | DADO AUTOBLOCCANTE FE/ZNXC3 | |
| 011 | 80201230 | 002 | ECROU HEX.AUTOFREINE FE/ZNXC3 | SELF-LOCKING NUT FE/ZNXC3 | SELBSTSICH.MUTTER FE/ZNXC3 | DADO AUTOBLOCCANTE FE/ZNXC3 | |
| 012 | 80201240 | 002 | ECROU HEX.BAS AUTOFR.FE/ZNXC3 | SELF-LOCKING NUT M 12 DIN-985 | SELBSTSICHERND.MUTTER FE/ZNXC3 | DADO AUTOBLOCCANTE FE/ZNXC3 | |
| 013 | 80251032 | 001 | RONDELLE PLATE | PLAIN WASHER | SCHEIBE | RONDELLA PIATTA | |
| 014 | 80251021 | 005 | RONDELLE PLATE FE/ZNXC3 | PLAIN WASHER M10 | SCHEIBE FE/ZNXC3 | RONDELLA PIATTA FE/ZNXC3 | |
| 015 | 80251225 | 002 | RONDELLE PLATE FE/ZNXC3 | PLAIN WASHER FE/ZNXC3 | SCHEIBE FE/ZNXC3 | RONDELLA PIATTA FE/ZNXC3 | |
| 016 | 80251345 | 001 | RONDELLE PLATE FE/ZNXC3 | PLAIN WASHER FE/ZNXC3 | SCHEIBE FE/ZNXC3 | RONDELLA PIATTA FE/ZNXC3 | |
| 017 | 80281230 | 002 | RONDELLE RESSORT FLZNNC | CONICAL SPRING WASHER FLZNNC | SPANNSCHEIBE FLZNNC | RONDELLA MOLLA FLZNNC | |
| 018 | 80450320 | 001 | GOUPILLE ELASTIQUE INOX | ROLL PIN INOX | SPANNHUELSE INOX | SPINA ELASTICA INOX | |
| 019 | 80450859 | 002 | GOUPILLE ELASTIQUE FLZNNC | ROLL PIN FLZNNC | SPANNHUELSE FLZNNC | SPINA ELASTICA FLZNNC | |
| 020 | 83014048 | 001 | BAGUE PLASTIQUE | NYLON BEARING | KUNSTSTOFF-GLEITLAGER | ANELLO PLASTICA | |
| 021 | 83030015 | 001 | BUTEE ELASTIQUE | RUBBER STOP | GUMMIPUFFER | GOMMINO | |
| 022 | 83030018 | 002 | ARTICULATION ELASTIQUE | ELASTIC-COUPLING | ELASTIK-GELENK | GOMMINO | |
| 023 | K5605351 | 001 | VOLUTE | VOLUTE | SPIRALE | CAMERA | |
| 024 | K5605370 | 001 | PEIGNE | COMB | KAMM | PETTINE | |
| 025 | K5605391 | 002 | BIELLETTA | LINK | SCHUBSTANGE | BIELLETTA | |
| 026 | K5605921 | 001 | PRESOUDURE | TUBE | ROHR | TUBO | |
| 027 | K5605931 | 001 | POIGNEE | HANDLE | HANDGRIFF | MANIGLIA | |
| 028 | K5605941 | 001 | PRESOUDURE | LOCKING PLATE | RIEGELPLATTE | SETTORE | |
| 029 | K5605950 | 001 | SUPPORT | SUPPORT | TRAEGER | SUPPORTO | |
| 030 | K5800550 | 002 | PATTE DE FIXATION DU PEIGNE | PLATE | LASCHE | FAZZOLETTO | |
| 031 | K5800720 | 002 | DOUILLE DE BIELLETTE ZBC | BUSH | HUELSE | BUSSOLA | |
| 032 | K7002980 | 001 | AXE ZBC | AXLE ZBC | ACHSE ZBC | ASSE | |





FC303GL NV

E0001 >

K56R0184 A

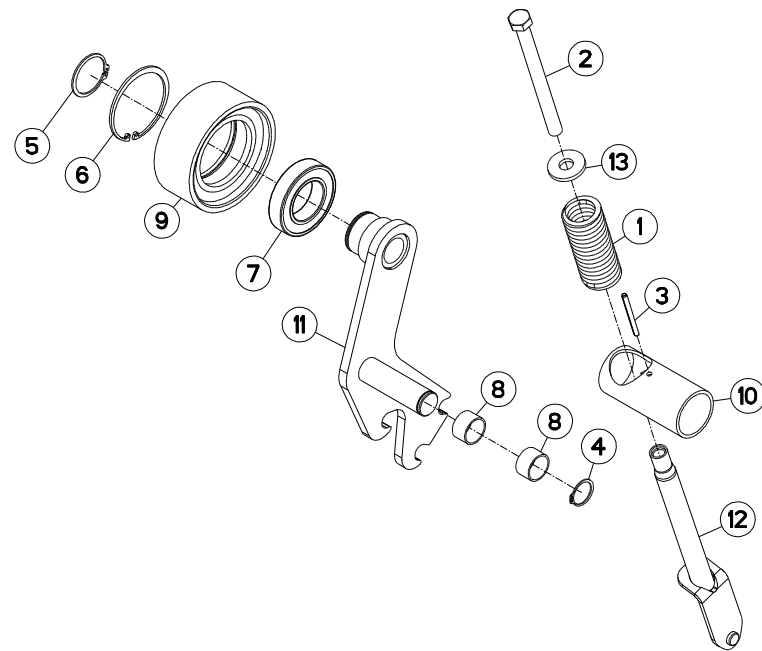
ROTOR A DOIGTS

FINGER ROTOR

FINGERROTOR

ROTORE A DITA

| Rep | Nr | Qt | Designation | Description | Bezeichnung | Referenza | Remarque - Remark - Bemerkung - Osservazioni |
|-----|-----------------|-----|-----------------|---------------------|--------------------------|--------------------|--|
| 001 | 50003300 | 060 | VIS AUTOFREINEE | SCREW, SELF-LOCKING | SELBSTSICHERNDE SCHRAUBE | VITE AUTOBLOCCANTE | [1] 12,5 daN m (93 lbf ft) |
| 002 | 80201200 | 060 | ECROU HEXAGONAL | HEX. NUT M12 | SECHSKANTMUTTER | DADO | [1] |
| 003 | K5606301 | 060 | BRIDE | CLAMP | BUEGEL | STAFFA | [1] |
| 004 | K5801152 | 060 | DOIGT | FINGER | FINGER | DENTE | [1] |
| 005 | K5801283 | 001 | ROTOR CPLT | ROTOR CPLT | ROTOR KPLT | ROTORE | + [1] |





FC303GL NV

E001 >

K56R0208 A

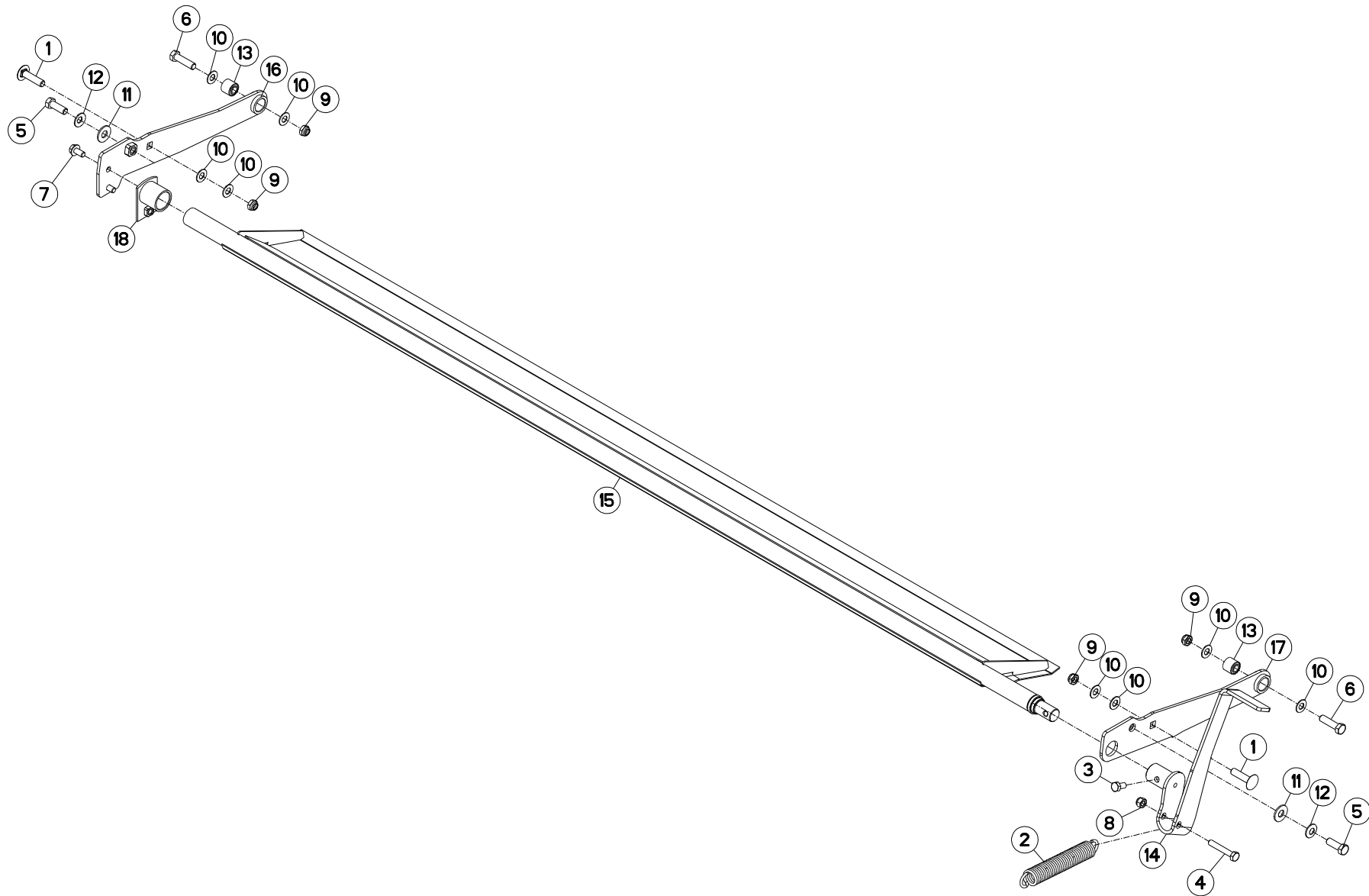
TENDEUR

TENSIONER

SPANNER

TENDITORE

| Rep | Nr | Qt | Designation | Description | Bezeichnung | Referenza | Remarque - Remark - Bemerkung - Osservazioni |
|-----|-----------------|-----|------------------------------|--------------------------------|----------------------------|-------------------------------|--|
| 001 | 58733700 | 001 | RESSORT DE PRESSION ZBC | PRESSURE SPRING ZBC | FEDER ZBC | MOLLA DI PRESSIONE ZBC | |
| 002 | 80061690 | 001 | VIS TETE HEXAGONALE FE/ZNXC3 | HEXAGON HEAD SCREW FE/ZNXC3 | SECHSKANTSCHRAUBE FE/ZNXC3 | VITE TESTA ESAGONALE FE/ZNXC3 | |
| 003 | 80450666 | 001 | GOUPILLE ELASTIQUE FLZNNC | ROLL PIN FLZNNC | SPANNHUELSE FLZNNC | SPINA ELASTICA FLZNNC | |
| 004 | 80583000 | 001 | CIRCLIP EXTERIEUR | ELASTIC RING B,VOLUX E30 DIN 4 | SICHERUNGSRING | ANELLO | |
| 005 | 80585000 | 001 | CIRCLIP EXTERIEUR | ELASTIC RING E 50 | SICHERUNGSRING | ANELLO | |
| 006 | 80599000 | 001 | CIRCLIP INTERIEUR | ELASTIC RING I 90 | SICHERUNGSRING | ANELLO | |
| 007 | 81005091 | 001 | ROULEMENT A BILLES | BALL BEARING | KUGELLAGER | CUSCINETTO A SFERE | |
| 008 | 83013034 | 002 | BAGUE ROULEE | WRAPPED BUSH | GEROLLTE BUCHSE | ANELLO LUBRIFICATO | |
| 009 | K5603450 | 001 | GALET TENDEUR | CAM ROLLER | ROLLE | | |
| 010 | K5603460 | 001 | TUBE | TUBE | ROHR | TUBO | |
| 011 | K5604820 | 001 | TENDEUR NU | TENSIONER | SPANNER | TENDITORE | |
| 012 | K5604840 | 001 | TIRANT ROTOR TIMON LATERAL | TIE ROD | ZUGSTANGE | REGISTRO | |
| 013 | K5606630 | 001 | RONDELLE | WASHER | SCHEIBE | RONDELLA | |





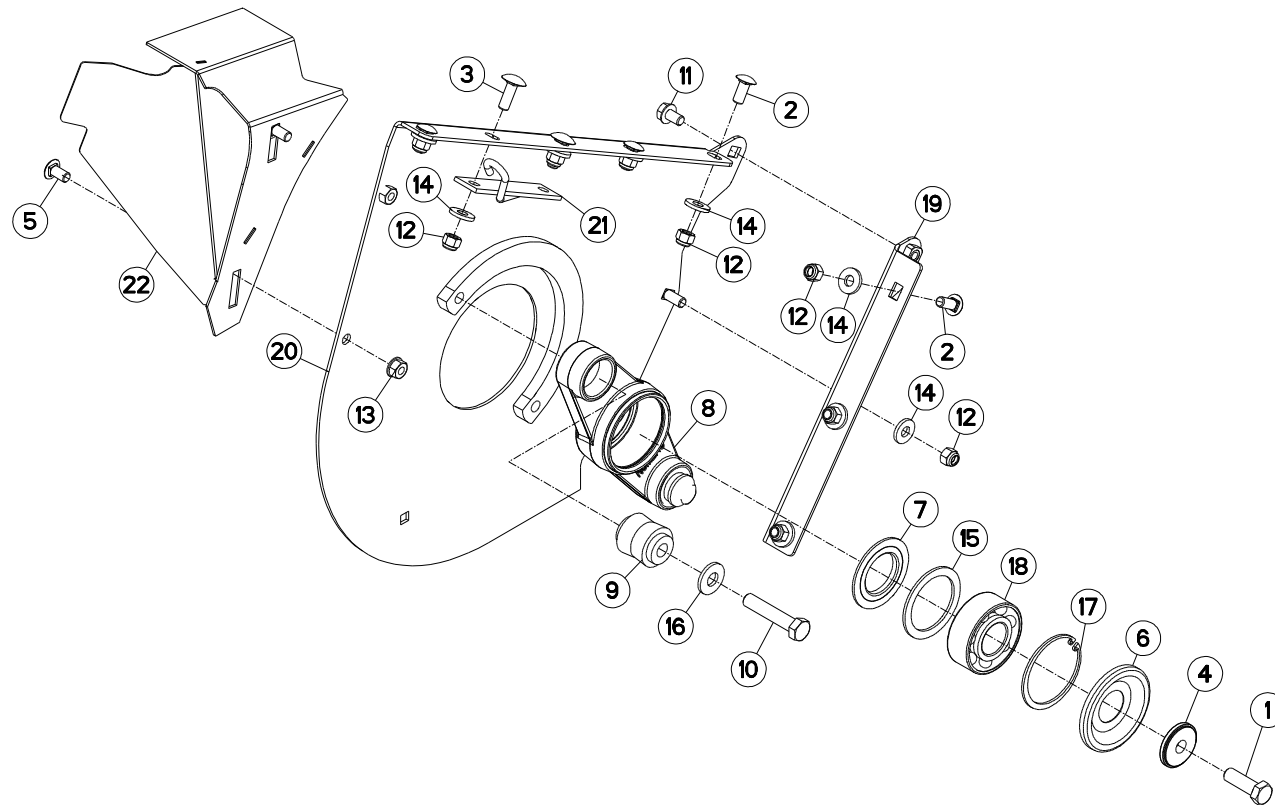
DEFLECTEUR

DEFLECTOR

ABWEISER

DEFLETTORE

| Rep | Nr | Qt | Designation | Description | Bezeichnung | Referenza | Remarque - Remark - Bemerkung - Osservazioni |
|-----|-----------------|-----|-------------------------------|--------------------------------|--------------------------------|--------------------------------|--|
| 001 | 50069210 | 002 | VIS TBCC COURT | BOLT, CARRIAGE, SHORT NECK | FLACHRUNDSCHR.4KT ANSATZ | BULLONE | |
| 002 | 53032700 | 001 | RESSORT DE TRACTION | SPRING, EXTENSION | ZUGFEDER | MOLLA DI TRAZIONE | |
| 003 | 80061020 | 001 | VIS TETE HEXAGONALE FE/ZNXC3 | HEX. HEAD SCREW M10 X 20 MM CL | SECHSKANTSCHRAUBE FE/ZNXC3 | VITE A TESTA ESAGONALE FE/ZNXC | |
| 004 | 80061054 | 001 | VIS TETE HEXAGONALE FE/ZNXC3 | HEX BOLT FE/ZNXC3 | SECHSKANTSCHRAUBE FE/ZNXC3 | VITE TESTA ESAGONALE FE/ZNXC3 | |
| 005 | 80061242 | 002 | VIS TETE HEXAGONALE FLZNNC | HEXAGON HEAD SCREW FLZNNC | SECHSKANTSCHRAUBE FLZNNC | VITE TESTA ESAGONALE FLZNNC | |
| 006 | 80061245 | 002 | VIS TETE HEXAGONALE FE/ZNXC3 | HEXAGON HEAD SCREW FE/ZNXC3 | SECHSKANTSCHRAUBE FE/ZNXC3 | VITE TESTA ESAGONALE FE/ZNXC3 | |
| 007 | 80131020 | 002 | VIS AUTOBLOQUANTE FLZNNC | UNDERSERRATED S-LOCKING FLZNNC | SPERRZAHN-BUNDSCHRAUBE FLZNNC | VITE FLZNNC | |
| 008 | 80201030 | 001 | ECROU HEX.AUTOFREINE FE/ZNXC3 | SELF-LOCKING NUT FE/ZNXC3 | SELBSTSICH.MUTTER FE/ZNXC3 | DADO AUTOBLOCCANTE FE/ZNXC3 | |
| 009 | 80201240 | 004 | ECROU HEX.BAS AUTOFR.FE/ZNXC3 | SELF-LOCKING NUT M 12 DIN-985 | SELBSTSICHERND.MUTTER FE/ZNXC3 | DADO AUTOBLOCCANTE FE/ZNXC3 | |
| 010 | 80251225 | 008 | RONDELLE PLATE FE/ZNXC3 | PLAIN WASHER FE/ZNXC3 | SCHEIBE FE/ZNXC3 | RONDELLA PIATTA FE/ZNXC3 | |
| 011 | 80251237 | 002 | RONDELLE PLATE FE/ZNXC3 | PLAIN WASHER FE/ZNXC3 | SCHEIBE FE/ZNXC3 | RONDELLA PIATTA FE/ZNXC3 | |
| 012 | 80281250 | 002 | RONDELLE CONTACT BLOC.FLZNNC | CONICAL SPRING WASHER FLZNNC | SPANNSCHEIBE FLZNNC | RONDELLA BLOCCAGGIO FLZNNC | |
| 013 | 83030018 | 002 | ARTICULATION ELASTIQUE | ELASTIC-COUPLING | ELASTIK-GELENK | GOMMINO | |
| 014 | K5605220 | 001 | LEVIER | LEVER | HEBEL | LEVA | |
| 015 | K5605230 | 001 | DEFLECTEUR | DEFLECTOR | ABWEISER | DEFLETTORE | |
| 016 | K5608200 | 001 | BIELLE GAUCHE | PULL BAR | LENKER | BIELLA | |
| 017 | K5608210 | 001 | BIELLE DROITE | PULL BAR | LENKER | BIELLA | |
| 018 | K5608220 | 001 | PALIER | BEARING, PILLOW BLOCK | LAGER | SUPPORTO | |





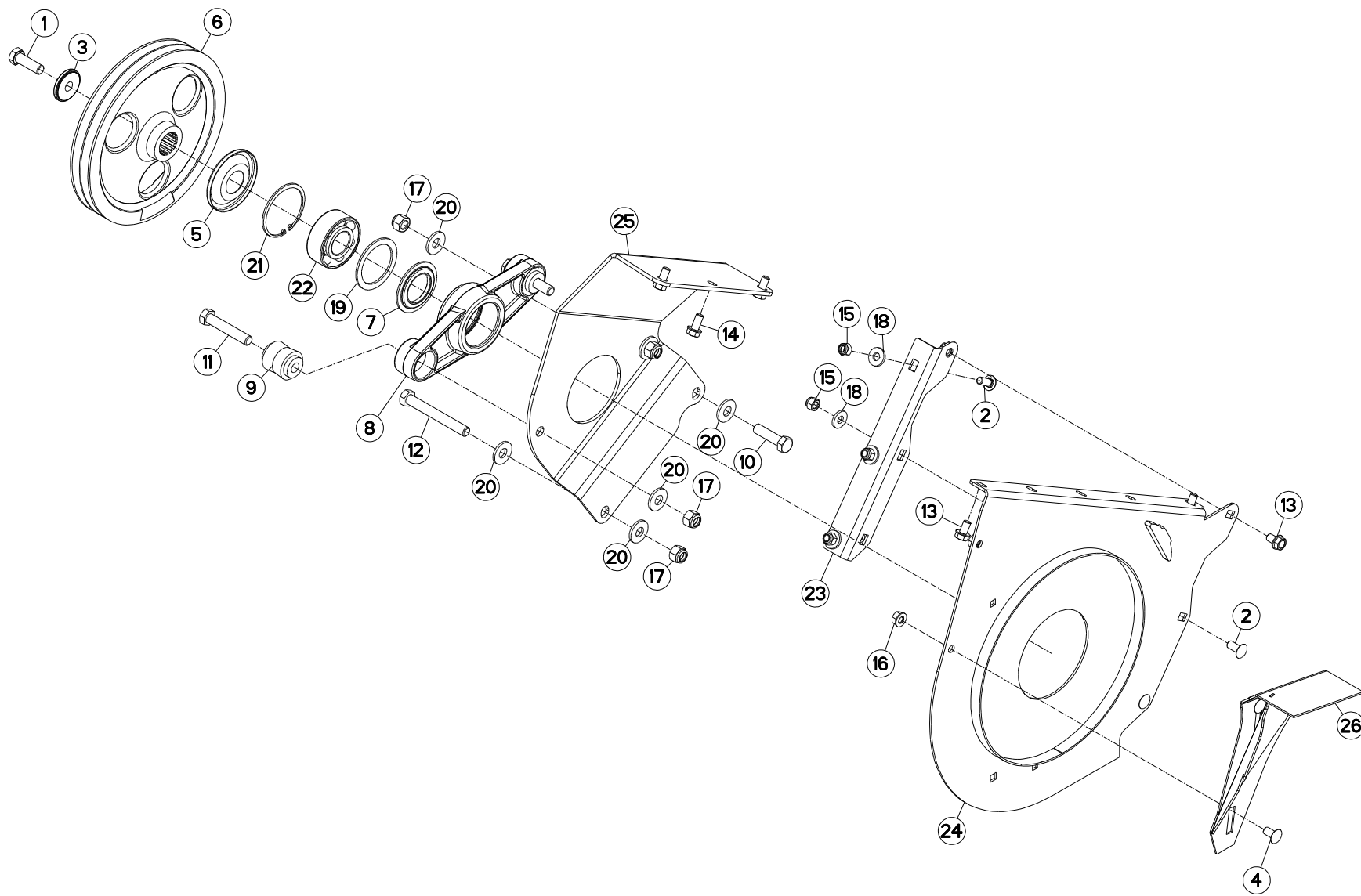
PAROI LATÉRALE (DROITE)

SIDE PLATE ASSEMBLY (RIGHT)

SEITENWAND (RECHTS)

COMPLESSIVO PIASTRE LATERALI

| Rep | Nr | Qt | Designation | Description | Bezeichnung | Referenza | Remarque - Remark - Bemerkung - Osservazioni |
|-----|-----------------|-----|--------------------------------|------------------------------|-------------------------------|--------------------------------|--|
| 001 | 50005700 | 001 | VIS AVEC REVÊTEMENT ADHESIF | SCREW WITH ADHESIVE COATING | KLEBE BESCHICHTETE SCHRAUBE | VITE AUTOBLOCCANTE | 31 daN m (229 lbf ft) |
| 002 | 50008200 | 008 | VIS TBCC COURT | BOLT, CARRIAGE, SHORT NECK | FLACHRUNDSCHR.4KT ANSATZ | BULLONE | |
| 003 | 50008800 | 002 | VIS TBCC COURT | BOLT, CARRIAGE, SHORT NECK | FLACHRUNDSCHR.4KT ANSATZ | BULLONE | |
| 004 | 50017900 | 001 | RONDELLE FE/ZN | WASHER FE/ZN | SCHEIBE FE/ZN | RONDELLA FE/ZN | |
| 005 | 50066700 | 002 | VIS TBCC COURT | BOLT, CARRIAGE, SHORT NECK | FLACHRUNDSCHR.4KT ANSATZ | BULLONE | |
| 006 | 55728400 | 001 | ANNEAU DE PROTECTION | GUARD RING | SCHUTZRING | ANELLO DI PROTEZIONE | |
| 007 | 56063810 | 001 | FLASQUE D'ETANCHEITE INTERIEUR | FLANGE | FLANSCH | FLANGIA | |
| 008 | 56559100 | 001 | PALIER PREMONTE | HOUSING | LAGER | SUPPORTO | + [1] |
| 009 | 56568500 | 002 | ARTICULATION ELASTIQUE | ELASTIC-COUPLING | ELASTIK-GELENK | SNODO ELASTICO | [1] |
| 010 | 80061657 | 002 | VIS TETE HEXAGONALE FE/ZNXC3 | HEXAGON HEAD SCREW FE/ZNXC3 | SECHSKANTSCHRAUBE FE/ZNXC3 | VITE TESTA ESAGONALE FE/ZNXC3 | 21 daN m (155 lbf ft) |
| 011 | 80131220 | 001 | VIS AUTOBLOQUANTE FLZNNC | UNDERSERR.S-LOC.SCREW FLZNNC | SPERRZAHN-BUNDSCHRAU.FLZNNC | VITE FLZNNC | |
| 012 | 80201230 | 010 | ECROU HEX.AUTOFREINE FE/ZNXC3 | SELF-LOCKING NUT FE/ZNXC3 | SELBSTSICH.MUTTER FE/ZNXC3 | DADO AUTOBLOCCANTE FE/ZNXC3 | |
| 013 | 80201262 | 002 | ECROU TWOLOK FLZNNC | SELF-LOCKING NUT FLZNNC | SELBSTSICHERNDE MUTTER FLZNNC | DADO TWOLOCK FLZNNC | |
| 014 | 80251331 | 010 | RONDELLE PLATE FE/ZNXC3 | PLAIN WASHER FE/ZNXC3 | SCHEIBE FE/ZNXC3 | RONDELLA PIATTA FE/ZNXC3 | |
| 015 | 80257078 | 001 | RONDELLE D'APPUI SS 3,5 | SUPPORTING RING SS 3,5 | STUETZSCHEIBE SS 3,5 | RONDELLA D'APPOGGIO | |
| 016 | 80281639 | 002 | RONDELLE RESSORT FLZNNC | CONICAL SPRING WASHER FLZNNC | SPANNSCHEIBE FLZNNC | RONDELLA A MOLLA FLZNNC | |
| 017 | 80599000 | 001 | CIRCLIP INTERIEUR | ELASTIC RING I 90 | SICHERUNGSRING | ANELLO | |
| 018 | 81124090 | 001 | ROULEMENT A ROTULE 2 R.BILLES | SELF-ALIGNING BALL BEARING | PENDELKUGELLAGER | CUSCINETTO ORIENTABILI A SFERE | |
| 019 | K5603650 | 001 | CORNIERE | CORNER PROFIL | WINKEL | CORNIERA | |
| 020 | K5605170 | 001 | PAROI DROITE | SHIELD | BLECH | TELA | |
| 021 | K5605530 | 001 | PRESOUDURE | HOOK | HAKEN | GANCIO | |
| 022 | K5608250 | 001 | AILETTE | FIN | FLUEGEL | ALETTA | |





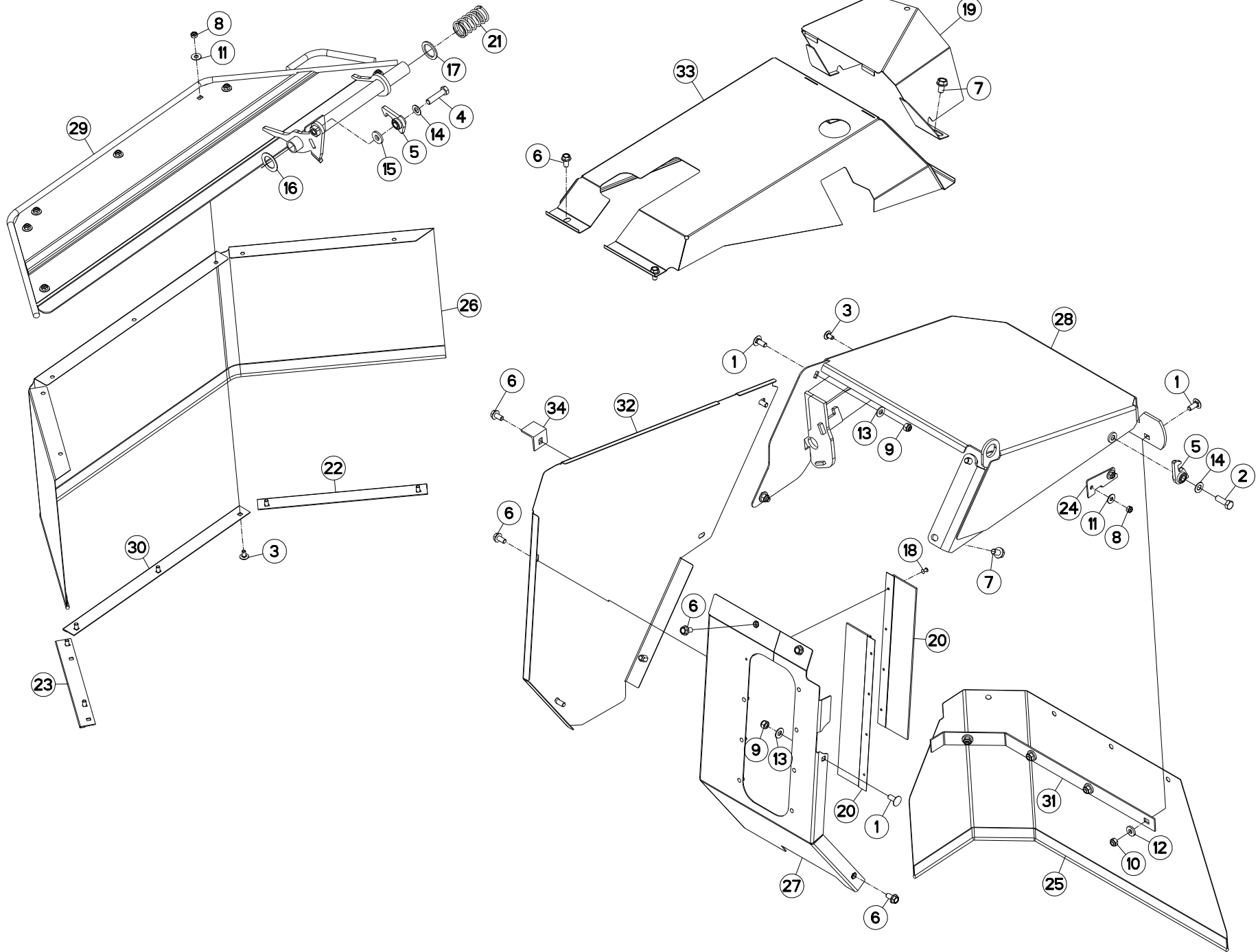
PAROI LATÉRALE (GAUCHE)

SIDE PLATE ASSEMBLY (LEFT)

SEITENWAND (LINKS)

COMPLESSIVO PIASTRE LATERALI

| Rep | Nr | Qt | Designation | Description | Bezeichnung | Referenza | Remarque - Remark - Bemerkung - Osservazioni |
|-----|----------|-----|--------------------------------|------------------------------|-------------------------------|--------------------------------|--|
| 001 | 50005700 | 001 | VIS AVEC REVÊTEMENT ADHESIF | SCREW WITH ADHESIVE COATING | KLEBE BESCHICHTETE SCHRAUBE | VITE AUTOBLOCCANTE | |
| 002 | 50008200 | 005 | VIS TBCC COURT | BOLT, CARRIAGE, SHORT NECK | FLACHRUNDSCHR.4KT ANSATZ | BULLONE | |
| 003 | 50017900 | 001 | RONDELLE FE/ZN | WASHER FE/ZN | SCHIBE FE/ZN | RONDELLA FE/ZN | |
| 004 | 50066700 | 002 | VIS TBCC COURT | BOLT, CARRIAGE, SHORT NECK | FLACHRUNDSCHR.4KT ANSATZ | BULLONE | |
| 005 | 55728400 | 001 | ANNEAU DE PROTECTION | GUARD RING | SCHUTZRING | ANELLO DI PROTEZIONE | |
| 006 | 55826610 | 001 | POULIE 2G. - DP 300 | PULLEY | KEILRIEMENSCHIBE | PULEGGIA | |
| 007 | 56063810 | 001 | FLASQUE D'ETANCHEITE INTERIEUR | FLANGE | FLANSCH | FLANGIA | |
| 008 | 56559100 | 001 | PALIER PREMONTE | HOUSING | LAGER | SUPPORTO | + [1] |
| 009 | 56568500 | 002 | ARTICULATION ELASTIQUE | ELASTIC-COUPLING | ELASTIK-GELENK | SNODO ELASTICO | [1] |
| 010 | 80061651 | 001 | VIS TETE HEXAGONALE FE/ZNXC3 | HEXAGON HEAD SCREW FE/ZNXC3 | SECHSKANTSCHRAUBE FE/ZNXC3 | VITE TESTA ESAGONALE FE/ZNXC3 | |
| 011 | 80061659 | 002 | VIS TETE HEXAGONALE FLZNNC | SCREW, HEX HEAD FLZNNC | SECHSKANTSCHRAUBE FLZNNC | VITE A TESTA ESAGONALE FLZNNC | |
| 012 | 80061667 | 001 | VIS TETE HEXAGONALE FE/ZNXC3 | HEXAGON HEAD SCREW FE/ZNXC3 | SECHSKANTSCHRAUBE FE/ZNXC3 | VITE TESTA ESAGONALE FE/ZNXC3 | |
| 013 | 80131220 | 003 | VIS AUTOBLOQUANTE FLZNNC | UNDERSERR.S-LOC.SCREW FLZNNC | SPERRZAHN-BUNDSCHRAU.FLZNNC | VITE FLZNNC | |
| 014 | 80131225 | 003 | VIS AUTOBLOQUANTE FLZNNC | UNDERSERR.S-LOC.SCREW FLZNNC | SPERRZAHN-BUNDSCHRAU.FLZNNC | VITE FLZNNC | |
| 015 | 80201230 | 005 | ECROU HEX.AUTOFREINE FE/ZNXC3 | SELF-LOCKING NUT FE/ZNXC3 | SELBSTSICH.MUTTER FE/ZNXC3 | DADO AUTOBLOCCANTE FE/ZNXC3 | |
| 016 | 80201262 | 002 | ECROU TWOLOCK FLZNNC | SELF-LOCKING NUT FLZNNC | SELBSTSICHERNDE MUTTER FLZNNC | DADO TWOLOCK FLZNNC | |
| 017 | 80201630 | 004 | ECROU HEX.AUTOFREINE FE/ZNXC3 | SELF-LOCKING NUT FE/ZNXC3 | SELBSTSICH.MUTTER FE/ZNXC3 | DADO AUTOBLOCCANTE FE/ZNXC3 | |
| 018 | 80251331 | 005 | RONDELLE PLATE FE/ZNXC3 | PLAIN WASHER FE/ZNXC3 | SCHIBE FE/ZNXC3 | RONDELLA PIATTA FE/ZNXC3 | |
| 019 | 80257078 | 001 | RONDELLE D'APPUI SS 3,5 | SUPPORTING RING SS 3,5 | STUETZSCHEIBE SS 3,5 | RONDELLA D'APPOGGIO | |
| 020 | 80281639 | 006 | RONDELLE RESSORT FLZNNC | CONICAL SPRING WASHER FLZNNC | SPANNSCHIBE FLZNNC | RONDELLA A MOLLA FLZNNC | |
| 021 | 80599000 | 001 | CIRCLIP INTERIEUR | ELASTIC RING I 90 | SICHERUNGSRING | ANELLO | |
| 022 | 81124090 | 001 | ROULEMENT A ROTULE 2 R.BILLES | SELF-ALIGNING BALL BEARING | PENDELKUGELLAGER | CUSCINETTO ORIENTABILI A SFERE | |
| 023 | K5603660 | 001 | CORNIERE | CORNER PROFIL | WINKEL | CORNIERA | |
| 024 | K5605160 | 001 | PAROI GAUCHE | SHIELD | BLECH | TELA | |
| 025 | K5605180 | 001 | PLATINE | PLATE, MOUNTING | TRAGPLATTE | PIASTRA-SUPPORTO | |
| 026 | K5608240 | 001 | AILETTE | FIN | FLUEGEL | ALETTA | |





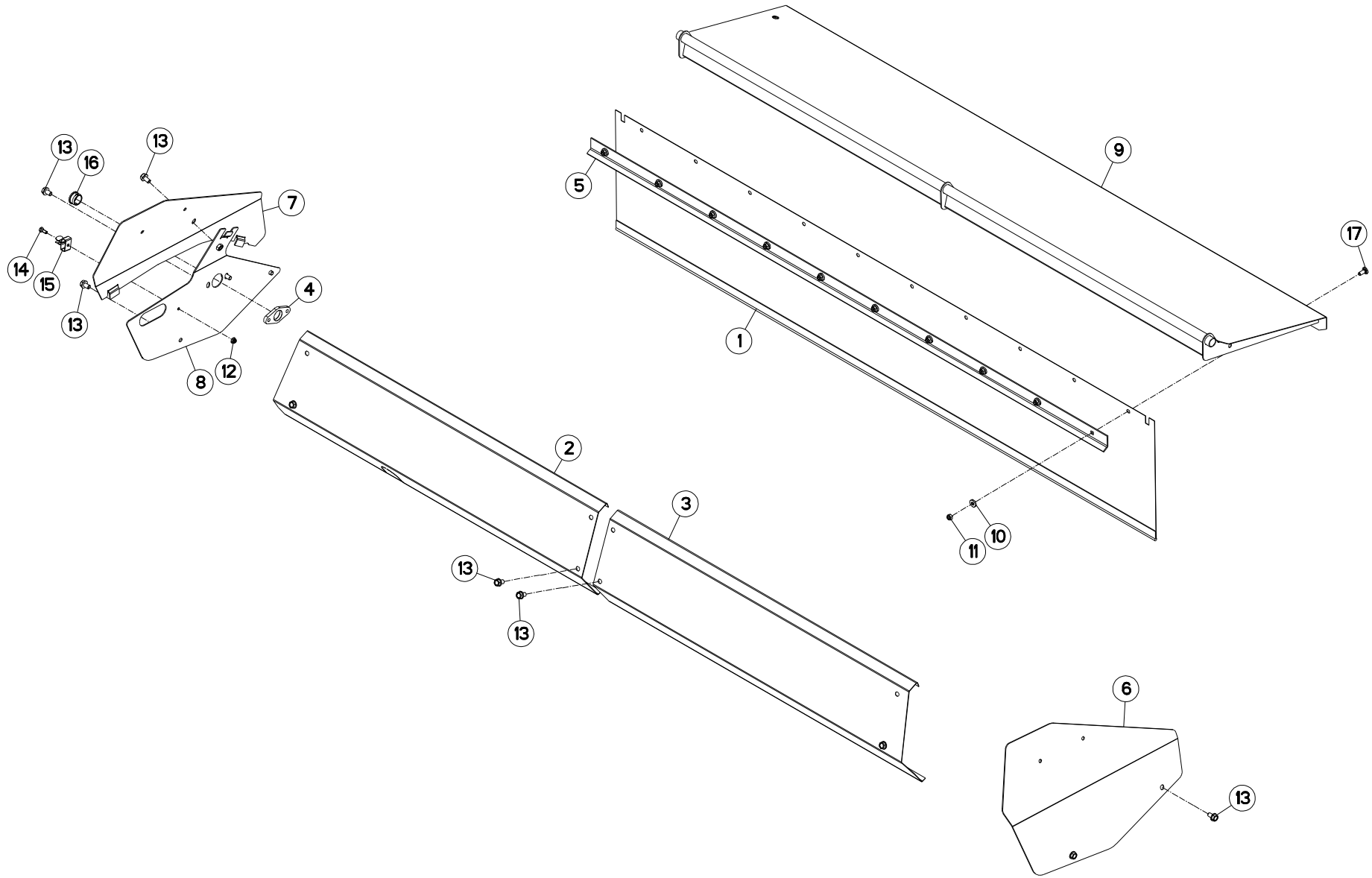
PROTECTEUR (GAUCHE)

SAFETY GUARDS (LEFT)

SCHUTZVORRICHTUNG (LINKS)

PARAPETTI (SX)

| Rep | Nr | Qt | Designation | Description | Bezeichnung | Referenza | Remarque - Remark - Bemerkung - Osservazioni |
|-----|----------|-----|-------------------------------|--------------------------------|--------------------------------|-----------------------------|--|
| 001 | 50002200 | 007 | VIS TBCC COURT | BOLT, CARRIAGE, SHORT NECK | FLACHRUNDSCHR.4KT ANSATZ | BULLONE | |
| 002 | 80071232 | 001 | VIS AVEC REVÊTEMENT ADHESIF | SCREW WITH ADHESIVE COATING | KLEBE BESCHICHTETE SCHRAUBE | VITE FE/ZNXC3 | |
| 003 | 50067100 | 009 | VIS TBCC COURT | BOLT, CARRIAGE, SHORT NECK | FLACHRUNDSCHR.4KT ANSATZ | BULLONE | |
| 004 | 50067700 | 001 | VIS AVEC REVÊTEMENT ADHESIF | SCREW WITH ADHESIVE COATING | KLEBE BESCHICHTETE SCHRAUBE | VITE AUTOBLOCCANTE | |
| 005 | 55749800 | 002 | VERROU | LATCH | RIEGEL | LEVA | |
| 006 | 80131020 | 010 | VIS AUTOBLOQUANTE FLZNNC | UNDERSERRATED S-LOCKING FLZNNC | SPERRZAHN-BUNDSCHRAUBE FLZNNC | VITE FLZNNC | |
| 007 | 80131220 | 004 | VIS AUTOBLOQUANTE FLZNNC | UNDERSERR.S-LOC.SCREW FLZNNC | SPERRZAHN-BUNDSCHRAU.FLZNNC | VITE FLZNNC | |
| 008 | 80200840 | 009 | ECROU HEX.BAS AUTOFR.FE/ZNXC3 | SELF-LOCKING NUT FE/ZNXC3 | SELBSTSICHERND.MUTTER FE/ZNXC3 | DADO AUTOBLOCCANTE FE/ZNXC3 | |
| 009 | 80201030 | 003 | ECROU HEX.AUTOFREINE FE/ZNXC3 | SELF-LOCKING NUT FE/ZNXC3 | SELBSTSICH.MUTTER FE/ZNXC3 | DADO AUTOBLOCCANTE FE/ZNXC3 | |
| 010 | 80201040 | 004 | ECROU HEX.BAS AUTOFR.FE/ZNXC3 | SELF LOCKING NUT M10 DIN 985 | SELBSTSICHERND.MUTTER FE/ZNXC3 | DADO AUTOBLOCCANTE FE/ZNXC3 | |
| 011 | 80250970 | 009 | RONDELLE PLATE FE/ZNXC3 | PLAIN WASHER M8 DIN125 | SCHIBE FE/ZNXC3 | RONDELLA PIATTA FE/ZNXC3 | |
| 012 | 80251127 | 004 | RONDELLE PLATE FE/ZNXC3 | PLAIN WASHER FE/ZNXC3 | SCHIBE FE/ZNXC3 | RONDELLA PIATTA FE/ZNXC3 | |
| 013 | 80251176 | 003 | RONDELLE PLATE FE/ZNXC3 | PLAIN WASHER FE/ZNXC3 | SCHIBE FE/ZNXC3 | RONDELLA PIATTA FE/ZNXC3 | |
| 014 | 80251225 | 002 | RONDELLE PLATE FE/ZNXC3 | PLAIN WASHER FE/ZNXC3 | SCHIBE FE/ZNXC3 | RONDELLA PIATTA FE/ZNXC3 | |
| 015 | 80251331 | 001 | RONDELLE PLATE FE/ZNXC3 | PLAIN WASHER FE/ZNXC3 | SCHIBE FE/ZNXC3 | RONDELLA PIATTA FE/ZNXC3 | |
| 016 | 80253046 | 001 | RONDELLE PLATE FE/ZNXC3 | PLAIN WASHER FE/ZNXC3 | SCHIBE FE/ZNXC3 | RONDELLA PIATTA FE/ZNXC3 | |
| 017 | 80253248 | 001 | RONDELLE PLATE FE/ZNXC3 | PLAIN WASHER FE/ZNXC3 | SCHIBE FE/ZNXC3 | RONDELLA PIATTA FE/ZNXC3 | |
| 018 | 80370415 | 008 | RIVET AVEUGLE T NORM.ALU | RIVET | NIETE | RIVETTO | [1] |
| 019 | K5604501 | 001 | PROTECTEUR TRANSMISSION | GUARD | SCHUTZ | PROTEZIONE | |
| 020 | K5606100 | 002 | BROSSE D'ETANCHEITE L400 | BRUSH | BUERSTE | SPAZZOLA | [1] |
| 021 | K5606440 | 001 | RESSORT | SPRING | FEDER | MOLLA | |
| 022 | K5606500 | 001 | CONTRE-PLAQUE | PLATE, BACKER | BEFESTIGUNGSPLATTE | PIASTRINA | |
| 023 | K5606510 | 001 | CONTRE-PLAQUE | PLATE, BACKER | BEFESTIGUNGSPLATTE | PIASTRINA | |
| 024 | K5606520 | 001 | BUTEE | STOP | ANSCHLAG | LIMITATORE | |
| 025 | K5608050 | 001 | TOILE | CURTAIN | SCHUTZTUCH | TELO POSTERIORE | |
| 026 | K5608080 | 001 | TOILE | CURTAIN | SCHUTZTUCH | TELO POSTERIORE | |
| 027 | K5608091 | 001 | CAPOT | HOOD | HAUBE | COFANO | + [1] |
| 028 | K5608100 | 001 | PRESOUDURE | HOOD | HAUBE | COFANO | |
| 029 | K5608120 | 001 | VOLET GAUCHE | DEFLECTOR | KLAPPE | DEFLETTORE | |
| 030 | K5608130 | 001 | CONTRE-PLAQUE | PLATE, BACKER | BEFESTIGUNGSPLATTE | PIASTRINA | |
| 031 | K5608140 | 001 | CONTRE-PLAT GAUCHE | BRACKET | BEFESTIGUNGSPLATTE | PIATTO | |
| 032 | K5608170 | 001 | CAPOT DE POULIE | HOOD | HAUBE | COFANO | |
| 033 | K5608181 | 001 | CAPOT | HOOD | HAUBE | COFANO | |
| 034 | K5608400 | 001 | ARRET | STOP | ANSCHLAG | ARRESTO | |





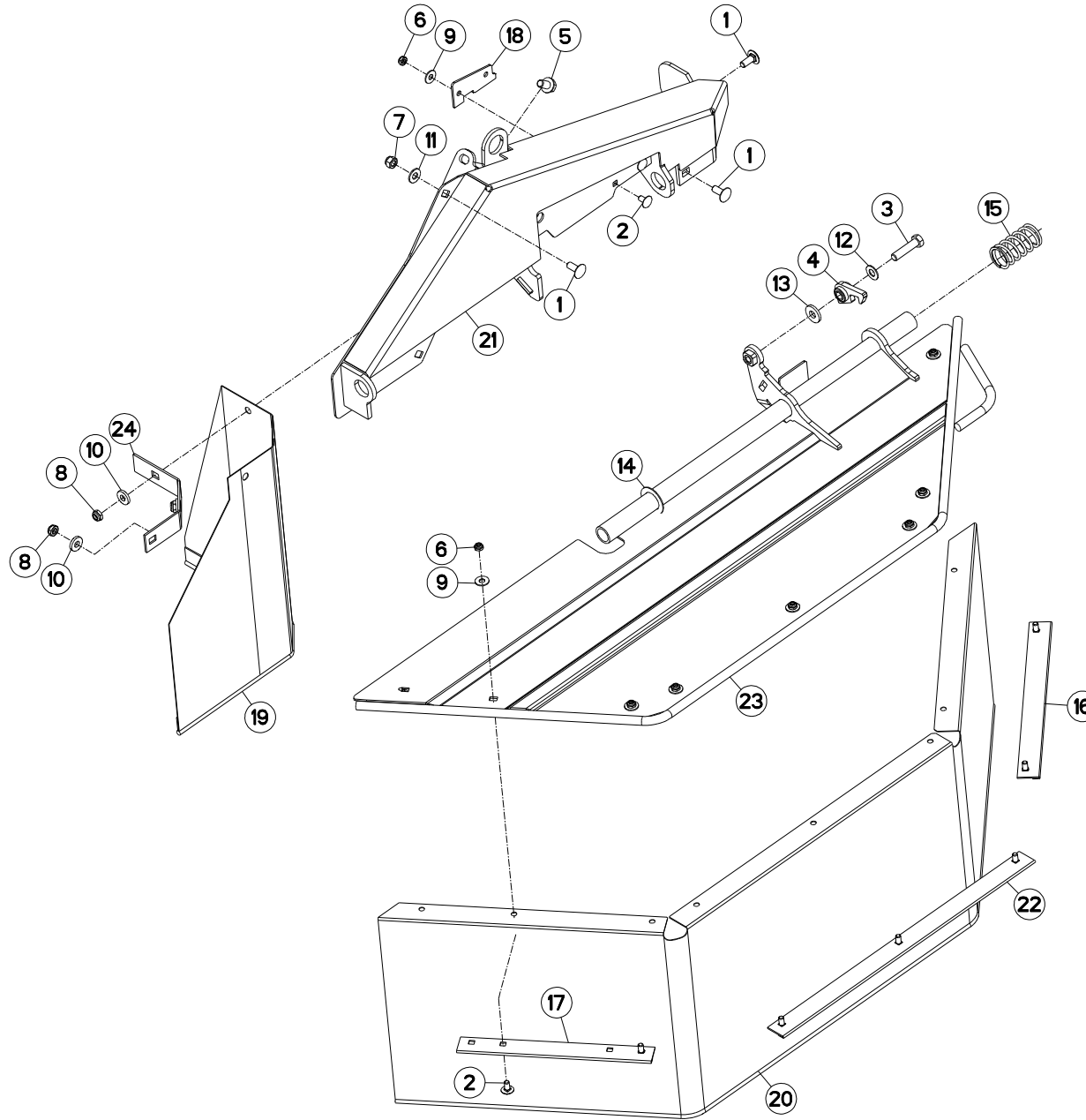
PROTECTEURS

SAFETY GUARDS

SCHUTZVORRICHTUNGEN

PARAPETTI

| Rep | Nr | Qt | Designation | Description | Bezeichnung | Referenza | Remarque - Remark - Bemerkung - Osservazioni |
|-----|-----------------|-----|-------------------------------|--------------------------------|--------------------------------|-------------------------------|--|
| 001 | K5601891 | 001 | TOILE | CURTAIN | SCHUTZTUCH | TELO POSTERIORE | |
| 002 | K5601821 | 001 | DEMI-PROTECTEUR | GUARD, HALF | SCHUTZHAELFTE | GUARDIA MEZZO | |
| 003 | K5601810 | 001 | DEMI-PROTECTEUR | GUARD, HALF | SCHUTZHAELFTE | GUARDIA MEZZO | |
| 004 | K5601790 | 001 | PALIER | HOUSING | LAGERGEHAEUSE | SUPPORTO | |
| 005 | K5601450 | 001 | CONTRE-PLAT AVANT | BRACKET | BEFESTIGUNGSPLATTE | | |
| 006 | K5601440 | 001 | CAPOT | HOOD | HAUBE | COFANO | |
| 007 | K5601430 | 001 | DEMI-CAPOT GAUCHE | HALF HOOD LEFT | HAUBENHAELFTE LINKS | COFANO | |
| 008 | K5601420 | 001 | DEMI-CAPOT GAUCHE | HALF HOOD LEFT | HAUBENHAELFTE LINKS | COFANO | |
| 009 | K5601400 | 001 | CAPOT | HOOD | HAUBE | COFANO | |
| 010 | 80251127 | 010 | RONDELLE PLATE FE/ZNXC3 | PLAIN WASHER FE/ZNXC3 | SCHEIBE FE/ZNXC3 | RONDELLA PIATTA FE/ZNXC3 | |
| 011 | 80201040 | 010 | ECROU HEX.BAS AUTOFR.FE/ZNXC3 | SELF LOCKING NUT M10 DIN 985 | SELBSTSICHERND.MUTTER FE/ZNXC3 | DADO AUTOBLOCCANTE FE/ZNXC3 | |
| 012 | 80200851 | 001 | ECROU AUTOBLOQUANT FE/ZNXC3 | UNDERSERRAT.S.LOC.NUT FE/ZNXC3 | SPERRZAHN-BUNDMUTTER FE/ZNXC3 | DADO FE/ZNXC3 | |
| 013 | 80131220 | 011 | VIS AUTOBLOQUANTE FLZNNC | UNDERSERR.S-LOC.SCREW FLZNNC | SPERRZAHN-BUNDSCHRAU.FLZNNC | VITE FLZNNC | |
| 014 | 80060820 | 001 | VIS TETE HEXAGONALE FE/ZNXC3 | HEXAGON HEAD SCREW FE/ZNXC3 | SECHSKANTSCHRAUBE FE/ZNXC3 | VITE TESTA ESAGONALE FE/ZNXC3 | |
| 015 | 59402900 | 001 | RESSORT | SPRING | FEDER | MOLLA | |
| 016 | 57721600 | 001 | BAGUE PLASTIQUE A COLLERETTE | NYLON BEARING | KUNSTSTOFF-GLEITLAGER | ANELLO PLASTICA | |
| 017 | 50002200 | 010 | VIS TBCC COURT | BOLT, CARRIAGE, SHORT NECK | FLACHRUNDSCHR.4KT ANSATZ | BULLONE | |





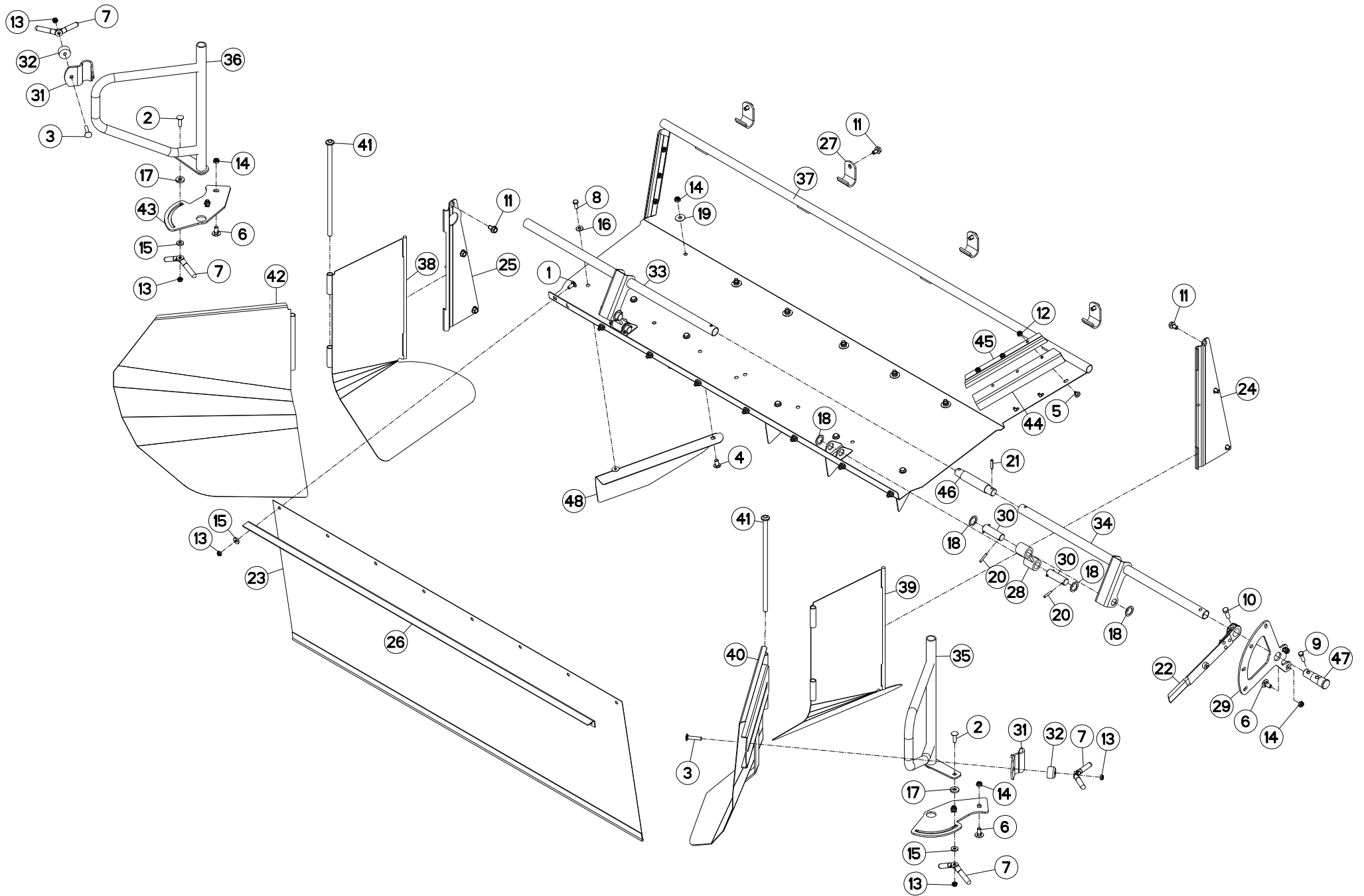
PROTECTEUR (DROIT)

SAFETY GUARDS (RIGHT)

SCHUTZVORRICHTUNG (RECHTS)

PARAPETTI (DX)

| Rep | Nr | Qt | Designation | Description | Bezeichnung | Referenza | Remarque - Remark - Bemerkung - Osservazioni |
|-----|----------|-----|-------------------------------|------------------------------|--------------------------------|-----------------------------|--|
| 001 | 50002200 | 005 | VIS TBCC COURT | BOLT, CARRIAGE, SHORT NECK | FLACHRUNDSCHR.4KT ANSATZ | BULLONE | |
| 002 | 50067100 | 010 | VIS TBCC COURT | BOLT, CARRIAGE, SHORT NECK | FLACHRUNDSCHR.4KT ANSATZ | BULLONE | |
| 003 | 50067700 | 001 | VIS AVEC REVÊTEMENT ADHESIF | SCREW WITH ADHESIVE COATING | KLEBE BESCHICHTETE SCHRAUBE | VITE AUTOBLOCCANTE | |
| 004 | 55749800 | 001 | VERROU | LATCH | RIEGEL | LEVA | |
| 005 | 80131220 | 002 | VIS AUTOBLOQUANTE FLZNNC | UNDERSERR.S-LOC.SCREW FLZNNC | SPERRZAHN-BUNDSCHRAU.FLZNNC | VITE FLZNNC | |
| 006 | 80200840 | 010 | ECROU HEX.BAS AUTOFR.FE/ZNXC3 | SELF-LOCKING NUT FE/ZNXC3 | SELBSTSICHERND.MUTTER FE/ZNXC3 | DADO AUTOBLOCCANTE FE/ZNXC3 | |
| 007 | 80201030 | 002 | ECROU HEX.AUTOFREINE FE/ZNXC3 | SELF-LOCKING NUT FE/ZNXC3 | SELBSTSICH.MUTTER FE/ZNXC3 | DADO AUTOBLOCCANTE FE/ZNXC3 | |
| 008 | 80201040 | 003 | ECROU HEX.BAS AUTOFR.FE/ZNXC3 | SELF LOCKING NUT M10 DIN 985 | SELBSTSICHERND.MUTTER FE/ZNXC3 | DADO AUTOBLOCCANTE FE/ZNXC3 | |
| 009 | 80250970 | 010 | RONDELLE PLATE FE/ZNXC3 | PLAIN WASHER M8 DIN125 | SCHEIBE FE/ZNXC3 | RONDELLA PIATTA FE/ZNXC3 | |
| 010 | 80251127 | 003 | RONDELLE PLATE FE/ZNXC3 | PLAIN WASHER FE/ZNXC3 | SCHEIBE FE/ZNXC3 | RONDELLA PIATTA FE/ZNXC3 | |
| 011 | 80251176 | 002 | RONDELLE PLATE FE/ZNXC3 | PLAIN WASHER FE/ZNXC3 | SCHEIBE FE/ZNXC3 | RONDELLA PIATTA FE/ZNXC3 | |
| 012 | 80251225 | 001 | RONDELLE PLATE FE/ZNXC3 | PLAIN WASHER FE/ZNXC3 | SCHEIBE FE/ZNXC3 | RONDELLA PIATTA FE/ZNXC3 | |
| 013 | 80251331 | 001 | RONDELLE PLATE FE/ZNXC3 | PLAIN WASHER FE/ZNXC3 | SCHEIBE FE/ZNXC3 | RONDELLA PIATTA FE/ZNXC3 | |
| 014 | 80253046 | 001 | RONDELLE PLATE FE/ZNXC3 | PLAIN WASHER FE/ZNXC3 | SCHEIBE FE/ZNXC3 | RONDELLA PIATTA FE/ZNXC3 | |
| 015 | K5606440 | 001 | RESSORT | SPRING | FEDER | MOLLA | |
| 016 | K5606500 | 001 | CONTRE-PLAQUE | PLATE, BACKER | BEFESTIGUNGSPLATTE | PIASTRINA | |
| 017 | K5606510 | 001 | CONTRE-PLAQUE | PLATE, BACKER | BEFESTIGUNGSPLATTE | PIASTRINA | |
| 018 | K5606520 | 001 | BUTEE | STOP | ANSCHLAG | LIMITATORE | |
| 019 | K5608060 | 001 | TOILE | CURTAIN | SCHUTZTUCH | TELO POSTERIORE | |
| 020 | K5608070 | 001 | TOILE | CURTAIN | SCHUTZTUCH | TELO POSTERIORE | |
| 021 | K5608110 | 001 | CAPOT | HOOD | HAUBE | COFANO | |
| 022 | K5608130 | 001 | CONTRE-PLAQUE | PLATE, BACKER | BEFESTIGUNGSPLATTE | PIASTRINA | |
| 023 | K5608150 | 001 | VOLET | LOUVER | KLAPPE | TRAPPOLA | |
| 024 | K5608160 | 001 | CONTRE-PLAT DROIT | BRACKET | BEFESTIGUNGSPLATTE | PIATTO | |





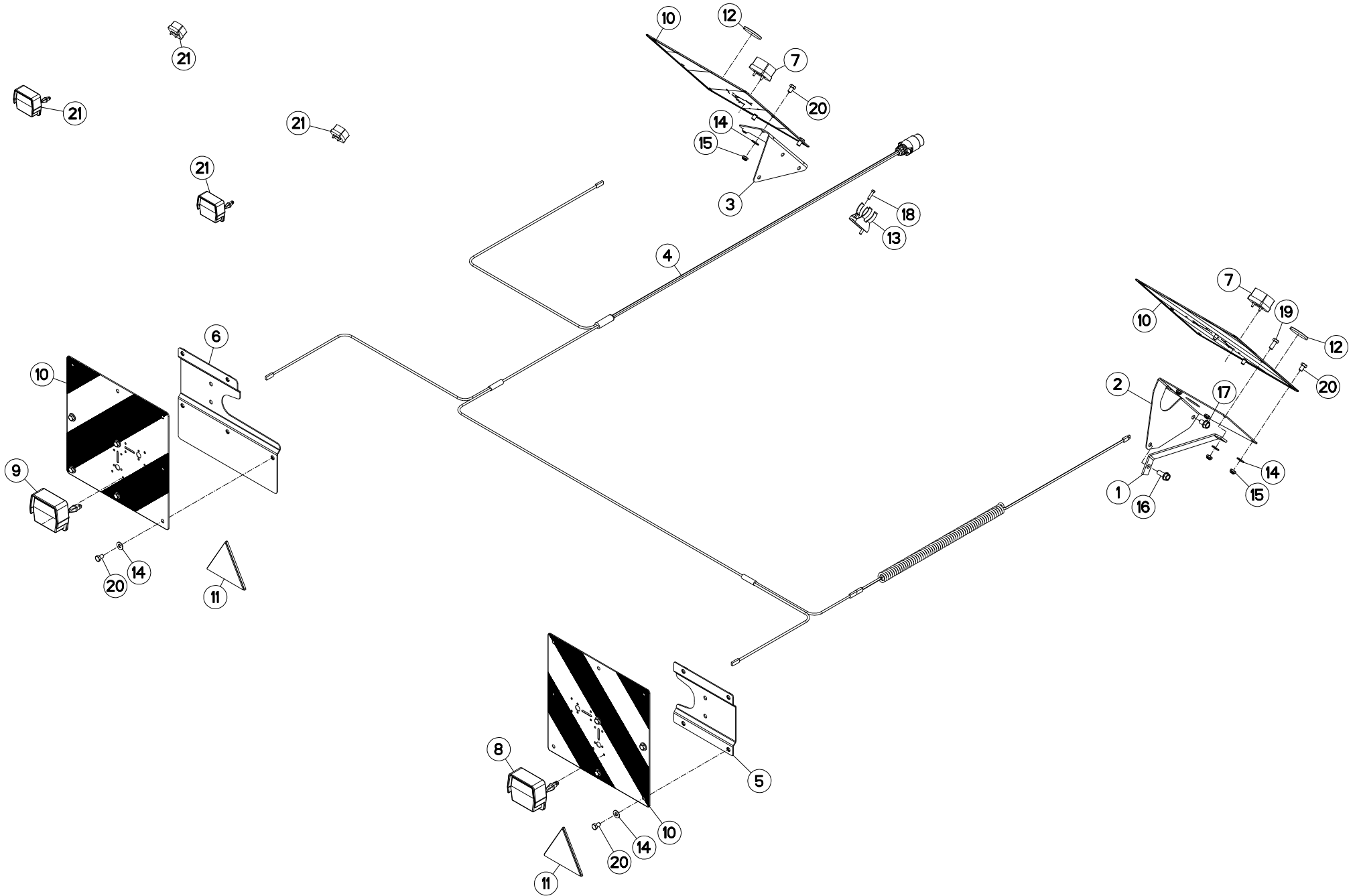
COLL.EPANDAGE LARGE

WIDE SPREAD SET

BREITSTREUSATZ

KIT ANDANA LARGA

| Rep | Nr | Qt | Designation | Description | Bezeichnung | Referenza | Remarque - Remark - Bemerkung - Osservazioni |
|-----|----------|-----|--------------------------------|--------------------------------|--------------------------------|-------------------------------|--|
| 001 | 50002200 | 008 | VIS TBCC COURT | BOLT, CARRIAGE, SHORT NECK | FLACHRUNDSCHR.4KT ANSATZ | BULLONE | |
| 002 | 50007300 | 002 | VIS TBCC COURT | BOLT, CARRIAGE, SHORT NECK | FLACHRUNDSCHR.4KT ANSATZ | BULLONE | |
| 003 | 50008300 | 002 | VIS TBCC COURT | BOLT, CARRIAGE, SHORT NECK | FLACHRUNDSCHR.4KT ANSATZ | BULLONE | |
| 004 | 50066700 | 006 | VIS TBCC COURT | BOLT, CARRIAGE, SHORT NECK | FLACHRUNDSCHR.4KT ANSATZ | BULLONE | |
| 005 | 50067100 | 006 | VIS TBCC COURT | BOLT, CARRIAGE, SHORT NECK | FLACHRUNDSCHR.4KT ANSATZ | BULLONE | |
| 006 | 50068100 | 006 | VIS J | BOLT, J | FLACHRUNDSCHR.4KT ANSATZ | VITE | |
| 007 | 56529000 | 004 | POIGNEE | HANDLE | HANDGRIFF | MANIGLIA | |
| 008 | 80061026 | 006 | VIS TETE HEXAGONALE FE/ZNXC3 | HEXAGON HEAD SCREW FE/ZNXC3 | SECHSKANTSCHRAUBE FE/ZNXC3 | VITE TESTA ESAGONALE FE/ZNXC3 | |
| 009 | 80061035 | 001 | VIS TETE HEXAGONALE FE/ZNXC3 | HEX. HEAD SCREW M10 X 35 MM CL | SECHSKANTSCHRAUBE FE/ZNXC3 | VITE TESTA ESAGONALE FE/ZNXC3 | |
| 010 | 80061236 | 001 | VIS TETE HEXAGONALE FE/ZNXC3 | HEX BOLT M12X35 CL8.8 DIN933 R | SECHSKANTSCHRAUBE FE/ZNXC3 | VITE TESTA ESAGONALE FE/ZNXC3 | |
| 011 | 80131220 | 010 | VIS AUTOBLOQUANTE FLZNNC | UNDERSERR.S.LOC.SCREW FLZNNC | SPERRZAHN-BUNDSCHRAU.FLZNNC | VITE FLZNNC | |
| 012 | 80200851 | 006 | ECROU AUTOBLOQUANT FE/ZNXC3 | UNDERSERRAT.S.LOC.NUT FE/ZNXC3 | SPERRZAHN-BUNDMUTTER FE/ZNXC3 | DADO FE/ZNXC3 | |
| 013 | 80201040 | 012 | ECROU HEX.BAS AUTOFR.FE/ZNXC3 | SELF LOCKING NUT M10 DIN 985 | SELBSTSICHERND.MUTTER FE/ZNXC3 | DADO AUTOBLOCCANTE FE/ZNXC3 | |
| 014 | 80201240 | 012 | ECROU HEX.BAS AUTOFR.FE/ZNXC3 | SELF-LOCKING NUT M 12 DIN-985 | SELBSTSICHERND.MUTTER FE/ZNXC3 | DADO AUTOBLOCCANTE FE/ZNXC3 | |
| 015 | 80251127 | 010 | RONDELLE PLATE FE/ZNXC3 | PLAIN WASHER FE/ZNXC3 | SCHIEBE FE/ZNXC3 | RONDELLA PIATTA FE/ZNXC3 | |
| 016 | 80251176 | 006 | RONDELLE PLATE FE/ZNXC3 | PLAIN WASHER FE/ZNXC3 | SCHIEBE FE/ZNXC3 | RONDELLA PIATTA FE/ZNXC3 | |
| 017 | 80251338 | 002 | RONDELLE PLATE FE/ZNXC3 | PLAIN WASHER FE/ZNXC3 | SCHIEBE FE/ZNXC3 | RONDELLA PIATTA FE/ZNXC3 | |
| 018 | 80252637 | 008 | RONDELLE D'APPUI SS 2 FE/ZNXC3 | SUPPORTING RING SS 2 FE/ZNXC3 | STUETZSCHEIBE SS 2 FE/ZNXC3 | RONDELLA FE/ZNXC3 | |
| 019 | 80281234 | 006 | RONDELLE RESSORT FLZNNC | CONICAL SPRING WASHER FLZNNC | SPANNSCHEIBE FLZNNC | RONDELLA MOLLA FLZNNC | |
| 020 | 80450637 | 008 | GOUPILLE ELASTIQUE FLZNNC | ROLL PIN FLZNNC | SPANNHUELSE FLZNNC | SPINA ELASTICA FLZNNC | |
| 021 | 80450836 | 002 | GOUPILLE ELASTIQUE FLZNNC | ELASTIC PIN 8X36 HEAVY DUTY | SPANNHUELSE FLZNNC | SPINA ELASTICA FLZNNC | |
| 022 | K5600640 | 001 | LEVIER | LEVER | HEBEL | LEVA | |
| 023 | K5601922 | 001 | TOILE | CURTAIN | SCHUTZTUCH | TELO POSTERIORE | |
| 024 | K5602940 | 001 | CHARNIERE DROITE | RIGHT HINGE | SCHARNIER RECHTS | SNODO | |
| 025 | K5602950 | 001 | CHARNIERE GAUCHE | HINGE LEFT | GELENK LINKS | SNODO | |
| 026 | K5603010 | 001 | RAIDISSEUR | REINFORCING PLATE | VERSTEIFUNGSPLATTE | BALESTRA | |
| 027 | K5604890 | 004 | CROCHET D'ARTICULATION | HOOK | HAKEN | GANCIO | |
| 028 | K5604900 | 002 | BIELLETTE DU VOLET | LINK | SCHUBSTANGE | BIELLETTA | |
| 029 | K5604910 | 001 | SECTEUR DE POSITIONNEMENT | | | | |
| 030 | K5604920 | 004 | AXE DE BIELLETTE | AXLE | ACHSE | ASSE | |
| 031 | K5604950 | 002 | ATTACHE | ATTACHMENT | HALTERUNG | ATTACCO | |
| 032 | K5604960 | 002 | ENTRETOISE DE LA POIGNEE | SPACER | DISTANZHUELSE | DISTANZIALE | |
| 033 | K5605030 | 001 | TUBE DE COMMANDE G. | | | | |
| 034 | K5605040 | 001 | TUBE DE COMMANDE DR | | | | |
| 035 | K5605050 | 001 | CONTREFORT DE BLOCAGE DROIT | REINFORCING BAR | VERSTAERKUNGSSTREBE | RINFORZO | |
| 036 | K5605280 | 001 | CONTREFORT DE BLOCAGE GAUCHE | REINFORCING BAR | VERSTAERKUNGSSTREBE | RINFORZO | |
| 037 | K5605400 | 001 | VOLET (3M TL) | | | | |
| 038 | K5605800 | 001 | TOLE A ANDAIN AVANT GAUCHE | SWATH BOARD | SCHWADBLECH | LAMIERA ANDANATRICE | |
| 039 | K5605810 | 001 | TOLE A ANDAIN AVANT DROITE | SWATH BOARD | SCHWADBLECH | LAMIERA ANDANATRICE | |
| 040 | K5605820 | 001 | TOLE A ANDAIN ARD | | | | |
| 041 | K5605830 | 002 | AXE DE LA TOLE ARRIERE | AXLE | ACHSE | ASSE | |
| 042 | K5605840 | 001 | TOLE A ANDAIN ARG | | | | |
| 043 | K5605850 | 002 | SECTEUR DE BLOCAGE DU PIVOT | | | | |
| 044 | K5606310 | 002 | JOINT RACLEUR | SEAL | DICHTUNG | GUARNIZIONE | |
| 045 | K5606320 | 002 | GOULOTTE | CHUTE | AUSLAUF | BOCCA | |
| 046 | K5608030 | 001 | AXE DE LIAISON | AXLE | ACHSE | ASSE | |
| 047 | K5608040 | 001 | EMBOUT DU TUBE DE COMMANDE DRO | END | ENDSTUECK | GIUNTO | |
| 048 | K7005470 | 006 | DEFLECTEUR | DEFLECTOR | ABWEISER | DEFLETTORE | |





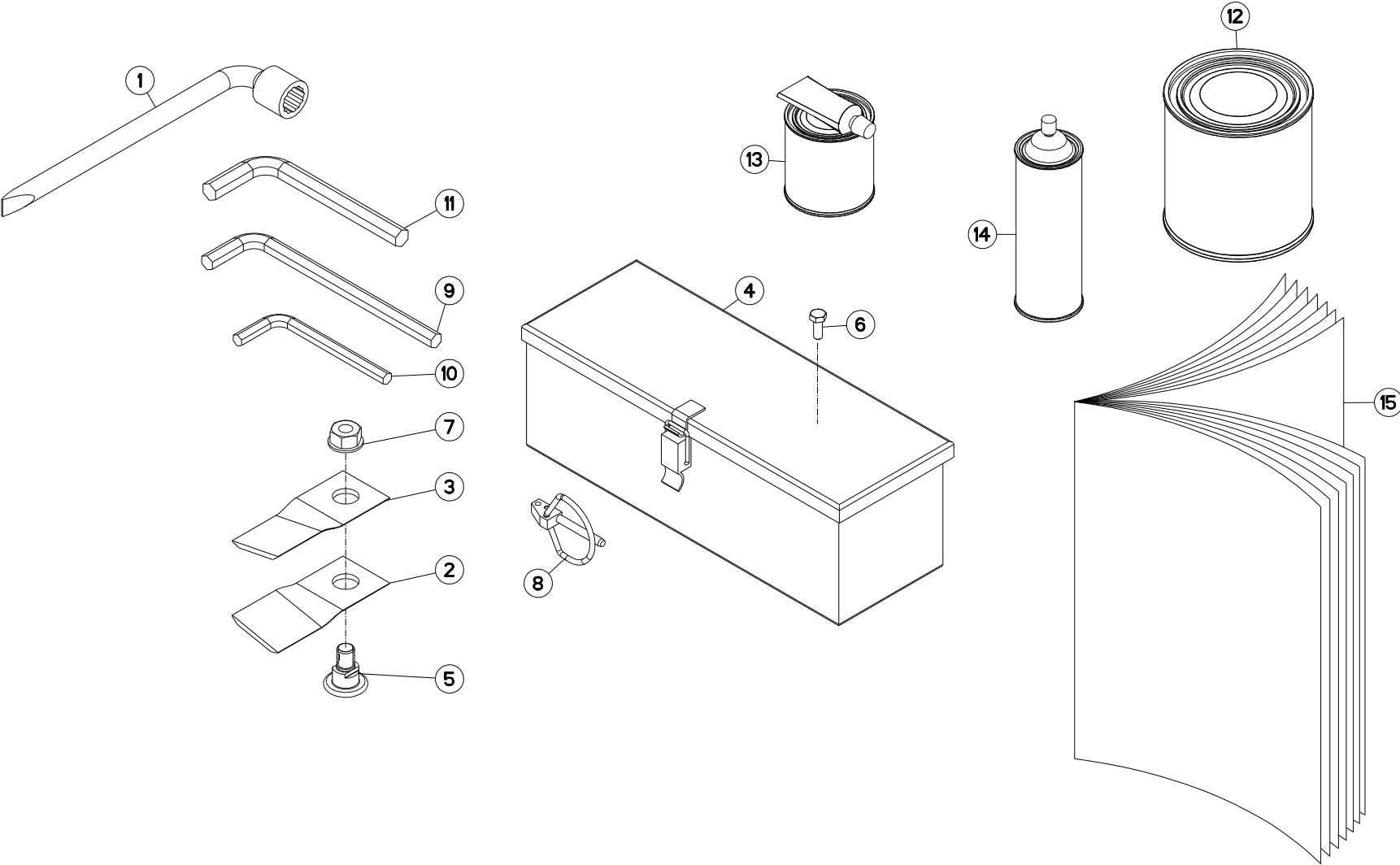
SIGNALISATION

SIGNALLING

BELEUCHTUNG U. WARNTAFELN

SEGNALAZIONE

| Rep | Nr | Qt | Designation | Description | Bezeichnung | Referenza | Remarque - Remark - Bemerkung - Osservazioni |
|-----|-----------------|-----|---------------------------------|-------------------------------|--------------------------------|--------------------------------|--|
| 001 | K5609520 | 001 | RENFORT | REINFORCEMENT | VERSTAERKUNG | RINFORZO | |
| 002 | K5603930 | 001 | SUPPORT DE PANNEAU | SUPPORT | TRAEGER | SUPPORTO | |
| 003 | K5602870 | 001 | SUPPORT DE PANNEAU | SUPPORT | TRAEGER | SUPPORTO | |
| 004 | K5602400 | 001 | FAISCEAU ELECTRIQUE | WIRING HARNESS | KABELNETZ | CAVO ELETTRICO | |
| 005 | K5601370 | 001 | SUPPORT DE PANNEAU DROIT | SUPPORT RIGHT | HALTERUNG RECHTS | SUPPORTO | |
| 006 | K5601360 | 001 | SUPPORT DE PANNEAU GAUCHE | SUPPORT LEFT | HALTERUNG LINKS | SUPPORTO | |
| 007 | 83240404 | 002 | FEU DE POSITION BLANC | FRONT LAMP WHITE | BEGRENZUNGSLICHT WEISS | FANALINO BIANCO | [1] |
| 008 | 83240401 | 001 | FEU ARRIERE DROIT | REAR LAMP RIGHT | RUECKLICHT RECHTS | FANALINO COMPLETO POST. DX | [1] |
| 009 | 83240400 | 001 | FEU ARRIERE GAUCHE | REAR LAMP LEFT | RUECKLICHT LINKS | FANALINO COMPLETO POST. SX | [1] |
| 010 | 83240212 | 004 | PANNEAU CARRE SIMPLE-FACE | WARNING PLATE | WARNTAFEL | PANNELLO B/R ANT. | |
| 011 | 83240013 | 002 | CATADIOP.TRIAN.ROUGE 160 ADHES. | REFLECTOR RED 160 SELF-ADHES. | RUECKSTRAHLER ROT 160 SELBSTKL | CATADIOTTRO 160 | |
| 012 | 83240010 | 002 | CATADIOPTRE | REFLECTOR | RUECKSTRAHLER | CATADIOTTRO | |
| 013 | 83090037 | 001 | SUPPORT DE PRISE 7 POLES | PLUG SUPPORT | STECKERHALTERUNG | SUPPORTO | |
| 014 | 80251176 | 016 | RONDELLE PLATE FE/ZNXC3 | PLAIN WASHER FE/ZNXC3 | SCHEIBE FE/ZNXC3 | RONDELLA PIATTA FE/ZNXC3 | |
| 015 | 80201040 | 007 | ECROU HEX.BAS AUTOFR.FE/ZNXC3 | SELF LOCKING NUT M10 DIN 985 | SELBSTSICHERND.MUTTER FE/ZNXC3 | DADO AUTOBLOCCANTE FE/ZNXC3 | |
| 016 | 80131232 | 001 | VIS AUTOBLOQUANTE FLZNNC KL105 | UNDERSERR.S-LOC.SCREW FLZNNC | SPERRZAHN-BUNDSCHRAU.FLZNNC | VITE FLZNNC KL105 | |
| 017 | 80131220 | 001 | VIS AUTOBLOQUANTE FLZNNC | UNDERSERR.S-LOC.SCREW FLZNNC | SPERRZAHN-BUNDSCHRAU.FLZNNC | VITE FLZNNC | |
| 018 | 80080626 | 002 | VIS TETE CYL.SIX P.CR.FE/ZNXC3 | SCREW, SOCKET HEAD FE/ZNXC3 | ZYLINDERSCHR.INNENSEC.FE/ZNXC3 | VITE A TESTA CILINDR. FE/ZNXC3 | |
| 019 | 80061026 | 001 | VIS TETE HEXAGONALE FE/ZNXC3 | HEXAGON HEAD SCREW FE/ZNXC3 | SECHSKANTSCHRAUBE FE/ZNXC3 | VITE TESTA ESAGONALE FE/ZNXC3 | |
| 020 | 80061016 | 015 | VIS TETE HEXAGONALE FE/ZNXC3 | HEXAGON HEAD SCREW FE/ZNXC3 | SECHSKANTSCHRAUBE FE/ZNXC3 | VITE TESTA ESAGONALE FE/ZNXC3 | |
| 021 | 56537400 | 001 | COLL.FEUX DE SIGNALISATION | WARNING LAMPS SET | BELEUCHTUNG | KIT LUCI DI SEGNALAZIONE | + [1] |





FC303GL NV

E0001 >

K56R0198 A

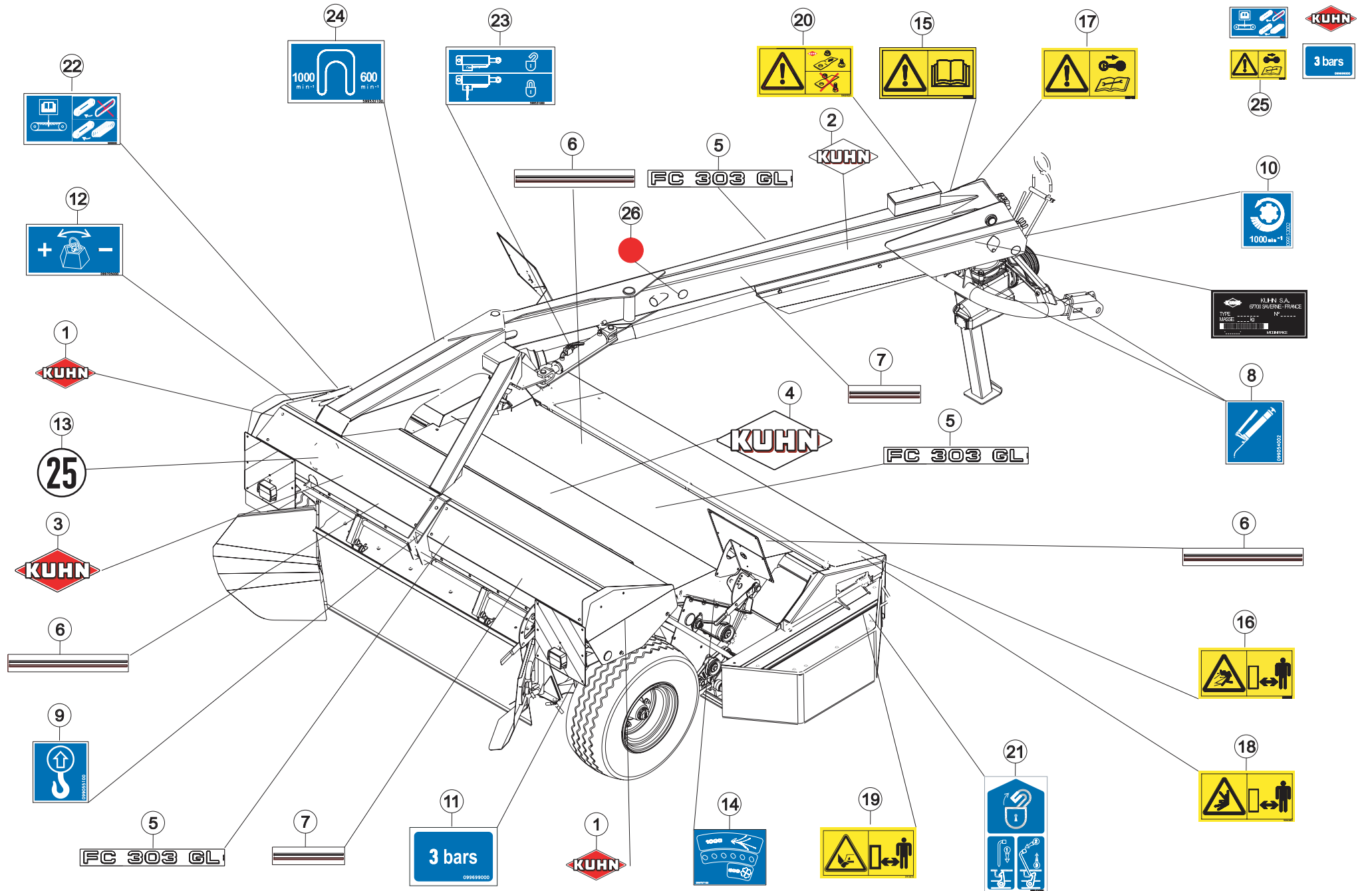
CONTENU BOITE A OUTILS

COMPONENTS OF TOOL BOX

WERKZEUGKASTENINHALT

COMPONENTI D. SCATOLA ATTREZZI

| Rep | Nr | Qt | Designation | Description | Bezeichnung | Referenza | Remarque - Remark - Bemerkung - Osservazioni |
|-----|-----------------|-----|-------------------------------|--------------------------------|--------------------------------|-------------------------------|--|
| 001 | 50080200 | 001 | CLE A PIPE DE 18 (12PANS) | BOX SPANNER 18 | PFEIFENSCHLUESSEL 18 | CHIAVE X FC 280F MATR.95 | |
| 002 | 55903210 | 006 | COUTEAU VRILLE T.A.G ISO5718 | ANGLED BLADE LEFT TURN.ISO5718 | GEKROEP.MESS.LINKSDREH.ISO5718 | COLTEL.PIEGATO STD-SX ISO5718 | |
| 003 | 55903310 | 006 | COUTEAU VRILLE T.A.D ISO5718 | ANGLED BLAD.RIGHT TURN.ISO5718 | GEKROEP.MESS.RECHTSDRE.ISO5718 | COLTEL.PIEGATO STD-DX ISO5718 | |
| 004 | 56019000 | 001 | BOITE A OUTILS | TOOLBOX | WERKZEUGKASTEN | CASSETTO | |
| 005 | 56115800 | 006 | VIS AUTOFREINEE | SCREW, SELF-LOCKING | SELBSTSICHERNDE SCHRAUBE | VITE AUTOBLOCCANTE | |
| 006 | 80060616 | 002 | VIS TETE HEXAGONALE FE/ZNXC3 | HEXAGON HEAD SCREW FE/ZNXC3 | SECHSKANTSCHRAUBE FE/ZNXC3 | VITE TESTA ESAGONALE FE/ZNXC3 | |
| 007 | 80201262 | 006 | ECROU TWOLOK FLZNNC | SELF-LOCKING NUT FLZNNC | SELBSTSICHERNDE MUTTER FLZNNC | DADO TWOLOCK FLZNNC | |
| 008 | 80560540 | 001 | GOUPILLE AUTOMATIQUE FE/ZNXC3 | LINCH PIN FE/ZNXC3 | KLAPPSTECKER FE/ZNXC3 | COPPIGLIA FE/ZNXC3 | |
| 009 | 83450003 | 001 | CLE MALE 10 | ALLEN WRENCH 10 | 6KT.STIFTSCHLUESSEL 10 | CHIAVE | |
| 010 | 83450005 | 001 | CLE MALE 8 | ALLEN WRENCH 8 | 6KT.STIFTSCHLUESSEL 8 | CHIAVE | |
| 011 | 83450019 | 001 | CLE MALE 12 | ALLEN WRENCH 12 | 6KT.STIFTSCHLUESSEL 12 | CHIAVE | |
| 012 | 83503018 | 001 | BOITE 1L PEINT.ROUGE | 1L RED PAINT CAN, | DOSE FARBE ROT,1L | VERNICE ROSSA KUHN | OPT |
| 013 | 83503019 | 001 | BOITE 0,6L PEIN.ROU.2K+DURCIS | 0,6L RED PAINT CAN,+HARDENER | DOSE 0,6L FARBE ROT, 2KOMP. | VERNICE ROSSA KUHN 2K 0,6L | |
| 014 | 83503026 | 001 | BOMBE AEROSOL ROUGE KUHN | RED SPRAY PAINT | FARBSPRUEHDOSE KUHN ROT | VERNICE SPRAY ROSSA | OPT |
| 015 | KN036E | 001 | NOTICE D'INST.FC303GL NV | OPERATORS MANUAL FC303GL | BETR-ANL.FC303GL | MAN.USO MANUT.FC303GL | |





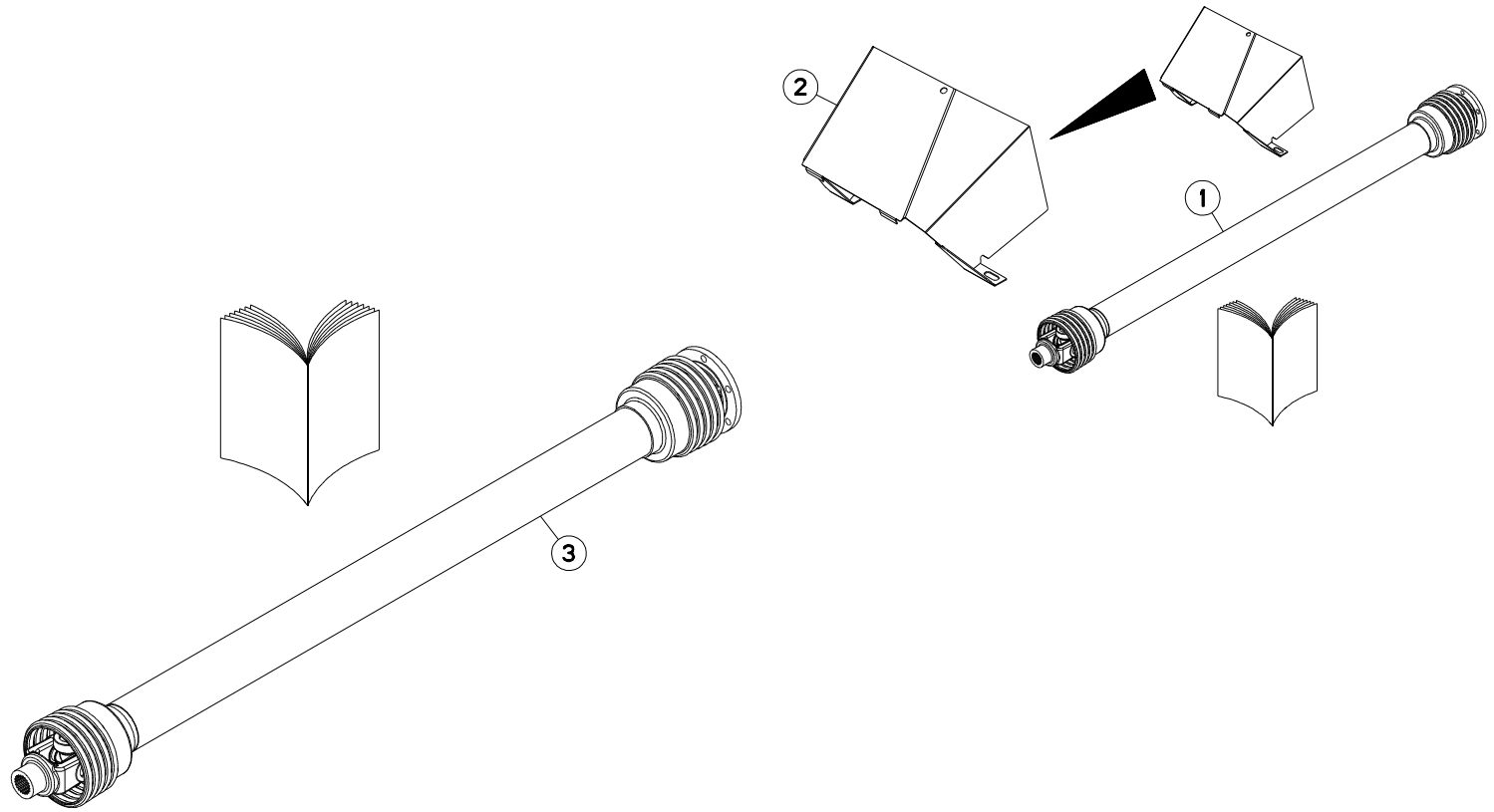
COLL.ETIQUETTES ADHESIVES

SET OF STICKERS

SATZ AUFKLEBER

SERIE ADESIVI

| Rep | Nr | Qt | Designation | Description | Bezeichnung | Referenza | Remarque - Remark - Bemerkung - Osservazioni |
|-----|-----------------|-----|--------------------------------|-------------------------------|------------------------------|------------------------------|--|
| 001 | K9500080 | 002 | LOGO KUHN 207R BLANC/ROUGE | LOGO KUHN 207R | LOGO KUHN 207R | LOGO KUHN 207R | [1] |
| 002 | K9500090 | 001 | LOGO KUHN 309 BLANC/TRANSP. | LOGO KUHN 309 | LOGO KUHN 309 WEISS/TRANSP. | LOGO KUHN 309 | [1] |
| 003 | K9500120 | 001 | LOGO KUHN 414R BLANC/ROUGE | LOGO KUHN 414R | LOGO KUHN 414R | LOGO KUHN 414R ROSSO-BIANCO | [1] |
| 004 | K9500150 | 001 | LOGO KUHN 830 BLANC/TRANSP. | LOGO KUHN 830 | LOGO KUHN 830 | | [1] |
| 005 | K9502470 | 004 | ETIQ.ADHESIVE FC303GL | TRANSFER | AUFKLEBER | ADESIVO | [1] |
| 006 | K9502790 | 005 | ETIQ.ADHESIVE LISERE 40/ 508 | TRANSFER | AUFKLEBER | ETICHETTA ADESIVA 40/508 | [1] |
| 007 | K9502800 | 002 | ETIQ.ADHESIVE LISERE 40/ 260 | TRANSFER | AUFKLEBER | ETICHETTA ADESIVA 40/260 | [1] |
| 008 | 09905400 | 006 | ETIQ.ADHESIVE IND.GRAISSEURS | TRANSFER | AUFKLEBER | ADESIVO | [1] |
| 009 | 09905510 | 004 | ETIQ.ADHESIVE POINT DE LEVAGE | DECAL LIFTING POINT | AUFKLEBER ANSCHLAGPUNKT | ADESIVO | [1] |
| 010 | 09915200 | 001 | ETIQ.ADHESIVE 1000 MIN-1 A G. | DECAL 1000 MIN-1 LE. | AUFKLEBER 1000 MIN-1 LI. | ADESIVO | [1] |
| 011 | 09969900 | 002 | ETIQ.ADH. | DECAL | AUFKLEBER | ADESIVO | [1] |
| 012 | 09970500 | 001 | ETIQ.ADHESIVE REGLAGE POIDS | TRANSFER | AUFKLEBER | ADESIVO | [1] |
| 013 | 09968310 | 001 | ETIQ.ADHES.VITESSE LIMIT.25 FR | TRANSFER MAX.25 | AUFKLEBER MAX.25 | ADESIVO LIMITE VELOC. MAX.25 | ESP FR |
| 013 | 09968300 | 001 | ETIQ.ADHESIVE | TRANSFER MAX.25 | AUFKLEBER MAX.25 | ADESIVO LIMITE VELOC. MAX.25 | ESP DE |
| 014 | 09970710 | 001 | ETIQ.ADHESIVE VIT.DE ROTAT. | TRANSFER | AUFKLEBER | ADESIVO | [1] |
| 015 | 59900000 | 001 | PICTOGR.H NOTICE D'INSTR | PICTORIAL H INSTRUCTIONS | PIKTOGR.H BETRIEBSANLEITUNG | ADESIVO | [1] |
| 016 | 59900200 | 002 | PICTOGR.H DANGER PROJEC | PICTORIAL H DANGER PROJECTION | PIKTOGR.H GEFAHR FORTGESCHL. | ADESIVO | [1] |
| 017 | 59900400 | 001 | PICTOGR.H ARRETER MOTEUR | PICTORIAL H STOP ENGINE | PIKTOGR.H MOTOR ABSTELLEN | ADESIVO | [1] |
| 018 | 59900600 | 002 | PICTOGR.H ECRASEM.TORSE | PICTORIAL H CRUSH.DANG.TORSO | PIKTOGR.H QUETSCHGEF.BRUSTK | ADESIVO | [1] |
| 019 | 59900800 | 004 | PICTOGR.H BLESSURE PIED | PICTORIAL H SEVERING OF FOOT | PIKTOGR.H FUSSVERLETZUNG | ADESIVO | [1] |
| 020 | 59901100 | 001 | PICTOGR.H PIECES D'ORIGINE | PICTORIAL GENNINE PARTS | PIKTOGR.H ORIGINALTEILE | ADESIVO PEZZI ORIGINAL | [1] |
| 021 | 59910300 | 003 | PICTOGR.H DEVERROUILLAGE | PICTORIAL H UNLOCKING | PIKTOGR.H ENTRIEGELUNG | ADESIVO | [1] |
| 022 | 59950000 | 001 | PICTOGR.H TENSION COURROIES | PICTORIAL H BELT TENSION | PIKTOGR.H RIEMENSANNUNG | ADESIVO TENSIONE CINGHIA | [1] |
| 023 | 59953100 | 001 | PICTOGR.VERROUILLAGE | PICTORIAL LOCKING | PIKTOGR.VERRIEGLUNG | ADESIVO | [1] |
| 024 | 59953210 | 001 | PICTOGR.SELECTEUR | PICTORIAL | PIKTOGRAM. | ADESIVO | [1] |
| 025 | K5602840 | 001 | COLL.ETIQ.ADHES.FC303GL | SET OF STICKERS | SATZ AUFKLEBER | SERIE ADESIVI | + [1] |
| 026 | 83240014 | 006 | CATADIOPTRE | REFLECTOR | RUECKSTRAHLER | CATADIOTTRO | |





FC303GL NV

E0001 >

K56R0160 A

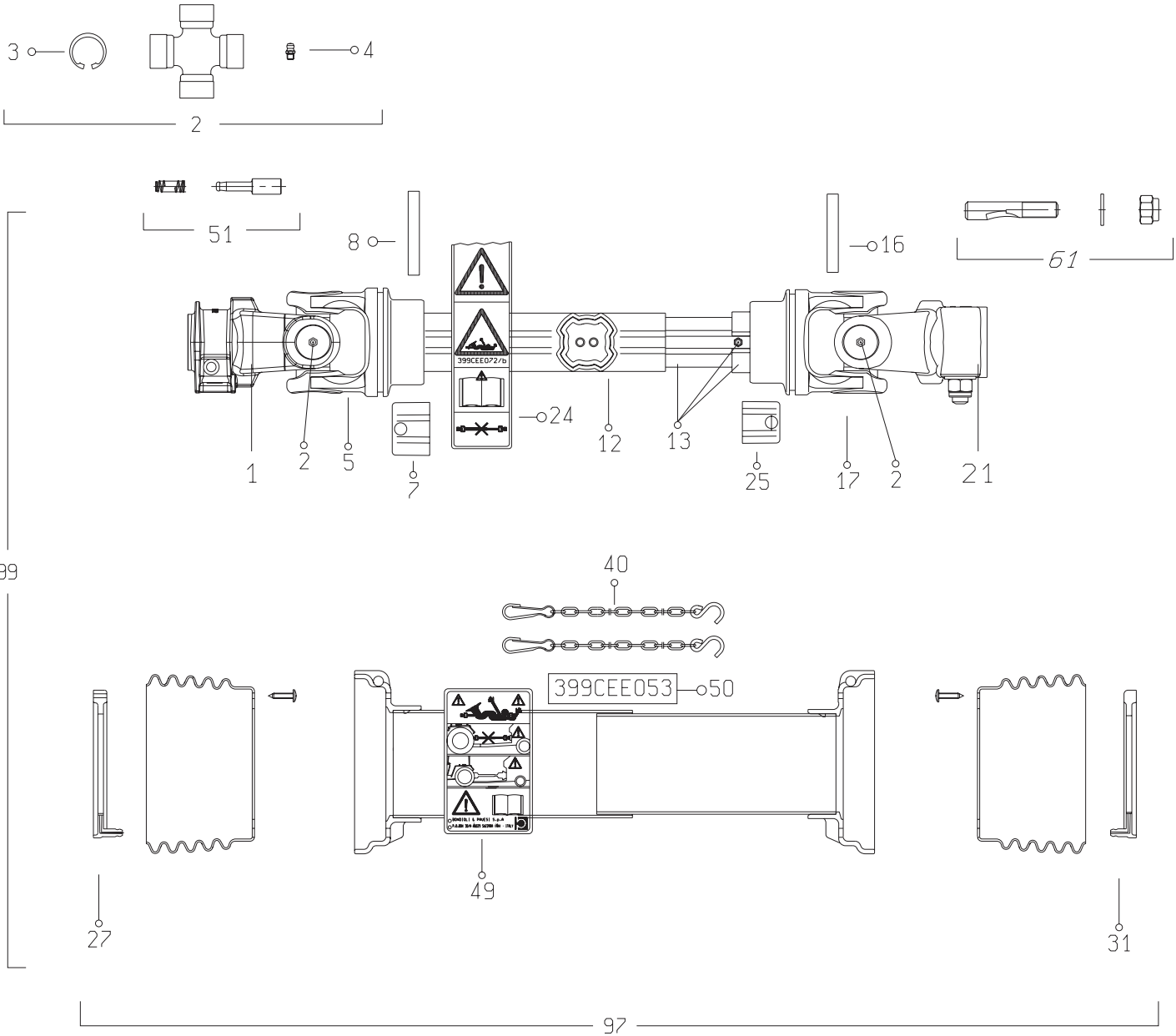
TRANSM.HOMOCINET.

WIDE ANGLE PTO

WEITWINKELGELENKW.

TRASM.OMOCINET.

| Rep | Nr | Qt | Designation | Description | Bezeichnung | Referenza | Remarque - Remark - Bemerkung - Osservazioni |
|-----|-----------------|-----|-------------------------------|------------------|-----------------------|-------------------|--|
| 001 | 1096160 | 001 | COLL.TRASM.SECOND.HOMOCI. | WIDE ANGLE PTO | WEITWINKELGELENKWELLE | TRASM.OMOCINETICA | +[1] |
| 002 | K5604482 | 001 | PROTECTEUR | GUARD | SCHUTZ | PROTEZIONE | [1] |
| 003 | 4800602 | 001 | TRAN.SFTS6 PLATEAU 6 TR. 1629 | PTO-S.SFTS6 1629 | GELEN.SFTS6 1629 | CARDA.SFTS6 1629 | |





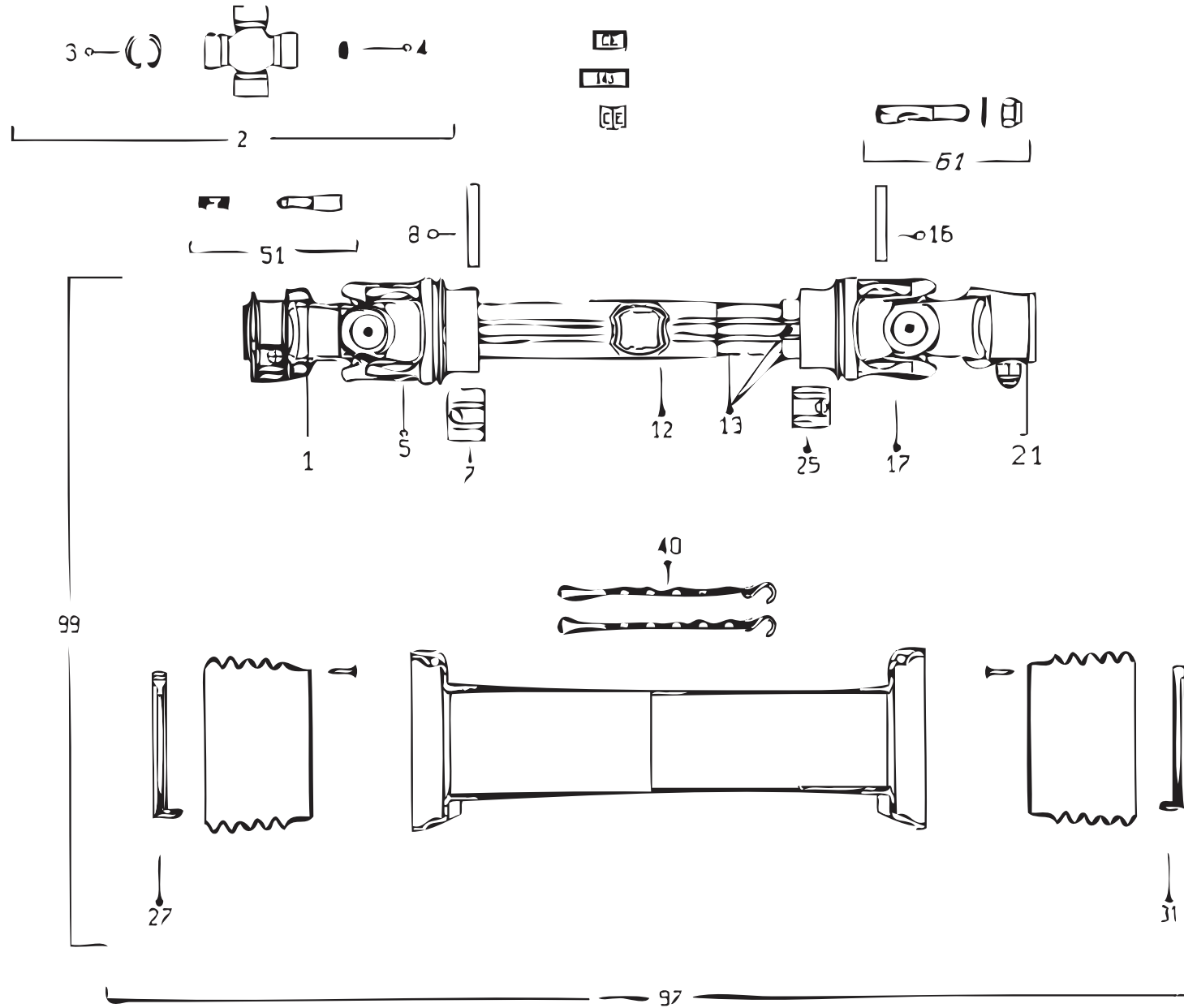
TRANSMISSION 4800601

TRANSMISSION 4800601

GELENKWELLE 4800601

TRANSMISSIONE 4800601

| Rep | Nr | Qt | Designation | Description | Bezeichnung | Referenza | Remarque - Remark - Bemerkung - Osservazioni |
|-----|----------|-----|-----------------------------|-------------------------------|--------------------------------|-------------------------|--|
| 001 | 4803056 | 001 | MACHOIRE | YOKE | RILLEGABEL | FORCELLA | |
| 002 | 4805001 | 002 | CROISSILLON CPL | CROSS JOURNAL CPL | KREUZGARNITUR KPL | CROCIERA | |
| 003 | A7905003 | 008 | CIRCLIPS | RETAINING RING | SICHERUNGSRING | ANNELLO ELASTICO | |
| 004 | 4505051 | 004 | GRAISSEUR | GREASE NIPPLE | SCHMIERNIPPEL | INGRASSATORE | |
| 005 | 4803001 | 001 | MACHOIRE TUBE EXTERIEUR | YOKE OUTER TUBE | RILLEGABEL AUSSENROHR | FORCELLA | |
| 007 | 4811100 | 001 | BOUCHON | END PLUG | VERSCHLUSSSTOPFEN | TAPPO DI CHIUSURA | |
| 008 | 80451058 | 001 | GOUPILLE ELASTIQUE FLZNNC | ROLL PIN FLZNNC | SPANNHUELSE FLZNNC | SPINA ELASTICA FLZNNC | |
| 012 | 4808150 | 001 | TUBE PROFILE EXTERIEUR | PROFILE TUBE | PROFILROHR | PROFILATO | |
| 013 | 4808005 | 001 | TUBE PROFILE INTERIEUR | PROFILE TUBE | PROFILROHR | PROFILATO | |
| 016 | 80451059 | 001 | GOUPILLE ELASTIQUE FLZNNC | ROLL PIN FLZNNC | SPANNHUELSE FLZNNC | SPINA ELASTICA FLZNNC | |
| 017 | 4803007 | 001 | MACHOIRE TUBE INTERIEUR | YOKE INNER TUBE | RILLEGABEL INNENROHR | FORCELLA | |
| 021 | 4803003 | 001 | MACHOIRE | YOKE | RILLEGABEL | FORCELLA | |
| 024 | A7926009 | 001 | ETIQUETTES | STICKER | AUFKLEBER | ADESIVO | |
| 025 | 4811101 | 001 | BOUCHON | END PLUG | VERSCHLUSSSTOPFEN | TAPPO DI CHIUSURA | |
| 027 | 4820100 | 001 | PALIER | SLIDING RING | GLEITRING | SUPPORTO | |
| 031 | 4820101 | 001 | PALIER | SLIDING RING | GLEITRING | SUPPORTO | |
| 040 | 4821024 | 002 | CHAINETTE | CHAIN | HALTEKETTE | CATENELLA | |
| 049 | 4831002 | 001 | PICTOGRAMME | PICTORIAL | PIKTOGRAMM | ADESIVO | |
| 050 | 4831003 | 001 | COLL.PICTOGRAMMES ET NOTICE | SET PICTORIALS & INSTRUCTIONS | SATZ PIKTOGRAMME UND ANLEITUNG | SERIE ADESIVI E NOTIZIE | |
| 051 | 40330050 | 002 | POUSSOIR CPLT | PUSH BUTTON CPLT | SCHIEBESTIEFT KPLT | PULSANTE | |
| 061 | 4505227 | 001 | BOULON CONIQUE CPLT | CONICAL BOLT CPLT | KEGELSCHRAUBE KPLT | DADO CONICO | |
| 097 | 4819601 | 001 | PROTECTEUR COMPLET | GUARD COMPLET | SCHUTZ KOMPLET | PROTEZIONE | |
| 099 | 4800601 | 001 | TRAN.SFTS6 1 3/8-6 873 | PTO-S.SFTS6 1 3/8-6 873 | GELEN.SFTS6 1 3/8-6 873 | CARDA.SFTS6 1 3/8-6 873 | |





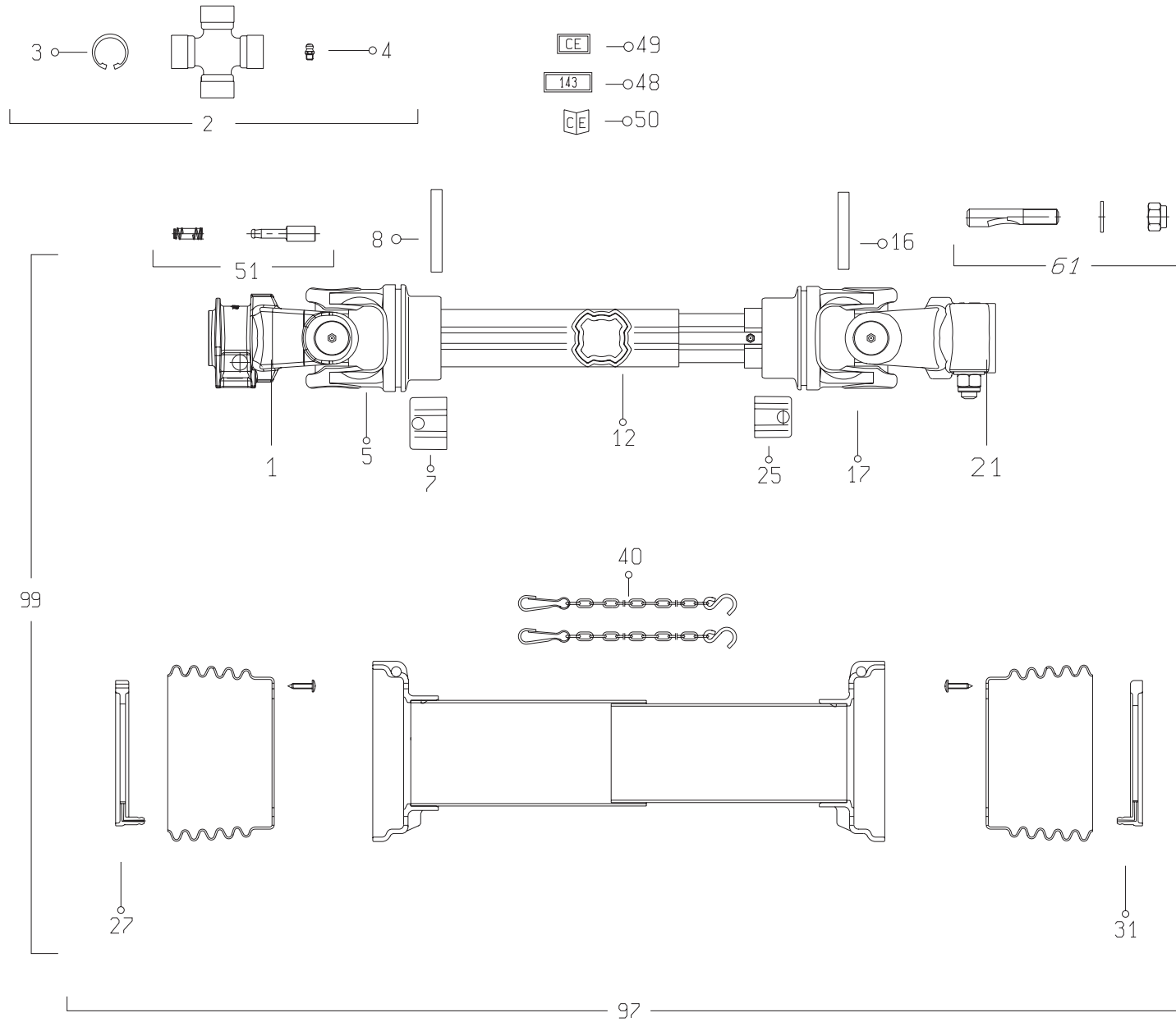
TRANSMISSION 4800611

TRANSMISSION 4800611

GELENKWELLE 4800611

TRANSMISSIONE 4800611

| Rep | Nr | Qt | Designation | Description | Bezeichnung | Referenza | Remarque - Remark - Bemerkung - Osservazioni |
|-----|----------|-----|---------------------------|-------------------------|-------------------------|-------------------------|--|
| 001 | 4803560 | 001 | MACHOIRE "8" | YOKE "8" | RILLEGABEL "8" | MANICOTTO "8" | |
| 002 | 4805001 | 002 | CROISILLON CPL | CROSS JOURNAL CPL | KREUZGARNITUR KPL | CROCIERA | |
| 003 | A7905003 | 008 | CIRCLIPS | RETAINING RING | SICHERUNGSRING | ANELLO ELASTICO | |
| 004 | 4505051 | 004 | GRAISSEUR | GREASE NIPPLE | SCHMIERNIPPEL | INGRASSATORE | |
| 005 | 4803001 | 001 | MACHOIRE TUBE EXTERIEUR | YOKE OUTER TUBE | RILLEGABEL AUSSENROHR | FORCELLA | |
| 007 | 4811100 | 001 | BOUCHON | END PLUG | VERSCHLUSSSTOPFEN | TAPPO DI CHIUSURA | |
| 008 | 80451058 | 001 | GOUPILLE ELASTIQUE FLZNNC | ROLL PIN FLZNNC | SPANNHUELSE FLZNNC | SPINA ELASTICA FLZNNC | |
| 012 | 4808004 | 001 | TUBE PROFILE EXTERIEUR | PROFILE TUBE | PROFILROHR | PROFILATO | <-> 486 mm |
| 013 | 4808155 | 001 | TUBE PROFILE INTERIEUR | PROFILE TUBE | PROFILROHR | PROFILATO | |
| 016 | A7925000 | 001 | GOUPILLE ELASTIQUE | PIN | STIFT | COPPIGLIA TUBOLARE | |
| 017 | 4803007 | 001 | MACHOIRE TUBE INTERIEUR | YOKE INNER TUBE | RILLEGABEL INNENROHR | FORCELLA | |
| 021 | 4803180 | 001 | MACHOIRE | YOKE | RILLEGABEL | FORCELLA | |
| 025 | 4811101 | 001 | BOUCHON | END PLUG | VERSCHLUSSSTOPFEN | TAPPO DI CHIUSURA | |
| 027 | 4820100 | 001 | PALIER | SLIDING RING | GLEITRING | SUPPORTO | |
| 031 | 4820101 | 001 | PALIER | SLIDING RING | GLEITRING | SUPPORTO | |
| 040 | 4521021 | 002 | CHAINETTE | CHAIN | HALTEKETTE | CATENELLA | |
| 051 | 4505215 | 001 | POUSSOIR CPL | PUSH BUTTON | SCHIEBESTIEFT | | |
| 061 | 4511056 | 001 | BOULON TANGENTIEL | SCREW WITH NUT | SCHRAUBE MIT MUTTER | BULLONE | |
| 097 | 4819601 | 001 | PROTECTEUR COMPLET | GUARD COMPLET | SCHUTZ KOMPLET | PROTEZIONE | |
| 099 | 4800611 | 001 | TRAN.SFTS6 8/32/38 873 | PTO-S.SFTS6 8/32/38 873 | GELEN.SFTS6 8/32/38 873 | CARDA.SFTS6 8/32/38 873 | 1"3/4-6 OPT |





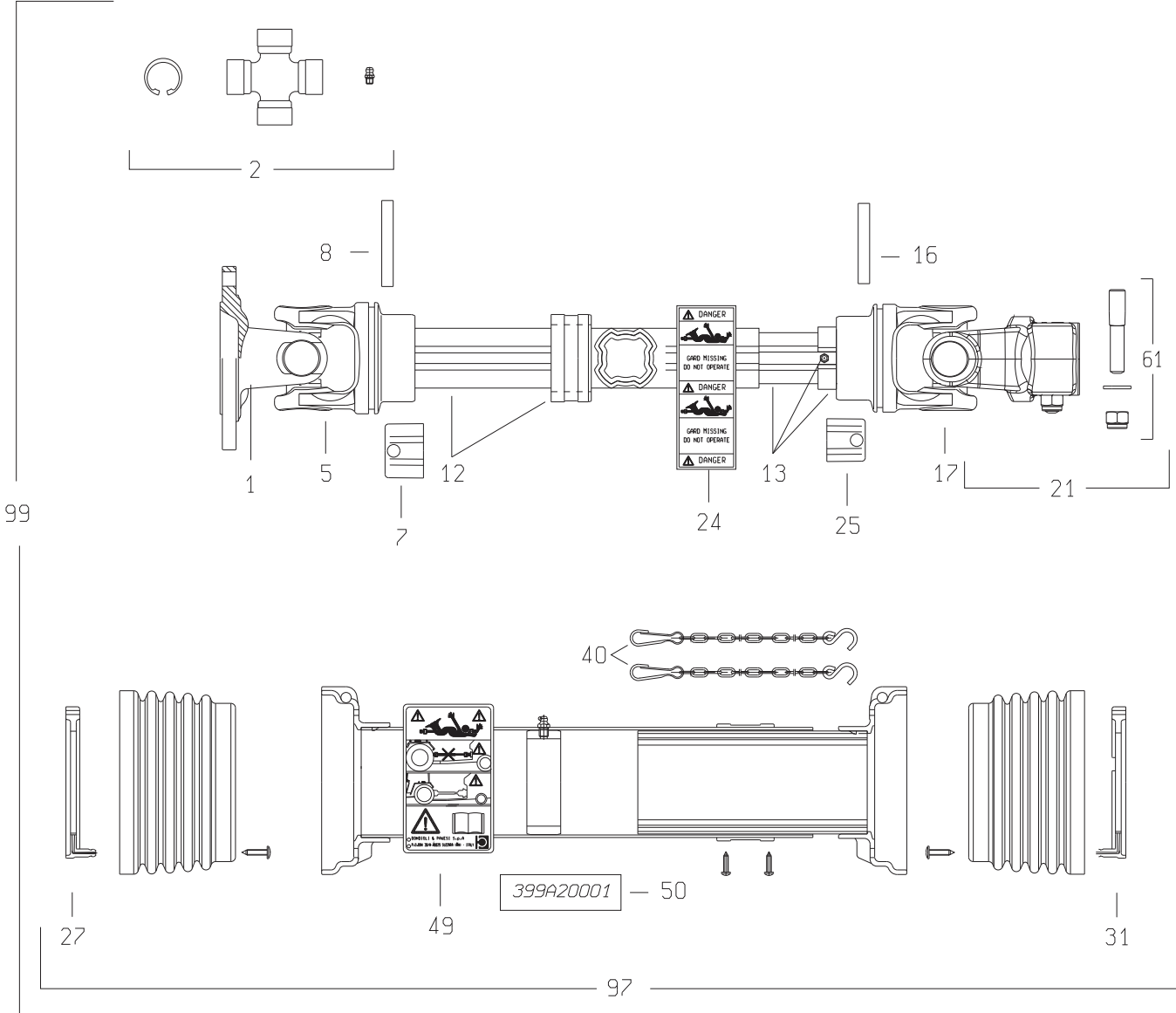
TRANSMISSION 4800606

TRANSMISSION 4800606

GELENKWELLE 4800606

TRANSMISSIONE 4800606

| Rep | Nr | Qt | Designation | Description | Bezeichnung | Referenza | Remarque - Remark - Bemerkung - Osservazioni |
|-----|----------|-----|-----------------------------|-------------------------------|--------------------------------|--------------------------|--|
| 001 | 4803057 | 001 | MACHOIRE | YOKE | RILLEGABEL | FORCELLA | |
| 002 | 4805001 | 002 | CROISILLON CPL | CROSS JOURNAL CPL | KREUZGARNITUR KPL | CROCIERA | |
| 003 | 4505037 | 008 | CIRCLIP | RETAINING RING | SICHERUNGSRING | ANNELLO ELASTICO | |
| 004 | 4505051 | 004 | GRAISSEUR | GREASE NIPPLE | SCHMIERNIPPEL | INGRASSATORE | |
| 005 | 4803001 | 001 | MACHOIRE TUBE EXTERIEUR | YOKE OUTER TUBE | RILLEGABEL AUSSENROHR | FORCELLA | |
| 007 | 4811100 | 001 | BOUCHON | END PLUG | VERSCHLUSSSTOPFEN | TAPPO DI CHIUSURA | |
| 008 | 80451058 | 001 | GOUPILLE ELASTIQUE FLZNNC | ROLL PIN FLZNNC | SPANNHUELSE FLZNNC | SPINA ELASTICA FLZNNC | |
| 012 | 4808150 | 001 | TUBE PROFILE EXTERIEUR | PROFILE TUBE | PROFILROHR | PROFILATO | |
| 016 | 80451059 | 001 | GOUPILLE ELASTIQUE FLZNNC | ROLL PIN FLZNNC | SPANNHUELSE FLZNNC | SPINA ELASTICA FLZNNC | |
| 017 | 4803007 | 001 | MACHOIRE TUBE INTERIEUR | YOKE INNER TUBE | RILLEGABEL INNENROHR | FORCELLA | |
| 021 | 4803003 | 001 | MACHOIRE | YOKE | RILLEGABEL | FORCELLA | |
| 025 | 4811101 | 001 | BOUCHON | END PLUG | VERSCHLUSSSTOPFEN | TAPPO DI CHIUSURA | |
| 027 | 4820100 | 001 | PALIER | SLIDING RING | GLEITRING | SUPPORTO | |
| 031 | 4820101 | 001 | PALIER | SLIDING RING | GLEITRING | SUPPORTO | |
| 040 | 4821024 | 002 | CHAINETTE | CHAIN | HALTEKETTE | CATENELLA | |
| 048 | A7926009 | 001 | ETIQUETTES | STICKER | AUFKLEBER | ADESIVO | |
| 049 | 4831002 | 001 | PICTOGRAMME | PICTORIAL | PIKTOGRAMM | ADESIVO | |
| 050 | 4831003 | 001 | COLL.PICTOGRAMMES ET NOTICE | SET PICTORIALS & INSTRUCTIONS | SATZ PIKTOGRAMME UND ANLEITUNG | SERIE ADESIVI E NOTIZIE | |
| 051 | 40330050 | 001 | POUSSOIR CPLT | PUSH BUTTON CPLT | SCHIEBESTIEFT KPLT | PULSANTE | |
| 061 | 4505227 | 001 | BOULON CONIQUE CPLT | CONICAL BOLT CPLT | KEGELSCHRAUBE KPLT | DADO CONICO | |
| 097 | 4819601 | 001 | PROTECTEUR COMPLET | GUARD COMPLET | SCHUTZ KOMPLET | PROTEZIONE | |
| 099 | 4800606 | 001 | TRAN.SFTS6 1 3/8-21 873 | PTO-S.SFTS6 1 3/8-21 873 | GELEN.SFTS6 1 3/8-21 873 | CARDA.SFTS6 1 3/8-21 873 | |





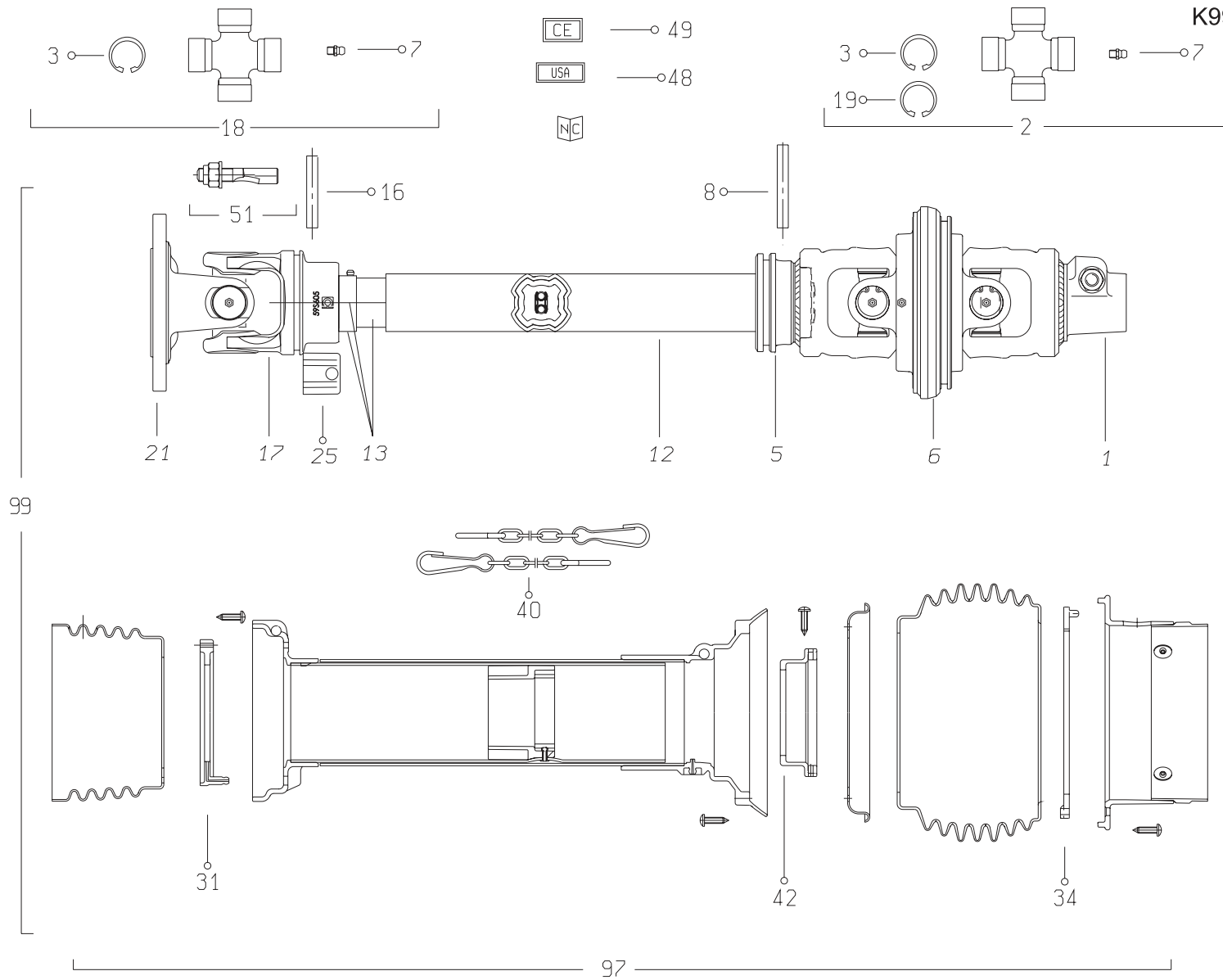
TRANSMISSION 4800614

TRANSMISSION 4800614

GELENKWELLE 4800614

TRANSMISSIONE 4800614

| Rep | Nr | Qt | Designation | Description | Bezeichnung | Referenza | Remarque - Remark - Bemerkung - Osservazioni |
|-----|----------|-----|-------------------------------|-------------------------------|--------------------------------|-------------------------|--|
| 001 | 4503617 | 001 | MACHOIRE A PLATEAU | FLANGE YOKE | FLANSCHGABEL | FORCELLA | |
| 002 | 4805001 | 002 | CROISILLON CPL | CROSS JOURNAL CPL | KREUZGARNITUR KPL | CROCIERA | |
| 005 | 4803001 | 001 | MACHOIRE TUBE EXTERIEUR | YOKE OUTER TUBE | RILLEGABEL AUSSENROHR | FORCELLA | |
| 007 | 4811100 | 001 | BOUCHON | END PLUG | VERSCHLUSSSTOPFEN | TAPPO DI CHIUSURA | |
| 008 | 80451058 | 001 | GOUPILLE ELASTIQUE FLZNNC | ROLL PIN FLZNNC | SPANNHUELSE FLZNNC | SPINA ELASTICA FLZNNC | |
| 012 | 4808018 | 001 | TUBE PROFILE EXTERIEUR | PROFILE TUBE | PROFILROHR | PROFILATO | |
| 013 | 4808019 | 001 | TUBE PROFILE INTERIEUR | PROFILE TUBE | PROFILROHR | PROFILATO | |
| 016 | 80451059 | 001 | GOUPILLE ELASTIQUE FLZNNC | ROLL PIN FLZNNC | SPANNHUELSE FLZNNC | SPINA ELASTICA FLZNNC | |
| 017 | 4803007 | 001 | MACHOIRE TUBE INTERIEUR | YOKE INNER TUBE | RILLEGABEL INNENROHR | FORCELLA | |
| 021 | 4803009 | 001 | MACHOIRE Z=21 | YOKE | RILLEGABEL | FORCELLA | |
| 024 | A7926009 | 001 | ETIQUETTES | STICKER | AUFKLEBER | ADESIVO | |
| 025 | 4811101 | 001 | BOUCHON | END PLUG | VERSCHLUSSSTOPFEN | TAPPO DI CHIUSURA | |
| 027 | 4820100 | 001 | PALIER | SLIDING RING | GLEITRING | SUPPORTO | |
| 031 | 4820101 | 001 | PALIER | SLIDING RING | GLEITRING | SUPPORTO | |
| 040 | 4821024 | 002 | CHAINETTE | CHAIN | HALTEKETTE | CATENELLA | |
| 049 | 4831002 | 001 | PICTOGRAMME | PICTORIAL | PIKTOGRAMM | ADESIVO | |
| 050 | 4831004 | 001 | COLL.PICTOGRAMMES ET NOTICE | SET PICTORIALS & INSTRUCTIONS | SATZ PIKTOGRAMME UND ANLEITUNG | SERIE ADESIVI E NOTIZIE | |
| 061 | 4505223 | 001 | KIT AXES EXCENTRES | ECCENTRIC PIN KIT | SATZ EXZENTERSTIFTE | BULLONE CONICO CPLT | |
| 097 | 4819614 | 001 | PROTECTEUR COMPLET | GUARD COMPLET | SCHUTZ KOMPLET | PROTEZIONE | |
| 099 | 4800614 | 001 | TRAN.SFTS6 PLATEAU 6 TR. 1629 | PTO-S.SFTS6 1629 | GELEN.SFTS6 1629 | CARDA.SFTS6 1629 | |





TRANSMISSION 4800610

TRANSMISSION 4800610

GELENKWELLE 4800610

TRANSMISSIONE 4800610

| Rep | Nr | Qt | Designation | Description | Bezeichnung | Referenza | Remarque - Remark - Bemerkung - Osservazioni |
|-----|----------|-----|--------------------------------|--------------------------------|--------------------------------|--------------------------------|--|
| 001 | 4803042 | 001 | MACHOIRE A PONTET | YOKE | RILLEGABEL | | |
| 002 | 4805003 | 002 | CROISILLON CPL | CROSS JOURNAL CPL | KREUZGARNITUR KPL | CROCIERA | |
| 003 | 4505037 | 008 | CIRCLIP | RETAINING RING | SICHERUNGSRING | ANNELLO ELASTICO | |
| 005 | 4803019 | 001 | MACHOIRE TUBE EXTERIEUR | YOKE OUTER TUBE | RILLEGABEL AUSSENROHR | | |
| 006 | 4813000 | 001 | MACHOIRE DOUBLE | DOUBLE YOKE | DOPPELGELENKGABEL | | |
| 007 | 4505051 | 004 | GRAISSEUR | GREASE NIPPLE | SCHMIERNIPPEL | INGRASSATORE | |
| 008 | 80451058 | 001 | GOUPILLE ELASTIQUE FLZNNC | ROLL PIN FLZNNC | SPANNHUELSE FLZNNC | SPINA ELASTICA FLZNNC | |
| 012 | 4808022 | 001 | TUBE PROFILE EXTERIEUR | PROFILE TUBE | PROFILROHR | PROFILATO | |
| 013 | 4808023 | 001 | TUBE PROFILE INTERIEUR | PROFILE TUBE | PROFILROHR | PROFILATO | |
| 016 | 80451057 | 001 | GOUPILLE ELASTIQUE FLZNNC | ROLL PIN FLZNNC | SPANNHUELSE FLZNNC | SPINA ELASTICA FLZNNC | |
| 017 | 4803020 | 001 | MACHOIRE TUBE INTERIEUR | YOKE INNER TUBE | RILLEGABEL INNENROHR | | |
| 018 | 4805001 | 001 | CROISILLON CPL | CROSS JOURNAL CPL | KREUZGARNITUR KPL | CROCIERA | |
| 019 | 4505035 | 004 | CIRCLIP | RETAINING RING | SICHERUNGSRING | ANNELLO ELASTICO | |
| 021 | 4803062 | 001 | MACHOIRE A PLATEAU | FLANGE YOKE | FLANSCHGABEL | FORCELLA | |
| 025 | 4811111 | 001 | BOUCHON | END PLUG | VERSCHLUSSSTOPFEN | TAPPO DI CHIUSURA | |
| 031 | 4820101 | 001 | PALIER | SLIDING RING | GLEITRING | SUPPORTO | |
| 034 | 4820103 | 001 | PALIER | SLIDING RING | GLEITRING | SUPPORTO | |
| 040 | 4821024 | 002 | CHAINETTE | CHAIN | HALTEKETTE | CATENELLA | |
| 042 | 4820102 | 001 | PALIER | SLIDING RING | GLEITRING | SUPPORTO | |
| 048 | A7926009 | 001 | ETIQUETTES | STICKER | AUFKLEBER | ADESIVO | |
| 049 | 4831002 | 001 | PICTOGRAMME | PICTORIAL | PIKTOGRAMM | ADESIVO | |
| 051 | 4505228 | 001 | BOULON CONIQUE CPLT | CONICAL BOLT CPLT | KEGELSCHRAUBE KPLT | DADO CONICO | |
| 097 | 4819610 | 001 | PROTECTEUR COMPLET | GUARD COMPLET | SCHUTZ KOMPLET | PROTEZIONE | |
| 099 | 4800610 | 001 | TRAN.SFTS6 G.A. PLAT.6 TR.1637 | PTO-S.SFTS6 G.A.PLAT.6 TR.1637 | GELEN.SFTS6 G.A.PLAT.6 TR.1637 | CARDA.SFTS6 G.A.PLAT.6 TR.1637 | |



INDEX NUMERIQUE - NUMERICAL INDEX

TEILENUMMERN-INDEX - INDICE NUMERICO

| Nr | Page | Rep. | Nr | Page | Rep. | Nr | Page | Rep. | Nr | Page | Rep. | Nr | Page | Rep. | Nr | Page | Rep. | Nr | Page | Rep. | Nr | Page | Rep. |
|----------|------|------|----------|------|------|----------|------|------|----------|------|------|----------|------|------|----------|------|------|---------|------|------|----------|------|------|
| A4074001 | 023 | 021 | K5600850 | 027 | 014 | K5602590 | 031 | 038 | K5605630 | 041 | 017 | K5608130 | 063 | 022 | 09970710 | 071 | 014 | 4803180 | 077 | 021 | 4821024 | 079 | 040 |
| A4075005 | 023 | 023 | K5600860 | 027 | 013 | K5602621 | 035 | 021 | K5605800 | 065 | 038 | K5608140 | 059 | 031 | 1033600 | 031 | 039 | 4803560 | 077 | 001 | 4821024 | 081 | 040 |
| A4080401 | 023 | 020 | K5600870 | 027 | 012 | K5602680 | 039 | 056 | K5605810 | 065 | 039 | K5608150 | 063 | 023 | 1096160 | 073 | 001 | 4805001 | 075 | 002 | 4821024 | 083 | 040 |
| A4080429 | 023 | 024 | K5600880 | 027 | 011 | K5602700 | 039 | 057 | K5605820 | 065 | 040 | K5608160 | 063 | 024 | 2560002 | 041 | 001 | 4805001 | 077 | 002 | 4831002 | 075 | 049 |
| A7905003 | 075 | 003 | K5600890 | 027 | 010 | K5602710 | 039 | 058 | K5605830 | 065 | 041 | K5608170 | 059 | 032 | 3156097 | 019 | 022 | 4805001 | 079 | 002 | 4831002 | 079 | 049 |
| A7905003 | 077 | 003 | K5600940 | 027 | 009 | K5602840 | 071 | 025 | K5605840 | 065 | 042 | K5608181 | 059 | 033 | 3156097 | 029 | 003 | 4805001 | 081 | 002 | 4831002 | 081 | 049 |
| A7925000 | 077 | 016 | K5600951 | 019 | 002 | K5602870 | 067 | 003 | K5605850 | 065 | 043 | K5608200 | 053 | 016 | 40330050 | 075 | 051 | 4805001 | 083 | 018 | 4831002 | 083 | 049 |
| A7926009 | 075 | 024 | K5601090 | 025 | 023 | K5602910 | 023 | 028 | K5605921 | 047 | 026 | K5608210 | 053 | 017 | 40330050 | 079 | 051 | 4805003 | 083 | 002 | 4831003 | 075 | 050 |
| A7926009 | 079 | 048 | K5601100 | 025 | 024 | K5602940 | 065 | 024 | K5605931 | 047 | 027 | K5608220 | 053 | 018 | 4503617 | 081 | 001 | 4806600 | 013 | 011 | 4831003 | 079 | 050 |
| A7926009 | 081 | 024 | K5601110 | 025 | 025 | K5602950 | 065 | 025 | K5605941 | 047 | 028 | K5608240 | 057 | 026 | 4505035 | 083 | 019 | 4808004 | 077 | 012 | 4831004 | 081 | 050 |
| A7926009 | 083 | 048 | K5601120 | 025 | 026 | K5603010 | 065 | 026 | K5605950 | 047 | 029 | K5608250 | 055 | 022 | 4505037 | 079 | 003 | 4808005 | 075 | 013 | 50000000 | 025 | 002 |
| KN036E | 069 | 015 | K5601130 | 025 | 027 | K5603420 | 033 | 025 | K5606100 | 059 | 020 | K5608260 | 035 | 023 | 4505037 | 083 | 003 | 4808018 | 081 | 012 | 50002200 | 045 | 001 |
| K5600070 | 031 | 032 | K5601140 | 027 | 008 | K5603450 | 051 | 009 | K5606250 | 027 | 002 | K5608270 | 035 | 024 | 4505051 | 075 | 004 | 4808019 | 081 | 013 | 50002200 | 059 | 001 |
| K5600080 | 031 | 033 | K5601151 | 013 | 008 | K5603460 | 051 | 010 | K5606301 | 049 | 003 | K5608400 | 059 | 034 | 4505051 | 077 | 004 | 4808022 | 083 | 012 | 50002200 | 061 | 017 |
| K5600091 | 031 | 034 | K5601170 | 027 | 007 | K5603550 | 041 | 013 | K5606310 | 065 | 044 | K5609390 | 039 | 064 | 4505051 | 079 | 004 | 4808023 | 083 | 013 | 50002200 | 063 | 001 |
| K5600142 | 019 | 010 | K5601180 | 027 | 006 | K5603650 | 055 | 019 | K5606320 | 065 | 045 | K5609420 | 041 | 019 | 4505051 | 083 | 007 | 4808150 | 075 | 012 | 50002200 | 065 | 001 |
| K5600160 | 031 | 036 | K5601190 | 027 | 005 | K5603660 | 057 | 023 | K5606440 | 059 | 021 | K5609520 | 067 | 001 | 4505215 | 077 | 051 | 4808150 | 079 | 012 | 50002300 | 045 | 002 |
| K5600180 | 031 | 035 | K5601210 | 013 | 007 | K5603820 | 041 | 014 | K5606440 | 063 | 015 | K5609690 | 027 | 001 | 4505223 | 081 | 061 | 4808155 | 077 | 013 | 50002900 | 031 | 001 |
| K5600190 | 027 | 019 | K5601220 | 013 | 006 | K5603930 | 067 | 002 | K5606500 | 059 | 022 | K5609780 | 007 | 024 | 4505227 | 075 | 061 | 4811100 | 075 | 007 | 50003200 | 031 | 002 |
| K5600230 | 031 | 037 | K5601230 | 013 | 005 | K5604220 | 041 | 015 | K5606500 | 063 | 016 | K5609830 | 045 | 005 | 4505227 | 079 | 061 | 4811100 | 077 | 007 | 50003300 | 015 | 001 |
| K5600240 | 035 | 018 | K5601240 | 025 | 028 | K5604230 | 041 | 016 | K5606510 | 059 | 023 | K5609840 | 045 | 006 | 4505228 | 083 | 051 | 4811100 | 079 | 007 | 50003300 | 049 | 001 |
| K5600250 | 035 | 002 | K5601310 | 023 | 026 | K5604482 | 073 | 002 | K5606510 | 063 | 017 | K5609850 | 045 | 007 | 4511056 | 077 | 061 | 4811100 | 081 | 007 | 50004200 | 031 | 003 |
| K5600270 | 033 | 022 | K5601340 | 027 | 004 | K5604501 | 059 | 019 | K5606520 | 059 | 024 | K5610570 | 039 | 065 | 4521021 | 077 | 040 | 4811101 | 075 | 025 | 50005600 | 033 | 001 |
| K5600280 | 033 | 023 | K5601360 | 067 | 006 | K5604820 | 051 | 011 | K5606520 | 063 | 018 | K5800480 | 019 | 012 | 4800601 | 075 | 099 | 4811101 | 077 | 025 | 50005700 | 055 | 001 |
| K5600290 | 033 | 024 | K5601370 | 067 | 005 | K5604840 | 051 | 012 | K5606550 | 041 | 018 | K5800550 | 047 | 030 | 4800602 | 073 | 003 | 4811101 | 079 | 025 | 50005700 | 057 | 001 |
| K5600320 | 035 | 019 | K5601400 | 061 | 009 | K5604890 | 065 | 027 | K5606630 | 051 | 013 | K5800720 | 047 | 031 | 4800606 | 079 | 099 | 4811101 | 081 | 025 | 50007300 | 047 | 001 |
| K5600330 | 035 | 020 | K5601420 | 061 | 008 | K5604900 | 065 | 028 | K5606920 | 035 | 022 | K5801152 | 049 | 004 | 4800610 | 083 | 099 | 4811111 | 083 | 025 | 50007300 | 065 | 002 |
| K5600450 | 013 | 010 | K5601430 | 061 | 007 | K5604910 | 065 | 029 | K5607180 | 023 | 029 | K5801283 | 049 | 005 | 4800611 | 077 | 099 | 4813000 | 083 | 006 | 50007700 | 007 | 001 |
| K5600480 | 039 | 053 | K5601440 | 061 | 006 | K5604920 | 065 | 030 | K5607200 | 023 | 030 | K7002980 | 047 | 032 | 4800614 | 081 | 099 | 4819601 | 075 | 097 | 50007700 | 009 | 001 |
| K5600500 | 039 | 054 | K5601450 | 061 | 005 | K5604950 | 065 | 031 | K5607210 | 023 | 031 | K7005470 | 065 | 048 | 4803001 | 075 | 005 | 4819601 | 077 | 097 | 50008200 | 055 | 002 |
| K5600520 | 039 | 061 | K5601540 | 019 | 004 | K5604960 | 065 | 032 | K5607270 | 023 | 032 | K7006590 | 023 | 033 | 4803001 | 077 | 005 | 4819601 | 079 | 097 | 50008200 | 057 | 002 |
| K5600530 | 039 | 062 | K5601550 | 019 | 005 | K5605030 | 065 | 033 | K5607770 | 039 | 059 | K7007120 | 023 | 034 | 4803001 | 079 | 005 | 4819610 | 083 | 097 | 50008300 | 065 | 003 |
| K5600540 | 039 | 063 | K5601560 | 019 | 006 | K5605040 | 065 | 034 | K5607910 | 039 | 060 | K9500080 | 071 | 001 | 4803001 | 081 | 005 | 4819614 | 081 | 097 | 50008800 | 055 | 003 |
| K5600560 | 039 | 055 | K5601570 | 019 | 007 | K5605050 | 065 | 035 | K5607991 | 029 | 006 | K9500090 | 071 | 002 | 4803003 | 075 | 021 | 4820100 | 075 | 027 | 50009900 | 007 | 002 |
| K5600590 | 013 | 009 | K5601630 | 019 | 017 | K5605150 | 027 | 003 | K5608001 | 029 | 007 | K9500120 | 071 | 003 | 4803003 | 079 | 021 | 4820100 | 077 | 027 | 50009900 | 009 | 002 |
| K5600640 | 065 | 022 | K5601750 | 013 | 004 | K5605160 | 057 | 024 | K5608030 | 065 | 046 | K9500150 | 071 | 004 | 4803007 | 075 | 017 | 4820100 | 079 | 027 | 50009900 | 009 | 002 |
| K5600670 | 019 | 003 | K5601790 | 061 | 004 | K5605170 | 055 | 020 | K5608040 | 065 | 047 | K9502470 | 071 | 005 | 4803007 | 077 | 017 | 4820100 | 081 | 027 | 50012200 | 037 | 001 |
| K5600670 | 029 | 004 | K5601810 | 061 | 003 | K5605180 | 057 | 025 | K5608050 | 059 | 025 | K9502790 | 071 | 006 | 4803007 | 079 | 017 | 4820101 | 075 | 031 | 50014110 | 033 | 002 |
| K5600690 | 019 | 001 | K5601821 | 061 | 002 | K5605220 | 053 | 014 | K5608060 | 063 | 019 | K9502800 | 071 | 007 | 4803007 | 081 | 017 | 4820101 | 077 | 031 | 50015100 | 013 | 038 |
| K5600690 | 029 | 005 | K5601891 | 061 | 001 | K5605230 | 053 | 015 | K5608070 | 063 | 020 | 09905400 | 071 | 008 | 4803009 | 081 | 021 | 4820101 | 079 | 031 | 50017710 | 027 | 045 |
| K5600790 | 025 | 021 | K5601922 | 065 | 023 | K5605280 | 065 | 036 | K5608080 | 059 | 026 | 09905510 | 071 | 009 | 4803019 | 083 | 005 | 4820101 | 081 | 031 | 50017800 | 003 | 001 |
| K5600800 | 025 | 022 | K5601992 | 013 | 003 | K5605351 | 047 | 023 | K5608091 | 059 | 027 | 09915200 | 071 | 010 | 4803020 | 083 | 017 | 4820101 | 083 | 031 | 50017900 | 055 | 004 |
| K5600810 | 027 | 018 | K5602300 | 013 | 002 | K5605370 | 047 | 024 | K5608100 | 059 | 028 | 09968300 | 071 | 013 | 4803042 | 083 | 001 | 4820102 | 083 | 042 | 50017900 | 057 | 003 |
| K5600820 | 027 | 017 | K5602310 | 013 | 001 | K5605391 | 047 | 025 | K5608110 | 063 | 021 | 09968310 | 071 | 013 | 4803056 | 075 | 001 | 4820103 | 083 | 034 | 50019700 | 025 | 003 |
| K5600830 | 027 | 016 | K5602400 | 067 | 004 | K5605400 | 065 | 037 | K5608120 | 059 | 029 | 09969900 | 071 | 011 | 4803057 | 079 | 001 | 4821000 | 009 | 037 | 50030600 | 003 | 002 |
| K5600840 | 027 | 015 | K5602410 | 023 | 027 | K5605530 | 055 | 021 | K5608130 | 059 | 030 | 09970500 | 071 | 012 | 4803062 | 083 | 021 | 4821024 | 075 | 040 | 50030700 | 003 | 003 |



INDEX NUMERIQUE - NUMERICAL INDEX TEILENUMMERN-INDEX - INDICE NUMERICO

| Nr | Page | Rep. | Nr | Page | Rep. | Nr | Page | Rep. | Nr | Page | Rep. | Nr | Page | Rep. | Nr | Page | Rep. | Nr | Page | Rep. | Nr | Page | Rep. |
|----------|------|------|----------|------|------|----------|------|------|----------|------|------|----------|------|------|----------|------|------|----------|------|------|----------|------|------|
| 50065800 | 013 | 037 | 55733700 | 007 | 012 | 55903210 | 031 | 010 | 58733700 | 051 | 001 | 80061667 | 057 | 012 | 80201030 | 053 | 008 | 80251021 | 009 | 024 | 80254255 | 037 | 029 |
| 50066000 | 003 | 004 | 55733700 | 009 | 011 | 55903210 | 035 | 003 | 58742110 | 023 | 010 | 80061690 | 051 | 002 | 80201030 | 059 | 009 | 80251021 | 047 | 014 | 80254552 | 009 | 027 |
| 50066100 | 007 | 003 | 55733700 | 037 | 004 | 55903210 | 069 | 002 | 59002600 | 025 | 006 | 80062060 | 027 | 035 | 80201030 | 063 | 007 | 80251032 | 047 | 013 | 80254552 | 013 | 023 |
| 50066600 | 047 | 002 | 55733800 | 007 | 013 | 55903310 | 031 | 011 | 59402900 | 061 | 015 | 80071232 | 059 | 002 | 80201040 | 019 | 011 | 80251127 | 059 | 012 | 80254556 | 013 | 022 |
| 50066700 | 031 | 004 | 55733800 | 009 | 012 | 55903310 | 035 | 004 | 59900000 | 071 | 015 | 80071233 | 013 | 039 | 80201040 | 029 | 002 | 80251127 | 061 | 010 | 80257078 | 055 | 015 |
| 50066700 | 055 | 005 | 55733800 | 037 | 005 | 55903310 | 069 | 003 | 59900200 | 071 | 016 | 80080626 | 067 | 018 | 80201040 | 031 | 020 | 80251127 | 063 | 010 | 80257078 | 057 | 019 |
| 50066700 | 057 | 004 | 55733910 | 009 | 013 | 55921000 | 031 | 012 | 59900400 | 071 | 017 | 80081075 | 027 | 034 | 80201040 | 045 | 003 | 80251127 | 065 | 015 | 80258070 | 033 | 013 |
| 50066700 | 065 | 004 | 55735500 | 013 | 034 | 56010300 | 015 | 007 | 59900600 | 071 | 018 | 80130820 | 019 | 019 | 80201040 | 059 | 010 | 80251176 | 009 | 025 | 80258071 | 033 | 014 |
| 50067100 | 059 | 003 | 55735610 | 003 | 007 | 56019000 | 069 | 004 | 59900800 | 071 | 019 | 80130820 | 041 | 006 | 80201040 | 061 | 011 | 80251176 | 013 | 025 | 80258075 | 033 | 015 |
| 50067100 | 063 | 002 | 55735700 | 003 | 008 | 56022310 | 023 | 003 | 59901100 | 071 | 020 | 80131017 | 009 | 022 | 80201040 | 063 | 008 | 80251176 | 045 | 004 | 80281230 | 047 | 017 |
| 50067100 | 065 | 005 | 55736510 | 009 | 014 | 56039800 | 025 | 005 | 59910300 | 071 | 021 | 80131020 | 041 | 007 | 80201040 | 065 | 013 | 80251176 | 059 | 013 | 80281234 | 065 | 019 |
| 50067400 | 025 | 012 | 55736610 | 009 | 015 | 56046310 | 023 | 005 | 59950000 | 071 | 022 | 80131020 | 053 | 007 | 80201040 | 067 | 015 | 80251176 | 063 | 011 | 80281250 | 053 | 012 |
| 50067400 | 037 | 002 | 55736700 | 009 | 016 | 56046420 | 023 | 004 | 59953100 | 071 | 023 | 80131020 | 059 | 006 | 80201090 | 017 | 001 | 80251176 | 065 | 016 | 80281254 | 031 | 025 |
| 50067700 | 059 | 004 | 55745700 | 037 | 006 | 56063810 | 055 | 007 | 59953210 | 071 | 024 | 80131026 | 019 | 020 | 80201090 | 043 | 002 | 80251176 | 067 | 014 | 80281254 | 035 | 014 |
| 50067700 | 063 | 003 | 55749800 | 059 | 005 | 56063810 | 057 | 007 | 80060616 | 069 | 006 | 80131026 | 027 | 033 | 80201091 | 021 | 002 | 80251225 | 047 | 015 | 80281639 | 013 | 021 |
| 50068100 | 065 | 006 | 55749800 | 063 | 004 | 56115800 | 031 | 013 | 80060820 | 009 | 021 | 80131026 | 029 | 001 | 80201200 | 049 | 002 | 80251225 | 053 | 010 | 80281639 | 031 | 026 |
| 50068400 | 013 | 036 | 55764900 | 009 | 017 | 56115800 | 035 | 005 | 80060820 | 061 | 014 | 80131220 | 009 | 023 | 80201230 | 041 | 008 | 80251225 | 059 | 014 | 80281639 | 033 | 016 |
| 50069210 | 053 | 001 | 55764900 | 037 | 007 | 56115800 | 069 | 005 | 80060826 | 027 | 038 | 80131220 | 019 | 021 | 80201230 | 047 | 011 | 80251225 | 063 | 012 | 80281639 | 055 | 016 |
| 50080200 | 069 | 001 | 55780320 | 009 | 018 | 56145700 | 009 | 019 | 80061016 | 013 | 029 | 80131220 | 035 | 010 | 80201230 | 055 | 012 | 80251237 | 053 | 011 | 80281639 | 057 | 020 |
| 52228500 | 015 | 002 | 55808300 | 031 | 005 | 56145700 | 037 | 015 | 80061016 | 067 | 020 | 80131220 | 037 | 017 | 80201230 | 057 | 015 | 80251331 | 041 | 009 | 80282045 | 013 | 020 |
| 52514110 | 015 | 003 | 55808300 | 035 | 001 | 56207000 | 031 | 014 | 80061020 | 053 | 003 | 80131220 | 047 | 008 | 80201237 | 031 | 021 | 80251331 | 055 | 014 | 80299010 | 007 | 016 |
| 52528500 | 003 | 005 | 55814900 | 041 | 002 | 56524500 | 023 | 006 | 80061026 | 041 | 004 | 80131220 | 055 | 011 | 80201240 | 023 | 013 | 80251331 | 057 | 018 | 80370408 | 013 | 019 |
| 52536600 | 015 | 004 | 55815000 | 041 | 003 | 56529000 | 047 | 003 | 80061026 | 047 | 006 | 80131220 | 057 | 013 | 80201240 | 047 | 012 | 80251331 | 059 | 015 | 80370408 | 041 | 010 |
| 52536700 | 015 | 005 | 55817600 | 013 | 033 | 56529000 | 065 | 007 | 80061026 | 065 | 008 | 80131220 | 059 | 007 | 80201240 | 053 | 009 | 80251331 | 063 | 013 | 80370415 | 019 | 016 |
| 52583500 | 015 | 006 | 55819400 | 013 | 032 | 56530110 | 005 | 002 | 80061026 | 067 | 019 | 80131220 | 061 | 013 | 80201240 | 065 | 014 | 80251338 | 065 | 017 | 80370415 | 059 | 018 |
| 52801410 | 003 | 006 | 55824300 | 037 | 008 | 56537400 | 067 | 021 | 80061035 | 065 | 009 | 80131220 | 063 | 005 | 80201253 | 031 | 022 | 80251345 | 047 | 016 | 80370515 | 023 | 014 |
| 53032700 | 053 | 002 | 55824400 | 037 | 009 | 56540200 | 027 | 039 | 80061054 | 053 | 004 | 80131220 | 065 | 011 | 80201253 | 037 | 019 | 80251624 | 005 | 004 | 80450320 | 027 | 026 |
| 55700610 | 013 | 035 | 55824800 | 037 | 010 | 56540200 | 047 | 004 | 80061220 | 013 | 028 | 80131220 | 067 | 017 | 80201260 | 015 | 009 | 80251625 | 013 | 024 | 80450320 | 047 | 018 |
| 55724210 | 025 | 001 | 55825000 | 037 | 011 | 56540810 | 023 | 007 | 80061220 | 035 | 007 | 80131225 | 013 | 026 | 80201262 | 031 | 023 | 80251631 | 035 | 015 | 80450637 | 023 | 015 |
| 55724700 | 009 | 003 | 55825200 | 037 | 012 | 56541000 | 023 | 008 | 80061231 | 031 | 017 | 80131225 | 023 | 012 | 80201262 | 035 | 012 | 80251728 | 027 | 029 | 80450637 | 065 | 020 |
| 55728400 | 055 | 006 | 55826500 | 037 | 013 | 56541100 | 023 | 009 | 80061231 | 035 | 008 | 80131225 | 031 | 019 | 80201262 | 055 | 013 | 80252536 | 037 | 020 | 80450660 | 025 | 016 |
| 55728400 | 057 | 005 | 55826610 | 057 | 006 | 56548700 | 037 | 016 | 80061236 | 065 | 010 | 80131225 | 037 | 018 | 80201262 | 057 | 016 | 80252637 | 065 | 018 | 80450666 | 051 | 003 |
| 55732700 | 009 | 004 | 55826700 | 027 | 044 | 56549000 | 033 | 004 | 80061242 | 053 | 005 | 80131225 | 057 | 014 | 80201262 | 069 | 007 | 80253041 | 027 | 028 | 80450836 | 065 | 021 |
| 55732800 | 007 | 004 | 55827900 | 027 | 043 | 56549100 | 033 | 005 | 80061245 | 023 | 011 | 80131232 | 033 | 009 | 80201290 | 021 | 003 | 80253042 | 037 | 021 | 80450859 | 047 | 019 |
| 55732800 | 009 | 005 | 55828600 | 027 | 042 | 56549200 | 033 | 006 | 80061245 | 053 | 006 | 80131232 | 047 | 009 | 80201290 | 043 | 003 | 80253044 | 027 | 027 | 80451057 | 083 | 016 |
| 55732900 | 007 | 005 | 55830000 | 027 | 041 | 56559100 | 055 | 008 | 80061249 | 047 | 007 | 80131232 | 067 | 016 | 80201291 | 017 | 002 | 80253046 | 059 | 016 | 80451058 | 075 | 008 |
| 55732900 | 009 | 006 | 55830220 | 023 | 001 | 56559100 | 057 | 008 | 80061258 | 041 | 005 | 80131620 | 025 | 013 | 80201291 | 021 | 004 | 80253046 | 063 | 014 | 80451058 | 077 | 008 |
| 55733000 | 007 | 006 | 55830310 | 023 | 002 | 56568500 | 013 | 031 | 80061269 | 015 | 008 | 80131625 | 033 | 010 | 80201630 | 003 | 013 | 80253146 | 025 | 015 | 80451058 | 079 | 008 |
| 55733000 | 009 | 007 | 55831520 | 033 | 003 | 56568500 | 031 | 015 | 80061646 | 027 | 037 | 80131640 | 033 | 011 | 80201630 | 027 | 031 | 80253248 | 059 | 017 | 80451058 | 081 | 008 |
| 55733100 | 009 | 008 | 55834000 | 037 | 014 | 56568500 | 035 | 006 | 80061647 | 027 | 036 | 80131650 | 035 | 011 | 80201630 | 031 | 024 | 80253556 | 037 | 022 | 80451058 | 083 | 008 |
| 55733200 | 007 | 007 | 55834910 | 019 | 013 | 56568500 | 055 | 009 | 80061651 | 057 | 010 | 80200830 | 027 | 032 | 80201630 | 033 | 012 | 80254040 | 037 | 023 | 80451059 | 075 | 016 |
| 55733300 | 007 | 008 | 55835500 | 027 | 040 | 56568500 | 057 | 009 | 80061657 | 013 | 027 | 80200840 | 059 | 008 | 80201630 | 035 | 013 | 80254042 | 037 | 024 | 80451059 | 079 | 016 |
| 55733410 | 007 | 009 | 55835710 | 005 | 001 | 56572600 | 031 | 016 | 80061657 | 055 | 010 | 80200840 | 063 | 006 | 80201630 | 057 | 017 | 80254043 | 037 | 025 | 80451059 | 081 | 016 |
| 55733410 | 009 | 009 | 55836300 | 025 | 004 | 56572600 | 033 | 007 | 80061659 | 033 | 008 | 80200851 | 061 | 012 | 80201670 | 025 | 014 | 80254055 | 007 | 015 | 80500240 | 023 | 016 |
| 55733500 | 007 | 010 | 55900110 | 031 | 006 | 57525600 | 013 | 030 | 80061659 | 057 | 011 | 80200851 | 065 | 012 | 80202040 | 027 | 030 | 80254055 | 009 | 026 | 80500428 | 025 | 017 |
| 55733600 | 007 | 011 | 55900220 | 031 | 007 | 57721600 | 061 | 016 | 80061661 | 003 | 012 | 80200890 | 043 | 001 | 80209010 | 007 | 014 | 80254252 | 037 | 026 | 80500432 | 013 | 018 |
| 55733600 | 009 | 010 | 55900320 | 031 | 008 | 58527300 | 047 | 005 | 80061663 | 031 | 018 | 80200891 | 021 | 001 | 80250970 | 059 | 011 | 80254253 | 037 | 027 | 80500432 | 027 | 025 |
| 55733600 | 037 | 003 | 55900510 | 031 | 009 | 58722600 | 009 | 020 | 80061663 | 035 | 009 | 80201030 | 047 | 010 | 80250970 | 063 | 009 | 80254254 | 037 | 028 | 80500445 | 025 | 018 |



INDEX NUMERIQUE - NUMERICAL INDEX TEILENUMMERN-INDEX - INDICE NUMERICO

| Nr | Page | Rep. | Nr | Page | Rep. | Nr | Page | Rep. | Nr | Page | Rep. | Nr | Page | Rep. | Nr | Page | Rep. | Nr | Page | Rep. |
|----------|------|------|----------|------|------|----------|------|------|----|------|------|----|------|------|----|------|------|----|------|------|
| 80500451 | 027 | 024 | 81306500 | 007 | 018 | 83090037 | 067 | 013 | | | | | | | | | | | | |
| 80500470 | 003 | 014 | 81306500 | 009 | 032 | 83090042 | 019 | 009 | | | | | | | | | | | | |
| 80500536 | 023 | 017 | 81309011 | 007 | 019 | 83090043 | 019 | 018 | | | | | | | | | | | | |
| 80560540 | 069 | 008 | 81422228 | 037 | 043 | 83090058 | 027 | 020 | | | | | | | | | | | | |
| 80561155 | 003 | 015 | 81434060 | 037 | 044 | 83090205 | 013 | 012 | | | | | | | | | | | | |
| 80561760 | 003 | 016 | 82012035 | 037 | 045 | 83101796 | 039 | 052 | | | | | | | | | | | | |
| 80570476 | 005 | 003 | 82014073 | 033 | 020 | 83200801 | 019 | 014 | | | | | | | | | | | | |
| 80570476 | 023 | 018 | 82014080 | 037 | 046 | 83200803 | 019 | 015 | | | | | | | | | | | | |
| 80581600 | 037 | 030 | 82014871 | 037 | 047 | 83240010 | 067 | 012 | | | | | | | | | | | | |
| 80583000 | 051 | 004 | 82016086 | 007 | 020 | 83240013 | 067 | 011 | | | | | | | | | | | | |
| 80583500 | 009 | 028 | 82016086 | 009 | 033 | 83240014 | 071 | 026 | | | | | | | | | | | | |
| 80584000 | 027 | 023 | 82019918 | 007 | 021 | 83240212 | 067 | 010 | | | | | | | | | | | | |
| 80584000 | 037 | 031 | 82060022 | 033 | 021 | 83240400 | 067 | 009 | | | | | | | | | | | | |
| 80584500 | 013 | 017 | 82060048 | 007 | 022 | 83240401 | 067 | 008 | | | | | | | | | | | | |
| 80584500 | 037 | 032 | 82060048 | 009 | 034 | 83240404 | 067 | 007 | | | | | | | | | | | | |
| 80585000 | 037 | 033 | 82060048 | 037 | 048 | 83250001 | 015 | 010 | | | | | | | | | | | | |
| 80585000 | 051 | 005 | 82060050 | 031 | 027 | 83250050 | 015 | 011 | | | | | | | | | | | | |
| 80590000 | 033 | 017 | 82060057 | 007 | 023 | 83300105 | 025 | 009 | | | | | | | | | | | | |
| 80595200 | 037 | 034 | 82062024 | 031 | 028 | 83300106 | 025 | 010 | | | | | | | | | | | | |
| 80596200 | 009 | 029 | 82063034 | 031 | 029 | 83300107 | 025 | 011 | | | | | | | | | | | | |
| 80596800 | 037 | 035 | 82101622 | 031 | 030 | 83450003 | 069 | 009 | | | | | | | | | | | | |
| 80597200 | 035 | 016 | 82101822 | 039 | 049 | 83450005 | 069 | 010 | | | | | | | | | | | | |
| 80597200 | 037 | 036 | 82102732 | 031 | 031 | 83450019 | 069 | 011 | | | | | | | | | | | | |
| 80598000 | 037 | 037 | 82131824 | 009 | 035 | 83503018 | 069 | 012 | | | | | | | | | | | | |
| 80598500 | 013 | 016 | 82155078 | 025 | 019 | 83503019 | 069 | 013 | | | | | | | | | | | | |
| 80599000 | 051 | 006 | 82200800 | 013 | 014 | 83503026 | 069 | 014 | | | | | | | | | | | | |
| 80599000 | 055 | 017 | 82200804 | 003 | 009 | | | | | | | | | | | | | | | |
| 80599000 | 057 | 021 | 82300026 | 023 | 019 | | | | | | | | | | | | | | | |
| 81003566 | 009 | 030 | 82301214 | 023 | 022 | | | | | | | | | | | | | | | |
| 81004068 | 037 | 038 | 83013034 | 027 | 021 | | | | | | | | | | | | | | | |
| 81004082 | 027 | 022 | 83013034 | 051 | 008 | | | | | | | | | | | | | | | |
| 81004082 | 037 | 039 | 83014048 | 047 | 020 | | | | | | | | | | | | | | | |
| 81004505 | 033 | 018 | 83014550 | 025 | 020 | | | | | | | | | | | | | | | |
| 81004507 | 033 | 019 | 83015562 | 013 | 013 | | | | | | | | | | | | | | | |
| 81004587 | 013 | 015 | 83030014 | 003 | 010 | | | | | | | | | | | | | | | |
| 81005091 | 051 | 007 | 83030015 | 019 | 008 | | | | | | | | | | | | | | | |
| 81103575 | 035 | 017 | 83030015 | 047 | 021 | | | | | | | | | | | | | | | |
| 81124090 | 055 | 018 | 83030018 | 041 | 011 | | | | | | | | | | | | | | | |
| 81124090 | 057 | 022 | 83030018 | 047 | 022 | | | | | | | | | | | | | | | |
| 81302552 | 037 | 040 | 83030018 | 053 | 013 | | | | | | | | | | | | | | | |
| 81303562 | 025 | 007 | 83040002 | 039 | 050 | | | | | | | | | | | | | | | |
| 81303572 | 037 | 041 | 83040059 | 041 | 012 | | | | | | | | | | | | | | | |
| 81304079 | 037 | 042 | 83050006 | 039 | 051 | | | | | | | | | | | | | | | |
| 81304585 | 007 | 017 | 83050010 | 009 | 036 | | | | | | | | | | | | | | | |
| 81304585 | 009 | 031 | 83070063 | 003 | 011 | | | | | | | | | | | | | | | |
| 81305080 | 025 | 008 | 83070063 | 023 | 025 | | | | | | | | | | | | | | | |

EXTRAIT DES CONDITIONS DE GARANTIE ET CONDITIONS SPECIFIQUES PIECES DE RECHANGE

Nous garantissons notre matériel durant une année à partir du jour de livraison, c'est-à-dire que nous nous engageons à rembourser les pièces qui auront été reconnues défectueuses en nos usines, par notre service technique.

Bien entendu, la garantie ne s'applique pas en cas d'usure normale, ni en cas de détériorations résultant de négligences ou de défauts de surveillance, d'un mauvais usage, d'un manque d'entretien ou d'un accident. La garantie ne s'applique pas non plus si la machine a été prêtée ou utilisée pour un usage non conforme à sa destination prévue par la société.

La garantie ne s'applique pas aux pièces d'usure.

Les pièces de rechange sont soumises aux mêmes conditions de garantie que le matériel sous réserve qu'elles aient été montées selon les règles de l'art et utilisées conformément à nos recommandations.

EXTRACT FROM OUR CONDITIONS OF LIMITED WARRANTY AND SPARE PARTS WARRANTY POLICY

Our equipment is warranted for a period of one year from the date of delivery. We guarantee the reimbursement of all parts proven to be faulty by our technical division in material or manufacturing.

The warranty is not applicable in the following cases : normal wear, accident or negligence in operation, repairs using parts other than genuine KUHN parts, products altered or modified without the expressed permission of the company or if the machine is not used and serviced in accordance with the recommendations of the operator's manual. Wearing items are not covered under these conditions of limited warranty.

Spare parts are subject to the same warranty conditions than the equipment providing they have been installed with proficiency and are used in accordance with our recommendations.

AUSZUG AUS UNSEREN GARANTIEBEDINGUNGEN UND SONDERBEDINGUNGEN FÜR ERSATZTEILE

Wir garantieren unsere Ware für ein Jahr ab dem Tag der Lieferung und verpflichten uns, die Teile zu ersetzen, die im Werk als fehlerhaft anerkannt wurden.

Die Garantie ist ausgeschlossen für Teile, die einem normalen Verschleiß unterliegen, sowie im Fall von nachlässiger Behandlung oder mangelhafter Wartung oder eines Unfalls. Die Garantie erlischt auch, wenn die Maschine ausgeliehen oder unter Umständen eingesetzt wurde, die dem ursprünglichen Verwendungszweck und den Hinweisen in der Betriebsanleitung nicht entsprechen.

Verschleißteile sind von der Garantie ausgeschlossen

Ersatzteile unterliegen den gleichen Garantiebedingungen wie komplette Maschinen, vorausgesetzt, dass sie sachgerecht eingebaut und entsprechend unseren Empfehlungen verwendet wurden.

ESTRATTO DELLE CONDIZIONI DI GARANZIA E CONDIZIONI SPECIFICHE GARANZIA RICAMBI

Le nostre macchine sono garantite per un anno a partire dal giorno della consegna: ci impegnamo a rimborsare i componenti che saranno riconosciuti difettosi dai nostri servizi tecnici presso le nostre officine.

La garanzia non è applicabile nei seguenti casi: usura normale, incidente o negligenza nell'impiego, riparazioni utilizzando ricambi non originali KUHN, prodotti alterati o modificati senza il permesso dell'azienda. La garanzia non viene riconosciuta se la macchina è stata prestata o non è utilizzata o mantenuta in conformità alle raccomandazioni previste dalla società. La garanzia non copre i componenti soggetti ad usura.

I pezzi di ricambio sono soggetti agli stessi termini di garanzia della macchina, purchè siano stati installati con competenza e utilizzati conformemente alle nostre raccomandazioni.



**Pour votre sécurité et le bon fonctionnement de votre machine,
utilisez uniquement des pièces d'origine KUHN**

**For your safety and to get the best from your machine,
use only genuine KUHN parts**

**Zu ihrer Sicherheit und zur einwandfreien Funktion Ihrer
Maschine sollten Sie nur Original-KUHN-Ersatzteile verwenden**

**Per la vostra sicurezza, e per il buon funzionamento della vostra macchina,
usate esclusivamente i ricambi originali KUHN**

**KUHN PARTS Parc de la Faisanderie F - 67700 MONSWILLER (FRANCE)
www.kuhn.com**

Imprimé en France par KUHN
Printed in France by KUHN