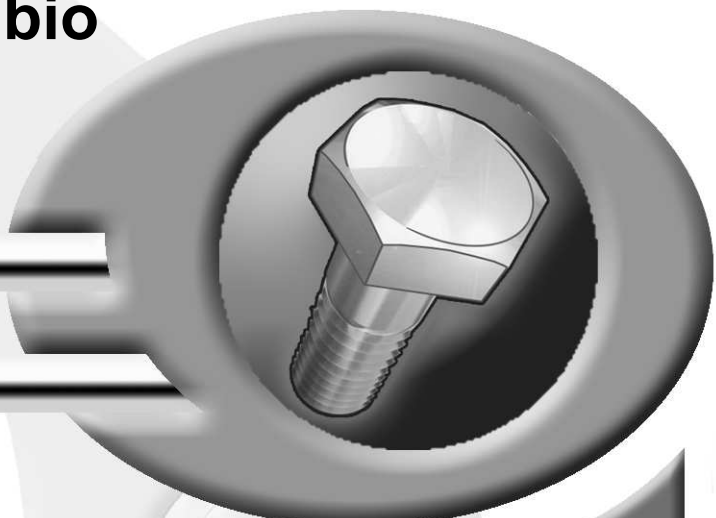


Pièces de rechange
Spare parts list
Ersatzteilliste
Catalogo Pezzi di Ricambio



Girofaucheuse
Multidisc Mower
Scheibenmäher
Falciatrice

B 0001 > C 0000

GMD883





SIGNES CODIFIÉS - STANDARD SYMBOLS - SYMBOLE - SIMBOLI CODIFICATI

| | |
|------------|--------------------------------------|
| OPT | Equipement optionnel |
| STD | Equipement livré de série |
| ESP | Equipement livré suivant pays |
| : | Pour ... |
| > | De ... à ... |
| RPL | Remplace ... |
| ∅ | Diamètre |
| > < | Epaisseur |
| <-> | Longueur |
| <m> | Vendu au mètre |
| Q? | Quantité selon besoin |
| * | Voir note |
| [n] | Composant d'un assemblage |
| + [n] | Assemblage comprenant les pièces [n] |

| | |
|------------|---|
| OPT | Optional equipment |
| STD | Equipment supplied as standard |
| ESP | Equipment supplied for specific countries |
| : | For ... |
| > | From ... to ... |
| RPL | Replaces ... |
| ∅ | Diameter |
| > < | Thickness |
| <-> | Length |
| <m> | Sold by the metre |
| Q? | Quantity as required |
| * | See note |
| [n] | Items making up assembly |
| + [n] | Assembly made up by items [n] |

| | |
|------------|---|
| OPT | Sonderausrüstung |
| STD | Serienausrüstung |
| ESP | Länderabhängige Ausrüstung |
| : | Für ... |
| > | Von ... bis ... |
| RPL | Ersetzt ... |
| ∅ | Durchmesser |
| > < | Stärke |
| <-> | Länge |
| <m> | Meterware |
| Q? | Stückzahl nach Bedarf |
| * | Siehe Nota |
| [n] | Teil einer Baugruppe |
| + [n] | Baugruppe bestehend aus den mit [n] bezeichneten Teilen |

| | |
|------------|---------------------------------------|
| OPT | Attrezzatura opzionale |
| STD | Attrezzatura fornita di serie |
| ESP | Attrezzatura fornita secondo il paese |
| : | Per ... |
| > | Da ... A ... |
| RPL | Sostituisce ... |
| ∅ | Diametro |
| > < | Spessore |
| <-> | Lunghezza |
| <m> | venduto a metro |
| Q? | Quantità richiesta |
| * | Vedi nota |
| [n] | Componente di un assieme |
| + [n] | Assieme comprendente i componenti [n] |

POUR COMMANDER DES PIÈCES DE RECHANGE, VEUILLEZ INDIQUER:

- Le numéro de fabrication de la machine
- Le numéro de la pièce
- La quantité désirée

WHEN ORDERING SERVICE-PARTS, WILL YOU PLEASE MENTION:

- The machine type and serial number
- The part number
- The quantity of parts

BEI DER BESTELLUNG VON ERSATZTEILEN IMMER ANGEBEN:

- Die Seriennummer der Maschine
- Die Nummer des Teiles
- Die gewünschte Stückzahl

NELL'ORDINARE I RICAMBI, SI PREGA DI INDICARE:

- Il tipo ed il numero di serie della macchina
- Il codice del componente
- La quantità desiderata

- Toutes les pièces détachées et sous-ensembles sont à commander au magasin pièces de rechange.
- **Les équipements optionnels (OPT)** ainsi que les **notices d'instructions** sont à commander auprès des **services commerciaux**.

- Service parts and service part assemblies are to be ordered through the spare parts department.
- **Optional equipment (OPT)** and **assembly operator's manuals** should be ordered through the **wholesaler sales department**.

- Bestellungen für Ersatzteile und Baugruppen sind an die Ersatzteilabteilung zu richten.
- **Sonderausrüstungen (OPT)** sowie **Montage- und Betriebsanleitungen**, bestellen Sie bitte bei der **Verkaufsabteilung für Maschinen**.

- I ricambi e i sotto-assiemi devono essere ordinati al Magazzino Ricambi.
- **Le attrezzature opzionali (OPT)** ed i **manuali dell'operatore** devono essere ordinati al **Servizio Commerciale**.

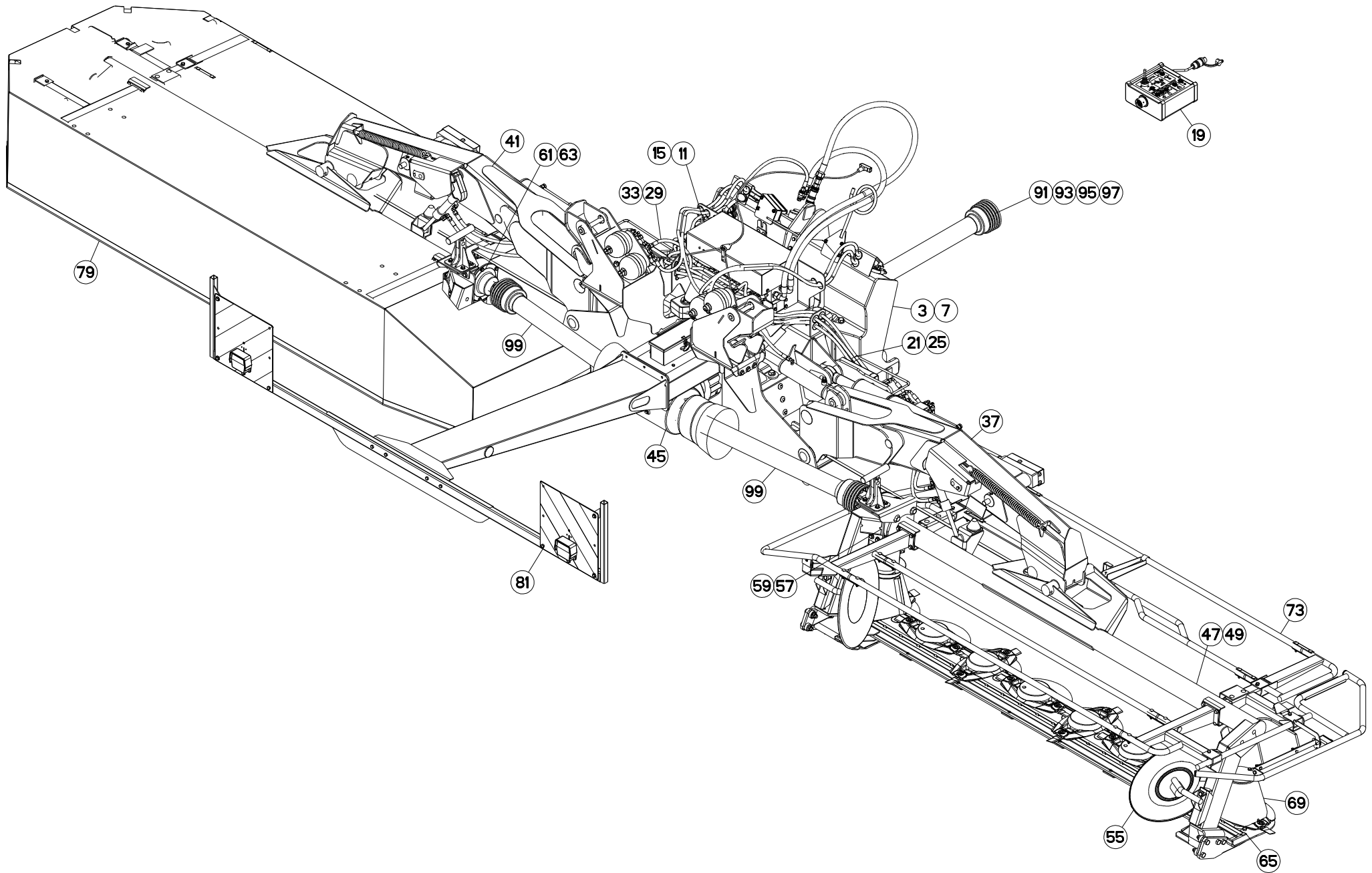




TABLE DES MATIERES - TABLE OF CONTENTS - INHALTSVERZEICHNIS - INDICE

K70R0268 A

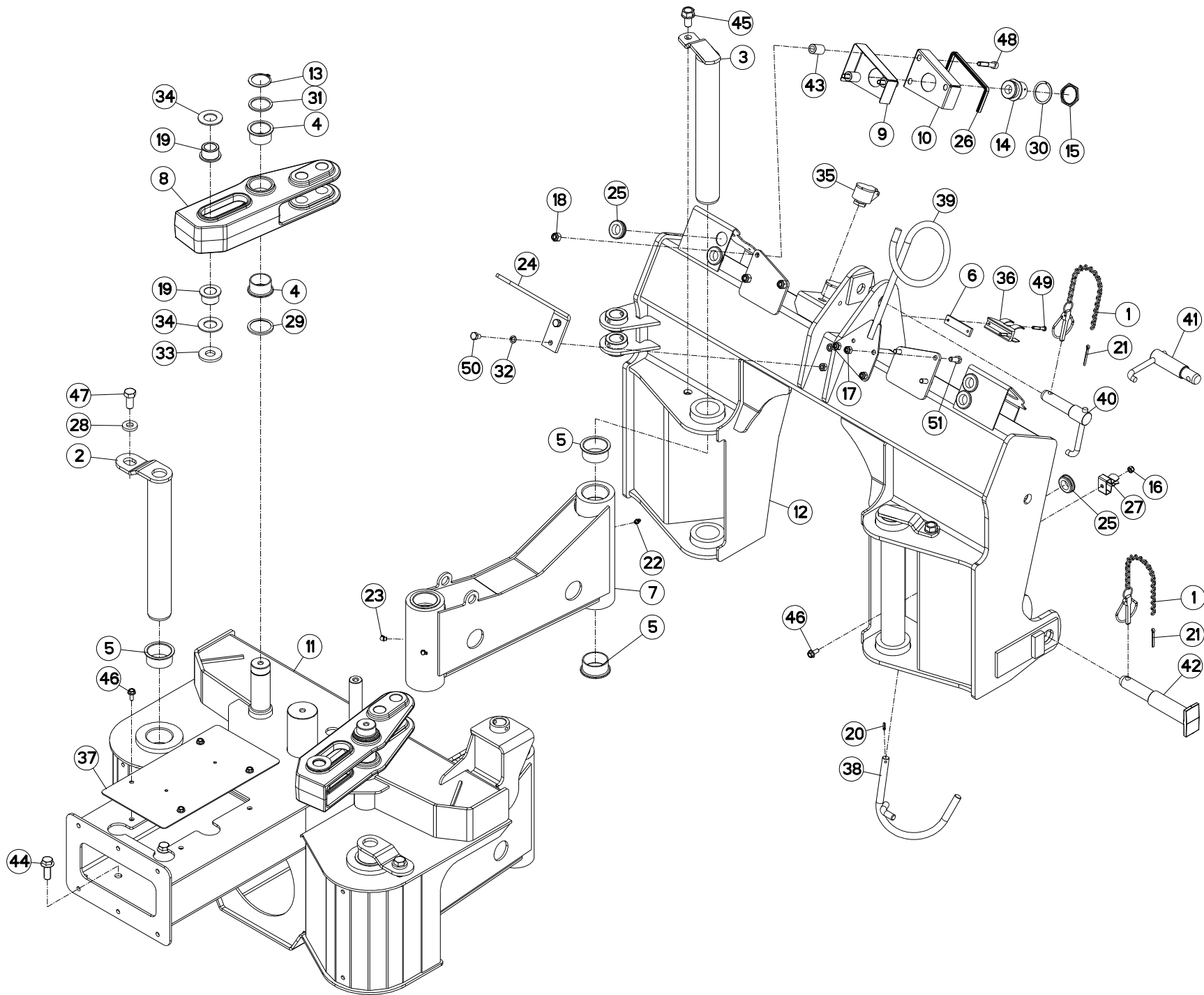
Catalogue P.D.R. - Spare parts list - Ersatzteilliste - Pezzi di Ricambio :

KR017BTL C

Annule et remplace - Cancels and replaces - Annulliert und ersetzt - Annulla e sostituisce :

KR017BTL B

| Grp | Page | Opt | Groupe de pièces | Parts group index | Teilegruppe | Gruppo di parti |
|-----|------|-----|--------------------------------|------------------------------|-----------------------------|--------------------------------|
| 003 | 003 | | CHÂSSIS | FRAME | RAHMEN | TELAIO |
| 007 | 007 | | CHÂSSIS | FRAME | RAHMEN | TELAIO |
| 011 | 011 | | BLOC HYDRAULIQUE | HYDRAULIC BLOCK | STUEBERBLOCK | BLOCCO IDRAULICO |
| 015 | 015 | | BLOC HYDRAULIQUE | HYDRAULIC BLOCK | STUEBERBLOCK | BLOCCO IDRAULICO |
| 019 | 019 | | BOITIER DE COMMANDE | CONTROL BOX | BEDIENEINHEIT | SCATOLA DI COMANDO |
| 021 | 021 | | FLEXIBLES COTE DROIT | HYDRAULIC HOSES RIGHT SIDE | HYDRAULIKSCHLÄUCHE RECHTS | CIRCUITO IDRAULICO LATO DESTRO |
| 025 | 025 | | FLEXIBLES COTE DROIT | HYDRAULIC HOSES RIGHT SIDE | HYDRAULIKSCHLÄUCHE RECHTS | CIRCUITO IDRAULICO LATO DESTRO |
| 029 | 029 | | FLEXIBLES COTE GAUCHE | HYDRAULIC HOSES LEFT SIDE | HYDRAULIKSCHLÄUCHE LINKS | CIRCUITO IDRAULICO LATO SINIST |
| 033 | 033 | | FLEXIBLES COTE GAUCHE | HYDRAULIC HOSES LEFT SIDE | HYDRAULIKSCHLÄUCHE LINKS | CIRCUITO IDRAULICO LATO SINIST |
| 037 | 037 | | POTENCE DROITE | SUPPORT RIGHT | TRAGARM RECHTS | POTENZA DESTRA |
| 041 | 041 | | POTENCE GAUCHE | SUPPORT LEFT | TRAGARM LINKS | POTENZA SINISTRA |
| 045 | 045 | | CARTER CENTRAL 1000 min-1 | CENTRAL GEARBOX 1000 min-1 | HAUPTGETRIEBE 1000 min-1 | CARTER CENTRALE 1000 MIN-1 |
| 047 | 047 | | TUBE PORTEUR DROIT | SUPPORT TUBE RIGHT | TRAGROHR RECHTS | TUBO PORTANTE DESTRO |
| 049 | 049 | | TUBE PORTEUR DROIT | SUPPORT TUBE RIGHT | TRAGROHR RECHTS | TUBO PORTANTE DESTRO |
| 051 | 051 | | TUBE PORTEUR GAUCHE | SUPPORT TUBE LEFT | TRAGROHR LINKS | TUBO PORTANTE SINISTRO |
| 053 | 053 | | TUBE PORTEUR GAUCHE | SUPPORT TUBE LEFT | TRAGROHR LINKS | TUBO PORTANTE SINISTRO |
| 055 | 055 | | DISQUE D'ANDAINAGE | SWATH DISC | SCHWADRAD | DISCO D'ANDANATURA |
| 057 | 057 | | CARTER LATERAL DROIT | SIDE GEARBOX RIGHT | SEITENGETRIEBE RECHTS | CARTER LATERALE DESTRO |
| 059 | 059 | | CARTER LATERAL DROIT | SIDE GEARBOX RIGHT | SEITENGETRIEBE RECHTS | CARTER LATERALE DESTRO |
| 061 | 061 | | CARTER LATERAL GAUCHE | SIDE GEARBOX LEFT | SEITENGETRIEBE LINKS | CARTER LATERALE SINISTRO |
| 063 | 063 | | CARTER LATERAL GAUCHE | SIDE GEARBOX LEFT | SEITENGETRIEBE LINKS | CARTER LATERALE SINISTRO |
| 065 | 065 | | CARTER DU PORTE - DISQUES (DRO | CUTTERBAR GEAR CASE (RIGHT) | MÄHBALKEN (RECHTS) | SCATOLA INGRAN. BARRA COLTELLI |
| 067 | 067 | | CARTER DU PORTE - DISQUES (GAU | CUTTERBAR GEAR CASE (LEFT) | MÄHBALKEN (LINKS) | SCATOLA INGRAN. BARRA COLTELLI |
| 069 | 069 | | DISQUES,PATINS,SEMELLES DROIT | DISCS,DISCGUARDS,SKIDS RIGHT | SCHEIBEN,SCHUTZKUFEN RECHTS | DISCHI,PATTINI,SLITTE L. DEST |
| 071 | 071 | | DISQUES,PATINS,SEMELLES GAUCHE | DISCS,DISCGUARDS,SKIDS LEFT | SCHEIBEN,SCHUTZKUFEN LINKS | DISCHI,PATTINI,SLITTE L. SINIS |
| 073 | 073 | | OSSATURE DU PROTECTEUR DROIT | FRAME RIGHT | RAHMEN RECHTS | OSSATURA DI PROTEZIONE L. DEST |
| 075 | 075 | | OSSATURE DU PROTECTEUR GAUCHE | FRAME LEFT | RAHMEN LINKS | OSSATURA DI PROTEZIONE L. SINI |
| 077 | 077 | | TOILE DE PROTECTION DROITE | PROTECTION COVER RIGHT | SCHUTZTUCH RECHTS | TELO DI PROTEZIONE LATO DESTRO |
| 079 | 079 | | TOILE DE PROTECTION GAUCHE | PROTECTION COVER LEFT | SCHUTZTUCH LINKS | TELO DI PROTEZIONE LATO SINIST |
| 081 | 081 | | SIGNALISATION ROUTIERE | WARNING BOARDS | WARNTAFELN | SEGNALAZIONE STRADALE |
| 083 | 083 | | ETIQUETTES ADHESIVES | STICKERS | AUFKLEBER | ETICHETTE ADESIVE |
| 085 | 085 | | DIVERS | MISCELLANEOUS | VERSCHIEDENES | DIVERSI |
| 087 | 087 | OPT | FAISCEAU ELECTRIQUE D'ALIMENTA | POWER SUPPLY CABLE | ANSCHLUSSKABEL | CAVO ELETTRICO D'ALIMENTAZIONE |
| 089 | 089 | OPT | COLL.SEMELLES SURELEVEES | RAISED SKID SHOE SET | SATZ HOCHSCHNITTKUFEN | KIT SLITTE RIALZATE |
| 091 | 091 | | TRANSMISSION 4600650 | TRANSMISSION 4600650 | GELENKWELLE 4600650 | TRANSMISSIONE 4600650 |
| 093 | 093 | OPT | TRANSMISSION 4600651 | TRANSMISSION 4600651 | GELENKWELLE 4600651 | TRANSMISSIONE 4600651 |
| 095 | 095 | OPT | TRANSMISSION 4600652 | TRANSMISSION 4600652 | GELENKWELLE 4600652 | TRANSMISSIONE 4600652 |
| 097 | 097 | OPT | TRANSMISSION 4600653 | TRANSMISSION 4600653 | GELENKWELLE 4600653 | TRANSMISSIONE 4600653 |
| 099 | 099 | | TRANSMISSION 4600352 | TRANSMISSION 4600352 | GELENKWELLE 4600352 | TRANSMISSIONE 4600352 |





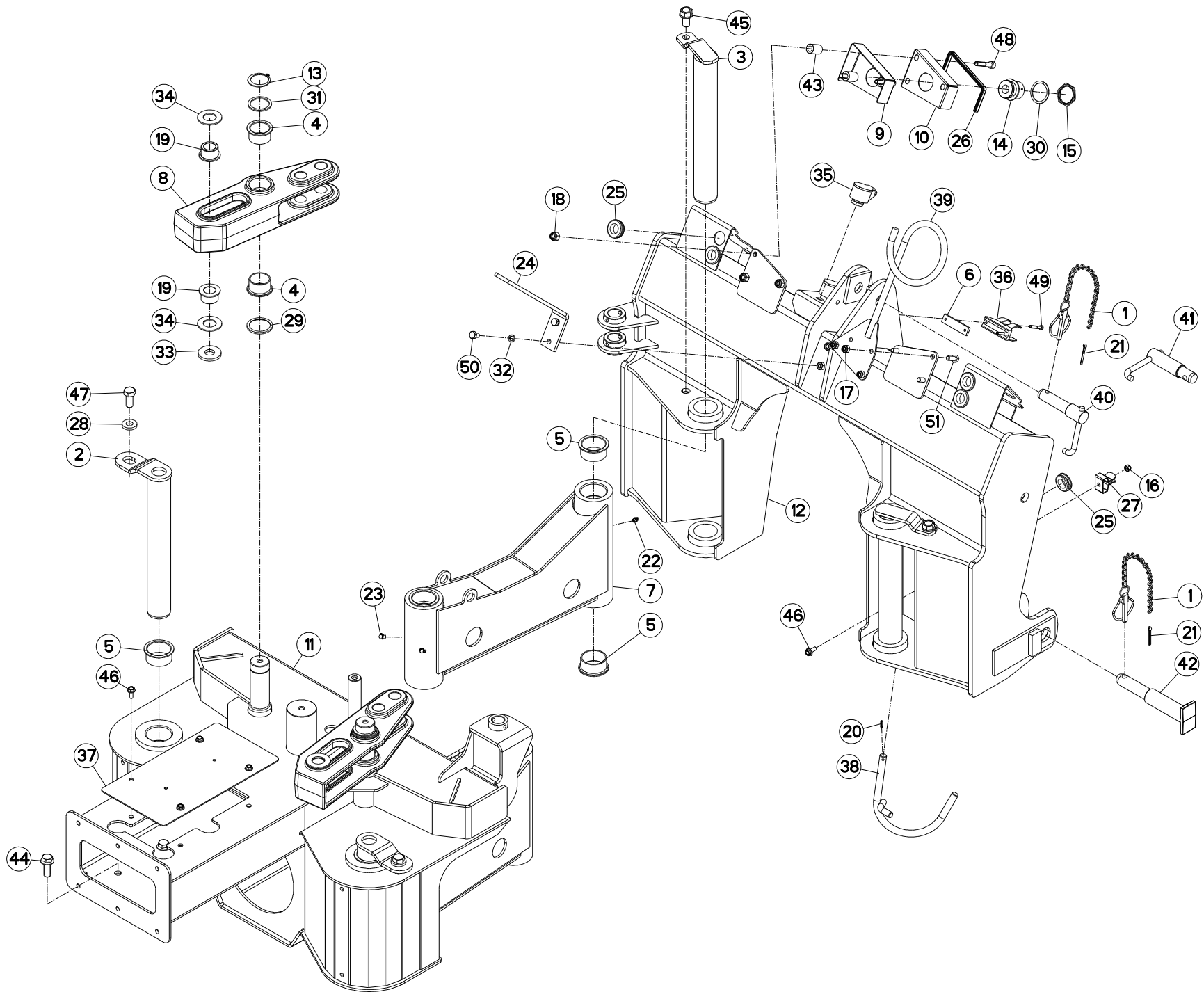
CHÂSSIS

FRAME

RAHMEN

TELAIO

| Rep | Nr | Qt | Designation | Description | Bezeichnung | Referenza | Remarque - Remark - Bemerkung - Osservazioni |
|-----|----------|-----|--------------------------------|--------------------------------|--------------------------------|--------------------------------|--|
| 001 | 50085400 | 003 | CHAINETTE+GOUPILLE FE/ZNXC3 | CHAIN | KETTE | CATENELLA | |
| 002 | K7001910 | 002 | AXE | PIN | ACHSE | ASSE | |
| 003 | K7004870 | 002 | AXE | PIN | ACHSE | ASSE | |
| 004 | 83014555 | 004 | BAGUE ROULEE A COLLERETTE | FLANGED WRAPPED BUSH | GEROLLTE BUCHSE MIT FLANSCH | ANELLO LUBRIFICATO | |
| 005 | 83015561 | 012 | BAGUE ROULEE A COLLERETTE | FLANGED WRAPPED BUSH | GEROLLTE BUCHSE MIT FLANSCH | ANELLO LUBRIFICATO | |
| 006 | K7003820 | 001 | BARRETTE TARAUDEE | BAR | FLACHEISEN | BARRETTA | |
| 007 | K7001720 | 002 | BIELLE | LINK, CONNECTING | LENKER | BIELLA | |
| 008 | K7006211 | 002 | BIELLE ALLEGEMENT FC 813 / 883 | PULL BAR | LENKER | BIELLA | |
| 009 | K7010190 | 001 | CAPOT ZBC | HOOD ZBC | HAUBE ZBC | COFANO ZBC | |
| 010 | K7010200 | 001 | CAPOT ZBC | HOOD ZBC | HAUBE ZBC | COFANO ZBC | |
| 011 | K7001840 | 001 | CHASSIS | CHASSIS | HAUPTRAHMEN | TELAIO | |
| 012 | K7009900 | 001 | CHASSIS | CHASSIS | HAUPTRAHMEN | TELAIO | |
| 013 | 80584500 | 002 | CIRCLIP EXTERIEUR | RETAINING RING | SICHERUNGSRING | ANELLO | |
| 014 | 83235123 | 001 | EMBASE RANGEMENT DEUTSCH | PINCH | SOCKEL | BASE | |
| 015 | 83235120 | 001 | ECROU CONNECTEUR DEUTSCH | NUT CONNECTOR DEUTSCH | MUTTER STECKER DEUTSCH | DADO CONNETTORE DEUTSCH | |
| 016 | 80200830 | 001 | ECROU HEX.AUTOFREINE FE/ZNXC3 | SELF-LOCKING NUT FE/ZNXC3 | SELBSTSICHERNDE MUTT.FE/ZNXC3 | DADO AUTOBLOCCANTE FE/ZNXC3 | |
| 017 | 80201030 | 003 | ECROU HEX.AUTOFREINE FE/ZNXC3 | SELF-LOCKING NUT FE/ZNXC3 | SELBSTSICH.MUTTER FE/ZNXC3 | DADO AUTOBLOCCANTE FE/ZNXC3 | |
| 018 | 80201230 | 003 | ECROU HEX.AUTOFREINE FE/ZNXC3 | SELF-LOCKING NUT FE/ZNXC3 | SELBSTSICH.MUTTER FE/ZNXC3 | DADO AUTOBLOCCANTE FE/ZNXC3 | |
| 019 | 56859100 | 004 | GALET | ROLLER | ROLLE | GALLETTO | |
| 020 | 80450529 | 001 | GOUPILLE ELASTIQUE FLZNNC | ROLL PIN FLZNNC | SPANNHUELSE FLZNNC | SPINA ELASTICA FLZNNC | |
| 021 | 80500470 | 003 | GOUPILLE FENDUE FE/ZNXC3 | SPLIT PIN FE/ZNXC3 | SPLINT FE/ZNXC3 | COPPIGLIA FE/ZNXC3 | |
| 022 | 82200800 | 002 | GRAISSEUR FE/ZNXC3 | GREASE NIPPLE FE/ZNXC3 | SCHMIERNIPPEL FE/ZNXC3 | INGRASSATORE FE/ZNXC3 | |
| 023 | 82200804 | 004 | GRAISSEUR FE/ZNXC3 | GREASE NIPPLE FE/ZNXC3 | SCHMIERNIPPEL FE/ZNXC3 | INGRASSATORE FE/ZNXC3 | |
| 024 | K7009910 | 001 | INDEX | POINTER | ZEIGER | | |
| 025 | 83200803 | 006 | PASSE FIL | RUBBER PASS WIRE | GUMMI-TUELLE | PASSAFILO | |
| 026 | 83090200 | 001 | PROFIL DE PROTECTION | CORNER GUARD | KANTENSCHUTZ | COPROBORDO | |
| 027 | 59402900 | 001 | RESSORT | SPRING | FEDER | MOLLA | |
| 028 | 50014600 | 002 | RONDELLE | WASHER | SCHEIBE | RONDELLA PIATTA | |
| 029 | 56859200 | 002 | RONDELLE D'APPUI | SUPPORTING RING | SCHLEIBE | RONDELLA | |
| 030 | 83235121 | 001 | RONDELLE CONNECTEUR DEUTSCH | WASHER CONNECTOR DEUTSCH | SCHLEIBE VERBINDUNG DEUTSCH | RONDELLA CONNETTORE DEUTSCH | |
| 031 | 80254552 | 002 | RONDELLE D'APPUI | SUPPORTING RING | STUETZSCHEIBE | RONDELLA DI SPINTA | |
| 032 | 80271003 | 002 | RONDELLE GROWER FE/ZNXC3 | SPRING LOCK WASHER FE/ZNXC3 | FEDERRING FE/ZNXC3 | RONDELLA GROWER FE/ZNXC3 | |
| 033 | 80252352 | 002 | RONDELLE PLATE | PLAIN WASHER | SCHLEIBE | RONDELLA PIATTA | |
| 034 | 80253059 | 004 | RONDELLE PLATE | PLAIN WASHER | SCHLEIBE | RONDELLA PIATTA | |
| 035 | 82300066 | 002 | SUPPORT COUPLEUR MALE | ANCHOR BRACKET FOR MALE TIP | STECKERHALTER | SUPPORTO | |
| 036 | 83090037 | 001 | SUPPORT DE PRISE 7 POLES | PLUG SUPPORT | STECKERHALTERUNG | SUPPORTO | |
| 037 | K7003810 | 001 | SUPPORT | SUPPORT | TRAEGER | SUPPORTO | |
| 038 | K7007170 | 001 | SUPPORT | SUPPORT | TRAEGER | SUPPORTO | |
| 039 | K8005560 | 001 | SUPPORT DE FLEXIBLES | HYDRAULIC HOSE SUPPORT | SCHLAUCHHALTERUNG | SUPPORTO | |
| 040 | 52596900 | 001 | TOURILLON CAT.2 ZBC | LINK PIN CAT.2 ZBC | BOLZEN KAT.2 ZBC | PERNO 2° CAT.ZBC | |
| 041 | 52597000 | 001 | TOURILLON CAT.3 ZBC | LINK PIN CAT.3 ZBC | BOLZEN KAT.3 ZBC | PERNO 3° CAT.ZBC | |
| 042 | K7007680 | 002 | TOURILLON | TRUNNION | DREHZAPFEN | PERNO | |
| 043 | 55747400 | 003 | TUBE ZBC | SPACER ZBC | DISTANZRING ZBC | TUBO ZBC | |
| 044 | 55907500 | 004 | VIS AUTOFREINEE H A EMBASE | SELF-LOCKING SCREW | SELBSTSICHERNDE SCHRAUBE | VITE AUTOBLOCCANTE | |
| 045 | 80131630 | 002 | VIS AUTOBLOQUANTE FLZNNC | UNDERSERRATED S-LOCKING SCREW | SPERRZAHN-BUNDSCHRAUBE FLZNNC | VITE FLZNNC | |
| 046 | 80130820 | 005 | VIS AUTOBLOQUANTE FLZNNC | UNDERSERR.S-LOC.SCREW FLZNNC | SPERRZAHN-BUNDSCHRAU.FLZNNC | VITE FLZNNC | |
| 047 | 50068400 | 002 | VIS AUTOFREINEE H FLZNNC | SELF-LOCKING SCREW FLZNNC | SELBSTSICHERNDE FLZNNC | VITE FLZNNC | |
| 048 | 80081055 | 003 | VIS TETE CYL.SIX P.CR.FE/ZNXC3 | HEX.SOCK.HEAD CAP SCR.FE/ZNXC3 | ZYLINDERSCHR.INNENSEC.FE/ZNXC3 | VITE A TESTA CILINDR. FE/ZNXC3 | |





GMD883

B 0001 > B 0015

K70R0101 B

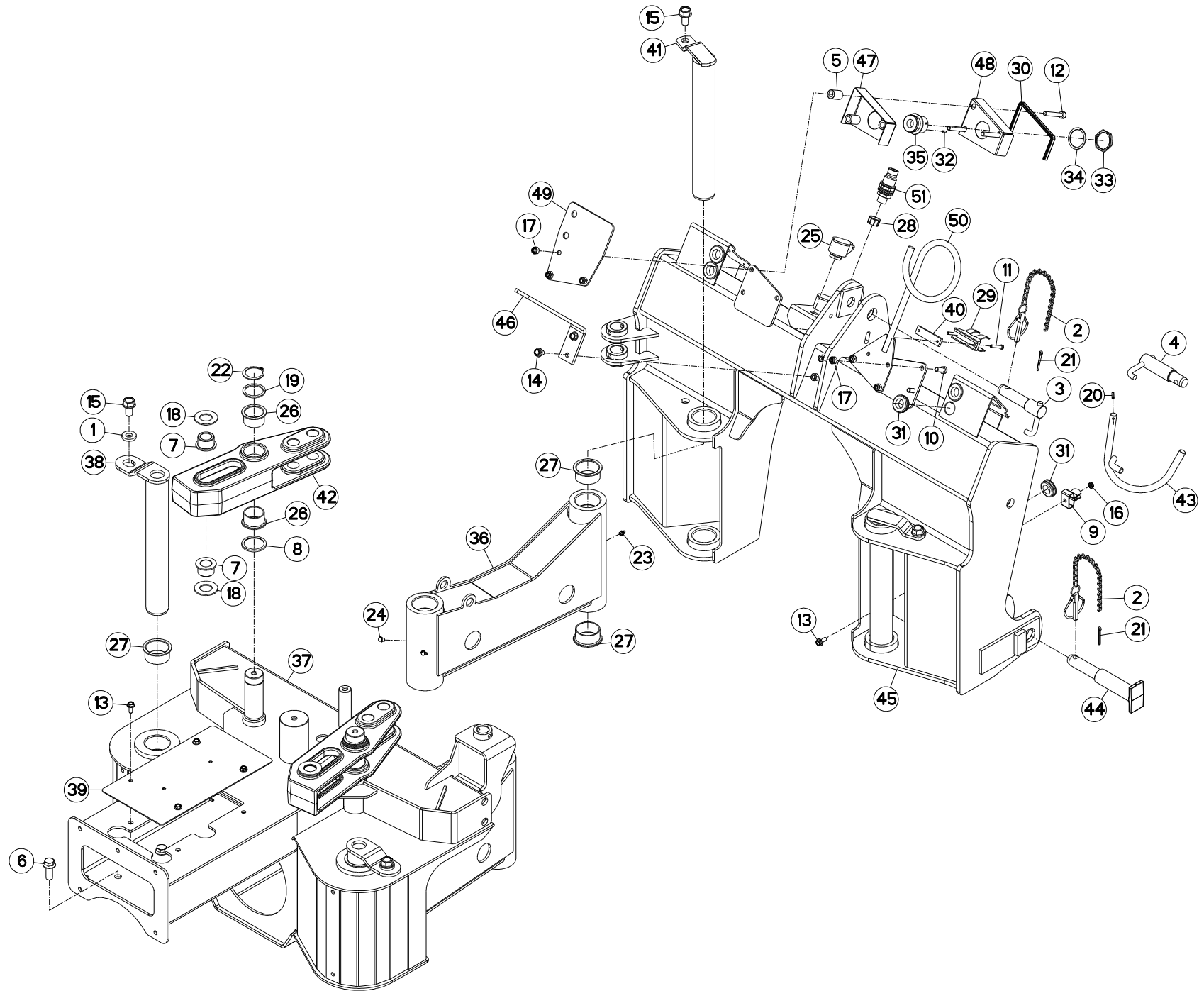
CHÂSSIS

FRAME

RAHMEN

TELAIO

| Rep | Nr | Qt | Designation | Description | Bezeichnung | Referenza | Remarque - Remark - Bemerkung - Osservazioni |
|-----|-----------------|-----|--------------------------------|--------------------------------|--------------------------------|--------------------------------|--|
| 049 | 80080640 | 002 | VIS TETE CYL.SIX P.CR.FE/ZNXC3 | HEX.SOCK.HEAD CAP SCR.FE/ZNXC3 | ZYLINDERSCHR.INNENSEC.FE/ZNXC3 | VITE A TESTA CILINDR. FE/ZNXC3 | |
| 050 | 80061016 | 002 | VIS TETE HEXAGONALE FE/ZNXC3 | HEXAGON HEAD SCREW FE/ZNXC3 | SECHSKANTSCHRAUBE FE/ZNXC3 | VITE TESTA ESAGONALE FE/ZNXC3 | |
| 051 | 80061026 | 003 | VIS TETE HEXAGONALE FE/ZNXC3 | HEXAGON HEAD SCREW FE/ZNXC3 | SECHSKANTSCHRAUBE FE/ZNXC3 | VITE TESTA ESAGONALE FE/ZNXC3 | |





GMD883

B 0016 > C 0000

K70R0101 C

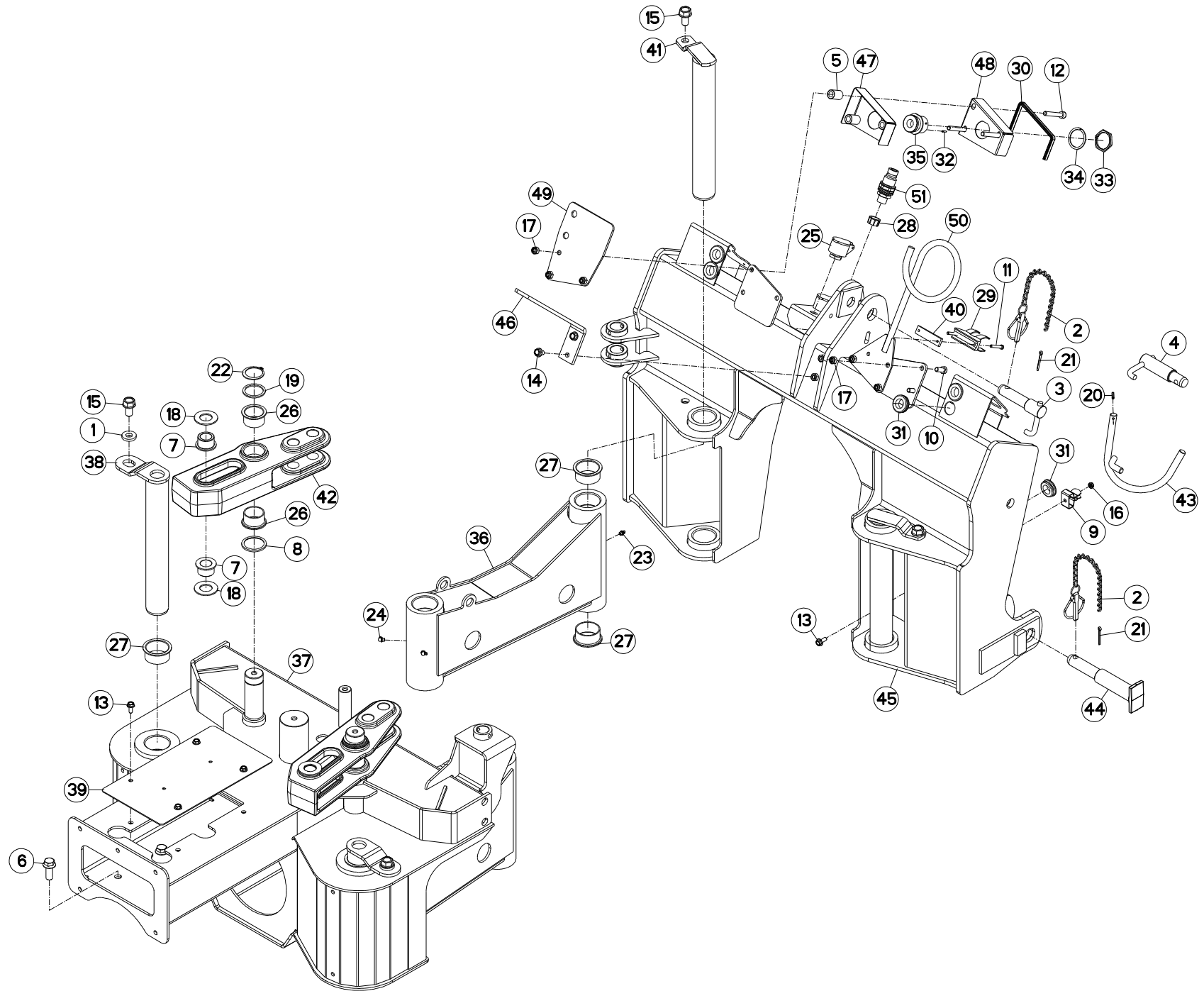
CHÂSSIS

FRAME

RAHMEN

TELAIO

| Rep | Nr | Qt | Designation | Description | Bezeichnung | Referenza | Remarque - Remark - Bemerkung - Osservazioni |
|-----|----------|-----|--------------------------------|--------------------------------|--------------------------------|--------------------------------|--|
| 001 | 50014600 | 002 | RONDELLE | WASHER | SCHEIBE | RONDELLA PIATTA | |
| 002 | 50085400 | 003 | CHAINETTE+GOUPILLE FE/ZNXC3 | CHAIN | KETTE | CATENELLA | |
| 003 | 52596900 | 001 | TOURILLON CAT.2 ZBC | LINK PIN CAT.2 ZBC | BOLZEN KAT.2 ZBC | PERNO 2° CAT.ZBC | |
| 004 | 52597000 | 001 | TOURILLON CAT.3 ZBC | LINK PIN CAT.3 ZBC | BOLZEN KAT.3 ZBC | PERNO 3° CAT.ZBC | |
| 005 | 55747400 | 003 | TUBE ZBC | SPACER ZBC | DISTANZRING ZBC | TUBO ZBC | |
| 006 | 55907500 | 004 | VIS AUTOFREINEE H A EMBASE | SELF-LOCKING SCREW | SELBSTSICHERNDE SCHRAUBE | VITE AUTOBLOCCANTE | |
| 007 | 56859100 | 004 | GALET | ROLLER | ROLLE | GALLETTO | |
| 008 | 56859200 | 002 | RONDELLE D'APPUI | SUPPORTING RING | SCHEIBE | RONDELLA | |
| 009 | 59402900 | 001 | RESSORT | SPRING | FEDER | MOLLA | |
| 010 | 80061026 | 003 | VIS TETE HEXAGONALE FE/ZNXC3 | HEXAGON HEAD SCREW FE/ZNXC3 | SECHSKANTSCHRAUBE FE/ZNXC3 | VITE TESTA ESAGONALE FE/ZNXC3 | |
| 011 | 80080640 | 002 | VIS TETE CYL.SIX P.CR.FE/ZNXC3 | HEX.SOCK.HEAD CAP SCR.FE/ZNXC3 | ZYLINDERSCHR.INNENSEC.FE/ZNXC3 | VITE A TESTA CILINDR. FE/ZNXC3 | |
| 012 | 80081065 | 003 | VIS TETE CYL.SIX P.CR.FE/ZNXC3 | SCREW, SOCKET HEAD FE/ZNXC3 | ZYLINDERSCHR.INNENSEC.FE/ZNXC3 | VITE A TESTA CILINDR. FE/ZNXC3 | |
| 013 | 80130820 | 005 | VIS AUTOBLOQUANTE FLZNNC | UNDERSERR.S-LOC.SCREW FLZNNC | SPERRZAHN-BUNDSCHRAU.FLZNNC | VITE FLZNNC | |
| 014 | 80131017 | 002 | VIS AUTOBLOQUANTE FLZNNC | UNDERSERR.S-LOC.SCREW FLZNNC | SPERRZAHN-BUNDSCHRAU.FLZNNC | VITE FLZNNC | |
| 015 | 80131630 | 004 | VIS AUTOBLOQUANTE FLZNNC | UNDERSERRATED S-LOCKING SCREW | SPERRZAHN-BUNDSCHRAUBE FLZNNC | VITE FLZNNC | |
| 016 | 80200840 | 001 | ECROU HEX.BAS AUTOFR.FE/ZNXC3 | SELF-LOCKING NUT FE/ZNXC3 | SELBSTSICHERND.MUTTER FE/ZNXC3 | DADO AUTOBLOCCANTE FE/ZNXC3 | |
| 017 | 80201030 | 006 | ECROU HEX.AUTOFREINE FE/ZNXC3 | SELF-LOCKING NUT FE/ZNXC3 | SELBSTSICH.MUTTER FE/ZNXC3 | DADO AUTOBLOCCANTE FE/ZNXC3 | |
| 018 | 80253059 | 004 | RONDELLE PLATE | PLAIN WASHER | SCHEIBE | RONDELLA PIATTA | |
| 019 | 80254552 | 002 | RONDELLE D'APPUI | SUPPORTING RING | STUETZSCHEIBE | RONDELLA DI SPINTA | |
| 020 | 80450529 | 001 | GOUPILLE ELASTIQUE FLZNNC | ROLL PIN FLZNNC | SPANNHUELSE FLZNNC | SPINA ELASTICA FLZNNC | |
| 021 | 80500470 | 003 | GOUPILLE FENDUE FE/ZNXC3 | SPLIT PIN FE/ZNXC3 | SPLINT FE/ZNXC3 | COPPIGLIA FE/ZNXC3 | |
| 022 | 80584500 | 002 | CIRCLIP EXTERIEUR | RETAINING RING | SICHERUNGSRING | ANELLO | |
| 023 | 82200800 | 002 | GRAISSEUR FE/ZNXC3 | GREASE NIPPLE FE/ZNXC3 | SCHMIERNIPPEL FE/ZNXC3 | INGRASSATORE FE/ZNXC3 | |
| 024 | 82200804 | 004 | GRAISSEUR FE/ZNXC3 | GREASE NIPPLE FE/ZNXC3 | SCHMIERNIPPEL FE/ZNXC3 | INGRASSATORE FE/ZNXC3 | |
| 025 | 82300066 | 002 | SUPPORT COUPLEUR MALE | ANCHOR BRACKET FOR MALE TIP | STECKERHALTER | SUPPORTO | |
| 026 | 83014555 | 004 | BAGUE ROULEE A COLLERETTE | FLANGED WRAPPED BUSH | GEROLLTE BUCHSE MIT FLANSCH | ANELLO LURBRIFICATO | |
| 027 | 83015561 | 012 | BAGUE ROULEE A COLLERETTE | FLANGED WRAPPED BUSH | GEROLLTE BUCHSE MIT FLANSCH | ANELLO LURBRIFICATO | |
| 028 | 83040171 | 001 | CHAPEAU FILETE | PROTECTIVE CAP | SCHUTZKAPPE | CAPPELLO | |
| 029 | 83090037 | 001 | SUPPORT DE PRISE 7 POLES | PLUG SUPPORT | STECKERHALTERUNG | SUPPORTO | |
| 030 | 83090200 | 001 | PROFIL DE PROTECTION | CORNER GUARD | KANTENSCHUTZ | COPROBORDO | |
| 031 | 83200803 | 006 | PASSE WIRE | RUBBER PASS WIRE | GUMMI-TUELLE | PASSAFILO | |
| 032 | 83235118 | 031 | BOUCHON DE CONTACT DEUTSCH | RUBBER PLUG DEUTSCH | KONTAKTSTÖPSEL DEUTSCH | TAPPO DI CONTATTO DEUTSCH | |
| 033 | 83235120 | 001 | ECROU CONNECTEUR DEUTSCH | NUT CONNECTOR DEUTSCH | MUTTER STECKER DEUTSCH | DADO CONNETTORE DEUTSCH | |
| 034 | 83235121 | 001 | RONDELLE CONNECTEUR DEUTSCH | WASHER CONNECTOR DEUTSCH | SCHEIBE VERBINDUNG DEUTSCH | RONDELLA CONNETTORE DEUTSCH | |
| 035 | 83235123 | 001 | EMBASE RANGEMENT DEUTSCH | PINCH | SOCKEL | BASE | |
| 036 | K7001720 | 002 | BIELLE | LINK, CONNECTING | LENKER | BIELLA | |
| 037 | K7001840 | 001 | CHASSIS | CHASSIS | HAUPTRAHMEN | TELAIO | |
| 038 | K7001910 | 002 | AXE | PIN | ACHSE | ASSE | |
| 039 | K7003810 | 001 | SUPPORT | SUPPORT | TRAEGER | SUPPORTO | |
| 040 | K7003820 | 001 | BARRETTE TARAUEE | BAR | FLACHEISEN | BARRETTA | |
| 041 | K7004870 | 002 | AXE | PIN | ACHSE | ASSE | |
| 042 | K7006211 | 002 | BIELLE ALLEGEMENT FC 813 / 883 | PULL BAR | LENKER | BIELLA | |
| 043 | K7007170 | 001 | SUPPORT | SUPPORT | TRAEGER | SUPPORTO | |
| 044 | K7007680 | 002 | TOURILLON | TRUNNION | DREHZAPFEN | PERNO | |
| 045 | K7009900 | 001 | CHASSIS | CHASSIS | HAUPTRAHMEN | TELAIO | |
| 046 | K7009910 | 001 | INDEX | POINTER | ZEIGER | | |
| 047 | K7010190 | 001 | CAPOT ZBC | HOOD ZBC | HAUBE ZBC | COFANO ZBC | |
| 048 | K7010200 | 001 | CAPOT ZBC | HOOD ZBC | HAUBE ZBC | COFANO ZBC | |





GMD883

B 0016 > C 0000

K70R0101 C

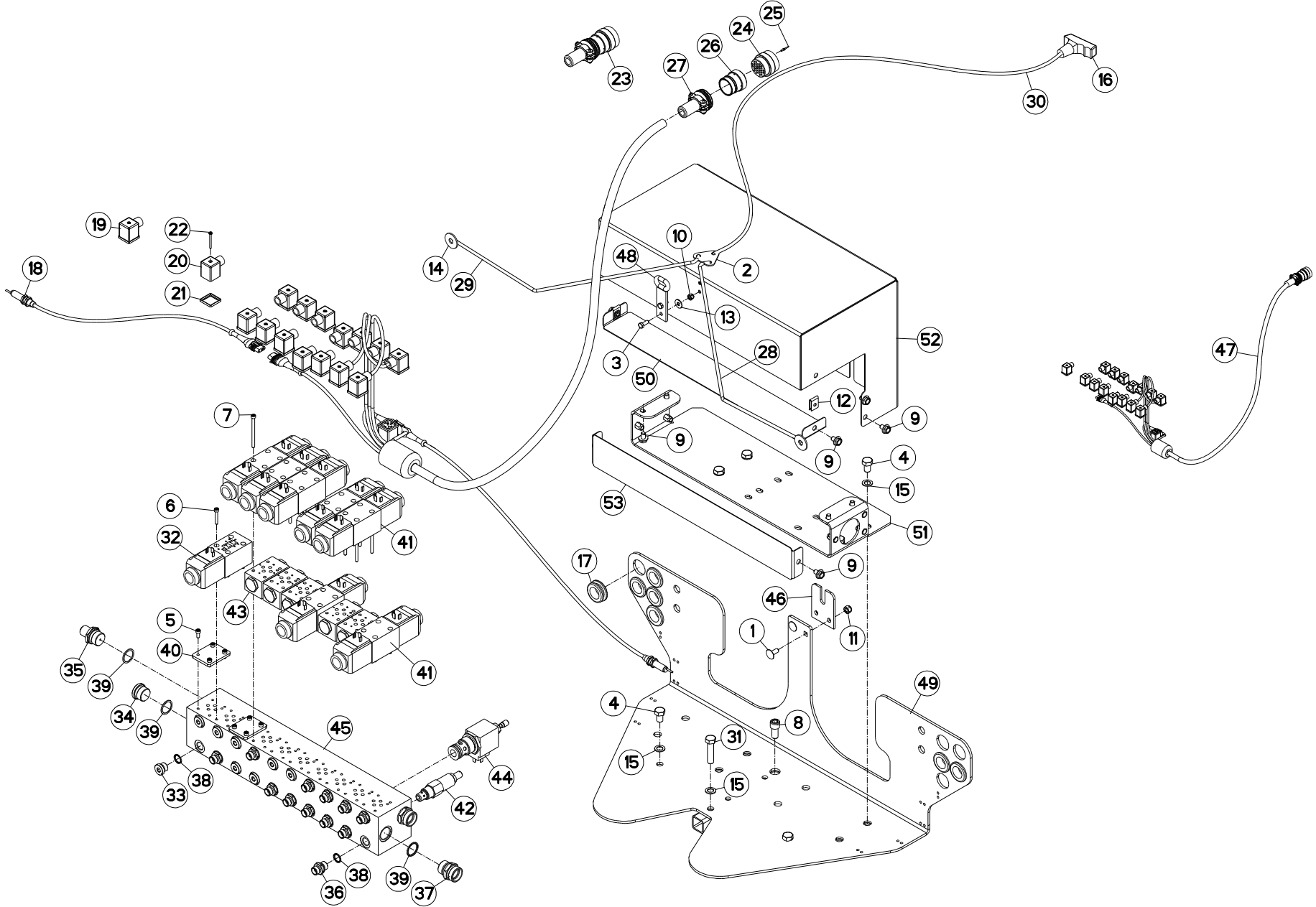
CHÂSSIS

FRAME

RAHMEN

TELAIO

| Rep | Nr | Qt | Designation | Description | Bezeichnung | Referenza | Remarque - Remark - Bemerkung - Osservazioni |
|-----|-----------------|-----|----------------------|------------------------|-------------------|-----------|--|
| 049 | K7012630 | 001 | SUPPORT | SUPPORT | TRAEGER | SUPPORTO | |
| 050 | K8005560 | 001 | SUPPORT DE FLEXIBLES | HYDRAULIC HOSE SUPPORT | SCHLAUCHHALTERUNG | SUPPORTO | |
| 051 | A4074041 | 001 | COUPLEUR MALE FF | CONNECTOR MALE | KUPPLUNGSTECKER | GIUNTO | |





GMD883

B 0001 > B 0015

K70R0227 A

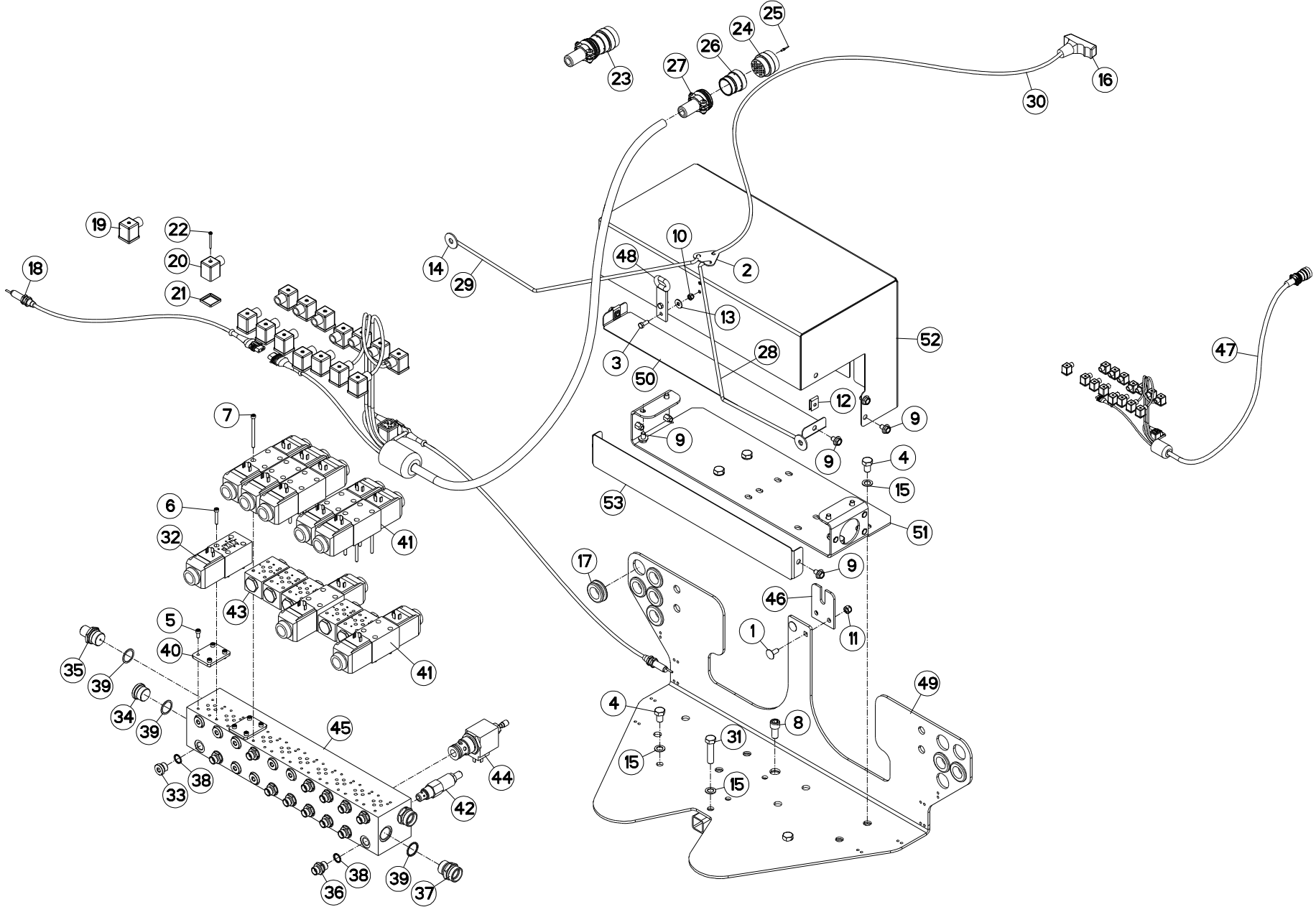
BLOC HYDRAULIQUE

HYDRAULIC BLOCK

STUEBERBLOCK

BLOCCO IDRAULICO

| Rep | Nr | Qt | Designation | Description | Bezeichnung | Referenza | Remarque - Remark - Bemerkung - Osservazioni |
|-----|----------|-----|--------------------------------|--------------------------------|--------------------------------|--------------------------------|--|
| 001 | 50070300 | 002 | VIS TBCC COURT | BOLT, CARRIAGE, SHORT NECK | FLACHRUNDSCHR.4KT ANSATZ | BULLONE | |
| 002 | 58754500 | 001 | PLAQUETTE | BRACKET | LASCHE | PIASTRINA | |
| 003 | 80060616 | 002 | VIS TETE HEXAGONALE FE/ZNXC3 | HEXAGON HEAD SCREW FE/ZNXC3 | SECHSKANTSCHRAUBE FE/ZNXC3 | VITE TESTA ESAGONALE FE/ZNXC3 | |
| 004 | 80061219 | 006 | VIS TETE HEXAGONALE FE/ZNXC3 | HEXAGON HEAD SCREW FE/ZNXC3 | SECHSKANTSCHRAUBE FE/ZNXC3 | VITE TESTA ESAGONALE FE/ZNXC3 | |
| 005 | 80080512 | 008 | VIS TETE CYL.SIX P.CR.FE/ZNXC3 | HEX.SOCK.HEAD CAP SCR.FE/ZNXC3 | ZYLINDERSCHR.INNENSEC.FE/ZNXC3 | VITE A TESTA CILINDR. FE/ZNXC3 | |
| 006 | 80080530 | 012 | VIS TETE CYL.SIX P.CR.FE/ZNXC3 | HEX.SOCK.HEAD CAP SCR.FE/ZNXC3 | ZYLINDERSCHR.INNENSEC.FE/ZNXC3 | VITE A TESTA CILINDR. FE/ZNXC3 | |
| 007 | 80080570 | 020 | VIS TETE CYL.SIX P.CR.FE/ZNXC3 | HEX.SOCK.HEAD CAP SCR.FE/ZNXC3 | ZYLINDERSCHR.INNENSEC.FE/ZNXC3 | VITE A TESTA CILINDR. FE/ZNXC3 | |
| 008 | 80081203 | 001 | VIS TETE CYL.SIX P.CR.FE/ZNXC3 | HEX.SOCK.HEAD CAP SCR.FE/ZNXC3 | ZYLINDERSCHR.INNENSEC.FE/ZNXC3 | VITE A TESTA CILINDR. FE/ZNXC3 | |
| 009 | 80130812 | 012 | VIS AUTOBLOQUANTE FLZNNC | UNDERSERR.S-LOC.SCREW FLZNNC | SPERRZAHN-BUNDSCHRAU.FLZNNC | VITE FLZNNC | |
| 010 | 80200630 | 002 | ECROU HEX.AUTOFREINE FE/ZNXC3 | SELF-LOCKING NUT FE/ZNXC3 | SELBSTSICHERNDE MUTT.FE/ZNXC3 | DADO AUTOBLOCCANTE FE/ZNXC3 | |
| 011 | 80200830 | 002 | ECROU HEX.AUTOFREINE FE/ZNXC3 | SELF-LOCKING NUT FE/ZNXC3 | SELBSTSICHERNDE MUTT.FE/ZNXC3 | DADO AUTOBLOCCANTE FE/ZNXC3 | |
| 012 | 80200855 | 002 | ECROU FE/ZNXC3 | CLAMP NUT FE/ZNXC3 | MUTTER FE/ZNXC3 | PIASTRINA FE/ZNXC3 | |
| 013 | 80250613 | 002 | RONDELLE PLATE FE/ZNXC3 | PLAIN WASHER FE/ZNXC3 | SCHEIBE FE/ZNXC3 | RONDELLA PIATTA FE/ZNXC3 | |
| 014 | 80251032 | 002 | RONDELLE PLATE | PLAIN WASHER | SCHEIBE | RONDELLA PIATTA | |
| 015 | 80271201 | 007 | RONDELLE EVENTAIL FLZNNC | SERRATED LOCK WASHER FLZNNC | FAECHERSCHEIBE FLZNNC | RONDELLA VENTAGLIO FLZNNC | |
| 016 | 83050012 | 001 | POIGNEE POUR CORDE | HANDLE | HANDGRIFF | MANIGLIA | |
| 017 | 83200804 | 007 | PASSE FIL | RUBBER PASS WIRE | GUMMITUELLE | PASSAFILO | |
| 018 | 83234000 | 002 | CAPTEUR | SENSOR | SENSOR | SENSORE | |
| 019 | 83235021 | 016 | CONNECTEUR DIN43650-A | CONNECTOR DIN43650-A | VERBINDUNG DIN43650-A | CONNETTORE DIN43650-A | [1] +[3] |
| 020 | 83235066 | 016 | CONNECTEUR DIN43650-A | CONNECTOR DIN43650-A | VERBINDUNG DIN43650-A | CONNETTORE DIN43650-A | [3] |
| 021 | 83235067 | 016 | JOINT PROFILE DIN43650-A | PROFILED GASKET DIN43650-A | PROFILDICHTUNG DIN43650-A | UNITO PIATTO DIN43650-A | [3] |
| 022 | 83235068 | 016 | VIS INOX DIN43650 | STAINLESS STEEL SCREW DIN43650 | EDELSTAHLSCHRAUBE DIN43650 | VITE INOX DIN43650 | [3] |
| 023 | 83235113 | 001 | CONNECTEUR DEUTSCH HDP | CONNECTOR DEUTSCH HDP | STECKER DEUTSCH HDP | CONNETTORE DEUTSCH HDP | [1] +[2] |
| 024 | 83235115 | 001 | FICHE DEUTSCH HDP | PLUG DEUTSCH HDP | STECKER DEUTSCH HDP | SCHEDA DEUTSCH HDP | [2] |
| 025 | 83235117 | 031 | CONTACT DEUTSCH TAILLE 16 | CONTACT DEUTSCH SIZE 16 | KONTAKT DEUTSCH SIZE 16 | CONTATTO DEUTSCH SIZE 16 | [2] |
| 026 | 83235122 | 001 | ADAPTATEUR DEUTSCH HDP | ADAPTER DEUTSCH HDP | ANBAUELEMENT DEUTSCH HDP | ADATTATORE DEUTSCH HDP | [2] |
| 027 | 83235153 | 001 | SERRE-CABLE DEUTSCH HDP | GREENHOUSE-CABLE DEUTSCH HDP | KABELKLEMME DEUTSCH HDP | SERRE-CÂBLE DEUTSCH HDP | [2] |
| 028 | 57743100 | 001 | CORDE NYLON | CORD | NYLONSEIL | CORDA NYLON | |
| 029 | 57743100 | 001 | CORDE NYLON | CORD | NYLONSEIL | CORDA NYLON | |
| 030 | 58831100 | 001 | CORDE NYLON | CORD | NYLONSEIL | CORDA NYLON | |
| 031 | 80061249 | 001 | VIS TETE HEXAGONALE FE/ZNXC3 | HEXAGON HEAD SCREW FE/ZNXC3 | SECHSKANTSCHRAUBE FE/ZNXC3 | VITE TESTA ESAGONALE FE/ZNXC3 | |
| 032 | A4050012 | 001 | DISTRIBUTEUR | VALVE, DIVERTER | VERTEILER | DISTRIBUTORE | |
| 033 | A4061802 | 008 | BOUCHON 3/8G CHC F.E FE/ZNXC3 | PLUG 3/8G CHC F.E FE/ZNXC3 | VERSCHLUSSSCHRAUBE 3/8G CHC F. | TAPPO 3/8G CHC F.E FE/ZNXC3 | |
| 034 | A4061804 | 001 | BOUCHON | PLUG | VERSCHLUSSSCHRAUBE | TAPPO | |
| 035 | A4065004 | 001 | PRISE DE PRESSION | PORT, PRESSURE | DRUCKANSCHLUSS | PRESA DI PRESSIONE IDRAULICA | |
| 036 | A4080401 | 012 | UNION MALE | MALE STUD CONNECTOR | GERADER EINSCHRAUBSTUTZEN | GIUZIONE DIRITTA ZBC | |
| 037 | A4080463 | 002 | UNION MALE | MALE STUD CONNECTOR | GERADER EINSCHRAUBSTUTZEN | GIUZIONE DIRITTA ZBC | |
| 038 | A4085404 | 020 | JOINT FORME E 3/8G | SEAL | DICHTRING | GIUNTO | |
| 039 | A4085408 | 004 | JOINT FORME E M26X1,5/M27X2 ET | SEAL | DICHTRING | GIUNTO | |
| 040 | A4050004 | 002 | PLAQUE D'OBT.CETOP 3 +4VIS+4JC | PLATE | PLATTE | PIASTRA | |
| 041 | A4050027 | 007 | DISTRIBUTEUR | VALVE, DIVERTER | VERTEILER | DISTRIBUTORE CETOP DG4V3 6C | |
| 042 | A4070017 | 001 | SOUPAPE CARTOU.P.T7/8 14UNF | PRESSURE RELIEF VALVE | UEBERDRUCKVENTIL | | 8daNm(59ft.lbs) |
| 043 | A4071207 | 005 | CLAPET | VALVE, FLAP | RUECKSCHLAGVENTIL | VALVOLA | |
| 044 | A4071361 | 001 | VALVE DIRECT + CDE SECOURS | BY-PASS VALVE | VENTIL MAN.F.LS | VALVOLA | 8daNm(59ft.lbs) |
| 045 | A4100020 | 001 | BLOC HYDRAULIQUE | MANIFOLD, HYDRAULIC | HYDRAULIK-STUEBERBLOCK | BLOCCO IDRAULICO | |
| 046 | K7008160 | 001 | PLAQUETTE D'INDEXAGE | PLAQUE | PLATTE | PIASTRINA | |
| 047 | K7008791 | 001 | FAISCEAU | HARNESS | KABELBAUM | FASCIO | +[1] |
| 048 | K7009330 | 001 | GUIDE CORDE | GUIDE | FUEHRUNG | GUIDA | |





GMD883

B 0001 > B 0015

K70R0227 A

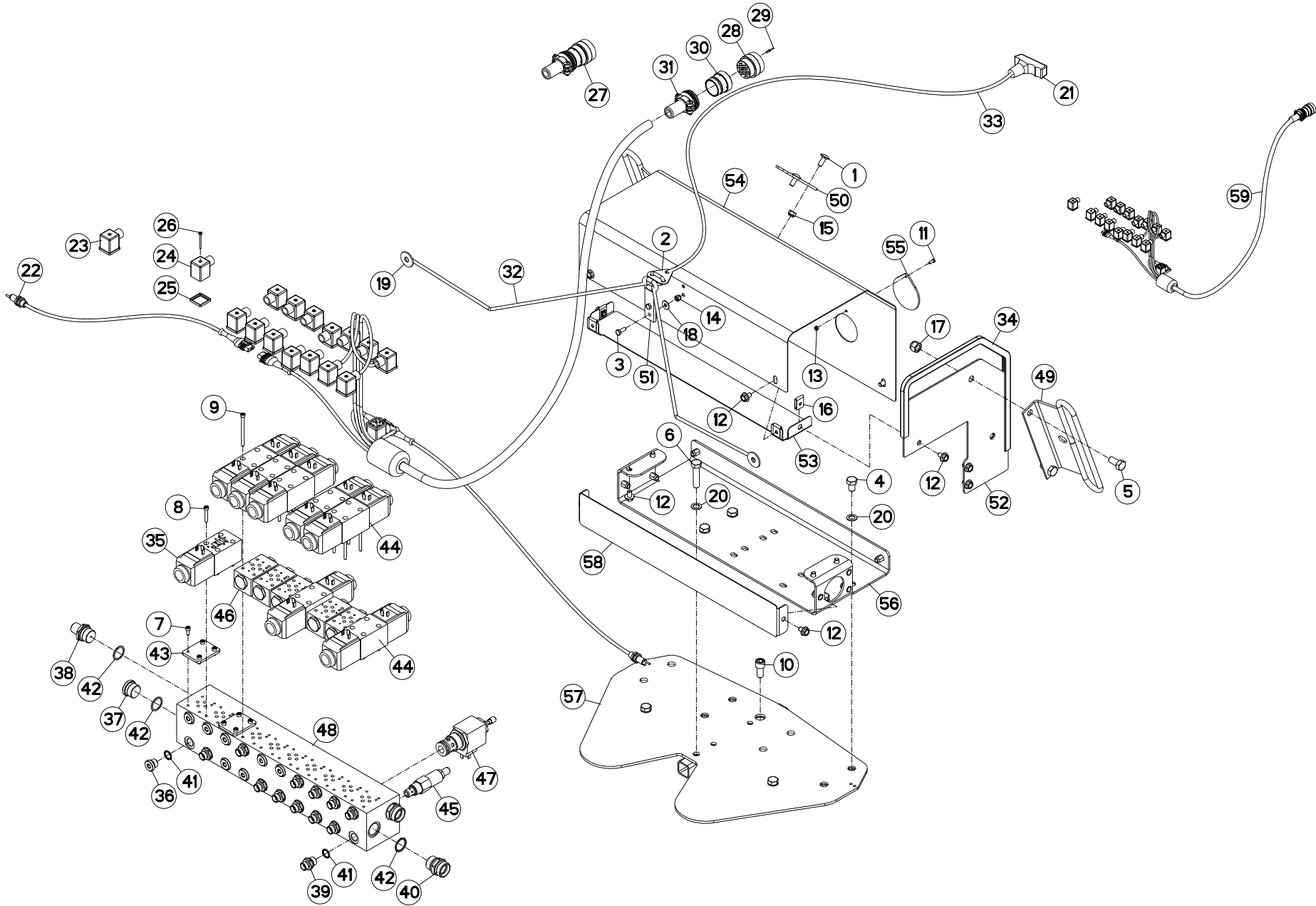
BLOC HYDRAULIQUE

HYDRAULIC BLOCK

STEUERBLOCK

BLOCCO IDRAULICO

| Rep | Nr | Qt | Designation | Description | Bezeichnung | Referenza | Remarque - Remark - Bemerkung - Osservazioni |
|-----|-----------------|-----|---------------------|-------------|-------------|-----------|--|
| 049 | K7009340 | 001 | SUPPORT HYDRAULIQUE | SUPPORT | TRAEGER | SUPPORTO | |
| 050 | K7009350 | 001 | CAPOT | HOOD | HAUBE | COFANO | |
| 051 | K8006030 | 001 | SUPPORT | SUPPORT | TRAEGER | SUPPORTO | |
| 052 | K8006040 | 001 | CAPOT | HOOD | HAUBE | COFANO | |
| 053 | K8006050 | 001 | CAPOT | HOOD | HAUBE | COFANO | |





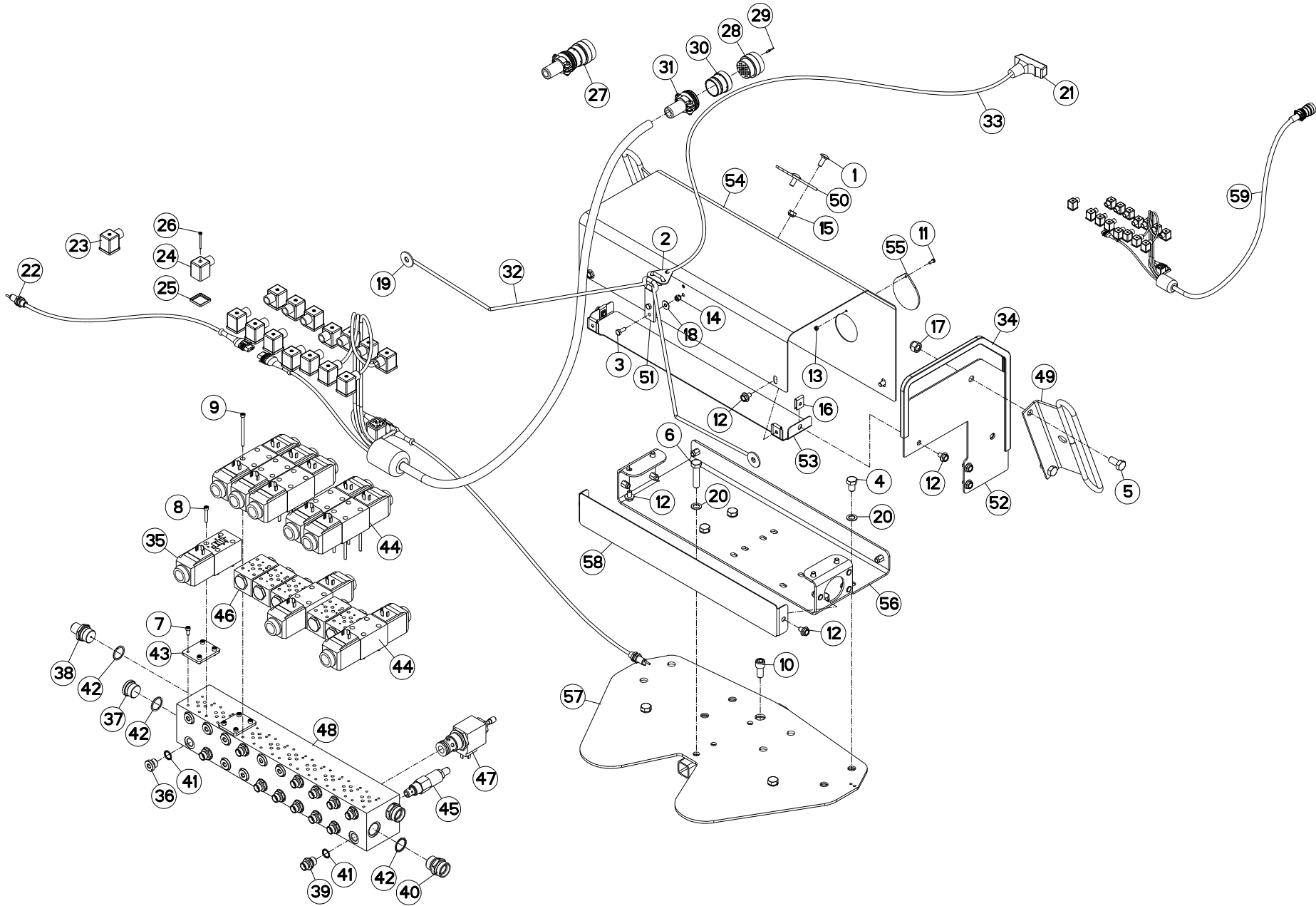
BLOC HYDRAULIQUE

HYDRAULIC BLOCK

STUEBERBLOCK

BLOCCO IDRAULICO

| Rep | Nr | Qt | Designation | Description | Bezeichnung | Referenza | Remarque - Remark - Bemerkung - Osservazioni |
|-----|----------|-----|--------------------------------|--------------------------------|--------------------------------|--------------------------------|--|
| 001 | 50070300 | 002 | VIS TBCC COURT | BOLT, CARRIAGE, SHORT NECK | FLACHRUNDSCHR.4KT ANSATZ | BULLONE | |
| 002 | 58754500 | 001 | PLAQUETTE | BRACKET | LASCHE | PIASTRINA | |
| 003 | 80060616 | 002 | VIS TETE HEXAGONALE FE/ZNXC3 | HEXAGON HEAD SCREW FE/ZNXC3 | SECHSKANTSCHRAUBE FE/ZNXC3 | VITE TESTA ESAGONALE FE/ZNXC3 | |
| 004 | 80061219 | 007 | VIS TETE HEXAGONALE FE/ZNXC3 | HEXAGON HEAD SCREW FE/ZNXC3 | SECHSKANTSCHRAUBE FE/ZNXC3 | VITE TESTA ESAGONALE FE/ZNXC3 | |
| 005 | 80061225 | 004 | VIS TETE HEXAGONALE FE/ZNXC3 | HEXAGON HEAD SCREW FE/ZNXC3 | SECHSKANTSCHRAUBE FE/ZNXC3 | VITE TESTA ESAGONALE FE/ZNXC3 | |
| 006 | 80061249 | 001 | VIS TETE HEXAGONALE FE/ZNXC3 | HEXAGON HEAD SCREW FE/ZNXC3 | SECHSKANTSCHRAUBE FE/ZNXC3 | VITE TESTA ESAGONALE FE/ZNXC3 | |
| 007 | 80080512 | 008 | VIS TETE CYL.SIX P.CR.FE/ZNXC3 | HEX.SOCK.HEAD CAP SCR.FE/ZNXC3 | ZYLINDERSCHR.INNENSEC.FE/ZNXC3 | VITE A TESTA CILINDR. FE/ZNXC3 | |
| 008 | 80080530 | 012 | VIS TETE CYL.SIX P.CR.FE/ZNXC3 | HEX.SOCK.HEAD CAP SCR.FE/ZNXC3 | ZYLINDERSCHR.INNENSEC.FE/ZNXC3 | VITE A TESTA CILINDR. FE/ZNXC3 | |
| 009 | 80080570 | 020 | VIS TETE CYL.SIX P.CR.FE/ZNXC3 | HEX.SOCK.HEAD CAP SCR.FE/ZNXC3 | ZYLINDERSCHR.INNENSEC.FE/ZNXC3 | VITE A TESTA CILINDR. FE/ZNXC3 | |
| 010 | 80081203 | 001 | VIS TETE CYL.SIX P.CR.FE/ZNXC3 | HEX.SOCK.HEAD CAP SCR.FE/ZNXC3 | ZYLINDERSCHR.INNENSEC.FE/ZNXC3 | VITE A TESTA CILINDR. FE/ZNXC3 | |
| 011 | 80100410 | 001 | VIS TETE CYL.FENDUE FE/ZNXC3 | SLOT.CHEES.HEAD SCREW FE/ZNXC3 | ZYLINDERSCHAU.SCHLITZ FE/ZNXC3 | VITE TESTA CILINDR.FE/ZNXC3 | |
| 012 | 80130812 | 016 | VIS AUTOBLOQUANTE FLZNNC | UNDERSERR.S-LOC.SCREW FLZNNC | SPERRZAHN-BUNDSCHRAU.FLZNNC | VITE FLZNNC | |
| 013 | 80200440 | 001 | ECROU HEX.AUTOFREINE FE/ZNXC3 | SELF-LOCKING NUT FE/ZNXC3 | SELBSTSICHERNDE MUTT.FE/ZNXC3 | DADO AUTOBLOCCANTE FE/ZNXC3 | |
| 014 | 80200630 | 002 | ECROU HEX.AUTOFREINE FE/ZNXC3 | SELF-LOCKING NUT FE/ZNXC3 | SELBSTSICHERNDE MUTT.FE/ZNXC3 | DADO AUTOBLOCCANTE FE/ZNXC3 | |
| 015 | 80200830 | 002 | ECROU HEX.AUTOFREINE FE/ZNXC3 | SELF-LOCKING NUT FE/ZNXC3 | SELBSTSICHERNDE MUTT.FE/ZNXC3 | DADO AUTOBLOCCANTE FE/ZNXC3 | |
| 016 | 80200855 | 004 | ECROU FE/ZNXC3 | CLAMP NUT FE/ZNXC3 | MUTTER FE/ZNXC3 | PIASTRINA FE/ZNXC3 | |
| 017 | 80201230 | 004 | ECROU HEX.AUTOFREINE FE/ZNXC3 | SELF-LOCKING NUT FE/ZNXC3 | SELBSTSICH.MUTTER FE/ZNXC3 | DADO AUTOBLOCCANTE FE/ZNXC3 | |
| 018 | 80250613 | 002 | RONDELLE PLATE FE/ZNXC3 | PLAIN WASHER FE/ZNXC3 | SCHEIBE FE/ZNXC3 | RONDELLA PIATTA FE/ZNXC3 | |
| 019 | 80251032 | 002 | RONDELLE PLATE | PLAIN WASHER | SCHEIBE | RONDELLA PIATTA | |
| 020 | 80271201 | 007 | RONDELLE EVENTAIL FLZNNC | SERRATED LOCK WASHER FLZNNC | FAECHERSCHEIBE FLZNNC | RONDELLA VENTAGLIO FLZNNC | |
| 021 | 83050012 | 001 | POIGNEE POUR CORDE | HANDLE | HANDGRIFF | MANIGLIA | |
| 022 | 83234000 | 002 | CAPTEUR | SENSOR | SENSOR | SENSORE | |
| 023 | 83235021 | 026 | CONNECTEUR DIN43650-A | CONNECTOR DIN43650-A | VERBINDUNG DIN43650-A | CONNETTORE DIN43650-A | |
| 024 | 83235066 | 026 | CONNECTEUR DIN43650-A | CONNECTOR DIN43650-A | VERBINDUNG DIN43650-A | CONNETTORE DIN43650-A | |
| 025 | 83235067 | 026 | JOINT PROFILE DIN43650-A | PROFILED GASKET DIN43650-A | PROFILDICHTUNG DIN43650-A | UNITO PIATTO DIN43650-A | |
| 026 | 83235068 | 026 | VIS INOX DIN43650 | STAINLESS STEEL SCREW DIN43650 | EDELSTAHLSCHRAUBE DIN43650 | VITE INOX DIN43650 | |
| 027 | 83235113 | 001 | CONNECTEUR DEUTSCH HDP | CONNECTOR DEUTSCH HDP | STECKER DEUTSCH HDP | CONNETTORE DEUTSCH HDP | |
| 028 | 83235115 | 001 | FICHE DEUTSCH HDP | PLUG DEUTSCH HDP | STECKER DEUTSCH HDP | SCHEDA DEUTSCH HDP | |
| 029 | 83235117 | 031 | CONTACT DEUTSCH TAILLE 16 | CONTACT DEUTSCH SIZE 16 | KONTAKT DEUTSCH SIZE 16 | CONTATTO DEUTSCH SIZE 16 | |
| 030 | 83235122 | 001 | ADAPTATEUR DEUTSCH HDP | ADAPTER DEUTSCH HDP | ANBAUELEMENT DEUTSCH HDP | ADATTATORE DEUTSCH HDP | |
| 031 | 83235153 | 001 | SERRE-CABLE DEUTSCH HDP | GREENHOUSE-CABLE DEUTSCH HDP | KABELKLEMME DEUTSCH HDP | SERRE-CÂBLE DEUTSCH HDP | |
| 032 | 57743300 | 001 | CORDE NYLON | CORD | SEIL | CORDA NYLON | |
| 033 | 58831100 | 001 | CORDE NYLON | CORD | NYLONSEIL | CORDA NYLON | |
| 034 | 83090202 | 002 | PROFIL DE PROTECTION | CORNER GUARD | KANTENSCHUTZ | COPRIBORDO | |
| 035 | A4050013 | 001 | DISTRIBUTEUR CETOP DG4V3 0A | DISTRIBUTOR CETOP | STUEBERBLOCK CETOP | DISTRIBUTORE CETOP DG4V3 0A | |
| 036 | A4061802 | 008 | BOUCHON 3/8G CHC F.E FE/ZNXC3 | PLUG 3/8G CHC F.E FE/ZNXC3 | VERSCHLUSSSCHRAUBE 3/8G CHC F. | TAPPO 3/8G CHC F.E FE/ZNXC3 | |
| 037 | A4061804 | 001 | BOUCHON | PLUG | VERSCHLUSSSCHRAUBE | TAPPO | |
| 038 | A4065004 | 001 | PRISE DE PRESSION | PORT, PRESSURE | DRUCKANSCHLUSS | PRESA DI PRESSIONE IDRAULICA | |
| 039 | A4080401 | 012 | UNION MALE | MALE STUD CONNECTOR | GERADER EINSCHRAUBSTUTZEN | GIUZIONE DIRITTA ZBC | |
| 040 | A4080463 | 002 | UNION MALE | MALE STUD CONNECTOR | GERADER EINSCHRAUBSTUTZEN | GIUZIONE DIRITTA ZBC | |
| 041 | A4085404 | 020 | JOINT FORME E 3/8G | SEAL | DICHTRING | GIUNTO | |
| 042 | A4085408 | 004 | JOINT FORME E M26X1,5/M27X2 ET | SEAL | DICHTRING | GIUNTO | |
| 043 | A4050004 | 002 | PLAQUE D'OBT.CETOP 3 +4VIS+4JC | PLATE | PLATTE | PIASTRA | |
| 044 | A4050027 | 007 | DISTRIBUTEUR | VALVE, DIVERTER | VERTEILER | DISTRIBUTORE CETOP DG4V3 6C | |
| 045 | A4070033 | 001 | LIMITEUR DE PRESSION | VALVE, RELIEF | DRUCKBEGRENZUNGSVENTIL | LIMITATORE DI PRESSIONE | |
| 046 | A4071207 | 005 | CLAPET | VALVE, FLAP | RUECKSCHLAGVENTIL | VALVOLA | |
| 047 | A4071361 | 001 | VALVE DIRECT + CDE SECOURS | BY-PASS VALVE | VENTIL MAN.F.LS | VALVOLA | |
| 048 | A4100020 | 001 | BLOC HYDRAULIQUE | MANIFOLD, HYDRAULIC | HYDRAULIK-STUEBERBLOCK | BLOCCO IDRAULICO | |





GMD883

B 0016 > C 0000

K70R0227 B

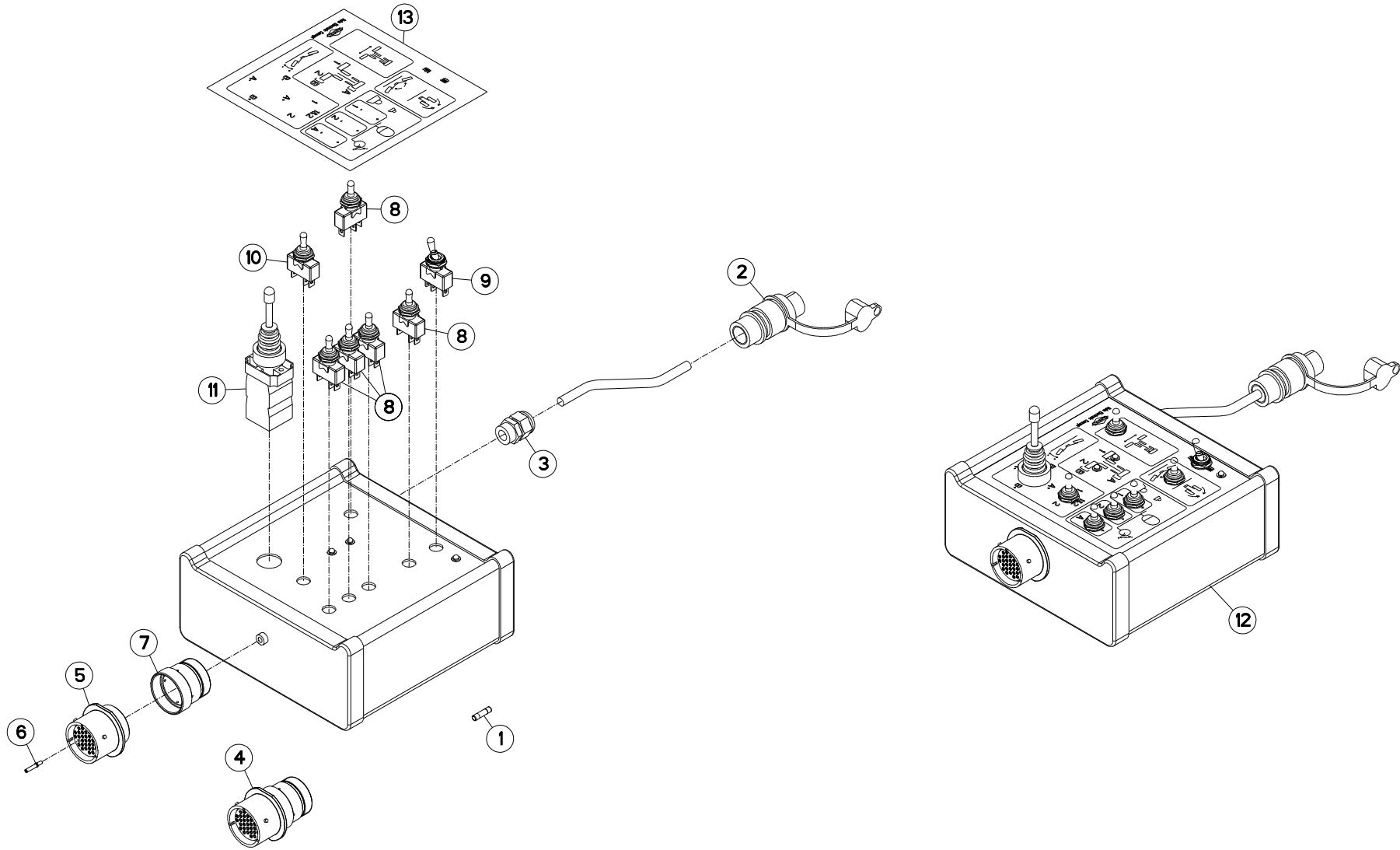
BLOC HYDRAULIQUE

HYDRAULIC BLOCK

STEUERBLOCK

BLOCCO IDRAULICO

| Rep | Nr | Qt | Designation | Description | Bezeichnung | Referenza | Remarque - Remark - Bemerkung - Osservazioni |
|-----|-----------------|-----|----------------------|-------------|-------------|-----------|--|
| 049 | K5608510 | 002 | GUIDE | GUIDE | FUEHRUNG | GUIDA | |
| 050 | K7008160 | 001 | PLAQUETTE D'INDEXAGE | PLAQUE | PLATTE | PIASTRINA | |
| 051 | K7009330 | 001 | GUIDE CORDE | GUIDE | FUEHRUNG | GUIDA | |
| 052 | K7012660 | 002 | PAROI | PARTITION | BLECH | TELA | |
| 053 | K7012670 | 001 | CAPOT | HOOD | HAUBE | COFANO | |
| 054 | K7012680 | 001 | CAPOT | HOOD | HAUBE | COFANO | |
| 055 | K7012690 | 001 | OEILLET | EYELET | GATCHEN | GAROFANO | |
| 056 | K7012700 | 001 | SUPPORT | SUPPORT | TRAEGER | SUPPORTO | |
| 057 | K7012710 | 001 | SUPPORT | SUPPORT | TRAEGER | SUPPORTO | |
| 058 | K8006050 | 001 | CAPOT | HOOD | HAUBE | COFANO | |
| 059 | K7008791 | 001 | FAISCEAU | HARNESS | KABELBAUM | FASCIO | |





GMD883

B 0001 > C 0000

K80R0145 A

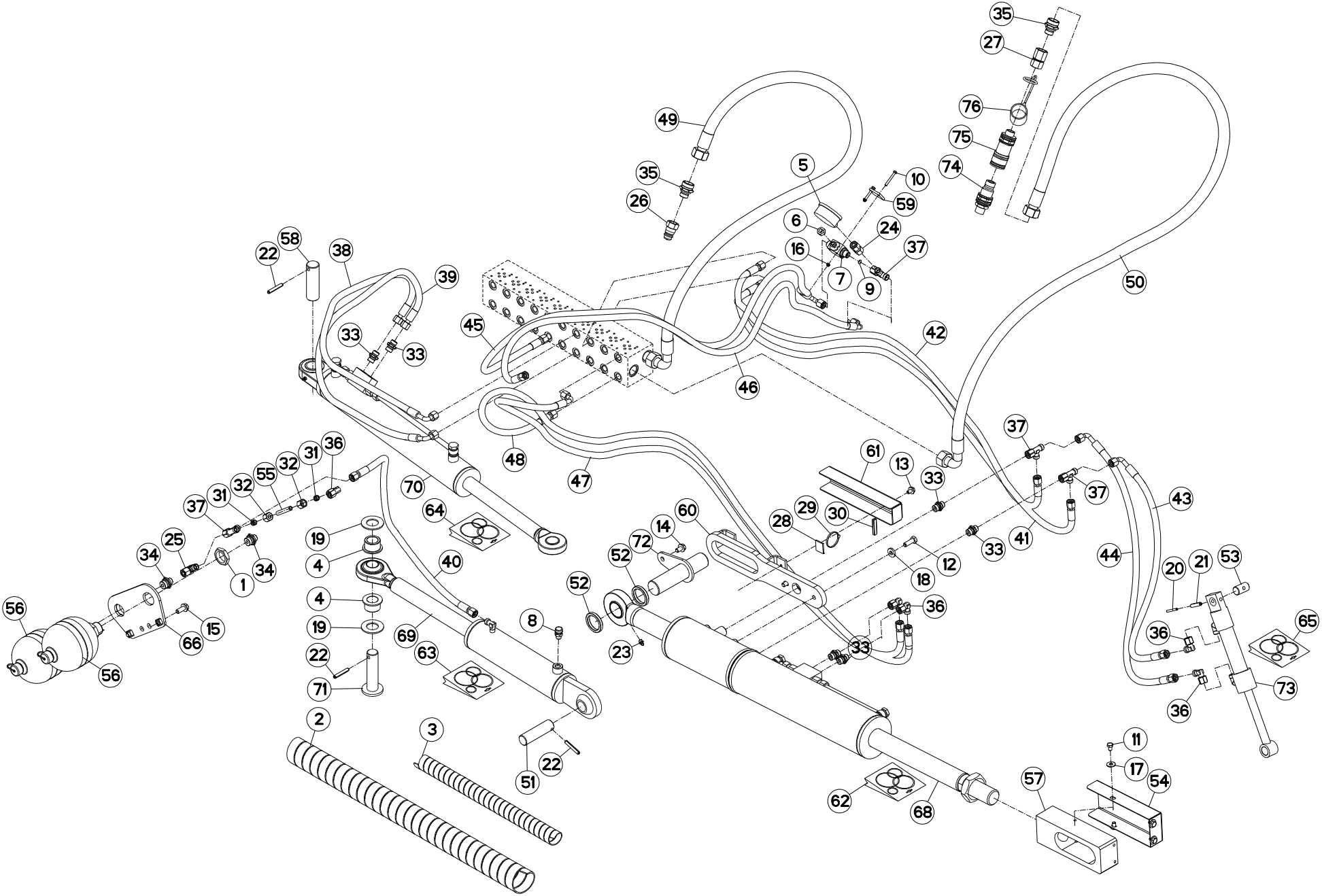
BOITIER DE COMMANDE

CONTROL BOX

BEDIENEINHEIT

SCATOLA DI COMANDO

| Rep | Nr | Qt | Designation | Description | Bezeichnung | Referenza | Remarque - Remark - Bemerkung - Osservazioni |
|-----|-----------------|-----|--------------------------------|-------------------------|------------------------------|------------------------------|--|
| 001 | 83233046 | 005 | FUSIBLE 5X20MM 15A | FUSE 5X20MM 15A | SICHERUNG 5X20MM 15A | FUSIBILE 5X20MM 15A | [1] |
| 002 | 83235003 | 001 | CONNECTEUR DIN9680 | CONNECTOR DIN9680 | VERBINDUNG DIN9680 | CONNETTORE DIN9680 | [1] |
| 003 | 83235037 | 001 | PRESSE-ETOUPE PG11 | CABLE GLAND PG11 | KABELSTOPFBUCHSE PG11 | SERRACAVO PG11 | [1] |
| 004 | 83235112 | 001 | CONNECTEUR DEUTSCH HDP | CONNECTOR DEUTSCH HDP | STECKER DEUTSCH HDP | CONNETTORE DEUTSCH HDP | [1] +[2] |
| 005 | 83235114 | 001 | EMBASE DEUTSCH HDP DEUTSCH HDP | CONNECTOR DEUTSCH HDP | STECKERHALTERUNG DEUTSCH HDP | CONNETTORE DEUTSCH HDP | [2] |
| 006 | 83235116 | 031 | CONTACT DEUTSCH TAILLE 16 | CONTACT DEUTSCH SIZE 16 | KONTAKT DEUTSCH SIZE 16 | CONTATTO DEUTSCH SIZE 16 | [2] |
| 007 | 83235122 | 001 | ADAPTATEUR DEUTSCH HDP | ADAPTER DEUTSCH HDP | ANBAUELEMENT DEUTSCH HDP | ADATTATORE DEUTSCH HDP | [2] |
| 008 | 83236050 | 005 | INTER.LEV C MOM-OFF-MOM UNIP | SWITCH | SCHALTER C TAST-OFF-TAST | INTERRUTTORE | [1] |
| 009 | 83236052 | 001 | INTER.LEV C ON-ON UNIP | SWITCH | SCHALTER C ON-ON | INTERRUTTORE+CAPP+ROND | [1] |
| 010 | 83236059 | 001 | INTER.LEV C ON-OFF-ON UNIP | SWITCH | SCHALTER | INTERRUTTORE | [1] |
| 011 | 83236102 | 001 | MANIPUL.TELEMECANIQUE 4P NC | SWITCH | BEDIENHEBEL | MANIPOLATORE 4 POS. | [1] |
| 012 | K7003901 | 001 | BOITIER GMD/FC813 | CONTROL BOX GMD/FC813 | BEDIENKONSOLE GMD/FC813 | SCATOLA DI COMANDO GMD/FC813 | +[1] |
| 013 | K7010041 | 001 | ETIQ.ADHESIVE COMMANDE GMD/FC | AUFKLEBER | DECAL | ADESIVO | [1] |





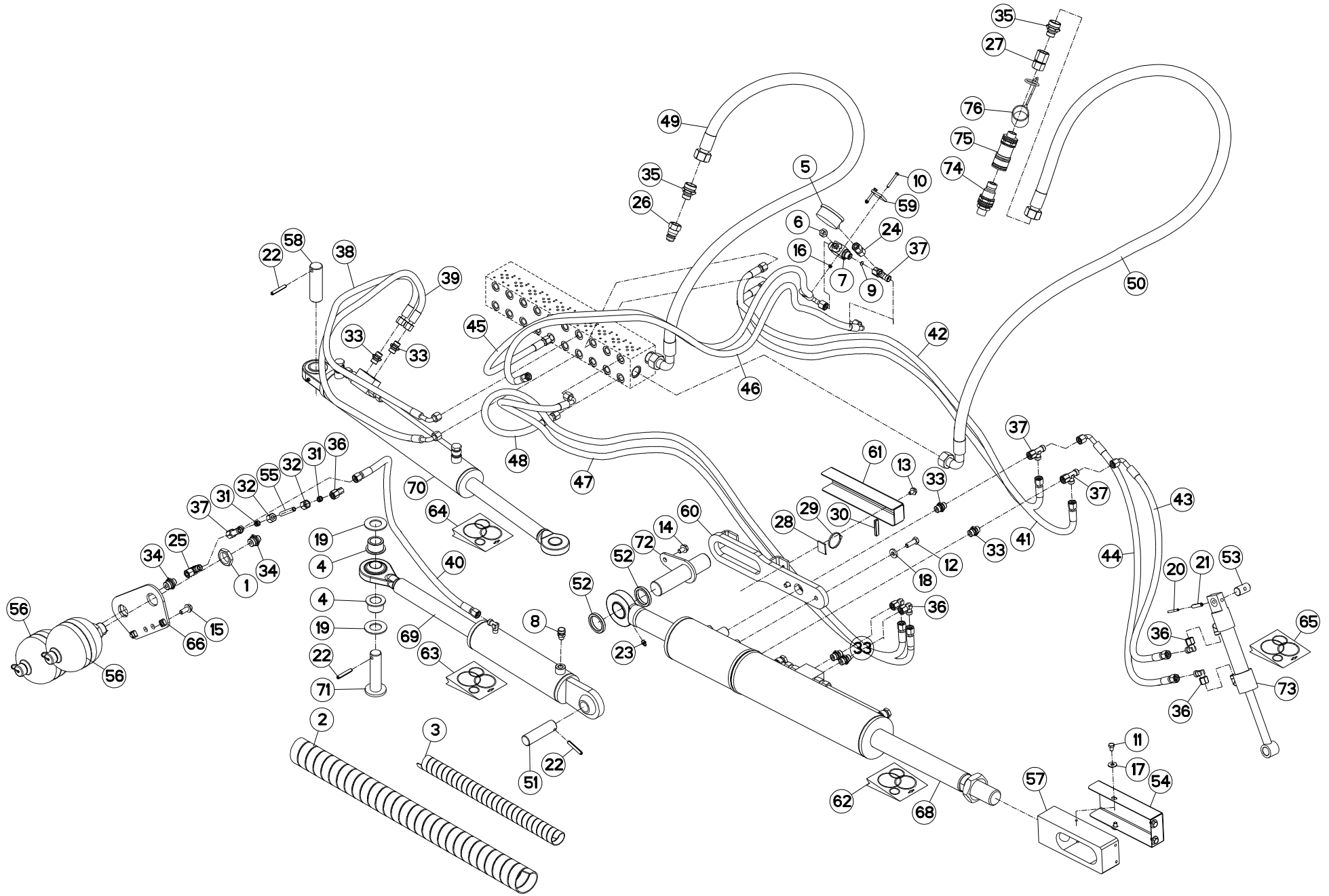
FLEXIBLES COTE DROIT

HYDRAULIC HOSES RIGHT SIDE

HYDRAULIKSCHLÄUCHE RECHTS

CIRCUITO IDRAULICO LATO DESTRO

| Rep | Nr | Qt | Designation | Description | Bezeichnung | Referenza | Remarque - Remark - Bemerkung - Osservazioni |
|-----|----------|-----|--------------------------------|--------------------------------|--------------------------------|--------------------------------|--|
| 001 | 50072300 | 002 | ECROU EXTRA-PLAT FE/ZNXC3 | HEXAGON THIN NUT FE/ZNXC3 | FLACHE SECHSKANTMUTTER | DADO | |
| 002 | 55725710 | 002 | GAINÉ SPIRALE | SPIRAL WRAP | SCHUTZSPIRALE | PROTEZIONE | |
| 003 | 56541100 | 006 | GAINÉ SPIRALE | SPIRAL WRAP | SCHUTZSPIRALE | PROTEZIONE | |
| 004 | 56859100 | 002 | GALET | ROLLER | ROLLE | GALLETTO | |
| 005 | 56861110 | 001 | MANOMETRE 250 BARS | MANOMETER | MANOMETER | MANOMETRO | |
| 006 | 56866000 | 001 | ECROU DE MANIPULATION ZBC | NUT ZBC | MUTTER ZBC | DADO | |
| 007 | 56866200 | 001 | ROBINET | VALVE, BALL | KUGELHAHN | ROBINETTO | |
| 008 | 82230025 | 001 | RENIFLARD | PRESSURE RELIEF VALVE | ENTLUEFTUNGSSCHRAUBE | SFIATATOIO | |
| 009 | 57912100 | 001 | LIMITEUR DE DEBIT D.0,5 | FLOW LIMITER | MENGENREGLER | LIMITATORE DI FLUSSO | |
| 010 | 80060541 | 002 | VIS TETE HEXAGONALE FE/ZNXC3 | HEXAGON HEAD SCREW FE/ZNXC3 | SECHSKANTSCHRAUBE FE/ZNXC3 | VITE TESTA ESAGONALE FE/ZNXC3 | |
| 011 | 80060812 | 004 | VIS TETE HEXAGONALE FE/ZNXC3 | HEXAGON HEAD SCREW FE/ZNXC3 | SECHSKANTSCHRAUBE FE/ZNXC3 | VITE TESTA ESAGONALE FE/ZNXC3 | |
| 012 | 80061073 | 002 | VIS TETE HEXAGONALE FE/ZNXC3 | HEXAGON HEAD SCREW FE/ZNXC3 | SECHSKANTSCHRAUBE FE/ZNXC3 | VITE TESTA ESAGONALE FE/ZNXC3 | |
| 013 | 80130812 | 002 | VIS AUTOBLOQUANTE FLZNNC | UNDERSERR.S-LOC.SCREW FLZNNC | SPERRZAHN-BUNDSCHRAU.FLZNNC | VITE FLZNNC | |
| 014 | 80131017 | 001 | VIS AUTOBLOQUANTE FLZNNC | UNDERSERR.S-LOC.SCREW FLZNNC | SPERRZAHN-BUNDSCHRAU.FLZNNC | VITE FLZNNC | |
| 015 | 80131026 | 002 | VIS AUTOBLOQUANTE FLZNNC | UNDERSERR.S-LOC.SCREW FLZNNC | SPERRZAHN-BUNDSCHRAU.FLZNNC | VITE FLZNNC | |
| 016 | 80200540 | 002 | ECROU HEX.BAS AUTOFR.FE/ZNXC3 | SELF-LOCKING NUT FE/ZNXC3 | SELBSTSICHERND.MUTTER FE/ZNXC3 | DADO AUTOBLOCCANTE FE/ZNXC3 | |
| 017 | 80250970 | 004 | RONDELLE PLATE FE/ZNXC3 | PLAIN WASHER FE/ZNXC3 | SCHEIBE FE/ZNXC3 | RONDELLA PIATTA FE/ZNXC3 | |
| 018 | 80251127 | 002 | RONDELLE PLATE FE/ZNXC3 | PLAIN WASHER FE/ZNXC3 | SCHEIBE FE/ZNXC3 | RONDELLA PIATTA FE/ZNXC3 | |
| 019 | 80253059 | 002 | RONDELLE PLATE | PLAIN WASHER | SCHEIBE | RONDELLA PIATTA | |
| 020 | 80450540 | 001 | GOUPILLE ELASTIQUE FLZNNC | ROLL PIN FLZNNC | SPANNHUELSE FLZNNC | SPINA ELASTICA FLZNNC | |
| 021 | 80450841 | 001 | GOUPILLE ELASTIQUE FLZNNC | ROLL PIN FLZNNC | SPANNHUELSE FLZNNC | SPINA ELASTICA FLZNNC | |
| 022 | 80450851 | 003 | GOUPILLE ELASTIQUE FLZNNC | ROLL PIN FLZNNC | SPANNHUELSE FLZNNC | SPINA ELASTICA FLZNNC | |
| 023 | 82200800 | 001 | GRAISSEUR FE/ZNXC3 | GREASE NIPPLE FE/ZNXC3 | SCHMIERNIPPEL FE/ZNXC3 | INGRASSATORE FE/ZNXC3 | |
| 024 | 82300090 | 001 | ADAPTATEUR+BAGUE DE MANOMETRE | ADAPTER | GEWINDESTUTZEN | ADATTATORE+BOCCOLA | |
| 025 | A4083206 | 001 | TE TOURNANT NU FE/ZNXC3 | ADJUSTABLE EQUAL TEE FE/ZNXC3 | EINSTELLB.T VERSCHRAU.FE/ZNXC3 | RACCORDO ORIENT.A T FE/ZNXC3 | |
| 026 | A4074001 | 001 | COUPLEUR | COUPLER | KUPPLER | GIUNTO | |
| 027 | 82301218 | 001 | ADAPTATEUR FEMELLE TOURNANT | ADAPTOR | GEWINDESTUTZEN | ADATTATORE | |
| 028 | 83090038 | 001 | EMBASE AUTOADHESIVE | SELF STIKING CABLE GUIDE | KABELKONSOLE SELBSTKLEBEND | BASAMENTO | |
| 029 | 83090039 | 001 | COLLIER PLASTIQUE | CABLE TIE PLASTIC | KABELBINDER PLASTIK | FASCETTA | |
| 030 | 83090200 | 001 | PROFIL DE PROTECTION | CORNER GUARD | KANTENSCHUTZ | COPROBORDO | |
| 031 | A4080110 | 002 | BAGUE DE COMPRESION | BUSH | BUCHSE | BOCCOLA | |
| 032 | A4080210 | 002 | ECROU L10 | NUT L10 | MUTTER L10 | DADO L10 | |
| 033 | A4080401 | 006 | UNION MALE | MALE STUD CONNECTOR | GERADER EINSCHRAUBSTUTZEN | GIUZIONE DIRITTA ZBC | |
| 034 | A4080402 | 002 | UNION MALE | MALE STUD CONNECTOR | GERADER EINSCHRAUBSTUTZEN | GIUZIONE DIRITTA ZBC | |
| 035 | A4080462 | 002 | UNION MALE | MALE STUD CONNECTOR | GERADER EINSCHRAUBSTUTZEN | GIUZIONE DIRITTA ZBC | |
| 036 | A4082700 | 006 | COUDE TOURNANT | AJUSTABLE MALE STUD ELBOW | EINSTELLBARER WINKELSTUTZEN | GIUNZIONE A 90°ORIENTABILE | |
| 037 | A4083100 | 004 | TE ADAPTABLE RENVERSE FE/ZNXC3 | ADJ.MALE STUD TEE-STU.FE/ZNXC3 | EINSTELLB.T-Verschrau.FE/ZNXC3 | TERMINALE A T ORIENTA.FE/ZNXC3 | |
| 038 | A4921009 | 001 | FLEXIBLE HYDRAULIQUE | HYDRAULIC HOSE | HYDRAULIKSCHLAUCH | TUBO GOMMA | <->1450mm |
| 039 | A4921009 | 001 | FLEXIBLE HYDRAULIQUE | HYDRAULIC HOSE | HYDRAULIKSCHLAUCH | TUBO GOMMA | <->1450mm |
| 040 | A4921022 | 001 | FLEXIBLE HYDRAULIQUE | HYDRAULIC HOSE | HYDRAULIKSCHLAUCH | TUBO GOMMA | <->950mm |
| 041 | A4921032 | 001 | FLEXIBLE HYDRAULIQUE | HYDRAULIC HOSE | HYDRAULIKSCHLAUCH | TUBO GOMMA | <->1670mm |
| 042 | A4921032 | 001 | FLEXIBLE HYDRAULIQUE | HYDRAULIC HOSE | HYDRAULIKSCHLAUCH | TUBO GOMMA | <->1670mm |
| 043 | A4921074 | 001 | FLEXIBLE HYDRAULIQUE | HYDRAULIC HOSE | HYDRAULIKSCHLAUCH | TUBO GOMMA | <->1100mm |
| 044 | A4921075 | 001 | FLEXIBLE HYDRAULIQUE | HYDRAULIC HOSE | HYDRAULIKSCHLAUCH | TUBO GOMMA | <->1300mm |
| 045 | A4921077 | 001 | FLEXIBLE HYDRAULIQUE | HYDRAULIC HOSE | HYDRAULIKSCHLAUCH | TUBO GOMMA | <->1700mm |
| 046 | A4921078 | 001 | FLEXIBLE HYDRAULIQUE | HYDRAULIC HOSE | HYDRAULIKSCHLAUCH | TUBO GOMMA | <->1800mm |
| 047 | A4921079 | 001 | FLEXIBLE HYDRAULIQUE | HYDRAULIC HOSE | HYDRAULIKSCHLAUCH | TUBO GOMMA | <->2000mm |
| 048 | A4921079 | 001 | FLEXIBLE HYDRAULIQUE | HYDRAULIC HOSE | HYDRAULIKSCHLAUCH | TUBO GOMMA | <->2000mm |





GMD883

B 0001 > B 0015

K70R0223 A

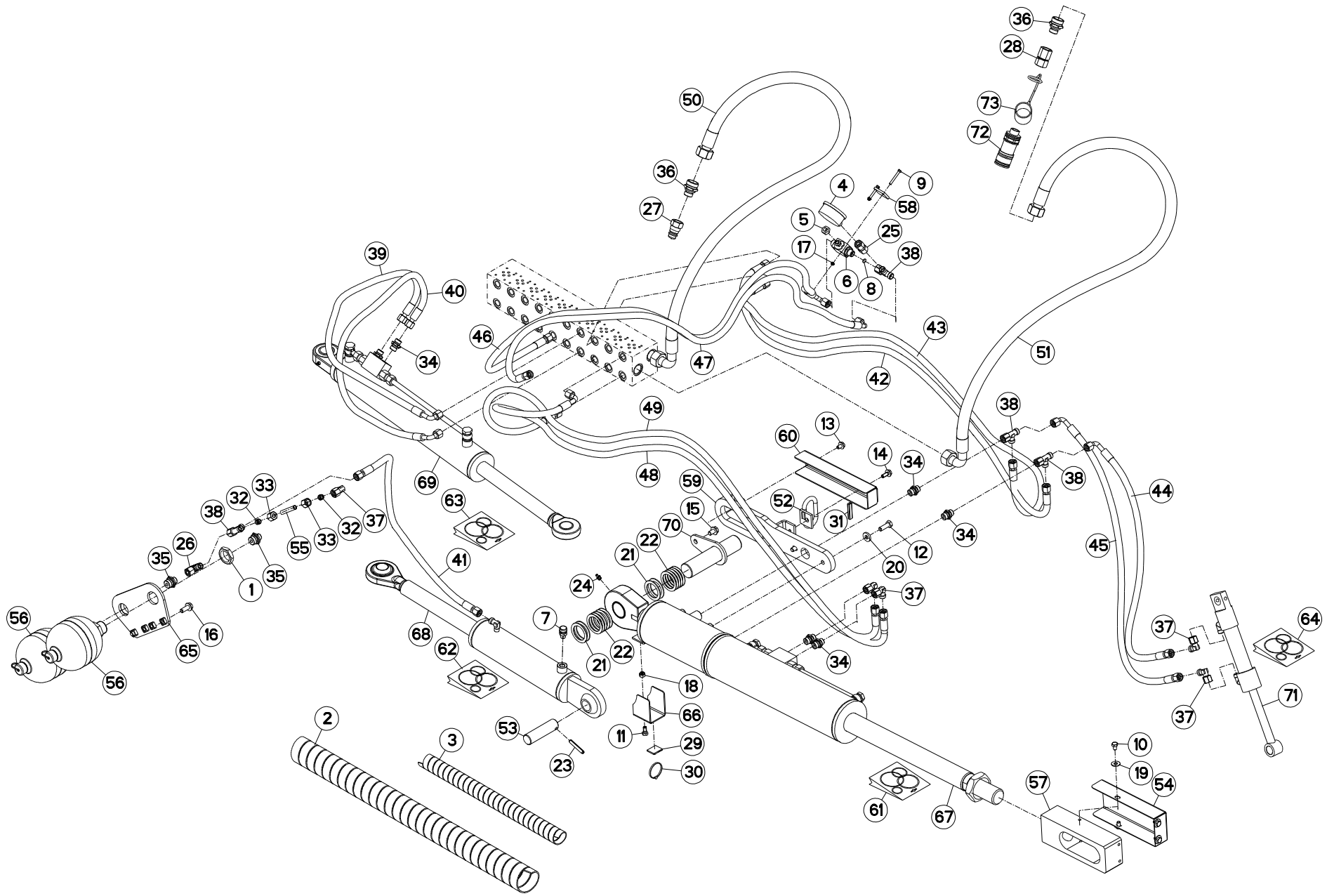
FLEXIBLES COTE DROIT

HYDRAULIC HOSES RIGHT SIDE

HYDRAULIKSCHLÄUCHE RECHTS

CIRCUITO IDRAULICO LATO DESTRO

| Rep | Nr | Qt | Designation | Description | Bezeichnung | Referenza | Remarque - Remark - Bemerkung - Osservazioni |
|-----|-----------------|-----|--------------------------------|-----------------------------|----------------------------|----------------------------|--|
| 049 | A4925006 | 001 | FLEXIBLE HYDRAULIQUE | HYDRAULIC HOSE | HYDRAULIKSCHLAUCH | TUBO GOMMA | <->2400mm |
| 050 | A4925006 | 001 | FLEXIBLE HYDRAULIQUE | HYDRAULIC HOSE | HYDRAULIKSCHLAUCH | TUBO GOMMA | <->2400mm |
| 051 | K7001930 | 001 | AXE ZBC | AXLE ZBC | ACHSE ZBC | ASSE | |
| 052 | K7001960 | 002 | ENTRETOISE ZBC | SPACER ZBC | DISTANZHUELSE ZBC | DISTANZIALE | |
| 053 | K7002230 | 001 | AXE | PIN | ACHSE | ASSE | |
| 054 | K7002830 | 001 | CAPOT | HOOD | HAUBE | COFANO | |
| 055 | K7003890 | 001 | TUBE HYDRAULIQUE | TUBE | ROHR | TUBO | |
| 056 | K7003990 | 002 | ACCUMULATEUR HYDRO-PNEUMATIQUE | ACCUMULATOR | DRUCKSPEICHER | ACCUMULATORE | |
| 057 | K7004570 | 001 | EMBOUT | END PIECE | ENDSTUECK | GIUNTO | |
| 058 | K7004990 | 001 | AXE ZBC | AXLE ZBC | ACHSE ZBC | ASSE | |
| 059 | K7007550 | 001 | ENTRETOISE | SPACER | DISTANZHUELSE | DISTANZIALE | |
| 060 | K7007801 | 001 | GUIDE | GUIDE | FUEHRUNG | GUIDA | |
| 061 | K7007811 | 001 | CAPOT | HOOD | HAUBE | COFANO | |
| 062 | K7009250 | 001 | COLL.JOINTS-VERIN K7001740 | SET OIL SEALS FOR K7001740 | SATZ DICHTUNGEN F.K7001740 | KIT GUARNIZ.PISTO.K7001740 | |
| 063 | K7009260 | 001 | COLL.JOINTS-VERIN K7001750 | SET OIL SEALS FOR K7001750 | SATZ DICHTUNGEN F.K7001750 | KIT GUARNIZ.PISTO.K7001750 | |
| 064 | K7009270 | 001 | COLL.JOINTS-VERIN K7001760 | SET OIL SEALS FOR K7001760 | SATZ DICHTUNGEN F.K7001760 | KIT GUARNIZ.PISTO.K7001760 | |
| 065 | K7009280 | 001 | COLL.JOINTS-VERIN K7007960 | SET OIL SEALS FOR K7007960 | SATZ DICHTUNGEN F.K7007960 | KIT GUARNIZ.PISTO.K7007960 | |
| 066 | K7009310 | 001 | SUPPORT | SUPPORT | TRAEGER | SUPPORTO | |
| 067 | K7011380 | 001 | ETRANGLEUR | ADAPTER, RESTRICTOR | OELDROSSEL | RIDUTTORE | |
| 068 | K7001741 | 001 | VERIN 50/100-105-340 | HYDRAULIC DOUBLE ACTING RAM | DOPPELW.GLEICHGANGZYLINDER | CILINDRO | |
| 069 | K7001750 | 001 | VERIN | CYLINDER, HYDRAULIC | HYDRAULIKZYLINDER | CILINDRO | |
| 070 | K7001760 | 001 | VERIN | CYLINDER, HYDRAULIC | HYDRAULIKZYLINDER | CILINDRO | |
| 071 | K7001940 | 001 | AXE ZBC | AXLE ZBC | ACHSE ZBC | ASSE | |
| 072 | K7004540 | 001 | AXE | PIN | ACHSE | ASSE | |
| 073 | K7007960 | 001 | VERIN | CYLINDER, HYDRAULIC | HYDRAULIKZYLINDER | CILINDRO | |
| 074 | A4074041 | 001 | COUPLEUR MALE FF | CONNECTOR MALE | KUPPLUNGSTECKER | GIUNTO | |
| 075 | A4074040 | 001 | COUPLEUR FEMELLE FF | CONNECTOR FEMALE | KUPPLUNG MUFFE | GIUNTO | |
| 076 | A4074036 | 001 | CAPUCHON COUPLEUR FEMELLE FF | CAP FEMALE CONNECTOR | KAPPE FUER KUPPLUNGSMUFFE | CAPPUCCIO | |





GMD883

B 0016 > C 0000

K70R0223 B

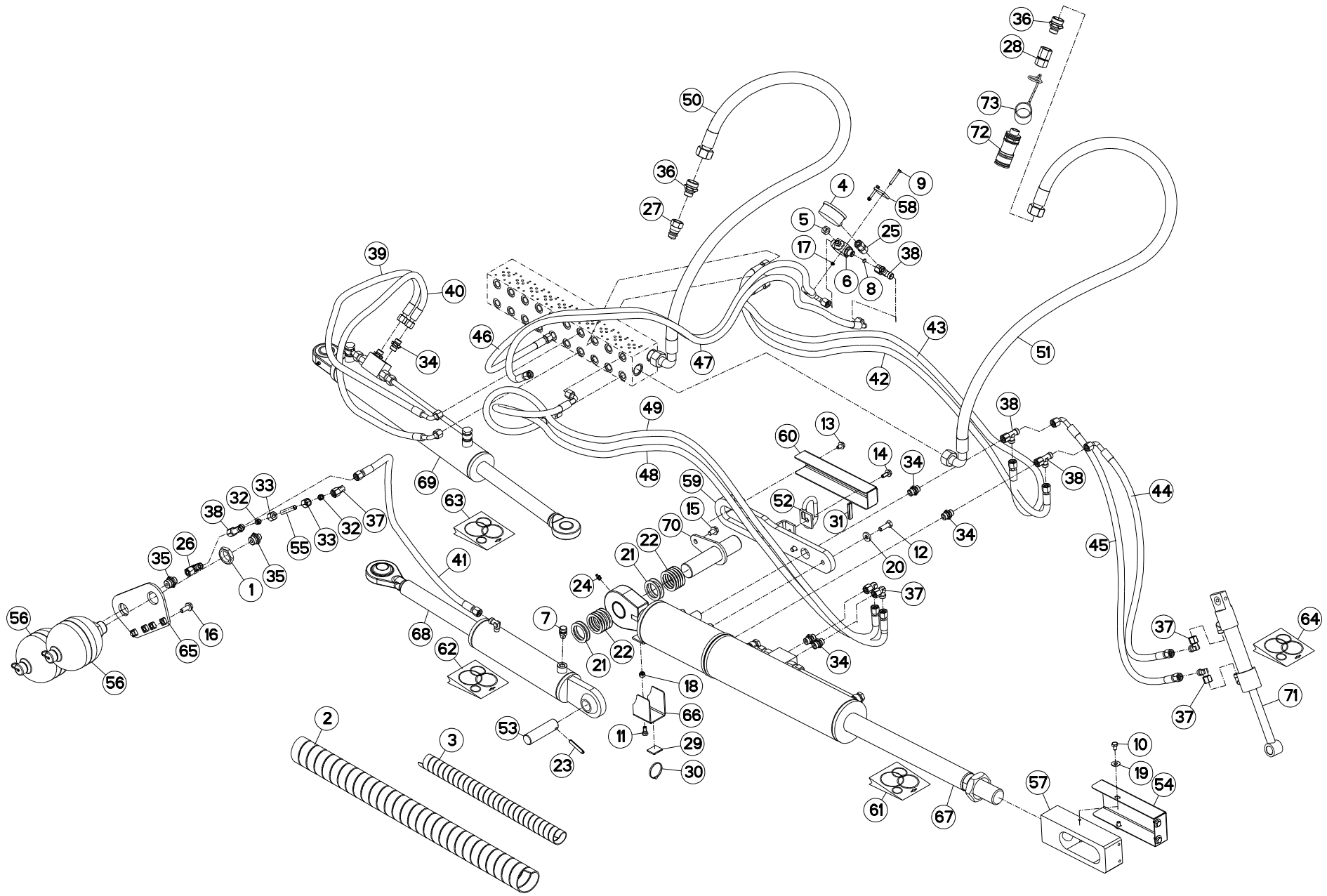
FLEXIBLES COTE DROIT

HYDRAULIC HOSES RIGHT SIDE

HYDRAULIKSCHLÄUCHE RECHTS

CIRCUITO IDRAULICO LATO DESTRO

| Rep | Nr | Qt | Designation | Description | Bezeichnung | Referenza | Remarque - Remark - Bemerkung - Osservazioni |
|-----|----------|-----|--------------------------------|--------------------------------|--------------------------------|--------------------------------|--|
| 001 | 50072300 | 002 | ECROU EXTRA-PLAT FE/ZNXC3 | HEXAGON THIN NUT FE/ZNXC3 | FLACHE SECHSKANTMUTTER | DADO | |
| 002 | 55725710 | 002 | GAINÉ SPIRALE | SPIRAL WRAP | SCHUTZSPIRALE | PROTEZIONE | |
| 003 | 56541100 | 006 | GAINÉ SPIRALE | SPIRAL WRAP | SCHUTZSPIRALE | PROTEZIONE | |
| 004 | 56861110 | 001 | MANOMETRE 250 BARS | MANOMETER | MANOMETER | MANOMETRO | |
| 005 | 56866000 | 001 | ECROU DE MANIPULATION ZBC | NUT ZBC | MUTTER ZBC | DADO | |
| 006 | 56866200 | 001 | ROBINET | VALVE, BALL | KUGELHAHN | ROBINETTO | |
| 007 | 82230025 | 001 | RENIFLARD | PRESSURE RELIEF VALVE | ENTLUEFTUNGSSCHRAUBE | SFIATATOIO | |
| 008 | 57912100 | 001 | LIMITEUR DE DEBIT D.0,5 | FLOW LIMITER | MENGENREGLER | LIMITATORE DI FLUSSO | |
| 009 | 80060541 | 002 | VIS TETE HEXAGONALE FE/ZNXC3 | HEXAGON HEAD SCREW FE/ZNXC3 | SECHSKANTSCHRAUBE FE/ZNXC3 | VITE TESTA ESAGONALE FE/ZNXC3 | |
| 010 | 80060812 | 004 | VIS TETE HEXAGONALE FE/ZNXC3 | HEXAGON HEAD SCREW FE/ZNXC3 | SECHSKANTSCHRAUBE FE/ZNXC3 | VITE TESTA ESAGONALE FE/ZNXC3 | |
| 011 | 80060816 | 001 | VIS TETE HEXAGONALE FE/ZNXC3 | HEXAGON HEAD SCREW FE/ZNXC3 | SECHSKANTSCHRAUBE FE/ZNXC3 | VITE TESTA ESAGONALE FE/ZNXC3 | |
| 012 | 80061073 | 002 | VIS TETE HEXAGONALE FE/ZNXC3 | HEXAGON HEAD SCREW FE/ZNXC3 | SECHSKANTSCHRAUBE FE/ZNXC3 | VITE TESTA ESAGONALE FE/ZNXC3 | |
| 013 | 80130812 | 001 | VIS AUTOBLOQUANTE FLZNNC | UNDERSERR.S-LOC.SCREW FLZNNC | SPERRZAHN-BUNDSCHRAU.FLZNNC | VITE FLZNNC | |
| 014 | 80130820 | 001 | VIS AUTOBLOQUANTE FLZNNC | UNDERSERR.S-LOC.SCREW FLZNNC | SPERRZAHN-BUNDSCHRAU.FLZNNC | VITE FLZNNC | |
| 015 | 80131017 | 001 | VIS AUTOBLOQUANTE FLZNNC | UNDERSERR.S-LOC.SCREW FLZNNC | SPERRZAHN-BUNDSCHRAU.FLZNNC | VITE FLZNNC | |
| 016 | 80131026 | 002 | VIS AUTOBLOQUANTE FLZNNC | UNDERSERR.S-LOC.SCREW FLZNNC | SPERRZAHN-BUNDSCHRAU.FLZNNC | VITE FLZNNC | |
| 017 | 80200540 | 002 | ECROU HEX.BAS AUTOFR.FE/ZNXC3 | SELF-LOCKING NUT FE/ZNXC3 | SELBSTSICHERND.MUTTER FE/ZNXC3 | DADO AUTOBLOCCANTE FE/ZNXC3 | |
| 018 | 80200830 | 001 | ECROU HEX.AUTOFREINE FE/ZNXC3 | SELF-LOCKING NUT FE/ZNXC3 | SELBSTSICHERNDE MUTT.FE/ZNXC3 | DADO AUTOBLOCCANTE FE/ZNXC3 | |
| 019 | 80250970 | 005 | RONDELLE PLATE FE/ZNXC3 | PLAIN WASHER FE/ZNXC3 | SCHEIBE FE/ZNXC3 | RONDELLA PIATTA FE/ZNXC3 | |
| 020 | 80251127 | 002 | RONDELLE PLATE FE/ZNXC3 | PLAIN WASHER FE/ZNXC3 | SCHEIBE FE/ZNXC3 | RONDELLA PIATTA FE/ZNXC3 | |
| 021 | 80254055 | 004 | RONDELLE PLATE | PLAIN WASHER | SCHEIBE | RONDELLA PIATTA | |
| 022 | 80254059 | 010 | RONDELLE PLATE | PLAIN WASHER | SCHEIBE | RONDELLA PIATTA | |
| 023 | 80450851 | 001 | GOUPILLE ELASTIQUE FLZNNC | ROLL PIN FLZNNC | SPANNHUELSE FLZNNC | SPINA ELASTICA FLZNNC | |
| 024 | 82200815 | 001 | GRAISSEUR AUTOTAR.FE/ZNXC3 | TAPPING GREASE NIPPLE FE/ZNXC3 | GEWINDESCH.SCHMIERNIP.FE/ZNXC3 | INGRASSATORE FE/ZNXC3 | |
| 025 | 82300090 | 001 | ADAPTATEUR+BAGUE DE MANOMETRE | ADAPTER | GEWINDESTUTZEN | ADATTATORE+BOCCOLA | |
| 026 | A4083206 | 001 | TE TOURNANT NU FE/ZNXC3 | ADJUSTABLE EQUAL TEE FE/ZNXC3 | EINSTELLB.T VERSCHRAU.FE/ZNXC3 | RACCORDO ORIENT.A T FE/ZNXC3 | |
| 027 | A4074001 | 001 | COUPLEUR | COUPLER | KUPPLER | GIUNTO | |
| 028 | 82301218 | 001 | ADAPTATEUR FEMELLE TOURNANT | ADAPTOR | GEWINDESTUTZEN | ADATTATORE | |
| 029 | 83090038 | 001 | EMBASE AUTOADHESIVE | SELF STIKING CABLE GUIDE | KABELKONSOLE SELBSTKLEBEND | BASAMENTO | |
| 030 | 83090039 | 001 | COLLIER PLASTIQUE | CABLE TIE PLASTIC | KABELBINDER PLASTIK | FASCETTA | |
| 031 | 83090200 | 001 | PROFIL DE PROTECTION | CORNER GUARD | KANTENSCHUTZ | COPROBORDO | |
| 032 | A4080110 | 002 | BAGUE DE COMPRESION | BUSH | BUCHSE | BOCCOLA | |
| 033 | A4080210 | 002 | ECROU L10 | NUT L10 | MUTTER L10 | DADO L10 | |
| 034 | A4080401 | 006 | UNION MALE | MALE STUD CONNECTOR | GERADER EINSCHRAUBSTUTZEN | GIUZIONE DIRITTA ZBC | |
| 035 | A4080402 | 002 | UNION MALE | MALE STUD CONNECTOR | GERADER EINSCHRAUBSTUTZEN | GIUZIONE DIRITTA ZBC | |
| 036 | A4080462 | 002 | UNION MALE | MALE STUD CONNECTOR | GERADER EINSCHRAUBSTUTZEN | GIUZIONE DIRITTA ZBC | |
| 037 | A4082700 | 006 | COUDE TOURNANT | AJUSTABLE MALE STUD ELBOW | EINSTELLBARER WINKELSTUTZEN | GIUNZIONE A 90°ORIENTABILE | |
| 038 | A4083100 | 004 | TE ADAPTABLE RENVERSE FE/ZNXC3 | ADJ.MALE STUD TEE-STU.FE/ZNXC3 | EINSTELLB.T-VERSCHRAU.FE/ZNXC3 | TERMINALE A T ORIENTA.FE/ZNXC3 | |
| 039 | A4921009 | 001 | FLEXIBLE HYDRAULIQUE | HYDRAULIC HOSE | HYDRAULIKSCHLAUCH | TUBO GOMMA | <->1450 mm |
| 040 | A4921009 | 001 | FLEXIBLE HYDRAULIQUE | HYDRAULIC HOSE | HYDRAULIKSCHLAUCH | TUBO GOMMA | <->1450 mm |
| 041 | A4921022 | 001 | FLEXIBLE HYDRAULIQUE | HYDRAULIC HOSE | HYDRAULIKSCHLAUCH | TUBO GOMMA | <->950 mm |
| 042 | A4921032 | 001 | FLEXIBLE HYDRAULIQUE | HYDRAULIC HOSE | HYDRAULIKSCHLAUCH | TUBO GOMMA | <->1670 mm |
| 043 | A4921032 | 001 | FLEXIBLE HYDRAULIQUE | HYDRAULIC HOSE | HYDRAULIKSCHLAUCH | TUBO GOMMA | <->1670 mm |
| 044 | A4921074 | 001 | FLEXIBLE HYDRAULIQUE | HYDRAULIC HOSE | HYDRAULIKSCHLAUCH | TUBO GOMMA | <->1100 mm |
| 045 | A4921075 | 001 | FLEXIBLE HYDRAULIQUE | HYDRAULIC HOSE | HYDRAULIKSCHLAUCH | TUBO GOMMA | <->1300 mm |
| 046 | A4921077 | 001 | FLEXIBLE HYDRAULIQUE | HYDRAULIC HOSE | HYDRAULIKSCHLAUCH | TUBO GOMMA | <->1700 mm |
| 047 | A4921078 | 001 | FLEXIBLE HYDRAULIQUE | HYDRAULIC HOSE | HYDRAULIKSCHLAUCH | TUBO GOMMA | <->1800 mm |
| 048 | A4921079 | 001 | FLEXIBLE HYDRAULIQUE | HYDRAULIC HOSE | HYDRAULIKSCHLAUCH | TUBO GOMMA | <->2000 mm |





GMD883

B 0016 > C 0000

K70R0223 B

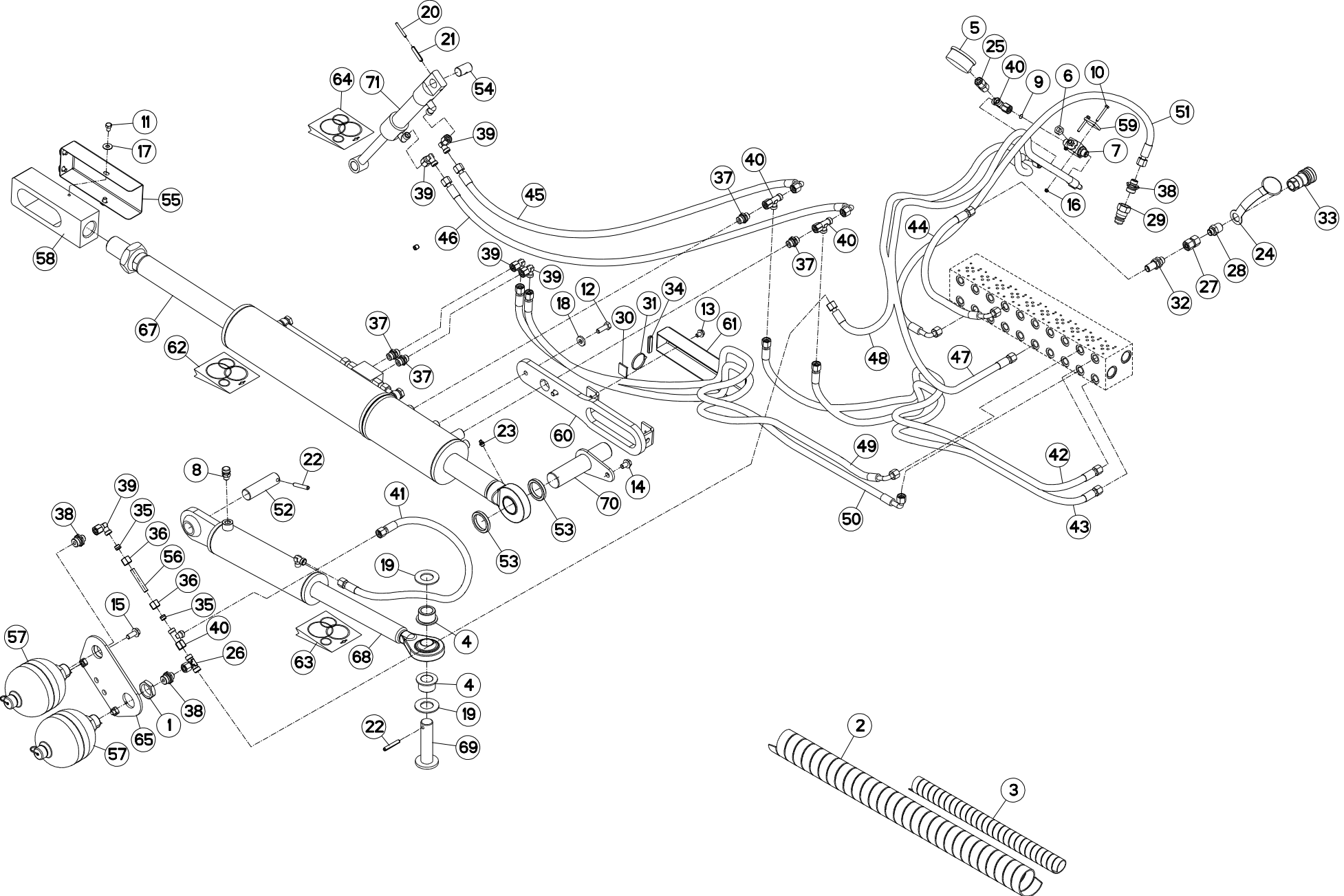
FLEXIBLES COTE DROIT

HYDRAULIC HOSES RIGHT SIDE

HYDRAULIKSCHLÄUCHE RECHTS

CIRCUITO IDRAULICO LATO DESTRO

| Rep | Nr | Qt | Designation | Description | Bezeichnung | Referenza | Remarque - Remark - Bemerkung - Osservazioni |
|-----|----------|-----|--------------------------------|----------------------------|----------------------------|----------------------------|--|
| 049 | A4921079 | 001 | FLEXIBLE HYDRAULIQUE | HYDRAULIC HOSE | HYDRAULIKSCHLAUCH | TUBO GOMMA | <->2000 mm |
| 050 | A4925006 | 001 | FLEXIBLE HYDRAULIQUE | HYDRAULIC HOSE | HYDRAULIKSCHLAUCH | TUBO GOMMA | <->2400 mm |
| 051 | A4925006 | 001 | FLEXIBLE HYDRAULIQUE | HYDRAULIC HOSE | HYDRAULIKSCHLAUCH | TUBO GOMMA | <->2400 mm |
| 052 | K5608720 | 001 | SUPPORT | SUPPORT | TRAEGER | SUPPORTO | |
| 053 | K7001930 | 001 | AXE ZBC | AXLE ZBC | ACHSE ZBC | ASSE | |
| 054 | K7002830 | 001 | CAPOT | HOOD | HAUBE | COFANO | |
| 055 | K7003890 | 001 | TUBE HYDRAULIQUE | TUBE | ROHR | TUBO | |
| 056 | K7003990 | 002 | ACCUMULATEUR HYDRO-PNEUMATIQUE | ACCUMULATOR | DRUCKSPEICHER | ACCUMULATORE | |
| 057 | K7004570 | 001 | EMBOUT | END PIECE | ENDSTUECK | GIUNTO | |
| 058 | K7007550 | 001 | ENTRETOISE | SPACER | DISTANZHUELSE | DISTANZIALE | |
| 059 | K7007801 | 001 | GUIDE | GUIDE | FUEHRUNG | GUIDA | |
| 060 | K7007811 | 001 | CAPOT | HOOD | HAUBE | COFANO | |
| 061 | K7009250 | 001 | COLL.JOINTS-VERIN K7001740 | SET OIL SEALS FOR K7001740 | SATZ DICHTUNGEN F.K7001740 | KIT GUARNIZ.PISTO.K7001740 | |
| 062 | K7009260 | 001 | COLL.JOINTS-VERIN K7001750 | SET OIL SEALS FOR K7001750 | SATZ DICHTUNGEN F.K7001750 | KIT GUARNIZ.PISTO.K7001750 | |
| 063 | K7009270 | 001 | COLL.JOINTS-VERIN K7001760 | SET OIL SEALS FOR K7001760 | SATZ DICHTUNGEN F.K7001760 | KIT GUARNIZ.PISTO.K7001760 | |
| 064 | K7009280 | 001 | COLL.JOINTS-VERIN K7007960 | SET OIL SEALS FOR K7007960 | SATZ DICHTUNGEN F.K7007960 | KIT GUARNIZ.PISTO.K7007960 | |
| 065 | K7009310 | 001 | SUPPORT | SUPPORT | TRAEGER | SUPPORTO | |
| 066 | K7012840 | 001 | CAPOT | HOOD | HAUBE | COFANO | |
| 067 | K7001742 | 001 | VERIN | CYLINDER, HYDRAULIC | HYDRAULIKZYLINDER | CILINDRO | |
| 068 | K7001750 | 001 | VERIN | CYLINDER, HYDRAULIC | HYDRAULIKZYLINDER | CILINDRO | |
| 069 | K7001760 | 001 | VERIN | CYLINDER, HYDRAULIC | HYDRAULIKZYLINDER | CILINDRO | |
| 070 | K7004540 | 001 | AXE | PIN | ACHSE | ASSE | |
| 071 | K7007960 | 001 | VERIN | CYLINDER, HYDRAULIC | HYDRAULIKZYLINDER | CILINDRO | |
| 072 | A4074040 | 001 | COUPLEUR FEMELLE FF | CONNECTOR FEMALE | KUPPLUNG MUFFE | GIUNTO | |
| 073 | A4074036 | 001 | CAPUCHON COUPLEUR FEMELLE FF | CAP FEMALE CONNECTOR | KAPPE FUER KUPPLUNGSMUFFE | CAPPUCCIO | |





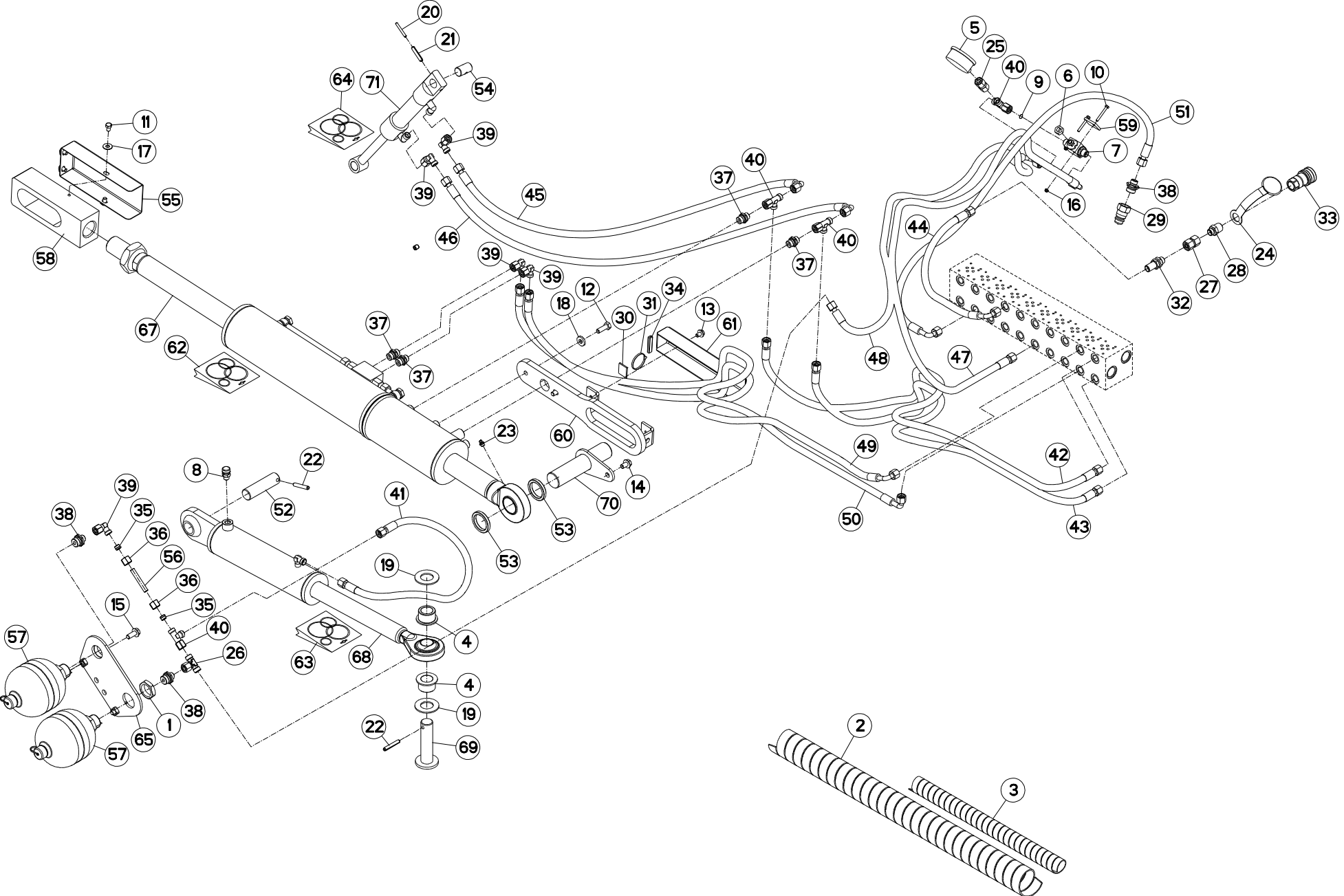
FLEXIBLES COTE GAUCHE

HYDRAULIC HOSES LEFT SIDE

HYDRAULIKSCHLÄUCHE LINKS

CIRCUITO IDRAULICO LATO SINIST

| Rep | Nr | Qt | Designation | Description | Bezeichnung | Referenza | Remarque - Remark - Bemerkung - Osservazioni |
|-----|----------|-----|--------------------------------|--------------------------------|--------------------------------|--------------------------------|--|
| 001 | 50072300 | 002 | ECROU EXTRA-PLAT FE/ZNXC3 | HEXAGON THIN NUT FE/ZNXC3 | FLACHE SECHSKANTMUTTER | DADO | |
| 002 | 55725710 | 002 | GAINÉ SPIRALE | SPIRAL WRAP | SCHUTZSPIRALE | PROTEZIONE | |
| 003 | 56541100 | 008 | GAINÉ SPIRALE | SPIRAL WRAP | SCHUTZSPIRALE | PROTEZIONE | |
| 004 | 56859100 | 002 | GALET | ROLLER | ROLLE | GALLETTO | |
| 005 | 56861100 | 001 | MANOMETRE | PRESSURE GAUGE | MANOMETER | MANOMETRO | |
| 006 | 56866000 | 001 | ECROU DE MANIPULATION ZBC | NUT ZBC | MUTTER ZBC | DADO | |
| 007 | 56866200 | 001 | ROBINET | VALVE, BALL | KUGELHAHN | ROBINETTO | |
| 008 | 82230025 | 001 | RENIFLARD | PRESSURE RELIEF VALVE | ENTLUEFTUNGSSCHRAUBE | SFIATATOIO | |
| 009 | 57912100 | 001 | LIMITEUR DE DEBIT D.0,5 | FLOW LIMITER | MENGENREGLER | LIMITATORE DI FLUSSO | |
| 010 | 80060541 | 002 | VIS TETE HEXAGONALE FE/ZNXC3 | HEXAGON HEAD SCREW FE/ZNXC3 | SECHSKANTSCHRAUBE FE/ZNXC3 | VITE TESTA ESAGONALE FE/ZNXC3 | |
| 011 | 80060812 | 004 | VIS TETE HEXAGONALE FE/ZNXC3 | HEXAGON HEAD SCREW FE/ZNXC3 | SECHSKANTSCHRAUBE FE/ZNXC3 | VITE TESTA ESAGONALE FE/ZNXC3 | |
| 012 | 80061073 | 002 | VIS TETE HEXAGONALE FE/ZNXC3 | HEXAGON HEAD SCREW FE/ZNXC3 | SECHSKANTSCHRAUBE FE/ZNXC3 | VITE TESTA ESAGONALE FE/ZNXC3 | |
| 013 | 80130812 | 001 | VIS AUTOBLOQUANTE FLZNNC | UNDERSERR.S-LOC.SCREW FLZNNC | SPERRZAHN-BUNDSCHRAU.FLZNNC | VITE FLZNNC | |
| 014 | 80131017 | 001 | VIS AUTOBLOQUANTE FLZNNC | UNDERSERR.S-LOC.SCREW FLZNNC | SPERRZAHN-BUNDSCHRAU.FLZNNC | VITE FLZNNC | |
| 015 | 80131026 | 002 | VIS AUTOBLOQUANTE FLZNNC | UNDERSERR.S-LOC.SCREW FLZNNC | SPERRZAHN-BUNDSCHRAU.FLZNNC | VITE FLZNNC | |
| 016 | 80200540 | 002 | ECROU HEX.BAS AUTOFR.FE/ZNXC3 | SELF-LOCKING NUT FE/ZNXC3 | SELBSTSICHERND.MUTTER FE/ZNXC3 | DADO AUTOBLOCCANTE FE/ZNXC3 | |
| 017 | 80250970 | 004 | RONDELLE PLATE FE/ZNXC3 | PLAIN WASHER FE/ZNXC3 | SCHEIBE FE/ZNXC3 | RONDELLA PIATTA FE/ZNXC3 | |
| 018 | 80251127 | 002 | RONDELLE PLATE FE/ZNXC3 | PLAIN WASHER FE/ZNXC3 | SCHEIBE FE/ZNXC3 | RONDELLA PIATTA FE/ZNXC3 | |
| 019 | 80253039 | 002 | RONDELLE PLATE | PLAIN WASHER | SCHEIBE | RONDELLA PIATTA | |
| 020 | 80450540 | 001 | GOUPILLE ELASTIQUE FLZNNC | ROLL PIN FLZNNC | SPANNHUELSE FLZNNC | SPINA ELASTICA FLZNNC | |
| 021 | 80450841 | 001 | GOUPILLE ELASTIQUE FLZNNC | ROLL PIN FLZNNC | SPANNHUELSE FLZNNC | SPINA ELASTICA FLZNNC | |
| 022 | 80450851 | 002 | GOUPILLE ELASTIQUE FLZNNC | ROLL PIN FLZNNC | SPANNHUELSE FLZNNC | SPINA ELASTICA FLZNNC | |
| 023 | 82200800 | 001 | GRAISSEUR FE/ZNXC3 | GREASE NIPPLE FE/ZNXC3 | SCHMIERNIPPEL FE/ZNXC3 | INGRASSATORE FE/ZNXC3 | |
| 024 | A4074032 | 001 | CAPUCHON COUPLEUR FEMELLE | CAP FEMALE CONNECTOR | KAPPE KUPPLUNGSMUFFE | CAPPUCCIO | |
| 025 | 82300090 | 001 | ADAPTATEUR+BAGUE DE MANOMETRE | ADAPTER | GEWINDESTUTZEN | ADATTATORE+BOCCOLA | |
| 026 | A4083206 | 001 | TE TOURNANT NU FE/ZNXC3 | ADJUSTABLE EQUAL TEE FE/ZNXC3 | EINSTELLB.T VERSCHRAU.FE/ZNXC3 | RACCORDO ORIENT.A T FE/ZNXC3 | |
| 027 | A4080313 | 001 | UNION DOUBLE FEMELLE FE/ZNXC3 | SWIVEL UNION FE/ZNXC3 | GERADE-VERBINDUNG FE/ZNXC3 | CONNETTORE | |
| 028 | 82301205 | 001 | ADAPTATEUR FE/ZNXC3 | ADAPTOR FE/ZNXC3 | GEWINDESTUTZEN FE/ZNXC3 | RACCORDO FE/ZNXC3 | |
| 029 | A4074001 | 001 | COUPLEUR | COUPLER | KUPPLER | GIUNTO | |
| 030 | 83090038 | 001 | EMBASE AUTOADHESIVE | SELF STIKING CABLE GUIDE | KABELKONSOLE SELBSTKLEBEND | BASAMENTO | |
| 031 | 83090039 | 001 | COLLIER PLASTIQUE | CABLE TIE PLASTIC | KABELBINDER PLASTIK | FASCETTA | |
| 032 | A4080302 | 001 | UNION DOUBLE / CLOISON | BULKHEAD UNION | VERBINDUNGSNIPEL | CONNETTORE | |
| 033 | A4074000 | 001 | COUPLEUR | COUPLER | KUPPLER | GIUNTO | |
| 034 | 83090200 | 001 | PROFIL DE PROTECTION | CORNER GUARD | KANTENSCHUTZ | COPROBORDO | |
| 035 | A4080110 | 002 | BAGUE DE COMPRESION | BUSH | BUCHSE | BOCCOLA | |
| 036 | A4080210 | 002 | ECROU L10 | NUT L10 | MUTTER L10 | DADO L10 | |
| 037 | A4080401 | 004 | UNION MALE | MALE STUD CONNECTOR | GERADER EINSCHRAUBSTUTZEN | GIUZIONE DIRITTA ZBC | |
| 038 | A4080402 | 003 | UNION MALE | MALE STUD CONNECTOR | GERADER EINSCHRAUBSTUTZEN | GIUZIONE DIRITTA ZBC | <->950mm |
| 039 | A4082700 | 006 | COUDE TOURNANT | AJUSTABLE MALE STUD ELBOW | EINSTELLBARER WINKELSTUTZEN | GIUNZIONE A 90°ORIENTABILE | <->2150mm |
| 040 | A4083100 | 004 | TE ADAPTABLE RENVERSE FE/ZNXC3 | ADJ.MALE STUD TEE-STU.FE/ZNXC3 | EINSTELLB.T-VERSCHRAU.FE/ZNXC3 | TERMINALE A T ORIENTA.FE/ZNXC3 | <->2150mm |
| 041 | A4921022 | 001 | FLEXIBLE HYDRAULIQUE | HYDRAULIC HOSE | HYDRAULIKSCHLAUCH | TUBO GOMMA | <->1100mm |
| 042 | A4921037 | 001 | FLEXIBLE HYDRAULIQUE | HYDRAULIC HOSE | HYDRAULIKSCHLAUCH | TUBO GOMMA | <->1300mm |
| 043 | A4921037 | 001 | FLEXIBLE HYDRAULIQUE | HYDRAULIC HOSE | HYDRAULIKSCHLAUCH | TUBO GOMMA | <->1300mm |
| 044 | A4921066 | 001 | FLEXIBLE HYDRAULIQUE | HYDRAULIC HOSE | HYDRAULIKSCHLAUCH | TUBO GOMMA | <->1300mm |
| 045 | A4921074 | 001 | FLEXIBLE HYDRAULIQUE | HYDRAULIC HOSE | HYDRAULIKSCHLAUCH | TUBO GOMMA | <->1700mm |
| 046 | A4921075 | 001 | FLEXIBLE HYDRAULIQUE | HYDRAULIC HOSE | HYDRAULIKSCHLAUCH | TUBO GOMMA | <->1800mm |
| 047 | A4921077 | 001 | FLEXIBLE HYDRAULIQUE | HYDRAULIC HOSE | HYDRAULIKSCHLAUCH | TUBO GOMMA | <->2200mm |
| 048 | A4921078 | 001 | FLEXIBLE HYDRAULIQUE | HYDRAULIC HOSE | HYDRAULIKSCHLAUCH | TUBO GOMMA | <->2200mm |





GMD883

B 0001 > B 0015

K70R0224 A

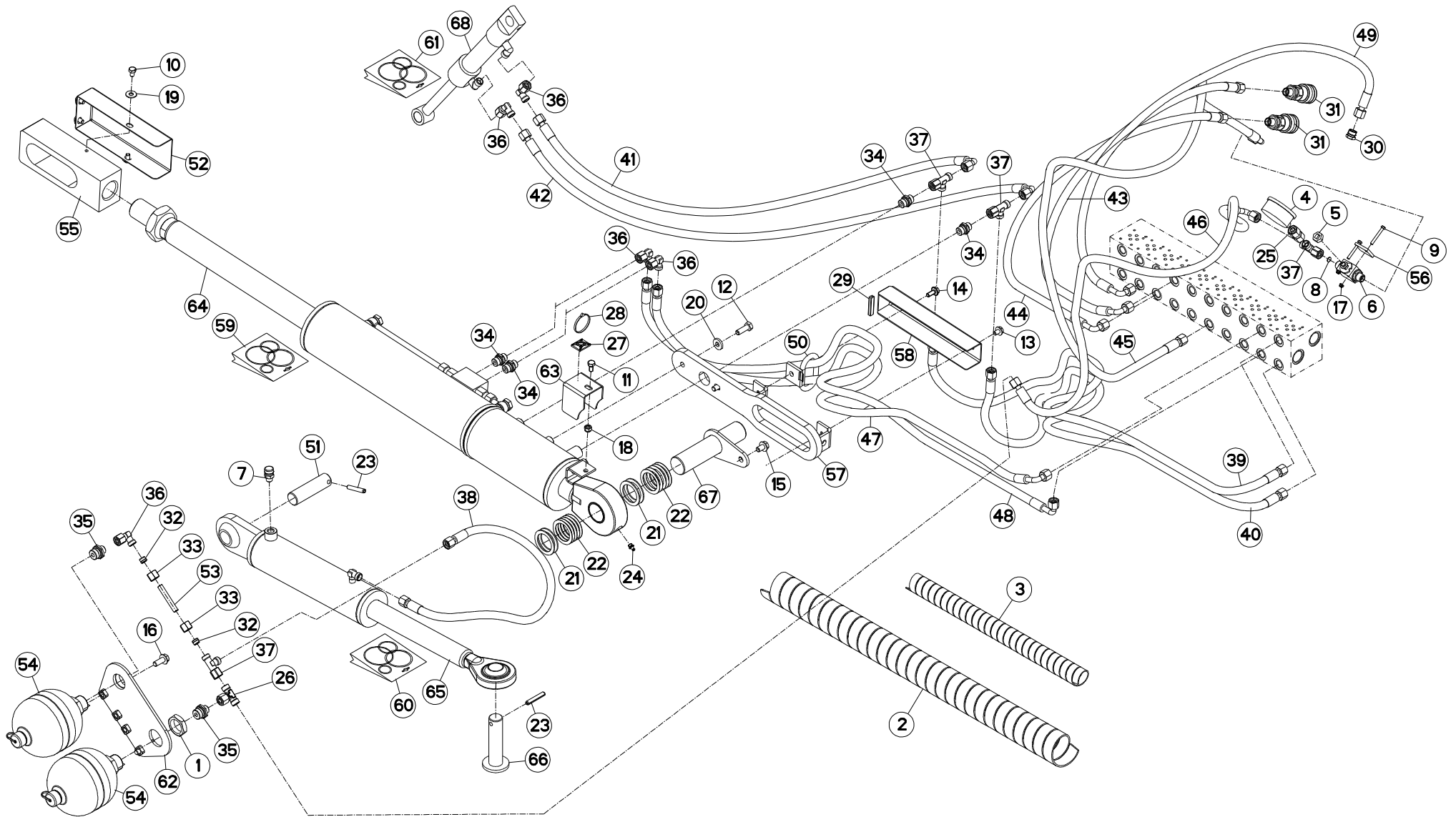
FLEXIBLES COTE GAUCHE

HYDRAULIC HOSES LEFT SIDE

HYDRAULIKSCHLÄUCHE LINKS

CIRCUITO IDRAULICO LATO SINIST

| Rep | Nr | Qt | Designation | Description | Bezeichnung | Referenza | Remarque - Remark - Bemerkung - Osservazioni |
|-----|-----------------|-----|--------------------------------|-----------------------------|----------------------------|----------------------------|--|
| 049 | A4921080 | 001 | FLEXIBLE HYDRAULIQUE | HYDRAULIC HOSE | HYDRAULIKSCHLAUCH | TUBO GOMMA | <->2200mm |
| 050 | A4921080 | 001 | FLEXIBLE HYDRAULIQUE | HYDRAULIC HOSE | HYDRAULIKSCHLAUCH | TUBO GOMMA | <->2200 mm |
| 051 | A4921080 | 001 | FLEXIBLE HYDRAULIQUE | HYDRAULIC HOSE | HYDRAULIKSCHLAUCH | TUBO GOMMA | <->2200 mm |
| 052 | K7001930 | 001 | AXE ZBC | AXLE ZBC | ACHSE ZBC | ASSE | |
| 053 | K7001960 | 002 | ENTRETOISE ZBC | SPACER ZBC | DISTANZHUELSE ZBC | DISTANZIALE | |
| 054 | K7002230 | 001 | AXE | PIN | ACHSE | ASSE | |
| 055 | K7002830 | 001 | CAPOT | HOOD | HAUBE | COFANO | |
| 056 | K7003890 | 001 | TUBE HYDRAULIQUE | TUBE | ROHR | TUBO | |
| 057 | K7003990 | 001 | ACCUMULATEUR HYDRO-PNEUMATIQUE | ACCUMULATOR | DRUCKSPEICHER | ACCUMULATORE | |
| 058 | K7004570 | 001 | EMBOUT | END PIECE | ENDSTUECK | GIUNTO | |
| 059 | K7007550 | 001 | ENTRETOISE | SPACER | DISTANZHUELSE | DISTANZIALE | |
| 060 | K7007801 | 001 | GUIDE | GUIDE | FUEHRUNG | GUIDA | |
| 061 | K7007811 | 001 | CAPOT | HOOD | HAUBE | COFANO | |
| 062 | K7009250 | 001 | COLL.JOINTS-VERIN K7001740 | SET OIL SEALS FOR K7001740 | SATZ DICHTUNGEN F.K7001740 | KIT GUARNIZ.PISTO.K7001740 | |
| 063 | K7009260 | 001 | COLL.JOINTS-VERIN K7001750 | SET OIL SEALS FOR K7001750 | SATZ DICHTUNGEN F.K7001750 | KIT GUARNIZ.PISTO.K7001750 | |
| 064 | K7009280 | 001 | COLL.JOINTS-VERIN K7007960 | SET OIL SEALS FOR K7007960 | SATZ DICHTUNGEN F.K7007960 | KIT GUARNIZ.PISTO.K7007960 | |
| 065 | K7009310 | 001 | SUPPORT | SUPPORT | TRAEGER | SUPPORTO | |
| 067 | K7001741 | 001 | VERIN 50/100-105-340 | HYDRAULIC DOUBLE ACTING RAM | DOPPELW.GLEICHGANGZYLINDER | CILINDRO | |
| 068 | K7001750 | 001 | VERIN | CYLINDER, HYDRAULIC | HYDRAULIKZYLINDER | CILINDRO | |
| 069 | K7001940 | 001 | AXE ZBC | AXLE ZBC | ACHSE ZBC | ASSE | |
| 070 | K7004540 | 001 | AXE | PIN | ACHSE | ASSE | |
| 071 | K7007960 | 001 | VERIN | CYLINDER, HYDRAULIC | HYDRAULIKZYLINDER | CILINDRO | |





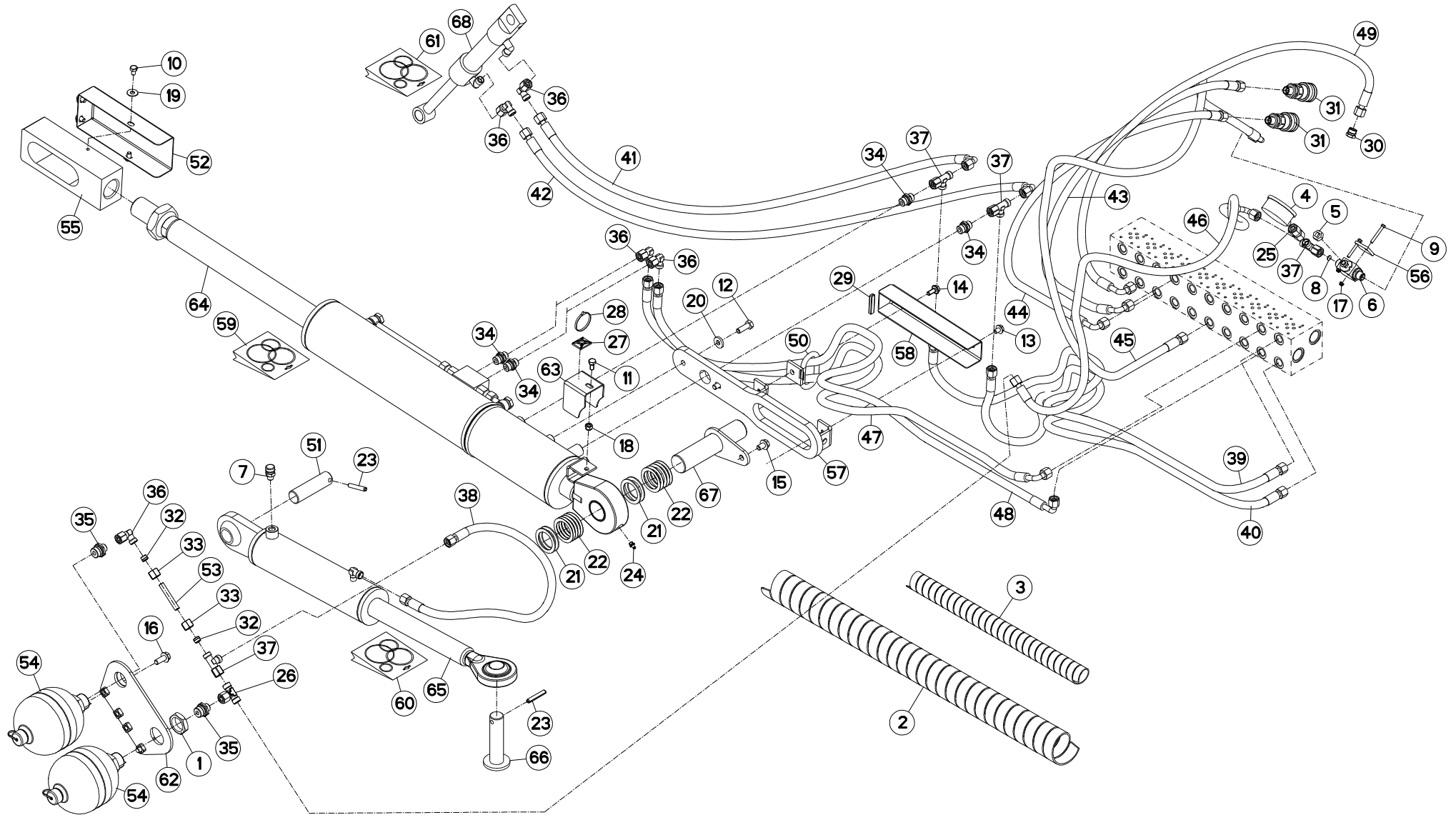
FLEXIBLES COTE GAUCHE

HYDRAULIC HOSES LEFT SIDE

HYDRAULIKSCHLÄUCHE LINKS

CIRCUITO IDRAULICO LATO SINIST

| Rep | Nr | Qt | Designation | Description | Bezeichnung | Referenza | Remarque - Remark - Bemerkung - Osservazioni |
|-----|----------|-----|--------------------------------|--------------------------------|--------------------------------|--------------------------------|--|
| 001 | 50072300 | 002 | ECROU EXTRA-PLAT FE/ZNXC3 | HEXAGON THIN NUT FE/ZNXC3 | FLACHE SECHSKANTMUTTER | DADO | |
| 002 | 55725710 | 002 | GAINÉ SPIRALE | SPIRAL WRAP | SCHUTZSPIRALE | PROTEZIONE | |
| 003 | 56541100 | 001 | GAINÉ SPIRALE | SPIRAL WRAP | SCHUTZSPIRALE | PROTEZIONE | |
| 004 | 56861110 | 001 | MANOMETRE 250 BARS | MANOMETER | MANOMETER | MANOMETRO | |
| 005 | 56866000 | 001 | ECROU DE MANIPULATION ZBC | NUT ZBC | MUTTER ZBC | DADO | |
| 006 | 56866200 | 001 | ROBINET | VALVE, BALL | KUGELHAHN | ROBINETTO | |
| 007 | 82230025 | 001 | RENIFLARD | PRESSURE RELIEF VALVE | ENTLUEFTUNGSSCHRAUBE | SFIATATOIO | |
| 008 | 57912100 | 001 | LIMITEUR DE DEBIT D.0,5 | FLOW LIMITER | MENGENREGLER | LIMITATORE DI FLUSSO | |
| 009 | 80060541 | 002 | VIS TETE HEXAGONALE FE/ZNXC3 | HEXAGON HEAD SCREW FE/ZNXC3 | SECHSKANTSCHRAUBE FE/ZNXC3 | VITE TESTA ESAGONALE FE/ZNXC3 | |
| 010 | 80060812 | 004 | VIS TETE HEXAGONALE FE/ZNXC3 | HEXAGON HEAD SCREW FE/ZNXC3 | SECHSKANTSCHRAUBE FE/ZNXC3 | VITE TESTA ESAGONALE FE/ZNXC3 | |
| 011 | 80060816 | 001 | VIS TETE HEXAGONALE FE/ZNXC3 | HEXAGON HEAD SCREW FE/ZNXC3 | SECHSKANTSCHRAUBE FE/ZNXC3 | VITE TESTA ESAGONALE FE/ZNXC3 | |
| 012 | 80061073 | 002 | VIS TETE HEXAGONALE FE/ZNXC3 | HEXAGON HEAD SCREW FE/ZNXC3 | SECHSKANTSCHRAUBE FE/ZNXC3 | VITE TESTA ESAGONALE FE/ZNXC3 | |
| 013 | 80130812 | 001 | VIS AUTOBLOQUANTE FLZNNC | UNDERSERR.S-LOC.SCREW FLZNNC | SPERRZAHN-BUNDSCHRAU.FLZNNC | VITE FLZNNC | |
| 014 | 80130820 | 001 | VIS AUTOBLOQUANTE FLZNNC | UNDERSERR.S-LOC.SCREW FLZNNC | SPERRZAHN-BUNDSCHRAU.FLZNNC | VITE FLZNNC | |
| 015 | 80131017 | 001 | VIS AUTOBLOQUANTE FLZNNC | UNDERSERR.S-LOC.SCREW FLZNNC | SPERRZAHN-BUNDSCHRAU.FLZNNC | VITE FLZNNC | |
| 016 | 80131026 | 002 | VIS AUTOBLOQUANTE FLZNNC | UNDERSERR.S-LOC.SCREW FLZNNC | SPERRZAHN-BUNDSCHRAU.FLZNNC | VITE FLZNNC | |
| 017 | 80200540 | 002 | ECROU HEX.BAS AUTOFR.FE/ZNXC3 | SELF-LOCKING NUT FE/ZNXC3 | SELBSTSICHERND.MUTTER FE/ZNXC3 | DADO AUTOBLOCCANTE FE/ZNXC3 | |
| 018 | 80200830 | 001 | ECROU HEX.AUTOFREINE FE/ZNXC3 | SELF-LOCKING NUT FE/ZNXC3 | SELBSTSICHERNDE MUTT.FE/ZNXC3 | DADO AUTOBLOCCANTE FE/ZNXC3 | |
| 019 | 80250970 | 005 | RONDELLE PLATE FE/ZNXC3 | PLAIN WASHER FE/ZNXC3 | SCHEIBE FE/ZNXC3 | RONDELLA PIATTA FE/ZNXC3 | |
| 020 | 80251127 | 002 | RONDELLE PLATE FE/ZNXC3 | PLAIN WASHER FE/ZNXC3 | SCHEIBE FE/ZNXC3 | RONDELLA PIATTA FE/ZNXC3 | |
| 021 | 80254055 | 004 | RONDELLE PLATE | PLAIN WASHER | SCHEIBE | RONDELLA PIATTA | |
| 022 | 80254059 | 010 | RONDELLE PLATE | PLAIN WASHER | SCHEIBE | RONDELLA PIATTA | |
| 023 | 80450851 | 002 | GOUPILLE ELASTIQUE FLZNNC | ROLL PIN FLZNNC | SPANNHUELSE FLZNNC | SPINA ELASTICA FLZNNC | |
| 024 | 82200815 | 001 | GRAISSEUR AUTOTAR.FE/ZNXC3 | TAPPING GREASE NIPPLE FE/ZNXC3 | GEWINDESCH.SCHMIERNIP.FE/ZNXC3 | INGRASSATORE FE/ZNXC3 | |
| 025 | 82300090 | 001 | ADAPTATEUR+BAGUE DE MANOMETRE | ADAPTER | GEWINDESTUTZEN | ADATTATORE+BOCCOLA | |
| 026 | A4083206 | 001 | TE TOURNANT NU FE/ZNXC3 | ADJUSTABLE EQUAL TEE FE/ZNXC3 | EINSTELLB.T VERSCHRAU.FE/ZNXC3 | RACCORDO ORIENT.A T FE/ZNXC3 | |
| 027 | 83090038 | 001 | EMBASE AUTOADHESIVE | SELF STIKING CABLE GUIDE | KABELKONSOLE SELBSTKLEBEND | BASAMENTO | |
| 028 | 83090039 | 001 | COLLIER PLASTIQUE | CABLE TIE PLASTIC | KABELBINDER PLASTIK | FASCETTA | |
| 029 | 83090200 | 001 | PROFIL DE PROTECTION | CORNER GUARD | KANTENSCHUTZ | COPROBORDO | |
| 030 | A4061506 | 001 | BOUCHON MALE ZBC | LOCKING SCREW ZBC | VERSCHLUSSSCHRAUBE ZBC | TAPPO ZBC | |
| 031 | A4074022 | 002 | COUPLEUR FEMELLE | CONNECTOR FEMALE | KUPPLUNG MUFFE | GIUNTO | |
| 032 | A4080110 | 002 | BAGUE DE COMPRESION | BUSH | BUCHSE | BOCCOLA | |
| 033 | A4080210 | 002 | ECROU L10 | NUT L10 | MUTTER L10 | DADO L10 | |
| 034 | A4080401 | 004 | UNION MALE | MALE STUD CONNECTOR | GERADER EINSCHRAUBSTUTZEN | GIUZIONE DIRITTA ZBC | |
| 035 | A4080402 | 002 | UNION MALE | MALE STUD CONNECTOR | GERADER EINSCHRAUBSTUTZEN | GIUZIONE DIRITTA ZBC | |
| 036 | A4082700 | 006 | COUDE TOURNANT | AJUSTABLE MALE STUD ELBOW | EINSTELLBARER WINKELSTUTZEN | GIUNZIONE A 90°ORIENTABILE | |
| 037 | A4083100 | 004 | TE ADAPTABLE RENVERSE FE/ZNXC3 | ADJ.MALE STUD TEE-STU.FE/ZNXC3 | EINSTELLB.T-VERSCHRAU.FE/ZNXC3 | TERMINALE A T ORIENTA.FE/ZNXC3 | |
| 038 | A4921022 | 001 | FLEXIBLE HYDRAULIQUE | HYDRAULIC HOSE | HYDRAULIKSCHLAUCH | TUBO GOMMA | <->950 mm |
| 039 | A4921037 | 001 | FLEXIBLE HYDRAULIQUE | HYDRAULIC HOSE | HYDRAULIKSCHLAUCH | TUBO GOMMA | <->2150 mm |
| 040 | A4921037 | 001 | FLEXIBLE HYDRAULIQUE | HYDRAULIC HOSE | HYDRAULIKSCHLAUCH | TUBO GOMMA | <->2150 mm |
| 041 | A4921074 | 001 | FLEXIBLE HYDRAULIQUE | HYDRAULIC HOSE | HYDRAULIKSCHLAUCH | TUBO GOMMA | <->1100 mm |
| 042 | A4921075 | 001 | FLEXIBLE HYDRAULIQUE | HYDRAULIC HOSE | HYDRAULIKSCHLAUCH | TUBO GOMMA | <->1300 mm |
| 043 | A4921075 | 001 | FLEXIBLE HYDRAULIQUE | HYDRAULIC HOSE | HYDRAULIKSCHLAUCH | TUBO GOMMA | <->1300 mm |
| 044 | A4921075 | 001 | FLEXIBLE HYDRAULIQUE | HYDRAULIC HOSE | HYDRAULIKSCHLAUCH | TUBO GOMMA | <->1300 mm |
| 045 | A4921077 | 001 | FLEXIBLE HYDRAULIQUE | HYDRAULIC HOSE | HYDRAULIKSCHLAUCH | TUBO GOMMA | <->1700 mm |
| 046 | A4921078 | 001 | FLEXIBLE HYDRAULIQUE | HYDRAULIC HOSE | HYDRAULIKSCHLAUCH | TUBO GOMMA | <->1800 mm |
| 047 | A4921080 | 001 | FLEXIBLE HYDRAULIQUE | HYDRAULIC HOSE | HYDRAULIKSCHLAUCH | TUBO GOMMA | <->2200 mm |
| 048 | A4921080 | 001 | FLEXIBLE HYDRAULIQUE | HYDRAULIC HOSE | HYDRAULIKSCHLAUCH | TUBO GOMMA | <->2200 mm |





GMD883

B 0016 > C 0000

K70R0224 B

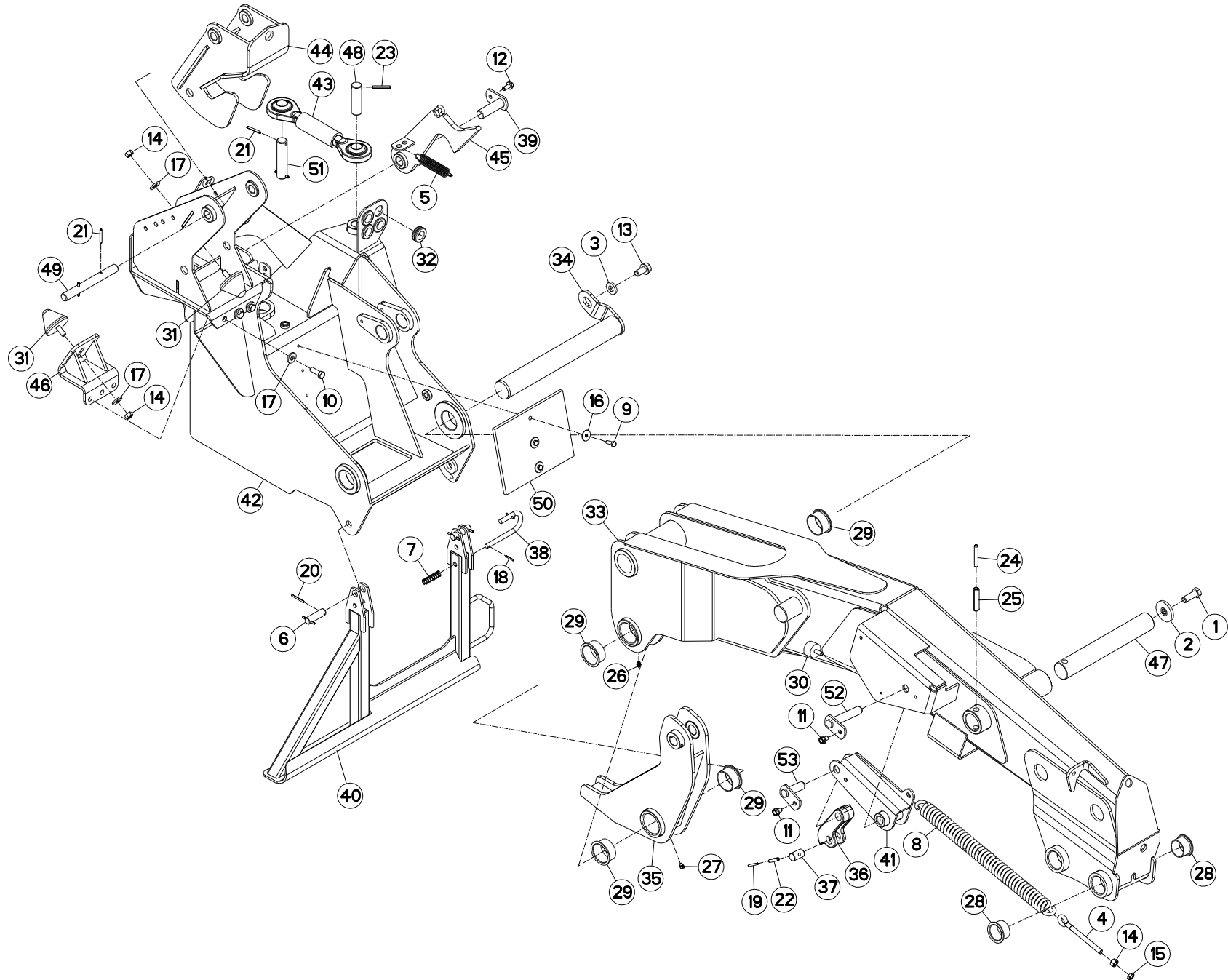
FLEXIBLES COTE GAUCHE

HYDRAULIC HOSES LEFT SIDE

HYDRAULIKSCHLÄUCHE LINKS

CIRCUITO IDRAULICO LATO SINIST

| Rep | Nr | Qt | Designation | Description | Bezeichnung | Referenza | Remarque - Remark - Bemerkung - Osservazioni |
|-----|-----------------|-----|--------------------------------|----------------------------|----------------------------|----------------------------|--|
| 049 | A4921080 | 001 | FLEXIBLE HYDRAULIQUE | HYDRAULIC HOSE | HYDRAULIKSCHLAUCH | TUBO GOMMA | <->2200 mm |
| 050 | K5608720 | 001 | SUPPORT | SUPPORT | TRAEGER | SUPPORTO | |
| 051 | K7001930 | 001 | AXE ZBC | AXLE ZBC | ACHSE ZBC | ASSE | |
| 052 | K7002830 | 001 | CAPOT | HOOD | HAUBE | COFANO | |
| 053 | K7003890 | 001 | TUBE HYDRAULIQUE | TUBE | ROHR | TUBO | |
| 054 | K7003990 | 002 | ACCUMULATEUR HYDRO-PNEUMATIQUE | ACCUMULATOR | DRUCKSPEICHER | ACCUMULATORE | |
| 055 | K7004570 | 001 | EMBOUT | END PIECE | ENDSTUECK | GIUNTO | |
| 056 | K7007550 | 001 | ENTRETOISE | SPACER | DISTANZHUELSE | DISTANZIALE | |
| 057 | K7007801 | 001 | GUIDE | GUIDE | FUEHRUNG | GUIDA | |
| 058 | K7007811 | 001 | CAPOT | HOOD | HAUBE | COFANO | |
| 059 | K7009250 | 001 | COLL.JOINTS-VERIN K7001740 | SET OIL SEALS FOR K7001740 | SATZ DICHTUNGEN F.K7001740 | KIT GUARNIZ.PISTO.K7001740 | |
| 060 | K7009260 | 001 | COLL.JOINTS-VERIN K7001750 | SET OIL SEALS FOR K7001750 | SATZ DICHTUNGEN F.K7001750 | KIT GUARNIZ.PISTO.K7001750 | |
| 061 | K7009280 | 001 | COLL.JOINTS-VERIN K7007960 | SET OIL SEALS FOR K7007960 | SATZ DICHTUNGEN F.K7007960 | KIT GUARNIZ.PISTO.K7007960 | |
| 062 | K7009310 | 001 | SUPPORT | SUPPORT | TRAEGER | SUPPORTO | |
| 063 | K7012840 | 001 | CAPOT | HOOD | HAUBE | COFANO | |
| 064 | K7001742 | 001 | VERIN | CYLINDER, HYDRAULIC | HYDRAULIKZYLINDER | CILINDRO | |
| 065 | K7001750 | 001 | VERIN | CYLINDER, HYDRAULIC | HYDRAULIKZYLINDER | CILINDRO | |
| 066 | K7001940 | 001 | AXE ZBC | AXLE ZBC | ACHSE ZBC | ASSE | |
| 067 | K7004540 | 001 | AXE | PIN | ACHSE | ASSE | |
| 068 | K7007960 | 001 | VERIN | CYLINDER, HYDRAULIC | HYDRAULIKZYLINDER | CILINDRO | |





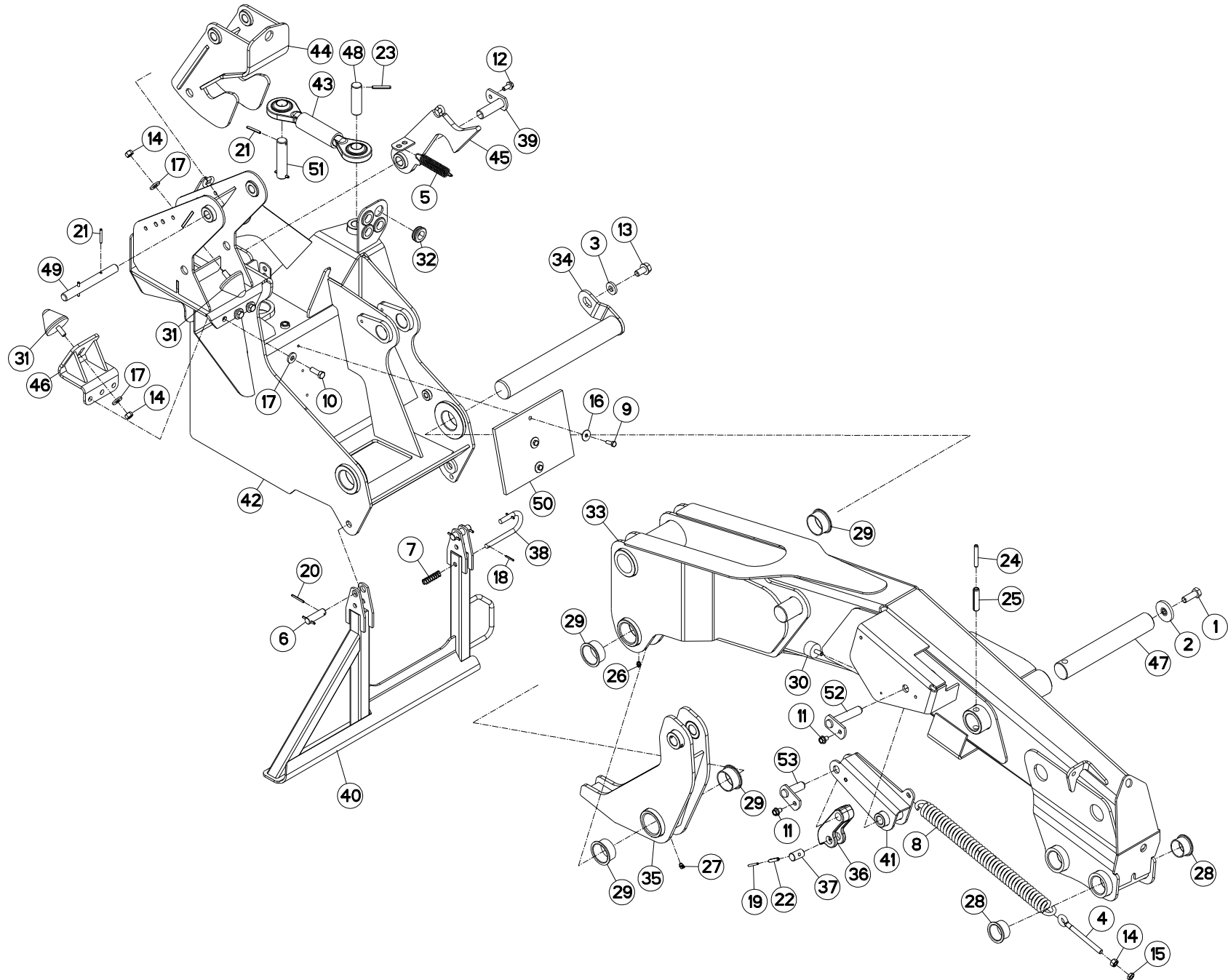
POTENCE DROITE

SUPPORT RIGHT

TRAGARM RECHTS

POTENZA DESTRA

| Rep | Nr | Qt | Designation | Description | Bezeichnung | Referenza | Remarque - Remark - Bemerkung - Osservazioni |
|-----|----------|-----|------------------------------|-------------------------------|-------------------------------|-------------------------------|--|
| 001 | 50004800 | 001 | VIS AUTOFREINEE H | SELF-LOCKING SCREW | SELBSTSICHERNDE SCHRAUBE | VITE AUTOBLOCCANTE | |
| 002 | 50013100 | 001 | RONDELLE | WASHER | SCHEIBE | RONDELLA | |
| 003 | 50014600 | 001 | RONDELLE | WASHER | SCHEIBE | RONDELLA PIATTA | |
| 004 | 56245100 | 001 | TENDEUR | TENSIONER | SPANNER | TENDITORE | |
| 005 | 57716000 | 001 | RESSORT DE TRACTION | SPRING, EXTENSION | ZUGFEDER | MOLLA DI TRAZIONE | |
| 006 | 57749700 | 002 | AXE LONG ZBC | PIN | BOLZEN | ASSE | |
| 007 | 58600200 | 001 | RESSORT DE PRESSION ZBC | PRESSURE SPRING ZBC | DRUCKFEDER ZBC | MOLLA DI PRESSIONE ZBC | |
| 008 | 59003800 | 001 | RESSORT DU RELEVAGE ZBC | SPRING ZBC | ZUGFEDER ZBC | MOLLA DI TRAZIONE ZBC | |
| 009 | 80060826 | 003 | VIS TETE HEXAGONALE FE/ZNXC3 | HEXAGON HEAD SCREW FE/ZNXC3 | SECHSKANTSCHRAUBE FE/ZNXC3 | VITE TESTA ESAGONALE FE/ZNXC3 | |
| 010 | 80061236 | 003 | VIS TETE HEXAGONALE FE/ZNXC3 | HEXAGON HEAD SCREW FE/ZNXC3 | SECHSKANTSCHRAUBE FE/ZNXC3 | VITE TESTA ESAGONALE FE/ZNXC3 | |
| 011 | 80131017 | 002 | VIS AUTOBLOQUANTE FLZNNC | UNDERSERR.S-LOC.SCREW FLZNNC | SPERRZAHN-BUNDSCHRAU.FLZNNC | VITE FLZNNC | |
| 012 | 80131022 | 001 | VIS AUTOBLOQUANTE FLZNNC | UNDERSERRATED S-LOCKING SCREW | SPERRZAHN-BUNDSCHRAUBE | VITE FLZNNC | |
| 013 | 80131630 | 001 | VIS AUTOBLOQUANTE FLZNNC | UNDERSERRATED S-LOCKING SCREW | SPERRZAHN-BUNDSCHRAUBE FLZNNC | VITE FLZNNC | |
| 014 | 80201270 | 003 | ECROU HEXAGONAL FE/ZNXC3 | NUT FE/ZNXC3 | SECHSKANTMUTTER FE/ZNXC3 | DADO FE/ZNXC3 | |
| 015 | 80201271 | 001 | ECROU HEXAGONAL BAS FE/ZNXC3 | NUT FE/ZNXC3 | SECHSKANTMUTTER FE/ZNXC3 | DADO FE/ZNXC3 | |
| 016 | 80250830 | 003 | RONDELLE PLATE FE/ZNXC3 | PLAIN WASHER FE/ZNXC3 | SCHEIBE FE/ZNXC3 | RONDELLA PIATTA FE/ZNXC3 | |
| 017 | 80251331 | 005 | RONDELLE PLATE FE/ZNXC3 | PLAIN WASHER FE/ZNXC3 | SCHEIBE FE/ZNXC3 | RONDELLA PIATTA FE/ZNXC3 | |
| 018 | 80450431 | 002 | GOUPILLE ELASTIQUE FLZNNC | ROLL PIN FLZNNC | SPANNHUELSE FLZNNC | SPINA ELASTICA FLZNNC | |
| 019 | 80450540 | 001 | GOUPILLE ELASTIQUE FLZNNC | ROLL PIN FLZNNC | SPANNHUELSE FLZNNC | SPINA ELASTICA FLZNNC | |
| 020 | 80450546 | 004 | GOUPILLE ELASTIQUE FLZNNC | ROLL PIN FLZNNC | SPANNHUELSE FLZNNC | SPINA ELASTICA FLZNNC | |
| 021 | 80450645 | 004 | GOUPILLE ELASTIQUE FLZNNC | ROLL PIN FLZNNC | SPANNHUELSE FLZNNC | SPINA ELASTICA FLZNNC | |
| 022 | 80450841 | 001 | GOUPILLE ELASTIQUE FLZNNC | ROLL PIN FLZNNC | SPANNHUELSE FLZNNC | SPINA ELASTICA FLZNNC | |
| 023 | 80450851 | 001 | GOUPILLE ELASTIQUE FLZNNC | ROLL PIN FLZNNC | SPANNHUELSE FLZNNC | SPINA ELASTICA FLZNNC | |
| 024 | 80451059 | 001 | GOUPILLE ELASTIQUE FLZNNC | ROLL PIN FLZNNC | SPANNHUELSE FLZNNC | SPINA ELASTICA FLZNNC | |
| 025 | 80451655 | 001 | GOUPILLE ELASTIQUE FLZNNC | ROLL PIN FLZNNC | SPANNHUELSE FLZNNC | SPINA ELASTICA FLZNNC | |
| 026 | 82200800 | 002 | GRAISSEUR FE/ZNXC3 | GREASE NIPPLE FE/ZNXC3 | SCHMIERNIPPEL FE/ZNXC3 | INGRASSATORE FE/ZNXC3 | |
| 027 | 82200804 | 001 | GRAISSEUR FE/ZNXC3 | GREASE NIPPLE FE/ZNXC3 | SCHMIERNIPPEL FE/ZNXC3 | INGRASSATORE FE/ZNXC3 | |
| 028 | 83014555 | 002 | BAGUE ROULEE A COLLERETTE | FLANGED WRAPPED BUSH | GEROLLTE BUCHSE MIT FLANSCH | ANELLO LUBRIFICATO | |
| 029 | 83015561 | 004 | BAGUE ROULEE A COLLERETTE | FLANGED WRAPPED BUSH | GEROLLTE BUCHSE MIT FLANSCH | ANELLO LUBRIFICATO | |
| 030 | 83030000 | 001 | BUTEE ELASTIQUE | RUBBER STOP | GUMMIPUFFER | GOMMINO | |
| 031 | 83030008 | 002 | BUTEE ELASTIQUE CONIQUE | RUBBER STOP | GUMMIPUFFER | GOMMINO | |
| 032 | 83200804 | 009 | PASSE FIL | RUBBER PASS WIRE | GUMMITUELLE | PASSAFILO | |
| 033 | K7001811 | 001 | POTENCE | BOOM | TRAGARM | ATTACCO ATTREZZO | |
| 034 | K7001900 | 001 | AXE | PIN | ACHSE | ASSE | |
| 035 | K7001920 | 001 | LEVIER D'ALLEGEMENT | LEVER | HEBEL | LEVA | |
| 036 | K7002210 | 001 | BIELLETTTE DU LIMITEUR | PULL BAR | LENKER | BIELLA | |
| 037 | K7002230 | 001 | AXE | PIN | ACHSE | ASSE | |
| 038 | K7002732 | 001 | BROCHE | PIN, HITCH | ACHSE | PERNO | |
| 039 | K7003130 | 001 | AXE | PIN | ACHSE | ASSE | |
| 040 | K7003800 | 001 | BEQUILLE DROITE | STAND | STUETZE | SUPPORTO | |
| 041 | K7003970 | 001 | LEVIER DROIT | LEVER | HEBEL | LEVA | |
| 042 | K7004190 | 001 | ARTICULATION | YOKE | GELENKSTUECK | ARTICOLAZIONE | |
| 043 | K7004350 | 001 | BIELLETTTE DE DECLENCHEMENT | PULL BAR | LENKER | BIELLA | |
| 044 | K7004390 | 001 | BUTEE AMORTISSEMENT | STOP | ANSCHLAG | LIMITATORE | |
| 045 | K7004400 | 001 | VERROU | LATCH | RIEGEL | LEVA | |
| 046 | K7004420 | 001 | SUPPORT SILENTBLOCK | SUPPORT | HALTERUNG | SUPPORTO | |
| 047 | K7004490 | 001 | AXE | PIN | ACHSE | ASSE | |
| 048 | K7004520 | 001 | AXE ZBC | AXLE ZBC | ACHSE ZBC | ASSE | |





GMD883

B 0001 > C 0000

K70R0102 A

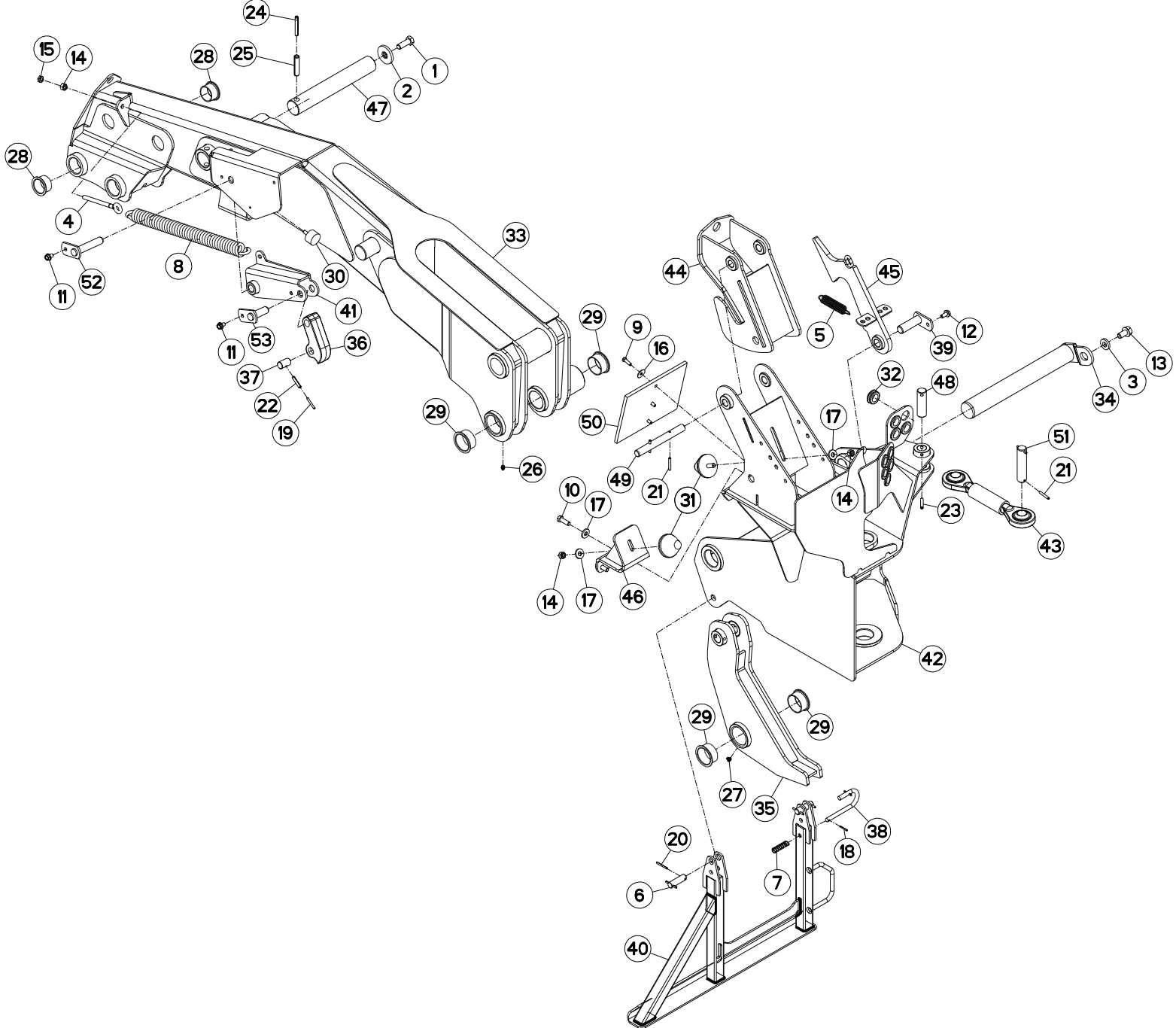
POTENCE DROITE

SUPPORT RIGHT

TRAGARM RECHTS

POTENZA DESTRA

| Rep | Nr | Qt | Designation | Description | Bezeichnung | Referenza | Remarque - Remark - Bemerkung - Osservazioni |
|-----|-----------------|-----|---------------|-------------|-------------|------------|--|
| 049 | K7004550 | 001 | AXE ZBC | AXLE ZBC | ACHSE ZBC | ASSE | |
| 050 | K7005260 | 001 | BUTEE | STOP | ANSCHLAG | LIMITATORE | |
| 051 | K7007230 | 001 | AXE BIELLETTE | AXLE | ACHSE | ASSE | |
| 052 | K7007240 | 001 | AXE | PIN | ACHSE | ASSE | |
| 053 | K7007730 | 001 | AXE | PIN | ACHSE | ASSE | |





GMD883

B 0001 > C 0000

K70R0114 A

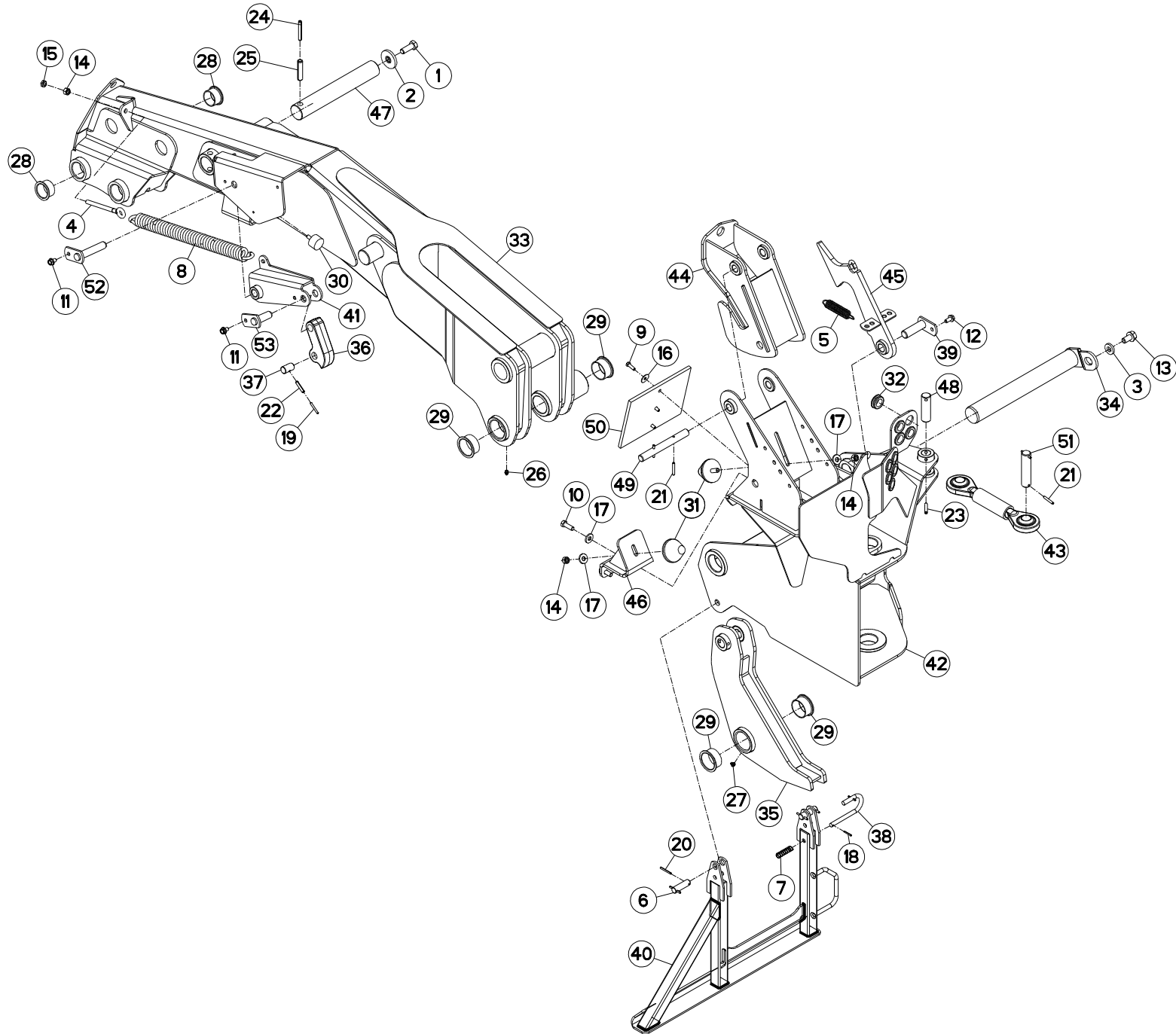
POTENCE GAUCHE

SUPPORT LEFT

TRAGARM LINKS

POTENZA SINISTRA

| Rep | Nr | Qt | Designation | Description | Bezeichnung | Referenza | Remarque - Remark - Bemerkung - Osservazioni |
|-----|----------|-----|------------------------------|-------------------------------|-------------------------------|-------------------------------|--|
| 001 | 50004800 | 001 | VIS AUTOFREINEE H | SELF-LOCKING SCREW | SELBSTSICHERNDE SCHRAUBE | VITE AUTOBLOCCANTE | |
| 002 | 50013100 | 001 | RONDELLE | WASHER | SCHEIBE | RONDELLA | |
| 003 | 50014600 | 001 | RONDELLE | WASHER | SCHEIBE | RONDELLA PIATTA | |
| 004 | 56245100 | 001 | TENDEUR | TENSIONER | SPANNER | TENDITORE | |
| 005 | 57716000 | 001 | RESSORT DE TRACTION | SPRING, EXTENSION | ZUGFEDER | MOLLA DI TRAZIONE | |
| 006 | 57749700 | 002 | AXE LONG ZBC | PIN | BOLZEN | ASSE | |
| 007 | 58600200 | 001 | RESSORT DE PRESSION ZBC | PRESSURE SPRING ZBC | DRUCKFEDER ZBC | MOLLA DI PRESSIONE ZBC | |
| 008 | 59003800 | 001 | RESSORT DU RELEVAGE ZBC | SPRING ZBC | ZUGFEDER ZBC | MOLLA DI TRAZIONE ZBC | |
| 009 | 80060826 | 003 | VIS TETE HEXAGONALE FE/ZNXC3 | HEXAGON HEAD SCREW FE/ZNXC3 | SECHSKANTSCHRAUBE FE/ZNXC3 | VITE TESTA ESAGONALE FE/ZNXC3 | |
| 010 | 80061236 | 003 | VIS TETE HEXAGONALE FE/ZNXC3 | HEXAGON HEAD SCREW FE/ZNXC3 | SECHSKANTSCHRAUBE FE/ZNXC3 | VITE TESTA ESAGONALE FE/ZNXC3 | |
| 011 | 80131017 | 002 | VIS AUTOBLOQUANTE FLZNNC | UNDERSERR.S-LOC.SCREW FLZNNC | SPERRZAHN-BUNDSCHRAU.FLZNNC | VITE FLZNNC | |
| 012 | 80131022 | 001 | VIS AUTOBLOQUANTE FLZNNC | UNDERSERRATED S-LOCKING SCREW | SPERRZAHN-BUNDSCHRAUBE | VITE FLZNNC | |
| 013 | 80131630 | 001 | VIS AUTOBLOQUANTE FLZNNC | UNDERSERRATED S-LOCKING SCREW | SPERRZAHN-BUNDSCHRAUBE FLZNNC | VITE FLZNNC | |
| 014 | 80201270 | 003 | ECROU HEXAGONAL FE/ZNXC3 | NUT FE/ZNXC3 | SECHSKANTMUTTER FE/ZNXC3 | DADO FE/ZNXC3 | |
| 015 | 80201271 | 001 | ECROU HEXAGONAL BAS FE/ZNXC3 | NUT FE/ZNXC3 | SECHSKANTMUTTER FE/ZNXC3 | DADO FE/ZNXC3 | |
| 016 | 80250830 | 003 | RONDELLE PLATE FE/ZNXC3 | PLAIN WASHER FE/ZNXC3 | SCHEIBE FE/ZNXC3 | RONDELLA PIATTA FE/ZNXC3 | |
| 017 | 80251331 | 005 | RONDELLE PLATE FE/ZNXC3 | PLAIN WASHER FE/ZNXC3 | SCHEIBE FE/ZNXC3 | RONDELLA PIATTA FE/ZNXC3 | |
| 018 | 80450431 | 002 | GOUPILLE ELASTIQUE FLZNNC | ROLL PIN FLZNNC | SPANNHUELSE FLZNNC | SPINA ELASTICA FLZNNC | |
| 019 | 80450540 | 001 | GOUPILLE ELASTIQUE FLZNNC | ROLL PIN FLZNNC | SPANNHUELSE FLZNNC | SPINA ELASTICA FLZNNC | |
| 020 | 80450546 | 004 | GOUPILLE ELASTIQUE FLZNNC | ROLL PIN FLZNNC | SPANNHUELSE FLZNNC | SPINA ELASTICA FLZNNC | |
| 021 | 80450645 | 004 | GOUPILLE ELASTIQUE FLZNNC | ROLL PIN FLZNNC | SPANNHUELSE FLZNNC | SPINA ELASTICA FLZNNC | |
| 022 | 80450841 | 001 | GOUPILLE ELASTIQUE FLZNNC | ROLL PIN FLZNNC | SPANNHUELSE FLZNNC | SPINA ELASTICA FLZNNC | |
| 023 | 80450851 | 001 | GOUPILLE ELASTIQUE FLZNNC | ROLL PIN FLZNNC | SPANNHUELSE FLZNNC | SPINA ELASTICA FLZNNC | |
| 024 | 80451059 | 001 | GOUPILLE ELASTIQUE FLZNNC | ROLL PIN FLZNNC | SPANNHUELSE FLZNNC | SPINA ELASTICA FLZNNC | |
| 025 | 80451655 | 001 | GOUPILLE ELASTIQUE FLZNNC | ROLL PIN FLZNNC | SPANNHUELSE FLZNNC | SPINA ELASTICA FLZNNC | |
| 026 | 82200800 | 002 | GRAISSEUR FE/ZNXC3 | GREASE NIPPLE FE/ZNXC3 | SCHMIERNIPPEL FE/ZNXC3 | INGRASSATORE FE/ZNXC3 | |
| 027 | 82200804 | 001 | GRAISSEUR FE/ZNXC3 | GREASE NIPPLE FE/ZNXC3 | SCHMIERNIPPEL FE/ZNXC3 | INGRASSATORE FE/ZNXC3 | |
| 028 | 83014555 | 002 | BAGUE ROULEE A COLLERETTE | FLANGED WRAPPED BUSH | GEROLLTE BUCHSE MIT FLANSCH | ANELLO LURBRIFICATO | |
| 029 | 83015561 | 004 | BAGUE ROULEE A COLLERETTE | FLANGED WRAPPED BUSH | GEROLLTE BUCHSE MIT FLANSCH | ANELLO LURBRIFICATO | |
| 030 | 83030000 | 001 | BUTEE ELASTIQUE | RUBBER STOP | GUMMIPUFFER | GOMMINO | |
| 031 | 83030008 | 002 | BUTEE ELASTIQUE CONIQUE | RUBBER STOP | GUMMIPUFFER | GOMMINO | |
| 032 | 83200804 | 009 | PASSE FIL | RUBBER PASS WIRE | GUMMITUELLE | PASSAFILO | |
| 033 | K7001831 | 001 | POTENCE | BOOM | TRAGARM | ATTACCO ATTREZZO | |
| 034 | K7001900 | 001 | AXE | PIN | ACHSE | ASSE | |
| 035 | K7001920 | 001 | LEVIER D'ALLEGEMENT | LEVER | HEBEL | LEVA | |
| 036 | K7002210 | 001 | BIELLETTE DU LIMITEUR | PULL BAR | LENKER | BIELLA | |
| 037 | K7002230 | 001 | AXE | PIN | ACHSE | ASSE | |
| 038 | K7002732 | 001 | BROCHE | PIN, HITCH | ACHSE | PERNO | |
| 039 | K7003130 | 001 | AXE | PIN | ACHSE | ASSE | |
| 040 | K7003790 | 001 | BEQUILLE GAUCHE | STAND | STUETZE | SUPPORTO | |
| 041 | K7003980 | 001 | LEVIER GAUCHE | LEVER | HEBEL | LEVA | |
| 042 | K7004200 | 001 | ARTICULATION | YOKE | GELENKSTUECK | ARTICOLAZIONE | |
| 043 | K7004350 | 001 | BIELLETTE DE DECLENCHEMENT | PULL BAR | LENKER | BIELLA | |
| 044 | K7004390 | 001 | BUTEE AMORTISSEMENT | STOP | ANSCHLAG | LIMITATORE | |
| 045 | K7004400 | 001 | VERROU | LATCH | RIEGEL | LEVA | |
| 046 | K7004420 | 001 | SUPPORT SILENTBLOCK | SUPPORT | HALTERUNG | SUPPORTO | |
| 047 | K7004490 | 001 | AXE | PIN | ACHSE | ASSE | |
| 048 | K7004520 | 001 | AXE ZBC | AXLE ZBC | ACHSE ZBC | ASSE | |





GMD883

B 0001 > C 0000

K70R0114 A

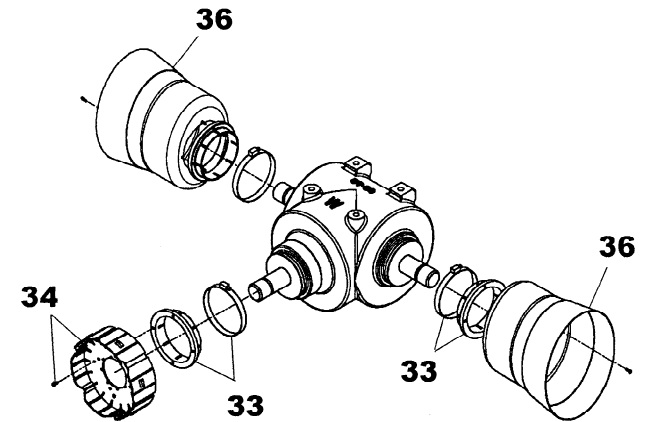
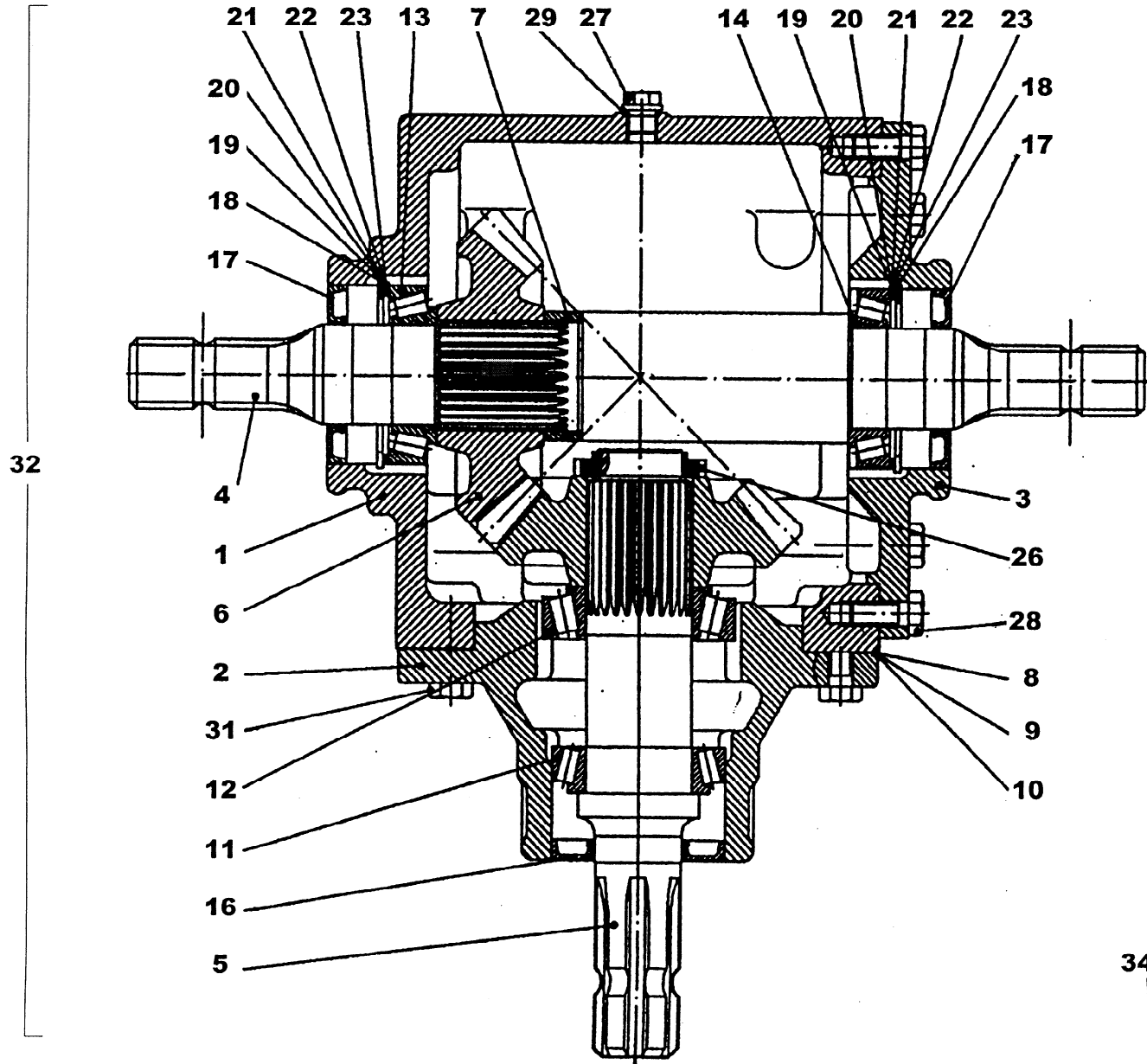
POTENCE GAUCHE

SUPPORT LEFT

TRAGARM LINKS

POTENZA SINISTRA

| Rep | Nr | Qt | Designation | Description | Bezeichnung | Referenza | Remarque - Remark - Bemerkung - Osservazioni |
|-----|-----------------|-----|---------------|-------------|-------------|------------|--|
| 049 | K7004550 | 001 | AXE ZBC | AXLE ZBC | ACHSE ZBC | ASSE | |
| 050 | K7005260 | 001 | BUTEE | STOP | ANSCHLAG | LIMITATORE | |
| 051 | K7007230 | 001 | AXE BIELLETTE | AXLE | ACHSE | ASSE | |
| 052 | K7007240 | 001 | AXE | PIN | ACHSE | ASSE | |
| 053 | K7007730 | 001 | AXE | PIN | ACHSE | ASSE | |





GMD883

B 0001 > C 0000

K70R0222 A

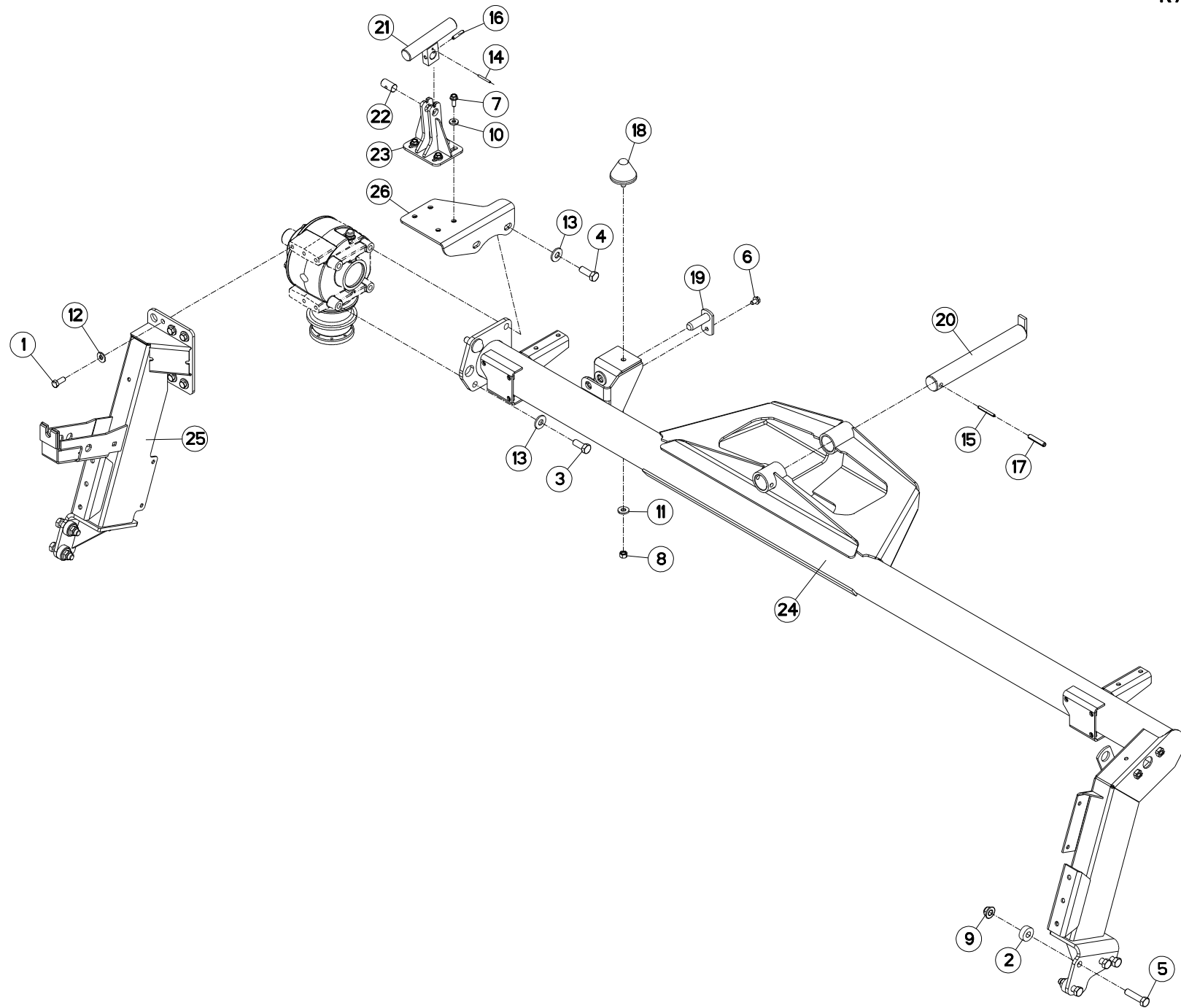
CARTER CENTRAL 1000 min-1

CENTRAL GEARBOX 1000 min-1

HAUPTGETRIEBE 1000 min-1

CARTER CENTRALE 1000 MIN-1

| Rep | Nr | Qt | Designation | Description | Bezeichnung | Referenza | Remarque - Remark - Bemerkung - Osservazioni |
|-----|-----------------|-----|-------------------------------|--------------------------------|----------------------------|-------------------------------|--|
| 001 | K7007320 | 001 | CARTER | GEARCASE | GETRIEBEGEHAEUSE | SCATOLA | [1] |
| 002 | K7007330 | 001 | MOYEU-CARTER | GEARCASE HUB | GEHAUSENABE | MOZZO | [1] |
| 003 | K7007340 | 001 | COUVERCLE | GEARBOX COVER | GEHAUSEDECKEL | COPERCHIO | [1] |
| 004 | K7007350 | 001 | ARBRE | SHAFT | WELLE | ALBERO | [1] |
| 005 | K7007360 | 001 | ARBRE | SHAFT | WELLE | ALBERO | [1] |
| 006 | K7007370 | 001 | COUPLE CONIQUE | GEAR WHEEL PAIR | KEGELRADPAAR | COPPIA CONICA | [1] |
| 007 | K7007380 | 001 | BAGUE INTERMEDIAIRE | BUSH | HUELSE | BOCCOLA | [1] |
| 008 | K7007390 | 001 | RONDELLE D'AJUSTAGE | SHIM RING | PASSSCHEIBE | SPESSORE | [1] |
| 009 | K7007400 | 001 | RONDELLE D'AJUSTAGE | SHIM RING | PASSSCHEIBE | SPESSORE | [1] |
| 010 | K7007410 | 001 | RONDELLE D'AJUSTAGE | SHIM RING | PASSSCHEIBE | SPESSORE | [1] |
| 011 | 81305590 | 001 | ROULEMENT A ROULEAUX CONIQUES | TAPERED ROLLER BEARING | KEGELROLLENLAGER | CUSCINETTO A RULLI | [1] |
| 012 | 81305501 | 001 | ROULEMENT A ROULEAUX CONIQUES | TAPERED ROLLER BEARING | KEGELROLLENLAGER | CUSCINETTO A RULLI | [1] |
| 013 | 81305091 | 001 | ROULEMENT A ROULEAUX CONIQUES | TAPERED ROLLER BEARING | KEGELROLLENLAGER | CUSCINETTO A RULLI | [1] |
| 014 | 81305090 | 001 | ROULEMENT A ROULEAUX CONIQUES | TAPERED ROLLER BEARING | KEGELROLLENLAGER | CUSCINETTO A RULLI | [1] |
| 016 | K7007420 | 001 | JOINT RADIAL | RADIAL SEAL | RADIAL-WELLENDICHTRING | | [1] |
| 017 | K7007430 | 002 | JOINT RADIAL | RADIAL SEAL | RADIAL-WELLENDICHTRING | | [1] |
| 018 | 80599000 | 002 | CIRCLIP INTERIEUR | RETAINING RING | SICHERUNGSRING | ANELLO | [1] |
| 019 | 80258088 | 004 | RONDELLE D'AJUSTAGE PS 0,1 | SHIM RING PS 0,1 | PASSSCHEIBE PS 0,1 | SPESSORE PS 0,1 | [1] |
| 020 | K7007440 | 002 | RONDELLE D'AJUSTAGE | WASHER | SCHEIBE | RONDELLA | [1] |
| 021 | 80258089 | 002 | RONDELLE D'AJUSTAGE PS 0,3 | SHIM RING PS 0,3 | PASSSCHEIBE PS 0,3 | SPESSORE PS 0,3 | [1] |
| 022 | K7007450 | 002 | RONDELLE D'AJUSTAGE | WASHER | SCHEIBE | RONDELLA | [1] |
| 023 | K7007460 | 002 | RONDELLE D'AJUSTAGE | WASHER | SCHEIBE | RONDELLA | [1] |
| 026 | 50019600 | 001 | ECROU AUTOFREINE A ENCOCH. | SELF-LOCKING SLATTED ROUND NUT | SELBSTSICHERNDE NUTMUTTER | GHIERA | [1] |
| 027 | K7007500 | 001 | BOUCHON FILETE | SCREW PLUG | SCHRAUBENSTOPFEN | TAPPO FILETTATO | [1] |
| 028 | 80061230 | 008 | VIS TETE HEXAGONALE | HEXAGON HEAD SCREW | SECHSKANTSCHRAUBE | VITE A TESTA ESAGONALE | [1] |
| 029 | K7007510 | 001 | JOINT | GASKET | DICHTUNG | GUARNIZIONE | [1] |
| 031 | 80061236 | 008 | VIS TETE HEXAGONALE FE/ZNXC3 | HEXAGON HEAD SCREW FE/ZNXC3 | SECHSKANTSCHRAUBE FE/ZNXC3 | VITE TESTA ESAGONALE FE/ZNXC3 | [1] |
| 032 | K7006770 | 001 | CARTER | HOUSING | GEHAEUSE | SCATOLA | + [1] |
| 033 | 4618123 | 003 | ADAPTATEUR BOL PROTECTEUR | ADAPTER SAFETY SHIELD | SCHUTZTOPFANBAUELEMENT | ADATTATORE | |
| 034 | 4618124 | 001 | ADAPTATEUR | ADAPTER | ANBAUELEMENT | ADATTATORE | |
| 036 | 4618122 | 002 | BOL PROTECTEUR | SAFETY SHIELD | SCHUTZTOPF | | |





GMD883

B 0001 > B 0015

K70R0107 A

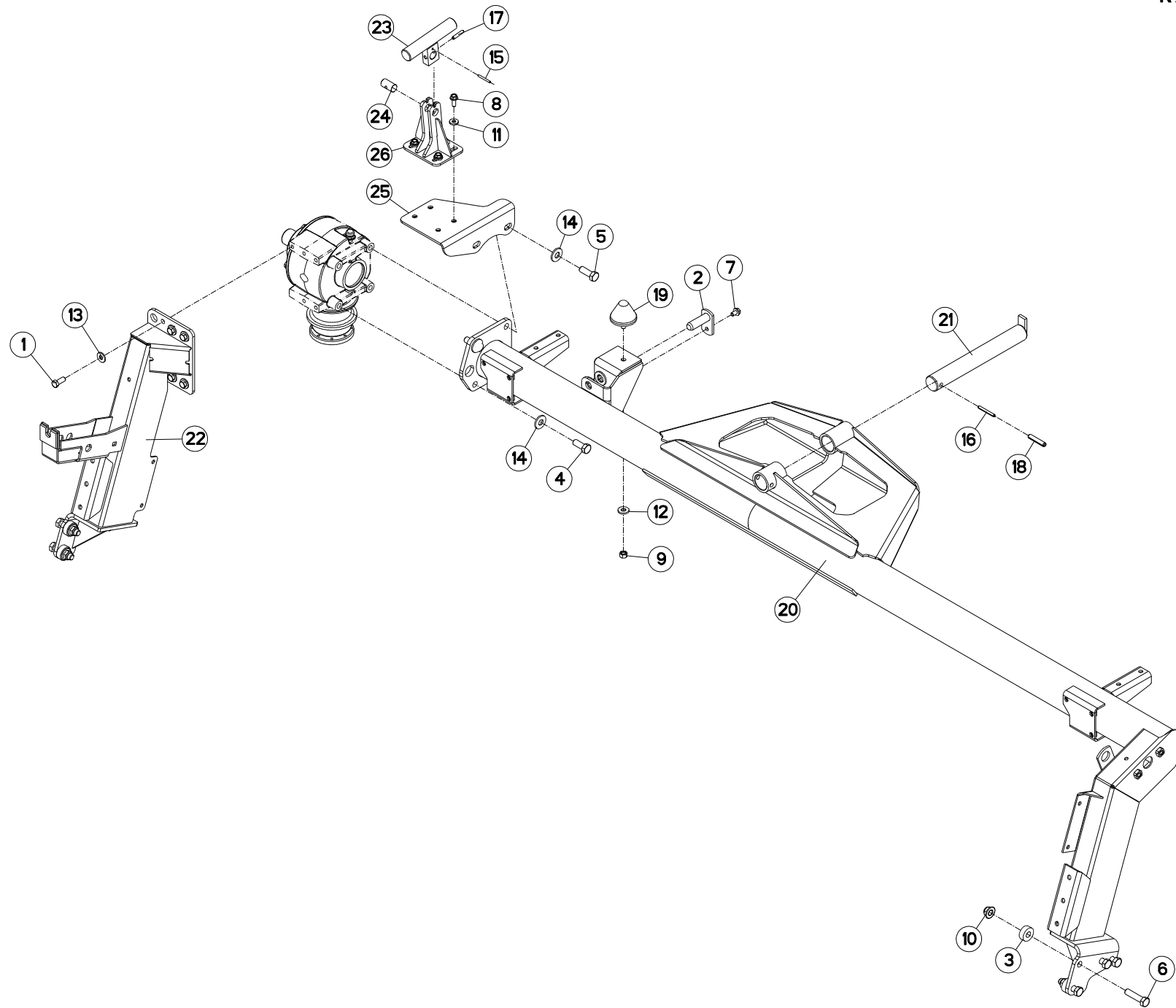
TUBE PORTEUR DROIT

SUPPORT TUBE RIGHT

TRAGROHR RECHTS

TUBO PORTANTE DESTRO

| Rep | Nr | Qt | Designation | Description | Bezeichnung | Referenza | Remarque - Remark - Bemerkung - Osservazioni |
|-----|----------|-----|------------------------------|------------------------------|-----------------------------|-------------------------------|--|
| 001 | 50003600 | 005 | VIS AUTOFREINEE H | SELF-LOCKING SCREW | SELBSTSICHERNDE SCHRAUBE | VITE AUTOBLOCCANTE | 14 daN m (103 lbf ft) |
| 002 | 56202300 | 008 | DOUILLE | WASHER | DISTANZSCHEIBE | RONDELLA | |
| 003 | 80061641 | 002 | VIS TETE HEXAGONALE FE/ZNXC3 | HEXAGON HEAD SCREW FE/ZNXC3 | SECHSKANTSCHRAUBE FE/ZNXC3 | VITE TESTA ESAGONALE FE/ZNXC3 | 20 daN m (148 lbf ft) |
| 004 | 80061646 | 002 | VIS TETE HEXAGONALE FE/ZNXC3 | HEXAGON HEAD SCREW FE/ZNXC3 | SECHSKANTSCHRAUBE FE/ZNXC3 | VITE TESTA ESAGONALE FE/ZNXC3 | 20 daN m (148 lbf ft) |
| 005 | 80061683 | 008 | VIS TETE HEXAGONALE | HEXAGON HEAD SCREW | SECHSKANTSCHRAUBE | VITE A TESTA ESAGONALE | 35 daN m (258 lbf ft) |
| 006 | 80131017 | 001 | VIS AUTOBLOQUANTE FLZNNC | UNDERSERR.S-LOC.SCREW FLZNNC | SPERRZAHN-BUNDSCHRAU.FLZNNC | VITE FLZNNC | |
| 007 | 80131026 | 004 | VIS AUTOBLOQUANTE FLZNNC | UNDERSERR.S-LOC.SCREW FLZNNC | SPERRZAHN-BUNDSCHRAU.FLZNNC | VITE FLZNNC | |
| 008 | 80201270 | 001 | ECROU HEXAGONAL FE/ZNXC3 | NUT FE/ZNXC3 | SECHSKANTMUTTER FE/ZNXC3 | DADO FE/ZNXC3 | |
| 009 | 80201662 | 008 | ECROU HEXAG.EMBASE POLYSTOP | SELF-LOCKING NUT W.COLLAR | SELBSTSICHERNDE BUNDMUTTER | DADO AUTOBLOCCANTE | |
| 010 | 80251127 | 004 | RONDELLE PLATE FE/ZNXC3 | PLAIN WASHER FE/ZNXC3 | SCHEIBE FE/ZNXC3 | RONDELLA PIATTA FE/ZNXC3 | |
| 011 | 80251331 | 001 | RONDELLE PLATE FE/ZNXC3 | PLAIN WASHER FE/ZNXC3 | SCHEIBE FE/ZNXC3 | RONDELLA PIATTA FE/ZNXC3 | |
| 012 | 80281230 | 005 | RONDELLE RESSORT FLZNNC | CONICAL SPRING WASHER FLZNNC | SPANNSCHEIBE FLZNNC | RONDELLA MOLLA FLZNNC | |
| 013 | 80281639 | 004 | RONDELLE RESSORT FLZNNC | CONICAL SPRING WASHER FLZNNC | SPANNSCHEIBE FLZNNC | RONDELLA A MOLLA FLZNNC | |
| 014 | 80450546 | 001 | GOUPILLE ELASTIQUE FLZNNC | ROLL PIN FLZNNC | SPANNHUELSE FLZNNC | SPINA ELASTICA FLZNNC | |
| 015 | 80450762 | 001 | GOUPILLE ELASTIQUE FLZNNC | ROLL PIN FLZNNC | SPANNHUELSE FLZNNC | SPINA ELASTICA FLZNNC | |
| 016 | 80450841 | 001 | GOUPILLE ELASTIQUE FLZNNC | ROLL PIN FLZNNC | SPANNHUELSE FLZNNC | SPINA ELASTICA FLZNNC | |
| 017 | 80451261 | 001 | GOUPILLE ELASTIQUE FLZNNC | ROLL PIN FLZNNC | SPANNHUELSE FLZNNC | SPINA ELASTICA FLZNNC | |
| 018 | 83030008 | 001 | BUTEE ELASTIQUE CONIQUE | RUBBER STOP | GUMMIPUFFER | GOMMINO | |
| 019 | 52329300 | 001 | AXE | PIN | ACHSE | ASSE | |
| 020 | K7001950 | 001 | AXE | PIN | ACHSE | ASSE | |
| 021 | K7004660 | 001 | DOIGT | FINGER | FINGER | DENTE | |
| 022 | K7004670 | 001 | AXE | PIN | ACHSE | ASSE | |
| 023 | K7004700 | 001 | CHAPE | CLEVIS | GABEL | FORCELLA | |
| 024 | K7000121 | 001 | TUBE PORTEUR DROIT | SUPPORT TUBE | TRAGROHR | TUBO PORTANTE | |
| 025 | K7002161 | 001 | JAMBE GAUCHE | SUPPORT LEG | STREBE | | |
| 026 | K7004680 | 001 | SUPPORT | SUPPORT | TRAEGER | SUPPORTO | |





GMD883

B 0016 > C 0000

K70R0107 B

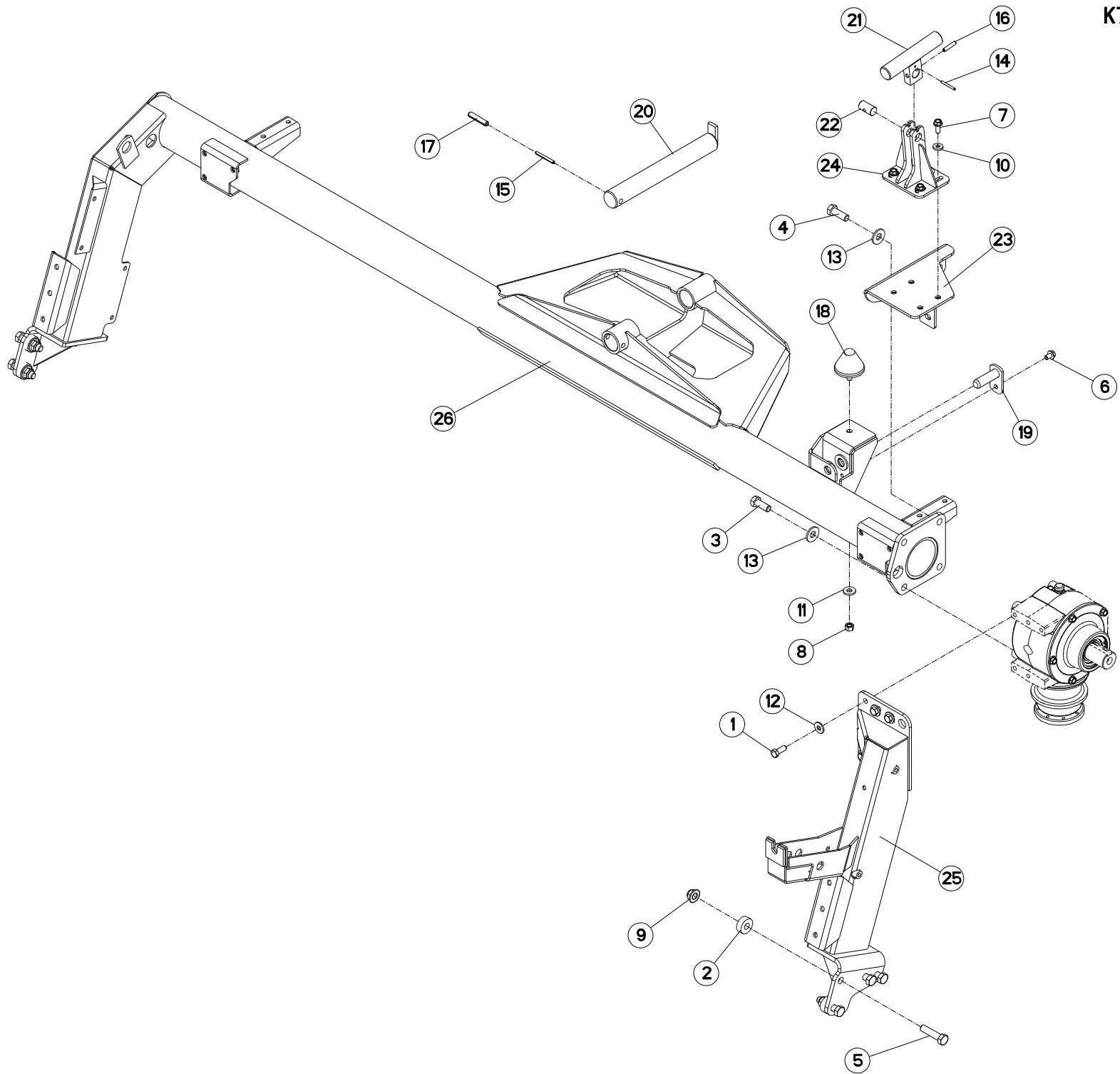
TUBE PORTEUR DROIT

SUPPORT TUBE RIGHT

TRAGROHR RECHTS

TUBO PORTANTE DESTRO

| Rep | Nr | Qt | Designation | Description | Bezeichnung | Referenza | Remarque - Remark - Bemerkung - Osservazioni |
|-----|----------|-----|------------------------------|------------------------------|-----------------------------|-------------------------------|--|
| 001 | 50003600 | 005 | VIS AUTOFREINEE H | SELF-LOCKING SCREW | SELBSTSICHERNDE SCHRAUBE | VITE AUTOBLOCCANTE | 14 daN m (103 lbf ft) |
| 002 | 52329300 | 001 | AXE | PIN | ACHSE | ASSE | |
| 003 | 56202300 | 008 | DOUILLE | WASHER | DISTANZSCHEIBE | RONDELLA | |
| 004 | 80061641 | 002 | VIS TETE HEXAGONALE FE/ZNXC3 | HEXAGON HEAD SCREW FE/ZNXC3 | SECHSKANTSCHRAUBE FE/ZNXC3 | VITE TESTA ESAGONALE FE/ZNXC3 | |
| 005 | 80061646 | 002 | VIS TETE HEXAGONALE FE/ZNXC3 | HEXAGON HEAD SCREW FE/ZNXC3 | SECHSKANTSCHRAUBE FE/ZNXC3 | VITE TESTA ESAGONALE FE/ZNXC3 | 20 daN m (148 lbf ft) |
| 006 | 80061683 | 008 | VIS TETE HEXAGONALE | HEXAGON HEAD SCREW | SECHSKANTSCHRAUBE | VITE A TESTA ESAGONALE | 35 daN m (258 lbf ft) |
| 007 | 80131017 | 001 | VIS AUTOBLOQUANTE FLZNNC | UNDERSERR.S-LOC.SCREW FLZNNC | SPERRZAHN-BUNDSCHRAU.FLZNNC | VITE FLZNNC | |
| 008 | 80131026 | 004 | VIS AUTOBLOQUANTE FLZNNC | UNDERSERR.S-LOC.SCREW FLZNNC | SPERRZAHN-BUNDSCHRAU.FLZNNC | VITE FLZNNC | |
| 009 | 80201270 | 001 | ECROU HEXAGONAL FE/ZNXC3 | NUT FE/ZNXC3 | SECHSKANTMUTTER FE/ZNXC3 | DADO FE/ZNXC3 | |
| 010 | 80201662 | 008 | ECROU HEXAG.EMBASE POLYSTOP | SELF-LOCKING NUT W.COLLAR | SELBSTSICHERNDE BUNDMUTTER | DADO AUTOBLOCCANTE | |
| 011 | 80251127 | 004 | RONDELLE PLATE FE/ZNXC3 | PLAIN WASHER FE/ZNXC3 | SCHEIBE FE/ZNXC3 | RONDELLA PIATTA FE/ZNXC3 | |
| 012 | 80251331 | 001 | RONDELLE PLATE FE/ZNXC3 | PLAIN WASHER FE/ZNXC3 | SCHEIBE FE/ZNXC3 | RONDELLA PIATTA FE/ZNXC3 | |
| 013 | 80281230 | 005 | RONDELLE RESSORT FLZNNC | CONICAL SPRING WASHER FLZNNC | SPANNSCHEIBE FLZNNC | RONDELLA MOLLA FLZNNC | |
| 014 | 80281639 | 004 | RONDELLE RESSORT FLZNNC | CONICAL SPRING WASHER FLZNNC | SPANNSCHEIBE FLZNNC | RONDELLA A MOLLA FLZNNC | |
| 015 | 80450546 | 001 | GOUPILLE ELASTIQUE FLZNNC | ROLL PIN FLZNNC | SPANNHUELSE FLZNNC | SPINA ELASTICA FLZNNC | |
| 016 | 80450762 | 001 | GOUPILLE ELASTIQUE FLZNNC | ROLL PIN FLZNNC | SPANNHUELSE FLZNNC | SPINA ELASTICA FLZNNC | |
| 017 | 80450841 | 001 | GOUPILLE ELASTIQUE FLZNNC | ROLL PIN FLZNNC | SPANNHUELSE FLZNNC | SPINA ELASTICA FLZNNC | |
| 018 | 80451261 | 001 | GOUPILLE ELASTIQUE FLZNNC | ROLL PIN FLZNNC | SPANNHUELSE FLZNNC | SPINA ELASTICA FLZNNC | |
| 019 | 83030008 | 001 | BUTEE ELASTIQUE CONIQUE | RUBBER STOP | GUMMIPUFFER | GOMMINO | |
| 020 | K7000122 | 001 | TUBE | TUBE | ROHR | TUBO | |
| 021 | K7001950 | 001 | AXE | PIN | ACHSE | ASSE | |
| 022 | K7002162 | 001 | JAMBE GAUCHE SOUDEE | SUPPORT LEG | STREBE | | |
| 023 | K7004660 | 001 | DOIGT | FINGER | FINGER | DENTE | |
| 024 | K7004670 | 001 | AXE | PIN | ACHSE | ASSE | |
| 025 | K7004680 | 001 | SUPPORT | SUPPORT | TRAEGER | SUPPORTO | |
| 026 | K7004700 | 001 | CHAPE | CLEVIS | GABEL | FORCELLA | |





GMD883

B 0001 > B 0015

K70R0120 A

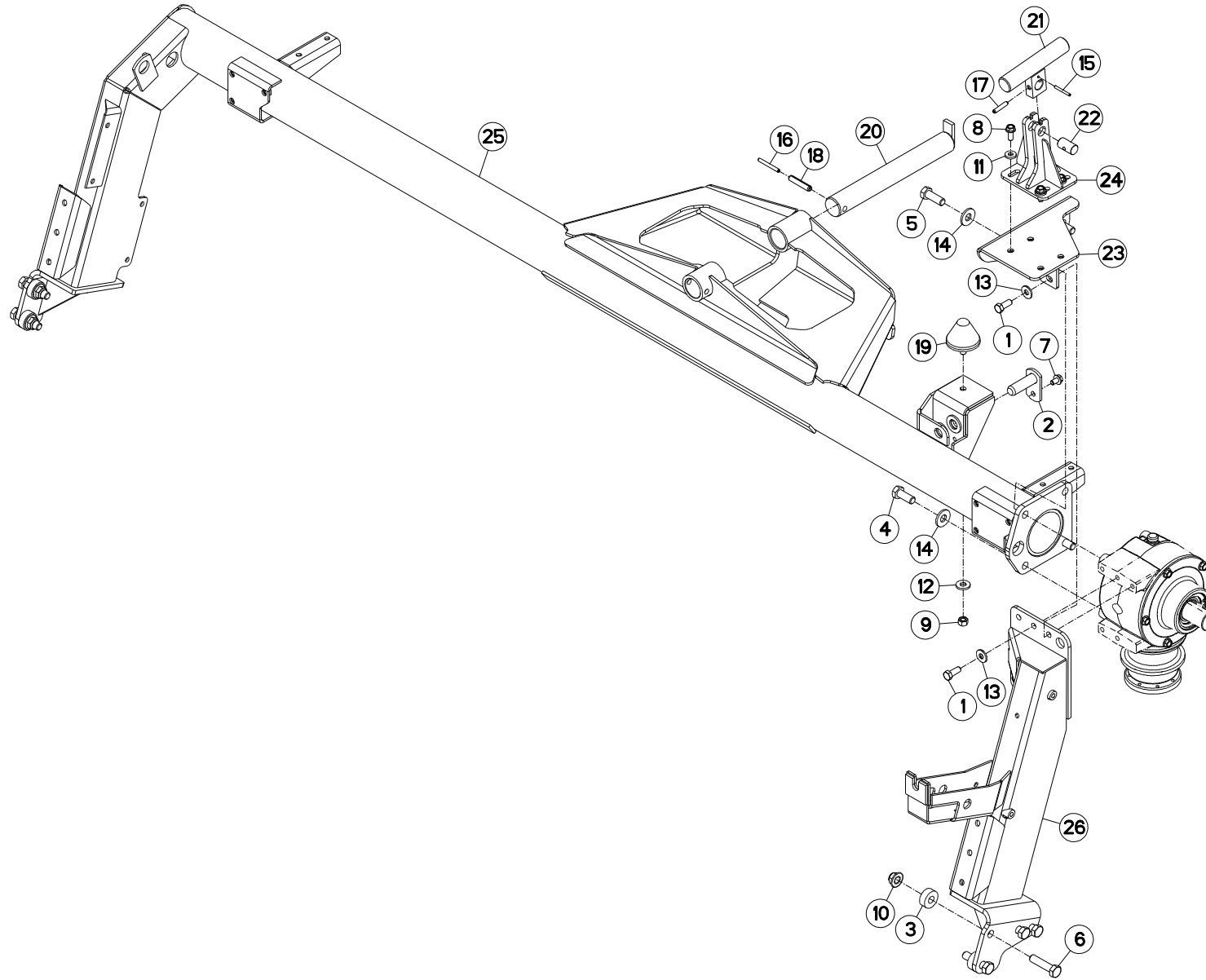
TUBE PORTEUR GAUCHE

SUPPORT TUBE LEFT

TRAGROHR LINKS

TUBO PORTANTE SINISTRO

| Rep | Nr | Qt | Designation | Description | Bezeichnung | Referenza | Remarque - Remark - Bemerkung - Osservazioni |
|-----|----------|-----|------------------------------|------------------------------|-----------------------------|-------------------------------|--|
| 001 | 50003600 | 005 | VIS AUTOFREINEE H | SELF-LOCKING SCREW | SELBSTSICHERNDE SCHRAUBE | VITE AUTOBLOCCANTE | 14 daN m (103 lbf ft) |
| 002 | 56202300 | 008 | DOUILLE | WASHER | DISTANZSCHEIBE | RONDELLA | |
| 003 | 80061641 | 002 | VIS TETE HEXAGONALE FE/ZNXC3 | HEXAGON HEAD SCREW FE/ZNXC3 | SECHSKANTSCHRAUBE FE/ZNXC3 | VITE TESTA ESAGONALE FE/ZNXC3 | 20 daN m (148 lbf ft) |
| 004 | 80061646 | 002 | VIS TETE HEXAGONALE FE/ZNXC3 | HEXAGON HEAD SCREW FE/ZNXC3 | SECHSKANTSCHRAUBE FE/ZNXC3 | VITE TESTA ESAGONALE FE/ZNXC3 | 20 daN m (148 lbf ft) |
| 005 | 80061683 | 008 | VIS TETE HEXAGONALE | HEXAGON HEAD SCREW | SECHSKANTSCHRAUBE | VITE A TESTA ESAGONALE | 35 daN m (258 lbf ft) |
| 006 | 80131017 | 001 | VIS AUTOBLOQUANTE FLZNNC | UNDERSERR.S-LOC.SCREW FLZNNC | SPERRZAHN-BUNDSCHRAU.FLZNNC | VITE FLZNNC | |
| 007 | 80131026 | 004 | VIS AUTOBLOQUANTE FLZNNC | UNDERSERR.S-LOC.SCREW FLZNNC | SPERRZAHN-BUNDSCHRAU.FLZNNC | VITE FLZNNC | |
| 008 | 80201270 | 001 | ECROU HEXAGONAL FE/ZNXC3 | NUT FE/ZNXC3 | SECHSKANTMUTTER FE/ZNXC3 | DADO FE/ZNXC3 | |
| 009 | 80201662 | 008 | ECROU HEXAG.EMBASE POLYSTOP | SELF-LOCKING NUT W.COLLAR | SELBSTSICHERNDE BUNDMUTTER | DADO AUTOBLOCCANTE | |
| 010 | 80251127 | 004 | RONDELLE PLATE FE/ZNXC3 | PLAIN WASHER FE/ZNXC3 | SCHEIBE FE/ZNXC3 | RONDELLA PIATTA FE/ZNXC3 | |
| 011 | 80251331 | 001 | RONDELLE PLATE FE/ZNXC3 | PLAIN WASHER FE/ZNXC3 | SCHEIBE FE/ZNXC3 | RONDELLA PIATTA FE/ZNXC3 | |
| 012 | 80281230 | 005 | RONDELLE RESSORT FLZNNC | CONICAL SPRING WASHER FLZNNC | SPANNSCHEIBE FLZNNC | RONDELLA MOLLA FLZNNC | |
| 013 | 80281639 | 004 | RONDELLE RESSORT FLZNNC | CONICAL SPRING WASHER FLZNNC | SPANNSCHEIBE FLZNNC | RONDELLA A MOLLA FLZNNC | |
| 014 | 80450546 | 001 | GOUPILLE ELASTIQUE FLZNNC | ROLL PIN FLZNNC | SPANNHUELSE FLZNNC | SPINA ELASTICA FLZNNC | |
| 015 | 80450762 | 001 | GOUPILLE ELASTIQUE FLZNNC | ROLL PIN FLZNNC | SPANNHUELSE FLZNNC | SPINA ELASTICA FLZNNC | |
| 016 | 80450841 | 001 | GOUPILLE ELASTIQUE FLZNNC | ROLL PIN FLZNNC | SPANNHUELSE FLZNNC | SPINA ELASTICA FLZNNC | |
| 017 | 80451261 | 001 | GOUPILLE ELASTIQUE FLZNNC | ROLL PIN FLZNNC | SPANNHUELSE FLZNNC | SPINA ELASTICA FLZNNC | |
| 018 | 83030008 | 001 | BUTEE ELASTIQUE CONIQUE | RUBBER STOP | GUMMIPUFFER | GOMMINO | |
| 019 | 52329300 | 001 | AXE | PIN | ACHSE | ASSE | |
| 020 | K7001950 | 001 | AXE | PIN | ACHSE | ASSE | |
| 021 | K7004660 | 001 | DOIGT | FINGER | FINGER | DENTE | |
| 022 | K7004670 | 001 | AXE | PIN | ACHSE | ASSE | |
| 023 | K7004690 | 001 | SUPPORT | SUPPORT | TRAEGER | SUPPORTO | |
| 024 | K7004700 | 001 | CHAPE | CLEVIS | GABEL | FORCELLA | |
| 025 | K7006430 | 001 | JAMBE DROITE | SUPPORT LEG | STREBE | | |
| 026 | K7006421 | 001 | TUBE PORTEUR GAUCHE | SUPPORT TUBE | TRAGROHR | TUBO PORTANTE | |





GMD883

B 0016 > C 0000

K70R0120 B

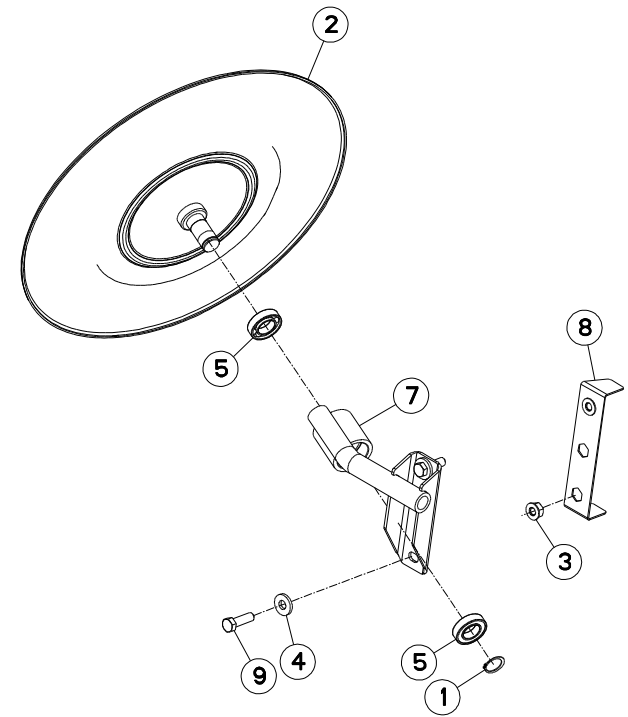
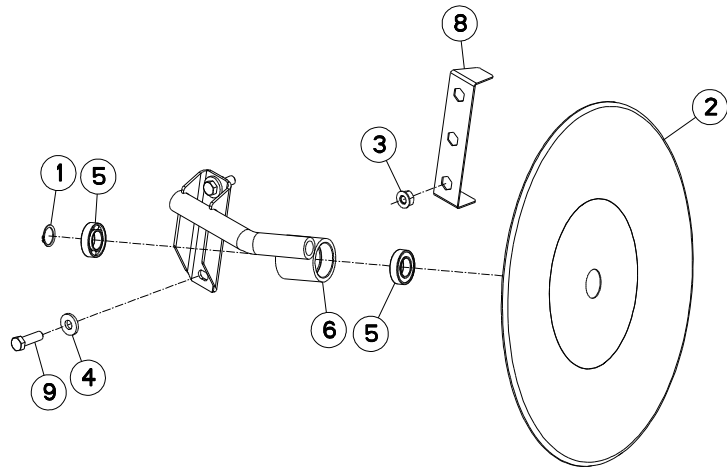
TUBE PORTEUR GAUCHE

SUPPORT TUBE LEFT

TRAGROHR LINKS

TUBO PORTANTE SINISTRO

| Rep | Nr | Qt | Designation | Description | Bezeichnung | Referenza | Remarque - Remark - Bemerkung - Osservazioni |
|-----|----------|-----|------------------------------|------------------------------|-----------------------------|-------------------------------|--|
| 001 | 50003600 | 005 | VIS AUTOFREINEE H | SELF-LOCKING SCREW | SELBSTSICHERNDE SCHRAUBE | VITE AUTOBLOCCANTE | 14 daN m (103 lbf ft) |
| 002 | 52329300 | 001 | AXE | PIN | ACHSE | ASSE | |
| 003 | 56202300 | 008 | DOUILLE | WASHER | DISTANZSCHEIBE | RONDELLA | |
| 004 | 80061641 | 002 | VIS TETE HEXAGONALE FE/ZNXC3 | HEXAGON HEAD SCREW FE/ZNXC3 | SECHSKANTSCHRAUBE FE/ZNXC3 | VITE TESTA ESAGONALE FE/ZNXC3 | 20 daN m (148 lbf ft) |
| 005 | 80061646 | 002 | VIS TETE HEXAGONALE FE/ZNXC3 | HEXAGON HEAD SCREW FE/ZNXC3 | SECHSKANTSCHRAUBE FE/ZNXC3 | VITE TESTA ESAGONALE FE/ZNXC3 | 20 daN m (148 lbf ft) |
| 006 | 80061683 | 008 | VIS TETE HEXAGONALE | HEXAGON HEAD SCREW | SECHSKANTSCHRAUBE | VITE A TESTA ESAGONALE | 35 daN m (258 lbf ft) |
| 007 | 80131017 | 001 | VIS AUTOBLOQUANTE FLZNNC | UNDERSERR.S-LOC.SCREW FLZNNC | SPERRZAHN-BUNDSCHRAU.FLZNNC | VITE FLZNNC | |
| 008 | 80131026 | 004 | VIS AUTOBLOQUANTE FLZNNC | UNDERSERR.S-LOC.SCREW FLZNNC | SPERRZAHN-BUNDSCHRAU.FLZNNC | VITE FLZNNC | |
| 009 | 80201270 | 001 | ECROU HEXAGONAL FE/ZNXC3 | NUT FE/ZNXC3 | SECHSKANTMUTTER FE/ZNXC3 | DADO FE/ZNXC3 | |
| 010 | 80201662 | 008 | ECROU HEXAG.EMBASE POLYSTOP | SELF-LOCKING NUT W.COLLAR | SELBSTSICHERNDE BUNDMUTTER | DADO AUTOBLOCCANTE | |
| 011 | 80251127 | 004 | RONDELLE PLATE FE/ZNXC3 | PLAIN WASHER FE/ZNXC3 | SCHEIBE FE/ZNXC3 | RONDELLA PIATTA FE/ZNXC3 | |
| 012 | 80251331 | 001 | RONDELLE PLATE FE/ZNXC3 | PLAIN WASHER FE/ZNXC3 | SCHEIBE FE/ZNXC3 | RONDELLA PIATTA FE/ZNXC3 | |
| 013 | 80281230 | 005 | RONDELLE RESSORT FLZNNC | CONICAL SPRING WASHER FLZNNC | SPANNSCHEIBE FLZNNC | RONDELLA MOLLA FLZNNC | |
| 014 | 80281639 | 004 | RONDELLE RESSORT FLZNNC | CONICAL SPRING WASHER FLZNNC | SPANNSCHEIBE FLZNNC | RONDELLA A MOLLA FLZNNC | |
| 015 | 80450546 | 001 | GOUPILLE ELASTIQUE FLZNNC | ROLL PIN FLZNNC | SPANNHUELSE FLZNNC | SPINA ELASTICA FLZNNC | |
| 016 | 80450762 | 001 | GOUPILLE ELASTIQUE FLZNNC | ROLL PIN FLZNNC | SPANNHUELSE FLZNNC | SPINA ELASTICA FLZNNC | |
| 017 | 80450841 | 001 | GOUPILLE ELASTIQUE FLZNNC | ROLL PIN FLZNNC | SPANNHUELSE FLZNNC | SPINA ELASTICA FLZNNC | |
| 018 | 80451261 | 001 | GOUPILLE ELASTIQUE FLZNNC | ROLL PIN FLZNNC | SPANNHUELSE FLZNNC | SPINA ELASTICA FLZNNC | |
| 019 | 83030008 | 001 | BUTEE ELASTIQUE CONIQUE | RUBBER STOP | GUMMIPUFFER | GOMMINO | |
| 020 | K7001950 | 001 | AXE | PIN | ACHSE | ASSE | |
| 021 | K7004660 | 001 | DOIGT | FINGER | FINGER | DENTE | |
| 022 | K7004670 | 001 | AXE | PIN | ACHSE | ASSE | |
| 023 | K7004690 | 001 | SUPPORT | SUPPORT | TRAEGER | SUPPORTO | |
| 024 | K7004700 | 001 | CHAPE | CLEVIS | GABEL | FORCELLA | |
| 025 | K7006422 | 001 | TUBE | TUBE | ROHR | TUBO | |
| 026 | K7006431 | 001 | JAMBE DROITE SOUDEE | SUPPORT LEG | STREBE | | |





GMD883

B 0001 > C 0000

K70R0185 A

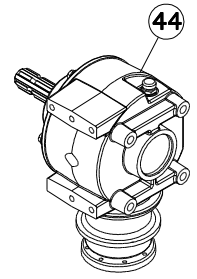
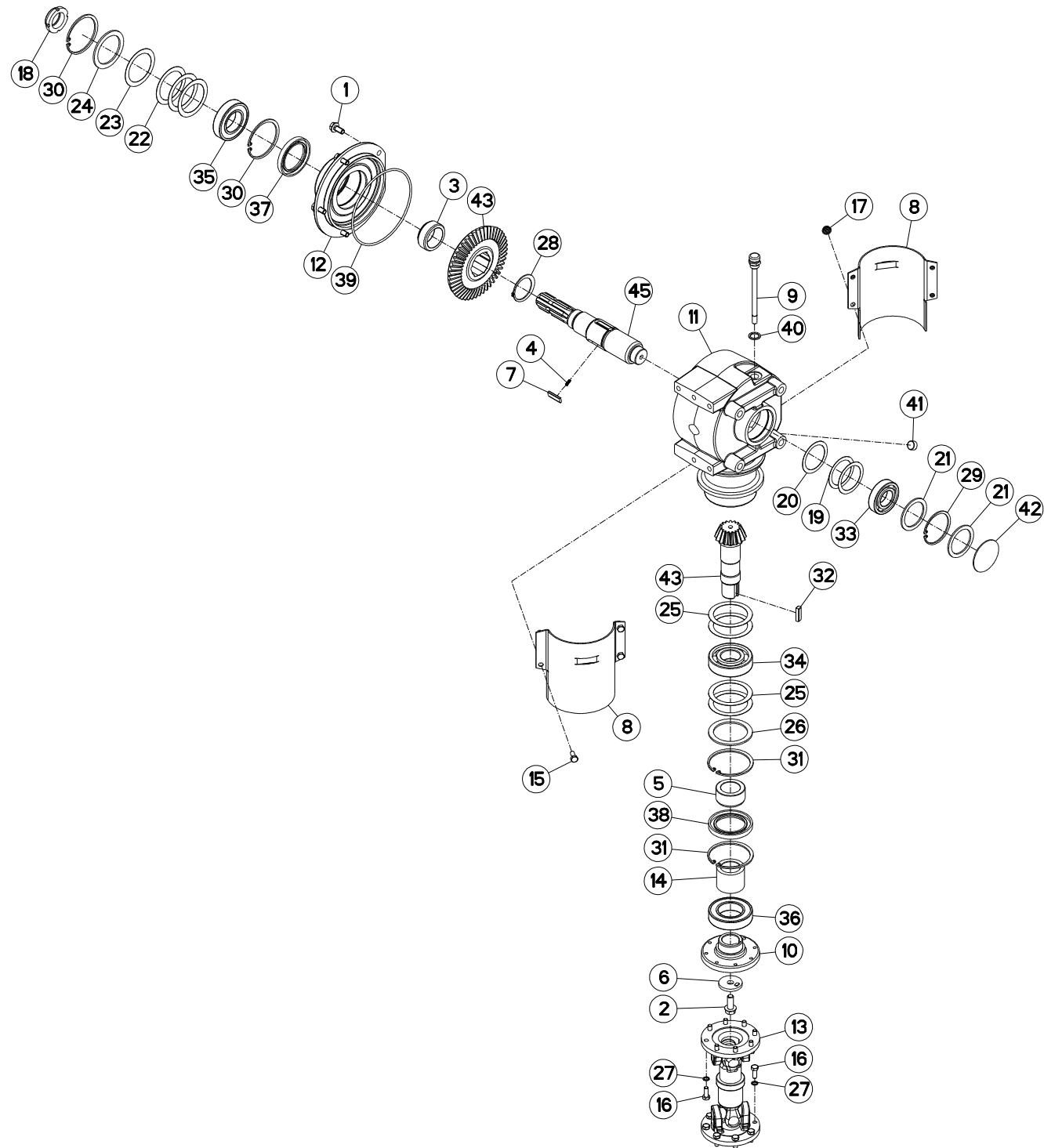
DISQUE D'ANDAINAGE

SWATH DISC

SCHWADRAD

DISCO D'ANDANATURA

| Rep | Nr | Qt | Designation | Description | Bezeichnung | Referenza | Remarque - Remark - Bemerkung - Osservazioni |
|-----|-----------------|-----|-------------------------|-------------------------|-------------------------------|--------------------------|--|
| 001 | 80582500 | 004 | CIRCLIP EXTERIEUR | RETAINING RING | SICHERUNGSRING | ANELLO | |
| 002 | 56834300 | 004 | DISQUE | DISC | SCHEIBE | DISCO | |
| 003 | 80201262 | 008 | ECROU TWOLOCK FLZNNC | SELF-LOCKING NUT FLZNNC | SELBSTSICHERNDE MUTTER FLZNNC | DADO TWOLOCK FLZNNC | |
| 004 | 80251331 | 008 | RONDELLE PLATE FE/ZNXC3 | PLAIN WASHER FE/ZNXC3 | SCHEIBE FE/ZNXC3 | RONDELLA PIATTA FE/ZNXC3 | |
| 005 | 81002550 | 008 | ROULEMENT A BILLES | BALL BEARING | KUGELLAGER | CUSCINETTO A SFERE | |
| 006 | K7002252 | 002 | SUPPORT | SUPPORT | TRAEGER | SUPPORTO | |
| 007 | K7002262 | 002 | SUPPORT | SUPPORT | TRAEGER | SUPPORTO | |
| 008 | 56690820 | 004 | TOLE SUPPORT D'ECROUS | SUPPORT | HALTERUNG | TELA | |
| 009 | 50003500 | 008 | VIS | SCREW | SCHRAUBE | VITE | |





GMD883

B 0001 > B 0015

K70R0179 A

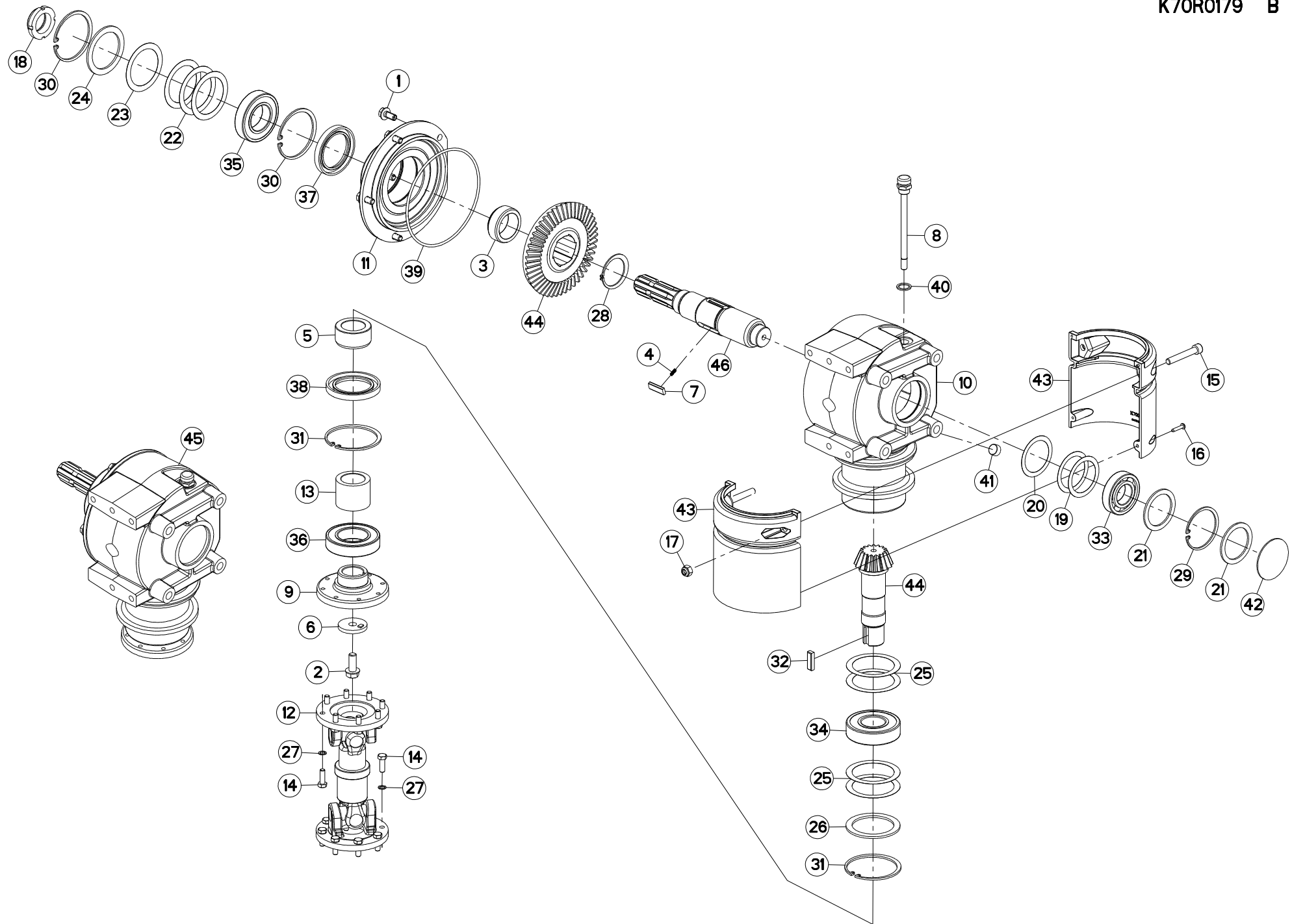
CARTER LATERAL DROIT

SIDE GEARBOX RIGHT

SEITENGETRIEBE RECHTS

CARTER LATERALE DESTRO

| Rep | Nr | Qt | Designation | Description | Bezeichnung | Referenza | Remarque - Remark - Bemerkung - Osservazioni |
|-----|----------|-----|--------------------------------|--------------------------------|-------------------------------|-------------------------------|--|
| 001 | 50002100 | 005 | VIS AUTOFREINEE | SCREW, SELF-LOCKING | SELBSTSICHERNDE SCHRAUBE | VITE AUTOBLOCCANTE | |
| 002 | 50006200 | 001 | VIS | SCREW | SCHRAUBE | VITE | |
| 003 | 52527600 | 001 | ENTRETOISE | SPACER | DISTANZHUELSE | DISTANZIALE | |
| 004 | 55745700 | 003 | RESSORT | SPRING | FEDER | MOLLA | |
| 005 | 56009200 | 001 | ENTRETOISE | SPACER | DISTANZHUELSE | DISTANZIALE | |
| 006 | 56145200 | 001 | RONDELLE BUTEE | LOCK WASHER | SICHERUNGSSCHEIBE | RONDELLA | |
| 007 | 56548700 | 003 | CLIQUET | RATCHET | SPERRKLINKE | NOTTOLINO | |
| 008 | 56604910 | 002 | COQUILLE DE PROTECTION | PROTECTION COVER | SCHUTZSCHALE | LAMIERA DI PROTEZIONE | |
| 009 | 56613600 | 001 | BOUCHON | PLUG | VERSCHLUSSSCHRAUBE | TAPPO | |
| 010 | 56630200 | 001 | FLASQUE | FLANGE | FLANSCH | FLANGIA | |
| 011 | 56655030 | 001 | CARTER | HOUSING | GEHAEUSE | SCATOLA | |
| 012 | 56655120 | 001 | FLASQUE | FLANGE | FLANSCH | FLANGIA | |
| 013 | 56806510 | 001 | TRANSMISSION | PTO SHAFT | GELENKWELLE | CARDANO | |
| 014 | 56856700 | 001 | ENTRETOISE | SPACER | DISTANZHUELSE | DISTANZIALE | |
| 015 | 80060820 | 004 | VIS TETE HEXAGONALE FE/ZNXC3 | HEXAGON HEAD SCREW FE/ZNXC3 | SECHSKANTSCHRAUBE FE/ZNXC3 | VITE TESTA ESAGONALE FE/ZNXC3 | |
| 016 | 80060822 | 016 | VIS TETE HEXAGONALE | HEXAGON HEAD SCREW | SECHSKANTSCHRAUBE | VITE A TESTA ESAGONALE | |
| 017 | 80200851 | 004 | ECROU AUTOBLOQUANT FE/ZNXC3 | UNDERSERRAT.S.LOC.NUT FE/ZNXC3 | SPERRZAHN-BUNDMUTTER FE/ZNXC3 | DADO FE/ZNXC3 | |
| 018 | 80204063 | 001 | ECROU A ENCOCH.AUOF.FE/ZNXC3 | SELF-LOCKING NUT FE/ZNXC3 | SELBSTSICHERN.MUTTER FE/ZNXC3 | DADO AUTOBLOCCANTE FE/ZNXC3 | |
| 019 | 80255670 | 002 | RONDELLE D'AJUSTAGE PS 0,1 | SHIM RING PS 0,1 | PASSSCHEIBE PS 0,1 | SPESSORE | |
| 020 | 80255671 | 001 | RONDELLE D'AJUSTAGE PS 0,3 | SHIM RING PS 0,3 | PASSSCHEIBE PS 0,3 | SPESSORE PS 0,3 | |
| 021 | 80255677 | 002 | RONDELLE D'AJUSTAGE SS 3,0 | SUPPORTING RING SS 3,0 | STUETZSCHEIBE SS 3,0 | SPESSORE | |
| 022 | 80256565 | 003 | RONDELLE D'AJUSTAGE PS 0,1 | SHIM RING PS 0,1 | PASSSCHEIBE PS 0,1 | SPESSORE | |
| 023 | 80256566 | 001 | RONDELLE D'AJUSTAGE PS 0,2 | SHIM RING PS 0,2 | PASSSCHEIBE PS 0,2 | SPESSORE | |
| 024 | 80256570 | 001 | RONDELLE D'APPUI SS 3,5 | SUPPORTING RING SS 3,5 | STUETZSCHEIBE SS 3,5 | RONDELLA D'APPOGGIO | |
| 025 | 80257070 | 004 | RONDELLE D'AJUSTAGE PS 0,1 | SHIM RING PS 0,1 | PASSSCHEIBE PS 0,1 | SPESSORE | |
| 026 | 80257078 | 001 | RONDELLE D'APPUI SS 3,5 | SUPPORTING RING SS 3,5 | STUETZSCHEIBE SS 3,5 | RONDELLA D'APPOGGIO | |
| 027 | 80280820 | 016 | RONDELLE RESSORT CRANTEE | CONICAL SPRING WASHER | SPANNSCHEIBE | RONDELLA MOLLA | |
| 028 | 80585200 | 001 | CIRCLIP EXTERIEUR | RETAINING RING | SICHERUNGSRING | ANELLO | |
| 029 | 80597200 | 001 | CIRCLIP INTERIEUR | RETAINING RING | SICHERUNGSRING | ANELLO | |
| 030 | 80598500 | 002 | CIRCLIP INTERIEUR | RETAINING RING | SICHERUNGSRING | ANELLO | |
| 031 | 80599000 | 002 | CIRCLIP INTERIEUR | RETAINING RING | SICHERUNGSRING | ANELLO | |
| 032 | 80651031 | 001 | CLAVETTE B | PARALLEL KEY B | PASSFEDER B | CHIAVETTA | |
| 033 | 81003572 | 001 | ROULEMENT A BILLES | BALL BEARING | KUGELLAGER | CUSCINETTO A SFERE | |
| 034 | 81004090 | 001 | ROULEMENT A BILLES | BALL BEARING | KUGELLAGER | CUSCINETTO A SFERE | |
| 035 | 81004588 | 001 | ROULEMENT A BILLES | BALL BEARING | KUGELLAGER | CUSCINETTO A SFERE | |
| 036 | 81005091 | 001 | ROULEMENT A BILLES | BALL BEARING | KUGELLAGER | CUSCINETTO A SFERE | |
| 037 | 82016087 | 001 | BAGUE D'ETANCHEITE | OIL SEAL | RADIALDICHTRING | PARAOLIO | |
| 038 | 82016090 | 001 | BAGUE D'ETANCHEITE | OIL SEAL | RADIALDICHTRING | PARAOLIO | |
| 039 | 82060050 | 001 | JOINT TORIQUE | O-RING | O-RING | GUARNIZIONE | |
| 040 | 82131824 | 001 | JOINT CUIVRE | SEALING RING | DICHTRING | RONDELLA RAME | |
| 041 | 82230003 | 001 | BOUCHON FE/ZNXC3 | PLUG FE/ZNXC3 | VERSCHLUSSSCHRAUBE FE/ZNXC3 | TAPPO FE/ZNXC3 | |
| 042 | 83040002 | 001 | BOUCHON EXPANSIBLE | EXPANDING CAP | VERSCHLUSSSCHEIBE | TAPPO | |
| 043 | K7006720 | 001 | COUPLE CONIQUE 16/47 DENTS | GEAR WHEEL-PINION Z.16/47 | KEGELRADPAAR Z.16/47 | | |
| 044 | K7007740 | 001 | CARTER | HOUSING | GEHAEUSE | SCATOLA | |
| 045 | K7007760 | 001 | ARBRE ENTRAINEMENT CARTER LATE | SHAFT | WELLE | ALBERO | |





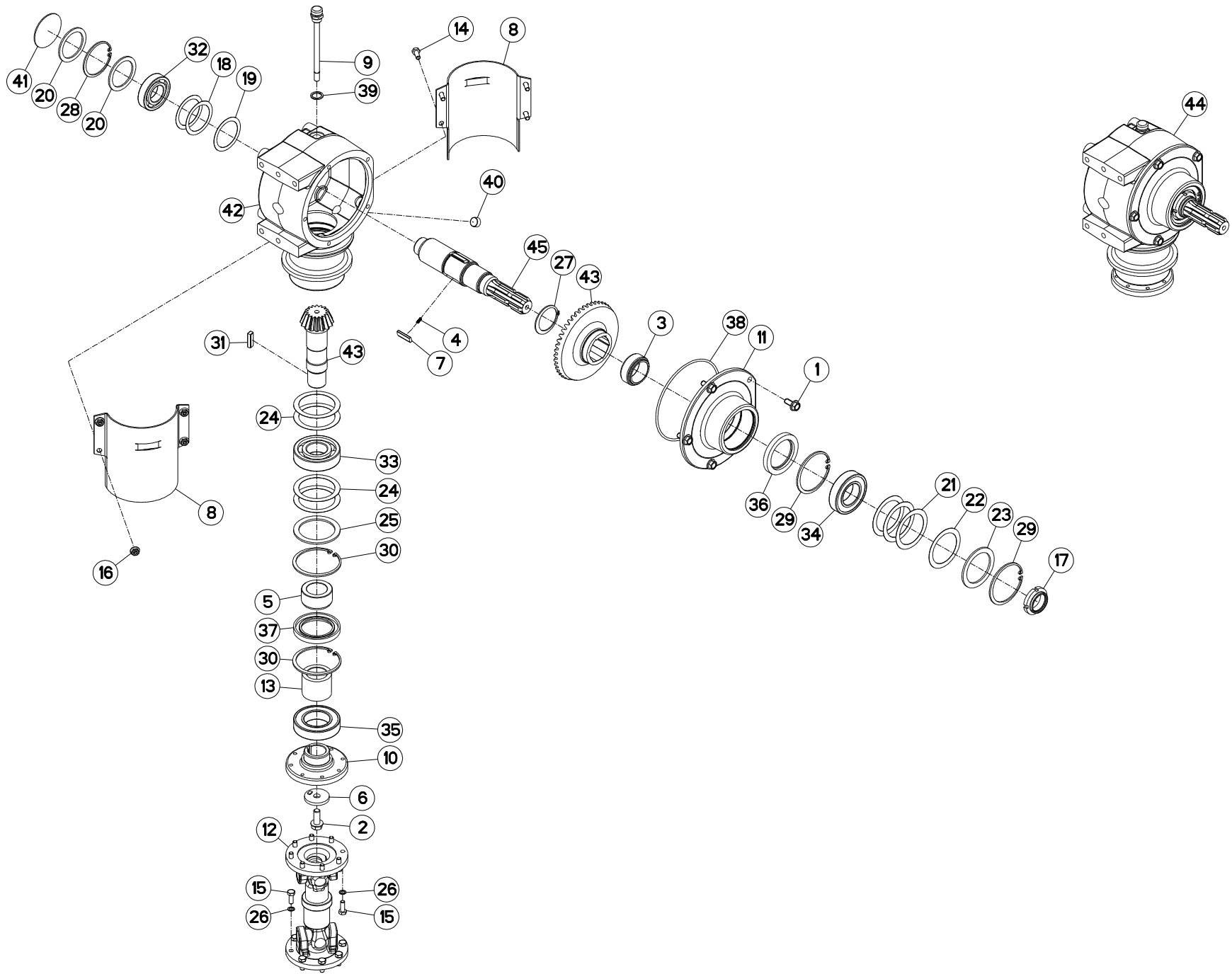
CARTER LATERAL DROIT

SIDE GEARBOX RIGHT

SEITENGETRIEBE RECHTS

CARTER LATERALE DESTRO

| Rep | Nr | Qt | Designation | Description | Bezeichnung | Referenza | Remarque - Remark - Bemerkung - Osservazioni |
|-----|----------|-----|--------------------------------|-------------------------------|--------------------------------|--------------------------------|--|
| 001 | 50002100 | 005 | VIS AUTOFREINEE | SCREW, SELF-LOCKING | SELBSTSICHERNDE SCHRAUBE | VITE AUTOBLOCCANTE | [1] 7 daN m (52 lbf ft) |
| 002 | 50006200 | 001 | VIS | SCREW | SCHRAUBE | VITE | [1] 12 daN m (89 lbf ft) |
| 003 | 52527600 | 001 | ENTRETOISE | SPACER | DISTANZHUELSE | DISTANZIALE | [1] |
| 004 | 55745700 | 003 | RESSORT | SPRING | FEDER | MOLLA | [1] |
| 005 | 56009200 | 001 | ENTRETOISE | SPACER | DISTANZHUELSE | DISTANZIALE | [1] |
| 006 | 56145200 | 001 | RONDELLE BUTEE | LOCK WASHER | SICHERUNGSSCHEIBE | RONDELLA | [1] |
| 007 | 56548700 | 003 | CLIQUET | RATCHET | SPERRKLINKE | NOTTOLINO | [1] |
| 008 | 56613600 | 001 | BOUCHON | PLUG | VERSCHLUSSSCHRAUBE | TAPPO | [1] |
| 009 | 56630200 | 001 | FLASQUE | FLANGE | FLANSCH | FLANGIA | [1] |
| 010 | 56655030 | 001 | CARTER | HOUSING | GEHAEUSE | SCATOLA | [1] |
| 011 | 56655120 | 001 | FLASQUE | FLANGE | FLANSCH | FLANGIA | [1] |
| 012 | 56806510 | 001 | TRANSMISSION | PTO SHAFT | GELENKWELLE | CARDANO | |
| 013 | 56856700 | 001 | ENTRETOISE | SPACER | DISTANZHUELSE | DISTANZIALE | [1] |
| 014 | 80060826 | 016 | VIS TETE HEXAGONALE FE/ZNXC3 | HEXAGON HEAD SCREW FE/ZNXC3 | SECHSKANTSCHRAUBE FE/ZNXC3 | VITE TESTA ESAGONALE FE/ZNXC3 | 2,5 daN m (19 lbf ft) |
| 015 | 80081065 | 002 | VIS TETE CYL.SIX P.CR.FE/ZNXC3 | SCREW, SOCKET HEAD FE/ZNXC3 | ZYLINDERSCHR.INNENSEC.FE/ZNXC3 | VITE A TESTA CILINDR. FE/ZNXC3 | |
| 016 | 80190425 | 002 | VIS A TOLE T/CYL.BOMB.INOX | PEN HEAD TAPPING SCREW INOX | LINSEN-BLECHSCHRAUBE INOX | VITE INOX | |
| 017 | 80201030 | 002 | ECROU HEX.AUTOFREINE FE/ZNXC3 | SELF-LOCKING NUT FE/ZNXC3 | SELBSTSICH.MUTTER FE/ZNXC3 | DADO AUTOBLOCCANTE FE/ZNXC3 | |
| 018 | 80204063 | 001 | ECROU A ENCOCH.AUTOF.FE/ZNXC3 | SELF-LOCKING NUT FE/ZNXC3 | SELBSTSICHERN.MUTTER FE/ZNXC3 | DADO AUTOBLOCCANTE FE/ZNXC3 | [1] |
| 019 | 80255670 | 002 | RONDELLE D'AJUSTAGE PS 0,1 | SHIM RING PS 0,1 | PASSSCHEIBE PS 0,1 | SPESSORE | [1] |
| 020 | 80255671 | 001 | RONDELLE D'AJUSTAGE PS 0,3 | SHIM RING PS 0,3 | PASSSCHEIBE PS 0,3 | SPESSORE PS 0,3 | [1] |
| 021 | 80255677 | 002 | RONDELLE D'AJUSTAGE SS 3,0 | SUPPORTING RING SS 3,0 | STUETZSCHEIBE SS 3,0 | SPESSORE | [1] |
| 022 | 80256565 | 003 | RONDELLE D'AJUSTAGE PS 0,1 | SHIM RING PS 0,1 | PASSSCHEIBE PS 0,1 | SPESSORE | [1] |
| 023 | 80256566 | 001 | RONDELLE D'AJUSTAGE PS 0,2 | SHIM RING PS 0,2 | PASSSCHEIBE PS 0,2 | SPESSORE | [1] |
| 024 | 80256570 | 001 | RONDELLE D'APPUI SS 3,5 | SUPPORTING RING SS 3,5 | STUETZSCHEIBE SS 3,5 | RONDELLA D'APPOGGIO | [1] |
| 025 | 80257070 | 004 | RONDELLE D'AJUSTAGE PS 0,1 | SHIM RING PS 0,1 | PASSSCHEIBE PS 0,1 | SPESSORE | [1] |
| 026 | 80257078 | 001 | RONDELLE D'APPUI SS 3,5 | SUPPORTING RING SS 3,5 | STUETZSCHEIBE SS 3,5 | RONDELLA D'APPOGGIO | [1] |
| 027 | 80280820 | 016 | RONDELLE RESSORT CRANTEE | CONICAL SPRING WASHER | SPANNSCHEIBE | RONDELLA MOLLA | [1] |
| 028 | 80585200 | 001 | CIRCLIP EXTERIEUR | RETAINING RING | SICHERUNGSRING | ANELLO | [1] |
| 029 | 80597200 | 001 | CIRCLIP INTERIEUR | RETAINING RING | SICHERUNGSRING | ANELLO | [1] |
| 030 | 80598500 | 002 | CIRCLIP INTERIEUR | RETAINING RING | SICHERUNGSRING | ANELLO | [1] |
| 031 | 80599000 | 002 | CIRCLIP INTERIEUR | RETAINING RING | SICHERUNGSRING | ANELLO | [1] |
| 032 | 80651031 | 001 | CLAVETTE B | PARALLEL KEY B | PASSFEDER B | CHIAVETTA | [1] |
| 033 | 81003572 | 001 | ROULEMENT A BILLES | BALL BEARING | KUGELLAGER | CUSCINETTO A SFERE | [1] |
| 034 | 81004093 | 001 | ROULEMENT A BILLES | BALL BEARING | KUGELLAGER | CUSCINETTO A SFERE | [1] |
| 035 | 81004588 | 001 | ROULEMENT A BILLES | BALL BEARING | KUGELLAGER | CUSCINETTO A SFERE | [1] |
| 036 | 81005091 | 001 | ROULEMENT A BILLES | BALL BEARING | KUGELLAGER | CUSCINETTO A SFERE | [1] |
| 037 | 82016087 | 001 | BAGUE D'ETANCHEITE | OIL SEAL | RADIALDICHRING | PARAOLIO | [1] |
| 038 | 82016090 | 001 | BAGUE D'ETANCHEITE | OIL SEAL | RADIALDICHRING | PARAOLIO | [1] |
| 039 | 82060050 | 001 | JOINT TORIQUE | O-RING | O-RING | GUARNIZIONE | [1] |
| 040 | 82131824 | 001 | JOINT CUIVRE | SEALING RING | DICHRING | RONDELLA RAME | [1] |
| 041 | 82230003 | 001 | BOUCHON FE/ZNXC3 | PLUG FE/ZNXC3 | VERSCHLUSSSCHRAUBE FE/ZNXC3 | TAPPO FE/ZNXC3 | [1] |
| 042 | 83040002 | 001 | BOUCHON EXPANSIBLE | EXPANDING CAP | VERSCHLUSSSCHEIBE | TAPPO | [1] |
| 043 | K7003170 | 002 | COQUILLE DE PROTECTION | COVER | SCHALE | LAMIERA | |
| 044 | K7006731 | 001 | COUPLE CONIQUE 16/47 DENTS | GEAR WHEEL AND PINION Z.16/47 | KEGELRADPAAR Z.16/47 | COPPIA CONICA 16/47D | [1] |
| 045 | K7007740 | 001 | CARTER | HOUSING | GEHAEUSE | SCATOLA | [1] |
| 046 | K7007760 | 001 | ARBRE ENTRAINEMENT CARTER LATE | SHAFT | WELLE | ALBERO | [1] +[1] |





GMD883

B 0001 > B 0015

K70R0180 A

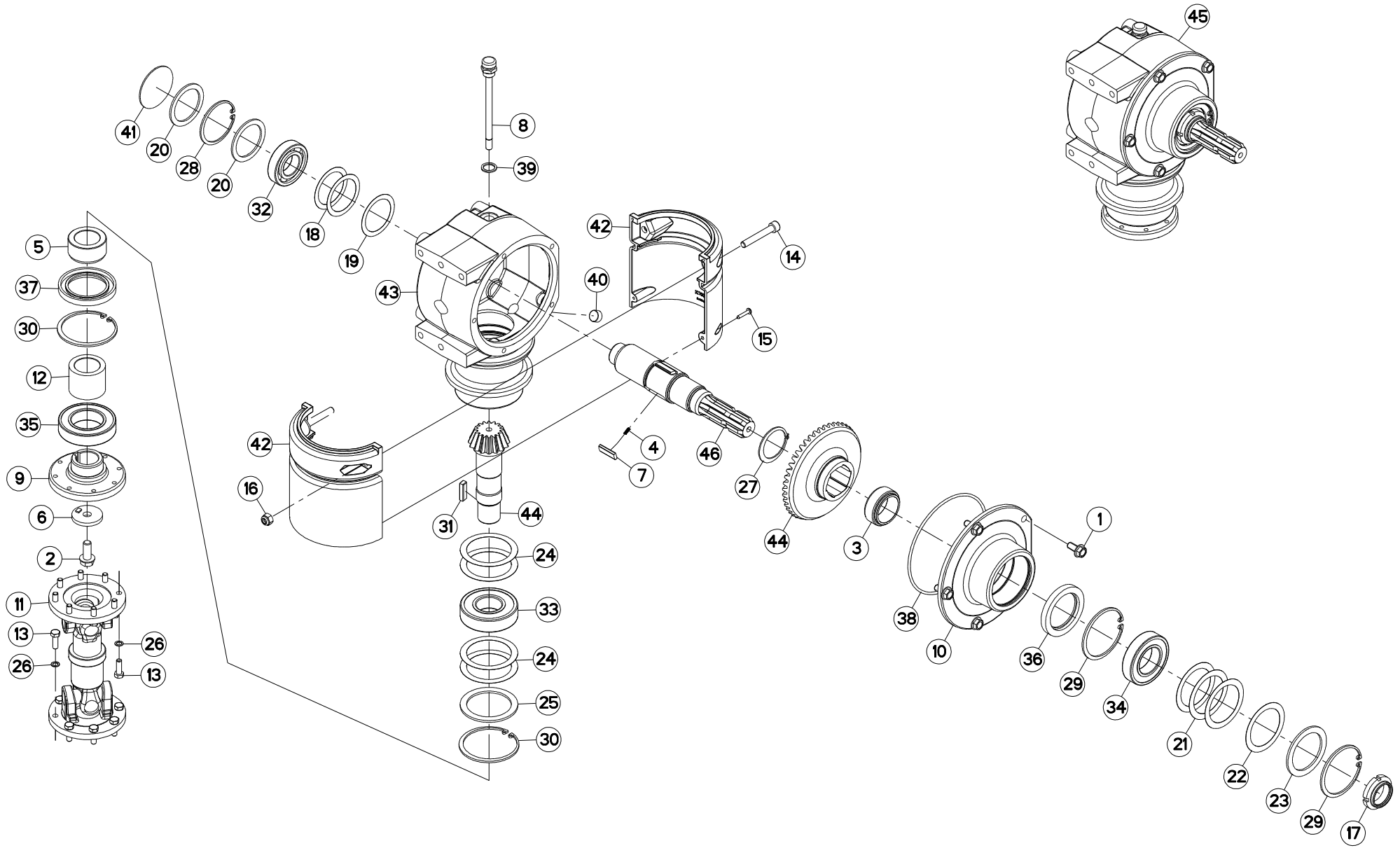
CARTER LATERAL GAUCHE

SIDE GEARBOX LEFT

SEITENGETRIEBE LINKS

CARTER LATERALE SINISTRO

| Rep | Nr | Qt | Designation | Description | Bezeichnung | Referenza | Remarque - Remark - Bemerkung - Osservazioni |
|-----|----------|-----|--------------------------------|--------------------------------|-------------------------------|-------------------------------|--|
| 001 | 50002100 | 005 | VIS AUTOFREINEE | SCREW, SELF-LOCKING | SELBSTSICHERNDE SCHRAUBE | VITE AUTOBLOCCANTE | |
| 002 | 50006200 | 001 | VIS | SCREW | SCHRAUBE | VITE | |
| 003 | 52527600 | 001 | ENTRETOISE | SPACER | DISTANZHUELSE | DISTANZIALE | |
| 004 | 55745700 | 003 | RESSORT | SPRING | FEDER | MOLLA | |
| 005 | 56009200 | 001 | ENTRETOISE | SPACER | DISTANZHUELSE | DISTANZIALE | |
| 006 | 56145200 | 001 | RONDELLE BUTEE | LOCK WASHER | SICHERUNGSSCHEIBE | RONDELLA | |
| 007 | 56548700 | 003 | CLIQUET | RATCHET | SPERRKLINKE | NOTTOLINO | |
| 008 | 56604910 | 002 | COQUILLE DE PROTECTION | PROTECTION COVER | SCHUTZSCHALE | LAMIERA DI PROTEZIONE | |
| 009 | 56613600 | 001 | BOUCHON | PLUG | VERSCHLUSSSCHRAUBE | TAPPO | |
| 010 | 56630200 | 001 | FLASQUE | FLANGE | FLANSCH | FLANGIA | |
| 011 | 56655120 | 001 | FLASQUE | FLANGE | FLANSCH | FLANGIA | |
| 012 | 56806510 | 001 | TRANSMISSION | PTO SHAFT | GELENKWELLE | CARDANO | |
| 013 | 56856700 | 001 | ENTRETOISE | SPACER | DISTANZHUELSE | DISTANZIALE | |
| 014 | 80060820 | 004 | VIS TETE HEXAGONALE FE/ZNXC3 | HEXAGON HEAD SCREW FE/ZNXC3 | SECHSKANTSCHRAUBE FE/ZNXC3 | VITE TESTA ESAGONALE FE/ZNXC3 | |
| 015 | 80060822 | 016 | VIS TETE HEXAGONALE | HEXAGON HEAD SCREW | SECHSKANTSCHRAUBE | VITE A TESTA ESAGONALE | |
| 016 | 80200851 | 004 | ECROU AUTOBLOQUANT FE/ZNXC3 | UNDERSERRAT.S.LOC.NUT FE/ZNXC3 | SPERRZAHN-BUNDMUTTER FE/ZNXC3 | DADO FE/ZNXC3 | |
| 017 | 80204063 | 001 | ECROU A ENCOCH.AUOF.FE/ZNXC3 | SELF-LOCKING NUT FE/ZNXC3 | SELBSTSICHERN.MUTTER FE/ZNXC3 | DADO AUTOBLOCCANTE FE/ZNXC3 | |
| 018 | 80255670 | 002 | RONDELLE D'AJUSTAGE PS 0,1 | SHIM RING PS 0,1 | PASSSCHEIBE PS 0,1 | SPESSORE | |
| 019 | 80255671 | 001 | RONDELLE D'AJUSTAGE PS 0,3 | SHIM RING PS 0,3 | PASSSCHEIBE PS 0,3 | SPESSORE PS 0,3 | |
| 020 | 80255677 | 002 | RONDELLE D'AJUSTAGE SS 3,0 | SUPPORTING RING SS 3,0 | STUETZSCHEIBE SS 3,0 | SPESSORE | |
| 021 | 80256565 | 003 | RONDELLE D'AJUSTAGE PS 0,1 | SHIM RING PS 0,1 | PASSSCHEIBE PS 0,1 | SPESSORE | |
| 022 | 80256566 | 001 | RONDELLE D'AJUSTAGE PS 0,2 | SHIM RING PS 0,2 | PASSSCHEIBE PS 0,2 | SPESSORE | |
| 023 | 80256570 | 001 | RONDELLE D'APPUI SS 3,5 | SUPPORTING RING SS 3,5 | STUETZSCHEIBE SS 3,5 | RONDELLA D'APPOGGIO | |
| 024 | 80257070 | 004 | RONDELLE D'AJUSTAGE PS 0,1 | SHIM RING PS 0,1 | PASSSCHEIBE PS 0,1 | SPESSORE | |
| 025 | 80257078 | 001 | RONDELLE D'APPUI SS 3,5 | SUPPORTING RING SS 3,5 | STUETZSCHEIBE SS 3,5 | RONDELLA D'APPOGGIO | |
| 026 | 80280820 | 016 | RONDELLE RESSORT CRANTEE | CONICAL SPRING WASHER | SPANNSCHEIBE | RONDELLA MOLLA | |
| 027 | 80585200 | 001 | CIRCLIP EXTERIEUR | RETAINING RING | SICHERUNGSRING | ANELLO | |
| 028 | 80597200 | 001 | CIRCLIP INTERIEUR | RETAINING RING | SICHERUNGSRING | ANELLO | |
| 029 | 80598500 | 002 | CIRCLIP INTERIEUR | RETAINING RING | SICHERUNGSRING | ANELLO | |
| 030 | 80599000 | 002 | CIRCLIP INTERIEUR | RETAINING RING | SICHERUNGSRING | ANELLO | |
| 031 | 80651031 | 001 | CLAVETTE B | PARALLEL KEY B | PASSFEDER B | CHIAVETTA | |
| 032 | 81003572 | 001 | ROULEMENT A BILLES | BALL BEARING | KUGELLAGER | CUSCINETTO A SFERE | |
| 033 | 81004090 | 001 | ROULEMENT A BILLES | BALL BEARING | KUGELLAGER | CUSCINETTO A SFERE | |
| 034 | 81004588 | 001 | ROULEMENT A BILLES | BALL BEARING | KUGELLAGER | CUSCINETTO A SFERE | |
| 035 | 81005091 | 001 | ROULEMENT A BILLES | BALL BEARING | KUGELLAGER | CUSCINETTO A SFERE | |
| 036 | 82016087 | 001 | BAGUE D'ETANCHEITE | OIL SEAL | RADIALDICHTRING | PARAOLIO | |
| 037 | 82016090 | 001 | BAGUE D'ETANCHEITE | OIL SEAL | RADIALDICHTRING | PARAOLIO | |
| 038 | 82060050 | 001 | JOINT TORIQUE | O-RING | O-RING | GUARNIZIONE | |
| 039 | 82131824 | 001 | JOINT CUIVRE | SEALING RING | DICHTRING | RONDELLA RAME | |
| 040 | 82230003 | 001 | BOUCHON FE/ZNXC3 | PLUG FE/ZNXC3 | VERSCHLUSSSCHRAUBE FE/ZNXC3 | TAPPO FE/ZNXC3 | |
| 041 | 83040002 | 001 | BOUCHON EXPANSIBLE | EXPANDING CAP | VERSCHLUSSSCHEIBE | TAPPO | |
| 042 | K7006130 | 001 | CARTER | HOUSING | GEHAEUSE | SCATOLA | |
| 043 | K7006730 | 001 | COUPLE CONIQUE 16/47 DENTS | GEAR WHEEL-PINION Z.16/47 | KEGELRADPAAR Z.16/47 | | |
| 044 | K7007750 | 001 | CARTER | HOUSING | GEHAEUSE | SCATOLA | |
| 045 | K7007760 | 001 | ARBRE ENTRAINEMENT CARTER LATE | SHAFT | WELLE | ALBERO | |





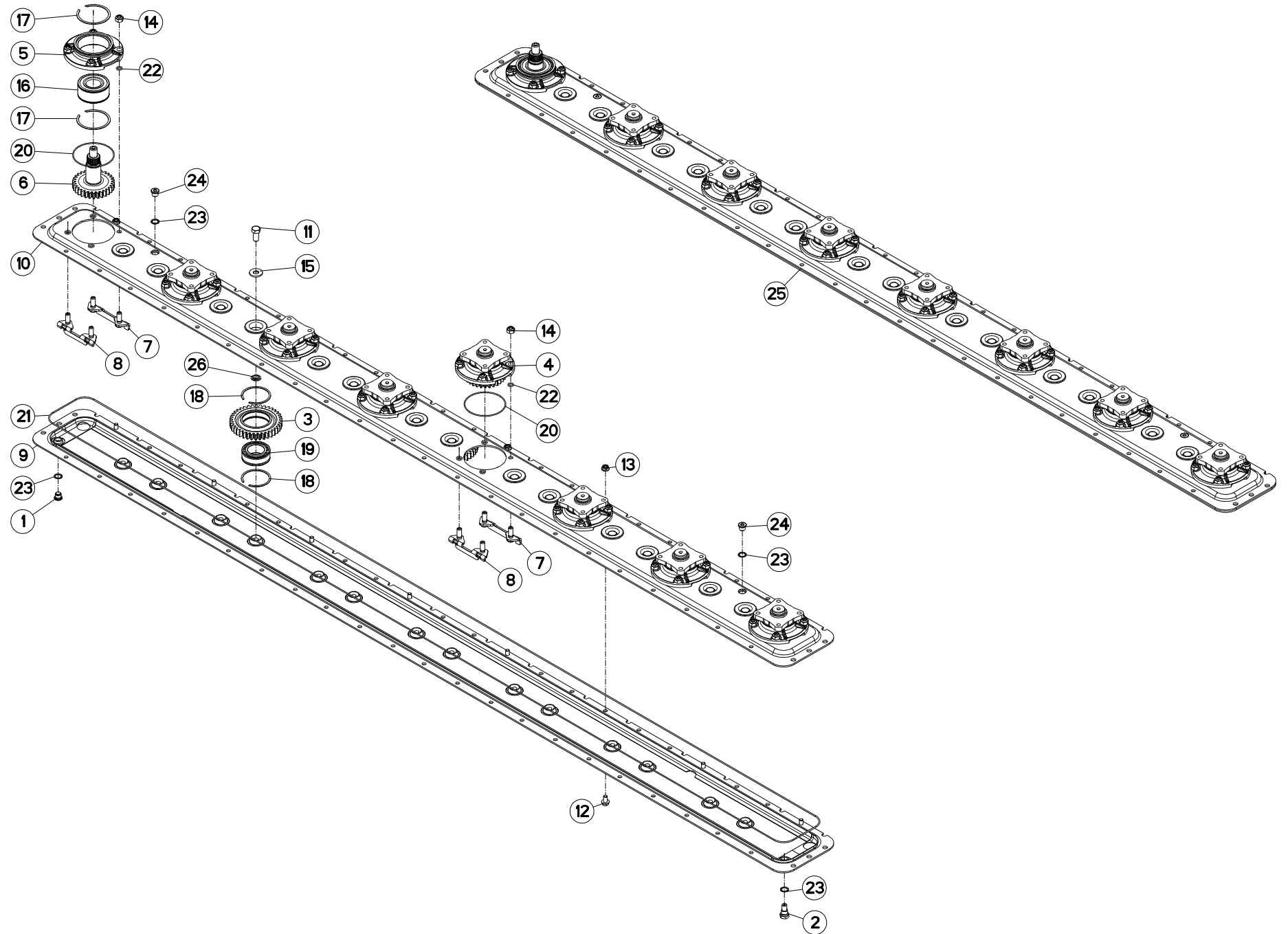
CARTER LATERAL GAUCHE

SIDE GEARBOX LEFT

SEITENGETRIEBE LINKS

CARTER LATERALE SINISTRO

| Rep | Nr | Qt | Designation | Description | Bezeichnung | Referenza | Remarque - Remark - Bemerkung - Osservazioni |
|-----|----------|-----|--------------------------------|-------------------------------|--------------------------------|--------------------------------|--|
| 001 | 50002100 | 005 | VIS AUTOFREINEE | SCREW, SELF-LOCKING | SELBSTSICHERNDE SCHRAUBE | VITE AUTOBLOCCANTE | [1] 7 daN m (52 lbf ft) |
| 002 | 50006200 | 001 | VIS | SCREW | SCHRAUBE | VITE | [1] 12 daN m (89 lbf ft) |
| 003 | 52527600 | 001 | ENTRETOISE | SPACER | DISTANZHUELSE | DISTANZIALE | [1] |
| 004 | 55745700 | 003 | RESSORT | SPRING | FEDER | MOLLA | [1] |
| 005 | 56009200 | 001 | ENTRETOISE | SPACER | DISTANZHUELSE | DISTANZIALE | [1] |
| 006 | 56145200 | 001 | RONDELLE BUTEE | LOCK WASHER | SICHERUNGSSCHEIBE | RONDELLA | [1] |
| 007 | 56548700 | 003 | CLIQUET | RATCHET | SPERRKLINKE | NOTTOLINO | [1] |
| 008 | 56613600 | 001 | BOUCHON | PLUG | VERSCHLUSSSCHRAUBE | TAPPO | [1] |
| 009 | 56630200 | 001 | FLASQUE | FLANGE | FLANSCH | FLANGIA | [1] |
| 010 | 56655120 | 001 | FLASQUE | FLANGE | FLANSCH | FLANGIA | [1] |
| 011 | 56806510 | 001 | TRANSMISSION | PTO SHAFT | GELENKWELLE | CARDANO | [1] |
| 012 | 56856700 | 001 | ENTRETOISE | SPACER | DISTANZHUELSE | DISTANZIALE | [1] |
| 013 | 80060826 | 016 | VIS TETE HEXAGONALE FE/ZNXC3 | HEXAGON HEAD SCREW FE/ZNXC3 | SECHSKANTSCHRAUBE FE/ZNXC3 | VITE TESTA ESAGONALE FE/ZNXC3 | 2,5 daN m (19 lbf ft) |
| 014 | 80081065 | 002 | VIS TETE CYL.SIX P.CR.FE/ZNXC3 | SCREW, SOCKET HEAD FE/ZNXC3 | ZYLINDERSCHR.INNENSEC.FE/ZNXC3 | VITE A TESTA CILINDR. FE/ZNXC3 | |
| 015 | 80190425 | 002 | VIS A TOLE T/CYL.BOMB.INOX | PEN HEAD TAPPING SCREW INOX | LINSEN-BLECHSCHRAUBE INOX | VITE INOX | |
| 016 | 80201030 | 002 | ECROU HEX.AUTOFREINE FE/ZNXC3 | SELF-LOCKING NUT FE/ZNXC3 | SELBSTSICH.MUTTER FE/ZNXC3 | DADO AUTOBLOCCANTE FE/ZNXC3 | |
| 017 | 80204063 | 001 | ECROU A ENCOCH.AUTOF.FE/ZNXC3 | SELF-LOCKING NUT FE/ZNXC3 | SELBSTSICHERN.MUTTER FE/ZNXC3 | DADO AUTOBLOCCANTE FE/ZNXC3 | [1] |
| 018 | 80255670 | 002 | RONDELLE D'AJUSTAGE PS 0,1 | SHIM RING PS 0,1 | PASSSCHEIBE PS 0,1 | SPESSORE | [1] |
| 019 | 80255671 | 001 | RONDELLE D'AJUSTAGE PS 0,3 | SHIM RING PS 0,3 | PASSSCHEIBE PS 0,3 | SPESSORE PS 0,3 | [1] |
| 020 | 80255677 | 002 | RONDELLE D'AJUSTAGE SS 3,0 | SUPPORTING RING SS 3,0 | STUETZSCHEIBE SS 3,0 | SPESSORE | [1] |
| 021 | 80256565 | 003 | RONDELLE D'AJUSTAGE PS 0,1 | SHIM RING PS 0,1 | PASSSCHEIBE PS 0,1 | SPESSORE | [1] |
| 022 | 80256566 | 001 | RONDELLE D'AJUSTAGE PS 0,2 | SHIM RING PS 0,2 | PASSSCHEIBE PS 0,2 | SPESSORE | [1] |
| 023 | 80256570 | 001 | RONDELLE D'APPUI SS 3,5 | SUPPORTING RING SS 3,5 | STUETZSCHEIBE SS 3,5 | RONDELLA D'APPOGGIO | [1] |
| 024 | 80257070 | 004 | RONDELLE D'AJUSTAGE PS 0,1 | SHIM RING PS 0,1 | PASSSCHEIBE PS 0,1 | SPESSORE | [1] |
| 025 | 80257078 | 001 | RONDELLE D'APPUI SS 3,5 | SUPPORTING RING SS 3,5 | STUETZSCHEIBE SS 3,5 | RONDELLA D'APPOGGIO | [1] |
| 026 | 80280820 | 016 | RONDELLE RESSORT CRANTEE | CONICAL SPRING WASHER | SPANNSCHEIBE | RONDELLA MOLLA | |
| 027 | 80585200 | 001 | CIRCLIP EXTERIEUR | RETAINING RING | SICHERUNGSRING | ANELLO | [1] |
| 028 | 80597200 | 001 | CIRCLIP INTERIEUR | RETAINING RING | SICHERUNGSRING | ANELLO | [1] |
| 029 | 80598500 | 002 | CIRCLIP INTERIEUR | RETAINING RING | SICHERUNGSRING | ANELLO | [1] |
| 030 | 80599000 | 002 | CIRCLIP INTERIEUR | RETAINING RING | SICHERUNGSRING | ANELLO | [1] |
| 031 | 80651031 | 001 | CLAVETTE B | PARALLEL KEY B | PASSFEDER B | CHIAVETTA | [1] |
| 032 | 81003572 | 001 | ROULEMENT A BILLES | BALL BEARING | KUGELLAGER | CUSCINETTO A SFERE | [1] |
| 033 | 81004093 | 001 | ROULEMENT A BILLES | BALL BEARING | KUGELLAGER | CUSCINETTO A SFERE | [1] |
| 034 | 81004588 | 001 | ROULEMENT A BILLES | BALL BEARING | KUGELLAGER | CUSCINETTO A SFERE | [1] |
| 035 | 81005091 | 001 | ROULEMENT A BILLES | BALL BEARING | KUGELLAGER | CUSCINETTO A SFERE | [1] |
| 036 | 82016087 | 001 | BAGUE D'ETANCHEITE | OIL SEAL | RADIALDICHTRING | PARAOILIO | [1] |
| 037 | 82016090 | 001 | BAGUE D'ETANCHEITE | OIL SEAL | RADIALDICHTRING | PARAOILIO | [1] |
| 038 | 82060050 | 001 | JOINT TORIQUE | O-RING | O-RING | GUARNIZIONE | [1] |
| 039 | 82131824 | 001 | JOINT CUIVRE | SEALING RING | DICHTRING | RONDELLA RAME | [1] |
| 040 | 82230003 | 001 | BOUCHON FE/ZNXC3 | PLUG FE/ZNXC3 | VERSCHLUSSSCHRAUBE FE/ZNXC3 | TAPPO FE/ZNXC3 | [1] |
| 041 | 83040002 | 001 | BOUCHON EXPANSIBLE | EXPANDING CAP | VERSCHLUSSSCHEIBE | TAPPO | [1] |
| 042 | K7003170 | 002 | COQUILLE DE PROTECTION | COVER | SCHALE | LAMIERA | |
| 043 | K7006130 | 001 | CARTER | HOUSING | GEHAEUSE | SCATOLA | [1] |
| 044 | K7006721 | 001 | COUPLE CONIQUE 16/47 DENTS | GEAR WHEEL AND PINION Z.16/47 | KEGELRADPAAR Z.16/47 | | [1] |
| 045 | K7007750 | 001 | CARTER | HOUSING | GEHAEUSE | SCATOLA | + [1] |
| 046 | K7007760 | 001 | ARBRE ENTRAINEMENT CARTER LATE | SHAFT | WELLE | ALBERO | [1] |





GMD883

B 0001 > C 0000

K70R0124 B

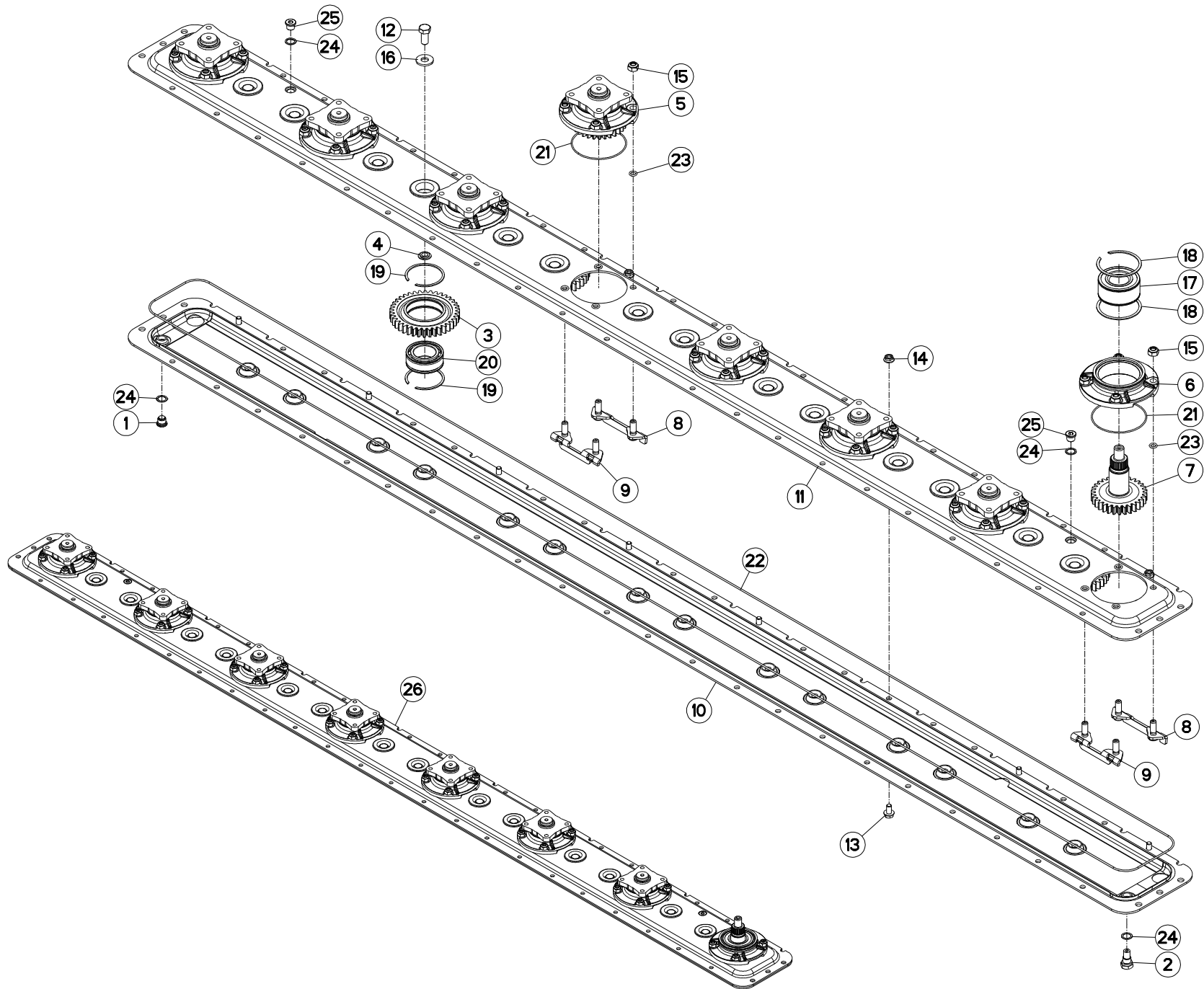
CARTER DU PORTE - DISQUES (DRO

CUTTERBAR GEAR CASE (RIGHT)

MÄHBALKEN (RECHTS)

SCATOLA INGRAN. BARRA COLTELI

| Rep | Nr | Qt | Designation | Description | Bezeichnung | Referenza | Remarque - Remark - Bemerkung - Osservazioni |
|-----|----------|-----|------------------------------|--------------------------------|--------------------------------|-------------------------------|--|
| 001 | 56207000 | 001 | BOUCHON MAGNETIQUE | PLUG, MAGNETIC | MAGNET-VERSCHLUSSSCHRAUBE | TAPPO CALAMITATO | [1] |
| 002 | 56212300 | 001 | BOUCHON TROP PLEIN/AERATION | OVERFLOW VALVE | ENTLUEFTUNGS-/UEBERLAUFSTOPFEN | TAPPO | [1] |
| 003 | 56800600 | 014 | ROUE | WHEEL AND TIRE ASSEMBLY | RAD | RUOTA | [1] |
| 004 | 56803940 | 007 | BOITIER DE DISQUE CPLT | DISC HOUSING UNIT CPLT | SCHEIBENLAGERGEHAEUSE KPLT | MODULO DEL DISCO CPLT | [1] +[2] |
| 005 | 56809700 | 001 | BOITIER DE DISQUE | DISC BEARING HOUSING | LAGERGEHAEUSE | SCATOLA DISCHI | [1] |
| 006 | 56809800 | 001 | PIGNON | GEAR, PINION | RITZEL | PIGNONE | [1] |
| 007 | 56814600 | 008 | PLAQUETTE AVANT | STUD BRACKET FRONT | LASCHE VORN | PIASTRA ANTERIORE | [1] |
| 008 | 56814700 | 008 | PLAQUETTE ARRIERE | STUD BRACKET REAR | LASCHE HINTEN | PIASTRA POSTERIORE | [1] |
| 009 | 56833010 | 001 | DEMI-CARTER INFERIEUR | GEARBOX, BOTTOM | UNTERES MAEHBALKENGEHAEUSE | MEZZO-CARTER INFERIORE | [1] |
| 010 | 56833110 | 001 | DEMI-CARTER SUPERIEUR | GEARBOX, TOP | OBERES MAEHBALKENGEHAEUSE | COPERCHIO SUPERIORE | [1] |
| 011 | 80061431 | 014 | VIS TETE HEXAGONALE FLZNNC | SCREW, HEX HEAD FLZNNC | SECHSKANTSCHRAUBE FLZNNC | VITE A TESTA ESAGONALE FLZNNC | [1] 21 daN m (155 lbf ft) |
| 012 | 80131018 | 008 | VIS AUTOBLOQUANTE | UNDERSERRATED S-LOCKING SCREW | SPERRZAHN-BUNDSCHRAUBE | VITE | [1] 8,5 daN m (63 lbf ft) |
| 013 | 80201053 | 008 | ECROU AUTOBLOQUANT FE/ZNXC3 | UNDERSERRAT.S.LOC.NUT FE/ZNXC3 | SPERRZAHN-BUNDMUTTER FE/ZNXC3 | DADO FE/ZNXC3 | [1] |
| 014 | 80201248 | 032 | ECROU HEX.BAS AUTOFR.FLZNNC | SELF-LOCKING NUT FLZNNC | SELBSTSICHERND.MUTTER FLZNNC | DADO AUTOBLOCCANTE FLZNNC | [1] 12 daN m (89 lbf ft) |
| 015 | 80281414 | 014 | RONDELLE RESSORT FLZNNC | CONICAL SPRING WASHER FLZNNC | SPANNSCHEIBE FLZNNC | RONDELLA MOLLA FLZNNC | [1] |
| 016 | 81104083 | 001 | ROULEMENT SPECIAL | ANG.CONT.DOUBLE ROW B.BEARING | ZWEIREIHIGES SCHRAEGKUGELLAGER | CUSCINETTO SPECIALE | [1] |
| 017 | 81104084 | 002 | SEGMENT D'ARRET SPECIAL | SNAP RING | SPRENGRING | SPESSORE | [1] |
| 018 | 81104576 | 028 | SEGMENT D'ARRET SPECIAL | SNAP RING | SPRENGRING | SEGMENTO | [1] |
| 019 | 81104577 | 014 | ROULEMENT SPECIAL | ANG.CONT.DOUBLE ROW B.BEARING | ZWEIREIHIGES SCHRAEGKUGELLAGER | CUSCINETTO SPECIALE | [1] |
| 020 | 82060007 | 008 | JOINT TORIQUE | O-RING | O-RING | GUARNIZIONE | [2] |
| 021 | 82060094 | 001 | JOINT TORIQUE | O-RING | O-RING | GUARNIZIONE | [1] |
| 022 | 82061015 | 032 | JOINT TORIQUE | O-RING | O-RING | GUARNIZIONE | [2] |
| 023 | 82101622 | 004 | JOINT CUIVRE | SEALING RING | DICHTRING | RONDELLA RAME | [1] |
| 024 | 82230006 | 002 | BOUCHON FE/ZNXC3 | PLUG FE/ZNXC3 | VERSCHLUSSSCHRAUBE FE/ZNXC3 | TAPPO FE/ZNXC3 | [1] |
| 025 | 1045410 | 001 | PD RECH.GMD801/802/FC313/883 | REPLACEMENT CUTTER BAR | ERSATZBALKEN GMD801/802/FC313 | PR BARRA | +[1] |
| 026 | 56801000 | 014 | BAGUE PLASTIQUE | NYLON BEARING | KUNSTSTOFF-GLEITLAGER | ANELLO PLASTICA | [1] |





GMD883

B 0001 > C 0000

K70R0080 B

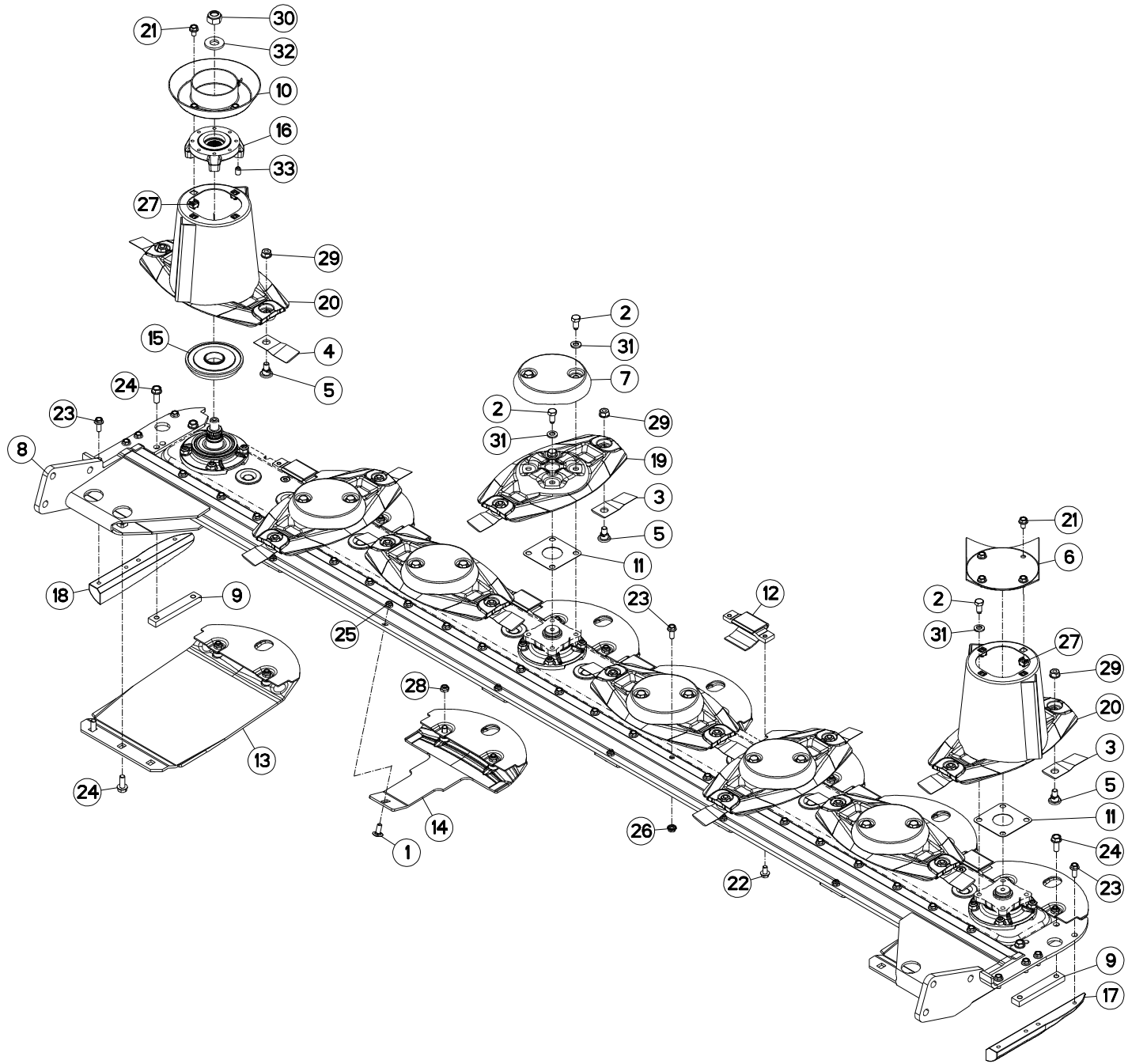
CARTER DU PORTE - DISQUES (GAU

CUTTERBAR GEAR CASE (LEFT)

MÄHBALKEN (LINKS)

SCATOLA INGRAN. BARRA COLTELI

| Rep | Nr | Qt | Designation | Description | Bezeichnung | Referenza | Remarque - Remark - Bemerkung - Osservazioni |
|-----|----------|-----|------------------------------|--------------------------------|--------------------------------|-------------------------------|--|
| 001 | 56207000 | 001 | BOUCHON MAGNETIQUE | PLUG, MAGNETIC | MAGNET-VERSCHLUSSSCHRAUBE | TAPPO CALAMITATO | [1] |
| 002 | 56212300 | 001 | BOUCHON TROP PLEIN/AERATION | OVERFLOW VALVE | ENTLUEFTUNGS-/UEBERLAUFSTOPFEN | TAPPO | [1] |
| 003 | 56800600 | 014 | ROUE | WHEEL AND TIRE ASSEMBLY | RAD | RUOTA | [1] |
| 004 | 56801000 | 014 | BAGUE PLASTIQUE | NYLON BEARING | KUNSTSTOFF-GLEITLAGER | ANELLO PLASTICA | [1] |
| 005 | 56803940 | 007 | BOITIER DE DISQUE CPLT | DISC HOUSING UNIT CPLT | SCHEIBENLAGERGEHAEUSE KPLT | MODULO DEL DISCO CPLT | [1] +[2] |
| 006 | 56809700 | 001 | BOITIER DE DISQUE | DISC BEARING HOUSING | LAGERGEHAEUSE | SCATOLA DISCHI | [1] |
| 007 | 56809800 | 001 | PIGNON | GEAR, PINION | RITZEL | PIGNONE | [1] |
| 008 | 56814600 | 008 | PLAQUETTE AVANT | STUD BRACKET FRONT | LASCHE VORN | PIASTRA ANTERIORE | [1] |
| 009 | 56814700 | 008 | PLAQUETTE ARRIERE | STUD BRACKET REAR | LASCHE HINTEN | PIASTRA POSTERIORE | [1] |
| 010 | 56833010 | 001 | DEMI-CARTER INFERIEUR | GEARBOX, BOTTOM | UNTERES MAEHBALKENGEHAEUSE | MEZZO-CARTER INFERIORE | [1] |
| 011 | 56833110 | 001 | DEMI-CARTER SUPERIEUR | GEARBOX, TOP | OBERES MAEHBALKENGEHAEUSE | COPERCHIO SUPERIORE | [1] |
| 012 | 80061431 | 014 | VIS TETE HEXAGONALE FLZNNC | SCREW, HEX HEAD FLZNNC | SECHSKANTSCHRAUBE FLZNNC | VITE A TESTA ESAGONALE FLZNNC | [1] 21 daN m (155 lbf ft) |
| 013 | 80131018 | 008 | VIS AUTOBLOQUANTE | UNDERSERRATED S-LOCKING SCREW | SPERRZAHN-BUNDSCHRAUBE | VITE | [1] 8,5 daN m (63 lbf ft) |
| 014 | 80201053 | 008 | ECROU AUTOBLOQUANT FE/ZNXC3 | UNDERSERRAT.S.LOC.NUT FE/ZNXC3 | SPERRZAHN-BUNDMUTTER FE/ZNXC3 | DADO FE/ZNXC3 | [1] |
| 015 | 80201248 | 032 | ECROU HEX.BAS AUTOFR.FLZNNC | SELF-LOCKING NUT FLZNNC | SELBSTSICHERND.MUTTER FLZNNC | DADO AUTOBLOCCANTE FLZNNC | [1] 12 daN m (89 lbf ft) |
| 016 | 80281414 | 014 | RONDELLE RESSORT FLZNNC | CONICAL SPRING WASHER FLZNNC | SPANNSCHEIBE FLZNNC | RONDELLA MOLLA FLZNNC | [1] |
| 017 | 81104083 | 001 | ROULEMENT SPECIAL | ANG.CONT.DOUBLE ROW B.BEARING | ZWEIREIHIGES SCHRAEGKUGELLAGER | CUSCINETTO SPECIALE | [1] |
| 018 | 81104084 | 002 | SEGMENT D'ARRET SPECIAL | SNAP RING | SPRENGRING | SPESSORE | [1] |
| 019 | 81104576 | 028 | SEGMENT D'ARRET SPECIAL | SNAP RING | SPRENGRING | SEGMENTO | [1] |
| 020 | 81104577 | 014 | ROULEMENT SPECIAL | ANG.CONT.DOUBLE ROW B.BEARING | ZWEIREIHIGES SCHRAEGKUGELLAGER | CUSCINETTO SPECIALE | [1] |
| 021 | 82060007 | 008 | JOINT TORIQUE | O-RING | O-RING | GUARNIZIONE | [2] |
| 022 | 82060094 | 001 | JOINT TORIQUE | O-RING | O-RING | GUARNIZIONE | [1] |
| 023 | 82061015 | 032 | JOINT TORIQUE | O-RING | O-RING | GUARNIZIONE | [2] |
| 024 | 82101622 | 004 | JOINT CUIVRE | SEALING RING | DICHTRING | RONDELLA RAME | [1] |
| 025 | 82230006 | 002 | BOUCHON FE/ZNXC3 | PLUG FE/ZNXC3 | VERSCHLUSSSCHRAUBE FE/ZNXC3 | TAPPO FE/ZNXC3 | [1] |
| 026 | 1045410 | 001 | PD RECH.GMD801/802/FC313/883 | REPLACEMENT CUTTER BAR | ERSATZBALKEN GMD801/802/FC313 | PR BARRA | + [1] |





GMD883

B 0001 > C 0000

K70R0072 B

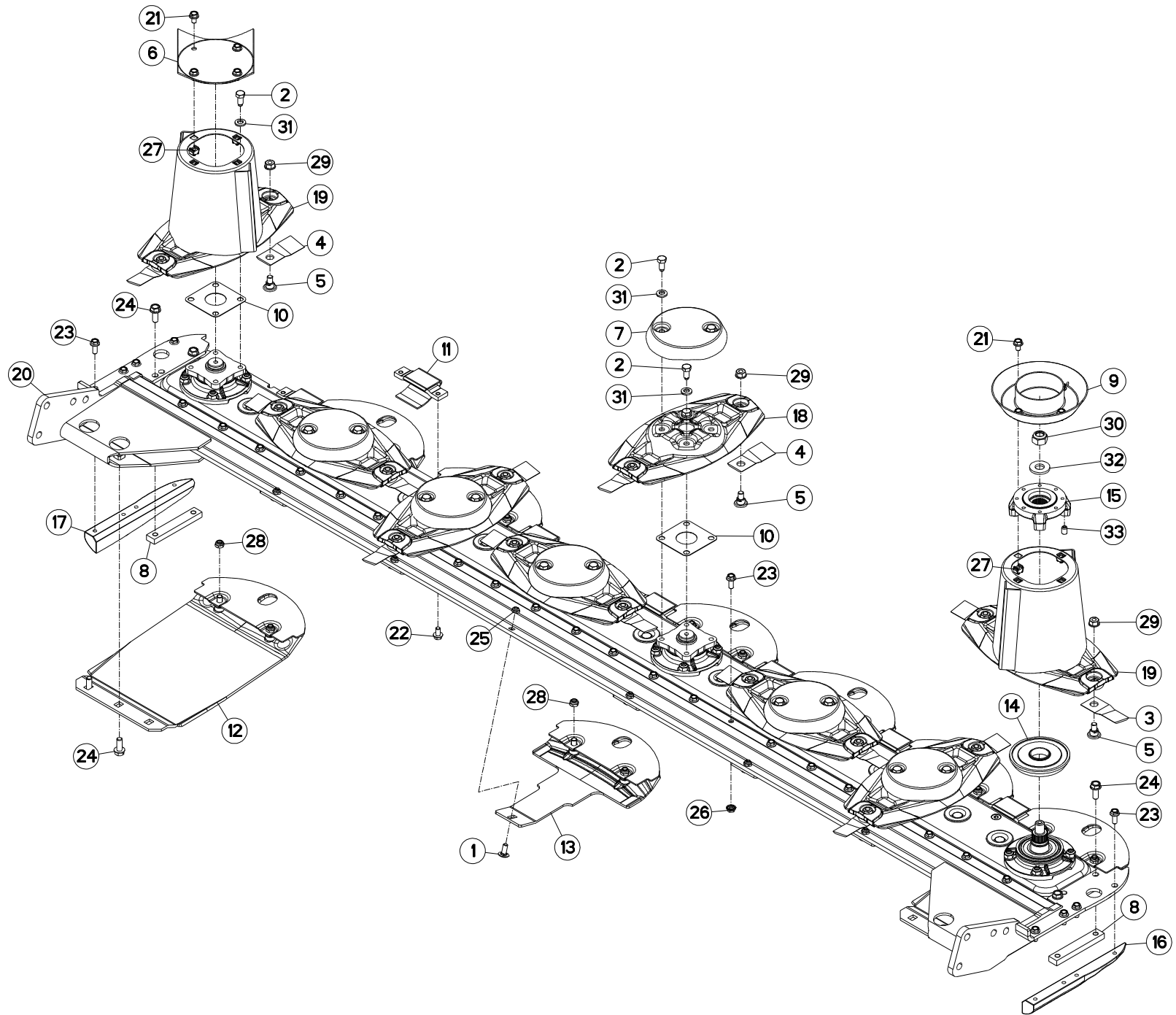
DISQUES,PATINS,SEMELLES DROIT

DISCS,DISCGUARDS,SKIDS RIGHT

SCHEIBEN,SCHUTZKUFEN RECHTS

DISCHI,PATTINI,SLITTE L. DEST

| Rep | Nr | Qt | Designation | Description | Bezeichnung | Referenza | Remarque - Remark - Bemerkung - Osservazioni |
|-----|----------|-----|--------------------------------|--------------------------------|--------------------------------|-----------------------------|--|
| 001 | 50002200 | 007 | VIS TBCC COURT | BOLT, CARRIAGE, SHORT NECK | FLACHRUNDSCHR.4KT ANSATZ | BULLONE | |
| 002 | 50068500 | 028 | VIS | SCREW | SCHRAUBE | VITE | 12 daN m (89 lbf ft) |
| 003 | 55903210 | 008 | COUTEAU VRILLE DISQUE T.A G. | ANGLED BLADE - LEFT | MAEHKLINGE GEDREHT - LINKS | COLTELLO PIEGATO - SINISTRO | |
| 004 | 55903310 | 008 | COUTEAU VRILLE DISQUE T.A D. | ANGLED BLADE - RIGHT | MAEHKLINGE GEDREHT - RECHTS | COLTELLO PIEGATO - DESTRO | |
| 005 | 56115800 | 016 | VIS AUTOFREINEE | SCREW, SELF-LOCKING | SELBSTSICHERNDE SCHRAUBE | VITE AUTOBLOCCANTE | |
| 006 | 56803420 | 001 | VIROLE DU CONE EXTERIEUR | DISC COVER | SCHIEBENDECKEL | PIASTRA | |
| 007 | 56804510 | 006 | CACHE DE DISQUE PLAT | COVER FOR FLAT DISC | KAPPE FUER FLACHE MAEHSCHIEBE | COPERCHIO DISCHIO PIATTO | |
| 008 | 56814500 | 001 | RAIDISSEUR | STIFFENER | VERSTEIFUNGSPLATTE | BALESTRA | |
| 009 | 56806310 | 002 | RENFORT | REINFORCEMENT | VERSTAERKUNG | RINFORZO | |
| 010 | 56806610 | 001 | VIROLE | DISC COVER | SCHIEBENDECKEL | COPERCHIO DEL CONO | |
| 011 | 56807100 | 006 | ENTRETOISE | SPACER | DISTANZSCHIEBE | DISTANZIALE | [1] Q? |
| 012 | 56808510 | 007 | PATIN D'USURE COURT | WEAR PLATE, SHORT | VERSCHEISSSCHUTZBRUECKE,KURZ | PATTINO USURA CORTO | |
| 013 | 56809020 | 002 | SEMELLE EXTERIEURE SOUDEE | OUTER SKID SHOE | SCHUTZKUFE AUSSEN | SLITTE ESTERNA | |
| 014 | 56809300 | 006 | PATIN DE DISQUE 5MM | DISC GUARD | SCHUTZKUFE | PATTINO DEL DISCO | |
| 015 | 56809510 | 001 | FLASQUE INFERIEUR | FLANGE LOWER | FLANSCH UNTEN | FLENGIA INFERIORE | |
| 016 | 56809610 | 001 | FLASQUE | FLANGE | FLANSCH | FLANGIA | |
| 017 | 56812300 | 001 | PATIN LATERAL DROIT | LATERAL SKID RIGHT | SEITENKUFE RECHTS | PATTINO LATERALE DX | |
| 018 | 56812400 | 001 | PATIN LATERAL GAUCHE | LATERAL SKID LEFT | SEITENKUFE LINKS | PATTINO LATERALE SX | |
| 019 | 56812600 | 006 | DISQUE PLAT | DISC FLAT | MAEHSCHIEBE FLACH | DISCO PIATTO | + [1] |
| 020 | 56812700 | 002 | DISQUE CONE HAUT CPLT | OUTER DISC CPLT | AUSSENSCHIEBE | DISCO CONO ALTO | + [1] |
| 021 | 80131017 | 008 | VIS AUTOBLOQUANTE FLZNNC | UNDERSERR.S-LOC.SCREW FLZNNC | SPERRZAHN-BUNDSCHRAU.FLZNNC | VITE FLZNNC | 6 daN m (44 lbf ft) |
| 022 | 80131018 | 014 | VIS AUTOBLOQUANTE | UNDERSERRATED S-LOCKING SCREW | SPERRZAHN-BUNDSCHRAUBE | VITE | |
| 023 | 80131026 | 030 | VIS AUTOBLOQUANTE FLZNNC | UNDERSERR.S-LOC.SCREW FLZNNC | SPERRZAHN-BUNDSCHRAU.FLZNNC | VITE FLZNNC | 8,5 daN m (63 lbf ft) |
| 024 | 80131232 | 008 | VIS AUTOBLOQUANTE FLZNNC KL105 | UNDERSERR.S-LOC.SCREW FLZNNC | SPERRZAHN-BUNDSCHRAU.FLZNNC | VITE FLZNNC KL105 | 10,5 daN m (78 lbf ft) |
| 025 | 80201040 | 007 | ECROU HEX.BAS AUTOFR.FE/ZNXC3 | SELF-LOCKING NUT FE/ZNXC3 | SELBSTSICHERND.MUTTER FE/ZNXC3 | DADO AUTOBLOCCANTE FE/ZNXC3 | 6 daN m (44 lbf ft) |
| 026 | 80201053 | 022 | ECROU AUTOBLOQUANT FE/ZNXC3 | UNDERSERRAT.S.LOC.NUT FE/ZNXC3 | SPERRZAHN-BUNDMUTTER FE/ZNXC3 | DADO FE/ZNXC3 | 8,5 daN m (63 lbf ft) |
| 027 | 80201055 | 008 | ECROU CAGE | CLAMP NUT | KLEMMKAEFIG-MUTTER | DADO | |
| 028 | 80201240 | 016 | ECROU HEX.BAS AUTOFR.FE/ZNXC3 | SELF-LOCKING NUT FE/ZNXC3 | SELBSTSICHERND.MUTTER FE/ZNXC3 | DADO AUTOBLOCCANTE FE/ZNXC3 | 8,5 daN m (63 lbf ft) |
| 029 | 80201262 | 016 | ECROU TWOLOCK FLZNNC | SELF-LOCKING NUT FLZNNC | SELBSTSICHERNDE MUTTER FLZNNC | DADO TWOLOCK FLZNNC | 12 daN m (89 lbf ft) |
| 030 | 80202048 | 001 | ECROU AUTOFREINE FE/ZNXC3 | SELF-LOCKING NUT FE/ZNXC3 | SELBSTSICHERND.MUTTER FE/ZNXC3 | DADO AUTOBLOCCANTE FE/ZNXC3 | 30 daN m (221 lbf ft) |
| 031 | 80281254 | 028 | RONDELLE CONIQUE BLOC.FLZNNC | CONICAL SPRING WASHER FLZNNC | SPANNSCHIEBE FLZNNC | RONDELLA CONICA FLZNNC | |
| 032 | 80282045 | 001 | RONDELLE RESSORT FLZNNC | CONICAL SPRING WASHER FLZNNC | SPANNSCHIEBE FLZNNC | RONDELLA A MOLLA FLZNNC | |
| 033 | 80451216 | 002 | GOUPILLE ELASTIQUE FLZNNC | ROLL PIN FLZNNC | SPANNHUELSE FLZNNC | SPINA ELASTICA FLZNNC | |





GMD883

B 0001 > C 0000

K70R0137 B

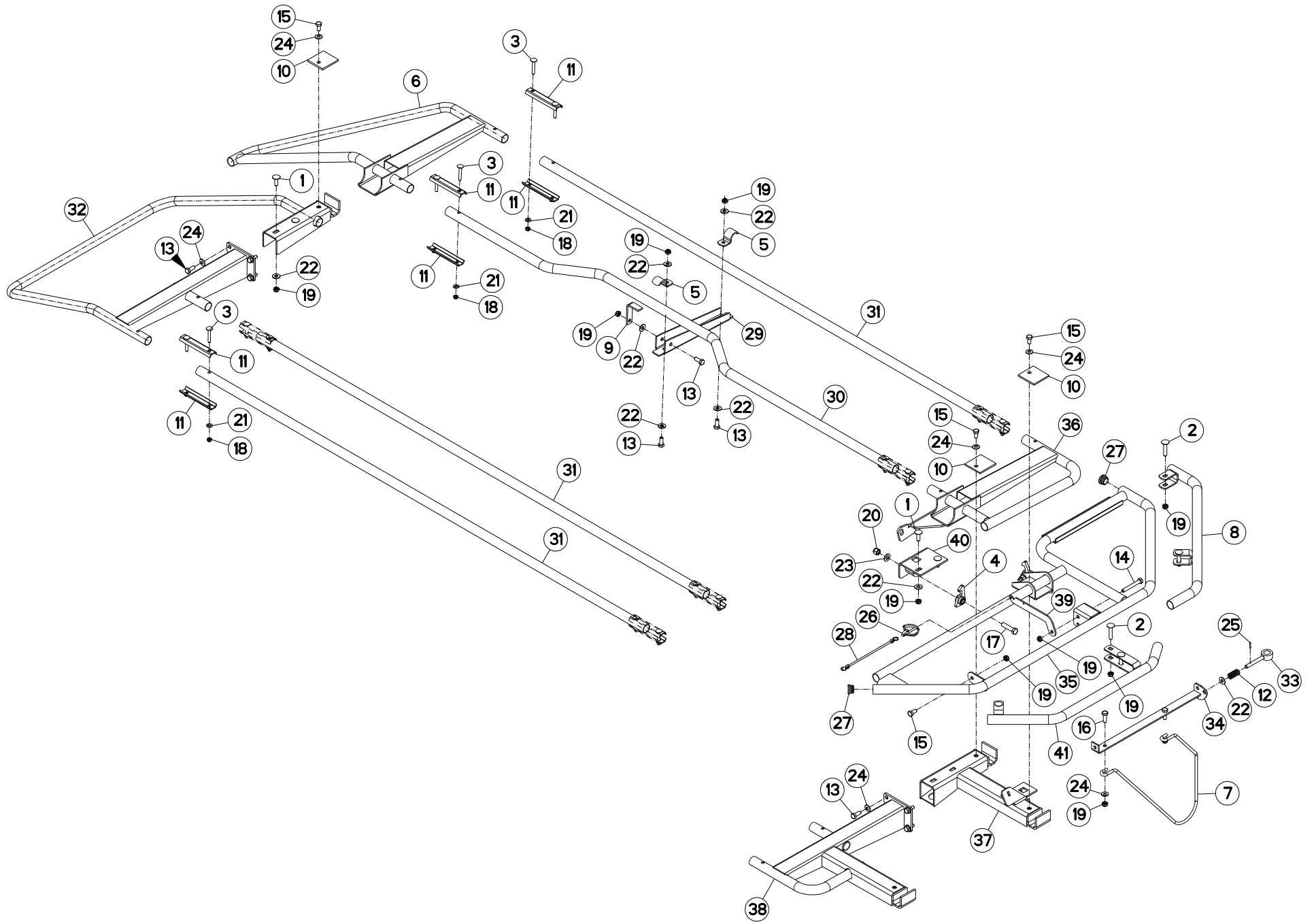
DISQUES,PATINS,SEMELLES GAUCHE

DISCS,DISCGUARDS,SKIDS LEFT

SCHEIBEN,SCHUTZKUFEN LINKS

DISCHI,PATTINI,SLITTE L. SINIS

| Rep | Nr | Qt | Designation | Description | Bezeichnung | Referenza | Remarque - Remark - Bemerkung - Osservazioni | |
|-----|----------|-----|--------------------------------|--------------------------------|--------------------------------|-----------------------------|--|----|
| 001 | 50002200 | 007 | VIS TBCC COURT | BOLT, CARRIAGE, SHORT NECK | FLACHRUNDSCHR.4KT ANSATZ | BULLONE | | |
| 002 | 50068500 | 028 | VIS | SCREW | SCHRAUBE | VITE | 12 daN m (89 lbf ft) | |
| 003 | 55903210 | 008 | COUTEAU VRILLE DISQUE T.A G. | ANGLED BLADE - LEFT | MAEHLINGE GEDREHT - LINKS | COLTELLO PIEGATO - SINISTRO | | |
| 004 | 55903310 | 008 | COUTEAU VRILLE DISQUE T.A D. | ANGLED BLADE - RIGHT | MAEHLINGE GEDREHT - RECHTS | COLTELLO PIEGATO - DESTRO | | |
| 005 | 56115800 | 016 | VIS AUTOFREINEE | SCREW, SELF-LOCKING | SELBSTSICHERNDE SCHRAUBE | VITE AUTOBLOCCANTE | | |
| 006 | 56803420 | 001 | VIROLE DU CONE EXTERIEUR | DISC COVER | SCHIEBENDECKEL | PIASTRA | | |
| 007 | 56804510 | 006 | CACHE DE DISQUE PLAT | COVER FOR FLAT DISC | KAPPE FUER FLACHE MAEHSCHIEBE | COPERCHIO DISCHIO PIATTO | | |
| 008 | 56806310 | 002 | RENFORT | REINFORCEMENT | VERSTAERKUNG | RINFORZO | | |
| 009 | 56806610 | 001 | VIROLE | DISC COVER | SCHIEBENDECKEL | COPERCHIO DEL CONO | | |
| 010 | 56807100 | 008 | ENTRETOISE | SPACER | DISTANZSCHEIBE | DISTANZIALE | [1] | Q? |
| 011 | 56808510 | 007 | PATIN D'USURE COURT | WEAR PLATE, SHORT | VERSCHLEISSCHUTZBRUECKE,KURZ | PATTINO USURA CORTO | | |
| 012 | 56809020 | 002 | SEMELLE EXTERIEURE SOUDEE | OUTER SKID SHOE | SCHUTZKUFEN AUSSEN | SLITTE ESTERNA | | |
| 013 | 56809300 | 006 | PATIN DE DISQUE 5MM | DISC GUARD | SCHUTZKUFEN | PATTINO DEL DISCO | | |
| 014 | 56809510 | 001 | FLASQUE INFERIEUR | FLANGE LOWER | FLANSCH UNTEN | FLENGIA INFERIORE | | |
| 015 | 56809610 | 001 | FLASQUE | FLANGE | FLANSCH | FLANGIA | | |
| 016 | 56812300 | 001 | PATIN LATERAL DROIT | LATERAL SKID RIGHT | SEITENKUFEN RECHTS | PATTINO LATERALE DX | | |
| 017 | 56812400 | 001 | PATIN LATERAL GAUCHE | LATERAL SKID LEFT | SEITENKUFEN LINKS | PATTINO LATERALE SX | | |
| 018 | 56812600 | 006 | DISQUE PLAT | DISC FLAT | MAEHSCHIEBE FLACH | DISCO PIATTO | + [1] | |
| 019 | 56812700 | 002 | DISQUE CONE HAUT CPLT | OUTER DISC CPLT | AUSSENSCHIEBE | DISCO CONO ALTO | + [1] | |
| 020 | 56814500 | 001 | RAIDISSEUR | STIFFENER | VERSTEIFUNGSPLATTE | BALESTRA | | |
| 021 | 80131017 | 008 | VIS AUTOBLOQUANTE FLZNNC | UNDERSERR.S-LOC.SCREW FLZNNC | SPERRZAHN-BUNDSCHRAU.FLZNNC | VITE FLZNNC | | |
| 022 | 80131018 | 022 | VIS AUTOBLOQUANTE | UNDERSERRATED S-LOCKING SCREW | SPERRZAHN-BUNDSCHRAUBE | VITE | | |
| 023 | 80131026 | 030 | VIS AUTOBLOQUANTE FLZNNC | UNDERSERR.S-LOC.SCREW FLZNNC | SPERRZAHN-BUNDSCHRAU.FLZNNC | VITE FLZNNC | 8,5 daN m (63 lbf ft) | |
| 024 | 80131232 | 008 | VIS AUTOBLOQUANTE FLZNNC KL105 | UNDERSERR.S-LOC.SCREW FLZNNC | SPERRZAHN-BUNDSCHRAU.FLZNNC | VITE FLZNNC KL105 | 10,5 daN m (78 lbf ft) | |
| 025 | 80201040 | 007 | ECROU HEX.BAS AUTOFR.FE/ZNXC3 | SELF-LOCKING NUT FE/ZNXC3 | SELBSTSICHERND.MUTTER FE/ZNXC3 | DADO AUTOBLOCCANTE FE/ZNXC3 | 6 daN m (44 lbf ft) | |
| 026 | 80201053 | 030 | ECROU AUTOBLOQUANT FE/ZNXC3 | UNDERSERRAT.S.LOC.NUT FE/ZNXC3 | SPERRZAHN-BUNDMUTTER FE/ZNXC3 | DADO FE/ZNXC3 | 8,5 daN m (63 lbf ft) | |
| 027 | 80201055 | 008 | ECROU CAGE | CLAMP NUT | KLEMMKAEFIG-MUTTER | DADO | | |
| 028 | 80201240 | 016 | ECROU HEX.BAS AUTOFR.FE/ZNXC3 | SELF-LOCKING NUT FE/ZNXC3 | SELBSTSICHERND.MUTTER FE/ZNXC3 | DADO AUTOBLOCCANTE FE/ZNXC3 | 8,5 daN m (63 lbf ft) | |
| 029 | 80201262 | 016 | ECROU TWOLOCK FLZNNC | SELF-LOCKING NUT FLZNNC | SELBSTSICHERNDE MUTTER FLZNNC | DADO TWOLOCK FLZNNC | 12 daN m (89 lbf ft) | |
| 030 | 80202048 | 001 | ECROU AUTOFREINE FE/ZNXC3 | SELF-LOCKING NUT FE/ZNXC3 | SELBSTSICHERND.MUTTER FE/ZNXC3 | DADO AUTOBLOCCANTE FE/ZNXC3 | 30 daN m (221 lbf ft) | |
| 031 | 80281254 | 029 | RONDELLE CONIQUE BLOC.FLZNNC | CONICAL SPRING WASHER FLZNNC | SPANNSCHIEBE FLZNNC | RONDELLA CONICA FLZNNC | | |
| 032 | 80282045 | 001 | RONDELLE RESSORT FLZNNC | CONICAL SPRING WASHER FLZNNC | SPANNSCHIEBE FLZNNC | RONDELLA A MOLLA FLZNNC | | |
| 033 | 80451216 | 002 | GOUPILLE ELASTIQUE FLZNNC | ROLL PIN FLZNNC | SPANNHUELSE FLZNNC | SPINA ELASTICA FLZNNC | | |





GMD883

B 0001 > C 0000

K70R0181 A

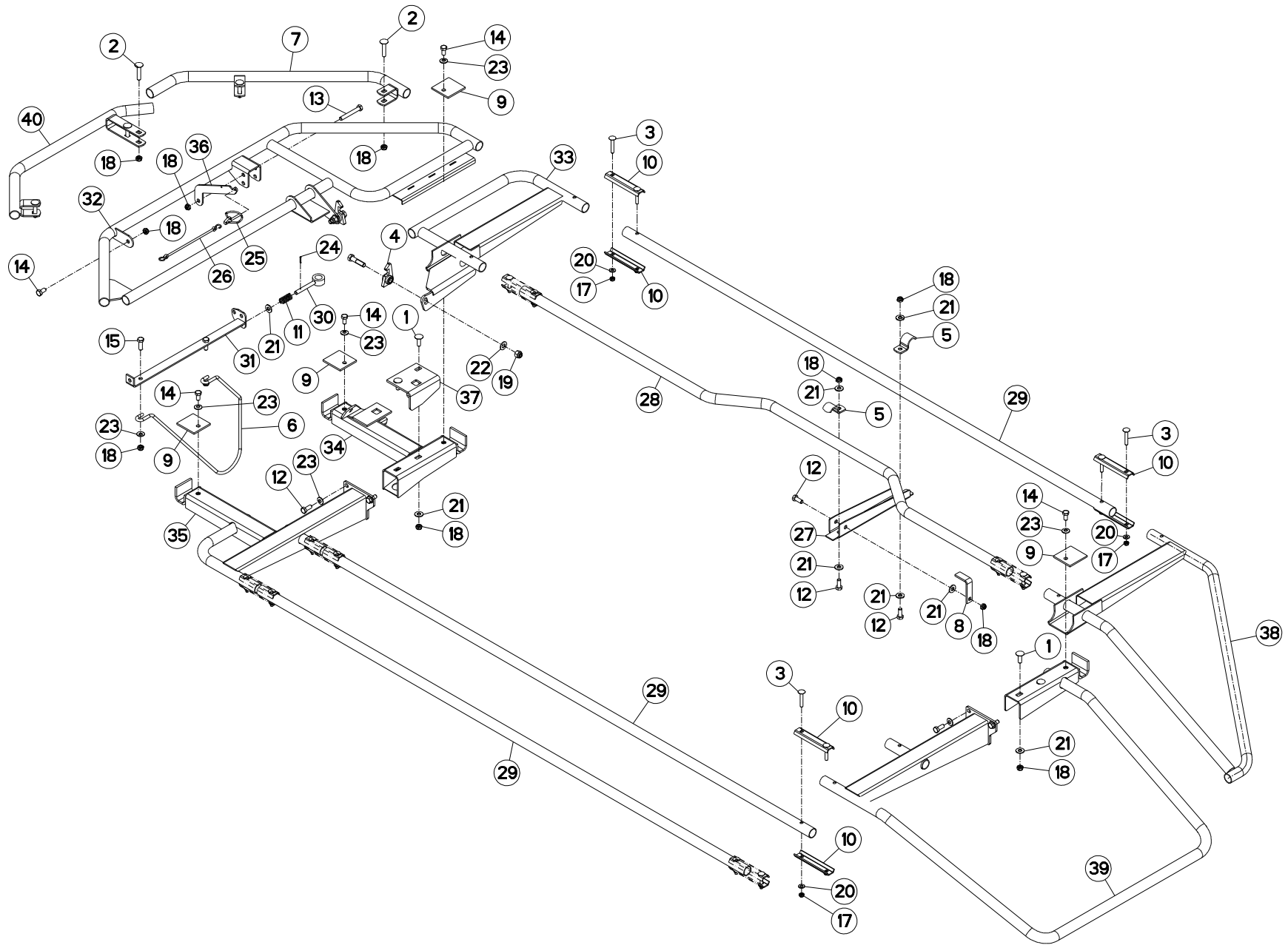
OSSATURE DU PROTECTEUR DROIT

FRAME RIGHT

RAHMEN RECHTS

OSSATURA DI PROTEZIONE L. DES

| Rep | Nr | Qt | Designation | Description | Bezeichnung | Referenza | Remarque - Remark - Bemerkung - Osservazioni |
|-----|----------|-----|-------------------------------|------------------------------|--------------------------------|---------------------------------|--|
| 001 | 50002300 | 004 | VIS TBCC COURT | BOLT, CARRIAGE, SHORT NECK | FLACHRUNDSCHR.4KT ANSATZ | BULLONE | |
| 002 | 50008300 | 005 | VIS TBCC COURT | BOLT, CARRIAGE, SHORT NECK | FLACHRUNDSCHR.4KT ANSATZ | BULLONE | |
| 003 | 50070600 | 016 | VIS TBCC COURT | BOLT, CARRIAGE, SHORT NECK | FLACHRUNDSCHR.4KT ANSATZ | BULLONE | |
| 004 | 55749800 | 002 | VERROU | LATCH | RIEGEL | LEVA | |
| 005 | 56698600 | 002 | PATTE DE RETENUE ZBC | BRACKET ZBC | LASCHE ZBC | PIASTRA DI FISSAGGIO | |
| 006 | 56698900 | 001 | RAMBARDE | HAND RAIL | SCHUTZ | PROTEZIONE | |
| 007 | 56826200 | 001 | TIGE | STEM | STANGE | STELO | |
| 008 | 56858600 | 001 | GARDE-FOU | SAFETY-GUARD | SCHUTZBUEGEL | PROTEZIONE | |
| 009 | 56860200 | 001 | PATTE D'ACCROCHAGE ZBC | LINKAGE PLATE ZBC | VERRIEGELUNGSHAKEN ZBC | ANGOLARE | |
| 010 | 56860400 | 003 | PATTE DE RECOUVREMENT ZBC | BRACKET ZBC | LASCHE ZBC | FAZZOLETTO | |
| 011 | 57530410 | 016 | BARRETTE ZBC | BRACKET ZBC | BEFESTIGUNGSPLATTE ZBC | PIASTRINA ZBC | |
| 012 | 58527300 | 001 | RESSORT | SPRING | FEDER | MOLLA | |
| 013 | 80061026 | 009 | VIS TETE HEXAGONALE FE/ZNXC3 | HEXAGON HEAD SCREW FE/ZNXC3 | SECHSKANTSCHRAUBE FE/ZNXC3 | VITE TESTA ESAGONALE FE/ZNXC3 | |
| 014 | 80061058 | 001 | VIS TETE HEXAGONALE FE/ZNXC3 | HEXAGON HEAD SCREW FE/ZNXC3 | SECHSKANTSCHRAUBE FE/ZNXC3 | VITE TESTA ESAGONALE FE/ZNXC3 | |
| 015 | 80061020 | 004 | VIS TETE HEXAGONALE FE/ZNXC3 | HEXAGON HEAD SCREW FE/ZNXC3 | SECHSKANTSCHRAUBE FE/ZNXC3 | VITE A TESTA ESAGONALE FE/ZNXC3 | |
| 016 | 80061073 | 002 | VIS TETE HEXAGONALE FE/ZNXC3 | HEXAGON HEAD SCREW FE/ZNXC3 | SECHSKANTSCHRAUBE FE/ZNXC3 | VITE TESTA ESAGONALE FE/ZNXC3 | |
| 017 | 80061249 | 002 | VIS TETE HEXAGONALE FE/ZNXC3 | HEXAGON HEAD SCREW FE/ZNXC3 | SECHSKANTSCHRAUBE FE/ZNXC3 | VITE TESTA ESAGONALE FE/ZNXC3 | |
| 018 | 80200840 | 016 | ECROU HEX.BAS AUTOFR.FE/ZNXC3 | SELF-LOCKING NUT FE/ZNXC3 | SELBSTSICHERND.MUTTER FE/ZNXC3 | DADO AUTOBLOCCANTE FE/ZNXC3 | |
| 019 | 80201040 | 016 | ECROU HEX.BAS AUTOFR.FE/ZNXC3 | SELF-LOCKING NUT FE/ZNXC3 | SELBSTSICHERND.MUTTER FE/ZNXC3 | DADO AUTOBLOCCANTE FE/ZNXC3 | |
| 020 | 80201230 | 002 | ECROU HEX.AUTOFREINE FE/ZNXC3 | SELF-LOCKING NUT FE/ZNXC3 | SELBSTSICH.MUTTER FE/ZNXC3 | DADO AUTOBLOCCANTE FE/ZNXC3 | |
| 021 | 80250823 | 016 | RONDELLE PLATE FE/ZNXC3 | PLAIN WASHER FE/ZNXC3 | SCHEIBE FE/ZNXC3 | RONDELLA PIATTA FE/ZNXC3 | |
| 022 | 80251176 | 010 | RONDELLE PLATE FE/ZNXC3 | PLAIN WASHER FE/ZNXC3 | SCHEIBE FE/ZNXC3 | RONDELLA PIATTA FE/ZNXC3 | |
| 023 | 80251225 | 002 | RONDELLE PLATE FE/ZNXC3 | PLAIN WASHER FE/ZNXC3 | SCHEIBE FE/ZNXC3 | RONDELLA PIATTA FE/ZNXC3 | |
| 024 | 80281051 | 011 | RONDELLE CONTACT BLOC.FLZNNC | CONICAL SPRING WASHER FLZNNC | SPERRZAHNSPANNSCHEIBE FLZNNC | RONDELLA BLOCCAGGIO FLZNNC | |
| 025 | 80450320 | 001 | GOUPILLE ELASTIQUE INOX | ROLL PIN INOX | SPANNHUELSE INOX | SPINA ELASTICA INOX | |
| 026 | 80560540 | 001 | GOUPILLE AUTOMATIQUE FE/ZNXC3 | LINCH PIN FE/ZNXC3 | KLAPPSTECKER FE/ZNXC3 | COPPIGLIA FE/ZNXC3 | |
| 027 | 83040099 | 002 | BOUCHON D'OBTURATION | END PLUG | ROHRSCHUTZKAPPE | TAPPO | |
| 028 | 83070063 | 001 | LIEN PVC | PVC CORD | SICHERUNGSBAND | CAVETTO | |
| 029 | K7001770 | 001 | BUTEE REGLABLE | STOP | ANSCHLAG | LIMITATORE | |
| 030 | K7001781 | 001 | TUBE INTERMEDIAIRE COUDE | INTERMEDIATE TUBE | ZWISCHENROHR | TUBO | |
| 031 | K7002070 | 003 | TUBE INTERMEDIAIRE | INTERMEDIATE TUBE | ZWISCHENROHR | TUBO | |
| 032 | K7002080 | 001 | RAMBARDE | HAND RAIL | SCHUTZ | PROTEZIONE | |
| 033 | K7002980 | 001 | AXE ZBC | AXLE ZBC | ACHSE ZBC | ASSE | |
| 034 | K7003620 | 001 | CHARNIERE DROITE SOUDEE | HINGE | SCHARNIER | CERNIERA | |
| 035 | K7003650 | 001 | RAMBARDE | HAND RAIL | SCHUTZ | PROTEZIONE | |
| 036 | K7003680 | 001 | RAMBARDE | HAND RAIL | SCHUTZ | PROTEZIONE | |
| 037 | K7003690 | 001 | BRAS | ARM | ARM | BRACCIO | |
| 038 | K7003700 | 001 | RAMBARDE | HAND RAIL | SCHUTZ | PROTEZIONE | |
| 039 | K7003770 | 001 | PLAT D'ACCROCHAGE | PLATE | FLACHEISEN | PIATTO | |
| 040 | K7006500 | 001 | PATTE | BRACKET | BEFESTIGUNGSEISEN | FAZZOLETTO | |
| 041 | K7007850 | 001 | PROTECTEUR EXTERIEUR | GUARD | SCHUTZ | PROTEZIONE | |





GMD883

B 0001 > C 0000

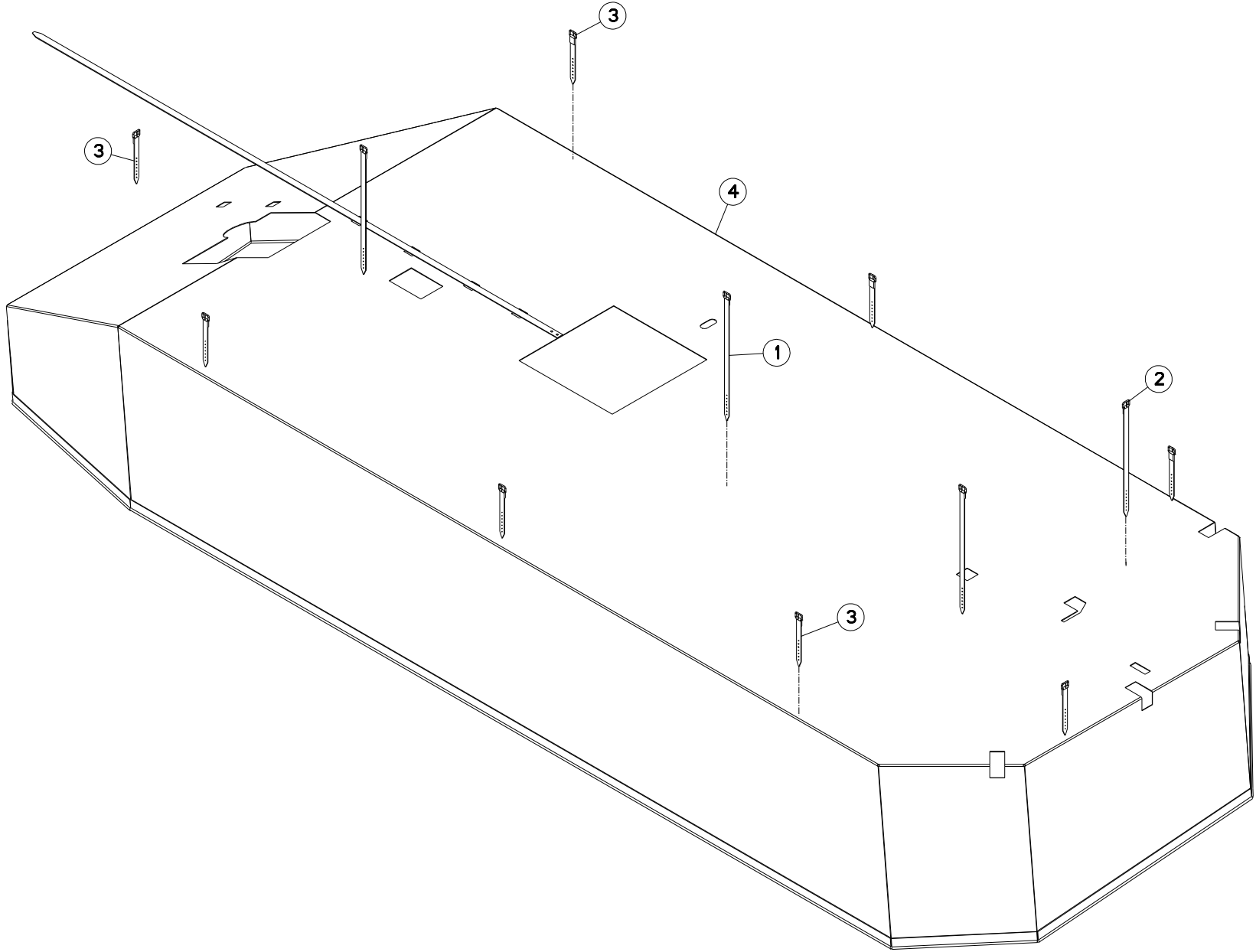
K70R0182 A

OSSATURE DU PROTECTEUR GAUCHE FRAME LEFT

RAHMEN LINKS

OSSATURA DI PROTEZIONE L. SINI

| Rep | Nr | Qt | Designation | Description | Bezeichnung | Referenza | Remarque - Remark - Bemerkung - Osservazioni |
|-----|----------|-----|-------------------------------|------------------------------|--------------------------------|--------------------------------|--|
| 001 | 50002300 | 004 | VIS TBCC COURT | BOLT, CARRIAGE, SHORT NECK | FLACHRUNDSCHR.4KT ANSATZ | BULLONE | |
| 002 | 50008300 | 005 | VIS TBCC COURT | BOLT, CARRIAGE, SHORT NECK | FLACHRUNDSCHR.4KT ANSATZ | BULLONE | |
| 003 | 50070600 | 016 | VIS TBCC COURT | BOLT, CARRIAGE, SHORT NECK | FLACHRUNDSCHR.4KT ANSATZ | BULLONE | |
| 004 | 55749800 | 002 | VERROU | LATCH | RIEGEL | LEVA | |
| 005 | 56698600 | 002 | PATTE DE RETENUE ZBC | BRACKET ZBC | LASCHE ZBC | PIASTRA DI FISSAGGIO | |
| 006 | 56826200 | 001 | TIGE | STEM | STANGE | STELO | |
| 007 | 56858600 | 001 | GARDE-FOU | SAFETY-GUARD | SCHUTZBUEGEL | PROTEZIONE | |
| 008 | 56860200 | 001 | PATTE D'ACCROCHAGE ZBC | LINKAGE PLATE ZBC | VERRIEGELUNGSHAKEN ZBC | ANGOLARE | |
| 009 | 56860400 | 004 | PATTE DE RECOUVREMENT ZBC | BRACKET ZBC | LASCHE ZBC | FAZZOLETTO | |
| 010 | 57530410 | 016 | BARRETTE ZBC | BRACKET ZBC | BEFESTIGUNGSPLATTE ZBC | PIASTRINA ZBC | |
| 011 | 58527300 | 001 | RESSORT | SPRING | FEDER | MOLLA | |
| 012 | 80061026 | 009 | VIS TETE HEXAGONALE FE/ZNXC3 | HEXAGON HEAD SCREW FE/ZNXC3 | SECHSKANTSCHRAUBE FE/ZNXC3 | VITE TESTA ESAGONALE FE/ZNXC3 | |
| 013 | 80061058 | 001 | VIS TETE HEXAGONALE FE/ZNXC3 | HEXAGON HEAD SCREW FE/ZNXC3 | SECHSKANTSCHRAUBE FE/ZNXC3 | VITE TESTA ESAGONALE FE/ZNXC3 | |
| 014 | 80061020 | 005 | VIS TETE HEXAGONALE FE/ZNXC3 | HEXAGON HEAD SCREW FE/ZNXC3 | SECHSKANTSCHRAUBE FE/ZNXC3 | VITE A TESTA ESAGONALE FE/ZNXC | |
| 015 | 80061073 | 002 | VIS TETE HEXAGONALE FE/ZNXC3 | HEXAGON HEAD SCREW FE/ZNXC3 | SECHSKANTSCHRAUBE FE/ZNXC3 | VITE TESTA ESAGONALE FE/ZNXC3 | |
| 016 | 80061249 | 001 | VIS TETE HEXAGONALE FE/ZNXC3 | HEXAGON HEAD SCREW FE/ZNXC3 | SECHSKANTSCHRAUBE FE/ZNXC3 | VITE TESTA ESAGONALE FE/ZNXC3 | |
| 017 | 80200840 | 016 | ECROU HEX.BAS AUTOFR.FE/ZNXC3 | SELF-LOCKING NUT FE/ZNXC3 | SELBSTSICHERND.MUTTER FE/ZNXC3 | DADO AUTOBLOCCANTE FE/ZNXC3 | |
| 018 | 80201040 | 016 | ECROU HEX.BAS AUTOFR.FE/ZNXC3 | SELF-LOCKING NUT FE/ZNXC3 | SELBSTSICHERND.MUTTER FE/ZNXC3 | DADO AUTOBLOCCANTE FE/ZNXC3 | |
| 019 | 80201230 | 001 | ECROU HEX.AUTOFREINE FE/ZNXC3 | SELF-LOCKING NUT FE/ZNXC3 | SELBSTSICH.MUTTER FE/ZNXC3 | DADO AUTOBLOCCANTE FE/ZNXC3 | |
| 020 | 80250823 | 016 | RONDELLE PLATE FE/ZNXC3 | PLAIN WASHER FE/ZNXC3 | SCHEIBE FE/ZNXC3 | RONDELLA PIATTA FE/ZNXC3 | |
| 021 | 80251176 | 010 | RONDELLE PLATE FE/ZNXC3 | PLAIN WASHER FE/ZNXC3 | SCHEIBE FE/ZNXC3 | RONDELLA PIATTA FE/ZNXC3 | |
| 022 | 80251225 | 002 | RONDELLE PLATE FE/ZNXC3 | PLAIN WASHER FE/ZNXC3 | SCHEIBE FE/ZNXC3 | RONDELLA PIATTA FE/ZNXC3 | |
| 023 | 80281051 | 012 | RONDELLE CONTACT BLOC.FLZNNC | CONICAL SPRING WASHER FLZNNC | SPERRZAHNSPANNSCHEIBE FLZNNC | RONDELLA BLOCCAGGIO FLZNNC | |
| 024 | 80450320 | 001 | GOUPILLE ELASTIQUE INOX | ROLL PIN INOX | SPANNHUELSE INOX | SPINA ELASTICA INOX | |
| 025 | 80560540 | 001 | GOUPILLE AUTOMATIQUE FE/ZNXC3 | LINCH PIN FE/ZNXC3 | KLAPPSTECKER FE/ZNXC3 | COPPIGLIA FE/ZNXC3 | |
| 026 | 83070063 | 001 | LIEN PVC | PVC CORD | SICHERUNGSBAND | CAVETTO | |
| 027 | K7001770 | 001 | BUTEE REGLABLE | STOP | ANSCHLAG | LIMITATORE | |
| 028 | K7001781 | 001 | TUBE INTERMEDIAIRE COUDE | INTERMEDIATE TUBE | ZWISCHENROHR | TUBO | |
| 029 | K7002070 | 003 | TUBE INTERMEDIAIRE | INTERMEDIATE TUBE | ZWISCHENROHR | TUBO | |
| 030 | K7002980 | 001 | AXE ZBC | AXLE ZBC | ACHSE ZBC | ASSE | |
| 031 | K7003630 | 001 | CHARNIERE GAUCHE SOUDEE | HINGE | SCHARNIER | CERNIERA | |
| 032 | K7003670 | 001 | RAMBARDE | HAND RAIL | SCHUTZ | PROTEZIONE | |
| 033 | K7003730 | 001 | RAMBARDE | HAND RAIL | SCHUTZ | PROTEZIONE | |
| 034 | K7003740 | 001 | BRAS | ARM | ARM | BRACCIO | |
| 035 | K7003760 | 001 | RAMBARDE | HAND RAIL | SCHUTZ | PROTEZIONE | |
| 036 | K7003770 | 001 | PLAT D'ACCROCHAGE | PLATE | FLACHEISEN | PIATTO | |
| 037 | K7006440 | 001 | PATTE | BRACKET | BEFESTIGUNGSEISEN | FAZZOLETTO | |
| 038 | K7006510 | 001 | RAMBARDE | HAND RAIL | SCHUTZ | PROTEZIONE | |
| 039 | K7007100 | 001 | RAMBARDE | HAND RAIL | SCHUTZ | PROTEZIONE | |
| 040 | K7007850 | 001 | PROTECTEUR EXTERIEUR | GUARD | SCHUTZ | PROTEZIONE | |





GMD883

B 0001 > C 0000

K70R0183 A

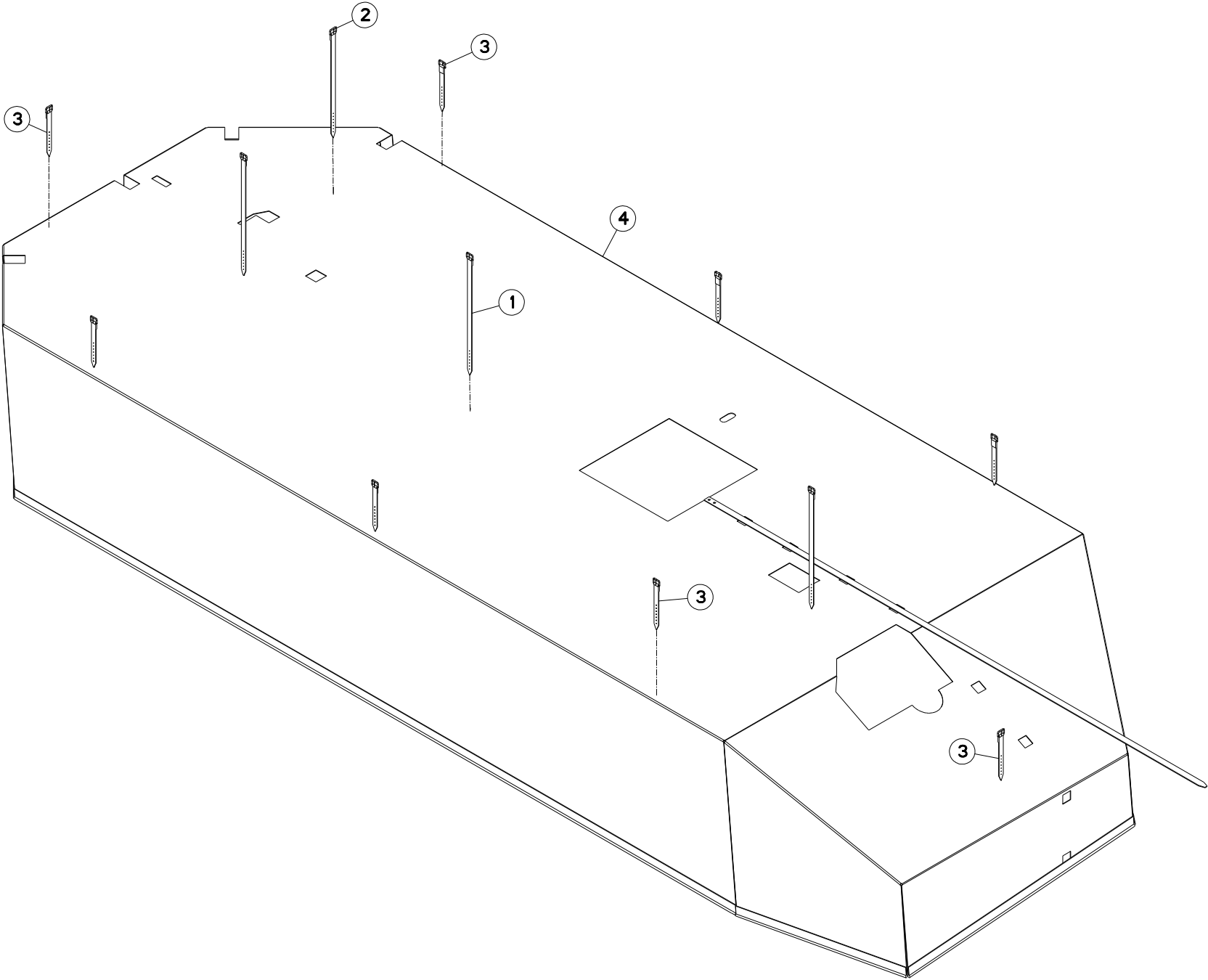
TOILE DE PROTECTION DROITE

PROTECTION COVER RIGHT

SCHUTZTUCH RECHTS

TELO DI PROTEZIONE LATO DESTRA

| Rep | Nr | Qt | Designation | Description | Bezeichnung | Referenza | Remarque - Remark - Bemerkung - Osservazioni |
|-----|-----------------|-----|-------------------|-------------|--------------------|-----------------|--|
| 001 | 56693600 | 003 | LANIERE PLASTIQUE | STRAP | BEFESTIGUNGSRIEMEN | CINGHIETTA | |
| 002 | 56847600 | 001 | LANIERE PLASTIQUE | STRAP | BEFESTIGUNGSRIEMEN | CINGHIETTA | |
| 003 | 56847700 | 008 | LANIERE PLASTIQUE | STRAP | BEFESTIGUNGSRIEMEN | CINGHIETTA | |
| 004 | K7007041 | 001 | TOILE | CURTAIN | SCHUTZTUCH | TELO POSTERIORE | |





GMD883

B 0001 > C 0000

K70R0184 A

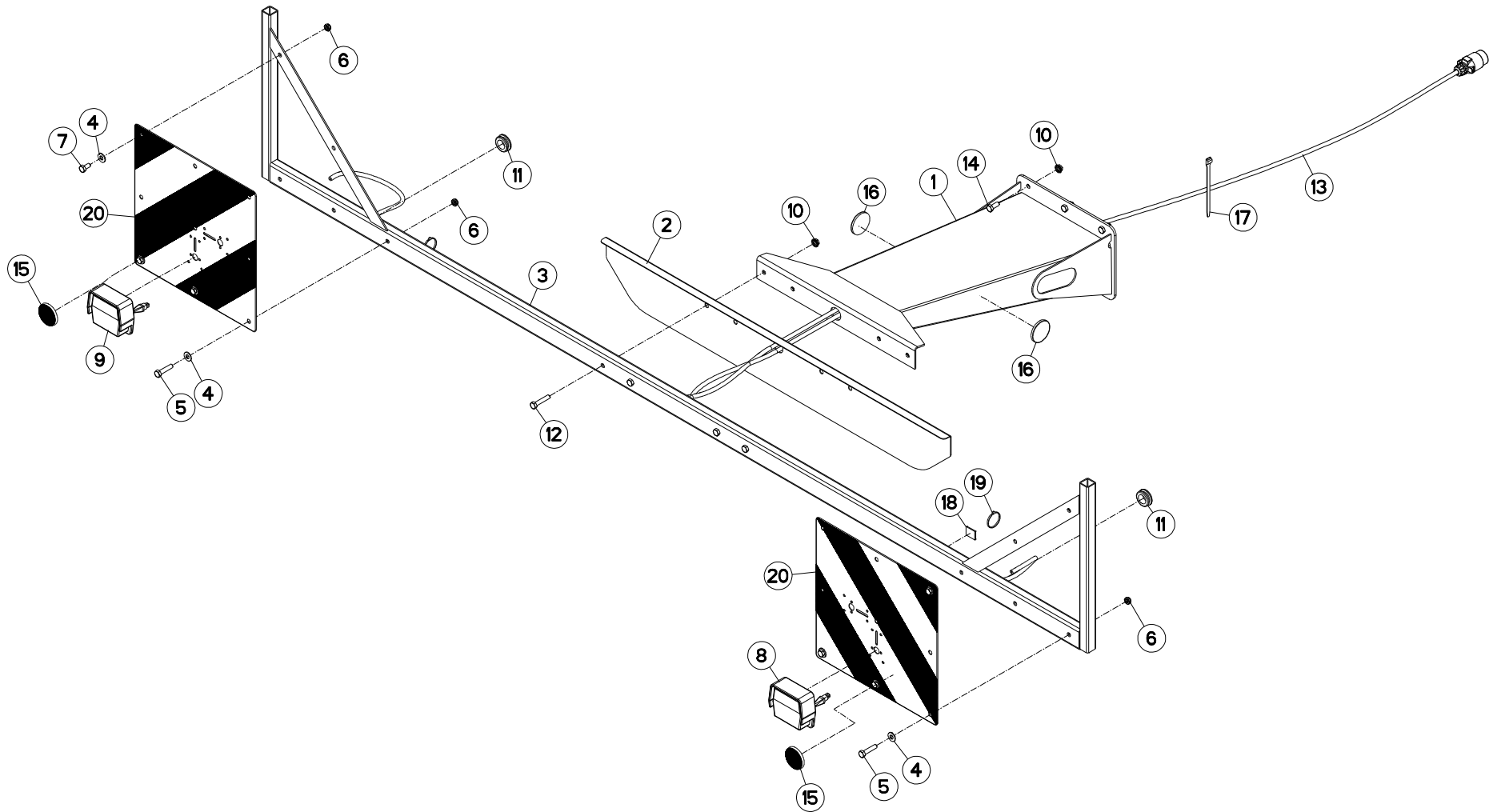
TOILE DE PROTECTION GAUCHE

PROTECTION COVER LEFT

SCHUTZTUCH LINKS

TELO DI PROTEZIONE LATO SINIST

| Rep | Nr | Qt | Designation | Description | Bezeichnung | Referenza | Remarque - Remark - Bemerkung - Osservazioni |
|-----|-----------------|-----|-------------------|-------------|--------------------|-----------------|--|
| 001 | 56693600 | 003 | LANIERE PLASTIQUE | STRAP | BEFESTIGUNGSRIEMEN | CINGHIETTA | |
| 002 | 56847600 | 001 | LANIERE PLASTIQUE | STRAP | BEFESTIGUNGSRIEMEN | CINGHIETTA | |
| 003 | 56847700 | 008 | LANIERE PLASTIQUE | STRAP | BEFESTIGUNGSRIEMEN | CINGHIETTA | |
| 004 | K7007051 | 001 | TOILE | CURTAIN | SCHUTZTUCH | TELO POSTERIORE | |





GMD883

B 0001 > C 0000

K70R0186 A

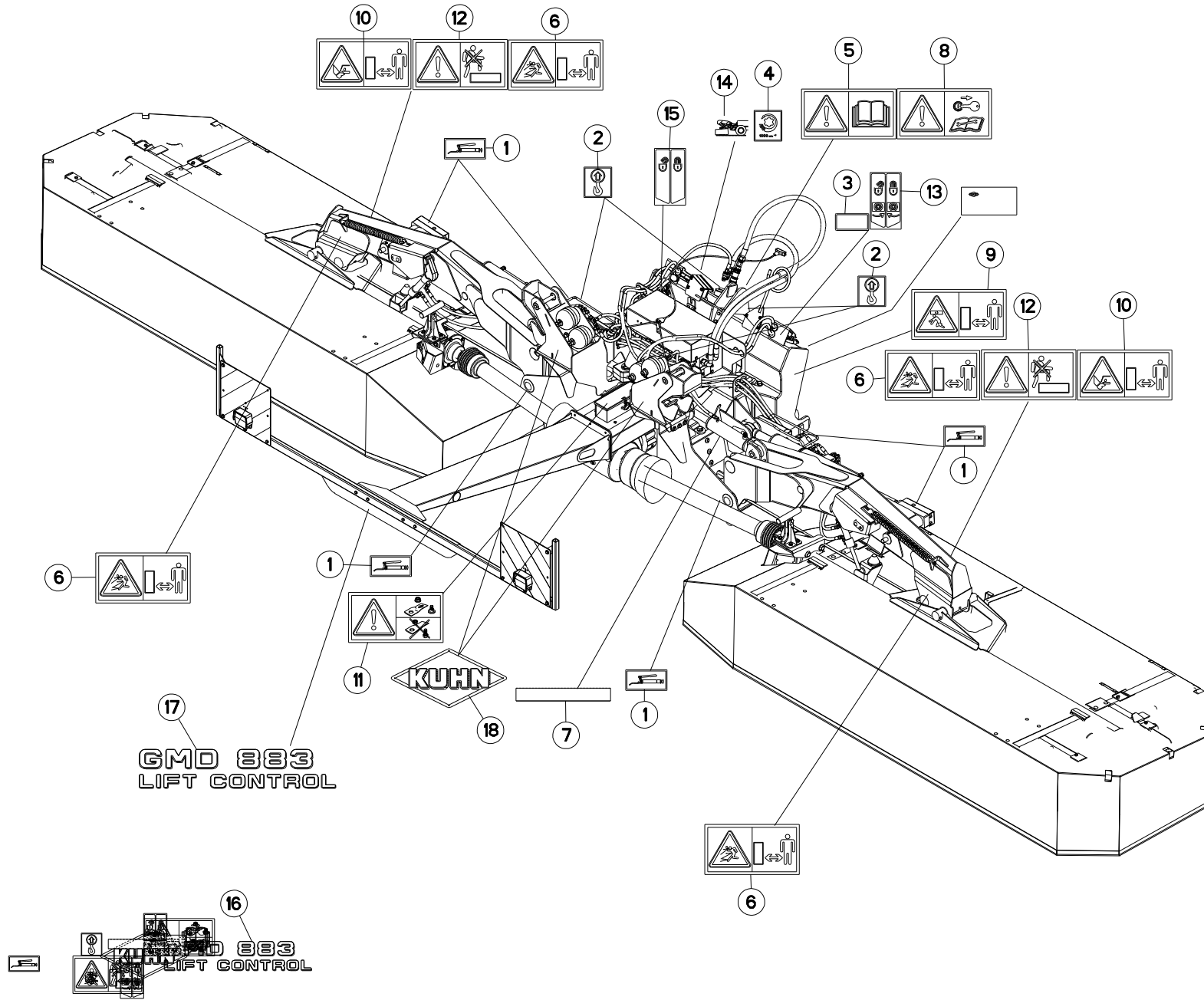
SIGNALISATION ROUTIERE

WARNING BOARDS

WARNTAFELN

SEGNALAZIONE STRADALE

| Rep | Nr | Qt | Designation | Description | Bezeichnung | Referenza | Remarque - Remark - Bemerkung - Osservazioni |
|-----|-----------------|-----|-------------------------------|--------------------------------|--------------------------------|--------------------------------|--|
| 001 | K7007840 | 001 | SUPPORT | SUPPORT | TRAEGER | SUPPORTO | |
| 002 | K7007910 | 001 | SUPPORT | SUPPORT | TRAEGER | SUPPORTO | |
| 003 | K7001850 | 001 | SUPPORT | SUPPORT | TRAEGER | SUPPORTO | |
| 004 | 80251176 | 008 | RONDELLE PLATE FE/ZNXC3 | PLAIN WASHER FE/ZNXC3 | SCHEIBE FE/ZNXC3 | RONDELLA PIATTA FE/ZNXC3 | |
| 005 | 80061046 | 006 | VIS TETE HEXAGONALE FE/ZNXC3 | HEXAGON HEAD SCREW FE/ZNXC3 | SECHSKANTSCHRAUBE FE/ZNXC3 | VITE TESTA ESAGONALE FE/ZNXC3 | |
| 006 | 80201040 | 008 | ECROU HEX.BAS AUTOFR.FE/ZNXC3 | SELF-LOCKING NUT FE/ZNXC3 | SELBSTSICHERND.MUTTER FE/ZNXC3 | DADO AUTOBLOCCANTE FE/ZNXC3 | |
| 007 | 80061020 | 002 | VIS TETE HEXAGONALE FE/ZNXC3 | HEXAGON HEAD SCREW FE/ZNXC3 | SECHSKANTSCHRAUBE FE/ZNXC3 | VITE A TESTA ESAGONALE FE/ZNXC | |
| 008 | 83240401 | 001 | FEU ARRIERE DROIT | REAR LAMP RIGHT | RUECKLICHT RECHTS | FANALINO COMPLETO POST. DX | |
| 009 | 83240400 | 001 | FEU ARRIERE GAUCHE | REAR LAMP LEFT | RUECKLICHT LINKS | FANALINO COMPLETO POST. SX | |
| 010 | 80201053 | 010 | ECROU AUTOBLOQUANT FE/ZNXC3 | UNDERSERRAT.S.LOC.NUT FE/ZNXC3 | SPERRZAHN-BUNDMUTTER FE/ZNXC3 | DADO FE/ZNXC3 | |
| 011 | 83200804 | 002 | PASSE FIL | RUBBER PASS WIRE | GUMMITUELLE | PASSAFILO | |
| 012 | 80061049 | 004 | VIS TETE HEXAGONALE FE/ZNXC3 | HEXAGON HEAD SCREW FE/ZNXC3 | SECHSKANTSCHRAUBE FE/ZNXC3 | VITE TESTA ESAGONALE FE/ZNXC3 | |
| 013 | N01602A0 | 001 | FAISCEAU ELECTRIQUE | WIRING HARNESS | KABEL FUER BELEUCHTUNG | FASCIO DE CONDUTTORI | |
| 014 | 80061026 | 006 | VIS TETE HEXAGONALE FE/ZNXC3 | HEXAGON HEAD SCREW FE/ZNXC3 | SECHSKANTSCHRAUBE FE/ZNXC3 | VITE TESTA ESAGONALE FE/ZNXC3 | |
| 015 | 83240011 | 002 | CATADIOPTRE ROUGE 60 ADHESIF | REFLECTOR RED ADHESIVE | RUECKSTRAHLER ROT SELBSTKL. | CATADIOTRI | |
| 016 | 83240014 | 002 | CATADIOPTRE ORANGE 60 ADHESIF | REFLECTOR 60 | RUECKSTRAHLER 60 GELB | CATADIOTTRO | |
| 017 | 83090086 | 033 | COLLIER PLASTIQUE | CABLE TIE PLASTIC | KABELBINDER PLASTIK | FASCETTA | |
| 018 | 83090038 | 009 | EMBASE AUTOADHESIVE | SELF STIKING CABLE GUIDE | KABELKONSOLE SELBSTKLEBEND | BASAMENTO | |
| 019 | 83090039 | 032 | COLLIER PLASTIQUE | CABLE TIE PLASTIC | KABELBINDER PLASTIK | FASCETTA | |
| 020 | 83240212 | 002 | PANNEAU CARRE SIMPLE-FACE | WARNING PLATE | WARNTAFEL | PANNELLO B/R ANT. | |





ETIQUETTES ADHESIVES

STICKERS

AUFKLEBER

ETICHETTE ADESIVE

| Rep | Nr | Qt | Designation | Description | Bezeichnung | Referenza | Remarque - Remark - Bemerkung - Osservazioni |
|-----|----------|-----|--------------------------------|--------------------------------|------------------------------|-----------------------------|--|
| 001 | 09905400 | 012 | ETIQ.ADHESIVE IND.GRAISSEURS | TRANSFER | AUFKLEBER | ADESIVO | [1] |
| 002 | 09905510 | 004 | ETIQ.ADHESIVE POINT DE LEVAGE | DECAL LIFTING POINT | AUFKLEBER ANSCHLAGPUNKT | ADESIVO | [1] |
| 003 | 09906910 | 001 | ETIQ.ADHESIVE GRAISS.SHELL GMD | TRANSFER | AUFKLEBER | ADESIVO | [1] |
| 004 | 09915200 | 001 | ETIQ.ADHESIVE 1000 MIN-1 A G. | DECAL 1000 MIN-1 LE. | AUFKLEBER 1000 MIN-1 LI. | ADESIVO | [1] |
| 005 | 59900000 | 001 | PICTOGR.H NOTICE D'INSTR | PICTORIAL H INSTRUCTIONS | PIKTOGR.H BETRIEBSANLEITUNG | ADESIVO | [1] * |
| 006 | 59900200 | 004 | PICTOGR.H DANGER PROJEC | PICTORIAL H DANGER PROJECTION | PIKTOGR.H GEFAHR FORTGESCHL. | ADESIVO | [1] * |
| 007 | 59900300 | 002 | PICTOGR.H ECRASEM.MAIN | PICTORIAL H CRUSH.DANGER HAND | PIKTOGR.H QUETSCHGEFAHR HAND | ADESIVO | [1] * |
| 008 | 59900400 | 001 | PICTOGR.H ARRETER MOTEUR | PICTORIAL H STOP ENGINE | PIKTOGR.H MOTOR ABSTELLEN | ADESIVO | [1] * |
| 009 | 59900500 | 002 | PICTOGR.H ECRASEM.CORPS | PICTORIAL H CRUSH. DANGER BODY | PIKTOGR.H QUETSCHGEF.KOERPER | ADESIVO | [1] * |
| 010 | 59900800 | 002 | PICTOGR.H BLESSURE PIED | PICTORIAL H SEVERING OF FOOT | PIKTOGR.H FUSSVERLETZUNG | ADESIVO | [1] * |
| 011 | 59901100 | 001 | PICTOGR.H PIECES D'ORIGINE | PICTORIAL GENNINE PARTS | PIKTOGR.H ORIGINALTEILE | ADESIVO PEZZI ORIGINAL | [1] * |
| 012 | 59901200 | 002 | PICTOGR.H NE PAS MONTER | PICTORIAL H DO NOT STEP | PIKTOGR.H NICHT AUFSTEIGEN | ADESIVO | [1] * |
| 013 | 59951300 | 002 | PICTOGR.ROBINET O/F | PICTORIAL | PIKTOGRAM. | ADESIVO | [1] * |
| 014 | 59954500 | 001 | PICTOGR.H RELEVAGE FRONTALE | PICTORIAL | PIKTOGR. | ADESIVO | [1] * |
| 015 | 59954800 | 001 | PICTOGR.V LOAD SENSING | PICTORIAL | PIKTOGRAMM | ADESIVO | [1] * |
| 016 | K7007900 | 001 | COLL.ETIQ.ADHES.GMD883 | SET OF STICKERS | SATZ AUFKLEBER | ADESIVO KIT | + [1] |
| 016 | K7007907 | 001 | COLL.ETIQ.ADHES.GMD883 CDN | SET OF STICKERS CDN | SATZ AUFKLEBER CDN | ADESIVO KIT CDN | |
| 016 | K7007908 | 001 | COLL.ETIQ.ADHES.GMD883 USA | SET OF STICKERS USA | SATZ AUFKLEBER USA | ADESIVO KIT USA | |
| 017 | K9500060 | 001 | ETIQ.ADH. | DECAL | AUFKLEBER | ADESIVO | [1] |
| 018 | K9500070 | 002 | LOGO KUHN 207 BLANC/TRANSP. | LOGO KUHN 207 | LOGO KUHN 207 WEISS/TRANSP. | LOGO KUHN 207 BIANCO TRASP. | [1] |

Pour les pictogrammes sans texte (standard CE) dont le code commence par 599xxxxx, le 7° chiffre est 0 ou 5.

Pour les pictogrammes avec texte, le 7° chiffre est respectivement:

1 ou 6 pour les pictogrammes avec texte français (standard du Canada francophone).

2 ou 7 pour les pictogrammes avec texte anglais (standard de pays anglophones non européens).

Safety pictorials without text (CE standard) with part no. starting with 599xxxxx, use 0 or 5 as the 7th digit of the number.

In the corresponding pictorials with text the 7th digit of the number is :

1 or 6 respectively for pictorials with French text as used in French Canada.

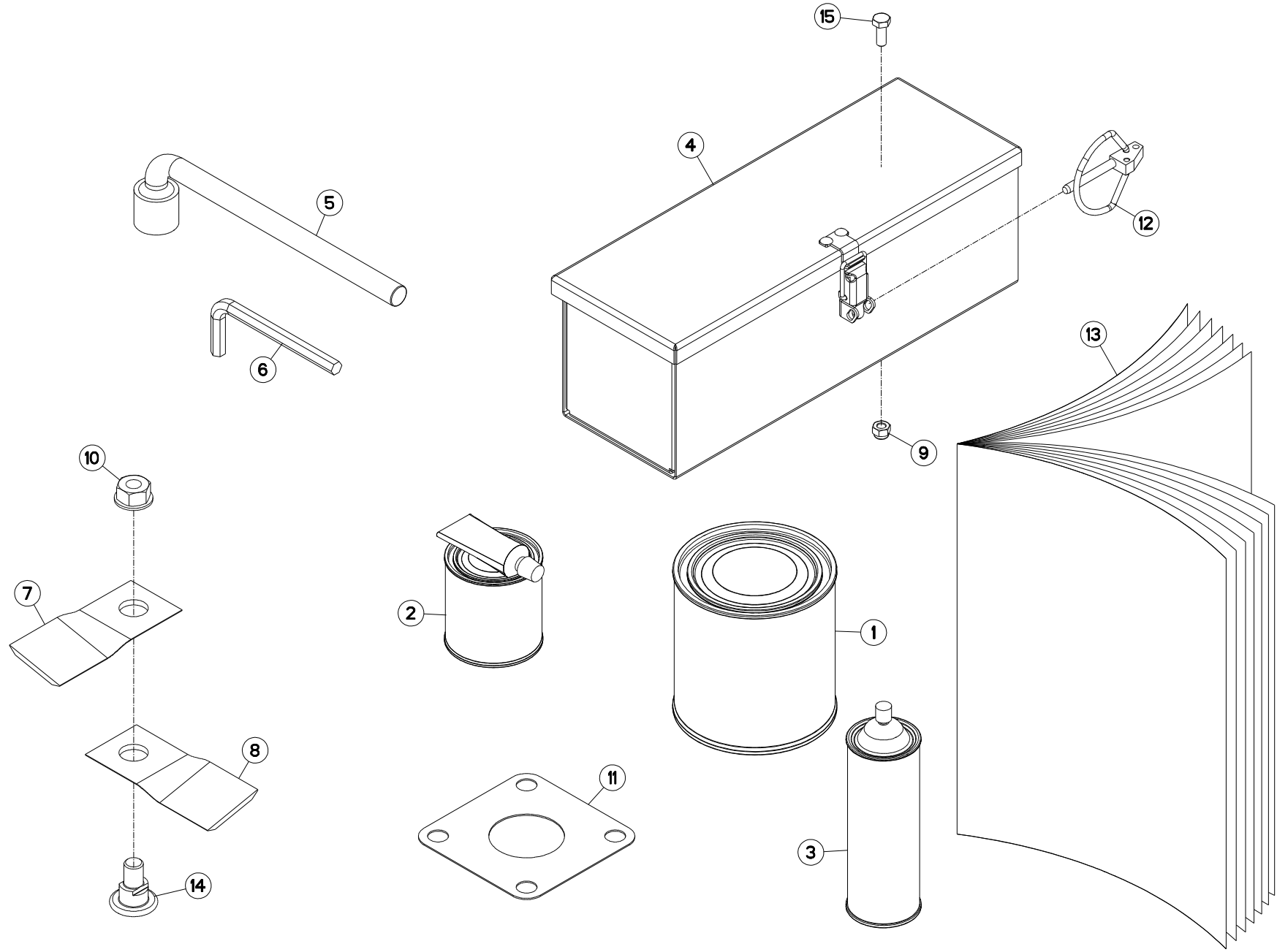
2 or 7 respectively for pictorials with English text as used in non-European English speaking countries.

Bei Sicherheitsaufklebern/Piktogrammen ohne Text (CE-Standard) mit Art.-Nr. 599xxxxx ist die 7. Ziffer 0 oder 5.

Bei den entsprechenden Sicherheitsaufklebern/Piktogrammen mit Text ist die 7. Ziffer:

1 oder 6 für Sicherheitsaufkleber/Piktogramme mit französischem Text (Serie im französischsprachigem Kanada)

2 oder 7 für Sicherheitsaufkleber/Piktogramme mit englischem Text (Serie in außereuropäischen englischsprachigen Ländern)





GMD883

B 0001 > C 0000

K70R0272 A

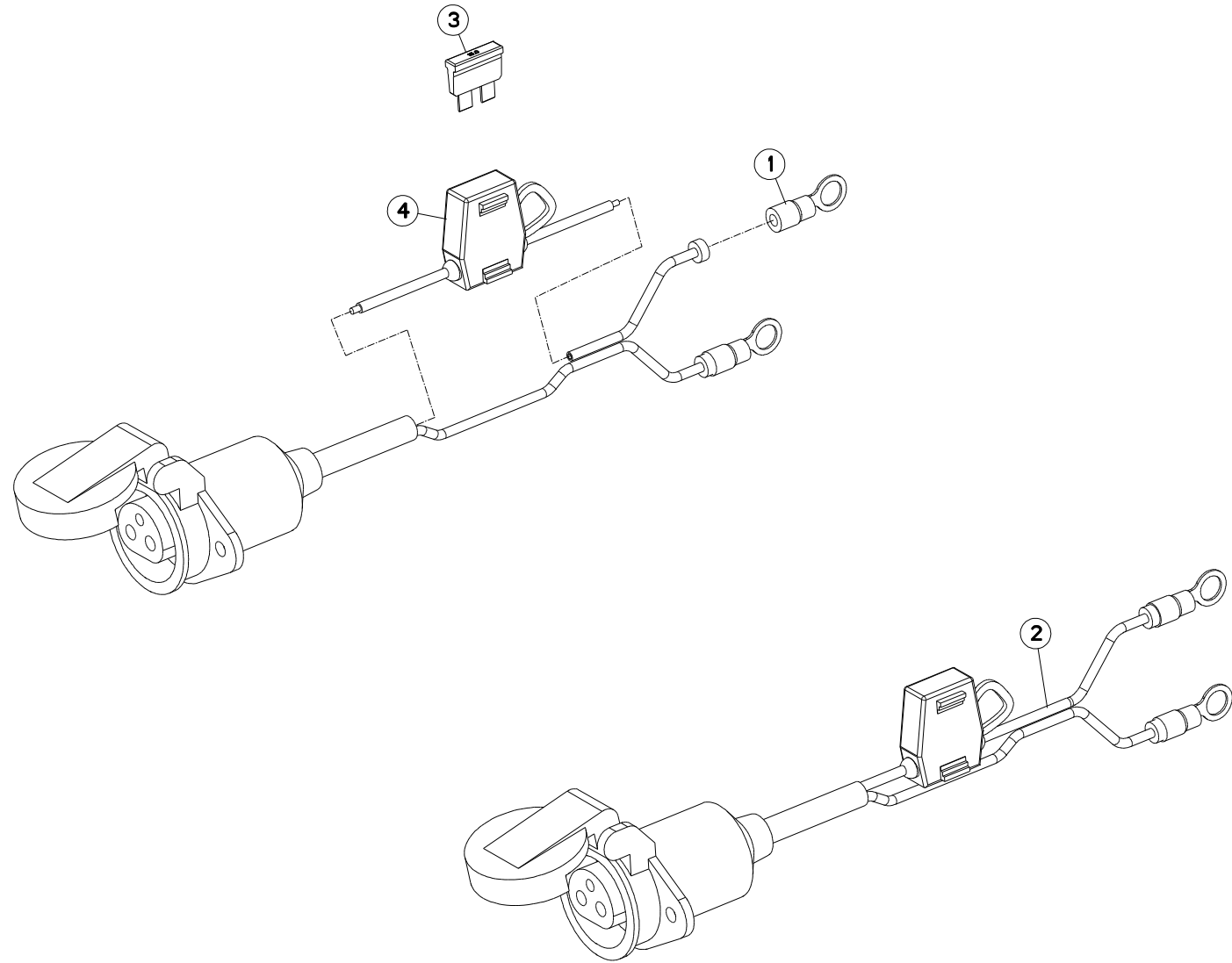
DIVERS

MISCELLANEOUS

VERSCHIEDENES

DIVERSI

| Rep | Nr | Qt | Designation | Description | Bezeichnung | Referenza | Remarque - Remark - Bemerkung - Osservazioni |
|-----|-----------------|-----|-------------------------------|------------------------------|-------------------------------|-------------------------------|--|
| 001 | 83503018 | 001 | BOITE 1L PEINT.ROUGE | 1L RED PAINT CAN, | DOSE FARBE ROT,1L | VERNICE ROSSA KUHN | |
| 002 | 83503019 | 001 | BOITE 0,6L PEIN.ROU.2K+DURCIS | 0,6L RED PAINT CAN,+HARDENER | DOSE 0,6L FARBE ROT, 2KOMP. | VERNICE ROSSA KUHN 2K 0,6L | |
| 003 | 83503026 | 001 | BOMBE AEROSOL ROUGE KUHN | RED SPRAY PAINT | FARBSPRUEHDOSE KUHN ROT | VERNICE SPRAY ROSSA | |
| 004 | 56019000 | 001 | BOITE A OUTILS | TOOLBOX | WERKZEUGKASTEN | CASSETTO | |
| 005 | 50080000 | 001 | CLE A PIPE DE 18 (12PANS) | BOX SPANNER 18 ZBC | PFEIFENSCHLUESSEL 18 ZBC | CHIAVE | |
| 006 | 83450005 | 001 | CLE MALE 8 | ALLEN WRENCH 8 | 6KT.STIFTSCHLUESSEL 8 | CHIAVE | |
| 007 | 55903210 | 016 | COUTEAU VRILLE DISQUE T.A G. | ANGLED BLADE - LEFT | MAEHKLINGE GEDREHT - LINKS | COLTELLO PIEGATO - SINISTRO | |
| 008 | 55903310 | 016 | COUTEAU VRILLE DISQUE T.A D. | ANGLED BLADE - RIGHT | MAEHKLINGE GEDREHT - RECHTS | COLTELLO PIEGATO - DESTRO | |
| 009 | 80200630 | 002 | ECROU HEX.AUTOFREINE FE/ZNXC3 | SELF-LOCKING NUT FE/ZNXC3 | SELBSTSICHERNDE MUTT.FE/ZNXC3 | DADO AUTOBLOCCANTE FE/ZNXC3 | |
| 010 | 80201262 | 016 | ECROU TWOLOK FLZNNC | SELF-LOCKING NUT FLZNNC | SELBSTSICHERNDE MUTTER FLZNNC | DADO TWOLOCK FLZNNC | |
| 011 | 56807100 | 008 | ENTRETOISE | SPACER | DISTANZSCHEIBE | DISTANZIALE | |
| 012 | 80560540 | 001 | GOUPILLE AUTOMATIQUE FE/ZNXC3 | LINCH PIN FE/ZNXC3 | KLAPPSTECKER FE/ZNXC3 | COPPIGLIA FE/ZNXC3 | |
| 013 | KN017B | 001 | NOTICE D'INST.GMD883 | OPERATORS MANUAL GMD883 | BETR-ANL.GMD883 | MAN.USO MANUT.GMD883 | |
| 014 | 56115800 | 016 | VIS AUTOFREINEE | SCREW, SELF-LOCKING | SELBSTSICHERNDE SCHRAUBE | VITE AUTOBLOCCANTE | |
| 015 | 80060616 | 002 | VIS TETE HEXAGONALE FE/ZNXC3 | HEXAGON HEAD SCREW FE/ZNXC3 | SECHSKANTSCHRAUBE FE/ZNXC3 | VITE TESTA ESAGONALE FE/ZNXC3 | |





GMD883

B 0001 > C 0000

K70R0230 A

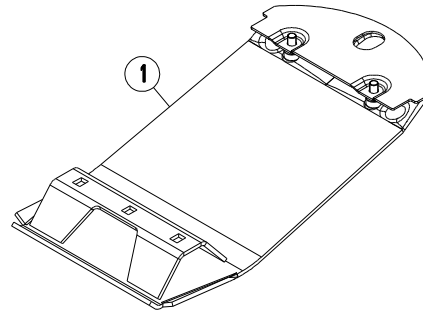
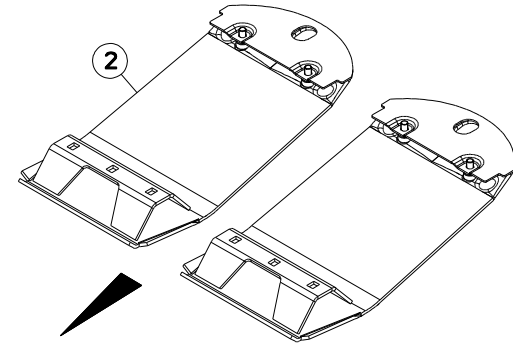
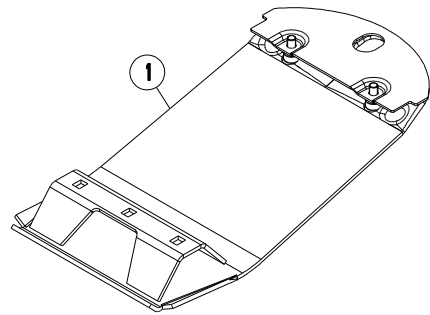
FAISCEAU ELECTRIQUE D'ALIMENTA

POWER SUPPLY CABLE

ANSCHLUSSKABEL

CAVO ELETTRICO D'ALIMENTAZION

| Rep | Nr | Qt | Designation | Description | Bezeichnung | Referenza | Remarque - Remark - Bemerkung - Osservazioni |
|-----|-----------------|-----|--------------------------|-----------------|--------------------|-----------------------|--|
| 001 | 83233200 | 002 | COSSE OEILLET ROUGE M8 | LUG RED M8 | KABELSCHUH ROT M8 | TERMINALE ROSSO M8 | [1] |
| 002 | 83233002 | 001 | FAISCEAU ELECTRIQUE | HARNESS, WIRING | KABELBAUM | CAVO ELETTRICO | ESP :US +[1] |
| 003 | 83233017 | 001 | FUSIBLE ATO 15 A BLEU | FUSE ATO 15 A | SICHERUNG ATO 15 A | FUSIBILE ATO 15 A | |
| 004 | 83233003 | 001 | PORTE FUSIBLE LITTLEFUSE | FUSE HOLDER | SICHERUNGSHALTER | SUPPORTO DEL FUSIBILE | [1] |





GMD883

B 0001 > C 0000

K70R0234 A

COLL.SEMELLES SURELEVEES

RAISED SKID SHOE SET

SATZ HOCHSCHNITTKUFEN

KIT SLITTE RIALZATE

| Rep | Nr | Qt | Designation | Description | Bezeichnung | Referenza | Remarque - Remark - Bemerkung - Osservazioni |
|-----|-----------------|-----|---------------------------|------------------------|------------------------------|---------------------|--|
| 001 | 56835920 | 002 | SEMELLE SURELEVEE SOUDEE | RAISED SKID SHOE | HOCHSCHNITT-SCHUTZKUFE | SLITTE RIALZATE | [1] |
| 002 | 1076440 | 001 | COLL.SEMELLES SUREL.120MM | RAISED SKID SET 120 MM | SATZ HOCHSCHNITTKUFEN 120 MM | KIT SLITTE RIALZATE | OPT +[1] |



GMD883

B 0001 > C 0000

K99R0006 C

TRANSMISSION 4600650

TRANSMISSION 4600650

GELENKWELLE 4600650

TRANSMISSIONE 4600650

| Rep | Nr | Qt | Designation | Description | Bezeichnung | Referenza | Remarque - Remark - Bemerkung - Osservazioni |
|-----|----------|-----|------------------------------|-----------------------------|--------------------------------|-----------------------------|--|
| 001 | 4600650 | 001 | TRAN.P600-PG30 1 3/4-6 910 | PTO-S.P600-PG30 1 3/4-6 910 | GELEN.P600-PG30 1 3/4-6 910 | CARDA.P600-PG30 1 3/4-6 910 | |
| 004 | 4617650 | 001 | 1/2 PROTECTEUR EXTERIEUR | OUTER GUARD-HALF | AEUSSERE SCHUTZHAELFTE | 1/2 PROTEZIONE ESTERNA | |
| 005 | 4616650 | 001 | 1/2 PROTECTEUR INTERIEUR | INNER GUARD-HALF | INNERE SCHUTZHAELFTE | 1/2 PROTEZIONE INTERNA | |
| 011 | 4604602 | 001 | MACHOIRE QS | QS-YOKE | QS-AUFSTECKGABEL | FORCELLA | |
| 012 | 4605103 | 001 | VERROUILLAGE QS C | QS-LOCK C | QS-VERSCHLUSS C | KIT PULSANTE FORCELLA | |
| 013 | 4603603 | 001 | MACHOIRE VERROUILLAGE RAPIDE | QUICK-DISCONNECT YOKE | AUFSTECKGABEL MIT SCHIEBESTIFT | FORCELLA D'ATTACCO PULSANTE | |
| 014 | 41330110 | 002 | POUSSOIR CPLT | PUSH BUTTON CPLT | SCHIEBESTIFT KPLT | SPINA CPLT | |
| 021 | 4605030 | 002 | CROISILLON | CROSS JOURNAL | KREUZGARNITUR | CROCIERA | |
| 022 | 82200806 | 002 | GRAISSEUR FE/ZNXC3 | GREASE NIPPLE FE/ZNXC3 | SCHMIERNIPPEL FE/ZNXC3 | ENGRASADEIRA FE/ZNXC3 | |
| 023 | 4603610 | 001 | MACHOIRE | INBOARD YOKE | RILLENGABEL | FORCELLA | |
| 024 | 4605060 | 002 | GOUPILLE E | ROLL PIN | SPANNSTIFT | COPPIGLIA | |
| 025 | 4608838 | 001 | TUBE PROFILE | PROFILE TUBE | PROFILROHR | TUBO | |
| 027 | 4608999 | 001 | JOINT DE PROFILE | SEALING RING | DICHTRING FUER AUSSENPROFIL | GUARNIZIONE | |
| 028 | 4608862 | 001 | TUBE PROFILE | PROFIL TUBE | PROFILROHR | PROFILATO | |
| 029 | 4605051 | 002 | GRAISSEUR A FRAPPER | DRIVE IN GREASE NIPPLE | EINPRESSSCHMIERNIPPEL | INGRASSATORE | |
| 030 | 4603611 | 001 | MACHOIRE | INBOARD YOKE | RILLENGABEL | FORCELLA | |
| 051 | 4620021 | 002 | BAGUE DE GUIDAGE | BEARING RING | GLEITRING | BOCCOLA GUIDA | |
| 053 | 4621010 | 001 | OBTURATEUR | COVER | ABDECKUNG | COFANO | |



GMD883

B 0001 > C 0000

K99R0073 C

TRANSMISSION 4600651

TRANSMISSION 4600651

GELENKWELLE 4600651

TRANSMISSIONE 4600651

| Rep | Nr | Qt | Designation | Description | Bezeichnung | Referenza | Remarque - Remark - Bemerkung - Osservazioni |
|-----|----------|-----|------------------------------|------------------------------|--------------------------------|------------------------------|--|
| 001 | 4600651 | 001 | TRAN.P600-PG30 1 3/4-20 910 | PTO-S.P600-PG30 1 3/4-20 910 | GELEN.P600-PG30 1 3/4-20 910 | CARDA.P600-PG30 1 3/4-20 910 | |
| 004 | 4617650 | 001 | 1/2 PROTECTEUR EXTERIEUR | OUTER GUARD-HALF | AEUSSERE SCHUTZHAELFTE | 1/2 PROTEZIONE ESTERNA | |
| 005 | 4616650 | 001 | 1/2 PROTECTEUR INTERIEUR | INNER GUARD-HALF | INNERE SCHUTZHAELFTE | 1/2 PROTEZIONE INTERNA | |
| 011 | 4604603 | 001 | MACHOIRE QS | QS-YOKE | QS-AUFSTECKGABEL | FORCELLA | |
| 012 | 4605103 | 001 | VERROUILLAGE QS C | QS-LOCK C | QS-VERSCHLUSS C | KIT PULSANTE FORCELLA | |
| 013 | 4603603 | 001 | MACHOIRE VERROUILLAGE RAPIDE | QUICK-DISCONNECT YOKE | AUFSTECKGABEL MIT SCHIEBESTIFT | FORCELLA D'ATTACCO PULSANTE | |
| 014 | 41330110 | 002 | POUSSOIR CPLT | PUSH BUTTON CPLT | SCHIEBESTIFT KPLT | SPINA CPLT | |
| 021 | 4605030 | 002 | CROISILLON | CROSS JOURNAL | KREUZGARNITUR | CROCIERA | |
| 022 | 82200806 | 002 | GRAISSEUR FE/ZNXC3 | GREASE NIPPLE FE/ZNXC3 | SCHMIERNIPPEL FE/ZNXC3 | ENGRASADEIRA FE/ZNXC3 | |
| 023 | 4603610 | 001 | MACHOIRE | INBOARD YOKE | RILLENGABEL | FORCELLA | |
| 024 | 4605060 | 002 | GOUPILLE E | ROLL PIN | SPANNSTIFT | COPPIGLIA | |
| 025 | 4608838 | 001 | TUBE PROFILE | PROFILE TUBE | PROFILROHR | TUBO | |
| 027 | 4608999 | 001 | JOINT DE PROFILE | SEALING RING | DICHTRING FUER AUSSENPROFIL | GUARNIZIONE | |
| 028 | 4608862 | 001 | TUBE PROFILE | PROFIL TUBE | PROFILROHR | PROFILATO | |
| 029 | 4605051 | 002 | GRAISSEUR A FRAPPER | DRIVE IN GREASE NIPPLE | EINPRESSSCHMIERNIPPEL | INGRASSATORE | |
| 030 | 4603611 | 001 | MACHOIRE | INBOARD YOKE | RILLENGABEL | FORCELLA | |
| 051 | 4620021 | 002 | BAGUE DE GUIDAGE | BEARING RING | GLEITRING | BOCCOLA GUIDA | |
| 053 | 4621010 | 001 | OBTURATEUR | COVER | ABDECKUNG | COFANO | |



GMD883

B 0001 > C 0000

K99R0537 C

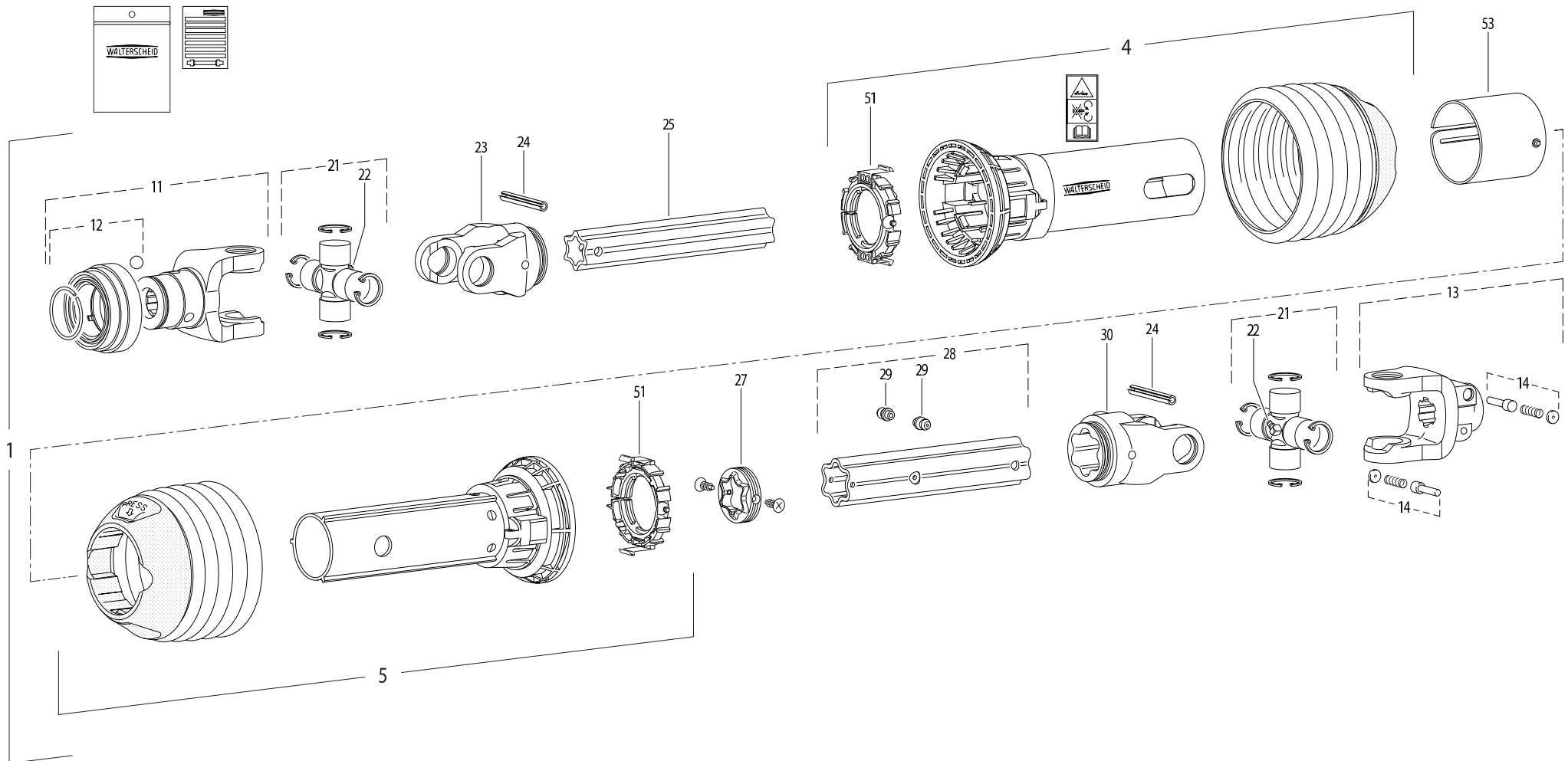
TRANSMISSION 4600652

TRANSMISSION 4600652

GELENKWELLE 4600652

TRANSMISSIONE 4600652

| Rep | Nr | Qt | Designation | Description | Bezeichnung | Referenza | Remarque - Remark - Bemerkung - Osservazioni |
|-----|----------|-----|------------------------------|------------------------------|--------------------------------|------------------------------|--|
| 001 | 4600652 | 001 | TRAN.P600-PG30 1 3/8-21 910 | PTO-S.P600-PG30 1 3/8-21 910 | GELEN.P600-PG30 1 3/8-21 910 | CARDA.P600-PG30 1 3/8-21 910 | |
| 004 | 4617650 | 001 | 1/2 PROTECTEUR EXTERIEUR | OUTER GUARD-HALF | AEUSSERE SCHUTZHAELFTE | 1/2 PROTEZIONE ESTERNA | |
| 005 | 4616650 | 001 | 1/2 PROTECTEUR INTERIEUR | INNER GUARD-HALF | INNERE SCHUTZHAELFTE | 1/2 PROTEZIONE INTERNA | |
| 011 | 4604601 | 001 | MACHOIRE QS | QS-YOKE | QS-AUFSTECKGABEL | MANICOTTO QS | |
| 012 | 4605102 | 001 | VERROUILLAGE QS C | QS-LOCK C | QS-VERSCHLUSS C | BLOCCO FORCELLA | |
| 013 | 4603603 | 001 | MACHOIRE VERROUILLAGE RAPIDE | QUICK-DISCONNECT YOKE | AUFSTECKGABEL MIT SCHIEBESTIFT | FORCELLA D'ATTACCO PULSANTE | |
| 014 | 41330110 | 002 | POUSSOIR CPLT | PUSH BUTTON CPLT | SCHIEBESTIFT KPLT | SPINA CPLT | |
| 021 | 4605030 | 002 | CROISILLON | CROSS JOURNAL | KREUZGARNITUR | CROCIERA | |
| 022 | 82200806 | 002 | GRAISSEUR FE/ZNXC3 | GREASE NIPPLE FE/ZNXC3 | SCHMIERNIPPEL FE/ZNXC3 | ENGRASADEIRA FE/ZNXC3 | |
| 023 | 4603610 | 001 | MACHOIRE | INBOARD YOKE | RILLENGABEL | FORCELLA | |
| 024 | 4605060 | 002 | GOUPILLE E | ROLL PIN | SPANNSTIFT | COPPIGLIA | |
| 025 | 4608838 | 001 | TUBE PROFILE | PROFILE TUBE | PROFILROHR | TUBO | |
| 027 | 4608999 | 001 | JOINT DE PROFILE | SEALING RING | DICHTRING FUER AUSSENPROFIL | GUARNIZIONE | |
| 028 | 4608862 | 001 | TUBE PROFILE | PROFIL TUBE | PROFILROHR | PROFILATO | |
| 029 | 4605051 | 002 | GRAISSEUR A FRAPPER | DRIVE IN GREASE NIPPLE | EINPRESSSCHMIERNIPPEL | INGRASSATORE | |
| 030 | 4603611 | 001 | MACHOIRE | INBOARD YOKE | RILLENGABEL | FORCELLA | |
| 051 | 4620021 | 002 | BAGUE DE GUIDAGE | BEARING RING | GLEITRING | BOCCOLA GUIDA | |
| 053 | 4621010 | 001 | OBTURATEUR | COVER | ABDECKUNG | COFANO | |





GMD883

B 0001 > C 0000

K99R0538 C

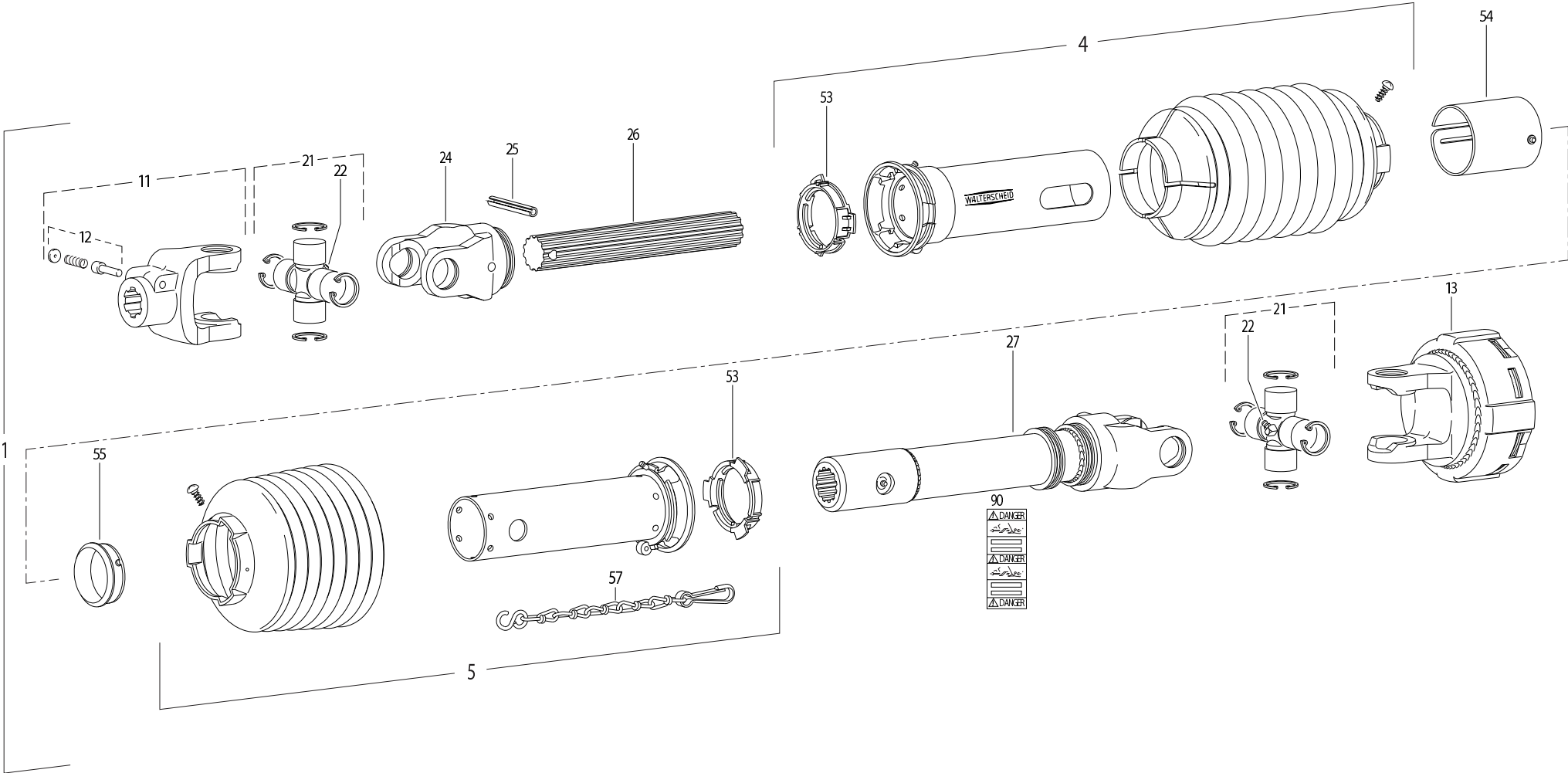
TRANSMISSION 4600653

TRANSMISSION 4600653

GELENKWELLE 4600653

TRANSMISSIONE 4600653

| Rep | Nr | Qt | Designation | Description | Bezeichnung | Referenza | Remarque - Remark - Bemerkung - Osservazioni |
|-----|----------|-----|------------------------------|-----------------------------|--------------------------------|-----------------------------|--|
| 001 | 4600653 | 001 | TRAN.P600-PG30 1 3/8-6 910 | PTO-S.P600-PG30 1 3/8-6 910 | GELEN.P600-PG30 1 3/8-6 910 | CARDA.P600-PG30 1 3/8-6 910 | |
| 004 | 4617650 | 001 | 1/2 PROTECTEUR EXTERIEUR | OUTER GUARD-HALF | AEUSSERE SCHUTZHAELFTE | 1/2 PROTEZIONE ESTERNA | |
| 005 | 4616650 | 001 | 1/2 PROTECTEUR INTERIEUR | INNER GUARD-HALF | INNERE SCHUTZHAELFTE | 1/2 PROTEZIONE INTERNA | |
| 011 | 4604604 | 001 | MACHOIRE QS | QS-YOKE | QS-AUFSTECKGABEL | MANICOTTO QS | |
| 012 | 4605102 | 001 | VERROUILLAGE QS C | QS-LOCK C | QS-VERSCHLUSS C | BLOCCO FORCELLA | |
| 013 | 4603603 | 001 | MACHOIRE VERROUILLAGE RAPIDE | QUICK-DISCONNECT YOKE | AUFSTECKGABEL MIT SCHIEBESTIFT | FORCELLA D'ATTACCO PULSANTE | |
| 014 | 41330110 | 002 | POUSSOIR CPLT | PUSH BUTTON CPLT | SCHIEBESTIFT KPLT | SPINA CPLT | |
| 021 | 4605030 | 002 | CROISILLON | CROSS JOURNAL | KREUZGARNITUR | CROCIERA | |
| 022 | 82200806 | 002 | GRAISSEUR FE/ZNXC3 | GREASE NIPPLE FE/ZNXC3 | SCHMIERNIPPEL FE/ZNXC3 | ENGRASADEIRA FE/ZNXC3 | |
| 023 | 4603610 | 001 | MACHOIRE | INBOARD YOKE | RILLENGABEL | FORCELLA | |
| 024 | 4605060 | 002 | GOUPILLE E | ROLL PIN | SPANNSTIFT | COPPIGLIA | |
| 025 | 4608838 | 001 | TUBE PROFILE | PROFILE TUBE | PROFILROHR | TUBO | |
| 027 | 4608999 | 001 | JOINT DE PROFILE | SEALING RING | DICHTRING FUER AUSSENPROFIL | GUARNIZIONE | |
| 028 | 4608862 | 001 | TUBE PROFILE | PROFIL TUBE | PROFILROHR | PROFILATO | |
| 029 | 4605051 | 002 | GRAISSEUR A FRAPPER | DRIVE IN GREASE NIPPLE | EINPRESSSCHMIERNIPPEL | INGRASSATORE | |
| 030 | 4603611 | 001 | MACHOIRE | INBOARD YOKE | RILLENGABEL | FORCELLA | |
| 051 | 4620021 | 002 | BAGUE DE GUIDAGE | BEARING RING | GLEITRING | BOCCOLA GUIDA | |
| 053 | 4621010 | 001 | OBTURATEUR | COVER | ABDECKUNG | COFANO | |





GMD883

B 0001 > C 0000

K99R0008 C

TRANSMISSION 4600352

TRANSMISSION 4600352

GELENKWELLE 4600352

TRANSMISSIONE 4600352

| Rep | Nr | Qt | Designation | Description | Bezeichnung | Referenza | Remarque - Remark - Bemerkung - Osservazioni |
|-----|-----------------|-----|-------------------------------|--------------------------------|--------------------------------|--------------------------------|--|
| 001 | 4600352 | 001 | TRAN.W2300P 1 3/8-6 K92/4 600 | PTO-S.W2300P 1 3/8-6 K92/4 600 | GELEN.W2300P 1 3/8-6 K92/4 600 | CARDA.W2300P 1 3/8-6 K92/4 600 | |
| 004 | 4617354 | 001 | 1/2 PROTECTEUR EXTERIEUR | OUTER GUARD-HALF | AEUSSERE SCHUTZHAELFTE | 1/2 PROTEZIONE ESTERNA | |
| 005 | 4616359 | 001 | 1/2 PROT INT SDH15 | INNER GUARD HALF SDH15 | INNERE SCHUTZH.SDH15 | | |
| 011 | 41034010 | 001 | MACHOIRE VERROUILLAGE RAPIDE | QUICK-DISCONNECT YOKE | AUFSTECKGABEL MIT SCHIEBESTIFT | FORCELLA D'ATTACCO PULSANTE | |
| 012 | 41330100 | 001 | POUSSOIR CPLT | PUSH BUTTON CPLT | SCHIEBESTIFT KPLT | PULSANTE | |
| 013 | 4610445 | 001 | LIMITEUR | CLUTCH | KUPPLUNG | FRIZIONE | |
| 021 | 4605031 | 002 | CROISILLON | CROSS JOURNAL | KREUZGARNITUR | CROCIERA | |
| 022 | 82200806 | 002 | GRAISSEUR FE/ZNXC3 | GREASE NIPPLE FE/ZNXC3 | SCHMIERNIPPEL FE/ZNXC3 | ENGRASADEIRA FE/ZNXC3 | |
| 024 | 4603210 | 001 | MACHOIRE | YOKE | GELENKGABEL | FORCELLA | |
| 025 | 80451059 | 001 | GOUPILLE ELASTIQUE FLZNNC | ROLL PIN FLZNNC | SPANNHUELSE FLZNNC | SPINA ELASTICA FLZNNC | |
| 026 | 4608951 | 001 | ARBRE PROFILE | PROFILE | PROFILWELLE | PROFILATO | |
| 027 | 4609283 | 001 | ARBRE PROFILE | PROFILE | PROFILWELLE | PROFILATO | |
| 053 | 41550010 | 002 | BAGUE DE GUIDAGE | RING | GLEITRING | ANELLO | |
| 054 | 4621007 | 001 | OBTURATEUR | COVER | ABDECKUNG | COFANO | |
| 055 | 4618920 | 001 | BAGUE | RING | GLEITRING SC15Z | BOCCOLA | |
| 057 | 41660000 | 001 | CHAINETTE | CHAIN | HALTEKETTE | CATENA | |
| 090 | 4631000 | 001 | COLL.PICTOGRAMMES ET NOTICE | SET PICTORIALS & INSTRUCTIONS | SATZ PIKTOGRAMME UND ANLEITUNG | SERIE ADESIVI + MANUALE | |

Nombre de composants sur l'ensemble de la machine = Quantité (Qt) x 002

Gesamtanzahl der in dieser Teilegruppe für die Maschine verwendeten Teile = Menge (Qt) x 002

Number of service parts and service parts assemblies used on the machine = Quantity (Qt) x 002

Quantita di componenti sul complessivo della macchina = Quantita (Qtà) x 002



INDEX NUMERIQUE - NUMERICAL INDEX TEILENUMMERN-INDEX - INDICE NUMERICO

| Nr | Page | Rep. | Nr | Page | Rep. | Nr | Page | Rep. | Nr | Page | Rep. | Nr | Page | Rep. | Nr | Page | Rep. | Nr | Page | Rep. | Nr | Page | Rep. |
|----------|------|------|----------|------|------|----------|------|------|----------|------|------|----------|------|------|----------|------|------|----------|------|------|----------|------|------|
| A4050004 | 011 | 040 | A4080401 | 033 | 034 | A4921074 | 029 | 045 | K7001760 | 023 | 070 | K7002830 | 027 | 054 | K7004420 | 037 | 046 | K7006500 | 073 | 040 | K7007760 | 059 | 046 |
| A4050004 | 015 | 043 | A4080402 | 021 | 034 | A4921074 | 033 | 041 | K7001760 | 027 | 069 | K7002830 | 031 | 055 | K7004420 | 041 | 046 | K7006510 | 075 | 038 | K7007760 | 061 | 045 |
| A4050012 | 011 | 032 | A4080402 | 025 | 035 | A4921075 | 021 | 044 | K7001770 | 073 | 029 | K7002830 | 035 | 052 | K7004490 | 037 | 047 | K7006720 | 057 | 043 | K7007760 | 063 | 046 |
| A4050013 | 015 | 035 | A4080402 | 029 | 038 | A4921075 | 025 | 045 | K7001770 | 075 | 027 | K7002980 | 073 | 033 | K7004490 | 041 | 047 | K7006721 | 063 | 044 | K7007801 | 023 | 060 |
| A4050027 | 011 | 041 | A4080402 | 033 | 035 | A4921075 | 029 | 046 | K7001781 | 073 | 030 | K7002980 | 075 | 030 | K7004520 | 037 | 048 | K7006730 | 061 | 043 | K7007801 | 027 | 059 |
| A4050027 | 015 | 044 | A4080462 | 021 | 035 | A4921075 | 033 | 042 | K7001781 | 075 | 028 | K7003130 | 037 | 039 | K7004520 | 041 | 048 | K7006731 | 059 | 044 | K7007801 | 031 | 060 |
| A4061506 | 033 | 030 | A4080462 | 025 | 036 | A4921075 | 033 | 043 | K7001811 | 037 | 033 | K7003130 | 041 | 039 | K7004540 | 023 | 072 | K7006770 | 045 | 032 | K7007801 | 035 | 057 |
| A4061802 | 011 | 033 | A4080463 | 011 | 037 | A4921075 | 033 | 044 | K7001831 | 041 | 033 | K7003170 | 059 | 043 | K7004540 | 027 | 070 | K7007041 | 077 | 004 | K7007811 | 023 | 061 |
| A4061802 | 015 | 036 | A4080463 | 015 | 040 | A4921077 | 021 | 045 | K7001840 | 003 | 011 | K7003170 | 063 | 042 | K7004540 | 031 | 070 | K7007051 | 079 | 004 | K7007811 | 027 | 060 |
| A4061804 | 011 | 034 | A4082700 | 021 | 036 | A4921077 | 025 | 046 | K7001840 | 007 | 037 | K7003620 | 073 | 034 | K7004540 | 035 | 067 | K7007100 | 075 | 039 | K7007811 | 031 | 061 |
| A4061804 | 015 | 037 | A4082700 | 025 | 037 | A4921077 | 029 | 047 | K7001850 | 081 | 003 | K7003630 | 075 | 031 | K7004550 | 039 | 049 | K7007170 | 003 | 038 | K7007811 | 035 | 058 |
| A4065004 | 011 | 035 | A4082700 | 029 | 039 | A4921077 | 033 | 045 | K7001900 | 037 | 034 | K7003650 | 073 | 035 | K7004550 | 043 | 049 | K7007170 | 007 | 043 | K7007840 | 081 | 001 |
| A4065004 | 015 | 038 | A4082700 | 033 | 036 | A4921078 | 021 | 046 | K7001900 | 041 | 034 | K7003670 | 075 | 032 | K7004570 | 023 | 057 | K7007230 | 039 | 051 | K7007850 | 073 | 041 |
| A4070017 | 011 | 042 | A4083100 | 021 | 037 | A4921078 | 025 | 047 | K7001910 | 003 | 002 | K7003680 | 073 | 036 | K7004570 | 027 | 057 | K7007230 | 043 | 051 | K7007850 | 075 | 040 |
| A4070033 | 015 | 045 | A4083100 | 025 | 038 | A4921078 | 029 | 048 | K7001910 | 007 | 038 | K7003690 | 073 | 037 | K7004570 | 031 | 058 | K7007240 | 039 | 052 | K7007900 | 083 | 016 |
| A4071207 | 011 | 043 | A4083100 | 029 | 040 | A4921078 | 033 | 046 | K7001920 | 037 | 035 | K7003700 | 073 | 038 | K7004570 | 035 | 055 | K7007240 | 043 | 052 | K7007907 | 083 | 016 |
| A4071207 | 015 | 046 | A4083100 | 033 | 037 | A4921079 | 021 | 047 | K7001920 | 041 | 035 | K7003730 | 075 | 033 | K7004660 | 047 | 021 | K7007320 | 045 | 001 | K7007908 | 083 | 016 |
| A4071361 | 011 | 044 | A4083206 | 021 | 025 | A4921079 | 021 | 048 | K7001930 | 023 | 051 | K7003740 | 075 | 034 | K7004660 | 049 | 023 | K7007330 | 045 | 002 | K7007910 | 081 | 002 |
| A4071361 | 015 | 047 | A4083206 | 025 | 026 | A4921079 | 025 | 048 | K7001930 | 027 | 053 | K7003760 | 075 | 035 | K7004660 | 051 | 021 | K7007340 | 045 | 003 | K7007960 | 023 | 073 |
| A4074000 | 029 | 033 | A4083206 | 029 | 026 | A4921079 | 027 | 049 | K7001930 | 031 | 052 | K7003770 | 073 | 039 | K7004660 | 053 | 021 | K7007350 | 045 | 004 | K7007960 | 027 | 071 |
| A4074001 | 021 | 026 | A4083206 | 033 | 026 | A4921080 | 031 | 049 | K7001930 | 035 | 051 | K7003770 | 075 | 036 | K7004670 | 047 | 022 | K7007360 | 045 | 005 | K7007960 | 031 | 071 |
| A4074001 | 025 | 027 | A4085404 | 011 | 038 | A4921080 | 031 | 050 | K7001940 | 023 | 071 | K7003790 | 041 | 040 | K7004670 | 049 | 024 | K7007370 | 045 | 006 | K7007960 | 035 | 068 |
| A4074001 | 029 | 029 | A4085404 | 015 | 041 | A4921080 | 031 | 051 | K7001940 | 031 | 069 | K7003800 | 037 | 040 | K7004670 | 051 | 022 | K7007380 | 045 | 007 | K7008160 | 011 | 046 |
| A4074022 | 033 | 031 | A4085408 | 011 | 039 | A4921080 | 033 | 047 | K7001940 | 035 | 066 | K7003810 | 003 | 037 | K7004670 | 053 | 022 | K7007390 | 045 | 008 | K7008160 | 017 | 050 |
| A4074032 | 029 | 024 | A4085408 | 015 | 042 | A4921080 | 033 | 048 | K7001950 | 047 | 020 | K7003810 | 007 | 039 | K7004680 | 047 | 026 | K7007400 | 045 | 009 | K7008791 | 011 | 047 |
| A4074036 | 023 | 076 | A4100020 | 011 | 045 | A4921080 | 035 | 049 | K7001950 | 049 | 021 | K7003820 | 003 | 006 | K7004680 | 049 | 025 | K7007410 | 045 | 010 | K7008791 | 017 | 059 |
| A4074036 | 027 | 073 | A4100020 | 015 | 048 | A4925006 | 023 | 049 | K7001950 | 051 | 020 | K7003820 | 007 | 040 | K7004690 | 051 | 023 | K7007420 | 045 | 016 | K7009250 | 023 | 062 |
| A4074040 | 023 | 075 | A4921009 | 021 | 038 | A4925006 | 023 | 050 | K7001950 | 053 | 020 | K7003890 | 023 | 055 | K7004690 | 053 | 023 | K7007430 | 045 | 017 | K7009250 | 027 | 061 |
| A4074040 | 027 | 072 | A4921009 | 021 | 039 | A4925006 | 027 | 050 | K7001960 | 023 | 052 | K7003890 | 027 | 055 | K7004700 | 047 | 023 | K7007440 | 045 | 020 | K7009250 | 031 | 062 |
| A4074041 | 009 | 051 | A4921009 | 025 | 039 | A4925006 | 027 | 051 | K7001960 | 031 | 053 | K7003890 | 031 | 056 | K7004700 | 049 | 026 | K7007450 | 045 | 022 | K7009250 | 035 | 059 |
| A4074041 | 023 | 074 | A4921009 | 025 | 040 | KN017B | 085 | 013 | K7002070 | 073 | 031 | K7003890 | 035 | 053 | K7004700 | 051 | 024 | K7007460 | 045 | 023 | K7009260 | 023 | 063 |
| A4080110 | 021 | 031 | A4921022 | 021 | 040 | K5608510 | 017 | 049 | K7002070 | 075 | 029 | K7003901 | 019 | 012 | K7004700 | 053 | 024 | K7007500 | 045 | 027 | K7009260 | 027 | 062 |
| A4080110 | 025 | 032 | A4921022 | 025 | 041 | K5608720 | 027 | 052 | K7002080 | 073 | 032 | K7003970 | 037 | 041 | K7004870 | 003 | 003 | K7007510 | 045 | 029 | K7009260 | 031 | 063 |
| A4080110 | 029 | 035 | A4921022 | 029 | 041 | K5608720 | 035 | 050 | K7002161 | 047 | 025 | K7003980 | 041 | 041 | K7004870 | 007 | 041 | K7007550 | 023 | 059 | K7009260 | 035 | 060 |
| A4080110 | 033 | 032 | A4921022 | 033 | 038 | K7000121 | 047 | 024 | K7002162 | 049 | 022 | K7003990 | 023 | 056 | K7004990 | 023 | 058 | K7007550 | 027 | 058 | K7009270 | 023 | 064 |
| A4080210 | 021 | 032 | A4921032 | 021 | 041 | K7000122 | 049 | 020 | K7002210 | 037 | 036 | K7003990 | 027 | 056 | K7005260 | 039 | 050 | K7007550 | 031 | 059 | K7009270 | 027 | 063 |
| A4080210 | 025 | 033 | A4921032 | 021 | 042 | K7001720 | 003 | 007 | K7002210 | 041 | 036 | K7003990 | 031 | 057 | K7005260 | 043 | 050 | K7007550 | 035 | 056 | K7009280 | 023 | 065 |
| A4080210 | 029 | 036 | A4921032 | 025 | 042 | K7001720 | 007 | 036 | K7002230 | 023 | 053 | K7003990 | 035 | 054 | K7006130 | 061 | 042 | K7007680 | 003 | 042 | K7009280 | 027 | 064 |
| A4080210 | 033 | 033 | A4921032 | 025 | 043 | K7001741 | 023 | 068 | K7002230 | 031 | 054 | K7004190 | 037 | 042 | K7006130 | 063 | 043 | K7007680 | 007 | 044 | K7009280 | 031 | 064 |
| A4080302 | 029 | 032 | A4921037 | 029 | 042 | K7001741 | 031 | 067 | K7002230 | 037 | 037 | K7004200 | 041 | 042 | K7006211 | 003 | 008 | K7007730 | 039 | 053 | K7009280 | 035 | 061 |
| A4080313 | 029 | 027 | A4921037 | 029 | 043 | K7001742 | 027 | 067 | K7002230 | 041 | 037 | K7004350 | 037 | 043 | K7006211 | 007 | 042 | K7007730 | 043 | 053 | K7009310 | 023 | 066 |
| A4080401 | 011 | 036 | A4921037 | 033 | 039 | K7001742 | 035 | 064 | K7002252 | 055 | 006 | K7004350 | 041 | 043 | K7006421 | 051 | 026 | K7007740 | 057 | 044 | K7009310 | 027 | 065 |
| A4080401 | 015 | 039 | A4921037 | 033 | 040 | K7001750 | 023 | 069 | K7002262 | 055 | 007 | K7004390 | 037 | 044 | K7006422 | 053 | 025 | K7007740 | 059 | 045 | K7009310 | 031 | 065 |
| A4080401 | 021 | 033 | A4921066 | 029 | 044 | K7001750 | 027 | 068 | K7002732 | 037 | 038 | K7004390 | 041 | 044 | K7006430 | 051 | 025 | K7007750 | 061 | 044 | K7009310 | 035 | 062 |
| A4080401 | 025 | 034 | A4921074 | 021 | 043 | K7001750 | 031 | 068 | K7002732 | 041 | 038 | K7004400 | 037 | 045 | K7006431 | 053 | 026 | K7007750 | 063 | 045 | K7009330 | 011 | 048 |
| A4080401 | 029 | 037 | A4921074 | 025 | 044 | K7001750 | 035 | 065 | K7002830 | 023 | 054 | K7004400 | 041 | 045 | K7006440 | 075 | 037 | K7007760 | 057 | 045 | K7009330 | 017 | 051 |



INDEX NUMERIQUE - NUMERICAL INDEX TEILENUMMERN-INDEX - INDICE NUMERICO

| Nr | Page | Rep. | Nr | Page | Rep. | Nr | Page | Rep. | Nr | Page | Rep. | Nr | Page | Rep. | Nr | Page | Rep. | Nr | Page | Rep. | Nr | Page | Rep. |
|----------|------|------|---------|------|------|----------|------|------|----------|------|------|----------|------|------|----------|------|------|----------|------|------|----------|------|------|
| K7009340 | 013 | 049 | 4600652 | 095 | 001 | 4608999 | 097 | 027 | 50013100 | 037 | 002 | 55903310 | 069 | 004 | 56655120 | 059 | 011 | 56812600 | 069 | 019 | 56866200 | 029 | 007 |
| K7009350 | 013 | 050 | 4600653 | 097 | 001 | 4609283 | 099 | 027 | 50013100 | 041 | 002 | 55903310 | 071 | 004 | 56655120 | 061 | 011 | 56812600 | 071 | 018 | 56866200 | 033 | 006 |
| K7009900 | 003 | 012 | 4603210 | 099 | 024 | 4610445 | 099 | 013 | 50014600 | 003 | 028 | 55903310 | 085 | 008 | 56655120 | 063 | 010 | 56812700 | 069 | 020 | 57530410 | 073 | 011 |
| K7009900 | 007 | 045 | 4603603 | 091 | 013 | 4616359 | 099 | 005 | 50014600 | 007 | 001 | 55907500 | 003 | 044 | 56690820 | 055 | 008 | 56812700 | 071 | 019 | 57530410 | 075 | 010 |
| K7009910 | 003 | 024 | 4603603 | 093 | 013 | 4616650 | 091 | 005 | 50014600 | 037 | 003 | 55907500 | 007 | 006 | 56693600 | 077 | 001 | 56814500 | 069 | 008 | 57716000 | 037 | 005 |
| K7009910 | 007 | 046 | 4603603 | 095 | 013 | 4616650 | 093 | 005 | 50014600 | 041 | 003 | 56009200 | 057 | 005 | 56693600 | 079 | 001 | 56814500 | 071 | 020 | 57716000 | 041 | 005 |
| K7010041 | 019 | 013 | 4603603 | 097 | 013 | 4616650 | 095 | 005 | 50019600 | 045 | 026 | 56009200 | 059 | 005 | 56698600 | 073 | 005 | 56814600 | 065 | 007 | 57743100 | 011 | 028 |
| K7010190 | 003 | 009 | 4603610 | 091 | 023 | 4616650 | 097 | 005 | 50068400 | 003 | 047 | 56009200 | 061 | 005 | 56698600 | 075 | 005 | 56814600 | 067 | 008 | 57743100 | 011 | 029 |
| K7010190 | 007 | 047 | 4603610 | 093 | 023 | 4617354 | 099 | 004 | 50068500 | 069 | 002 | 56009200 | 063 | 005 | 56698900 | 073 | 006 | 56814700 | 065 | 008 | 57743300 | 015 | 032 |
| K7010200 | 003 | 010 | 4603610 | 095 | 023 | 4617650 | 091 | 004 | 50068500 | 071 | 002 | 56019000 | 085 | 004 | 56800600 | 065 | 003 | 56814700 | 067 | 009 | 57749700 | 037 | 006 |
| K7010200 | 007 | 048 | 4603610 | 097 | 023 | 4617650 | 093 | 004 | 50070300 | 011 | 001 | 56115800 | 069 | 005 | 56800600 | 067 | 003 | 56826200 | 073 | 007 | 57749700 | 041 | 006 |
| K7011380 | 023 | 067 | 4603611 | 091 | 030 | 4617650 | 095 | 004 | 50070300 | 015 | 001 | 56115800 | 071 | 005 | 56801000 | 065 | 026 | 56826200 | 075 | 006 | 57912100 | 021 | 009 |
| K7012630 | 009 | 049 | 4603611 | 093 | 030 | 4617650 | 097 | 004 | 50070600 | 073 | 003 | 56115800 | 085 | 014 | 56801000 | 067 | 004 | 56833010 | 065 | 009 | 57912100 | 025 | 008 |
| K7012660 | 017 | 052 | 4603611 | 095 | 030 | 4618122 | 045 | 036 | 50070600 | 075 | 003 | 56145200 | 057 | 006 | 56803420 | 069 | 006 | 56833010 | 067 | 010 | 57912100 | 029 | 009 |
| K7012670 | 017 | 053 | 4603611 | 097 | 030 | 4618123 | 045 | 033 | 50072300 | 021 | 001 | 56145200 | 059 | 006 | 56803420 | 071 | 006 | 56833110 | 065 | 010 | 57912100 | 033 | 008 |
| K7012680 | 017 | 054 | 4604601 | 095 | 011 | 4618124 | 045 | 034 | 50072300 | 025 | 001 | 56145200 | 061 | 006 | 56803940 | 065 | 004 | 56833110 | 067 | 011 | 58527300 | 073 | 012 |
| K7012690 | 017 | 055 | 4604602 | 091 | 011 | 4618920 | 099 | 055 | 50072300 | 029 | 001 | 56145200 | 063 | 006 | 56803940 | 067 | 005 | 56834300 | 055 | 002 | 58527300 | 075 | 011 |
| K7012700 | 017 | 056 | 4604603 | 093 | 011 | 4620021 | 091 | 051 | 50072300 | 033 | 001 | 56202300 | 047 | 002 | 56804510 | 069 | 007 | 56835920 | 089 | 001 | 58600200 | 037 | 007 |
| K7012710 | 017 | 057 | 4604604 | 097 | 011 | 4620021 | 093 | 051 | 50080000 | 085 | 005 | 56202300 | 049 | 003 | 56804510 | 071 | 007 | 56847600 | 077 | 002 | 58600200 | 041 | 007 |
| K7012840 | 027 | 066 | 4605030 | 091 | 021 | 4620021 | 095 | 051 | 50085400 | 003 | 001 | 56202300 | 051 | 002 | 56806310 | 069 | 009 | 56847600 | 079 | 002 | 58754500 | 011 | 002 |
| K7012840 | 035 | 063 | 4605030 | 093 | 021 | 4620021 | 097 | 051 | 50085400 | 007 | 002 | 56202300 | 053 | 003 | 56806310 | 071 | 008 | 56847700 | 077 | 003 | 58754500 | 015 | 002 |
| K8005560 | 003 | 039 | 4605030 | 095 | 021 | 4621007 | 099 | 054 | 52329300 | 047 | 019 | 56207000 | 065 | 001 | 56806510 | 057 | 013 | 56847700 | 079 | 003 | 58831100 | 011 | 030 |
| K8005560 | 009 | 050 | 4605030 | 097 | 021 | 4621010 | 091 | 053 | 52329300 | 049 | 002 | 56207000 | 067 | 001 | 56806510 | 059 | 012 | 56856700 | 057 | 014 | 58831100 | 015 | 033 |
| K8006030 | 013 | 051 | 4605031 | 099 | 021 | 4621010 | 093 | 053 | 52329300 | 051 | 019 | 56212300 | 065 | 002 | 56806510 | 061 | 012 | 56856700 | 059 | 013 | 59003800 | 037 | 008 |
| K8006040 | 013 | 052 | 4605051 | 091 | 029 | 4621010 | 095 | 053 | 52329300 | 053 | 002 | 56212300 | 067 | 002 | 56806510 | 063 | 011 | 56856700 | 061 | 013 | 59003800 | 041 | 008 |
| K8006050 | 013 | 053 | 4605051 | 093 | 029 | 4621010 | 097 | 053 | 52527600 | 057 | 003 | 56245100 | 037 | 004 | 56806610 | 069 | 010 | 56856700 | 063 | 012 | 59402900 | 003 | 027 |
| K8006050 | 017 | 058 | 4605051 | 095 | 029 | 4631000 | 099 | 090 | 52527600 | 059 | 003 | 56245100 | 041 | 004 | 56806610 | 071 | 009 | 56858600 | 073 | 008 | 59402900 | 007 | 009 |
| K9500060 | 083 | 017 | 4605051 | 097 | 029 | 50002100 | 057 | 001 | 52527600 | 061 | 003 | 56541100 | 021 | 003 | 56807100 | 069 | 011 | 56858600 | 075 | 007 | 59900000 | 083 | 005 |
| K9500070 | 083 | 018 | 4605060 | 091 | 024 | 50002100 | 059 | 001 | 52527600 | 063 | 003 | 56541100 | 025 | 003 | 56807100 | 071 | 010 | 56859100 | 003 | 019 | 59900200 | 083 | 006 |
| N01602A0 | 081 | 013 | 4605060 | 093 | 024 | 50002100 | 061 | 001 | 52596900 | 003 | 040 | 56541100 | 029 | 003 | 56807100 | 085 | 011 | 56859100 | 007 | 007 | 59900300 | 083 | 007 |
| 09905400 | 083 | 001 | 4605060 | 095 | 024 | 50002100 | 063 | 001 | 52596900 | 007 | 003 | 56541100 | 033 | 003 | 56808510 | 069 | 012 | 56859100 | 021 | 004 | 59900400 | 083 | 008 |
| 09905510 | 083 | 002 | 4605060 | 097 | 024 | 50002200 | 069 | 001 | 52597000 | 003 | 041 | 56548700 | 057 | 007 | 56808510 | 071 | 011 | 56859100 | 029 | 004 | 59900500 | 083 | 009 |
| 09906910 | 083 | 003 | 4605102 | 095 | 012 | 50002200 | 071 | 001 | 52597000 | 007 | 004 | 56548700 | 059 | 007 | 56809020 | 069 | 013 | 56859200 | 003 | 029 | 59900800 | 083 | 010 |
| 09915200 | 083 | 004 | 4605102 | 097 | 012 | 50002300 | 073 | 001 | 55725710 | 021 | 002 | 56548700 | 061 | 007 | 56809020 | 071 | 012 | 56859200 | 007 | 008 | 59901100 | 083 | 011 |
| 1045410 | 065 | 025 | 4605103 | 091 | 012 | 50002300 | 075 | 001 | 55725710 | 025 | 002 | 56548700 | 063 | 007 | 56809300 | 069 | 014 | 56860200 | 073 | 009 | 59901200 | 083 | 012 |
| 1045410 | 067 | 026 | 4605103 | 093 | 012 | 50003500 | 055 | 009 | 55725710 | 029 | 002 | 56604910 | 057 | 008 | 56809300 | 071 | 013 | 56860200 | 075 | 008 | 59951300 | 083 | 013 |
| 1076440 | 089 | 002 | 4608838 | 091 | 025 | 50003600 | 047 | 001 | 55725710 | 033 | 002 | 56604910 | 061 | 008 | 56809510 | 069 | 015 | 56860400 | 073 | 010 | 59954500 | 083 | 014 |
| 41034010 | 099 | 011 | 4608838 | 093 | 025 | 50003600 | 049 | 001 | 55745700 | 057 | 004 | 56613600 | 057 | 009 | 56809510 | 071 | 014 | 56860400 | 075 | 009 | 59954800 | 083 | 015 |
| 41330100 | 099 | 012 | 4608838 | 095 | 025 | 50003600 | 051 | 001 | 55745700 | 059 | 004 | 56613600 | 059 | 008 | 56809610 | 069 | 016 | 56861100 | 029 | 005 | 80060541 | 021 | 010 |
| 41330110 | 091 | 014 | 4608838 | 097 | 025 | 50003600 | 053 | 001 | 55745700 | 061 | 004 | 56613600 | 061 | 009 | 56809610 | 071 | 015 | 56861110 | 021 | 005 | 80060541 | 025 | 009 |
| 41330110 | 093 | 014 | 4608862 | 091 | 028 | 50004800 | 037 | 001 | 55745700 | 063 | 004 | 56613600 | 063 | 008 | 56809700 | 065 | 005 | 56861110 | 025 | 004 | 80060541 | 029 | 010 |
| 41330110 | 095 | 014 | 4608862 | 093 | 028 | 50004800 | 041 | 001 | 55747400 | 003 | 043 | 56630200 | 057 | 010 | 56809700 | 067 | 006 | 56861110 | 033 | 004 | 80060541 | 033 | 009 |
| 41330110 | 097 | 014 | 4608862 | 095 | 028 | 50006200 | 057 | 002 | 55747400 | 007 | 005 | 56630200 | 059 | 009 | 56809800 | 065 | 006 | 56866000 | 021 | 006 | 80060616 | 011 | 003 |
| 41550010 | 099 | 053 | 4608862 | 097 | 028 | 50006200 | 059 | 002 | 55749800 | 073 | 004 | 56630200 | 061 | 010 | 56809800 | 067 | 007 | 56866000 | 025 | 005 | 80060616 | 015 | 003 |
| 41660000 | 099 | 057 | 4608951 | 099 | 026 | 50006200 | 061 | 002 | 55749800 | 075 | 004 | 56630200 | 063 | 009 | 56812300 | 069 | 017 | 56866000 | 029 | 006 | 80060616 | 085 | 015 |
| 4600352 | 099 | 001 | 4608999 | 091 | 027 | 50006200 | 063 | 002 | 55903210 | 069 | 003 | 56655030 | 057 | 011 | 56812300 | 071 | 016 | 56866000 | 033 | 005 | 80060812 | 021 | 011 |
| 4600650 | 091 | 001 | 4608999 | 093 | 027 | 50008300 | 073 | 002 | 55903210 | 071 | 003 | 56655030 | 059 | 010 | 56812400 | 069 | 018 | 56866200 | 021 | 007 | 80060812 | 025 | 010 |
| 4600651 | 093 | 001 | 4608999 | 095 | 027 | 50008300 | 075 | 002 | 55903210 | 085 | 007 | 56655120 | 057 | 012 | 56812400 | 071 | 017 | 56866200 | 025 | 006 | 80060812 | 029 | 011 |



INDEX NUMERIQUE - NUMERICAL INDEX

TEILENUMMERN-INDEX - INDICE NUMERICO

| Nr | Page | Rep. | Nr | Page | Rep. | Nr | Page | Rep. | Nr | Page | Rep. | Nr | Page | Rep. | Nr | Page | Rep. | Nr | Page | Rep. | Nr | Page | Rep. |
|----------|------|------|----------|------|------|----------|------|------|----------|------|------|----------|------|------|----------|------|------|----------|------|------|----------|------|------|
| 80060812 | 033 | 010 | 80061641 | 053 | 004 | 80131017 | 071 | 021 | 80201030 | 007 | 017 | 80250613 | 015 | 018 | 80255671 | 057 | 020 | 80281414 | 067 | 016 | 80451216 | 069 | 033 |
| 80060816 | 025 | 011 | 80061646 | 047 | 004 | 80131018 | 065 | 012 | 80201030 | 059 | 017 | 80250823 | 073 | 021 | 80255671 | 059 | 020 | 80281639 | 047 | 013 | 80451216 | 071 | 033 |
| 80060816 | 033 | 011 | 80061646 | 049 | 005 | 80131018 | 067 | 013 | 80201030 | 063 | 016 | 80250823 | 075 | 020 | 80255671 | 061 | 019 | 80281639 | 049 | 014 | 80451261 | 047 | 017 |
| 80060820 | 057 | 015 | 80061646 | 051 | 004 | 80131018 | 069 | 022 | 80201040 | 069 | 025 | 80250830 | 037 | 016 | 80255671 | 063 | 019 | 80281639 | 051 | 013 | 80451261 | 049 | 018 |
| 80060820 | 061 | 014 | 80061646 | 053 | 005 | 80131018 | 071 | 022 | 80201040 | 071 | 025 | 80250830 | 041 | 016 | 80255677 | 057 | 021 | 80281639 | 053 | 014 | 80451261 | 051 | 017 |
| 80060822 | 057 | 016 | 80061683 | 047 | 005 | 80131022 | 037 | 012 | 80201040 | 073 | 019 | 80250970 | 021 | 017 | 80255677 | 059 | 021 | 80282045 | 069 | 032 | 80451261 | 053 | 018 |
| 80060822 | 061 | 015 | 80061683 | 049 | 006 | 80131022 | 041 | 012 | 80201040 | 075 | 018 | 80250970 | 025 | 019 | 80255677 | 061 | 020 | 80282045 | 071 | 032 | 80451655 | 037 | 025 |
| 80060826 | 037 | 009 | 80061683 | 051 | 005 | 80131026 | 021 | 015 | 80201040 | 081 | 006 | 80250970 | 029 | 017 | 80255677 | 063 | 020 | 80450320 | 073 | 025 | 80451655 | 041 | 025 |
| 80060826 | 041 | 009 | 80061683 | 053 | 006 | 80131026 | 025 | 016 | 80201053 | 065 | 013 | 80250970 | 033 | 019 | 80256565 | 057 | 022 | 80450320 | 075 | 024 | 80500470 | 003 | 021 |
| 80060826 | 059 | 014 | 80080512 | 011 | 005 | 80131026 | 029 | 015 | 80201053 | 067 | 014 | 80251032 | 011 | 014 | 80256565 | 059 | 022 | 80450431 | 037 | 018 | 80500470 | 007 | 021 |
| 80060826 | 063 | 013 | 80080512 | 015 | 007 | 80131026 | 033 | 016 | 80201053 | 069 | 026 | 80251032 | 015 | 019 | 80256565 | 061 | 021 | 80450431 | 041 | 018 | 80560540 | 073 | 026 |
| 80061016 | 005 | 050 | 80080530 | 011 | 006 | 80131026 | 047 | 007 | 80201053 | 071 | 026 | 80251127 | 021 | 018 | 80256565 | 063 | 021 | 80450529 | 003 | 020 | 80560540 | 075 | 025 |
| 80061020 | 073 | 015 | 80080530 | 015 | 008 | 80131026 | 049 | 008 | 80201053 | 081 | 010 | 80251127 | 025 | 020 | 80256566 | 057 | 023 | 80450529 | 007 | 020 | 80560540 | 085 | 012 |
| 80061020 | 075 | 014 | 80080570 | 011 | 007 | 80131026 | 051 | 007 | 80201055 | 069 | 027 | 80251127 | 029 | 018 | 80256566 | 059 | 023 | 80450540 | 021 | 020 | 80582500 | 055 | 001 |
| 80061020 | 081 | 007 | 80080570 | 015 | 009 | 80131026 | 053 | 008 | 80201055 | 071 | 027 | 80251127 | 033 | 020 | 80256566 | 061 | 022 | 80450540 | 029 | 020 | 80584500 | 003 | 013 |
| 80061026 | 005 | 051 | 80080640 | 005 | 049 | 80131026 | 069 | 023 | 80201230 | 003 | 018 | 80251127 | 047 | 010 | 80256566 | 063 | 022 | 80450540 | 037 | 019 | 80584500 | 007 | 022 |
| 80061026 | 007 | 010 | 80080640 | 007 | 011 | 80131026 | 071 | 023 | 80201230 | 015 | 017 | 80251127 | 049 | 011 | 80256570 | 057 | 024 | 80450540 | 041 | 019 | 80585200 | 057 | 028 |
| 80061026 | 073 | 013 | 80081055 | 003 | 048 | 80131232 | 069 | 024 | 80201230 | 073 | 020 | 80251127 | 051 | 010 | 80256570 | 059 | 024 | 80450546 | 037 | 020 | 80585200 | 059 | 028 |
| 80061026 | 075 | 012 | 80081065 | 007 | 012 | 80131232 | 071 | 024 | 80201230 | 075 | 019 | 80251127 | 053 | 011 | 80256570 | 061 | 023 | 80450546 | 041 | 020 | 80585200 | 061 | 027 |
| 80061026 | 081 | 014 | 80081065 | 059 | 015 | 80131630 | 003 | 045 | 80201240 | 069 | 028 | 80251176 | 073 | 022 | 80256570 | 063 | 023 | 80450546 | 047 | 014 | 80585200 | 063 | 027 |
| 80061046 | 081 | 005 | 80081065 | 063 | 014 | 80131630 | 007 | 015 | 80201240 | 071 | 028 | 80251176 | 075 | 021 | 80257070 | 057 | 025 | 80450546 | 049 | 015 | 80597200 | 057 | 029 |
| 80061049 | 081 | 012 | 80081203 | 011 | 008 | 80131630 | 037 | 013 | 80201248 | 065 | 014 | 80251176 | 081 | 004 | 80257070 | 059 | 025 | 80450546 | 051 | 014 | 80597200 | 059 | 029 |
| 80061058 | 073 | 014 | 80081203 | 015 | 010 | 80131630 | 041 | 013 | 80201248 | 067 | 015 | 80251225 | 073 | 023 | 80257070 | 061 | 024 | 80450546 | 053 | 015 | 80597200 | 061 | 028 |
| 80061058 | 075 | 013 | 80100410 | 015 | 011 | 80190425 | 059 | 016 | 80201262 | 055 | 003 | 80251225 | 075 | 022 | 80257070 | 063 | 024 | 80450645 | 037 | 021 | 80597200 | 063 | 028 |
| 80061073 | 021 | 012 | 80130812 | 011 | 009 | 80190425 | 063 | 015 | 80201262 | 069 | 029 | 80251331 | 037 | 017 | 80257078 | 057 | 026 | 80450645 | 041 | 021 | 80598500 | 057 | 030 |
| 80061073 | 025 | 012 | 80130812 | 015 | 012 | 80200440 | 015 | 013 | 80201262 | 071 | 029 | 80251331 | 041 | 017 | 80257078 | 059 | 026 | 80450762 | 047 | 015 | 80598500 | 059 | 030 |
| 80061073 | 029 | 012 | 80130812 | 021 | 013 | 80200540 | 021 | 016 | 80201262 | 085 | 010 | 80251331 | 047 | 011 | 80257078 | 061 | 025 | 80450762 | 049 | 016 | 80598500 | 061 | 029 |
| 80061073 | 033 | 012 | 80130812 | 025 | 013 | 80200540 | 025 | 017 | 80201270 | 037 | 014 | 80251331 | 049 | 012 | 80257078 | 063 | 025 | 80450762 | 051 | 015 | 80598500 | 063 | 029 |
| 80061073 | 073 | 016 | 80130812 | 029 | 013 | 80200540 | 029 | 016 | 80201270 | 041 | 014 | 80251331 | 051 | 011 | 80258088 | 045 | 019 | 80450762 | 053 | 016 | 80599000 | 045 | 018 |
| 80061073 | 075 | 015 | 80130812 | 033 | 013 | 80200540 | 033 | 017 | 80201270 | 047 | 008 | 80251331 | 053 | 012 | 80258089 | 045 | 021 | 80450841 | 021 | 021 | 80599000 | 057 | 031 |
| 80061219 | 011 | 004 | 80130820 | 003 | 046 | 80200630 | 011 | 010 | 80201270 | 049 | 009 | 80251331 | 055 | 004 | 80271003 | 003 | 032 | 80450841 | 029 | 021 | 80599000 | 059 | 031 |
| 80061219 | 015 | 004 | 80130820 | 007 | 013 | 80200630 | 015 | 014 | 80201270 | 051 | 008 | 80252352 | 003 | 033 | 80271201 | 011 | 015 | 80450841 | 037 | 022 | 80599000 | 061 | 030 |
| 80061225 | 015 | 005 | 80130820 | 025 | 014 | 80200630 | 085 | 009 | 80201270 | 053 | 009 | 80253039 | 029 | 019 | 80271201 | 015 | 020 | 80450841 | 041 | 022 | 80599000 | 063 | 030 |
| 80061230 | 045 | 028 | 80130820 | 033 | 014 | 80200830 | 003 | 016 | 80201271 | 037 | 015 | 80253059 | 003 | 034 | 80280820 | 057 | 027 | 80450841 | 047 | 016 | 80651031 | 057 | 032 |
| 80061236 | 037 | 010 | 80131017 | 007 | 014 | 80200830 | 011 | 011 | 80201271 | 041 | 015 | 80253059 | 007 | 018 | 80280820 | 059 | 027 | 80450841 | 049 | 017 | 80651031 | 059 | 032 |
| 80061236 | 041 | 010 | 80131017 | 021 | 014 | 80200830 | 015 | 015 | 80201662 | 047 | 009 | 80253059 | 021 | 019 | 80280820 | 061 | 026 | 80450841 | 051 | 016 | 80651031 | 061 | 031 |
| 80061236 | 045 | 031 | 80131017 | 025 | 015 | 80200830 | 025 | 018 | 80201662 | 049 | 010 | 80254055 | 025 | 021 | 80280820 | 063 | 026 | 80450841 | 053 | 017 | 80651031 | 063 | 031 |
| 80061249 | 011 | 031 | 80131017 | 029 | 014 | 80200830 | 033 | 018 | 80201662 | 051 | 009 | 80254055 | 033 | 021 | 80281051 | 073 | 024 | 80450851 | 021 | 022 | 81002550 | 055 | 005 |
| 80061249 | 015 | 006 | 80131017 | 033 | 015 | 80200840 | 007 | 016 | 80201662 | 053 | 010 | 80254059 | 025 | 022 | 80281051 | 075 | 023 | 80450851 | 025 | 023 | 81003572 | 057 | 033 |
| 80061249 | 073 | 017 | 80131017 | 037 | 011 | 80200840 | 073 | 018 | 80202048 | 069 | 030 | 80254059 | 033 | 022 | 80281230 | 047 | 012 | 80450851 | 029 | 022 | 81003572 | 059 | 033 |
| 80061249 | 075 | 016 | 80131017 | 041 | 011 | 80200840 | 075 | 017 | 80202048 | 071 | 030 | 80254552 | 003 | 031 | 80281230 | 049 | 013 | 80450851 | 033 | 023 | 81003572 | 061 | 032 |
| 80061431 | 065 | 011 | 80131017 | 047 | 006 | 80200851 | 057 | 017 | 80204063 | 057 | 018 | 80254552 | 007 | 019 | 80281230 | 051 | 012 | 80450851 | 037 | 023 | 81003572 | 063 | 032 |
| 80061431 | 067 | 012 | 80131017 | 049 | 007 | 80200851 | 061 | 016 | 80204063 | 059 | 018 | 80255670 | 057 | 019 | 80281230 | 053 | 013 | 80450851 | 041 | 023 | 81004090 | 057 | 034 |
| 80061641 | 047 | 003 | 80131017 | 051 | 006 | 80200855 | 011 | 012 | 80204063 | 061 | 017 | 80255670 | 059 | 019 | 80281254 | 069 | 031 | 80451059 | 037 | 024 | 81004090 | 061 | 033 |
| 80061641 | 049 | 004 | 80131017 | 053 | 007 | 80200855 | 015 | 016 | 80204063 | 063 | 017 | 80255670 | 061 | 018 | 80281254 | 071 | 031 | 80451059 | 041 | 024 | 81004093 | 059 | 034 |
| 80061641 | 051 | 003 | 80131017 | 069 | 021 | 80201030 | 003 | 017 | 80250613 | 011 | 013 | 80255670 | 063 | 018 | 80281414 | 065 | 015 | 80451059 | 099 | 025 | 81004093 | 063 | 033 |



INDEX NUMERIQUE - NUMERICAL INDEX TEILENUMMERN-INDEX - INDICE NUMERICO

| Nr | Page | Rep. | Nr | Page | Rep. | Nr | Page | Rep. | Nr | Page | Rep. | Nr | Page | Rep. | Nr | Page | Rep. | Nr | Page | Rep. | |
|----------|------|------|----------|------|------|----------|------|------|----------|------|------|----|------|------|----|------|------|----|------|------|--|
| 81004588 | 057 | 035 | 82200800 | 037 | 026 | 83040002 | 057 | 042 | 83235066 | 015 | 024 | | | | | | | | | | |
| 81004588 | 059 | 035 | 82200800 | 041 | 026 | 83040002 | 059 | 042 | 83235067 | 011 | 021 | | | | | | | | | | |
| 81004588 | 061 | 034 | 82200804 | 003 | 023 | 83040002 | 061 | 041 | 83235067 | 015 | 025 | | | | | | | | | | |
| 81004588 | 063 | 034 | 82200804 | 007 | 024 | 83040002 | 063 | 041 | 83235068 | 011 | 022 | | | | | | | | | | |
| 81005091 | 057 | 036 | 82200804 | 037 | 027 | 83040099 | 073 | 027 | 83235068 | 015 | 026 | | | | | | | | | | |
| 81005091 | 059 | 036 | 82200804 | 041 | 027 | 83040171 | 007 | 028 | 83235112 | 019 | 004 | | | | | | | | | | |
| 81005091 | 061 | 035 | 82200806 | 091 | 022 | 83050012 | 011 | 016 | 83235113 | 011 | 023 | | | | | | | | | | |
| 81005091 | 063 | 035 | 82200806 | 093 | 022 | 83050012 | 015 | 021 | 83235113 | 015 | 027 | | | | | | | | | | |
| 81104083 | 065 | 016 | 82200806 | 095 | 022 | 83070063 | 073 | 028 | 83235114 | 019 | 005 | | | | | | | | | | |
| 81104083 | 067 | 017 | 82200806 | 097 | 022 | 83070063 | 075 | 026 | 83235115 | 011 | 024 | | | | | | | | | | |
| 81104084 | 065 | 017 | 82200806 | 099 | 022 | 83090037 | 003 | 036 | 83235115 | 015 | 028 | | | | | | | | | | |
| 81104084 | 067 | 018 | 82200815 | 025 | 024 | 83090037 | 007 | 029 | 83235116 | 019 | 006 | | | | | | | | | | |
| 81104576 | 065 | 018 | 82200815 | 033 | 024 | 83090038 | 021 | 028 | 83235117 | 011 | 025 | | | | | | | | | | |
| 81104576 | 067 | 019 | 82230003 | 057 | 041 | 83090038 | 025 | 029 | 83235117 | 015 | 029 | | | | | | | | | | |
| 81104577 | 065 | 019 | 82230003 | 059 | 041 | 83090038 | 029 | 030 | 83235118 | 007 | 032 | | | | | | | | | | |
| 81104577 | 067 | 020 | 82230003 | 061 | 040 | 83090038 | 033 | 027 | 83235120 | 003 | 015 | | | | | | | | | | |
| 81305090 | 045 | 014 | 82230003 | 063 | 040 | 83090038 | 081 | 018 | 83235120 | 007 | 033 | | | | | | | | | | |
| 81305091 | 045 | 013 | 82230006 | 065 | 024 | 83090039 | 021 | 029 | 83235121 | 003 | 030 | | | | | | | | | | |
| 81305501 | 045 | 012 | 82230006 | 067 | 025 | 83090039 | 025 | 030 | 83235121 | 007 | 034 | | | | | | | | | | |
| 81305590 | 045 | 011 | 82230025 | 021 | 008 | 83090039 | 029 | 031 | 83235122 | 011 | 026 | | | | | | | | | | |
| 82016087 | 057 | 037 | 82230025 | 025 | 007 | 83090039 | 033 | 028 | 83235122 | 015 | 030 | | | | | | | | | | |
| 82016087 | 059 | 037 | 82230025 | 029 | 008 | 83090039 | 081 | 019 | 83235122 | 019 | 007 | | | | | | | | | | |
| 82016087 | 061 | 036 | 82230025 | 033 | 007 | 83090086 | 081 | 017 | 83235123 | 003 | 014 | | | | | | | | | | |
| 82016087 | 063 | 036 | 82300066 | 003 | 035 | 83090200 | 003 | 026 | 83235123 | 007 | 035 | | | | | | | | | | |
| 82016090 | 057 | 038 | 82300066 | 007 | 025 | 83090200 | 007 | 030 | 83235153 | 011 | 027 | | | | | | | | | | |
| 82016090 | 059 | 038 | 82300090 | 021 | 024 | 83090200 | 021 | 030 | 83235153 | 015 | 031 | | | | | | | | | | |
| 82016090 | 061 | 037 | 82300090 | 025 | 025 | 83090200 | 025 | 031 | 83236050 | 019 | 008 | | | | | | | | | | |
| 82016090 | 063 | 037 | 82300090 | 029 | 025 | 83090200 | 029 | 034 | 83236052 | 019 | 009 | | | | | | | | | | |
| 82060007 | 065 | 020 | 82300090 | 033 | 025 | 83090200 | 033 | 029 | 83236059 | 019 | 010 | | | | | | | | | | |
| 82060007 | 067 | 021 | 82301205 | 029 | 028 | 83090202 | 015 | 034 | 83236102 | 019 | 011 | | | | | | | | | | |
| 82060050 | 057 | 039 | 82301218 | 021 | 027 | 83200803 | 003 | 025 | 83240011 | 081 | 015 | | | | | | | | | | |
| 82060050 | 059 | 039 | 82301218 | 025 | 028 | 83200803 | 007 | 031 | 83240014 | 081 | 016 | | | | | | | | | | |
| 82060050 | 061 | 038 | 83014555 | 003 | 004 | 83200804 | 011 | 017 | 83240212 | 081 | 020 | | | | | | | | | | |
| 82060050 | 063 | 038 | 83014555 | 007 | 026 | 83200804 | 037 | 032 | 83240400 | 081 | 009 | | | | | | | | | | |
| 82060094 | 065 | 021 | 83014555 | 037 | 028 | 83200804 | 041 | 032 | 83240401 | 081 | 008 | | | | | | | | | | |
| 82060094 | 067 | 022 | 83014555 | 041 | 028 | 83200804 | 081 | 011 | 83450005 | 085 | 006 | | | | | | | | | | |
| 82061015 | 065 | 022 | 83015561 | 003 | 005 | 83233002 | 087 | 002 | 83503018 | 085 | 001 | | | | | | | | | | |
| 82061015 | 067 | 023 | 83015561 | 007 | 027 | 83233003 | 087 | 004 | 83503019 | 085 | 002 | | | | | | | | | | |
| 82101622 | 065 | 023 | 83015561 | 037 | 029 | 83233017 | 087 | 003 | 83503026 | 085 | 003 | | | | | | | | | | |
| 82101622 | 067 | 024 | 83015561 | 041 | 029 | 83233046 | 019 | 001 | | | | | | | | | | | | | |
| 82131824 | 057 | 040 | 83030000 | 037 | 030 | 83233200 | 087 | 001 | | | | | | | | | | | | | |
| 82131824 | 059 | 040 | 83030000 | 041 | 030 | 83234000 | 011 | 018 | | | | | | | | | | | | | |
| 82131824 | 061 | 039 | 83030008 | 037 | 031 | 83234000 | 015 | 022 | | | | | | | | | | | | | |
| 82131824 | 063 | 039 | 83030008 | 041 | 031 | 83235003 | 019 | 002 | | | | | | | | | | | | | |
| 82200800 | 003 | 022 | 83030008 | 047 | 018 | 83235021 | 011 | 019 | | | | | | | | | | | | | |
| 82200800 | 007 | 023 | 83030008 | 049 | 019 | 83235021 | 015 | 023 | | | | | | | | | | | | | |
| 82200800 | 021 | 023 | 83030008 | 051 | 018 | 83235037 | 019 | 003 | | | | | | | | | | | | | |
| 82200800 | 029 | 023 | 83030008 | 053 | 019 | 83235066 | 011 | 020 | | | | | | | | | | | | | |

EXTRAIT DES CONDITIONS DE GARANTIE ET CONDITIONS SPECIFIQUES PIECES DE RECHANGE

Nous garantissons notre matériel durant une année à partir du jour de livraison, c'est-à-dire que nous nous engageons à rembourser les pièces qui auront été reconnues défectueuses en nos usines, par notre service technique.

Bien entendu, la garantie ne s'applique pas en cas d'usure normale, ni en cas de détériorations résultant de négligences ou de défauts de surveillance, d'un mauvais usage, d'un manque d'entretien ou d'un accident. La garantie ne s'applique pas non plus si la machine a été prêtée ou utilisée pour un usage non conforme à sa destination prévue par la société.

La garantie ne s'applique pas aux pièces d'usure.

Les pièces de rechange sont soumises aux mêmes conditions de garantie que le matériel sous réserve qu'elles aient été montées selon les règles de l'art et utilisées conformément à nos recommandations.

EXTRACT FROM OUR CONDITIONS OF LIMITED WARRANTY AND SPARE PARTS WARRANTY POLICY

Our equipment is warranted for a period of one year from the date of delivery. We guarantee the reimbursement of all parts proven to be faulty by our technical division in material or manufacturing.

The warranty is not applicable in the following cases : normal wear, accident or negligence in operation, repairs using parts other than genuine KUHN parts, products altered or modified without the expressed permission of the company or if the machine is not used and serviced in accordance with the recommendations of the operator's manual. Wearing items are not covered under these conditions of limited warranty.

Spare parts are subject to the same warranty conditions than the equipment providing they have been installed with proficiency and are used in accordance with our recommendations.

AUSZUG AUS UNSEREN GARANTIEBEDINGUNGEN UND SONDERBEDINGUNGEN FÜR ERSATZTEILE

Wir garantieren unsere Ware für ein Jahr ab dem Tag der Lieferung und verpflichten uns, die Teile zu ersetzen, die im Werk als fehlerhaft anerkannt wurden.

Die Garantie ist ausgeschlossen für Teile, die einem normalen Verschleiß unterliegen, sowie im Fall von nachlässiger Behandlung oder mangelhafter Wartung oder eines Unfalls. Die Garantie erlischt auch, wenn die Maschine ausgeliehen oder unter Umständen eingesetzt wurde, die dem ursprünglichen Verwendungszweck und den Hinweisen in der Betriebsanleitung nicht entsprechen.

Verschleißteile sind von der Garantie ausgeschlossen

Ersatzteile unterliegen den gleichen Garantiebedingungen wie komplette Maschinen, vorausgesetzt, dass sie sachgerecht eingebaut und entsprechend unseren Empfehlungen verwendet wurden.

ESTRATTO DELLE CONDIZIONI DI GARANZIA E CONDIZIONI SPECIFICHE GARANZIA RICAMBI

Le nostre macchine sono garantite per un anno a partire dal giorno della consegna: ci impegnamo a rimborsare i componenti che saranno riconosciuti difettosi dai nostri servizi tecnici presso le nostre officine.

La garanzia non è applicabile nei seguenti casi: usura normale, incidente o negligenza nell'impiego, riparazioni utilizzando ricambi non originali KUHN, prodotti alterati o modificati senza il permesso dell'azienda. La garanzia non viene riconosciuta se la macchina è stata prestata o non è utilizzata o mantenuta in conformità alle raccomandazioni previste dalla società. La garanzia non copre i componenti soggetti ad usura.

I pezzi di ricambio sono soggetti agli stessi termini di garanzia della macchina, purchè siano stati installati con competenza e utilizzati conformemente alle nostre raccomandazioni.



**Pour votre sécurité et le bon fonctionnement de votre machine,
utilisez uniquement des pièces d'origine KUHN**

**For your safety and to get the best from your machine,
use only genuine KUHN parts**

**Zu ihrer Sicherheit und zur einwandfreien Funktion Ihrer
Maschine sollten Sie nur Original-KUHN-Ersatzteile verwenden**

**Per la vostra sicurezza, e per il buon funzionamento della vostra macchina,
usate esclusivamente i ricambi originali KUHN**

KUHN PARTS Parc de la Faisanderie F - 67700 MONSWILLER (FRANCE)

Tél.: + 33 (0) 3 88 01 81 00 - Fax : + 33 (0) 3 88 01 81 03

www.kuhn.com

Imprimé en France par KUHN
Printed in France by KUHN