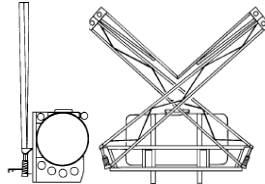
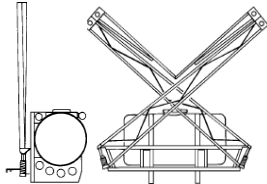


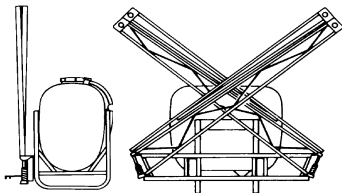


Revision 03-11-2008

|   |   |  |  |
|---|---|--|--|
| <p><b>Name</b><br/><b>Name origin</b><br/><b>Production start</b><br/><b>Production stop</b><br/><b>Tank size (litre)</b><br/><b>Notes</b></p>  | <p><b>BL</b><br/>Barrel referring to tank shape.<br/>1977<br/>2004<br/>200, 300<br/>Barrel shaped tank. Pump usually fitted directly to the tractor P.T.O. Equipped with M-70 control unit. The variant for the amenity market is called JAZZ with a BK control unit.</p> |  |  |
| <p><b>Boom size (m)</b><br/><b>Boom name</b><br/><b>Name origin</b><br/><b>Production start</b><br/><b>Production stop</b><br/><b>Notes</b></p> | <p>6, 8<br/>ST<br/>Standard Boom<br/>1966<br/>1982<br/>Manually cross folded. Breakaway has spring inside the cast iron housing.</p>  | <p>6, 8<br/>SB<br/>Small Boom<br/>1982<br/>In production<br/>Manually cross folded. Breakaway spring tension is adjustable. Originally with 3/8" nozzle cap.</p> |  |



|   |  |  |  |
|---|--|--|--|
| <p><b>Name</b><br/><b>Name origin</b><br/><b>Production start</b><br/><b>Production stop</b><br/><b>Tank size (litre)</b><br/><b>Notes</b></p>  | <p><b>NL</b><br/>Variant between BL and NK<br/>1988<br/>2004<br/>300, 400, 600, 800<br/>Fitted with M-70 control unit and 2 or 3 boom section valves.</p>                |  |  |
| <p><b>Boom size (m)</b><br/><b>Boom name</b><br/><b>Name origin</b><br/><b>Production start</b><br/><b>Production stop</b><br/><b>Notes</b></p> | <p>6, 8, 10, 12<br/>SB<br/>Small Boom<br/>1982<br/>In production<br/>Manually cross folded. Breakaway spring tension is adjustable. Originally with 3/8" nozzle cap.</p> |  |  |





|   |  |  |
|---|--|--|
| <p><b>Name</b> <b>NK</b><br/> <b>Name origin</b> Ny Kuffert (Danish for new suitcase)<br/> <b>Production start</b> 1971<br/> <b>Production stop</b> In production<br/> <b>Tank size (litre)</b> 300, 400, 600, 800<br/> <b>Notes</b> Fitted with BK control unit. Barrel shaped 200 litre (previously called BL) added to NK range in 2004.</p> |  |  |
| <p><b>Boom size (m)</b> 6, 8, 10, 12<br/> <b>Boom name</b> SB<br/> <b>Name origin</b> Small Boom<br/> <b>Production start</b> 1982<br/> <b>Production stop</b> In production<br/> <b>Notes</b> Manually cross folded. Breakaway spring tension is adjustable. Originally with 3/8" nozzle cap.</p>  |  |  |

|  |  |  |
|--|--|--|
| <p><b>Name</b> <b>NV</b><br/> <b>Name origin</b> NK variant with trapeze suspended booms.<br/> <b>Production start</b> 1997<br/> <b>Production stop</b> 2004<br/> <b>Tank size (litre)</b> 600, 800<br/> <b>Notes</b> Fitted with BK control unit.</p>                                   |  |  |
| <p><b>Boom size (m)</b> 10, 12<br/> <b>Boom name</b> MB<br/> <b>Name origin</b> Medium Boom<br/> <b>Production start</b> 1982<br/> <b>Production stop</b> Inroduction<br/> <b>Notes</b> Manually cross folded. Trapeze suspension. Inner/outer sections have a stainless steel lock.</p> | <p style="text-align: center;">Picture missing</p> <p>12, 12.5, 15<br/> HFM<br/> Horizontal Fold Manual<br/> 1997<br/> 2004<br/> Manually folded horizontally behind the tank. Trapeze suspension.</p> |  |



|   |  |  |
|---|--|--|
| <p><b>Name</b> <b>NX</b><br/> <b>Name origin</b> Variant of NK and LX.<br/> <b>Production start</b> 1992<br/> <b>Production stop</b> 1993<br/> <b>Tank size (litre)</b> 600, 800, 1000, 1200<br/> <b>Notes</b> Fitted with BK control unit.</p>   |  |  |
| <p>Picture missing</p>  |  |  |
| <p><b>Boom size (m)</b> 10, 12.5, 15<br/> <b>Boom name</b> HFA<br/> <b>Name origin</b> Horizontal Fold A version<br/> <b>Production start</b> 1991<br/> <b>Production stop</b> 1997<br/> <b>Notes</b> Boom lift function is hydraulic. Manually folded horizontally behind the tank. Pendulum suspension.</p> |  |  |

|  |  |  |
|--|--|--|
| <p><b>Name</b> <b>NY</b><br/> <b>Name origin</b> Variant of NK and LY.<br/> <b>Production start</b> 1995<br/> <b>Production stop</b> 1997<br/> <b>Tank size (litre)</b> 600, 800, 1000, 1200<br/> <b>Notes</b> Fitted with BK control unit.</p>  |  |  |
| <p>Picture missing</p>   |  |  |
| <p><b>Boom size (m)</b> 10, 12.5, 15<br/> <b>Boom name</b> HFY<br/> <b>Name origin</b> Horizontal Fold Y version<br/> <b>Production start</b> 1995<br/> <b>Production stop</b> 2002<br/> <b>Notes</b> Boom lift function is hydraulic. Hydraulic horizontal fold behind the tank. Pendulum suspension.</p> |  |  |



|  |   |  |
|--|---|--|
| <p><b>Name</b> LX</p> <p><b>Name origin</b> Lift mounted with hydraulic boom lift and manual boom fold.</p> <p><b>Production start</b> 1982</p> <p><b>Production stop</b> 1994</p> <p><b>Tank size (litre)</b> 600, 800, 1000, 1200</p> <p><b>Notes</b> Fitted with manual BK control unit. Tanks before 1988 are oval in shape. Tanks after 1988 are rectangular in shape except for 600 litre.</p> |   |  |
| <p><b>Boom size (m)</b> 10, 12, 15</p> <p><b>Boom name</b> MB</p> <p><b>Name origin</b> Medium Boom</p> <p><b>Production start</b> 1982</p> <p><b>Production stop</b> 15m stopped in 1986.</p> <p><b>Notes</b> Hydraulic boom lift. Manually cross folded. Trapeze suspension.</p>   | <p><b>Boom size (m)</b> 12, 15, 16, 18</p> <p><b>Boom name</b> HB</p> <p><b>Name origin</b> Heavy Boom</p> <p><b>Production start</b> 1985</p> <p><b>Notes</b> Manually folded. Hinged on centre section.</p> |  |

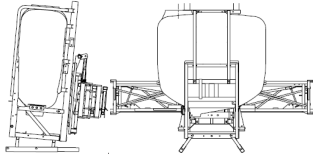
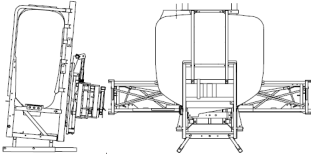
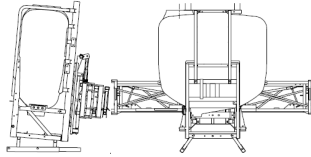
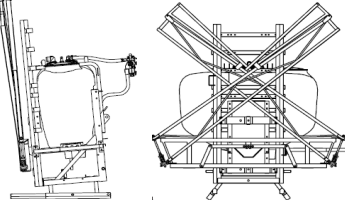
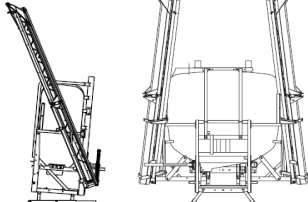
|   |  |   |  |
|---|--|---|--|
| <p><b>Name</b> LY</p> <p><b>Name origin</b> Lift mounted with hydraulic boom lift and fold.</p> <p><b>Production start</b> 1982</p> <p><b>Production stop</b> 1994</p> <p><b>Tank size (litre)</b> 600, 800, 1000, 1200</p> <p><b>Notes</b> Tanks before 1988 are oval in shape. Tanks after 1988 are rectangular in shape except for 600 litre. Self Cleaning filter standard.</p> |  |   |  |
| <p><b>Boom size (m)</b> 12</p> <p><b>Boom name</b> HY</p> <p><b>Name origin</b> Hydraulic ("Seagull wing")</p> <p><b>Production start</b> 1982</p> <p><b>Production stop</b> 1988</p> <p><b>Notes</b> Hydraulic boom lift and fold. Trapeze suspension. TRIPLET nozzle holders standard.</p>  | <p><b>Boom size (m)</b> 12, 15</p> <p><b>Boom name</b> HYA</p> <p><b>Name origin</b> Hydraulic A version ("Seagull wing")</p> <p><b>Production start</b> 1988</p> <p><b>Production stop</b> 1991</p> <p><b>Notes</b> Strengthened version of HY. Lowest centre section step is nearly as wide as upper step.</p> | <p><b>Boom size (m)</b> 12, 15</p> <p><b>Boom name</b> HYB</p> <p><b>Name origin</b> Hydraulic B version ("Seagull wing")</p> <p><b>Production start</b> 1991</p> <p><b>Production stop</b> 2001</p> <p><b>Notes</b> Different to HYA in that the breakaway functions in both forward and back direction.</p> |  |
| <p><b>Boom size (m)</b> 12, 15, 16, 18</p> <p><b>Boom name</b> LHY</p> <p><b>Name origin</b> Light Hydraulic Y version</p> <p><b>Production start</b> 1982</p> <p><b>Production stop</b> 1998</p> <p><b>Notes</b> Hydraulic boom lift and fold. Trapeze suspension.</p>   |  |   |  |



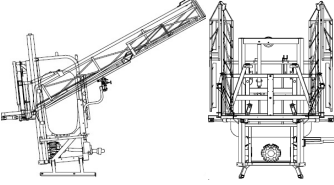
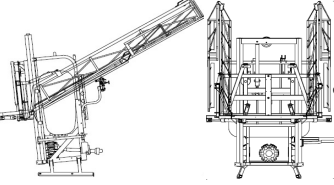
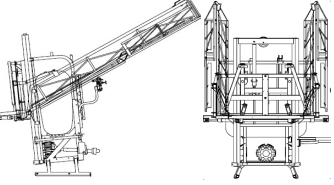
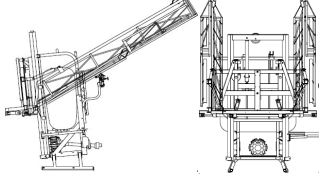
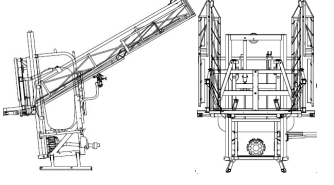
|   |  |  |
|---|--|--|
| <p><b>Name</b> LZ</p> <p><b>Name origin</b> Lift mounted with electric controlled hydraulic boom lift and fold.</p> <p><b>Production start</b> 1982</p> <p><b>Production stop</b> 1996</p> <p><b>Tank size (litre)</b> 800, 1000, 1200</p> <p><b>Notes</b> Fitted with electric EC control unit. Tanks before 1988 are oval in shape. Tanks after 1988 are rectangular in shape. Self Cleaning filter standard.</p> |  |  |
| <p><b>Boom size (m)</b> 12, 15, 16, 18, 20, 21, 24</p> <p><b>Boom name</b> LHZ</p> <p><b>Name origin</b> Light Hydraulic Z version</p> <p><b>Production start</b> 1982</p> <p><b>Production stop</b> 1998</p> <p><b>Notes</b> Electricly controlled hydraulic boom lift, fold, slant, tilt and fold of outer sections only. Trapeze suspension. TRIPLET nozzle holders standard.</p>                                |  |  |

|  |  |  |
|--|--|--|
| <p><b>Name</b> LA</p> <p><b>Name origin</b> Lift mounted with air-assisted hydraulic boom.</p> <p><b>Production start</b> 1988</p> <p><b>Production stop</b> 1995</p> <p><b>Tank size (litre)</b> 800, 1000, 1200</p> <p><b>Notes</b> Fitted with electric EC control unit. Tank has a rectangular shape. Self Cleaning filter standard.</p>   |  |  |
| <p><b>Boom size (m)</b> 12, 15, 16, 18</p> <p><b>Boom name</b> HAB</p> <p><b>Name origin</b> Hydraulic Air-assisted Boom</p> <p><b>Production start</b> 1988</p> <p><b>Production stop</b> 1998</p> <p><b>Notes</b> Self contained hydraulic system to power single blower for air assisted boom. Electricly controlled hydraulic lift, fold, slant, tilt and fold of outer sections only. Trapeze suspension.</p> |  |  |



|   |  |   |   |
|---|--|---|---|
| <p><b>Name</b><br/><b>Name origin</b><br/><b>Production start</b><br/><b>Production stop</b><br/><b>Tank size (litre)</b><br/><b>Notes</b></p>  | <p><b>MA</b><br/>MASTER<br/>1994<br/>In production<br/>800, 1000, 1200<br/>Filling hole to right side. Fitted with manual BK or electric EVC control unit. Self Cleaning filter standard.</p>  |   |   |
| <p><b>Boom size (m)</b><br/><b>Boom name</b><br/><b>Name origin</b><br/><b>Production start</b><br/><b>Production stop</b><br/><b>Notes</b></p> |  <p>12, 12.5, 15<br/>HFM<br/>Horizontal Fold Manual<br/>1982<br/>2004<br/>Hydraulic lift. Trapeze suspension.</p>   |  <p>10, 12, 12.5, 15<br/>HFA<br/>Horizontal Fold A version<br/>1991<br/>1997<br/>Hydraulic lift. Pendulum suspension.</p>   |  <p>10, 12, 12.5, 15<br/>HFY<br/>Horizontal Fold Y version<br/>1995<br/>2002<br/>Hydraulic lift and fold. Pendulum suspension.</p> |
| <p><b>Boom size (m)</b><br/><b>Boom name</b><br/><b>Name origin</b><br/><b>Production start</b><br/><b>Production stop</b><br/><b>Notes</b></p> |  <p>10, 12<br/>MB<br/>Medium Boom<br/>1982<br/>In production<br/>Hydraulic boom lift. Manually cross folded. Trapeze suspension. Inner/outer sections have a stainless steel lock.</p> |  <p>12, 15<br/>HYB<br/>Hydraulic B version ("Seagull wing")<br/>1991<br/>2001<br/>Different to HYA in that the breakaway functions in both forward and back direction.</p> |   |



|   |   |   |  |  |
|---|---|---|--|--|
| <p><b>Name</b><br/><b>Name origin</b><br/><b>Production start</b><br/><b>Production stop</b><br/><b>Tank size (litre)</b><br/><b>Notes</b></p>  | <p><b>ME</b><br/>MEGA<br/>1998<br/>In production<br/>800, 1000, 1200<br/>Filling hole to right side. Fitted with electric EVC control unit. Self Cleaning filter standard.</p>  |   |  |  |
| <p><b>Boom size (m)</b><br/><b>Boom name</b><br/><b>Name origin</b><br/><b>Production start</b><br/><b>Production stop</b><br/><b>Notes</b></p> |  <p>12, 15, 16, 18<br/>LHY<br/>Light Hydraulic Y version<br/>1992<br/>1998<br/>Hydraulic boom lift and fold. Trapeze suspension. TRIPLET nozzle holders standard.</p>  |  <p>12, 15, 16, 18, 20, 21, 24<br/>LHZ<br/>Light Hydraulic Z version<br/>1992<br/>1998<br/>Electricly controlled hydraulic boom lift, fold, slant, tilt and fold of outer sections only. Trapeze suspension. TRIPLET nozzle holders standard.</p>           |  <p>15, 16, 18<br/>LPY<br/>Light Pendulum Y version<br/>1998<br/>2008<br/>Hydraulic boom lift and fold. Pendulum suspension. TRIPLET nozzle holders standard.</p> |  |
| <p><b>Boom size (m)</b><br/><b>Boom name</b><br/><b>Name origin</b><br/><b>Production start</b><br/><b>Production stop</b><br/><b>Notes</b></p> |  <p>15, 16, 18, 20, 21, 24<br/>LPZ<br/>Light Pendulum Z version<br/>1998<br/>2008<br/>Electricly controlled hydraulic boom lift, fold, slant, tilt and fold of outer sections only. Pendulum suspension. TRIPLET nozzle holders standard.</p> |  <p>15, 16, 18, 20, 21, 24<br/>LPV<br/>Light Pendulum V version<br/>1998<br/>2004<br/>Electricly controlled hydraulic boom lift, fold, slant and fold of outer sections only. (No tilt function) Pendulum suspension. TRIPLET nozzle holders standard.</p> |  |  |