

950137



2015

10.3.2016

2.11.2017

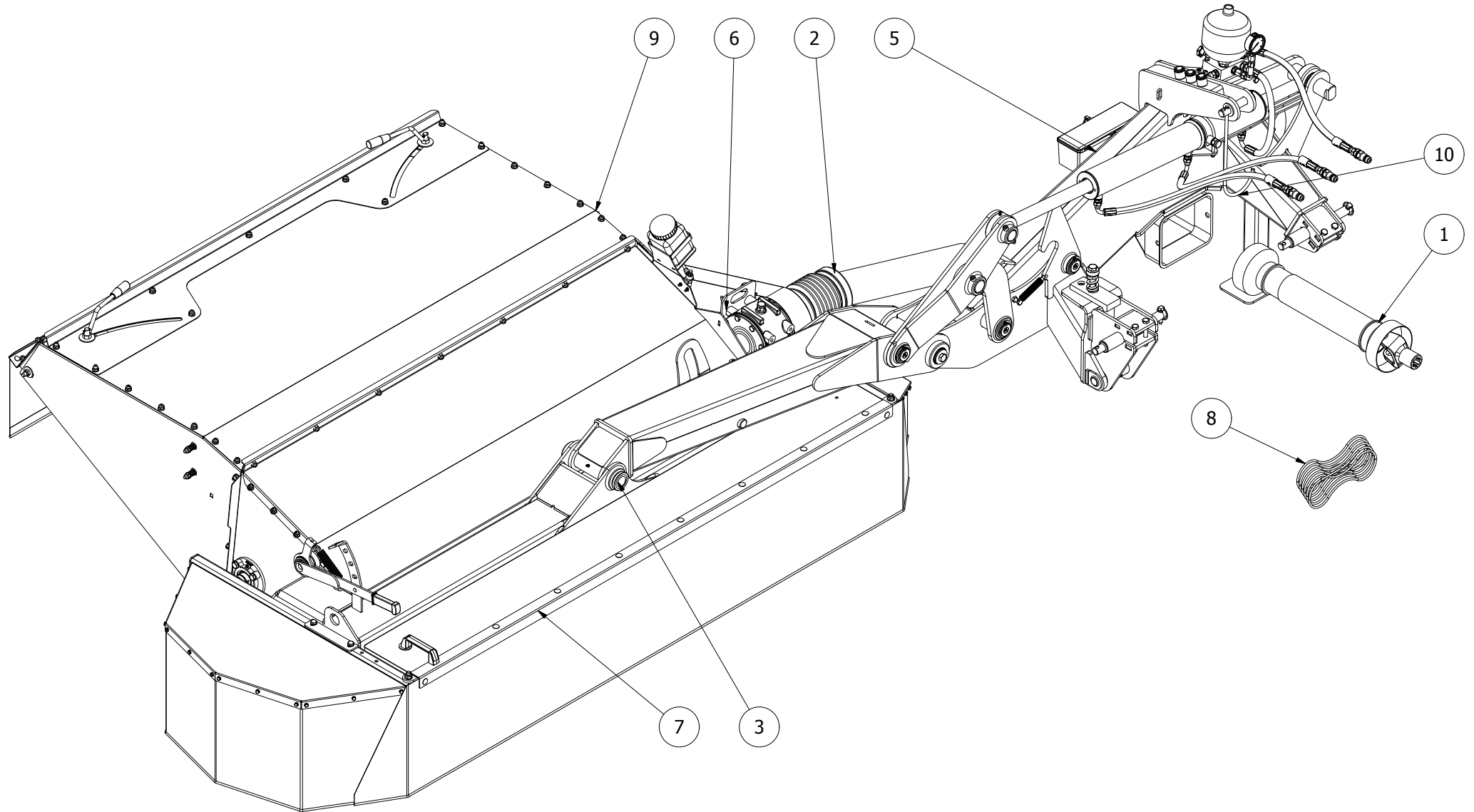
Spare Parts/ Ersatzteile/ Reservdelar/ Varaosat

Arrow NM2400CV / VCL

Serie 10.1

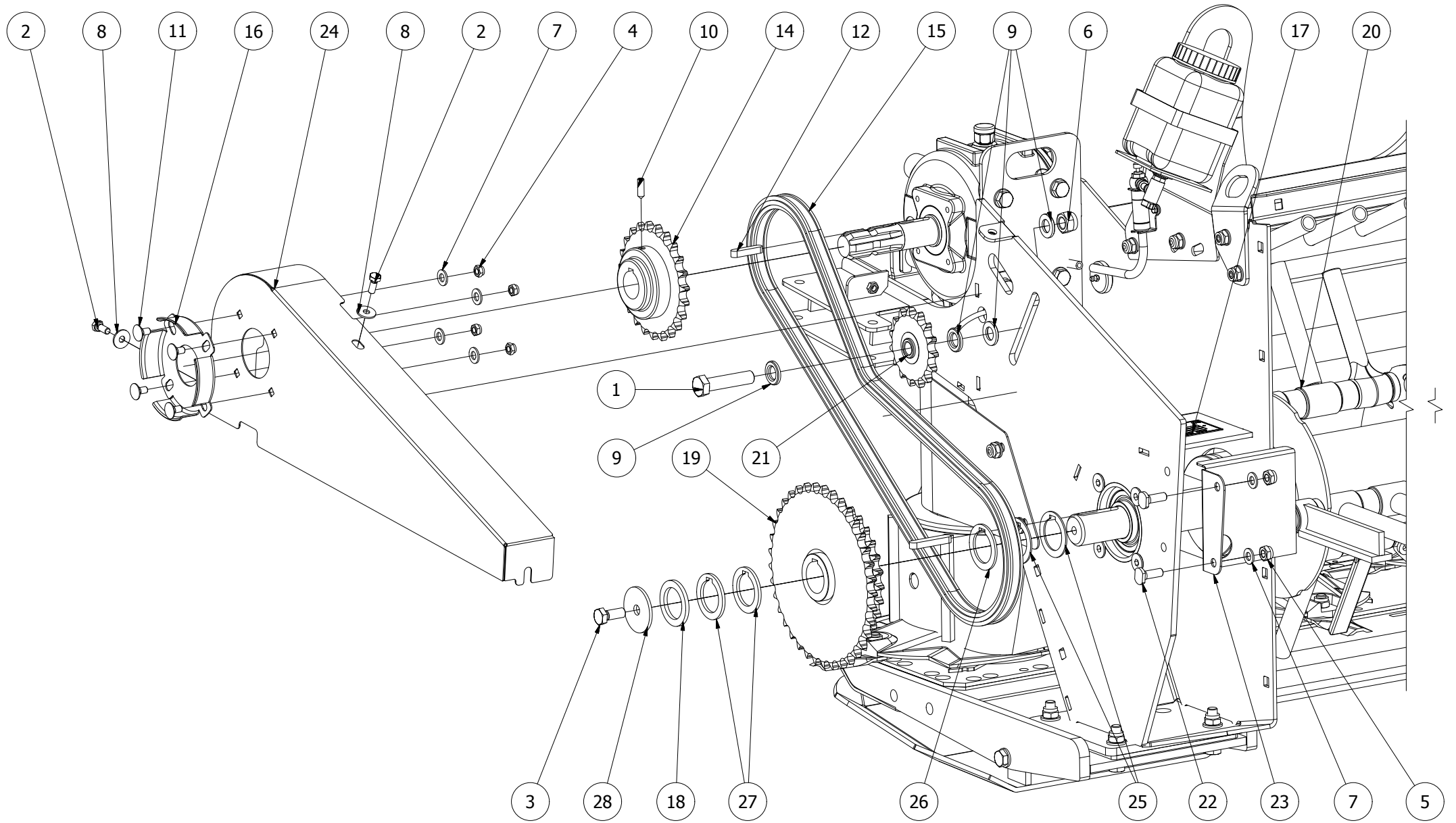


506012



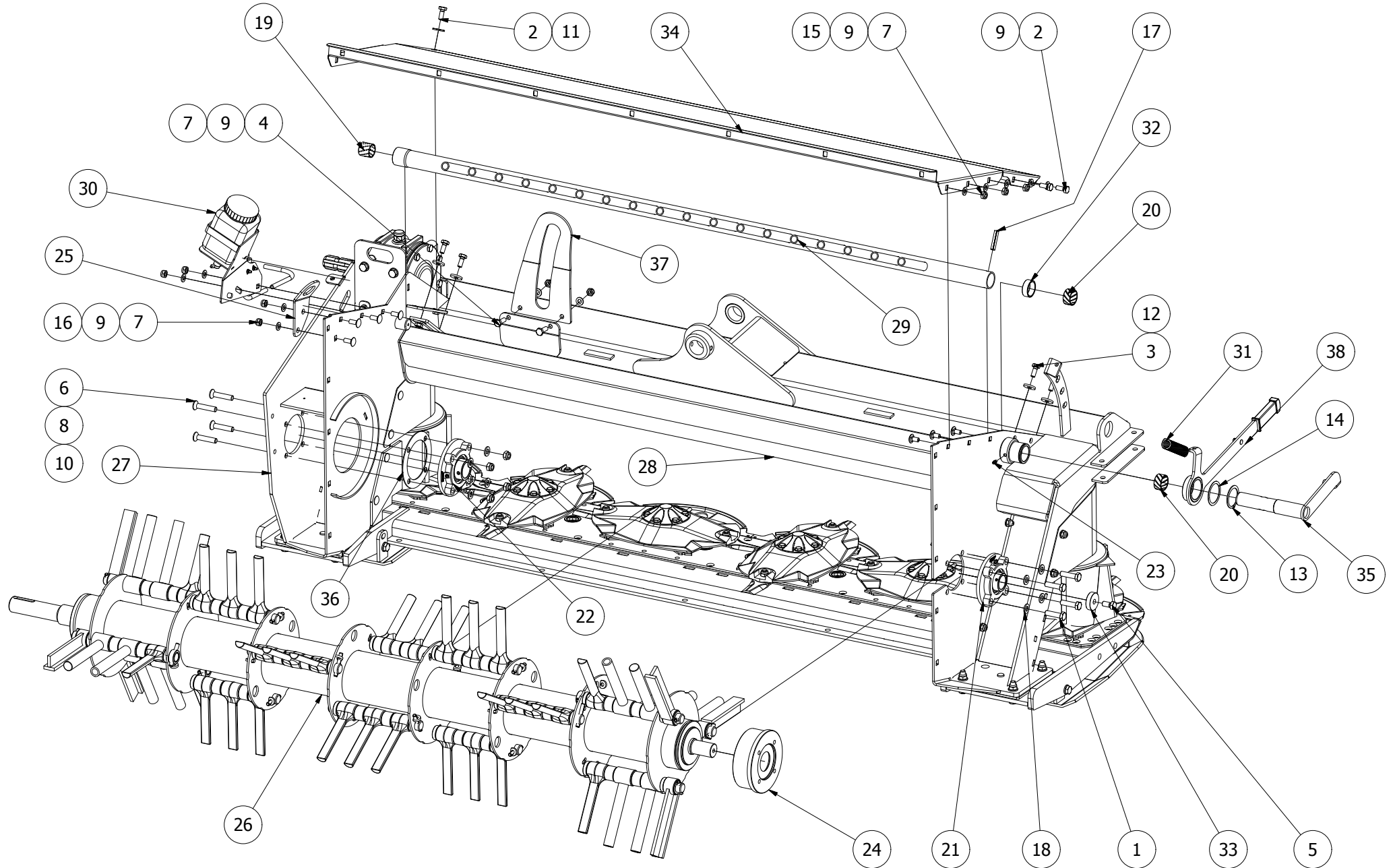
| 506012 | | | | | | | |
|--------|------------------------------|--------------------------|---------------------------|----------------------------|---------------------|--------|-----|
| Pos | Name | Nahme | Benämning | Nimike | Specifikation | NO | Pcs |
| 1 | Pto shaft | Gelenkwellen | Primäraxel 240-320p 10.7 | Nivelakseli | DS6R071CE000003 | 152052 | 1 |
| 2 | Pto shaft | Gelenkwellen | Sekundäraxel | Nivelakseli | W2400-SC25Z-770 | 152104 | 1 |
| 3 | Pivot | Pendelzapfen | Pendeltapp | Heiluritappi | Typ D1 Ø40 L=213 zn | 502380 | 1 |
| 4 | Sticker kit | Aufkleber satz | Dekal serie | Tarra sarja | Arrow NM 2400 VC | 506013 | 1 |
| 5 | Frame subassemblies | Rahmen Baugrupp | 3p-ram sammanställning | 3-p runko osakokoonpano | Arrow NM 2400 VC/VR | 506025 | 1 |
| 6 | Transmission subassembl. | Transmission Baugrupp | Transmission delmontering | Voimansiirto osakokoonp. | Arrow NM 2400 | 506030 | 1 |
| 7 | Protecting front subassembly | Schutz vorne Baugrupp | Främre skydd | Suojaus etu osakokoonpano | Sammanställning | 506090 | 1 |
| 8 | Rope | Band | Rep | Köysi | L=6000 | 529116 | 1 |
| 9 | Hood plate subassemblies | Abdeckungsblech Baugrupp | Mantelplåtar | Kammionlevyt osakokoonpano | Sammanställning | 536718 | 1 |
| 10 | Drive shaft bracket | Gelenkwellen halter | Drivaxel hållare | Vetoakselin tuki | | 875898 | 1 |

506030



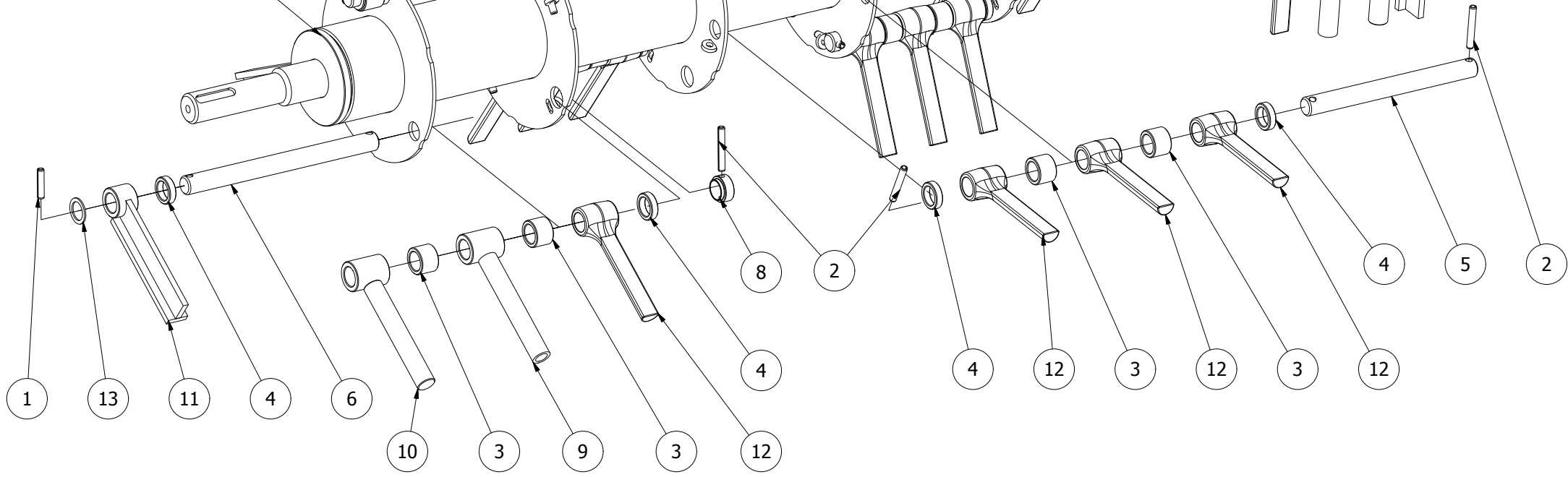
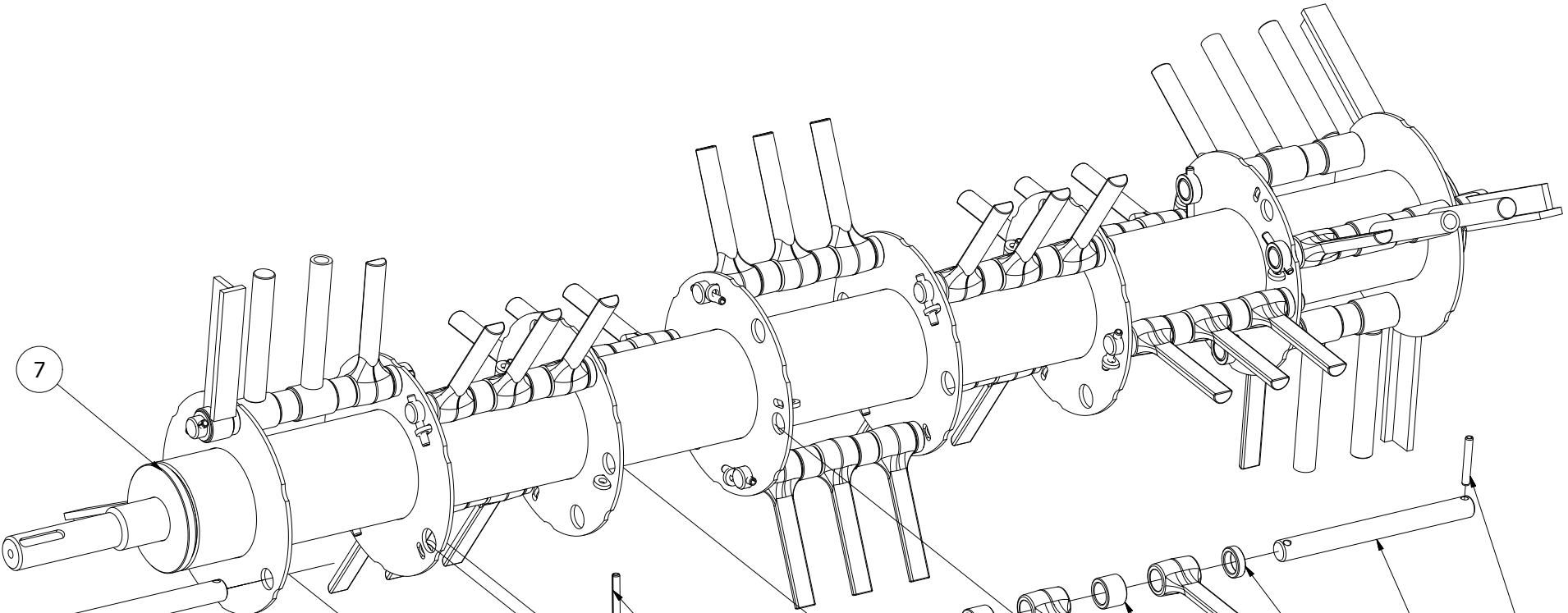
| 506030 | | | | | | | |
|--------|---------------------------|----------------------|-------------------------|------------------------|------------------------|--------|-----|
| Pos | Name | Nahme | Benämning | Nimike | Specifikation | NO | Pcs |
| 1 | Screw | Schraube | 6-k Skruv dg | Kuusioruuvi | DIN 931 8.8 M16X70 ZNC | 130533 | 1 |
| 2 | Screw | Schraube | 6-k Skruv hg | Kuusioruuvi | DIN 933 8.8 M8X20 ZN | 130720 | 2 |
| 3 | Screw | Schraube | 6-k Skruv hg | Kuusioruuvi | DIN 933 8.8 M12X30 ZNC | 130971 | 1 |
| 4 | Nut | Muttern | Låsmutter | Lukitusmutteri | DIN 985-8 M8 ZN | 131570 | 4 |
| 5 | Nut | Muttern | Låsmutter | Lukitusmutteri | DIN 985-8 M10 ZN | 131580 | 2 |
| 6 | Nut | Muttern | Låsmutter | Lukitusmutteri | DIN 985-8 M16 ZN | 131630 | 1 |
| 7 | Washer | Scheibe | Bricka | Aluslaatta | DIN 125A M10/10.5 ZN | 131770 | 6 |
| 8 | Washer | Scheibe | Karosseribricka | Korialuslevy | DIN 9021 8/8.4X24X2 ZN | 131910 | 2 |
| 9 | Washer ht | Scheibe HV | Bricka HV | Aluslevy hv | DIN 6916 10 M16/17 | 131971 | 4 |
| 10 | Socket set screw | Gewindestifte | Låsskruv, insex | Pidätinruuvi | DIN 914 45H M8X25 | 132521 | 1 |
| 11 | Cup bolts | Flachrundschrabe | Låsskruv | Lukkoruuvi | DIN 603 4.6 M8X16 ZN | 132630 | 4 |
| 12 | Spline | Keile | Flatkil | Laattakiila | DIN 6885 A 10X8X45 | 132965 | 1 |
| 13 | Spline | Keile | Flatkil | Laattakiila | DIN 6885 A 12X8X60 | 132975 | 1 |
| 14 | Sprocket | Kettenrad | Kedjehjul | Ketjupyörä | 3/4"x7/16" Z=23 Ø35 | 150127 | 1 |
| 15 | Roller chain 3/4" 80+6 | Roll kette 3/4" 80+6 | Rullkedja 3/4" 80+6 | Rullaketju 3/4" 80+6 | 12 B-1 Stong RF 40KN | 150925 | 1 |
| 16 | Protection bracket | Schutz befestigung | Axelskyddsfäste | Suojaus kiinnike | BP 395011261R | 152080 | 1 |
| 17 | Type plate | Type Platte | Maskinumnummer skylt | Tyyppi kilpi | | 159000 | 1 |
| 18 | Spacer | Distanzscheibe | Distansbricka | Sovitelaatta | Ø55/40.5x5 | 458022 | 1 |
| 19 | Sprocket | Kettenrad | Kedjehjul | Ketjupyörä | 3/4" Z=29/37 | 503984 | 1 |
| 20 | Conditioner subassemblies | Aufbereiter Baugrupp | Motkam/rotor monttering | Murskain osakokoonpano | | 506040 | 1 |
| 21 | Tightenwheel | Spannrad | Spännhjul | Kiristyspyörä | 3/4"x7/16"-15 | 508052 | 1 |
| 22 | Bolt | Bolzen | Bult | Pultti | M10x30 DCRT320 | 508529 | 2 |
| 23 | Schaft protection | Welle schutz | Axelskydd | Akselinsuojaus | | 536767 | 1 |
| 24 | Chaincover upper | Kettenschutz über | Kedjeskydd övre | Ketjusuuojaus ylä | | 536770 | 1 |
| 25 | Distance washer | Distanzscheibe | Distansbricka | Sovitelaatta | Ø40,5/58x2 mm Kilspår | 547041 | 2 |
| 26 | Distance washer | Distanzscheibe | Distansbricka | Sovitelaatta | Ø40,5/58x3 mm Kilspår | 547043 | 1 |
| 27 | Distance washer | Distanzscheibe | Distansbricka | Sovitelaatta | Ø40,5/58x4 mm Kilspår | 547044 | 2 |
| 28 | Washer | Scheibe | Bricka | Aluslaatta | Ø 13/58x4 (5) | 875172 | 1 |

506040



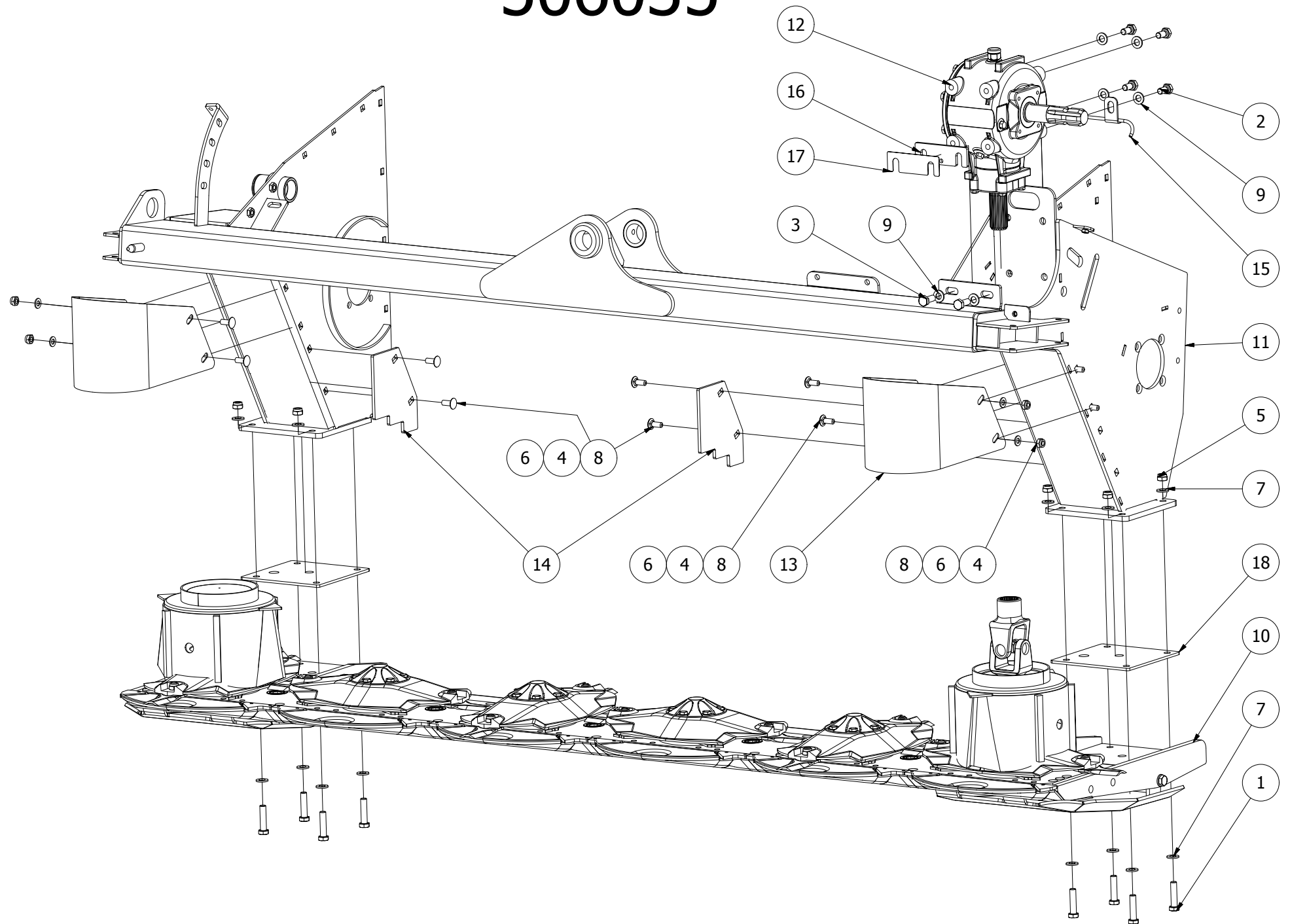
| 506040 | | | | | | | |
|--------|-------------------------|-------------------------|-----------------------|----------------------------|--------------------------------|--------|-----|
| Pos | Name | Nahme | Benämning | Nimike | Specifikation | NO | Pcs |
| 1 | Screw | Schraube | 6-k Skruv dg | Kuusioruuvi | DIN 931 8.8 M12x45 ZN | 130325 | 4 |
| 2 | Screw | Schraube | 6-k Skruv hg | Kuusioruuvi | DIN 933 8.8 M10X25 ZN | 130860 | 3 |
| 3 | Screw | Schraube | 6-k Skruv hg | Kuusioruuvi | DIN 933 10.9 M10X25 ZN | 130861 | 4 |
| 4 | Screw | Schraube | 6-k Skruv hg | Kuusioruuvi | DIN 933 8.8 M10X30 ZN | 130880 | 2 |
| 5 | Screw | Schraube | 6-k Skruv hg | Kuusioruuvi | DIN 933 8.8 M12X25 ZN | 130960 | 1 |
| 6 | Counter screw | Senkschrauben | I-6 Skruv sänkt | 6-koloruuvi uppok. | DIN 7991 10.9 M12X60 ZN | 131354 | 4 |
| 7 | Nut | Muttern | Låsmutter | Lukitusmutteri | DIN 985-8 M10 ZN | 131580 | 9 |
| 8 | Nut | Muttern | Låsmutter | Lukitusmutteri | DIN 985-8 M12 ZN | 131600 | 4 |
| 9 | Washer | Scheibe | Bricka | Aluslaatta | DIN 125A M10/10.5 ZN | 131770 | 11 |
| 10 | Washer | Scheibe | Bricka | Aluslaatta | DIN 125A M12/13 ZN | 131790 | 4 |
| 11 | Washer | Scheibe | Karosseribricka | Korialuslevy | DIN 9021 M10/10.5X30X2.5 ZN | 131930 | 1 |
| 12 | Washer | Scheibe | Karosseribricka | Korialuslevy | DIN 522 10,5x30x4 | 131976 | 4 |
| 13 | Seeger ring | Sicherüingring | Låsring för axel | Varmistinrengas | DIN 471 50X2 | 132130 | 1 |
| 14 | Shims | Ausgleichscheibe | Passbricka | Sovitelaatta | DIN 988 50X62X1 | 132410 | 1 |
| 15 | Cup bolts | Flachrundschrabe | Låsskruv | Lukkoruuvi | DIN 603/555 8.8 M10X20 (3-4)ZN | 132704 | 3 |
| 16 | Cup bolts | Flachrundschrabe | Låsskruv | Lukkoruuvi | DIN 603/555 8.8 M10X25 (3-4)ZN | 132709 | 4 |
| 17 | Spring pin | Spannhülsen | Rörsprint | Jousisokka | DIN 1481 10X50 ZN | 132860 | 1 |
| 18 | Washer | Scheibe | Låsbricka | Lukituslaatta | NORD-LOCK M 12 ZNC | 133460 | 4 |
| 19 | Plain bearing | Gleitlager | Glidlager | Liukulaakeri | Ø 30/34 L=30 COB092 | 140059 | 1 |
| 20 | Plain bearing | Gleitlager | Glidlager | Liukulaakeri | Ø 35/39 L=20 COB092 | 140072 | 2 |
| 21 | Bearing | Lager | Flänslager | Laippalaakeri | UCFC 207/FYC 35 TF | 140547 | 1 |
| 22 | Bearing | Lager | Flänslager | Laippalaakeri | UCFC 208/FYC 40 TF | 140548 | 1 |
| 23 | Grease nipple | Smiernippel | Smörjnippa | Voitelunippa | M6x1 | 140950 | 2 |
| 24 | Winding guard | Wickelschutz | Lindningsskydd | Kiertoamissuoja | Ø 133x150x56 | 500005 | 1 |
| 25 | Lifting eye | Hebeöse | Lyftöggla | Nostosilmukka | | 503037 | 1 |
| 26 | Conditioner rotor | Aufbereiter rotor | Krossrotor montering | Murskain roottori | Arrow NM 2400 10.2 | 506020 | 1 |
| 27 | Cutterbar subassemblies | Mähbalkken Baugrupp | Ram & slätterbalk | Runko/teräpalkki osakokoor | Arrow NM 2400 | 506035 | 1 |
| 28 | Guide plate lower | Ablenblech unter | Styrplåt nedre | Ohjainlevy ala | Arrow NM 2400 10.2 | 506055 | 1 |
| 29 | Counter fingers | Gegenfingerstange | Motkam | Vastakampa | Arrow NM2400 10.2 2015 | 506070 | 1 |
| 30 | Chain lubrication kit | Kettenschmierung kit | Kedjesmörjnings serie | Ketjuvoitelusarja | Arrow NM VC/VR | 506105 | 1 |
| 31 | Spring | Feder | Dragfjäder | Vetojousi | Lo=150 dm=21,5 d=3,5 | 508037 | 1 |
| 32 | Spacer | Busche | Mellanhylsa | Väliholkki | Ø42,4/34,4x15 | 514064 | 1 |
| 33 | Spacer | Aufbereiter rotor links | Distans | Väliholkki | | 534044 | 1 |
| 34 | Front hood | Haube vorne | Mantelplåt främre | Kammion etupelti | Arrow NM 2200 | 536742 | 1 |
| 35 | Counterfinger shaft | Gegenfingerwelle | Motkamsaxel | Vastakampaanakseli | | 537190 | 1 |
| 36 | Washer | Scheibe | Lagerdistansplåt | Välilevy | UCF 208 | 544440 | 1 |
| 37 | Restriction plate | Begrenzungsplatte | Begränsningplåt höger | Rajotin levy | | 545256 | 1 |
| 38 | Handle | Stellhebel | Kampak | Säätövipu | | 548610 | 1 |

506020



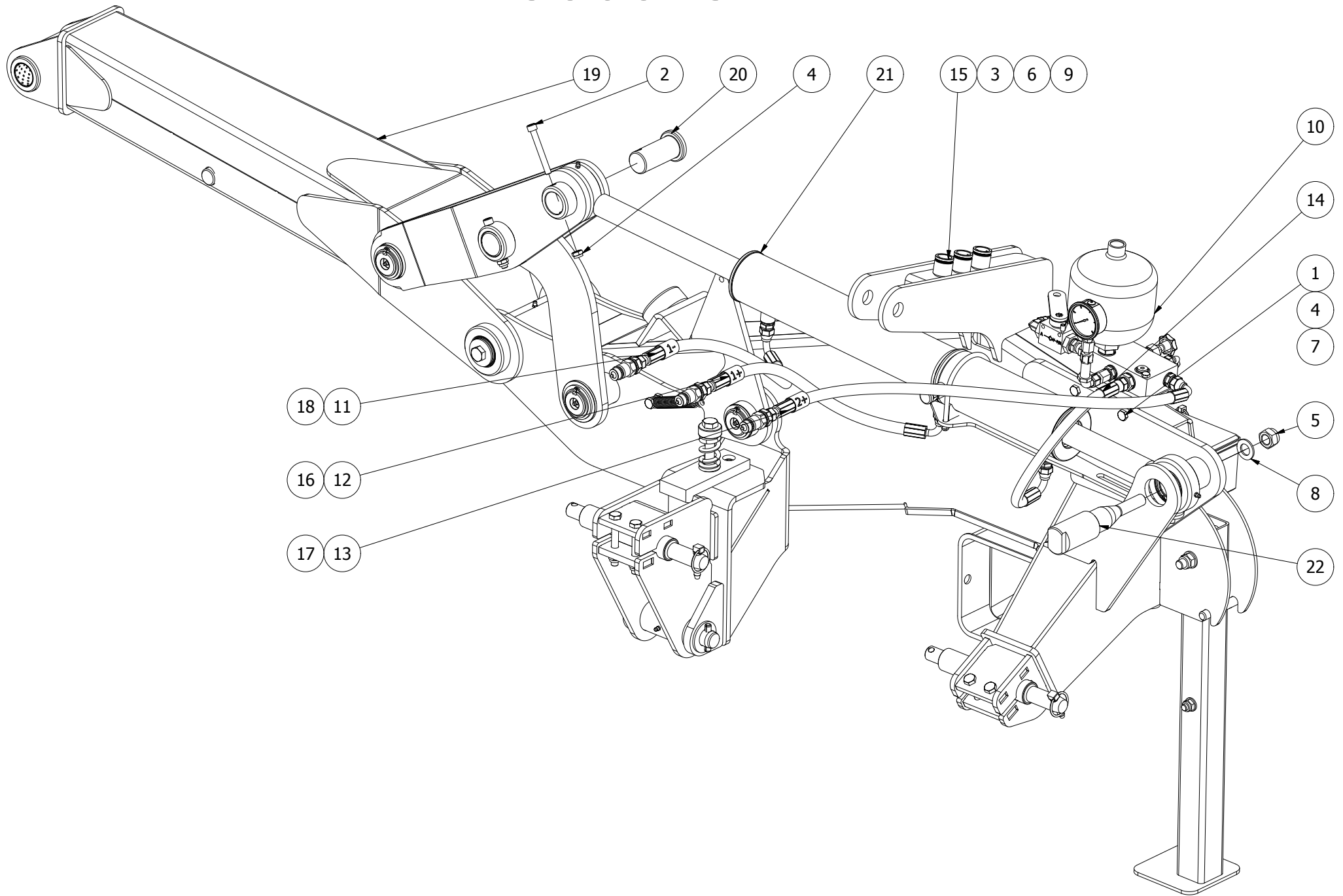
| 506020 | | | | | | | |
|--------|------------------|-------------------|-----------------|---------------|--------------------|--------|-----|
| Pos | Name | Nahme | Benämning | Nimike | Specifikation | NO | Pcs |
| 1 | Spring pin | Spannhülsen | Rörsprint | Jousisokka | DIN 1481 8X40 ZN | 132815 | 6 |
| 2 | Spring pin | Spannhülsen | Rörsprint | Jousisokka | DIN 1481 8X60 ZN | 132840 | 26 |
| 3 | Spacer | Zwischenbusche | Bussning | Väliholkki | 26mm (Nylon) | 503090 | 32 |
| 4 | Spacer | Zwischenbusche | Bussning | Väliholkki | 10mm (Nylon) | 503096 | 32 |
| 5 | Finger shaft | Ache für finger | Krossfingeraxel | Sormenakseli | Ø 25 L=261 | 503120 | 10 |
| 6 | Finger shaft | Ache für finger | Fingeraxel | Sormenakseli | Ø 25 L=295 | 503139 | 6 |
| 7 | Rotor | Rotor | Rotor svets | Rootori | Arrow NM 2400 10.2 | 506021 | 1 |
| 8 | Spacer | Buchse | Bussning | Holkki | | 520200 | 6 |
| 9 | Finger | Aufbereiterfinger | Krossfinger | Murskainsormi | L=180 (160) 2005> | 530810 | 6 |
| 10 | Compact finger | Aufbereiterfinger | Kompaktfinger | Murskainsormi | L=180 (160) b=50 | 530820 | 6 |
| 11 | Outermost finger | Endfinger | Ändkrossfinger | Päätysormi | L=180 (160) b=32 | 530840 | 6 |
| 12 | Finger | Aufbereiterfinger | Krossfinger | Murskainsormi | L=160 2007> | 530880 | 36 |
| 13 | Shims | Ausgleichscheibe | Passbricka | Sovitelaatta | DIN 988 25X35X2 | 132280 | 6 |

506035



| 506035 | | | | | | | |
|--------|----------------------|-------------------------|-----------------------|------------------------|---------------------------------|--------|-----|
| Pos | Name | Nahme | Benämning | Nimike | Specifikation | NO | Pcs |
| 1 | Screw | Schraube | 6-k Skruv dg | Kuusioruuvi | DIN 960 10.9 M12x50 ZN fingänge | 130342 | 8 |
| 2 | Screw | Schraube | 6-k Skruv hg | Kuusioruuvi | DIN 933 8.8 M12X25 ZN | 130960 | 4 |
| 3 | Screw | Schraube | 6-k Skruv hg | Kuusioruuvi | DIN 933 8.8 M12X30 ZNC | 130971 | 2 |
| 4 | Nut | Muttern | Låsmutter | Lukitusmutteri | DIN 985-8 M10 ZN | 131580 | 12 |
| 5 | Nut | Muttern | Låsmutter fg. | Lukitusmutteri hienok. | DIN 985-10 M12x1,5 ZN | 131611 | 8 |
| 6 | Washer | Scheibe | Bricka | Aluslaatta | DIN 125A M10/10.5 ZN | 131770 | 12 |
| 7 | Washer | Scheibe | Bricka | Aluslaatta | DIN 125A M12/13 ZN | 131790 | 16 |
| 8 | Cup bolts | Flachrundschrabe | Låsskruv | Lukkoruuvi | DIN 603/555 8.8 M10X25 (3-4)ZN | 132709 | 12 |
| 9 | Washer | Scheibe | Låsbricka | Lukituslaatta | NORD-LOCK M 12 ZNC | 133460 | 6 |
| 10 | Cutterbar with discs | Mähbalken mit sheibe | Slåtterenhät | Leikkuyksikkö | Arrow NM 2400 | 506010 | 1 |
| 11 | Conditioner frame | Mähkopframen | Krossram | Murskainrunko | Arrow NM 2400 | 506045 | 1 |
| 12 | Gear box | Getriebe | Vinkelväxel | Kulmavaihhe | T-304A 1:3 | 508578 | 1 |
| 13 | Winding guard | Wickelschutz | Lindningsskydd | Kiertomissuoja | | 536970 | 2 |
| 14 | Scraper | Abstreifer | Avskrapare | Kuorija | | 536981 | 2 |
| 15 | Oilpipe with bracket | Öl rohr mit befestigung | Oljerör med fäste | Öljyputki kiinnikellä | | 539950 | 1 |
| 16 | Distance plate | Distanz | Distansplatta | Välilevy | | 545211 | 1 |
| 17 | Distance plate | Distanz | Distans shim | Välilevy | 1 mm | 545212 | 1 |
| 18 | Distance plate | Distantz blech | Fotblads mellanplatta | Välilevy | | 545362 | 2 |

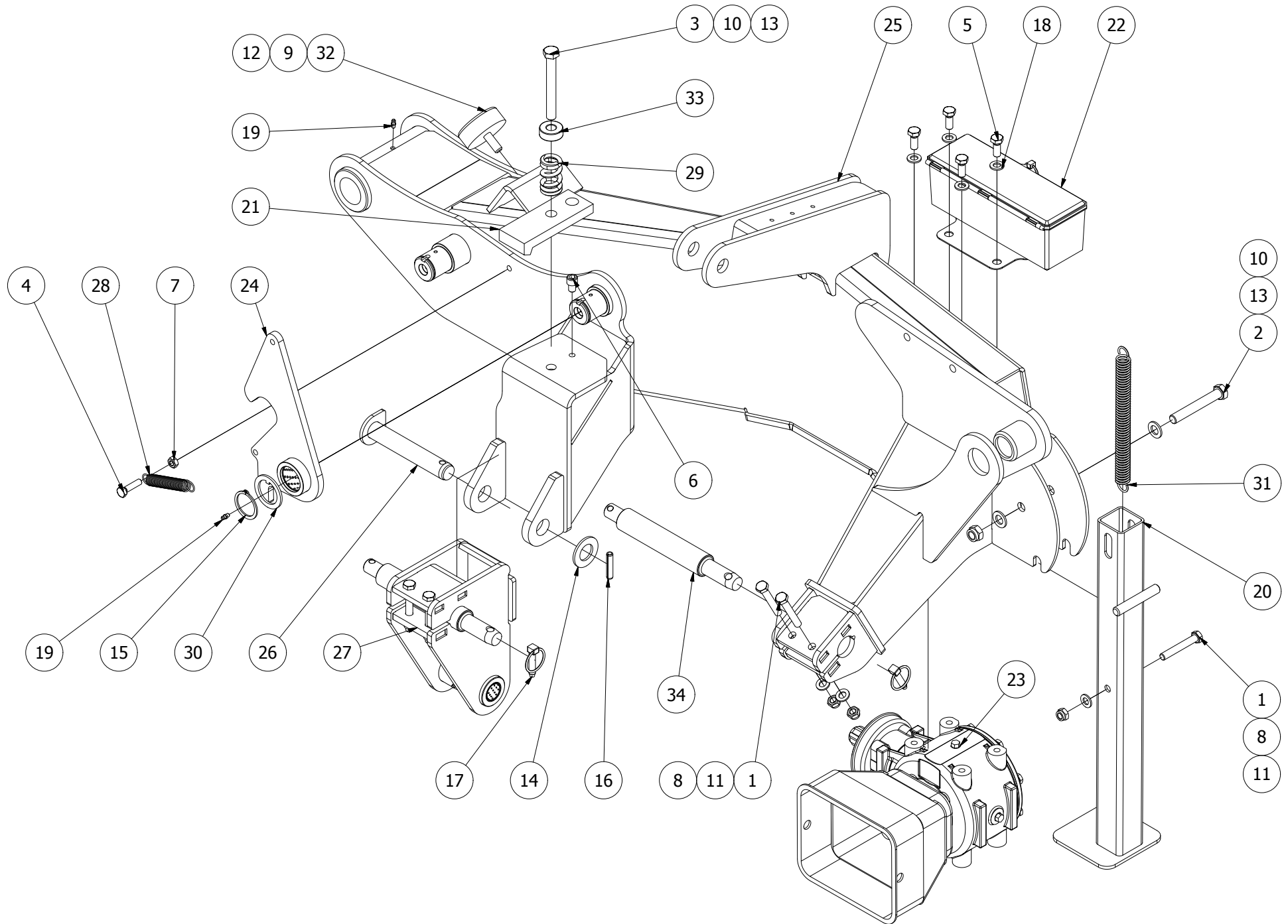
506025



506025

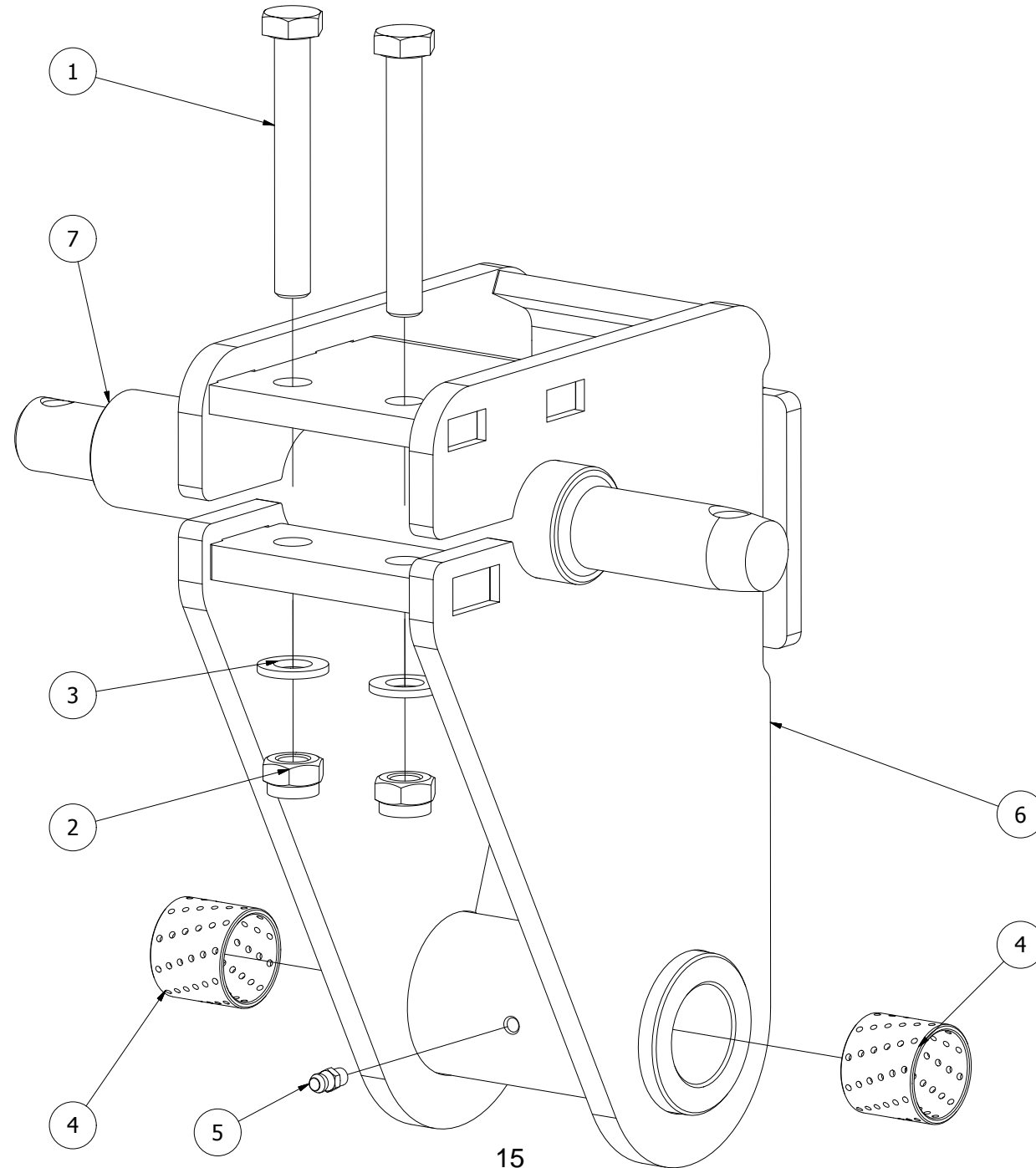
| Pos | Name | Nahme | Benämning | Nimike | Specifikation | NO | Pcs |
|-----|----------------------|-----------------------|-----------------------|-------------------------|-----------------------|--------|-----|
| 1 | Screw | Schraube | 6-k Skruv hg | Kuusioruuvi | DIN 933 8.8 M10X35 ZN | 130900 | 2 |
| 2 | Screw | Schraube | I-6 Skruv | 6-koloruuvi | DIN 912 8.8 M10X80 ZN | 131305 | 1 |
| 3 | Nut | Muttern | Låsmutter | Lukitusmutteri | DIN 985-8 M6 ZN | 131560 | 3 |
| 4 | Nut | Muttern | Låsmutter | Lukitusmutteri | DIN 985-8 M10 ZN | 131580 | 3 |
| 5 | Nut | Muttern | Låsmutter | Lukitusmutteri | DIN 985-8 M20 ZN | 131635 | 1 |
| 6 | Washer | Scheibe | Bricka | Aluslaatta | DIN 125A M 6/6.4 ZN | 131730 | 3 |
| 7 | Washer | Scheibe | Bricka | Aluslaatta | DIN 125A M10/10.5 ZN | 131770 | 2 |
| 8 | Washer | Scheibe | Bricka | Aluslaatta | DIN 125A M20/21 ZN | 131830 | 1 |
| 9 | Screw | Schraube | Krysspårskruv | Ristikantaruuvi | DIN 7985 M6x20 ZN | 133085 | 3 |
| 10 | Valveblock | Ventilblock | Ventilblock | Venttiillohko | | 144611 | 1 |
| 11 | Hydraulic hose | Hydraulik Schlaus | Hydraulslang | Hydrauliletku | R3/8 L=1600 | 145018 | 1 |
| 12 | Hydraulic hose | Hydraulik Schlaus | Hydraulslang | Hydrauliletku | R3/8 L=1600 | 145018 | 1 |
| 13 | Hydraulic hose | Hydraulik Schlaus | Hydraulslang | Hydrauliletku | R3/8 L=1600 | 145018 | 1 |
| 14 | Hydraulic hose | Hydraulik slauch | Hydraulslang | Hydrauliletku | 3/8" L=500 | 145423 | 1 |
| 15 | Quick coupler holder | Schnellkuppl. halter | Snabbkopplingshållare | Pikaliitinpidike | 1/2 | 147305 | 3 |
| 16 | Hose labeling | Schlauch Markierung | Slangmärkning | Letku merkintä | 1 plus | 149901 | 1 |
| 17 | Hose labeling | Schlauch Markierung | Slangmärkning | Letku merkintä | 2 plus | 149902 | 1 |
| 18 | Hose labeling | Schlauch Markierung | Slangmärkning | Letku merkintä | 1 - minus | 149911 | 1 |
| 19 | Bar assembly | Aussenträger Baugrupp | Bom montering | Puomi osakokoonpano | Arrow NM 2400 VC/VR | 506027 | 1 |
| 20 | Cylinder pin | Zylinder zapfen | Cylindertapp | Sylinteri tappi | | 506073 | 1 |
| 21 | Cylinder subassembly | Zylinder baugrup | Cylinder delmontering | Sylinteri osakokoonpano | NM VC/VR | 506095 | 1 |
| 22 | Pin | Zapfen | Sylindertapp | Tappi | D=40 | 506846 | 1 |

506026



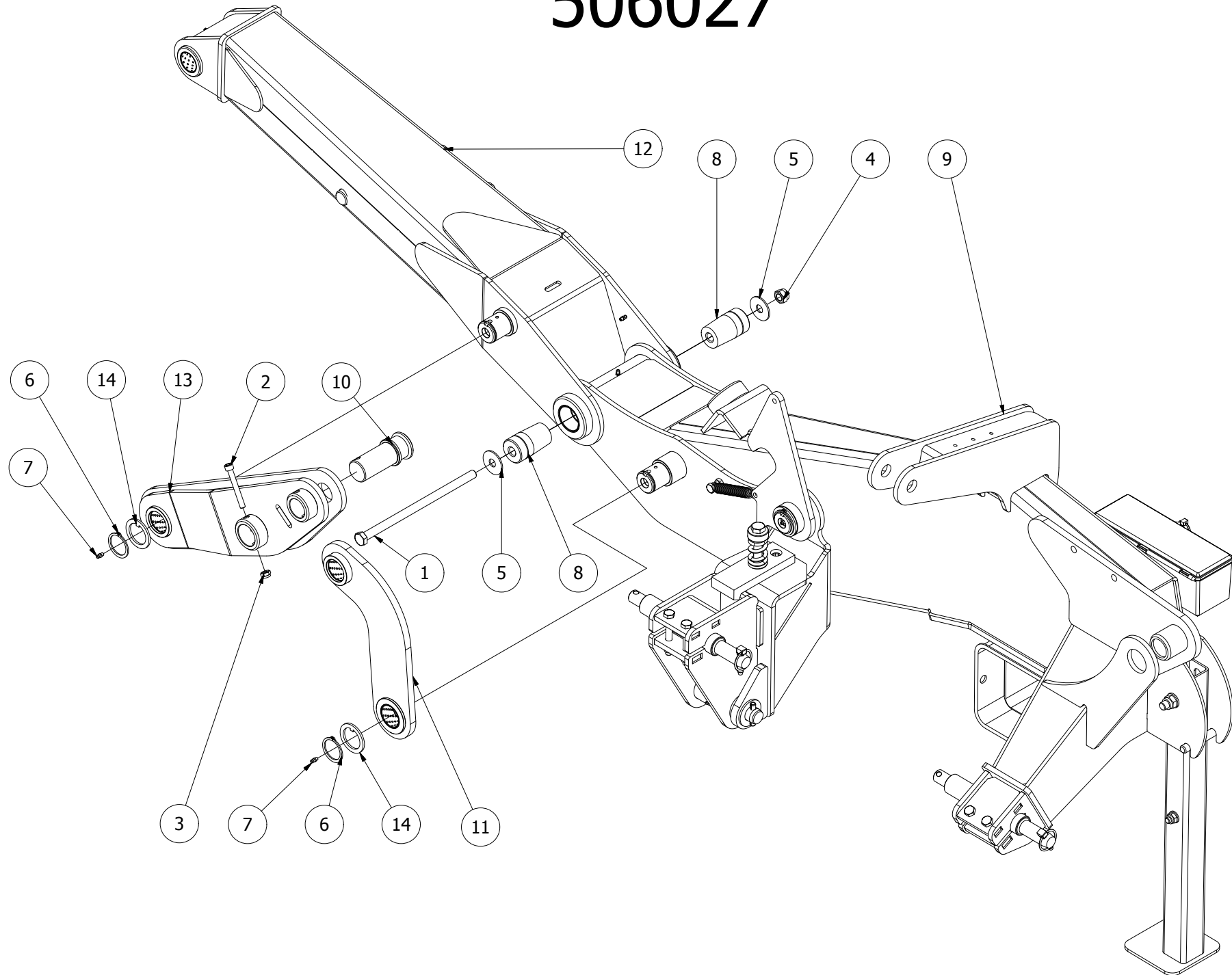
| 506026 | | | | | | | |
|--------|------------------------|---------------------|--------------------------|--------------------------|------------------------|--------|-----|
| Pos | Name | Nahme | Benämning | Nimike | Specifikation | NO | Pcs |
| 1 | Screw | Schraube | 6-k Skruv dg | Kuusioruuvi | DIN 931 8.8 M12X80 ZN | 130370 | 3 |
| 2 | Screw | Schraube | 6-k Skruv dg | Kuusioruuvi | DIN 931 8.8 M16X110 ZN | 130540 | 1 |
| 3 | Screw | Schraube | 6-k Skruv dg | Kuusioruuvi | DIN 931 8.8 M16X130 ZN | 130580 | 1 |
| 4 | Screw | Schraube | 6-k Skruv hg | Kuusioruuvi | DIN 933 8.8 M10X40 ZN | 130920 | 1 |
| 5 | Screw | Schraube | 6-k Skruv hg | Kuusioruuvi | DIN 933 10.9 M12X30 ZN | 130972 | 4 |
| 6 | Screw | Schraube | l-6 Skruv | 6-koloruuvi | DIN 912 8.8 M12x16 ZN | 131308 | 1 |
| 7 | Nut | Muttern | Mutter | Kuusiomutteri | DIN 934 M10 ZN | 131400 | 1 |
| 8 | Nut | Muttern | Låsmutter | Lukitusmutteri | DIN 985-8 M12 ZN | 131600 | 3 |
| 9 | Nut | Muttern | Låsmutter | Lukitusmutteri | DIN 985-8 M14 ZN | 131620 | 1 |
| 10 | Nut | Muttern | Låsmutter | Lukitusmutteri | DIN 985-8 M16 ZN | 131630 | 2 |
| 11 | Washer | Scheibe | Bricka | Aluslaatta | DIN 125A M12/13 ZN | 131790 | 3 |
| 12 | Washer | Scheibe | Bricka | Aluslaatta | DIN 125A M14/15 ZN | 131805 | 1 |
| 13 | Washer | Scheibe | Bricka | Aluslaatta | DIN 125A M16/17 ZN | 131810 | 3 |
| 14 | Washer | Scheibe | Bricka | Aluslaatta | DIN 125A M30/31 ZN | 131870 | 1 |
| 15 | Seeger ring | Sicherungring | Låsring för axel | Varmistinrengas | DIN 471 45X2.5 | 132122 | 1 |
| 16 | Spring pin | Spannhülsen | Rörsprint | Jousisokka | DIN 1481 10X50 ZN | 132860 | 1 |
| 17 | Linch pin | Klappstecker | Ringsprint | Rengassokka | DIN 11023 12 mm | 133368 | 2 |
| 18 | Washer | Scheibe | Låsbricka | Lukituslaatta | NORD-LOCK M 12 ZNC | 133460 | 4 |
| 19 | Grease nipple | Smiernippel | Smörjnippa | Voitelunippa | M6x1 | 140950 | 2 |
| 20 | Stand support | Stutzfuss | Stödfot | Tukijalka | NM VC/VR | 506068 | 1 |
| 21 | Lock | Riegelhaken | Låshake | Lukitushaka | NM VC/VR | 506075 | 1 |
| 22 | Tool box | Werkzeugkasten | Verktygslåda | Työkälalaaatikko | Arrow NM VC/VR | 506128 | 1 |
| 23 | Gear box subassemblies | Getribe baugrup | Vinkelväxel delmontering | Kulmavaihde osakokoonpar | 540 rpm | 506131 | 1 |
| 24 | Transportlock | Riegelhaken | Transportlås | Kuljetuslukko | | 506148 | 1 |
| 25 | Bracket | Befestigung | 3p-ram | Kinnike | Arrow NM VC/VR | 506580 | 1 |
| 26 | Pin | Zapfen | Ledtapp | Tappi | D= 30 L=158 | 506605 | 1 |
| 27 | Liftarmmounting | Unterl. Befestigung | Lyftarmsfäste | Nostovarrenkiinnike | 3P-Ram | 506619 | 1 |
| 28 | Spring | Zugfeder | Dragfjäder | Vetojousi | Lo=100 dm=18 d=2,0 | 508004 | 1 |
| 29 | Spring | Feder | Tryckfjäder | Painejousi | G38X65 MECONET | 508010 | 1 |
| 30 | Lock washer | Riegel scheibe | Låsbricka | Lukituslaatta | Ø 62/45,2x4 | 520320 | 1 |
| 31 | Spring | Zugfeder | Dragfjäder | Vetojousi | d=3 Dm=22 Lo=203 | 520870 | 1 |
| 32 | Rubber bumper | Gummistopfen | Gummidyna | Kumityyny | Ø80 H=30 M14 | 539780 | 1 |
| 33 | Washer | Scheibe | Bricka | Aluslaatta | Ø40/16,5 L=15 | 553140 | 1 |
| 34 | Pin | Zapfen | Lyftarmstapp | Tappi | Ø28/41/25x308 | 553420 | 1 |

506619



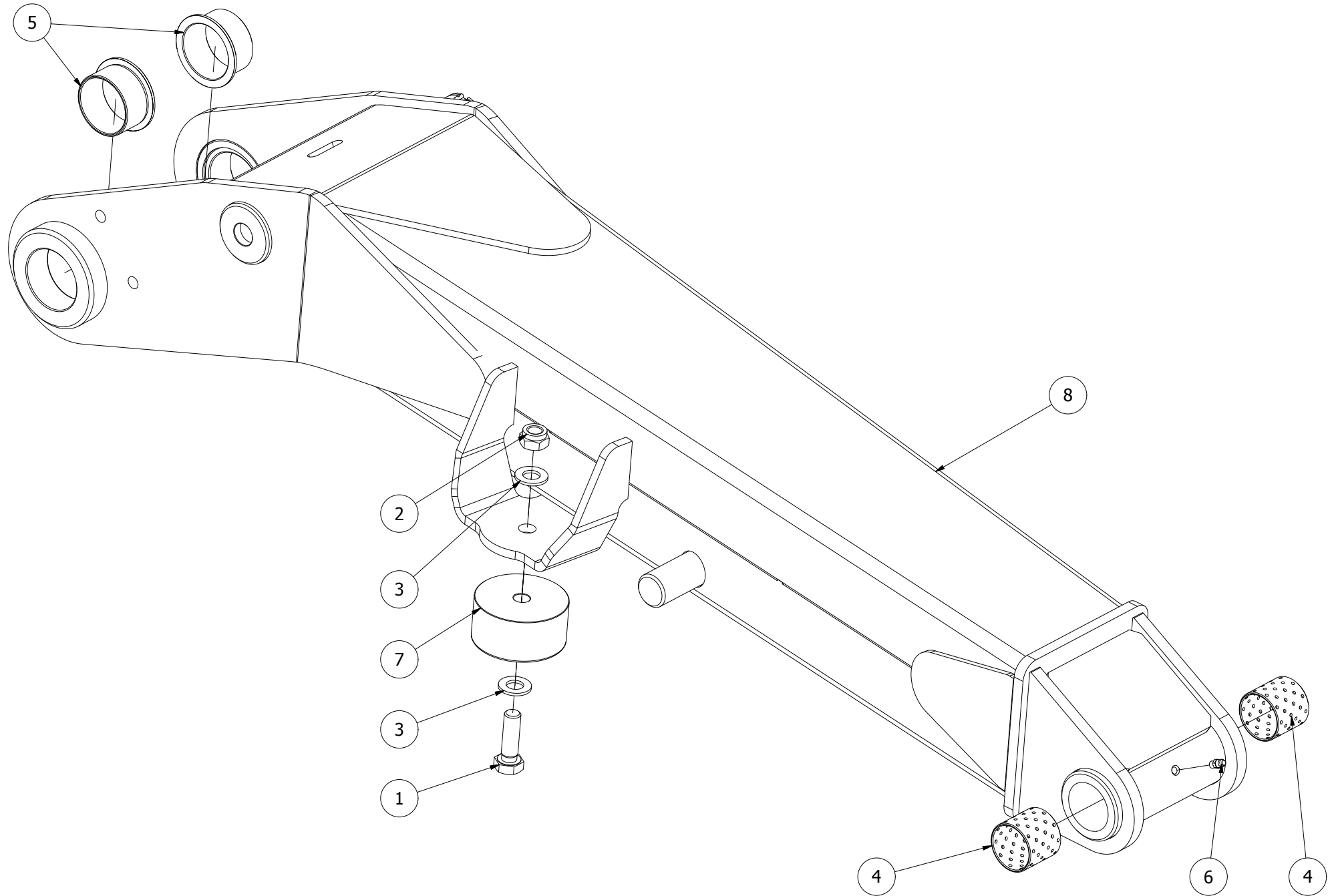
| 506619 | | | | | | | |
|--------|-----------------|---------------------|---------------|---------------------|-----------------------|--------|-----|
| Pos | Name | Nahme | Benämning | Nimike | Specifikation | NO | Pcs |
| 1 | Screw | Schraube | 6-K Skruv Dg | Kuusioruuvi | DIN 931 8.8 M12x90 Zn | 130385 | 2 |
| 2 | Nut | Muttern | Låsmutter | Lukitusmutteri | DIN 985-8 M12 Zn | 131600 | 2 |
| 3 | Washer | Scheibe | Bricka | Aluslaatta | DIN 125A M12/13 Zn | 131790 | 2 |
| 4 | Plain bearing | Gleitlager | Glidlager | Liukulaakeri | Ø 30/34 L=30 COB092 | 140059 | 2 |
| 5 | Grease nipple | Smiernippel | Smörjnippa | Voitelunippa | M6x1 | 140950 | 1 |
| 6 | Liftarmmounting | Unterl. Befestigung | Lyftarmsfäste | Nostovarrenkiinnike | | 506610 | 1 |
| 7 | Pin | Zapfen | Lyftarmstapp | Tappi | Ø28/41/25x308 | 553420 | 1 |

506027



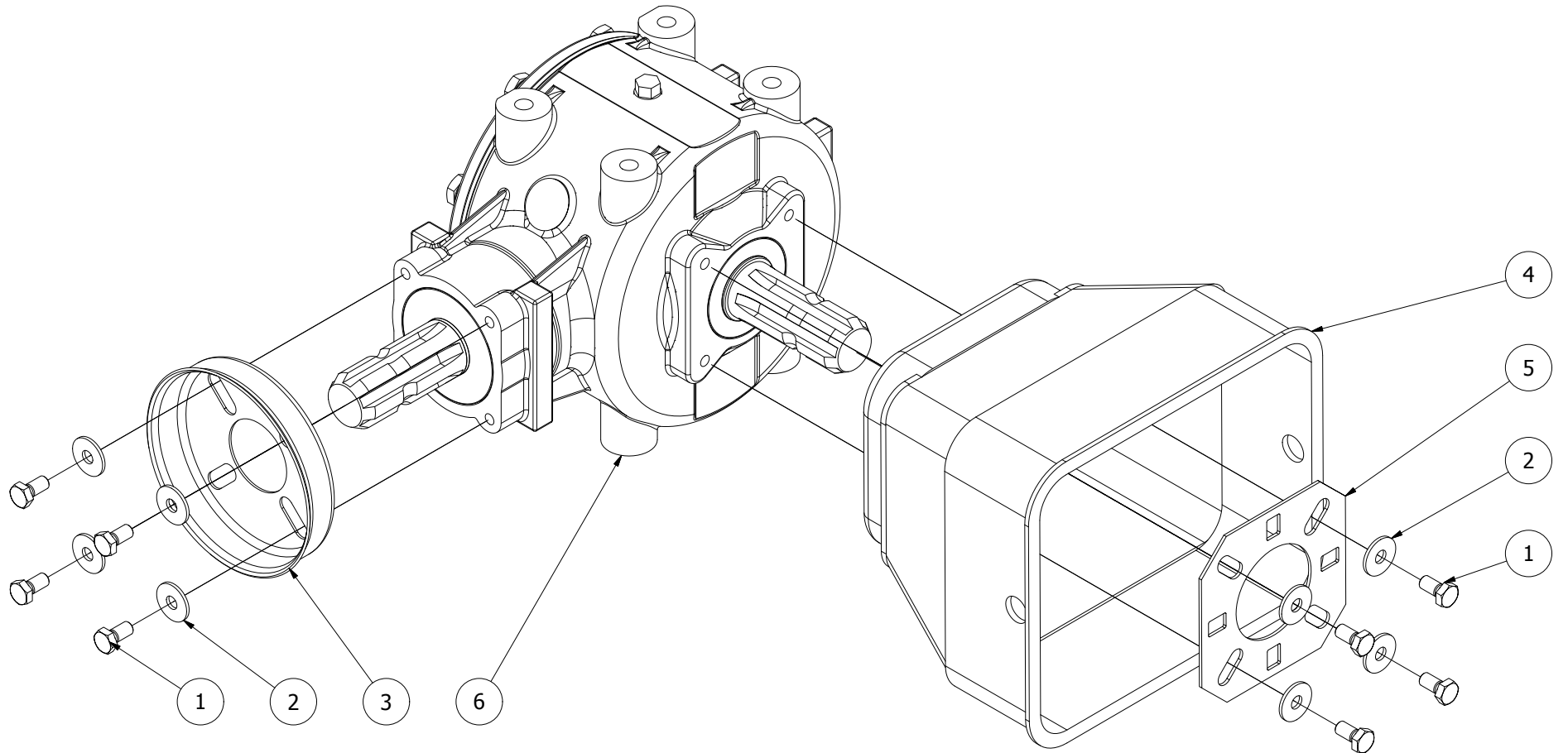
| 506027 | | | | | | | |
|--------|---------------------|-----------------------|------------------------|-------------------------|-------------------------|--------|-----|
| Pos | Name | Nahme | Benämning | Nimike | Specifikation | NO | Pcs |
| 1 | Screw | Schraube | 6-K Skruv Dg | Kuusioruuvi | DIN 931 8.8 M16x300 Zn | 130593 | 1 |
| 2 | Screw | Schraube | I-6 Skruv | 6-koloruuvi | DIN 912 8.8 M10x80 Zn | 131305 | 1 |
| 3 | Nut | Muttern | Låsmutter | Lukitusmutteri | DIN 985-8 M10 Zn | 131580 | 1 |
| 4 | Nut | Muttern | Låsmutter | Lukitusmutteri | DIN 985-8 M16 Zn | 131630 | 1 |
| 5 | Washer | Scheibe | Karosseribricka | Korialuslevy | DIN 9021 M16/17x50x3 Zn | 131950 | 2 |
| 6 | Seeger ring | Sicherungring | Låsring För Axel | Varmistinrengas | DIN 471 45x2.5 | 132122 | 2 |
| 7 | Grease nipple | Smiernippel | Smörjnippa | Voitelunippa | M6x1 | 140950 | 4 |
| 8 | Pin | Zapfen | Tapp | Tappi | expander D=50 Lager=30 | 413234 | 2 |
| 9 | Frame subassemblies | Rahmen Baugrupp | 3p-ram sammanställning | 3-p runko osakokoonpano | Arrow NM 2400 VC/VR | 506026 | 1 |
| 10 | Pin | Zapfen | Ledtapp | Niveltappi. | Ø45 | 506074 | 1 |
| 11 | Lower link arm | Gelenkarm unter | Nedre ledarm | Saranavarsi ylä | | 506145 | 1 |
| 12 | Bar subassemblies | Aussenträger Baugrupp | Bom delmontering | Puomi osakokoonpano | Arrow NM 2400 VC/VR | 506622 | 1 |
| 13 | Upper linkarm | Ober gelenkarm | Övre ledarm | Saranavarsi ylä | | 506635 | 1 |
| 14 | Lock washer | Riegel scheibe | Låsbricka | Lukituslaatta | Ø 62/45,2x4 | 520320 | 2 |

506622



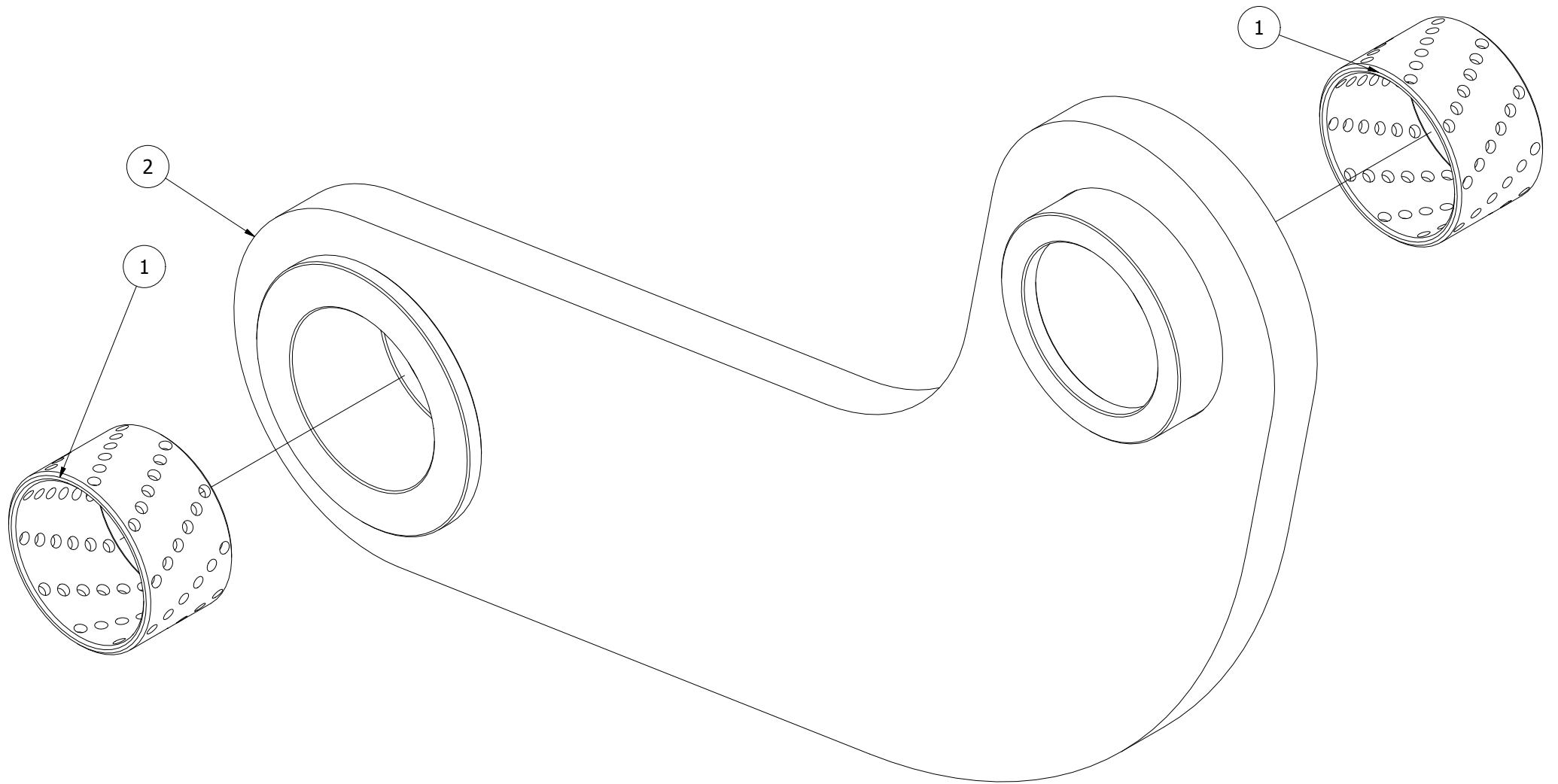
| 506622 | | | | | | | |
|--------|---------------|--------------|--------------|----------------|--------------------------|--------|-----|
| Pos | Name | Nahme | Benämning | Nimike | Specifikation | NO | Pcs |
| 1 | Screw | Schraube | 6-K Skruv Hg | Kuusioruuvi | DIN 933 8.8 M14x45 Zn | 131080 | 1 |
| 2 | Nut | Muttern | Låsmutter | Lukitusmutteri | DIN 985-8 M14 Zn | 131620 | 1 |
| 3 | Washer | Scheibe | Bricka | Aluslaatta | DIN 125A M14/15 Zn | 131805 | 2 |
| 4 | Plain bearing | Gleitlager | Glidlager | Liukulaakeri | Ø 40/44 L=40 COB092 | 140040 | 2 |
| 5 | Plain bearing | Gleitlager | Glidlager | Liukulaakeri | Ø 50/55/65 L=30 WF-WB702 | 140082 | 2 |
| 6 | Grease nipple | Smiernippel | Smörjnippa | Voitelunippa | M6x1 | 140950 | 1 |
| 7 | Damper | Stopfen | Dämpare | Puskurityyny | Ø90/40-14 L=40 | 505000 | 1 |
| 8 | Bar | Aussenträger | Bom | Puomi | Arrow NM 2400 VC/VR | 506620 | 1 |

506131



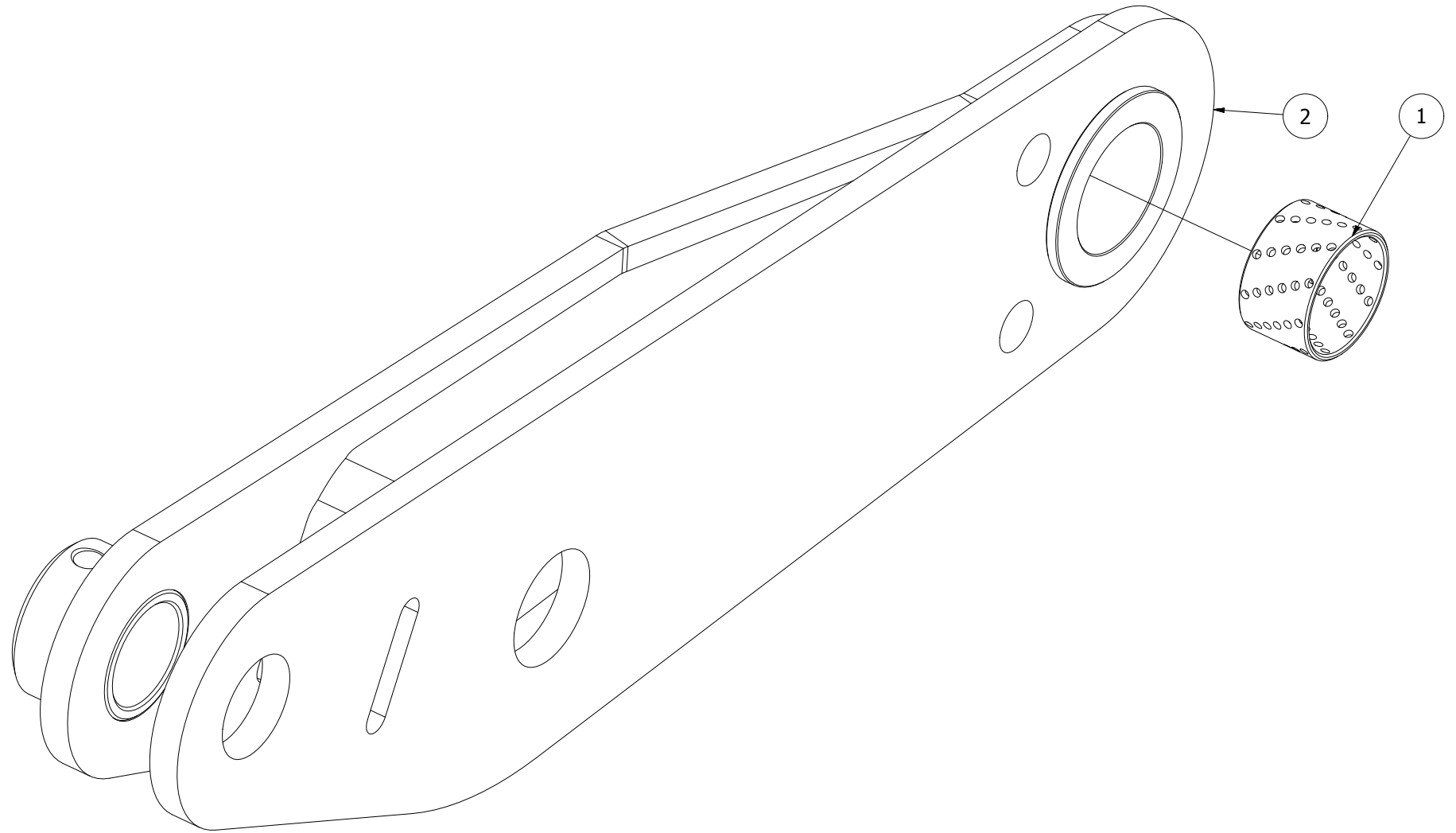
| 506131 | | | | | | | |
|--------|-----------------|---------------------|------------------|--------------------|------------------------|--------|-----|
| Pos | Name | Nahme | Benämning | Nimike | Specifikation | NO | Pcs |
| 1 | Screw | Schraube | 6-k Skruv hg | Kuusioruuvi | DIN 933 8.8 M8X16 ZN | 130700 | 8 |
| 2 | Washer | Scheibe | Karosseribricka | Korialuslevy | DIN 9021 8/8.4X24X2 ZN | 131910 | 8 |
| 3 | Cover bracket | Befestigung | Skyddsfäste | Suojuksen kiinnike | 395011211R | 152091 | 1 |
| 4 | Protection | Schutz | Skydd | Suoja | | 404545 | 1 |
| 5 | Mounting washer | Befestigung scheibe | Monteringsbricka | Asennuslaatta | | 456191 | 1 |
| 6 | Gearbox | Getriebe | Vinkelväxel | Kulmavaihde | T-304A 1:1,93 | 508600 | 1 |

506145



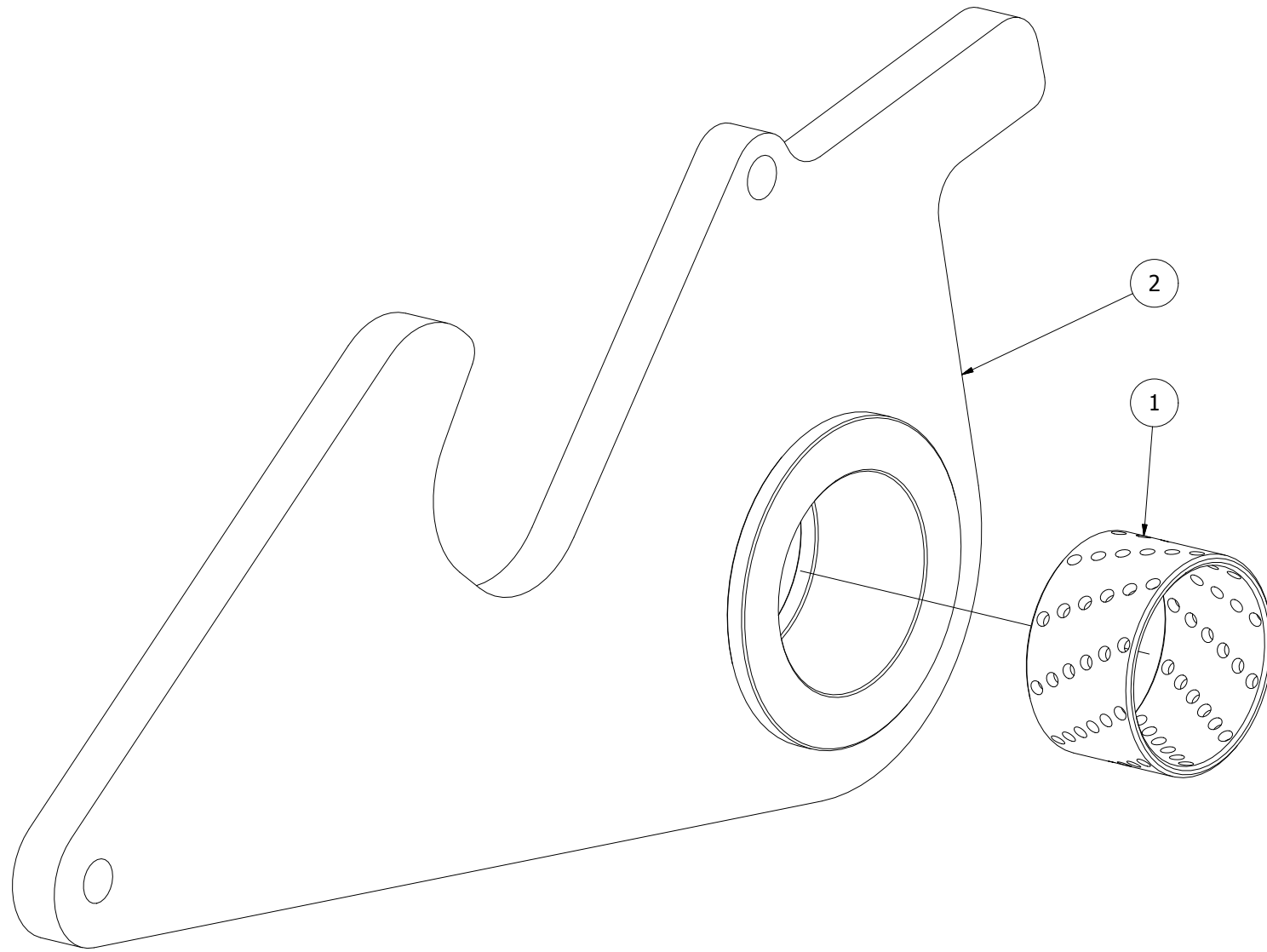
| 506145 | | | | | | | |
|--------|---------------|------------|--------------|--------------|---------------------|--------|-----|
| Pos | Name | Nahme | Benämning | Nimike | Specifikation | NO | Pcs |
| 1 | Plain bearing | Gleitlager | Glidlager | Liukulaakeri | Ø 45/50 L=30 COB092 | 140066 | 2 |
| 2 | Linkarm | Gelenkarm | Nedre ledarm | Saranavarsi | | 506147 | 1 |

506635



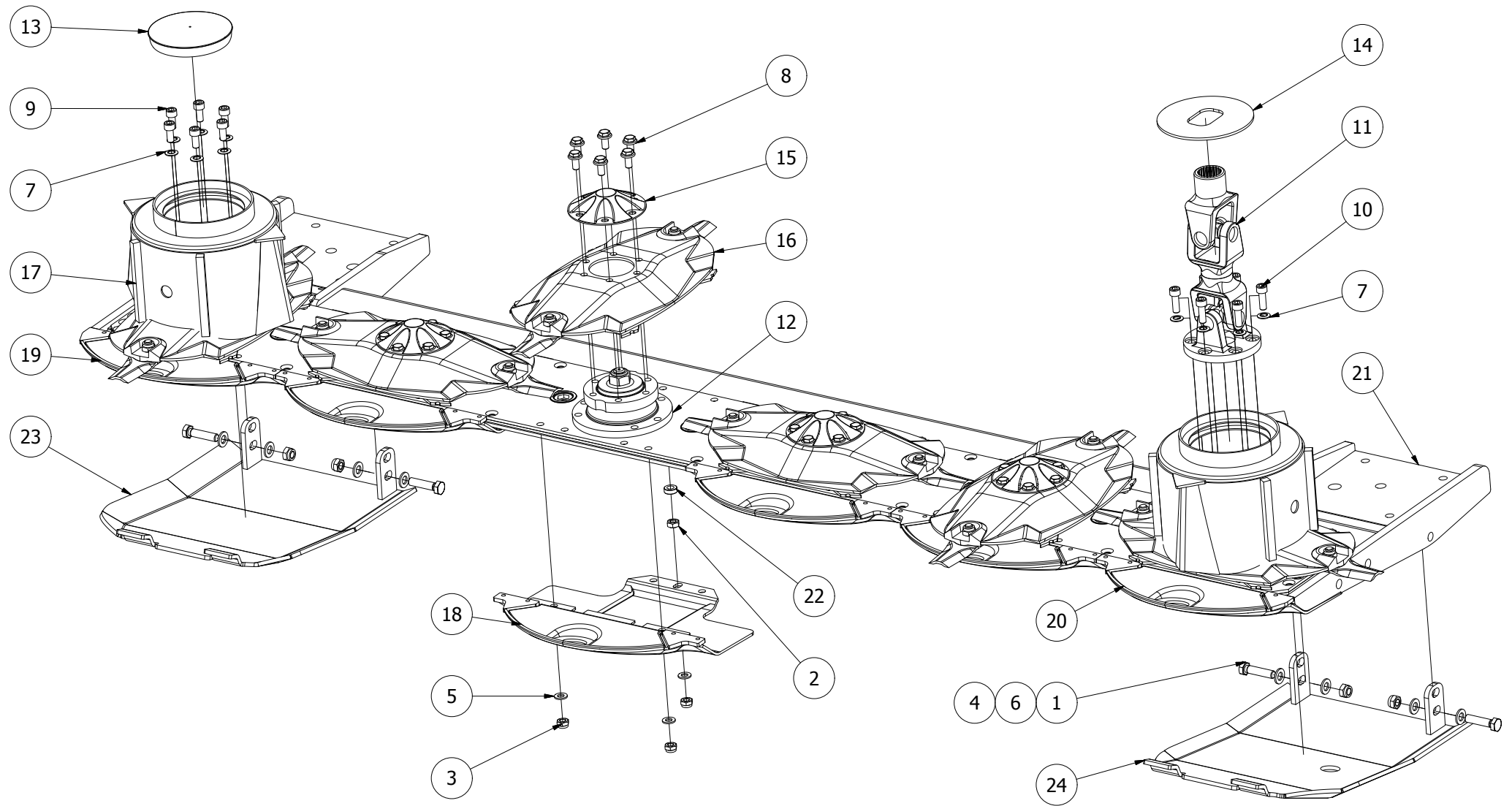
| 506635 | | | | | | | |
|--------|---------------|------------|-------------|-----------------|---------------------|--------|-----|
| Pos | Name | Nahme | Benämning | Nimike | Specifikation | NO | Pcs |
| 1 | Plain bearing | Gleitlager | Glidlager | Liukulaakeri | Ø 45/50 L=30 COB092 | 140066 | 1 |
| 2 | Upper linkarm | Gelenkarm | Övre ledarm | Saranavarsi ylä | | 506634 | 1 |

506148



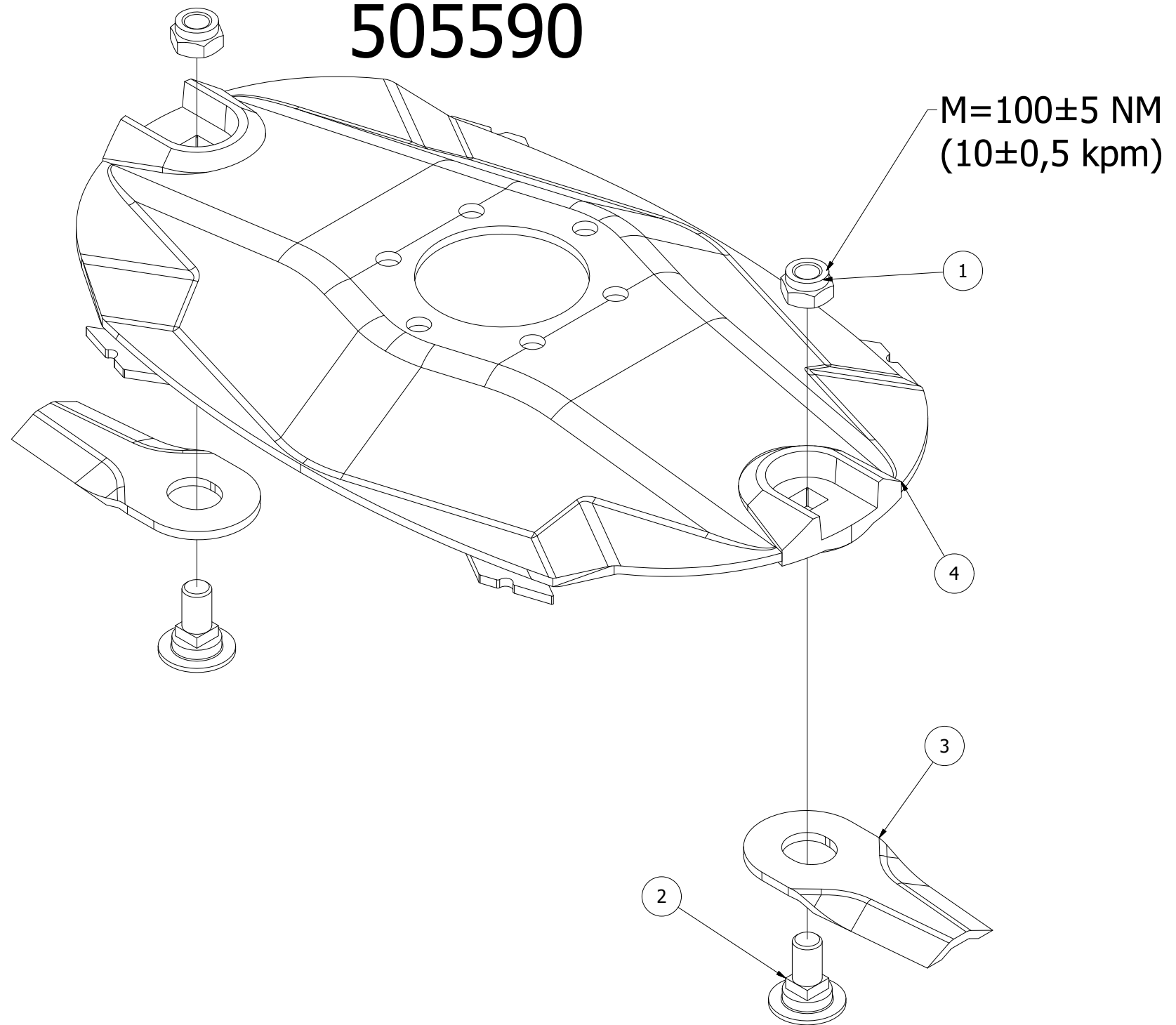
| 506148 | | | | | | | |
|--------|---------------|-------------|--------------|---------------|---------------------|--------|-----|
| Pos | Name | Nahme | Benämning | Nimike | Specifikation | NO | Pcs |
| 1 | Plain bearing | Gleitlager | Glidlager | Liukulaakeri | Ø 45/50 L=30 COB092 | 140066 | 1 |
| 2 | Transportlock | Riegelhaken | Transportlås | Kuljetuslukko | | 506151 | 1 |

506010



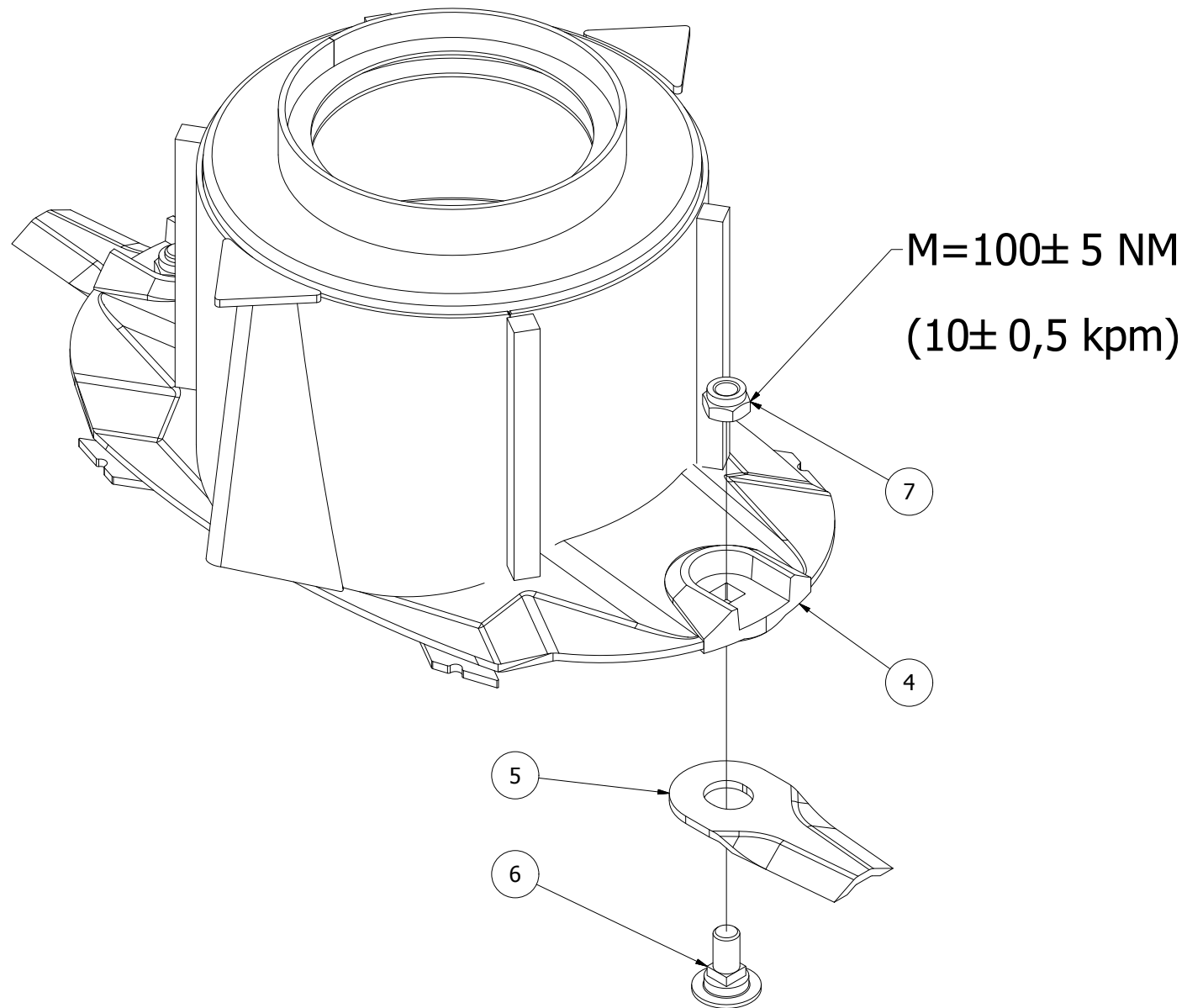
| 506010 | | | | | | | |
|--------|-----------------------|-----------------------|---------------------------|----------------------|-------------------------------|--------|-----|
| Pos | Name | Nahme | Benämning | Nimike | Specifikation | NO | Pcs |
| 1 | Screw | Schraube | 6-k Skruv hg | Kuusioruuvi | DIN 933 8.8 M12X50 ZN | 131015 | 4 |
| 2 | Nut | Muttern | Mutter | Kuusiomutteri | DIN 934 M10 ZN | 131400 | 6 |
| 3 | Nut | Muttern | Låsmutter | Lukitusmutteri | DIN 985-8 M10 ZN | 131580 | 18 |
| 4 | Nut | Muttern | Låsmutter | Lukitusmutteri | DIN 985-8 M12 ZN | 131600 | 4 |
| 5 | Washer | Scheibe | Bricka | Aluslaatta | DIN 125A M10/10.5 ZN | 131770 | 18 |
| 6 | Washer | Scheibe | Bricka | Aluslaatta | DIN 125A M12/13 ZN | 131790 | 8 |
| 7 | Washer | Scheibe | Räfflad Tallriksfj. | Lautasjousi | BN 792 Schnorr M10/10,5 ZNC | 132200 | 12 |
| 8 | Screw | Schraube | 6-k Skruv hg | Kuusioruuvi | DIN 6921 8.8 M10X20 ZN WULOC | 134220 | 24 |
| 9 | Screw | Schraube | I-6 Skruv | 6-koloruuvi | DIN 912 12.9 ZN M10X22 | 135022 | 6 |
| 10 | Screw | Schraube | I-6 Skruv | 6-koloruuvi | DIN 912 12.9 ZN M10X30 | 135030 | 6 |
| 11 | Drive shaft | Gelenkwelle | Drivknut | Nivelakseli | 121.002.032.10 L=297 | 152200 | 1 |
| 12 | Cutterbar | Mähbalken | Skärbalk | Teräpalkki | FR-521 9.521.506.00 2008> 2,4 | 155610 | 1 |
| 13 | Protection cup | Deckel | Plastlock för ändtallrik | Suojakansi | Ø 127.4 LD Polyeten | 505011 | 1 |
| 14 | Protection | Schutz | Skydd | Suoja | | 505121 | 1 |
| 15 | Cup | Schutz | Mutter kåpa | Mutterin suojuus | 0.420.7046.00 | 505581 | 4 |
| 16 | Disk with knifes | Mähscheibe mit Messer | Slåttertallrik med knivar | Lautanen terineen | | 505590 | 4 |
| 17 | Disk with knifes | Mähscheibe mit Messer | Yttertallrik med knivar | Lautanen terineen | | 505595 | 2 |
| 18 | Stone deflector | Gleitschuh | Glidsko | Liukukenkä | | 505700 | 4 |
| 19 | Stone deflector right | Gleitschuh richt | Glidsko höger | Liukukenkä oikea | | 505702 | 1 |
| 20 | Stone deflector left | Gleitschuh links | Glidsko vänster | Liukukenkä vasen | | 505703 | 1 |
| 21 | Cutterbar bracket | Stützbalken | Förstärkningsbalk | Teräpalkintuki | | 506015 | 1 |
| 22 | Spacer | Buchse | Distans | Väliholkki | Ø 10/21x7 | 508525 | 6 |
| 23 | Option slides right | Schlitten rechts | Glidplåt höger | Lisäkannatusjalas o. | | 574670 | 1 |
| 24 | Option slides left | Schlitten links | Glidplåt vänster | Lisäkannatusjalas v. | | 574675 | 1 |

505590



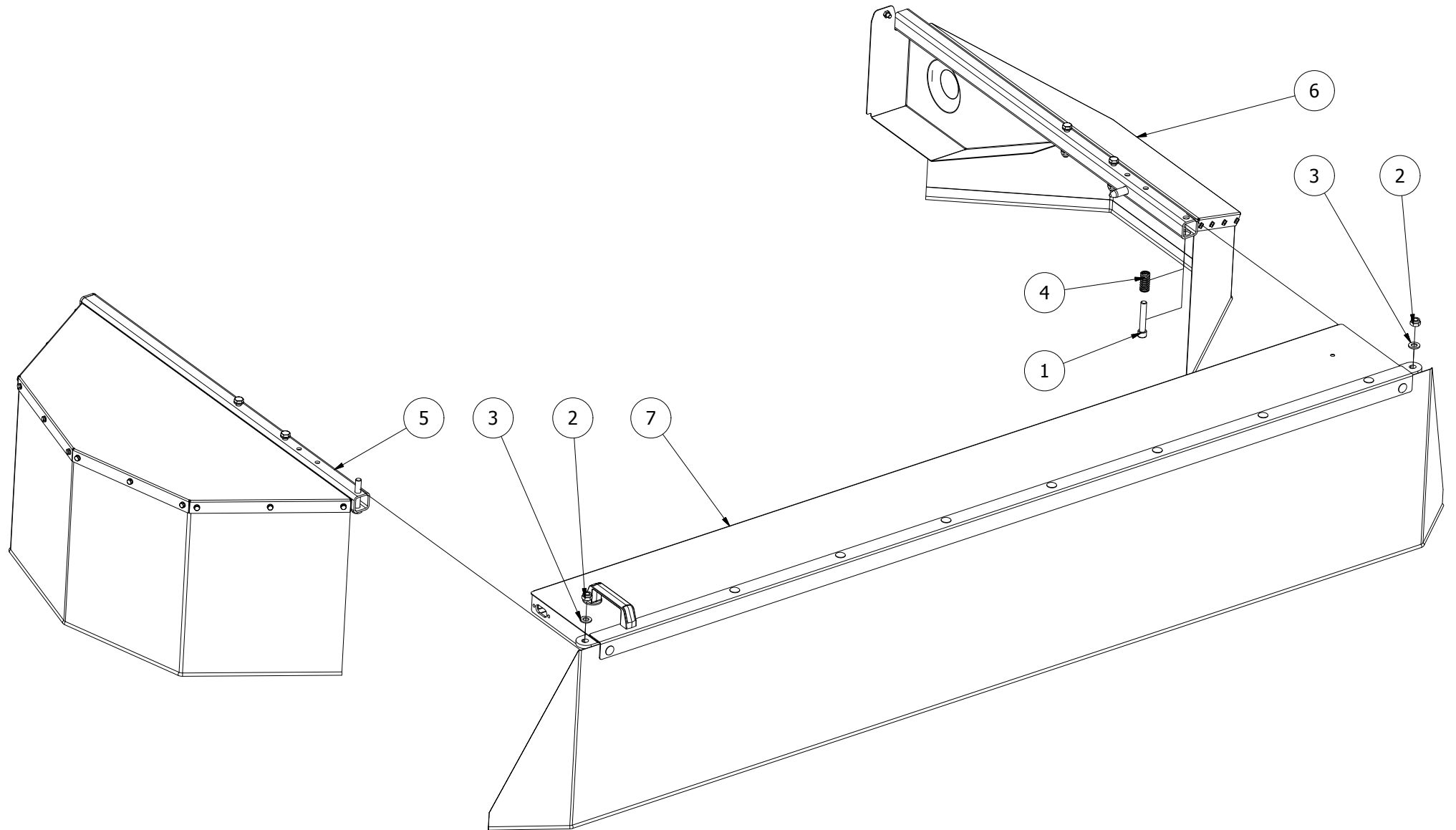
| 505590 | | | | | | | |
|--------|-------------|--------------|----------------|----------------|-------------------|--------|-----|
| Pos | Name | Nahme | Benämning | Nimike | Specifikation | NO | Pcs |
| 1 | Nut | Muttern | Låsmutter | Lukitusmutteri | DIN 985-10 M12 ZN | 131610 | 2 |
| 2 | Knifebolt | Messerbolzen | Knivbult | Teränpultti | Ø20mm | 505060 | 2 |
| 3 | Knife | Messer | Kniv | Terä | 112mm Ø20 s=4 | 505075 | 2 |
| 4 | Ribbed disk | Mähscheibe | Slåttertallrik | Lautanen | | 505600 | 1 |

505595



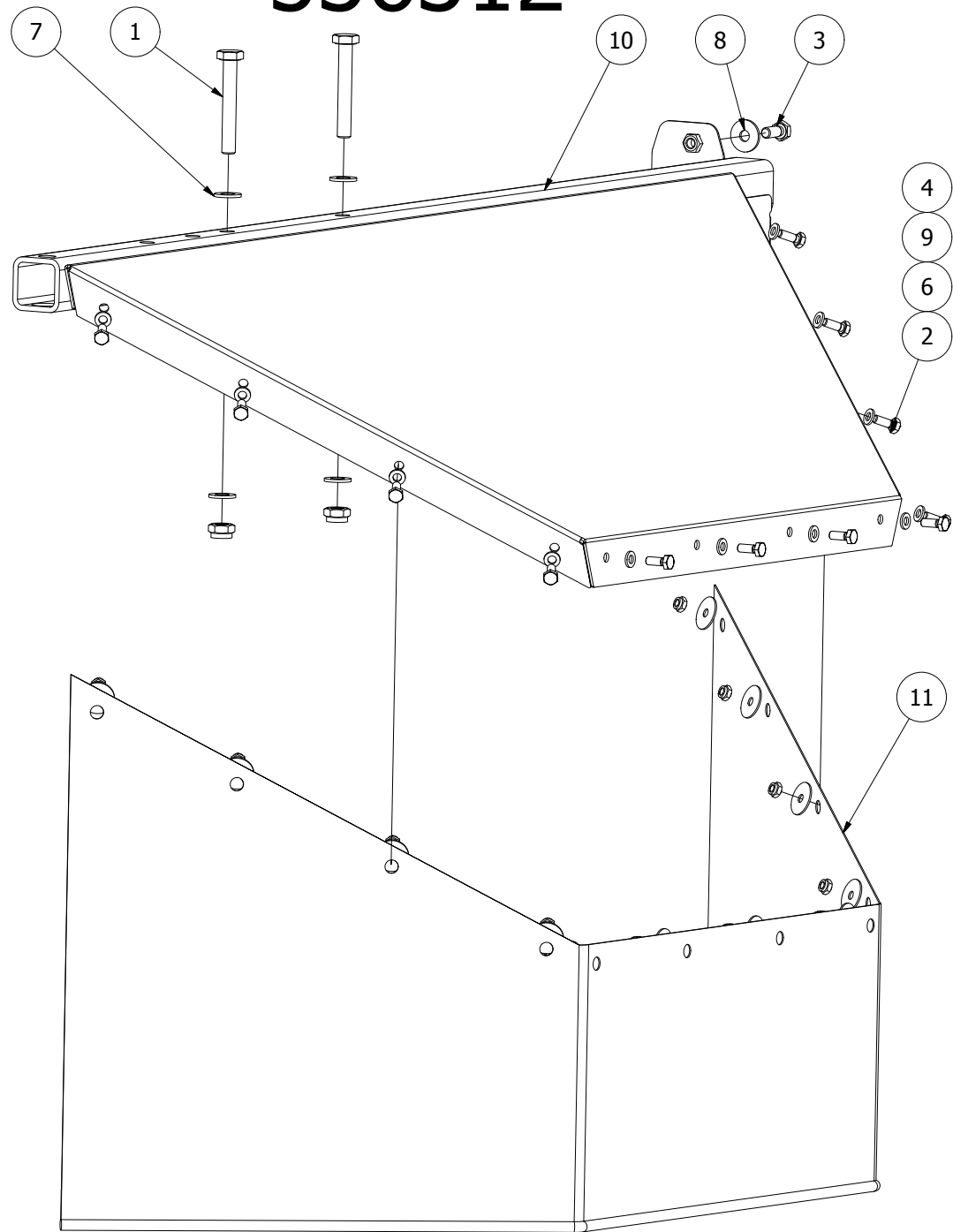
| 505595 | | | | | | | |
|--------|-----------|--------------|-------------|----------------|-------------------|--------|-----|
| Pos | Name | Nahme | Benämning | Nimike | Specifikation | NO | Pcs |
| 4 | Conedisc | Mähscheibe | Drivtallrik | Päätylautanen | | 505641 | 1 |
| 5 | Knife | Messer | Kniv | Terä | 112mm Ø20 s=4 | 505075 | 2 |
| 6 | Knifebolt | Messerbolzen | Knivbult | Teränpultti | Ø20mm | 505060 | 2 |
| 7 | Nut | Muttern | Låsmutter | Lukitusmutteri | DIN 985-10 M12 ZN | 131610 | 2 |

506090



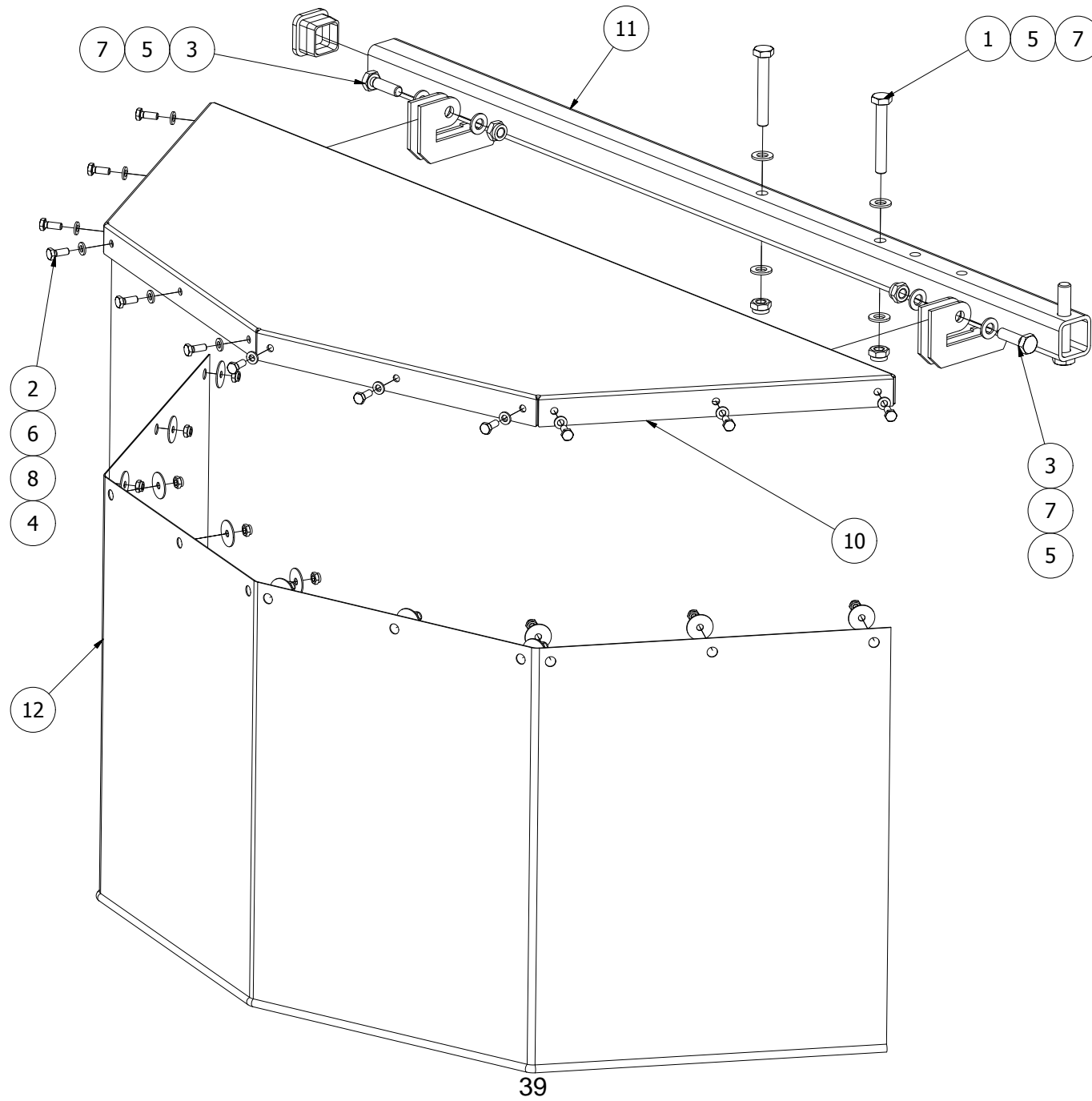
| 506090 | | | | | | | |
|--------|------------------------------|------------------------|----------------------------|-----------------------------|-----------------------|--------|-----|
| Pos | Name | Nahme | Benämning | Nimike | Specifikation | NO | Pcs |
| 1 | Screw | Schraube | I-6 skruv | 6-koloruuvi | DIN 912 8.8 M12X70 ZN | 131297 | 1 |
| 2 | Nut | Muttern | Låsmutter | Lukitusmutteri | DIN 985-8 M12 ZN | 131600 | 2 |
| 3 | Washer | Scheibe | Bricka | Aluslaatta | DIN 125A M12/13 ZN | 131790 | 2 |
| 4 | Spring | Feder | Tryckfjäder | Jousi | d=2,5 Dm=17 Lo=40 | 403530 | 1 |
| 5 | Protecting plate subassembly | Schutz Rechts Baugrupp | Höger skydd delmonterat | Suojaus oikea osakokoonpano | | 536311 | 1 |
| 6 | Protecting left subassembly | Schutz Links Baugrupp | Vänsterr skydd delmonterat | Suojaus vasen osakokoonpano | | 536312 | 1 |
| 7 | Protecting front subassembly | Schutz vorne Baugrupp | Främre skydd delmonterat | Suojaus etu osakokoonpano | Arrow NM 2400 Roller | 536314 | 1 |

536312



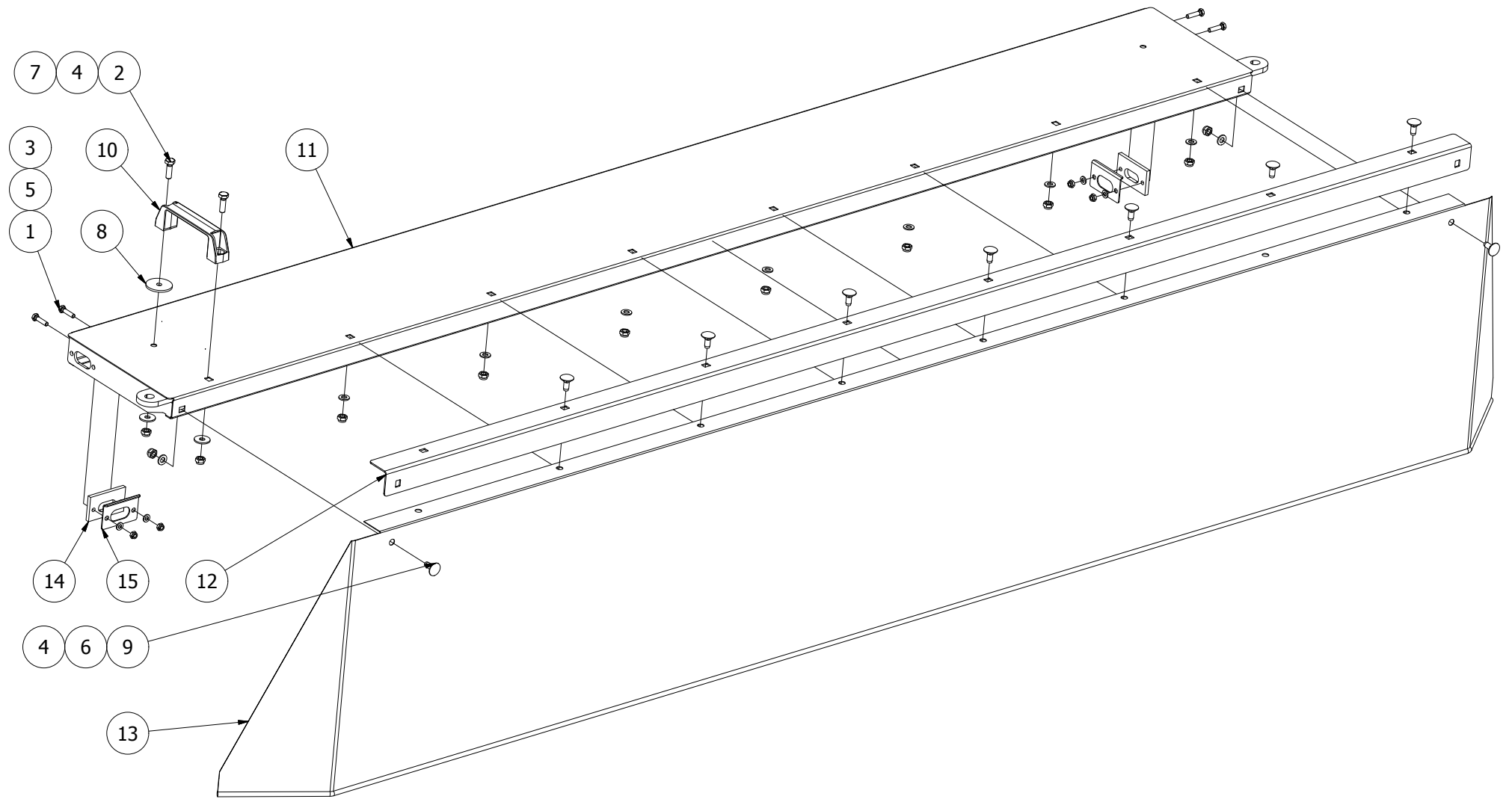
| 536312 | | | | | | | |
|--------|------------------|---------------------|----------------------|---------------------|------------------------|--------|-----|
| Pos | Name | Nahme | Benämning | Nimike | Specifikation | NO | Pcs |
| 1 | Screw | Schraube | 6-k Skruv dg | Kuusioruuvi | DIN 931 8.8 M10X70 ZN | 130170 | 2 |
| 2 | Screw | Schraube | 6-k Skruv hg | Kuusioruuvi | DIN 933 8.8 M6X16 ZN | 130620 | 12 |
| 3 | Screw | Schraube | 6-k Skruv hg | Kuusioruuvi | DIN 933 8.8 M8X20 ZN | 130720 | 1 |
| 4 | Nut | Muttern | Låsmutter | Lukitusmutteri | DIN 985-8 M6 ZN | 131560 | 12 |
| 5 | Nut | Muttern | Låsmutter | Lukitusmutteri | DIN 985-8 M10 ZN | 131580 | 2 |
| 6 | Washer | Scheibe | Bricka | Aluslaatta | DIN 125A M 6/6.4 ZN | 131730 | 12 |
| 7 | Washer | Scheibe | Bricka | Aluslaatta | DIN 125A M10/10.5 ZN | 131770 | 4 |
| 8 | Washer | Scheibe | Karosseribricka | Korialuslevy | DIN 9021 8/8.4X24X2 ZN | 131910 | 1 |
| 9 | Washer | Scheibe | Karosseribricka | Korialuslevy | DIN522A ZN25X6,4X1,25 | 131974 | 12 |
| 10 | Protecting frame | Schutztuchträger L. | Inre skyddsställning | Sisäsuojan kannatin | | 536756 | 1 |
| 11 | Tarpaulin left | Schutstuch links | Presenning vänster | Suojaus vasen | Gray Ral 7024 | 545493 | 1 |

536311



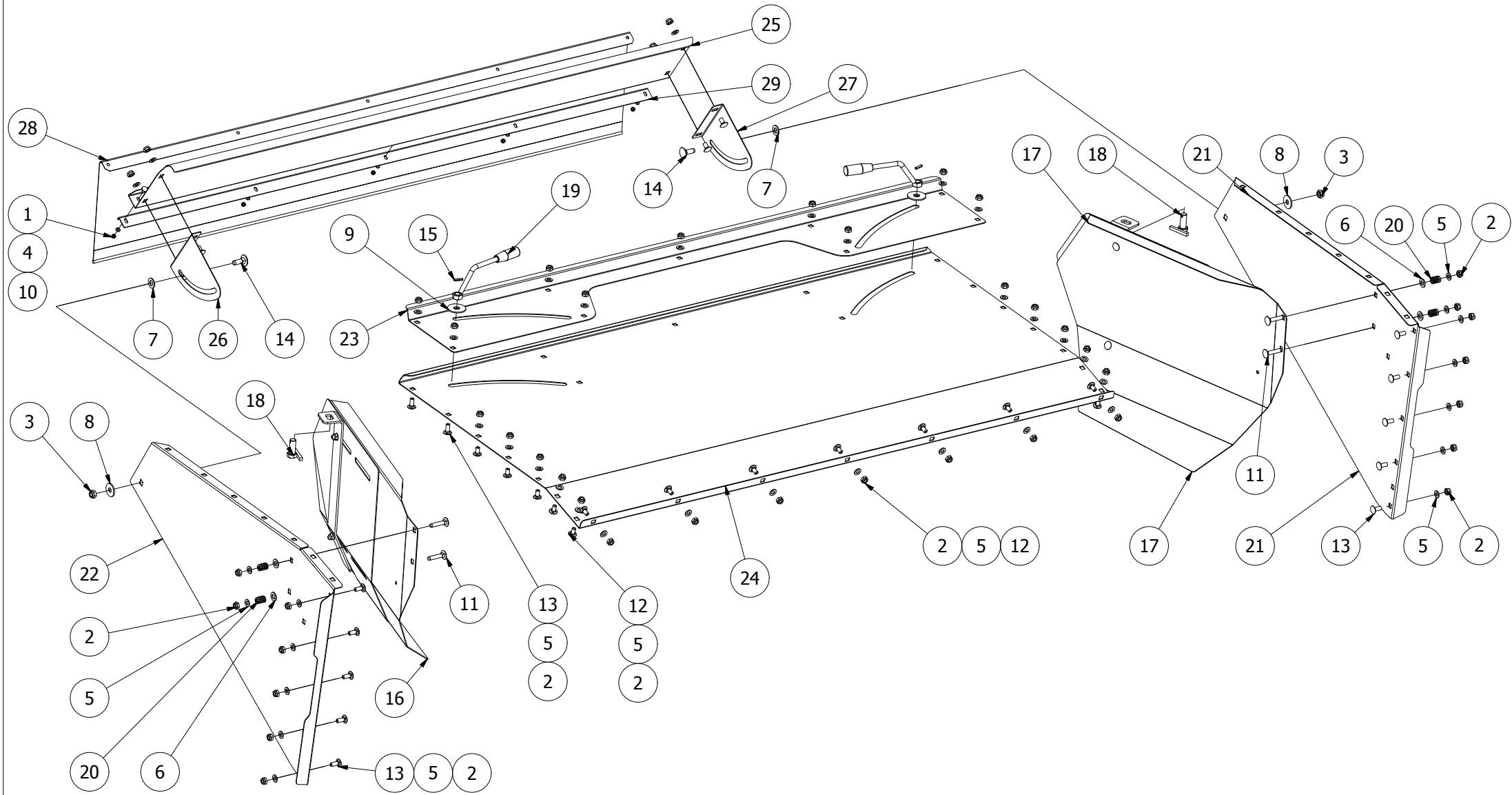
| 536311 | | | | | | | |
|--------|--------------------|---------------------|-------------------|---------------------|-----------------------|--------|-----|
| Pos | Name | Nahme | Benämning | Nimike | Specifikation | NO | Pcs |
| 1 | Screw | Schraube | 6-k Skruv dg | Kuusioruuvi | DIN 931 8.8 M10X70 ZN | 130170 | 2 |
| 2 | Screw | Schraube | 6-k Skruv hg | Kuusioruuvi | DIN 933 8.8 M6X16 ZN | 130620 | 12 |
| 3 | Screw | Schraube | 6-k Skruv hg | Kuusioruuvi | DIN 933 8.8 M10X35 ZN | 130900 | 2 |
| 4 | Nut | Muttern | Låsmutter | Lukitusmutteri | DIN 985-8 M6 ZN | 131560 | 12 |
| 5 | Nut | Muttern | Låsmutter | Lukitusmutteri | DIN 985-8 M10 ZN | 131580 | 4 |
| 6 | Washer | Scheibe | Bricka | Aluslaatta | DIN 125A M 6/6.4 ZN | 131730 | 12 |
| 7 | Washer | Scheibe | Bricka | Aluslaatta | DIN 125A M10/10.5 ZN | 131770 | 8 |
| 8 | Washer | Scheibe | Karosseribricka | Korialuslevy | DIN522A ZN25X6,4X1,25 | 131974 | 12 |
| 9 | Plug | Muffe | Ändplugg | Tulppa | 40x40x4 Polyeten | 143464 | 1 |
| 10 | Protecting plate | Schutsblech | Skyddsplåt | Suojapelti | | 536310 | 1 |
| 11 | Protecting bracket | Schutztuchträger R. | Yttre skyddsfäste | Ulkosuojan kannatin | | 545450 | 1 |
| 12 | Tarpaulin right | Schutstuch rechts | Presenning höger | Suojaus oikea | Gray Ral 7024 | 545496 | 1 |

536314



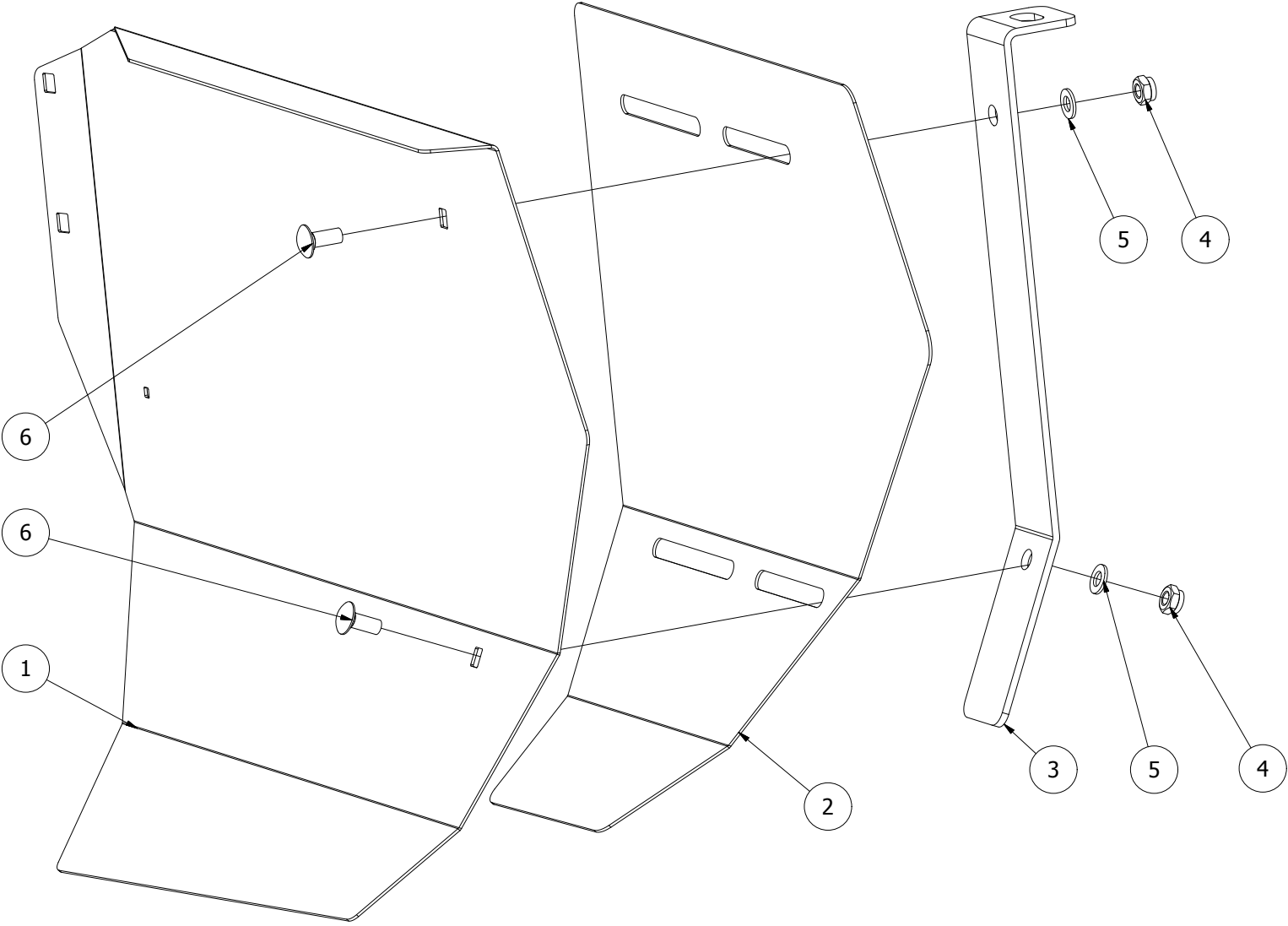
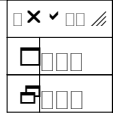
| 536314 | | | | | | | |
|--------|-----------------|------------------|-----------------|----------------|----------------------------|--------|-----|
| Pos | Name | Nahme | Benämning | Nimike | Specifikation | NO | Pcs |
| 1 | Screw | Schraube | 6-k Skruv hg | Kuusioruuvi | DIN 933 8.8 M6X25 ZN | 130660 | 4 |
| 2 | Screw | Schraube | 6-k Skruv hg | Kuusioruuvi | DIN 933 8.8 M8X25 ZN | 130740 | 2 |
| 3 | Nut | Muttern | Låsmutter | Lukitusmutteri | DIN 985-8 M6 ZN | 131560 | 4 |
| 4 | Nut | Muttern | Låsmutter | Lukitusmutteri | DIN 985-8 M8 ZN | 131570 | 11 |
| 5 | Washer | Scheibe | Bricka | Aluslaatta | DIN 125A M 6/6.4 ZN | 131730 | 4 |
| 6 | Washer | Scheibe | Bricka | Aluslaatta | DIN 125A M8/8.4 ZN | 131750 | 9 |
| 7 | Washer | Scheibe | Karosseribricka | Korialuslevy | DIN 9021 8/8.4X24X2 ZN | 131910 | 2 |
| 8 | Washer | Scheibe | Karosseribricka | Korialuslevy | DIN 6902 8/40 Form B S=3 Z | 131973 | 1 |
| 9 | Cup bolts | Flachrundschrabe | Låsskruv | Lukkoruuvi | DIN 603 4.6 M8X20 ZNC | 132645 | 9 |
| 10 | Handle | Griff | Bygelhandtag | Kahva | WN131 128-M8 | 157130 | 1 |
| 11 | Front plate | Haube vorne | Frontplåt | Etupelti | Arrow NM 2400 | 536402 | 1 |
| 12 | Tarpaulin list | Schutz liste | Presenningslist | Suojuuslista | Arrow NM 2400 | 536432 | 1 |
| 13 | Tarpaulin front | Schutstuch vorne | Frampresenning | Suojuus etu | Gray Ral 7024 | 536483 | 1 |
| 14 | Rubber washer | Gummi sheibe | Gummiplatta | Kumilevy | | 545420 | 2 |
| 15 | Plate | Blech | Plåt | Peltilevy | | 545425 | 2 |

536718



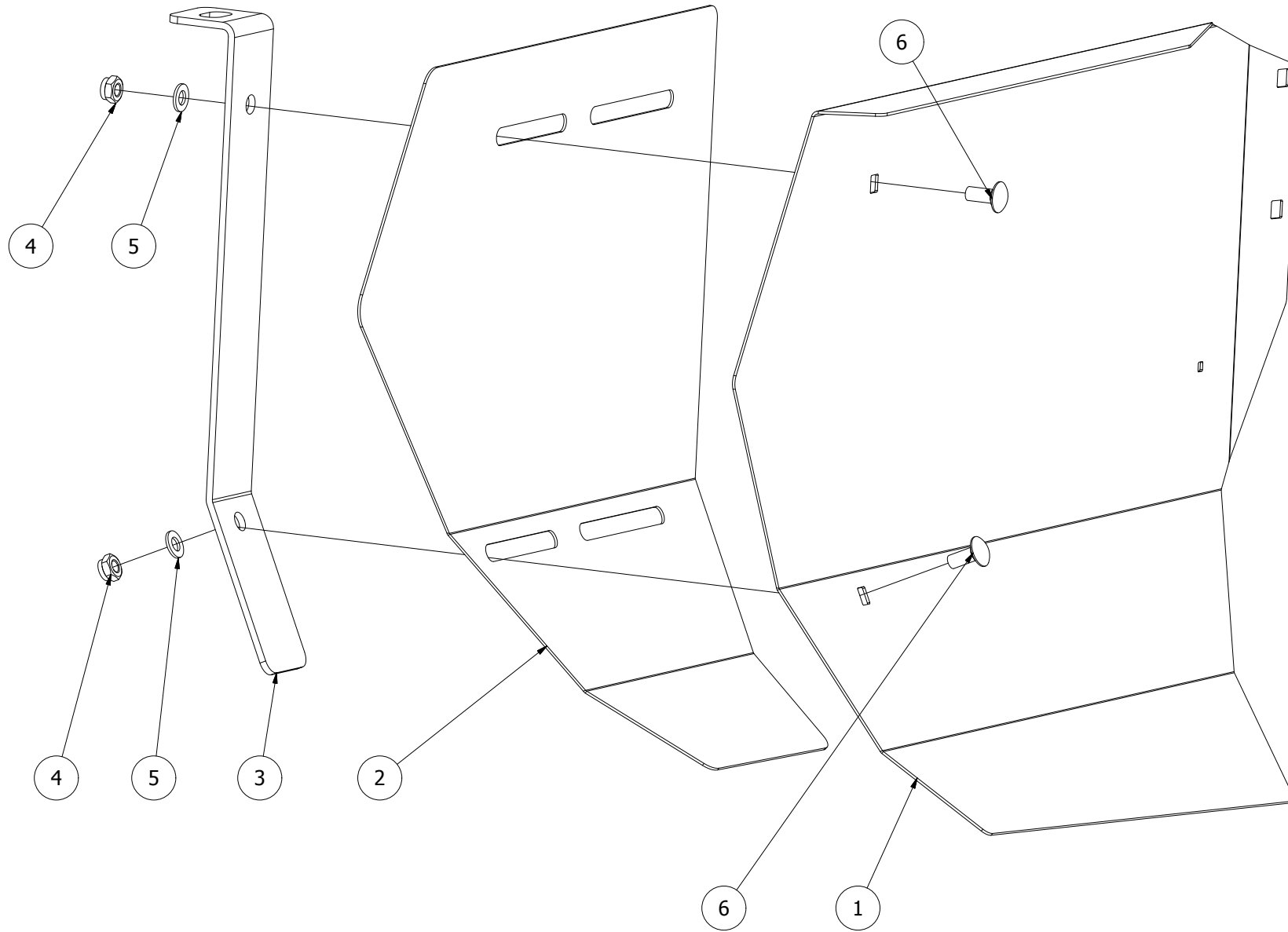
| 536718 | | | | | | | |
|--------|---------------------|-------------------------|------------------------|------------------------|--------------------------------|--------|-----|
| Pos | Name | Nahme | Benämning | Nimike | Specifikation | NO | Pcs |
| 1 | Nut | Muttern | Låsmutter | Lukitusmutteri | DIN 985-8 M6 ZN | 131560 | 5 |
| 2 | Nut | Muttern | Låsmutter | Lukitusmutteri | DIN 985-8 M10 ZN | 131580 | 44 |
| 3 | Nut | Muttern | Låsmutter | Lukitusmutteri | DIN 985-8 M12 ZN | 131600 | 2 |
| 4 | Washer | Scheibe | Bricka | Aluslaatta | DIN 125A M 6/6.4 ZN | 131730 | 5 |
| 5 | Washer | Scheibe | Bricka | Aluslaatta | DIN 125A M10/10.5 ZN | 131770 | 44 |
| 6 | Washer | Scheibe | Bricka | Aluslaatta | DIN 125A M12/13 ZN | 131790 | 4 |
| 7 | Washer | Scheibe | Bricka | Aluslaatta | DIN 125A M14/15 ZN | 131805 | 2 |
| 8 | Washer | Scheibe | Karosseribricka | Korialuslevy | DIN 9021 13/37 Zn | 131945 | 2 |
| 9 | Washer | Scheibe | Karosseribricka | Korialuslevy | DIN 9021 M16/17X50X3 ZN | 131950 | 2 |
| 10 | Cup bolts | Flachrundschrabe | Låsskruv | Lukkoruuvi | DIN 603 4.6 M6X16 ZN | 132615 | 5 |
| 11 | Cup bolts | Flachrundschrabe | Låsskruv | Lukkoruuvi | DIN 603 8.8 M10x50 ZN | 132668 | 4 |
| 12 | Cup bolts | Flachrundschrabe | Låsskruv | Lukkoruuvi | DIN 603/555 8.8 M10X20 (3-4)ZN | 132704 | 26 |
| 13 | Cup bolts | Flachrundschrabe | Låsskruv | Lukkoruuvi | DIN 603/555 8.8 M10X25 (3-4)ZN | 132709 | 14 |
| 14 | Cup bolts | Flachrundschrabe | Låsskruv | Lukkoruuvi | DIN 603 8.8 M12X35 ZNC | 132720 | 2 |
| 15 | Spring pin | Spannhülsen | Rörsprint | Jousisokka | DIN 1481 5x24 ZN | 132813 | 2 |
| 16 | Deflector right | Schwadblech R. | Styrplåt höger | Ohjainlevy oikea | | 500814 | 1 |
| 17 | Deflector left | Schwadblech L. | Styrplåt vänster | Ohjainlevy vasen | | 500815 | 1 |
| 18 | Bolt for deflector | Bolzen | Styrplåtsbult | Ohjauselevyn pultti | | 513170 | 2 |
| 19 | Handle | Griff | Styrplåtshandtag | Säätökahva | | 513180 | 2 |
| 20 | Spring | Feder | Tryckfjäder | Jousi | | 533200 | 4 |
| 21 | Hood endplate left | Aufbereite seite links | Mantelplåtsida vänster | Kammion sivulevy vasen | | 536421 | 1 |
| 22 | Hood endplate right | Aufbereite seite rechts | Mantelplåtsida höger | Kammion sivulevy oikea | | 536422 | 1 |
| 23 | Reinforcement | Versterkung | Förstärkning | Vahvike | NM 2400 2014> | 536425 | 1 |
| 24 | Rear hood | Haube hintere | Mantelplåt bakre | Kammion pelti | NM 2400 2014> | 536443 | 1 |
| 25 | Rear plate | Hinten blech | Bakre gavelplåt | Takapelti | NM 2400 2014> | 546349 | 1 |
| 26 | Adjust plate right | Befestigung blech R. | Ställplåt höger | Säätöpelti oikea | | 547430 | 1 |
| 27 | Adjust plate left | Befestigung blech L. | Ställplåt vänster | Säätöpelti vasen | | 547435 | 1 |
| 28 | Tarpaulin rear | Schutztuch hinten | Presenning bak | Suojaus taka | Grå Ral 7042 | 573701 | 1 |
| 29 | Tarpaulin list | Schutzliste | Skyddslist | Suojauslista | NM 2400 2014> | 573702 | 1 |

500814



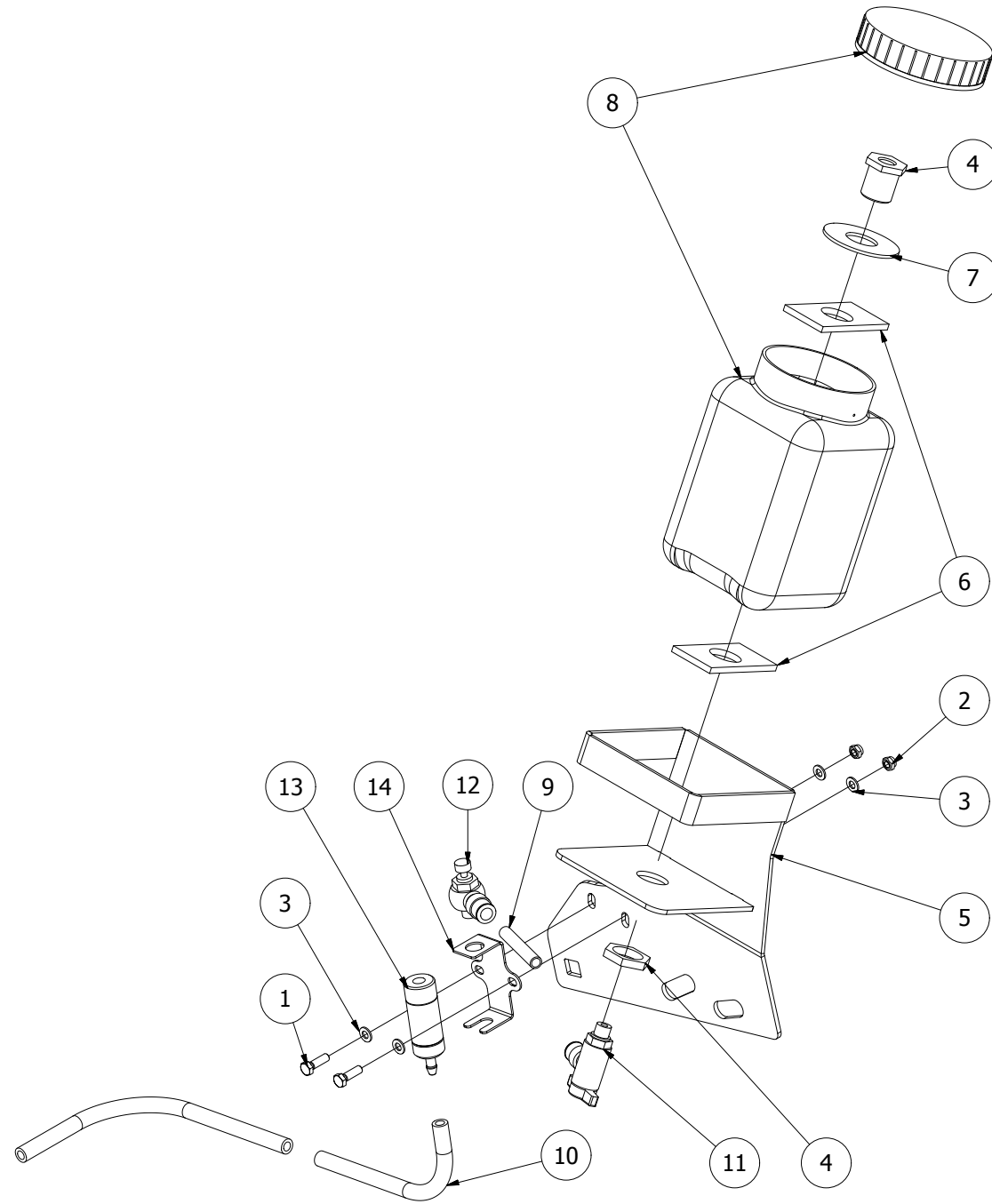
| 500814 | | | | | | | |
|--------|-------------------|---------------------|-------------------------|----------------------|--------------------------------|--------|-----|
| Pos | Name | Nahme | Benämning | Nimike | Specifikation | NO | Pcs |
| 1 | Deflector right | Schwadblech rechts | Styrplåt höger | Ohjauslevy oikea | | 500832 | 1 |
| 2 | Extension right | Verlängerung rechts | Styrplåtsförlängning h. | Ohjauslevyn jatke o. | | 536494 | 1 |
| 3 | Fastening bracket | Befestigung | Skärmfäste | Kiinnike | | 500829 | 1 |
| 4 | Nut | Muttern | Låsmutter | Lukitusmutteri | DIN 985-8 M10 ZN | 131580 | 2 |
| 5 | Washer | Scheibe | Bricka | Aluslaatta | DIN 125A M10/10.5 ZN | 131770 | 2 |
| 6 | Cup bolts | Flachrundschrabe | Låsskruv | Lukkoruuvi | DIN 603/555 8.8 M10X25 (3-4)ZN | 132709 | 2 |

500815



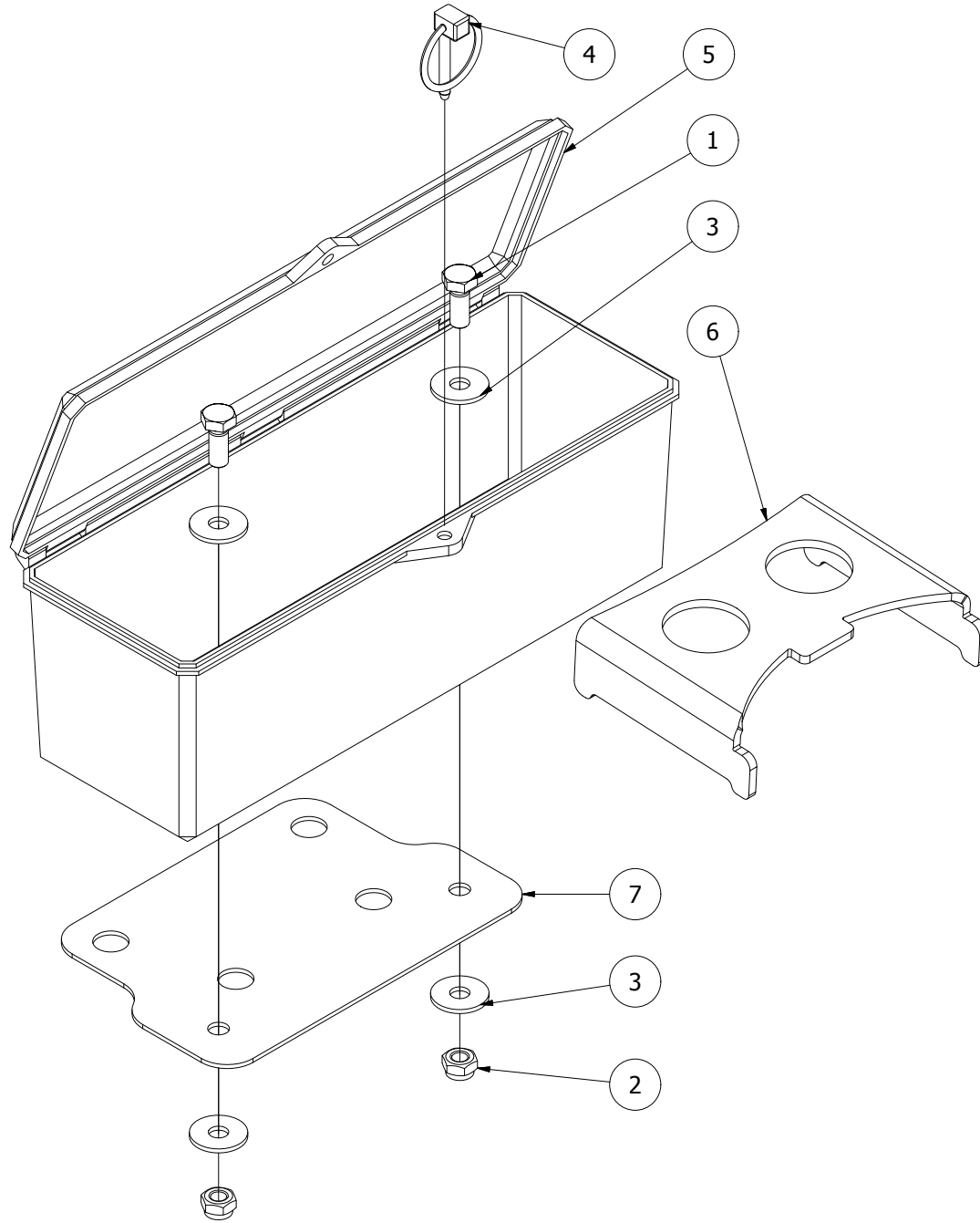
| 500815 | | | | | | | |
|--------|-------------------|--------------------|-------------------------|----------------------|--------------------------------|--------|-----|
| Pos | Name | Nahme | Benämning | Nimike | Specifikation | NO | Pcs |
| 1 | Deflector left | Schwadblech links | Styrplåt vänster | Ohjauslevy vasen | | 500833 | 1 |
| 2 | Extension left | Verlängerung links | Styrplåtsförlängning v. | Ohjauslevyn jatke v. | | 536495 | 1 |
| 3 | Fastening bracket | Befestigung | Skärmfäste | Kiinnike | | 500829 | 1 |
| 4 | Nut | Muttern | Låsmutter | Lukitusmutteri | DIN 985-8 M10 ZN | 131580 | 2 |
| 5 | Washer | Scheibe | Bricka | Aluslaatta | DIN 125A M10/10.5 ZN | 131770 | 2 |
| 6 | Cup bolts | Flachrundschrabe | Låsskruv | Lukkoruuvi | DIN 603/555 8.8 M10X25 (3-4)ZN | 132709 | 2 |

506105

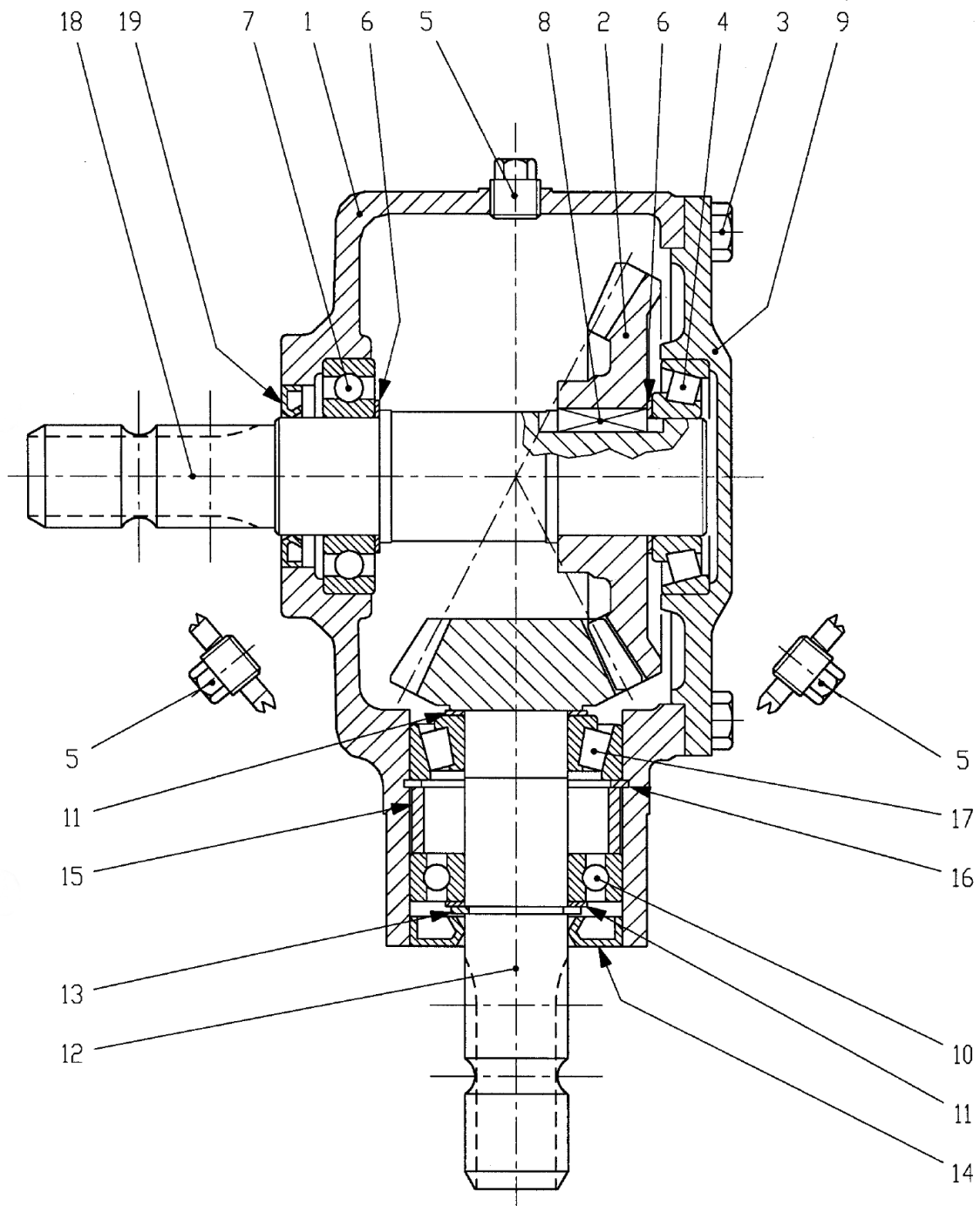


| 506105 | | | | | | | |
|--------|------------------|--------------------|-------------------|----------------------|----------------------|--------|-----|
| Pos | Name | Nahme | Benämning | Nimike | Specifikation | NO | Pcs |
| 1 | Screw | Schraube | 6-k Skruv hg | Kuusioruuvi | DIN 933 8.8 M5X16 ZN | 130602 | 2 |
| 2 | Nut | Muttern | Låsmutter | Lukitusmutteri | DIN 985-8 M5 ZN | 131550 | 2 |
| 3 | Washer | Scheibe | Bricka | Aluslaatta | DIN 125A M 5/5.3 ZN | 131710 | 4 |
| 4 | Connector | Verbindungsstecker | Genomföringsmuff | Läpivienti | CL-3060- 1/4 | 143306 | 1 |
| 5 | Oil can bracket | Öl behälter halter | Oljebehållarfäste | Öljysäiliön kiinnike | | 506104 | 1 |
| 6 | Rubber seal | Gummischeibe | Gummipackning | Kumitiiviste | | 527444 | 2 |
| 7 | Washer | Scheibe | Bricka | Aluslaatta | Ø 50/21x2 ZN | 527445 | 1 |
| 8 | Oil can | Ölbehälter | Oljebehållare | Öljysäiliö | | 527891 | 1 |
| 9 | Oil pipe | Ölrohr | Oljerör plastic | Öljyputki muovinen | Ø8/6 L= 55 | 539967 | 1 |
| 10 | Oil hose | Ölschlauch | Oljeslang | Öljyletku | Ø10/6 L= 400 | 539969 | 1 |
| 11 | Ball valve | Kugelventil | Bollventil | Pallohana | BL 20-08-G02 8-R1/4 | 539970 | 1 |
| 12 | Restrictor valve | Drossel ventil | Strypventil | Kuristusventtiili | NSE 08G01-0 (R1/8) | 539980 | 1 |
| 13 | Drop eye | Tropfenaug | Droppglas | Mittalasi | | 545090 | 1 |
| 14 | Bracket | Halter | Droppglashållare | Pidike | | 545097 | 1 |

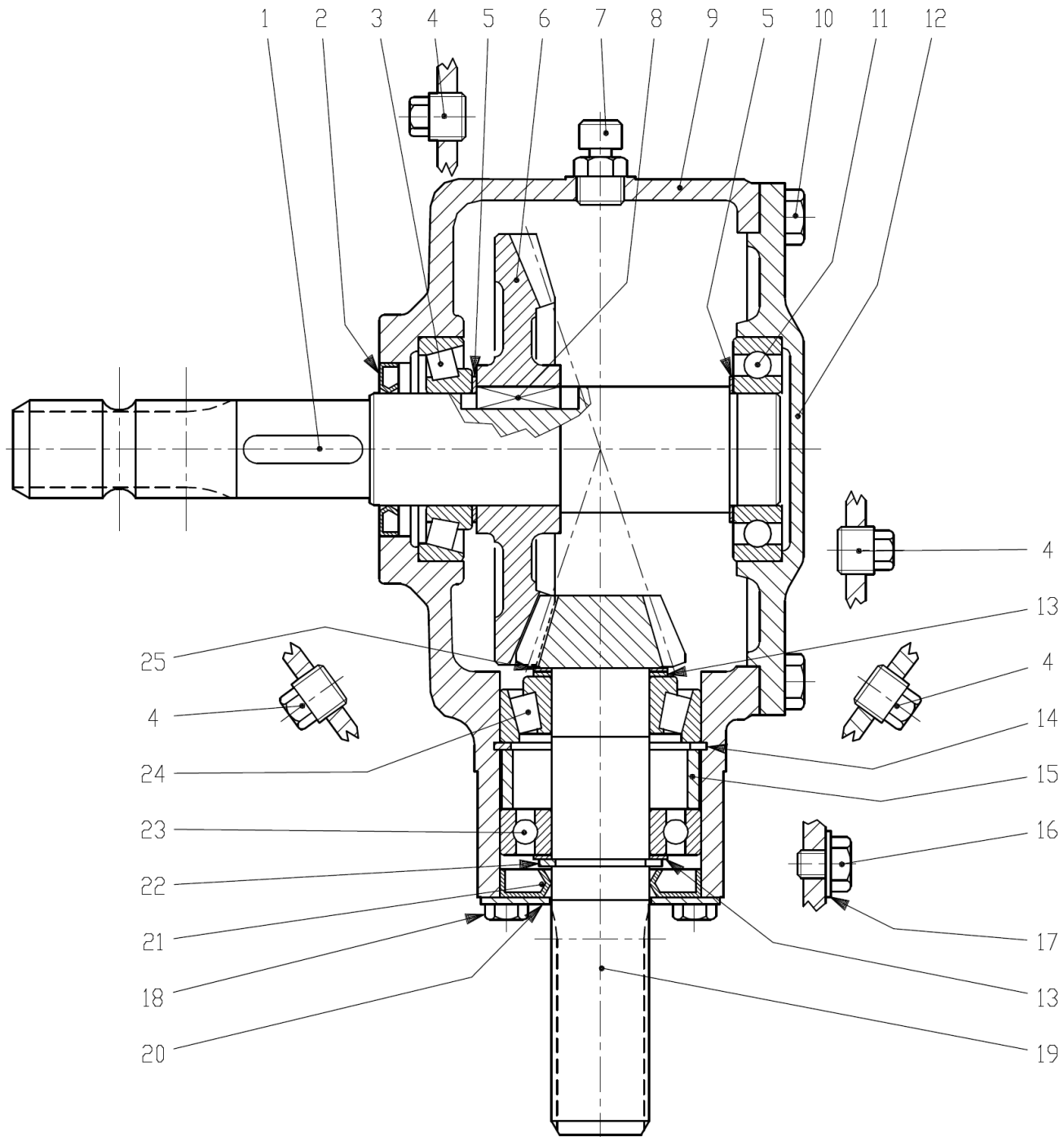
506128



| 506128 | | | | | | | |
|--------|----------------------|---------------------|----------------------|--------------------------|------------------------|--------|-----|
| Pos | Name | Nahme | Benämning | Nimike | Specifikation | NO | Pcs |
| 1 | Screw | Schraube | 6-k Skruv hg | Kuusioruuvi | DIN 933 8.8 M8X20 ZN | 130720 | 2 |
| 2 | Nut | Muttern | Låsmutter | Lukitusmutteri | DIN 985-8 M8 ZN | 131570 | 2 |
| 3 | Washer | Scheibe | Karosseribricka | Korialuslevy | DIN 9021 8/8.4X24X2 ZN | 131910 | 4 |
| 4 | Linch pin | Klappstecker | Ringsprint | Rengassokka | DIN 11023 4,5 mm | 133360 | 1 |
| 5 | Tool box | Werkzeugkasten | Verktygslåda | Työkalulaatikko | | 159826 | 1 |
| 6 | Block tool for nifes | Werkzeug für messer | Verktyg för knivbyte | Teränvaihto työkalu | 2007-> | 505620 | 1 |
| 7 | Bracket | Befestigung | Fäste | Työkalulaatikon kiinnike | | 537217 | 1 |

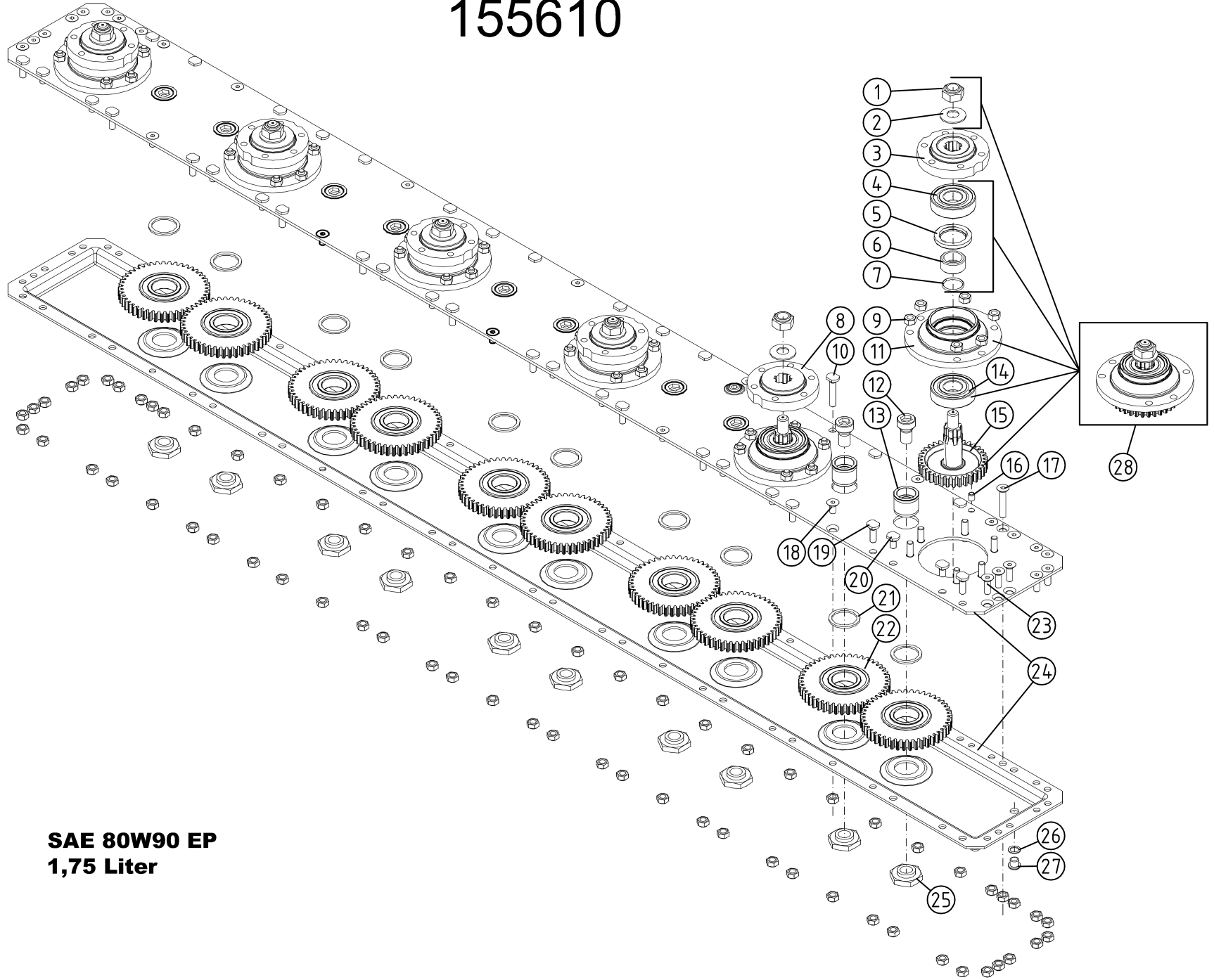


| 508600 | | | | | | | |
|--------|--------------|----------------------|------------------|-------------------|-------------------------------|--------|-----|
| Pos | Name | Nahme | Benämning | Nimike | Specifikation | NO | Pcs |
| 1 | Casing | Gehäuse | Hus | Kotelo | | 508602 | 1 |
| 2 | Crown wheel | Zahnrad | Kugghjul | Hammaspyörä | Z29 M5 | 508604 | 1 |
| 3 | Screw | Schraube | 6-k Skruv hg | Kuusioruuvi | DIN 933 8.8 M10X25 ZN | 130860 | 8 |
| 4 | Bearing | Lager | Rullager | Laakeri | 30208 | 140408 | 1 |
| 5 | Plug | Propfen | Plugg | Tulppa | 3/8GAS | 518508 | 3 |
| 6 | Shim kit | Ausgleichsheibe satz | Passbricka serie | Säätölevy sarja | 51.5x40.3 (2x0,3 1x0,4 1x0,5) | 528507 | 2 |
| 7 | Bearing | Lager | Kullager | Laakeri | 6208 | 140280 | 1 |
| 8 | Key | Keil | Kil | Kiila | B 12x8x30 | 518503 | 1 |
| 9 | Cover | Deckel | Lock | Kansi | | 508618 | 1 |
| 10 | Bearing | Lager | Kullager | Laakeri | 6207 | 140270 | 1 |
| 11 | Shim | Ausgleichsheibe | Passbricka serie | Säätölevy | 35.3x48x0,3,0,35,0,4,0,5 | 518515 | 2 |
| 12 | Pinion shaft | Welle mit zahnrad | Pinionaxel | Hammaspyöräakseli | Z15 M5 | 508624 | 1 |
| 13 | Snap ring | Sicherung ring | Låsring | Lukitusrengas | 35 UNI7436 | 518513 | 1 |
| 14 | Oil seal | Öl dichtung | Axeltätning | Öljytiiviste | Ø35x72x10 | 144430 | 1 |
| 15 | Distanc | Distanzhülse | Distans | Väliholkki | | 518510 | 1 |
| 16 | Snap ring | Sicherung ring | Låsring | Lukitusrengas | 72 UNI7437 | 518512 | 1 |
| 17 | Bearing | Lager | Rullager | Laakeri | 32207 | 140427 | 1 |
| 18 | Shaft | Welle | Axel | Akseli | 1 3/8 Z6 | 508636 | 1 |
| 19 | Oil seal | Öl dichtung | Axeltätning | Öljytiiviste | 40 x 62 x 7 | 518505 | 1 |



| 508578 | | | | | | | |
|--------|-----------------|----------------------|------------------------|------------------------|-------------------------------|--------|-----|
| Pos | Name | Nahme | Benämning | Nimike | Specifikation | NO | Pcs |
| 1 | Shaft | Welle | Axel | Akseli | 1 3/8 | 508556 | 1 |
| 2 | Oil seal | Öl dichtung | Axeltätning | Öljytiiviste | 40 x 62 x 7 | 518505 | 1 |
| 3 | Bearing | Lager | Rullager | Laakeri | 30208 | 140408 | 1 |
| 4 | Plug | Propfen | Plugg | Tulppa | 3/8GAS | 518508 | 4 |
| 5 | Shim kit | Ausgleichsheibe satz | Passbricka serie | Säätölevy sarja | 51.5x40.3 (2x0,3 1x0,4 1x0,5) | 528507 | 2 |
| 6 | Crown wheel | Zahnrad | Kugghjul | Hammaspyörä | Z=36 M4,35 | 508552 | 1 |
| 7 | Oil filler plug | Ölnachfullstopfen | Luftnippel med bakslag | Öljytulppa takaiskulla | 3/8 GAS | 143319 | 1 |
| 8 | Key | Keil | Kil | Kiila | B 12x8x30 | 518503 | 1 |
| 9 | Casing | Gehäuse | Hus | Kotelo | | 518501 | 1 |
| 10 | Screw | Schraube | 6-k Skruv hg | Kuusioruuvi | DIN 933 8.8 M10X25 ZN | 130860 | 8 |
| 11 | Bearing | Lager | Kullager | Laakeri | 6208 | 140280 | 1 |
| 12 | Cover | Deckel | Lock | Kansi | | 508577 | 1 |
| 13 | Shim | Ausgleichsheibe | Passbricka serie | Säätölevy | 35.3x48x0,3,0,35,0,4,0,5 | 518515 | 2 |
| 14 | Snap ring | Sicherung ring | Låsring | Lukitusrengas | 72 UNI7437 | 518512 | 1 |
| 15 | Distanc | Distanzhülse | Distans | Väliholkki | | 518510 | 1 |
| 16 | Screw | Schraube | 6-k Skruv hg | Kuusioruuvi | DIN 933 4.8 M10X10 ZN | 130818 | 1 |
| 17 | Coppar seal | Kupferdichtungen | Koppartätning | Kuparilaatta | Ø10,5x18x1 | 146016 | 1 |
| 18 | Screw | Schraube | 6-k Skruv hg | Kuusioruuvi | DIN 933 8.8 M8X14 | 130714 | 4 |
| 19 | Pinion shaft | Welle mit zahnrad | Pinion axel | Hammaspyöräakseli | Z 12 M 4.35 | 518533 | 1 |
| 20 | Cover | Deckel | Lock | Kansi | | 518516 | 1 |
| 21 | Oil seal | Öl dichtung | Axeltätning | Öljytiiviste | Ø35x72x10 | 144430 | 1 |
| 22 | Snap ring | Sicherung ring | Låsring | Lukitusrengas | 35 UNI7436 | 518513 | 1 |
| 23 | Bearing | Lager | Kullager | Laakeri | 6207 | 140270 | 1 |
| 24 | Bearing | Lager | Rullager | Laakeri | 32207 | 140427 | 1 |
| 25 | Shim | Ausgleichsheibe | Shim | Säätölevy | 35,3x47,9x1,3 | 518531 | 1 |

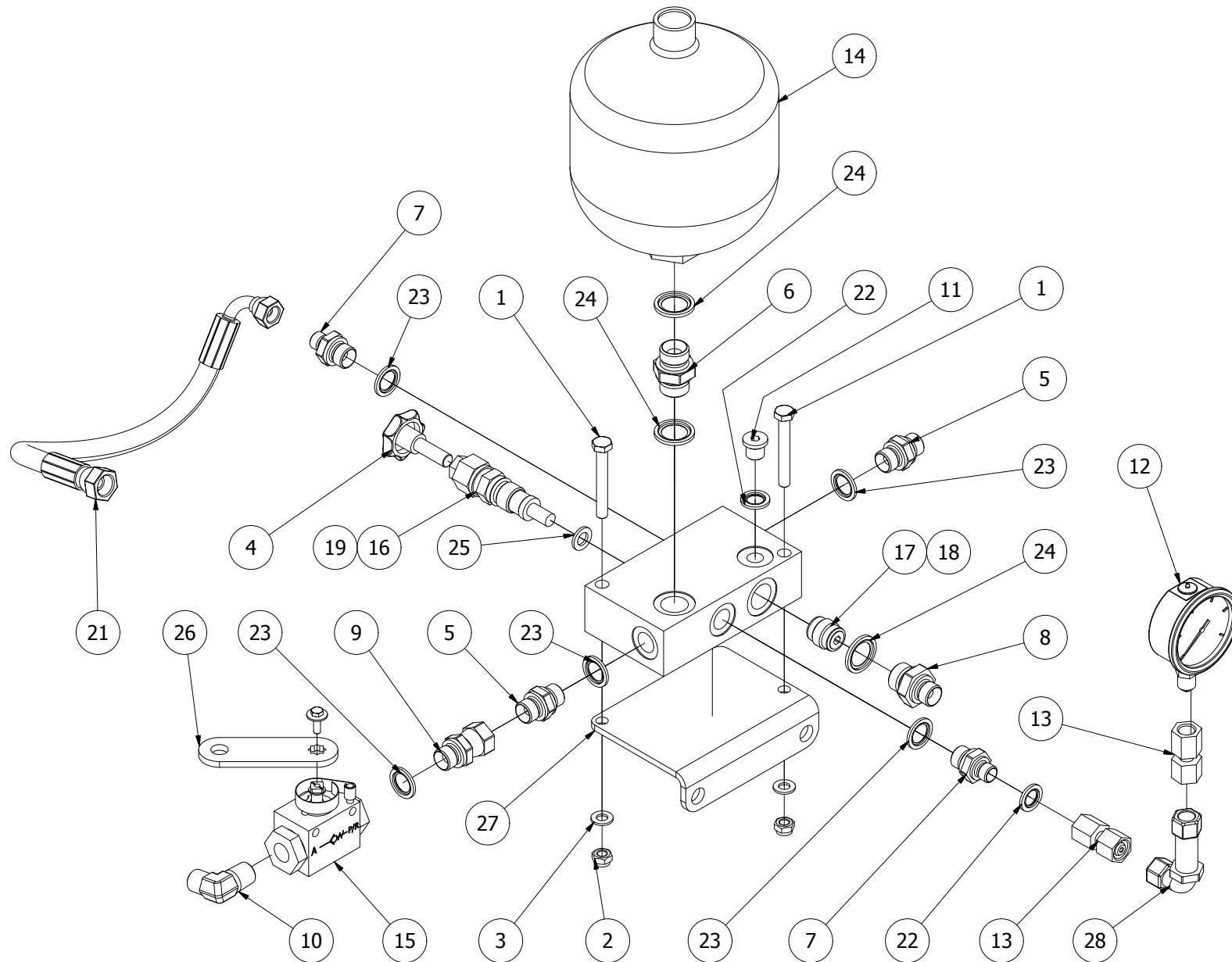
155610



SAE 80W90 EP
1,75 Liter

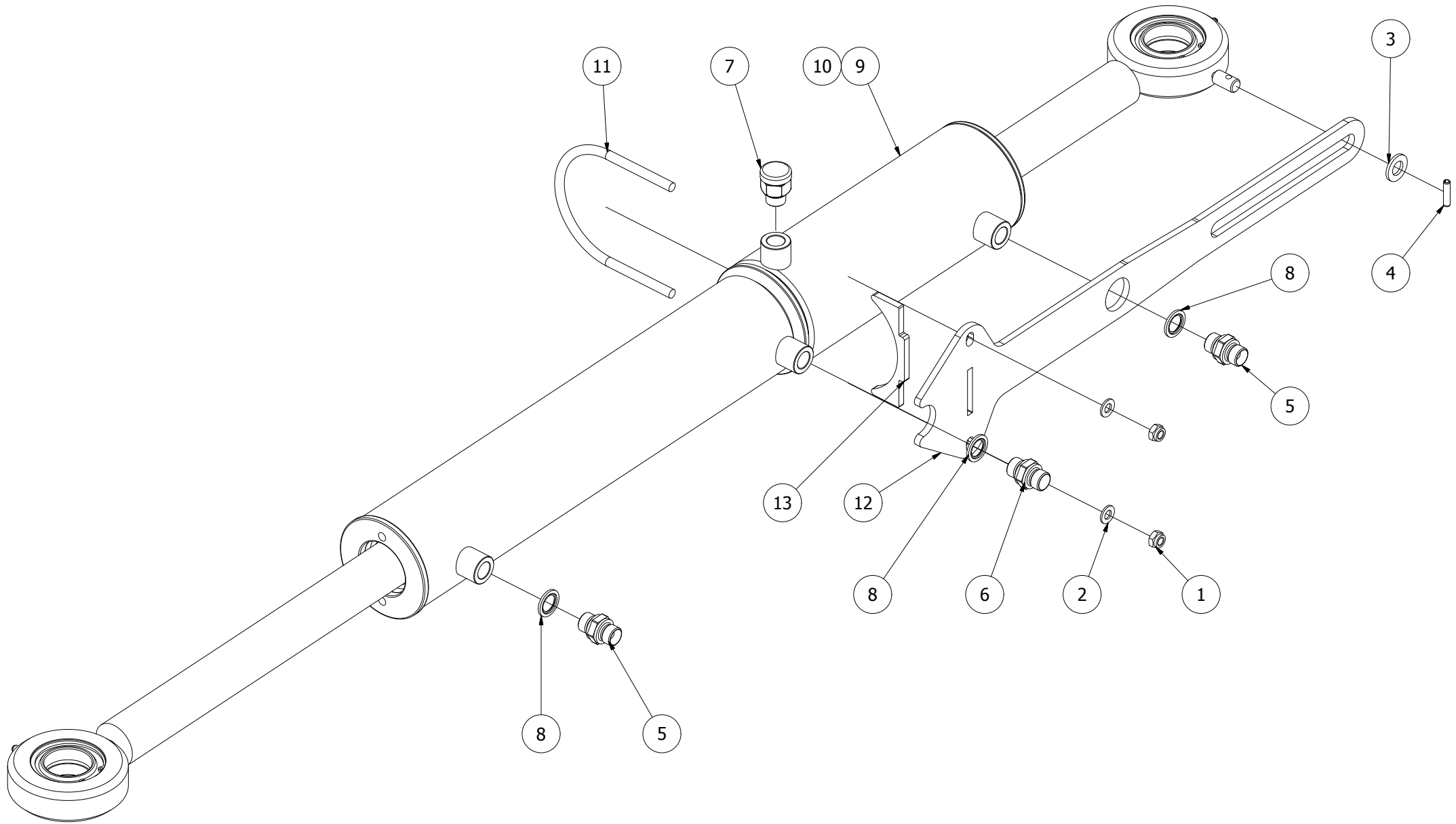
| 155610 | | | | | | | |
|--------|-------------------------|--------------------------|--------------------------|-----------------------|---------------------------------|--------|-----|
| Pos | Name | Nahme | Benämning | Nimike | Specifikation | NO | Pcs |
| 1 | Locknut | Muttern | Låsmutter | Lukitusmutteri | M18 H16.8 (8.2.6.00542) | 508501 | 6 |
| 2 | Wascher | Scheibe | Fjäderbricka | Jousilaatta | 35.5x18.3x2 (8.5.5.01242) | 508502 | 6 |
| 3 | Disk hub | Mähscheibe befestigung | Tallrikscentrum drivning | Kinnitys laippa | 0.523.7001.00 >2008 (500 serie) | 155560 | 1 |
| 4 | Bearing | Lager | Kullager | Laakeri | 6306 2RS/C3 | 140366 | 6 |
| 5 | Oil seal | Öldichtung | Axeltätning | Öljytiiviste | 40x56x8 | 508505 | 6 |
| 6 | Spacer | Buchse | Distans | Väliholkki | 0.505.7100.00 | 517530 | 6 |
| 7 | O-ring | O-ring | O-ring | O-rengas | OR-3112 | 508507 | 6 |
| 8 | Disk hub | Mähscheibe befestigung | Tallrikscentrum | Kinnitys laippa | 0.523.7000.00 >2008 (500 serie) | 155550 | 5 |
| 9 | Nut | Muttern | Mutter | Mutteri | M10 DCRT320 | 508523 | 88 |
| 10 | Bolt | Bolzen | Bult | Pultti | M10x52 DCRT320 | 508527 | 4 |
| 11 | Bearinghousing | Lagergehäuse | Lagerhus | Laakeripesä | 0.505.1302.00 | 517497 | 6 |
| 12 | Bolt | Bolzen | Bult | Pultti | M20x30 DCRT320 | 508510 | 10 |
| 13 | Spacer | Zwischenbusche | Bussning | Väliholkki | 0.465.7049.00 | 517529 | 10 |
| 14 | Bearing | Lager | Kullager | Laakeri | 6306 ZZ/C3 | 140365 | 6 |
| 15 | Gear+shaft | Zahnrad+welle | Kugghjul med axel | Hammaspyörä+akseli | 0.523.5000.00 Z34 M3 | 155540 | 6 |
| 16 | Spring pin | Spannhülsen | Rörsprint | Jousisokka | DIN 1481 10x12 | 508511 | 2 |
| 17 | Counter screw | Senkschrauben | I-6 Skruv sänkt | 6-koloruuvi uppok. | DIN 7991 10.9 M10X55 ZN | 131338 | 2 |
| 18 | Counter screw | Senkschrauben | I-6 Skruv sänkt | 6-koloruuvi uppok. | DIN 7991 10.9 M10X20 ZN | 131320 | 5 |
| 19 | Bolt | Bolzen | Bult | Pultti | M10x30 DCRT320 | 508529 | 46 |
| 20 | Bolt | Bolzen | Bult | Pultti | M10X19 DCRT320 | 508530 | 12 |
| 21 | Spacer | Buchse | Distans | Väliholkki | Ø40.3x51.3x3 | 508520 | 10 |
| 22 | Gear with bearing | Zahnrad mit lager | Kugghjul med lager | Hammasp. laakereineen | 9.505.501.00 Z45 M3 | 517506 | 10 |
| 23 | Counter screw | Senkschrauben | I-6 Skruv sänkt | 6-koloruuvi uppok. | DIN 7991 10.9 M10x30 ZN | 131333 | 25 |
| 24 | Cutterbed+cover | Gehäuse | Lock+botten | Kansi+pohja | 240 2008> | 155611 | 1 |
| 25 | Nut | Muttern | Mutter | Mutteri | 0.465.7050.00 | 517527 | 10 |
| 26 | Seal | Dichtung | Packning | Tiiviste | 8.3.0.01353/17x22x1.5 | 508522 | 2 |
| 27 | Male plug | Propfen | Plugg | Tulppa | BSP 3/8" 0.404.7131.00 | 143314 | 2 |
| 28 | Bearinghousing complete | Lagergehäuse vollständig | Tallriks drivenhet | Lautasen vetoyksikkö | ELHO 2008> | 517498 | 2 |

144611



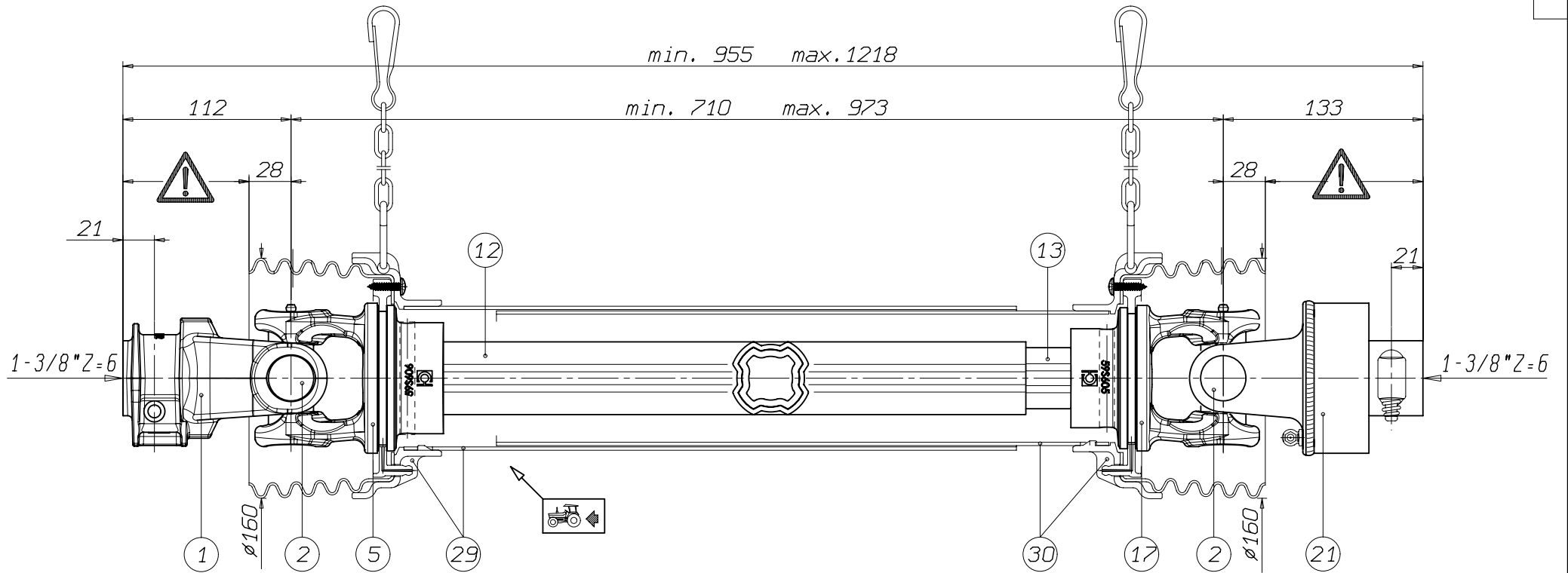
| 144611 | | | | | | | |
|--------|------------------------------|---------------------|------------------------|----------------------------|--------------------------|--------|-----|
| Pos | Name | Nahme | Benämning | Nimike | Specifikation | NO | Pcs |
| 1 | Screw | Schraube | 6-k Skruv dg | Kuusioruuvi | DIN 931 8.8 M 8X60 ZN | 130030 | 2 |
| 2 | Nut | Muttern | Låsmutter | Lukitusmutteri | DIN 985-8 M8 Zn | 131570 | 2 |
| 3 | Washer | Scheibe | Bricka | Aluslaatta | DIN 125A M8/8.4 Zn | 131750 | 2 |
| 4 | Male knob | Schraubgriff | Stjärnvred | Tähtimutteri | WN450 50-M10x30 | 139011 | 1 |
| 5 | Double nipple | Doppelnippel | Dubbelnippa | Kaksoisnippa | 3/8"-3/8" 04000-06 | 143104 | 2 |
| 6 | Double nipple | Doppelnippel | Dubbelnippa | Kuristusnippa | 1/2"-1/2" 04000-08 | 143106 | 1 |
| 7 | Double nipple | Doppelnippel | Dubbelnippa | Supistusnippa | 1/4"-3/8" 04000-04-06 | 143122 | 2 |
| 8 | Double nipple | Doppelnippel | Dubbelnippa | Supistusnippa | 3/8"-1/2" 04000-06-08 | 143125 | 1 |
| 9 | Male/female adaptor | Anschluss | Junktur | Liitin | 3/8" - 3/8" 04010-06 | 143150 | 1 |
| 10 | "I" adaptor with male thread | Vinkel nippel | Vinkel | Kulmanippa | 3/8" - 3/8" 04490-06 | 143182 | 1 |
| 11 | Male plug | Propfen | Plugg | Tulppa | BSP 1/4" HF-1/4 | 143311 | 1 |
| 12 | Hydraulic manometer | Hydraulik manometer | Tryckmätare | Painemittari | PAG-250-63 | 143370 | 1 |
| 13 | Manometer adaptor | Manometer stutzen | Mätarkoppling | Mittariliitin | MEL-10 | 143374 | 2 |
| 14 | Hydr.accumulator | Hydrospeicher | Hydraulackumulator | Painekello | 1,4L R 1/2 35 bar | 143388 | 1 |
| 15 | Spring return isolator | Federrück Isolator | Spring return isolator | Sulkija jousipalautuksella | HKHB 3_8/1112/09/A/CCW/C | 144007 | 1 |
| 16 | Max pressure valve | Überdrucksventil | Tryckreduceringsventil | Paineenrajoitusventtiili | VS-30 04.11.18.03.99.10 | 144046 | 1 |
| 17 | One way ball valve | Ruckschlagventil | Bakslagsventil | Takaiskuventtiili | OD.44.02.00-03-01 | 144048 | 1 |
| 18 | O-ring | O-ring | O-ring | O-rengas | 14x1,8 | 144156 | 1 |
| 19 | O-ring | O-ring | O-ring | O-rengas | 16x2,6 | 144157 | 1 |
| 20 | Casing | Gehäuse | Ventilblock | Venttiilipesä | VT 700/280-320F | 144618 | 1 |
| 21 | Hydraulic hose | Hydraulik Schlach | Hydraulslang | Hydrauliletku | L=400 | 145309 | 1 |
| 22 | Bonded gasket | Dichtung | Usit-tätning | Usit-tiiviste | 1/4" USITR-04 | 146002 | 2 |
| 23 | Bonded gasket | Dichtung | Usit-tätning | Usit-tiiviste | 3/8" USITR-06 | 146003 | 5 |
| 24 | Bonded gasket | Dichtung | Usit-tätning | Usit-tiiviste | 1/2" USITR-08 | 146004 | 3 |
| 25 | Coppar seal | Kupferdichtungen | Koppartätning | Kuparilaatta | Ø10x18x2 | 146022 | 1 |
| 26 | Walve handle | Ventilhebel | Ventilspak | Venttiilikahva | | 413392 | 1 |
| 27 | Valve bracket | Befästigung | Ventilfäste | Kiinnityspelti | | 506603 | 1 |
| 28 | Angle nipple | Winkelnippel | Vinkelgenomföring | Kulmaliitin | WRL 10 | 528025 | 1 |

506095





| 506095 | | | | | | | |
|--------|-------------------|------------------|--------------------|----------------|----------------------|--------|-----|
| Pos | Name | Nahme | Benämning | Nimike | Specifikation | NO | Pcs |
| 1 | Nut | Muttern | Låsmutter | Lukitusmutteri | DIN 985-8 M8 ZN | 131570 | 2 |
| 2 | Washer | Scheibe | Bricka | Aluslaatta | DIN 125A M8/8.4 ZN | 131750 | 2 |
| 3 | Washer | Scheibe | Bricka | Aluslaatta | DIN 125A M12/13 ZN | 131790 | 1 |
| 4 | Spring pin | Spannhülsen | Rörsprint | Jousisokka | DIN 1481 5x24 ZN | 132813 | 1 |
| 5 | Double nipple | Doppelnippel | Dubbelnippa | Kaksoisnippa | 3/8"-3/8" 04000-06 | 143104 | 2 |
| 6 | Restriktor nipple | Drossel nipple | Strypningsnippa | Kuristusnippa | 3/8-3/8 Ø 2,0 mm | 143132 | 1 |
| 7 | Air nipple | Luft Nippeln | Luftnippel | Ilmanippa | 3/8 | 143327 | 1 |
| 8 | Bonded gasket | Dichtung | Usit-tätning | Usit-tiiviste | 3/8" USITR-06 | 146003 | 3 |
| 9 | Lift cylinder | Hebezyylinder | Lyft & hb cylinder | Nostosylinteri | Ø90/40x160-80/40x360 | 146220 | 1 |
| 10 | Seal kit | Dichtungssätze | Tätningsserie | Tiivistesarja | Ø90/40x160-80/40x360 | 146221 | 0 |
| 11 | Pipe clamp | Rohr befestigung | Rörklämmare | Putkenpidike | 102 mm | 147100 | 1 |
| 12 | Guide plate | Förungsplatte | Cylinderstyrning | Ohjauspelti | Arrow NM-VC/VR | 545704 | 1 |
| 13 | Bracket | Befestigung | Fäste | Kinnike | Ø100 | 545705 | 1 |

○ DS6R071CE000003



WARNING!

SECTIONS  OF THE ASSEMBLY MARKED  ARE NOT SHIELDED AND MUST BE SHIELDED BY AN INTERACTIVE GUARDING SYSTEM. BONDIOLO & PAVESI DECLINES RESPONSIBILITY IF PROPER GUARDS ARE NOT PROVIDED OR MAINTAINED.

| | | | | | | | | |
|----|------------|----------|---|--|-----------------|---------|---|---|
| 30 | 5662G0534 | L = 534 | TIPO-TYPE TYP | CLIENTE CLIENT CUSTOMER KUNDE | 3800550 | ELHO | RIF. CLIENTE REF. CLIENT CUSTOMER REF. BEZUG KUNDE | |
| 29 | 5661G0534 | L = 534 | | | | | SFT S6 | TIPO DI MACCHINA TYPE DE MACHINE TYPE OF IMPLEMENT MASCHINENTYPE |
| 21 | 601105704R | RA1 -dx- | STUDIO | ORIGINE | NOTE : | 3/10/03 | | |
| 17 | 204S66854 | | | | | NOTE : | SOSTITUISCE | Accop. MINIMO telescop. 267 Accop. MINIMO protezione 246 |
| 13 | 2453N0580 | L = 580 | MODIFICHE - MODIFICATIONS - ANDERUNGEN - MODIFICACIONES | COD. C.E.D. | DS6R071CE000003 | | | |
| 12 | 2253Q0560 | L = 560 | | | | Pos. | Cod. C.E.D. | Descrizione |
| 5 | 204S66853 | | | | | | | |
| 2 | 4120G0012 | | | | | | | |
| 1 | 5070G0355 | | | | | | | |

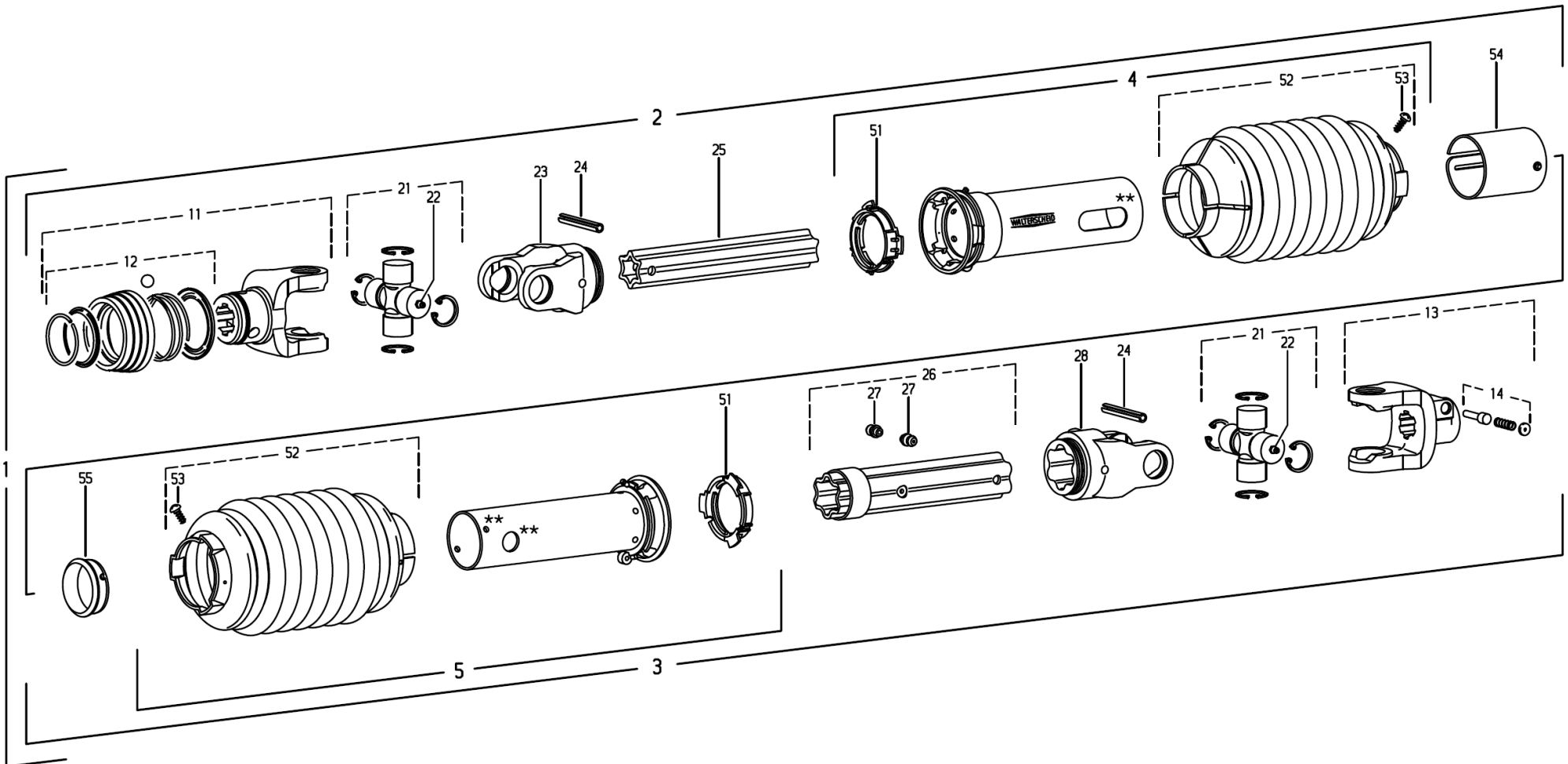
für Kunde
for customer
pour client

Elho

Kundenzeichnungs-Nr.
Customer drawing No.
Réf. du plan client

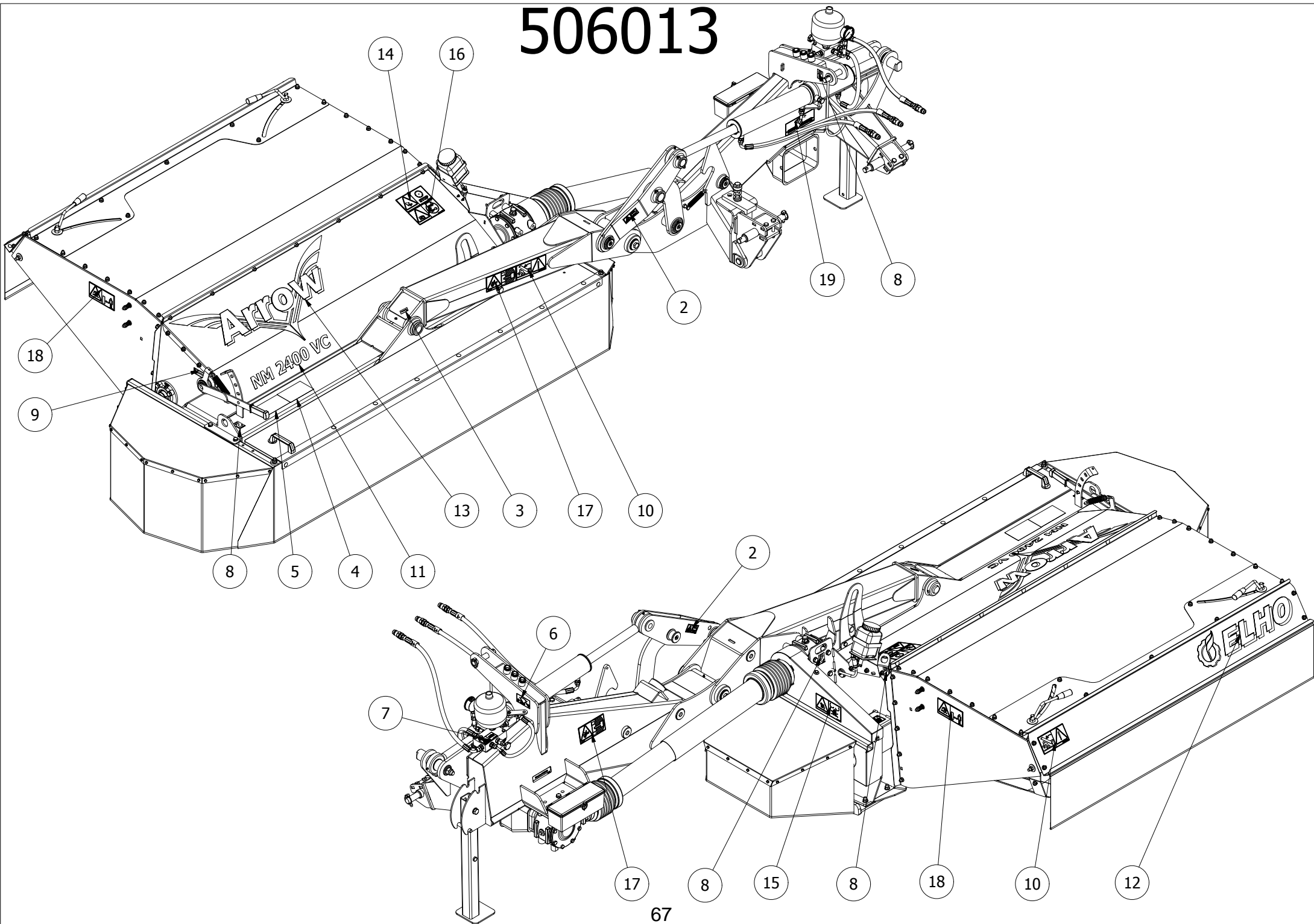
Maschinenart
Machine
Machine

Type
Type
Type



| Pos.-Nr. Item Repère | GKN Walterscheid Bestell.-Nr. Part No. Référence | Zeichnungs-Nr. Drawing No. Réf. du Plan | Bestell.-Nr. Part No. Référence | Stückzahl Quantity Quantité | Technische Angaben Technical data Données techniques | Benennung | Description | Désignation |
|----------------------------|---|---|---------------------------------------|-----------------------------------|--|---|---|--|
| 1 | 159870 | 21566 | | 1 | W2400-SC25Z-770 | Gelenkwelle mit Schutz | PTO drive shaft with guard | Transmission avec protecteur |
| 2 | | | | 1 | WH2400-SC25-665 | Innere Gelenkwellenhälfte mit äußerer Schutzhälfte | Inner PTO drive shaft half with outer guard half | Demi-transmission intérieure avec demi-protecteur extérieur |
| 3 | | | | 1 | WH2400-SC25-650 | Äußere Gelenkwellenhälfte mit innerer Schutzhälfte | Outer PTO drive shaft half with inner guard half | Demi-transmission extérieure avec demi-protecteur intérieur |
| 4 | 116864 | | | 1 | SDH25-A1000-8526600 | Äußere Schutzhälfte | Outer guard half | Demi-protecteur extérieur |
| | | | | | | SC-Rohr 470 mm kürzen | Shorten SC tube by 470 mm | Raccourcir tube SC de 470 mm |
| 5 | 116865 | | | 1 | SDH25-J1000-8526600 | Innere Schutzhälfte | Inner guard half | Demi-protecteur intérieur |
| | | | | | | SC-Rohr 470 mm kürzen | Shorten SC tube by 470 mm | Raccourcir tube SC de 470 mm |
| | | | | | | - | | |
| | | | | | | - | | |
| 11 | 147406 | 35.83.138+ | | 1 | ASGE2400-1 3/8" (6) | ASGE-Gabel komplett | ASGE-yoke complete | Mâchoire ASGE complète |
| 12 | 135048 | agraset 172 | | 1 | | ASE-Verschluß komplett, Größe B | ASE-lock complete, size B | Verrouillage ASE complet, type B |
| 13 | 056699 | 35.10.00 | | 1 | AG2400-1 3/8" (6) | Aufsteckgabel mit Schiebestift | Quick-disconnect yoke | Mâchoire à verrouillage rapide |
| 14 | 339107 | agraset 101 | | 1 | | Schiebestift kpl. | Quick-disconnect pin cpl. | Poussoir de verrouillage rapide cpl. |
| | | | | | | - | | |
| | | | | | | - | | |
| 21 | 122078 | 35.00.131 | | 2 | 2400 "P" | Kreuzgarnitur komplett | Cross and bearing kit complete | Bloc croisillon complet |
| 22 | 153207 | 63.11.04 | | 2 | | Schlag-Schmiernippel | Drive-in type lubrication fitting | Graisseur à frapper |
| 23 | 139751 | 35.13.125+ | | 1 | RG2400-S4 | Rillengabel | Inboard yoke | Mâchoire à gorge |
| 24 | 020617 | | | 2 | IS08752-10x80 | Spannstift | Spring-type straight pin | Goupille élastique |
| 25 | 134940 | 75.43.104 | | 1 | S4LH-680 | Profilrohr, gehärtet | Profile tube, hardened | Tube profilé, traité |
| | | | | | | Rohr 65 mm kürzen | Shorten tube by 65 mm | Raccourcir tube de 65 mm |
| 26 | 017660 | 75.45.00 | | 1 | S5-1000 | Profilrohr | Profile tube | Tube profilé |
| | | | | | | Rohr 400 mm kürzen | Shorten tube by 400 mm | Raccourcir tube de 400 mm |
| 27 | 365906 | 35.14.100 | | 1 | RG2400-S5 | Rillengabel | Inboard yoke | Mâchoire à gorge |
| | | | | | | - | | |
| 51 | 087276 | 82.83.04 | | 2 | | Gleitring | Bearing ring | Bague de glissement |
| 52 | 118017 | 85.26.600 | | 2 | | Schutztrichter | Guard cone | Cône protecteur |
| 53 | 365305 | 60.15.00 | | 2 | 3,5x9,5 | Schraube | Screw | Vis |
| 54 | 188064 | 80.63.112 | | 1 | | Abdeckung | Cover | Obturateur |
| 55 | 158845 | 82.83.115 | | 1 | SC25Z (grün) | Gleitring | Bearing ring | Bague de glissement |
| | | | | | | - | | |
| | | | | | | - | | |
| 90 | 118745 | agraset 207 | | 1 | | Aufkleber-Set; | set of decals; | jeu d'étiquettes; étiquette |
| | | | | | | GEFAHRENHINWEIS- und DANGER-Aufkleber | WARNING decal and DANGER decal | d'avertissement et étiquette DANGER |
| | | | | | | - | | |
| | | | | | | - | | |
| | | | | | | - | | |

506013



| 506013 | | | | | | | |
|--------|------------------------------|----------------------------|---|--|----------------------|--------|-----|
| Pos | Name | Nahme | Benämning | Nimike | Specifikation | NO | Pcs |
| 1 | Sticker | Aufkleber | Växellådsolje dekal | Tarra | Neste Gear EP 80W-90 | 149011 | 1 |
| 2 | Sticker | Aufkleber | Varnings dekal ISO 11684 | Tarra | | 149013 | 2 |
| 3 | Sticker | Aufkleber | Dekal vaselinspruta | Tarra | | 149014 | 15 |
| 4 | Sticker | Aufkleber | Dekal för moment | Tarra | 2007> | 149103 | 1 |
| 5 | Sticker | Aufkleber | Dekal för knivbyte | Tarra | 2007> | 149104 | 1 |
| 6 | Sticker | Aufkleber | Dekal för bollkran/tryckmätare | Tarra | | 149109 | 1 |
| 7 | Warning sign | Sicherheitsaufkleber | Dekal tryckackumulator varning | Varoitustarra | | 149110 | 1 |
| 8 | Sticker | Aufkleber | Dekal lyftkrok | Tarra | | 149132 | 4 |
| 9 | Sticker | Aufkleber | Dekal + pil - vänster | Tarra | | 149135 | 1 |
| 10 | Sticker | Kleber | Klämrisk upplyft maskin | Tarra | | 149155 | 2 |
| 11 | Sticker | Aufkleber | Dekal | Tarra | NM 2400 VC | 149229 | 1 |
| 12 | Sticker | Kleber | Dekal | Tarra | Elho Logo H=155 | 149555 | 1 |
| 13 | Arrow sticker | Arrow Aufkleber | Arrow logo | Arrow tarra | 1000x420 | 149572 | 1 |
| 14 | Warning for after running | Nachlaufwarnung | Varning för eftergång | Varoitus jälkikäyntiä | | 508648 | 1 |
| 15 | Transmission warning sticker | Schutzwarnung | Varningsdekal för transmission | Voimansiirron varoitustarra | | 508649 | 1 |
| 16 | Warning remove key | Zündschlüsselwarnung | Handbok- stop | Varoitus pysäytä kone poista avain | | 508650 | 1 |
| 17 | Safety decals | Warnzeichen | Varningsdekal klämrisk | Varoitusmerkki | | 508651 | 2 |
| 18 | Warning for stone projektion | Steinschleuderwarnung | Varning för stenskott håll avstånd | Varoitus kiveniskuista pidä etäisyyttä | | 508652 | 2 |
| 19 | P.t.o. speed | Zapfwellen geschwindigkeit | Rotations hastighet för kraftöverföring | Voimansiirron pyörimisnopeus | 540 rpm | 508653 | 1 |

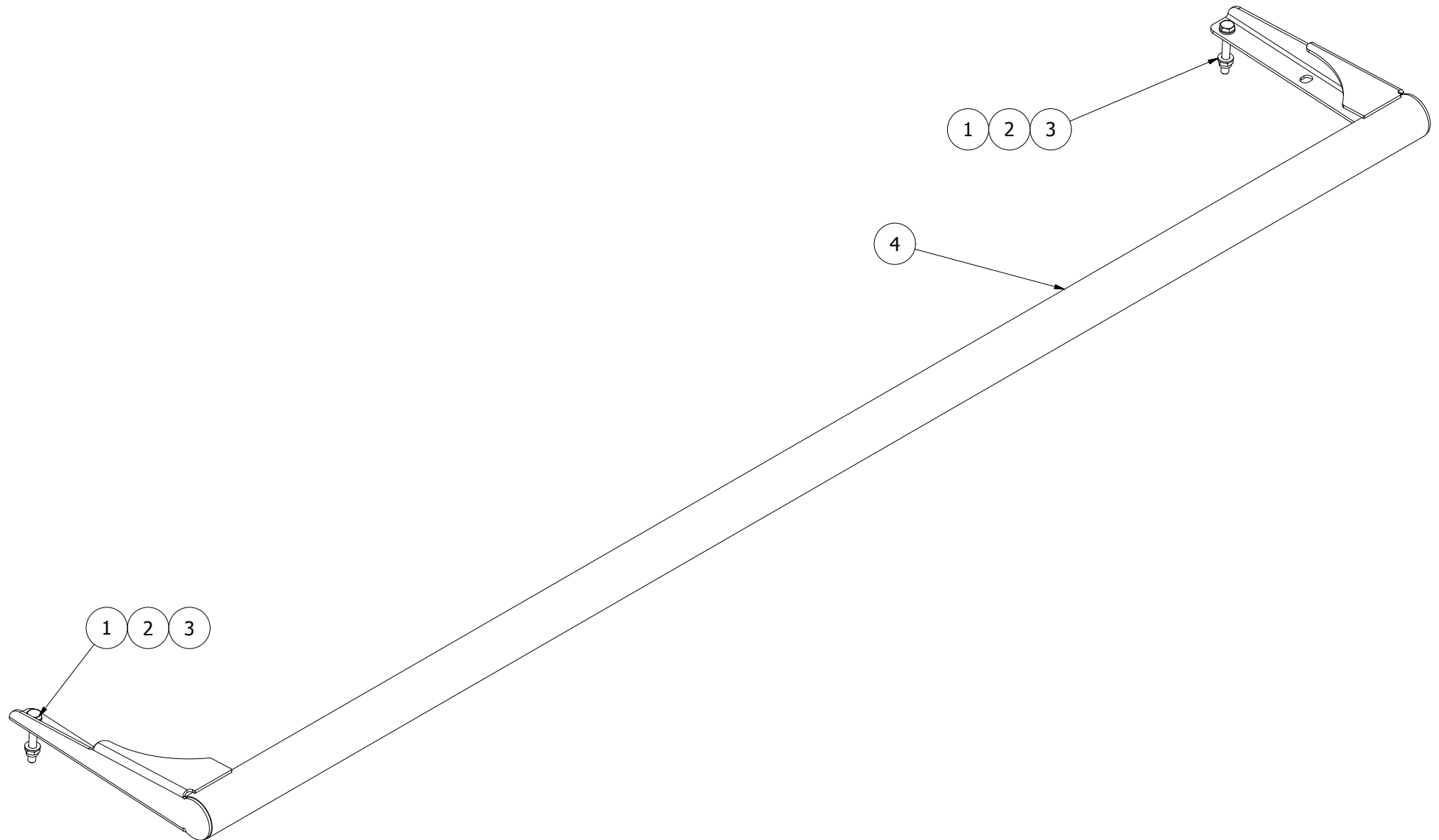
115082

Optional equipment

Zusatzausrüstung

Extra utrustning

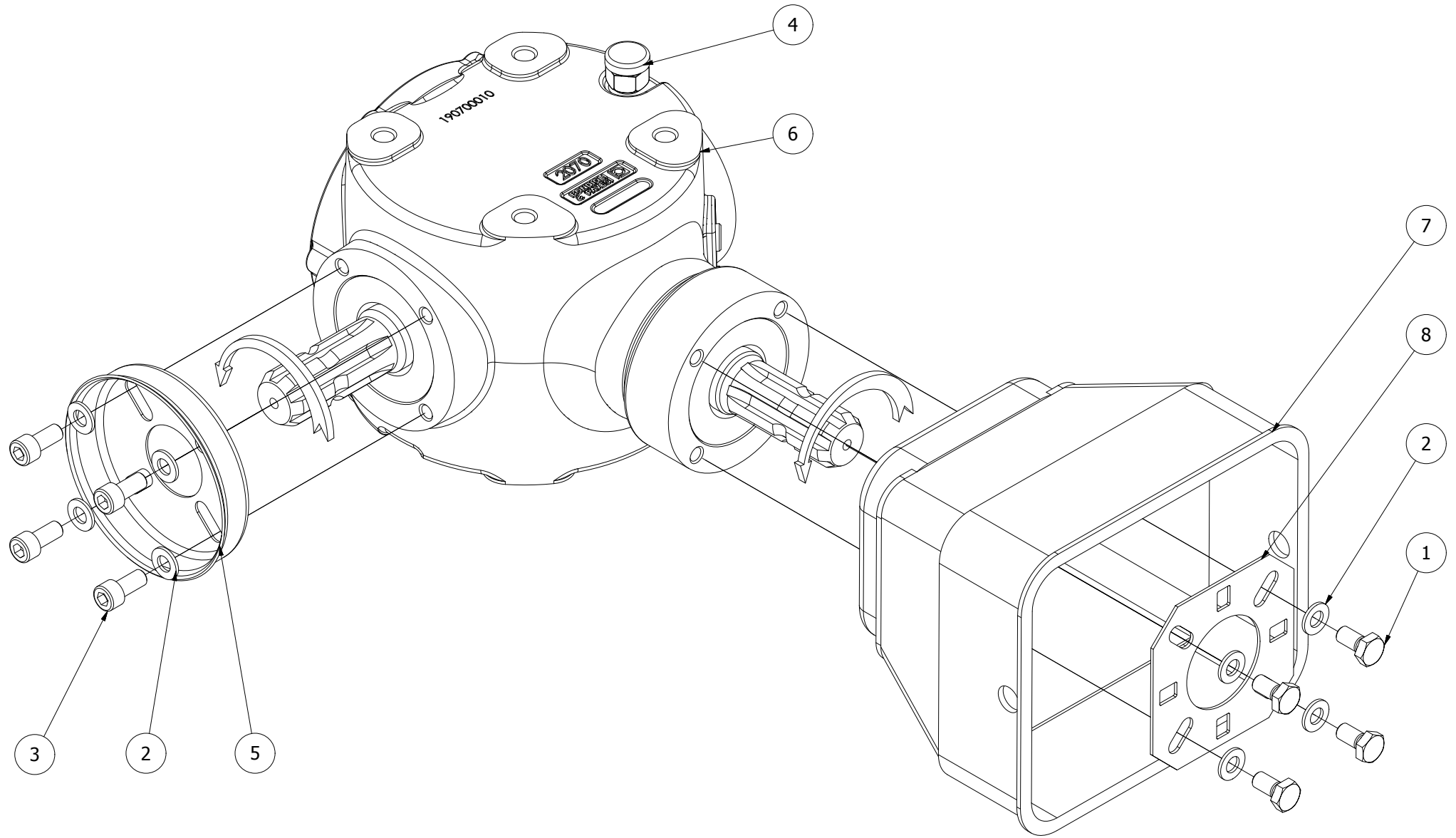
Lisävaruste



| 115082 | | | | | | | |
|--------|-----------|-------------|--------------|----------------|-----------------------|--------|-----|
| Pos | Name | Nahme | Benämning | Nimike | Specifikation | NO | Pcs |
| 1 | Screw | Schraube | 6-k Skruv dg | Kuusioruuvi | DIN 931 8.8 M10X70 ZN | 130170 | 2 |
| 2 | Nut | Muttern | Låsmutter | Lukitusmutteri | DIN 985-8 M10 ZN | 131580 | 2 |
| 3 | Washer | Scheibe | Bricka | Aluslaatta | DIN 125A M10/10.5 ZN | 131770 | 4 |
| 4 | Front bar | Vorne Bügel | Frontbåge | Etu puskuri | Arrow NM 2400 VC/VR | 506086 | 1 |

506127

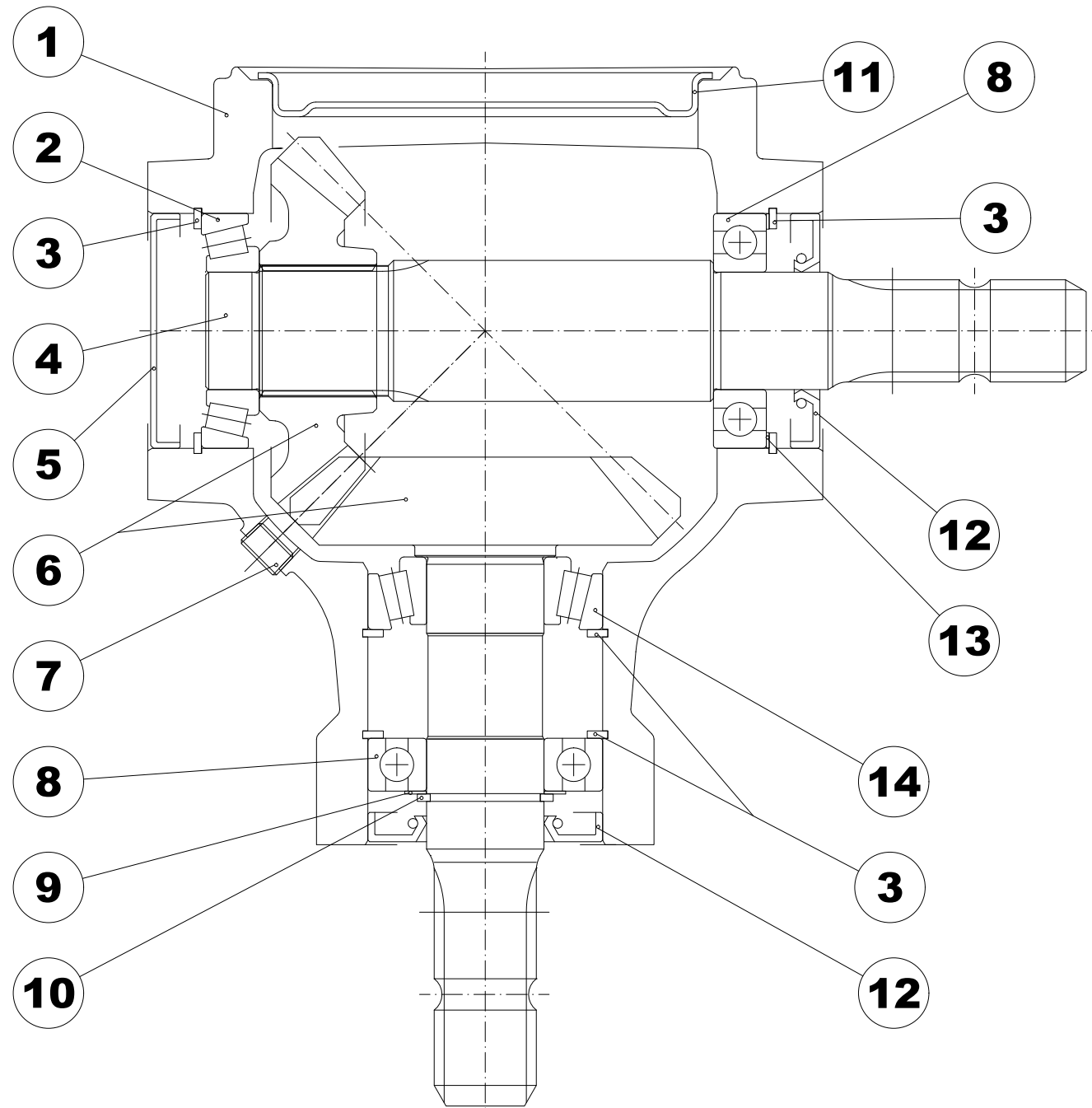
1000 rpm.



| 506127 | | | | | | | |
|--------|-----------------|----------------------|------------------------|------------------------|------------------------|--------|-----|
| Pos | Name | Nahme | Benämning | Nimike | Specifikation | NO | Pcs |
| 1 | Screw | Schraube | 6-K Skruv Hg | Kuusioruuvi | DIN 933 8.8 M10x20 Zn | 130840 | 4 |
| 2 | Washer | Scheibe | Bricka | Aluslaatta | DIN 125A M10/10.5 Zn | 131770 | 8 |
| 3 | Screw | Schraube | I-6 Skruv | 6-koloruuvi | DIN 912 12.9 Zn M10x22 | 135022 | 4 |
| 4 | Oil filler plug | Ölnachfullstopfen | Luftnippel med bakslag | Öljytulppa takaiskulla | 3/8 GAS | 143319 | 1 |
| 5 | Cover bracket | Befestigung | Skyddsfäste | Suojuksen kiinnike | 395011211R | 152091 | 1 |
| 6 | Gear box | Getriebe | Vinkelväxel | Kulmavaihde | S2070 100 F 101 1:1 | 153130 | 1 |
| 7 | Protection | Schutz | Skydd | Suoja | | 404545 | 1 |
| 8 | Mounting washer | Befestigung scheinbe | Monteringsbricka | Asennuslaatta | | 456191 | 1 |

153130

1000 rpm.



| 153130 | | | | | | | |
|--------|----------------|-----------------------|-------------------|----------------------|-------------------------------|--------|-----|
| Pos | Name | Nahme | Benämning | Nimike | Specifikation | NO | Pcs |
| 1 | Casing | Gehäuse | Växelhus | Kotelo | 290270018 | 153131 | 1 |
| 2 | Bearing | Lager | Rullager | Laakeri | 30308 | 140418 | 1 |
| 3 | Seeger ring | Sicherüంగring | Låsring För Hål | Varmistinrengas | DIN 472 80x2,5 | 132164 | 4 |
| 4 | Shaft | Welle | Axel | Akseli | 295034019 | 153135 | 1 |
| 5 | Cap | Schutz | Lock | Kansi | 372005000 | 153102 | 1 |
| 6 | Gear | Zahnrad | Kugghjulspär | Rataspari | 448100711 (1:1 1000 rpm) | 153136 | 1 |
| 7 | Plug | Propfen | Plugg | Tulppa | 3/8 GAS | 143321 | 4 |
| 8 | Bearing | Lager | Kullager | Laakeri | 6208 | 140280 | 2 |
| 9 | Shims kit | Ausgleichscheibe satz | Passbricka serie | Sovitelaatta sarja | 340E040000 (40,2x54,8x0,1-1) | 153152 | 1 |
| 10 | Seeger ring | Sicherüంగring | Låsring För Axel | Varmistinrengas | DIN 471 40x2,5 | 132115 | 1 |
| 11 | Cap | Schutz | Lock | Kansi | 298614500 | 153132 | 1 |
| 12 | Oil seal viton | Öl dichtung Viton | Axeltätning viton | Öljiitivistite viton | 40x80x10 | 528522 | 2 |
| 13 | Shims kit | Ausgleichscheibe satz | Passbricka serie | Sovitelaatta sarja | 340I08000 (69,3x79,7x0,1-0,8) | 153155 | 1 |
| 14 | Bearing | Lager | Rullager | Laakeri | 32208 | 140428 | 1 |