



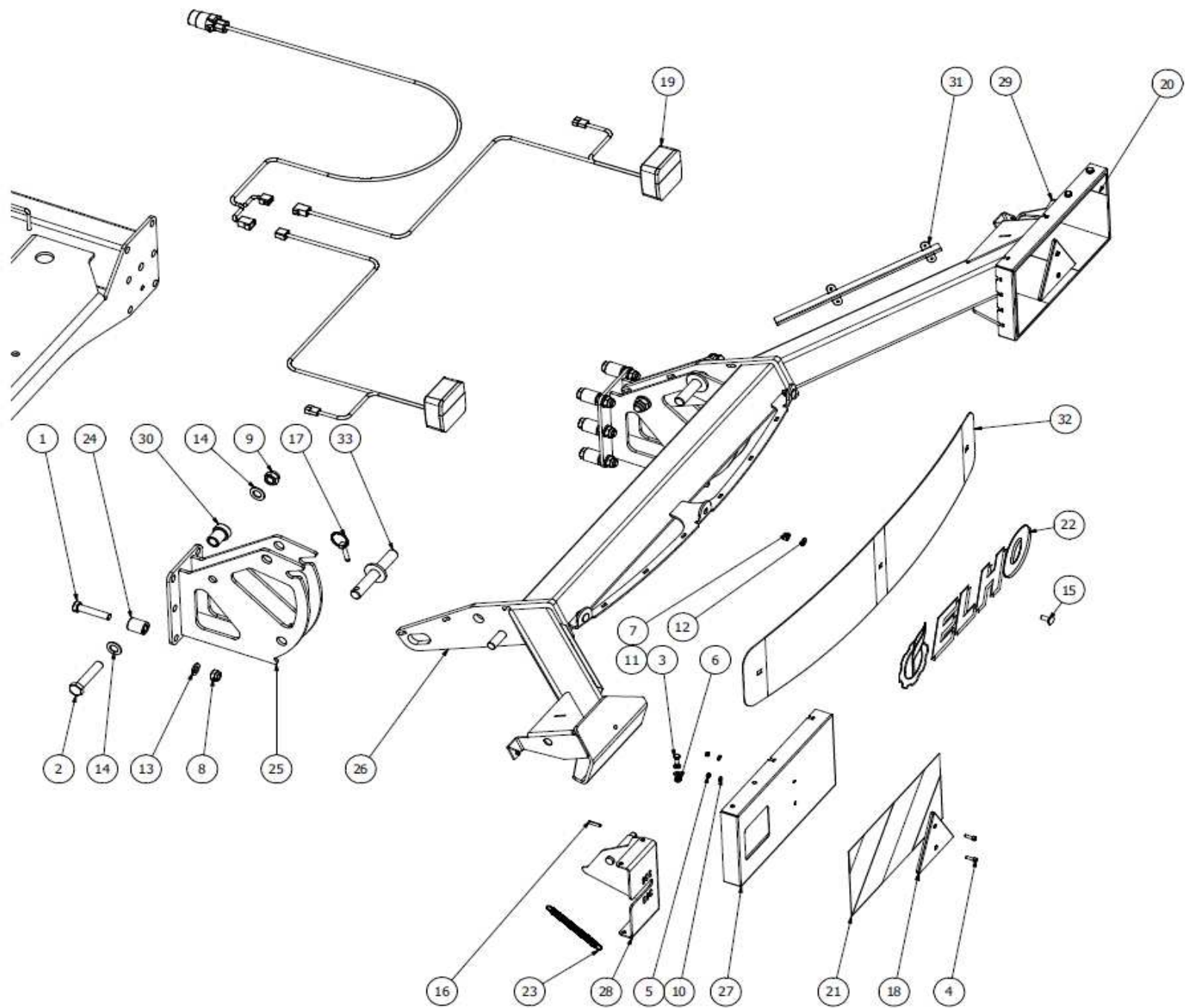
2013

Spare Parts/ Ersatzteile/ Reservdelar/ Varaosat  
Arrow 10500 Delta 10.1



**953030** GB/DE/SE/FI

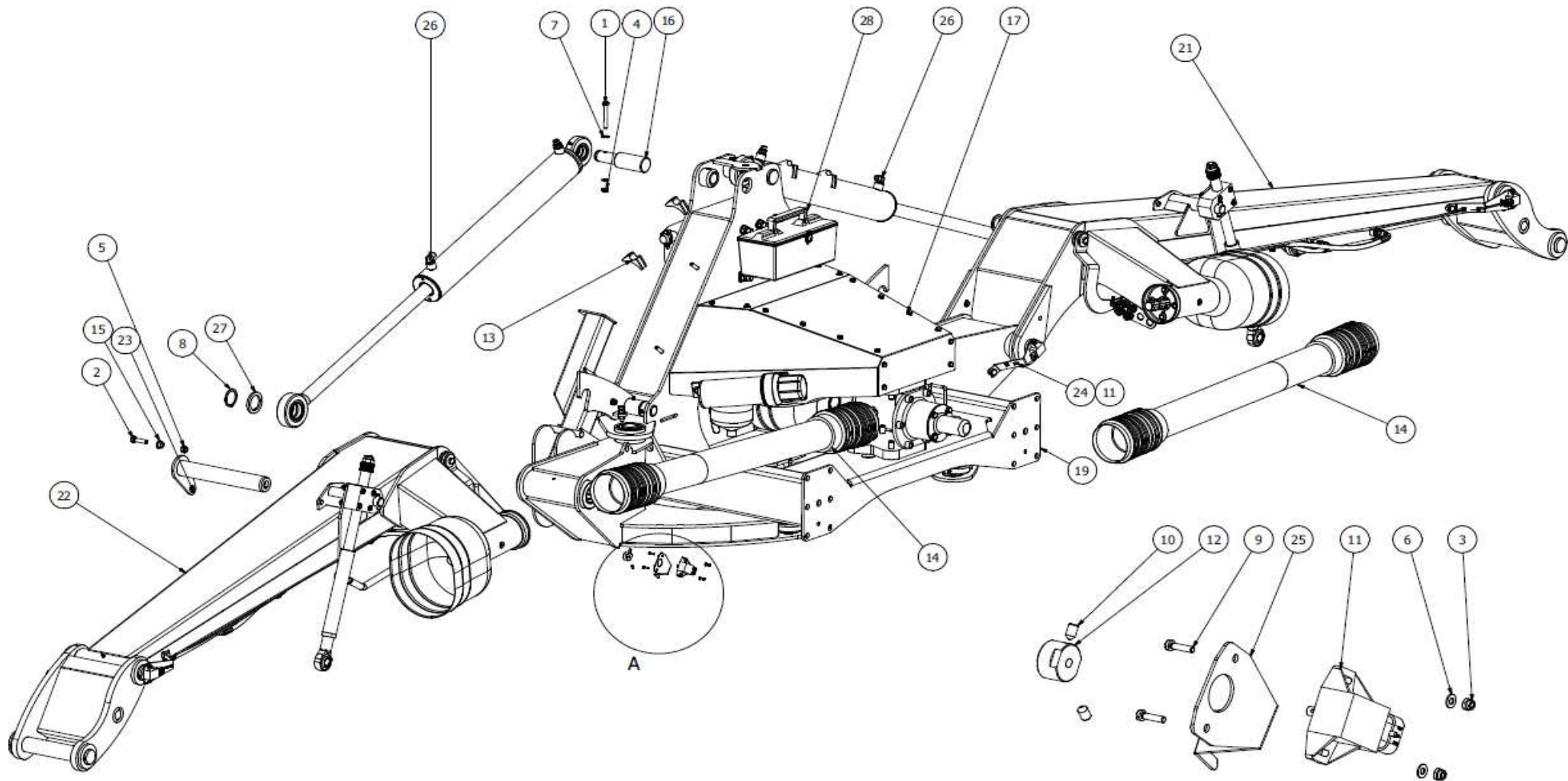
Oy **ELHO** ab  
Industrivägen 6  
68910 BENNÄS  
Finland  
[www.elho.fi](http://www.elho.fi)



559015

## 559015

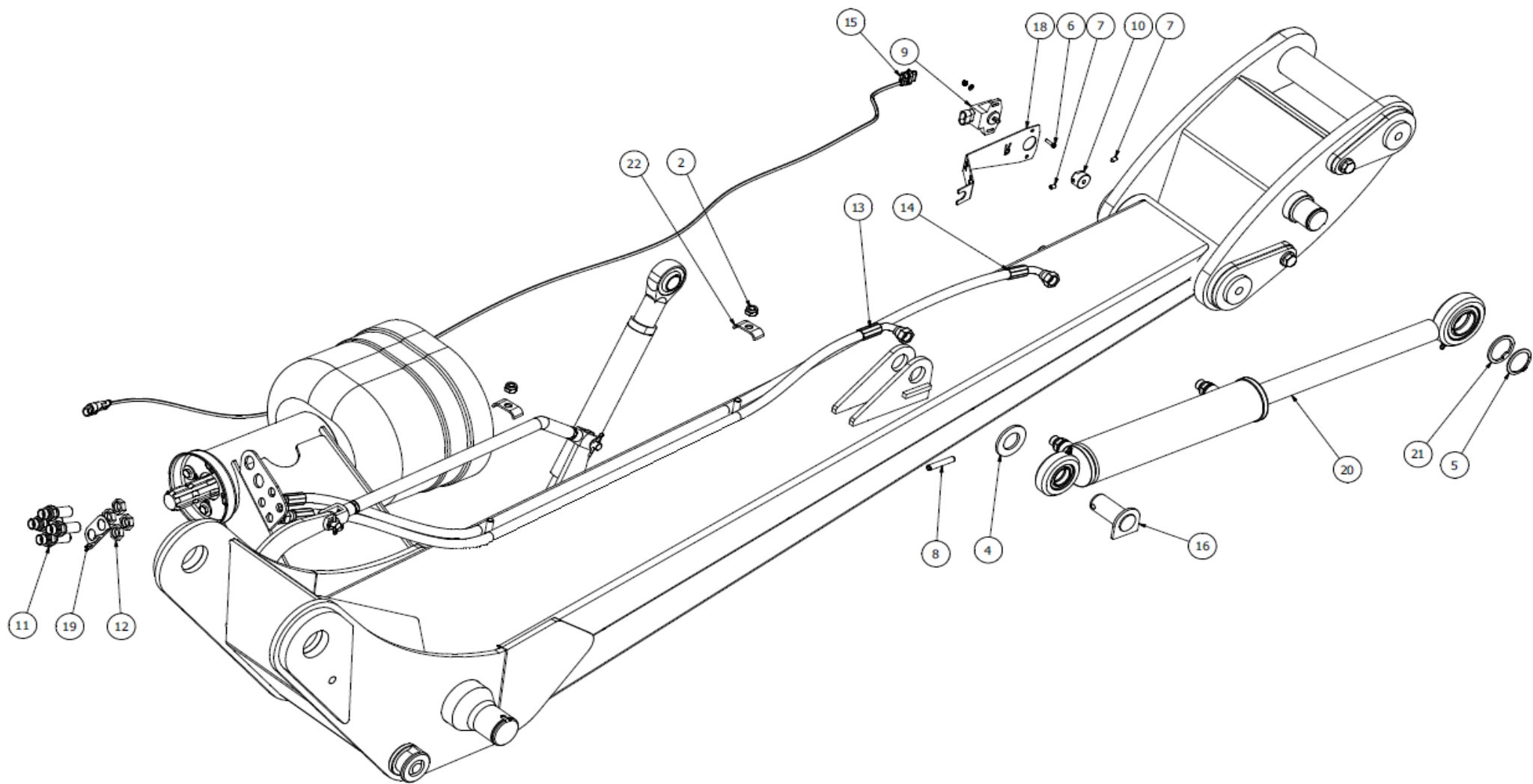
| Pos | Name                   | Nahme                      | Benämning               | Nimike              | Specifikation                  | NO     | Pcs |
|-----|------------------------|----------------------------|-------------------------|---------------------|--------------------------------|--------|-----|
| 1   | Screw                  | Schraube                   | 6-k Skruv dg            | Kuusioruuvi         | DIN 931 8.8 M16X80 ZN          | 130534 | 12  |
| 2   | Screw                  | Schraube                   | 6-k Skruv dg            | Kuusioruuvi         | DIN 931 8.8 M20X100 ZN         | 130575 | 2   |
| 3   | Screw                  | Schraube                   | 6-k Skruv hg            | Kuusioruuvi         | DIN 933 8.8 M8X20 ZN           | 130720 | 8   |
| 4   | Screw                  | Schraube                   | I-6 Skruv               | 6-koloruuvi         | DIN 912 8.8 M6X20 ZN           | 131292 | 4   |
| 5   | Nut                    | Muttern                    | Låsmutter               | Lukitusmutteri      | DIN 985-8 M6 ZN                | 131560 | 4   |
| 6   | Nut                    | Muttern                    | Låsmutter               | Lukitusmutteri      | DIN 985-8 M8 ZN                | 131570 | 8   |
| 7   | Nut                    | Muttern                    | Låsmutter               | Lukitusmutteri      | DIN 985-8 M10 ZN               | 131580 | 3   |
| 8   | Nut                    | Muttern                    | Låsmutter               | Lukitusmutteri      | DIN 985-8 M16 ZN               | 131630 | 12  |
| 9   | Nut                    | Muttern                    | Låsmutter               | Lukitusmutteri      | DIN 985-8 M20 ZN               | 131635 | 2   |
| 10  | Washer                 | Scheibe                    | Bricka                  | Aluslaatta          | DIN 125A M 6/6.4 ZN            | 131730 | 4   |
| 11  | Washer                 | Scheibe                    | Bricka                  | Aluslaatta          | DIN 125A M8/8.4 ZN             | 131750 | 16  |
| 12  | Washer                 | Scheibe                    | Bricka                  | Aluslaatta          | DIN 125A M10/10.5 ZN           | 131770 | 3   |
| 13  | Washer                 | Scheibe                    | Bricka                  | Aluslaatta          | DIN 125A M16/17 ZN             | 131810 | 12  |
| 14  | Washer                 | Scheibe                    | Bricka                  | Aluslaatta          | DIN 125A M20/21 ZN             | 131830 | 4   |
| 15  | Cup bolts              | Flachrundschrabe           | Låsskruv                | Lukkoruuvi          | DIN 603/555 8.8 M10X25 (3-4)ZN | 132709 | 3   |
| 16  | Spring pin             | Spannhülsen                | Rörsprint               | Jousisokka          | DIN 1481 6x30 ZN               | 132823 | 2   |
| 17  | Linch pin              | Klappstecker               | Ringsprint              | Rengassokka         | DIN 11023 10 mm                | 133366 | 2   |
| 18  | Triangle reflectors    | Dreieckiger rückstrahler   | Reflex triangel         | Hejastinkolmio      |                                | 142620 | 2   |
| 19  | Lightning kit          | Beleuchtungssatz           | Belysningsserie std     | Valosarja           | Maskiner                       | 142660 | 1   |
| 20  | Refletting panel left  | Rückreflektorstafel links  | Rödvit reflxtape        | Hejastintarra vasen | 423x211 vänster                | 149139 | 1   |
| 21  | Refletting panel right | Rückreflektorstafel rechts | Rödvit reflxtape        | Hejastintarra oikea | 423x211 höger                  | 149141 | 1   |
| 22  | Sticker                | Kleber                     | Dekal                   | Tarra               | Elho Logo H=155                | 149555 | 1   |
| 23  | Spring                 | Feder                      | Fjäder                  | Jousi               | d=2.0, Dm=13, Lo=110           | 307063 | 1   |
| 24  | Distans                | Distanz                    | Spännardistans          | Väliputki           | Ø 16.5x25 L=40                 | 544525 | 12  |
| 25  | Jacksupport            | Stutzfuss Befästigung      | Stödfotsfäste           | Tukijalan kiinnike  |                                | 559453 | 2   |
| 26  | Jack                   | Stutzfuss                  | Stödfot bakre           | Tukijalka           |                                | 559457 | 1   |
| 27  | Lightbracket           | Beleuchtung Halter         | Belysningsfäste plåt    | Valokiinnike        |                                | 559465 | 2   |
| 28  | Lightbracket left      | Beleuchtung Halter links   | Belysningsfäste vänster | Valokiinnike vasen  |                                | 559469 | 1   |
| 29  | Lightbracket right     | Beleuchtung Halter Recht   | Belysningsfäste höger   | Valokiinnike oikea  |                                | 559471 | 1   |
| 30  | Spacer                 | Distantz                   | Distansholk             | Väliholkki          |                                | 559472 | 2   |
| 31  | Cable list             | Kabelbinder halter         | Kabellist               | Johdon pidike       |                                | 559474 | 2   |
| 32  | Sticker plate          | Aufkleber platte           | Dekalplåt               | Tarran pelti        |                                | 559475 | 1   |
| 33  | Pin                    | Zapfen                     | Tapp                    | Tappi               |                                | 563601 | 2   |



559200

## 559200

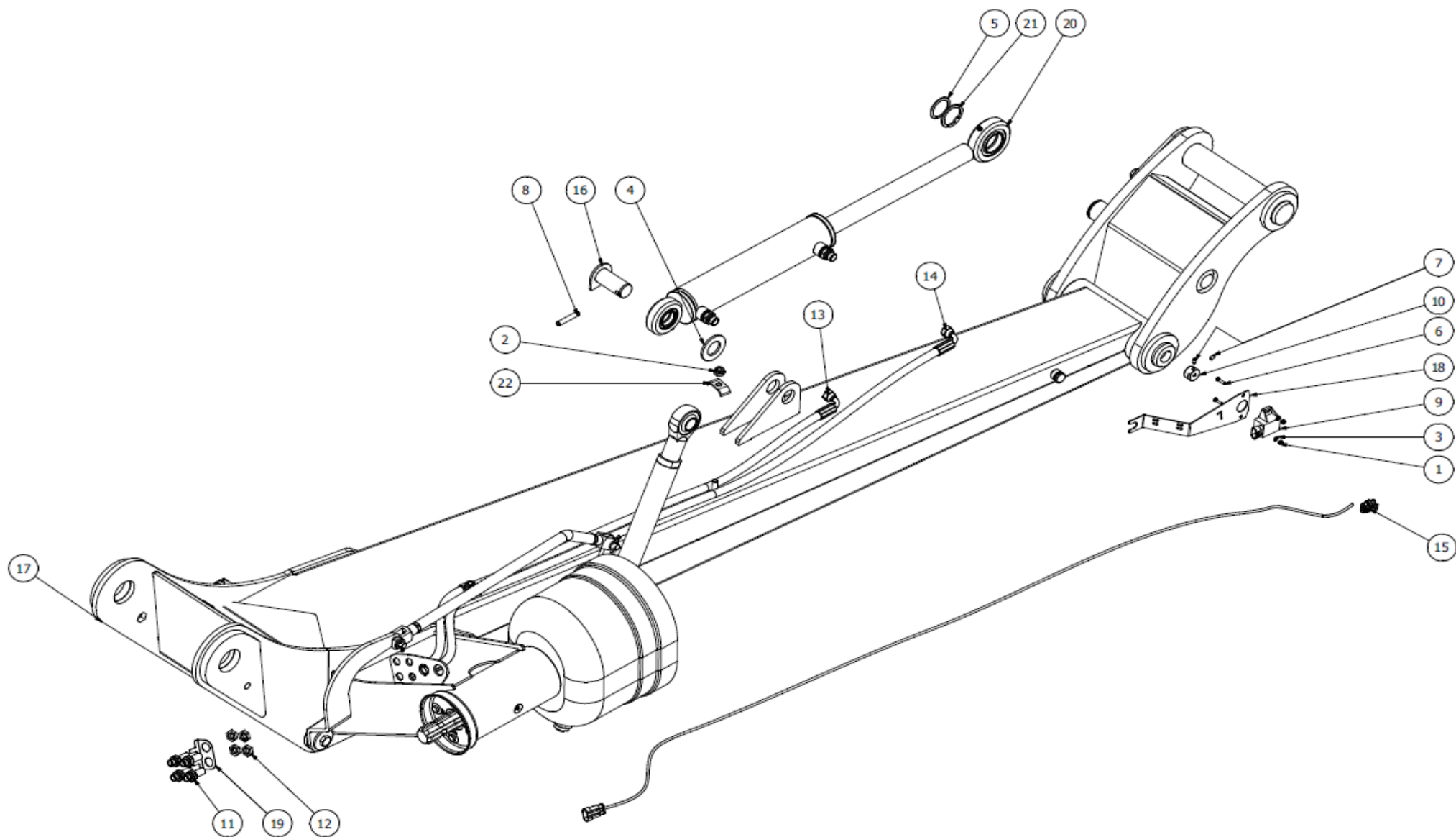
| Pos | Name                | Nahme                 | Benämning                    | Nimike                  | Specifikation            | NO     | Pcs |
|-----|---------------------|-----------------------|------------------------------|-------------------------|--------------------------|--------|-----|
| 1   | Screw               | Schraube              | 6-k Skruv dg                 | Kuusioruuvi             | DIN 931 8.8 M10X80 ZN    | 130190 | 2   |
| 2   | Screw               | Schraube              | 6-k Skruv hg                 | Kuusioruuvi             | DIN 933 8.8 M12X45 ZN    | 131005 | 2   |
| 3   | Nut                 | Muttern               | Låsmutter                    | Lukitusmutteri          | DIN 985-8 M4 ZN          | 131540 | 4   |
| 4   | Nut                 | Muttern               | Låsmutter                    | Lukitusmutteri          | DIN 985-8 M10 ZN         | 131580 | 2   |
| 5   | Nut                 | Muttern               | Låsmutter                    | Lukitusmutteri          | DIN 985-8 M12 ZN         | 131600 | 2   |
| 6   | Washer              | Scheibe               | Bricka                       | Aluslaatta              | DIN 125A M4/4,3 ZN       | 131708 | 4   |
| 7   | Washer              | Scheibe               | Bricka                       | Aluslaatta              | DIN 125A M10/10.5 ZN     | 131770 | 4   |
| 8   | Seeger ring         | Sicherüingring        | Låsring för axel             | Varmistinrengas         | DIN 471 50X2             | 132130 | 2   |
| 9   | Screw               | Schraube              | Spårskruv                    | Uraruuvi                | DIN 84 4.8 M4x16         | 132446 | 4   |
| 10  | Socket set screw    | Gewindestifte         | Låsskruv, insex              | Pidätinruuvi            | DIN 914 45H M6X10        | 132505 | 4   |
| 11  | Angle sensor        | Winkelsensor          | Vinkelsensor 120 degree      | Kulma-anturi            | Elobau 424A11A120        | 142149 | 2   |
| 12  | Sleeve              | Sensorhülse           | Vinkelsensor ställholk       | Kulma-anturi holkki     |                          | 142154 | 2   |
| 13  | Hose bracket        | Befestigung           | Slangstöd vid cylinder       | Letkun kiinnike         | Slang Ø20 CylØ90-110     | 147240 | 4   |
| 14  | Pto shaft           | Gelenkwelle           | Kraftöverföringsaxel bondiol | Nivelakseli             | Bondioli DS6S066FX014001 | 152079 | 2   |
| 15  | Spacer              | Distantz              | Distans                      | Väliholkki              | 12x8                     | 534333 | 2   |
| 16  | Pin                 | Zapfen                | Tapp                         | Tappi                   | D=35 L=182               | 534343 | 2   |
| 17  | Cover assy          | Schutz                | Skyddskåpa sammanställnir    | Suoja kokoonpano        |                          | 559099 | 1   |
| 18  | Hydraulicsassembly  | hydraulischen Montage | Hydraulikmontering           | Hydrauliletkujen asenus | Arrow10500 Delta NK/NM   | 559107 | 1   |
| 19  | Frame subassemblies | Rahmen Baugrupp       | 3p ram förmontering2         | Osakokoonpano           |                          | 559132 | 1   |
| 20  | Electric assy       | Elektromontage        | El-montering mittdel         | Sähkö kytkentä          |                          | 559134 | 1   |
| 21  | Arm right assy      | Arm rechts Montage    | Bom höger delmontering 2     | Oikea puomi kokoonpano  |                          | 559178 | 1   |
| 22  | Arm left assy       | Arm links Montage     | Bom vänster delmontering2    | Vasen puomi kokoonpano  |                          | 559179 | 1   |
| 23  | Pin                 | Zapfen                | Ledaxel                      | Tappi                   | D50 L=318                | 559194 | 2   |
| 24  | Sensor mount r      | Sensorhalter R        | Sensorfäste r                | Anturi kiinnitys r      |                          | 559196 | 1   |
| 25  | Sensor mount l      | Sensorhalter L        | Sensorfäste l                | Anturi kiinnitys l      |                          | 559202 | 1   |
| 26  | Cylinder assy       | Cylinder Baugrupp     | Cylinder förmontering        | Sylinterin kokoonpano   |                          | 559274 | 2   |
| 27  | Washer              | Scheibe               | Kilspårsbricka               | Aluslaatta              | D=50                     | 559300 | 2   |
| 28  | Tool box            | Werkzeugkasten        | Verktygslåda med verktyg     | Työkalulaatikko         |                          | 559479 | 1   |
| 29  | Sticker kit         | Auskleber satz        | Dekalserie                   | Tarra sarja             |                          | 559207 | 1   |



559178

## 559178

| Pos | Name             | Nahme                | Benämning               | Nimike                 | Specifikation        | NO     | Pcs |
|-----|------------------|----------------------|-------------------------|------------------------|----------------------|--------|-----|
| 1   | Nut              | Muttern              | Låsmutter               | Lukitusmutteri         | DIN 985-8 M4 ZN      | 131540 | 2   |
| 2   | Nut              | Muttern              | Låsmutter               | Lukitusmutteri         | DIN 985-8 M10 ZN     | 131580 | 2   |
| 3   | Washer           | Scheibe              | Bricka                  | Aluslaatta             | DIN 125A M4/4,3 ZN   | 131708 | 2   |
| 4   | Washer           | Scheibe              | Bricka                  | Aluslaatta             | DIN 125A M30/31 ZN   | 131870 | 1   |
| 5   | Seeger ring      | Sicherüingring       | Låsring för axel        | Varmistinrengas        | DIN 471 40X1,75      | 132110 | 1   |
| 6   | Screw            | Schraube             | Spårskruv               | Uraruuvi               | DIN 84 4.8 M4x16     | 132446 | 2   |
| 7   | Socket set screw | Gewindestifte        | Låsskruv, insex         | Pidätinruuvi           | DIN 914 45H M6X10    | 132505 | 2   |
| 8   | Spring pin       | Spannhülsen          | Rörsprint               | Jousisokka             | DIN 1481 8x50 ZN     | 132828 | 1   |
| 9   | Angle sensor     | Winkelsensor         | Vinkelsensor 120 degree | Kulma-anturi           | Elobau 424A11A120    | 142149 | 1   |
| 10  | Sleeve           | Sensorhülse          | Vinkelsensor ställholk  | Kulma-anturi holkki    |                      | 142154 | 1   |
| 11  | Bulkhead adaptor | Doppelnippel         | Dubbelnippa, lång       | Kuristusnipa           | 3/8"-3/8" 04000-06EP | 143107 | 4   |
| 12  | Nut for bulkhead | Muttern              | Kontermutter            | Kontramutteri          | 1270-06              | 143111 | 4   |
| 13  | Hydraulic hose   | Hydraulik Schlauch   | Hydraulslang            | Hydrauliikkaletku      | 1/4" L=1400          | 145042 | 1   |
| 14  | Hydraulic hose   | Hydraulik slauch     | Hydraulslang            | Hydrauliletku          | 1/4" L=1700          | 145341 | 1   |
| 15  | Cable            | Kabeln               | Skarvkabel              | Jatkojohto             | 10500 Vinkel Arm     | 148083 | 1   |
| 16  | Pin              | Zapfen               | Cylindertapp            | Tappi                  | D=30 L=57            | 553352 | 1   |
| 17  | Arm right assy   | Arm rechts Montage   | Bom höger delmontering  | Oikea puomi kokoonpano |                      | 559170 | 1   |
| 18  | Sensor mount r   | Sensorhalter R       | Sensorfäste höger       | Anturi kiinnitys r     |                      | 559203 | 1   |
| 19  | Cable mount      | Befestigung          | Fäste för stifthus      | Kaapelin kiinnike      |                      | 559206 | 1   |
| 20  | Cylinder assy    | Cylinder Baugrupp    | Cylinder förmontering   | Sylinterin kokoonpano  |                      | 559273 | 1   |
| 21  | Washer           | Scheibe              | Kilspårsbricka          | Aluslaatta             | 40x50                | 565253 | 1   |
| 22  | Hose clamp       | Schlauch befestigung | Slanghållare            | Letkunpidike           | 2x1/4"               | 806350 | 2   |

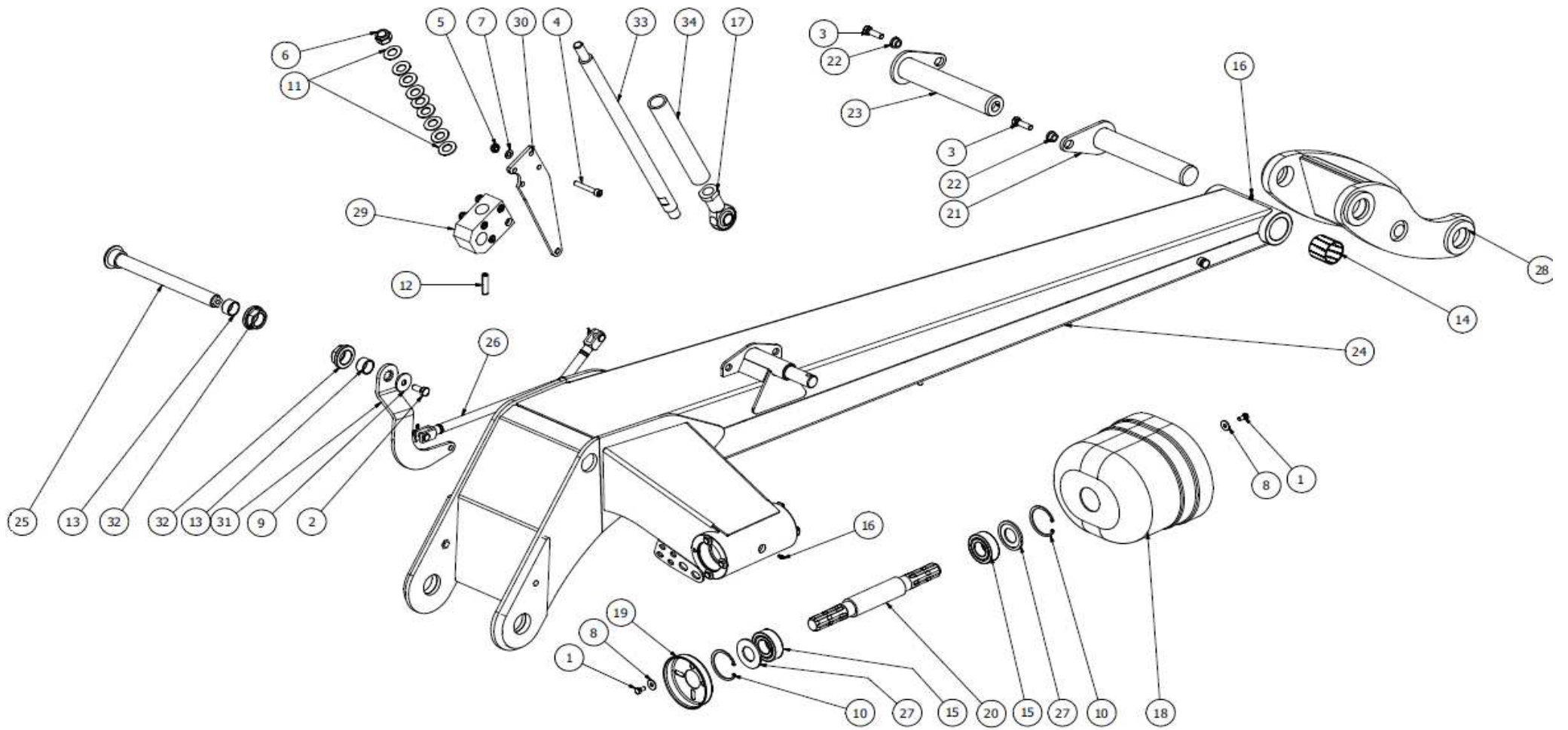


559179



## 559179

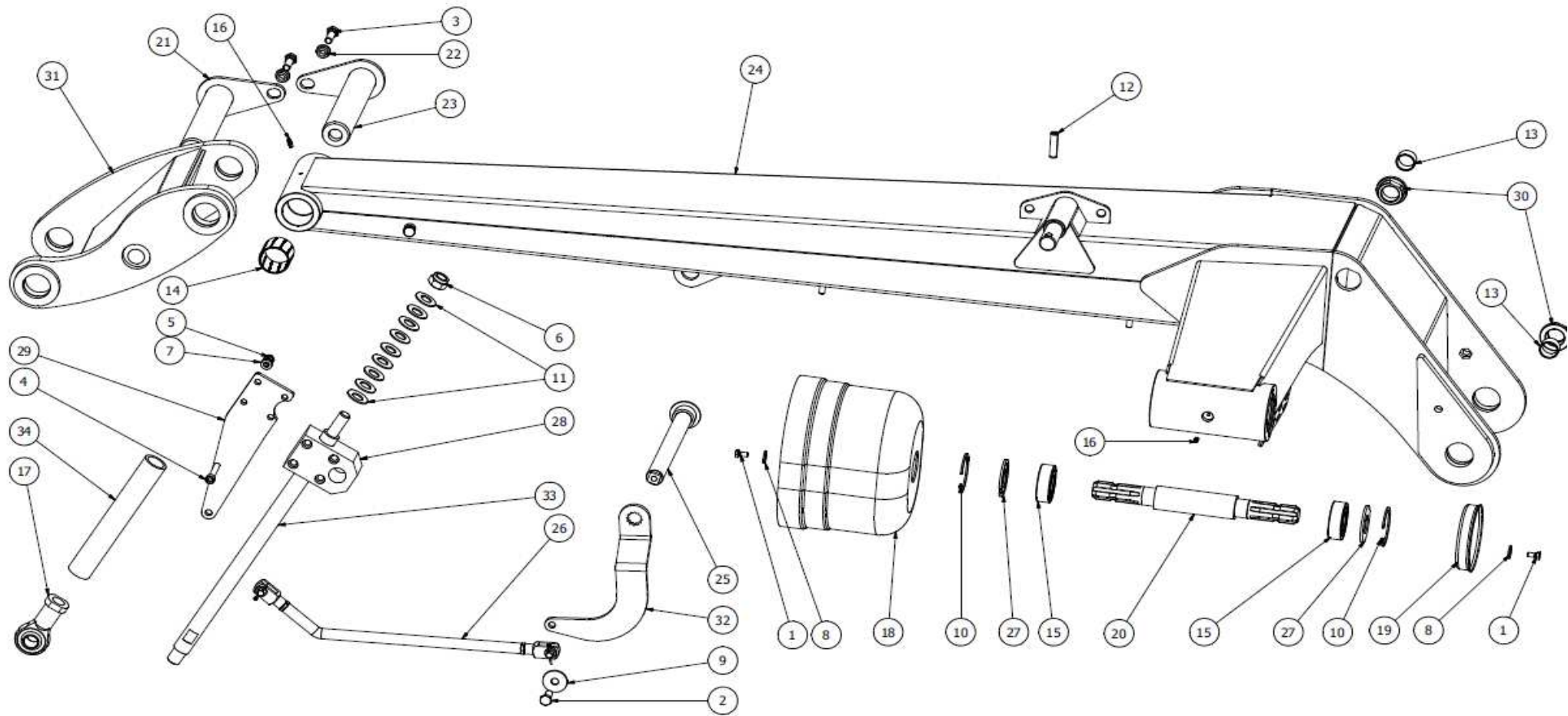
| Pos | Name             | Nahme                | Benämning                | Nimike                 | Specifikation        | NO     | Pcs |
|-----|------------------|----------------------|--------------------------|------------------------|----------------------|--------|-----|
| 1   | Nut              | Muttern              | Låsmutter                | Lukitusmutteri         | DIN 985-8 M4 ZN      | 131540 | 2   |
| 2   | Nut              | Muttern              | Låsmutter                | Lukitusmutteri         | DIN 985-8 M10 ZN     | 131580 | 2   |
| 3   | Washer           | Scheibe              | Bricka                   | Aluslaatta             | DIN 125A M4/4,3 ZN   | 131708 | 2   |
| 4   | Washer           | Scheibe              | Bricka                   | Aluslaatta             | DIN 125A M30/31 ZN   | 131870 | 1   |
| 5   | Seeger ring      | Sicherüingring       | Låsring för axel         | Varmistinrengas        | DIN 471 40X1,75      | 132110 | 1   |
| 6   | Screw            | Schraube             | Spårskruv                | Uraruuvi               | DIN 84 4.8 M4x16     | 132446 | 2   |
| 7   | Socket set screw | Gewindestifte        | Låsskruv, insex          | Pidätinruuvi           | DIN 914 45H M6X10    | 132505 | 2   |
| 8   | Spring pin       | Spannhülsen          | Rörsprint                | Jousisokka             | DIN 1481 8x50 ZN     | 132828 | 1   |
| 9   | Angle sensor     | Winkelsensor         | Vinkelsensor 120 degree  | Kulma-anturi           | Elobau 424A11A120    | 142149 | 1   |
| 10  | Sleeve           | Sensorhülse          | Vinkelsensor ställholk   | Kulma-anturi holkki    |                      | 142154 | 1   |
| 11  | Bulkhead adaptor | Doppelnippel         | Dubbelnippa, lång        | Kuristusnipa           | 1/4"-1/4" 04000-04EP | 143109 | 4   |
| 12  | Nut for bulkhead | Muttern              | Kontermutter             | Kontramutteri          | 1270-04              | 143112 | 4   |
| 13  | Hydraulic hose   | Hydraulik Schlauch   | Hydraulslang             | Hydrauliikkaletku      | 1/4" L=1400          | 145042 | 1   |
| 14  | Hydraulic hose   | Hydraulik slauch     | Hydraulslang             | Hydrauliletku          | 1/4" L=1700          | 145341 | 1   |
| 15  | Cable            | Kabeln               | Skarvkabel               | Jatkojohto             | 10500 Vinkel Arm     | 148083 | 1   |
| 16  | Pin              | Zapfen               | Cylindertapp             | Tappi                  | D=30 L=57            | 553352 | 1   |
| 17  | Arm left assy    | Arm links Montage    | Bom vänster delmontering | Vasen puomi kokoonpano |                      | 559177 | 1   |
| 18  | Sensor mount I   | Sensorhalter L       | Sensorfäste vänster      | Anturi kiinnitys I     |                      | 559204 | 1   |
| 19  | Cable mount      | Befestigung          | Fäste för stifthus       | Kaapelin kiinnike      |                      | 559206 | 1   |
| 20  | Cylinder assy    | Cylinder Baugrupp    | Cylinder förmontering    | Sylinterin kokoonpano  |                      | 559273 | 1   |
| 21  | Washer           | Scheibe              | Kilspårsbricka           | Aluslaatta             | 40x50                | 565253 | 1   |
| 22  | Hose clamp       | Schlauch befestigung | Slanghållare             | Letkunpidike           | 2x1/4"               | 806350 | 2   |



559170

## 559170

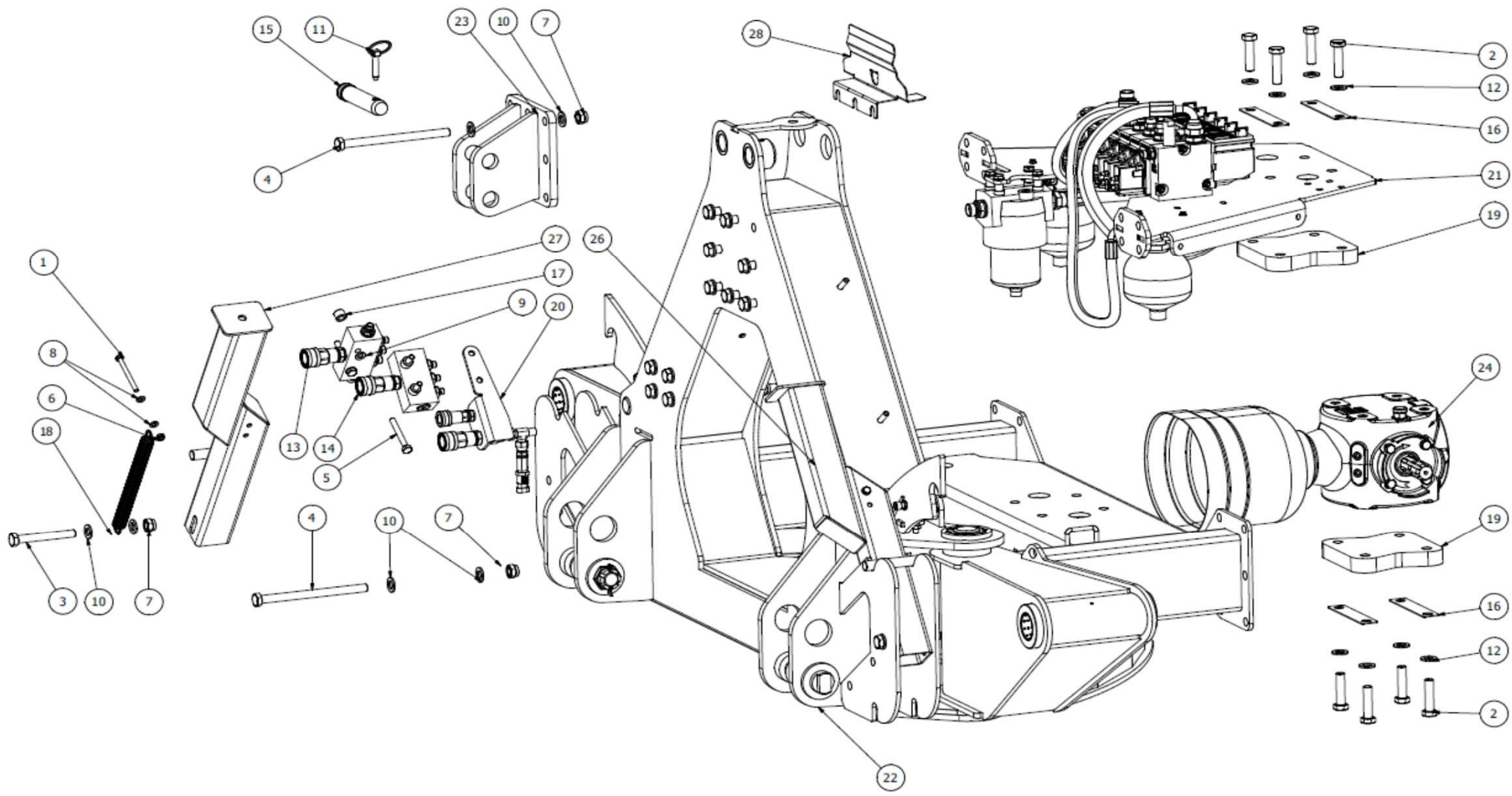
| Pos | Name           | Nahme            | Benämning                 | Nimike               | Specifikation                  | NO     | Pcs |
|-----|----------------|------------------|---------------------------|----------------------|--------------------------------|--------|-----|
| 1   | Screw          | Schraube         | 6-k Skruv hg              | Kuusioruuvi          | DIN 933 8.8 M8X16 ZN           | 130700 | 8   |
| 2   | Screw          | Schraube         | 6-k Skruv hg              | Kuusioruuvi          | DIN 933 8.8 M12X30 ZNC         | 130971 | 1   |
| 3   | Screw          | Schraube         | 6-k Skruv hg              | Kuusioruuvi          | DIN 933 8.8 M12X40 ZN          | 131000 | 2   |
| 4   | Screw          | Schraube         | I-6 Skruv                 | 6-koloruuvi          | DIN 912 10.9 M10X65            | 131345 | 4   |
| 5   | Nut            | Muttern          | Låsmutter                 | Lukitusmutteri       | DIN 985-8 M10 ZN               | 131580 | 4   |
| 6   | Nut            | Muttern          | Låsmutter Metall          | Metalli lukkomutteri | DIN 980 V M20 ZN fin           | 131641 | 1   |
| 7   | Washer         | Scheibe          | Bricka                    | Aluslaatta           | DIN 125A M10/10.5 ZN           | 131770 | 4   |
| 8   | Washer         | Scheibe          | Karosseribricka           | Korialuslevy         | DIN 9021 8/8.4X24X2 ZN         | 131910 | 8   |
| 9   | Washer         | Scheibe          | Karosseribricka           | Korialuslevy         | Ø21,5/42x3                     | 131979 | 1   |
| 10  | Seeger ring    | Sicherüingring   | Låsring för hål           | Varmistinrengas      | DIN 472 72X2,5                 | 132160 | 2   |
| 11  | Spring washer  | Feder scheibe    | Tallriksfjäder            | Lautasjousi          | DIN 2093A 40,0/20,4X2,25 N6540 | 132180 | 9   |
| 12  | Spring pin     | Spannhülsen      | Rörsprint                 | Jousisokka           | DIN 1481 12X50 ZN              | 132885 | 1   |
| 13  | Plain bearing  | Gleitlager       | Glidlager                 | Liukulaakeri         | Ø 30/34 L=20                   | 140034 | 2   |
| 14  | Bearing        | Gleitlager       | Glidlager                 | Liukulaakeri         | Ø 50/55 L=50 COB092            | 140071 | 2   |
| 15  | Bearing        | Lager            | Rullager                  | Laakeri              | 22207 E                        | 140397 | 2   |
| 16  | Grease nipple  | Smiernippel      | Smörjnippa                | Voitelunippa         | M6x1                           | 140950 | 2   |
| 17  | Ball joint end | Gelenkkopf       | Kulled                    | Nivelpää             | SIBP25S                        | 146265 | 1   |
| 18  | Cover          | Schutz           | Skyddskona bondioli 41704 | Suojaus              |                                | 152000 | 1   |
| 19  | Cover bracket  | Befestigung      | Skyddsfäste bondioli      | Suojuksen kiinnike   | 395011211R                     | 152091 | 1   |
| 20  | Drive shaft    | Welle            | Drivaxel                  | Vetoakseli           |                                | 534139 | 1   |
| 21  | Pin            | Zapfen           | Bomtapp                   | Tappi                |                                | 534325 | 1   |
| 22  | Spacer         | Distantz         | Distans                   | Väliholkki           | 12x8                           | 534333 | 2   |
| 23  | Pin            | Zapfen           | Bomtapp                   | Tappi                | med sensorinfästning           | 534337 | 1   |
| 24  | Arm right      | Arm rechts       | Bom höger                 | Puomi oikea          |                                | 559140 | 1   |
| 25  | Pun            | Zapfe            | Ledaxel för transportlås  | Kuljetuslukon akseli |                                | 559171 | 1   |
| 26  | Reaction rods  | Reaktion Stangen | Reaktions stag            | Reaktiotanko         | för transportlås               | 559174 | 1   |
| 27  | Cover wascher  | Platte           | Täckbricka vil rullager   | Suojalevy            | 72/35 S=4                      | 559176 | 2   |
| 28  | Linkarm        | Gelenkarm        | Länkarm höger             | Nivelvarsi           |                                | 559180 | 1   |
| 29  | Slide block    | Gleitblock       | Begränsarslede            | Liukukappale         |                                | 559190 | 1   |
| 30  | Bracket        | Befestigung      | Hävarmsplåt               | Kiinnike             |                                | 559191 | 1   |
| 31  | Bracket        | Befestigung      | Hävarmsplåt               | Kiinnike             |                                | 559192 | 1   |
| 32  | Sleeve         | Hule             | Ledhylsa                  | Hylsy                |                                | 559193 | 2   |
| 33  | Limitter       | Limitter         | Begränsarstång            | Rajoitintanko        |                                | 559272 | 1   |
| 34  | Limitter pipe  | Begrenzer rohr   | Begränsar rör             | Rajoitinputki        |                                | 559317 | 1   |



559177

## 559177

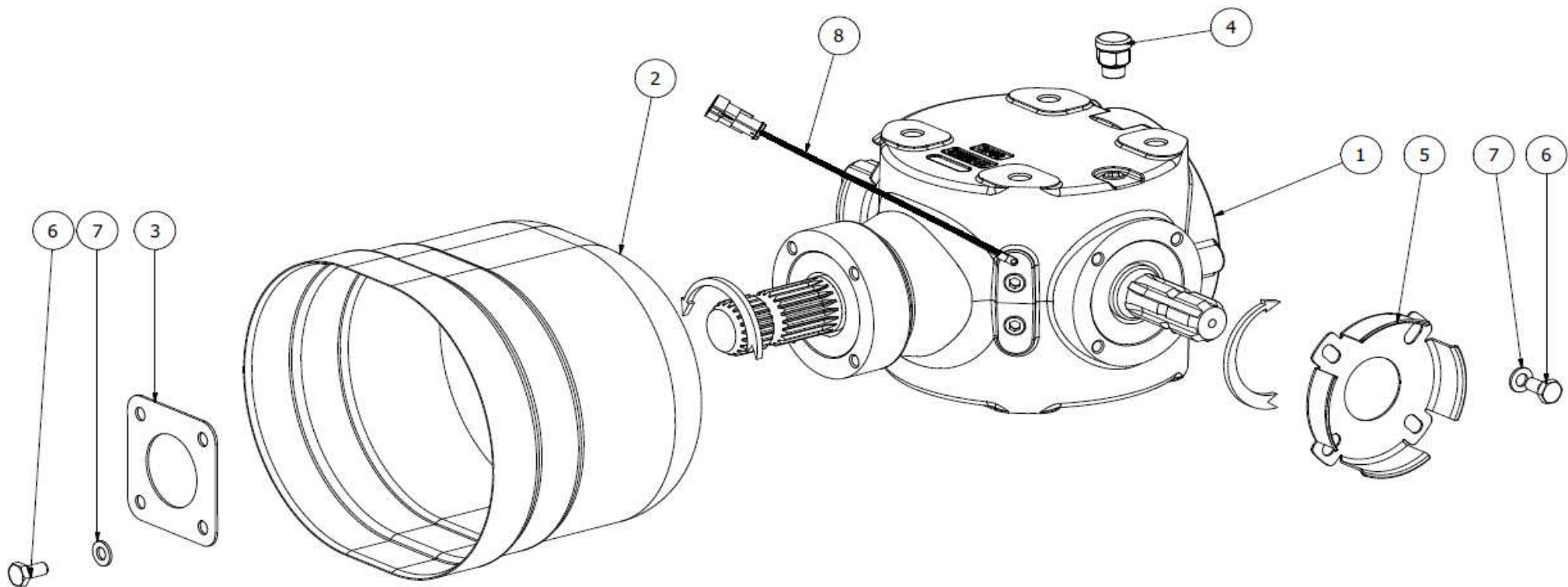
| Pos | Name           | Nahme            | Benämning                 | Nimike               | Specifikation                  | NO     | Pcs |
|-----|----------------|------------------|---------------------------|----------------------|--------------------------------|--------|-----|
| 1   | Screw          | Schraube         | 6-k Skruv hg              | Kuusioruuvi          | DIN 933 8.8 M8X16 ZN           | 130700 | 8   |
| 2   | Screw          | Schraube         | 6-k Skruv hg              | Kuusioruuvi          | DIN 933 8.8 M12X30 ZNC         | 130971 | 1   |
| 3   | Screw          | Schraube         | 6-k Skruv hg              | Kuusioruuvi          | DIN 933 8.8 M12X40 ZN          | 131000 | 2   |
| 4   | Screw          | Schraube         | l-6 Skruv                 | 6-koloruuvi          | DIN 912 10.9 M10X65            | 131345 | 4   |
| 5   | Nut            | Muttern          | Låsmutter                 | Lukitusmutteri       | DIN 985-8 M10 ZN               | 131580 | 4   |
| 6   | Nut            | Muttern          | Låsmutter Metall          | Metalli lukkomutteri | DIN 980 V M20 ZN fin           | 131641 | 1   |
| 7   | Washer         | Scheibe          | Bricka                    | Aluslaatta           | DIN 125A M10/10.5 ZN           | 131770 | 4   |
| 8   | Washer         | Scheibe          | Karosseribricka           | Korialuslevy         | DIN 9021 8/8.4X24X2 ZN         | 131910 | 8   |
| 9   | Washer         | Scheibe          | Karosseribricka           | Korialuslevy         | Ø21,5/42x3                     | 131979 | 1   |
| 10  | Seeger ring    | Sicherüingring   | Låsring för hål           | Varmistinrengas      | DIN 472 72X2,5                 | 132160 | 2   |
| 11  | Spring washer  | Feder scheinbe   | Tallriksfjäder            | Lautasjousi          | DIN 2093A 40,0/20,4X2,25 N6540 | 132180 | 9   |
| 12  | Spring pin     | Spannhülsen      | Rörsprint                 | Jousisokka           | DIN 1481 12X50 ZN              | 132885 | 1   |
| 13  | Plain bearing  | Gleitlager       | Glidlager                 | Liukulaakeri         | Ø 30/34 L=20                   | 140034 | 2   |
| 14  | Bearing        | Gleitlager       | Glidlager                 | Liukulaakeri         | Ø 50/55 L=50 COB092            | 140071 | 2   |
| 15  | Bearing        | Lager            | Rullager                  | Laakeri              | 22207 E                        | 140397 | 2   |
| 16  | Grease nipple  | Smiernippel      | Smörjnippa                | Voitelunippa         | M6x1                           | 140950 | 2   |
| 17  | Ball joint end | Gelenkkopf       | Kulled                    | Nivelpää             | SIBP25S                        | 146265 | 1   |
| 18  | Cover          | Schutz           | Skyddskona bondioli 41704 | Suojaus              |                                | 152000 | 1   |
| 19  | Cover bracket  | Befestigung      | Skyddsfäste bondioli      | Suojuksen kiinnike   | 395011211R                     | 152091 | 1   |
| 20  | Drive shaft    | Welle            | Drivaxel                  | Vetoakseli           |                                | 534139 | 1   |
| 21  | Pin            | Zapfen           | Bomtapp                   | Tappi                |                                | 534325 | 1   |
| 22  | Spacer         | Distanz          | Distans                   | Väliholkki           | 12x8                           | 534333 | 2   |
| 23  | Pin            | Zapfen           | Bomtapp                   | Tappi                | med sensorinfästning           | 534337 | 1   |
| 24  | Arm left       | Arm links        | Bom vänster               | Puomi oikea          |                                | 559165 | 1   |
| 25  | Pun            | Zapfe            | Ledaxel för transportlås  | Kuljetuslukon akseli |                                | 559171 | 1   |
| 26  | Reaction rods  | Reaktion Stangen | Reaktions stag            | Reaktiotanko         | för transportlås               | 559174 | 1   |
| 27  | Cover wascher  | Platte           | Täckbricka vil rullager   | Suojalevy            | 72/35 S=4                      | 559176 | 2   |
| 28  | Slide block    | Gleitblock       | Begränsarslede            | Liukukappale         |                                | 559190 | 1   |
| 29  | Bracket        | Befestigung      | Hävarmsplåt               | Kiinnike             |                                | 559191 | 1   |
| 30  | Sleeve         | Hule             | Ledhylsa                  | Hylsy                |                                | 559193 | 2   |
| 31  | Linkarm        | Gelenkarm        | Länkarm vänster           | Nivelvarsi           |                                | 559198 | 1   |
| 32  | Bracket        | Befestigung      | Hävarmsplåt vänster       | Kiinnike             |                                | 559201 | 1   |
| 33  | Limitter       | Limitter         | Begränsarstång            | Rajoitintanko        |                                | 559272 | 1   |
| 34  | Limitter pipe  | Begrenzer rohr   | Begränsar rör             | Rajoitinputki        |                                | 559317 | 1   |



559132

## 559132

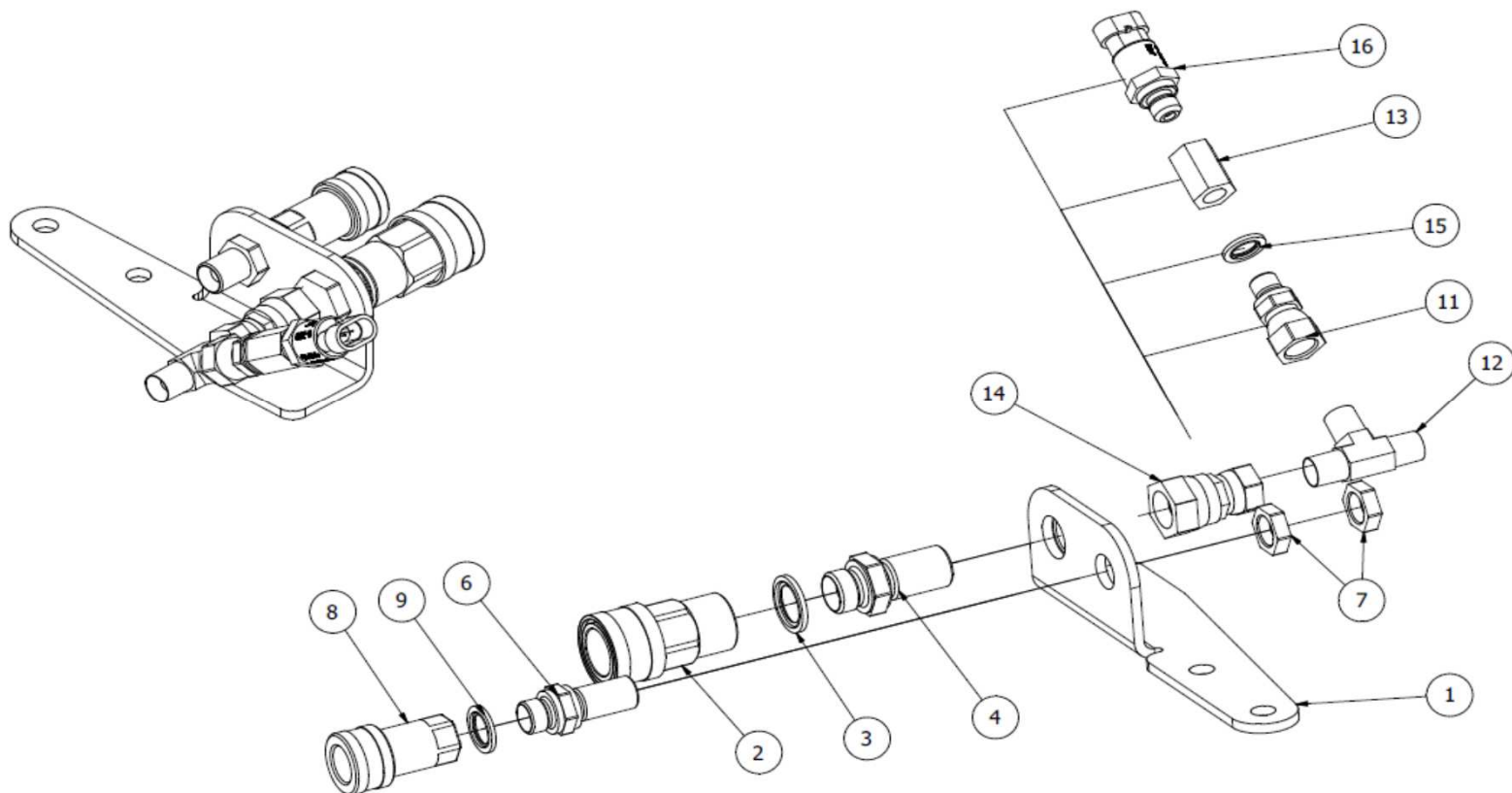
| Pos | Name               | Nahme                 | Benämning                | Nimike                    | Specifikation            | NO     | Pcs |
|-----|--------------------|-----------------------|--------------------------|---------------------------|--------------------------|--------|-----|
| 1   | Screw              | Schraube              | 6-k Skruv dg             | Kuusioruuvi               | DIN 931 8.8 M 8X90 ZN    | 130070 | 2   |
| 2   | Screw              | Schraube              | 6-k Skruv dg             | Kuusioruuvi               | DIN 931 8.8 M16X65 ZN    | 130531 | 8   |
| 3   | Screw              | Schraube              | 6-k Skruv dg             | Kuusioruuvi               | DIN 931 8.8 M16X120 ZN   | 130560 | 2   |
| 4   | Screw              | Schraube              | 6-k Skruv dg             | Kuusioruuvi               | DIN 931 8.8 M16X220 ZN   | 130607 | 16  |
| 5   | Screw              | Schraube              | 6-k Skruv hg             | Kuusioruuvi               | DIN 933 8.8 M10x80 ZN    | 130946 | 4   |
| 6   | Nut                | Muttern               | Låsmutter                | Lukitusmutteri            | DIN 985-8 M8 ZN          | 131570 | 2   |
| 7   | Nut                | Muttern               | Låsmutter                | Lukitusmutteri            | DIN 985-8 M16 ZN         | 131630 | 18  |
| 8   | Washer             | Scheibe               | Bricka                   | Aluslaatta                | DIN 125A M8/8.4 ZN       | 131750 | 4   |
| 9   | Washer             | Scheibe               | Bricka                   | Aluslaatta                | DIN 125A M10/10.5 ZN     | 131770 | 4   |
| 10  | Washer             | Scheibe               | Bricka                   | Aluslaatta                | DIN 125A M16/17 ZN       | 131810 | 36  |
| 11  | Linch pin          | Klappstecker          | Ringsprint               | Rengassokka               | DIN 11023 12 mm          | 133368 | 1   |
| 12  | Washer             | Scheibe               | Låsbricka                | Lukituslaatta             | NORD-LOCK M 16 ZNC       | 133465 | 8   |
| 13  | Block assy         | Ventilblock Montage   | Fördelningsblock delmont | Jakolohko kokoonpano      |                          | 144644 | 1   |
| 14  | Block assy         | Ventilblock Montage   | Fördelningsblock delmont | Jakolohko kokoonpano      |                          | 144645 | 1   |
| 15  | Pin                | zapfen                | Toppstångs tapp          | Tappi                     | kat 3                    | 157176 | 1   |
| 16  | Lock plate         | Schloss Bleck         | Låsplåt                  | Lukituspelti              | 16x127                   | 159926 | 4   |
| 17  | Spacer             | Buchse                | Distans                  | Väliholkki                | Ø 10/21x15 0.404.7137.00 | 508531 | 4   |
| 18  | Spring             | Zugfeder              | Dragfjäder               | Vetojousi                 | d=3 Dm=22 Lo=203         | 520870 | 2   |
| 19  | Spacer             | Distantz              | Växelpåtsfäste distans   | Välilevy                  |                          | 559074 | 2   |
| 20  | Bracket assy       | Befestigung baugruppe | Snabbkopplingsfäste      | Kiinnike kokoonpano       | Förmontering             | 559076 | 1   |
| 21  | Hydraulic assembly | Hydraulik Baugrup     | Hydraulik förmontering1  | Hydrauliikka asennus      |                          | 559085 | 1   |
| 22  | 3-p frame assy     | Rahmen Baugrupp       | 3p ram förmontering1     | 3-p runko osakokoonpano   |                          | 559090 | 1   |
| 23  | Toplink bracket    | Befestigung           | Tryckstångsfäste         | Työntövarren kiinnike     |                          | 559091 | 1   |
| 24  | Gear box assy      | Getriebe Baugrupp     | Vinkelväxel förmontering | Kulmavaihde osakokoonpano |                          | 559106 | 1   |
| 26  | Jack left          | Links stutzfuss       | Stödfot vänster          | Vasen tukijalka           |                          | 559330 | 1   |
| 27  | Jack right         | Rechts stutzfuss      | Stödfot höger            | Oikea tukijalka           |                          | 559338 | 1   |
| 28  | Bracket            | Befestigung           | Fäste för 159825         | Kiinnike                  |                          | 559478 | 1   |



559106

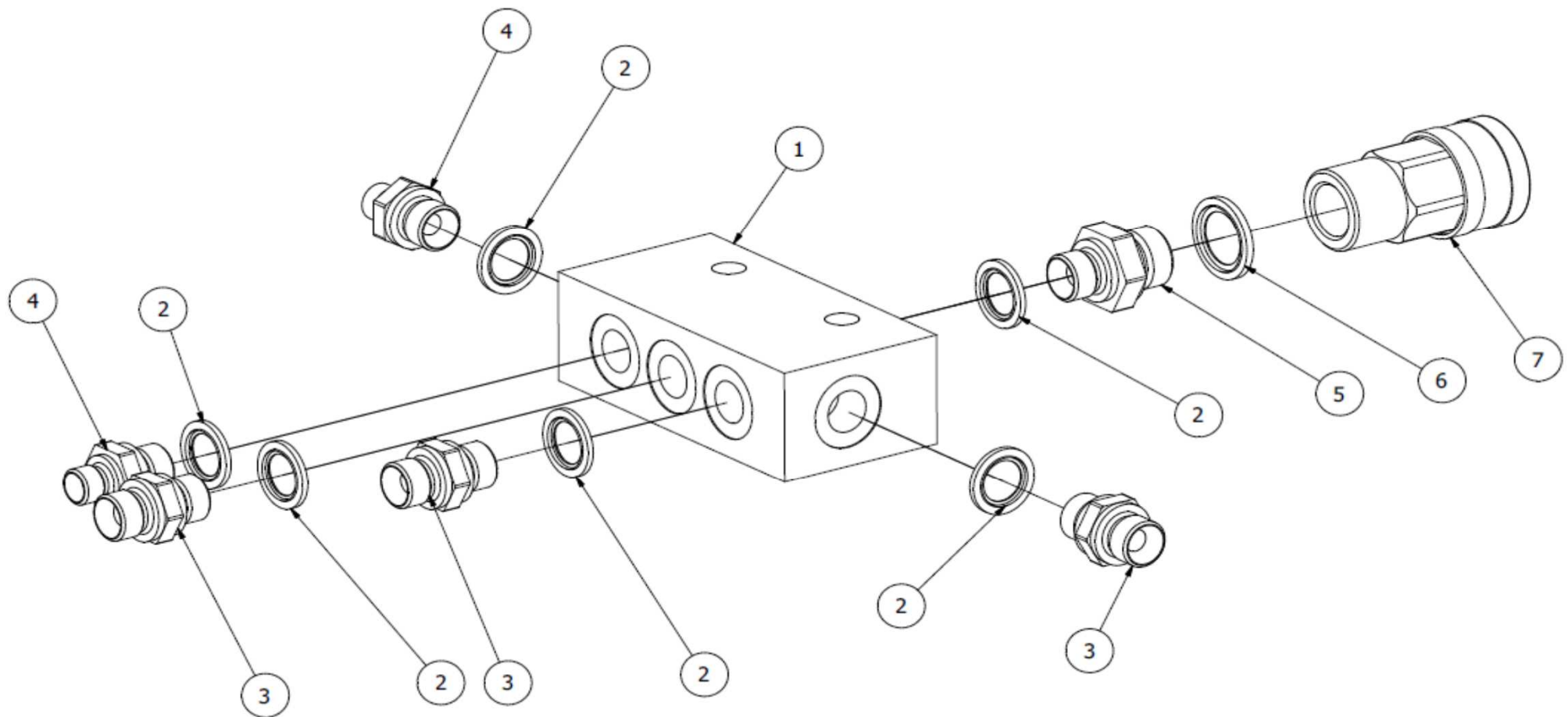
| Pos | Name               | Nahme               | Benämning              | Nimike                 | Specifikation         | NO     | Pcs |
|-----|--------------------|---------------------|------------------------|------------------------|-----------------------|--------|-----|
| 1   | Gear box           | Getriebe            | Vinkelväxel            | Kulmavaihde            | S2100100101 1:1       | 153160 | 1   |
| 2   | Cover              | Schutz              | Skyddskona             | Suojaus                | BP 4170401 73x73 Ø12  | 468065 | 1   |
| 3   | Mounting washer    | Befestigung scheibe | Monteringsbricka       | Asennuslaatta          |                       | 460050 | 1   |
| 4   | Oil filler plug    | Ölnachfullstopfen   | Luftnippel med bakslag | Öljytulppa takaiskulla | 3/8 GAS               | 143319 | 1   |
| 5   | Protection bracket | Schutz befestigung  | Axelskyddsfäste        | Suojaus kiinnike       | BP 395011261R         | 152080 | 2   |
| 6   | Screw              | Schraube            | 6-k Skruv hg           | Kuusioruuvi            | DIN 933 8.8 M10X20 ZN | 130840 | 12  |
| 7   | Washer             | Scheibe             | Bricka                 | Aluslaatta             | DIN 125A M10/10.5 ZN  | 131770 | 12  |
| 8   | Temperature sensor | Temperatursensor    | Temperatursensor       | Lämpötila anturi       |                       | 142159 | 1   |





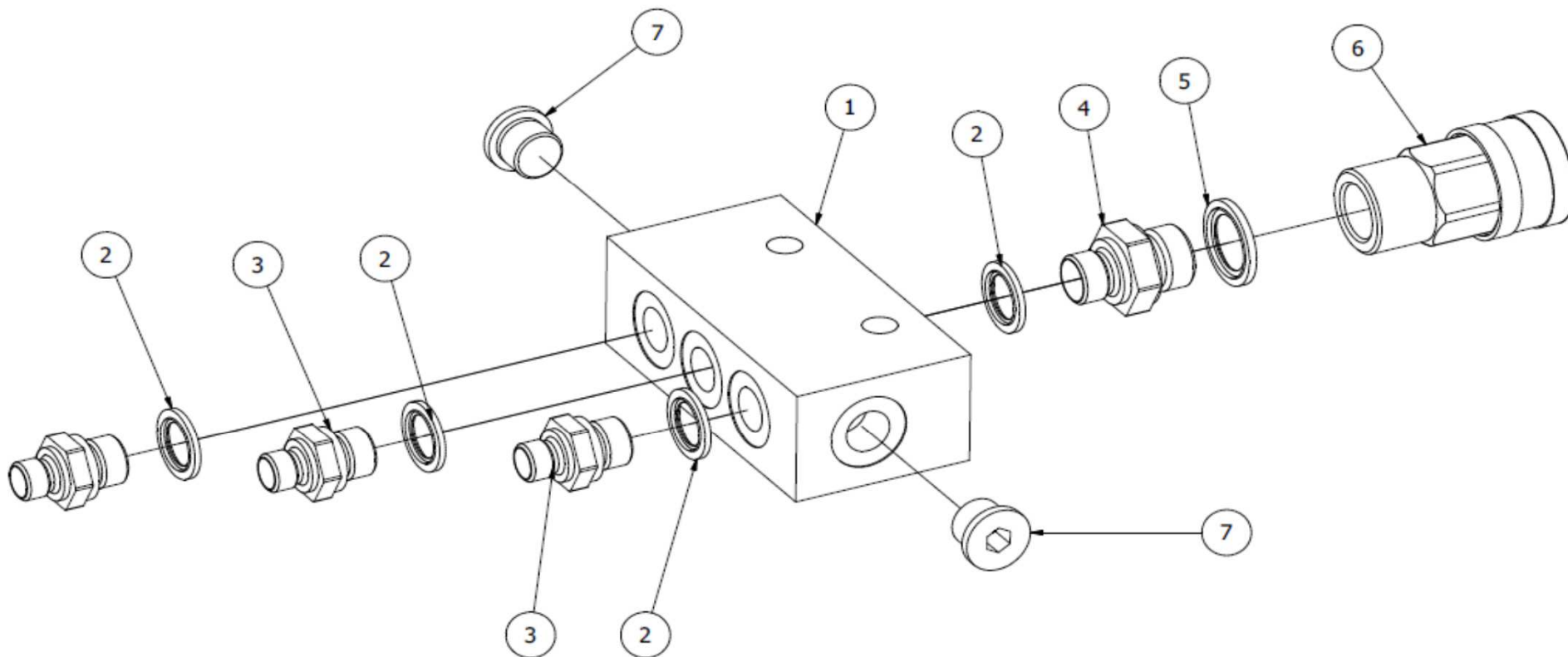
**559076**

| Pos | Name                         | Nahme           | Benämning           | Nimike              | Specifikation               | NO     | Pcs |
|-----|------------------------------|-----------------|---------------------|---------------------|-----------------------------|--------|-----|
| 1   |                              |                 | Snabbkopplingsfäste |                     |                             | 559075 | 1   |
| 2   | Quick coupling, female       | Schnellkuppling | Snabbkoppling 1/2   | Pikaliitin          | ISO 5675/2008 hona          | 143025 | 1   |
| 3   | Bonded gasket                | Dichtung        | Usit-tätning        | Usit-tiiviste       | 1/2" USITR-08               | 146004 | 1   |
| 4   | Bulkhead adaptor             | Doppelnippel    | Dubbelnippa, lång   | Kuristusnippa       | 1/2"-1/2" 04000-08EP        | 143108 | 1   |
| 5   | Nut for bulkhead             | Muttern         | Kontermutter        | Kontramutteri       | 1270-08                     | 143110 | 1   |
| 6   | Bulkhead adaptor             | Doppelnippel    | Dubbelnippa, lång   | Kuristusnippa       | 3/8"-3/8" 04000-06EP        | 143107 | 1   |
| 7   | Nut for bulkhead             | Muttern         | Kontermutter        | Kontramutteri       | 1270-06                     | 143111 | 2   |
| 8   | Quick coupling               | Schnellkuppling | Snabbkoppling 3/8"  |                     | C23HONA                     | 143006 | 1   |
| 9   | Bonded gasket                | Dichtung        | Usit-tätning        | Usit-tiiviste       | 3/8" USITR-06               | 146003 | 1   |
| 11  | Male/female adaptor          | Anschluss       | Junktur             | Yhdysnippa          | 1/4" - 3/8" Rak 04010-04-06 | 143160 | 1   |
| 12  | "t" adaptor with male thread | T-Verschraubung | T-stycke            | T-liitin ulkokiert. | 3/8" 04860-6                | 143255 | 1   |
| 13  | Extension adaptor            | Anschluss       | Skarvmuff           | Jatkomuhvi          | 04040-04 R1/4"              | 143350 | 1   |
| 14  | Female/female adaptor        | Anschluss       | Dubbeljunktur       | Jatkonippa          | 3/8"-1/2" 04020-06-08       | 143144 | 1   |
| 15  | Bonded gasket                | Dichtung        | Usit-tätning        | Usit-tiiviste       | 1/4" USITR-04               | 146002 | 1   |
| 16  | Pressure sensor              | Geber           | Tryck sensor        | Paineanturi anturi  | 0-200 bar STW               | 142147 | 1   |



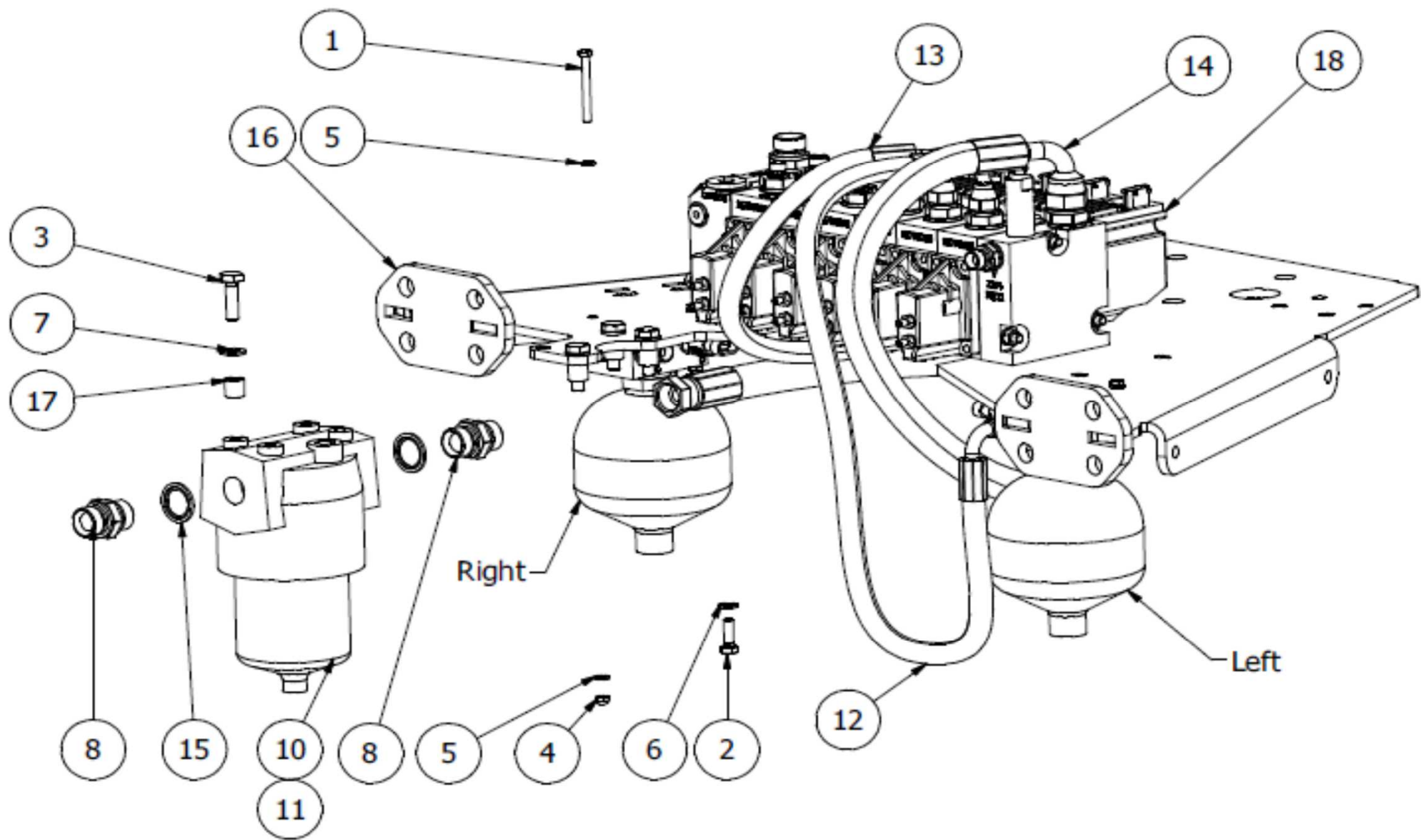
144644

| Pos | Name                   | Nahme           | Benämning         | Nimike        | Specifikation         | NO     | Pcs |
|-----|------------------------|-----------------|-------------------|---------------|-----------------------|--------|-----|
| 1   | Block                  | Ventilblock     | Fördelningsblock  | Jakolohko     | 6 X 3/8"              | 144641 | 1   |
| 2   | Bonded gasket          | Dichtung        | Usit-tätning      | Usit-tiiviste | 3/8" USITR-06         | 146003 | 6   |
| 3   | Doublenipple           | Doppelnippel    | Dubbelnippa       | Kaksoisnippa  | 3/8"-3/8" 04000-06    | 143104 | 3   |
| 4   | Doublenipple           | Doppelnippel    | Dubbelnippa       | Supistusnippa | 1/4"-3/8" 04000-04-06 | 143122 | 2   |
| 5   | Doublenipple           | Doppelnippel    | Dubbelnippa       | Supistusnippa | 3/8"-1/2" 04000-06-08 | 143125 | 1   |
| 6   | Bonded gasket          | Dichtung        | Usit-tätning      | Usit-tiiviste | 1/2" USITR-08         | 146004 | 1   |
| 7   | Quick coupling, female | Schnellkupplung | Snabbkoppling 1/2 | Pikaliitin    | ISO 5675/2008 hona    | 143025 | 1   |



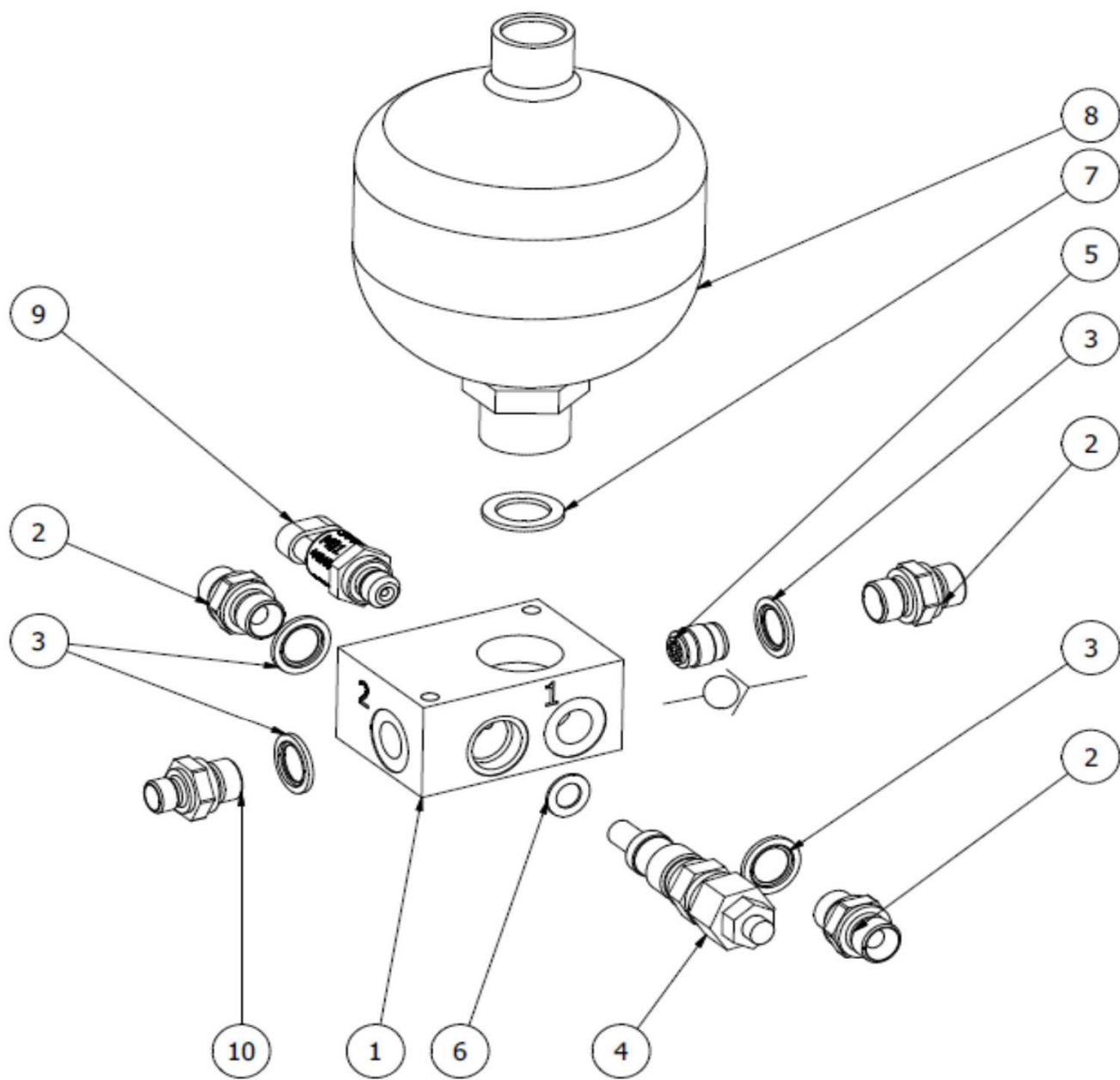
144645

| Pos | Name                   | Nahme           | Benämning         | Nimike        | Specifikation         | NO     | Pcs |
|-----|------------------------|-----------------|-------------------|---------------|-----------------------|--------|-----|
| 1   | Block                  | Ventilblock     | Fördelningsblock  | Jakolohko     | 6 X 3/8"              | 144641 | 1   |
| 2   | Bonded gasket          | Dichtung        | Usit-tätning      | Usit-tiiviste | 3/8" USITR-06         | 146003 | 4   |
| 3   | Doublenipple           | Doppelnippel    | Dubbelnippa       | Supistusnipa  | 1/4"-3/8" 04000-04-06 | 143122 | 3   |
| 4   | Doublenipple           | Doppelnippel    | Dubbelnippa       | Supistusnipa  | 3/8"-1/2" 04000-06-08 | 143125 | 1   |
| 5   | Bonded gasket          | Dichtung        | Usit-tätning      | Usit-tiiviste | 1/2" USITR-08         | 146004 | 1   |
| 6   | Quick coupling, female | Schnellkupplung | Snabbkoppling 1/2 | Pikaliitin    | ISO 5675/2008 hona    | 143025 | 1   |
| 7   | Male plug              | Propfen         | Plugg             | Tulppa        | BSP 3/8" HF-3/8       | 143312 | 2   |



## 559085

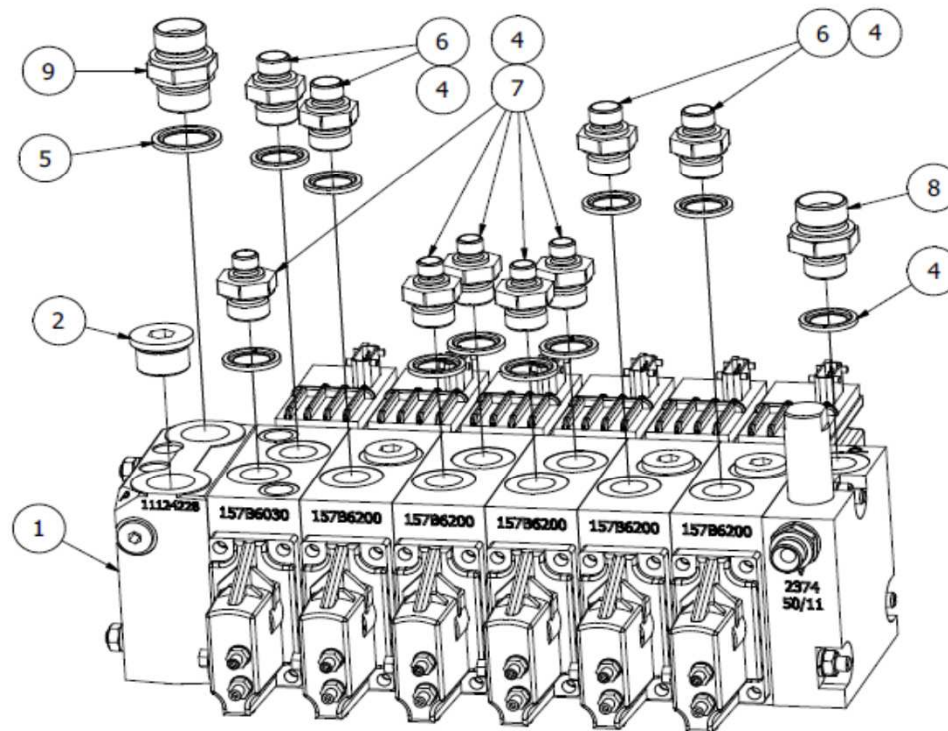
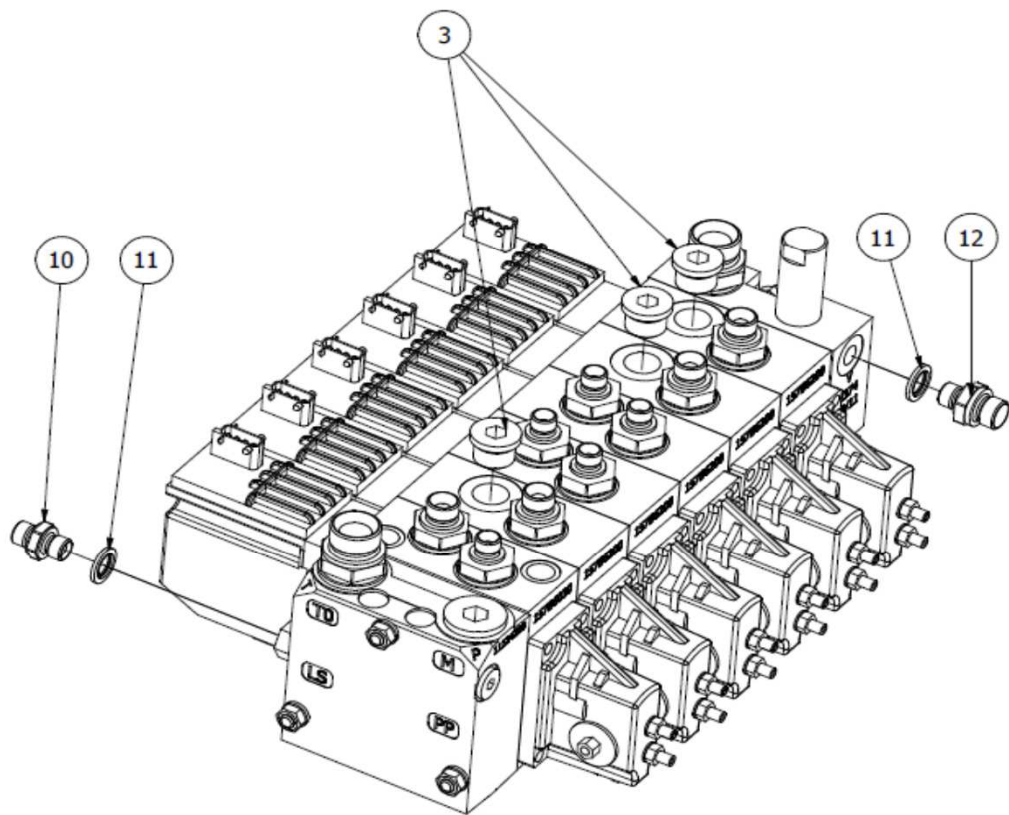
| Pos | Name                | Nahme               | Benämning                 | Nimike               | Specifikation                       | NO     | Pcs |
|-----|---------------------|---------------------|---------------------------|----------------------|-------------------------------------|--------|-----|
| 1   | Screw               | Schraube            | 6-k Skruv dg              | Kuusioruuvi          | DIN 931 8.8 M 6X60 ZN               | 130003 | 4   |
| 2   | Screw               | Schraube            | 6-k Skruv hg              | Kuusioruuvi          | DIN 933 8.8 M8X25 ZN                | 130740 | 4   |
| 3   | Screw               | Schraube            | 6-k Skruv hg              | Kuusioruuvi          | DIN 933 8.8 M10X35 ZN               | 130900 | 4   |
| 4   | Nut                 | Muttern             | Låsmutter                 | Lukitusmutteri       | DIN 985-8 M6 ZN                     | 131560 | 4   |
| 5   | Washer              | Scheibe             | Bricka                    | Aluslaatta           | DIN 125A M 6/6.4 ZN                 | 131730 | 8   |
| 6   | Washer              | Scheibe             | Bricka                    | Aluslaatta           | DIN 125A M8/8.4 ZN                  | 131750 | 4   |
| 7   | Washer              | Scheibe             | Bricka                    | Aluslaatta           | DIN 125A M10/10.5 ZN                | 131770 | 4   |
| 8   | Double nipple       | Doppelnippel        | Dubbelnippa               | Kaksoisnippa         | 3/4"-3/4" 04000-12                  | 143101 | 2   |
| 9   | Valve               | Ventil              | Ventilblock               | Venttiili            |                                     | 144067 | 2   |
| 10  | Oil filter complete | Öl filter komplett  | Tryck filter komplett     | Paine suodatin täyd. | 100 l/min sensor                    | 144633 | 1   |
| 11  | Filter              | Öl filter           | Filterelement             | Suodatin             | 100 l/min                           | 144634 | 1   |
| 12  | Hydraulic hose      | Hydraulik schlauch  | Hydraulslang              | Hydrauliletku        | 3/8" L=500 90gr 3/8" - 90gr 3/8" 1€ | 145120 | 1   |
| 13  | Hydraulic hose      | Hydraulik Schlauch  | Hydraulslang              | Hydrauliletku        | 3/8" L=700 3/8" 90° -               | 145598 | 1   |
| 14  | Hydraulic hose      | Hydraulik schlauch  | Hydraulslang              | Hydrauliletku        | 3/4" L=1200                         | 145649 | 1   |
| 15  | Bonded gasket       | Dichtung            | Usit-tätning              | Usit-tiiviste        | 3/4" USITR-12                       | 146006 | 2   |
| 16  | Assembly plate      | Montageplatte       | Växellådsfäste övre plåt  | Asennuslevy          |                                     | 559081 | 1   |
| 17  | Spacer              | Distanzrohr         | Distansrör                | Väliputki            | 16X15                               | 559086 | 4   |
| 18  | Valve assy          | Ventilblock Montage | Danfoss pvg32 förmonterin | Venttiili kokoonpano |                                     | 559104 | 1   |



144067

## 144067

| Pos | Name               | Nahme            | Benämning              | Nimike                   | Specifikation           | NO     | Pcs |
|-----|--------------------|------------------|------------------------|--------------------------|-------------------------|--------|-----|
| 1   | Valve              | Ventil           | Ventilblock            | Venttiili                |                         | 144066 | 1   |
| 2   | Doublenipple       | Doppelnippel     | Dubbelnippa            | Kaksoisnippa             | 3/8"-3/8" 04000-06      | 143104 | 3   |
| 3   | Bonded gasket      | Dichtung         | Usit-tätning           | Usit-tiiviste            | 3/8" USITR-06           | 146003 | 4   |
| 4   | Max pressure valve | Überdrucksventil | Tryckreduceringsventil | Paineenrajoitusventtiili | VS-30 04.11.18.03.99.20 | 144043 | 1   |
| 5   | One way ball valve | Ruckschlagventil | Bakslagsventil         | Takaiskuventtiili 3/8    | OD.44.02.00-02-01       | 144049 | 1   |
| 6   | Coppar seal        | Kupferdichtungen | Koppartätning          | Kuparilaatta             | Ø10,5x18x1              | 146016 | 1   |
| 7   | Coppar seal        | Kupferdichtungen | Koppartätning          | Kuparilaatta             | Ø20x30x2                | 146026 | 1   |
| 8   | Hydr.accumulator   | Hydrospeicher    | Hydraulackumulator     | Painekello               | 0,7l R 1/2 70 bar       | 518103 | 1   |
| 9   | Pressure sensor    | Geber            | Tryck sensor           | Paineanturi              | 0-200 bar STW           | 142147 | 1   |
| 10  | Doublenipple       | Doppelnippel     | Dubbelnippa            | Supistusnippa            | 1/4"-3/8" 04000-04-06   | 143122 | 1   |

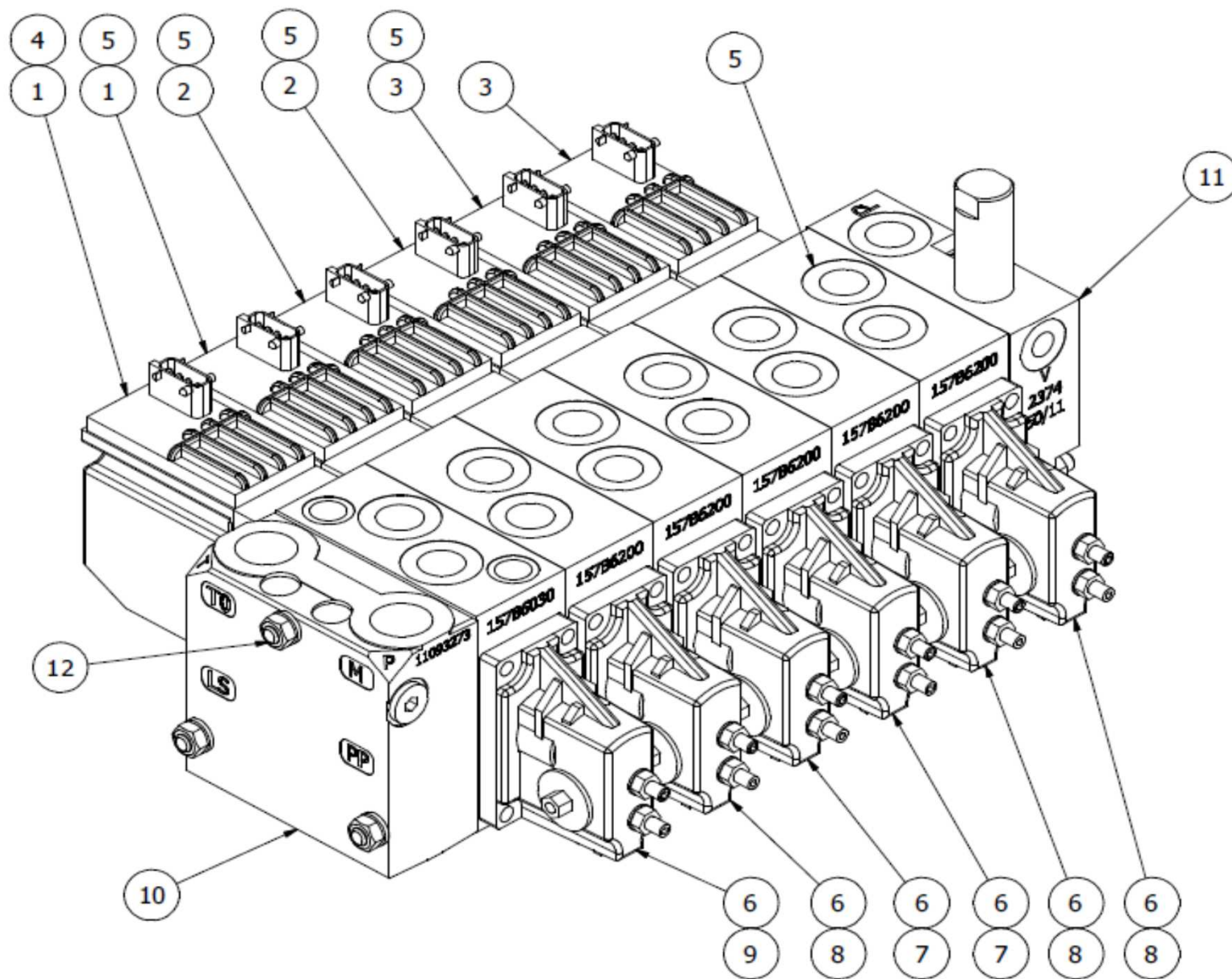


559104



## 559104

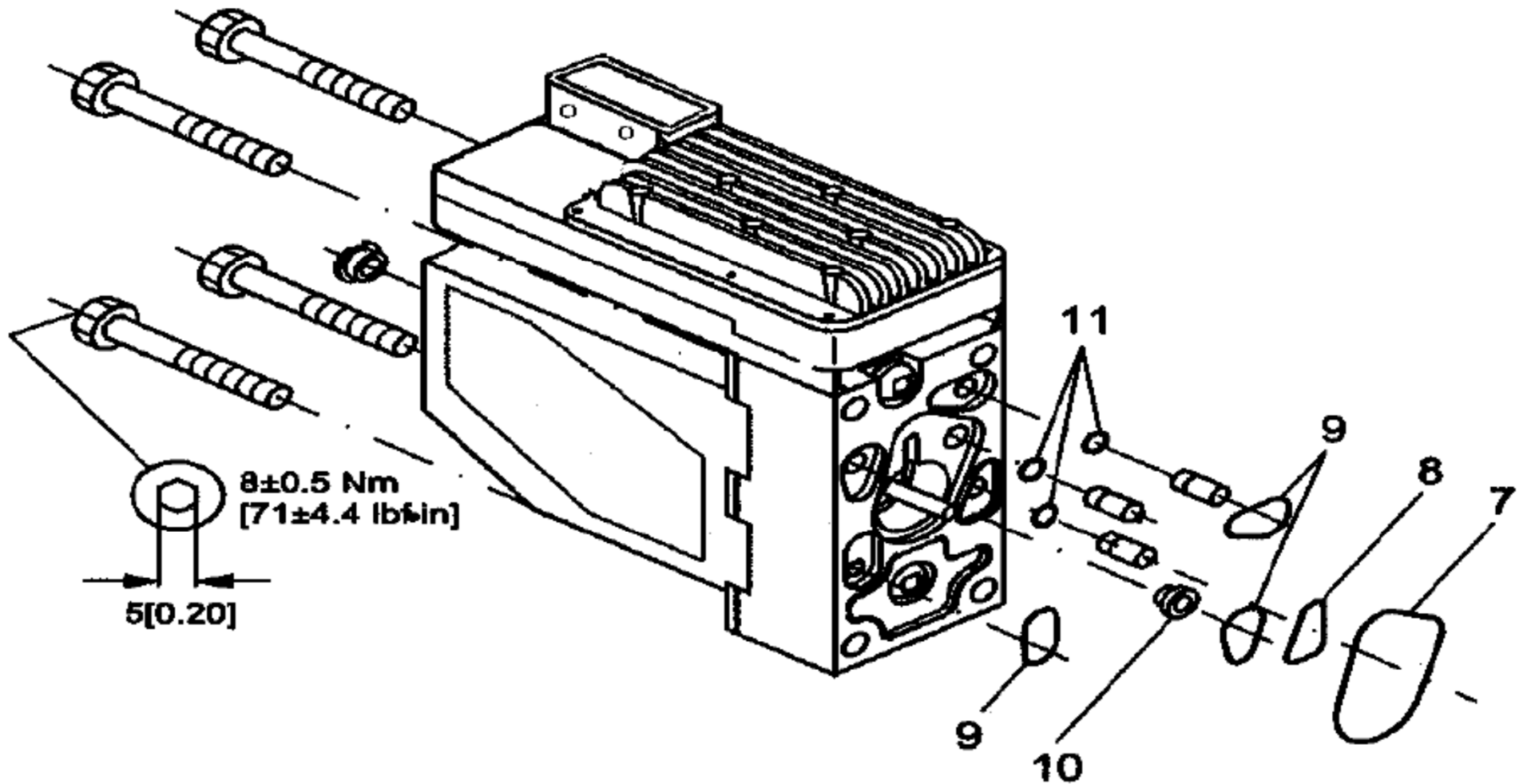
| Pos | Name          | Nahme         | Benämning                 | Nimike         | Specifikation         | NO       | Pcs    |    |
|-----|---------------|---------------|---------------------------|----------------|-----------------------|----------|--------|----|
| 1   | Distributors  | Steuergerät   | Ventilbord danfoss pvg 32 | Venttiilipöytä |                       | 11130472 | 144653 | 1  |
| 2   | Male plug     | Propfen       | Plugg                     | Tulppa         | BSP 3/4" HF-3/4       |          | 143315 | 1  |
| 3   | Male plug     | Propfen       | Plugg                     | Tulppa         | BSP 1/2" HF-1/2       |          | 143313 | 3  |
| 4   | Bonded gasket | Dichtung      | Usit-tätning              | Usit-tiiviste  | 1/2" USITR-08         |          | 146004 | 10 |
| 5   | Bonded gasket | Dichtung      | Usit-tätning              | Usit-tiiviste  | 3/4" USITR-12         |          | 146006 | 1  |
| 6   | Doublenipple  | Doppelnippel  | Dubbelnippa               | Supistusnippa  | 3/8"-1/2" 04000-06-08 |          | 143125 | 4  |
| 7   | Doublenipple  | Doppelnippel  | Dubbelnippa               | Supistusnippa  | 1/4"-1/2" 04000-04-08 |          | 143124 | 5  |
| 8   | Double nipple | Doppel nippel | Dubbelnippa               | Supistusnippa  | 1/2"-3/4" 04000-08-12 |          | 143126 | 1  |
| 9   | Doublenipple  | Doppelnippel  | Dubbelnippa               | Kaksoisnippa   | 3/4"-3/4" 04000-12    |          | 143101 | 1  |
| 10  | Doublenipple  | Doppelnippel  | Dubbelnippa               | Kaksoisnippa   | 1/4"-1/4" 04000-04    |          | 143102 | 1  |
| 11  | Bonded gasket | Dichtung      | Usit-tätning              | Usit-tiiviste  | 1/4" USITR-04         |          | 146002 | 2  |
| 12  | Doublenipple  | Doppelnippel  | Dubbelnippa               | Supistusnippa  | 1/4"-3/8" 04000-04-06 |          | 143122 | 1  |



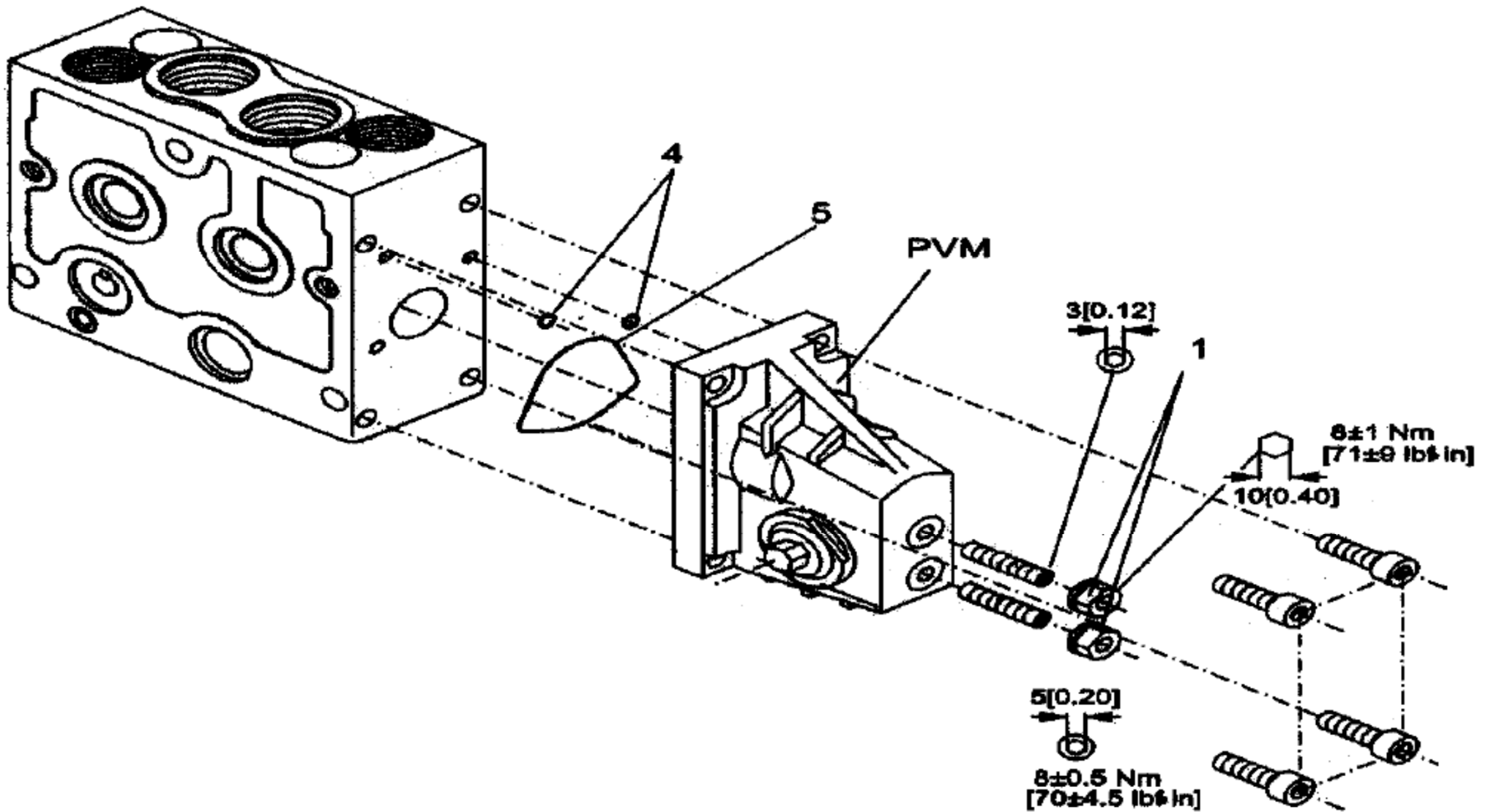
144653

**144653**

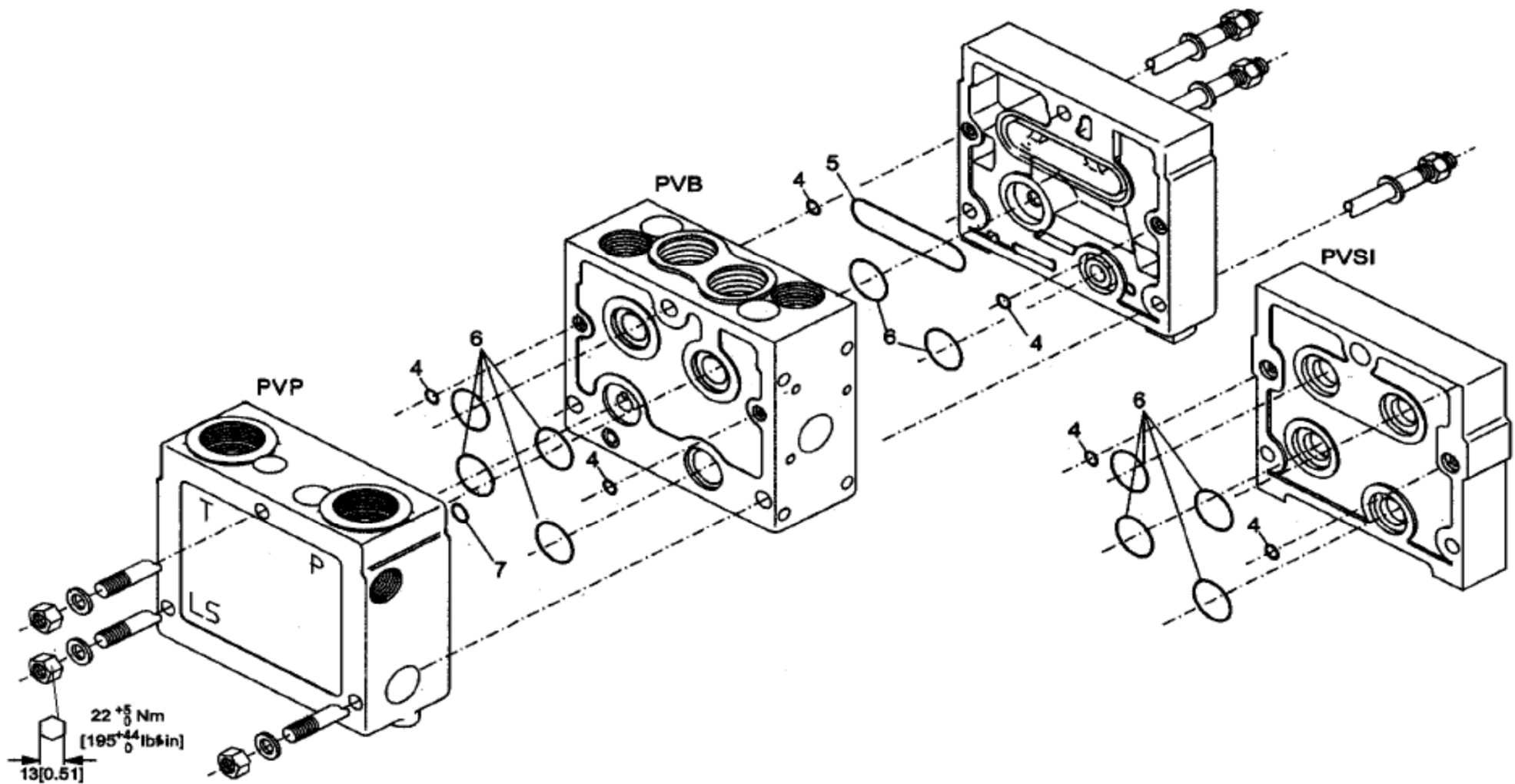
| <b>Pos</b> | <b>Name</b>           | <b>Nahme</b>              | <b>Benämning</b>           | <b>Nimike</b>           | <b>Specifikation</b>       | <b>NO</b> | <b>Pcs</b> |
|------------|-----------------------|---------------------------|----------------------------|-------------------------|----------------------------|-----------|------------|
| 1          | Electrical activation | Kontroller                | Styrenhet pvg-32 pveo      | Ohjainyksikkö           | 157B 4901 On/Off AMP ansl. | 144650    | 2          |
| 2          | Electrical activation | Kontroller                | Styrenhet pvg-32 pveo      | Ohjainyksikkö           | 157B 4903 On/Off-R AMP     | 144651    | 2          |
| 3          | Electrical activation | Kontroller                | Styrenhet pvg-32 pveh      | Ohjainyksikkö           | 157B 4035 Proportional     | 144661    | 2          |
| 4          | Valveunit             | Ventilblock               | Blockenhet pvg-32          | Lohko yksikkö           | PVB 157B 6030              | 144671    | 1          |
| 5          | Valveunit             | Ventilblock               | Blockenhet pvg-32          | Lohko yksikkö           | PVB 157B 6200              | 144680    | 5          |
| 6          | Lever unit            | Hebel block               | Spakenhet pvg-32           | Vivuston yksikkö        | 157B 3173                  | 144691    | 6          |
| 7          | Spool                 | Spindel                   | Spole                      | Kara                    | 157B 7000 (10 l.)          | 144700    | 2          |
| 8          | Spool                 | Spindel                   | Spole                      | Kara                    | 157B 7201 (25 l.)          | 144741    | 3          |
| 9          | Spool                 | Spindel                   | Spole                      | Kara                    | 11131447                   | 144744    | 1          |
| 10         | Pump side module      | Pump Side-Modul           | Pumpsidans modul           | Pääty pumpun moduuli    | PVP 11093273               | 144831    | 1          |
| 11         | End plate pvsd        | Endplatte                 | Ändfläns pvsd              | Pääty                   | 157B2904                   | 144841    | 1          |
| 12         | Seal kit with bolts   | Dichtungssätze mit bolzen | Tätningsserie med pinnpult | Tiivistesarja pulteilla | PVAS 157B 8006             | 144862    | 1          |



| Pos  | Name                     | Nahme          | Benämning                | Nimike               | Specifikation | NO     | Pcs |
|------|--------------------------|----------------|--------------------------|----------------------|---------------|--------|-----|
| 7-11 | Set off seals for PVG 32 | Dichtungssätze | Tätningsserie för PVG 32 | Tiivistesarja PVG 32 | 157B4997      | 144856 | 1   |



| Pos   | Name                     | Nahme          | Benämning                | Nimike               | Specifikation | NO     | Pcs |
|-------|--------------------------|----------------|--------------------------|----------------------|---------------|--------|-----|
| 1.4.5 | Set off seals for PVG 32 | Dichtungssätze | Tätningsserie för PVG 32 | Tiivistesarja PVG 32 | 157B3999      | 144854 | 1   |



| Pos | Name   | Nahme                            | Benämning                                     | Nimike                                 | Specifikation | NO     | Pcs |
|-----|--|----------------------------------|---|--|---------------|--------|-----|
| 4-7 | Set off seals for PVG 32<br>For end sections | Dichtungssätze<br>Für Endstücken | Tätningsserie för PVG 32<br>För end sektioner | Tiivistesarja PVG 32<br>Päätyjä varten | 157B8999      | 144853 | 1   |

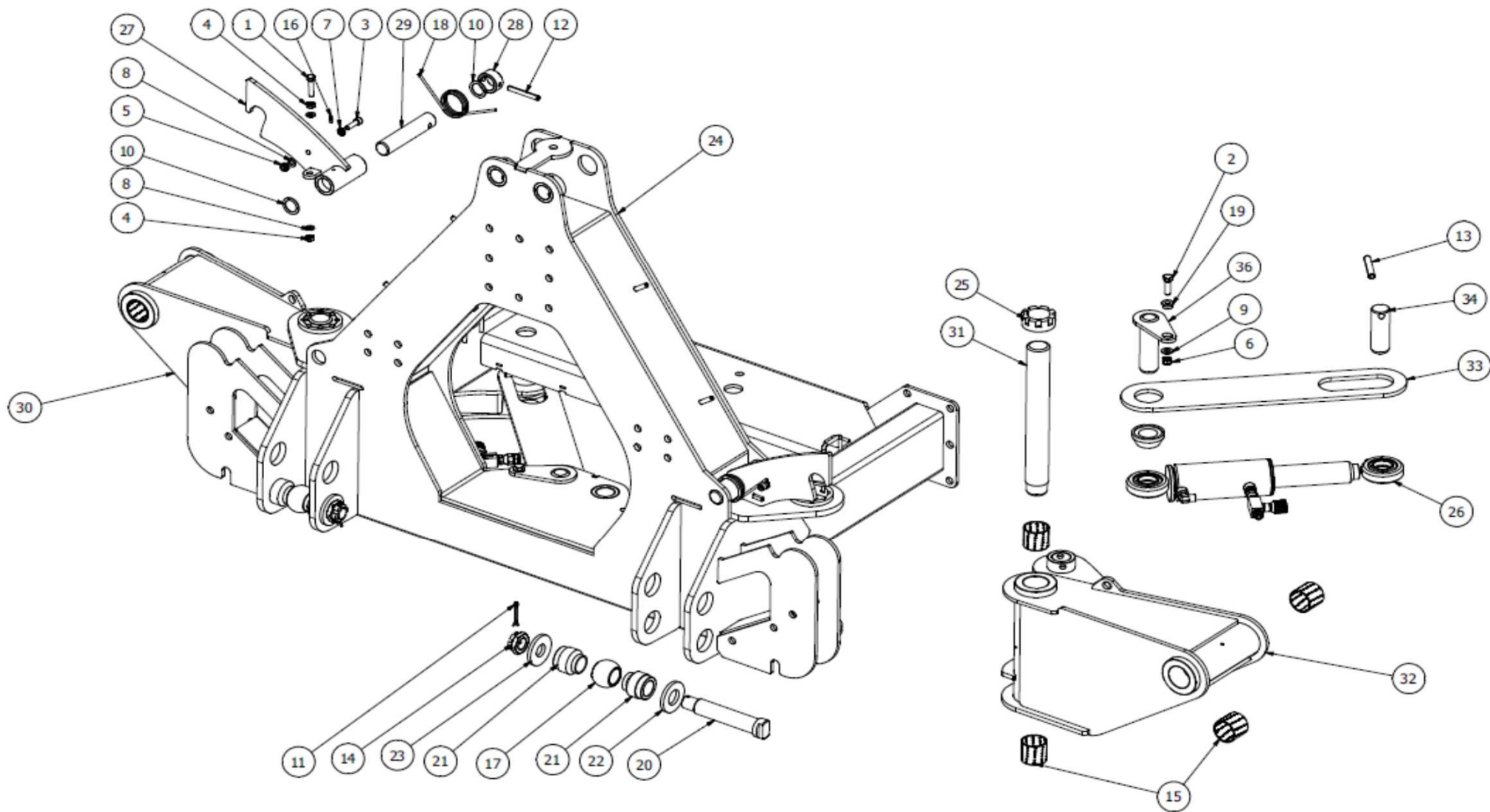
|  |   |  |   |  |                |        |   |
|--|---|--|---|--|----------------|--------|---|
|  | Seal kit with bolts<br>For end sections and 6xPVB | Dichtungssätze mit bolzen<br>Für Endstücken und 6x PVB | Tätningsserie med pinnpult<br>För end sektioner och 6xPVB | Tiivistesarja pulteilla<br>Päätyjä varten ja 6xPVB | PVAS 157B 8006 | 144862 | 1 |
|--|---|--|---|--|----------------|--------|---|

**SET OF SEALS FOR  
PVG 32**

| Type                           |                              | Code No. |
|--------------------------------|------------------------------|----------|
| PVP                            | module                       | 157B5999 |
| PVB                            | module                       | 157B6999 |
| PVM / PVH / PVMD / PVMR / PVMF | module                       | 157B3999 |
| PVEO / PVEM / PVEH / PVES      | module                       | 157B4997 |
| PVAS                           | for a PVG with 1 PVB-section | 157B8999 |
| PVPX                           | module                       | 157B4996 |
| PVEO/PVEM/PVEH                 | module before middle 1993    | 157B4999 |
| PVPX module before 1996        |                              | 157B4998 |

ELHO 144853  
ELHO 144856  
ELHO 144854

| Description  |                   | Code No.                |          |   |  |   |  |   |   |   |
|--------------|-------------------|-------------------------|----------|---|--|---|--|---|---|---|
| O-ring       | Ø9.0 × 2.0        | 0.35 × 0.08 in]         | 633B1816 |   |  |   |  |   | 2 | 1 |
| O-ring       | Ø11.0 × 2.0       | [0.43 × 0.08 in]        | 633B1818 |   |  |   |  |   | 1 | 1 |
| Washer       | 13.5 × 17.5 × 1.5 | [0.53 × 0.69 × 0.06 in] | 684X2120 |   |  |   |  |   | 2 | 2 |
| Bonded seal  | 6.7 × 10.0 × 1.0  | [0.26 × 0.39 X 0.04 in] | 633X9008 |   |  |   |  |   | 2 | 2 |
| Plastic plug |                   |                         | 155L6377 |   |  |   |  |   | 2 | 1 |
| O-ring       | Ø6.0 × 1.5        | [0.24 × 0.06 in]        | 633B1810 |   |  |   |  | 3 | 1 |   |
| O-ring       | Ø5.0 × 2.0        | [0.20 × 0.08 in]        | 633B1809 | 4 |  | 4 |  | 6 |   |   |
| O-ring       | -                 |                         | 155L2389 |   |  | 1 |  |   |   |   |
| O-ring       | Ø16.0 × 2.5       | [0.63 × 0.10 in]        | 633B1817 |   |  | 8 |  |   |   |   |
| O-ring       | Ø10.0 × 2.5       | [0.39 × 0.10 in]        | 633B0120 |   |  | 1 |  |   |   |   |
| Seal         |                   |                         | 155L0356 |   |  |   |  | 1 |   |   |
| Seal nut     | M 6.0             | [0.24 in]               | 681X8270 |   |  |   |  | 2 |   |   |
| O-ring       | Ø30.0 × 2.5       | [1.18 × 0.10 in]        | 633B0241 |   |  | 1 |  |   |   |   |
| O-ring       | Ø10.0 × 2.0       | [0.39 × 0.08 in]        | 633B1461 |   |  | 3 |  |   |   |   |
| O-ring       | Ø 4.0 × 1.0       | [0.16 × 0.04 in]        | 633B0204 |   |  | 3 |  |   |   |   |
| O-ring       | Ø 8.0 × 2.0       | [0.31 × 0.08 in]        | 633B1056 |   |  | 1 |  |   |   |   |
| O-ring       | Ø21.20 × 2.4      | [0.83 × 0.09 in]        | 633B1808 | 1 |  |   |  | 1 |   |   |
| *O-ring      | Ø10.5 × 1.8       | [0.41 × 0.07 in]        | 633B1834 |   |  |   |  |   | 2 | 2 |
| O-ring       | Ø19.3 × 2.4       | [0.76 × 0.09 in]        | 633B1136 |   |  |   |  | 1 |   |   |
| O-ring       | Ø33.0 × 2.5       | [1.30 × 0.10 in]        | 155L3430 |   |  |   |  | 1 |   |   |
| O-Ring       | Ø9.25 × 1.78      | [0.36 × 0.07 in]        | 633B1243 | 1 |  | 1 |  |   |   |   |
| O-Ring       | Ø16.36 × 2.21     | [0.64 × 0.09 in]        | 633B0046 | 1 |  | 1 |  |   |   |   |
| Back-up ring | Ø9.8              | [0.04 in]               | 633B0117 | 1 |  | 1 |  |   |   |   |
| O-ring       | Ø13.0 × 1.0       | [0.51 × 0.04 in]        | 633B0382 |   |  | 2 |  |   |   |   |
| O-ring       | Ø14.0 × 1.78      | [0.55 × 0.07 in]        | 633B1981 | 2 |  |   |  |   |   |   |

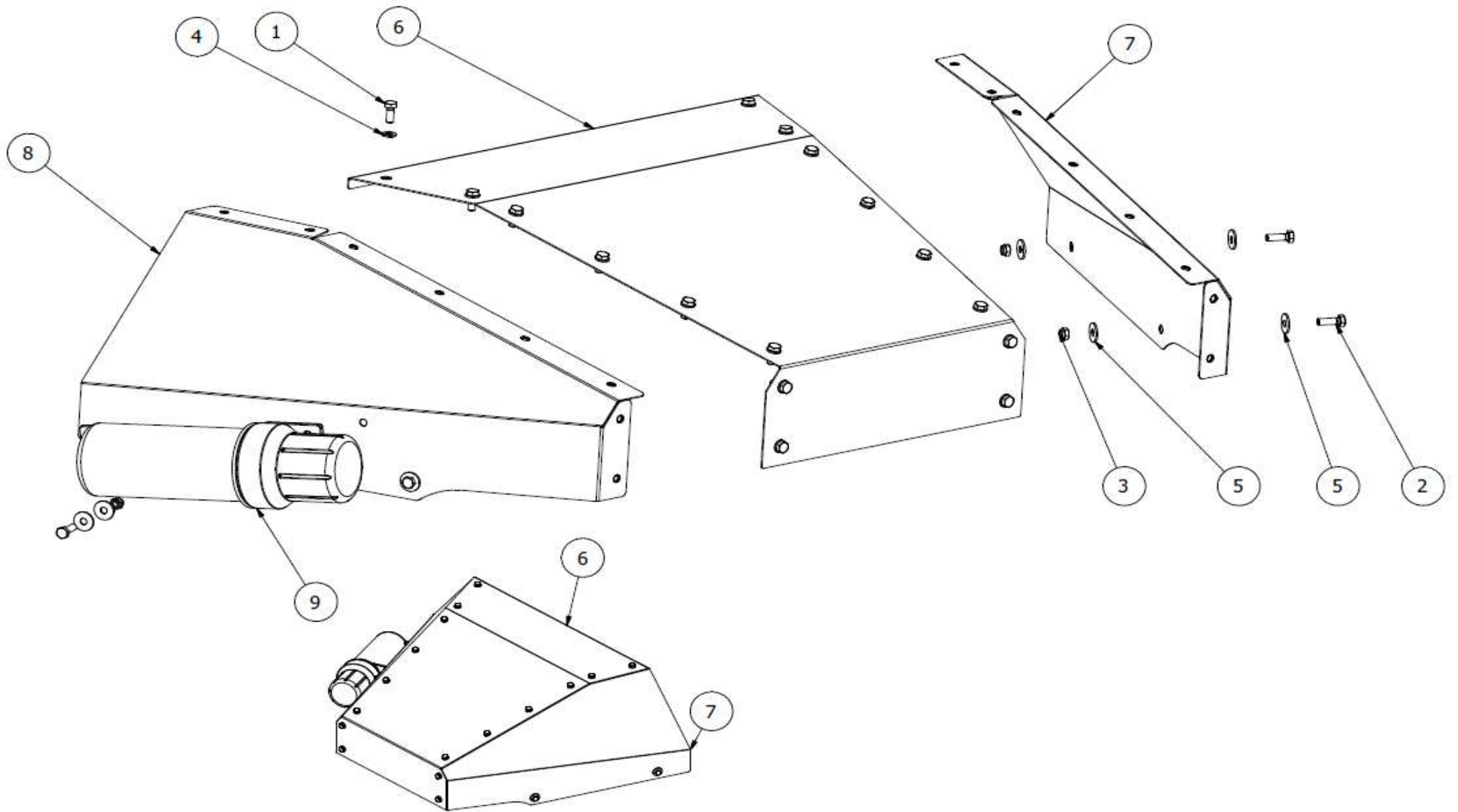


559090



## 559090

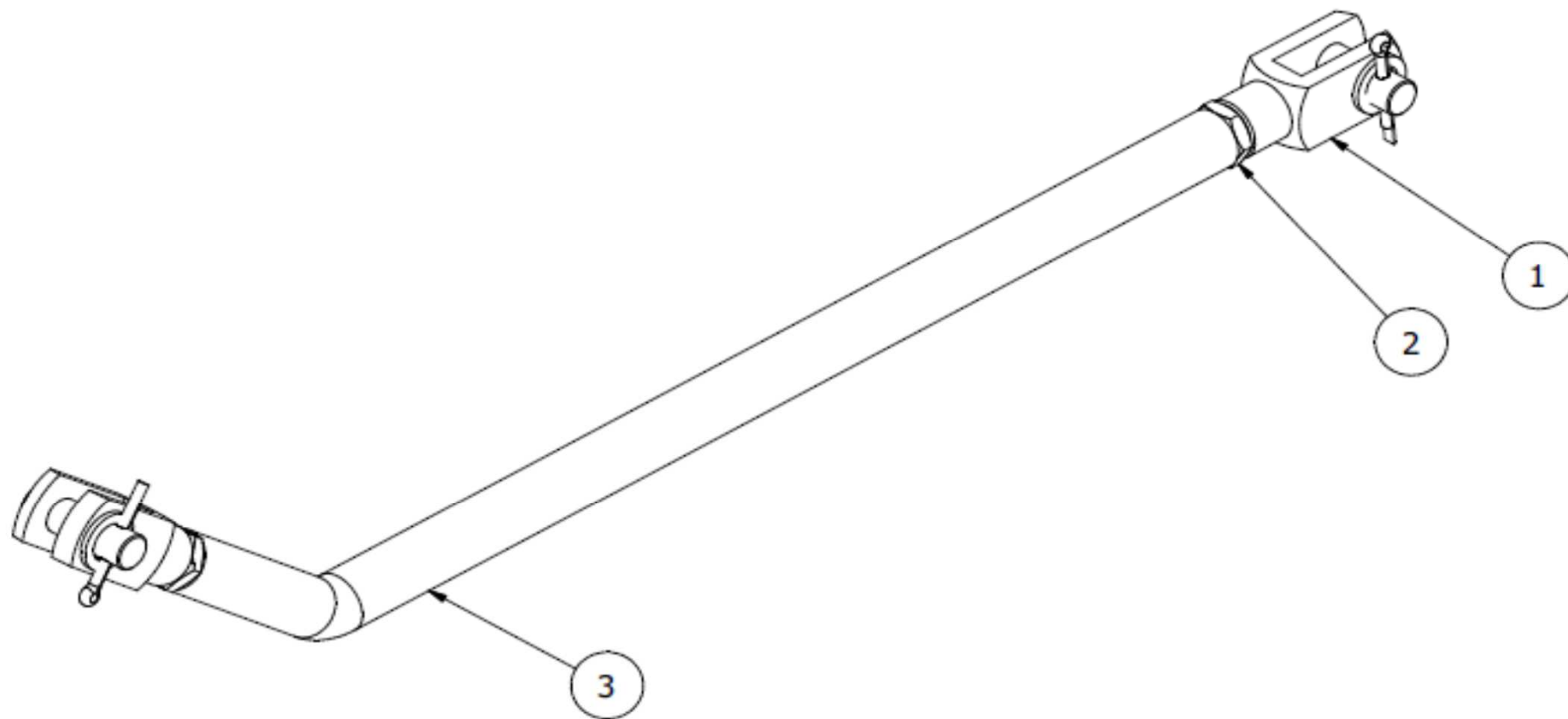
| Pos | Name            | Nahme             | Benämning             | Nimike                  | Specifikation         | NO     | Pcs |
|-----|-----------------|-------------------|-----------------------|-------------------------|-----------------------|--------|-----|
| 1   | Screw           | Schraube          | 6-k Skruv hg          | Kuusioruuvi             | DIN 933 8.8 M10X45 ZN | 130923 | 2   |
| 2   | Screw           | Schraube          | 6-k Skruv hg          | Kuusioruuvi             | DIN 933 8.8 M12X40 ZN | 131000 | 2   |
| 3   | Screw           | Schraube          | l-6 Skruv             | 6-koloruuvi             | DIN 912 10.9 M10X35   | 131311 | 2   |
| 4   | Nut             | Muttern           | Mutter                | Kuusiomutteri           | DIN 934 M10 ZN        | 131400 | 4   |
| 5   | Nut             | Muttern           | Låsmutter             | Lukitusmutteri          | DIN 985-8 M10 ZN      | 131580 | 2   |
| 6   | Nut             | Muttern           | Låsmutter             | Lukitusmutteri          | DIN 985-8 M12 ZN      | 131600 | 2   |
| 7   | Thin nut        | Flache Muttern    | Mutter låg            | Matala kuusiomutteri    | DIN 936-17H ZN M10    | 131658 | 2   |
| 8   | Washer          | Scheibe           | Bricka                | Aluslaatta              | DIN 125A M10/10.5 ZN  | 131770 | 6   |
| 9   | Washer          | Scheibe           | Bricka                | Aluslaatta              | DIN 125A M12/13 ZN    | 131790 | 2   |
| 10  | Shims           | Ausgleichscheibe  | Passbricka            | Sovitelaatta            | DIN 988 30X42X2       | 132330 | 4   |
| 11  | Split pin       | Splinten          | Saxsprint             | Saksisokka              | DIN 94 5X50 ZN        | 132809 | 2   |
| 12  | Spring pin      | Spannhülsen       | Rörsprint             | Jousisokka              | DIN 1481 10X80 ZN     | 132880 | 2   |
| 13  | Spring pin      | Spannhülsen       | Rörsprint             | Jousisokka              | DIN 1481 13X90 ZN     | 132910 | 2   |
| 14  | Krown nut       | Kronenmuttern     | Kronmutter            | Kruunumutteri           | DIN 937 M30x2         | 133212 | 2   |
| 15  | Bearing         | Gleitlager        | Glidlager             | Liukulaakeri            | Ø 50/55 L=50 COB092   | 140071 | 8   |
| 16  | Grease nipple   | Smiernippel       | Smörjnippa            | Voitelunippa            | M6x1                  | 140950 | 2   |
| 17  | Ball            | Kugel             | Lyftarmskula          | Vetovarren pallo        | kat 3                 | 157170 | 2   |
| 18  | Twistspring     | Drefeder          | Vridfjäder            | Vääntöjousi             | SF-VFR                | 157187 | 2   |
| 19  | Spacer          | Distantz          | Distans               | Väliholkki              | 12x8                  | 534333 | 2   |
| 20  | Lift arm pin    | Gerätebolzen      | Lyftarmstapp kat3     | Nostovarrentappi        | M 30x2                | 534571 | 2   |
| 21  | Spacer          | Distantz          | Distanshylsa          | Väliholkki              | CAT 3                 | 534572 | 4   |
| 22  | Wacher          | Scheibe           | Bricka                | Aluslaata               | 37,5x75x8             | 534573 | 2   |
| 23  | Wacher          | Scheibe           | Bricka                | Aluslaata               | 31x75x8               | 534574 | 2   |
| 24  | 3-p frame       | 3-p rahmen        | 3p ram                | 3-p runko               |                       | 559050 | 1   |
| 25  | Expander sleeve | Klemmbuchse       | Expander krymphylsa   | Kiristysholkki          | För axel 50mm         | 559065 | 2   |
| 26  | Cylinder assy   | Zylinder Baugrupp | Sylinder delmontering | Sylinteri osakokoonpano |                       | 559072 | 2   |
| 27  | Lockhook        | Schloß            | Låshake               | Kuljetuslukitus         |                       | 559093 | 2   |
| 28  | Spacer          | Distantz          | Distans               | Väliholkki              | 50X36X24              | 559096 | 2   |
| 29  | Pin             | Zapfen            | Tapp 175x35           | Tappi                   |                       | 559097 | 2   |
| 30  | Swing arm right | Schwinge Rechts   | Höger kista           | Kääntöpuomi oikea       |                       | 559110 | 1   |
| 31  | Pin             | Zapfen            | Ledaxel 50 l=365+30   | Tappi                   | till kista            | 559124 | 2   |
| 32  | Swing arm left  | Schwinge Rechts   | Vänster kista         | Kääntöpuomi vasen       |                       | 559125 | 1   |
| 33  | Limitter        | Limitter          | Begränsarplåt         | Rajoitin                |                       | 559126 | 2   |
| 34  | Pin             | Zapfen            | Tapp                  | Tappi                   | 40 L=113              | 559127 | 2   |
| 35  | Spacer          | Distantz          | Distans holk          | Holkki                  |                       | 559128 | 2   |
| 36  | Pin             | Zapfen            | Tapp                  | Tappi                   | 40 L=130 skruvförband | 559131 | 2   |



559099

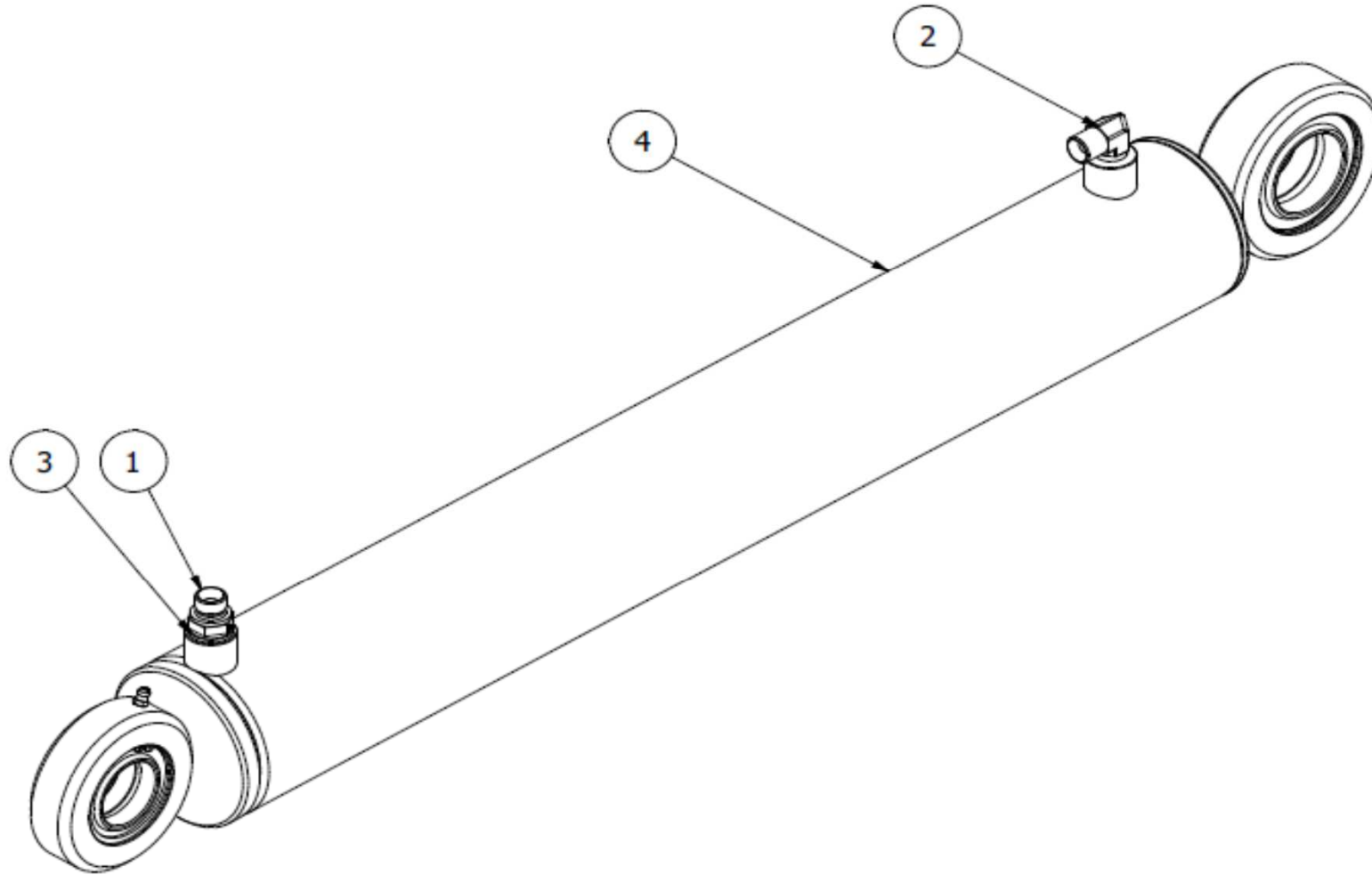
## 559099

| Pos | Name                 | Nahme                      | Benämning              | Nimike           | Specifikation          | NO     | Pcs |
|-----|----------------------|----------------------------|------------------------|------------------|------------------------|--------|-----|
| 1   | Screw                | Schraube                   | 6-k Skruv hg           | Kuusioruuvi      | DIN 933 8.8 M8X20 ZN   | 130720 | 16  |
| 2   | Screw                | Schraube                   | 6-k Skruv hg           | Kuusioruuvi      | DIN 933 8.8 M8X25 ZN   | 130740 | 5   |
| 3   | Nut                  | Muttern                    | Låsmutter              | Lukitusmutteri   | DIN 985-8 M8 ZN        | 131570 | 5   |
| 4   | Washer               | Scheibe                    | Bricka                 | Aluslaatta       | DIN 125A M8/8.4 ZN     | 131750 | 16  |
| 5   | Washer               | Scheibe                    | Karosseribricka        | Korialuslevy     | DIN 9021 8/8.4X24X2 ZN | 131910 | 10  |
| 6   | Cover center         | Schutz Mitte               | Skyddskåpa mitt        | Suoja keski      |                        | 559087 | 1   |
| 7   | Cover right          | Schutz Rechts              | Skyddskåpa höger       | Suoja oikea      |                        | 559089 | 1   |
| 8   | Cover left           | Schutz Links               | Skyddskåpa vänster     | Suoja vasen      |                        | 559103 | 1   |
| 9   | Tube for usersmanual | Rohr für betriebsanleitung | Bruksanvisningshållare | Ohjekirjan putki |                        | 159820 | 1   |



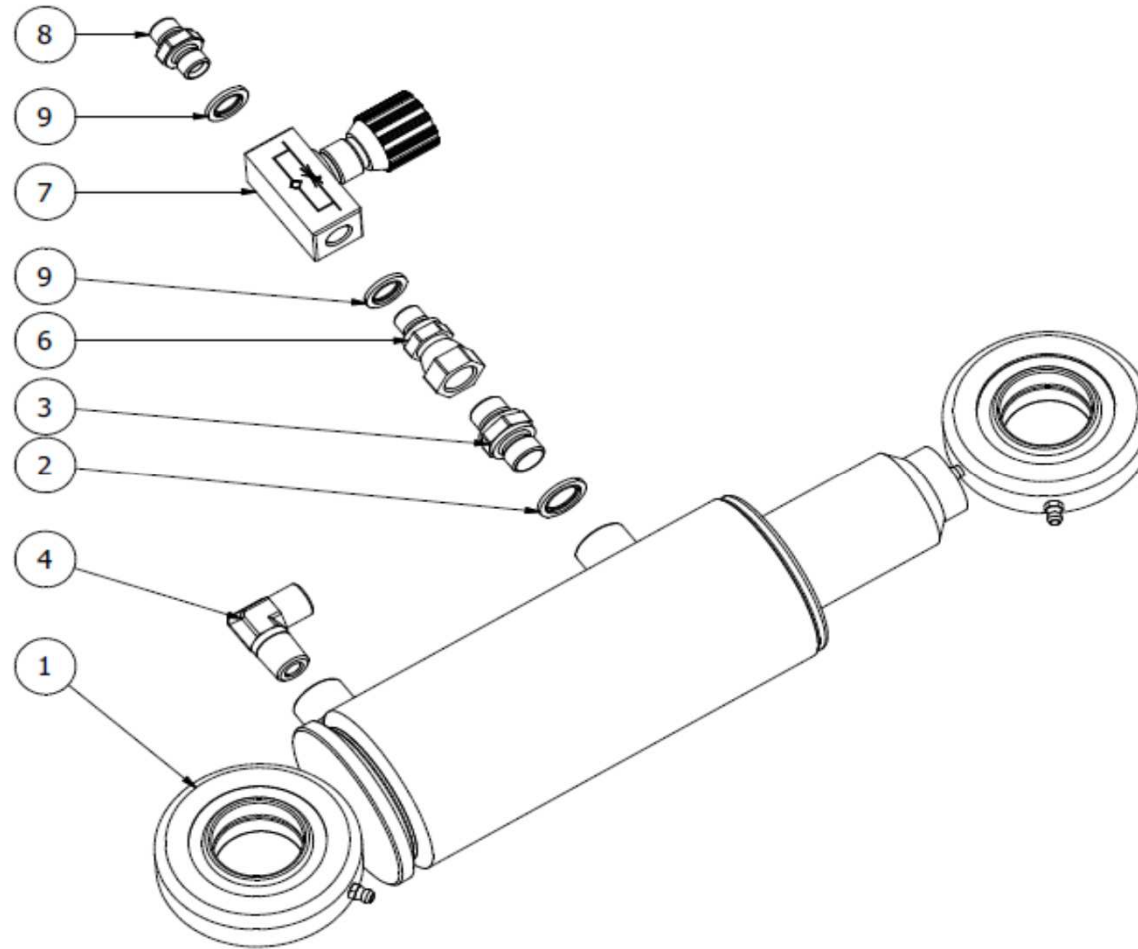
559174

| Pos | Name          | Nahme            | Benämning           | Nimike               | Specifikation      | NO     | Pcs |
|-----|---------------|------------------|---------------------|----------------------|--------------------|--------|-----|
| 1   | Jokes joints  | Gabelgelengk     | Gaffellänk          | Haarukkalenkki       | M12x24             | 133556 | 2   |
| 2   | Thin nut      | Flache Muttern   | Mutter låg          | Matala kuusiomutteri | DIN 936-17H ZN M12 | 131660 | 2   |
| 3   | Reaction rods | Reaktion Stangen | Reaktions stag ämne | Reaktiotanko         | för transportlås   | 559175 | 1   |



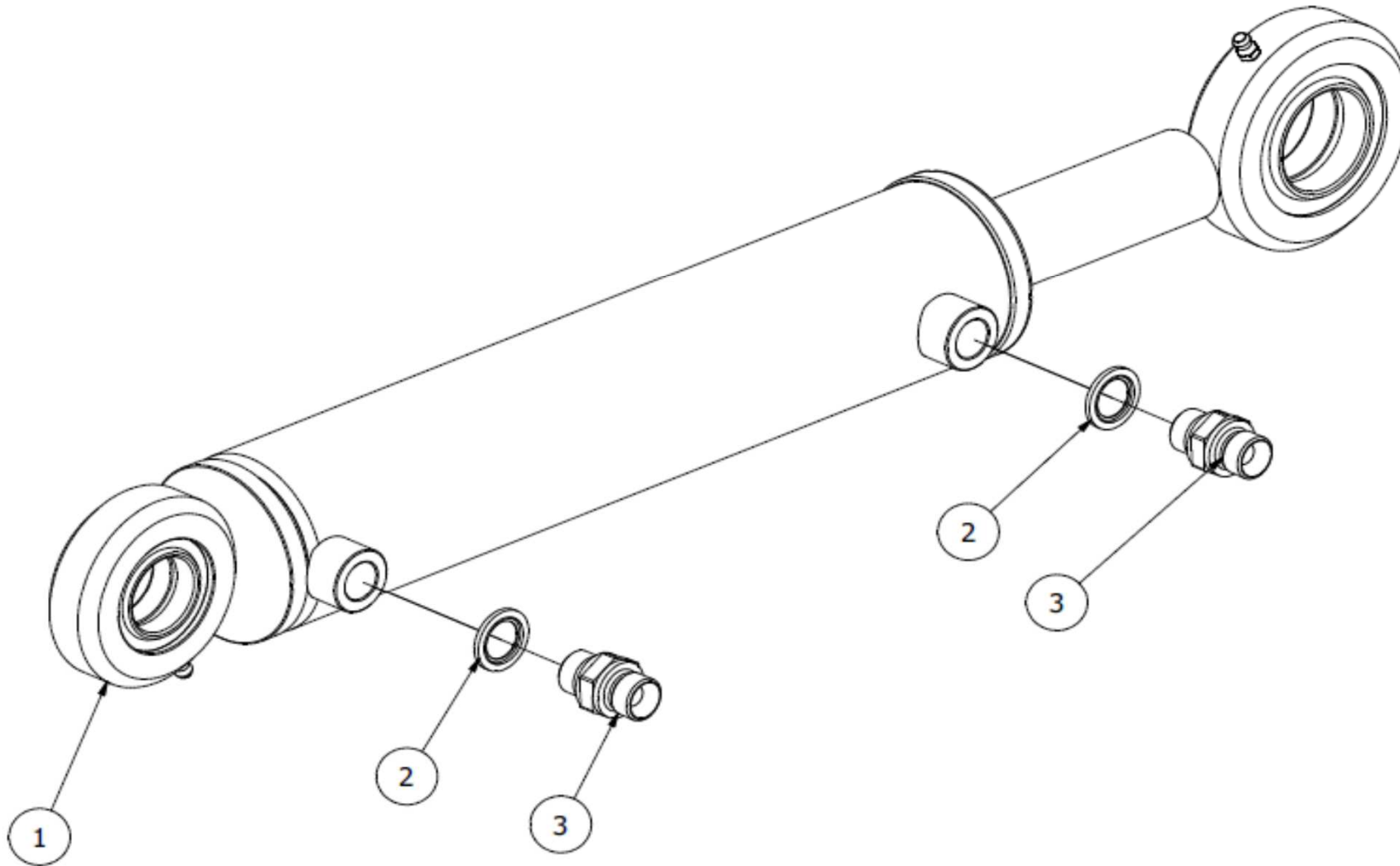
559274

| Pos | Name                         | Nahme          | Benämning     | Nimike        | Specifikation        | NO     | Pcs |
|-----|------------------------------|----------------|---------------|---------------|----------------------|--------|-----|
| 1   | Double nipple                | Doppelnippel   | Dubbelnippa   | Kaksoisnippa  | 3/8"-3/8" 04000-06   | 143104 | 1   |
| 2   | "I" adaptor with male thread | Vinkel nippel  | Vinkel        | Kulmanippa    | 3/8" - 3/8" 04490-06 | 143182 | 1   |
| 3   | Bonded gasket                | Dichtung       | Usit-tätning  | Usit-tiiviste | 3/8" USITR-06        | 146003 | 1   |
| 4   | Cylinder                     | Zylinder       | Cylinder      | Sylinder      | Ø90/40 875-1500      | 146711 | 1   |
|     | Set off seals                | Dichtungssätze | Tätningsserie | Tiivistesarja | Ø90/40               | 146712 | 1   |



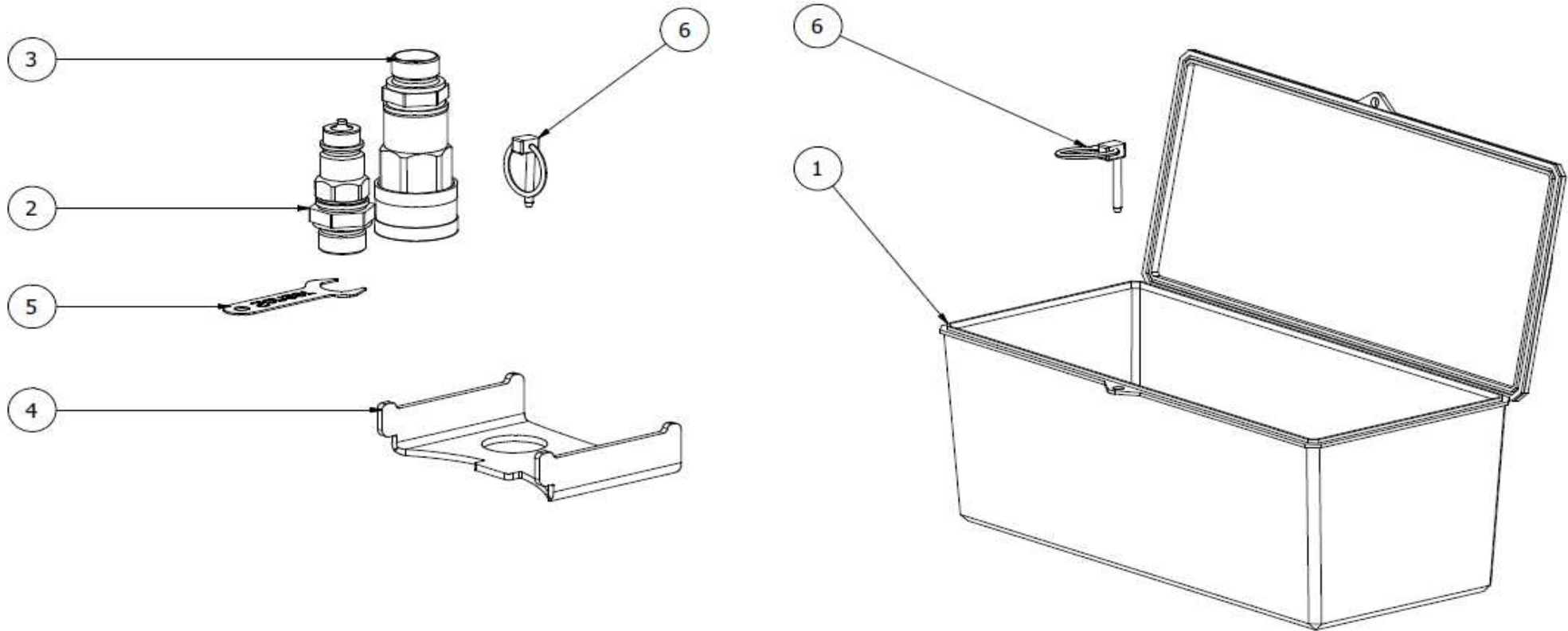
559072

| Pos | Name                         | Nahme            | Benämning                    | Nimike               | Specifikation               | NO     | Pcs |
|-----|------------------------------|------------------|------------------------------|----------------------|-----------------------------|--------|-----|
| 1   | Cylinder                     | Zylinder         | Cylinder                     | Sylinteri            | Ø70/50 410-510              | 146730 | 1   |
| 2   | Bonded gasket                | Dichtung         | Usit-tätning                 | Usit-tiiviste        | 3/8" USITR-06               | 146003 | 1   |
| 3   | Double nipple                | Doppelnippel     | Dubbelnippa                  | Kaksoisnippa         | 3/8"-3/8" 04000-06          | 143104 | 1   |
| 4   | "L" adaptor with male thread | Vinkel nippel    | Vinkel                       | Kulmanippa           | 3/8" - 3/8" 04490-06        | 143182 | 1   |
| 6   | Male/female adaptor          | Anschluss        | Junktur                      | Yhdysnippa           | 1/4" - 3/8" Rak 04010-04-06 | 143160 | 1   |
| 7   | Flow control valve           | Flussregelventil | Ställbar strypventil med lås | Vastuusvastavettiili | 1/4"-1/4"                   | 144011 | 1   |
| 8   | Double nipple                | Doppelnippel     | Dubbelnippa                  | Kaksoisnippa         | 1/4"-1/4" 04000-04          | 143102 | 1   |
| 9   | Bonded gasket                | Dichtung         | Usit-tätning                 | Usit-tiiviste        | 1/4" USITR-04               | 146002 | 2   |
|     | Set off seals                | Dichtungssätze   | Tätningsserie                | Tiivistesarja        | Ø70/50                      | 146731 | 1   |



559273

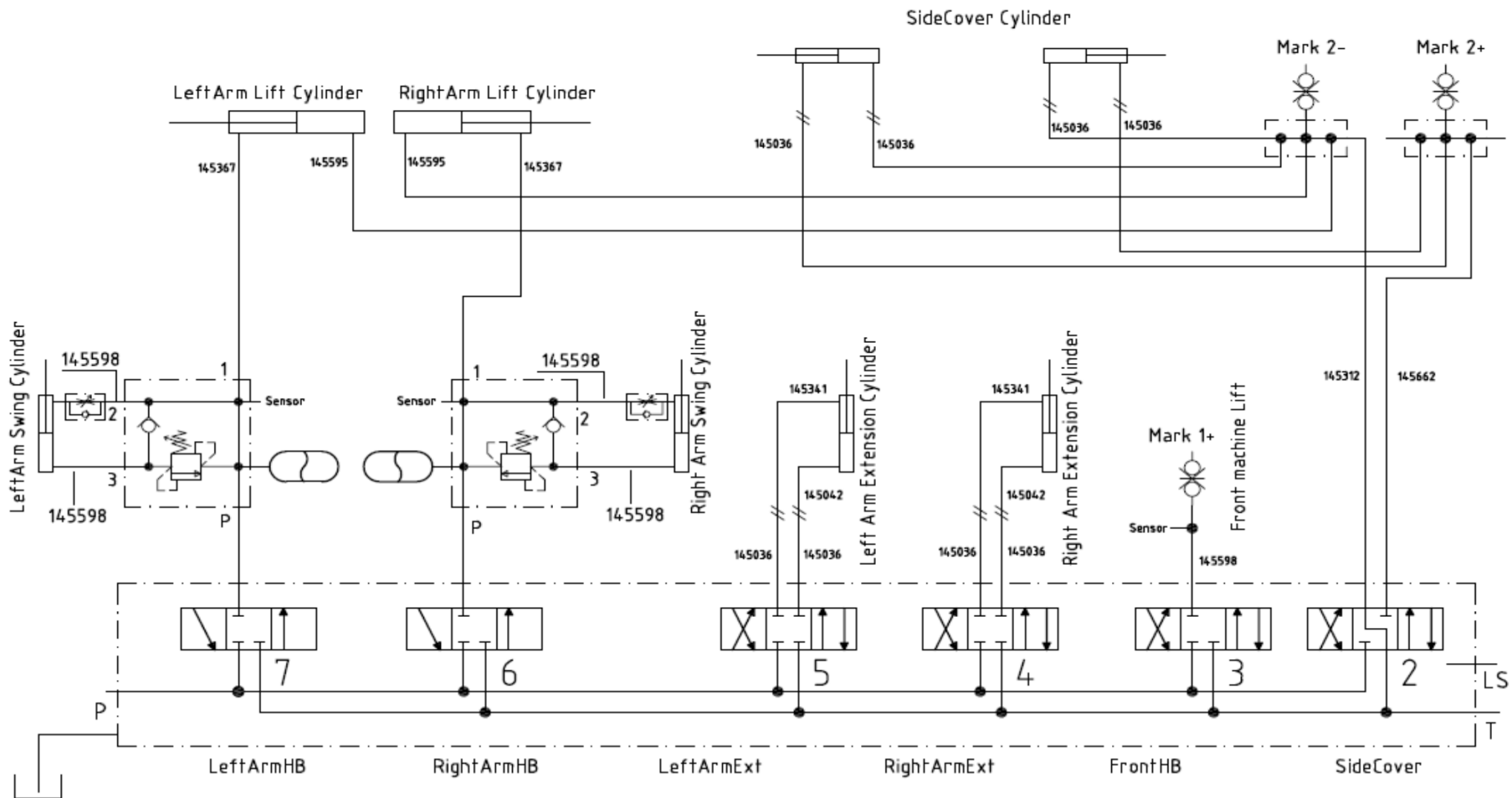
| Pos | Name          | Nahme          | Benämning     | Nimike        | Specifikation      | NO     | Pcs |
|-----|---------------|----------------|---------------|---------------|--------------------|--------|-----|
| 1   | Cylinder      | Zylinder       | Cylinder      | Sylinteri     | Ø60/30 550-800     | 146720 | 1   |
| 2   | Bonded gasket | Dichtung       | Usit-tätning  | Usit-tiiviste | 3/8" USITR-06      | 146003 | 2   |
| 3   | Doublenipple  | Doppelnippel   | Dubbelnippa   | Kaksoisnippa  | 3/8"-3/8" 04000-06 | 143104 | 2   |
|     | Set off seals | Dichtungssätze | Tätningsserie | Tiivistesarja | Ø60/30             | 146721 | 1   |

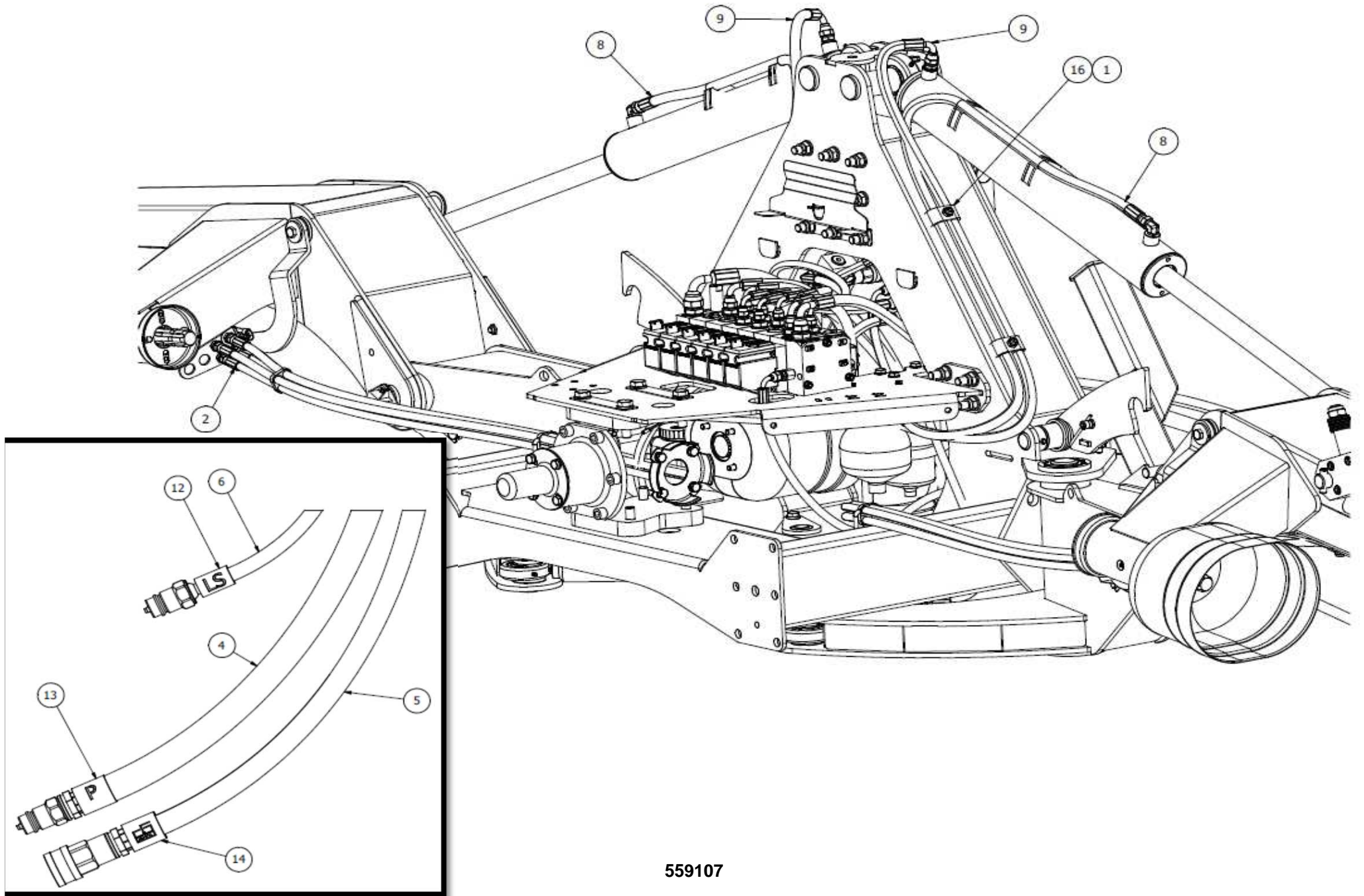


559479

| Pos | Name                 | Nahme               | Benämning                | Nimike              | Specifikation    | NO     | Pcs |
|-----|----------------------|---------------------|--------------------------|---------------------|------------------|--------|-----|
| 1   | Tool box             | Werkzeugkasten      | Verktygslåda med handtag | Työkalulaatikko     | Ama 35067        | 159825 | 1   |
| 2   | Male 1/2"            | männlich 1/2"       | Hane 1/2" monterad       | Uros 1/2"           | ISO 5675/2008    | 559490 | 1   |
| 3   | Female 3/4"          | Weiblich 3/4"       | Hona 3/4" monterad       | Naaras 3/4"         | C23071-12        | 559491 | 1   |
| 4   | Block tool for nifes | Werkzeug für messer | Verktyg för knivbyte     | Teränvaihto työkalu | 2007->           | 505620 | 1   |
| 5   | Key                  | Schlüssel           | Nyckel                   | Avain               | Sensor           | 142158 | 1   |
| 6   | Linch pin            | Klappstecker        | Ringsprint               | Rengassokka         | DIN 11023 4,5 mm | 133360 | 2   |



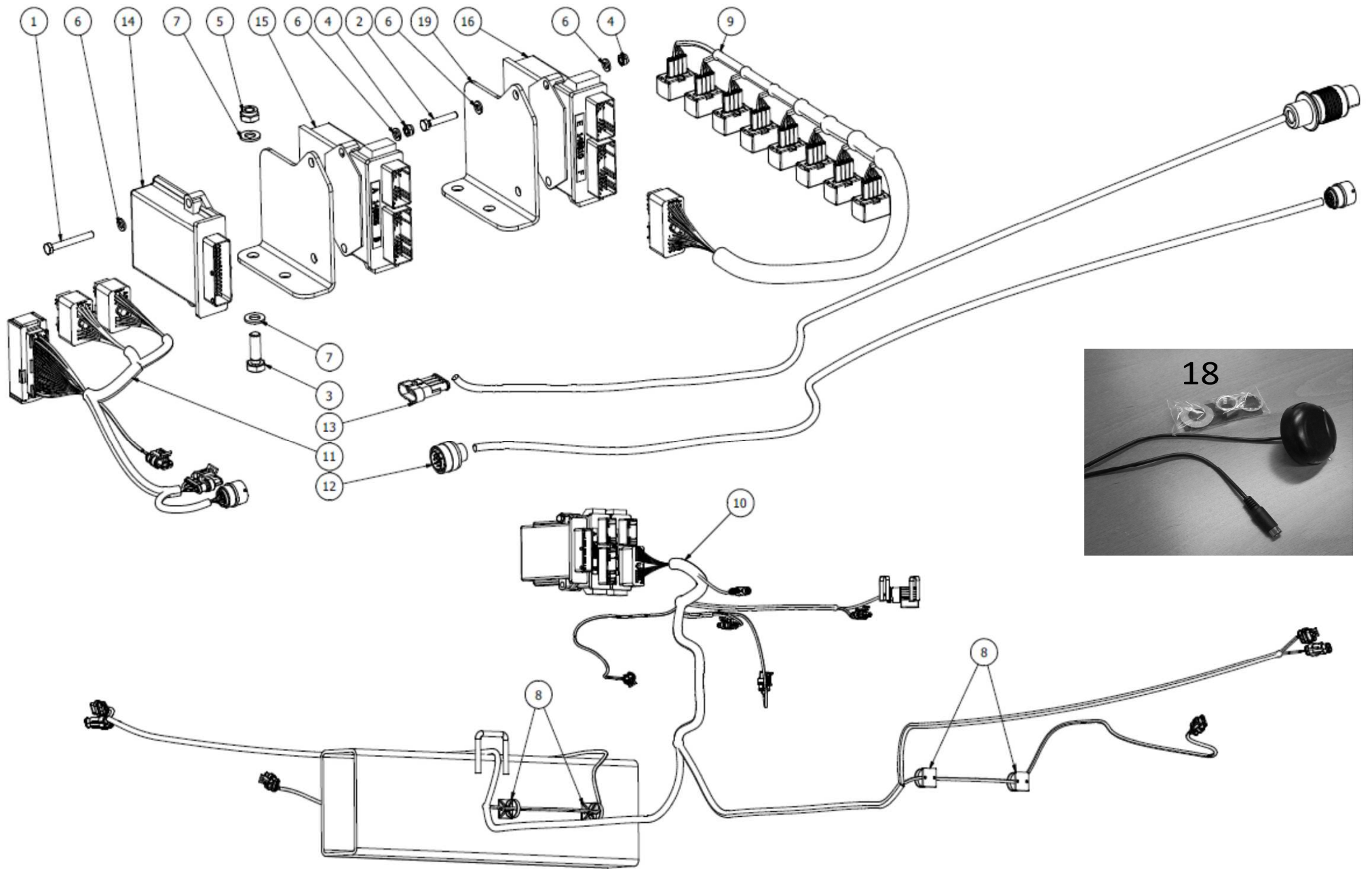




559107

## 559107

| Pos | Name                      | Nahme                       | Benämning               | Nimike                      | Specifikation         | NO     | Pcs |
|-----|---------------------------|-----------------------------|-------------------------|-----------------------------|-----------------------|--------|-----|
| 1   | Nut                       | Muttern                     | Låsmutter               | Lukitusmutteri              | DIN 985-8 M10 ZN      | 131580 | 4   |
| 2   | Hydraulic hose            | Hydraulik schlauch          | Hydraulslang            | Hydrauliletku               | R1/4" L=2100          | 145036 | 8   |
| 3   | Hydraulic hose            | Hydraulik schlauch          | Hydraulslang            | Hydrauliletku               | 1/4" L=500            | 145113 | 2   |
| 4   | Hydraulic hose            | Hydraulik schlauch          | Hydraulslang            | Hydrauliletku               | 3/4" L=2000           | 145129 | 1   |
| 5   | Hydraulic hose            | Hydraulik schlauch          | Hydraulslang            | Hydrauliletku               | 3/4" L=2300           | 145131 | 1   |
| 6   | Hydraulic hose            | Hydraulik schlauch          | Hydraulslang            | Hydrauliletku               | 3/16" L=2600          | 145133 | 1   |
| 7   | Hydraulic hose            | Hydraulik Schlauch          | Hydraulslang            | Hydrauliletku               | 3/8 L=900             | 145312 | 1   |
| 8   | Hydraulic hose            | Hydraulik schlauch          | Hydraulslang            | Hydrauliletku               | 3/8" L=1700 3/8" 45°  | 145367 | 2   |
| 9   | Hydraulic hose            | Hydraulik Schlauch          | Hydraulslang            | Hydrauliletku               | 3/8" L=1800 3/8" 90°  | 145595 | 2   |
| 10  | Hydraulic hose            | Hydraulik Schlauch          | Hydraulslang            | Hydrauliletku               | 3/8" L=700 3/8" 90° - | 145598 | 5   |
| 11  | Hydraulic hose            | HYDRAULIK SLAUCH            | Hydraulslang            | Hydrauliletku               | 1/4" L=550            | 145662 | 1   |
| 12  | Hose labeling ls          | Hose Markierung LS          | Slangmärkning ls        | Letku merkintä ls           | Slangmärkning         | 149910 | 1   |
| 13  | Hose labeling pressure p  | Schlauch Markierung Druck   | Slangmärkning tryck p   | Letkun merkintä paine p     |                       | 149920 | 1   |
| 14  | Hose labeling free return | Schlauch Marki. freien Rück | Slangmärkning fri retur | Letkun merkintä vapaa paluu |                       | 149921 | 1   |
| 15  | Oil can                   | Ölbehälter                  | Öljebehållare           | Öljysäiliö                  |                       | 527893 | 1   |
| 16  | Hose clamp                | Schlauch befestigung        | Slanghållare            | Letkunpidike                | 2 x 3/8"              | 800220 | 4   |



559134

## 559134

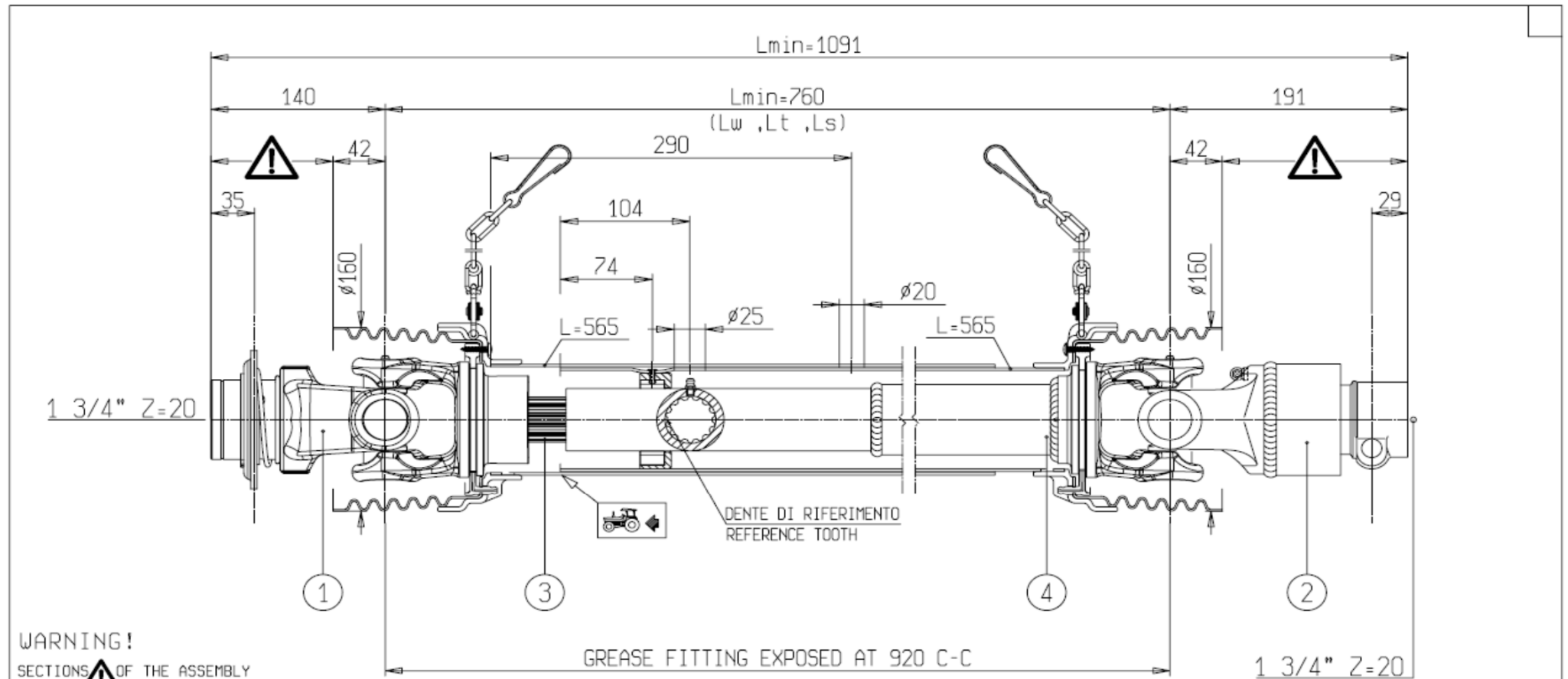
| Pos | Name                     | Nahme                    | Benämning               | Nimike                     | Specifikation         | NO     | Pcs |
|-----|--------------------------|--------------------------|-------------------------|----------------------------|-----------------------|--------|-----|
| 1   | Screw                    | Schraube                 | 6-k Skruv dg            | Kuusioruuvi                | DIN 931 8.8 M 6X50 ZN | 130005 | 2   |
| 2   | Screw                    | Schraube                 | 6-k Skruv hg            | Kuusioruuvi                | DIN 933 8.8 M6X35 ZN  | 130680 | 2   |
| 3   | Screw                    | Schraube                 | 6-k Skruv hg            | Kuusioruuvi                | DIN 933 8.8 M10X30 ZN | 130880 | 4   |
| 4   | Nut                      | Muttern                  | Låsmutter               | Lukitusmutteri             | DIN 985-8 M6 ZN       | 131560 | 4   |
| 5   | Nut                      | Muttern                  | Låsmutter               | Lukitusmutteri             | DIN 985-8 M10 ZN      | 131580 | 4   |
| 6   | Washer                   | Scheibe                  | Bricka                  | Aluslaatta                 | DIN 125A M 6/6.4 ZN   | 131730 | 8   |
| 7   | Washer                   | Scheibe                  | Bricka                  | Aluslaatta                 | DIN 125A M10/10.5 ZN  | 131770 | 8   |
| 8   | Strip holder             | Kabelbinder halter       | Panuit ankare           | Nippuside kiinnike         | ABMS-A-D              | 142050 | 4   |
| 9   | Cable harness valves     | Kabel Serie Ventil       | Ventilbords kabelstam   | Johtotarja venttiilit      | Delta10500            | 148111 | 1   |
| 10  | Cable harness sensors    | Kabel Serie Sensoren     | Sensor kabelstam        | Johtosarja anturit         | Delta10500            | 148112 | 1   |
| 11  | Cable harness i/o        | Kabel Serie I/O          | Io kabelstam            | Johtotarja i/o             | Delta10500            | 148113 | 1   |
| 12  | Cable                    | Kabel                    | Skarvkabel opus         | Jatkojohto                 | Delta10500            | 148114 | 1   |
| 13  | Cabel                    | Kabel                    | Skarvkabel matning      | Johto                      | Delta10500            | 148115 | 1   |
| 14  | I/O modul                | I/O modul                | I/O modul               | I/O moduli                 | STW ESX-IOX 49380     | 148801 | 1   |
| 15  | Connecting modul valves  | Anschluss modul Ventilen | Kopplingsmodul ventiler | Kytkentä moduli venttiilit |                       | 148805 | 1   |
| 16  | Connecting modul sensors | Anschluss modul Sensoren | Kopplingsmodul sensorer | Kytkentä moduli anturit    |                       | 148810 | 1   |
| 18  | Gps reciever             | GPS-Empfänger            | Gps mottagare           | Gps vastaanotin            |                       | 148860 | 1   |
| 19  | Bracket                  | Befestigung              | Fästplåt                | Kiinnike                   |                       | 559109 | 2   |




148851



| Pos | Name                   | Nahme                 | Benämning                  | Nimike                  | Specifikation  | NO     | Pcs |
|-----|------------------------|-----------------------|----------------------------|-------------------------|----------------|--------|-----|
| 1   | Opus a3                | OPUS A3               | Opus a3                    | Opus a3                 | Wachendorff    | 148850 | 1   |
| 2   | Adapter opusa3-ram     | Adapter OpusA3-Ram    | Adapter opusa3-ram         | Adapteri opusa3-ram     | OPUS A3ZBAH001 | 148852 | 1   |
| 3   | Ram mount              | Ram mount             | Monitor fäste mittdel      | Ram mount               | RAM-B201U      | 148880 | 1   |
| 4   | Ram mount              | Ram mount             | Monitor fäste med kula     | Ram mount               | RAM-B202U      | 148881 | 1   |
| 5   | Ram mount              | Ram mount             | Monitor fäste med klämbyge | Ram mount               | RAM-B231U      | 148882 | 1   |
| 6   | Monitor cable with usb | Monitor Kabel mit USB | Monitorkabel med usb       | Kaapeli usb liittimellä |                | 148840 | 1   |

| Pos | Name      | Nahme        | Benämning            | Nimike      | Specificazione  | NO     | Pcs |
|-----|-----------|--------------|----------------------|-------------|-----------------|--------|-----|
| 1   | PTO Shaft | Gelenkwellen | Kraftöverföringsaxel | Nivelakseli | DS8S076CER10001 | 152075 | 1   |



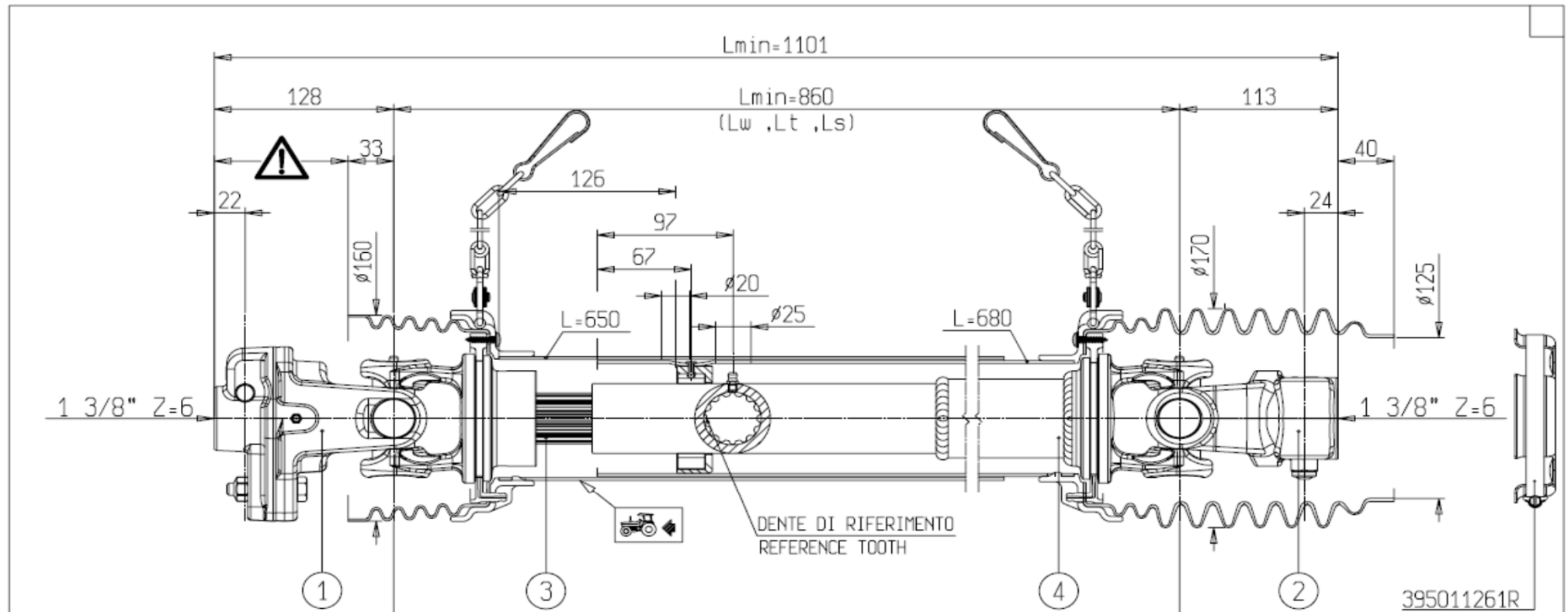
**WARNING!**

SECTIONS  OF THE ASSEMBLY MARKED ARE NOT SHIELDED AND MUST BE SHIELDED BY AN INTERACTIVE GUARDING SYSTEM. BONDIOLI & PAVESI DECLINES RESPONSIBILITY IF PROPER GUARDS ARE NOT PROVIDED OR MAINTAINED.

|   |   |   |                              |
|---|---|---|------------------------------|
| a Modificata velocita' max: era 540. Inserito tipo di macchina  |   | Bonetti   | 28/11/2011                   |
| Rev. Descrizione Modifica                                       |   | Operatore   | Data                         |
| 1   | CODICE CODE R10   | LATO TRATTORE TRACTOR SIDE                            | LATO MACCHINA IMPLEMENT SIDE |
| 2   | CODICE CODE A53 RA2   | TIPO-TYPE SFT-S8                                      |                              |
| 3   |  L=635 | CLIENTE / CUSTOMER 3800550 OY EL-HO Ab                |                              |
| 4   |  L=305 | RIF. CLIENTE / CUSTOMER REF. 152075                   |                              |
| VELOCITA' MAX MAX SPEED (a) <sub>1</sub> 1000 min               |   | M max 4000 Nm   |                              |
| LUNGHEZZA MAX IN LAVORO MAX WORKING LENGTH LW=1210              |   | LUNGHEZZA MAX TEMPORANEA MAX TEMPORARY LENGTH Lt=1210 |                              |
| LUNGHEZZA MAX NON IN ROTAZIONE MAX LENGTH AT STANDSTILL Ls=1210 |   | NOTE / NOTES SPECIALE PER: INGRASSAGGIO:              |                              |
| STUDIO / DESIGN TRS8S076001                                     |   | ORIGINE / ORIGIN                                      |                              |
| CODICE / CODE DS8S076CER10001                                   |   | REV. a  |                              |



| Pos | Name      | Nome         | Benämning            | Nimike      | Specificazione  | NO     | Pcs |
|-----|-----------|--------------|----------------------|-------------|-----------------|--------|-----|
| 1   | PTO Shaft | Gelenkwellen | Kraftöverföringsaxel | Nivelakseli | DS6S086FX1R3001 | 152078 | 1   |

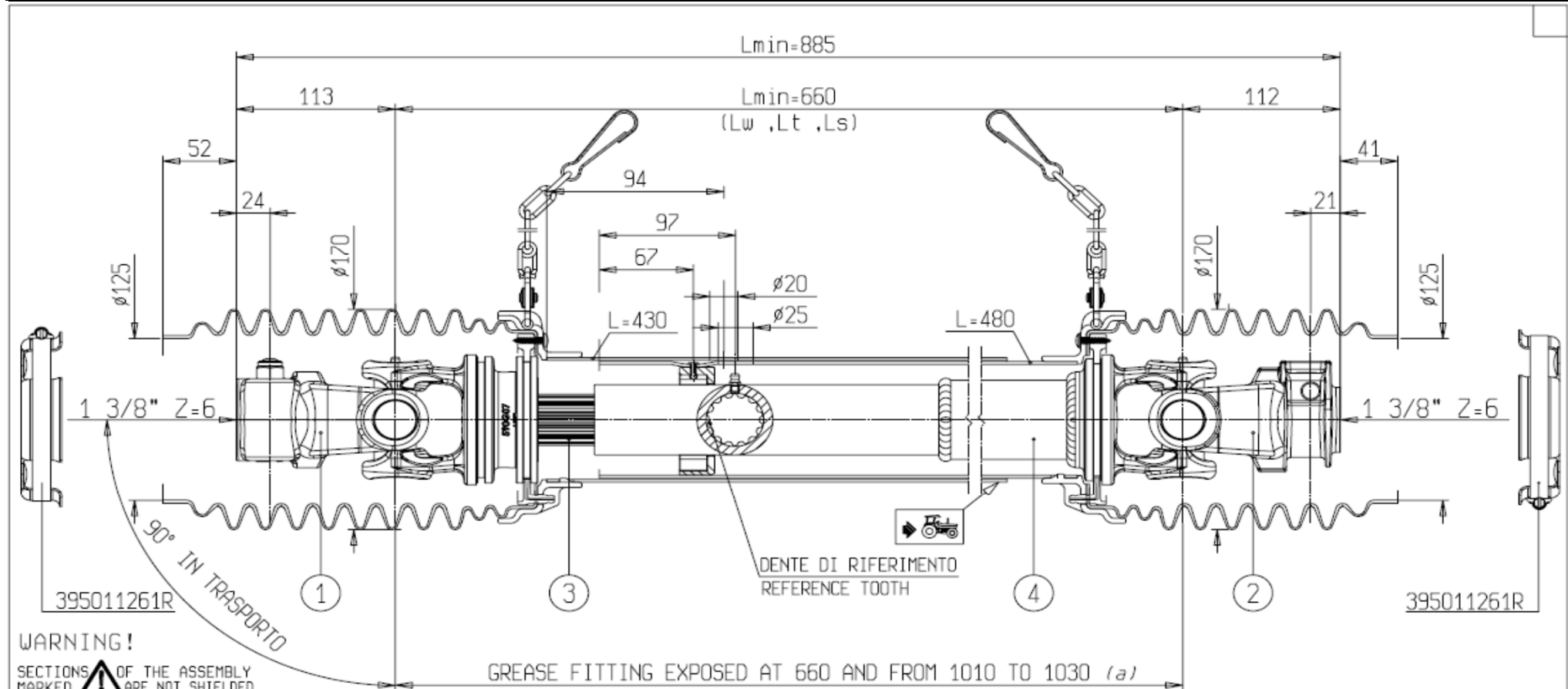


**WARNING!**

SECTIONS OF THE ASSEMBLY ARE NOT SHIELDED AND MUST BE SHIELDED BY AN INTERACTIVE GUARDING SYSTEM. BONDIOLI & PAVESI DECLINES RESPONSIBILITY IF PROPER GUARDS ARE NOT PROVIDED OR MAINTAINED.

|   |                               |  |                                 |   |   |   |
|---|-------------------------------|--|---------------------------------|---|---|---|
| 1 | CODICE CODE<br>1R3 LB 2700 Nm | LATO TRATTORE<br>TRACTOR SIDE                        | LATO MACCHINA<br>IMPLEMENT SIDE | TIPO-TYPE<br>SFT-S6   | CLIENTE / CUSTOMER<br>3800550 OY EL-H0 Ab                                 | RIF.CLIENTE / CUSTOMER REF.<br>152078                     |
| 2 | CODICE CODE<br>014            |  |                                 | DATA / DATE<br>28/11/2011                                   | DISEGNATO / DESIGNED BY<br>M.Bonetti                                      | TIPO DI MACCHINA / TYPE OF IMPLEMENT<br>MOWER 10M NK10000 |
| 3 | <br>L=750                     |  |                                 | LUNGHEZZA MAX IN LAVORO<br>MAX WORKING LENGTH<br>LW=1430    | STUDIO / DESIGN<br>TRS6S086001  | ORIGINE / ORIGIN<br>DS6S081FX014001                       |
| 4 | <br>L=432                     | VELOCITA' MAX<br>MAX SPEED<br>1000 min <sup>-1</sup> | M max<br>3000 Nm                | LUNGHEZZA MAX TEMPORANEA<br>MAX TEMPORARY LENGTH<br>Lt=1430 | NOTE / NOTES<br>SPECIALE PER CONTROLLO ALLUNGAMENTO<br>E LUNGHEZZA T.P.E. | CODICE / CODE<br>DS6S086FX1R3001                          |

| Pos | Name      | Nahme        | Benämning            | Nimike      | Specificazione  | NO     | Pcs |
|-----|-----------|--------------|----------------------|-------------|-----------------|--------|-----|
| 1   | PTO Shaft | Gelenkwellen | Kraftöverföringsaxel | Nivelakseli | DS6S066FX014001 | 152079 | 1   |

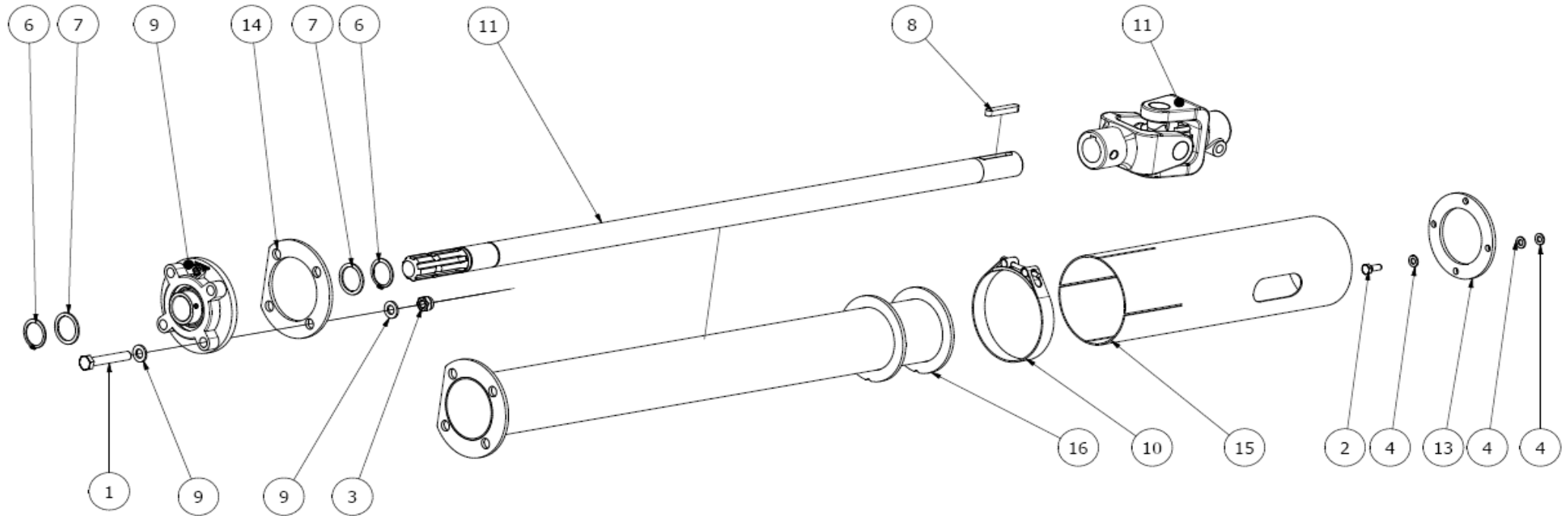


**WARNING!**

SECTIONS OF THE ASSEMBLY ARE NOT SHIELDED AND MUST BE SHIELDED BY AN INTERACTIVE GUARDING SYSTEM. BONDIOLI & PAVESI DECLINES RESPONSIBILITY IF PROPER GUARDS ARE NOT PROVIDED OR MAINTAINED.

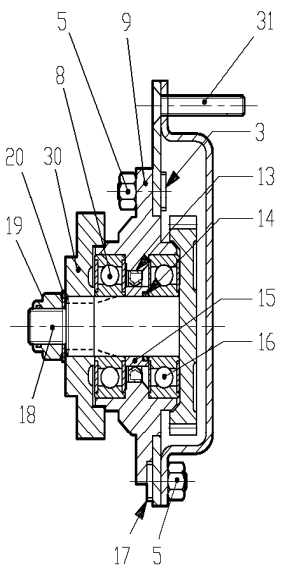
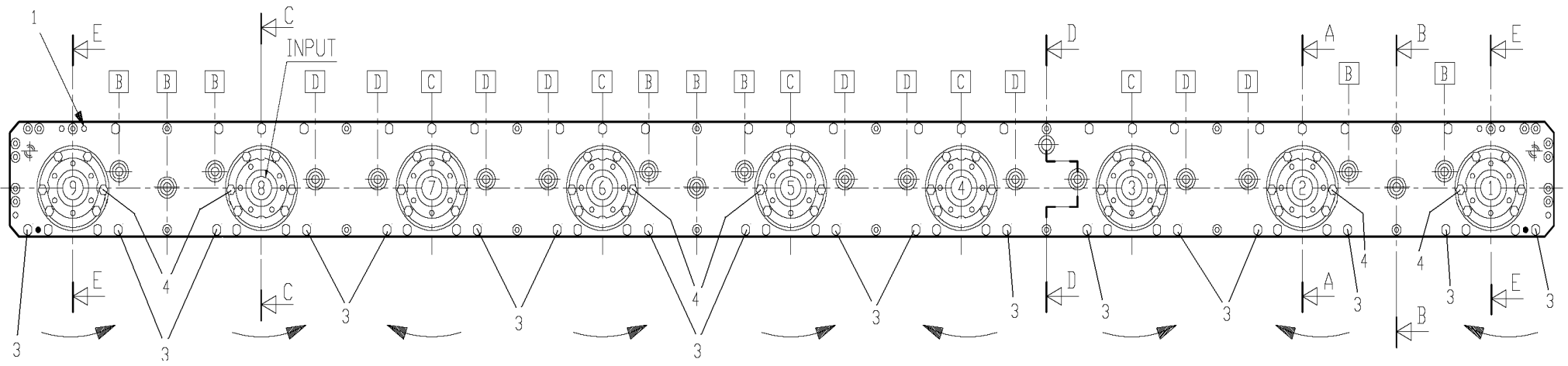
GREASE FITTING EXPOSED AT 660 AND FROM 1010 TO 1030 (a)

|                   |  |  |  |                              |  |  |  |   |  |                                  |  |                               |  |
|-------------------|--|--|--|------------------------------|--|--|--|---|--|----------------------------------|--|-------------------------------|--|
| 1 CODICE CODE 014 |  | LATO TRATTORE TRACTOR SIDE                     |  | LATO MACCHINA IMPLEMENT SIDE |  | TIPO-TYPE SFT-S6   |  | a Modificata nota ingrassaggio: era "... at 660 and 1010"                 |  | Bonetti                          |  | 28/11/2011                    |  |
| 2 CODICE CODE 007 |  |  |  |                              |  | 3800550 OY EL-HO Ab  |  | Rev. Descrizione Modifica   |  | Operatore                        |  | Data                          |  |
| 3  L=550          |  | 30,2   |  | 30,2                         |  | DATA / DATE 17/11/2011   |  | CLIENTE / CUSTOMER  |  | RIF. CLIENTE / CUSTOMER REF.     |  | 152079                        |  |
| 4  L=232          |  | VELOCITA' MAX MAX SPEED 1000 min <sup>-1</sup> |  | M max 3000 Nm                |  | LUNGEZZA MAX IN LAVORO MAX WORKING LENGTH Lw=1030              |  | TIPO DI MACCHINA / TYPE OF IMPLEMENT Mower 10M NK10000                    |  |                                  |  | CODICE / CODE DS6S066FX014001 |  |
|                   |  |  |  |                              |  | LUNGEZZA MAX TEMPORANEA MAX TEMPORARY LENGTH Lt=1030           |  | STUDIO / DESIGN TRS6S066002   |  | ORIGINE / ORIGIN DS6S061FX000001 |  | REV. a                        |  |
|                   |  |  |  |                              |  | LUNGEZZA MAX NON IN ROTAZIONE MAX LENGTH AT STANDSTILL Ls=1030 |  | NOTE / NOTES SPECIALE PER FORCELLA x SCANALATO; PROTEZIONI E INGRASSAGGIO |  |                                  |  |                               |  |

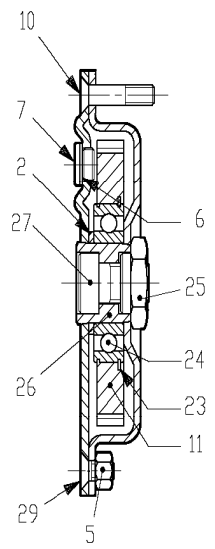
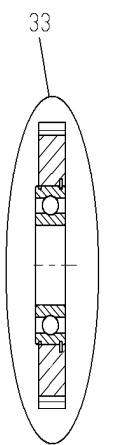


534550

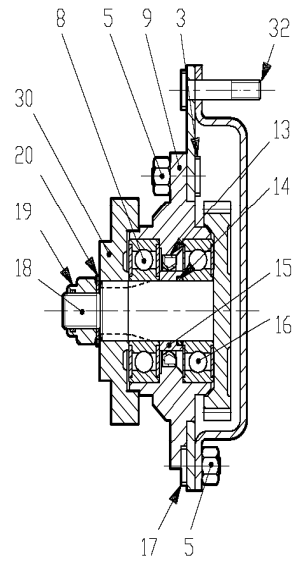
| Pos | Name        | Nahme            | Benämning              | Nimike          | Specifikation           | NO     | Pcs |
|-----|-------------|------------------|------------------------|-----------------|-------------------------|--------|-----|
| 1   | Screw       | Schraube         | 6-k Skruv dg           | Kuusioruuvi     | DIN 931 8.8 M12X70 ZN   | 130350 | 4   |
| 2   | Screw       | Schraube         | 6-k Skruv hg           | Kuusioruuvi     | DIN 933 8.8 M8X20 ZN    | 130720 | 4   |
| 3   | Nut         | Muttern          | Låsmutter              | Lukitusmutteri  | DIN 985-8 M12 ZN        | 131600 | 4   |
| 4   | Washer      | Scheibe          | Bricka                 | Aluslaatta      | DIN 125A M8/8.4 ZN      | 131750 | 12  |
| 6   | Seeger ring | Sicherüingring   | Låsring för axel       | Varmistinrengas | DIN 471 35X1,5          | 132100 | 2   |
| 7   | Shims       | Ausgleichscheibe | Passbricka             | Sovitelaatta    | DIN 988 35x45x2         | 132353 | 2   |
| 8   | Spline      | Keile            | Flatkil                | Laattakiila     | DIN 6885 A 10X8X55      | 132970 | 1   |
| 9   | Washer      | Scheibe          | Bricka                 | Aluslaatta      | DIN 125A M12/13 ZN      | 131790 | 8   |
| 9   | Bearing     | Lager            | Flänslager             | Laippalaakeri   | UCFC 207                | 140547 | 1   |
| 10  | Hose clips  | Slauchschellen   | Power clamp - klämmare | Letkuside       | ABA 120-130,Fe/gulpass. | 147125 | 1   |
| 11  | Cross       | Gelenk           | Led                    | Nivel           | DH7GC000002             | 152230 | 1   |
| 11  | Drive shaft | Welle            | Drivaxel ämne          | Vetoakseli      |                         | 534131 | 1   |
| 13  | Plate       | Platte           | Skyddsfäste            | Levy            |                         | 534551 | 1   |
| 14  | Distans     | Distanz          | Mellanbricka           | Välilevy        |                         | 534552 | 1   |
| 15  | Shaft cover | Shutz rohr       | Skyddsror ytter ämne   | Akselin suoja   |                         | 534555 | 1   |
| 16  | Shaft cover | Shutz rohr       | Skyddsror inner        | Akselin suoja   |                         | 534557 | 1   |



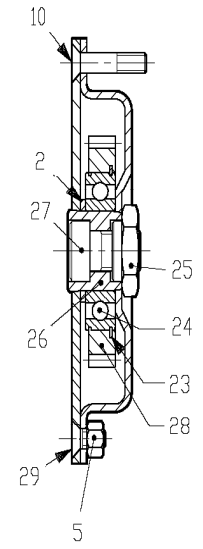
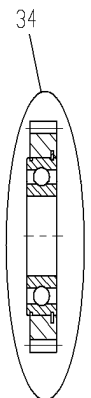
Sec. E-E



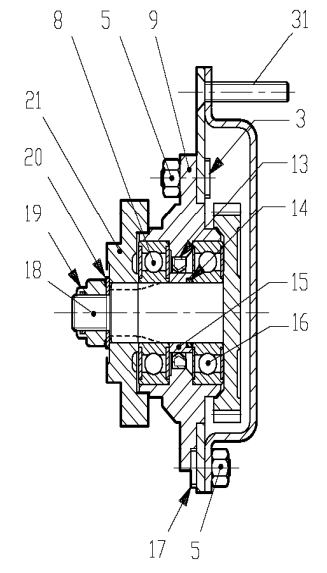
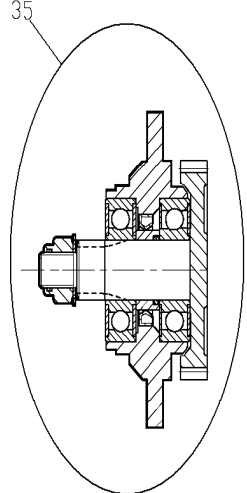
Sec. D-D



Sec. C-C



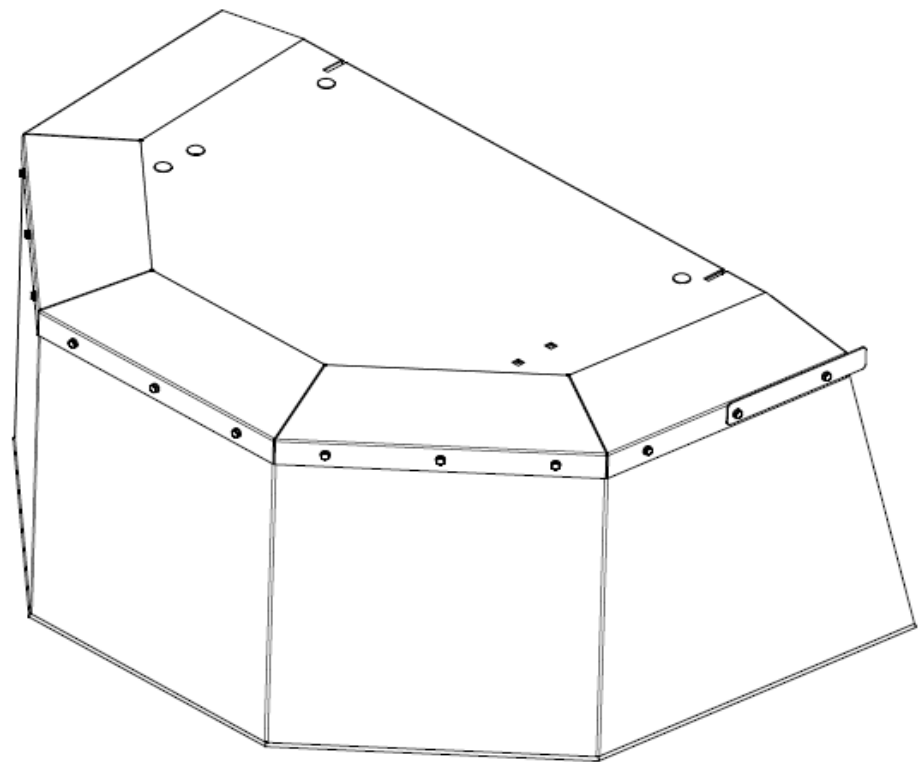
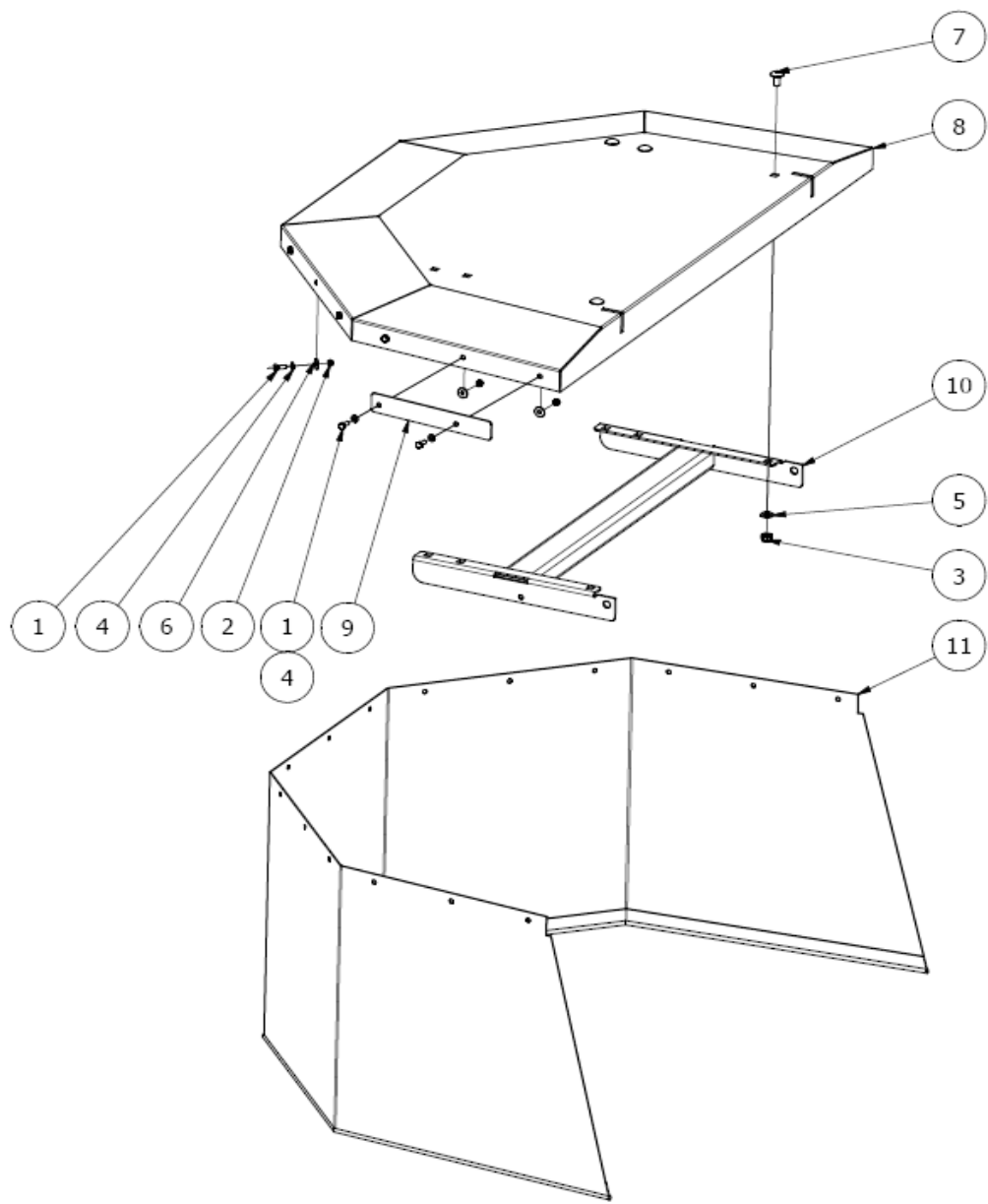
Sec. B-B



Sec. A-A

## 155660

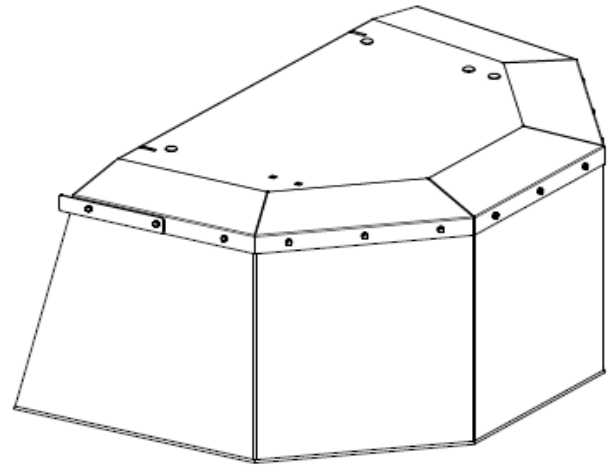
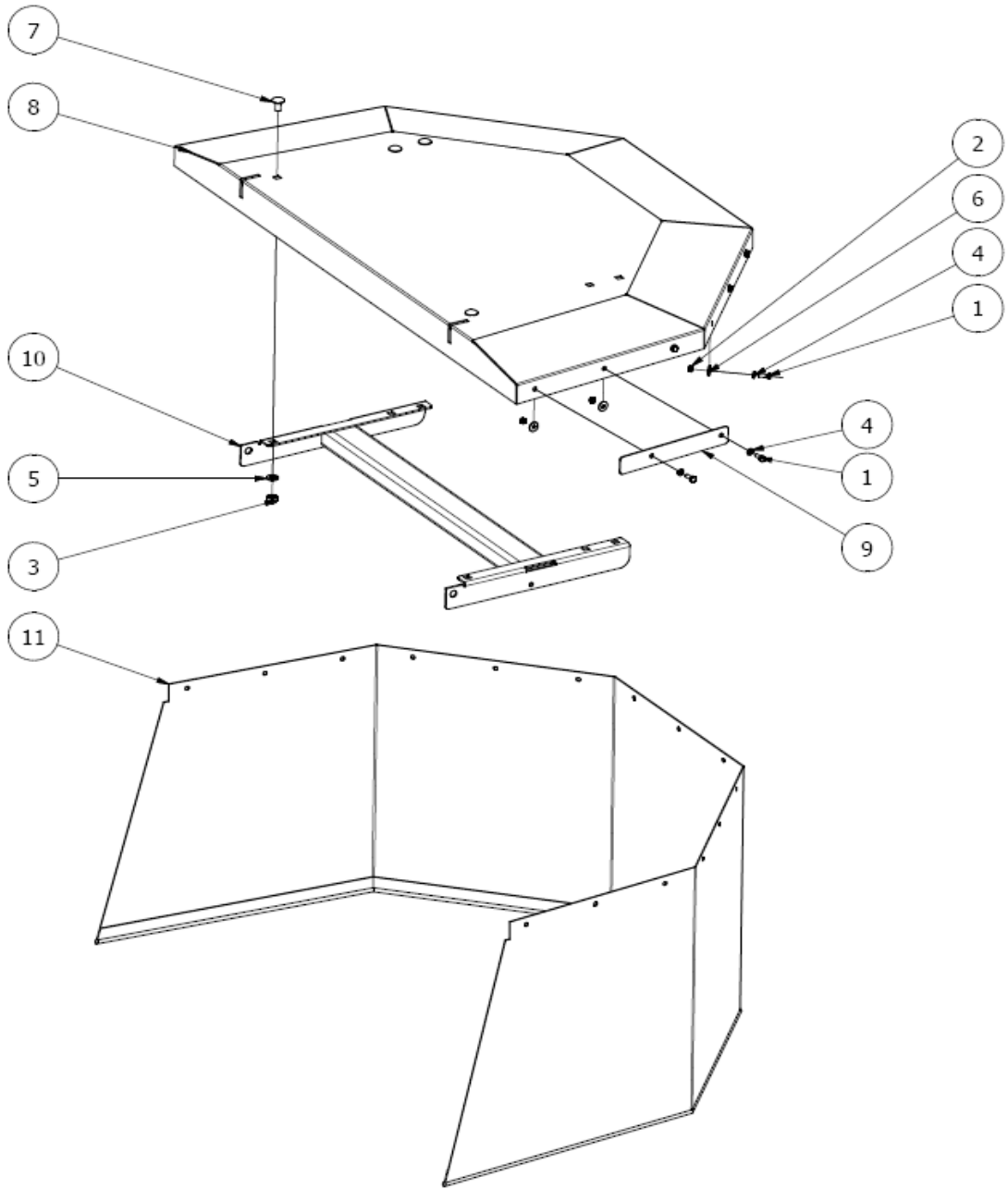
| Pos | Name                    | Nahme                    | Benämning                | Nimike                | Kvalitet                        | NO     | Pcs |
|-----|-------------------------|--------------------------|--------------------------|-----------------------|---------------------------------|--------|-----|
| 1   | Spring pin              | Spannhülsen              | Rörsprint                | Jousisokka            | 8.4.5.01205 DIN 1481 10x12      | 508511 | 2   |
| 2   | Spacer                  | Buchse                   | Distans                  | Väliholkki            | 0.404.7105.00 40.3x51.3x3       | 508520 | 19  |
| 3   | Bolt                    | Bolzen                   | Bult                     | Pultti                | 0.404.7101.00/ M10x30           | 508529 | 66  |
| 4   | Bolt                    | Bolzen                   | Bult                     | Pultti                | 0.404.7132.00/ M10x30 DCRT      | 508534 | 6   |
| 5   | Nut                     | Muttern                  | Mutter                   | Mutteri               | 8.2.1.01528/M10 DCRT320         | 508523 | 121 |
| 6   | Seal                    | Dichtung                 | Packning                 | Tiiviste              | 8.3.0.01353/17x22x1.5           | 508522 | 2   |
| 7   | Male Plug               | Propfen                  | Plugg                    | Tulppa                | BSP 3/8" 0.404.7131.00          | 143314 | 2   |
| 8   | Bearing                 | Lager                    | Kullager                 | Laakeri               | 6306 2RS/C3                     | 140366 | 9   |
| 9   | Bearinghousing          | Lagergehäuse             | Lagerhus                 | Laakeripesä           | 0.505.1301.00                   | 517497 | 9   |
| 10  | Counter screw           | Senkschrauben            | I-6 Skruv sänkt          | 6-koloruuvi uppok.    | DIN 7991 10.9 M10x30 ZN         | 131333 | 26  |
| 11  | Gear                    | Zahnrad                  | Kugghjul                 | Hammaspyörä           | 0.505.6002.00 Z45 M3            | 517505 | 10  |
| 12  | Cutterbed+cover         | Gehäuse                  | Lock+botten              | Kansi+pohja           | 2.524.0702.00 370               | 155661 | 1   |
| 13  | Oil seal                | Öldichtung               | Oljetätning              | Öljiiviste            | 8.7.3.00044 / 40x56x8           | 508505 | 9   |
| 14  | O-ring                  | O-ring                   | O-ring                   | O-rengas              | 8.7.6.01244 OR-3112             | 508507 | 9   |
| 15  | Spacer                  | Buchse                   | Distans                  | Väliholkki            | 0.505.7100.00                   | 517530 | 9   |
| 16  | Bearing                 | Lager                    | Kullager                 | Laakeri               | 6306 ZZ/C3                      | 140365 | 9   |
| 17  | Bolt                    | Bolzen                   | Bult                     | Pultti                | 0.404.7112.00/ M10X19           | 508530 | 18  |
| 18  | Gear+shaft              | Zahnrad+welle            | Kugghjul med axel        | Hammaspyörä+akseli    | 0.523.5000.00 Z34 M3            | 155540 | 9   |
| 19  | Locknut                 | Muttern                  | Låsmutter                | Lukitusmutteri        | M18 H16.8 (8.2.6.00542)         | 508501 | 9   |
| 20  | Wascher                 | Scheibe                  | Fjäderbricka             | Jousilaatta           | 35.5x18.3x2 (8.5.5.01242)       | 508502 | 9   |
| 21  | Disk hub                | Mähscheibe befestigung   | Tallrikscentrum drivning | Kinnitys laippa       | 0.523.7001.00 >2008 (500 serie) | 155560 | 1   |
| 22  | Spacer                  | Buchse                   | Distans                  | Väliholkki            | Ø 12/20x15 0.404.7137.00        | 508531 | 9   |
| 23  | Snap ring               | Sicherung ring           | Låsring                  | Lukkorengas           | 0.505.7101.00                   | 517528 | 19  |
| 24  | Bearing                 | Lager                    | Kullager                 | Laakeri               | 6208 N/C3                       | 140286 | 19  |
| 25  | Nut                     | Muttern                  | Mutter                   | Mutteri               | 0.465.7050.00                   | 517527 | 19  |
| 26  | Spacer                  | Zwischenbusche           | Bussning                 | Väliholkki            | 0.465.7049.00                   | 517529 | 19  |
| 27  | Bolt                    | Bolzen                   | Bult                     | Pultti                | 0.404.7107.00/ M20x30           | 508510 | 19  |
| 28  | Gear                    | Zahnrad                  | Kugghjul                 | Hammaspyörä           | 0.505.6001.00 Z36 M3            | 517515 | 9   |
| 29  | Counter screw           | Senkschrauben            | I-6 Skruv sänkt          | 6-koloruuvi uppok.    | DIN 7991 10.9 M10X20 ZN         | 131320 | 8   |
| 30  | Disk hub                | Mähscheibe befestigung   | Tallrikscentrum          | Kinnitys laippa       | 0.523.7000.00 >2008 (500 serie) | 155550 | 8   |
| 31  | Counter screw           | Senkschrauben            | I-6 Skruv sänkt          | 6-koloruuvi uppok.    | DIN 7991 10.9 M10X55 ZN         | 131338 | 2   |
| 32  | Bolt                    | Bolzen                   | Bult                     | Pultti                | 0.404.7102.00/ M10x52           | 508527 | 7   |
| 33  | Gear with bearing       | Zahnrad mit lager        | Kugghjul med lager       | Hammasp. Laakereineen | 9.505.501.00 Z45 M3             | 517506 | 10  |
| 34  | Gear with bearing       | Zahnrad mit lager        | Kugghjul med lager       | Hammasp. Laakereineen | 9.505.502.00 Z36 M3             | 517516 | 9   |
| 35  | Bearinghousing Complete | Lagergehäuse vollständig | Tallriks drivenhet       | Lautasen vetoyksikkö  | ELHO 2008>                      | 517498 | 9   |



534586

## 534586

| Pos | Name               | Nahme             | Benämning             | Nimike              | Specifikation                  | NO     | Pcs |
|-----|--------------------|-------------------|-----------------------|---------------------|--------------------------------|--------|-----|
| 1   | Screw              | Schraube          | 6-k Skruv hg          | Kuusioruuvi         | DIN 933 8.8 M6X16 ZN           | 130620 | 15  |
| 2   | Nut                | Muttern           | Låsmutter             | Lukitusmutteri      | DIN 985-8 M6 ZN                | 131560 | 15  |
| 3   | Nut                | Muttern           | Låsmutter             | Lukitusmutteri      | DIN 985-8 M10 ZN               | 131580 | 4   |
| 4   | Washer             | Scheibe           | Bricka                | Aluslaatta          | DIN 125A M 6/6.4 ZN            | 131730 | 15  |
| 5   | Washer             | Scheibe           | Bricka                | Aluslaatta          | DIN 125A M10/10.5 ZN           | 131770 | 4   |
| 6   | Washer             | Scheibe           | Karosseribricka       | Korialuslevy        | DIN 9021 6/6.4 ZN              | 131890 | 15  |
| 7   | Cup bolts          | Flachrundschrabe  | Låsskruv              | Lukkoruuvi          | DIN 603/555 8.8 M10X20 (3-4)ZN | 132704 | 4   |
| 8   | Side cover         | Shutz             | Sidoskydd övreplåt    | Sivusuoja           |                                | 534502 | 1   |
| 9   | Tarpaulin list     | Schutz liste      | Presenningslist ytter | Suojapeite lista    |                                | 534520 | 1   |
| 10  | Side cover bracket | Shutz befestigung | Sidoskydd ram         | Sivusuojan kiinnike |                                | 534525 | 1   |
| 11  | Side tarpaulin     | Seite shutz       | Sido presenning       | Sivu suojus         | L/R                            | 534581 | 1   |

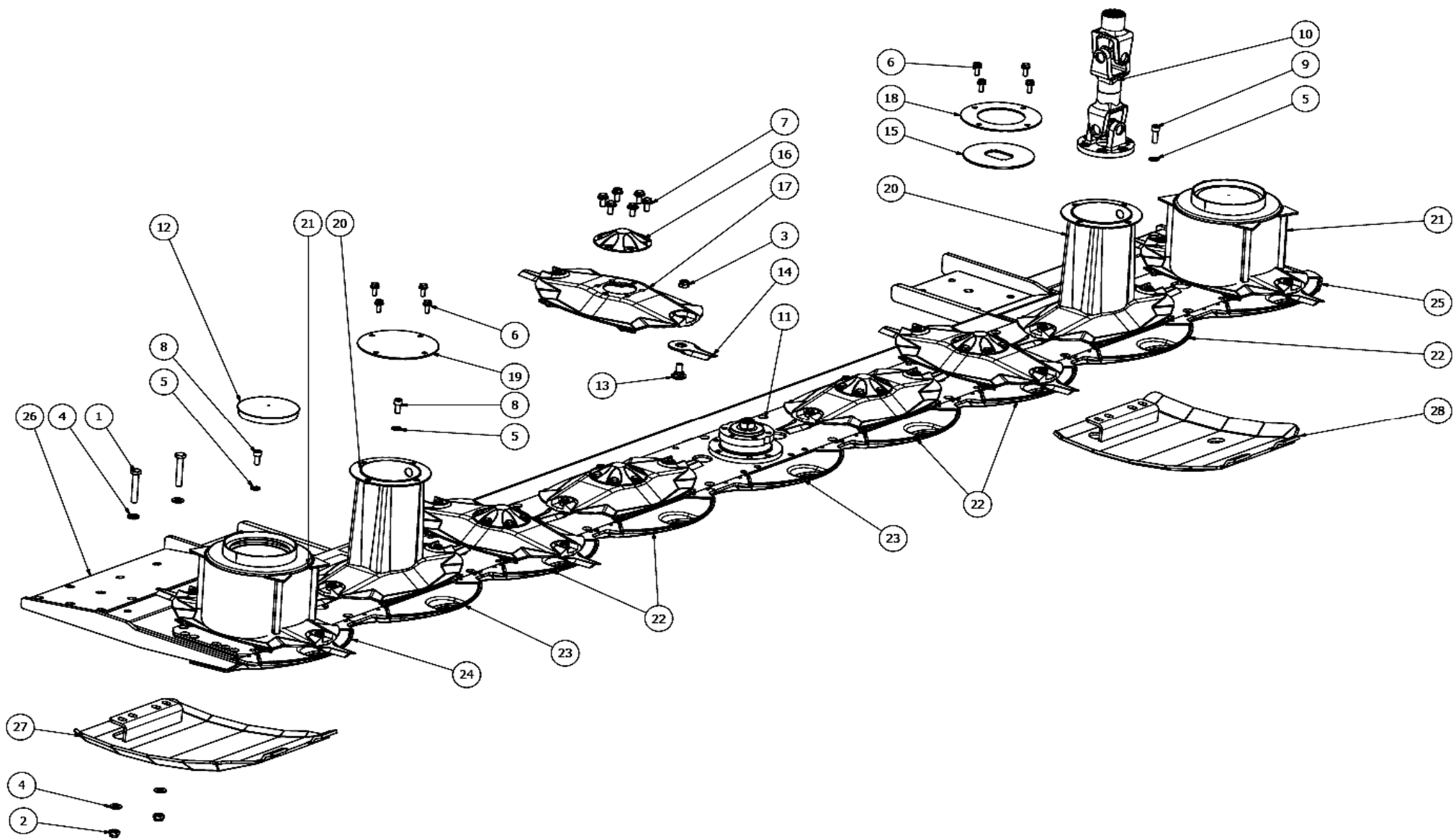


534585



## 534585

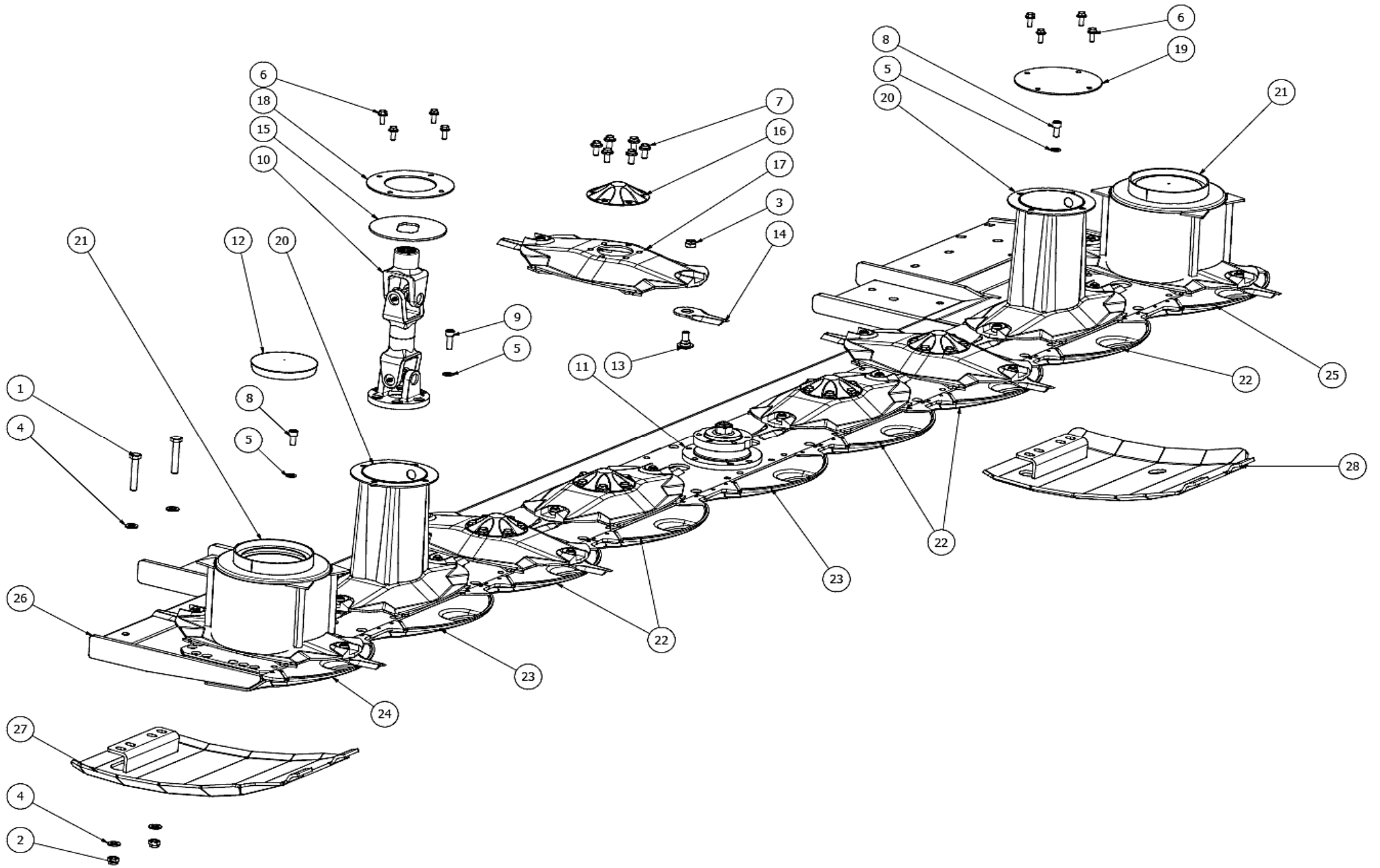
| Pos | Name               | Nahme             | Benämning             | Nimike              | Specifikation                  | NO     | Pcs |
|-----|--------------------|-------------------|-----------------------|---------------------|--------------------------------|--------|-----|
| 1   | Screw              | Schraube          | 6-k Skruv hg          | Kuusioruuvi         | DIN 933 8.8 M6X16 ZN           | 130620 | 15  |
| 2   | Nut                | Muttern           | Låsmutter             | Lukitusmutteri      | DIN 985-8 M6 ZN                | 131560 | 15  |
| 3   | Nut                | Muttern           | Låsmutter             | Lukitusmutteri      | DIN 985-8 M10 ZN               | 131580 | 4   |
| 4   | Washer             | Scheibe           | Bricka                | Aluslaatta          | DIN 125A M 6/6.4 ZN            | 131730 | 15  |
| 5   | Washer             | Scheibe           | Bricka                | Aluslaatta          | DIN 125A M10/10.5 ZN           | 131770 | 4   |
| 6   | Washer             | Scheibe           | Karosseribricka       | Korialuslevy        | DIN 9021 6/6.4 ZN              | 131890 | 15  |
| 7   | Cup bolts          | Flachrundschrabe  | Låsskruv              | Lukkoruuvi          | DIN 603/555 8.8 M10X20 (3-4)ZN | 132704 | 4   |
| 8   | Side cover         | Shutz             | Sidoskydd övreplåt    | Sivusuoja           |                                | 534502 | 1   |
| 9   | Tarpaulin list     | Schutz liste      | Presenningslist ytter | Suojapeite lista    |                                | 534520 | 1   |
| 10  | Side cover bracket | Shutz befestigung | Sidoskydd ram         | Sivusuojan kiinnike |                                | 534525 | 1   |
| 11  | Side tarpaulin     | Seite shutz       | Sido presenning       | Sivu suojus         | L/R                            | 534581 | 1   |



534180

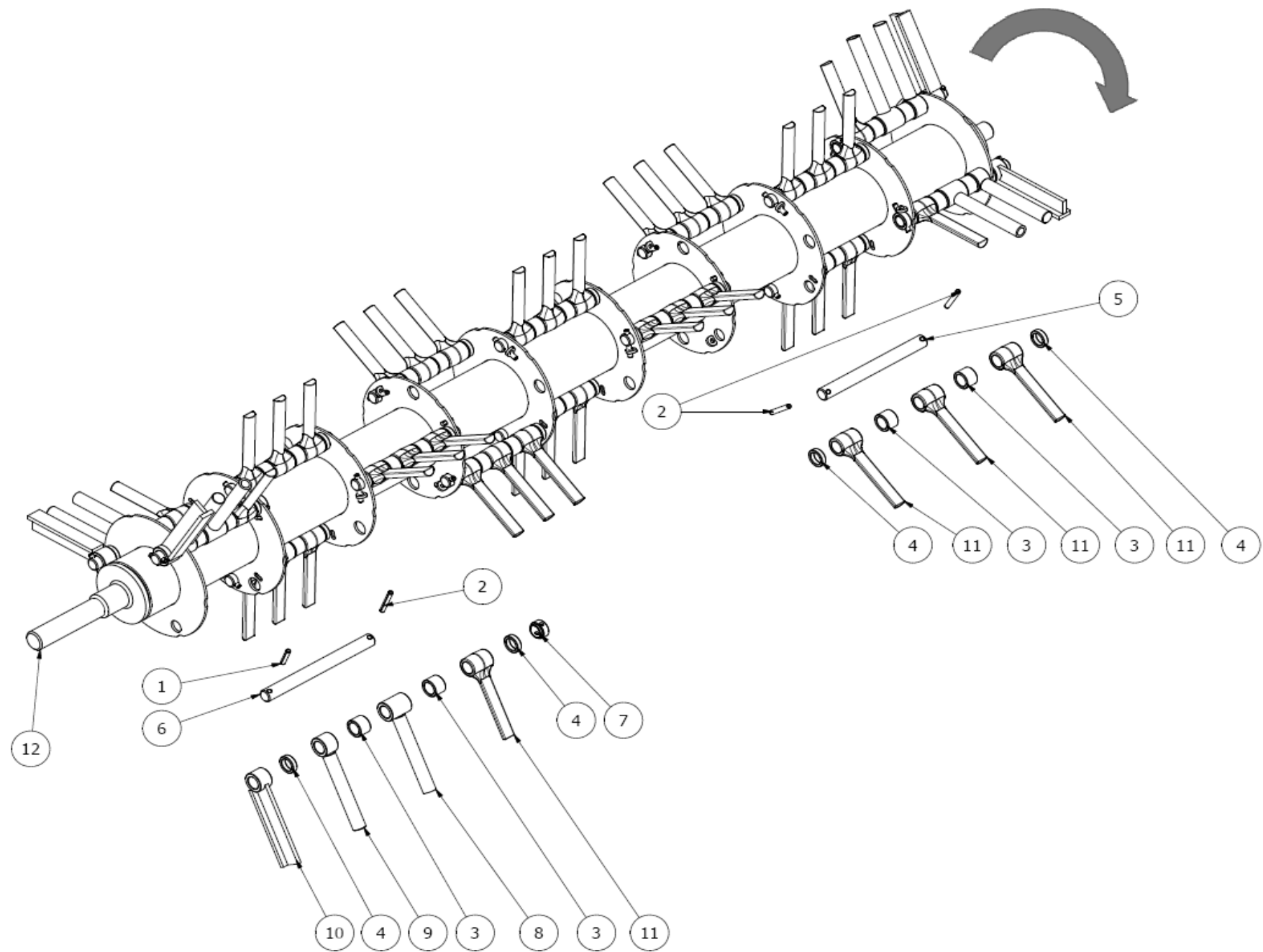
## 534180

| Pos | Name                      | Nahme                  | Benämning                | Nimike                  | Specifikation                | NO     | Pcs |
|-----|---------------------------|------------------------|--------------------------|-------------------------|------------------------------|--------|-----|
| 1   | Screw                     | Schraube               | 6-k Skruv dg             | Kuusioruuvi             | DIN 931 8.8 M12X70 ZN        | 130350 | 4   |
| 2   | Nut                       | Muttern                | Låsmutter                | Lukitusmutteri          | DIN 985-8 M12 ZN             | 131600 | 4   |
| 3   | Nut                       | Muttern                | Låsmutter                | Lukitusmutteri          | DIN 985-10 M12 ZN            | 131610 | 18  |
| 4   | Washer                    | Scheibe                | Bricka                   | Aluslaatta              | DIN 125A M12/13 ZN           | 131790 | 8   |
| 5   | Washer                    | Scheibe                | Räfflad Tallriksfj.      | Lautasjousi             | BN 792 Schnorr M10/10,5 ZNC  | 132200 | 24  |
| 6   | Screw                     | Schraube               | 6-k skruv                | Kuusioruuvi             | DIN 6921 8.8 M8x16 ZN        | 134210 | 8   |
| 7   | Screw                     | Schraube               | 6-k Skruv hg             | Kuusioruuvi             | DIN 6921 8.8 M10X20 ZN WULOC | 134220 | 30  |
| 8   | Screw                     | Schraube               | I-6 Skruv                | 6-koloruuvi             | DIN 912 12.9 ZN M10X22       | 135022 | 18  |
| 9   | Screw                     | Schraube               | I-6 Skruv                | 6-koloruuvi             | DIN 912 12.9 ZN M10X30       | 135030 | 6   |
| 10  | Drive shaft               | Gelenkwelle            | Drivknut l=330           | Nivelakseli             | 121.002.047.10               | 152205 | 1   |
| 11  | Cutterbar                 | Mähbalken              | Skärbalk                 | Teräpalkki              | FR-524 524.002.00 2008> 370  | 155660 | 1   |
| 12  | Protection cup            | Deckel                 | Plastlock för ändtallrik | Suojakansi              | Ø 127.4 LD Polyeten          | 505011 | 2   |
| 13  | Knifebolt                 | Messerbolzen           | Knivbult                 | Teränpultti             | Ø20mm                        | 505060 | 18  |
| 14  | Knife                     | Messer                 | Kniv                     | Terä                    | 112mm Ø20 s=4                | 505075 | 18  |
| 15  | Protection                | Schutz                 | Skydd                    | Suoja                   |                              | 505121 | 1   |
| 16  | Cup                       | Schutz                 | Mutter kåpa              | Mutterin suojuus        | 0.420.7046.00                | 505581 | 5   |
| 17  | Ribbed disk               | Mähscheibe             | Slåttertallrik           | Lautanen                | ELHO                         | 505600 | 5   |
| 18  | Cover wascher             | Platte                 | Täckbricka till ändkona  | Suojalevy               |                              | 505651 | 1   |
| 19  | Cover plate               | Schutz                 | Täckplåt till ändkona    | Peitelevy               |                              | 505652 | 1   |
| 20  | Conedisc                  | Mähscheibe             | Inre drivtallrik         | Päätylautanen           |                              | 505660 | 2   |
| 21  | Conedisc                  | Mähscheibe             | Yttre kontallrik         | Päätylautanen           |                              | 505665 | 2   |
| 22  | Stone deflector           | Gleitschuh             | Glidsko                  | Liukukenkä              |                              | 505700 | 5   |
| 23  | Stone deflector wide      | Gleitschuh breit       | Glidsko bred             | Liukukenkä leveä        |                              | 505701 | 2   |
| 24  | Stone deflector right     | Gleitschuh richt       | Glidsko höger            | Liukukenkä oikea        |                              | 505702 | 1   |
| 25  | Stone deflector wide left | Gleitschuh breit links | Glidsko bred vänster     | Liukukenkä leveä vasen  |                              | 505705 | 1   |
| 26  | C-bar bracket left        | Stützbalken Links      | Stödbalk vänster         | Teräpalkintuki vasen    |                              | 534160 | 1   |
| 27  | Hi-skid                   | Schlitten rechts       | Hi-skid höger            | Lisäkannatusjalas oikea |                              | 548830 | 1   |
| 28  | Hi-skid                   | Schlitten links        | Hi-skid vänster          | Lisäkannatusjalas vasen |                              | 548835 | 1   |



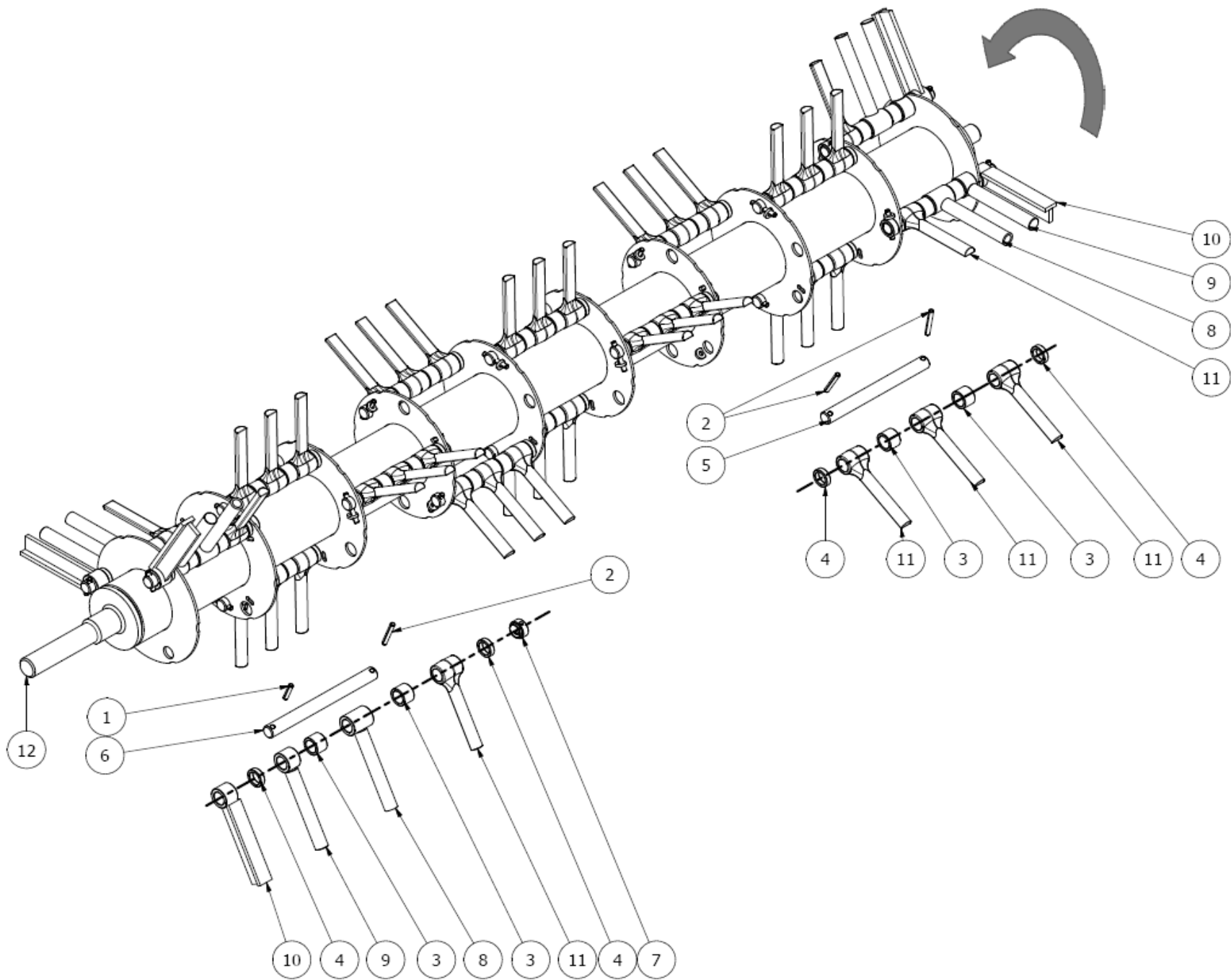
## 535180

| 535180 |                           |                        |                          |                         |                              |        |     |
|--------|---------------------------|------------------------|--------------------------|-------------------------|------------------------------|--------|-----|
| Pos    | Name                      | Nahme                  | Benämning                | Nimike                  | Specifikation                | NO     | Pcs |
| 1      | Screw                     | Schraube               | 6-k Skruv dg             | Kuusioruuvi             | DIN 931 8.8 M12X70 ZN        | 130350 | 4   |
| 2      | Nut                       | Muttern                | Låsmutter                | Lukitusmutteri          | DIN 985-8 M12 ZN             | 131600 | 4   |
| 3      | Nut                       | Muttern                | Låsmutter                | Lukitusmutteri          | DIN 985-10 M12 ZN            | 131610 | 18  |
| 4      | Washer                    | Scheibe                | Bricka                   | Aluslaatta              | DIN 125A M12/13 ZN           | 131790 | 8   |
| 5      | Washer                    | Scheibe                | Räfflad Tallriksfj.      | Lautasjousi             | BN 792 Schnorr M10/10,5 ZNC  | 132200 | 24  |
| 6      | Screw                     | Schraube               | 6-k skruv                | Kuusioruuvi             | DIN 6921 8.8 M8x16 ZN        | 134210 | 8   |
| 7      | Screw                     | Schraube               | 6-k Skruv hg             | Kuusioruuvi             | DIN 6921 8.8 M10X20 ZN WULOC | 134220 | 30  |
| 8      | Screw                     | Schraube               | I-6 Skruv                | 6-koloruuvi             | DIN 912 12.9 ZN M10X22       | 135022 | 18  |
| 9      | Screw                     | Schraube               | I-6 Skruv                | 6-koloruuvi             | DIN 912 12.9 ZN M10X30       | 135030 | 6   |
| 10     | Drive shaft               | Gelenkwelle            | Drivknut l=330           | Nivelakseli             | 121.002.047.10               | 152205 | 1   |
| 11     | Cutterbar                 | Mähbalken              | Skärbalk                 | Teräpalkki              | FR-524 524.002.00 2008> 370  | 155660 | 1   |
| 12     | Protection cup            | Deckel                 | Plastlock för ändtallrik | Suojakansi              | Ø 127.4 LD Polyeten          | 505011 | 2   |
| 13     | Knifebolt                 | Messerbolzen           | Knivbult                 | Teränpultti             | Ø20mm                        | 505060 | 18  |
| 14     | Knife                     | Messer                 | Kniv                     | Terä                    | 112mm Ø20 s=4                | 505075 | 18  |
| 15     | Protection                | Schutz                 | Skydd                    | Suoja                   |                              | 505121 | 1   |
| 16     | Cup                       | Schutz                 | Mutter kåpa              | Mutterin suojuus        | 0.420.7046.00                | 505581 | 5   |
| 17     | Ribbed disk               | Mähscheibe             | Slättertallrik           | Lautanen                | ELHO                         | 505600 | 5   |
| 18     | Cover wascher             | Platte                 | Täckbricka till ändkona  | Suojalevy               |                              | 505651 | 1   |
| 19     | Cover plate               | Schutz                 | Täckplåt till ändkona    | Peitelevy               |                              | 505652 | 1   |
| 20     | Conedisc                  | Mähscheibe             | Inre drivtallrik         | Päätylautanen           |                              | 505660 | 2   |
| 21     | Conedisc                  | Mähscheibe             | Yttre kontallrik         | Päätylautanen           |                              | 505665 | 2   |
| 22     | Stone deflector           | Gleitschuh             | Glidsko                  | Liukukenkä              |                              | 505700 | 5   |
| 23     | Stone deflector wide      | Gleitschuh breit       | Glidsko bred             | Liukukenkä leveä        |                              | 505701 | 2   |
| 24     | Stone deflector right     | Gleitschuh richt       | Glidsko höger            | Liukukenkä oikea        | Hi-skid                      | 505702 | 1   |
| 25     | Stone deflector wide left | Gleitschuh breit links | Glidsko bred vänster     | Liukukenkä leveä vasen  | Hi-skid                      | 505705 | 1   |
| 26     | C-bar bracket right       | Stützbalken Rechts     | Stödbalk höger           | Teräpalkintuki oikea    |                              | 535160 | 1   |
| 27     | Hi-skid                   | Schlitten rechts       | Hi-skid höger            | Lisäkannatusjalas oikea |                              | 548830 | 1   |
| 28     | Hi-skid                   | Schlitten links        | Hi-skid vänster          | Lisäkannatusjalas vasen |                              | 548835 | 1   |



## 534043

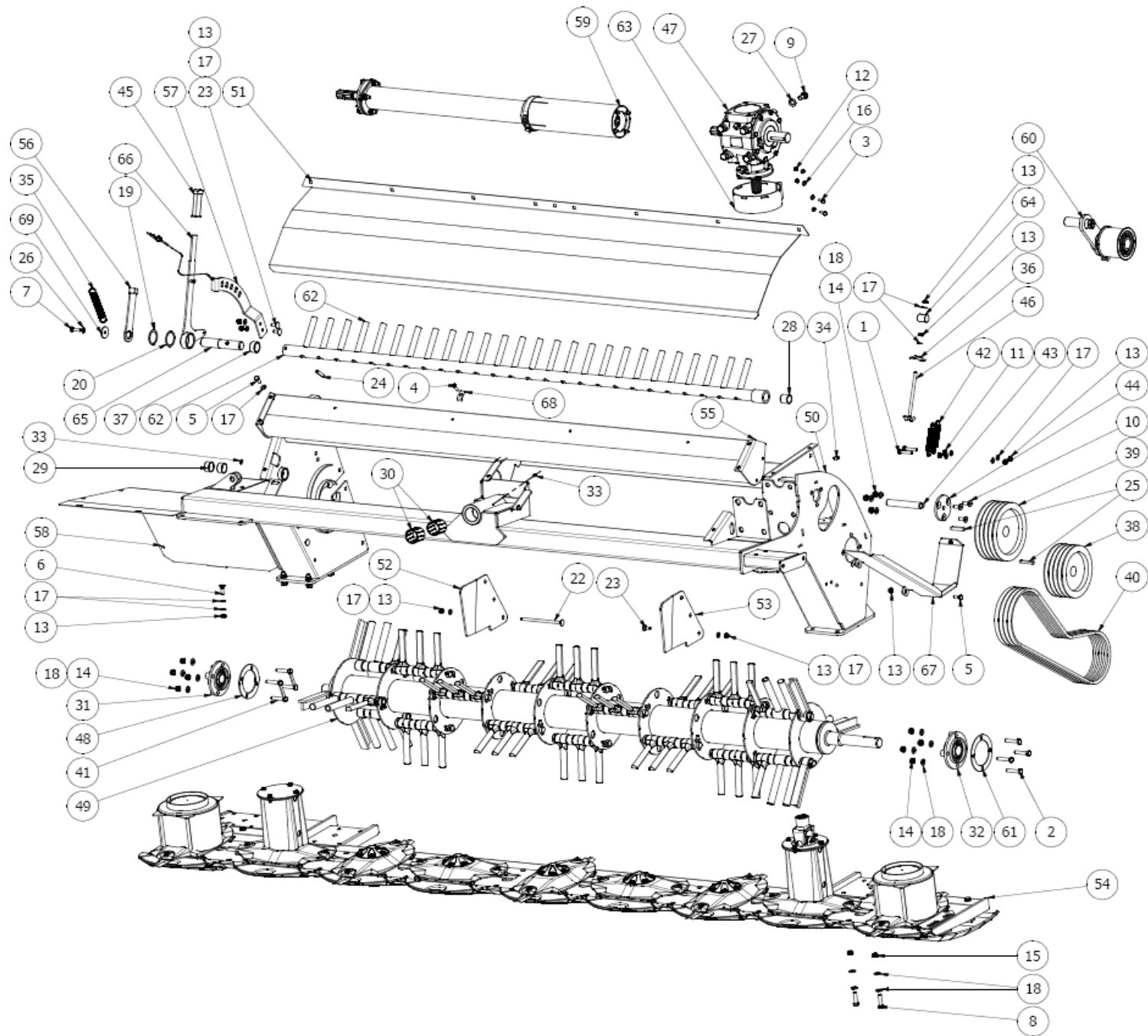
| Pos | Name             | Nahme             | Benämning            | Nimike        | Specifikation     | NO     | Pcs |
|-----|------------------|-------------------|----------------------|---------------|-------------------|--------|-----|
| 1   | Spring pin       | Spannhülsen       | Rörsprint            | Jousisokka    | DIN 1481 8X40 ZN  | 132815 | 6   |
| 2   | Spring pin       | Spannhülsen       | (Rörsprint FINNS EJ) | Jousisokka    | DIN 1481 8X60 ZN  | 132840 | 34  |
| 3   | Spacer           | Zwischenbusche    | Bussning             | Väliholkki    | 26mm (Nylon)      | 503090 | 40  |
| 4   | Spacer           | Zwischenbusche    | Bussning             | Väliholkki    | 10mm (Nylon)      | 503096 | 40  |
| 5   | Finger shaft     | Ache für finger   | Krossfingeraxel      | Sormenakseli  | Ø 25 L=261        | 503120 | 14  |
| 6   | Finger shaft     | Ache für finger   | Fingeraxel           | Sormenakseli  | Ø 25 L=274        | 503138 | 6   |
| 7   | Spacer           | Buchse            | Bussning             | Holkki        |                   | 520200 | 6   |
| 8   | Finger           | Aufbereiterfinger | Krossfinger          | Murskainsormi | L=180 (160) 2005> | 530810 | 6   |
| 9   | Compact finger   | Aufbereiterfinger | Kompaktfinger        | Murskainsormi | L=160 b=30 2005>  | 530830 | 6   |
| 10  | Outermost finger | Endfinger         | Ändkrossfinger       | Päätsormi     | T b=32 L=160      | 530840 | 6   |
| 11  | Finger           | Aufbereiterfinger | Krossfinger          | Murskainsormi | L=160 2007>       | 530880 | 48  |
| 12  | Rotor            | Rotor             | Rotor svets          | Rotori        |                   | 534041 | 1   |





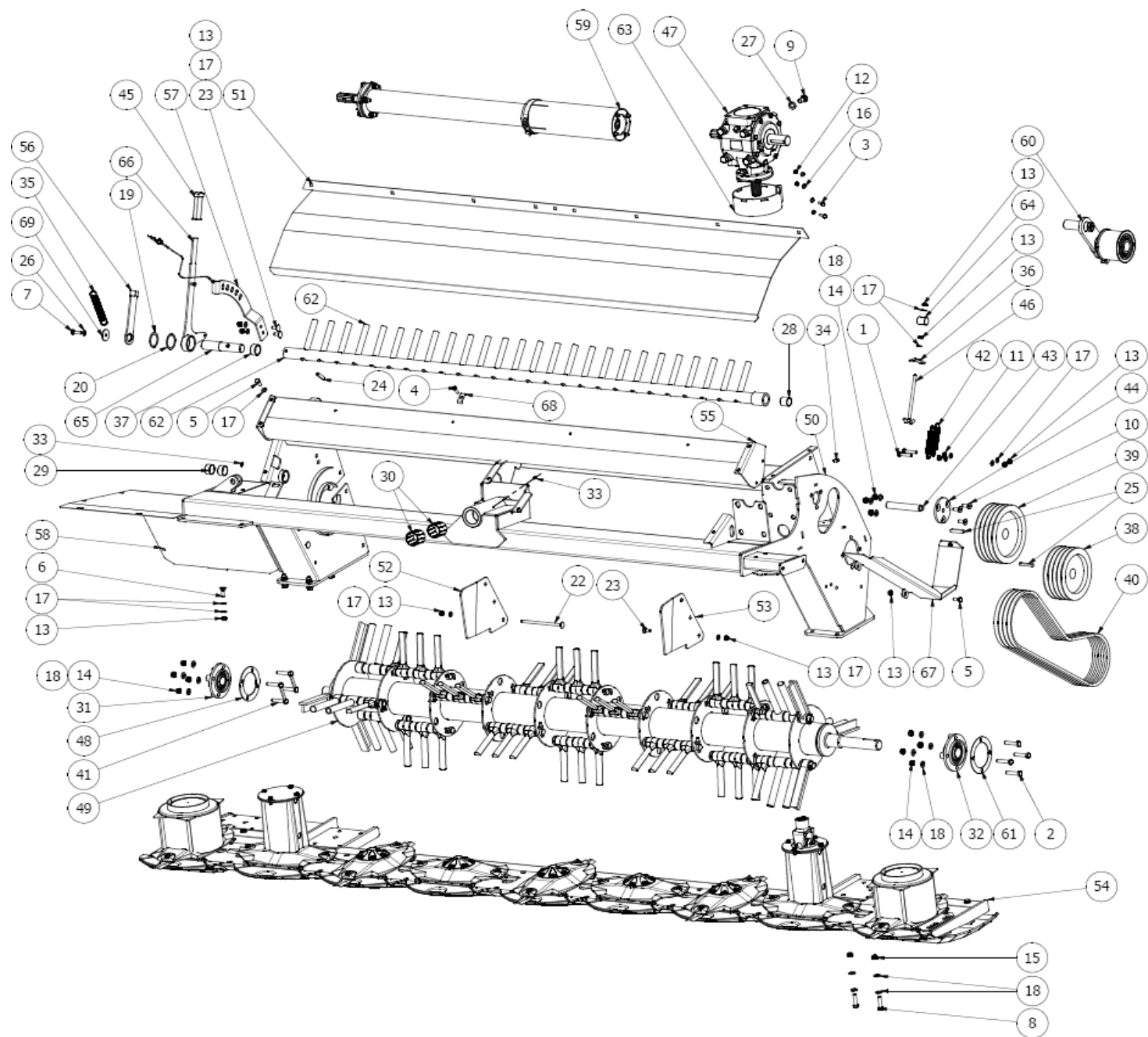
## 534040

| Pos | Name             | Nahme             | Benämning            | Nimike        | Specifikation     | NO     | Pcs |
|-----|------------------|-------------------|----------------------|---------------|-------------------|--------|-----|
| 1   | Spring pin       | Spannhülsen       | Rörsprint            | Jousisokka    | DIN 1481 8X40 ZN  | 132815 | 6   |
| 2   | Spring pin       | Spannhülsen       | (Rörsprint FINNS EJ) | Jousisokka    | DIN 1481 8X60 ZN  | 132840 | 34  |
| 3   | Spacer           | Zwischenbusche    | Bussning             | Väliholkki    | 26mm (Nylon)      | 503090 | 40  |
| 4   | Spacer           | Zwischenbusche    | Bussning             | Väliholkki    | 10mm (Nylon)      | 503096 | 40  |
| 5   | Finger shaft     | Ache für finger   | Krossfingeraxel      | Sormenakseli  | Ø 25 L=261        | 503120 | 14  |
| 6   | Finger shaft     | Ache für finger   | Fingeraxel           | Sormenakseli  | Ø 25 L=274        | 503138 | 6   |
| 7   | Spacer           | Buchse            | Bussning             | Holkki        |                   | 520200 | 6   |
| 8   | Finger           | Aufbereiterfinger | Krossfinger          | Murskainsormi | L=180 (160) 2005> | 530810 | 6   |
| 9   | Compact finger   | Aufbereiterfinger | Kompaktfinger        | Murskainsormi | L=160 b=30 2005>  | 530830 | 6   |
| 10  | Outermost finger | Endfinger         | Ändkrossfinger       | Päätsormi     | T b=32 L=160      | 530840 | 6   |
| 11  | Finger           | Aufbereiterfinger | Krossfinger          | Murskainsormi | L=160 2007>       | 530880 | 48  |
| 12  | Rotor            | Rotor             | Rotor svets          | Rotori        |                   | 534041 | 1   |



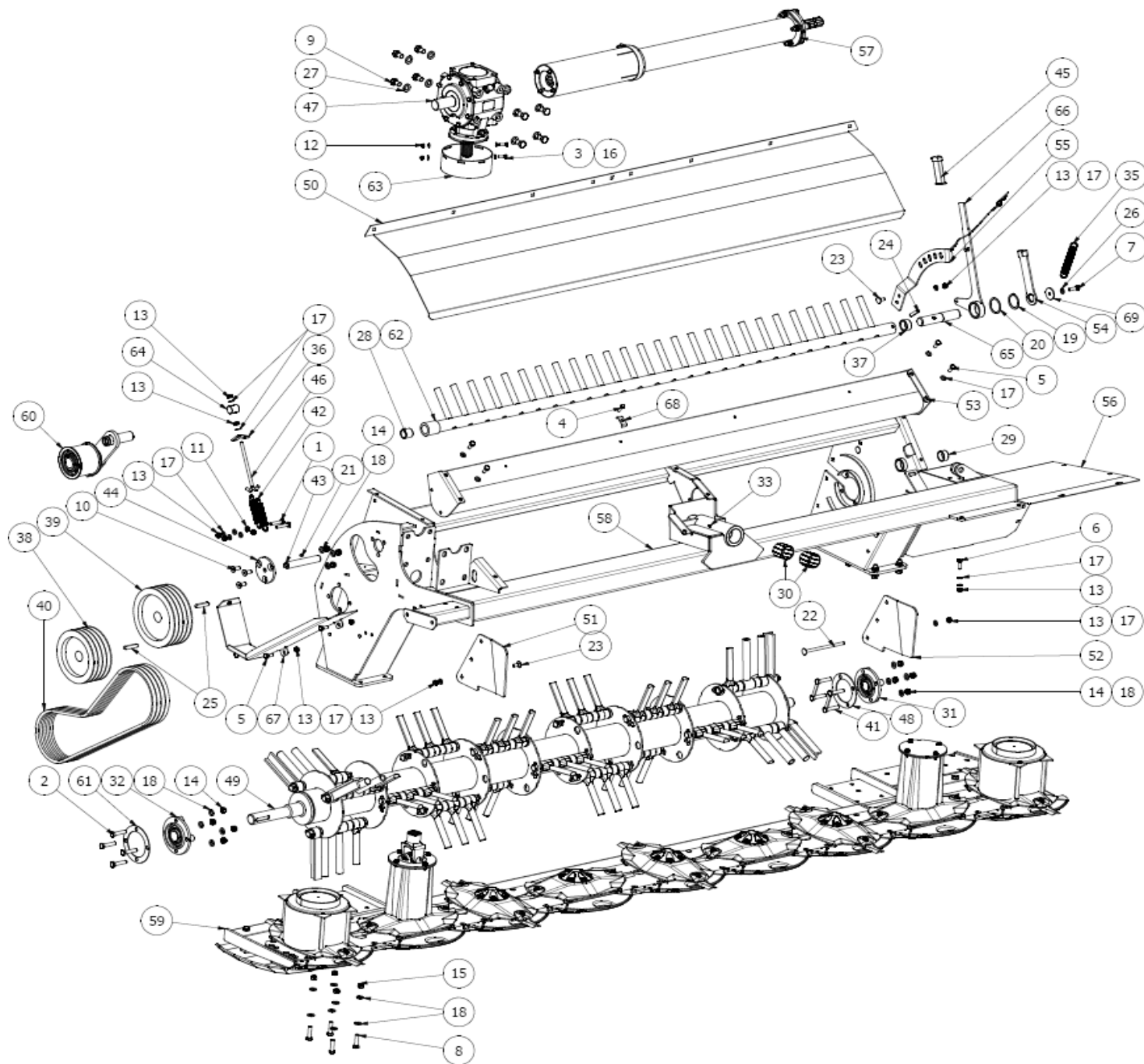
## 534102

| Pos | Name             | Nahme                   | Benämning           | Nimike                  | Specifikation              | NO     | Pcs |
|-----|------------------|-------------------------|---------------------|-------------------------|----------------------------|--------|-----|
| 1   | Screw            | Schraube                | 6-k Skruv dg        | Kuusioruuvi             | DIN 931 8.8 M10X50 ZN      | 130110 | 2   |
| 2   | Screw            | Schraube                | 6-k Skruv dg        | Kuusioruuvi             | DIN 931 8.8 M12X55 ZN      | 130344 | 4   |
| 3   | Screw            | Schraube                | 6-k Skruv hg        | Kuusioruuvi             | DIN 933 8.8 M8X25 ZN       | 130740 | 2   |
| 4   | Screw            | Schraube                | 6-k Skruv hg        | Kuusioruuvi             | DIN 933 8.8 M8X30 ZN       | 130760 | 4   |
| 5   | Screw            | Schraube                | 6-k Skruv hg        | Kuusioruuvi             | DIN 933 8.8 M10X25 ZN      | 130860 | 7   |
| 6   | Screw            | Schraube                | 6-k Skruv hg        | Kuusioruuvi             | DIN 933 8.8 M10X30 ZN      | 130880 | 1   |
| 7   | Screw            | Schraube                | 6-k Skruv hg        | Kuusioruuvi             | DIN 933 8.8 M10X35 ZN      | 130900 | 1   |
| 8   | Screw            | Schraube                | 6-k Skruv hg        | Kuusioruuvi             | DIN 961 10.9 M12X1,5X45 ZN | 131006 | 8   |
| 9   | Screw            | Schraube                | 6-k Skruv hg        | Kuusioruuvi             | DIN 933 8.8 M16X25 ZN      | 131140 | 8   |
| 10  | Counter screw    | Senkschrauben           | l-6 Skruv sänkt     | 6-koloruuvi uppok.      | DIN 7991 10.9 M12X30 ZN    | 131341 | 3   |
| 11  | Nut              | Muttern                 | Mutter              | Kuusiomutteri           | DIN 934 M10 ZN             | 131400 | 2   |
| 12  | Nut              | Muttern                 | Låsmutter           | Lukitusmutteri          | DIN 985-8 M8 ZN            | 131570 | 2   |
| 13  | Nut              | Muttern                 | Låsmutter           | Lukitusmutteri          | DIN 985-8 M10 ZN           | 131580 | 16  |
| 14  | Nut              | Muttern                 | Låsmutter           | Lukitusmutteri          | DIN 985-8 M12 ZN           | 131600 | 11  |
| 15  | Nut              | Muttern                 | Låsmutter fg.       | Lukitusmutteri hienok.  | DIN 985-10 M12x1,5 ZN      | 131611 | 8   |
| 16  | Washer           | Scheibe                 | Bricka              | Aluslaatta              | DIN 125A M8/8.4 ZN         | 131750 | 4   |
| 17  | Washer           | Scheibe                 | Bricka              | Aluslaatta              | DIN 125A M10/10.5 ZN       | 131770 | 20  |
| 18  | Washer           | Scheibe                 | Bricka              | Aluslaatta              | DIN 125A M12/13 ZN         | 131790 | 27  |
| 19  | Seeger ring      | Sicherüingring          | Låsring för axel    | Varmistinrengas         | DIN 471 50X2               | 132130 | 1   |
| 20  | Shims            | Ausgleichscheibe        | Passbricka          | Sovitelaatta            | DIN 988 50X62X1            | 132410 | 1   |
| 21  | Socket set screw | Gewindestifte           | Låsskruv, insex     | Pidätinruuvi            | DIN 913 45H M8x8           | 132512 | 1   |
| 22  | Cup bolts        | Flachrundschrabe        | Låsskruv            | Lukkoruuvi              | DIN 603 8.8 M10x180 ZN     | 132697 | 3   |
| 23  | Cup bolts        | Flachrundschrabe        | Låsskruv            | Lukkoruuvi              | DIN603 8.8 M10X25 3-4 ZN   | 132710 | 5   |
| 24  | Spring pin       | Spannhülsen             | Rörsprint           | Jousisokka              | DIN 1481 10X50 ZN          | 132860 | 1   |
| 25  | Spline           | Keile                   | Flatkil             | Laattakiila             | DIN 6885 A 12X8X60         | 132975 | 2   |
| 26  | Washer           | Scheibe                 | Låsbricka           | Lukituslaatta           | NORD-LOCK M 10 ZNC         | 133455 | 1   |
| 27  | Washer           | Scheibe                 | Låsbricka           | Lukituslaatta           | NORD-LOCK M 16 ZNC         | 133465 | 8   |
| 28  | Plain bearing    | Gleitlager              | Glidlager           | Liukulaakeri            | Ø 30/34 L=30               | 140058 | 1   |
| 29  | Plain bearing    | Gleitlager              | Glidlager           | Liukulaakeri            | Ø 35/39 L=20               | 140060 | 2   |
| 30  | Bearing          | Gleitlager              | Glidlager           | Liukulaakeri            | Ø 50/55 L=50 COB092        | 140071 | 2   |
| 31  | Bearing          | Lager                   | Flänslager          | Laippalaakeri           | UCFC 207                   | 140547 | 1   |
| 32  | Bearing          | Lager                   | Flänslager          | Laippalaakeri           | UCFC 208                   | 140548 | 1   |
| 33  | Grease nipple    | Smiernippel             | Smörjnippa          | Voitelunippa            | M6x1                       | 140950 | 2   |
| 34  | Grease nipple    | Smiernippel             | Smörjnippa          | Voitelunippa            | M6x1; 90°                  | 140970 | 1   |
| 35  | Spring           | Feder                   | Dragfjäder          | Vetojousi               | Lo=150 dm=21,5 d=3,5       | 508037 | 1   |
| 36  | Spring bracket   | Federhalter             | Fjäderhållare       | Jousenpidike            |                            | 510512 | 1   |
| 37  | Spacer           | Busche                  | Mellanhylsa         | Väliholkki              | Ø42,4/34,4x24              | 514061 | 1   |
| 38  | Pulley with hub  | Riemenscheibe mit naben | Kilremskiva med nav | Kiilahihnapyörä navalla | ø200/ø40 4xB/SPB           | 518306 | 1   |
| 39  | Pulley with hub  | Riemenscheibe mit naben | Kilremskiva med nav | Kiilahihnapyörä navalla | ø224/ø40 4xB/SPB           | 518314 | 1   |



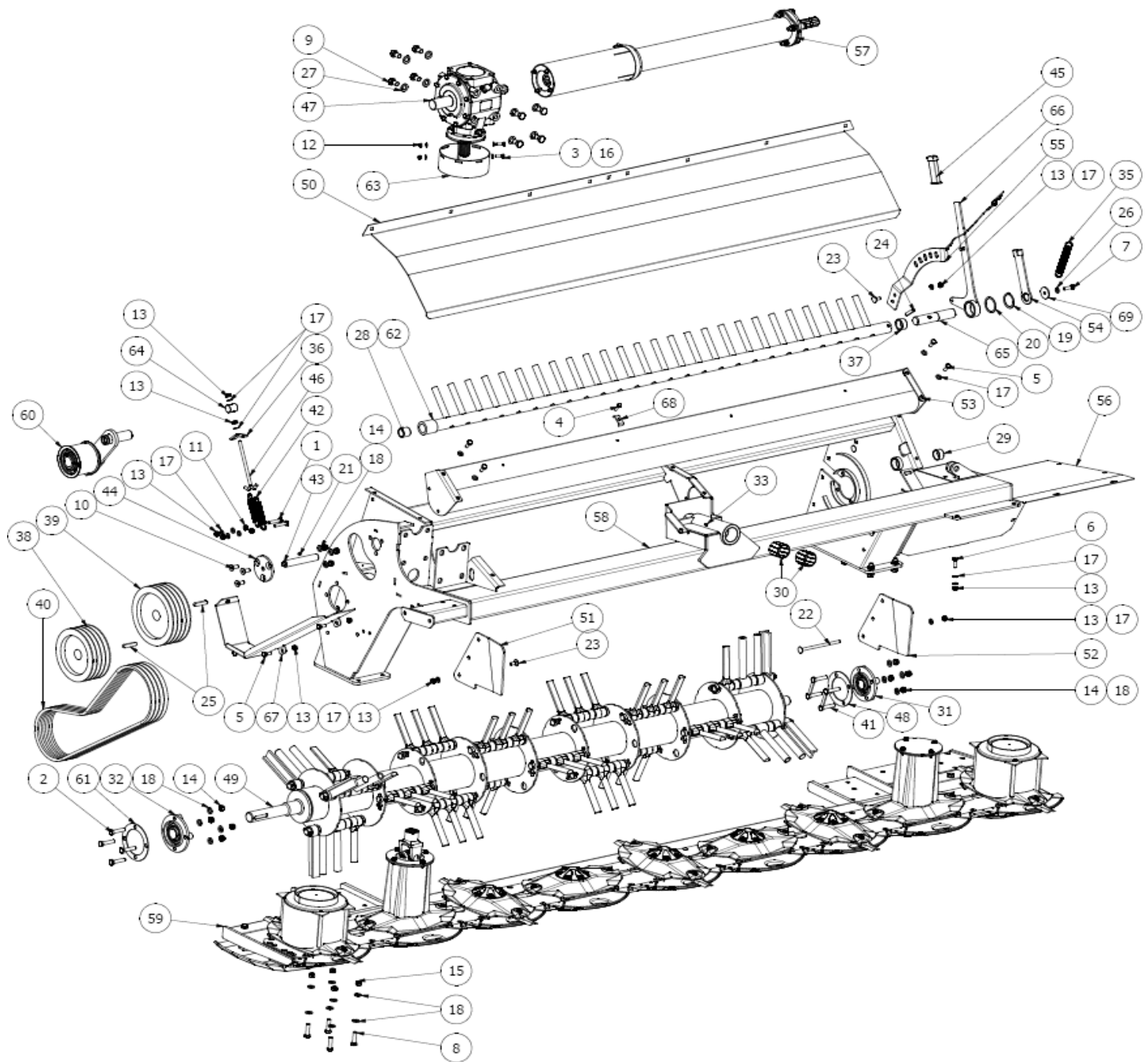
## 534102

| Pos | Name                       | Nahme                   | Benämning                    | Nimike                    | Specifikation   | NO     | Pcs |
|-----|----------------------------|-------------------------|------------------------------|---------------------------|-----------------|--------|-----|
| 40  | V-belt                     | Keilriemen              | Kilrem                       | Kiilahihna                | SPB 1725 "6002" | 518370 | 4   |
| 41  | Bearing screw              | Lager bolzen            | Lagerbult                    | Laakeri pultti            | 207             | 520302 | 2   |
| 42  | Spring                     | Zugfeder                | Dragfjäder                   | Vetojousi                 |                 | 520393 | 2   |
| 43  | Shaft                      | Welle                   | Pendelaxel                   | Akseli                    |                 | 520425 | 1   |
| 44  | Washer                     | Einstellscheibe         | Justeringsbricka             | Säätölevy                 |                 | 520435 | 1   |
| 45  | Plastic handle             |                         | Plasthandtag                 | Muovikahva                |                 | 523745 | 1   |
| 46  | Tension screw              | Spannschraube           | Spännskruv                   | Kiristysruuvi             |                 | 527457 | 1   |
| 47  | Gearbox                    | Getriebe                | Vinkelväxel                  | Kulmavaihde               | TV-312 H 1:3    | 528500 | 1   |
| 48  | Mounting washer            | Befestigung scheibe     | Monteringsbricka             | Asennuslaatta             | 3mm (UCFC207)   | 530588 | 1   |
| 49  | Conditioner rotor left     | Aufbereiter rotor links | Krossrotor vänster           | Murskain roottori vasen   |                 | 534043 | 1   |
| 50  | Conditioner frame left     | Mähkopframen links      | Krossram vänster             | Murskainrunko vasen       |                 | 534101 | 1   |
| 51  | Upper guide plate          | Ablenblech über         | Styrplåt övre                | Ohjainlevy ylä            |                 | 534151 | 1   |
| 52  | Scraper                    | Abstreifer              | Avskrapare höger             | Kaavaripelti              |                 | 534152 | 1   |
| 53  | Scraper                    | Abstreifer              | Avskrapare vänster           | Kaavaripelti              |                 | 534153 | 1   |
| 54  | Cutterbar subassemblies    | Mähbalkken Baugrupp     | Slätterbalk delmontering vär | Teräpalkki osakokoonpano  |                 | 534180 | 1   |
| 55  | Guide plate lower          | Ablenblech unter        | Styrplåt nedre               | Ohjainlevy ala            |                 | 534240 | 1   |
| 56  | Plate                      | platte                  | Motkamsaxelplåt              | Levy                      |                 | 534271 | 1   |
| 57  | Bracket                    | Stellhebel              | Kamspak ställare höger       | Säätölevy                 |                 | 534275 | 1   |
| 59  | Drive shaft subassembly    | Antriebswelle baugrupp  | Drivaxel sammanställning     | Vetoakseli välikokoonpano |                 | 534550 | 1   |
| 60  | Belt tensioner subassembly | Reimspaner Baugrupp     | Remspännare delmonterad      | Kiristin osakokoonpano    |                 | 537000 | 1   |
| 61  | Washer                     | Scheibe                 | Lagerdistansplåt             | Välilevy                  |                 | 544440 | 1   |
| 62  | Counter fingers            | Gegenfingerstange       | Motkam                       | Vastakampa                | 280             | 548620 | 1   |
| 63  | Winding guard              | Wickelschutz            | Lindningsskydd               | Kiertoamissuoja           |                 | 551685 | 1   |
| 64  | Mounting pin               | Welle                   | Ledaxel remspännare          | Akseliholkki              |                 | 563714 | 1   |
| 65  | Counterfinger shaft        | Gegenfingerwelle        | Motkamsaxel                  | Vastakampaanakseli        |                 | 574547 | 1   |
| 66  | Handle                     | Stellhebel              | Motkamsspak                  | Säätövipu                 |                 | 574552 | 1   |
| 67  | Belt cover                 | Reimenschutz            | Nedre remskydd               | Hihnasuoja                |                 | 574865 | 1   |
| 68  | Hose clamp                 | Schlauch befestigung    | Slanghållare                 | Letkupidike               | 2x1/4"          | 806350 | 4   |
| 69  | Distanc                    | Distantz                | Bricka                       | Välilaatta                | Ø10,2/45x4(5)   | 829154 | 1   |



## 535102

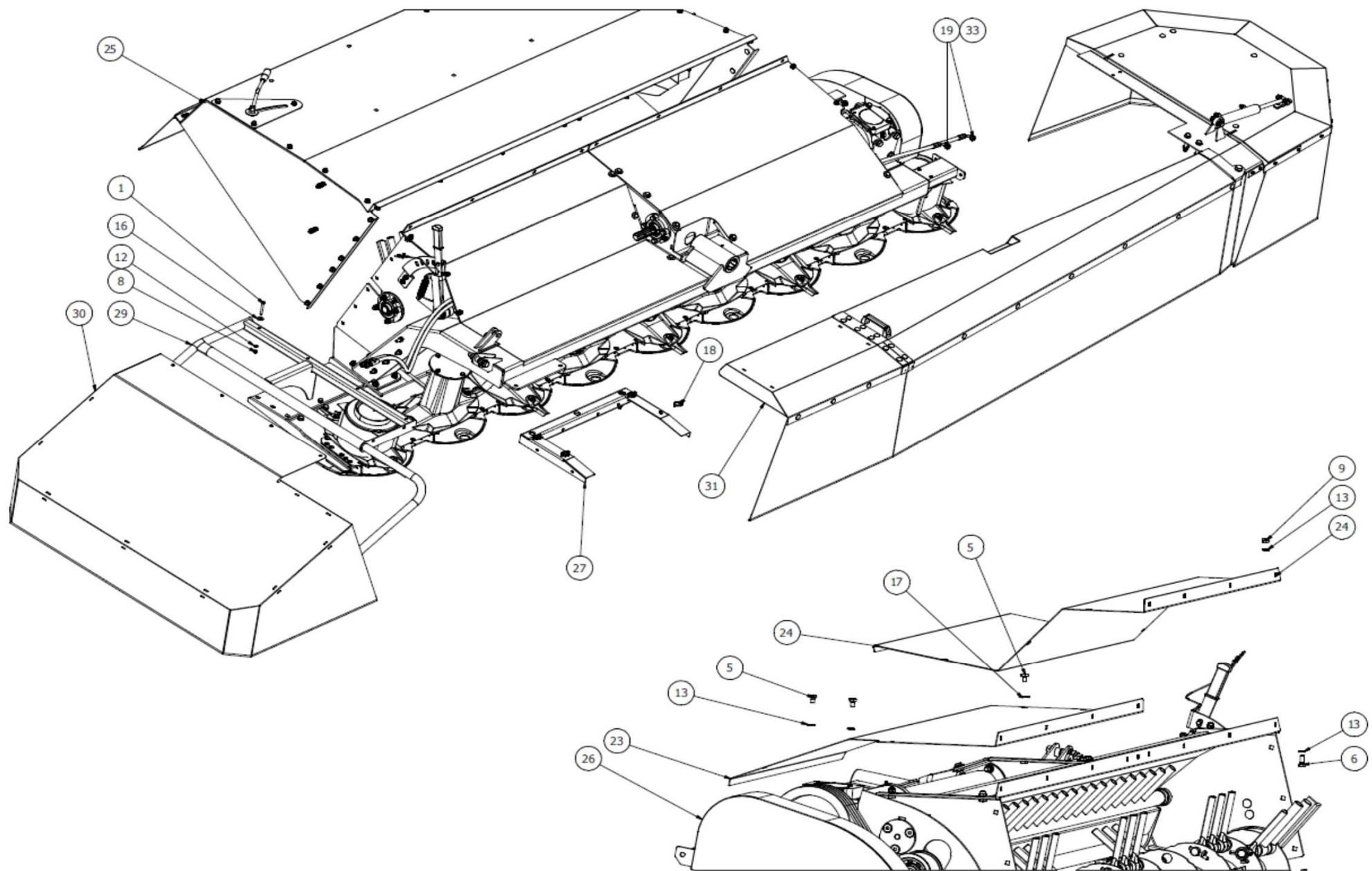
| Pos | Name             | Nahme                   | Benämning           | Nimike                  | Specifikation              | NO     | Pcs |
|-----|------------------|-------------------------|---------------------|-------------------------|----------------------------|--------|-----|
| 1   | Screw            | Schraube                | 6-k Skruv dg        | Kuusioruuvi             | DIN 931 8.8 M10X50 ZN      | 130110 | 2   |
| 2   | Screw            | Schraube                | 6-k Skruv dg        | Kuusioruuvi             | DIN 931 8.8 M12X55 ZN      | 130344 | 4   |
| 3   | Screw            | Schraube                | 6-k Skruv hg        | Kuusioruuvi             | DIN 933 8.8 M8X25 ZN       | 130740 | 2   |
| 4   | Screw            | Schraube                | 6-k Skruv hg        | Kuusioruuvi             | DIN 933 8.8 M8X30 ZN       | 130760 | 4   |
| 5   | Screw            | Schraube                | 6-k Skruv hg        | Kuusioruuvi             | DIN 933 8.8 M10X25 ZN      | 130860 | 7   |
| 6   | Screw            | Schraube                | 6-k Skruv hg        | Kuusioruuvi             | DIN 933 8.8 M10X30 ZN      | 130880 | 1   |
| 7   | Screw            | Schraube                | 6-k Skruv hg        | Kuusioruuvi             | DIN 933 8.8 M10X35 ZN      | 130900 | 1   |
| 8   | Screw            | Schraube                | 6-k Skruv hg        | Kuusioruuvi             | DIN 961 10.9 M12X1,5X45 ZN | 131006 | 8   |
| 9   | Screw            | Schraube                | 6-k Skruv hg        | Kuusioruuvi             | DIN 933 8.8 M16X25 ZN      | 131140 | 8   |
| 10  | Counter screw    | Senkschrauben           | l-6 Skruv sänkt     | 6-koloruuvi uppok.      | DIN 7991 10.9 M12X30 ZN    | 131341 | 3   |
| 11  | Nut              | Muttern                 | Mutter              | Kuusiomutteri           | DIN 934 M10 ZN             | 131400 | 2   |
| 12  | Nut              | Muttern                 | Låsmutter           | Lukitusmutteri          | DIN 985-8 M8 ZN            | 131570 | 2   |
| 13  | Nut              | Muttern                 | Låsmutter           | Lukitusmutteri          | DIN 985-8 M10 ZN           | 131580 | 16  |
| 14  | Nut              | Muttern                 | Låsmutter           | Lukitusmutteri          | DIN 985-8 M12 ZN           | 131600 | 11  |
| 15  | Nut              | Muttern                 | Låsmutter fg.       | Lukitusmutteri hienok.  | DIN 985-10 M12x1,5 ZN      | 131611 | 8   |
| 16  | Washer           | Scheibe                 | Bricka              | Aluslaatta              | DIN 125A M8/8.4 ZN         | 131750 | 4   |
| 17  | Washer           | Scheibe                 | Bricka              | Aluslaatta              | DIN 125A M10/10.5 ZN       | 131770 | 20  |
| 18  | Washer           | Scheibe                 | Bricka              | Aluslaatta              | DIN 125A M12/13 ZN         | 131790 | 27  |
| 19  | Seeger ring      | Sicherüingring          | Låsring för axel    | Varmistinrengas         | DIN 471 50X2               | 132130 | 1   |
| 20  | Shims            | Ausgleichscheibe        | Passbricka          | Sovitelaatta            | DIN 988 50X62X1            | 132410 | 1   |
| 21  | Socket set screw | Gewindestifte           | Låsskruv, insex     | Pidätinruuvi            | DIN 913 45H M8x8           | 132512 | 1   |
| 22  | Cup bolts        | Flachrundschrabe        | Låsskruv            | Lukkoruuvi              | DIN 603 8.8 M10x180 ZN     | 132697 | 3   |
| 23  | Cup bolts        | Flachrundschrabe        | Låsskruv            | Lukkoruuvi              | DIN603 8.8 M10X25 3-4 ZN   | 132710 | 5   |
| 24  | Spring pin       | Spannhülsen             | Rörsprint           | Jousisokka              | DIN 1481 10X50 ZN          | 132860 | 1   |
| 25  | Spline           | Keile                   | Flatkil             | Laattakiila             | DIN 6885 A 12X8X60         | 132975 | 2   |
| 26  | Washer           | Scheibe                 | Låsbricka           | Lukituslaatta           | NORD-LOCK M 10 ZNC         | 133455 | 1   |
| 27  | Washer           | Scheibe                 | Låsbricka           | Lukituslaatta           | NORD-LOCK M 16 ZNC         | 133465 | 8   |
| 28  | Plain bearing    | Gleitlager              | Glidlager           | Liukulaakeri            | Ø 30/34 L=30               | 140058 | 1   |
| 29  | Plain bearing    | Gleitlager              | Glidlager           | Liukulaakeri            | Ø 35/39 L=20               | 140060 | 1   |
| 30  | Bearing          | Gleitlager              | Glidlager           | Liukulaakeri            | Ø 50/55 L=50 COB092        | 140071 | 2   |
| 31  | Bearing          | Lager                   | Flänslager          | Laippalaakeri           | UCFC 207                   | 140547 | 1   |
| 32  | Bearing          | Lager                   | Flänslager          | Laippalaakeri           | UCFC 208                   | 140548 | 1   |
| 33  | Grease nipple    | Smiernippel             | Smörjnippa          | Voitelunippa            | M6x1                       | 140950 | 1   |
| 34  | Grease nipple    | Smiernippel             | Smörjnippa          | Voitelunippa            | M6x1; 90°                  | 140970 | 1   |
| 35  | Spring           | Feder                   | Dragfjäder          | Vetojousi               | Lo=150 dm=21,5 d=3,5       | 508037 | 1   |
| 36  | Spring bracket   | Federhalter             | Fjäderhållare       | Jousenpidike            |                            | 510512 | 1   |
| 37  | Spacer           | Busche                  | Mellanhylsa         | Väliholkki              | Ø42,4/34,4x24              | 514061 | 1   |
| 38  | Pulley with hub  | Riemenscheibe mit naben | Kilremskiva med nav | Kiilahihnapyörä navalla | Ø200/Ø40 4xB/SPB           | 518306 | 1   |
| 39  | Pulley with hub  | Riemenscheibe mit naben | Kilremskiva med nav | Kiilahihnapyörä navalla | Ø224/Ø40 4xB/SPB           | 518314 | 1   |





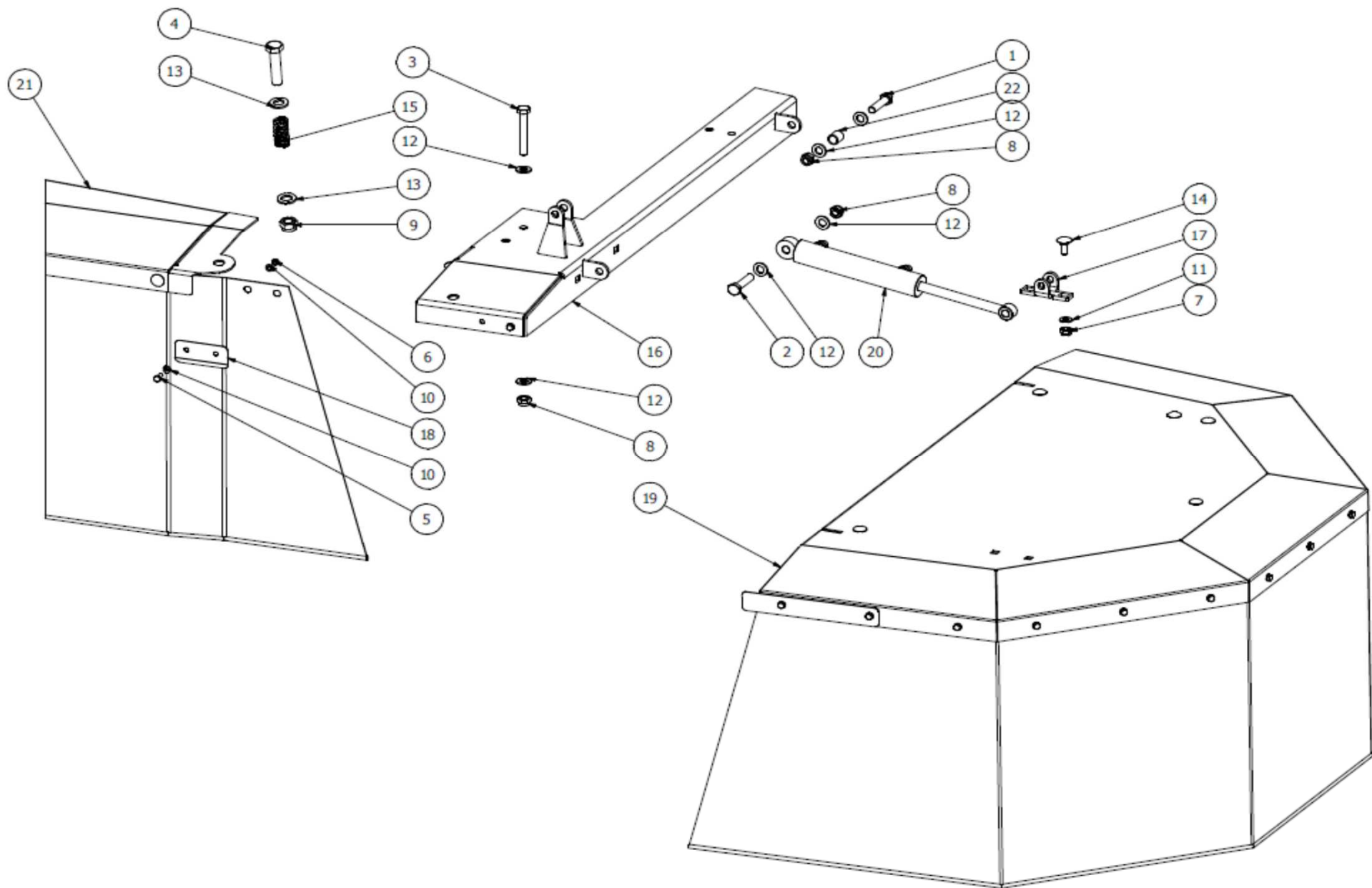
## 535102

| Pos | Name                         | Nahme                   | Benämning                   | Nimike                    | Specifikation         | NO     | Pcs |
|-----|------------------------------|-------------------------|-----------------------------|---------------------------|-----------------------|--------|-----|
| 40  | V-belt                       | Keilriemen              | Kilrem                      | Kiilahihna                | SPB 1725 "6002"       | 518370 | 4   |
| 41  | Bearing screw                | Lager bolzen            | Lagerbult                   | Laakeri pultti            | 207                   | 520302 | 2   |
| 42  | Spring                       | Zugfeder                | Dragfjäder                  | Vetojousi                 |                       | 520393 | 2   |
| 43  | Shaft                        | Welle                   | Pendelaxel                  | Akseli                    |                       | 520425 | 1   |
| 44  | Washer                       | Einstellscheibe         | Justeringsbricka            | Säätölevy                 |                       | 520435 | 1   |
| 45  | Plastic handle               |                         | Plasthandtag                | Muovikahva                |                       | 523745 | 1   |
| 46  | Tension screw                | Spannschraube           | Spännskruv                  | Kiristysruuvi             |                       | 527457 | 1   |
| 47  | Gearbox                      | Getriebe                | Vinkelväxel                 | Kulmavaihde               | TV-312 H 1:3          | 528500 | 1   |
| 48  | Mounting washer              | Befestigung scheibe     | Monteringsbricka            | Asennuslaatta             | 3mm (UCFC207)         | 530588 | 1   |
| 49  | Conditioner rotor right      | Aufbereiter rotor recht | Krossrotor höger            | Murskain roottori oikea   |                       | 534040 | 1   |
| 50  | Upper guide plate            | Ablenblech über         | Styrplåt övre               | Ohjainlevy ylä            |                       | 534151 | 1   |
| 51  | Scraper                      | Abstreifer              | Avskrapare höger            | Kaavaripelti              |                       | 534152 | 1   |
| 52  | Scraper                      | Abstreifer              | Avskrapare vänster          | Kaavaripelti              |                       | 534153 | 1   |
| 53  | Guide plate lower            | Ablenblech unter        | Styrplåt nedre              | Ohjainlevy ala            |                       | 534240 | 1   |
| 54  | Plate                        | platte                  | Motkamsaxelplåt vänster     | Levy                      |                       | 534273 | 1   |
| 55  | Bracket                      | Stellhebel              | Kamspak ställare vänster    | Säätölevy                 |                       | 534274 | 1   |
| 57  | Drive shaft subassembly      | Antriebswelle baugrup   | Drivaxel sammanställning    | Vetoakseli välikokoonpano |                       | 534550 | 1   |
| 58  | Conditioner frame right      | Mähkopframen recht      | Krossram höger              | Murskainrunko oikea       |                       | 535101 | 1   |
| 59  | Cutterbar subassemblies      | Mähbalkken Baugrupp     | Slätterbalk delmontering hö | Teräpalkki osakokoonpano  |                       | 535180 | 1   |
| 60  | Belt tensioner subassemblies | Reimspaner Baugrupp     | Remspännare delmonterad     | Kiristin osakokoonpano    |                       | 537000 | 1   |
| 61  | Washer                       | Scheibe                 | Lagerdistansplåt            | Välilevy                  | P/C-Roller 2004>      | 544440 | 1   |
| 62  | Counter fingers              | Gegenfingerstange       | Motkam                      | Vastakampa                | 280                   | 548620 | 1   |
| 63  | Winding guard                | Wickelschutz            | Lindningsskydd              | Kiertoamissuoja           | Duett 7300            | 551685 | 1   |
| 64  | Mounting pin                 | Welle                   | Ledaxel remspännare         | Akseliholkki              |                       | 563714 | 1   |
| 65  | Counterfinger shaft          | Gegenfingerwelle        | Motkamsaxel                 | Vastakampaanakseli        | Motkamsaxel           | 574547 | 1   |
| 66  | Handle                       | Stellhebel              | Motkamsspak vänster         | Säätövipu                 | Svetsritning          | 574575 | 1   |
| 67  | Belt cover                   | Reimenschutz            | Nedre remskydd vänster      | Hihnasuoja                | Remdrivning montering | 574866 | 1   |
| 68  | Hose clamp                   | Schlauch befestigung    | Slanghållare                | Letkunpidike              | 2x1/4"                | 806350 | 4   |
| 69  | Distanc                      | Distantz                | Bricka                      | Välllaatta                | Ø10,2/45x4(5)         | 829154 | 1   |



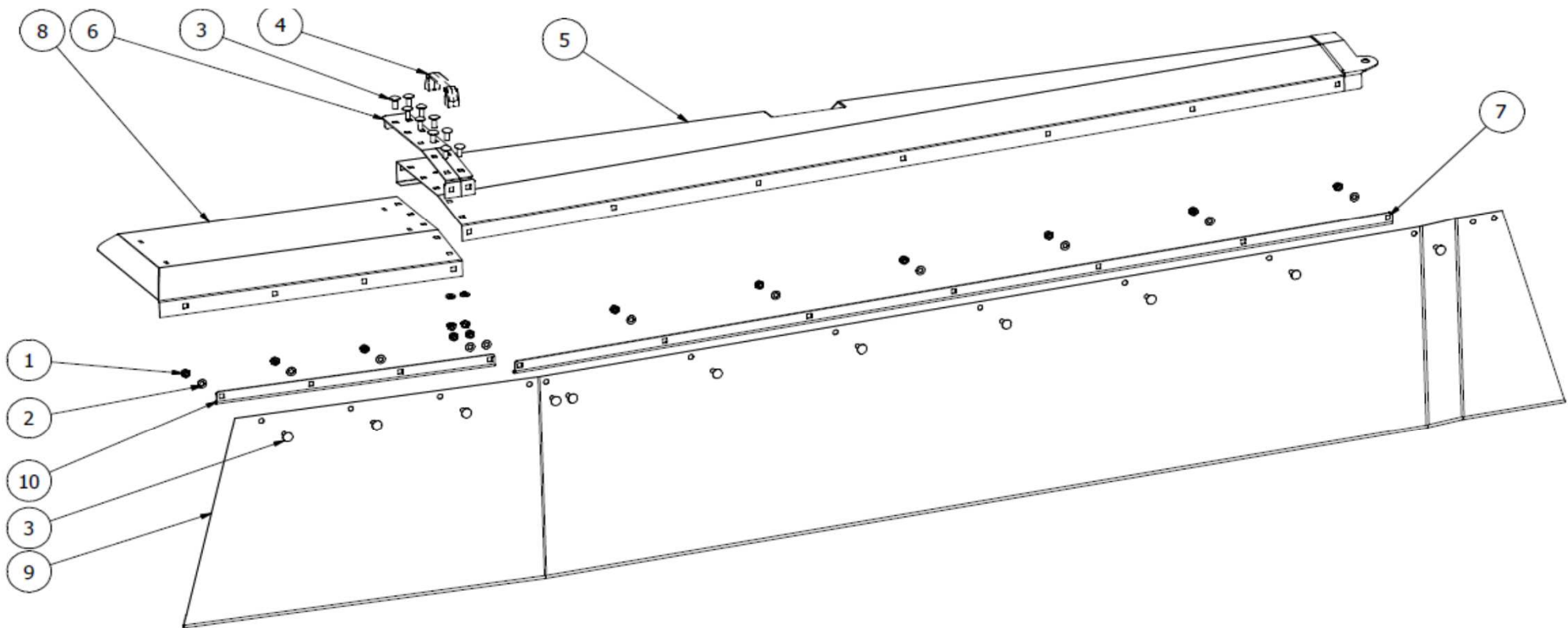
## 559485

| Pos | Name                   | Nahme                      | Benämning                 | Nimike                       | Specifikation               | NO     | Pcs |
|-----|------------------------|----------------------------|---------------------------|------------------------------|-----------------------------|--------|-----|
| 1   | Screw                  | Schraube                   | 6-k Skruv dg              | Kuusioruuvi                  | DIN 931 8.8 M 8X60 ZN       | 130030 | 4   |
| 2   | Screw                  | Schraube                   | 6-k Skruv dg              | Kuusioruuvi                  | DIN 931 10.9 M12x190 ZN     | 130466 | 1   |
| 3   | Screw                  | Schraube                   | 6-k Skruv dg              | Kuusioruuvi                  | DIN 931 8.8 M16X90 ZN       | 130535 | 1   |
| 4   | Screw                  | Schraube                   | 6-k Skruv hg              | Kuusioruuvi                  | DIN 933 8.8 M8X16 ZN        | 130700 | 1   |
| 5   | Screw                  | Schraube                   | 6-k Skruv hg              | Kuusioruuvi                  | DIN 933 8.8 M10X16 ZN       | 130820 | 10  |
| 6   | Screw                  | Schraube                   | 6-k Skruv hg              | Kuusioruuvi                  | DIN 933 8.8 M10X25 ZN       | 130860 | 7   |
| 7   | Counter screw          | Senkschrauben              | l-6 Skruv sänkt           | 6-koloruuvi uppok.           | DIN 7991 10.9 M12X80 ZN     | 131362 | 2   |
| 8   | Nut                    | Muttern                    | Låsmutter                 | Lukitusmutteri               | DIN 985-8 M8 ZN             | 131570 | 4   |
| 9   | Nut                    | Muttern                    | Låsmutter                 | Lukitusmutteri               | DIN 985-8 M10 ZN            | 131580 | 8   |
| 10  | Nut                    | Muttern                    | Låsmutter                 | Lukitusmutteri               | DIN 985-8 M12 ZN            | 131600 | 2   |
| 11  | Nut                    | Muttern                    | Låsmutter                 | Lukitusmutteri               | DIN 985-8 M16 ZN            | 131630 | 1   |
| 12  | Washer                 | Scheibe                    | Bricka                    | Aluslaatta                   | DIN 125A M8/8.4 ZN          | 131750 | 4   |
| 13  | Washer                 | Scheibe                    | Bricka                    | Aluslaatta                   | DIN 125A M10/10.5 ZN        | 131770 | 18  |
| 14  | Washer                 | Scheibe                    | Bricka                    | Aluslaatta                   | DIN 125A M12/13 ZN          | 131790 | 2   |
| 15  | Washer                 | Scheibe                    | Bricka                    | Aluslaatta                   | DIN 125A M16/17 ZN          | 131810 | 2   |
| 16  | Washer                 | Scheibe                    | Karosseribricka           | Korialuslevy                 | DIN 9021 8/8.4X24X2 ZN      | 131910 | 5   |
| 17  | Washer                 | Scheibe                    | Karosseribricka           | Korialuslevy                 | DIN 9021 M10/10.5X30X2.5 ZN | 131930 | 8   |
| 18  | Linch pin              | Klappstecker               | Ringsprint                | Rengassokka                  | DIN 11023 4,5 mm            | 133360 | 4   |
| 19  | Hydraulic hose         | Hydraulik Schlauch         | Hydraulslang              | Hydrauliletku                | 1/4" L=3800 1/4" 90°        | 145611 | 2   |
| 20  | Hose labeling 1 plus   | Schlauch Markierung 1 plus | Slangmärkning 1 plus      | Letku merkintä 1 plus        |                             | 149901 | 1   |
| 21  | Hose labeling 1 minus  | Schlauch Markierung 1 mini | Slangmärkning 1 minus     | Letku merkintä 1 -           |                             | 149911 | 1   |
| 22  | Mower unit subassembly | Mähwerk baugrup            | Krossenhet vänster        | Niittoyksikkö välikokoonpano | Balk,Rotor,Motkam           | 534102 | 1   |
| 23  | Front hood             | Aufbereite                 | Mantelplåt ytter vänster  | Kammion etupelti             | Vänster enhet               | 534155 | 1   |
| 24  | Front hood             | Aufbereite                 | Mantelplåt inner vänster  | Kammion etupelti             | Vänster enhet               | 534156 | 1   |
| 25  | Hood subassembly       | Ablenblech baugrup         | Krosskammar bakdel höger  | Kammion osakokoonpano        |                             | 534260 | 1   |
| 26  | Belt cover left        | Reimenschutz               | Remskydd vänster          | Remmisuojuus                 |                             | 534434 | 1   |
| 27  | Bracket                | Befestigung                | Skyddskonsol vänster      | Kiinnike                     |                             | 559255 | 1   |
| 28  | Spacer                 | Distantz                   | Distandhylsa              | Väliholkki                   | D18x14 L42                  | 559275 | 2   |
| 29  | Protection bar         | Schutz Bügel               | Skyddsståg inner vänster  | Turvakaari                   |                             | 559301 | 1   |
| 30  | Tarpaulin              | Schutztuch                 | Innerpressenning vänster  | Suojus                       |                             | 559323 | 1   |
| 31  | Cover assy             | Shutz baugrup              | Sidoskydd sammanställning | Suoja osakokoonpano          |                             | 559480 | 1   |
| 32  | Temperature sensor     | Temperatursensor           | Temperatursensor          | Lämpötila anturi             |                             | 142159 | 1   |
| 33  | Temperatur cable       | Temperatur Kabel           | Sektionstemperatur kabel  | Lämpö anturin johto          | Delta10500                  | 148116 | 1   |
| 34  | Sticker kit            | Auskleber satz             | Dekalserie                | Tarrasarja                   |                             | 559487 | 1   |



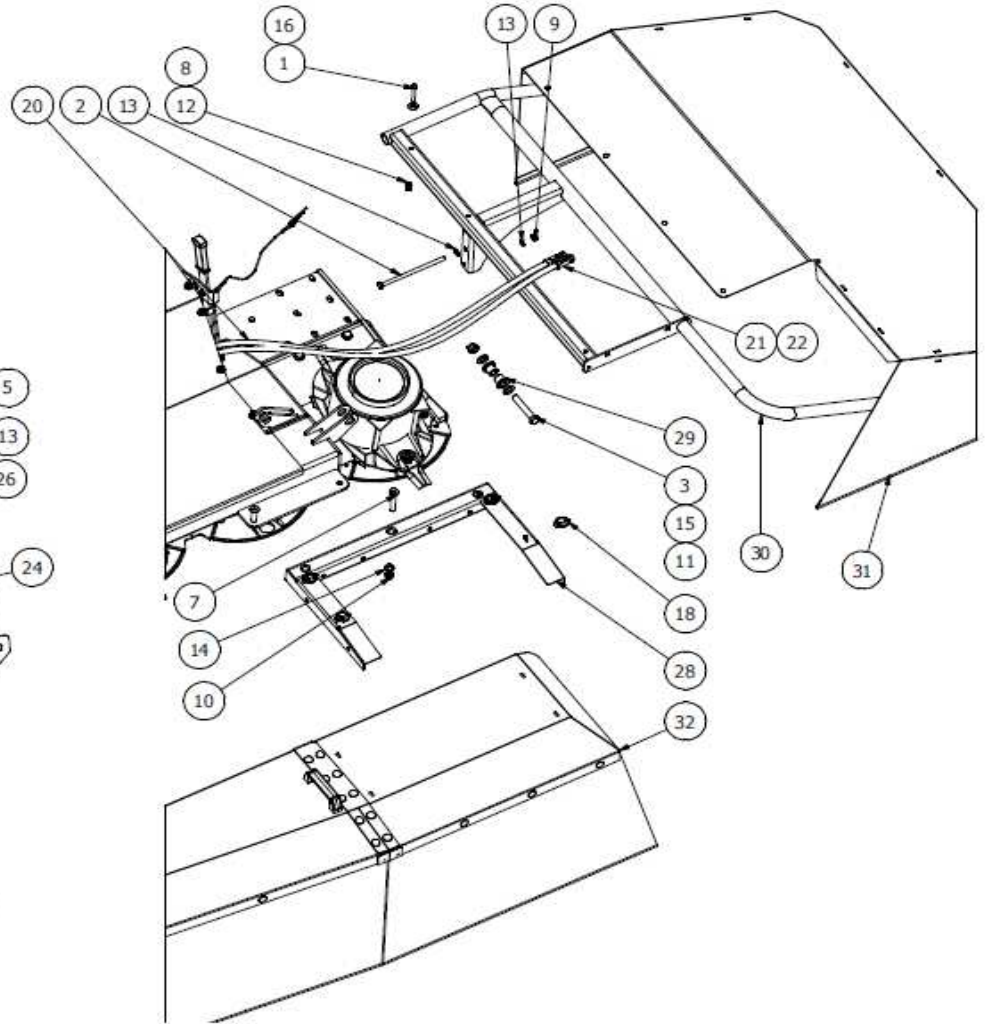
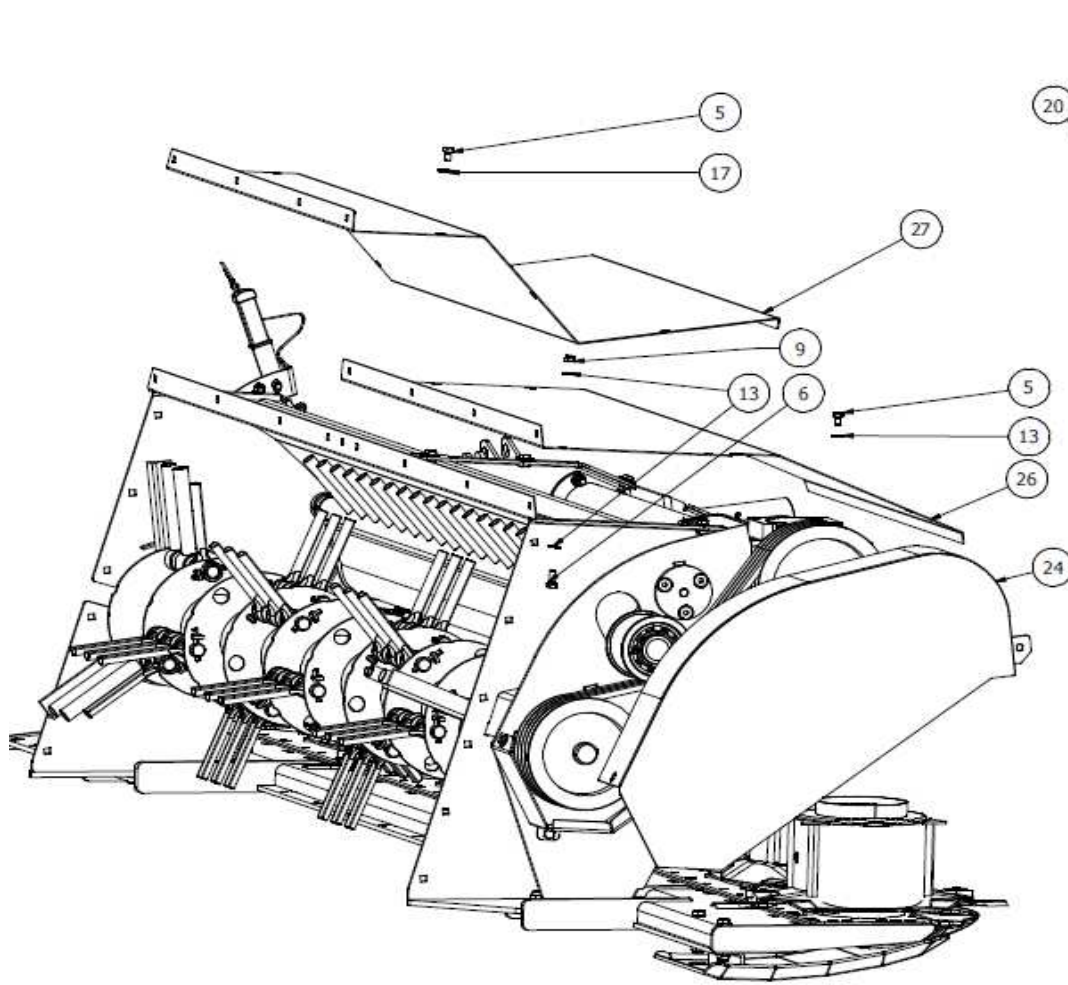
## 559480

| Pos | Name                  | Nahme             | Benämning                   | Nimike                  | Specifikation          | NO     | Pcs |
|-----|-----------------------|-------------------|-----------------------------|-------------------------|------------------------|--------|-----|
| 1   | Screw                 | Schraube          | 6-k Skruv dg                | Kuusioruuvi             | DIN 931 8.8 M12X50 ZN  | 130330 | 2   |
| 2   | Screw                 | Schraube          | 6-k Skruv dg                | Kuusioruuvi             | DIN 931 8.8 M12X55 ZN  | 130344 | 2   |
| 3   | Screw                 | Schraube          | 6-k Skruv dg                | Kuusioruuvi             | DIN 931 8.8 M12X80 ZN  | 130370 | 2   |
| 4   | Screw                 | Schraube          | 6-k Skruv dg                | Kuusioruuvi             | DIN 931 8.8 M16X70 ZNC | 130533 | 1   |
| 5   | Screw                 | Schraube          | 6-k Skruv hg                | Kuusioruuvi             | DIN 933 8.8 M6X16 ZN   | 130620 | 2   |
| 6   | Nut                   | Muttern           | Låsmutter                   | Lukitusmutteri          | DIN 985-8 M6 ZN        | 131560 | 2   |
| 7   | Nut                   | Muttern           | Låsmutter                   | Lukitusmutteri          | DIN 985-8 M10 ZN       | 131580 | 2   |
| 8   | Nut                   | Muttern           | Låsmutter                   | Lukitusmutteri          | DIN 985-8 M12 ZN       | 131600 | 6   |
| 9   | Nut                   | Muttern           | Låsmutter                   | Lukitusmutteri          | DIN 985-8 M16 ZN       | 131630 | 1   |
| 10  | Washer                | Scheibe           | Bricka                      | Aluslaatta              | DIN 125A M 6/6.4 ZN    | 131730 | 4   |
| 11  | Washer                | Scheibe           | Bricka                      | Aluslaatta              | DIN 125A M10/10.5 ZN   | 131770 | 2   |
| 12  | Washer                | Scheibe           | Bricka                      | Aluslaatta              | DIN 125A M12/13 ZN     | 131790 | 12  |
| 13  | Washer                | Scheibe           | Bricka                      | Aluslaatta              | DIN 125A M16/17 ZN     | 131810 | 2   |
| 14  | Cup bolts             | Flachrundschrabe  | Låsskruv                    | Lukkoruuvi              | DIN603 8.8 M10X25 ZN   | 132710 | 2   |
| 15  | Spring                | Feder             | Tryckfjäder                 | Jousi                   | Dm=20 d=3,2 L=50       | 457380 | 1   |
| 16  | Bracket               | Befestigung       | Skyddfäste ytter vänster    | Suojuksen kiinnike      |                        | 534505 | 1   |
| 17  | Bracket               | Befestigung       | Cylinderfäste för sidoskydd | Sylinteri kiinnike      |                        | 534510 | 1   |
| 18  | Tarpaulin list        | Schutz liste      | Presenningslist             | Suojapeite lista        |                        | 534524 | 1   |
| 19  | Side cover subassemly | Shutz baugrupp    | Sidoskydd vänster           | Sivusuoja osakokoonpano | Delmontering           | 534585 | 1   |
| 20  | Cylinder assy         | Zylinder Baugrupp | Sylinder delmontering       | Sylinteri osakokoonpano |                        | 559254 | 1   |
| 21  | Frontprotection assy  | Schutz Baugrupp   | Frontskydd förmontering     | Etusuojaus koonpano     |                        | 559267 | 1   |
| 22  | Spacer                | Distanzrohr       | Distans                     | Väliholkki              | 18x2 L=20              | 559477 | 2   |



## 559267

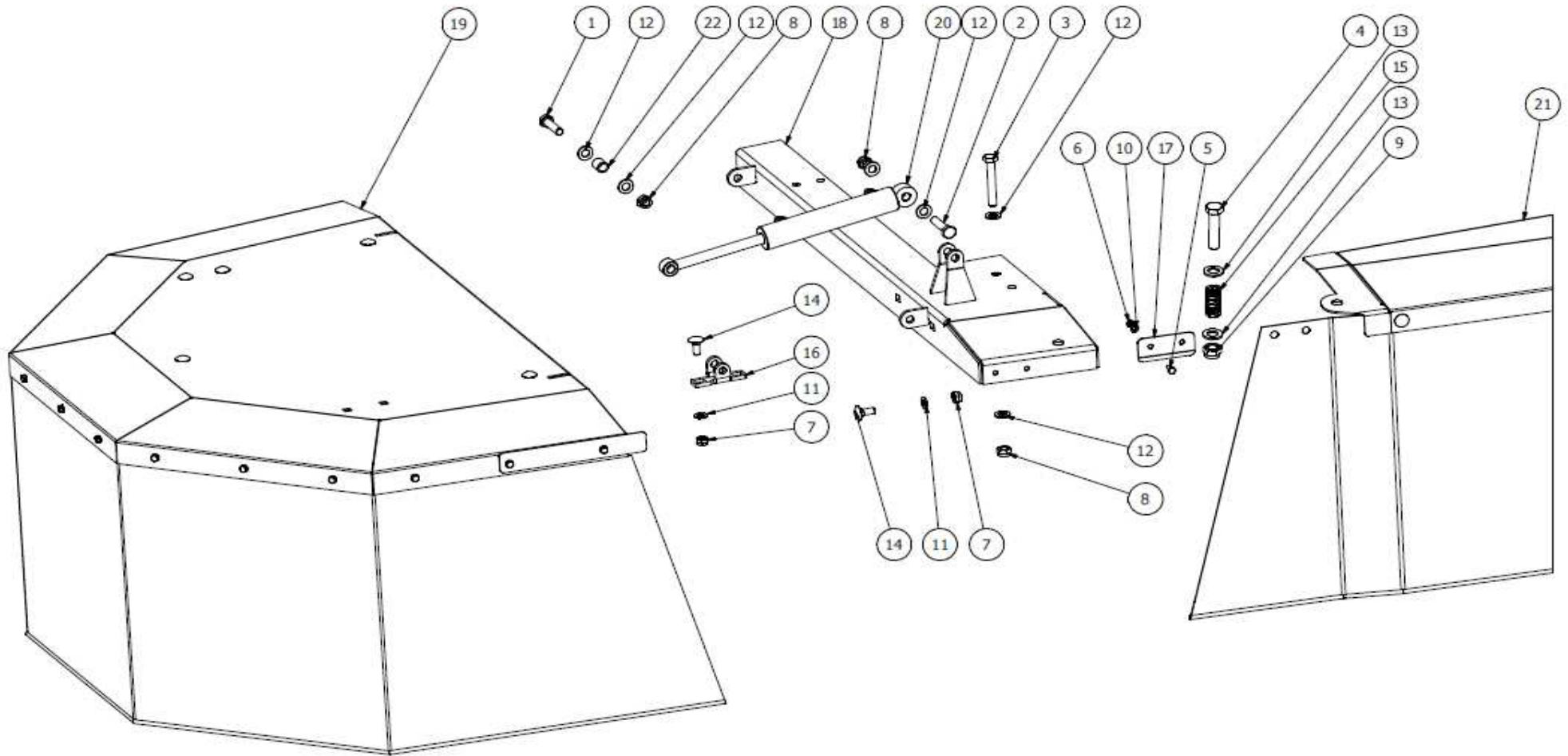
| Pos | Name                 | Nahme             | Benämning                | Nimike           | Specifikation                  | NO     | Pcs |
|-----|----------------------|-------------------|--------------------------|------------------|--------------------------------|--------|-----|
| 1   | Nut                  | Muttern           | Låsmutter                | Lukitusmutteri   | DIN 985-8 M10 ZN               | 131580 | 22  |
| 2   | Washer               | Scheibe           | Bricka                   | Aluslaatta       | DIN 125A M10/10.5 ZN           | 131770 | 22  |
| 3   | Cup bolts            | Flachrundschrabe  | Låsskruv                 | Lukkoruuvi       | DIN 603/555 8.8 M10X25 (3-4)ZN | 132709 | 22  |
| 4   | Handle               | Griff             | Bygelhandtag             | Kahva            | WN131 128-M8                   | 157130 | 1   |
| 5   | Frontplate left      | Vorne blech links | Framplåt vänster         | Etupelti vasen   |                                | 534512 | 1   |
| 6   | Bracket              | Befestigung       | Framplåts stöd           | Kiinnike         |                                | 534519 | 1   |
| 7   | Tarpaulin list       | Schutz liste      | Presenningslist lång     | Suojapeite lista |                                | 534521 | 1   |
| 8   | Guardplate           | Schutzblech       | Skyddsplåt               | Suojapelti       |                                | 559265 | 1   |
| 9   | Front tarpaulin left | Schutz Rechts     | Frontpressenning vänster | Etusuojus vasen  |                                | 559266 | 1   |
| 10  | Tarpaulin list       | Schutz liste      | Pressenningslist         | Suojuksen lista  |                                | 559269 | 1   |





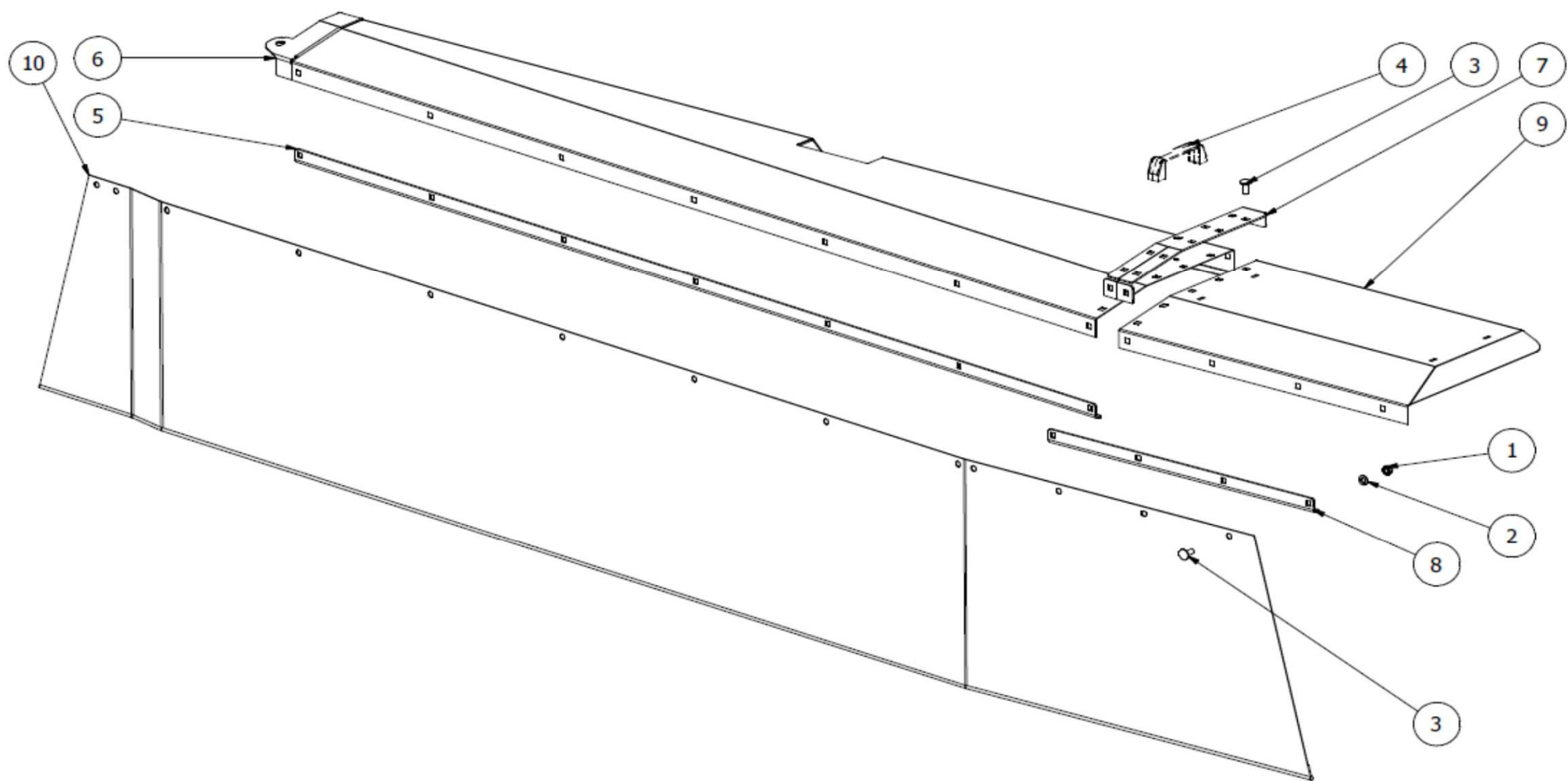
## 559486

| Pos | Name                   | Nahme                       | Benämning                  | Nimike                       | Specifikation               | NO     | Pcs |
|-----|------------------------|-----------------------------|----------------------------|------------------------------|-----------------------------|--------|-----|
| 1   | Screw                  | Schraube                    | 6-k Skruv dg               | Kuusioruuvi                  | DIN 931 8.8 M 8X60 ZN       | 130030 | 4   |
| 2   | Screw                  | Schraube                    | 6-k Skruv dg               | Kuusioruuvi                  | DIN 931 10.9 M12x190 ZN     | 130466 | 1   |
| 3   | Screw                  | Schraube                    | 6-k Skruv dg               | Kuusioruuvi                  | DIN 931 8.8 M16X90 ZN       | 130535 | 1   |
| 4   | Screw                  | Schraube                    | 6-k Skruv hg               | Kuusioruuvi                  | DIN 933 8.8 M8X16 ZN        | 130700 | 1   |
| 5   | Screw                  | Schraube                    | 6-k Skruv hg               | Kuusioruuvi                  | DIN 933 8.8 M10X16 ZN       | 130820 | 10  |
| 6   | Screw                  | Schraube                    | 6-k Skruv hg               | Kuusioruuvi                  | DIN 933 8.8 M10X25 ZN       | 130860 | 7   |
| 7   | Counter screw          | Senkschrauben               | l-6 Skruv sänkt            | 6-koloruuvi uppok.           | DIN 7991 10.9 M12X80 ZN     | 131362 | 2   |
| 8   | Nut                    | Muttern                     | Låsmutter                  | Lukitusmutteri               | DIN 985-8 M8 ZN             | 131570 | 4   |
| 9   | Nut                    | Muttern                     | Låsmutter                  | Lukitusmutteri               | DIN 985-8 M10 ZN            | 131580 | 8   |
| 10  | Nut                    | Muttern                     | Låsmutter                  | Lukitusmutteri               | DIN 985-8 M12 ZN            | 131600 | 2   |
| 11  | Nut                    | Muttern                     | Låsmutter                  | Lukitusmutteri               | DIN 985-8 M16 ZN            | 131630 | 1   |
| 12  | Washer                 | Scheibe                     | Bricka                     | Aluslaatta                   | DIN 125A M8/8.4 ZN          | 131750 | 4   |
| 13  | Washer                 | Scheibe                     | Bricka                     | Aluslaatta                   | DIN 125A M10/10.5 ZN        | 131770 | 18  |
| 14  | Washer                 | Scheibe                     | Bricka                     | Aluslaatta                   | DIN 125A M12/13 ZN          | 131790 | 2   |
| 15  | Washer                 | Scheibe                     | Bricka                     | Aluslaatta                   | DIN 125A M16/17 ZN          | 131810 | 2   |
| 16  | Washer                 | Scheibe                     | Karosseribricka            | Korialuslevy                 | DIN 9021 8/8.4X24X2 ZN      | 131910 | 5   |
| 17  | Washer                 | Scheibe                     | Karosseribricka            | Korialuslevy                 | DIN 9021 M10/10.5X30X2.5 ZN | 131930 | 8   |
| 18  | Linch pin              | Klappstecker                | Ringsprint                 | Rengassokka                  | DIN 11023 4,5 mm            | 133360 | 4   |
| 19  | Hydraulic hose         | Hydraulik Schlauch          | Hydraulslang               | Hydrauliletku                | 1/4" L=3800 1/4" 90°        | 145611 | 1   |
| 20  | Hydraulic hose         | Hydraulik Schlauch          | Hydraulslang               | Hydrauliletku                | 1/4" L=3800 1/4" 90°        | 145611 | 1   |
| 21  | Hose labeling 1 plus   | Schlauch Markierung 1 plus  | Slangmärkning 1 plus       | Letku merkintä 1 plus        |                             | 149901 | 1   |
| 22  | Hose labeling 1 minus  | Schlauch Markierung 1 minus | Slangmärkning 1 minus      | Letku merkintä 1 -           |                             | 149911 | 1   |
| 23  | Hood subassembly       | Ablenblech baugrup          | Krosskammar bakdel vänster | Kammion osakokoonpano        |                             | 534254 | 1   |
| 24  | Belt cover right       | Reimenschutz                | Remskydd höger             | Remmisuojus                  |                             | 534438 | 1   |
| 25  | Mower unit subassembly | Mähwerk baugrup             | Krossenhet höger           | Niittoyksikkö välikokoonpano | Balk, Rotor, Motkam         | 535102 | 1   |
| 26  | Front hood             | Abdeckungsblech             | Mantelplåt ytter vänster   | Kammion etupelti             | höger enhet                 | 535155 | 1   |
| 27  | Front hood             | Haube                       | Mantelplåt inner           | Kammion etupelti             | Höger enhet                 | 535156 | 1   |
| 28  | Bracket                | Befestigung                 | Skyddskonsol vänster       | Kiinnike                     |                             | 559255 | 1   |
| 29  | Spacer                 | Distantz                    | Distandhylsa               | Väliholkki                   | D18x14 L42                  | 559275 | 2   |
| 30  | Protection bar         | Schutz Bügel                | Skyddsstång inner höger    | Turvakaari                   |                             | 559309 | 1   |
| 31  | Tarpaulin              | Schutztuch                  | Innerpressenning höger     | Suojus                       |                             | 559324 | 1   |
| 32  | Cover assy             | Shutz baugrup               | Sidoskydd höger            | Suojus kokoonpano            |                             | 559481 | 1   |
| 33  | Temperature sensor     | Temperatursensor            | Temperatursensor           | Lämpötila anturi             |                             | 142159 | 1   |
| 34  | Temperatur cable       | Temperatur Kabel            | Sektionstemperatur kabel   | Lämpö anturin johto          | Delta10500                  | 148116 | 1   |
| 35  | Sticker kit            | Auskleber satz              | Dekalserie                 | Tarrasarja                   |                             | 559487 | 1   |



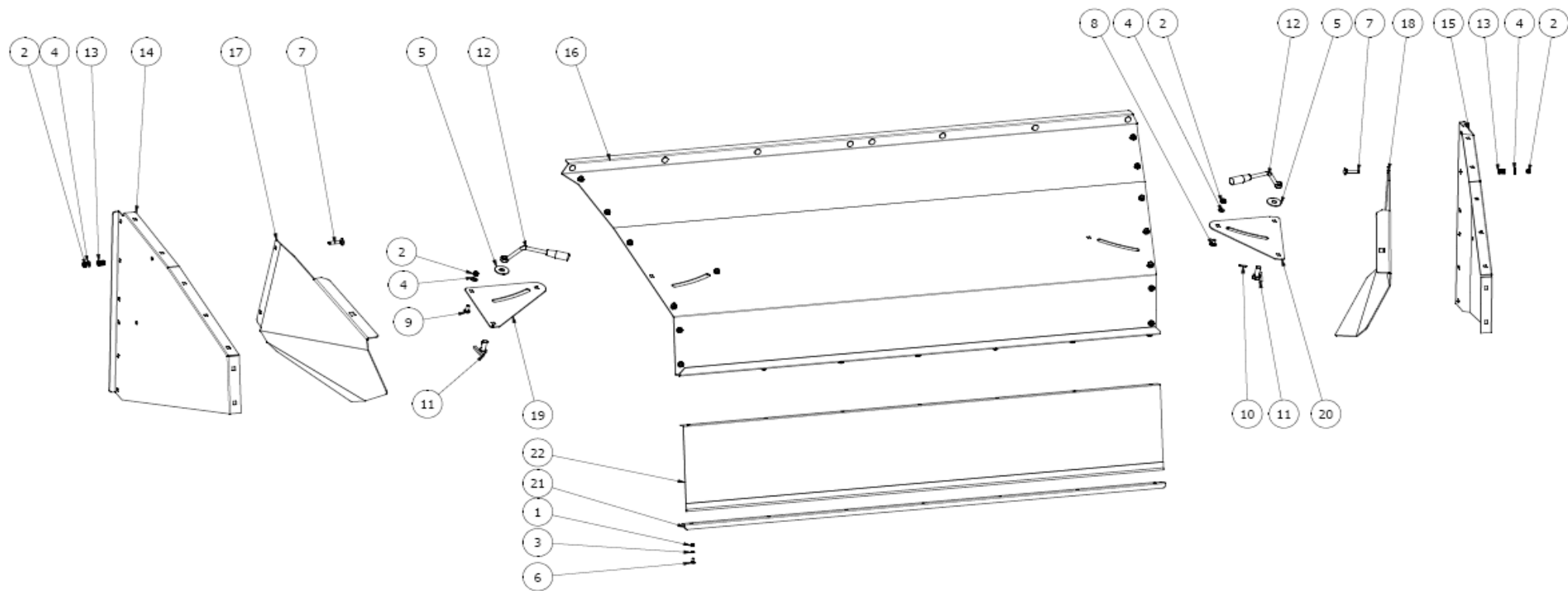
559481

| Pos | Name                  | Nahme             | Benämning                   | Nimike                  | Specifikation          | NO     | Pcs |
|-----|-----------------------|-------------------|-----------------------------|-------------------------|------------------------|--------|-----|
| 1   | Screw                 | Schraube          | 6-k Skruv dg                | Kuusioruuvi             | DIN 931 8.8 M12X50 ZN  | 130330 | 2   |
| 2   | Screw                 | Schraube          | 6-k Skruv dg                | Kuusioruuvi             | DIN 931 8.8 M12X55 ZN  | 130344 | 2   |
| 3   | Screw                 | Schraube          | 6-k Skruv dg                | Kuusioruuvi             | DIN 931 8.8 M12X80 ZN  | 130370 | 2   |
| 4   | Screw                 | Schraube          | 6-k Skruv dg                | Kuusioruuvi             | DIN 931 8.8 M16X70 ZNC | 130533 | 1   |
| 5   | Screw                 | Schraube          | 6-k Skruv hg                | Kuusioruuvi             | DIN 933 8.8 M6X16 ZN   | 130620 | 2   |
| 6   | Nut                   | Muttern           | Låsmutter                   | Lukitusmutteri          | DIN 985-8 M6 ZN        | 131560 | 2   |
| 7   | Nut                   | Muttern           | Låsmutter                   | Lukitusmutteri          | DIN 985-8 M10 ZN       | 131580 | 4   |
| 8   | Nut                   | Muttern           | Låsmutter                   | Lukitusmutteri          | DIN 985-8 M12 ZN       | 131600 | 6   |
| 9   | Nut                   | Muttern           | Låsmutter                   | Lukitusmutteri          | DIN 985-8 M16 ZN       | 131630 | 1   |
| 10  | Washer                | Scheibe           | Bricka                      | Aluslaatta              | DIN 125A M 6/6.4 ZN    | 131730 | 2   |
| 11  | Washer                | Scheibe           | Bricka                      | Aluslaatta              | DIN 125A M10/10.5 ZN   | 131770 | 4   |
| 12  | Washer                | Scheibe           | Bricka                      | Aluslaatta              | DIN 125A M12/13 ZN     | 131790 | 12  |
| 13  | Washer                | Scheibe           | Bricka                      | Aluslaatta              | DIN 125A M16/17 ZN     | 131810 | 2   |
| 14  | Cup bolts             | Flachrundschrabe  | Låsskruv                    | Lukkoruuvi              | DIN603 8.8 M10X25 ZN   | 132710 | 4   |
| 15  | Spring                | Feder             | Tryckfjäder                 | Jousi                   | Dm=20 d=3,2 L=50       | 457380 | 1   |
| 16  | Bracket               | Befestigung       | Cylinderfäste för sidoskydd | Sylinteri kiinnike      |                        | 534510 | 1   |
| 17  | Tarpaulin list        | Schutz liste      | Presenningslist             | Suojapeite lista        |                        | 534524 | 1   |
| 18  | Bracket               | Befestigung       | Skyddfäste ytter höger      | Suojuksen kiinnike      |                        | 534534 | 1   |
| 19  | Side cover subassemly | Shutz baugrupp    | Sidoskydd höger             | Sivusuoja osakokoonpano | Delmontering           | 534586 | 1   |
| 20  | Cylinder assy         | Zylinder Baugrupp | Sylinder delmontering       | Sylinteri osakokoonpano |                        | 559254 | 1   |
| 21  | Frontprotection assy  | Schutz Baugrupp   | Frontskydd förmontering hö  | Etusuojaus koonpano     |                        | 559296 | 1   |
| 22  | Spacer                | Distanzrohr       | Distans                     | Väliholkki              | 18x2 L=20              | 559477 | 2   |



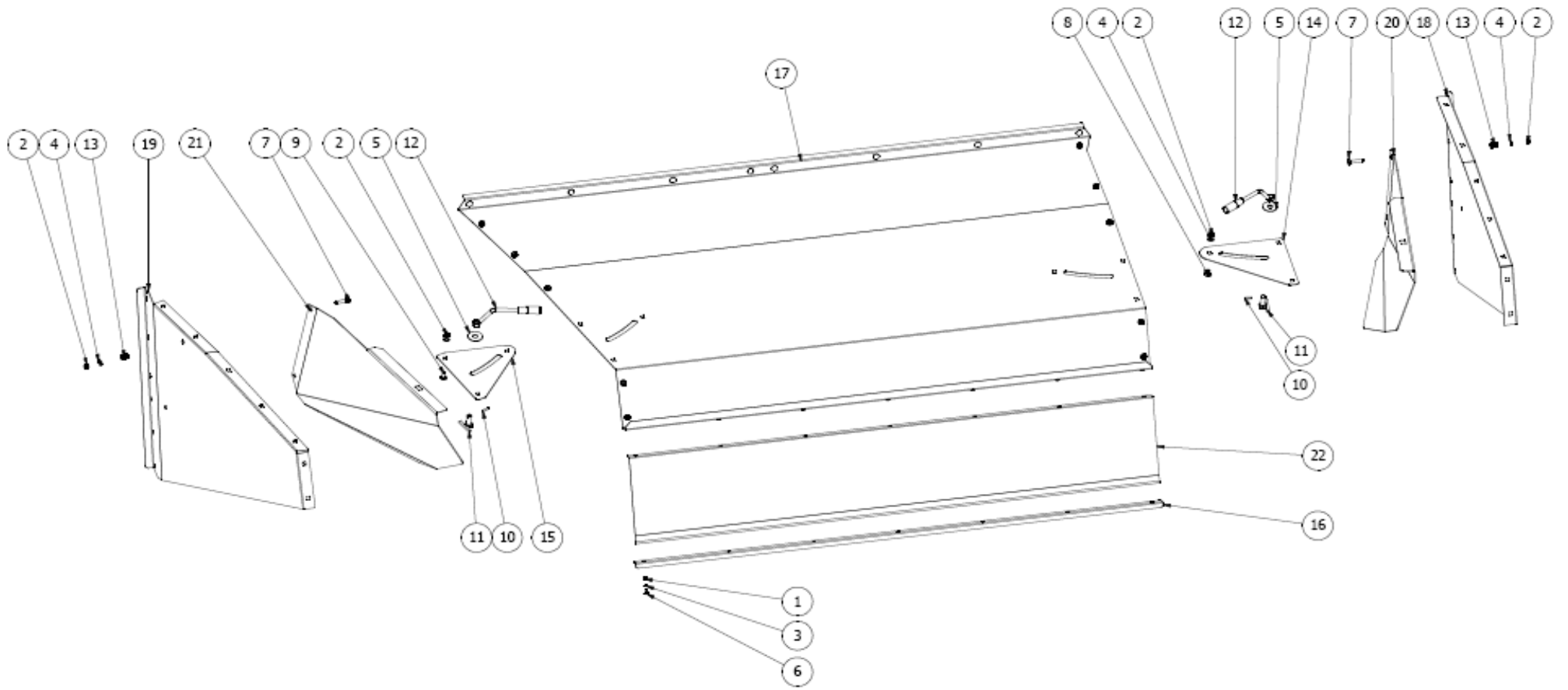
## 559296

| Pos | Name                   | Nahme              | Benämning              | Nimike           | Specifikation                  | NO     | Pcs |
|-----|------------------------|--------------------|------------------------|------------------|--------------------------------|--------|-----|
| 1   | Nut                    | Muttern            | Låsmutter              | Lukitusmutteri   | DIN 985-8 M10 ZN               | 131580 | 22  |
| 2   | Washer                 | Scheibe            | Bricka                 | Aluslaatta       | DIN 125A M10/10.5 ZN           | 131770 | 22  |
| 3   | Cup bolts              | Flachrundschrabe   | Låsskruv               | Lukkoruuvi       | DIN 603/555 8.8 M10X25 (3-4)ZN | 132709 | 22  |
| 4   | Handle                 | Griff              | Bygelhandtag           | Kahva            | WN131 128-M8                   | 157130 | 1   |
| 5   | Tarpaulin list         | Schutz liste       | Presenningslist lång   | Suojapeite lista |                                | 534521 | 1   |
| 6   | Frontplate right       | Vorne blech rechts | Framplåt höger         | Etupelti oikea   |                                | 534528 | 1   |
| 7   | Bracket                | Befestigung        | Framplåts stöd höger   | Kiinnike         |                                | 534533 | 1   |
| 8   | Tarpaulin list         | Schutz liste       | Pressenningslist       | Suojuksen lista  |                                | 559269 | 1   |
| 9   | Protection plate right | Schutzblech right  | Skyddsplåt höger       | Suojapelti oikea |                                | 559297 | 1   |
| 10  | Front tarpaulin right  | Schutz Rechts      | Frontpressenning höger | Etusuojaus vasen |                                | 559298 | 1   |



## 534254

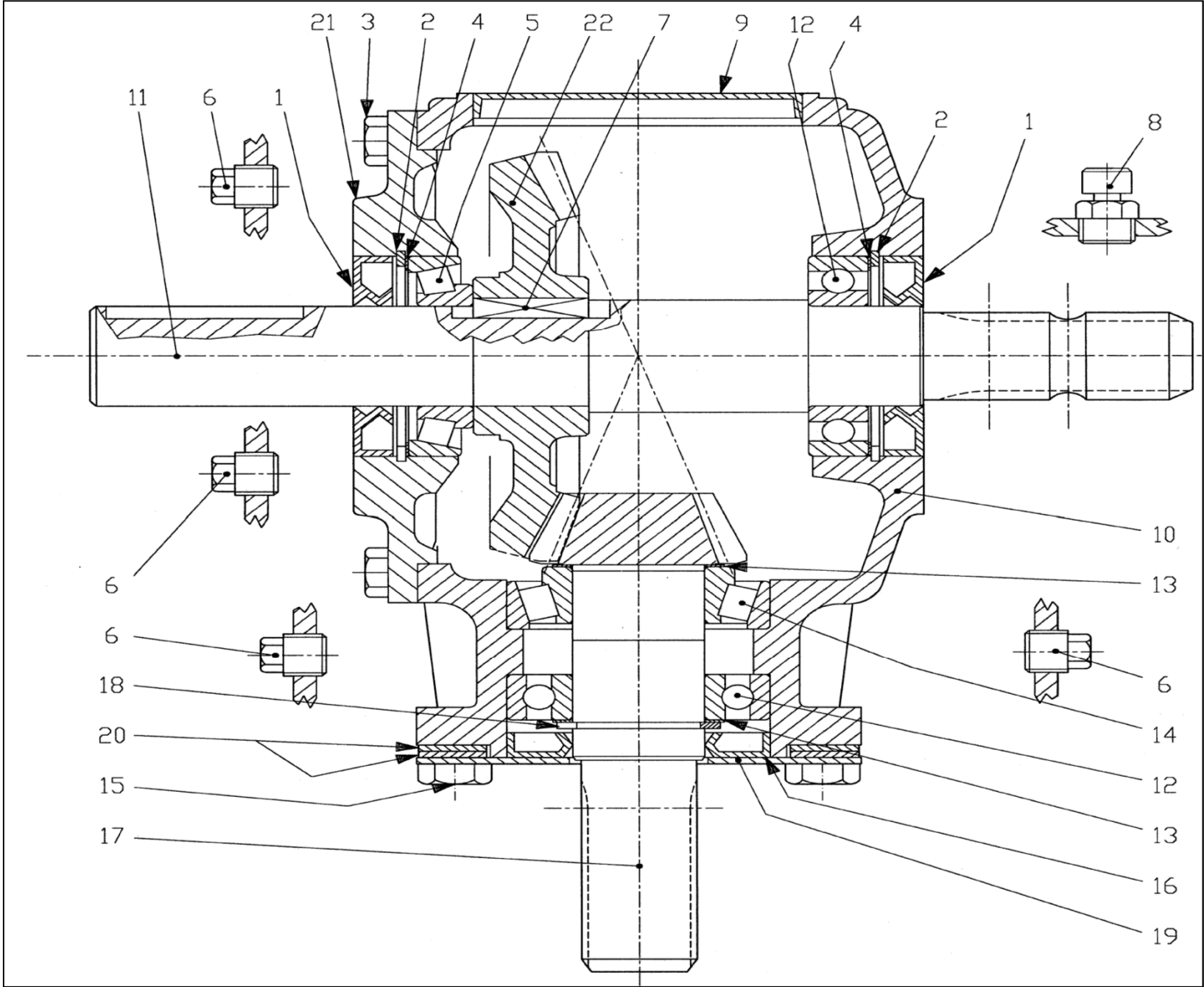
| Pos | Name                | Nahme              | Benämning                | Nimike                | Specifikation                  | NO     | Pcs |
|-----|---------------------|--------------------|--------------------------|-----------------------|--------------------------------|--------|-----|
| 1   | Nut                 | Muttern            | Låsmutter                | Lukitusmutteri        | DIN 985-8 M6 ZN                | 131560 | 7   |
| 2   | Nut                 | Muttern            | Låsmutter                | Lukitusmutteri        | DIN 985-8 M10 ZN               | 131580 | 40  |
| 3   | Washer              | Scheibe            | Bricka                   | Aluslaatta            | DIN 125A M 6/6.4 ZN            | 131730 | 7   |
| 4   | Washer              | Scheibe            | Bricka                   | Aluslaatta            | DIN 125A M10/10.5 ZN           | 131770 | 40  |
| 5   | Washer              | Scheibe            | Karosseribricka          | Korialuslevy          | DIN 9021 M16/17X50X3 ZN        | 131950 | 2   |
| 6   | Cup bolts           | Flachrundschrabe   | Låsskruv                 | Lukkoruuvi            | DIN 603 4.6 M6X16 ZN           | 132615 | 7   |
| 7   | Cup bolts           | Flachrundschrabe   | Låsskruv                 | Lukkoruuvi            | DIN 603 8.8 M10x50 ZN          | 132668 | 4   |
| 8   | Cup bolts           | Flachrundschrabe   | Låsskruv                 | Lukkoruuvi            | DIN 603/555 8.8 M10X20 (3-4)ZN | 132704 | 21  |
| 9   | Cup bolts           | Flachrundschrabe   | Låsskruv                 | Lukkoruuvi            | DIN 603/555 8.8 M10X25 (3-4)ZN | 132709 | 15  |
| 10  | Spring pin          | Spannhülsen        | Rörsprint                | Jousisokka            | DIN 1481 5x24 ZN               | 132813 | 2   |
| 11  | Bolt for deflector  | Bolzen             | Styrplåtsbult            | Ohjauslevyn pultti    |                                | 513170 | 2   |
| 12  | Handle              | Griff              | Styrplåtshandtag         | Säätökahva            |                                | 513180 | 2   |
| 13  | Spring              | Feder              | Tryckfjäder              | Jousi                 |                                | 533200 | 4   |
| 14  | Hood endplate       | Aufbereite seite   | Krosskammargavel vänster | Kammion sivulevy      |                                | 534251 | 1   |
| 15  | Hood endplate       | Aufbereite seite   | Krosskammargavel höger   | Kammion sivulevy      |                                | 534252 | 1   |
| 16  | Hood top plate      | Aufbereite blech   | Krosskammarmantel        | Kammion yläpelti      |                                | 534253 | 1   |
| 17  | Deflector           | Ablenklech         | Styrskärm vänster ytter  | Ohjauslevy vasen ulko |                                | 534255 | 1   |
| 18  | Centerdeflector     | Ablenklech         | Styrskärm vänster inner  | Ohjauslevy vasen sisä |                                | 534256 | 1   |
| 19  | Reinforcement outer | Verstärkung        | Hålförstärkning ytter    | Vahvike ulko          |                                | 534257 | 1   |
| 20  | Reinforcement inner | Verstärkung        | Hålförstärkning inner    | Vahvike sisä          |                                | 534258 | 1   |
| 21  | Tarpaulin list      | Schutz liste       | Presenningslist          | Suojus lista          |                                | 534259 | 1   |
| 22  | Tarpaulin rear      | Schutztuch hintere | Bakpresenning            | Suojapeite taka       | L/R                            | 534582 | 1   |



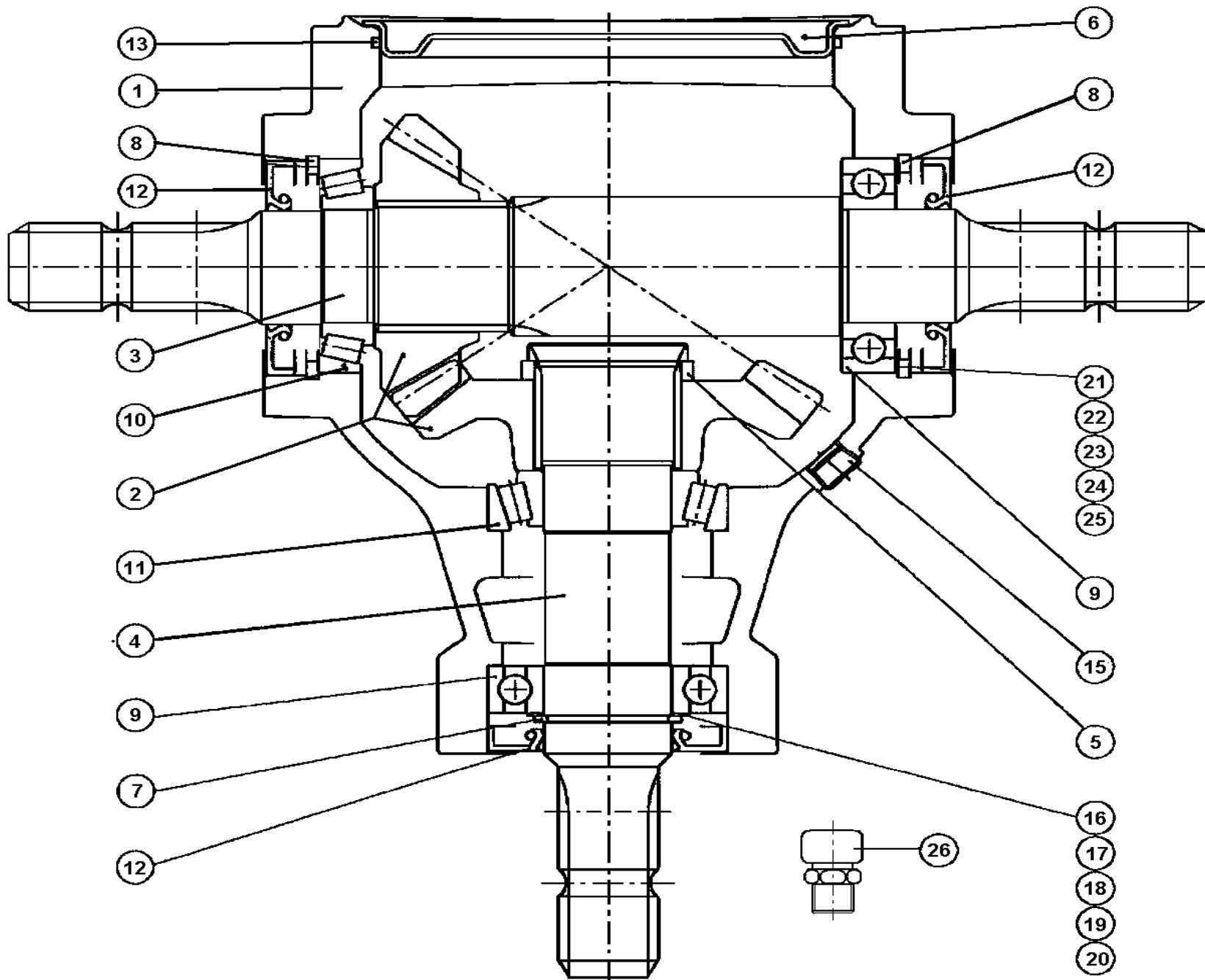


## 534260

| Pos | Name                | Nahme              | Benämning                | Nimike             | Specifikation                  | NO     | Pcs |
|-----|---------------------|--------------------|--------------------------|--------------------|--------------------------------|--------|-----|
| 1   | Nut                 | Muttern            | Låsmutter                | Lukitusmutteri     | DIN 985-8 M6 ZN                | 131560 | 7   |
| 2   | Nut                 | Muttern            | Låsmutter                | Lukitusmutteri     | DIN 985-8 M10 ZN               | 131580 | 40  |
| 3   | Washer              | Scheibe            | Bricka                   | Aluslaatta         | DIN 125A M 6/6.4 ZN            | 131730 | 7   |
| 4   | Washer              | Scheibe            | Bricka                   | Aluslaatta         | DIN 125A M10/10.5 ZN           | 131770 | 40  |
| 5   | Washer              | Scheibe            | Karosseribricka          | Korialuslevy       | DIN 9021 M16/17X50X3 ZN        | 131950 | 2   |
| 6   | Cup bolts           | Flachrundschrabe   | Låsskruv                 | Lukkoruuvi         | DIN 603 4.6 M6X16 ZN           | 132615 | 7   |
| 7   | Cup bolts           | Flachrundschrabe   | Låsskruv                 | Lukkoruuvi         | DIN 603 8.8 M10x50 ZN          | 132668 | 4   |
| 8   | Cup bolts           | Flachrundschrabe   | Låsskruv                 | Lukkoruuvi         | DIN 603/555 8.8 M10X20 (3-4)ZN | 132704 | 12  |
| 9   | Cup bolts           | Flachrundschrabe   | Låsskruv                 | Lukkoruuvi         | DIN 603/555 8.8 M10X25 (3-4)ZN | 132709 | 24  |
| 10  | Spring pin          | Spannhülsen        | Rörsprint                | Jousisokka         | DIN 1481 5x24 ZN               | 132813 | 2   |
| 11  | Bolt for deflector  | Bolzen             | Styrplåtsbult            | Ohjauslevyn pultti |                                | 513170 | 2   |
| 12  | Handle              | Griff              | Styrplåtshandtag         | Säätökahva         |                                | 513180 | 2   |
| 13  | Spring              | Feder              | Tryckfjäder              | Jousi              |                                | 533200 | 4   |
| 14  | Reinforcement outer | Verstärkung        | Hålförstärkning ytter    | Vahvike ulko       |                                | 534257 | 1   |
| 15  | Reinforcement inner | Verstärkung        | Hålförstärkning inner    | Vahvike sisä       |                                | 534258 | 1   |
| 16  | Tarpaulin list      | Schutz liste       | Presenningslist          | Suojus lista       |                                | 534259 | 1   |
| 17  | Hood top plate      | Aufbereite blech   | Krosskammarmantel höger  | Kammion yläpelti   |                                | 534261 | 1   |
| 18  | Hood endplate       | Aufbereite seite   | Krosskammargavel höger   | Kammion sivulevy   |                                | 534262 | 1   |
| 19  | Hood endplate       | Aufbereite seite   | Krosskammargavel vänster | Kammion sivulevy   |                                | 534263 | 1   |
| 20  | Deflector           | Ablenblech         | Styrskärm höger ytter    | Ohjauspelti        |                                | 534264 | 1   |
| 21  | Deflector           | Ablenblech         | Styrskärm höger inner    | Ohjauspelti        |                                | 534265 | 1   |
| 22  | Tarpaulin rear      | Schutztuch hintere | Bakpressenning           | Suojapeite taka    | L/R                            | 534582 | 1   |

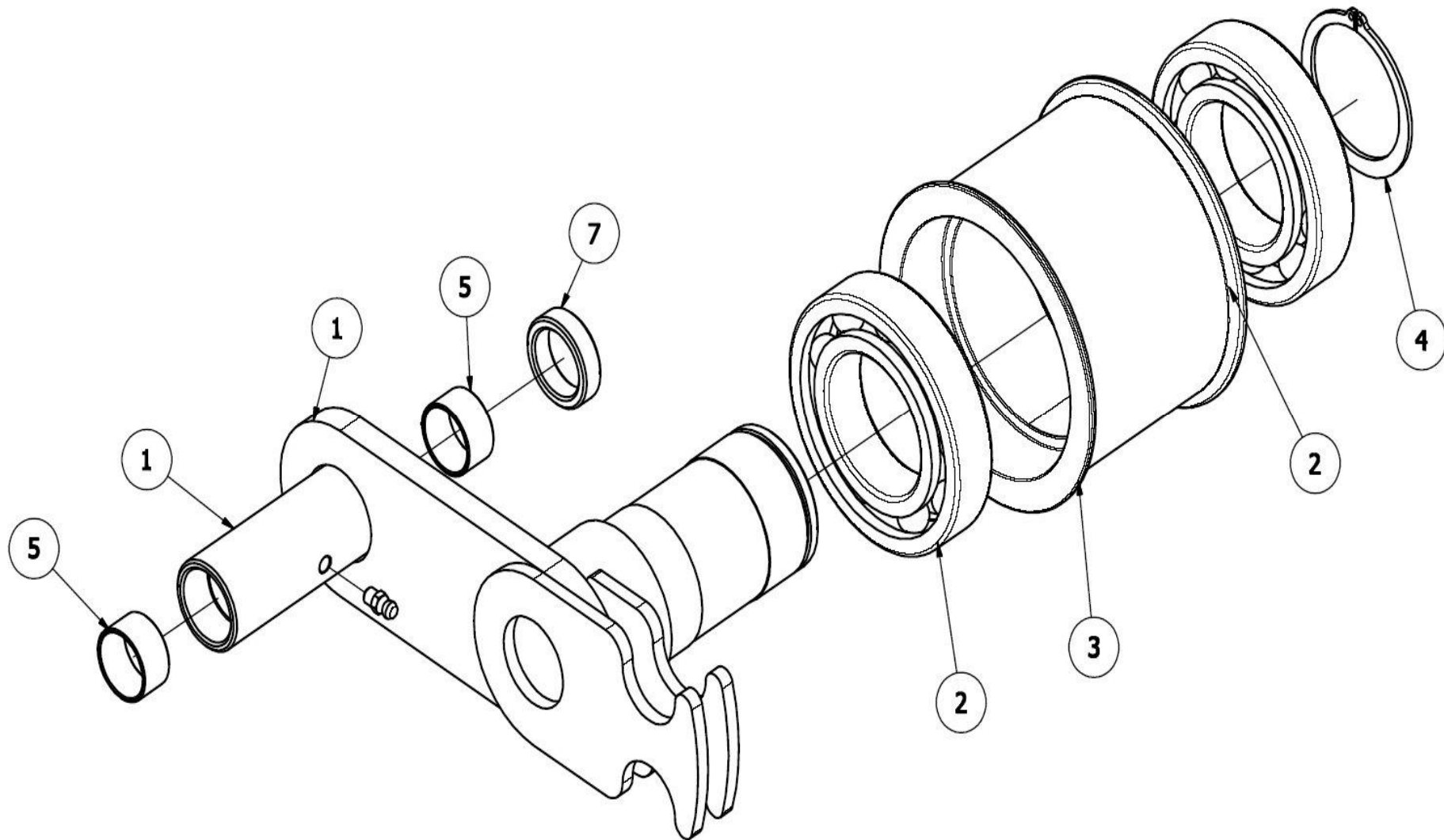


| Pos | Name            | Nahme             | Benämning              | Nimike                 | Specifikation         | NO     | Pcs |
|-----|-----------------|-------------------|------------------------|------------------------|-----------------------|--------|-----|
| 1   | Oil seal        | Öl dichtung       | Axeltätning            | Öljytiiviste           | 40x80x12              | 528523 | 2   |
| 2   | Seeger ring     | Sicherüingring    | Låsring för hål        | Varmistinrengas        | DIN 472 80x2,5        | 132164 | 2   |
| 3   | Screw           | Schraube          | 6-k Skruv hg           | Kuusioruuvi            | DIN 933 8.8 M10X25 ZN | 130860 | 8   |
| 4   | Shim            | Ausgleichsheibe   | Shim                   | Säätölevy              | 79,9                  | 528515 | 2   |
| 5   | Bearing         | Lager             | Rullager               | Laakeri                | 30208                 | 140408 | 1   |
| 6   | Plug            | Propfen           | Plugg                  | Tulppa                 | 3/8GAS                | 518508 | 4   |
| 7   | Key             | Keil              | Kil                    | Kiila                  | B 12x8x30             | 518503 | 1   |
| 8   | Oil filler plug | Ölnachfullstopfen | Luftnippel med bakslag | Öljytulppa takaiskulla | 3/8 GAS               | 143319 | 1   |
| 9   | Cap             | Deckel            | Lock                   | Kansi                  | 100x10                | 528521 | 1   |
| 10  | Casing          | Gehäuse           | Hus                    | Kotelo                 |                       | 528501 | 1   |
| 11  | Shaft           | Welle             | Axel                   | Akseli                 | 1 3/8                 | 528506 | 1   |
| 12  | Bearing         | Lager             | Kullager               | Laakeri                | 6208                  | 140280 | 2   |
| 13  | Shim            | Ausgleichsheibe   | Shim                   | Säätölevy              | 51,5                  | 528507 | 2   |
| 14  | Bearing         | Lager             | Rullager               | Laakeri                | 32208                 | 140428 | 1   |
| 15  | Screw           | Schraube          | 6-k Skruv hg           | Kuusioruuvi            | DIN 933 8.8 M12X25 ZN | 130970 | 4   |
| 16  | Oil seal viton  | Öl dichtung Viton | Axeltätning viton      | Öljytiiviste viton     | 40x80x10              | 528522 | 1   |
| 17  | Pinion shaft    | Welle mit zahnrad | Pinionaxel             | Hammaspyöräakseli      | Z12=M4.58             | 528517 | 1   |
| 18  | Snap ring       | Sicherung ring    | Låsring                | Lukitusrengas          | 40 UNI7436            | 528513 | 1   |
| 19  | Cap             | Deckel            | Lock                   | Kansi                  |                       | 528518 | 1   |
| 20  | Wacher          | Scheibe           | Bricka                 | Aluslaatta             | 13x24x2,5             | 528210 | 8   |
| 21  | Cap             | Deckel            | Lock                   | Kansi                  |                       | 528516 | 1   |
| 22  | Crown wheel     | Zahnrad           | Kugghjul               | Hammaspyörä            | Z=36 M4.58            | 528502 | 1   |



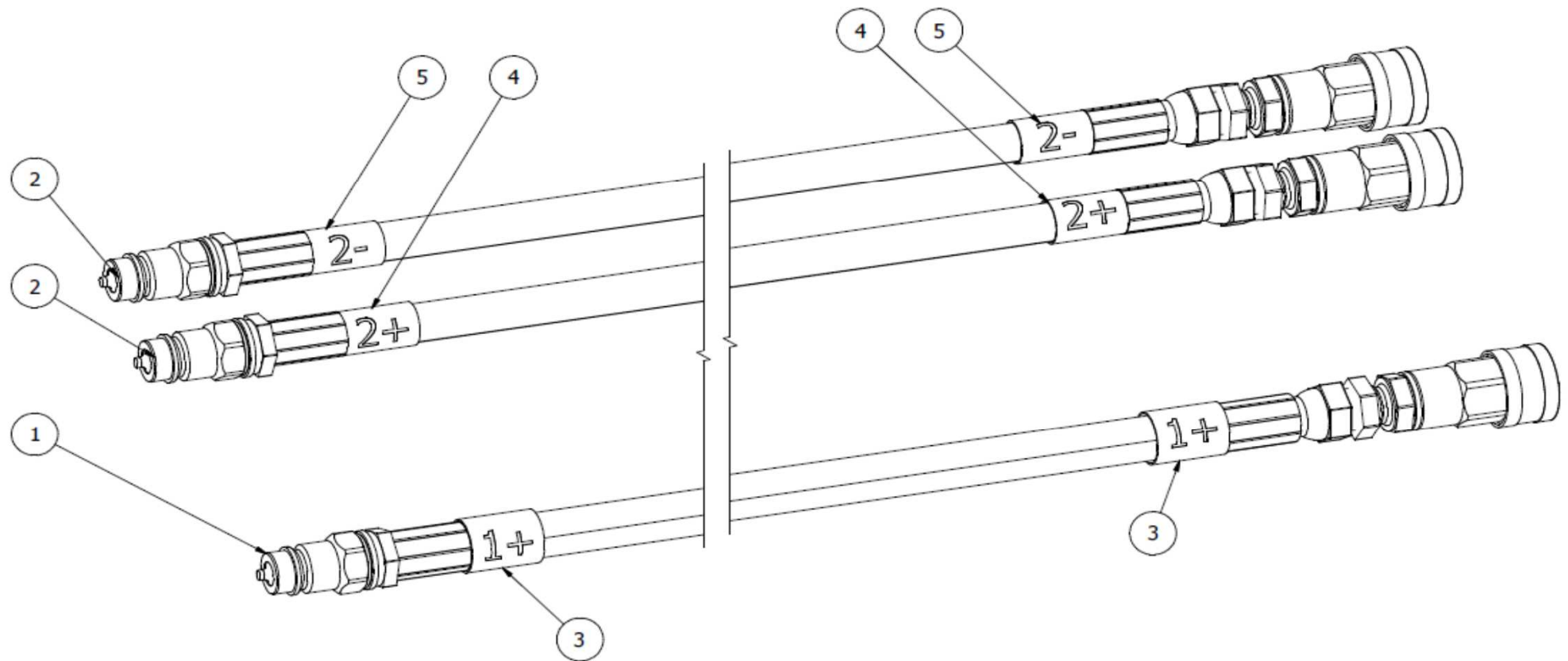
## 153160

| Pos | Name            | Nahme             | Benämning   | Nimike       | Specifikation     | NO     | Pcs |
|-----|-----------------|-------------------|-------------|--------------|-------------------|--------|-----|
|     | Gear box        | Getriebe          | Vinkelväxel | Kulmavaihde  | S2100100101 1:1   | 153160 | 1   |
| 1   | Casing          | Gehäuse           | Växelhus    | Kotelo       | 290290000         | 153201 | 1   |
| 2   | Gear            | Zahnrad           | Kuggjulspår | Rataspari    | S21000_T 1:1      | 153212 | 1   |
| 3   | Shaft           | Welle             | Axel        | Akseli       | 1-3/8" Z=6        | 153213 | 1   |
| 4   | Shaft           | Welle             | Axel        | Akseli       | 45 Z20            | 153162 | 1   |
| 5   | Distans         | Buchse            | Distans     | Väliholkki   | 298405100         | 153205 | 1   |
| 6   | Cap             | Schutz            | Lock        | Kansi        | 298860001         | 153206 | 1   |
| 7   | Snap ring       | Sicherungring     | Låsring     | Lukkorengas  | DIN 471 45x1,75   | 132120 | 1   |
| 8   | Snap ring       | Sicherungring     | Låsring     | Lukkorengas  | DIN 472 85x3      | 132165 | 2   |
| 9   | Bearing         | Lager             | Lager       | Laakeri      | 6209              | 140290 | 2   |
| 10  | Bearing         | Lager             | Lager       | Laakeri      | 30209             | 140409 | 1   |
| 11  | Bearing         | Lager             | Lager       | Laakeri      | 32209             | 140429 | 1   |
| 12  | Oil seal        | Wellendichtung    | Oljetätning | Öllytiiviste | 45x85x10          | 144930 | 2   |
| 13  | O-ring          | O-ring            | O-ring      | O-rengas     | Ø159,6x3,35       | 144950 | 1   |
| 14  | Cap             | Schutz            | Lock        | Kansi        | 372006000         | 153208 | 1   |
| 15  | Oil filler plug | Ölnachfullstopfen | Oljeplugg   | Ölytulppa    | 3/8" GAS          | 143321 | 2   |
| 16  | Shim            | Ausgleichscheibe  | Passbricka  | Säätölevy    | 45,2x54,8x0,3 C70 | 134100 |     |
| 17  | Shim            | Ausgleichscheibe  | Passbricka  | Säätölevy    | 45,2x54,8x0,4 C70 | 134101 |     |
| 18  | Shim            | Ausgleichscheibe  | Passbricka  | Säätölevy    | 45,2x54,8x0,6 C70 | 134102 |     |
| 19  | Shim            | Ausgleichscheibe  | Passbricka  | Säätölevy    | 45,2x54,8x0,8 C70 | 134103 |     |
| 20  | Shim            | Ausgleichscheibe  | Passbricka  | Säätölevy    | 45,2x54,8x1,0 C70 | 134104 |     |
| 21  | Shim            | Ausgleichscheibe  | Passbricka  | Säätölevy    | 75,2x84,8x0,3 C70 | 134150 |     |
| 22  | Shim            | Ausgleichscheibe  | Passbricka  | Säätölevy    | 75,2x84,8x0,4 C70 | 134151 |     |
| 23  | Shim            | Ausgleichscheibe  | Passbricka  | Säätölevy    | 75,2x84,8x0,6 C70 | 134152 |     |
| 24  | Shim            | Ausgleichscheibe  | Passbricka  | Säätölevy    | 75,2x84,8x0,8 C70 | 134153 |     |
| 25  | Shim            | Ausgleichscheibe  | Passbricka  | Säätölevy    | 75,2x84,8x1,0 C70 | 134154 |     |
| 26  | Air plug        | Luftnippel        | Luftnippel  | Ilmanippa    | 3/8" GAS          | 143319 | 1   |



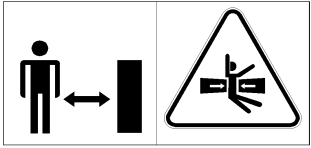
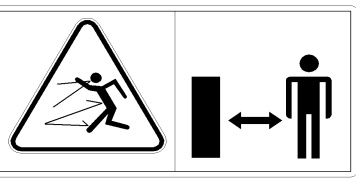
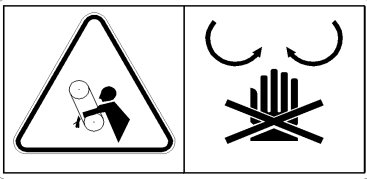
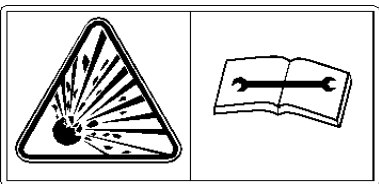
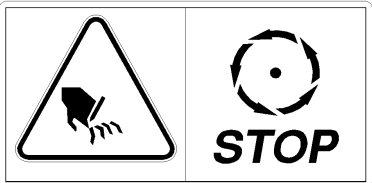
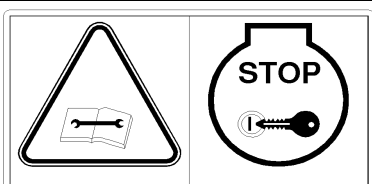

537000

| Pos | Name          | Nahme       | Benämning        | Nimike          | Specifikation | NO     | Pcs |
|-----|---------------|-------------|------------------|-----------------|---------------|--------|-----|
| 1   | Tension shaft | Spann welle | Spännarm         | Kiristysvarsi   | Krossar       | 537006 | 1   |
| 2   | Bearing       | Lager       | Kullager         | Laakeri         | 6211 2RS      | 140295 | 2   |
| 3   | Tension wheel | Spannrad    | Remspännarhjul   | Kiristyspyörä   | Ø 115         | 520415 | 1   |
| 4   | Seeger ring   | Sicherünger | Låsring för axel | Varmistinrengas | DIN 471 55X2  | 132140 | 1   |
| 5   | Plain bearing | Gleitlager  | Glidlager        | Liukulaakeri    | Ø 25/28 L=15  | 140050 | 2   |
| 6   | Grease nipple | Smiernippel | Smörjnippa       | Voitelunippa    | M6x1          | 140950 | 1   |
| 7   | Distanc       | Distantz    | Distanshylsa     | Väliholkki      | Ø35/26 L=10   | 537005 | 1   |



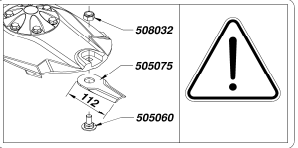
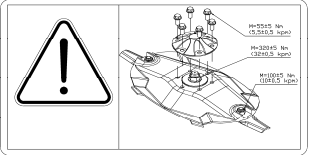



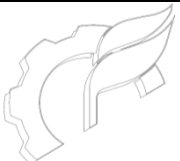




559136

| Pos | Name                  | Nahme                      | Benämning             | Nimike                | Specifikation | NO     | Pcs |
|-----|-----------------------|----------------------------|-----------------------|-----------------------|---------------|--------|-----|
| 1   | Hydraulic hose        | Hydraulik slauch           | Hydraulslang          | Hydrauliletku         | 1/2" L=7000   | 145007 | 1   |
| 2   | Hydraulic hose        | Hydraulik slauch           | Hydraulslang          | Hydrauliletku         | 1/4" L=7000   | 145008 | 2   |
| 3   | Hose labeling 1 plus  | Schlauch Markierung 1 plus | Slangmärkning 1 plus  | Letku merkintä 1 plus |               | 149901 | 2   |
| 4   | Hose labeling 2 plus  | Schlauch Markierung 2 plus | Slangmärkning 2 plus  | Letku merkintä 2 plus |               | 149902 | 2   |
| 5   | Hose labeling 2 minus | Schlauch Markierung 2 mint | Slangmärkning 2 minus | Letku merkintä 2 -    |               | 149912 | 2   |

|   |   |          |        |
|---|---|----------|--------|
| 1 |    | 149112   |        |
| 2 |    | 508652   |        |
| 5 |    | 508649   |        |
| 6 |    | 149110   |        |
| 7 |   | 508648   |        |
| 8 |    | 508650   |        |
| 9 |  <p data-bbox="383 1369 472 1406"><b>1000</b></p> <p data-bbox="215 1422 647 1458">TÄRKYTÄ NIVELAKSELIN PITUUS JA PIDÄ SEN LIUKUPROFILIT HYVIN RASVATTUNA<br/>KONTROLLERA KRAFTÖVERFÖRINGSSAXELNS LÄNGD OCH HÅLL DESS PROFILER VÄLSMORDA</p> | 1000 rpm | 149150 |



|    |   |        |  |
|----|---|--------|--|
| 10 |     |        |  |
| 11 |    | 149136 |  |
| 12 |    | 149104 |  |
| 13 |    | 149103 |  |
| 14 |    | 149155 |  |
| 15 |    | 149555 |  |
| 16 |   | 149572 |  |
| 17 |  | 149581 |  |
| 18 |  | 149583 |  |
| 19 |  | 149586 |  |