

956157



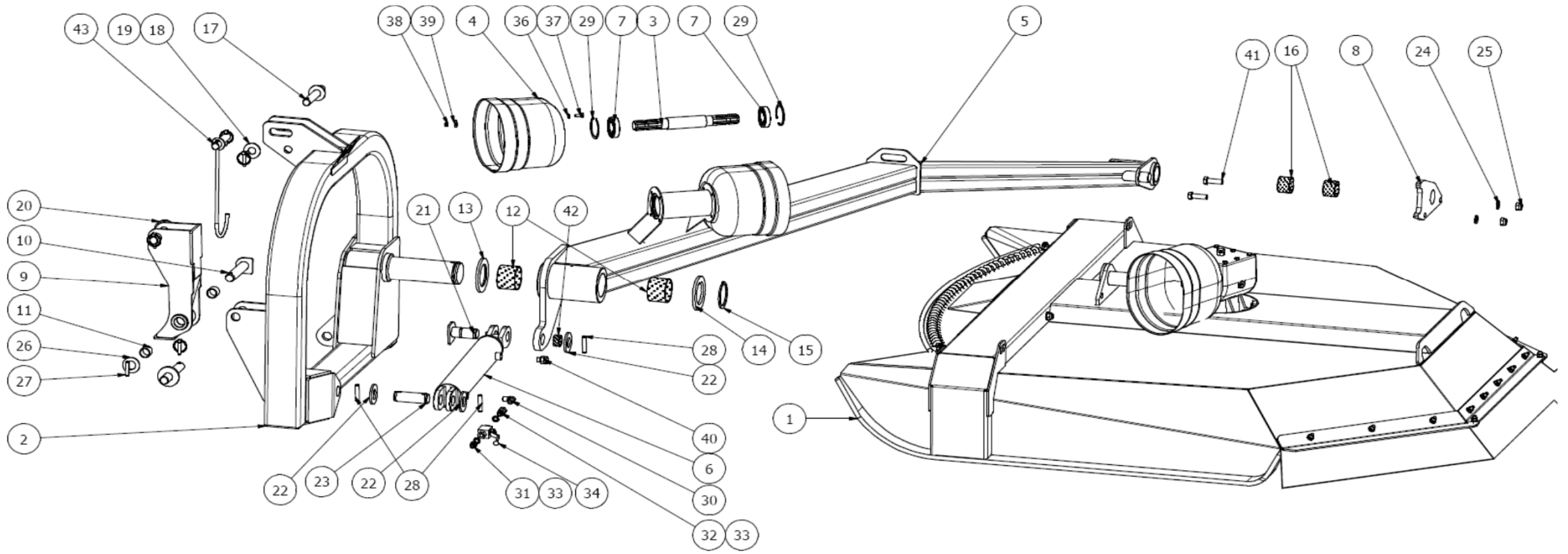
2014

Spare Parts/ Ersatzteile/ Reservdelar/ Varaosat
Side Chopper Tornado 330

Serie 10.3

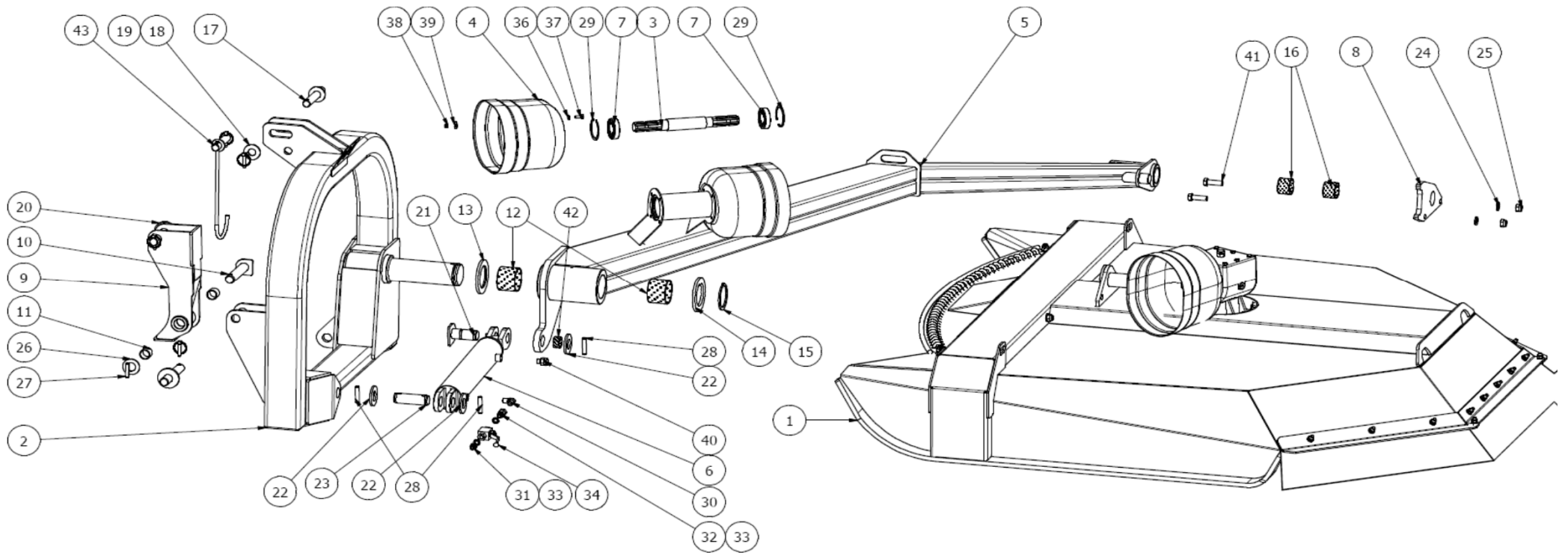


Oy El-Ho Ab · Industrivägen 6 · 68910 Bennäs · Finland
Phone +358 6 7888 000 · Telefax +358 6 78880448 · www.elho.fi



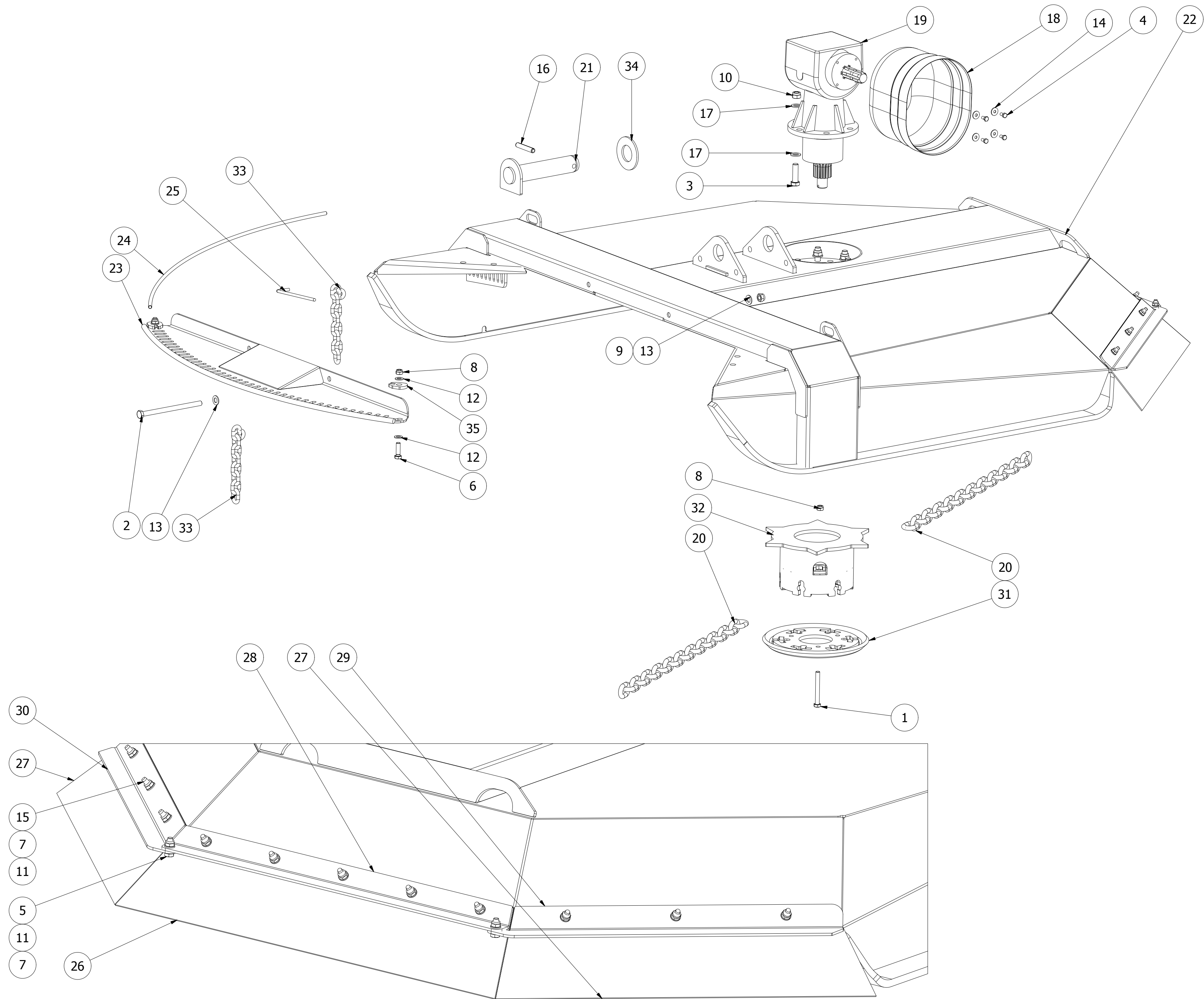
562570

| 562570 | | | | | | | |
|--------|------------------------------|-------------------|---------------------------|---------------------|-----------------------------|--------|-----|
| Pos | Name | Nahme | Benämning | Nimike | Specifikation | NO | Pcs |
| 1 | | | Klipphuvud monterad | | | 562700 | 1 |
| 2 | Frame | Rahmen | 3p-ram | 3-piste runko | | 562810 | 1 |
| 3 | Shaft | Welle | Splinesaxel | Akseli | | 562858 | 1 |
| 4 | Cover | Schutz | Skyddskona bondioli 41704 | (Suojuus | | 152000 | 2 |
| 5 | Bar | Rahmen | Bom | Puomi | | 562819 | 1 |
| 6 | Cylinder | Zylinder | Cylinder | Sylinteri | Ø 80/45x350 | 146620 | 1 |
| 7 | Bearing | Lager | Kullager | Laakeri | 6207 2RS | 140274 | 2 |
| 8 | Limiter | Limiter | Begränsningsgaffel | Rajoitin | | 562837 | 1 |
| 9 | Liftarm bracket | Befestigung | Lyftarmsfäste ledbar | Nostovarrenkiinnike | | 562840 | 1 |
| 10 | Pin | Zapfen | Ledtapp | Tappi | D= 30 L=148 | 562850 | 1 |
| 11 | Plain bearing | Gleitlager | Glidlager | Liukulaakeri | Ø 30/34 L=30 | 140058 | 2 |
| 12 | Plain bearing | Gleitlager | Glidlager | Liukulaakeri | Ø 80/85 L=60 COB092 | 140077 | 2 |
| 13 | Distance washer | Distanzscheibe | Distansbricka fasad | Sovitelaatta | 81x122 s=6 | 562855 | 1 |
| 14 | Washer | Scheibe | Kilspårsbricka | Aluslaatta | 80x122 s=6 | 562856 | 1 |
| 15 | Seeger ring | Sicherüingring | Låsring för axel | Varmistinrengas | DIN 471 80x4 | 132151 | 1 |
| 16 | Plain bearing | Gleitlager | Glidlager | Liukulaakeri | Ø 50/55L=40 COB092 | 140069 | 2 |
| 17 | Top link pin | Oberlenker bolzen | Tryckstångstapp | Työntötangontappi | | 563598 | 1 |
| 18 | Washer | Scheibe | Mellanbricka | Laatta | Ø 54/25,5x6 | 529144 | 1 |
| 19 | Linch pin | Klappstecker | Ringsprint | Rengassokka | DIN 11023 10 mm | 133366 | 3 |
| 20 | Mounting pin | Gerätebolzen | Lyftarmstapp | Nostovarrentappi | | 563595 | 2 |
| 21 | Cylinder pin | Zylinder zapfen | Cylindertapp | Sylinteri tappi | D=35 L=62 | 562852 | 1 |
| 22 | Washer | Scheibe | Bricka d=35 | Aluslaatta | | 565295 | 3 |
| 23 | Cylinder pin | Zylinder zapfen | Cylindertapp | Sylinteri tappi | D=35 L=70 | 562854 | 1 |
| 24 | Washer | Scheibe | Bricka | Aluslaatta | DIN 125A M16/17 ZN | 131810 | 2 |
| 25 | Nut | Muttern | Låsmutter | Lukitusmutteri | DIN 985-8 M16 ZN | 131630 | 2 |
| 26 | Washer | Scheibe | Bricka | Aluslaatta | DIN 125A M30/31 ZN | 131870 | 1 |
| 27 | Spring pin | Spannhülsen | Rörsprint | Jousisokka | DIN 1481 10X50 ZN | 132860 | 1 |
| 28 | Spring pin | Spannhülsen | Rörsprint | Jousisokka | DIN 1481 12X60 ZN | 132890 | 3 |
| 29 | Seeger ring | Sicherüingring | Låsring för hål | Varmistinrengas | DIN 472 72X2,5 | 132160 | 2 |
| 30 | "I" adaptor with male thread | Vinkel nippel | Vinkel | Kulmanippa | 3/8" - 3/8" 04490-06 | 143182 | 1 |
| 31 | Double nipple | Doppelnippel | Dubbelnippa | Kaksoisnippa | 1/4"-1/4" 04000-04 | 143102 | 1 |
| 32 | Male/female adaptor | Anschluss | Junktur | Yhdysnippa | 1/4" - 3/8" Rak 04010-04-06 | 143160 | 1 |
| 33 | Bonded gasket | Dichtung | Usit-tätning | Usit-tiiviste | 1/4" USITR-04 | 146002 | 2 |
| 34 | Ball valve | Kugelhahn | Bollventil | Palloventtiili | 1/4"-1/4" BKH-04 | 144020 | 1 |
| 35 | Hydraulic hose | Hydraulik slauch | Hydraulslang | Hydrauliletku | 1/4" 90°1/4" L=2150 | 145020 | 1 |
| 36 | Washer | Scheibe | Bricka | Aluslaatta | DIN 125A M8/8.4 ZN | 131750 | 8 |
| 37 | Screw | Schraube | 6-k Skruv hg | Kuusioruuvi | DIN 933 8.8 M8X20 ZN | 130720 | 8 |
| 38 | Nut | Muttern | Låsmutter | Lukitusmutteri | DIN 985-8 M8 ZN | 131570 | 8 |
| 39 | Washer | Scheibe | Karosseribricka | Korialuslevy | DIN 9021 8/8.4X24X2 ZN | 131910 | 8 |
| 40 | Air nipple | Luft Nippeln | Luftnippel | Ilmanippa | För cylinder 3/8" | 143327 | 1 |



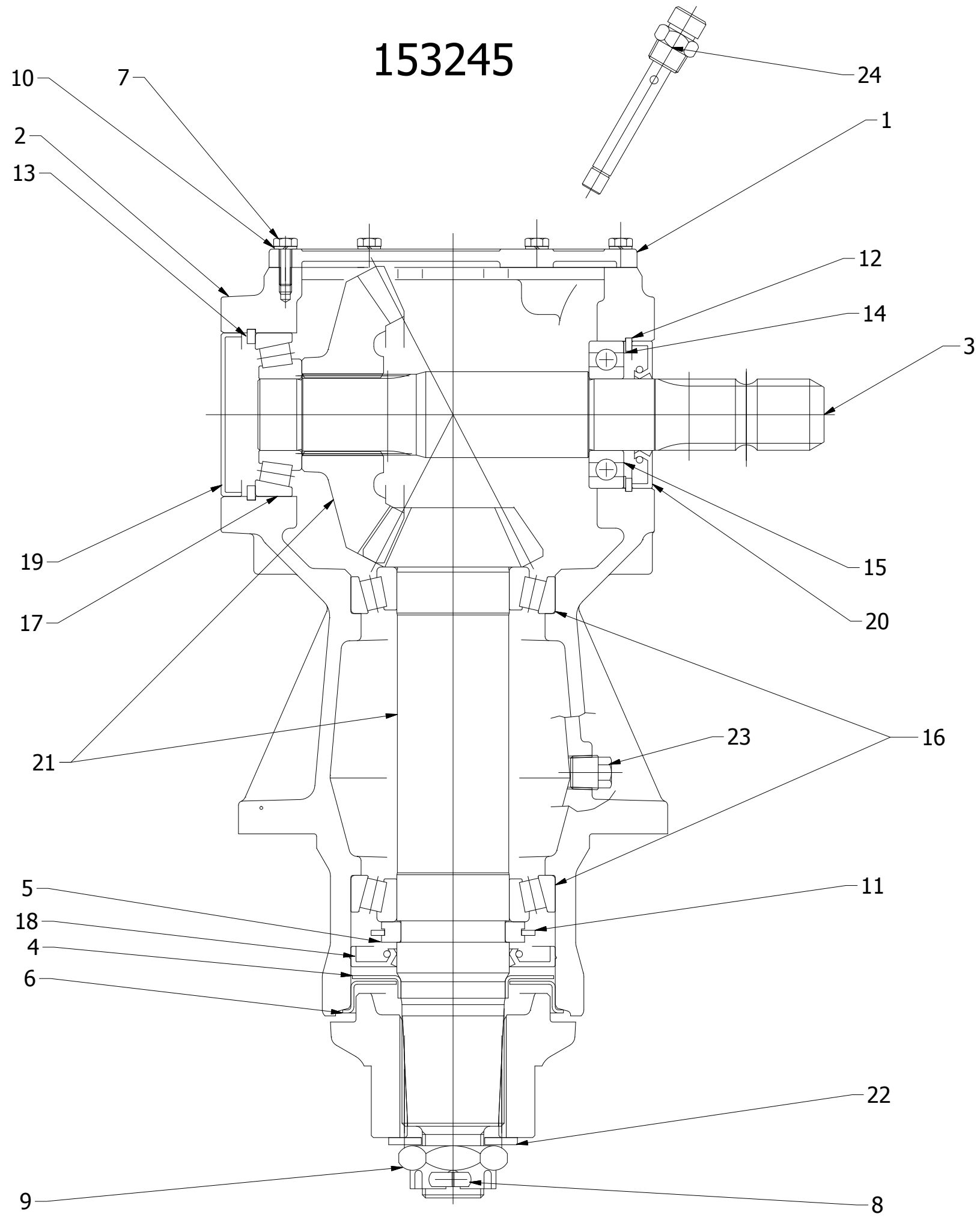
562570

| 562570 | | | | | | | |
|--------|---------------------|---------------------|------------------|------------------|-----------------------|--------|-----|
| Pos | Name | Nahme | Benämning | Nimike | Specifikation | NO | Pcs |
| 41 | Screw | Schraube | 6-k Skruv dg | Kuusioruuvi | DIN 931 8.8 M16X50 ZN | 130500 | 2 |
| 42 | Plain bearing | Gleitlager | Glidlager | Liukulaakeri | Ø 35/39 L=20 COB092 | 140072 | 1 |
| 43 | Drive shaft bracket | Gelenkwellen halter | Drivaxel hållare | Vetoakselin tuki | | 875898 | 1 |



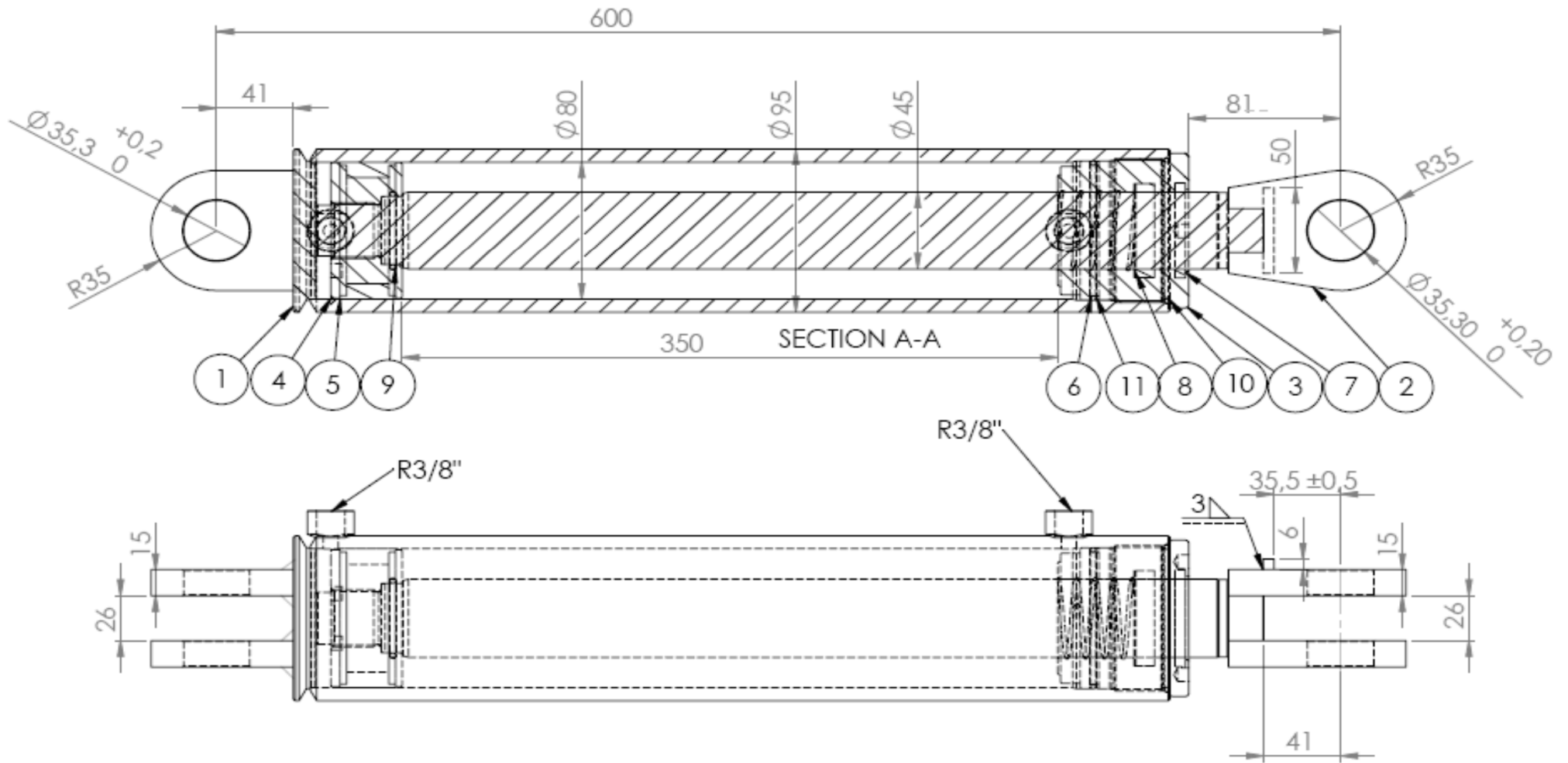
| 562700 | | | | | | | |
|--------|------------------|------------------|-----------------------------|----------------|------------------------|--------|-----|
| Pos | Name | Nahme | Benämning | Nimike | Specifikation | NO | Pcs |
| 1 | Screw | Schraube | 6-k Skruv dg | Kuusioruuvi | DIN 931 8.8 M12X100 ZN | 130390 | 3 |
| 2 | Screw | Schraube | 6-k Skruv dg | Kuusioruuvi | DIN 931 8.8 M14X220 ZN | 130498 | 2 |
| 3 | Screw | Schraube | 6-k Skruv dg | Kuusioruuvi | DIN 931 8.8 M16X55 ZN | 130520 | 6 |
| 4 | Screw | Schraube | 6-k Skruv hg | Kuusioruuvi | DIN 933 8.8 M8X16 ZN | 130700 | 4 |
| 5 | Screw | Schraube | 6-k Skruv hg | Kuusioruuvi | DIN 933 8.8 M10X30 ZN | 130880 | 2 |
| 6 | Screw | Schraube | 6-k Skruv hg | Kuusioruuvi | DIN 933 8.8 M12X40 ZN | 131000 | 2 |
| 7 | Nut | Muttern | Låsmutter | Lukitusmutteri | DIN 985-8 M10 ZN | 131580 | 15 |
| 8 | Nut | Muttern | Låsmutter | Lukitusmutteri | DIN 985-8 M12 ZN | 131600 | 5 |
| 9 | Nut | Muttern | Låsmutter | Lukitusmutteri | DIN 985-8 M14 ZN | 131620 | 2 |
| 10 | Nut | Muttern | Låsmutter | Lukitusmutteri | DIN 985-8 M16 ZN | 131630 | 6 |
| 11 | Washer | Scheibe | Bricka | Aluslaatta | DIN 125A M10/10.5 ZN | 131770 | 17 |
| 12 | Washer | Scheibe | Bricka | Aluslaatta | DIN 125A M12/13 ZN | 131790 | 4 |
| 13 | Washer | Scheibe | Bricka | Aluslaatta | DIN 125A M14/15 ZN | 131805 | 4 |
| 14 | Washer | Scheibe | Karosseribricka | Korialuslevy | DIN 9021 8/8.4X24X2 ZN | 131910 | 4 |
| 15 | Cup bolts | Flachrundschrabe | Låsskruv | Lukkoruuvi | DIN 603 8.8 M10X35 ZNC | 132715 | 13 |
| 16 | Spring pin | Spannhülsen | Rörsprint | Jousisokka | DIN 1481 13X80 ZN | 132900 | 1 |
| 17 | Washer | Scheibe | Låsbricka | Lukituslaatta | NORD-LOCK M 16 ZNC | 133465 | 12 |
| 18 | Cover | Schutz | Skyddskona bondioli 417040 | Suojaus | | 152000 | 1 |
| 19 | Gear box | Getriebe | Vinkelväxel | Kulmavaihhe | 3070192021 1:1,92 | 153245 | 1 |
| 20 | Chain | Ketten | Kätting | Ketju | | 157580 | 2 |
| 21 | Pin | Zapfen | Ledtapp | Tappi | D=50 L=210 | 562636 | 1 |
| 22 | Frame | Ramen | Klipphuvud svetsritning | Runko | | 562705 | 1 |
| 23 | Bumper | | Stötfångare | Puskuri | Till Tornado | 562750 | 1 |
| 24 | Pin | Zapfen | Kastskydds lås stång | Lukitus rauta | Till Tornado | 562755 | 1 |
| 25 | Pin | Zapfen | Kastskydds lås stång kort | Lukitus rauta | Till Tornado | 562756 | 2 |
| 26 | Rubber guard | Gummi schutz | Kastskydd gummi mittdel | Kumisuoja | Till Tornado | 562760 | 1 |
| 27 | Rubber guard | Gummi schutz | Kastskydd gummi sida | Kumisuoja | Till Tornado | 562761 | 2 |
| 28 | List | Liste | List till kastskydd mittdel | Reikälista | Till Tornado | 562762 | 1 |
| 29 | List | Liste | List till kastskydd höger | Reikälista | Till Tornado | 562763 | 1 |
| 30 | List | Liste | List till kastskydd vänster | Reikälista | Till Tornado | 562764 | 1 |
| 31 | Protection plate | Shuts platte | Rotorhus, bottenplåt | Pohjalevy | Tornado | 562800 | 1 |
| 32 | Housing | | Rotorhus | Rotori pesä | Tornado | 562801 | 1 |
| 33 | Protection chain | Schutz kette | Skyddskätting | Suojausketju | | 563755 | 59 |
| 34 | Washer | Scheibe | Bricka d=50 | Aluslaatta | | 565281 | 1 |
| 35 | Lockplate | schloss | Lås bricka | Lukko levy | | 568167 | 2 |

153245



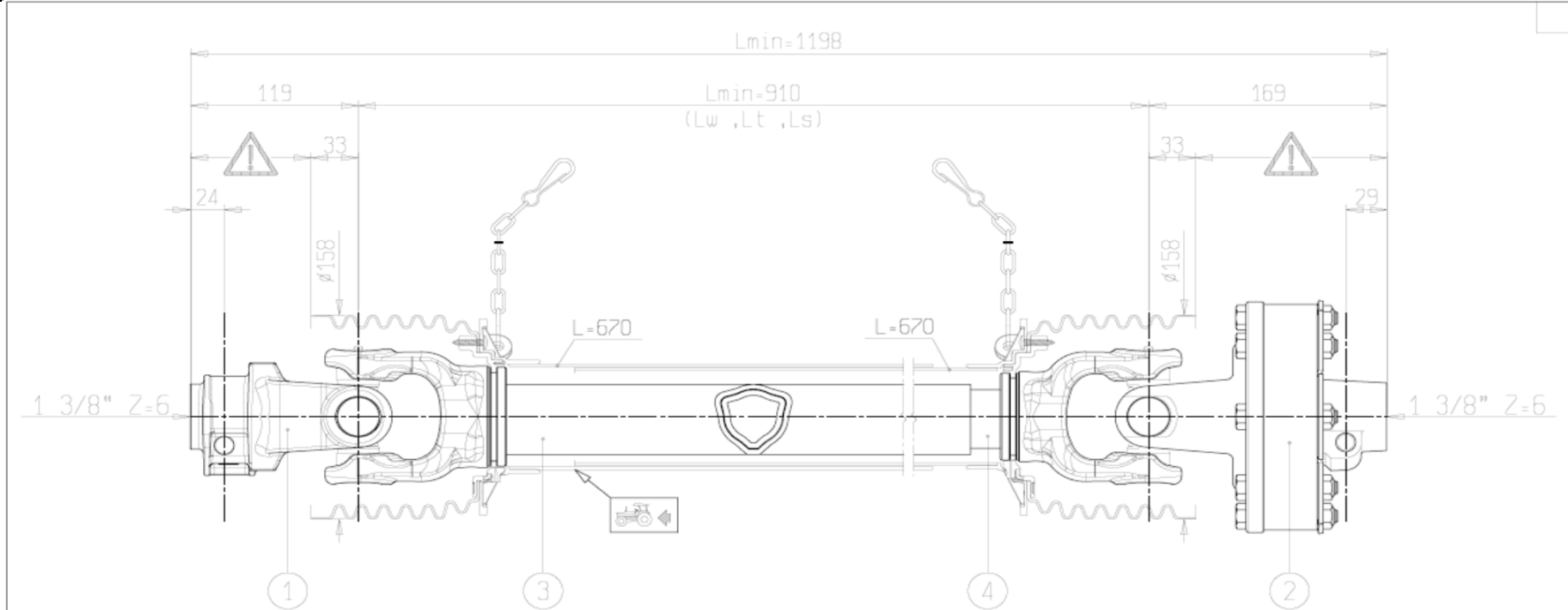
153245

| Pos | Name | Nahme | Benämning | Nimike | Specifikation | NO | Pcs |
|-----|----------------------|---------------|---------------------------|------------------------|----------------------|--------|-----|
| 1 | Cap | Deckel | Lock | Kansi | Bondioli 1906650005 | 153270 | 0 |
| 2 | Casing | Gehäuse | Hus | Kotelo | Bondioli 290370302 | 153271 | 0 |
| 3 | Shaft | Antriebswelle | Splines axel | Akseli | Bondioli 295034060 | 153279 | 0 |
| 4 | Labyrinth inner ring | | Labyrint inner ring | Labyrintti sisäosa | Bondioli 298605100 | 153273 | 0 |
| 5 | Lock bush | | Låshylsa | Lukko holkki | Bondioli 298645100 | 153274 | 0 |
| 6 | Labyrinth outer ring | | Labyrint ytter ring | Labyrintti ulko osa | Bondioli 298665002 | 153275 | 0 |
| 7 | Screw | Schraube | 6-k Skruv hg | Kuusioruuvi | DIN 933 8.8 M6X20 ZN | 130640 | 0 |
| 8 | Split pin | Splinten | Saxsprint | Saksisokka | DIN 94 6.3x71 ZN | 133650 | 0 |
| 9 | Krown nut | Kronenmuttern | Kronmutter | Kruunumutteri | DIN 937 M30x2 | 133212 | 0 |
| 10 | Washer | Scheibe | Bricka | Aluslaatta | DIN 125A M 6/6.4 ZN | 131730 | 0 |
| 11 | Seeger ring | Sicherungring | Låsring för axel | Varmistinrengas | DIN 471 70X2,5 | 132173 | 0 |
| 12 | Seeger ring | Sicherüngring | Låsring för hål | Varmistinrengas | DIN 472 72X3 | 132172 | 0 |
| 13 | Seeger ring | Sicherüngring | Låsring för hål | Varmistinrengas | DIN 472 80x4 | 132171 | 0 |
| 14 | Shimkit | Distanzkit | Shimskit | Sovitelevy sarja | Bondioli 340107200 | 153276 | 0 |
| 15 | Bearing | Lager | Kullager | Laakeri | 6207 | 140270 | 0 |
| 16 | Bearing | Lager | Rullager | Laakeri | 30211 | 140411 | 0 |
| 17 | Bearing | Lager | Rullager | Laakeri | 30307 | 140417 | 0 |
| 18 | Oil seal | Öl dichtung | Axeltätning | Öljytiiviste | Ø55/100x10 | 144949 | 0 |
| 19 | Oil seal | Öl dichtung | Axeltätning | Öljytiiviste | Ø35/72x10 | 144952 | 0 |
| 20 | Oil seal | Öl dichtung | Axeltätning | Öljytiiviste | 80x10 | 144953 | 0 |
| 21 | Bevel gear | Zahnrad | Kugghjulspar | Rataspari | Bondioli 448192628 | 153280 | 0 |
| 22 | Spring washer | Feder scheibe | Tallriksfjäder | Lautasjousi | DIN 2093A 63x31x3,5 | 132181 | 0 |
| 23 | Plug | Propfen | Propp 3/8 => 518508 | Tulppa | 8.6.5.00006 | 518606 | 0 |
| 24 | Airnipple | | Luftnippla med måttsticka | Ilmanippa mittatikulla | Bondioli 373006000 | 153277 | 0 |

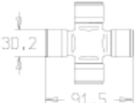
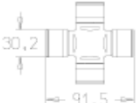




| 146620 | | | | | | | |
|--------|---------------|----------------|------------------|-----------------|----------------|--------|-----|
| Pos | Name | Nahme | Benämning | Nimike | Specifikation | NO | Pcs |
| 1 | Cylinder pipe | Führung | Cylinder rör | Sylinteri putki | SPK080HA0010 | 146622 | 1 |
| 2 | Piston rod | Kolbenstange | Kolvstång | Männän varsi | MVK045HA0010 | 146624 | 1 |
| 3 | Guide | Förungsplatte | Cylinderstyrning | Ohjain | 52080045HA0010 | 146623 | 1 |
| 4 | Piston | Kolben | Kolv | Mäntä | | 146625 | 1 |
| 5.nov | Seal kit | Dichtungssätze | Tätningsserie | Tiivistesarja | till 146620 | 146626 | 1 |

| Pos | Name | Nahme | Benämning | Nimike | | NO | Pcs |
|-----------|--------------|----------|-------------|------------------|--|--------|-----|
| PTO shaft | Gelenkwellen | Drivaxel | Nivelakseli | 7G7T091CE007Q52A | | 152081 | 1 |

**WARNING!**

SECTIONS  OF THE ASSEMBLY MARKED ARE NOT SHIELDED AND MUST BE SHIELDED BY AN INTERACTIVE GUARDING SYSTEM. BONDIOLI & PAVESI DECLINES RESPONSIBILITY IF PROPER GUARDS ARE NOT PROVIDED OR MAINTAINED.

| | | | | | | |
|--------------|--|---|---|--|--|---|
| 1 | CODICE / CODE 007 | LATO TRATTORE / TRACTOR SIDE | LATO MACCHINA / IMPLEMENT SIDE | TIPO-TYPE G7 | CLIENTE / CUSTOMER 3800550 OY EL-HO AB | RIF. CLIENTE / CUSTOMER REF. |
| 2 | CODICE / CODE Q52 FT34 1450 Nm |  |  | DATA / DATE 28/5/2010 | DISIGNATO / DESIGNED BY M.Bonetti | TIPO DI MACCHINA / TYPE OF IMPLEMENT TORNADO 330 |
| 3 |  L=740 | VELOCITA' MAX / MAX SPEED 540 min ⁻¹ | M max 2900 Nm | LUNGHEZZA MAX IN LAVORO / MAX WORKING LENGTH Lw=1260 | LUNGHEZZA MAX TEMPORANEA / MAX TEMPORARY LENGTH Lt=1376 | STUDIO / DESIGN |
| 4 |  HEAT TREATED L=740 | | | LUNGHEZZA MAX NON IN ROTAZIONE / MAX LENGTH AT STANDSTILL Ls=1435 | | ORIGINE / ORIGIN |
| NOTE / NOTES | | | | | | CODICE / CODE 7G7T091CE007Q52A |
| | | | | | | REV. |

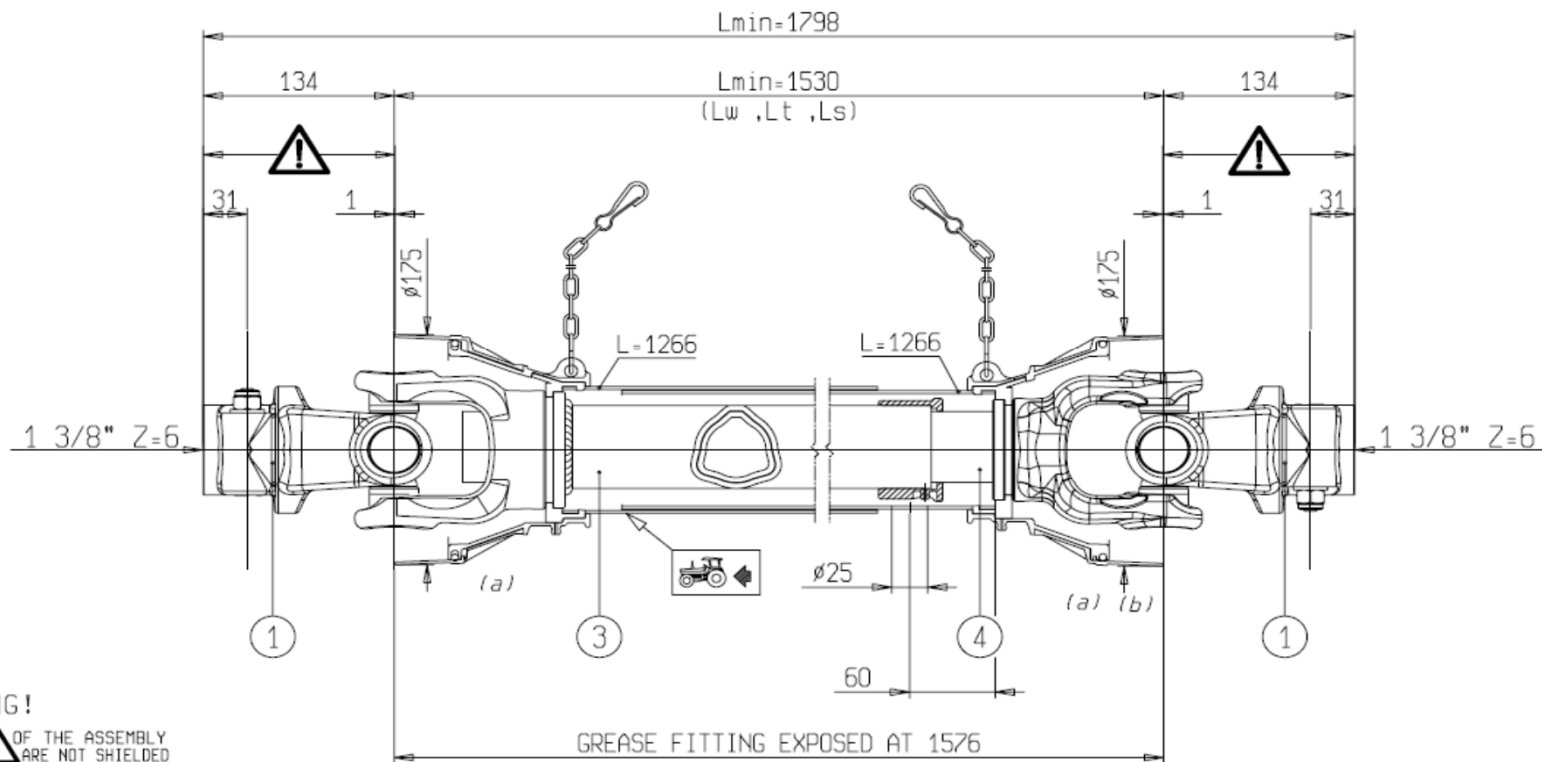
Please contact your local Bondioli & Pavesi distributor.

. Bitte wenden Sie sich an Ihre Bondioli & Pavesi Händler.

delar. Vänligen kontakta er Bondioli & Pavesi importör.

3ondioli & Pavesi varaosat hoitaa Suomessa Kojaltek.

| Pos | Name | Nahme | Benämning | Nimike | NO | Pcs |
|-----|-----------|--------------|-----------|-------------|-----------------|----------|
| | PTO shaft | Gelenkwellen | Drivaxel | Nivelakseli | 81C8153FX014001 | 152064 1 |

**WARNING!**

SECTIONS OF THE ASSEMBLY ARE NOT SHIELDED AND MUST BE SHIELDED BY AN INTERACTIVE GUARDING SYSTEM. BONDIOLI & PAVESI DECLINES RESPONSIBILITY IF PROPER GUARDS ARE NOT PROVIDED OR MAINTAINED.

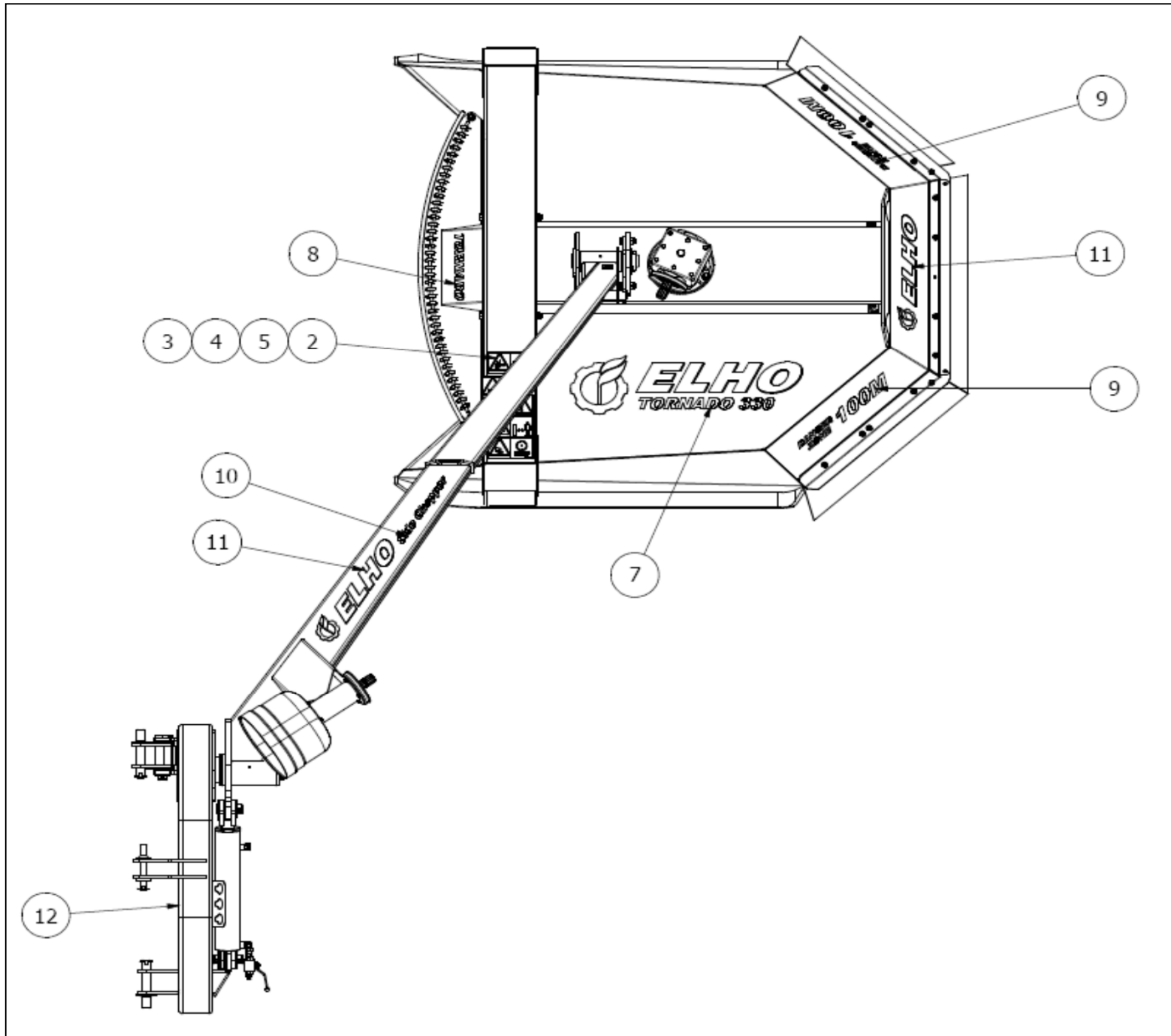
| | | | |
|---|---------------------|--|--------------------------------------|
| b Modificata fascia lato macchina: era 517080120. | | Bonetti | 19/10/2011 |
| a Modificate fascie d'estremit : erano 517080134 e 517080124. | | Bonetti | 17/10/2011 |
| Rev. Descrizione Modifica | | Operatore | Data |
| 1 | CODICE CODE 014 | LATO TRATTORE TRACTOR SIDE | LATO MACCHINA IMPLEMENT SIDE |
| 2 | CODICE CODE | TIPO-TYPE 108 | |
| 3 | L=1335 | CLIENTE / CUSTOMER 3800550 OY EL-HO Ab | |
| 4 | HEAT TREATED L=1425 | DATA / DATE 30/9/2011 | RIF. CLIENTE / CUSTOMER REF. 152064 |
| VELOCITA' MAX MAX SPEED 540 min ⁻¹ | | DESIGNATO / DESIGNED BY M. Bonetti | TIPO DI MACCHINA / TYPE OF IMPLEMENT |
| M max 3900 Nm | | LUNGEZZA MAX IN LAVORO MAX WORKING LENGTH LW=2249 | STUDIO / DESIGN TR1C8153001 |
| | | LUNGEZZA MAX TEMPORANEA MAX TEMPORARY LENGTH Lt=2464 | ORIGINE / ORIGIN 8G7T155FX014001 |
| | | LUNGEZZA MAX NON IN ROTAZIONE MAX LENGTH AT STANDSTILL Ls=2571 | NOTE / NOTES |
| | | SPECIALE PER LUNGO SCORRIMENTO E CONTROLLO ALLUNGAMENTO. | |
| CODICE / CODE 81C8153FX014001 | | | REV. b |


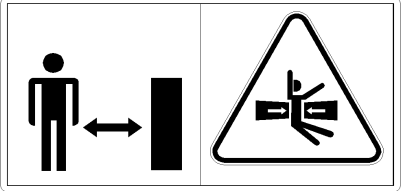
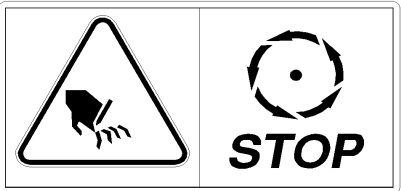
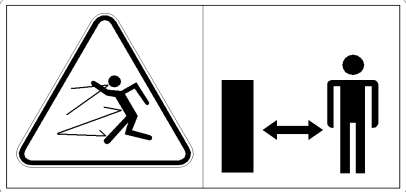
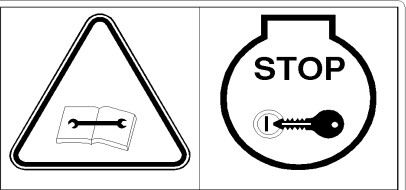
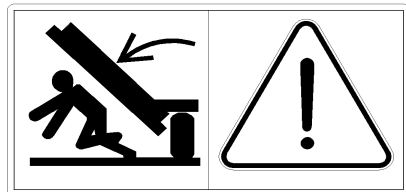
Please contact your local Bondioli & Pavesi distributor.

. Bitte wenden Sie sich an Ihre Bondioli & Pavesi Händler.

delar. Vänligen kontakta er Bondioli & Pavesi importör.

3ondioli & Pavesi varaosat hoitaa Suomessa Kojaltek.



| Pos | | NO | Pcs |
|-----|---|--------|-----|
| 1 |  | 149132 | 3 |
| 2 |  | 149112 | 1 |
| 3 |  | 508648 | 1 |
| 4 |  | 508652 | 1 |
| 5 |  | 508650 | 1 |
| 6 |  | 149155 | 1 |

| Pos | | NO | Pcs |
|-----|--|--------|-----|
| 7 |  | 566684 | 1 |
| 8 | <i>TORNADO</i> | 566685 | 1 |
| 9 | <i>DANGER ZONE 100M</i> | 566687 | 1 |
| 10 | <i>Side Chopper</i> | 566686 | 1 |
| 11 |  | 566671 | 1 |
| 12 |  540 <small>TÄRKKIÄ NIVELAKSELIN PITOUS JA PIDÄ SEN LUKUPROFIILIT HYVIN RASVATTUNA KONTROLLERA KRAFTÖVERFÖRINGSAXELNS LÄNGD OCH HÅLL DESS PROFILER VÄLSMÖRDA</small> | 508653 | 1 |
| 13 |  | 149014 | 1 |