

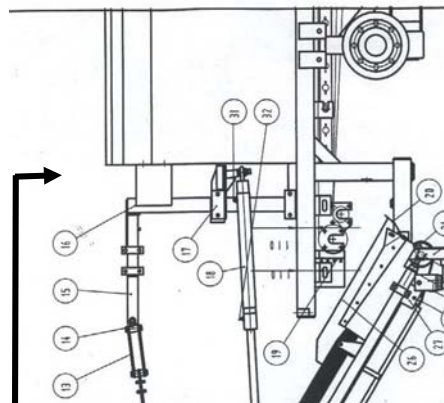
Spareparts Sandconveyor



1/7 – 2017

Example

		Reservevedelspriser	Diver
SALG			
Gruppe	Pos.nr.	Varenummer	Varenavn
S	S01	03002152	Håndtag for tud, sandtra
S	S02	01010018	Gummi m. holdelister for
S	S03	03003070	Udløbstrakt, nederst for
S	S04	01010019	Gummi for udløbshus tu
S	S05	03003071	Udløbshus, øverste for t
S	S06	03008154	Trækrulle for sandtransp
S	S07a	03003120	Sideskærm v. trækrulle,
S	S07b	03003121	Sideskærm v. trækrulle,



Find pos. nr. 03

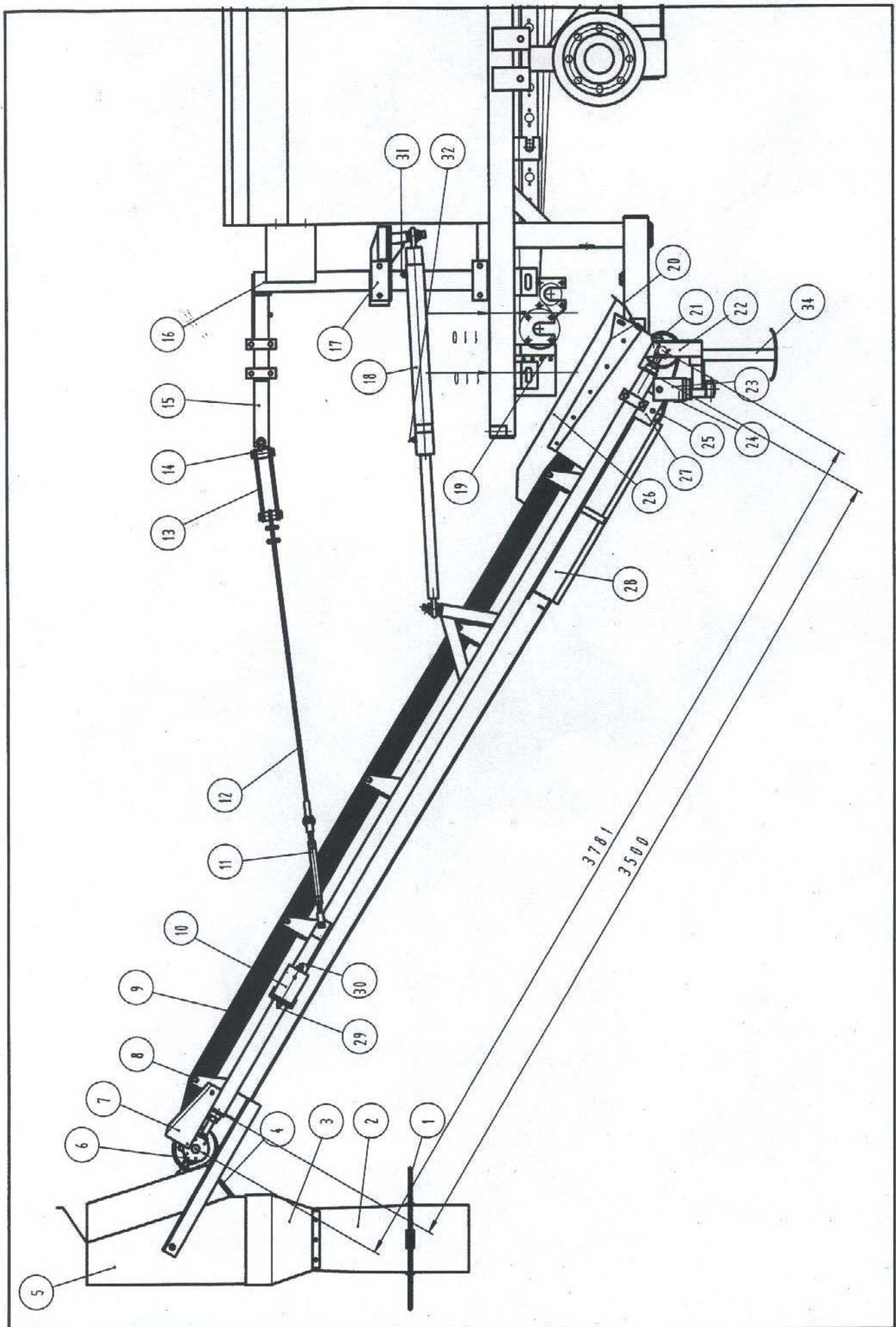
Spareparts for Sandconveyor

Spareparts

Group	Pos. no.	Item no.	Description
S	44	03003245	Sealing for rearoller for sandconveyor
S	S01	03002152	Handle for funnel - sand conveyor .
S	S02	01010018	Rubber with grip-handles for tube - sand conveyor
S	S03	03003070	Outlet chute - lower for tube
S	S04	01010019	Rubber for outlettube .
S	S05	03003071	Outlethouse, upper for tube .
S	S05a	03003091	Downshute compl. for conveyor
S	S05b	03002239	Inlet axle compl. for trailer with wormg
S	S06	03008154	Draw roller sandconveyor
S	S07a	03003120	Sidcover at drawroller, left .
S	S07b	03003121	Sidcover at draw roller, right .
S	S08	01006001	Snabroller 200mm B4/6
S	S08a	01006004	Roller "steel" version for conveyor
S	S08b	03006019	Carrying roller 500mm
S	S08C	03002327	
S	S09	01010022	Belt for sand conveyor .
S	S10	01012301	Oilfilter for sand conveyor .
S	S11	02004034	Wire tightener - sand conveyor .
S	S12	01008001	Wire for sandconveyor
S	S13	03002154	Bracket for sand conveyor - wire .
S	S14	03002155	Crossjoint for sand conveyor wire .
S	S15	03002156	Distancetube for sand conveyor wire .
S	S16	03002157	Mounting bracket for sand conveyor wire
S	S17a	03002158	Konsole for cylinder balljoint, left, (seen in driving direction)
S	S17-b	03002159	Konsole for cylinder balljoint, right, (seen in driving direction)
S	S18	03008307	Cylinder W/o hoses for sandconveyor
S	S19	03008854	Endplate with rubber K40-K65
S	S19a	03008855	Endplate with rubber K85-K105
S	S20a	03002153	Endplate - sand conveyor .
S	S20b	01010021	End rubber for sand conveyor .
S	S21	03008155	Roller, complete for sand conveyor .
S	S22a	03002160	Mounting bracket, B48/B50, K45,K65 sand conveyor
S	S22b	03002161	Mountingbracket, sandconveyor B80, B100, K85 & K105
S	S22c	03002300	Console for Conveyerbelt for K spreader from 2000
S	S23	03002162	Turning console for sand conveyoyr belt
S	S23a	03002302	Console for Sandconveyer for K from year 2000
S	S24	03003072	Cover at roller .
S	S25	02005000	Guide rollers, small for (B2/F2) and sand conveyor
S	S26	01010020	Edgerubber for filling sand conveyor
S	S27	03002163	Bracket for steering roller sand conveyor
S	S27a	02006009	Nylon roller for guide roller
S	S28	03003073	Cover screen over return sand conveyor
S	S29	01012157	Hydraulic hose - motor-filter sand conveyor
S	S30	01012158	Hydraulic hose, filter-trailer sand conveyor
S	S31	01012159	Hydr hose - motor - trailer (R) sand conveyor
S	S32	01012160	hydr hose for cylinder - trailer sand conveyor
S	S34	03008451	Strut compl. (short model) for B4/B6/B8 and K35-K65
S	S34a	03002230	Bracket for strut, on sandconveyor
S	S35	01012161	hydr hose trailer - tractor (engine) Sand conveyor belt
S	S36	01012162	hydr hose trailer-tractor (cylinder) Sand conveyor
S	S37	03003083	Frame for sand conveyor (w/o belt, rollers etc)
S	S38	03003084	Telescopic piston for sand conveyor
S	S39	03003217	Suspension tube for sandconveyor (2007->
S	S40	03003218	Rubber damper for sand conveyor (2007->)
S	S41	03003219	Console for suspension (Autumn 2007 ->)
S	S42	03003220	Suspension tube compl. incl. Rubber damp
S	S43	01014042	Socket with cable and plug for rotorblin
S	S45	03003247	Rubber sealing for sandconveyor

Gruppe S

Various parts for sandconveyor

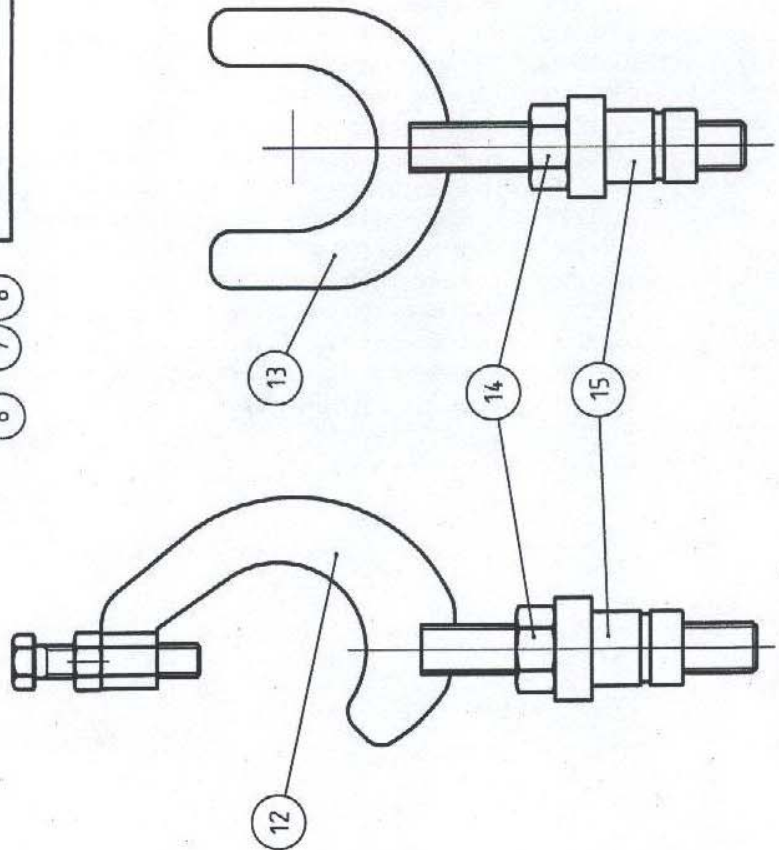
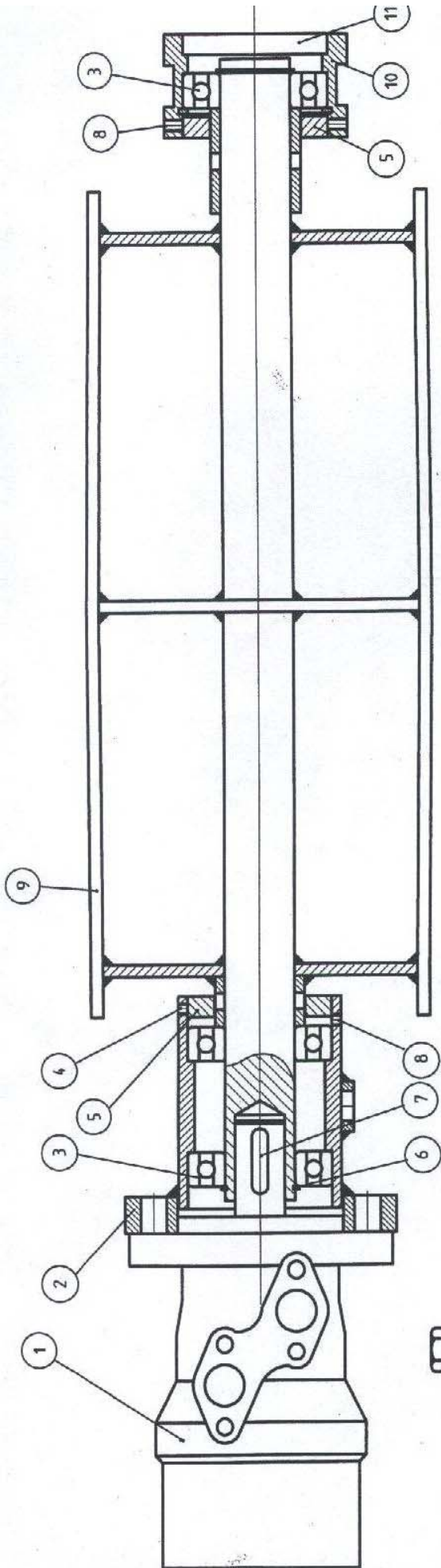


Spareparts

Group	Pos. no.	Item no.	Description
SA	SA01	01012223	Oil motor OMP 100
SA	SA02	03002150	Bearinghouse for draw roller sand conveyor
SA	SA03	01015000	Bearing 6207
SA	SA05	02001013	Gasket for bearinghousing sand conveyor
SA	SA06	01016252	Seeger ring 35a
SA	SA09	03006015	Drawroller for conveyor without bearings
SA	SA10	03002151	Bearinghousing drawroller oposite the oilmotor
SA	SA11	01016301	Facing cover 72x10
SA	SA12	02004031	Bracket with adjusting thread for conveyor draw roller at
SA	SA13	02004032	Bracket with adjusting thread opposite oil motor draw roller
SA	SA14	01003402	Nut for bolt (board floorbelt)
SA	SA15	02001014	Threadbushing for tightener at drawroller - conveyor
SA	SA16	03008154	Draw roller sandconveyor
SB	SB01	01016252	Seeger ring 35a
SB	SB03	02003026	Axle for roller sand conveyor belt
SB	SB04	01016102	Tightening Z207 Year 92 ->
SB	SB05	03006016	Roller for sand conveyor without bearings
SB	SB06	01015000	Bearing 6207
SB	SB07	02004033	Tighteningbolt for roller for sand conveyor M24
SB	SB08	01003402	Nut for bolt (board floorbelt)
SB	SB09	02001001	Distance tube short Ø42x37
SC	SC01	03005008	Pistonbracket sand conveyor .
SC	SC02	03005009	cylindertube for sand conveyor .
SC	SC03	01015102	Ball joint for cylinder sand conveyor
SC	SC05	03005010	Cylinder headings
SC	SC12	01003408	Locknut for 40 mm cylinder dual acting
SC	SC13	01016007	Gasket kit for 40 mm dual acting cylinder for sand conveyor

Gruppe SA, SB, SC

Draw roll / hydr. cylinder



15	2	Gevindbøsning	M24	SB08
14	2	Matrik	M24	SB09
13	1	Strammerbeslag		SA13
12	1	Strammerbeslag		SA12
11	1	Endedæksel	Ø70x10	SA11
10	1	Løbenav		SA10
9	1	Tremmerulle		SA09
8	2	Smørenip.	M6	SA08
7	1	Kille	8mm.	SA07
6	1	Låsering	35a	SA06
5	2	Stopring		SA05
4	2	Stopskrue	M6	SA04
3	3	Lejer	6207	SA03
2	1	Nav		SA02
1	1	Hydr. motor	DMR 100	SA01
pos.nr	sik.	betegnelse	dim.	pos. nr.



Bredal A/S
Nimvej 1
DK-7120 Vejle Øst
Tel : (+45) 75895177
Mail : info@bredal.com
Web : www.bredal.com
iPaper : docs.bredal.com