

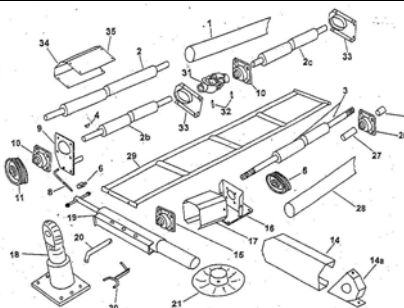
Spareparts K35 – K165



1/7 - 2017

Example

| Maskinfabrikken Bredal A/S | | | |
|----------------------------|---------|-------------------|---------------------------------------|
| | | Reservedelspriser | Træk, aksler m.v. |
| SALG | | | |
| Gruppe | Pos.nr. | Varenummer | Varenavn |
| K1 | K1-01 | 01005101 | Beskyttelsesrør sort, til kardan pr/n |
| K1 | K1-02 | 03010056 | Sideaksel K45/K65 B48/B50 10 bå |
| K1 | K1-02a | 03010053 | Sideaksel K85/K105 B70/B80 forre |
| K1 | K1-02b | 03010055 | Sideaksel K85/K105 B70/B80 bage |
| K1 | K1-02c | 03010058 | Sideaksel K85, bagerste, rørlængd |



Find pos. nr. K1-02

Spareparts for K35-K165

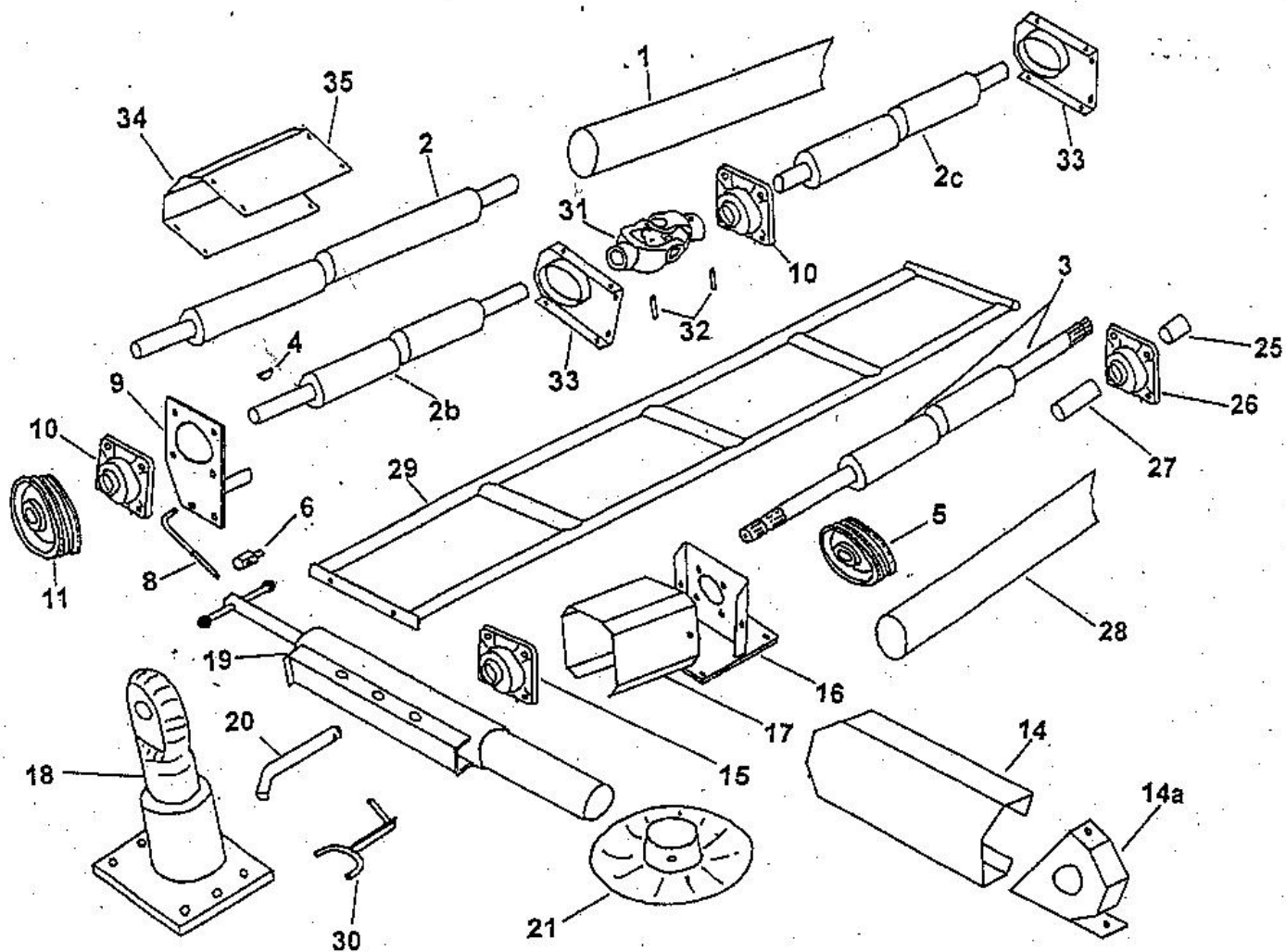
Content

| | |
|--|----|
| Group K1 Drawbar, cardan shaft..... | 5 |
| Group K1 Drawbar, cardan shaft..... | 7 |
| Group E 540 – 1000 gearbox..... | 9 |
| Group K2 Floorbeltsystem (year 1994 - 1998) | 11 |
| Group K22..... | 13 |
| Group K3 Rear door..... | 15 |
| Group K4 Cagewheel | 17 |
| Group TA Spreaddiscs | 19 |
| Group K0 Spreadunit SPC4500-1 | 21 |
| Group K0 Spreadunit SPC4500-1..... | 23 |
| Group K5 Spreadunit SPC4500-2 | 25 |
| Group K5 Spreadunit SPC4500-2 | 27 |
| Group KA2 Headlandgear SPC 4500-2 | 29 |
| Group KA3 Tightening fixture for SPC4500-2 Headlandgear..... | 31 |
| Group KA Headlandgear for SPC 4500-1 spreadunit | 33 |
| Group Gb 540-1000 gear on SPC box..... | 35 |
| Group K6 Spreadunit SPB3550 | 37 |
| Group K7 KB2 gearbox | 39 |
| Group G KE gear K85 / K105 / K125 | 41 |
| Group Ga KE gear K40 / K45 / K65 | 43 |
| Group K8 Chain gear for cage wheel backup | 45 |
| Group K9 Wormgear K40-K65..... | 47 |
| Group K91 Wormgear K85-K125..... | 49 |
| Group K10 Weight transfer kit..... | 51 |
| Group K12 Hub without brakes | 53 |
| Group EB8..... | 55 |
| Group EB10 E.B. 10 lock hub with brakes | 57 |
| Group BPW14 | 59 |
| Group FAD Brake Hub FAD | 61 |
| Group FADP Draw with overrun brakes..... | 63 |
| Group BE Parts for Airbrakes | 65 |

Spareparts

| Group | Pos. no. | Item no. | Description |
|-------|----------|----------|---|
| K1 | K1-00 | 01001117 | 20 Z pto shaft 654 with wideangle (1110 mm) tractor->spreader K40-K135 |
| K1 | K1-00a | 01001112 | 21 Z pto shaft 654 with wideangle tractor->spreader K40-K135 (L=1110 mm) |
| K1 | K1-00b | 01001118 | 8 Z shaft, 654 with wideangle (1110 mm) Russian standard, tractor->spr |
| K1 | K1-00c | 01001101 | PTO shaft w. wideangle (654) 6/6 910 mm (tractor->spreader K35-K65, B4-B8 |
| K1 | K1-01 | 01005101 | Protecting pipe per meter 2.3 m B4, 2.58 |
| K1 | K1-02 | 03010056 | Side axle K45/K65/B48/B50 (10 belt rolle German and DK spreaders pipe l. |
| K1 | K1-02a | 03010053 | Side axle K85/K105/B70/B80, front pipe l. 1310 mm type 9 |
| K1 | K1-02c | 03010058 | Side axle K85 rear, pipe l. 1855 mm type 8 |
| K1 | K1-02d | 03010059 | Side axle K85/K105 B70/B80 "only German spreaders" pipe l. 1310 mm type |
| K1 | K1-03 | 03010004 | Cardan axle K45/K65/B4 from year 95-> Pipelength 1800 mm (type 1) |
| K1 | K1-03a | 03010005 | Cardan axle K85/K105 year 1994-2000, B6 year 95-> and B70-B100 year 1985 |
| K1 | K1-03b | 03010010 | Cardan axle K45/K65 and (German K45/K65 feb. 02) with worm gear, pipe l. |
| K1 | K1-03c | 03010011 | Cardan axle K85/K105 before year 2000 with wormgear, pipe l. 2320 mm (typ |
| K1 | K1-03d | 03010001 | Cardan axle for B4 from year 95- and K45/K65 all with 540-1000 gear, pipe |
| K1 | K1-03e | 03010002 | Cardan axle B6 from year 95-, B8 and K85/K105, all with 540-1000 gear |
| K1 | K1-03f | 03010012 | Cardan axle K35 and K45/K65 with suspend pipe l. 1950 mm (type 1) |
| K1 | K1-03g | 03010013 | Cardan axle K85/105 suspended dravbar, pipe l. 2470 mm type 1 |
| K1 | K1-03h | 03010014 | Cardan axle K65 suspended dravbar and 540-1000 gear, K35/K40 with gear, |
| K1 | K1-03i | 03010015 | Cardan axle K85/K105, suspended dravbar 540-1000 gear, before year 2000, |
| K1 | K1-03k | 03010007 | Cardan axle front K85/K105, std. from ye spreader no 1545, pipe l. 1520 m |
| K1 | K1-03l | 03010008 | Cardan axle K85/K105, front with weight transfer system, pipe l. 2550 mm |
| K1 | K1-03m | 03010009 | Cardan axle K85/K105 rear std. pipe l. 1520 mm type 3 |
| K1 | K1-03n | 03010069 | Cardan axle B70-B100 K82-K105 (German ve pipe l. 2365 mm type 1 |
| K1 | K1-03o | 03010020 | Cardan axle B4, K45/K62/K65 German versi pipe l. 1625 mm type 1 |
| K1 | K1-03p | 03010021 | Cardan axle K85/K105, before year 2000 w transfer system and worm gear, |
| K1 | K1-03q | 03010022 | Cardan axle K85/K105, before year 2000 w suspended dravbar and worm gear |
| K1 | K1-03r | 03010023 | Cardan axle K35 and K45/K65 with suspended dravbar, all with worm gear |
| K1 | K1-03s | 03010024 | Cardan axle B70-B100 K82-K105 German spr with worm gear, pipe l. 2365 mm |
| K1 | K1-03t | 03010062 | Cardan axle B48/B50, K35/K65 German vers 9/10 belt roller (worm gear) pip |
| K1 | K1-03u | 03010027 | Cardan axle K125 front, pipe l. 1990 mm type 3 |
| K1 | K1-03v | 03010028 | Cardan axle K85/K105 from year 2000 spre no. 1545 with suspended dravbar, |
| K1 | K1-03w | 03010029 | Cardan axle K85/K105 with 540-1000 gear weight transfer system, befor ye |
| K1 | K1-03z | 03010031 | Cardan axle K85/K105 front with 540-1000 gear, from year 2000 spreader no |
| K1 | K1-03æ | 03010034 | Cardan axle K125 rear pipe l. 1900 mm ty |
| K1 | K1-03æa | 03010073 | Cardan axle K135 pipe l. 2230 mm type 8 |
| K1 | K1-03ø | 03010016 | Cardan shaft, front K85/K105 pipe l. 670 mm up to year 2002 type 1 (witho |
| K1 | K1-03øa | 03008473 | Bearing tube compl. with axel and bearin for K85/K105 with weight transfe |
| K1 | K1-03øb | 03008474 | Bearing tube compl. with axel and bearin for K85/K105 (tube lenght 670 mm |
| K1 | K1-03â | 03002232 | Slide brushing 6Z (only German versions) |
| K1 | K1-03â1 | 03002298 | |
| K1 | K1-03â2 | 03002299 | |
| K1 | K1-04 | 01003502 | Woodruff key 10mm |
| K1 | K1-05 | 02007010 | Pulley 2A80 |
| K1 | K1-05a | 02007013 | Pulley SPA 80-3 for B70/B80 std. K85/K105 |
| K1 | K1-05b | 02007012 | Pulley 2A140 |
| K1 | K1-05c | 02007015 | Pulley SPA 140-3 |
| K1 | K1-06 | 02006201 | Bolt |
| K1 | K1-08 | 02004014 | Adjustment bolt |
| K1 | K1-09 | 03002055 | Bearing fixture for side axle |
| K1 | K1-10 | 01015002 | Flanged Bearing FY35 |
| K1 | K1-11 | 02007012 | Pulley 2A140 |
| K1 | K1-11a | 02007016 | Pulley SPA200-3 K85/K105 for side shaft |
| K1 | K1-11b | 02007012 | Pulley 2A140 |
| K1 | K1-13 | 01010104 | V-belt A69 each |
| K1 | K1-14 | 03003061 | Front guard for pulley, wormgear |
| K1 | K1-14a | 03003062 | Front shield for pulley, wormgear lower part. |
| K1 | K1-15 | 01015002 | Flanged Bearing FY35 |

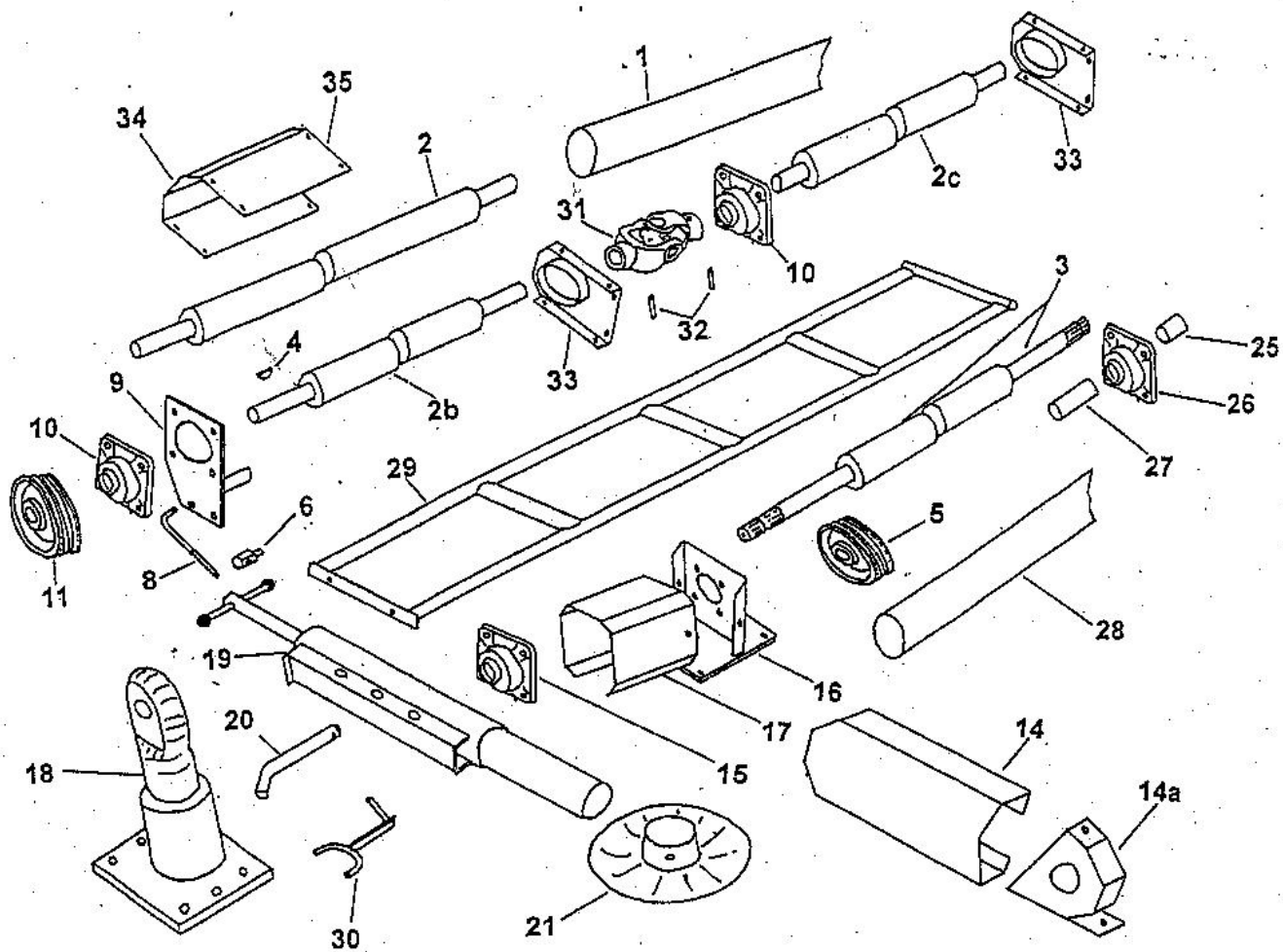
Group K1 Drawbar, cardan shaft / Træk, aksler m.m. / Zugvorrichtung , Kardanwelle



Spareparts

| Group | Pos. no. | Item no. | Description |
|-------|----------|----------|---|
| K1 | K1-16 | 03002056 | Bearing bracket w/o shield |
| K1 | K1-16a | 03002127 | Bearing part for divide cardanaxle K85/K |
| K1 | K1-17 | 03003018 | Shield for bearing bracket, front cardan B4/B6 and K45-K105 |
| K1 | K1-17a | 03003060 | Guard over joint and bearing, (divide cardanaxle) K85/K105 |
| K1 | K1-18 | 03011000 | Drawbar ø32 6/16 B6up to '90 and B48-50 |
| K1 | K1-18a | 03011001 | Drawbar ø50 6/16 (B3-6 to '90) (B48/50) (K45) |
| K1 | K1-18b | 03011003 | Drawbar ø32 6/20 B6/K65 |
| K1 | K1-18c | 03011004 | Drawbar ø50 6/20 B70, K65 and B6 year 91 |
| K1 | K1-18d | 03011009 | Draw ø32 8/20 new model changeable |
| K1 | K1-18e | 03011008 | Draw ø50 8/20 new changeable (K85/K105/K125) |
| K1 | K1-18f | 03011010 | Ball hitch (low model) "standard" type 4000 for existing machines |
| K1 | K1-18g | 03011011 | Ball hitch (high model) type 4000 for existing machines |
| K1 | K1-18h | 03011020 | Plate for draw bar 8/16 |
| K1 | K1-18i | 03011021 | Plate for draw bar 8/20 |
| K1 | K1-18j | 03011022 | Plate for draw bar 10/20 |
| K1 | K1-18ja | 03011023 | Plate for lower draw, 75mm (only German) |
| K1 | K1-18jb | 03011055 | plate for lower draw, 220mm (only German) |
| K1 | K1-18k | 01021004 | Draw bar for spreader in Germany (with air brakes) |
| K1 | K1-18n | 01021005 | Ball hitch Scharmueller 145x145 |
| K1 | K1-18o | 01021006 | Ball hitch Scharmueller 160x160 |
| K1 | K1-18p | 01021007 | |
| K1 | K1-18q | 03011088 | |
| K1 | K1-19 | 03008451 | Strut compl. (short model) for B4/B6/B8 and K35-K65 |
| K1 | K1-20 | 02003008 | Bolt for strut |
| K1 | K1-21 | 03002057 | Base plate |
| K1 | K1-25 | 02001001 | Distance tube short Ø42x37 |
| K1 | K1-26 | 01015002 | Flanged Bearing FY35 |
| K1 | K1-27 | 02001002 | Distance tube long Ø42x112 |
| K1 | K1-28 | 01005101 | Protecting pipe per meter 2.3 m B4, 2.58 |
| K1 | K1-29 | 03009002 | Ladder for K40/K45 (1800) with 6 steps |
| K1 | K1-29a | 03008846 | Spring and lock bracket for ladder |
| K1 | K1-29b | 03009004 | Ladder K65/K85 (2000 mm) with 7 steps |
| K1 | K1-29c | 03009005 | Ladder K105/K135 (2300 mm) with 8 steps |
| K1 | K1-30 | 03002058 | Fixture for PTO shaft |
| K1 | K1-31 | 01001220 | Joint w/o free wheeling for worm gear |
| K1 | K1-32 | 01003500 | Tube spilt 13*65 |
| K1 | K1-33a | 03002129 | Bracket for Protection pipe "back" |
| K1 | K1-34 | 03003063 | Shield for joint at worm gear |
| K1 | K1-35 | 03003064 | Shield at the middle of side axle K85/K1 |
| K1 | K1-36 | 04004473 | Suspended drawbar K85 |
| K1 | K1-40 | 03008502 | Lights kit compl. with sidelights front |
| K1 | K1-40a | 03008503 | Lights kit compl with sidelights back (stainless steel) |
| K1 | K1-41 | 03003024 | Lights, only fixture without light and w (stainless steel) lenght 1600 mm |
| K1 | K1-41a | 03008858 | Lights, only fixture without light and w (stainless steel) lenght 2000 mm |
| K1 | K1-44c | 01010153 | Rubber damper Ø125 for suspended drawbar |
| K1 | K1-44d | 01010152 | Rubber damper Ø163 for suspended drawbar on K85/K105 |
| K1 | K1-44e | 01010154 | Rubber damper Ø75 drawbar K65 |
| K1 | K1-50 | 03003238 | Shield for hydr. pipes (K-spreaders) |
| K1 | K-18n | 03002227 | Bracket for cable for parking brake |

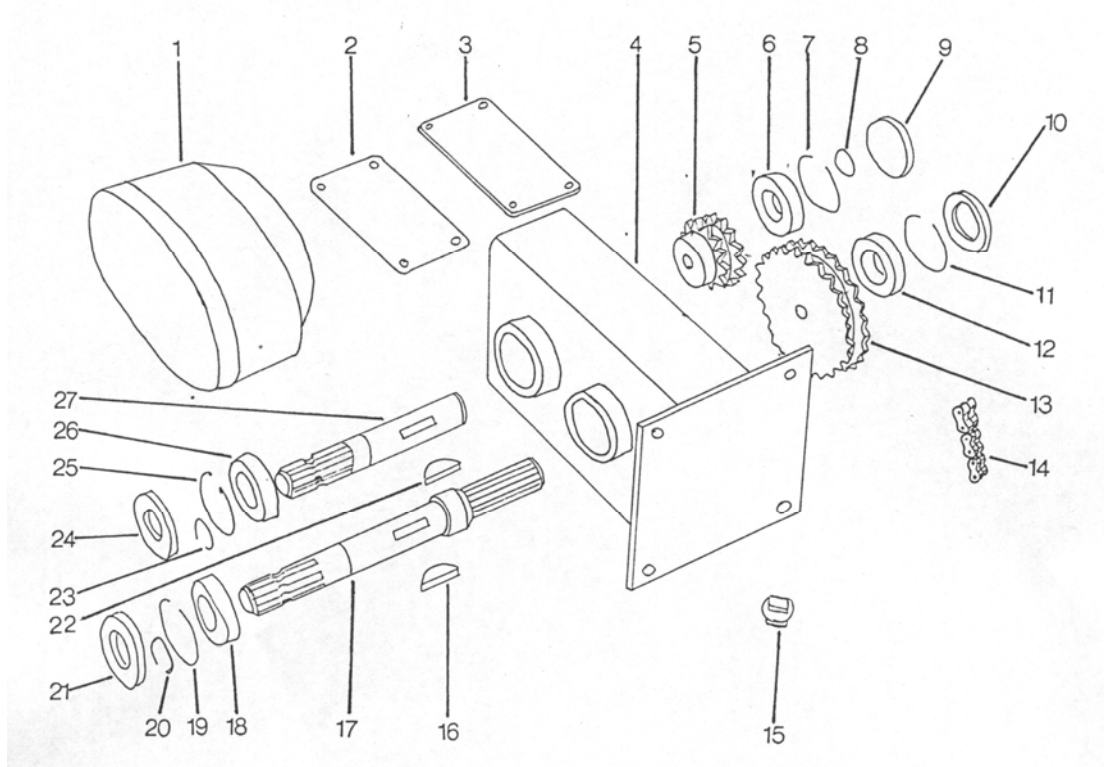
Group K1 Drawbar, cardan shaft / Træk, aksler m.m. / Zugvorrichtung , Kardanwelle



Spareparts

| Group | Pos. no. | Item no. | Description |
|-------|----------|----------|---|
| E | E01 | 03003005 | Shield, iron for 540-1000 gear box and KB2 gear |
| E | E02 | 01016002 | Gasket for 540-1000 gear box and KB2 gea |
| E | E03 | 03003006 | Cover 540-1000 gear box |
| E | E04 | 03001022 | Gear housing 540-1000 gear |
| E | E04a | 03001032 | Gear house 1000-670 gear |
| E | E05 | 02002004 | Chain wheel, small 3/4" D Z13 for 540-1000 gear box |
| E | E05a | 02002029 | Chain wheel small 3/4" D Z 16 for 1000-6 gearbox and 750-1000 gearbox |
| E | E05b | 02002042 | Chain wheel 3/4" Z13 (Triplex) 540-1000 |
| E | E06 | 01015000 | Bearing 6207 |
| E | E07 | 01016251 | Seeger ring 72 i |
| E | E08 | 01016252 | Seeger ring 35a |
| E | E09 | 01016301 | Facing cover 72x10 |
| E | E10 | 01016104 | Simmerring 72x45 |
| E | E11 | 01016251 | Seeger ring 72 i |
| E | E12 | 01015000 | Bearing 6207 |
| E | E13 | 02002005 | Chain wheel big for 540-1000 gear 3/4" D |
| E | E13a | 02002041 | Chain wheel 3/4" Z24 (Triplex) 540-1000 |
| E | E14 | 01017002 | Chain for 540-1000 gear (590 mm long + con or 610 mm without con) |
| E | E14a | 01017014 | Chain for 1000-670 (667 mm long + con or 686 mm lont without con) |
| E | E14b | 01017017 | Chain (Triplex) for 540-1000 gear |
| E | E15 | 01016302 | Oli level plug 3/4" RG |
| E | E16 | 01003502 | Woodruff key 10mm |
| E | E17 | 02003005 | Axle Ø35x320-2 splined |
| E | E18 | 01015000 | Bearing 6207 |
| E | E19 | 01016251 | Seeger ring 72 i |
| E | E20 | 01016252 | Seeger ring 35a |
| E | E21 | 01016111 | Simmerring 72 x 35 AOS "double" |
| E | E21a | 01016102 | Tightening Z207 Year 92 -> |
| E | E22 | 01003502 | Woodruff key 10mm |
| E | E23 | 01016252 | Seeger ring 35a |
| E | E24 | 01016111 | Simmerring 72 x 35 AOS "double" |
| E | E24a | 01016102 | Tightening Z207 Year 92 -> |
| E | E25 | 01016251 | Seeger ring 72 i |
| E | E26 | 01015000 | Bearing 6207 |
| E | E27 | 02003006 | Axle " top" for 1000 gear Ø35x215 |
| E | E28 | 01001218 | Joint Ø35, glat/6not |
| E | E29 | 03010000 | Cardanaxle B4/B6 with 540-1000 gear up t 1995, pipe l. 2080 mm type 7 |
| E | E29a | 03010001 | Cardan axle for B4 from year 95- and K45/K65 all with 540-1000 gear, pipe |
| E | E29b | 03010002 | Cardan axle B6 from year 95-, B8 and K85/K105, all with 540-1000 gear |
| E | E30 | 03008002 | Complete gear 540-1000 w/o cardanaxle |
| E | E30a | 03008003 | Complete gear 1000-540 w/o cardanaxle |
| E | E30b | 03008019 | Gear 1000-670 (max 37 KW power) |
| E | E30c | 03008044 | Gear 540-1000 "German" K40-K105 |
| E | E30d | 03008045 | Gear 1000-540 "German" K40-K105 |

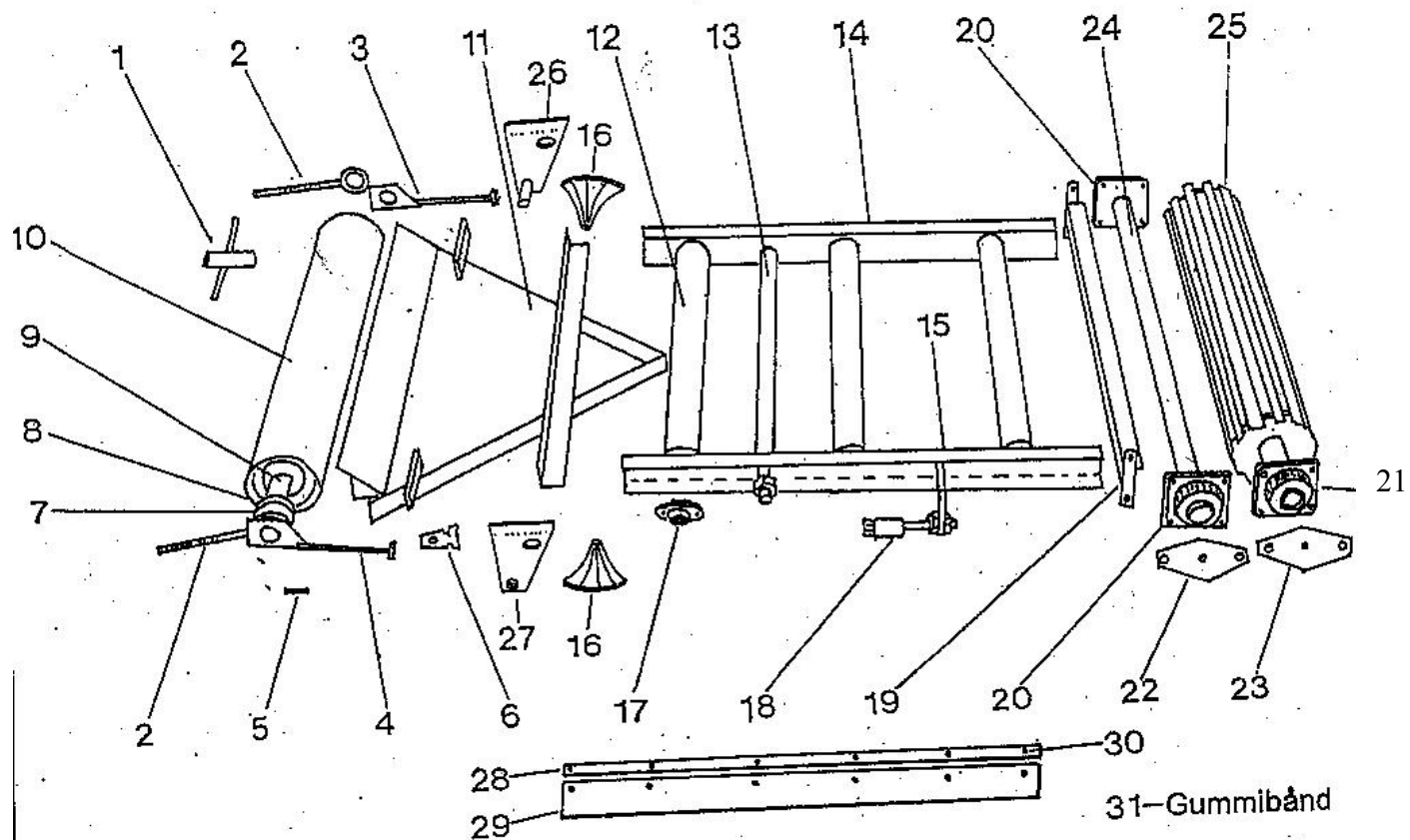
Group E 540 - 1000 gearbox / 540 - 1000 gear / 540-1000 getriebe



Spareparts

| Group | Pos. no. | Item no. | Description |
|-------|----------|----------|--|
| K2 | K2-02 | 02004016 | Eyebolt w. nut B48-100,K from '97 |
| K2 | K2-03 | 02004017 | Adjustment bolt,right |
| K2 | K2-04 | 02004018 | Adjustment bolt, left |
| K2 | K2-05 | 01003507 | Tube split 10*55 |
| K2 | K2-06 | 03002119 | Bracket for triangular scraper |
| K2 | K2-07 | 01016102 | Tightening Z207 Year 92 -> |
| K2 | K2-08 | 01015000 | Bearing 6207 |
| K2 | K2-09 | 02003017 | Axle for front roller B48-100 K35-105 |
| K2 | K2-10 | 03006005 | Front roller B48 - B100 and K-spreaders till 1997 |
| K2 | K2-10a | 03008152 | Frontroller compl. B48 - B100 with axle and bearings |
| K2 | K2-11 | 03008202 | Triangular scaber B48-B100 and k-spread up to year 1997 |
| K2 | K2-12 | 03006007 | Belt roller 19 mm up to year 96 |
| K2 | K2-13 | 02003024 | Carrying axle frame |
| K2 | K2-16 | 02005001 | Guide roller |
| K2 | K2-16a | 03008203 | Steering wheels compl. 2 pcs |
| K2 | K2-17 | 02006101 | Bearing for belt roller vers.1 ø19mm B48 K35-K105 up to 1997, B2/B3 bulk |
| K2 | K2-17a | 03008864 | Greasing nipples 20 pc. for beltframe rollers |
| K2 | K2-18 | 02004019 | Adjusting bolt for carrying frame B48-10 |
| K2 | K2-20 | 01015002 | Flanged Bearing FY35 |
| K2 | K2-21 | 01015002 | Flanged Bearing FY35 |
| K2 | K2-21a | 01015005 | Flanged bearing FY40 For rear roller K85, K105 & K125 |
| K2 | K2-22 | 03003049 | Cover for flanged bearing B48/B50 |
| K2 | K2-23 | 03003049 | Cover for flanged bearing B48/B50 |
| K2 | k2-23A | 03003050 | Cover for FY40 bearing |
| K2 | K2-24 | 03006009 | Snab roller B70/B80-K40-K165 diameter Ø9 |
| K2 | K2-25 | 03006011 | Rearroller K45/65 |
| K2 | K2-25a | 03006012 | Rear roller K75/K85/105 |
| K2 | K2-25b | 03006024 | Rearroller K85/105/115 w. 50 mm shaft from jan '15 |
| K2 | K2-26 | 03002120 | Mounting steering wheel, right B48-100 |
| K2 | K2-27 | 03002121 | Mounting steering wheel, left B48-100 |
| K2 | K2-28 | 03003106 | Edging beam B48/B50, K45/K65 1 set (10 belt roller) |
| K2 | K2-28a | 03003107 | Edging beam B70/B80/B100/K75/K85/K105 1 set |
| K2 | K2-28b | 03003216 | Edging beam K135 (1 set) |
| K2 | K2-29 | 01010012 | Edging rubber B48/B50/K45/K65 pr set |
| K2 | K2-29a | 01010013 | Edging rubber B70/B80/B100/K85/K105 1 set |
| K2 | K2-29b | 01010040 | Edging rubber K135 (1 set) |
| K2 | K2-30 | 01003004 | Nut and bolts for edging rubber B48/B50, K45/K65 |
| K2 | K2-30a | 01003005 | Bolt set for edg. rubber B70/B80/B100, K75/K85/K105 |
| K2 | K2-31 | 01010015 | Floorbelt B48/B50/K40/K45/K65 w.KB2 6120 mm |
| K2 | K2-31a | 01010016 | Floorbelt B70/100/K85/105 8040mm |
| K2 | K2-31b | 01010037 | Floorbelt K125 (lenght 10180 mm) |
| K2 | K2-31c | 01010038 | Floorbelt K135/K165 (length 11620 mm) |
| K2 | K2-31d | 01010039 | Floorbelt EP500 K125 (Length 10180mm) |
| K2 | K2-36 | 03008054 | Carrying frame stainless steel B48/B50/K45/K65 (only with KB2-gear) |
| K2 | K2-36a | 03008055 | Carrying frame compl. stainless steel B70/B80/B100/K75/K85/105 (22 rolle |

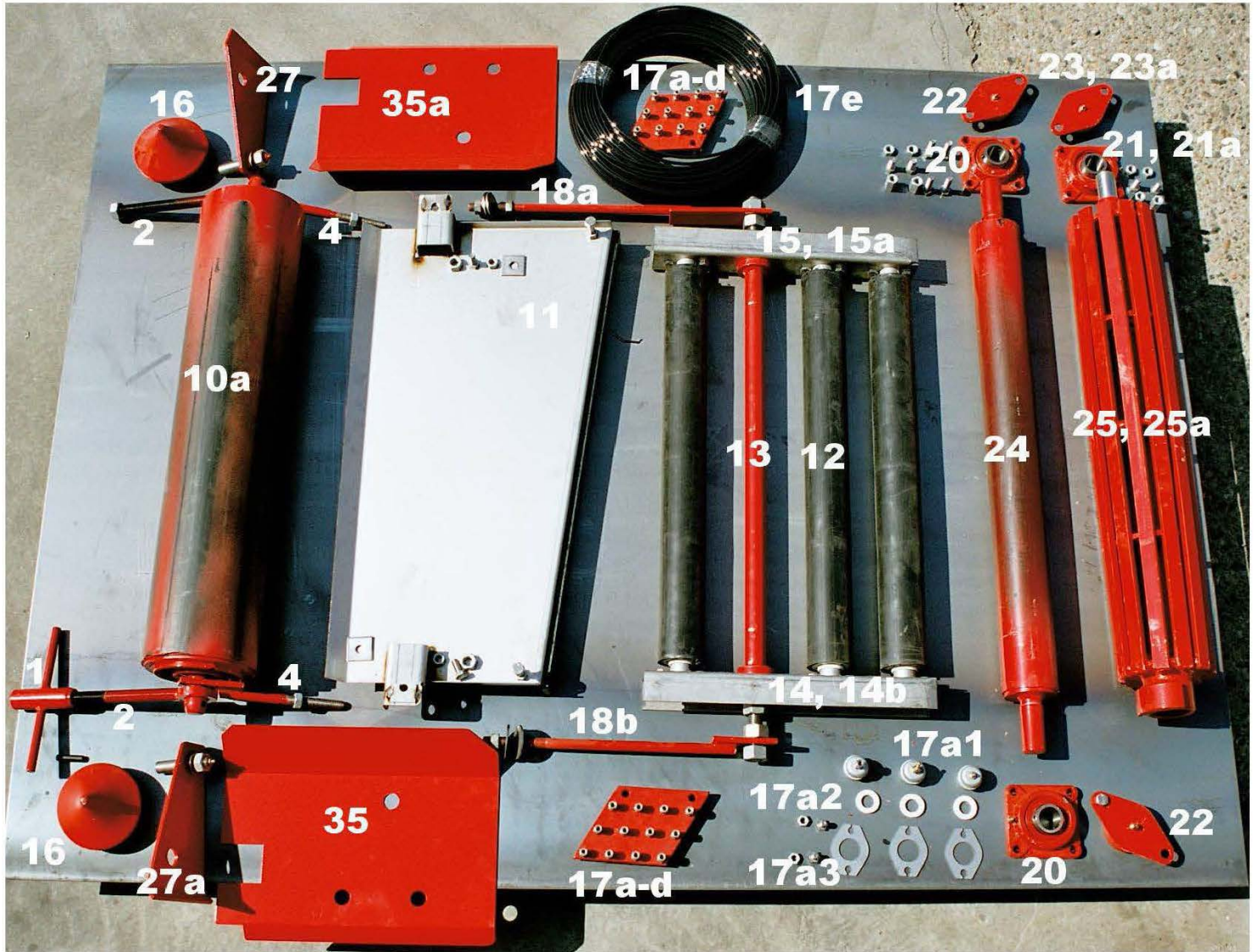
Group K2 Floorbeltsystem (year 1994 - 1998) / Båndsystem (årg. 1994 - 1998) /
 Bodensystem (Jahre 1994 - 1998)



Spareparts

| Group | Pos. no. | Item no. | Description |
|-------|----------|----------|---|
| K22 | K22-02 | 02004025 | Eyebolt w.nut K model '98- for frontroll |
| K22 | K22-03 | 02004026 | Eye bolt for scraber (stainless steel sc |
| K22 | K22-05 | 01003204 | Bolt for belt scraber M12x65 |
| K22 | K22-06 | 01003507 | Tube split 10*55 |
| K22 | K22-07 | 01016102 | Tightening Z207 Year 92 -> |
| K22 | K22-08 | 01015000 | Bearing 6207 |
| K22 | K22-10a | 03008153 | Front roller K-models (from Year 1998-> - Ø180 Steel/plastic) |
| K22 | K22-11 | 03008204 | Scraber K-models (stainless steel) |
| K22 | K22-11a | 02006012 | Plastic piece for stainless steel scrabe K35-K165 |
| K22 | K22-11b | 03002315 | Slide iron for scraper |
| K22 | K22-12 | 03006014 | Belt roller for K35-K125 with stainless steel floor frame (from year 1998 |
| K22 | K22-12a | 03002221 | Plate (stainless steel) for bearing to the floor belt frame |
| K22 | K22-12b | 03002294 | Plate (stainless steel) for bearing to the floor belt frame |
| K22 | K22-13 | 02003025 | Carrying axle stainless frame '98 - |
| K22 | K22-14 | 03003066 | Side member stainless, left/right K40/K45/K65(B48/B50 with KB2 gear) |
| K22 | K22-14b | 03003068 | Side member stainless, left/right K85/K105/B70/B80/B100 |
| K22 | K22-16 | 02005001 | Guide roller |
| K22 | K22-17 | 02006102 | Bearing for belt roller Ø25mm K-models from year 1998 |
| K22 | K22-17a | 02006101 | Bearing for belt roller vers.1 ø19mm B48 K35-K105 up to 1997, B2/B3 bulk |
| K22 | K22-17a1 | 02006104 | Bearing for belt roller Ø25 mm with stainless steel bracket (standard fro |
| K22 | K22-17a2 | 01016012 | Felt seals for belt roller (from year 20 |
| K22 | K22-17a3 | 03002221 | Plate (stainless steel) for bearing to the floor belt frame |
| K22 | K22-17a4 | 02006105 | Bearing (nylon) for floorbelt roller ver |
| K22 | K22-17a5 | 03002294 | Plate (stainless steel) for bearing to the floor belt frame |
| K22 | K22-17b | 03008861 | Central greasing 2x10 nipples K45/K65 |
| K22 | K22-17c | 03008862 | Central greasing 2x7 nipples K85/K105 front |
| K22 | K22-17d | 03008863 | Central greasing 2x9 nipples K85/K105 rea |
| K22 | K22-17e | 01018008 | Tube for central greasing bank (meter) |
| K22 | K22-17f | 01018007 | Elbow new type (bends) for central greasing bank |
| K22 | K22-17g | 01018002 | Grease connections 1/8 45 degrees (for carrying frame, belt roller) |
| K22 | K22-17h | 01018001 | Greasing nipple 1/8 |
| K22 | K22-18a | 02004027 | Adjustment bolt - right, for stainless f for K-spreader from 1998 |
| K22 | K22-18b | 02004028 | Adjustment bolt - left, for stainless fr (for K-spreaders from 1998) |
| K22 | K22-20 | 01015002 | Flanged Bearing FY35 |
| K22 | K22-21 | 01015002 | Flanged Bearing FY35 |
| K22 | K22-21a | 01015005 | Flanged bearing FY40 For rear roller K85, K105 & K125 |
| K22 | K22-22 | 03003049 | Cover for flanged bearing B48/B50 |
| K22 | K22-22a | 03002235 | Nut, long M16, for cover flanged bearing |
| K22 | K22-22b | 03002234 | Nut, long M12 for cover for flanged bear |
| K22 | K22-23 | 03003049 | Cover for flanged bearing B48/B50 |
| K22 | K22-23a | 03003050 | Cover for FY40 bearing |
| K22 | k22-24 | 03006009 | Snab roller B70/B80-K40-K165 diameter Ø9 |
| K22 | K22-25 | 03006011 | Rearroller K45/65 |
| K22 | K22-25a | 03006012 | Rear roller K75/K85/105 |
| K22 | K22-25b | 02003051 | Rear roller, rubbericed Ø220 K85 -> |
| K22 | K22-25c | 03006020 | |
| K22 | K22-27 | 03002133 | Bracket, right for belt steering roller (only stainless steel carrying fr |
| K22 | K22-27a | 03002134 | Bracket, left - for belt steering roller (only stainless steel carrying f |
| K22 | K22-29 | 01010012 | Edging rubber B48/B50/K45/K65 pr set |
| K22 | K22-29a | 01010013 | Edging rubber B70/B80/B100/K85/K105 1 set |
| K22 | K22-30 | 03003106 | Edging beam B48/B50, K45/K65 1 set (10 belt roller) |
| K22 | K22-30a | 03003107 | Edging beam B70/B80/B100/K75/K85/K105 1 set |
| K22 | K22-31 | 01010015 | Floorbelt B48/B50/K40/K45/K65 w.KB2 6120 mm |
| K22 | K22-31a | 01010016 | Floorbelt B70/100/K85/105 8040mm |
| K22 | K22-31b | 01010115 | Floorbelt K85L/K105L length 8500 mm |
| K22 | K22-31c | 01010114 | Floorbelt EP500, K135 (length 11450mm) |

Group K22 Floorbeltsystem (from year 1998) / Båndsystem (fra årg. 1998) /
 Bodensystem (von jahre 1998) / stainless steel floorbelt frame / Rustfri båndrammer / Edelstahl Bandrahmen



Bredal A/S

Belt system (stainless) year 98 ->

01/07-17

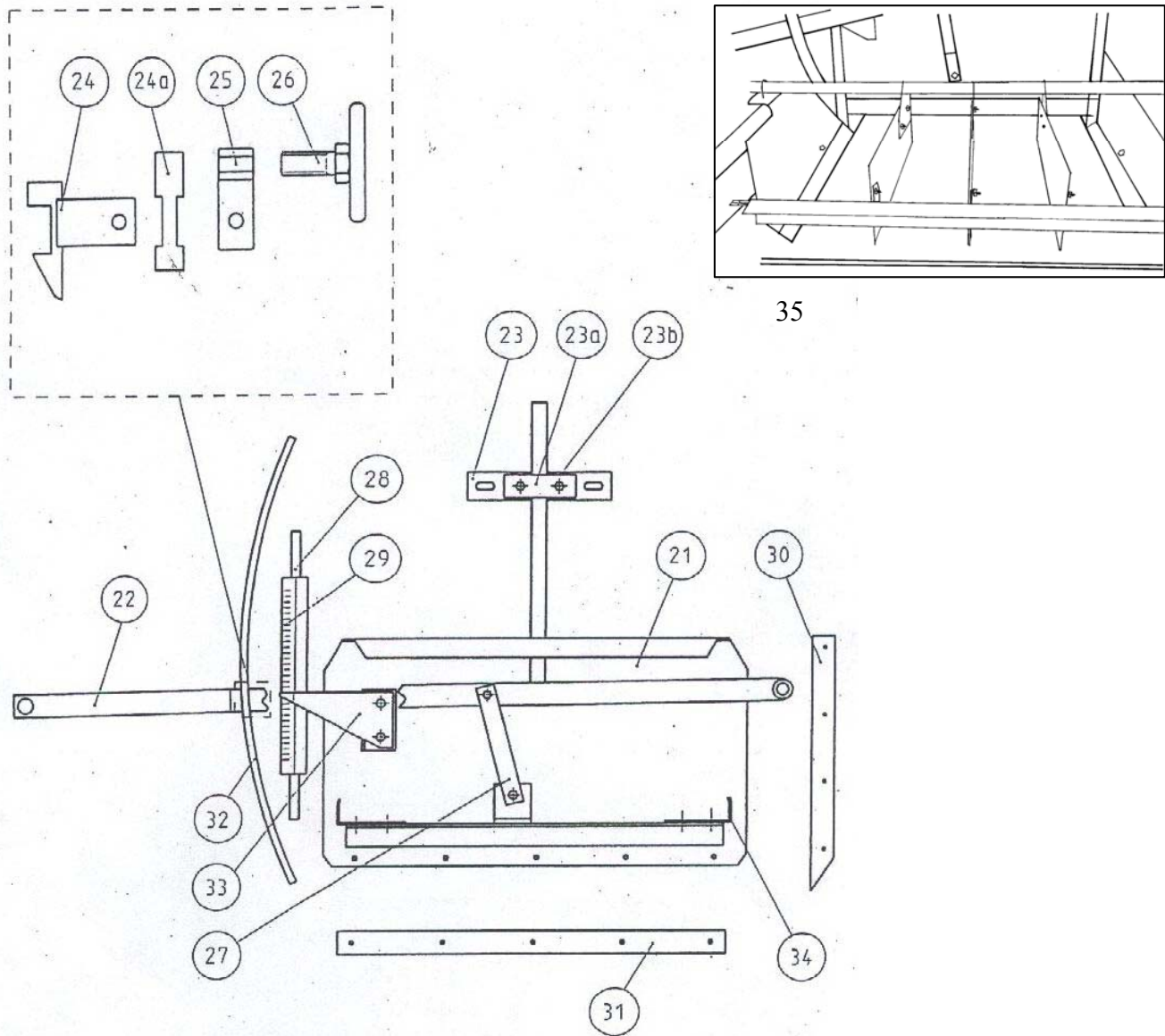
Spareparts

| Group | Pos. no. | Item no. | Description |
|-------|----------|----------|--|
| K22 | K22-34 | 01003004 | Nut and bolts for edging rubber B48/B50, K45/K65 |
| K22 | K22-34a | 01003005 | Bolt set for edg. rubber B70/B80/B100, K75/K85/K105 |
| K22 | K22-34b | 03008054 | Carrying frame stainless steel B48/B50/K45/K65 (only with KB2-gear) |
| K22 | K22-34c | 03008055 | Carrying frame compl. stainless steel B70/B80/B100/K75/K85/105 (22 rolle |
| K22 | K22-34d | 03008478 | Carrying frame compl. stainless steel K135 w/o belt and adjusting bolts |
| K22 | K22-34e | 03008870 | Carrying frame compl. stainless steel K1 w/o belt and adjusting bolts |
| K22 | K22-34aa | 01003122 | Bolt set for edging rubber K135 |
| K22 | K22-35 | 03003125 | Shield, right for frontroller K40-K125 |
| K22 | K22-35a | 03003126 | Shield, left for frontroller K40-K125 |
| K22 | K22-36 | 03002236 | Shield for belt frame (2 pcs) only germa |

Spareparts

| Group | Pos. no. | Item no. | Description |
|-------|----------|----------|------------------------------------|
| K3 | K321 | 03014053 | Rear gate K35-K125 |
| K3 | K322 | 03013051 | Handle for rear gate |
| K3 | K323 | 03002135 | Rear gate guide |
| K3 | K324 | 03002136 | Lock compl. for rear door K35-K125 |
| K3 | K324a | 03002136 | Lock compl. for rear door K35-K125 |
| K3 | K325 | 03002136 | Lock compl. for rear door K35-K125 |
| K3 | K326 | 03002136 | Lock compl. for rear door K35-K125 |
| K3 | K327 | 02006203 | Joint reargate K45-105 |
| K3 | K328 | 03002137 | Dosage gate open scale new version |
| K3 | K330 | 02006302 | Guide beam |
| K3 | K331 | 02006303 | Plastic bottom piece for rear gate |
| K3 | K332 | 03002138 | Bow for lock |
| K3 | K333 | 03002139 | Indicator for dosage gate opening |
| K3 | K334 | 03002140 | Side guidance for dosage gate |
| K3 | K335 | 03007028 | Guiders behind rear door K35-K125 |
| K3 | K336 | 03003265 | |

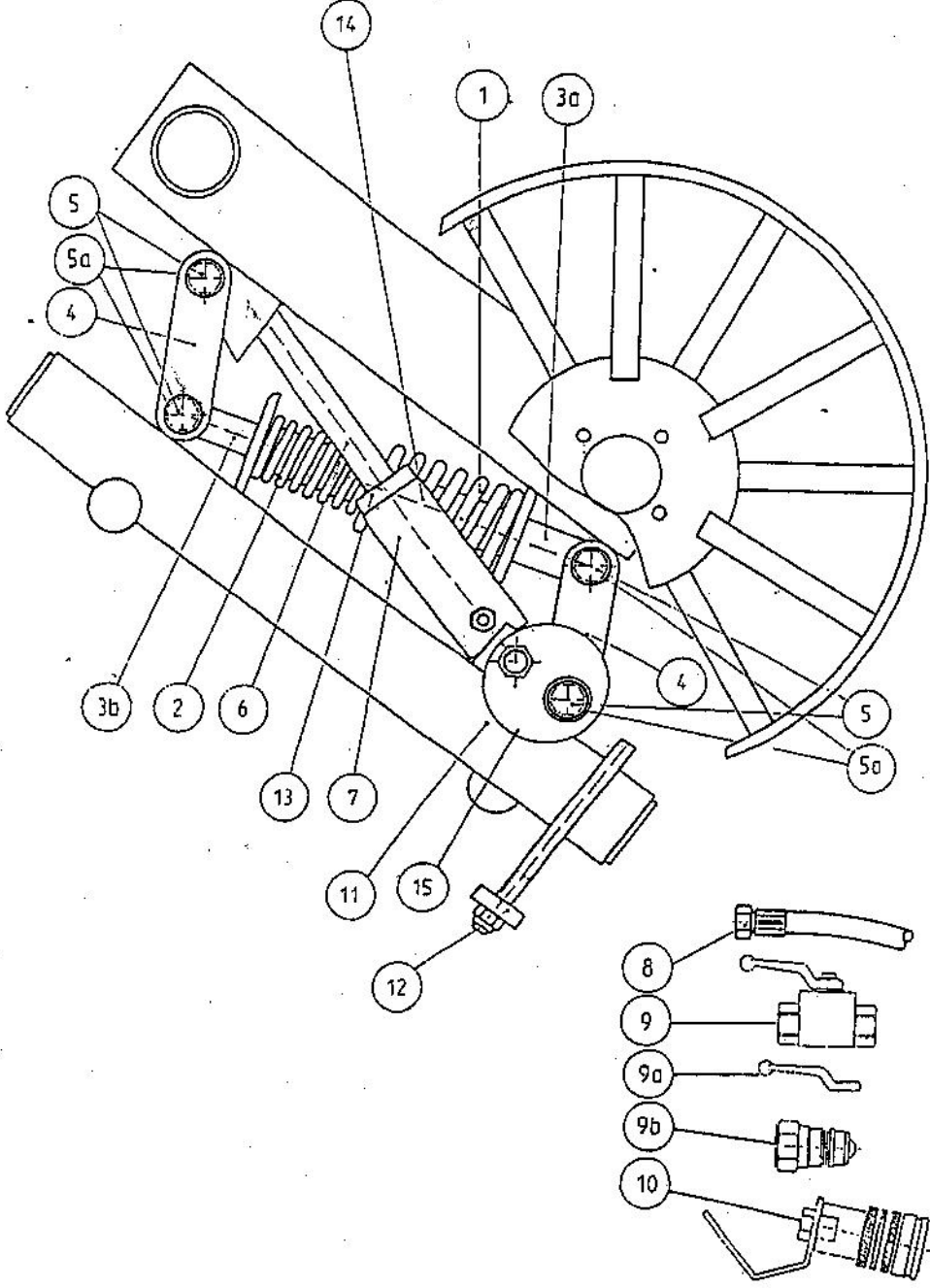
Group K3 Rear door / baglåge / Hinterlucke



Spareparts

| Group | Pos. no. | Item no. | Description |
|-------|----------|----------|---|
| K4 | K24 | 03003134 | Bracket for yellow plastic guard on wheel backup |
| K4 | K401 | 01007003 | Outer spring for dose wheel Ø90x450 |
| K4 | K402 | 01007004 | Inner spring dose wheel, Ø42x450 |
| K4 | K403a | 03002026 | Spring guide outer |
| K4 | K403b | 03002027 | Spring guide inner |
| K4 | K404 | 03002036 | Parallel link |
| K4 | K405 | 01003201 | Bolt for parallel link L=130 mm x 20 mm |
| K4 | K405a | 01003202 | Bolt for parallel link L=200 mm x 20 mm |
| K4 | K405b | 02006001 | Bushing Ø34x20x70 |
| K4 | K405c | 03003211 | Tube for Land wheel year 1994-> |
| K4 | K406 | 03005004 | Piston Ø30 mm for parallel arm |
| K4 | K406a | 03005025 | Piston Ø30mmx290mm for land wheel |
| K4 | K407 | 03005005 | Pipe for cylinder for parallel arm |
| K4 | K407a | 03008303 | Cylinder compl. Ø30 mm for parallel arm |
| K4 | K408 | 01012151 | Hydraulichose with pilotvalve for dose w 1/4" 6000 mm, B4/K35-K65 |
| K4 | K408a | 01012152 | Hydraulic hose with pilotvalve for dose wheel 1/4" 6800 mm, B6/K85/K105 |
| K4 | K409 | 01012251 | Ball valve 1/2" w. handle |
| K4 | K409a | 01012252 | Handle for Ball valve |
| K4 | K409b | 01012000 | Coupling for ball valve 1/2" |
| K4 | K410 | 01012001 | Fixture for hydr. coupling |
| K4 | K410a | 03002317 | Bracket for 4 pcs of hydraulic couplings in stainless steel |
| K4 | K411 | 03002038 | Mounting arm for parallel linkage |
| K4 | K412 | 02004003 | Tightening bow, compl. |
| K4 | K413 | 03005003 | Cylinder head Ø30 mm with gasket vers 1-2-3-4-5 |
| K4 | K414 | 01016003 | Seal kit for Ø30 mm cylinder vers. 1-2-3-4-5 |
| K4 | K415 | 03003017 | Shield for parallel link and cylinder |
| K4 | K416 | 03008401 | Dose system compl. w/o hoses, T-arm and 602 mm |
| K4 | K417 | 03002039 | T-piece for parallel linkage |
| K4 | K418 | 03001015 | Gear housing for dose wheel system |
| K4 | K419 | 03002170 | Weld on tube (for bush) |
| K4 | K420 | 03002039 | T-piece for parallel linkage |
| K4 | K421 | 03002226 | U-bracket for hold cagewheel backup to spreader (with bolt) 1. set |
| K4 | K422 | 03002237 | Bracket for carries the plastic guard on the KB2 arm |
| K4 | K423 | 01001300 | Cardan shield (yellow) |
| K4 | K424 | 03002295 | Bracket for oil motor (for fit on cage wheel arm) incl. 2 u-Bow |
| K4 | K425 | 03002296 | Bracket for oilmotor (for bolt on hopper frame) |
| K4 | K426 | 03004051 | Cagewheel 4 bar |
| K4 | K427 | 03004052 | Cage wheel 6 bar |
| K4 | K430 | 03008075 | Dose wheel system parallel w/o hose and wheel 716 mm |
| K4 | K435 | 03008080 | Dose wheel system parallel w/o hose and wheel 962 mm |

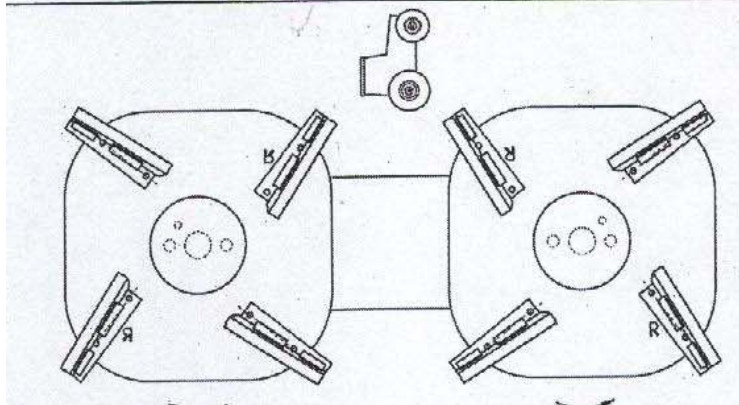
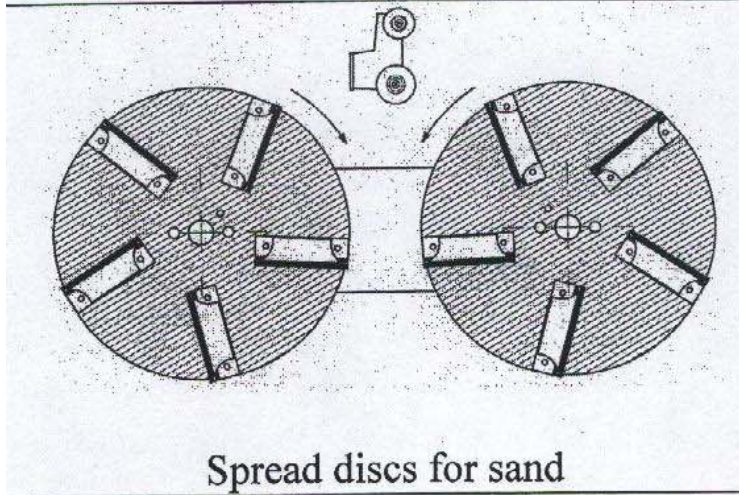
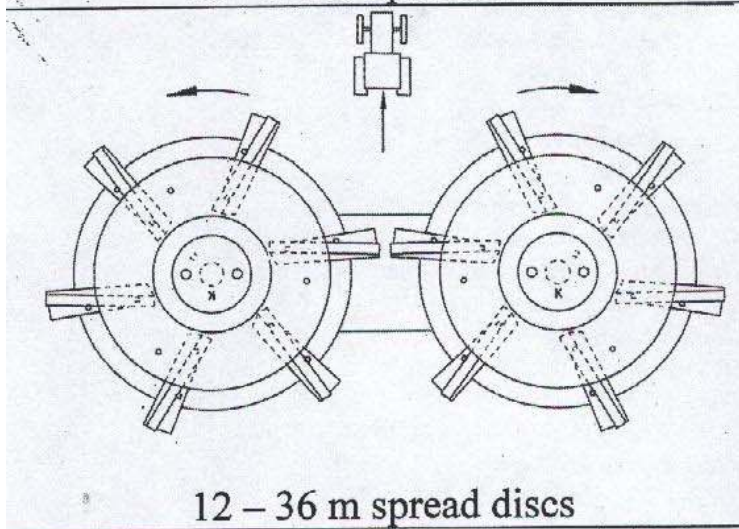
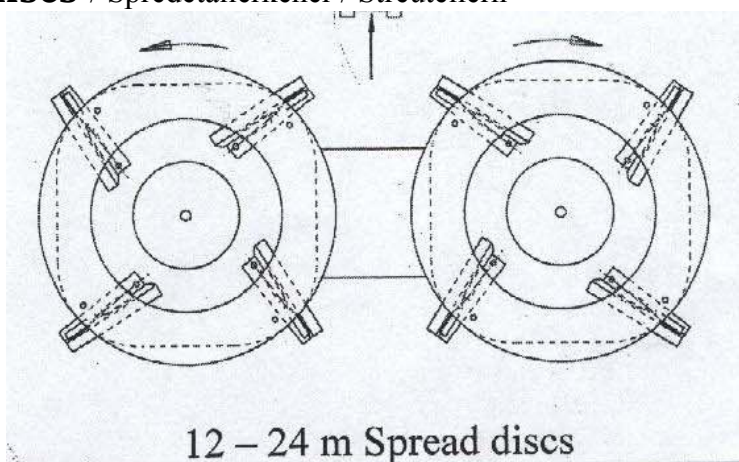
Group K4 Cagewheel / Hjultræk / Dosierrad



Spareparts

| Group | Pos. no. | Item no. | Description |
|-------|----------|----------|---|
| TA | TA01 | 03015201 | Rondel (top disc for 12-24 m discs) 1 pc with bolt and pipe. |
| TA | TA02 | 03015107 | Disc 12-24 m for K35-K125 |
| TA | TA03 | 03015113 | Spread discs 12-24m, stainless steel for K35-K125 |
| TA | TA04 | 03015017 | Set of vanes 12-24 m SPC4500 K-model |
| TA | TA05 | 03015018 | Set of vanes 12-24 w. WC K-model with longlife Wolfram Carbid Coating |
| TA | TA06 | 03015014 | Spread vane right SPC4500 K-model |
| TA | TA07 | 03015013 | Spread vane left SPC4500/K-model |
| TA | TA08 | 03015016 | Spread vane right w.WC SPC4500/K-model |
| TA | TA09 | 03015015 | Spread vane left w.WC SPC4500/K-model |
| TA | TA10 | 01003011 | Sets (8 pc) of bolts and plastic pipes to suit rondels on 12-24 discs |
| TA | TA11 | 03008697 | Spread discs kompl. set 12-24 m for SPC4500 spread box |
| TA | TA12 | 03008698 | Spread disc 12-24 m compl. with W.C. SPC4500 for K35-K125 |
| TA | TA20 | 03015204 | Rondel (top disc for 6 vane kit) compl. with bolt and pipe. A2, F2 and K3 |
| TA | TA23 | 03015115 | Spread disc 12-36 m, stainless steel K35-K125 |
| TA | TA24 | 03015020 | Set of vanes 12-36m (12 pc.) with longlife Wolfram Carbid Coating |
| TA | TA25 | 03015003 | Spread vane right ver.98-2 for 12-36 m a 12-36 m discs, A2, B2-B8, F2 and |
| TA | TA26 | 03015002 | Spread vane left vers 98-2 for 12-36 m a 12-36 m discs, A2, B2-B8, F2 and |
| TA | TA27 | 01003014 | Sets of bolts to suit rondels 12-36 m |
| TA | TA30 | 03015112 | Spreaddisc, right rubbercoated SPC K35-K |
| TA | TA31 | 03015117 | Spread disc, left with rubber SPC for K3 |
| TA | TA32 | 03015028 | Vane, right rubbercoated for SPC4500 spreadbox |
| TA | TA33 | 03015027 | Vane, left rubbercoated for SPC4500 spreadbox |
| TA | TA34 | 03015023 | Set of vanes rubbercoated for SPC spread unit |
| TA | TA35 | 03008700 | Spreading discs cpl. rubbercoated for sa spreading for SPC-spread unit fr |
| TA | TA40 | 03015118 | Disc, yellow for rewering gearbox SPC K35-K125 |
| TA | TA41 | 03015014 | Spread vane right SPC4500 K-model |
| TA | TA42 | 03015013 | Spread vane left SPC4500/K-model |
| TA | TA43 | 03015016 | Spread vane right w.WC SPC4500/K-model |
| TA | TA44 | 03015015 | Spread vane left w.WC SPC4500/K-model |
| TA | TA45 | 03015119 | Spread discs compl. yellow for rewering gearbox SPC K35-K125 |
| TA | TA46 | 03015206 | Spread discs compl. set for forrest spre |

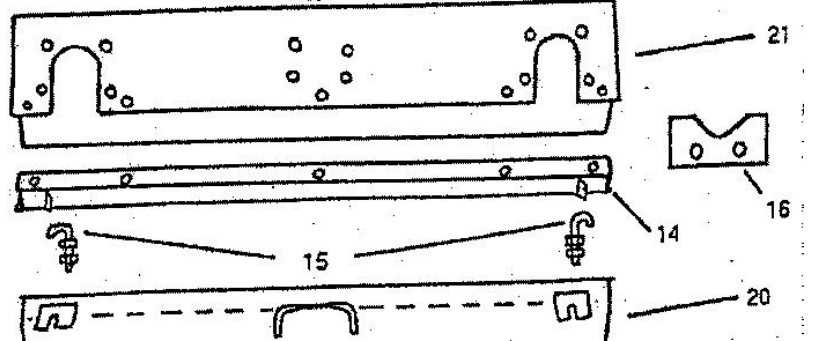
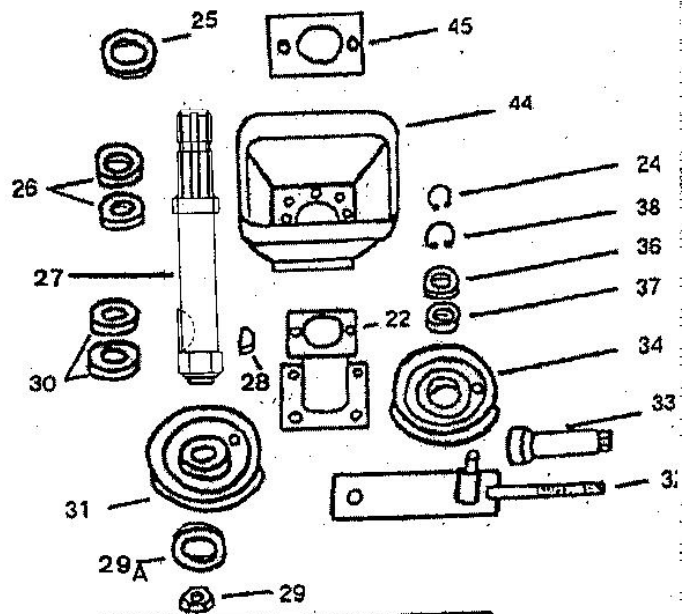
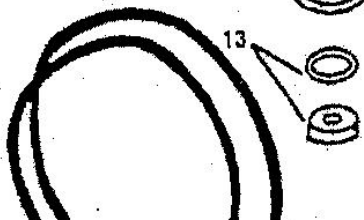
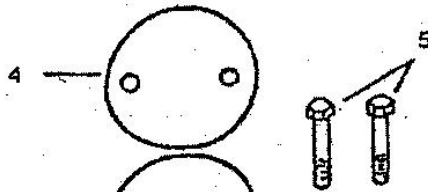
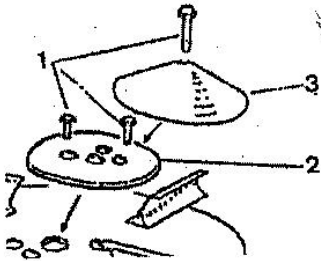
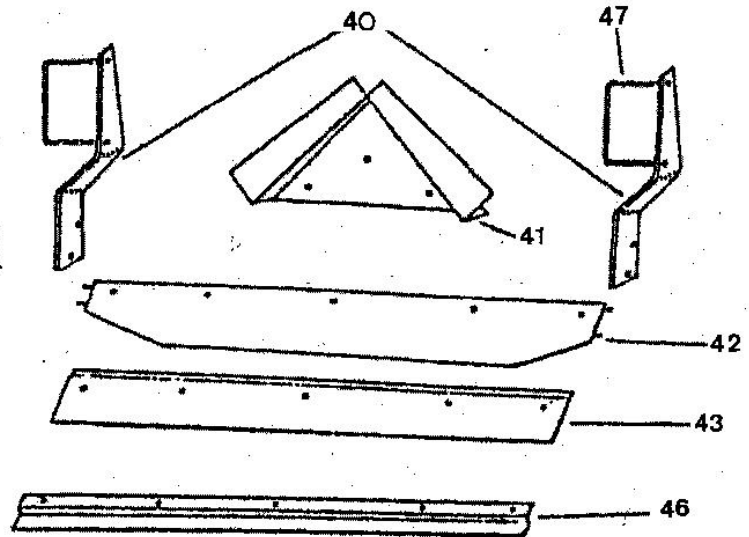
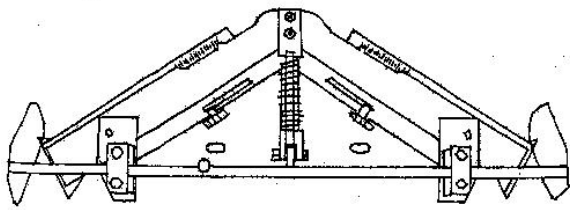
Group TA Spreaddiscs / Spredetallerkener / Streutellern



Spareparts

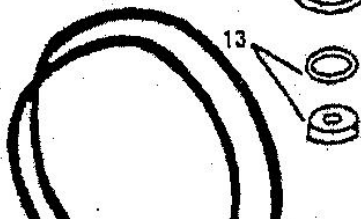
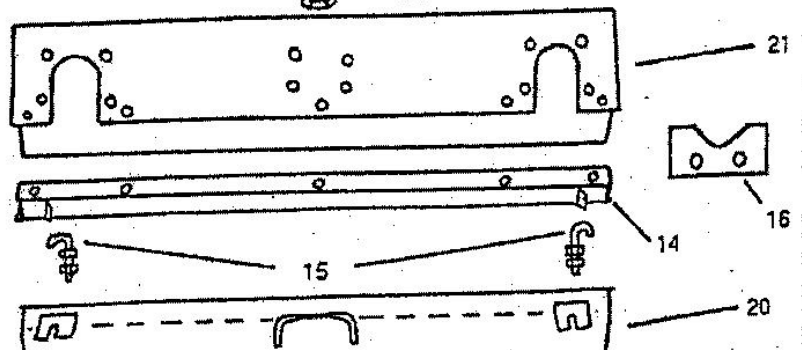
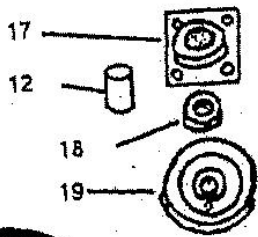
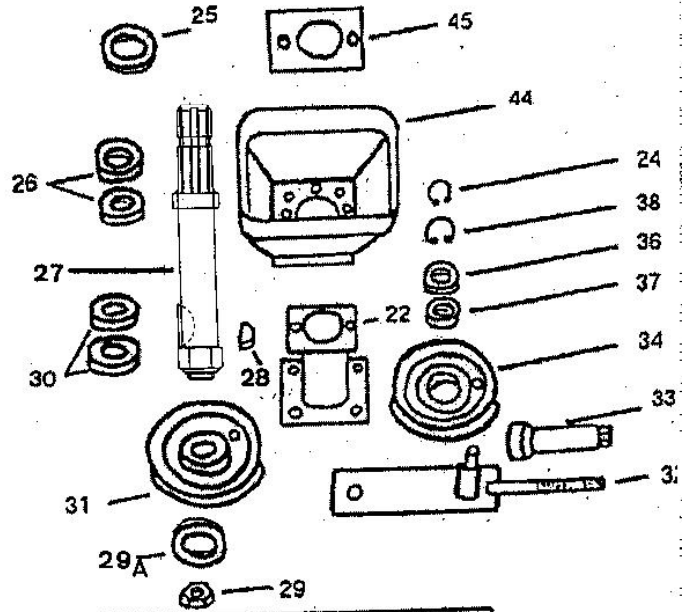
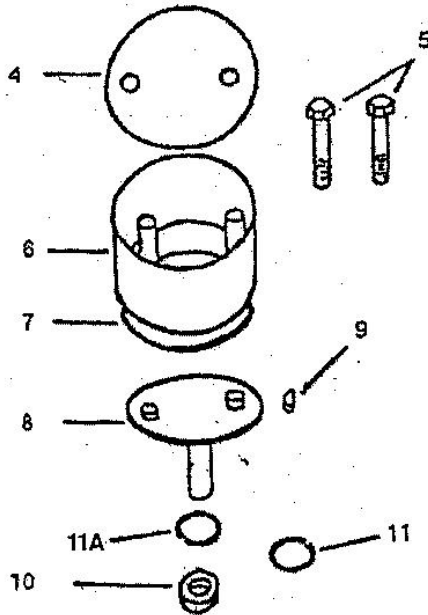
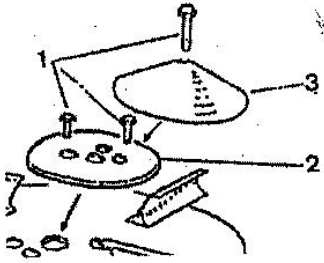
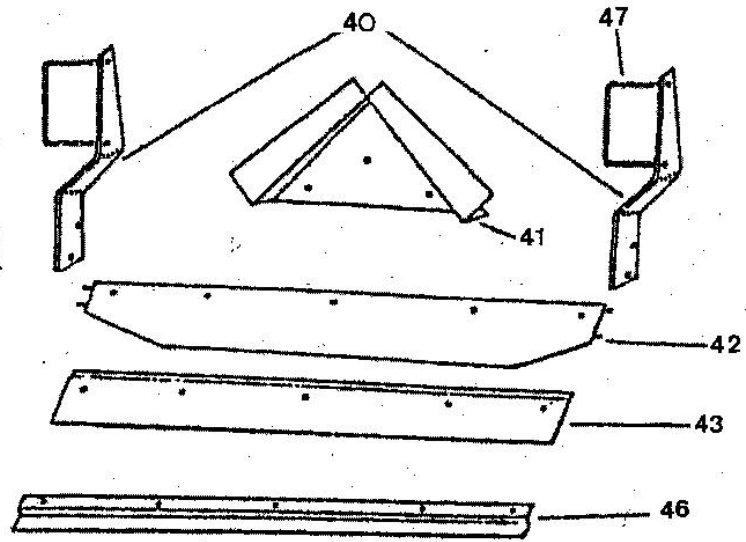
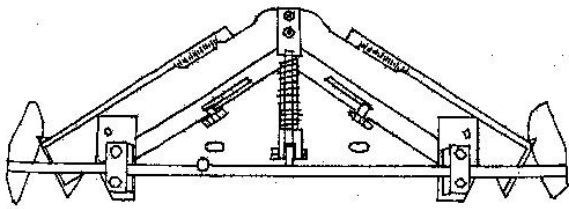
| Group | Pos. no. | Item no. | Description |
|-------|----------|----------|---|
| K0 | K001 | 01003008 | Set of bolts f. spread disc and conic pa A2, F2 and K35-K125 |
| K0 | K002 | 03015203 | Washer for spread discs A2, F2 and K35-K |
| K0 | K0020c | 03002247 | T-pcs for quick lock of cover on SPC4500 |
| K0 | K003 | 03015202 | Konic part for spread discs A2, F2 and K35-K125 |
| K0 | K004 | 03003036 | Cover for distance tube |
| K0 | K005 | 01003203 | Bolt for distance tube M16*180 |
| K0 | K006 | 01005002 | Distance tube (L=16 cm) |
| K0 | K007 | 03002070 | Distance fork |
| K0 | K008 | 03008633 | Top compl. w. pulley left for SPC4500-1 (160 x 160 mm flange) |
| K0 | K008a | 03002174 | Top cpl. Ø35 long left SPC4500-1 (ready headland gear) |
| K0 | K008b | 03008634 | Top compl. right with pulley for SPC4500 (140 x 140 mm flange) |
| K0 | K008c | 03004004 | Top for disc, long left 4500-1 w/o bearing and tube Ø35 x 153 mm |
| K0 | K008d | 03004005 | Top for spread disc, short right SPC4500-1 Ø35 x 128 mm |
| K0 | K009 | 01003502 | Woodruff key 10mm |
| K0 | K010 | 01015000 | Bearing 6207 |
| K0 | K011 | 01016351 | Piston ring 90*5 |
| K0 | K011a | 03003088 | Distance ring Ø35 hole x 45 x 1,5 for to on spread discs |
| K0 | K012 | 02001005 | Distance tube for top spread disc SPC450 Ø35 x 61 mm |
| K0 | K012a | 03003204 | Distance tube for top spread disc SPC450 Ø35 x 36 mm |
| K0 | K013 | 01003404 | Nut and lock washer "SKF" for top Ø35 |
| K0 | K014 | 03003037 | Enforcement angel SPC4500-1 |
| K0 | K014a | 03003090 | Enforcement angel SPC4500-1 from year 2002 |
| K0 | K014b | 03003133 | Enforcement angel SPC4500-1 from dec. 20 |
| K0 | K015 | 02004011 | Hook bolt Stainless for SPC4500-1 |
| K0 | K015a | 03002309 | Bracket for quick lock in stainless for SPC4500-1 Cover |
| K0 | K016 | 03003038 | Tightening |
| K0 | K017 | 03002071 | Bearing tube long left, SPB3150 SPB3550 SPC4500-1 (up to year 2002) |
| K0 | K017a | 03002173 | Bearing tube long left, for all SPC4500- from year 2002 (ready for headla |
| K0 | K017b | 03002072 | Bearing tube short right SPB3150, SPB355 SPC4500-1 (up to year 2002) |
| K0 | K017c | 03002331 | Bearing tube right, short SPC4500-1 with flange 280 x 280 mm (from year 2 |
| K0 | K017d | 03002330 | Bearing tube left, long SPC4500-1 with flange 280 x 280 mm (from year 200 |
| K0 | K018 | 01015000 | Bearing 6207 |
| K0 | K019 | 02007007 | Pulley SPC225-1 ø35 hole, stainless stee |
| K0 | K020 | 03014004 | Cover for spread box SPC4500-1 ss without headland gear (lengt 124,5 cm) |
| K0 | K020a | 03003089 | Cover for spread box, stainless steel SP rom year 2002-> with ore without |
| K0 | K020b | 03003132 | Cover for spread box stainless steel SPC4500-1 (from dec. 06) with quick |
| K0 | K021a | 03001107 | Spread box, empty SPC4500-1 for spreader year 2002 (ready for headland ge |
| K0 | K021b | 03001109 | Spread box SPC4500-1 compl. without headland gear (from year 2002->) for |
| K0 | K021c | 03008666 | Spread box SPC4500-1 "Reverse drive" kom only for spreading lime and sand |
| K0 | K021d | 03001112 | SPC4500-1 spread unit cpl. with 12-28 m headlandgear K40-K125 Ø40 mm inle |
| K0 | K021e | 03001125 | Spreadunit SPC4500-1 compl with 28 - 36 m manual headland gear |
| K0 | K022 | 03002078 | Bearing tube for inlet axle, K35-K125 wi SPC4500-1 and SPC4500-2 |
| K0 | K024 | 01016252 | Seeger ring 35a |
| K0 | K025 | 02001004 | Tightening ring Ø72 x Ø46 x 8 |
| K0 | K026 | 01015000 | Bearing 6207 |
| K0 | K026a | 01015012 | Bearing 6208 (for inlex axel on SPC4500-1 from year 2001->) |
| K0 | K027 | 03008256 | Inlet axle compl. K35-K125 SPC4500-2 Flange 160*160 |
| K0 | K027a | 02003041 | Inlet axle K35-K125 SPC4500-1 and 2 (Ø40 mm) incl. nut and washer |
| K0 | K027b | 02003052 | Inlet axle SPC4500-1 Ø35 6Z not for K35-K65 year 1994-2001 |
| K0 | K027e | 03008897 | Inlet axle complete for 4500-1 with 220*220 flange |
| K0 | K028 | 01003502 | Woodruff key 10mm |
| K0 | K029 | 01003400 | Lock nut 1" WG |
| K0 | K029a | 03003087 | Spring ring 50 x 25 for inlet axle SPC4500-1 and 2 K35-K125 |
| K0 | K029b | 03002194 | Distance plate for inlet axle SPC4500-1 |

Group KO Spreadunit SPC4500-1 / Spredeværk SPC4500-1 / Streuwerk SPC4500-1



Spareparts

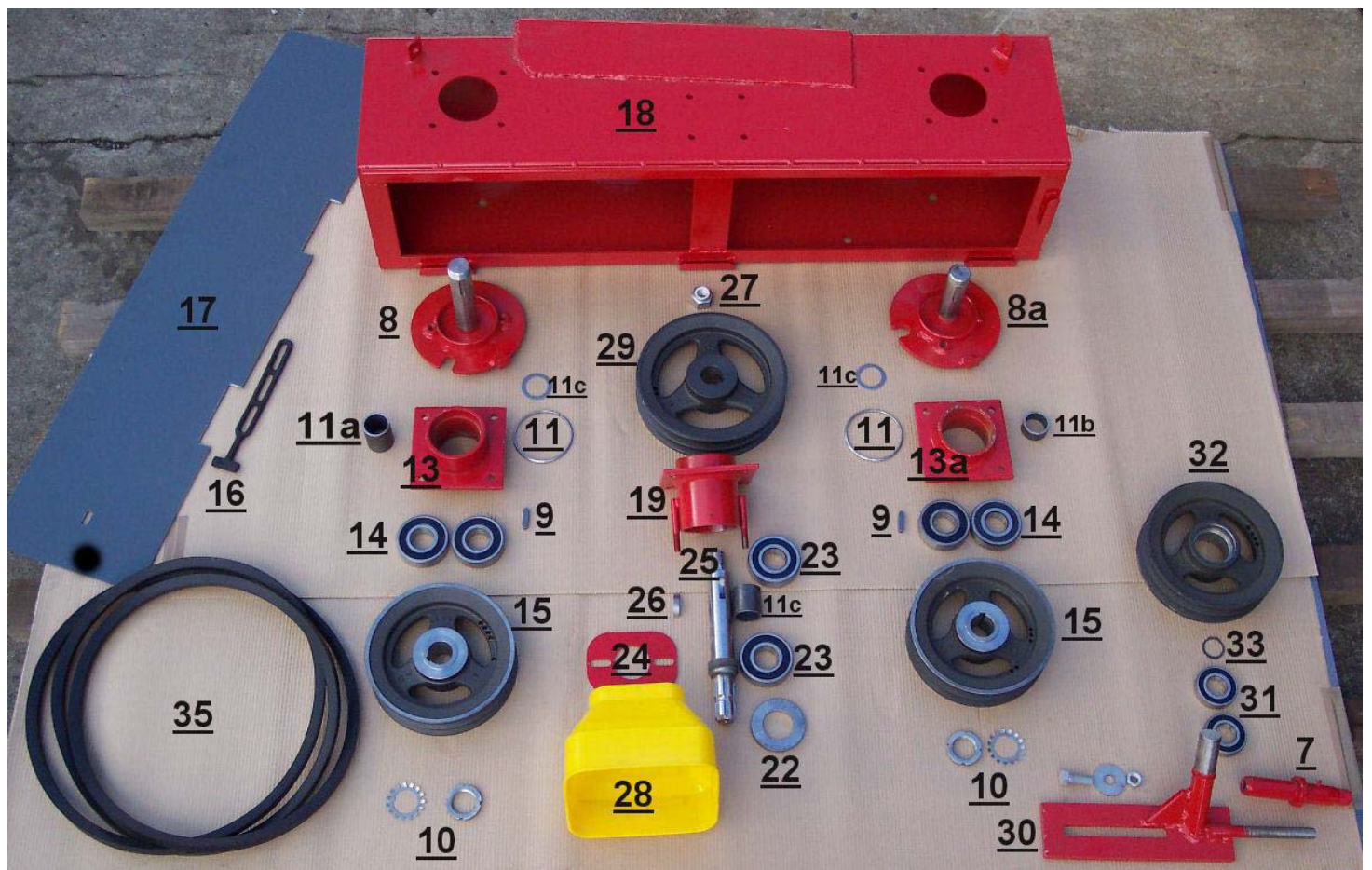
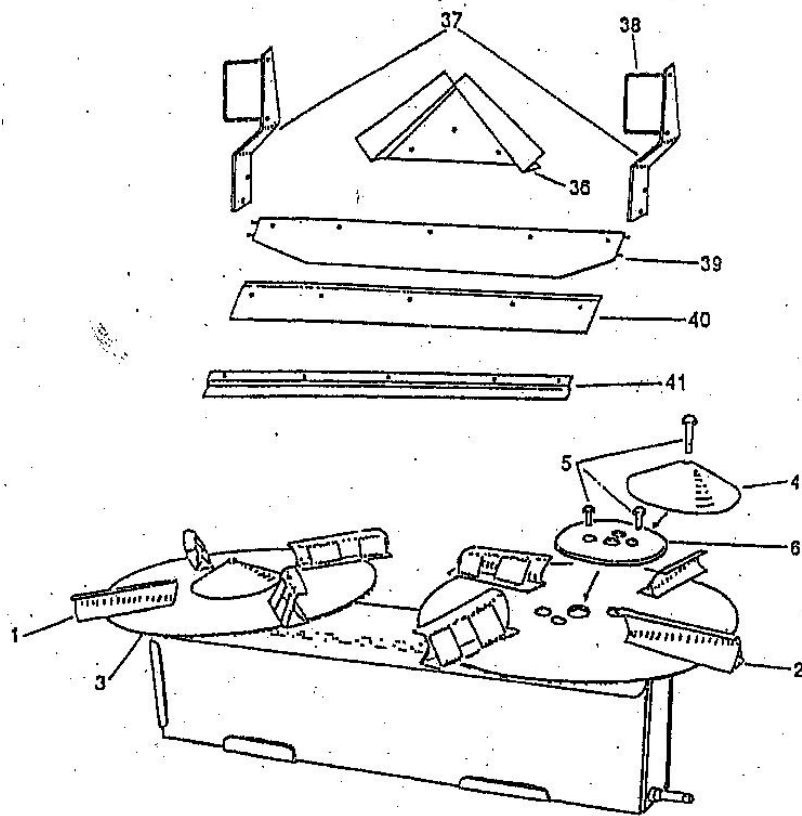
| Group | Pos. no. | Item no. | Description |
|-------|----------|----------|---|
| K0 | K030 | 01015000 | Bearing 6207 |
| K0 | K030a | 01015012 | Bearing 6208 (for inlet axel on SPC4500-1 from year 2001->) |
| K0 | K031 | 02007020 | Pulley SPC250-1 4 mm for inlet axel Ø40 for K35-K105 |
| K0 | K032 | 03008843 | Tightening fixture compl SPC4500-1 B2-B8, K35-K105 |
| K0 | K034 | 02007009 | Pulley SPC225-1 ø72 hole for tightner for A2, B2, F2 and K35-K125 |
| K0 | K036 | 01015000 | Bearing 6207 |
| K0 | K037 | 01015000 | Bearing 6207 |
| K0 | K038 | 01016251 | Seeger ring 72 i |
| K0 | K039 | 01010102 | V-belt SPC4500 each |
| K0 | K039a | 01010118 | V-belt SPC4500 BR26 |
| K0 | K040 | 03007062 | Bracket for downshute K35-K105 |
| K0 | K041 | 03007060 | Divider 12-24 m K35-K65 up to year 2000 |
| K0 | K041a | 03007061 | Down shute stainless 12-24 m for K85/105 all K35-K105 from year 2001-> |
| K0 | K041b | 03007066 | Divider stainless 12-36 m K35-K65 up to year 2000 |
| K0 | K041c | 03007067 | Divider stainless 12-36m K85/105 and all K35-K105 from year 2001-> |
| K0 | k041d | 03008827 | Downschute for 12-36 m discs (without limiters for headlandspreading) |
| K0 | K041dc | 03007083 | Axle for downshute 12-36 m |
| K0 | K041dd | 03007095 | Axle for downshute 12-36m incl. position |
| K0 | K041de | 03007091 | Downshute part, right for 12-36 m |
| K0 | K041df | 03007092 | Downshute part, left for 12-36 m |
| K0 | K041e | 03007075 | Downshute 12-24 m compl. from year 2001 with bracket and plate. |
| K0 | K041f | 03007076 | Downshute compl. 12-24 m for K35-K65 up year 2000 (with bracket and nylo |
| K0 | K042 | 03007063 | Plate for downshute 12-24m K35-K65 up to year 2000 |
| K0 | K042a | 03007064 | Plate for downshute K85/K105 and all K35-K105 from year 2001-> 2006 |
| K0 | K043 | 02006304 | Plasticscraper for downschute for K35-K65 up to year 2000 |
| K0 | K043a | 02006305 | Plastic for downschute for K85-K125 and all K35-K165 from year 2001-> |
| K0 | K044 | 01001300 | Cardan shield (yellow) |
| K0 | K045 | 03002117 | Mounting bracket for yellow guard |
| K0 | K046 | 03007065 | Fixture beam |
| K0 | K047 | 02004020 | Bow for bracket on downshute |
| K0 | K048 | 03003110 | Stainless shield in front of discs compl. with rubber for K35-K135 |
| K0 | K048a | 03003215 | |
| K0 | K048b | 03003255 | Set og guards in stainless 150*510 mm to bolt on to guards with rubber in |
| K0 | K049 | 01012205 | Hydr. pipe for plates on 12-36 m downshu |
| K0 | K049a | 03005022 | Cylinder compl. for headland gear, guide plates and hydr. headland plate |



Spareparts

| Group | Pos. no. | Item no. | Description |
|-------|----------|----------|---|
| K5 | K39-b | 03007098 | Plate for downshute K40-K65 with side br from year 2006/08 (198 mm high) |
| K5 | K5-00 | 03015201 | Rondel (top disc for 12-24 m discs) 1 pc with bolt and pipe. |
| K5 | K5-01 | 03015013 | Spread vane left SPC4500/K-model |
| K5 | K5-01a | 03015014 | Spread vane right SPC4500 K-model |
| K5 | K5-01b | 03015015 | Spread vane left w.WC SPC4500/K-model |
| K5 | K5-01c | 03015016 | Spread vane right w.WC SPC4500/K-model |
| K5 | K5-01ca | 02004044 | Bolt set stainless for spread vanes (12- |
| K5 | K5-01d | 03015017 | Set of vanes 12-24 m SPC4500 K-model |
| K5 | K5-01e | 03015018 | Set of vanes 12-24 w. WC K-model with longlife Wolfram Carbid Coating |
| K5 | K5-01f | 03015023 | Set of vanes rubbercoated for SPC spread unit |
| K5 | K5-01g | 03015027 | Vane, left rubbercoated for SPC4500 spreadbox |
| K5 | K5-01h | 03015028 | Vane, right rubbercoated for SPC4500 spreadbox |
| K5 | K5-03 | 03015107 | Disc 12-24 m for K35-K125 |
| K5 | K5-04 | 03015202 | Konic part for spread discs A2, F2 and K35-K125 |
| K5 | K5-05 | 01003007 | Bolt set for konic part and washer (12-24 m and 13-36 m discs K35-K165 an |
| K5 | K5-05a | 01003008 | Set of bolts f. spread disc and conic pa A2, F2 and K35-K125 |
| K5 | K5-05b | 02004045 | Bolt set stainless for spread vanes (12- |
| K5 | K5-06 | 03015203 | Washer for spread discs A2, F2 and K35-K |
| K5 | K5-07 | 01003407 | Tube nut for SPC4500-2 (total lenght 135 mm) |
| K5 | K5-08 | 03004020 | Top for spread disc, left long 4500-2 Ø40x167 (from maj 2004 - for SKF nu |
| K5 | K5-08a | 03004021 | Top for spread disc 4500-2, right, short (new model maj 2004, for SKF nut |
| K5 | K5-08b | 03008641 | Top compl. SPC4500-2 left long (new model maj 2004) |
| K5 | K5-08c | 03008642 | Top compl.right short SPC4500-2 (new model maj 2004) |
| K5 | K5-08d | 03008886 | Top compl. 4500-2, right side (from year 2007->) with top plate 290 x 290 |
| K5 | K5-08e | 03008887 | Top compl. 4500-2, left side (from year 2007->) with top plate 290 x 290 |
| K5 | K5-09 | 01003514 | Woodruff key 10 x 40 mm |
| K5 | K5-10 | 01003404 | Nut and lock washer "SKF" for top Ø35 |
| K5 | K5-10a | 01003414 | |
| K5 | K5-11 | 01016354 | Piston ring 105x5 |
| K5 | K5-11a | 03003200 | Distance spacer Ø41 x 49 mm for left top |
| K5 | K5-11b | 03003201 | Distance spacer Ø41 x 24 mm for right to |
| K5 | K5-11c | 01003411 | Distancering 41,5 x 55 x 1,5 mm For top for discs (SPC4500-2), headland |
| K5 | K5-12 | 01016256 | Circlip Ø40a |
| K5 | K5-13 | 03002141 | Bearing tube left, long SPC4500-2 |
| K5 | K5-13a | 03002142 | Bearing tube right, short SPC4500-2 |
| K5 | K5-13b | 03002329 | Bearing tube right, short SPC4500-2 with flange 280 x 280 mm (from year 2 |
| K5 | K5-13c | 03002328 | Bearing tube left, long SPC4500-2 with flange 280 x 280 mm (from year 200 |
| K5 | K5-14 | 01015001 | Bearing 6308 |
| K5 | K5-15 | 02007017 | Pulley SPC225-2 Ø40 for spread discs |
| K5 | K5-16 | 01002102 | Rubberstrap for cover 3 step |
| K5 | K5-17 | 02006153 | Plastic cover SPC4500-2 spread unit |
| K5 | K5-18 | 03001105 | Spreadbox SPC4500-2,empty K45-K165 prepared for 160 mm x 160 mm flange |
| K5 | K5-19 | 03002078 | Bearing tube for inlet axle, K35-K125 wi SPC4500-1 and SPC4500-2 |
| K5 | K5-21 | 03003202 | Distance tube Ø41x59mm for inlet axle |
| K5 | K5-22 | 03004060 | Tightening ring for SPC4500-2 inlet axel 90 x 52 x 10 mm |
| K5 | K5-23 | 01015001 | Bearing 6308 |
| K5 | K5-24 | 03002117 | Mounting bracket for yellow guard |
| K5 | K5-25 | 02003041 | Inlet axle K35-K125 SPC4500-1 and 2 (Ø40 mm) incl. nut and washer |
| K5 | K5-25a | 03008256 | Inlet axle compl. K35-K125 SPC4500-2 Flange 160*160 |
| K5 | K5-25b | 03008486 | Inlet axle compl. prepared for OMT oilmotor |
| K5 | K5-25c | 03008890 | Input shaft compl. 4500-2 with Ø40 mm sh and flange 220 x 220 mm (K40-K16 |
| K5 | K5-25f | 03008897 | Inlet axle complete for 4500-1 with 220*220 flange |
| K5 | K5-26 | 01003502 | Woodruff key 10mm |
| K5 | K5-27 | 01003400 | Lock nut 1" WG |
| K5 | K5-27a | 01003412 | Nut SKF KM8 Ø40 with lock |
| K5 | K5-28 | 01001300 | Cardan shield (yellow) |
| K5 | K5-29 | 02007018 | Pulley SPC 250-2 for inlet axle SPC4500- |

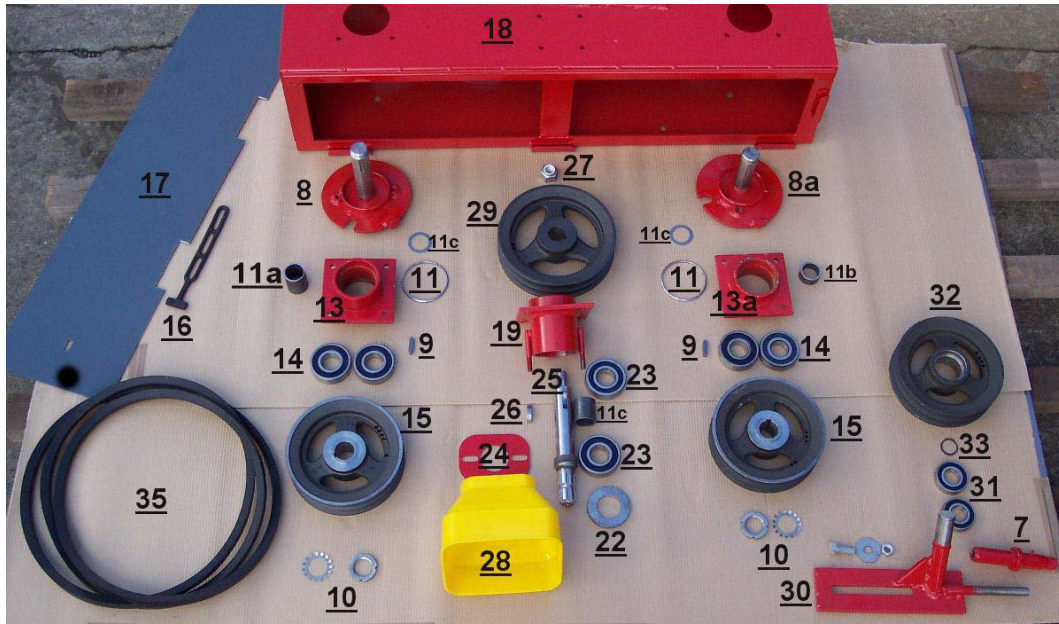
Group K5 Spreadunit SPC4500-2 / Spredeværk SPC4500-2 / Streuwerk SPC4500-2



Spareparts

| Group | Pos. no. | Item no. | Description |
|-------|----------|----------|---|
| K5 | K5-30 | 03002085 | Tightening fixture ø35 SPC4500-2 |
| K5 | K5-30a | 03002241 | Tightening fixture ø35 SPC4500-2 R |
| K5 | K5-30b | 03002304 | Tightening fixture ø35 SPC4500-2 (with 1 axle for double pulley) "Headlan |
| K5 | K5-30c | 03002399 | Tightening fixture ø35 SPC4500-2 "R" |
| K5 | K5-31 | 01015000 | Bearing 6207 |
| K5 | K5-32 | 02007019 | Pulley for tightener SPC225-2 |
| K5 | K5-33 | 01016251 | Seeger ring 72 i |
| K5 | K5-34 | 01016252 | Seeger ring 35a |
| K5 | K5-35 | 01010102 | V-belt SPC4500 each |
| K5 | K5-35a | 01010112 | V-belt SPA 2382 for 12-28 m headland gea on SPC4500-2 spread box |
| K5 | K5-35b | 01010113 | V-belt SPA 2432 for 28-36 m headland gea on SPC4500-2 spread box |
| K5 | K5-36 | 03007060 | Divider 12-24 m K35-K65 up to year 2000 |
| K5 | K5-36a | 03007061 | Down shute stainless 12-24 m for K85/105 all K35-K105 from year 2001-> |
| K5 | K5-36b | 03008827 | Downschute for 12-36 m discs (without limiters for headlandspreading) |
| K5 | K5-36c | 03007074 | Guide plates compl. for 12-36 m divider "with handle" K45-K105 with A-dis |
| K5 | K5-36d | 03007075 | Downshute 12-24 m compl. from year 2001 with bracket and plate. |
| K5 | K5-36da | 03007096 | Guide plates compl. for 12-36 m divider "prepared for hydr. cylinder" |
| K5 | K5-36e | 03007076 | Downshute compl. 12-24 m for K35-K65 up year 2000 (with bracket and nylo |
| K5 | K5-37 | 03007062 | Bracket for downshute K35-K105 |
| K5 | K5-37a | 03007105 | Bracket for downshute K35-K105 |
| K5 | K5-37b | 03007110 | Bracket for downshute K models with worm gear |
| K5 | K5-38 | 02004020 | Bow for bracket on downshute |
| K5 | K5-39 | 03007063 | Plate for downshute 12-24m K35-K65 up to year 2000 |
| K5 | K5-39a | 03007064 | Plate for downshute K85/K105 and all K35-K105 from year 2001-> 2006 |
| K5 | K5-39c | 03007099 | Plate for downshute K85-K105 with side b from year 2006/08 (173 mm high) |
| K5 | K5-39d | 03007100 | Plate for downshute K125-K135 with side bracket from year 2006/08 (230 mm |
| K5 | K5-39aa | 03007106 | |
| K5 | K5-40 | 02006304 | Plasticscraper for downshute for K35-K65 up to year 2000 |
| K5 | K5-40a | 02006305 | Plastic for downshute for K85-K125 and all K35-K165 from year 2001-> |
| K5 | K5-41 | 03007065 | Fixture beam |
| K5 | K5-42 | 03002144 | Support for spread unit, left SPC4500/K up to year 2003 |
| K5 | K5-42a | 03002145 | Support for spread unit, right SPC4500/K up to year 2003 |
| K5 | k5-42b | 03002184 | Arm for spread unit, left for SPC4500 from Year 2003 |
| K5 | k5-42c | 03002185 | Arm for spread unit, right for SPC4500 from year 2003 |
| K5 | k5-42d | 03002186 | Mounting bracket - spreader part for spread unit (k-spreaders 2003->) |
| K5 | K5-43 | 03002195 | Nylon roller and stainless steel pin for arm on spread box year 1994-200 |
| K5 | K5-45 | 03008697 | Spread discs compl. set 12-24 m for SPC4500 spread box |
| K5 | K5-45a | 03008698 | Spread disc 12-24 m compl. with W.C. SPC4500 for K35-K125 |
| K5 | K5-46 | 03015122 | Spread discs compl. set "A" 12-36 m for A2, F2, TX and K40-K135 from year |
| K5 | K5-47 | 03015020 | Set of vanes 12-36m (12 pc.) with longlife Wolfram Carbid Coating |
| K5 | K5-49 | 01005002 | Distance tube (L=16 cm) |
| K5 | K5-50 | 03002070 | Distance fork |
| K5 | K5-51 | 01003203 | Bolt for distance tube M16*180 |
| K5 | K5-52 | 03007066 | Divider stainless 12-36 m K35-K65 up to year 2000 |
| K5 | K5-52a | 03007067 | Divider stainless 12-36m K85/105 and all K35-K105 from year 2001-> |
| K5 | K5-53a | 02006004 | Rubber for sheild (no. 03003110) in fron of spread discs, K-spreaders |
| K5 | K5-53b | 03003110 | Stainless shield in front of discs compl. with rubber for K35-K135 |
| K5 | K5-53cb | 03003099 | Stainless "wearing part" for stainless plate in front of discs - K-spread |
| K5 | K5-55 | 03001117 | Spreadbox compl. SPC4500-2 |
| K5 | K5-55a | 03001121 | Spread unit SPC4500-2 with 12-28 m headland gear (with manuel change of h |
| K5 | K5-55b | 03001122 | Spread unit SPC4500-2 with 28-36 m headland gear for spare parts |

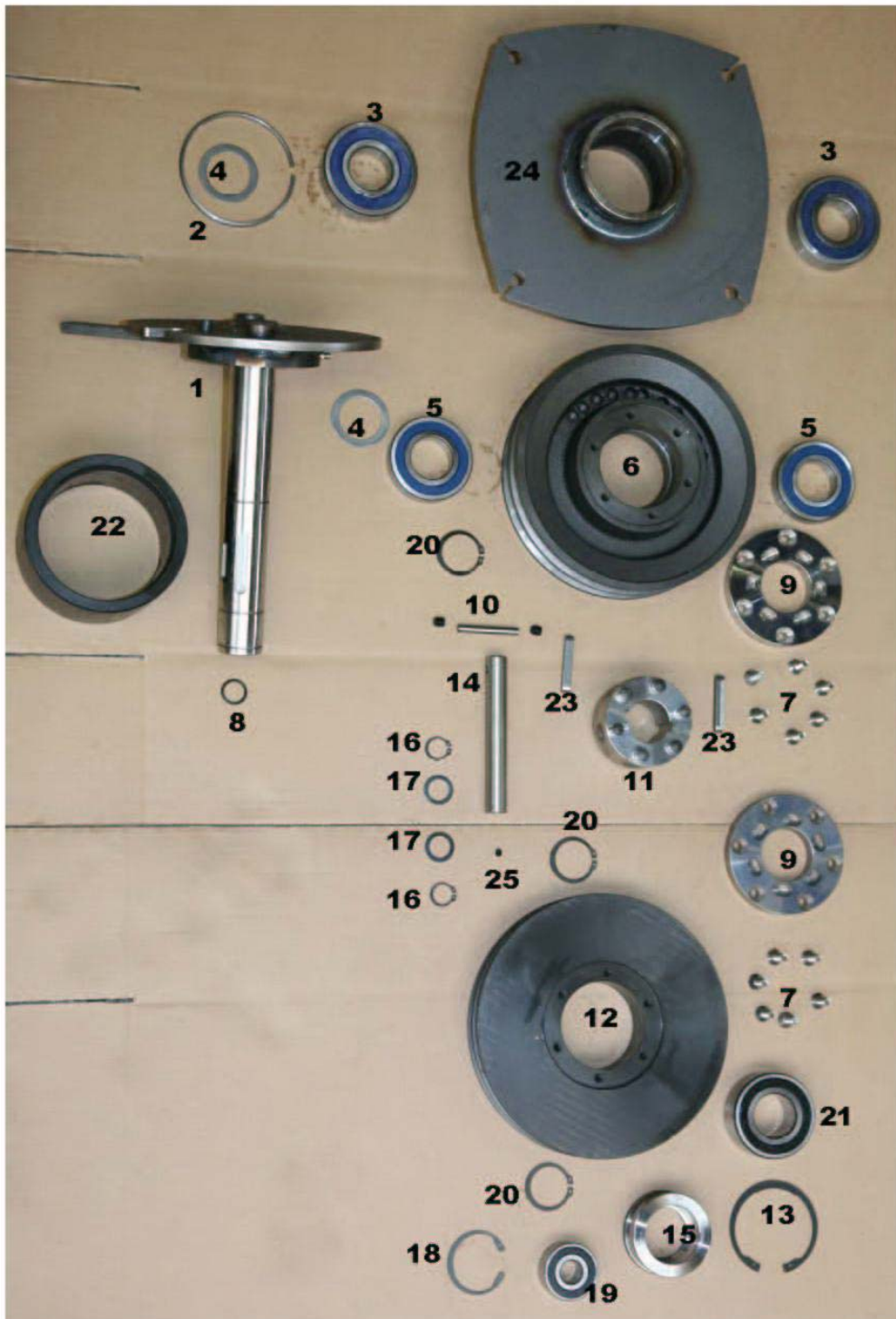
Group K5 Spreadunit SPC4500-2 / Spredeværk SPC4500-2 / Streuwerk SPC4500-2



Spareparts

| Group | Pos. no. | Item no. | Description |
|-------|----------|----------|---|
| KA2 | KA201 | 03004059 | Top for spread discs, long (left) for SPC4500-2 with headland gear |
| KA2 | KA202 | 01016354 | Piston ring 105x5 |
| KA2 | KA203 | 01015001 | Bearing 6308 |
| KA2 | KA204 | 01003411 | Distancering 41,5 x 55 x 1,5 mm For top for discs (SPC4500-2), headland |
| KA2 | KA205 | 01015012 | Bearing 6208 (for inlex axel on SPC4500-1 from year 2001->) |
| KA2 | KA206 | 02007028 | Pulley 225-2 for headland gear on 4500-2 (with short hub, from dec. 2008) |
| KA2 | KA207 | 01003018 | Bolt, unbraco M8 x 25 mm (headland gear) |
| KA2 | KA208 | 01016406 | O-ring 18,72 x 2,62 for 4500-2 headland gear |
| KA2 | KA209 | 03011083 | Clutch plate Ø115 with 6 hole, 4500-2 headlandgear |
| KA2 | KA210 | 01003513 | Steel pin Ø8x60 incl. 2 pcs M10 x 10 bolt. For 4500-1 and 2 headlandgear |
| KA2 | KA211 | 03011082 | Clutch Ø85 with 6 pin for 4500-2 headland gear |
| KA2 | KA212 | 02007031 | Pulley SPA 236-2, 4500-2 headland gear |
| KA2 | KA213 | 01016258 | Seegerring 80 i for headland gear |
| KA2 | KA214 | 03011084 | Axel Ø20 mm, lenght 148 mm, 4500-2 headl |
| KA2 | KA215 | 03004015 | Wheel for 4500-1 and 2 headland gear |
| KA2 | KA216 | 01016259 | Seegerring 20a x 1,75 for headland gear |
| KA2 | KA217 | 01016017 | Support ring Ø20/28 x 2 for wheel for headland gear |
| KA2 | KA218 | 01016255 | Seegerring 52i |
| KA2 | KA219 | 01015013 | Bearing 3304 for Headland gear |
| KA2 | KA220 | 01016256 | Circlip Ø40a |
| KA2 | KA221 | 01015015 | Bearing 3208 for 4500-2 headland gear |
| KA2 | KA222 | 01005225 | PEH tube Ø140 x 12,7 x 85, 4500-2 headla |
| KA2 | KA223 | 01003585 | Key 10 x 8 x 56, 4500-2 headland gear |
| KA2 | KA224 | 03003224 | Bearing tube left, long for SPC4500-2 with headland gear (from dec. 2008 |
| KA2 | KA225 | 01003586 | Screw M6 x 8, 4500-2 headland gear |
| KA2 | KA226 | 03008477 | Headland gear kompl. (without tightening fixture and arm / cylinder) |

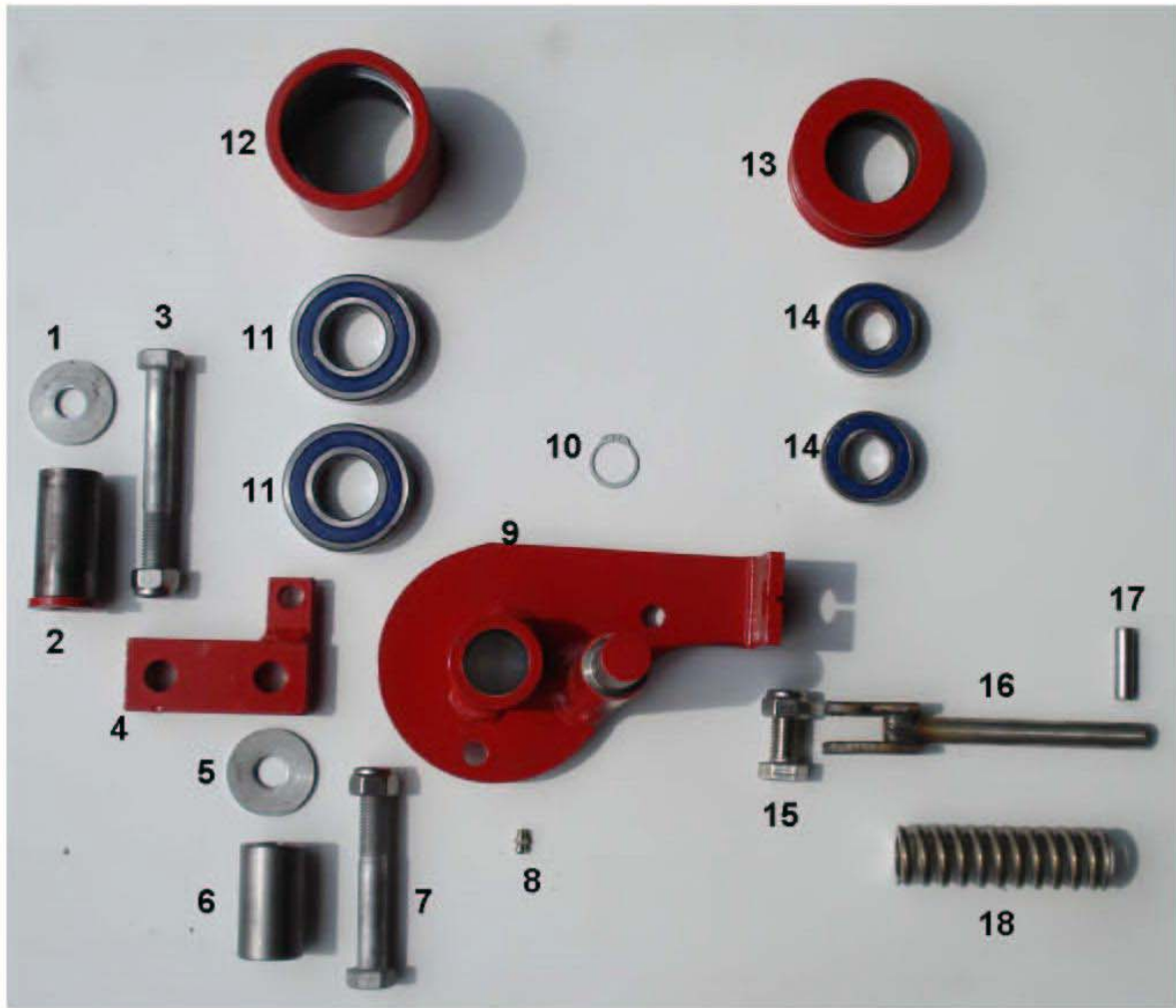
Group KA2 Headlandgear SPC 4500-2



Spareparts

| Group | Pos. no. | Item no. | Description |
|-------|----------|----------|---|
| KA3 | KA301 | 01003587 | Washer Ø48 / Ø16 S.S for tightening fixture 4500-2 headland gear |
| KA3 | KA302 | 03002290 | Axel Ø35 / Ø16 x 76 mm for tightening fixture 4500-2 headland gear |
| KA3 | KA303 | 01003125 | Bolt M16 x 120 mm |
| KA3 | KA303a | 01003574 | Nut M16 lock nut, stainless steel |
| KA3 | KA304 | 03002291 | Bracket for tightening fixture 4500-2 headland gear |
| KA3 | KA305 | 01003587 | Washer Ø48 / Ø16 S.S for tightening fixture 4500-2 headland gear |
| KA3 | KA306 | 03002289 | Axel Ø35 / Ø16 x 61 mm for tightening fixture 4500-2 headland gear |
| KA3 | KA307 | 01003126 | Bolt M16 x 100 mm |
| KA3 | KA308 | 01018001 | Greasing nipple 1/8 |
| KA3 | KA309 | 03002292 | Console for tightening fixture 4500-2 headland gear |
| KA3 | KA310 | 01016252 | Seeger ring 35a |
| KA3 | KA311 | 01015000 | Bearing 6207 |
| KA3 | KA312 | 03002288 | Bearing tube with hole for 6207 bearing (tightening fixture 4500-2 headla |
| KA3 | KA313 | 02007032 | Pulley SPA 80-2 with hole for 6205 beari (tightening fixture 4500-2 headl |
| KA3 | KA314 | 01015004 | Bearing 6205 |
| KA3 | KA315 | 01003544 | Bolt M12 x 40 |
| KA3 | KA315a | 01003572 | Nut M12 lock nut, stainless steel |
| KA3 | KA316 | 03013058 | Spring axle for tightening fixture 4500- headland gear (w. Ø8 mm hole for |
| KA3 | KA317 | 01003127 | Tube split 8 x 40 mm, stainless steel |
| KA3 | KA318 | 01007017 | Spring, stainless steel Ø33 x 113 mm for headland gear |

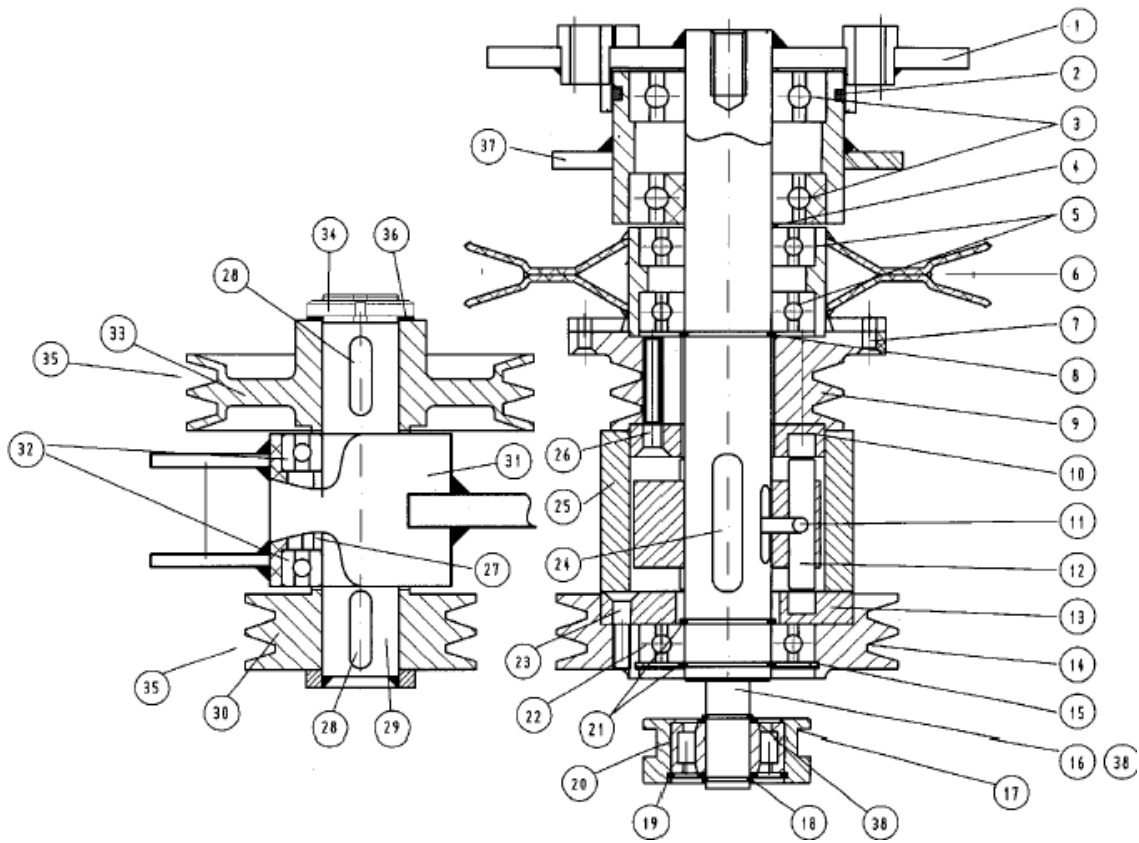
Group KA3 Tightening fixture for SPC4500-2 Headlandgear



Spareparts

| Group | Pos. no. | Item no. | Description |
|-------|----------|----------|---|
| KA | ka01 | 03004019 | Top for headland gear |
| KA | ka02 | 01016354 | Piston ring 105x5 |
| KA | ka03 | 01015001 | Bearing 6308 |
| KA | ka04 | 01003411 | Distancering 41,5 x 55 x 1,5 mm For top for discs (SPC4500-2), headland |
| KA | ka05 | 01015012 | Bearing 6208 (for inlex axel on SPC4500-1 from year 2001->) |
| KA | ka06 | 02007021 | Pulley SPC 225/1 for headland gear |
| KA | ka07 | 01003018 | Bolt, unbraco M8 x 25 mm (headland gear) |
| KA | ka08 | 01016256 | Circlip Ø40a |
| KA | ka09 | 02007030 | Pulley SPA 100-2, SPC4500-1 headlandgear (with 6 hole for M10x40 unbraco |
| KA | ka10 | 03004011 | Clutchplate Ø90 headlandgear |
| KA | ka11 | 01003513 | Steel pin Ø8x60 incl. 2 pcs M10 x 10 bolt. For 4500-1 and 2 headlandgear |
| KA | ka12 | 03004013 | Clutch for 4500-1 headland gear |
| KA | ka13 | 03011083 | Clutch plate Ø115 with 6 hole, 4500-2 headlandgear |
| KA | ka14 | 02007023 | Pulley SPA 150-2 for headland gear |
| KA | ka15 | 01016258 | Seegerring 80 i for headland gear |
| KA | ka16 | 03004014 | Axel Ø20 mm, lenght 136,4 mm 4500-1 headland gear |
| KA | ka17 | 03004015 | Wheel for 4500-1 and 2 headland gear |
| KA | ka18 | 01016259 | Seegerring 20a x 1,75 for headland gear |
| KA | ka19 | 01016255 | Seegerring 52i |
| KA | ka20 | 01015013 | Bearing 3304 for Headland gear |
| KA | ka21 | 01016256 | Circlip Ø40a |
| KA | ka22 | 01015012 | Bearing 6208 (for inlex axel on SPC4500-1 from year 2001->) |
| KA | ka23 | 01003017 | Nut, Umbraco M8x35 for headlandgear |
| KA | ka24 | 01003512 | Not 10x8x56 for Headlandgear . |
| KA | ka25 | 01005224 | PEH tube Ø110 x 10 x 74, 4500-1 headland |
| KA | ka26 | 01003016 | Nut, unbraco M10x40 headlandgear |
| KA | ka27 | 03004016 | Distancetube 1 1/4" x 36 for headlandgear |
| KA | ka28 | 01003502 | Woodruff key 10mm |
| KA | ka29 | 03004017 | Axle Ø35 mm for tightener on headland gear |
| KA | ka30 | 02007022 | Pulley SPA 100-2 tightening fixture 12-28 Ø35 mm hole 37 mm hub lenght |
| KA | ka30a | 02007025 | Pulley SPA 150-2 tightening fixture 24-36 Ø35 mm hole, 37 mm hub lenght |
| KA | ka31 | 03004018 | Housing for tightener, without bearings for headlandgear |
| KA | ka32 | 01015000 | Bearing 6207 |
| KA | KA33 | 02007029 | Pulley SPA 150-2 for tightening fixture on SPC4500-1 headland gear |
| KA | ka34 | 01003404 | Nut and lock washer "SKF" for top Ø35 |
| KA | ka35 | 01010109 | V-belt XPA 732 "KV23" for headland gear (4 pc. with 12-28 m headland gea |
| KA | ka35a | 01010110 | V-belt XPA 807 for headland gear 18-36 m (2 pc. XPA 807 and 2 pc. XPA 732 |
| KA | ka36 | 01003410 | Lockwascher MB7 for headlandgear |
| KA | ka37 | 03002142 | Bearing tube right, short SPC4500-2 |
| KA | ka38 | 01016017 | Support ring Ø20/28 x 2 for wheel for headland gear |
| KA | ka39 | 03008891 | Headland gear compl. for 4500-1 with fla 280 x 280 mm (without tightening |
| KA | ka40 | 03008849 | Headland gear compl. for 4500-1 with fla 160 x 160 mm (without tightening |

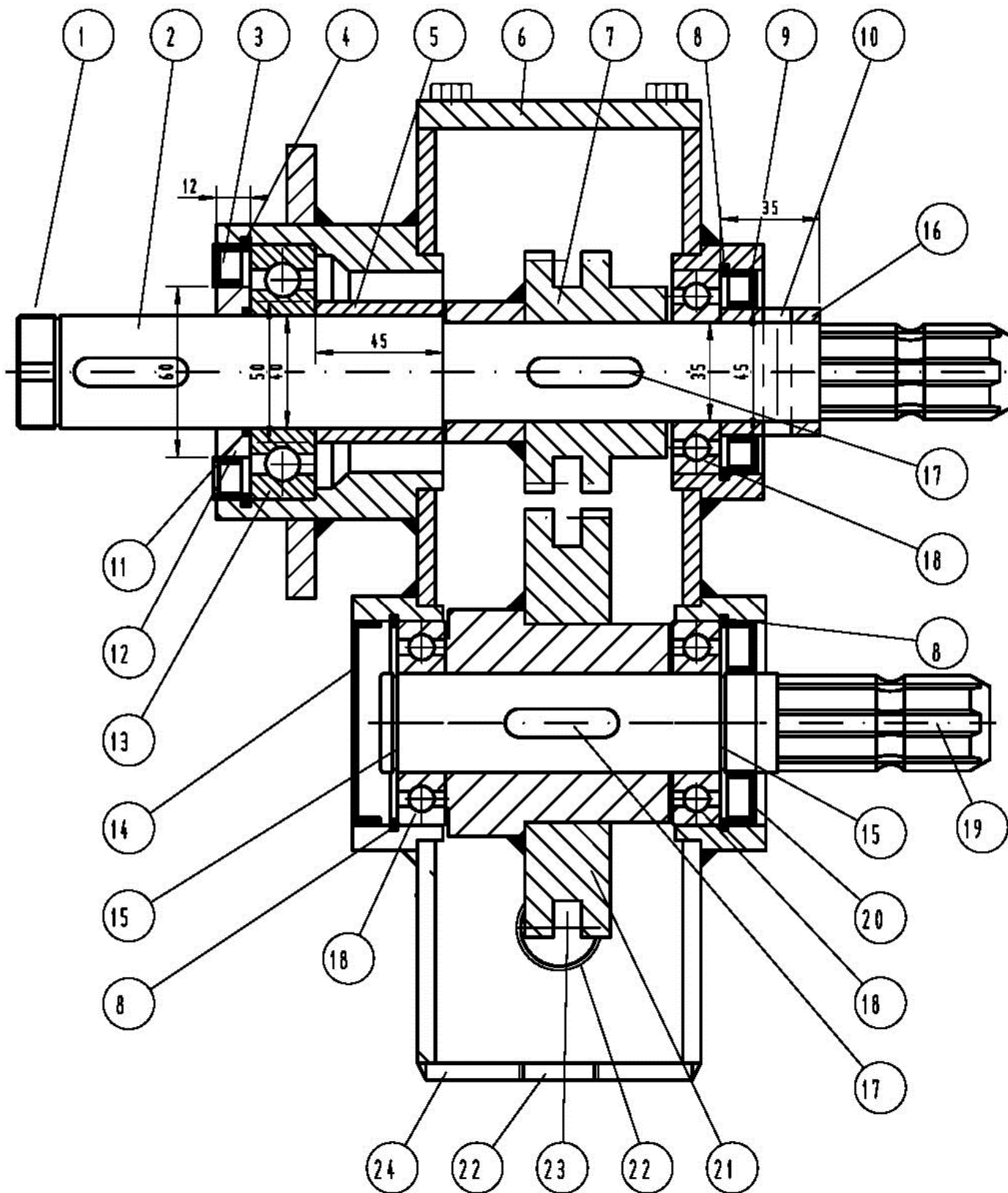
Group KA Headlandgear for SPC 4500-1 spreadunit



Spareparts

| Group | Pos. no. | Item no. | Description |
|-------|----------|----------|--|
| Gb | Gb01 | 01003404 | Nut and lock washer "SKF" for top Ø35 |
| Gb | Gb02 | 02003049 | Inlet axel Ø40 / Ø 35 for 1000 gear on SPC spreadbox |
| Gb | Gb03 | 01016103 | Ring 90 x 60 |
| Gb | Gb04 | 01016253 | Seeger ring 90 i |
| Gb | Gb05 | 02001023 | Distancetube Ø50 / 40 x 45 for 1000 gear on SPC spreadbox |
| Gb | Gb06 | 03003006 | Cover 540-1000 gear box |
| Gb | Gb07 | 02002004 | Chain wheel, small 3/4" D Z13 for 540-1000 gear box |
| Gb | Gb08 | 01016251 | Seeger ring 72 i |
| Gb | gb09 | 01016109 | Simmerring 75 x 45 x 10 |
| Gb | gb10 | 01003505 | Tube split 10*45 |
| Gb | gb11 | 01016459 | O-ring 40 x 3 for 1000 on SPC spreadbox |
| Gb | gb12 | 03002223 | Tightening ring Ø60 / 40 x 12 |
| Gb | gb13 | 01015001 | Bearing 6308 |
| Gb | gb14 | 01016301 | Facing cover 72x10 |
| Gb | gb15 | 01016252 | Seeger ring 35a |
| Gb | gb16 | 02001022 | Lock bushing Ø45 / 35 x 35 for 1000 gear on SPC spreadbox |
| Gb | gb17 | 01003514 | Woodruff key 10 x 40 mm |
| Gb | gb18 | 01015000 | Bearing 6207 |
| Gb | gb19 | 02003006 | Axle " top" for 1000 gear Ø35x215 |
| Gb | gb20 | 01016111 | Simmerring 72 x 35 AOS "double" |
| Gb | gb21 | 02002005 | Chain wheel big for 540-1000 gear 3/4" D |
| Gb | gb22 | 01016302 | Oli level plug 3/4" RG |
| Gb | gb23 | 01017002 | Chain for 540-1000 gear (590 mm long + con or 610 mm without con |
| Gb | gb24 | 02003055 | Axle hollow for OMT motor for 540/1000 Gearbox |
| Gb | gb25 | 03002318 | Adapter piece for OMT/OMS oilmotor for Gear 540/1000 |
| Gb | gb26 | 02003056 | Axle 35/40 mm for 540/1000 Gear |

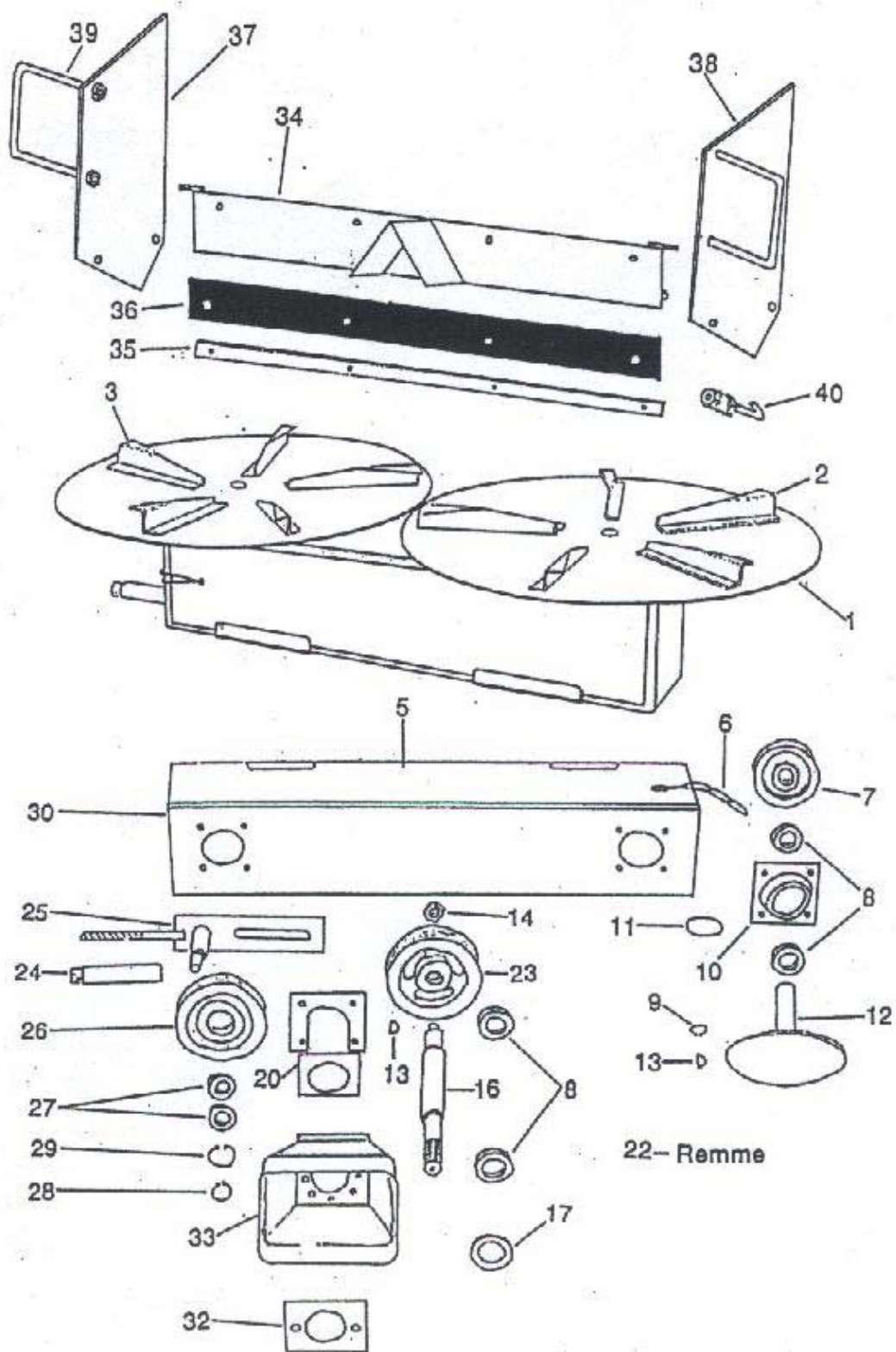
Group Gb 540-1000 gear on SPC box / 540-1000 gear på SPC spredkasse / 540-1000 getriebe am SPC streuwerk



Spareparts

| Group | Pos. no. | Item no. | Description |
|-------|----------|----------|--|
| K6 | K601 | 03015105 | Spread disc 4mm type B50-B100 |
| K6 | K601a | 03015106 | Spread disc rubber coated, right SPB |
| K6 | K601b | 03008696 | Spreaddiscs compl.reinforced for Lime B- |
| K6 | K601c | 03008695 | Spreaddiscs compl. rubber coated for SPB3550 spread box |
| K6 | K602 | 03015008 | Vanes, right reinforced B48-B100. |
| K6 | K603 | 03015009 | Vanes, left reinforce B48-B100 |
| K6 | K604 | 01003006 | Bolt set for spread vane (spread system SPB3550) |
| K6 | K604a | 03015011 | Set of vanes reinforced B50/B80 (10 pcs) for SPB3550 spread unit |
| K6 | K604b | 03015012 | Set of vanes rubbercoated SPB3550 |
| K6 | K605 | 02006152 | Plastic cover SPB3550 spreadunit B48-100 |
| K6 | K606 | 01002102 | Rubberstrap for cover 3 step |
| K6 | K607 | 02007001 | Pulley SPB170-2 for spread discs (SPB3800 v-belt) |
| K6 | K608 | 01015000 | Bearing 6207 |
| K6 | K609 | 01016252 | Seeger ring 35a |
| K6 | K610 | 03002072 | Bearing tube short right SPB3150, SPB355 SPC4500-1 (up to year 2002) |
| K6 | K610a | 03002071 | Bearing tube long left, SPB3150 SPB3550 SPC4500-1 (up to year 2002) |
| K6 | K611 | 01016351 | Piston ring 90*5 |
| K6 | K612 | 03004006 | Top for spreading disc short, left SPB3550/3150 Ø35 x 128 |
| K6 | K612a | 03004007 | Top for spreading disc long, right SPB3550 /3150 Ø35 x 153 |
| K6 | K612b | 03008635 | Top compl.short left B48-B100 |
| K6 | K612c | 03008636 | Top compl. right long B48-B100 SPB3550/3150 Ø35 x 153 mm |
| K6 | K613 | 01003502 | Woodruff key 10mm |
| K6 | K614 | 01003400 | Lock nut 1" WG |
| K6 | K616 | 02003011 | Inlet axle short 260 mm, Ø35 mm for SPB3150 and 3550 |
| K6 | K617 | 02001004 | Tightening ring Ø72 x Ø46 x 8 |
| K6 | K618 | 01003505 | Tube split 10*45 |
| K6 | K619 | 02001003 | Stop ring for inlet axle Ø45xØ35x51 |
| K6 | K620 | 03002075 | Bearing tube short |
| K6 | K620a | 03008253 | Inlet axle compl. short 260 mm B48-100 a B4-B6 (6 not) |
| K6 | K622 | 01010100 | V-belt SPB3550 |
| K6 | K623 | 02007004 | Pulley SPB200-2 center |
| K6 | K624 | 01003403 | Tube nut |
| K6 | K625 | 03002080 | Tigtening fixture ø35 SPB3550 B48-100 an |
| K6 | K626 | 02007006 | Pulley SPB160-2 ø72 hole for tightener |
| K6 | K626a | 03008840 | Tightening fixture compl. SPB3550 |
| K6 | K627 | 01015000 | Bearing 6207 |
| K6 | K628 | 01016252 | Seeger ring 35a |
| K6 | K629 | 01016251 | Seeger ring 72 i |
| K6 | K630a | 03008664 | Spreadbox SPB3550 compl. short inlet B70-B100 w/o spread discs |
| K6 | K632 | 03002117 | Mounting bracket for yellow guard |
| K6 | K633 | 01001300 | Cardan shield (yellow) |
| K6 | K634 | 03007050 | Downshute plate, compl. with beam and ru (for K85, K105 and K125 only) |
| K6 | K634a | 03008825 | Downshute compl. SPB3550, (models K45/K65 only) |
| K6 | K635 | 03007051 | Fixture beam, SPB3550 K45-K105 |
| K6 | K636 | 01010017 | Rubber for downshute SPB3550 spread unit |
| K6 | K637 | 03007052 | Mounting for downshute, left K35-K65 |
| K6 | K637a | 03007053 | Mounting for downshute, left K85/K105 |
| K6 | K638 | 03007054 | Mounting for downshute, right K35-K65 |
| K6 | K638a | 03007055 | Mounting for downshute, right K85/K105 |
| K6 | K6-39 | 02004020 | Bow for bracket on downshute |
| K6 | K640 | 02004029 | Adjusting bolt downshute |
| K6 | K641 | 03003108 | Shield in front of discs L=1400 mm |
| K6 | K642 | 03002146 | Adjustable arm, left for spreadbox SPB 3550 K35-K105 |
| K6 | K642a | 03002147 | Adjustable arm, right spreadbox SPB3550 K35-K105 |

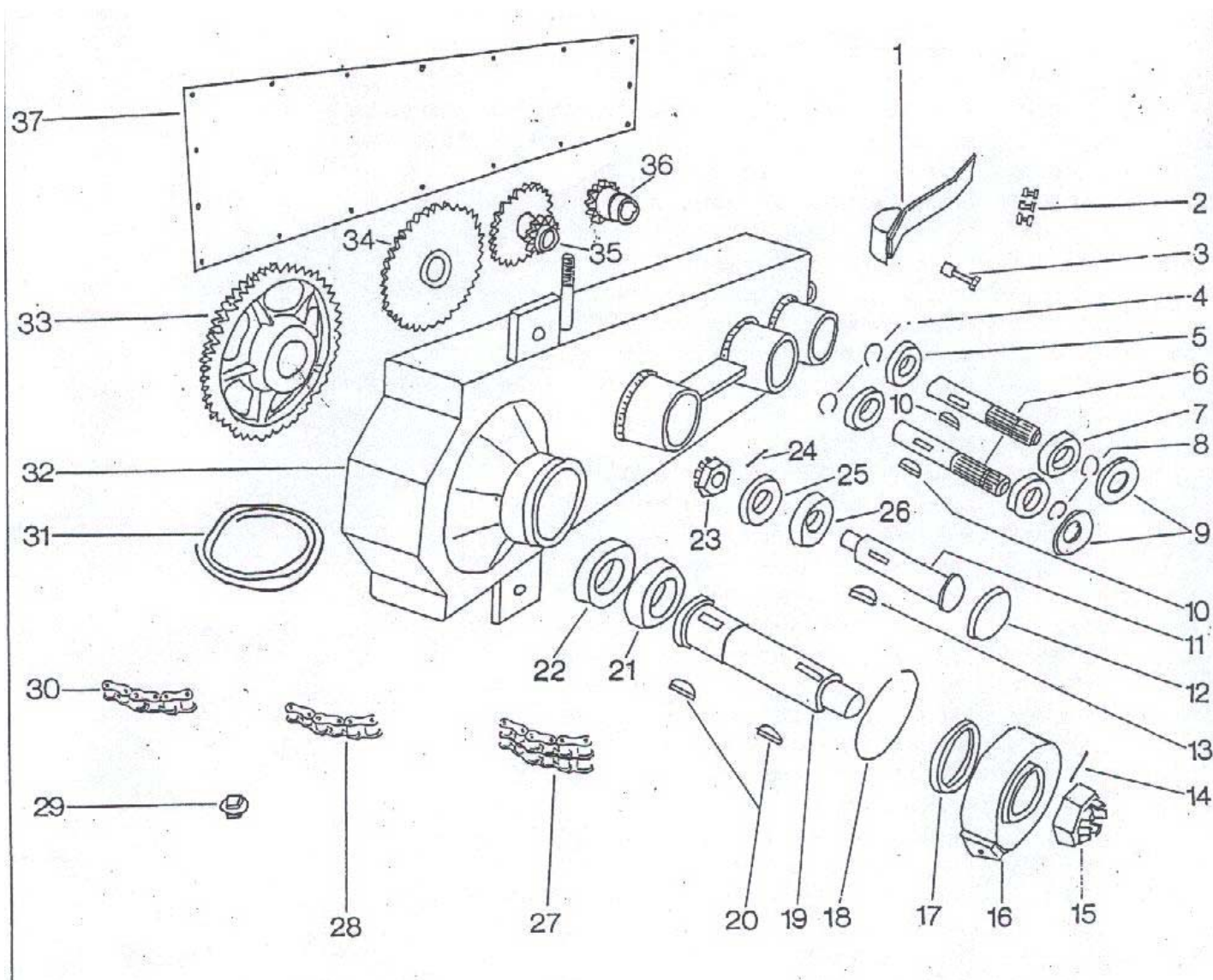
Group K6 Spreadunit SPB3550 / Spredeværk SPB3550 / Streuwerk SPB3550



Spareparts

| Group | Pos. no. | Item no. | Description |
|-------|----------|----------|---|
| K7 | K701 | 03002126 | Bracket and chain tightener for chain on KB2 gear |
| K7 | K701a | 02006301 | Plastic wearing part for chain tightener for KB2 chain gear |
| K7 | K704 | 01016252 | Seeger ring 35a |
| K7 | K705 | 01015000 | Bearing 6207 |
| K7 | K706 | 02003020 | Axle KB2 Ø35x260 |
| K7 | K707 | 01015000 | Bearing 6207 |
| K7 | K708 | 01016252 | Seeger ring 35a |
| K7 | K709 | 01016111 | Simmerring 72 x 35 AOS "double" |
| K7 | K710 | 01003502 | Woodruff key 10mm |
| K7 | K711 | 02003021 | Axle middle KB2 Ø40x174 (w/o ring nut an lock ring) |
| K7 | K712 | 01016305 | Cover 80x10 |
| K7 | K713 | 01003502 | Woodruff key 10mm |
| K7 | K714 | 01003503 | Split 5*50 |
| K7 | K715 | 01003401 | Slotted nut 1" |
| K7 | K715a | 01019404 | Slotted nut for NL75-6 - 1½" UNF, sto |
| K7 | K716 | 03004102 | Coupling for gearbox to rear roller B48/B50 & K45/K65 |
| K7 | K716a | 03004103 | Coupling for gearbox to rear roller B70/B80/K85/K105 |
| K7 | K717 | 01016107 | Simmer ring 80x60x10 for K35-K65 |
| K7 | K717a | 01016108 | Ring 100x75 for K85/K105 |
| K7 | K718 | 01016352 | Piston ring 101*8 |
| K7 | K718a | 01016353 | Piston Ring 125x5 for K85/K105 |
| K7 | K719 | 02003018 | Axle for worm wheel B48/50/K45/65 |
| K7 | K719a | 02003023 | Pulling axle for KB2 chain gear B70/80 & K85/105 Ø55 |
| K7 | K720 | 01003502 | Woodruff key 10mm |
| K7 | K721 | 01015006 | Bearing 30208 |
| K7 | K721a | 01015009 | Bearing 32211 for K85/K105 |
| K7 | K722 | 01015006 | Bearing 30208 |
| K7 | K722a | 01015009 | Bearing 32211 for K85/K105 |
| K7 | K723 | 01003401 | Slotted nut 1" |
| K7 | K724 | 01003503 | Split 5*50 |
| K7 | K725 | 01015006 | Bearing 30208 |
| K7 | K726 | 01015006 | Bearing 30208 |
| K7 | K727 | 01017001 | Chain(l=1048+con)3/4"*7/16D |
| K7 | K727a | 01017007 | Chain (L=1237+sameled)3/4"X7/16"D K85/K105 |
| K7 | K727b | 01017015 | Chain link 3/4" x 7/16 D for KB2 gear |
| K7 | K728 | 01017008 | Chain (L=1010+sameled)3/4"X7/16"S |
| K7 | K728a | 01017016 | Chain "link" 3/4" x 7/16 S for KB2 gear |
| K7 | K729 | 01016302 | Oli level plug 3/4" RG |
| K7 | K730 | 01017000 | Chain(l=585+junction)3/4"*7/16S |
| K7 | K731 | 01016453 | Jointing cord for 2 gear chain gear B48/B50-K45/K65 |
| K7 | K732 | 03001026 | Gear housing for 2 gear chain gear B48/B50-K35-K65 |
| K7 | K732a | 03001027 | Gear housing for 2 gear chain gear B70/B80, K75/K85/K105 |
| K7 | K733 | 02002014 | Chain wheel 35 Dublex 3/4" Z B48/B50 & K35-K65. |
| K7 | K733a | 02002015 | Chain wheel 45 duplex 3/4" Z B70/B80/B100 |
| K7 | K734 | 02002016 | Chain wheel 14D 35S 3/4" Z B48/B50, K35-K65 |
| K7 | K734a | 02002017 | Chain wheel 13D 35S 3/4" Z B80/B100, K85-K105 |
| K7 | K735 | 02002001 | Chain wheel 3/4" Z 12 s x Z 24 s |
| K7 | K736 | 02002021 | Chain wheel 12 S, 3/4" |
| K7 | K737 | 03003055 | Cover for 2 gear chain gear B48/B50, K35-K65 |
| K7 | K737a | 03003056 | Cover for 2 gear chain gear B70/B80, K85/K105 |
| K7 | K738 | 03003005 | Shield, iron for 540-1000 gear box and KB2 gear |
| K7 | K738a | 03003250 | Schild for KB3 gearbox K versions |
| K7 | K739 | 03008010 | Gear compl. KB2 B48/B50, K35-K65 |
| K7 | K739a | 03008043 | Gear compl. KB3 B48/B50, K35-K65 |
| K7 | K740 | 03008011 | Gear compl. KB2 B70/B80, K85/K105 |
| K7 | K741 | 03008483 | Gear compl. KB3 for K75/K85/K105/K115 |

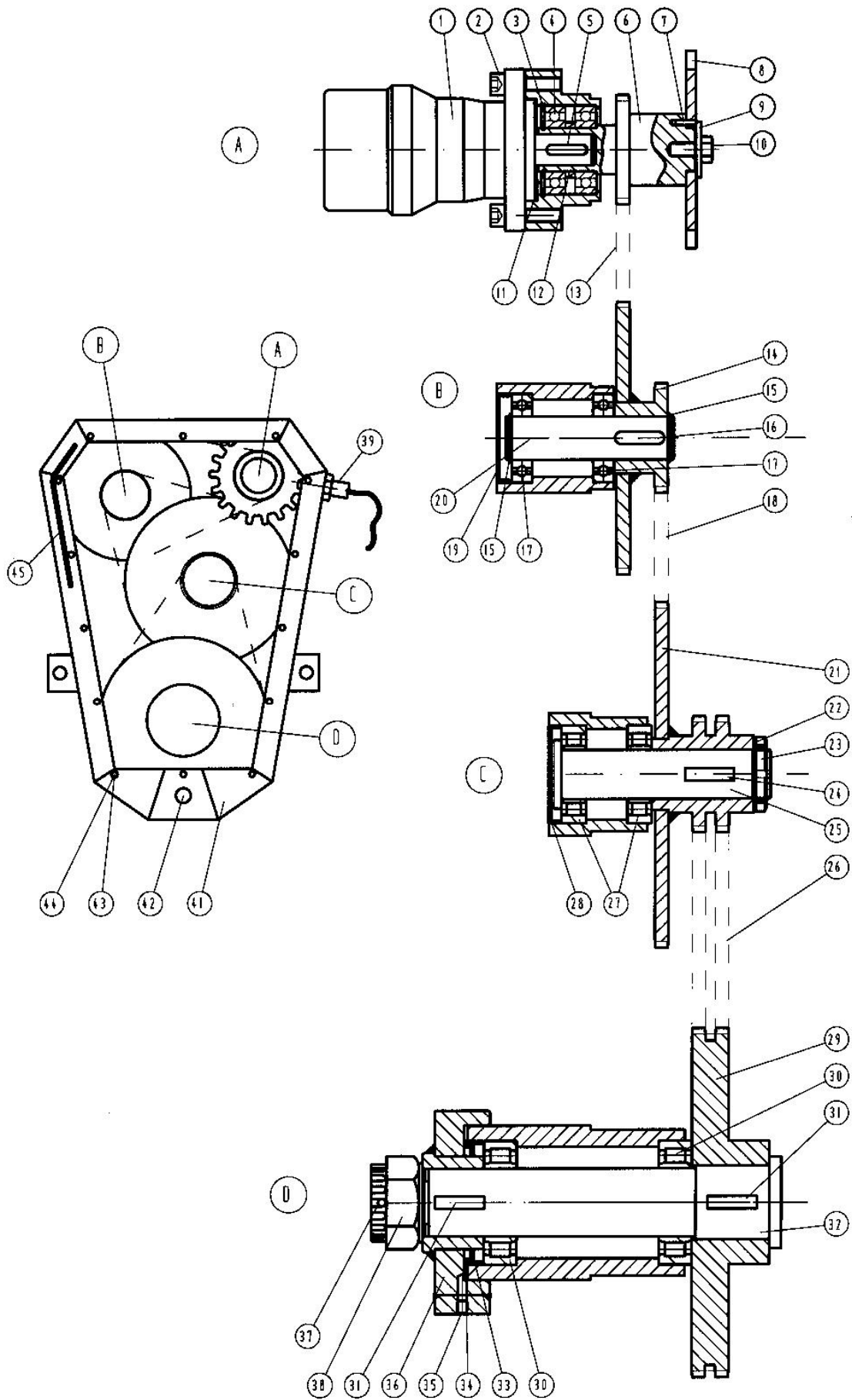
Group K7 KB2 gearbox / 2 gears kædegear for båndtræk / KB2 getriebe



Spareparts

| Group | Pos. no. | Item no. | Description |
|-------|----------|----------|---|
| G | g01 | 01012222 | Oilmotor OMP 80 (max 775 rpm) |
| G | g02 | 01003022 | Unbraco bolt M12 x 40 for KE gearbox |
| G | g03 | 01016251 | Seeger ring 72 i |
| G | g04 | 01015000 | Bearing 6207 |
| G | g05 | 01003516 | Woodruff key 8 x 32 for KE gearbox |
| G | g06 | 02002028 | Chain wheel 3/4" Z13 S for KE gearbox |
| G | g07 | 01003515 | Pin Ø4 for KE gearbox |
| G | g08 | 03004055 | Ring, for sensor Ø160 Z18 for KE gearbox and oilmotor |
| G | g09 | 02001020 | Tightening washer Ø50 x 12 x 16 for KE-gearbox |
| G | g10 | 01003021 | Screw M12 x 20 for KE gearbox |
| G | g11 | 01016252 | Seeger ring 35a |
| G | g12 | 02001019 | Distance ring Ø45 x Ø35 x 8 for KE gearb |
| G | g13 | 02002027 | Chain 3/4" S (47 + con) |
| G | g14 | 02002026 | Chain wheel 3/4" Z35 - Z13 S for KE gearbox |
| G | g15 | 01016252 | Seeger ring 35a |
| G | g16 | 01003514 | Woodruff key 10 x 40 mm |
| G | g17 | 01015000 | Bearing 6207 |
| G | g18 | 02002025 | Chain 3/4" S (51 link + con) KE gearbox |
| G | g19 | 01016301 | Facing cover 72x10 |
| G | g20 | 02003046 | Axel Ø35 x 137 for KE gearbox |
| G | g21 | 02002024 | Chain wheel 3/4" Z45 S - Z14 D for KE gearbox |
| G | g22 | 01003413 | Lock part KM8 for SKF nut |
| G | g23 | 01003412 | Nut SKF KM8 Ø40 with lock |
| G | g24 | 01003502 | Woodruff key 10mm |
| G | g25 | 02003045 | Axel Ø40 x 174 for KE gearbox |
| G | g26 | 02002023 | Chain 3/4" D (55 link + con) for KE gear |
| G | g27 | 01015006 | Bearing 30208 |
| G | g28 | 01016305 | Cover 80x10 |
| G | g29 | 02002022 | Chain wheel 3/4" Z 45D for KE gearbox |
| G | g30 | 01015009 | Bearing 32211 for K85/K105 |
| G | g31 | 01003502 | Woodruff key 10mm |
| G | g32 | 02003044 | Axel Ø55/60 for coupling on KE gearbox |
| G | g33 | 01016108 | Ring 100x75 for K85/K105 |
| G | g34 | 01016353 | Piston Ring 125x5 for K85/K105 |
| G | g35 | 01018001 | Greasing nipple 1/8 |
| G | g36 | 03004103 | Coupling for gearbox to rear roller B70/B80/K85/K105 |
| G | g37 | 01003503 | Split 5*50 |
| G | g38 | 01019404 | Slotted nut for NL75-6 - 1½" UNF, sto |
| G | g39 | 01023066 | Sensor, Gavacci with 10 meter cabel (sensor fit into plastic) |
| G | g41 | 03008038 | Gear "KE" kompl. for K85/K105/K125 |
| G | g42 | 01016302 | Oli level plug 3/4" RG |
| G | g43 | 01003020 | Screw 1. set M8 x 20 (14 pc) for cover on KE gearbox |
| G | g44 | 01016458 | Kobberring 14 x 9 x 1 1 set (14 pc.) |
| G | g45 | 01016015 | Tightening Ø4 round string |
| G | G46 | 01018013 | Greasing nipples M6 (for KE-gear) |

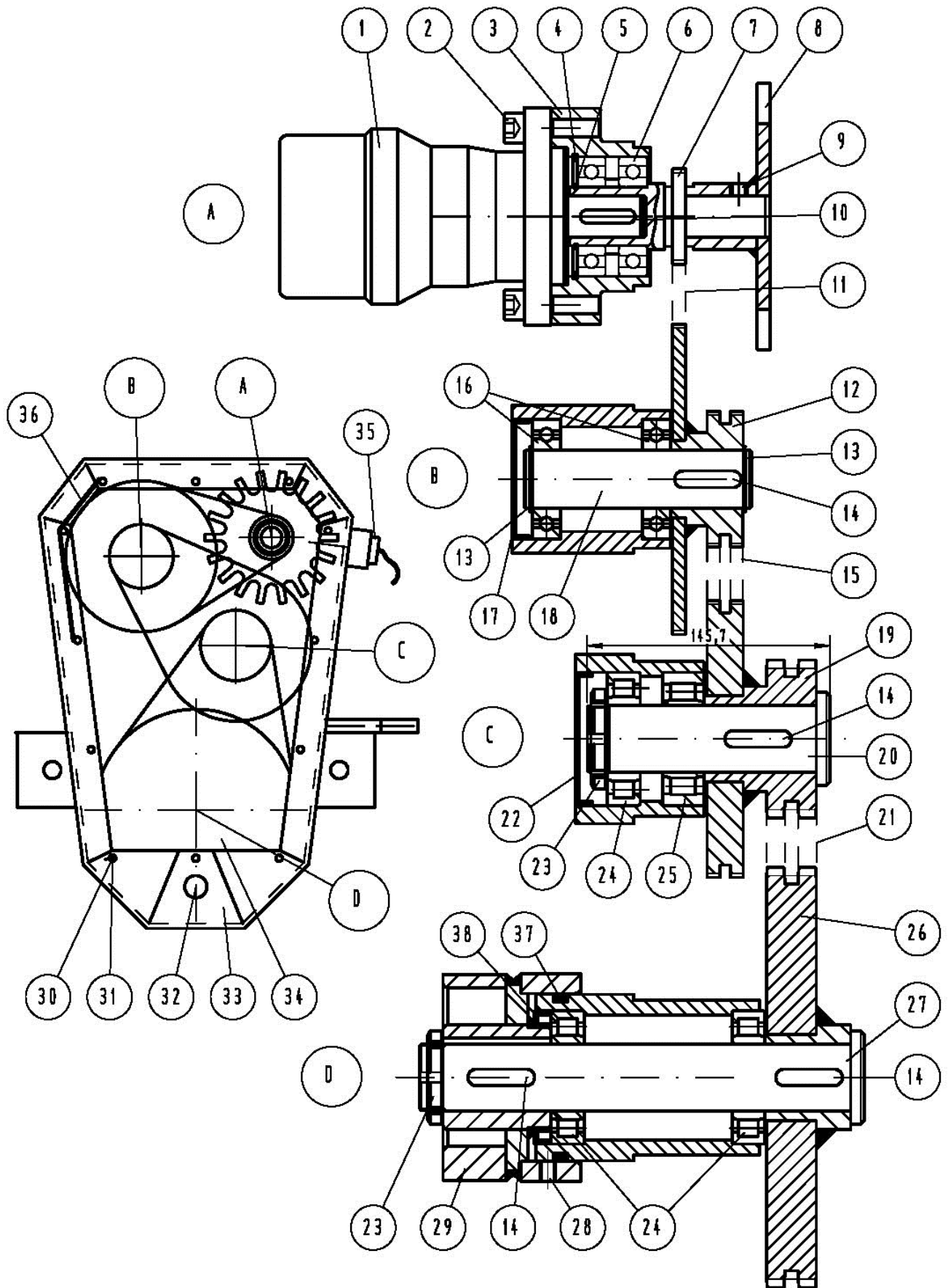
Group G KE gear K85 / K105 / K125



Spareparts

| Group | Pos. no. | Item no. | Description |
|-------|----------|----------|---|
| Ga | Ga01 | 01012222 | Oilmotor OMP 80 (max 775 rpm) |
| Ga | Ga02 | 01003022 | Unbraco bolt M12 x 40 for KE gearbox |
| Ga | Ga03 | 01003516 | Woodruff key 8 x 32 for KE gearbox |
| Ga | Ga04 | 01016251 | Seeger ring 72 i |
| Ga | Ga05 | 01016252 | Seeger ring 35a |
| Ga | Ga06 | 01015000 | Bearing 6207 |
| Ga | Ga07 | 02002037 | Chain wheel 1/2" Z 13 S |
| Ga | Ga08 | 03004055 | Ring, for sensor Ø160 Z18 for KE gearbox and oilmotor |
| Ga | Ga09 | 01003525 | Stop bolt M10 x 8 |
| Ga | Ga10 | 02001019 | Distance ring Ø45 x Ø35 x 8 for KE gearb |
| Ga | Ga11 | 02002036 | Chain 1/2" S (55 link + con) |
| Ga | Ga12 | 02002035 | Chain wheel 1/2" Z45 S / 1/2" Z 19 D |
| Ga | Ga13 | 01016252 | Seeger ring 35a |
| Ga | Ga14 | 01003502 | Woodruff key 10mm |
| Ga | Ga15 | 02002034 | Chain 1/2" D (57 link + con) |
| Ga | Ga16 | 01015000 | Bearing 6207 |
| Ga | Ga17 | 01016301 | Facing cover 72x10 |
| Ga | Ga18 | 02003046 | Axel Ø35 x 137 for KE gearbox |
| Ga | Ga19 | 02002033 | Chain wheel 1/2" Z 45 D 3/4" Z14 D |
| Ga | Ga20 | 03002222 | Axel Ø40 x 146 |
| Ga | Ga21 | 02002032 | Chain 3/4" D (49 link + con) |
| Ga | Ga22 | 01016305 | Cover 80x10 |
| Ga | Ga23 | 01003412 | Nut SKF KM8 Ø40 with lock |
| Ga | Ga24 | 01015006 | Bearing 30208 |
| Ga | Ga25 | 01015014 | Bearing 32208 |
| Ga | Ga26 | 02002031 | Chain wheel 3/4" Z 40 D (KE-gear K40-K65 |
| Ga | Ga27 | 02003022 | Pulling axle for KE chaingear B48/50 & K45/K65 - Ø40 |
| Ga | Ga28 | 01018001 | Greasing nipple 1/8 |
| Ga | Ga29 | 03004102 | Coupling for gearbox to rear roller B48/B50 & K45/K65 |
| Ga | Ga30 | 01003020 | Screw 1. set M8 x 20 (14 pc) for cover on KE gearbox |
| Ga | Ga31 | 01016458 | Kobberring 14 x 9 x 1 1 set (14 pc.) |
| Ga | Ga32 | 01016302 | Oli level plug 3/4" RG |
| Ga | Ga35 | 01023066 | Sensor, Gavacci with 10 meter cabel (sensor fit into plastic) |
| Ga | Ga36 | 01016015 | Tightening Ø4 round string |
| Ga | Ga37 | 01016352 | Piston ring 101*8 |
| Ga | Ga38 | 01016107 | Simmer ring 80x60x10 for K35-K65 |
| Ga | Ga39 | 03008041 | Gear "KE" compl. for K40-K65 |

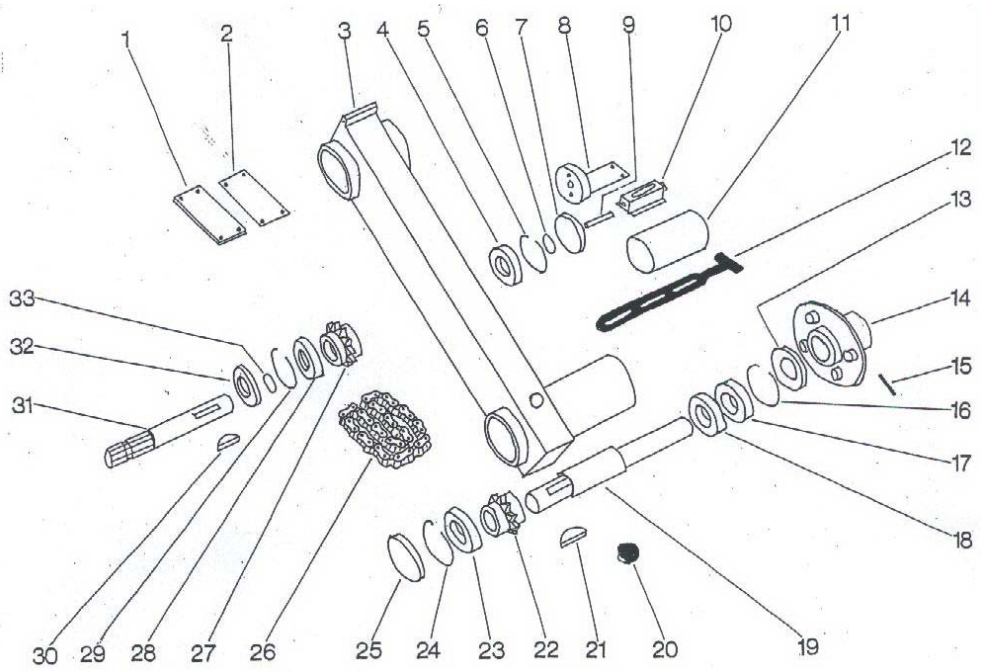
Group Ga KE gear K40 / K45 / K65



Spareparts

| Group | Pos. no. | Item no. | Description |
|-------|----------|----------|---|
| K8 | K801 | 03003000 | Cover for gearhousing |
| K8 | K802 | 01016000 | Gasket for dose wheel gear |
| K8 | K803 | 03001000 | Gear housing for chain gear 602 |
| K8 | K804 | 01015000 | Bearing 6207 |
| K8 | K805 | 01016251 | Seeger ring 72 i |
| K8 | K806 | 01016252 | Seeger ring 35a |
| K8 | K807 | 01016301 | Facing cover 72x10 |
| K8 | K808 | 03002013 | Console for counter |
| K8 | K809 | 02006312 | Tube part and plastic part for counter |
| K8 | K810 | 01014000 | Counter |
| K8 | K811 | 03003001 | Cover for counter |
| K8 | K812 | 01002102 | Rubberstrap for cover 3 step |
| K8 | K813 | 01016111 | Simmerring 72 x 35 AOS "double" |
| K8 | K814 | 03004000 | Hub for dose wheel |
| K8 | K814a | 01003588 | Bolt set, hub for dose wheel M12 x 35 (4 pcs) incl. Konic washer |
| K8 | K815 | 01003501 | Tube split 13*55 |
| K8 | K816 | 01016251 | Seeger ring 72 i |
| K8 | K817 | 01015000 | Bearing 6207 |
| K8 | K818 | 01015000 | Bearing 6207 |
| K8 | K819 | 02003000 | Axle for hub (cagewheel) Ø35x290 |
| K8 | K820 | 01016302 | Oli level plug 3/4" RG |
| K8 | K821 | 01003514 | Woodruff key 10 x 40 mm |
| K8 | K821a | 02002000 | Chain wheel 3/4" z 12S |
| K8 | K823 | 01015000 | Bearing 6207 |
| K8 | K824 | 01016251 | Seeger ring 72 i |
| K8 | K825 | 01016301 | Facing cover 72x10 |
| K8 | K826a | 01017010 | Chain (dist.=1390 - chaingear 716 mm) 3/4"X7/16"S (inform gear lenght) |
| K8 | k826b | 01017009 | Chain (dist. 1200 - chaingear 602 mm) 3/4" x 7/16" S (inform gear lenght) |
| K8 | K826c | 01017011 | Chain (dist. 1924) 3/4" x 7/16" S for chain gear 962 mm |
| K8 | K827 | 02002000 | Chain wheel 3/4" z 12S |
| K8 | K828 | 01015000 | Bearing 6207 |
| K8 | K829 | 01016251 | Seeger ring 72 i |
| K8 | K830 | 01003502 | Woodruff key 10mm |
| K8 | K831 | 02003001 | Axle 6 nut for KB2, Ø35x215 with ø13 mm |
| K8 | K832 | 01016111 | Simmerring 72 x 35 AOS "double" |
| K8 | K833 | 01016252 | Seeger ring 35a |
| K8 | K836 | 03004051 | Cagewheel 4 bar |
| K8 | K836a | 03004052 | Cage wheel 6 bar |
| K8 | K837a | 03008013 | Complete chain gear |

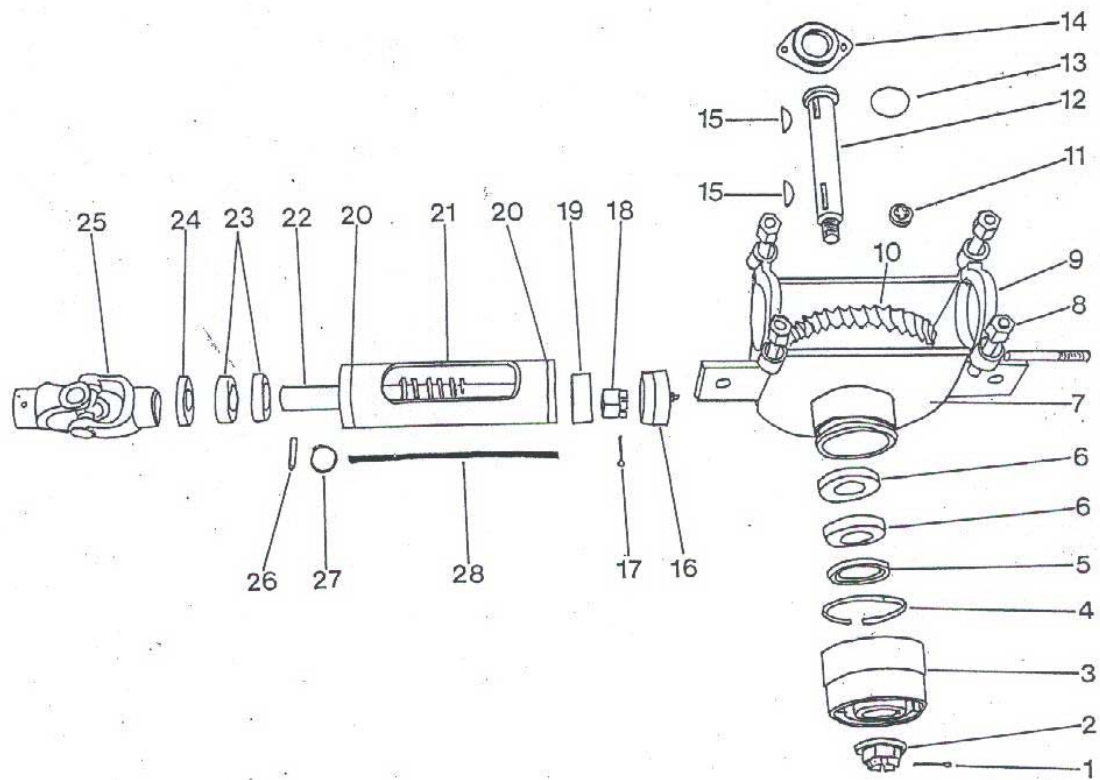
Group K8 Chain gear for cage wheel backup / Kædegear for doseringshjul /
Getriebe für dosierrad



Spareparts

| Group | Pos. no. | Item no. | Description |
|-------|----------|----------|---|
| K9 | K901 | 01003503 | Split 5*50 |
| K9 | K902 | 01003401 | Slotted nut 1" |
| K9 | K903 | 03004102 | Coupling for gearbox to rear roller B48/B50 & K45/K65 |
| K9 | K904 | 01016352 | Piston ring 101*8 |
| K9 | K905 | 01016107 | Simmer ring 80x60x10 for K35-K65 |
| K9 | K906 | 01015006 | Bearing 30208 |
| K9 | K907 | 03001060 | Gear housing for worm gear B48/B50, K35-K65 |
| K9 | K908 | 01003406 | Nut for bow on worm tube |
| K9 | K909 | 02004022 | Bow for worm tube B48/50,K65 |
| K9 | K910 | 02002010 | Worm wheel B48/50 K45/65 |
| K9 | K911 | 01016302 | Oli level plug 3/4" RG |
| K9 | K912 | 02003018 | Axle for worm wheel B48/50/K45/65 |
| K9 | K913 | 01016451 | O ring 50x3 |
| K9 | K914 | 03003051 | Cover for worm gear B48/B50, K35-K65 |
| K9 | K915 | 01003502 | Woodruff key 10mm |
| K9 | K916 | 03003053 | Lid for worm gear B48/B50, K35-K65 |
| K9 | K917 | 01003503 | Split 5*50 |
| K9 | K918 | 01003401 | Slotted nut 1" |
| K9 | K919 | 01015007 | Bearing 3207 |
| K9 | K920 | 01016451 | O ring 50x3 |
| K9 | K921 | 02001008 | Worm tube B48/B50, K45/K65 |
| K9 | K922 | 02002012 | Worm B48/50 K45/65 |
| K9 | K922a | 02003050 | Worm (for hydr. drive) B48/B50, K45/K65 |
| K9 | K923 | 01015000 | Bearing 6207 |
| K9 | K924 | 02001010 | Tighening ring for worm B48/B50, K35-K65 |
| K9 | K925 | 01001220 | Joint w/o free wheeling for worm gear |
| K9 | K926 | 01003500 | Tube spilt 13*65 |
| K9 | K927 | 01016252 | Seeger ring 35a |
| K9 | K928 | 02006002 | Tightening |
| K9 | K929 | 03008008 | Worm gear compl. K45/65/B48/50 |

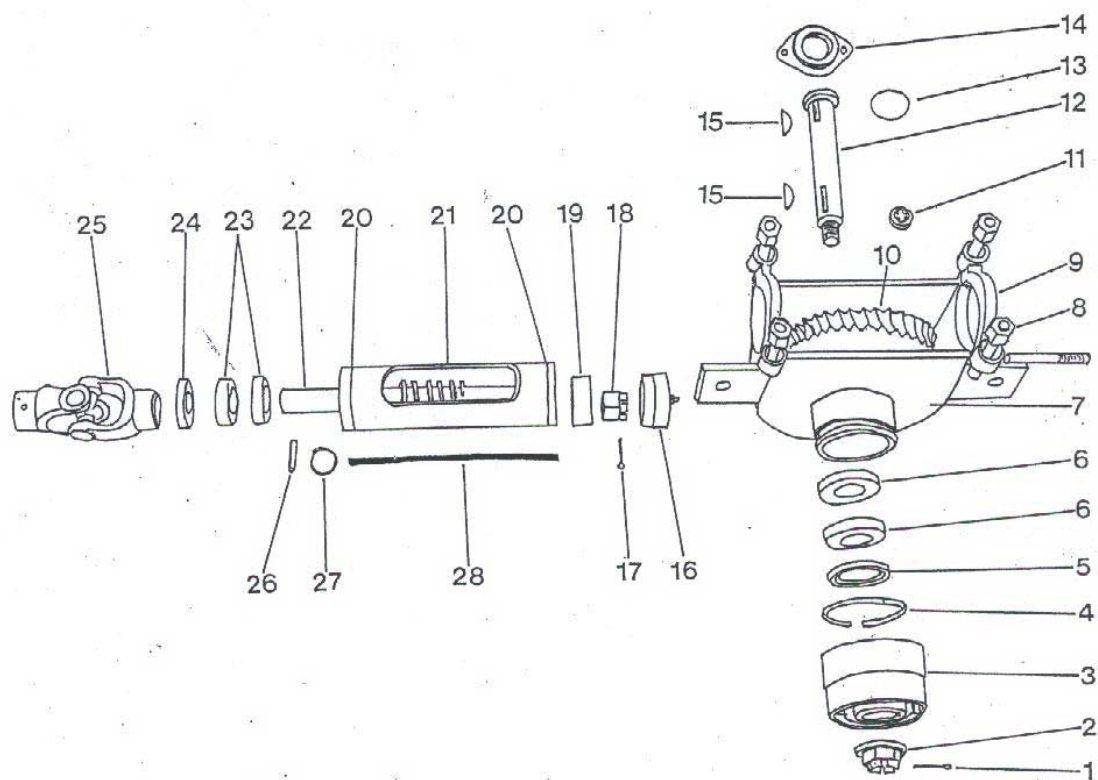
Group K9 Wormgear K40-K65 / Snekketræk K40-K65 / Schneckegetriebe



Spareparts

| Group | Pos. no. | Item no. | Description |
|-------|----------|----------|--|
| K91 | K9101 | 01003503 | Split 5*50 |
| K91 | K9102 | 01019404 | Slotted nut for NL75-6 - 1½" UNF, sto |
| K91 | K9103 | 03004103 | Coupling for gearbox to rear roller B70/B80/K85/K105 |
| K91 | K9104 | 01016353 | Piston Ring 125x5 for K85/K105 |
| K91 | K9105 | 01016108 | Ring 100x75 for K85/K105 |
| K91 | K9106 | 01019106 | Ball Bearing 32211 for Salati/8, NL 75/6 |
| K91 | K9107 | 03001061 | Gear housing for worm gear B70/B80, K85/K105 |
| K91 | K9108 | 01003406 | Nut for bow on worm tube |
| K91 | K9109 | 02004023 | Bow for worm tube B70-100,K85 |
| K91 | K9110 | 02002011 | Worm wheel B70/80 K85 without hub |
| K91 | K9110a | 03006017 | Hub for worm gear B70/B80, K85/K105 inkl. bolte and lock nut |
| K91 | K9111 | 01016302 | Oli level plug 3/4" RG |
| K91 | K9112 | 02003019 | Axle worm wheel B70/80/100,K85/105 |
| K91 | K9113 | 01016452 | O ring 70x3 . |
| K91 | K9114 | 03003052 | Cover for wormgear B70/B80, K85/K105 |
| K91 | K9115 | 01003502 | Woodruff key 10mm |
| K91 | K9116 | 03003054 | Lid for wormgear B70/B80, K85/K105 |
| K91 | K9117 | 01003503 | Split 5*50 |
| K91 | K9118 | 01003401 | Slotted nut 1" |
| K91 | K9119 | 01015008 | Bearing 3308 |
| K91 | K9120 | 01016451 | O ring 50x3 |
| K91 | K9121 | 02001009 | Worm tube B70/B80, K85/K105 |
| K91 | K9122 | 02002013 | Worm B70/80 K85 |
| K91 | K9123 | 01015001 | Bearing 6308 |
| K91 | K9124 | 02001011 | Tighening ring for worm B70/B80, K85/K105 |
| K91 | K9125 | 01001220 | Joint w/o free wheeling for worm gear |
| K91 | K9126 | 01003500 | Tube spilt 13*65 |
| K91 | K9127 | 01016256 | Circlip Ø40a |
| K91 | K9128 | 02006003 | Tightening |
| K91 | K9129 | 03008009 | Worm gear - complete B70/B80/100 & K85/K105 |

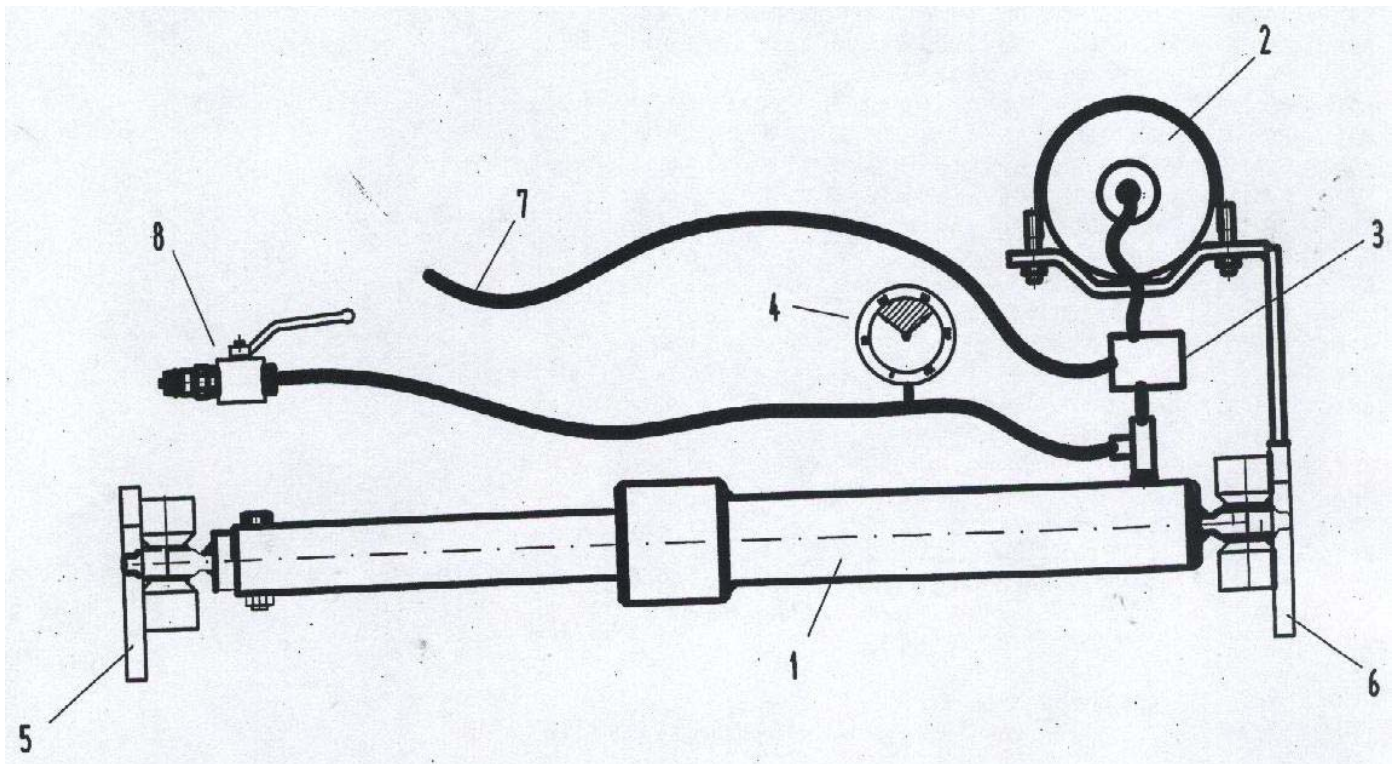
Group K91 Wormgear K85-K125 / Snekketræk K85-K125 / Schneckegetriebe



Spareparts

| Group | Pos. no. | Item no. | Description |
|-------|----------|----------|---|
| K10 | K1001 | 03008305 | Cylinder Ø60 for weight transfer system K85/K105 |
| K10 | K1002 | 03002148 | Extension for cylinder K85/K105 |
| K10 | K1003 | 01012401 | Accumulator 5 ltr. K85/K105 |
| K10 | K1004 | 01012253 | High pressure release valve K65/K85/K10 |
| K10 | K1005 | 01012421 | Manometer for weight transfer system |
| K10 | K1006 | 01012155 | Hose, pressure side ½" K65/K85/K105 with ball vale |
| K10 | K1007 | 01012156 | Hose, return K65/K85/K105 |
| K10 | K1008 | 01016005 | Gasket set Ø60 for cylinder, weight tran system K85/K105 |
| K10 | K1009 | 02004030 | Pin for cylinder, weight transfer system |
| K10 | K1010 | 01015100 | Joint for cylinder, weight transfer syst (GEG 30ES-2RS Ø50) |
| K10 | K1011 | 03008881 | Weight transfer system for K85/105 for existing machine |
| K10 | K1012 | 03002190 | Collar between cylinder and extension pi weight transfer kit K85/K105 |
| K10 | K1013 | 03005023 | Cylinderpipe for weight transfer kit K85 |
| K10 | K1021 | 03008306 | Cylinder Ø50 for weight transfer system K65 |
| K10 | K1022 | 03002149 | Extension for cylinder K65 |
| K10 | K1023 | 01012402 | Accumulator 2,5 ltr. K65 |
| K10 | K1024 | 01012253 | High pressure release valve K65/K85/K10 |
| K10 | K1025 | 01012421 | Manometer for weight transfer system |
| K10 | K1026 | 01012155 | Hose, pressure side ½" K65/K85/K105 with ball vale |
| K10 | K1027 | 01012156 | Hose, return K65/K85/K105 |
| K10 | K1028 | 01016006 | Gasket set Ø50 for cylinder, weight tran system K65 |
| K10 | K1028a | 03002191 | Collar between cylinder and extension pi weight transfer kit K85/K105 |
| K10 | K1029 | 02004030 | Pin for cylinder, weight transfer system |
| K10 | K1030 | 01015100 | Joint for cylinder, weight transfer syst (GEG 30ES-2RS Ø50) |
| K10 | K1030a | 02004047 | |
| K10 | K1032 | 03002169 | Mounting bracket, tractor. weight transfer system |

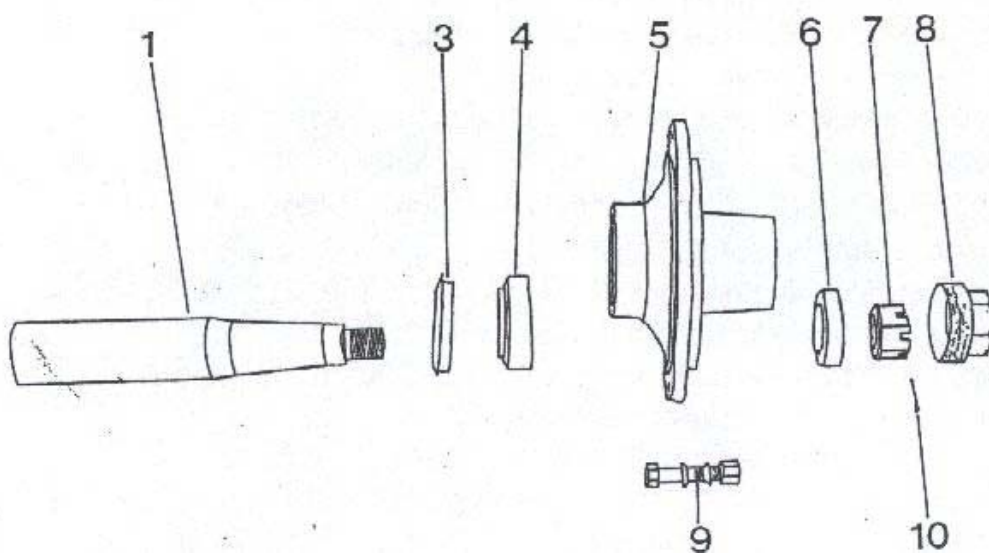
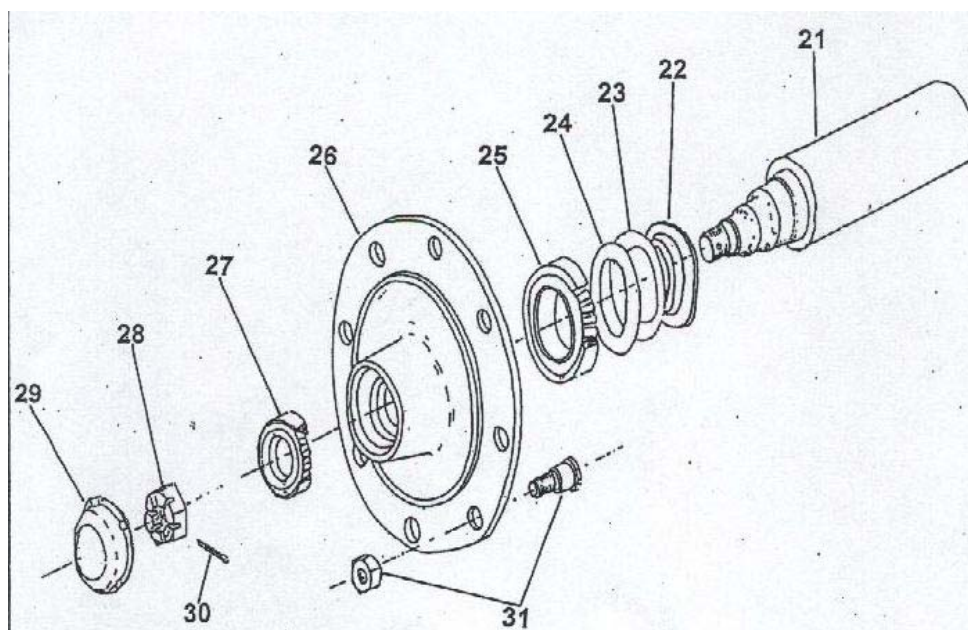
Group K10 Weight transfer kit / Vægtoverføring /



Spareparts

| Group | Pos. no. | Item no. | Description |
|-------|----------|----------|--|
| K12 | K1203a | 01019056 | Plastic ring for tightening for HDL 65-8 (Ø 105x139) |
| K12 | K1204 | 01019103 | Bearing 33215 for HDL75/8 ore Peitz (12 w/o brakes |
| K12 | K1206 | 01019104 | Bearing 32310 for HDL75/8 ore Peitz 12 t |
| K12 | K1207 | 01019403 | Slotted nut Peitz 12 w/o brakes |
| K12 | K1208 | 01019434 | Hub cab Ø 115 Peitz 12 ton |
| K12 | K1209 | 01019204 | Hub bolt complete Peitz 12 tons w/o brak |
| K12 | K1210 | 01019462 | Split for HDL75/8 ore Peitz 12 tons |

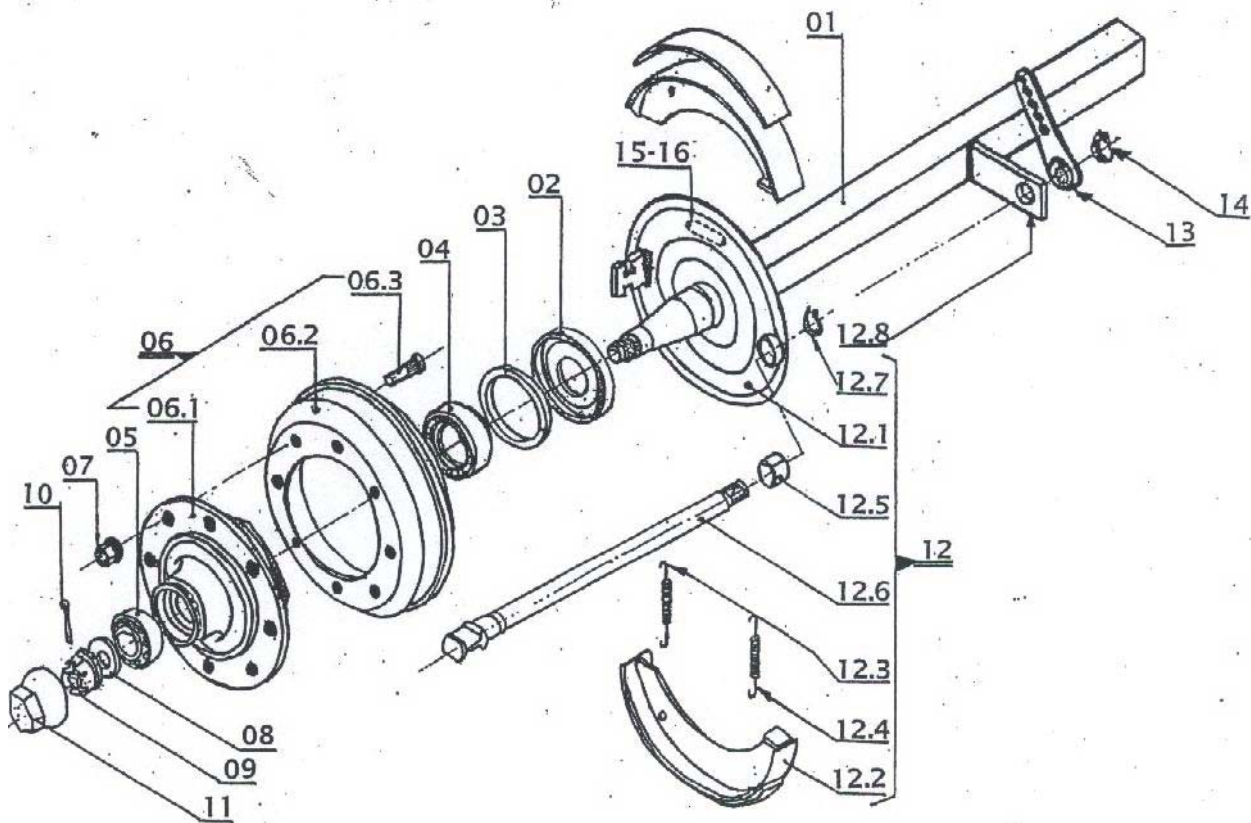
Group K12 Hub without brakes / Nav uden bremser / Nabe ohnen bremsen (nicht für Deutschland)



Spareparts

| Group | Pos. no. | Item no. | Description |
|-------|----------|----------|---|
| EB8 | EB8-03 | 01019060 | Felt seals for E.B. hub (8 stud or 10 st |
| EB8 | EB8-04 | 01019107 | Bearing 32216 for E.B. 8 tons and ADR 8 holes hub |
| EB8 | EB8-05 | 01019108 | Bearing 32212 for E.B. 8 tons and ADR 9 |
| EB8 | EB8-06 | 01019156 | Hub E.B 8 tons with brakes |
| EB8 | EB8-06a | 01019303 | Brake drum EB/8 |
| EB8 | EB8-06b | 01019206 | Hub bolt for EB8t w. brakes |
| EB8 | EB8-07 | 01019209 | Nut incl. cone E.B. 8 tons |
| EB8 | EB809 | 01019405 | Slotted nut E.B. 8 tons M48 x 2 |
| EB8 | EB811 | 01019436 | Hub cap E.B. 8 tons Ø132 screw on |
| EB8 | EB8123 | 01019087 | Spring "small" E.B. 8 stud hub L=125 mm Ø 14 mm |
| EB8 | EB8-124 | 01019088 | Spring "large" for EB8 |
| EB8 | EB812a | 01019301 | Brake shoes 1 set for EB8t stub axles with spring |
| EB8 | EB813 | 01019362 | Brake leaver for E.B. 8 holes hub (with 5 holes - not adjustable) |
| EB8 | EB813a | 01019363 | Brake leaver for E.B. 8 holes hub **adjustable** |
| EB8 | EB817 | 01019525 | Stub axle compl. E.B. 8 tons, with brake |
| EB8 | EB818 | 01019475 | Brake Cylinder Ø 30 mm with 220 mm cylinder house (from 1/2 2002) |
| EB8 | EB8-2 | 01019059 | Sealing/cover for EB 8 |

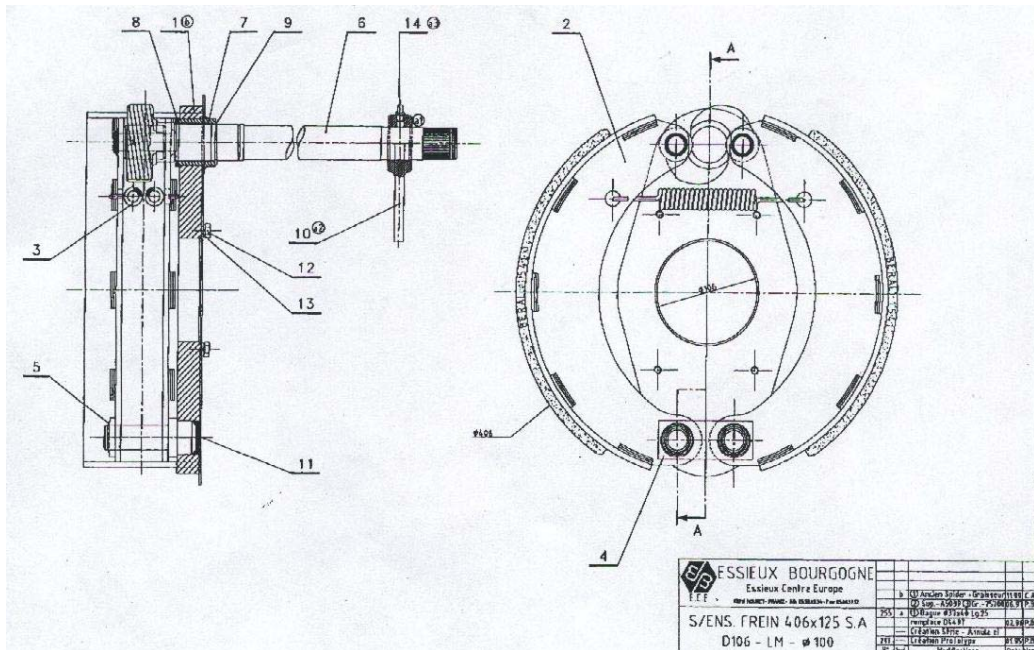
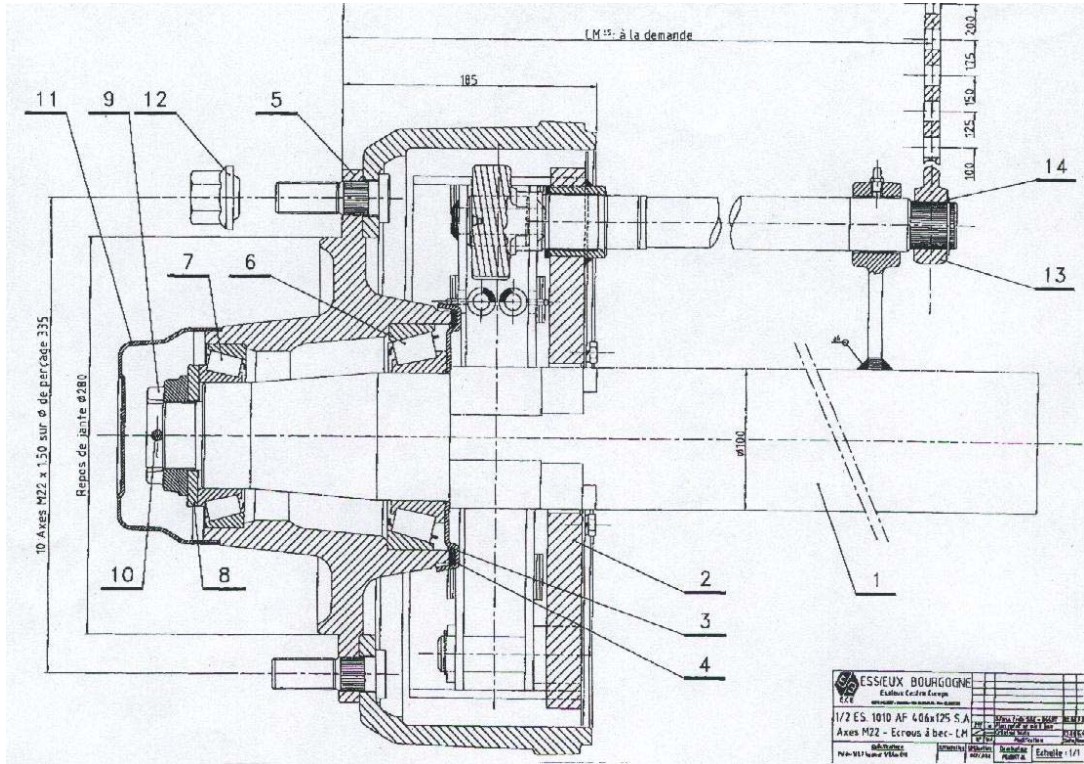
Group EB8 E.B. Hub with brakes K40-K65 (årg. 97-02) / E.B. Bremsnav K40-K65
(årg. 97-02)



Spareparts

| Group | Pos. no. | Item no. | Description |
|-------|----------|----------|--|
| EB10 | EB1006 | 01019109 | Bearing 33021 E.B. 12 tons, only for K125 |
| EB10 | EB1007 | 01019110 | Bearing 33017 E.B. 12 tons, only for K125 |
| EB10 | EB1007a | 01019105 | Ball Bearing 32215 for Salati/8, NL 75/6 E.B. 10 tons 10 stub hub and ADR |
| EB10 | EB1007b | 01019114 | Bearing 32218 for E.B. 10 tons hub only for K85/K105 |
| EB10 | EB1009 | 01019406 | Slotted nut E.B. 12 tons M48 x 2 |
| EB10 | EB1012 | 01019208 | Nut E.B. 12 tons |
| EB10 | EB1019 | 01019207 | Hub stud compl. with nut for EB12t stub axle (10 stud) M22 x M2 |
| EB10 | EB1020 | 01019484 | Spring for E.B. 12 tons |
| EB10 | EB1021 | 01019475 | Brake Cylinder Ø 30 mm with 220 mm cylinder house (from 1/2 2002) |
| EB10 | EB1021a | 01019090 | Brake cylinder E.B. boggie for front axl (with fork bracket on both ends o |
| EB10 | EB1021b | 01019091 | Brake cylinder E.B. boggie rear axle (with fork brakcet on Piston end) |
| EB10 | EB1022 | 01019352 | Brake leaver for E.B. 10 stud (pos. 14) |
| EB10 | EB1023 | 01019094 | Dust cover for EB 10 stud axle 1 set for one side |
| EB10 | EB1030 | 01019625 | Bushing D40/44 l=50 mm for EB boggie |
| EB10 | EB1031 | 01019626 | Bushing D90/95 l=60 for EB boggie |

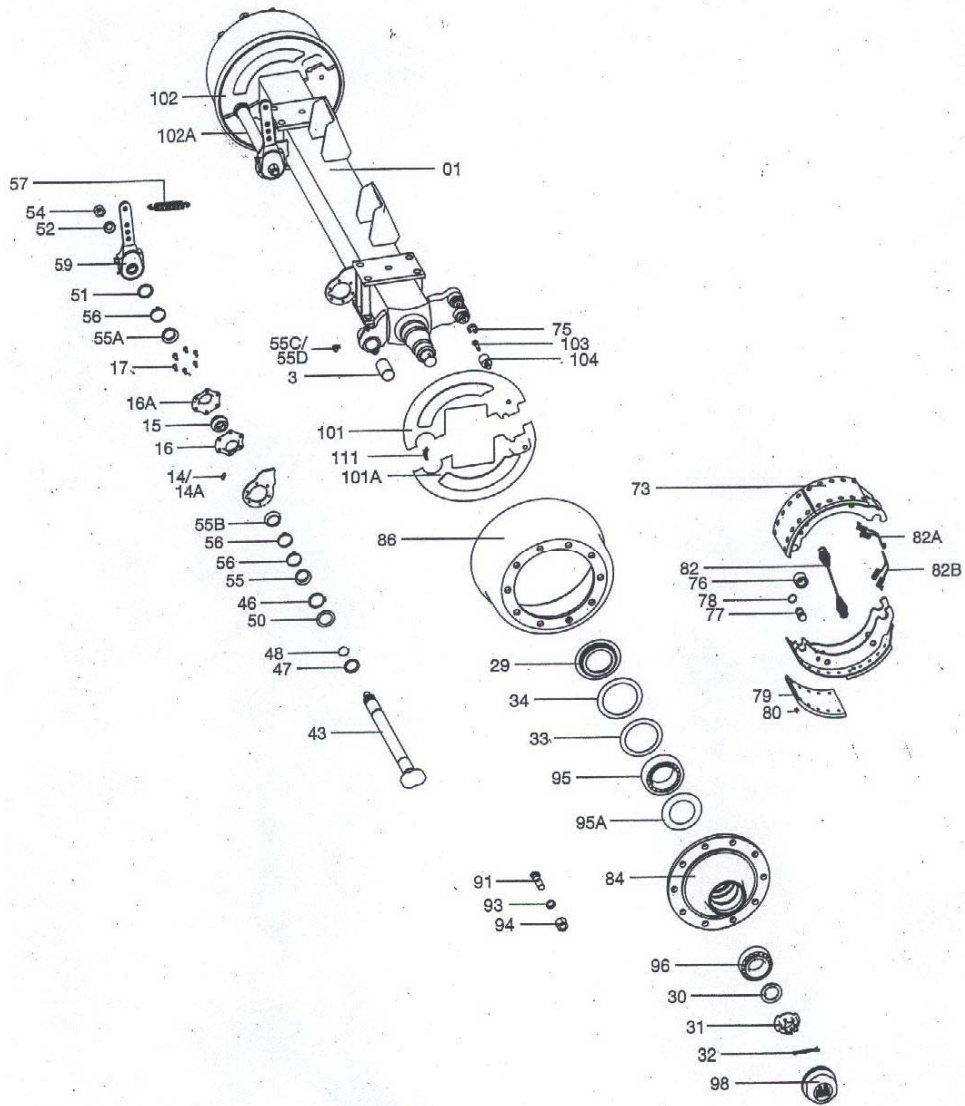
Group EB10 E.B. 10 lock hub with brakes / E.B. bremsenav K85/K105 10 huls (årg. 97-02)



Spareparts

| Group | Pos. no. | Item no. | Description |
|-------|----------|----------|--|
| BPW14 | BPW1401 | 01019305 | Brake drum BPW4118 14,5 tons Ø410/B226 (BPW no. 03.106.91.07.0) |
| BPW14 | BPW1402 | 01019306 | Brake shoes, 1 set (for one side) BPW411 (BPW no. 05.091.29.97.0) |
| BPW14 | BPW1403 | 01019354 | Brake arm BPW4119 (BPW no. 55.72.449.099) |
| BPW14 | BPW1404 | 01019407 | Slotted nut M52 x 2 BPW 4118 (BPW no 03.262.17.18.0) |
| BPW14 | BPW1405 | 01019438 | Hub cap 125 x 2 BPW4118 (BPW no. 03.212.24.07.0) |
| BPW14 | BPW1406 | 01019158 | Hub housing BPW 4118 10 bolts (BPW no 03.271.54.24.0) |
| BPW14 | BPW1407 | 01019210 | Hub bolt kompl. M 22 x1,5 BPW4118 incl. spring washer and nut |
| BPW14 | BPW1408 | 01019211 | Nut M22 x1,5 BPW 4118 (BPW no 03.261.50. and for ADR 8 holes |
| BPW14 | BPW1408a | 01019497 | Konic washer M22 (a set of 10 pcs.) |
| BPW14 | BPW1409 | 01019007 | Hub kompl. BPW 4118 (1 pc) without cylin and hydr. hose |
| BPW14 | BPW1410 | 01019063 | Stopring BPW4118 (BPW no. 05.370.07.43.0) |
| BPW14 | BPW1411 | 01019064 | Tightening ring BPW 4118 (BPW no 03.320. |
| BPW14 | BPW1412 | 01019066 | Ring BPW4118 (BPW no. 03.310.98.21.0) |
| BPW14 | BPW1413 | 01019065 | Ring 157/120 x 2,5 (BPW no 03.310.97.30. |
| BPW14 | BPW1414 | 01019111 | Bearing 33118/720 BPW 4118 (BPW no 02.6408.90.00) |
| BPW14 | BPW1415 | 01019067 | Tightening plate/ring BPW 4118 (BPW no 03.010.05.22.0) |
| BPW14 | BPW1416 | 01019112 | Bearing 33213/720 BPW 4118 (BPW no 03.212.24.07.0) |
| BPW14 | BPW1417 | 01019486 | Split 8 x 63 BPW 4118 (BPW no 02.6201.84 |
| BPW14 | BPW1418 | 01019487 | Brake lining BPW 4118 1. set (4 pc) (BPW no 03.092.29.61.0) |
| BPW14 | BPW1419 | 01019488 | Rivet 1 set (30 pc) for brake lining BPW (BPW no 02.5805.80.35) |
| BPW14 | BPW1420 | 01019475 | Brake Cylinder Ø 30 mm with 220 mm cylinder house (from 1/2 2002) |
| BPW14 | BPW1421 | 03008031 | 1 set BPW hub (with brakes) kompl. 12 to with hydr. hose and coupling. |
| BPW14 | BPW1422 | 01019493 | Handbrake JOST FR203M Compl. only for France K85-K105 |
| BPW14 | BPW1482 | 01019079 | Spring for PBW hub (BPW no 05.397.58.03. |
| BPW14 | BPW1483 | 01019092 | Dust cover for BPW 10 stud hub 1. set (2 pcs.) for right side |
| BPW14 | BPW1484 | 01019093 | Dust cover for BPW 10 stud hub 1. set (2 pcs.) for left side |
| BPW14 | BPW1485 | 03005029 | Fork for brake cylinder |

Group BPW14 BPW nav 14 tons K85 / K105 /

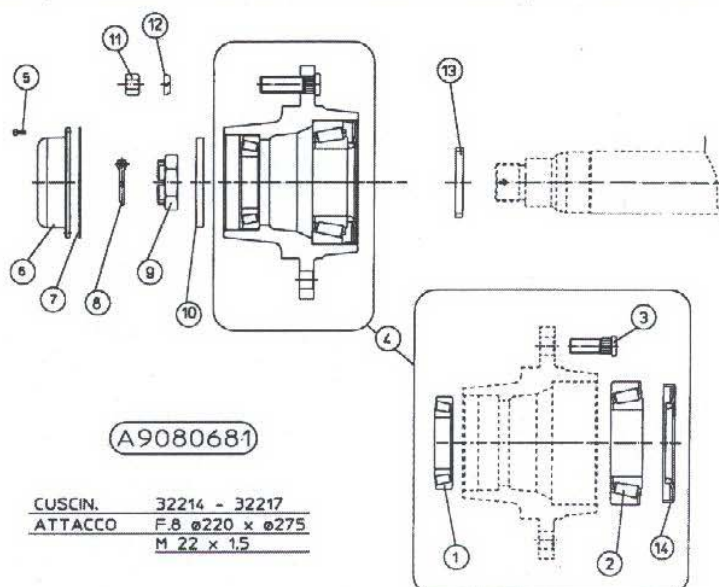


Spareparts

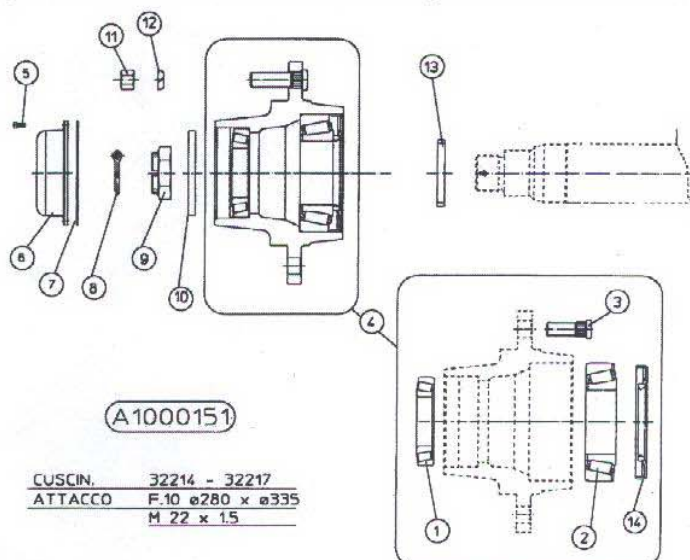
| Group | Pos. no. | Item no. | Description |
|-------|----------|----------|---|
| FAD | FAD11a | 01019309 | Brake shoes, FAD 300x90 (316A060C+316A06 |
| FAD | FADa01 | 01019117 | Bearing 32214 FAD 8 holes hub with brake and ADR 10 holes hub without bra |
| FAD | FADa02 | 01019118 | Inner bearing 32217, FAD 8 holes hub wit brakes and ADR 10 holes hub with |
| FAD | FADa03 | 01019215 | Whell stud compl. for FAD 8 holes hub without brakes M22 x 1,5 x 65 |
| FAD | FADa04 | 01019160 | Hub assembly FAD 8 holes hub without brakes (F8+220 x 275) |
| FAD | FADa05 | 01019491 | Hub cap screw FAD M6 x 10, FAD 8 holes hub with brakes and 8-10 holes |
| FAD | FADa06 | 01019441 | Hub cap (fixed by screw) FAD 8 holes wit brakes and 8-10 holes without br |
| FAD | FADa07 | 01019068 | Hub cap sealing FAD 8 holes hub with bra and 8-10 holes hub without brake |
| FAD | FADa08 | 01019492 | Split pin 6,3 x 55 for FAD 8 holes |
| FAD | FADa09 | 01019410 | Crown nut M50 x 2 x 35 for FAD 8-10 holes hub (without brakes) |
| FAD | FADa10 | 01019072 | Washer for FAD 8 and 10 holes (without brakes) 80 x 48 x 8 |
| FAD | FADa11 | 01019213 | Nut incl. cone M22 x 1,5 for FAD 8 holes hub for K40-K65 and (Germany) K4 |
| FAD | FADa11a | 01010034 | Plastic cap M22 for hub nut |
| FAD | FADa12 | 01019490 | Stud washer FAD 8 holes 22,5 x 34 x 8 |
| FAD | FADa13 | 01019073 | Schoulder ring 87 x 100 x 15 for FAD 8 h hub (without brakes) |
| FAD | FADa14 | 01019074 | Retaining ring 150 x 110 x 13 for FAD 8 holes hub (without brakes) |
| FAD | FADb01 | 01019117 | Bearing 32214 FAD 8 holes hub with brake and ADR 10 holes hub without bra |
| FAD | FADb02 | 01019118 | Inner bearing 32217, FAD 8 holes hub wit brakes and ADR 10 holes hub with |
| FAD | FADb03 | 01019215 | Whell stud compl. for FAD 8 holes hub without brakes M22 x 1,5 x 65 |
| FAD | FADb03a | 01010034 | Plastic cap M22 for hub nut |
| FAD | FADb04 | 01019159 | Hub assembly FAD 10 holes F10+280 x 335 |
| FAD | FADb05 | 01019491 | Hub cap screw FAD M6 x 10, FAD 8 holes hub with brakes and 8-10 holes |
| FAD | FADb06 | 01019441 | Hub cap (fixed by screw) FAD 8 holes wit brakes and 8-10 holes without br |
| FAD | FADb07 | 01019068 | Hub cap sealing FAD 8 holes hub with bra and 8-10 holes hub without brake |
| FAD | FADb08 | 01019492 | Split pin 6,3 x 55 for FAD 8 holes |
| FAD | FADb09 | 01019410 | Crown nut M50 x 2 x 35 for FAD 8-10 holes hub (without brakes) |
| FAD | FADb10 | 01019072 | Washer for FAD 8 and 10 holes (without brakes) 80 x 48 x 8 |
| FAD | FADb11 | 01019213 | Nut incl. cone M22 x 1,5 for FAD 8 holes hub for K40-K65 and (Germany) K4 |
| FAD | FADb12 | 01019490 | Stud washer FAD 8 holes 22,5 x 34 x 8 |
| FAD | FADb13 | 01019073 | Schoulder ring 87 x 100 x 15 for FAD 8 h hub (without brakes) |
| FAD | FADb14 | 01019074 | Retaining ring 150 x 110 x 13 for FAD 8 holes hub (without brakes) |
| FAD | FADb15 | 01019528 | ADR hub compl. 8 stud (without brakes) |
| FAD | FADc01 | 01019357 | Cam shaft FAD 8 holes |
| FAD | FADc05 | 01019441 | Hub cap (fixed by screw) FAD 8 holes wit brakes and 8-10 holes without br |
| FAD | FADc06 | 01019212 | Hub bolt M22 x 1,5 x 79 compl. for FAD 8 brake hub for K40-K65, and (Germ |
| FAD | FADc07 | 01019492 | Split pin 6,3 x 55 for FAD 8 holes |
| FAD | FADc08 | 01019117 | Bearing 32214 FAD 8 holes hub with brake and ADR 10 holes hub without bra |
| FAD | FADc09 | 01019118 | Inner bearing 32217, FAD 8 holes hub wit brakes and ADR 10 holes hub with |
| FAD | FADc10b | 01019213 | Nut incl. cone M22 x 1,5 for FAD 8 holes hub for K40-K65 and (Germany) K4 |
| FAD | FADc10c | 01010034 | Plastic cap M22 for hub nut |
| FAD | FADc11 | 01019307 | Shoe with linig FAD 8 holes 400 x 80 1 set (2 set per spreader) |
| FAD | FADc13b | 01019356 | Adjustable brake lever FAD 30 x 152/180/ |
| FAD | FADc15a | 01019070 | Double edge seal ring FAD 8 holes 140 x 100 x 12 |
| FAD | FADc15b | 01019071 | Single edge seal ring FAD 8 holes 130 x 90 x 12 |
| FAD | FADc15c | 01019120 | Sealing (rubber) 130x75 FAD Overrun brak and Salati 8 stud hub with brake |
| FAD | FADc15d | 01019083 | Seal ring 140 x 80 FAD 8 holes |
| FAD | FADc16 | 01019068 | Hub cap sealing FAD 8 holes hub with bra and 8-10 holes hub without brake |
| FAD | FADc17 | 01019408 | Crown nut FAD 8 holes M45 x 2 |
| FAD | FADc19 | 01019490 | Stud washer FAD 8 holes 22,5 x 34 x 8 |
| FAD | FADc20 | 01019069 | Bearing washer FAD 8 holes 45 x 85 x 7 |
| FAD | FADc22 | 01019491 | Hub cap screw FAD M6 x 10, FAD 8 holes hub with brakes and 8-10 holes |
| FAD | FADc25 | 01019475 | Brake Cylinder Ø 30 mm with 220 mm cylinder house (from 1/2 2002) |
| FAD | FADc26 | 01019308 | Brake drum FAD 8 holes |
| FAD | FADc27 | 01019082 | Shoulder ring 80 x 140 FAD |
| FAD | FADc28 | 03005029 | Fork for brake cylinder |

Group FAD Brake Hub FAD /

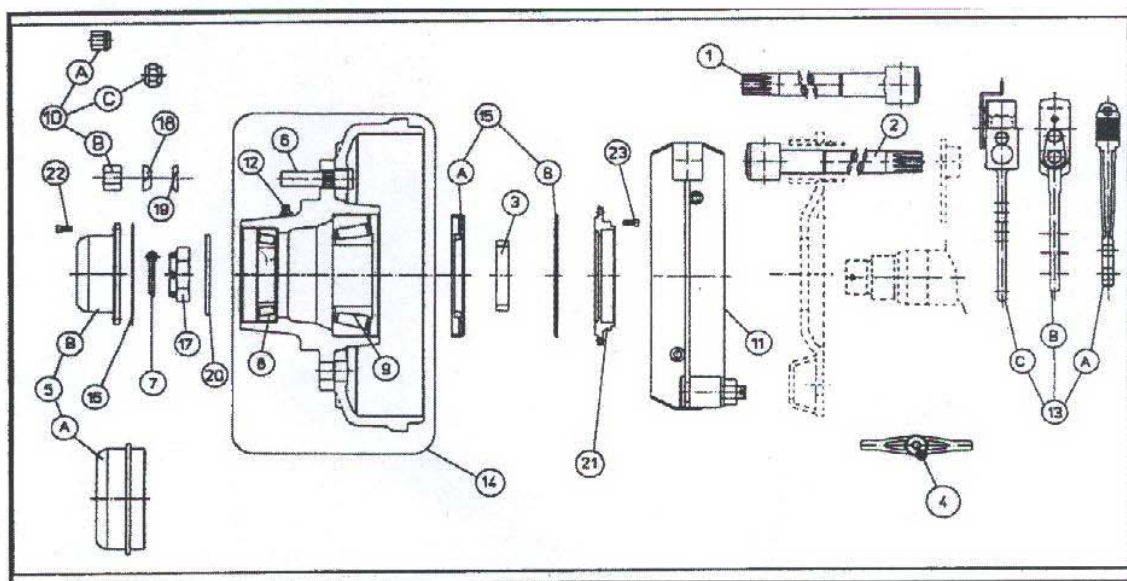
A= 8 huls FAD løbenav, 8 holes FAD hub without brakes, 8 lock FAD Stummel ohne Bremse



B = 10 huls FAD løbenav, 10 holes FAD hub without brakes, 10 lock FAD Stummel ohne Bremse



C = 8 huls FAD bremsnav, 8 holes FAD hub with brakes, 8 lock FAD Bremsstummel

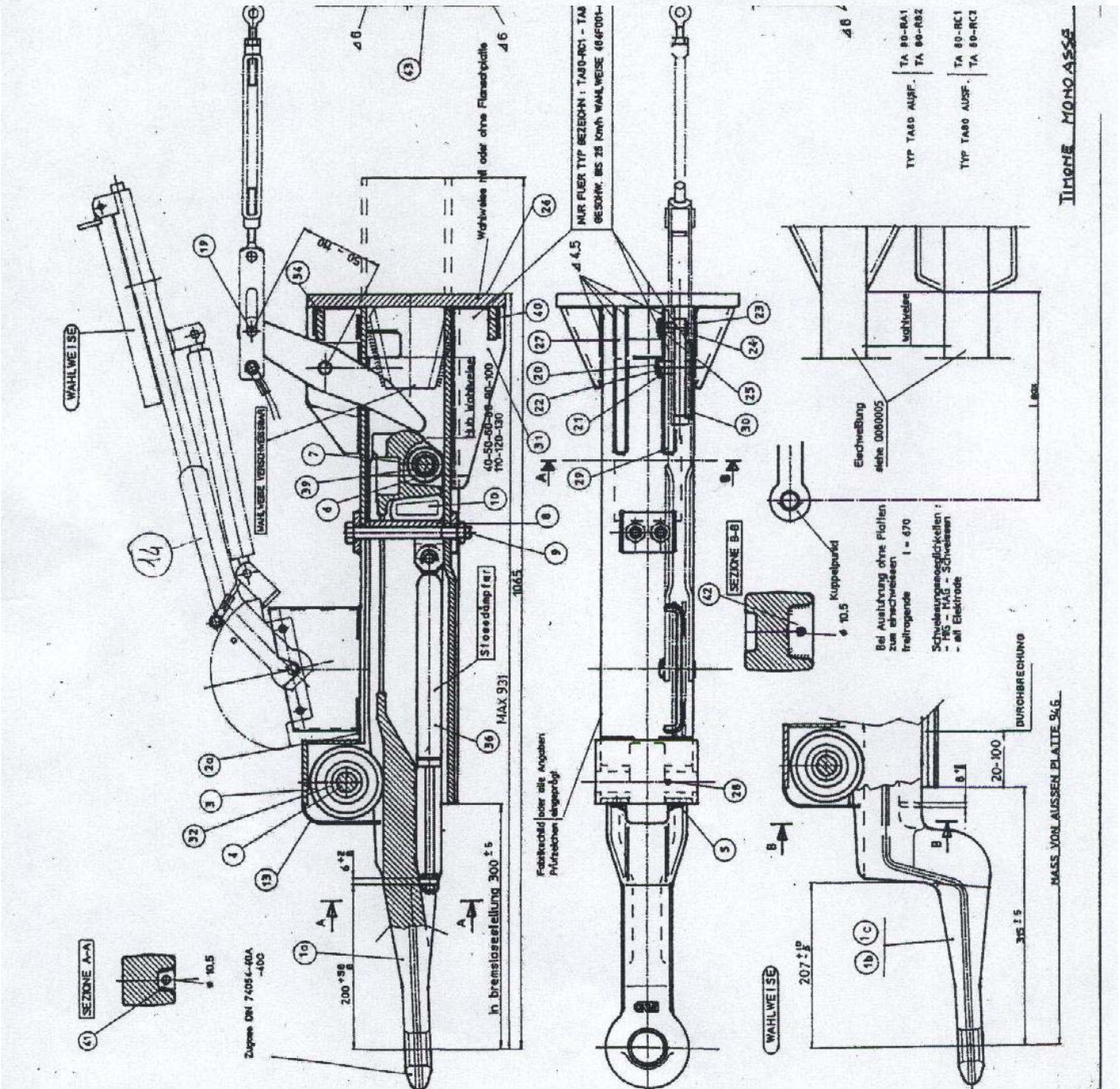


Spareparts

| Group | Pos. no. | Item no. | Description |
|-------|----------|----------|---|
| FADP | FADP01 | 01019450 | Draw with overrun brake FAD with flange |
| FADP | FADP01a | 01019075 | Hitch eye, for overrun brakes |
| FADP | FADP10a | 01019076 | Rubber damper,FAD |
| FADP | FADP36c | 01007021 | Gas Piston FAD, overrun brake |

Group FADP Draw with overrun brakes

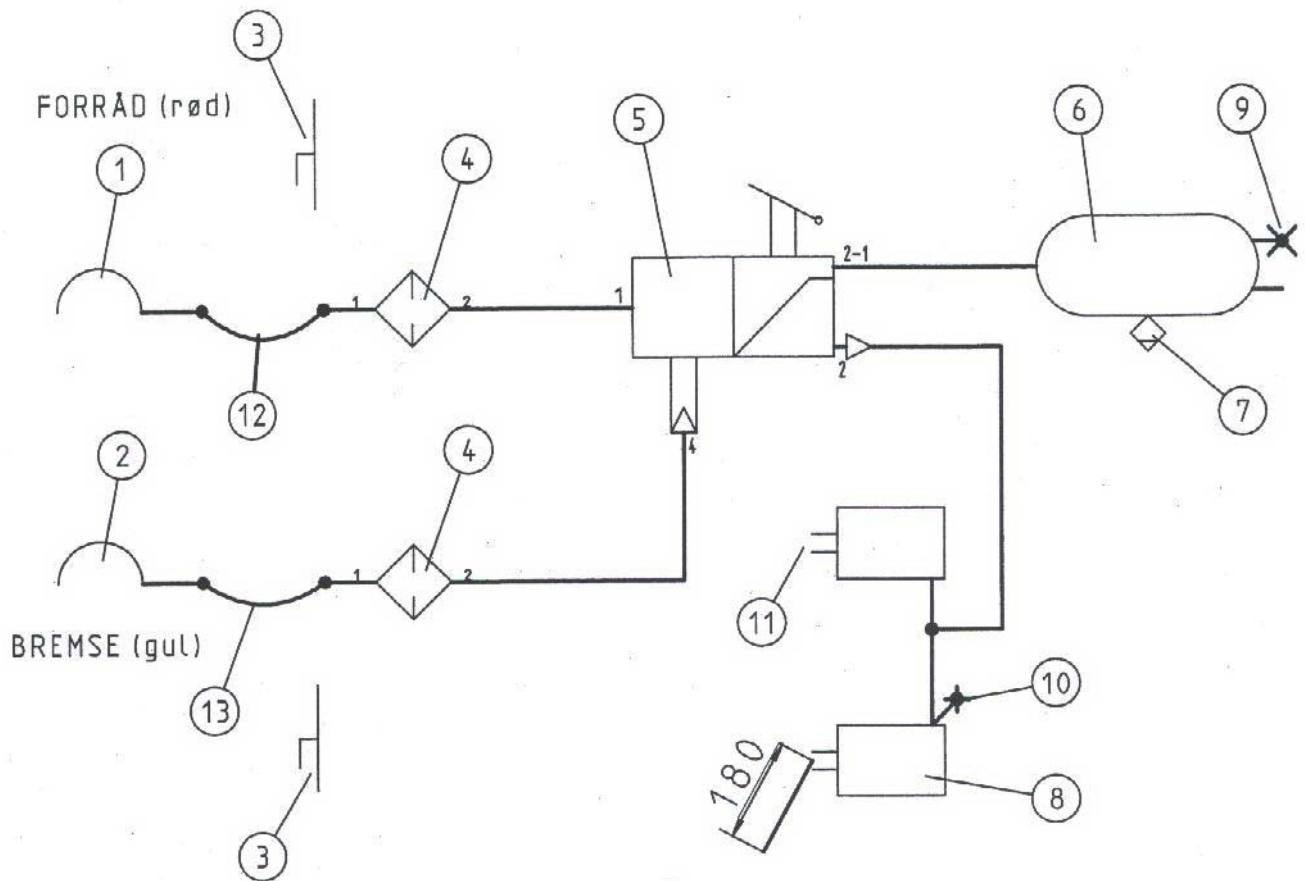
FAD påløbsbremsetræk 25 km/h og 40 km/h / FAD Aufaufeinrichtung 25 km/h und 40 km/h



Spareparts

| Group | Pos. no. | Item no. | Description |
|-------|----------|----------|--|
| BE | BE01 | 01019603 | Coupling for pipe M16 x 1,5 Yellow |
| BE | BE02 | 01019602 | Coupling for pipe M16 x 1,5 red |
| BE | BE03 | 01019604 | One end coupling (nr 4524020000) |
| BE | BE04 | 01019605 | Cable filter M22x1.5 (no.4325000200) |
| BE | BE05 | 01019600 | Valve for air brakes 2-leder |
| BE | BE05a | 01019601 | Power part for valve on air brakes |
| BE | BE06 | 01019606 | Pressure tank 40L |
| BE | BE07 | 01019609 | Valve for water outlet, manual, Pneumati |
| BE | BE08 | 01019610 | Membrancyylinder 30" K82/K85/K102/K105 |
| BE | BE08a | 01019611 | Membrancyylinder for 12" K45/K62/K65 |
| BE | BE10 | 01019608 | |
| BE | BE11 | 01019612 | |
| BE | BE11a | 01019613 | |
| BE | BE12 | 01019614 | Pipe black/red for air brakes |
| BE | BE13 | 01019615 | Pipe black/yellow for air brakes |
| BE | BR09 | 01019607 | |

Group BE Parts for Airbrakes





Bredal A/S
Nimvej 1
DK-7120 Vejle Øst
Tel : (+45) 75895177
Mail : info@bredal.com
Web : www.bredal.com
iPaper : docs.bredal.com