

# Spareparts

## B4 / B6 / B8



1/7 - 2017

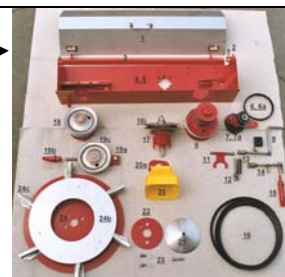
### Example

Maskinfabrikken Bredal A/S

Reservedelspriser

SALG

Gruppe	Pos.nr.	Varenummer	Varenavn
FL1	FL101	03003089	Låg for spredeka
FL1	FL102	02004011	Krogbolt for låg t.
FL1	FL103	03003090	Forstærkningsvin



Find pos. nr. 03

**Spareparts B4/B6/B8**



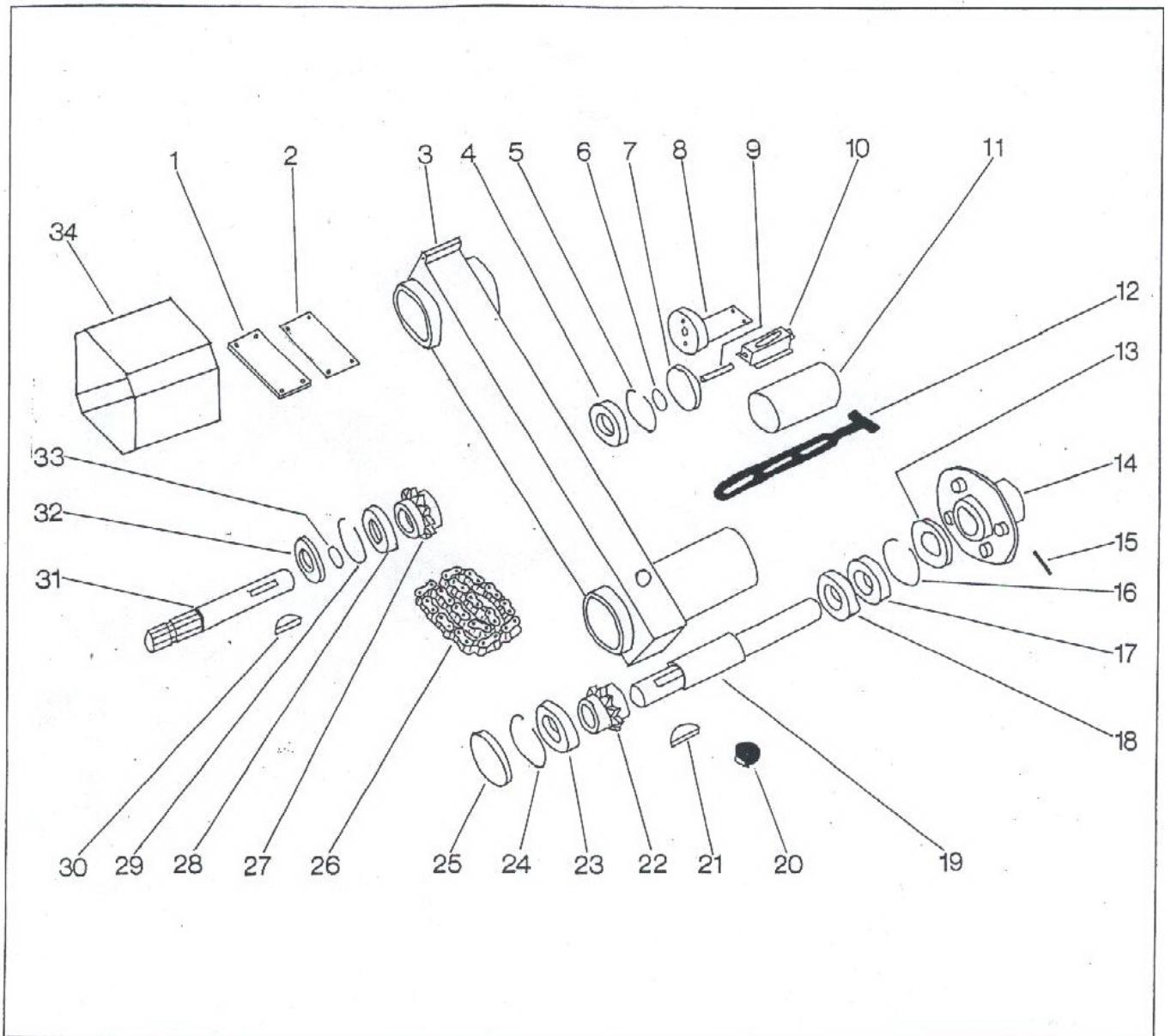
## Content

Group A Chain gear.....	5
Group B 3 geared chain gear.....	7
Group E 540-1000 gear 1000-670 gear.....	9
Group F Box section.....	11
Group I Spring box.....	13
Group K4 Wheel Drive.....	15
Group J Drawbar, cardan shaft.....	17
Group M Rear Door.....	19
Group N Shielding.....	21
Group Q Spreadunit SPB3550.....	23
Group Q1 Spreadunit SPB3550.....	25
Group QA Spreadunit SPC4500-1.....	27
Group KA Headlandgear in a SPC 4500-1 spreadunit.....	29
Group Ak Axle and Hub (Salati / HDL 75/8 / HDL 65/8 / E.B.).....	31
Group FAD Axle and Hub.....	33

## Spareparts

Group	Pos. no.	Item no.	Description
A	A01	03003000	Cover for gearhousing
A	A02	01016000	Gasket for dose wheel gear
A	A03	03001000	Gear housing for chain gear 602
A	A03a	03001001	Gearhousing for chain gear 716
A	A03b	03001002	Gearhousing for chain gear 962
A	A03c	03001003	Gearhousing for chain gear 602 (with mounting bracket)
A	A03d	03001004	Gearhousing for chain gear 716 (with mounting bracket)
A	A03e	03001005	Gearhousing chain gear 962 (with mounting bracket)
A	A04	01015000	Bearing 6207
A	A05	01016251	Seeger ring 72 i
A	A06	01016252	Seeger ring 35a
A	A07	01016301	Facing cover 72x10
A	A08	03002013	Console for counter
A	A09	02006312	Tube part and plastic part for counter
A	A10	01014000	Counter
A	A11	03003001	Cover for counter
A	A12	01002102	Rubberstrap for cover 3 step
A	A13	01016111	Simmerring 72 x 35 AOS "double"
A	A14	03004000	Hub for dose wheel
A	A14a	01003588	Bolt set, hub for dose wheel M12 x 35 (4 pcs) incl. Konic washer
A	A16	01003501	Tube split 13*55
A	A17	01015000	Bearing 6207
A	A18	01015000	Bearing 6207
A	A19	02003000	Axle for hub (cagewheel) Ø35x290
A	A20	01016302	Oli level plug 3/4" RG
A	A21	01003502	Woodruff key 10mm
A	A22	02002000	Chain wheel 3/4" z 12S
A	A23	01015000	Bearing 6207
A	A24	01016251	Seeger ring 72 i
A	A25	01016301	Facing cover 72x10
A	A26	01017009	Chain (dist. 1200 - chaingear 602 mm) 3/4" x 7/16" S (inform gear lenght)
A	A26a	01017010	Chain (dist.=1390 - chaingear 716 mm) 3/4"X7/16"S (inform gear lenght)
A	A26b	01017011	Chain (dist. 1924) 3/4" x 7/16" S for chain gear 962 mm
A	A26c	01017013	Chain (dist. 1010) 3/4" x 7/16" for chain gear 740 mm standard on B4/B6
A	A27	02002000	Chain wheel 3/4" z 12S
A	A28	01015000	Bearing 6207
A	A29	01016251	Seeger ring 72 i
A	A30	01003502	Woodruff key 10mm
A	A31	02003001	Axle 6 nut for KB2, Ø35x215 with ø13 mm
A	A32	01016102	Tightening Z207 Year 92 ->
A	A33	01016252	Seeger ring 35a
A	A34	02003002	Pivot axle 285 mm x Ø35
A	A35	03002015	Konsole for chain gear
A	A35a	02001000	Brass bushing (2 pc.per arm)35 x 43 x 25
A	A35b	02001024	
A	A36	03004051	Cagewheel 4 bar
A	A36a	03004052	Cage wheel 6 bar
A	A36b	01020009	Wheel 165 x 13 for chain gear
A	A37a	03008013	Complete chain gear
A	A37c	03008015	Complete chain gear 602
A	A37d	03008016	Complete chain gear 716
A	A37e	03008017	Complete chain gear 962
A	A38	01001102	PTO schaft for KB2-gear 6/6 810 mm B2/F2

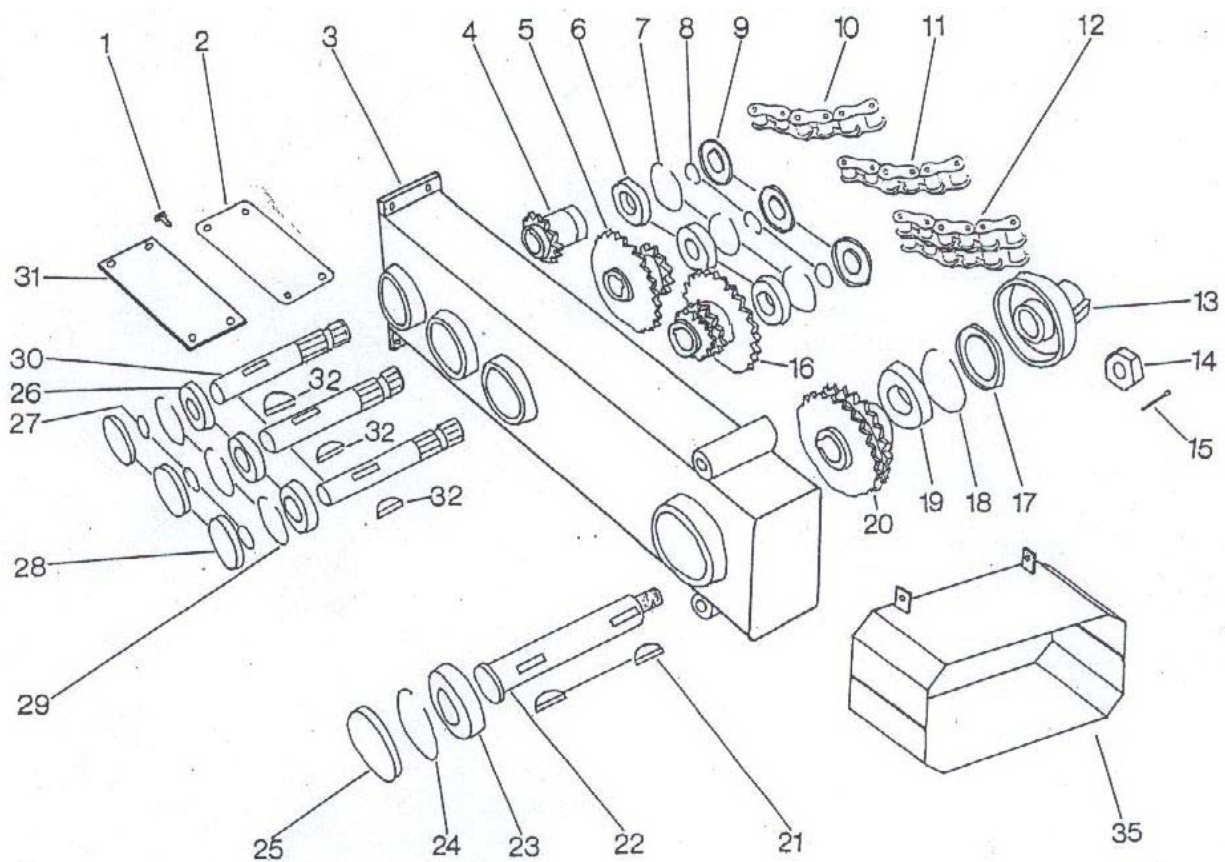
**Group A Chain gear** / Doseringshjulets kædegear / Getriebe für dosierrad



## Spareparts

Group	Pos. no.	Item no.	Description
B	B02	01016001	Gasket
B	B03	03001021	Gear housing for 3 gear chaingear
B	B04	02002000	Chain wheel 3/4" z 12S
B	B05	02002001	Chain wheel 3/4" Z 12 s x Z 24 s
B	B06	01015000	Bearing 6207
B	B07	01016251	Seeger ring 72 i
B	B08	01016252	Seeger ring 35a
B	B09	01016111	Simmerring 72 x 35 AOS "double"
B	B09a	01016102	Tightening Z207 Year 92 ->
B	B10	01017000	Chain(l=585+junction)3/4"*7/16S
B	B11	01017000	Chain(l=585+junction)3/4"*7/16S
B	B12	01017001	Chain(l=1048+con)3/4"*7/16D
B	B13	03004101	Compling for rear roller B4/B6/B8
B	B14	01003401	Slotted nut 1"
B	B15	01003503	Split 5*50
B	B16	02002002	Chain wheel 3/4" Z 12 D x 24 S
B	B17	01016103	Ring 90 x 60
B	B18	01016253	Seeger ring 90 i
B	B19	01015001	Bearing 6308
B	B20	02002003	Chain wheel 3/4" Z 24 D
B	B21	01003502	Woodruff key 10mm
B	B22	02003003	Axle Ø40x247 for coubling rear roller
B	B23	01015001	Bearing 6308
B	B24	01016253	Seeger ring 90 i
B	B25	01016303	Facing cover 90 x 10
B	B26	01015000	Bearing 6207
B	B27	01016252	Seeger ring 35a
B	B28	01016301	Facing cover 72x10
B	B29	01016251	Seeger ring 72 i
B	B30	02003004	Axle ø35x215
B	B31	03003003	Cover for 3 gear chaingear B4/B6
B	B32	01003502	Woodruff key 10mm
B	B33	03008001	Complete 3 gear for B4/B6
B	B330	03008475	
B	B35	03003004	Protection guard compl. for 3 gear chain gear B4/B6
B	B530	03001104	Spreadbox SPB3550 for B50-100 empty

# Group B 3 geared chain gear

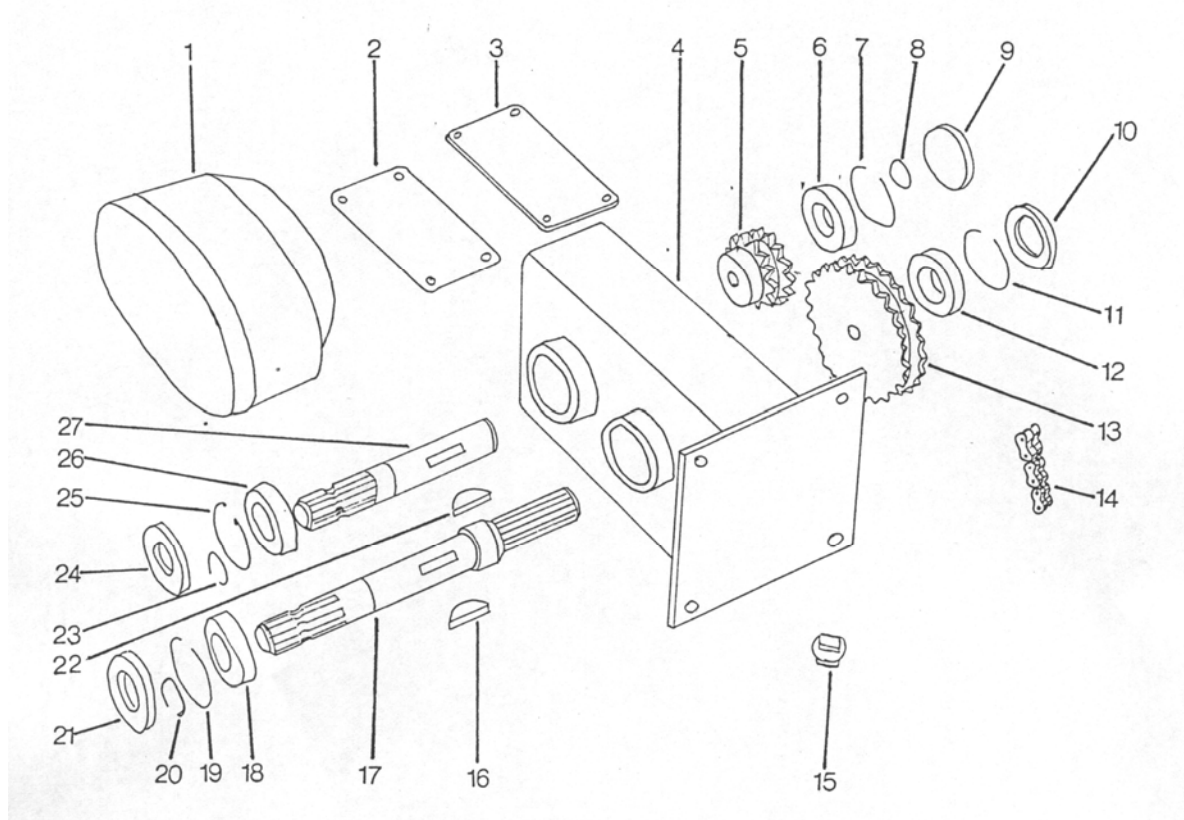


## Spareparts

Group	Pos. no.	Item no.	Description
E	E01	03003005	Shield, iron for 540-1000 gear box and KB2 gear
E	E02	01016002	Gasket for 540-1000 gear box and KB2 gea
E	E03	03003006	Cover 540-1000 gear box
E	E04	03001022	Gear housing 540-1000 gear
E	E04a	03001032	Gear house 1000-670 gear
E	E05	02002004	Chain wheel, small 3/4" D Z13 for 540-1000 gear box
E	E05a	02002029	Chain wheel small 3/4" D Z 16 for 1000-6 gearbox and 750-1000 gearbox
E	E05b	02002042	Chain wheel 3/4" Z13 (Triplex) 540-1000
E	E06	01015000	Bearing 6207
E	E07	01016251	Seeger ring 72 i
E	E08	01016252	Seeger ring 35a
E	E09	01016301	Facing cover 72x10
E	E10	01016104	Simmerring 72x45
E	E11	01016251	Seeger ring 72 i
E	E12	01015000	Bearing 6207
E	E13	02002005	Chain wheel big for 540-1000 gear 3/4" D
E	E13a	02002041	Chain wheel 3/4" Z24 (Triplex) 540-1000
E	E14	01017002	Chain for 540-1000 gear (590 mm long + con or 610 mm without con)
E	E14a	01017014	Chain for 1000-670 (667 mm long + con or 686 mm lont without con)
E	E14b	01017017	Chain (Triplex) for 540-1000 gear
E	E15	01016302	Oli level plug 3/4" RG
E	E16	01003502	Woodruff key 10mm
E	E17	02003005	Axle Ø35x320-2 splined
E	E18	01015000	Bearing 6207
E	E19	01016251	Seeger ring 72 i
E	E20	01016252	Seeger ring 35a
E	E21	01016111	Simmerring 72 x 35 AOS "double"
E	E21a	01016102	Tightening Z207 Year 92 ->
E	E22	01003502	Woodruff key 10mm
E	E23	01016252	Seeger ring 35a
E	E24	01016111	Simmerring 72 x 35 AOS "double"
E	E24a	01016102	Tightening Z207 Year 92 ->
E	E25	01016251	Seeger ring 72 i
E	E26	01015000	Bearing 6207
E	E27	02003006	Axle " top" for 1000 gear Ø35x215
E	E28	01001218	Joint Ø35, glat/6not
E	E29	03010000	Cardanaxle B4/B6 with 540-1000 gear up t 1995, pipe l. 2080 mm type 7
E	E29a	03010001	Cardan axle for B4 from year 95- and K45/K65 all with 540-1000 gear, pipe
E	E29b	03010002	Cardan axle B6 from year 95-, B8 and K85/K105, all with 540-1000 gear
E	E30	03008002	Complete gear 540-1000 w/o cardanaxle
E	E30a	03008003	Complete gear 1000-540 w/o cardanaxle
E	E30b	03008019	Gear 1000-670 (max 37 KW power)
E	E30c	03008044	Gear 540-1000 "German" K40-K105
E	E30d	03008045	Gear 1000-540 "German" K40-K105



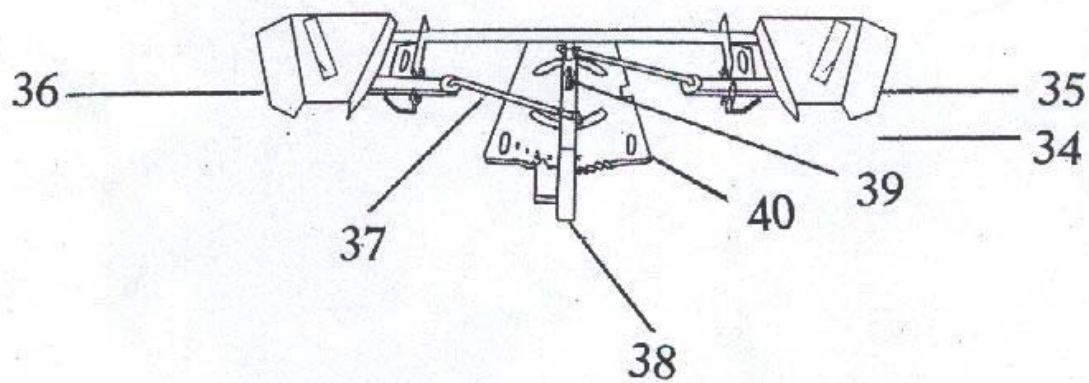
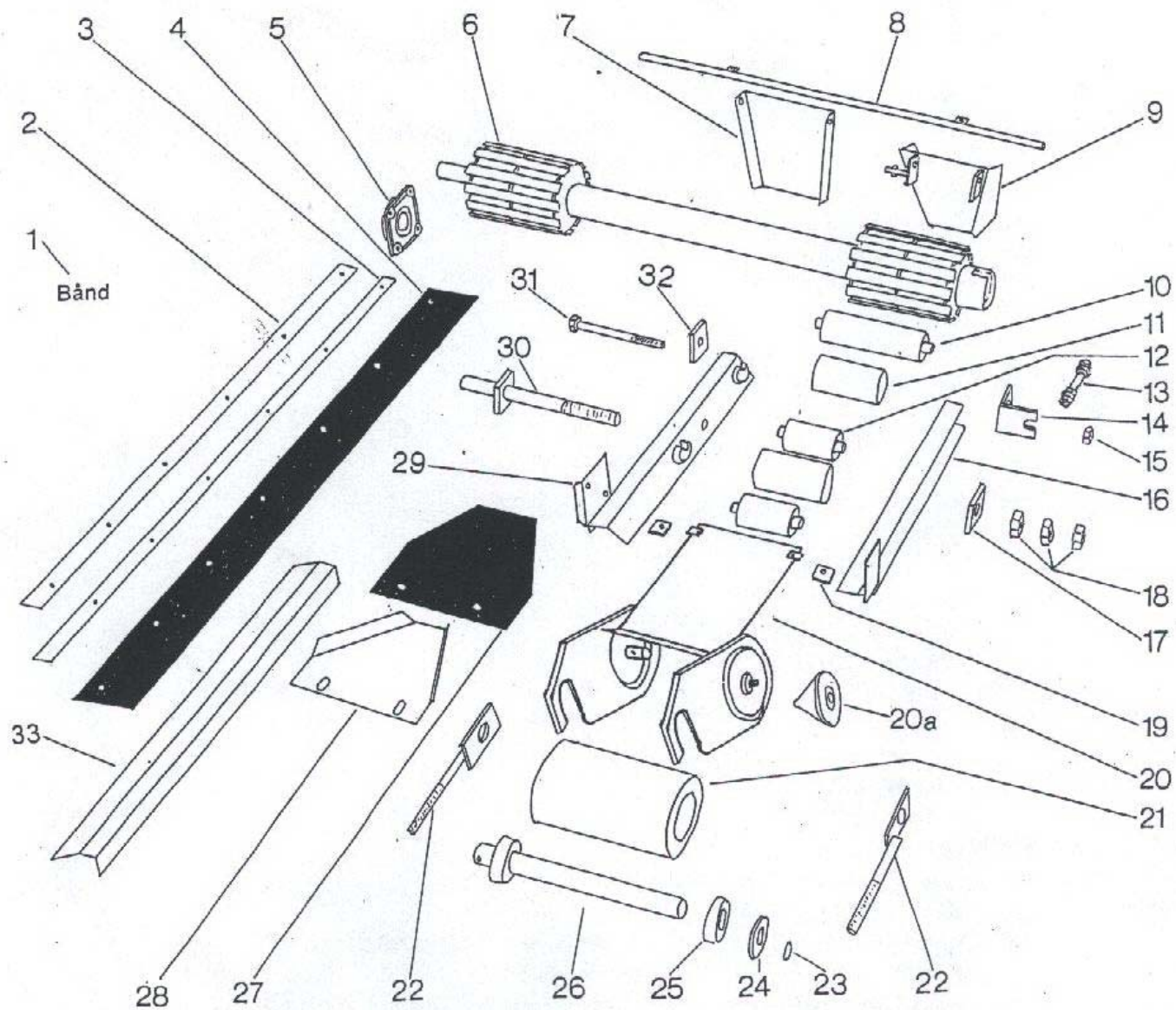
# Group E 540-1000 gear 1000-670 gear



## Spareparts

Group	Pos. no.	Item no.	Description
F	F01	01010000	Floorbelt B4
F	F01a	01010001	Floorbelt B6
F	F02	03003007	Basepl. for edging rubber B4 stainless 2585 mm
F	F02a	03003008	Basepl. for edging rubber B6 stainless 3
F	F03	03003009	Edging beam B4 2585 mm
F	F03a	03003010	Edging beam B6 3090 mm
F	F04	01010002	Edging rubber B4 per set
F	F04a	01010003	Edging rubber B6 per set
F	F05	01015002	Flanged Bearing FY35
F	F05a	03002017	Adjusting fixture for bearing B2/B3/F2/F
F	F06	03006000	Rear roller B4/B6/B8
F	F06b	03006002	Couplings part for rear roller Ø114 mm n
F	F07	03007000	Limiting plate for downshute B4/B6/B8, l
F	F07a	03007014	Limiting plate for downshute B4/B6/B8, r
F	F08	03007001	S/steel support bar for downshutes
F	F09	03007002	Downshute, right B4/B6 old model
F	F09a	03007003	Downshute, left B4/B6 old model
F	F10	01016000	Gasket for dose wheel gear
F	F10a	01006001	Snabroller 200mm B4/6
F	F10b	01006000	Snabroller 150 mm B4/6
F	F11	01005201	Distanztubes for board B4/B6 Ø75x130
F	F12	01006002	Belt roller B4/6/8
F	F13	02004000	Adjustment bolt, compl
F	F14	03002018	Angle for adjustment bolt B4/6
F	F16	03003001	Cover for counter
F	F16a	03003012	Board floorbelt B6 left
F	F17	03002019	Tightening iron
F	F18	01003402	Nut for bolt (board floorbelt)
F	F19	03002020	Slide iron for scraper
F	F20	03008201	Scraper w. guide rollers
F	F20a	02005000	Guide rollers, small for (B2/F2) and sand conveyor
F	F21	03006003	Front roller B4/B6
F	F21a	03008151	Front roller compl. B4/6/8
F	F22	02004001	Tightening bolt
F	F23	01016252	Seeger ring 35a
F	F24	01016102	Tightening Z207 Year 92 ->
F	F25	01015000	Bearing 6207
F	F26	02003007	Axle for frontroller B4/6/8
F	F27	01010004	Tightening rubber B4/6
F	F28a	03003059	Tightening plate left B4/B6
F	F28b	03003240	Thightening plate right for B4/B6
F	F29	03003013	Board floorbelt B4 right
F	F29a	03003014	Board for floorbelt right B6
F	F30	02004002	Carrying bolt
F	F31	01003101	Bolt with nut for distance tube, belt ho 2x1 pcs. B4 2x2 pcs. B6
F	F32	03002021	Tightening iron for board B4/6
F	F33	03003015	Shield for floorbelt B4-8 right stainless steel
F	F33b	03008051	Box section compl. B4
F	F33c	03008052	Box section compl. B6
F	F34	03008821	Central adjustment of downschute B4/B6
F	F35	03007004	Downshute, right B4/B6 for central adjus
F	F36	03007005	Downshute, left B4/B6 for central adjust
F	F37	03007006	Adjustment bolt for central downshute ad B4/B6
F	F38	03007007	Handle for central downshute adjustment
F	F39	03007008	Spring for central downshute adjustment
F	F40	03007009	Bracket with scale for central downshute adjustment
F	F41	03003111	repair pcs. for B4 side
F	F42	03003113	Repair pcs for B6 side

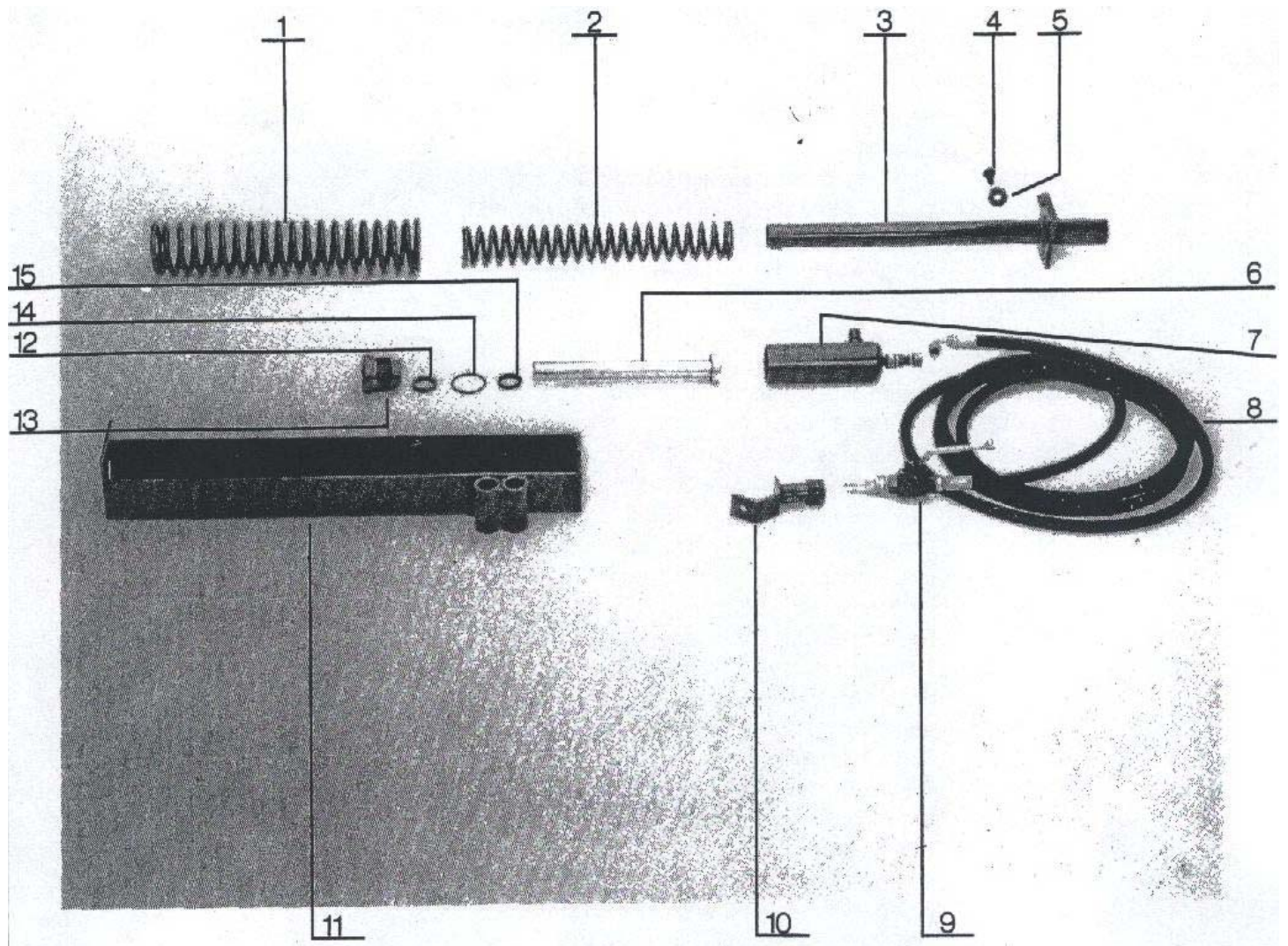
# Group F Box section / Båndkasser / Bandkasten



## Spareparts

Group	Pos. no.	Item no.	Description
I	I01	01007003	Outer spring for dose wheel Ø90x450
I	I02	01007004	Inner spring dose wheel, Ø42x450
I	I03	03002022	Spring guide vers. 1
I	I03a	03002287	Spring guide with 2 nylon plates
I	I04	01003000	Locking screw set with washer for spring
I	I06	03005001	Piston Ø30 mm for spring, vers 1-2-3-4-5
I	I07	03005002	Cylinder for spring box vers 1-2-3
I	I07a	03008302	Cylinder compl. 30 mm for spring box vers. 1-2-3 B48-B100
I	I08	01012151	Hydraulichose with pilotvalve for dose w 1/4" 6000 mm, B4/K35-K65
I	I08a	01012152	Hydraulic hose with pilotvalve for dose wheel 1/4" 6800 mm, B6/K85/K105
I	I09	01012251	Ball valve 1/2" w. handle
I	I09a	01012000	Coupling for ball valve ½"
I	I09b	01012252	Handle for Ball valve
I	I10	01012001	Fixture for hydr. coupling
I	I10a	03002317	Bracket for 4 pcs of hydraulic couplings in stainless steel
I	I11	03002028	Spring box
I	I13	03005003	Cylinder head Ø30 mm with gasket vers 1-2-3-4-5
I	I16	01016003	Seal kit for Ø30 mm cylinder vers. 1-2-3-4-5
I	I18	03008351	Spring box compl. w/o hose (vers. 1)
I	I18a	03008353	Spring box compl. for B4S vers. 1, with steel bracket on side
I	I18b	03008354	Spring box compl. square with plastic washer B4/B6
I	I18c	03002266	tap for spring box (vers.1,2,3,4,5) cent
I	I18d	03002267	Tube for spring box, 40x80xØ27mm

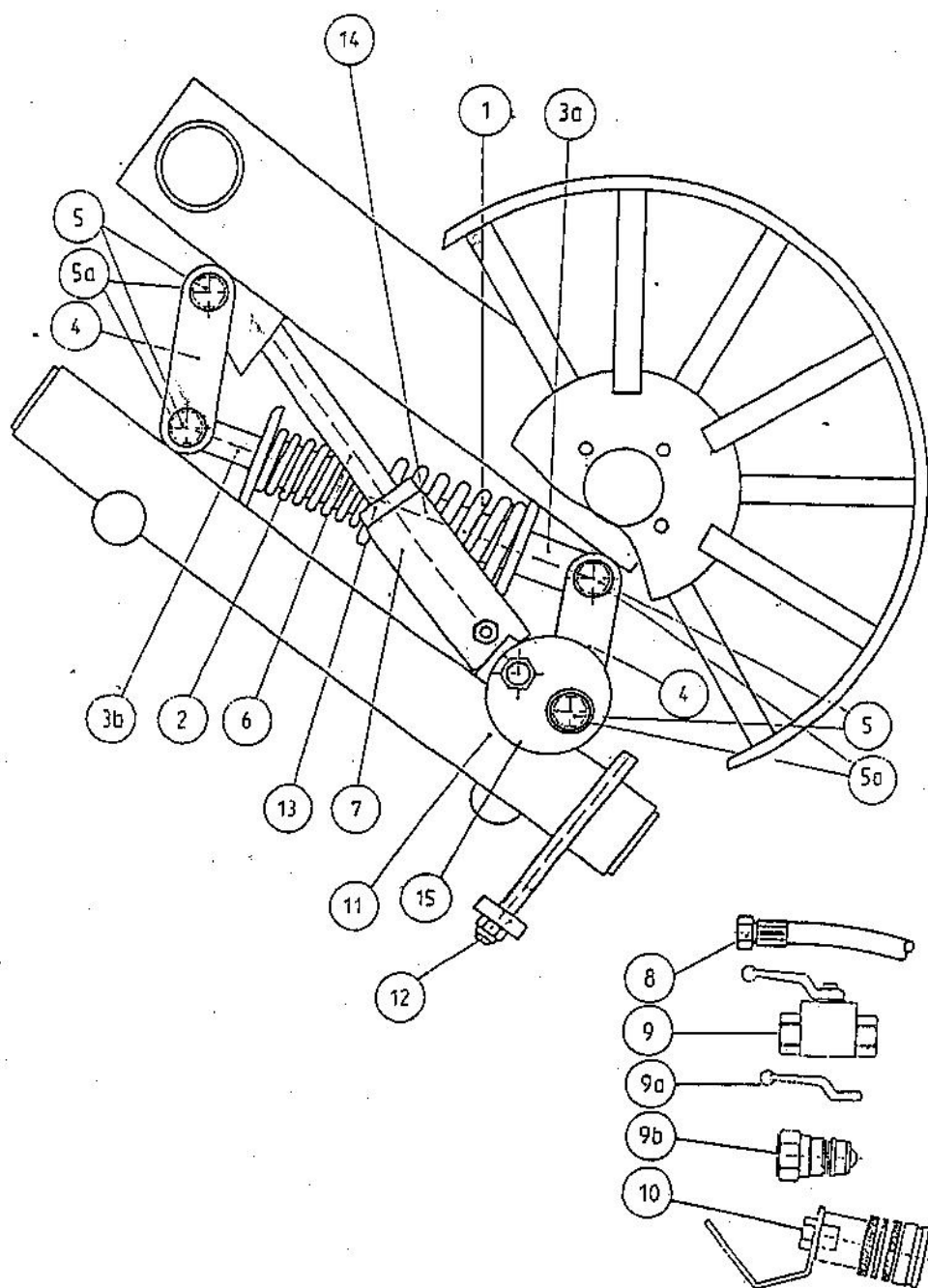
# Group I Spring box / Fjederkasse / Federkasten



## Spareparts

Group	Pos. no.	Item no.	Description
K4	K24	03003134	Bracket for yellow plastic guard on wheel backup
K4	K401	01007003	Outer spring for dose wheel Ø90x450
K4	K402	01007004	Inner spring dose wheel, Ø42x450
K4	K403a	03002026	Spring guide outer
K4	K403b	03002027	Spring guide inner
K4	K404	03002036	Parallel link
K4	K405	01003201	Bolt for parallel link L=130 mm x 20 mm
K4	K405a	01003202	Bolt for parallel link L=200 mm x 20 mm
K4	K405b	02006001	Bushing Ø34x20x70
K4	K405c	03003211	Tube for Land wheel year 1994->
K4	K406	03005004	Piston Ø30 mm for parallel arm
K4	K406a	03005025	Piston Ø30mmx290mm for land wheel
K4	K407	03005005	Pipe for cylinder for parallel arm
K4	K407a	03008303	Cylinder compl. Ø30 mm for parallel arm
K4	K408	01012151	Hydraulichose with pilotvalve for dose w 1/4" 6000 mm, B4/K35-K65
K4	K408a	01012152	Hydraulic hose with pilotvalve for dose wheel 1/4" 6800 mm, B6/K85/K105
K4	K409	01012251	Ball valve 1/2" w. handle
K4	K409a	01012252	Handle for Ball valve
K4	K409b	01012000	Coupling for ball valve 1/2"
K4	K410	01012001	Fixture for hydr. coupling
K4	K410a	03002317	Bracket for 4 pcs of hydraulic couplings in stainless steel
K4	K411	03002038	Mounting arm for parallel linkage
K4	K412	02004003	Tightening bow, compl.
K4	K413	03005003	Cylinder head Ø30 mm with gasket vers 1-2-3-4-5
K4	K414	01016003	Seal kit for Ø30 mm cylinder vers. 1-2-3-4-5
K4	K415	03003017	Shield for parallel link and cylinder
K4	K416	03008401	Dose system compl. w/o hoses, T-arm and 602 mm
K4	K417	03002039	T-piece for parallel linkage
K4	K418	03001015	Gear housing for dose wheel system
K4	K419	03002170	Weld on tube (for bush)
K4	K420	03002039	T-piece for parallel linkage
K4	K421	03002226	U-bracket for hold cagewheel backup to spreader (with bolt) 1. set
K4	K422	03002237	Bracket for carries the plastic guard on the KB2 arm
K4	K423	01001300	Cardan shield (yellow)
K4	K424	03002295	Bracket for oil motor (for fit on cage wheel arm) incl. 2 u-Bow
K4	K425	03002296	Bracket for oilmotor (for bolt on hopper frame)
K4	K426	03004051	Cagewheel 4 bar
K4	K427	03004052	Cage wheel 6 bar
K4	K430	03008075	Dose wheel system parallel w/o hose and wheel 716 mm
K4	K435	03008080	Dose wheel system parallel w/o hose and wheel 962 mm

# Group K4 Wheel Drive

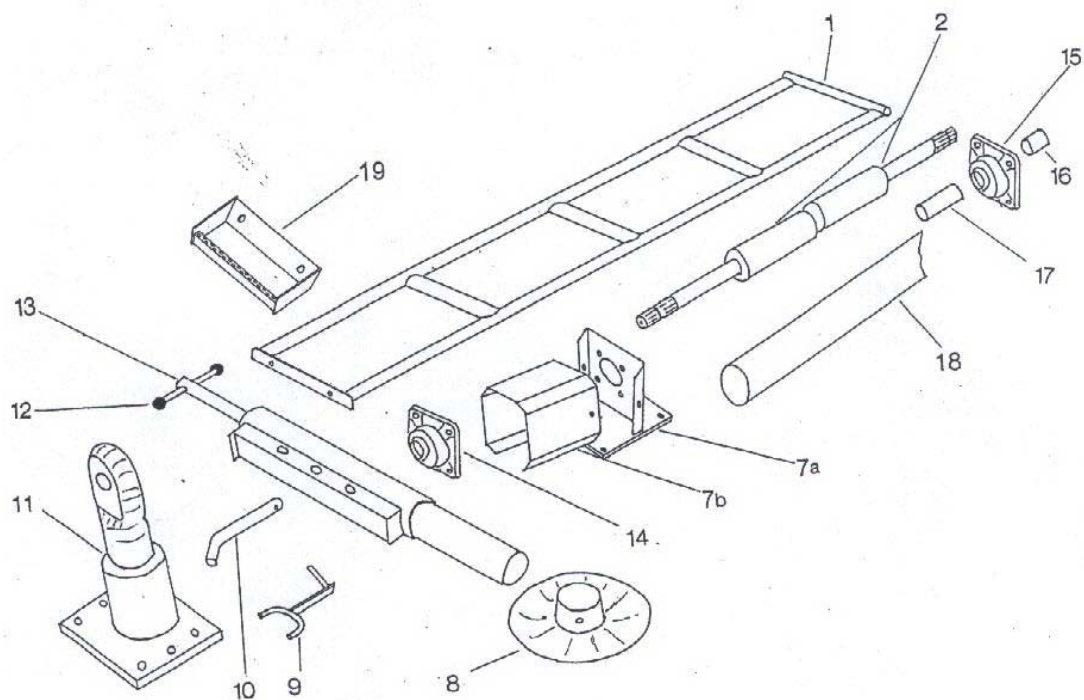


## Spareparts

Group	Pos. no.	Item no.	Description
J	J01	03009000	Ladder, old type up to year 91
J	J01a	03009001	Ladder, new type from year 1992
J	J01b	03008846	Spring and lock bracket for ladder
J	J01c	03009014	Bracket for Ladder K105
J	J01d	03009013	Bracket for ladder K45
J	J02	03010003	Shaft std. B4/B6 up to 1994 and to K135 , pipe l. 2280 mm type 3
J	J02a	03010004	Cardan axle K45/K65/B4 from year 95-> Pipelength 1800 mm (type 1)
J	J02b	03010005	Cardan axle K85/K105 year 1994-2000, B6 year 95-> and B70-B100 year 1985
J	J02c	01005101	Protecting pipe per meter 2.3 m B4, 2.58
J	J02e	03009012	Bracket for ladder K65/85
J	J02f	03009018	Bracket for Ladder (German versions)
J	J03	01001219	Cardan joint w freewheeling. For spread unit
J	J04	03010000	Cardanaxle B4/B6 with 540-1000 gear up t 1995, pipe l. 2080 mm type 7
J	J04a	03010001	Cardan axle for B4 from year 95- and K45/K65 all with 540-1000 gear, pipe
J	J04b	03010002	Cardan axle B6 from year 95-, B8 and K85/K105, all with 540-1000 gear
J	J04c	03010020	Cardan axle B4, K45/K62/K65 German versi pipe l. 1625 mm type 1
J	J04d	03010032	Cardan Axle B6 "German" spreaders pipe l 2080 mm type 1
J	J05	01001218	Joint Ø35, glat/6not
J	J06	03008002	Complete gear 540-1000 w/o cardanaxle
J	J07	03002056	Bearing bracket w/o shield
J	J07a	03003018	Shield for bearing bracket, front cardan B4/B6 and K45-K105
J	J08	03002057	Base plate
J	J09	03002058	Fixture for PTO shaft
J	J09a	03002059	Welding piece for PTO shaft fixture
J	J10	02003008	Bolt for strut
J	J11	03011000	Drawbar ø32 6/16 B6up to '90 and B48-50
J	J11a	03011001	Drawbar ø50 6/16 (B3-6 to '90) (B48/50) (K45)
J	J11c	03011003	Drawbar ø32 6/20 B6/K65
J	J11d	03011004	Drawbar ø50 6/20 B70, K65 and B6 year 91
J	J12	01006101	Elesa handle for rear door on F2, B2-B8 and cover B2-B8, F2 and K40-K135
J	J12a	01006102	Round knob handle Ø40 with 12 mm hole fo downschute on A2 and F2
J	J12b	02004004	Thread piece
J	J13a	03008451	Strut compl. (short model) for B4/B6/B8 and K35-K65
J	J13b	01015003	Bearing for strut T113
J	J14	01015002	Flanged Bearing FY35
J	J15	01015002	Flanged Bearing FY35
J	J16	02001001	Distance tube short Ø42x37
J	J17	02001002	Distance tube long Ø42x112
J	J18	01005101	Protecting pipe per meter 2.3 m B4, 2.58
J	J19	03009011	Step inside hopper



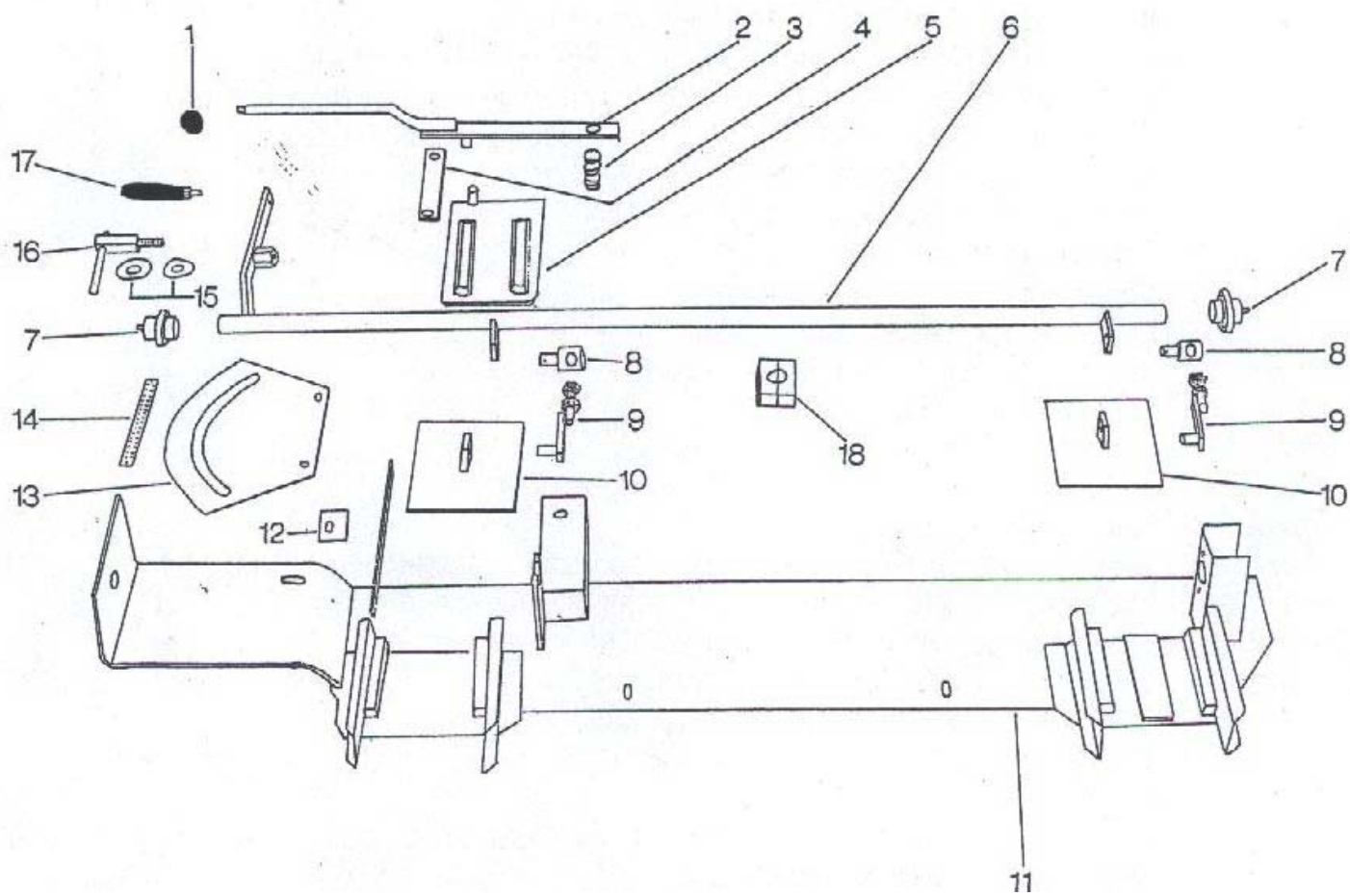
**Group J Drawbar, cardan shaft** / Træk, aksler, støtteben m.m./ Zugvorrichtung, kardanwelle



## Spareparts

Group	Pos. no.	Item no.	Description
M	M01	01006102	Round knob handle Ø40 with 12 mm hole fo downschute on A2 and F2
M	M02	03013000	Handle for side rear door, left B4/B6
M	M03	01007005	Spring
M	M04	03002066	Connection link B4/6
M	M05	03014000	Blanking bulkhead B4/B6
M	M06	03013001	Dose axle for reargate B4/B6
M	M07	02006100	Bearing for belt roller ø25mm
M	M08	02006200	Connection link
M	M09	02004007	Adjustment bolt
M	M10	03014001	Bulkhead B4/B6
M	M11	03002069	Rear gate B4/6
M	M12	03002067	Stop device
M	M13	03002068	Scale fixture B4/6
M	M14	01004203	Dose scale B2-B8
M	M15	01003504	Tightening washer 16 mm
M	M16	02004008	Tightening bolt for scale
M	M17	01006101	Elesa handle for rear door on F2, B2-B8 and cover B2-B8, F2 and K40-K135
M	M18	02006300	Nylon bearing Ø25mm for B4-B8
M	M19	03008601	Reargate B4/B6 compl.

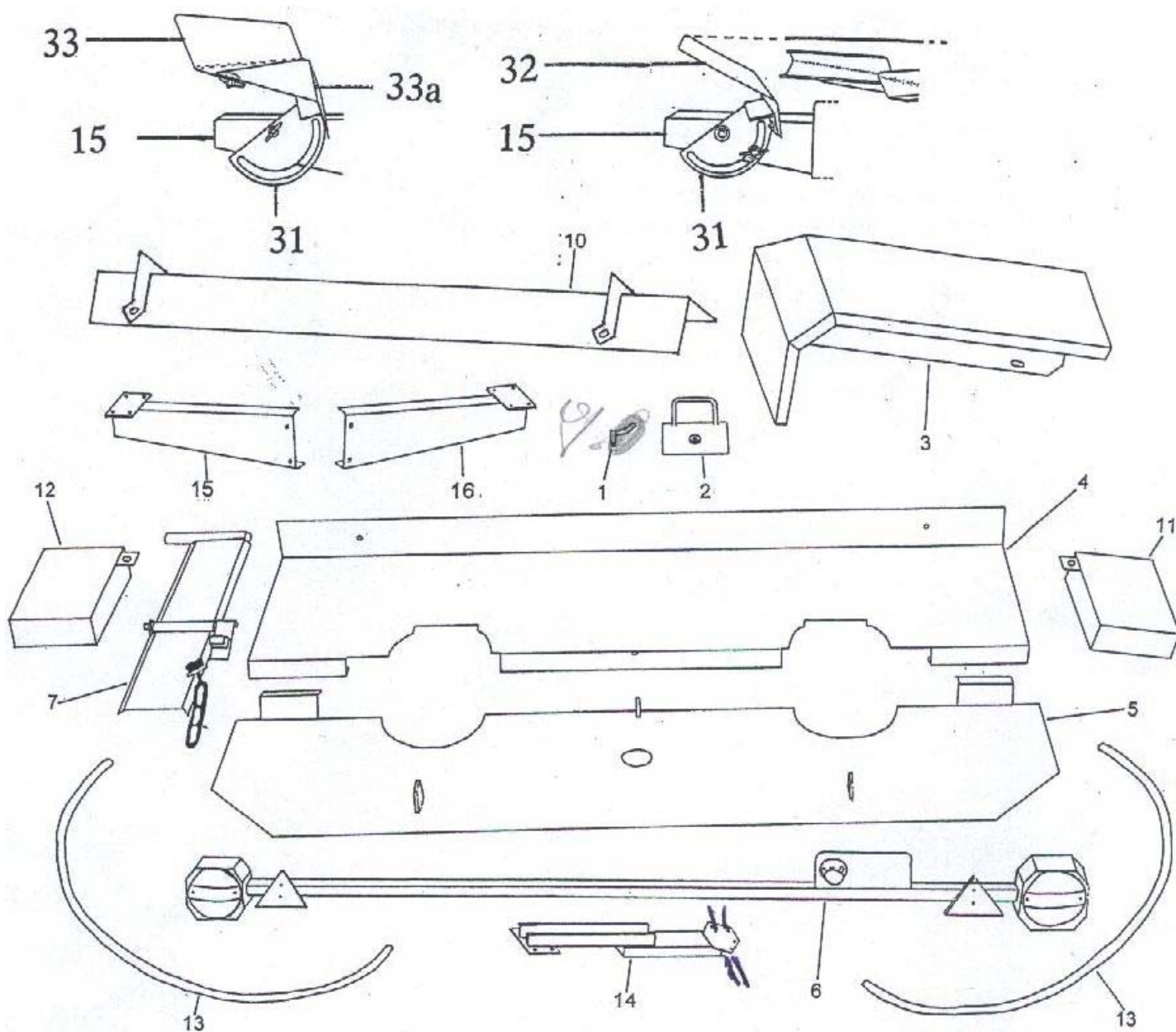
# Group M Rear Door / Baglåge / Hinterlucke



## Spareparts

Group	Pos. no.	Item no.	Description
N	17b	02004049	U-bow 8 mm
N	N02	03003019	Bottom flap for hopper B4/B6 (for emptying the hopper)
N	N04	03003022	Front shield on discs B4-8
N	N05	03003023	Rear shield on top of discs B4-B8
N	N06b	03008502	Lights kit compl. with sidelights front
N	N06c	03008503	Lights kit compl with sidelights back (stainless steel)
N	N06d	03008851	Bracket kit for rearlight B4/B6
N	N07	03003025	Headland plate old type B2-B6
N	N07a	03002188	Bracket for headland plate (old type)B4-
N	N08	03003015	Shield for floorbelt B4-8 right stainless steel
N	N09	03003026	Shield for cardan axle
N	N10	03003027	Floorbelt deflector B4 hinged
N	N10a	03003028	Floorbelt deflector B6 hinged
N	N10b	03002061	Hinches for deflectors B4/6
N	N11	03003029	Shield stainless for distance tube, righ B2-B8
N	N12	03003030	Shield stainless for distance tube, left B2-B8
N	N12a	03002233	Nut 2way M10/M16
N	N13	03003031	Protecting pipe(2 pc = 1 set) stainless
N	N14	03002062	Fixture protecting pipe middle
N	N15	03002063	Fixture protecting pipe left
N	N16	03002064	Fixture protecting pipe right
N	N16a	01003103	Wing nut M10 for 12-36 m downshut and headland kit
N	N16b	03002285	Fixture protecting pipe "right" with 2 bolts for headland kit
N	N16c	03002286	Fixture protecting pipe "left" with 2 bolts for headland kit
N	N17	02004006	Tightening for pro.pipe
N	N17a	01013002	Wire compl. with 7 pole
N	N20	01013004	Assembly box for wire
N	N21	01013005	Male for lights
N	N22	01013006	Female for lights
N	N24	01013008	Warning reflex, big
N	N25	03002065	Bracket for warning reflex
N	N26	01013009	Light kompl.
N	N27	01013010	Glas for lights
N	N27a	01013028	LED Lamps for sidelights "clear"
N	N27b	01013021	Light "Yellow" for sidelights
N	N28	03003032	Screen B4 (1. pc.) and for K35-K65 in ba of hopper (50 cm x 118 cm)
N	N29	03003033	Screen B6 (1 pc.) and for K35-K65 in fro hopper (50 cm x 144 cm)
N	N30	03008551	Safety guard compl.
N	N31	03003078	Rocker bracket, left for 12-16/-36m headland kit
N	N31a	03003094	Rocker bracket, right for 12-16/-36m headland kit
N	N31b	03003235	
N	N32	03003080	Headland plate for 18-36 m spreading w/o mounting bracket
N	N33	03003079	Headland plate for 12-16 spreading B2-B8 (w/o mounting bracket)
N	N34	04002017	Headland kit 18-28 m / 18-36 m for retrofitting on B2XL-B8 from 1999 ->
N	N35	04002016	Headland plate 12-16 for RETROFITTING ON B2XL-B8 from 1999 ->
N	N36	02004046	Bolt set for headland deflector

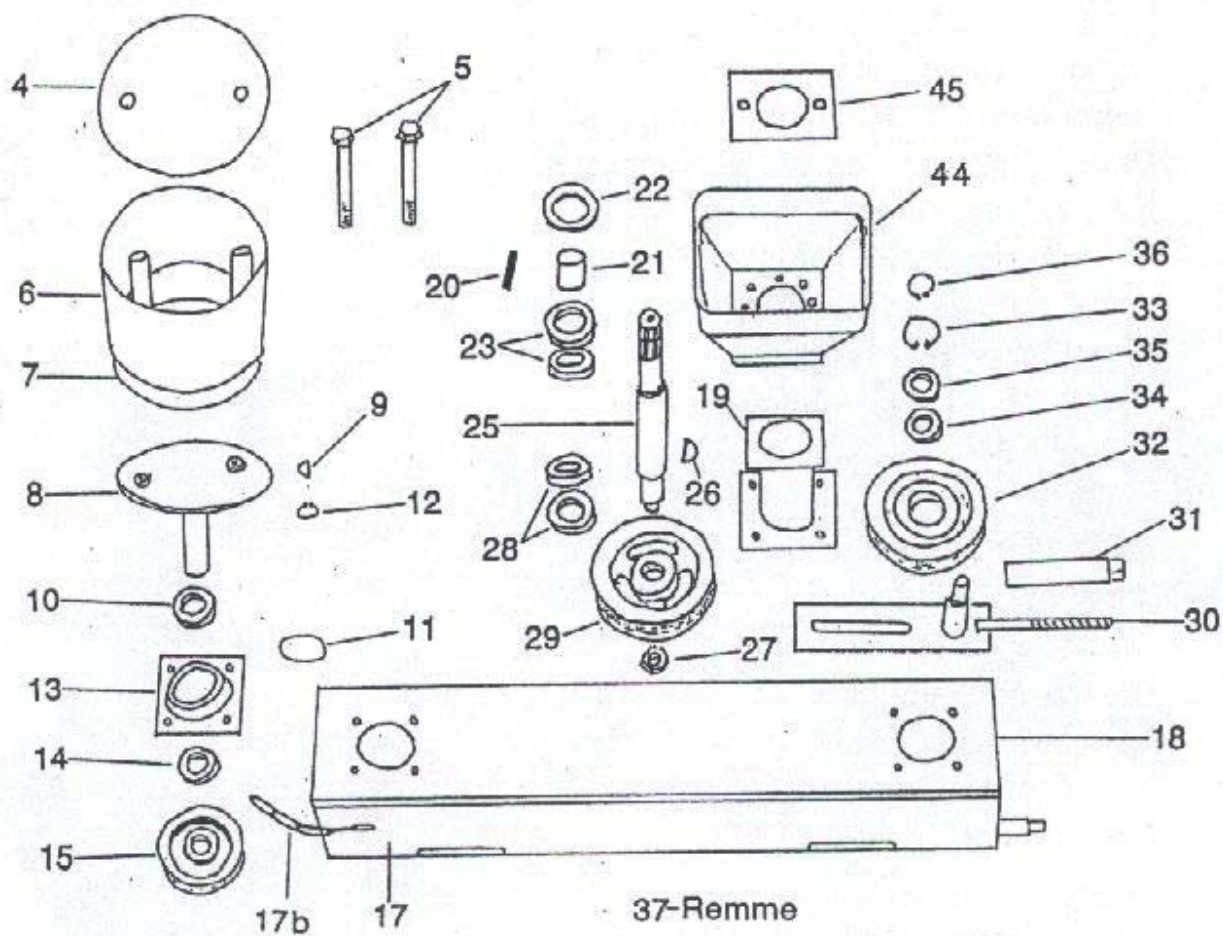
# Group N Shielding / Afskærmning /



## Spareparts

Group	Pos. no.	Item no.	Description
Q	Q02b	03015002	Spread vane left vers 98-2 for 12-36 m a 12-36 m discs, A2, B2-B8, F2 and
Q	Q02c	03015003	Spread vane right ver.98-2 for 12-36 m a 12-36 m discs, A2, B2-B8, F2 and
Q	Q03a	03015020	Set of vanes 12-36m (12 pc.) with longlife Wolfram Carbid Coating
Q	Q03b	03008703	Spread discs "A" 12-36 m for B2-B8 (1. set compl. with 6 left and 6 righ
Q	Q04	03003036	Cover for distance tube
Q	Q05	01003203	Bolt for distance tube M16*180
Q	Q06	01005002	Distance tube (L=16 cm)
Q	Q07	03002070	Distance fork
Q	Q08	03004002	Top for spreading disc long, left B2-B6 Ø35 x 153 mm
Q	Q08a	03004003	Top for spreading disc short, right. B2-B6 SPB3550/3800 Ø35 x 128 mm
Q	Q09	01003502	Woodruff key 10mm
Q	Q10	01015000	Bearing 6207
Q	Q11	01016351	Piston ring 90*5
Q	Q12	01016252	Seeger ring 35a
Q	Q13	03002071	Bearing tube long left, SPB3150 SPB3550 SPC4500-1 (up to year 2002)
Q	Q13a	03002072	Bearing tube short right SPB3150, SPB355 SPC4500-1 (up to year 2002)
Q	Q14	01015000	Bearing 6207
Q	Q15	02007000	Pulley SPB140-2 for spread discs (for SPB3551 and SPB3550 v-belt)
Q	Q15a	02007001	Pulley SPB170-2 for spread discs (SPB3800 v-belt)
Q	Q16	02004009	Hook bolt with nut
Q	Q16a	02004010	Hook bolt stainless
Q	Q17	03014002	Cover (steel) for SPB 3550 spread box up to year 91 B4/B6
Q	Q17a	02006150	Cover for spreadbox, plastic SPB3800
Q	Q17b	01002102	Rubberstrap for cover 3 step
Q	Q17c	03014003	Cover (stainless steel) for SPC4500-1 B4-B6 year 1997-2002
Q	Q18a	03001101	Spread box (emty) SPB3800 Year 92-96 B4/B6
Q	Q19	03002073	Bearing tube inlet axle B4/B48-100 up to Ø82x640
Q	Q19a	03002074	Bearing tube for inlet axle B6 up to '94 Ø82x1140
Q	Q19b	03002075	Bearing tube short
Q	Q20	01003505	Tube split 10*45
Q	Q21	02001003	Stop ring for inlet axle Ø45xØ35x51
Q	Q22	02001004	Tightening ring Ø72 x Ø46 x 8
Q	Q23	01015000	Bearing 6207
Q	Q25	02003009	Inlet axle B4 640mm
Q	Q25a	02003010	Inlet axle B6 1140 mm
Q	Q25b	02003001	Axle 6 nut for KB2, Ø35x215 with ø13 mm
Q	Q26	01003502	Woodruff key 10mm
Q	Q27	01003400	Lock nut 1" WG
Q	Q28	01015000	Bearing 6207
Q	Q29	02007002	Pulley SPB160-2 center
Q	Q29a	02007003	Pulley SPB170-2 center
Q	Q29b	02007004	Pulley SPB200-2 center
Q	Q30	03002082	Tightening fixture B4/6 up to '91
Q	Q30a	03002083	Tightening fixture ø35 B4/6 from year 92
Q	Q31	01003403	Tube nut
Q	Q32	02007005	Pulley SPB160-2 ø52 hole w/o bearings
Q	Q32a	02007006	Pulley SPB160-2 ø72 hole for tightener
Q	Q33	01016255	Seegerring 52i
Q	Q33a	01016251	Seeger ring 72 i
Q	Q34	01015004	Bearing 6205
Q	Q34a	01015000	Bearing 6207
Q	Q36	01016254	Seeger ring 25a
Q	Q36a	01016252	Seeger ring 35a
Q	Q37	01007005	Spring

**Group Q Spreadunit SPB3550 / Spredekasse SPB3550 / Streuwerk SPB3550**

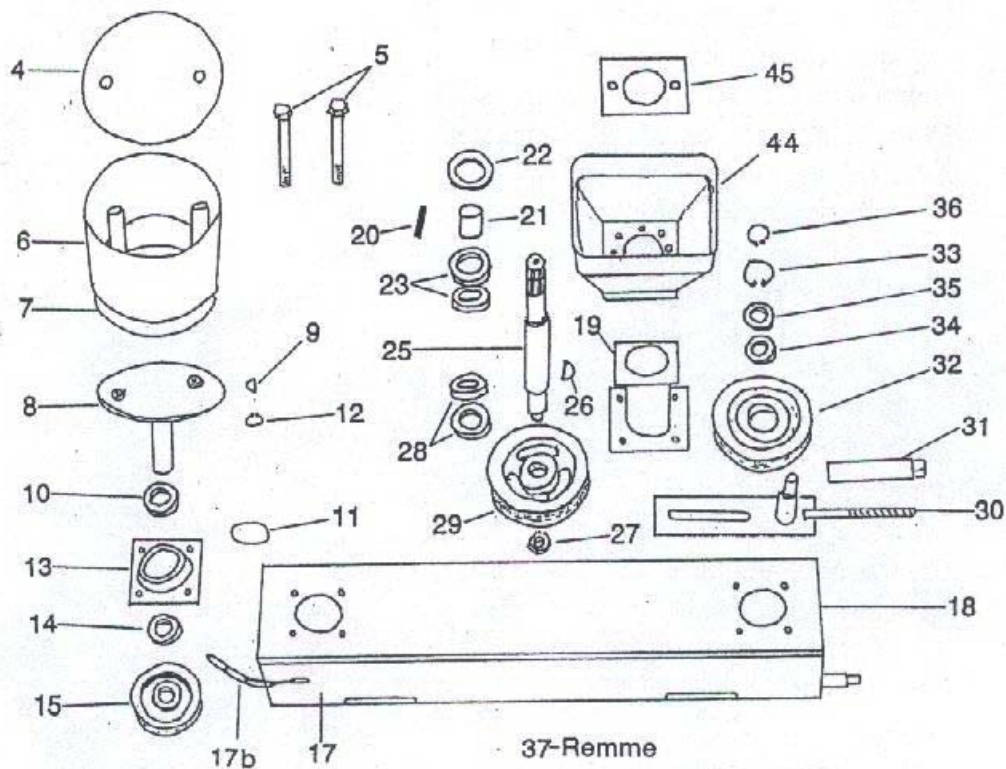


## Spareparts

Group	Pos. no.	Item no.	Description
Q1	Q137	01010100	V-belt SPB3550
Q1	Q137a	01010101	V-belt SPB3800 each
Q1	Q137b	01010048	V-belt SPA3550 for B4/B6 year 1986-87
Q1	Q139	01003001	Bolt set, stainless for spread vane B4-B (12-36 m spread disc)
Q1	Q140	03008631	Top,compl. long left B2-B6
Q1	Q140a	03008632	Top compl. short right B2-B6
Q1	Q142	03008251	Inlet axle complete long, B4 up to year B48-B100 (640 mm)
Q1	Q142a	03008252	Inlet axle compl. B6 up to year 94
Q1	Q142b	03008253	Inlet axle compl. short 260 mm B48-100 a B4-B6 (6 not)
Q1	Q143	03008661	Spreadunit compl. SPB3800 B6 with 1210 m inlet axel
Q1	Q143a	03001114	Spread unit SPB3800 compl. for B4 with 640 mm inlet axel
Q1	Q143b	03001120	Spread unit SPB3800 compl. B4/B6 with short inlet axle with 6Z
Q1	Q144	02007300	Set of Pulleys for SPB3550 without bearings
Q1	Q144a	01001300	Cardan shield (yellow)
Q1	Q145	03002117	Mounting bracket for yellow guard
Q1	Q146	03008841	Tightening fixture compl.SPB3550 B4/B6
Q1	Q147	03008842	Tightening fixture compl SPB3800 B4/B6
Q1	Q148	01001102	PTO schaft for KB2-gear 6/6 810 mm B2/F2
Q1	Q149	01001107	PTO shaft for KB2 (101)760 mm B4-B8, K35-K125



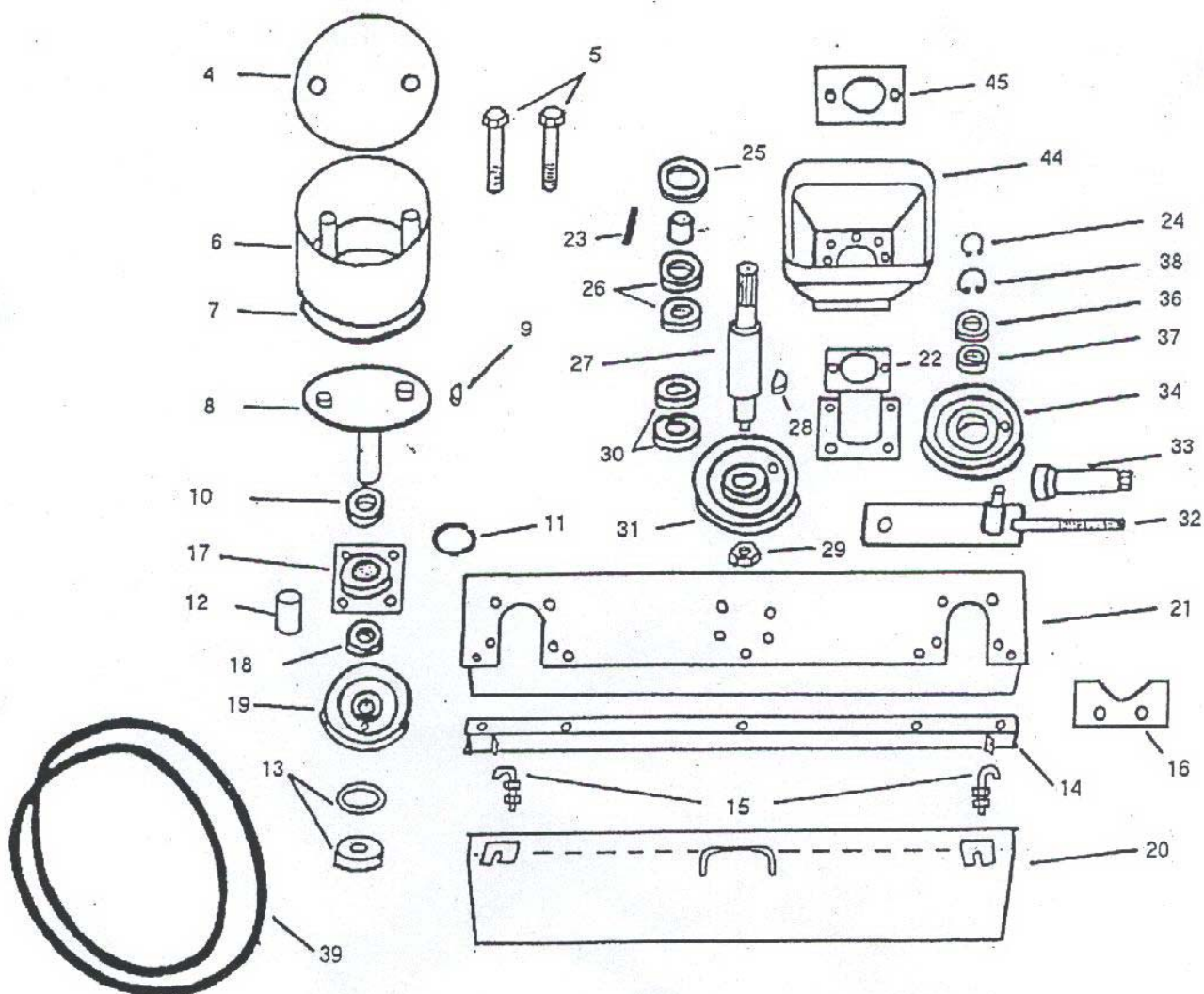
# Group Q1 Spreadunit SPB3550 / Spredekasse SPB3550 / Streuwerk SPB3550



## Spareparts

Group	Pos. no.	Item no.	Description
QA	QA01	03015002	Spread vane left vers 98-2 for 12-36 m a 12-36 m discs, A2, B2-B8, F2 and
QA	QA02	03015003	Spread vane right ver.98-2 for 12-36 m a 12-36 m discs, A2, B2-B8, F2 and
QA	Qa02b	03015020	Set of vanes 12-36m (12 pc.) with longlife Wolfram Carbid Coating
QA	QA03c	02004045	Bolt set stainless for spread vanes (12-
QA	QA04	03003036	Cover for distance tube
QA	QA05	01003203	Bolt for distance tube M16*180
QA	QA06	01005002	Distance tube (L=16 cm)
QA	QA07	03002070	Distance fork
QA	QA08	03008633	Top compl. w. pulley left for SPC4500-1 (160 x 160 mm flange)
QA	QA08a	03008634	Top compl. right with pulley for SPC4500 (140 x 140 mm flange)
QA	QA08b	03004004	Top for disc, long left 4500-1 w/o bearing and tube Ø35 x 153 mm
QA	QA08c	03004005	Top for spread disc, short right SPC4500-1 Ø35 x 128 mm
QA	QA09	01003502	Woodruff key 10mm
QA	QA10	01015000	Bearing 6207
QA	QA11	01016351	Piston ring 90*5
QA	QA12	02001005	Distance tube for top spread disc SPC450 Ø35 x 61 mm
QA	QA12a	03003204	Distance tube for top spread disc SPC450 Ø35 x 36 mm
QA	QA13	01003404	Nut and lock washer "SKF" for top Ø35
QA	QA14	03003037	Enforcement angel SPC4500-1
QA	QA15	02004011	Hook bolt Stainless for SPC4500-1
QA	QA16	03003038	Tightening
QA	QA17	03002071	Bearing tube long left, SPB3150 SPB3550 SPC4500-1 (up to year 2002)
QA	QA17a	03002072	Bearing tube short right SPB3150, SPB355 SPC4500-1 (up to year 2002)
QA	QA18	01015000	Bearing 6207
QA	QA19	02007007	Pulley SPC225-1 ø35 hole, stainless stee
QA	QA20	03014004	Cover for spread box SPC4500-1 ss without headland gear (lengt 124,5 cm)
QA	QA21	03001124	Spreadbox SPC4500-1, empty B2-B6
QA	QA22	03002077	Bearing tube inlet axle for SPC4500-1 fo F2/F2X
QA	QA22a	03008255	Inlet axle B2, F2/F2X SPC4500-1 compl.
QA	QA23	01003505	Tube split 10*45
QA	QA24	01016252	Seeger ring 35a
QA	QA25	02001004	Tightening ring Ø72 x Ø46 x 8
QA	QA26	01015000	Bearing 6207
QA	QA27	02003011	Inlet axle short 260 mm, Ø35 mm for SPB3150 and 3550
QA	QA27a	03008480	
QA	QA28	01003502	Woodruff key 10mm
QA	QA29	01003400	Lock nut 1" WG
QA	QA30	01015000	Bearing 6207
QA	QA31	02007008	Pulley SPC250-1 ø35 hole center for A2, B4-B8, f2
QA	QA32	03002084	Tightening fixture ø35 SPC4500-1 A2, B2, and K35-K105
QA	QA33	01003405	Tube nut for SPC4500-1 A2, B2-B8, F2 and K35-K105
QA	QA34	02007009	Pulley SPC225-1 ø72 hole for tightner for A2, B2, F2 and K35-K125
QA	QA34a	03008843	Tightening fixture compl SPC4500-1 B2-B8, K35-K105
QA	QA35	01016252	Seeger ring 35a
QA	QA36	01015000	Bearing 6207
QA	QA37	01015000	Bearing 6207
QA	QA38	01016251	Seeger ring 72 i
QA	QA39	01010102	V-belt SPC4500 each
QA	QA44	01001300	Cardan shield (yellow)
QA	QA45	03002117	Mounting bracket for yellow guard
QA	QA46	03008551	Safety guard compl.
QA	QA48	03008662	SPC4500-1 spread unit compl. w. discs 12-24 m
QA	QA49	01003002	Bolt set, stainless for spread vane (12-28 m spread disc) B2-B8

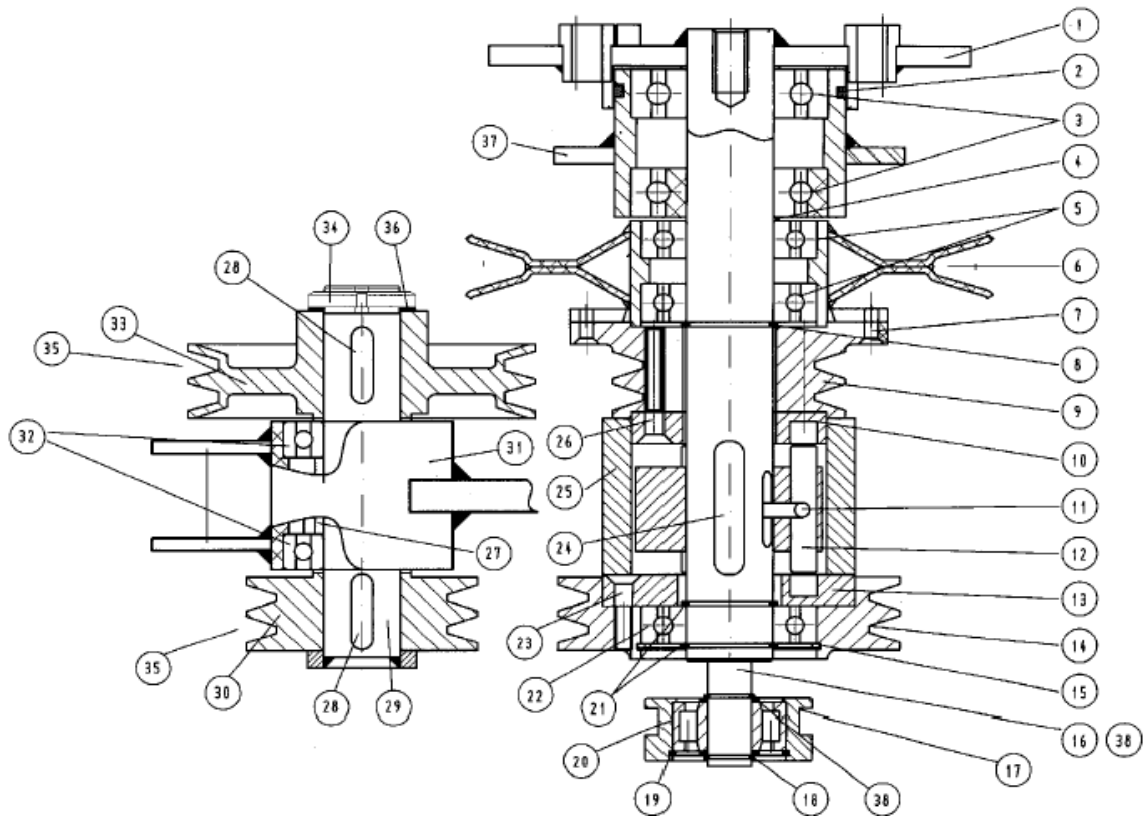
**Group QA Spreadunit SPC4500-1 / Spredekasse SPC4500-1 / Streuwerk SPC4500-1**



## Spareparts

Group	Pos. no.	Item no.	Description
KA	ka01	03004019	Top for headland gear
KA	ka02	01016354	Piston ring 105x5
KA	ka03	01015001	Bearing 6308
KA	ka04	01003411	Distancering 41,5 x 55 x 1,5 mm For top for discs (SPC4500-2), headland
KA	ka05	01015012	Bearing 6208 (for inlex axel on SPC4500-1 from year 2001->)
KA	ka06	02007021	Pulley SPC 225/1 for headland gear
KA	ka07	01003018	Bolt, unbraco M8 x 25 mm (headland gear)
KA	ka08	01016256	Circlip Ø40a
KA	ka09	02007030	Pulley SPA 100-2, SPC4500-1 headlandgear (with 6 hole for M10x40 unbraco
KA	ka10	03004011	Clutchplate Ø90 headlandgear
KA	ka11	01003513	Steel pin Ø8x60 incl. 2 pcs M10 x 10 bolt. For 4500-1 and 2 headlandgear
KA	ka12	03004013	Clutch for 4500-1 headland gear
KA	ka13	03011083	Clutch plate Ø115 with 6 hole, 4500-2 headlandgear
KA	ka14	02007023	Pulley SPA 150-2 for headland gear
KA	ka15	01016258	Seegerring 80 i for headland gear
KA	ka16	03004014	Axel Ø20 mm, lenght 136,4 mm 4500-1 headland gear
KA	ka17	03004015	Wheel for 4500-1 and 2 headland gear
KA	ka18	01016259	Seegerring 20a x 1,75 for headland gear
KA	ka19	01016255	Seegerring 52i
KA	ka20	01015013	Bearing 3304 for Headland gear
KA	ka21	01016256	Circlip Ø40a
KA	ka22	01015012	Bearing 6208 (for inlex axel on SPC4500-1 from year 2001->)
KA	ka23	01003017	Nut, Umbraco M8x35 for headlandgear
KA	ka24	01003512	Not 10x8x56 for Headlandgear .
KA	ka25	01005224	PEH tube Ø110 x 10 x 74, 4500-1 headland
KA	ka26	01003016	Nut, unbraco M10x40 headlandgear
KA	ka27	03004016	Distancetube 1 1/4" x 36 for headlandgear
KA	ka28	01003502	Woodruff key 10mm
KA	ka29	03004017	Axle Ø35 mm for tightener on headland gear
KA	ka30	02007022	Pulley SPA 100-2 tightening fixture 12-28 Ø35 mm hole 37 mm hub lenght
KA	ka30a	02007025	Pulley SPA 150-2 tightening fixture 24-36 Ø35 mm hole, 37 mm hub lenght
KA	ka31	03004018	Housing for tightener, without bearings for headlandgear
KA	ka32	01015000	Bearing 6207
KA	KA33	02007029	Pulley SPA 150-2 for tightening fixture on SPC4500-1 headland gear
KA	ka34	01003404	Nut and lock washer "SKF" for top Ø35
KA	ka35	01010109	V-belt XPA 732 "KV23" for headland gear (4 pc. with 12-28 m headland gea
KA	ka35a	01010110	V-belt XPA 807 for headland gear 18-36 m (2 pc. XPA 807 and 2 pc. XPA 732
KA	ka36	01003410	Lockwascher MB7 for headlandgear
KA	ka37	03002142	Bearing tube right, short SPC4500-2
KA	ka38	01016017	Support ring Ø20/28 x 2 for wheel for headland gear
KA	ka39	03008891	Headland gear compl. for 4500-1 with fla 280 x 280 mm (without tightening
KA	ka40	03008849	Headland gear compl. for 4500-1 with fla 160 x 160 mm (without tightening

# Group KA Headlandgear in a SPC 4500-1 spreadunit

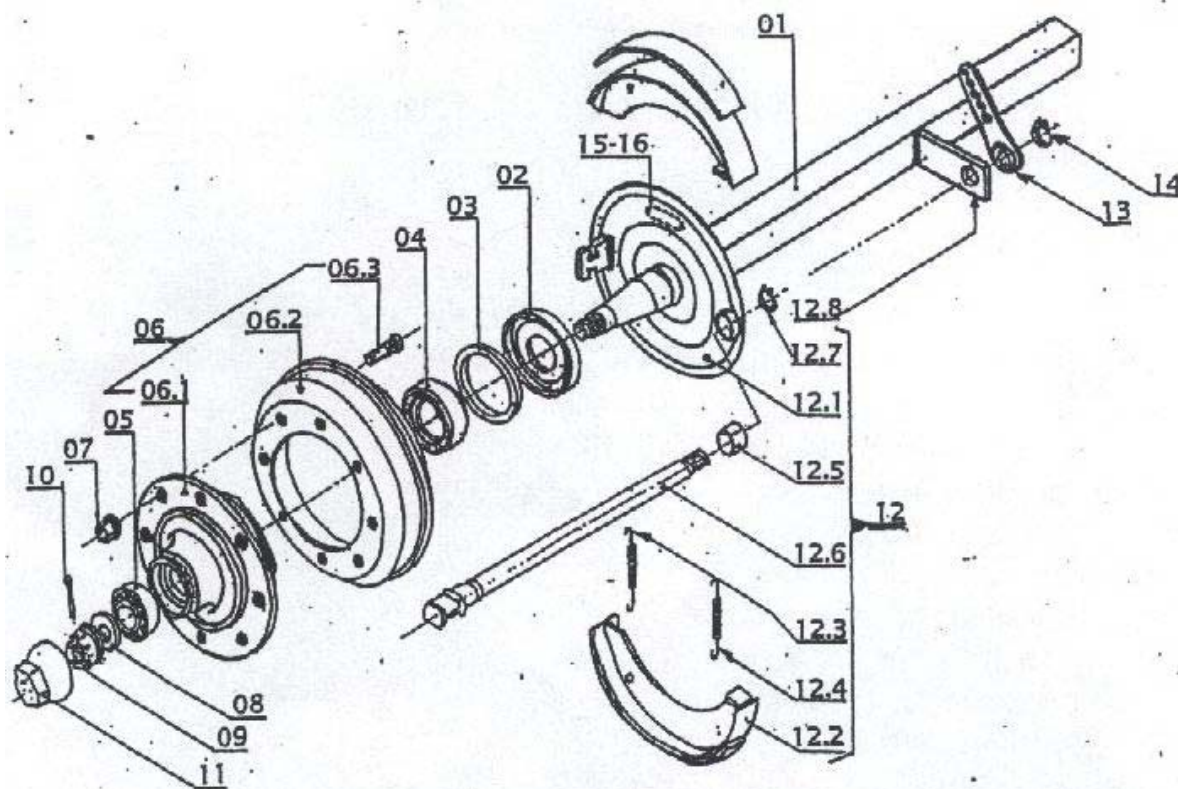
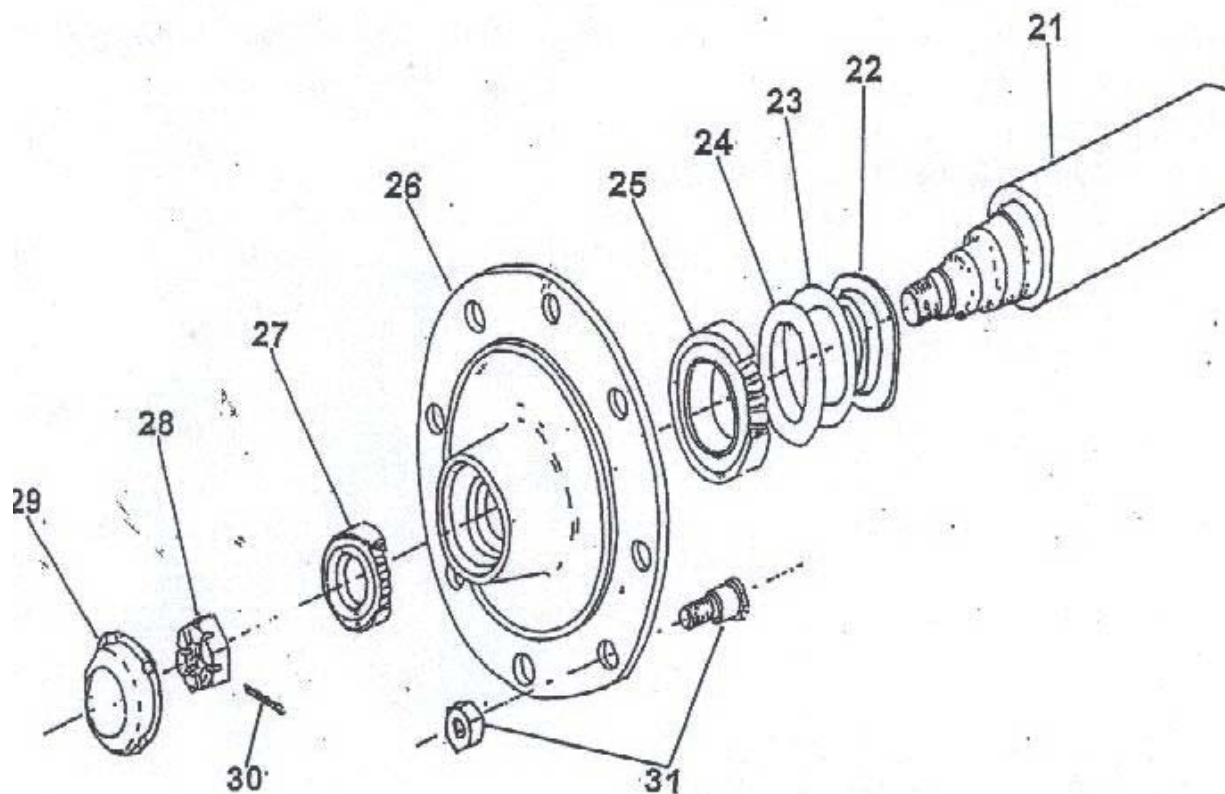


## Spareparts

---

Group	Pos. no.	Item no.	Description
AK	AK01	01019001	Axle for HDL 75/8
AK	AK02	01019052	Tightening ring HDL75/8 ore Peitz (12 tons)
AK	AK04	01019056	Plastic ring for tightening for HDL 65-8 (Ø 105x139)
AK	AK05	01019103	Bearing 33215 for HDL75/8 ore Peitz (12 w/o brakes)
AK	AK06	01019152	Hub with boltes HDL75/8
AK	AK07	01019104	Bearing 32310 for HDL75/8 ore Peitz 12 t
AK	AK08	01019402	Slotted nut, Salati / HDL75-8 (M45x3)
AK	AK10	01019462	Split for HDL75/8 ore Peitz 12 tons
AK	AK11	01019202	Hub bolts compl. HDL75/8
AK	AK16	01019521	Compl. axle and Hub HDL75/8

# Group Ak Axle and Hub (Salati / HDL 75/8 / HDL 65/8 / E.B.)



## Spareparts

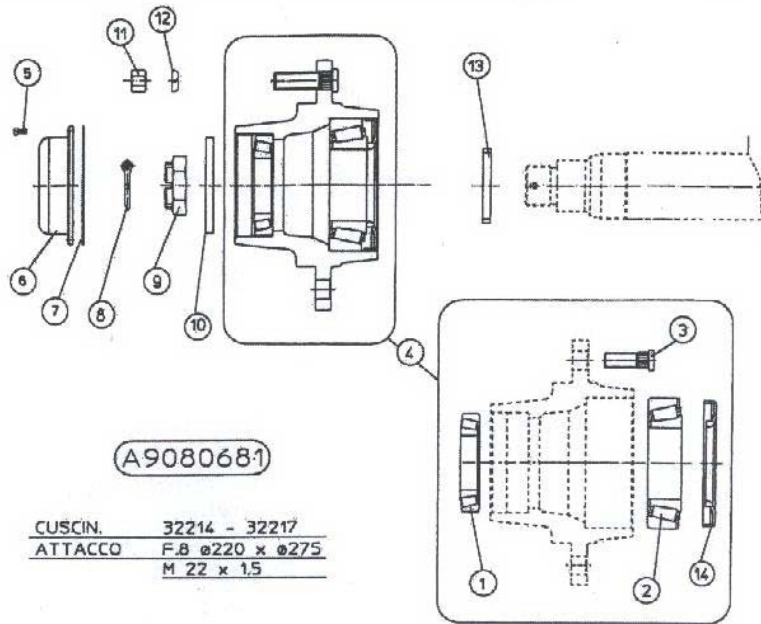
Cur. EUR

Group	Pos. no.	Item no.	Description	Price
FAD	FAD11a	01019309	Brake shoes, FAD 300x90 (316A060C+316A06	128,36
FAD	FADa01	01019117	Bearing 32214 FAD 8 holes hub with brake and ADR 10 holes hub without bra	323,92
FAD	FADa02	01019118	Inner bearing 32217, FAD 8 holes hub wit brakes and ADR 10 holes hub with	257,39
FAD	FADa03	01019215	Whell stud compl. for FAD 8 holes hub without brakes M22 x 1,5 x 65	23,79
FAD	FADa04	01019160	Hub assembly FAD 8 holes hub without brakes (F8+220 x 275)	936,56
FAD	FADa05	01019491	Hub cap screw FAD M6 x 10, FAD 8 holes hub with brakes and 8-10 holes	4,30
FAD	FADa06	01019441	Hub cap (fixed by screw) FAD 8 holes wit brakes and 8-10 holes without br	51,34
FAD	FADa07	01019068	Hub cap sealing FAD 8 holes hub with bra and 8-10 holes hub without brake	9,95
FAD	FADa08	01019492	Split pin 6,3 x 55 for FAD 8 holes	6,18
FAD	FADa09	01019410	Crown nut M50 x 2 x 35 for FAD 8-10 holes hub (without brakes)	61,16
FAD	FADa10	01019072	Washer for FAD 8 and 10 holes (without brakes) 80 x 48 x 8	73,39
FAD	FADa11	01019213	Nut incl. cone M22 x 1,5 for FAD 8 holes hub for K40-K65 and (Germany) K4	13,04
FAD	FADa11a	01010034	Plastic cap M22 for hub nut	1,34
FAD	FADa12	01019490	Stud washer FAD 8 holes 22,5 x 34 x 8	5,91
FAD	FADa13	01019073	Schoulder ring 87 x 100 x 15 for FAD 8 h hub (without brakes)	47,72
FAD	FADa14	01019074	Retaining ring 150 x 110 x 13 for FAD 8 holes hub (without brakes)	45,56
FAD	FADb01	01019117	Bearing 32214 FAD 8 holes hub with brake and ADR 10 holes hub without bra	323,92
FAD	FADb02	01019118	Inner bearing 32217, FAD 8 holes hub wit brakes and ADR 10 holes hub with	257,39
FAD	FADb03	01019215	Whell stud compl. for FAD 8 holes hub without brakes M22 x 1,5 x 65	23,79
FAD	FADb03a	01010034	Plastic cap M22 for hub nut	1,34
FAD	FADb04	01019159	Hub assembly FAD 10 holes F10+280 x 335	1.008,74
FAD	FADb05	01019491	Hub cap screw FAD M6 x 10, FAD 8 holes hub with brakes and 8-10 holes	4,30
FAD	FADb06	01019441	Hub cap (fixed by screw) FAD 8 holes wit brakes and 8-10 holes without br	51,34
FAD	FADb07	01019068	Hub cap sealing FAD 8 holes hub with bra and 8-10 holes hub without brake	9,95
FAD	FADb08	01019492	Split pin 6,3 x 55 for FAD 8 holes	6,18
FAD	FADb09	01019410	Crown nut M50 x 2 x 35 for FAD 8-10 holes hub (without brakes)	61,16
FAD	FADb10	01019072	Washer for FAD 8 and 10 holes (without brakes) 80 x 48 x 8	73,39
FAD	FADb11	01019213	Nut incl. cone M22 x 1,5 for FAD 8 holes hub for K40-K65 and (Germany) K4	13,04
FAD	FADb12	01019490	Stud washer FAD 8 holes 22,5 x 34 x 8	5,91
FAD	FADb13	01019073	Schoulder ring 87 x 100 x 15 for FAD 8 h hub (without brakes)	47,72
FAD	FADb14	01019074	Retaining ring 150 x 110 x 13 for FAD 8 holes hub (without brakes)	45,56
FAD	FADb15	01019528	ADR hub compl. 8 stud (without brakes)	413,98
FAD	FADc01	01019357	Cam shaft FAD 8 holes	127,82
FAD	FADc05	01019441	Hub cap (fixed by screw) FAD 8 holes wit brakes and 8-10 holes without br	51,34
FAD	FADc06	01019212	Hub bolt M22 x 1,5 x 79 compl. for FAD 8 brake hub for K40-K65, and (Germ	24,33
FAD	FADc07	01019492	Split pin 6,3 x 55 for FAD 8 holes	6,18
FAD	FADc08	01019117	Bearing 32214 FAD 8 holes hub with brake and ADR 10 holes hub without bra	323,92
FAD	FADc09	01019118	Inner bearing 32217, FAD 8 holes hub wit brakes and ADR 10 holes hub with	257,39
FAD	FADc10b	01019213	Nut incl. cone M22 x 1,5 for FAD 8 holes hub for K40-K65 and (Germany) K4	13,04
FAD	FADc10c	01010034	Plastic cap M22 for hub nut	1,34
FAD	FADc11	01019307	Shoe with linig FAD 8 holes 400 x 80 1 set (2 set per spreader)	172,31
FAD	FADc13b	01019356	Adjustable brake lever FAD 30 x 152/180/	100,67
FAD	FADc15a	01019070	Double edge seal ring FAD 8 holes 140 x 100 x 12	35,89
FAD	FADc15b	01019071	Single edge seal ring FAD 8 holes 130 x 90 x 12	14,11
FAD	FADc15c	01019120	Sealing (rubber) 130x75 FAD Overrun brak and Salati 8 stud hub with brake	45,56
FAD	FADc15d	01019083	Seal ring 140 x 80 FAD 8 holes	29,44
FAD	FADc16	01019068	Hub cap sealing FAD 8 holes hub with bra and 8-10 holes hub without brake	9,95
FAD	FADc17	01019408	Crown nut FAD 8 holes M45 x 2	56,05
FAD	FADc19	01019490	Stud washer FAD 8 holes 22,5 x 34 x 8	5,91
FAD	FADc20	01019069	Bearing washer FAD 8 holes 45 x 85 x 7	21,37
FAD	FADc22	01019491	Hub cap screw FAD M6 x 10, FAD 8 holes hub with brakes and 8-10 holes	4,30
FAD	FADc25	01019475	Brake Cylinder Ø 30 mm with 220 mm cylinder house (from 1/2 2002)	235,89
FAD	FADc26	01019308	Brake drum FAD 8 holes	252,42
FAD	FADc27	01019082	Shoulder ring 80 x 140 FAD	93,28
FAD	FADc28	03005029	Fork for brake cylinder	37,50

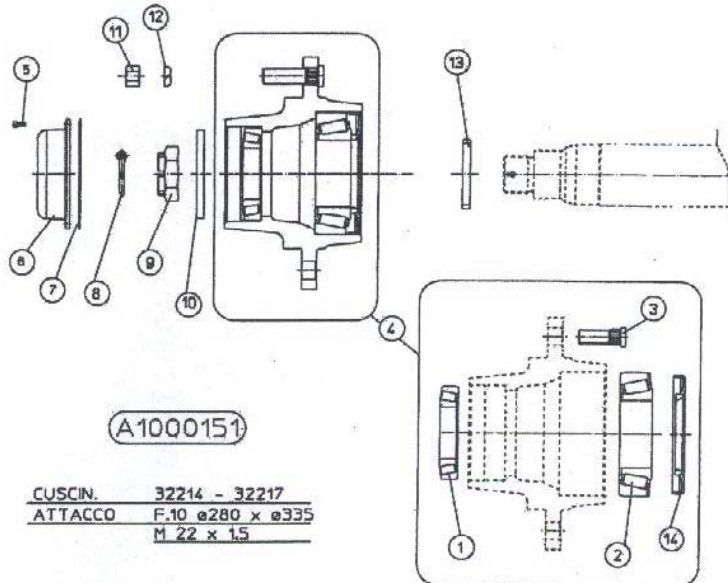


**Group FAD Axle and Hub** / aksel og nav / Achse und nabe

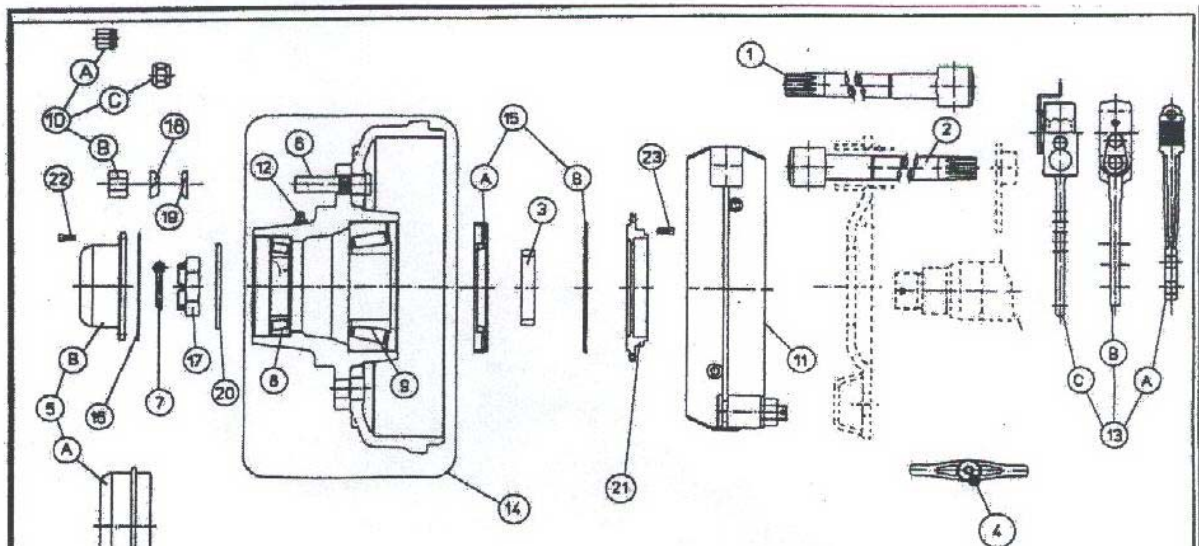
A = 8 huls FAD løbenav, 8 holes FAD hub without brakes, 8 lock FAD Stummel ohne Bremse



B = 10 huls FAD løbenav, 10 holes FAD hub without brakes, 10 lock FAD Stummel ohne Bremse



C = 8 huls FAD bremsenav, 8 holes FAD hub with brakes, 8 lock FAD Bremsstummel





Bredal A/S  
Nimvej 1  
DK-7120 Vejle Øst  
Tel : (+45) 75895177  
Mail : [info@bredal.com](mailto:info@bredal.com)  
Web : [www.bredal.com](http://www.bredal.com)  
iPaper : [docs.bredal.com](http://docs.bredal.com)