

Spareparts

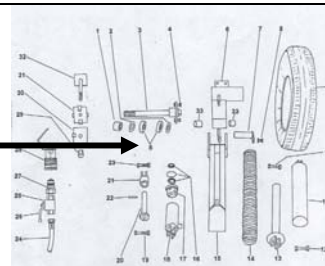
B2/B2ML/B2XL/B3XL



1/7 - 2017

Example

Maskinfabrikken Bredal A/S			
		Reservepriser	Hjultræksarm
SALG			
Gruppe	Pos.nr.	Varenummer	Varenavn
AB2	AB201	02001006	Holdebøsning for B2/B3/F2 hjultræksaksel
AB2	AB201a	02001007	Holdebøsning for B2/B3/F2 hjultræksarm
AB2	AB202	01016102	Pakdåse Z207
AB2	AB203	03004001	Aksel med nav for doseringshjul B2/B3/F2 Ø35x320 med fl
AB2	AB205	01015000	Leje 6207



Find pos nr. 05

Spareparts for B2

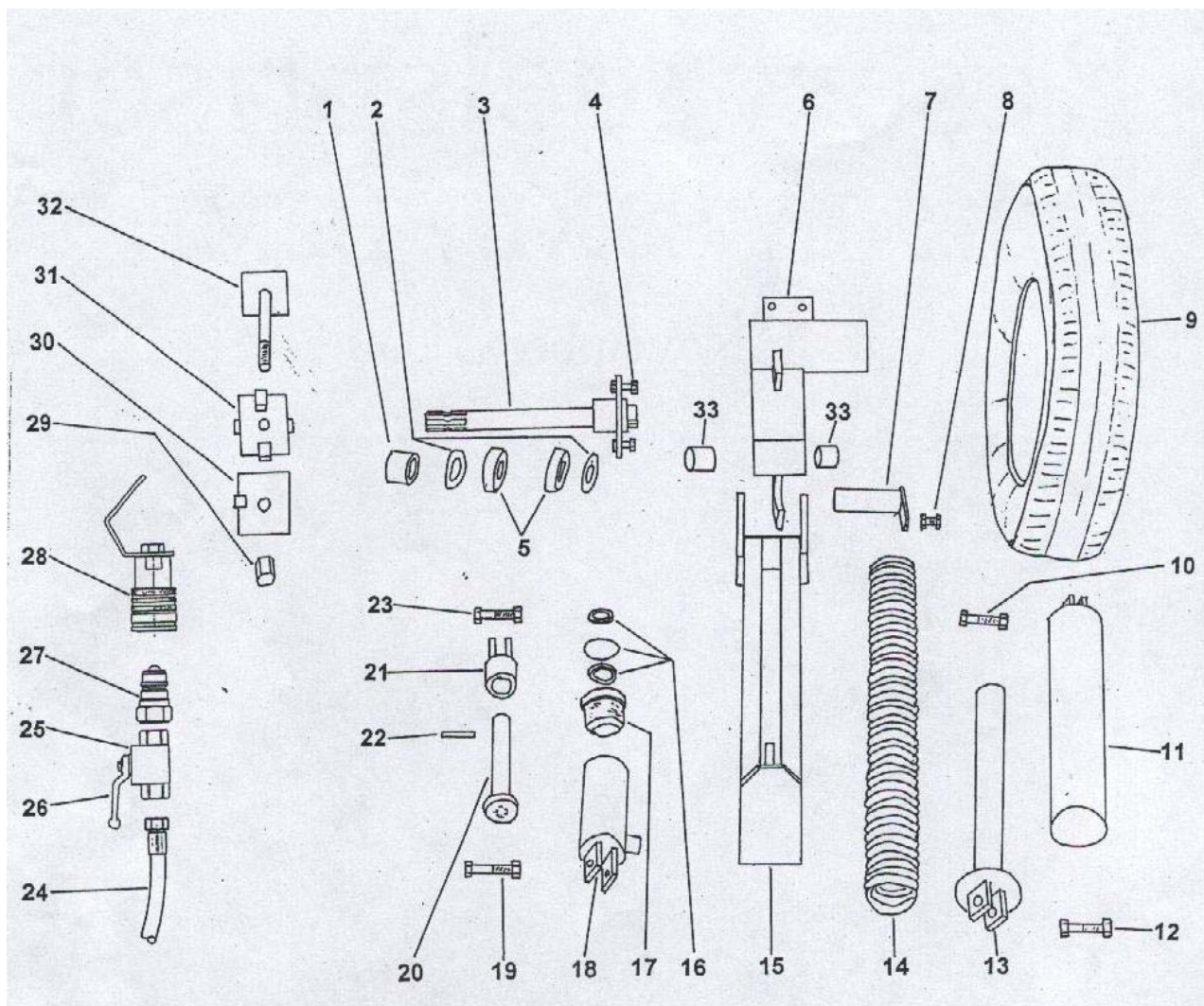
Content

Group AB2 Wheel drive arm.....	5
Group CB2 Rear Door.....	7
Group BB2 3 geared chain gear	9
Group DB2 Floorbelt system.....	11
Group EB2 Shield and light kit	13
Group FB2 SPB 3550 spreadunit	15
Group GB2 SPC 4500-1 spreadunit	17

Spareparts

Group	Pos. no.	Item no.	Description
AB2	AB201	02001006	Bushing for dose wheel, B2/B3/F2
AB2	AB201a	02001007	Bushing for thermalphial B2/B3/F2
AB2	AB202	01016102	Tightening Z207 Year 92 ->
AB2	AB203	03004001	Axle with hub compl. B2/B3/F2 Ø35x320 wi bracket
AB2	AB204	01003588	Bolt set, hub for dose wheel M12 x 35 (4 pcs) incl. Konic washer
AB2	AB205	01015000	Bearing 6207
AB2	AB206	03002086	Rocker arm B2/B3 (up to year 1998) compl
AB2	AB206a	03002303	Rocker arm B2XL & F2 (from year 1998) co
AB2	AB207	02003012	Bolt for linkage arm B2/B3 Ø35x105
AB2	AB209	01020009	Wheel 165 x 13 for chain gear
AB2	AB211	03002087	Spring pipe B2/3 for dose wheel
AB2	AB213	03002088	Spring guide B2/3
AB2	AB214	01007006	Spring inner B2/B3/F2 (L = 760 mm, diameter Ø48 mm)
AB2	AB214a	01007007	Outer spring B2/B3/F2 (L = 745 mm, diameter Ø 65 mm)
AB2	AB215	03002089	Wheel drive arm B2/B3/F2
AB2	AB216	01016003	Seal kit for Ø30 mm cylinder vers. 1-2-3-4-5
AB2	AB217	03005003	Cylinder head Ø30 mm with gasket vers 1-2-3-4-5
AB2	AB218	03005006	Cylinder for dose wheel B2/B3/F2
AB2	AB218a	03008304	Cylinder compl. Ø30 for dose wheel B2/B3
AB2	AB220	03005007	Piston for dose wheel B2/B3/F2
AB2	AB221	03002090	Piston top
AB2	AB224	01012153	Hydraulic hose for B2/F2 with ball valve 1/4" 2500 mm
AB2	AB224a	01012154	Hydr. hose for dose wheel with ball valv 1/4" 3600 mm, B3XL
AB2	AB225	01012251	Ball valve 1/2" w. handle
AB2	AB226	01012252	Handle for Ball valve
AB2	AB227	01012000	Coupling for ball valve ½"
AB2	AB228	01012001	Fixture for hydr. coupling
AB2	AB229	01003202	Bolt for parallel link L=200 mm x 20 mm
AB2	AB230	03002091	Lowest holder for dose wheel B2/B3/F2
AB2	AB231	03002092	Middle holder for dose wheel B2/B3/F2
AB2	AB232	03002093	Top holder for dose wheel B2/B3/F2
AB2	AB233	02001000	Brass bushing (2 pc.per arm)35 x 43 x 25
AB2	AB234	03002014	Console for counter B2/B3/F2
AB2	AB235	01014001	Mek. counter B2/B3/F2
AB2	AB236	03003002	Cover for counter B2/B3/F2
AB2	AB237	01002102	Rubberstrap for cover 3 step
AB2	AB238	03008484	Cage wheels system compl. for B2/F2 (without wheel and hydr. hoses)

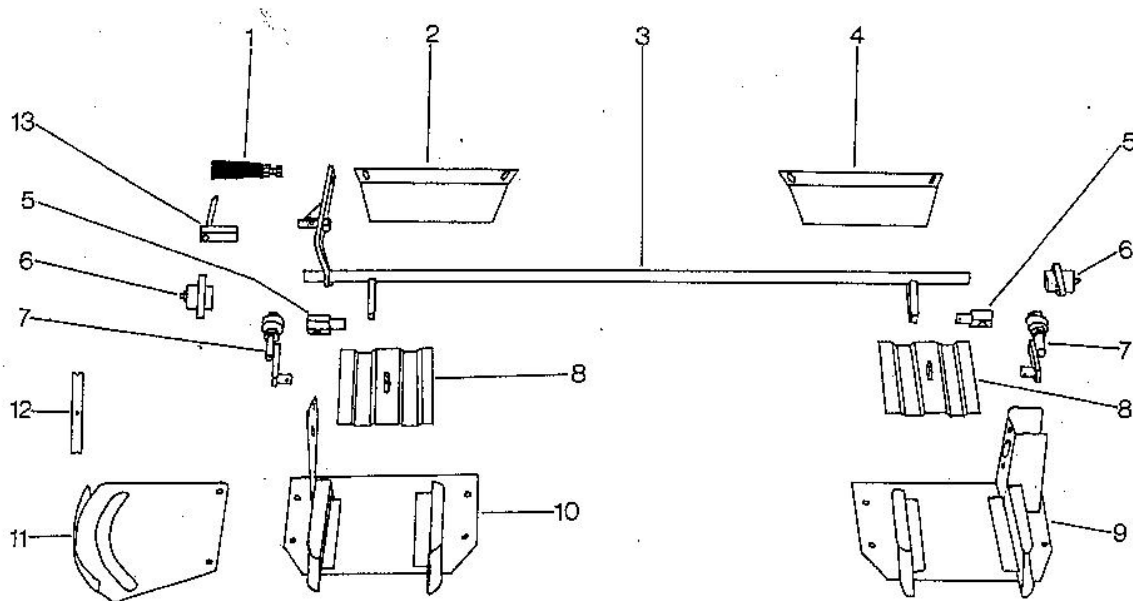
Group AB2 Wheel drive arm / Hjultræksarm / Arm Bodenantrieb



Spareparts

Group	Pos. no.	Item no.	Description
CB2	CB201	01006101	Elesa handle for rear door on F2, B2-B8 and cover B2-B8, F2 and K40-K135
CB2	CB202	03003040	Stickle, left B2/B3/F2/F2X, stainless steel
CB2	CB203	03013002	Adjusting axle for bulk head B2/B3
CB2	CB204	03003041	Stickle, right B2/B3/F2/F2X, stainless steel
CB2	CB205	02006200	Connection link
CB2	CB206	02006101	Bearing for belt roller vers.1 ø19mm B48 K35-K105 up to 1997, B2/B3 bulk
CB2	CB207	02004007	Adjustment bolt
CB2	CB208	03014005	Bulk head B2/B3 (before 2000)
CB2	CB208a	03014009	Bulk head, stainless steel B2XL (from 20 and F2/F2X
CB2	CB208b	02006307	Plastic piece for bulk head B2XL/B3XL and F2/F2X, outside with 3 hole
CB2	CB209	03002094	Fixture for bulk head, right B2/B3
CB2	CB210	03002095	Fixture for bulk head, left B2/B3 with bracket for scale fixture
CB2	CB210a	03002096	Fixture for bulk head, left B2/B3 w/o bracket for scale
CB2	CB211	03002097	Scale fixture with scale, stainless steel B2XL and F2/F2X
CB2	CB212	01004203	Dose scale B2-B8
CB2	CB213	02004008	Tightening bolt for scale
CB2	CB215	01014030	Aktuator, Linak (for electr. control of reardoor) F2/F2X and B2/B2XL

Group CB2 Rear Door / Baglåge / Hinterlucke

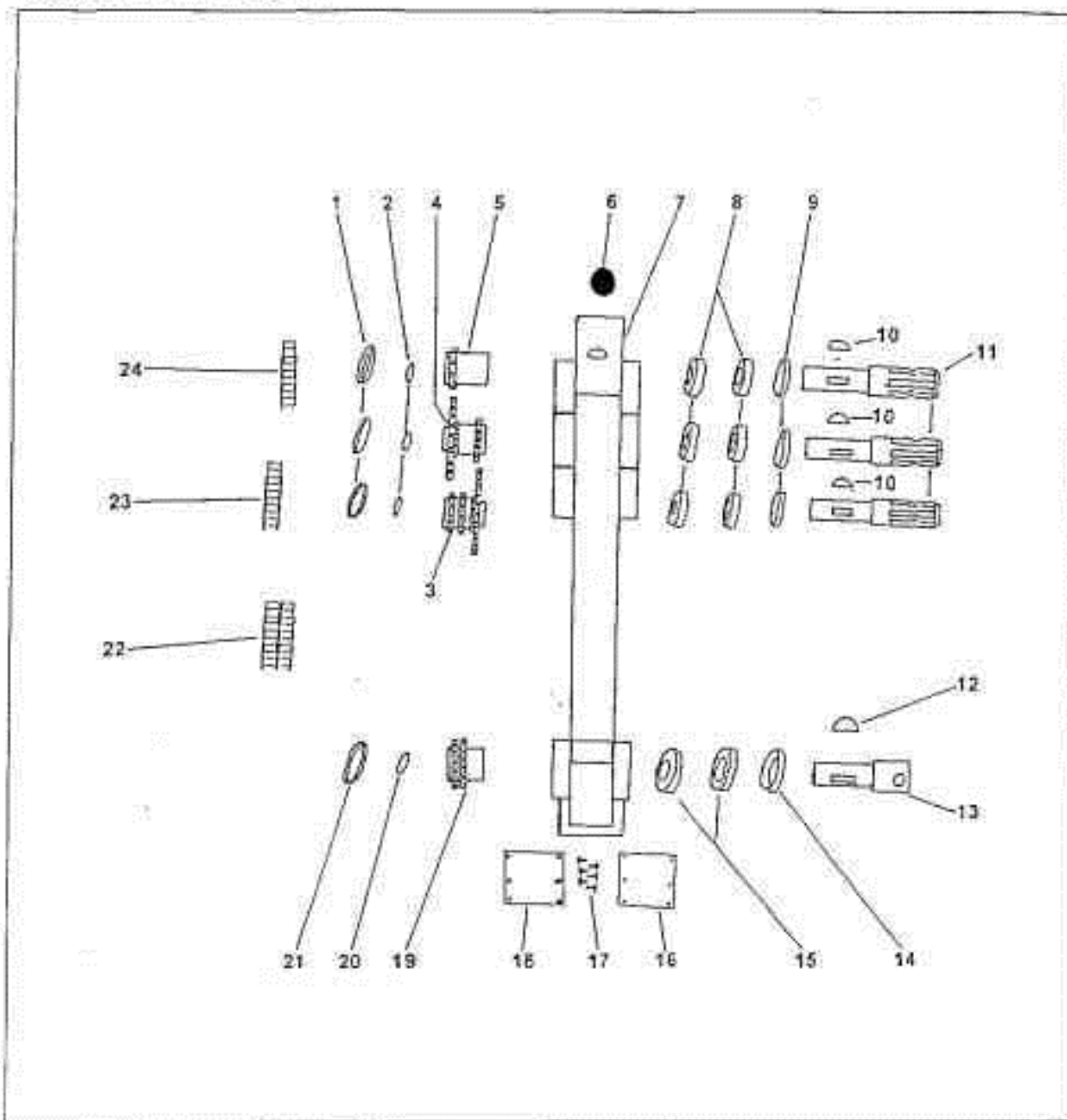


Spareparts

Group	Pos. no.	Item no.	Description
BB2	BB201	01016304	Cover 52 x 10
BB2	BB202	01016254	Seeger ring 25a
BB2	BB203	02002006	Chain wheel ½" z 14 D Z28S B2/B3
BB2	BB204	02002007	Chain wheel ½" z 14 S Z28S B2/B3
BB2	BB205	02002008	Chain wheel ½" z 14 S B2/B3
BB2	BB206	01016302	Oli level plug 3/4" RG
BB2	BB207	03001023	Gear housing for B2, 3 step gear vers. 1
BB2	BB207a	03001024	Gear housing for B2XL, 3 step gear vers.
BB2	BB207b	03001025	Gear housing B3/B3XL, 3 step gear
BB2	BB208	01015004	Bearing 6205
BB2	BB209	01016105	Simmer ring 52 x 35
BB2	BB210	01003506	Woodruff key 8mm
BB2	BB211	02003013	Axle Ø25xØ35Ø180 for B2/B3, 3 step gear
BB2	BB212	01003502	Woodruff key 10mm
BB2	BB213	02003014	Axle Ø35xØ50x153 for B2/B3, 3 step gear
BB2	BB214	01016106	Simmer ring 72 x 50
BB2	BB215	01015000	Bearing 6207
BB2	BB216	03003039	Cover for 3 step chain gear B2/B3
BB2	BB218	01016004	Thightning for top of 3 step gear, B2/B3
BB2	BB219	02002009	Chain wheel ½" z 20 D B2/B3, 3 step gear
BB2	BB220	01016252	Seeger ring 35a
BB2	BB221	01016301	Facing cover 72x10
BB2	BB222	01017004	Chain for 3 step gear B2, vers. 1 gear ½" x 5/16" D (1511 mm)
BB2	BB222a	01017005	Chain for 3 step gear B2XL, vers.2 gear ½" x 5/16" D (1663 mm)
BB2	BB222b	01017006	Chain for 3 step gear B3 ½" x 5/16 D (1003 mm)
BB2	BB223	01017003	Chain for axle 1 and 2, 3 step gear B2/B
BB2	BB224	01017003	Chain for axle 1 and 2, 3 step gear B2/B
BB2	BB225	03008005	3 step chain gear compl. B2 vers. 1
BB2	BB225a	03008007	3 step chain gear compl. B3/B3XL
BB2	BB226	03008006	3 step chain gear compl. vers. 2 for B2XL/B2ML & F2/F2X

Group BB2 3 geared chain gear

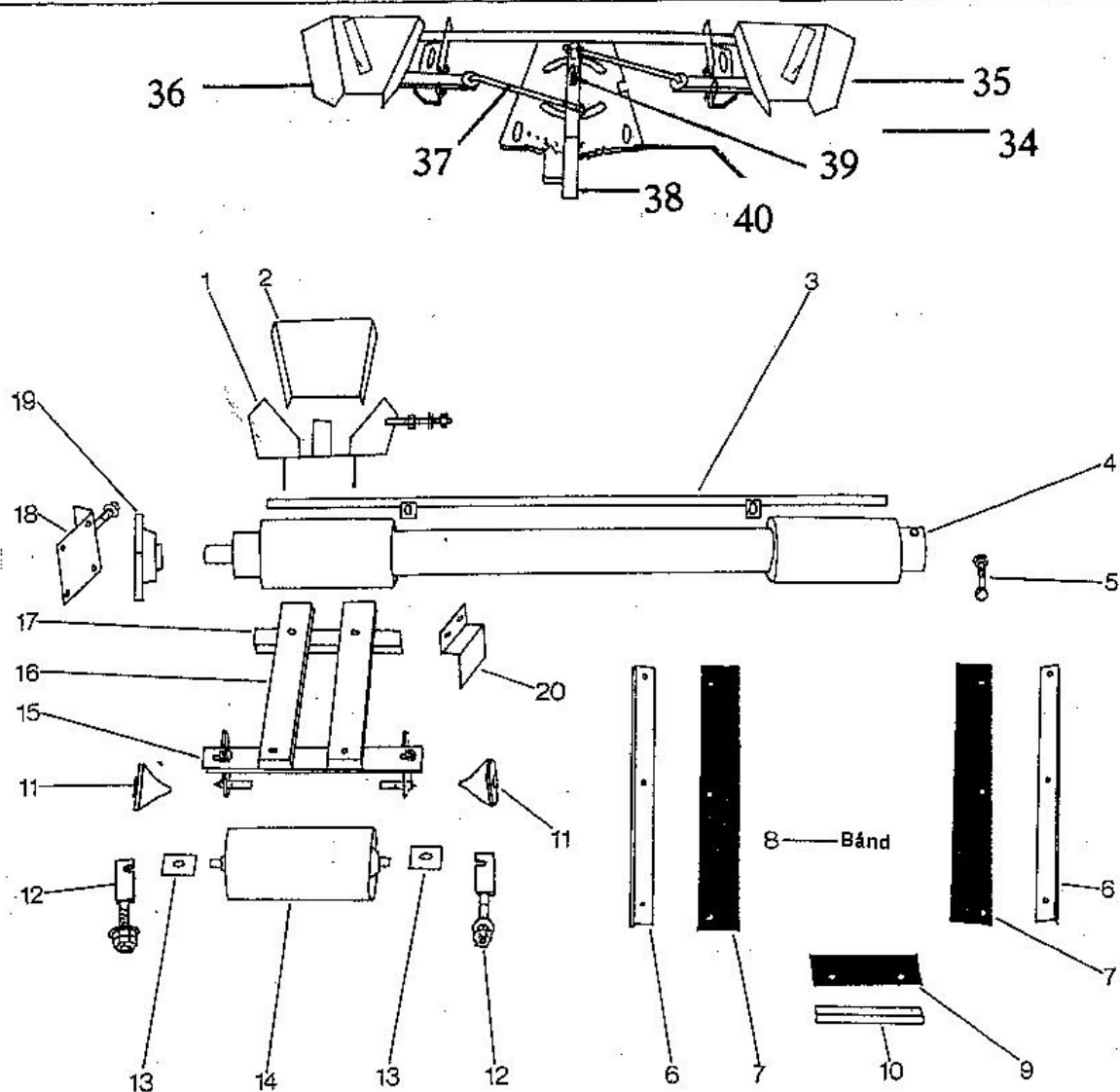
3 gears kædegear



Spareparts

Group	Pos. no.	Item no.	Description
DB2	DB2-01	03007010	Downschute B2/B3 left old model (not XL)
DB2	DB2-01a	03007011	Downschute B2/B3 right old model (not XL)
DB2	DB2-02	03007012	Limiting plate for downshute B2/B3, left
DB2	DB2-02a	03007013	Limiting plate for downshute B2/B3, right
DB2	DB2-02b	01010005	Tightening rubber for downshute B2/3 pe
DB2	DB2-03	03007001	S/steel support bar for downshutes
DB2	DB2-04	03006004	Rear roller B2-B3 and F2-F2X
DB2	DB2-06	03003042	Edging beam (set) B2, B2XL, B2ML and F2/ (2 set per spreader)
DB2	DB2-06a	03003043	Edging beam B3
DB2	DB2-07	01010007	Side rubber (1 set) B2, B2XL, B2ML and F2/F2X incl. front rubber (2 set p
DB2	DB2-07a	01010008	Set of Edging Rubber B3
DB2	DB2-08	01010009	Floorbelt B2, B2XL, B2ML and F2/F2X
DB2	DB2-08a	01010010	Floorbelt B3
DB2	DB2-09	01010006	Front rubber B2/B3 and F2/F2X per pc
DB2	DB2-10	03003044	Beam for tightening rubber per pc. B2/B3 F2/F2X
DB2	DB2-11	02005000	Guide rollers, small for (B2/F2) and sand conveyor
DB2	DB2-12	02004012	Tightening bolt for front roller B2/B3, F2/F2X per piece (4 pc per sprea
DB2	DB2-13	03002098	Washer for front roller, stainless steel
DB2	DB2-14	01006003	Front roller B2/B3/F2/F2X
DB2	DB2-15	03002099	Carrying fixture, front B2/B3
DB2	DB2-16	03002101	Carrying list for floorbelt B2/F2/F2X (p 4 pc per spreader
DB2	DB2-16a	03002102	Carrying list B3
DB2	DB2-17	03002100	Carrying fixture, rear B2/B3
DB2	DB2-18	03002017	Adjusting fixture for bearing B2/B3/F2/F
DB2	DB2-19	01015002	Flanged Bearing FY35
DB2	DB2-20	03008822	Central adjustment downshutes for B2/B3
DB2	DB2-35	03007016	Downshute, right for central adjustment
DB2	DB2-36	03007015	Downshute, left for central adjustment B
DB2	DB2-37	03007006	Adjustment bolt for central downshute ad B4/B6
DB2	DB2-38	03007007	Handle for central downshute adjustment
DB2	DB2-39	03007008	Spring for central downshute adjustment
DB2	DB2-40	03007009	Bracket with scale for central downshute adjustment

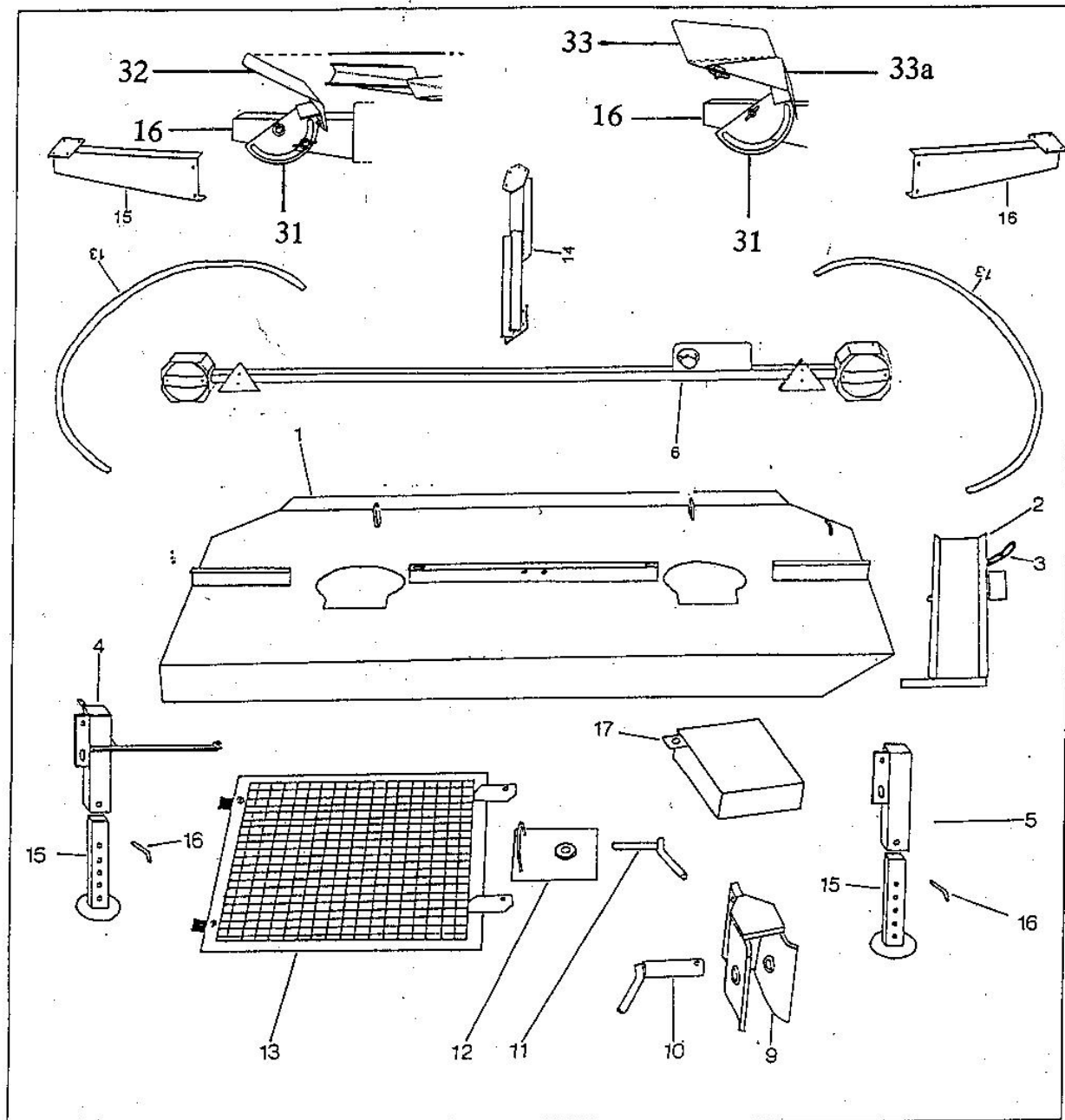
Group DB2 Floorbelt system / Båndsystem / Bodenband system



Spareparts

Group	Pos. no.	Item no.	Description
EB2	EB201	03003045	Cover stainless steel over spread discs B2/B2XL/B3XL
EB2	EB202	03003025	Headland plate old type B2-B6
EB2	EB202a	03003046	Headland plate, old type B3 .
EB2	EB203	01002102	Rubberstrap for cover 3 step
EB2	EB204	03002104	Over part for strut, rear left B2 without strut
EB2	EB204a	03002105	Rear bracket for strut, right B2 without strut.
EB2	EB205	03002106	Over part for strut, front left B2 without strut
EB2	EB205a	03002107	Over part strut, front right B2
EB2	EB209	03002108	Lower link bracket for B2 (up to 1998, not XL)
EB2	EB209a	03002109	Coupling for quick coupling, left
EB2	EB209b	03002110	Coupling for quick coupling B2
EB2	EB209c	03002111	Bow for quick coupling (up to 1998)
EB2	EB210	02004013	Bolt for standard coupling A2/B2/F2/TX "
EB2	EB211	02004005	Bolt for bottom flap .
EB2	EB212	03003019	Bottom flap for hopper B4/B6 (for emptying the hopper)
EB2	EB213	03003047	Hopper screen for B2/A2/F2/TX
EB2	EB213a	03003048	Hopper screen for B3 / B3XL .
EB2	EB215	03002103	Strut part B2 and F2/F2X
EB2	EB216	03002112	Coupling, right for linkage standard B2X (1999->)
EB2	EB216a	03002113	Coupling, left for linkage standard B2XL (1999->)
EB2	EB217	03002114	Coupling right for quick coupling B2XL (1999->)
EB2	EB217a	03002115	Coupling left for quick coupling B2XL (1999->)
EB2	EB218	03002116	Bow for quick coupling B2XL (1999->)
EB2	EB219	03008504	Light kit LED compl. with stainless steel bracket A2/B2/F2/TX
EB2	EB220	04002016	Headland plate 12-16 for RETROFITTING ON B2XL-B8 from 1999 ->
EB2	EB221	04002017	Headland kit 18-28 m / 18-36 m for retrofitting on B2XL-B8 from 1999 ->
EB2	EB222	03007084	Plate 12-16m headland B2-B6 for right si
EB2	EB223	03007080	Plate 18-28 m / 18-36m headland B-model
EB2	EB224	03002233	Nut 2way M10/M16
EB2	EB225	02004046	Bolt set for headland deflector
EB2	EB226	03003214	Cover for area counter B2
EB2	EB227	02004050	Hook bolt for hopper B2 (1988-1994)
EB2	EB228	03002285	Fixture protecting pipe "right" with 2 bolts for headland kit
EB2	EB229	03002286	Fixture protecting pipe "left" with 2 bolts for headland kit
EB2	EB231	03003235	

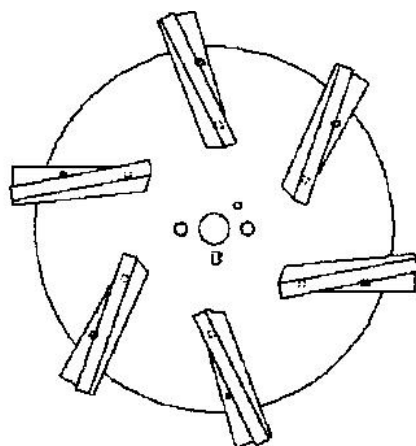
Group EB2 Shield and light kit / Skærm, lysanlæg m.m. / Schutzvorrichtungen und Beleuchtung



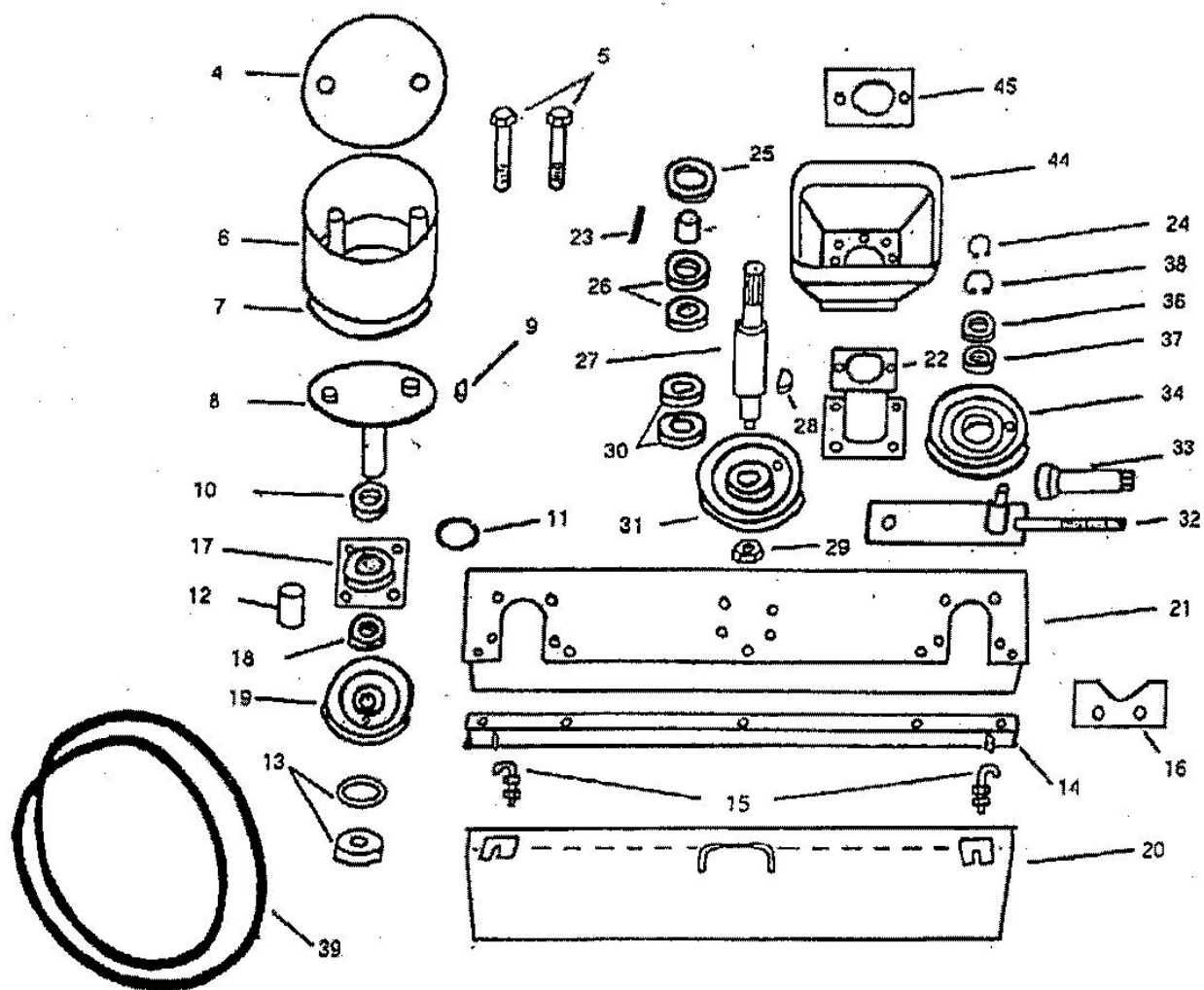
Spareparts

Group	Pos. no.	Item no.	Description
FB2	FB200	03015020	Set of vanes 12-36m (12 pc.) with longlife Wolfram Carbid Coating
FB2	FB201a	03015002	Spread vane left vers 98-2 for 12-36 m a 12-36 m discs, A2, B2-B8, F2 and
FB2	FB202	03015003	Spread vane right ver.98-2 for 12-36 m a 12-36 m discs, A2, B2-B8, F2 and
FB2	FB203a	03008703	Spread discs "A" 12-36 m for B2-B8 (1. set compl. with 6 left and 6 righ
FB2	FB204	03003036	Cover for distance tube
FB2	FB205	01003203	Bolt for distance tube M16*180
FB2	FB206	01005002	Distance tube (L=16 cm)
FB2	FB207	03002070	Distance fork
FB2	FB208	03004002	Top for spreading disc long, left B2-B6 Ø35 x 153 mm
FB2	FB210	03008632	Top compl. short right B2-B6
FB2	FB211	01016351	Piston ring 90*5
FB2	FB212	01016252	Seeger ring 35a
FB2	FB213	03002071	Bearing tube long left, SPB3150 SPB3550 SPC4500-1 (up to year 2002)
FB2	FB213a	03002072	Bearing tube short right SPB3150, SPB355 SPC4500-1 (up to year 2002)
FB2	FB214	01015000	Bearing 6207
FB2	FB215	02007000	Pulley SPB140-2 for spread discs (for SPB3551 and SPB3550 v-belt)
FB2	FB216	01002102	Rubberstrap for cover 3 step
FB2	FB217	02006151	Cover plastic for SPB3550 for B2
FB2	FB218	03001103	Spreadbox SPB3550 B2/B3 '97 empty
FB2	FB219	03002076	Bearing tube inlet axle B2 300mm
FB2	FB219a	03002075	Bearing tube short
FB2	FB220	01003505	Tube split 10*45
FB2	FB221	02001003	Stop ring for inlet axle Ø45xØ35x51
FB2	FB222	02001004	Tightening ring Ø72 x Ø46 x 8
FB2	FB223	01015000	Bearing 6207
FB2	FB224	03002117	Mounting bracket for yellow guard
FB2	FB225	02003015	Inlet axle B2 SPB3550
FB2	FB225a	02003011	Inlet axle short 260 mm, Ø35 mm for SPB3150 and 3550
FB2	FB226	01003502	Woodruff key 10mm
FB2	FB227	01003400	Lock nut 1" WG
FB2	FB228	01001300	Cardan shield (yellow)
FB2	FB229	02007003	Pulley SPB170-2 center
FB2	FB230	03002081	Tightening fixture B2/3 SPB3550
FB2	FB231	01015004	Bearing 6205
FB2	FB232	02007005	Pulley SPB160-2 ø52 hole w/o bearings
FB2	FB233	01016255	Seegerring 52i
FB2	FB234	01016254	Seeger ring 25a
FB2	FB234a	03007844	Tightening fixture compl. SPB3550 B2
FB2	FB235	01010100	V-belt SPB3550
FB2	FB238	03008253	Inlet axle compl. short 260 mm B48-100 a B4-B6 (6 not)
FB2	FB238a	03008254	Inlet axle B2 SPB3550 compl. 487 mm long
FB2	FB239	03003135	U-band for plastic cover 1 set
FB2	FB2-39	01001103	PTO schaft w. overrun for (102) 6/6 910 mm (B2XL, B2ML, F2, F2X)

Group FB2 SPB 3550 spreadunit / SPB 3550 spredekasse / SPB 3550 streuwerk



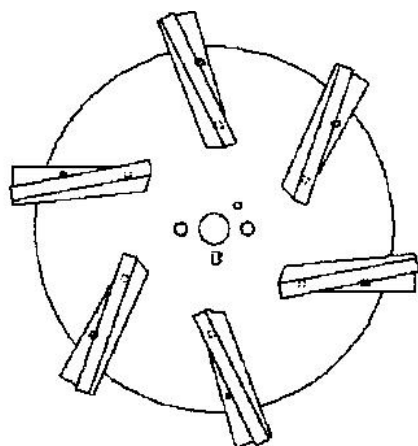
12-36 m spredetallerkner



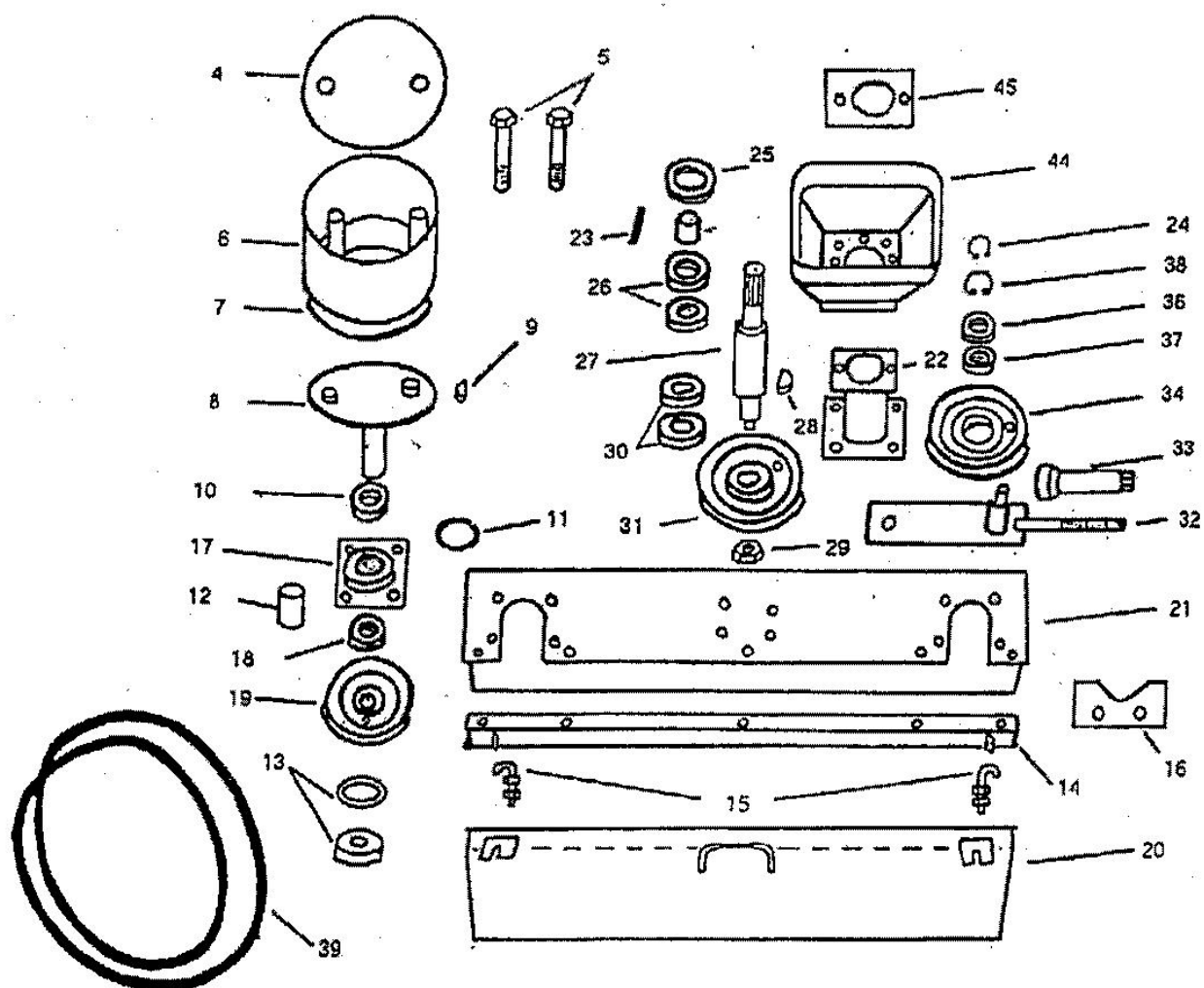
Spareparts

Group	Pos. no.	Item no.	Description
GB2	GB201	03015002	Spread vane left vers 98-2 for 12-36 m a 12-36 m discs, A2, B2-B8, F2 and
GB2	GB202	03015003	Spread vane right ver.98-2 for 12-36 m a 12-36 m discs, A2, B2-B8, F2 and
GB2	Gb202b	03015020	Set of vanes 12-36m (12 pc.) with longlife Wolfram Carbid Coating
GB2	GB203c	02004045	Bolt set stainless for spread vanes (12-
GB2	GB204	03003036	Cover for distance tube
GB2	GB205	01003203	Bolt for distance tube M16*180
GB2	GB206	01005002	Distance tube (L=16 cm)
GB2	GB207	03002070	Distance fork
GB2	GB208	03008633	Top compl. w. pulley left for SPC4500-1 (160 x 160 mm flange)
GB2	GB208a	03008634	Top compl. right with pulley for SPC4500 (140 x 140 mm flange)
GB2	GB208b	03004004	Top for disc, long left 4500-1 w/o bearing and tube Ø35 x 153 mm
GB2	GB208c	03004005	Top for spread disc, short right SPC4500-1 Ø35 x 128 mm
GB2	GB209	01003502	Woodruff key 10mm
GB2	GB210	01015000	Bearing 6207
GB2	GB211	01016351	Piston ring 90*5
GB2	GB212	02001005	Distance tube for top spread disc SPC450 Ø35 x 61 mm
GB2	GB212a	03003204	Distance tube for top spread disc SPC450 Ø35 x 36 mm
GB2	GB213	01003404	Nut and lock washer "SKF" for top Ø35
GB2	GB214	03003037	Enforcement angel SPC4500-1
GB2	GB215	02004011	Hook bolt Stainless for SPC4500-1
GB2	GB216	03003038	Tightening
GB2	GB217	03002071	Bearing tube long left, SPB3150 SPB3550 SPC4500-1 (up to year 2002)
GB2	GB217a	03002072	Bearing tube short right SPB3150, SPB355 SPC4500-1 (up to year 2002)
GB2	GB218	01015000	Bearing 6207
GB2	GB219	02007007	Pulley SPC225-1 ø35 hole, stainless stee
GB2	GB220	03014004	Cover for spread box SPC4500-1 ss without headland gear (lengt 124,5 cm)
GB2	GB221	03001124	Spreadbox SPC4500-1, empty B2-B6
GB2	GB222	03002077	Bearing tube inlet axle for SPC4500-1 fo F2/F2X
GB2	GB222a	03008255	Inlet axle B2, F2/F2X SPC4500-1 compl.
GB2	GB223	01003505	Tube split 10*45
GB2	GB224	01016252	Seeger ring 35a
GB2	GB225	02001004	Tightening ring Ø72 x Ø46 x 8
GB2	GB226	01015000	Bearing 6207
GB2	GB227	02003016	Inlet axle B2/F2 SPC4500-1 Ø35 x 487 total 6Z not
GB2	GB228	01003502	Woodruff key 10mm
GB2	GB229	01003400	Lock nut 1" WG
GB2	GB230	01015000	Bearing 6207
GB2	GB231	02007008	Pulley SPC250-1 ø35 hole center for A2, B4-B8, f2
GB2	GB232	03002084	Tightening fixture ø35 SPC4500-1 A2, B2, and K35-K105
GB2	GB233	01003405	Tube nut for SPC4500-1 A2, B2-B8, F2 and K35-K105
GB2	GB234	02007009	Pulley SPC225-1 ø72 hole for tightner for A2, B2, F2 and K35-K125
GB2	GB234a	03008843	Tightening fixture compl SPC4500-1 B2-B8, K35-K105
GB2	GB235	01016252	Seeger ring 35a
GB2	GB236	01015000	Bearing 6207
GB2	GB237	01015000	Bearing 6207
GB2	GB238	01016251	Seeger ring 72 i
GB2	GB239	01010102	V-belt SPC4500 each
GB2	GB244	01001300	Cardan shield (yellow)
GB2	GB245	03002117	Mounting bracket for yellow guard
GB2	GB246	03008551	Safety guard compl.
GB2	GB248	03008662	SPC4500-1 spread unit compl. w. discs 12-24 m
GB2	GB249	01003002	Bolt set, stainless for spread vane (12-28 m spread disc) B2-B8
GB2	GB250	01001103	PTO schaft w. overrun for (102) 6/6 910 mm (B2XL, B2ML, F2, F2X)

Group GB2 SPC 4500-1 spreadunit / SPC 4500-1 spredekasse / SPC 4500-1 streuwerk



12-36 m spredetallerkner





Bredal A/S
Nimvej 1
DK-7120 Vejle Øst
Tel : (+45) 75895177
Mail : info@bredal.com
Web : www.bredal.com
iPaper : docs.bredal.com