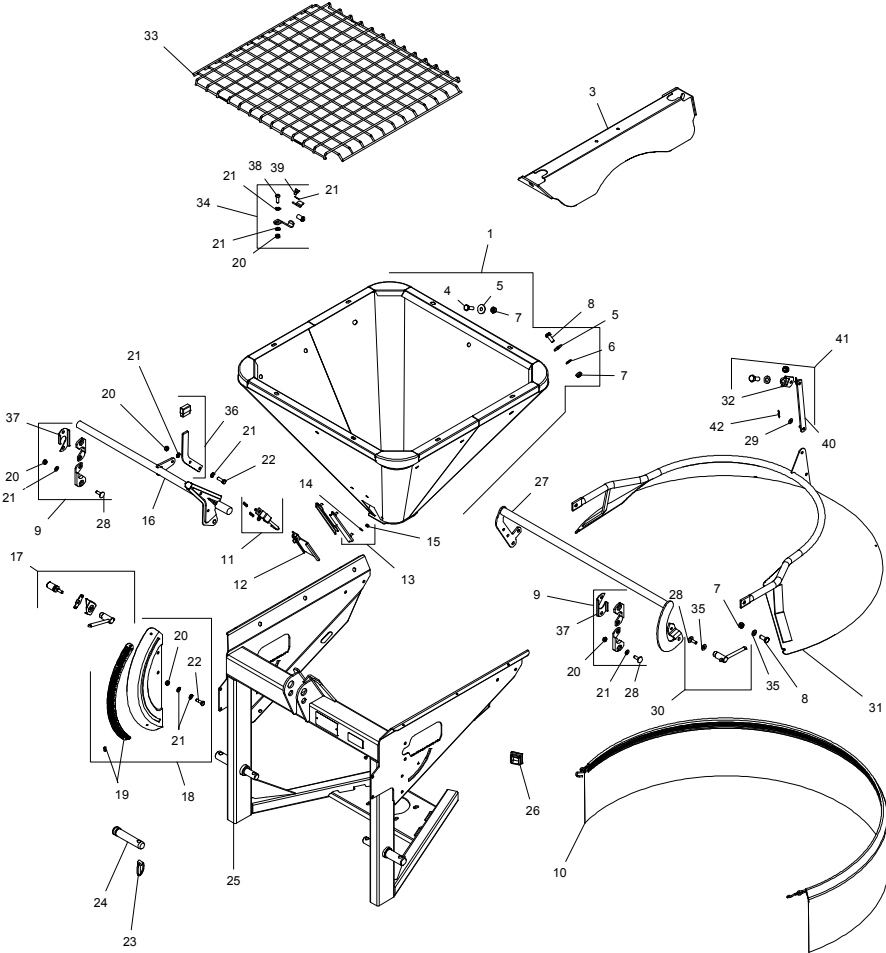


S-line Spare Parts List

S2 / S2 Hydra / S2-Trail

Spare parts list



S2 / S2 Hydra / S2-Trail

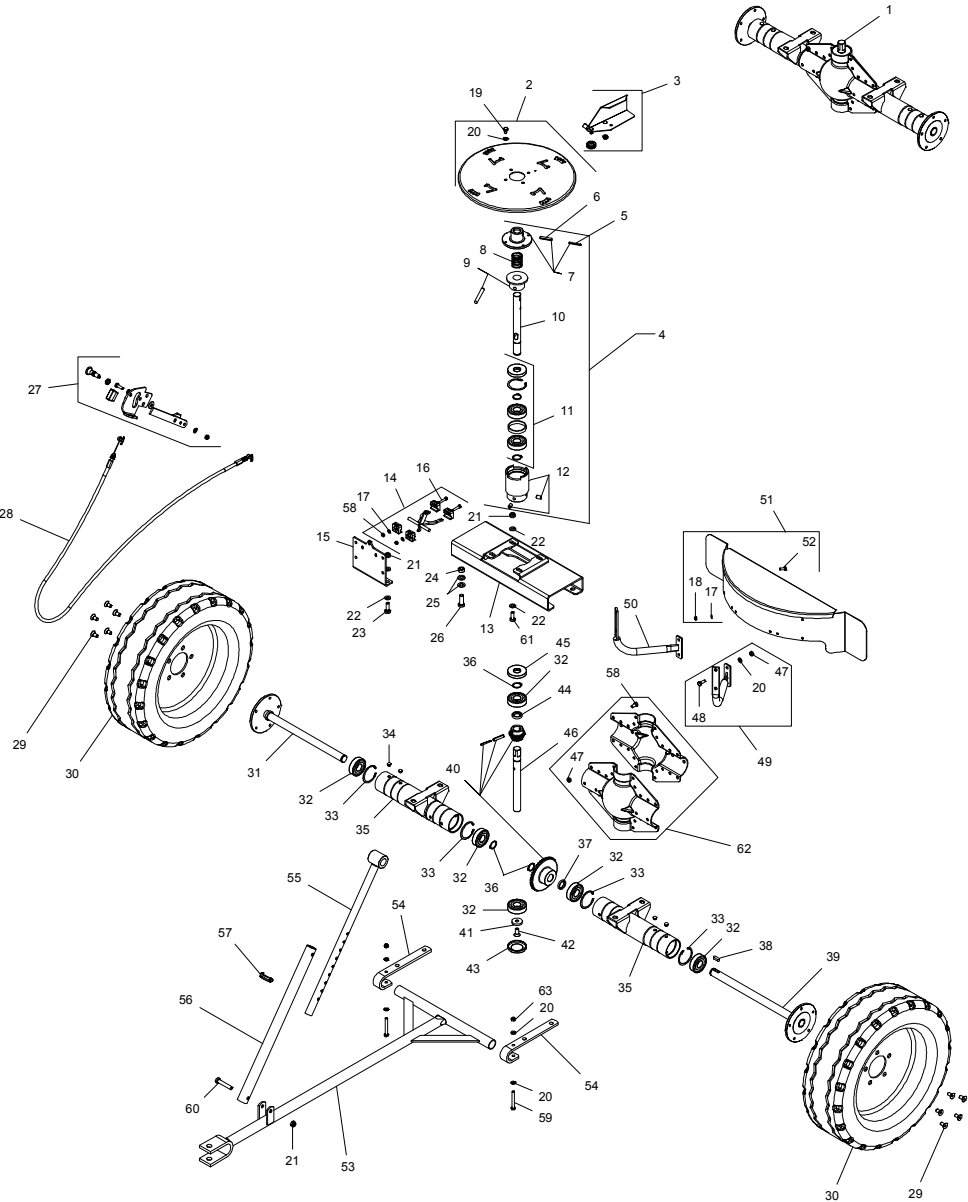
Spare parts list



| Pos. No. | Order no. | Notes. | Pos. No. | Order no. | Notes. |
|----------|-----------|----------|----------|-----------|--------|
| 1 | 2110-01 | | | | |
| 2 | | | | | |
| 3 | 2310-10 | | | | |
| 4 | 9963-12 | M10x30 | | | |
| 5 | 9930-25 | D11/30 | | | |
| 6 | 9968-44 | D11/21 | | | |
| 7 | 9969-45 | M10 | | | |
| 8 | 9963-01 | M10x25 | | | |
| 9 | 6340-05 | | | | |
| 10 | 2911-10 | | | | |
| 11 | 2141-01 | | | | |
| 12 | 2344-10 | | | | |
| 13 | 2344-00 | | | | |
| 14 | 9930-02 | D6/12 | | | |
| 15 | 9969-16 | M6 | | | |
| 16 | 2140-01 | | | | |
| 17 | 6840-30 | | | | |
| 18 | 2140-09 | | | | |
| 19 | 6840-25 | | | | |
| 20 | 9969-32 | M8 | | | |
| 21 | 9930-32 | D8/17 | | | |
| 22 | 9962-05 | M8x25 | | | |
| 23 | 9938-74 | | | | |
| 24 | 6320-04 | | | | |
| 25 | 2120-01 | | | | |
| 26 | 9990-14 | | | | |
| 27 | 2354-10 | | | | |
| 28 | 9962-17 | M8x25 MH | | | |
| 29 | 9930-51 | D8 PA | | | |
| 30 | 2354-09 | | | | |
| 31 | 2354-05 | | | | |
| 32 | 2354-15 | | | | |
| 33 | 2113-02 | | | | |
| 34 | 2113-05 | | | | |
| 35 | 9930-54 | D10 PA | | | |
| 36 | 2140-15 | | | | |
| 37 | 6340-07 | | | | |
| 38 | 9962-20 | M8x25 BH | | | |
| 39 | 9962-19 | M8x12 | | | |
| 40 | 4442-25 | | | | |
| 41 | 2354-17 | | | | |
| 42 | 9934-31 | | | | |

S2-Trail

Spare parts list



S2-Trail

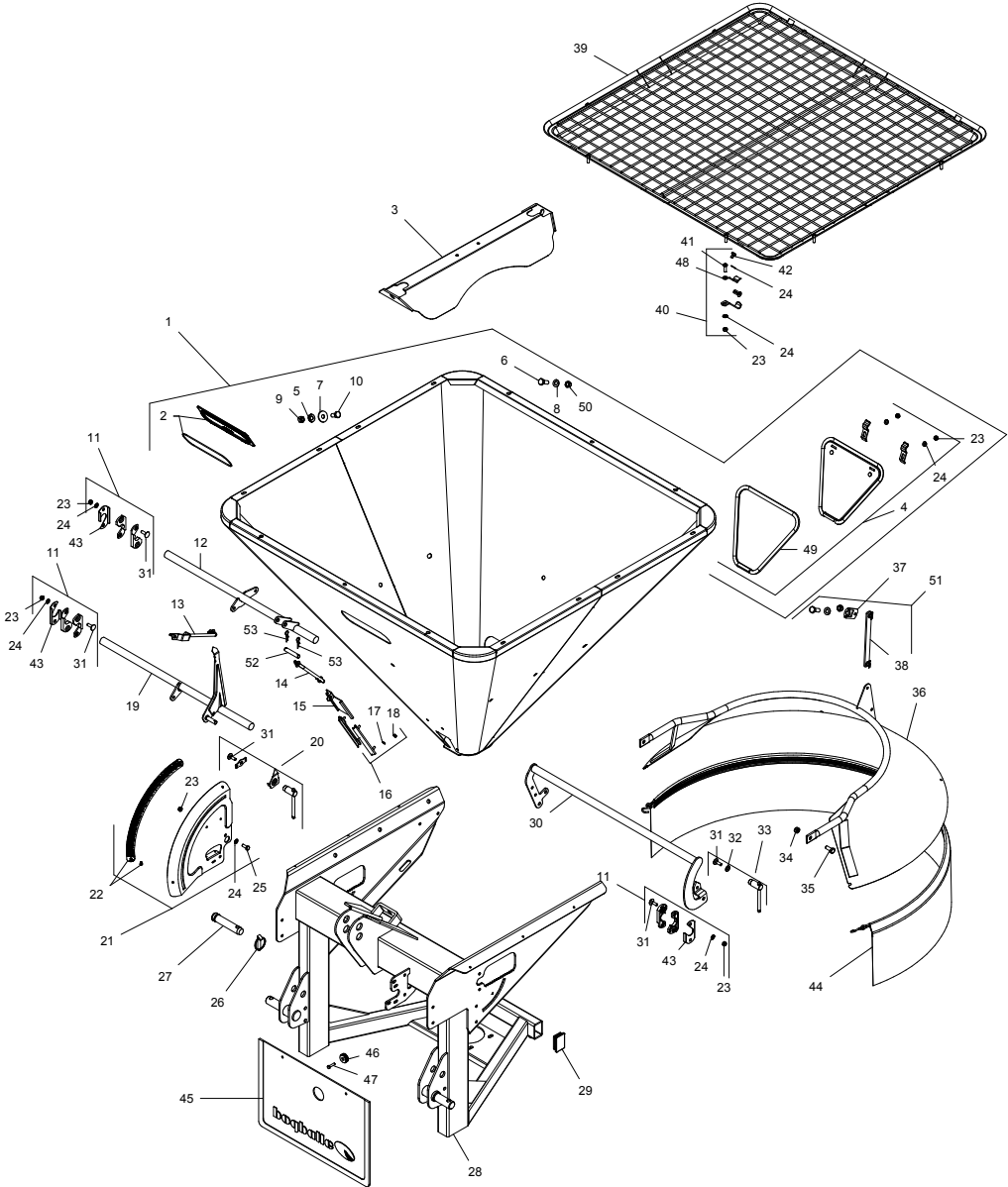
Spare parts list



| Pos. No. | Order no. | Notes. | Pos. No. | Order no. | Notes. |
|----------|-----------|--------------|----------|-----------|-------------|
| 1 | 2860-11 | | 47 | 9969-31 | M8 |
| 2 | 2351-01 | | 48 | 9962-04 | M8x20 |
| 3 | 2350-10 | | 49 | 2854-05 | Left |
| 4 | 2160-90 | | 50 | 2854-06 | Right |
| 5 | 9933-11 | Ø5x40 | 51 | 2353-00 | |
| 6 | 9933-02 | Ø8x40 | 52 | 9961-04 | M6x16 |
| 7 | 2351-10 | | 53 | 2860-40 | |
| 8 | 9934-27 | | 54 | 2860-57 | |
| 9 | 2160-94 | | 55 | 2860-50 | |
| 10 | 2160-92 | | 56 | 2860-55 | |
| 11 | 2160-98 | | 57 | 9938-73 | |
| 12 | 2160-97 | | 58 | 9962-03 | M8x16 |
| 13 | 2160-60 | | 59 | 9962-14 | M8x60 |
| 14 | 2161-09 | | 60 | 9963-05 | M10x60 |
| 15 | 2161-15 | | 61 | 9963-01 | M10x25 |
| 16 | 9961-06 | M6x35 | 62 | 4460-01 | |
| 17 | 9930-02 | D6/14 | 63 | 9969-32 | M8 Lock nut |
| 18 | 9969-16 | M6 | | | |
| 19 | 9962-19 | M8x12 | | | |
| 20 | 9930-32 | D8/17 | | | |
| 21 | 9969-45 | M10 Lock nut | | | |
| 22 | 9968-44 | D10/21 | | | |
| 23 | 9963-12 | M10x30 | | | |
| 24 | 9969-60 | M12 | | | |
| 25 | 9930-35 | D13/24 | | | |
| 26 | 9965-01 | M12x35 | | | |
| 27 | 2160-30 | | | | |
| 28 | 2160-20 | | | | |
| 29 | 9963-15 | M10x20 US | | | |
| 30 | 9980-02 | 6.00x9" | | | |
| 31 | 2860-15 | Right | | | |
| 32 | 9950-02 | 6305 2RS | | | |
| 33 | 9937-40 | I60 | | | |
| 34 | 9990-28 | | | | |
| 35 | 4457-02 | | | | |
| 36 | 9937-00 | U25 | | | |
| 37 | 2860-32 | | | | |
| 38 | 9931-56 | 8x7x25 | | | |
| 39 | 2860-19 | Left | | | |
| 40 | 2860-14 | 16/40 Teeth | | | |
| 41 | 3260-04 | | | | |
| 42 | 9963-07 | M10x25 US | | | |
| 43 | 3260-05 | | | | |
| 44 | 3262-05 | | | | |
| 45 | 9936-36 | Ø25x62x10 | | | |
| 46 | 2860-39 | | | | |

S3 / S3 hydra

Spare parts list



S3 / S3 hydra

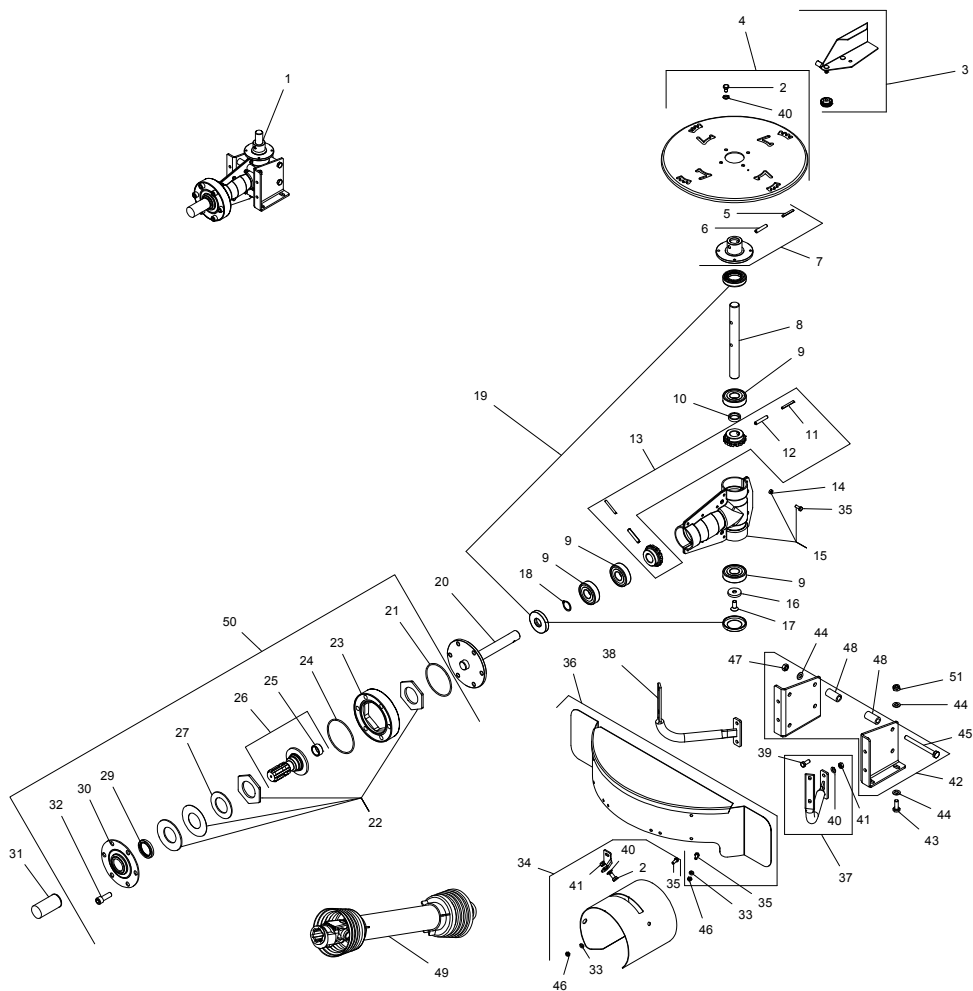
Spare parts list



| Pos. No. | Order no. | Notes. | Pos. No. | Order no. | Notes. |
|----------|-----------|----------|----------|-----------|--------|
| 1 | 2310-20 | | 47 | 9961-14 | M6x25 |
| 2 | 6311-32 | | 48 | 9930-51 | D8 PA |
| 3 | 2310-10 | | 49 | 2310-15 | |
| 4 | 2310-14 | | 50 | 9965-03 | M12x30 |
| 5 | 9931-06 | D12/19 | 51 | 2354-17 | |
| 6 | 9965-01 | M12x35 | 52 | 4581-28 | |
| 7 | 9930-10 | D13/27 | 53 | 9934-32 | |
| 8 | 9930-35 | D13/24 | | | |
| 9 | 9969-62 | M12 | | | |
| 10 | 9964-43 | M12x25 | | | |
| 11 | 6340-05 | | | | |
| 12 | 2340-02 | | | | |
| 13 | 2341-00 | | | | |
| 14 | 2341-04 | | | | |
| 15 | 2344-10 | | | | |
| 16 | 2344-00 | | | | |
| 17 | 9930-02 | D6/12 | | | |
| 18 | 9969-16 | M6 | | | |
| 19 | 2340-01 | | | | |
| 20 | 6381-13 | | | | |
| 21 | 2340-19 | | | | |
| 22 | 6840-25 | | | | |
| 23 | 9969-32 | M8 | | | |
| 24 | 9930-32 | D8/17 | | | |
| 25 | 9962-04 | M8x20 | | | |
| 26 | 9938-74 | | | | |
| 27 | 6320-04 | | | | |
| 28 | 2320-01 | | | | |
| 29 | 9990-07 | | | | |
| 30 | 2354-10 | | | | |
| 31 | 9962-17 | M8x25 MH | | | |
| 32 | 9930-54 | D10 PA | | | |
| 33 | 2354-09 | | | | |
| 34 | 9969-45 | M10 | | | |
| 35 | 9963-01 | M10x25 | | | |
| 36 | 2354-05 | | | | |
| 37 | 2354-15 | | | | |
| 38 | 4442-25 | | | | |
| 39 | 2313-02 | | | | |
| 40 | 2113-05 | | | | |
| 41 | 9962-20 | M8x25 BH | | | |
| 42 | 9962-19 | M8x12 | | | |
| 43 | 6340-07 | | | | |
| 44 | 2911-10 | | | | |
| 45 | 2375-01 | | | | |
| 46 | 9990-43 | | | | |

S2 / S3

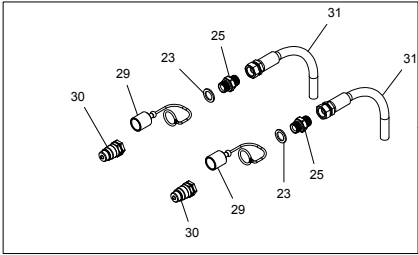
Spare parts list



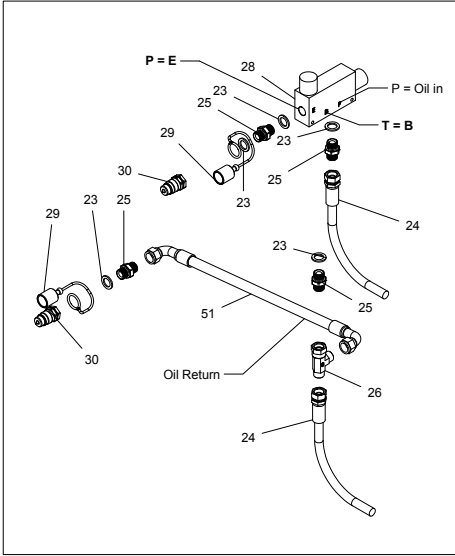
| Pos. No. | Order no. | Notes. | Pos. No. | Order no. | Notes. |
|----------|-----------|-------------|----------|-----------|--------------|
| 1 | 2350-01 | | 47 | 9969-46 | M10 |
| 2 | 9962-19 | M8x12 | 48 | 3250-08 | |
| 3 | 2350-10 | | 49 | 9985-27 | |
| 4 | 2351-01 | | 50 | 2363-10 | |
| 5 | 9933-11 | Ø5x40 | 51 | 9969-45 | M10 Lock nut |
| 6 | 9933-02 | Ø8x40 | | | |
| 7 | 2351-10 | | | | |
| 8 | 3262-03 | | | | |
| 9 | 9950-02 | 6305-2RS | | | |
| 10 | 3262-05 | | | | |
| 11 | 9933-17 | Ø5x45 | | | |
| 12 | 9933-12 | Ø8x45 | | | |
| 13 | 3265-02 | 15 Teeth | | | |
| 14 | 9969-15 | M6 | | | |
| 15 | 3260-03 | | | | |
| 16 | 3260-04 | | | | |
| 17 | 9963-07 | M10x25 | | | |
| 18 | 9937-00 | U25 | | | |
| 19 | 3265-01 | | | | |
| 20 | 3261-02 | | | | |
| 21 | 9936-10 | Ø89,5 | | | |
| 22 | 2363-15 | | | | |
| 23 | 3263-20 | | | | |
| 24 | 9936-09 | Ø94 | | | |
| 25 | 9990-90 | | | | |
| 26 | 3263-11 | | | | |
| 27 | 3263-12 | | | | |
| 29 | 9936-49 | 38x52x7 | | | |
| 30 | 3263-13 | | | | |
| 31 | 9985-84 | | | | |
| 32 | 9965-09 | M12x35 | | | |
| 33 | 9930-02 | D6/12 | | | |
| 34 | 2853-09 | | | | |
| 35 | 9961-04 | M6x16 | | | |
| 36 | 2353-00 | | | | |
| 37 | 2854-05 | Left | | | |
| 38 | 2854-06 | Right | | | |
| 39 | 9962-04 | M8x20 | | | |
| 40 | 9930-32 | D8/17 | | | |
| 41 | 9969-31 | M8 | | | |
| 42 | 3250-07 | | | | |
| 43 | 9963-01 | M10x25 | | | |
| 44 | 9968-44 | D10/21 | | | |
| 45 | 9963-08 | M10x110 | | | |
| 46 | 9969-16 | M6 Lock nut | | | |

S2 / S3 Hydra

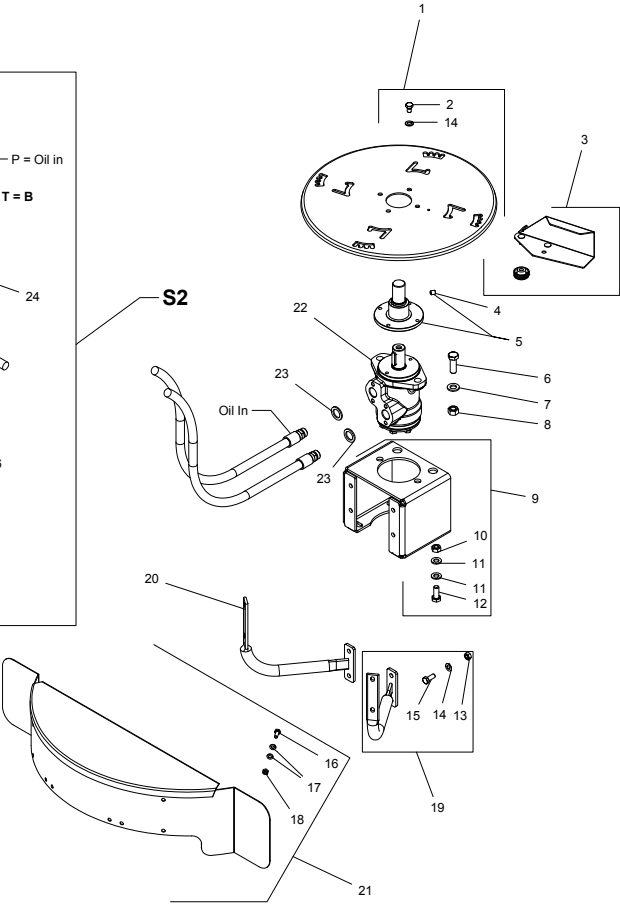
Spare parts list



S3



S2



S2 / S3 Hydra

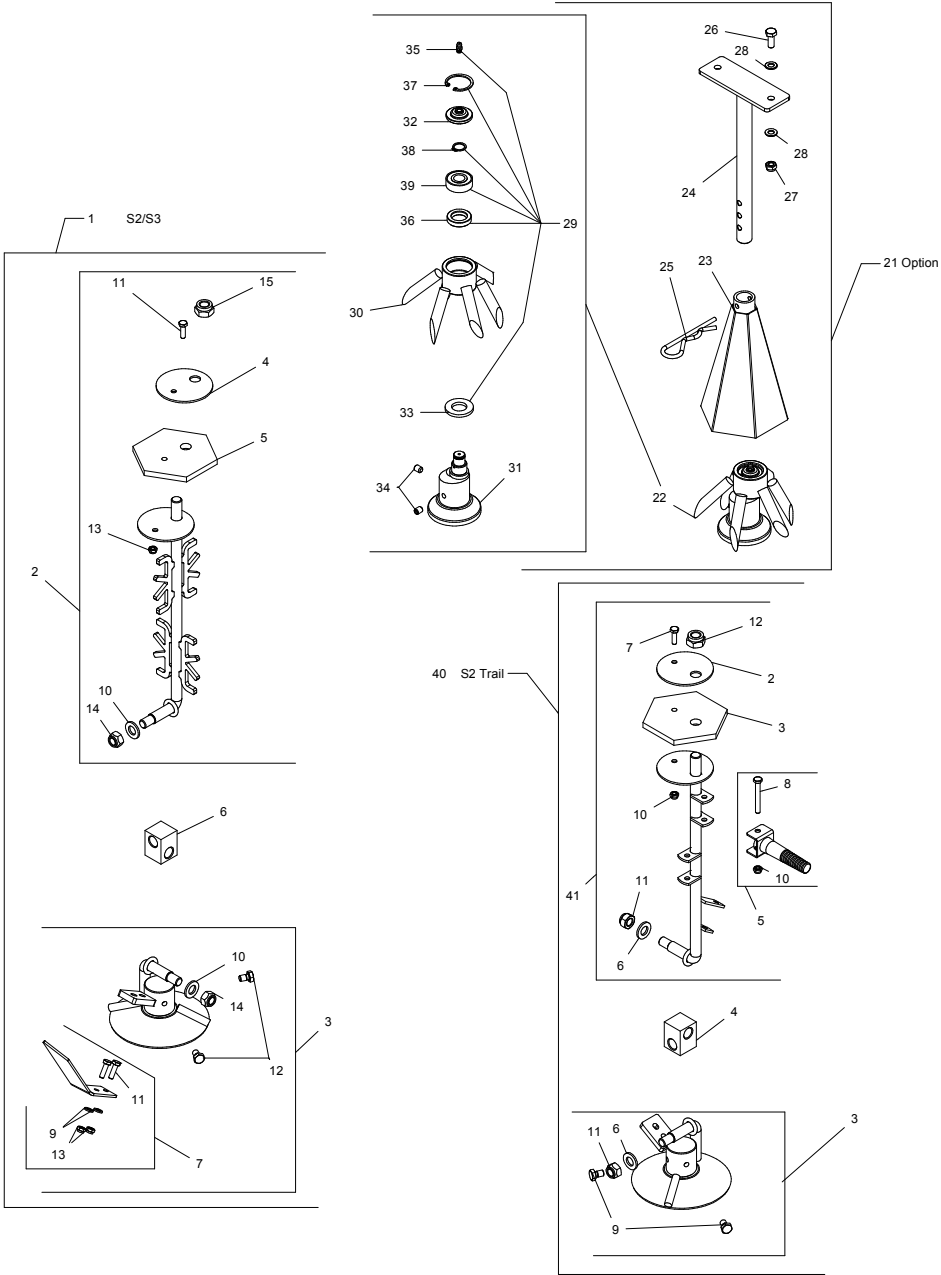
Spare parts list



| Pos. No. | Order no. | Notes. | Pos. No. | Order no. | Notes. |
|----------|-----------|------------|----------|-----------|--------|
| 1 | 2351-01 | | | | |
| 2 | 9962-19 | M8x12 | | | |
| 3 | 2350-10 | | | | |
| 4 | 9913-20 | M8x10 | | | |
| 5 | 2351-19 | | | | |
| 6 | 9965-01 | M12x35 | | | |
| 7 | 9930-35 | D13/24 | | | |
| 8 | 9969-60 | M12 | | | |
| 9 | 2351-14 | | | | |
| 10 | 9969-46 | M10 | | | |
| 11 | 9968-44 | D11/21 | | | |
| 12 | 9963-01 | M10x25 | | | |
| 13 | 9969-31 | M8 | | | |
| 14 | 9930-32 | D8/17 | | | |
| 15 | 9962-04 | M8x20 | | | |
| 16 | 9961-04 | M6x16 | | | |
| 17 | 9930-02 | D6/14 | | | |
| 18 | 9969-15 | M6 | | | |
| 19 | 2854-05 | Left | | | |
| 20 | 2854-06 | Right | | | |
| 21 | 2353-00 | | | | |
| 22 | 9982-19 | 50ccm (S2) | | | |
| 22 | 9982-18 | 80ccm (S3) | | | |
| 23 | 9936-80 | ½" | | | |
| 24 | 9983-46 | S2 | | | |
| 25 | 9990-92 | ½" / ½" | | | |
| 26 | 9990-79 | ½" T | | | |
| 27 | 9983-45 | | | | |
| 28 | 9982-07 | 90/55L | | | |
| 29 | 9990-19 | | | | |
| 30 | 9983-09 | ½" | | | |
| 31 | 9983-49 | S3 | | | |
| | | | | | |
| | | | | | |

S2 / S2-Trail / S3

Spare parts list



S2 / S2-Trail / S3

Spare parts list



| Pos. No. | Order no. | Notes. | Pos. No. | Order no. | Notes. |
|----------|-----------|----------|----------|-----------|--------|
| 1 | 2330-30 | S2/S3 | | | |
| 2 | 2330-31 | | | | |
| 3 | 2355-30 | | | | |
| 4 | 2330-05 | | | | |
| 5 | 2330-06 | | | | |
| 6 | 2330-34 | | | | |
| 7 | 2355-21 | | | | |
| 8 | | | | | |
| 9 | 9930-02 | D6/12 | | | |
| 10 | 9930-35 | D13/24 | | | |
| 11 | 9961-12 | M6x20 | | | |
| 12 | 9962-19 | M8x12 | | | |
| 13 | 9969-16 | M6 | | | |
| 14 | 9969-62 | M12 | | | |
| 15 | 9969-70 | M14 | | | |
| | | | | | |
| 21 | 2386-01 | Option | | | |
| 22 | 2891-05 | | | | |
| 23 | 2891-20 | | | | |
| 24 | 2386-05 | | | | |
| 25 | 9934-30 | | | | |
| 26 | 9962-04 | M8x20 | | | |
| 27 | 9969-32 | M8 | | | |
| 28 | 9930-32 | D8x17 | | | |
| 29 | 4056-10 | | | | |
| 30 | 2891-06 | | | | |
| 31 | 2891-10 | | | | |
| 32 | 4056-03 | | | | |
| 33 | 4056-04 | Ø20x37x4 | | | |
| 34 | 9913-20 | M8x10 | | | |
| 35 | 9935-10 | M6 | | | |
| 36 | 9936-44 | Ø20x32x7 | | | |
| 37 | 9937-09 | I35 | | | |
| 38 | 9937-15 | U15 | | | |
| 39 | 9950-01 | 6202 1RS | | | |
| 40 | 2160-77 | S2-Trail | | | |
| 41 | 2160-78 | | | | |
| 42 | 2860-73 | | | | |
| 43 | 9961-13 | M6x50 | | | |

