

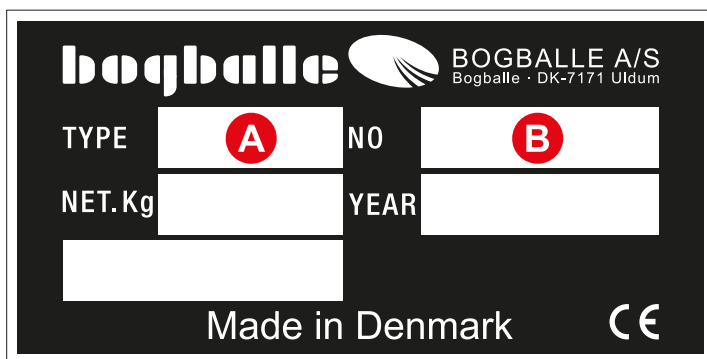
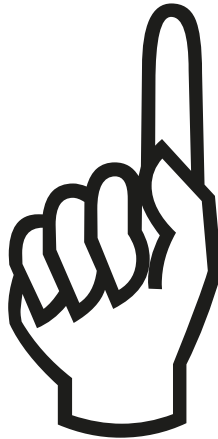
# Spare Parts List



Spreaders + Equipment



## Model and serial number



TYPE <b>A</b>	NO <b>B</b>
M60W	>101
M45W	>101
M35W	>101
M45	>101
M35	>101
L2W	>101
L2	>101
L1 A	>101

## Table of Contents

---

### M60W

Chassis.....	6
Weighing frame .....	12
Hopper with outlet shutters.....	18
Hopper.....	20
Transmission .....	24
Spreading system.....	26
Regulation system.....	30

### M45W

Chassis.....	8
Weighing frame .....	14
Hopper with outlet shutters.....	18
Hopper.....	22
Transmission .....	24
Spreading system.....	28
Regulation system.....	32

### M45

Chassis.....	8
Hopper with outlet shutters.....	18
Hopper.....	22
Transmission .....	24
Spreading system.....	28
Regulation system.....	32

### M35W

Chassis.....	10
Weighing frame .....	16
Hopper with outlet shutters.....	18
Hopper.....	22
Transmission .....	24
Spreading system.....	28
Regulation system.....	32

### M35

Chassis.....	10
Hopper with outlet shutters.....	18
Hopper.....	22
Transmission .....	24
Spreading system.....	28
Regulation system.....	32

### L2W

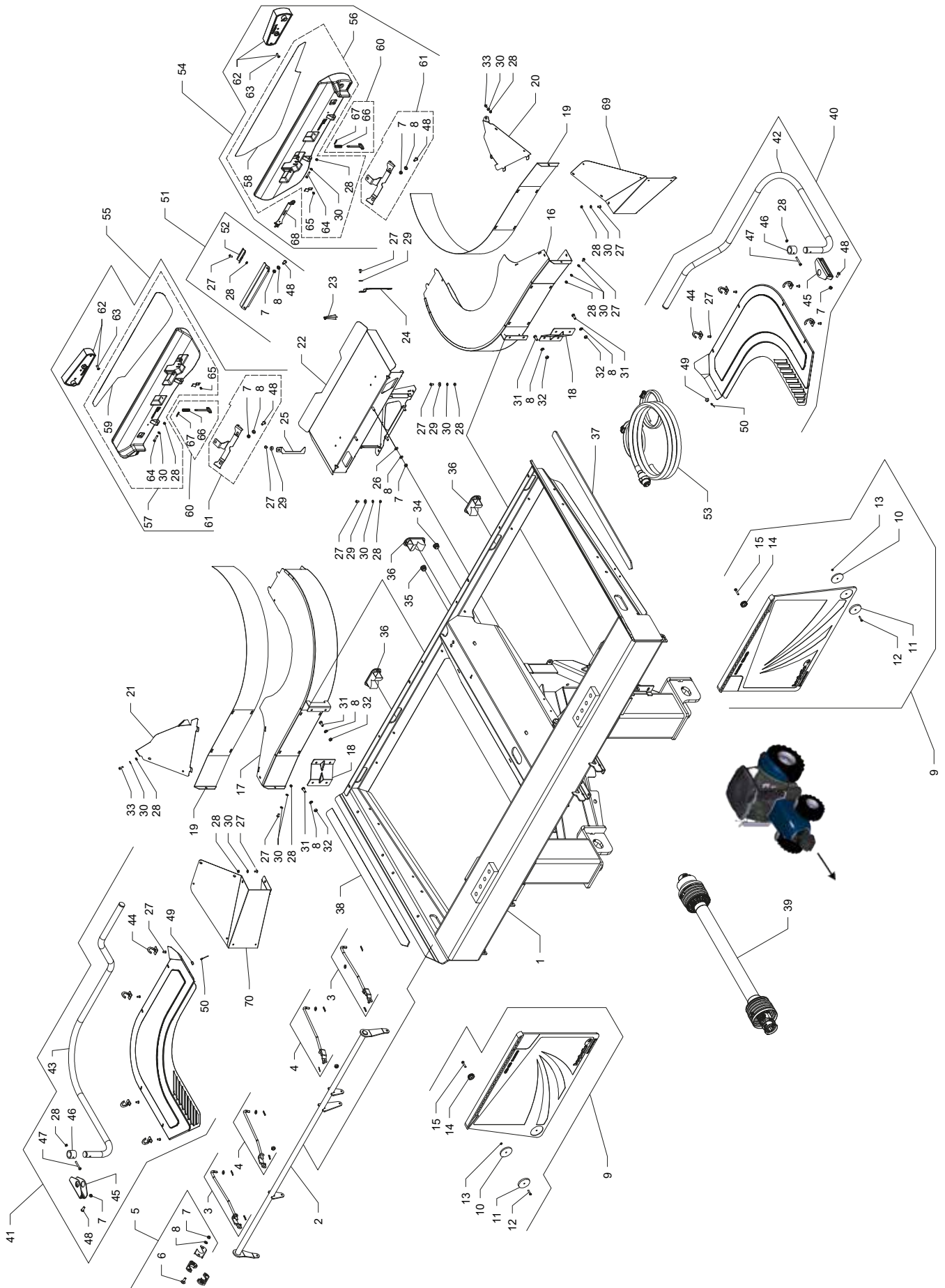
Chassis.....	42
Weighing frame .....	46
Hopper with outlet shutters.....	48
Hopper.....	48
Transmission .....	52
Spreading system.....	52
Regulation system.....	56

## Table of Contents

---

<b>L2</b>	
Chassis.....	42
Hopper with outlet shutters.....	48
Hopper.....	48
Transmission .....	52
Spreading system.....	52
Regulation system.....	56
<b>L1</b>	
Chassis.....	44
Hopper with outlet shutters.....	50
Hopper.....	50
Transmission .....	54
Spreading system.....	54
Regulation system.....	56
<b>Trails</b>	
M45-Trail .....	34
M35-Trail .....	36
L2-Trail .....	36
<b>BXL 1300</b>	
Overview.....	38
Hydraulic components .....	40
<b>Notes</b>	
Notes .....	58

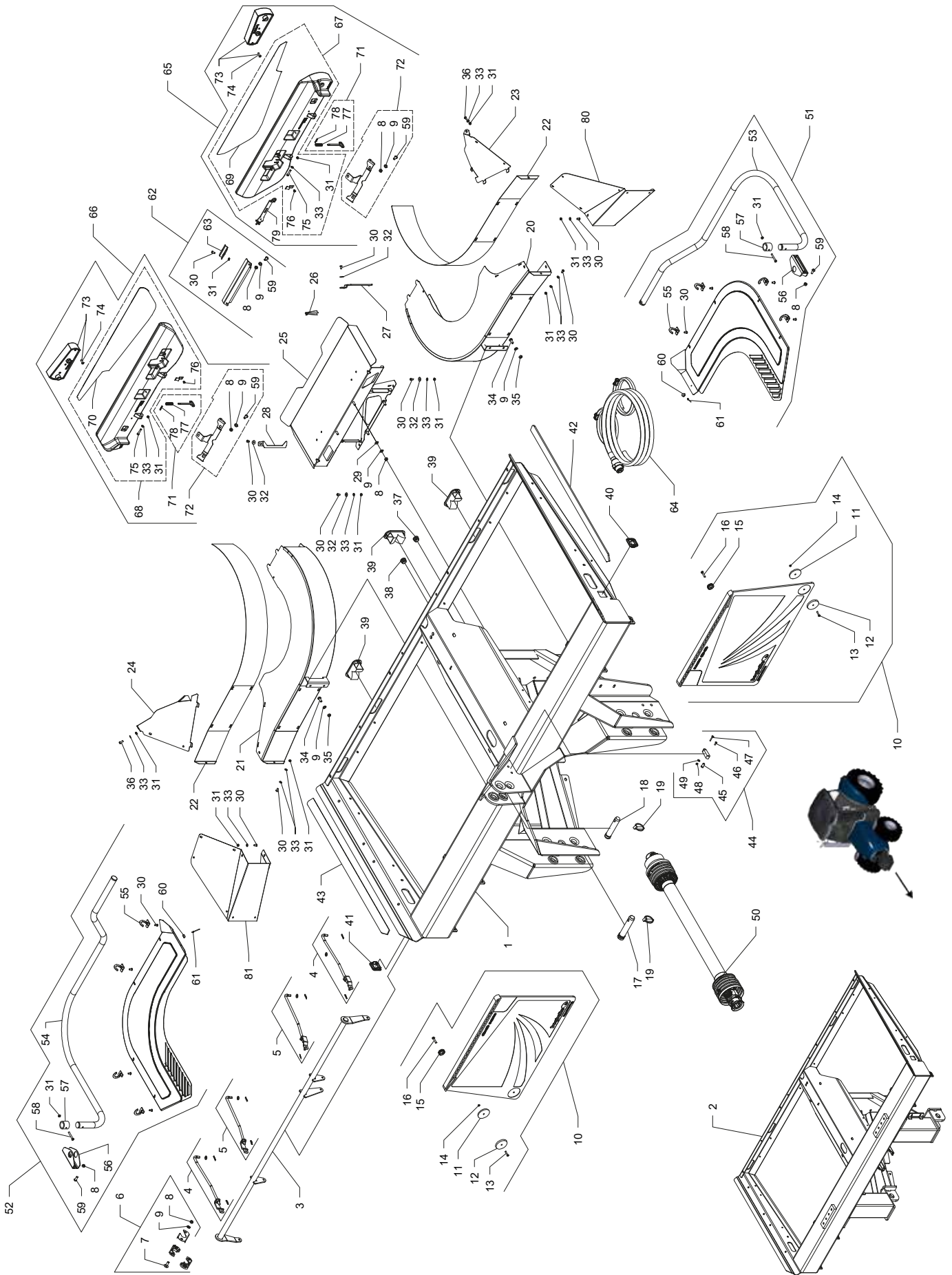
# Chassis



# Chassis

Pos	Qty	Part no	Notes	Pos	Qty	Part no	Notes
1	1	6420-51	Frame M60W	51	1	6231-55	Fitting w/lock compl.
2	1	6340-01	Adjustment shaft M-line	52	1	6231-57	Lock f/pipe
3	2	6341-05	Connection rod, big shutter	53	1	6930-22	Wire net f/light L/M-line
4	2	6341-06	Connection rod, small shutter	54	1	6233-11	Rear lights (LED), left
5	4	6340-05	Plastic bearing w/bolts	55	1	6233-12	Rear lights (LED), right
6	8	9962-17	Carriage bolt M8x25mm, A2	56	1	6233-21	Reflector support, left
7	22	9969-32	Lock nut M8 w/nylon A2	57	1	6233-22	Reflector support, right
8	26	9930-32	Washer 8,4x16x1,6mm, A2	58	1	6233-15	Reflector, left
9	2	6375-00	Mud guard w/reflector, Dual	59	1	6233-16	Reflector, right
10	2	9943-26	Reflector D R86 dia.60mm red	60	2	6233-25	Lock f/light w/spring
11	2	9943-27	Reflector D R86 dia.60mm white	61	2	6233-24	Light support w/bolt
12	2	9929-19	Screw M5x25mm, A2	62	2	6233-23	LED light w/bolt
13	2	9968-79	Nut M5, A2	63	4	9961-27	Button head M6x20mm, A2
14	2	9990-43	Handwheel dia. 31 for M6 nut	64	4	9961-06	Cap screw M6x30mm A2
15	2	9961-23	Screw M6x30mm, A2	65	2	N/A	Screw 4x8mm TX20, A2
16	1	6371-41	Guard f/disc Dual, left	66	2	N/A	Spring 1x11x37mm, A2
17	1	6371-42	Guard f/disc Dual, right	67	2	9934-31	Lock spring 1,75/94mm
18	2	6471-01	Fitting for guard	68	1	6312-45	Multi-tool
19	2	6371-10	Loose plate f/guard M-line	69	1	6930-97	Guard M-line Dual, left
20	1	6371-55	Plate Dual, left	70	1	6930-98	Guard M-line Dual, right
21	1	6371-56	Plate Dual, right				
22	1	6372-41	V-distributor Dual				
23	1	6372-15	Flair for distributor				
24	1	6372-10	Guideplate V-distributor left				
25	1	6372-11	Guideplate V-distributor right				
26	4	9930-51	Nylon washer 8,4x17x1,6mm				
27	23	9961-20	Button head M6x12mm, A2				
28	21	9969-16	Lock nut M6 w/nylon A2				
29	4	9930-03	Washer 6,4x18x1,6mm, A2				
30	20	9930-02	Washer 6,2x12,5x1,6mm, A2				
31	8	9962-04	Screw M8x20mm, A2				
32	8	9969-31	Nut M8, A2				
33	2	9961-21	Button head M6x16mm, A2				
34	1	9990-08	Blind plug f. 3/4" tube				
35	1	6350-12	Sleeve for tension rod				
36	3	6229-20	Deflector for flush holes				
37	1	6310-13	Tightening left				
38	1	6310-14	Tightening right				
39	1	9985-40	PTO 810mm w/free wheeling				
40	1	6231-42	Safety guard w/fitting left				
41	1	6231-43	Safety guard w/fitting right				
42	1	6231-45	Safety guard M-line Dual left				
43	1	6231-46	Safety guard M-line Dual right				
44	8	6231-52	Support f/covering plate				
45	2	6231-47	Pivot mounting				
46	2	6231-48	Bush f. pivot mounting				
47	2	9960-08	Bolt M6x45mm, A2				
48	10	9913-50	Button head M8x20mm, A2				
49	2	N/A	Cover H7,1/D15,9/Ø3,2				
50	2	N/A	Rivet Ø3,2x6,4				

# Chassis

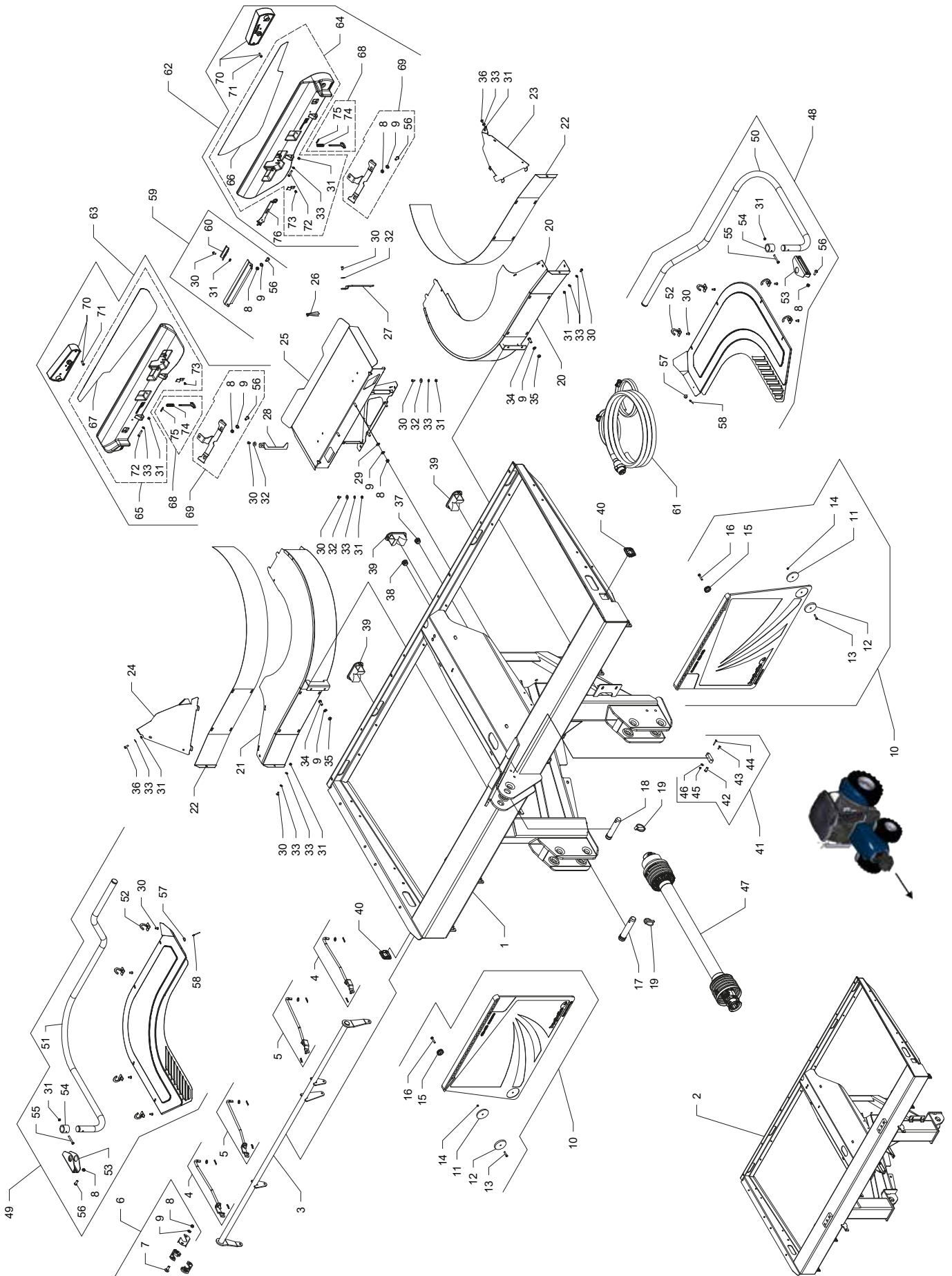




## Chassis

Pos	Qty	Part no	Notes	Pos	Qty	Part no	Notes
1	1	6320-41	Frame M45	51	1	6231-42	Safety guard w/fitting left
2	1	6320-51	Frame M45W	52	1	6231-43	Safety guard w/fitting right
3	1	6340-01	Adjustment shaft M-line	53	1	6231-45	Safety guard M-line Dual left
4	2	6341-05	Connection rod, big shutter	54	1	6231-46	Safety guard M-line Dual right
5	2	6341-06	Connection rod, small shutter	55	8	6231-52	Support f/covering plate
6	4	6340-05	Plastic bearing w/bolts	56	2	6231-47	Pivot mounting
7	8	9962-17	Carriage bolt M8x25mm, A2	57	2	6231-48	Bush f. pivot mounting
8	22	9969-32	Lock nut M8 w/nylon A2	58	2	9960-08	Bolt M6x45mm, A2
9	22	9930-32	Washer 8,4x16x1,6mm, A2	59	10	9913-50	Button head M8x20mm, A2
10	2	6375-00	Mud guard w/reflector, Dual	60	2	N/A	Cover H7,1/D15,9/Ø3,2
11	2	9943-26	Reflector D R86 dia.60mm red	61	2	N/A	Rivet Ø3,2x6,4
12	2	9943-27	Reflector D R86 dia.60mm white	62	1	6231-55	Fitting w/lock compl.
13	2	9929-19	Screw M5x25mm, A2	63	1	6231-57	Lock f/pipe
14	2	9968-79	Nut M5, A2	64	1	6930-22	Wire net f/light L/M-line
15	2	9990-43	Handwheel dia. 31 for M6 nut	65	1	6233-11	Rear lights (LED), left
16	2	9961-23	Screw M6x30mm, A2	66	1	6233-12	Rear lights (LED), right
17	2	6320-03	Lower link Pin, dia. 28x100mm	67	1	6233-21	Reflector support, left
18	1	6320-04	Top link Pin, dia. 25x97mm	68	1	6233-22	Reflector support, right
19	3	9938-74	Linch Pin 10x45mm	69	1	6233-15	Reflector, left
20	1	6371-41	Guard f/disc Dual, left	70	1	6233-16	Reflector, right
21	1	6371-42	Guard f/disc Dual, right	71	2	6233-25	Lock f/light w/spring
22	2	6371-10	Loose plate f/guard M-line	72	2	6233-24	Light support w/bolt
23	1	6371-55	Plate Dual, left	73	2	6233-23	LED light w/bolt
24	1	6371-56	Plate Dual, right	74	4	9961-27	Button head M6x20mm, A2
25	1	6372-41	V-distributor Dual	75	4	9961-06	Cap screw M6x30mm A2
26	1	6372-15	Flair for distributor	76	2	N/A	Screw 4x8mm TX20, A2
27	1	6372-10	Guideplate V-distributor left	77	2	N/A	Spring 1x11x37mm, A2
28	1	6372-11	Guideplate V-distributor right	78	2	9934-31	Lock spring 1,75/94mm
29	4	9930-51	Nylon washer 8,4x17x1,6mm	79	1	6312-45	Multi-tool
30	23	9961-20	Button head M6x12mm, A2	80	1	6930-97	Guard M-line Dual, left
31	21	9969-16	Lock nut M6 w/nylon A2	81	1	6930-98	Guard M-line Dual, right
32	4	9930-03	Washer 6,4x18x1,6mm, A2				
33	20	9930-02	Washer 6,2x12,5x1,6mm, A2				
34	4	9962-04	Screw M8x20mm, A2				
35	4	9969-31	Nut M8, A2				
36	2	9961-21	Button head M6x16mm, A2				
37	1	9990-08	Blind plug f. 3/4" tube				
38	1	6350-12	Sleeve for tension rod				
39	3	6229-20	Deflector for flush holes				
40	2	6329-21	Plastic insert 35x35x6mm				
41	2	6229-21	Plastic insert 35x35x5mm				
42	1	6310-13	Tightening left				
43	1	6310-14	Tightening right				
44	1	6381-31	Reference spirit level kit				
45	1	6381-32	Pin f. reference spirit level				
46	1	9960-02	Countersunk screw M4x16mm, A2				
47	1	9960-05	Countersunk screw M4x30mm, A2				
48	1	9969-28	Lock nut M4 w/nylon A2				
49	1	9930-38	Washer 4,3x12x1mm, A2				
50	1	9985-40	PTO 810mm w/free wheeling				

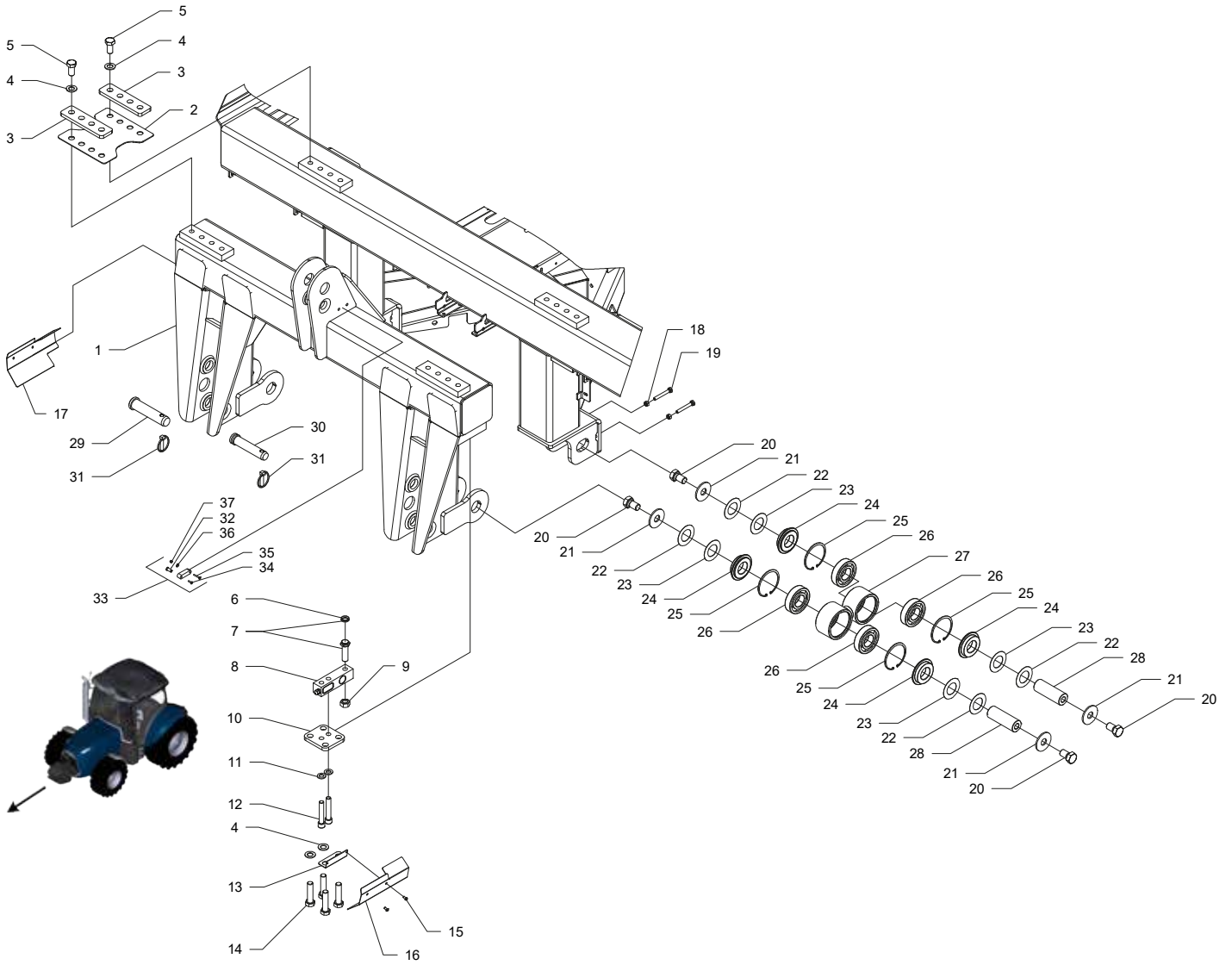
# Chassis



## Chassis

Pos	Qty	Part no	Notes	Pos	Qty	Part no	Notes
1	1	6220-41	Frame M35	51	1	6231-46	Safety guard M-line Dual right
2	1	6220-51	Frame M35W	52	8	6231-52	Support f/covering plate
3	1	6340-01	Adjustment shaft M-line	53	2	6231-47	Pivot mounting
4	2	6341-05	Connection rod, big shutter	54	2	6231-48	Bush f. pivot mounting
5	2	6341-06	Connection rod, small shutter	55	2	9960-08	Bolt M6x45mm, A2
6	4	6340-05	Plastic bearing w/bolts	56	10	9913-50	Button head M8x20mm, A2
7	8	9962-17	Carriage bolt M8x25mm, A2	57	2	N/A	Cover H7,1/D15,9/Ø3,2
8	22	9969-32	Lock nut M8 w/nylon A2	58	2	N/A	Rivet Ø3,2x6,4
9	22	9930-32	Washer 8,4x16x1,6mm, A2	59	1	6231-55	Fitting w/lock compl.
10	2	6375-00	Mud guard w/reflector, Dual	60	1	6231-57	Lock f/pipe
11	2	9943-26	Reflector D R86 dia.60mm red	61	1	6930-22	Wire net f/light L/M-line
12	2	9943-27	Reflector D R86 dia.60mm white	62	1	6233-11	Rear lights (LED), left
13	2	9929-19	Screw M5x25mm, A2	63	1	6233-12	Rear lights (LED), right
14	2	9968-79	Nut M5, A2	64	1	6233-21	Reflector support, left
15	2	9990-43	Handwheel dia. 31 for M6 nut	65	1	6233-22	Reflector support, right
16	2	9961-23	Screw M6x30mm, A2	66	1	6233-15	Reflector, left
17	2	6320-03	Lower link Pin, dia. 28x100mm	67	1	6233-16	Reflector, right
18	1	6320-04	Top link Pin, dia. 25x97mm	68	2	6233-25	Lock f/light w/spring
19	3	9938-74	Linch Pin 10x45mm	69	2	6233-24	Light support w/bolt
20	1	6371-41	Guard f/disc Dual, left	70	2	6233-23	LED light w/bolt
21	1	6371-42	Guard f/disc Dual, right	71	4	9961-27	Button head M6x20mm, A2
22	2	6371-10	Loose plate f/guard M-line	72	4	9961-06	Cap screw M6x30mm A2
23	1	6371-55	Plate Dual, left	73	2	N/A	Screw 4x8mm TX20, A2
24	1	6371-56	Plate Dual, right	74	2	N/A	Spring 1x11x37mm, A2
25	1	6372-41	V-distributor Dual	75	2	9934-31	Lock spring 1,75/94mm
26	1	6372-15	Flair for distributor	76	1	6312-45	Multi-tool
27	1	6372-10	Guideplate V-distributor left				
28	1	6372-11	Guideplate V-distributor right				
29	4	9930-51	Nylon washer 8,4x17x1,6mm				
30	23	9961-20	Button head M6x12mm, A2				
31	21	9969-16	Lock nut M6 w/nylon A2				
32	4	9930-03	Washer 6,4x18x1,6mm, A2				
33	20	9930-02	Washer 6,2x12,5x1,6mm, A2				
34	4	9962-04	Screw M8x20mm, A2				
35	4	9969-31	Nut M8, A2				
36	2	9961-21	Button head M6x16mm, A2				
37	1	9990-08	Blind plug f. 3/4" tube				
38	1	6350-12	Sleeve for tension rod				
39	3	6229-20	Deflector for flush holes				
40	4	6229-21	Plastic insert 35x35x5mm				
41	1	6381-31	Reference spirit level kit				
42	1	6381-32	Pin f. reference spirit level				
43	1	9960-02	Countersunk screw M4x16mm, A2				
44	1	9960-05	Countersunk screw M4x30mm, A2				
45	1	9969-28	Lock nut M4 w/nylon A2				
46	1	9930-38	Washer 4,3x12x1mm, A2				
47	1	9985-40	PTO 810mm w/free wheeling				
48	1	6231-42	Safety guard w/fitting left				
49	1	6231-43	Safety guard w/fitting right				
50	1	6231-45	Safety guard M-line Dual left				

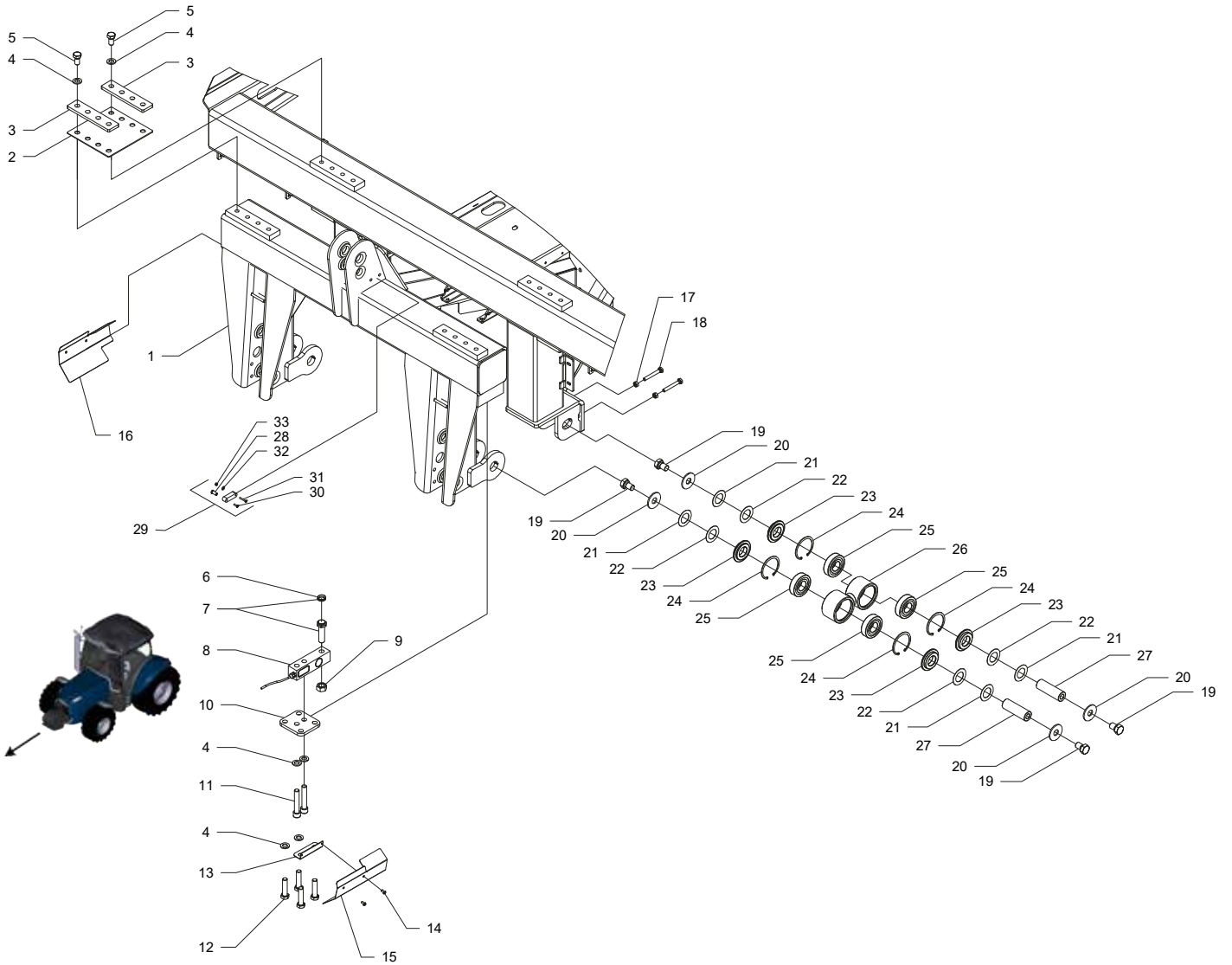
# Weighing frame



## Weighing frame

Pos	Qty	Part no	Notes
1	1	6422-30	Front frame loose M60W/M6W
2	2	6420-25	Spring for frame, M60W/M6W
3	4	6420-26	Clamp f/spring M60W/M6W
4	20	9930-40	Washer 21x37x3mm, A2
5	16	9965-00	Screw M20x40mm, kl.80 A4
6	2	9936-27	V-ring VA 0022
7	2	6320-28	Bolt f/load cell complete
8	2	9942-33	Load cell 6 tonne w/wire
9	2	9968-97	Steel nut M20, A2
10	2	6422-43	Clamping plate f/load cell
11	4	9930-20	Washer 17x30x3mm, A2
12	4	9913-41	Screw M16x90mm, 12.9
13	2	6422-44	Support f/shield M6W
14	8	9967-52	Steel bolt M20x80mm, A2
15	4	9961-20	Button head M6x12mm, A2
16	1	6322-46	Cover plate load cell, left
17	1	6322-47	Cover plate load cell, right
18	4	9969-46	Nut M10, A2
19	4	9963-19	Screw M10x75mm, A2
20	8	9967-61	Screw M24x40mm, A2
21	8	6420-37	Washer 26x72x5mm
22	8	6420-35	Adjusting disc 0,5 mm
23	8	6420-36	Adjusting disc 1,0 mm
24	8	6420-34	End washer f/bearing
25	8	9937-50	Locking ring I 100
26	8	9950-06	Ball bearing 6309 2RS
27	2	6420-30	Tilt part M60W/M6W
28	4	6420-33	Shaft for tilt part
29	2	6420-04	Lower link Pin, Cat. 3
30	1	6420-03	Top link Pin, cat. 3 125 mm
31	3	9938-75	Linch Pin 11x50mm
32	1	6381-32	Pin f. reference spirit level
33	1	6381-31	Reference spirit level kit
34	1	9960-02	Countersunk screw M4x16mm, A2
35	1	9960-05	Countersunk screw M4x30mm, A2
36	1	9930-38	Washer 4,3x12x1mm, A2
37	1	9969-28	Lock nut M4 w/nylon A2

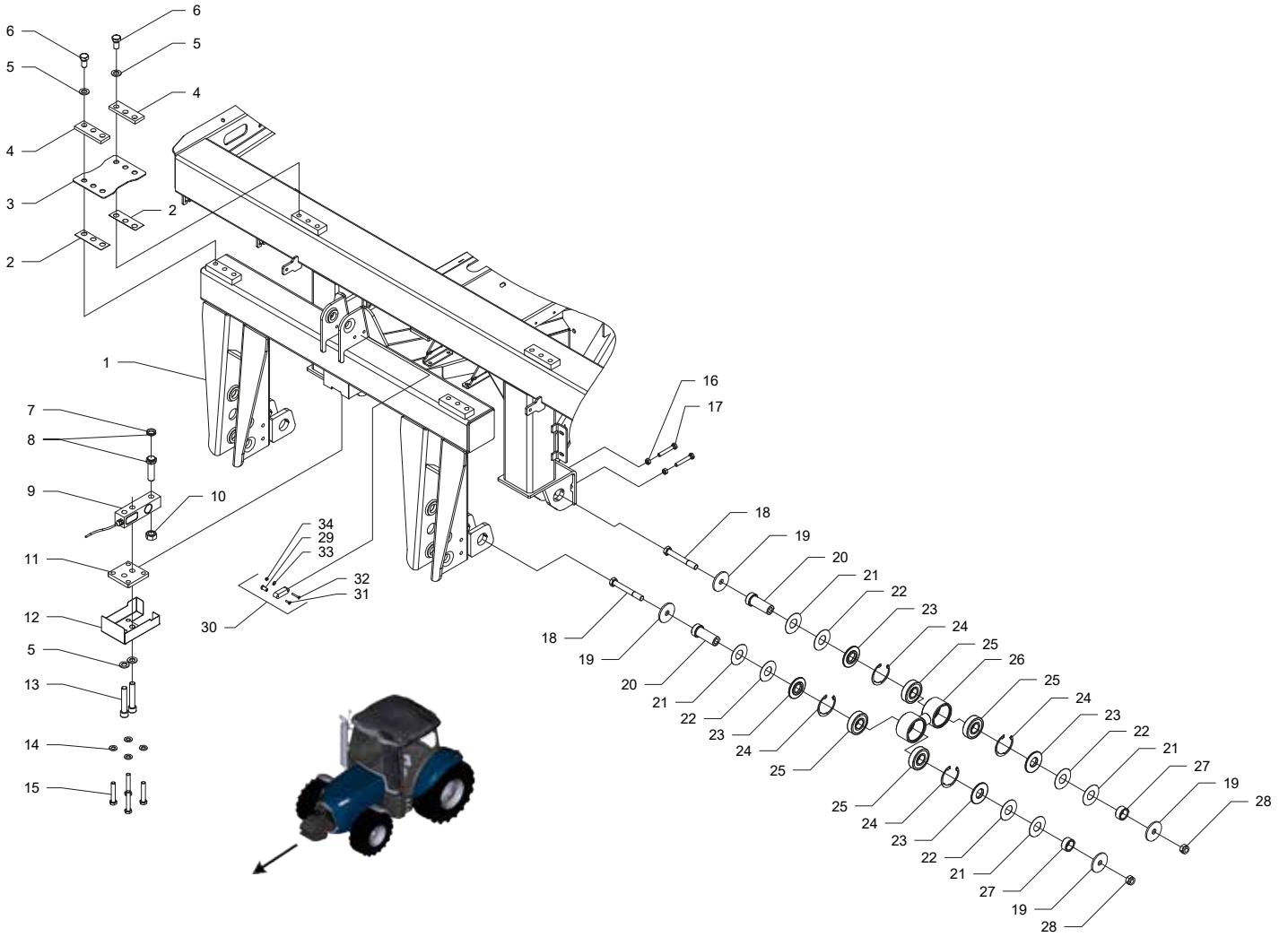
# Weighing frame



## Weighing frame

Pos	Qty	Part no	Notes
1	1	6322-30	Front frame loose M45W/M3W
2	2	6320-25	Spring for frame, M45W/M3W
3	4	6320-26	Clamp f/spring M45W/M3W
4	24	9930-20	Washer 17x30x3mm, A2
5	16	9964-71	Screw M16x30mm, kl.80 A4
6	2	9936-27	V-ring VA 0022
7	2	6320-28	Bolt f/load cell complete
8	2	9942-33	Load cell 6 tonne w/wire
9	2	9968-97	Steel nut M20, A2
10	2	6322-43	Clamping plate f/load cell
11	4	9913-41	Screw M16x90mm, 12.9
12	8	9964-77	Steel bolt M16x65mm, A2
13	2	6322-45	Fitting for cover plate
14	4	9961-20	Button head M6x12mm, A2
15	1	6322-46	Cover plate load cell, left
16	1	6322-47	Cover plate load cell, right
17	4	9969-46	Nut M10, A2
18	4	9963-19	Screw M10x75mm, A2
19	8	9964-98	Screw M20x30mm, A2
20	8	9930-15	Washer 22x58,5x4mm, A2
21	8	6320-34	Adjusting disc 0,5mm
22	8	6320-35	Adjusting disc 1mm
23	8	6320-33	End washer f/bearing
24	8	9937-48	Locking ring I 80
25	8	9950-07	Ball bearing 6307-2RS
26	2	6320-30	Tilt part M45W/M3W
27	4	6320-32	Shaft for tilt part
28	1	6381-32	Pin f. reference spirit level
29	1	6381-31	Reference spirit level kit
30	1	9960-02	Countersunk screw M4x16mm, A2
31	1	9960-05	Countersunk screw M4x30mm, A2
32	1	9930-38	Washer 4,3x12x1mm, A2
33	1	9969-28	Lock nut M4 w/nylon A2

# Weighing frame

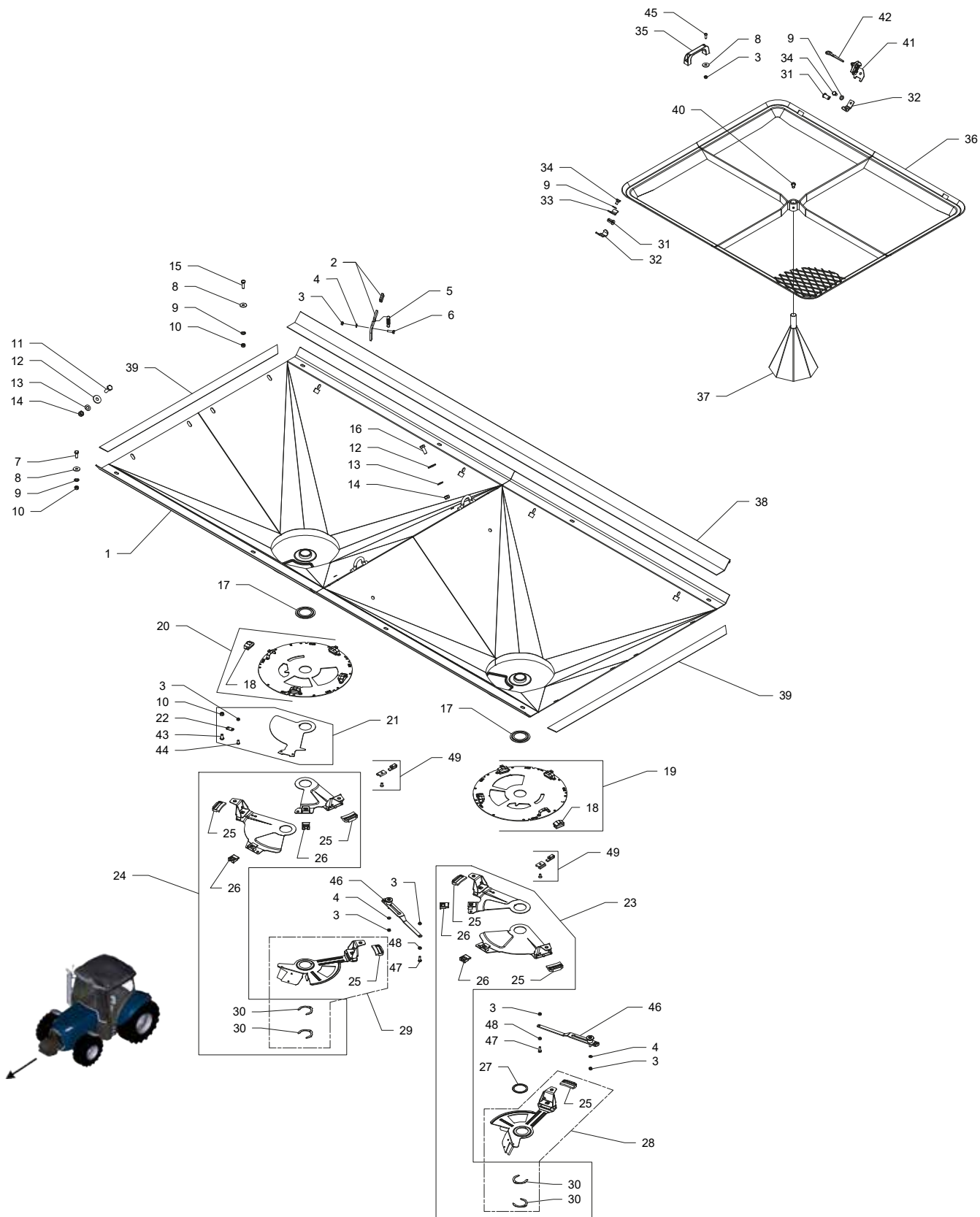




## Weighing frame

Pos	Qty	Part no	Notes
1	1	6222-30	Front frame loose M35W/M2W
2	4	6220-27	Friction plate for spring
3	2	6220-25	Spring for frame, M35W/M2W
4	4	6220-26	Clamp f/spring M35W/M2W
5	14	9930-20	Washer 17x30x3mm, A2
6	12	9964-71	Screw M16x30mm, kl.80 A4
7	1	9936-27	V-ring VA 0022
8	1	6320-28	Bolt f/load cell complete
9	1	9942-33	Load cell 6 tonne w/wire
10	1	9968-97	Steel nut M20, A2
11	1	6222-43	Clamping plate f/load cell
12	1	4522-40	Protection sheet f/load cell
13	2	9913-41	Screw M16x90mm, 12.9
14	4	9930-35	Washer 13x24x2,5mm, A2
15	4	9966-52	Bolt M12x70, 10.9
16	4	9969-46	Nut M10, A2
17	4	9963-18	Screw M10x65mm, A2
18	4	9964-79	Steel bolt M16x120mm, A2
19	8	6220-34	Washer
20	4	6220-35	Shaft for tilt part
21	8	6220-38	Adjusting disc 0,5mm
22	8	6220-37	Adjusting disc 1mm
23	8	6220-33	End washer f/bearing
24	8	9937-45	Locking ring I 72
25	8	9950-05	Ball bearing 6306-2RS
26	2	6220-30	Tilt part M35W/M2W
27	4	6220-36	Bush for shaft
28	4	9969-84	Lock nut M16 w/nylon A2
29	1	6381-32	Pin f. reference spirit level
30	1	6381-31	Reference spirit level kit
31	1	9960-02	Countersunk screw M4x16mm, A2
32	1	9960-05	Countersunk screw M4x30mm, A2
33	1	9930-38	Washer 4,3x12x1mm, A2
34	1	9969-28	Lock nut M4 w/nylon A2

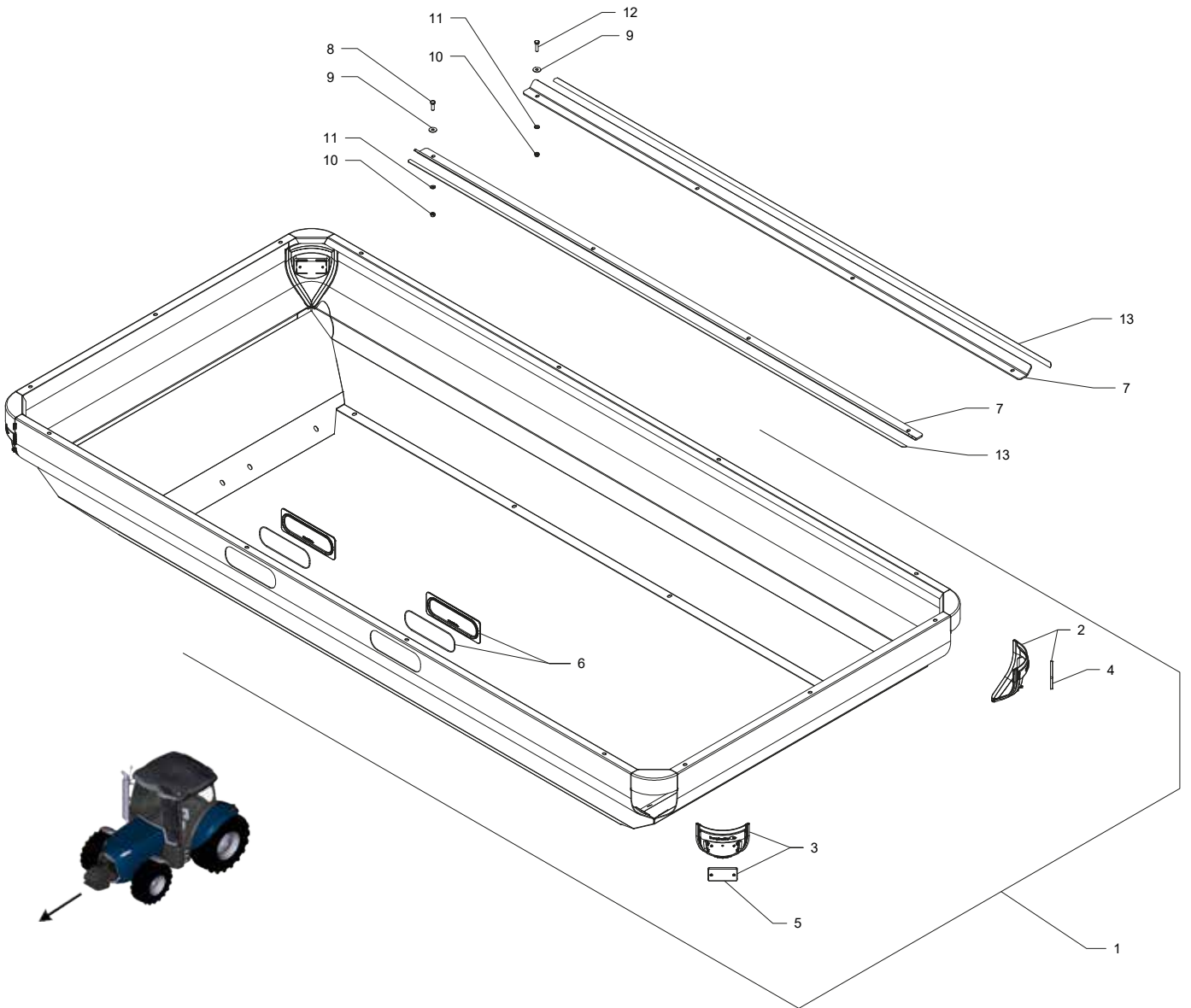
# Hopper with outlet shutters



## Hopper with outlet shutters

Pos	Qty	Part no	Notes
1	1	6310-45	Hopper M-line Dual
2	2	6310-51	Lock handel, Dual
3	9	9969-16	Lock nut M6 w/nylon A2
4	4	9930-02	Washer 6,2x12,5x1,6mm, A2
5	2	9934-13	Spring 1,5x11x32mm
6	2	9961-12	Screw M6x20mm, A2
7	4	9962-04	Screw M8x20mm, A2
8	10	9930-31	Washer 8,4x24x2mm, A2
9	16	9930-32	Washer 8,4x16x1,6mm, A2
10	9	9969-32	Lock nut M8 w/nylon A2
11	8	9963-12	Screw M10x30mm, A2
12	12	9930-25	Washer 10,5x30x2,5mm, A2
13	12	9968-44	Washer 10,5x21x2mm, A2
14	12	9969-45	Lock nut M10 w/nylon A2
15	4	9962-05	Screw M8x25mm, A2
16	4	9963-01	Screw M10x25mm, A2
17	2	4512-12	Disc for bottom plate
18	8	4512-11	Sliding block, PA 6 black
19	1	6312-38	Turnable plate w/block Dual, L
20	1	6312-39	Turnable plate w/block Dual, R
21	1	6312-65	Shutter 1side closing cpl.Dual
22	1	6312-17	Lochplate f/shutter M-Line
23	1	6312-53	Shutter kit Dual, left
24	1	6312-54	Shutter kit Dual, right
25	6	4412-20	Sliding plate, big
26	4	4412-21	Sliding plate, small
27	1	4012-11	Washer
28	1	6312-19	Shutter SC L cpl.
29	1	6312-20	Shutter SC R cpl.
30	4	4511-06	Safety lock
31	8	6313-10	Plastic hinge f/screen M-line
32	8	6313-11	Hinge for screen
33	4	6313-12	Stop for hinge, screen
34	8	9962-19	Screw M8x12mm, A2
35	2	9990-38	Plastic handle dia.6,5mm,c=94m
36	2	6313-02	Screen M-line
37	2	4016-05	Relief cone M-line-EX-E-CII
38	2	6310-03	Edge band 2225mm M-Line yellow
39	2	6210-13	Tightening M35(W)/M2(W), black
40	1	9962-03	Screw M8x16mm, A2
41	2	6313-30	Screen lock cpl, M-line
42	1	6313-27	Key for screen lock
43	1	9962-26	Button head M8x16mm, A2
44	1	9961-20	Button head M6x12mm, A2
45	2	9961-21	Button head M6x16mm, A2
46	2	6312-31	Connecting rod
47	2	9961-04	Screw M6x16mm, A2
48	2	9969-15	Nut M6, A2
49	2	6312-30	Dynamic shutter clip kit

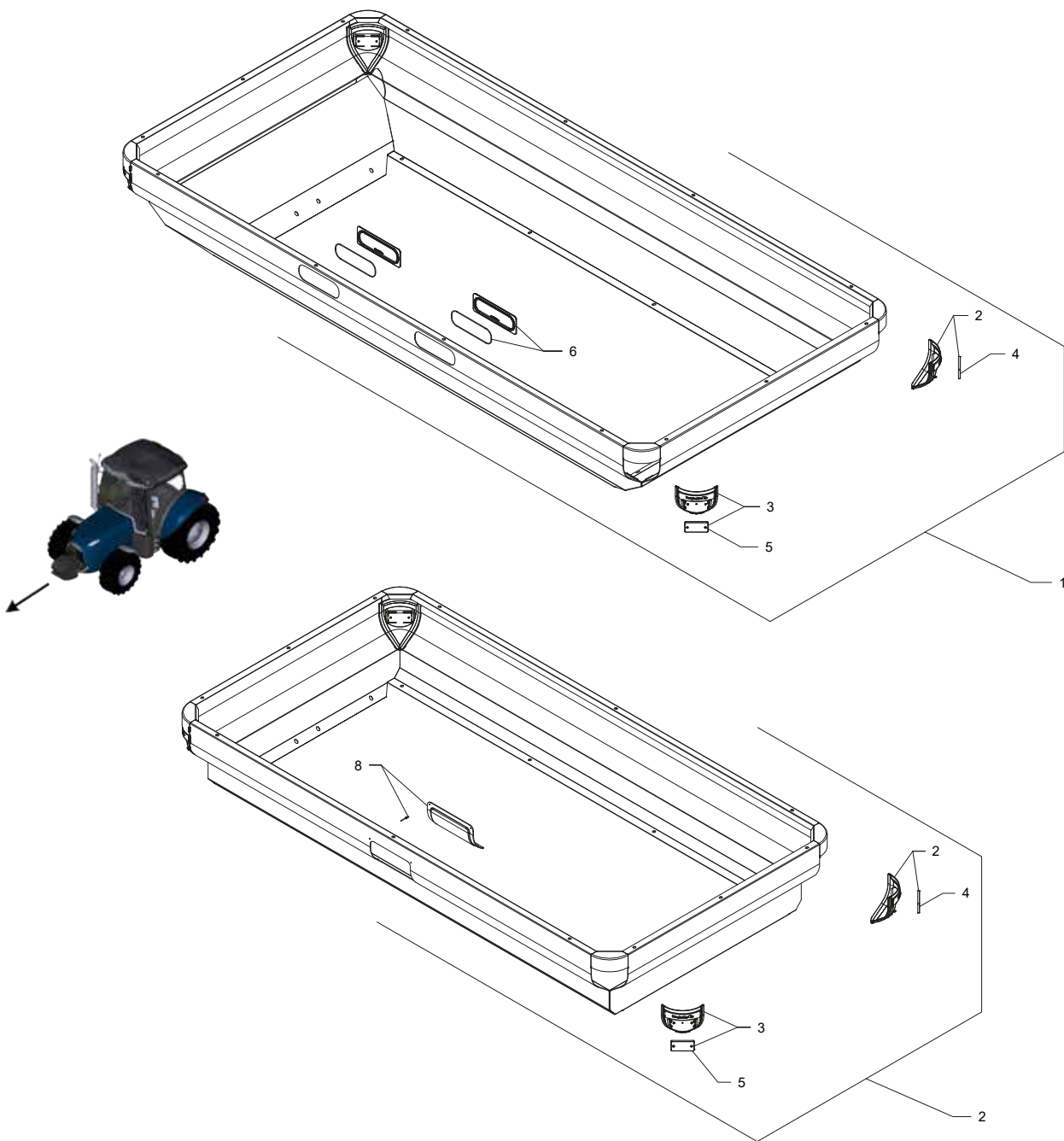
# Hopper



# Hopper

Pos	Qty	Part no	Notes
1	1	6311-15	Hopper 1800L plus M-line
2	2	6311-30	Plastic corner/red reflector
3	2	6311-31	Plastic corner/white reflector
4	2	9943-32	Reflector red, plasticcorner
5	2	9943-33	Reflector white, plasticcorner
6	2	6311-32	Pane w/sealing
7	2	6411-01	Support for hopper
8	4	9962-05	Screw M8x25mm, A2
9	8	9930-31	Washer 8,4x24x2mm, A2
10	8	9969-32	Lock nut M8 w/nylon A2
11	8	9930-32	Washer 8,4x16x1,6mm, A2
12	4	9962-15	Screw M8x30mm, A2
13	2	6411-02	Tightening tape f/support

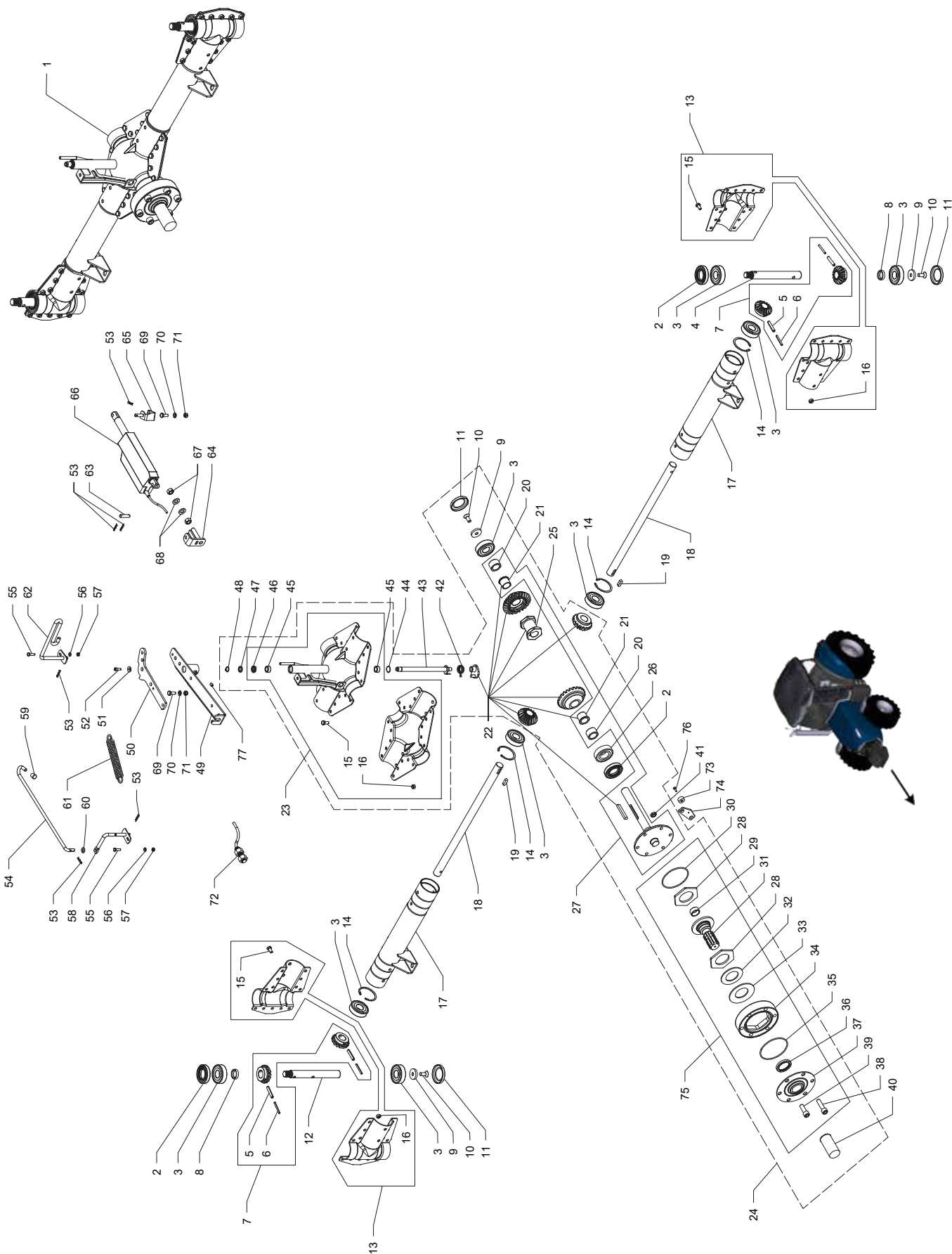
# Hopper



# Hopper

Pos	Qty	Part no	Notes
1	1	6311-15	Hopper 1800L plus M-line
2	1	6211-25	Hopper 1250L base M-line
2	2	6311-30	Plastic corner/red reflector
3	2	6311-31	Plastic corner/white reflector
4	2	9943-32	Reflector red, plasticcorner
5	2	9943-33	Reflector white, plasticcorner
6	2	6311-32	Pane w/sealing
8	1	6211-17	Pane w/pins M-base

# Transmission

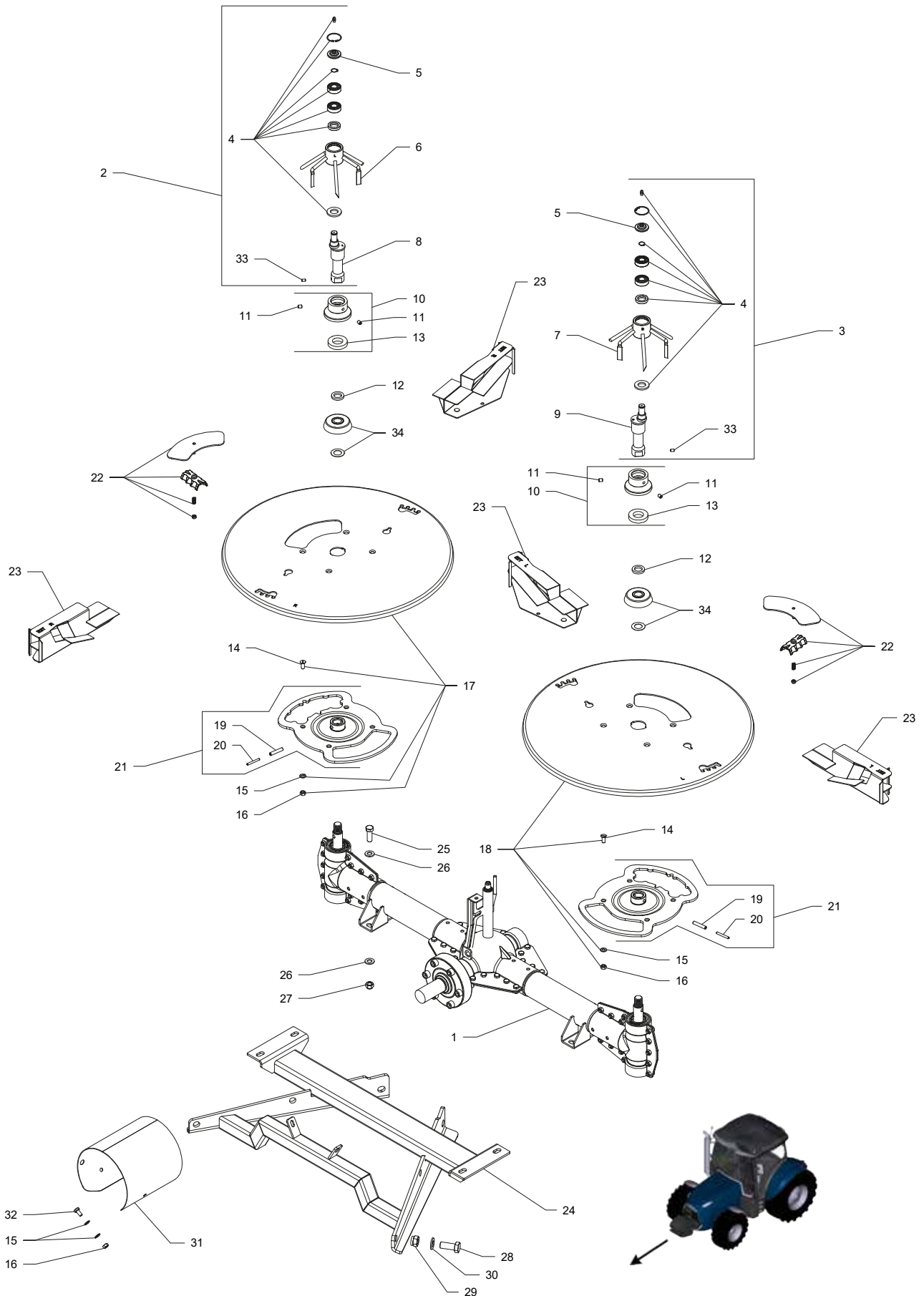




# Transmission

Pos	Qty	Part no	Notes	Pos	Qty	Part no	Notes
1	1	4750-02	Transmission M-line-EX Trend	51	1	9930-07	Washer 6,4x17x3mm, A2
2	3	9936-37	Tightening ring 35x62x12mm,NBR	52	1	9961-24	Screw M6x16, A2 kl.70
3	9	9950-02	Ball bearing 6305-2RS	53	6	9934-31	Lock spring 1,75/94mm
4	1	4155-04	Exit shaft with right thread	54	1	6350-11	Pull rod M-line
5	4	9933-12	Tension pin 8x45mm	55	2	9961-12	Screw M6x20mm, A2
6	4	9933-17	Tension pin 5x45mm	56	2	9930-02	Washer 6,2x12,5x1,6mm, A2
7	2	3265-02	Gear wheels w/pins	57	2	9969-16	Lock nut M6 w/nylon A2
8	2	3262-05	Spacer f/gear wheel	58	1	6350-08	Shift arm
9	3	3260-04	Washer	59	1	9990-26	Rubberbutton, black DPU 080 01
10	3	9963-07	Countersunk screw M10x25	60	1	9930-51	Nylon washer 8,4x17x1,6mm
11	3	3260-05	Lid f/gear box	61	1	9934-07	Spring 3,6x25x162mm, A2
12	1	4062-05	Exit shaft w/left thread	62	1	4690-05	Arm for spring
13	2	4454-05	Gear housing	63	1	4790-36	Guide pin for actuator
14	4	9937-40	Locking ring I 60	64	1	4790-43	Fitting f/actuator,trend shift
15	46	9962-03	Screw M8x16mm, A2	65	1	4790-47	U-piece with pin
16	46	9969-31	Nut M8, A2	66	1	9942-11	Actuator ZURF-ICON to-border
17	2	4557-02	Bearing tube for M-line EXW EX	67	2	9969-60	Nut M12, A2
18	2	4156-02	Exit shaft M-line	68	2	9930-35	Washer 13x24x2,5mm, A2
19	2	9931-56	Key 8x7x25mm, round	69	2	9962-04	Screw M8x20mm, A2
20	2	4652-03	Spacer	70	2	9930-32	Washer 8,4x16x1,6mm, A2
21	2	4652-08	Bronze bushing	71	2	9969-32	Lock nut M8 w/nylon A2
22	1	4652-11	Set of gear wheels	72	1	9941-34	Sensor f/Trend-transmission
23	1	4660-00	Gear housing cpl. M-Trend-line	73	1	9941-04	Magnet f/sensor
24	1	4750-50	Trend transmission repair set	74	1	4790-38	Fitting for magnet
25	1	4652-09	Shift sleeve Trend	75	1	3263-10	Friction clutch cpl. M-L-line
26	1	9950-03	Ball bearing 6206-2RS	76	1	9960-02	Countersunk screw M4x16mm, A2
27	1	4652-01	Drive shaft w/key and sleeve	77	1	9913-19	Socket set screw M8x10mm, A2
28	2	3263-15	Clutch part 6-edged NV 80				
29	1	9990-90	Bronze bearing 30x25x13mm				
30	1	9936-10	O-ring 89,50x3mm, NBR 70				
31	1	3263-11	6-groove f/clutch				
32	1	3263-12	Divide washer				
33	1	9931-11	Disc washer 90x46x3mm				
34	1	3263-20	Disc lock for clutch				
35	1	9936-09	O-ring 94x3mm, NBR 70				
36	1	9936-49	Tightening ring 38x52x7mm, NBR				
37	1	3263-13	Front plate f/clutch				
38	2	9965-10	Screw cyl.head M12x45mm, A2				
39	4	9965-09	Screw cyl.head M12x35mm, A2				
40	1	9985-84	PTO protection for 1 3/8"				
41	2	9928-99	Counter nut M12, A2				
42	1	9934-02	Torsion spring Trend Quadro				
43	1	4653-02	Shaft for excentric				
44	1	9931-15	Wave spring 21,8x14x0,3mm, K2				
45	2	9990-99	Bronze bushing 14x20x10mm				
46	1	9936-29	Tightening ring 14x22x4mm, NBR				
47	1	9936-28	V-ring VS 14				
48	1	9937-13	Locking ring U 14, A2				
49	1	4655-05	Support for cable				
50	1	4653-15	Shift arm f/Trend				

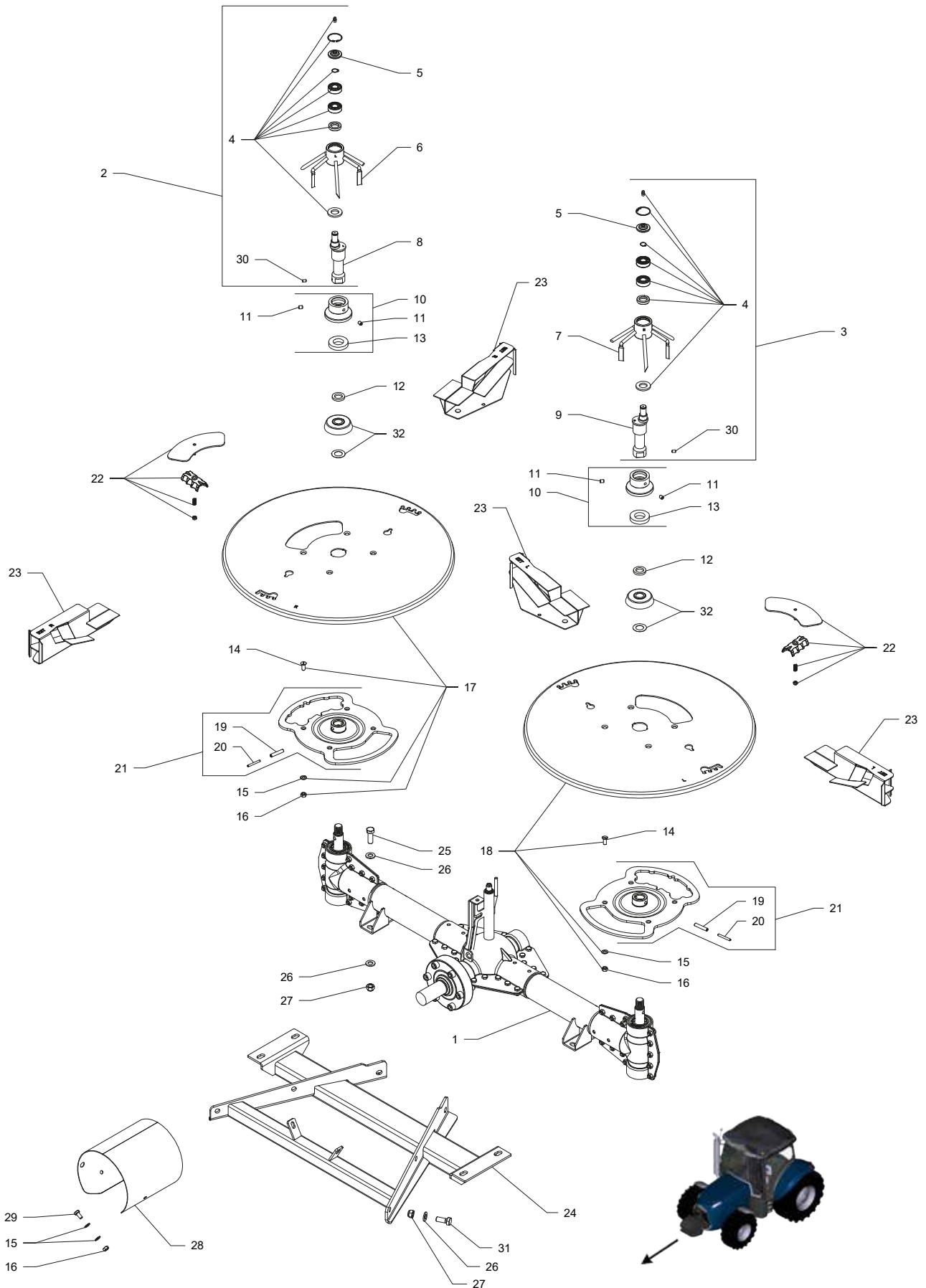
# Spreading system



## Spreading system

Pos	Qty	Part no	Notes
1	1	4750-02	Transmission M-line-EX Trend
2	1	6260-02	Agitator cpl. R-side/L-thread
3	1	6260-01	Agitator cpl. L-side/R-thread
4	2	6260-10	Gasket set & bearing f/agitator
5	2	4056-03	Cover f/bearing housing
6	1	6262-06	Agitator R-side/L
7	1	6262-05	Agitator L-side/R
8	1	6261-01	Shaft/agitator R-side/L-thread
9	1	6261-02	Shaft/agitator L-side/R-thread
10	2	4158-05	Hub f/agitator
11	4	9913-19	Socket set screw M8x10mm, A2
12	2	4560-01	Washer for agitator
13	2	4158-10	Tightening for agitator
14	8	9929-35	Countersunk screw M8x20mm, A2
15	12	9930-32	Washer 8,4x16x1,6mm, A2
16	10	9969-31	Nut M8, A2
17	1	6250-45	Spread disc (L) Dual M-line
18	1	6250-46	Spread disc (R) Dual M-line
19	2	9933-02	Tension pin 8x40mm
20	2	9933-11	Tension pin 5x40mm
21	2	6251-40	Hub w/tension pin, Dual
22	2	6250-55	Lid w/lock
23	1	4650-12	Vanes E1-T 12-18m
23	1	4650-20	Vanes E2-T 20-24m
23	1	4650-28	Vanes E6-T 28-36m
23	1	4650-36	Vanes E8-T 40-42m
24	1	6430-01	Fixture f/transmission M60W/M6W
25	4	9965-01	Screw M12x35mm, A2
26	14	9930-35	Washer 13x24x2,5mm, A2
27	10	9969-62	Lock nut M12 w/nylon A4
28	6	9964-72	Screw M16x40mm, A2
29	6	9969-84	Lock nut M16 w/nylon A2
30	6	9930-20	Washer 17x30x3mm, A2
31	1	4470-01	Guard for safety clutch
32	2	9962-03	Screw M8x16mm, A2
33	2	9961-02	Socket set screw M6x10mm, A2
34	2	6251-46	Sealing bowl with seal

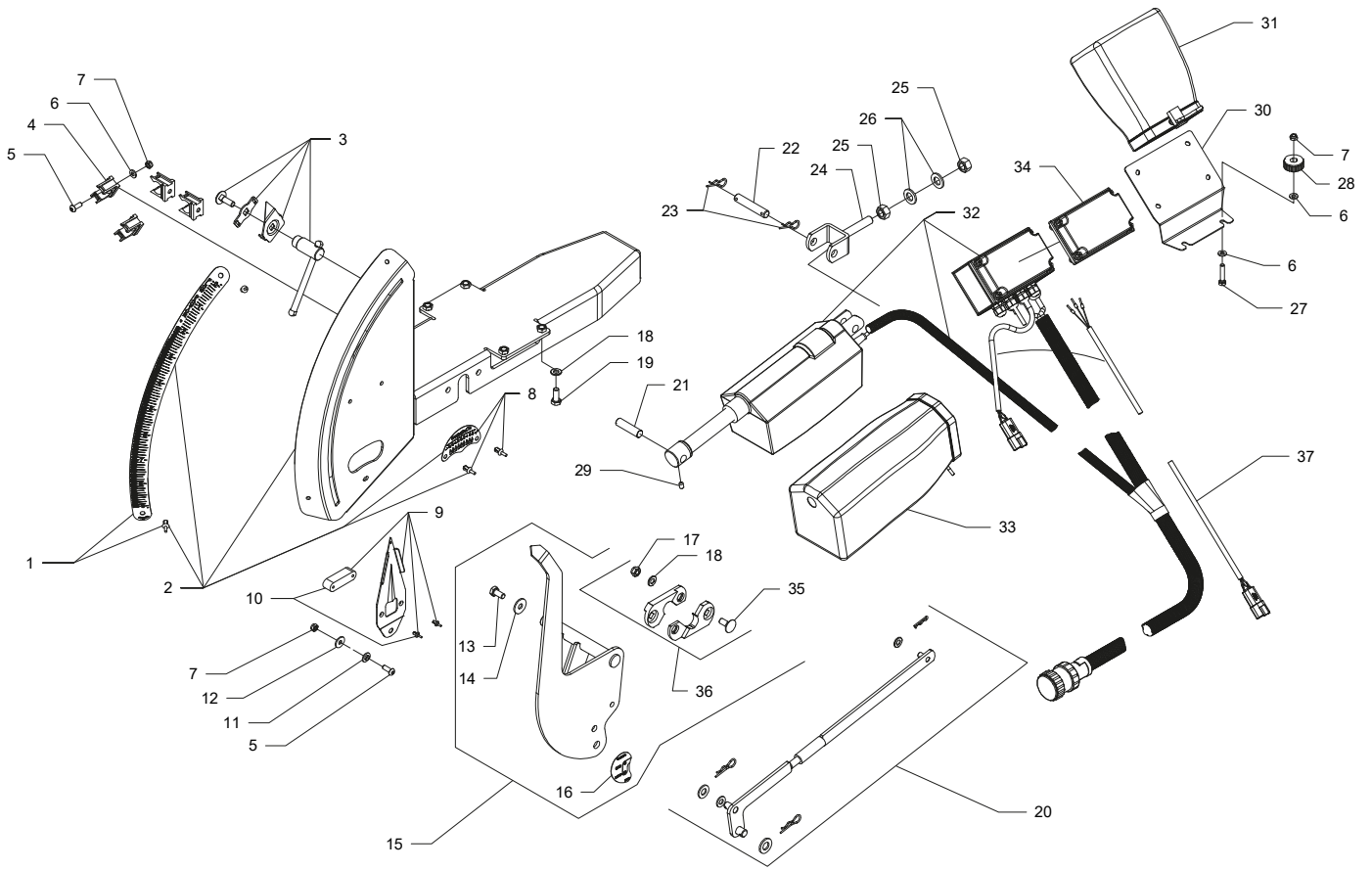
# Spreading system



## Spreading system

Pos	Qty	Part no	Notes
1	1	4750-02	Transmission M-line-EX Trend
2	1	6260-02	Agitator cpl. R-side/L-thread
3	1	6260-01	Agitator cpl. L-side/R-thread
4	2	6260-10	Gasket set & bearing f/agitator
5	2	4056-03	Cover f/bearing housing
6	1	6262-06	Agitator R-side/L
7	1	6262-05	Agitator L-side/R
8	1	6261-01	Shaft/agitator R-side/L-thread
9	1	6261-02	Shaft/agitator L-side/R-thread
10	2	4158-05	Hub f/agitator
11	4	9913-19	Socket set screw M8x10mm, A2
12	2	4560-01	Washer for agitator
13	2	4158-10	Tightening for agitator
14	8	9929-35	Countersunk screw M8x20mm, A2
15	12	9930-32	Washer 8,4x16x1,6mm, A2
16	10	9969-31	Nut M8, A2
17	1	6250-45	Spread disc (L) Dual M-line
18	1	6250-46	Spread disc (R) Dual M-line
19	2	9933-02	Tension pin 8x40mm
20	2	9933-11	Tension pin 5x40mm
21	2	6251-40	Hub w/tension pin, Dual
22	2	6250-55	Lid w/lock
23	1	4650-12	Vanes E1-T 12-18m
23	1	4650-20	Vanes E2-T 20-24m
23	1	4650-28	Vanes E6-T 28-36m
23	1	4650-36	Vanes E8-T 40-42m
24	1	6330-01	Fixture f/transmission
25	4	9965-01	Screw M12x35mm, A2
26	14	9930-35	Washer 13x24x2,5mm, A2
27	10	9969-62	Lock nut M12 w/nylon A4
28	1	4470-01	Guard for safety clutch
29	2	9962-03	Screw M8x16mm, A2
30	2	9961-02	Socket set screw M6x10mm, A2
31	6	9965-03	Screw M12x30mm, A2
32	2	6251-46	Sealing bowl with seal

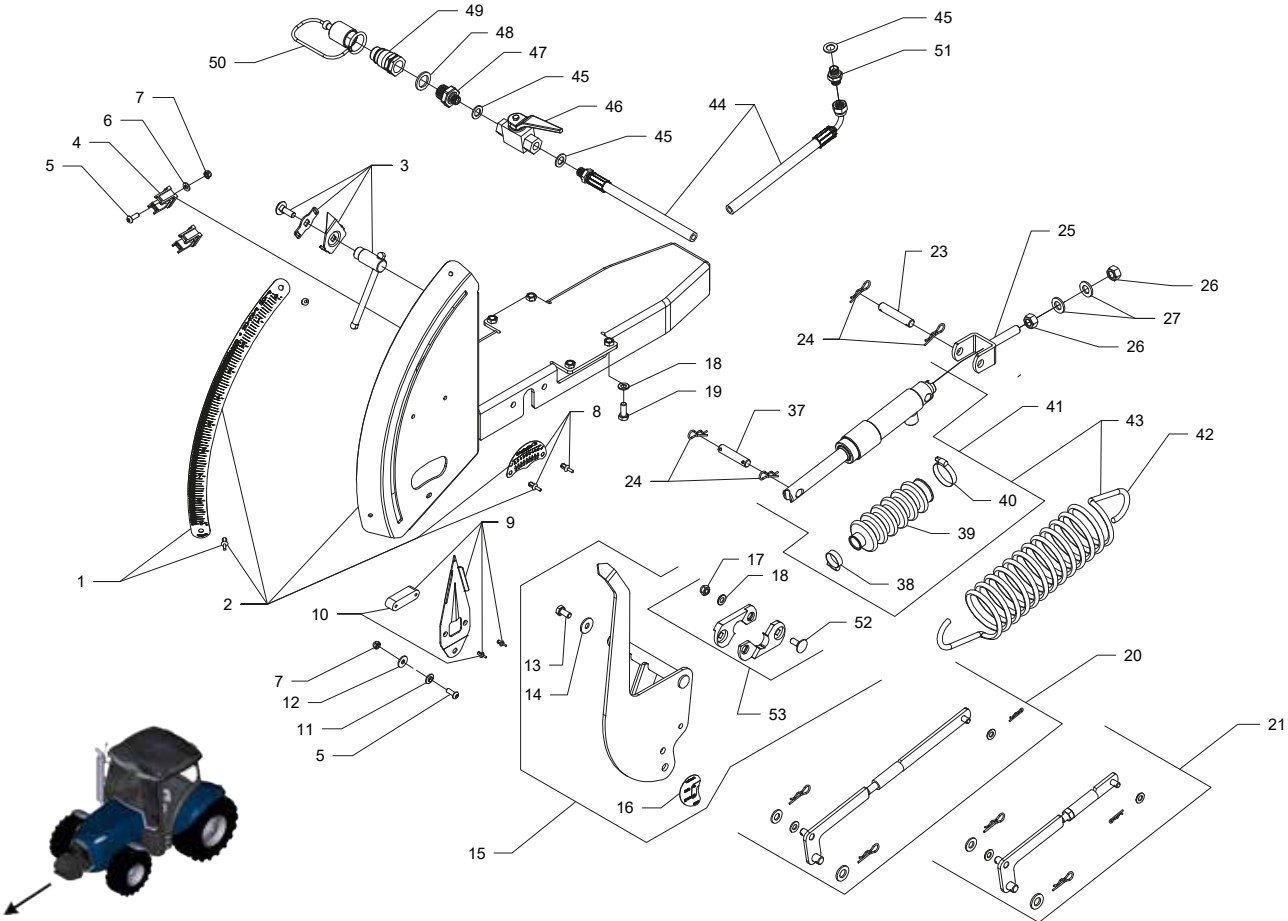
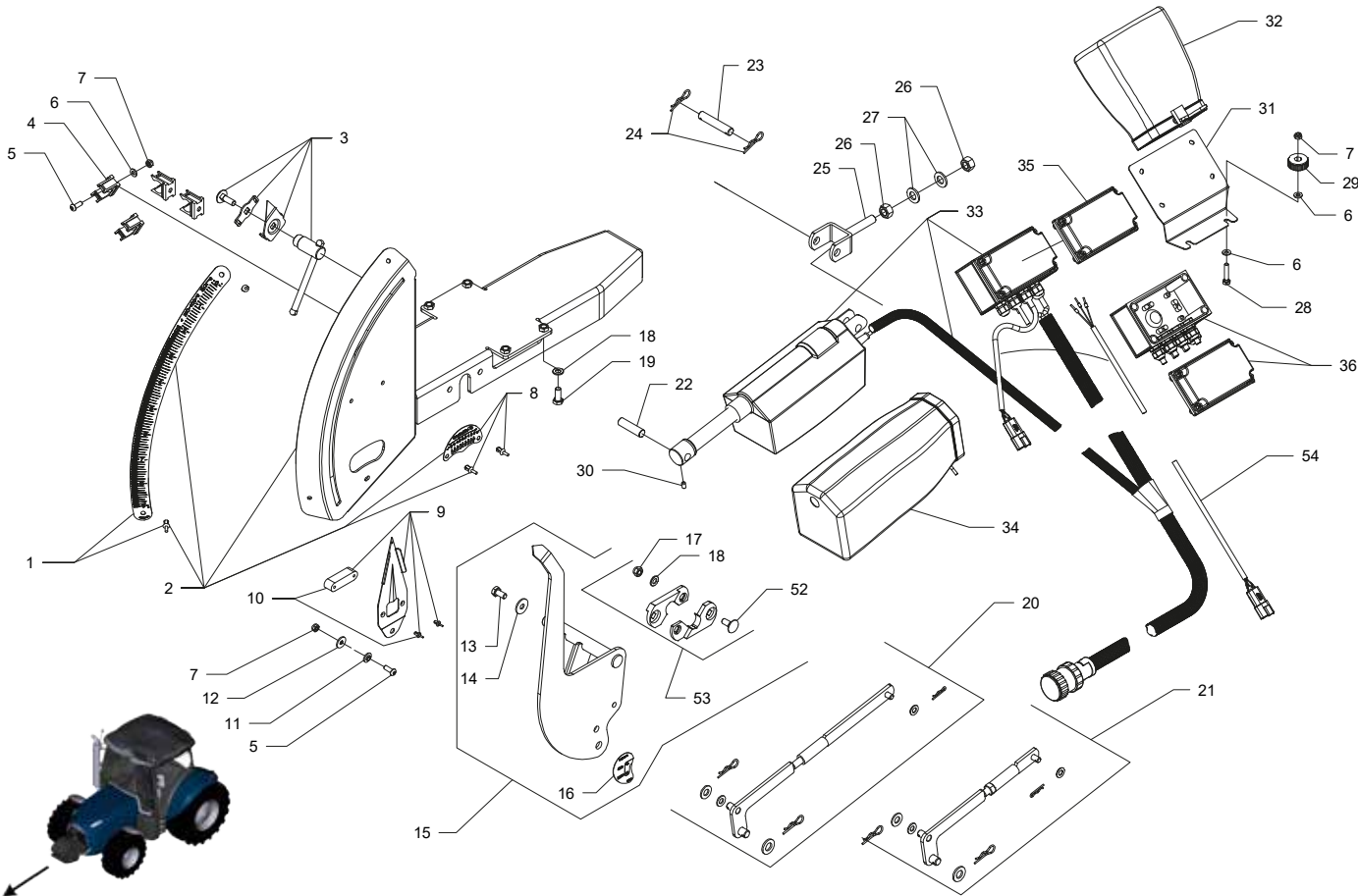
# Regulation system



## Regulation system

Pos	Qty	Part no	Notes
1	1	6381-03	Scale w/rivet M-line
2	1	6381-04	Scale console M-line
3	1	6381-13	Indicator f/scale cpl.
4	4	9989-85	Wire holder type BFH 16.100
5	5	9961-21	Button head M6x16mm, A2
6	8	9930-02	Washer 6,2x12,5x1,6mm, A2
7	7	9969-16	Lock nut M6 w/nylon A2
8	1	6381-18	Scale for degree
9	1	6381-16	Degree pointer with level
10	1	6381-17	Level with rivet
11	1	9930-53	Nylon washer 7,9x15x3,5x1,5
12	1	9930-03	Washer 6,4x18x1,6mm, A2
13	1	9962-03	Screw M8x16mm, A2
14	1	9930-31	Washer 8,4x24x2mm, A2
15	1	6381-09	Pointer w/bearing & transfers
16	1	9993-54	Stickers, STD / MAX+
17	2	9969-32	Lock nut M8 w/nylon A2
18	7	9930-32	Washer 8,4x16x1,6mm, A2
19	4	9962-04	Screw M8x20mm, A2
20	1	6481-05	Connecting rod M60W/M6W
21	1	4584-08	Guide pin for actuator
22	1	4581-28	Split bolt f/cylinder/actuator
23	6	9934-32	Lock spring 2mm, A2
24	1	4581-25	Fork w/thread
25	2	9969-60	Nut M12, A2
26	3	9930-35	Washer 13x24x2,5mm, A2
27	2	9961-23	Screw M6x30mm, A2
28	2	9990-43	Handwheel dia. 31 for M6 nut
29	1	9961-02	Socket set screw M6x10mm, A2
30	1	6384-29	Fitting for box
31	1	4584-26	Tarpauling for box
32	1	6384-26	Actuator w/wire & Dynamic plug
33	1	4584-25	Tarpauling for actuator LA32
34	1	6386-26	Intelligent control
35	2	9962-25	Carriage bolt M8x20mm, A2
36	1	6381-45	Plactic bearing f/pointer
37	1	6384-27	Dynamic plug w/wire

# Regulation system

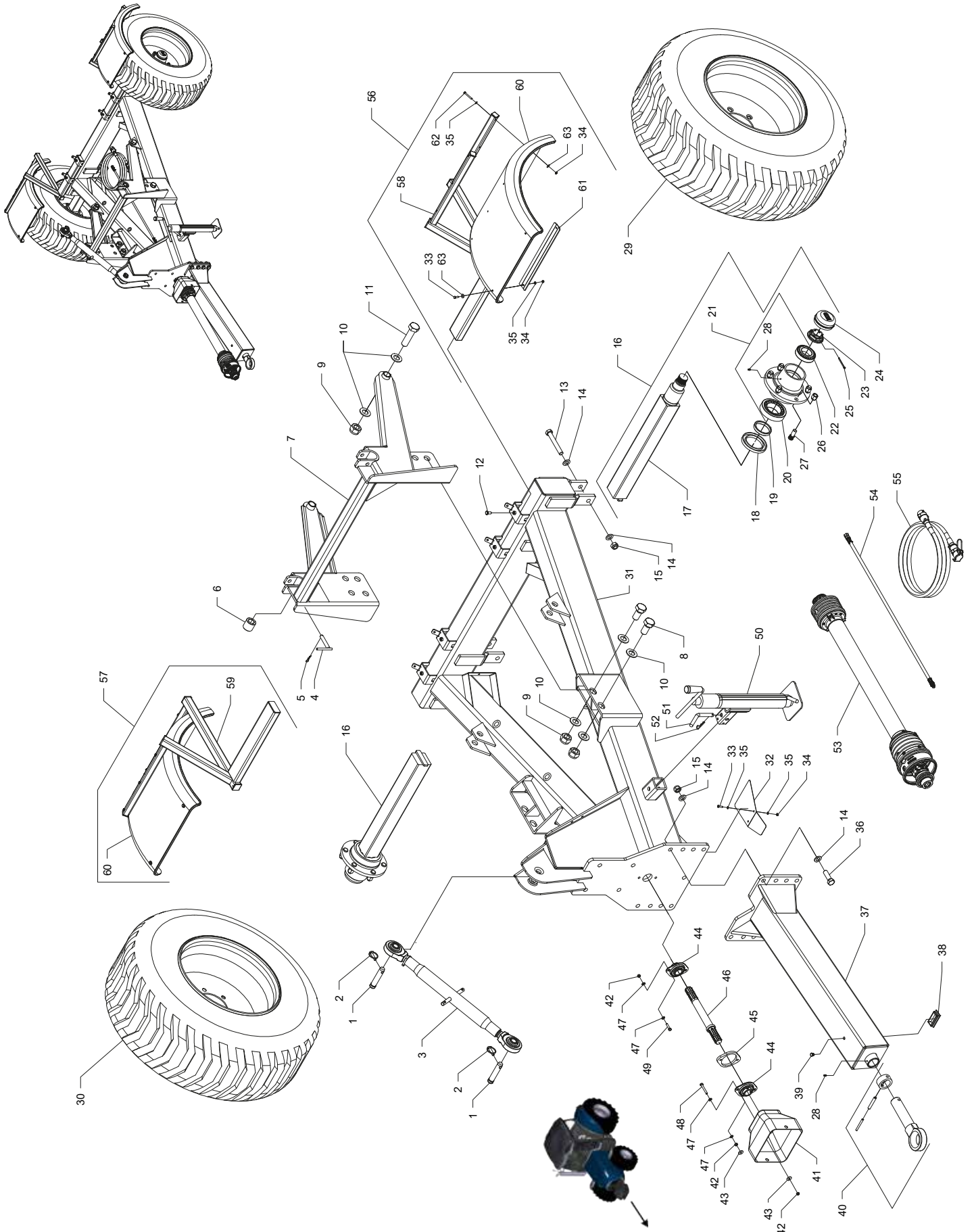




## Regulation system

Pos	Qty	Part no	Notes	Pos	Qty	Part no	Notes
1	1	6381-03	Scale w/rivet M-line	51	1	9990-78	Nipple 1/4" BSP
2	1	6381-04	Scale console M-line	52	2	9962-25	Carriage bolt M8x20mm, A2
3	1	6381-13	Indicator f/scale cpl.	53	1	6381-45	Plactic bearing f/pointer
4	4	9989-85	Wire holder type BFH 16.100	54	1	6384-27	Dynamic plug w/wire
5	5	9961-21	Button head M6x16mm, A2				
6	8	9930-02	Washer 6,2x12,5x1,6mm, A2				
7	7	9969-16	Lock nut M6 w/nylon A2				
8	1	6381-18	Scale for degree				
9	1	6381-16	Degree pointer with level				
10	1	6381-17	Level with rivet				
11	1	9930-53	Nylon washer 7,9x15x3,5x1,5				
12	1	9930-03	Washer 6,4x18x1,6mm, A2				
13	1	9962-03	Screw M8x16mm, A2				
14	1	9930-31	Washer 8,4x24x2mm, A2				
15	1	6381-09	Pointer w/bearing & transfers				
16	1	9993-54	Stickers, STD / MAX+				
17	2	9969-32	Lock nut M8 w/nylon A2				
18	8	9930-32	Washer 8,4x16x1,6mm, A2				
19	4	9962-04	Screw M8x20mm, A2				
20	1	6384-19	Connection arm M2/3/35/45-W				
21	1	6381-19	Connection arm M2/3/35/45				
22	1	4584-08	Guide pin for actuator				
23	1	4581-28	Split bolt f/cylinder/actuator				
24	8	9934-32	Lock spring 2mm, A2				
25	1	4581-25	Fork w/thread				
26	2	9969-60	Nut M12, A2				
27	4	9930-35	Washer 13x24x2,5mm, A2				
28	2	9961-23	Screw M6x30mm, A2				
29	2	9990-43	Handwheel dia. 31 for M6 nut				
30	1	9961-02	Socket set screw M6x10mm, A2				
31	1	6384-29	Fitting for box				
32	1	4584-26	Tarpauling for box				
33	1	6384-26	Actuator w/wire & Dynamic plug				
34	1	4584-25	Tarpauling for actuator LA32				
35	1	6386-26	Intelligent control				
36	1	4920-50	Junction box				
37	1	4581-29	Split bolt for cylinder				
38	1	9990-60	Hose clamp stainless MAH 10				
39	1	9987-04	Bellows black				
40	1	9990-61	Hose clamp stainless MAH 20				
41	1	4581-15	Cylinder cpl.				
42	1	9934-14	Spring 7,5x65x216mm galv.				
43	1	4581-37	Cylinder cpl. w/spring				
44	1	9983-29	Hydr. hose 1/4" L1950mm				
45	3	9936-79	Bonded seals gasket 1/4"				
46	1	9982-06	Ball valve 1/4"				
47	1	9990-84	Nipple 1/2"x1/4" BSP 0.8 Bore				
48	1	9936-80	Bonded seals gasket 1/2"				
49	1	9983-09	Quick coupling 1/2", male				
50	1	9990-19	Cover for coupling 1/2"				

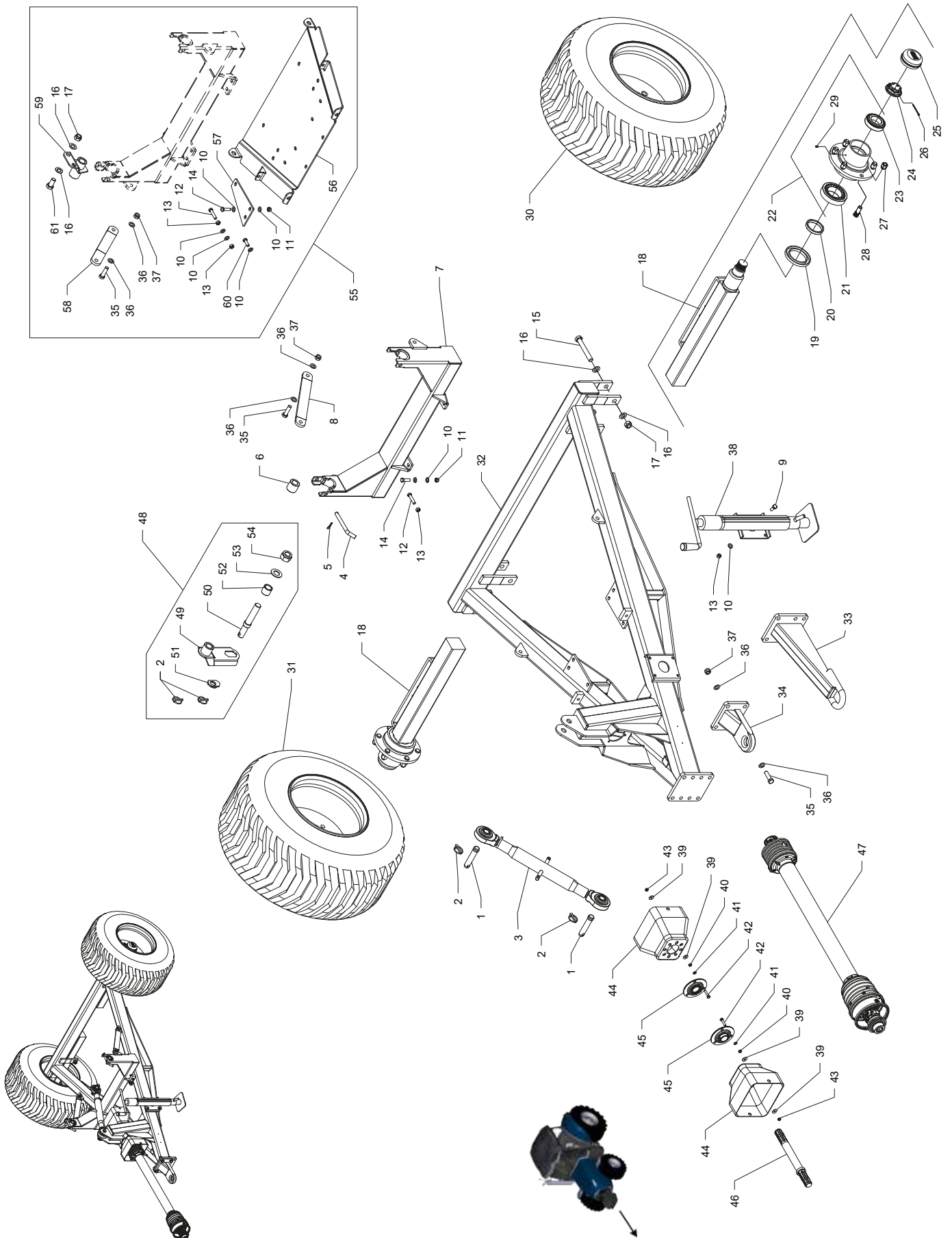
# M45-Trail



## M45-Trail

Pos	Qty	Part no	Notes	Pos	Qty	Part no	Notes
1	2	6320-04	Top link Pin, dia. 25x97mm	51	2	9524-05	Split bolt for fork
2	2	9938-74	Linch Pin 10x45mm	52	2	9934-34	Lock spring 3mm
3	1	9981-80	Top bar cat2/2 (76-104cm)	53	1	9985-41	PTO1010mm w/wide angle M-Trail
4	2	1830-65	Split bolt	54	1	9983-30	Hydr. hose 1/4"x1000mm
5	2	9934-32	Lock spring 2mm, A2	55	1	6930-21	Extension cord rear lights
6	2	1830-64	Bushing for link pin	56	1	1834-03	Guard with bracket, L
7	1	1830-70	Support f/M-Trail,M3(W)-M45(W)	57	1	1834-04	Guard with bracket, R
8	4	9967-76	Steel bolt M30x60mm, FZV	58	1	1834-05	Bracket for guard, L
9	6	9969-98	Lock nut M30 w/nylon A2	59	1	1834-06	Bracket for guard, R
10	12	9930-63	Washer 31x56x4mm, A2	60	2	1834-11	Guard
11	2	9967-75	Steel bolt M30x110mm, FZV	61	2	1834-12	Support for guard
12	4	9963-10	Screw M10x20mm, A2	62	12	9960-08	Bolt M6x45mm, A2
13	4	9967-50	Steel bolt M20x140mm, FZV	63	16	9930-03	Washer 6,4x18x1,6mm, A2
14	25	9930-40	Washer 21x37x3mm, A2				
15	12	9969-94	Lock nut M20 w/nylon A2				
16	2	1831-15	Hub on shaft M3/M45-Trail				
17	2	9983-92	Shaft Q80x640				
18	2	9983-93	Tightening ring dia. 90/130				
19	2	9983-94	Shoulder ring				
20	2	9950-14	Roller bearing SKF 32215				
21	2	9983-91	Hub housing w/bearing & bolts				
22	2	9950-13	Roller bearing SKF 32211				
23	2	9983-96	Crown nut with flange				
24	2	9983-95	Hub cap dia. 100mm				
25	2	9984-26	Split pin 5x50mm				
26	12	9984-14	Hub nut M18x1,5mm				
27	12	9984-17	Hub bolt M18x50mm				
28	3	9935-10	Lubricator nipple M6x1mm				
29	1	9980-30	Wheel 400/55-22,5,6 holes,left				
30	1	9980-31	Wheel 400/55-22,5,6holes,right				
31	1	1830-15	Frame M3/M45-Trail				
32	1	1830-49	Plate for shield				
33	6	9961-12	Screw M6x20mm, A2				
34	18	9969-16	Lock nut M6 w/nylon A2				
35	20	9930-02	Washer 6,2x12,5x1,6mm, A2				
36	9	9967-51	Screw M20x65mm, A2				
37	1	1830-91	Drawbar M3/M45-Trail				
38	1	9990-16	Cover for tube 80x40x4mm				
39	1	9990-49	Cover DPD 16				
40	1	9981-51	Drawbar, 8 T, dia.50mm hole				
41	1	9987-01	Protection guard				
42	6	9969-32	Lock nut M8 w/nylon A2				
43	4	9930-31	Washer 8,4x24x2mm, A2				
44	2	9950-48	Ball bearing YAR 207-2RF				
45	1	1830-53	Spacer				
46	1	1811-71	Splined shaft cpl.				
47	8	9930-32	Washer 8,4x16x1,6mm, A2				
48	2	9962-22	Set screw M8x60mm, A2				
49	2	9962-21	Set screw M8x35mm, A2				
50	1	1830-55	Supporter for trail				

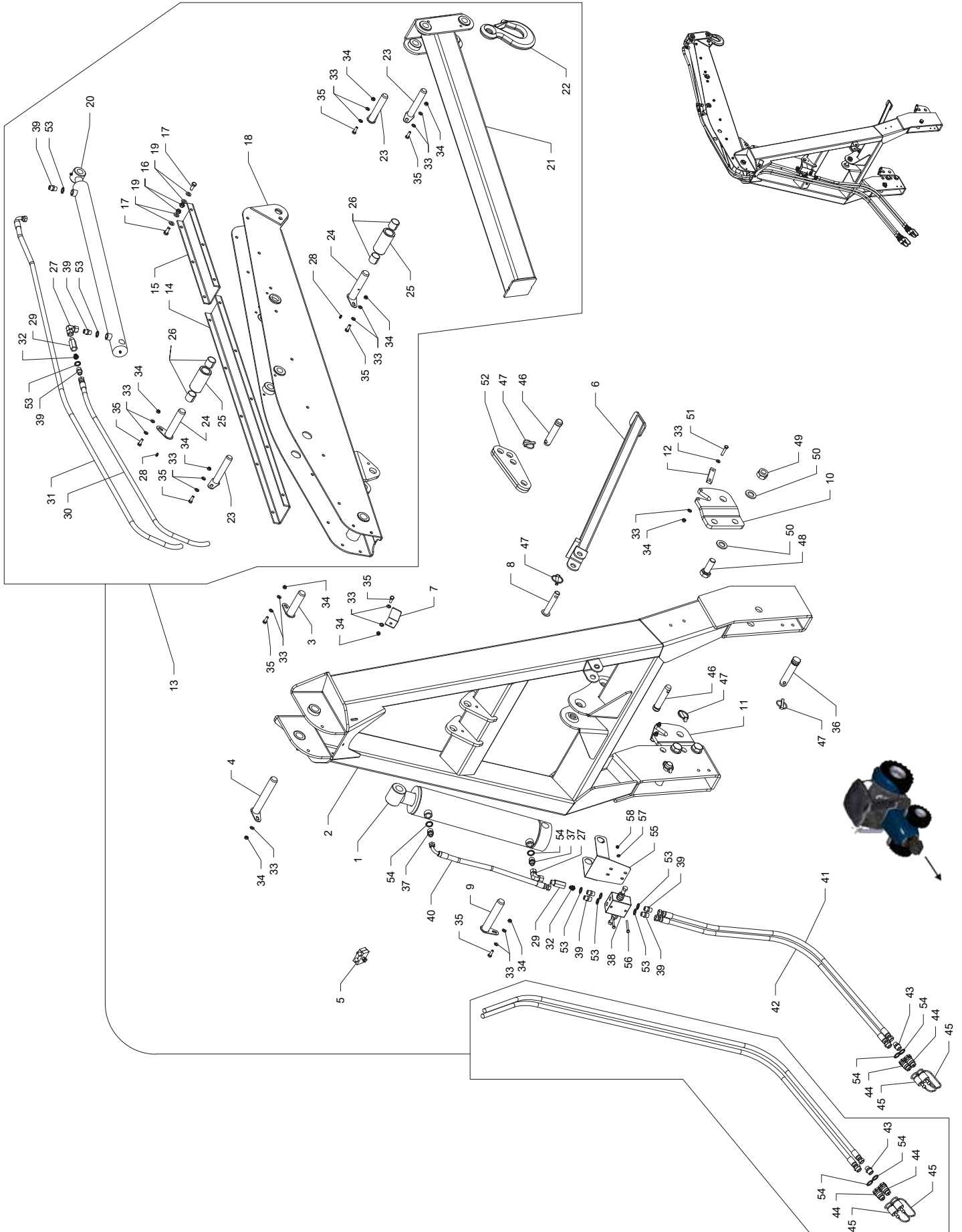
# M35-Trail / L2-Trail



## M35-Trail / L2-Trail

Pos	Qty	Part no	Notes	Pos	Qty	Part no	Notes
1	2	6320-04	Top link Pin, dia. 25x97mm	51	1	6981-72	Excentric plate
2	4	9938-74	Linch Pin 10x45mm	52	1	6981-76	Sleeve
3	1	1811-55	Tap bar Trail-carriage	53	1	9930-63	Washer 31x56x4mm, A2
4	2	1810-84	Split bolt f/support	54	1	9969-98	Lock nut M30 w/nylon A2
5	2	9934-32	Lock spring 2mm, A2	55	1	1812-01	Carry kit f. S3/M2-Trail
6	2	1830-64	Bushing for link pin	56	1	1812-03	Support plate S3
7	2	1810-90	Support M2(W)-M35(W)	57	2	1812-04	Clamping plate f/support
8	2	1810-96	Brace for support M/L-line	58	2	1812-09	Brace for support S3
9	4	9965-03	Screw M12x30mm, A2	59	2	1812-05	Adapter for link pin
10	34	9930-35	Washer 13x24x2,5mm, A2	60	2	9965-01	Screw M12x35mm, A2
11	12	9969-62	Lock nut M12 w/nylon A4	61	2	9965-00	Screw M20x40mm, kl.80 A4
12	4	9965-06	Screw M12x55mm, A2				
13	10	9969-60	Nut M12, A2				
14	12	9965-05	Screw M12x40mm, A2				
15	4	9967-50	Steel bolt M20x140mm, FZV				
16	12	9930-40	Washer 21x37x3mm, A2				
17	6	9969-94	Lock nut M20 w/nylon A2				
18	2	1810-03	Adjustable hub/L2-M2-M35-Trail				
19	1	9983-93	Tightening ring dia. 90/130				
20	1	9983-94	Shoulder ring				
21	1	9950-14	Roller bearing SKF 32215				
22	1	9983-91	Hub housing w/bearing & bolts				
23	1	9950-13	Roller bearing SKF 32211				
24	1	9983-96	Crown nut with flange				
25	1	9983-95	Hub cap dia. 100mm				
26	1	9984-26	Split pin 5x50mm				
27	7	9984-14	Hub nut M18x1,5mm				
28	7	9984-17	Hub bolt M18x50mm				
29	1	9935-10	Lubricator nipple M6x1mm				
30	1	9980-28	Wheel cpl.400/60x15,5/14,left				
31	1	9980-29	Wheel cpl.400/60x15,5/14,right				
32	1	1810-19	Frame f/M-Trail carriage				
33	1	1811-75	Extension drawbar eye				
34	1	1811-51	Drawbar eye				
35	12	9960-91	Bolt M16x55mm, A2				
36	24	9930-20	Washer 17x30x3mm, A2				
37	12	9969-84	Lock nut M16 w/nylon A2				
38	1	1550-30	Supporter for trail				
39	12	9930-31	Washer 8,4x24x2mm, A2				
40	6	9969-31	Nut M8, A2				
41	6	9930-32	Washer 8,4x16x1,6mm, A2				
42	6	9962-16	Screw M8x40mm, A2				
43	6	9969-32	Lock nut M8 w/nylon A2				
44	2	9987-01	Protection guard				
45	2	9950-43	Flanged bearing dia. 35mm				
46	1	1811-71	Splined shaft cpl.				
47	1	9985-41	PTO1010mm w/wide angle M-Trail				
48	2	6981-60	Late application kit L2(W)				
49	1	6981-68	Link pin console				
50	1	6981-75	Link pin				

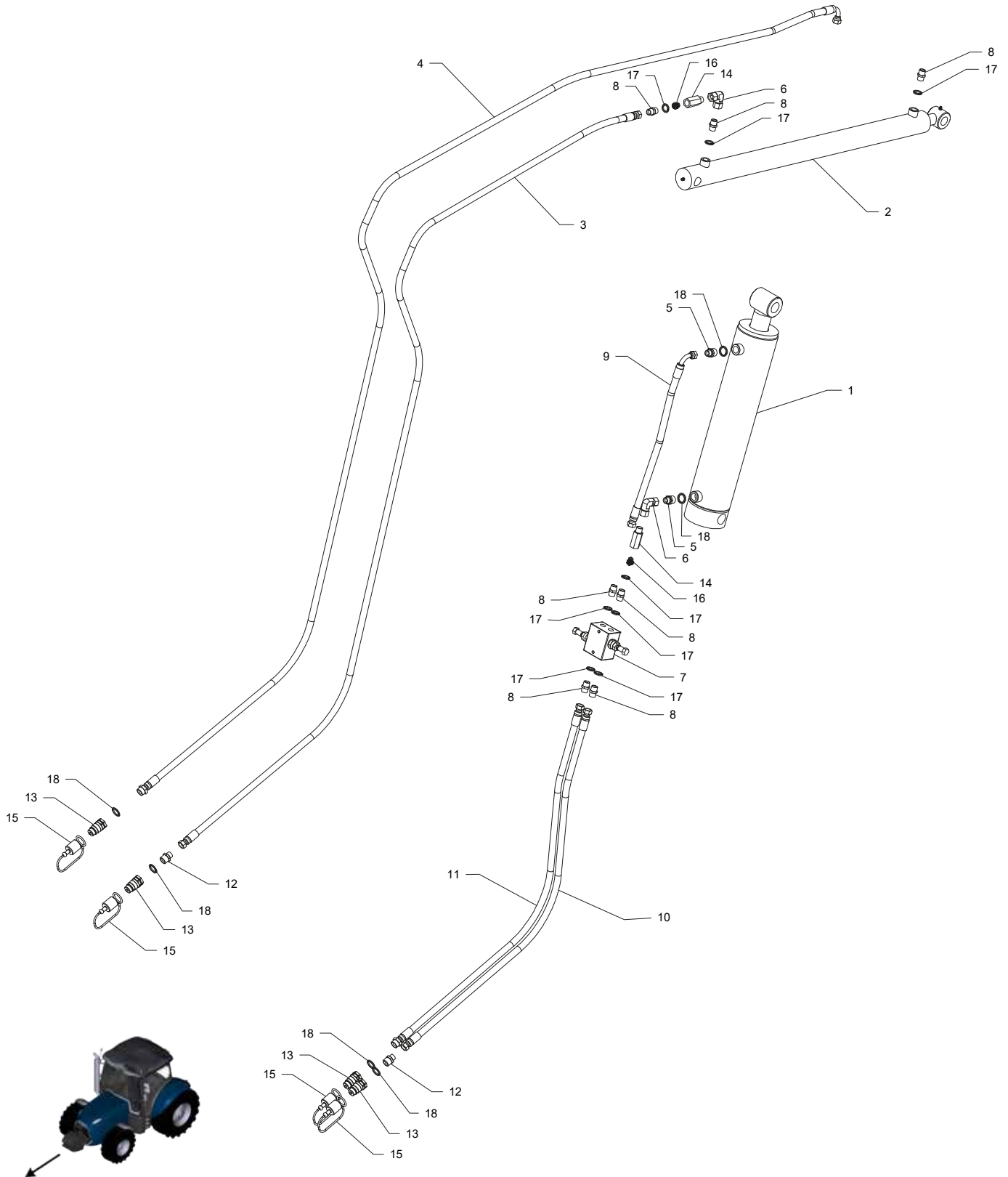
BXL 1300



**BXL 1300**

Pos	Qty	Part no	Notes	Pos	Qty	Part no	Notes
1	1	5693-15	Cylinder L-min=625mm	51	9	9962-11	Bolt M8x40mm, A2
2	1	5692-10	Tower for big bag lifter	52	1	5692-85	Top bar
3	1	5692-67	Shaft f/lift cylinder 30/117	53	8	9936-82	Bonded seals gasket 3/8"
4	1	5692-61	Shaft f/lift arm dia. 30/182	54	6	9936-80	Bonded seals gasket 1/2"
5	1	9990-33	Double tupe support GR.2	55	1	5693-20	Console for shock valve
6	2	5692-50	Supporter for BXL1300	56	2	9961-17	Bolt M6x60mm, A2
7	1	5692-56	Bracket for support	57	2	9930-02	Washer 6,2x12,5x1,6mm, A2
8	2	5692-78	Split bolt f/support	58	2	9969-16	Lock nut M6 w/nylon A2
9	1	5692-64	Shaft f/lift cylinder 30/152				
10	3	5692-88	Console f. link pin, left				
11	3	5692-89	Console f. link pin, right				
12	4	5692-92	Lock plate f/link pin				
13	1	5692-30	Lift arm complete				
14	1	5692-33	Distance plate long, lift arm				
15	1	5692-34	Distance plate short, lift arm				
16	16	9969-45	Lock nut M10 w/nylon A2				
17	16	9963-01	Screw M10x25mm, A2				
18	1	5692-35	Lift arm				
19	32	9968-44	Washer 10,5x21x2mm, A2				
20	1	5693-01	Cylinder 50/30/800 dia.25				
21	1	5692-46	Extending lift arm				
22	1	9982-42	2,5T hook				
23	3	5692-74	Shaft extendingcyl./lift hook				
24	2	5692-70	Shaft f/support roll Ø30/137				
25	2	5692-44	Support roll f/extending				
26	4	9991-00	Bronze bearing 30/34x30				
27	2	9995-05	Angle connection 90° 3/8"				
28	3	9935-10	Lubricator nipple M6x1mm				
29	2	9982-11	Case 3/8x3/8"				
30	1	9983-25	Hydr. hose 3/8" 3000mm				
31	1	9983-26	Hydr. hose 3/8" 3950mm				
32	2	9982-12	Antidrop valve 3/8"				
33	35	9930-32	Washer 8,4x16x1,6mm, A2				
34	18	9969-32	Lock nut M8 w/nylon A2				
35	8	9962-05	Screw M8x25mm, A2				
36	2	6320-03	Lower link Pin, dia. 28x100mm				
37	2	9995-01	Nipple 3/8"-1/2"				
38	1	9982-10	Shock valve "Y" 80-160bar 3/8				
39	7	9995-02	Nipple 3/8"-3/8"				
40	1	9983-23	Hydr. hose 3/8" 520mm				
41	1	9983-22	Hydr. hose 3/8" 1200mm				
42	1	9983-24	Hydr. hose 3/8" 1200mm				
43	2	9995-03	Nipple w/nozzle 1,5mm1/2"x3/8"				
44	4	9983-09	Quick coupling 1/2", male				
45	4	9990-19	Cover for coupling 1/2"				
46	2	6320-04	Top link Pin, dia. 25x97mm				
47	6	9938-74	Linch Pin 10x45mm				
48	8	9967-60	Steel bolt M24x65mm				
49	8	9969-96	Lock nut M24, fzb				
50	16	9930-01	Washer 25x44x4mm				

# BXL 1300 Hydraulic

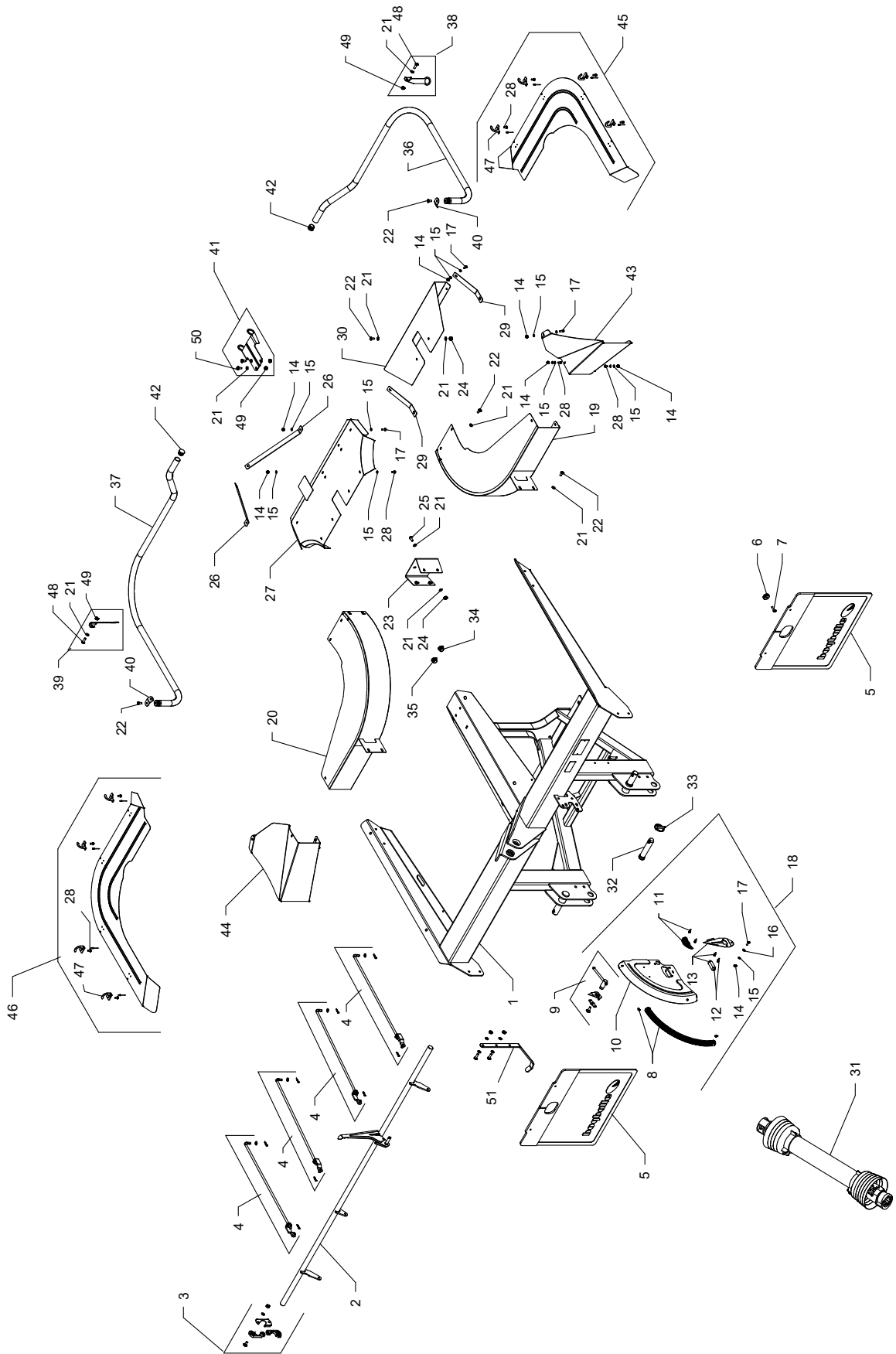




**BXL 1300 Hydraulic**

<b>Pos</b>	<b>Qty</b>	<b>Part no</b>	<b>Notes</b>
1	1	5693-15	Cylinder L-min=625mm
2	1	5693-01	Cylinder 50/30/800 dia.25
3	1	9983-25	Hydr. hose 3/8" 3000mm
4	1	9983-26	Hydr. hose 3/8" 3950mm
5	2	9995-01	Nipple 3/8"-1/2"
6	2	9995-05	Angle connection 90° 3/8"
7	1	9982-10	Shock valve "Y" 80-160bar 3/8
8	7	9995-02	Nipple 3/8"-3/8"
9	1	9983-23	Hydr. hose 3/8" 520mm
10	1	9983-22	Hydr. hose 3/8" 1200mm
11	1	9983-24	Hydr. hose 3/8" 1200mm
12	2	9995-03	Nipple w/nozzle 1,5mm1/2"x3/8"
13	4	9983-09	Quick coupling 1/2", male
14	2	9982-11	Case 3/8x3/8"
15	4	9990-19	Cover for coupling 1/2"
16	2	9982-12	Antidrop valve 3/8"
17	8	9936-82	Bonded seals gasket 3/8"
18	6	9936-80	Bonded seals gasket 1/2"

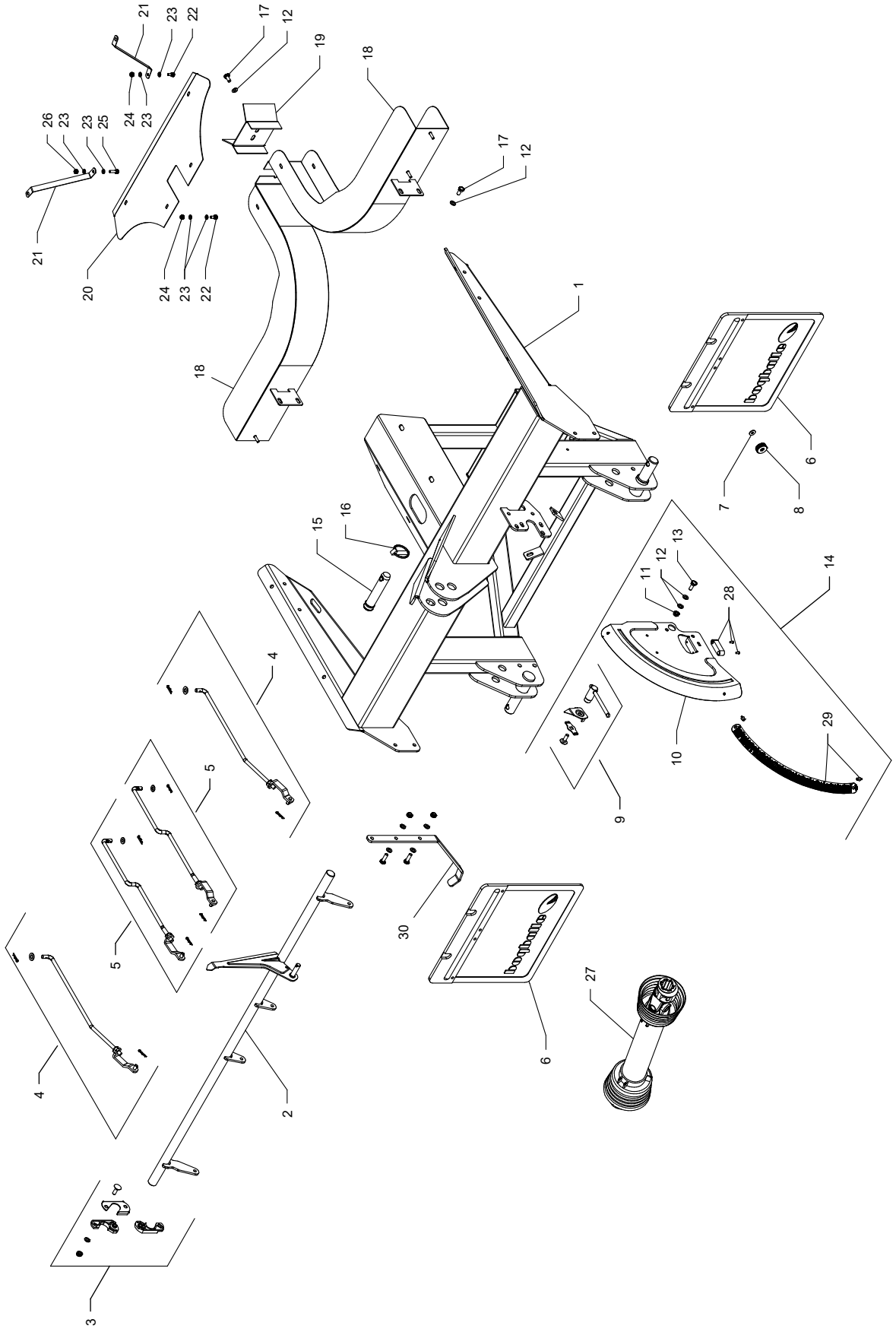
# Chassis



## Chassis

Pos. No.	Order no.	Notes.	Pos. No.	Order no.	Notes.
1	6820-01	L2	46	6231-24	Right
1	6820-20	L2W	47	6231-30	
2	6840-01		48	9913-50	M8x20
3	6340-05		49	9969-32	M8 Loc
4	6841-05		50	9962-04	M8x20
5	6875-01		51	6830-21	
6	9990-43				
7	9961-14	M6x25			
8	6840-25				
9	6381-13				
10	6840-21				
11	6381-18				
12	6381-17				
13	6381-16				
14	9969-16	M6 Loc			
15	9930-02	D6/12			
16	9930-53	D8/15/3			
17	9961-21	M6x16			
18	6840-20				
19	6871-01	Left			
20	6871-02	Right			
21	9930-32	D8/16			
22	9962-26	M8x16			
23	6871-10				
24	9969-31	M8			
25	9913-50	M8x20			
26	6874-03				
27	4474-02				
28	9961-20	M6x12			
29	4473-02				
30	4473-01				
31	9985-27	Lgt. 710 mm			
32	6320-04				
33	9938-74				
34	9990-08				
35	6350-12				
36	6830-05	Left			
37	6830-06	Right			
38	6830-15	Left			
39	6830-16	Right			
40	6830-12				
41	6830-18				
42	9990-12				
43	6980-72	L2W			
44	6980-73	L2W			
45	6231-23	Left			

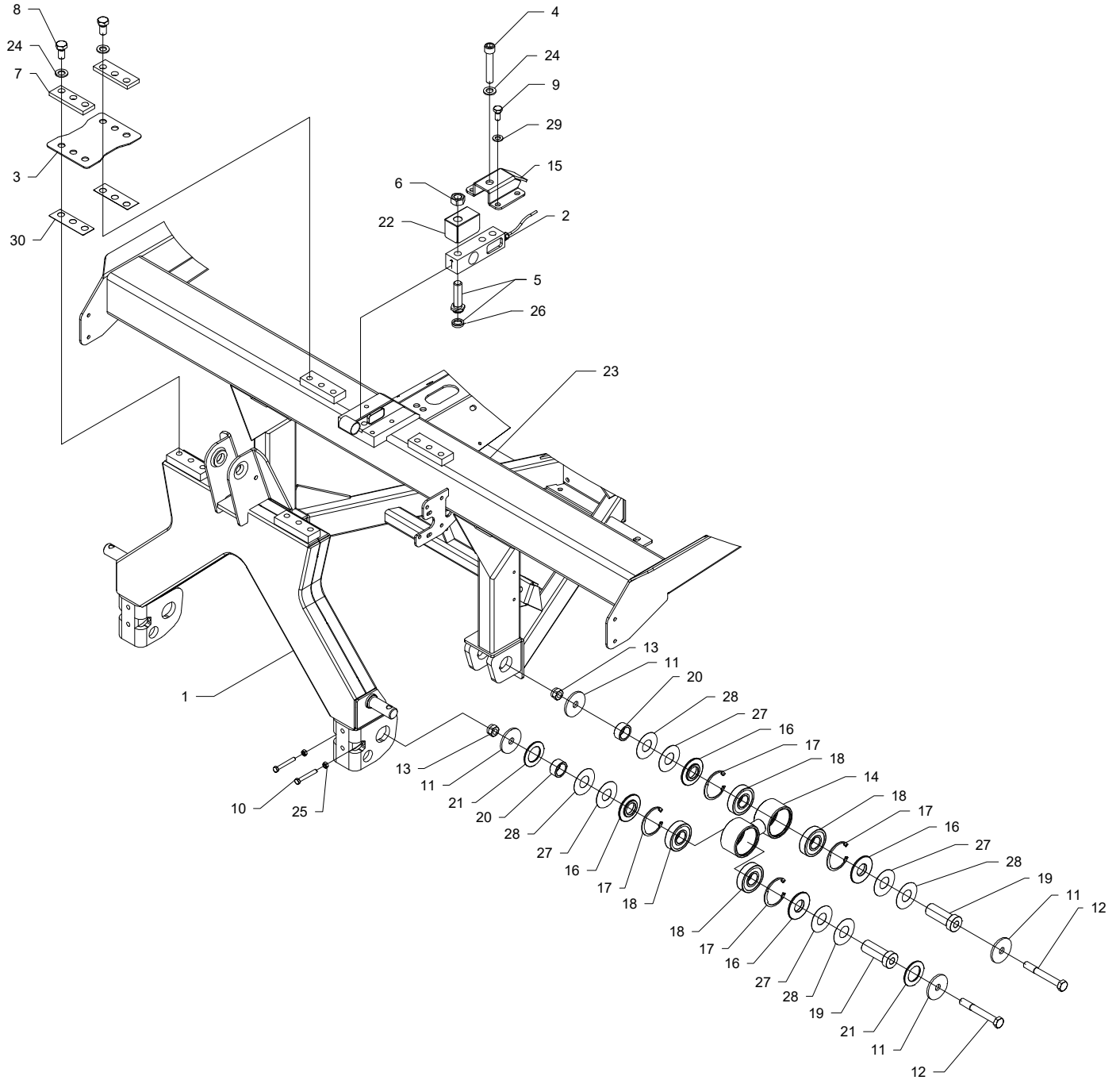
# Chassis



## Chassis

Pos. No.	Order no.	Notes.	Pos. No.	Order no.	Notes.
1	6720-01				
2	6740-01				
3	6340-05				
4	6741-05				
5	6741-06				
6	6910-81				
7	9930-03	D6/18			
8	9990-43				
9	6381-13				
10	6840-21				
11	9969-32	M8			
12	9930-32	D8/16			
13	9962-04	M8/20			
14	6740-20				
15	6320-04				
16	9938-74				
17	9962-03	M8x16			
18	6771-01				
19	6171-09				
20	6174-01				
21	6174-02				
22	9961-11	M6x12			
23	9930-02	D6/12			
24	9969-16	M6 locknut			
25	9961-12	M6x20			
26	9969-15	M6 nut			
27	9985-24	Lgt. 560 mm			
28	6381-17				
29	6840-25				
30	6830-21				

# Weighing frame

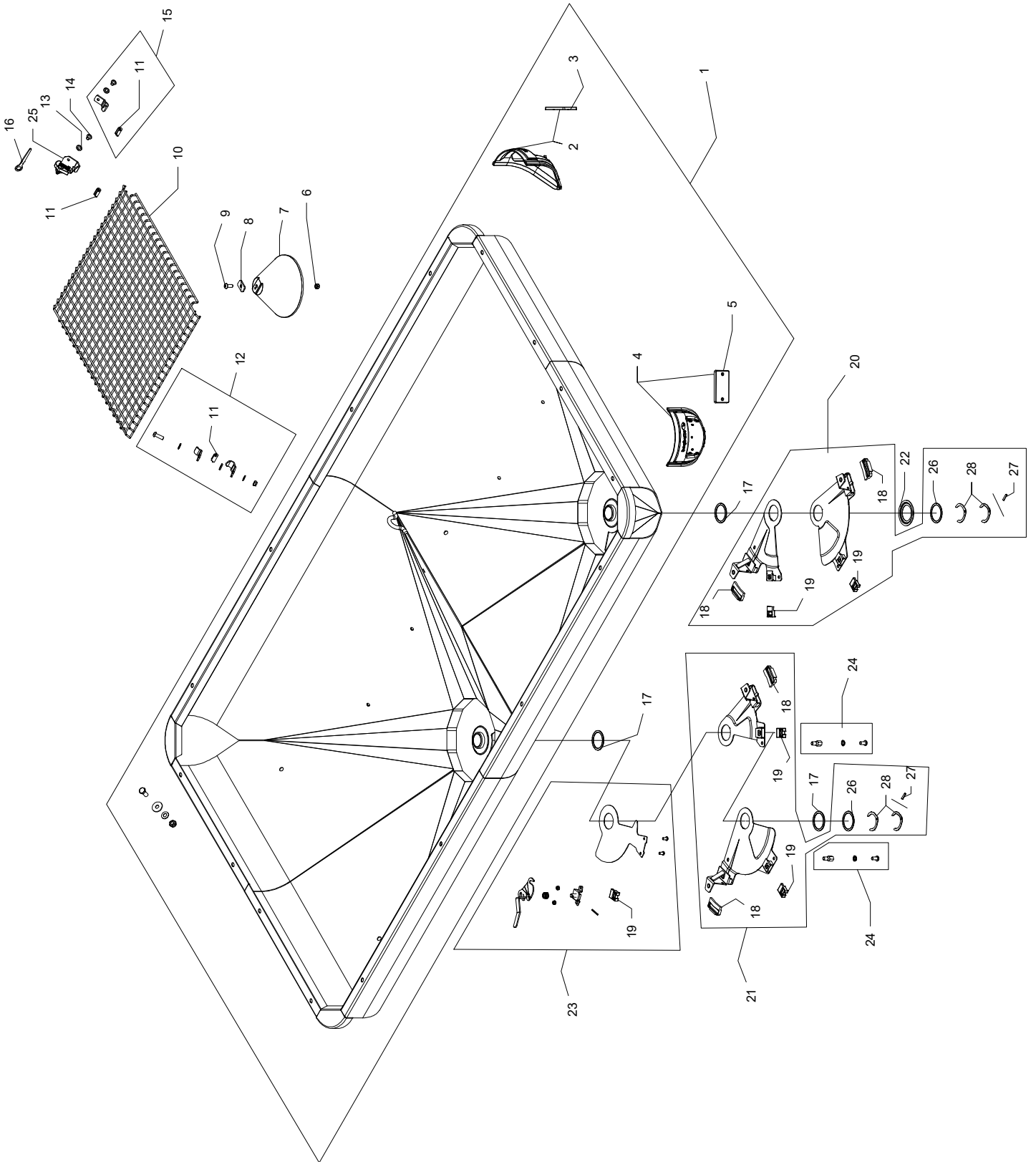


## Weighing frame

Pos. No.	Order no.	Notes.	Pos. No.	Order no.	Notes.
1	6822-30				
2	9942-33				
3	6220-25				
4	9913-41				
5	6320-28				
6	9968-97	M20			
7	6220-26				
8	9964-71	M16x30			
9	9964-43	M12x25			
10	9962-22	M8x60			
11	6220-34				
12	9964-79	M16x120			
13	9969-84	M16			
14	6220-30				
15	6822-45				
16	6220-33				
17	9937-45				
18	9950-05				
19	6220-35				
20	6220-36				
21	6820-30				
22	6822-46				
23	6820-20				
24	9930-20	D17/30			
25	9969-31	M8			
26	9936-27				
27	6220-37				
28	6220-38				
29	9930-35	D13/24			
30	6220-27				

**Weighing frame**

# Hopper with outlet shutters

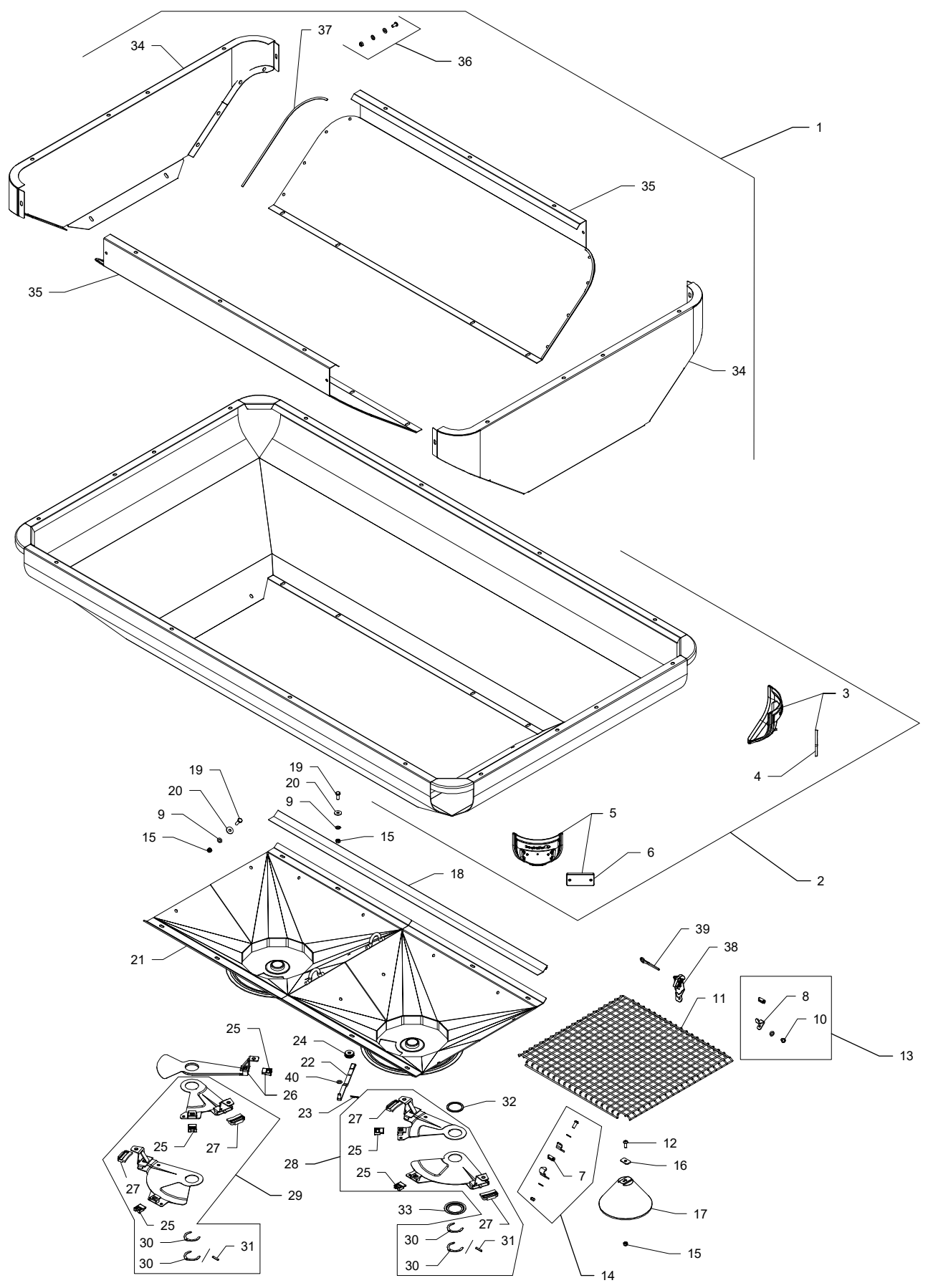




## Hopper with outlet shutters

Pos. No.	Order no.	Notes.	Pos. No.	Order no.	Notes.
1	6810-04				
2	6311-30				
3	9943-32	Red			
4	6311-31				
5	9943-33	White			
6	9969-32	M8			
7	6716-01				
8	6716-05				
9	9913-50	M8x20			
10	6713-02				
11	6713-10				
12	6713-13				
13	9930-32	D8/16			
14	9962-18	M8x10			
15	6713-12				
16	6313-27				
17	4012-11				
18	4412-20	Big			
19	4412-21	Small			
20	6312-53	Left			
21	6312-54	Right			
22	4512-12				
23	6812-01				
24	6312-13				
25	6813-30				
26	6312-11	0,8			
27	9933-25	Ø2x10			
28	4511-06				

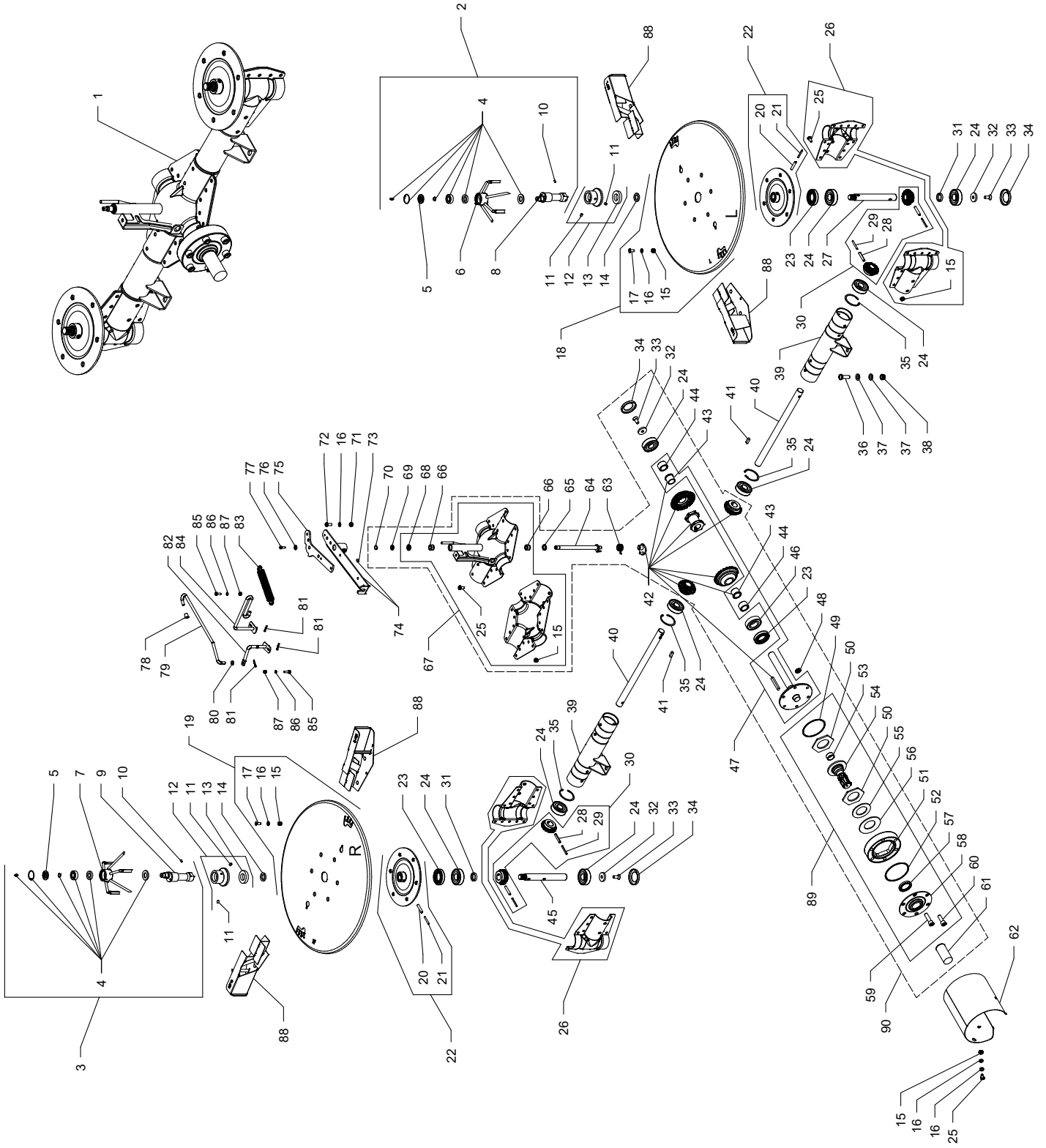
# Hopper with outlet shutters



## Hopper with outlet shutters

Pos. No.	Order no.	Notes.	Pos. No.	Order no.	Notes.
1	6711-02	120x125			
2	6711-21	120x210			
3	6311-30				
4	9943-32	Red			
5	6311-31				
6	9943-33	White			
7	6713-10				
8	6713-11				
9	9930-32	D8/16			
10	9962-18	M8x10			
11	6713-02				
12	9913-50	M8x20			
13	6713-12				
14	6713-13				
15	9969-32	M8 locknut			
16	6716-05				
17	6716-01				
18	6710-03				
19	9962-04	M8x20			
20	9930-31	D8/25			
21	6710-05				
22	6112-01				
23	9934-01				
24	9990-43				
25	4412-21	Small			
26	4611-00				
27	4412-20	Big			
28	6312-53	Left			
29	6312-54	Right			
30	4511-06				
31	9933-25	ø2x10			
32	4012-11				
33	4512-12				
34	6711-38				
35	6711-41				
36	6711-03				
37	6711-42				
38	6713-30				
39	6313-27				
40	9930-51	PA D8/17			

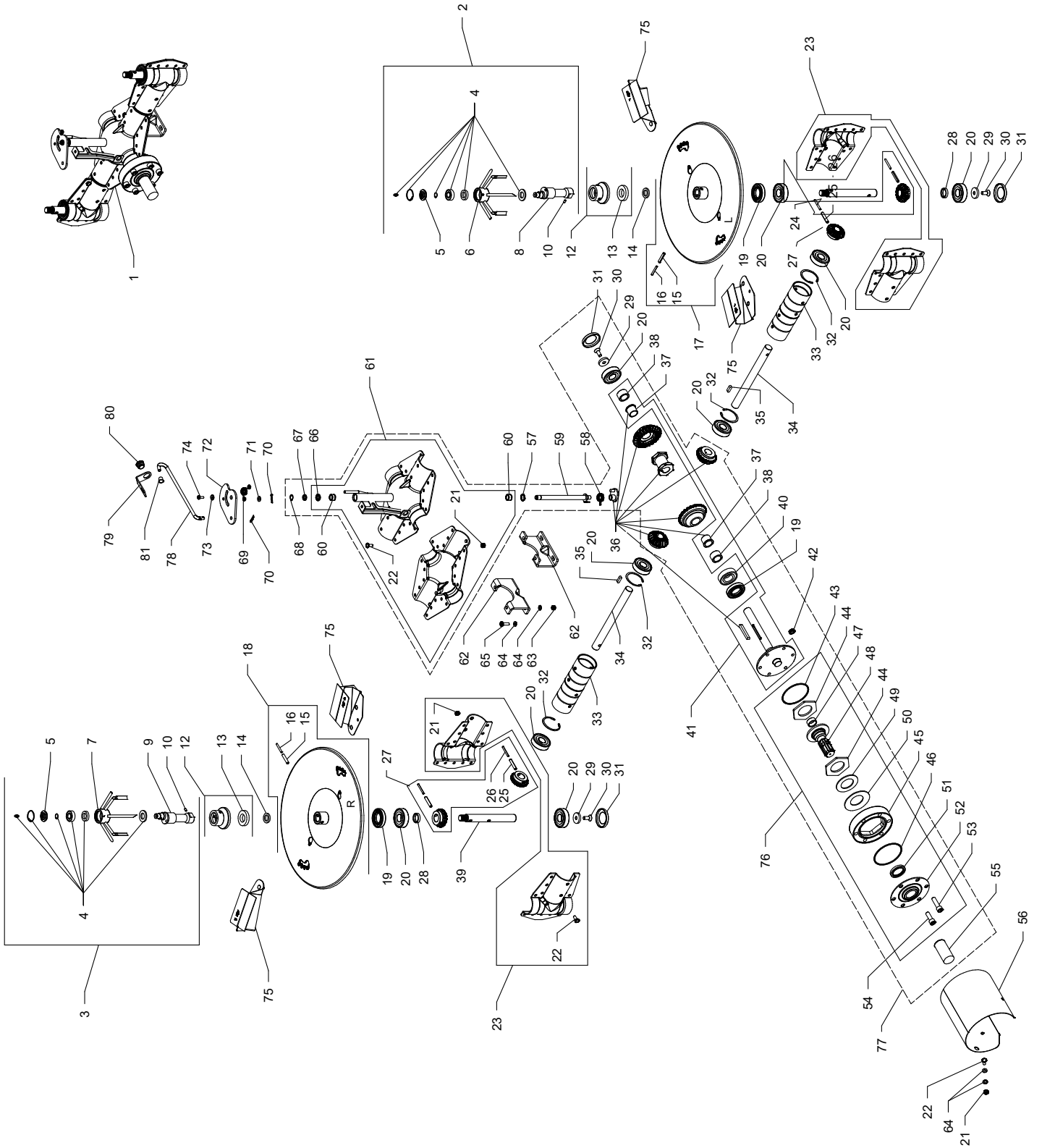
# Spreading system



## Spreading system

Pos. No.	Order no.	Notes.	Pos. No.	Order no.	Notes.
1	6850-02	540/750 rpm	48	9928-99	M12
2	4160-01	L-side/R-thread	49	9936-10	ø89,5xø3
3	4160-02	R-side/L-thread	50	3263-15	
4	4056-10		51	3263-20	
5	4056-03		52	9936-09	ø94xø3
6	4058-05	L-side/R	53	9990-90	
7	4058-06	R-side/L	54	3263-11	
8	4161-02	L-side/R-thread	55	3263-12	
9	4161-01	R-side/L-thread	56	9931-10	
10	9961-02	M6x10	57	9936-49	38x52x7
11	9913-19	M8x10	58	3263-13	
12	4158-05		59	9965-10	M12x45
13	4158-10		60	9965-09	M12x35
14	4560-01	ø20xø30x5	61	9985-84	
15	9969-31	M8	62	4470-01	
16	9930-32	D8/16	63	9934-02	
17	9929-35	M8x20	64	4653-02	
18	4550-05	Left	65	9931-15	
19	4550-06	Right	66	9990-99	14x20x10
20	9933-02	ø8x40	67	4660-00	
21	9933-11	ø5x40	68	9936-29	14x22x4
22	4051-05		69	9936-28	
23	9936-37	35x62x12/13	70	9937-13	U 14
24	9950-02	6305-2RS	71	9969-32	M8 Loc
25	9962-03	M8x16	72	9962-04	M8x20
26	4454-05		73	9913-19	M8x10
27	4155-04	Right thread	74	4655-05	
28	9933-12	ø8x45	75	4653-15	
29	9933-17	ø5x45	76	9930-07	D6/17/3
30	3265-02	15 teeth	77	9961-04	M6x16
31	3262-05		78	9990-26	
32	3260-04		79	6850-11	
33	9963-07	M10x25	80	9930-51	D8/16
34	3260-05		81	9934-31	
35	9937-40	I 60	82	6350-08	
36	9965-01	M12x35	83	9934-07	
37	9930-35	D12/24	84	4690-05	
38	9969-62	M12 Loc	85	9961-12	M6x20
39	4457-02		86	9930-02	D6/12
40	4456-02		87	9969-16	M6 Loc
41	9931-56	8x7x25	88	4650-12	E1-T 2 Left / 2 Right
42	4652-11	17/24 teeth	88	4650-20	E2-T 2 Left / 2 Right
43	4652-08		88	4650-28	E6-T 2 Left / 2 Right
44	4652-03		88	4650-50	U1-T 2 Left / 2 Right
45	4062-05	Left thread	89	3263-10	
46	9950-03	6206-2RS	90	4750-50	
47	4652-01				

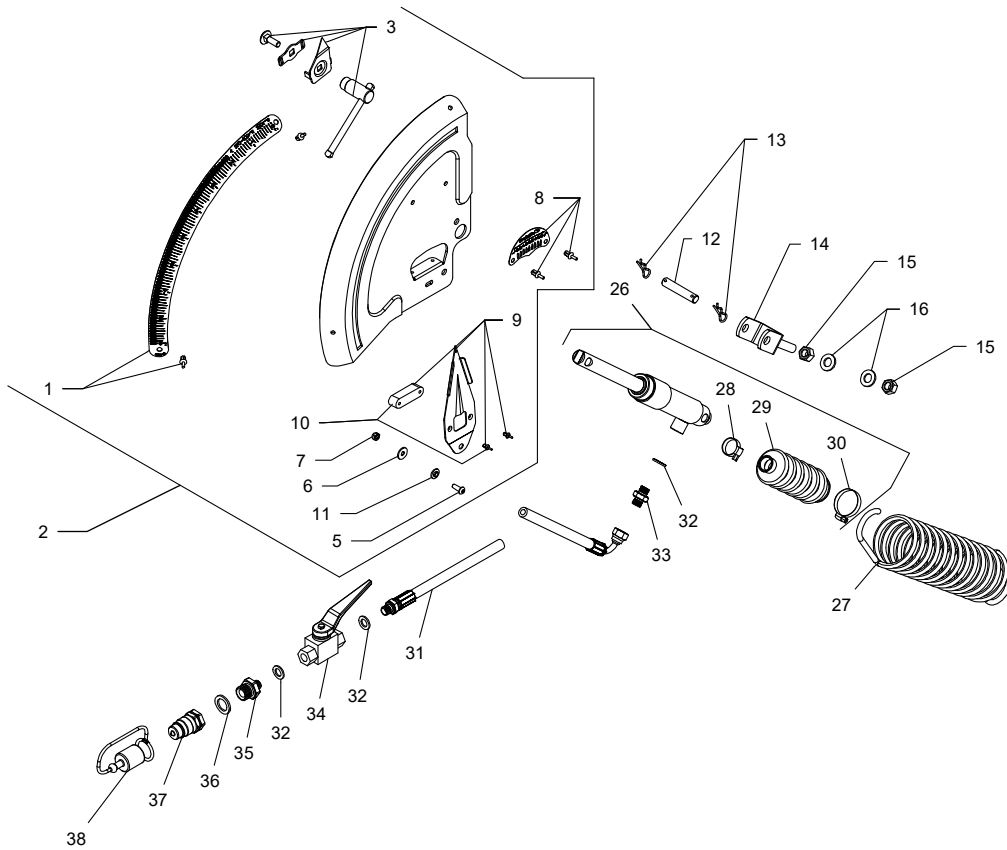
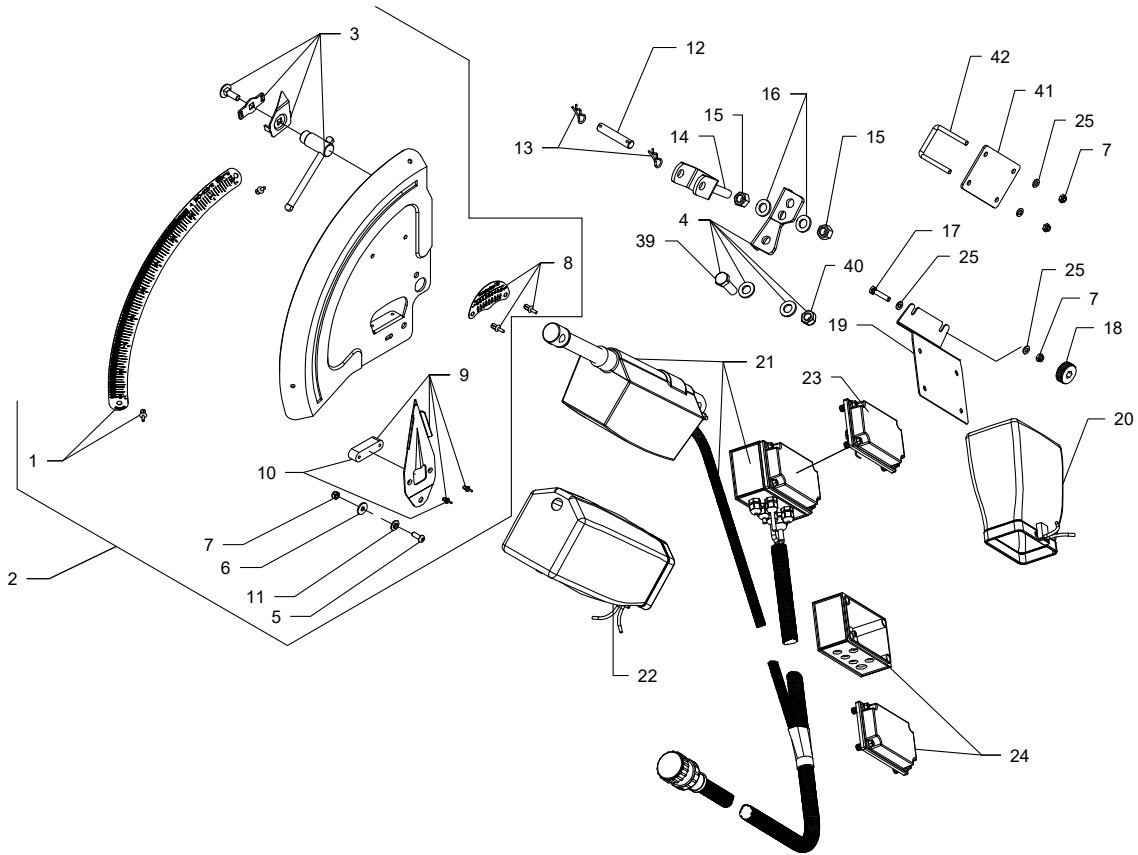
# Spreading system



## Spreading system

Pos. No.	Order no.	Notes.	Pos. No.	Order no.	Notes.
1	6750-02	540/750 rpm	47	9990-90	
2	4160-01	L-side/R-thread	48	3263-11	
3	4160-02	R-side/L-thread	49	3263-12	
4	4056-10		50	9931-10	
5	4056-03		51	9936-49	38x52x7
6	4058-05	L-side/R	52	3263-13	
7	4058-06	R-side/L	53	9965-10	M12x45
8	4161-02	L-side/R-thread	54	9965-09	M12x35
9	4161-01	R-side/L-thread	55	9985-84	
10	9961-02	M6x10	56	4470-01	
11	9913-19	M8x10	57	9931-15	
12	4158-05		58	9934-02	
13	4158-10		59	4653-02	
14	4560-01	ø20xø30x5	60	9990-99	ø14xø20x10
15	9933-10	ø8x40	61	4660-00	
16	9933-09	ø5x40	62	6750-04	
17	6751-01	Left	63	9969-32	M8 Lock nut
18	6751-02	Right	64	9930-32	D8/17
19	9936-37	35x62x12	65	9962-05	M8x25
20	9950-02	6305-2RS	66	9936-29	14x22x4
21	9969-31	M8	67	9936-28	
22	9962-03	M8x16	68	9937-13	U14
23	4454-05		69	9934-01	
24	4155-04	Right thread	70	9934-31	
25	9933-12	ø8x45	71	9930-51	
26	9933-17	ø5x45	72	4653-20	
27	3265-02	15 Teeth	73	9930-07	D6/17
28	3262-05		74	9961-04	M6x16
29	3260-04		75	6150-12	A2 T 2 Left / 2 Right
30	9963-07	M10x25	75	6150-18	A3 T 2 Left / 2 Right
31	3260-05		76	3263-10	
32	9937-40	160	77	4750-50	
33	6157-02		78	6394-78	
34	6156-02		79	6791-15	
35	9931-56	8x7x25	80	6350-12	
36	4652-11	17/24 Theeth	81	9990-26	
37	4652-08				
38	4652-03				
39	4062-05	Left thread			
40	9950-03	6206-2RS			
41	4652-01				
42	9928-99	M12			
43	9936-10	ø89,5xø3			
44	3263-15				
45	3263-20				
46	9936-09	ø94xø3			

# Regulation system





## Regulation system

Pos. No.	Order no.	Notes.	Pos. No.	Order no.	Notes.
1	6840-25				
2	6840-20				
3	6381-13				
4	6885-10	L2			
5	9961-21	M6x16			
6	9930-03	D6/18			
7	9969-16	M6 Loc			
8	6381-18				
9	6381-16				
10	6381-17				
11	9930-53	D8/15/3			
12	4581-28				
13	9934-32				
14	4581-25				
15	9969-60	M12			
16	9930-35	D12/24			
17	9961-23	M6x30			
18	9990-43				
19	6384-29				
20	4584-26				
21	6384-28				
22	4584-25				
23	6386-26	L2W			
24	4920-50	L2(W)			
25	9930-02	D6/12			
26	4581-15				
27	9934-14				
28	9990-60	D24			
29	9987-04				
30	9990-61	D40			
31	9983-29				
32	9936-79				
33	9990-78				
34	9982-06				
35	9990-81	Ø0,8			
36	9936-80				
37	9983-09				
38	9990-19				
39	9965-01	M12x35			
40	9969-62	M12 Loc			
41	6785-07	L1			
42	6785-08	L1			





FIND MORE INFORMATION ON  
**[www.bogballe.com](http://www.bogballe.com)**